

**Constructing a Reversible Turing Machine
by a Rotary Element, a Reversible
Logic Element with Memory**

**Kenichi Morita
Hiroshima University
Graduate School of Engineering**

morita@iec.hiroshima-u.ac.jp

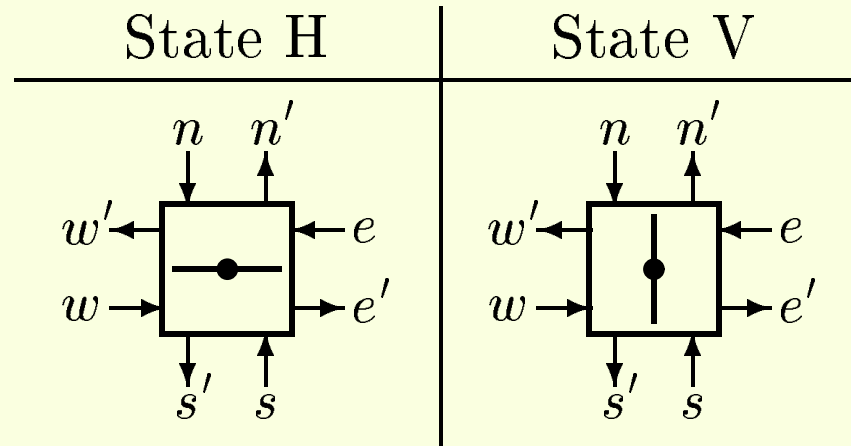
30 March 2010

Abstract

Reversible computing is a paradigm of computation that reflects physical reversibility, one of the fundamental microscopic physical properties of Nature. A rotary element is a reversible logic element with 2 states and 4 input/output symbols, which can be realized in a Billiard Ball Model, an idealized mechanical model having physical reversibility. It has been shown that any reversible Turing machine can be constructed only of rotary elements very simply [Morita, 2001]. Thus, it is a universal reversible logic element. Here, we explain how a reversible Turing machine is realized by rotary elements, and how it is simulated in such a circuit. All the steps of an example of a computation process are shown in 4,406 figures in Appendix.

Rotary Element [Morita, 2001]

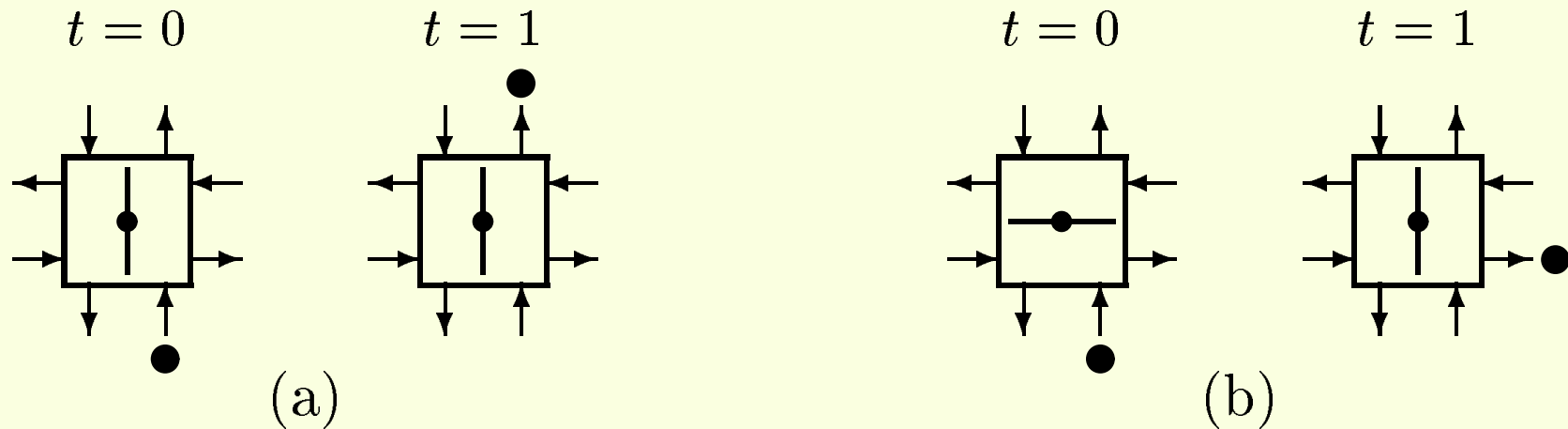
- A 2-state reversible element with 4 input/output symbols.
- It is depicted as below.



- The two states are distinguished by the direction of a bar.
- The set of input symbols: $\{n, s, e, w\}$
The set of output symbols: $\{n', s', e', w'\}$
- To each input/output symbol, there corresponds an input/output line on which a particle (or a token) is placed.
- It has an intuitive interpretation shown at the next page.

Operation of a Rotary Element

- (a) If a particle comes from the direction parallel to the bar, then it goes straight ahead without changing the state.
- (b) If a particle comes from the direction orthogonal to the bar, then it turns right, and rotates the bar by 90 degrees.



- We assume a particle is given at most one input line.

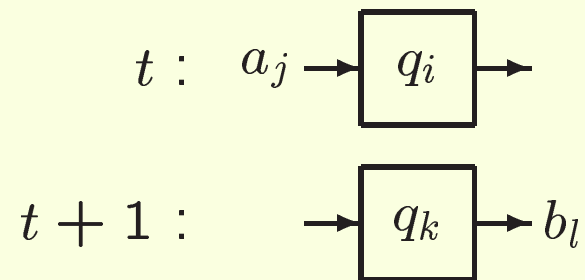
Reversible Sequential Machine (RSM)

- A sequential machine is defined as below, where Q , Σ , and Γ are sets of states, input symbols, and output symbols.

$$M = (Q, \Sigma, \Gamma, \delta)$$

Move function $\delta : \underset{\text{present state}}{Q} \times \underset{\text{input}}{\Sigma} \rightarrow \underset{\text{next state}}{Q} \times \underset{\text{output}}{\Gamma}$

$$\delta(q_i, a_j) = (q_k, b_l)$$



- If the move function δ is one-to-one, then M is called a reversible sequential machine (RSM).

Rotary Element Is Formalized as an RSM

$$M_{RE} = (\{\boxplus, \boxminus\}, \{n, e, s, w\}, \{n', e', s', w'\}, \delta_{RE}),$$

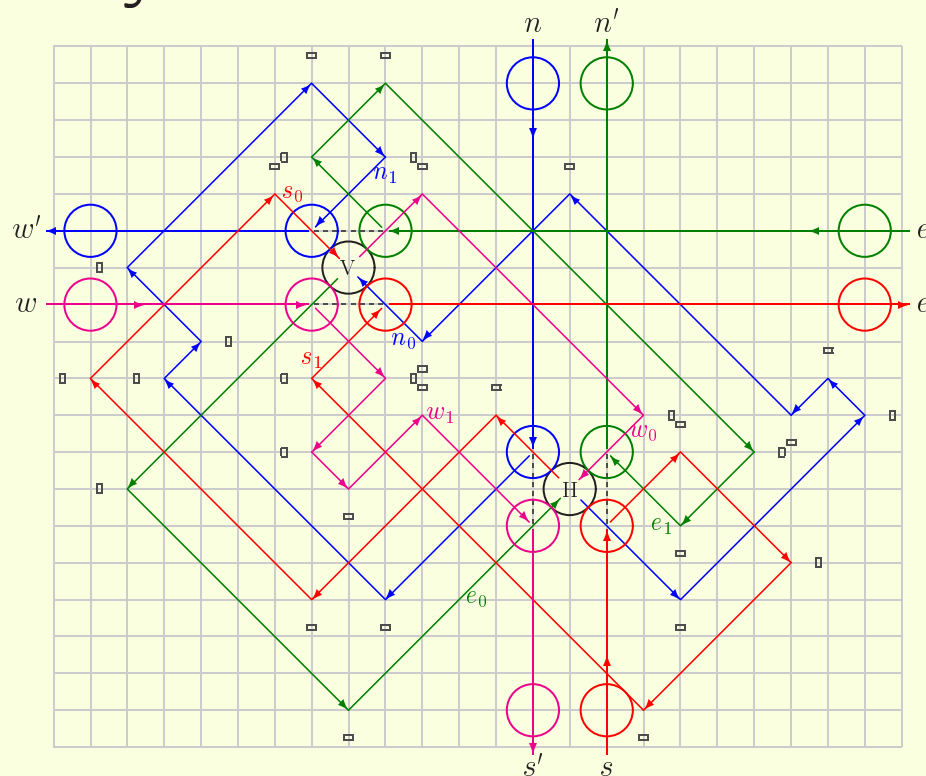
- The move function δ_{RE} :

Present state	Input			
	n	e	s	w
State H: \boxplus	$\boxminus w'$	$\boxplus w'$	$\boxminus e'$	$\boxplus e'$
State V: \boxminus	$\boxminus s'$	$\boxplus n'$	$\boxminus n'$	$\boxplus s'$

- From the next state and the output, we can determine the previous state and the input uniquely. Hence, δ_{RE} is one-to-one, and thus M_{RE} is reversible.

It Is Possible to Realize a Rotary Element in the Billiard Ball Model (BBM)

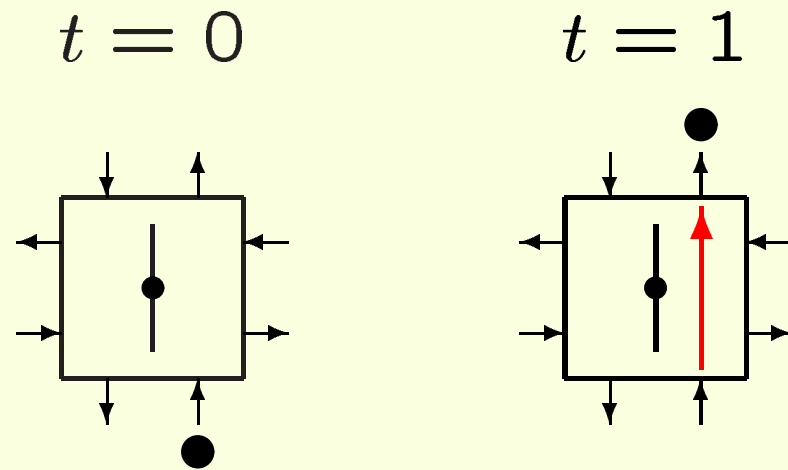
- BBM [Fredkin, Toffoli, 1982] consists of ideal balls and reflectors.
- Here, a stationary ball is put at the position of H or V.
- If a moving ball is given to $n, e, s,$ or $w,$ then the operation of a rotary element is simulated.



[Morita, 2008]

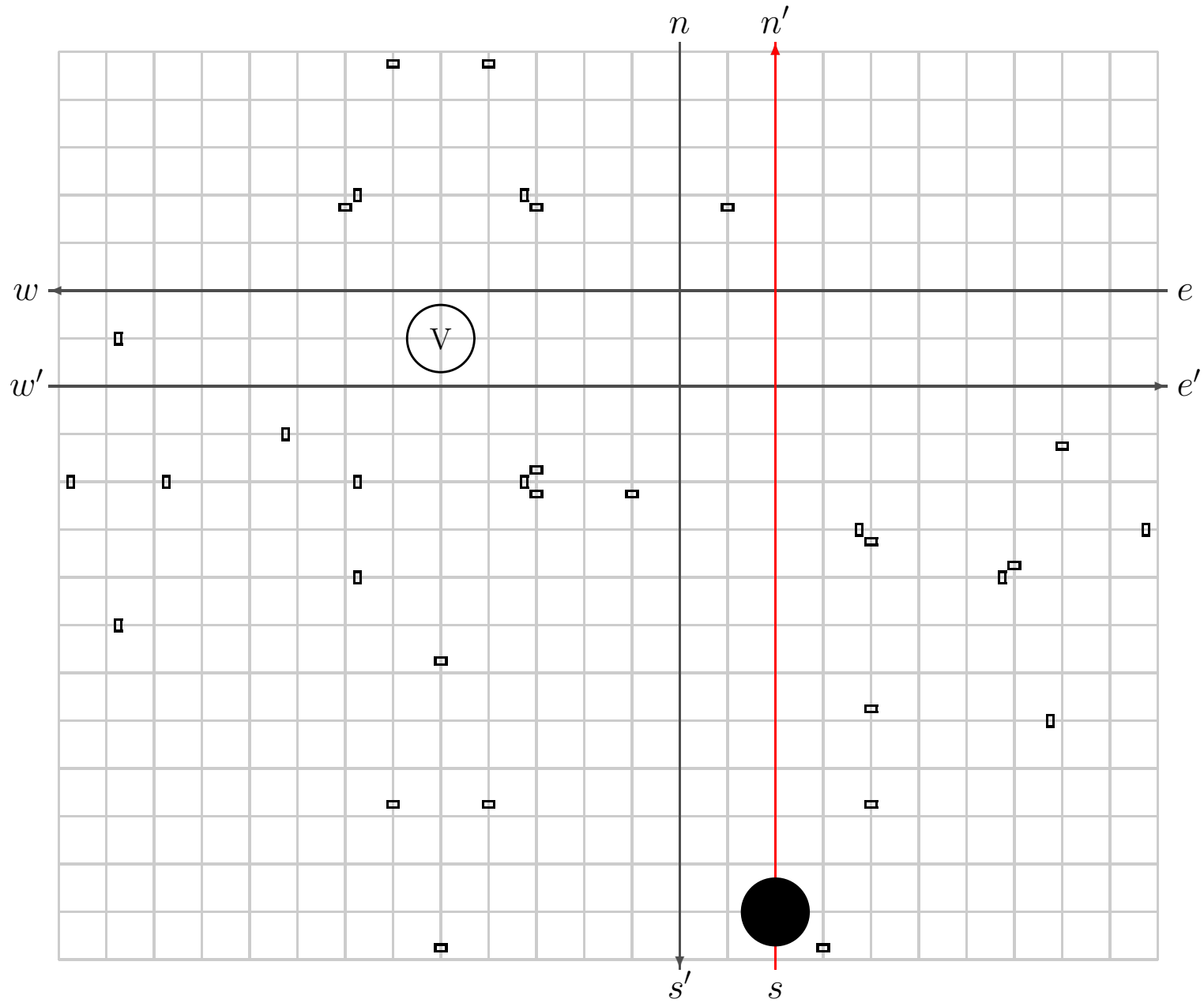
Rotary Element in the Billiard Ball Model

—Parallel Case—

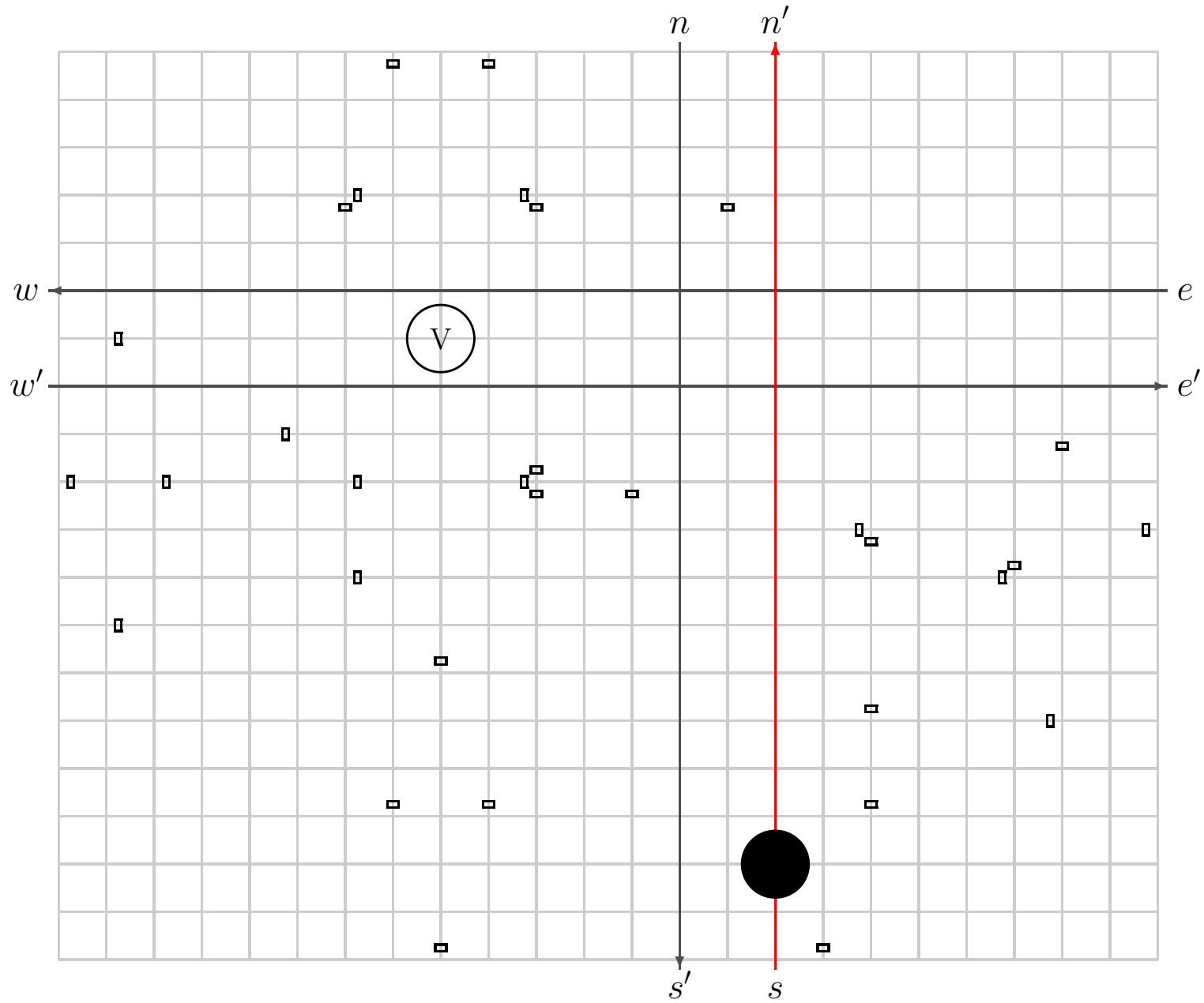


- A simulation process is shown in the following 18 pages.

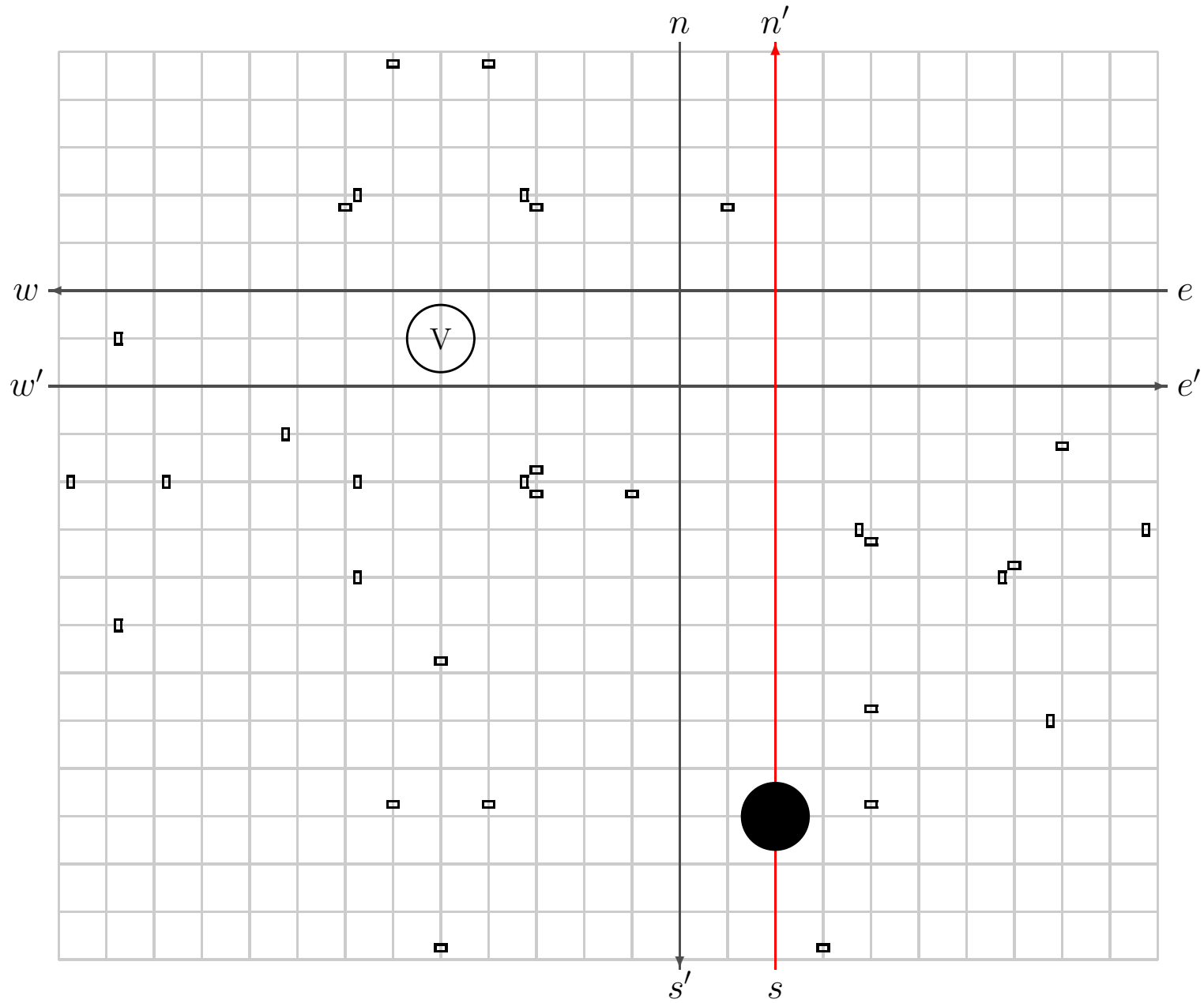
Movements of Balls (State: V , Input: s)



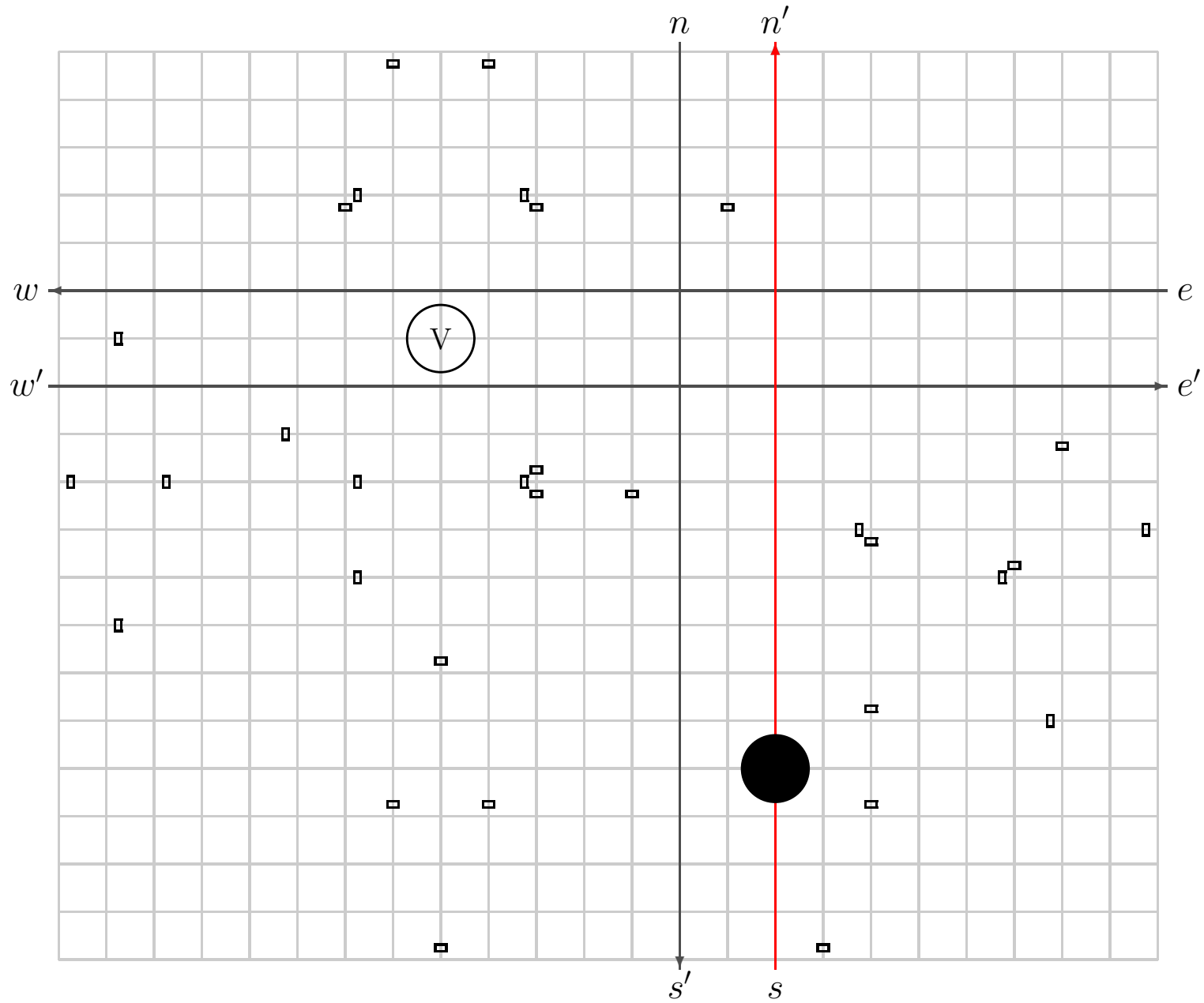
Movements of Balls (State: V , Input: s)



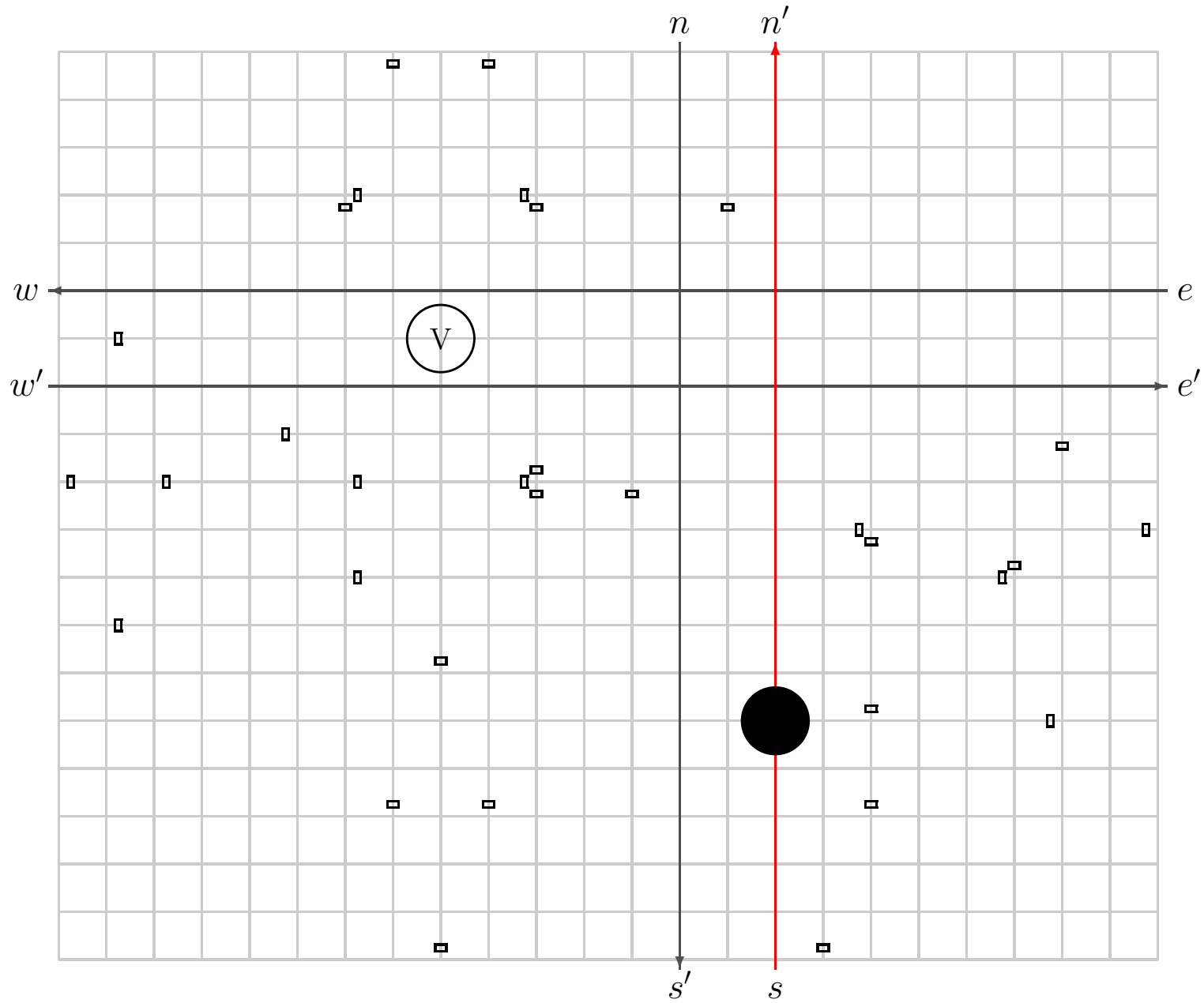
Movements of Balls (State: V , Input: s)



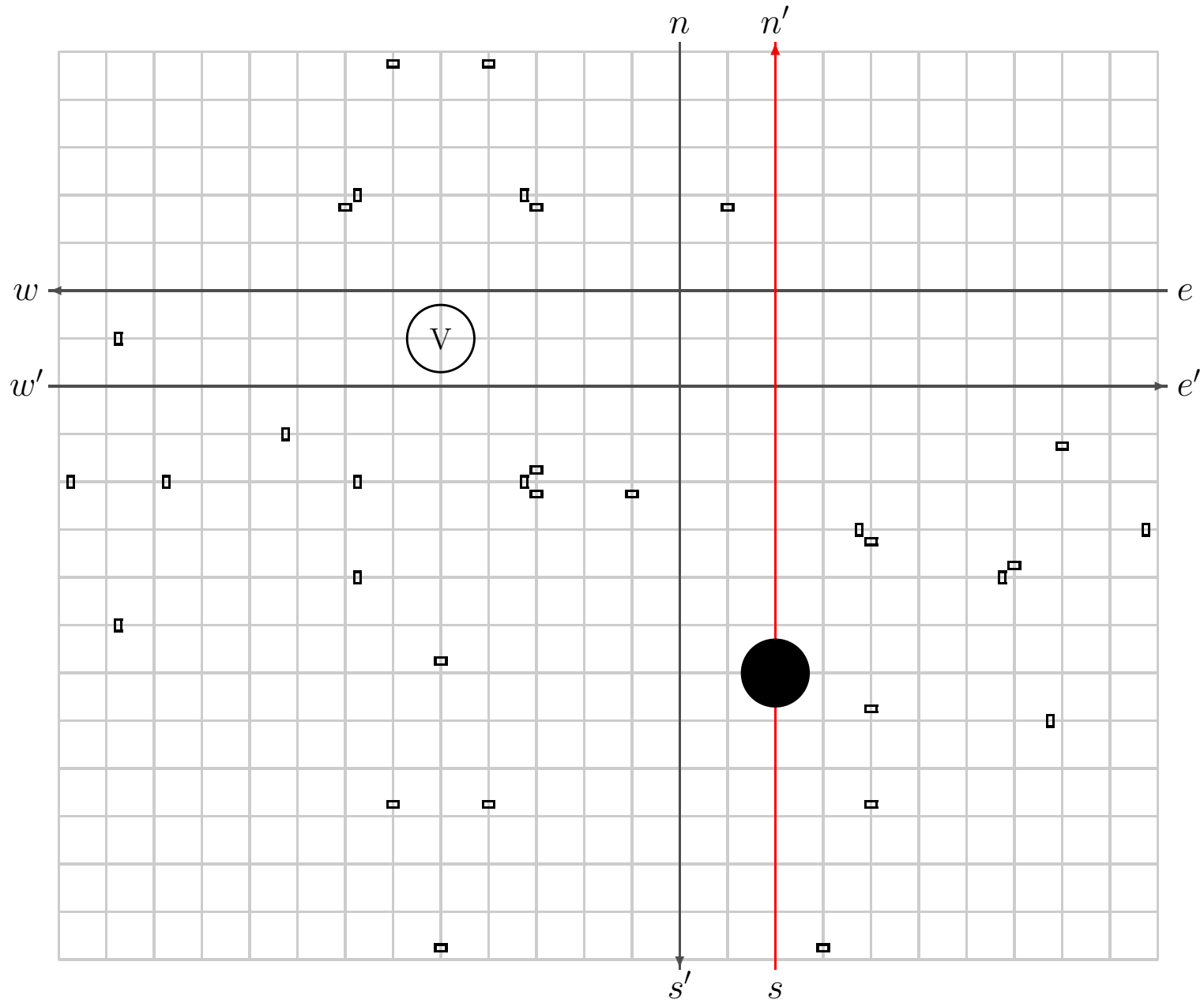
Movements of Balls (State: V , Input: s)



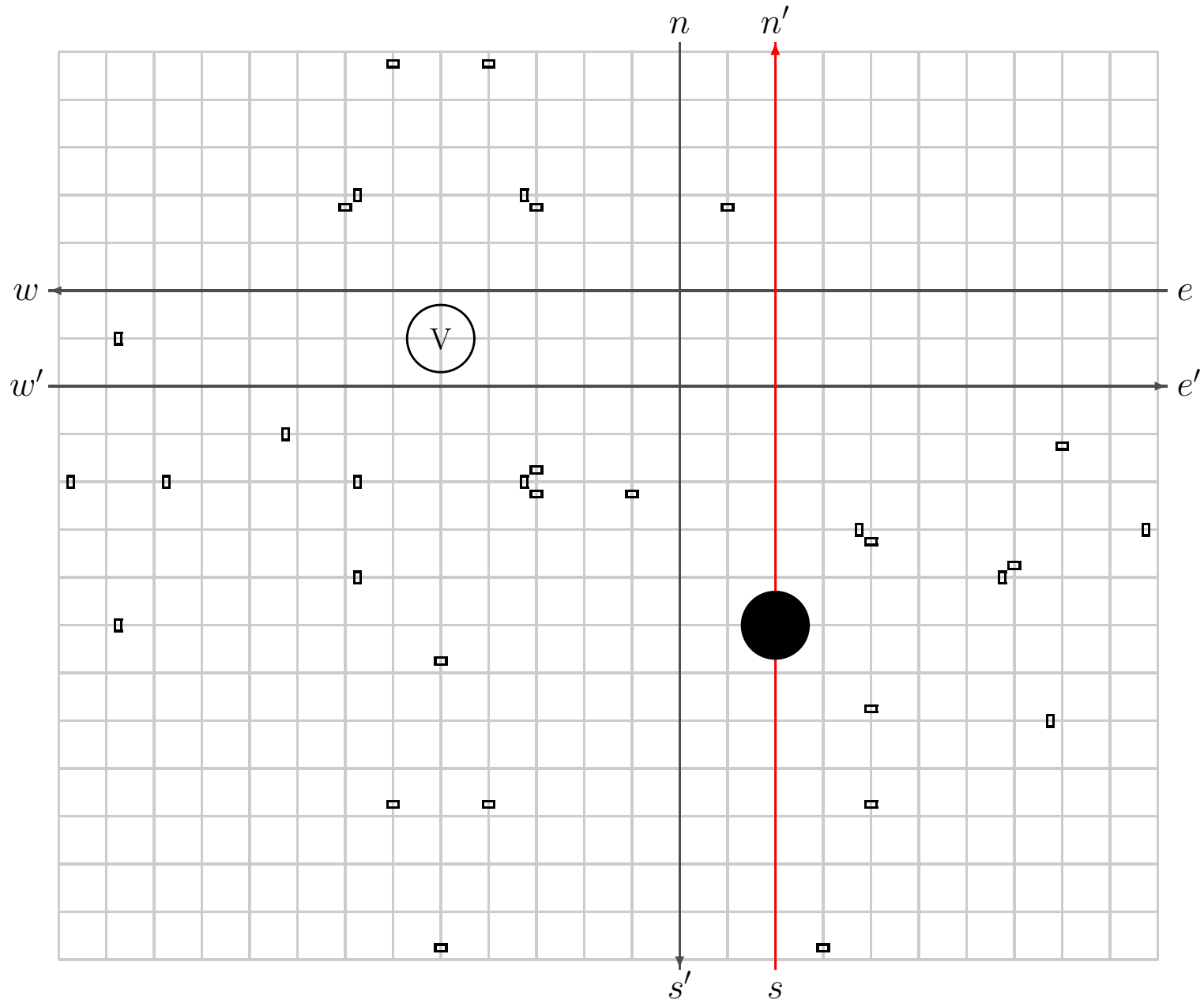
Movements of Balls (State: V , Input: s)



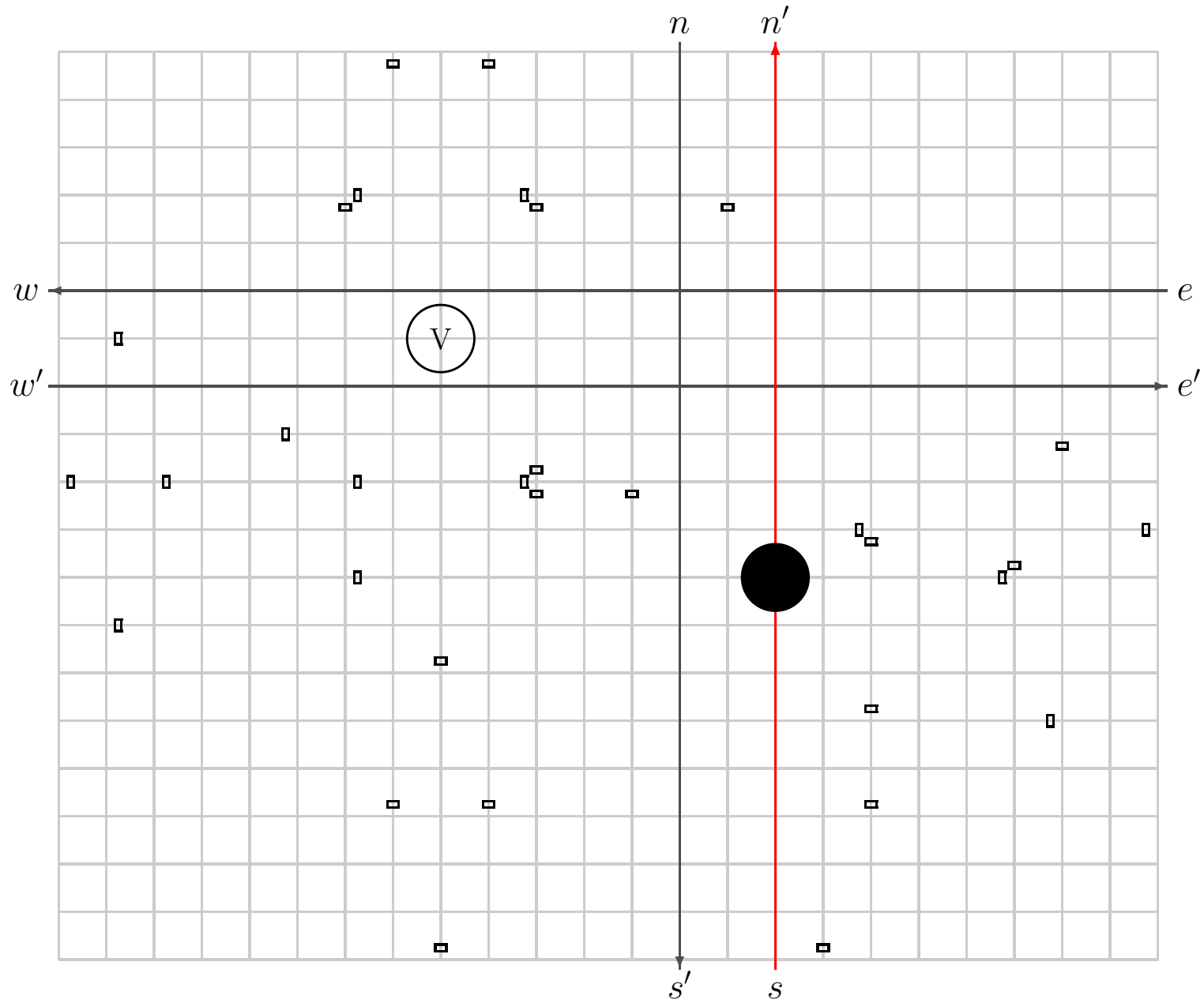
Movements of Balls (State: V , Input: s)



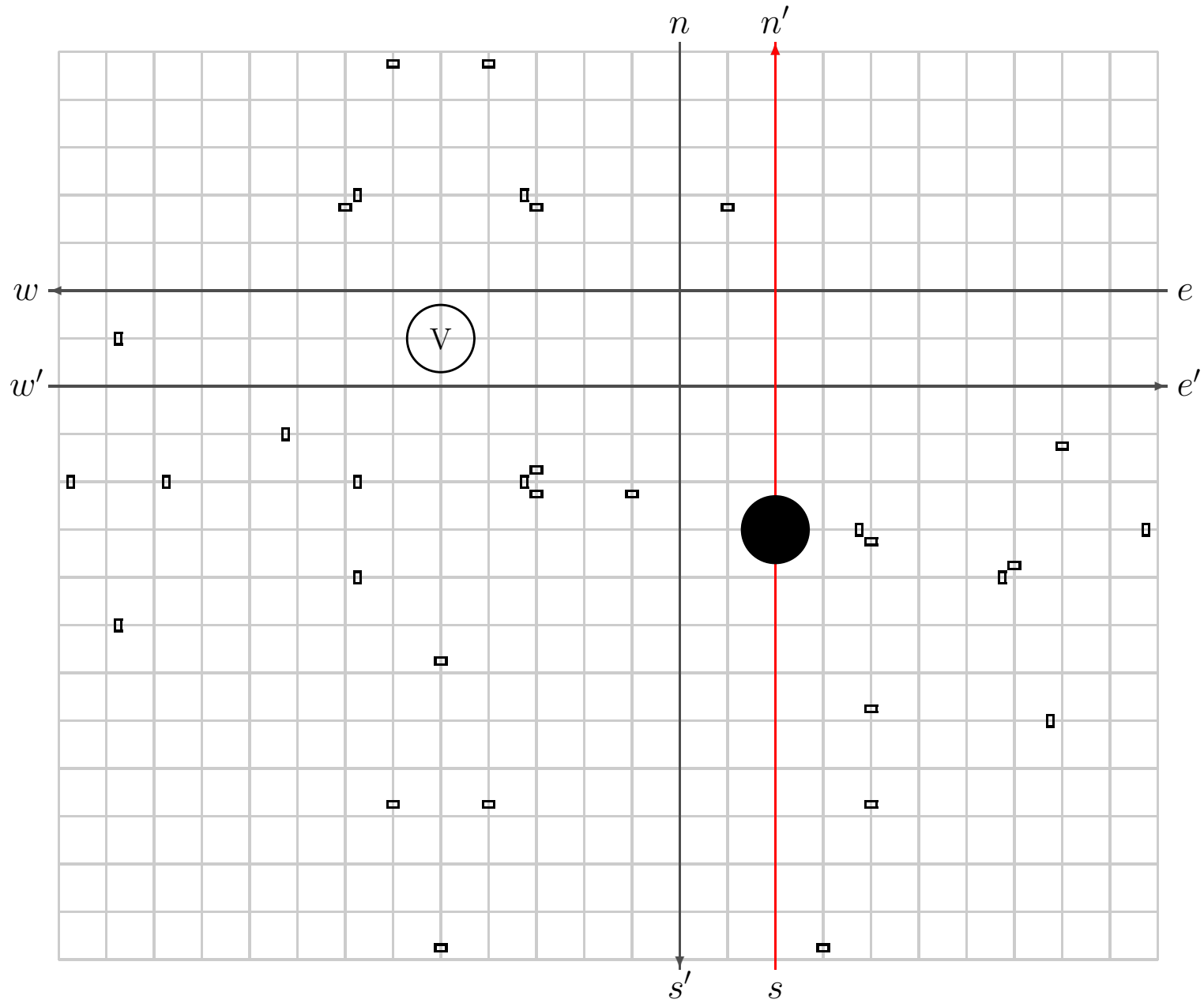
Movements of Balls (State: V , Input: s)



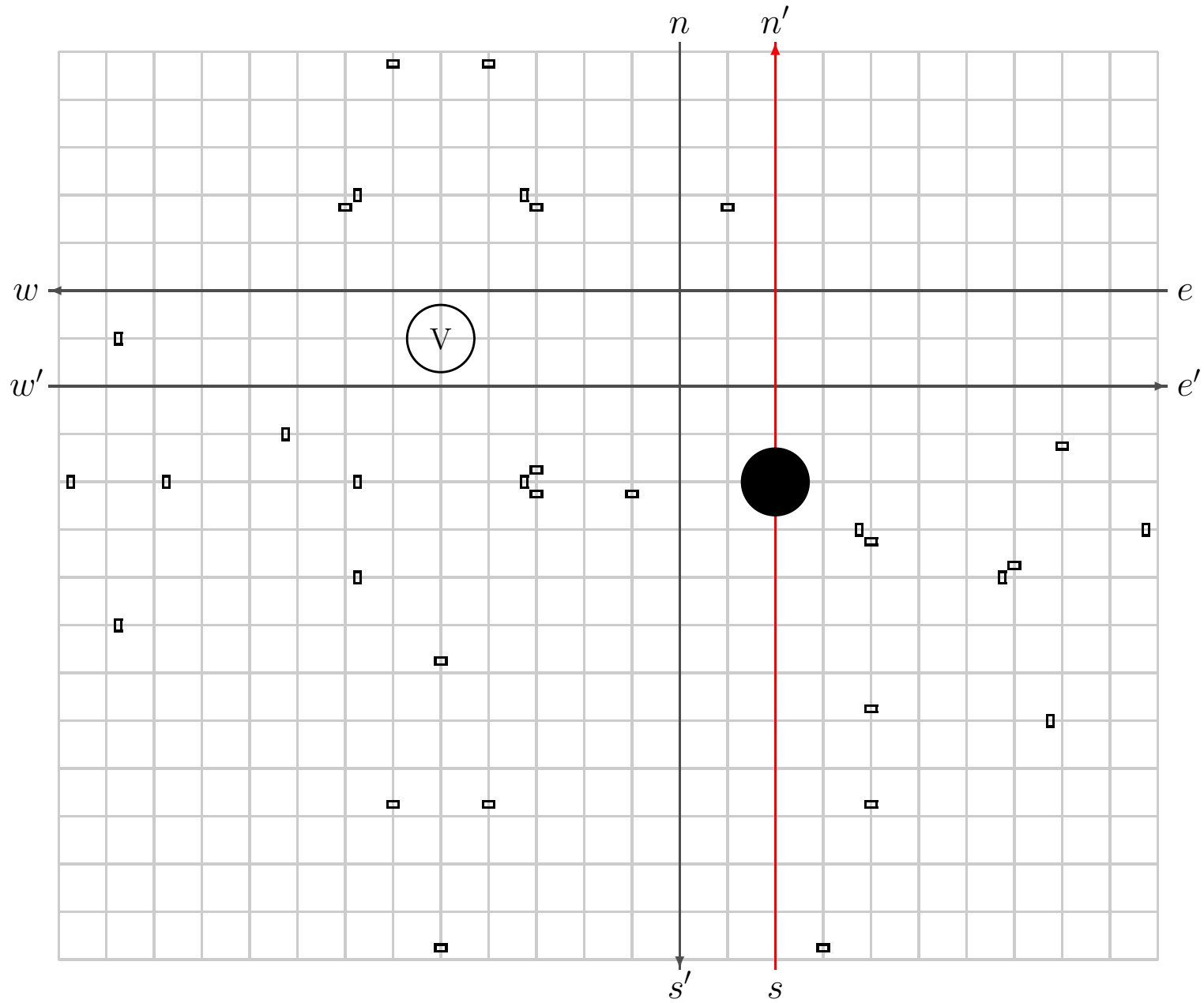
Movements of Balls (State: V , Input: s)



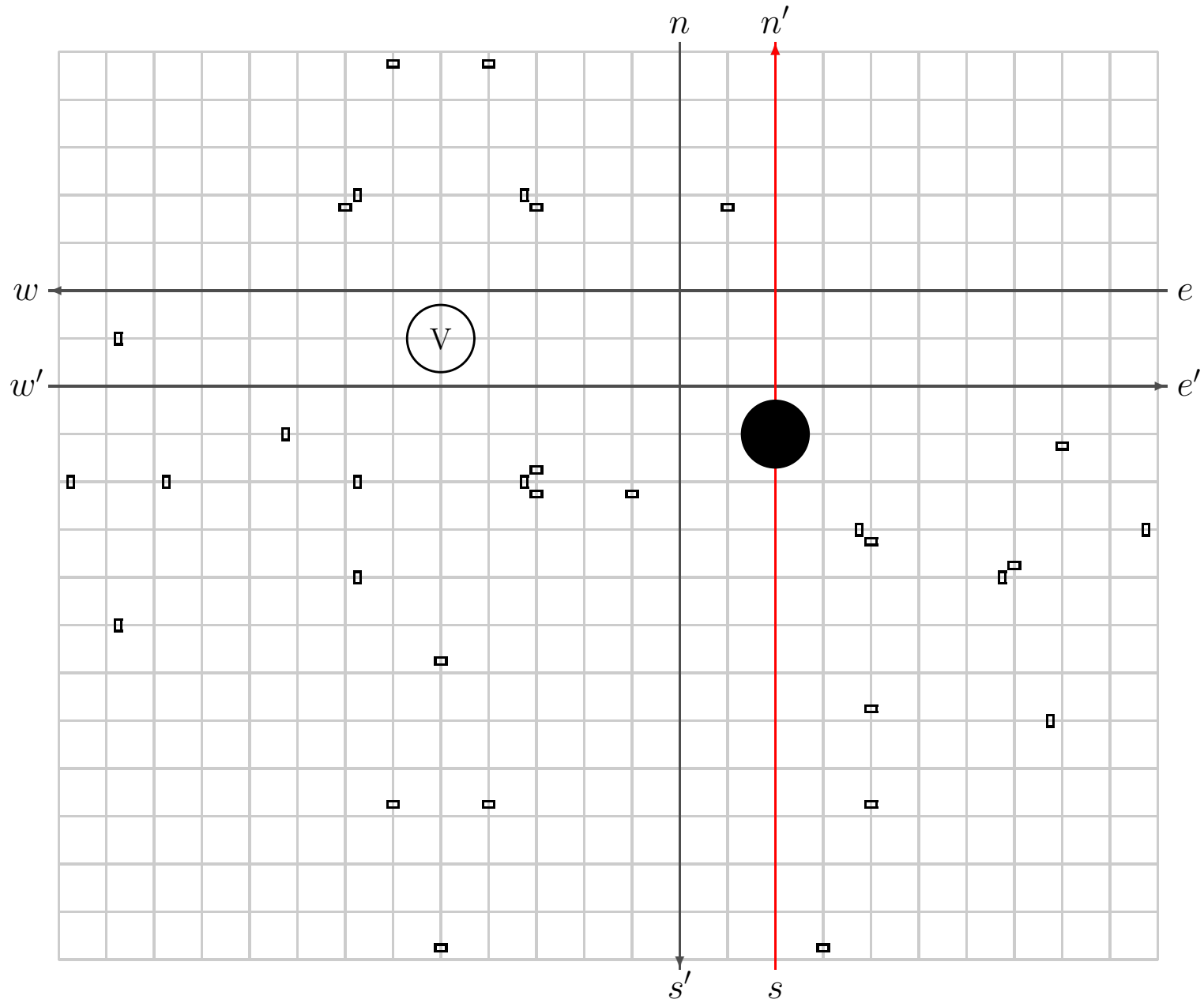
Movements of Balls (State: V , Input: s)



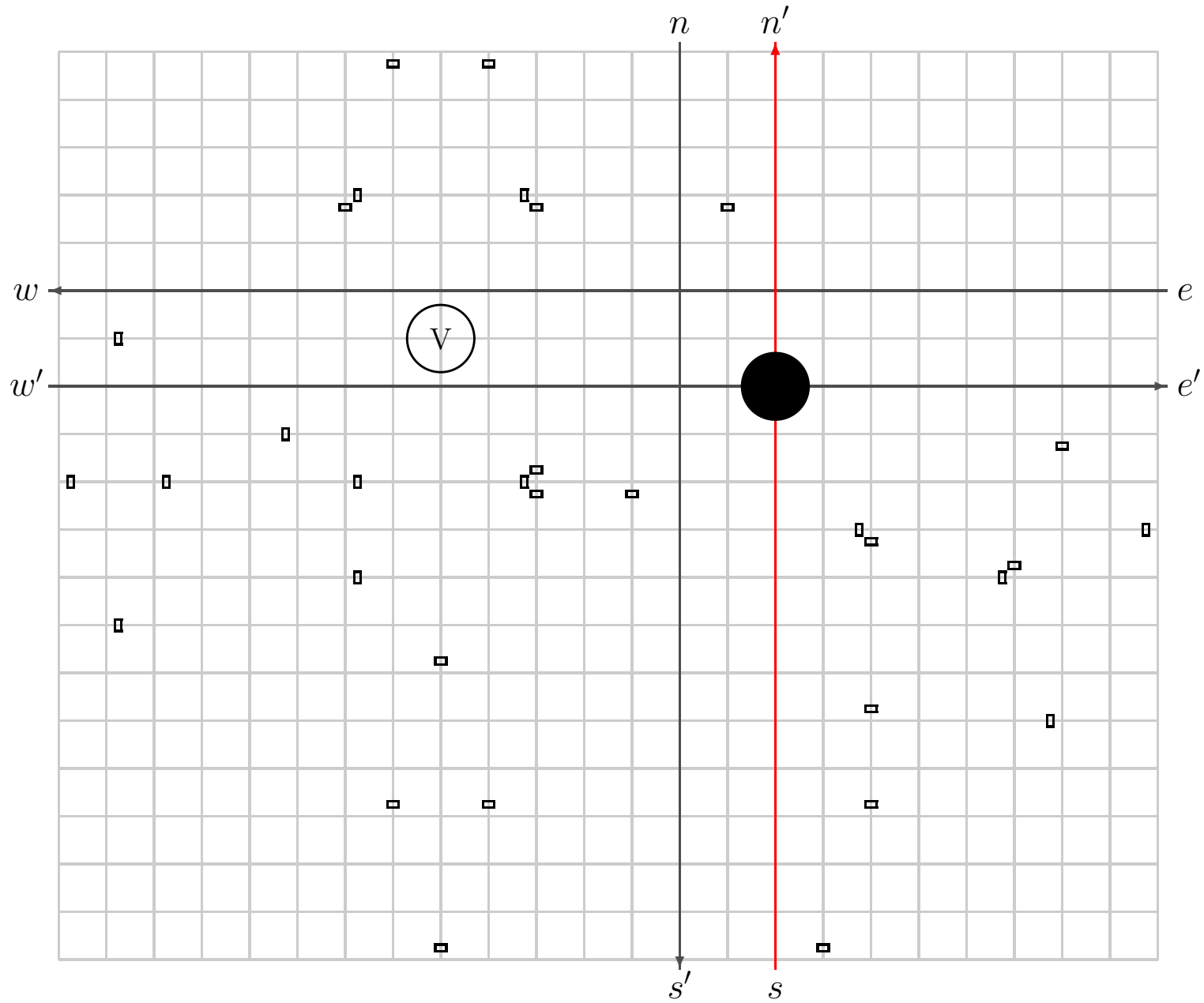
Movements of Balls (State: V , Input: s)



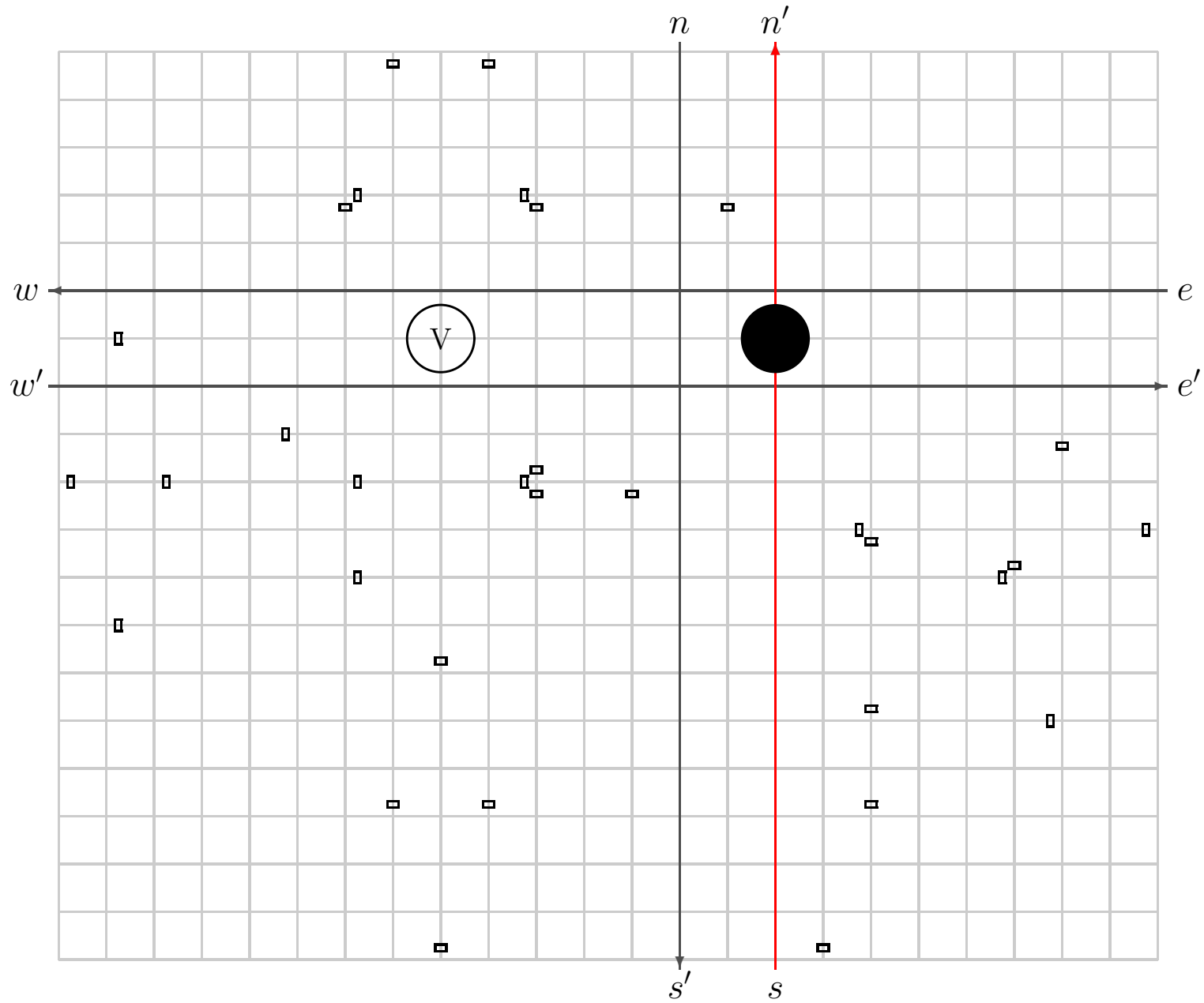
Movements of Balls (State: V , Input: s)



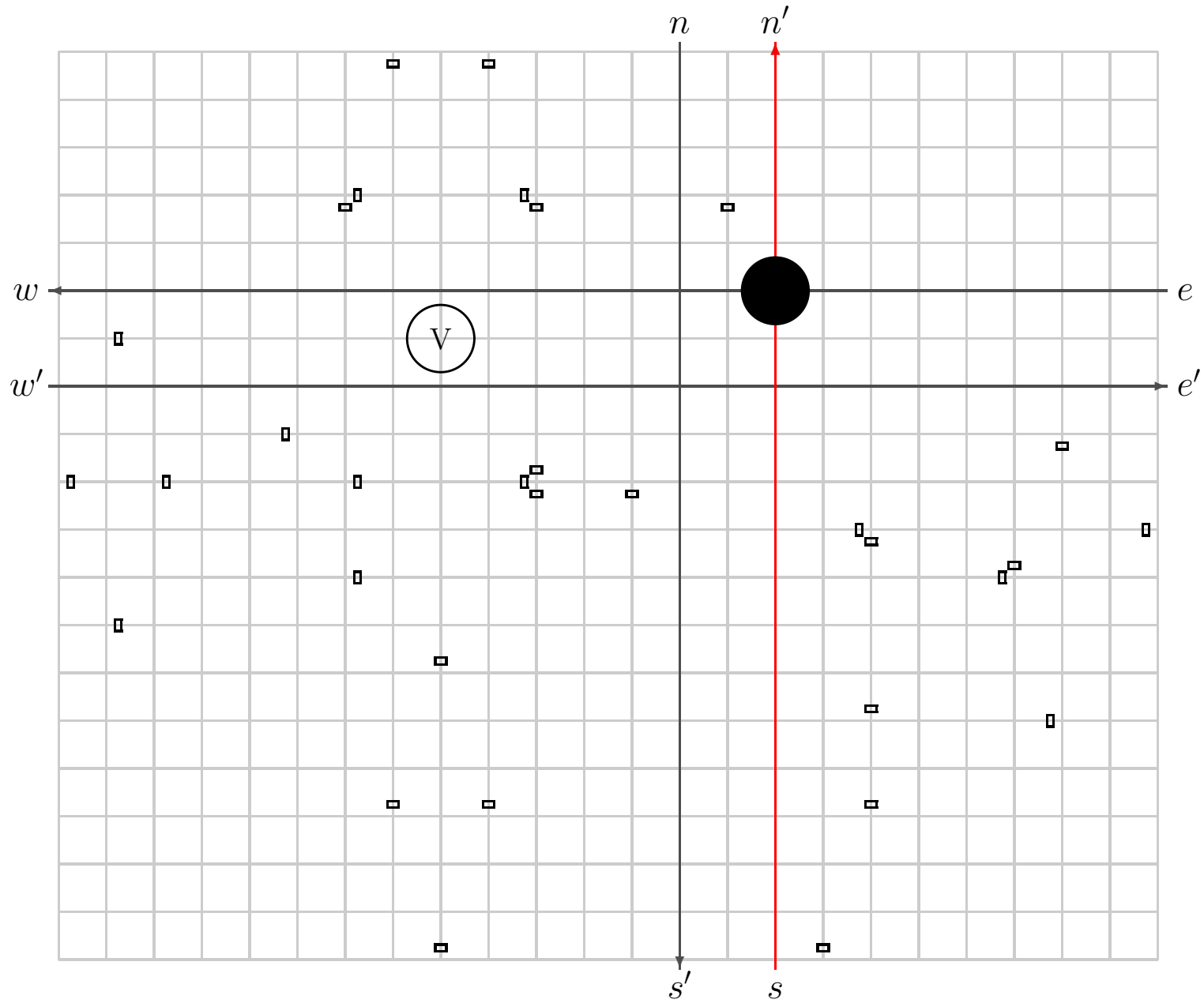
Movements of Balls (State: V , Input: s)



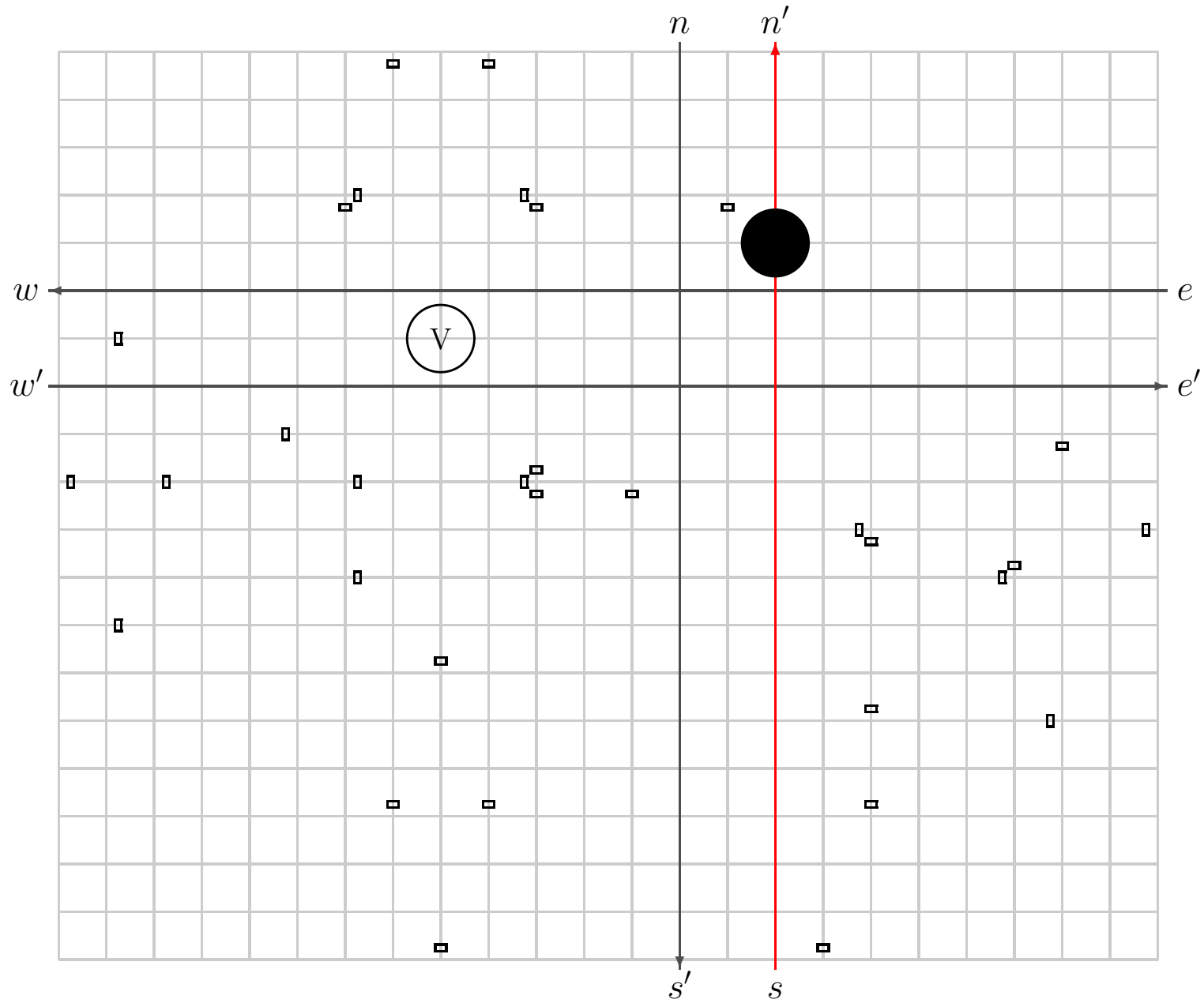
Movements of Balls (State: V , Input: s)



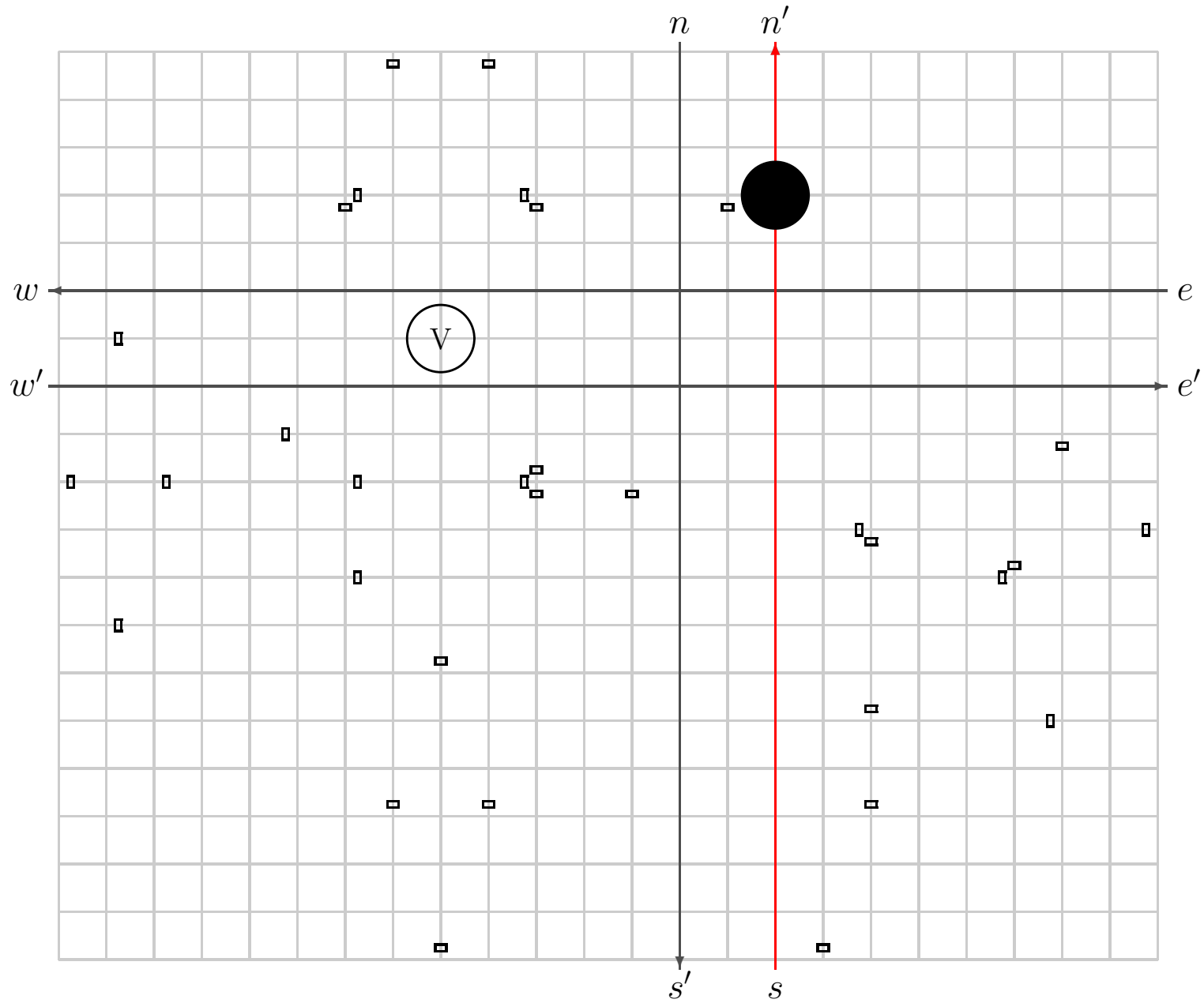
Movements of Balls (State: V , Input: s)



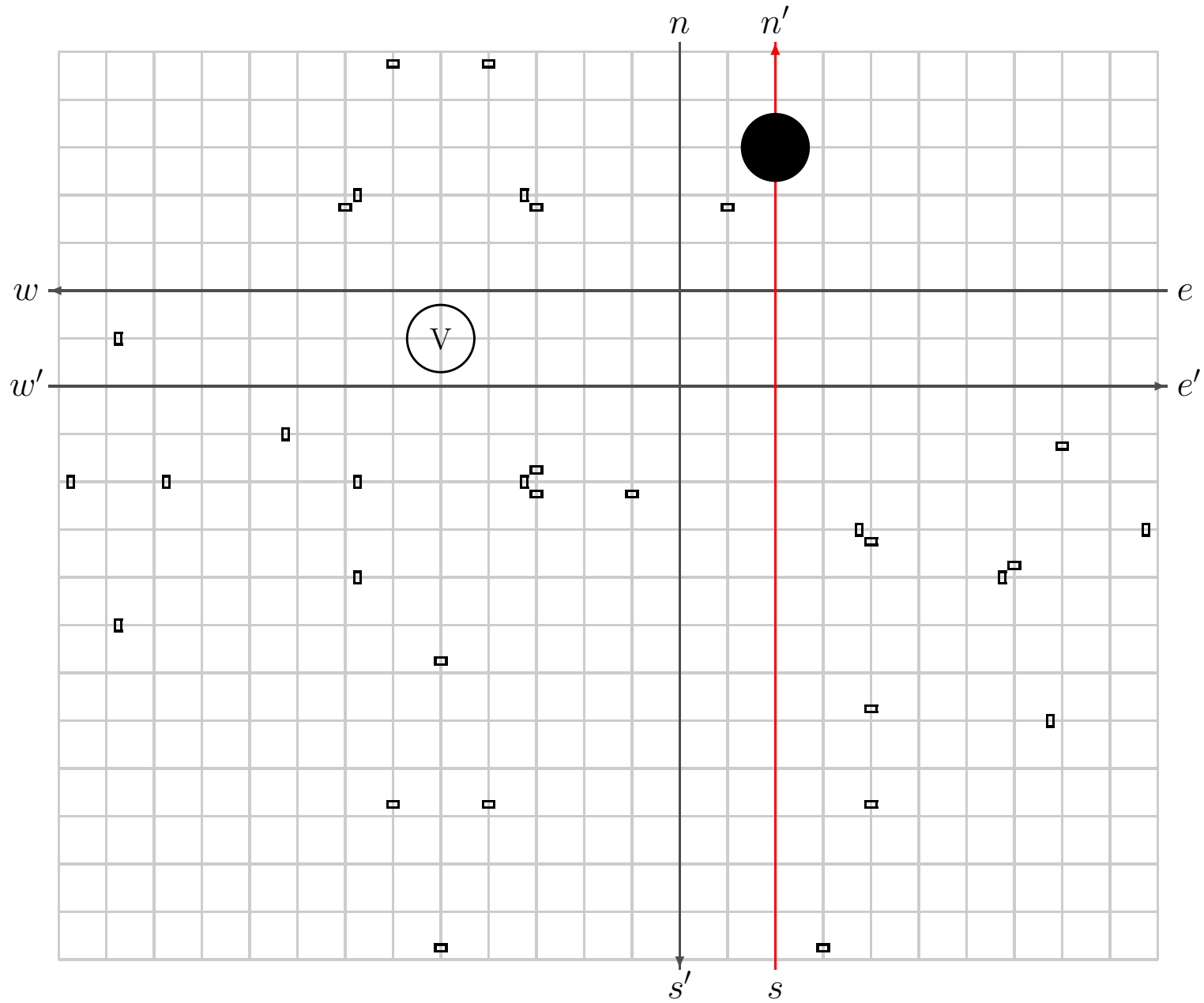
Movements of Balls (State: V , Input: s)



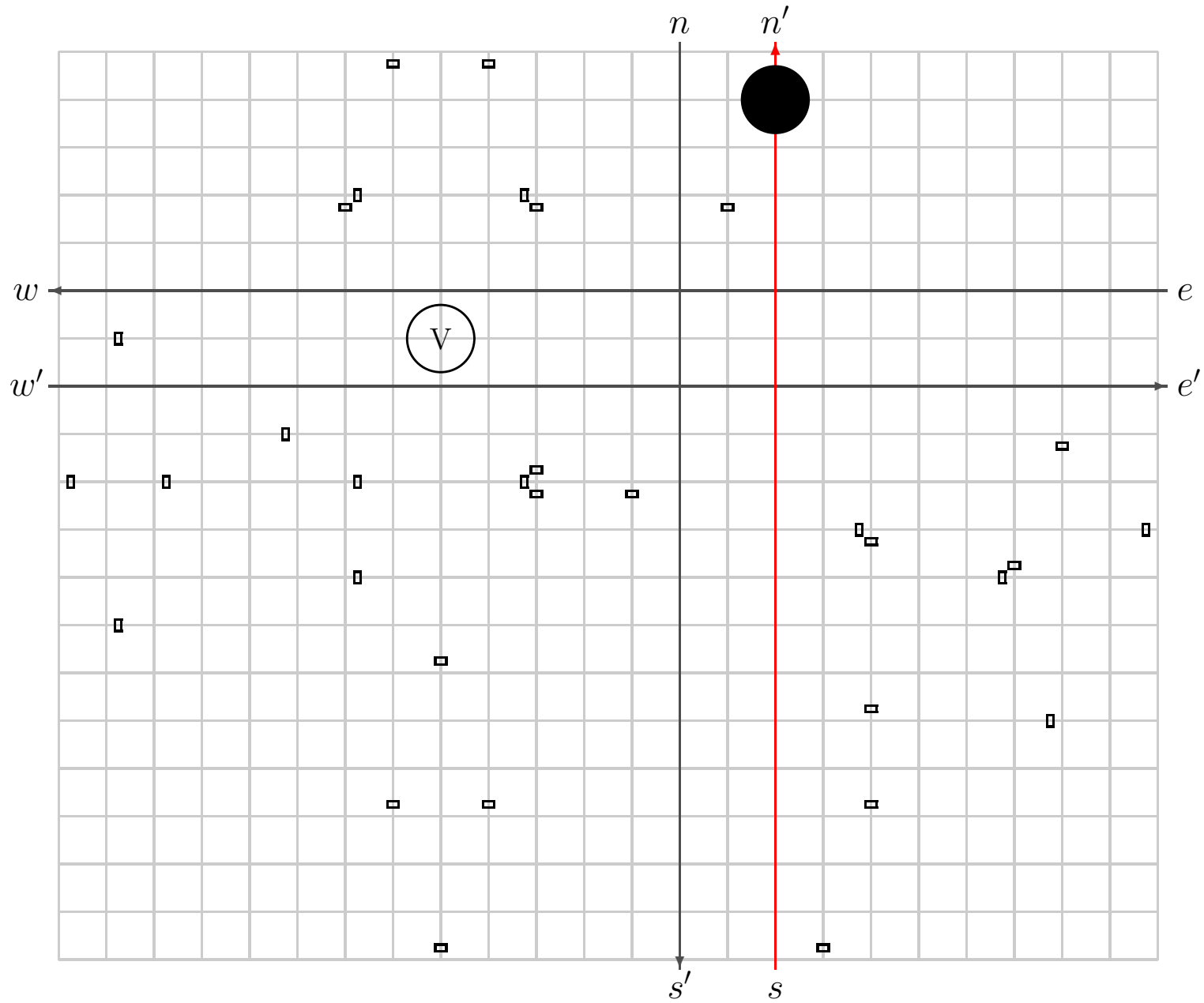
Movements of Balls (State: V , Input: s)



Movements of Balls (State: V , Input: s)

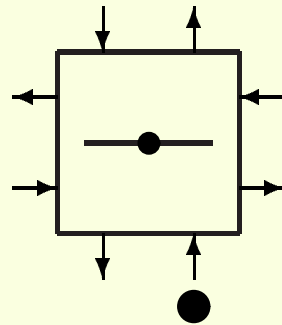


Movements of Balls (State: V , Input: s)

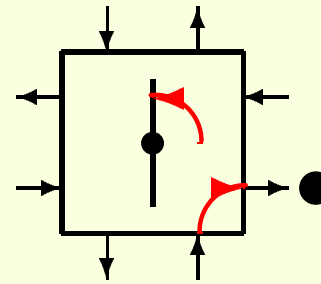


Rotary Element in the Billiard Ball Model —Orthogonal Case—

$t = 0$

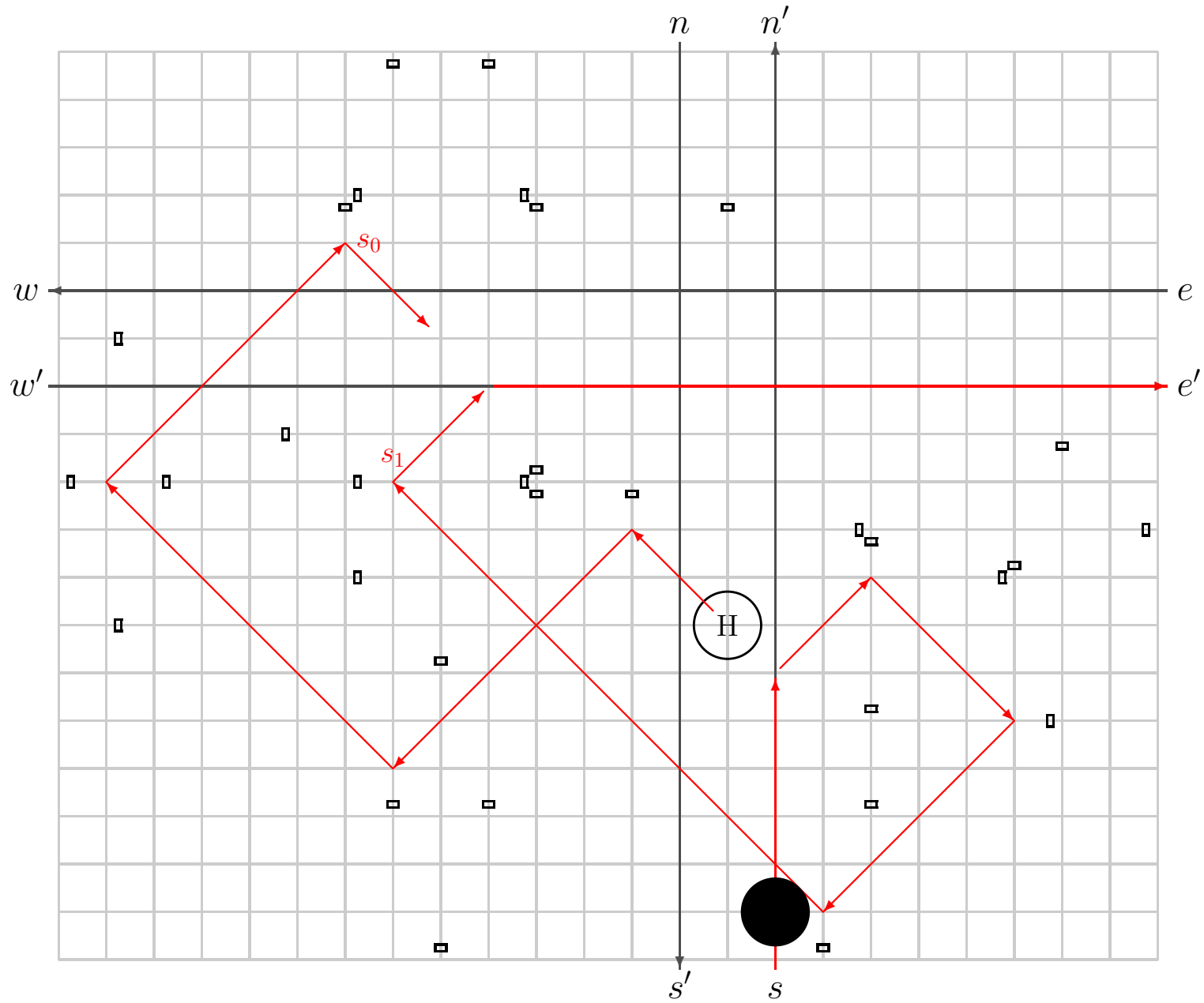


$t = 1$

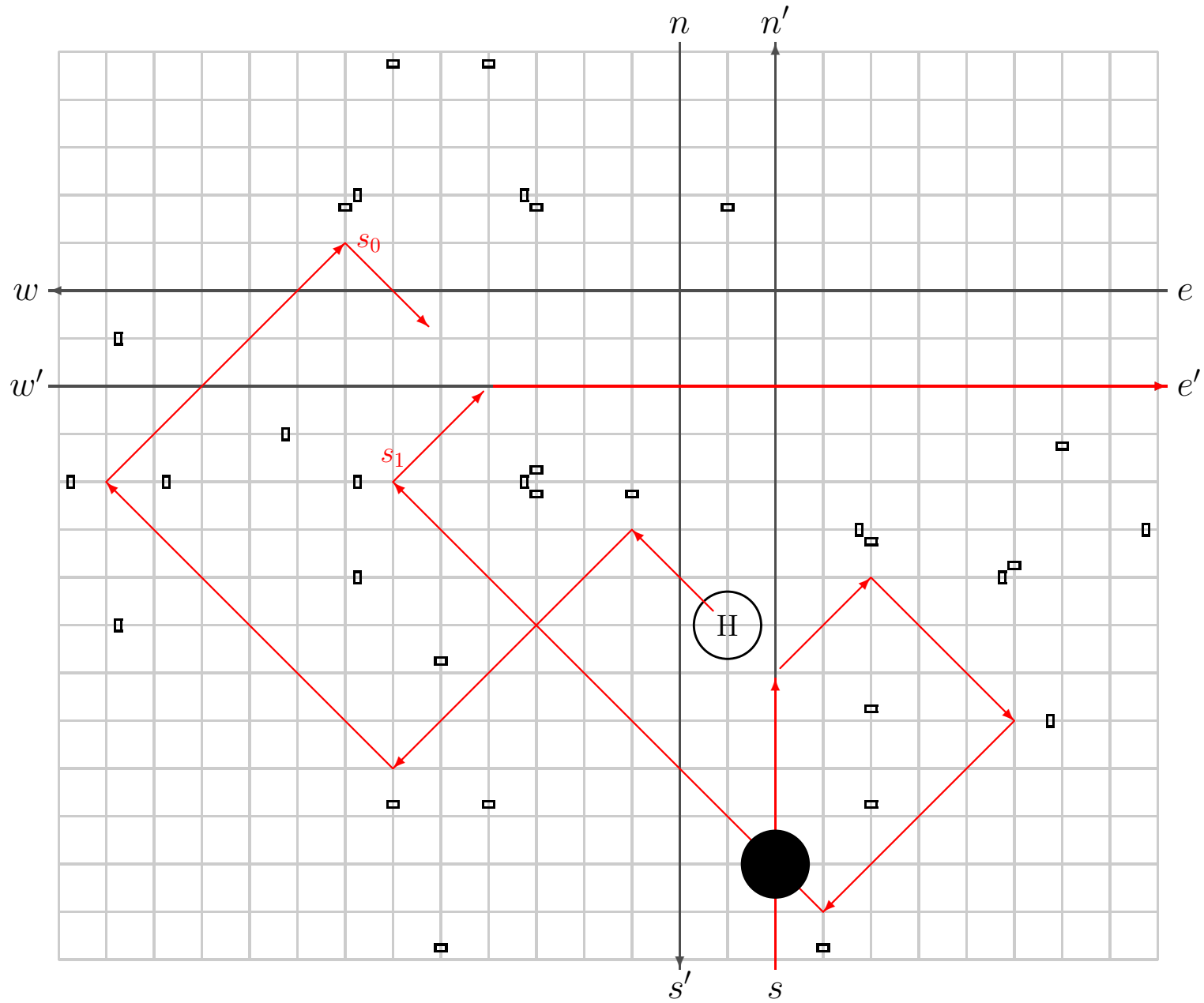


- A simulation process is shown in the following 39 pages.

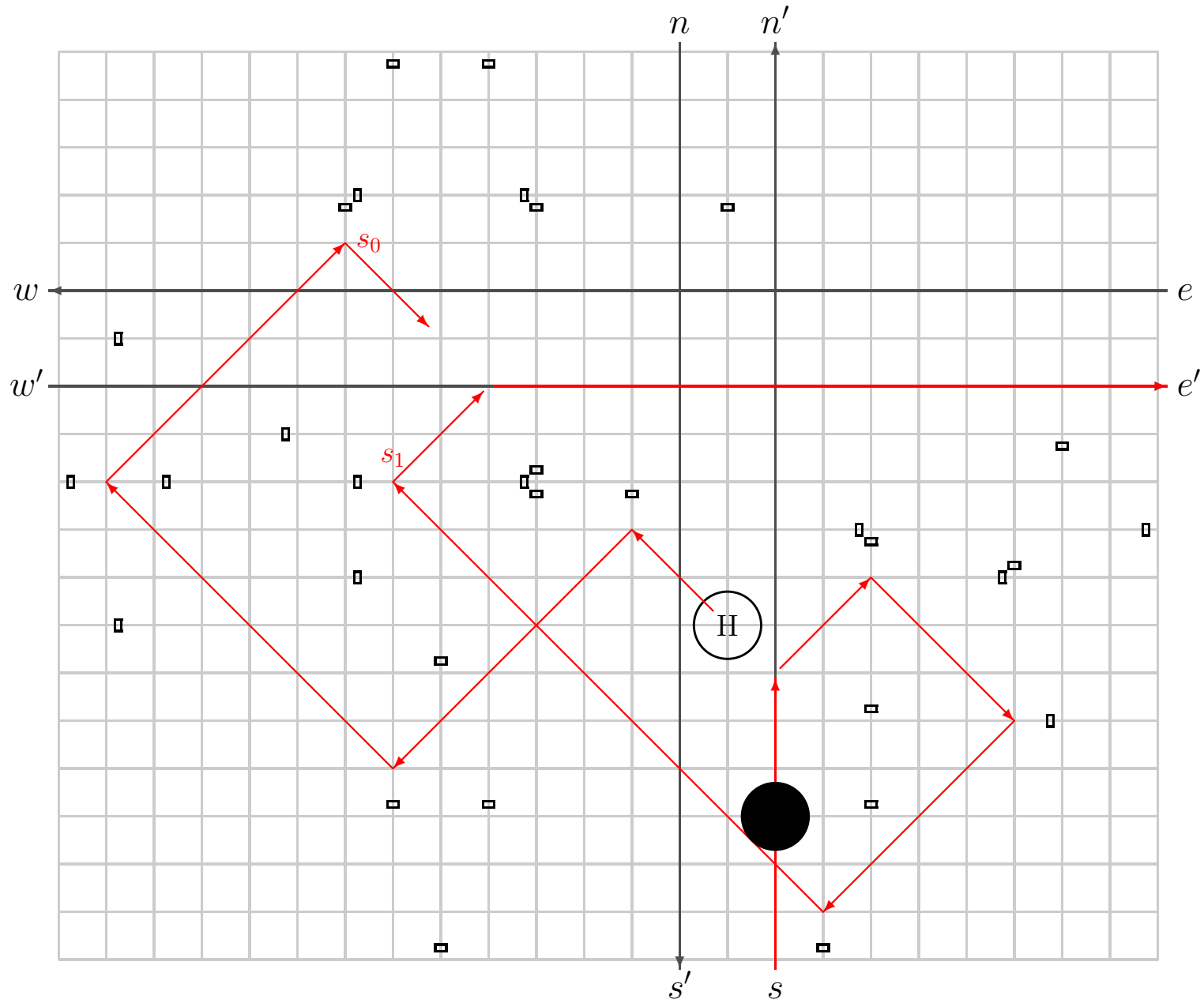
Movements of Balls (State: H , Input: s)



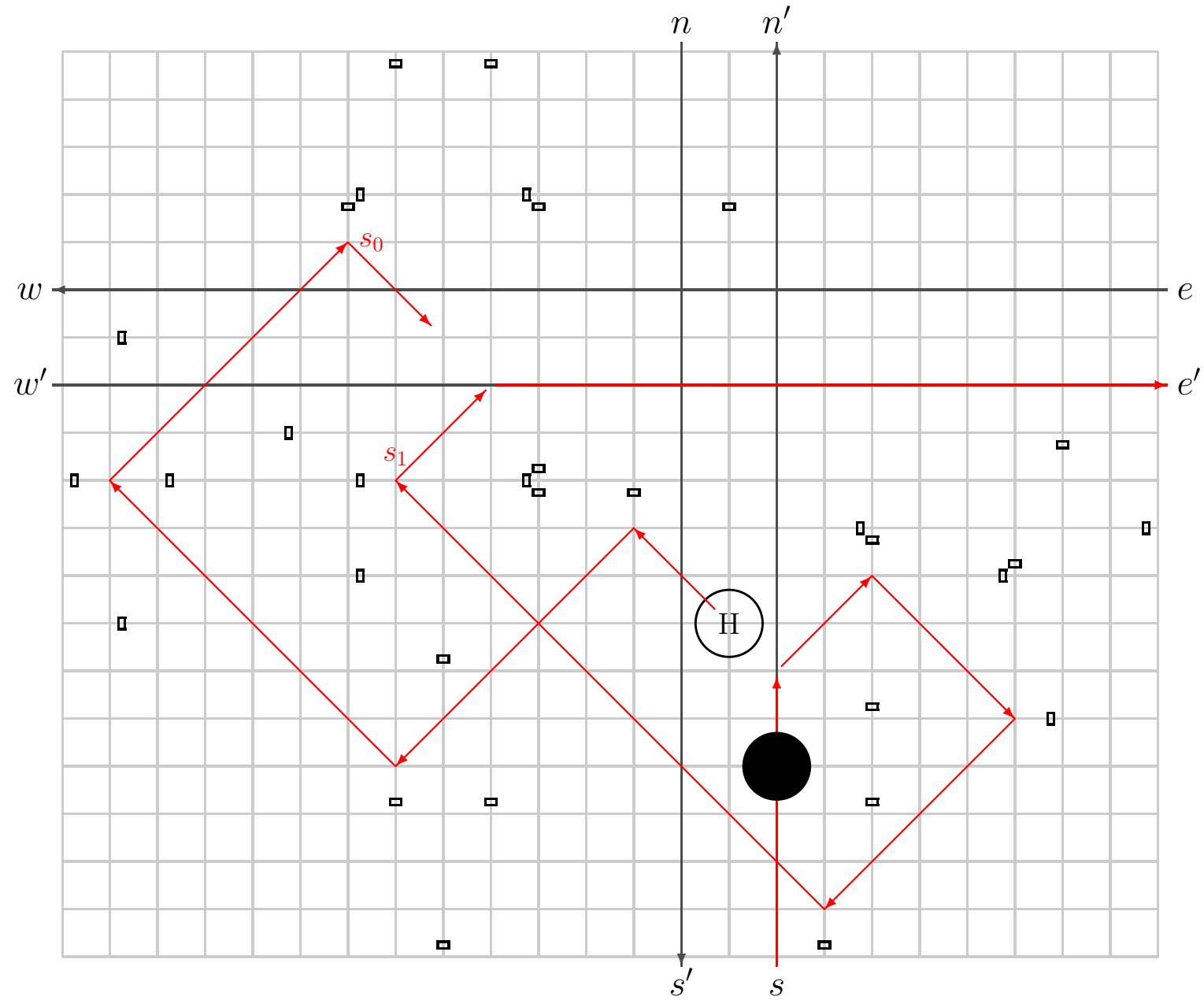
Movements of Balls (State: H , Input: s)



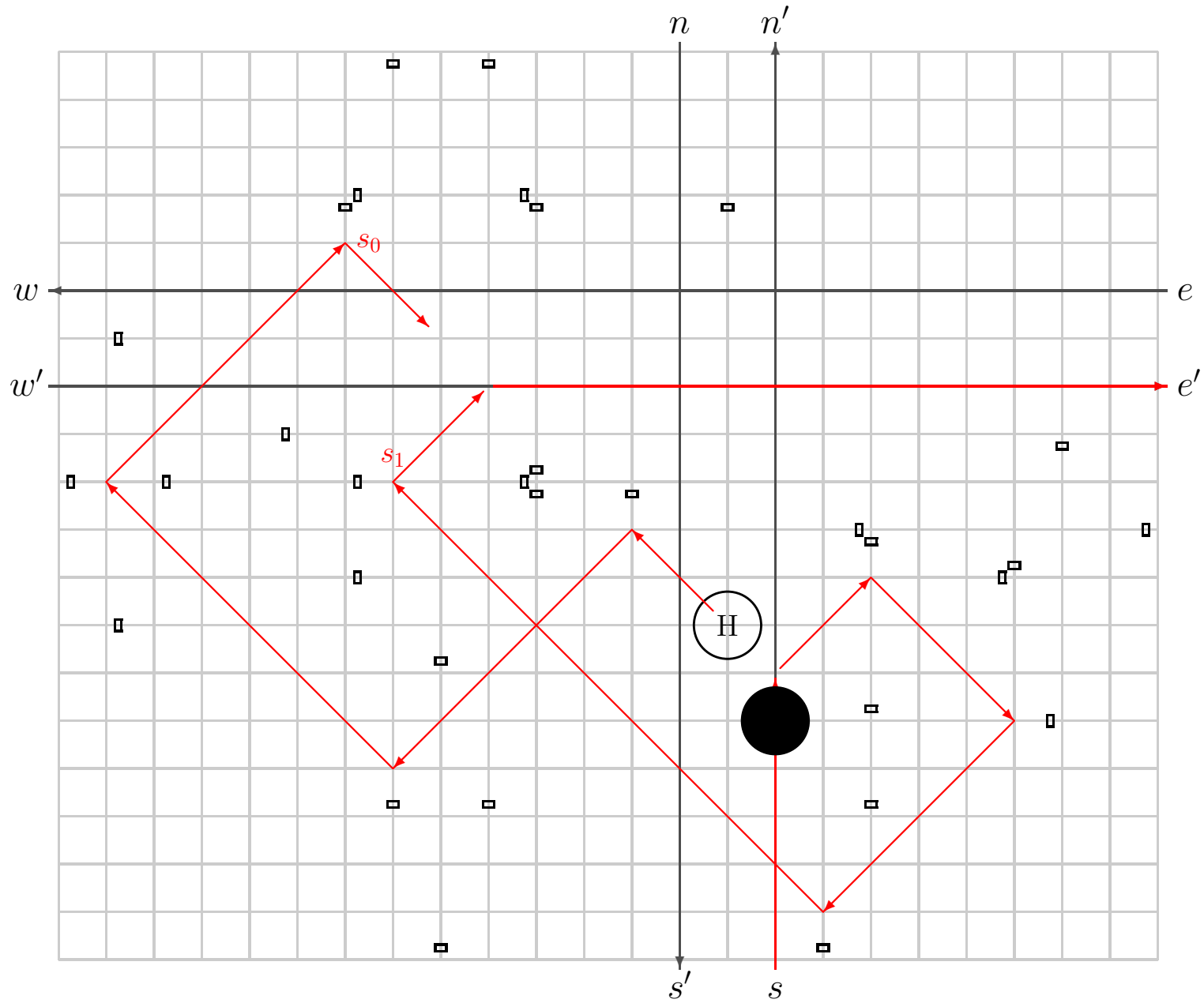
Movements of Balls (State: H , Input: s)



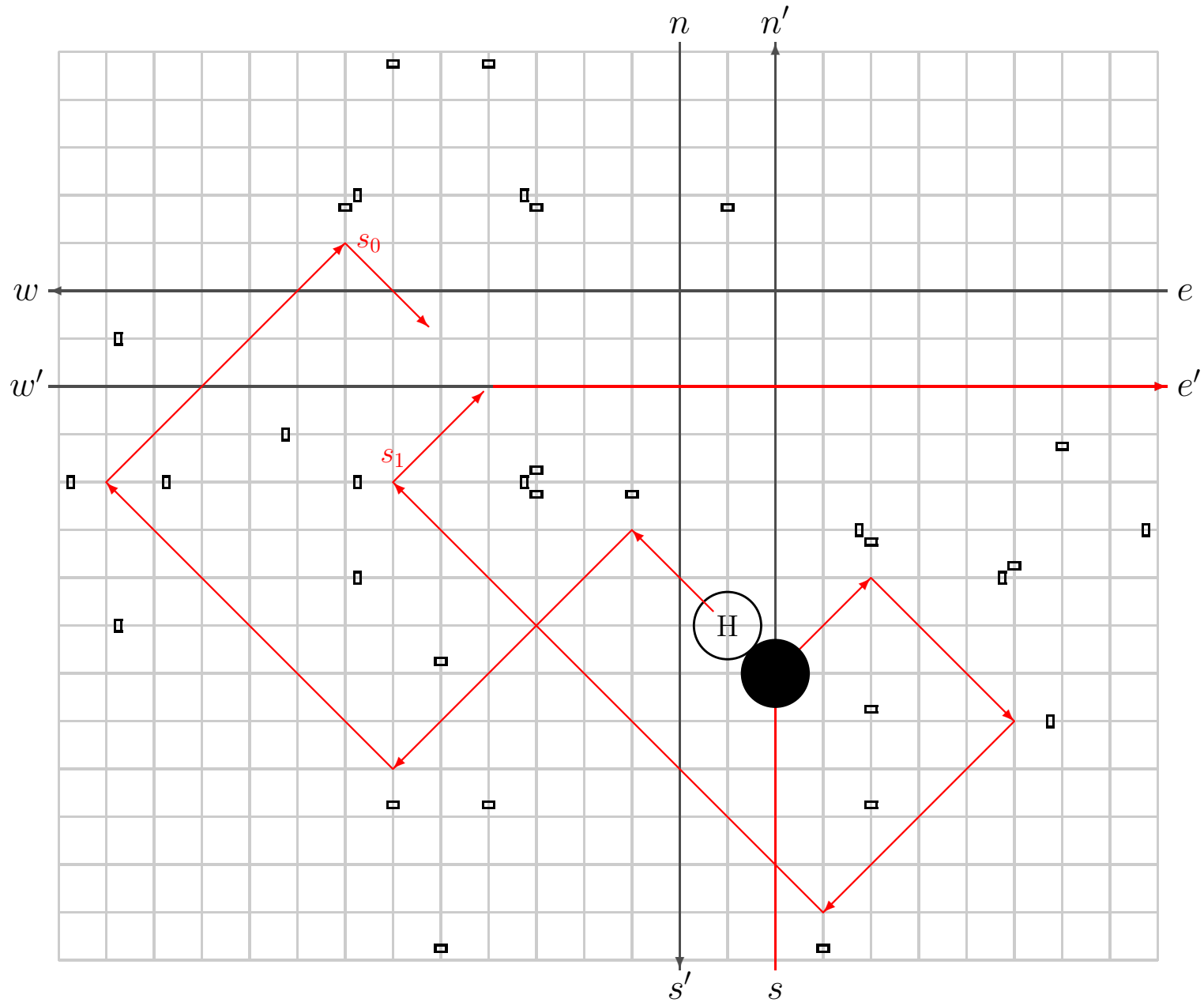
Movements of Balls (State: H , Input: s)



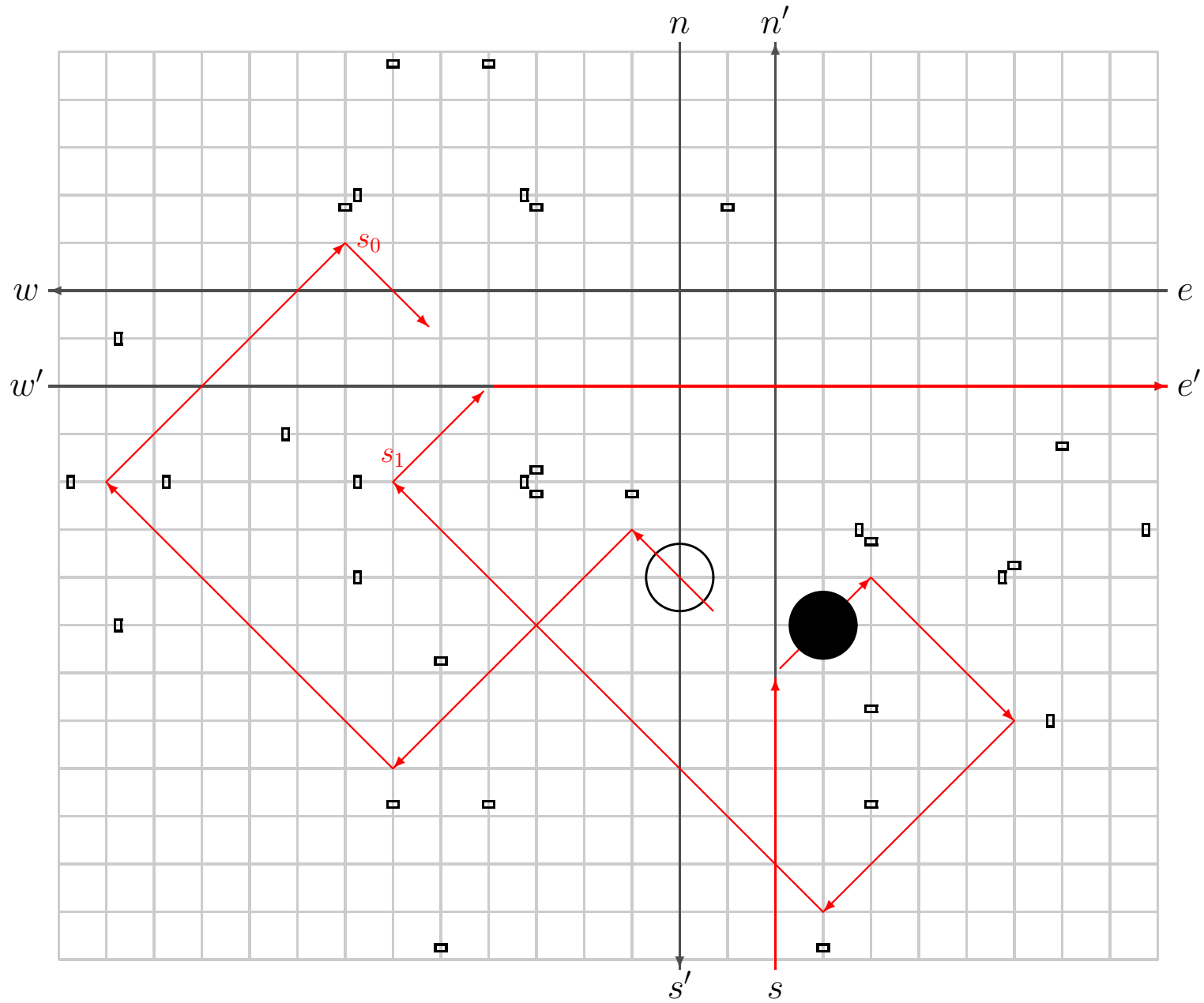
Movements of Balls (State: H , Input: s)



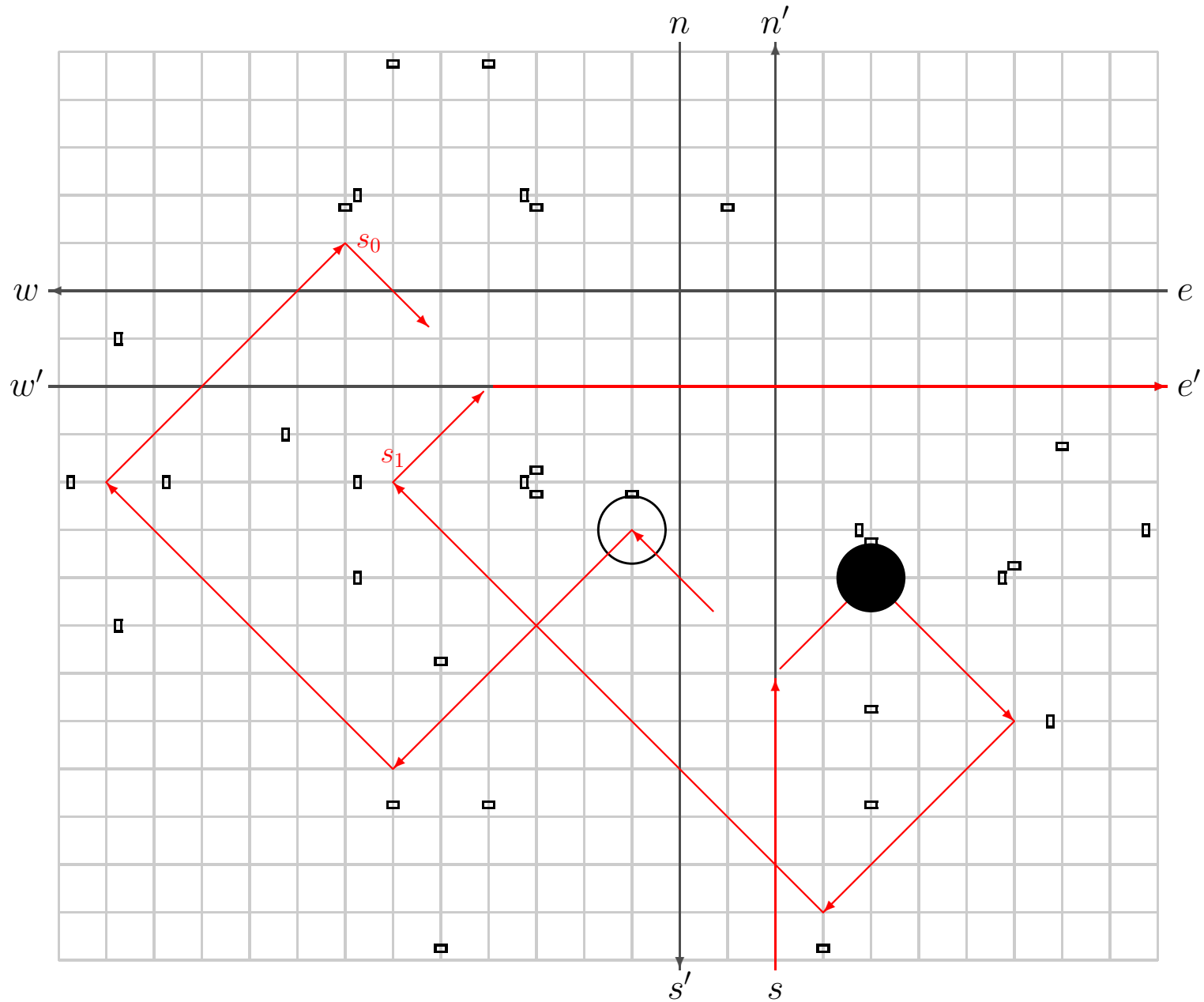
Movements of Balls (State: H , Input: s)



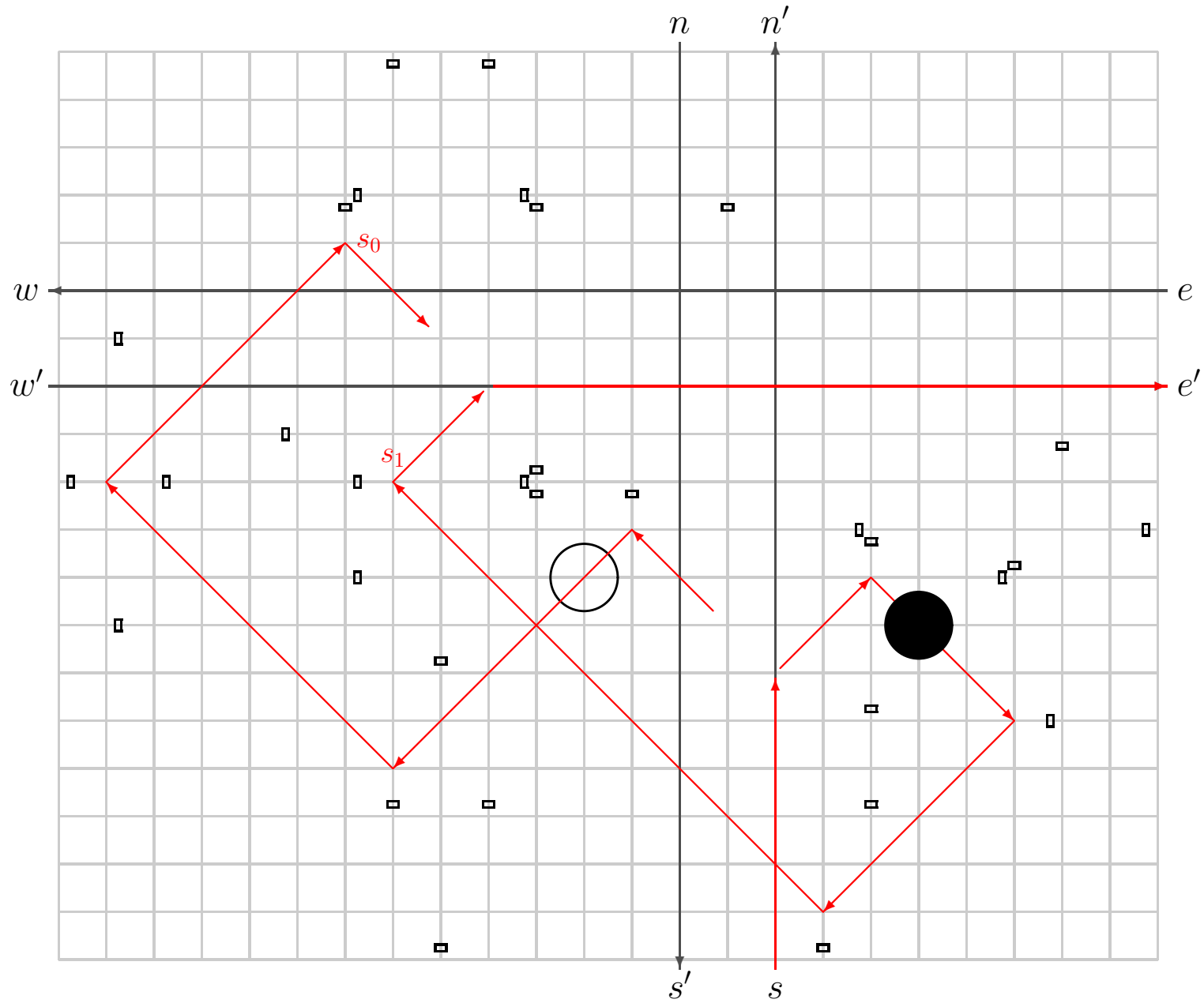
Movements of Balls (State: H , Input: s)



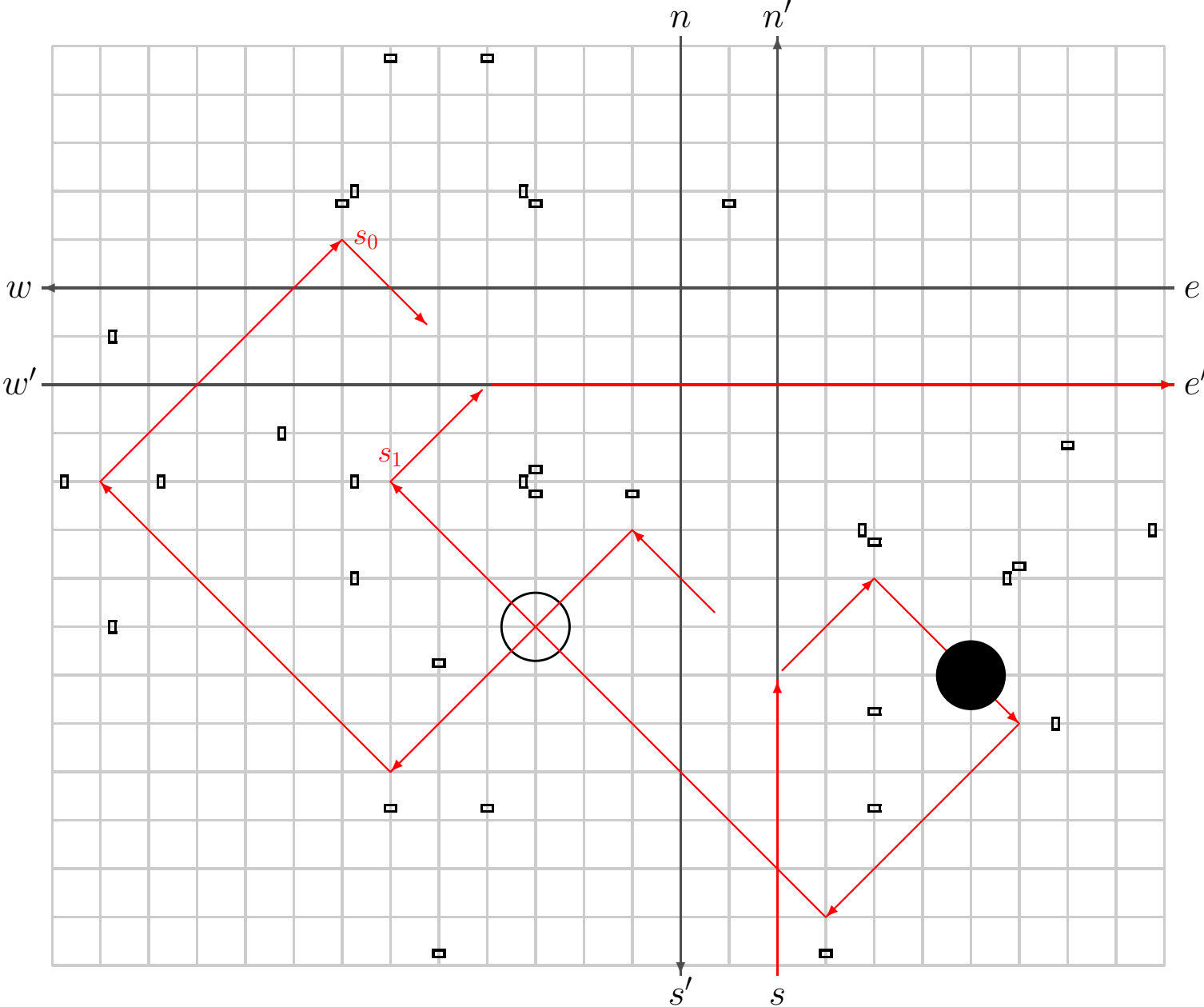
Movements of Balls (State: H , Input: s)



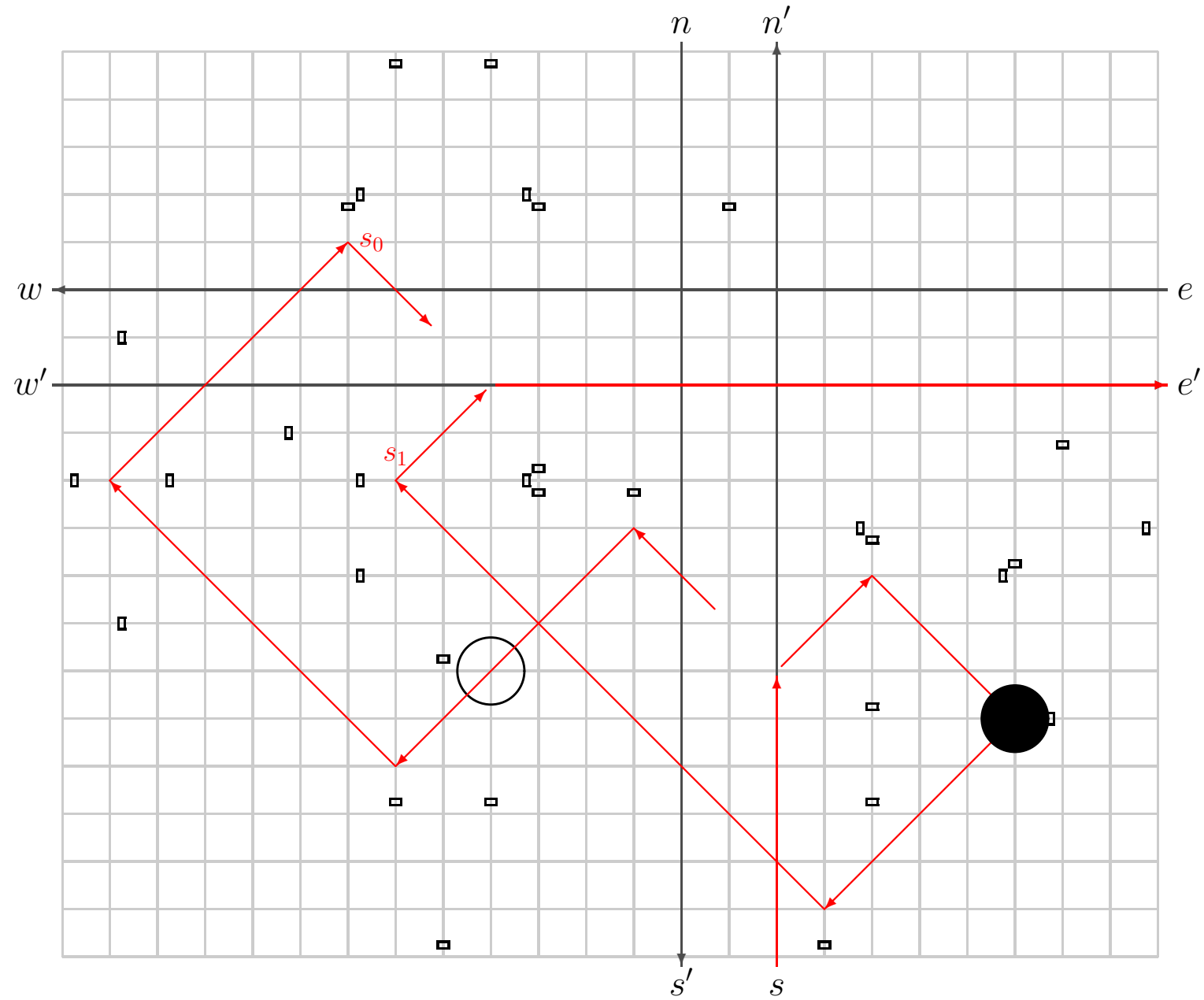
Movements of Balls (State: H , Input: s)



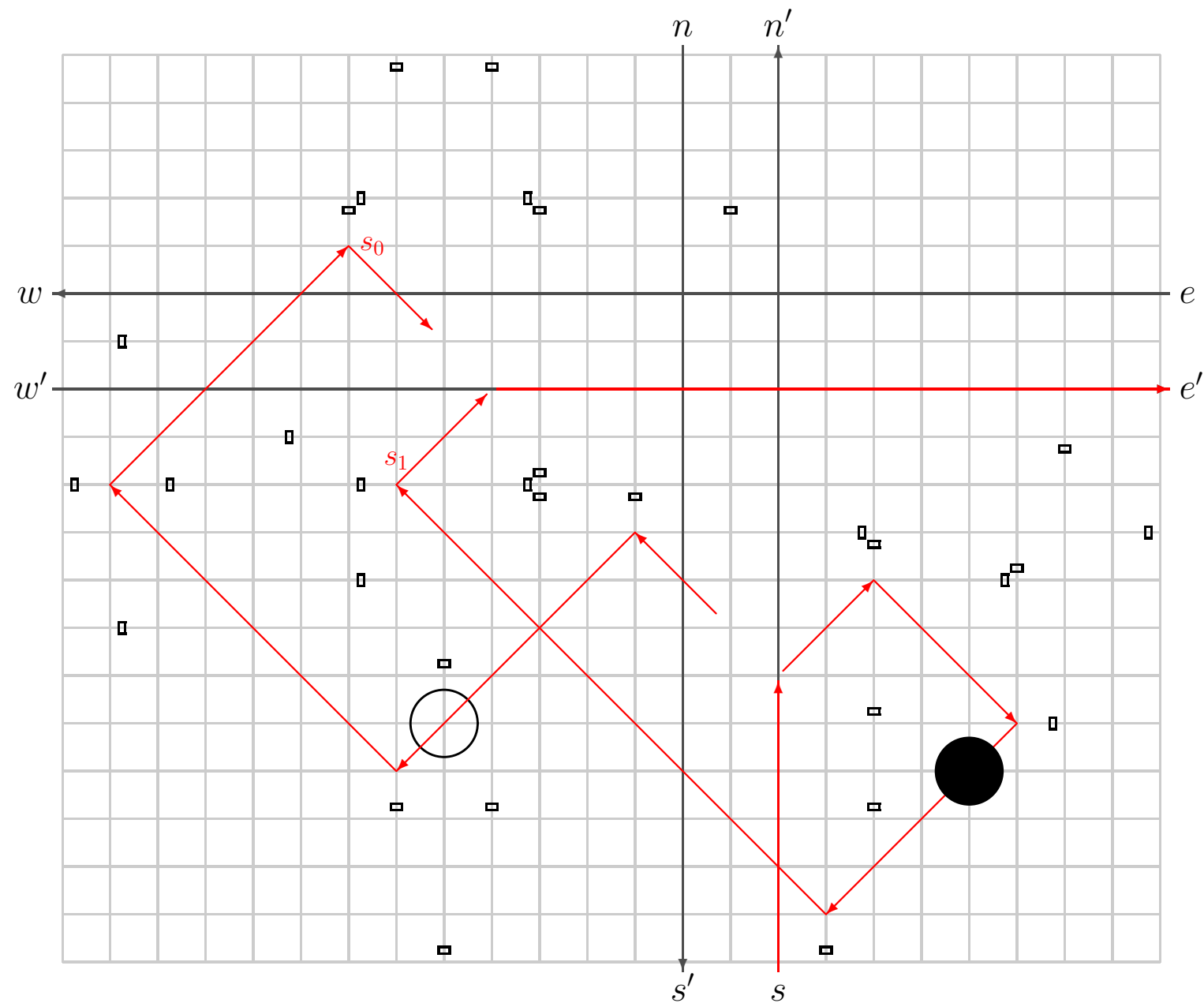
Movements of Balls (State: H , Input: s)



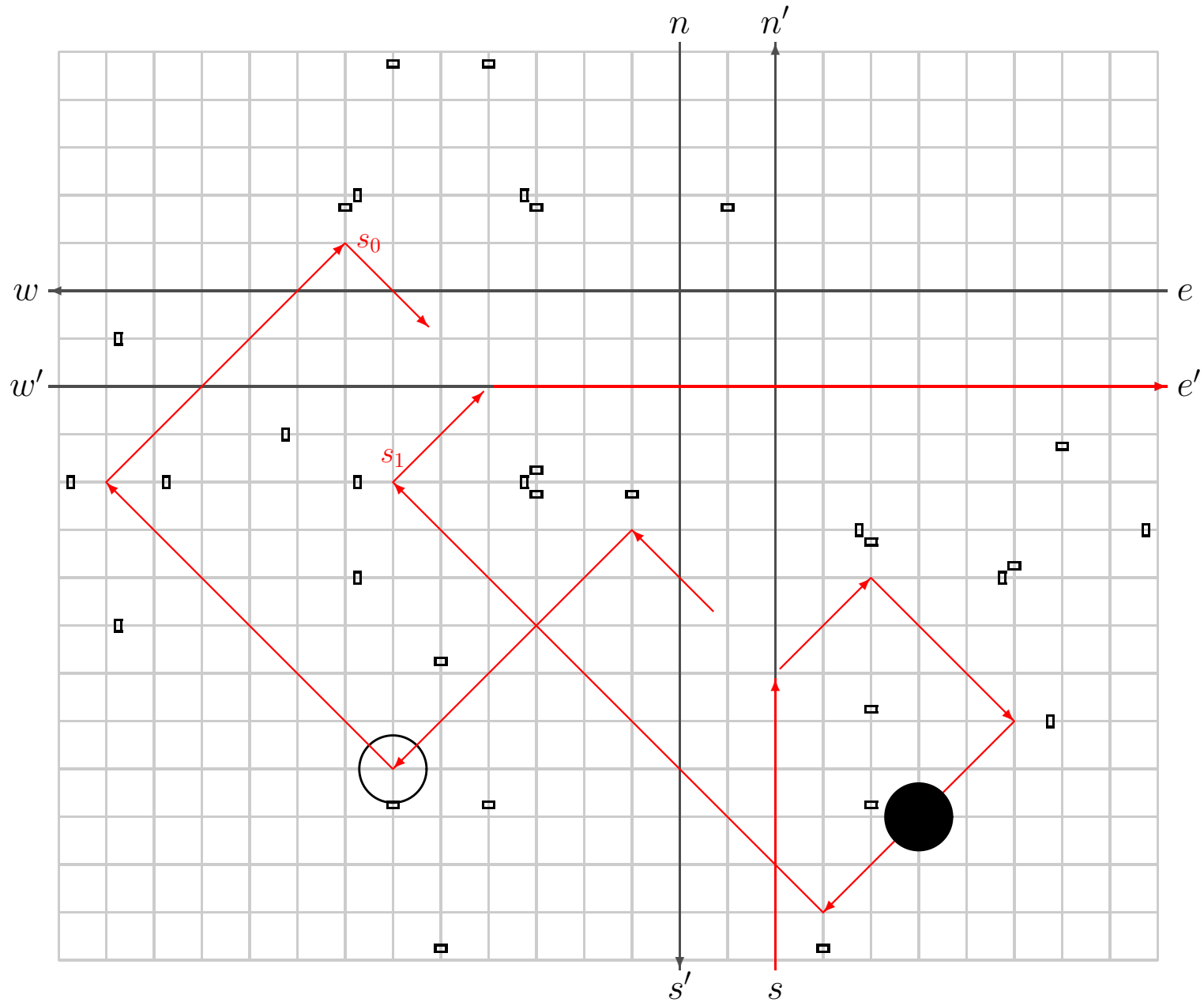
Movements of Balls (State: H , Input: s)



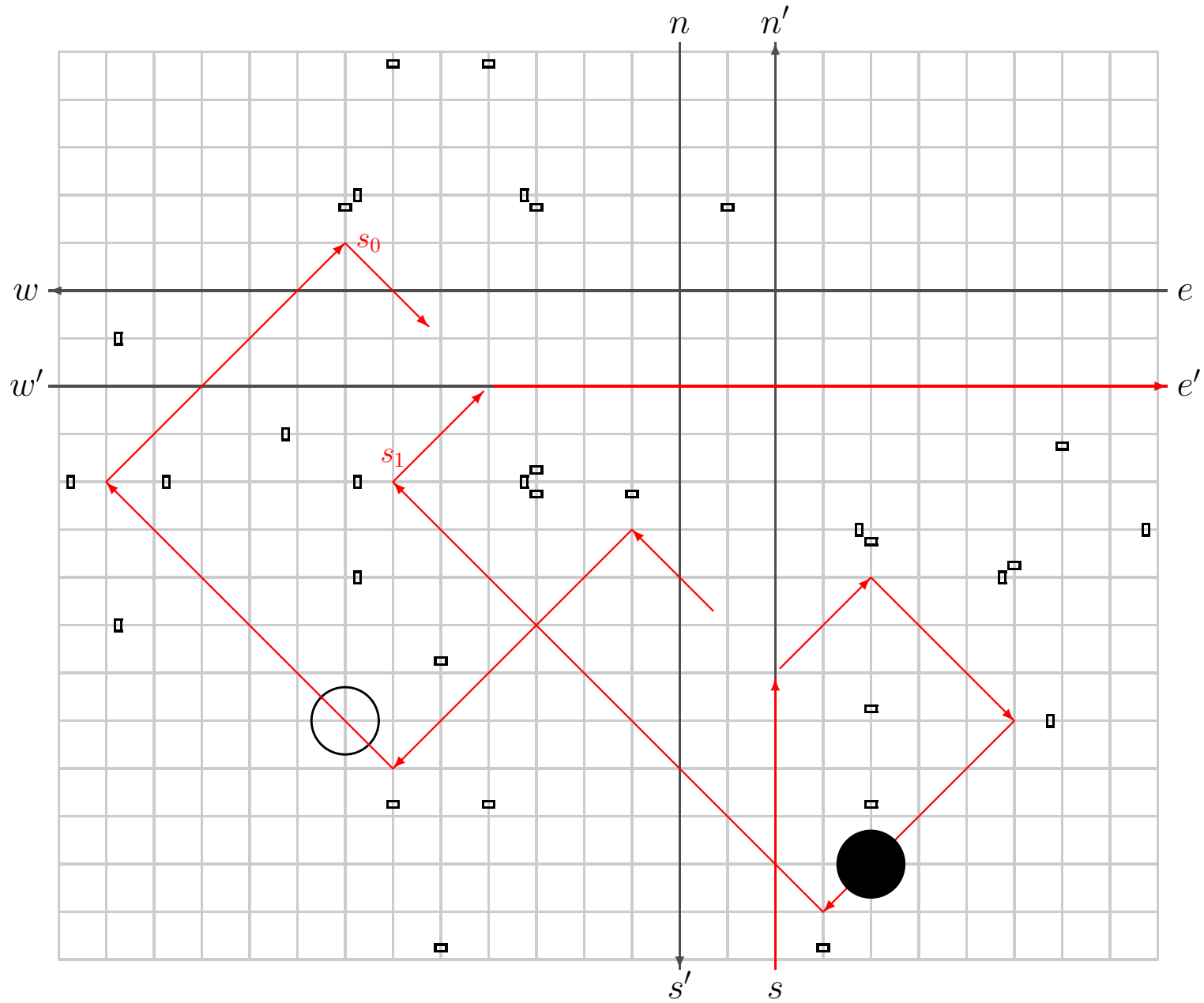
Movements of Balls (State: H , Input: s)



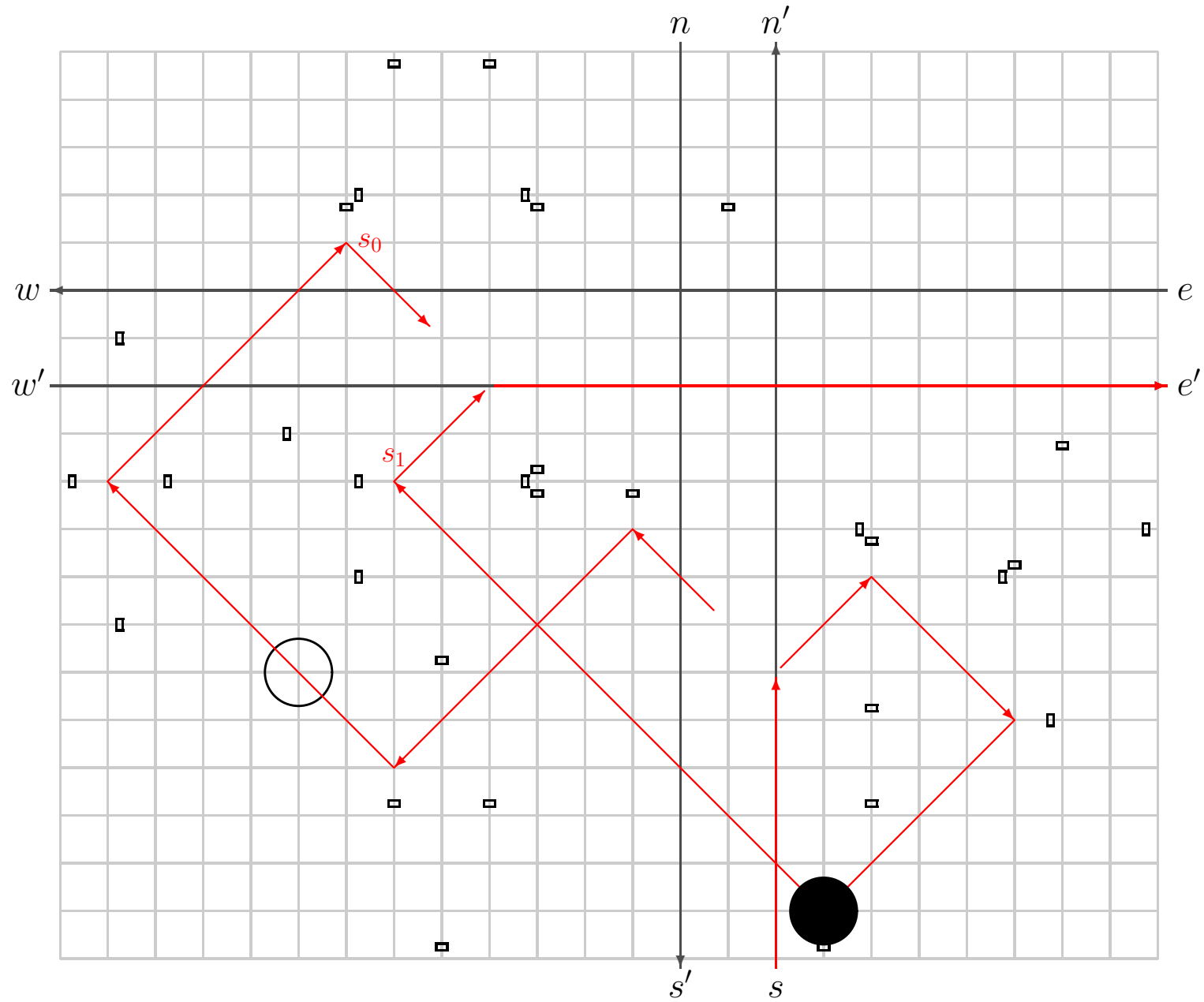
Movements of Balls (State: H , Input: s)



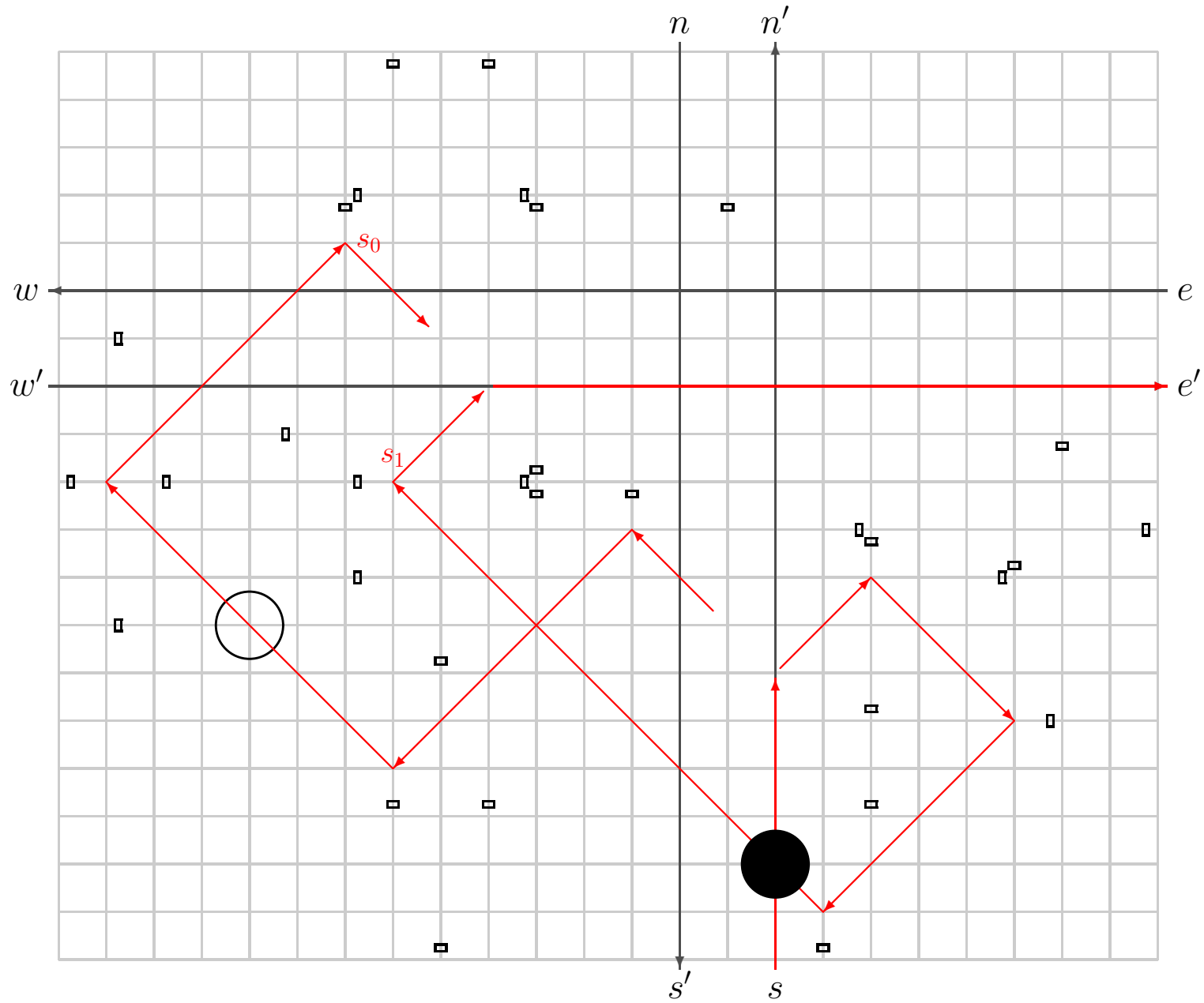
Movements of Balls (State: H , Input: s)



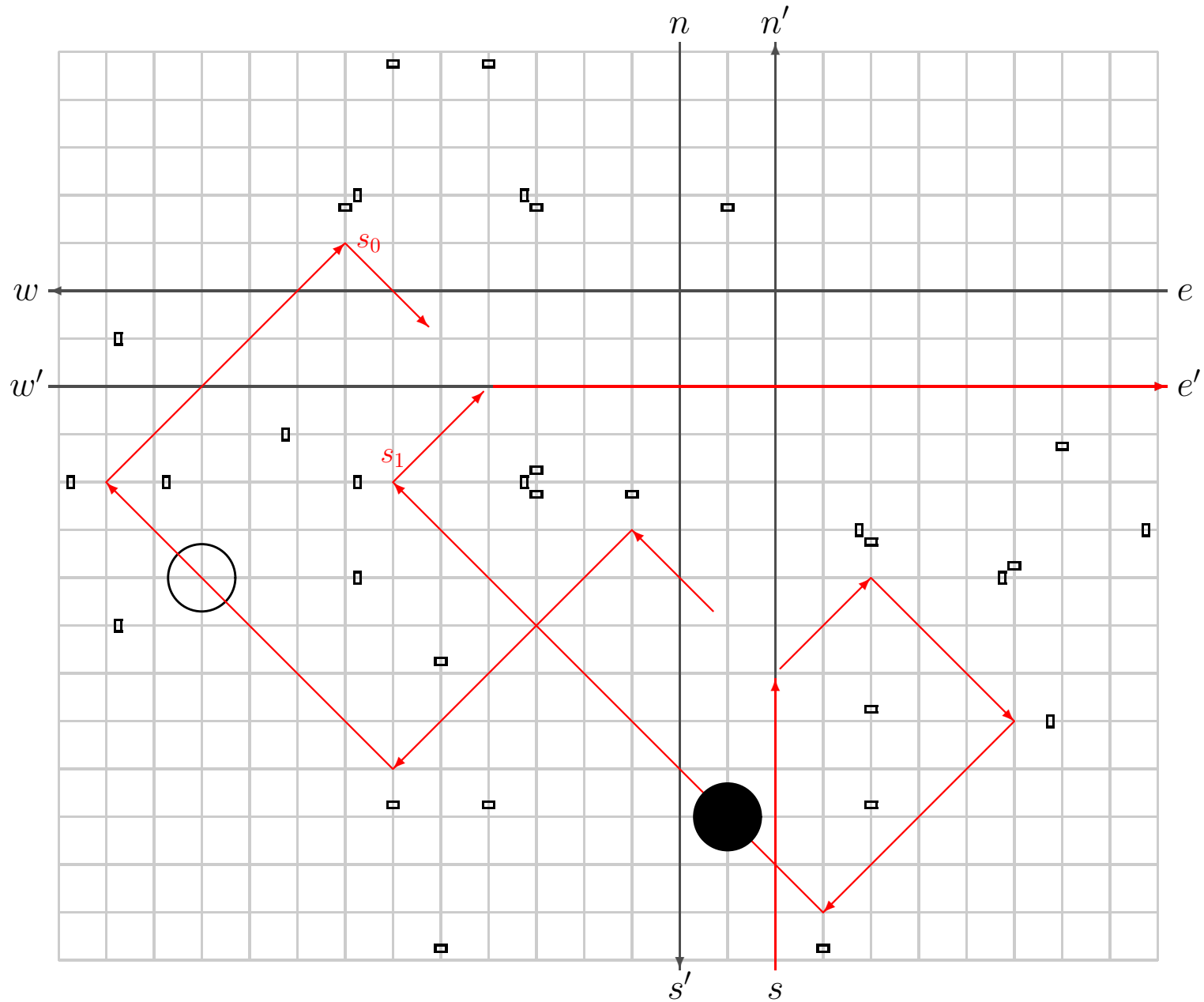
Movements of Balls (State: H , Input: s)



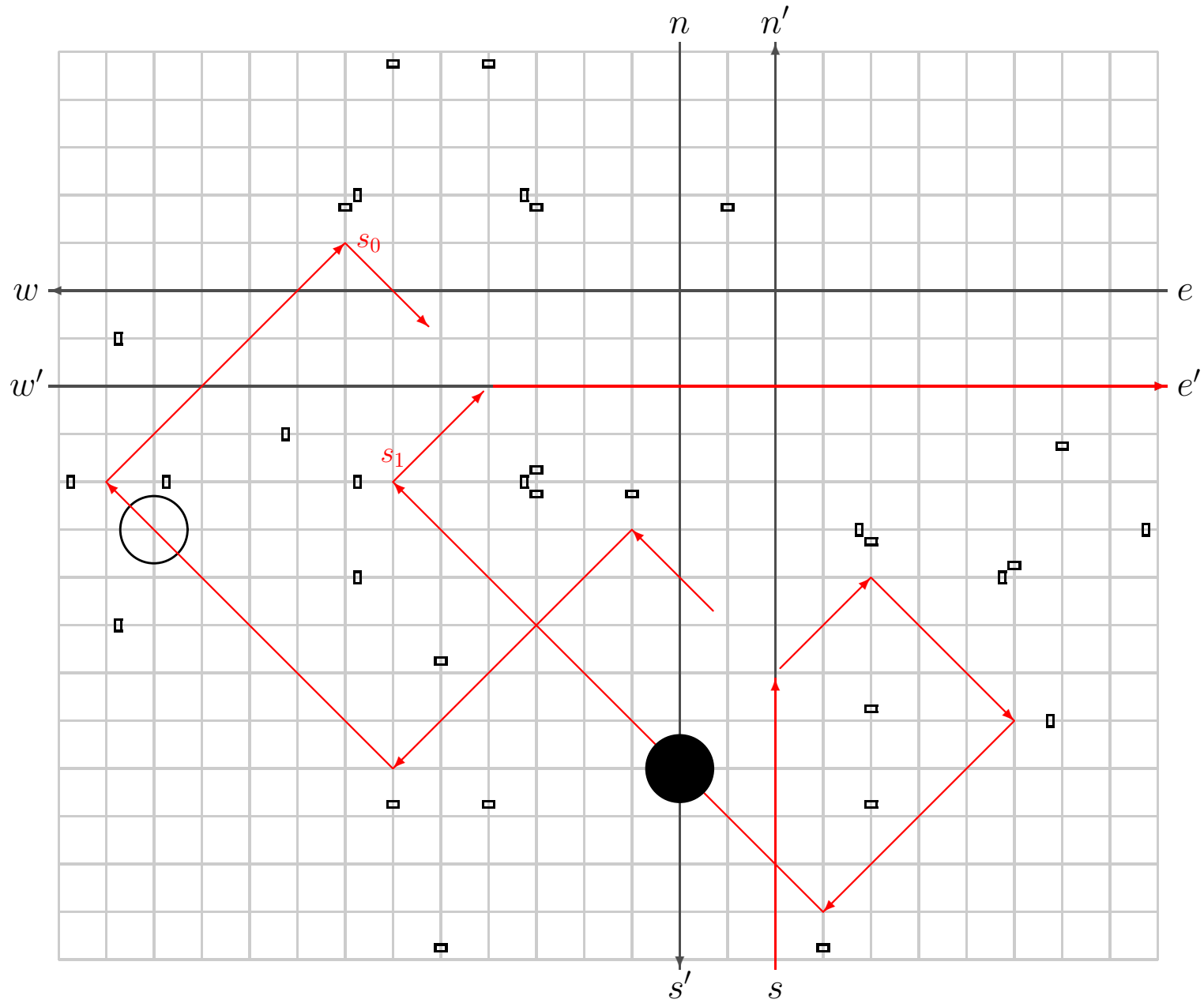
Movements of Balls (State: H , Input: s)



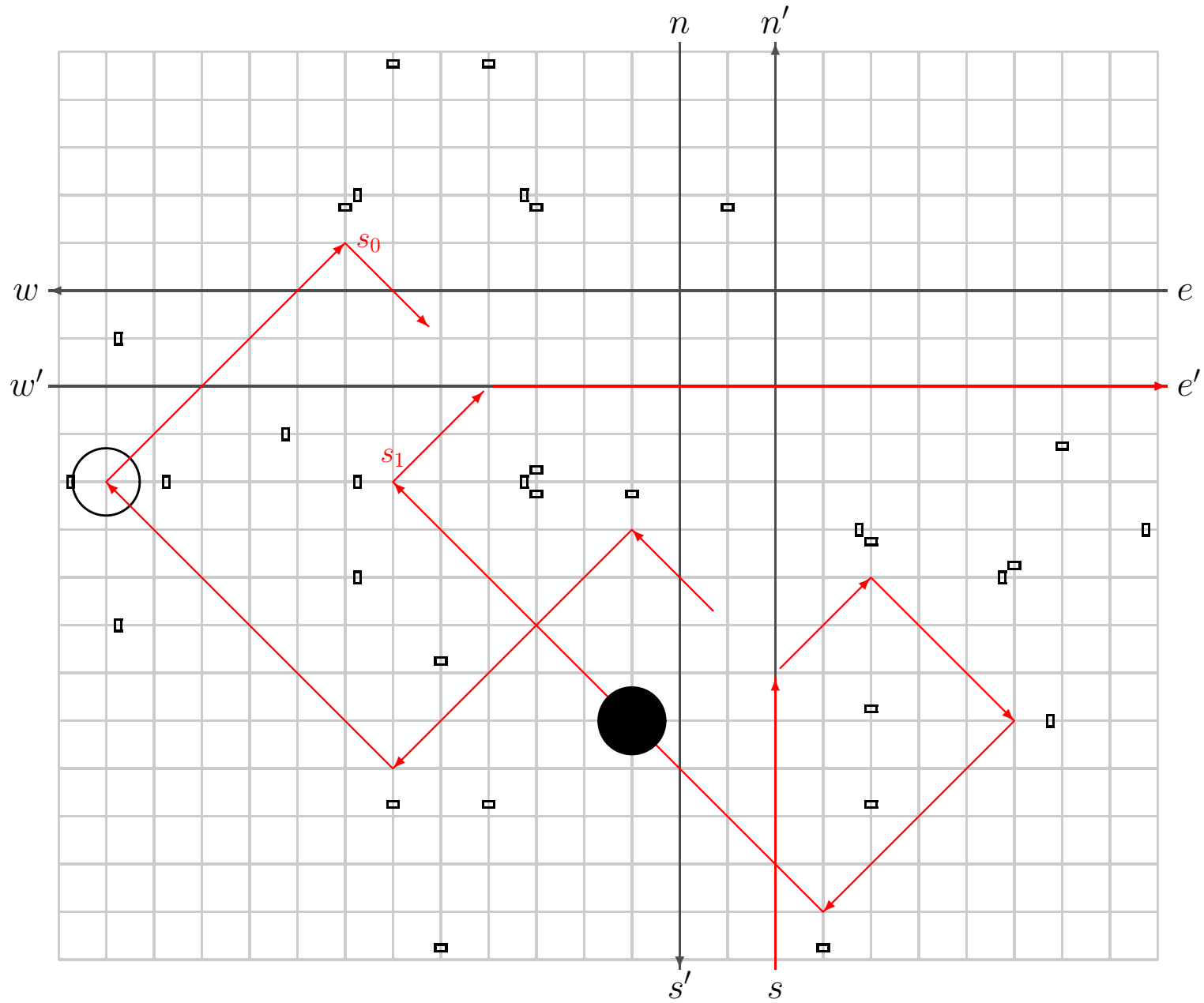
Movements of Balls (State: H , Input: s)



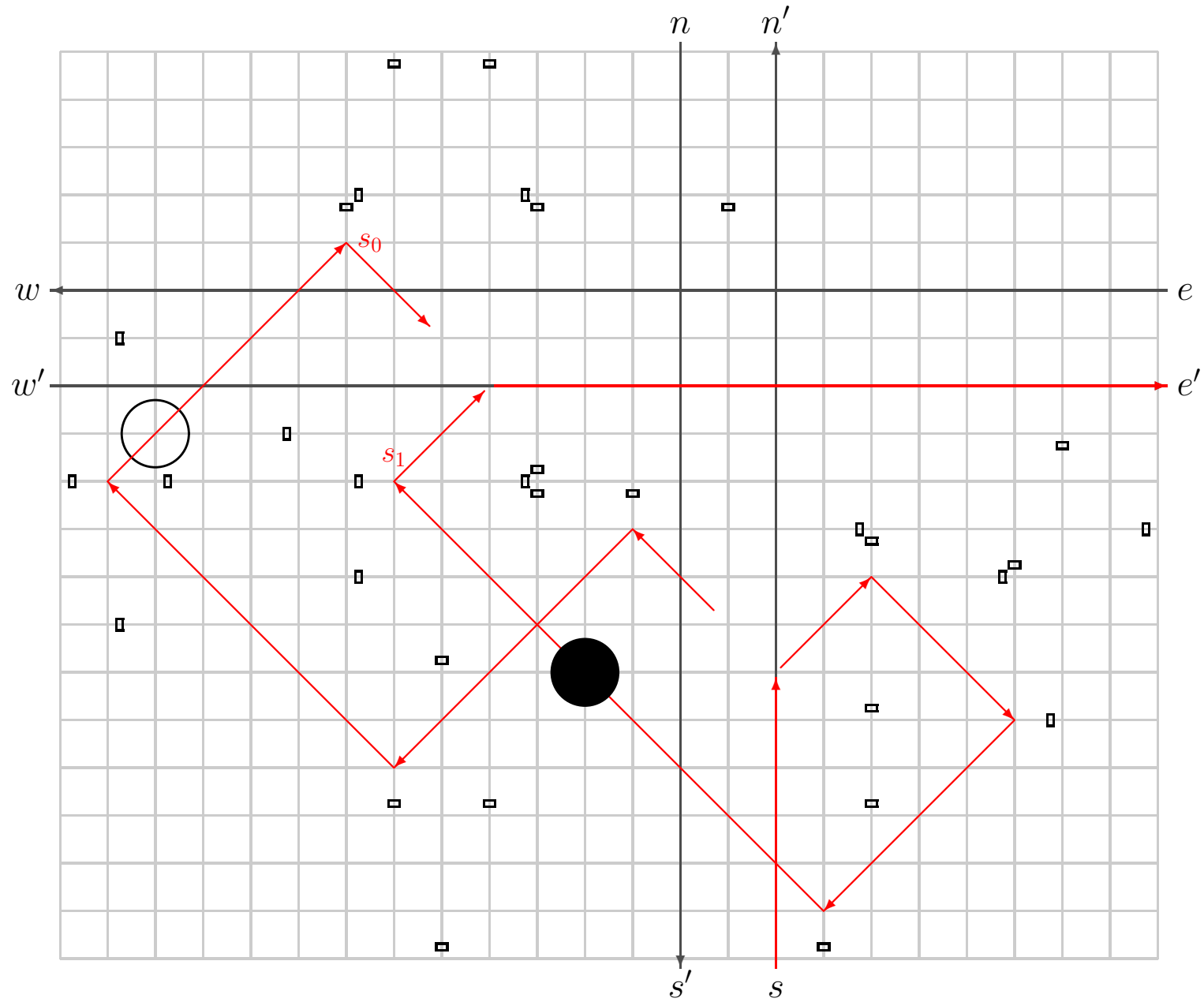
Movements of Balls (State: H , Input: s)



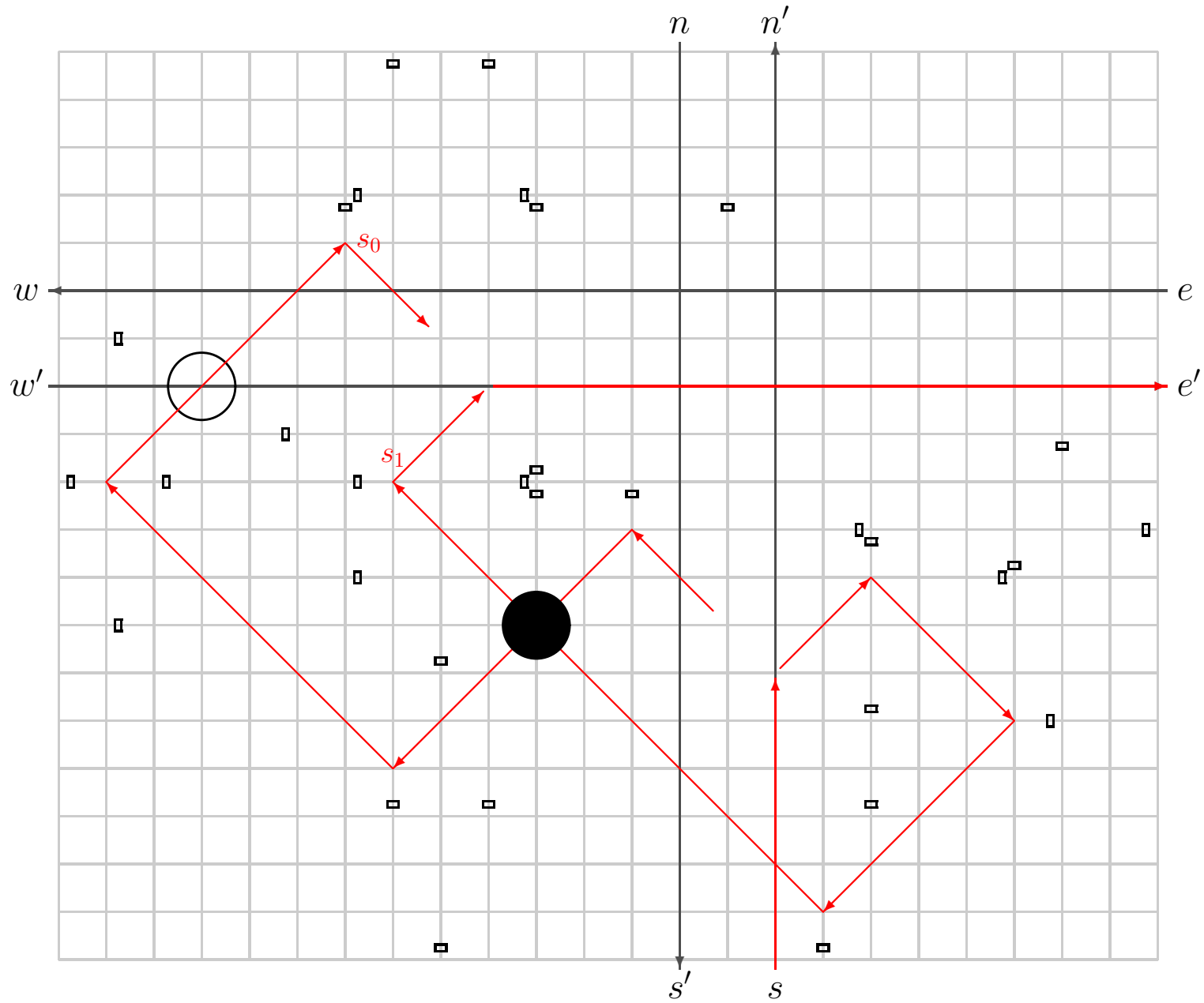
Movements of Balls (State: H , Input: s)



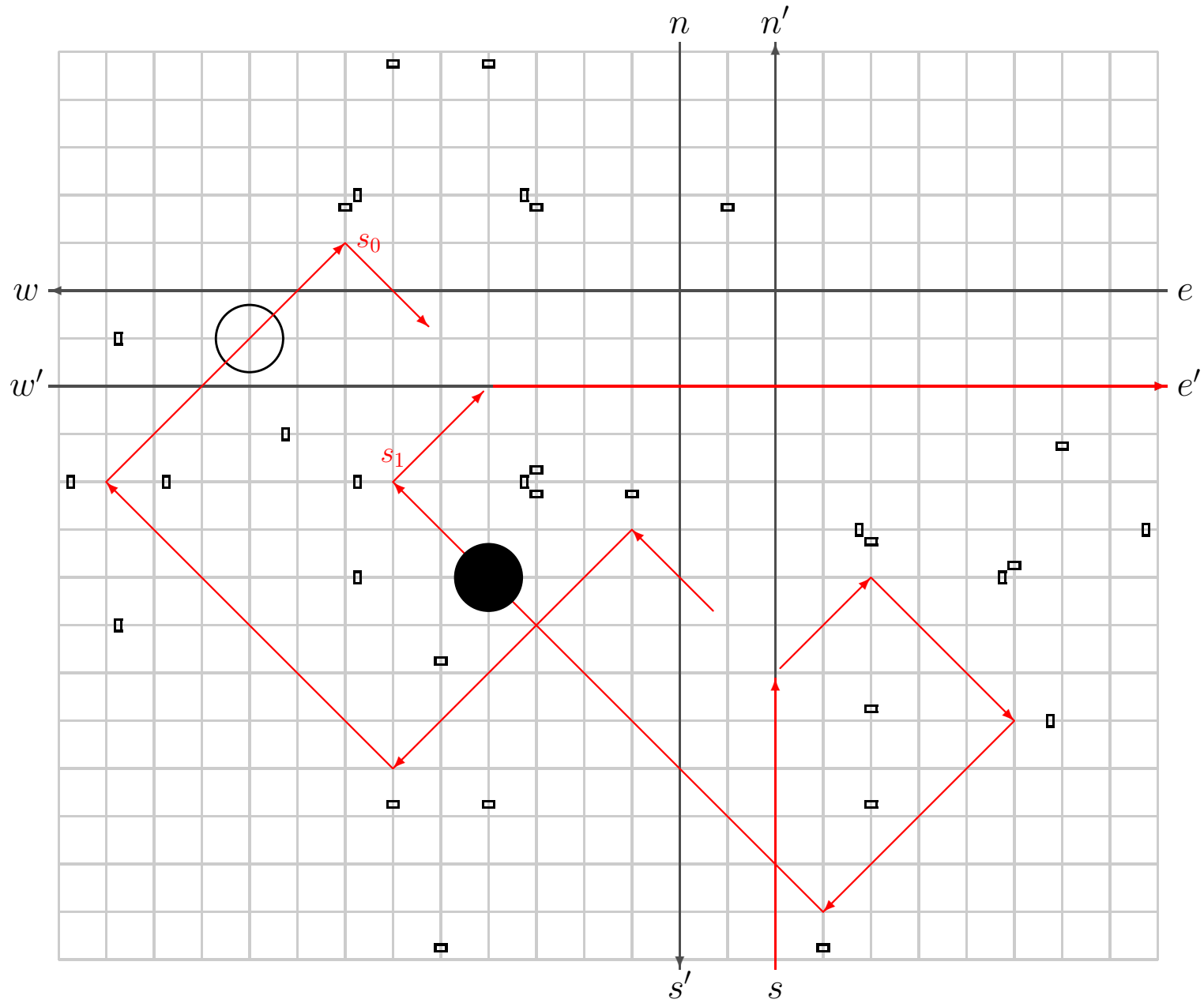
Movements of Balls (State: H , Input: s)



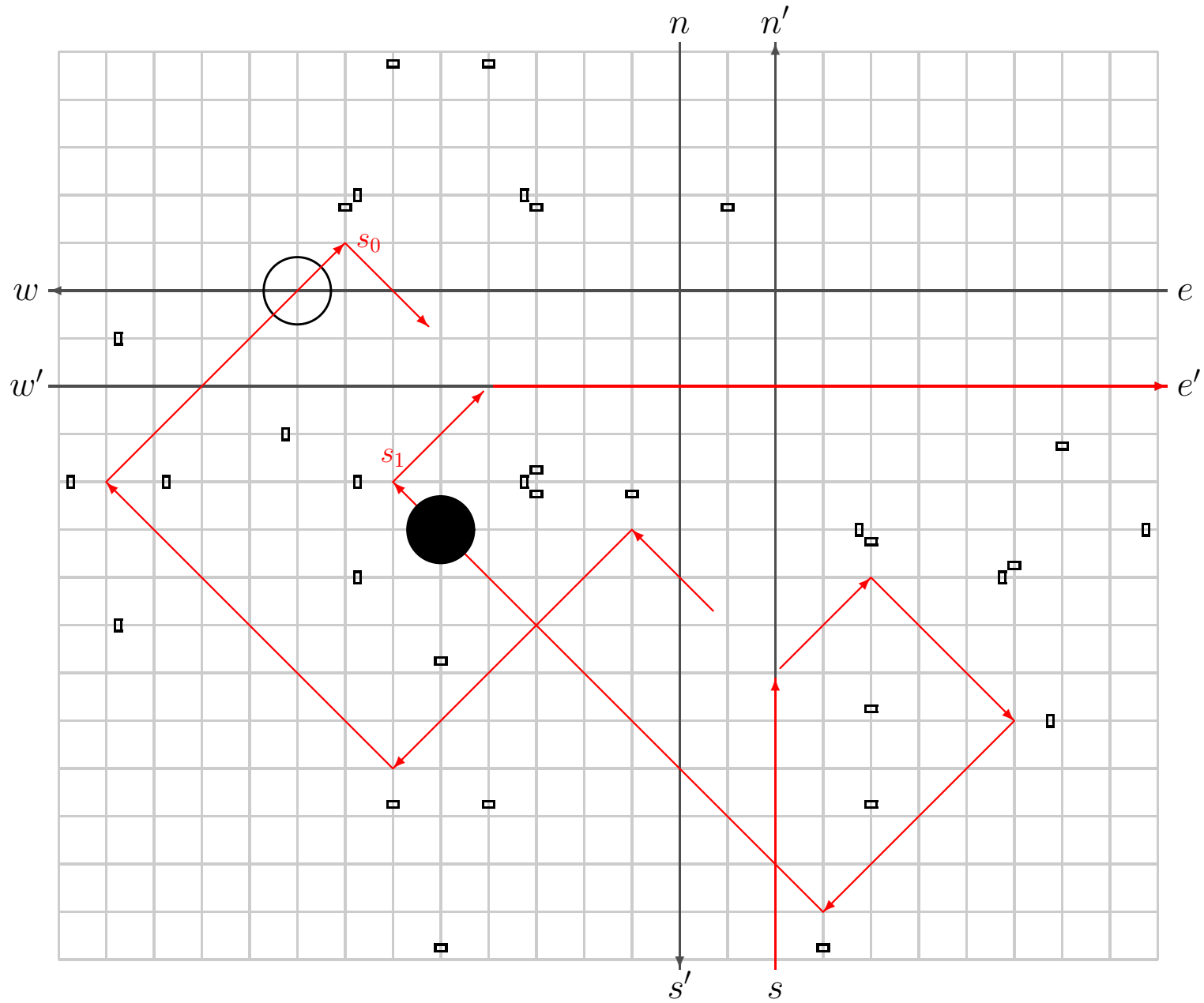
Movements of Balls (State: H , Input: s)



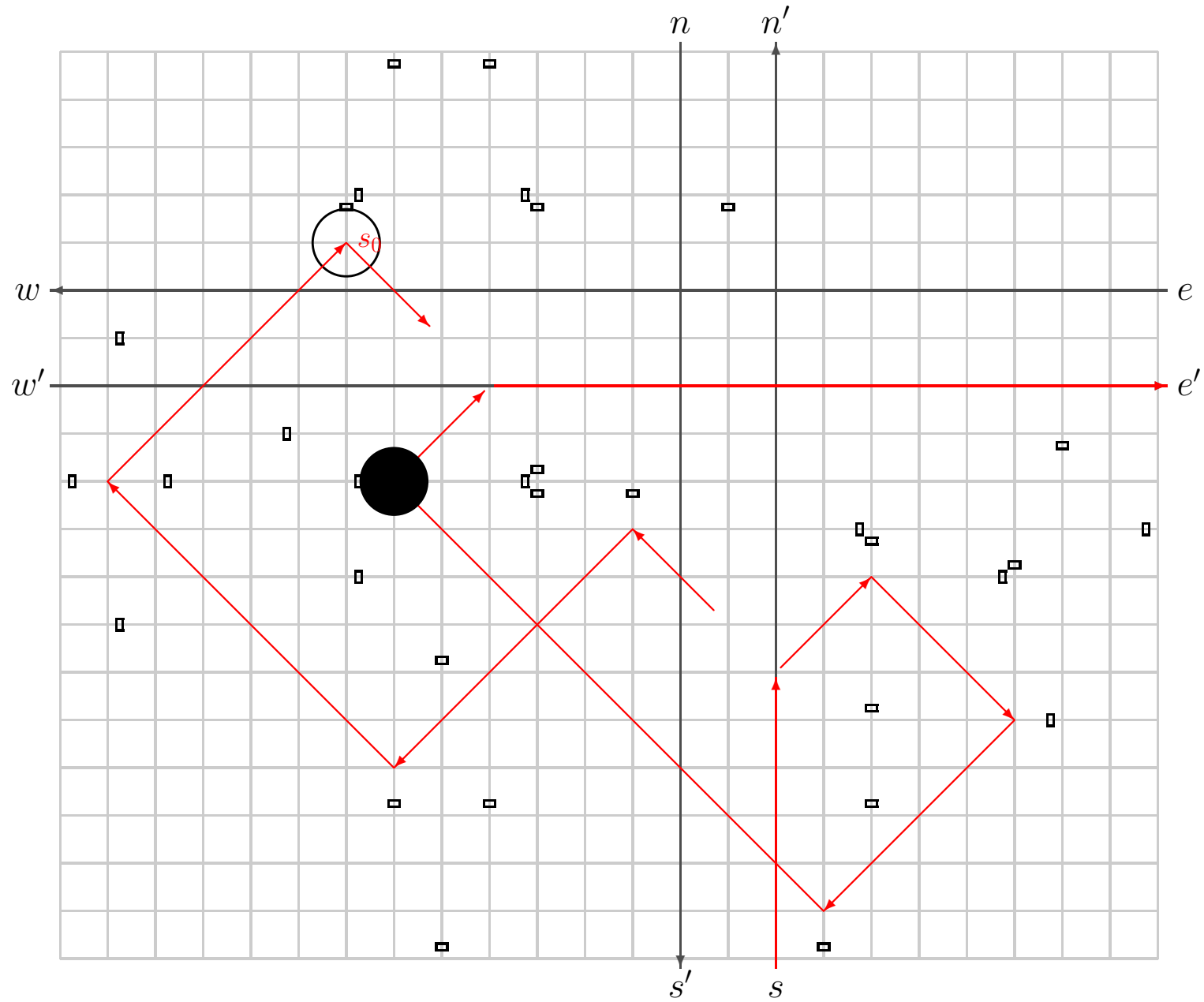
Movements of Balls (State: H , Input: s)



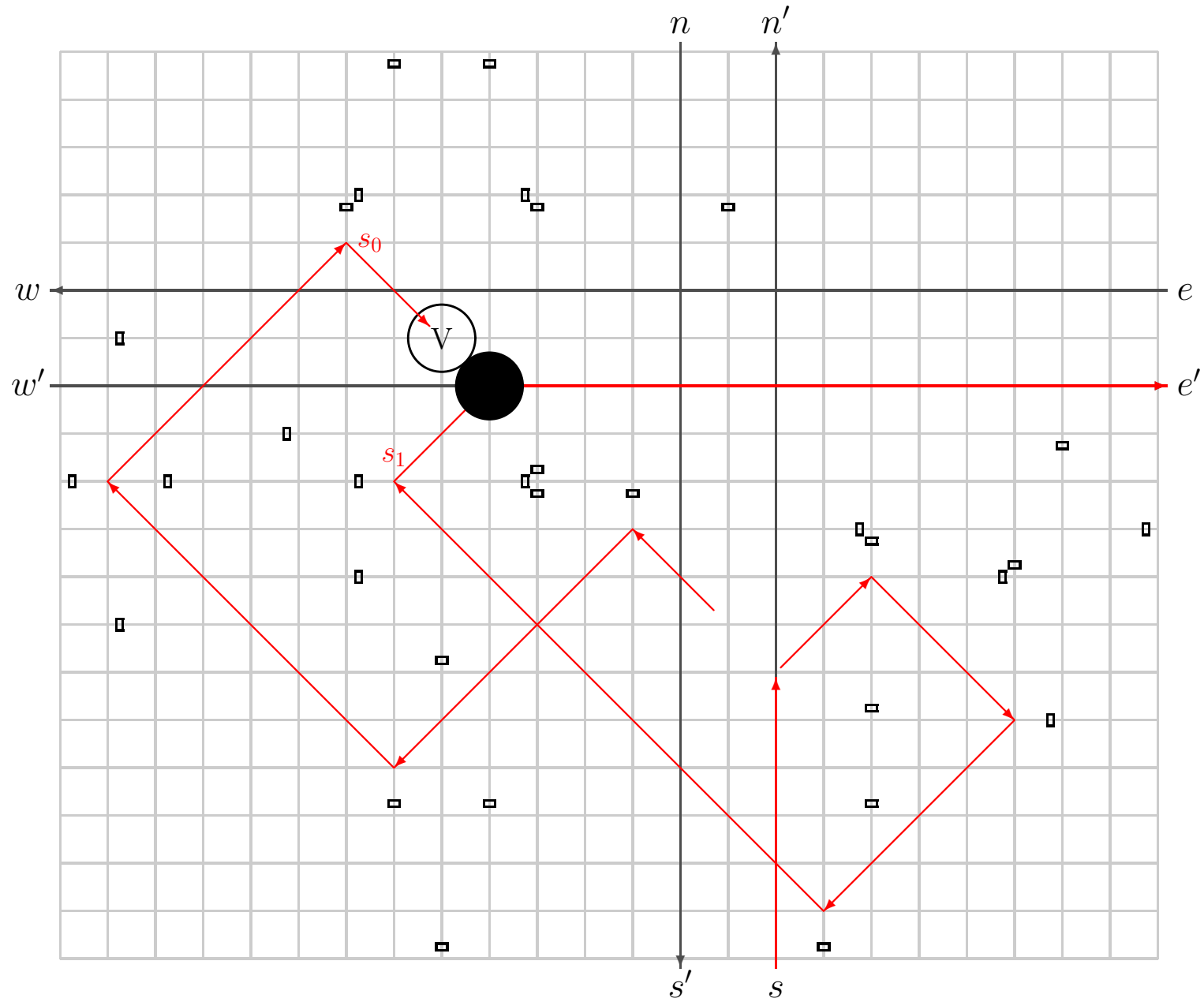
Movements of Balls (State: H , Input: s)



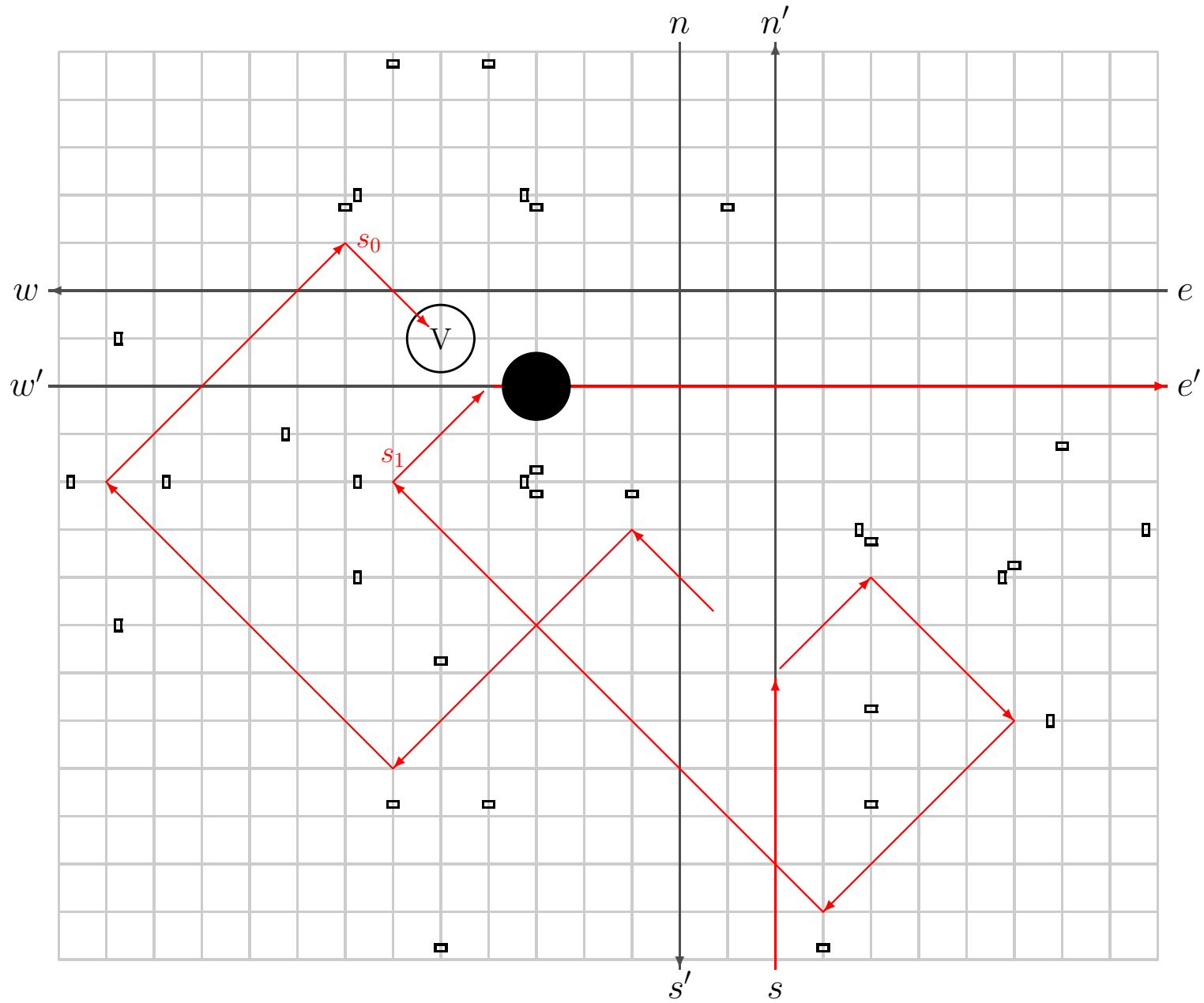
Movements of Balls (State: H , Input: s)



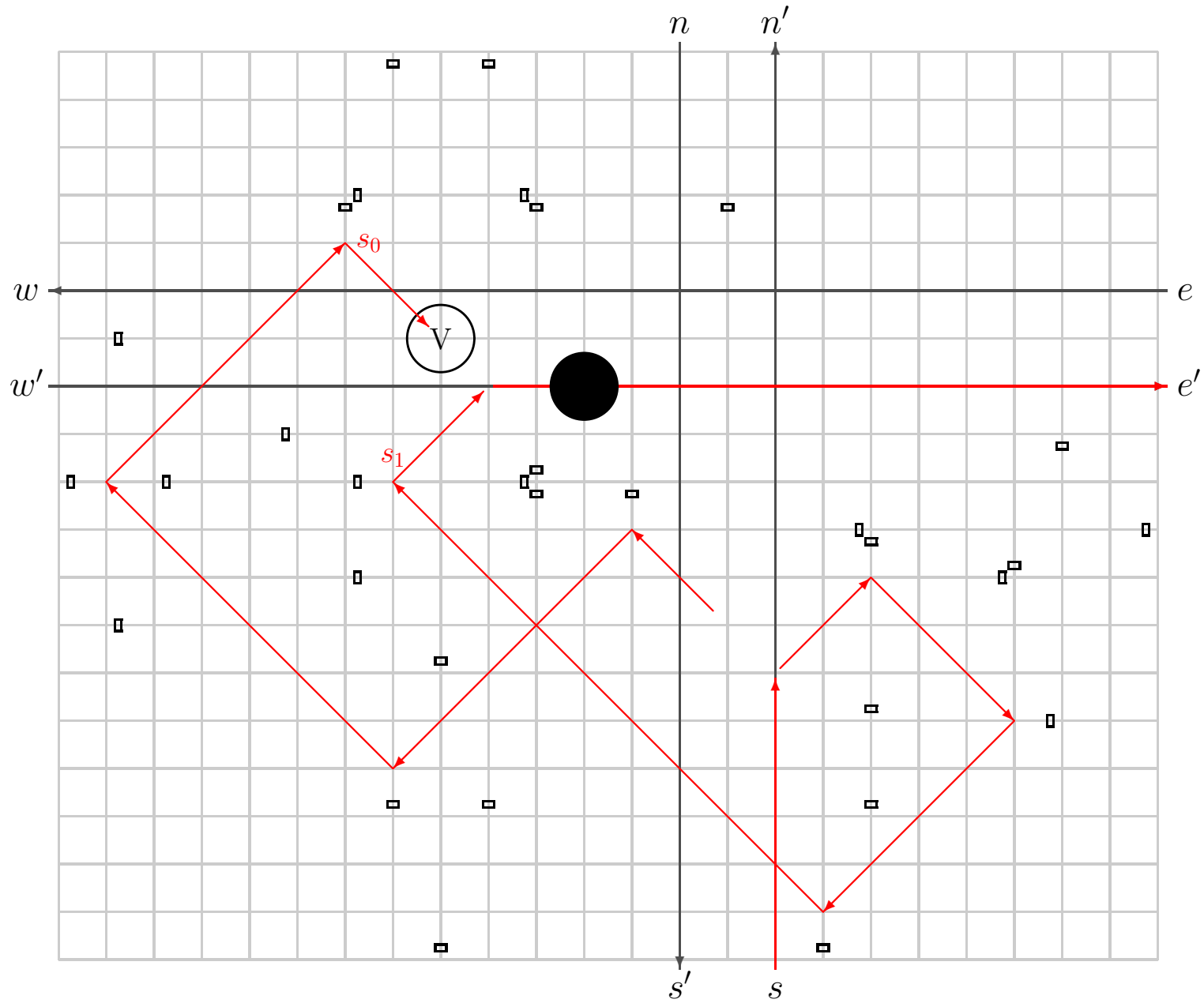
Movements of Balls (State: H , Input: s)



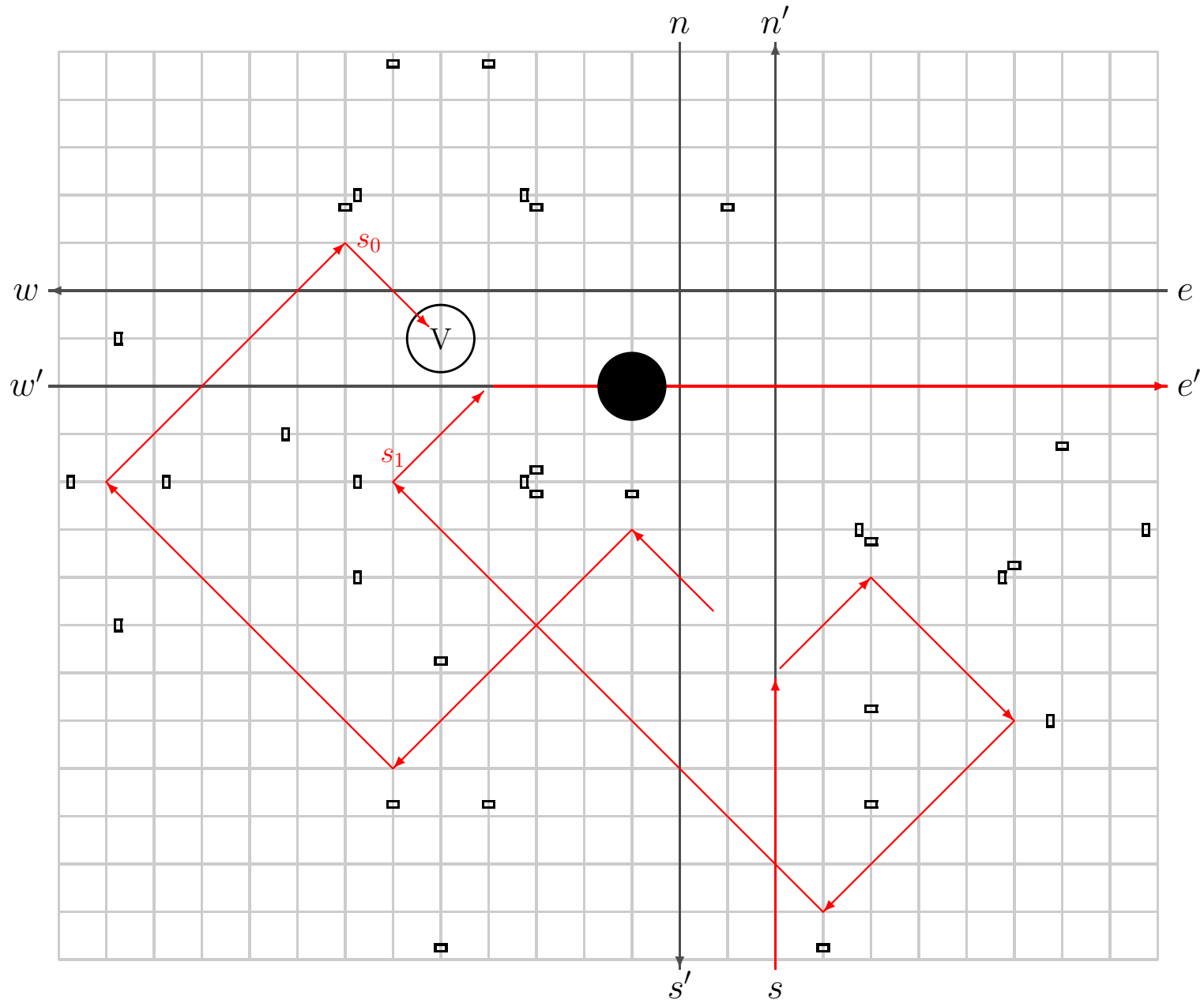
Movements of Balls (State: H , Input: s)



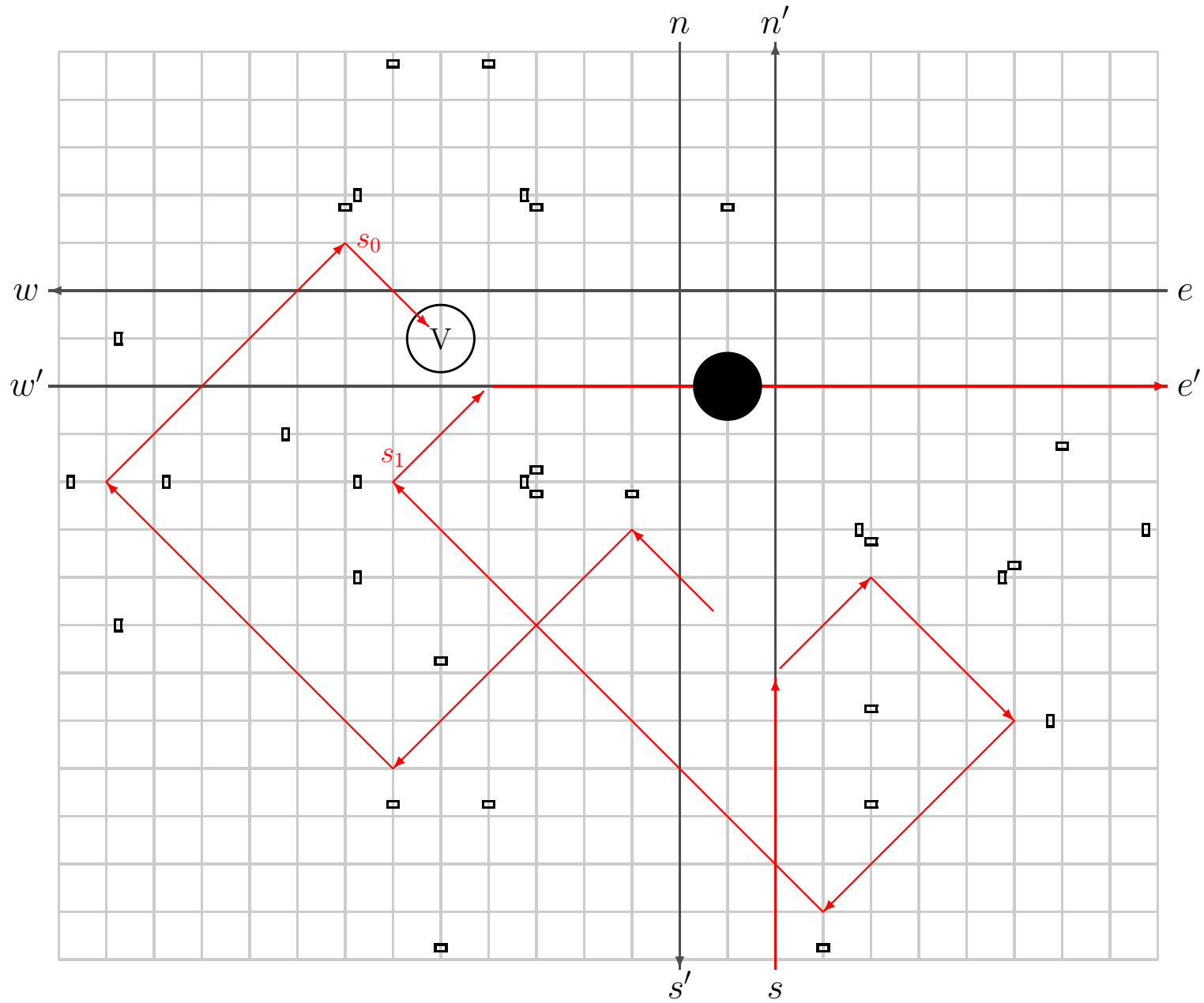
Movements of Balls (State: H , Input: s)



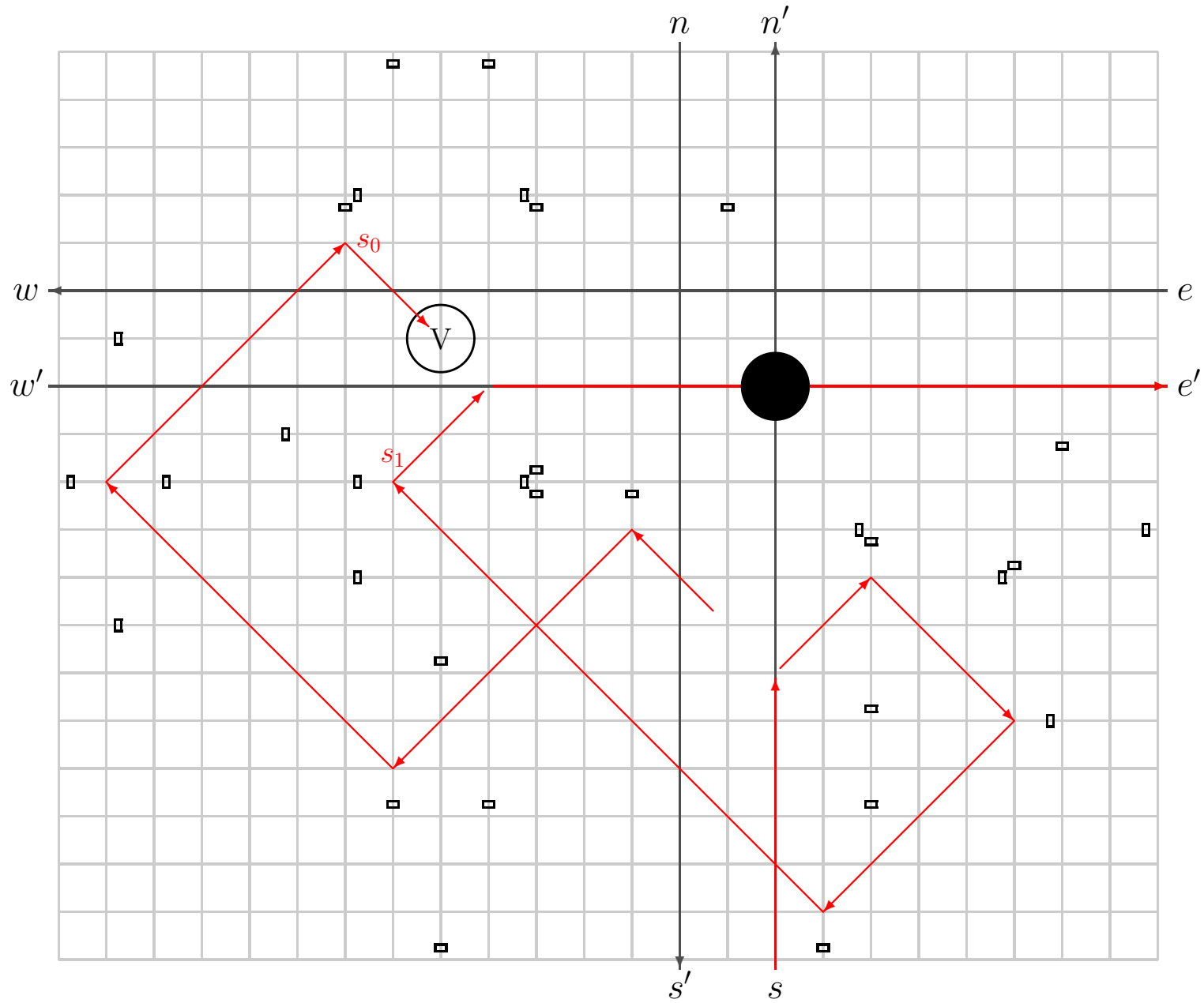
Movements of Balls (State: H , Input: s)



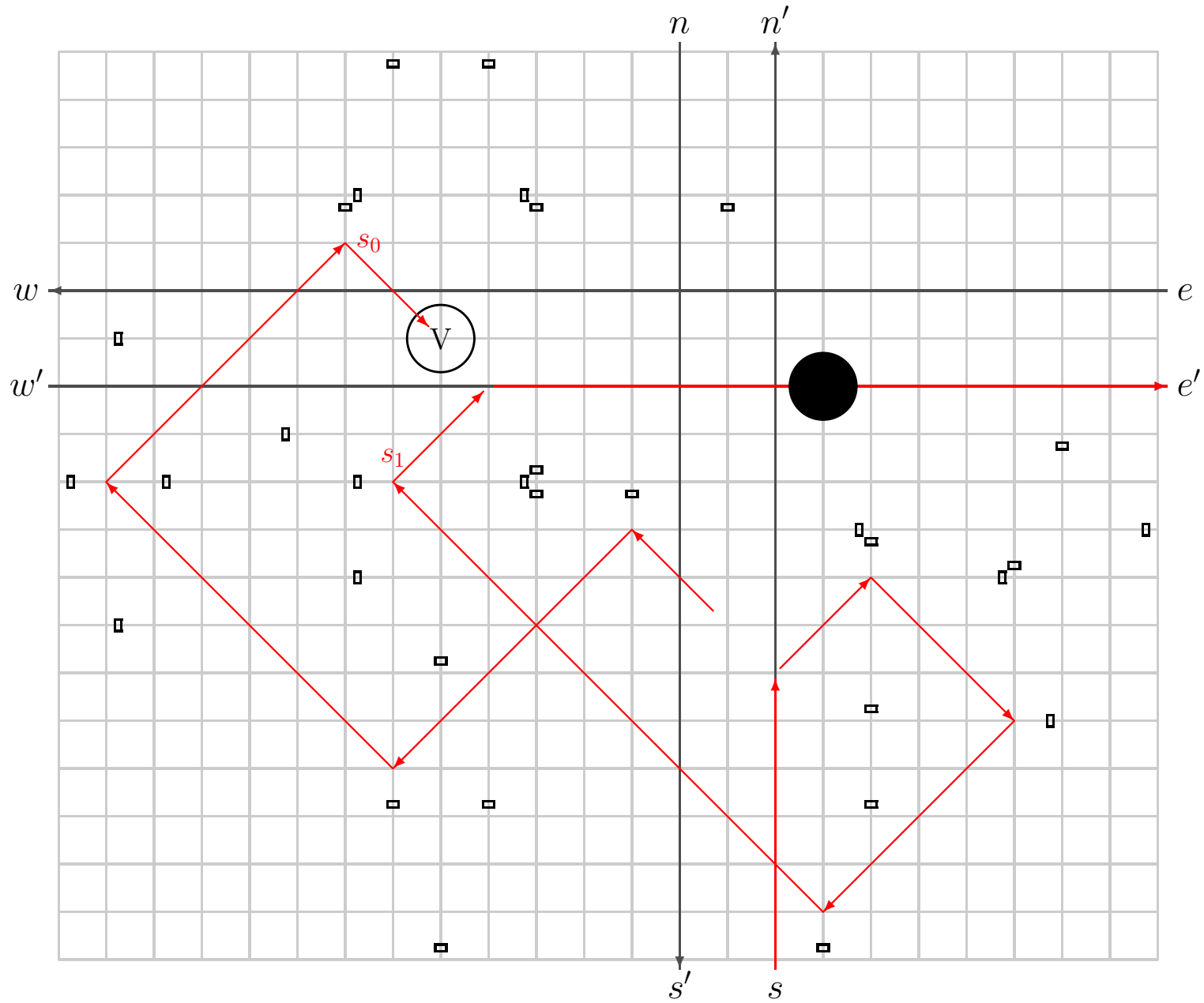
Movements of Balls (State: H , Input: s)



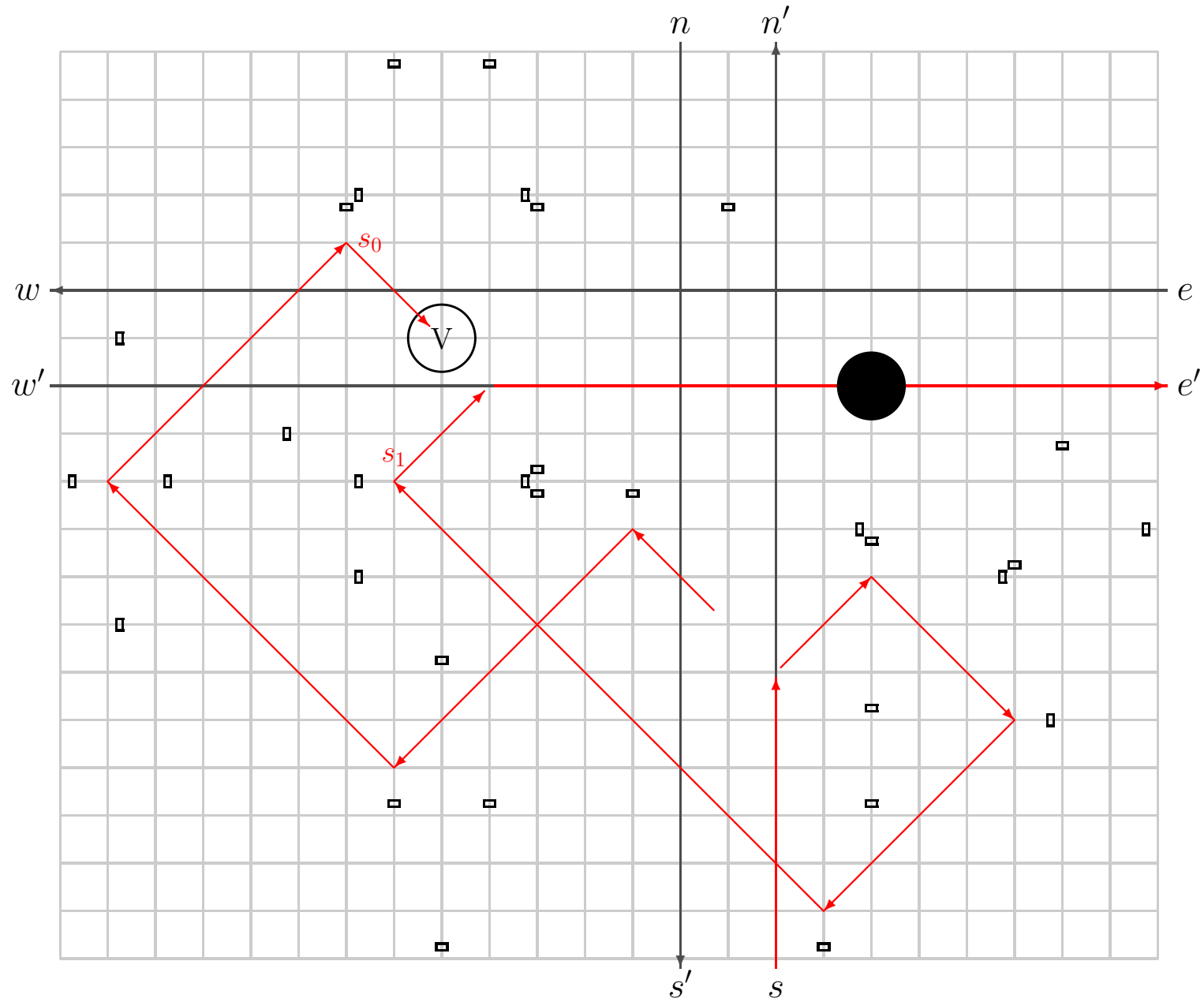
Movements of Balls (State: H , Input: s)



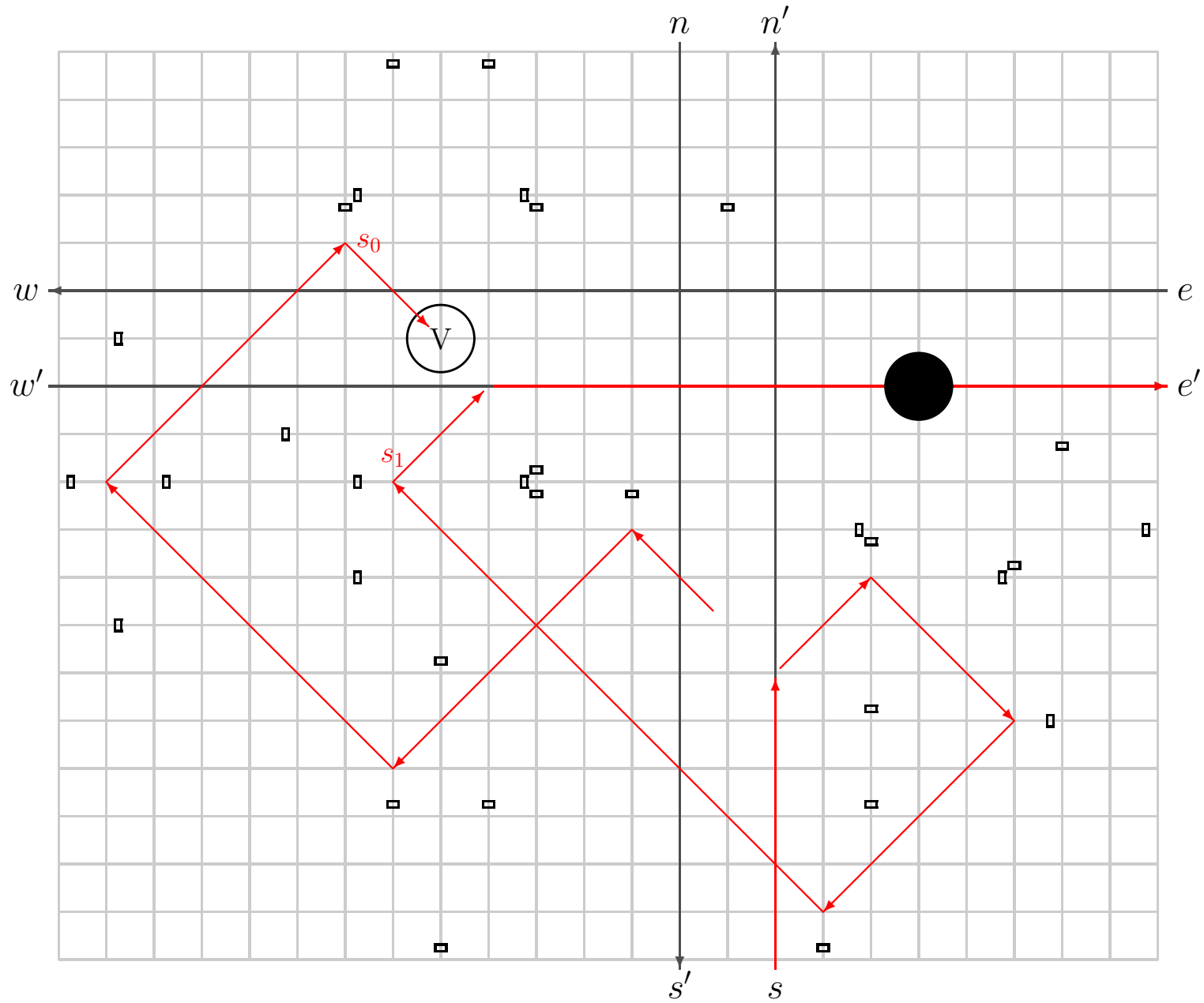
Movements of Balls (State: H , Input: s)



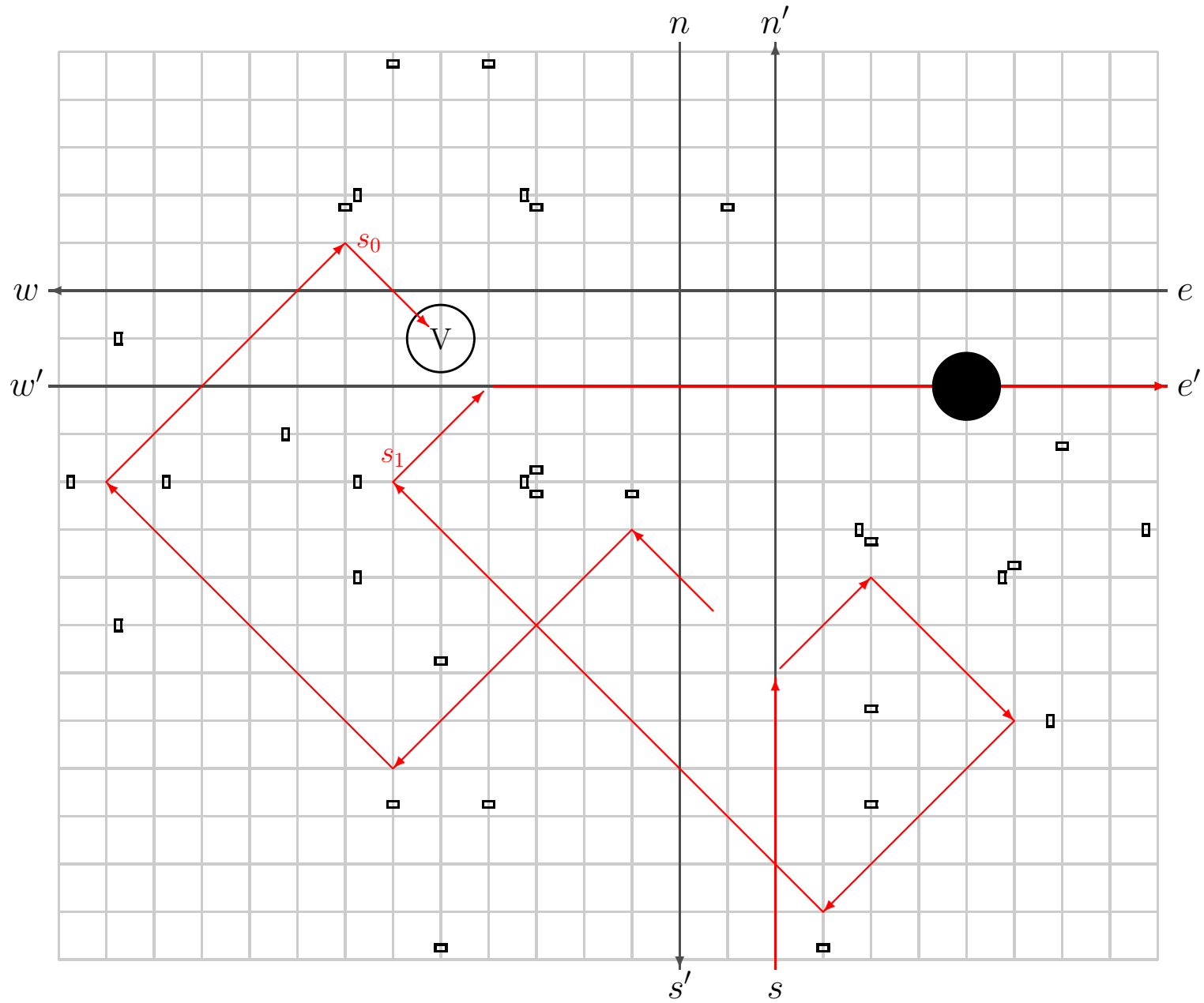
Movements of Balls (State: H , Input: s)



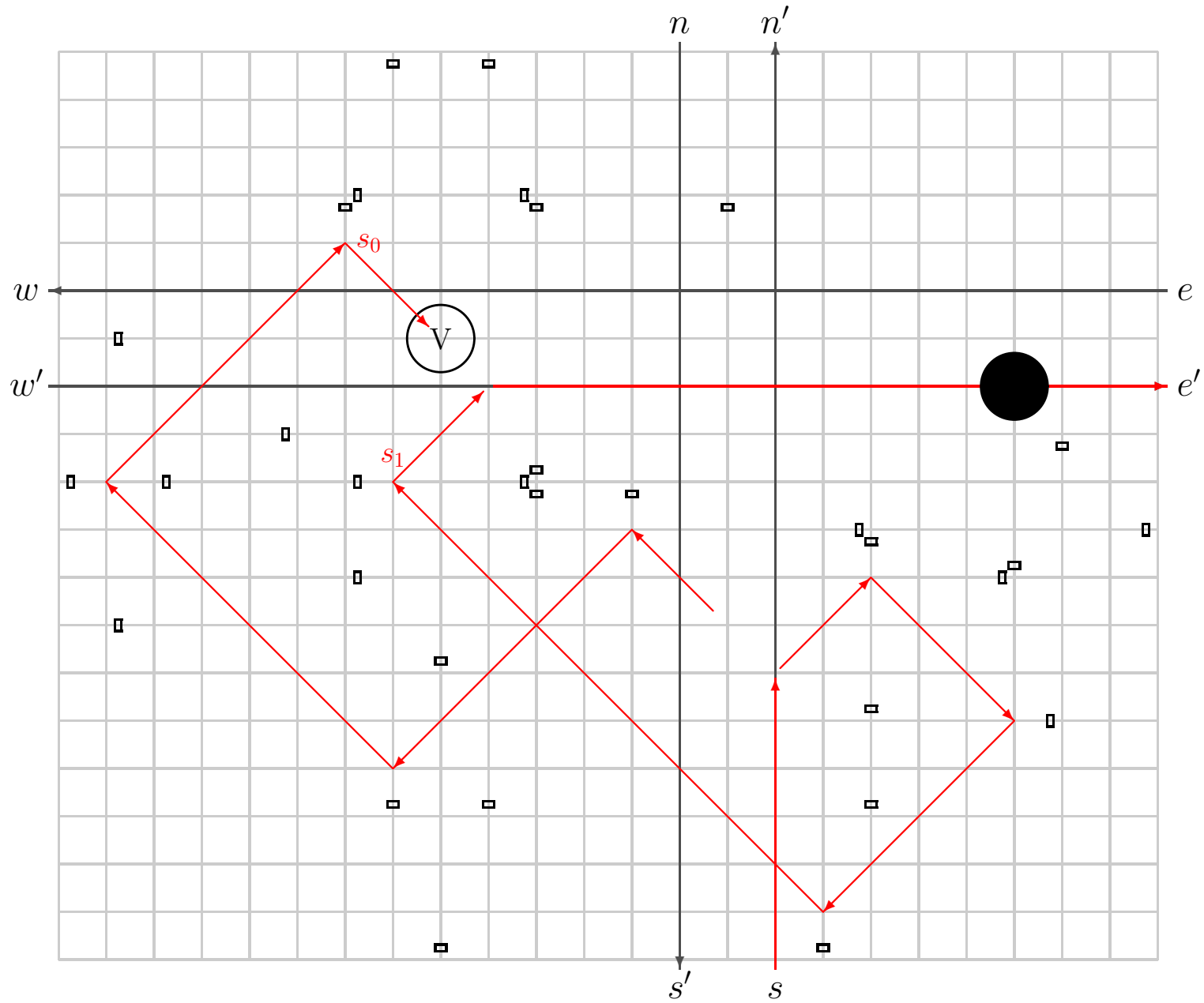
Movements of Balls (State: H , Input: s)



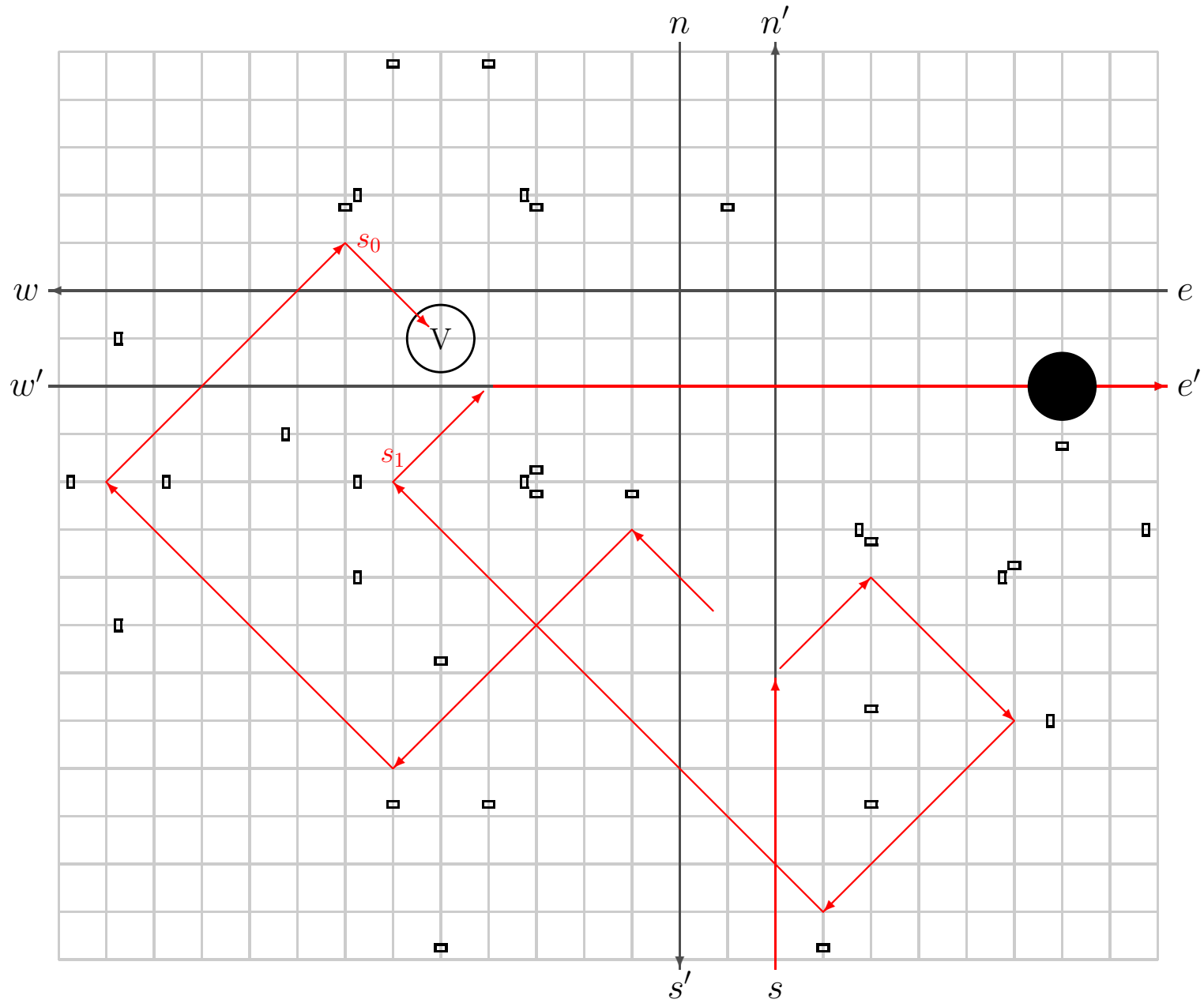
Movements of Balls (State: H , Input: s)



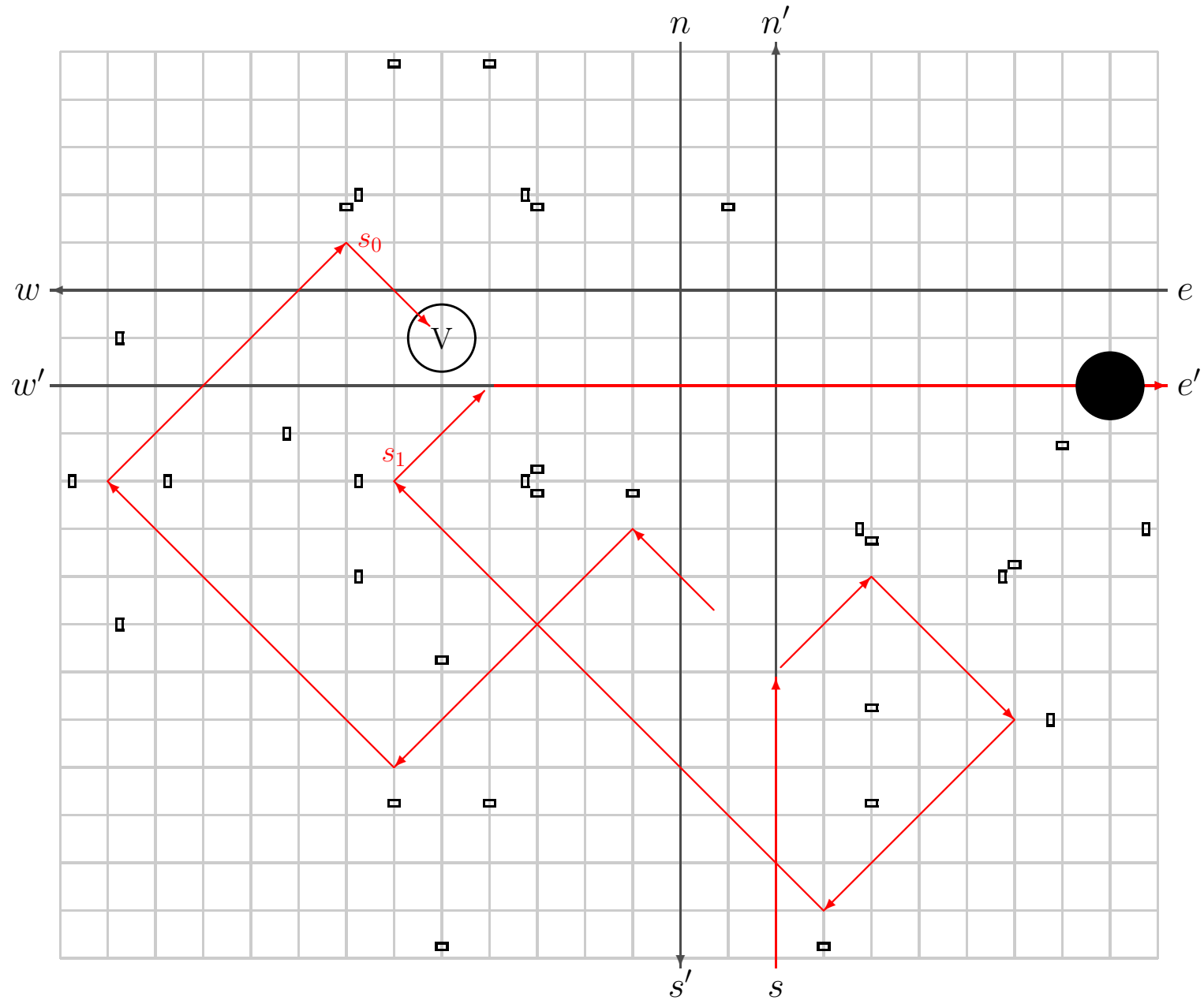
Movements of Balls (State: H , Input: s)



Movements of Balls (State: H , Input: s)

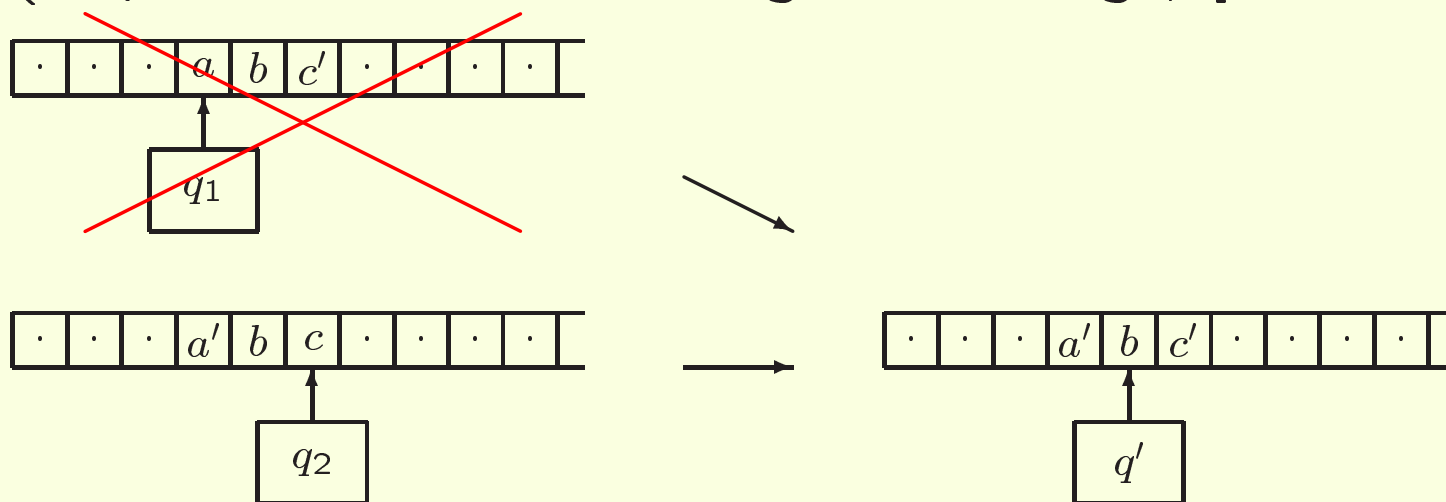


Movements of Balls (State: H , Input: s)



Reversible Turing Machine (RTM)

- A reversible Turing machine is a “backward deterministic” TM. (A precise definition is given in e.g., [Morita, 2008].)



- Its move function is described by a set of quintuples.
- The quintuple $[p, s, s', d, q]$ means if it reads the symbol s in the state p , then it writes s' , shift the head to the direction d , and becomes the state q .
- It is a universal model of computing [Bennett, 1973].

A Simple Example of an RTM: T_{parity}

$$T_{\text{parity}} = (Q, S, q_0, q_{\text{acc}}, 0, \delta)$$

$$Q = \{q_0, q_1, q_2, q_{\text{acc}}, q_{\text{rej}}\}$$

$$S = \{0, 1\}$$

$$\delta = \left\{ \begin{array}{l} [q_0, 0, 1, R, q_1], \\ [q_1, 0, 1, L, q_{\text{acc}}], \\ [q_1, 1, 0, R, q_2], \\ [q_2, 0, 1, L, q_{\text{rej}}], \\ [q_2, 1, 0, R, q_1] \end{array} \right\}$$

Q : a set of states

S : a set of tape symbols

q_0 : an initial state

q_{acc} : a final (accepting) state

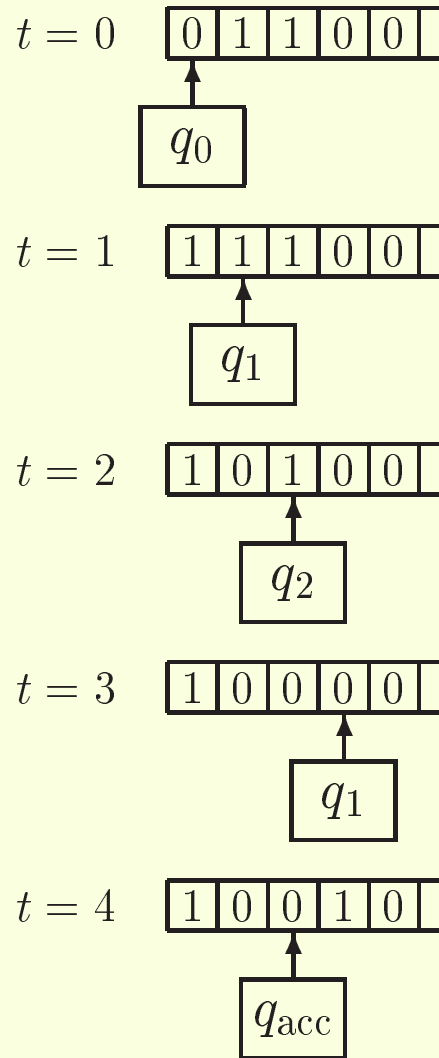
0: a blank symbol

δ : a move function

- A unary expression of an integer n is given to T_{parity} .
- If n is even, T_{parity} halts in the final state q_{acc} .
- If n is odd, T_{parity} halts in the state q_{rej} .
- All the symbols read by T_{parity} are complemented.

An Example of a Computation by T_{parity}

- A computing process of T_{parity} for the unary input “11”.



$$\delta = \left\{ \begin{array}{l} [q_0, 0, 1, R, q_1], \\ [q_1, 0, 1, L, q_{\text{acc}}], \\ [q_1, 1, 0, R, q_2], \\ [q_2, 0, 1, L, q_{\text{rej}}], \\ [q_2, 1, 0, R, q_1] \end{array} \right\}$$

Realizing Reversible Turing Machines by Rotary Elements

- It is known that any RTM can be realized by rotary elements [Morita, 2001].
- A **memory cell** (i.e., one square of a tape), and a **finite-state control** of an RTM can be formalized as reversible sequential machines (RSMs).
- They are constructed by rotary elements systematically.
- We show here a construction method simpler than the one given in [Morita, 2001].

Memory Cell for an RTM

- A memory cell is a circuit that realizes one square of a tape of an RTM.
- In the following, we assume the set of tape symbols is $\{0, 1\}$. (It is similarly designed for other cases.)
- It keeps the tape symbol $s \in \{0, 1\}$, and the information h whether the head is on this cell ($h = 1$) or not ($h = 0$).
- Hence, its state set is $\{(h, s) \mid h, s \in \{0, 1\}\}$.
- It can receive several kinds of read/write and head-shift instructions from the input ports.
- It can give several kinds of response signals for the instructions from the output ports.
- To avoid simple erasure of a symbol, and to make it reversible, write and read instructions are combined.

Input Symbols of a Memory Cell

Symbol	Its role
W0	Instruction of writing the symbol 0. (By this, a read operation is also performed, and R0 or R1 is produced.)
W1	Instruction of writing the symbol 1. (By this, a read operation is also performed, and R0 or R1 is produced.)
R0	Completion signal of read that tells the symbol was 0.
R1	Completion signal of read that tells the symbol was 1.
SL	Instruction of shift-left operation.
SLI	Instruction for placing the head here by shifting it left.
SLc	Completion signal for shift-left operation.
SR	Instruction of shift-right operation.
SRI	Instruction for placing the head here by shifting it right.
SRc	Completion signal for shift-right operation.

- For each input symbol, there is a corresponding output symbol, which is indicated by a one with '.

Memory Cell Formalized as an RSM

- A memory cell (i.e., one square of a tape) can be formalized as an RSM M_C :

$$M_C = (Q_C, \Sigma_C, \Gamma_C, \delta_C)$$

$$Q_C = \{(h, s) \mid h, s \in \{0, 1\}\}$$

$$\Sigma_C = \{W0, W1, R0, R1, SR, SRI, SRC, SL, SLI, SLC\}$$

$$\Gamma_C = \{x' \mid x \in \Sigma_C\}$$

$$\delta_C((0, s), y) = ((0, s), y') \quad (y \in \Sigma_C - \{SRI, SLI\})$$

$$\delta_C((0, s), SRI) = ((1, s), SRC')$$

$$\delta_C((0, s), SLI) = ((1, s), SLC')$$

$$\delta_C((1, 0), W0) = ((1, 0), R0')$$

$$\delta_C((1, 1), W0) = ((1, 0), R1')$$

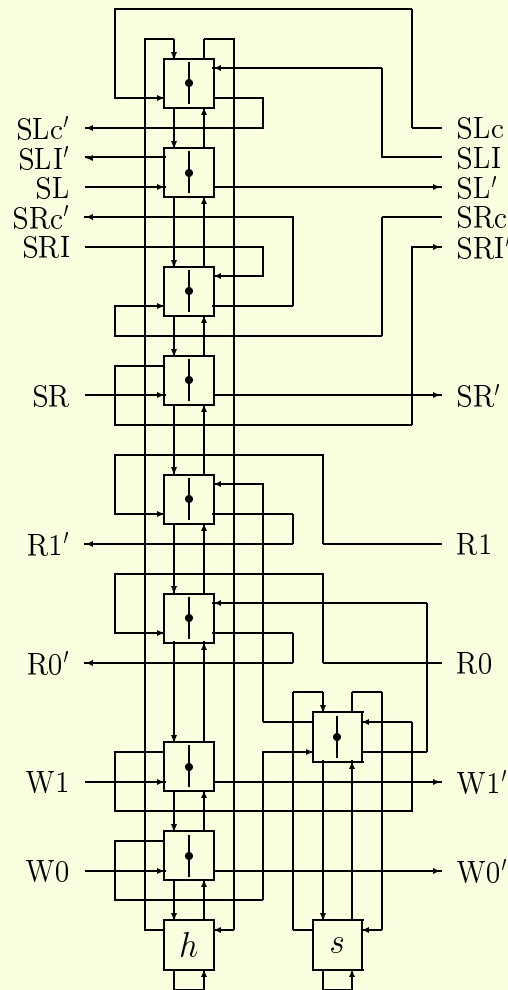
$$\delta_C((1, 0), W1) = ((1, 1), R0')$$


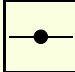
$$\delta_C((1, 1), W1) = ((1, 1), R1')$$

$$\delta_C((1, s), SR) = ((0, s), SRI')$$

$$\delta_C((1, s), SL) = ((0, s), SLI')$$

Memory Cell Realized by Rotary Elements



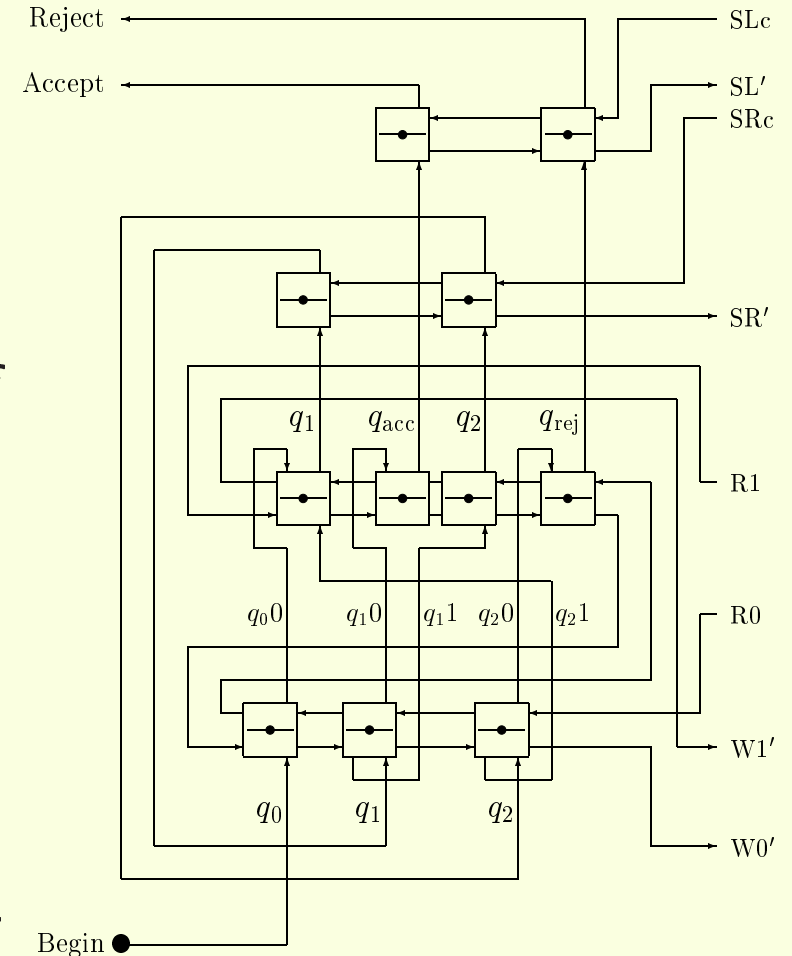
- Each of the rotary elements at the positions h and s is set to  if the value is 0, and  if it is 1.

Finite-State Control (FSC) of an RTM

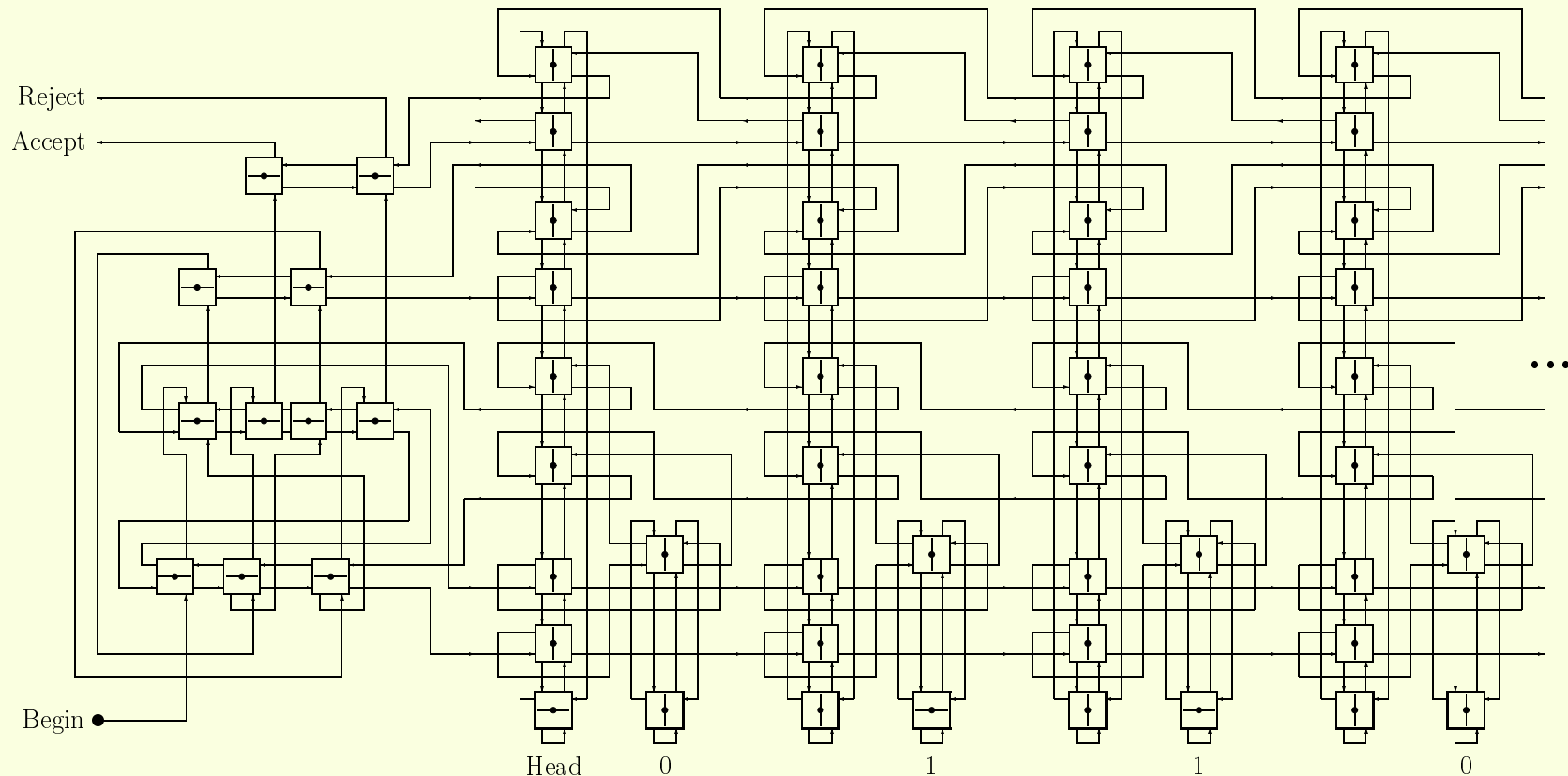
- An FSC of an RTM can be also realized by rotary elements easily, since it is a kind of an RSM.
- In such a circuit, each quintuple of an RTM is executed by producing read, write, and shift instructions consecutively, and sending them to an array of memory cells.
- Giving W0 instruction, a read operation is performed, since a completion signal R0 or R1 is obtained.
- Then, giving W0 or W1 instruction, a write operation is performed, and a completion signal R0 is obtained.
- Finally, giving SL or SR instruction, shift operation is performed.
- A circuit of an FSC of T_{parity} is shown at the next page.

FSC of T_{parity} Realized by Rotary Elements

- We lay rotary elements in 4 rows.
- 3 elements in the 4th row correspond to q_0, q_1 and q_2 . They send W0 instruction to read the symbol.
- If they receive a signal R0 or R1, they determine which quintuple of T_{parity} must be executed.
- Giving an instruction W0 or W1 according to the chosen quintuple, the 4 elements of the 3rd row perform writing and state-change.
- Then the elements of the 1st or 2nd rows perform a head shift.



The Whole Circuit That Simulates T_{parity}



- It is an initial configuration of T_{parity} having an input “11”.
- Giving a particle to “Begin,” it starts to compute.
- It is also possible to further realize this circuit in BBM.
- All the steps of the computation are shown in Appendix.

References

- [Bennett, 1973] Bennett, C.H., Logical reversibility of computation, *IBM J. Res. Dev.*, **17**, 525–532 (1973).
- [Fredkin, Toffoli, 1982] Fredkin, E., Toffoli, T., Conservative logic, *Int. J. Theoret. Phys.*, **21**, 219–253 (1982).
- [Morita, 2001] Morita, K., A simple reversible logic element and cellular automata for reversible computing, *Proc. 3rd Int. Conf. on Machines, Computations, and Universality*, LNCS-2055, Springer-Verlag, 102–113 (2001).
- [Morita, 2008] Morita, K., Reversible computing and cellular automata — A survey, *Theoretical Computer Science*, **395**, 101–131 (2008).
- (also available at: <http://ir.lib.hiroshima-u.ac.jp/00025576>)

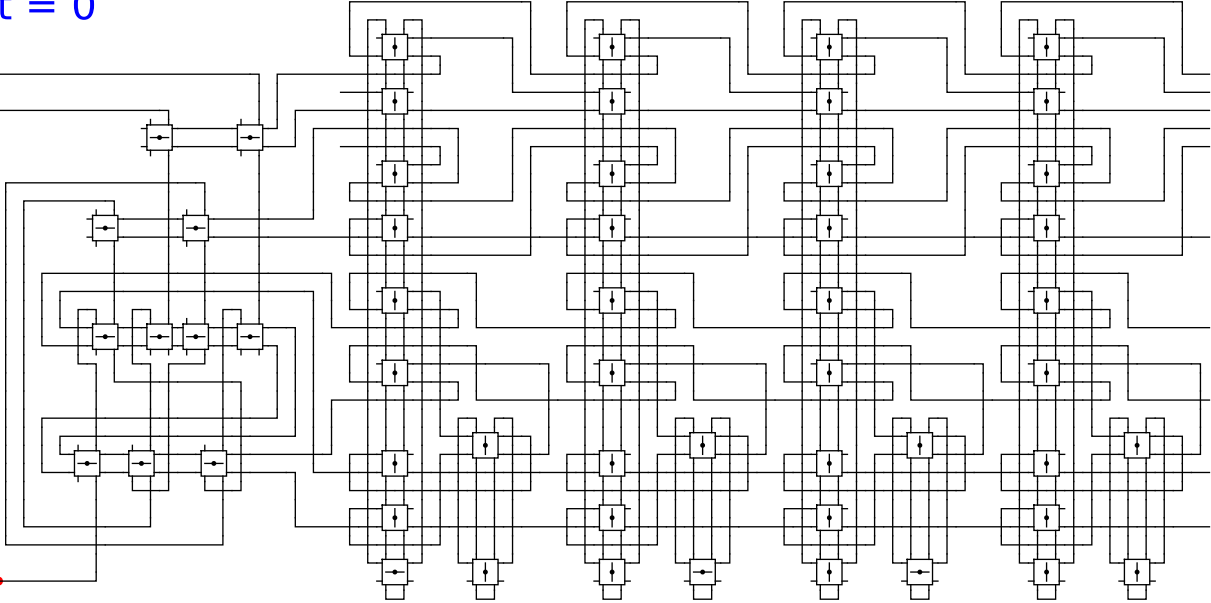
Appendix: An Entire Simulation Process of a Reversible Turing Machine by a Circuit Composed of Rotary Elements

- A simulation result of the reversible Turing machine T_{parity} with an input “11” is shown in the following 4406 pages.
- These figures are generated by a Python program.
- Note that, in this simulation, connecting wires also have signal delays.

t = 0

Reject
Accept

Begin



head

0

1

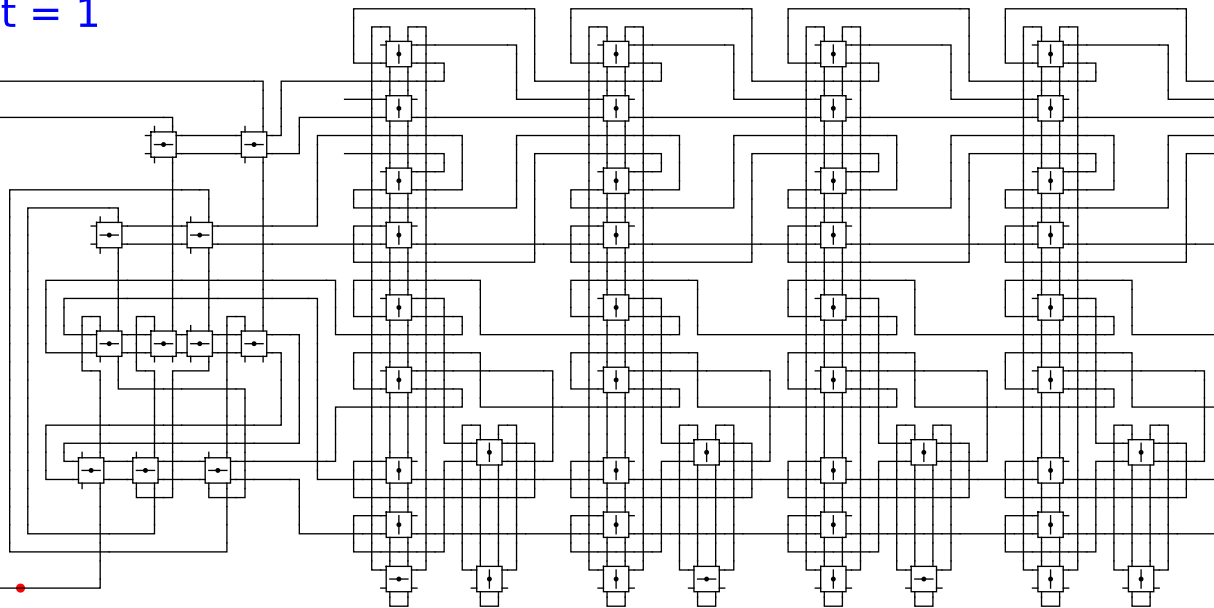
1

0

$t = 1$

Reject
Accept

Begin

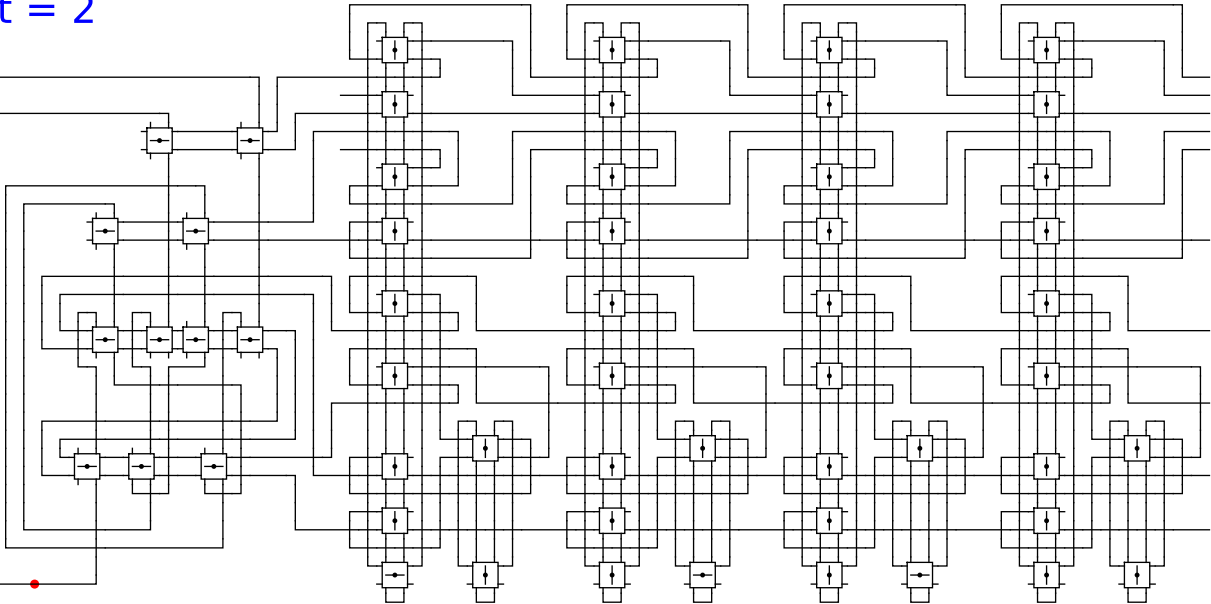


head 0 1 1 0

t = 2

Reject
Accept

Begin



head

0

1

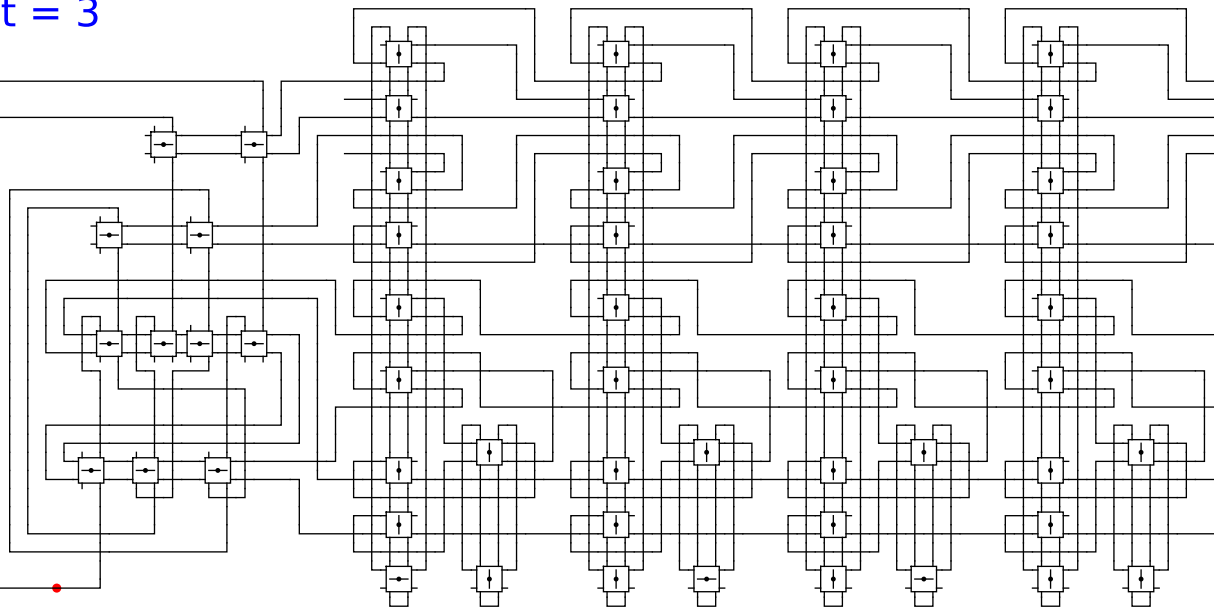
1

0

t = 3

Reject
Accept

Begin



head

0

1

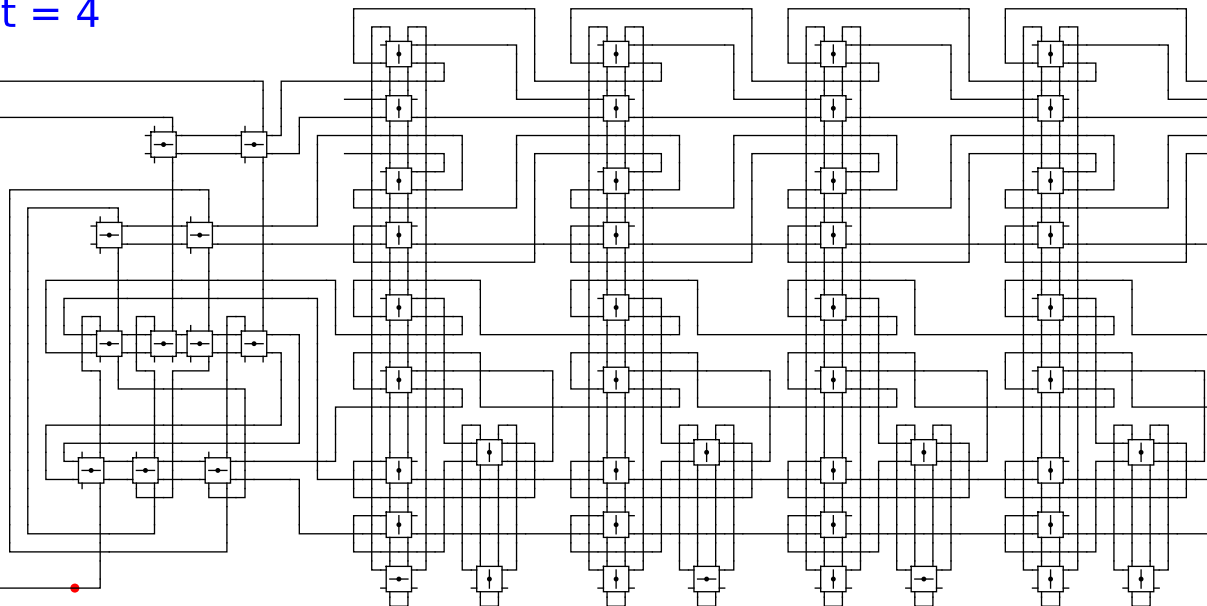
1

0

t = 4

Reject
Accept

Begin



head

0

1

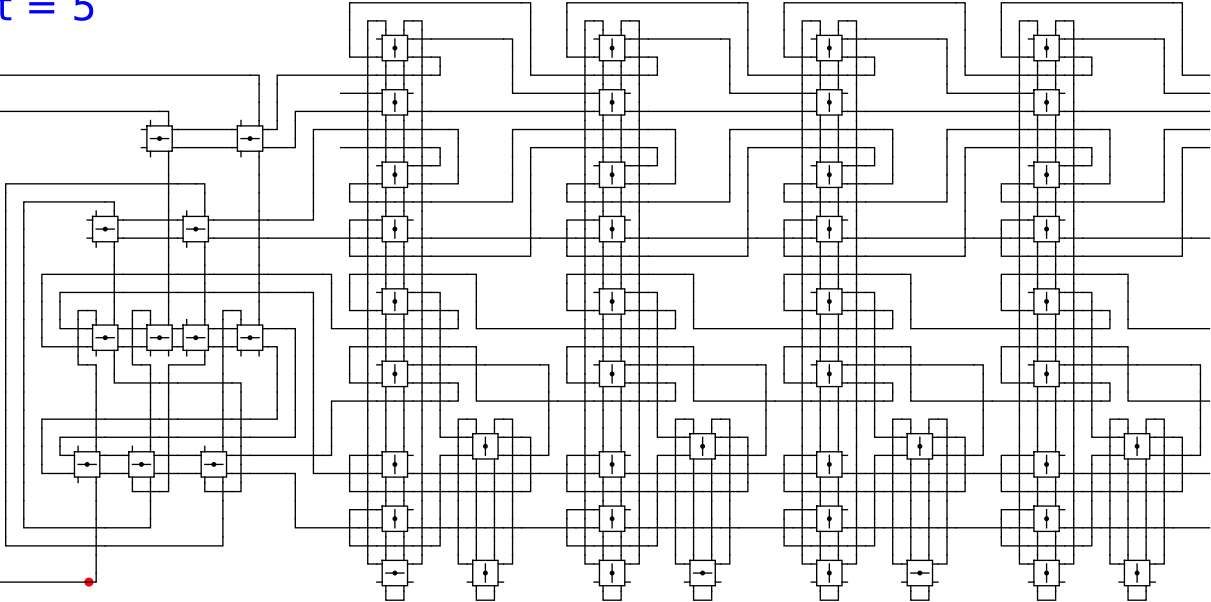
1

0

t = 5

Reject
Accept

Begin



head

0

1

1

0

$t = 6$

Reject
Accept

Begin

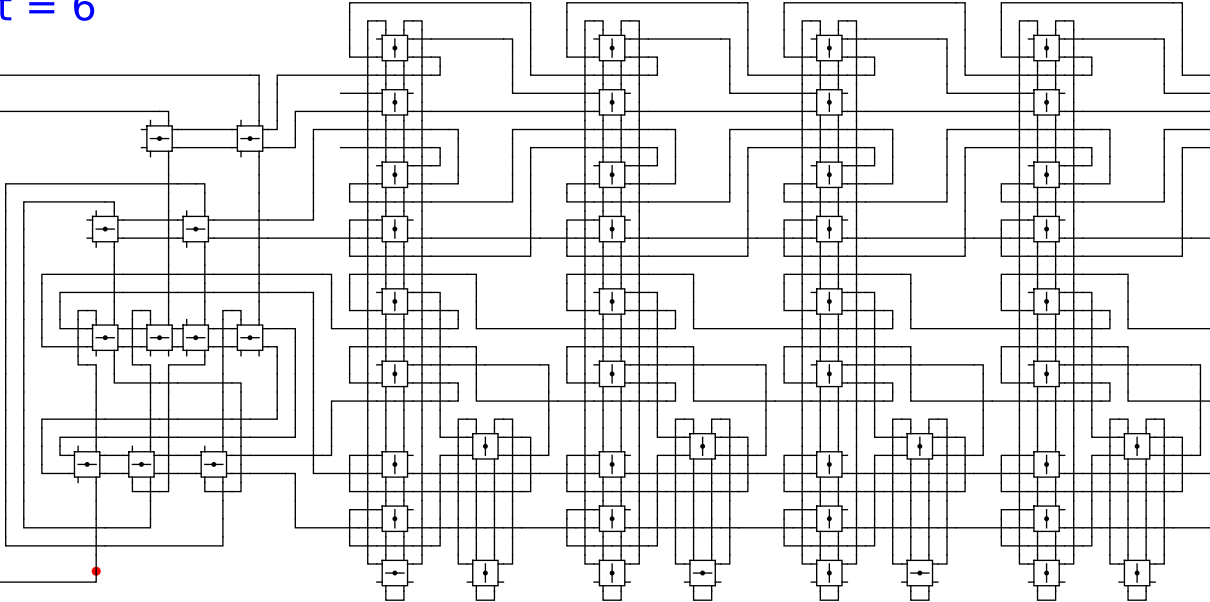
head

0

1

1

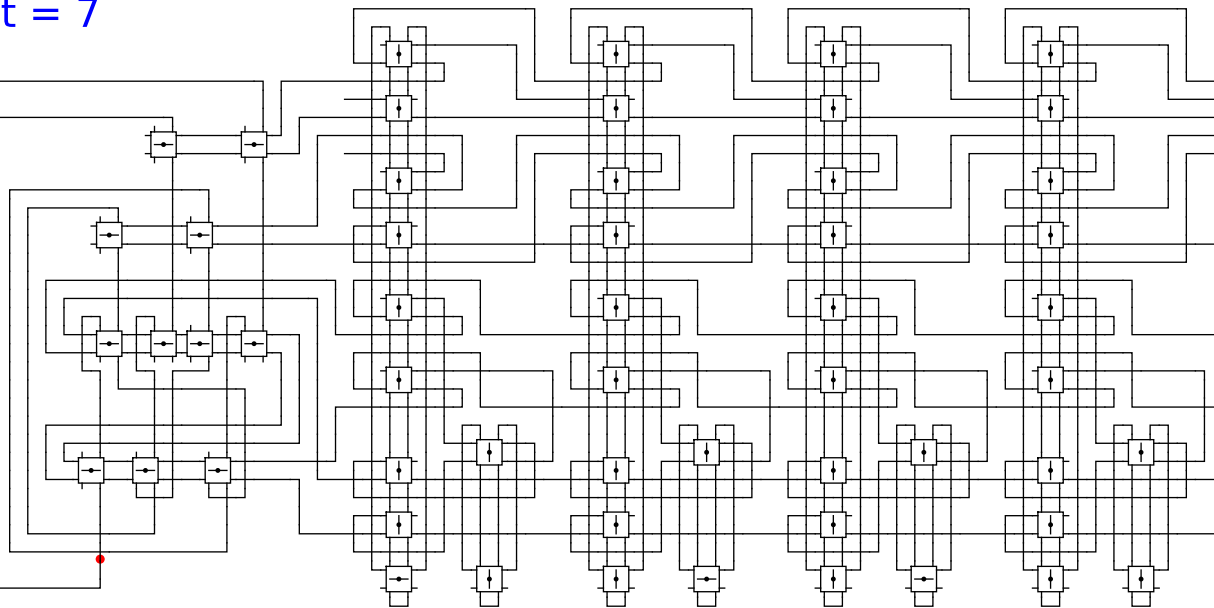
0



$t = 7$

Reject
Accept

Begin



head 0 1 1 0

t = 8

Reject
Accept

Begin

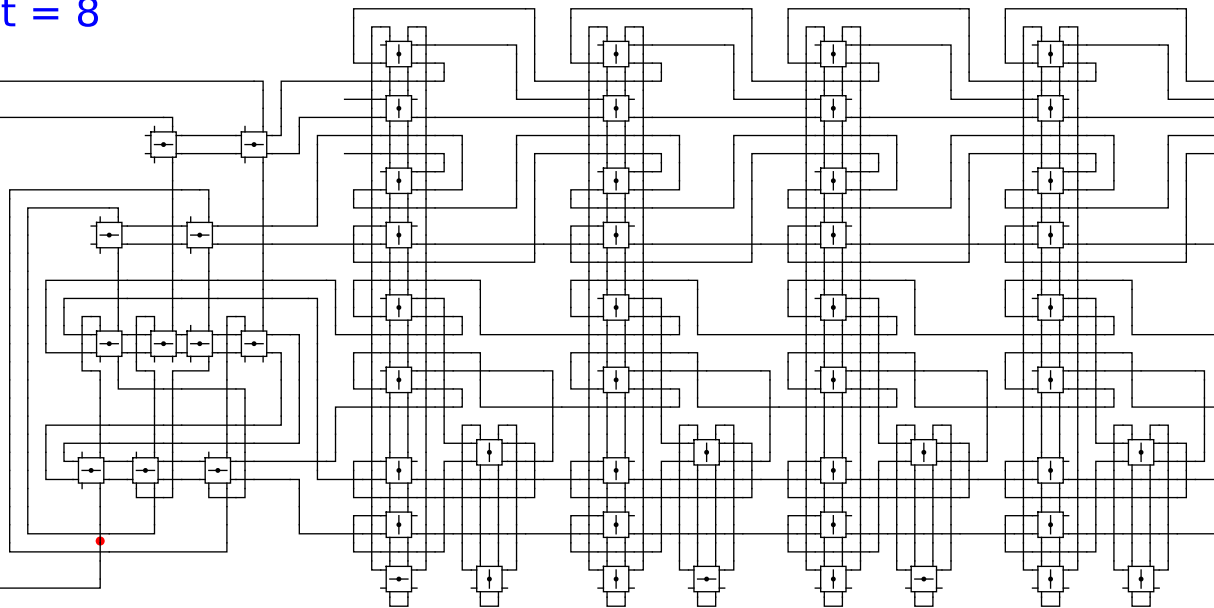
head

0

1

1

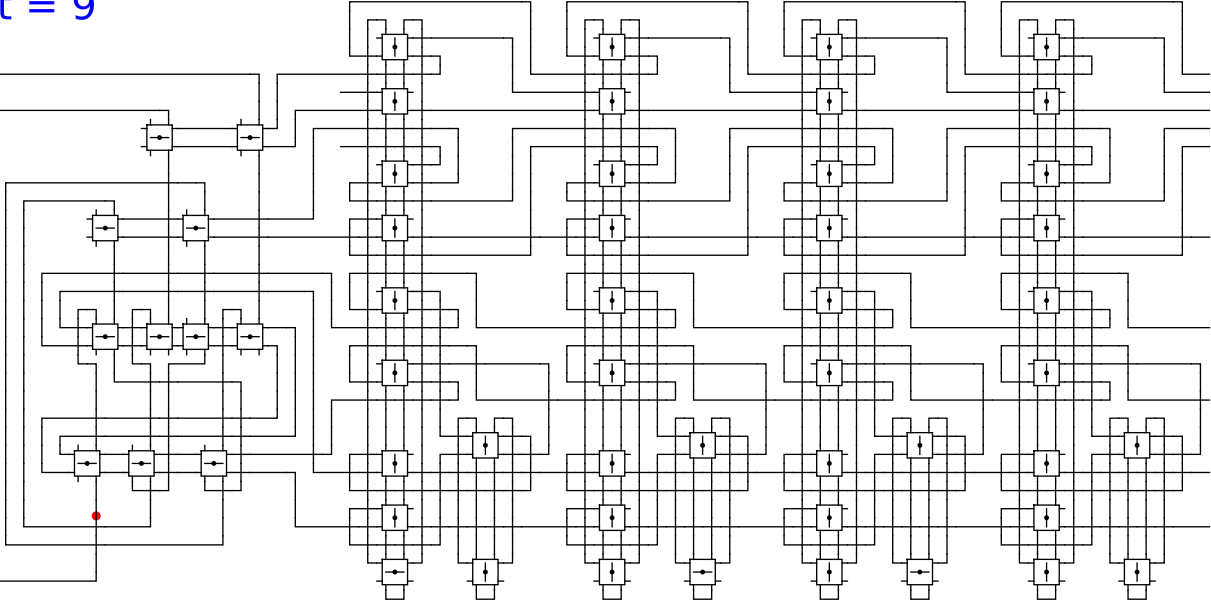
0



t = 9

Reject
Accept

Begin



head

0

1

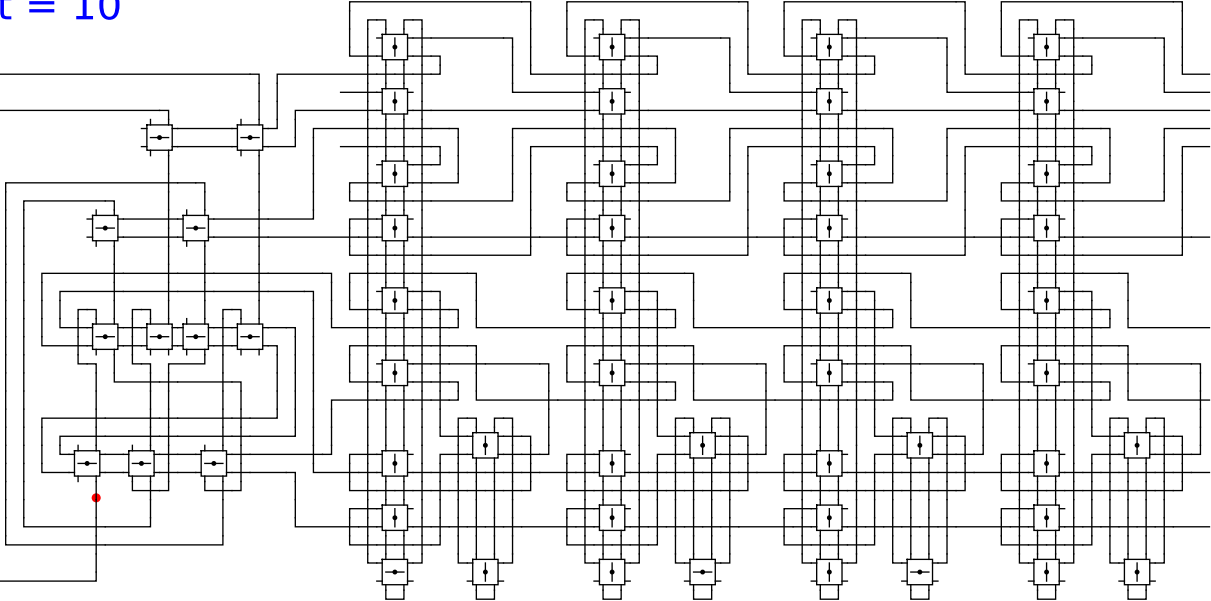
1

0

t = 10

Reject
Accept

Begin



head

0

1

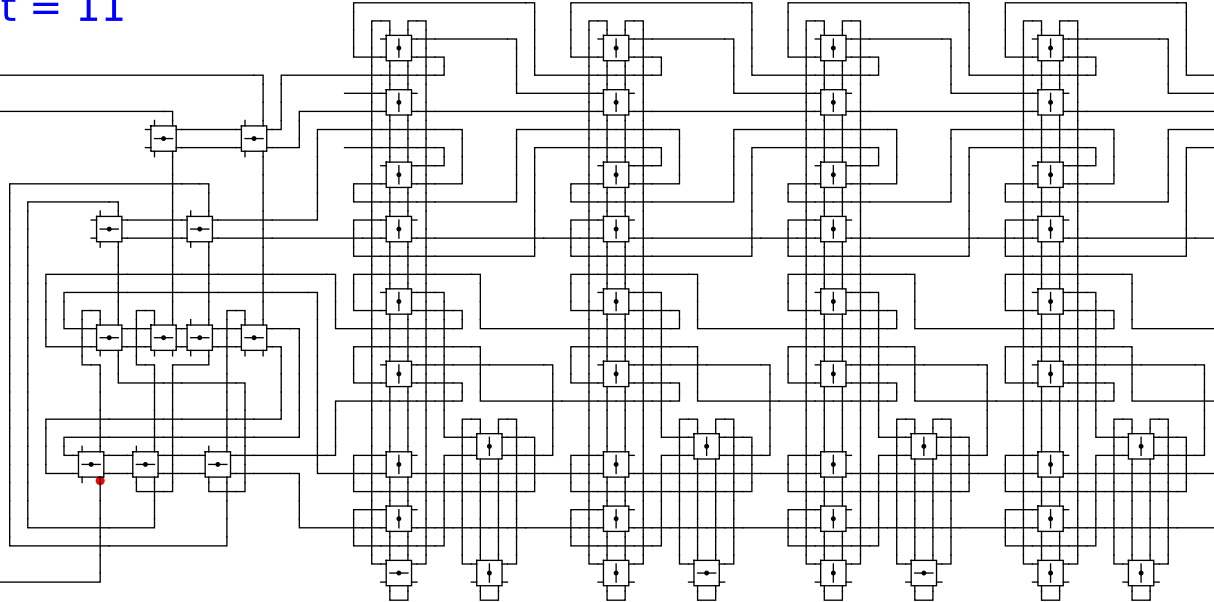
1

0

t = 11

Reject
Accept

Begin

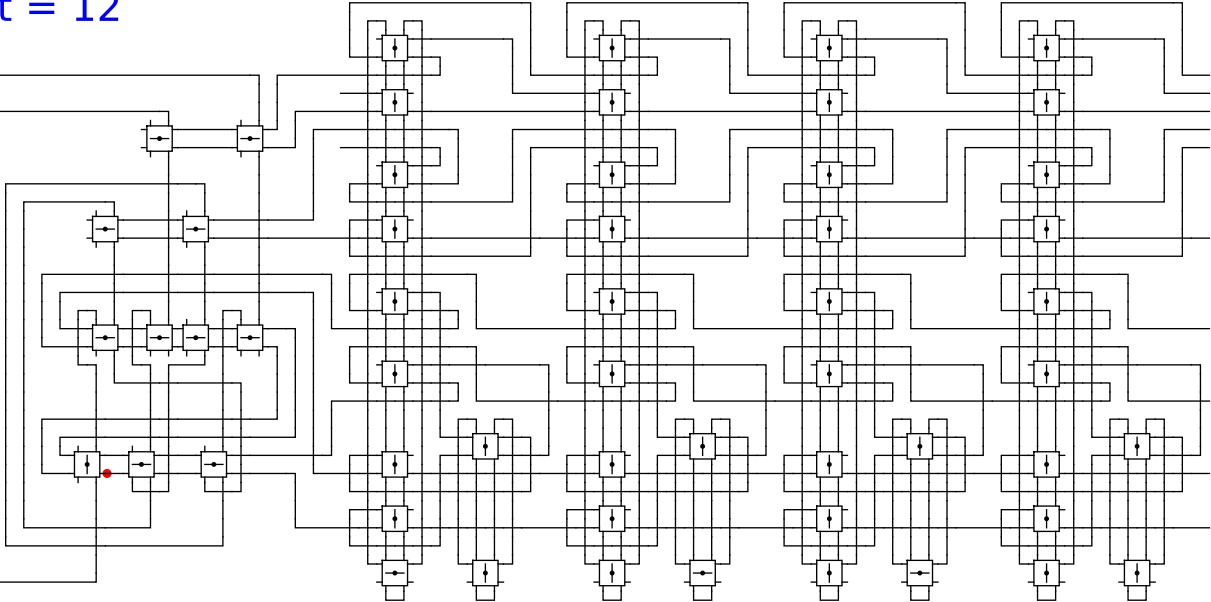


head 0 1 1 0

t = 12

Reject
Accept

Begin



head

0

1

1

0

t = 13

Reject
Accept

Begin

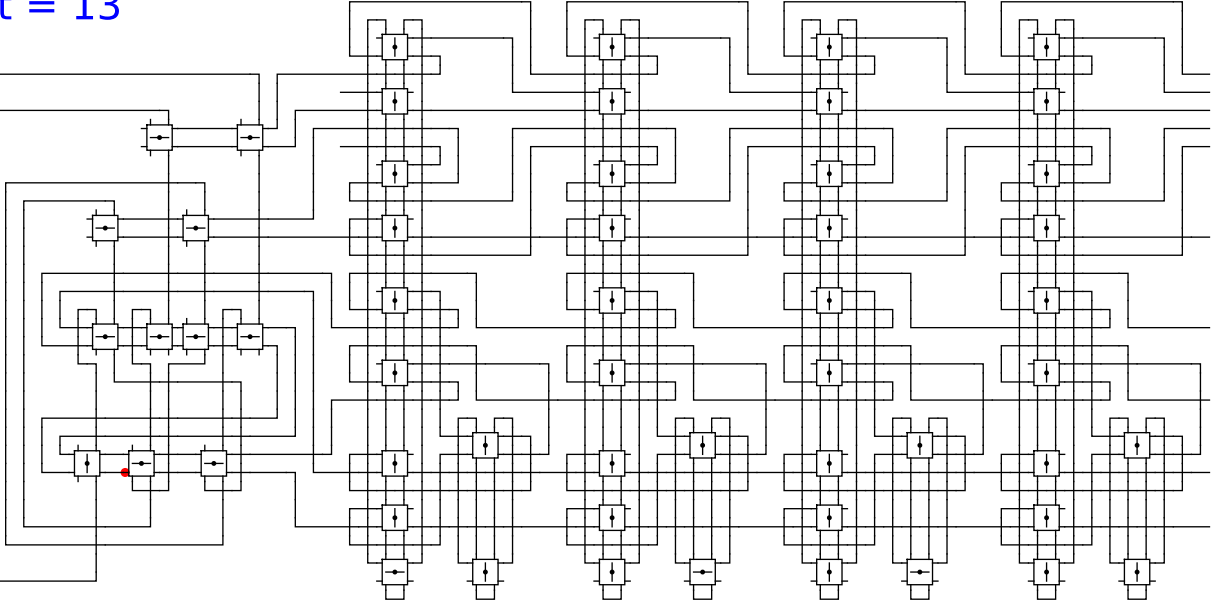
head

0

1

1

0



t = 14

Reject
Accept

Begin

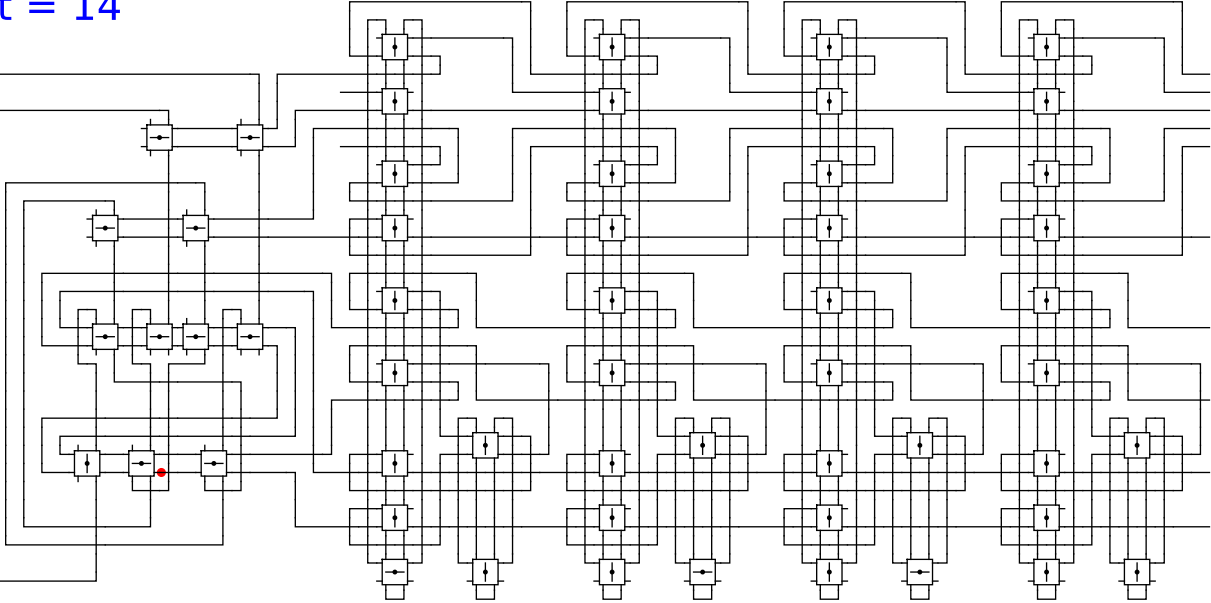
head

0

1

1

0



t = 15

Reject
Accept

Begin

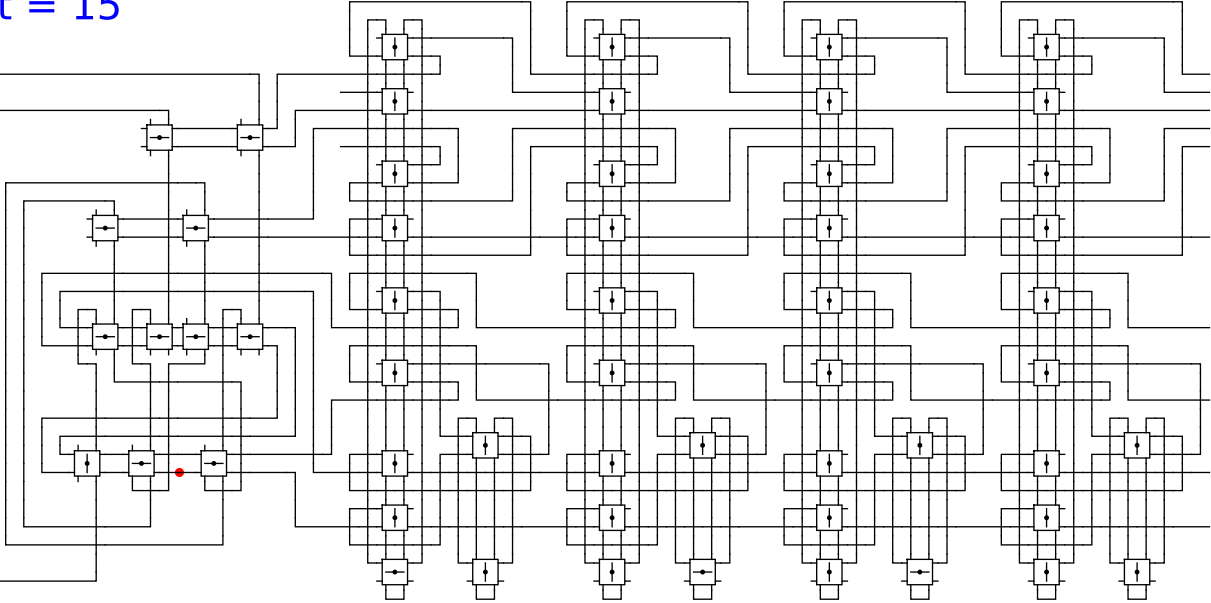
head

0

1

1

0



t = 16

Reject
Accept

Begin

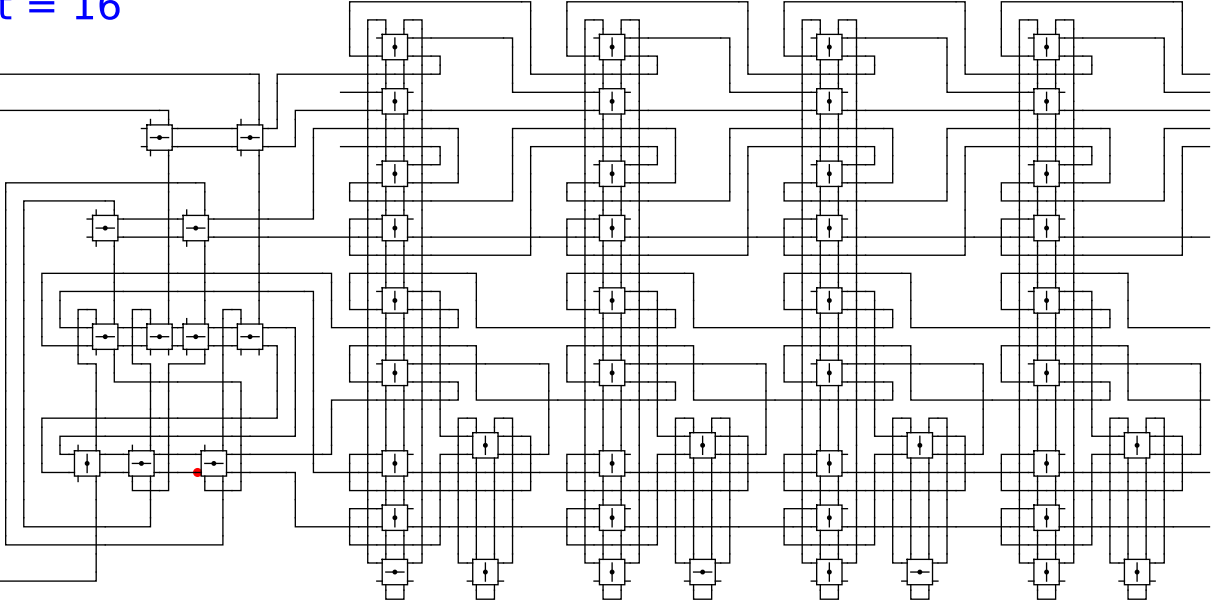
head

0

1

1

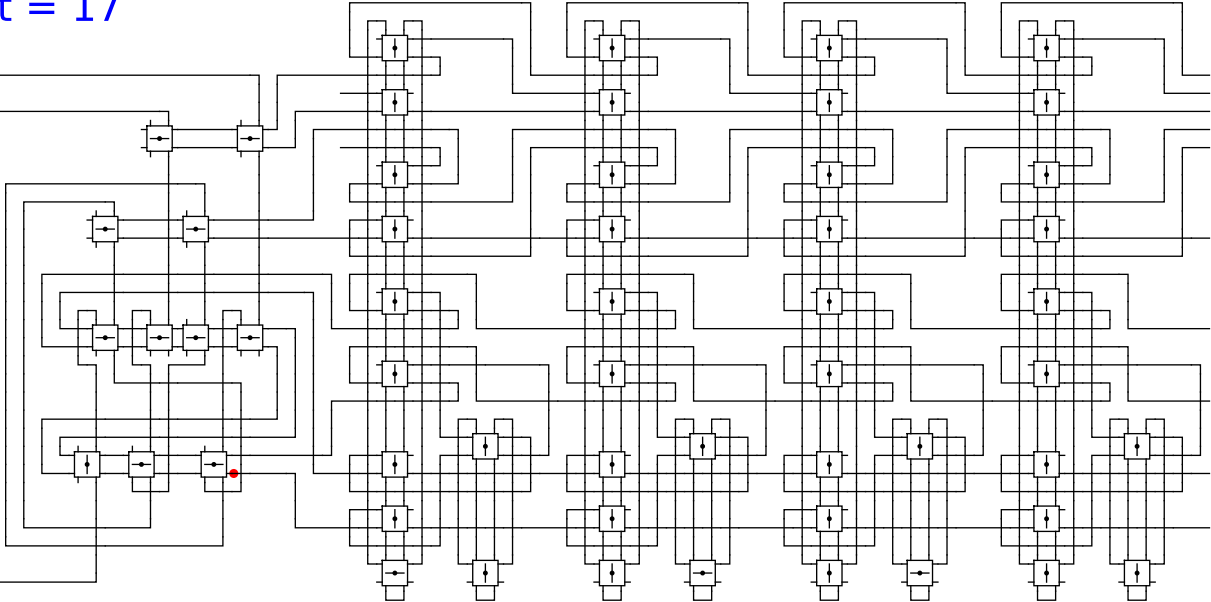
0



t = 17

Reject
Accept

Begin



head

0

1

1

0

t = 18

Reject
Accept

Begin

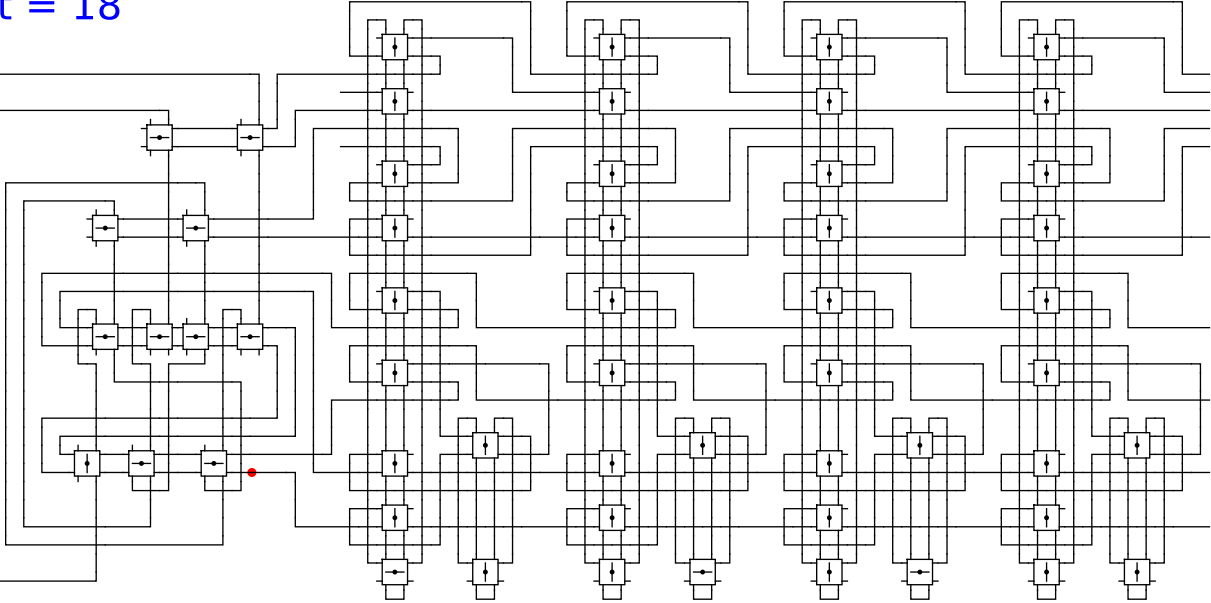
head

0

1

1

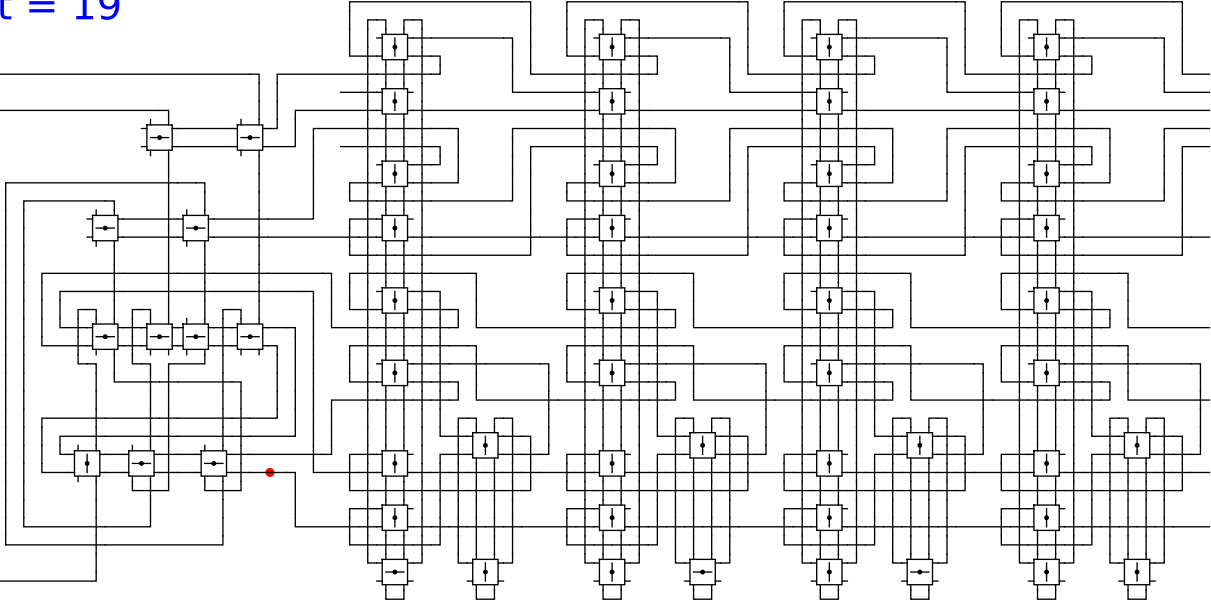
0



t = 19

Reject
Accept

Begin



head

0

1

1

0

t = 20

Reject
Accept

Begin

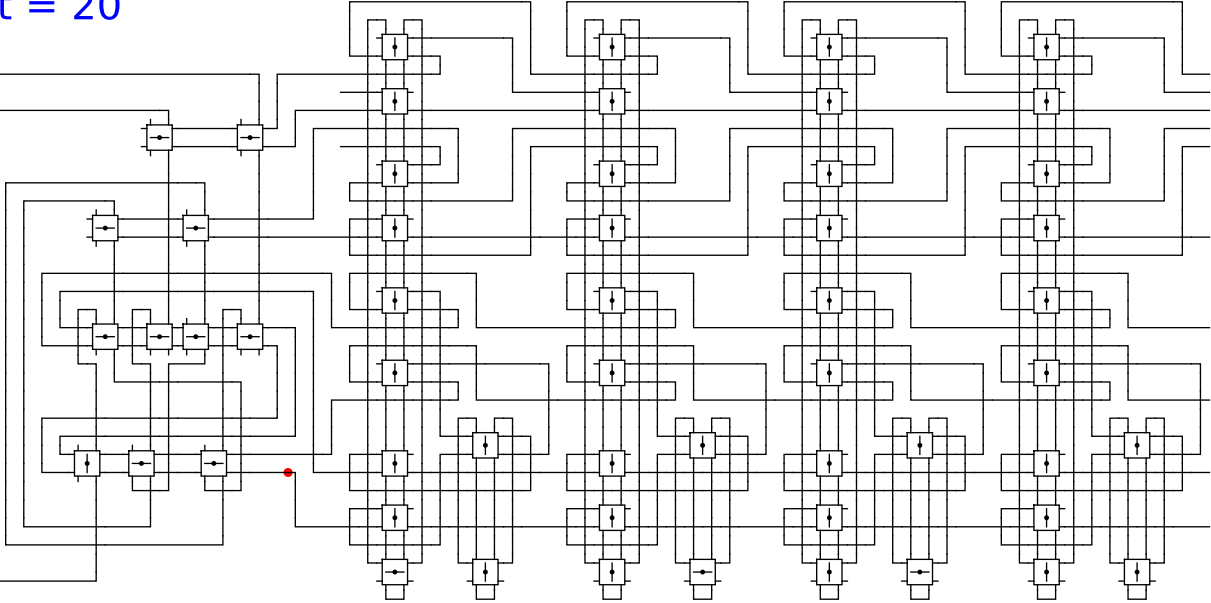
head

0

1

1

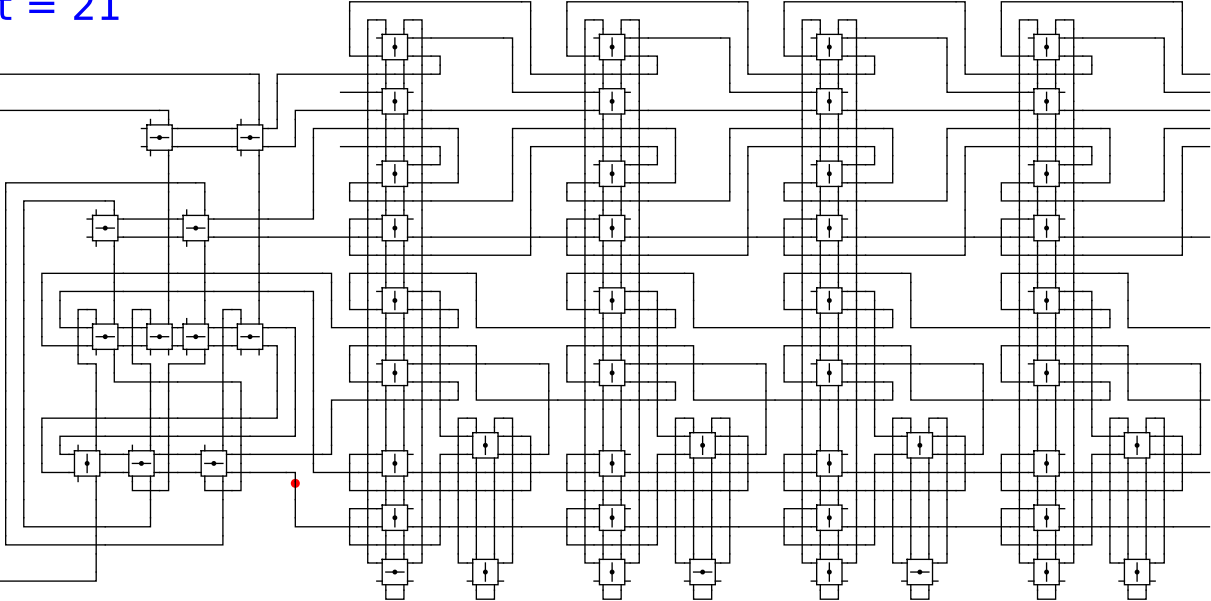
0



t = 21

Reject
Accept

Begin



head

0

1

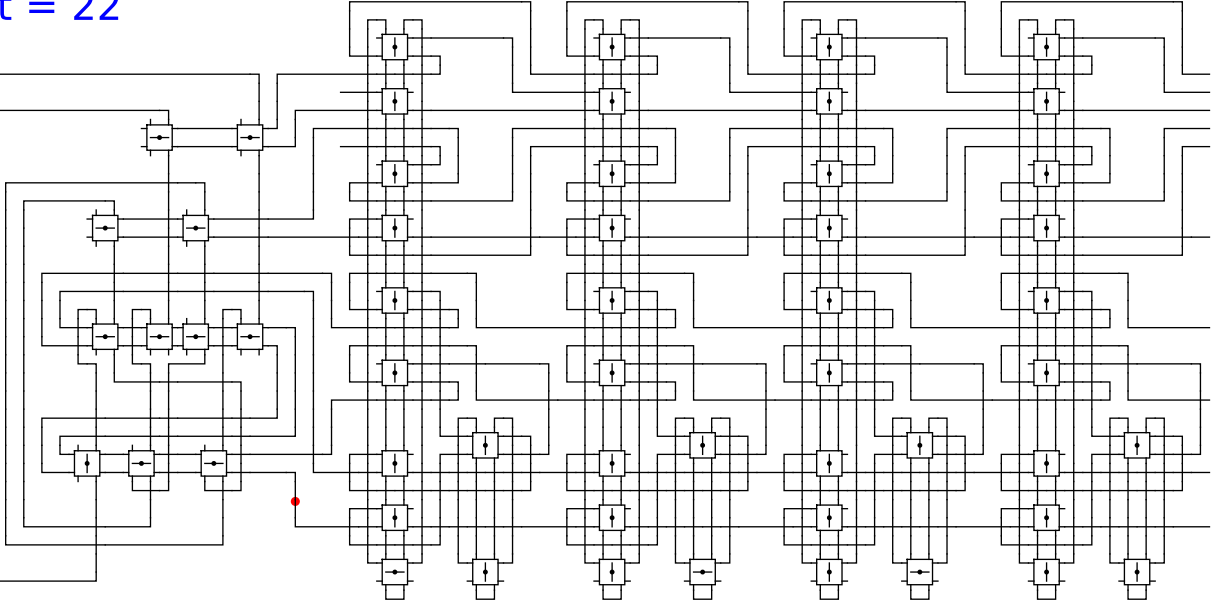
1

0

t = 22

Reject
Accept

Begin



head

0

1

1

0

t = 23

Reject
Accept

Begin

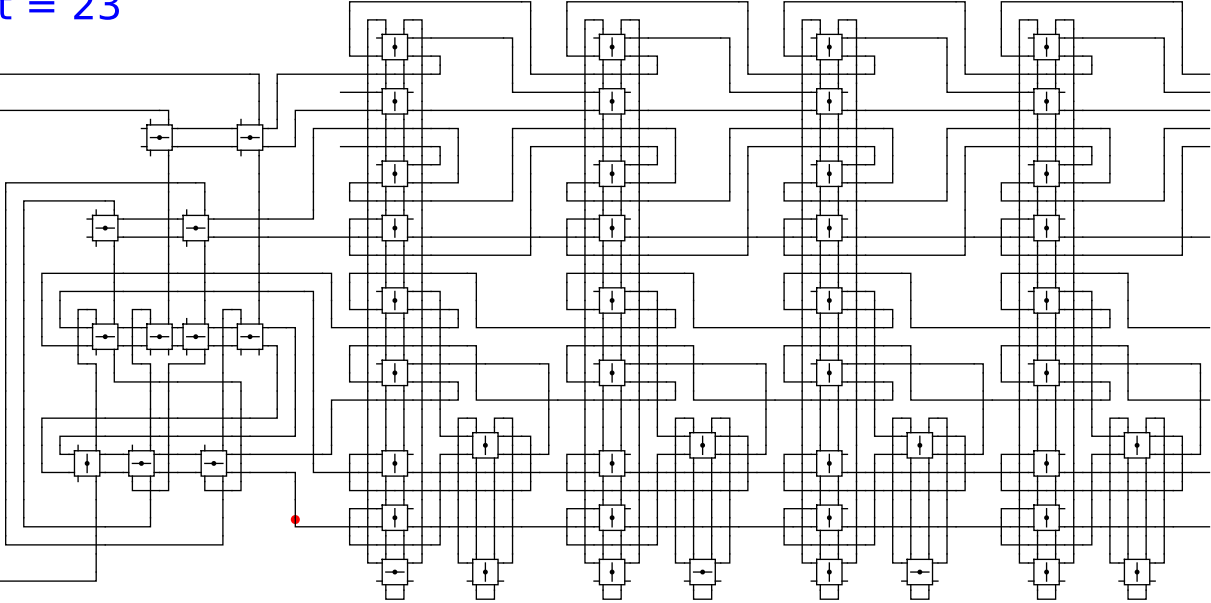
head

0

1

1

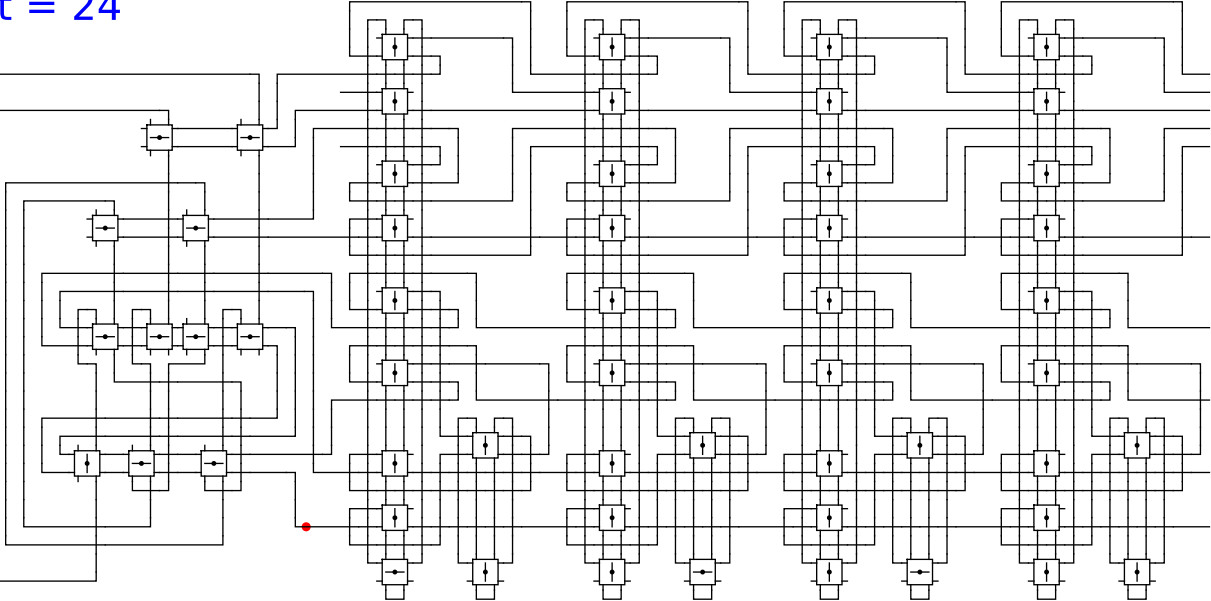
0



t = 24

Reject
Accept

Begin



head

0

1

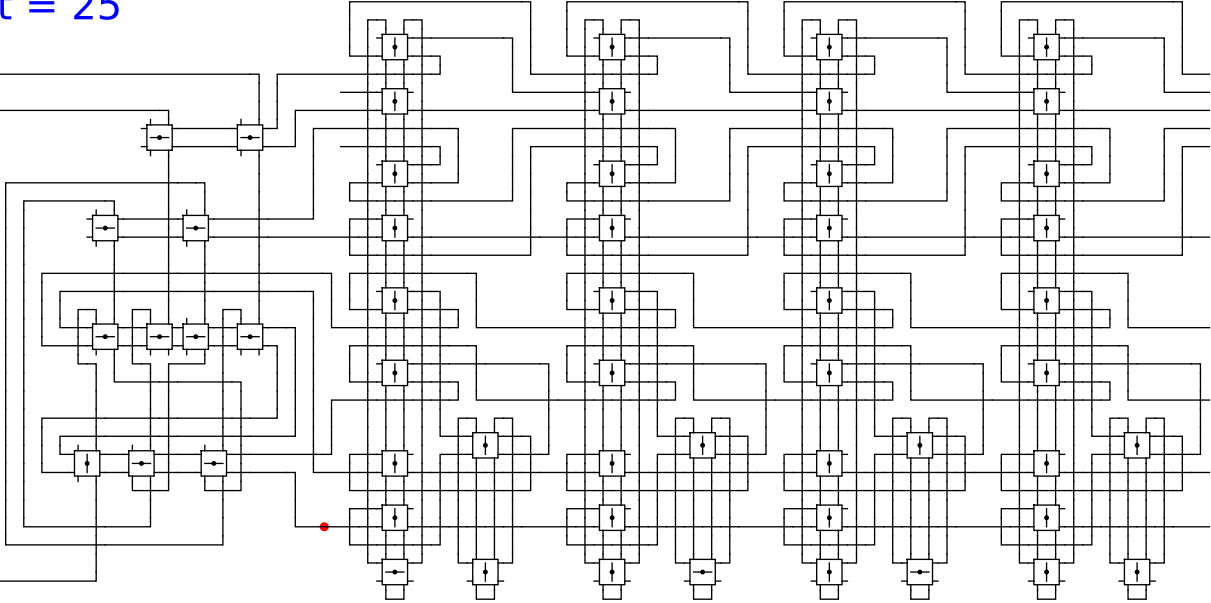
1

0

t = 25

Reject
Accept

Begin



head

0

1

1

0

t = 26

Reject
Accept

Begin

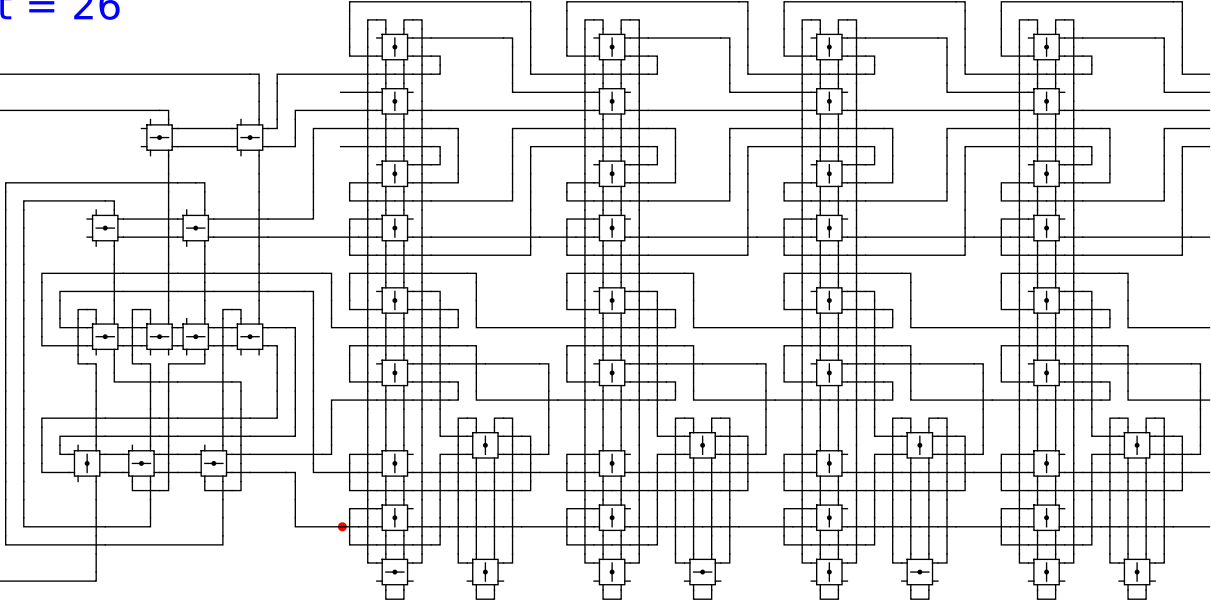
head

0

1

1

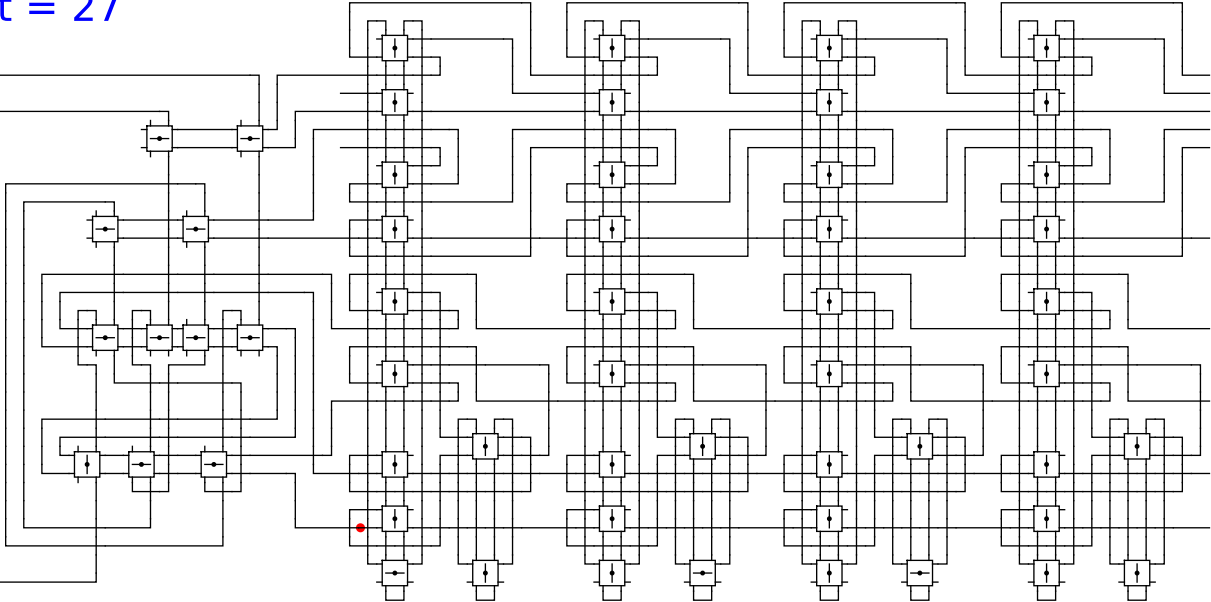
0



t = 27

Reject
Accept

Begin



head

0

1

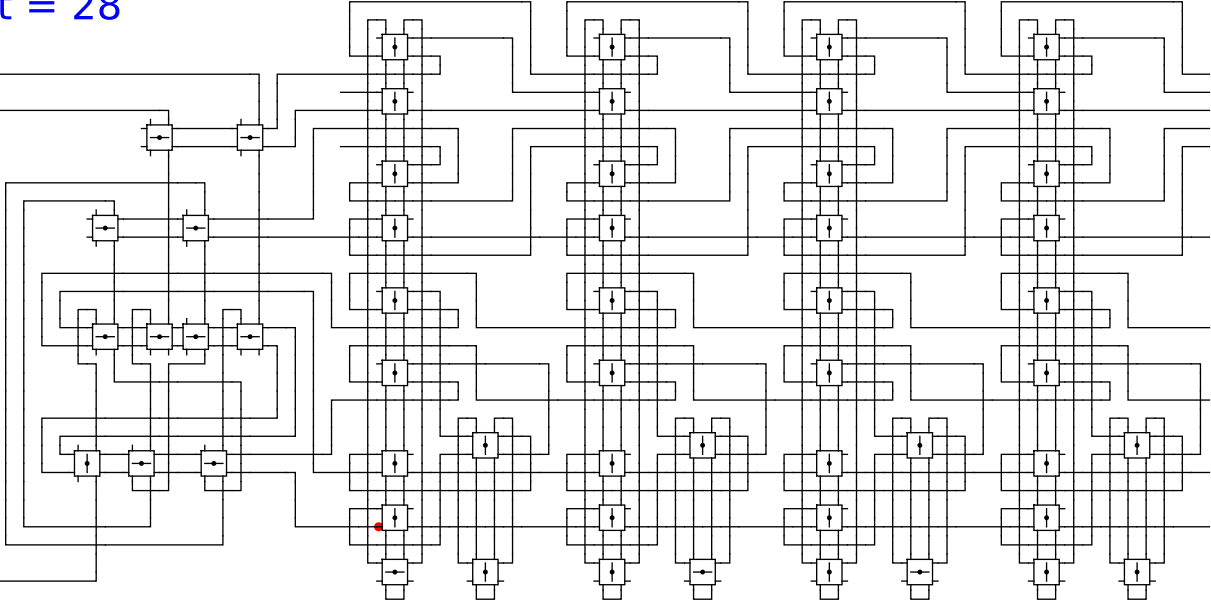
1

0

t = 28

Reject
Accept

Begin



head

0

1

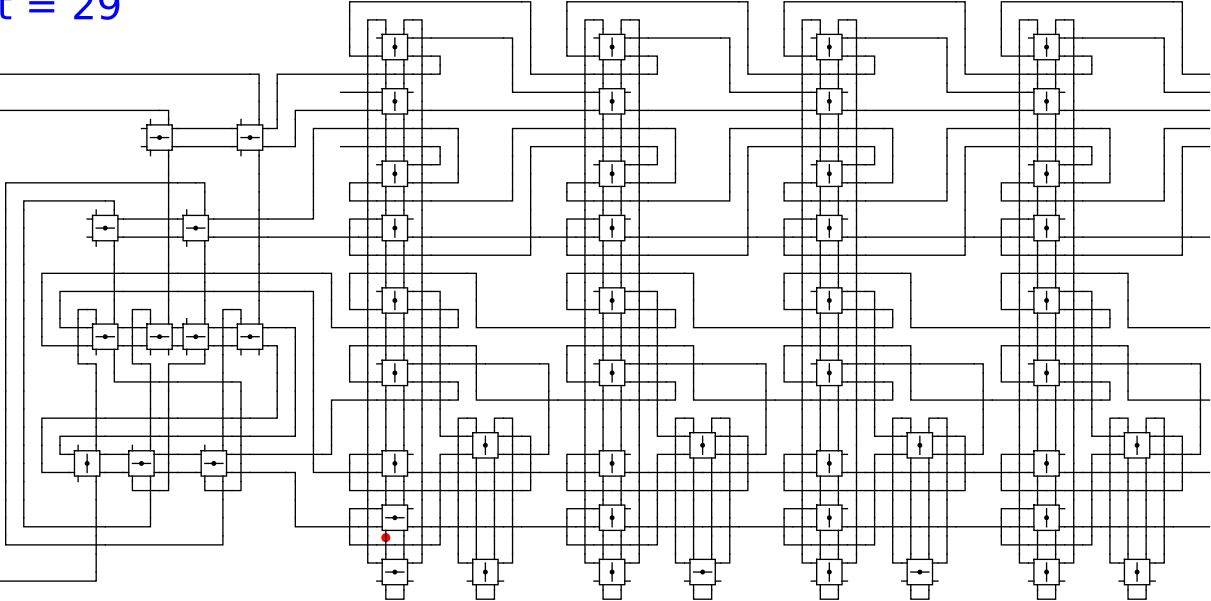
1

0

t = 29

Reject
Accept

Begin



head

0

1

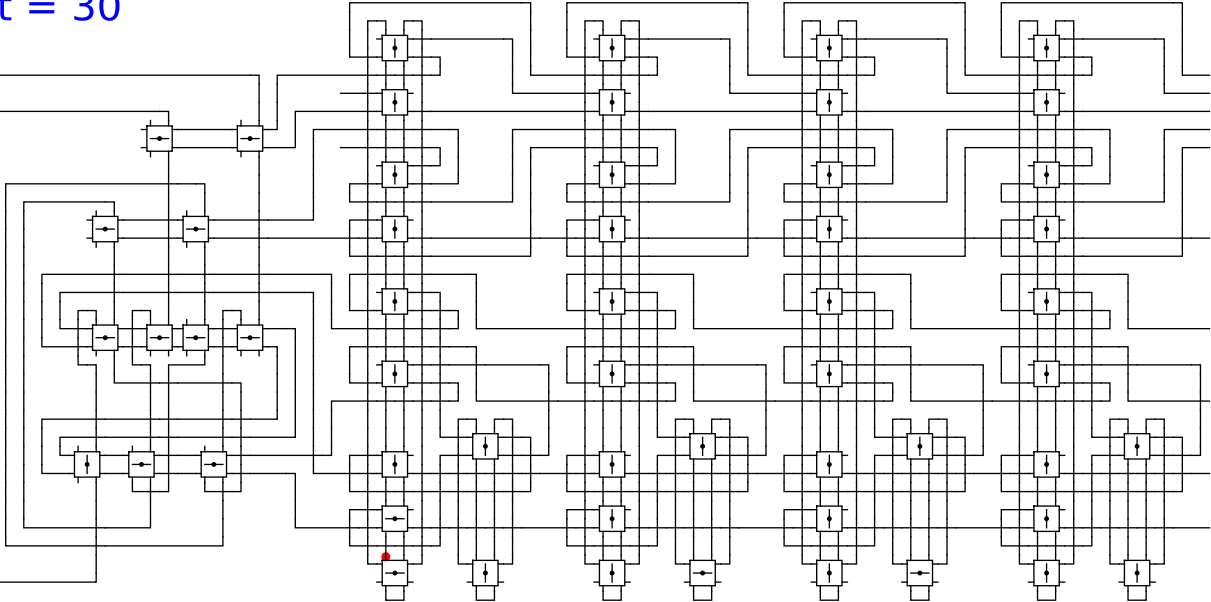
1

0

t = 30

Reject
Accept

Begin



head

0

1

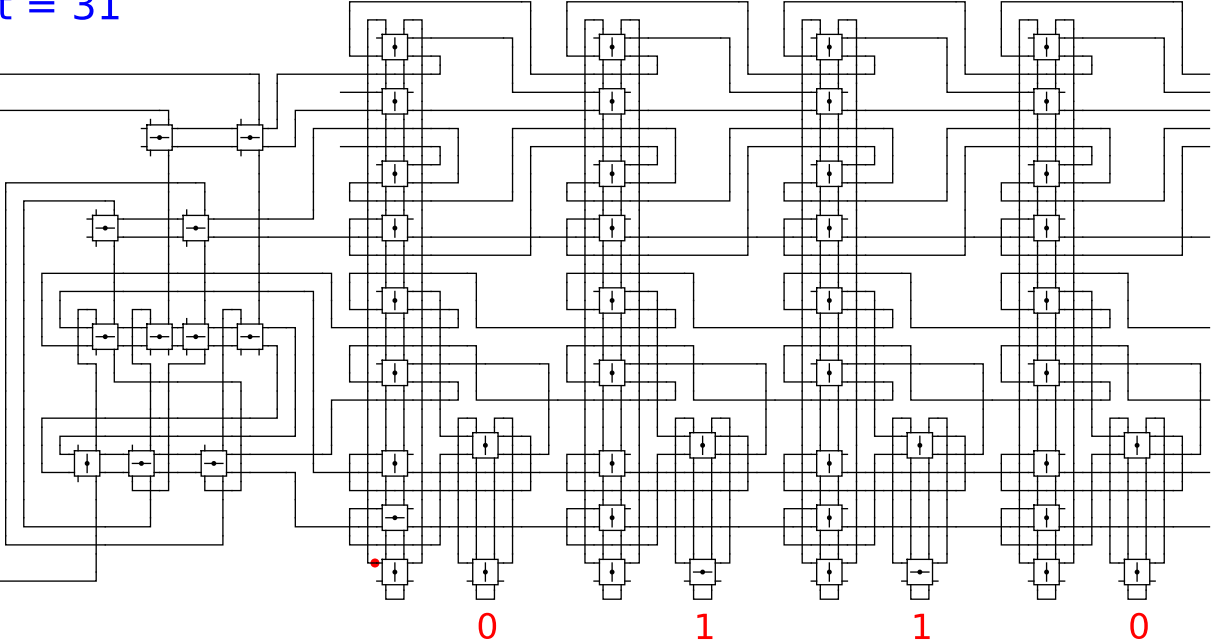
1

0

t = 31

Reject
Accept

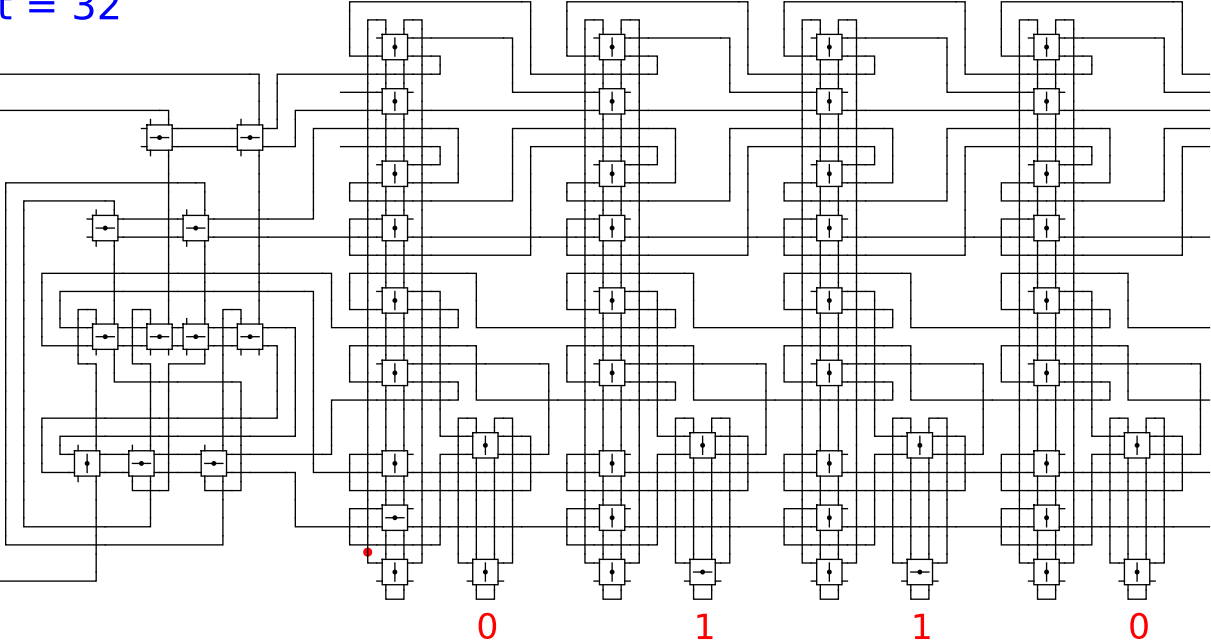
Begin



t = 32

Reject
Accept

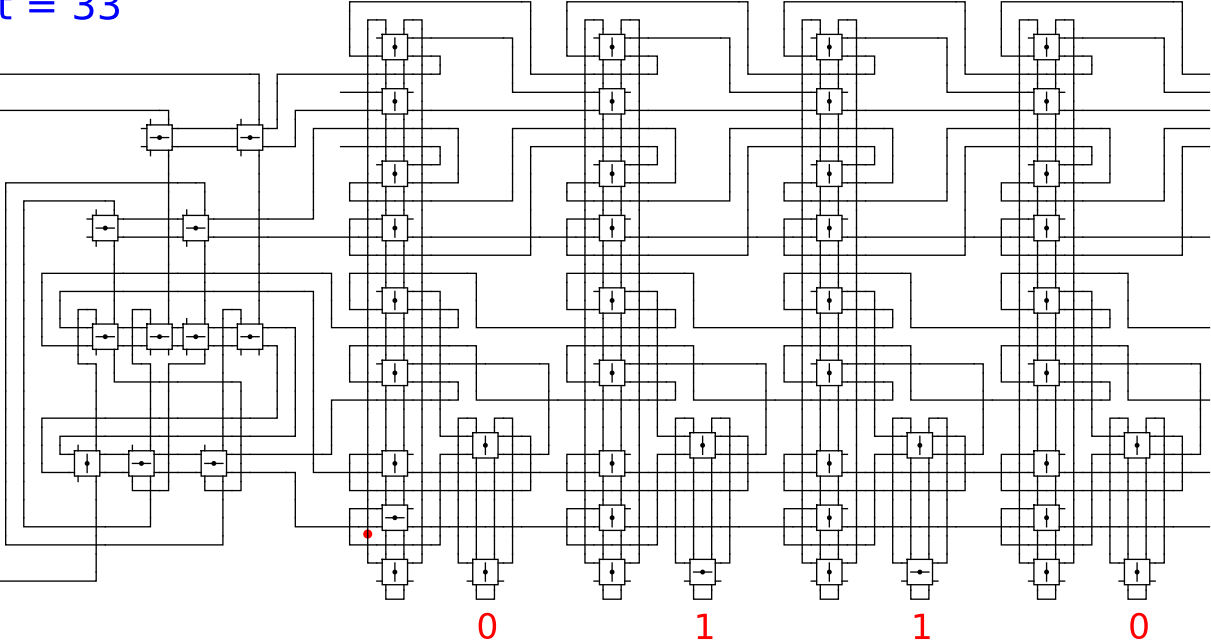
Begin



t = 33

Reject
Accept

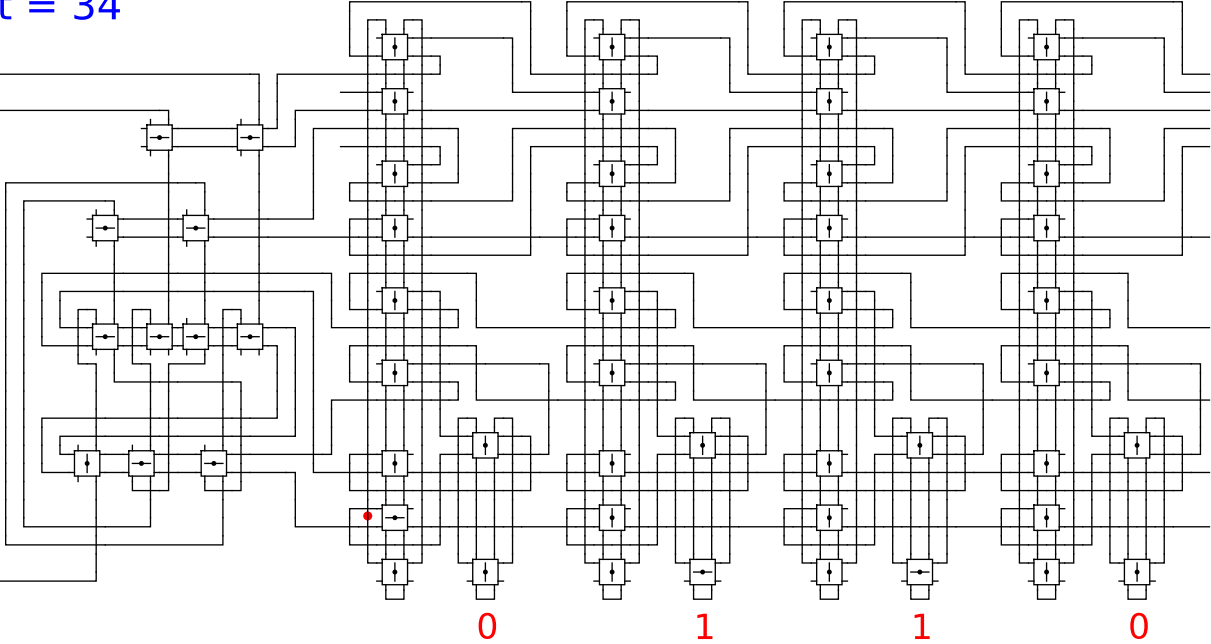
Begin



t = 34

Reject
Accept

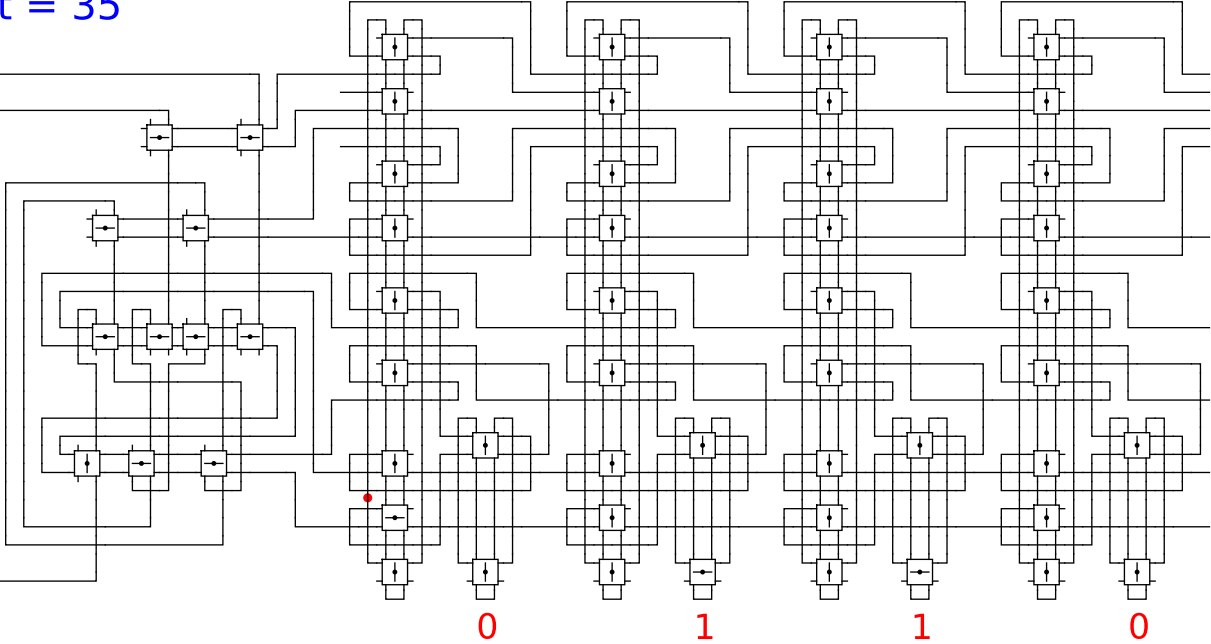
Begin



t = 35

Reject
Accept

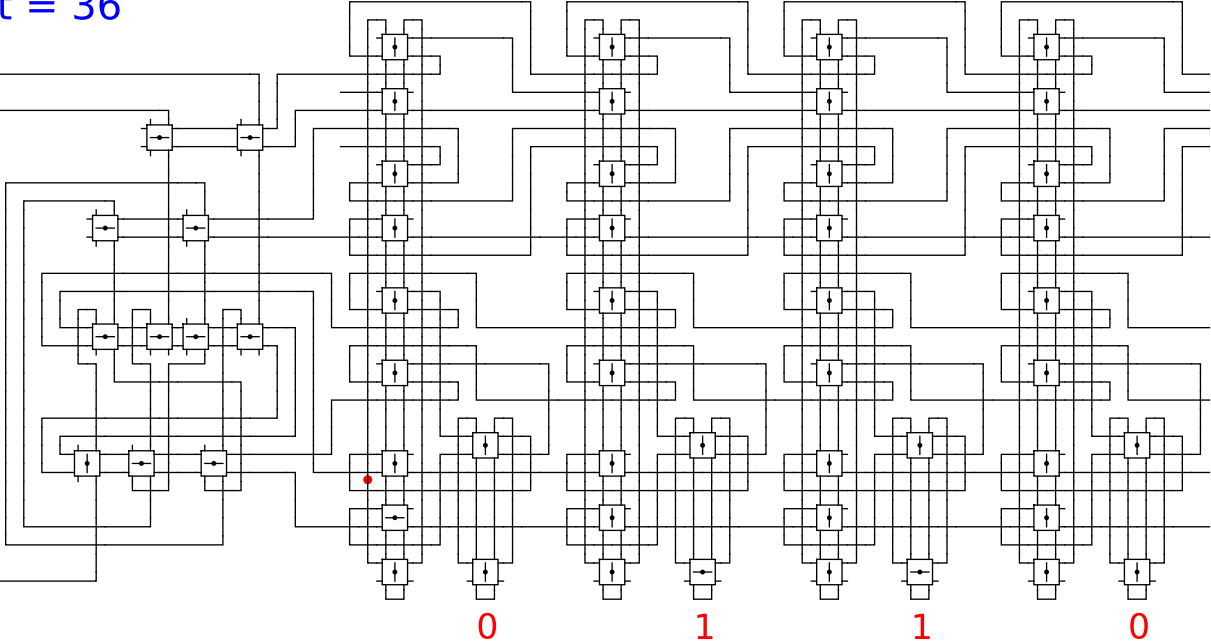
Begin



t = 36

Reject
Accept

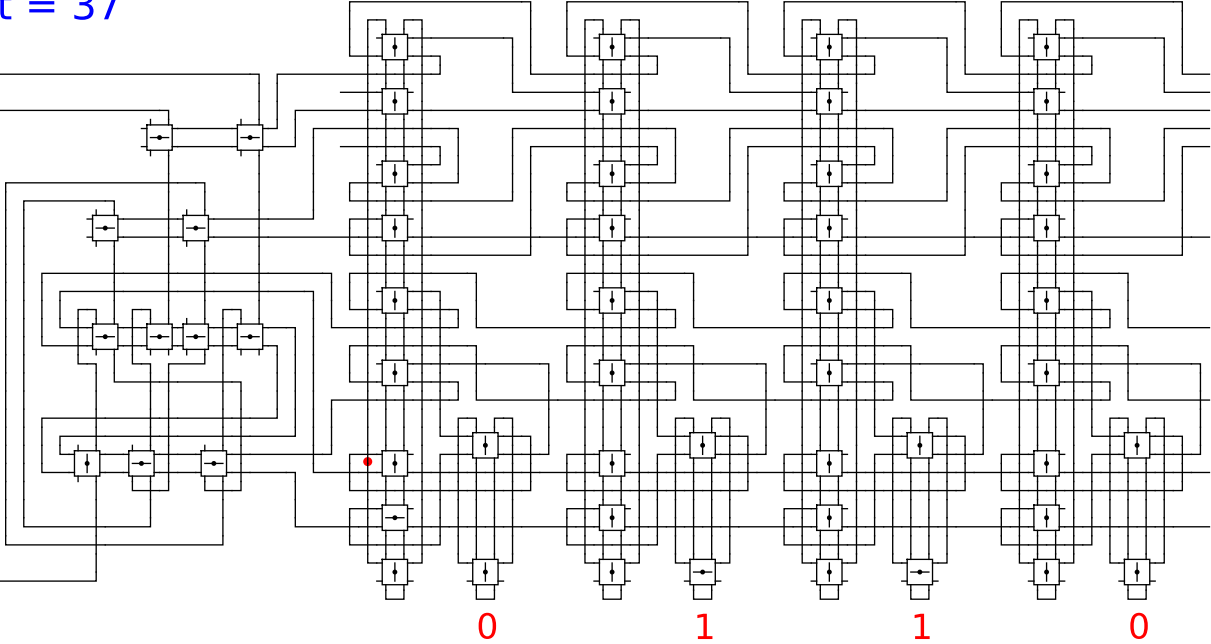
Begin



t = 37

Reject
Accept

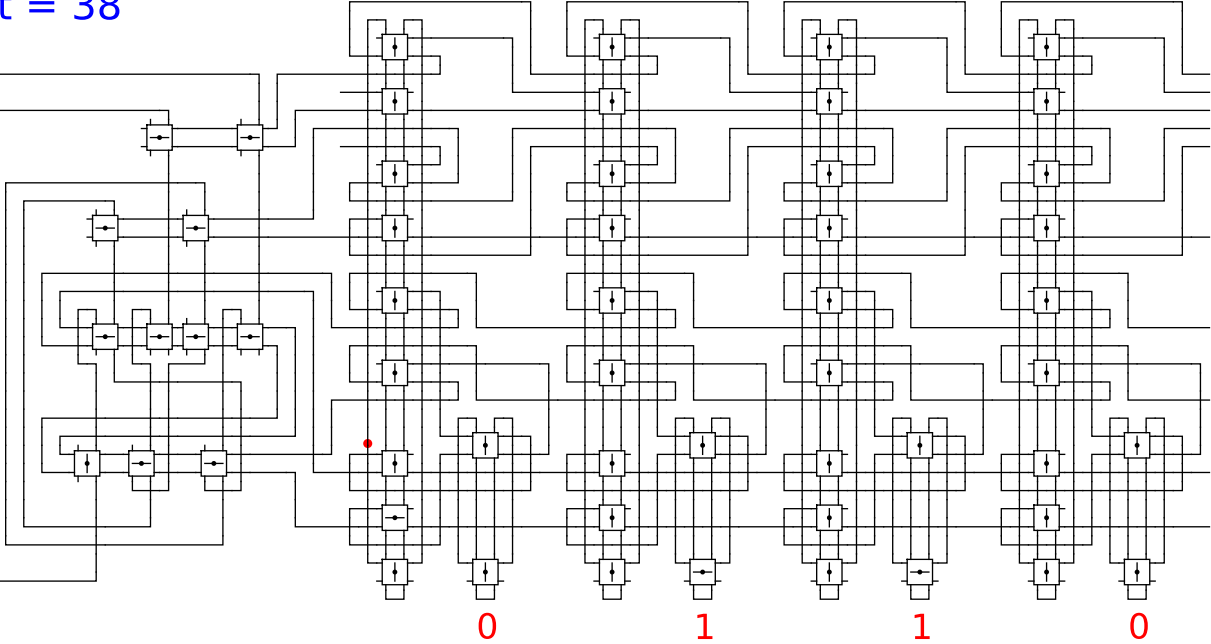
Begin



t = 38

Reject
Accept

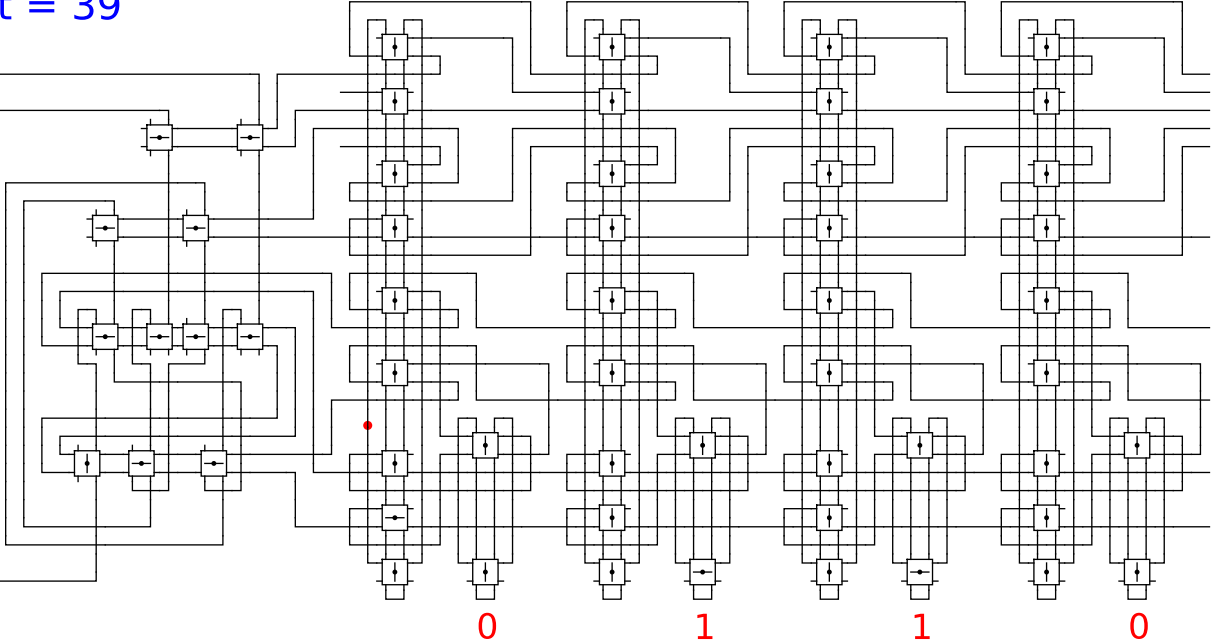
Begin



t = 39

Reject
Accept

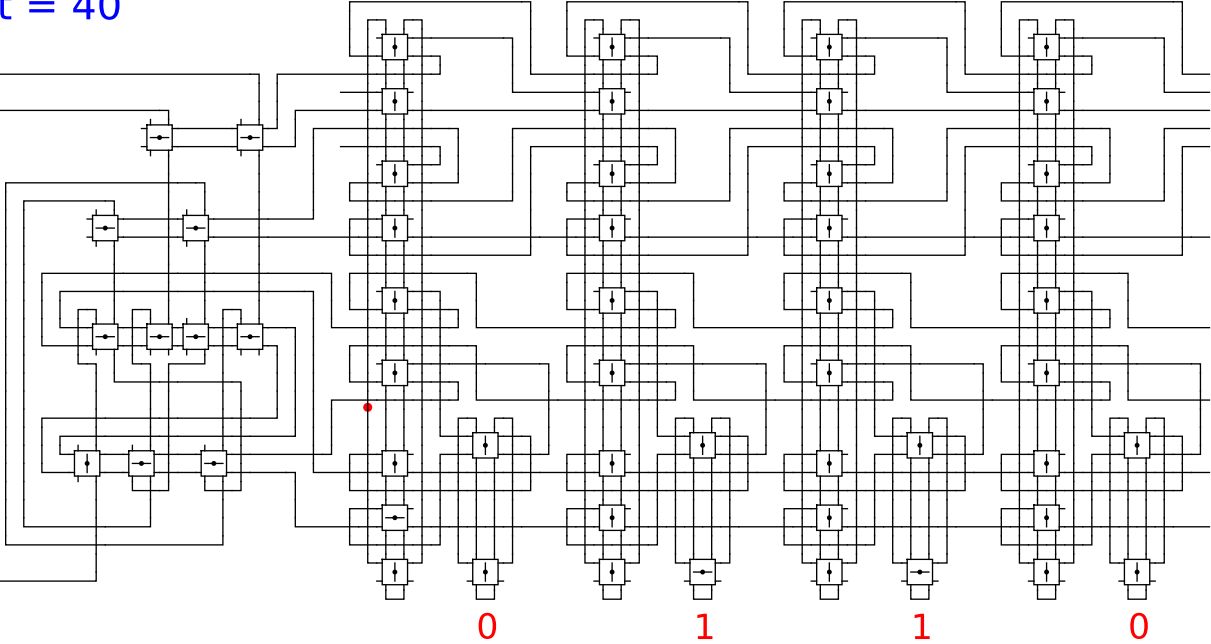
Begin



t = 40

Reject
Accept

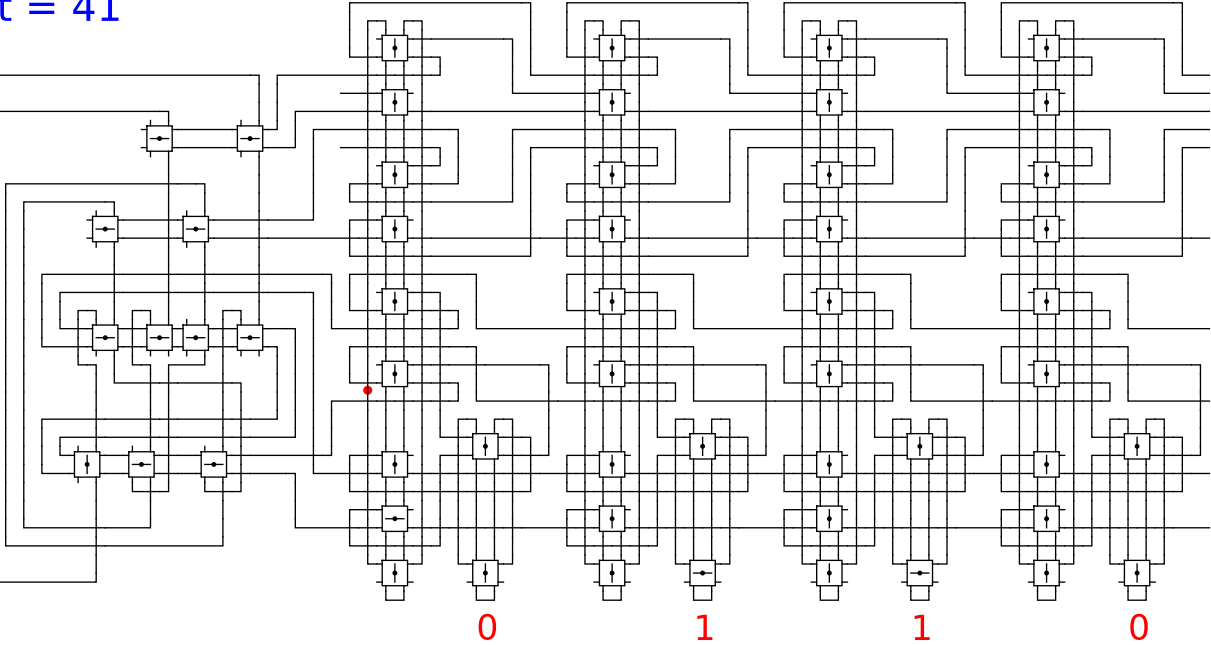
Begin



t = 41

Reject
Accept

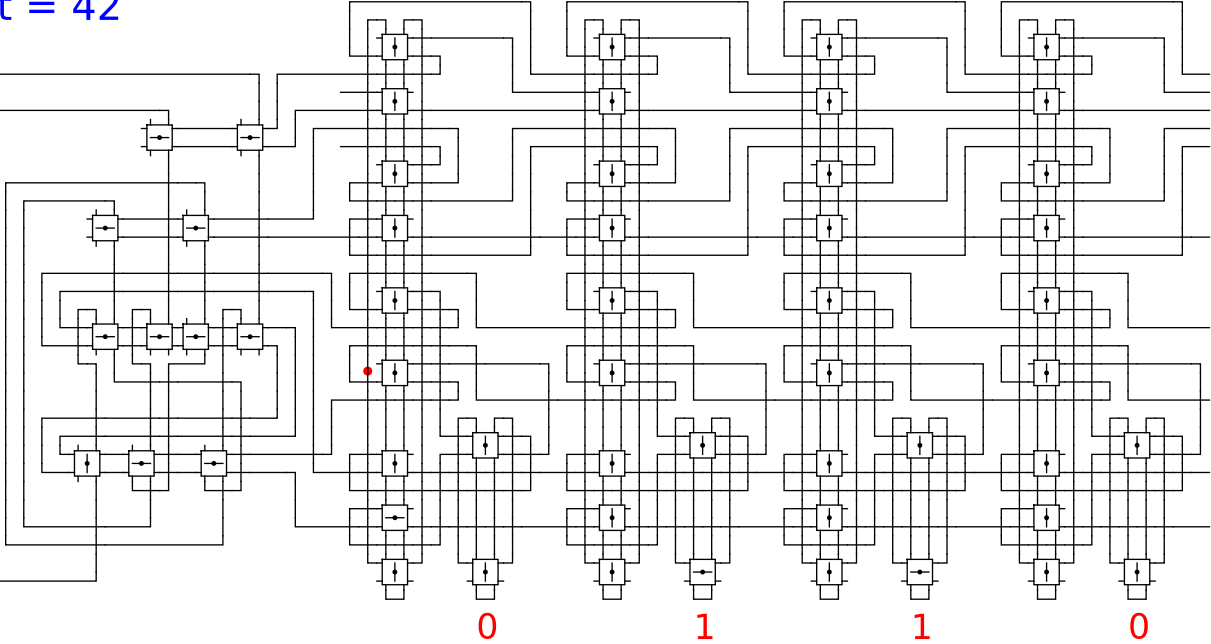
Begin



t = 42

Reject
Accept

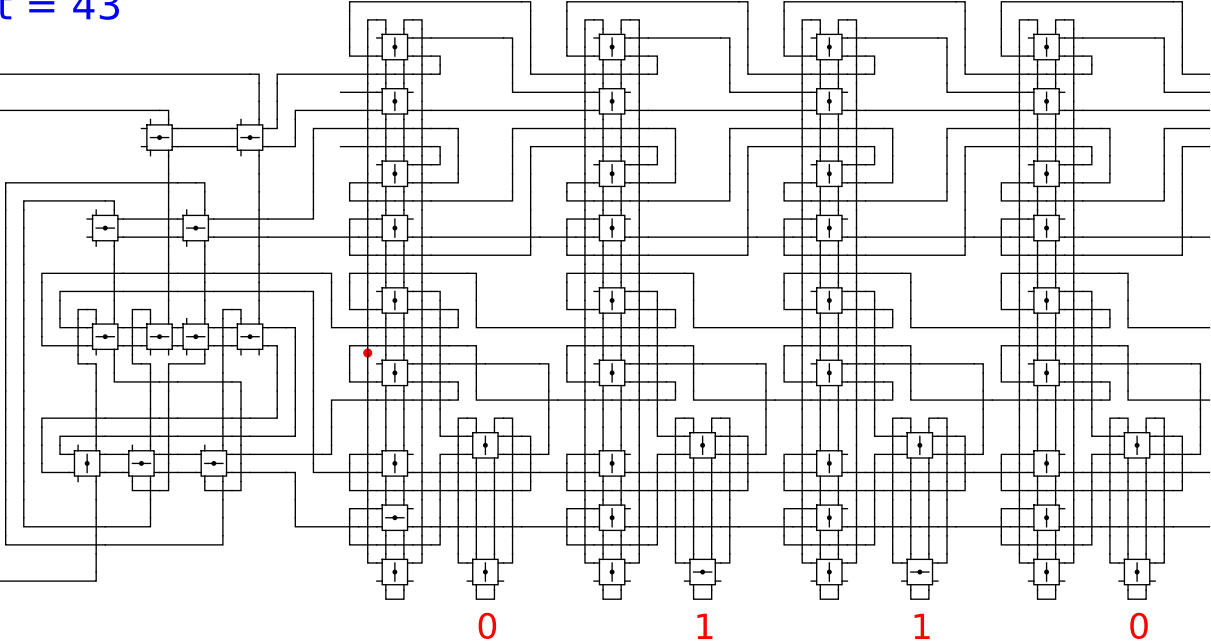
Begin



t = 43

Reject
Accept

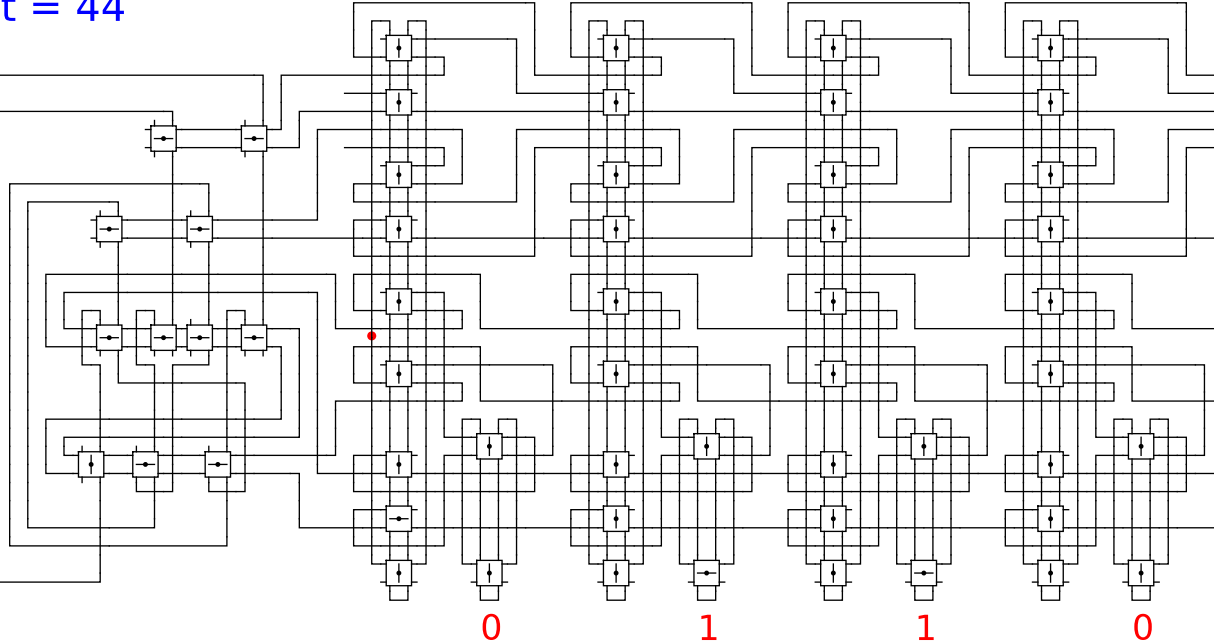
Begin



t = 44

Reject
Accept

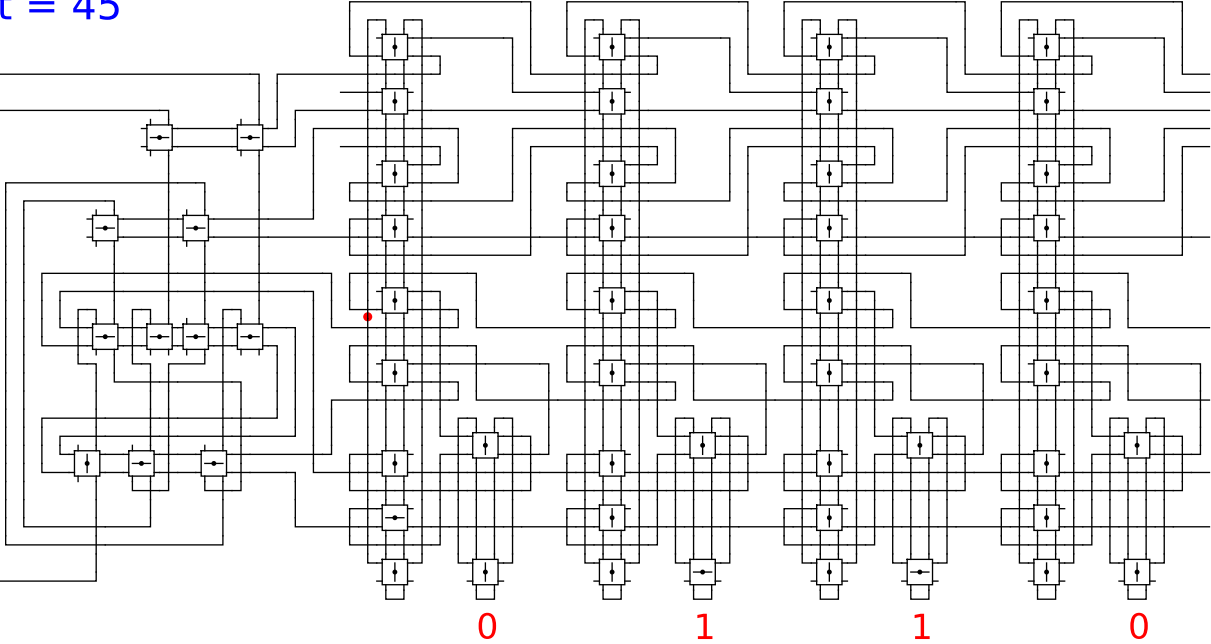
Begin



t = 45

Reject
Accept

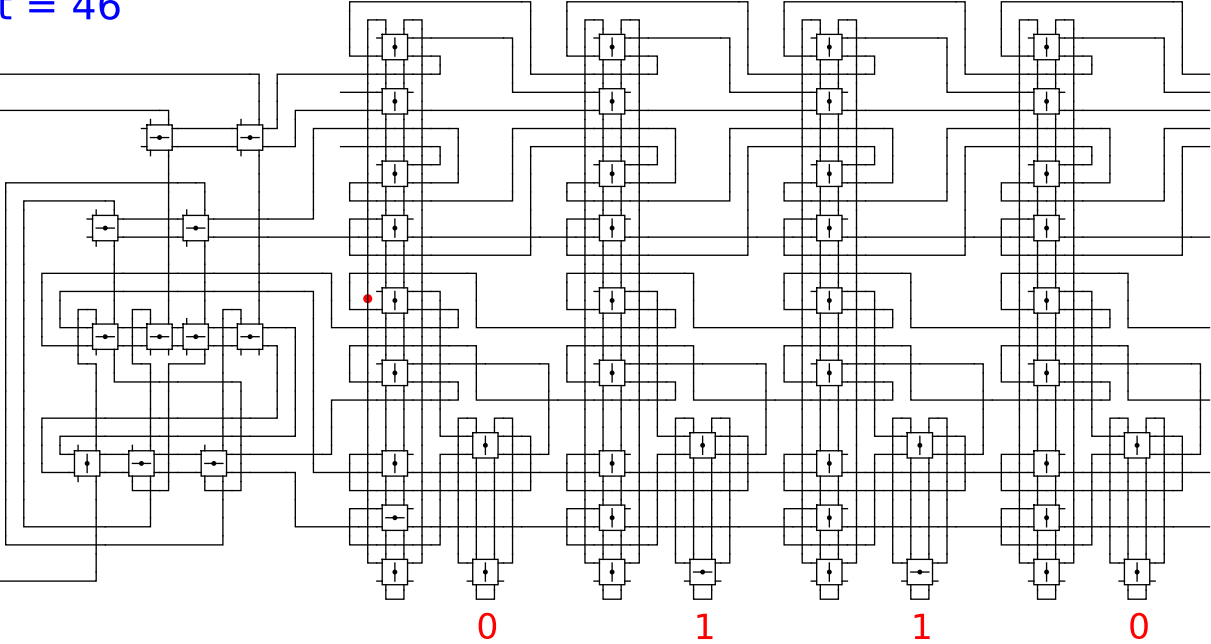
Begin



t = 46

Reject
Accept

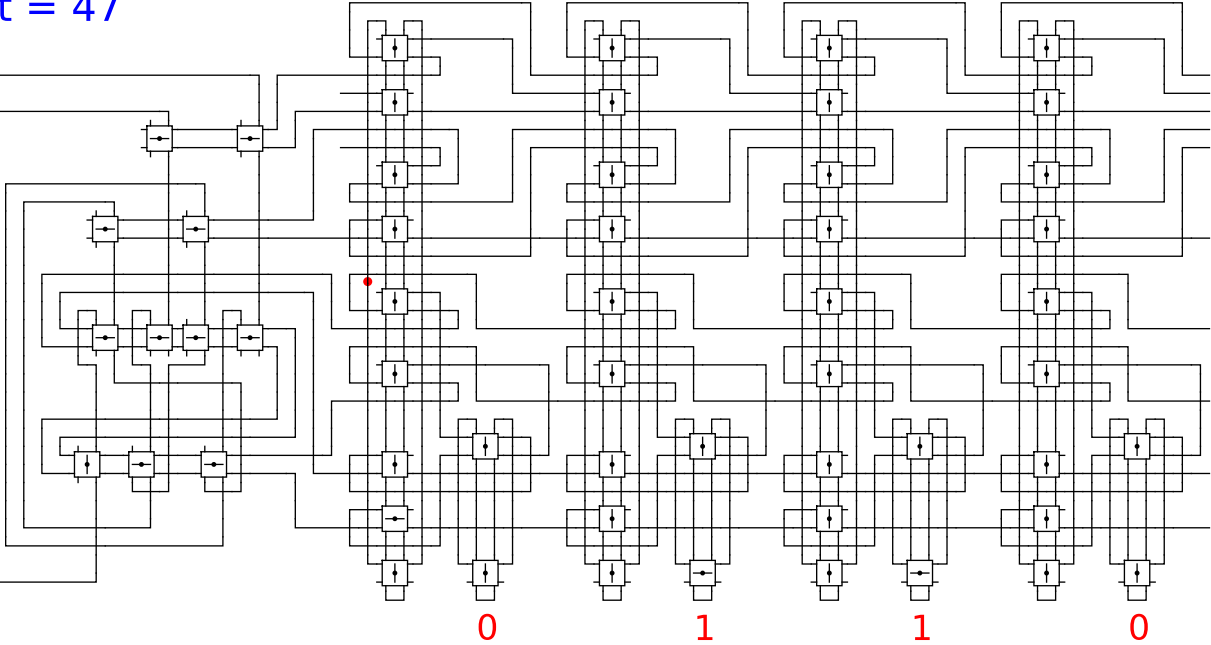
Begin



t = 47

Reject
Accept

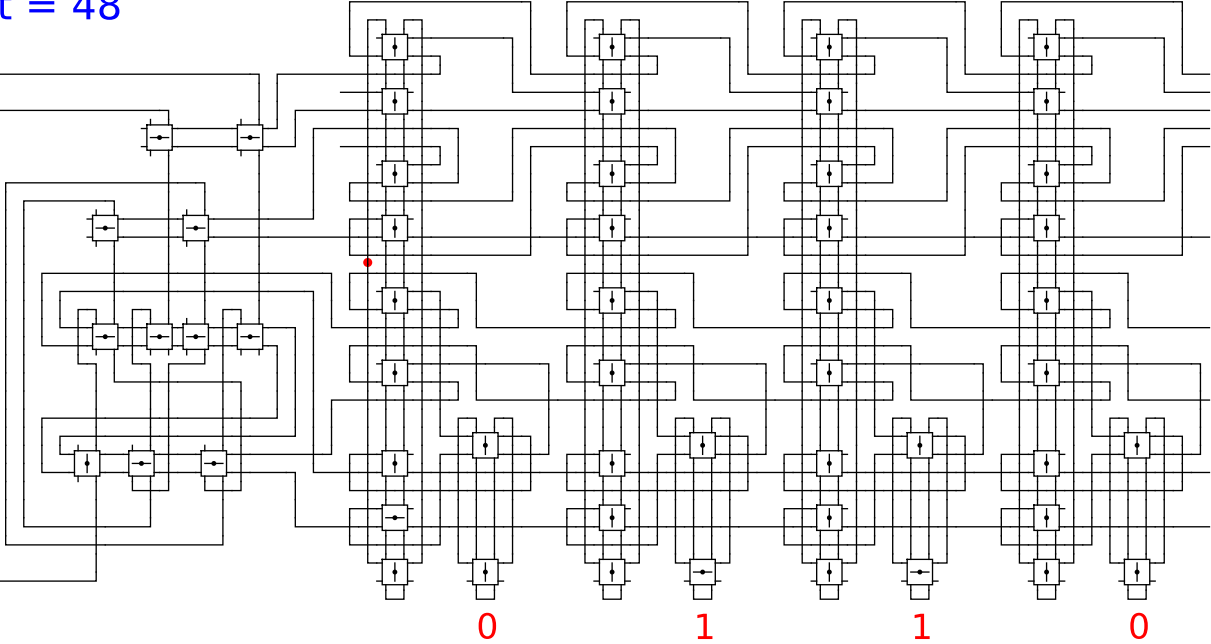
Begin



t = 48

Reject
Accept

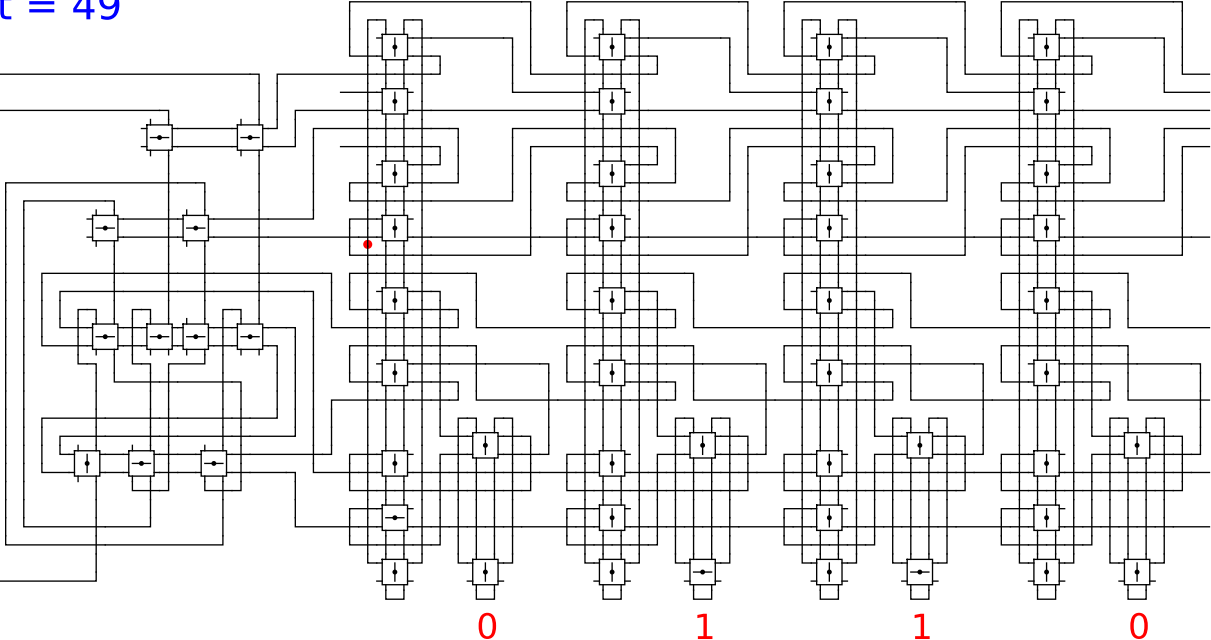
Begin



t = 49

Reject
Accept

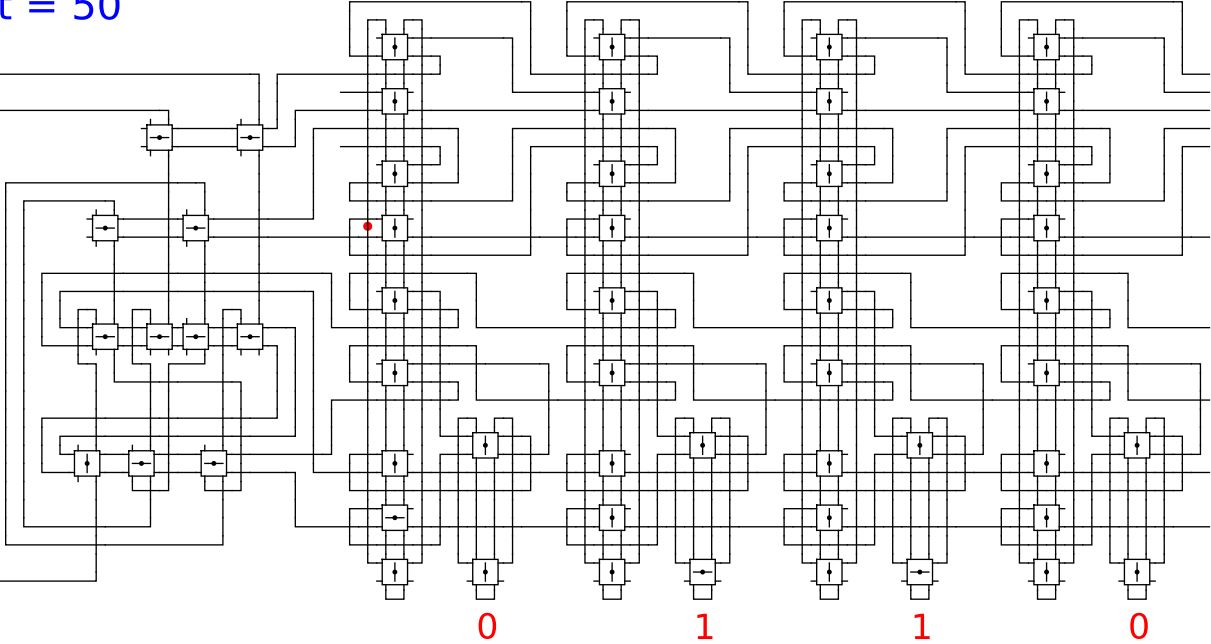
Begin



t = 50

Reject
Accept

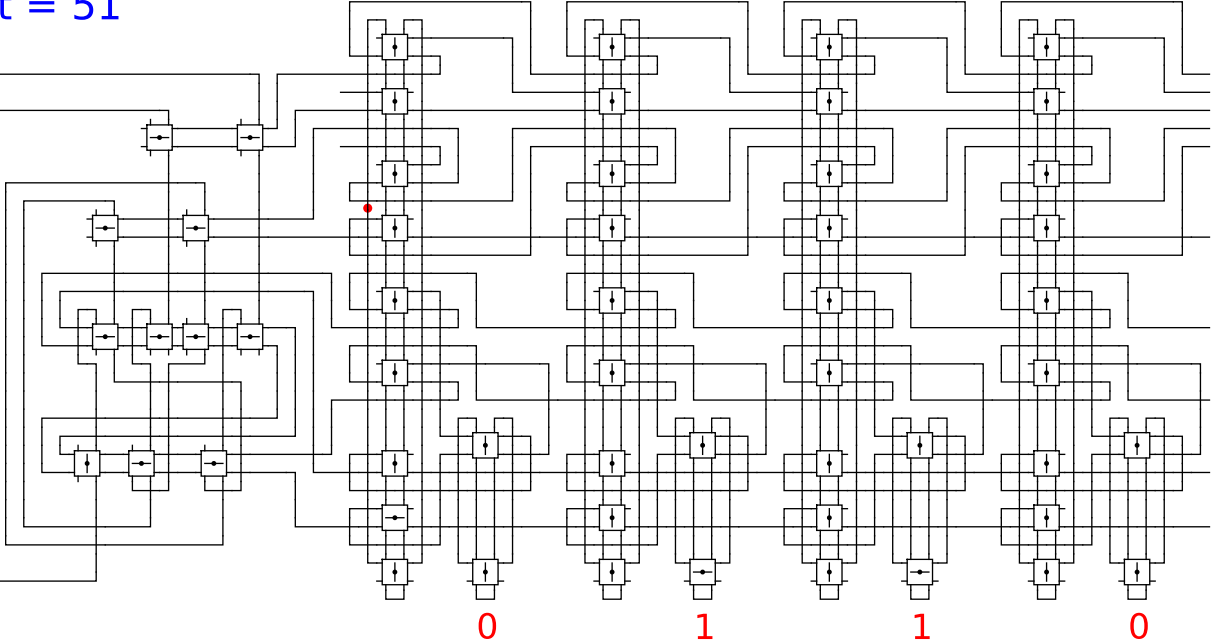
Begin



t = 51

Reject
Accept

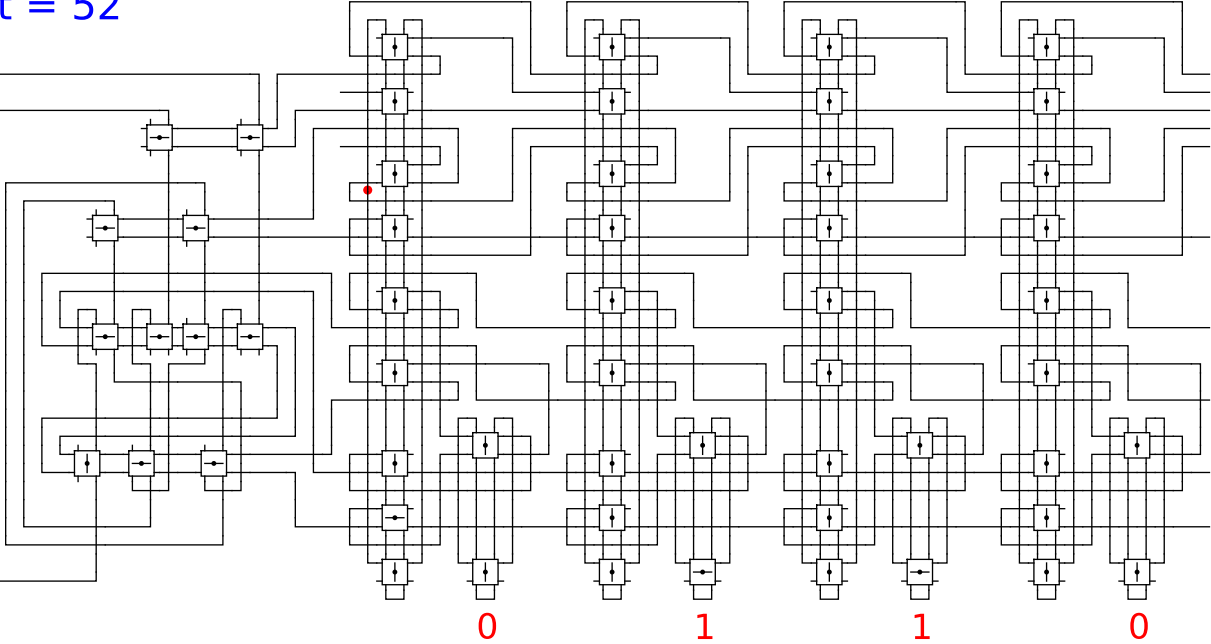
Begin



t = 52

Reject
Accept

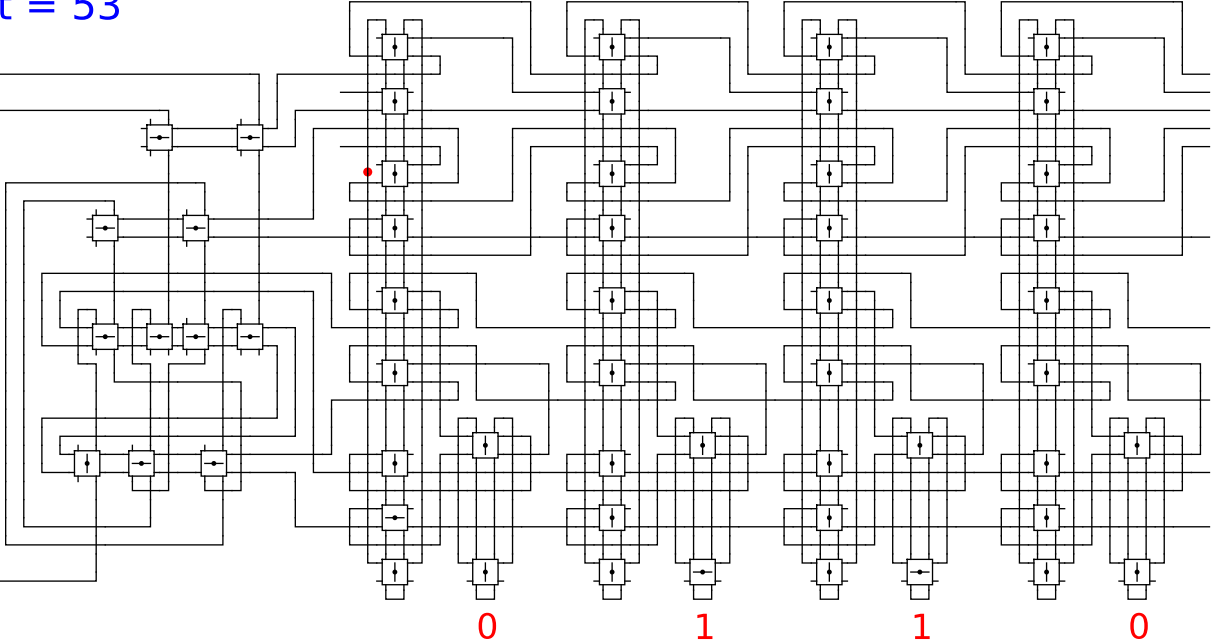
Begin



t = 53

Reject
Accept

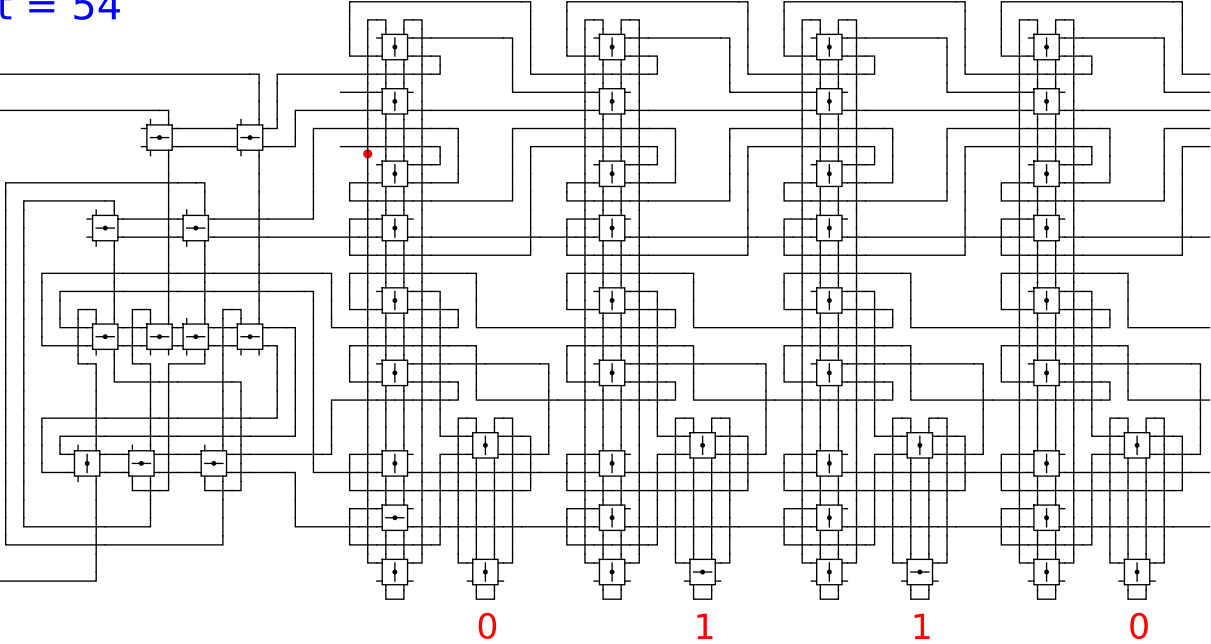
Begin



t = 54

Reject
Accept

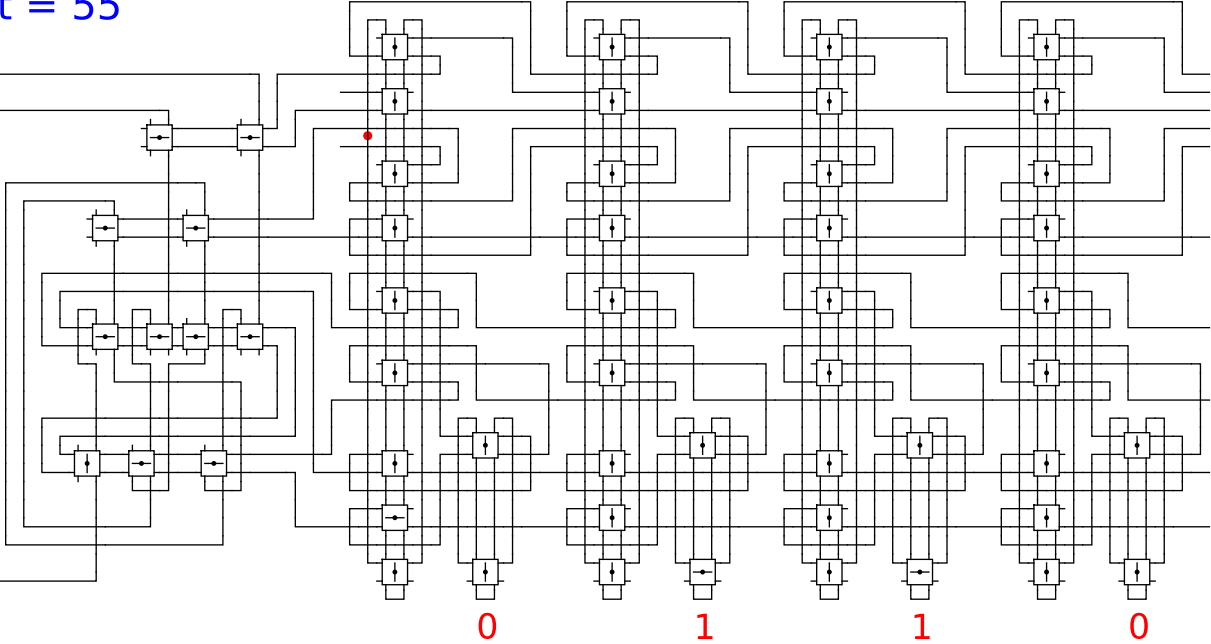
Begin



t = 55

Reject
Accept

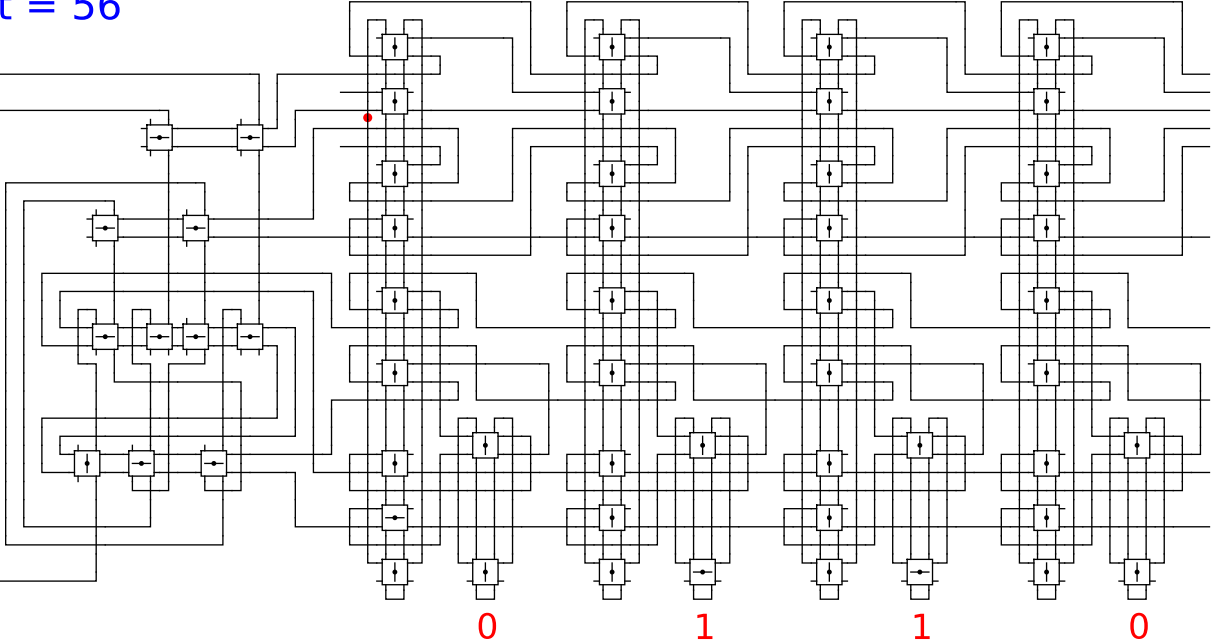
Begin



t = 56

Reject
Accept

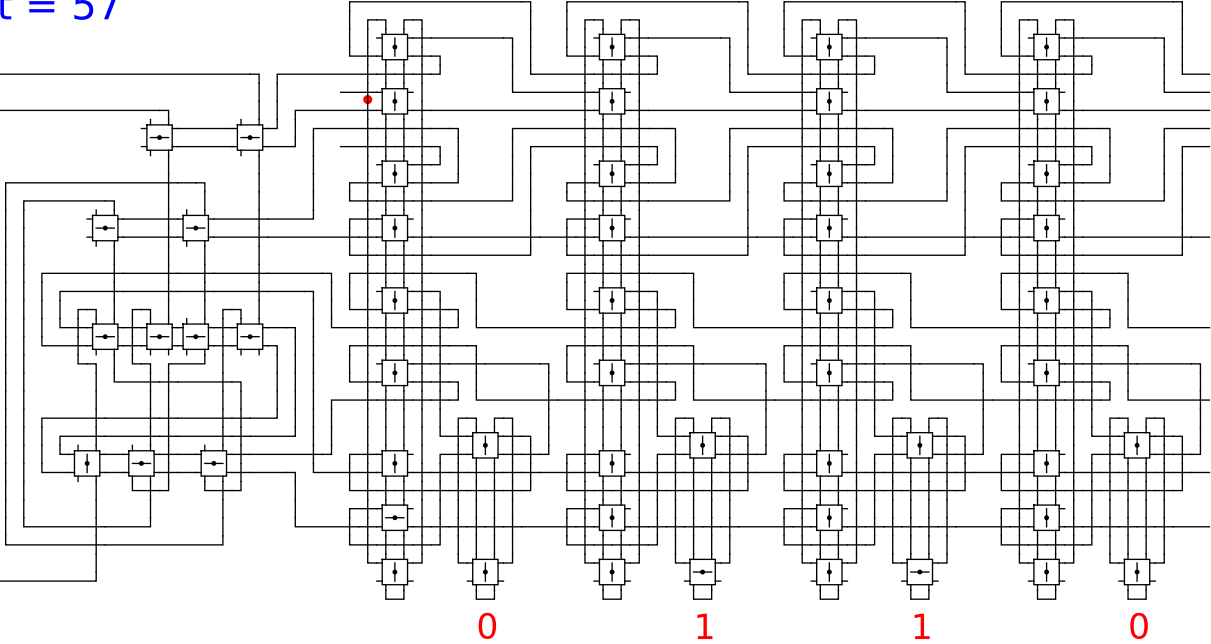
Begin



t = 57

Reject
Accept

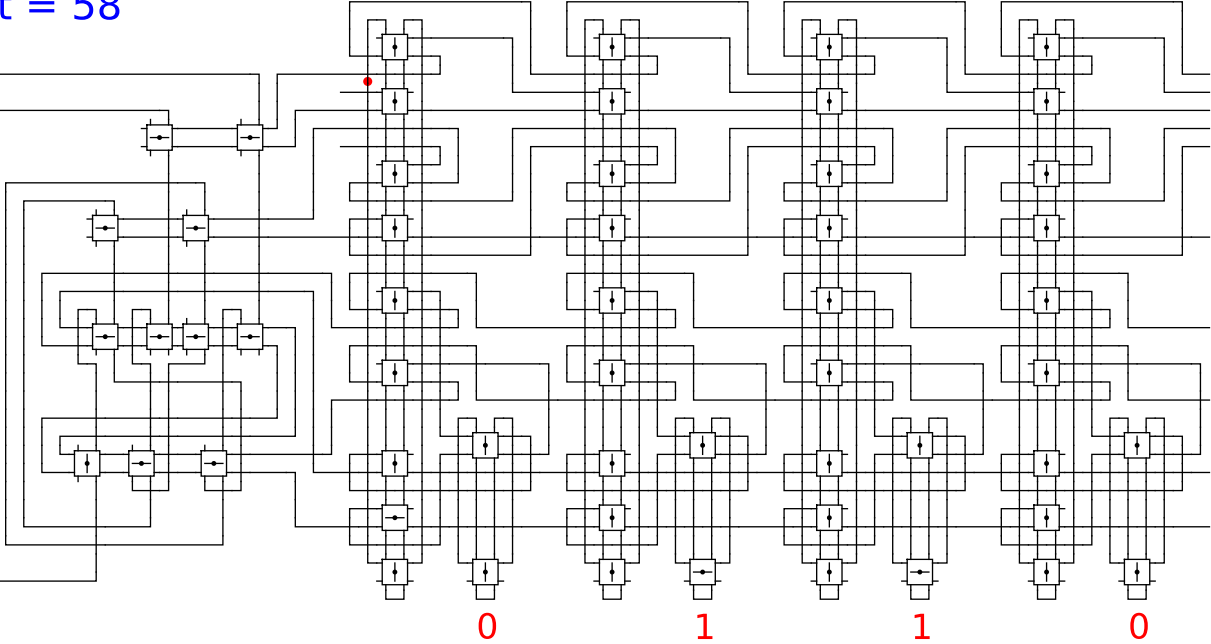
Begin



t = 58

Reject
Accept

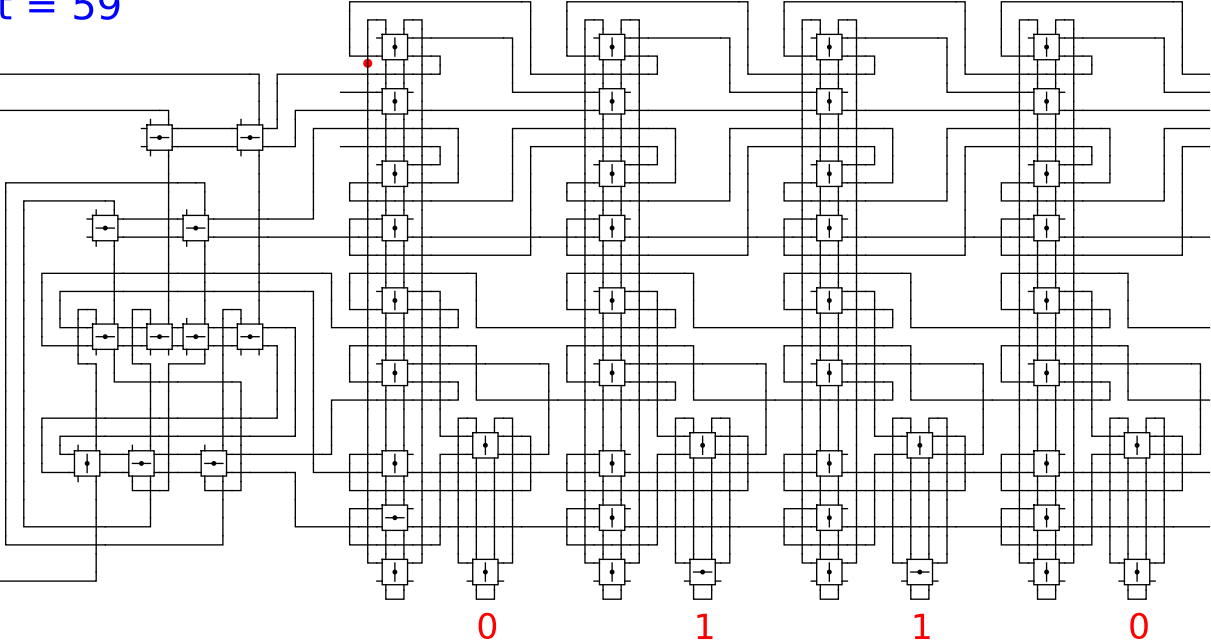
Begin



t = 59

Reject
Accept

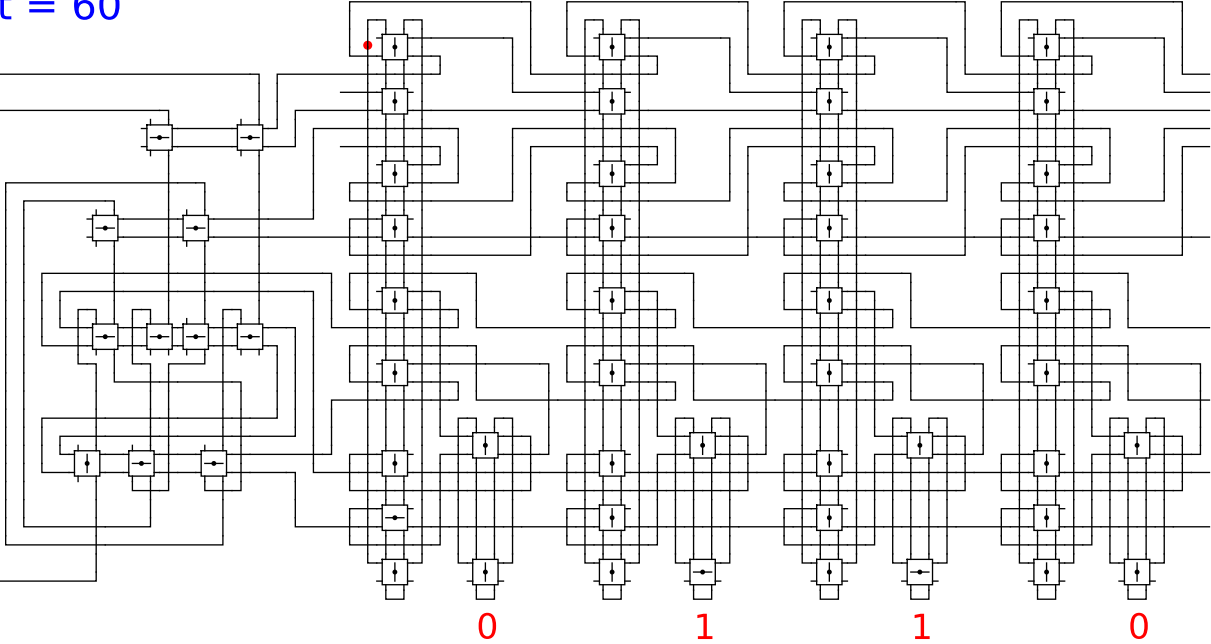
Begin



t = 60

Reject
Accept

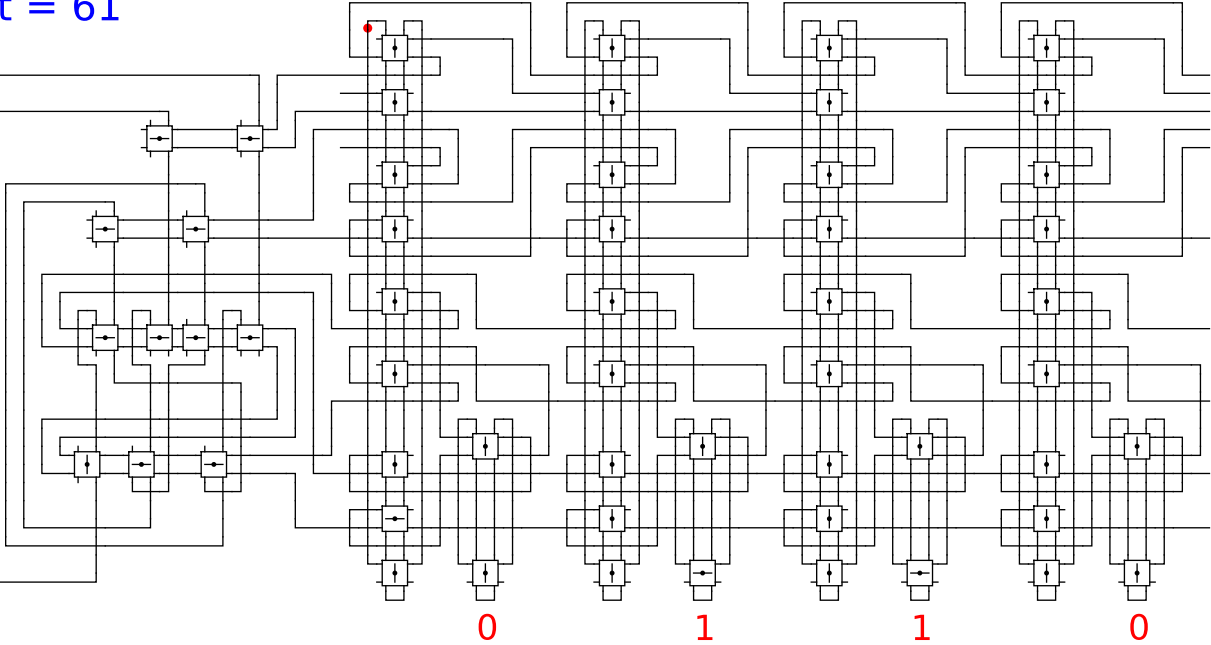
Begin



t = 61

Reject
Accept

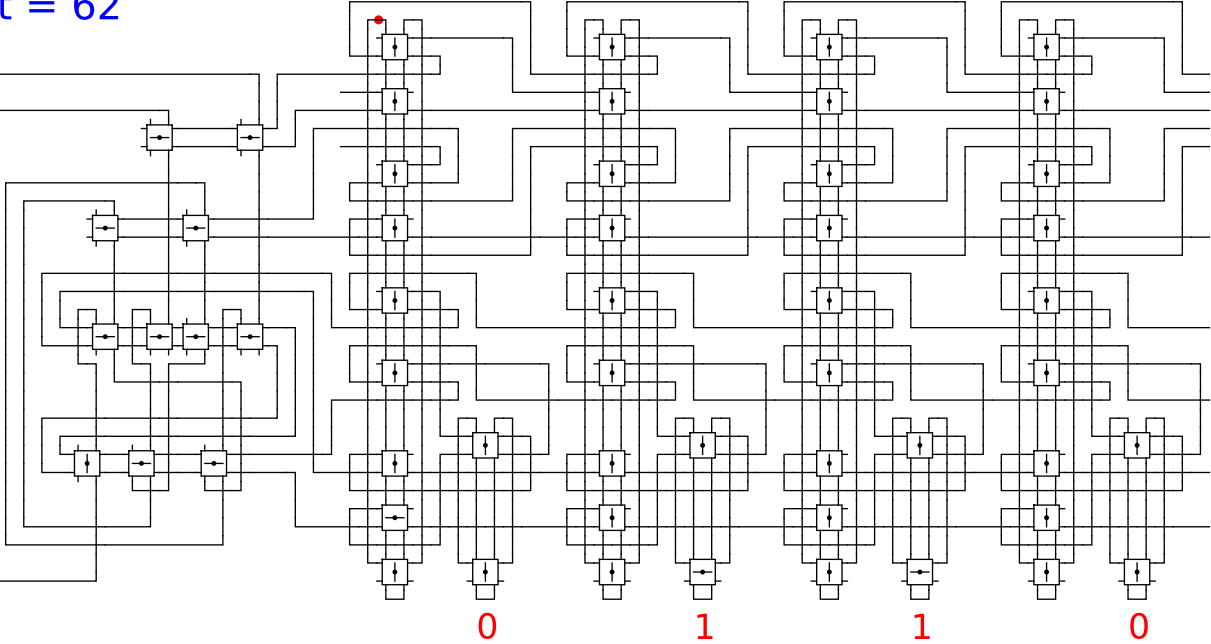
Begin



t = 62

Reject
Accept

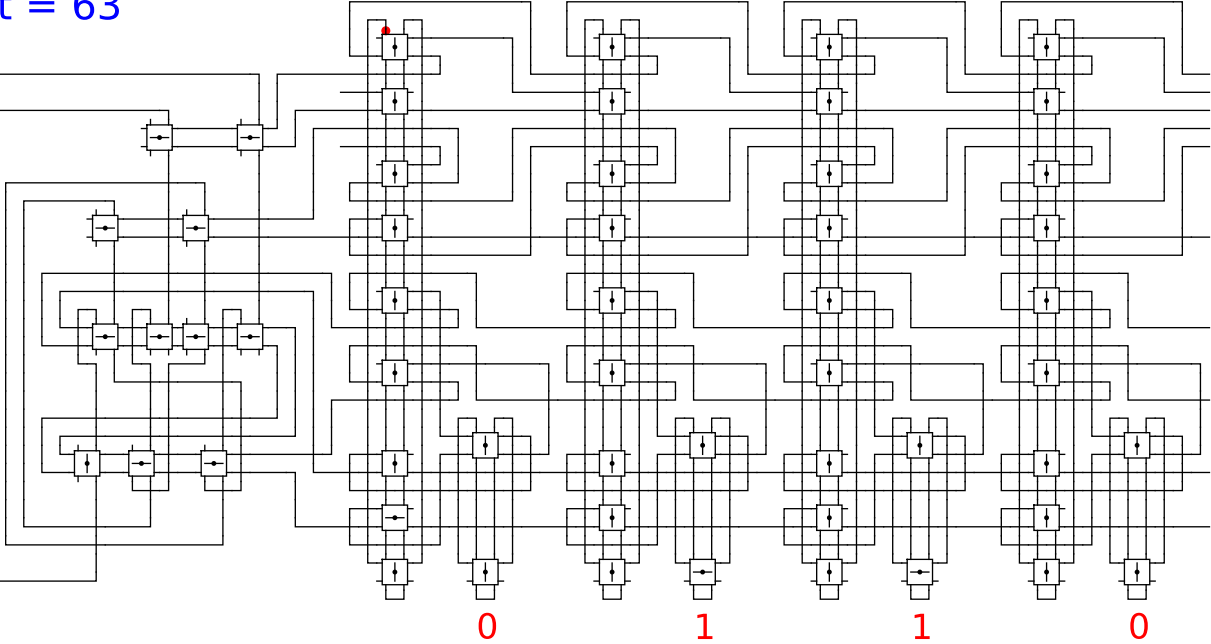
Begin



t = 63

Reject
Accept

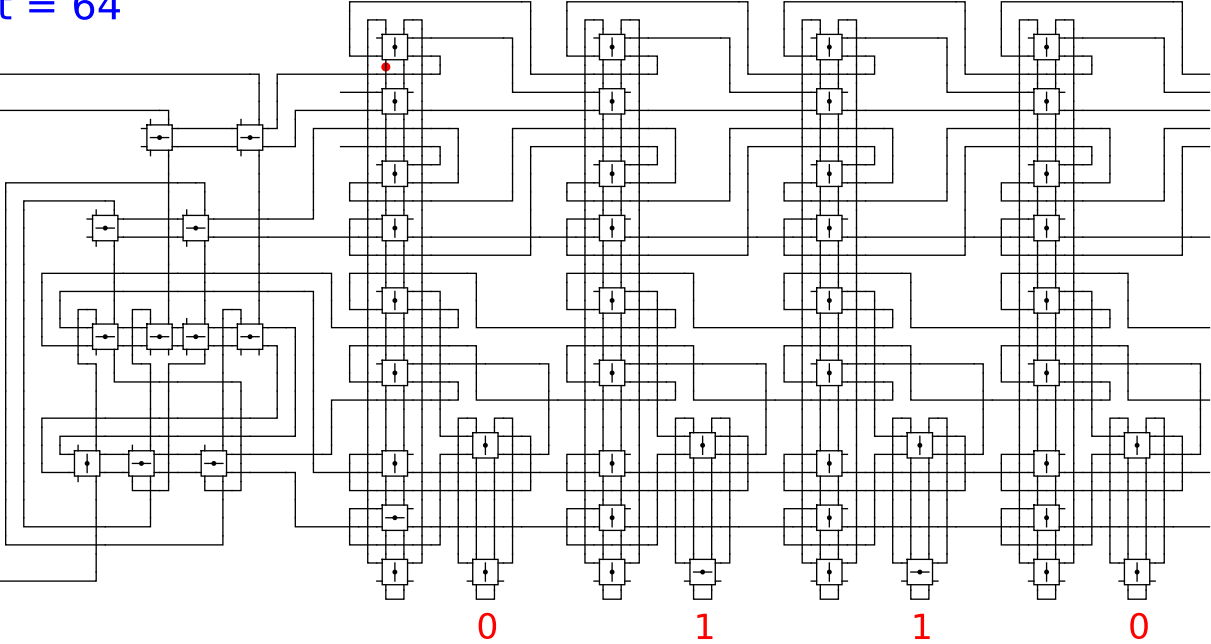
Begin



t = 64

Reject
Accept

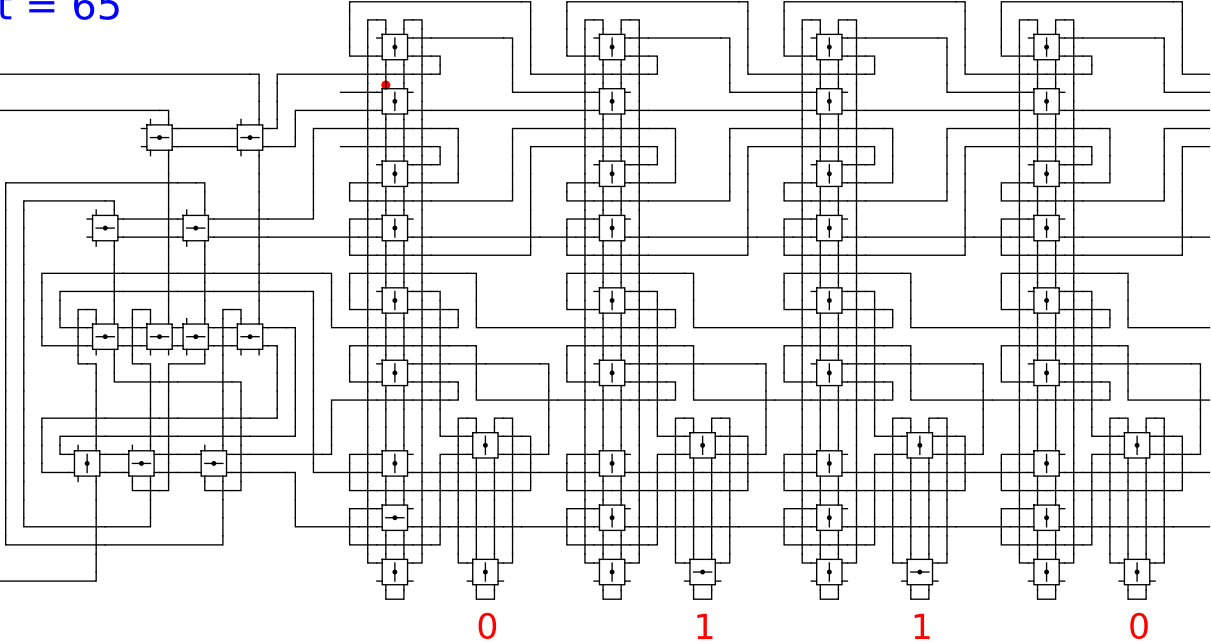
Begin



t = 65

Reject
Accept

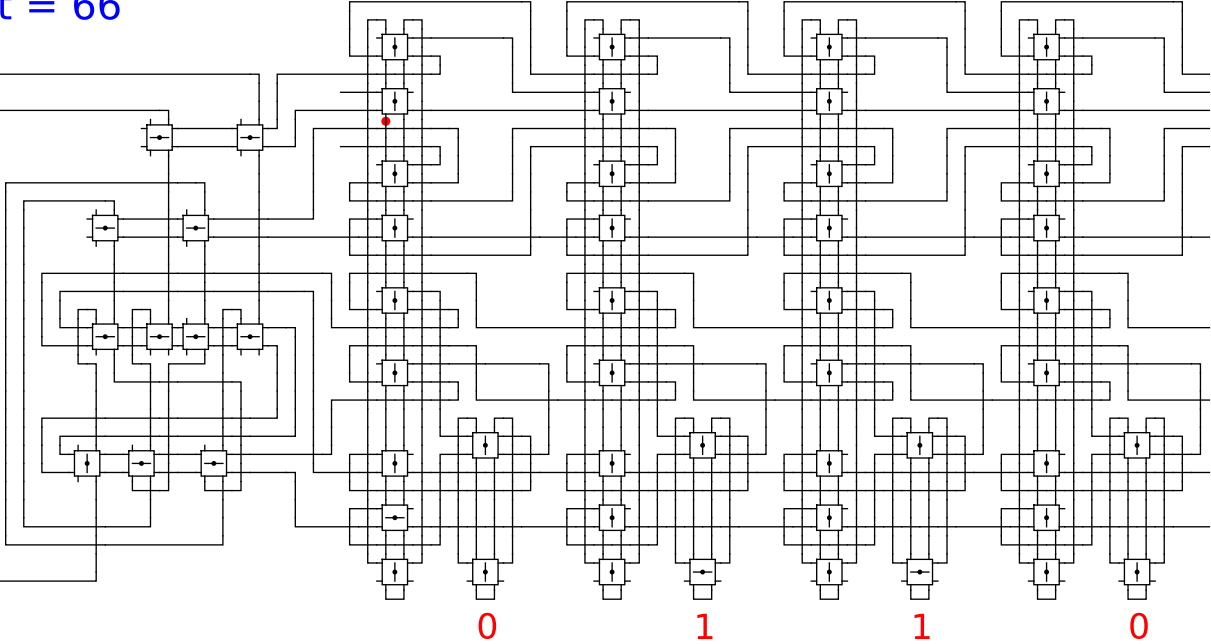
Begin



t = 66

Reject
Accept

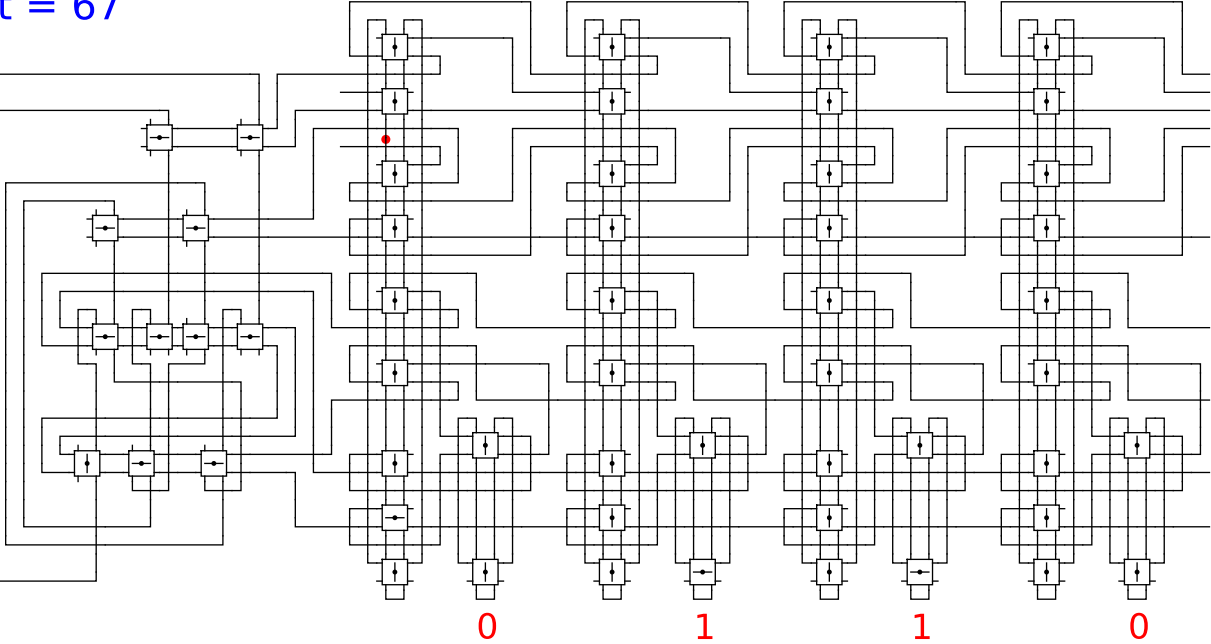
Begin



t = 67

Reject
Accept

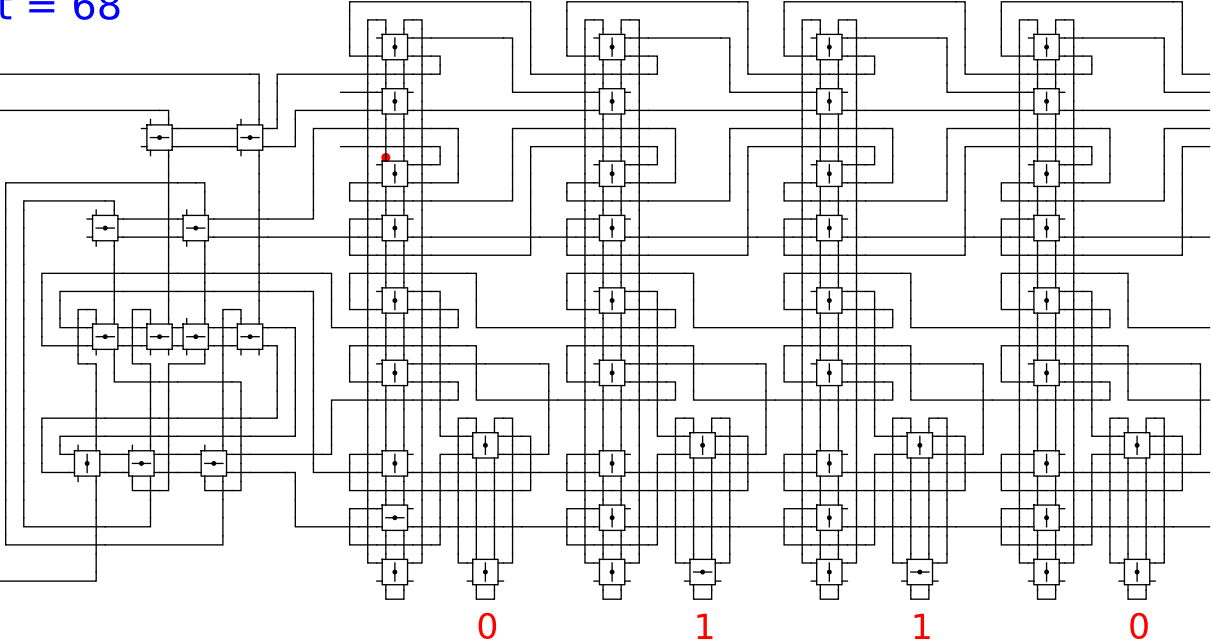
Begin



t = 68

Reject
Accept

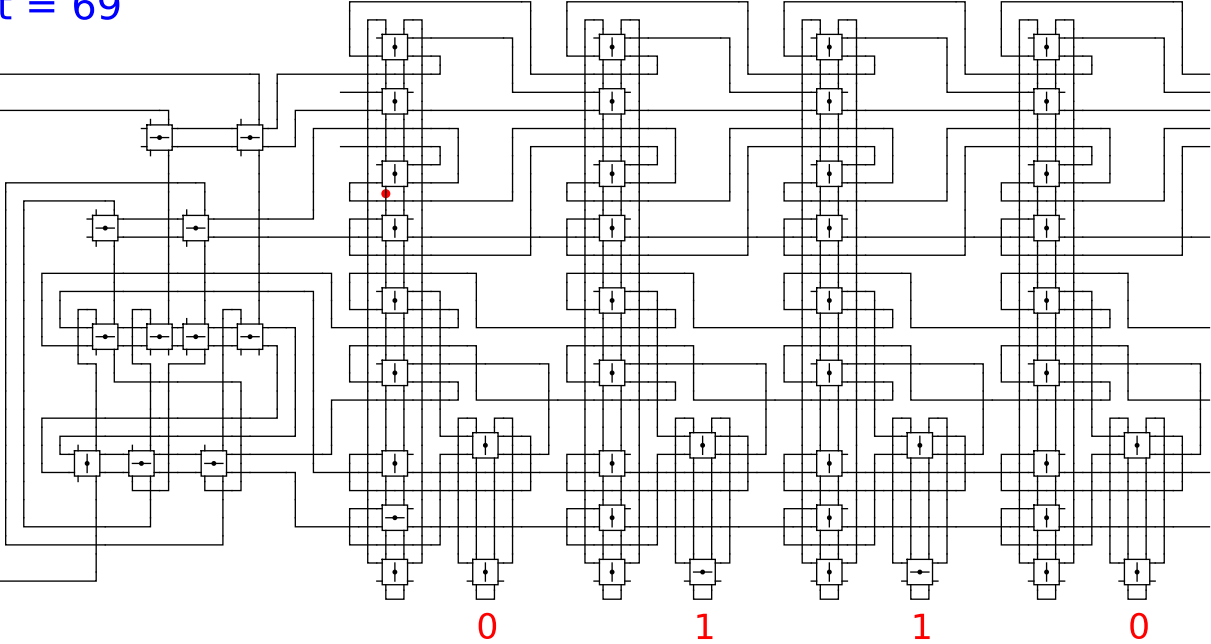
Begin



t = 69

Reject
Accept

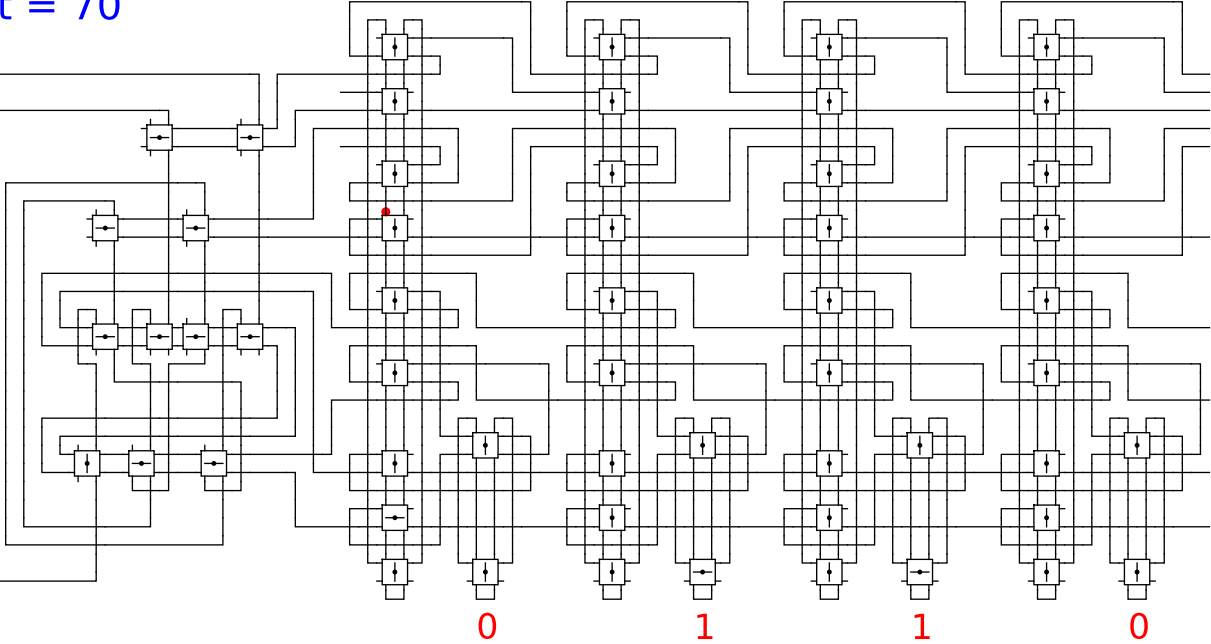
Begin



t = 70

Reject
Accept

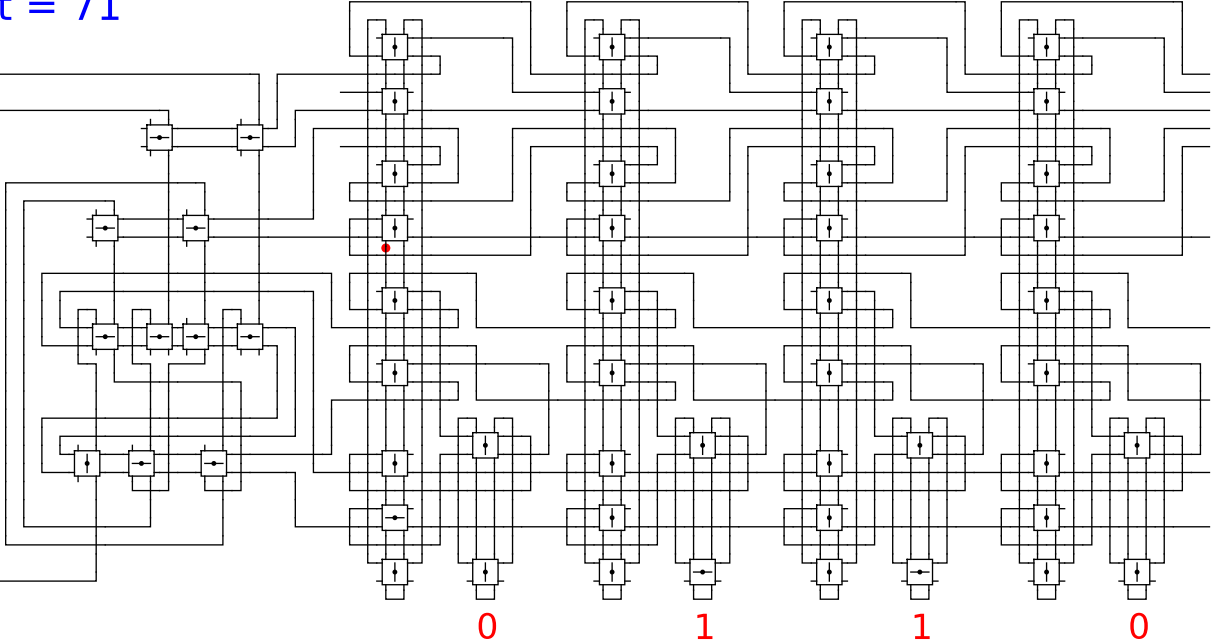
Begin



t = 71

Reject
Accept

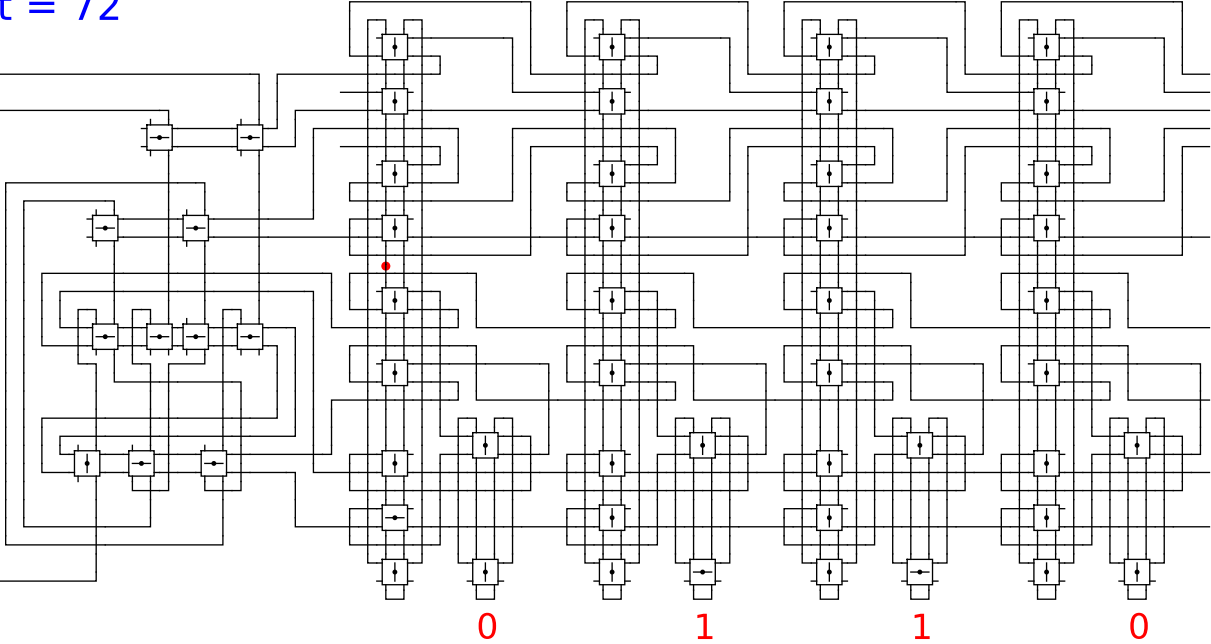
Begin



t = 72

Reject
Accept

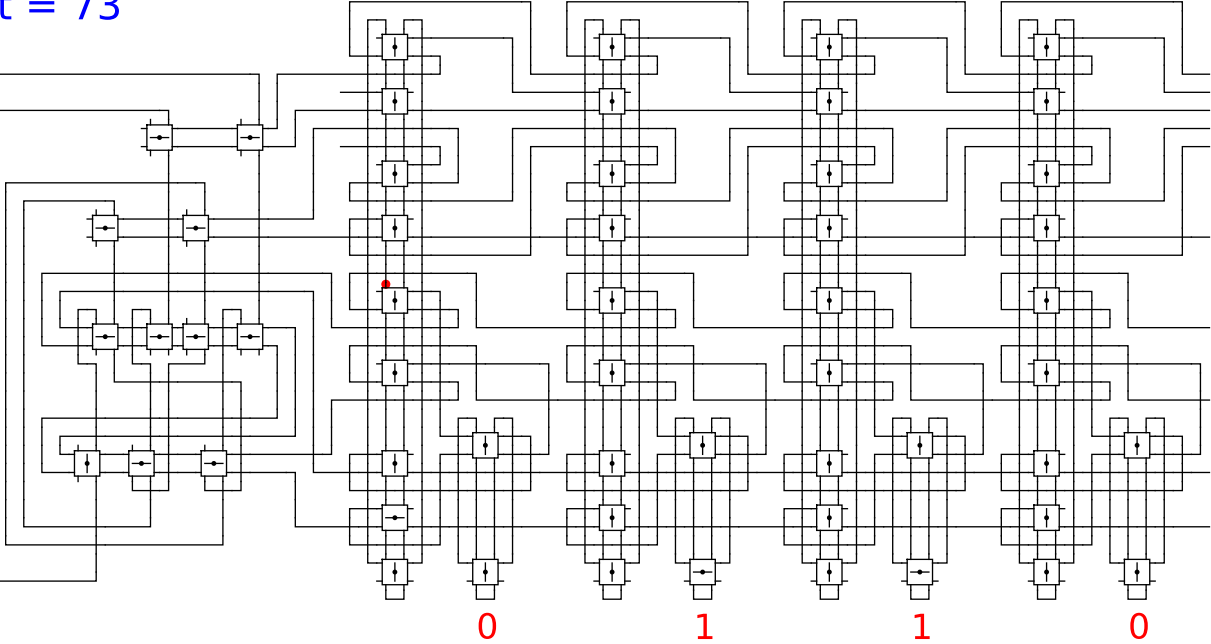
Begin



t = 73

Reject
Accept

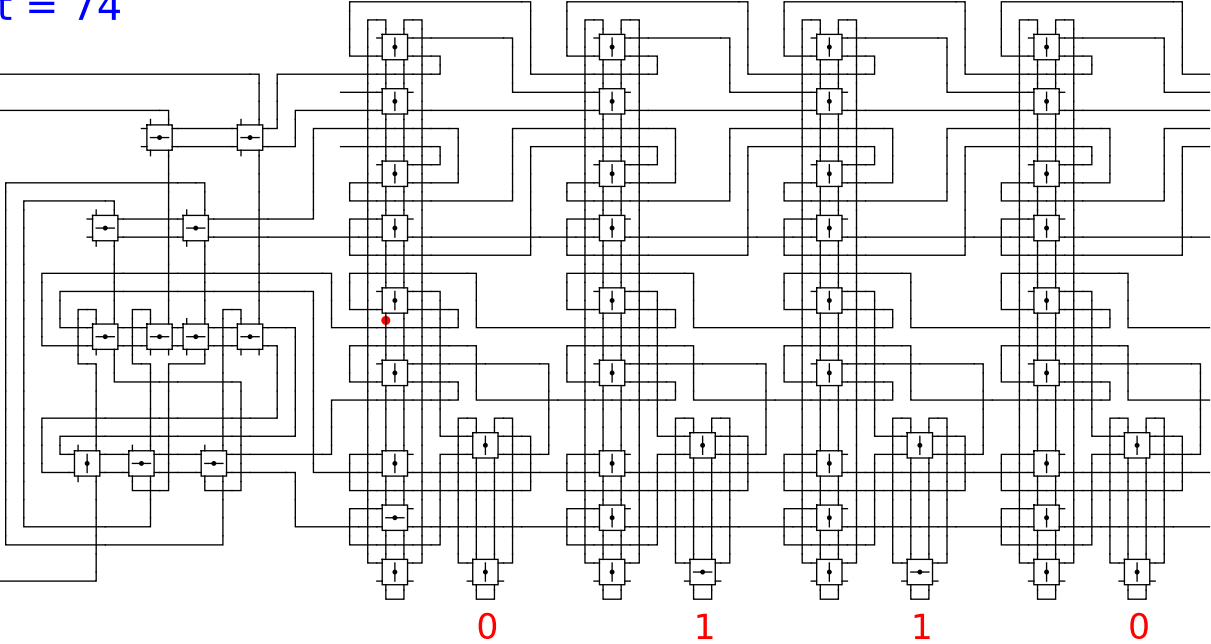
Begin



t = 74

Reject
Accept

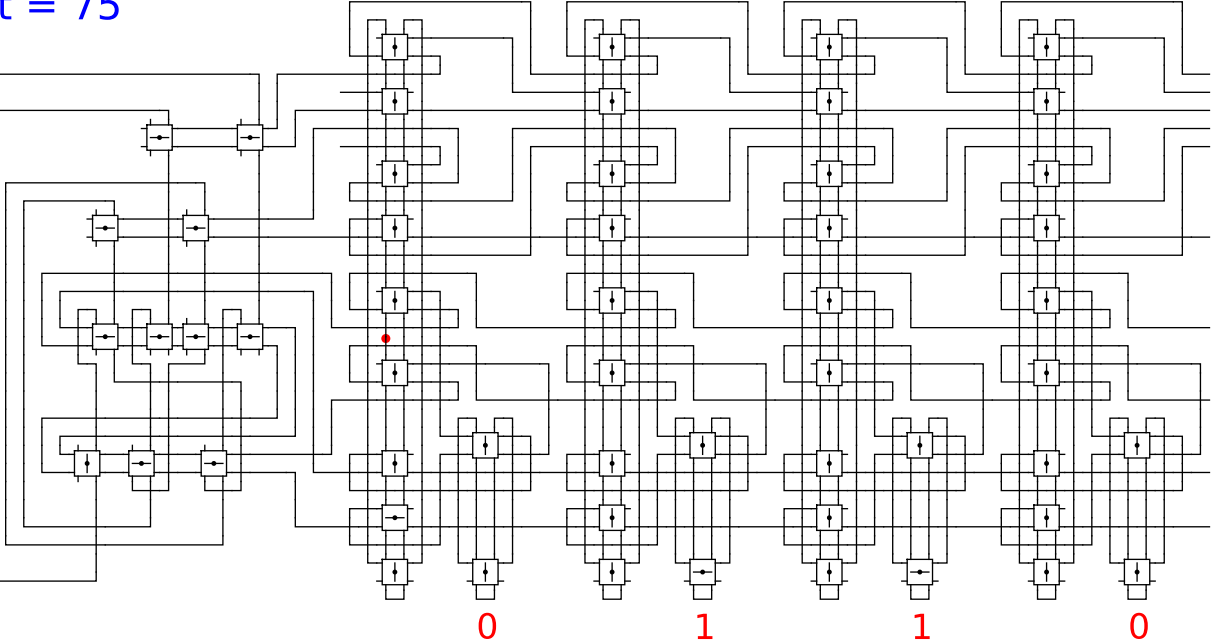
Begin



t = 75

Reject
Accept

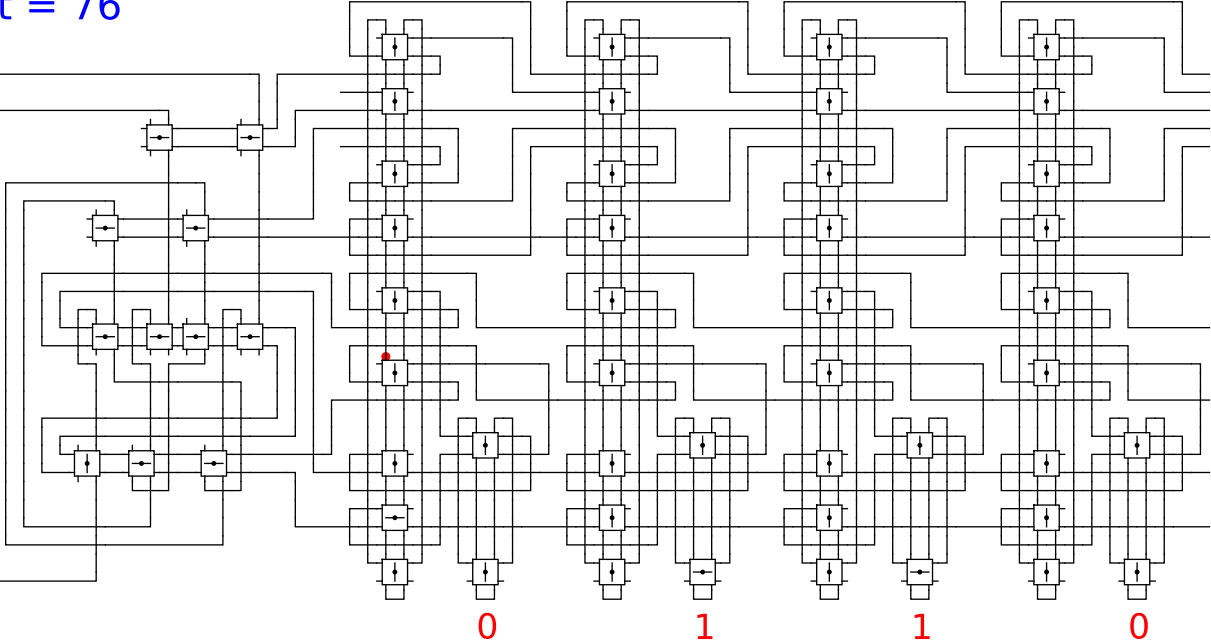
Begin



t = 76

Reject
Accept

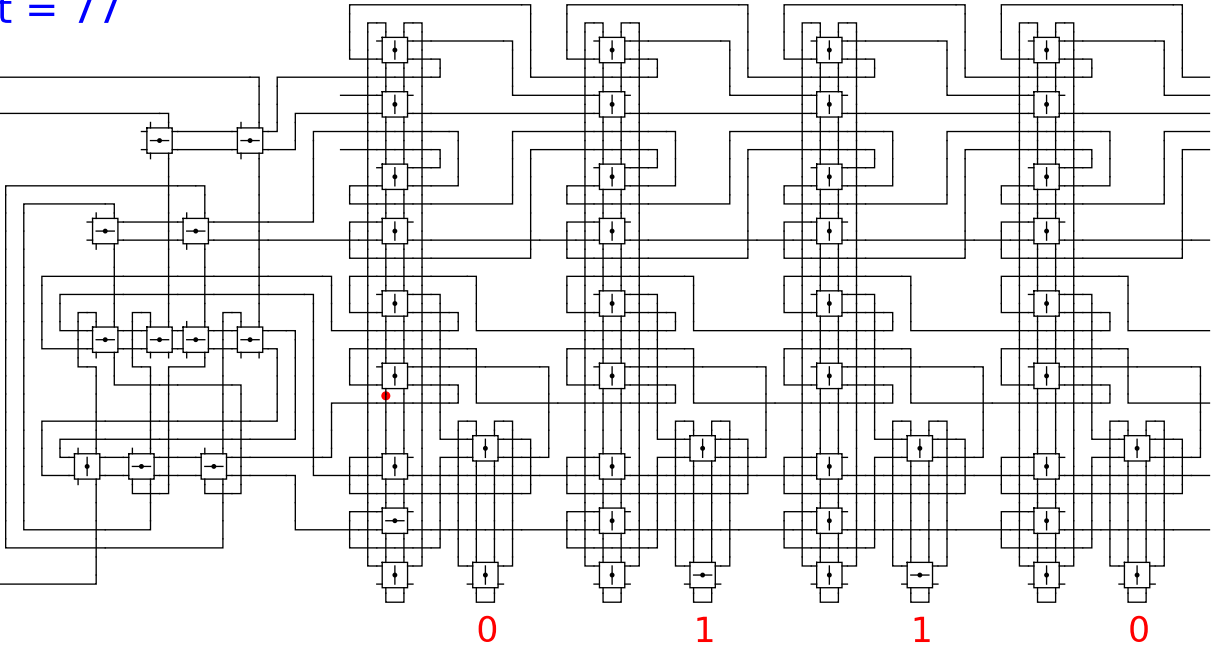
Begin



$t = 77$

Reject
Accept

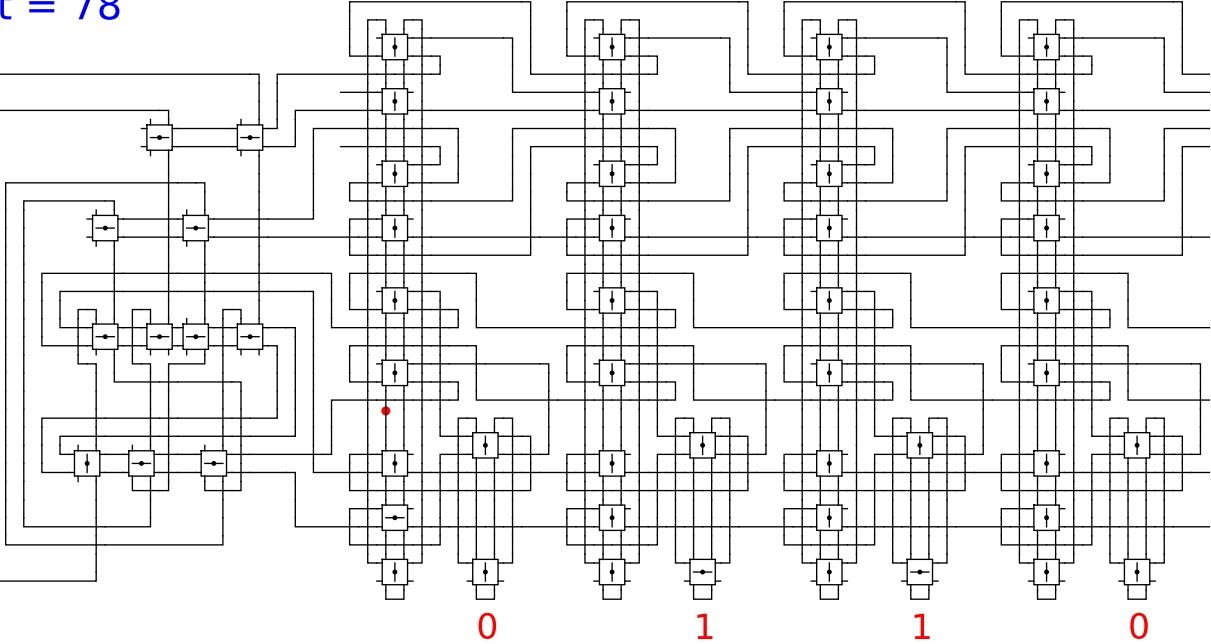
Begin



t = 78

Reject
Accept

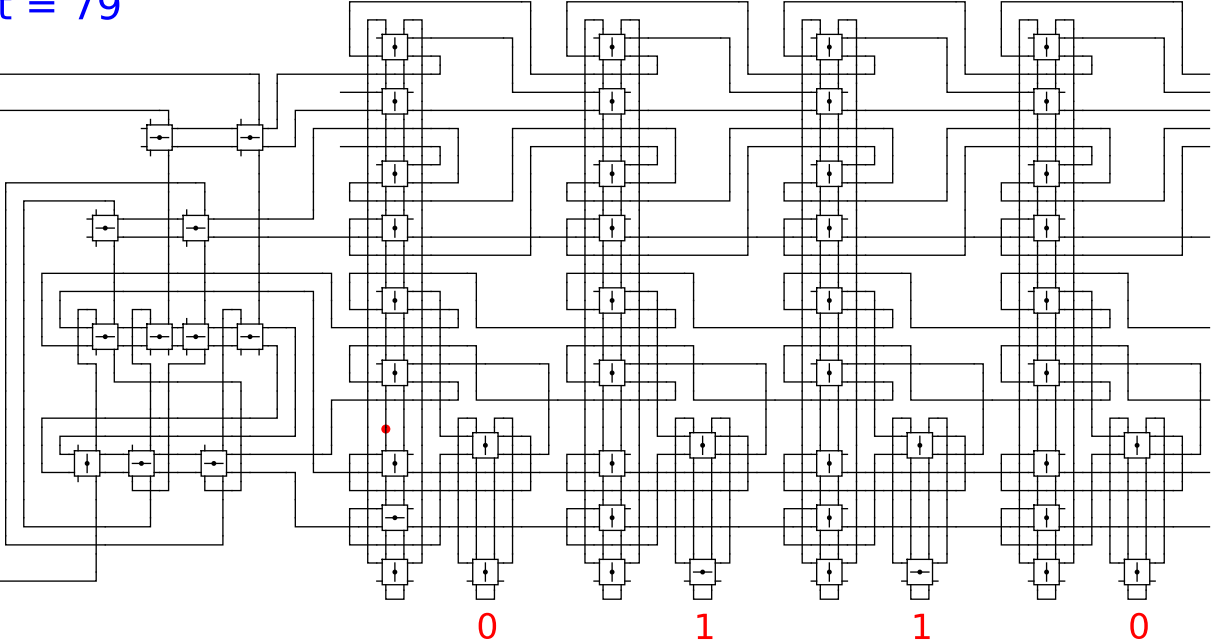
Begin



t = 79

Reject
Accept

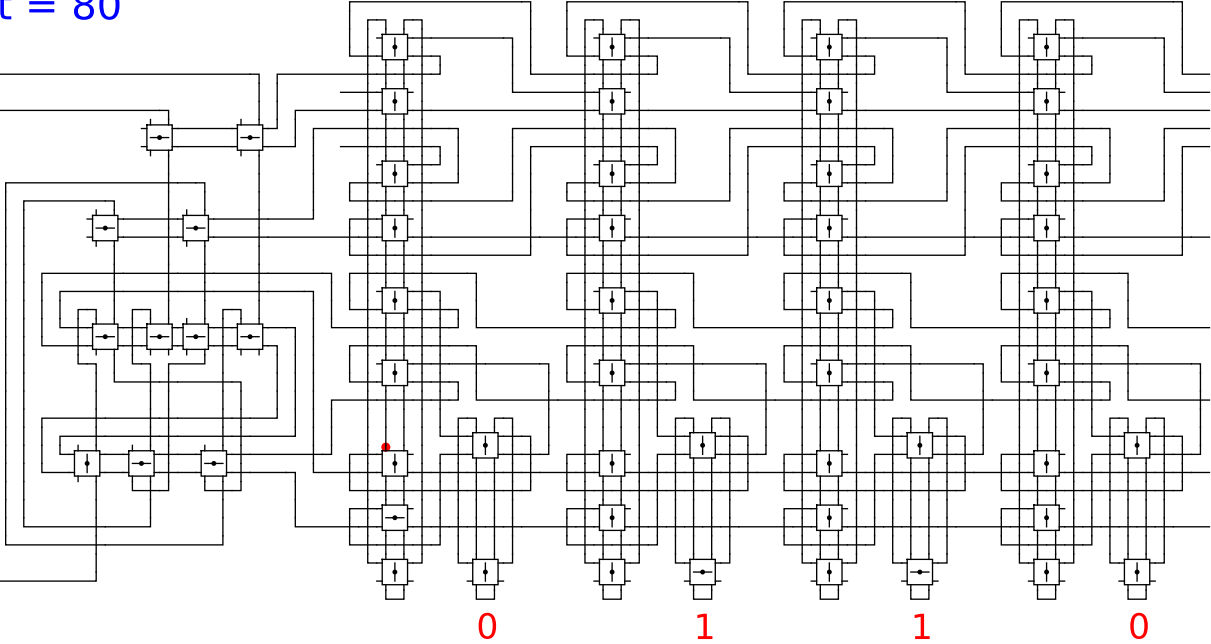
Begin



t = 80

Reject
Accept

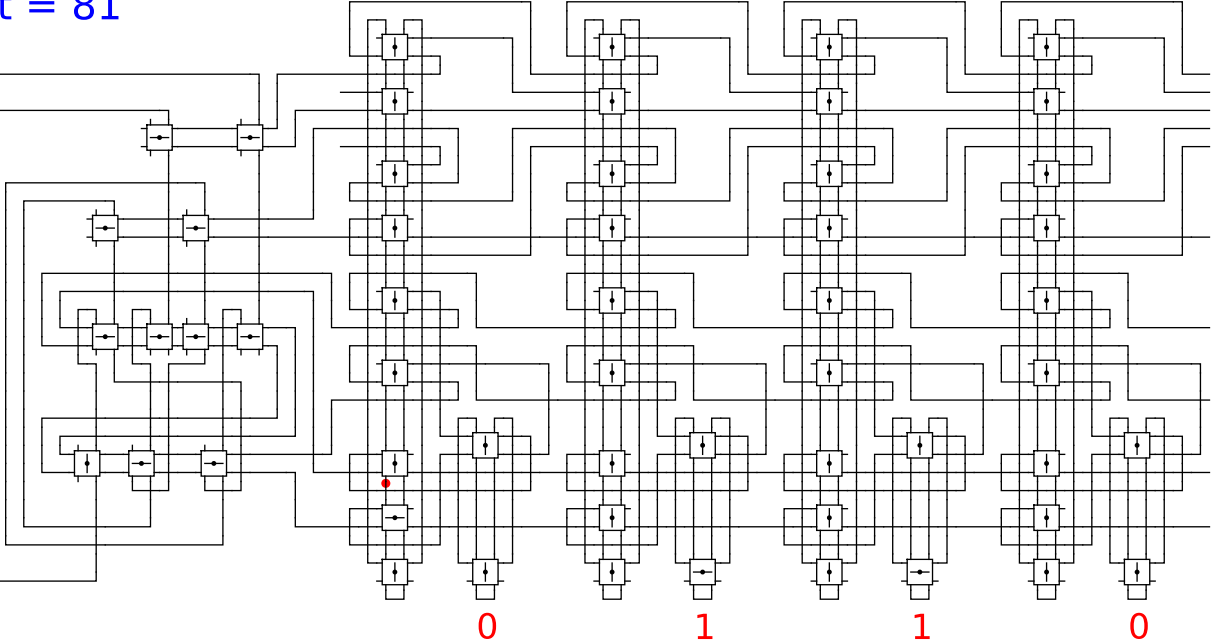
Begin



t = 81

Reject
Accept

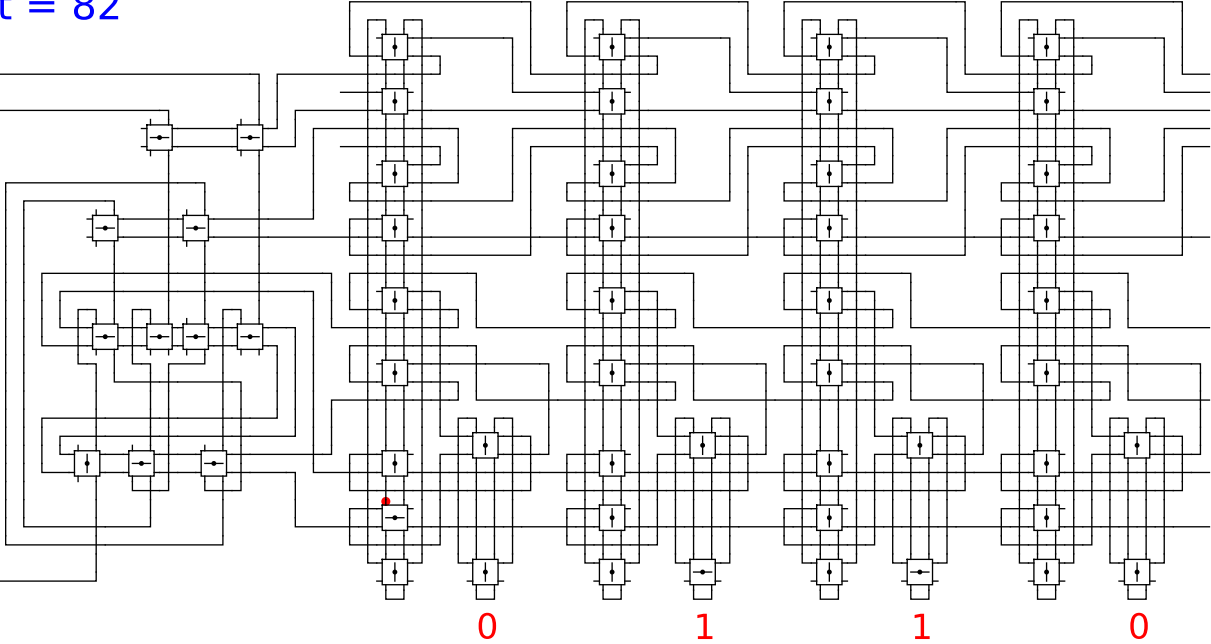
Begin



t = 82

Reject
Accept

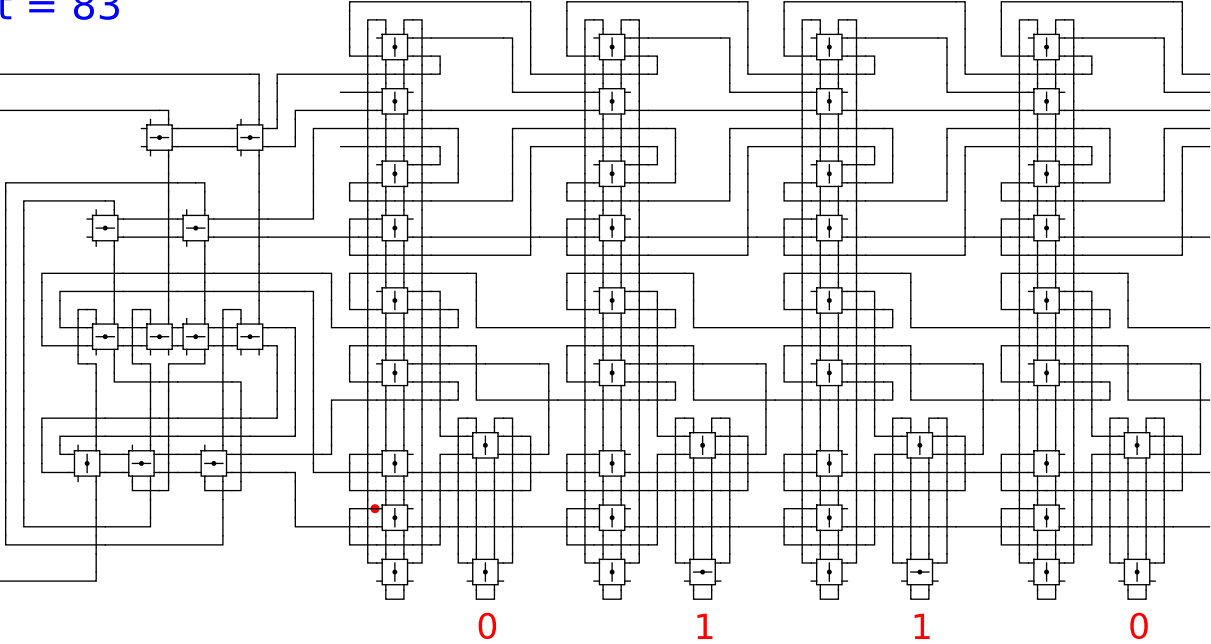
Begin



t = 83

Reject
Accept

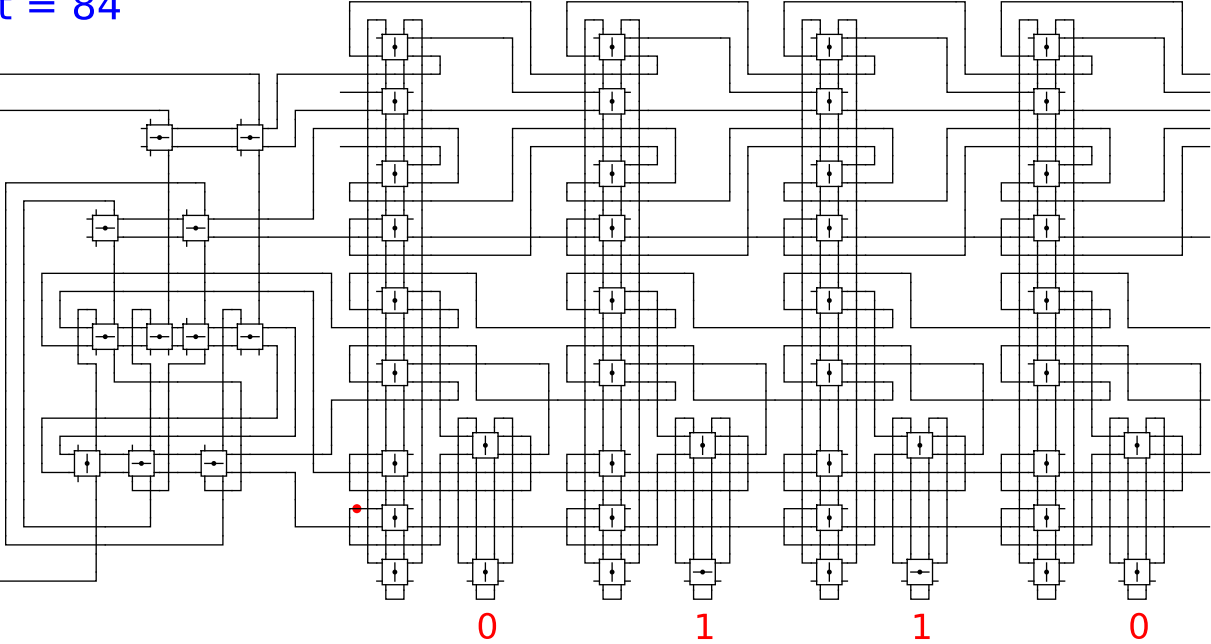
Begin



t = 84

Reject
Accept

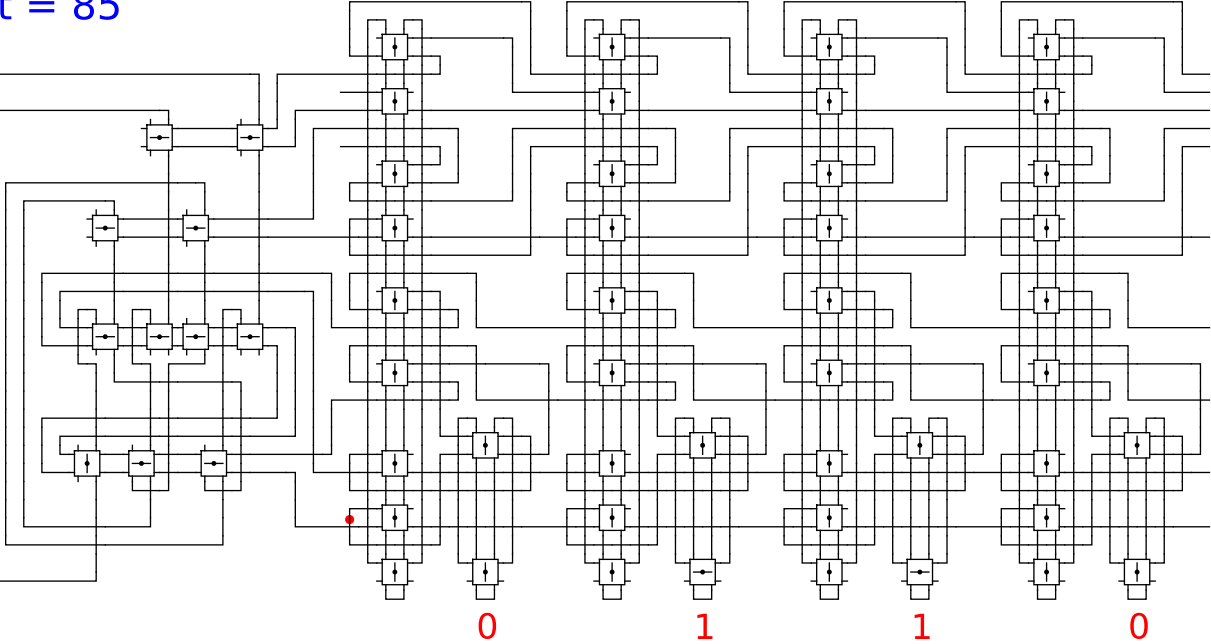
Begin



t = 85

Reject
Accept

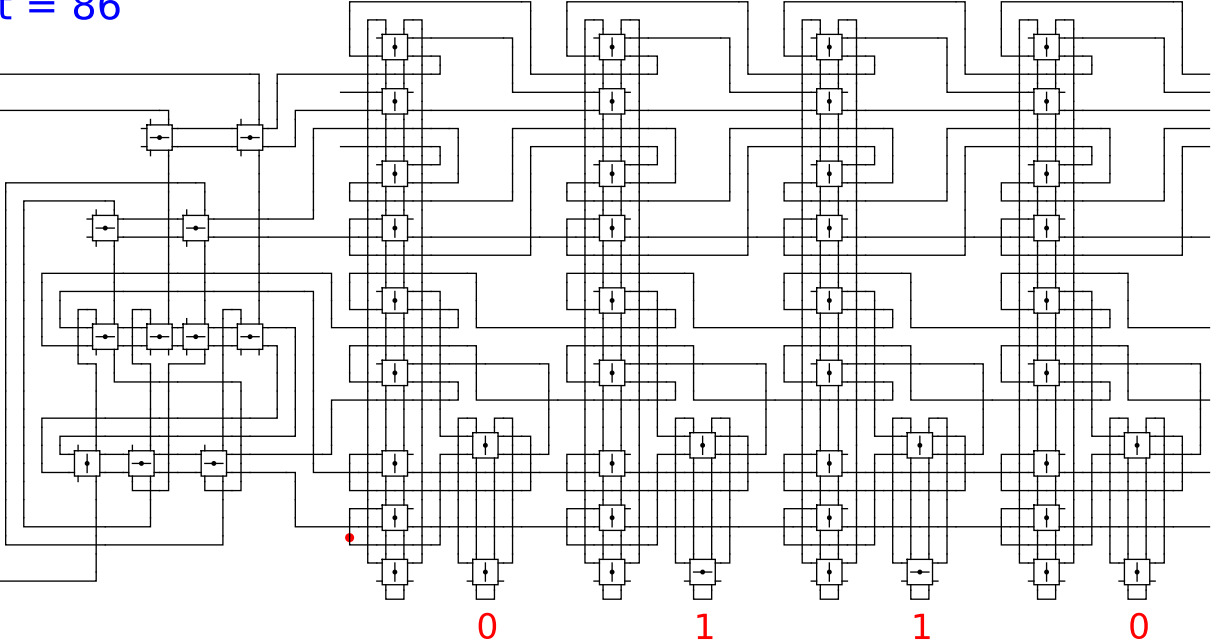
Begin



t = 86

Reject
Accept

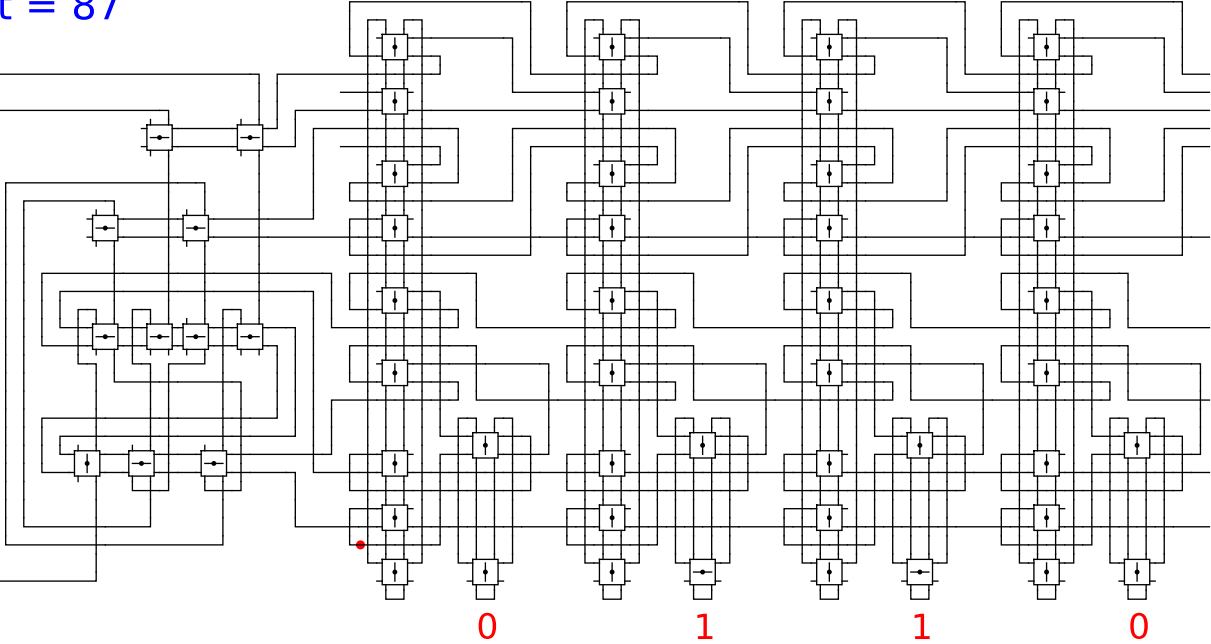
Begin



t = 87

Reject
Accept

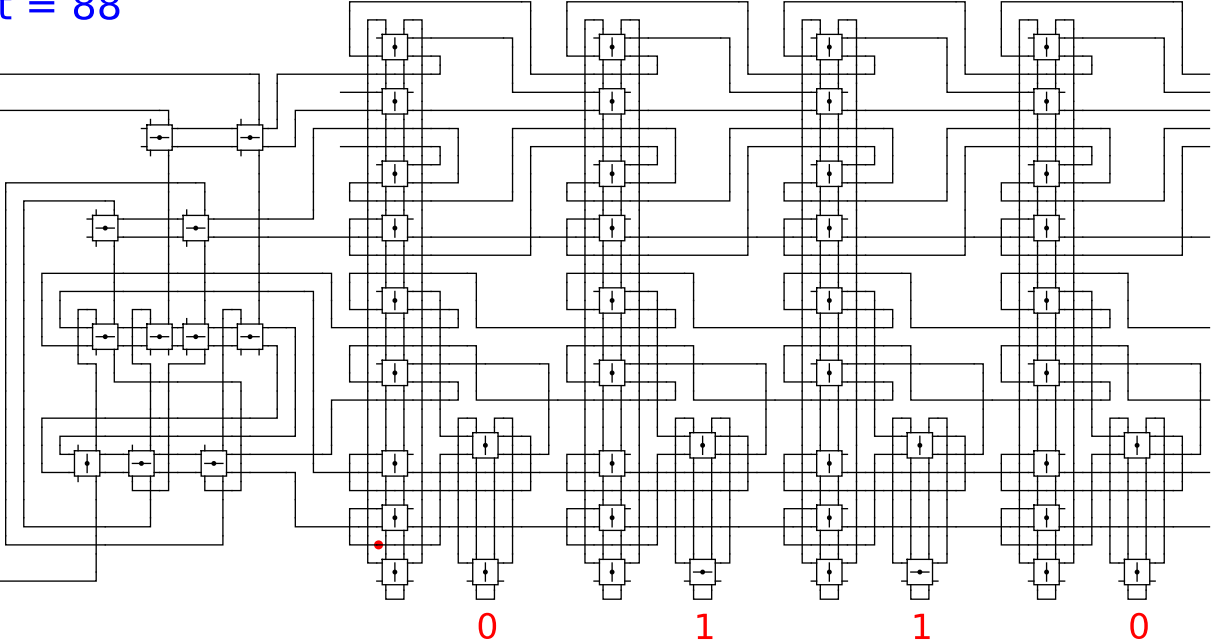
Begin



t = 88

Reject
Accept

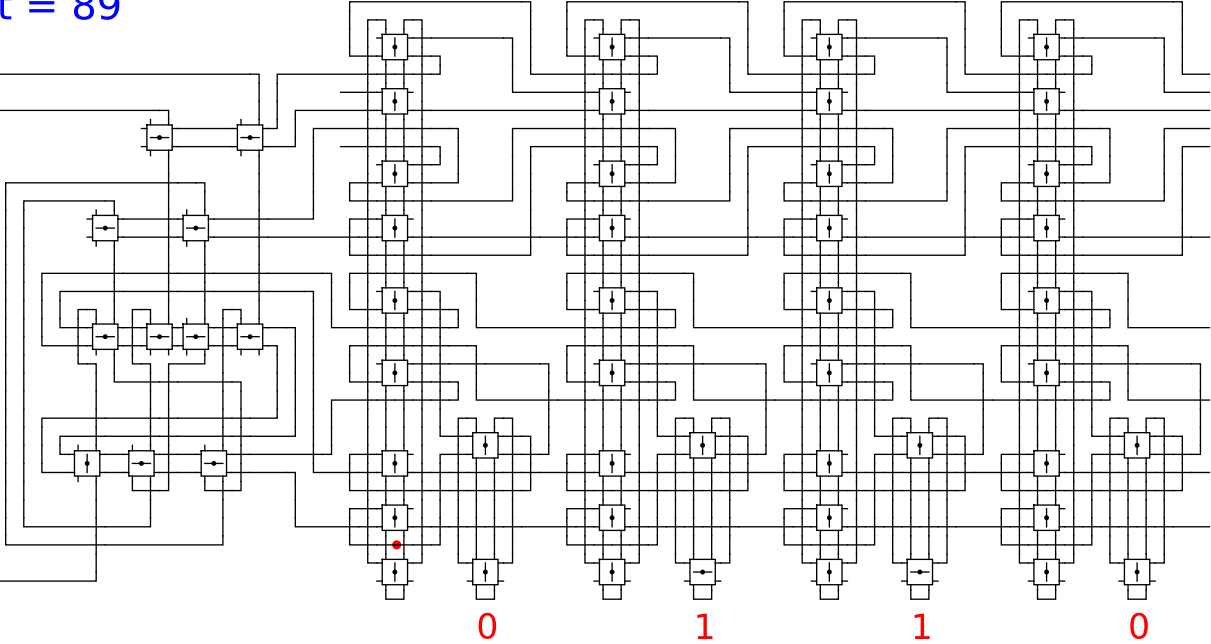
Begin



t = 89

Reject
Accept

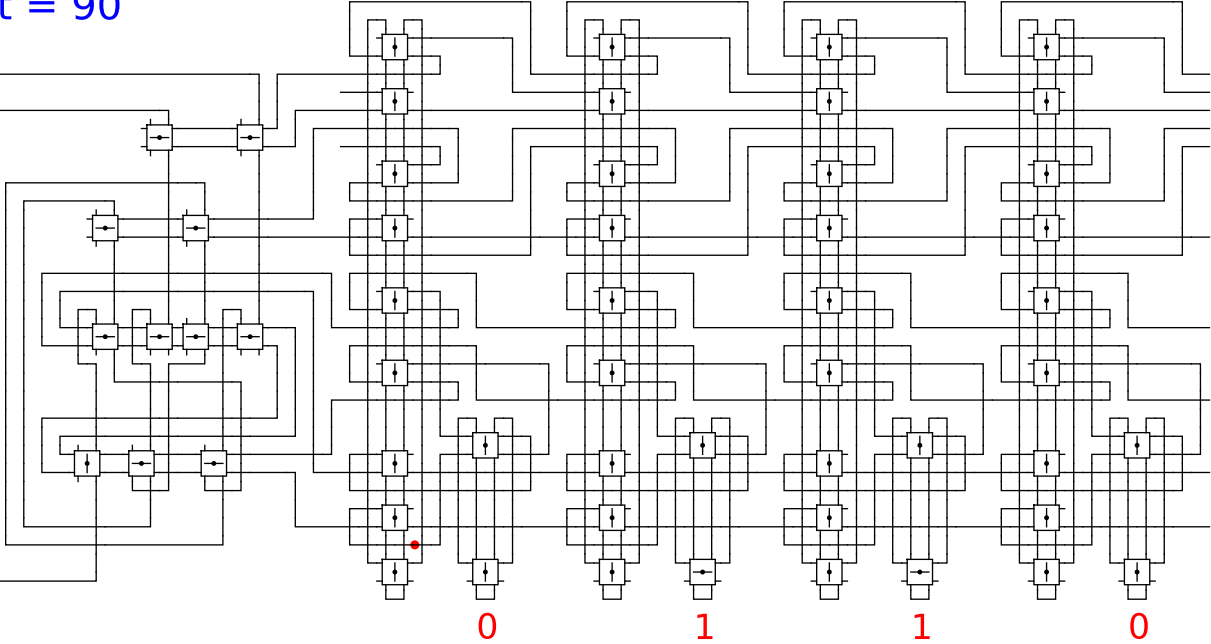
Begin



t = 90

Reject
Accept

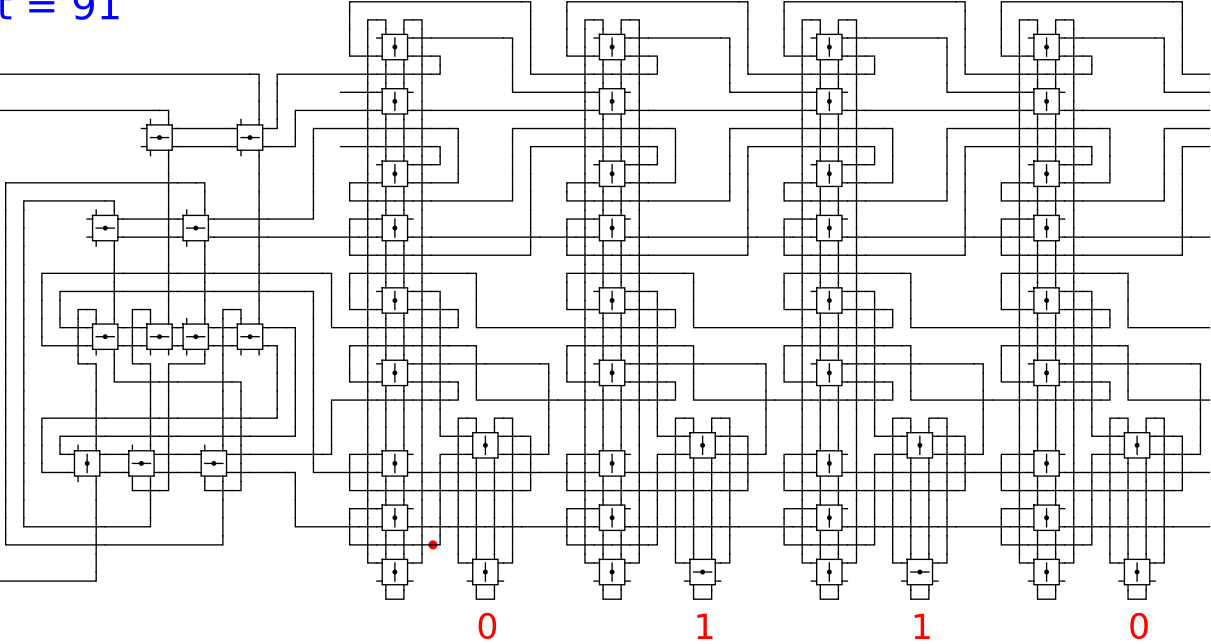
Begin



t = 91

Reject
Accept

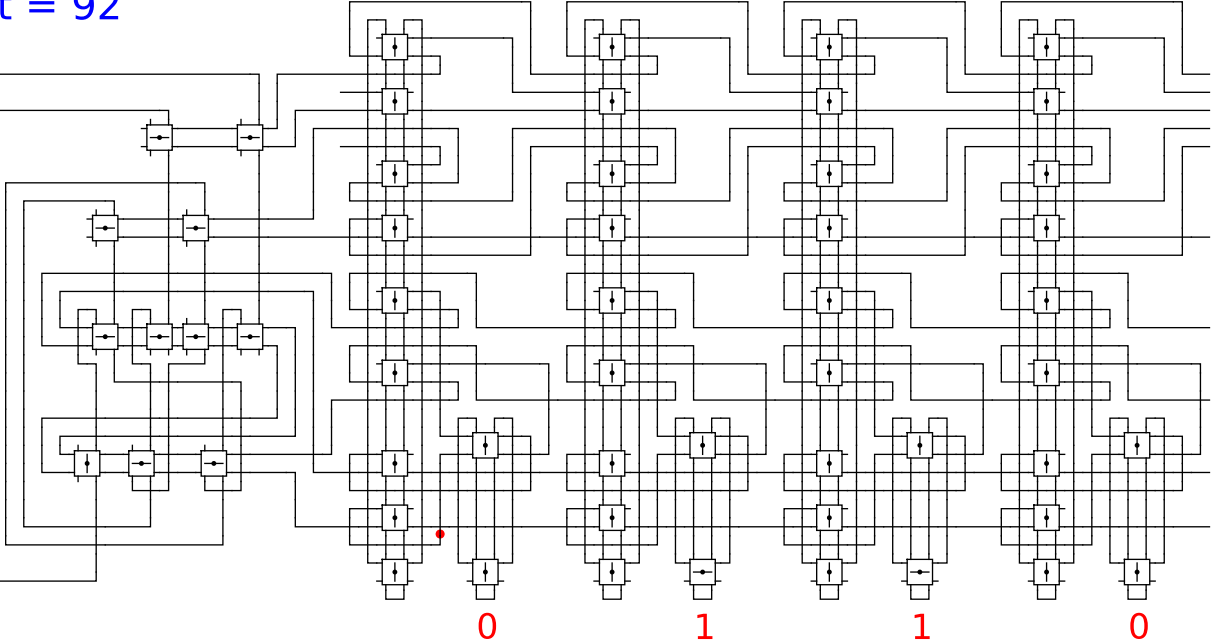
Begin



t = 92

Reject
Accept

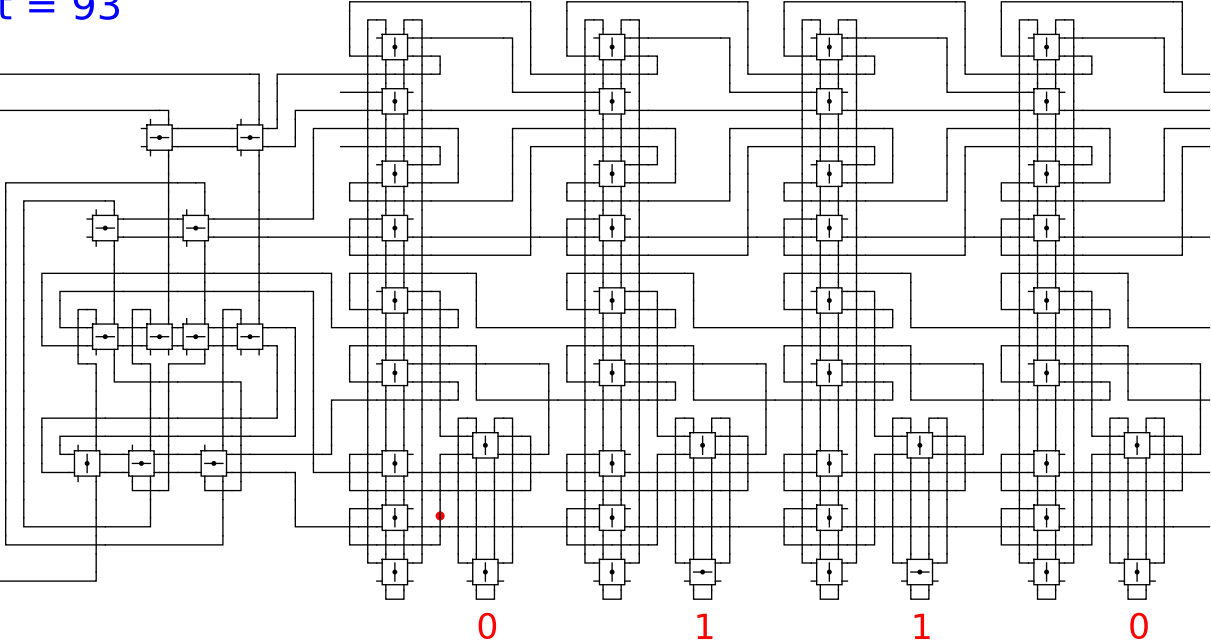
Begin



t = 93

Reject
Accept

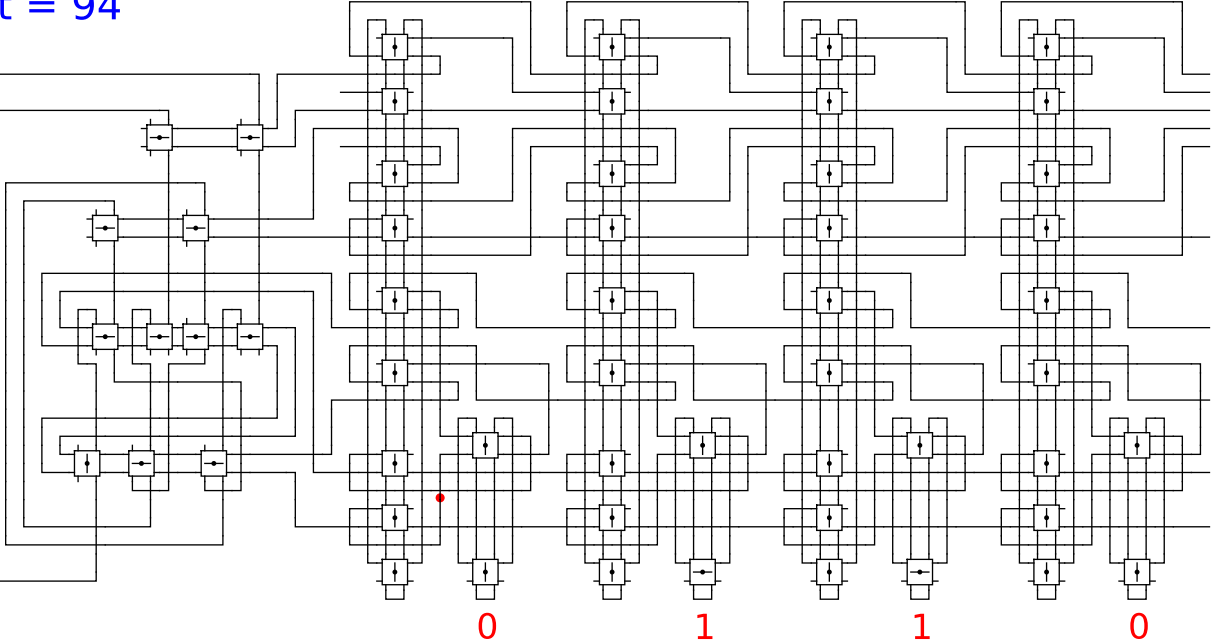
Begin



t = 94

Reject
Accept

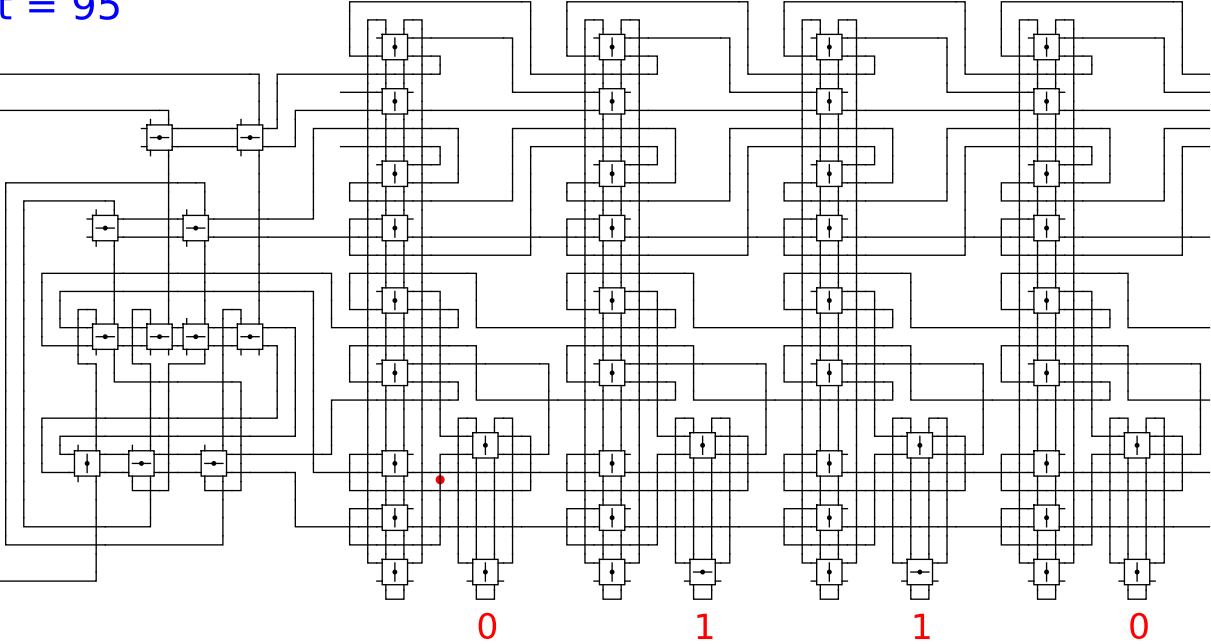
Begin



t = 95

Reject
Accept

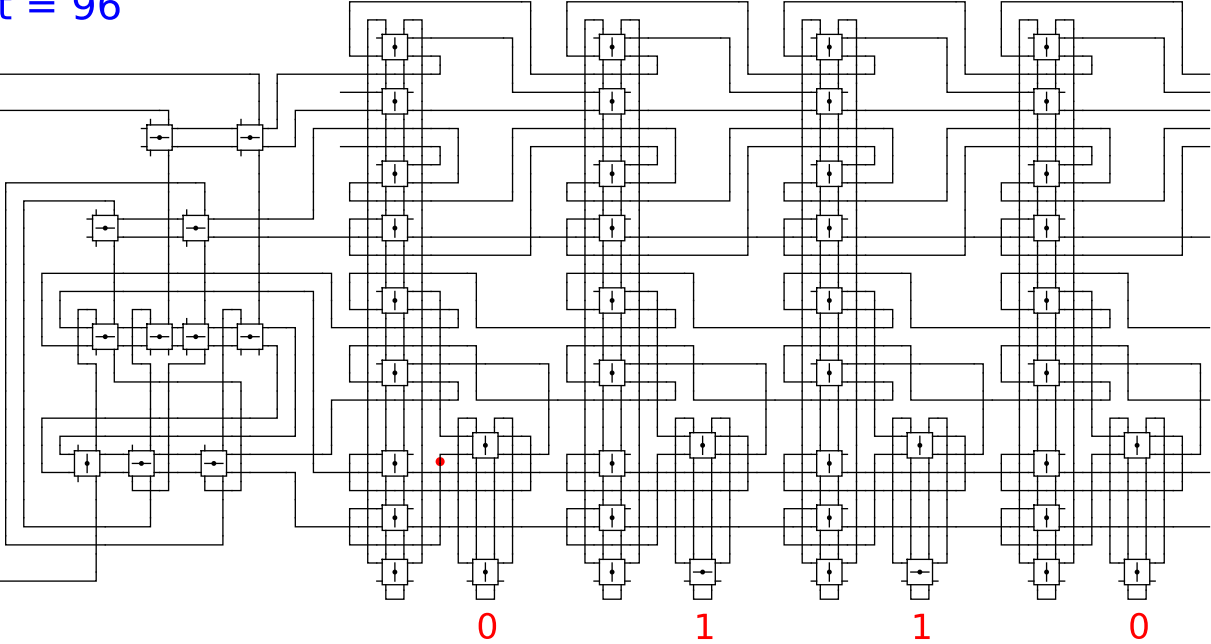
Begin



t = 96

Reject
Accept

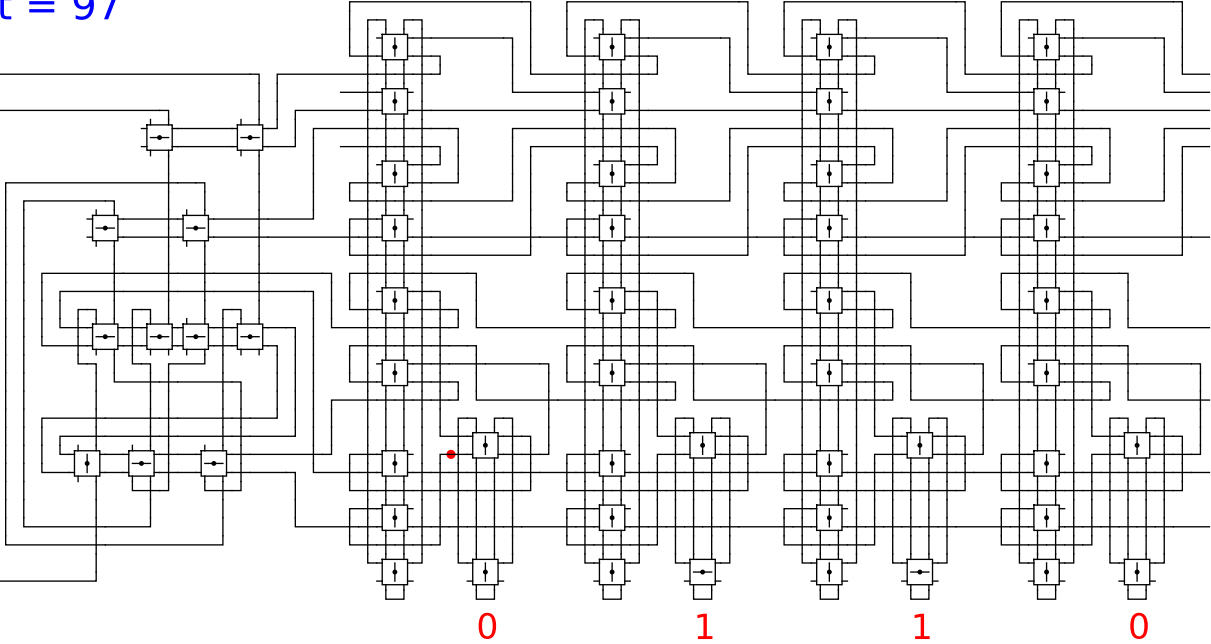
Begin



t = 97

Reject
Accept

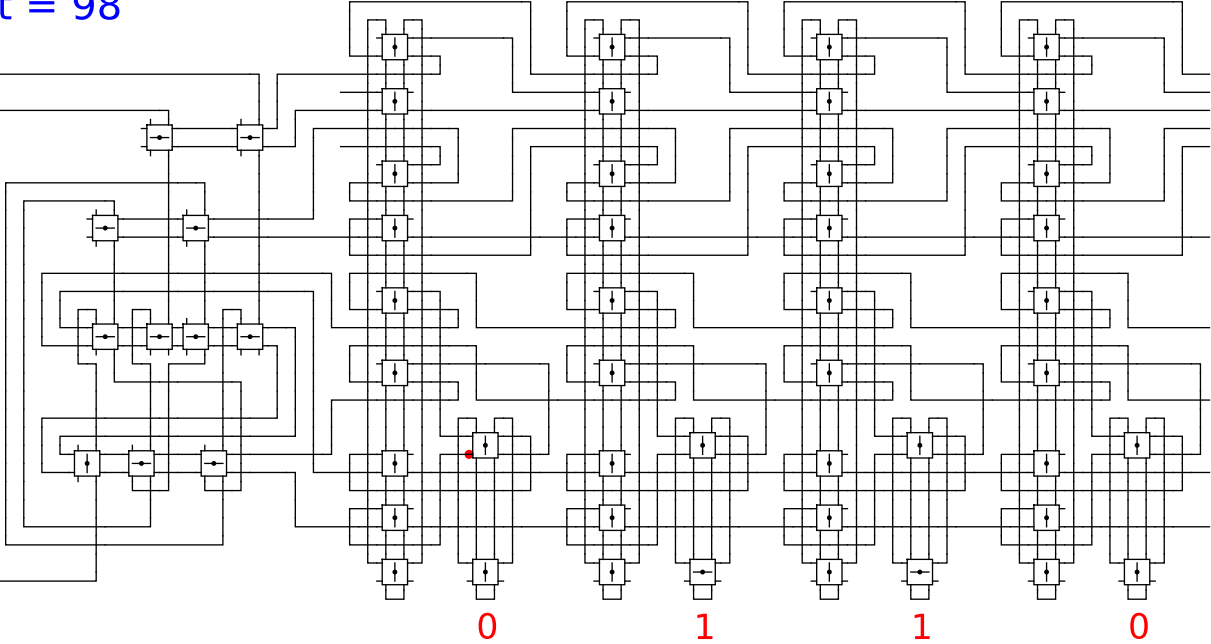
Begin



t = 98

Reject
Accept

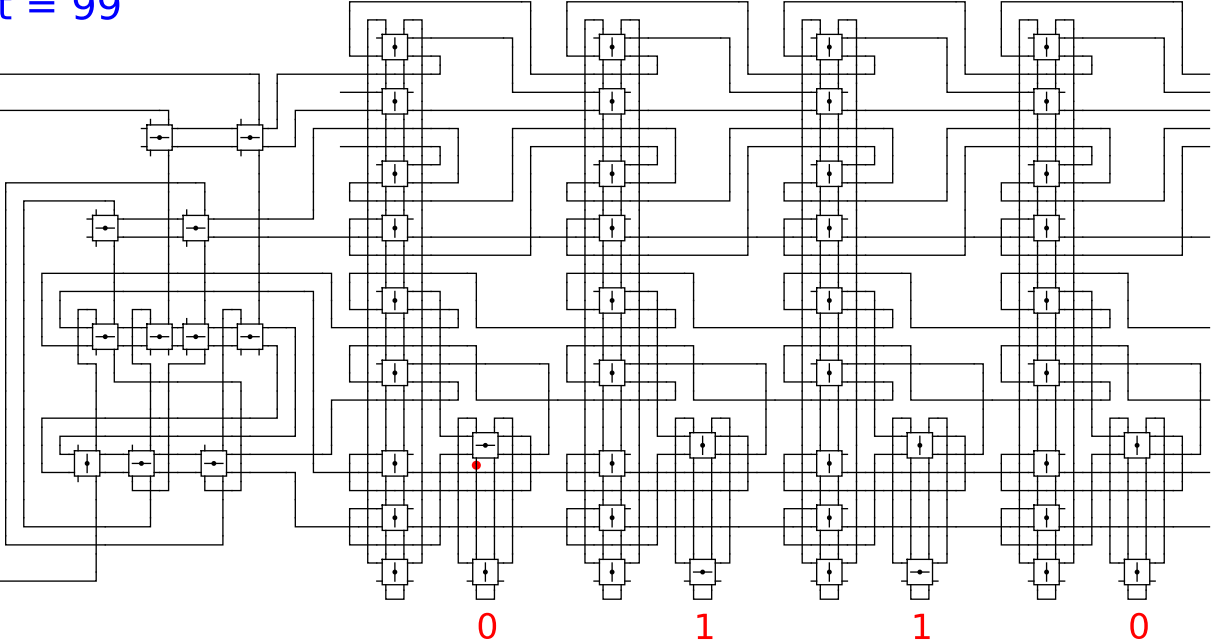
Begin



t = 99

Reject
Accept

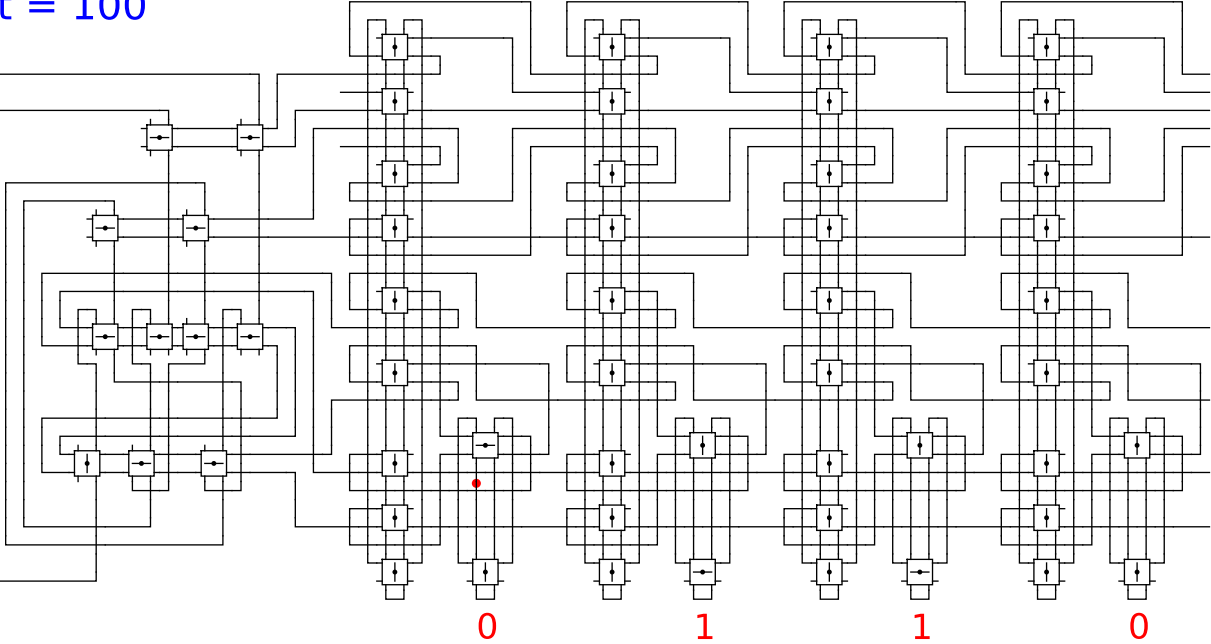
Begin



t = 100

Reject
Accept

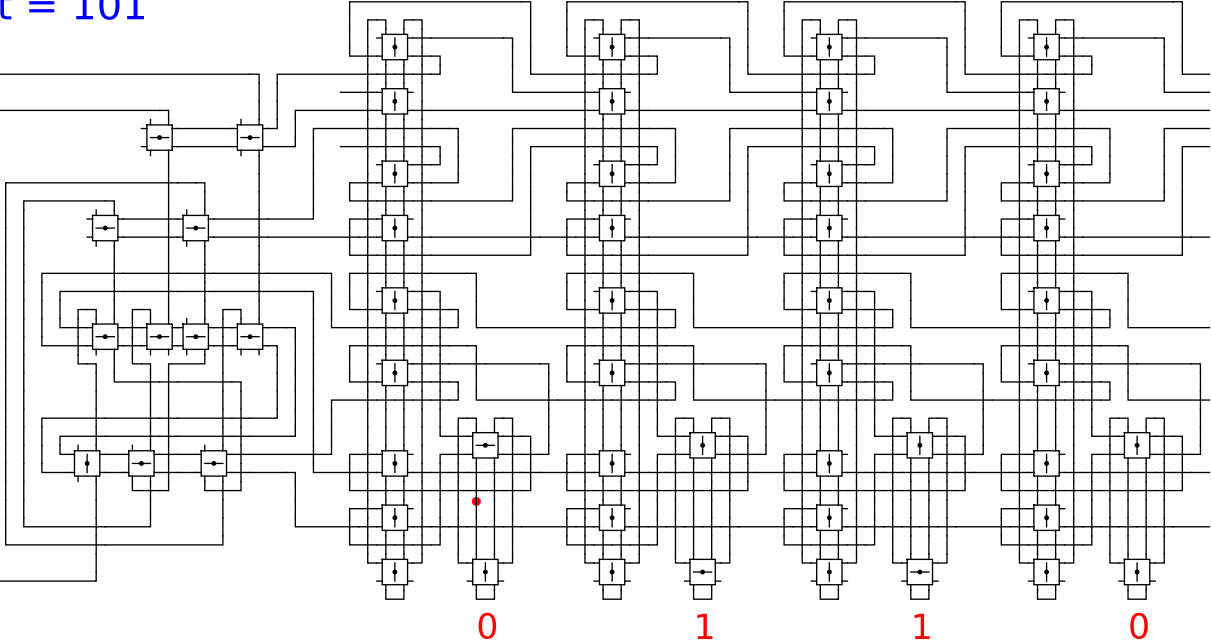
Begin



t = 101

Reject
Accept

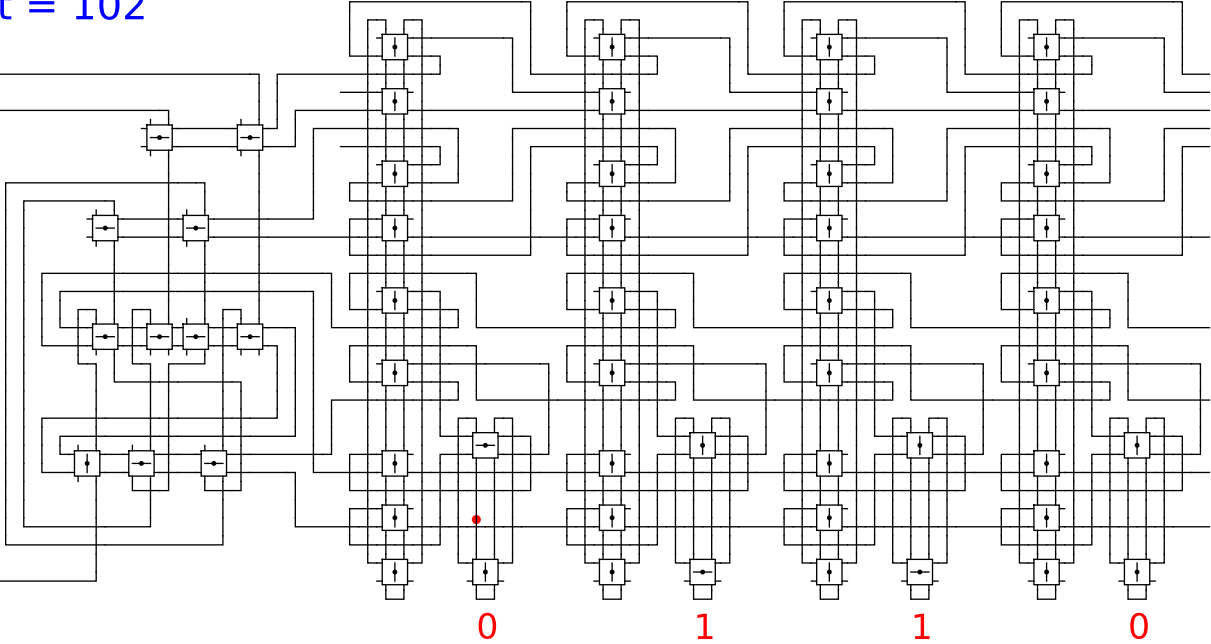
Begin



t = 102

Reject
Accept

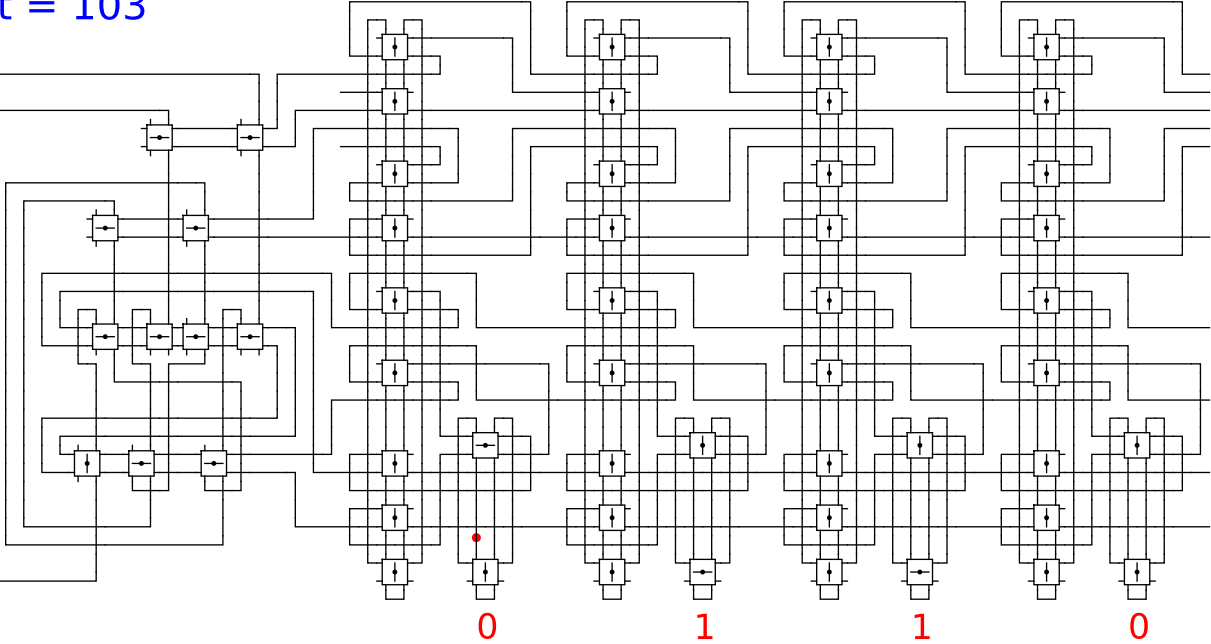
Begin



t = 103

Reject
Accept

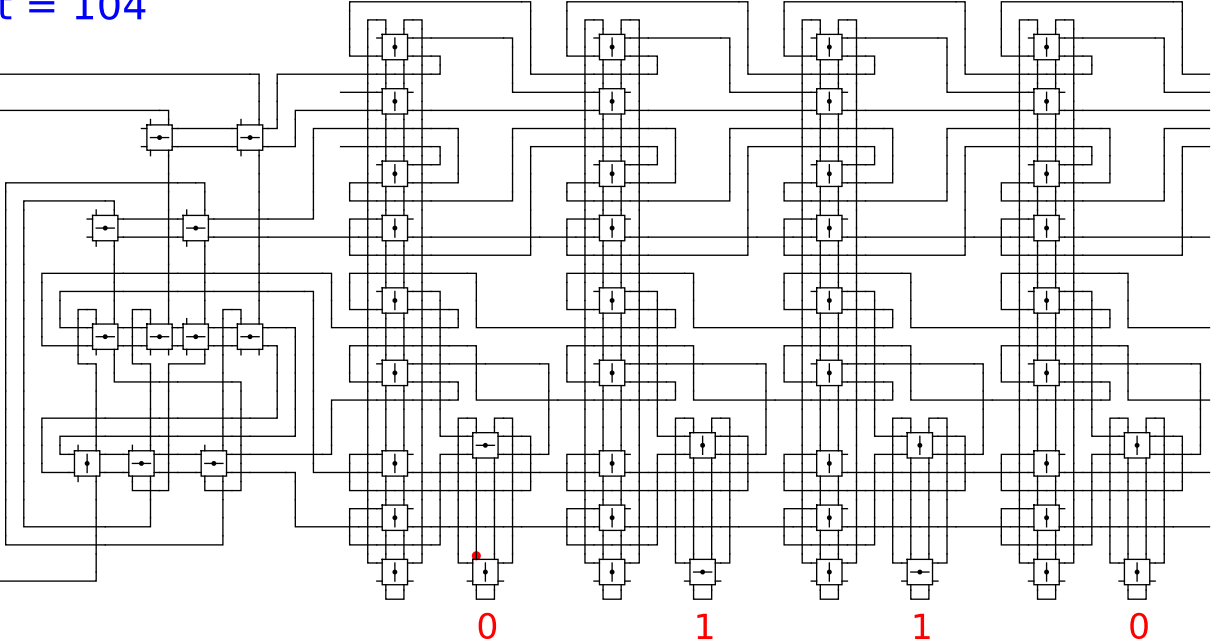
Begin



t = 104

Reject
Accept

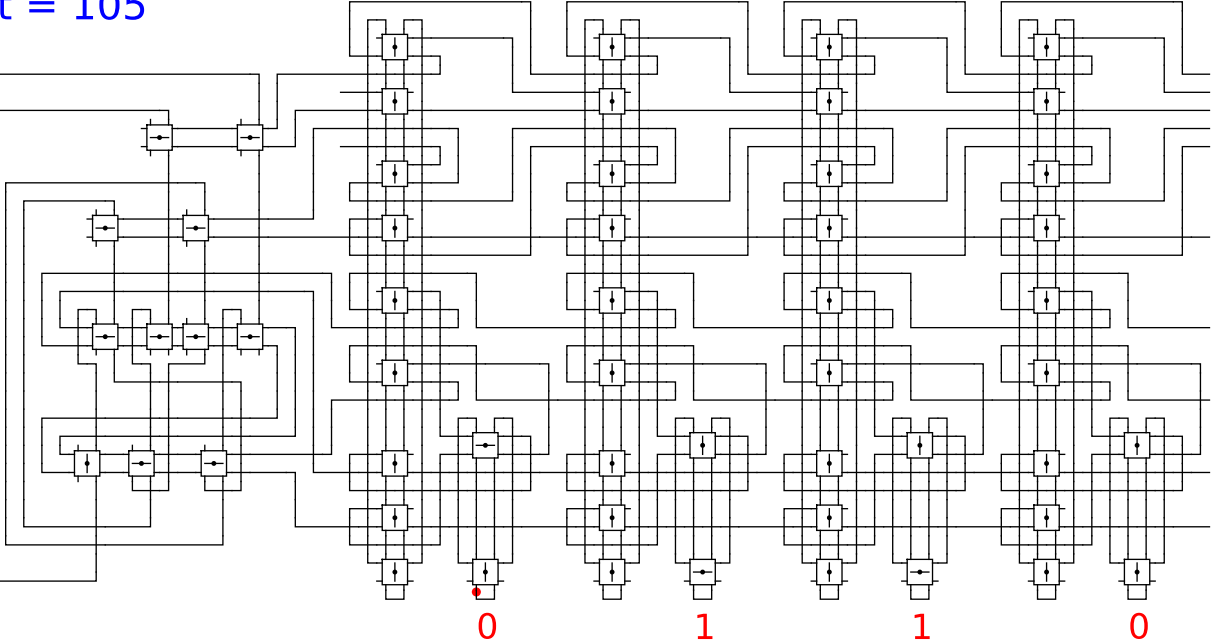
Begin



t = 105

Reject
Accept

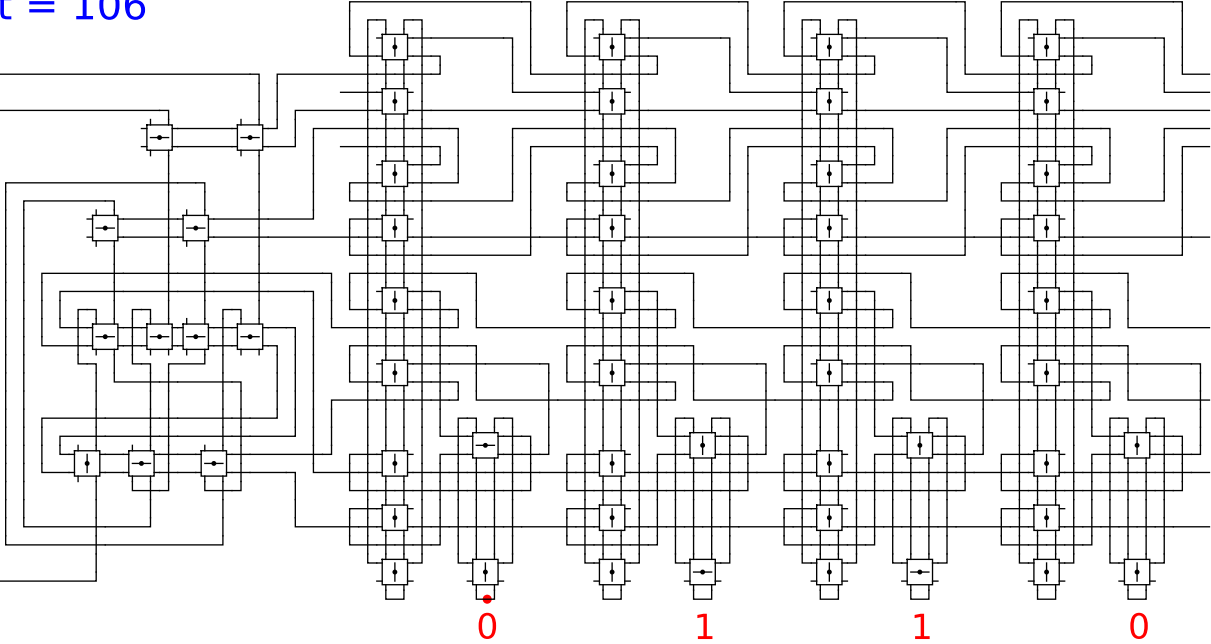
Begin



t = 106

Reject
Accept

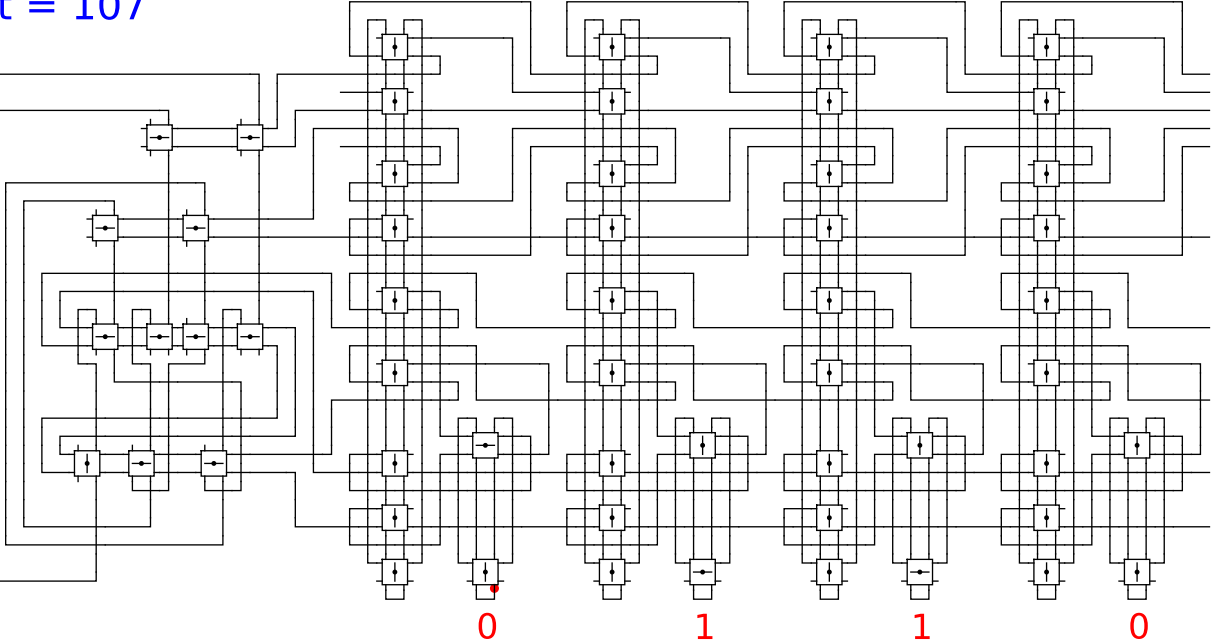
Begin



t = 107

Reject
Accept

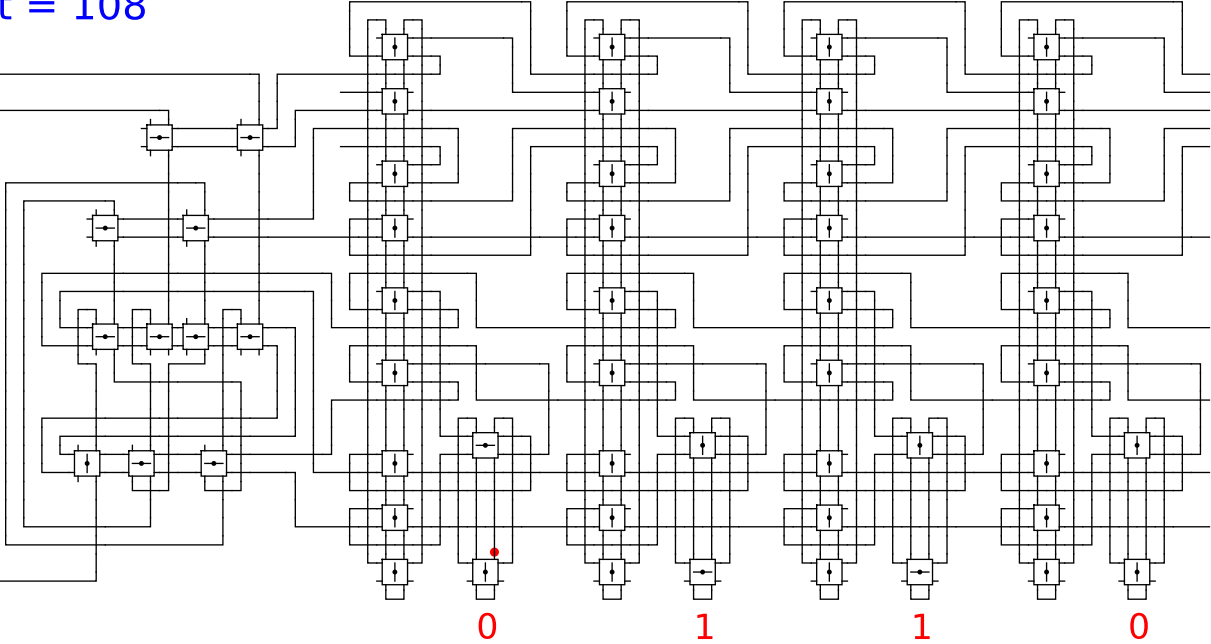
Begin



t = 108

Reject
Accept

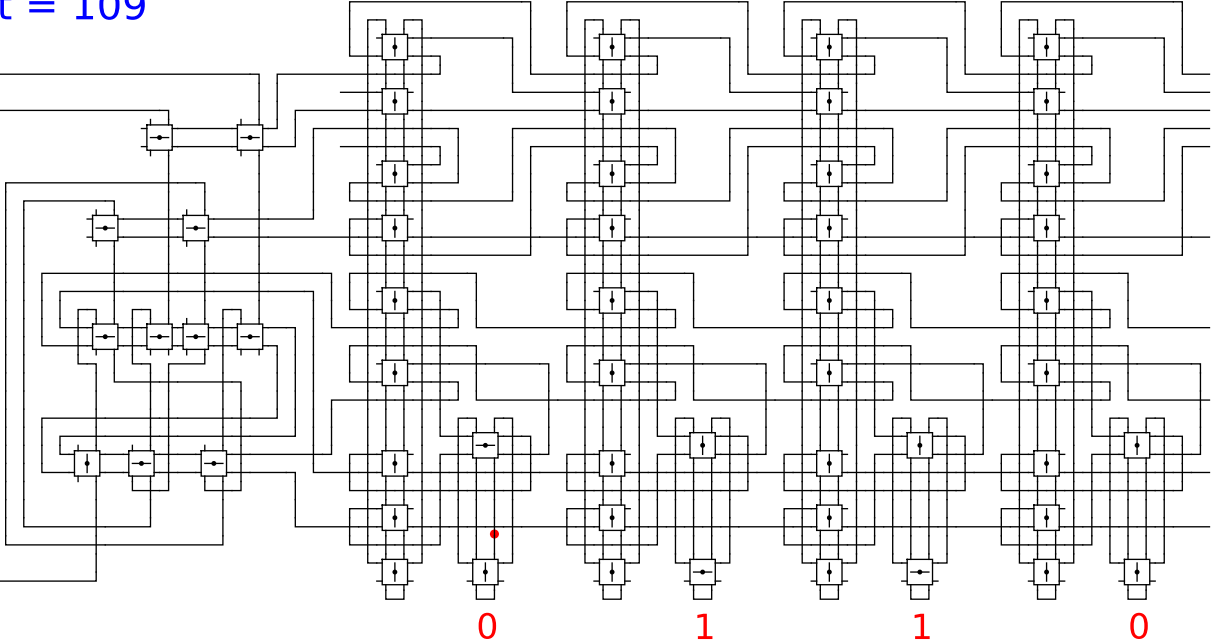
Begin



t = 109

Reject
Accept

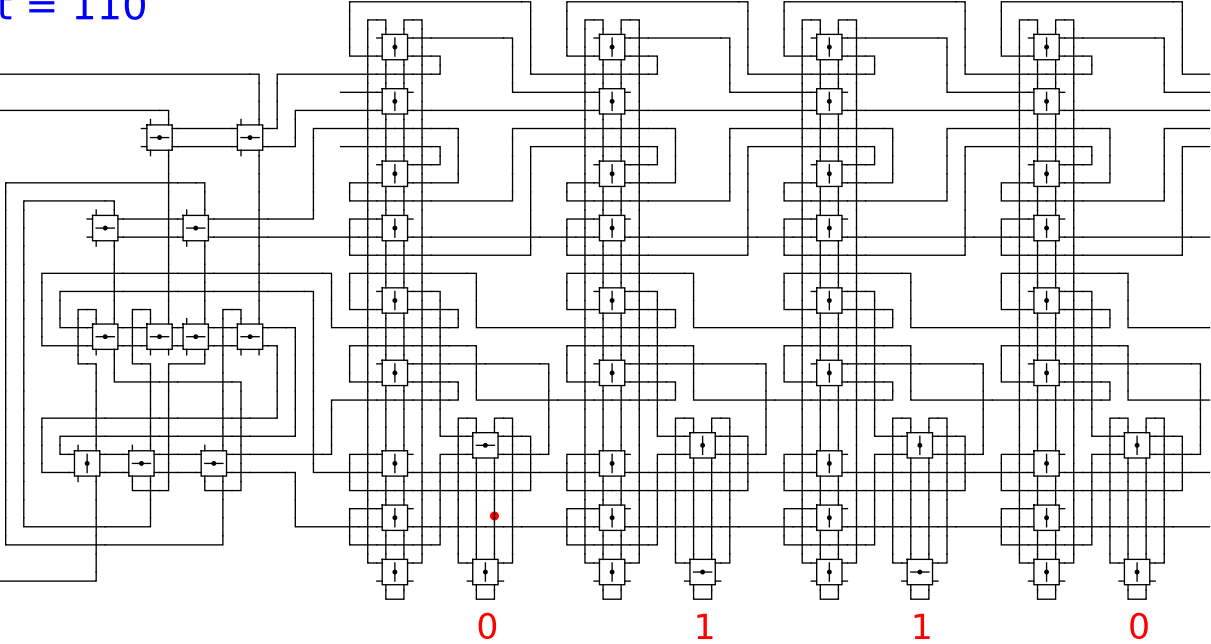
Begin



t = 110

Reject
Accept

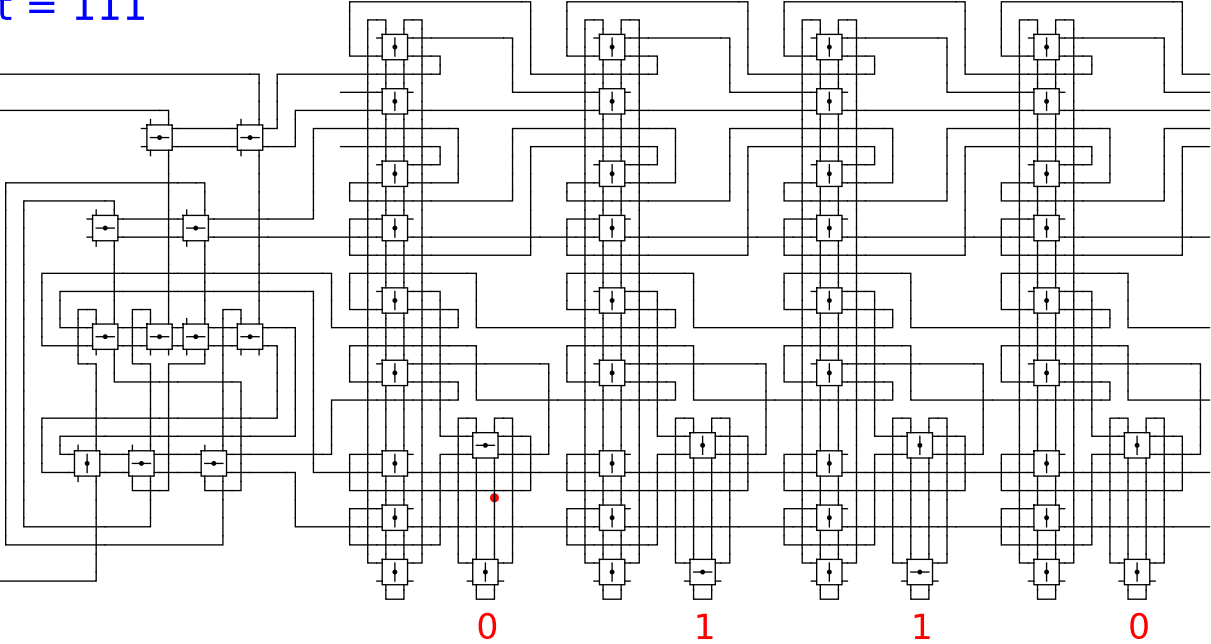
Begin



t = 111

Reject
Accept

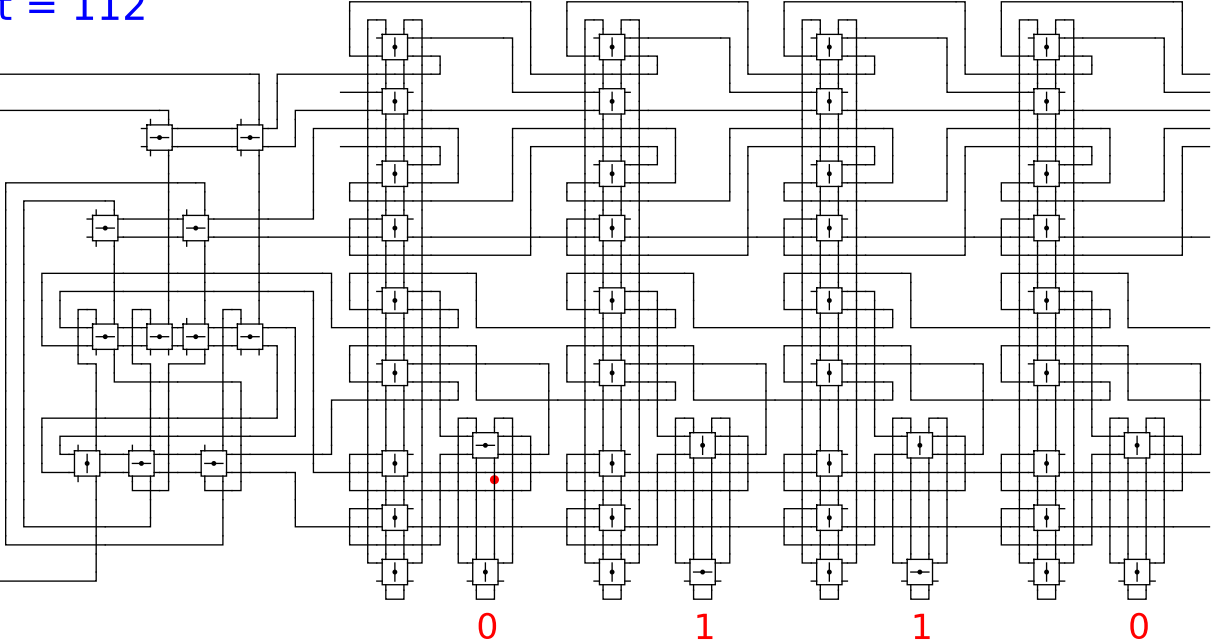
Begin



t = 112

Reject
Accept

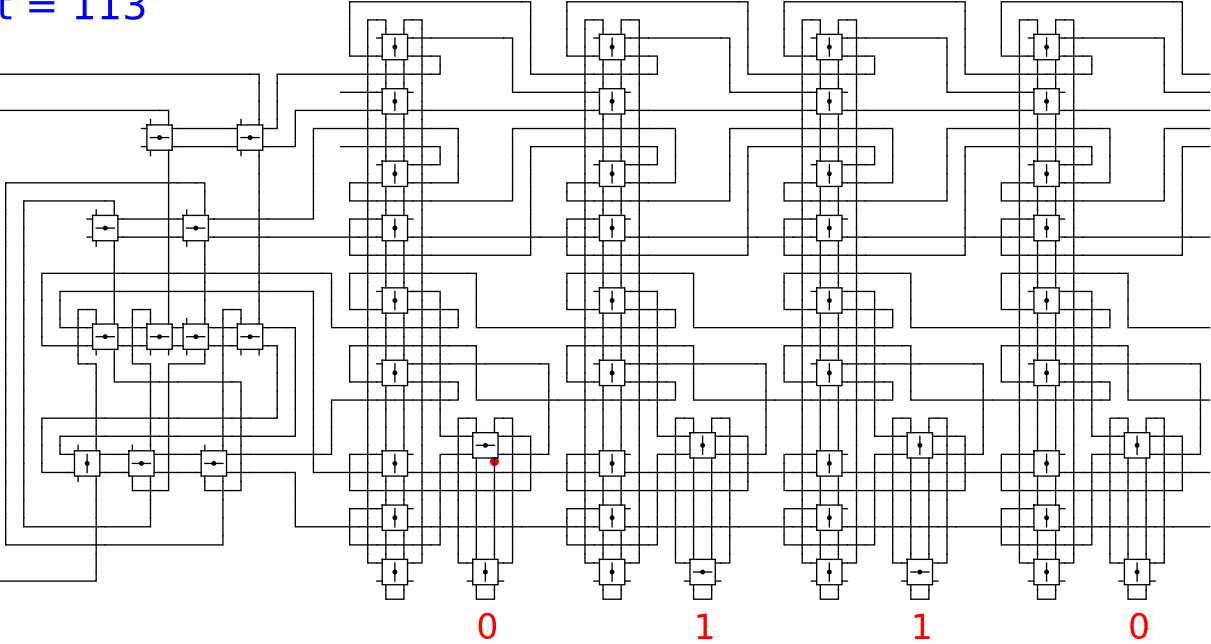
Begin



t = 113

Reject
Accept

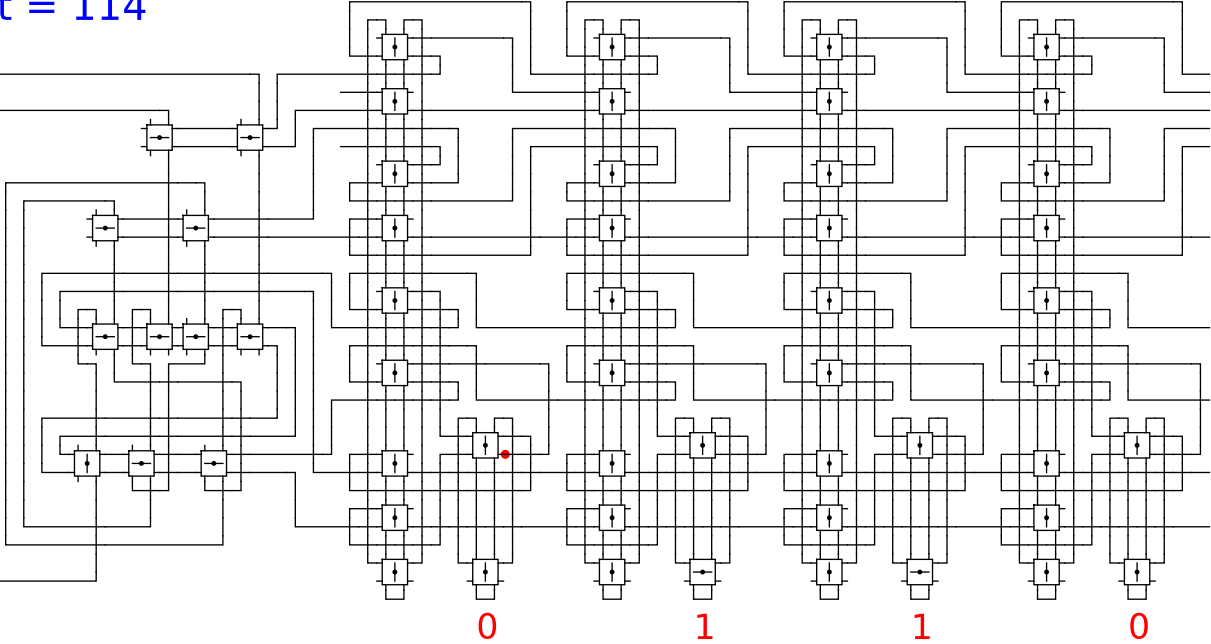
Begin



t = 114

Reject
Accept

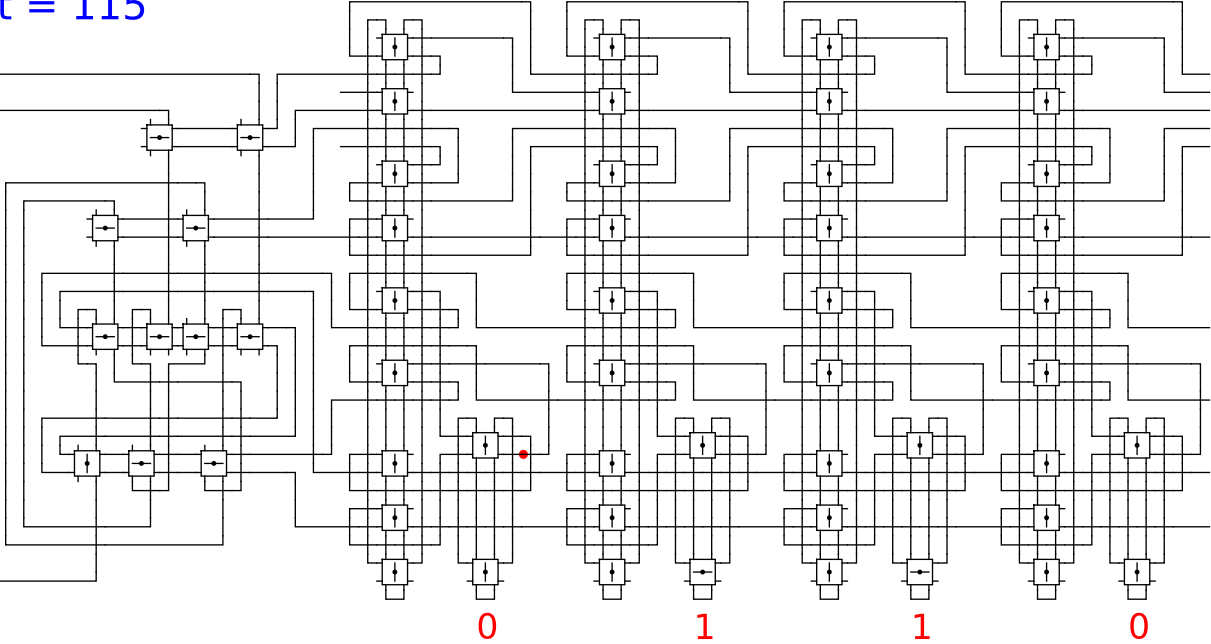
Begin



t = 115

Reject
Accept

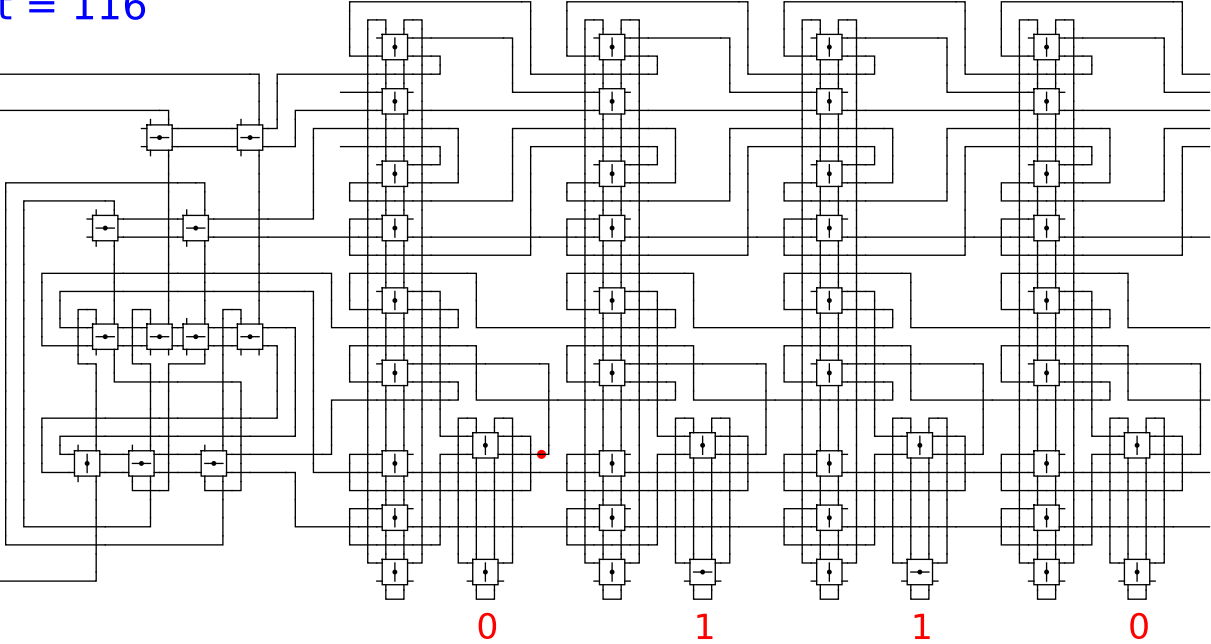
Begin



t = 116

Reject
Accept

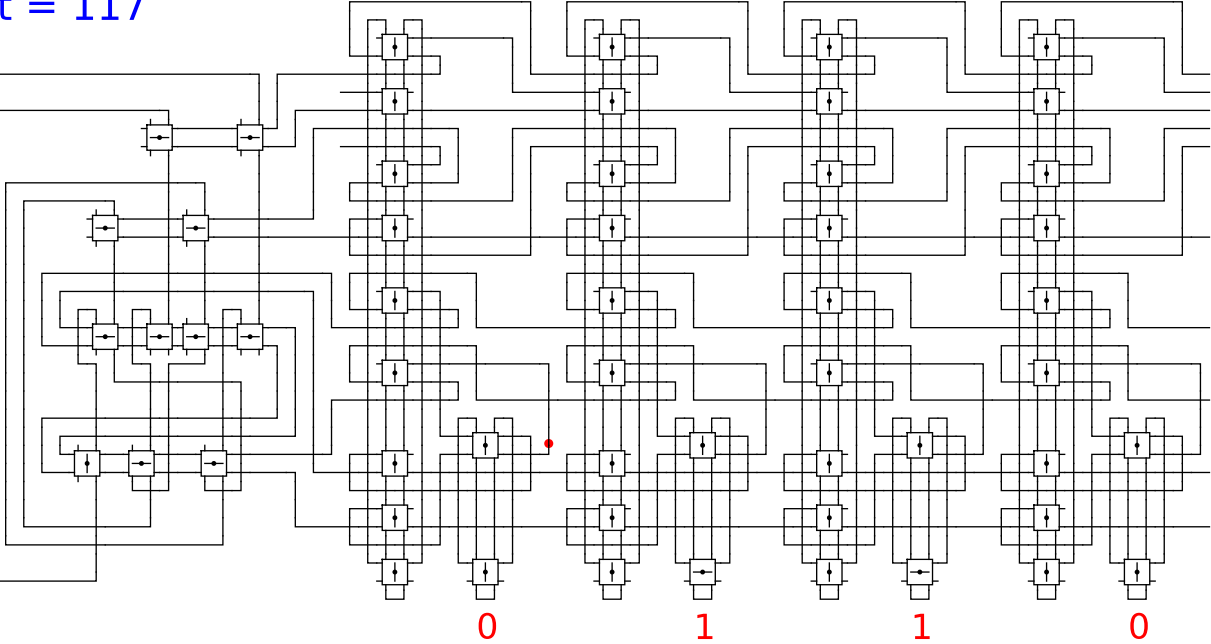
Begin



t = 117

Reject
Accept

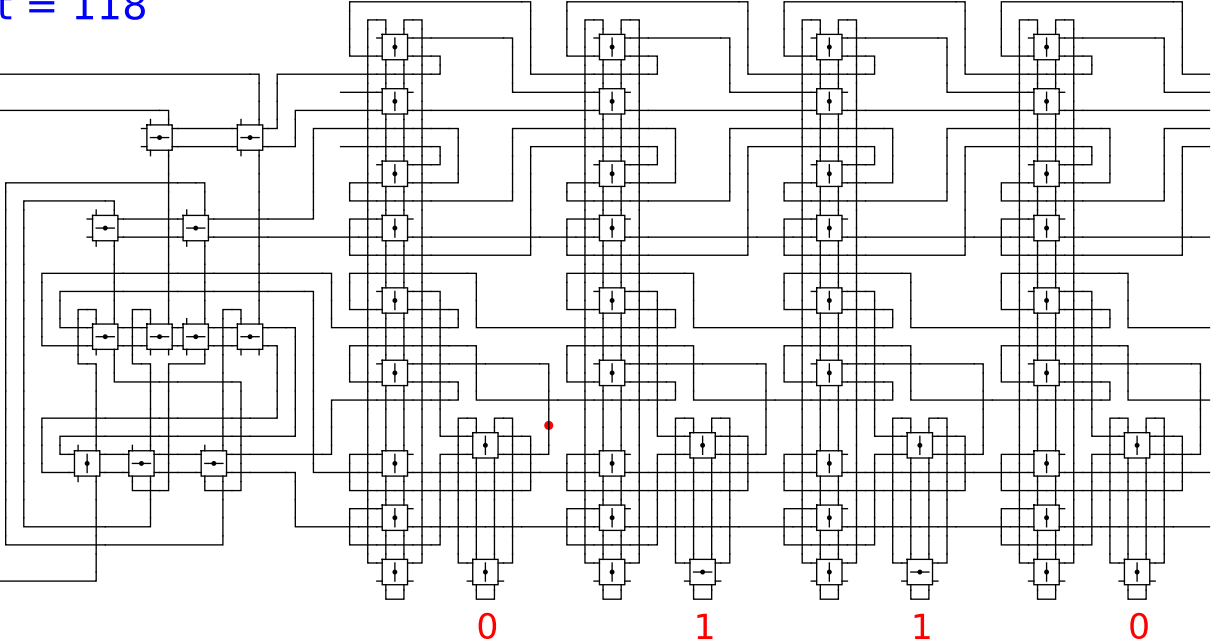
Begin



t = 118

Reject
Accept

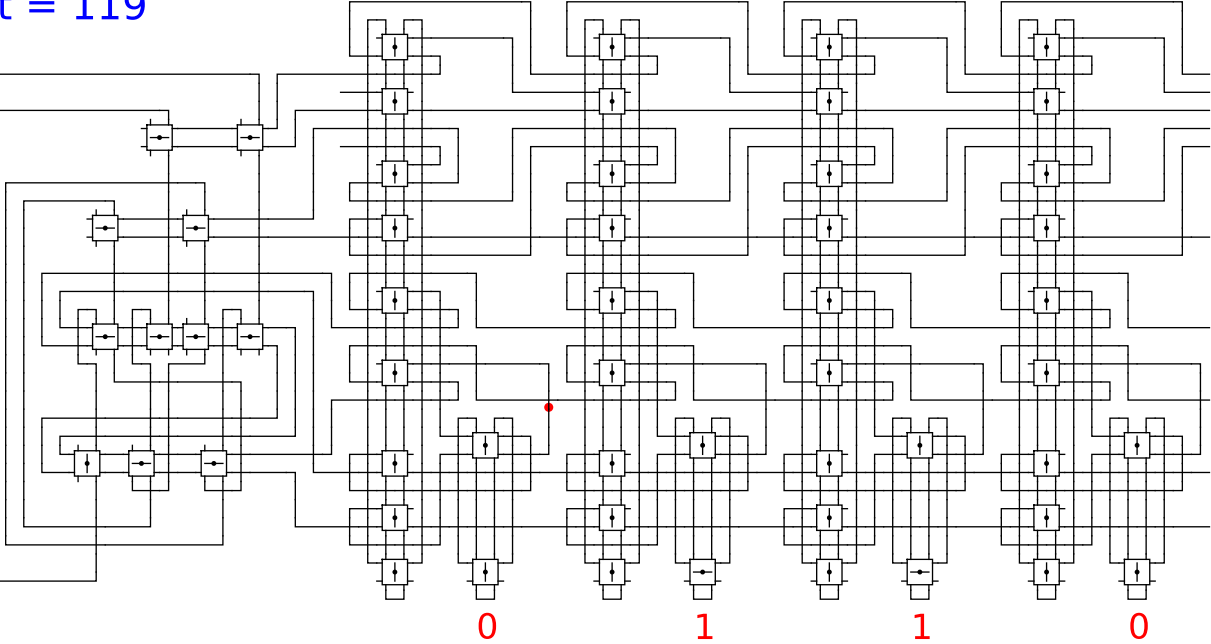
Begin



t = 119

Reject
Accept

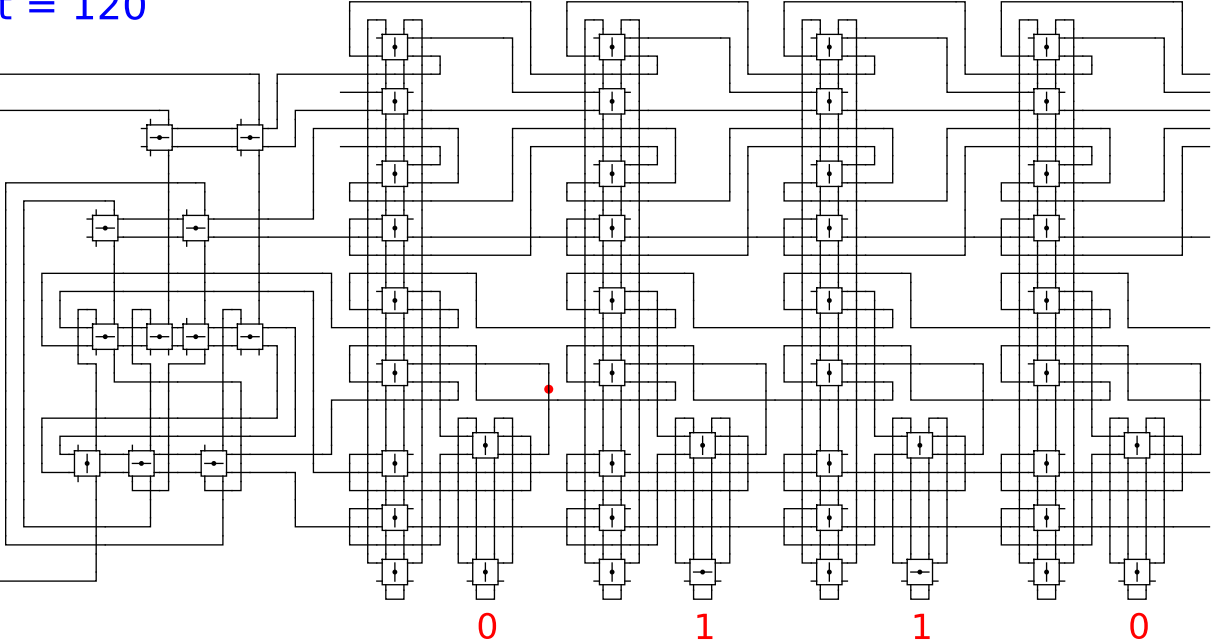
Begin



t = 120

Reject
Accept

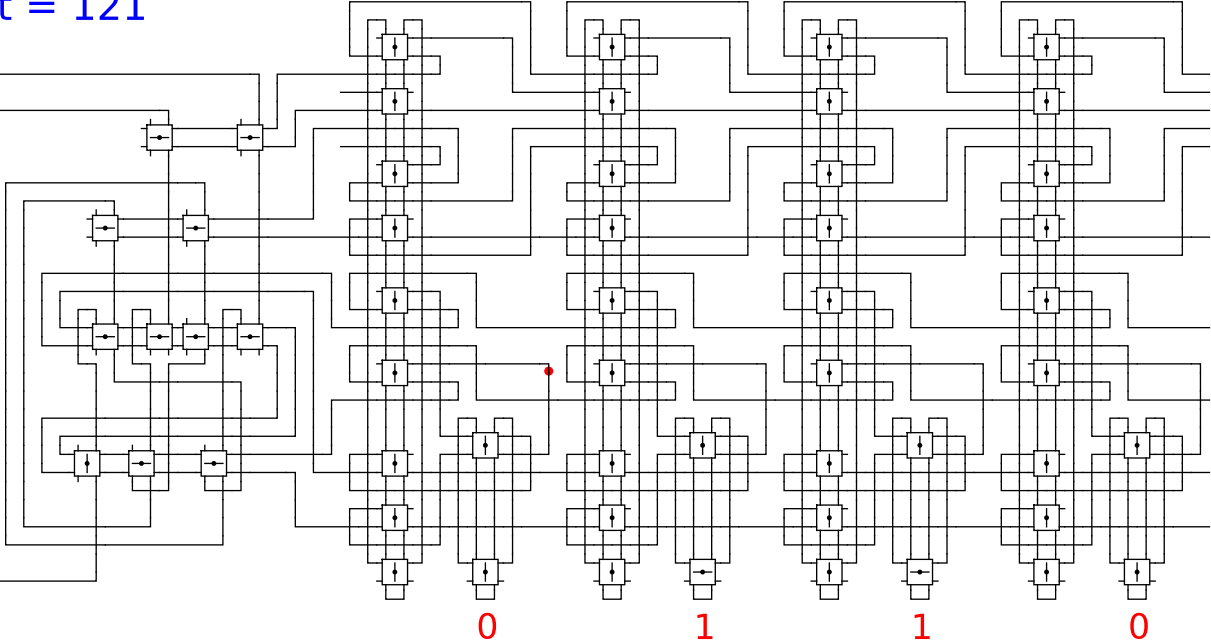
Begin



t = 121

Reject
Accept

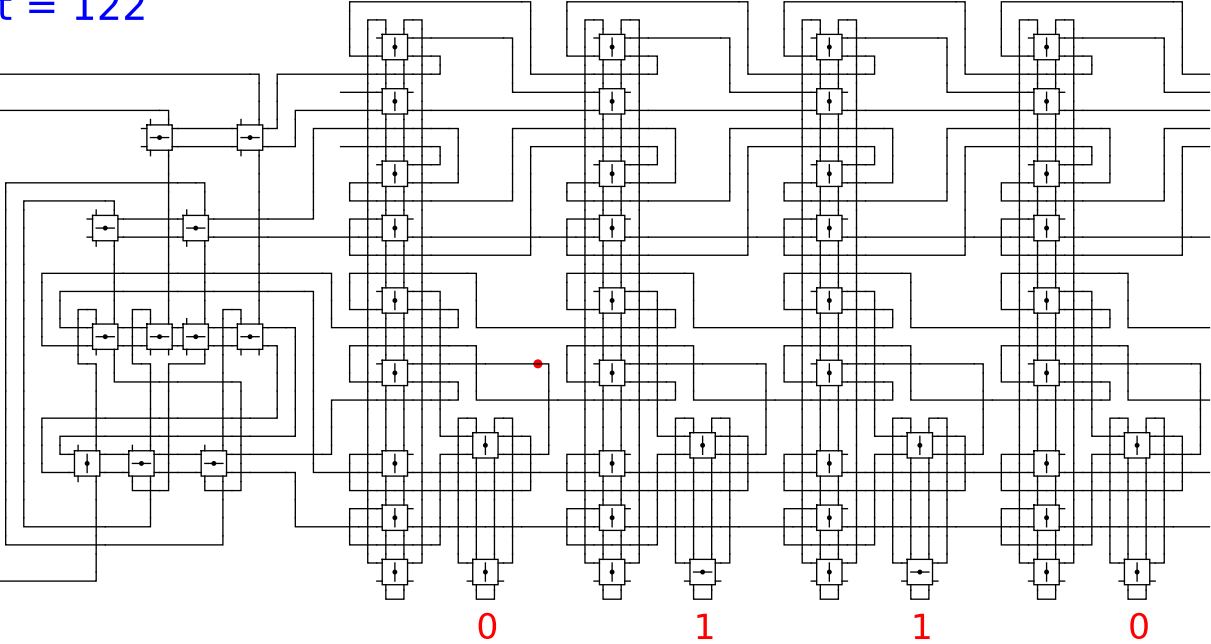
Begin



t = 122

Reject
Accept

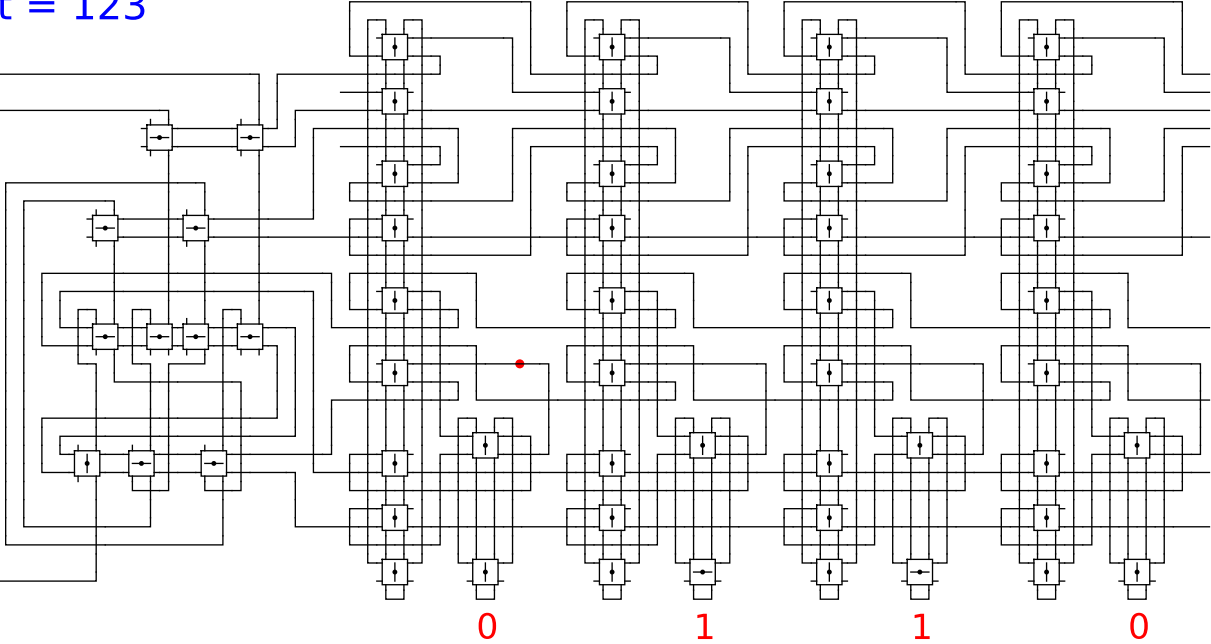
Begin



t = 123

Reject
Accept

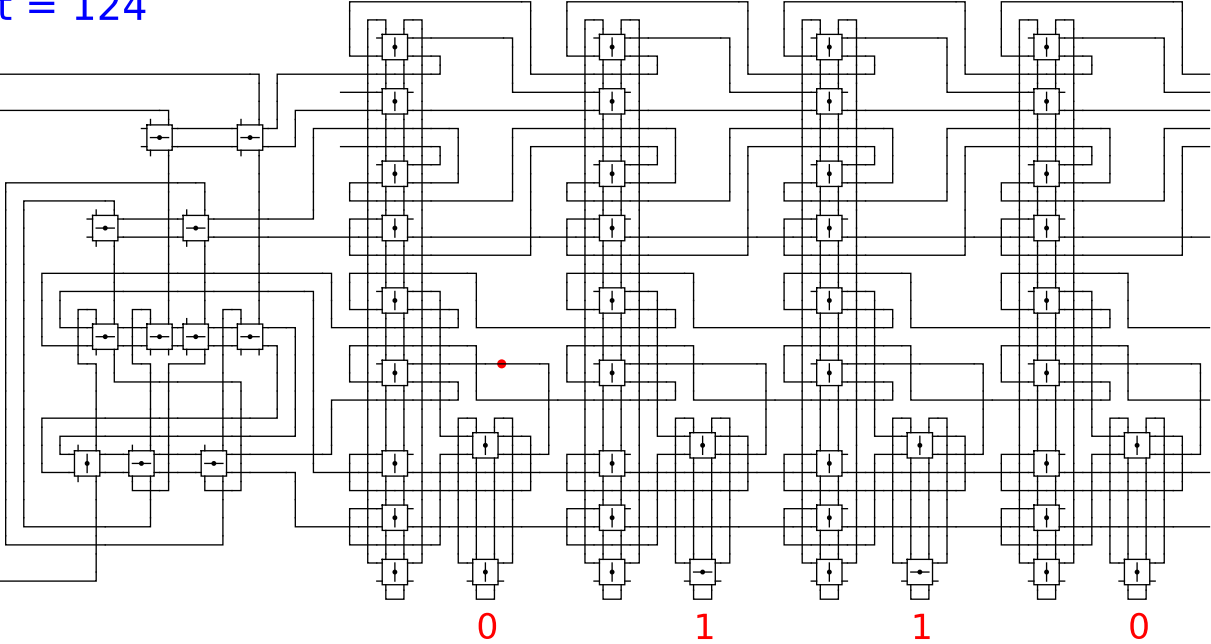
Begin



t = 124

Reject
Accept

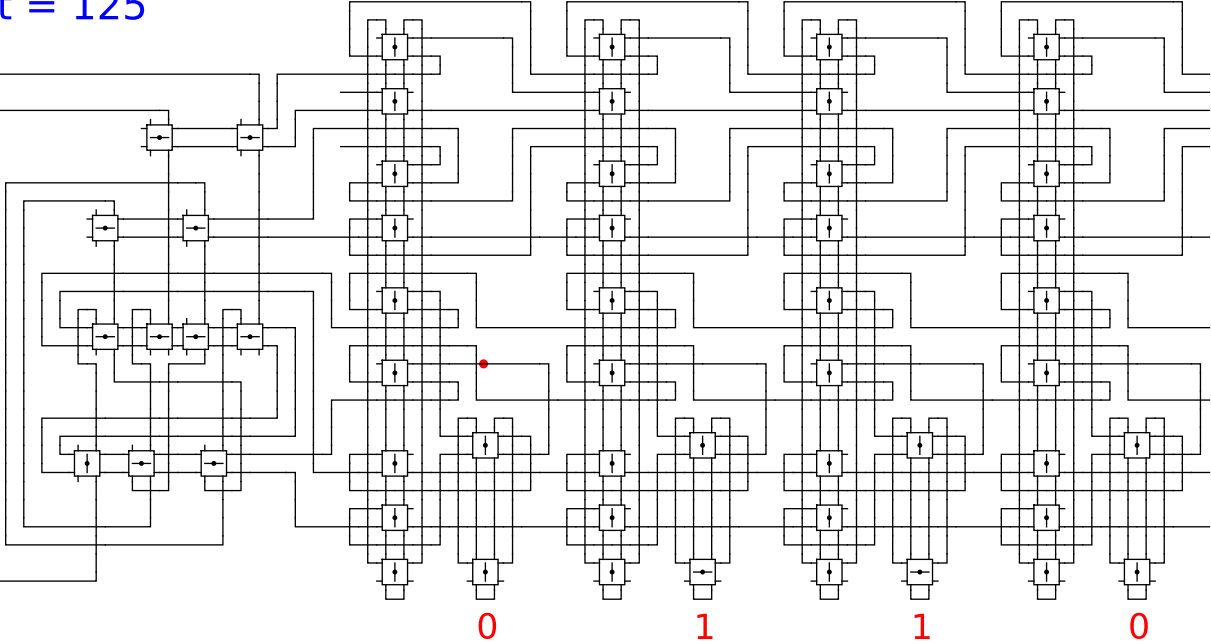
Begin



t = 125

Reject
Accept

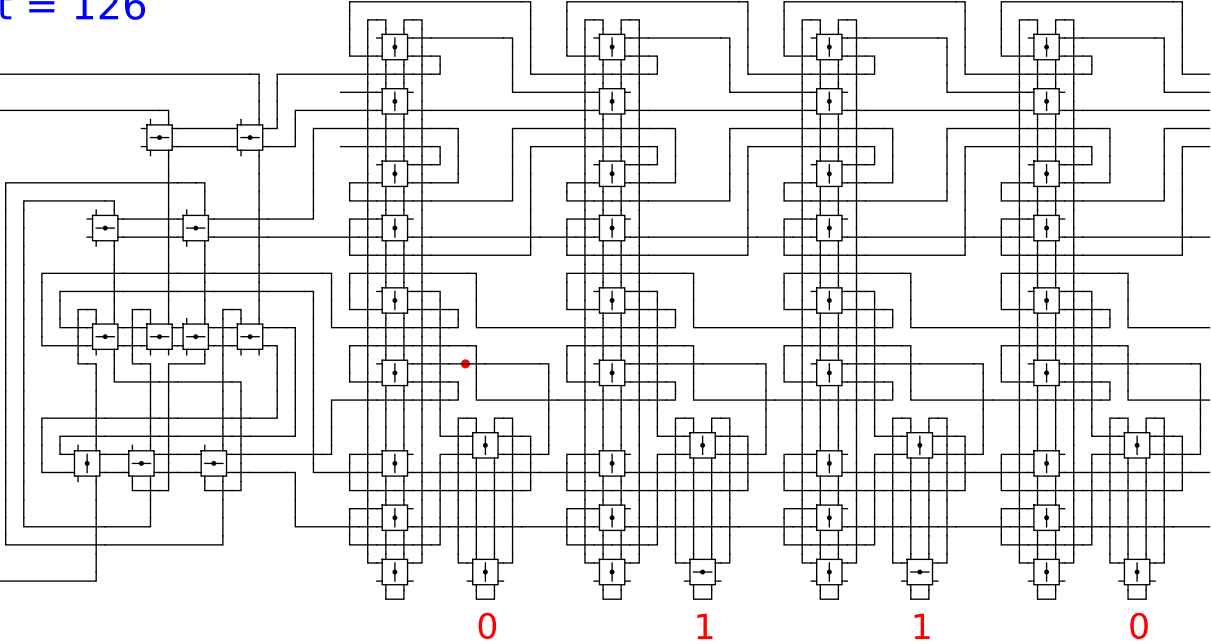
Begin



t = 126

Reject
Accept

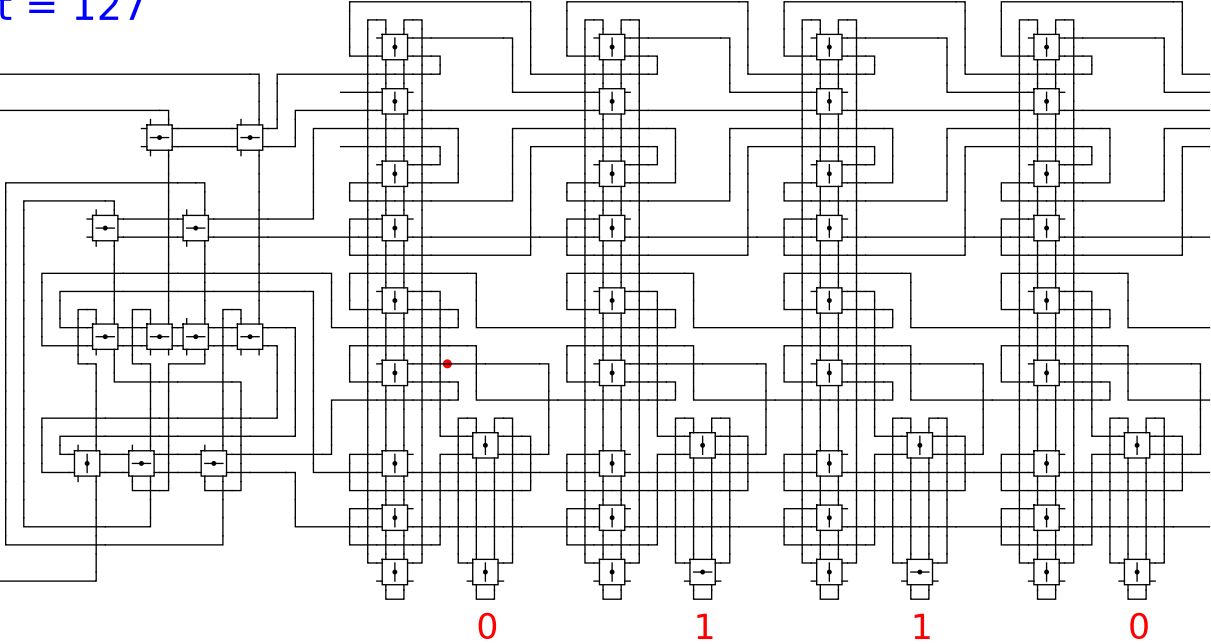
Begin



t = 127

Reject
Accept

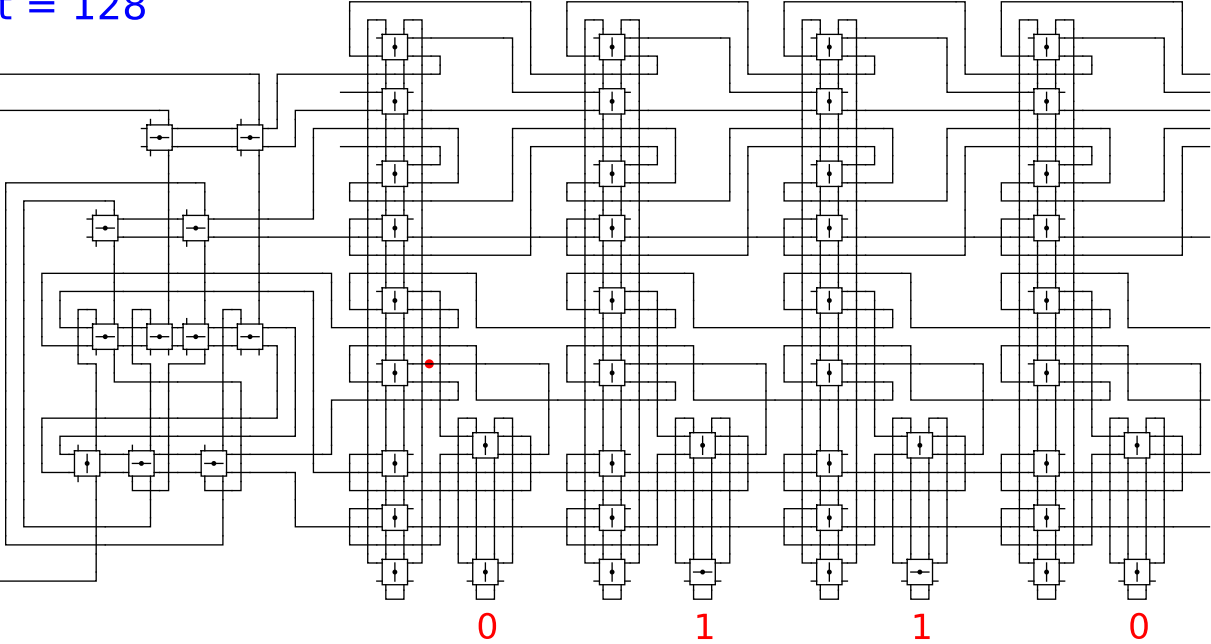
Begin



t = 128

Reject
Accept

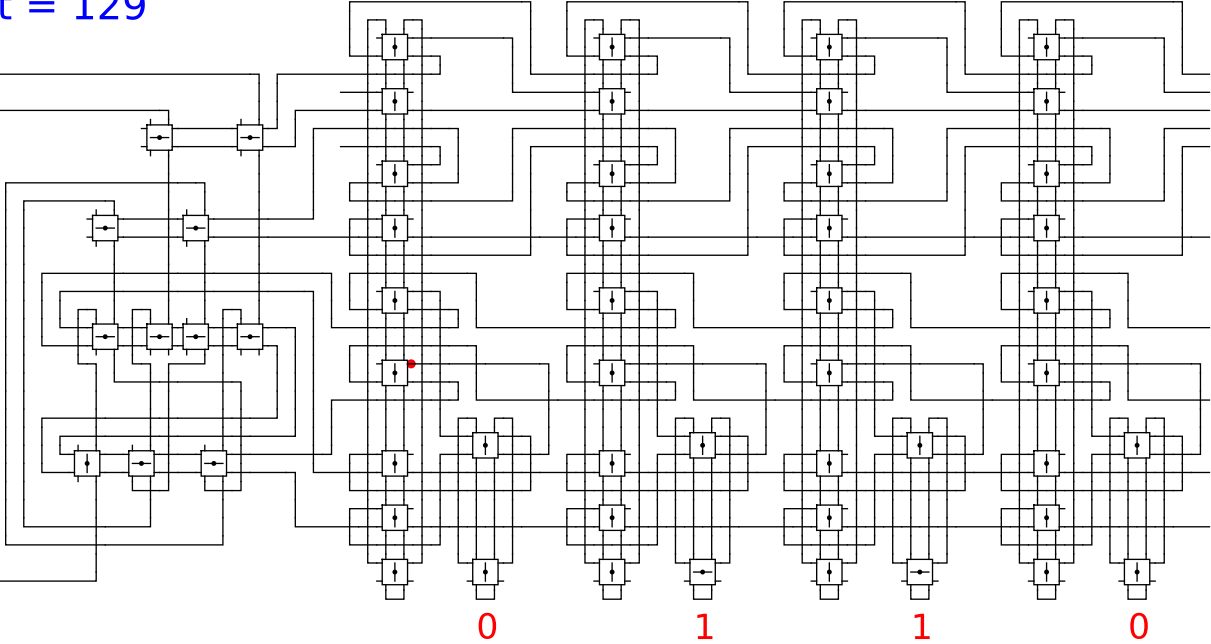
Begin



t = 129

Reject
Accept

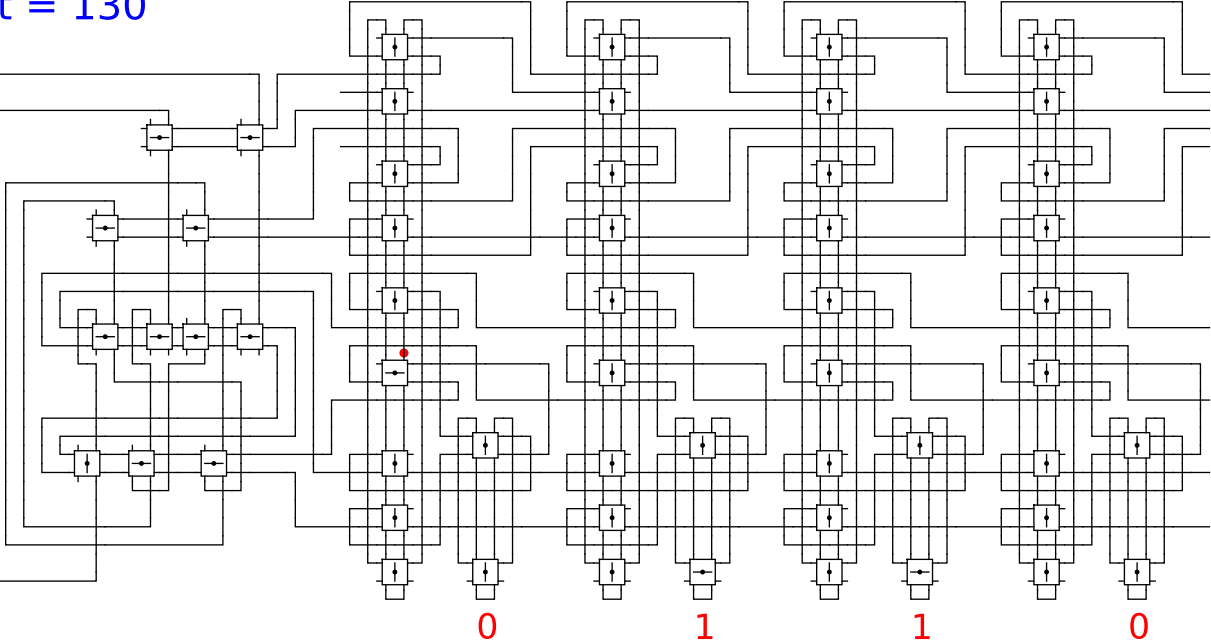
Begin



t = 130

Reject
Accept

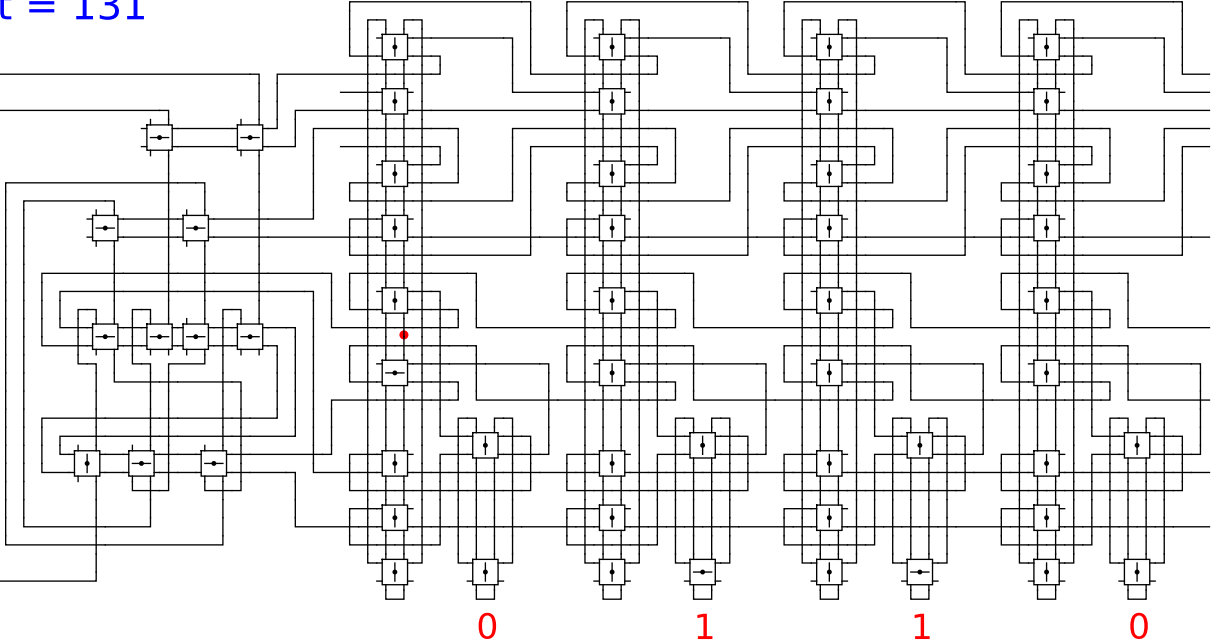
Begin



t = 131

Reject
Accept

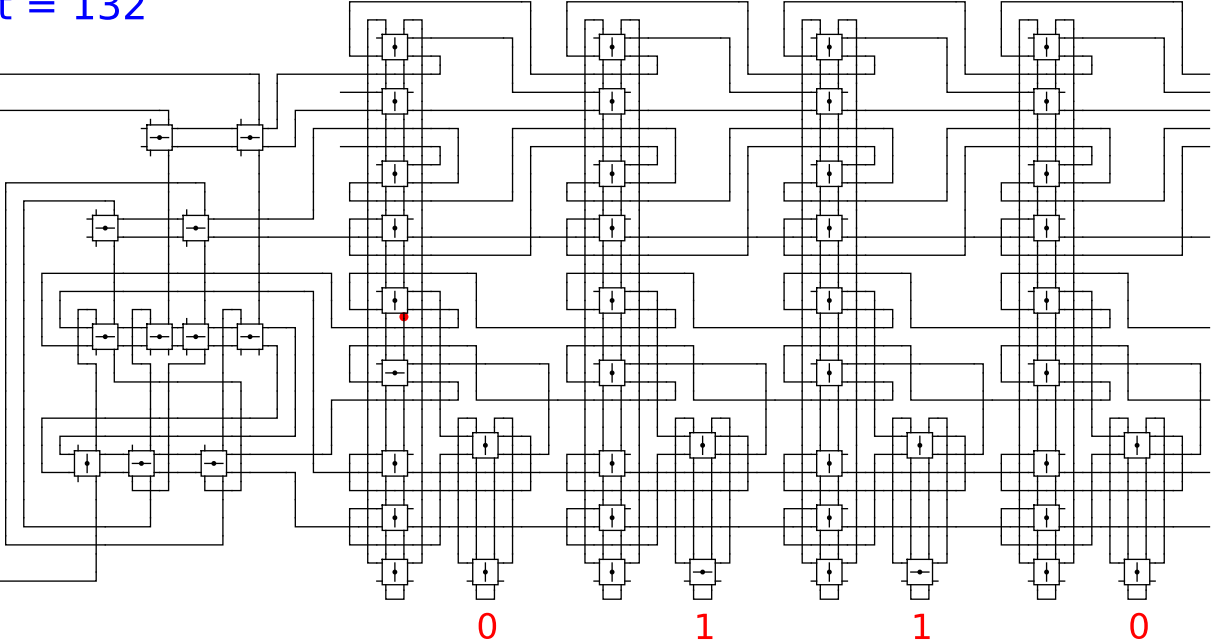
Begin



t = 132

Reject
Accept

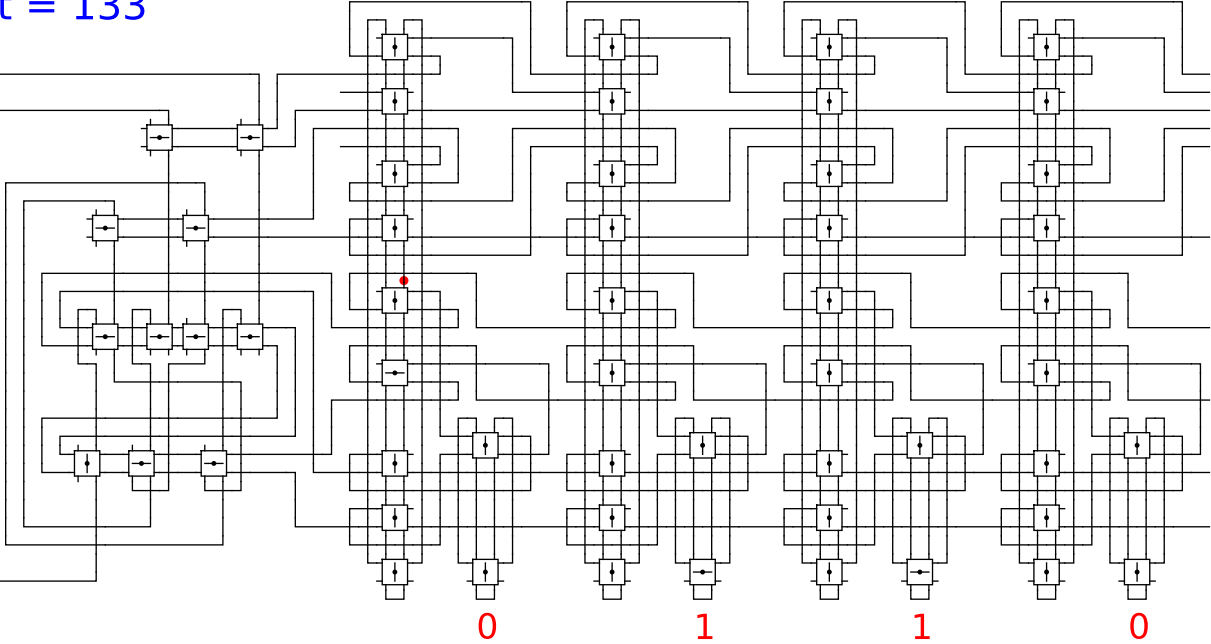
Begin



t = 133

Reject
Accept

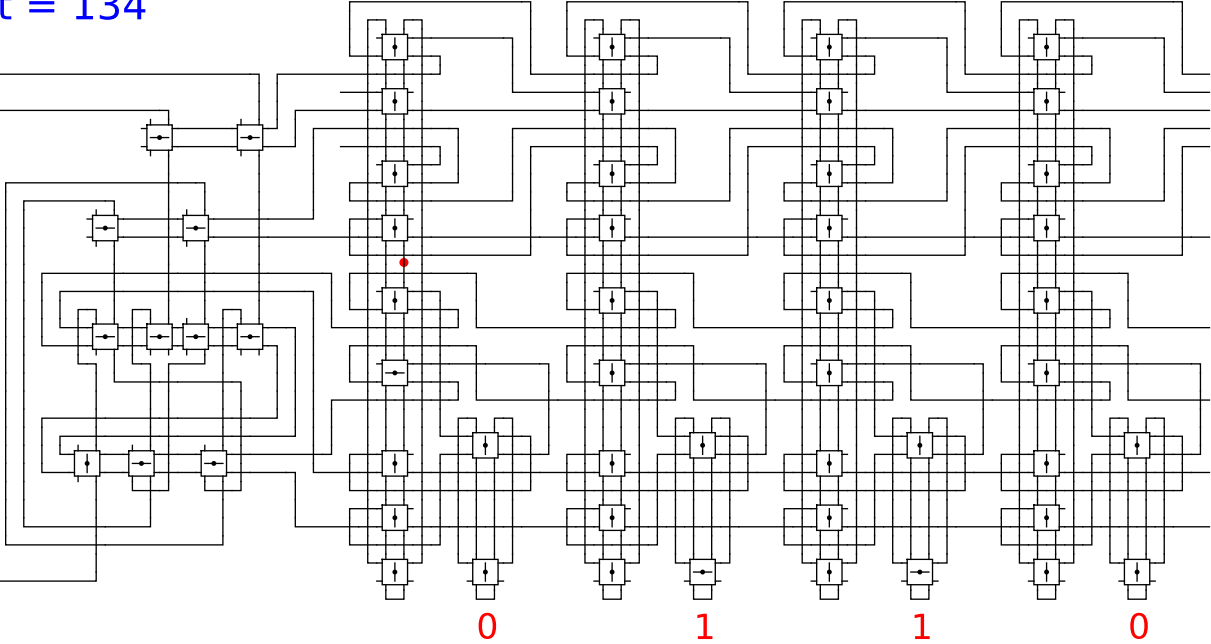
Begin



t = 134

Reject
Accept

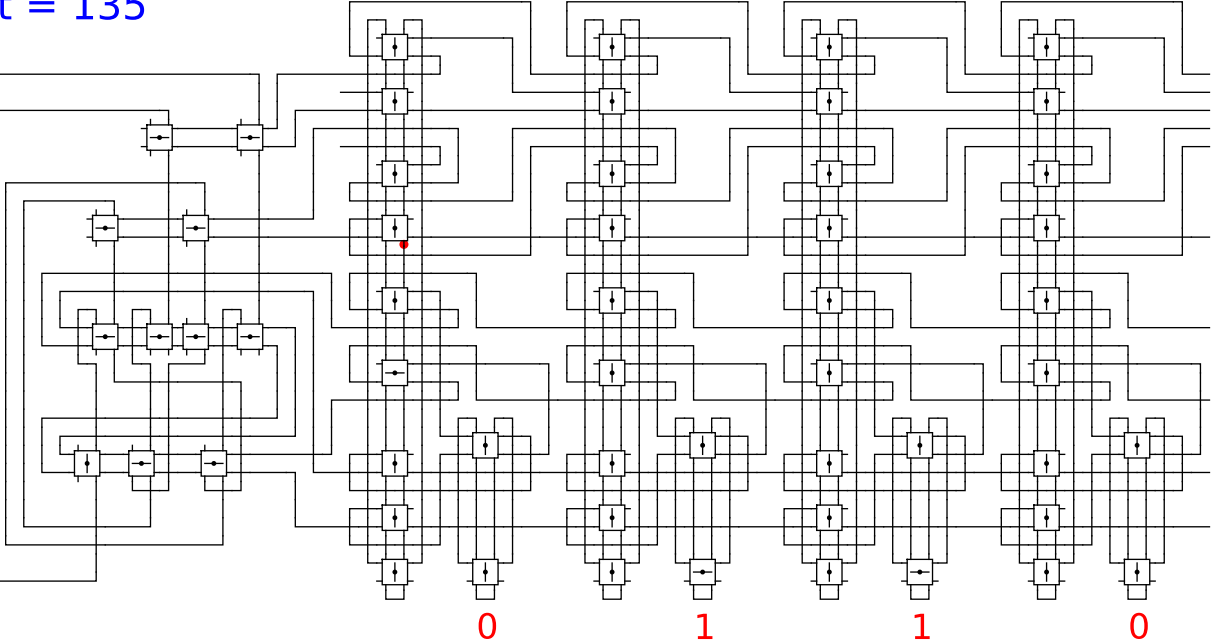
Begin



t = 135

Reject
Accept

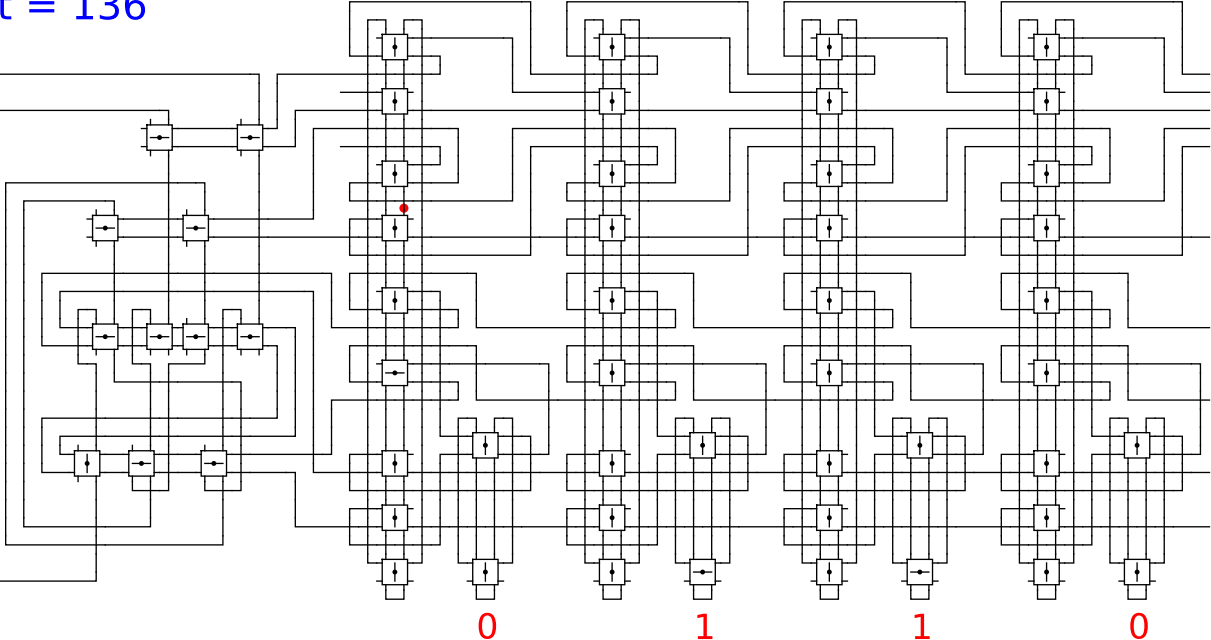
Begin



t = 136

Reject
Accept

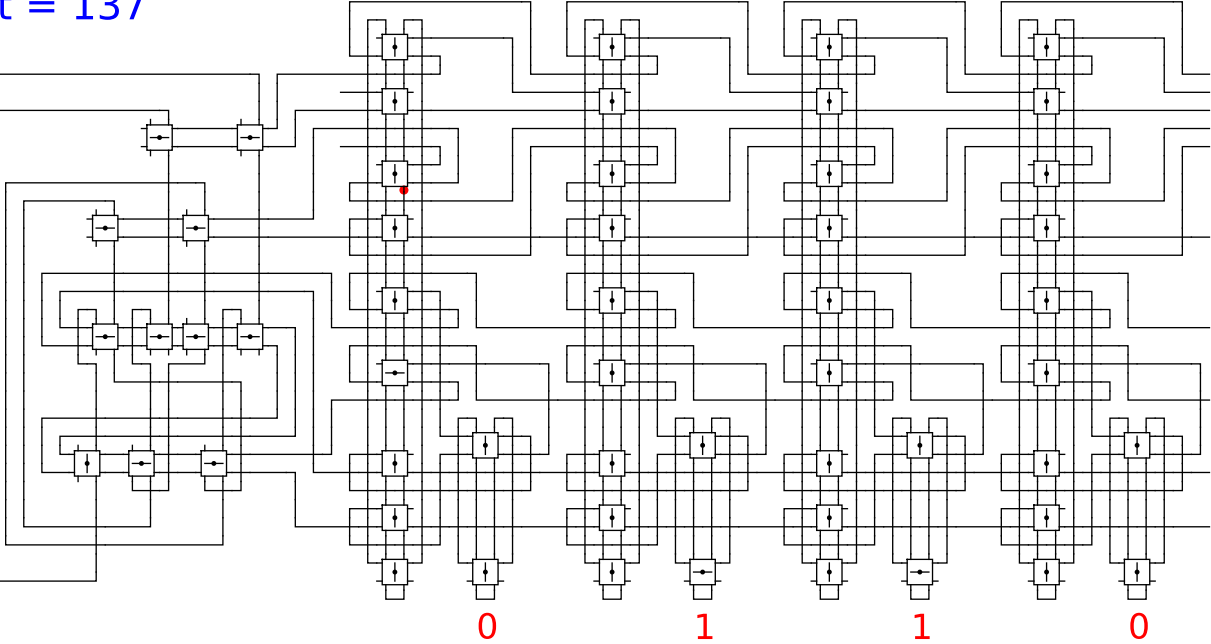
Begin



t = 137

Reject
Accept

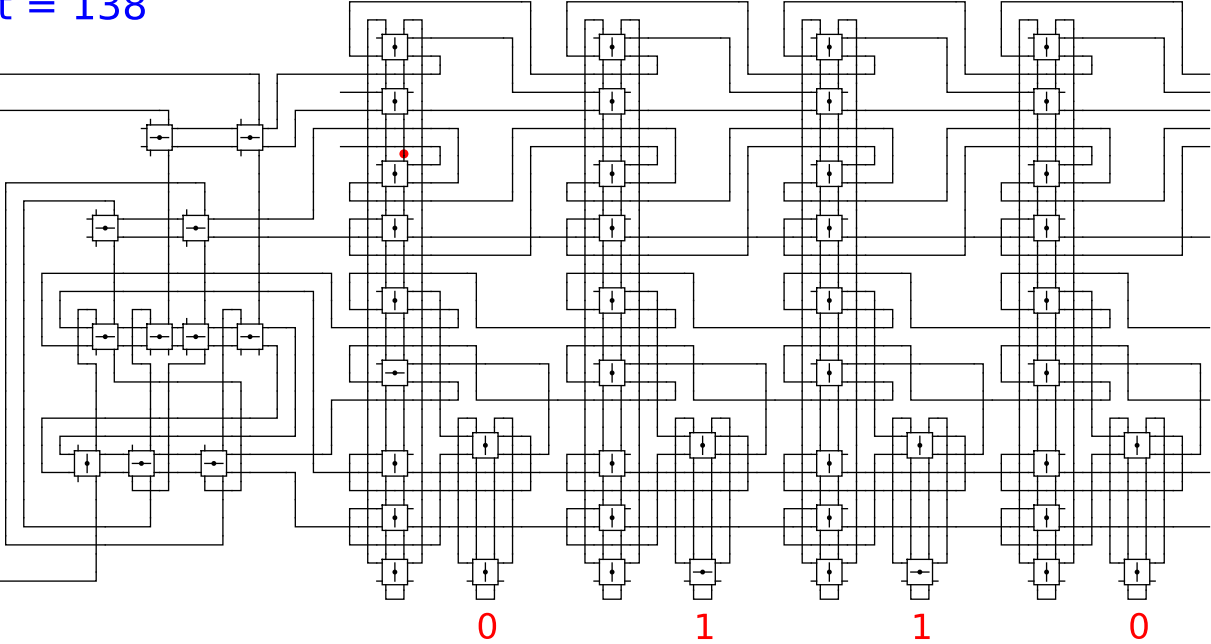
Begin



t = 138

Reject
Accept

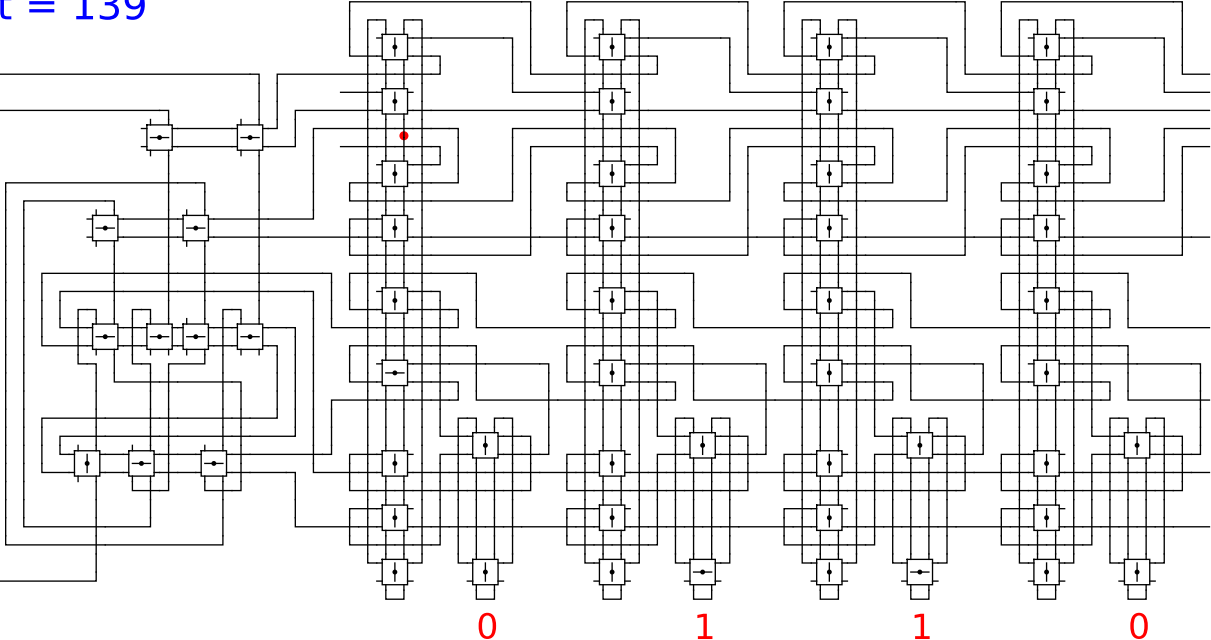
Begin



t = 139

Reject
Accept

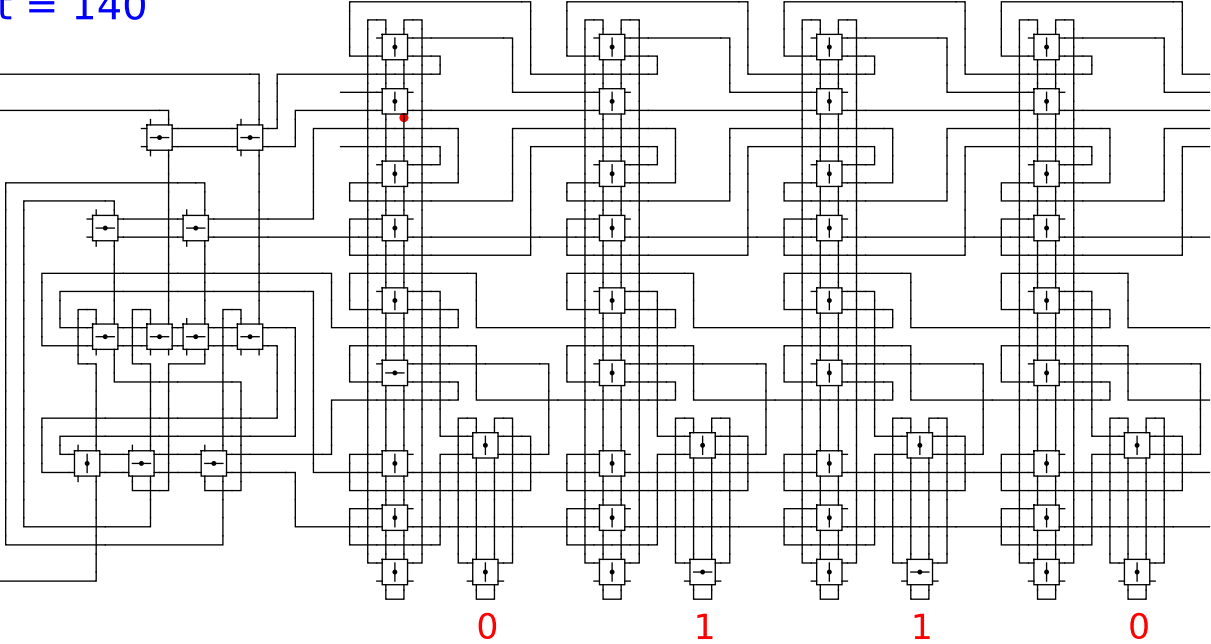
Begin



t = 140

Reject
Accept

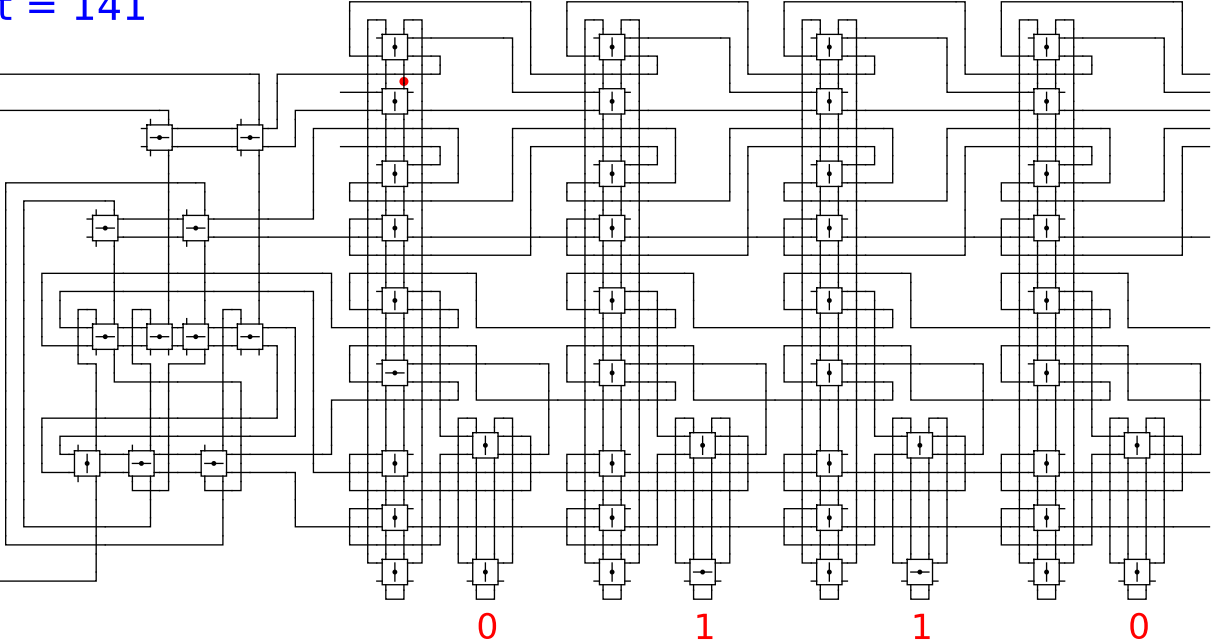
Begin



t = 141

Reject
Accept

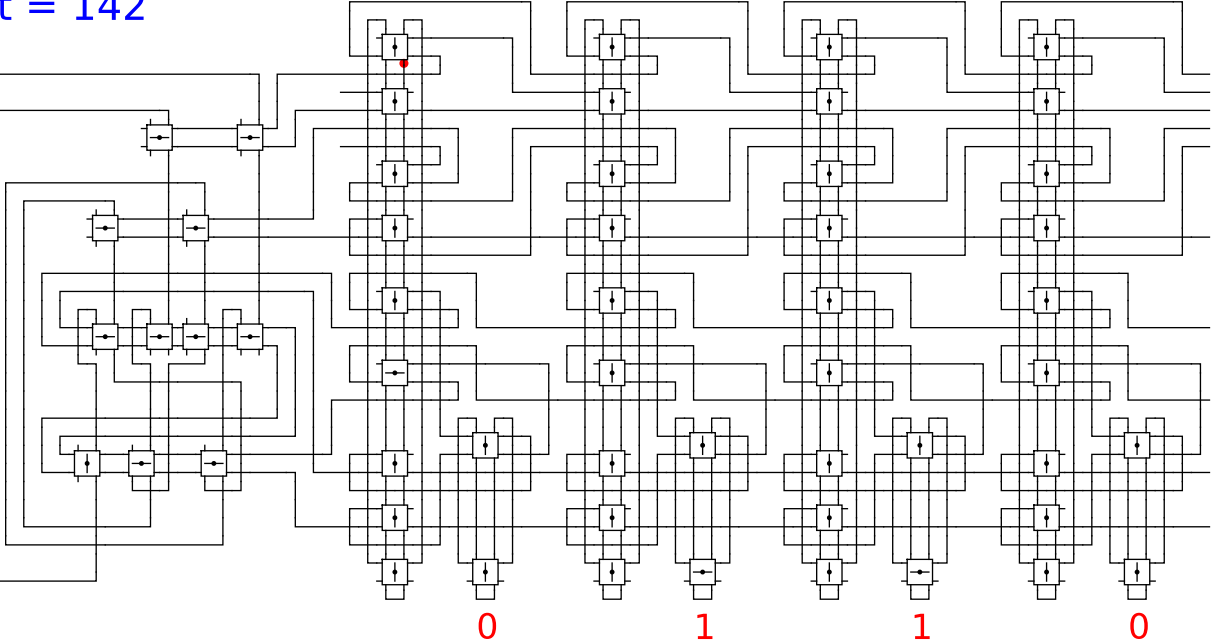
Begin



t = 142

Reject
Accept

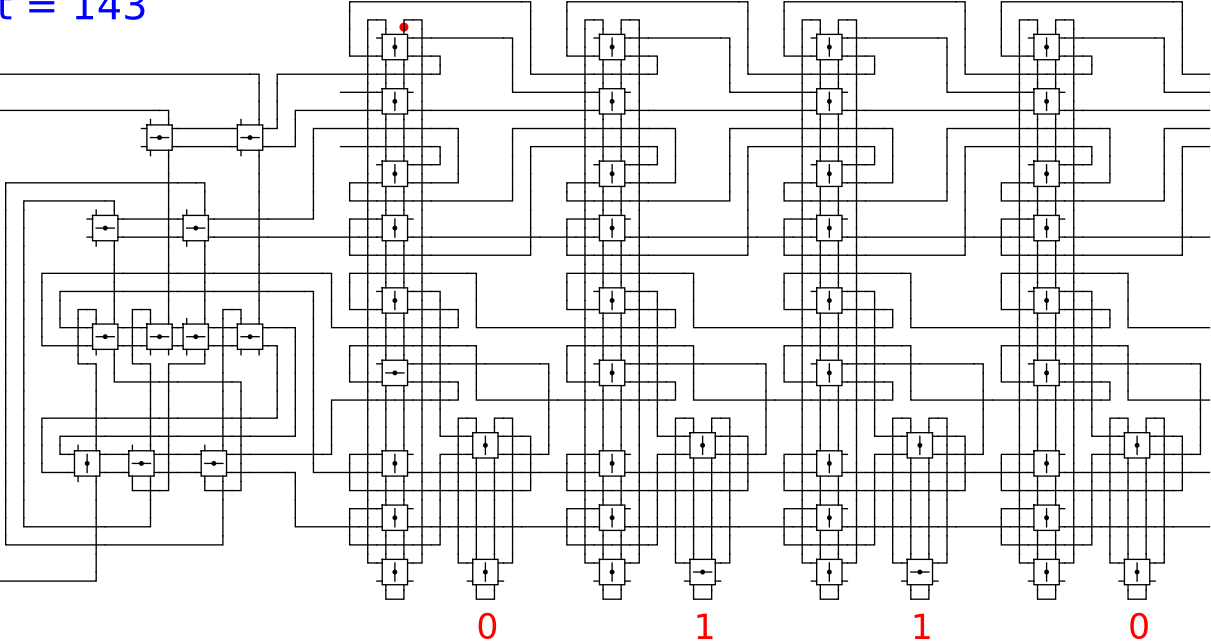
Begin



t = 143

Reject
Accept

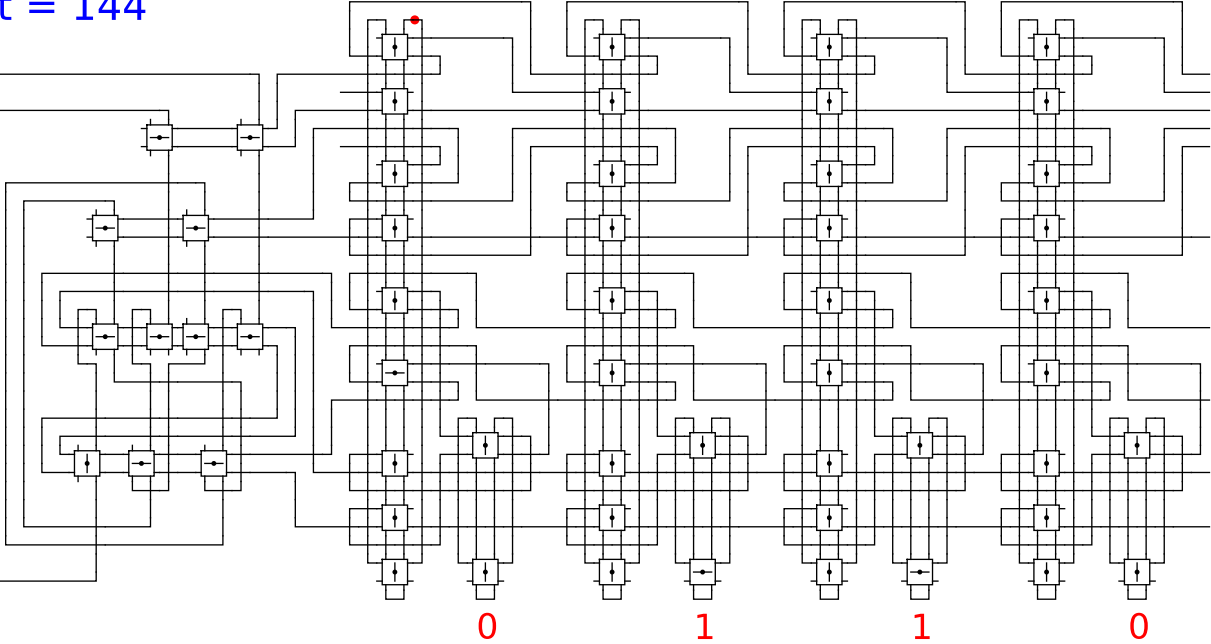
Begin



t = 144

Reject
Accept

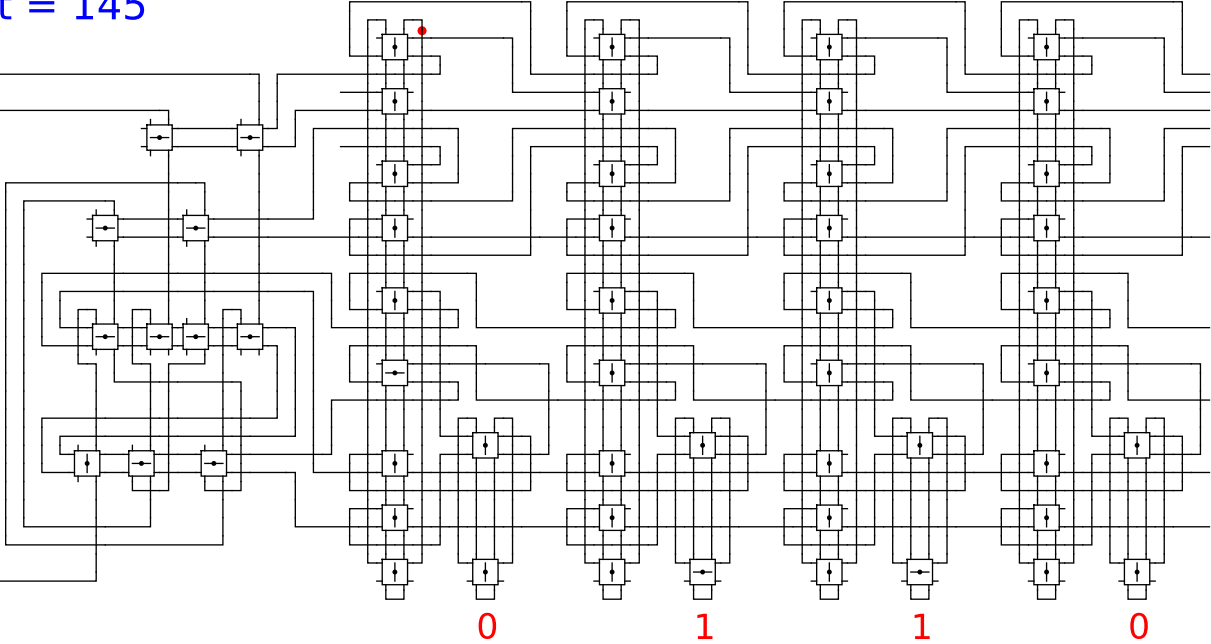
Begin



t = 145

Reject
Accept

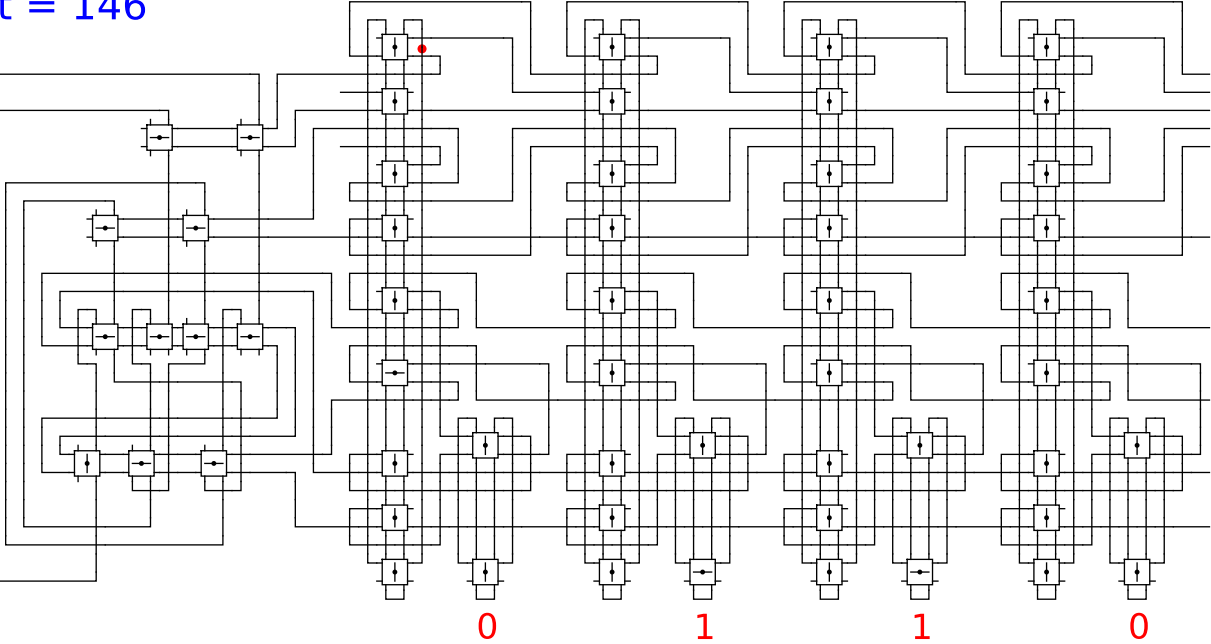
Begin



t = 146

Reject
Accept

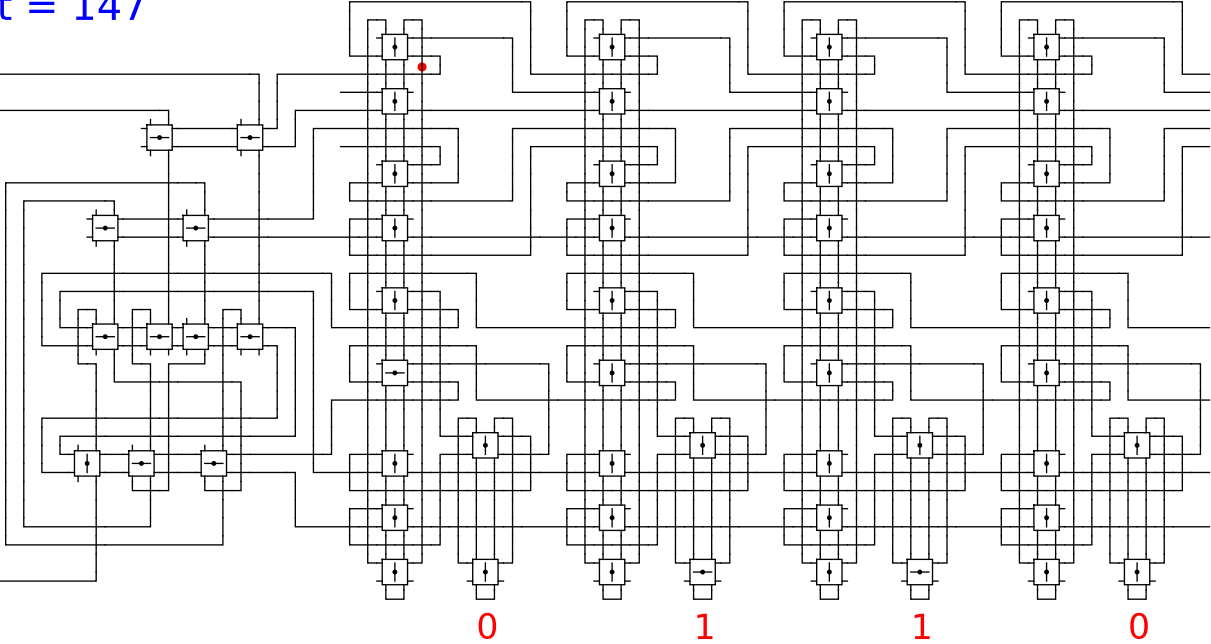
Begin



t = 147

Reject
Accept

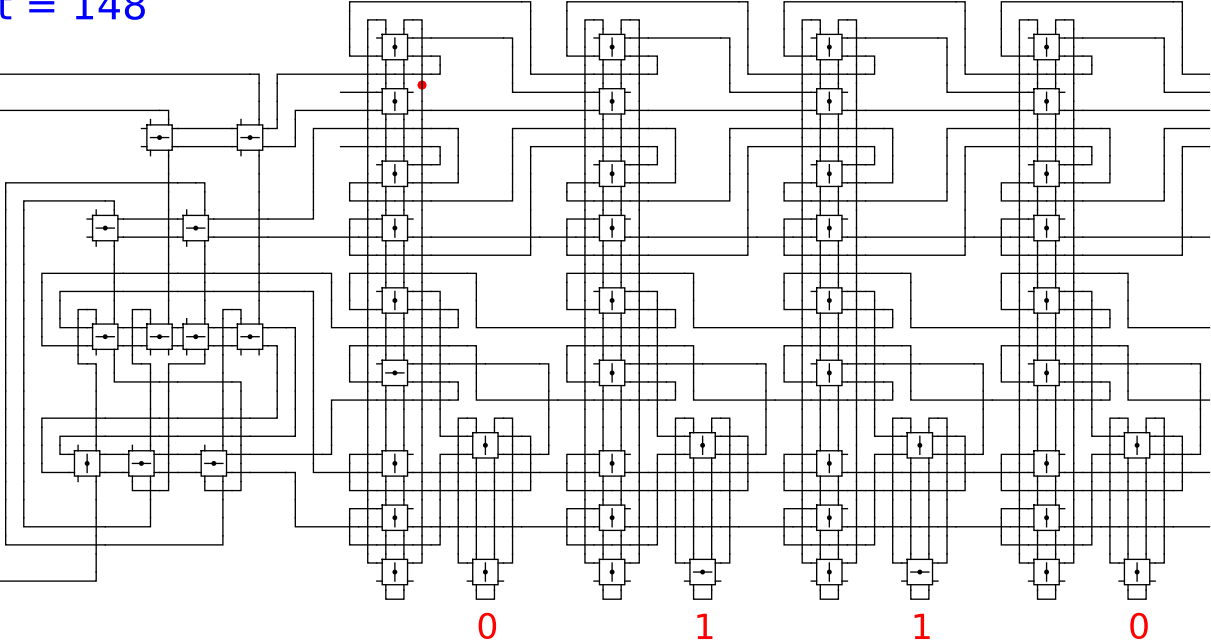
Begin



t = 148

Reject
Accept

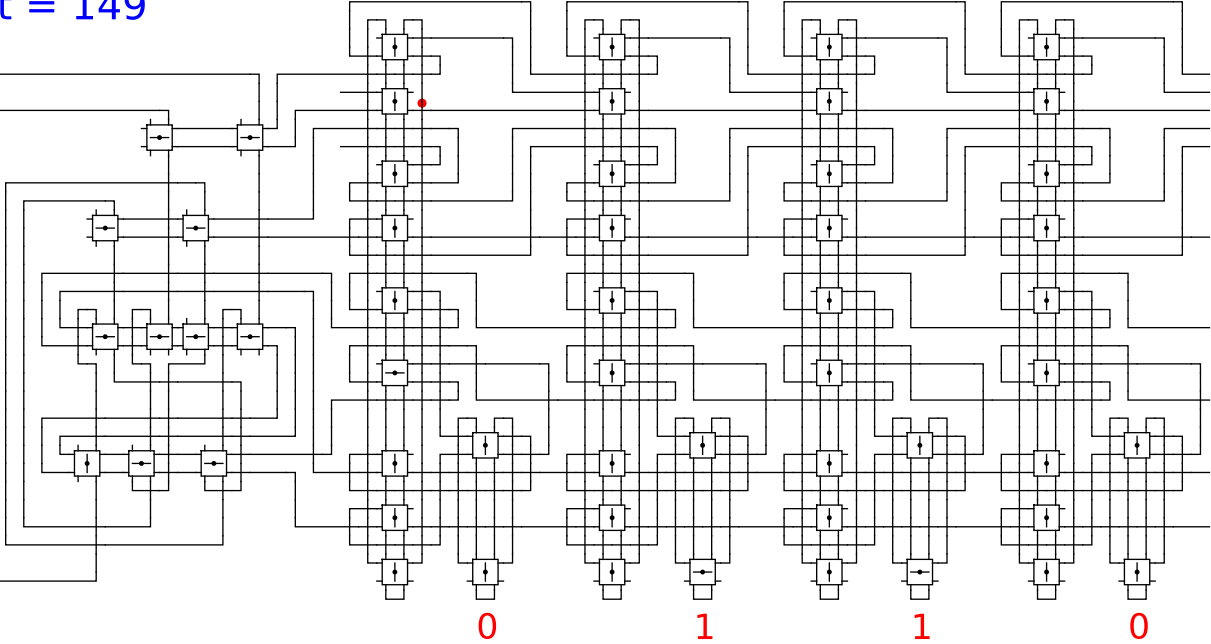
Begin



t = 149

Reject
Accept

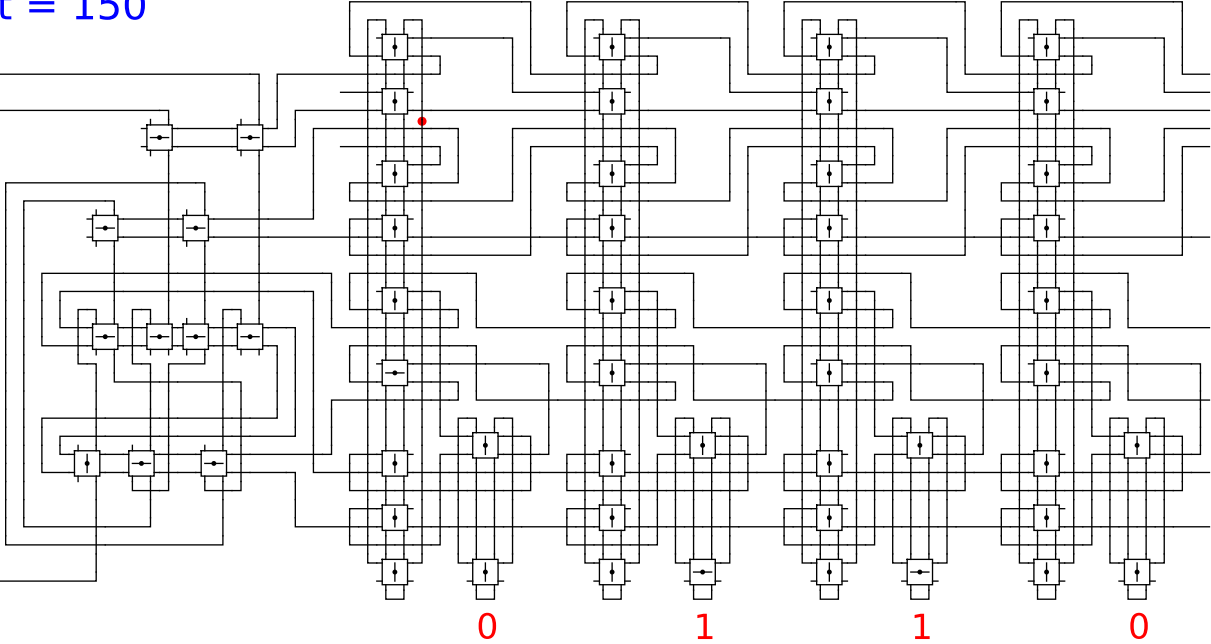
Begin



t = 150

Reject
Accept

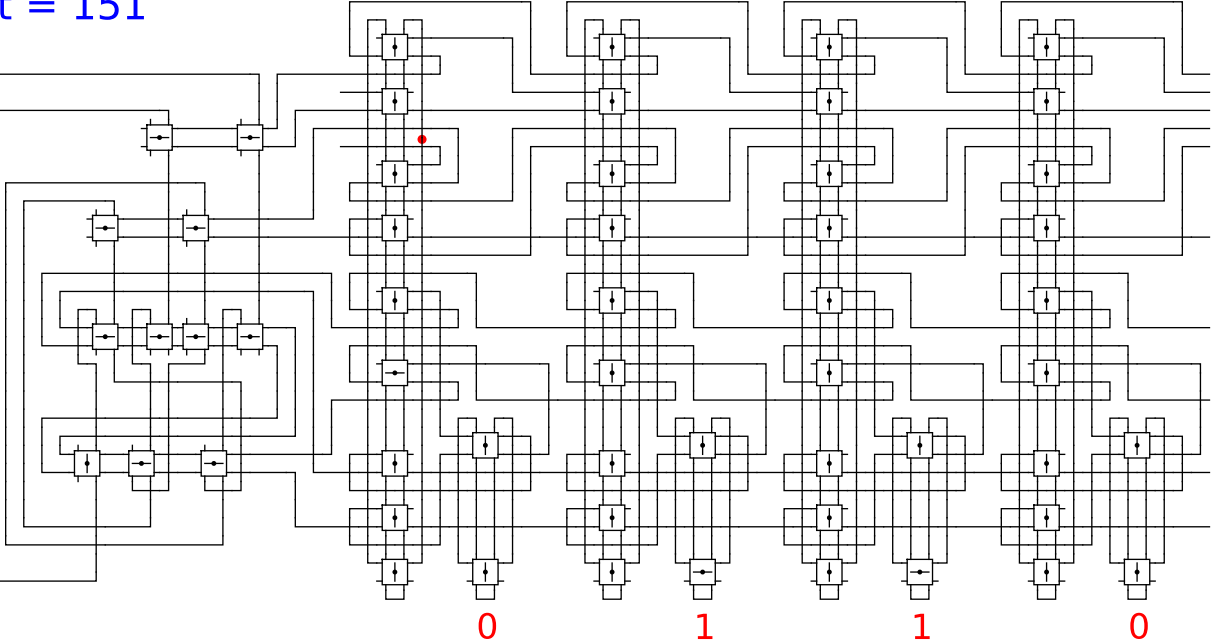
Begin



t = 151

Reject
Accept

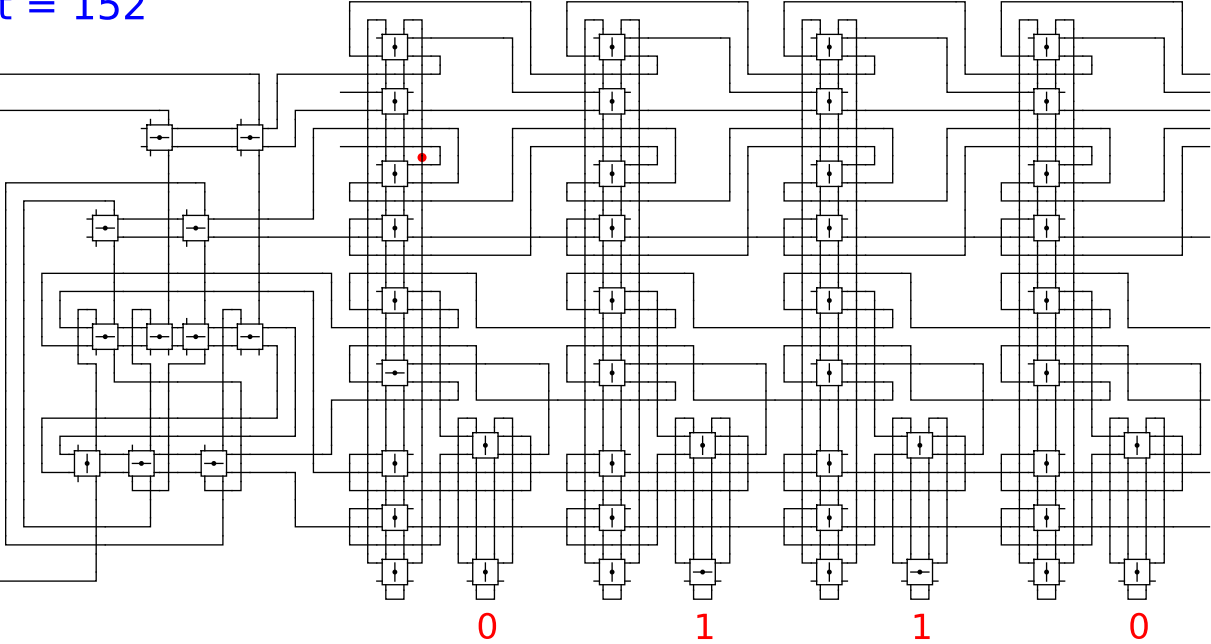
Begin



t = 152

Reject
Accept

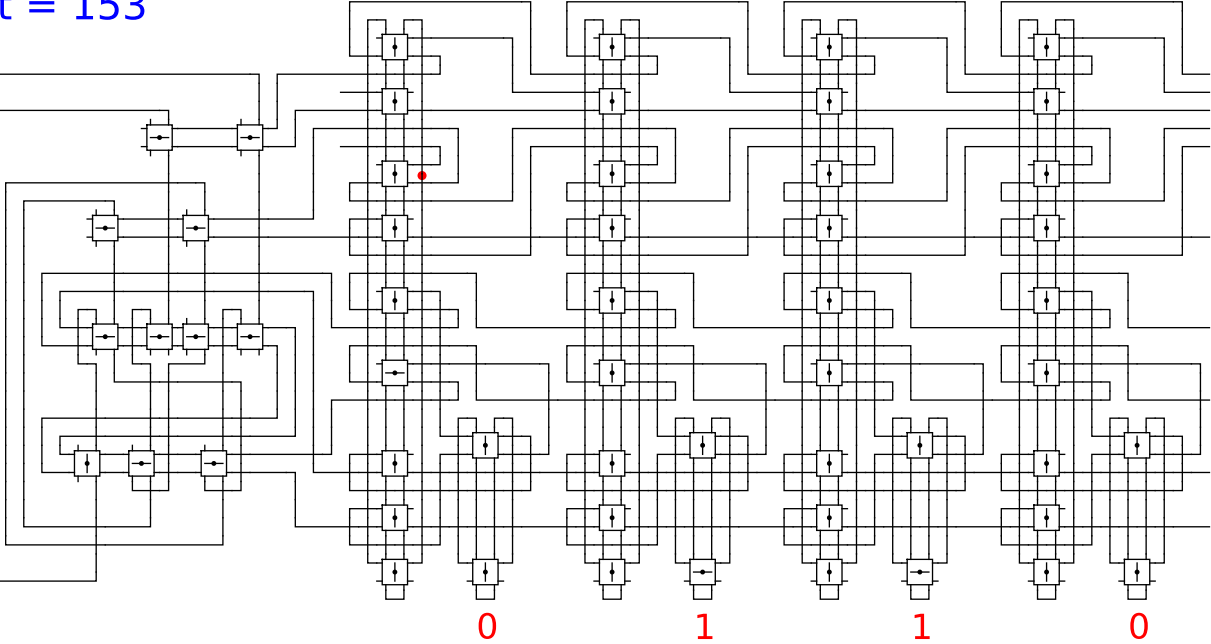
Begin



t = 153

Reject
Accept

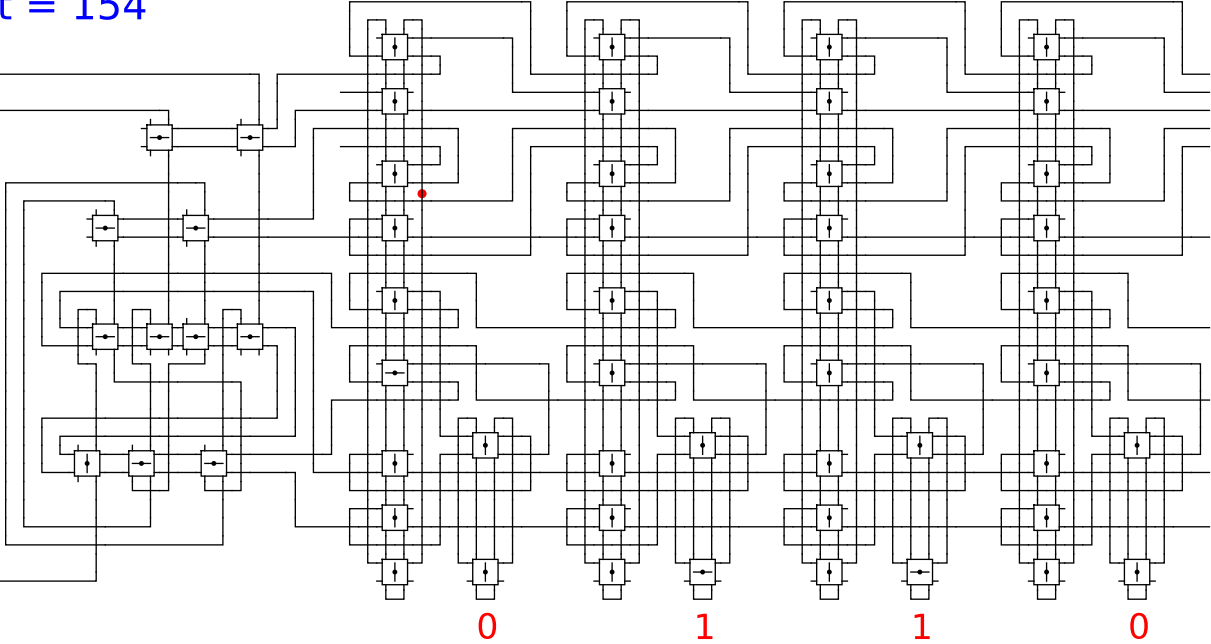
Begin



t = 154

Reject
Accept

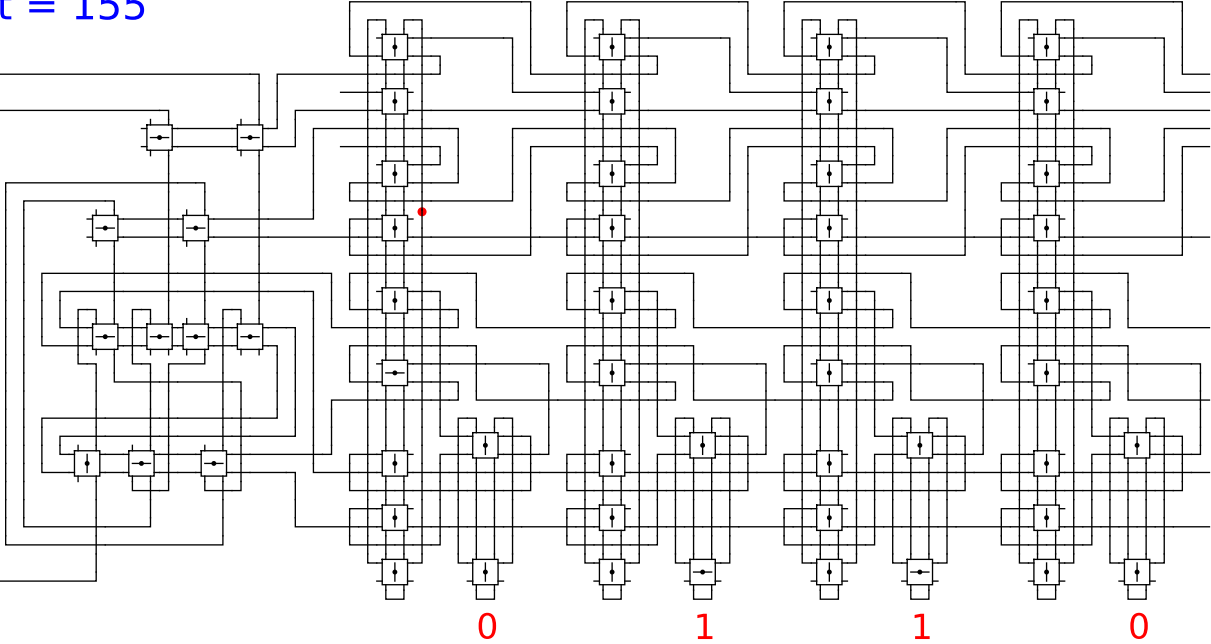
Begin



t = 155

Reject
Accept

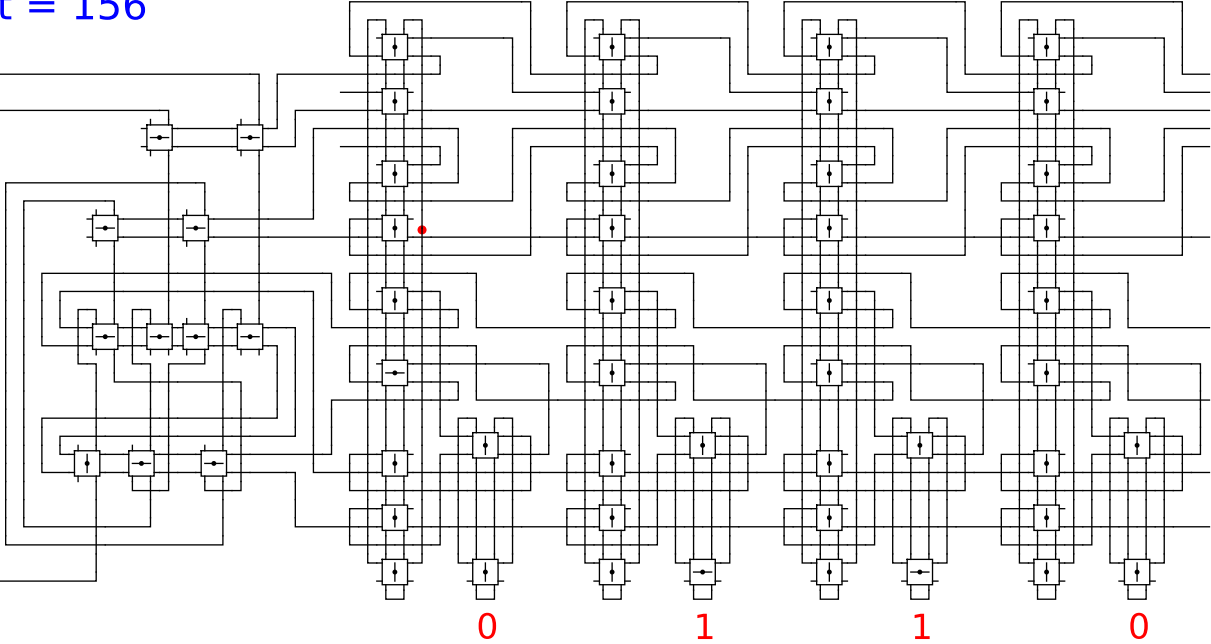
Begin



t = 156

Reject
Accept

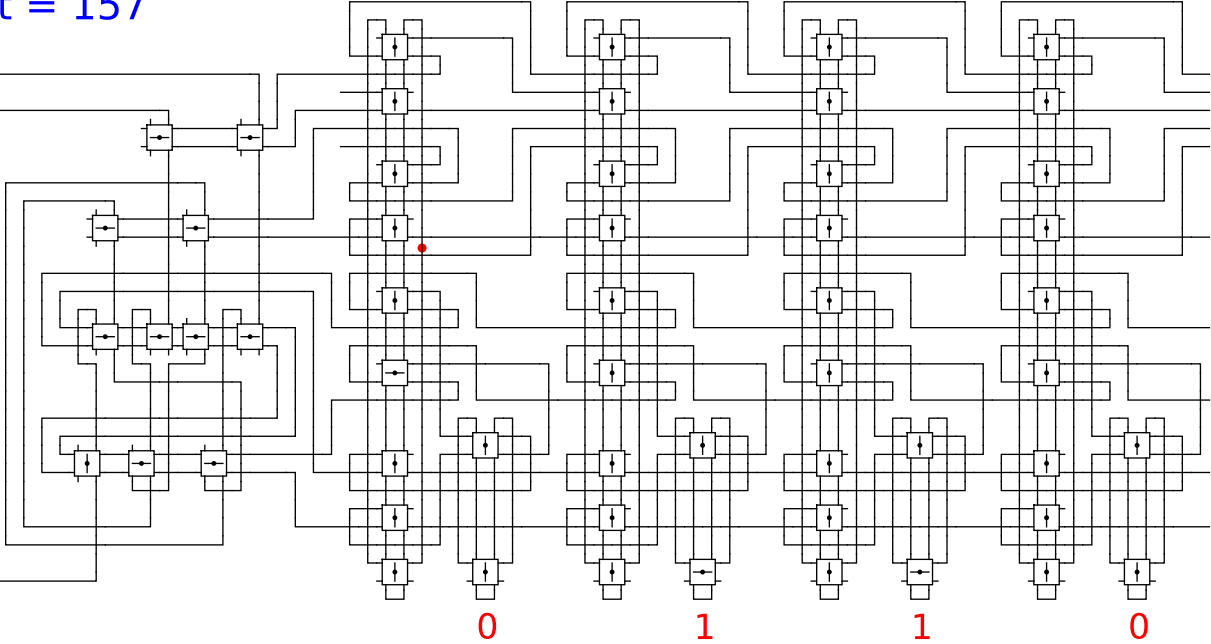
Begin



t = 157

Reject
Accept

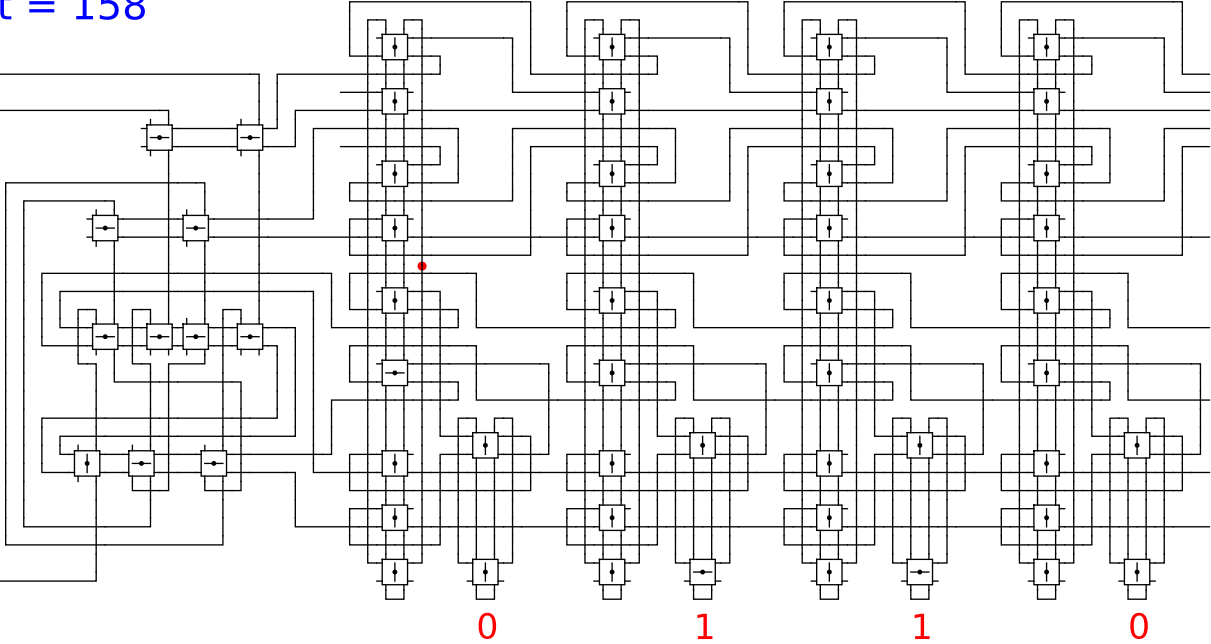
Begin



t = 158

Reject
Accept

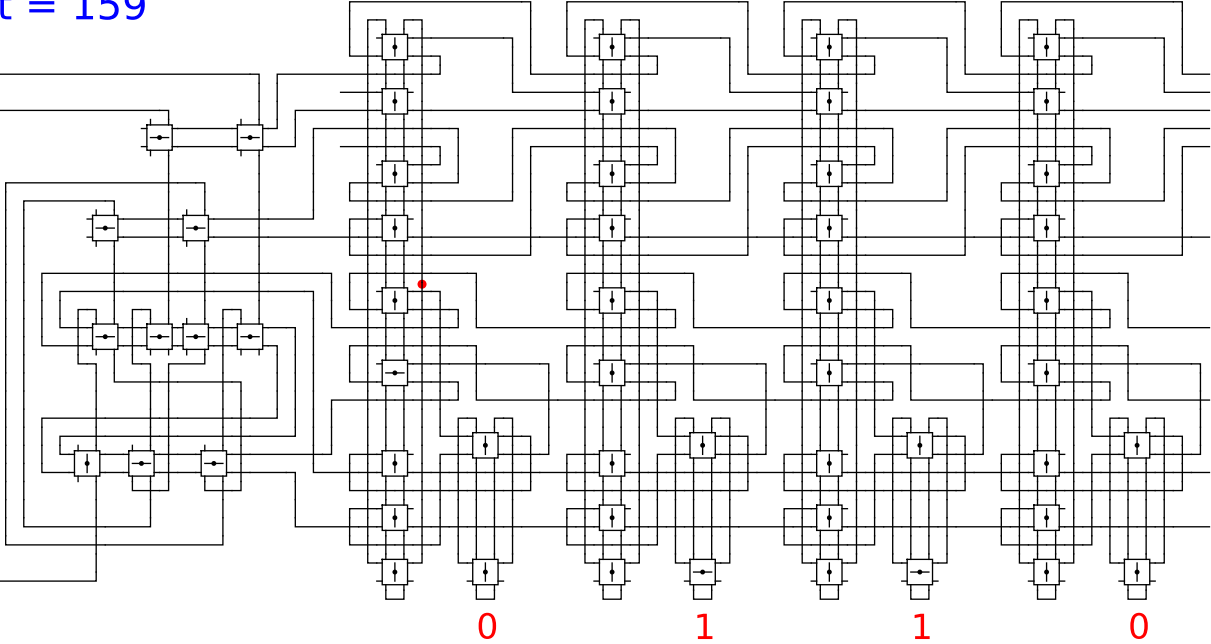
Begin



t = 159

Reject
Accept

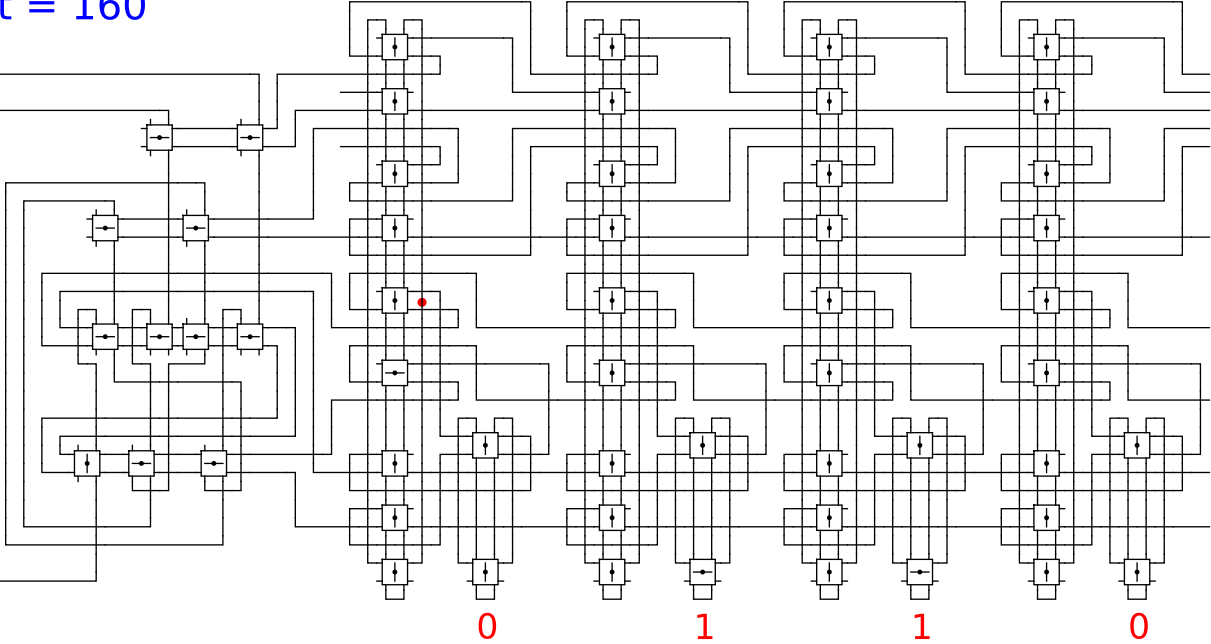
Begin



t = 160

Reject
Accept

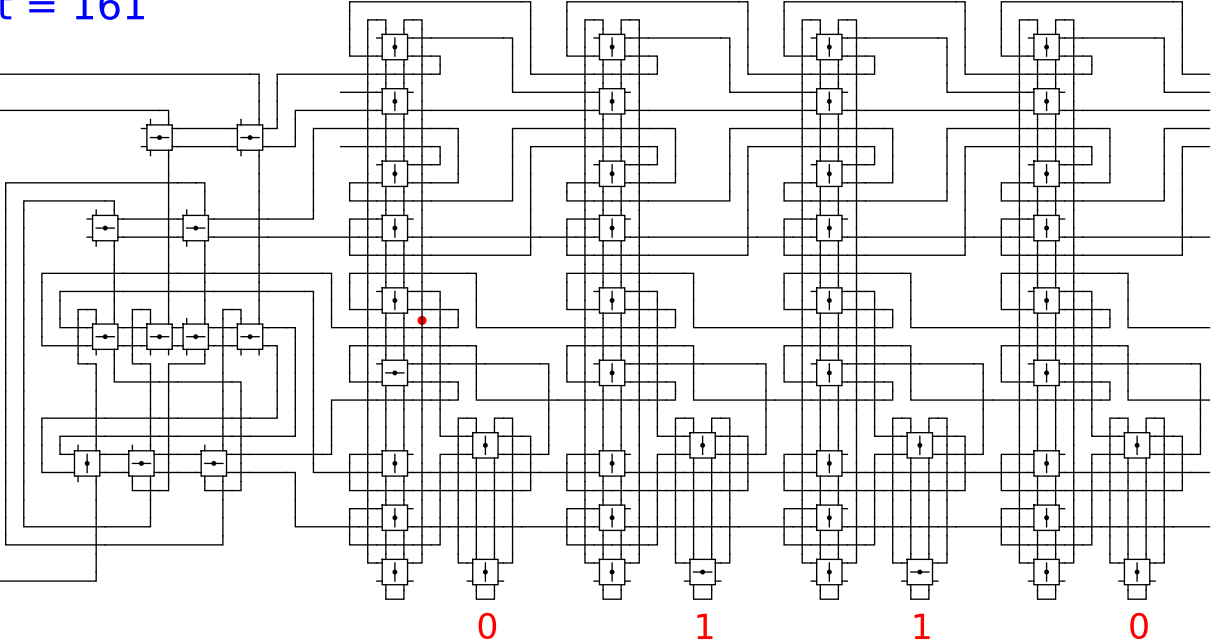
Begin



t = 161

Reject
Accept

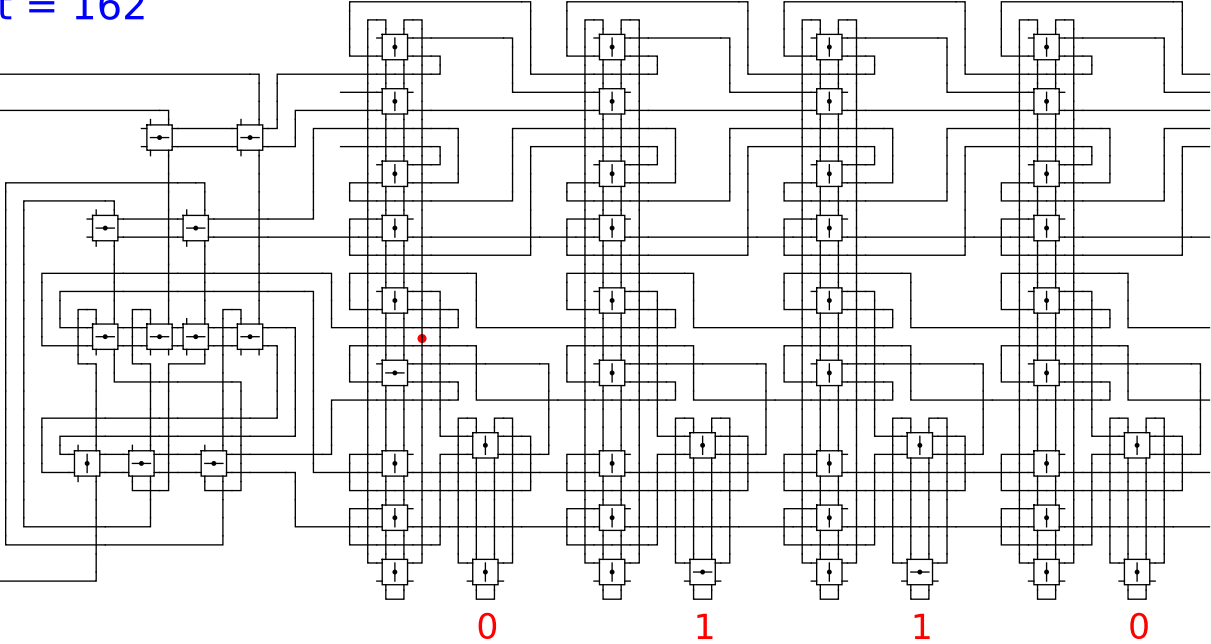
Begin



t = 162

Reject
Accept

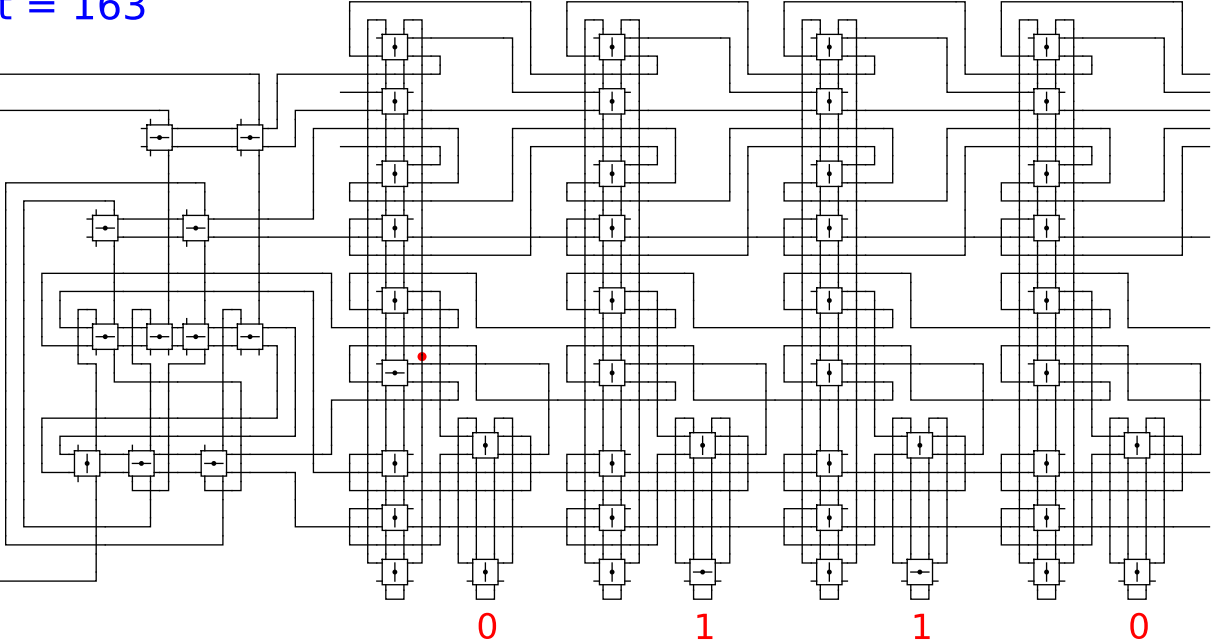
Begin



t = 163

Reject
Accept

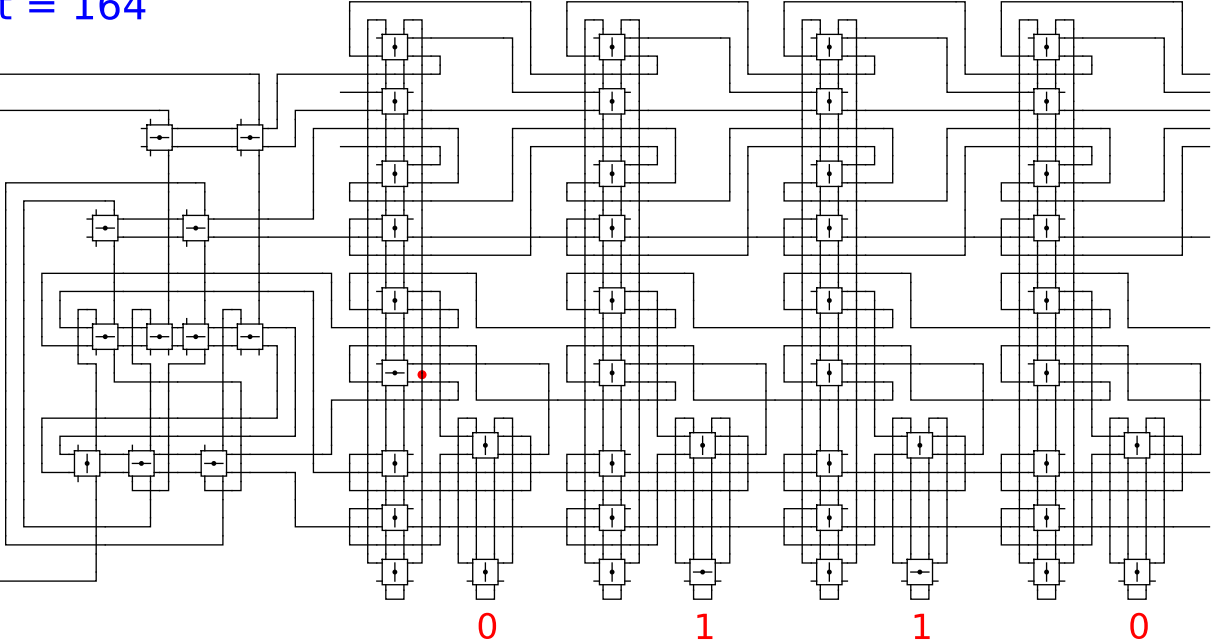
Begin



t = 164

Reject
Accept

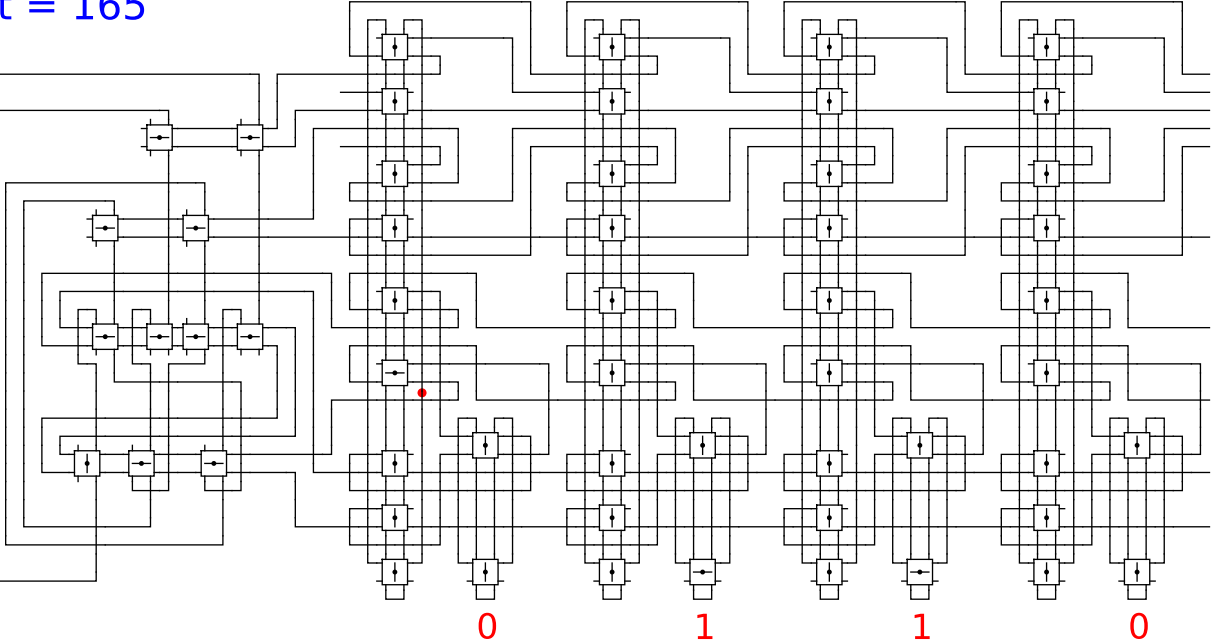
Begin



t = 165

Reject
Accept

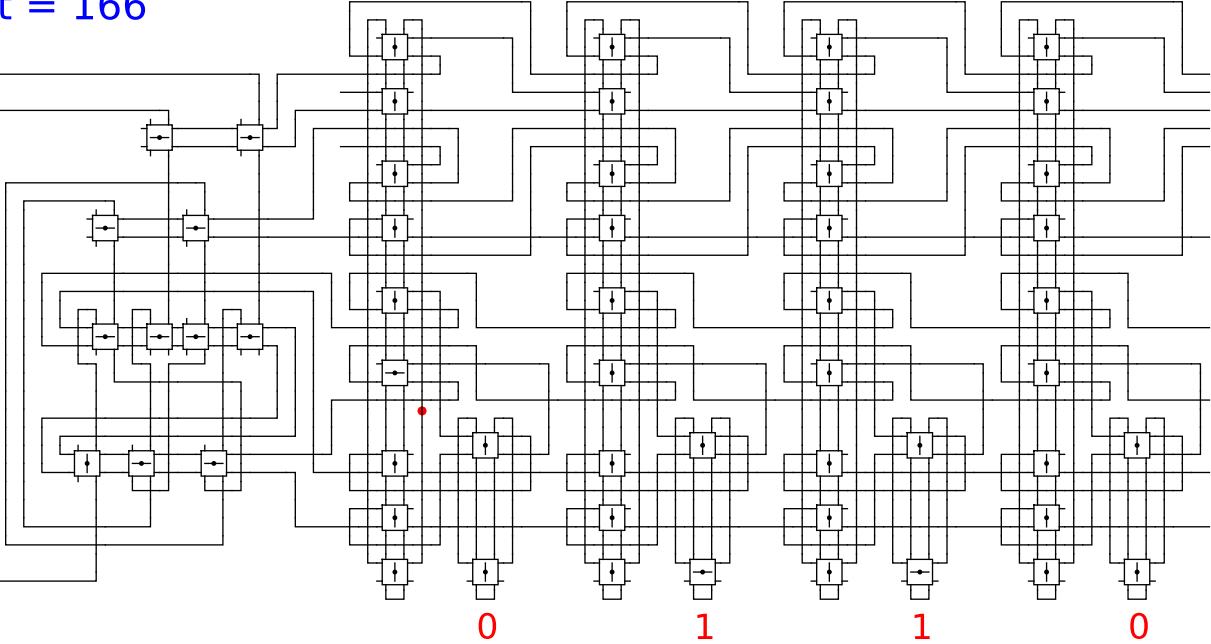
Begin



t = 166

Reject
Accept

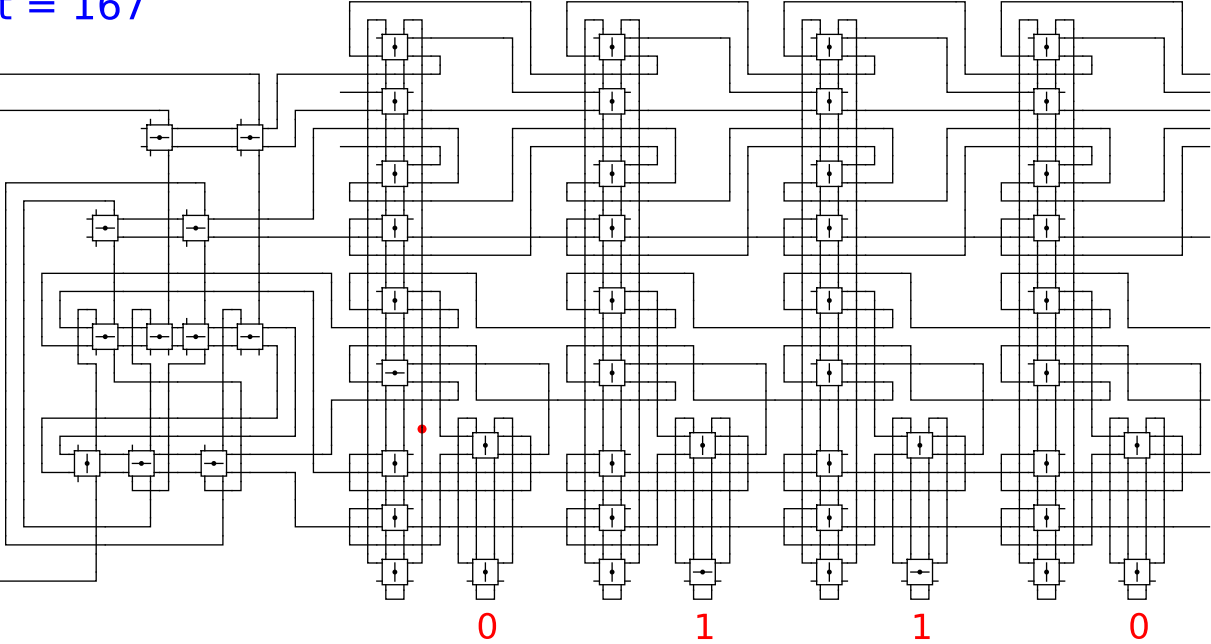
Begin



t = 167

Reject
Accept

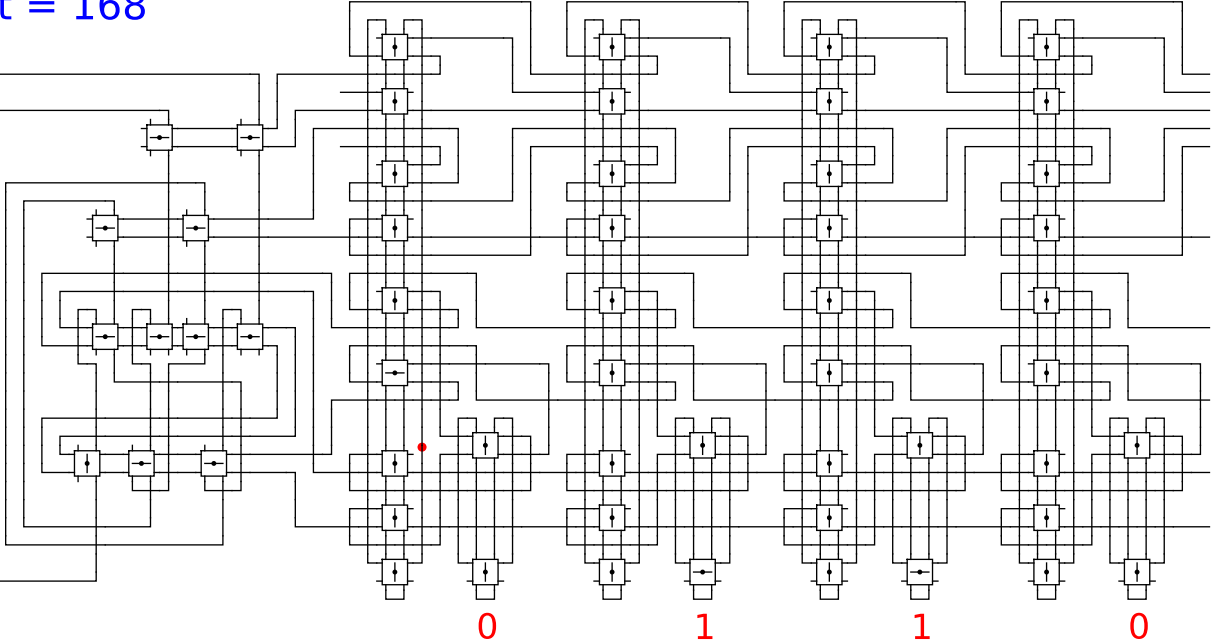
Begin



t = 168

Reject
Accept

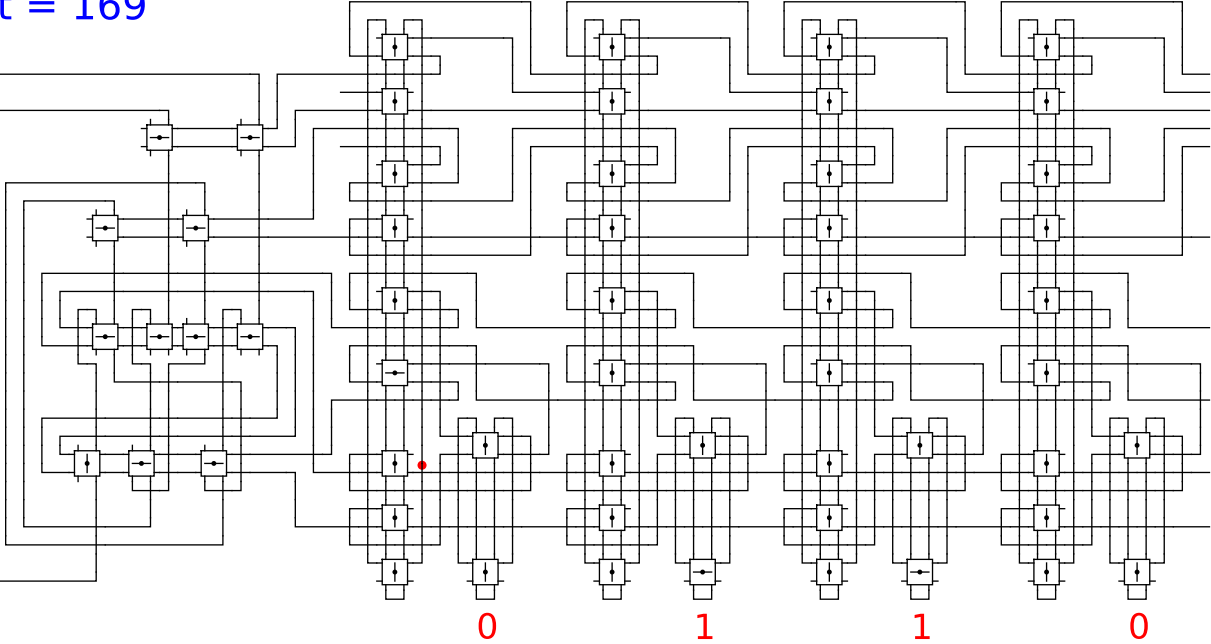
Begin



t = 169

Reject
Accept

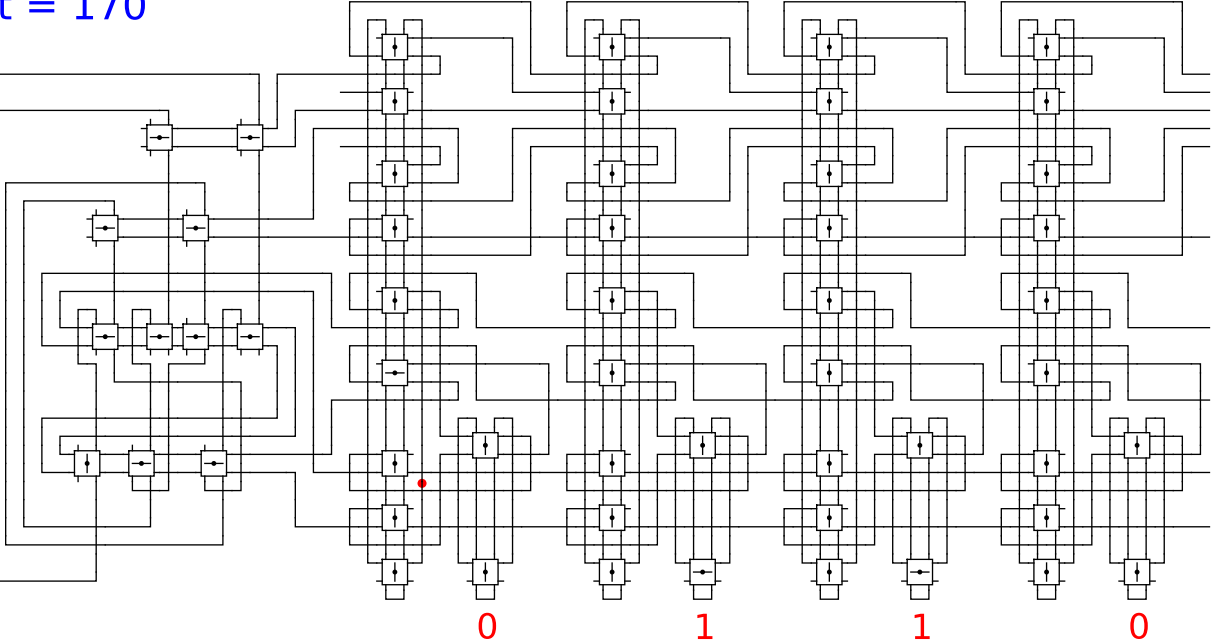
Begin



t = 170

Reject
Accept

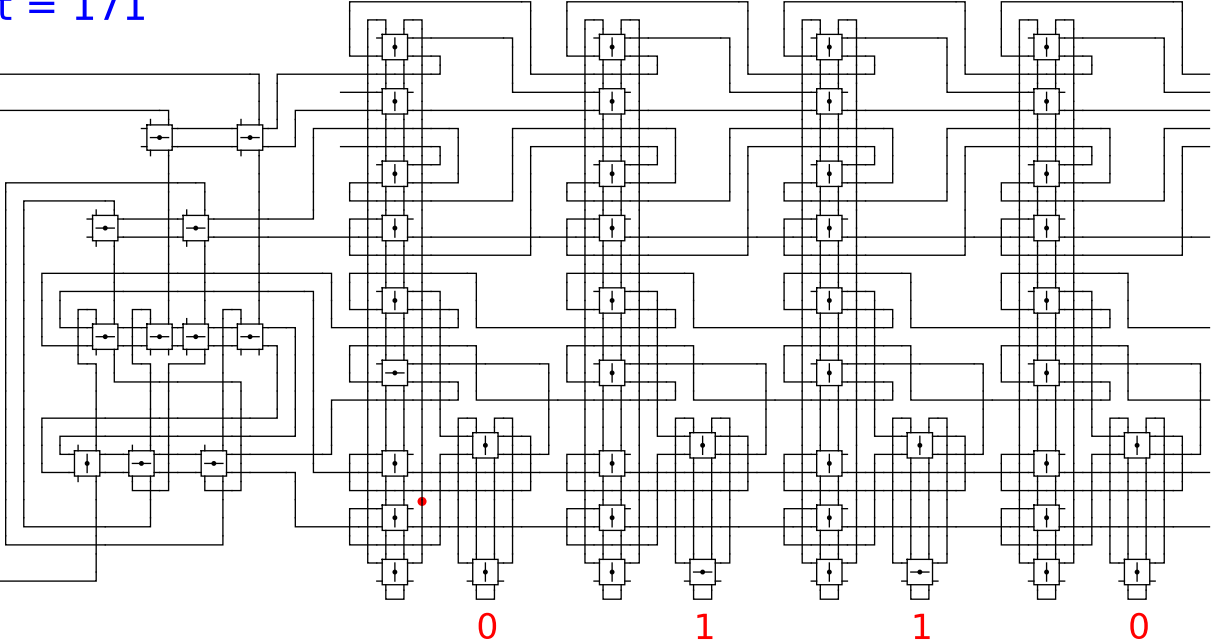
Begin



t = 171

Reject
Accept

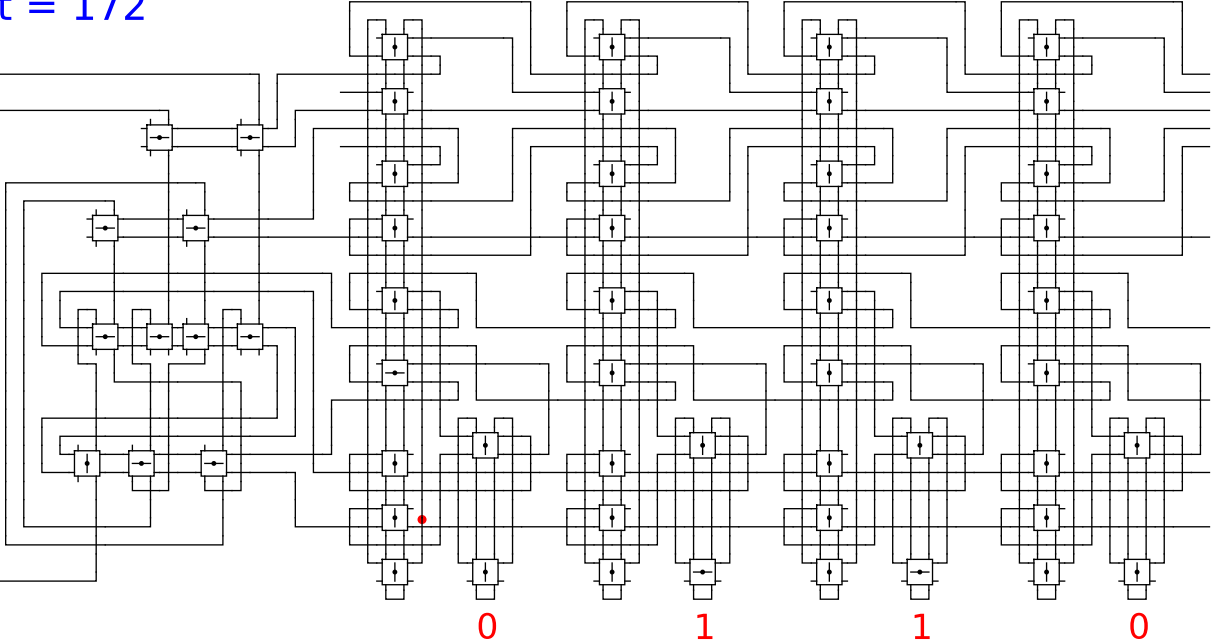
Begin



t = 172

Reject
Accept

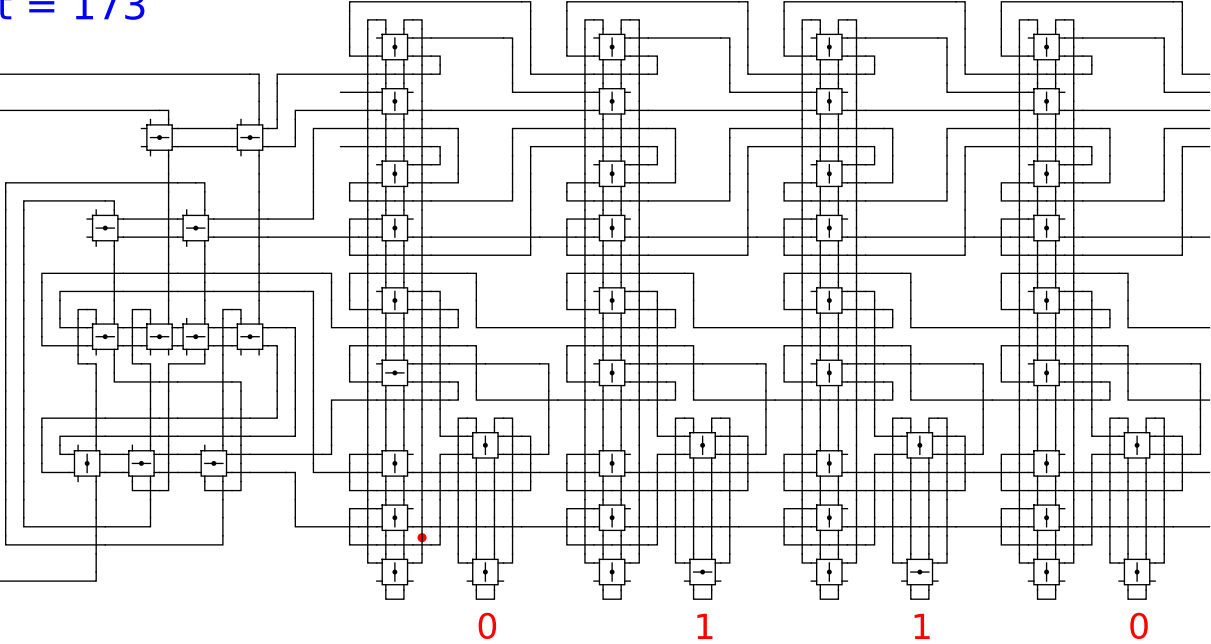
Begin



t = 173

Reject
Accept

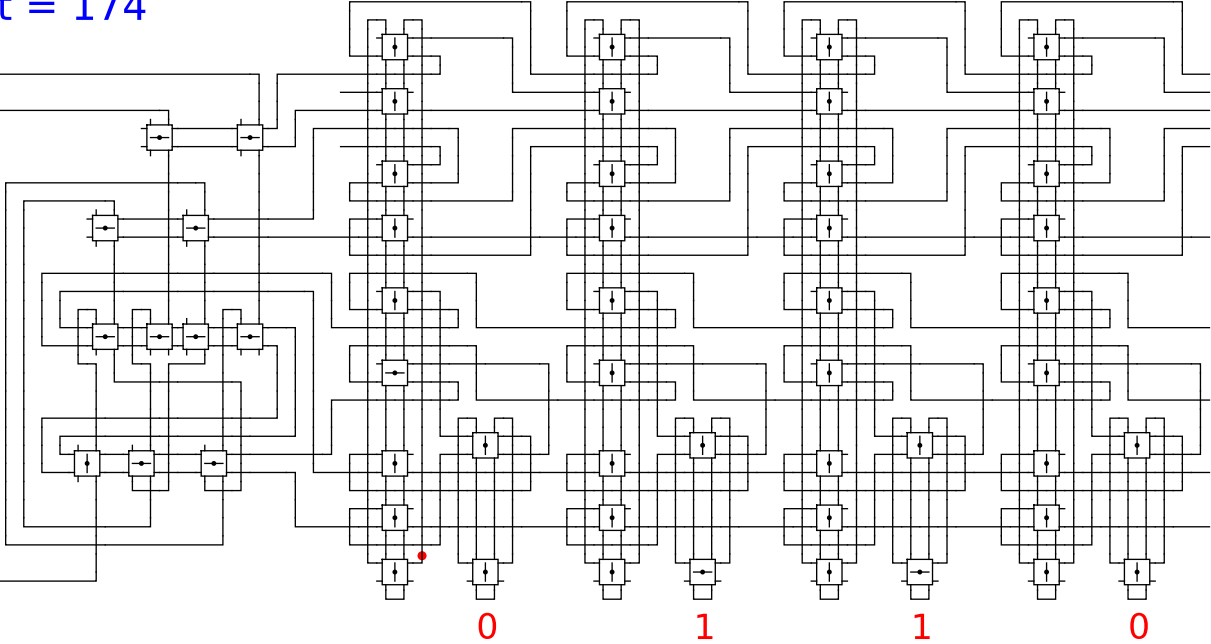
Begin



t = 174

Reject
Accept

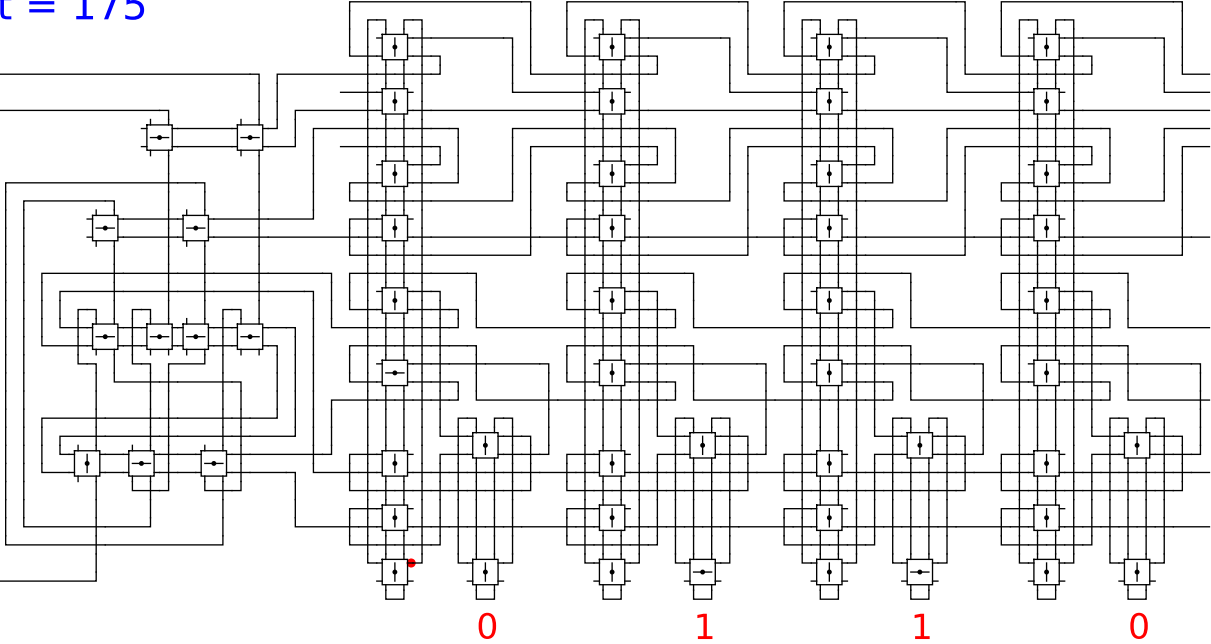
Begin



t = 175

Reject
Accept

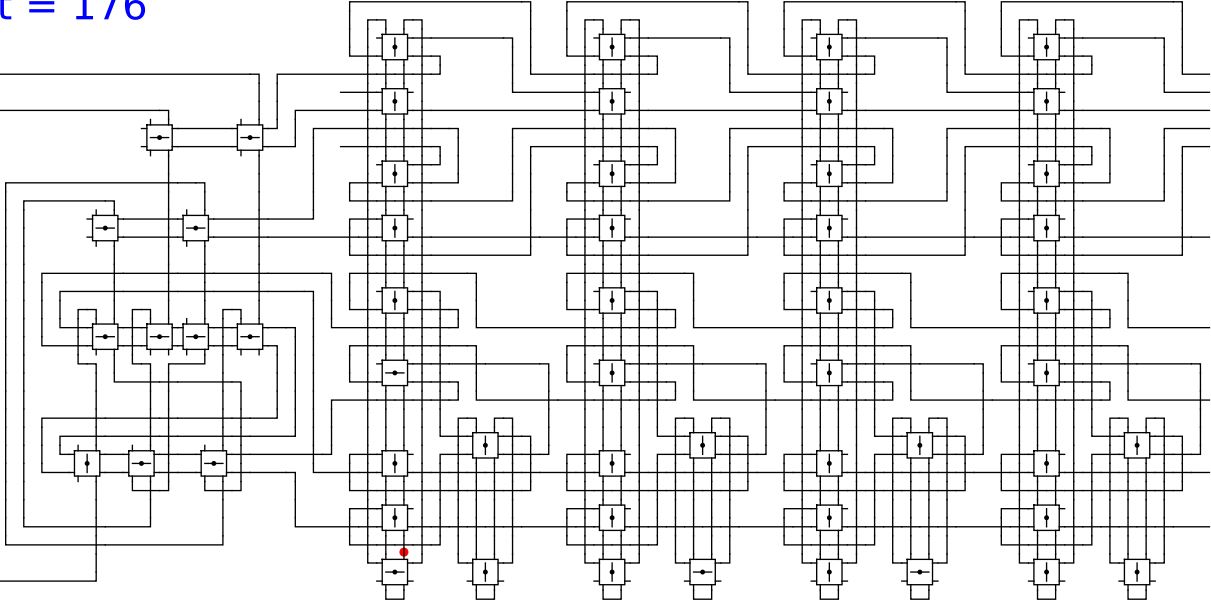
Begin



t = 176

Reject
Accept

Begin



head

0

1

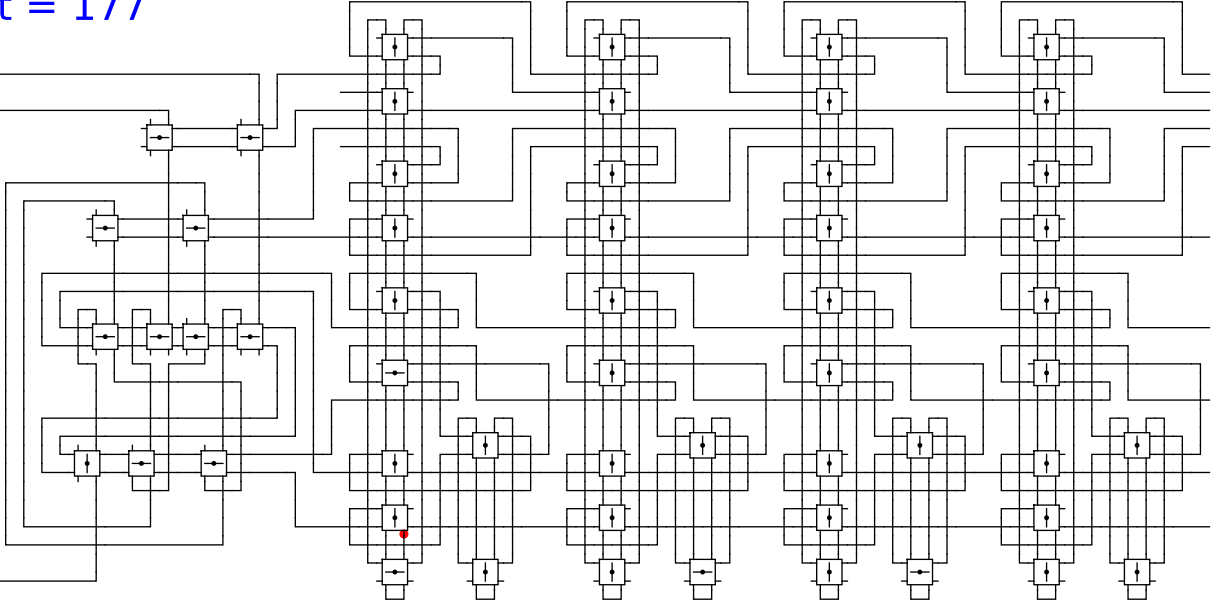
1

0

t = 177

Reject
Accept

Begin



head

0

1

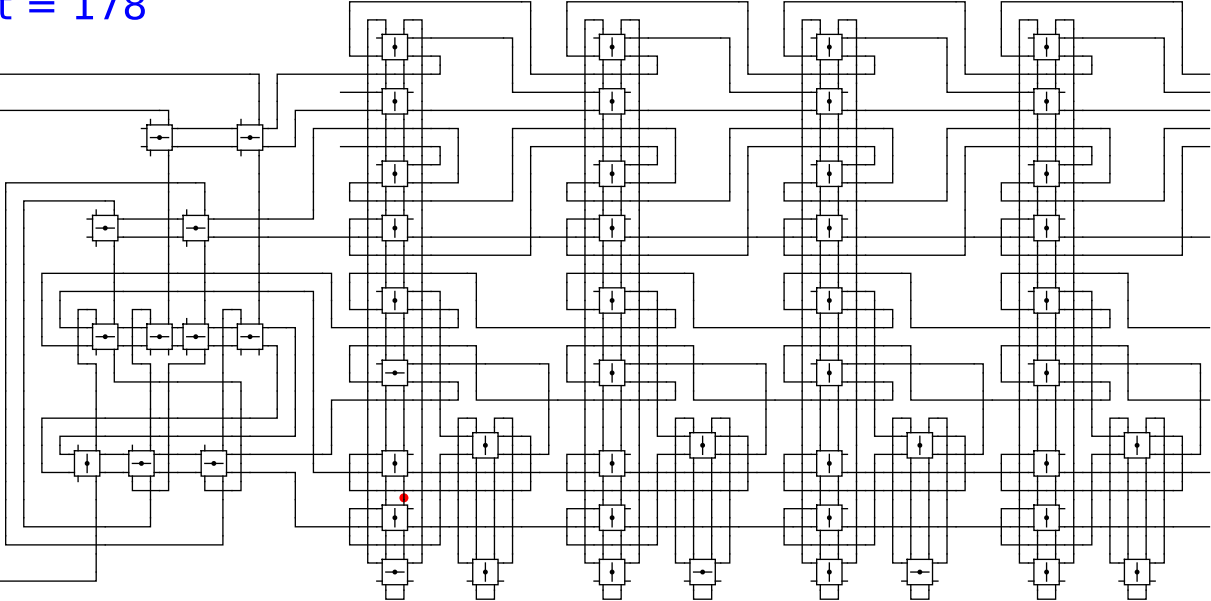
1

0

t = 178

Reject
Accept

Begin



head

0

1

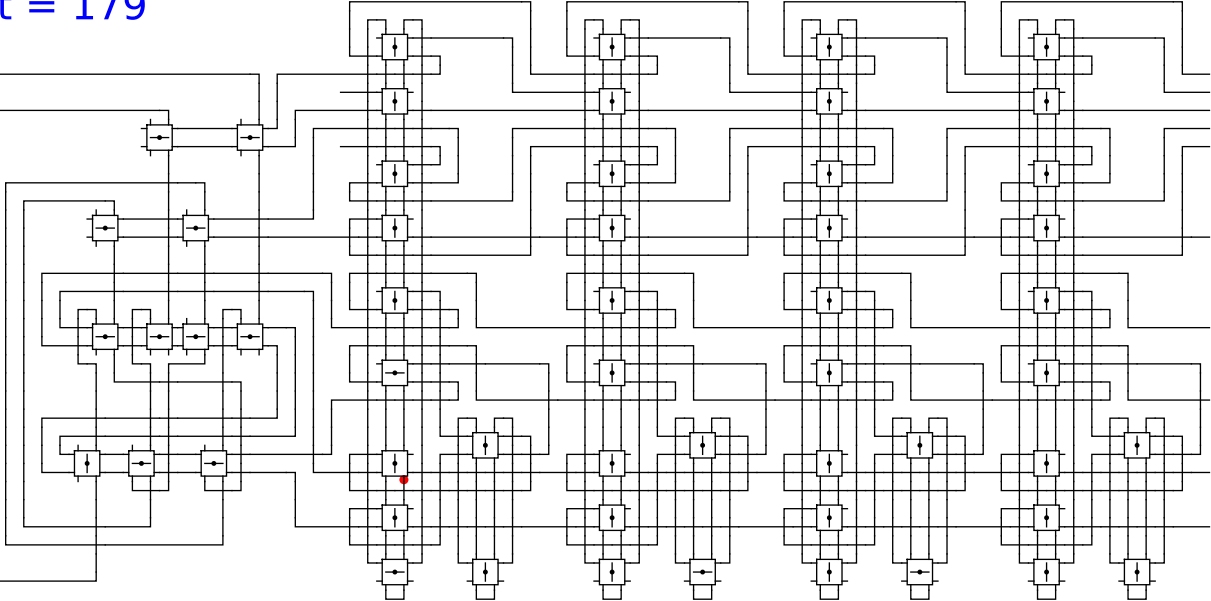
1

0

t = 179

Reject
Accept

Begin



head

0

1

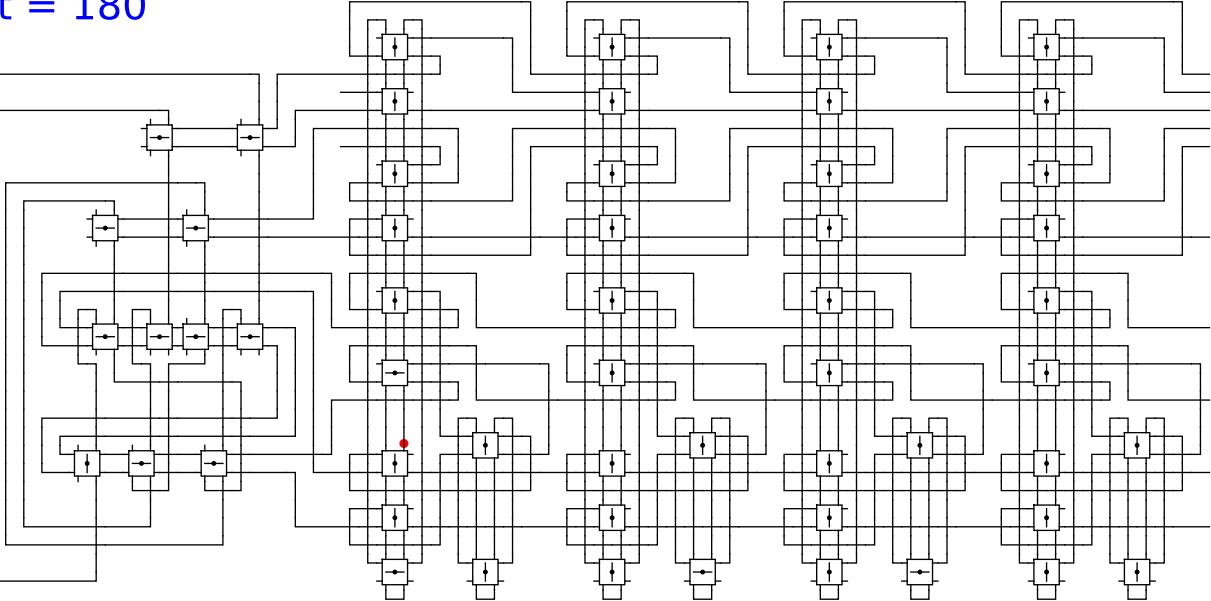
1

0

t = 180

Reject
Accept

Begin



head

0

1

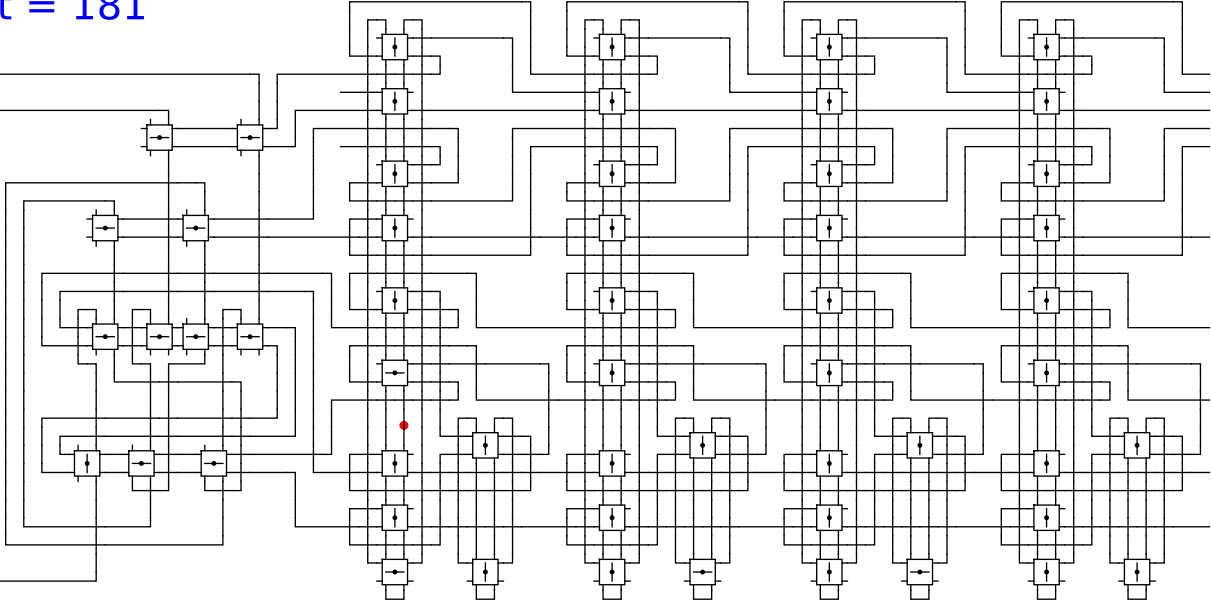
1

0

t = 181

Reject
Accept

Begin



head

0

1

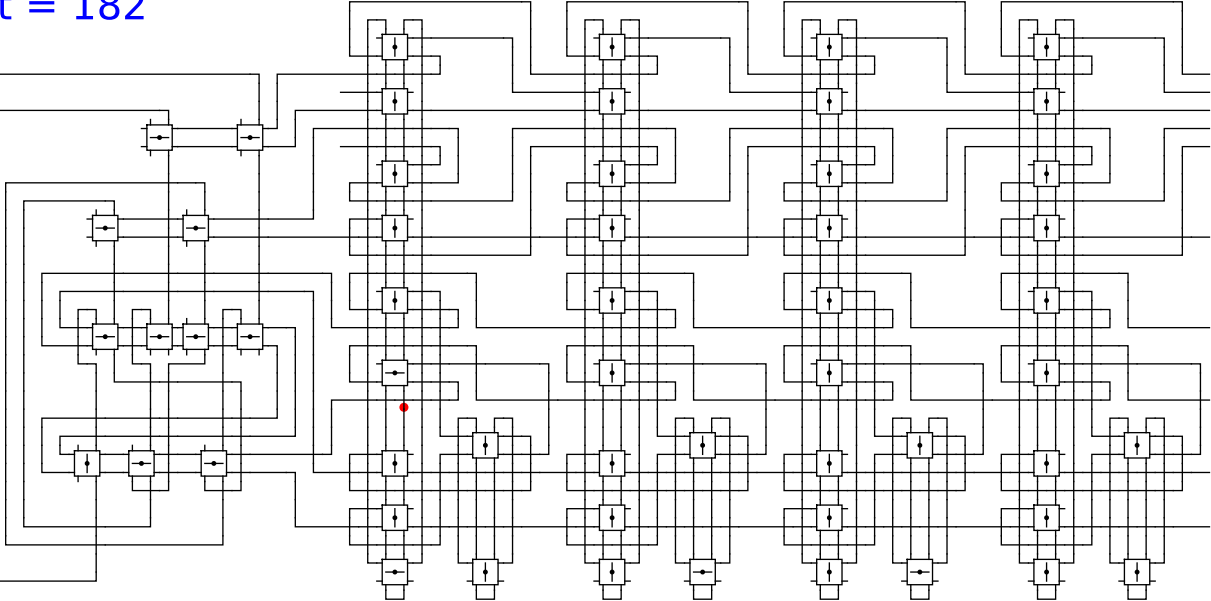
1

0

t = 182

Reject
Accept

Begin



head

0

1

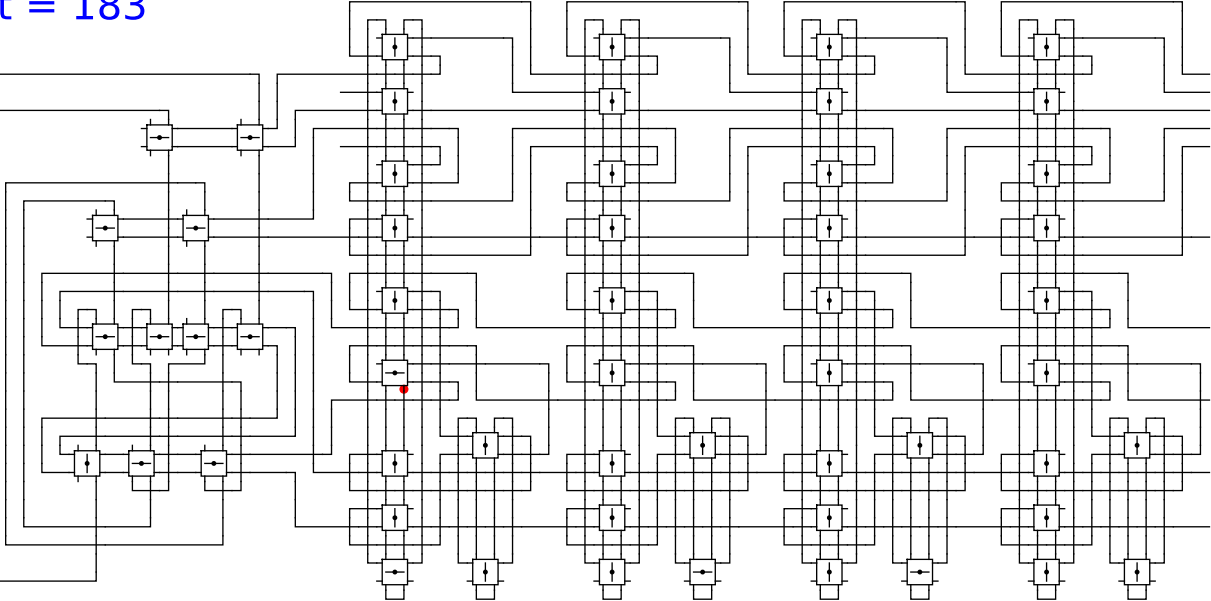
1

0

t = 183

Reject
Accept

Begin



head

0

1

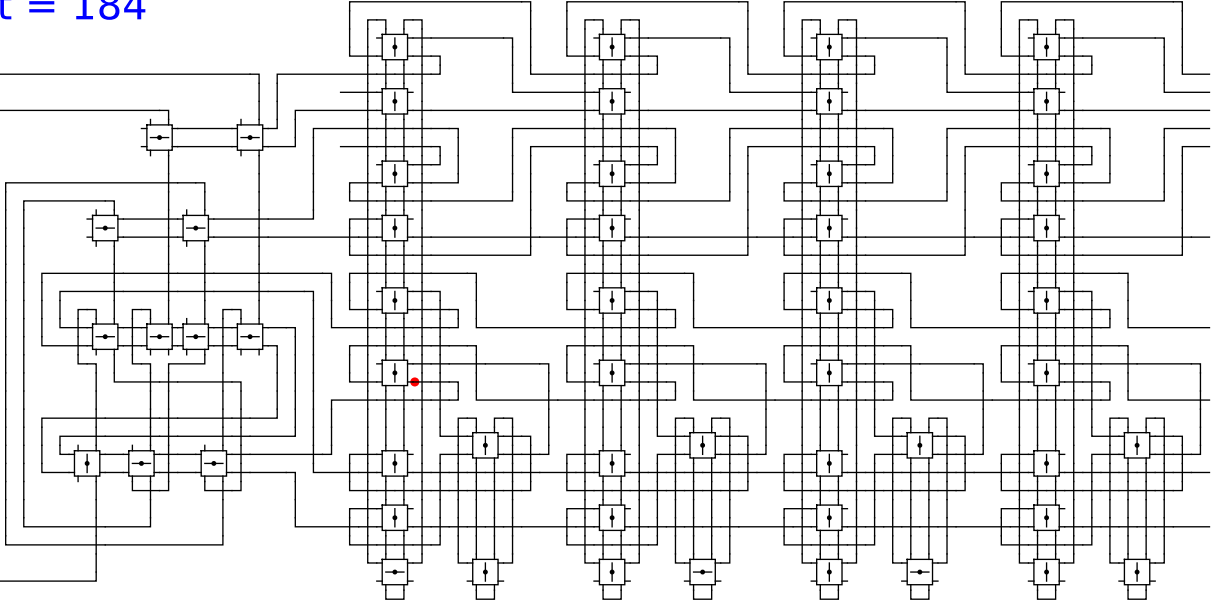
1

0

t = 184

Reject
Accept

Begin



head

0

1

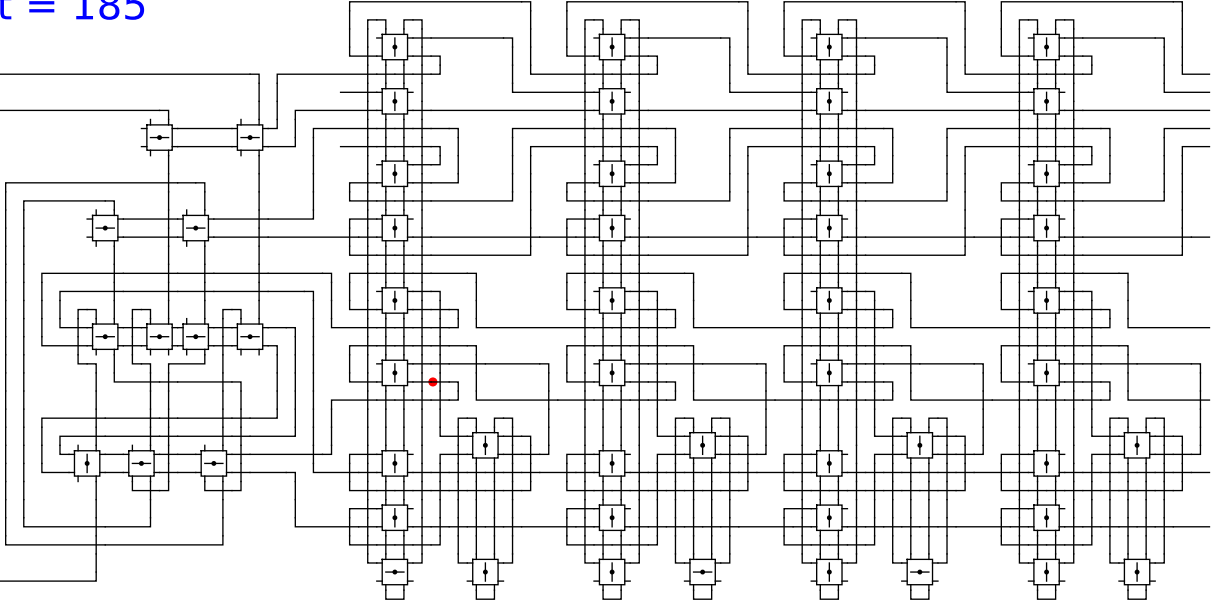
1

0

t = 185

Reject
Accept

Begin



head

0

1

1

0

t = 186

Reject
Accept

Begin

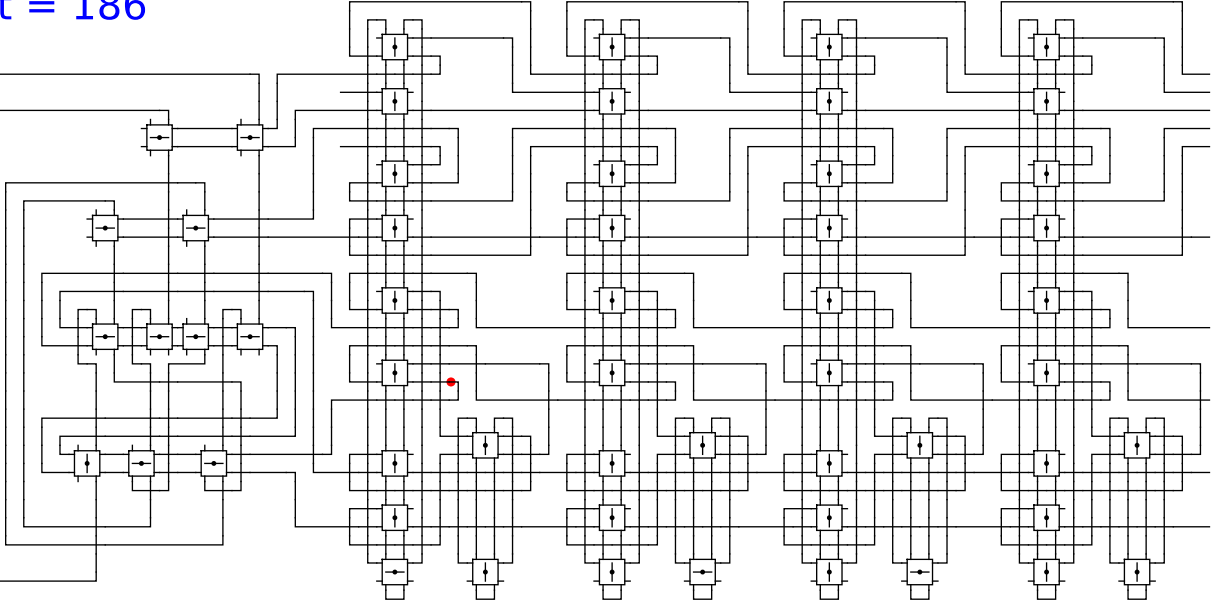
head

0

1

1

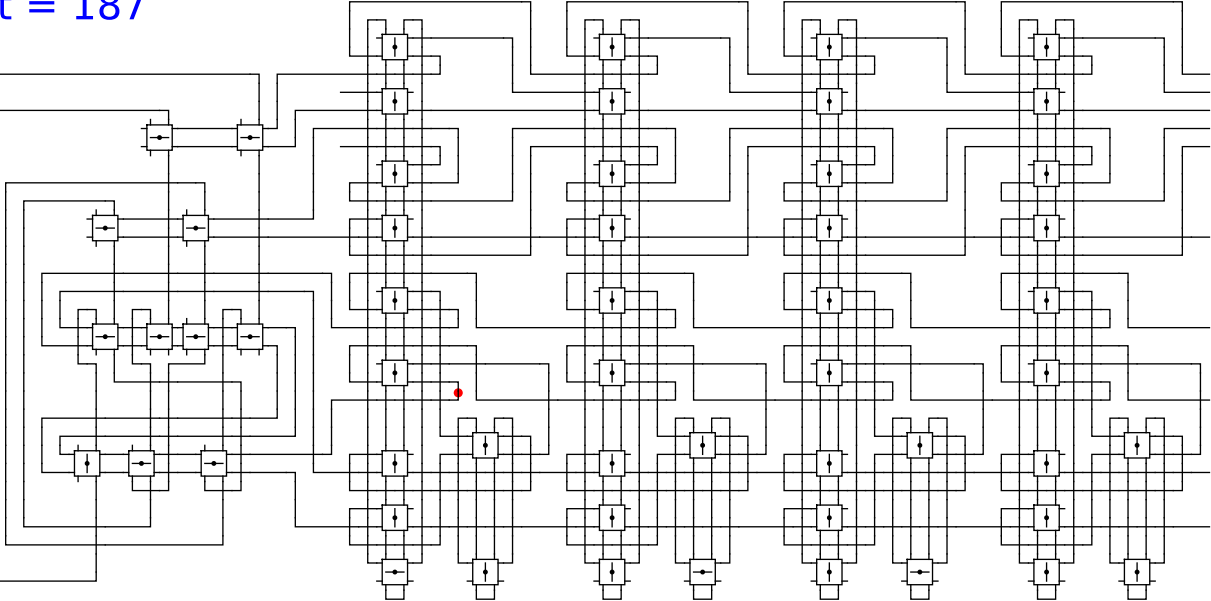
0



t = 187

Reject
Accept

Begin



head

0

1

1

0

t = 188

Reject
Accept

Begin

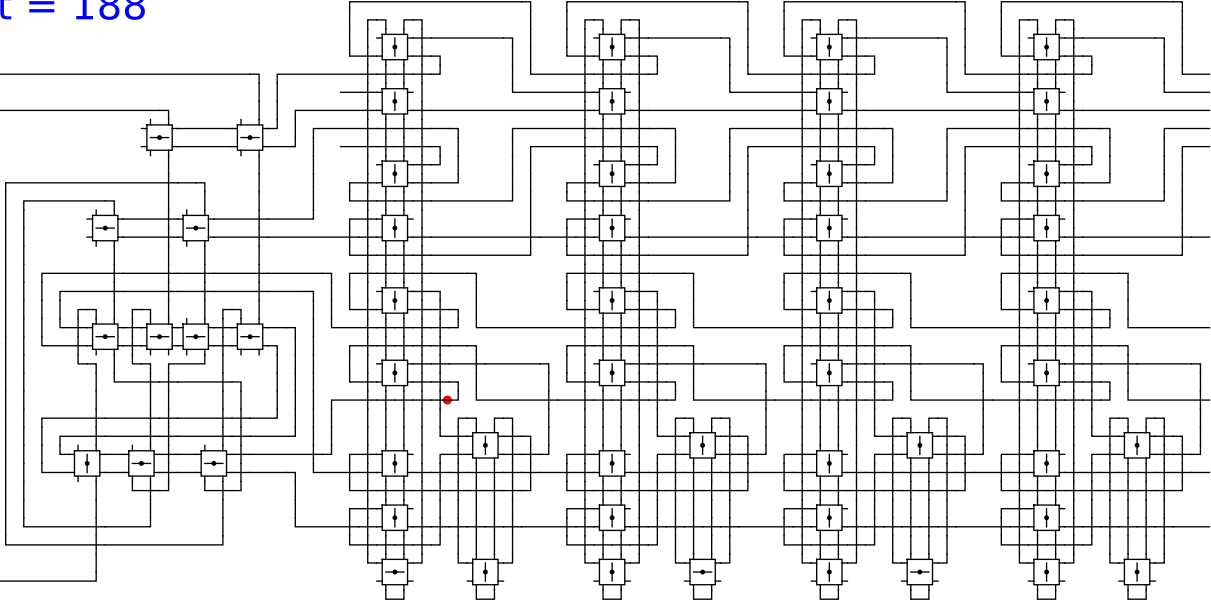
head

0

1

1

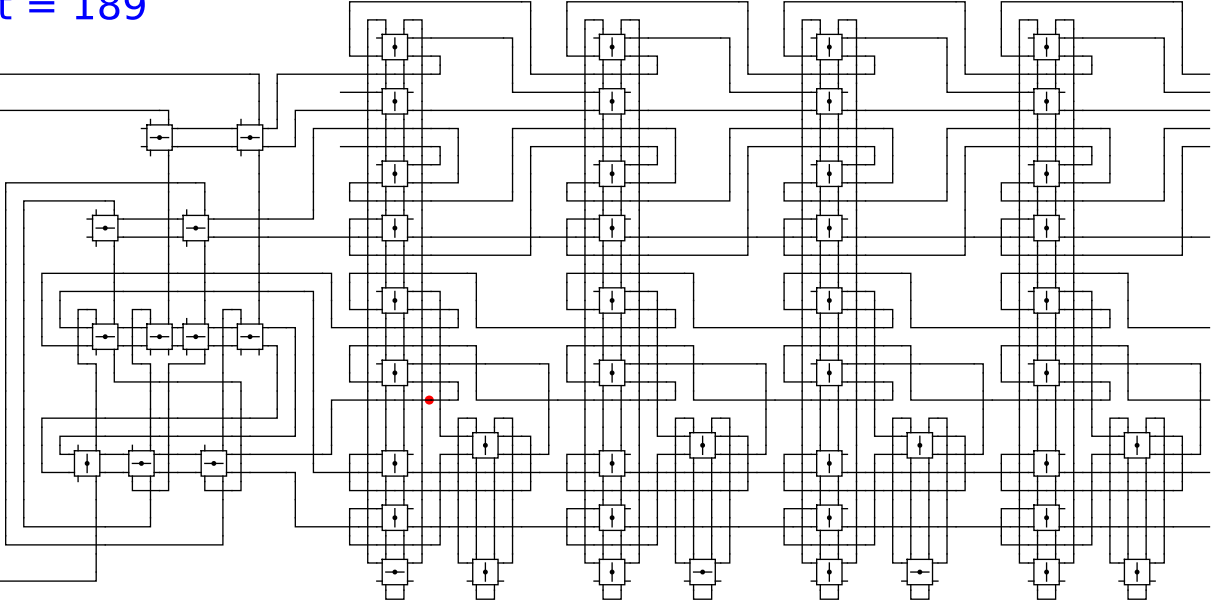
0



t = 189

Reject
Accept

Begin



head

0

1

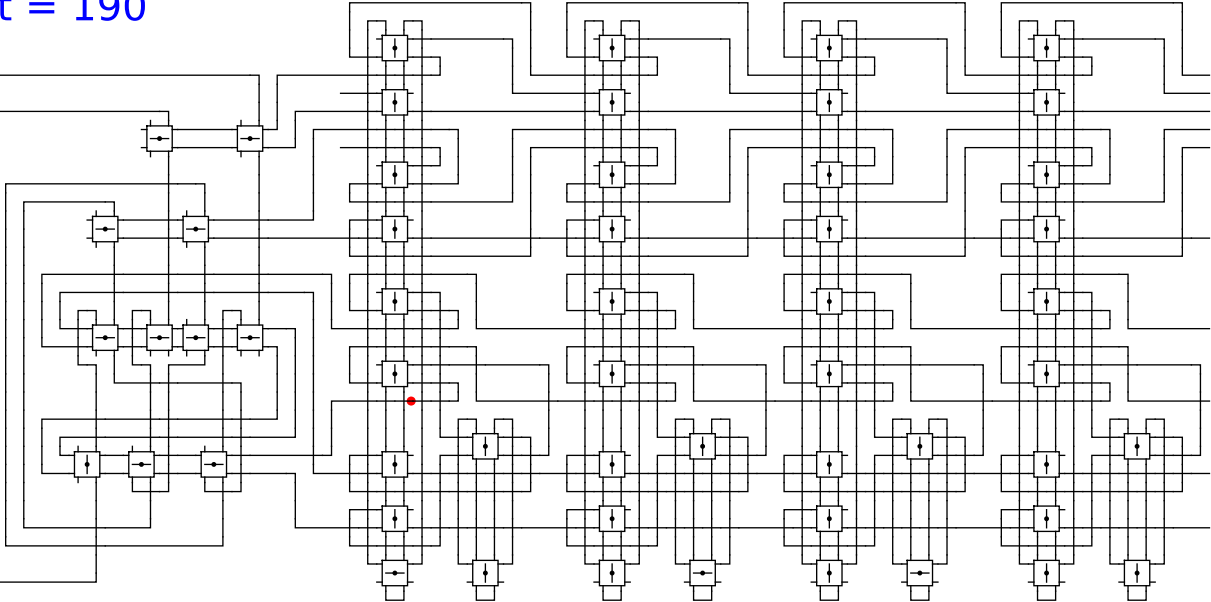
1

0

t = 190

Reject
Accept

Begin



head

0

1

1

0

t = 191

Reject
Accept

Begin

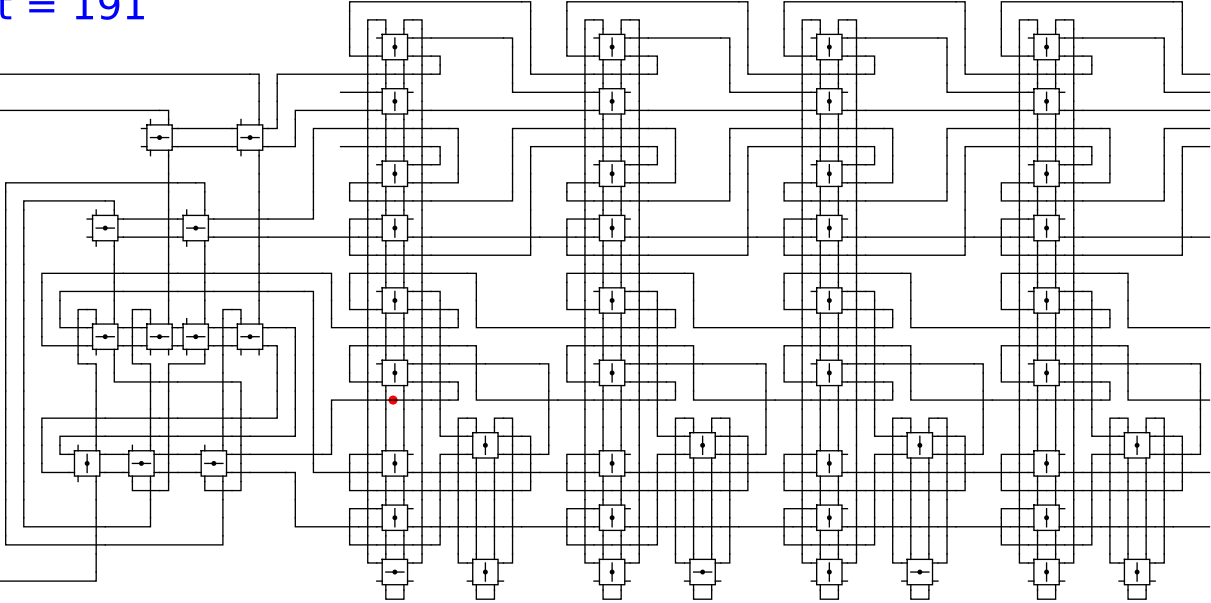
head

0

1

1

0



t = 192

Reject
Accept

Begin

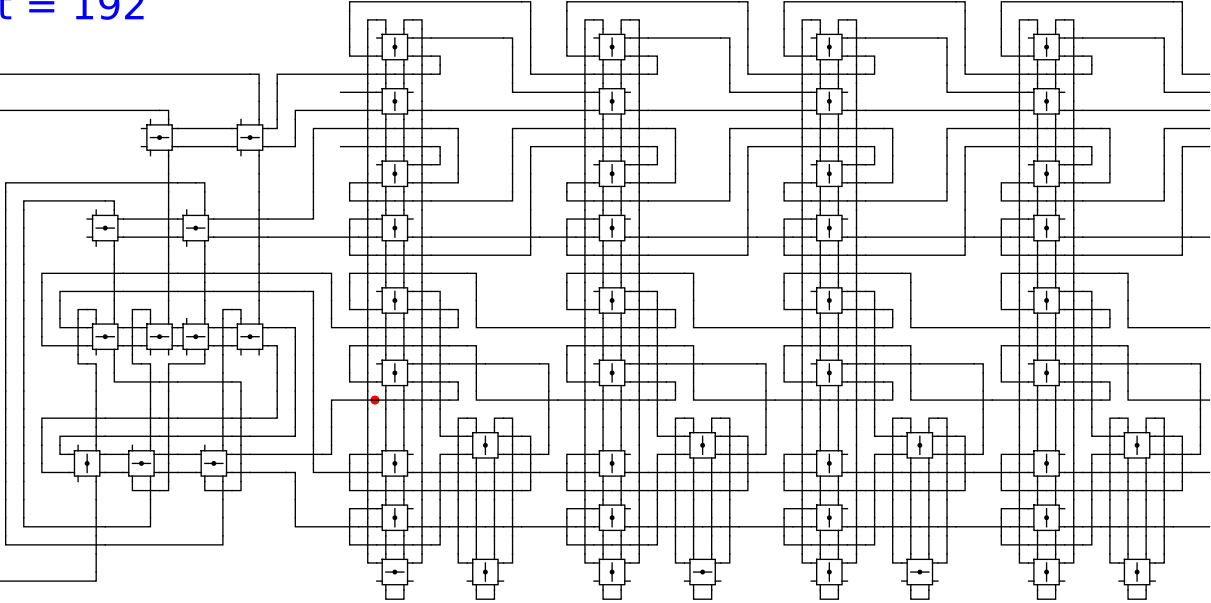
head

0

1

1

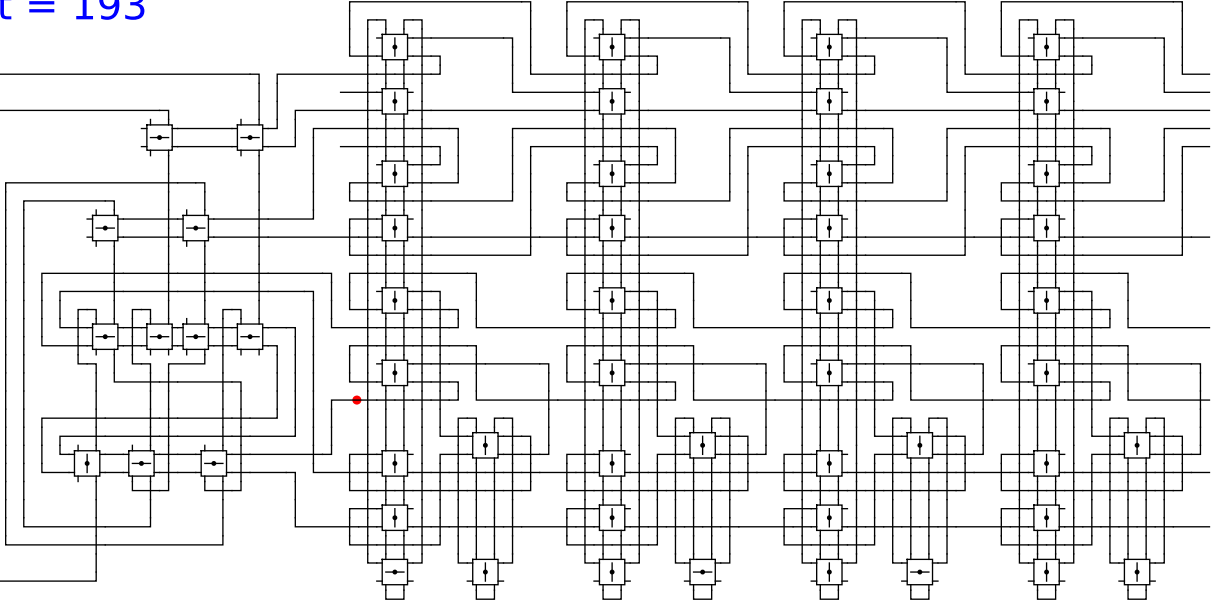
0



t = 193

Reject
Accept

Begin



head

0

1

1

0

t = 194

Reject
Accept

Begin

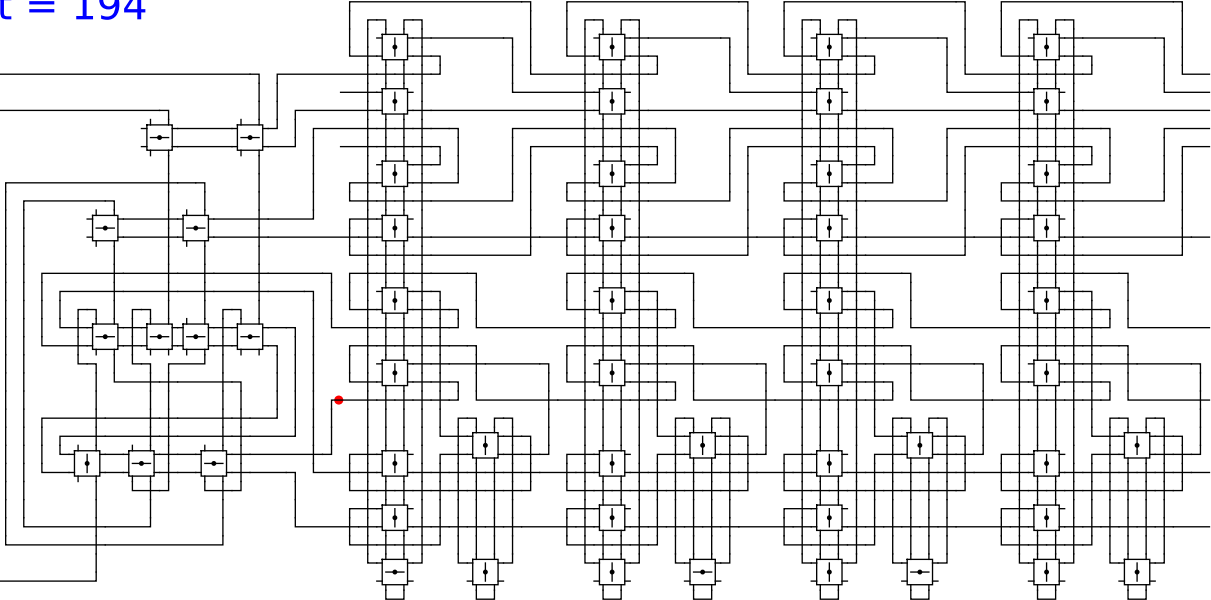
head

0

1

1

0



t = 195

Reject
Accept

Begin

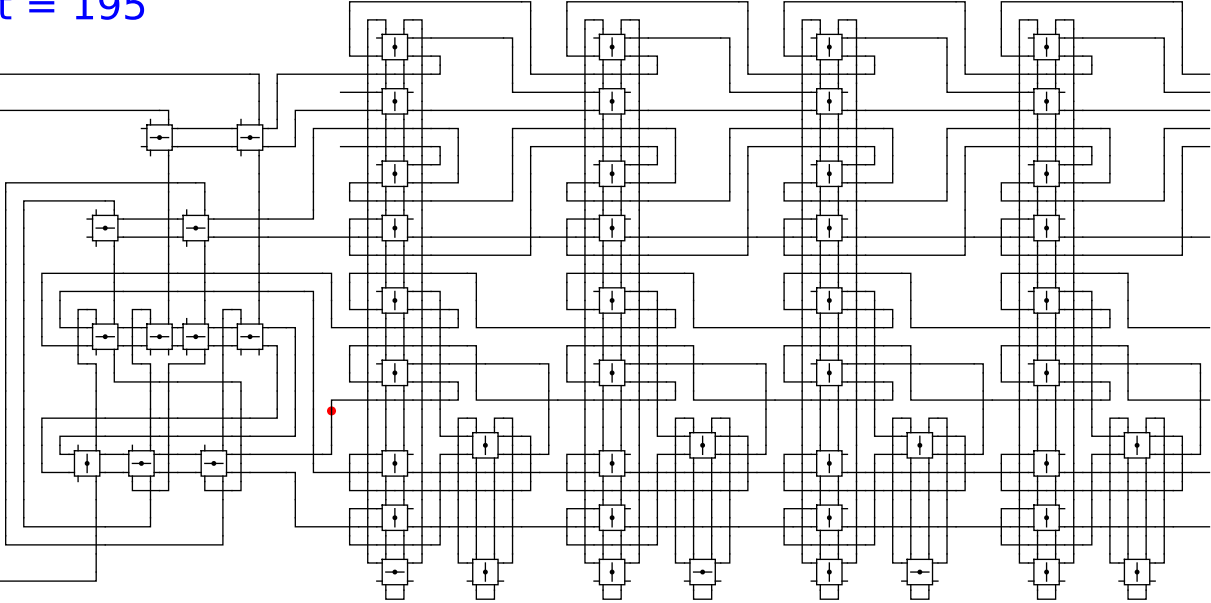
head

0

1

1

0



t = 196

Reject
Accept

Begin

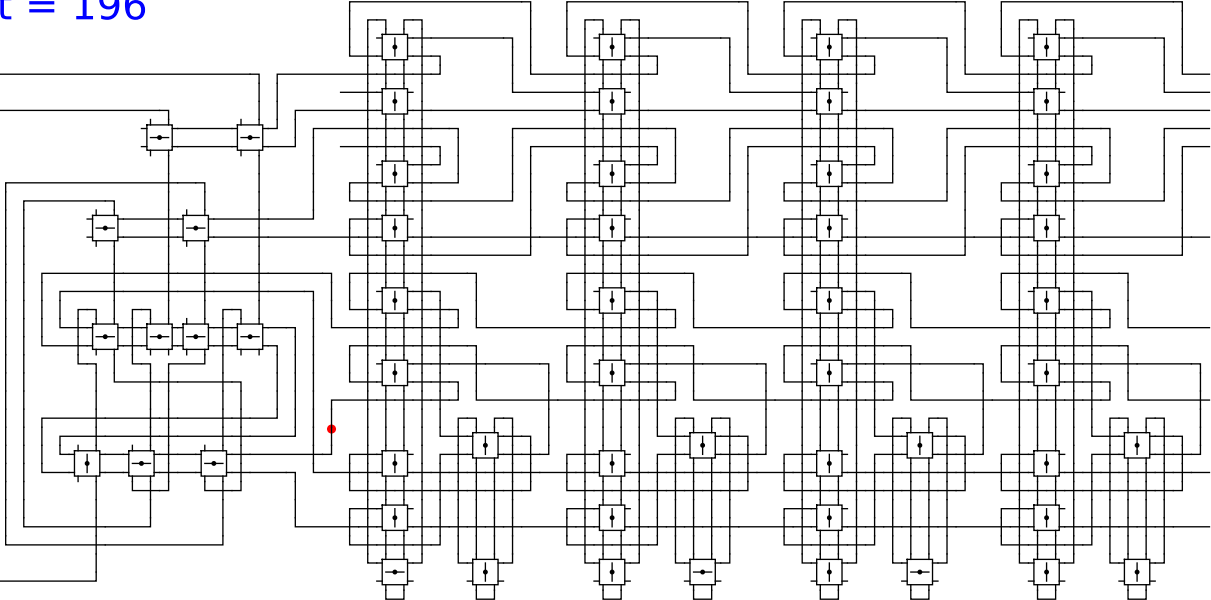
head

0

1

1

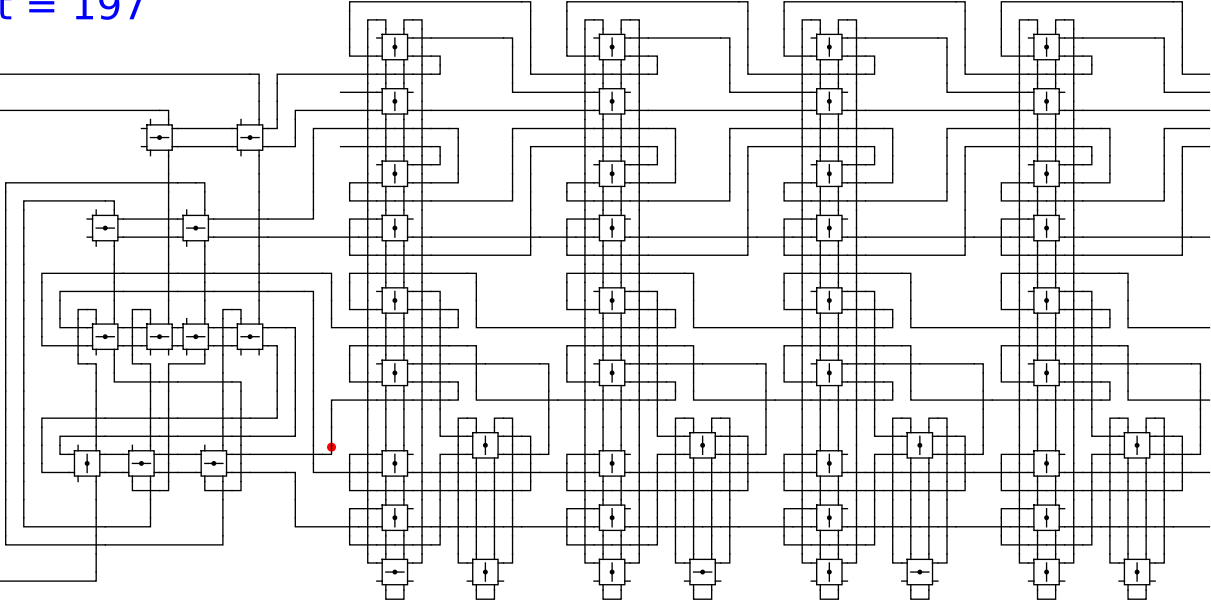
0



t = 197

Reject
Accept

Begin



head

0

1

1

0

t = 198

Reject
Accept

Begin

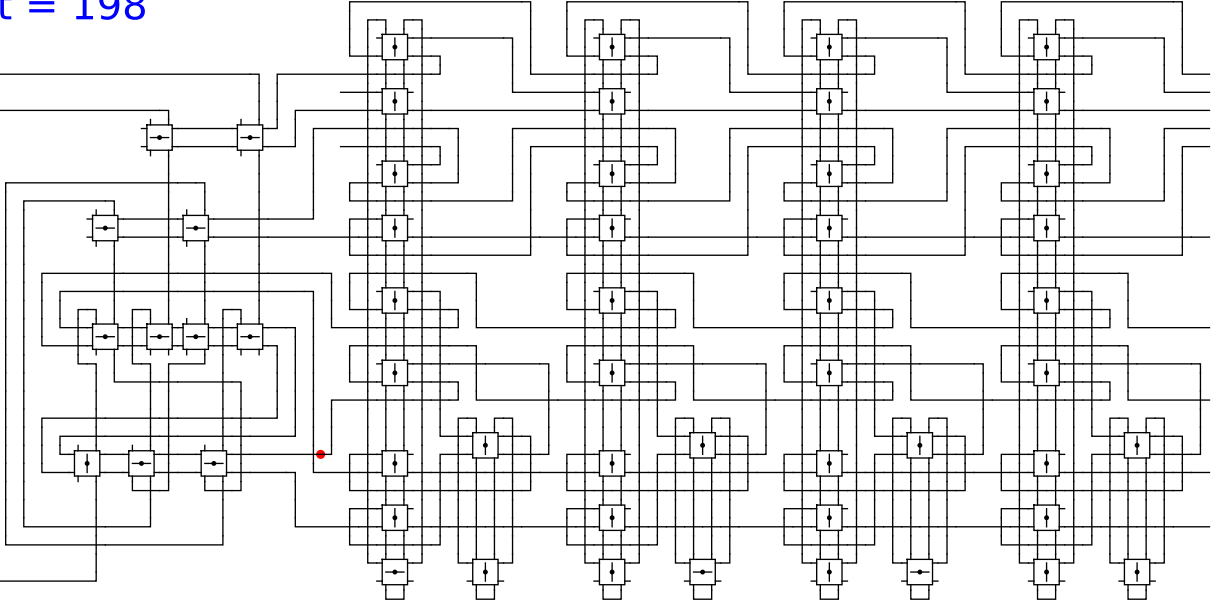
head

0

1

1

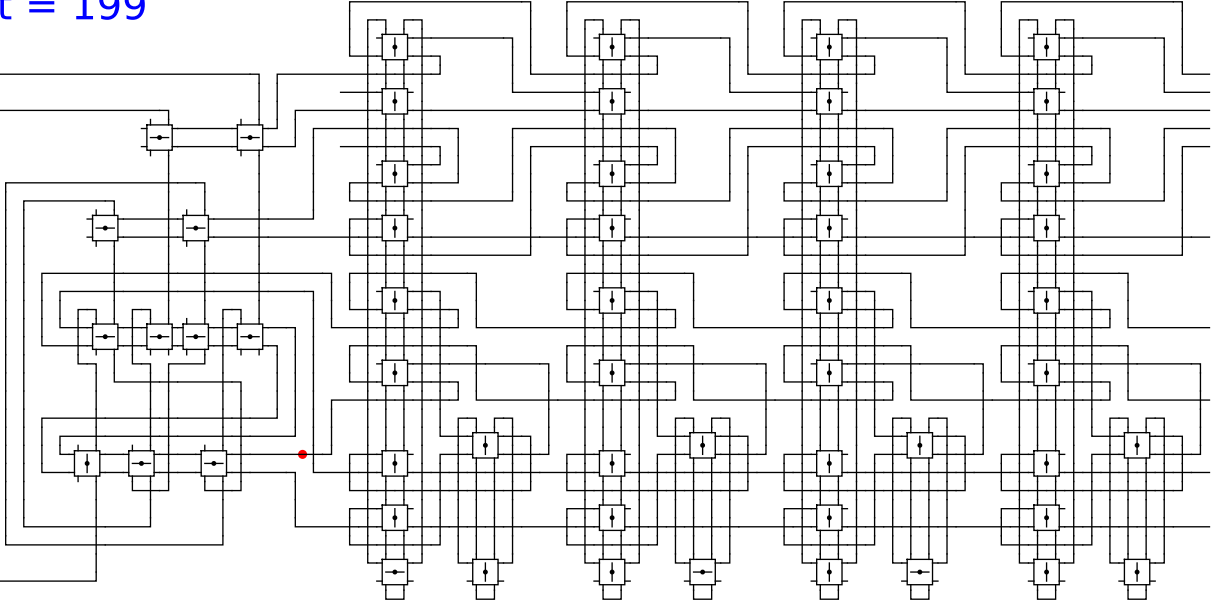
0



t = 199

Reject
Accept

Begin



head

0

1

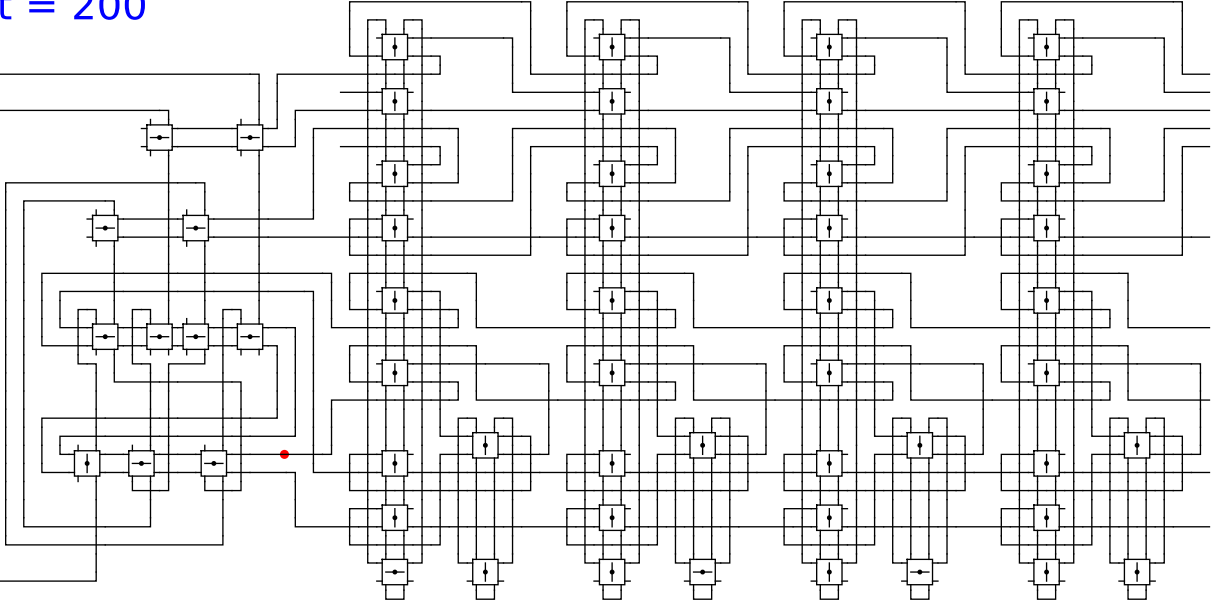
1

0

t = 200

Reject
Accept

Begin



head

0

1

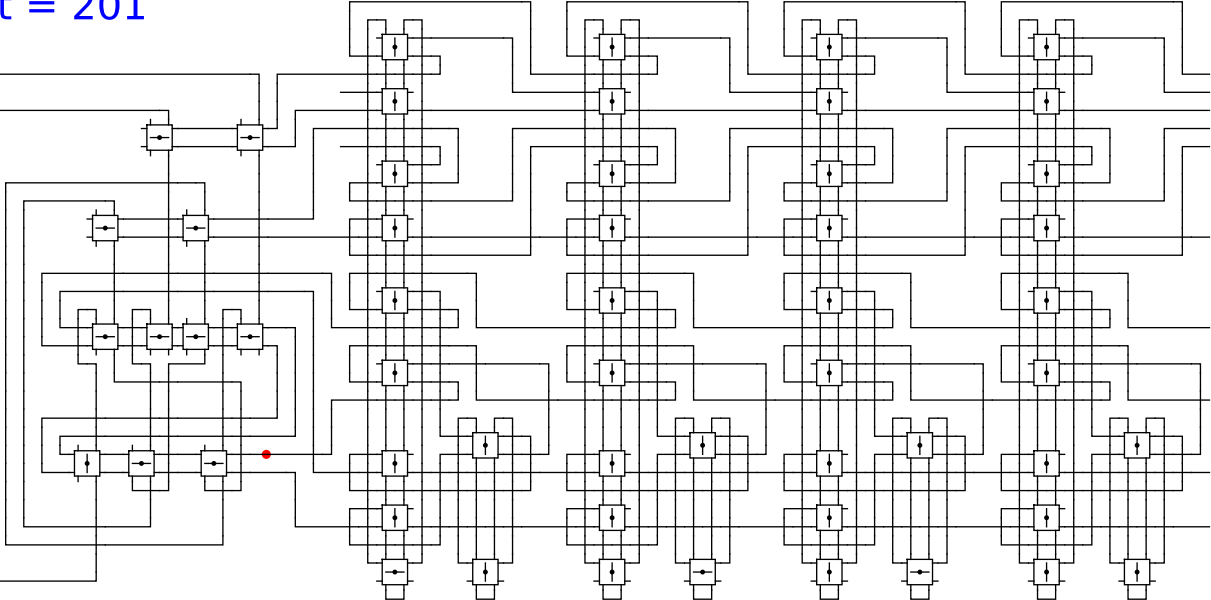
1

0

t = 201

Reject
Accept

Begin



head

0

1

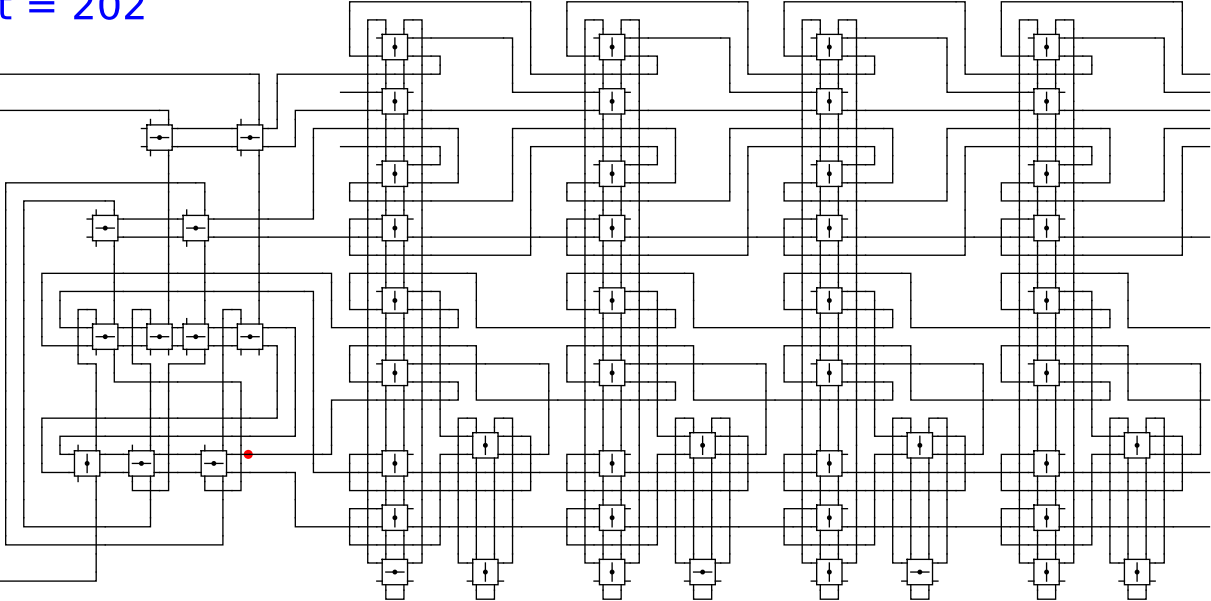
1

0

t = 202

Reject
Accept

Begin



head

0

1

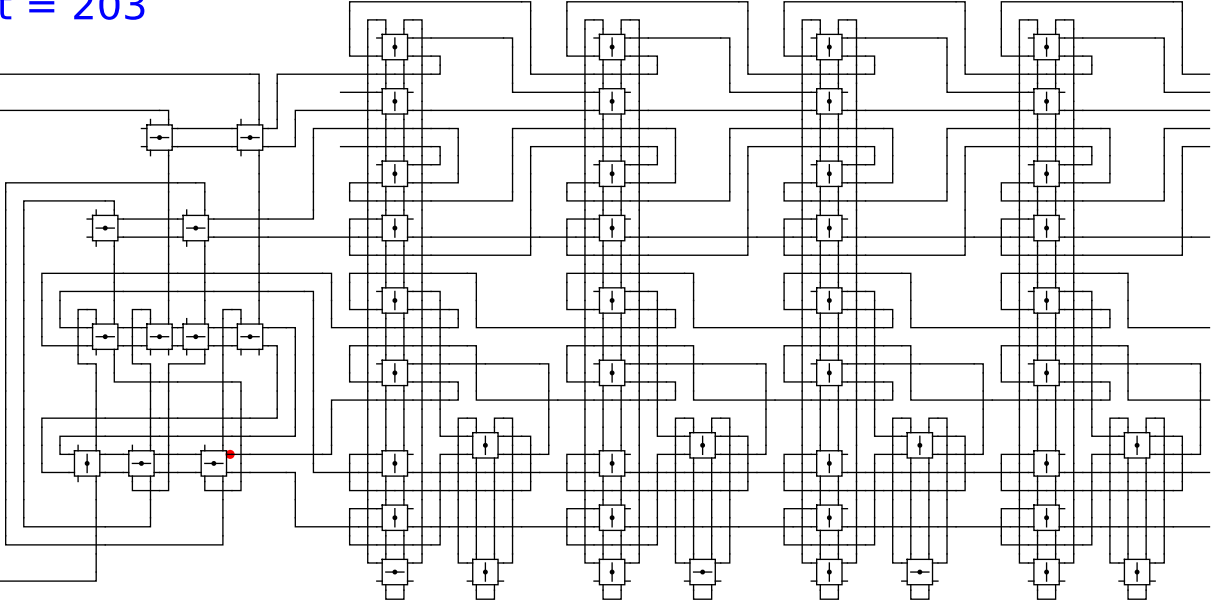
1

0

t = 203

Reject
Accept

Begin



head

0

1

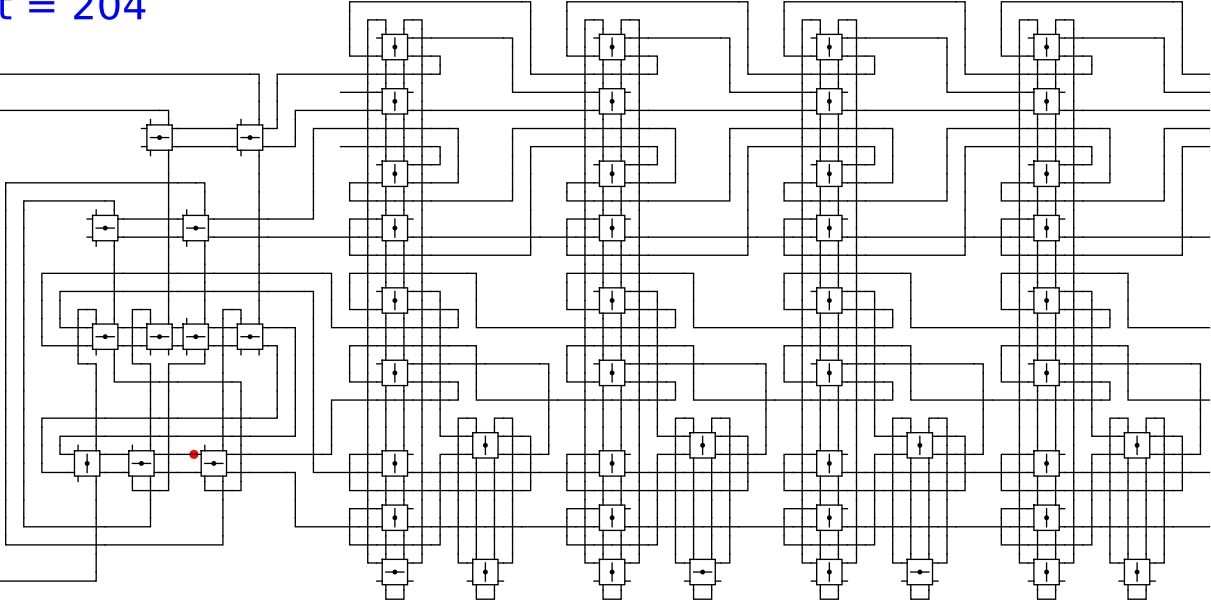
1

0

t = 204

Reject
Accept

Begin



head

0

1

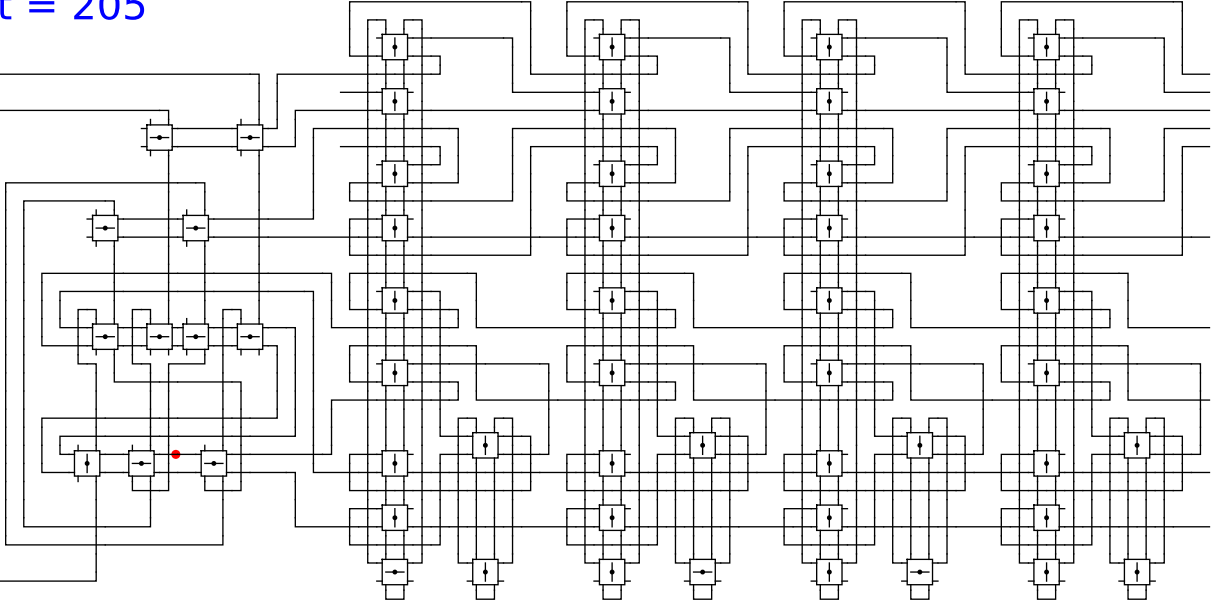
1

0

t = 205

Reject
Accept

Begin



head

0

1

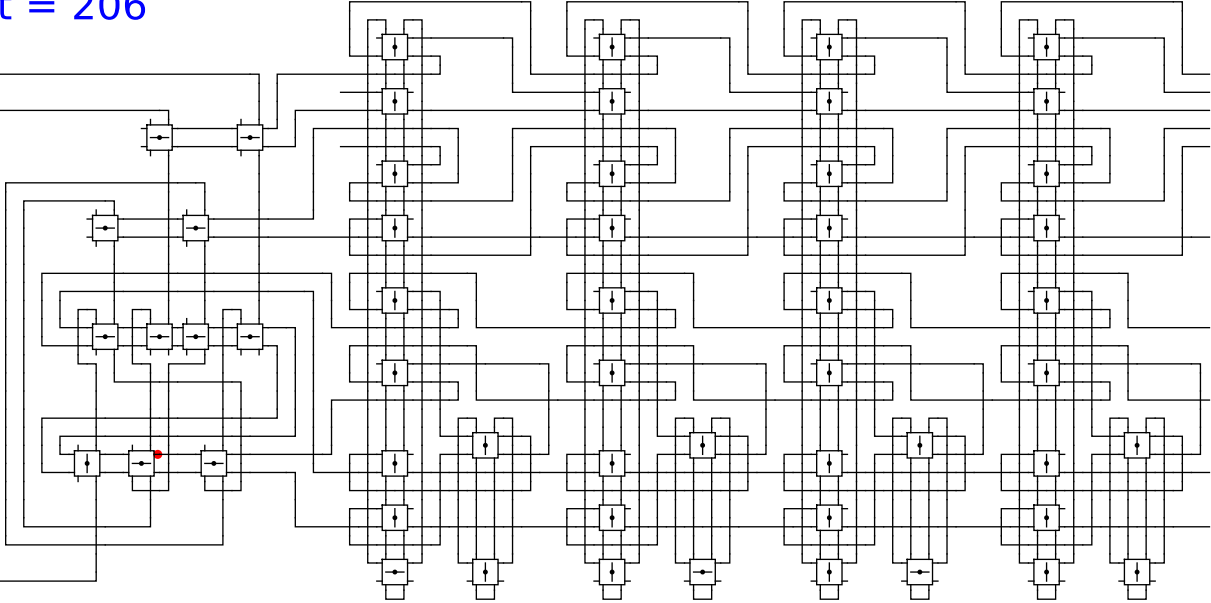
1

0

t = 206

Reject
Accept

Begin



head

0

1

1

0

t = 207

Reject
Accept

Begin

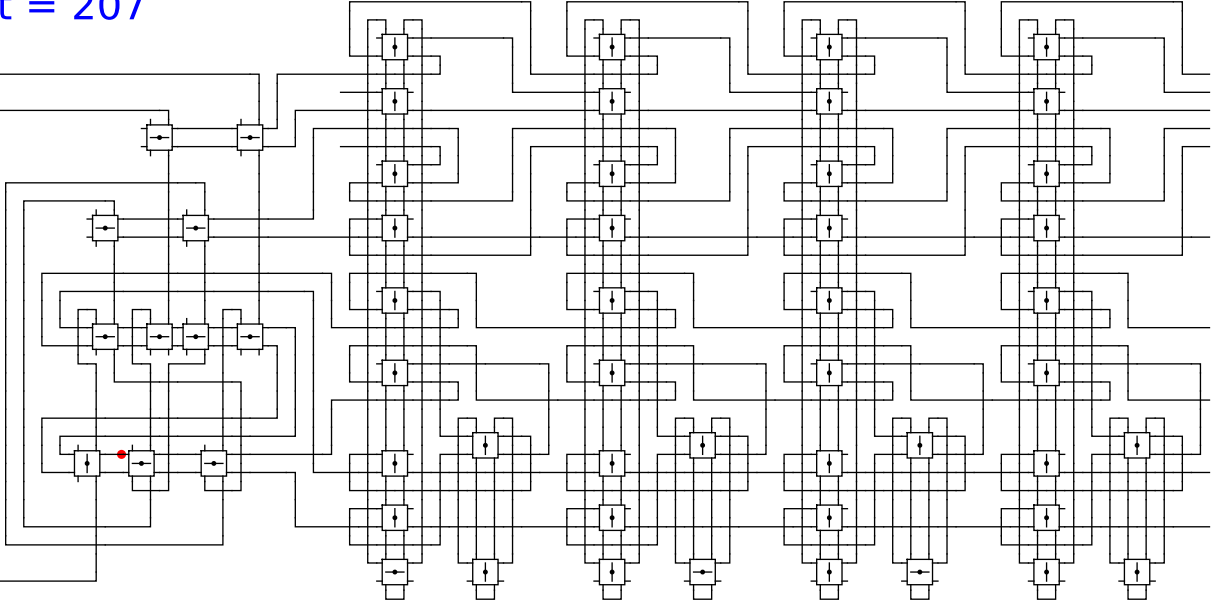
head

0

1

1

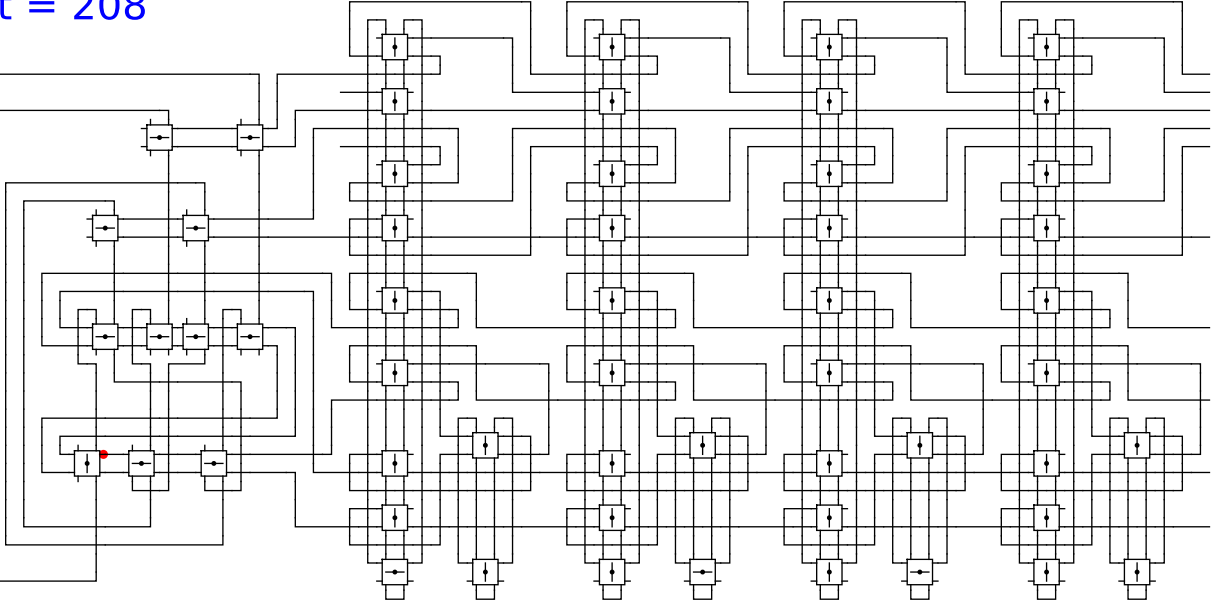
0



t = 208

Reject
Accept

Begin



head

0

1

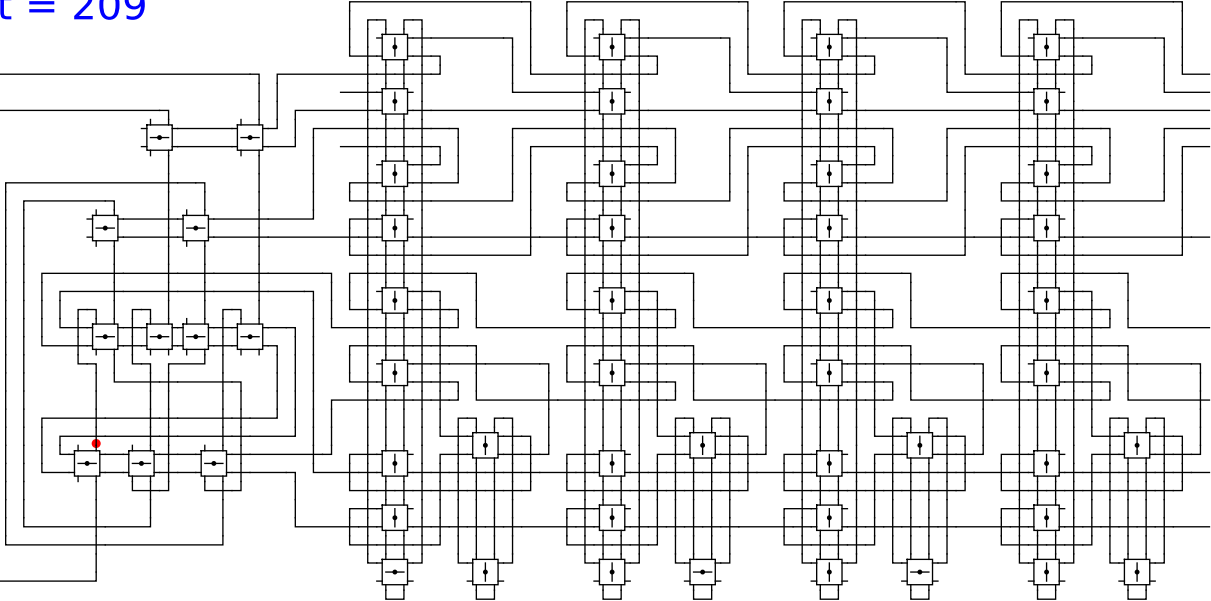
1

0

t = 209

Reject
Accept

Begin



head

0

1

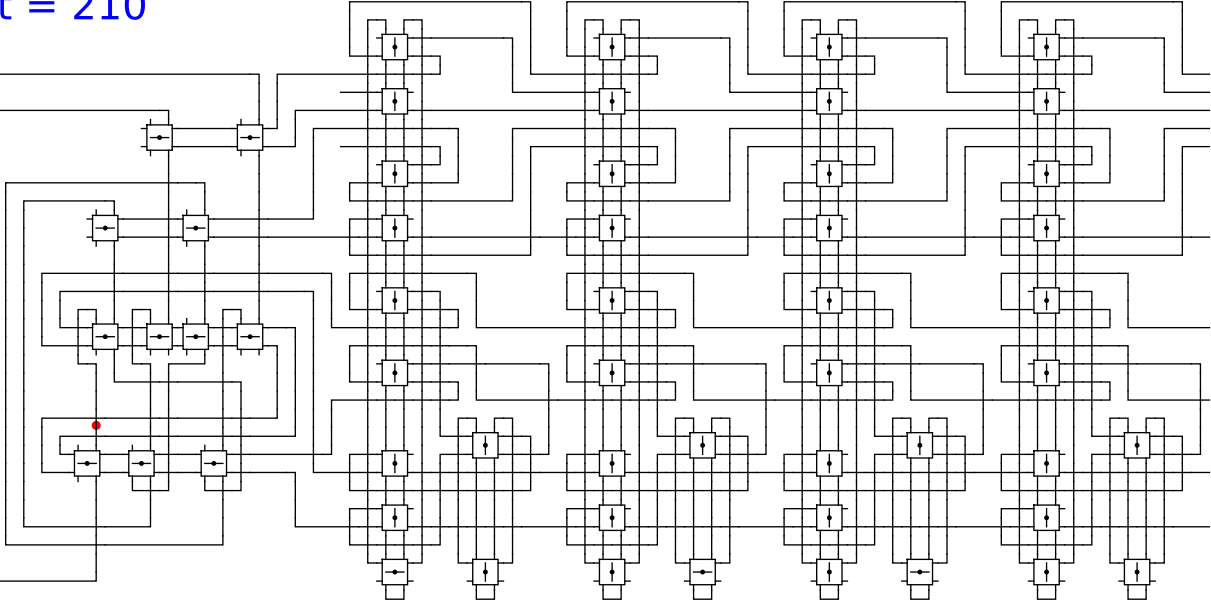
1

0

t = 210

Reject
Accept

Begin



head

0

1

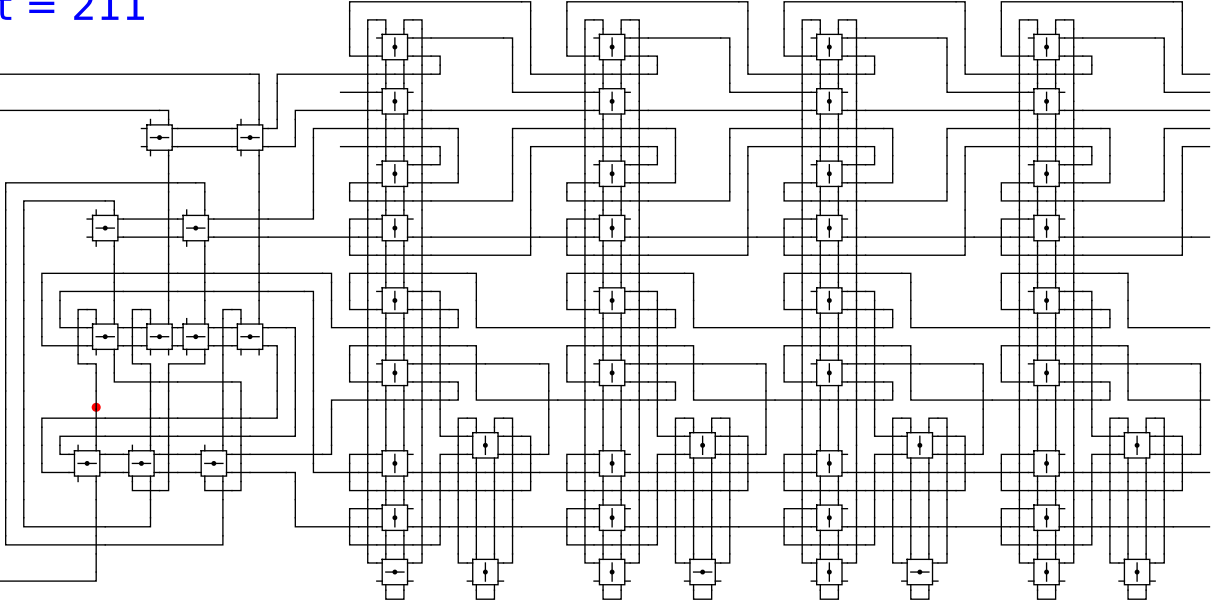
1

0

t = 211

Reject
Accept

Begin



head

0

1

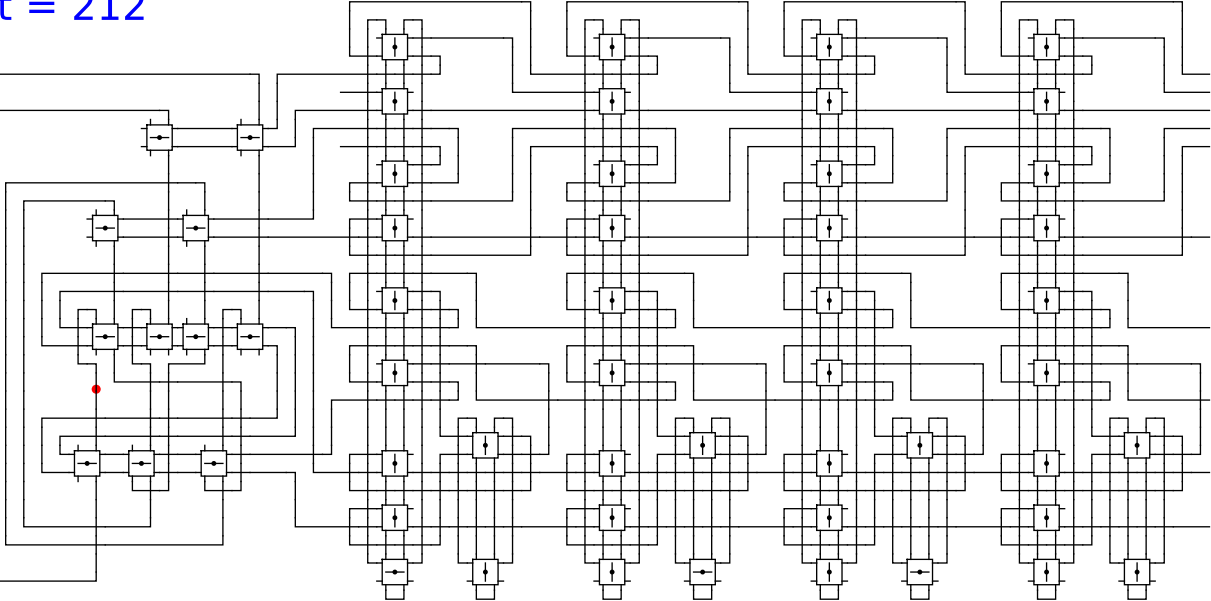
1

0

t = 212

Reject
Accept

Begin



head

0

1

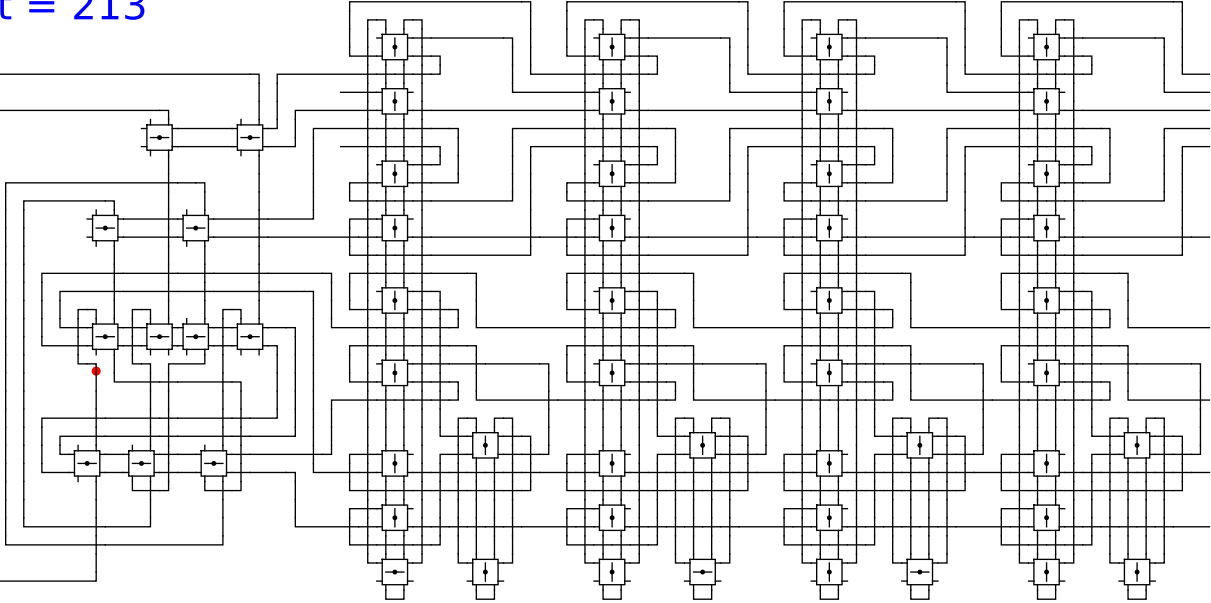
1

0

t = 213

Reject
Accept

Begin



head

0

1

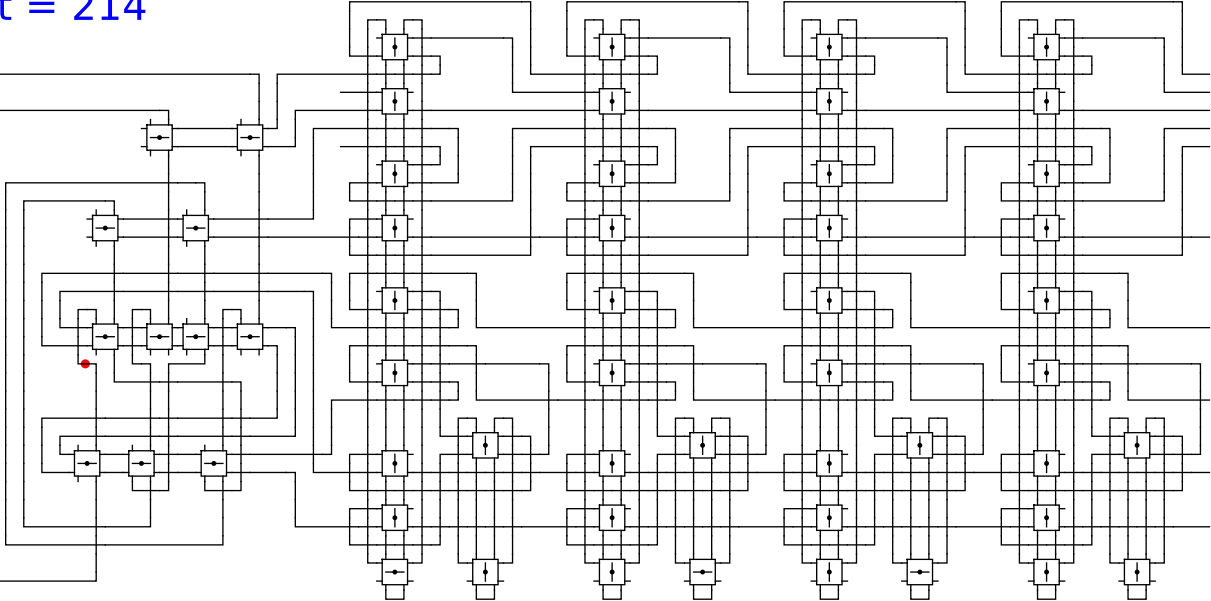
1

0

t = 214

Reject
Accept

Begin



head

0

1

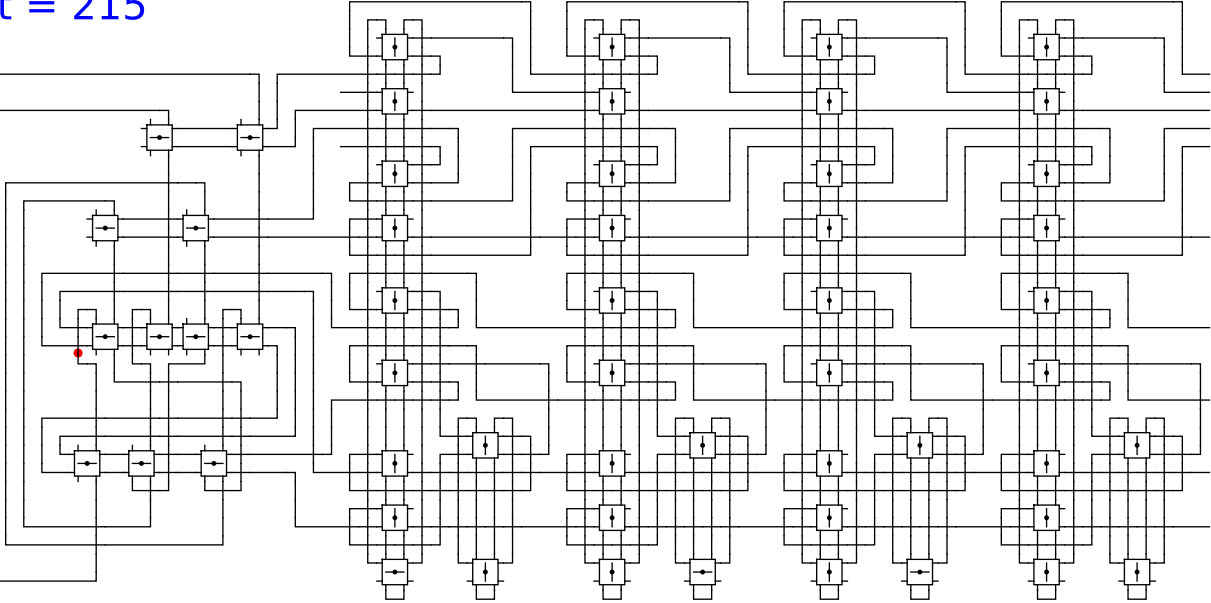
1

0

t = 215

Reject
Accept

Begin

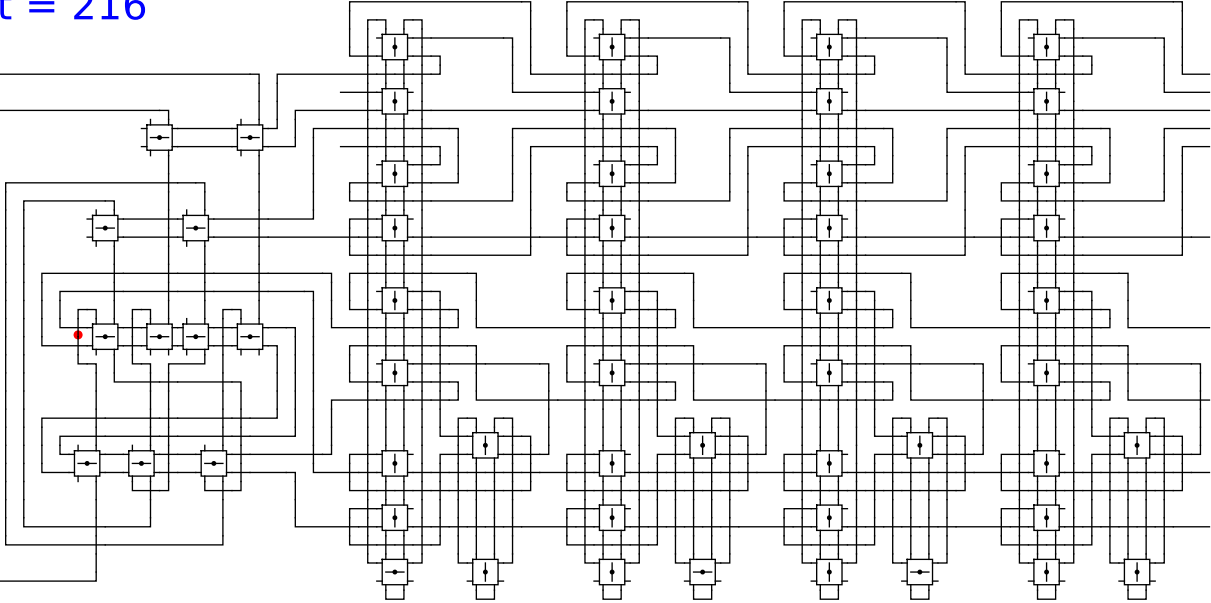


head 0 1 1 0

t = 216

Reject
Accept

Begin



head

0

1

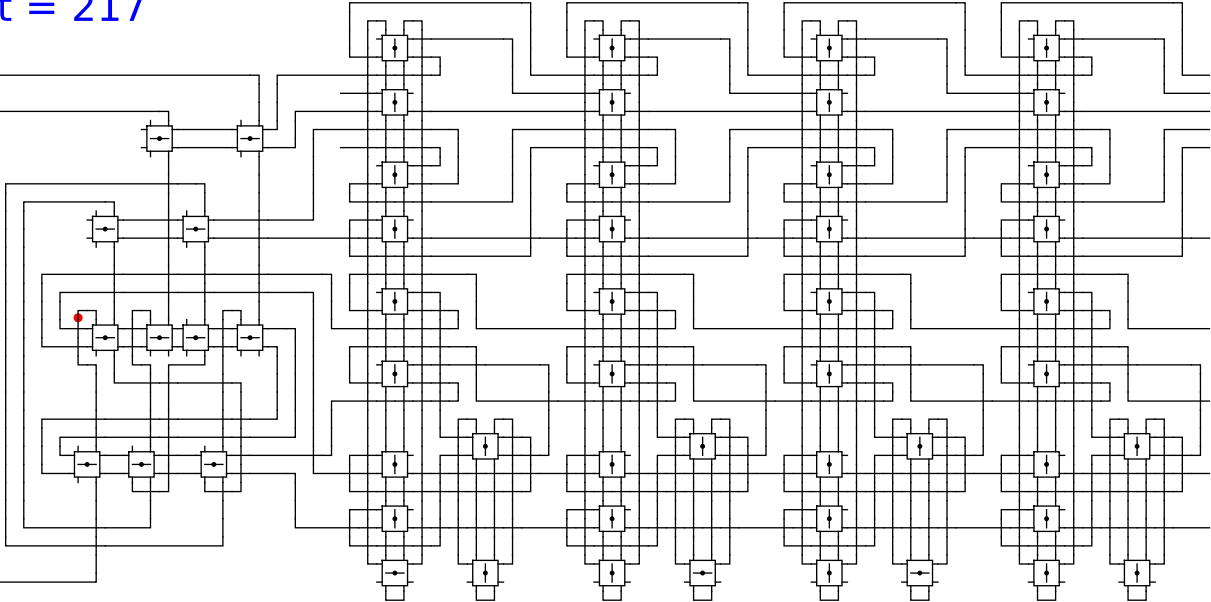
1

0

t = 217

Reject
Accept

Begin



head

0

1

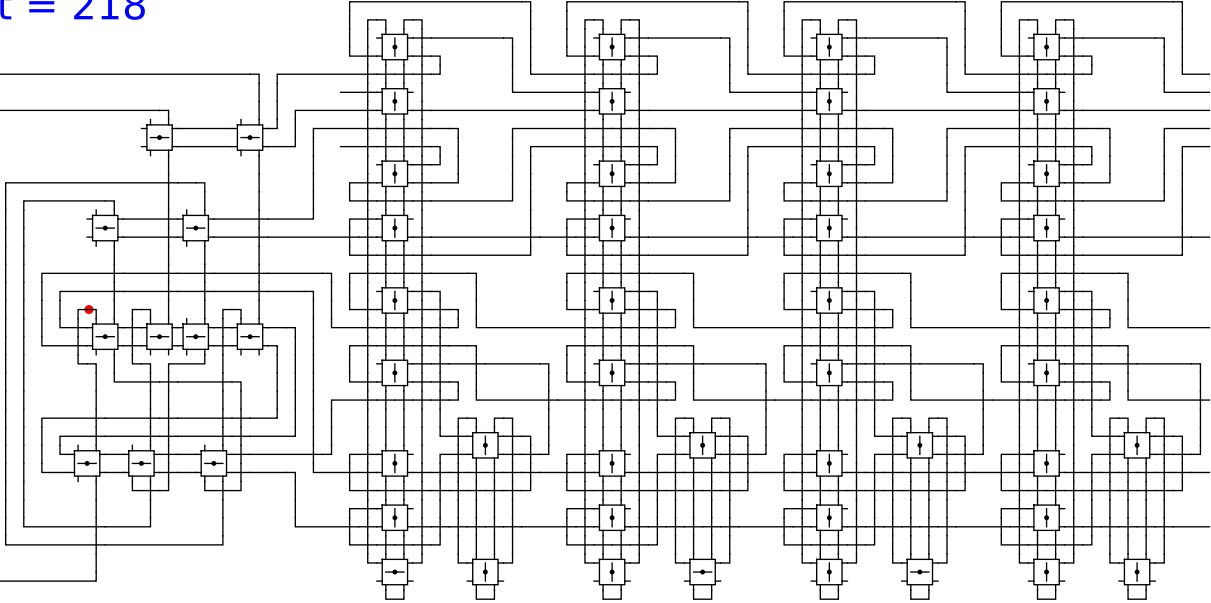
1

0

t = 218

Reject
Accept

Begin



head

0

1

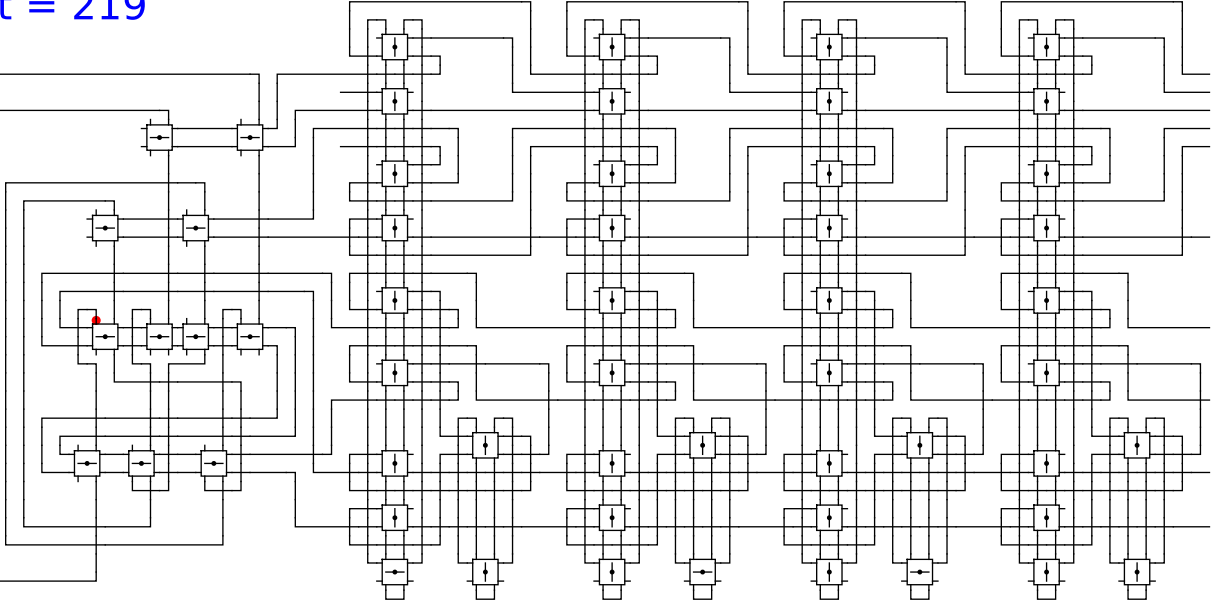
1

0

t = 219

Reject
Accept

Begin



head

0

1

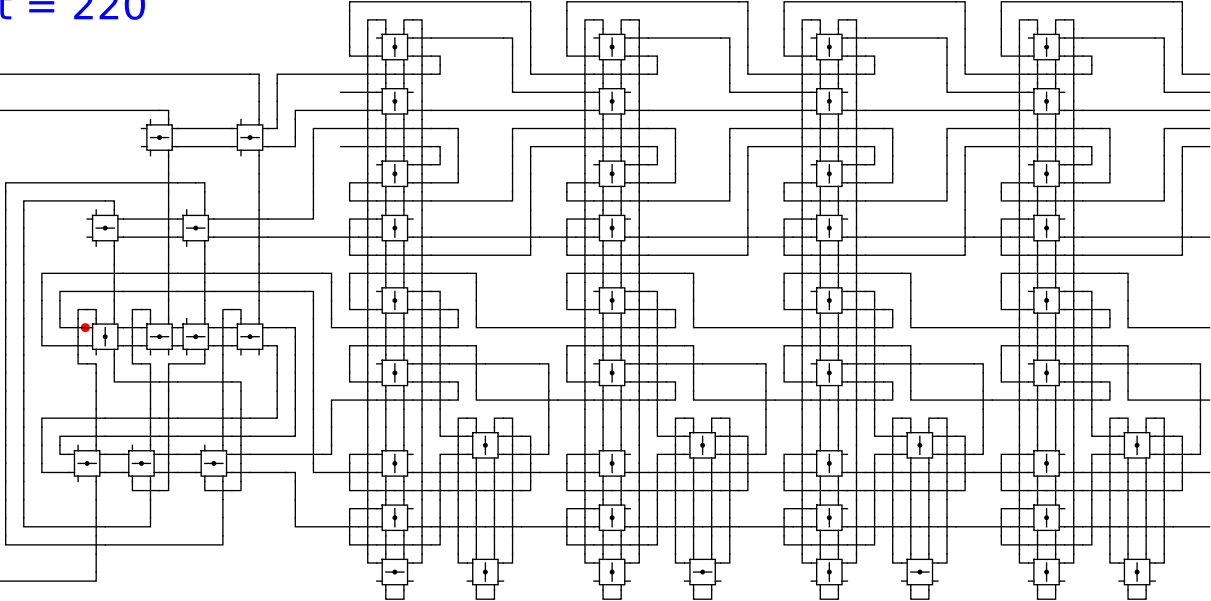
1

0

t = 220

Reject
Accept

Begin



head

0

1

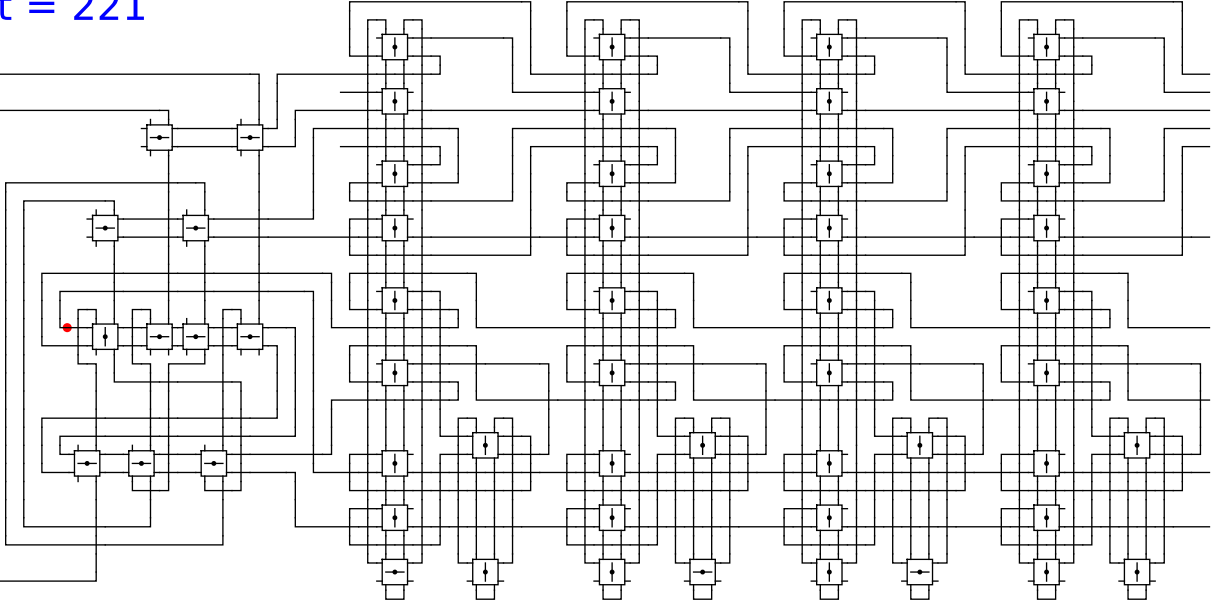
1

0

t = 221

Reject
Accept

Begin



head

0

1

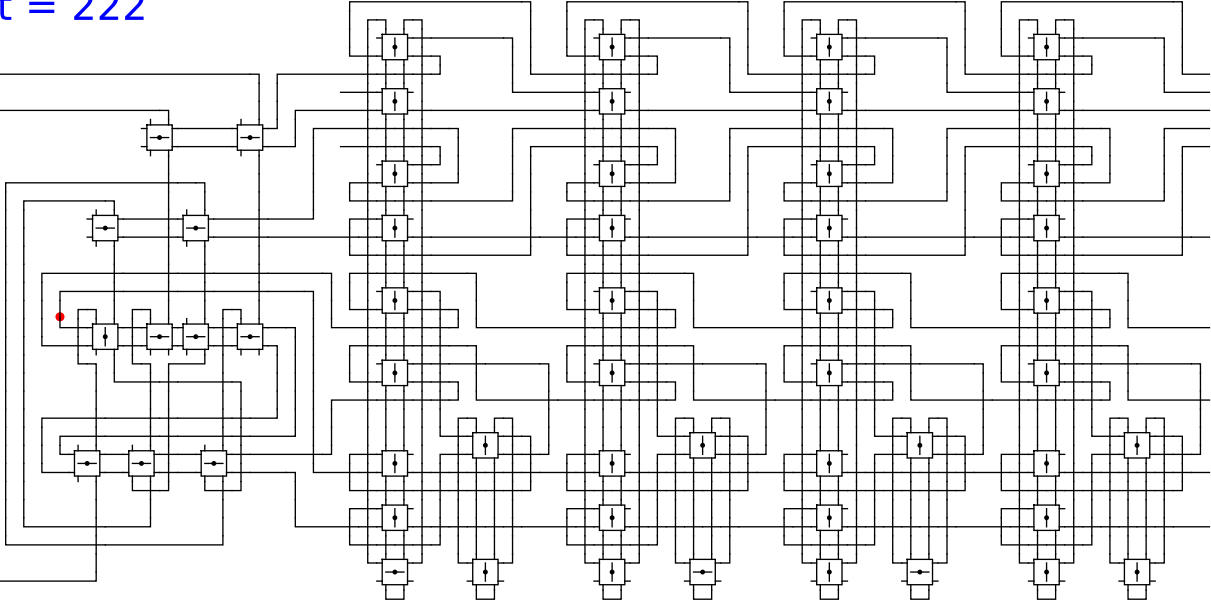
1

0

t = 222

Reject
Accept

Begin



head

0

1

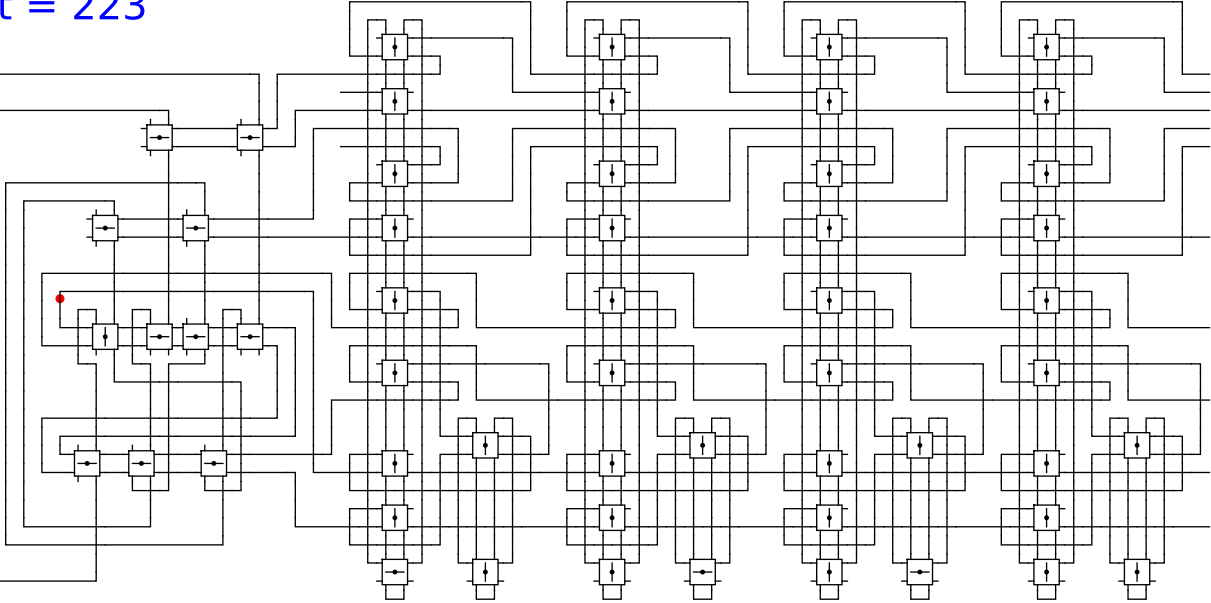
1

0

t = 223

Reject
Accept

Begin



head

0

1

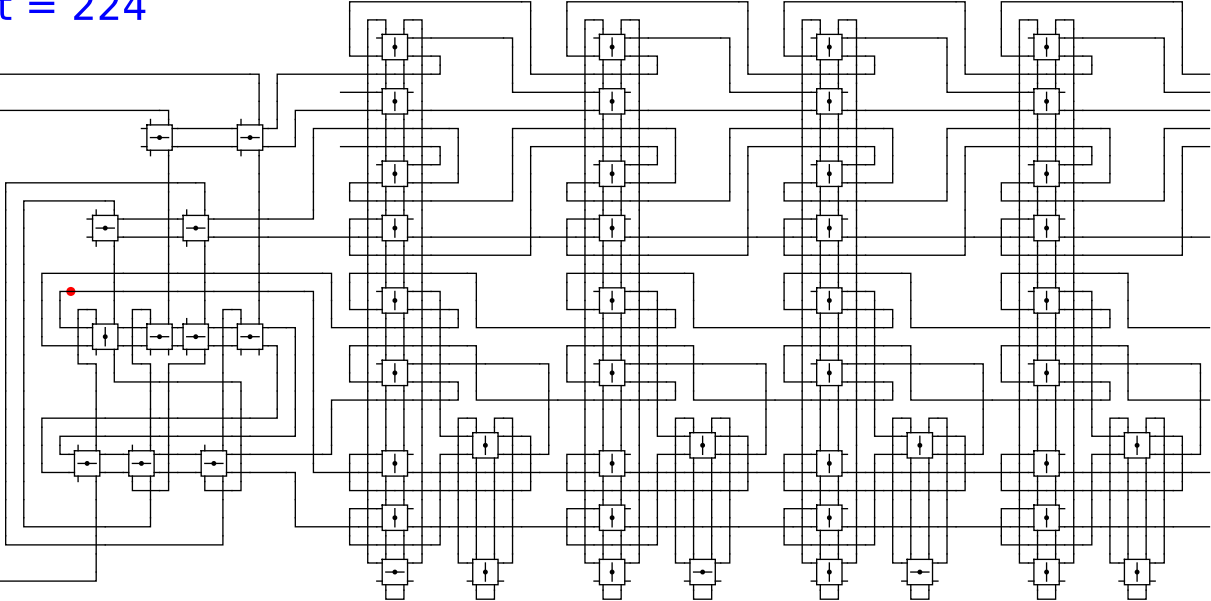
1

0

t = 224

Reject
Accept

Begin



head

0

1

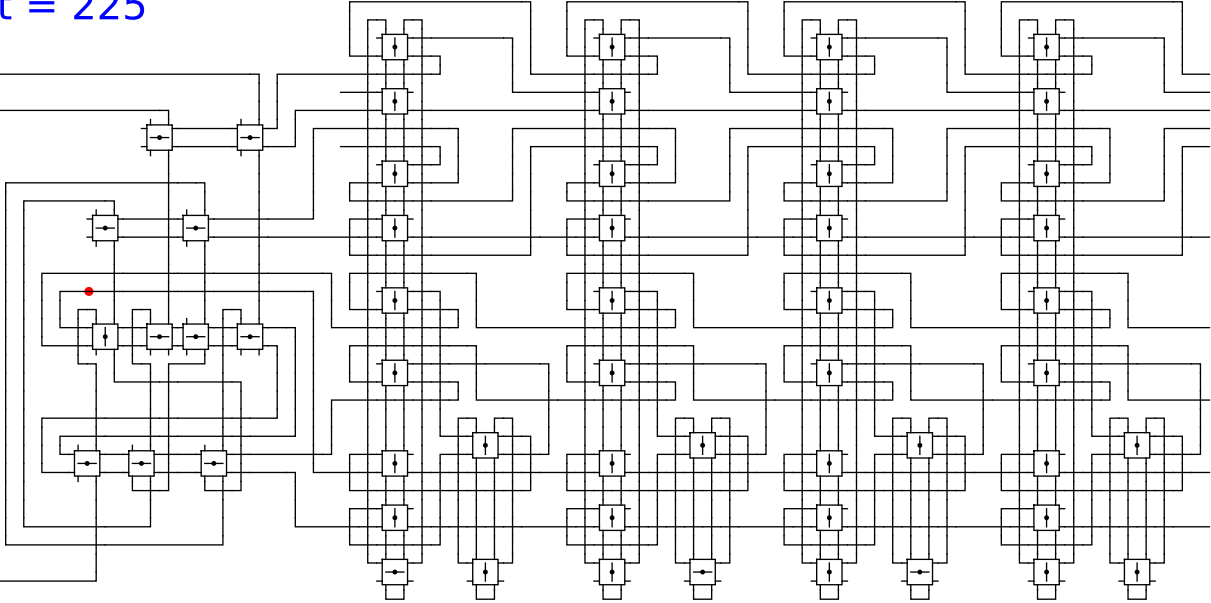
1

0

t = 225

Reject
Accept

Begin



head

0

1

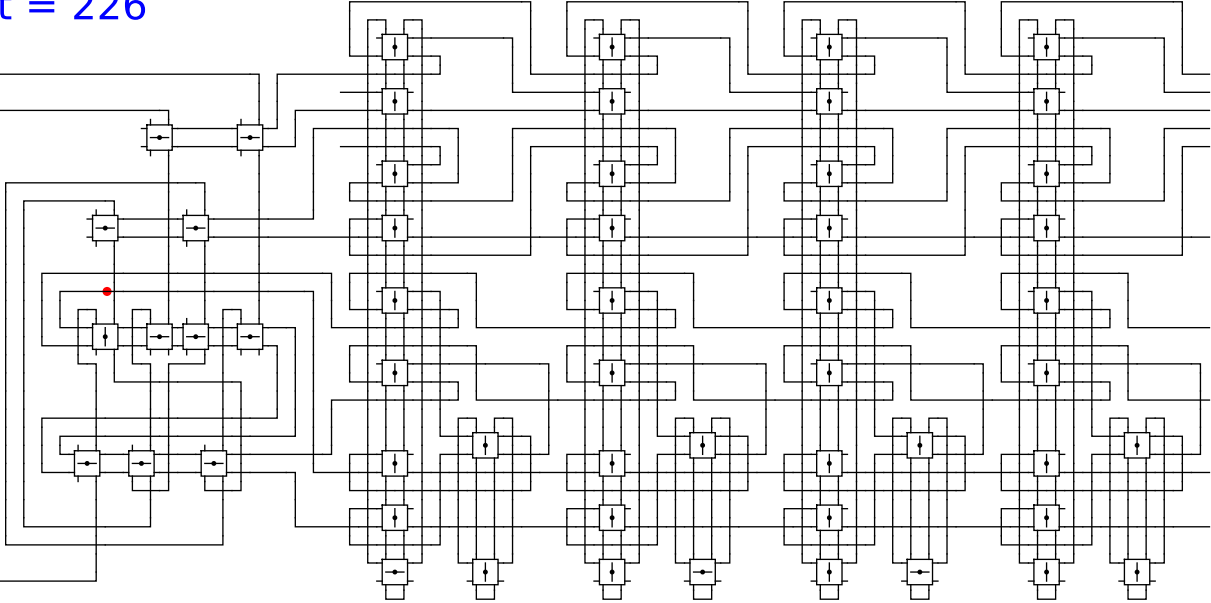
1

0

t = 226

Reject
Accept

Begin



head

0

1

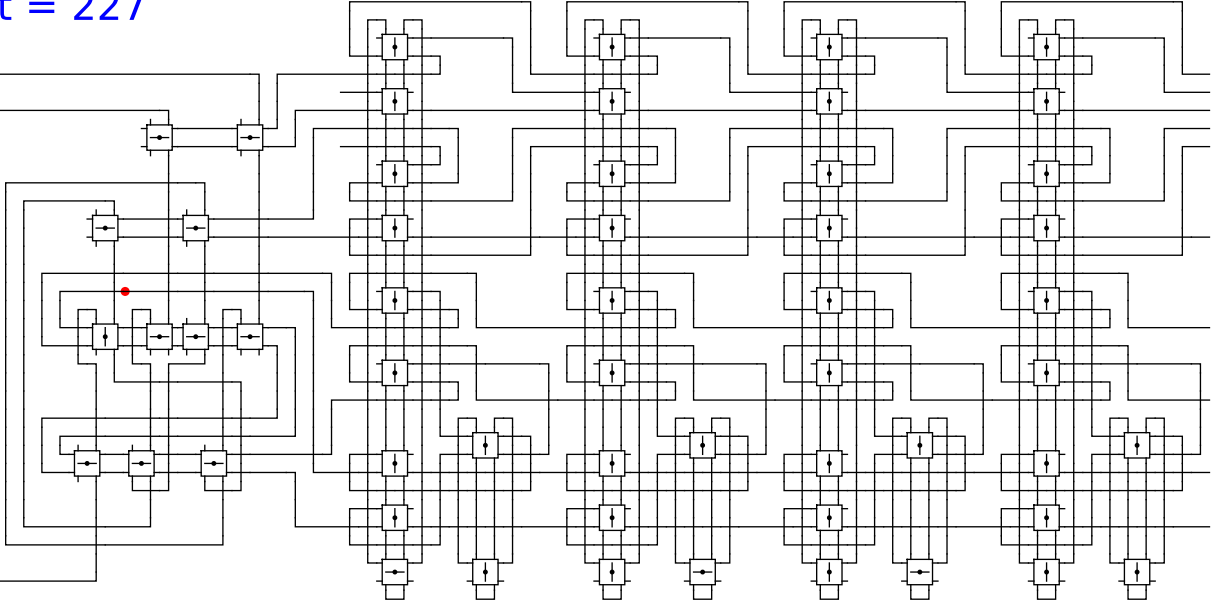
1

0

t = 227

Reject
Accept

Begin



head

0

1

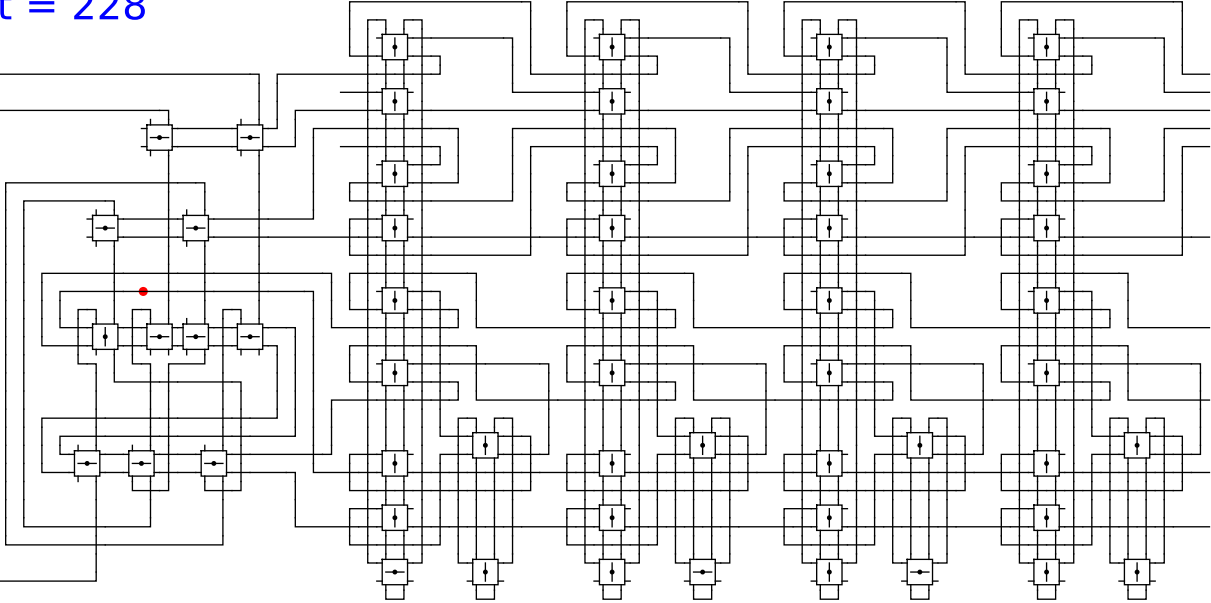
1

0

t = 228

Reject
Accept

Begin



head

0

1

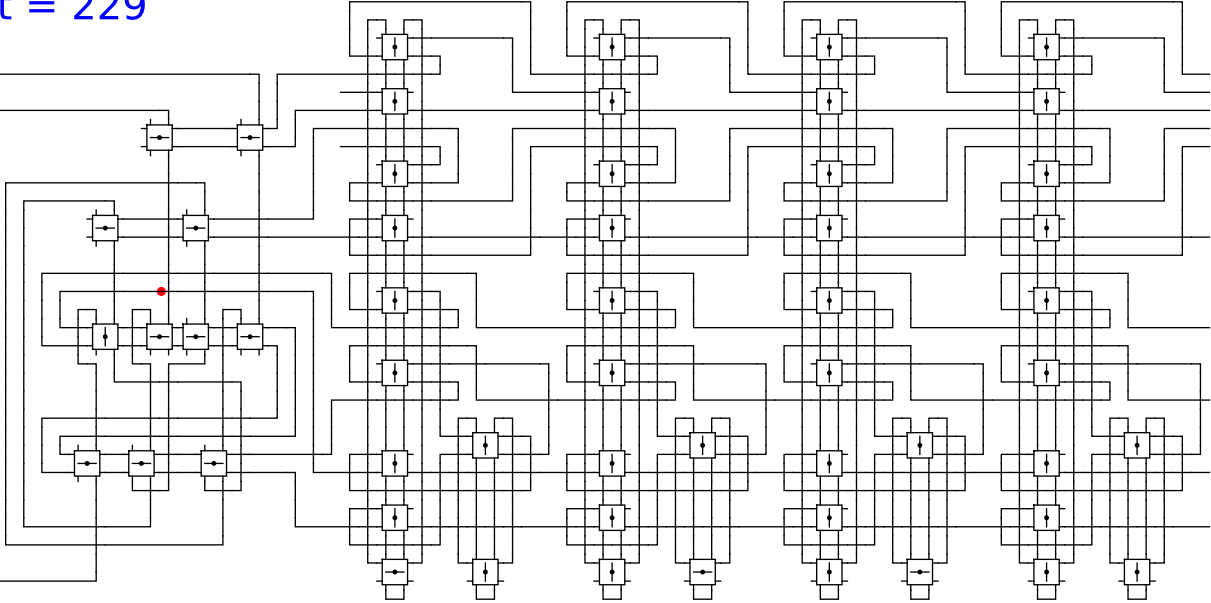
1

0

t = 229

Reject
Accept

Begin



head

0

1

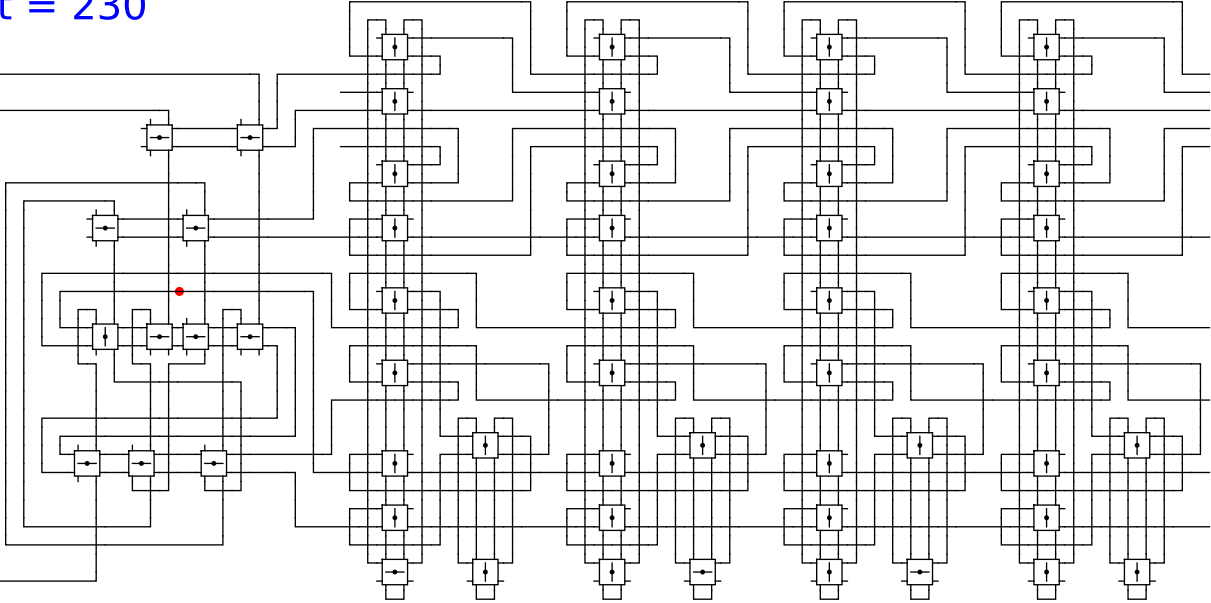
1

0

t = 230

Reject
Accept

Begin



head

0

1

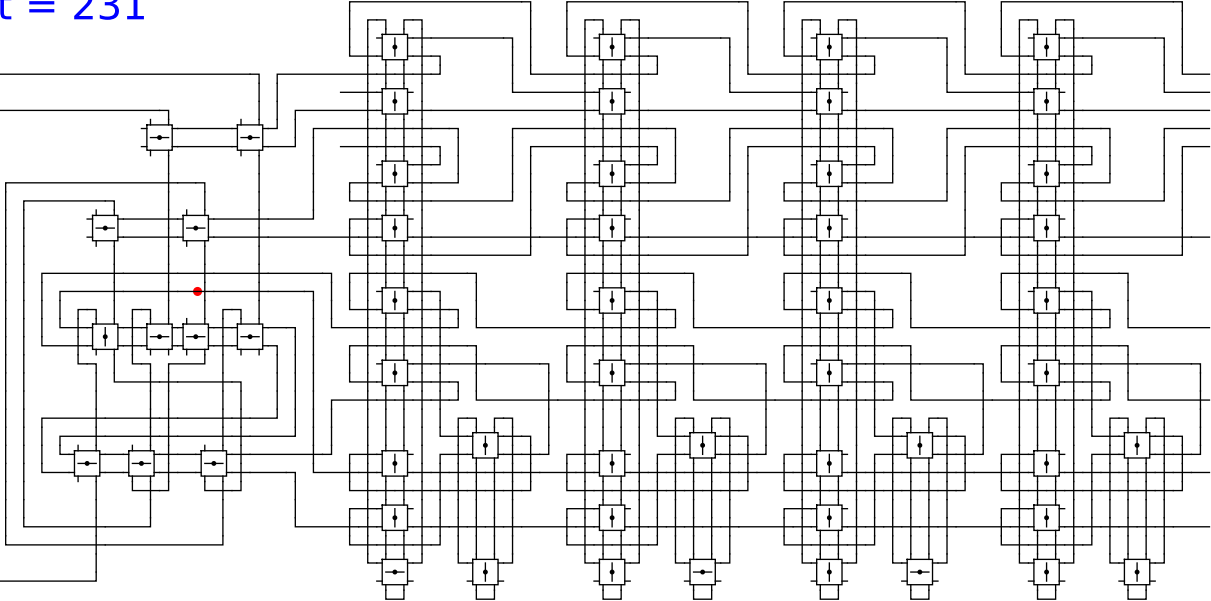
1

0

t = 231

Reject
Accept

Begin



head

0

1

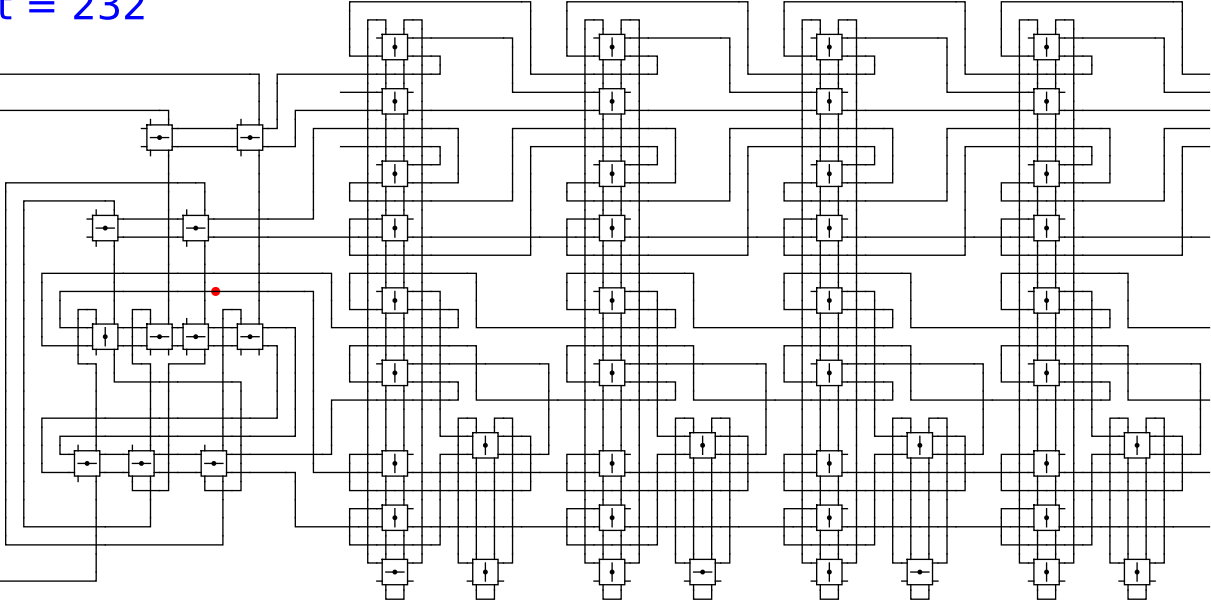
1

0

t = 232

Reject
Accept

Begin



head

0

1

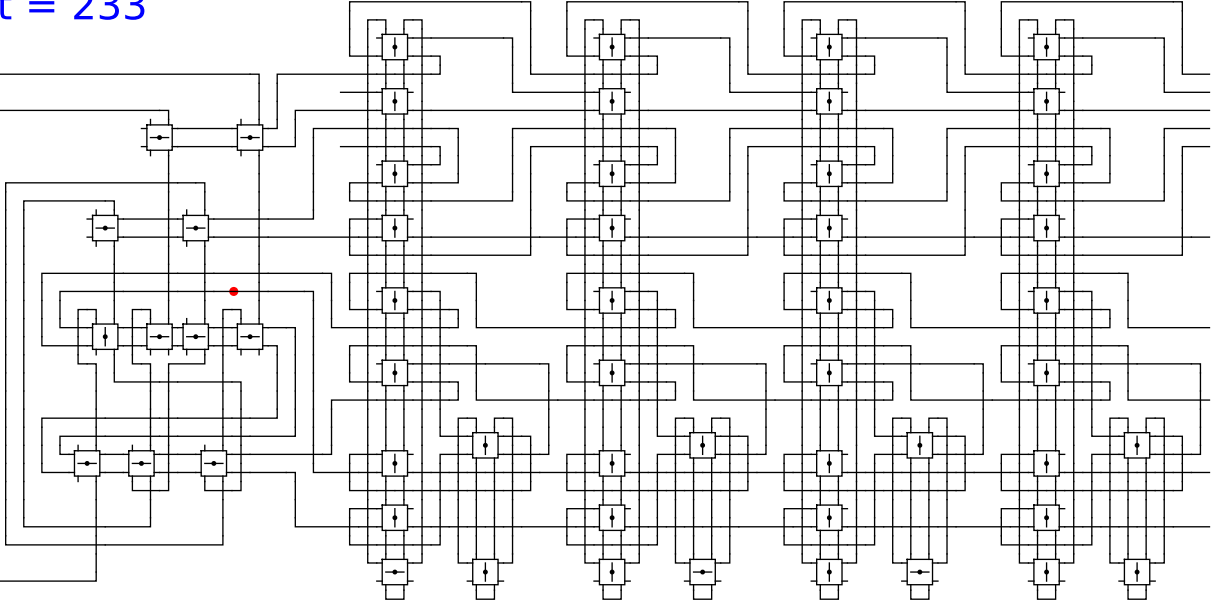
1

0

t = 233

Reject
Accept

Begin



head

0

1

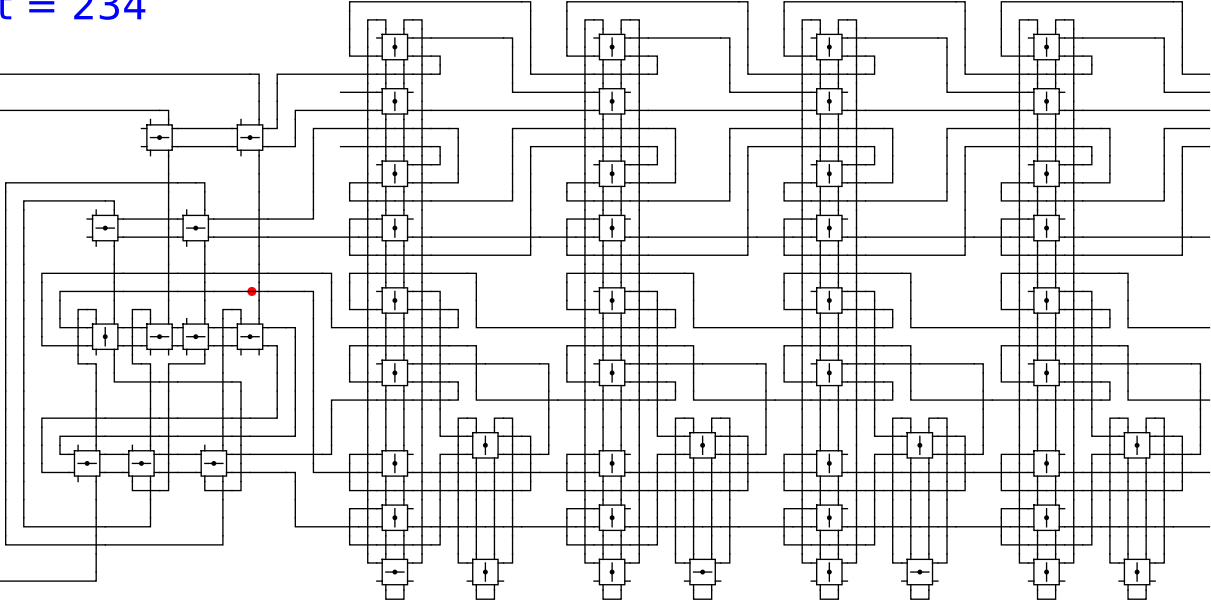
1

0

t = 234

Reject
Accept

Begin



head

0

1

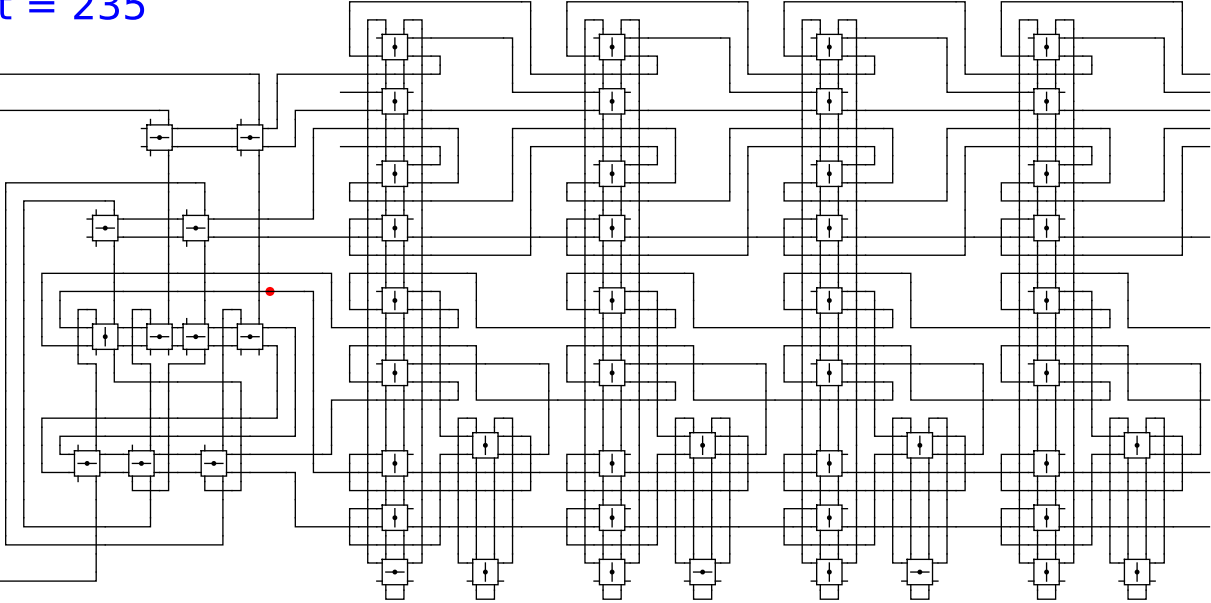
1

0

t = 235

Reject
Accept

Begin



head

0

1

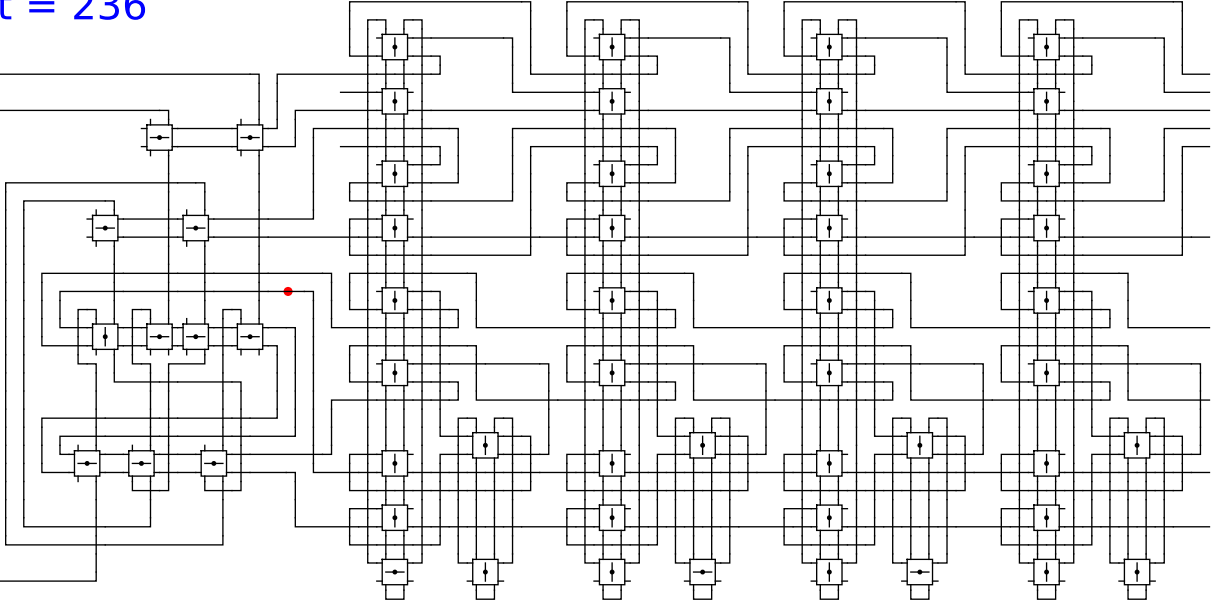
1

0

t = 236

Reject
Accept

Begin



head

0

1

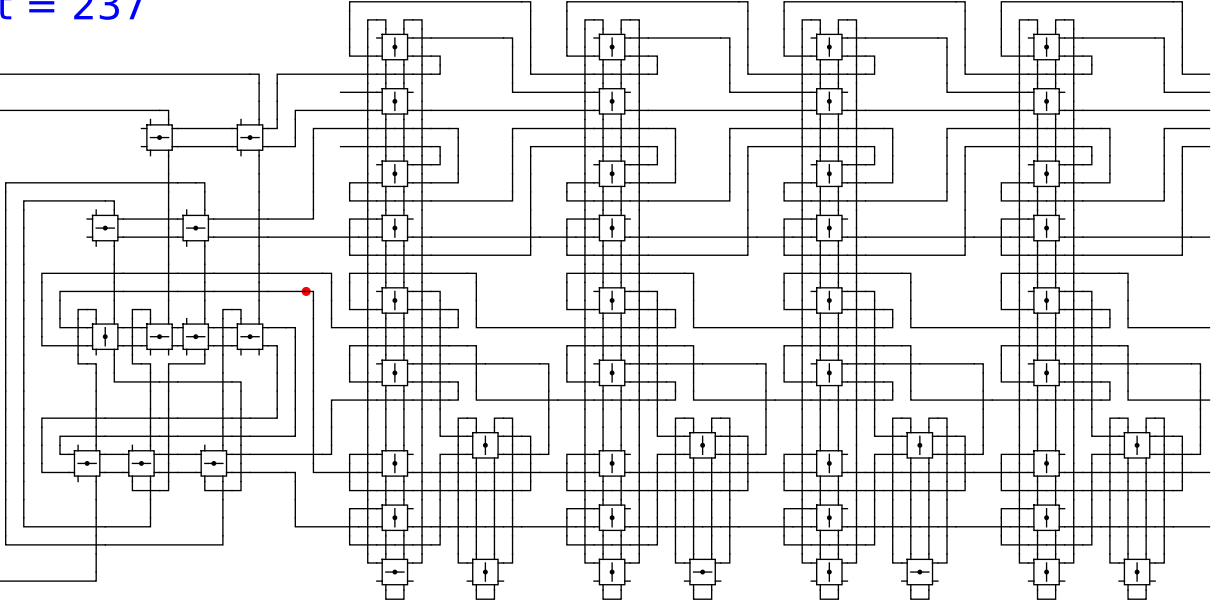
1

0

t = 237

Reject
Accept

Begin



head

0

1

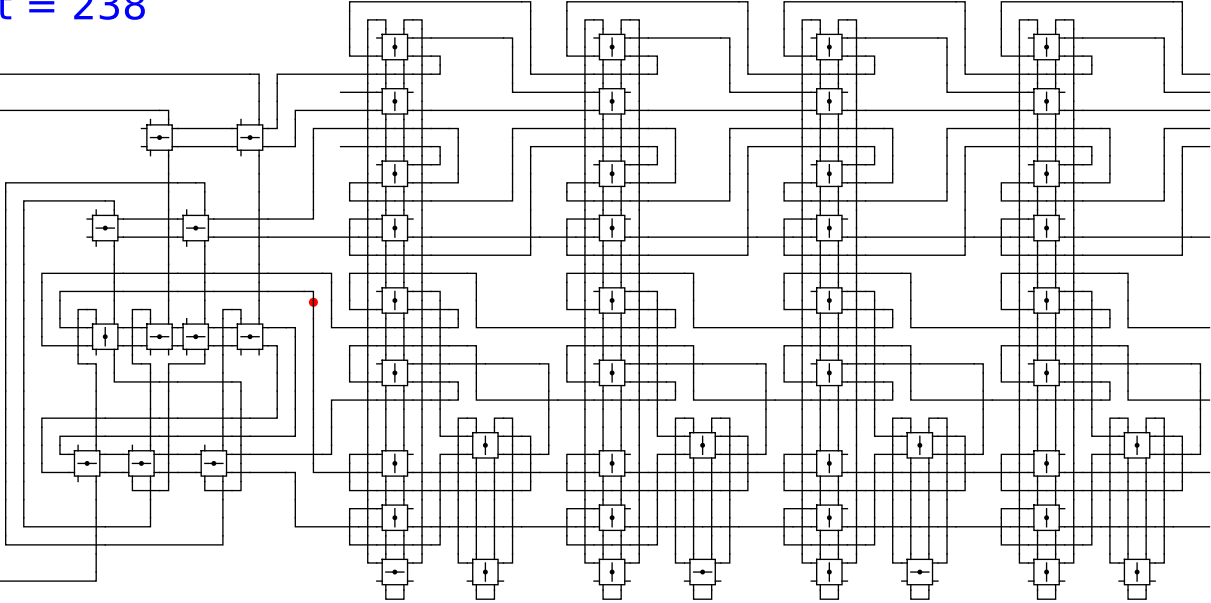
1

0

t = 238

Reject
Accept

Begin



head

0

1

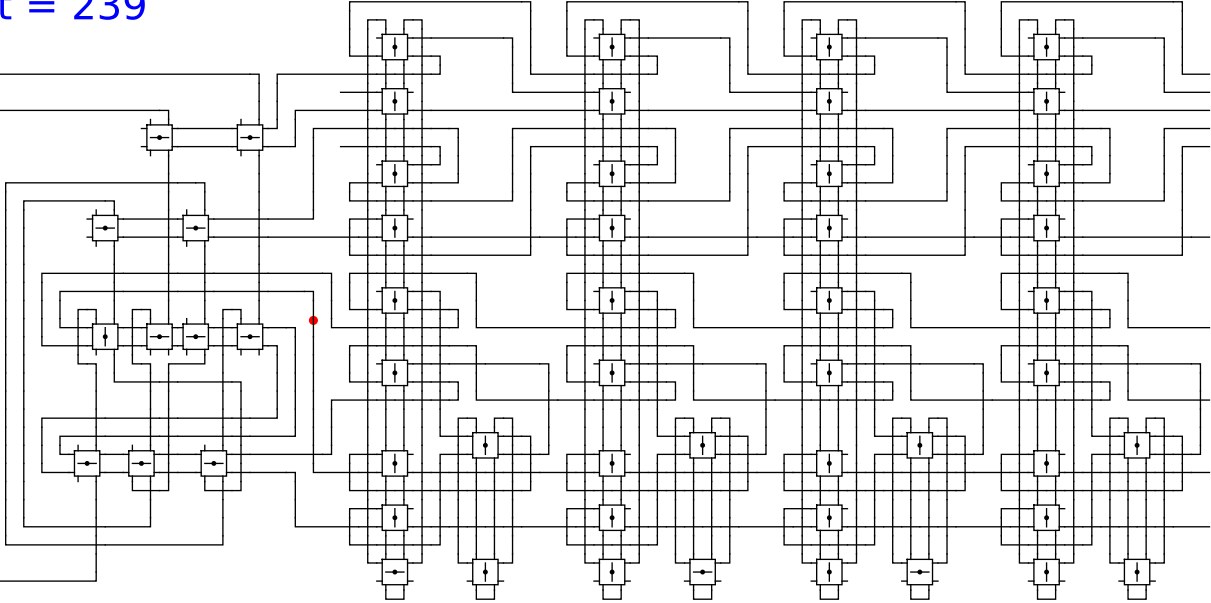
1

0

t = 239

Reject
Accept

Begin



head

0

1

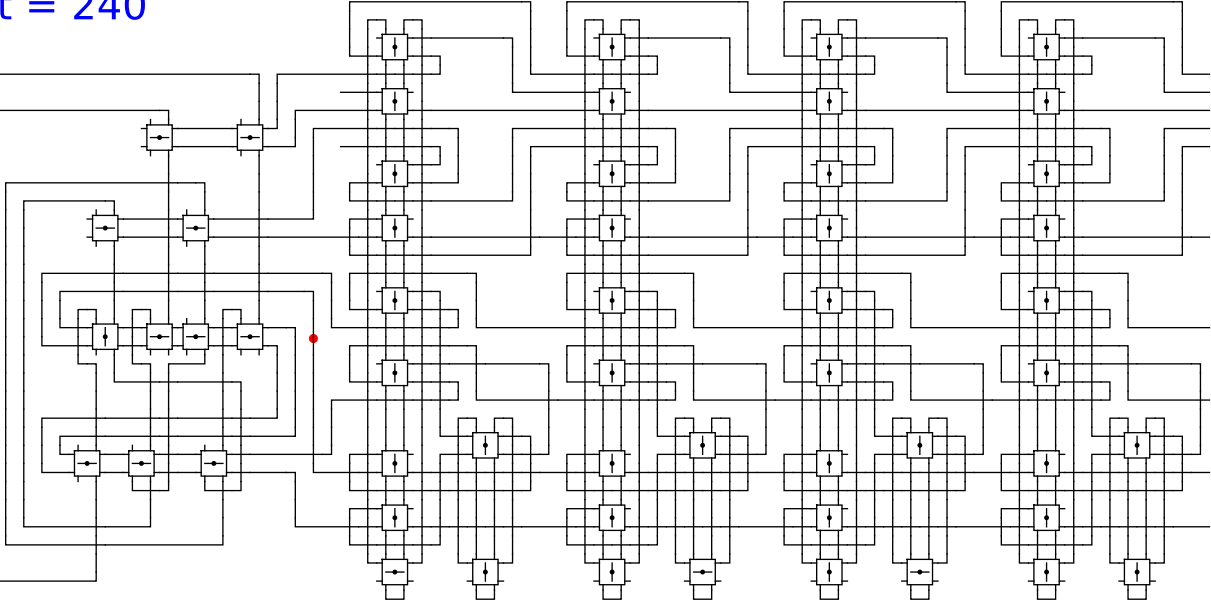
1

0

t = 240

Reject
Accept

Begin



head

0

1

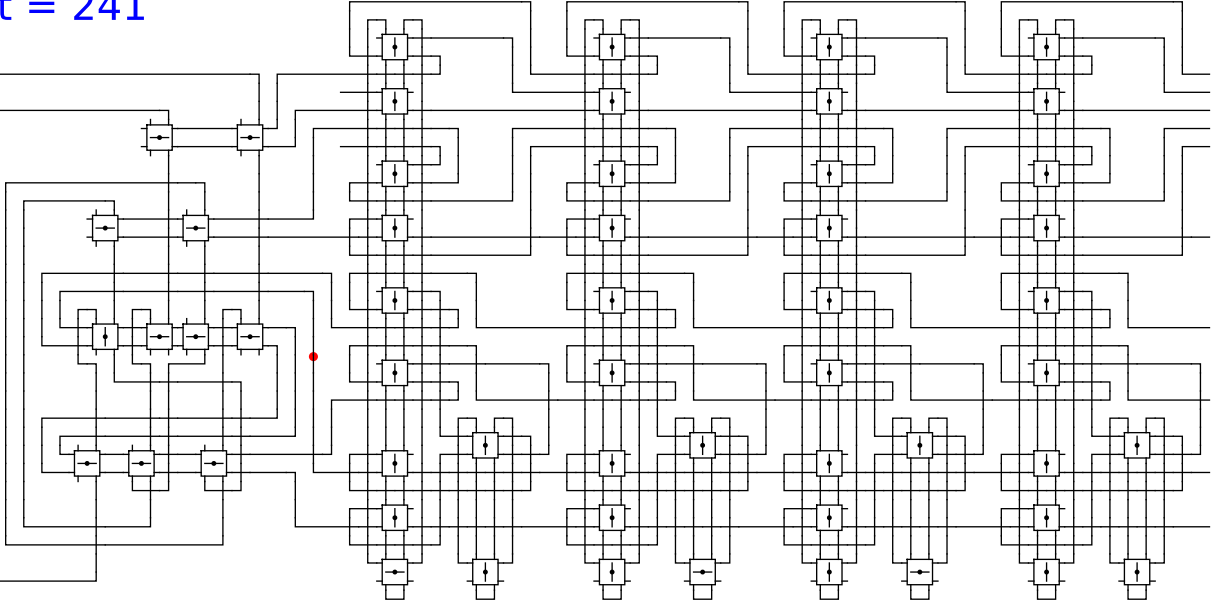
1

0

t = 241

Reject
Accept

Begin



head

0

1

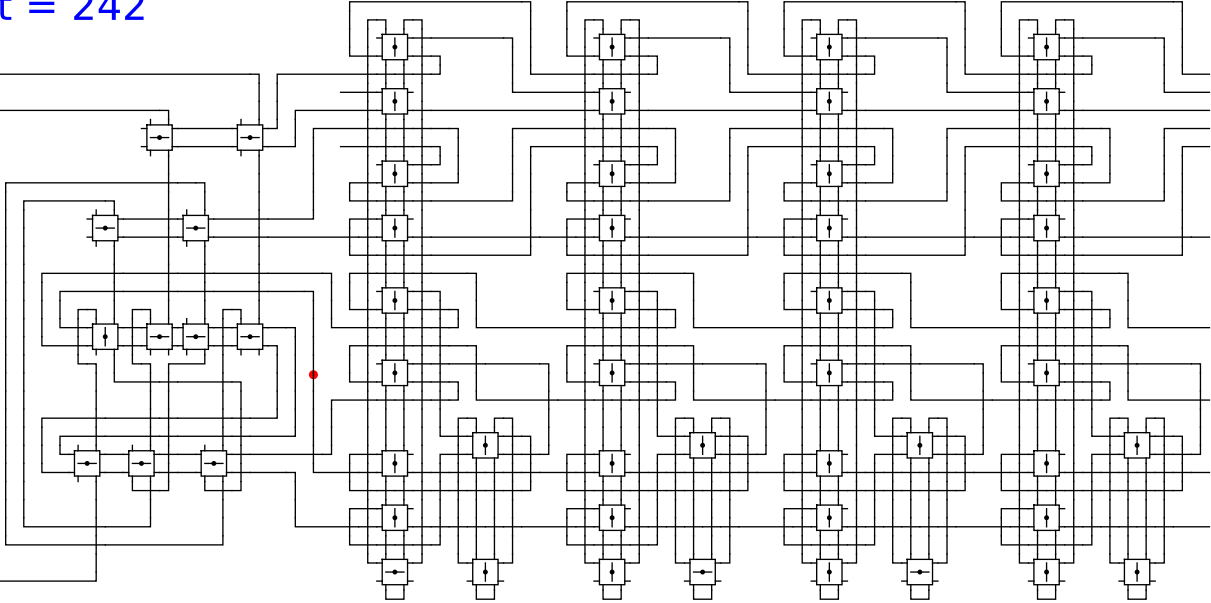
1

0

t = 242

Reject
Accept

Begin



head

0

1

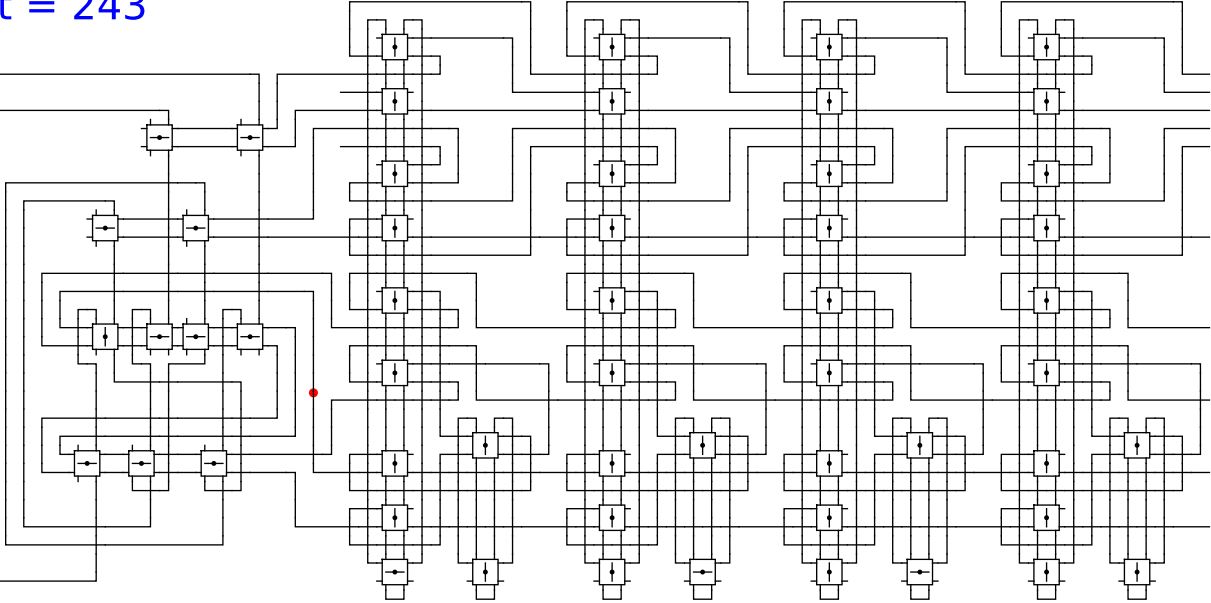
1

0

t = 243

Reject
Accept

Begin



head

0

1

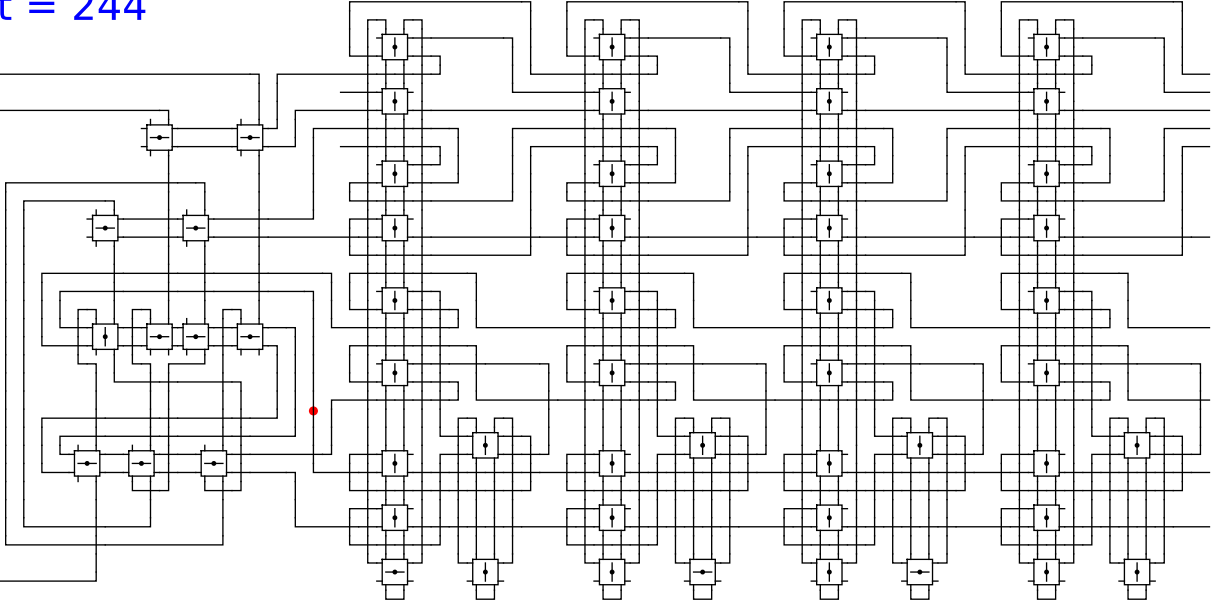
1

0

t = 244

Reject
Accept

Begin



head

0

1

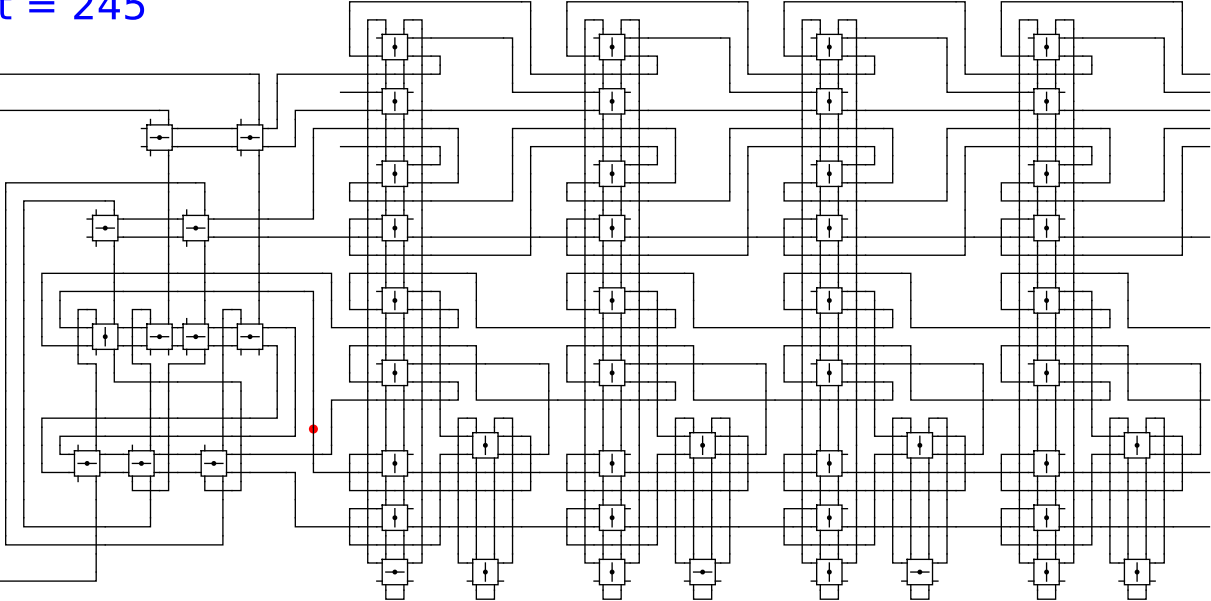
1

0

t = 245

Reject
Accept

Begin



head

0

1

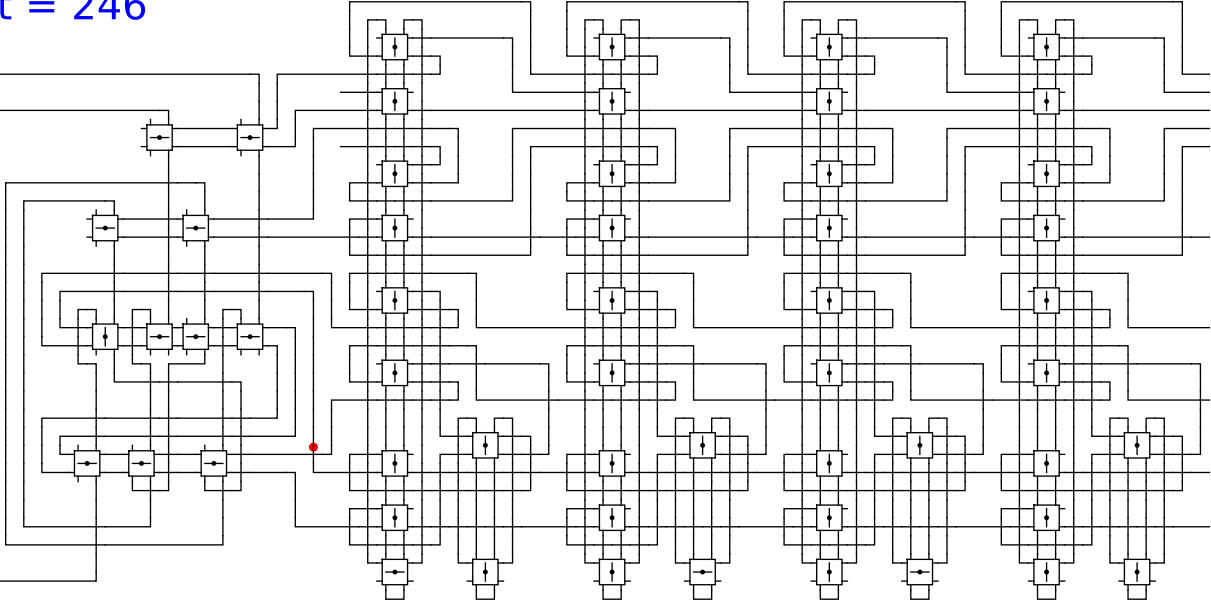
1

0

t = 246

Reject
Accept

Begin



head

0

1

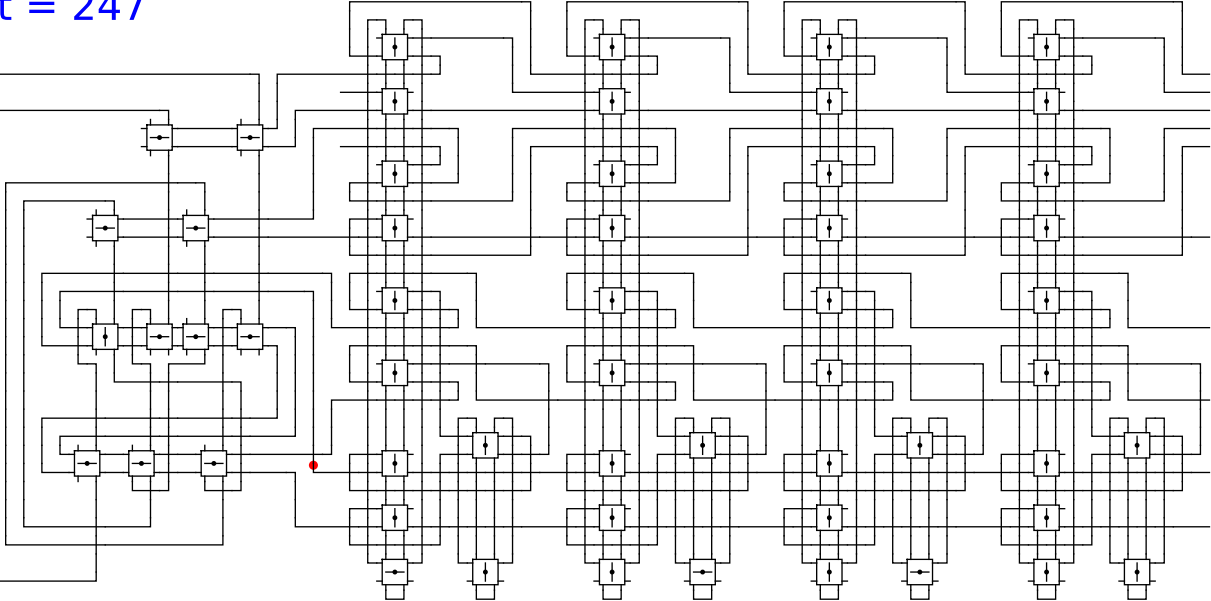
1

0

t = 247

Reject
Accept

Begin



head

0

1

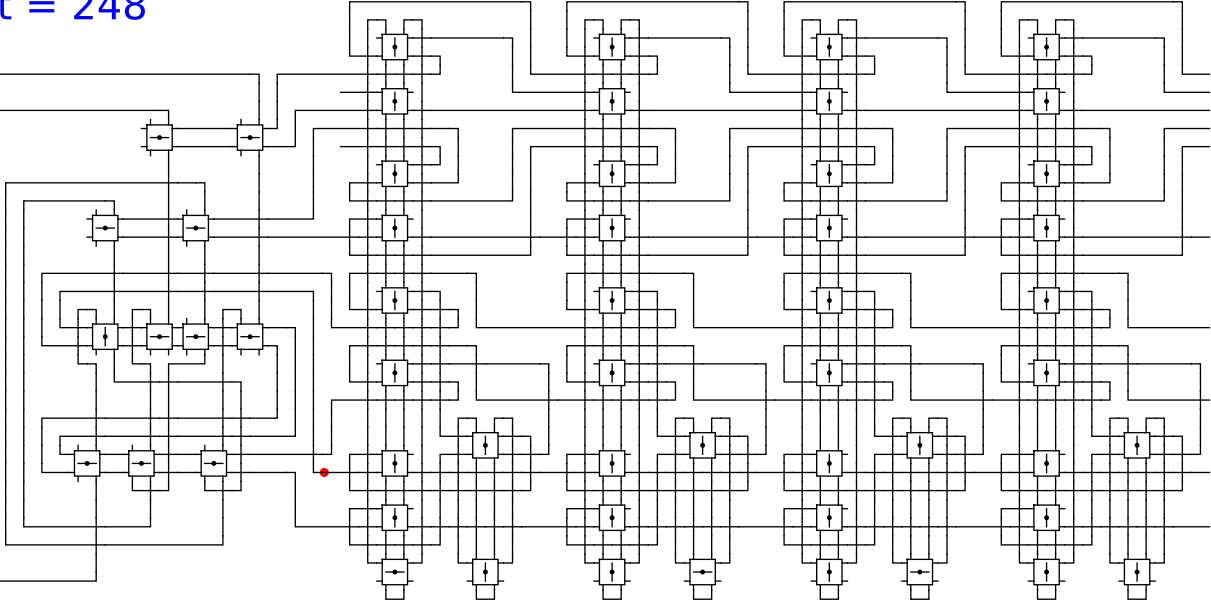
1

0

t = 248

Reject
Accept

Begin



head

0

1

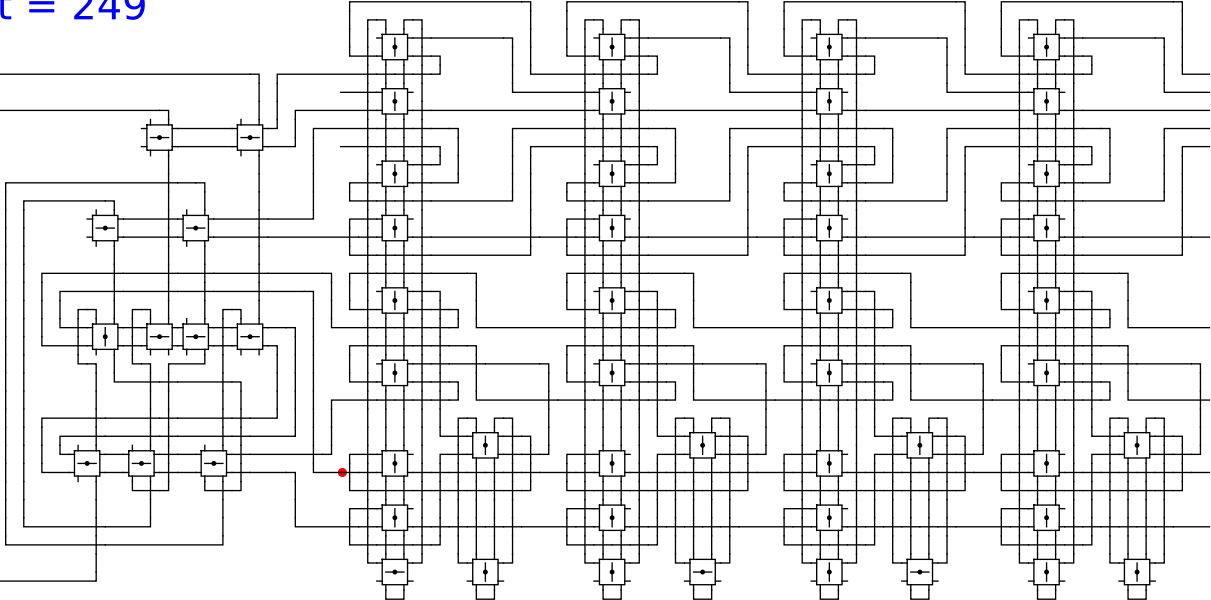
1

0

t = 249

Reject
Accept

Begin



head

0

1

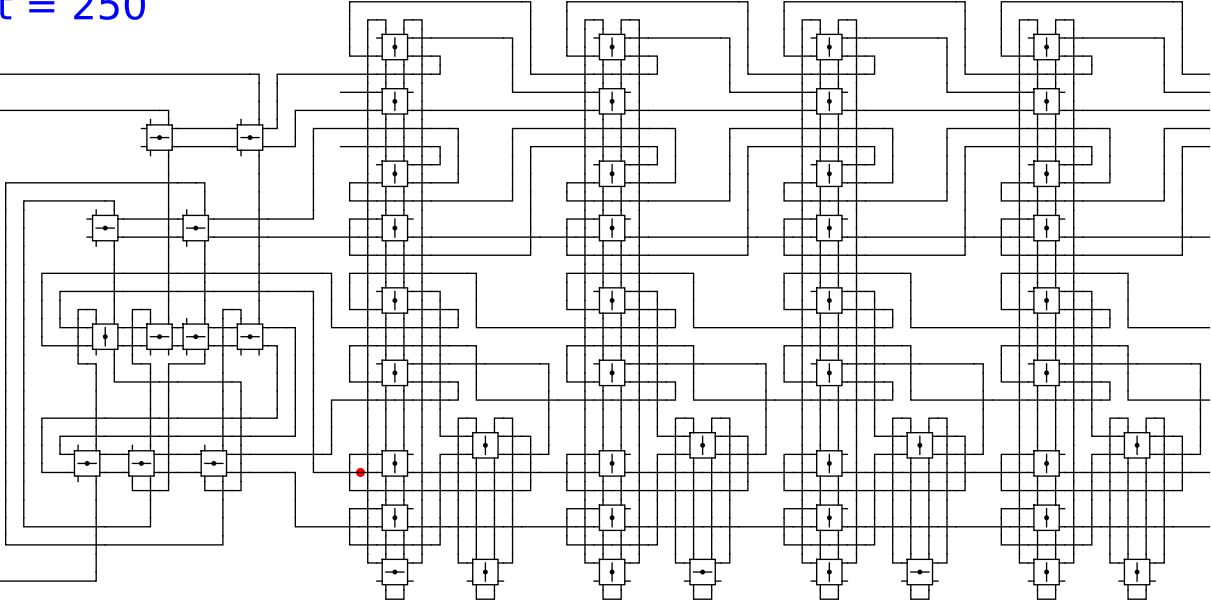
1

0

t = 250

Reject
Accept

Begin



head

0

1

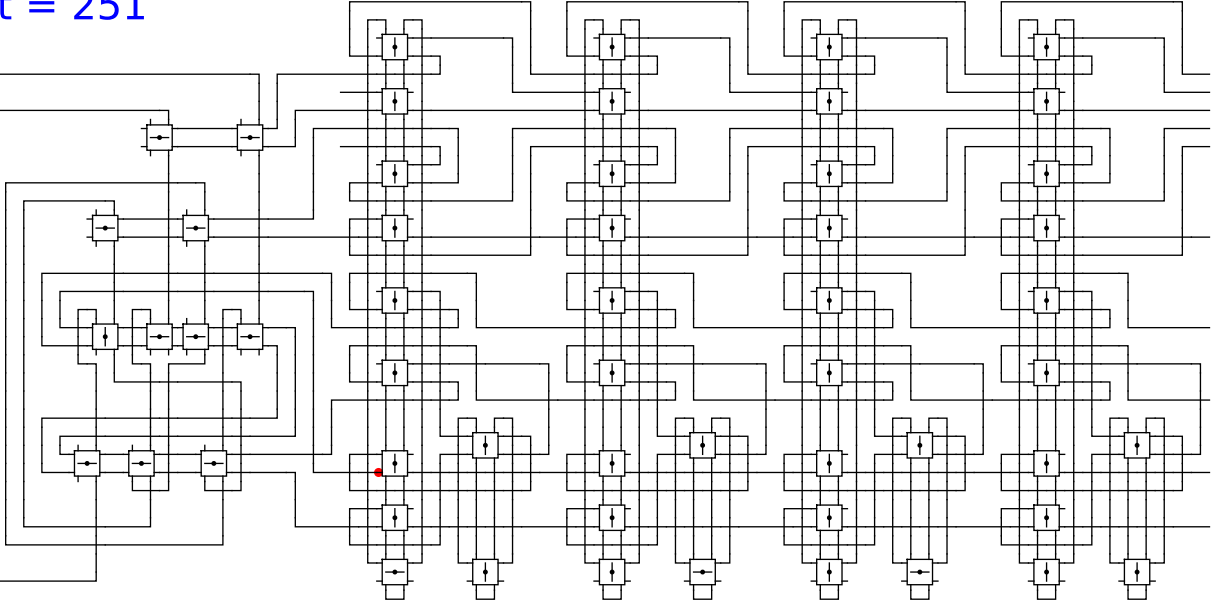
1

0

t = 251

Reject
Accept

Begin



head

0

1

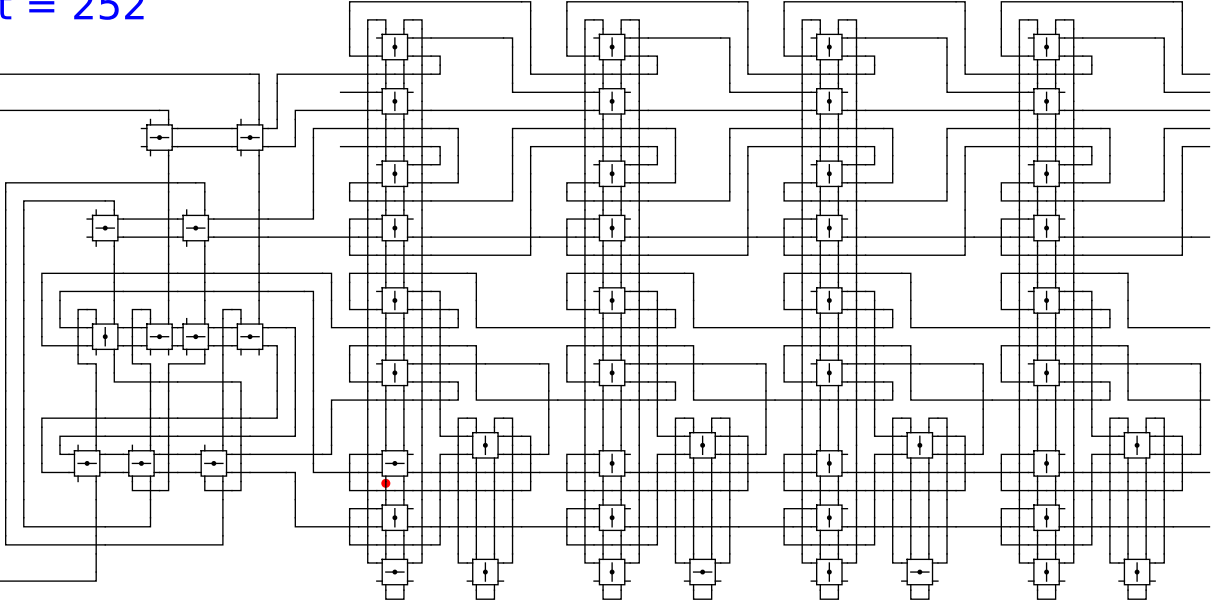
1

0

t = 252

Reject
Accept

Begin



head

0

1

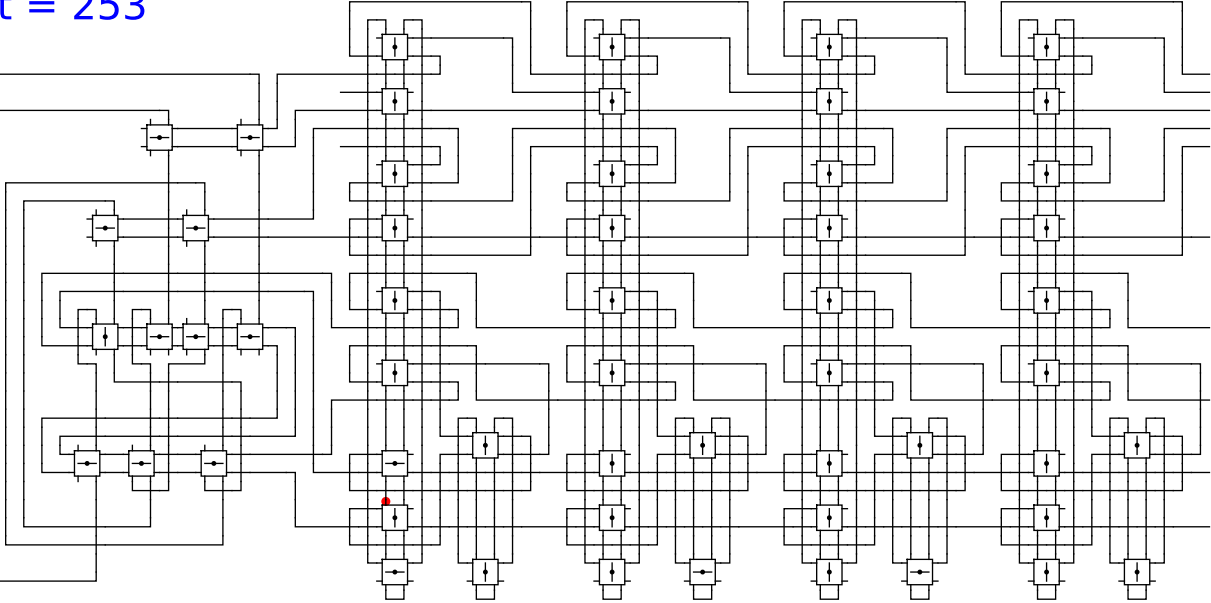
1

0

t = 253

Reject
Accept

Begin



head

0

1

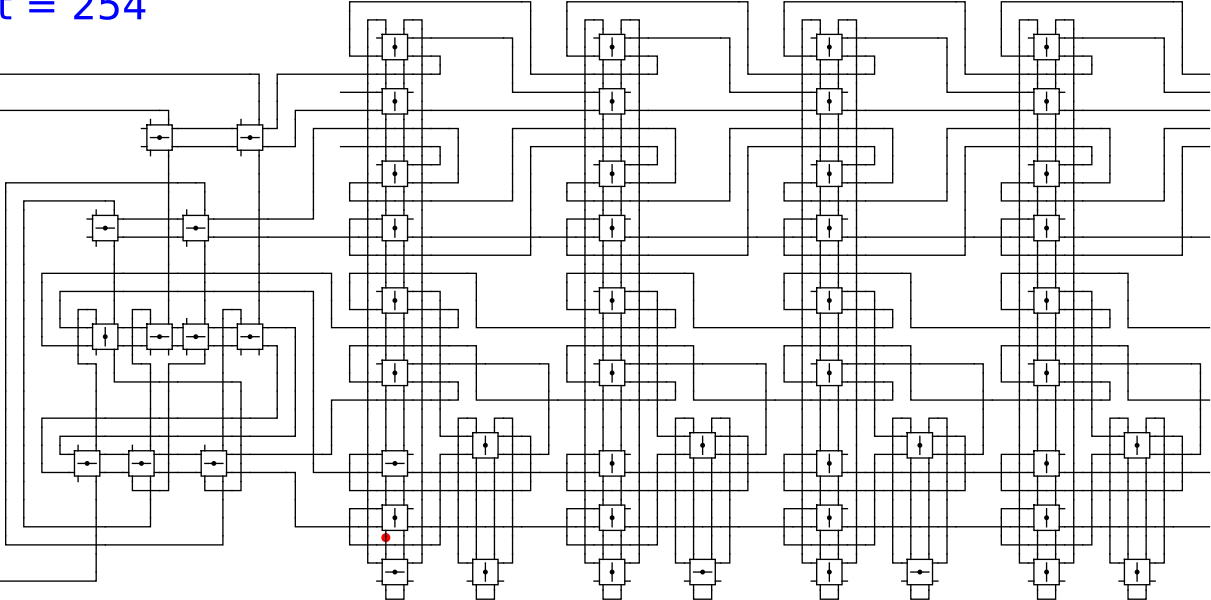
1

0

t = 254

Reject
Accept

Begin

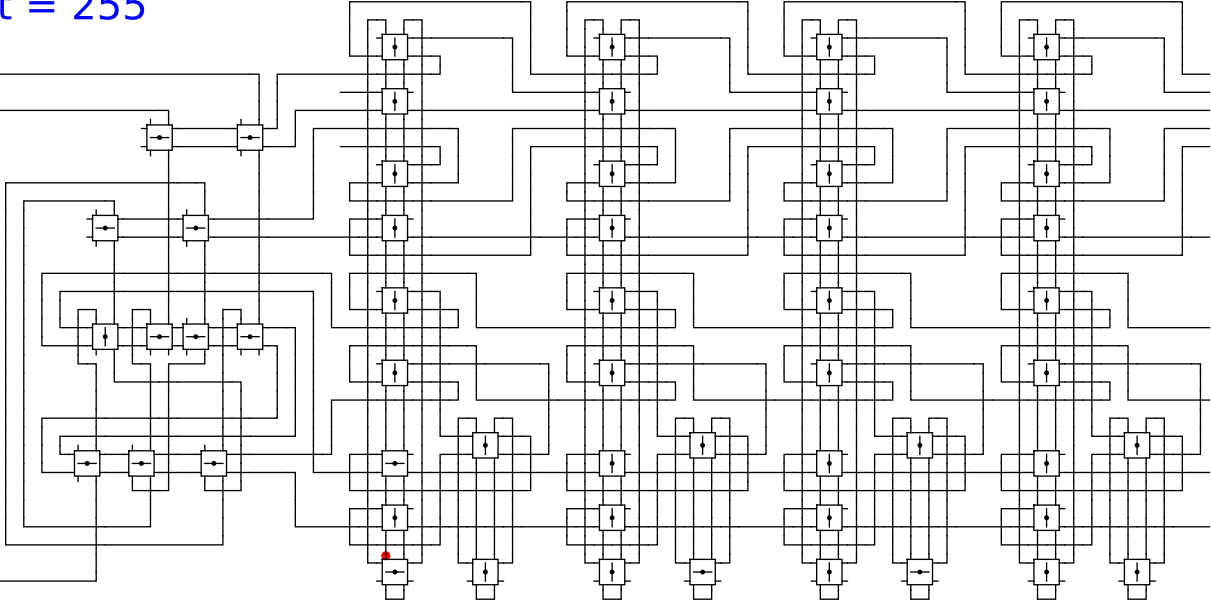


head 0 1 1 0

t = 255

Reject
Accept

Begin



head

0

1

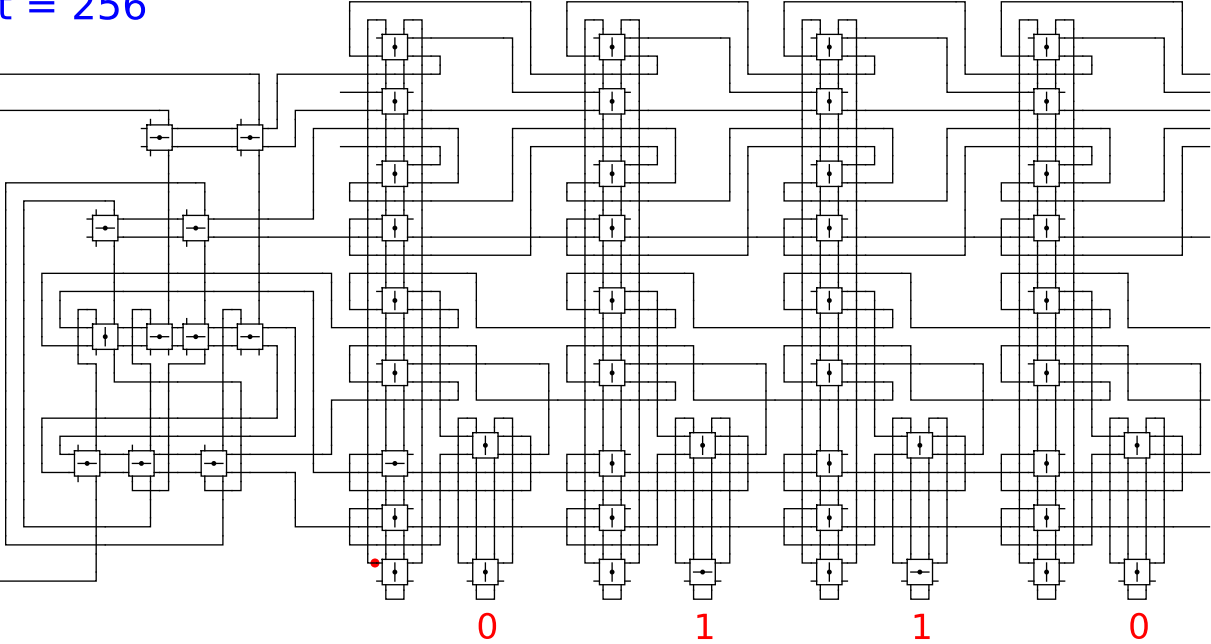
1

0

t = 256

Reject
Accept

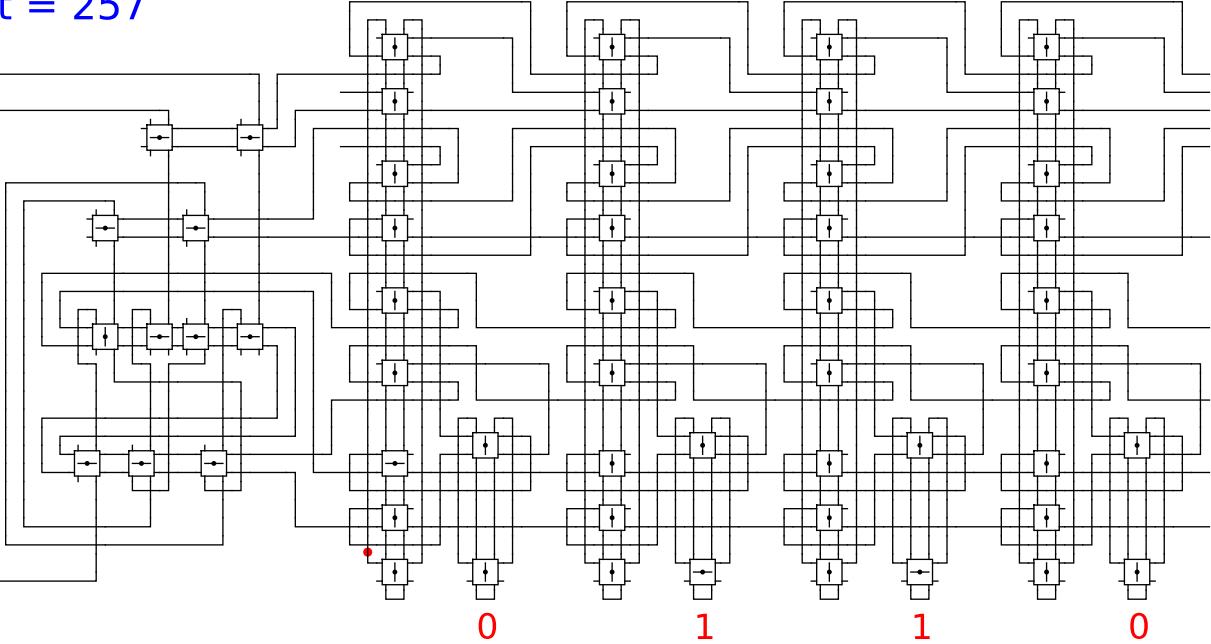
Begin



t = 257

Reject
Accept

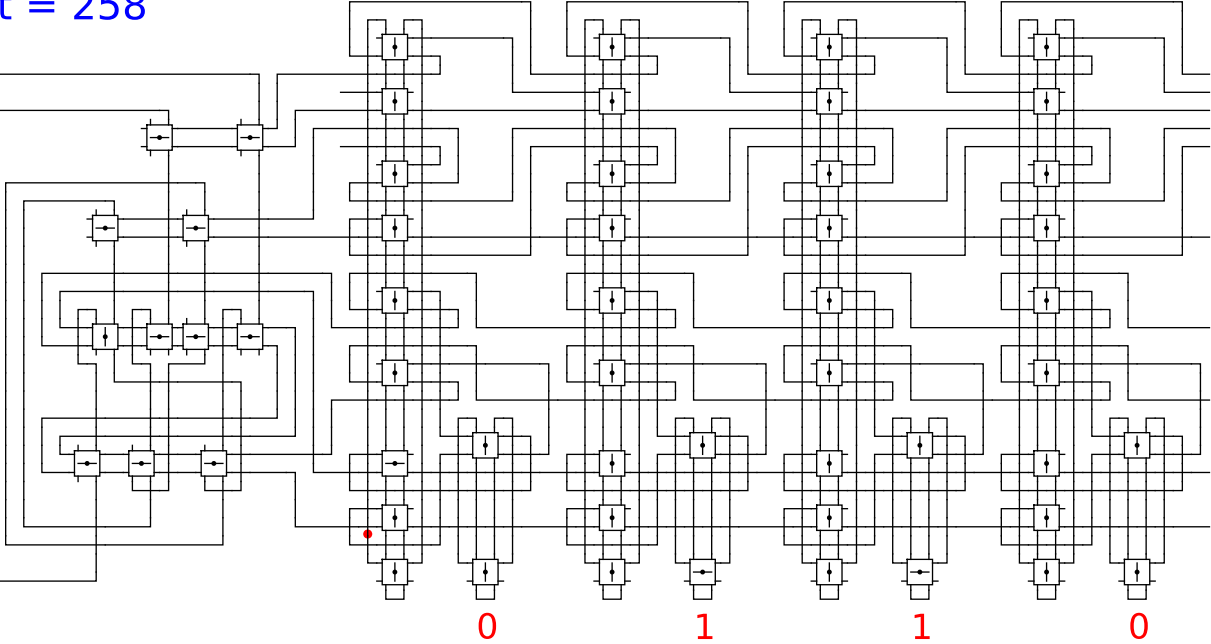
Begin



t = 258

Reject
Accept

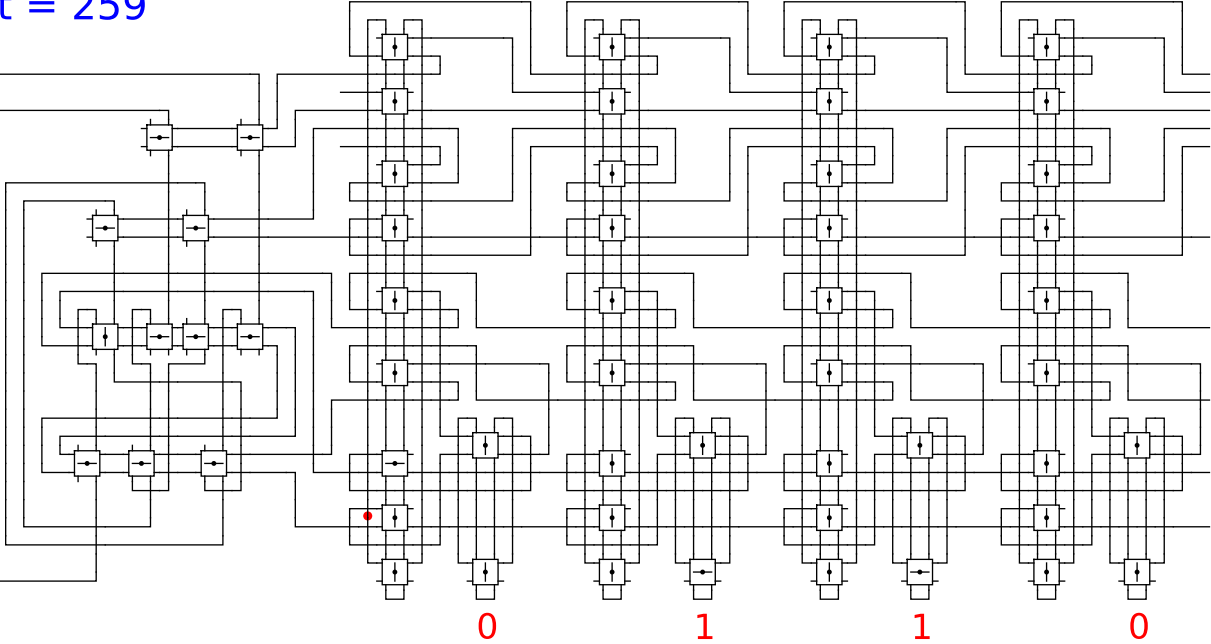
Begin



t = 259

Reject
Accept

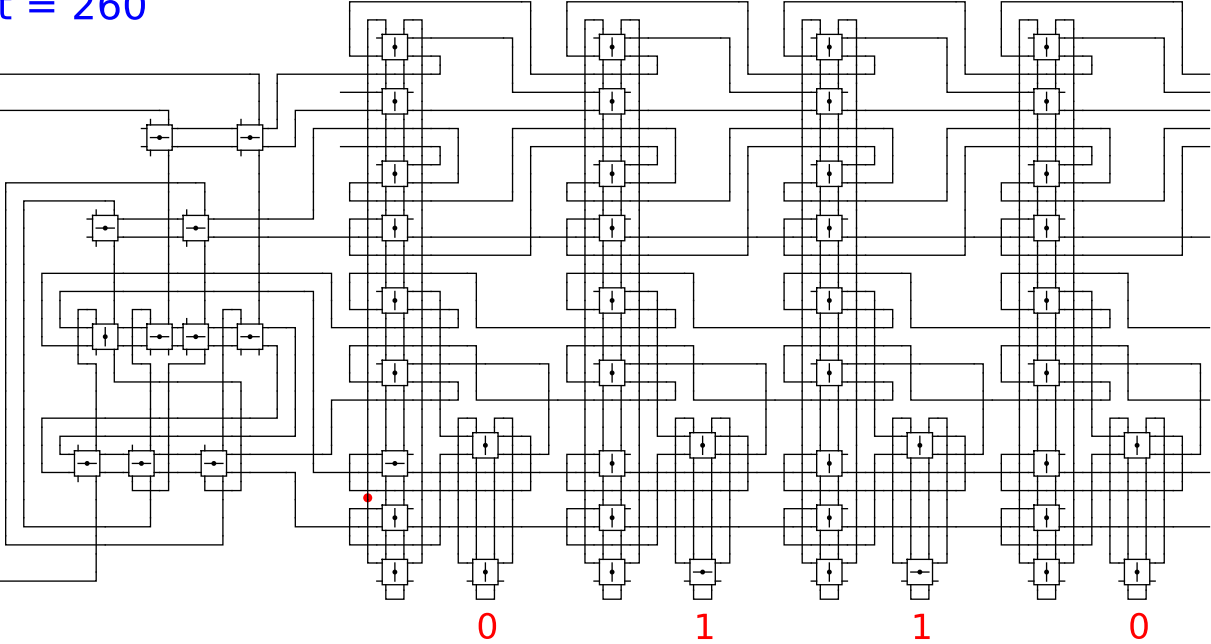
Begin



t = 260

Reject
Accept

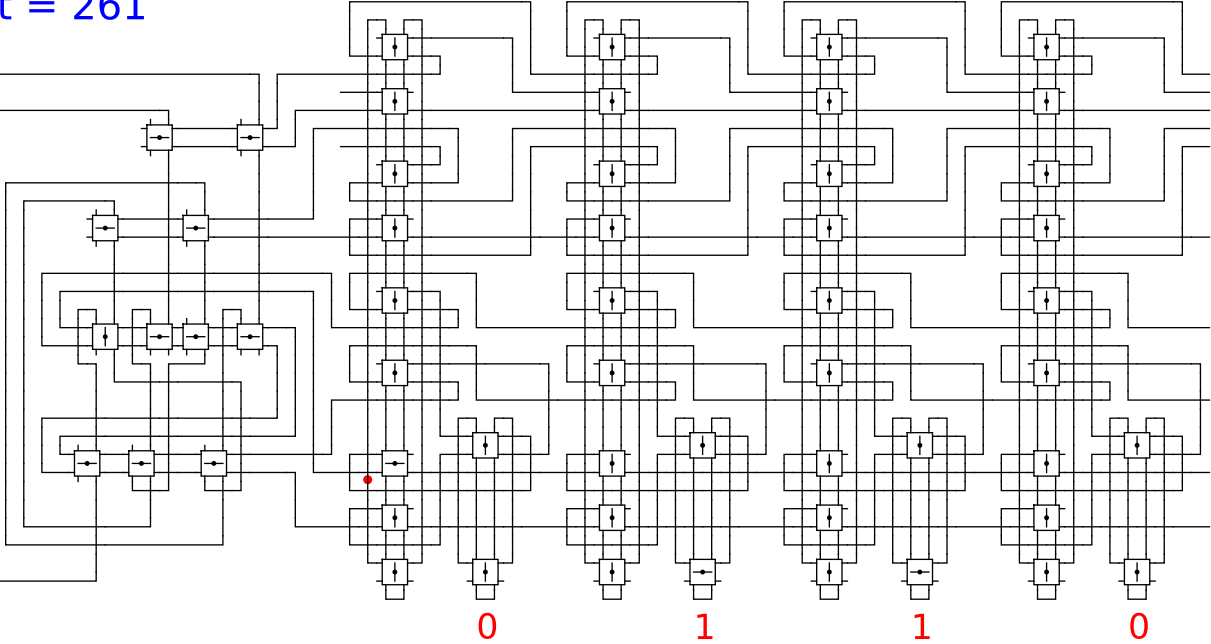
Begin



t = 261

Reject
Accept

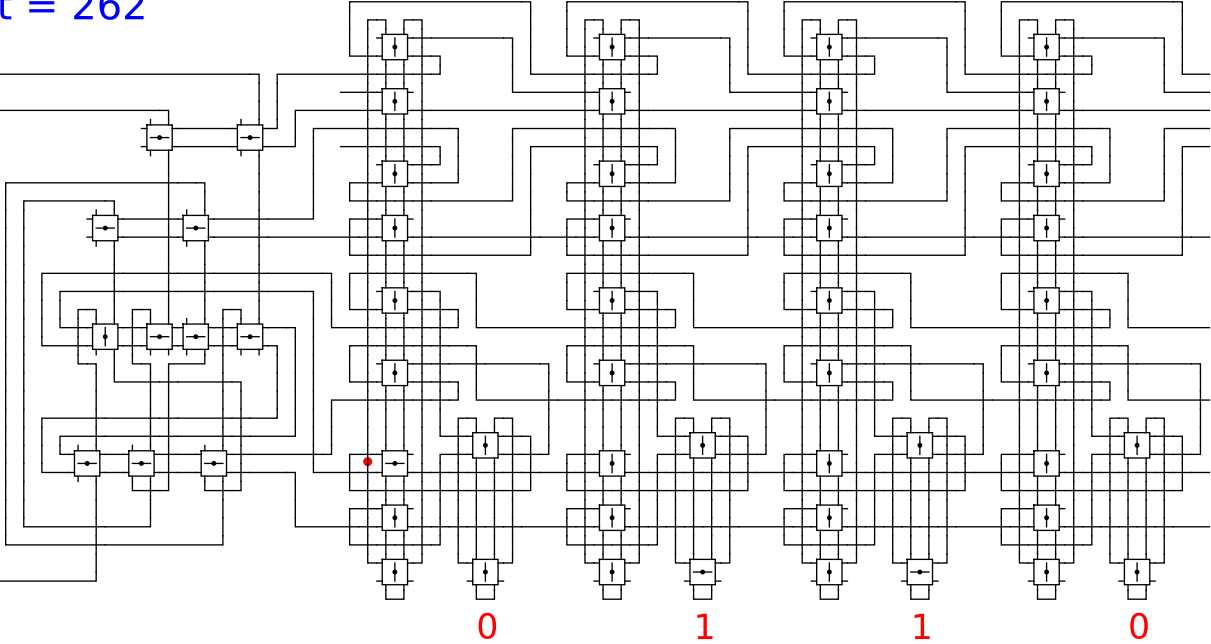
Begin



t = 262

Reject
Accept

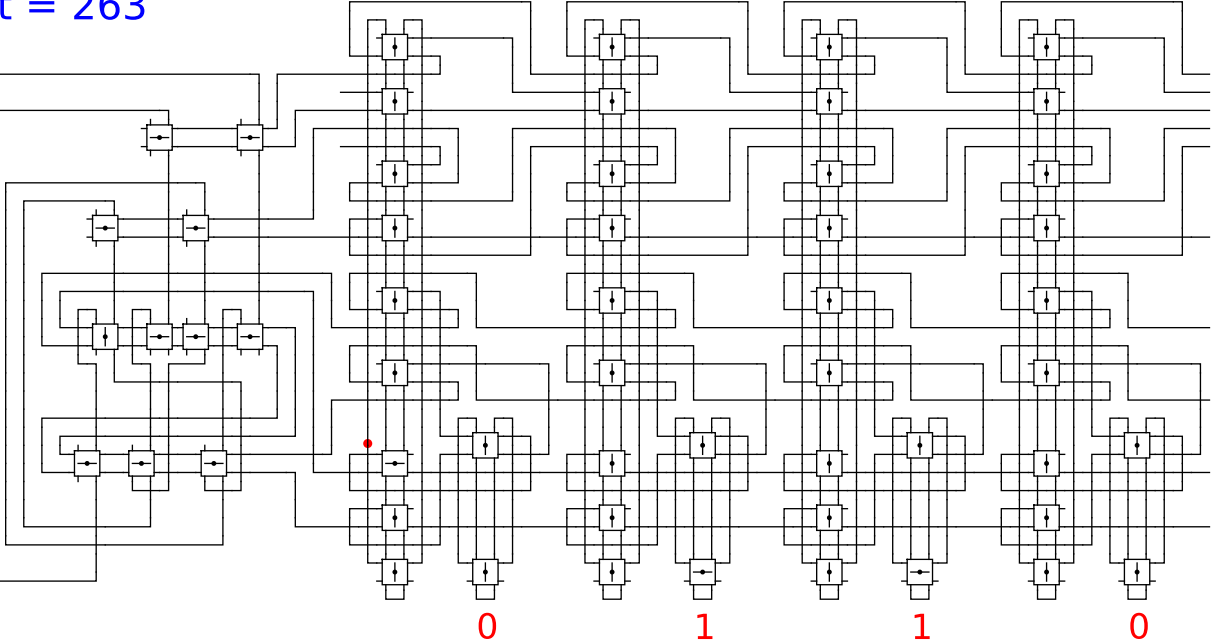
Begin



t = 263

Reject
Accept

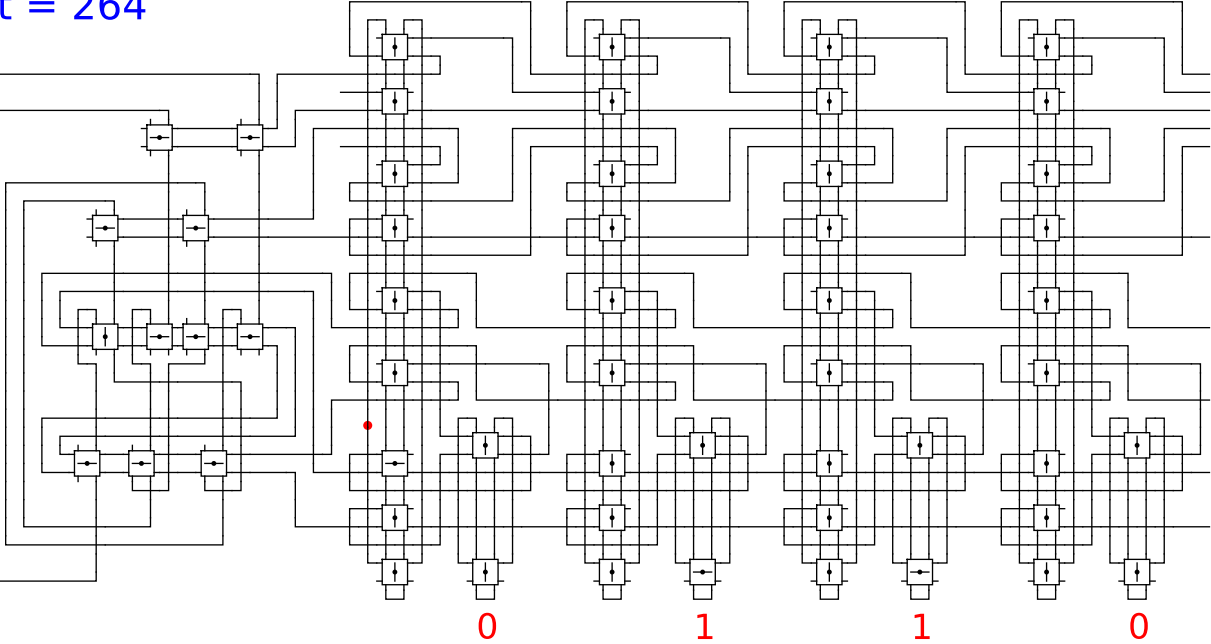
Begin



t = 264

Reject
Accept

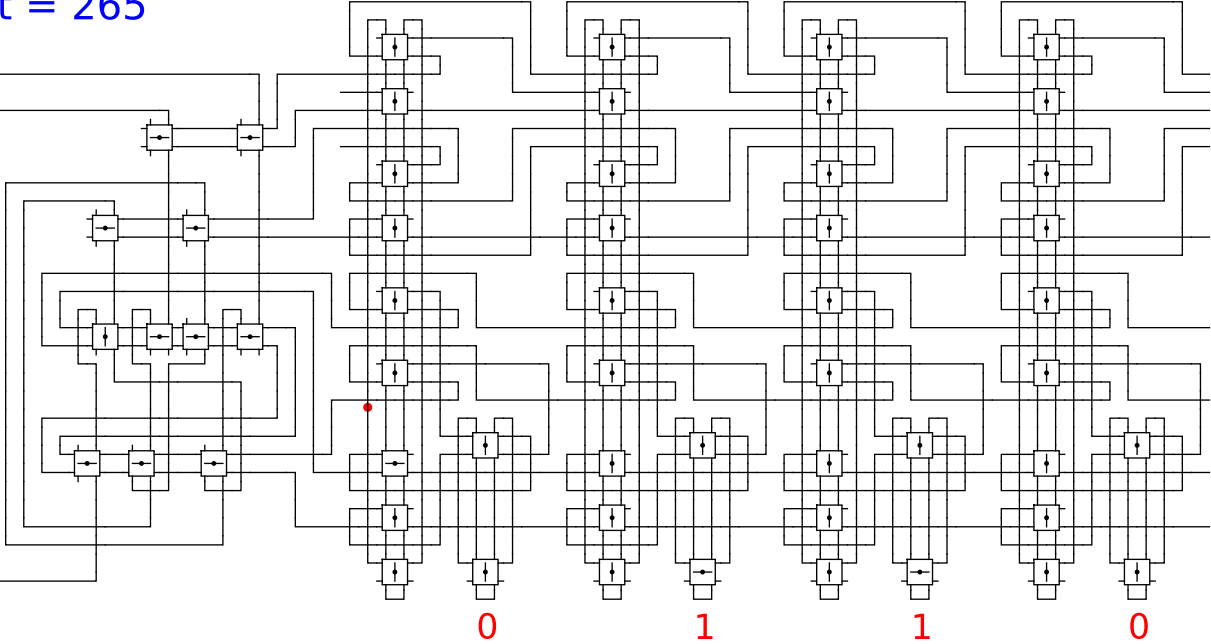
Begin



t = 265

Reject
Accept

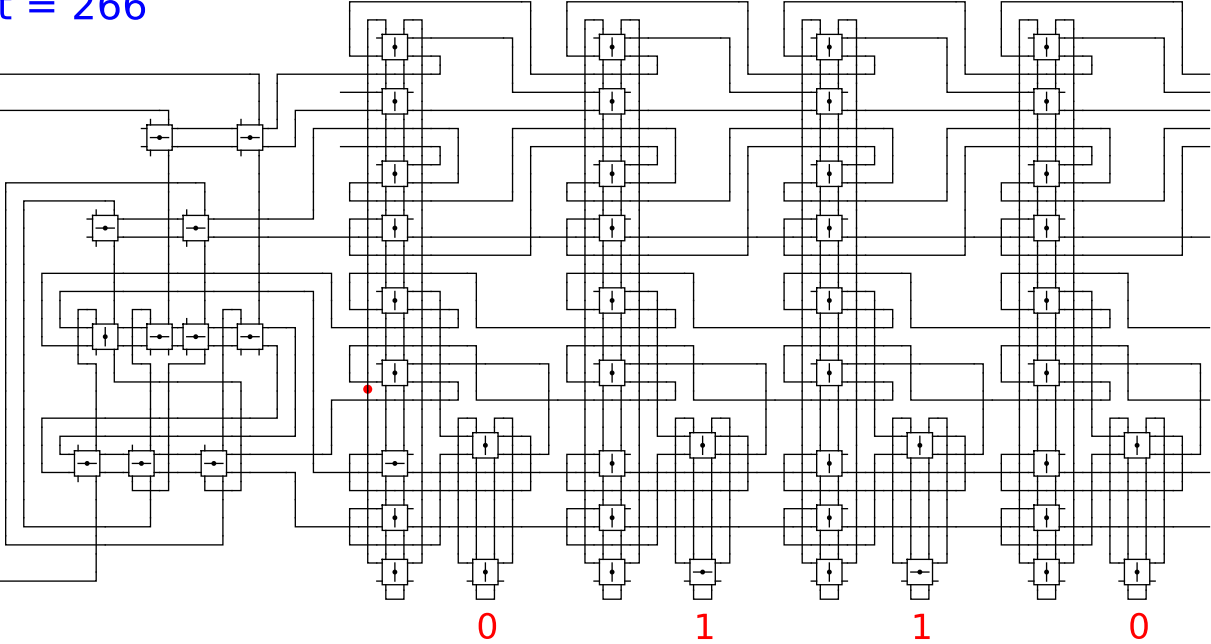
Begin



t = 266

Reject
Accept

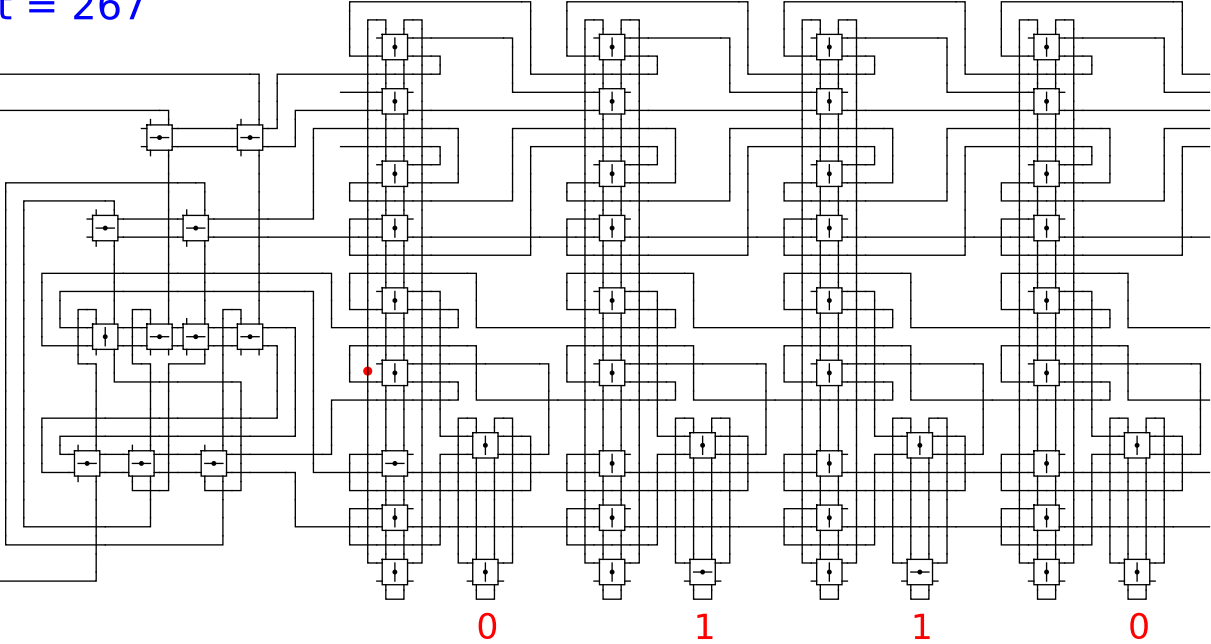
Begin



t = 267

Reject
Accept

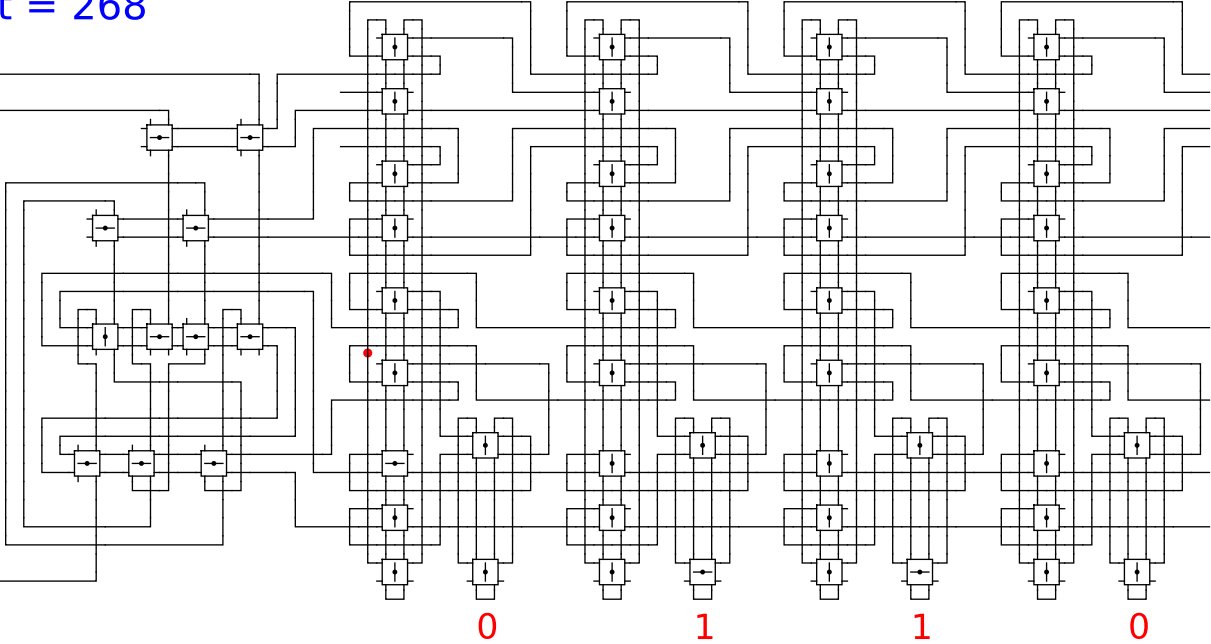
Begin



t = 268

Reject
Accept

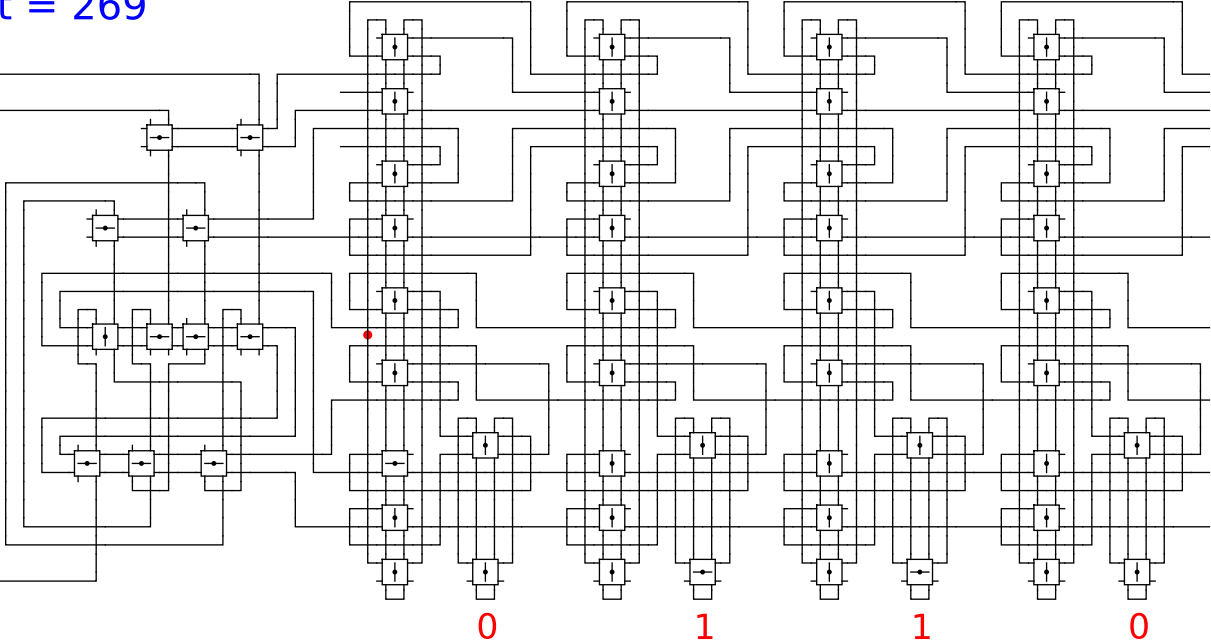
Begin



t = 269

Reject
Accept

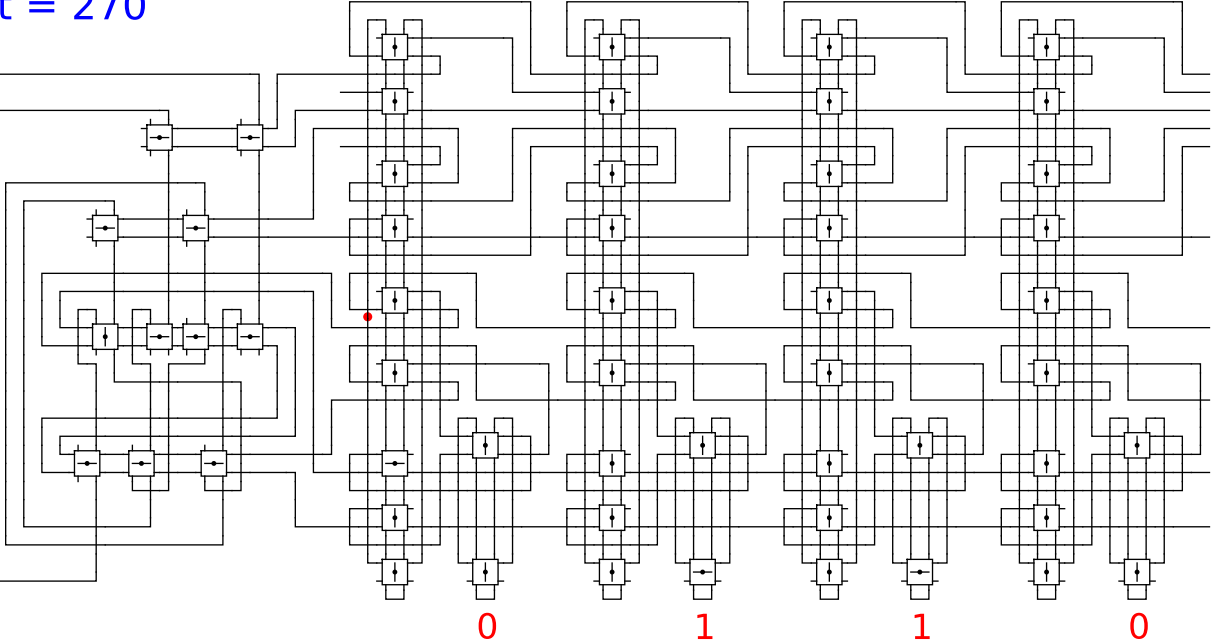
Begin



t = 270

Reject
Accept

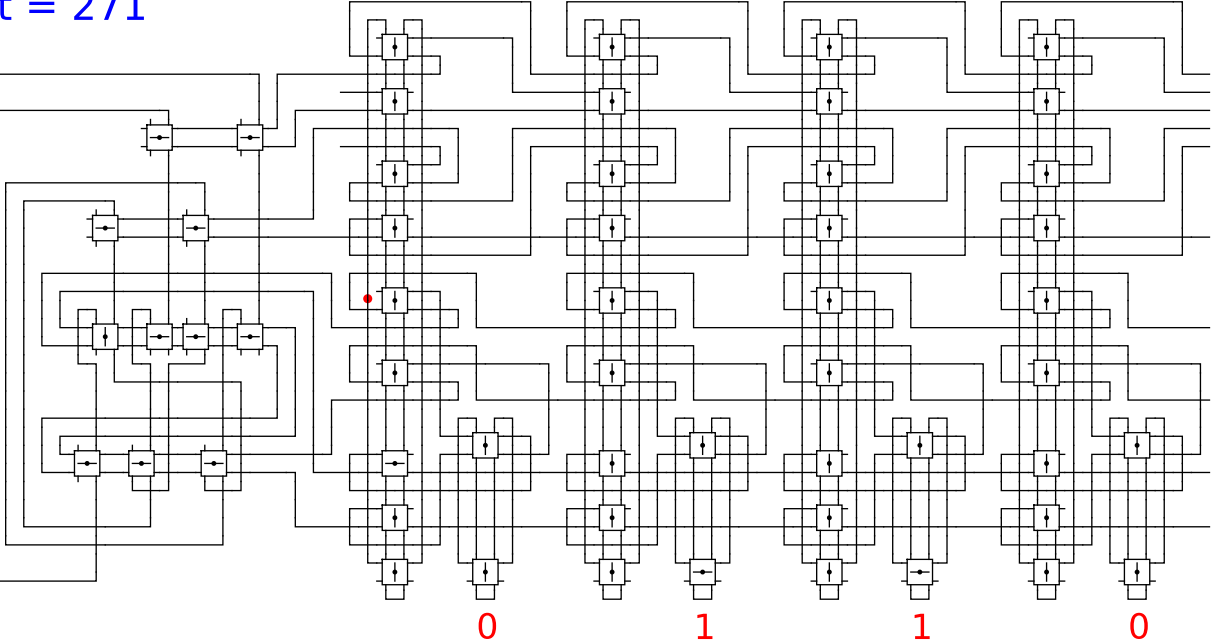
Begin



t = 271

Reject
Accept

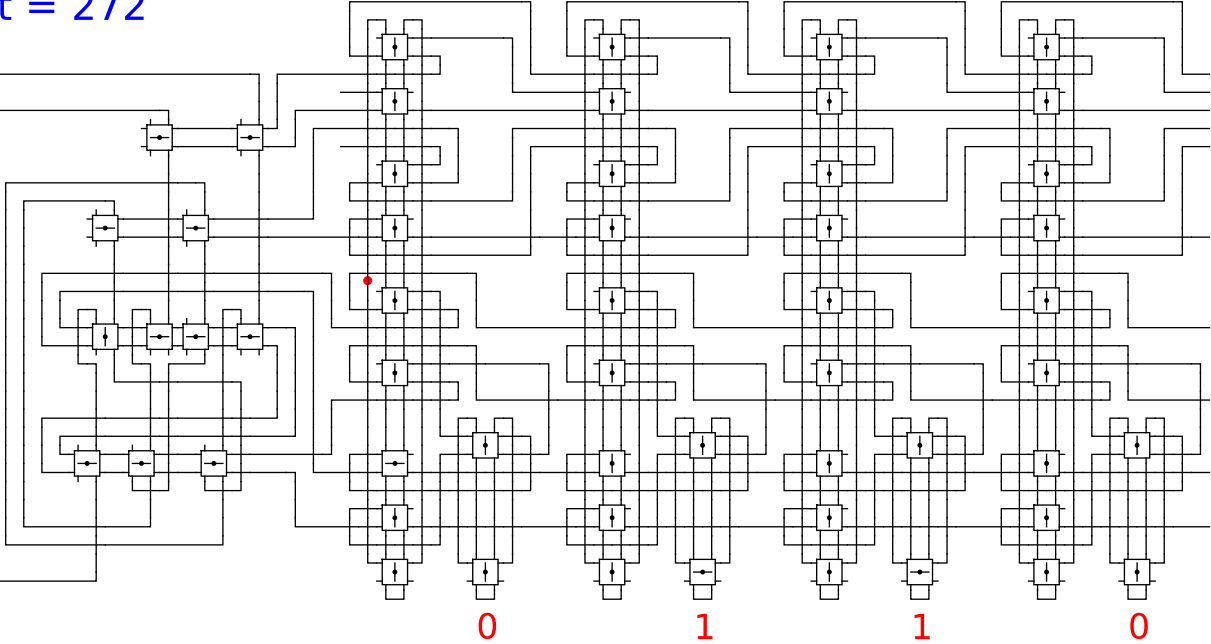
Begin



t = 272

Reject
Accept

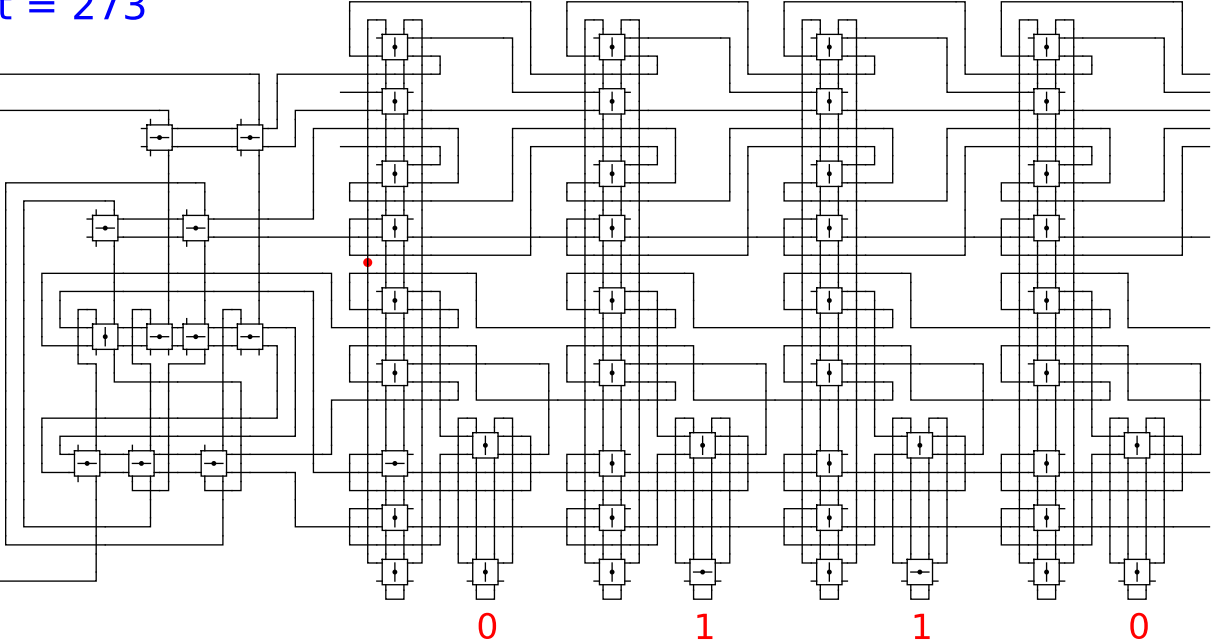
Begin



t = 273

Reject
Accept

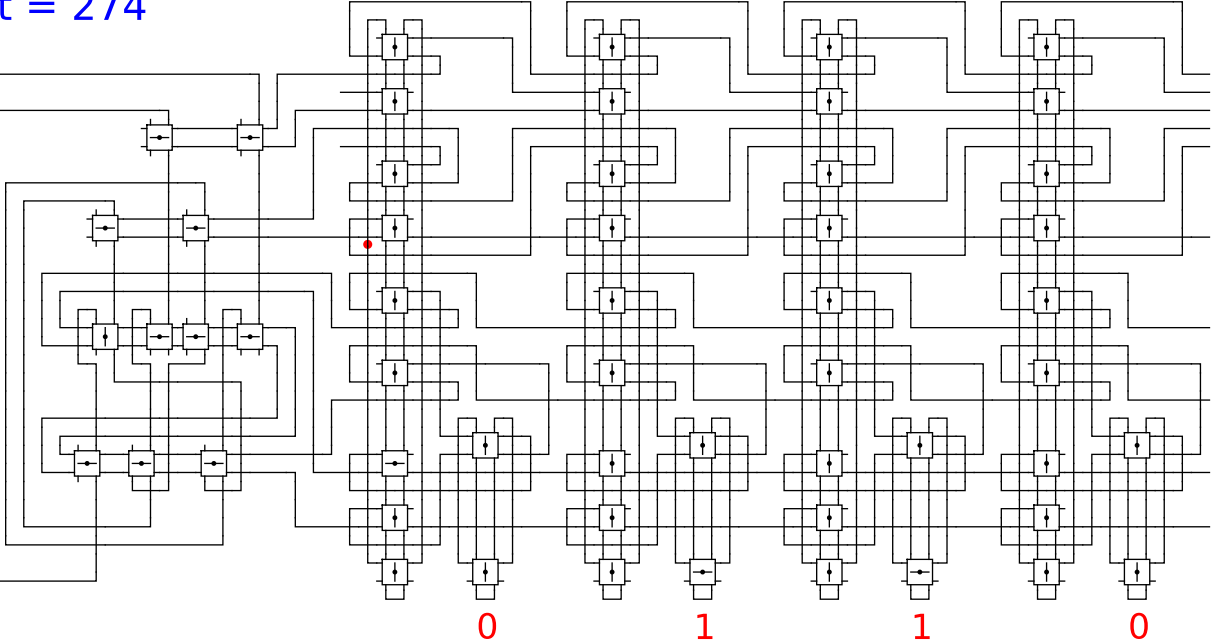
Begin



t = 274

Reject
Accept

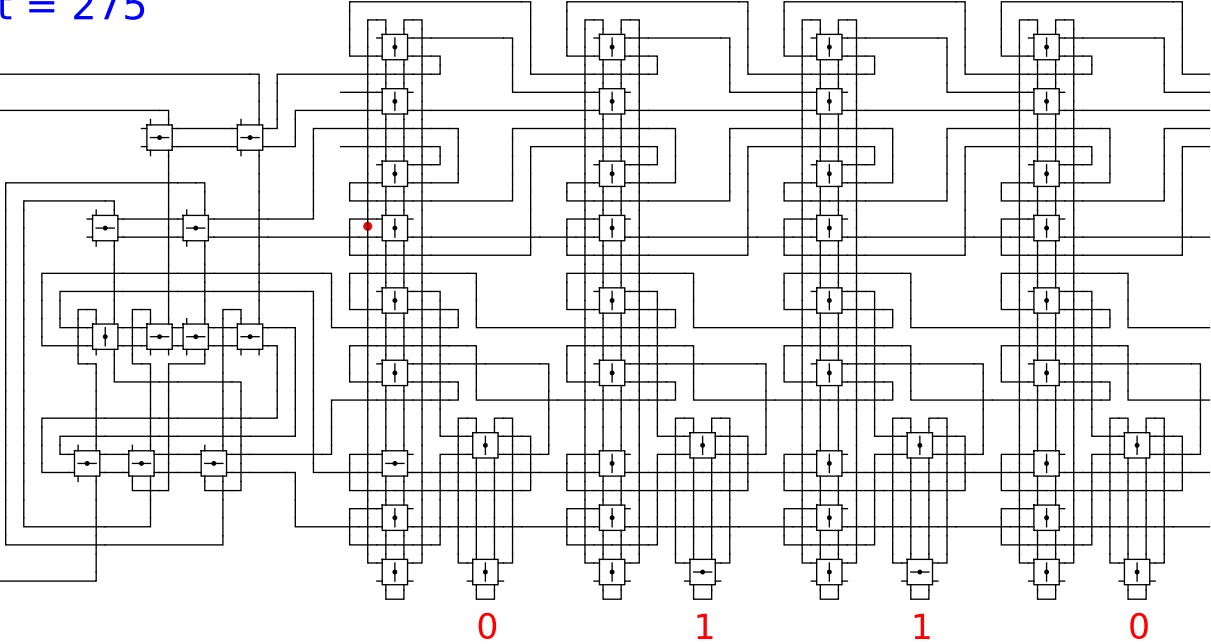
Begin



t = 275

Reject
Accept

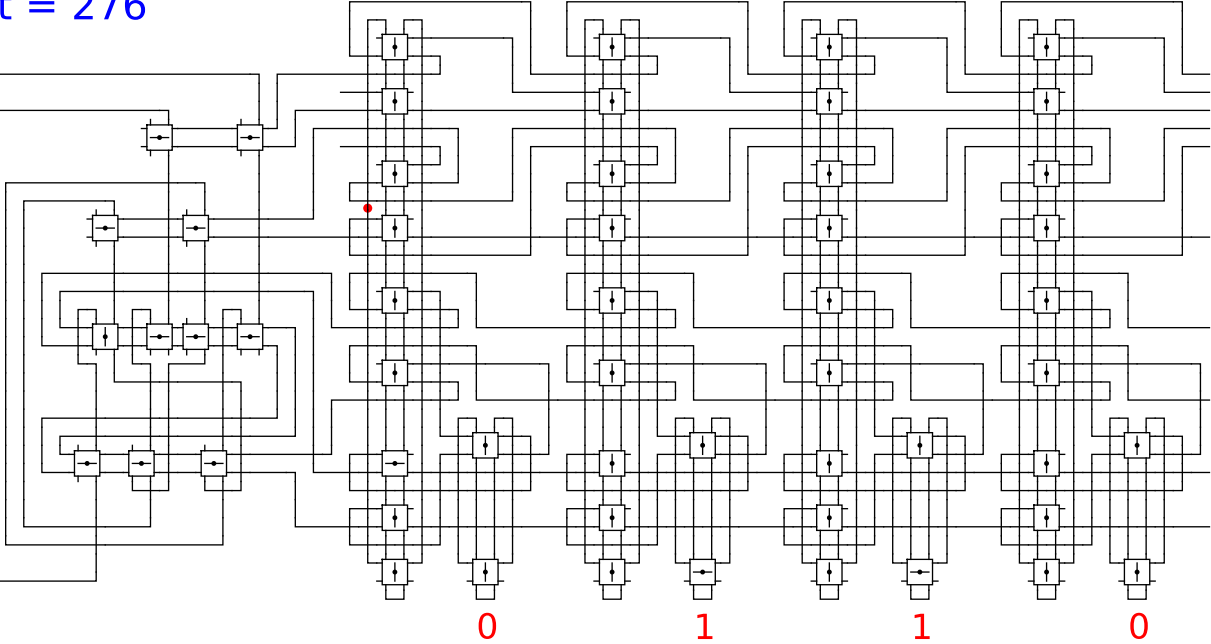
Begin



t = 276

Reject
Accept

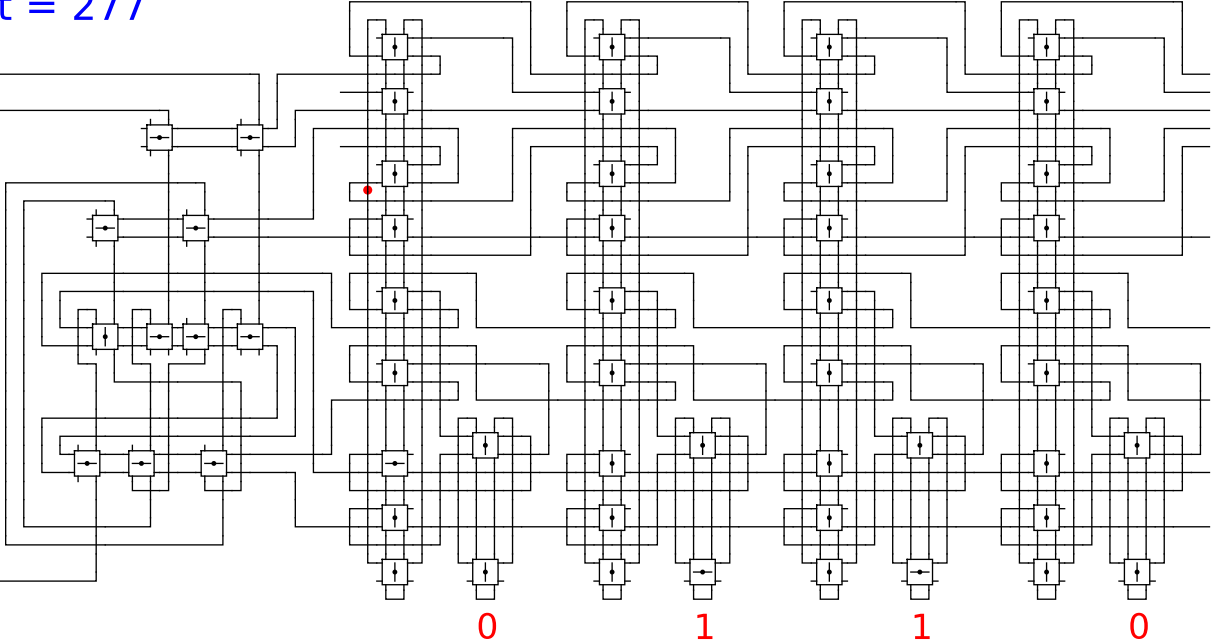
Begin



t = 277

Reject
Accept

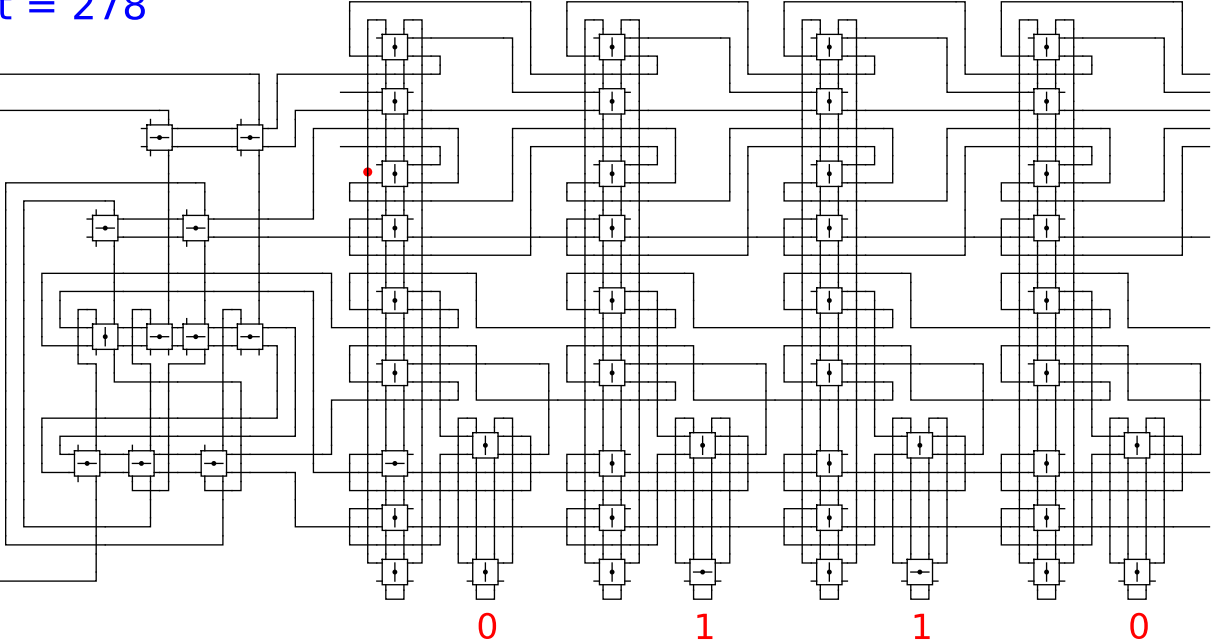
Begin



t = 278

Reject
Accept

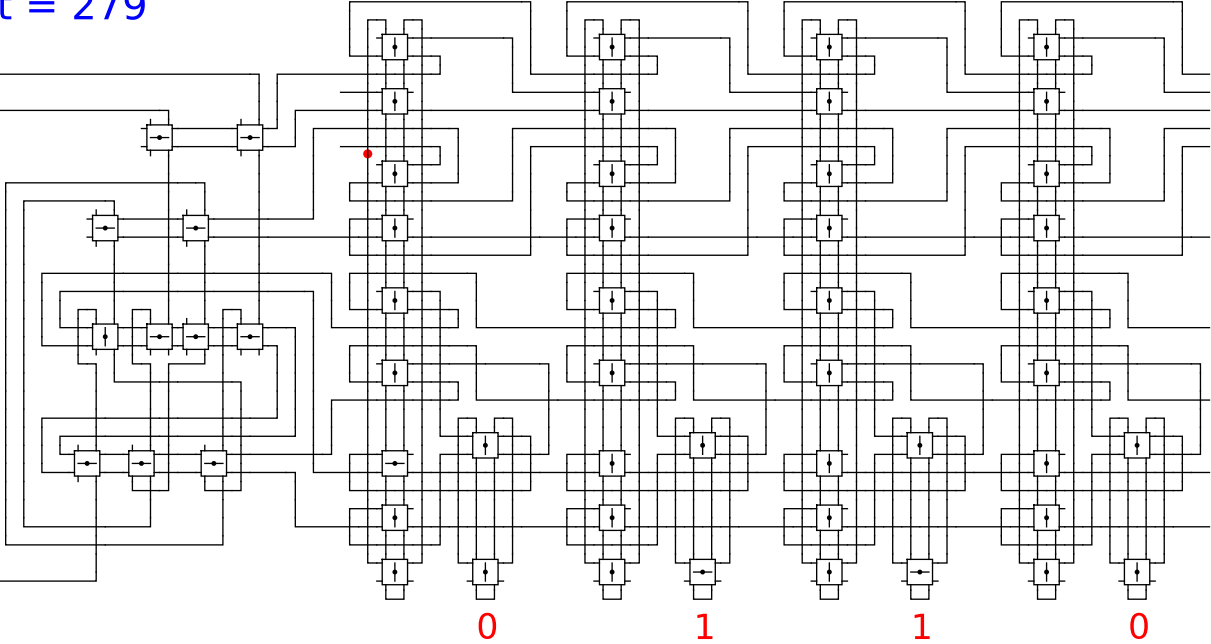
Begin



t = 279

Reject
Accept

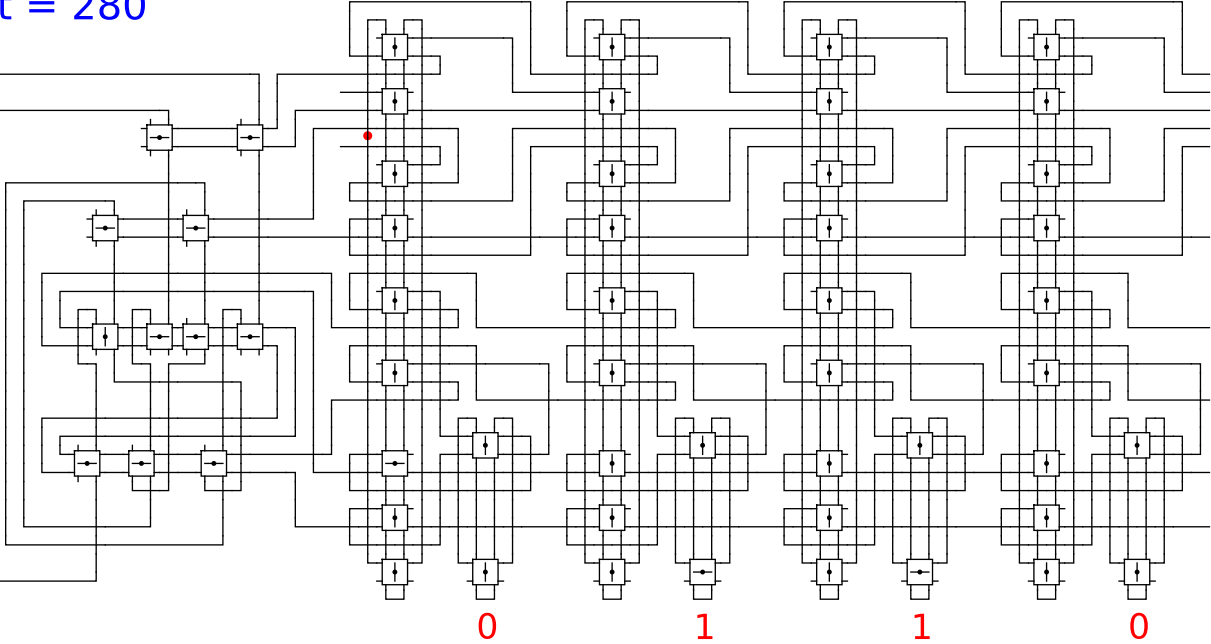
Begin



t = 280

Reject
Accept

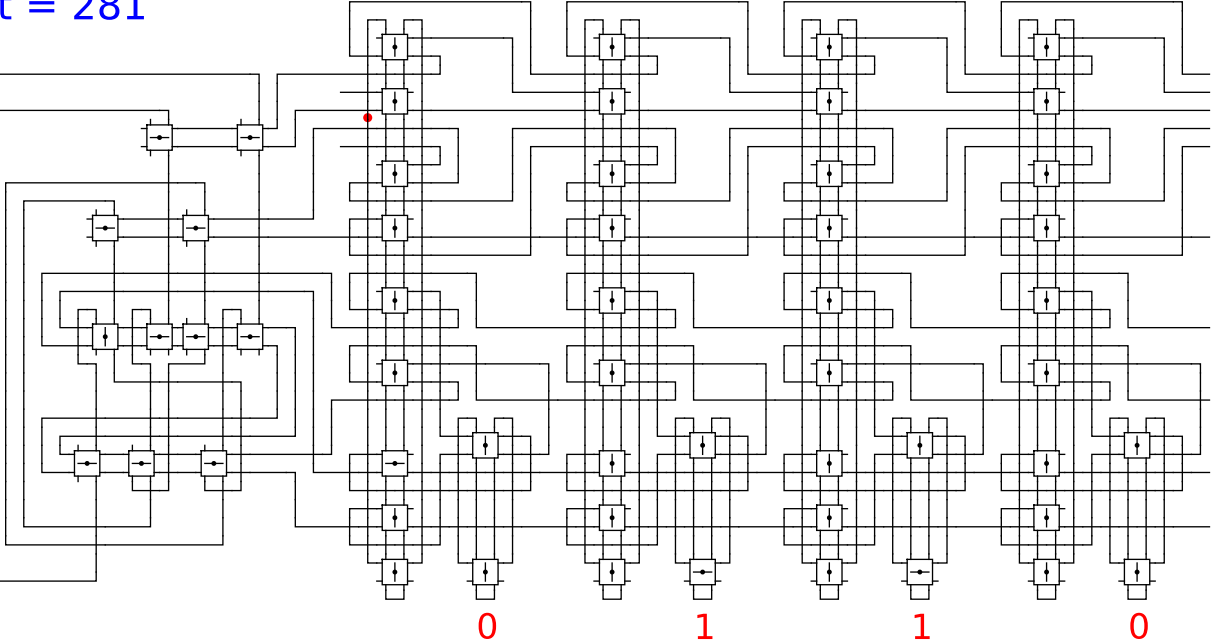
Begin



t = 281

Reject
Accept

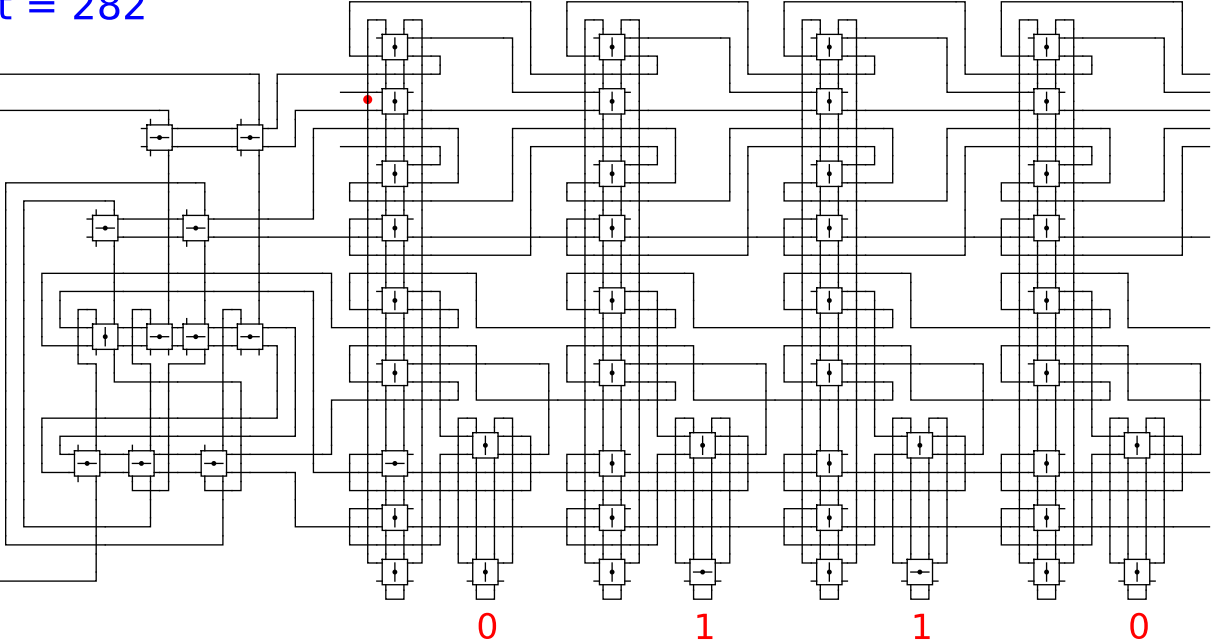
Begin



t = 282

Reject
Accept

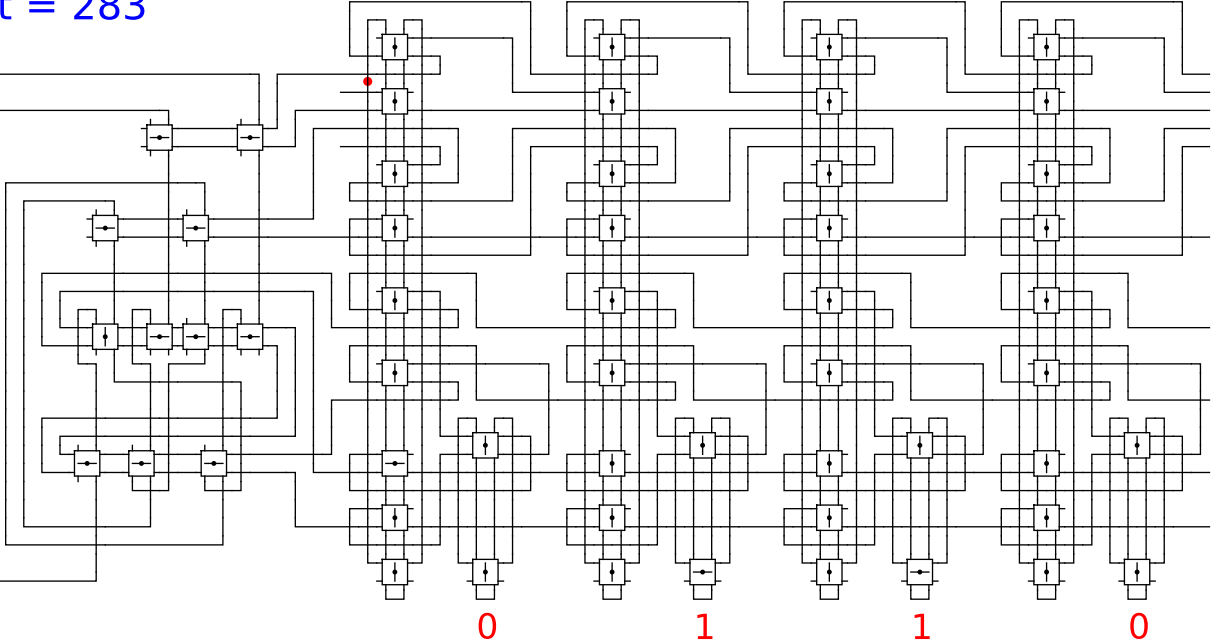
Begin



t = 283

Reject
Accept

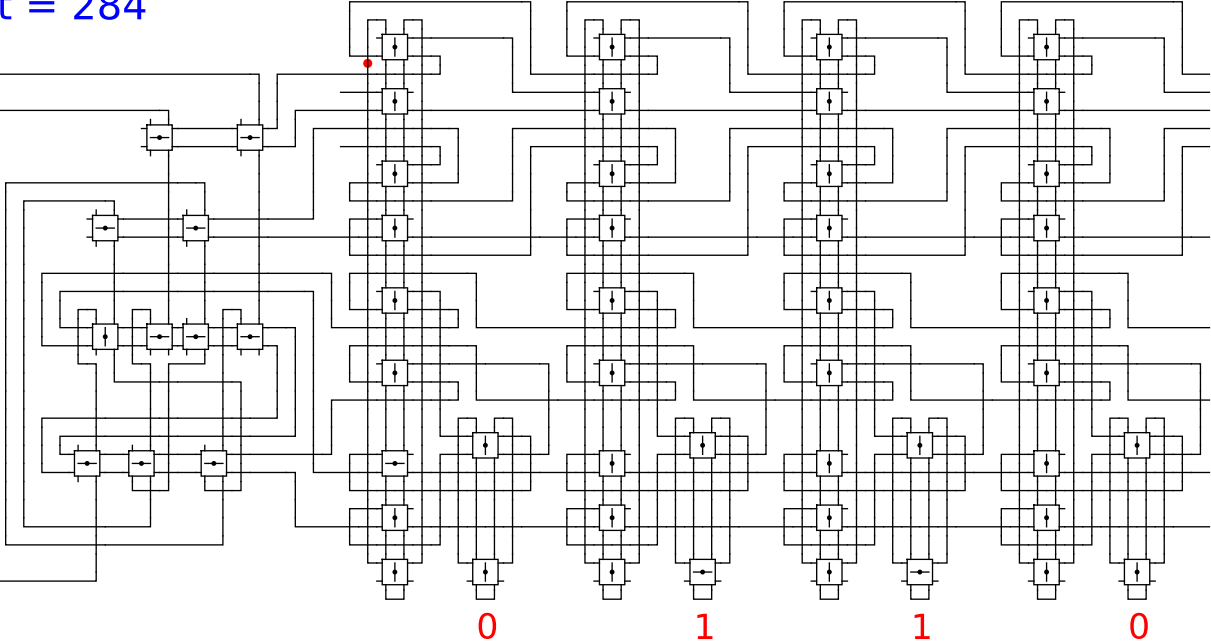
Begin



t = 284

Reject
Accept

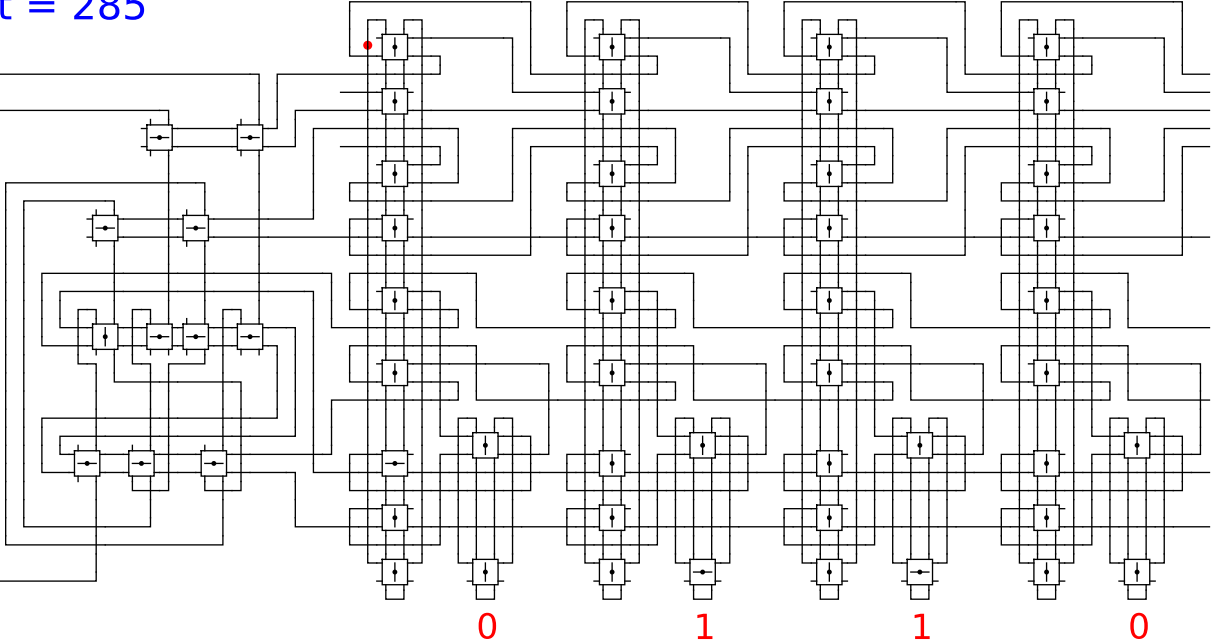
Begin



t = 285

Reject
Accept

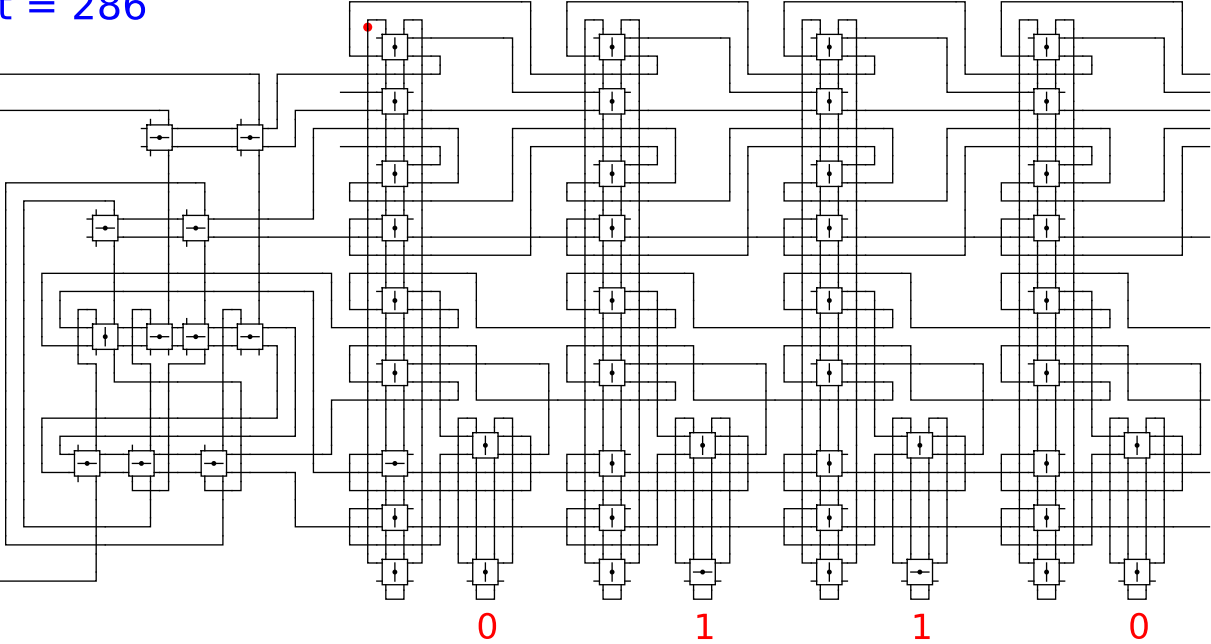
Begin



t = 286

Reject
Accept

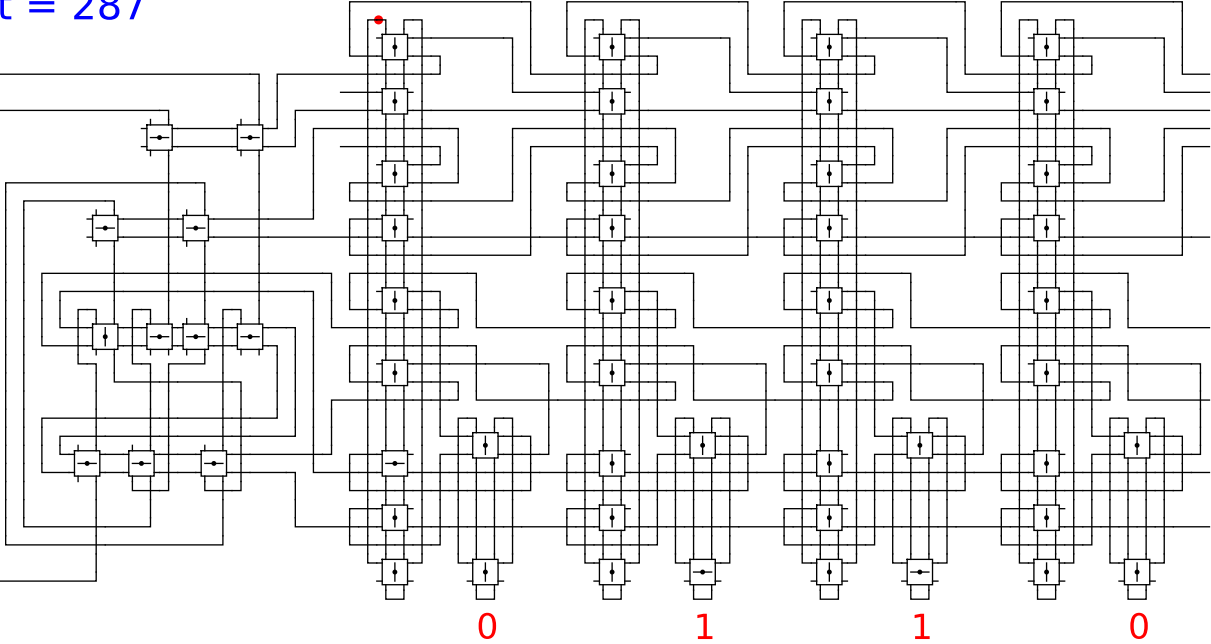
Begin



t = 287

Reject
Accept

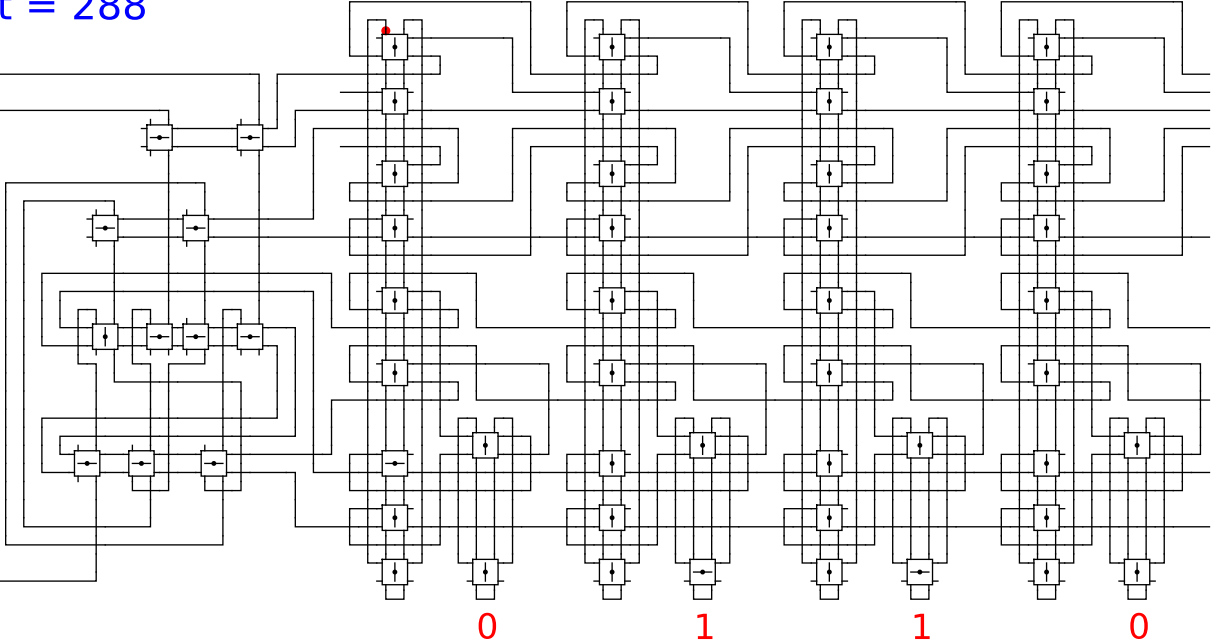
Begin



t = 288

Reject
Accept

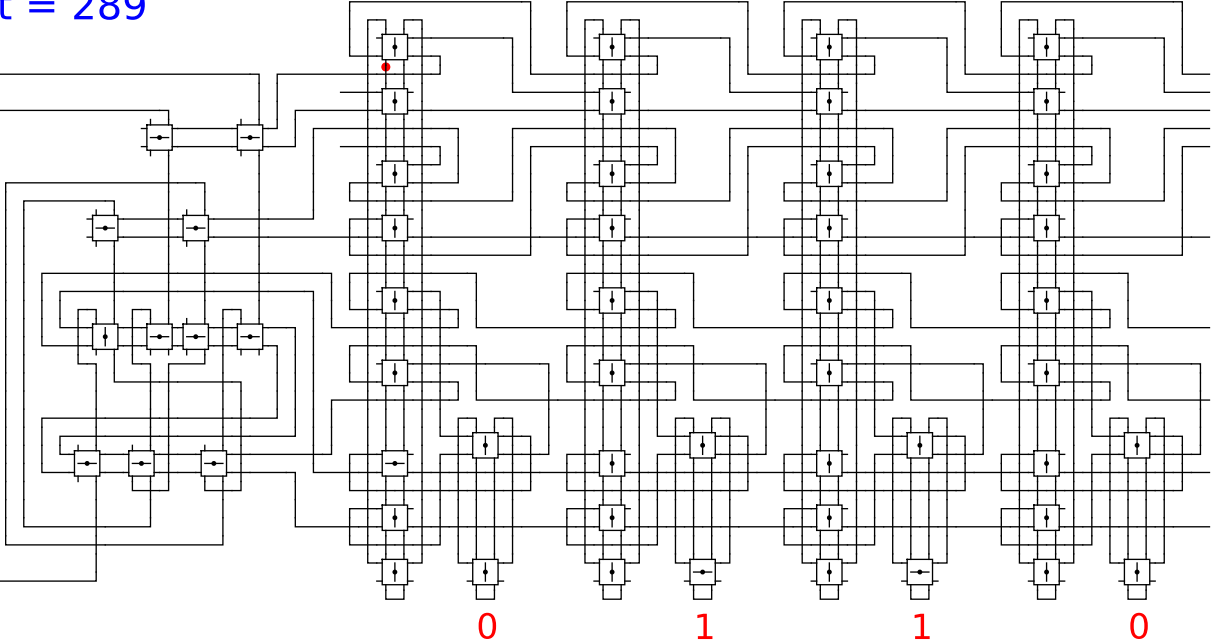
Begin



t = 289

Reject
Accept

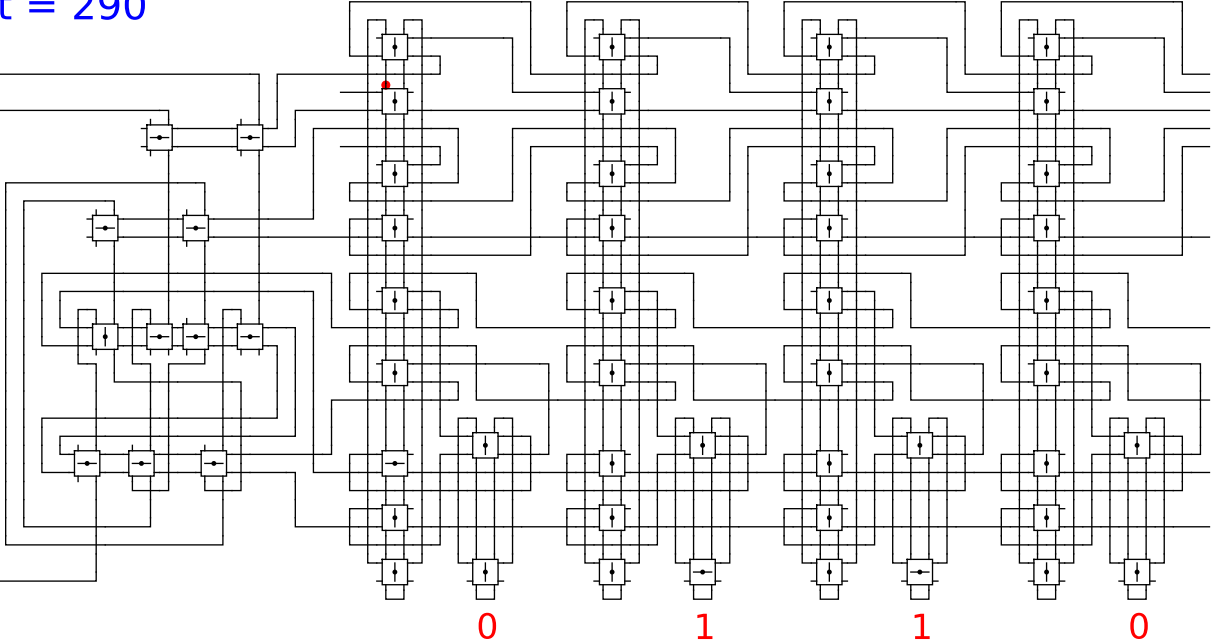
Begin



t = 290

Reject
Accept

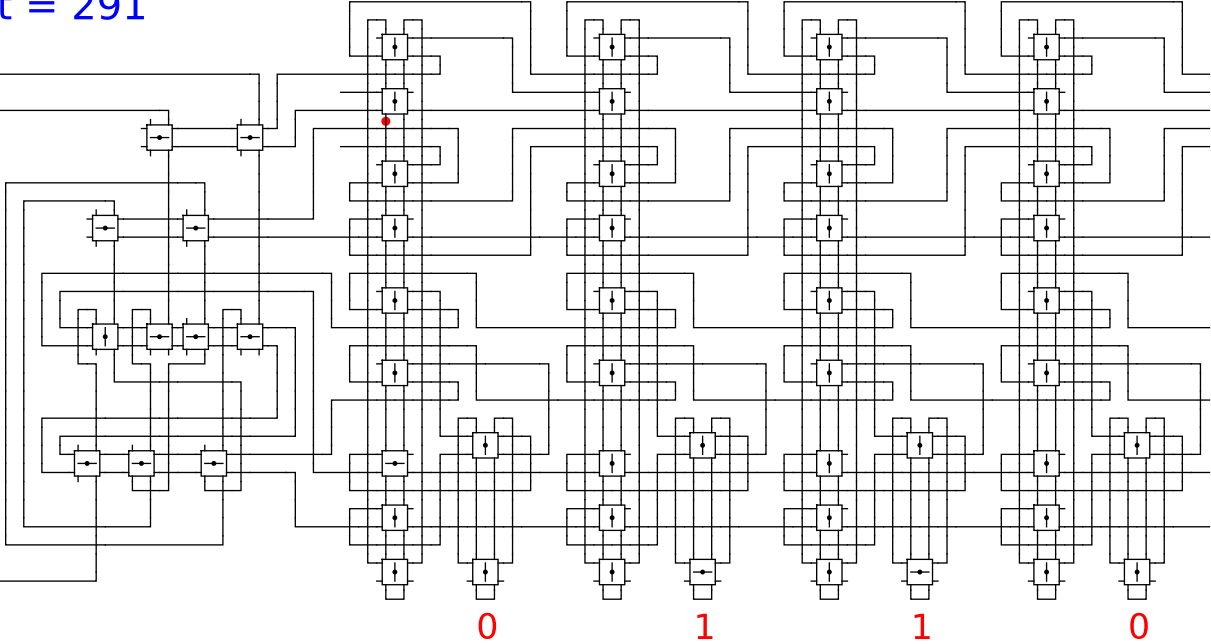
Begin



t = 291

Reject
Accept

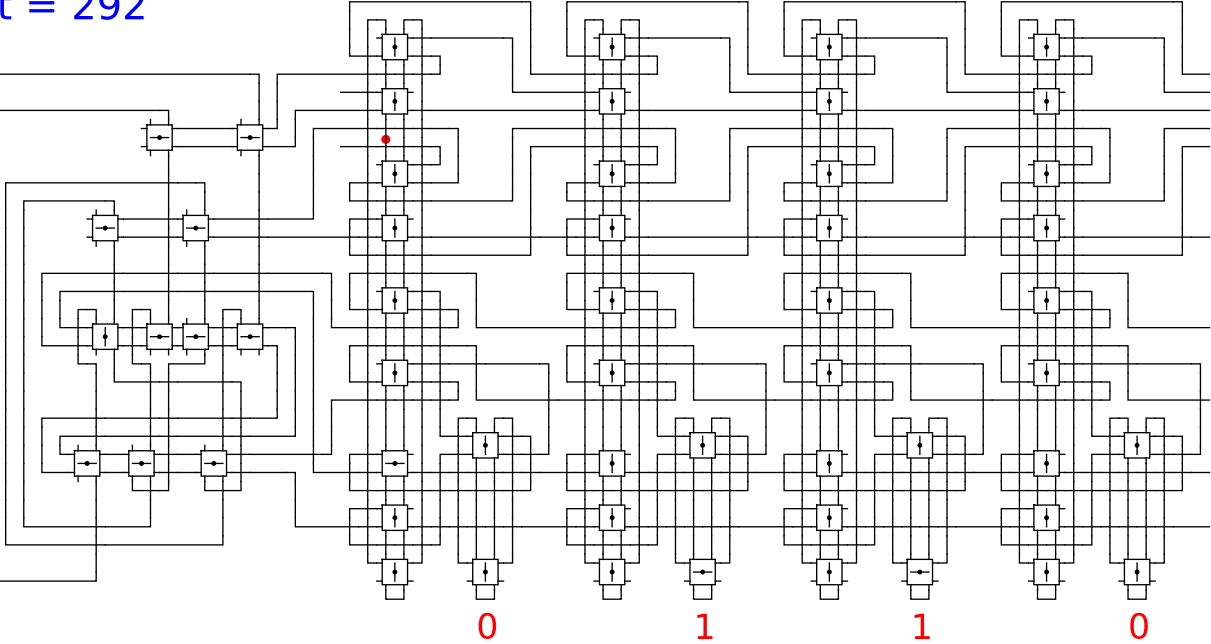
Begin



t = 292

Reject
Accept

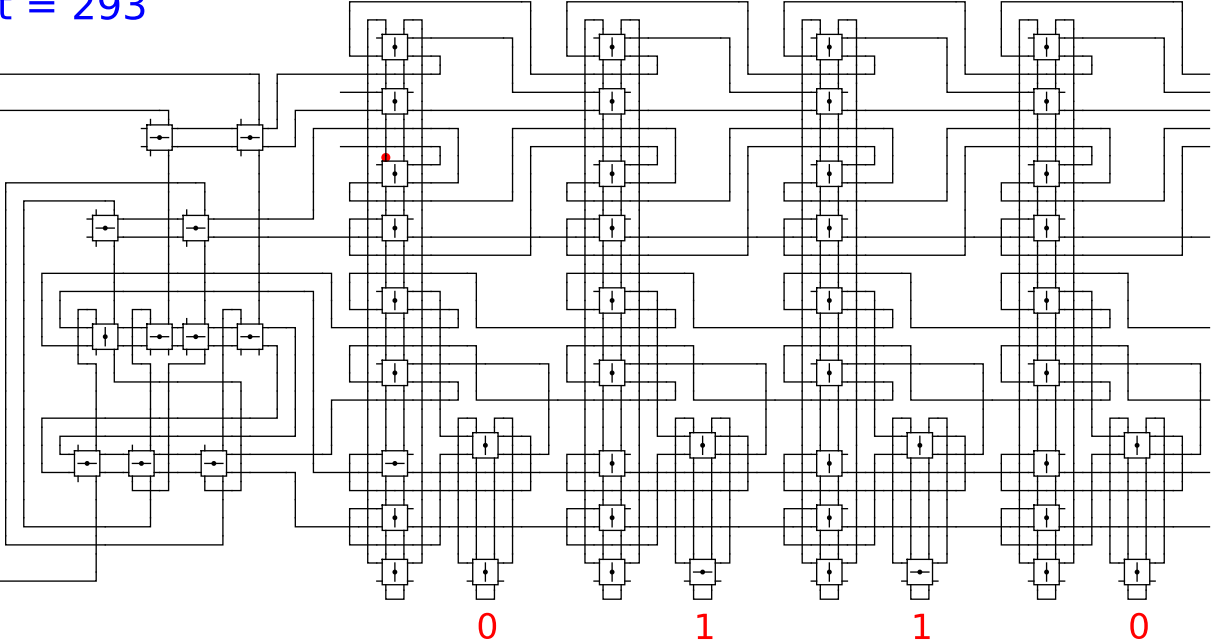
Begin



t = 293

Reject
Accept

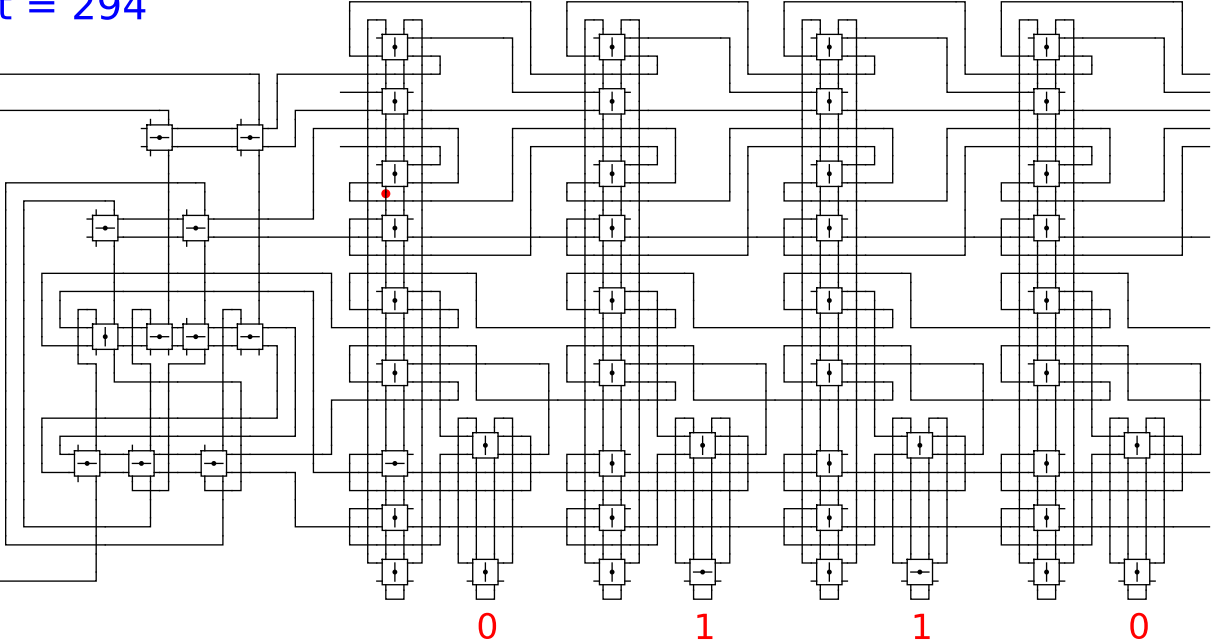
Begin



t = 294

Reject
Accept

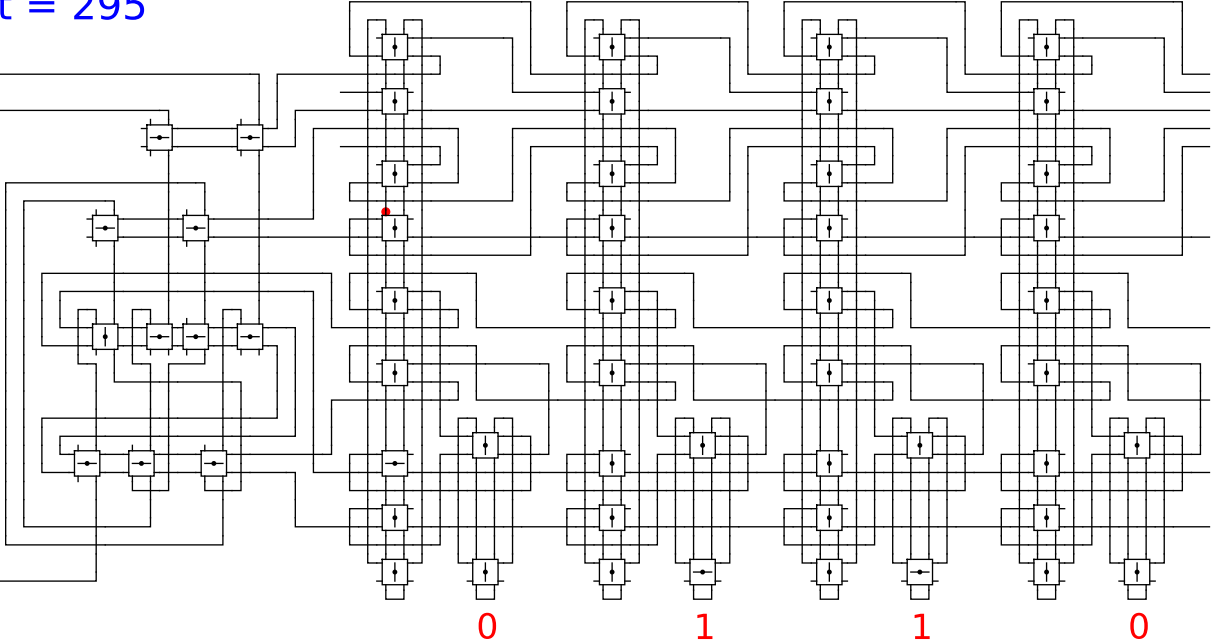
Begin



t = 295

Reject
Accept

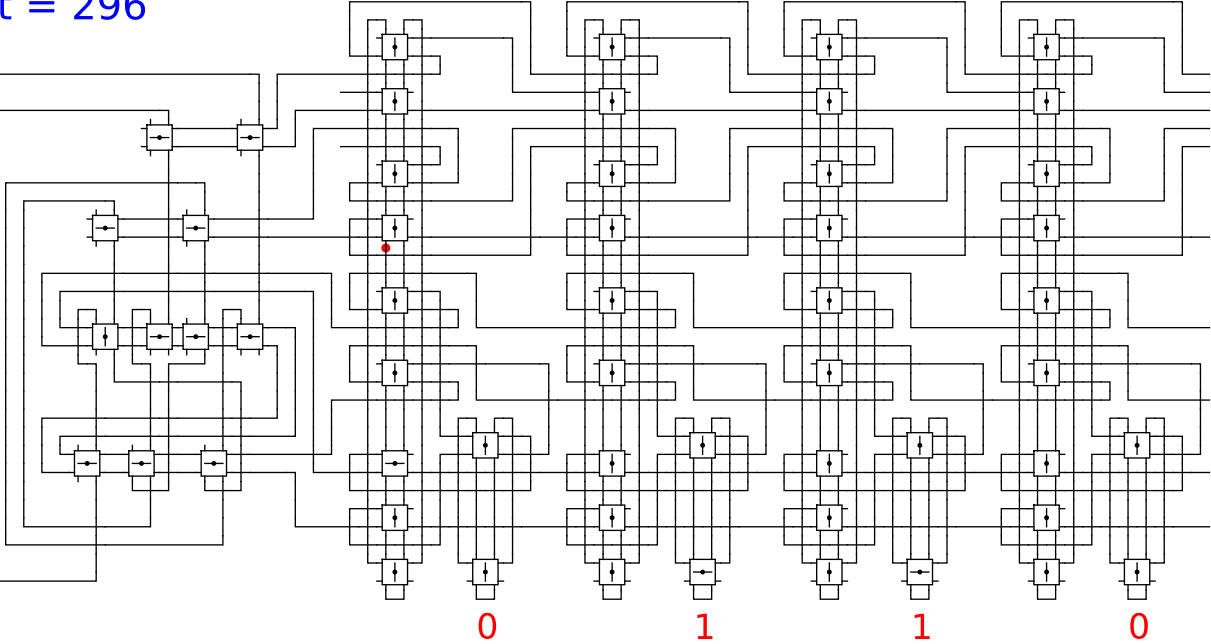
Begin



t = 296

Reject
Accept

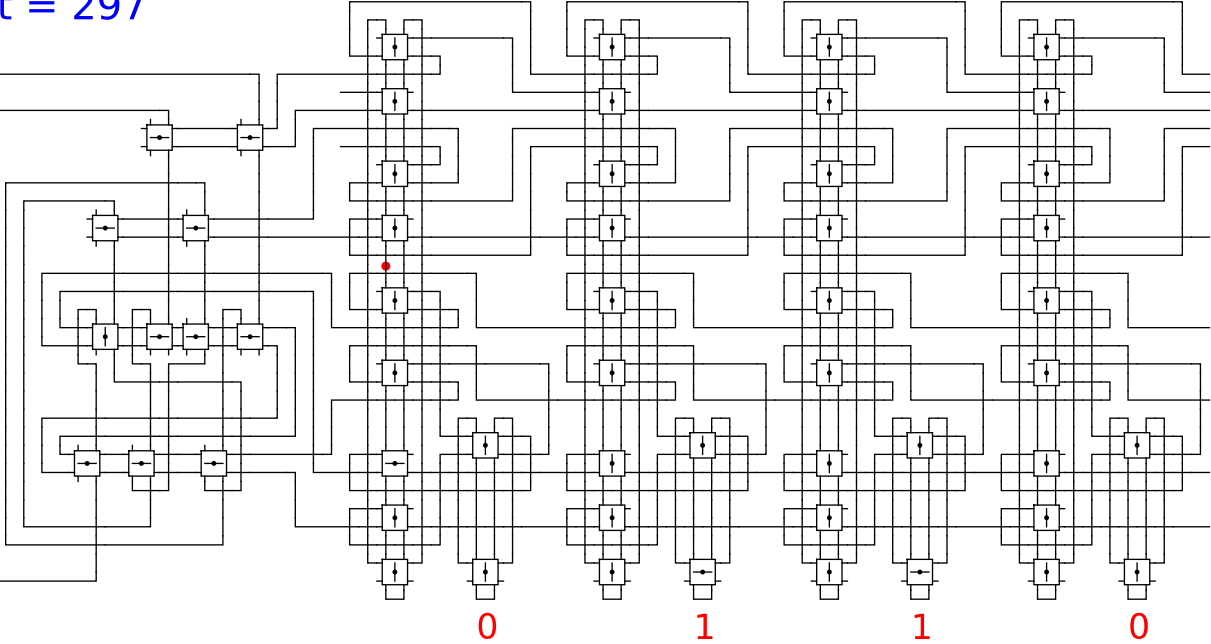
Begin



t = 297

Reject
Accept

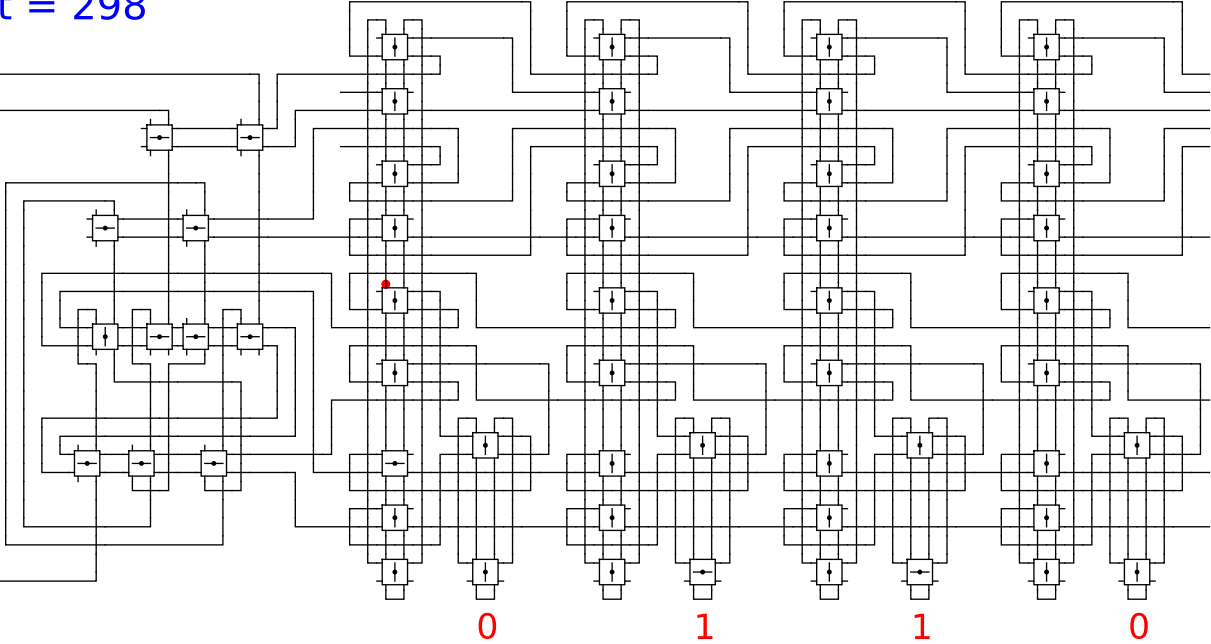
Begin



t = 298

Reject
Accept

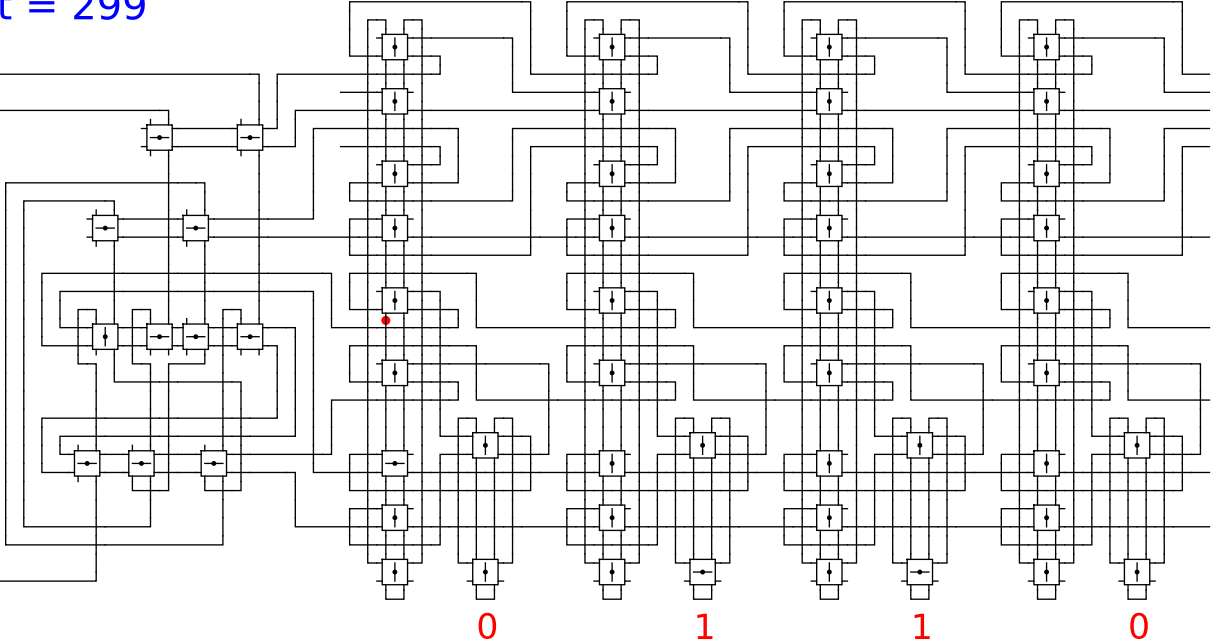
Begin



t = 299

Reject
Accept

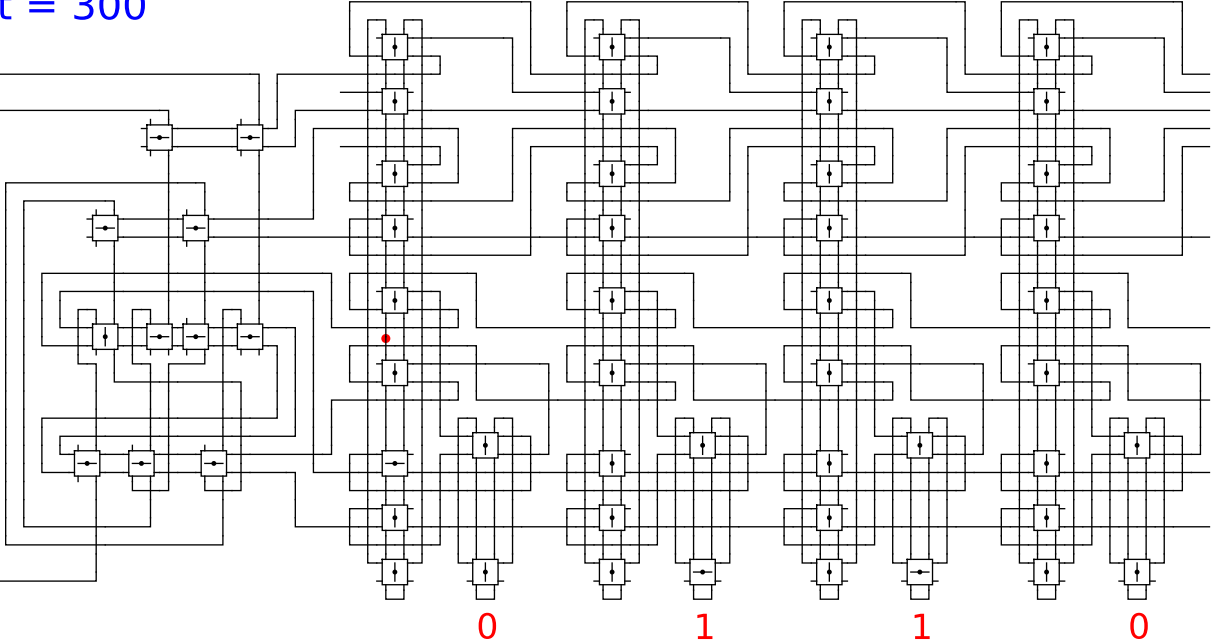
Begin



t = 300

Reject
Accept

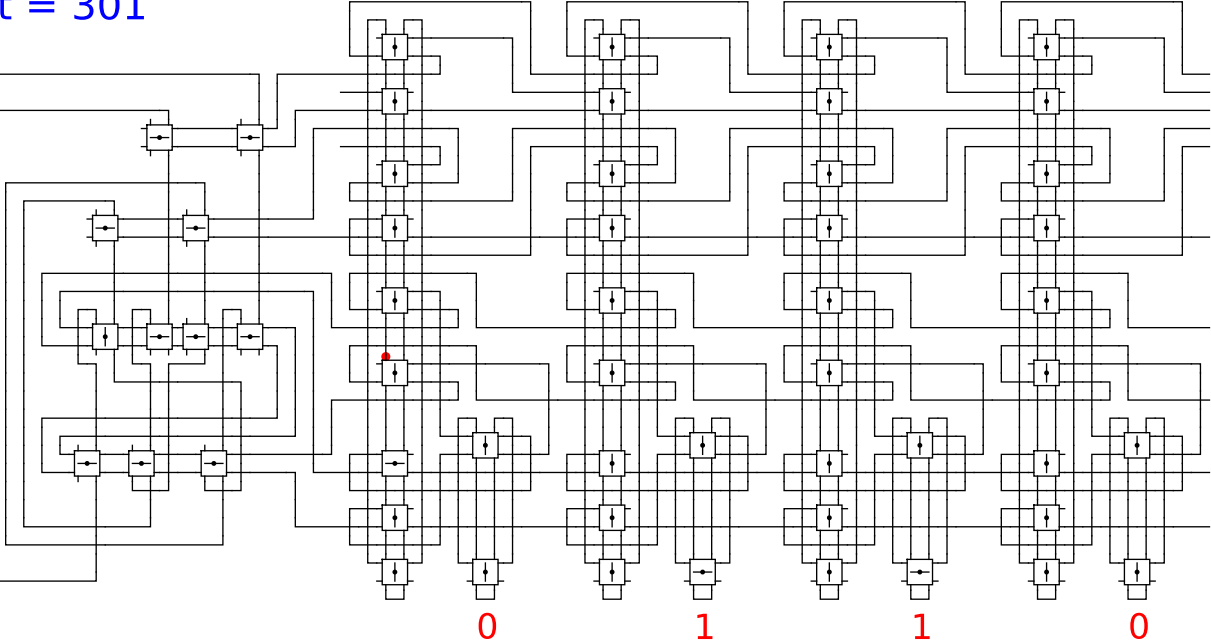
Begin



t = 301

Reject
Accept

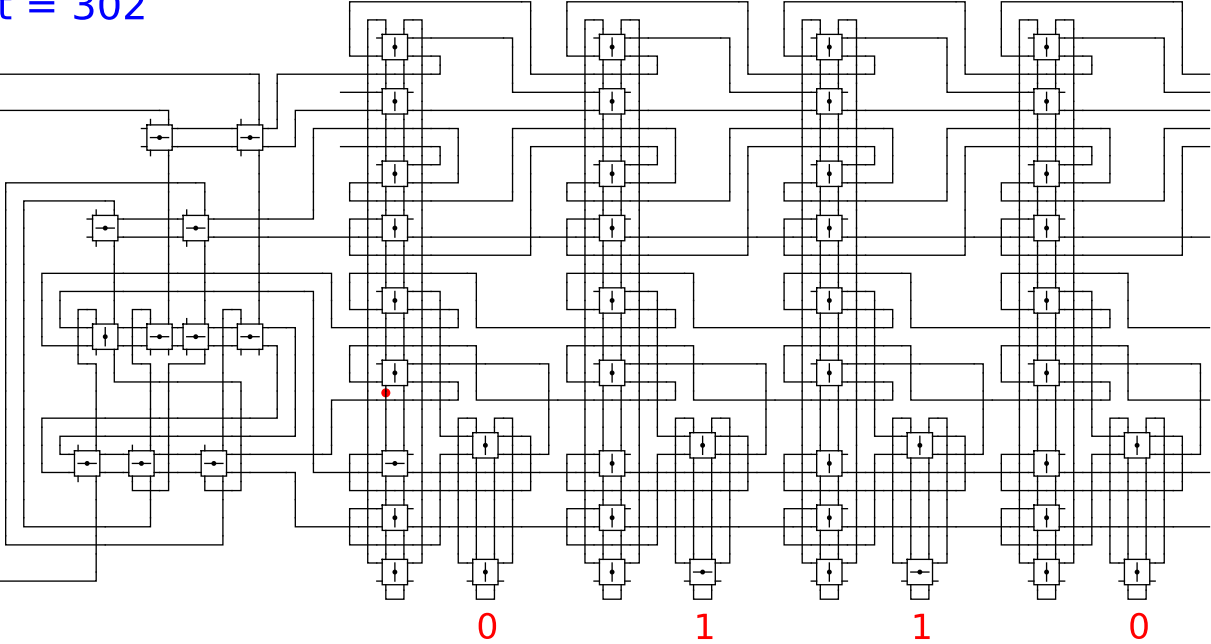
Begin



t = 302

Reject
Accept

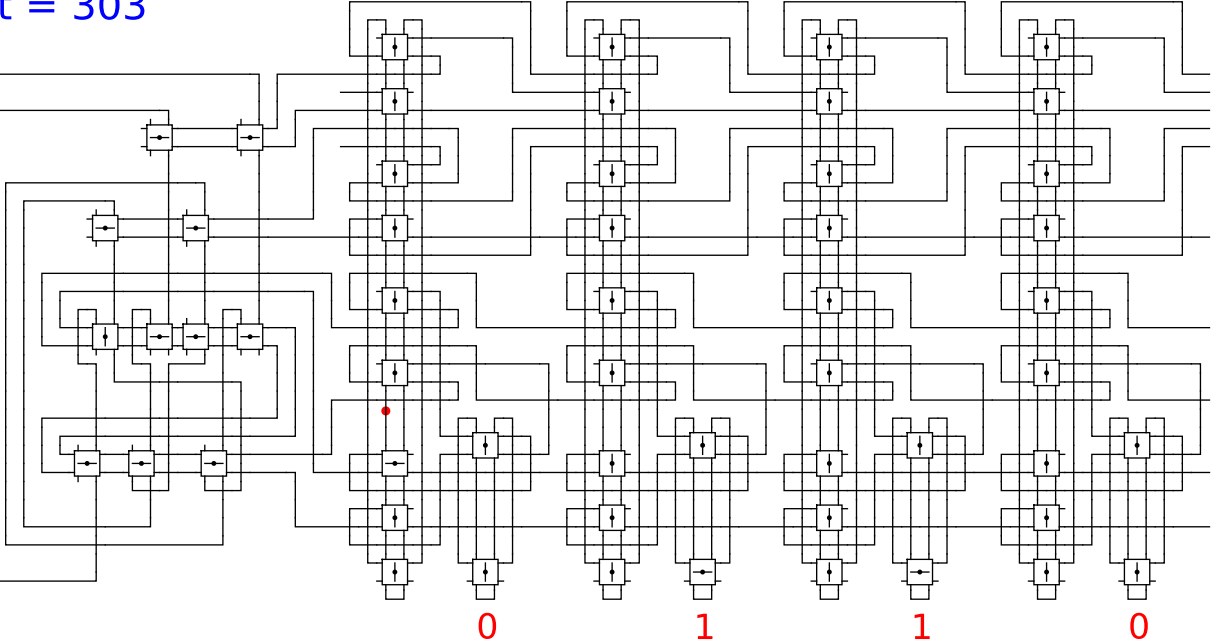
Begin



t = 303

Reject
Accept

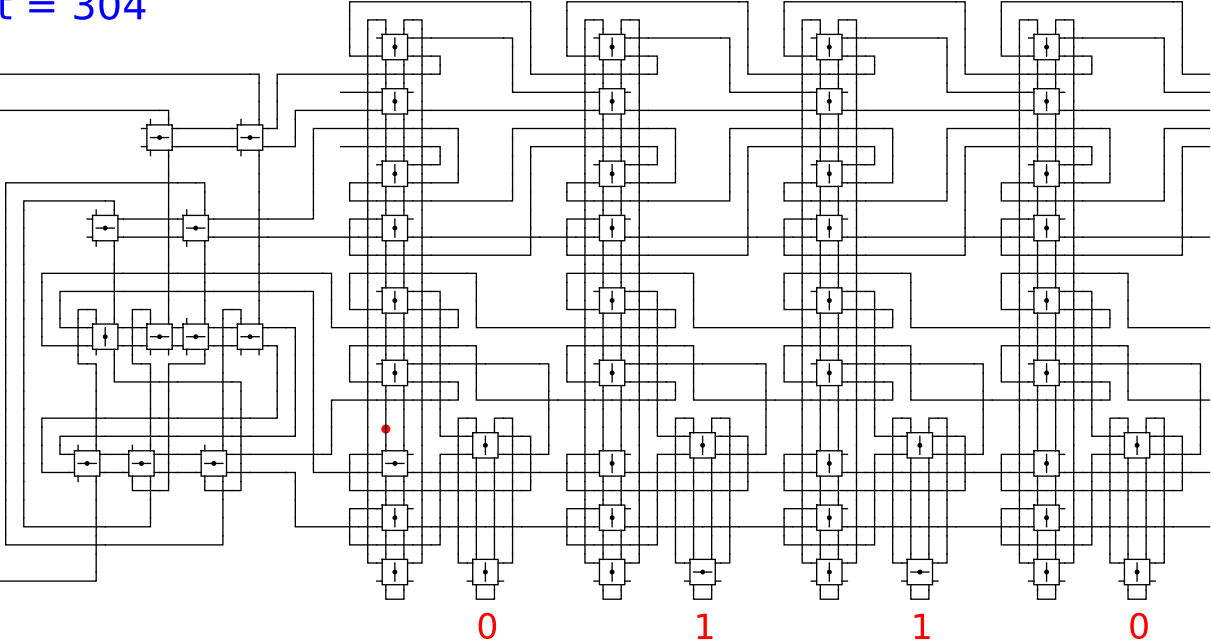
Begin



t = 304

Reject
Accept

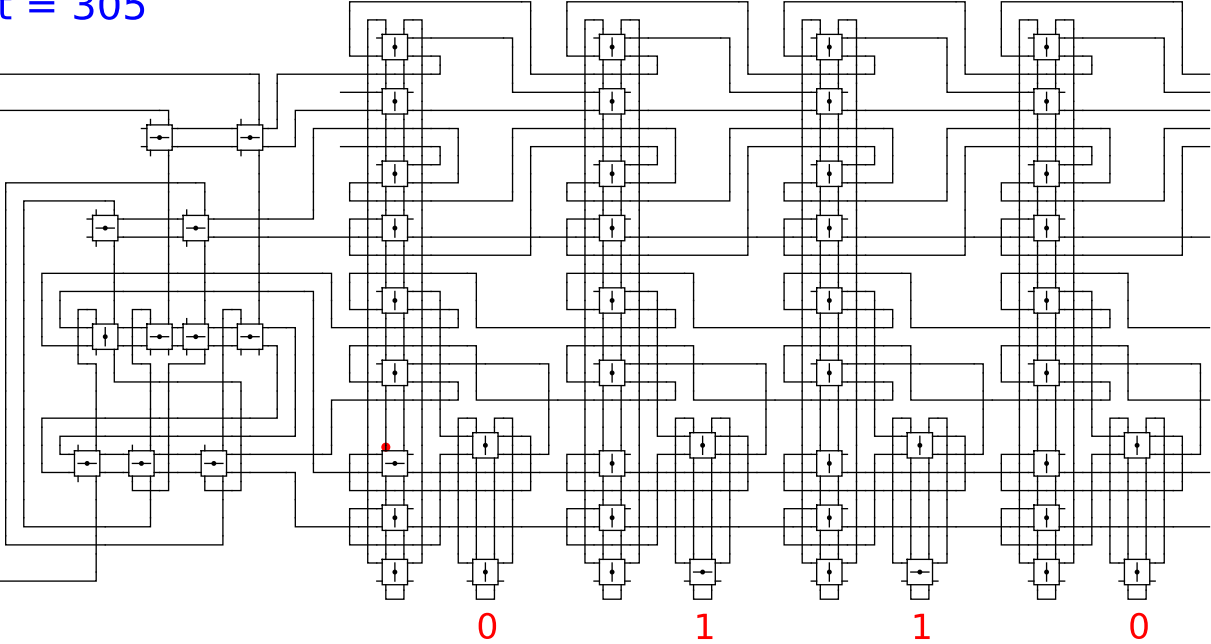
Begin



t = 305

Reject
Accept

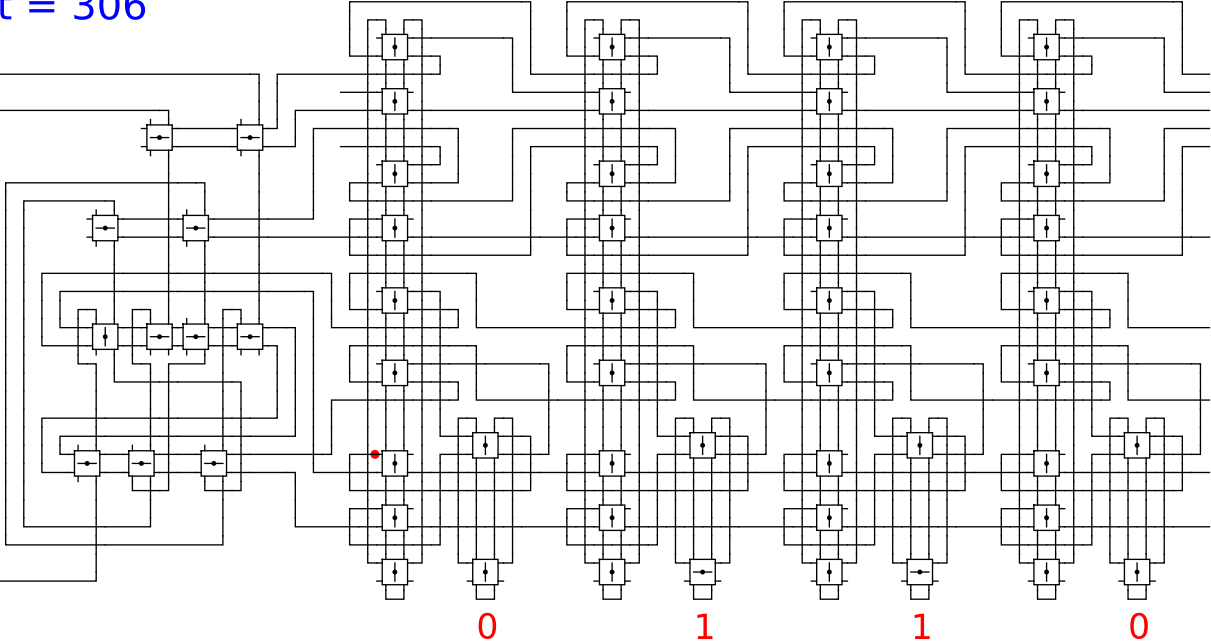
Begin



t = 306

Reject
Accept

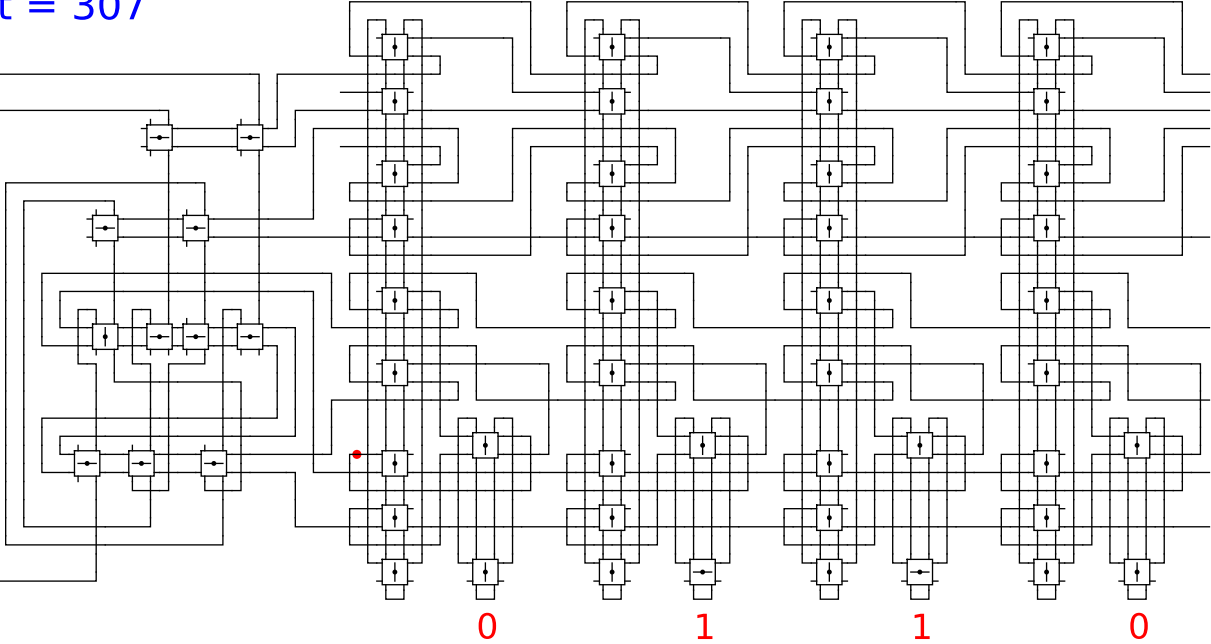
Begin



t = 307

Reject
Accept

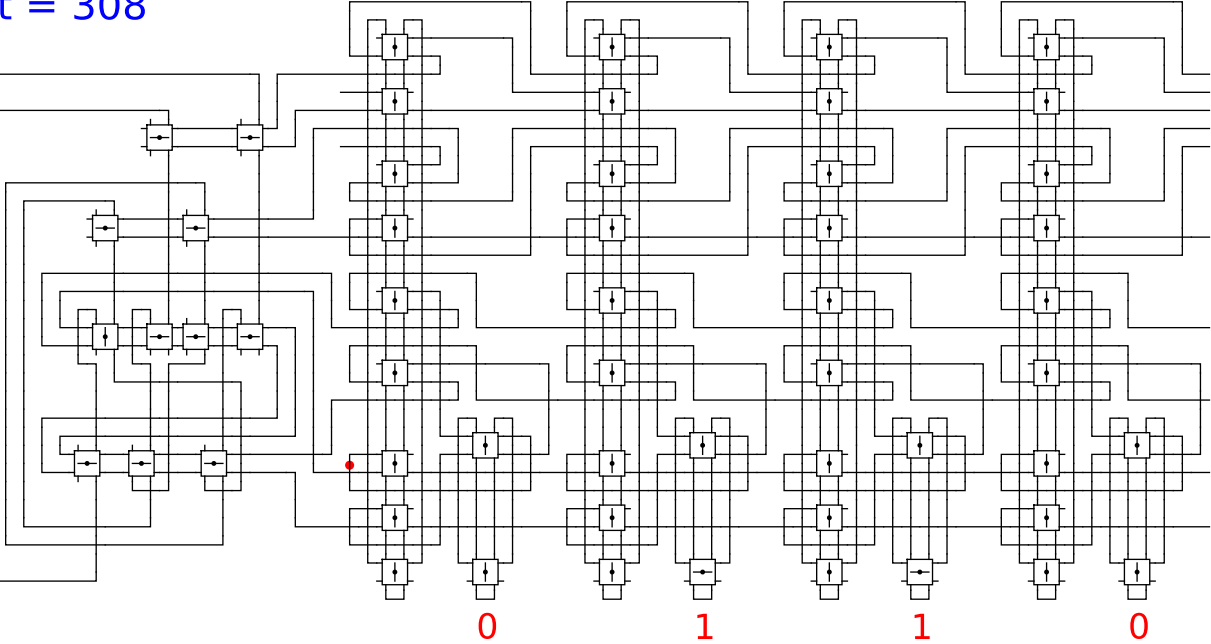
Begin



t = 308

Reject
Accept

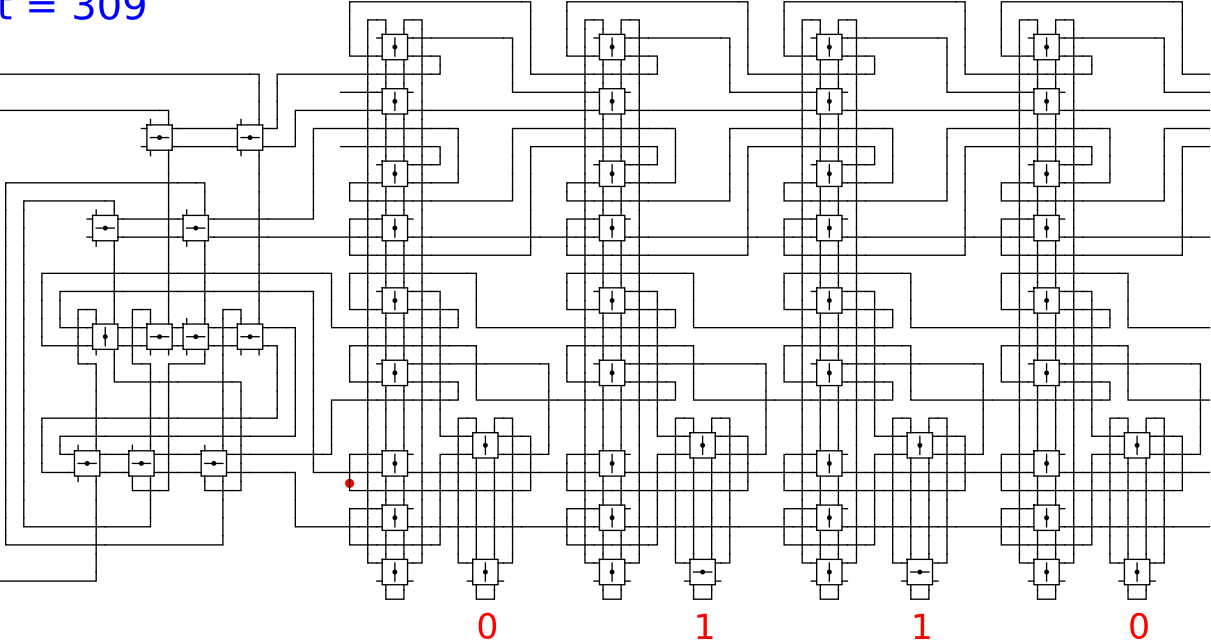
Begin



t = 309

Reject
Accept

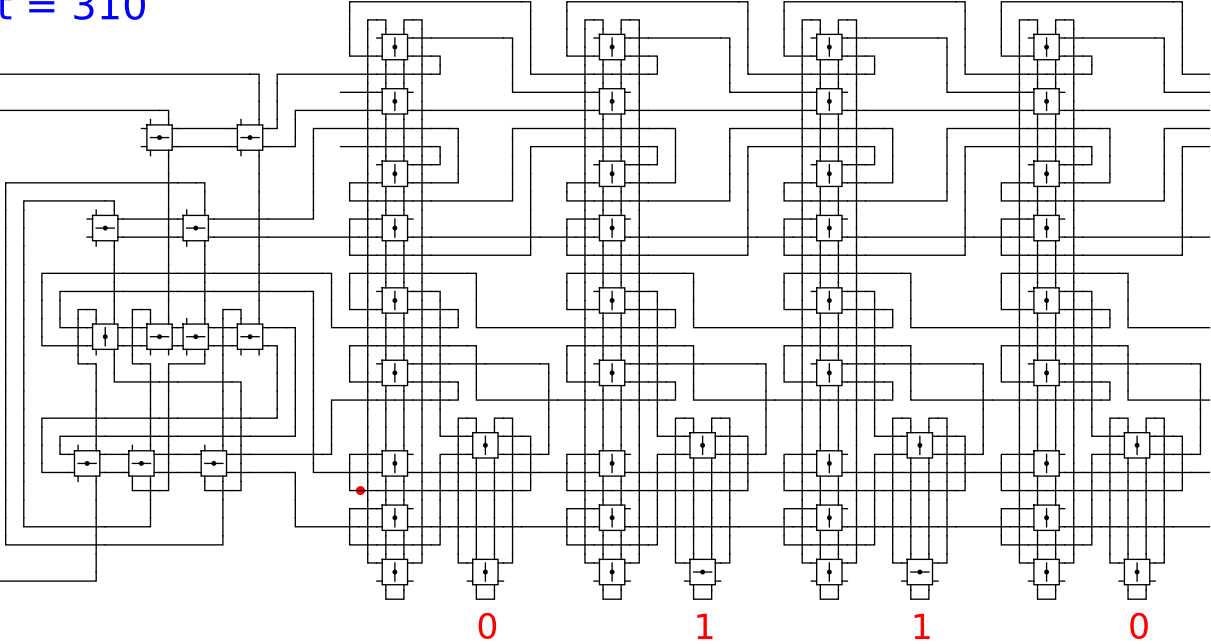
Begin



t = 310

Reject
Accept

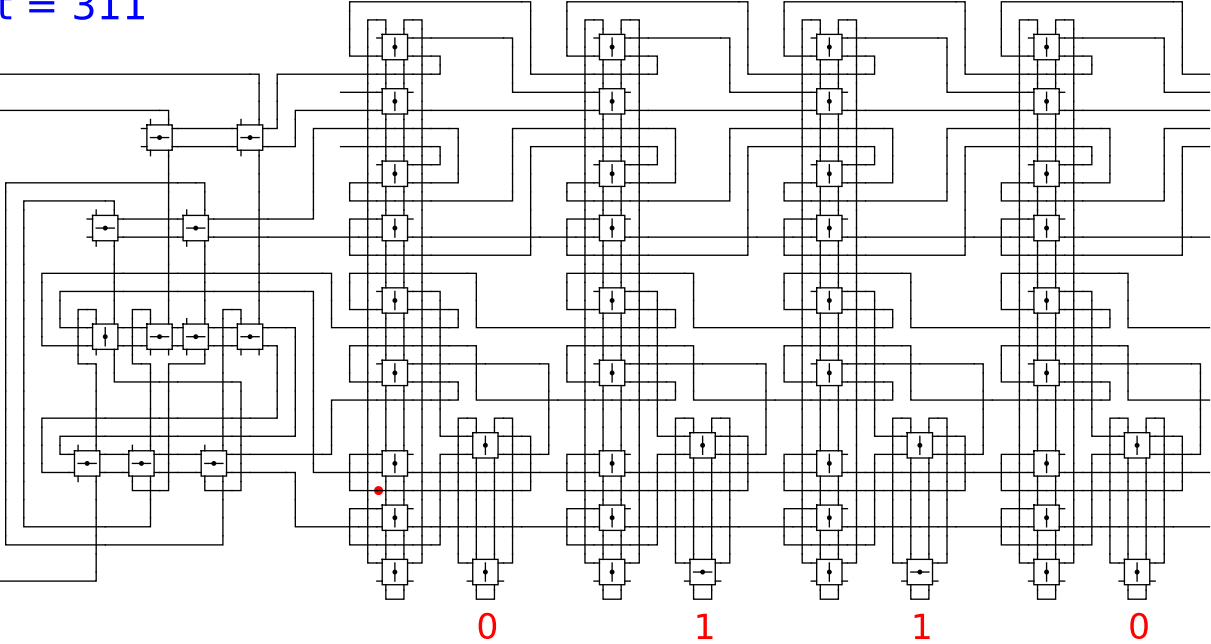
Begin



t = 311

Reject
Accept

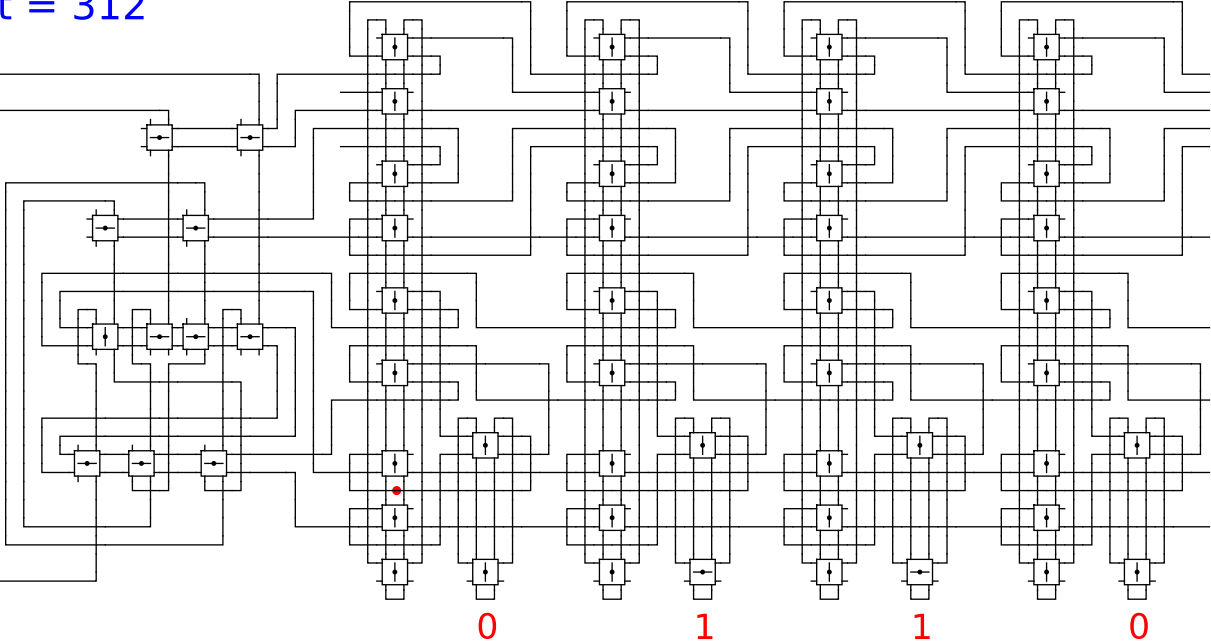
Begin



t = 312

Reject
Accept

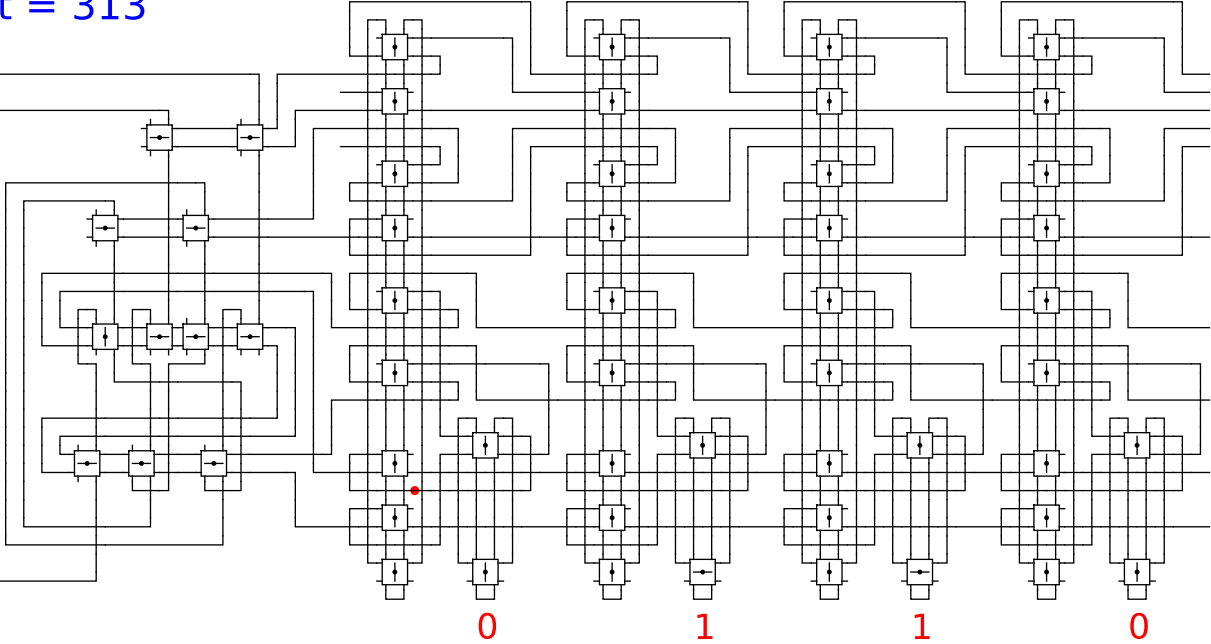
Begin



t = 313

Reject
Accept

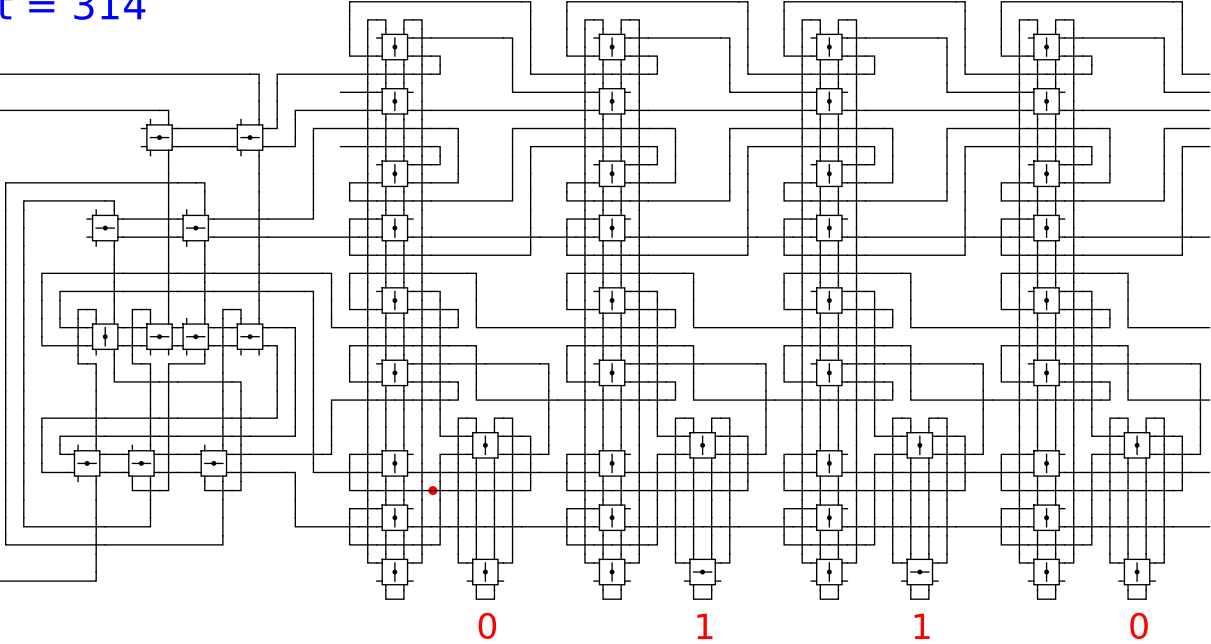
Begin



t = 314

Reject
Accept

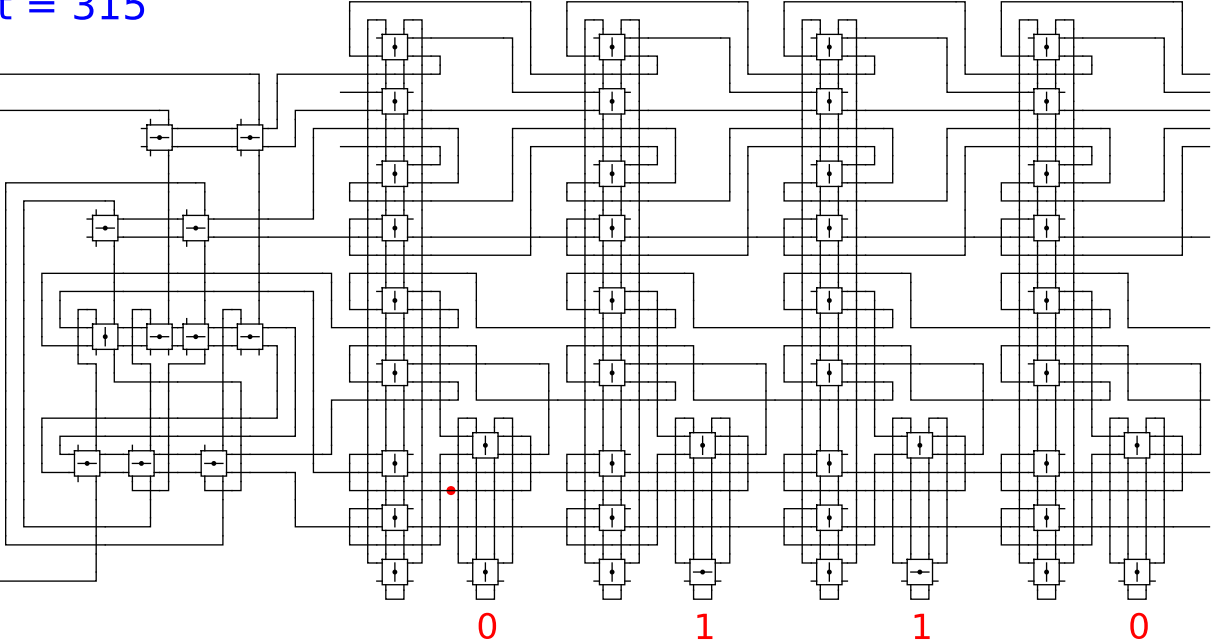
Begin



t = 315

Reject
Accept

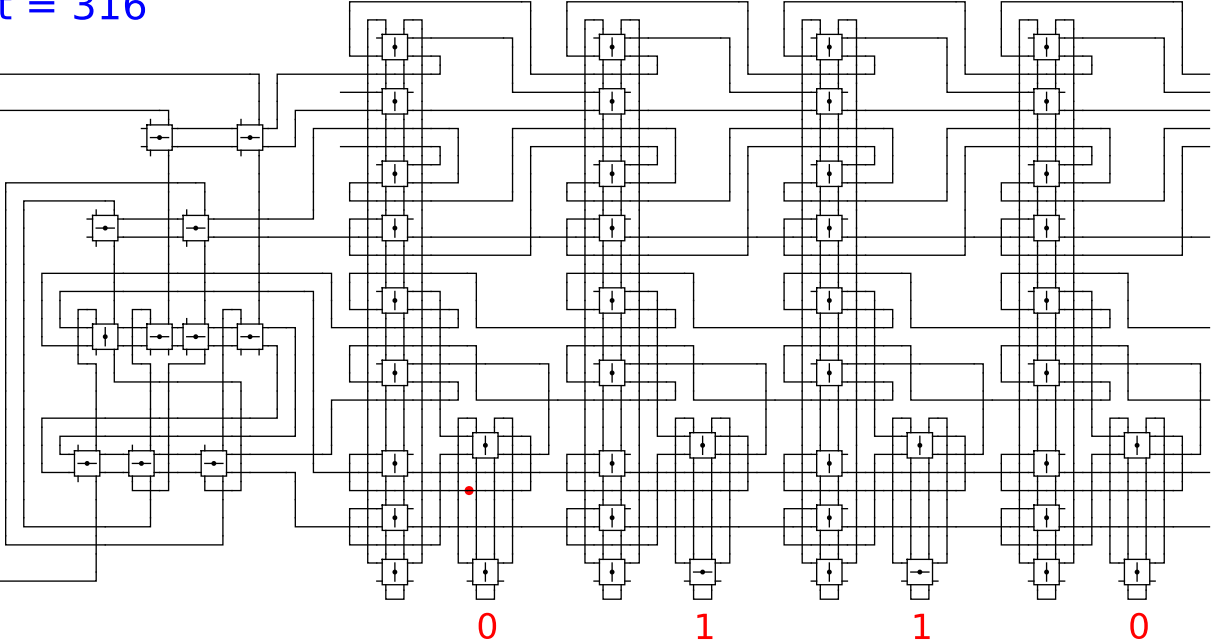
Begin



t = 316

Reject
Accept

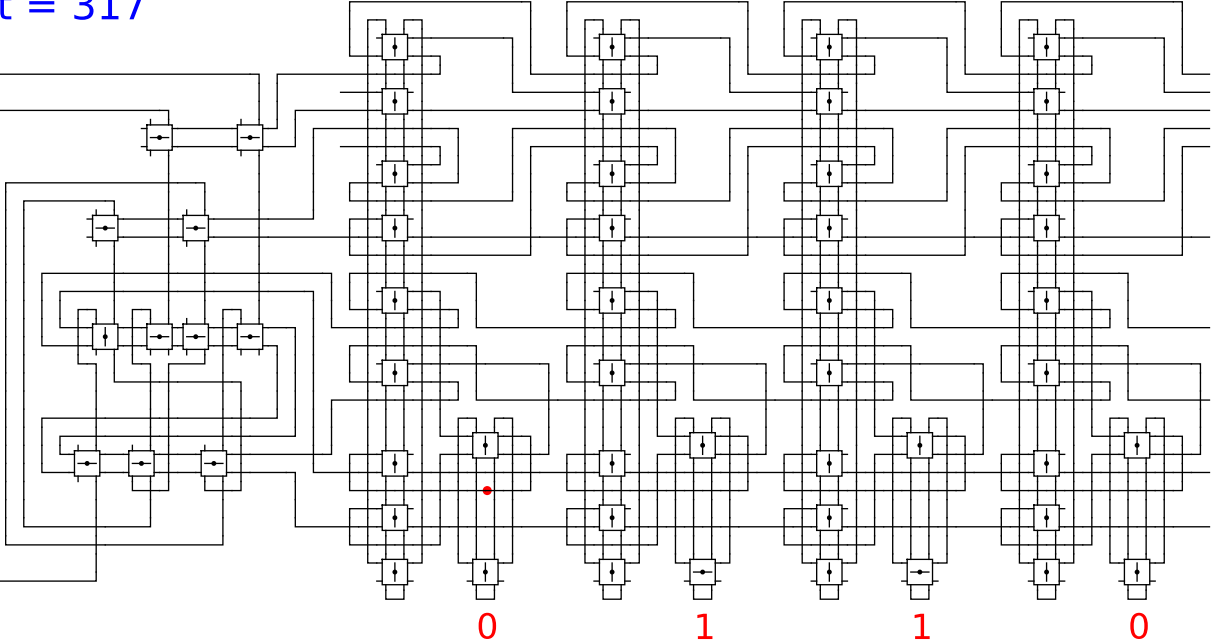
Begin



t = 317

Reject
Accept

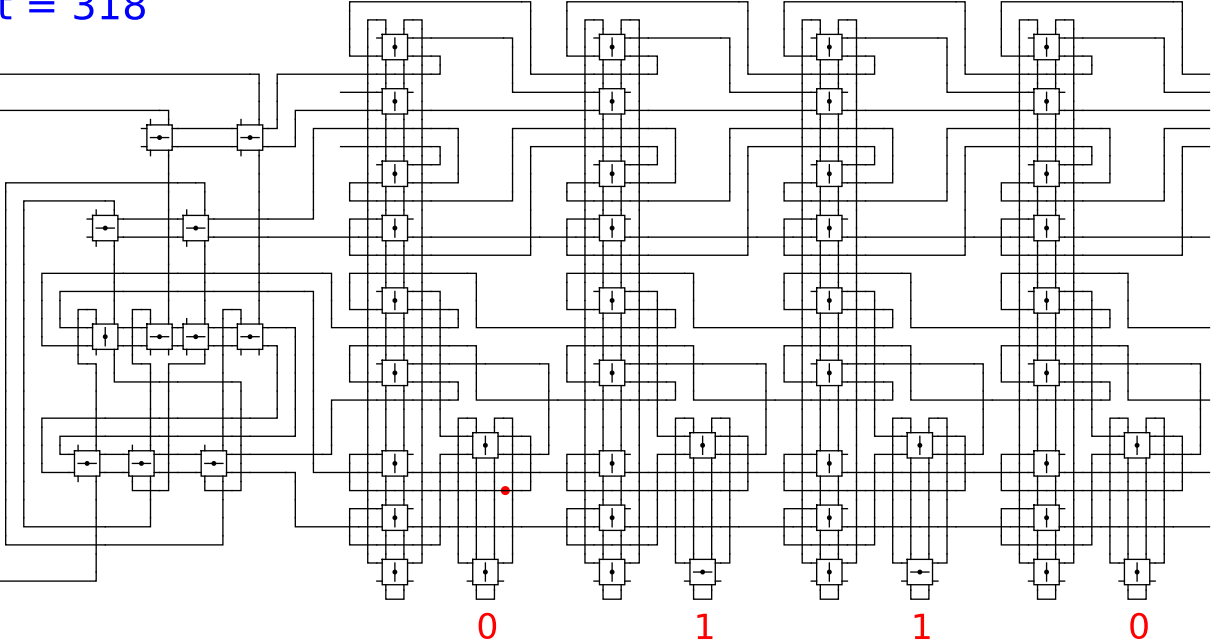
Begin



t = 318

Reject
Accept

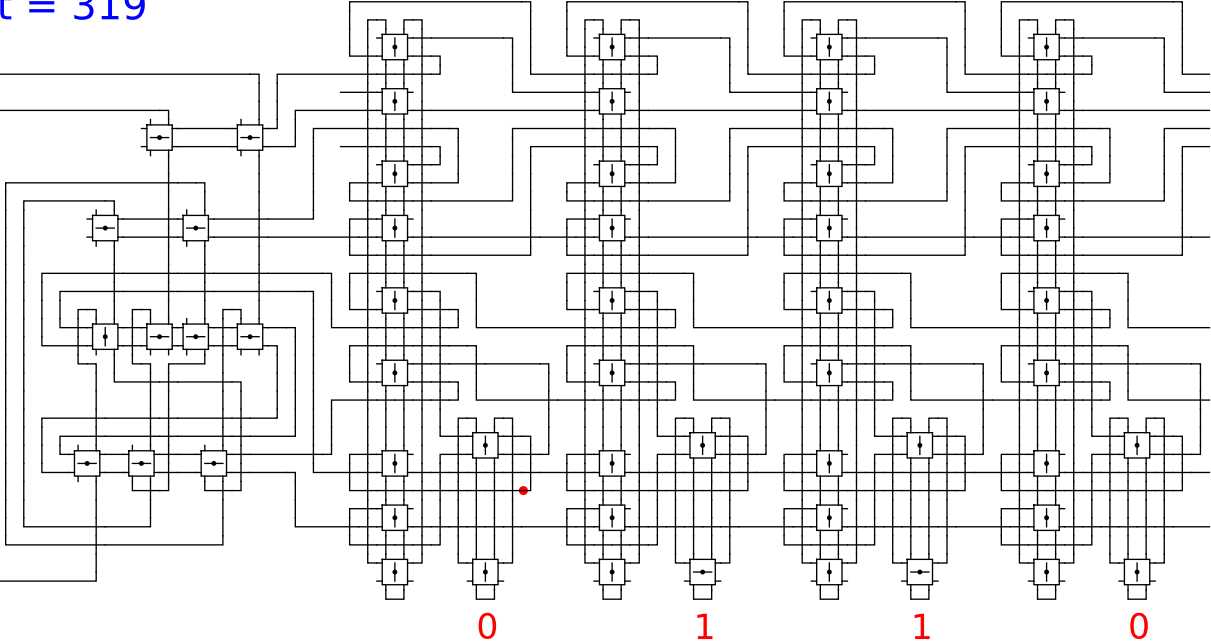
Begin



t = 319

Reject
Accept

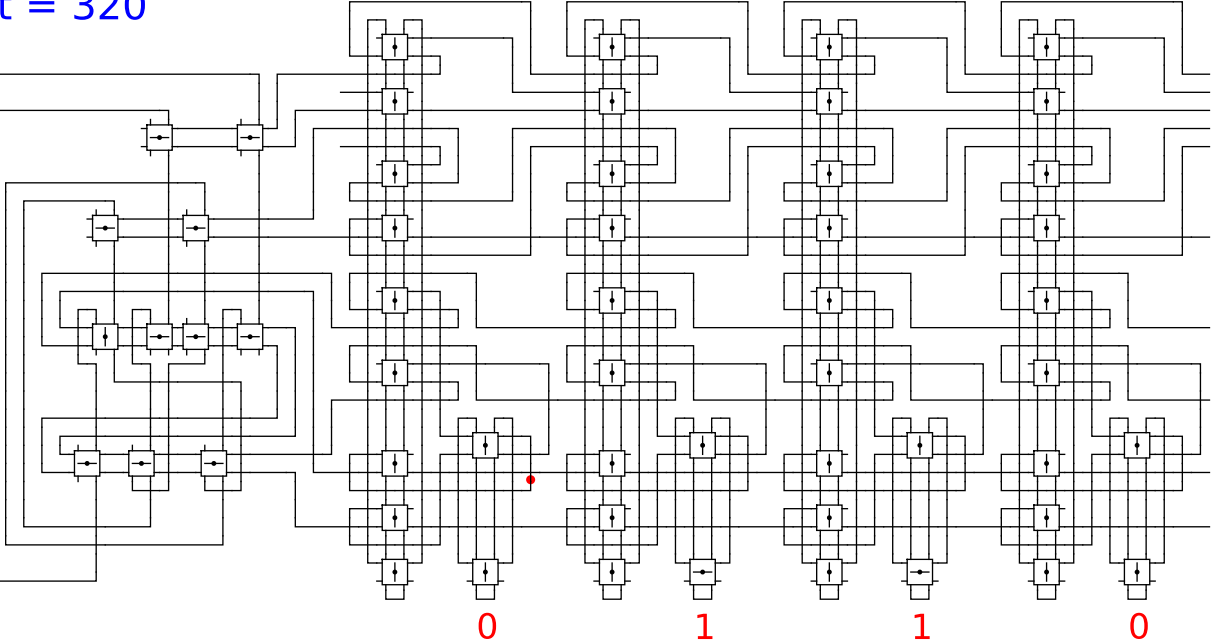
Begin



t = 320

Reject
Accept

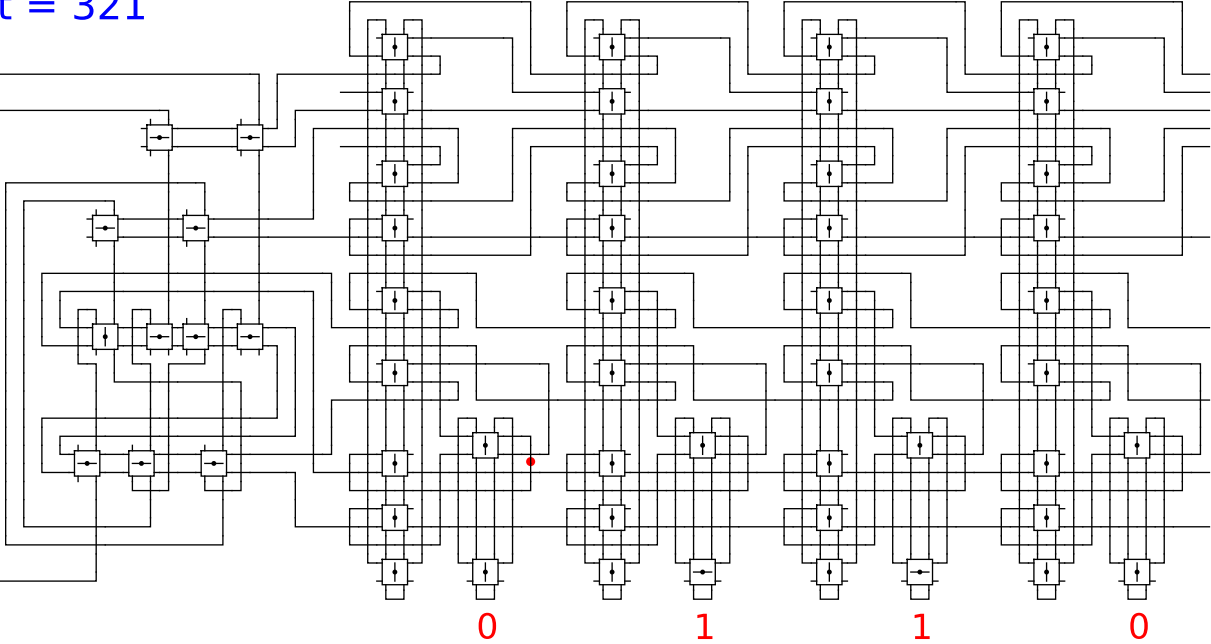
Begin



t = 321

Reject
Accept

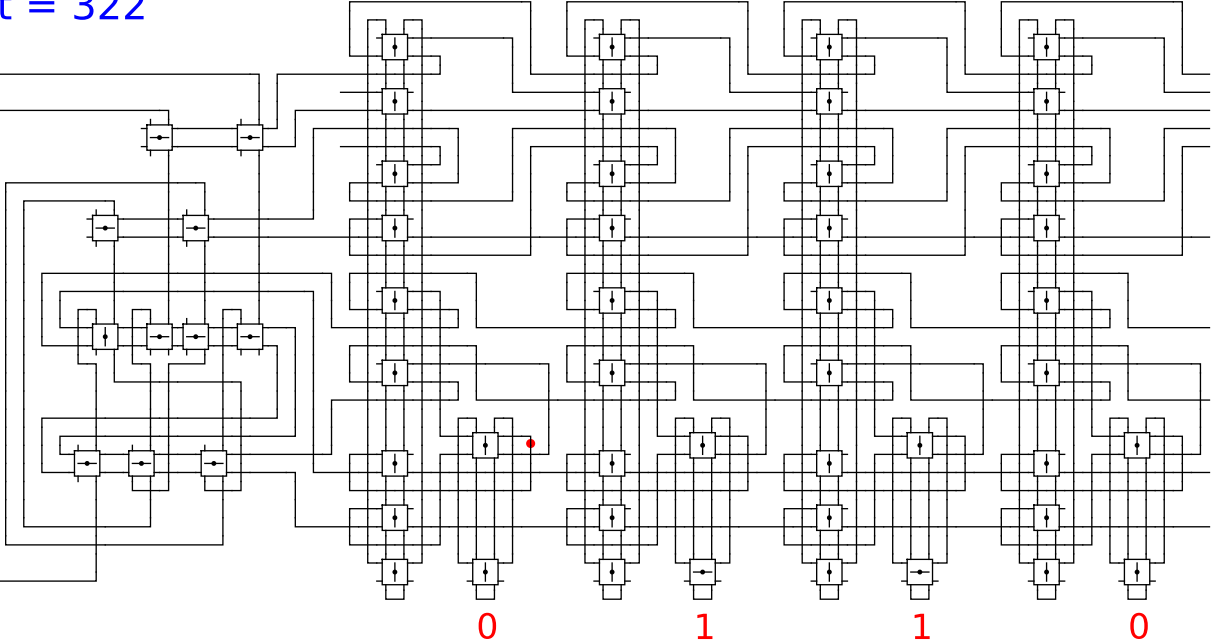
Begin



t = 322

Reject
Accept

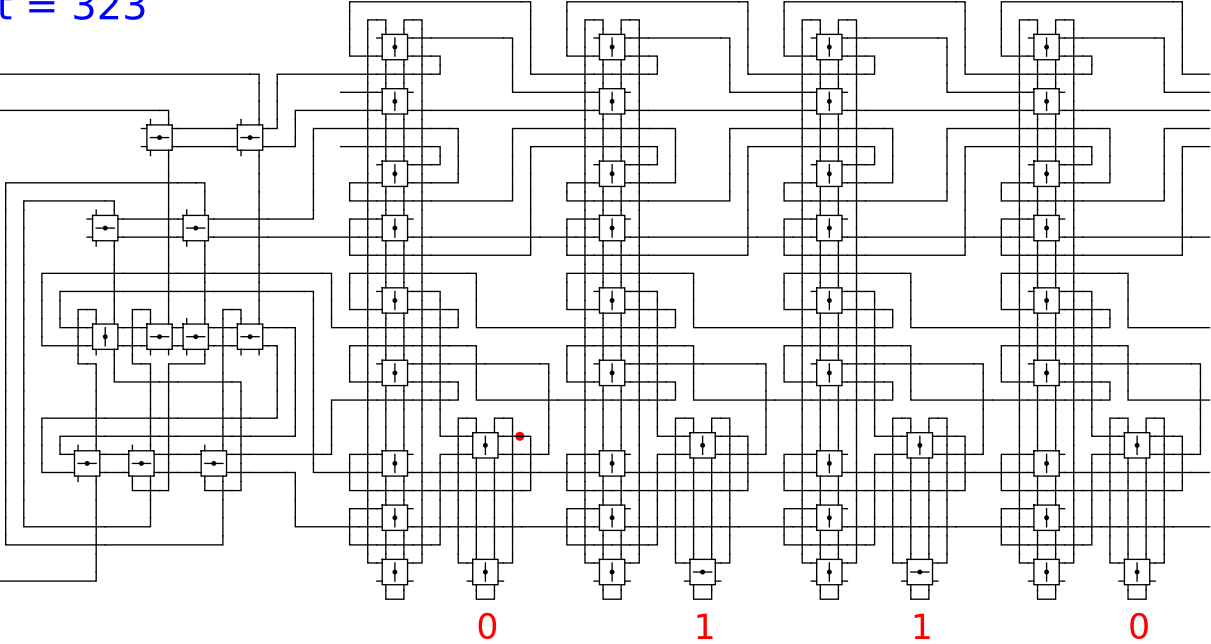
Begin



t = 323

Reject
Accept

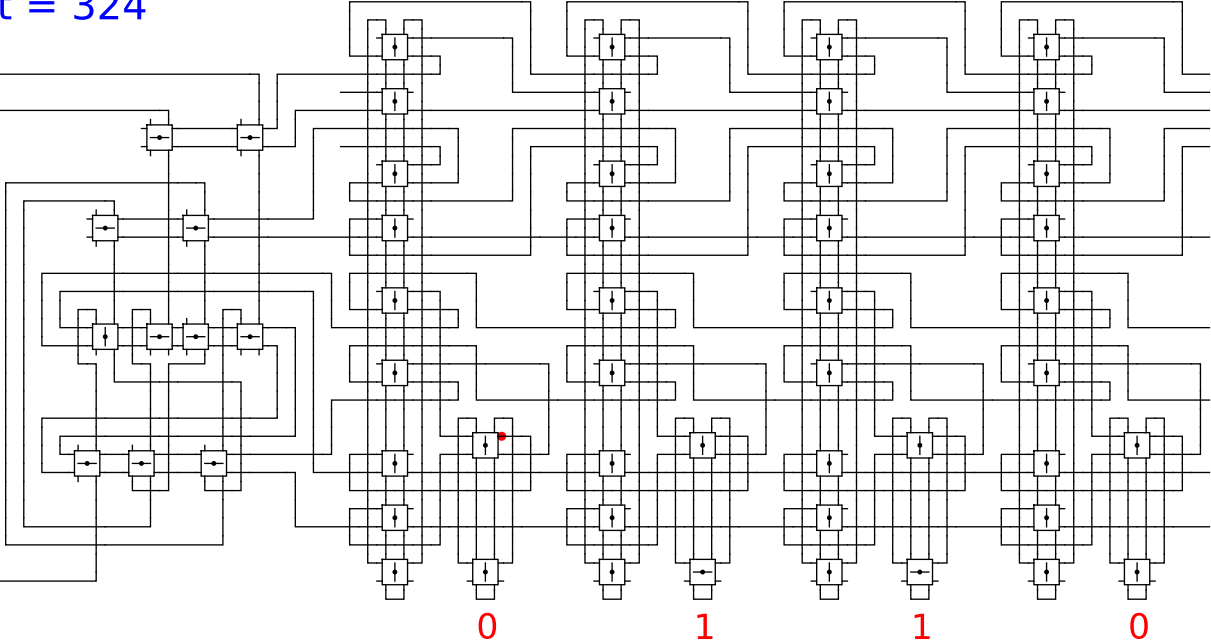
Begin



t = 324

Reject
Accept

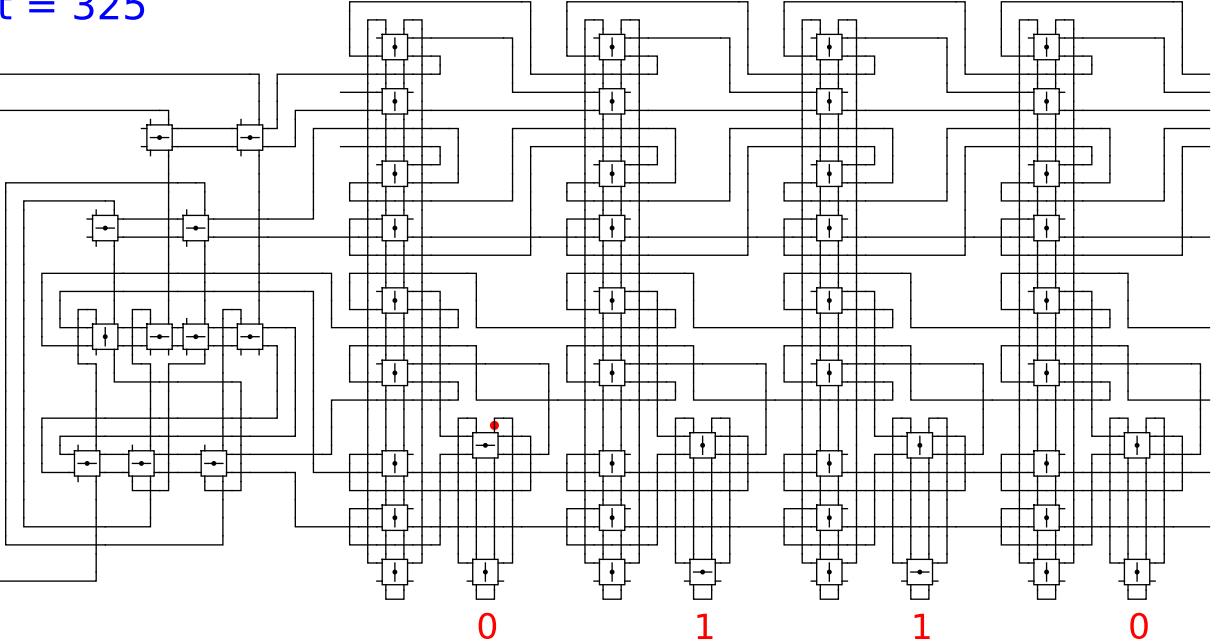
Begin



t = 325

Reject
Accept

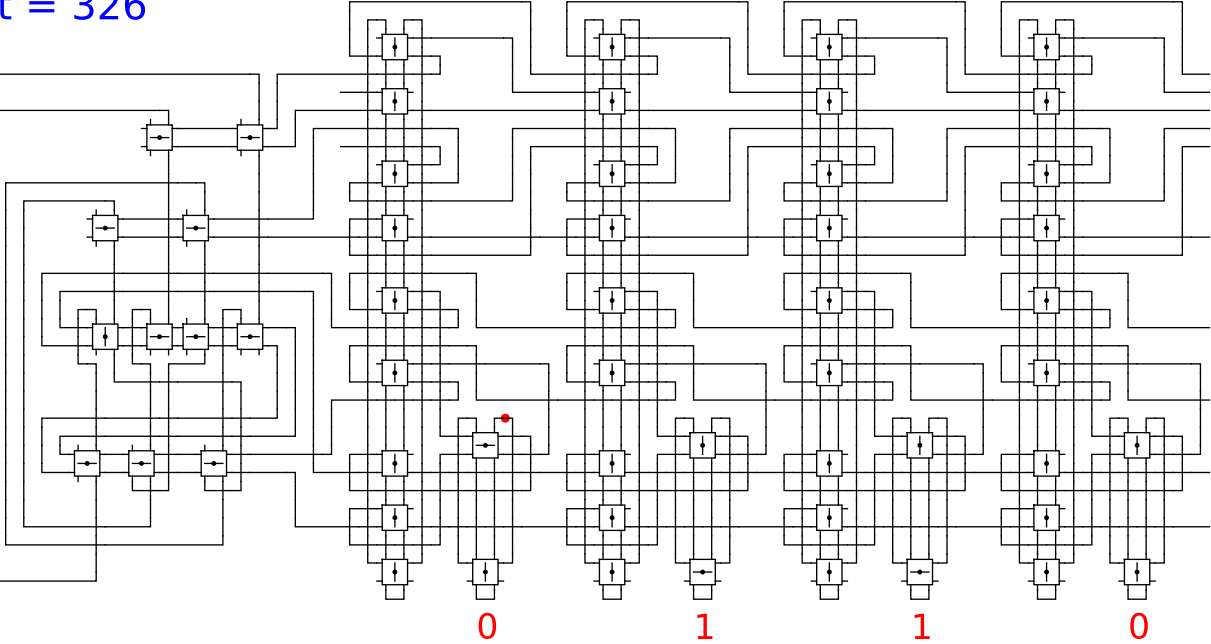
Begin



t = 326

Reject
Accept

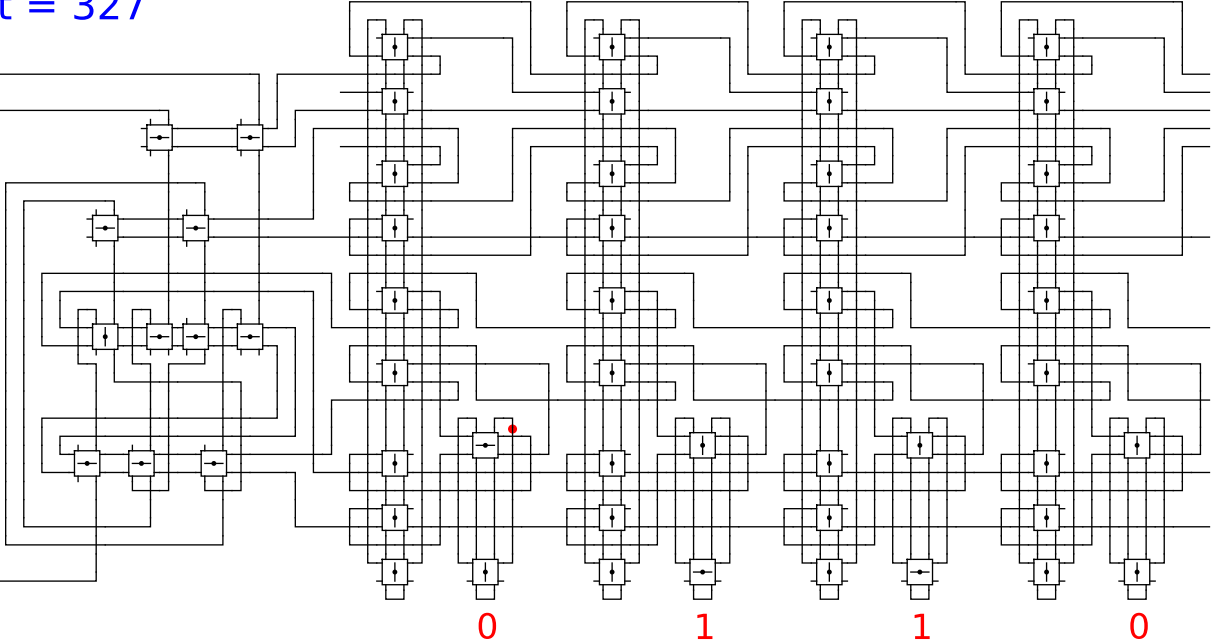
Begin



t = 327

Reject
Accept

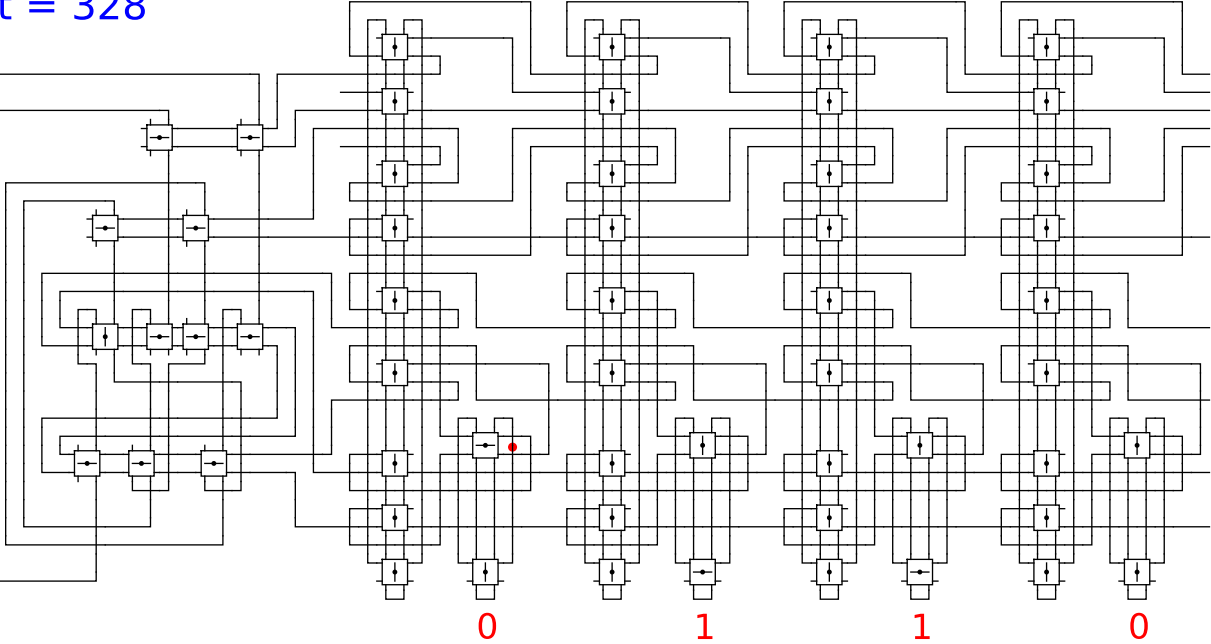
Begin



t = 328

Reject
Accept

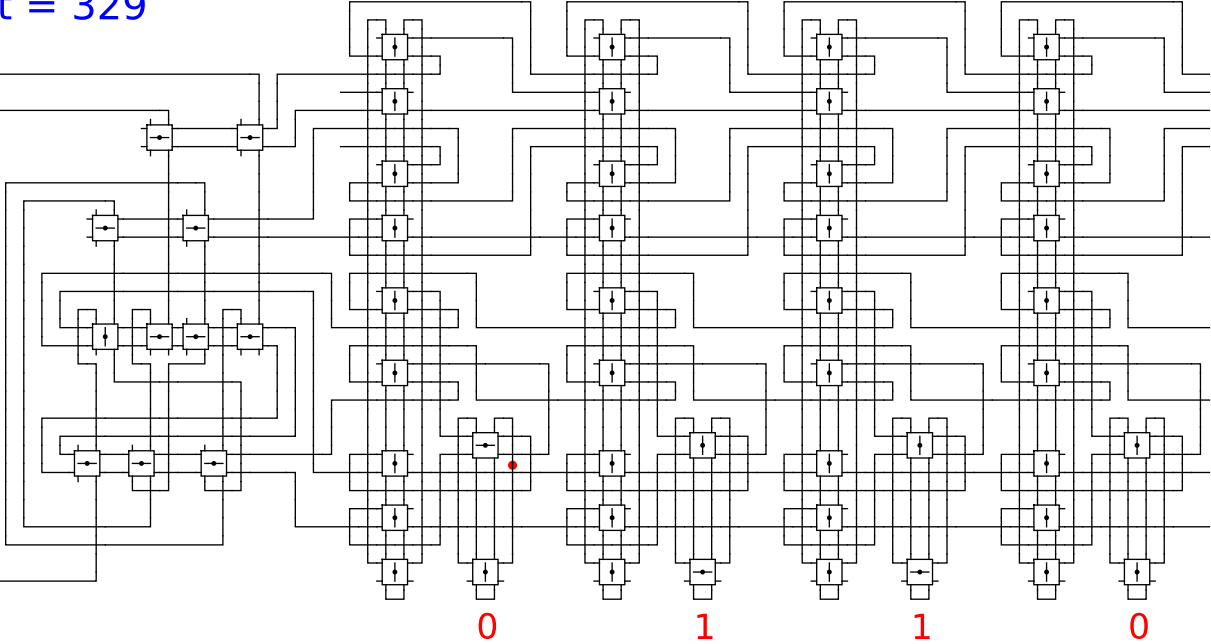
Begin



t = 329

Reject
Accept

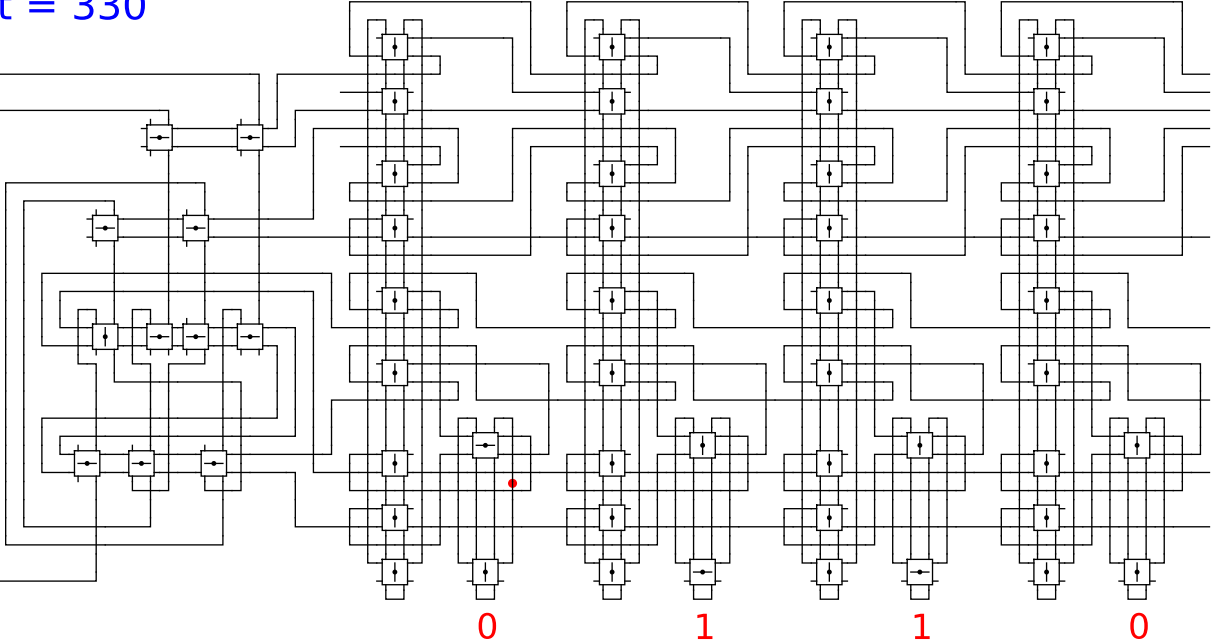
Begin



t = 330

Reject
Accept

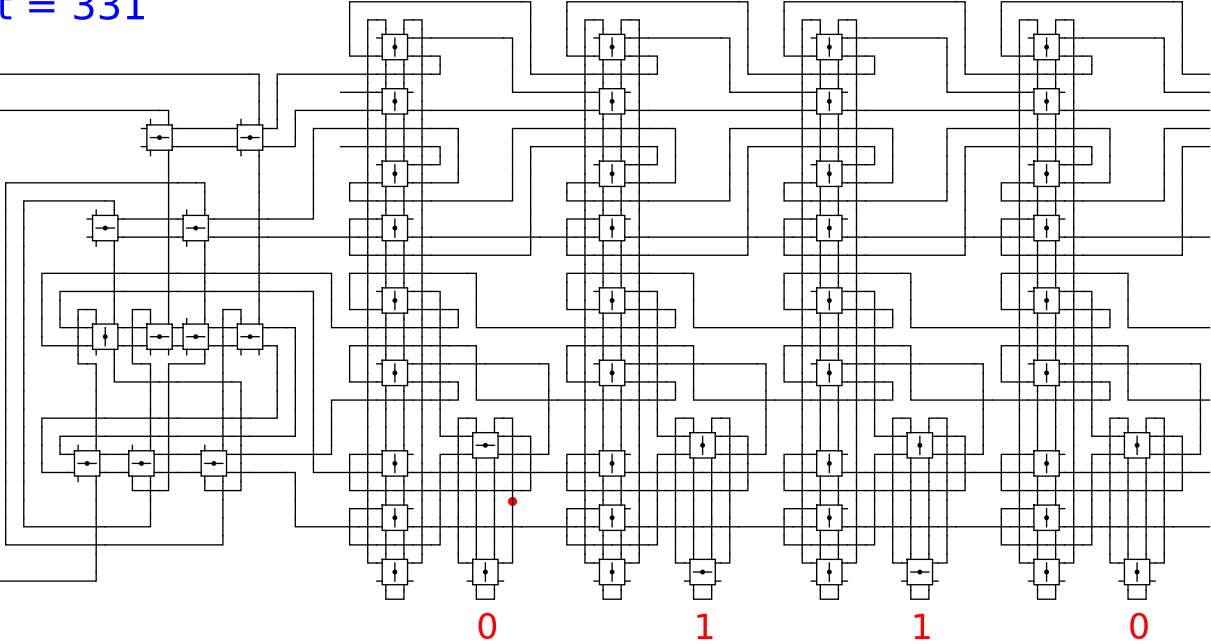
Begin



t = 331

Reject
Accept

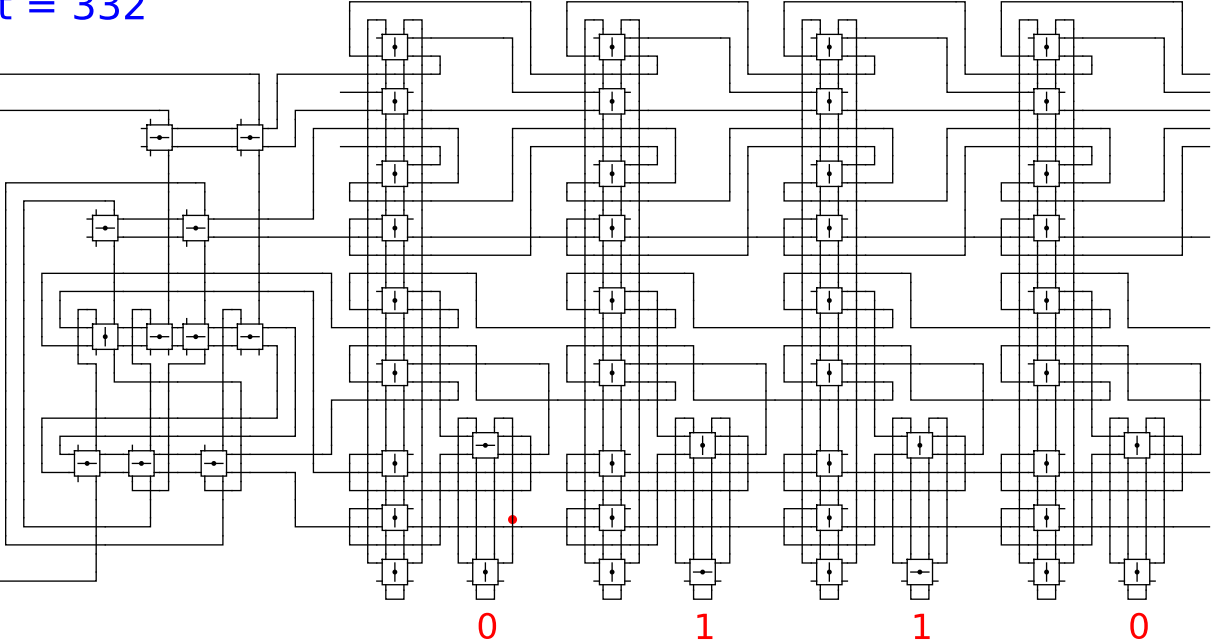
Begin



t = 332

Reject
Accept

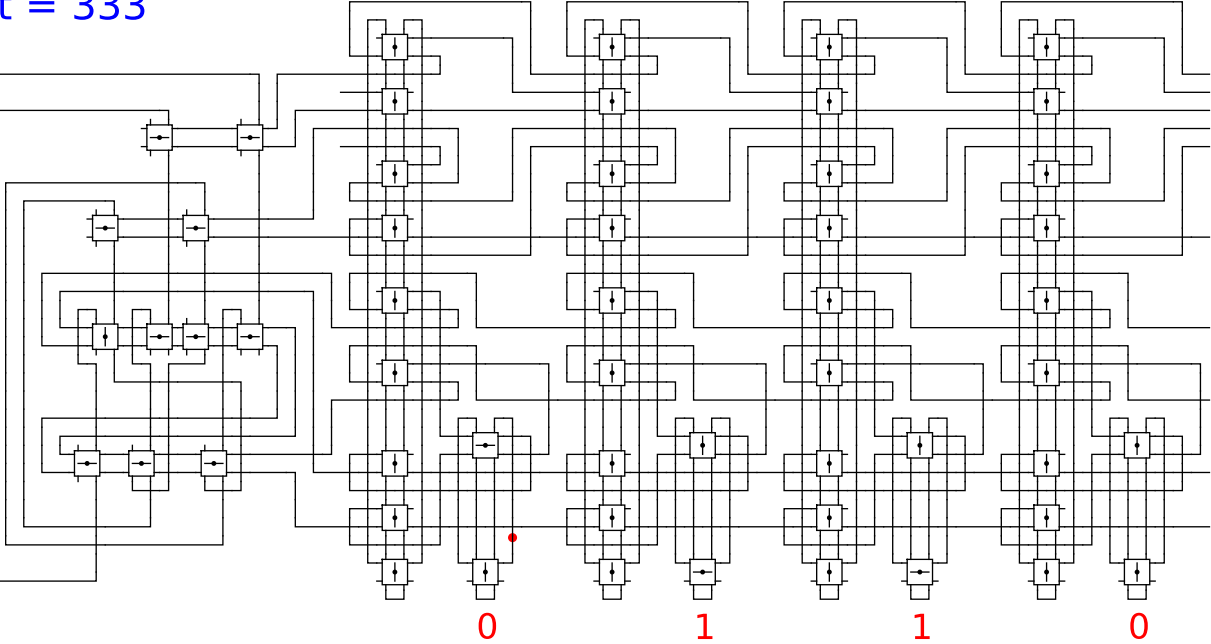
Begin



t = 333

Reject
Accept

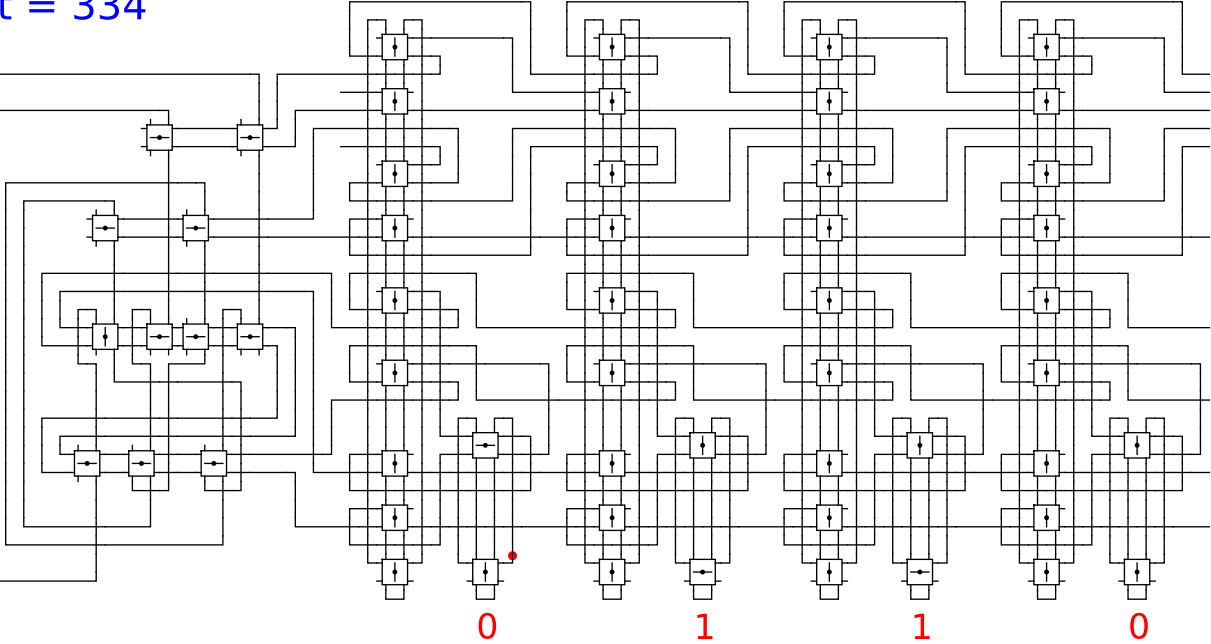
Begin



t = 334

Reject
Accept

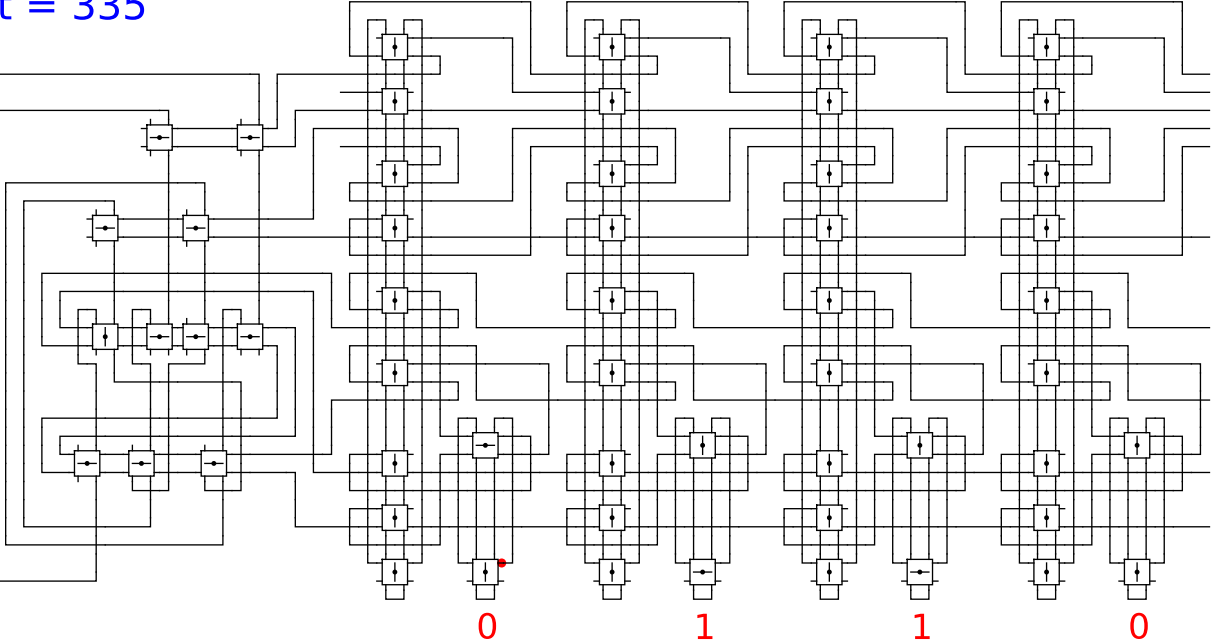
Begin



t = 335

Reject
Accept

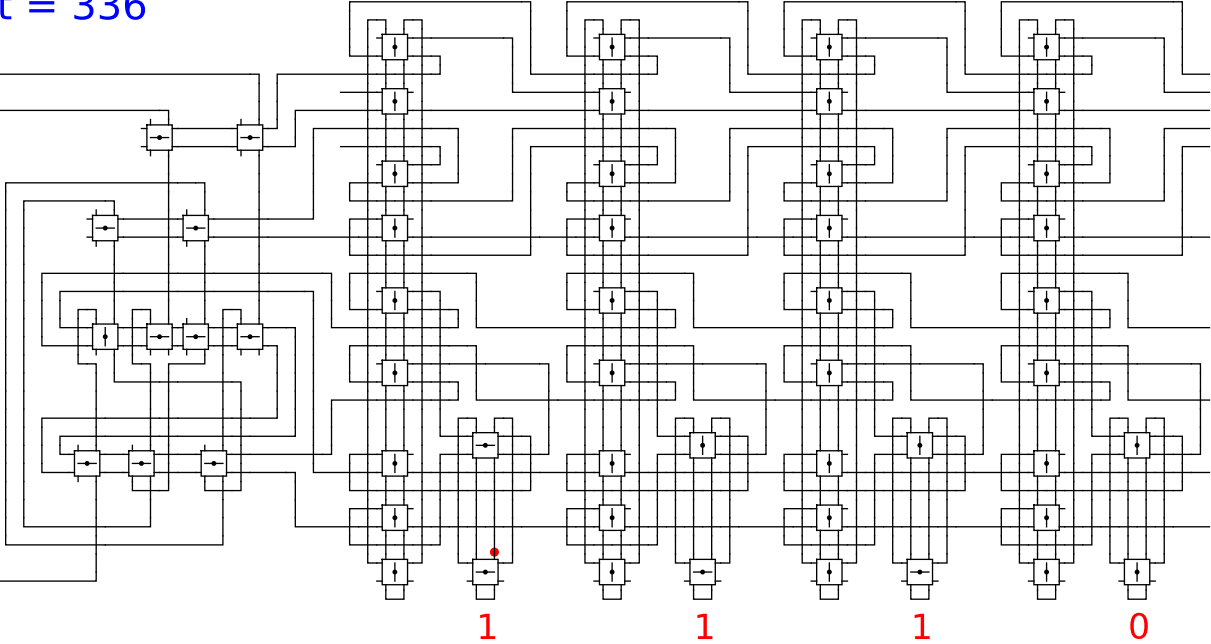
Begin



t = 336

Reject
Accept

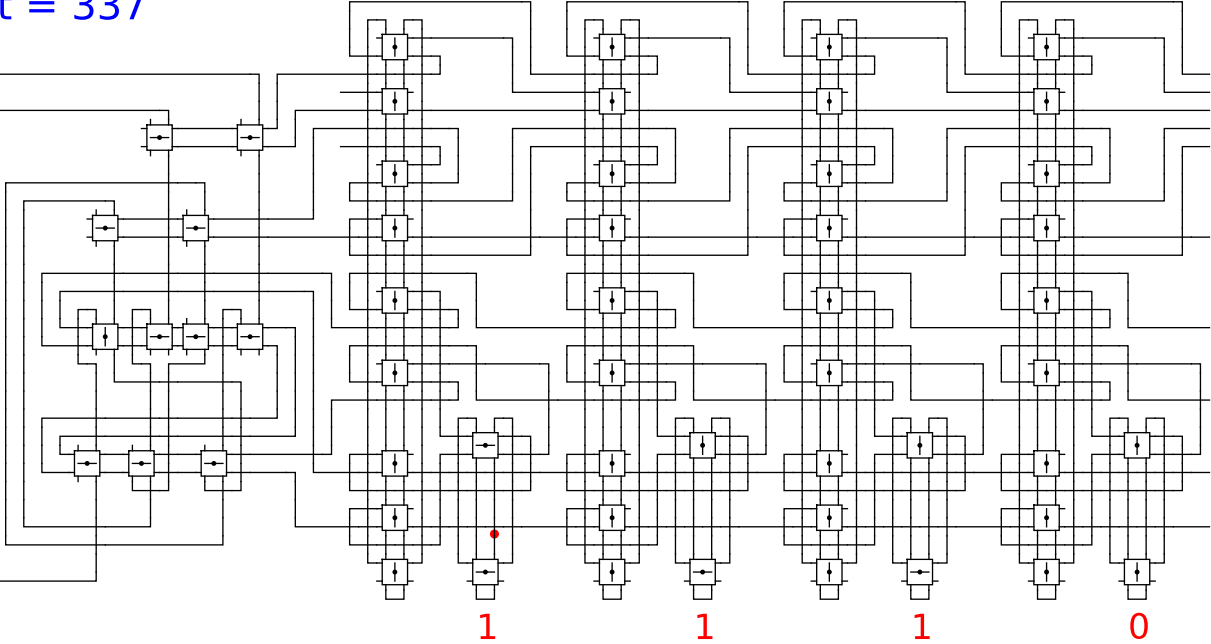
Begin



t = 337

Reject
Accept

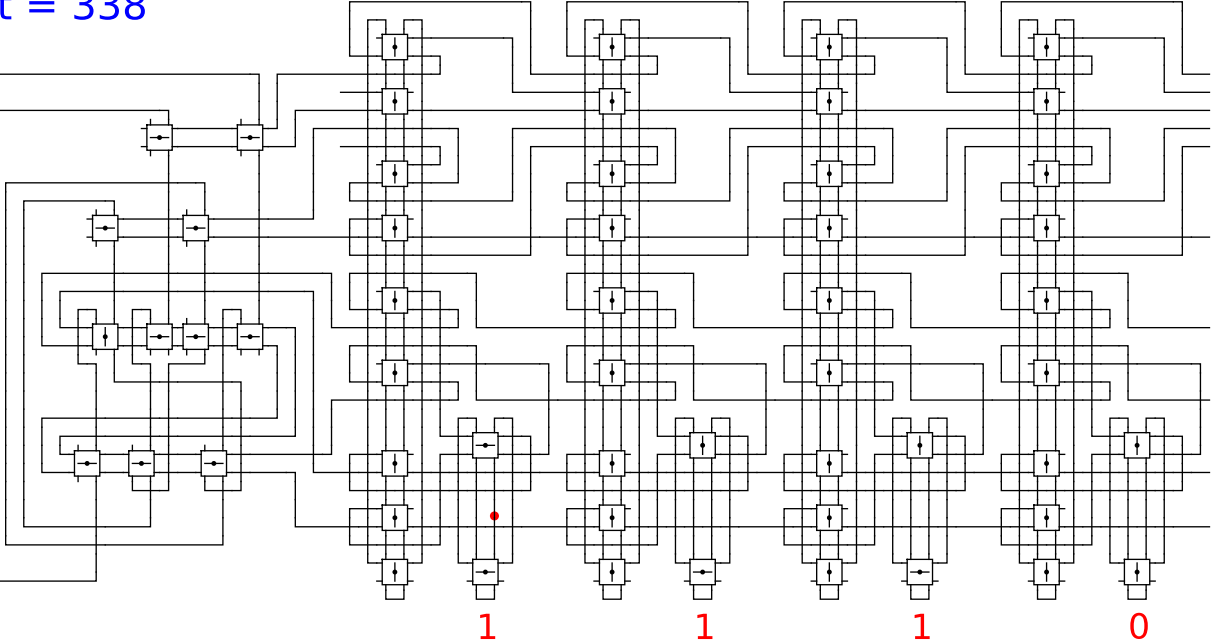
Begin



t = 338

Reject
Accept

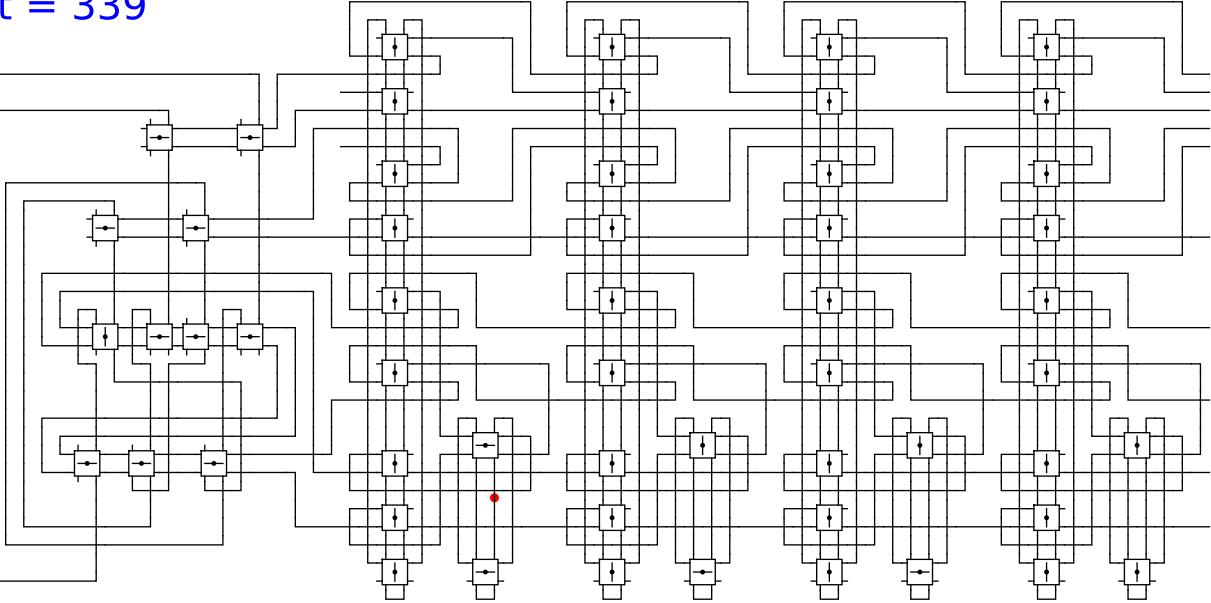
Begin



t = 339

Reject
Accept

Begin



1

1

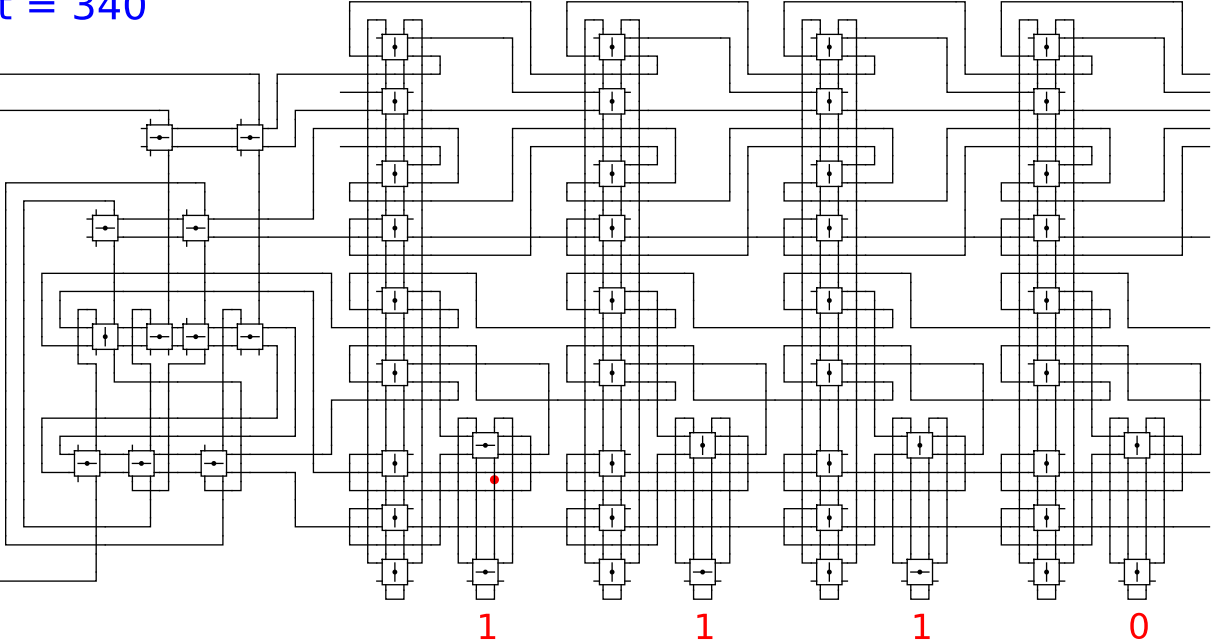
1

0

t = 340

Reject
Accept

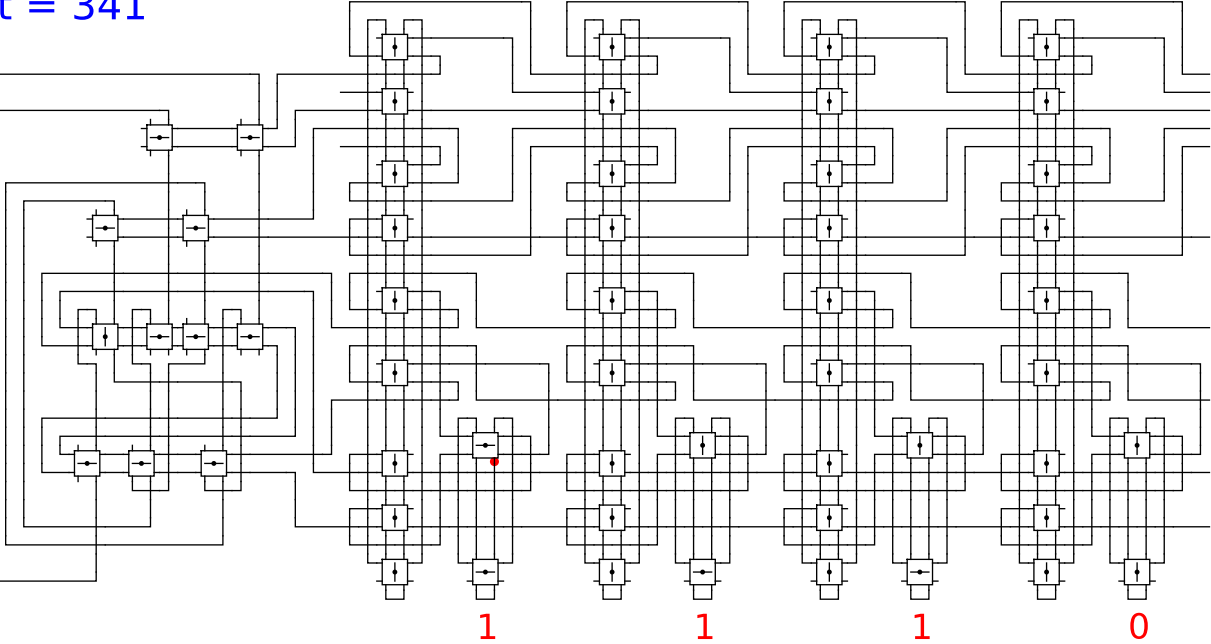
Begin



t = 341

Reject
Accept

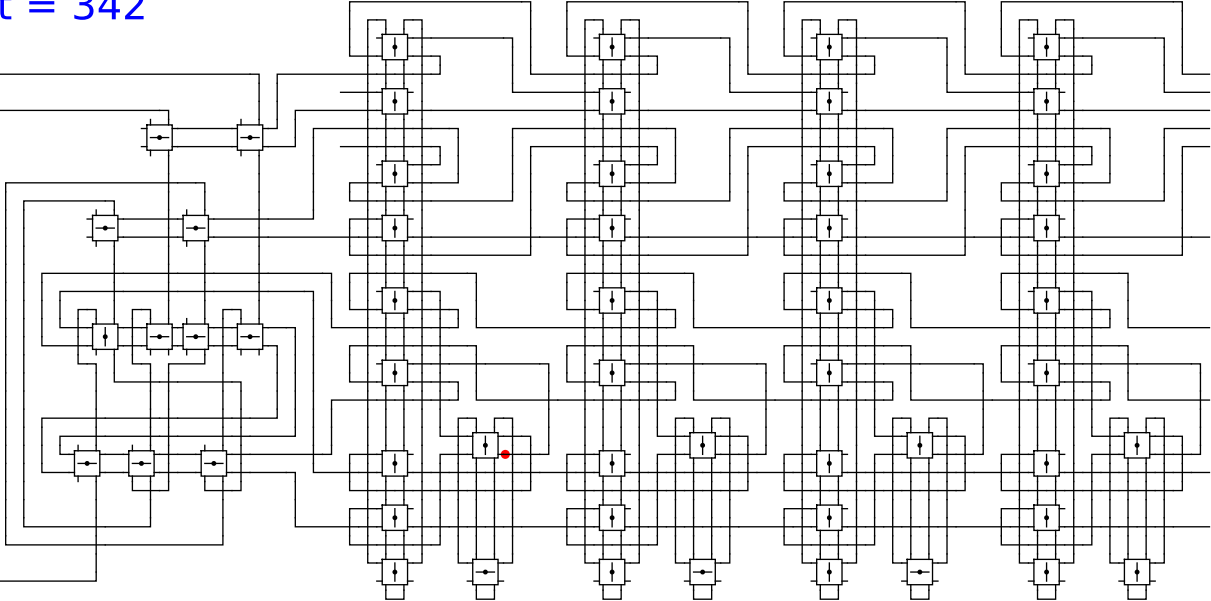
Begin



t = 342

Reject
Accept

Begin



1

1

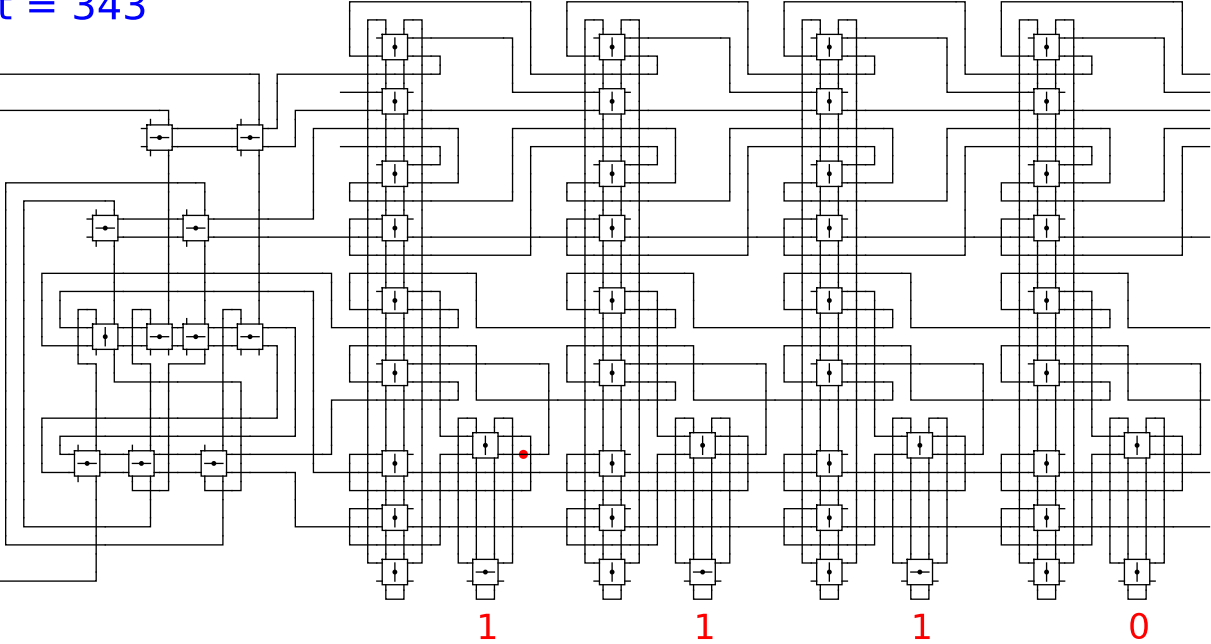
1

0

t = 343

Reject
Accept

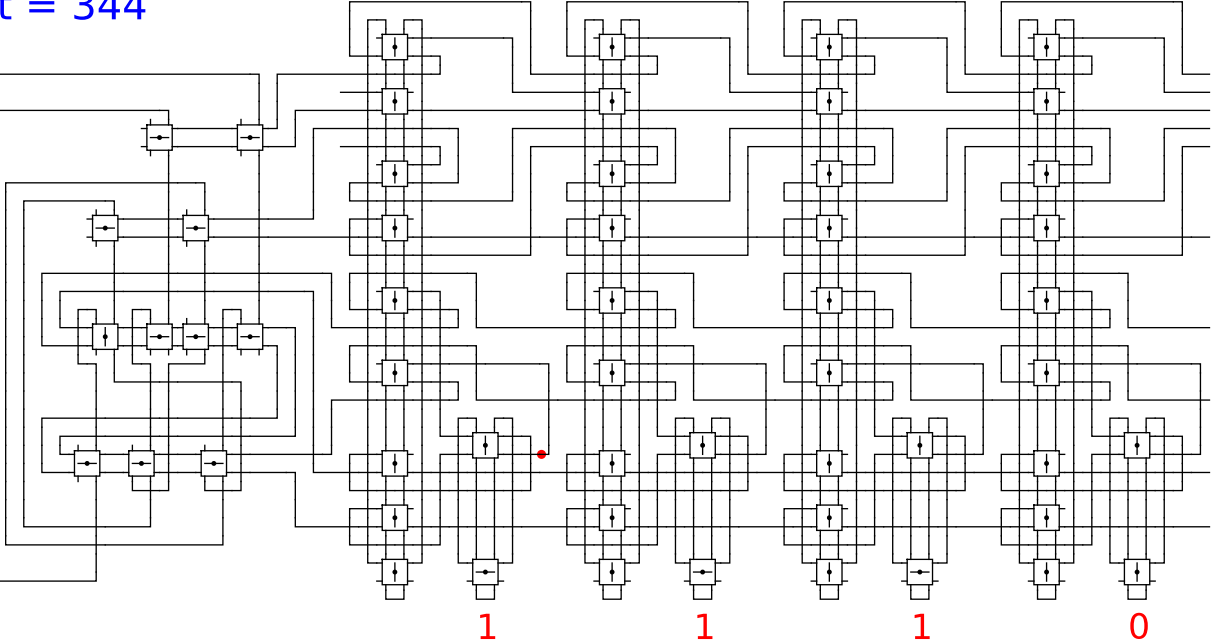
Begin



t = 344

Reject
Accept

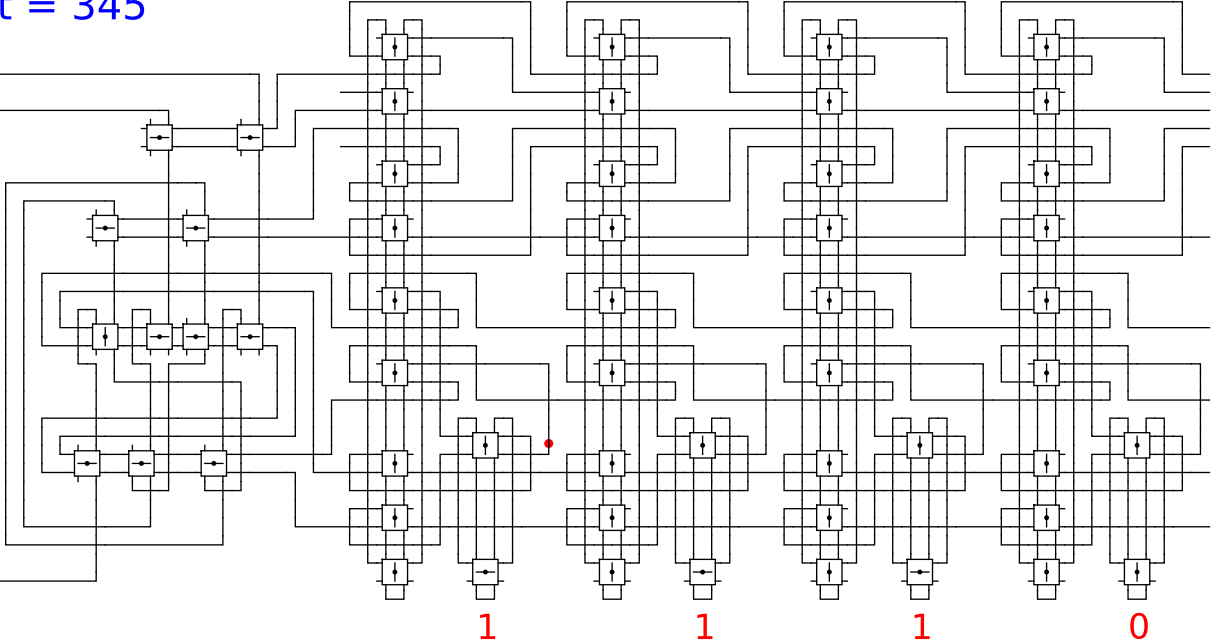
Begin



t = 345

Reject
Accept

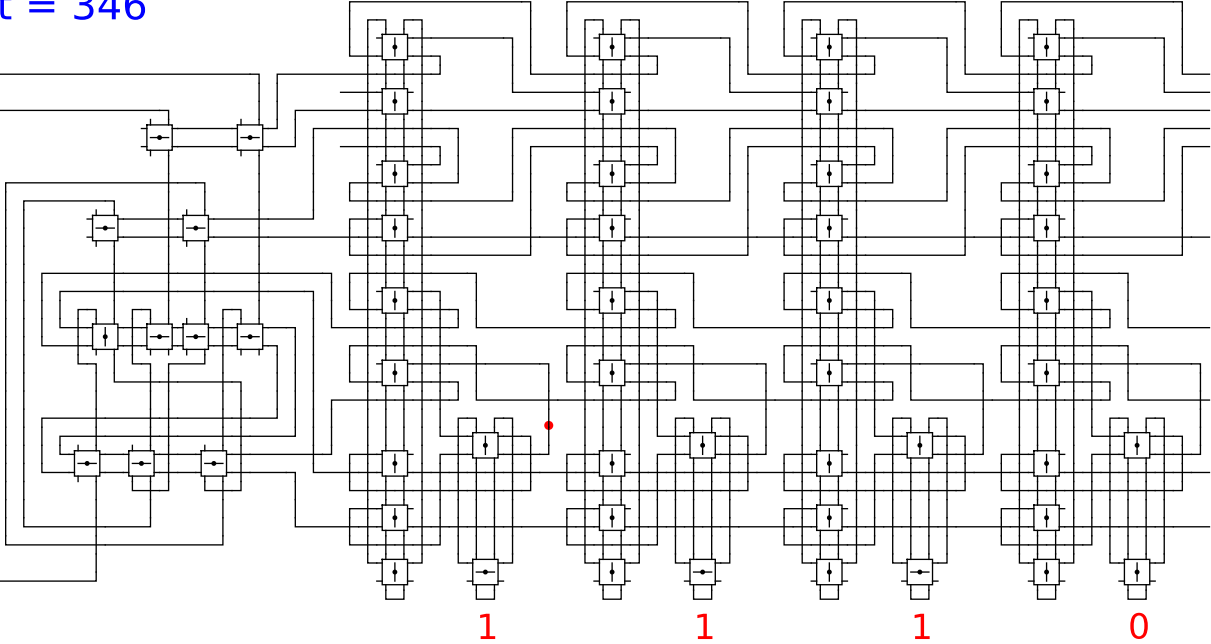
Begin



t = 346

Reject
Accept

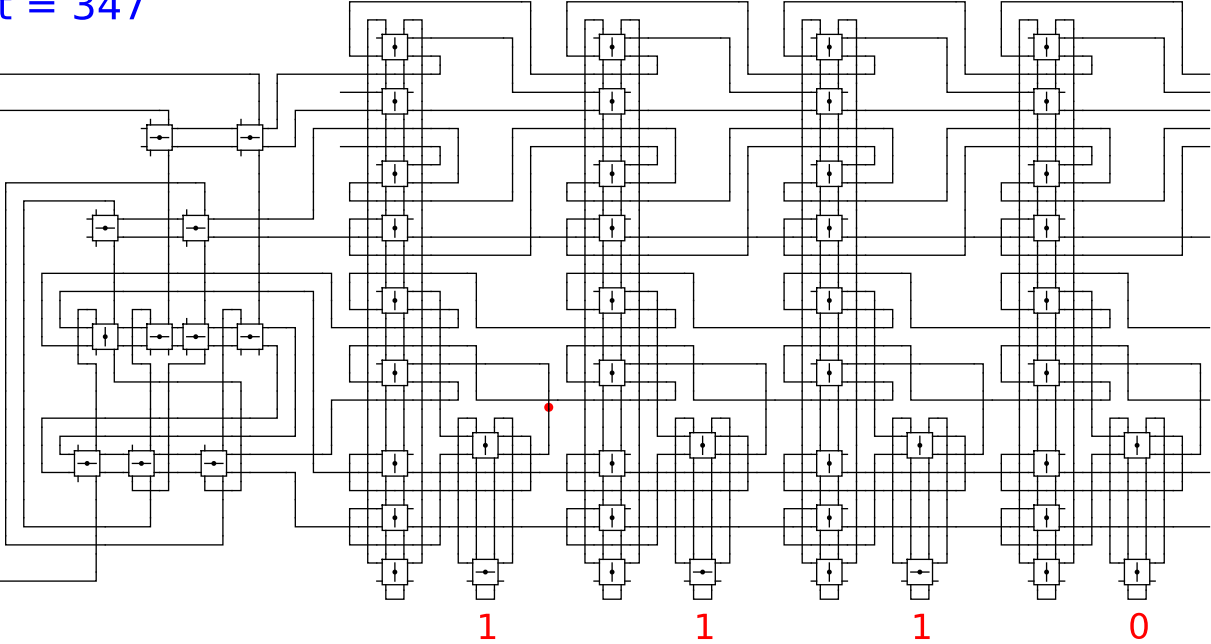
Begin



t = 347

Reject
Accept

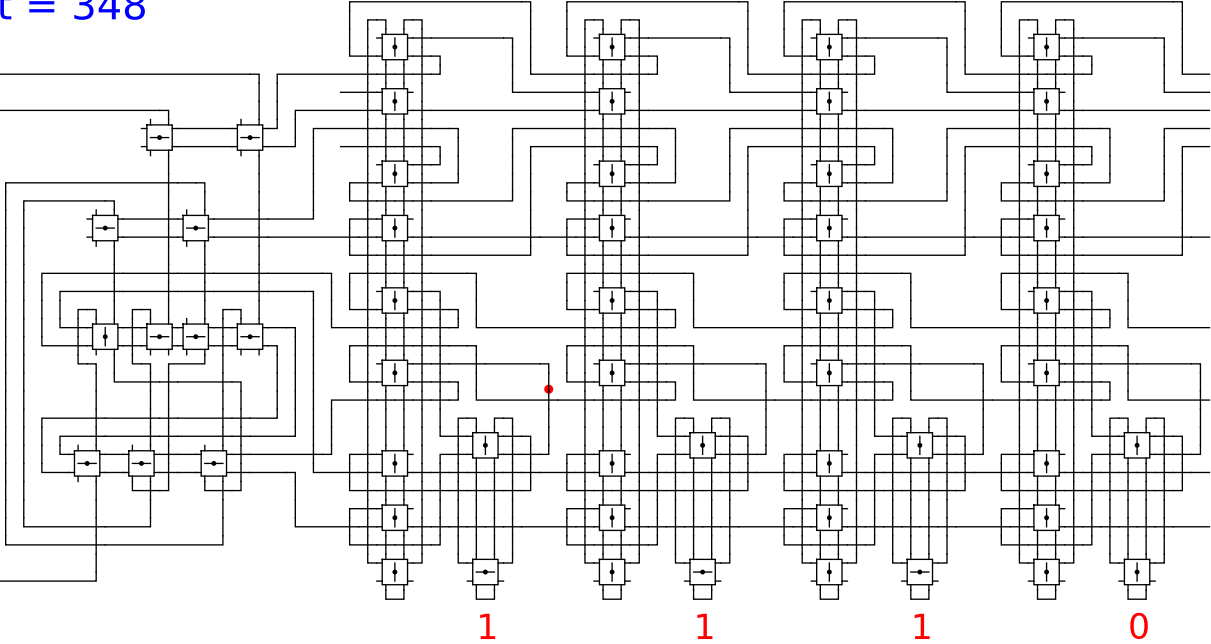
Begin



t = 348

Reject
Accept

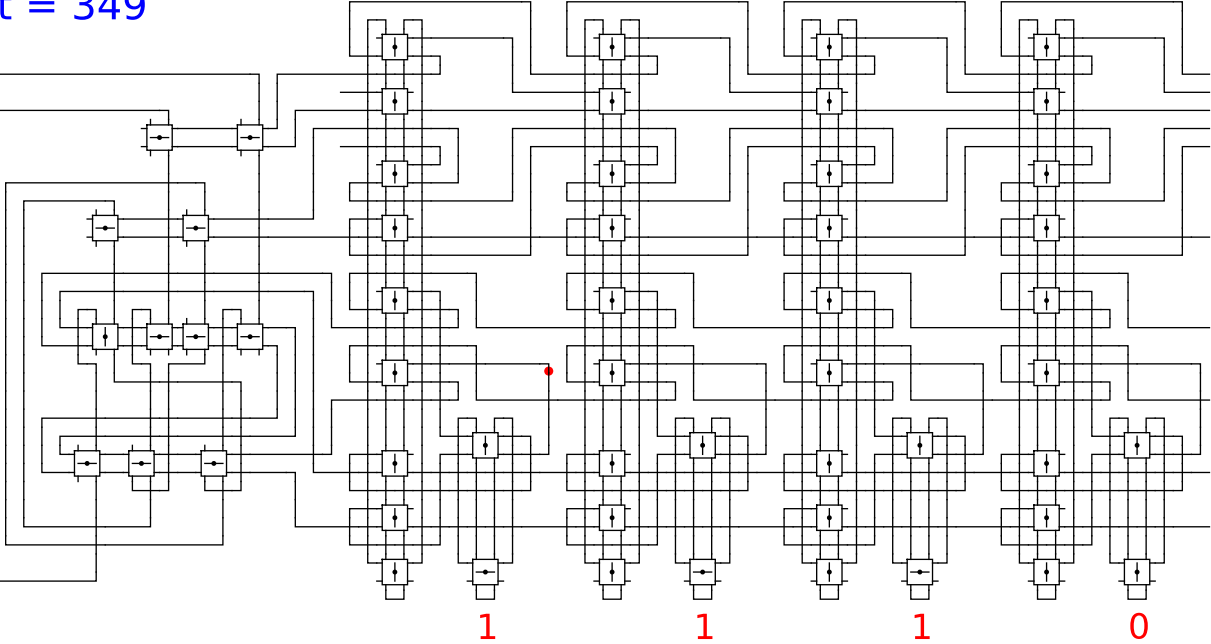
Begin



t = 349

Reject
Accept

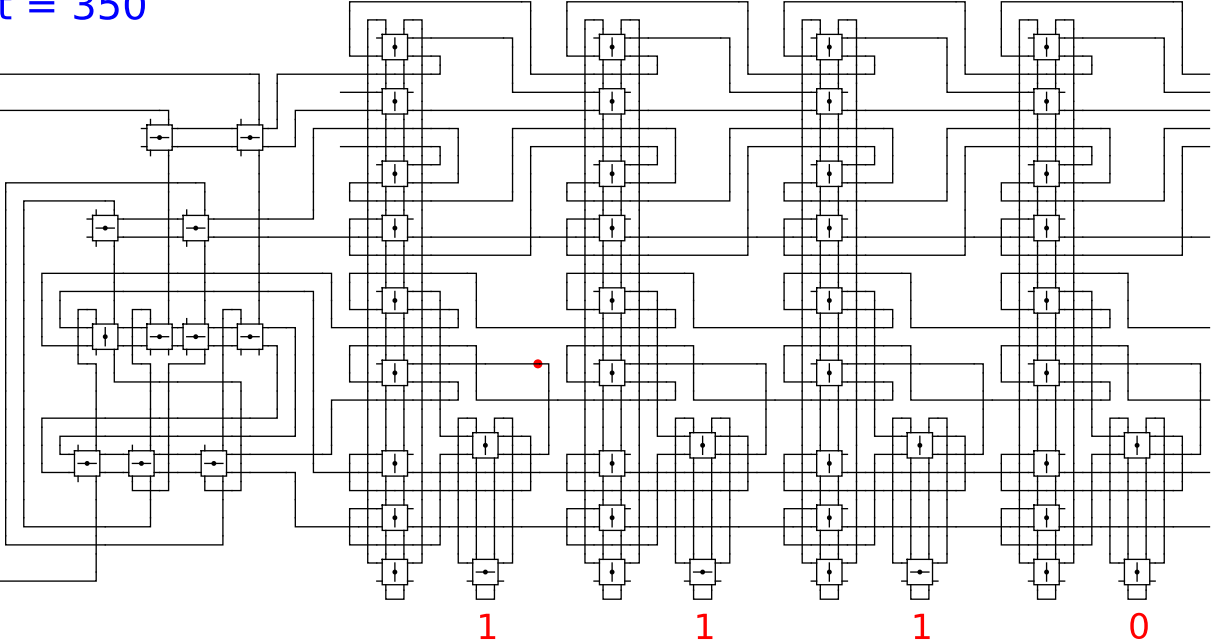
Begin



t = 350

Reject
Accept

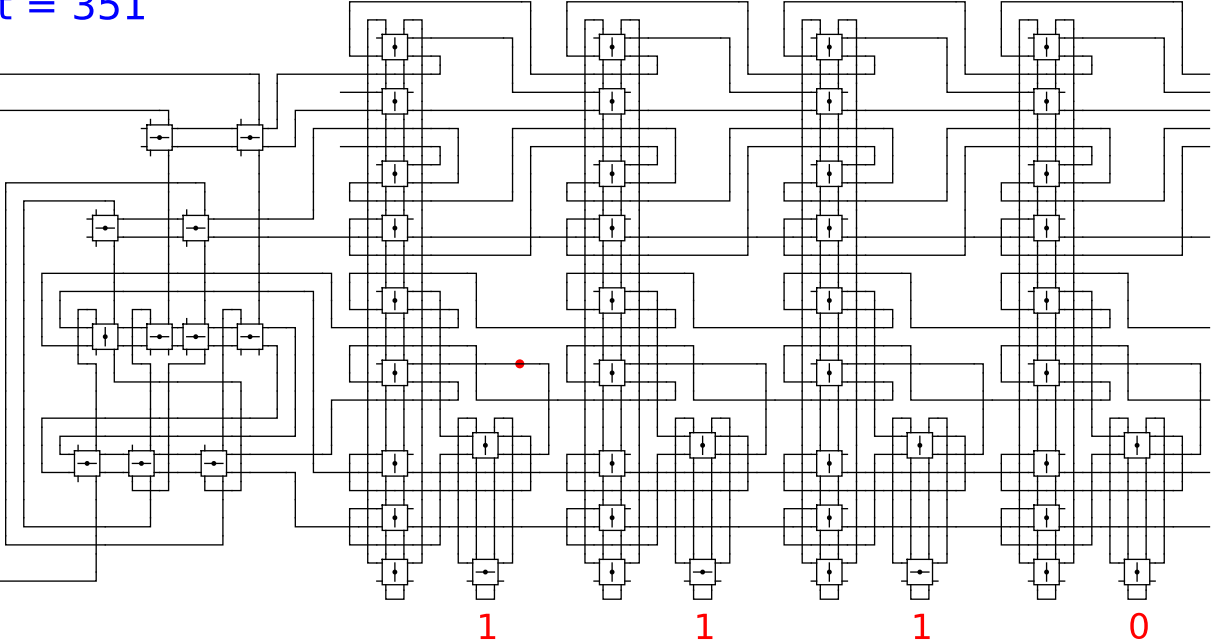
Begin



t = 351

Reject
Accept

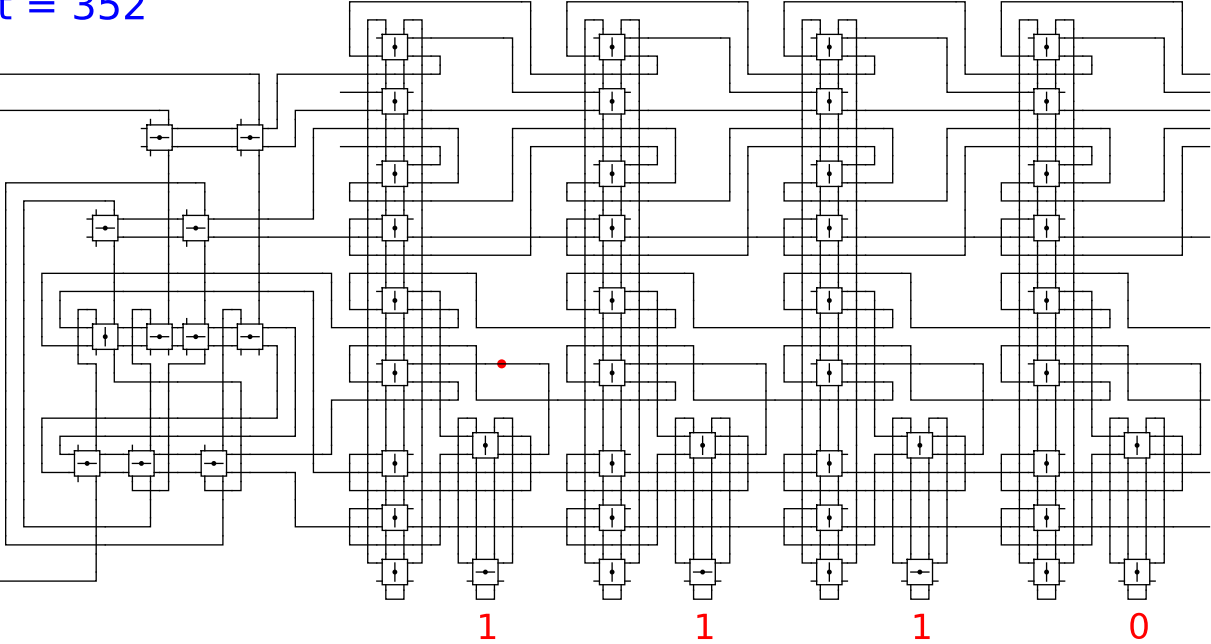
Begin



t = 352

Reject
Accept

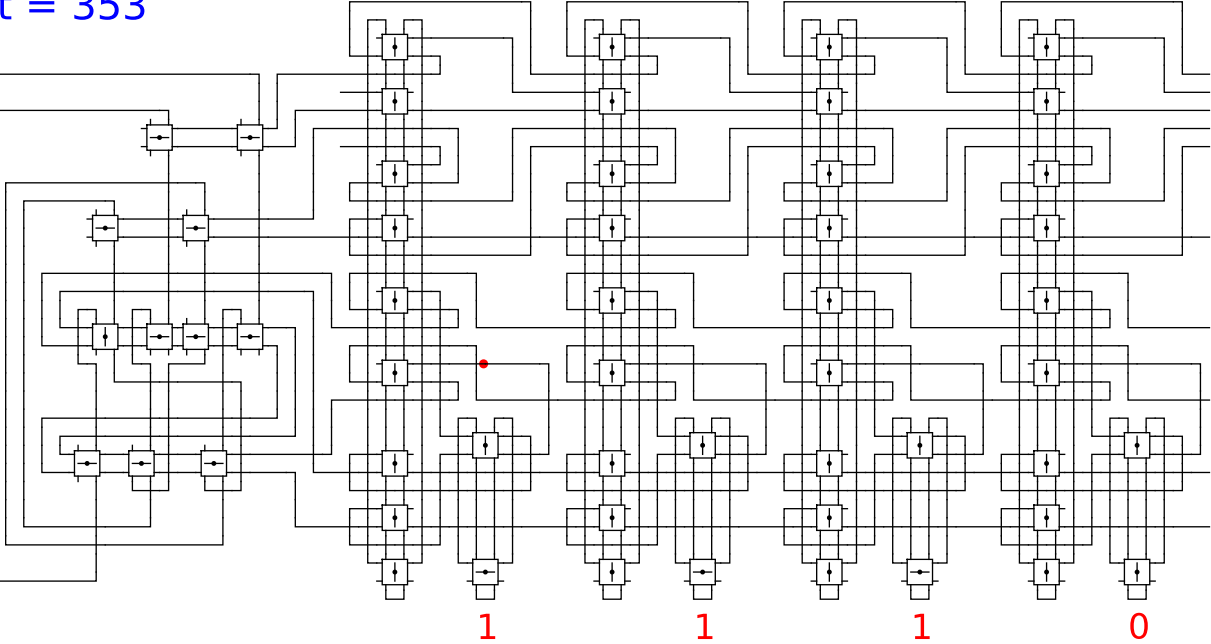
Begin



t = 353

Reject
Accept

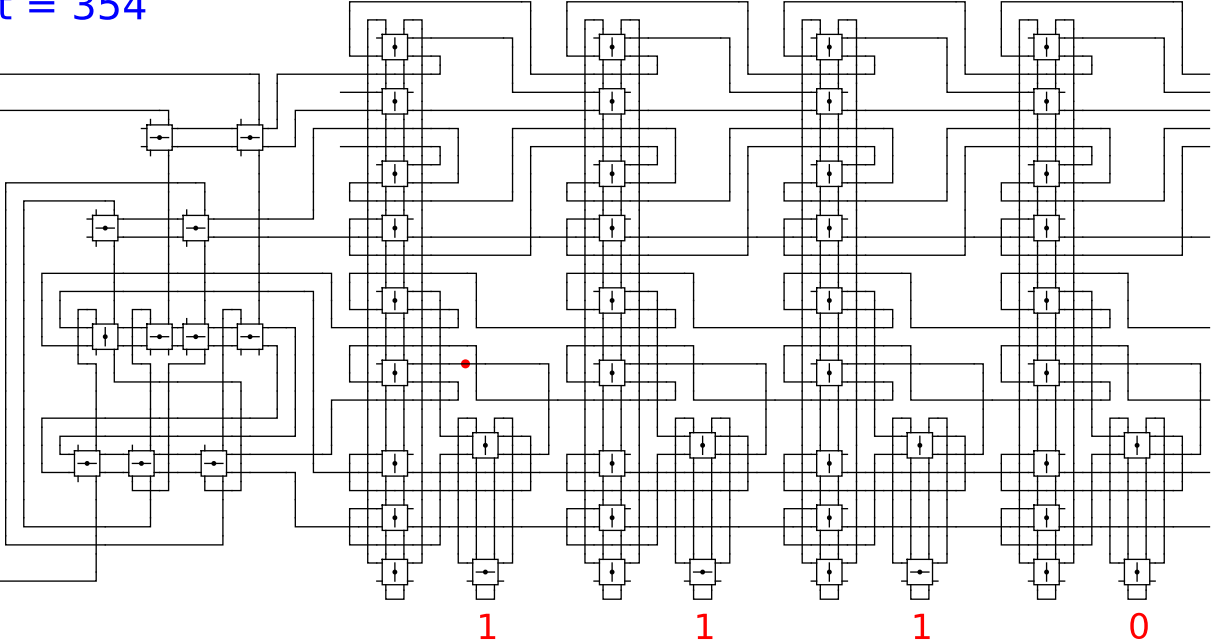
Begin



t = 354

Reject
Accept

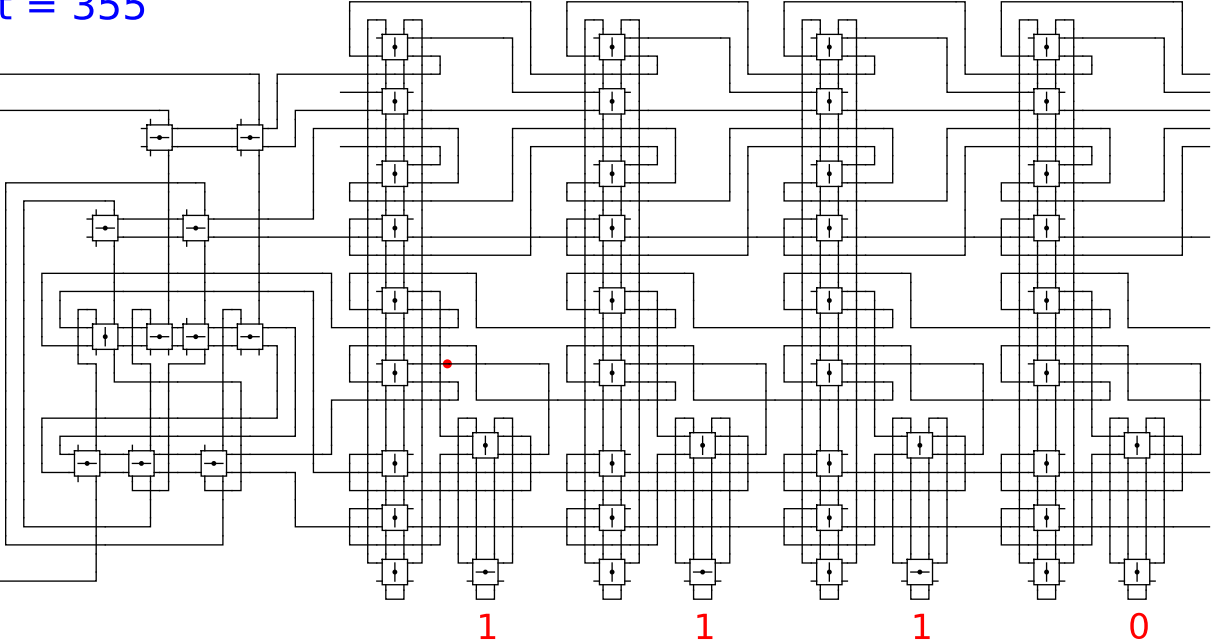
Begin



t = 355

Reject
Accept

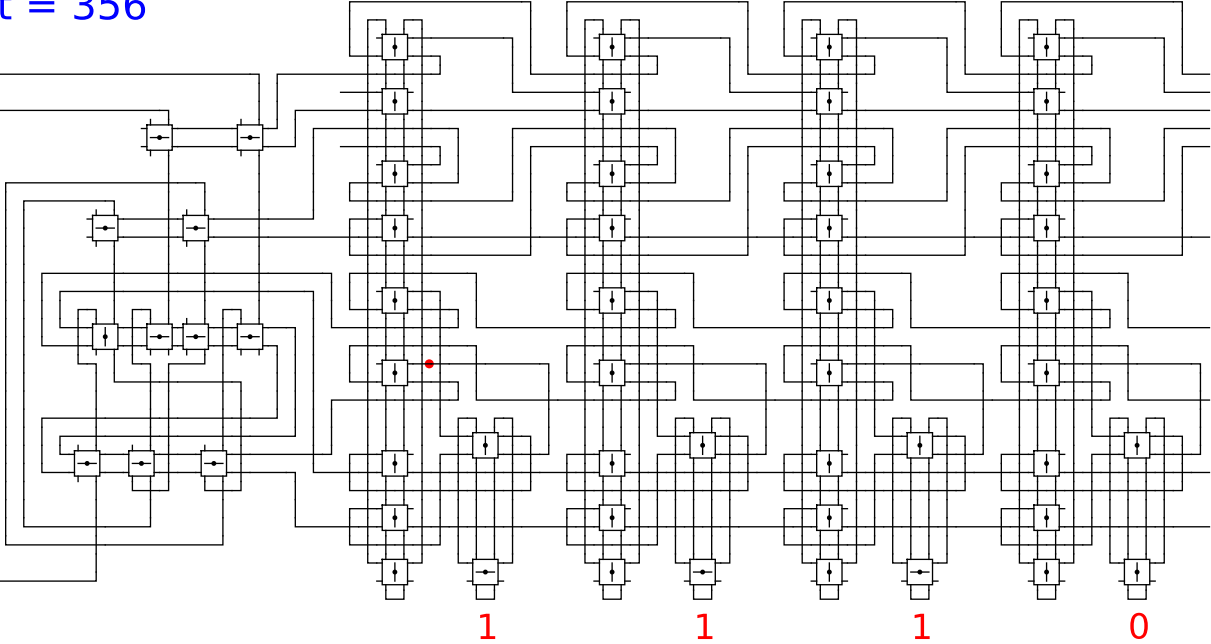
Begin



t = 356

Reject
Accept

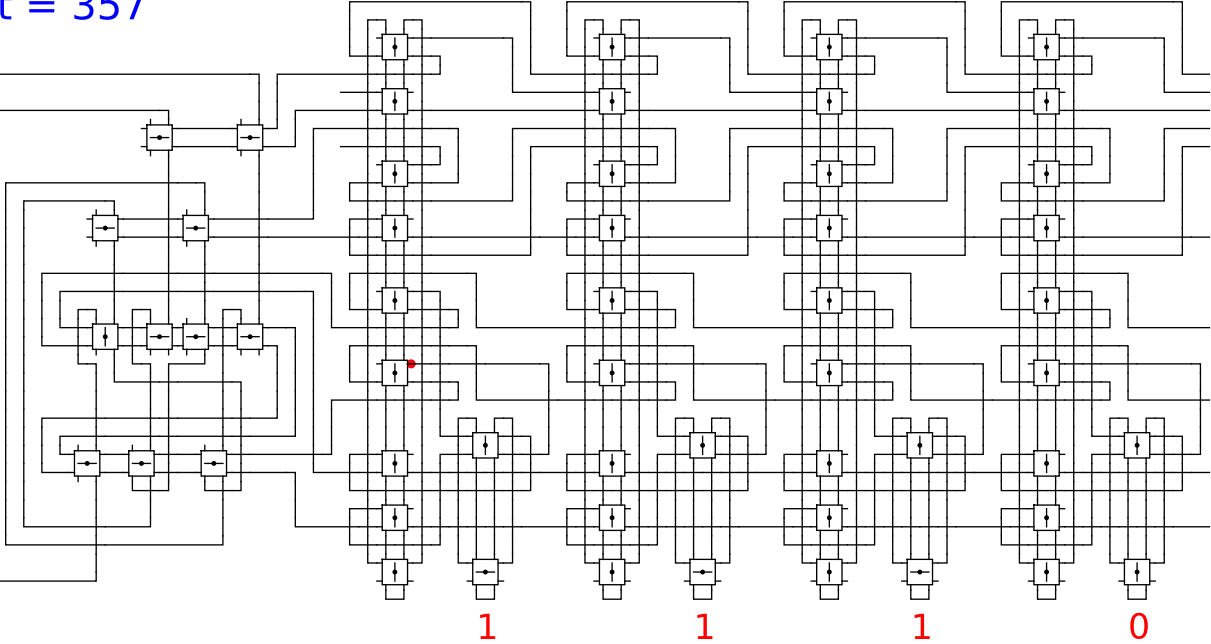
Begin



t = 357

Reject
Accept

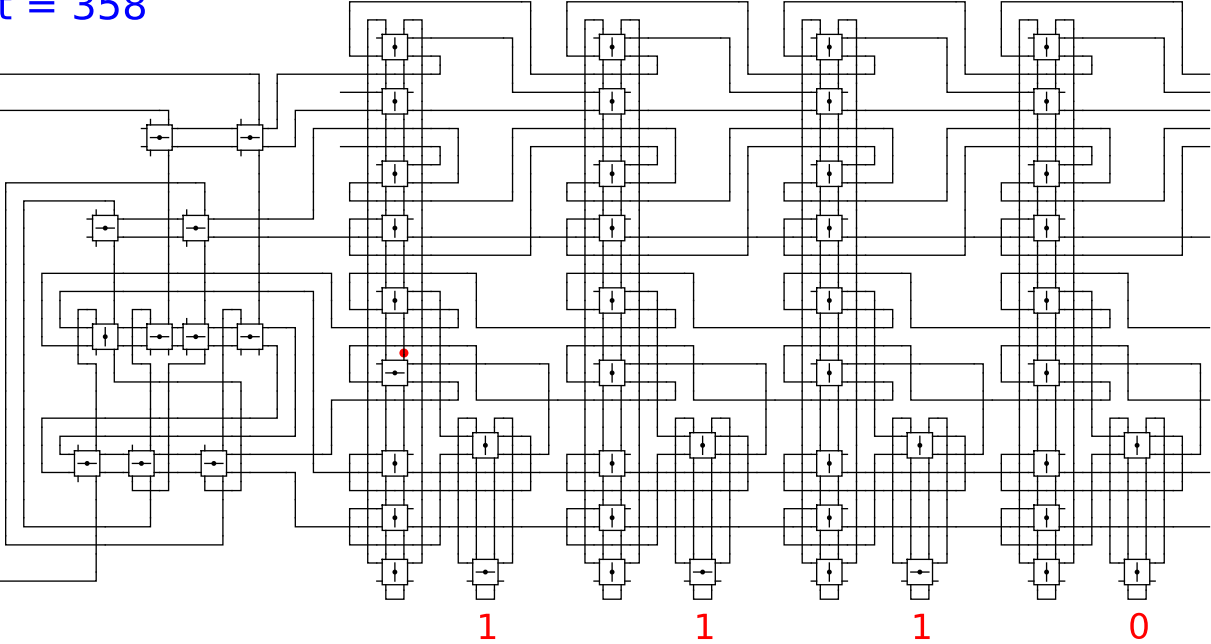
Begin



t = 358

Reject
Accept

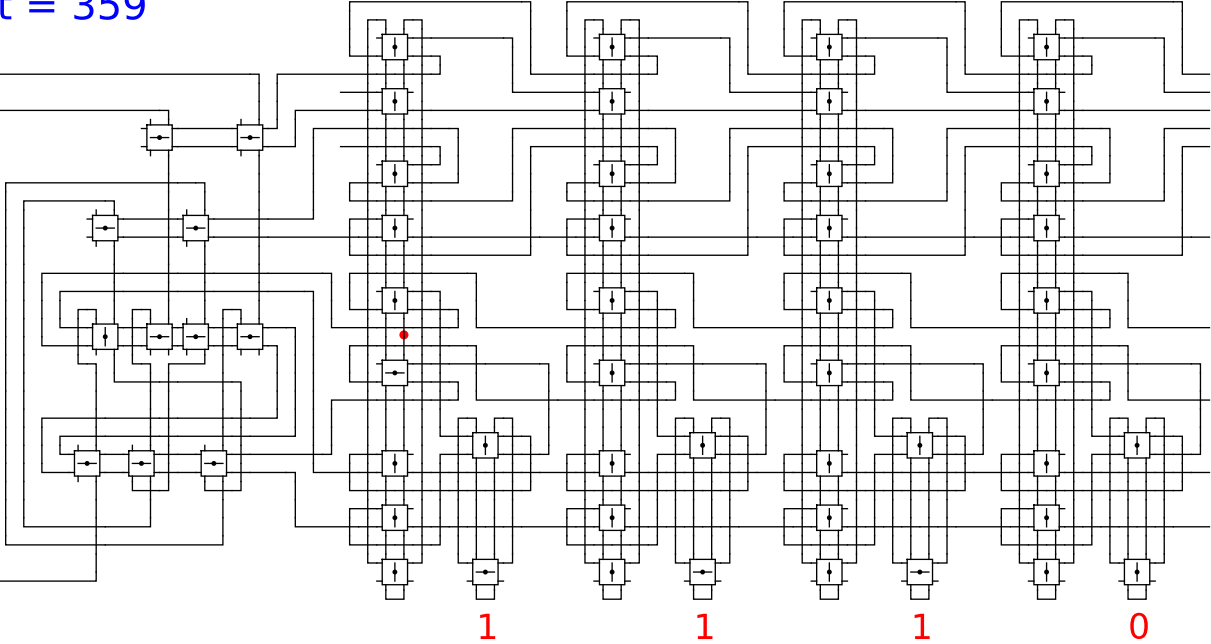
Begin



t = 359

Reject
Accept

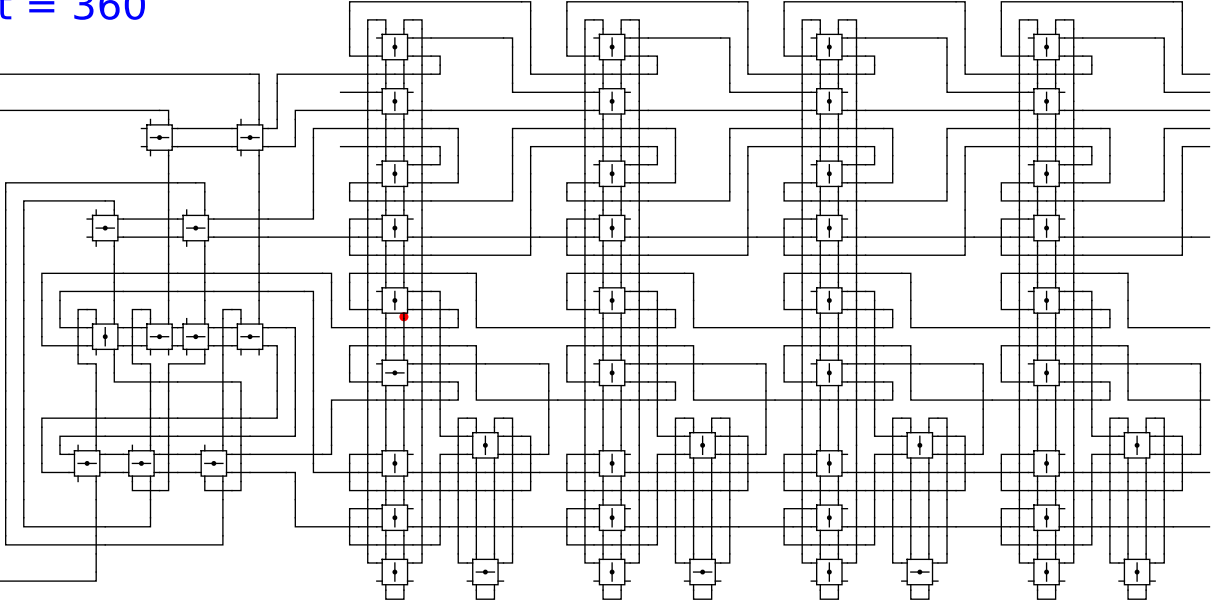
Begin



t = 360

Reject
Accept

Begin



1

1

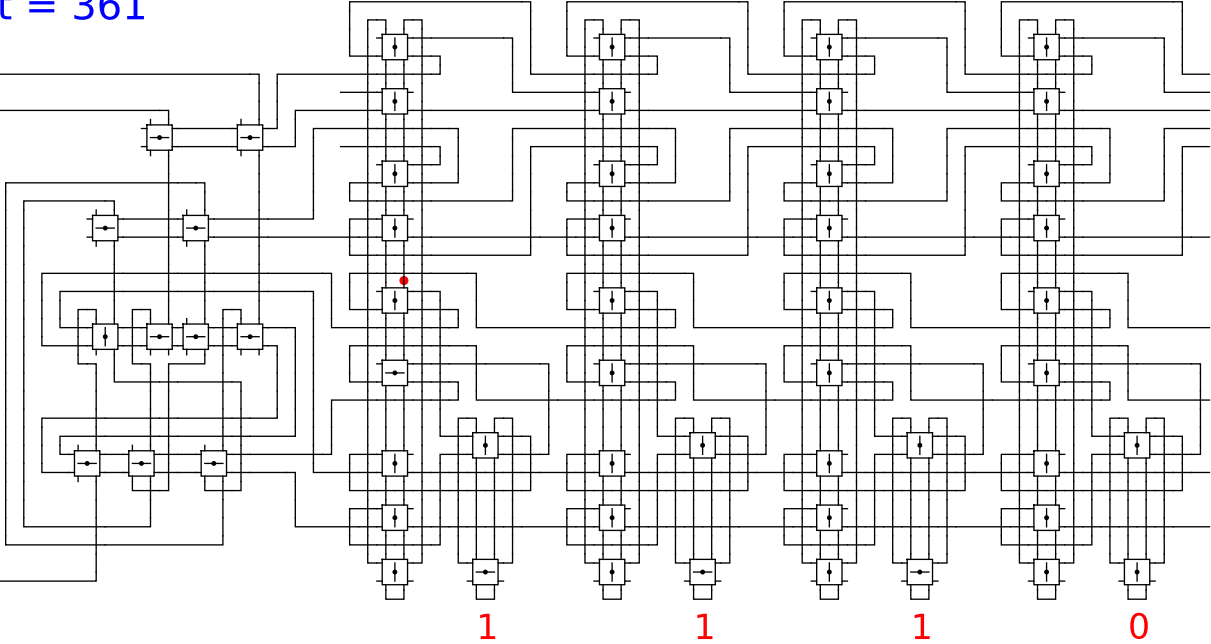
1

0

t = 361

Reject
Accept

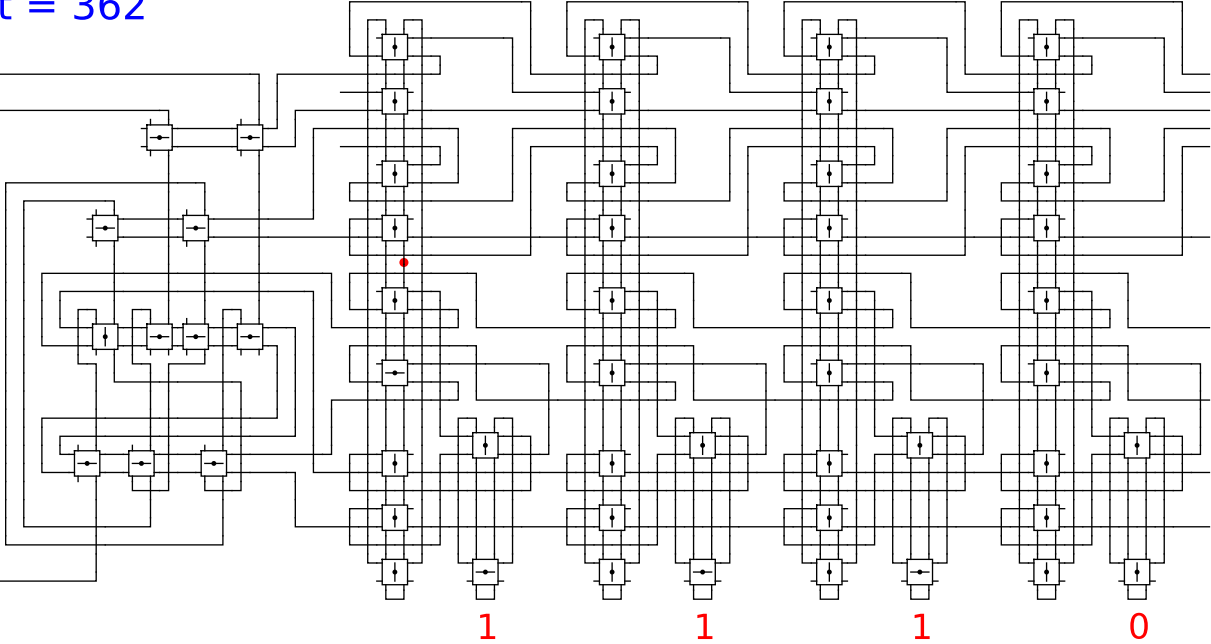
Begin



t = 362

Reject
Accept

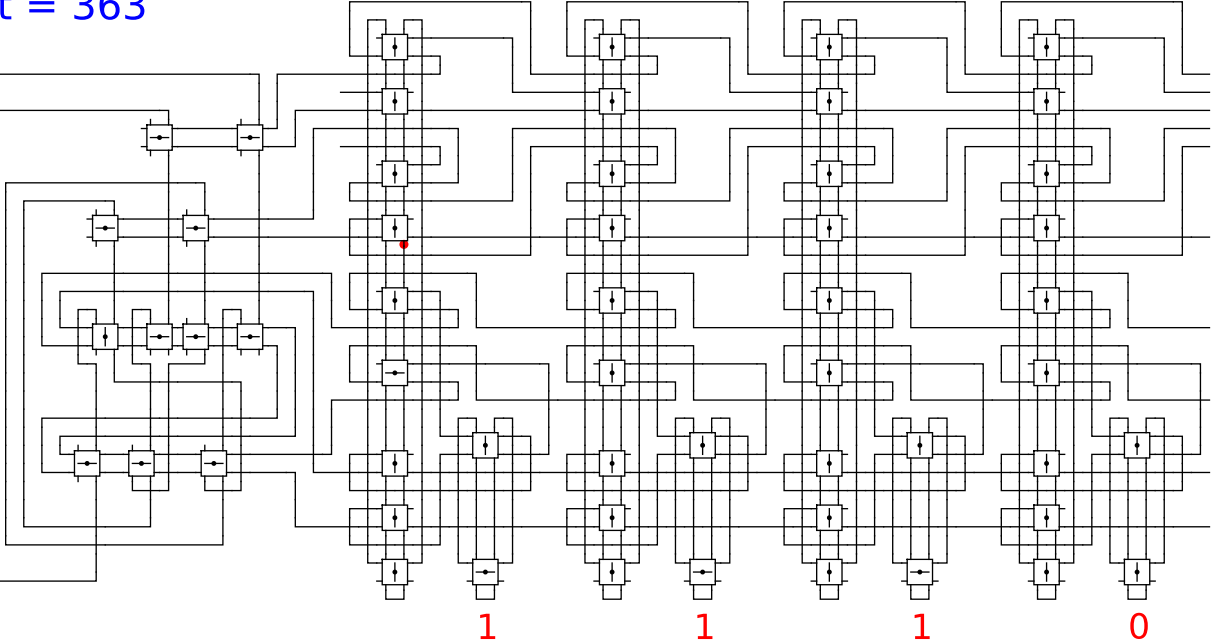
Begin



t = 363

Reject
Accept

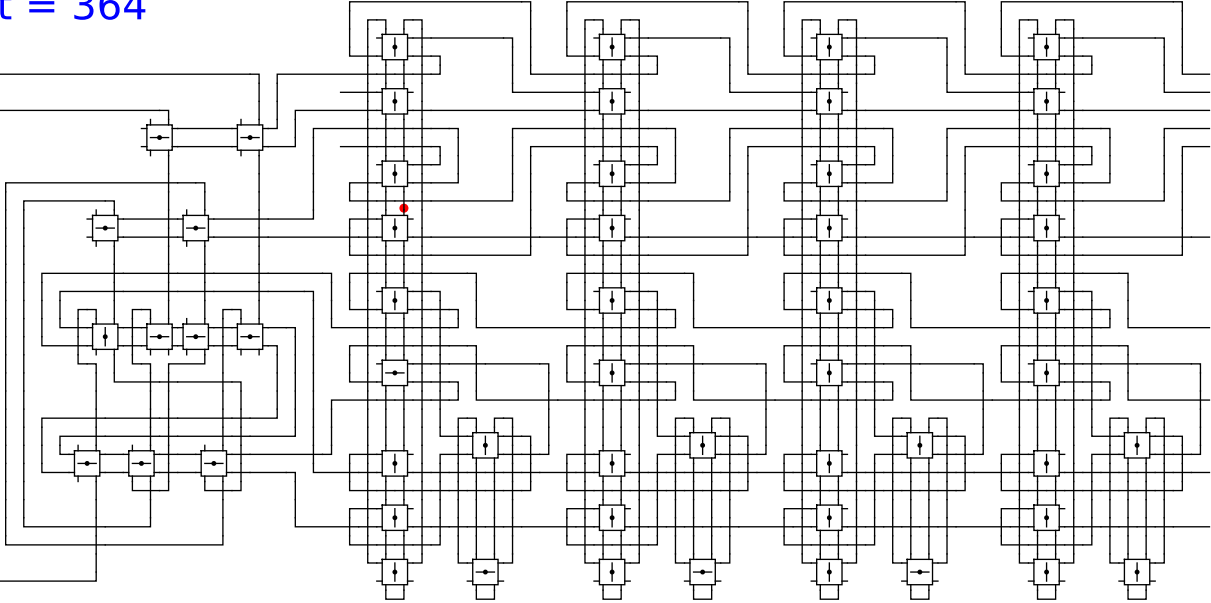
Begin



t = 364

Reject
Accept

Begin

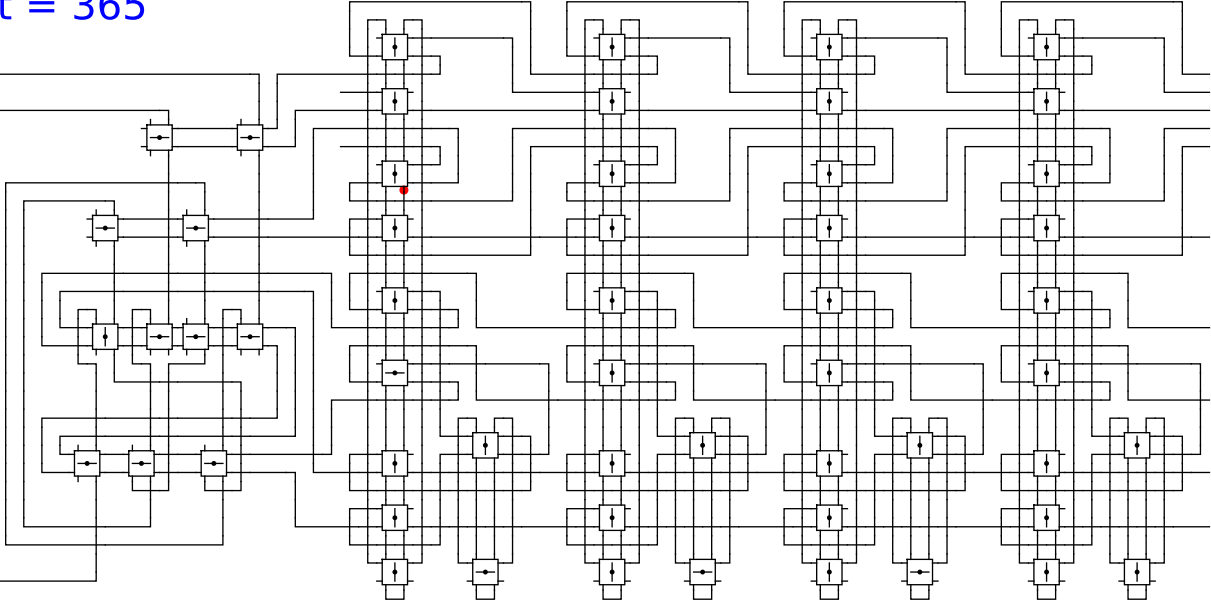


1 1 1 0

t = 365

Reject
Accept

Begin



1

1

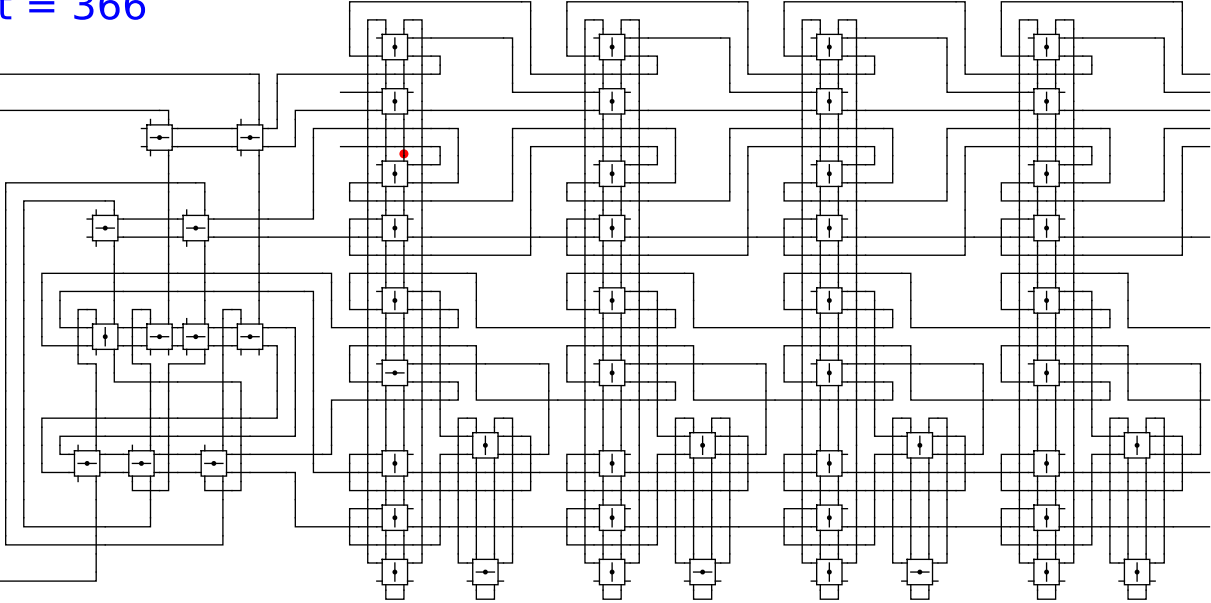
1

0

t = 366

Reject
Accept

Begin



1

1

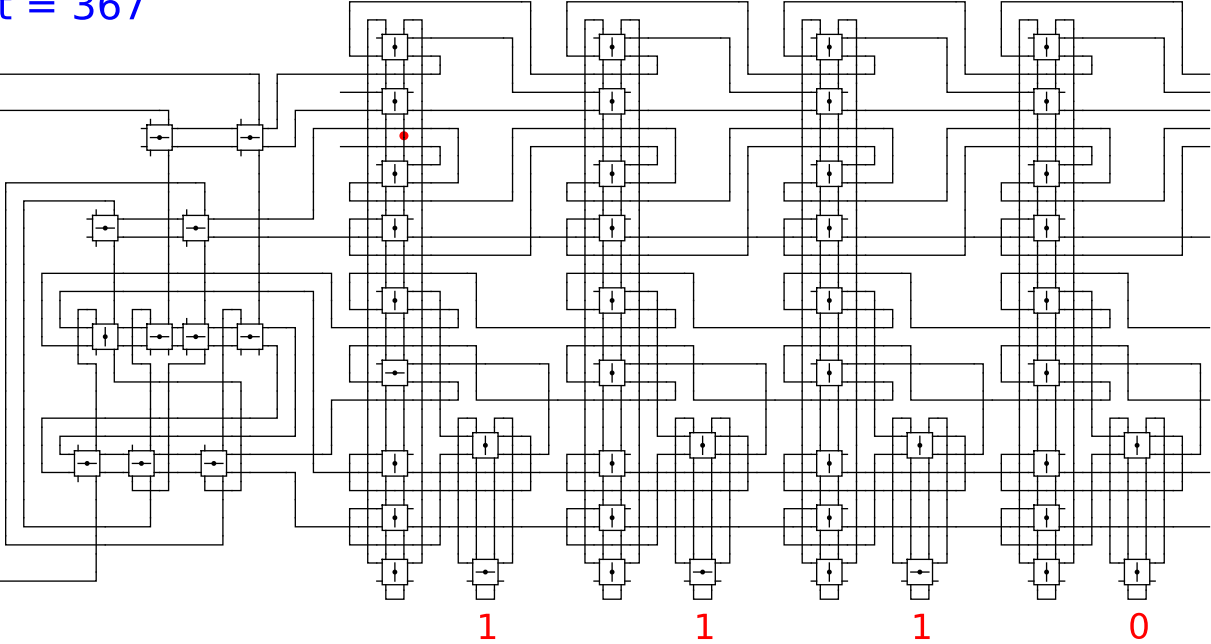
1

0

t = 367

Reject
Accept

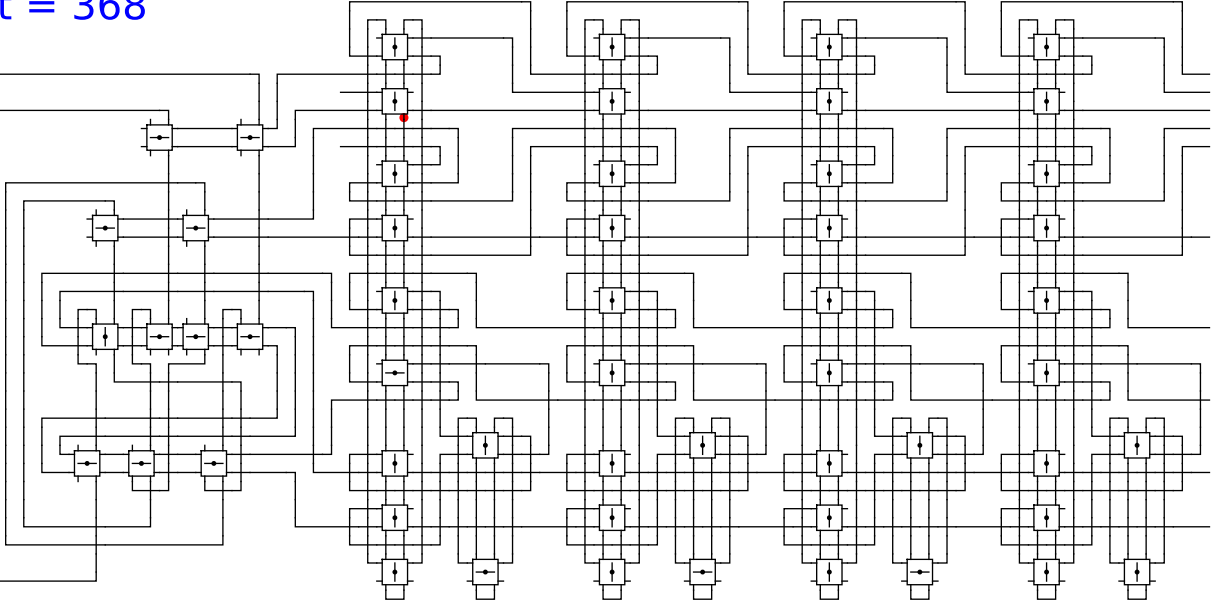
Begin



t = 368

Reject
Accept

Begin

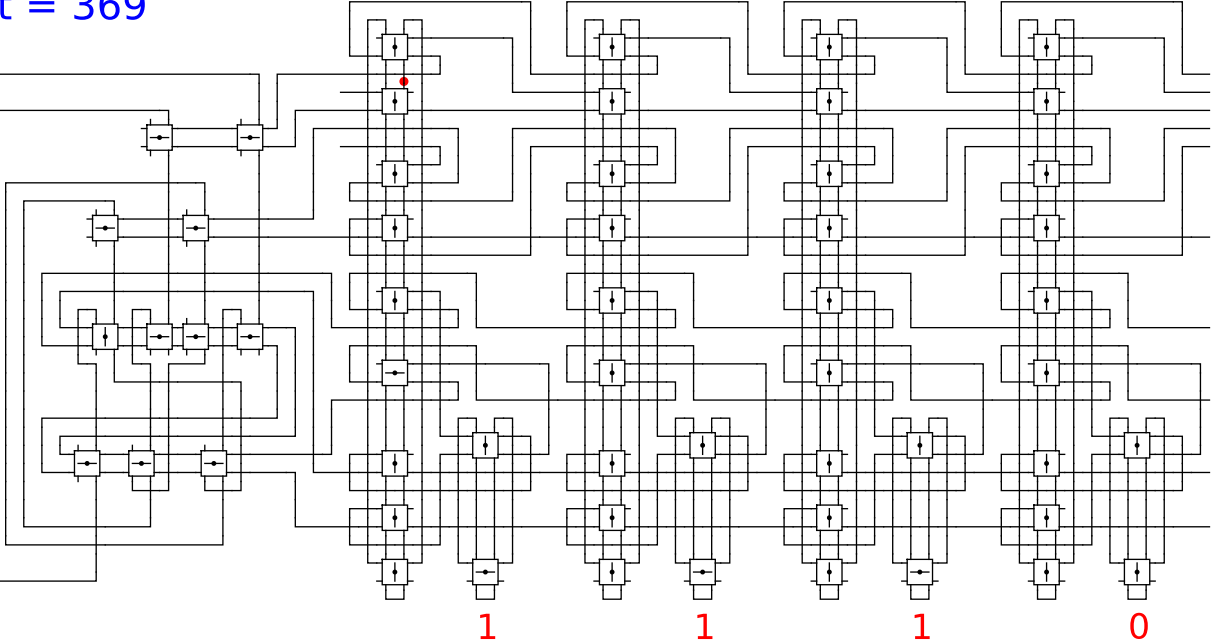


1 1 1 0

t = 369

Reject
Accept

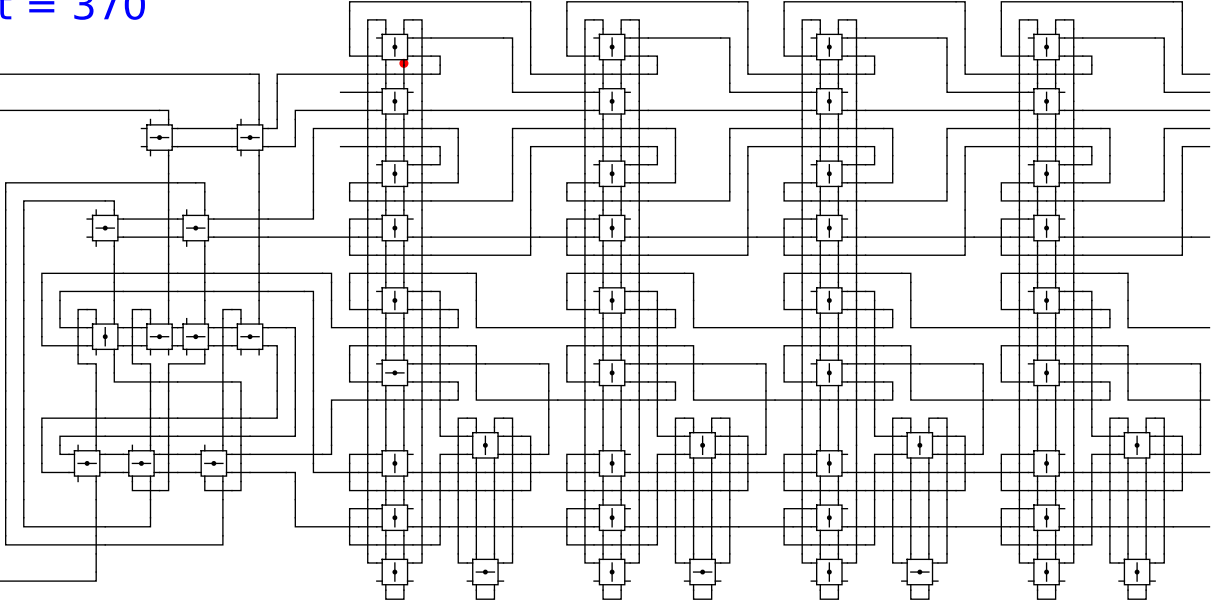
Begin



t = 370

Reject
Accept

Begin



1

1

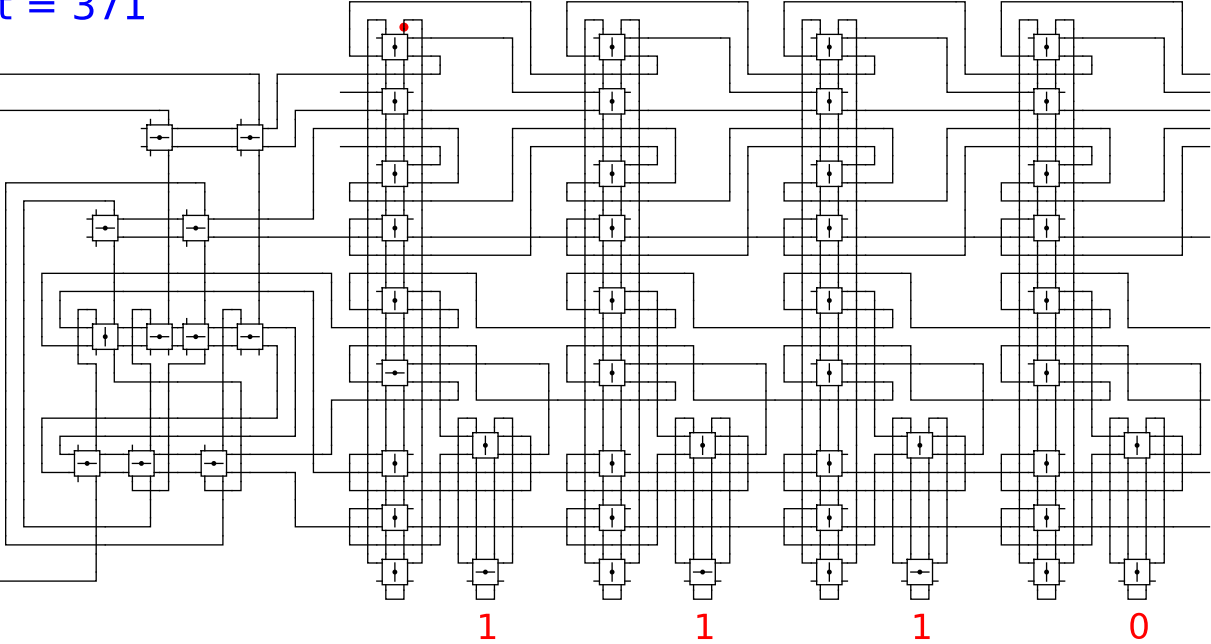
1

0

t = 371

Reject
Accept

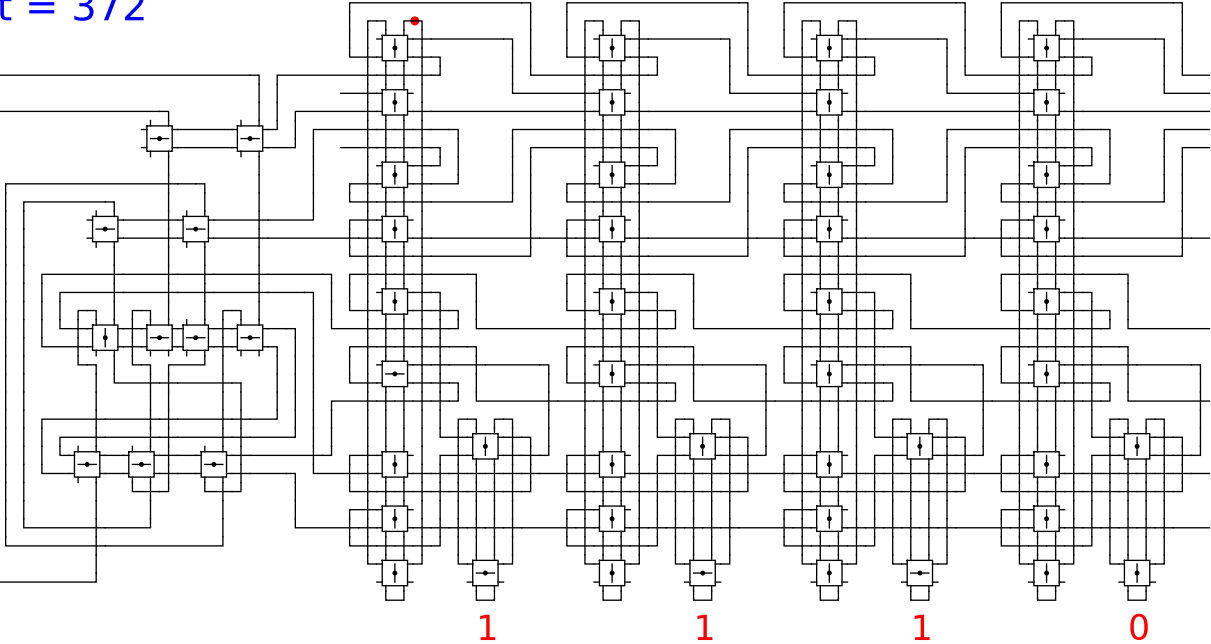
Begin



t = 372

Reject
Accept

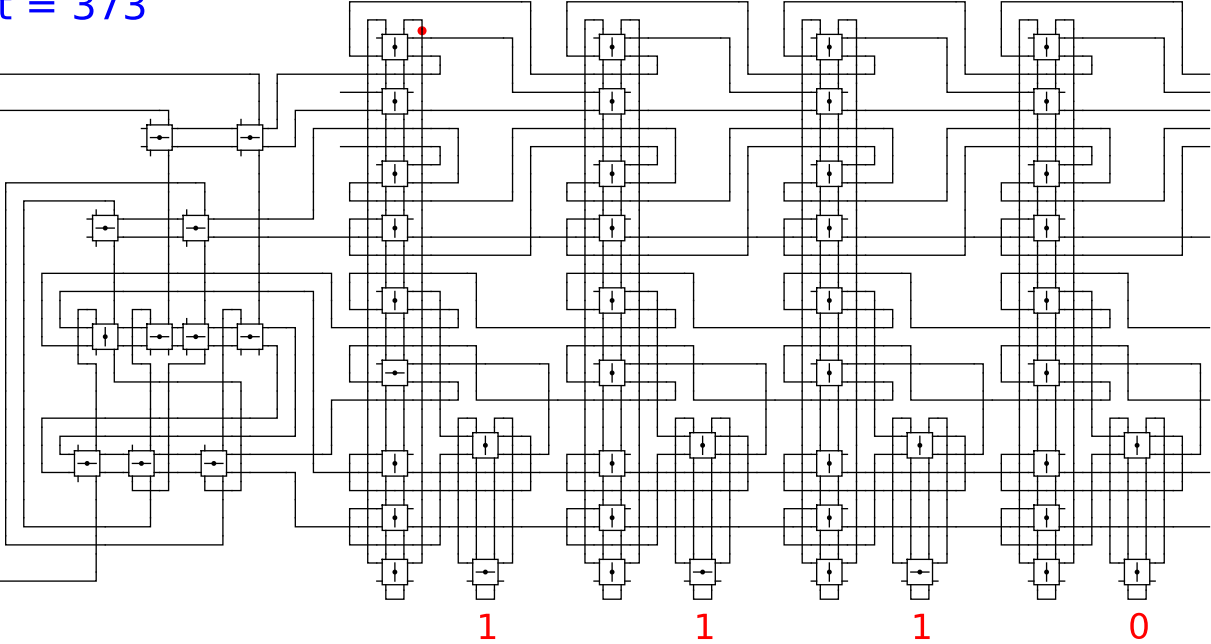
Begin



t = 373

Reject
Accept

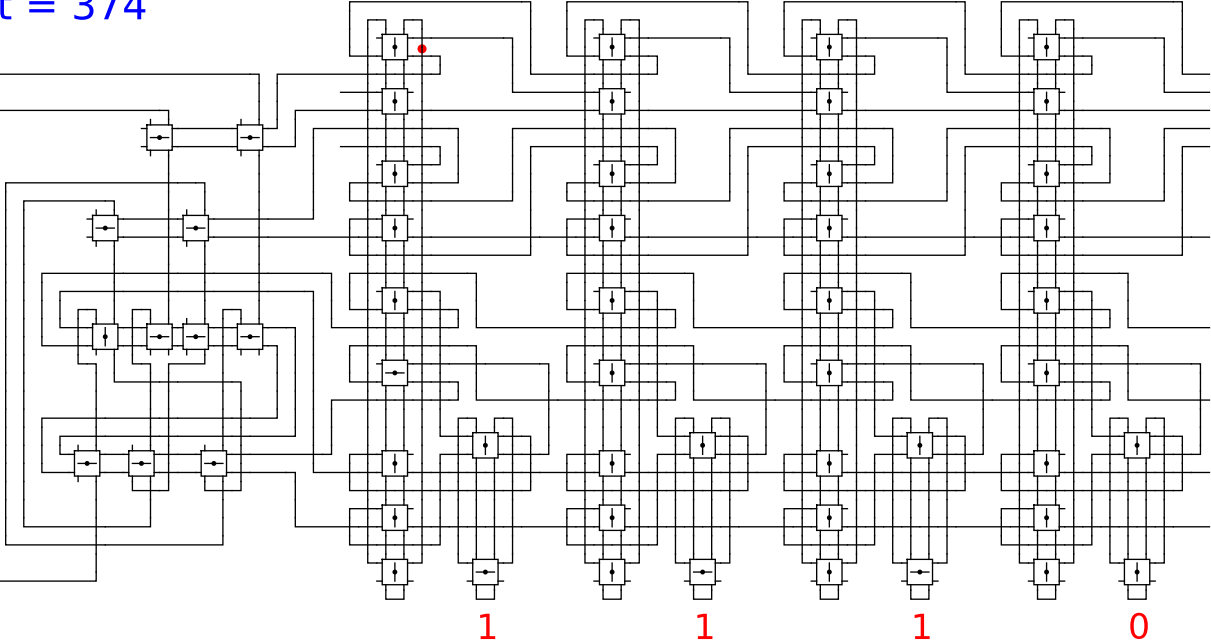
Begin



t = 374

Reject
Accept

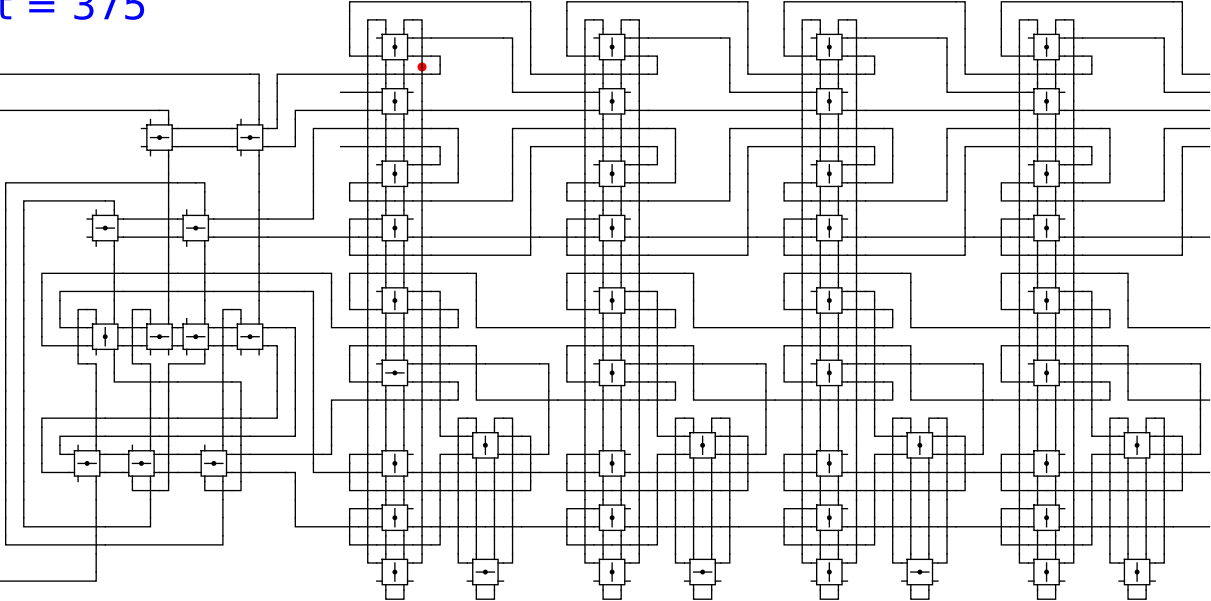
Begin



t = 375

Reject
Accept

Begin



1

1

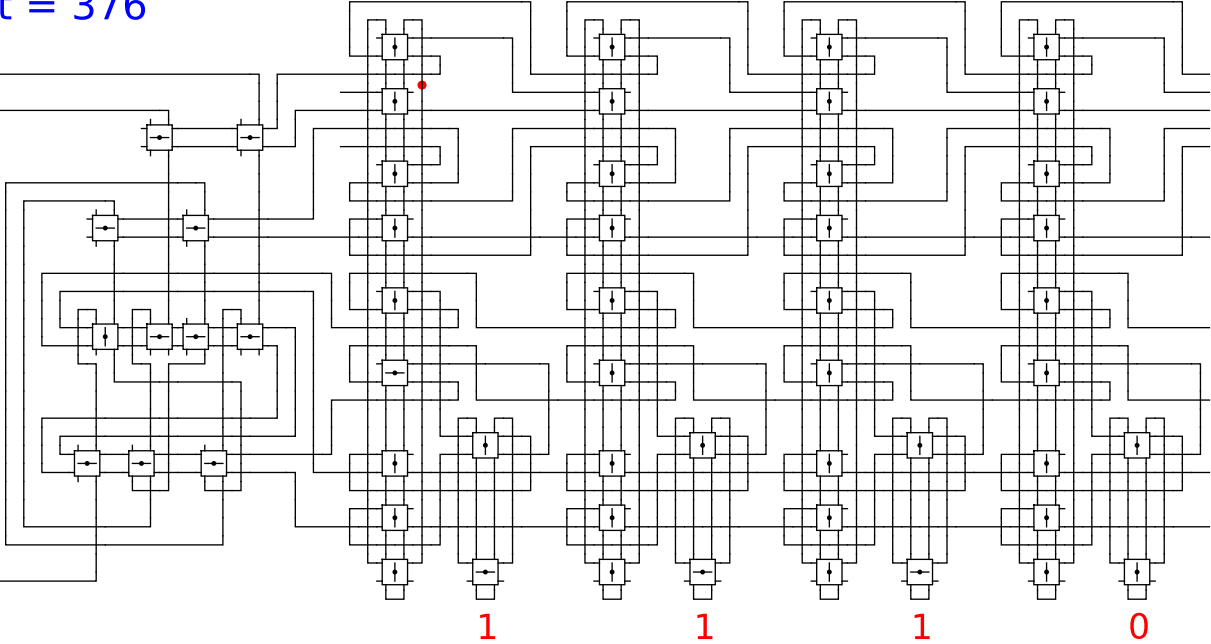
1

0

t = 376

Reject
Accept

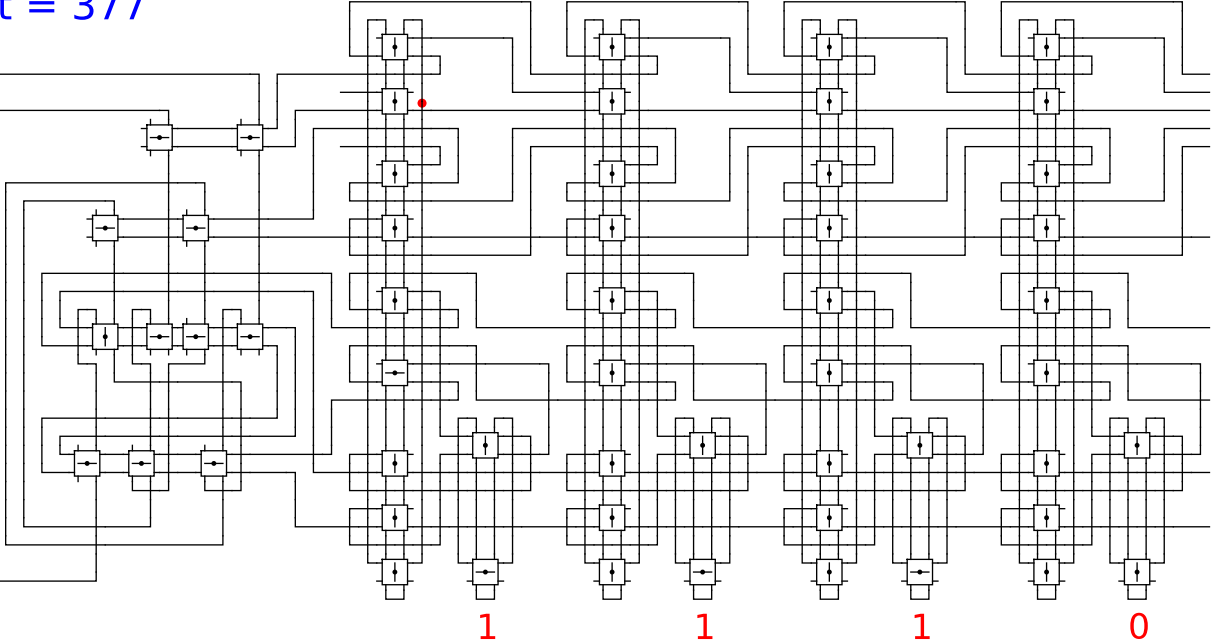
Begin



t = 377

Reject
Accept

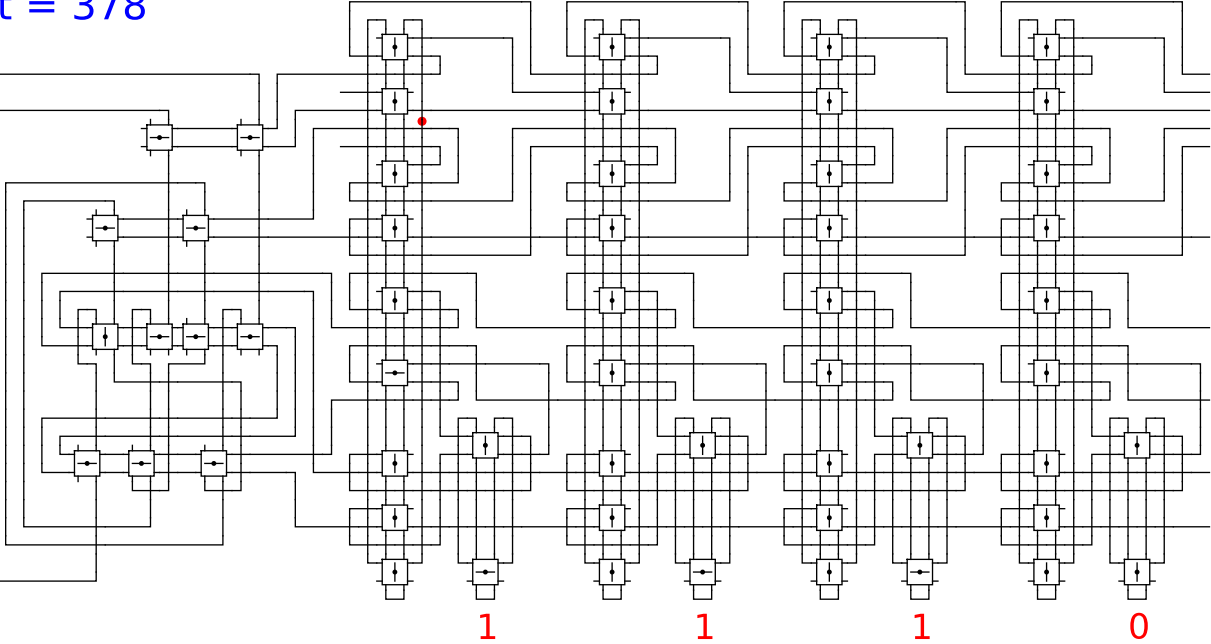
Begin



t = 378

Reject
Accept

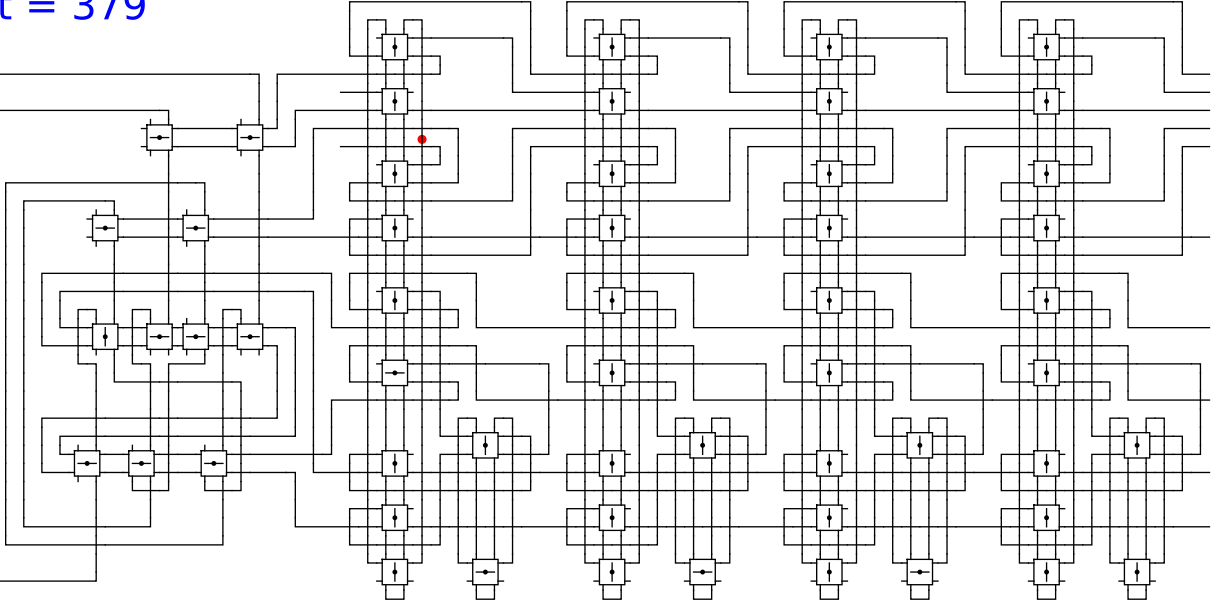
Begin



t = 379

Reject
Accept

Begin



1

1

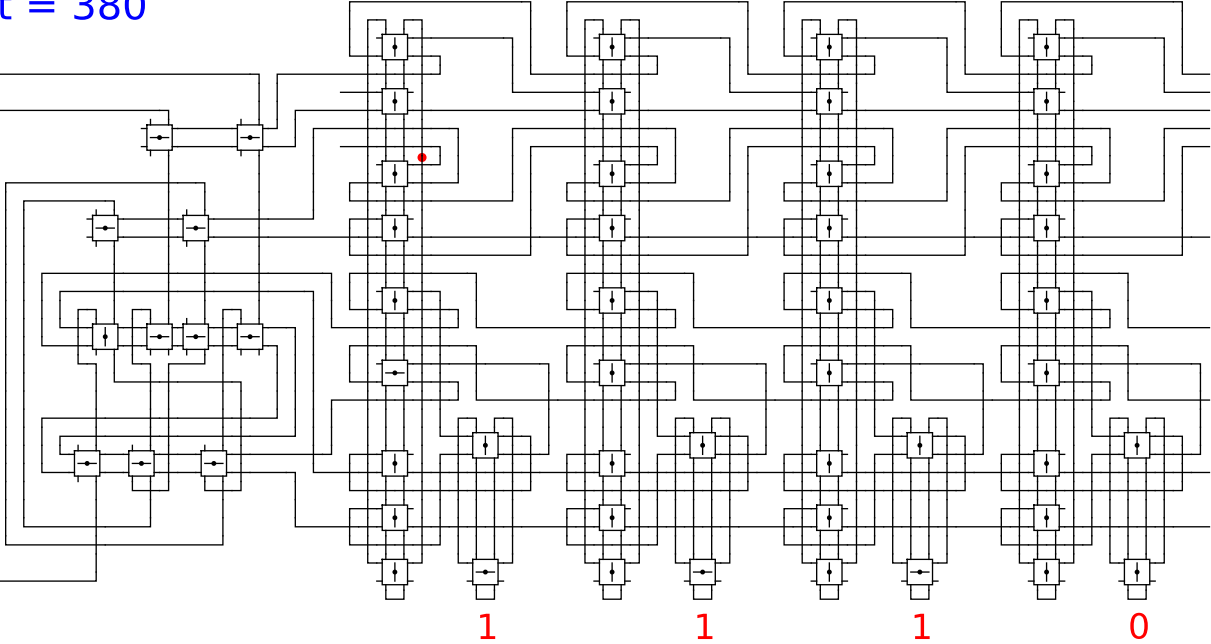
1

0

t = 380

Reject
Accept

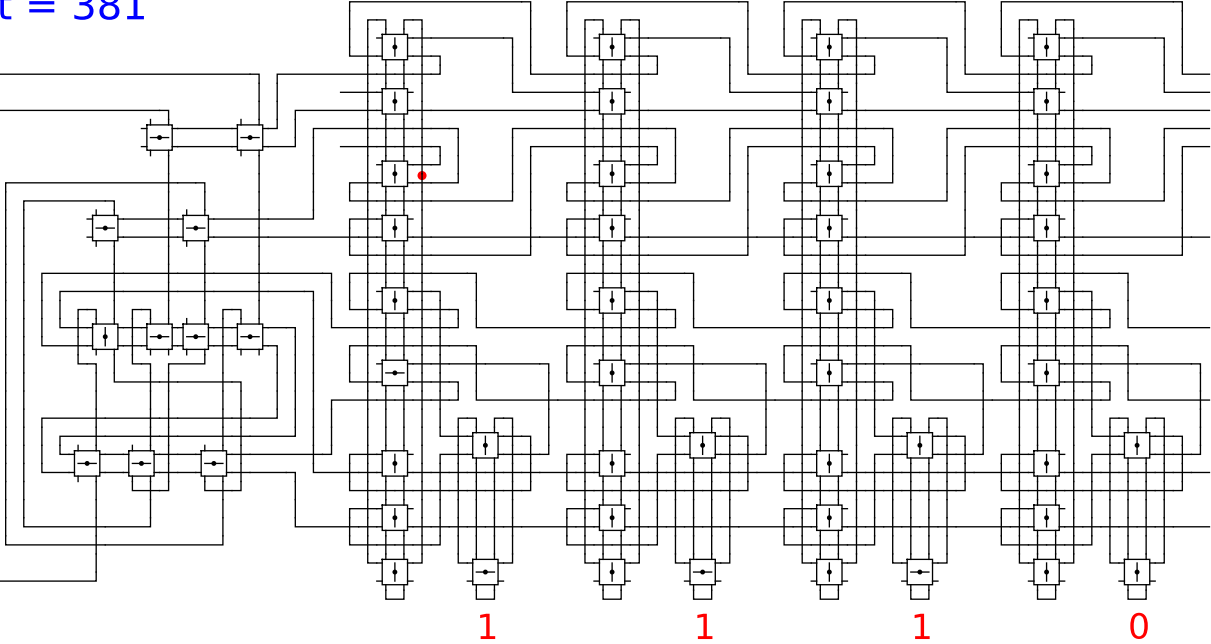
Begin



t = 381

Reject
Accept

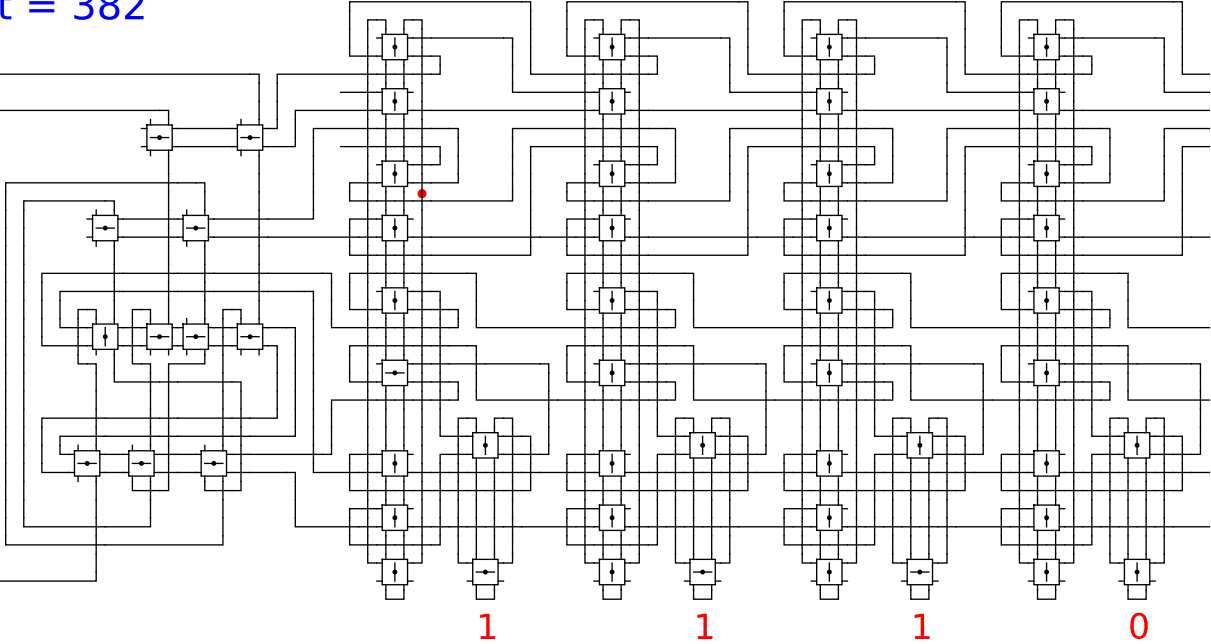
Begin



t = 382

Reject
Accept

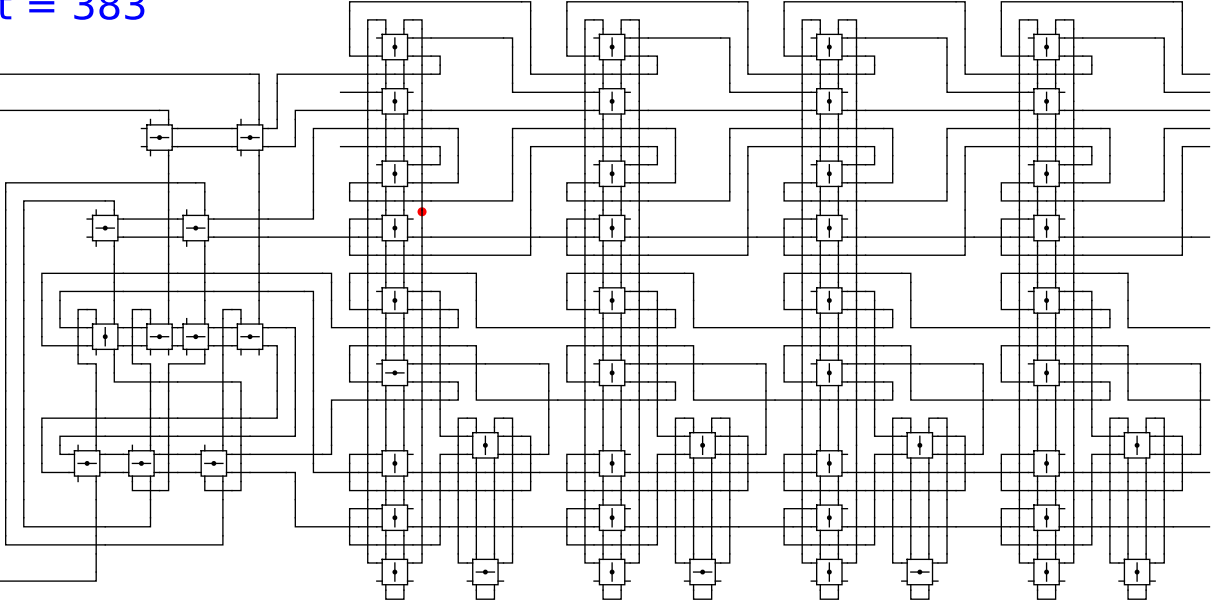
Begin



t = 383

Reject
Accept

Begin



1

1

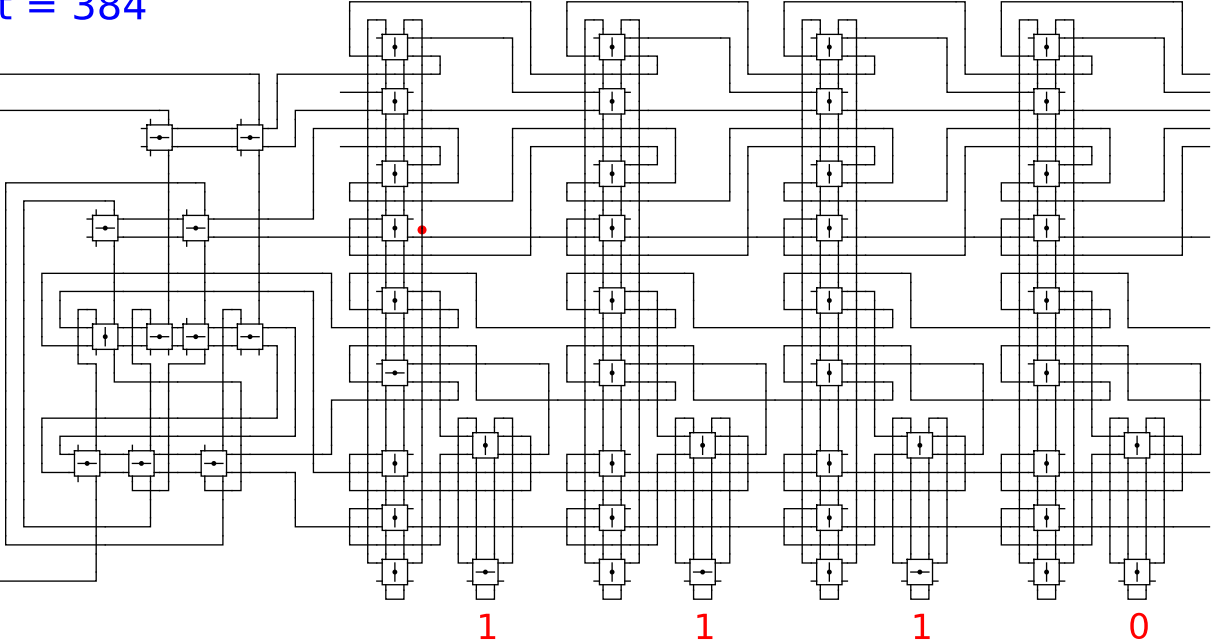
1

0

t = 384

Reject
Accept

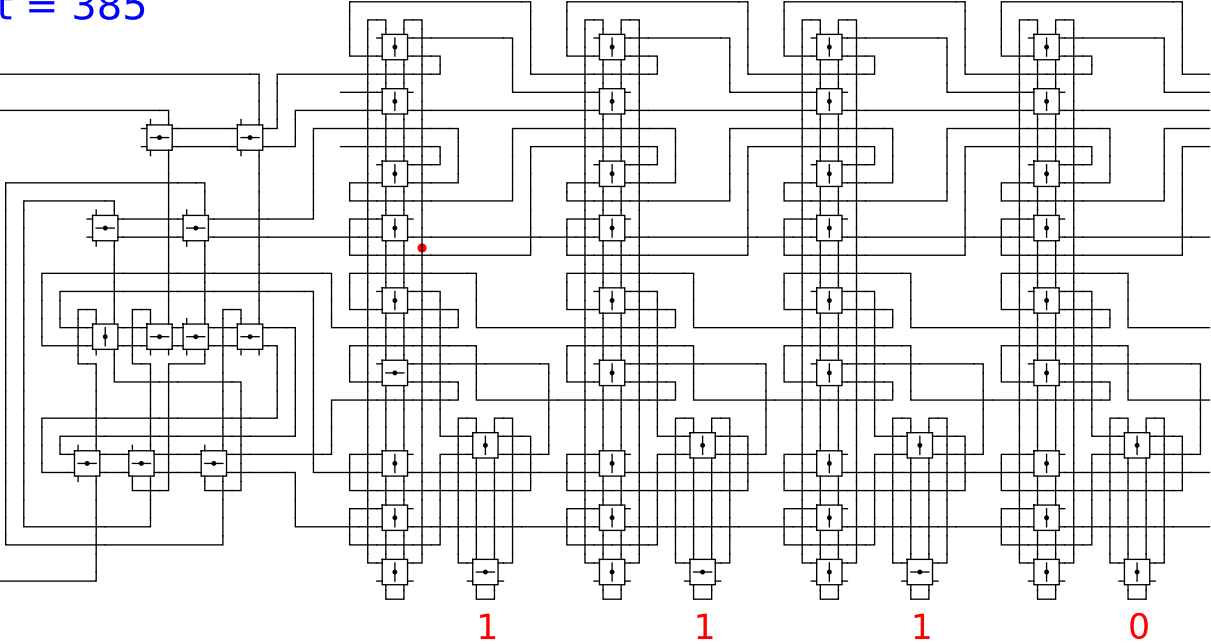
Begin



t = 385

Reject
Accept

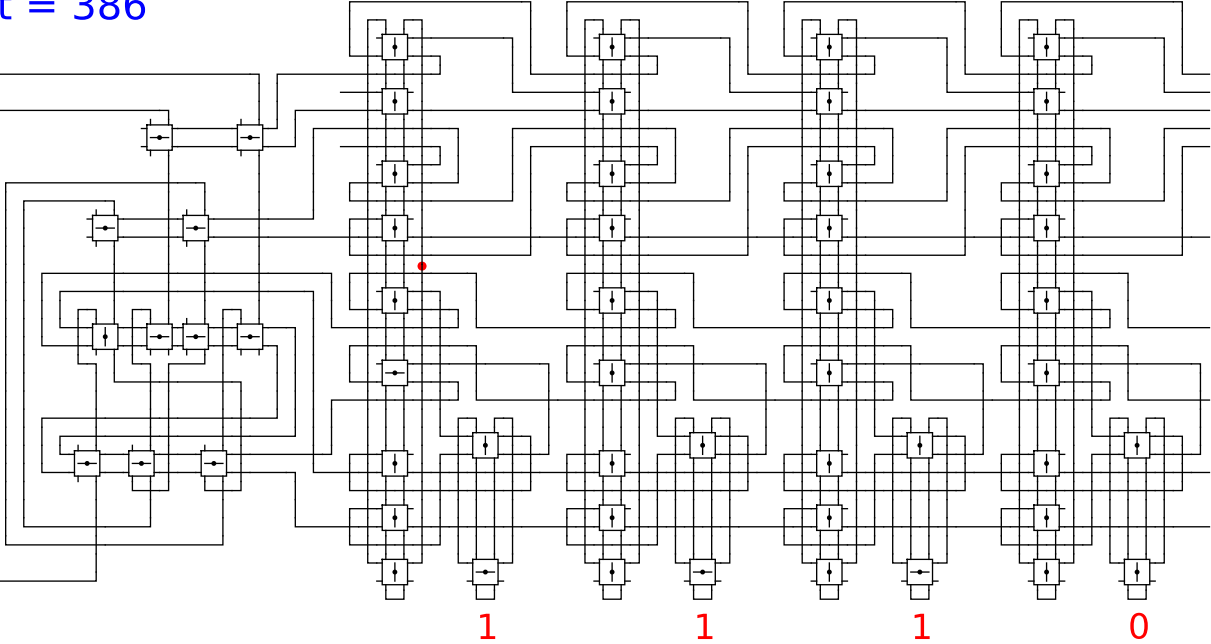
Begin



t = 386

Reject
Accept

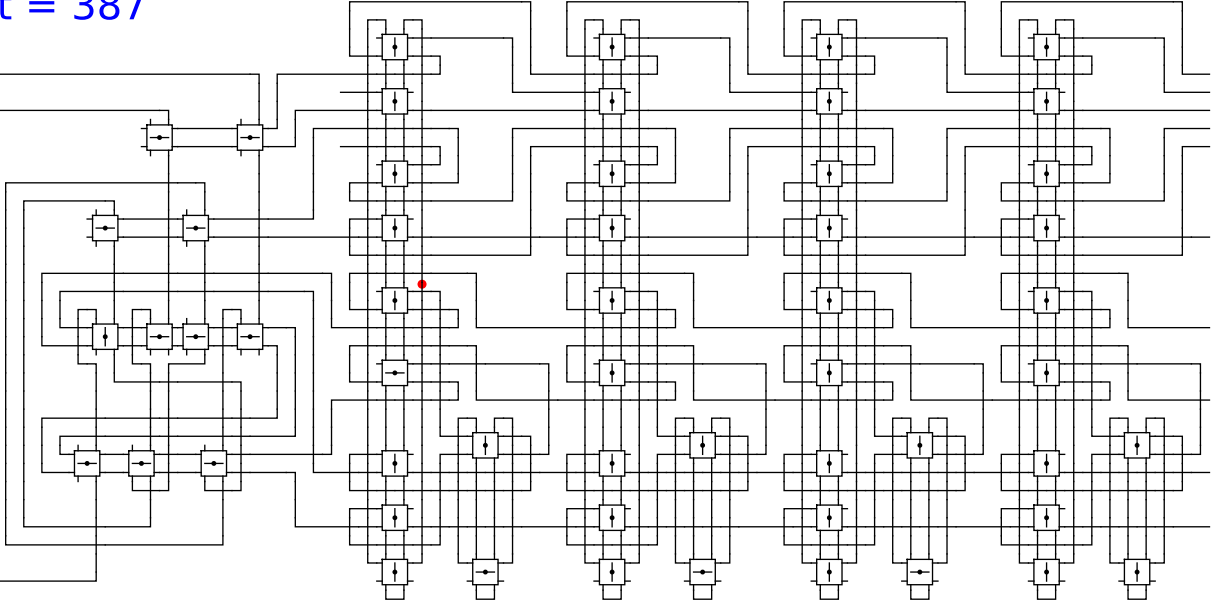
Begin



t = 387

Reject
Accept

Begin



1

1

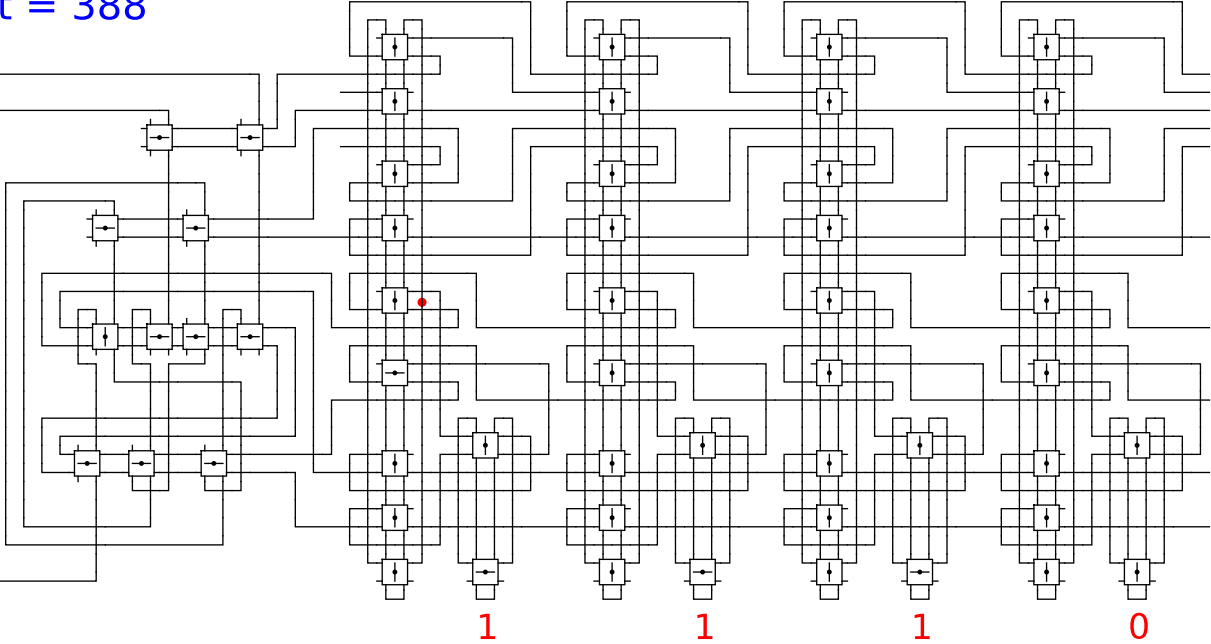
1

0

t = 388

Reject
Accept

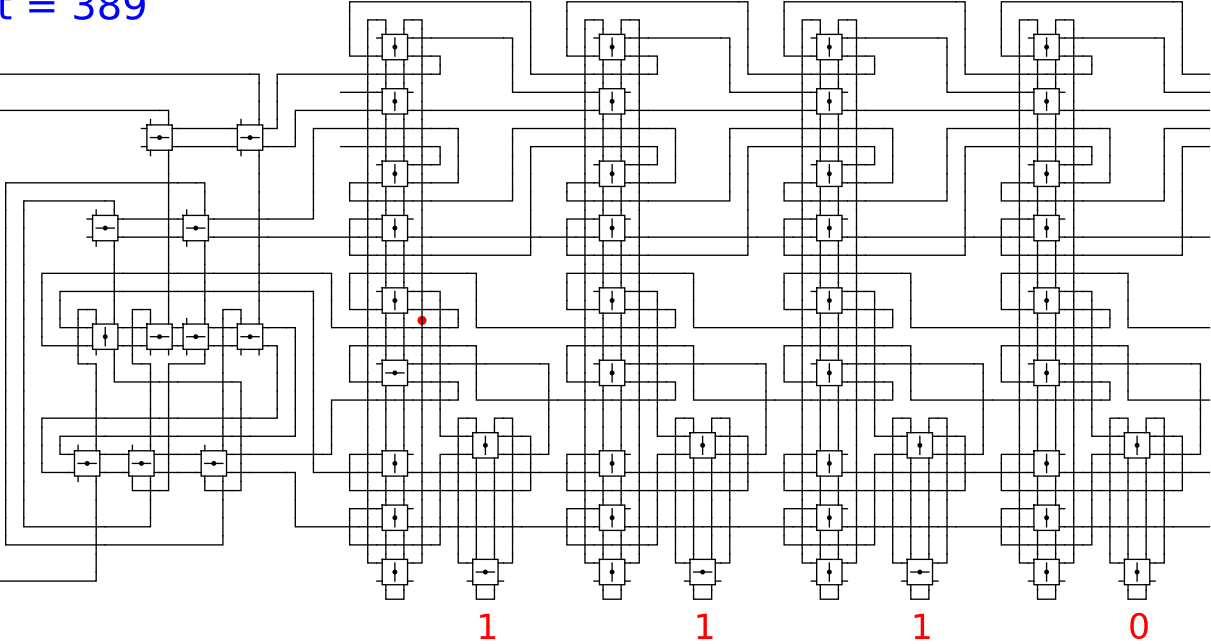
Begin



t = 389

Reject
Accept

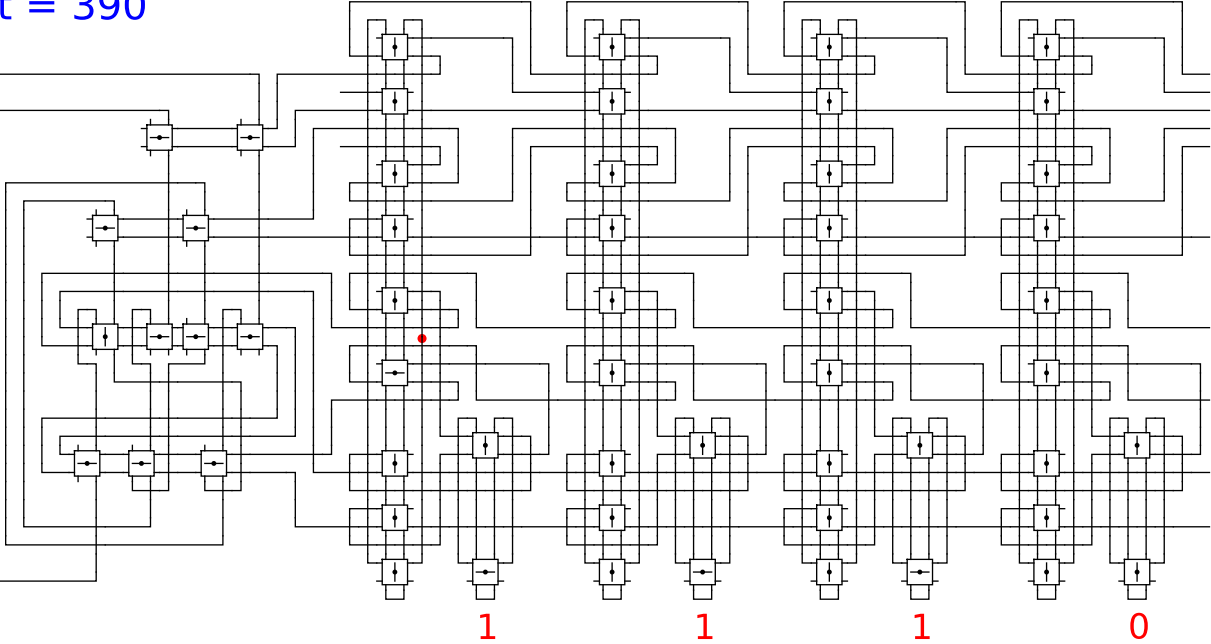
Begin



t = 390

Reject
Accept

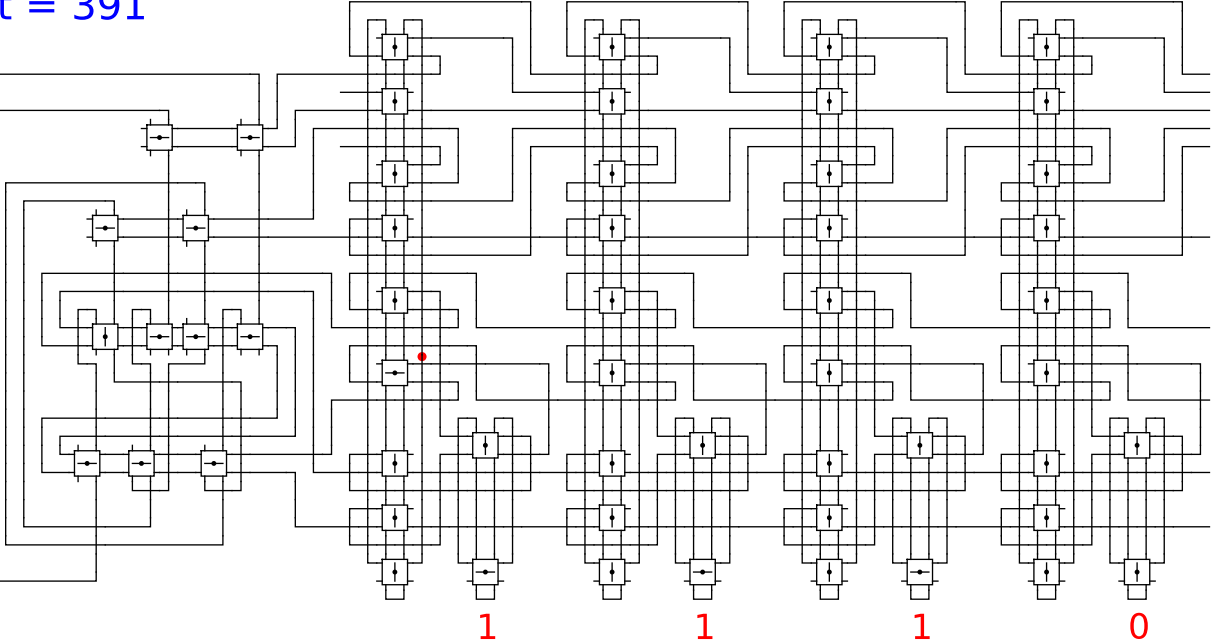
Begin



t = 391

Reject
Accept

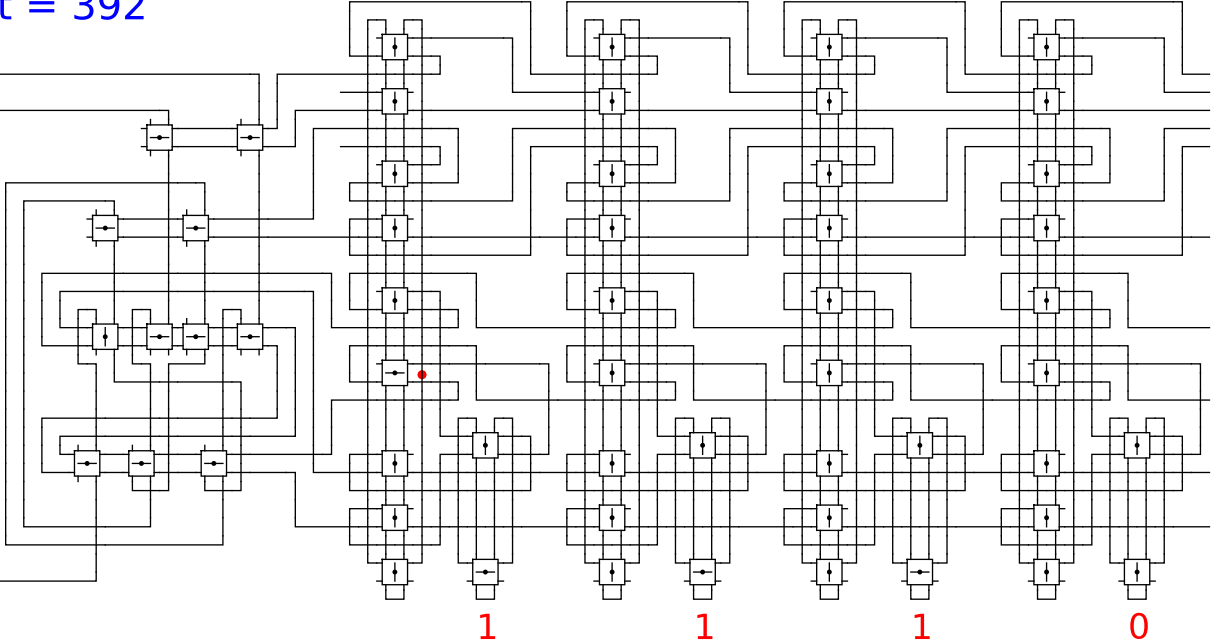
Begin



t = 392

Reject
Accept

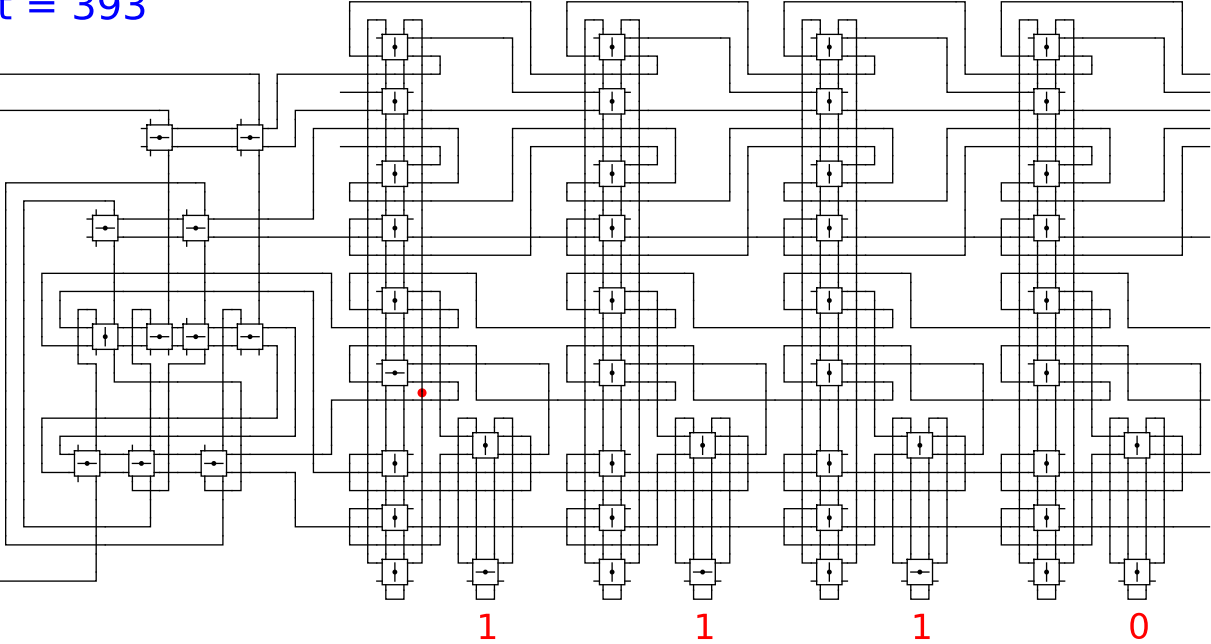
Begin



t = 393

Reject
Accept

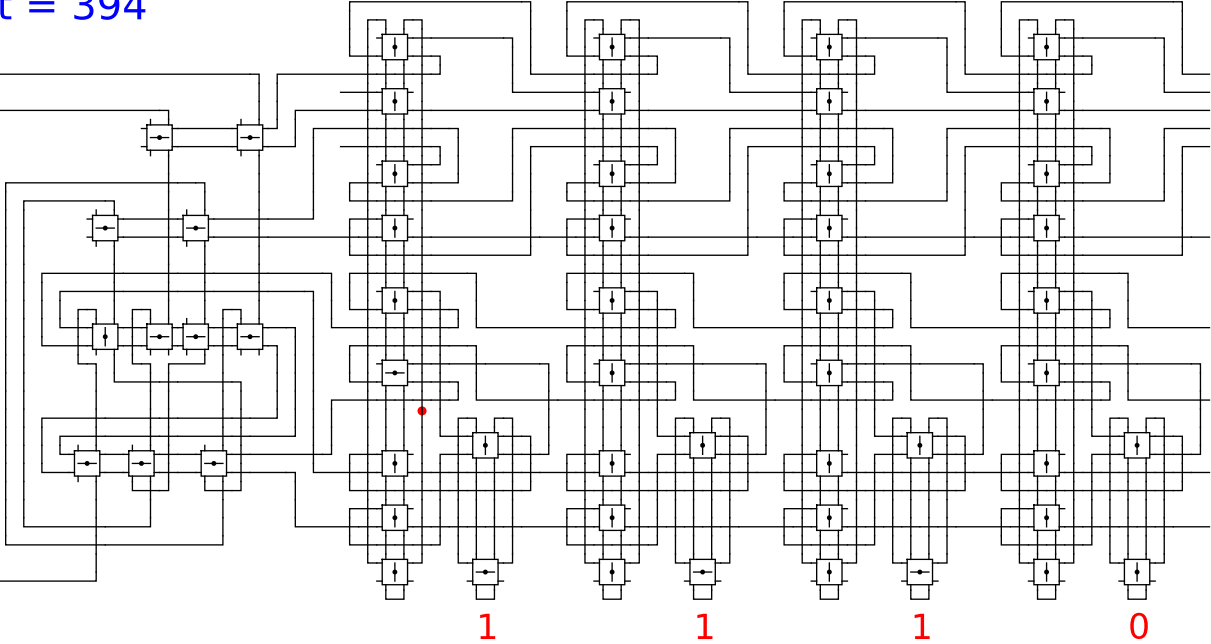
Begin



t = 394

Reject
Accept

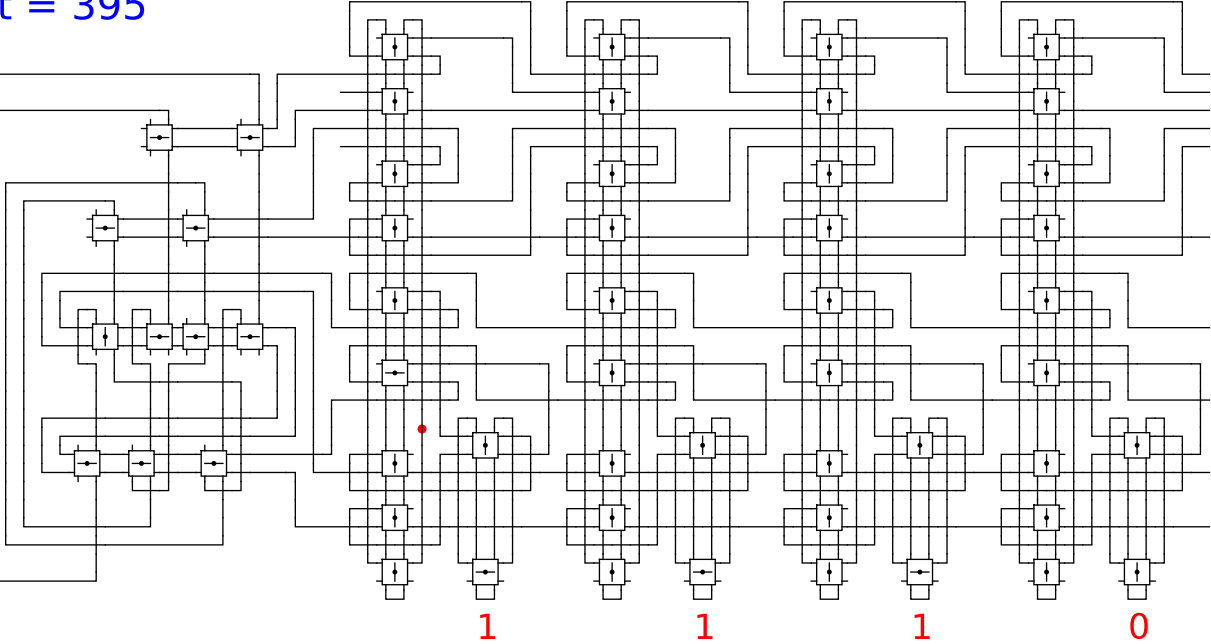
Begin



t = 395

Reject
Accept

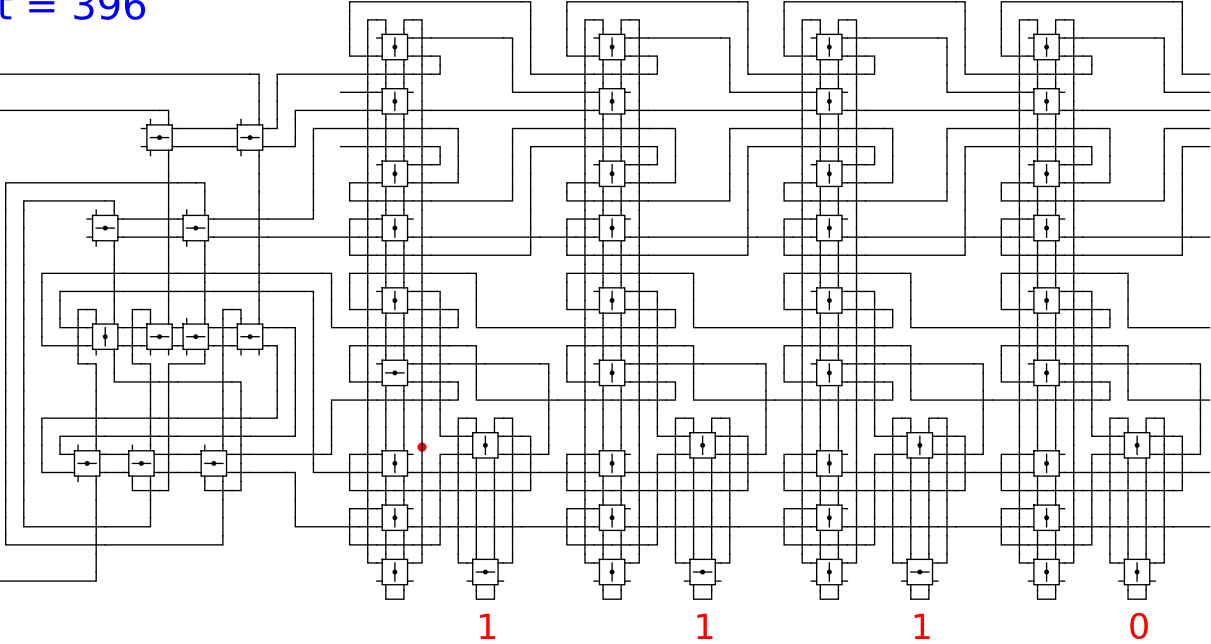
Begin



t = 396

Reject
Accept

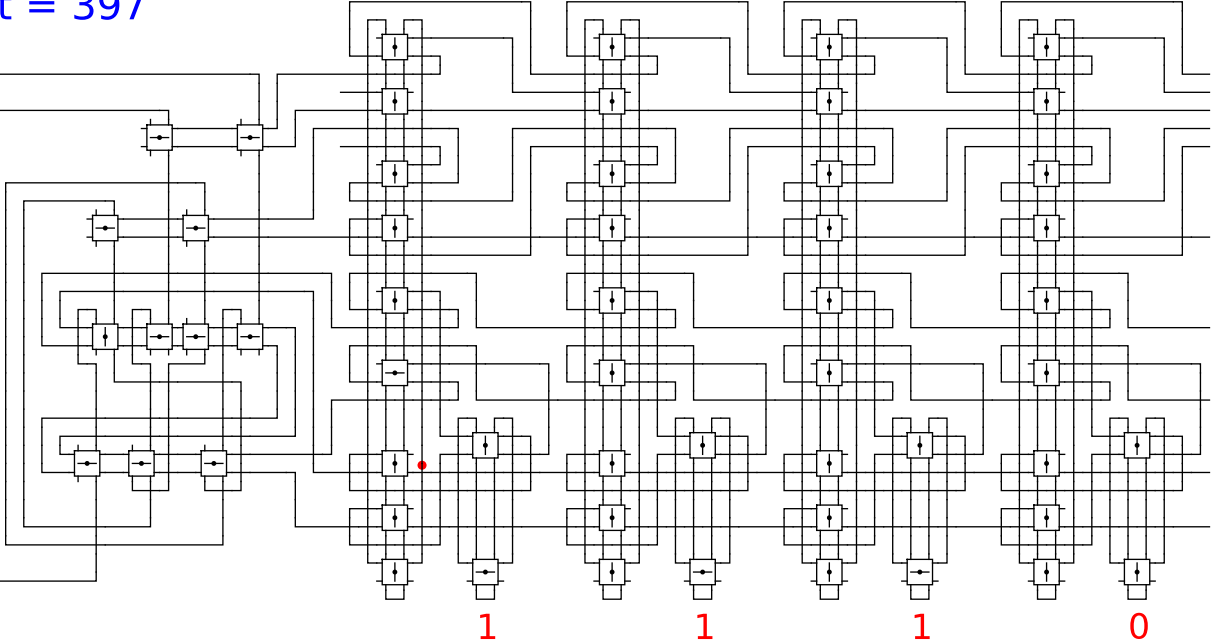
Begin



t = 397

Reject
Accept

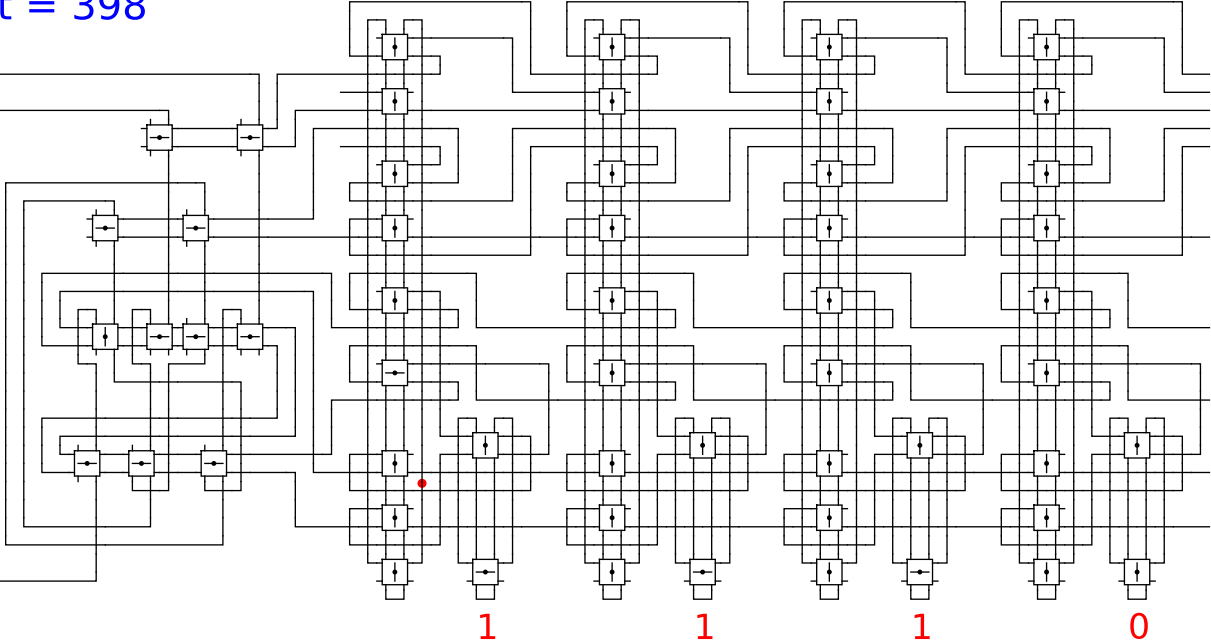
Begin



t = 398

Reject
Accept

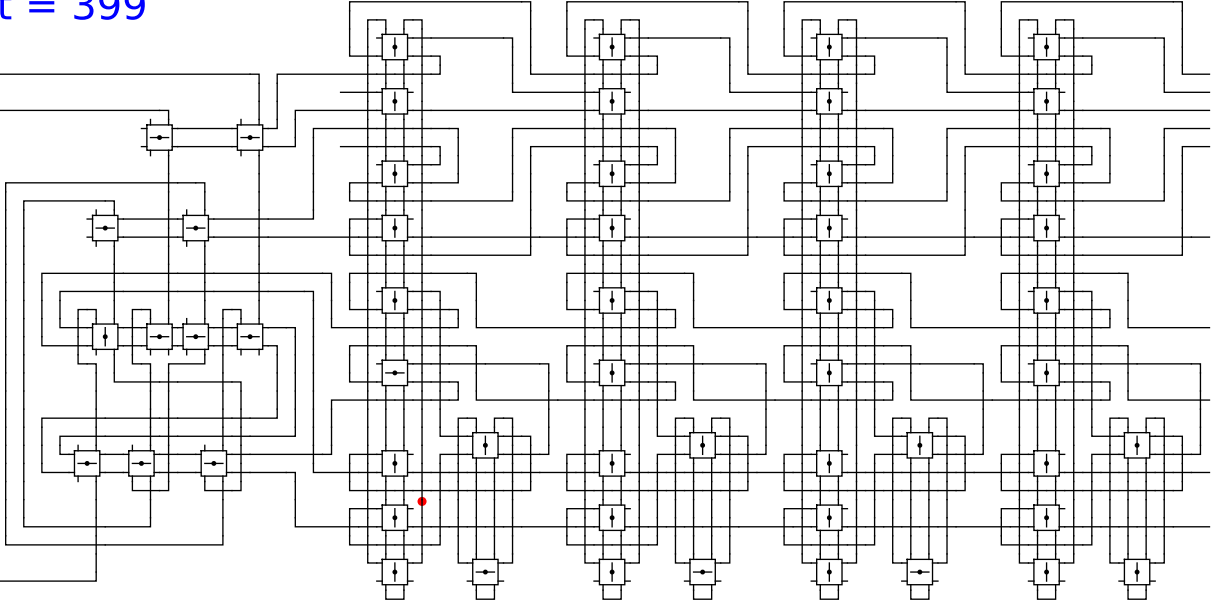
Begin



t = 399

Reject
Accept

Begin

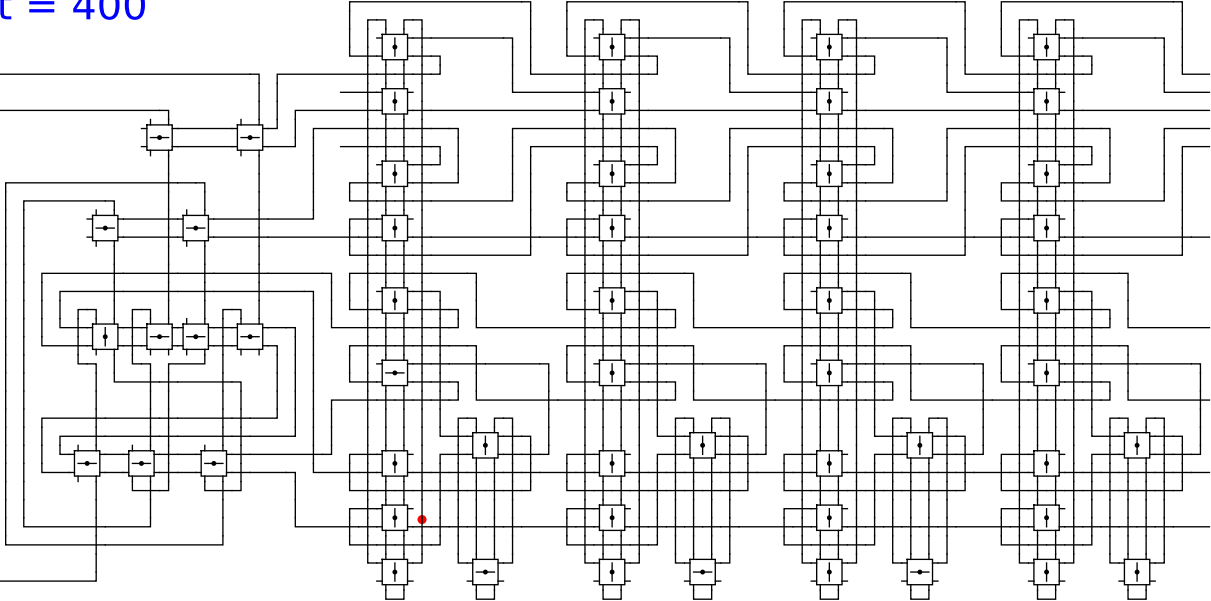


1 1 1 0

t = 400

Reject
Accept

Begin



1

1

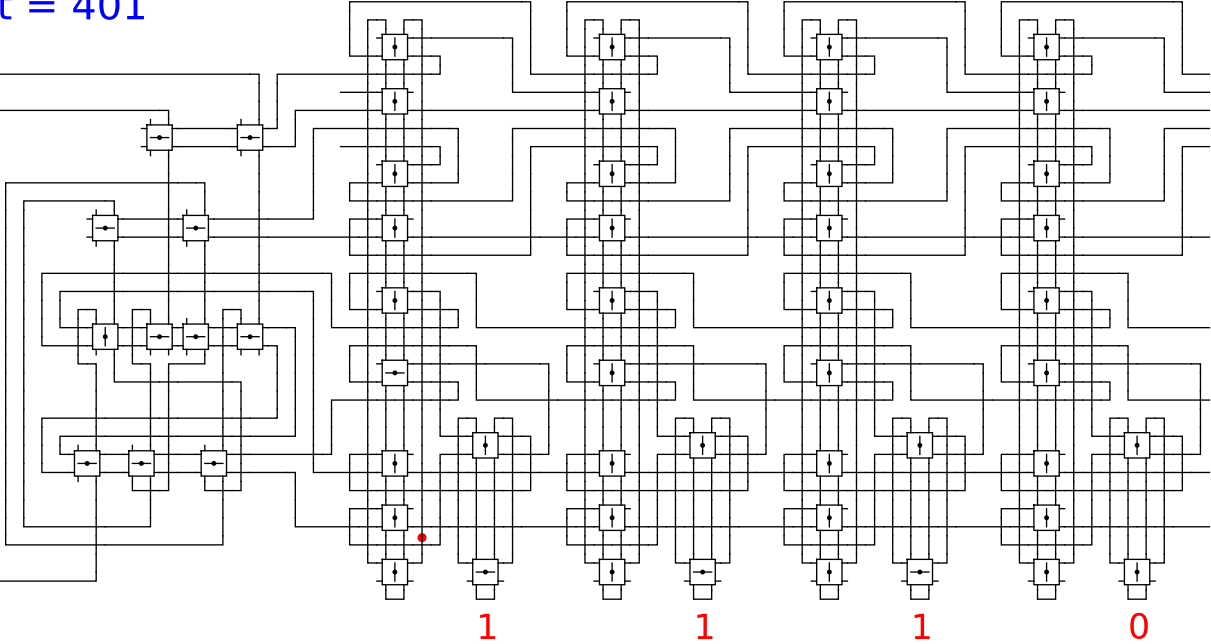
1

0

t = 401

Reject
Accept

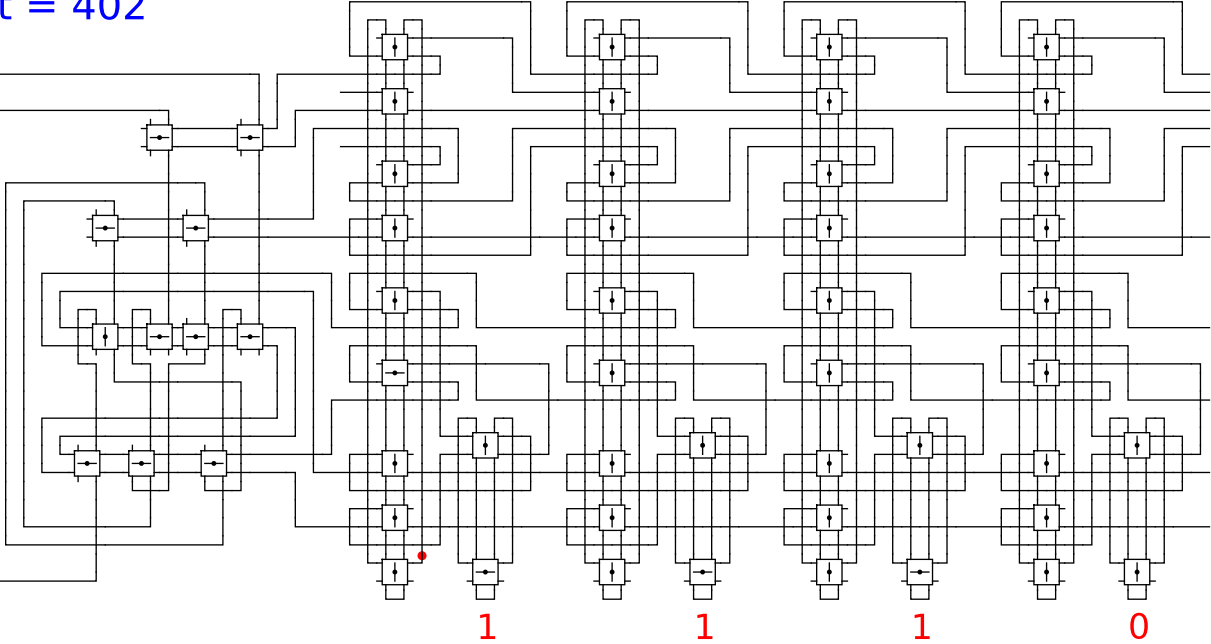
Begin



t = 402

Reject
Accept

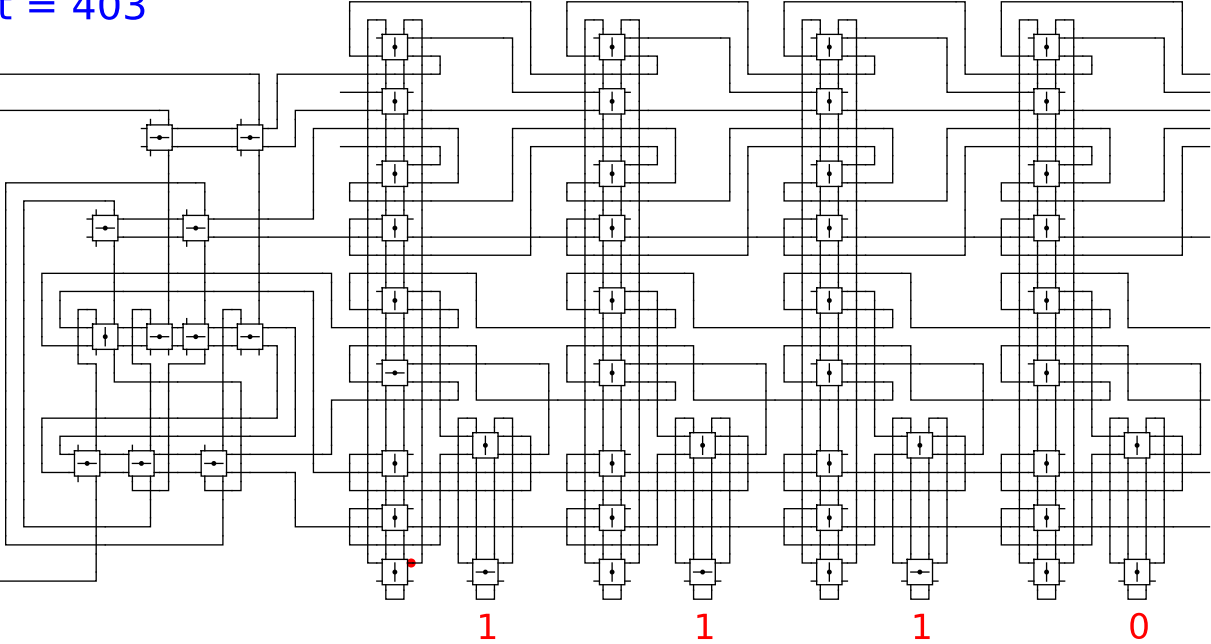
Begin



t = 403

Reject
Accept

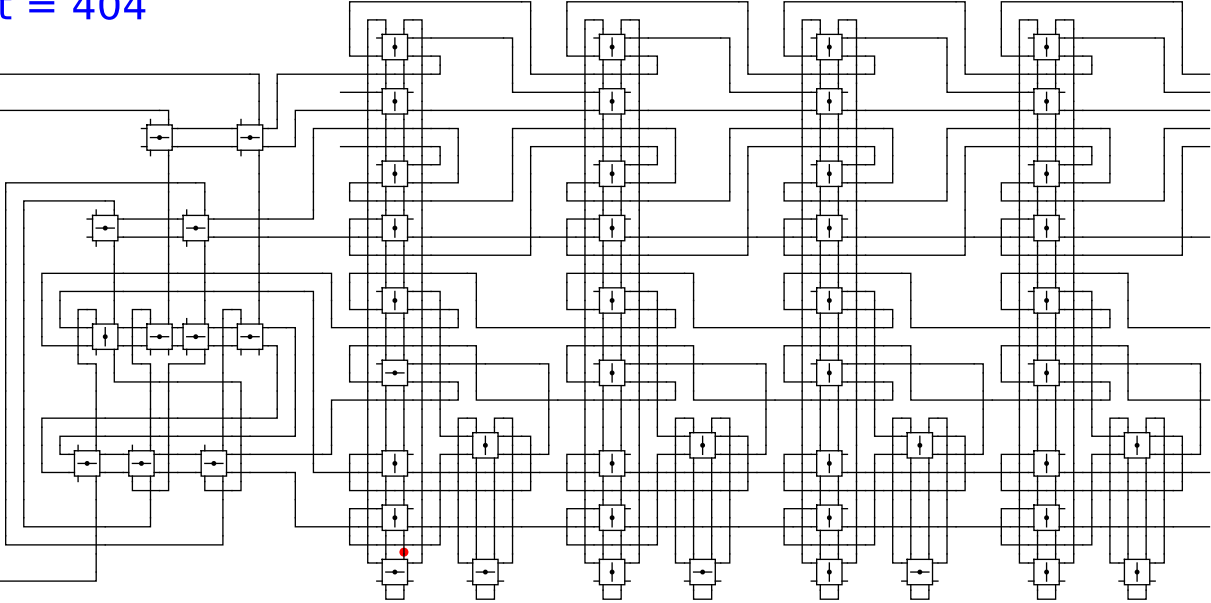
Begin



t = 404

Reject
Accept

Begin



head

1

1

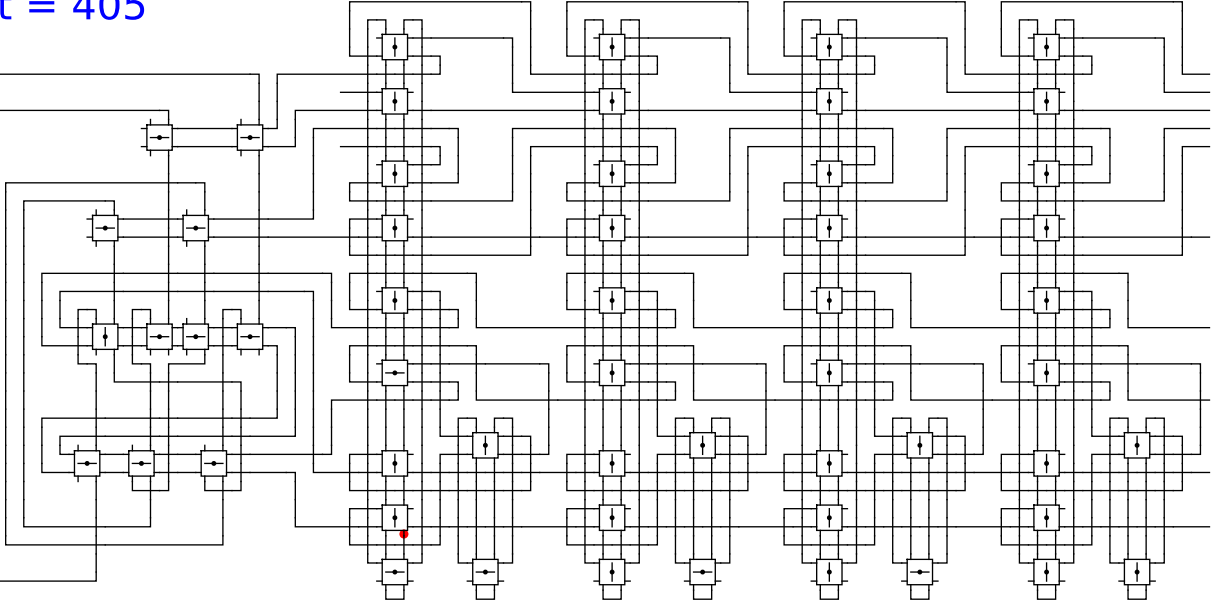
1

0

t = 405

Reject
Accept

Begin



head

1

1

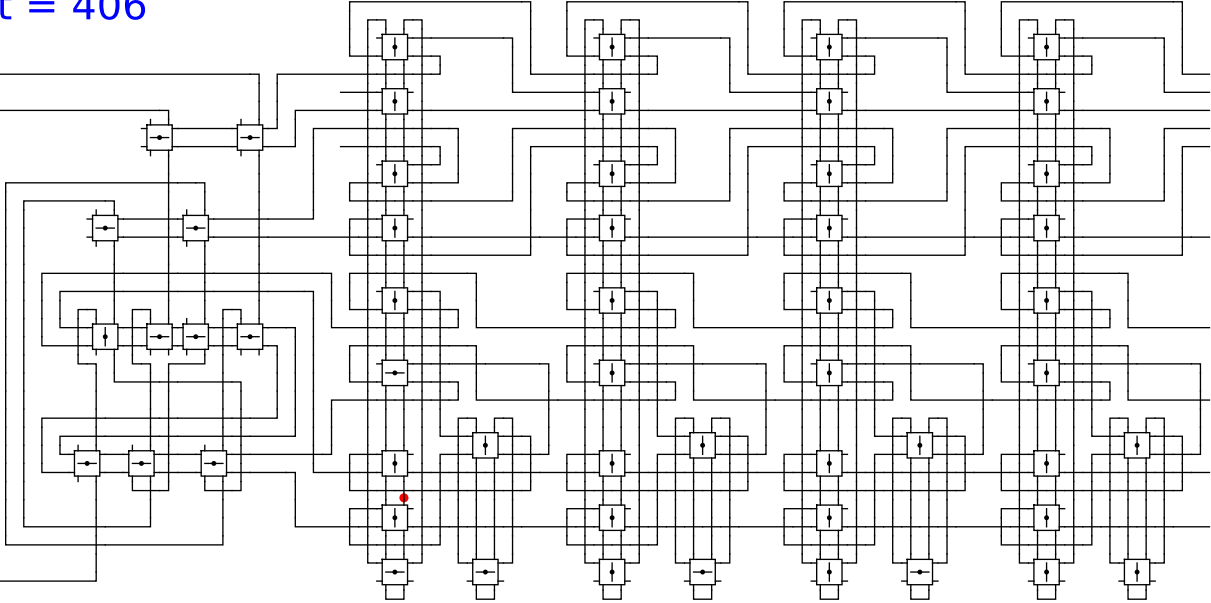
1

0

t = 406

Reject
Accept

Begin



head

1

1

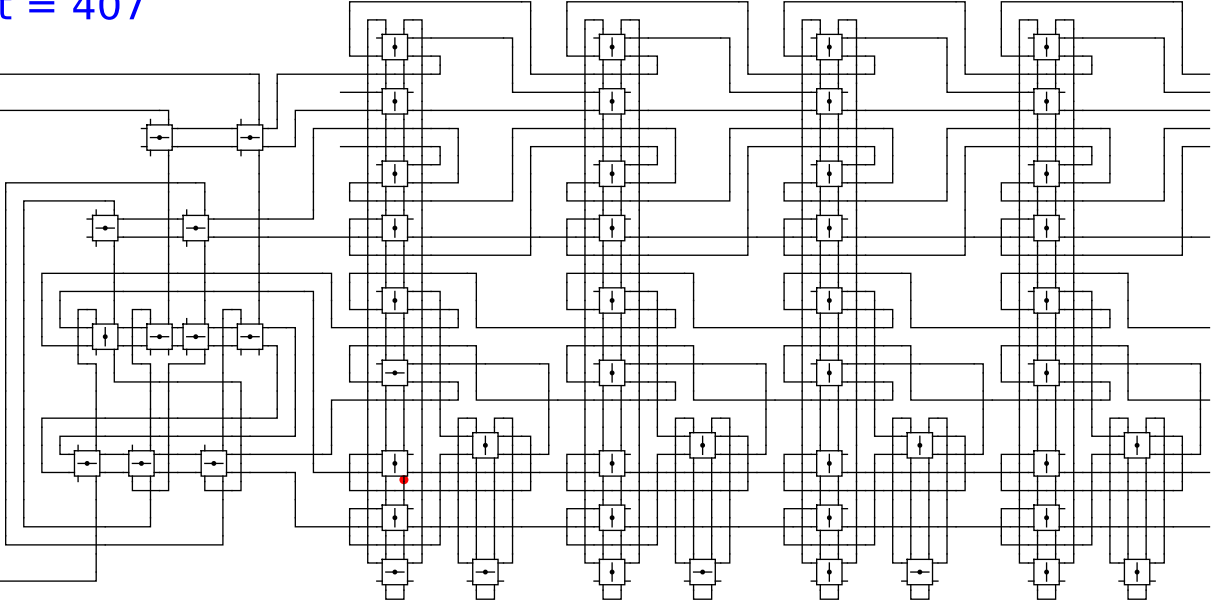
1

0

t = 407

Reject
Accept

Begin



head

1

1

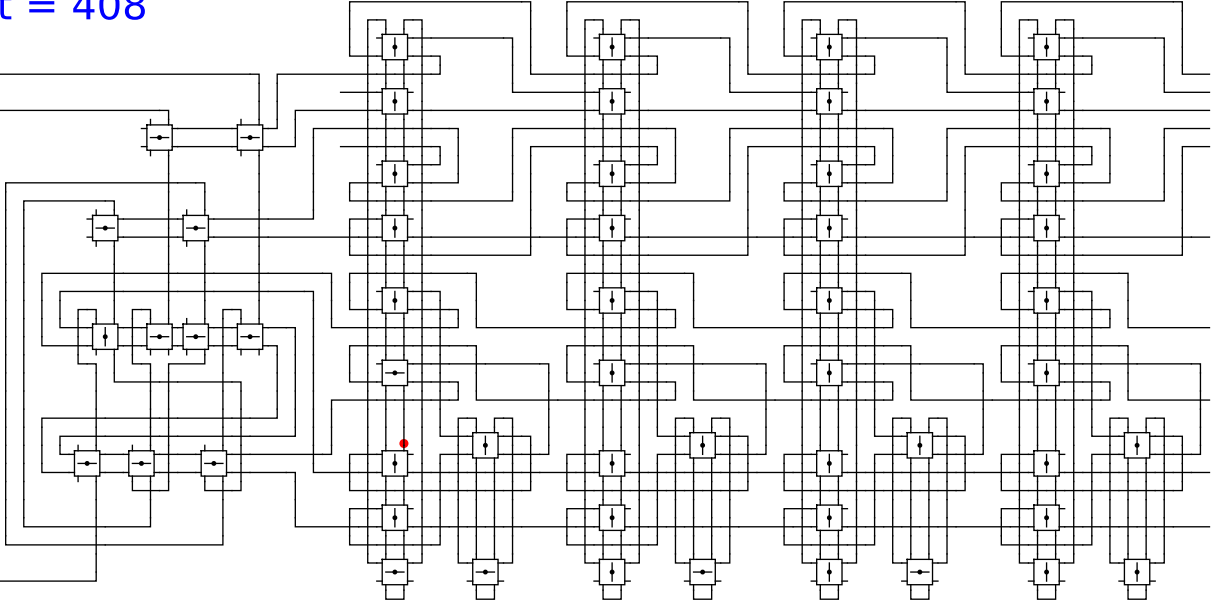
1

0

t = 408

Reject
Accept

Begin



head

1

1

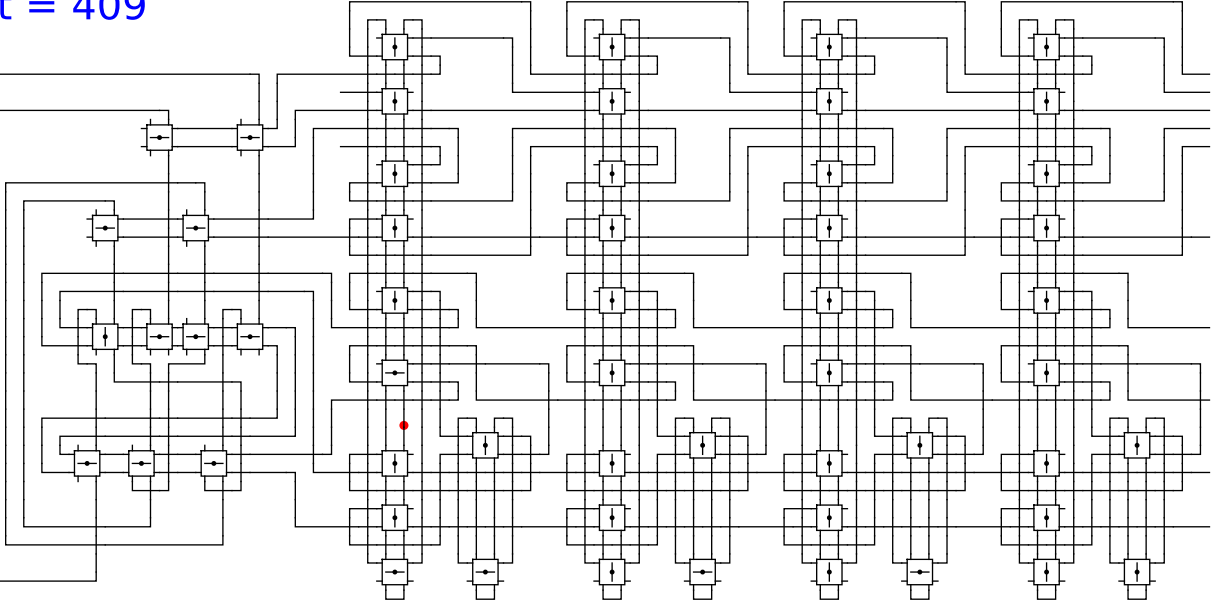
1

0

t = 409

Reject
Accept

Begin



head

1

1

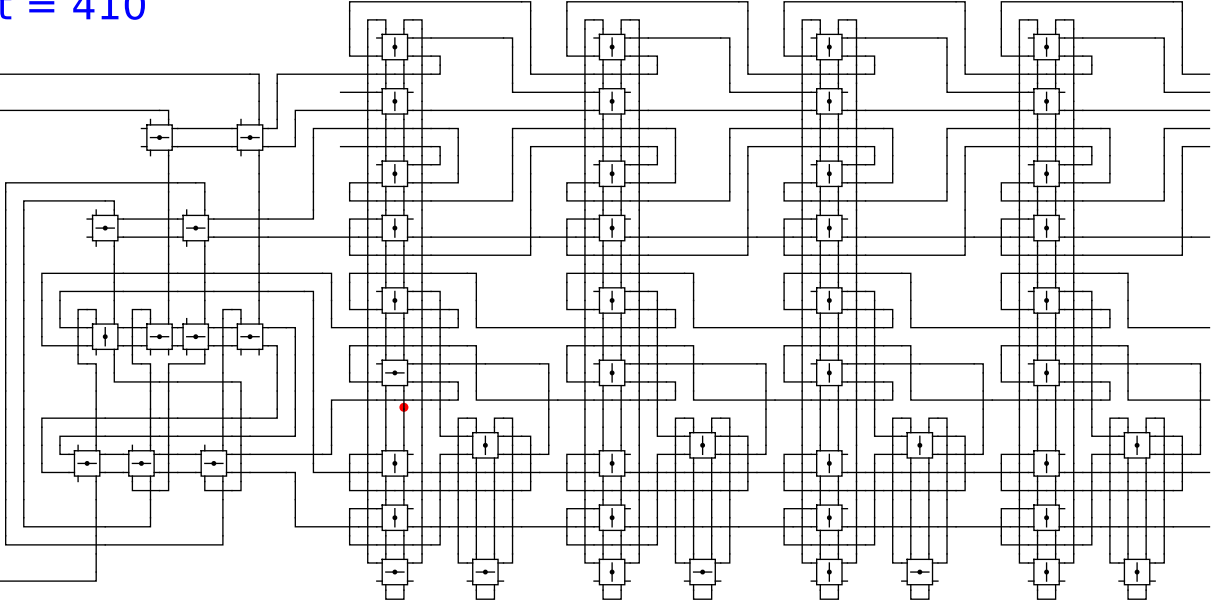
1

0

t = 410

Reject
Accept

Begin



head

1

1

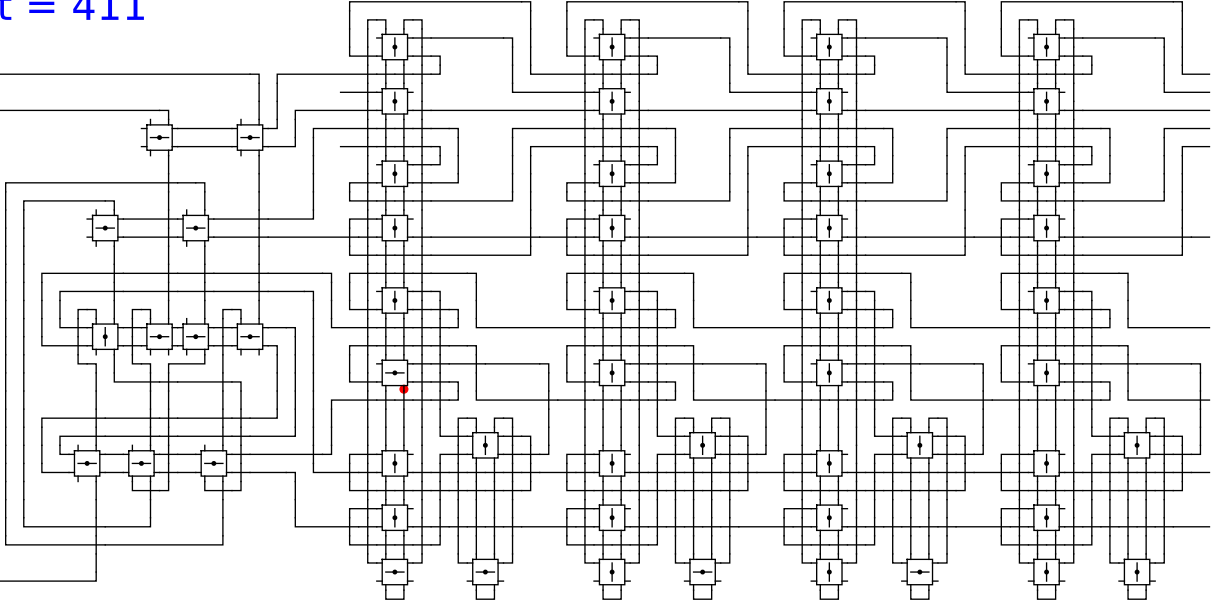
1

0

t = 411

Reject
Accept

Begin



head

1

1

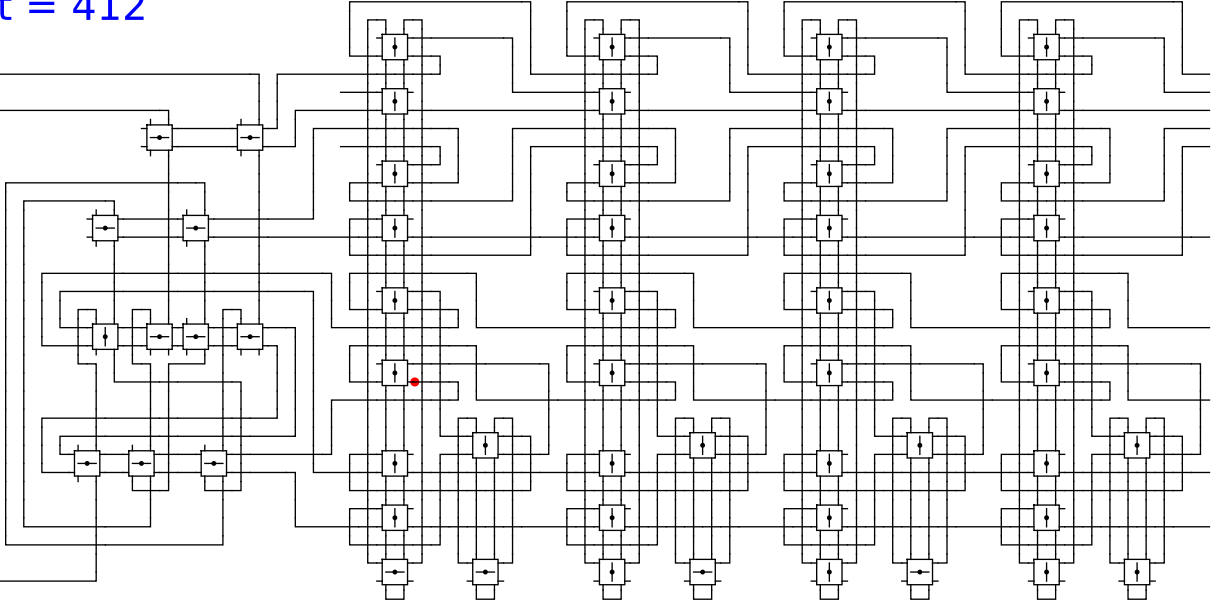
1

0

t = 412

Reject
Accept

Begin



head

1

1

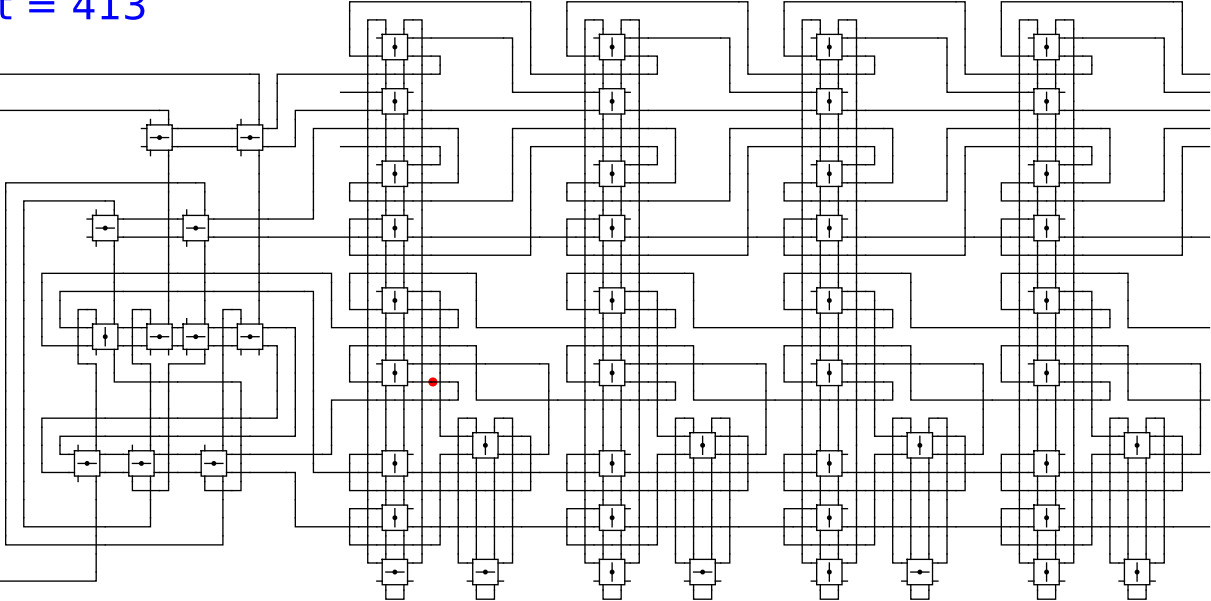
1

0

t = 413

Reject
Accept

Begin



head

1

1

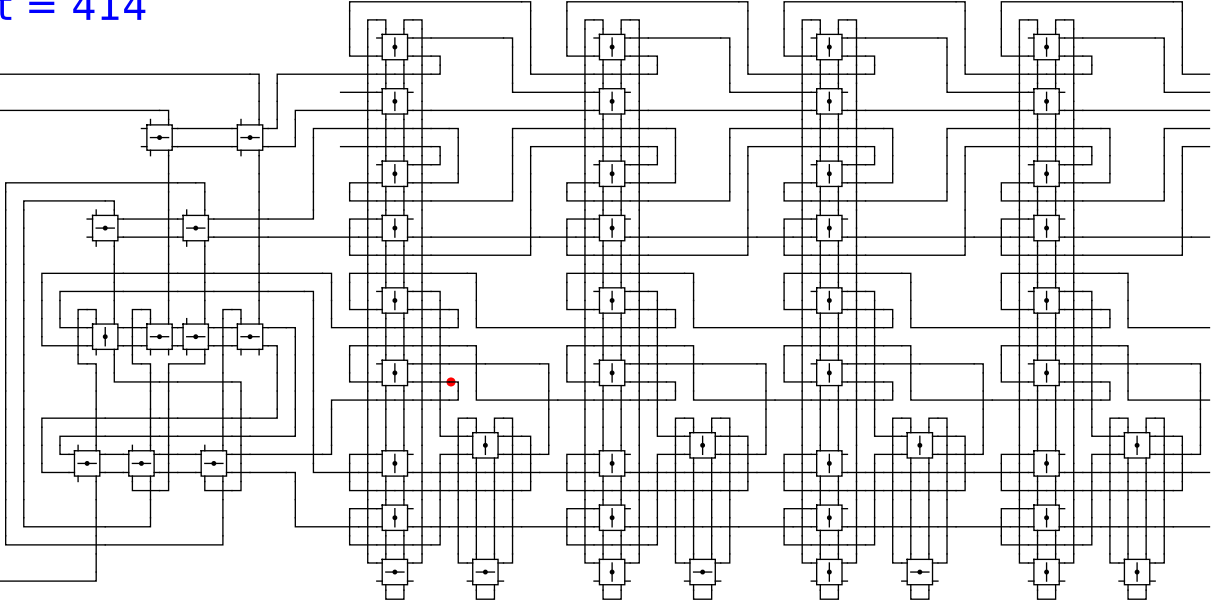
1

0

t = 414

Reject
Accept

Begin



head

1

1

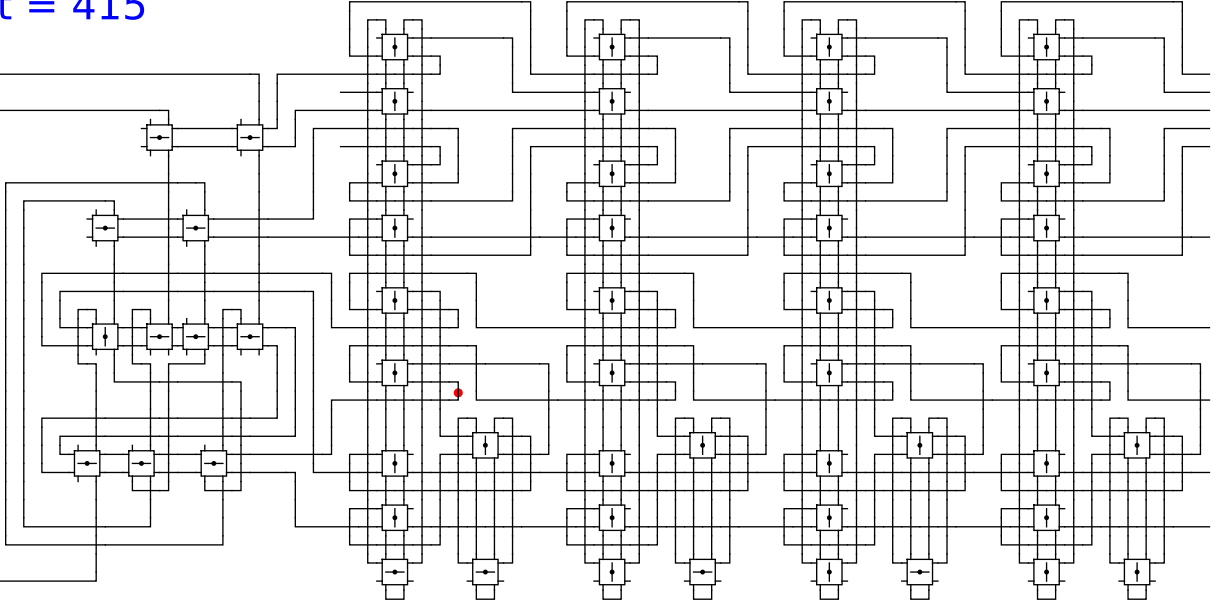
1

0

t = 415

Reject
Accept

Begin



head

1

1

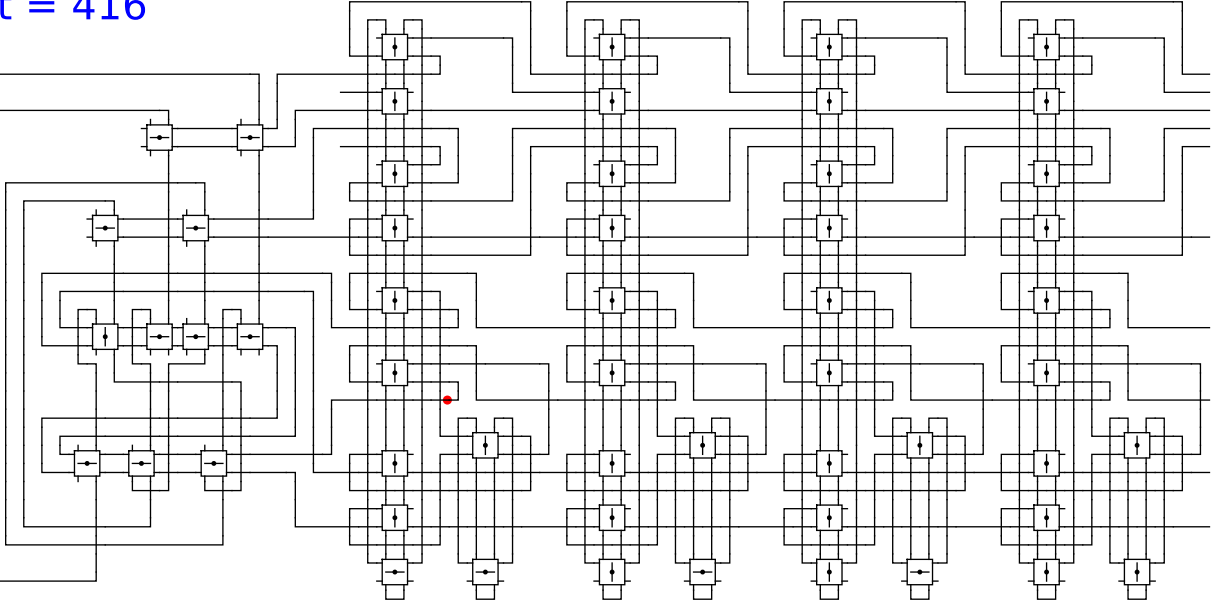
1

0

t = 416

Reject
Accept

Begin



head

1

1

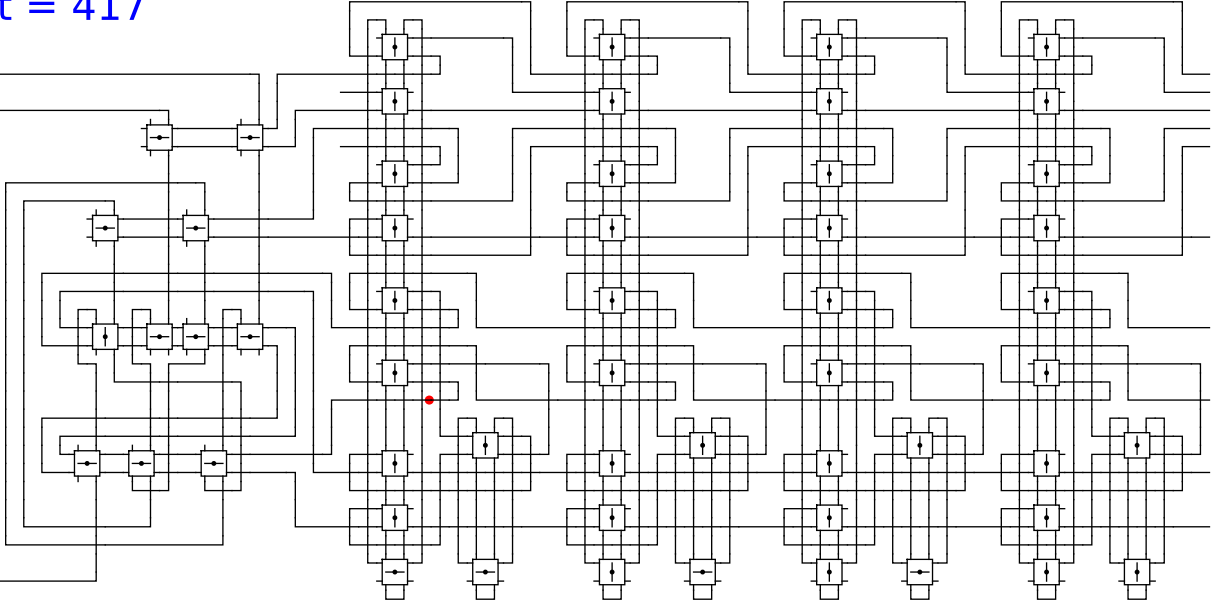
1

0

t = 417

Reject
Accept

Begin



head

1

1

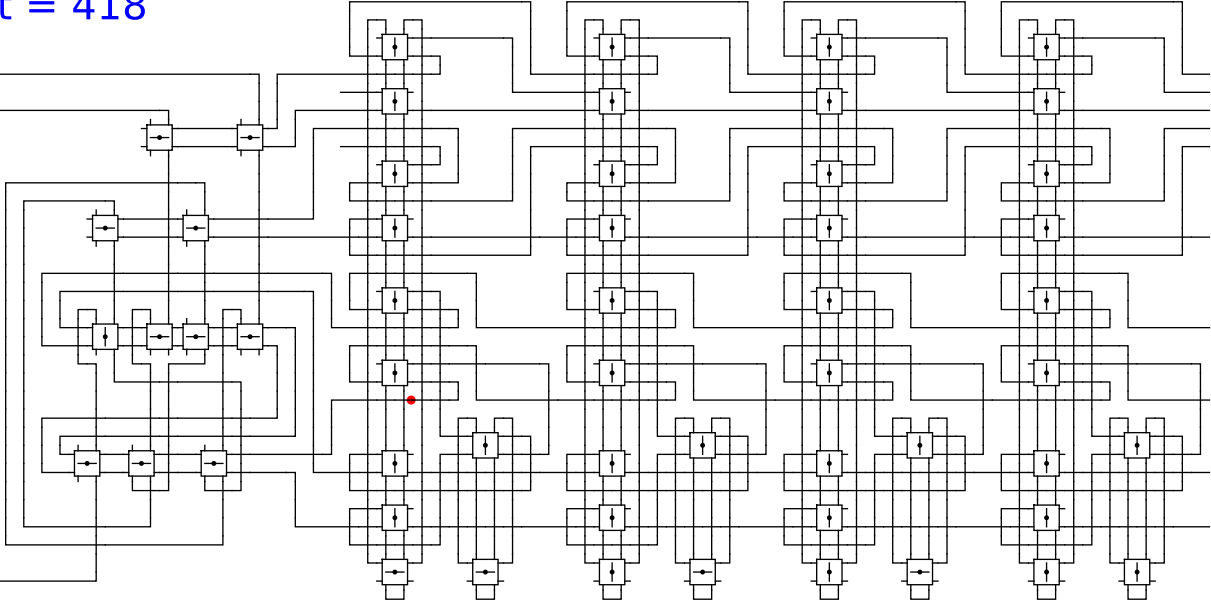
1

0

t = 418

Reject
Accept

Begin



head

1

1

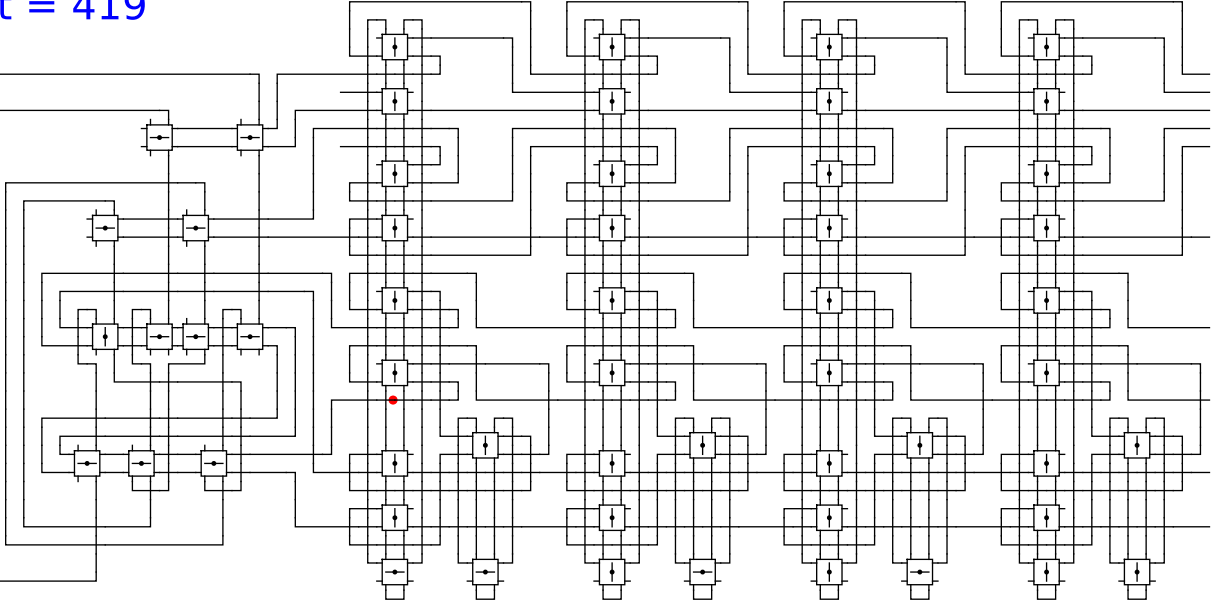
1

0

t = 419

Reject
Accept

Begin



head

1

1

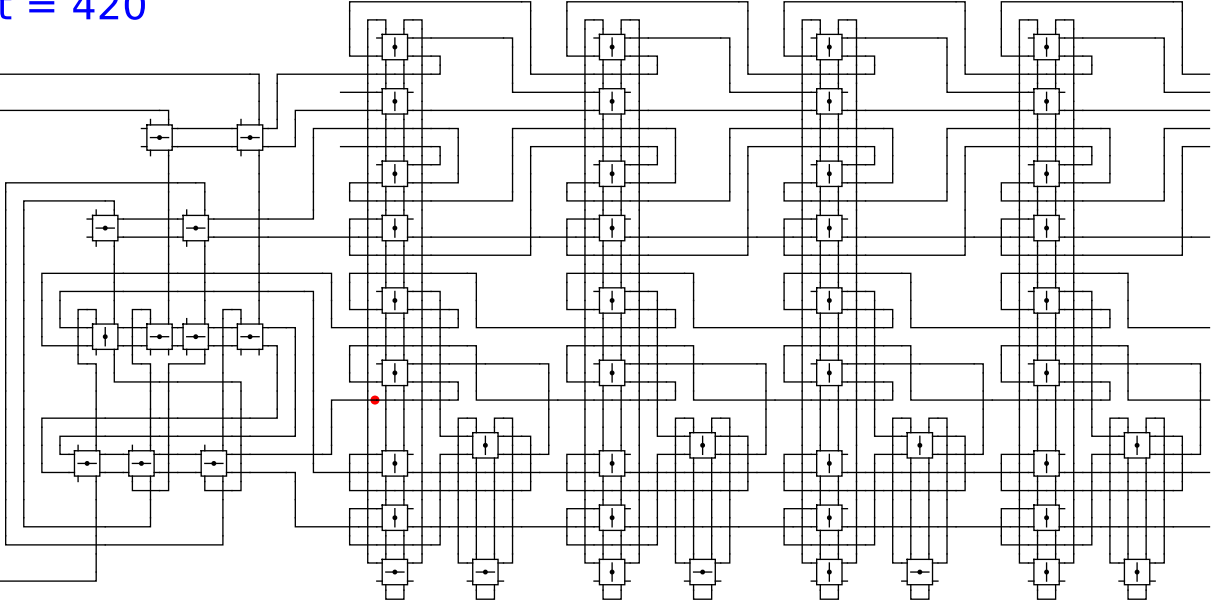
1

0

t = 420

Reject
Accept

Begin



head

1

1

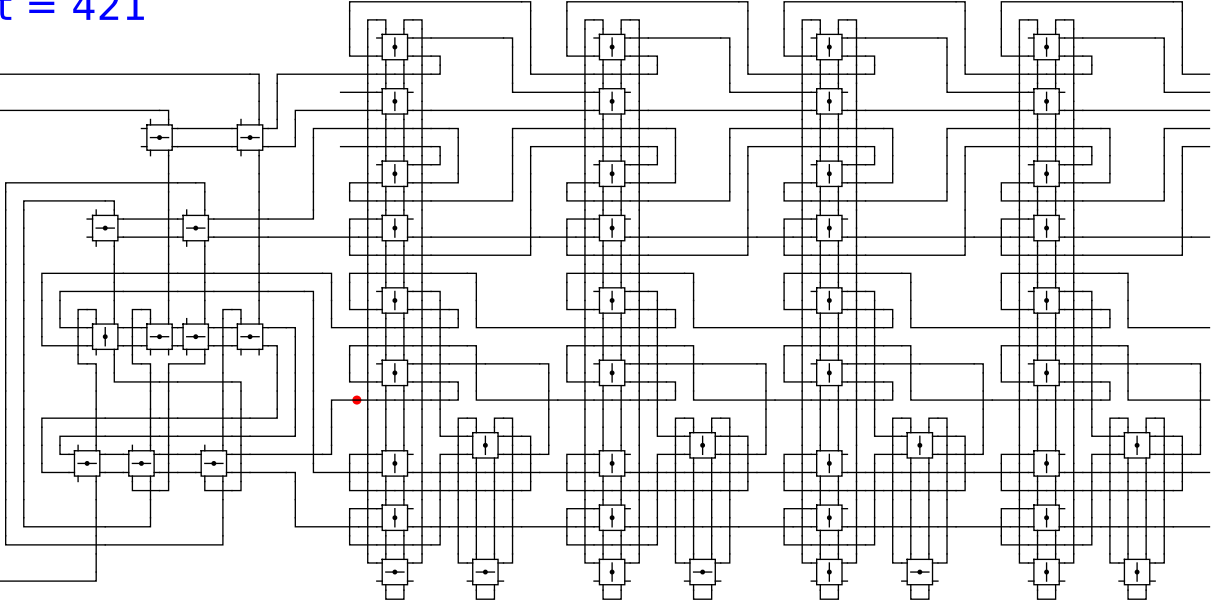
1

0

t = 421

Reject
Accept

Begin



head

1

1

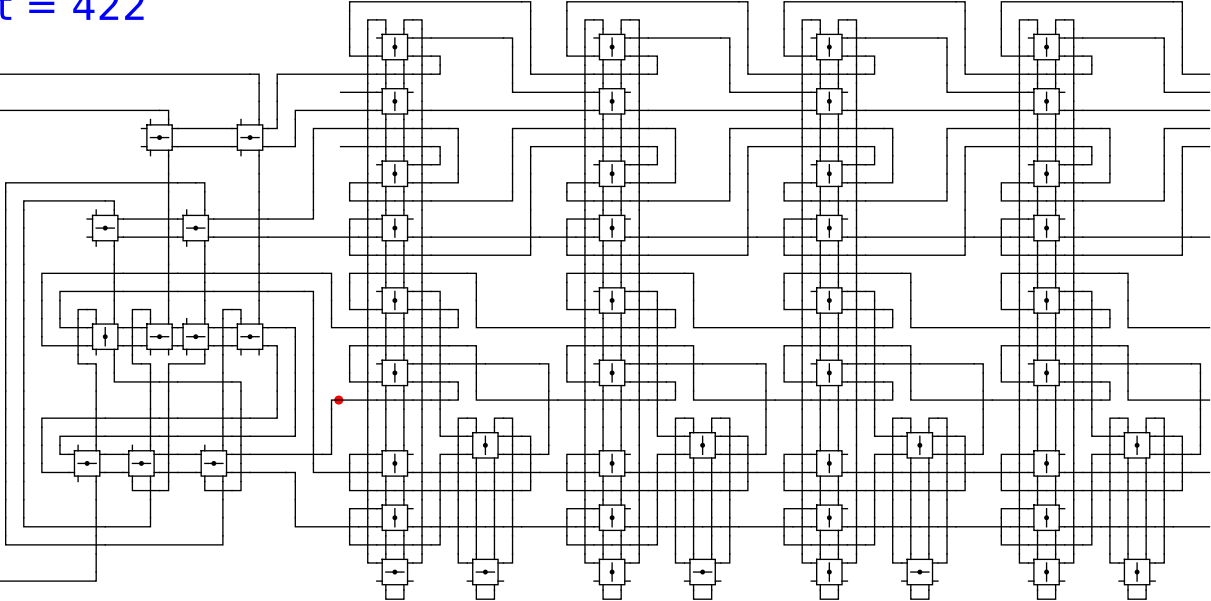
1

0

t = 422

Reject
Accept

Begin



head

1

1

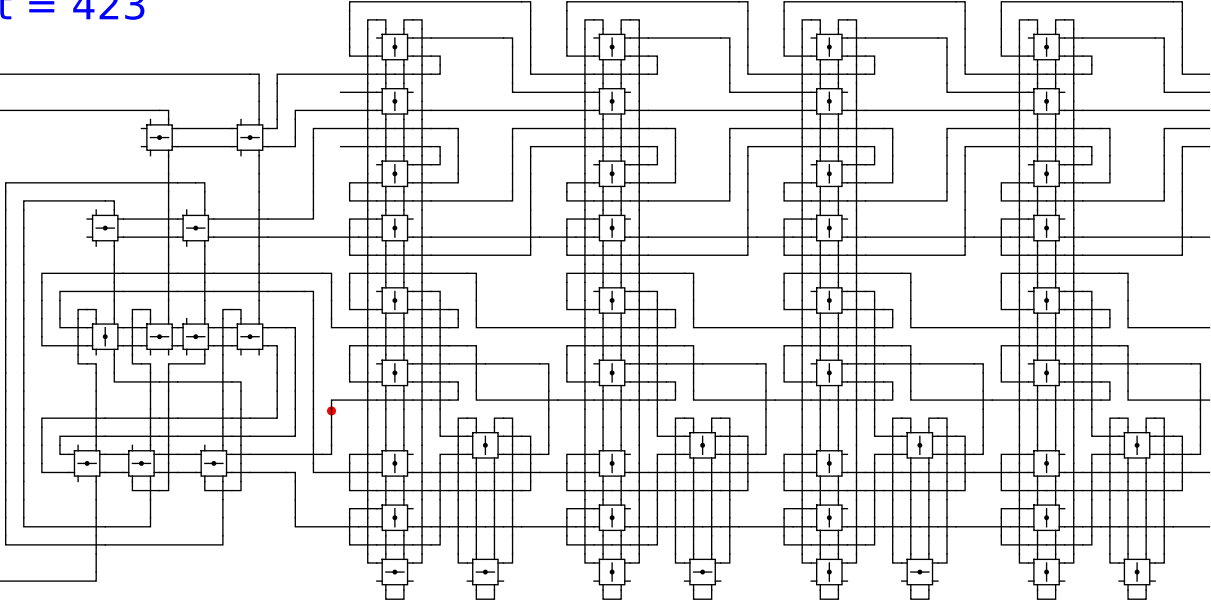
1

0

t = 423

Reject
Accept

Begin



head

1

1

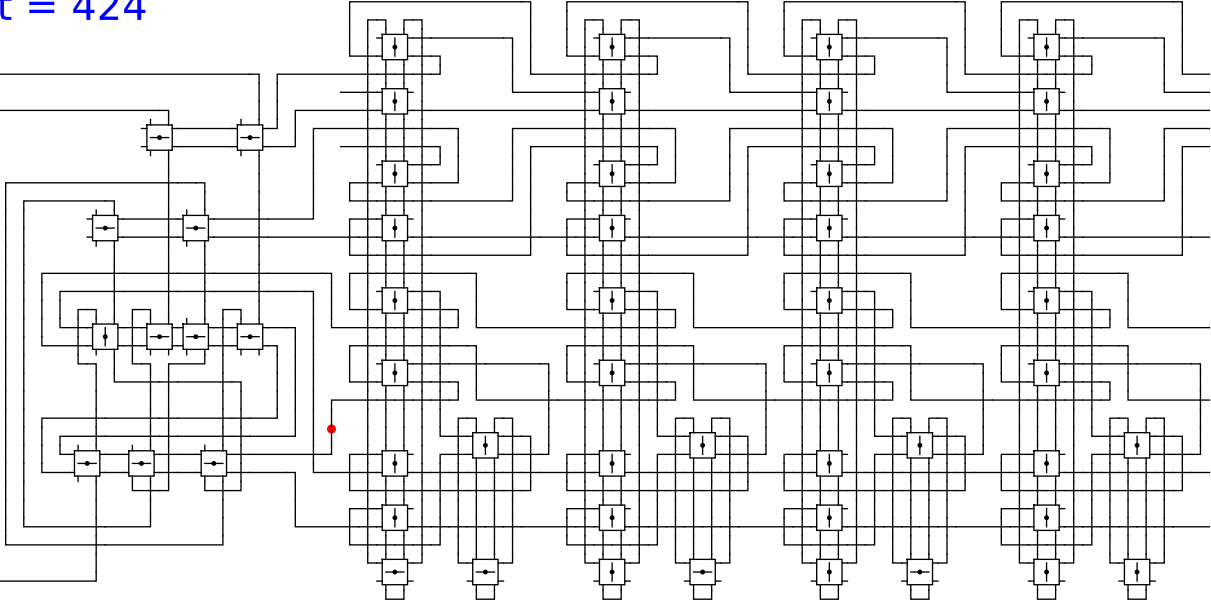
1

0

t = 424

Reject
Accept

Begin



head

1

1

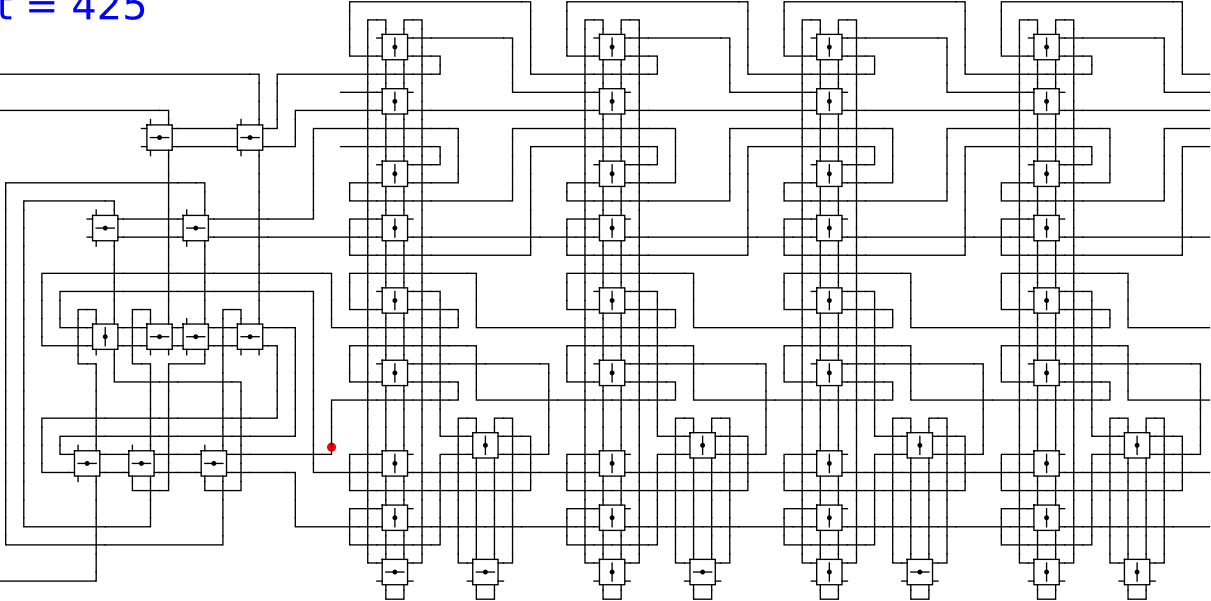
1

0

t = 425

Reject
Accept

Begin



head

1

1

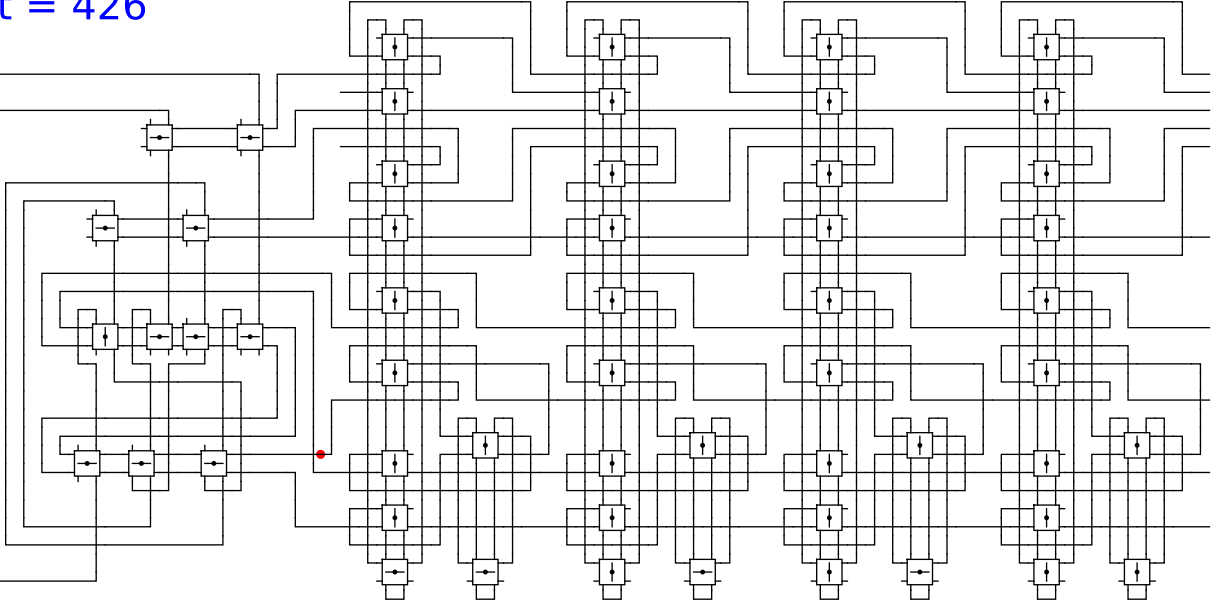
1

0

t = 426

Reject
Accept

Begin



head

1

1

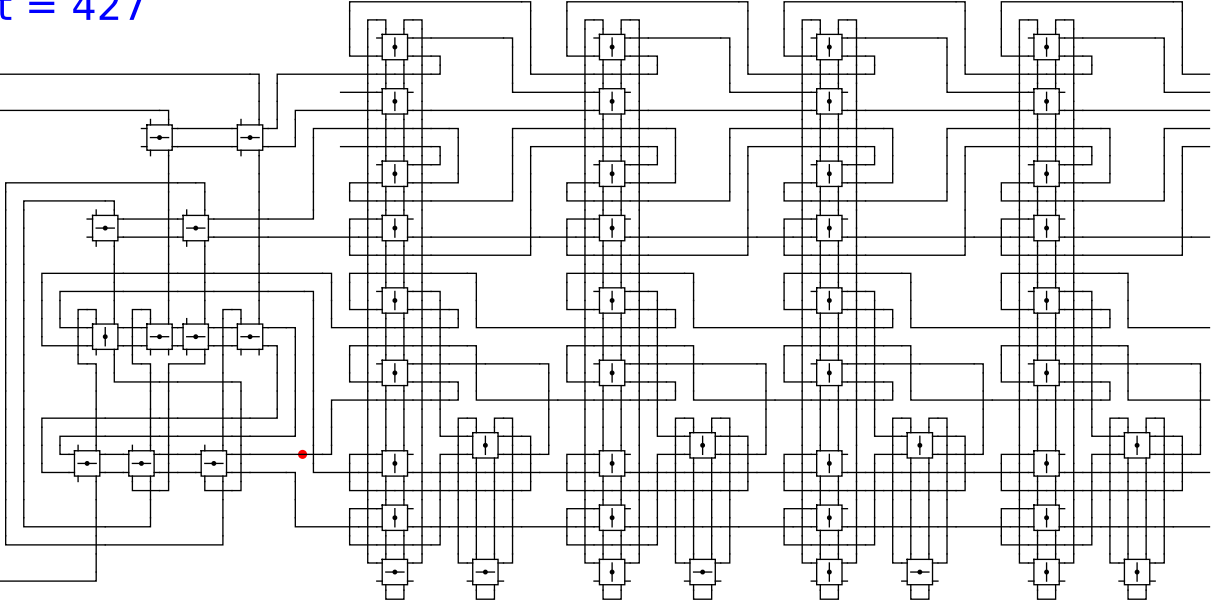
1

0

t = 427

Reject
Accept

Begin



head

1

1

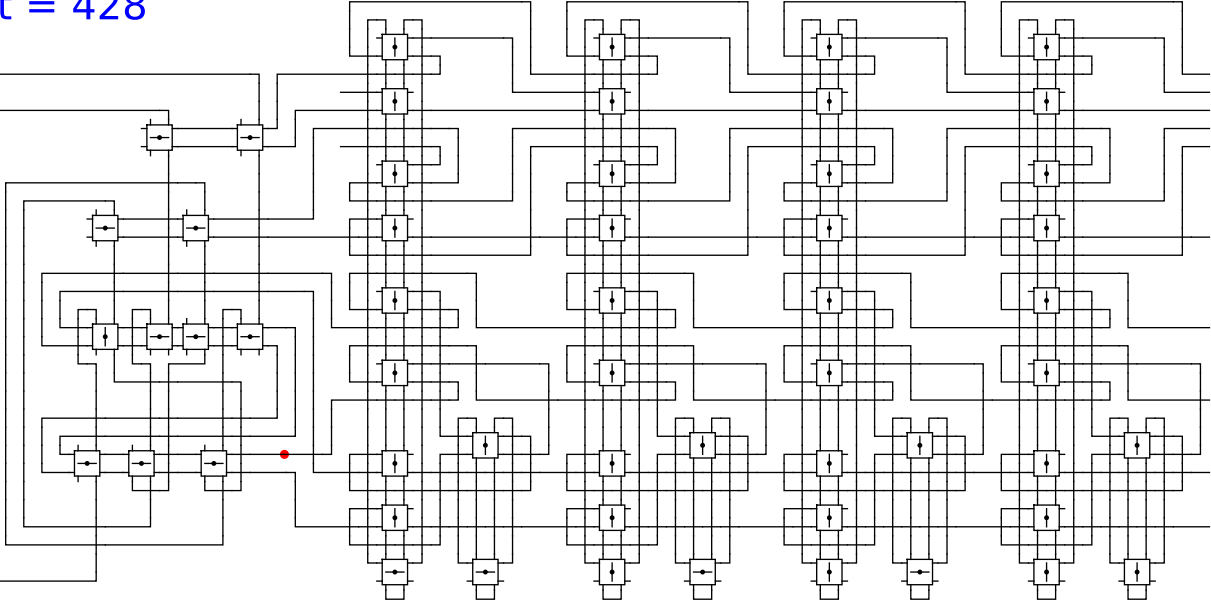
1

0

t = 428

Reject
Accept

Begin



head

1

1

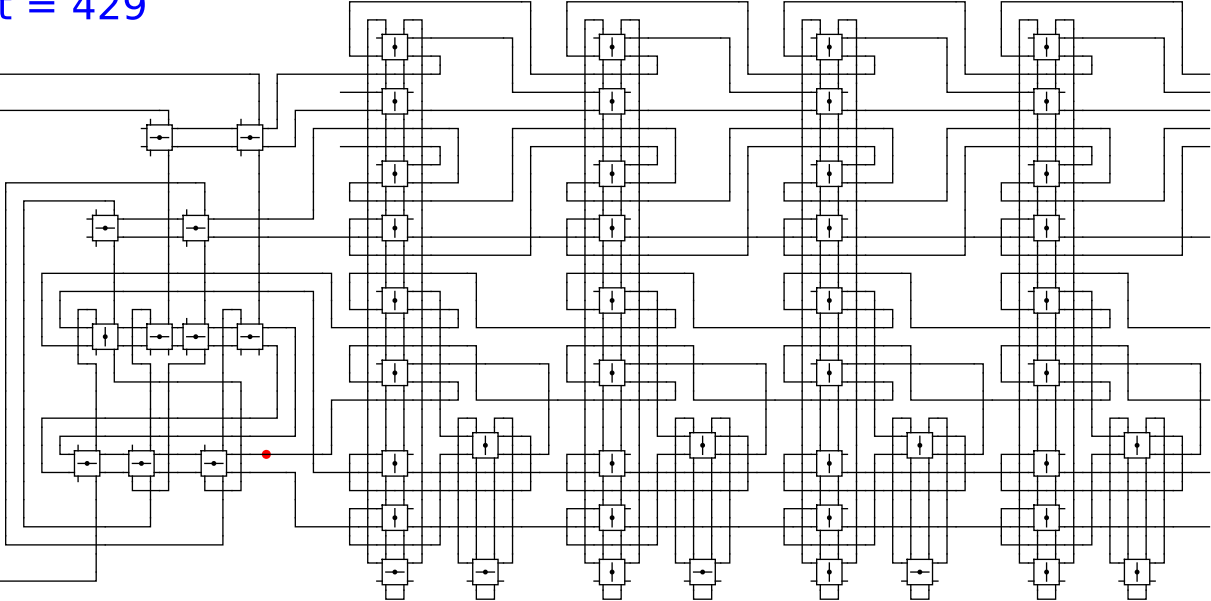
1

0

t = 429

Reject
Accept

Begin



head

1

1

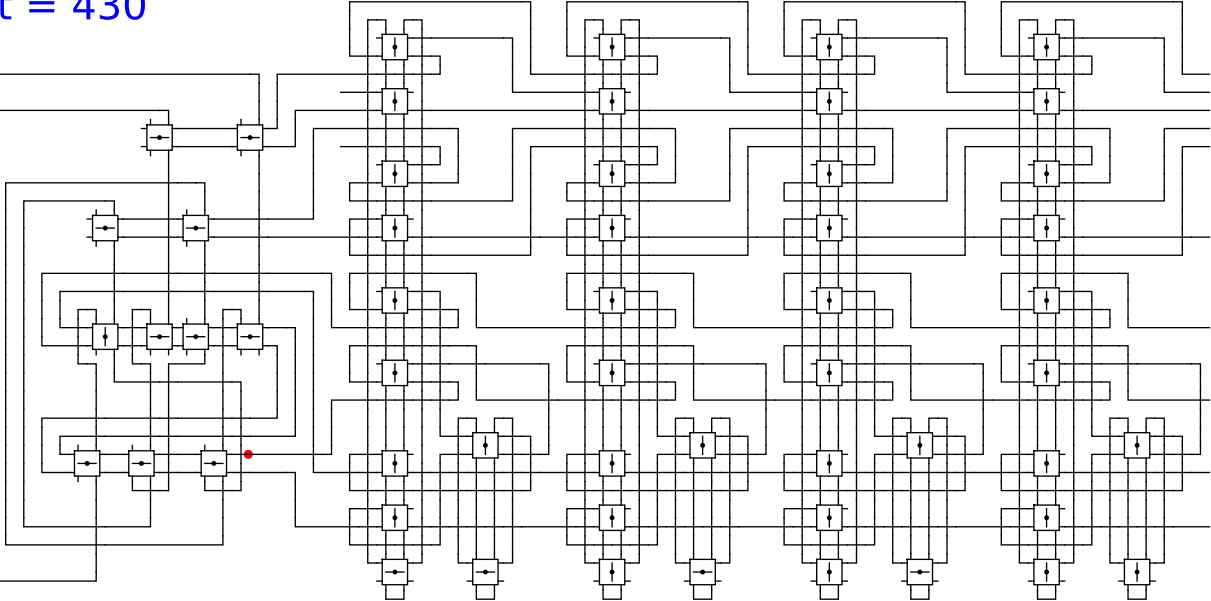
1

0

t = 430

Reject
Accept

Begin



head

1

1

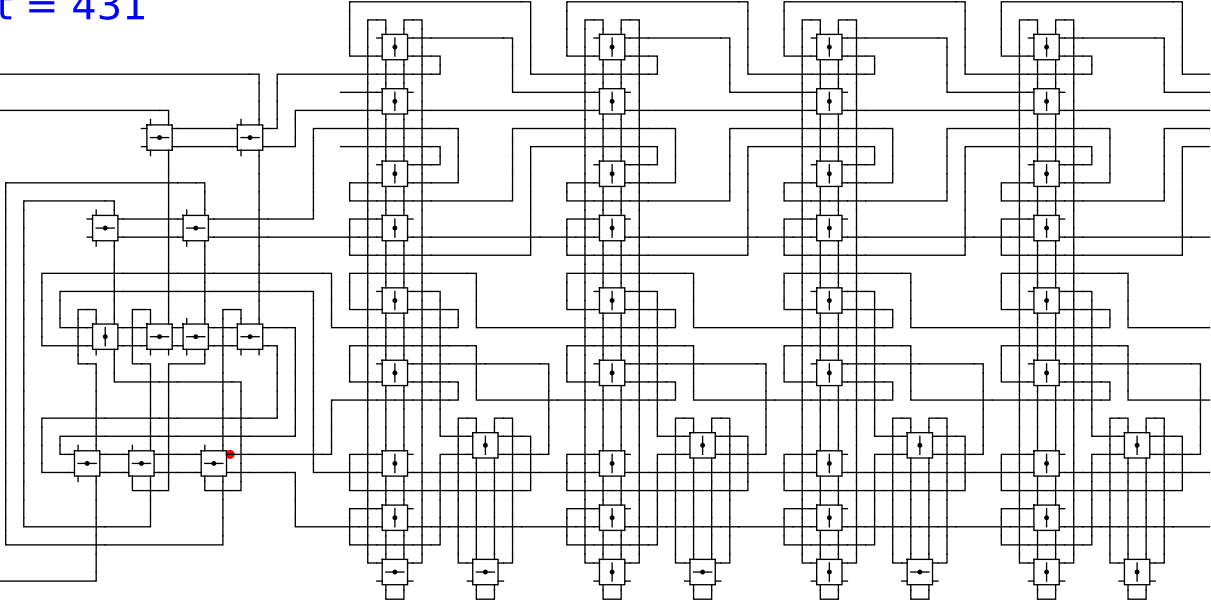
1

0

t = 431

Reject
Accept

Begin



head

1

1

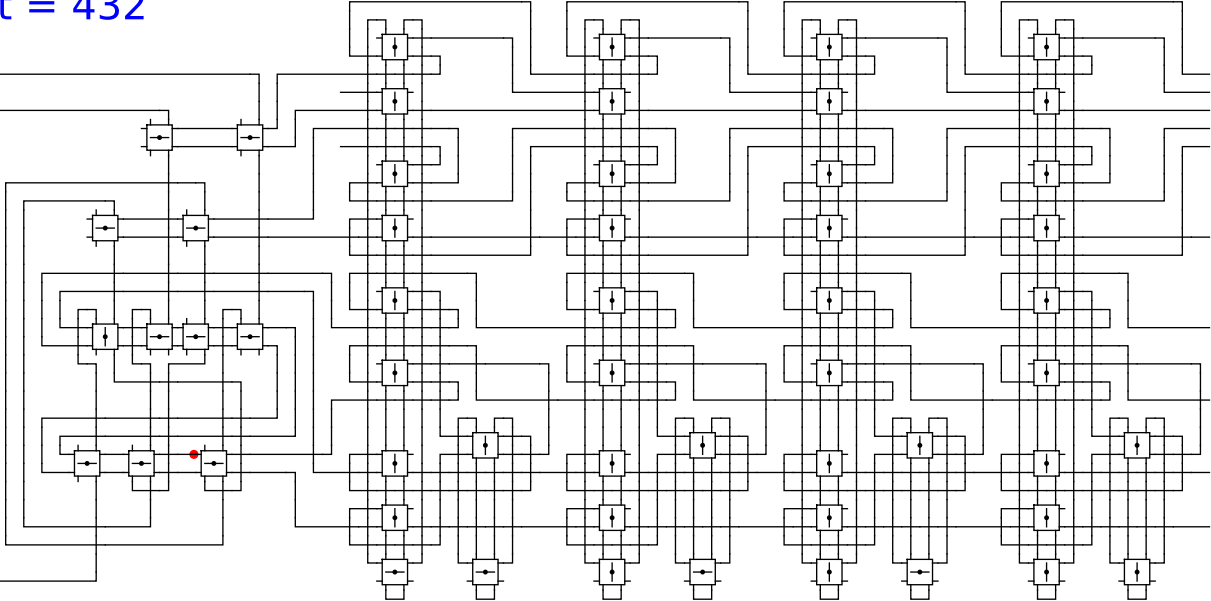
1

0

t = 432

Reject
Accept

Begin



head

1

1

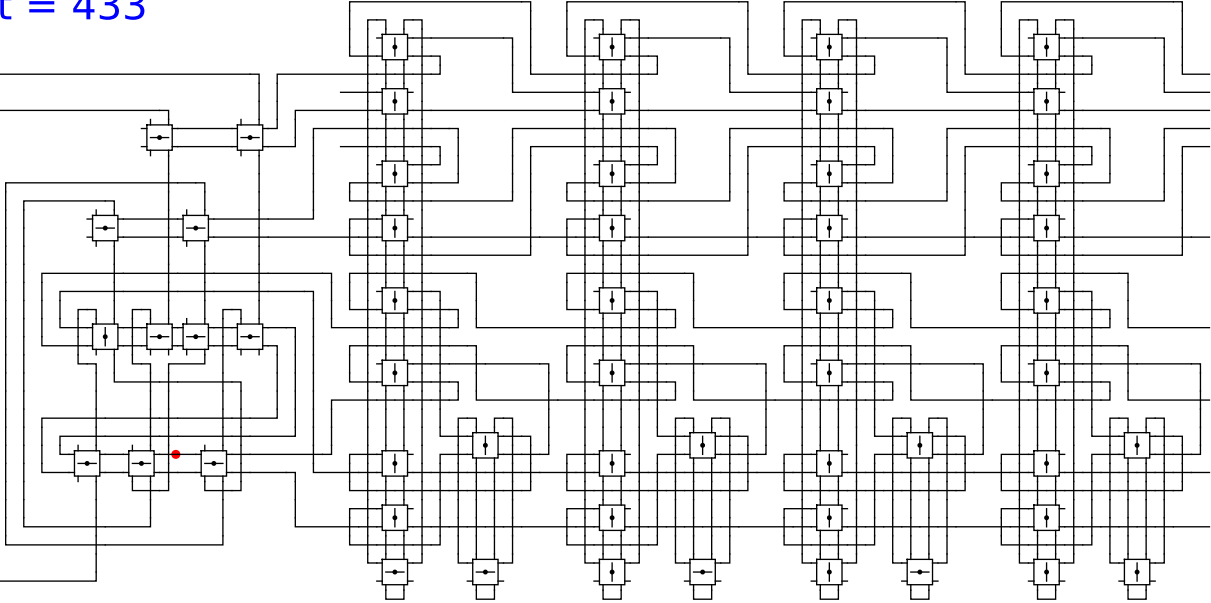
1

0

t = 433

Reject
Accept

Begin



head

1

1

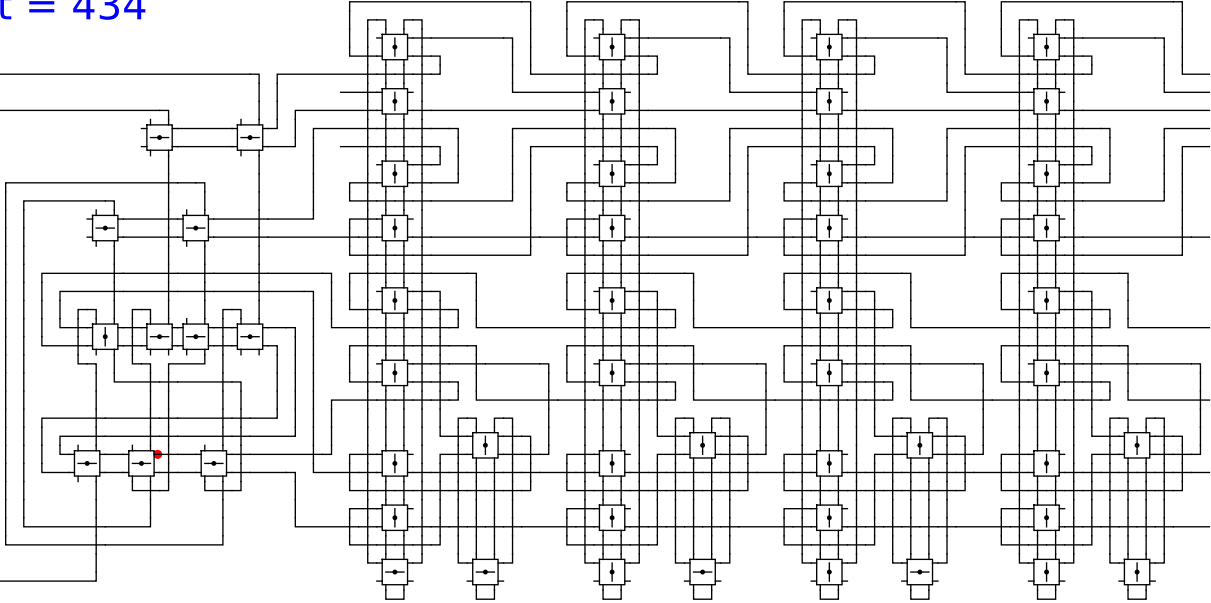
1

0

t = 434

Reject
Accept

Begin



head

1

1

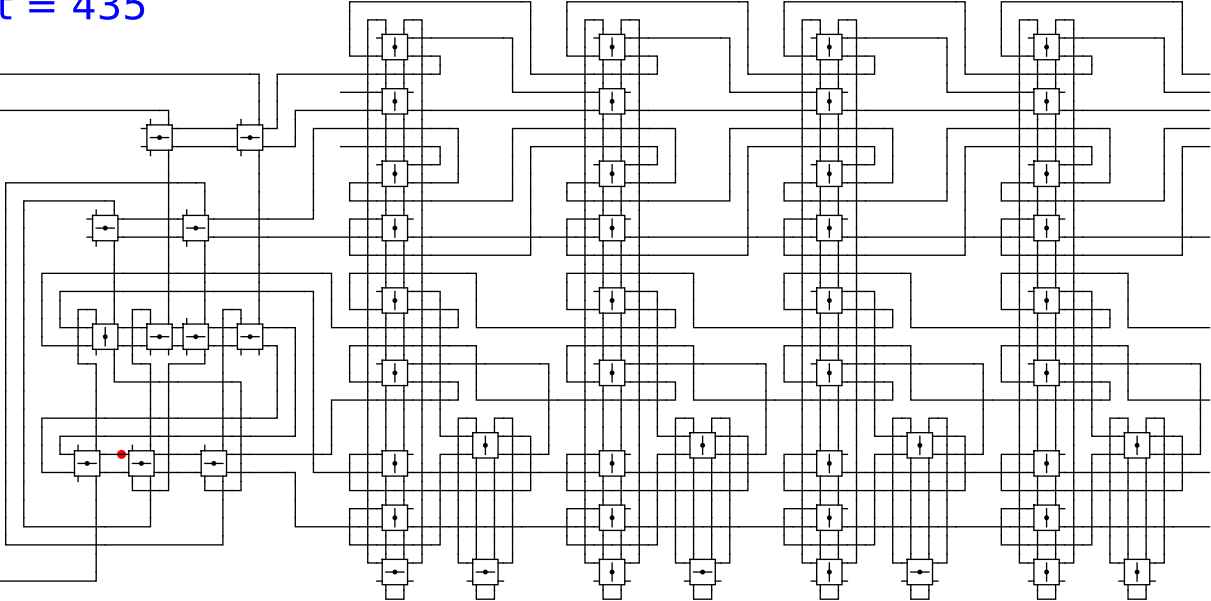
1

0

t = 435

Reject
Accept

Begin



head

1

1

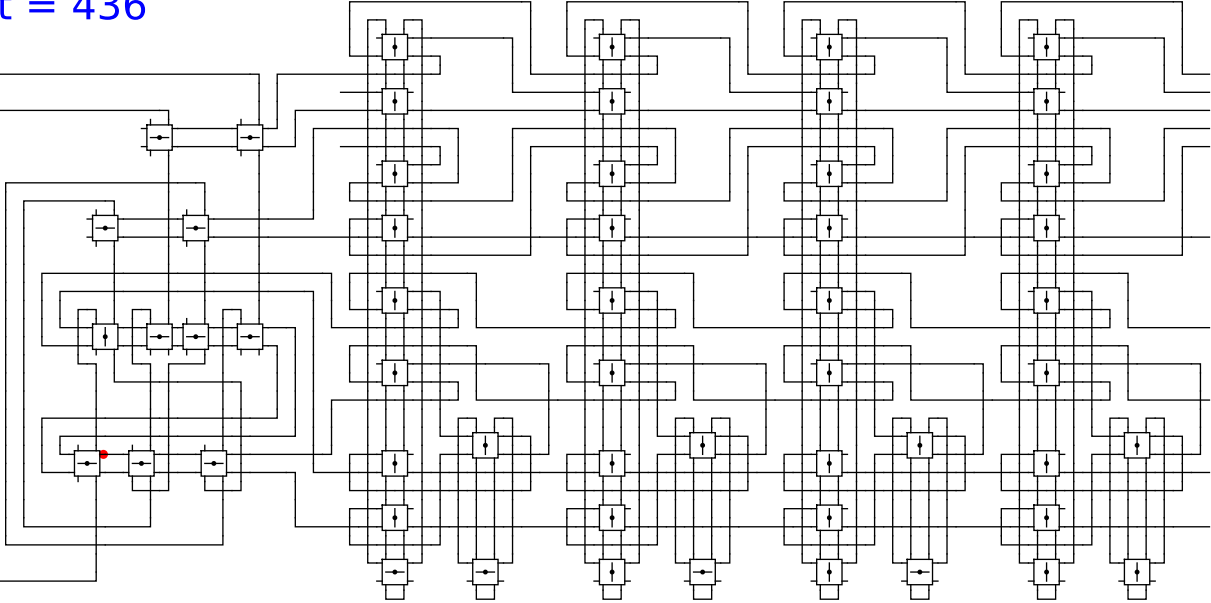
1

0

t = 436

Reject
Accept

Begin



head

1

1

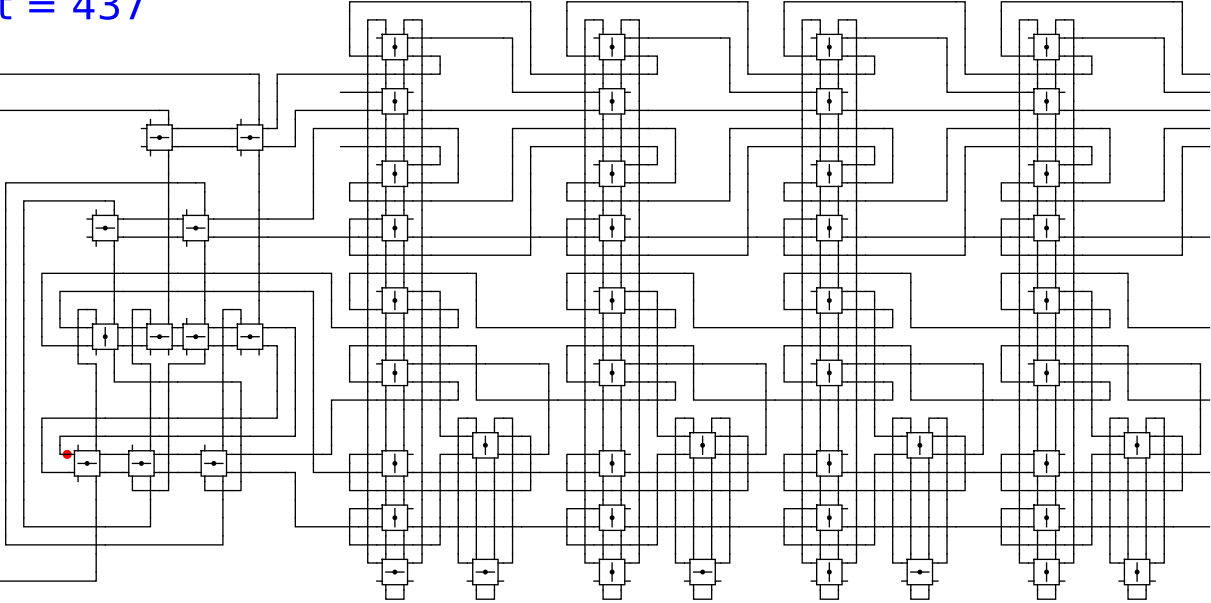
1

0

t = 437

Reject
Accept

Begin



head

1

1

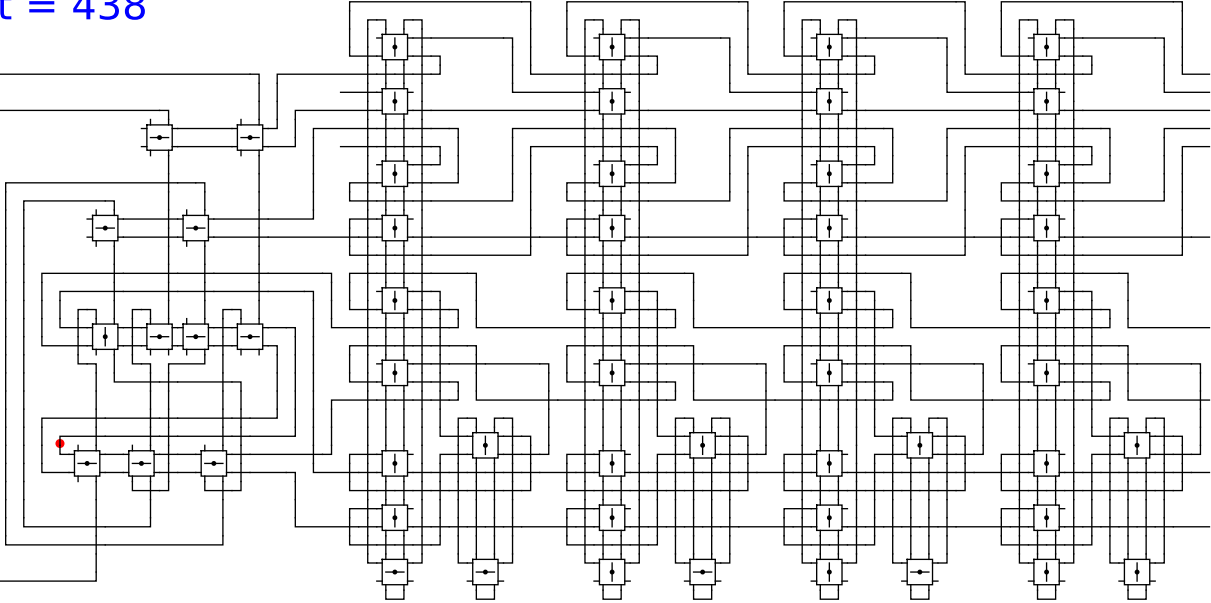
1

0

t = 438

Reject
Accept

Begin



head

1

1

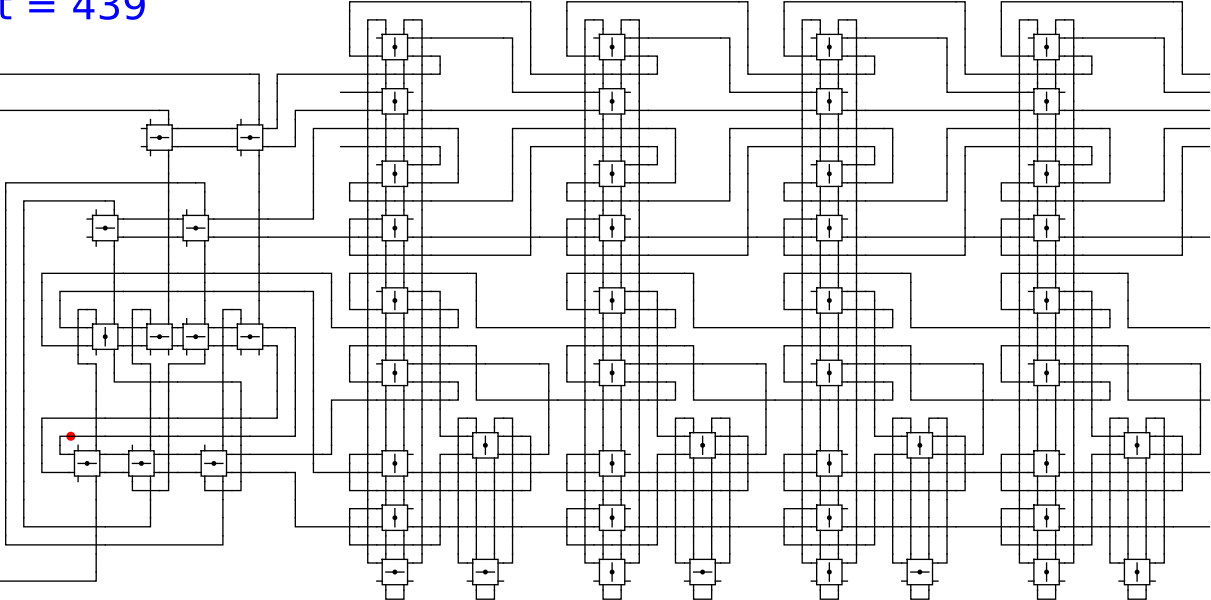
1

0

t = 439

Reject
Accept

Begin



head

1

1

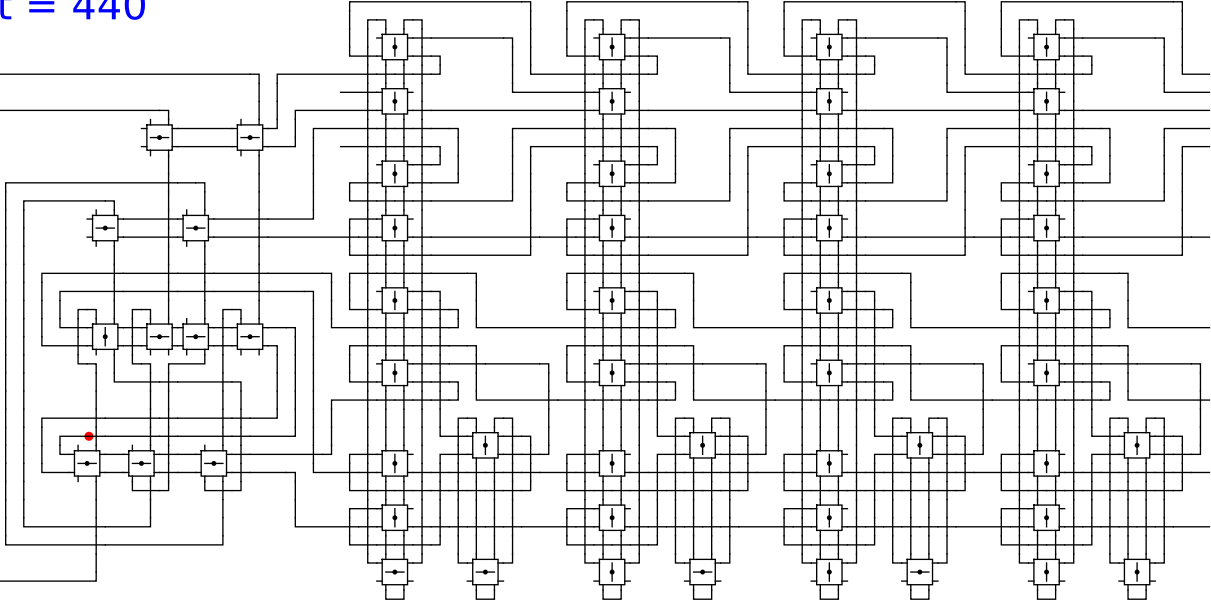
1

0

t = 440

Reject
Accept

Begin



head

1

1

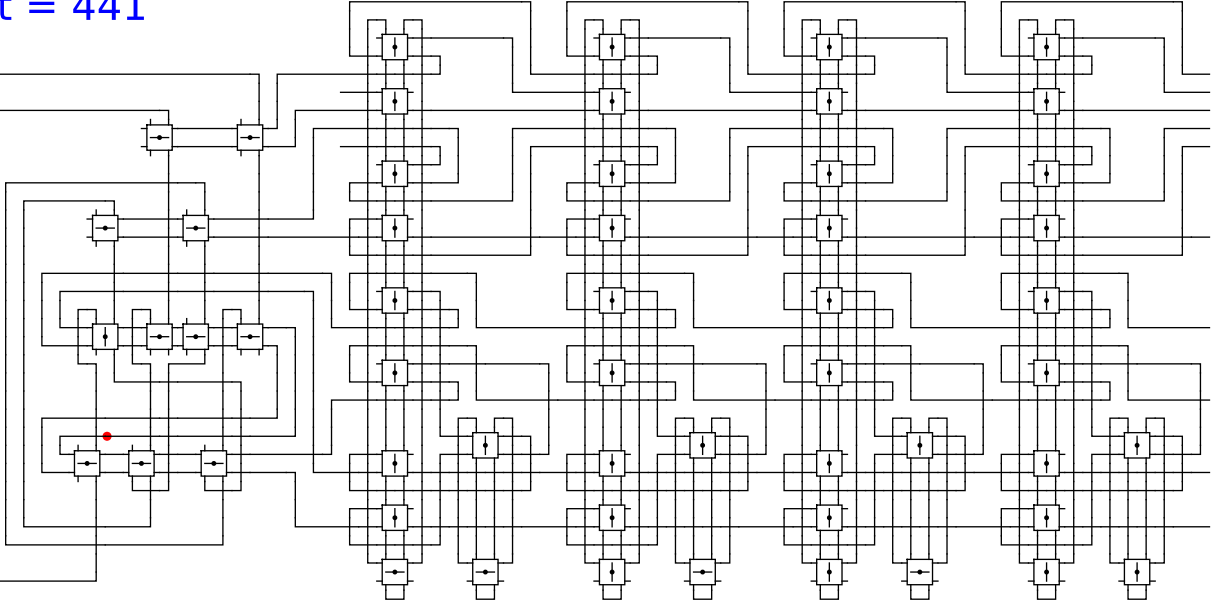
1

0

t = 441

Reject
Accept

Begin



head

1

1

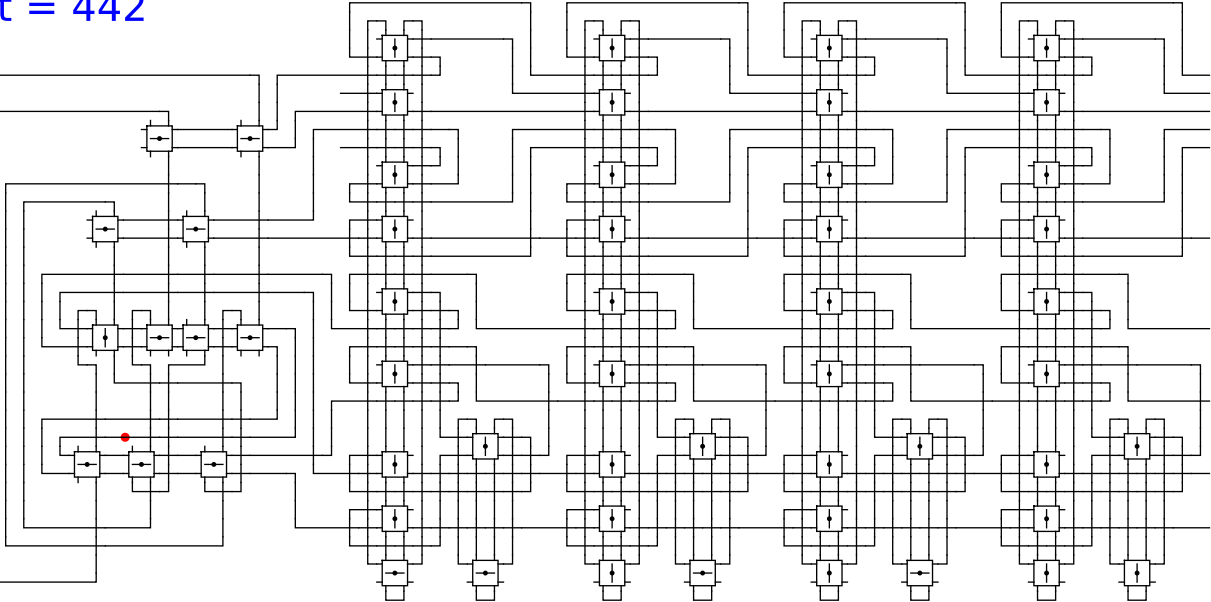
1

0

t = 442

Reject
Accept

Begin



head

1

1

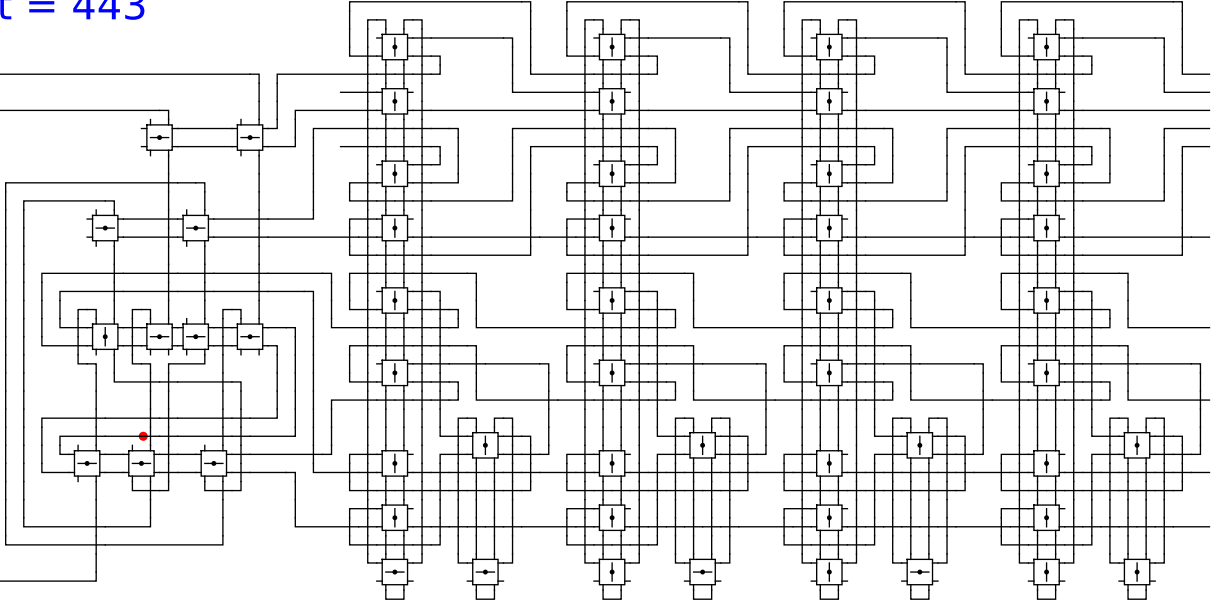
1

0

t = 443

Reject
Accept

Begin



head

1

1

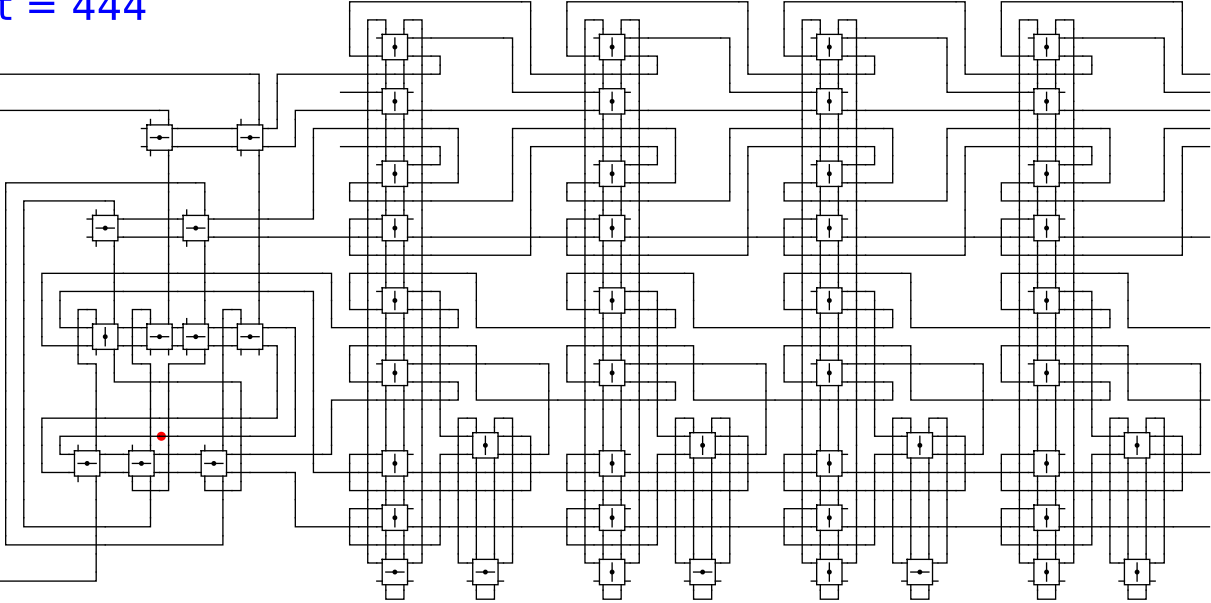
1

0

t = 444

Reject
Accept

Begin



head

1

1

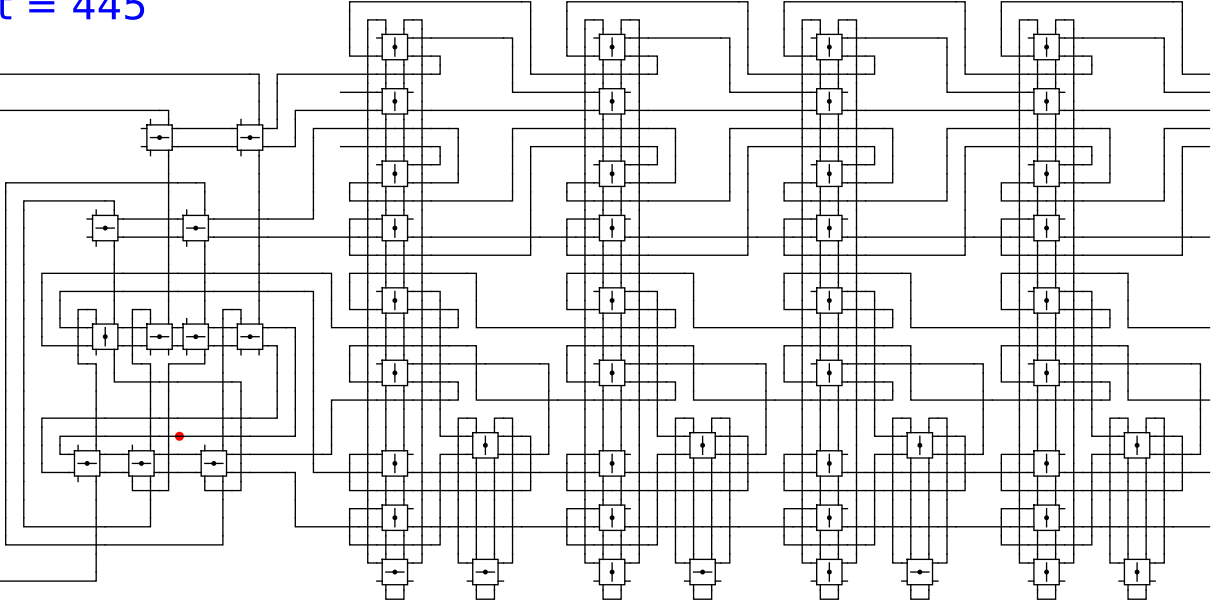
1

0

t = 445

Reject
Accept

Begin



head

1

1

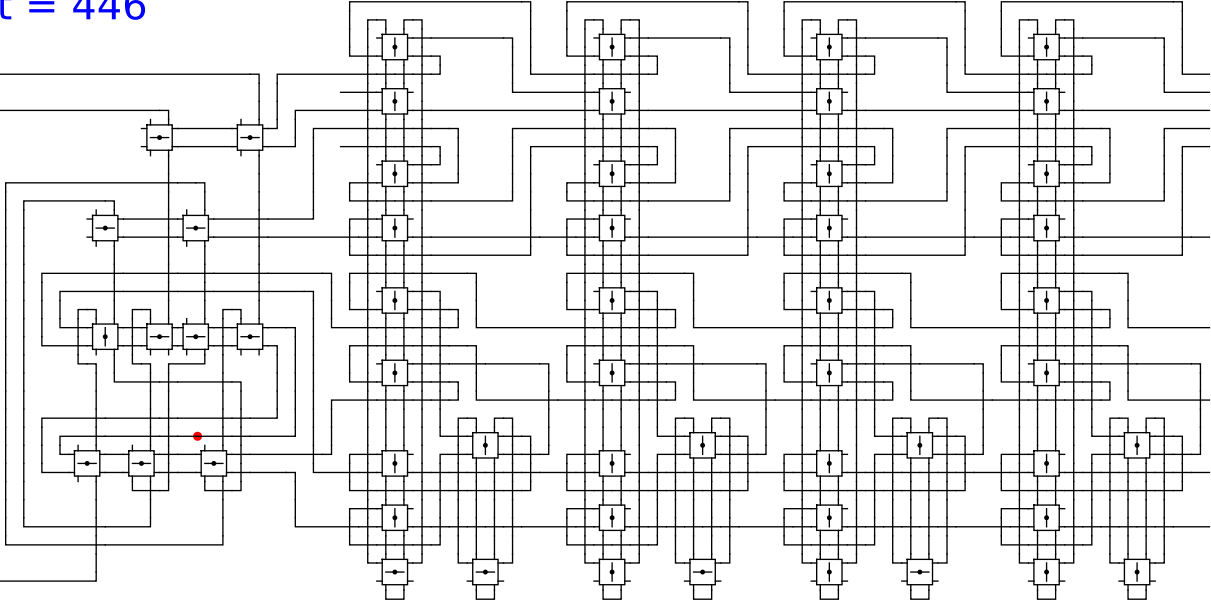
1

0

t = 446

Reject
Accept

Begin



head

1

1

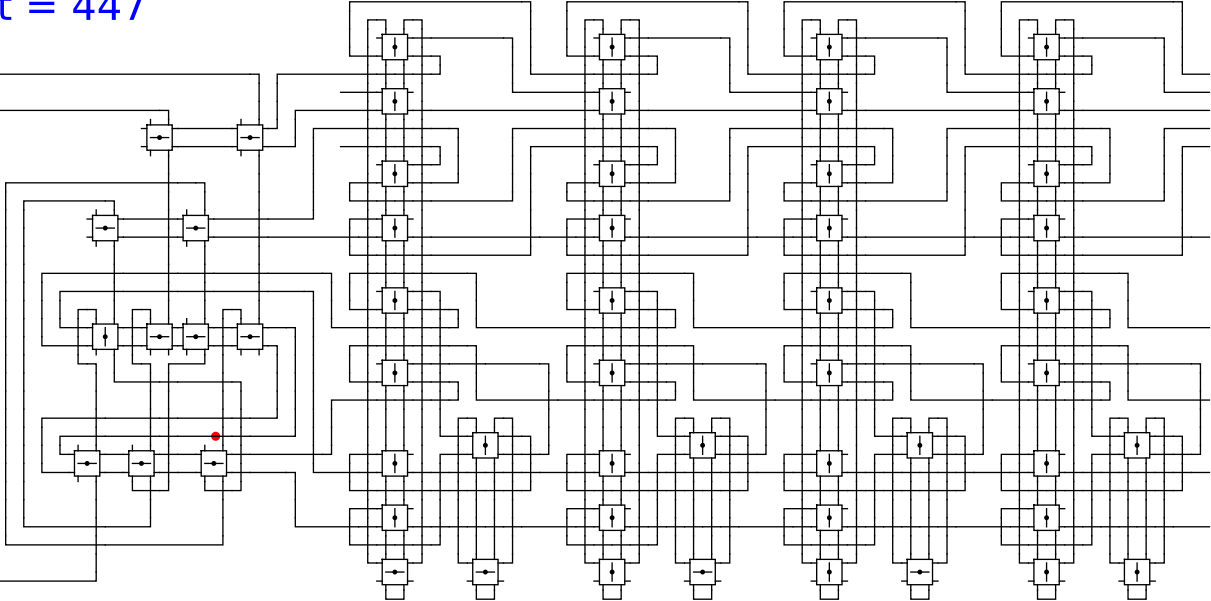
1

0

t = 447

Reject
Accept

Begin



head

1

1

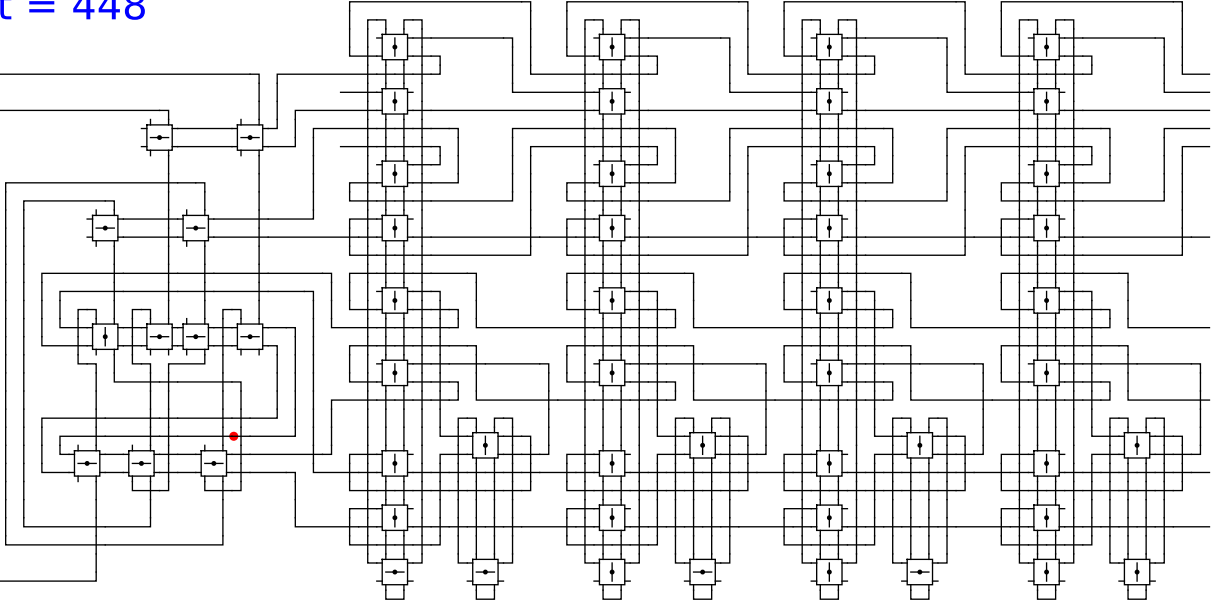
1

0

t = 448

Reject
Accept

Begin



head

1

1

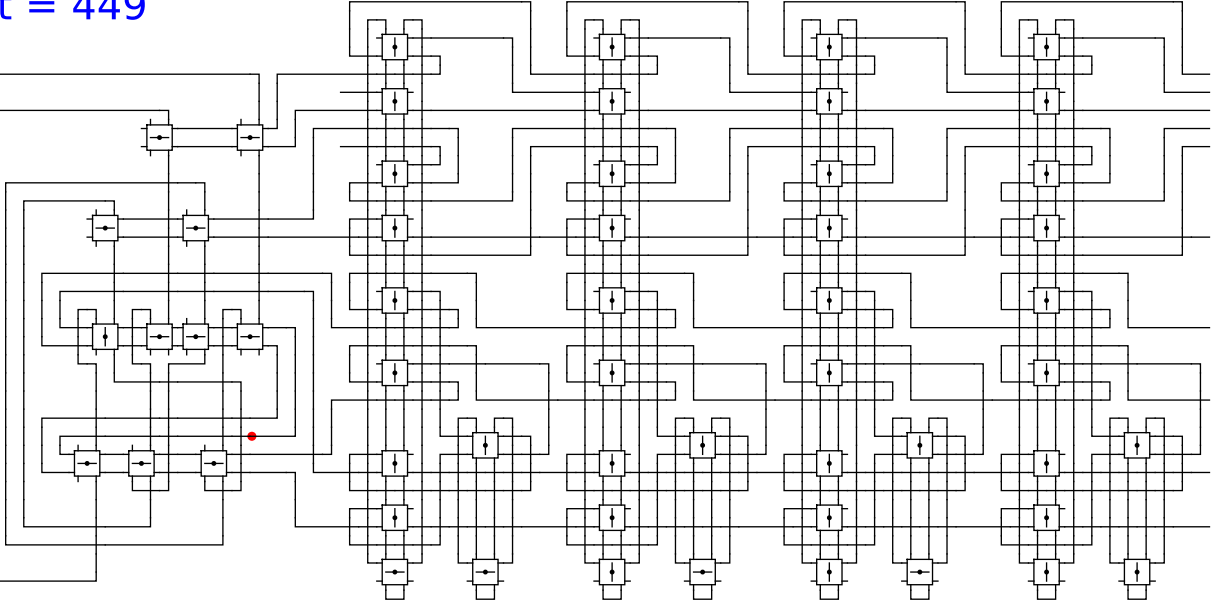
1

0

t = 449

Reject
Accept

Begin



head

1

1

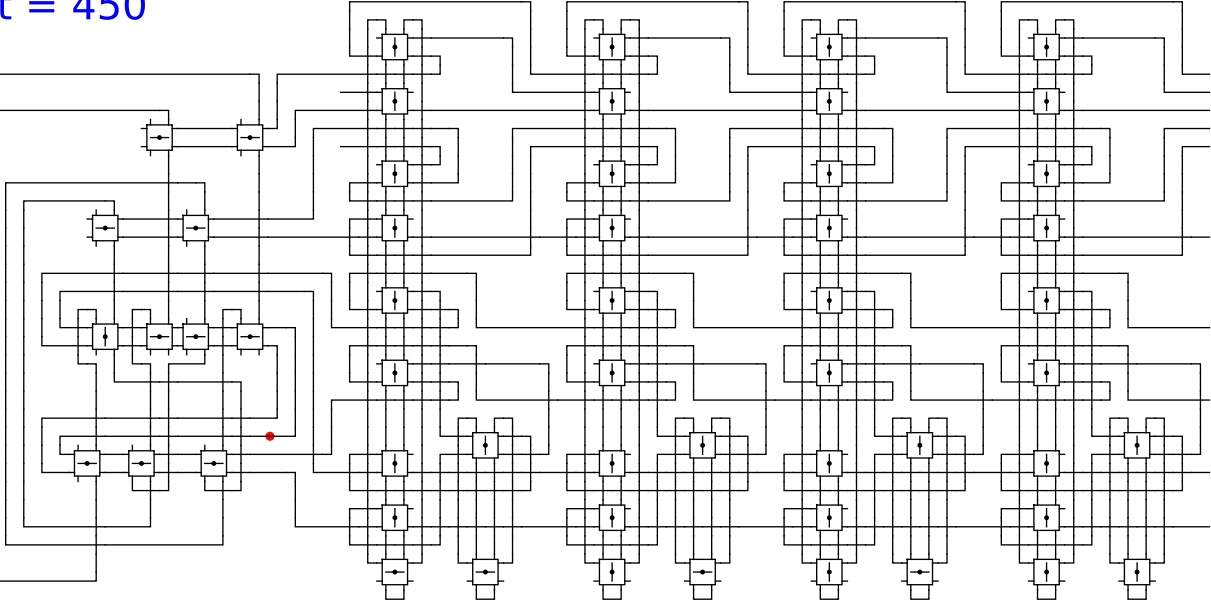
1

0

t = 450

Reject
Accept

Begin



head

1

1

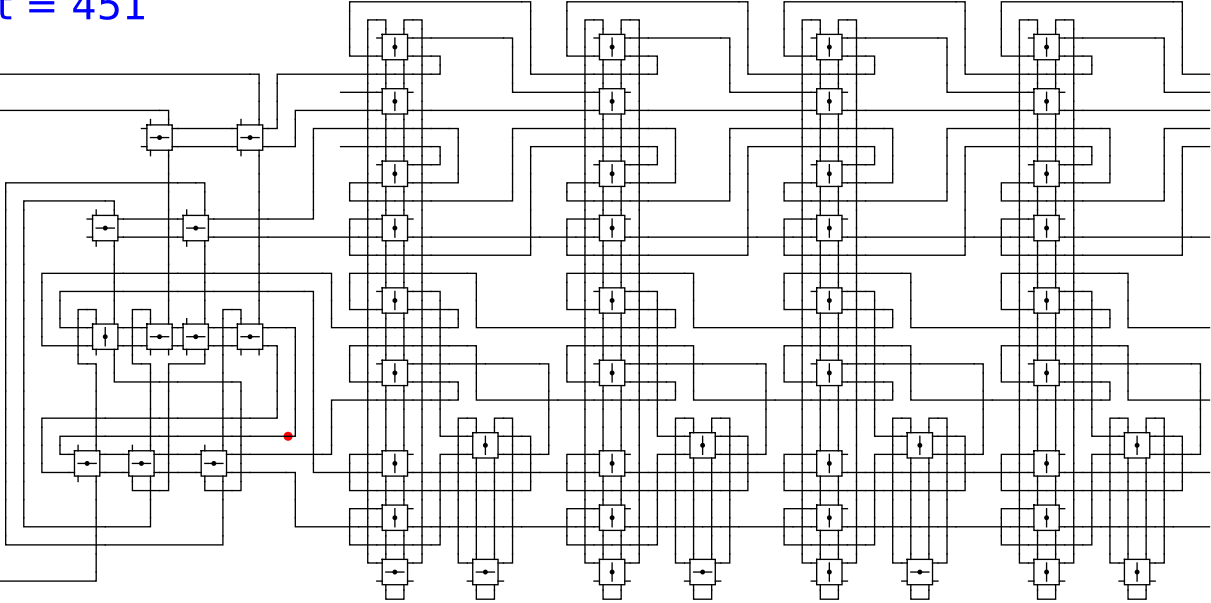
1

0

t = 451

Reject
Accept

Begin



head

1

1

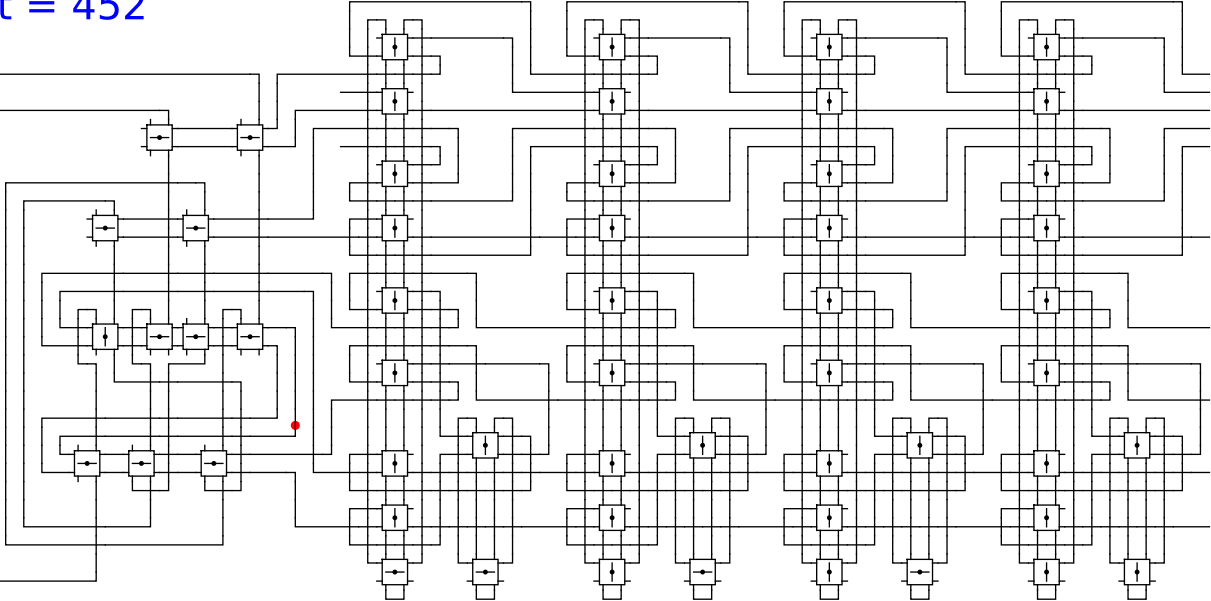
1

0

t = 452

Reject
Accept

Begin



head

1

1

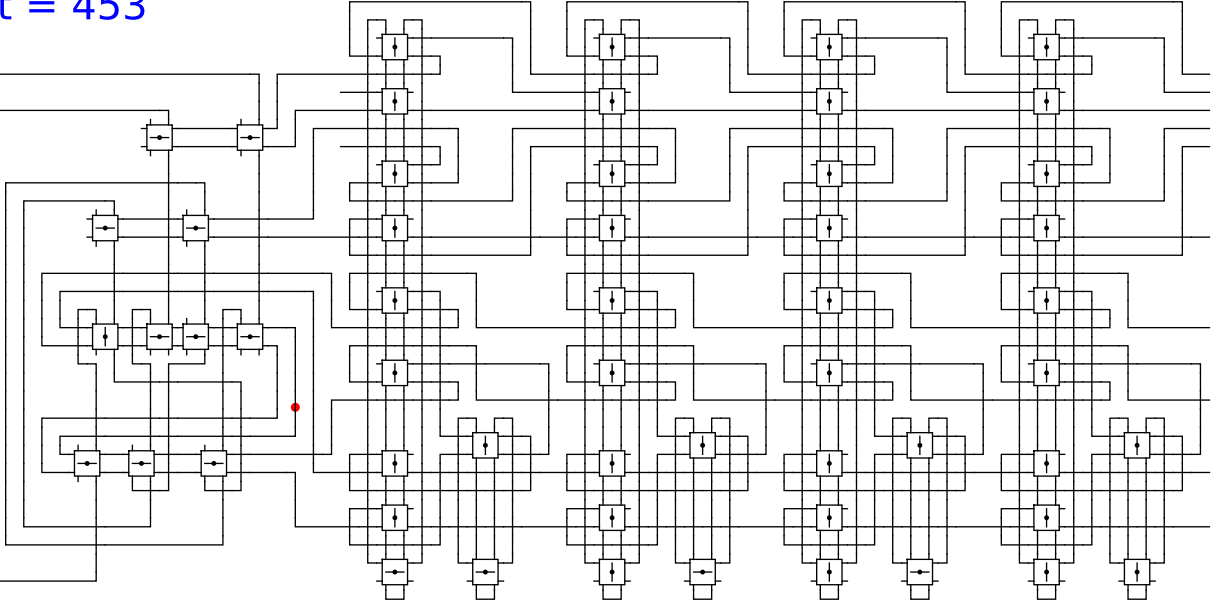
1

0

t = 453

Reject
Accept

Begin



head

1

1

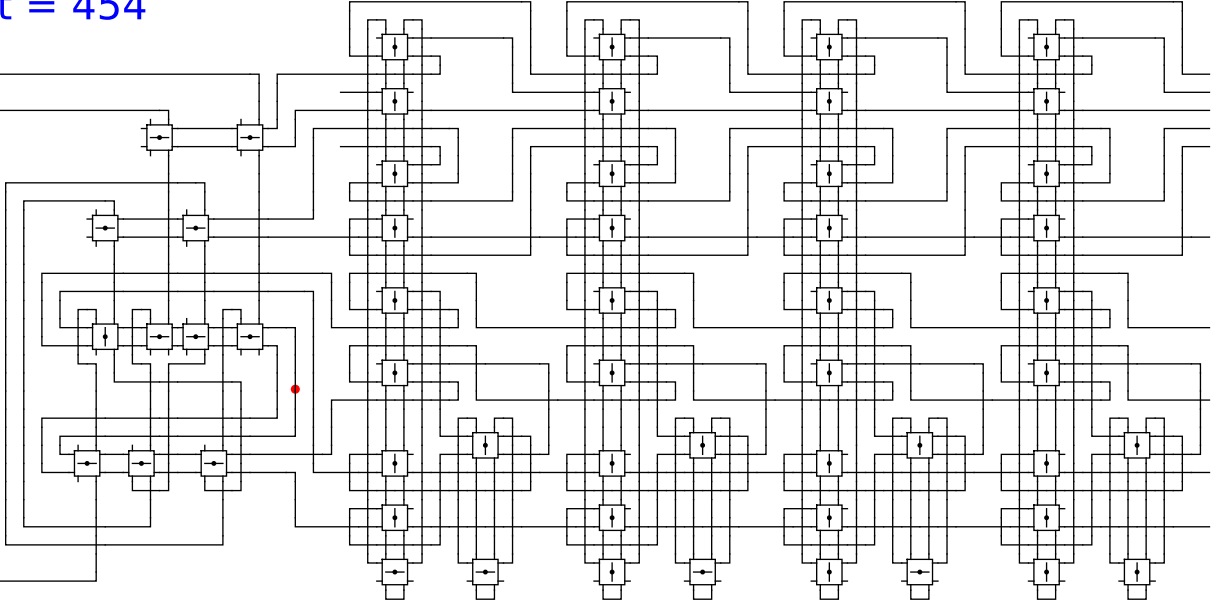
1

0

t = 454

Reject
Accept

Begin



head

1

1

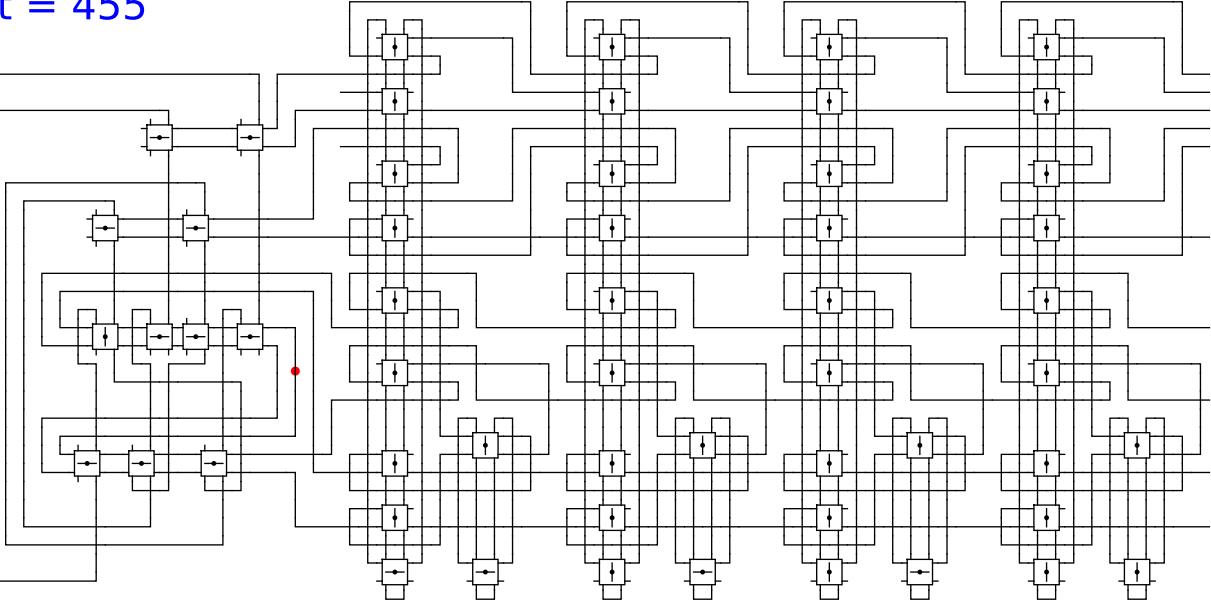
1

0

t = 455

Reject
Accept

Begin



head

1

1

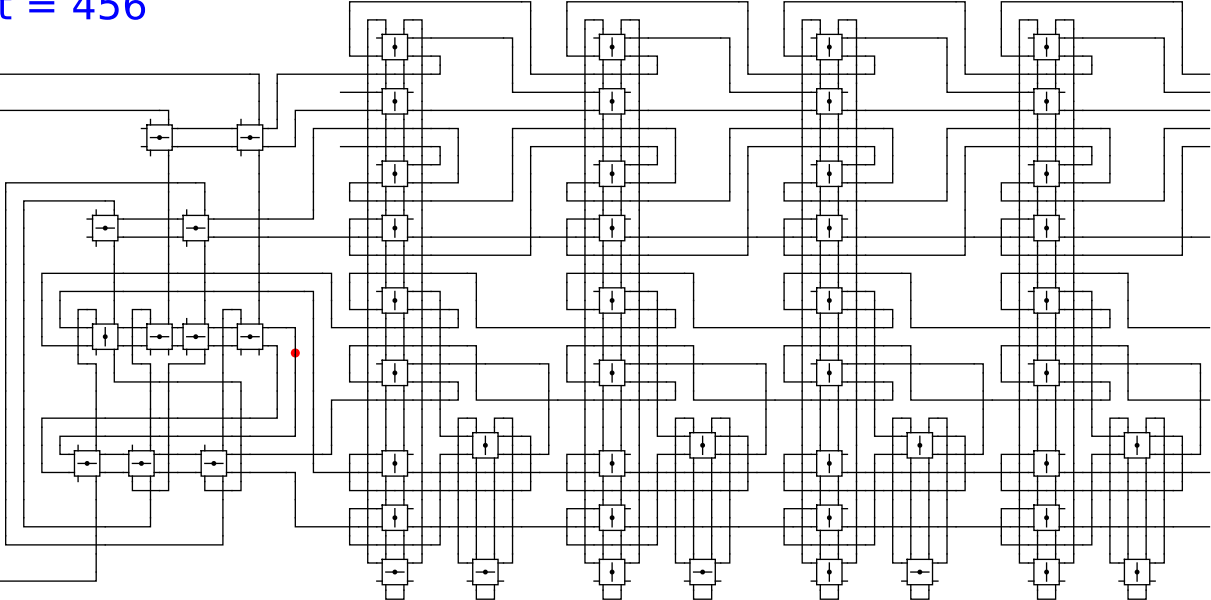
1

0

t = 456

Reject
Accept

Begin



head

1

1

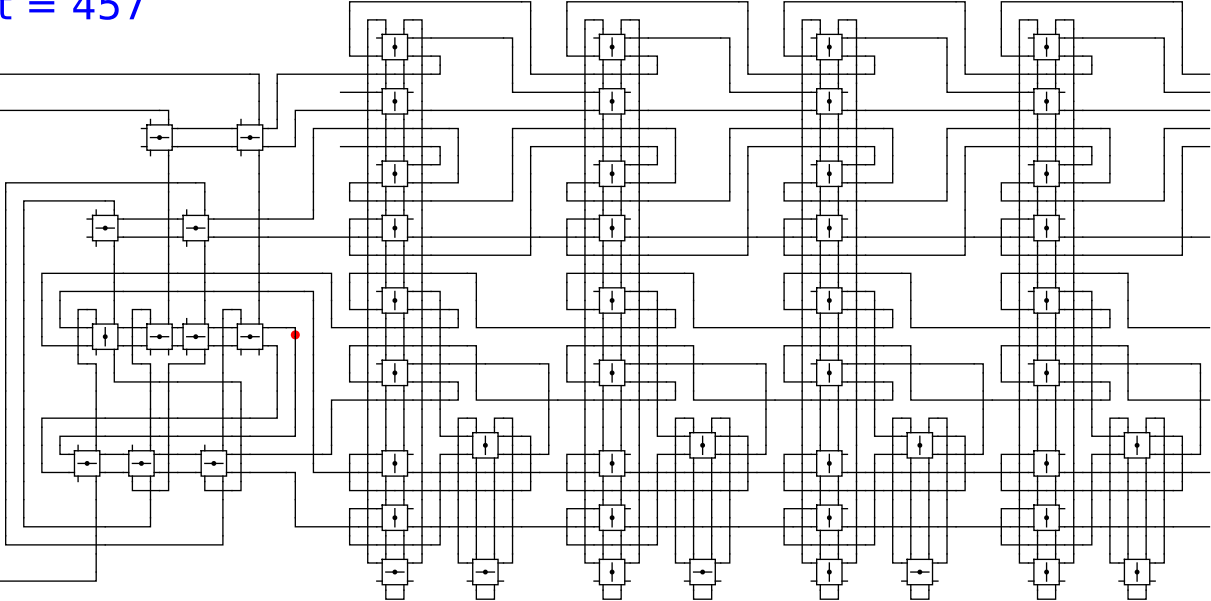
1

0

t = 457

Reject
Accept

Begin



head

1

1

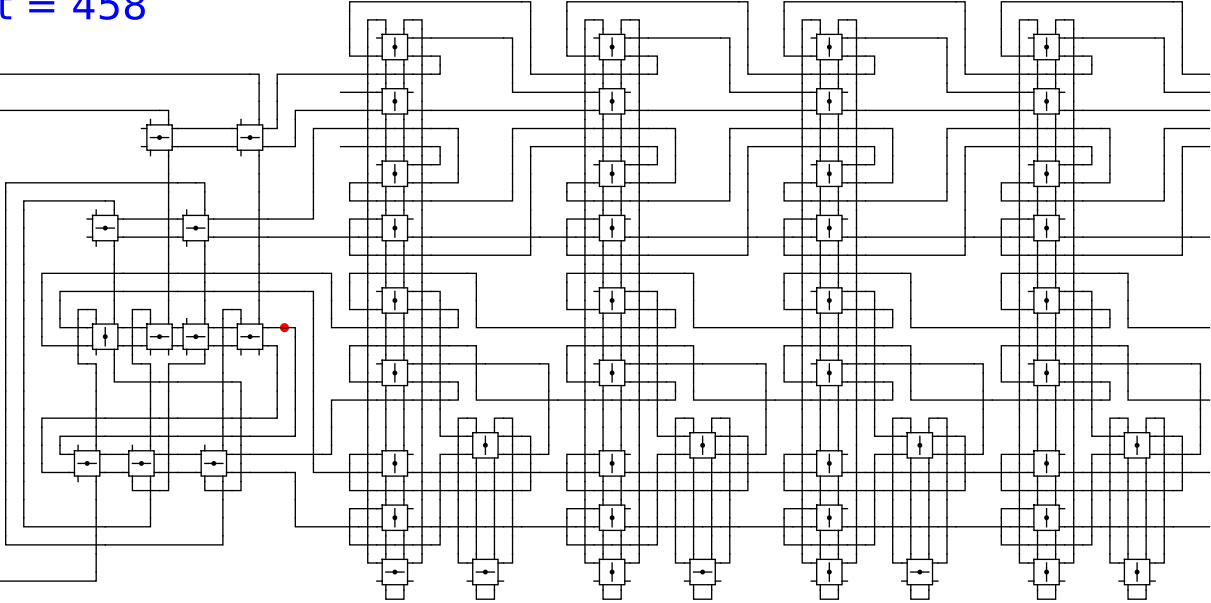
1

0

t = 458

Reject
Accept

Begin



head

1

1

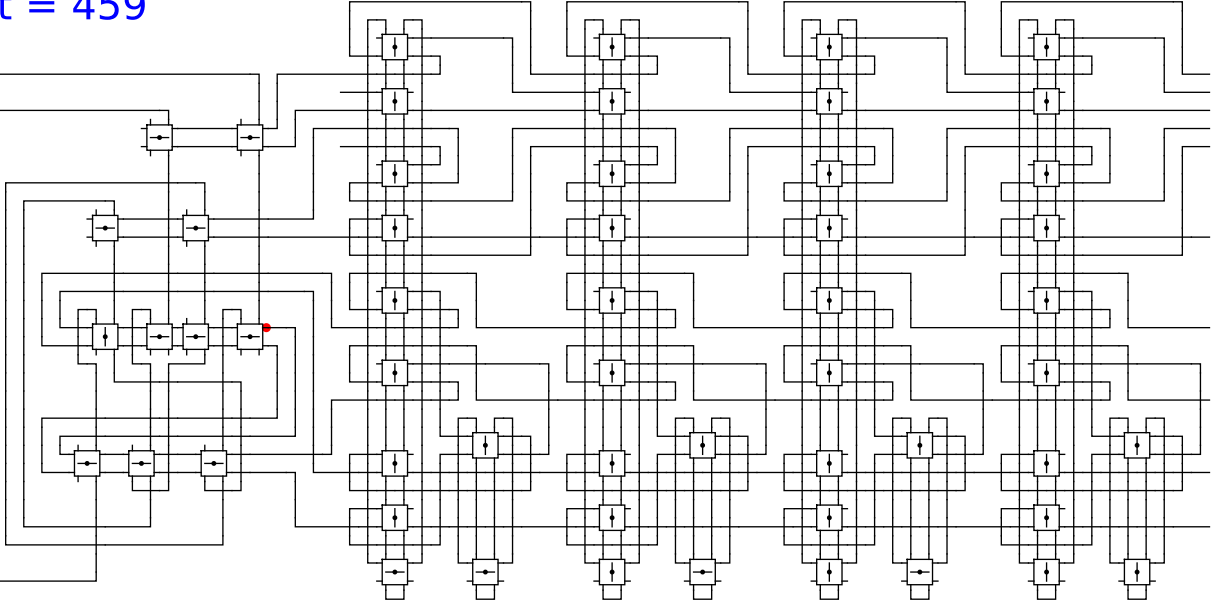
1

0

t = 459

Reject
Accept

Begin



head

1

1

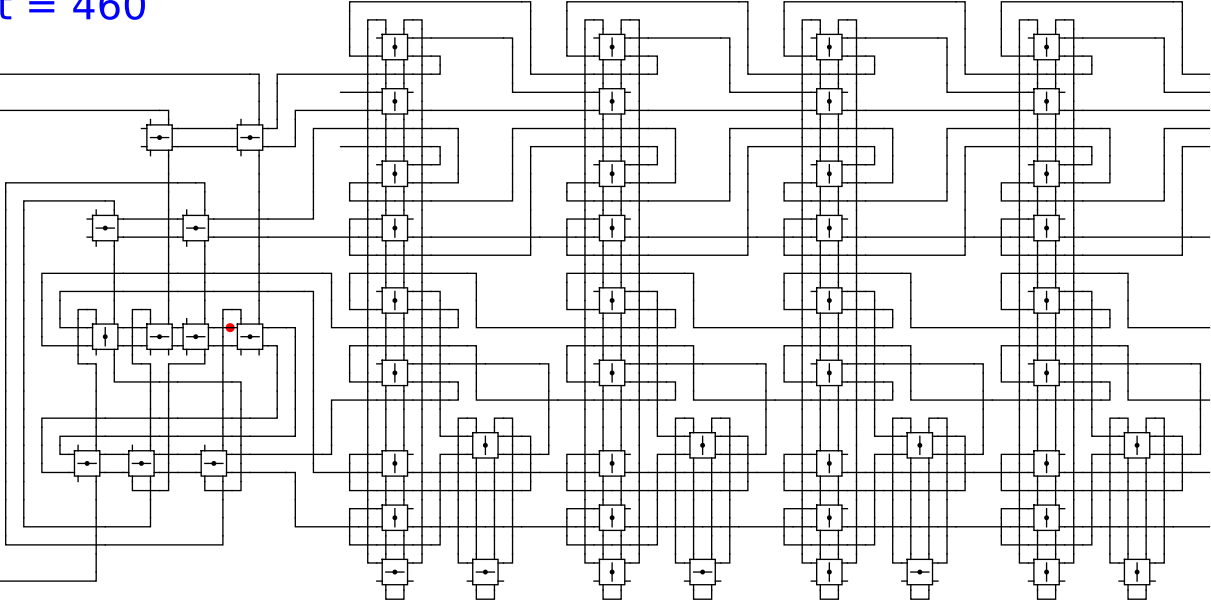
1

0

t = 460

Reject
Accept

Begin



head

1

1

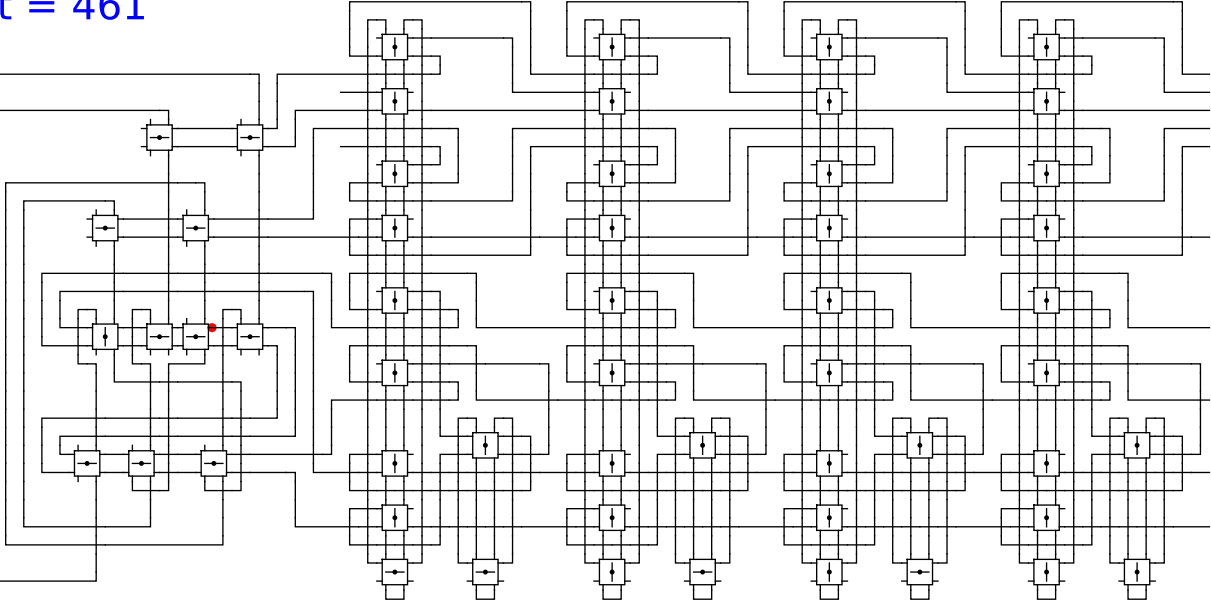
1

0

t = 461

Reject
Accept

Begin



head

1

1

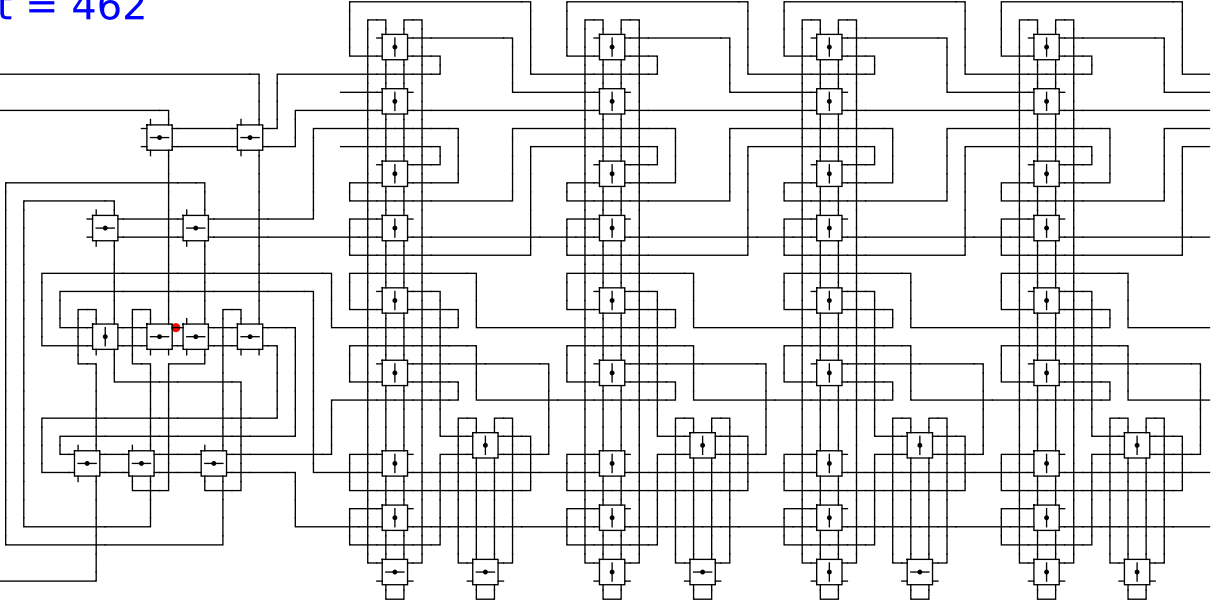
1

0

t = 462

Reject
Accept

Begin



head

1

1

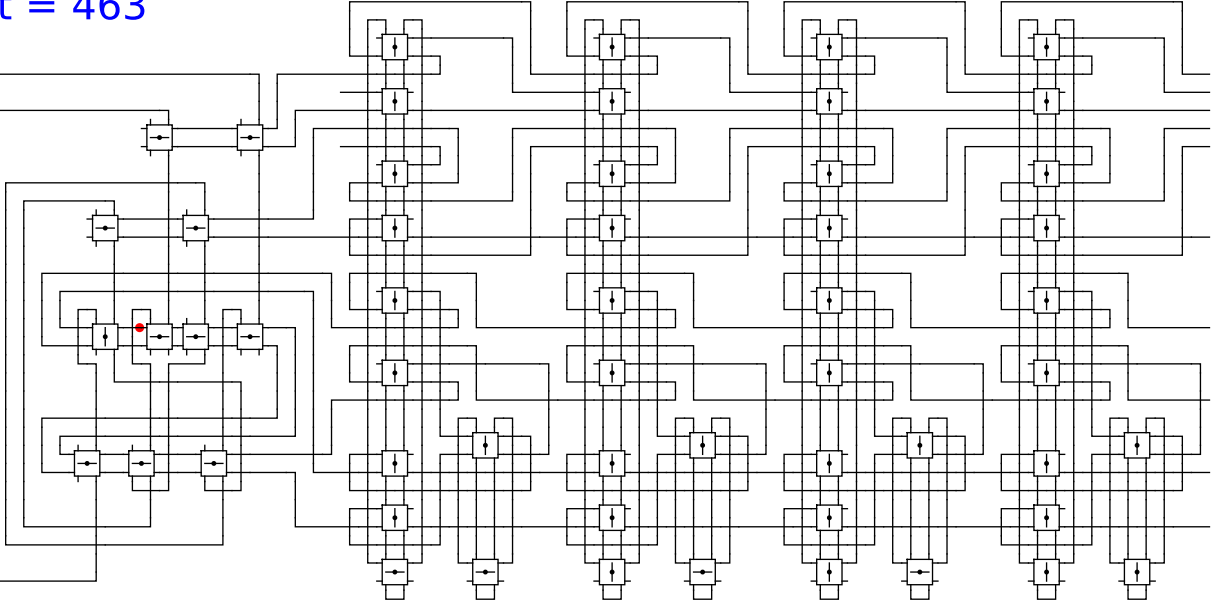
1

0

t = 463

Reject
Accept

Begin



head

1

1

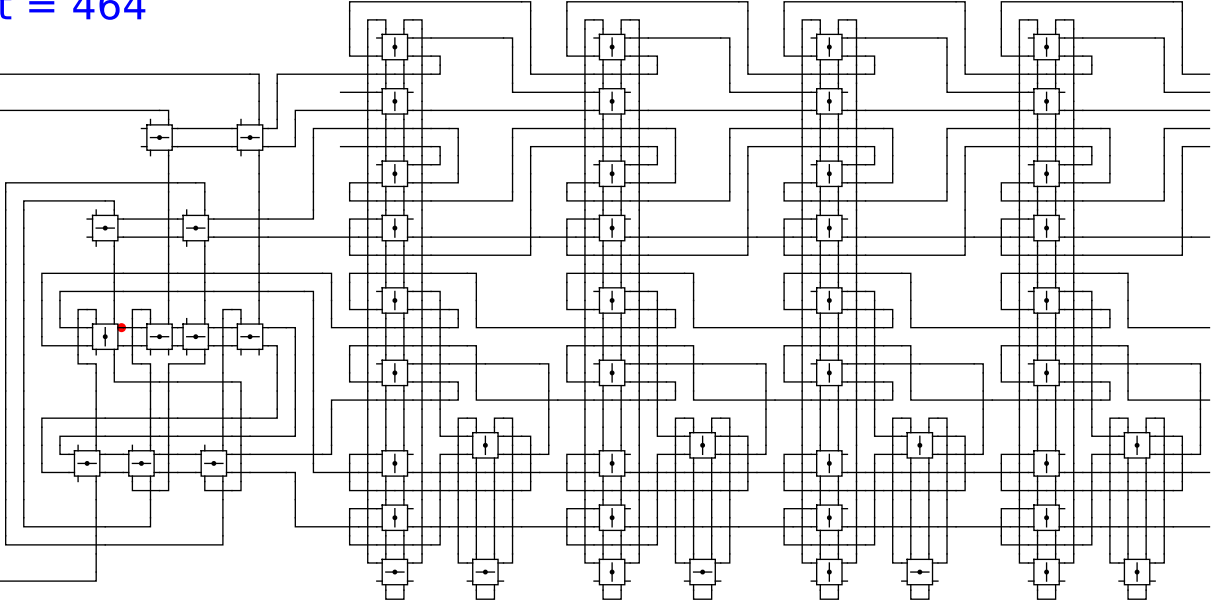
1

0

t = 464

Reject
Accept

Begin



head

1

1

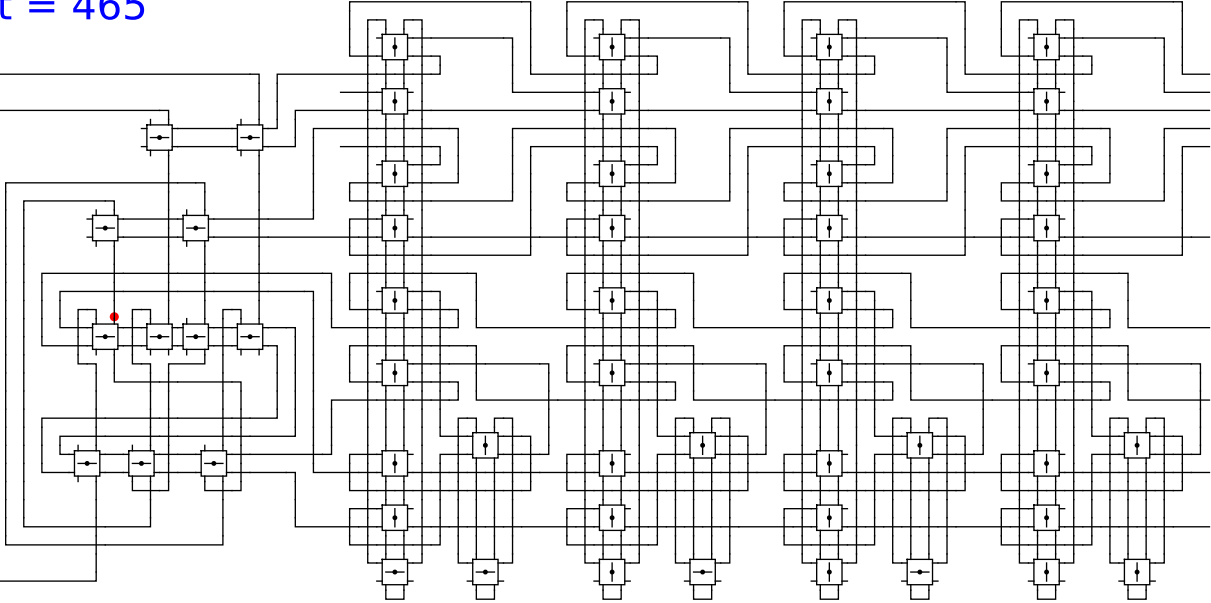
1

0

t = 465

Reject
Accept

Begin



head

1

1

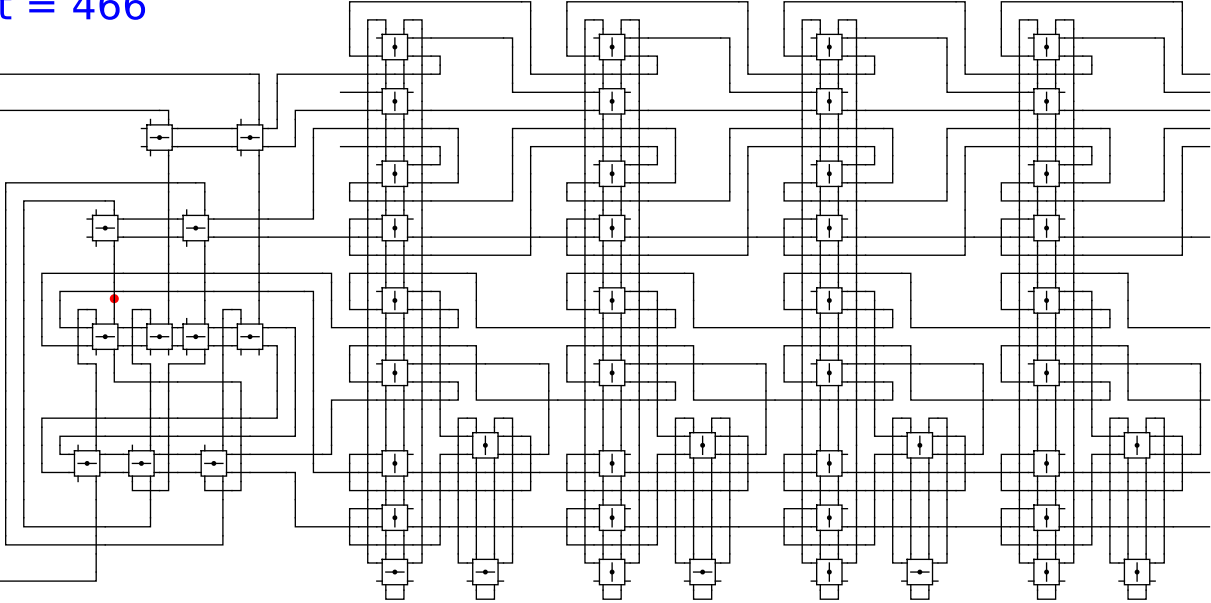
1

0

t = 466

Reject
Accept

Begin

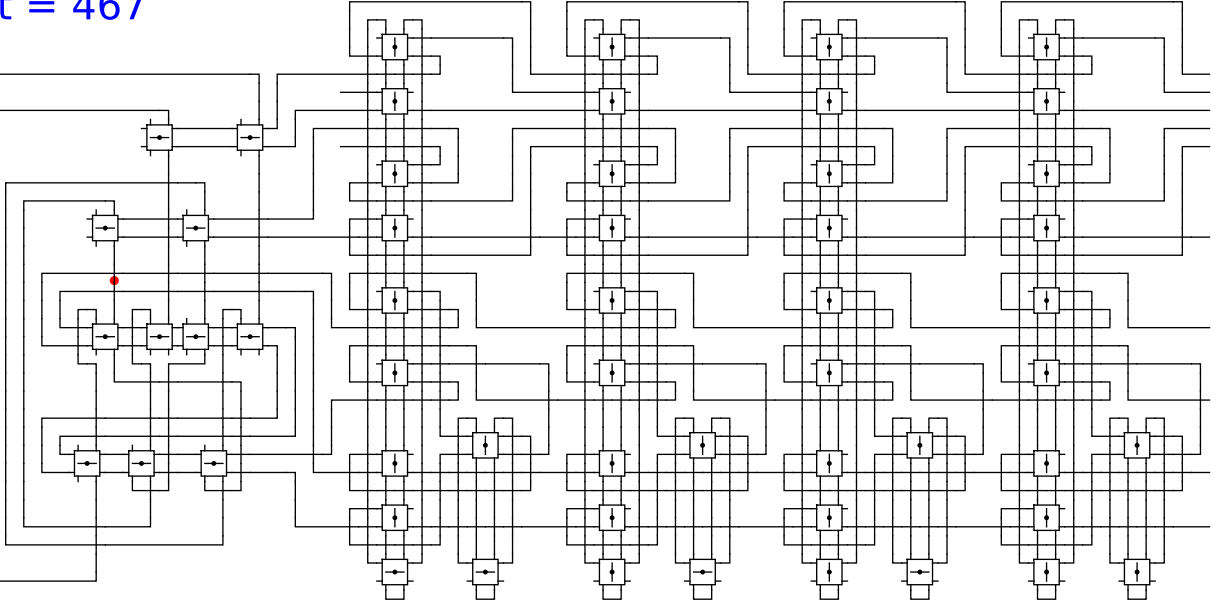


head 1 1 1 0

t = 467

Reject
Accept

Begin



head

1

1

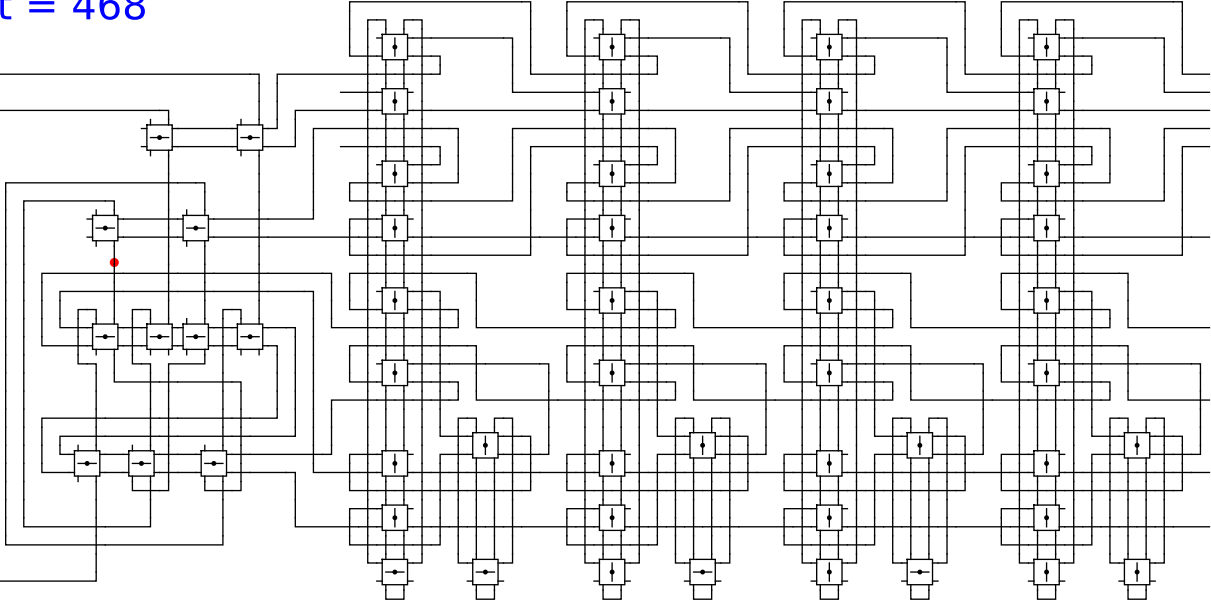
1

0

t = 468

Reject
Accept

Begin



head

1

1

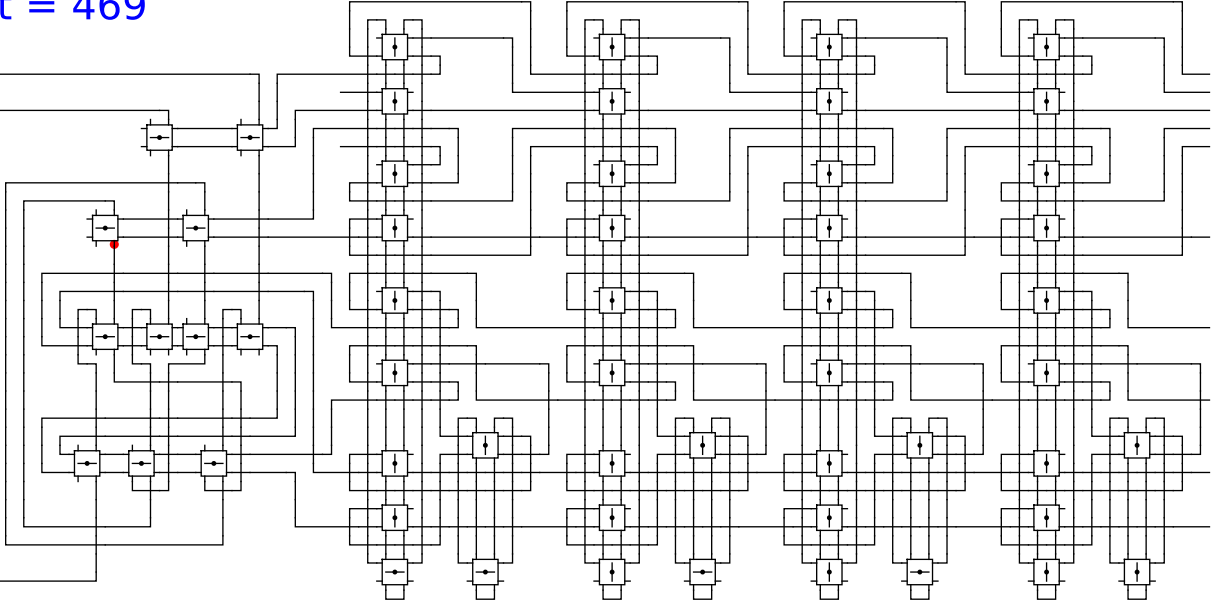
1

0

t = 469

Reject
Accept

Begin



head

1

1

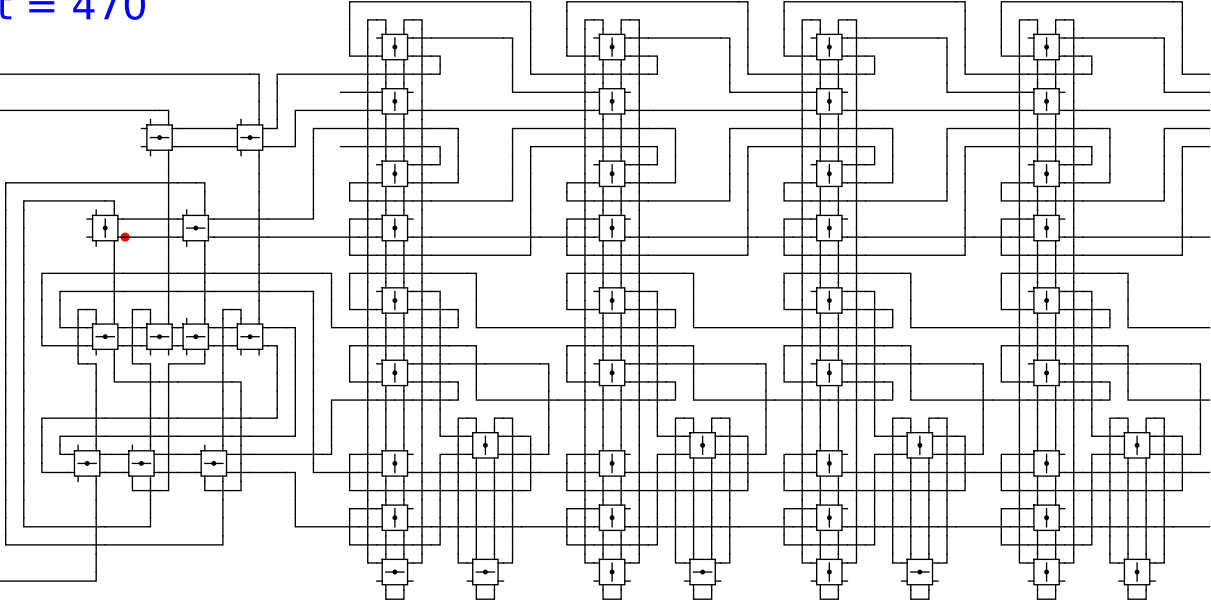
1

0

t = 470

Reject
Accept

Begin



head

1

1

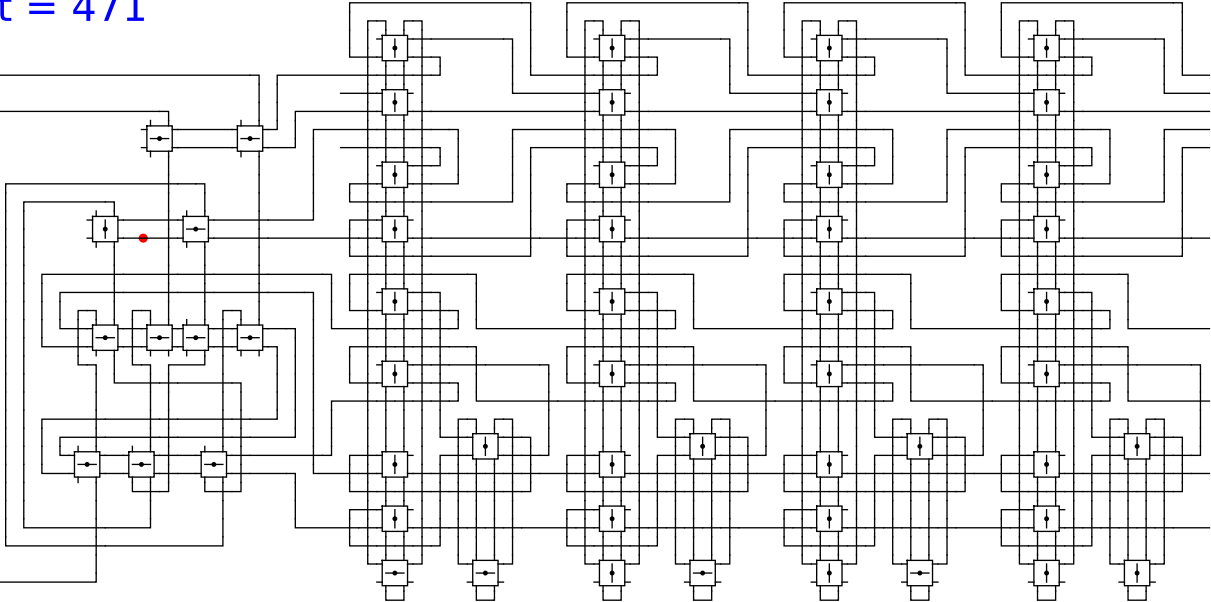
1

0

t = 471

Reject
Accept

Begin



head

1

1

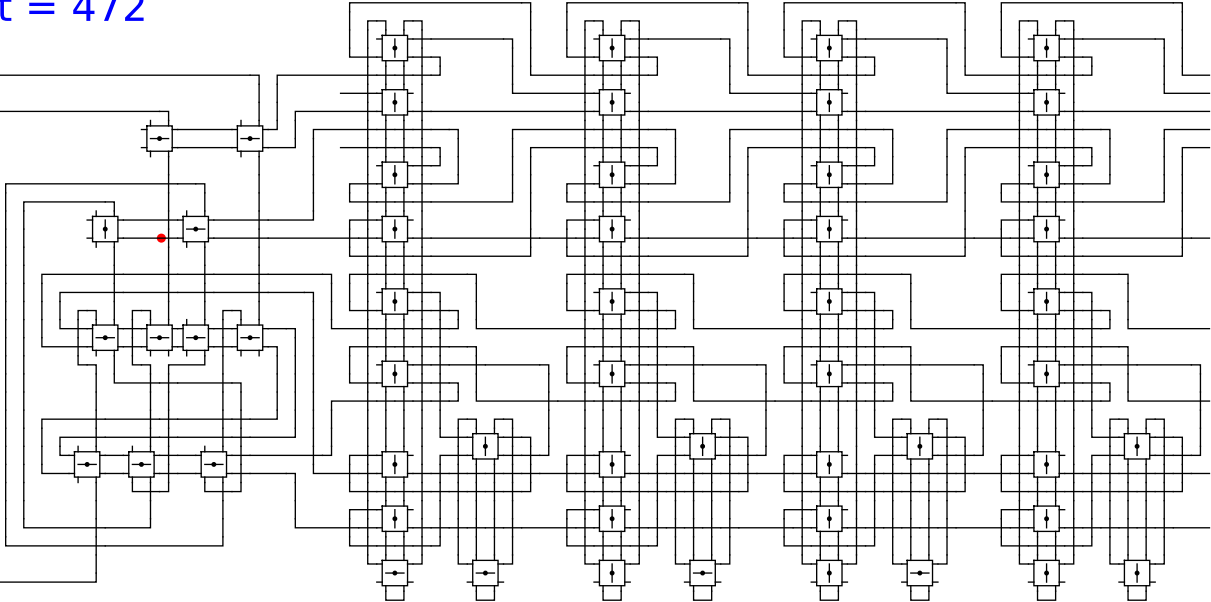
1

0

t = 472

Reject
Accept

Begin



head

1

1

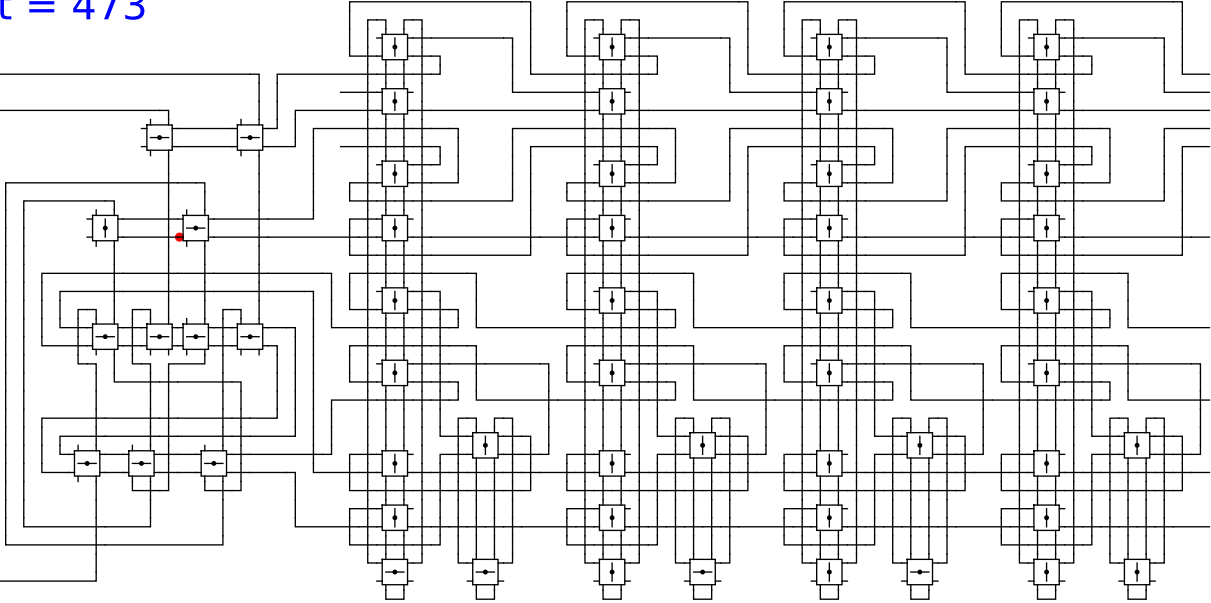
1

0

t = 473

Reject
Accept

Begin



head

1

1

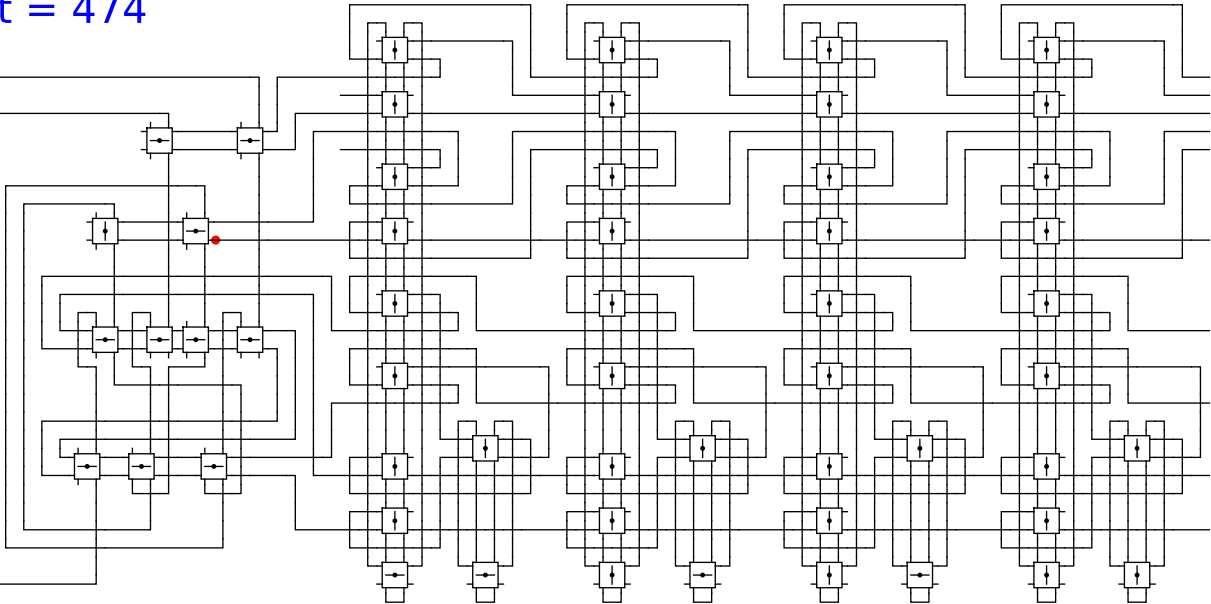
1

0

t = 474

Reject
Accept

Begin



head

1

1

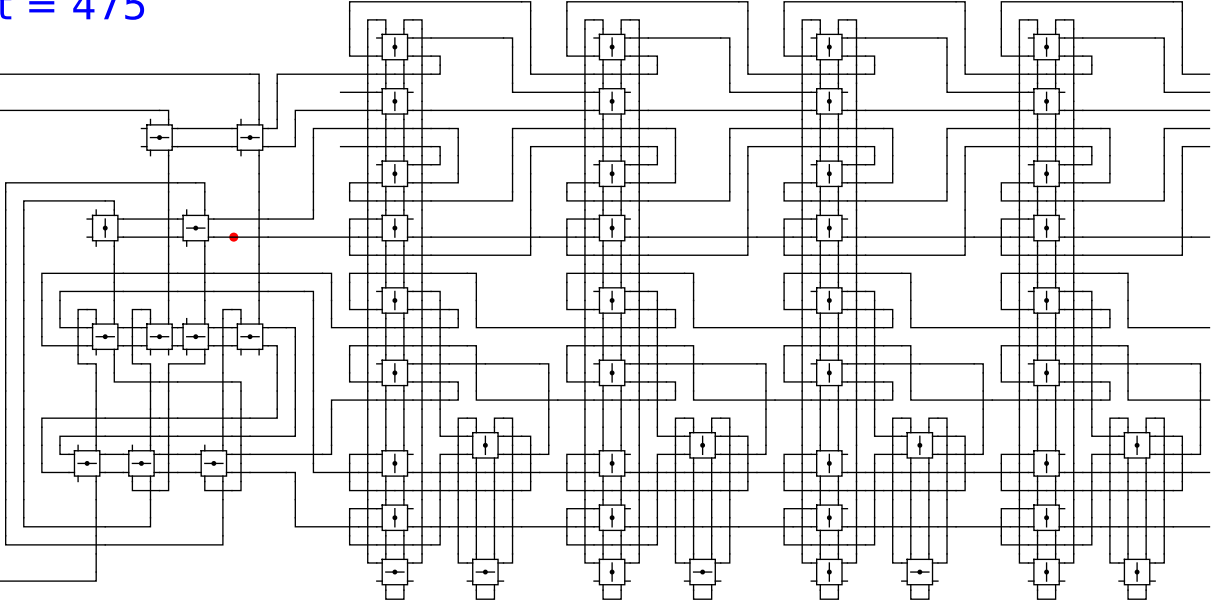
1

0

t = 475

Reject
Accept

Begin



head

1

1

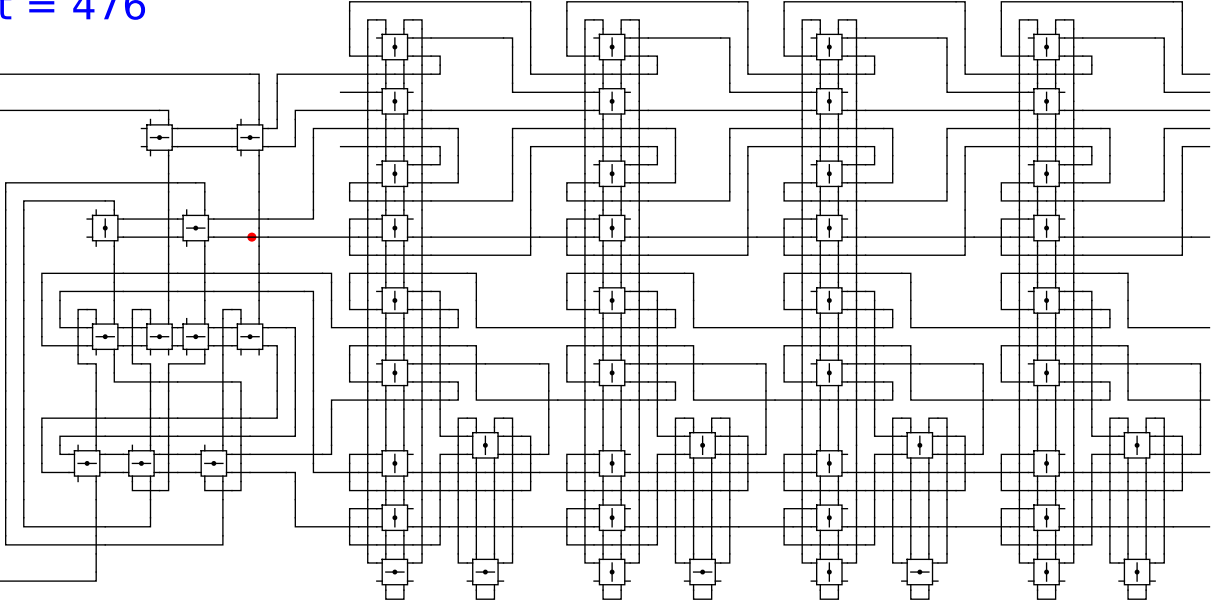
1

0

t = 476

Reject
Accept

Begin



head

1

1

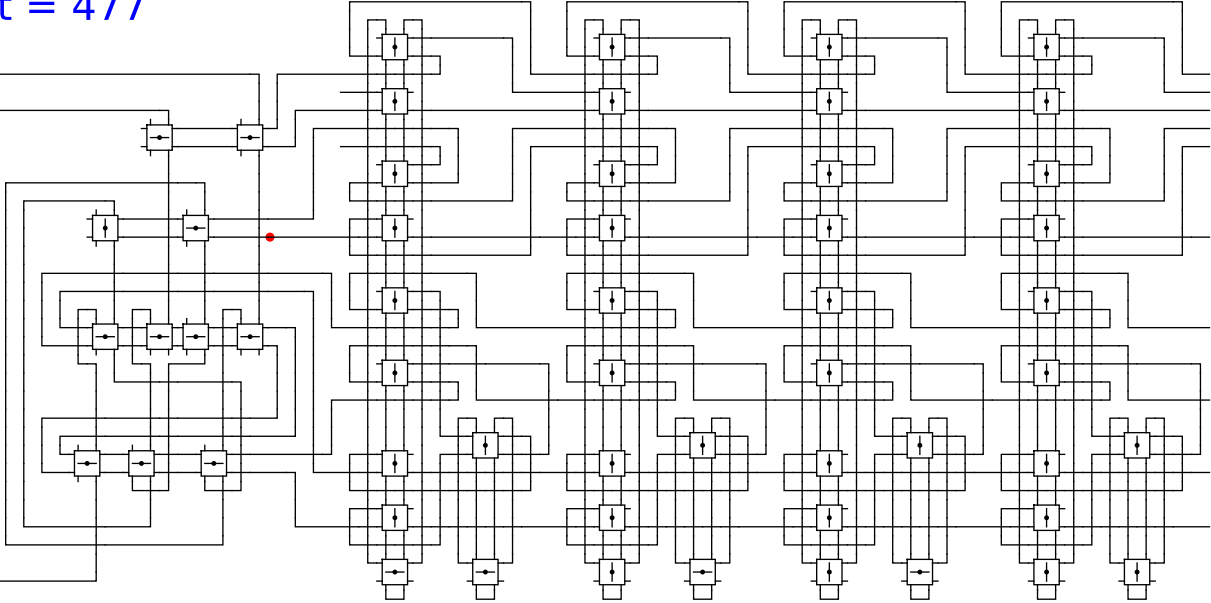
1

0

t = 477

Reject
Accept

Begin



head

1

1

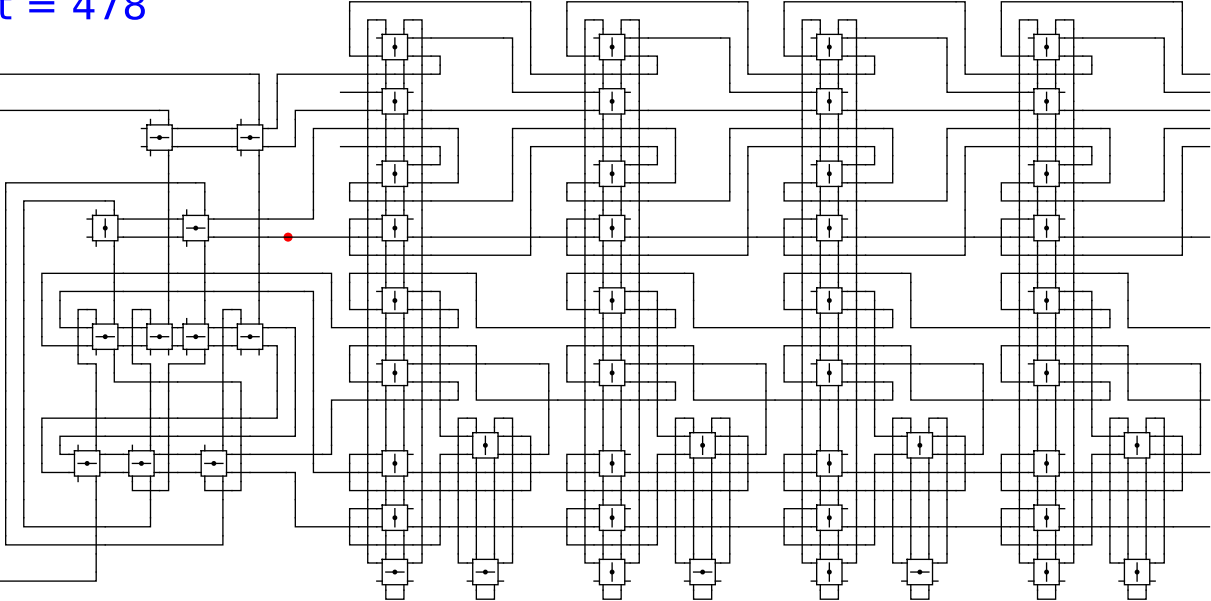
1

0

t = 478

Reject
Accept

Begin



head

1

1

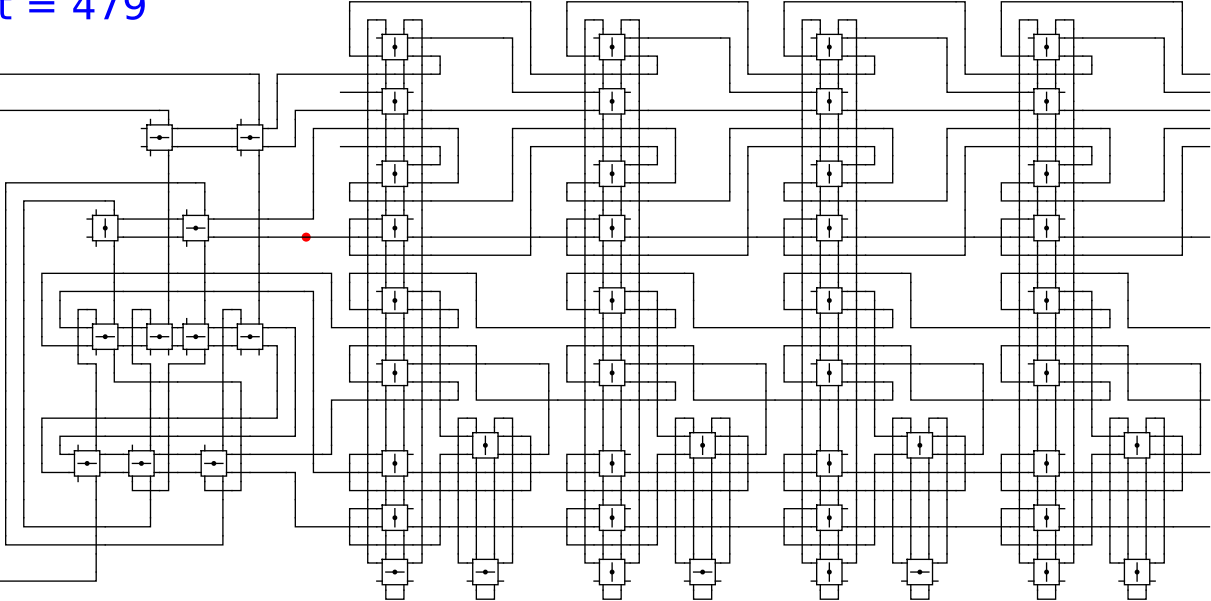
1

0

t = 479

Reject
Accept

Begin



head

1

1

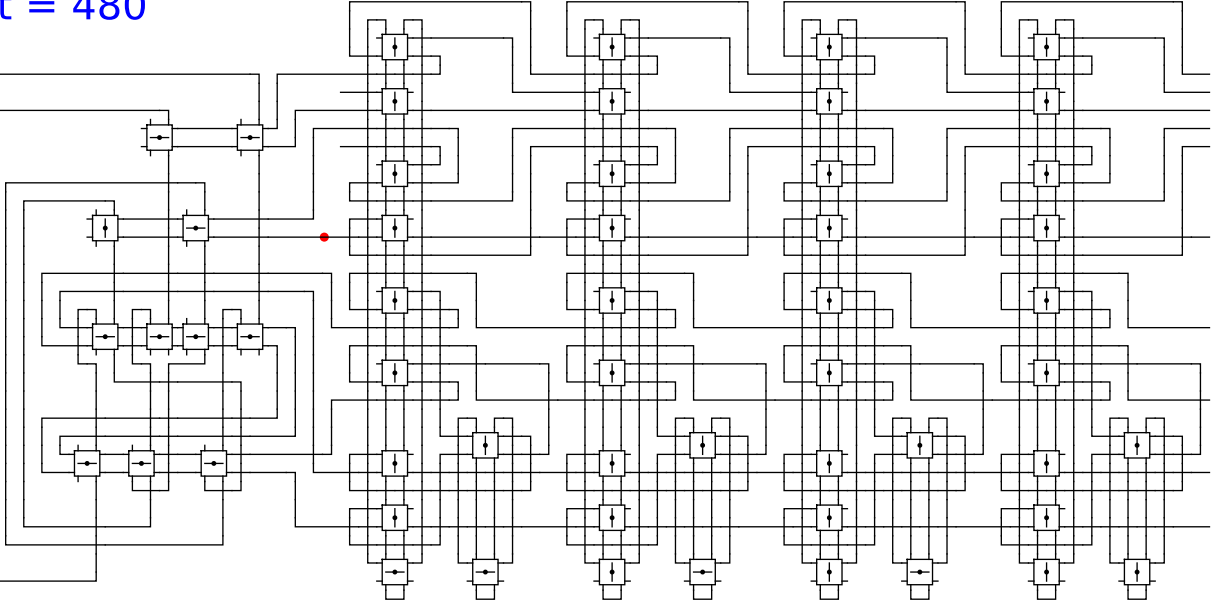
1

0

t = 480

Reject
Accept

Begin



head

1

1

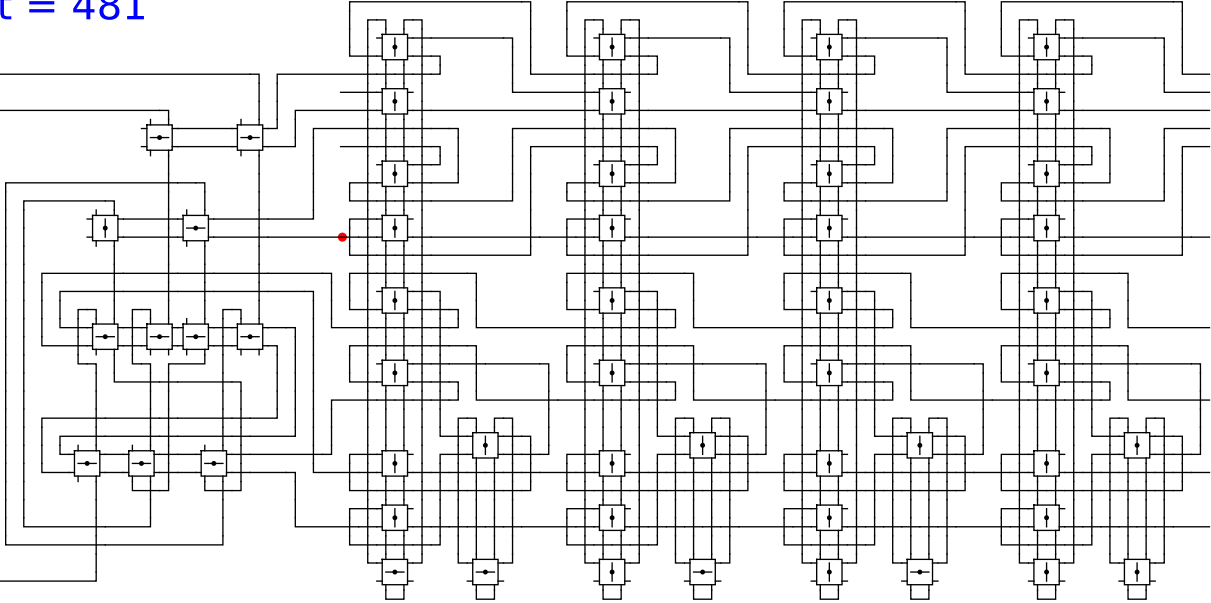
1

0

t = 481

Reject
Accept

Begin



head

1

1

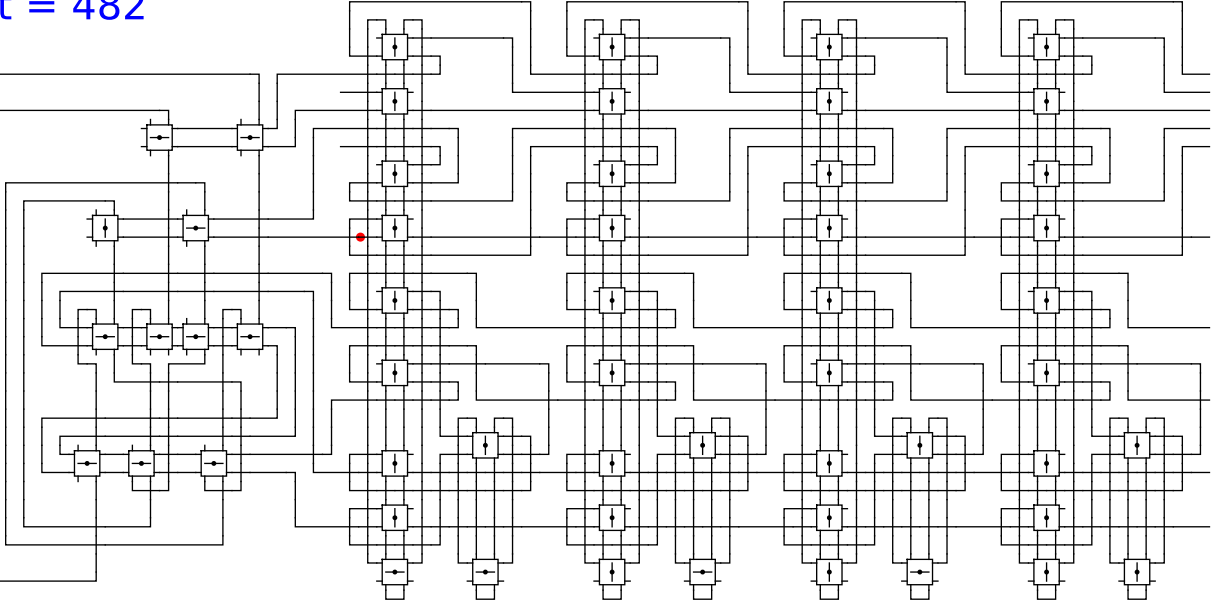
1

0

t = 482

Reject
Accept

Begin



head

1

1

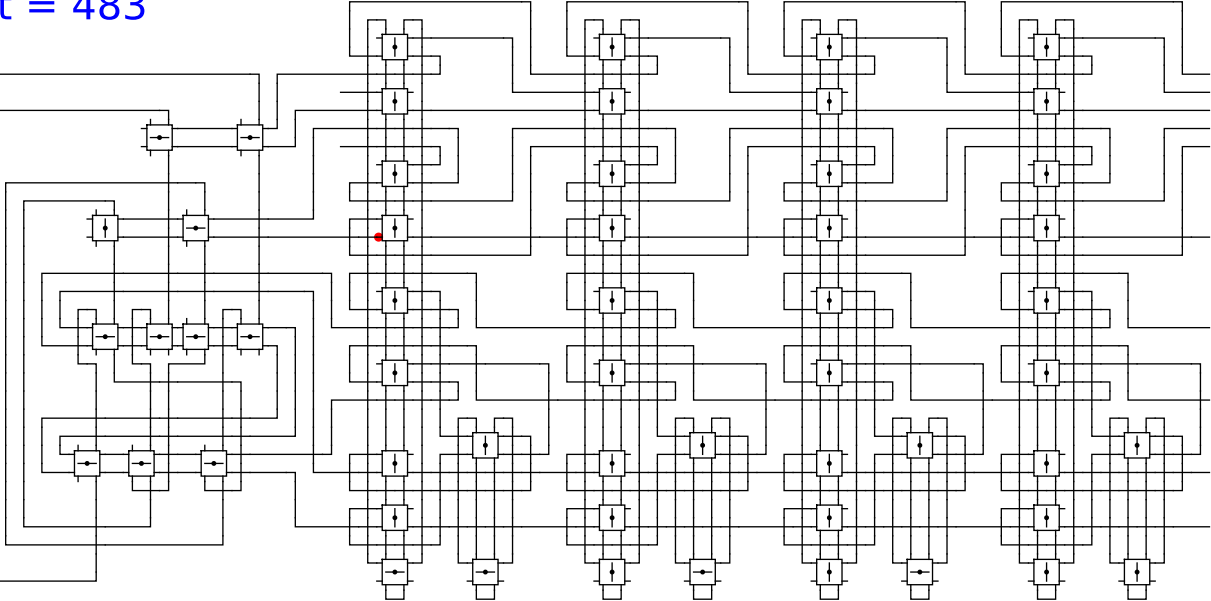
1

0

t = 483

Reject
Accept

Begin



head

1

1

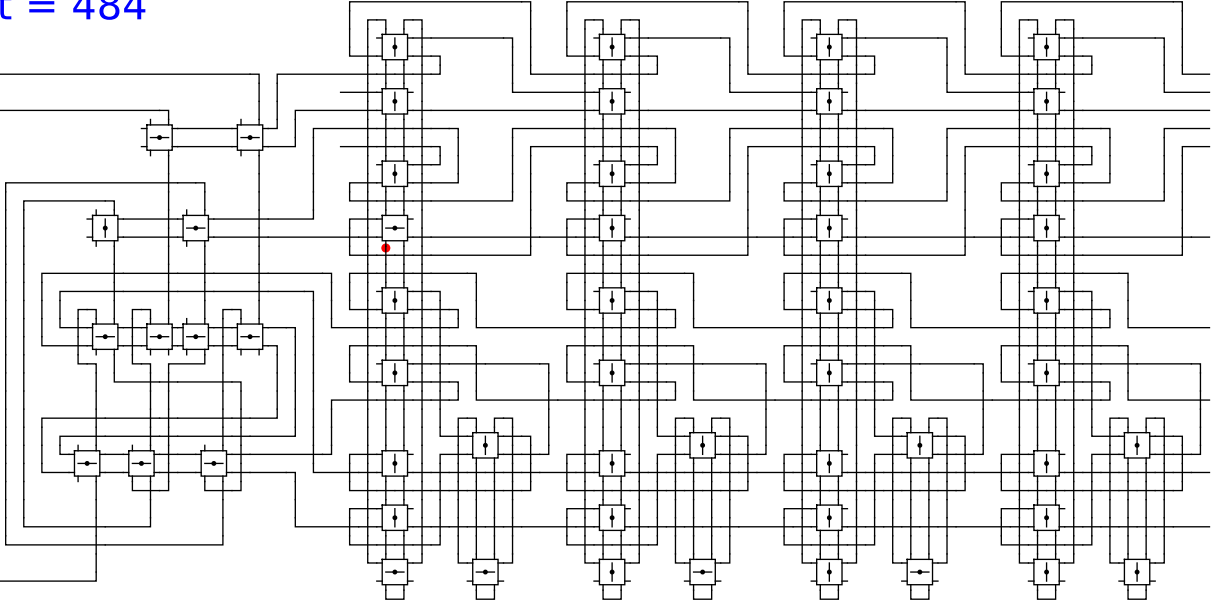
1

0

t = 484

Reject
Accept

Begin



head

1

1

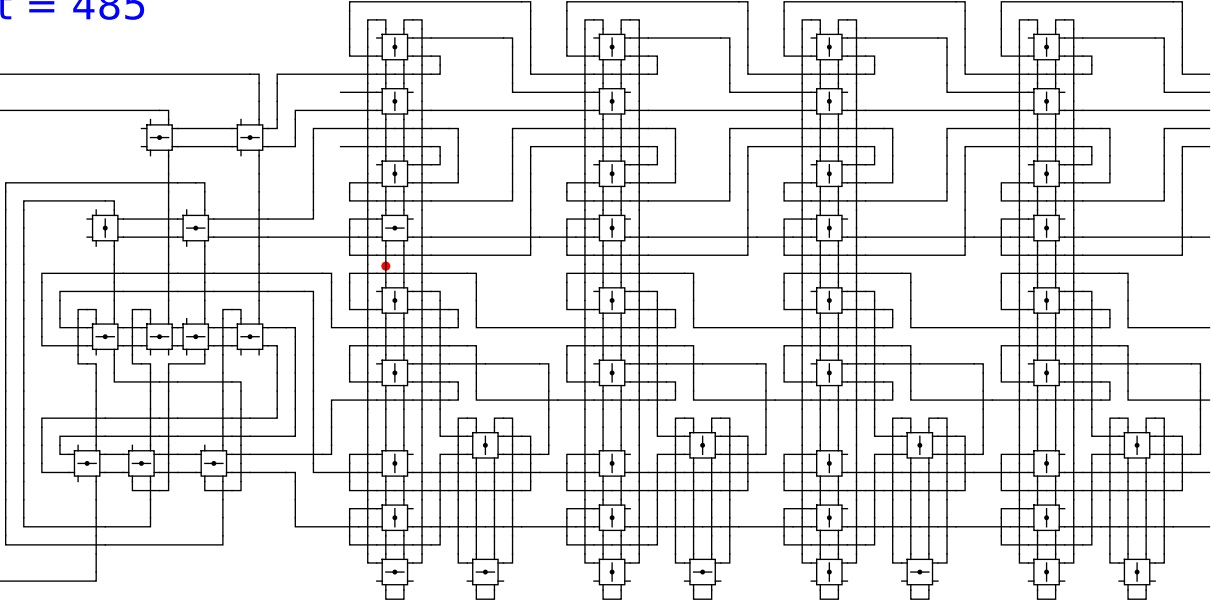
1

0

t = 485

Reject
Accept

Begin



head

1

1

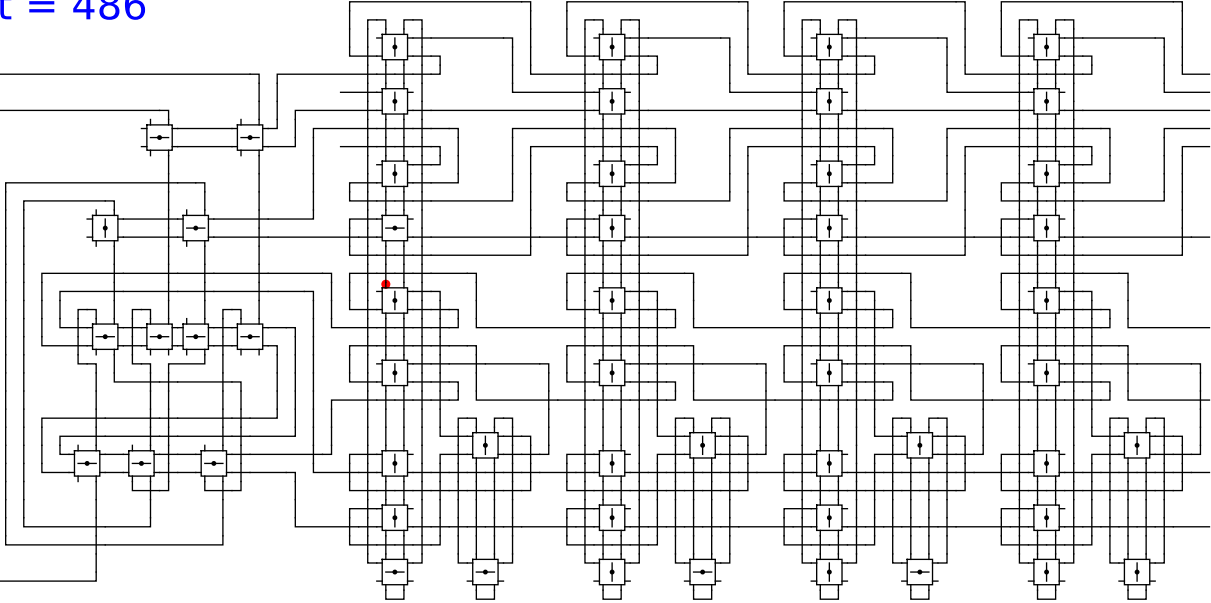
1

0

t = 486

Reject
Accept

Begin



head

1

1

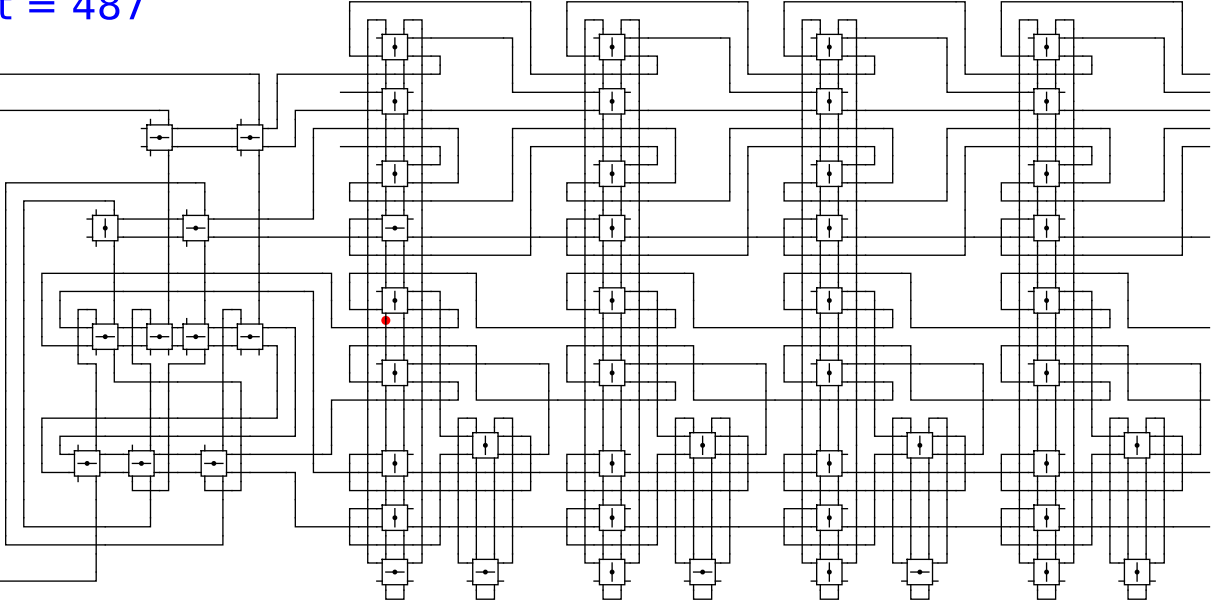
1

0

t = 487

Reject
Accept

Begin



head

1

1

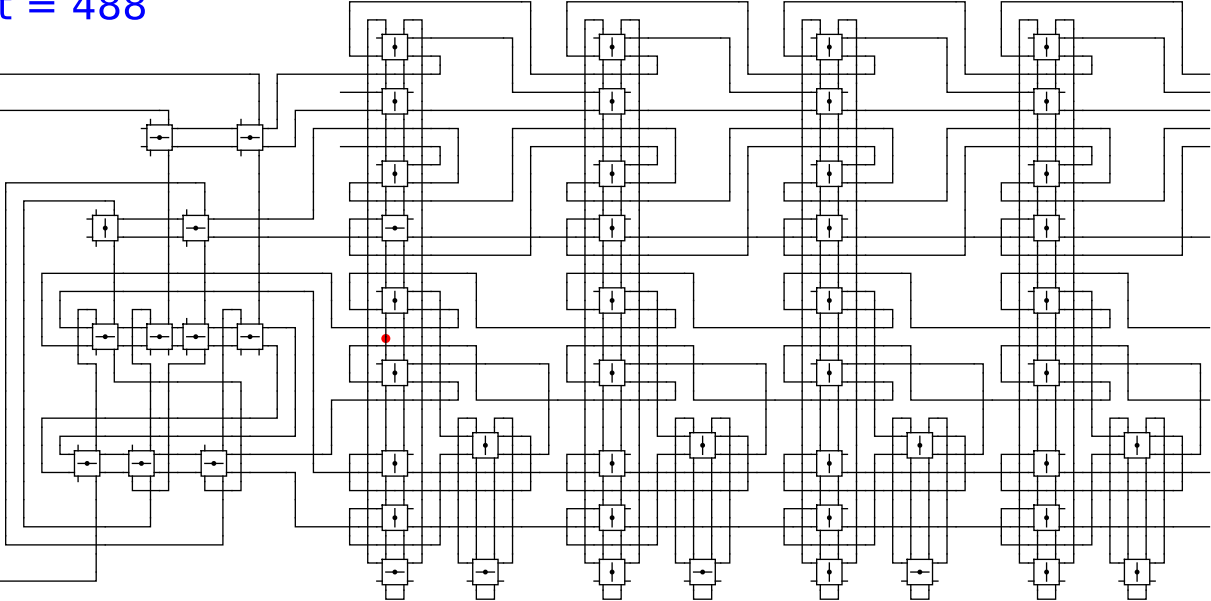
1

0

t = 488

Reject
Accept

Begin



head

1

1

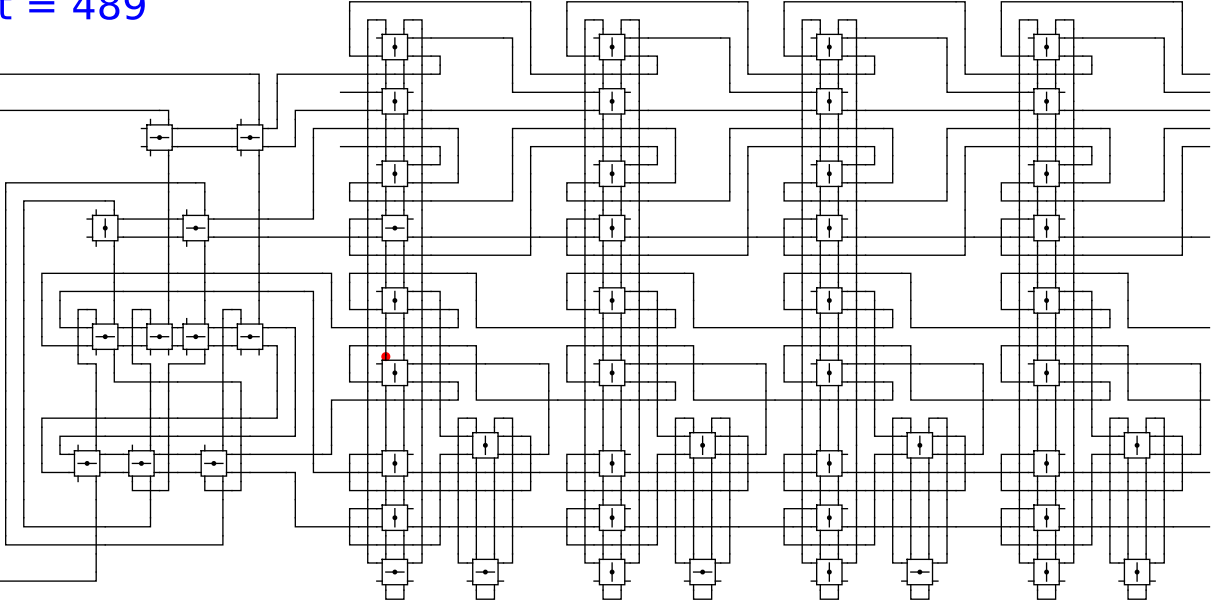
1

0

t = 489

Reject
Accept

Begin



head

1

1

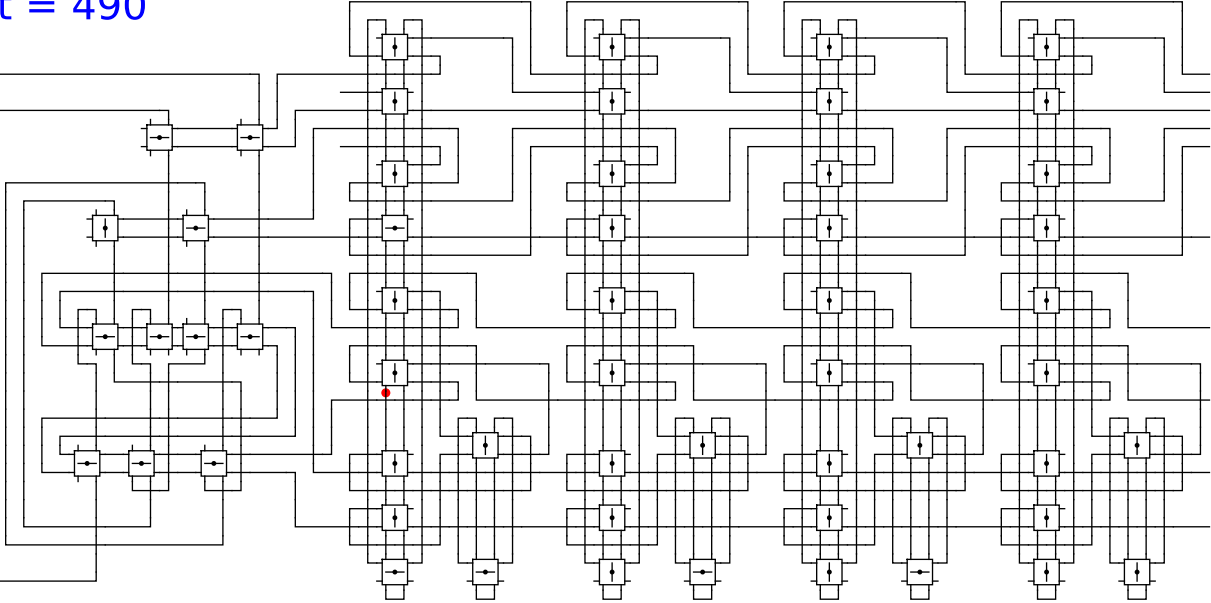
1

0

t = 490

Reject
Accept

Begin



head

1

1

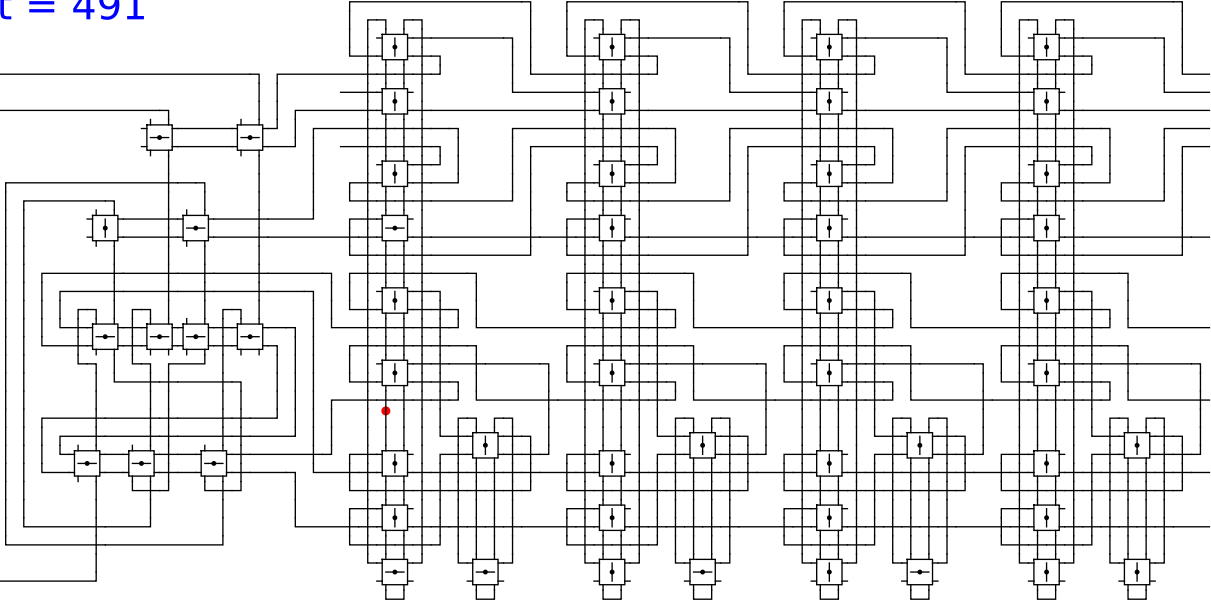
1

0

t = 491

Reject
Accept

Begin



head

1

1

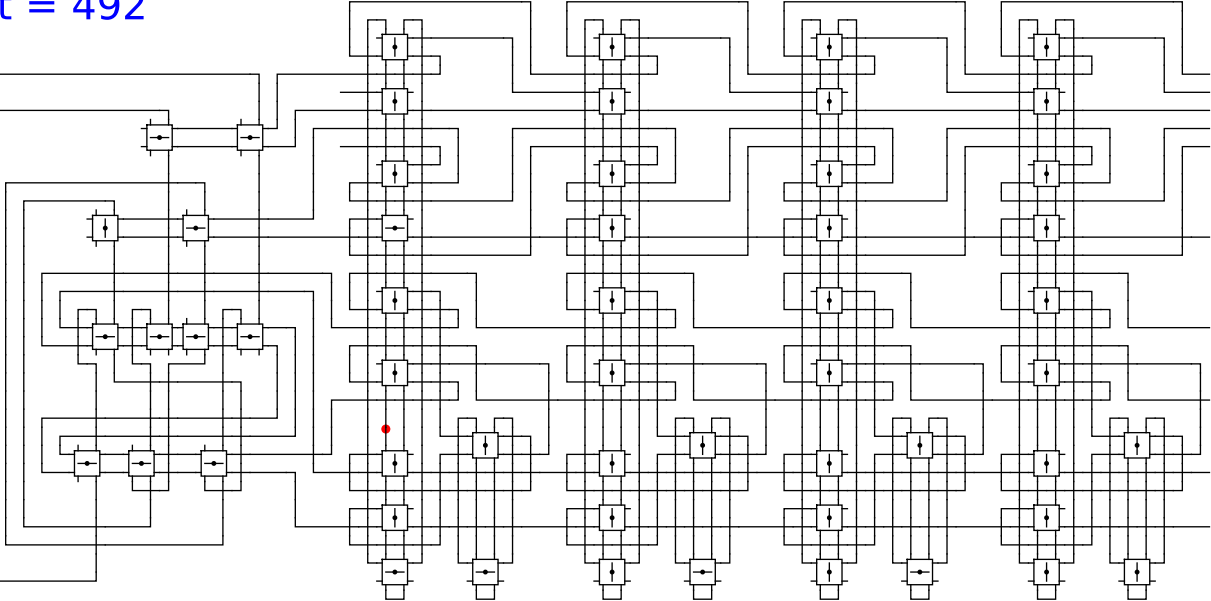
1

0

t = 492

Reject
Accept

Begin



head

1

1

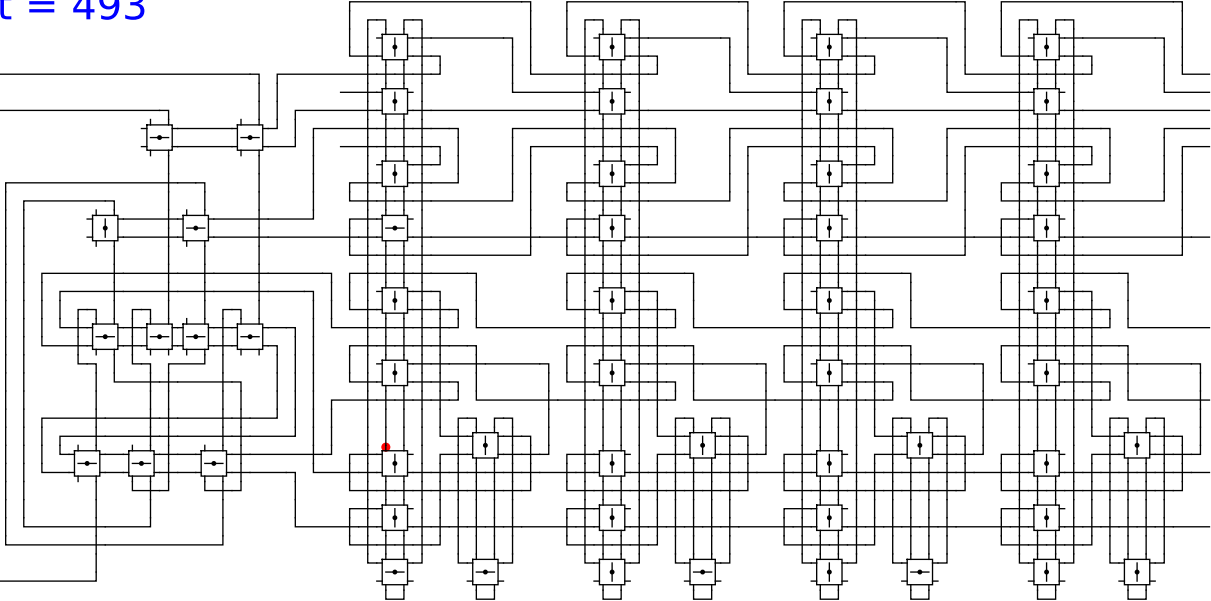
1

0

t = 493

Reject
Accept

Begin



head

1

1

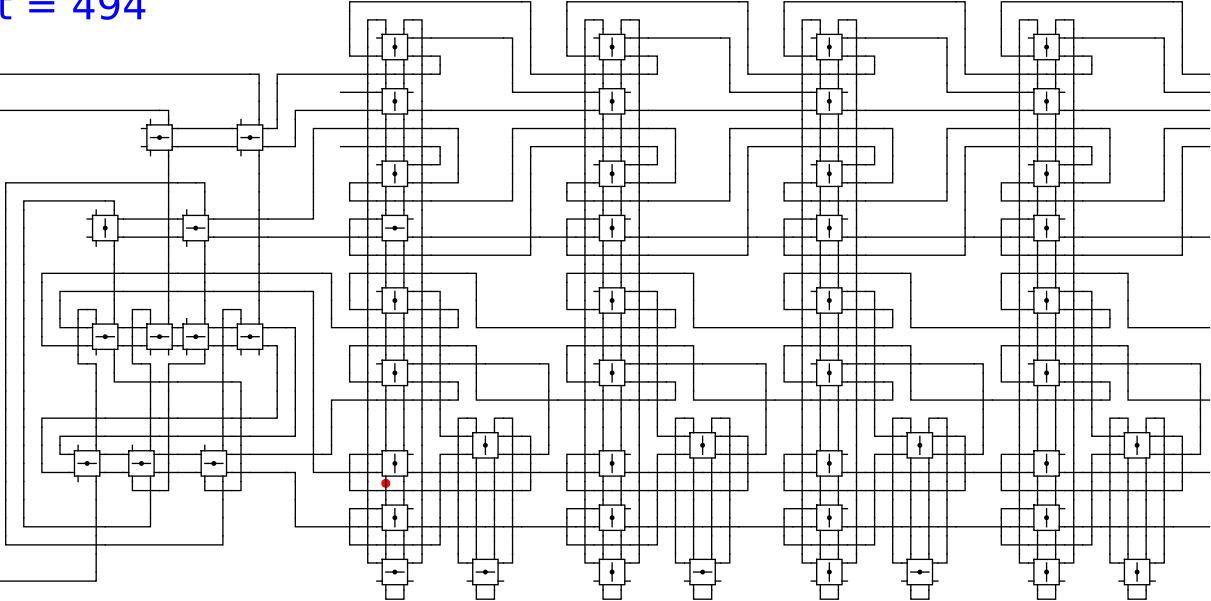
1

0

t = 494

Reject
Accept

Begin



head

1

1

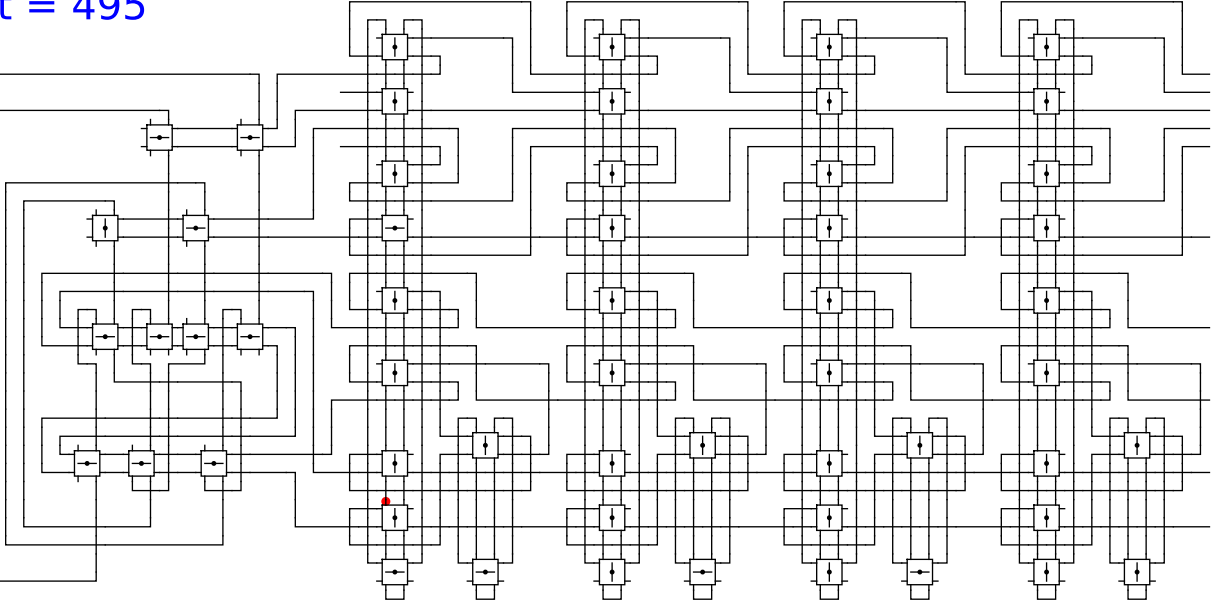
1

0

t = 495

Reject
Accept

Begin



head

1

1

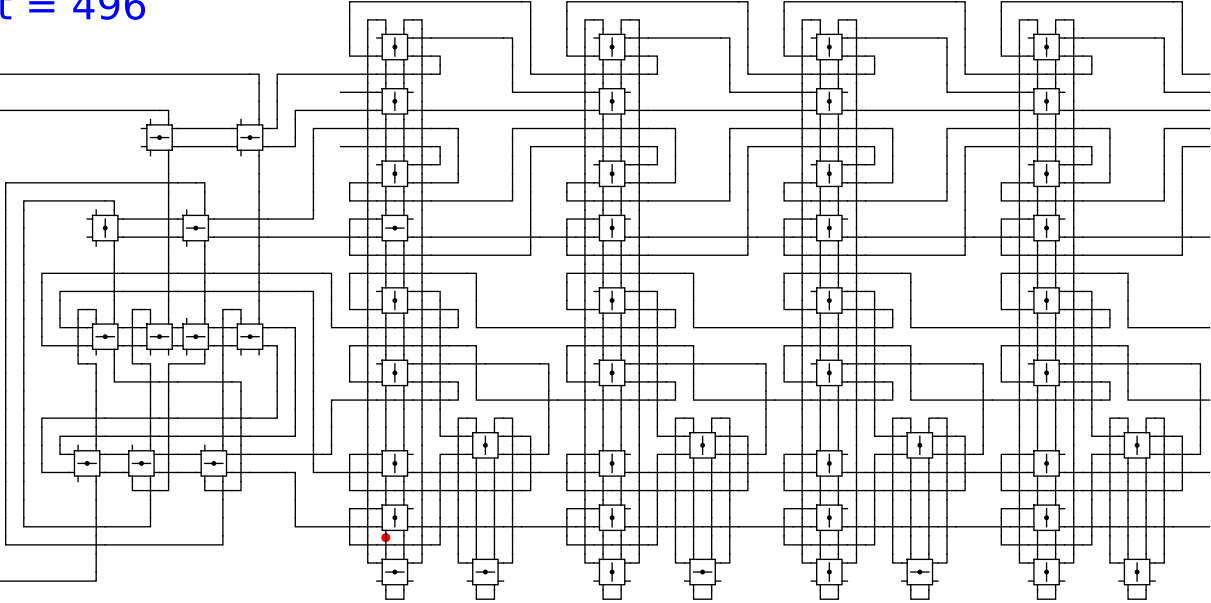
1

0

t = 496

Reject
Accept

Begin



head

1

1

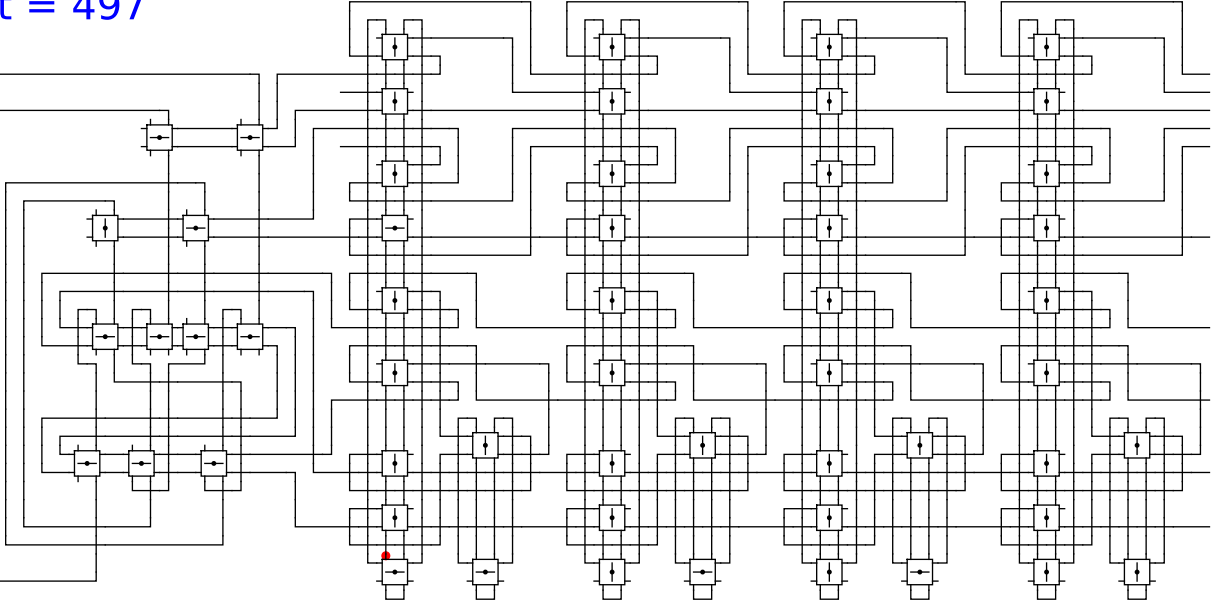
1

0

t = 497

Reject
Accept

Begin



head

1

1

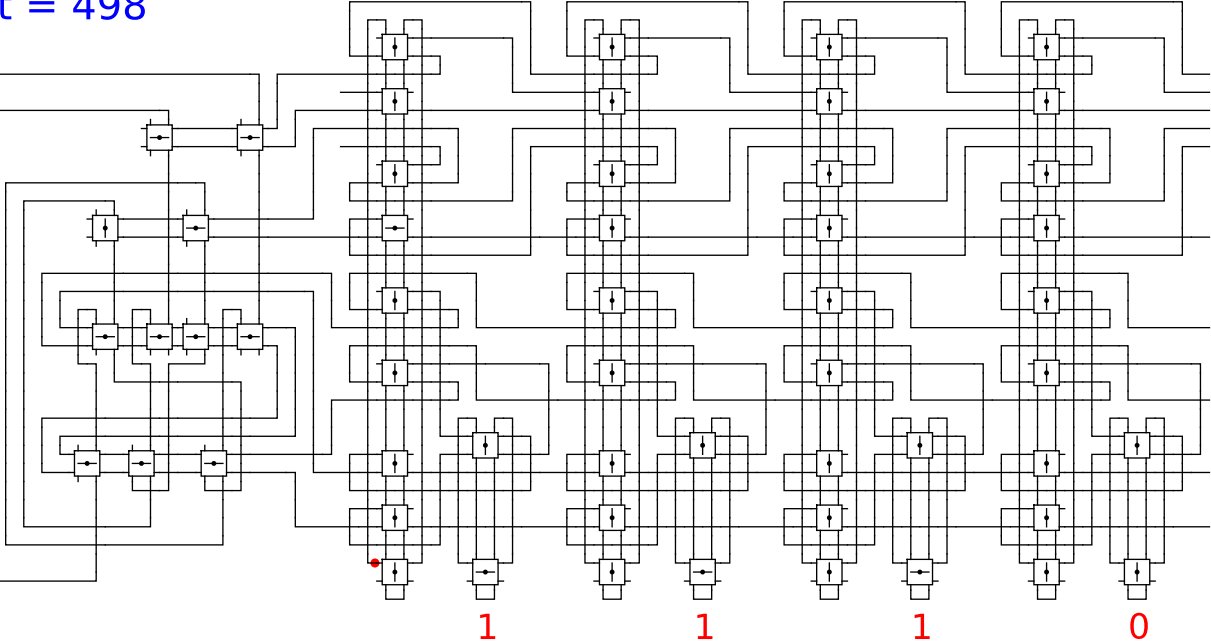
1

0

t = 498

Reject
Accept

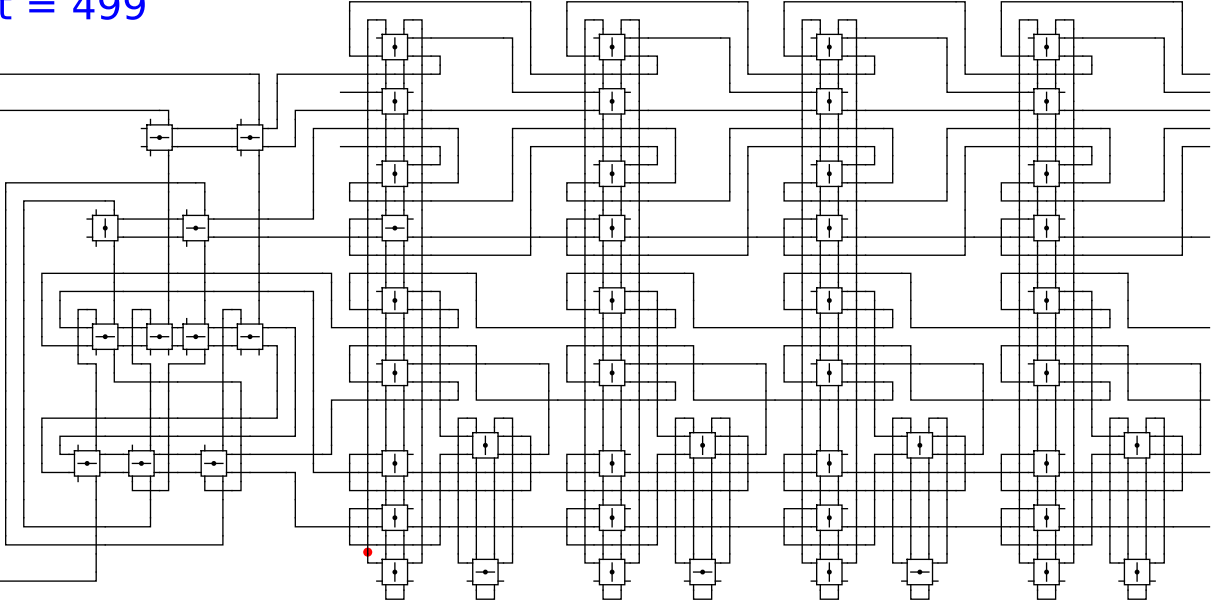
Begin



t = 499

Reject
Accept

Begin

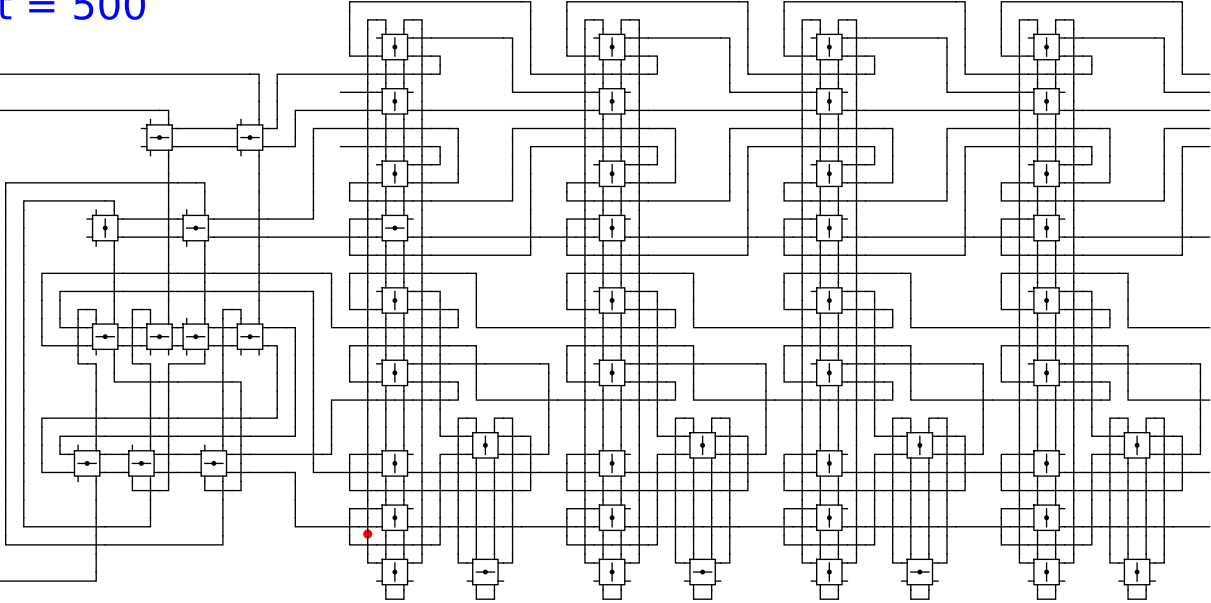


1 1 1 0

t = 500

Reject
Accept

Begin

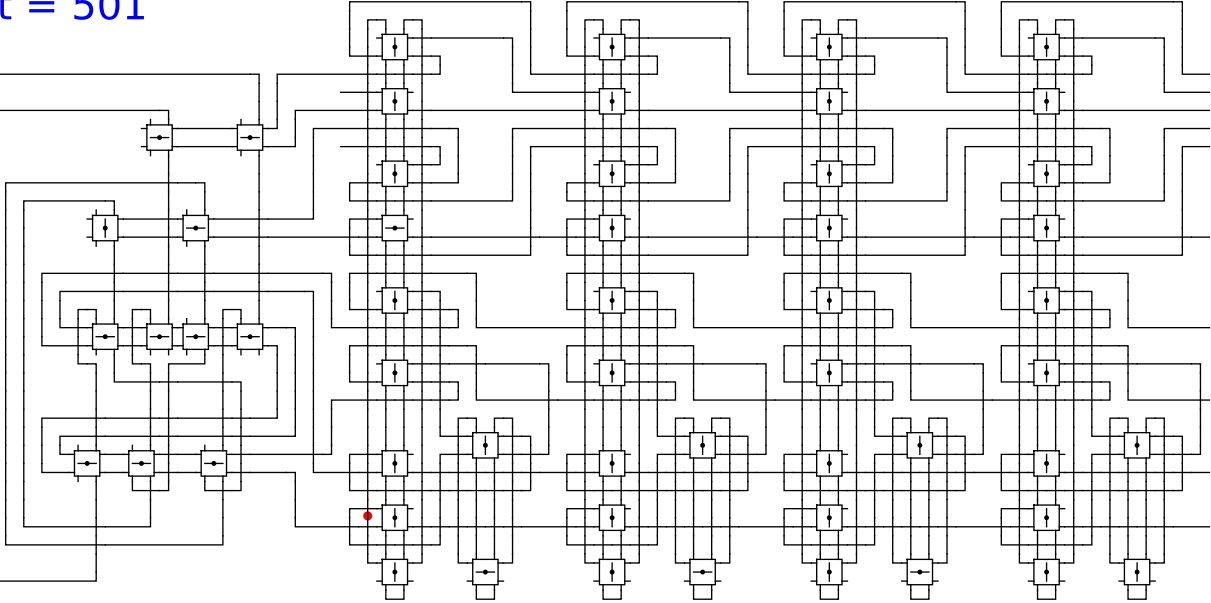


1 1 1 0

t = 501

Reject
Accept

Begin



1

1

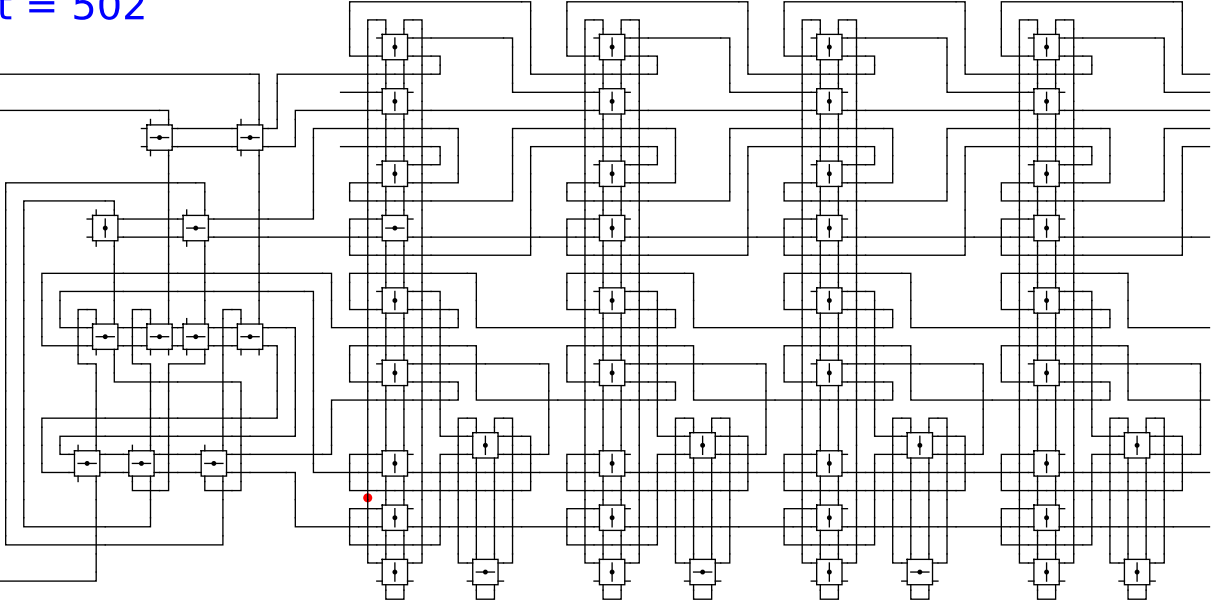
1

0

t = 502

Reject
Accept

Begin

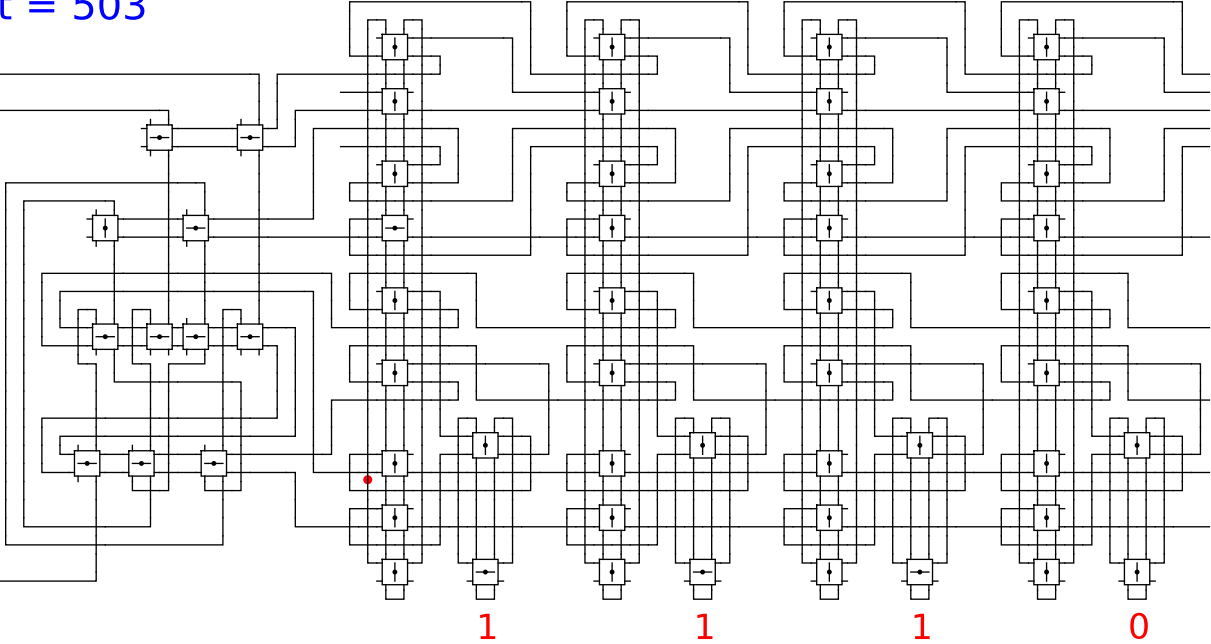


1 1 1 0

t = 503

Reject
Accept

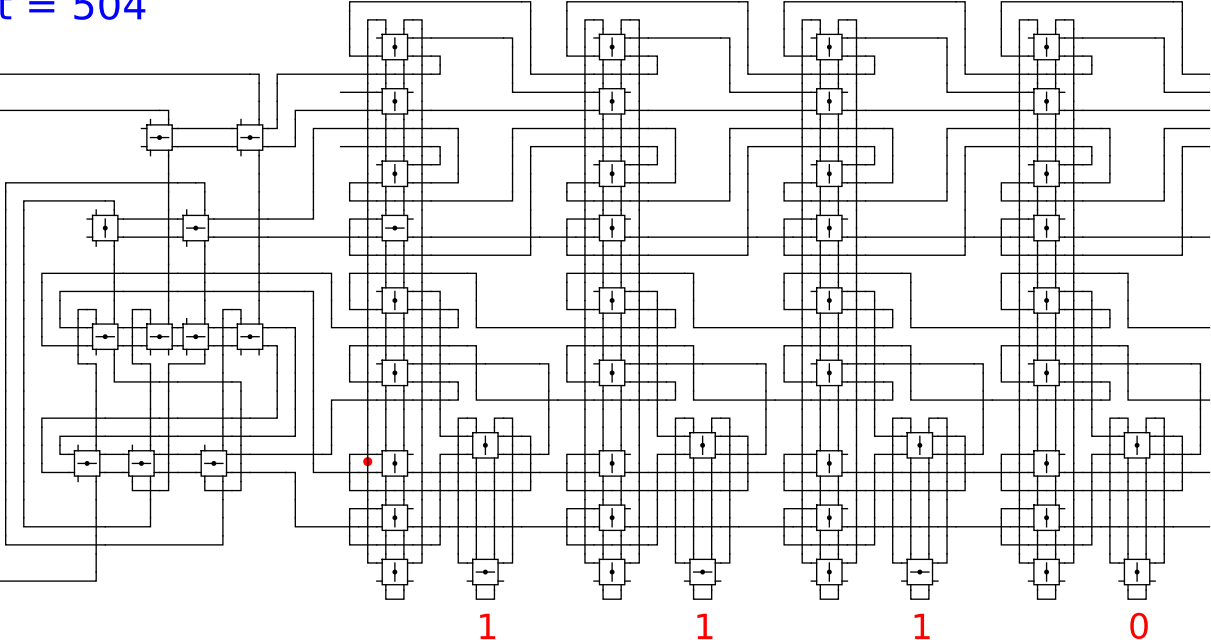
Begin



t = 504

Reject
Accept

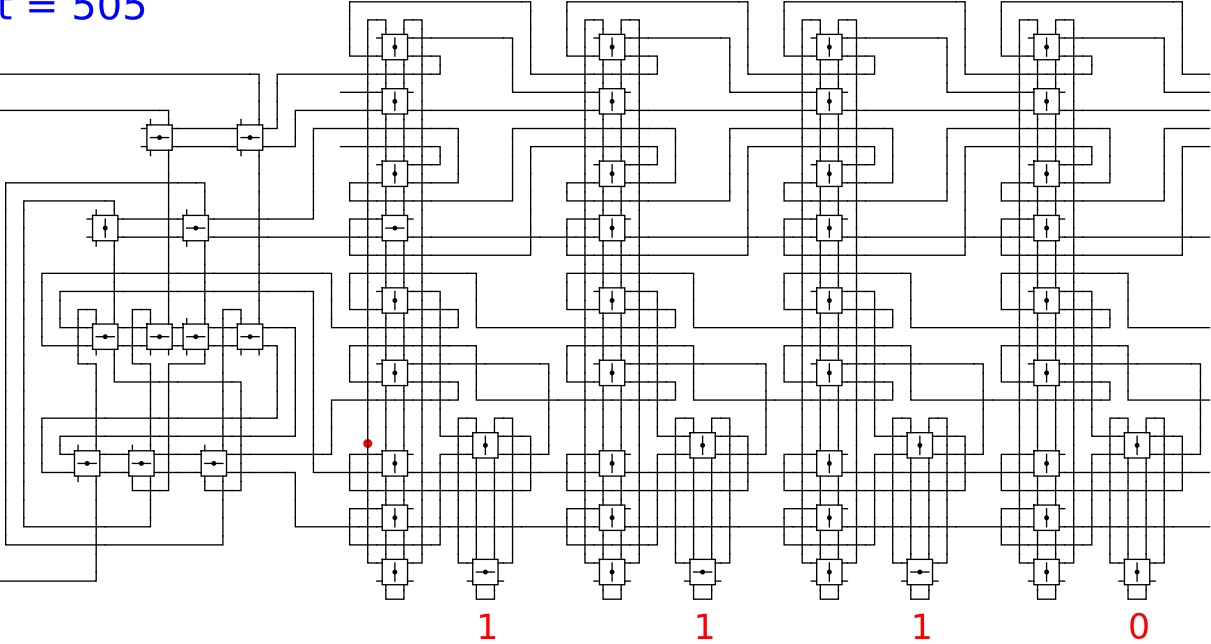
Begin



t = 505

Reject
Accept

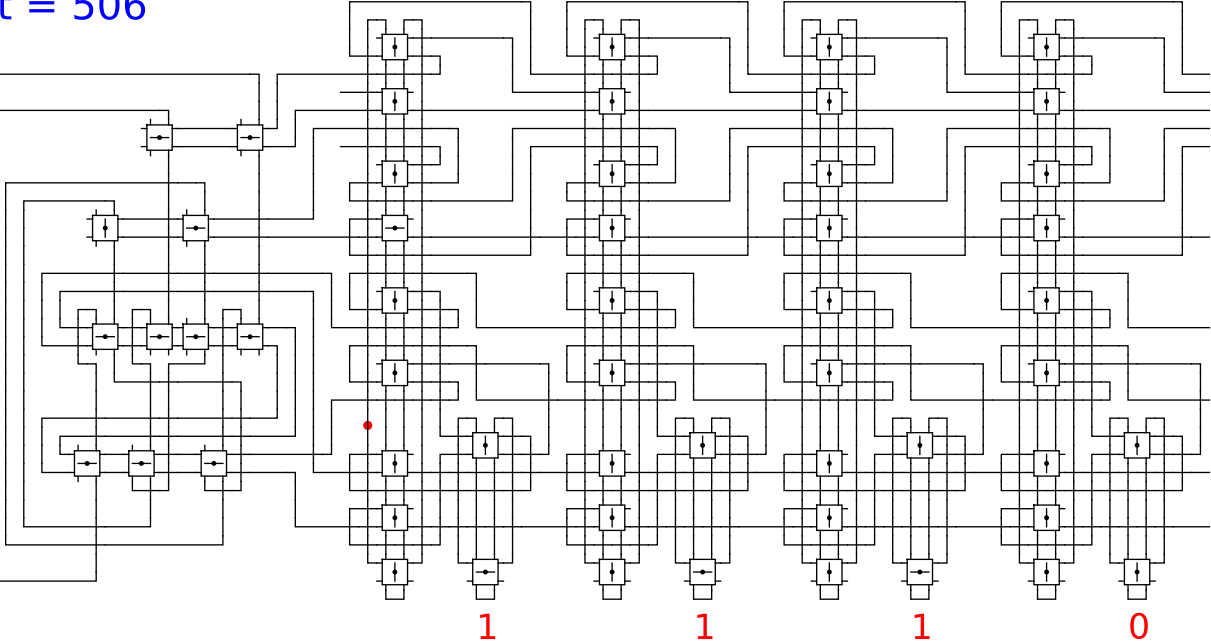
Begin



t = 506

Reject
Accept

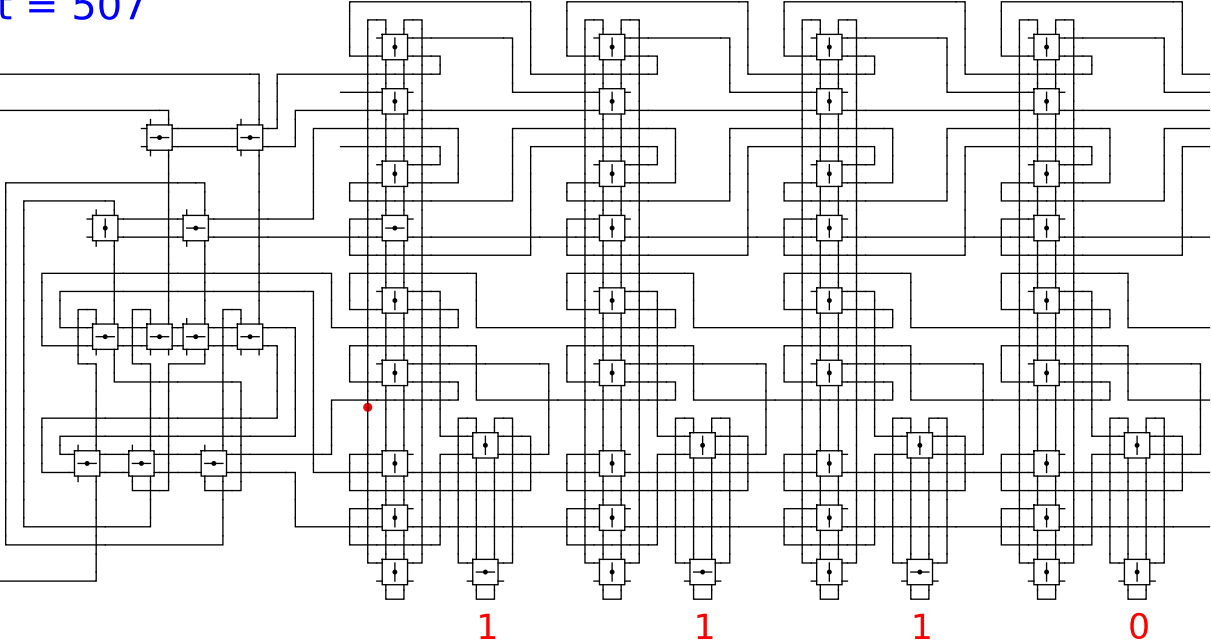
Begin



t = 507

Reject
Accept

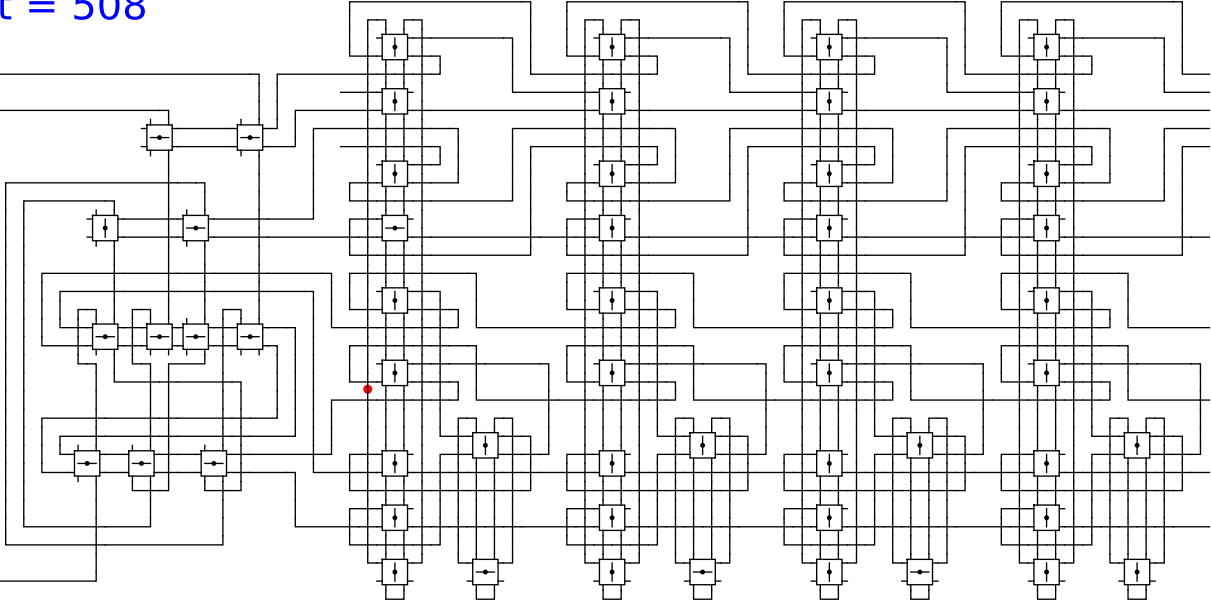
Begin



t = 508

Reject
Accept

Begin



1

1

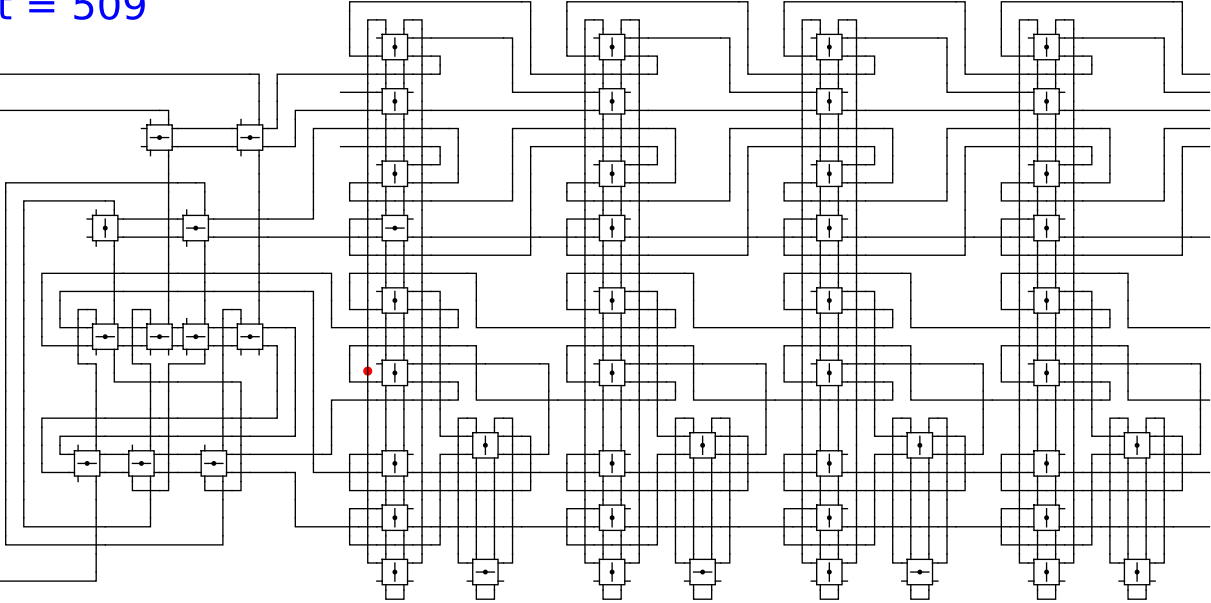
1

0

t = 509

Reject
Accept

Begin



1

1

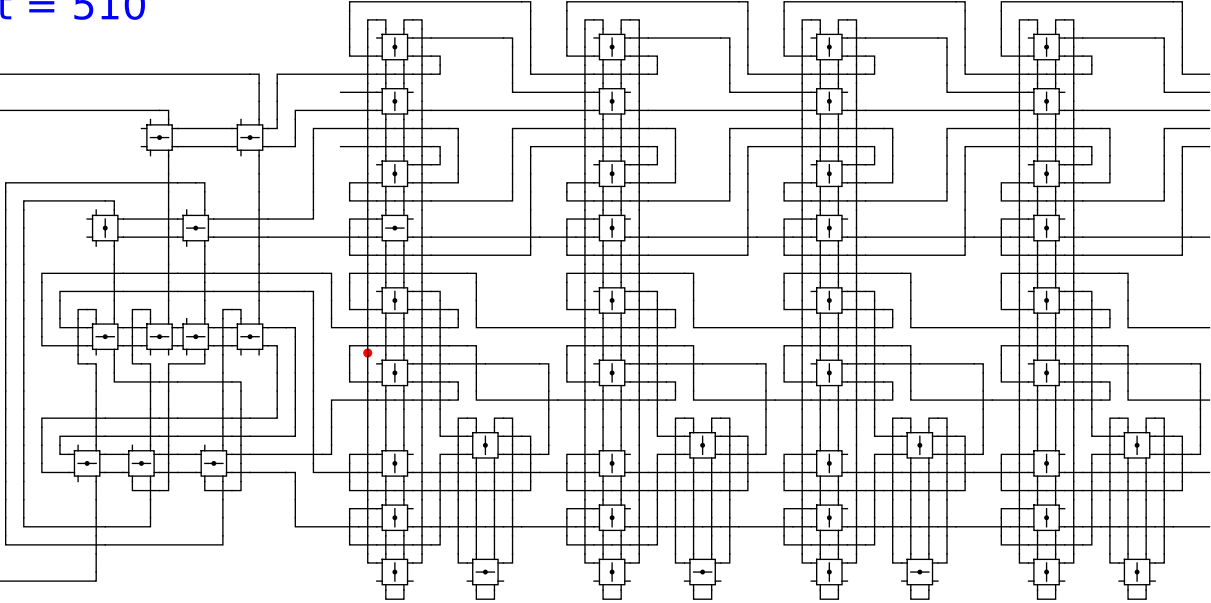
1

0

t = 510

Reject
Accept

Begin

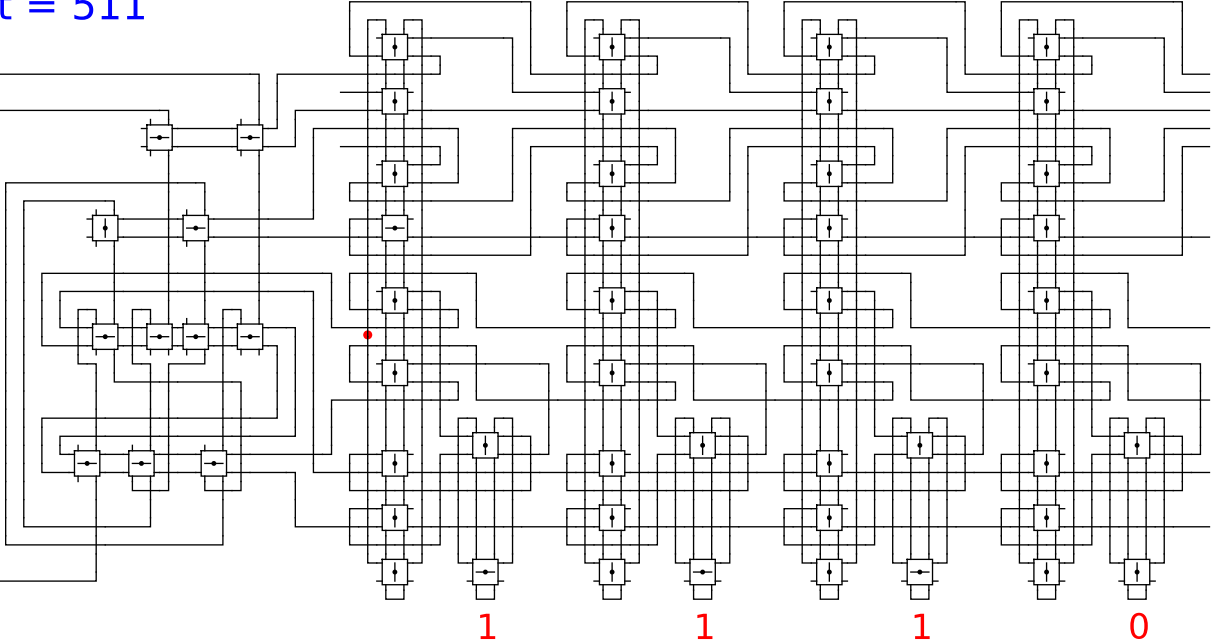


1 1 1 0

t = 511

Reject
Accept

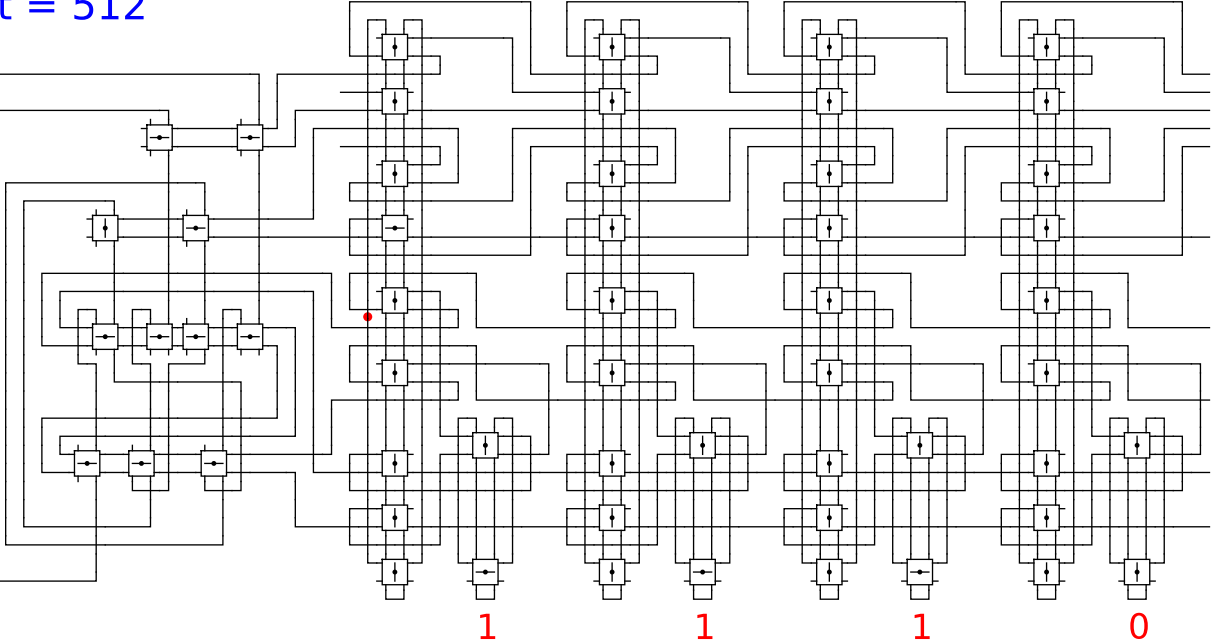
Begin



t = 512

Reject
Accept

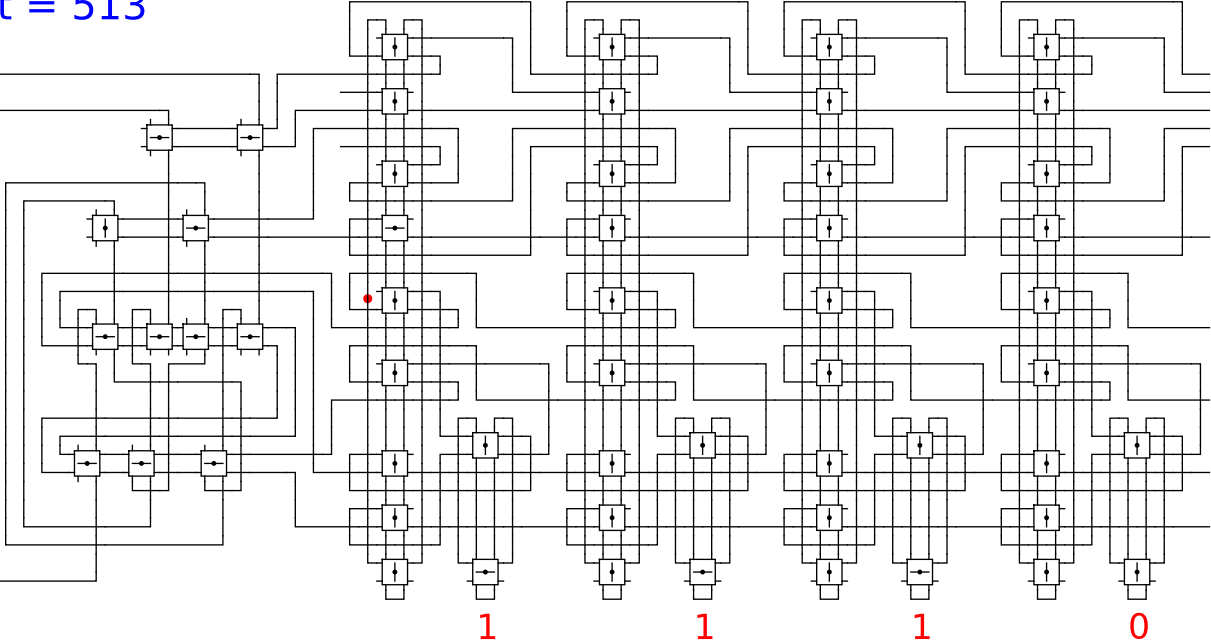
Begin



t = 513

Reject
Accept

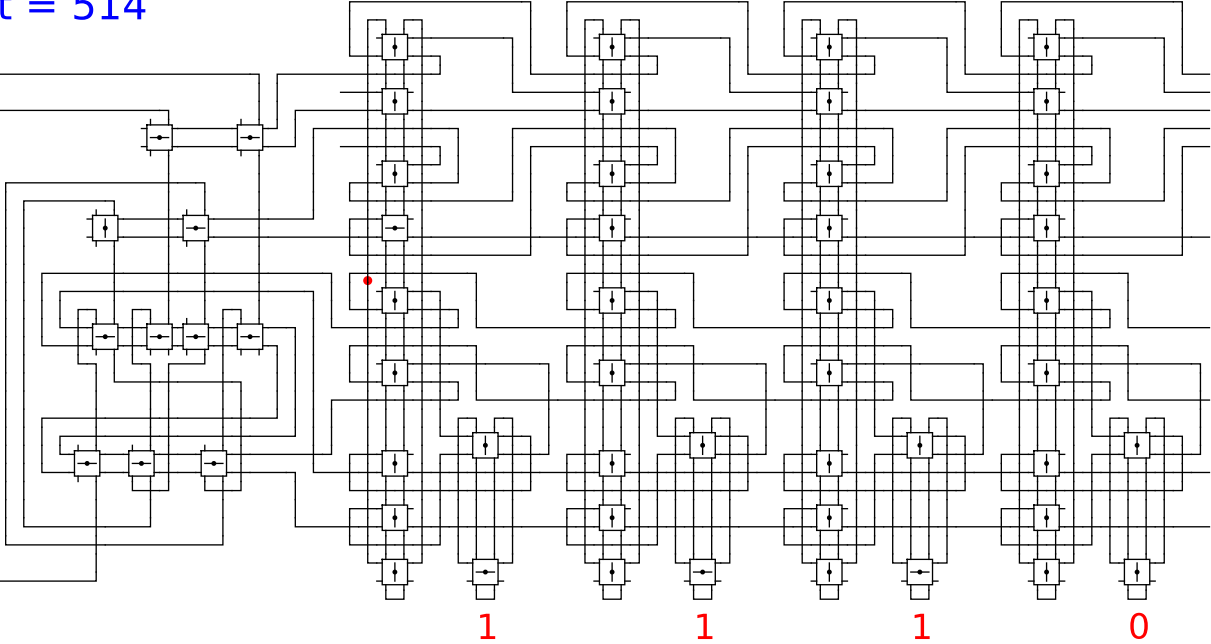
Begin



t = 514

Reject
Accept

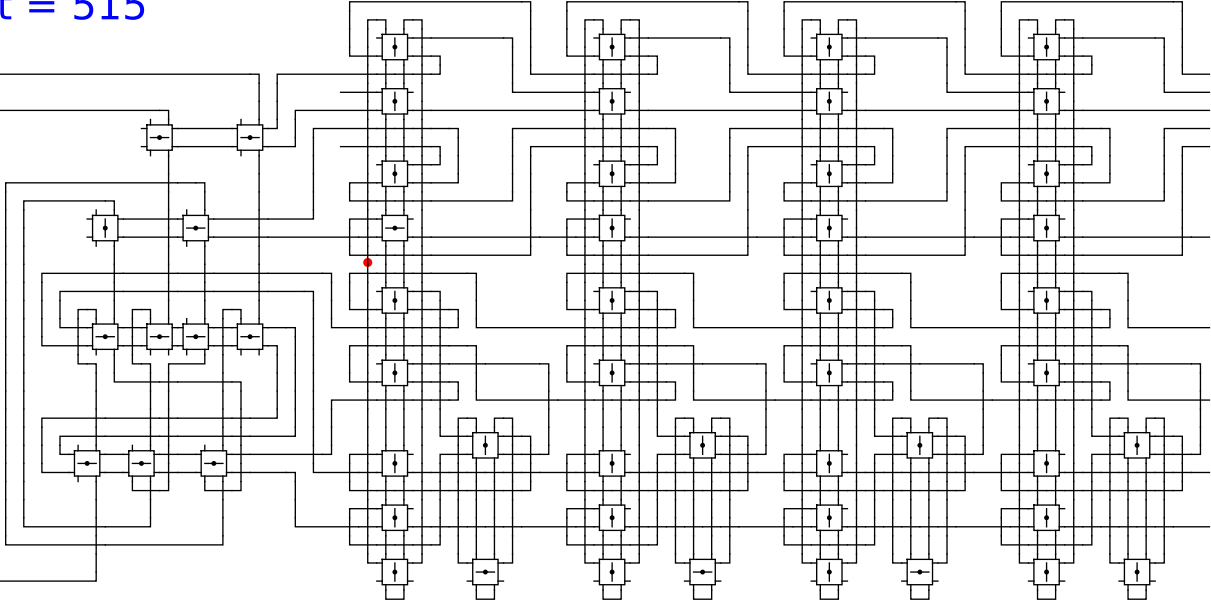
Begin



t = 515

Reject
Accept

Begin



1

1

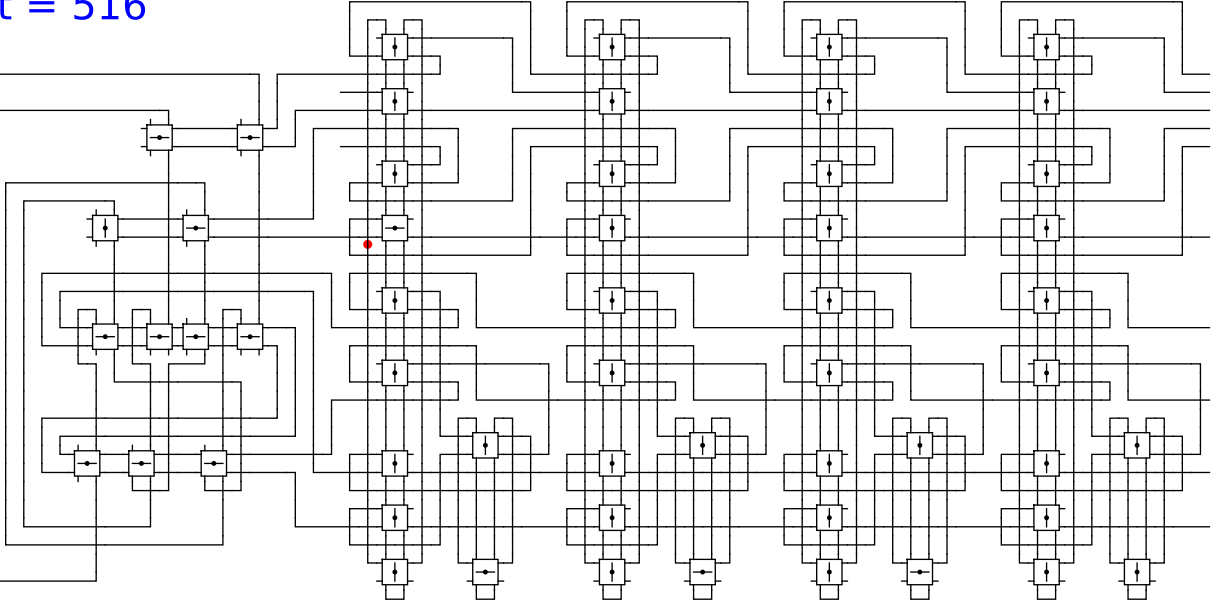
1

0

t = 516

Reject
Accept

Begin



1

1

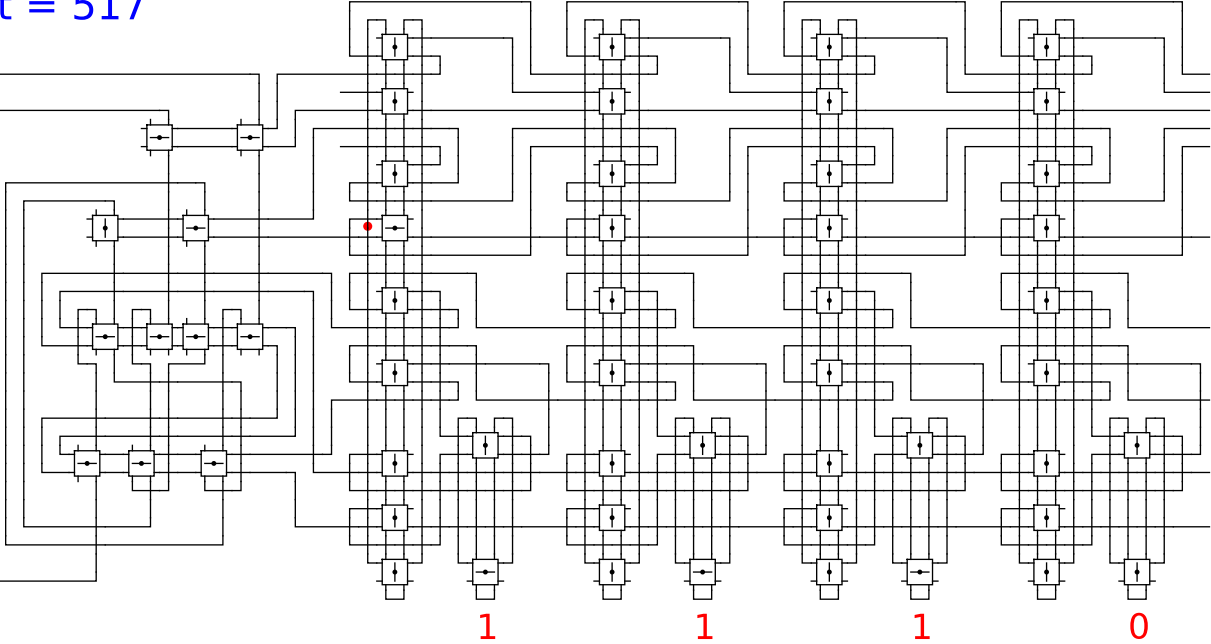
1

0

t = 517

Reject
Accept

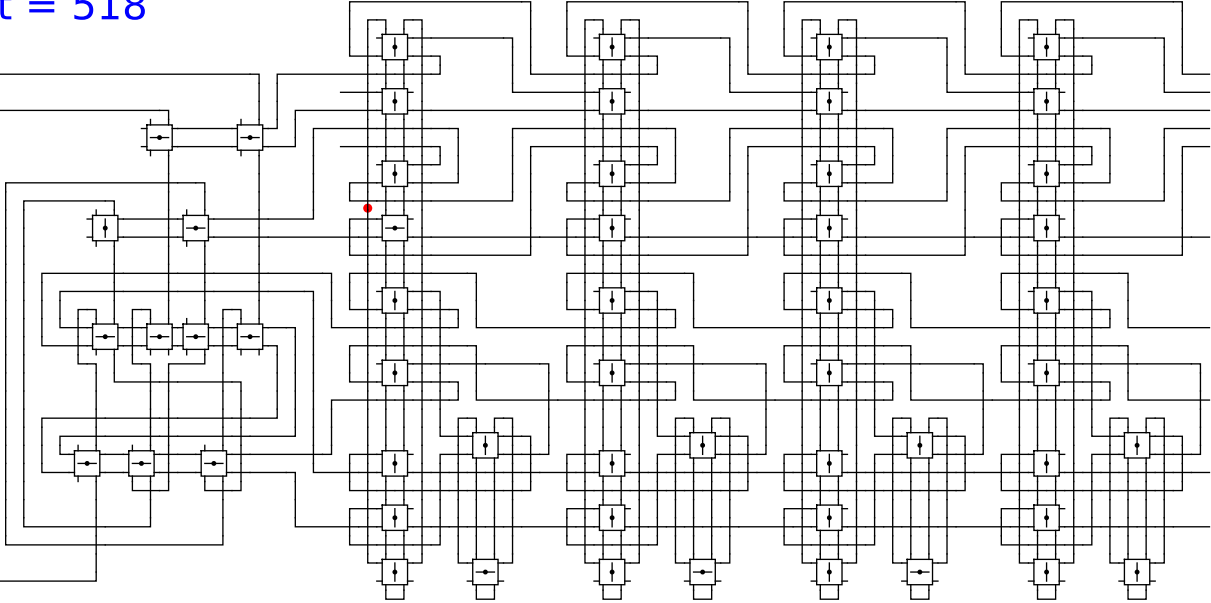
Begin



t = 518

Reject
Accept

Begin



1

1

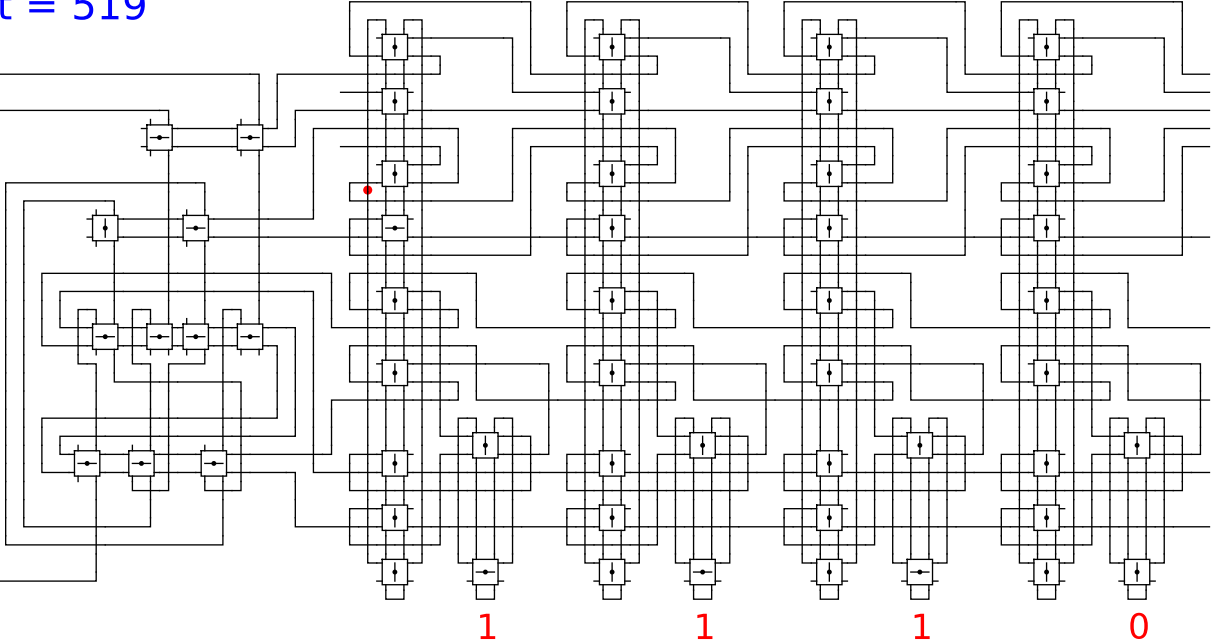
1

0

t = 519

Reject
Accept

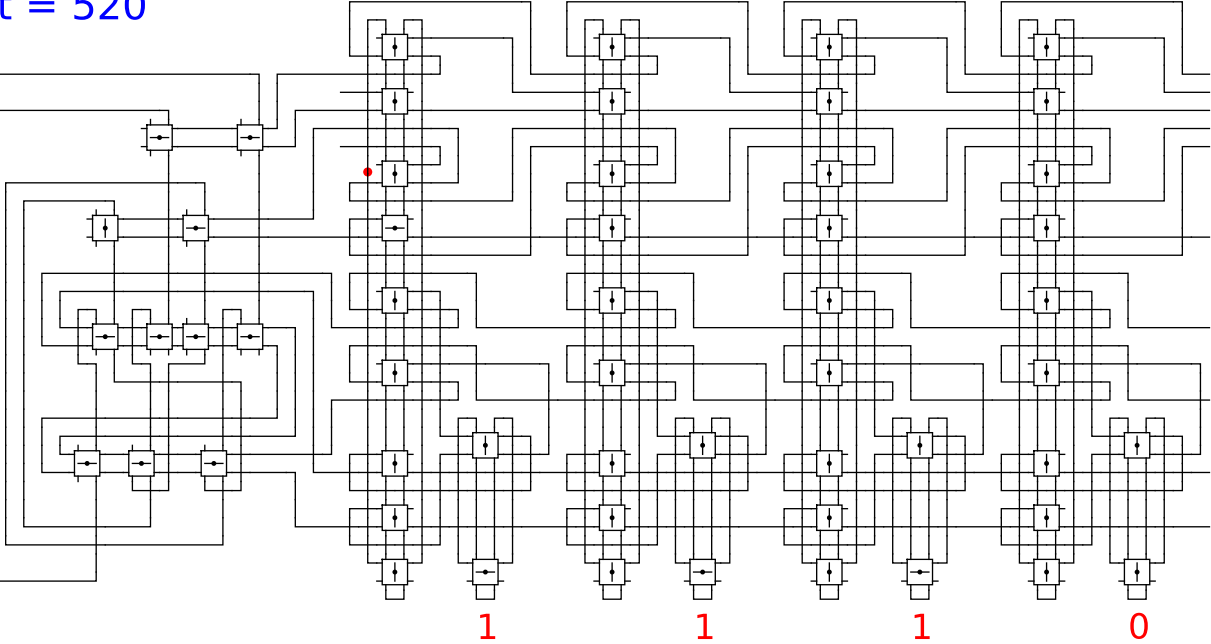
Begin



t = 520

Reject
Accept

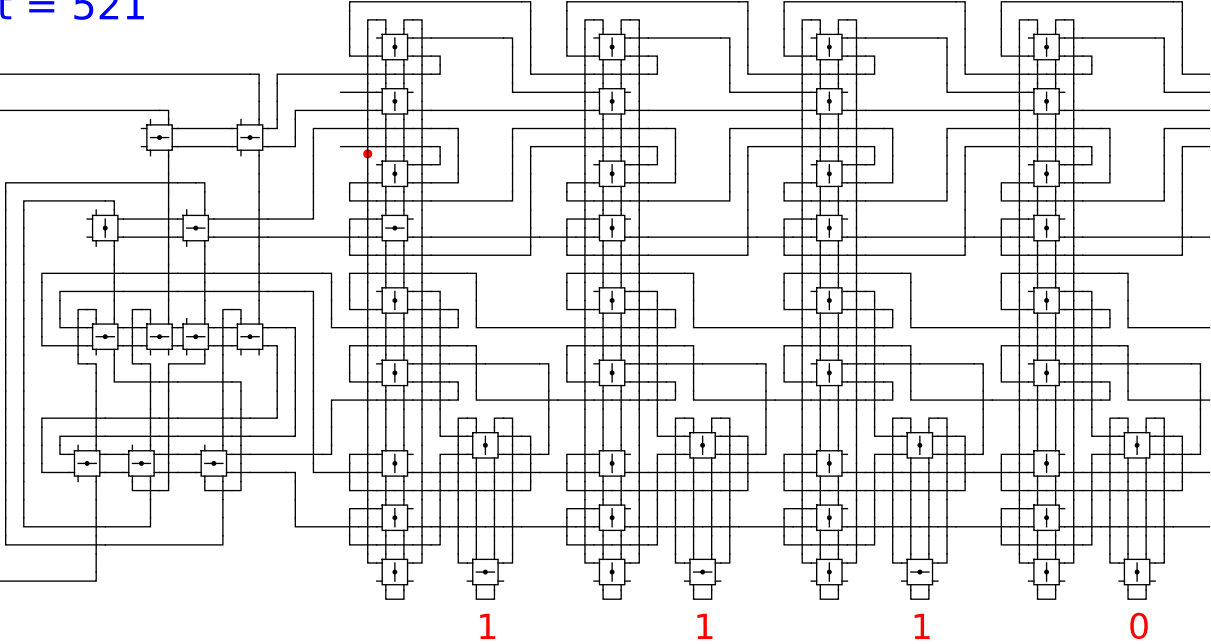
Begin



t = 521

Reject
Accept

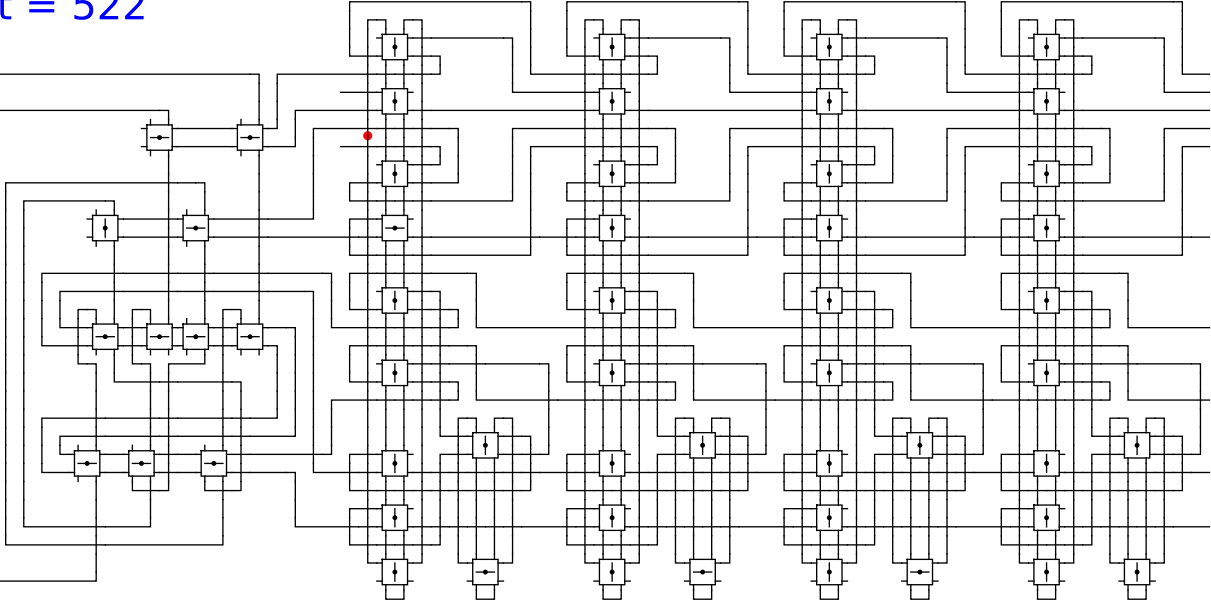
Begin



t = 522

Reject
Accept

Begin



1

1

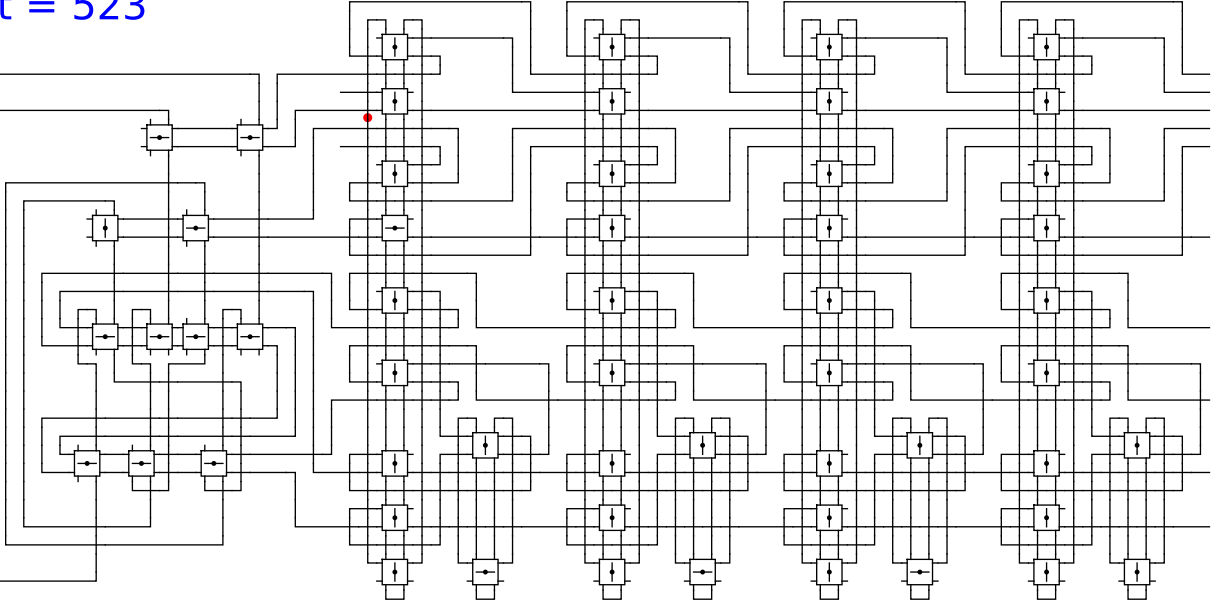
1

0

t = 523

Reject
Accept

Begin



1

1

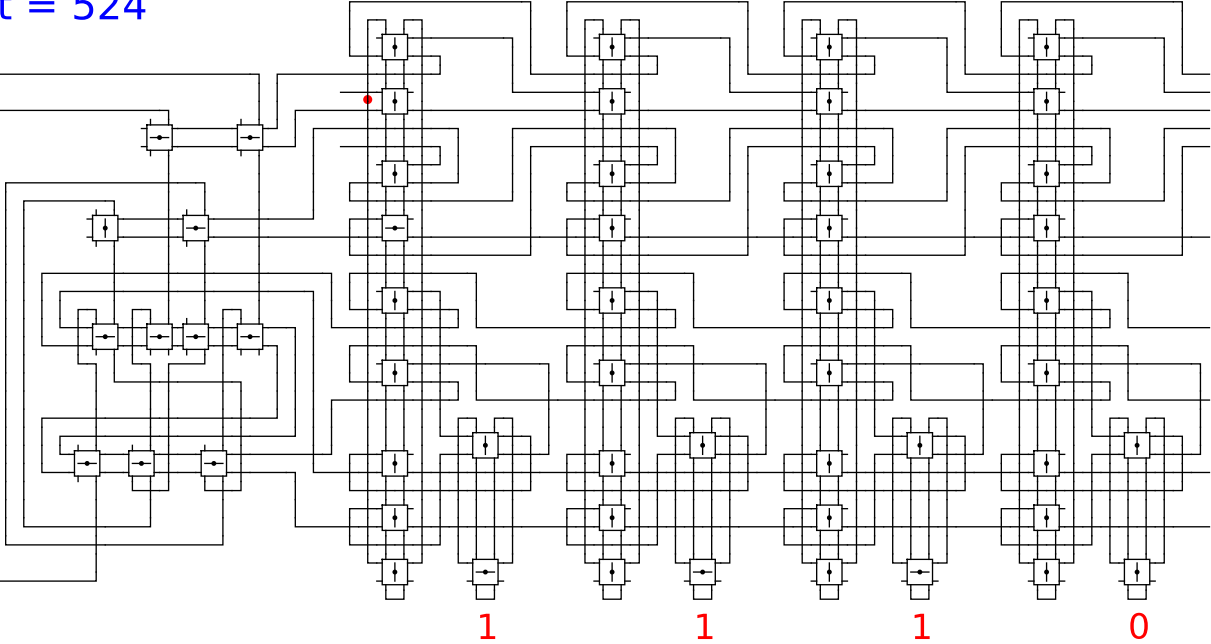
1

0

t = 524

Reject
Accept

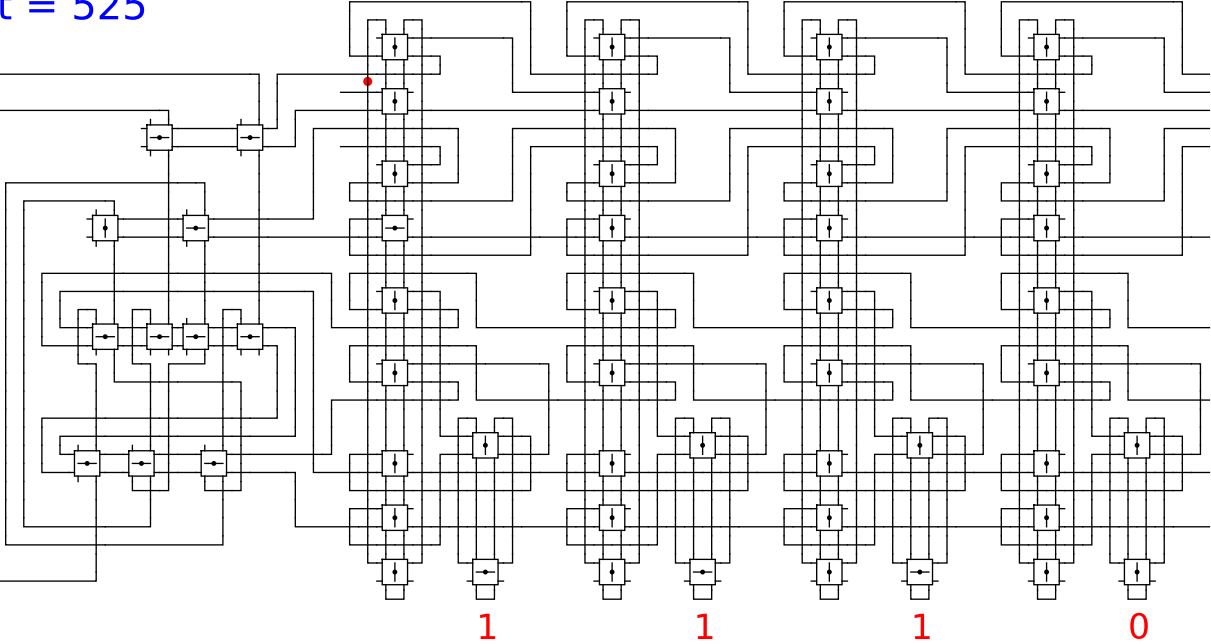
Begin



t = 525

Reject
Accept

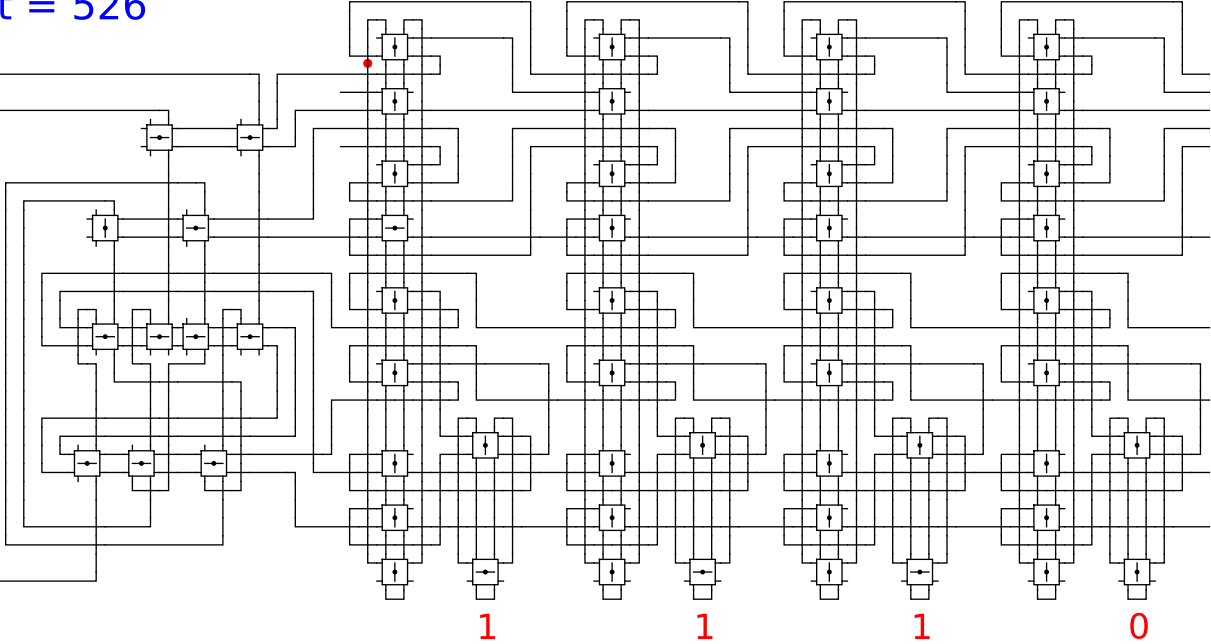
Begin



t = 526

Reject
Accept

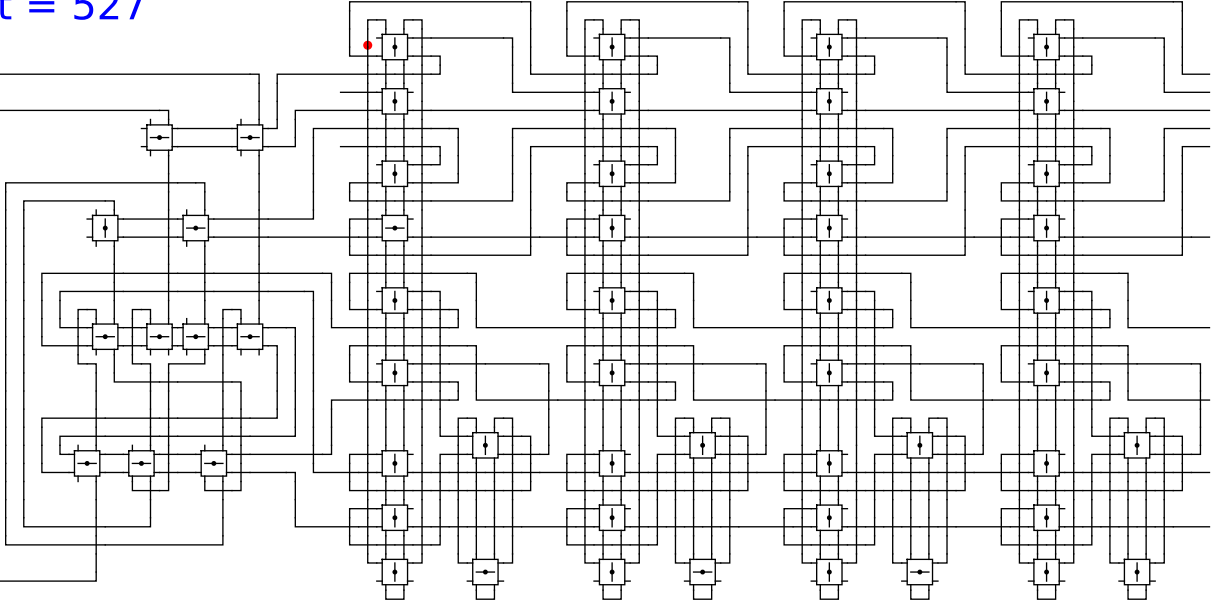
Begin



t = 527

Reject
Accept

Begin



1

1

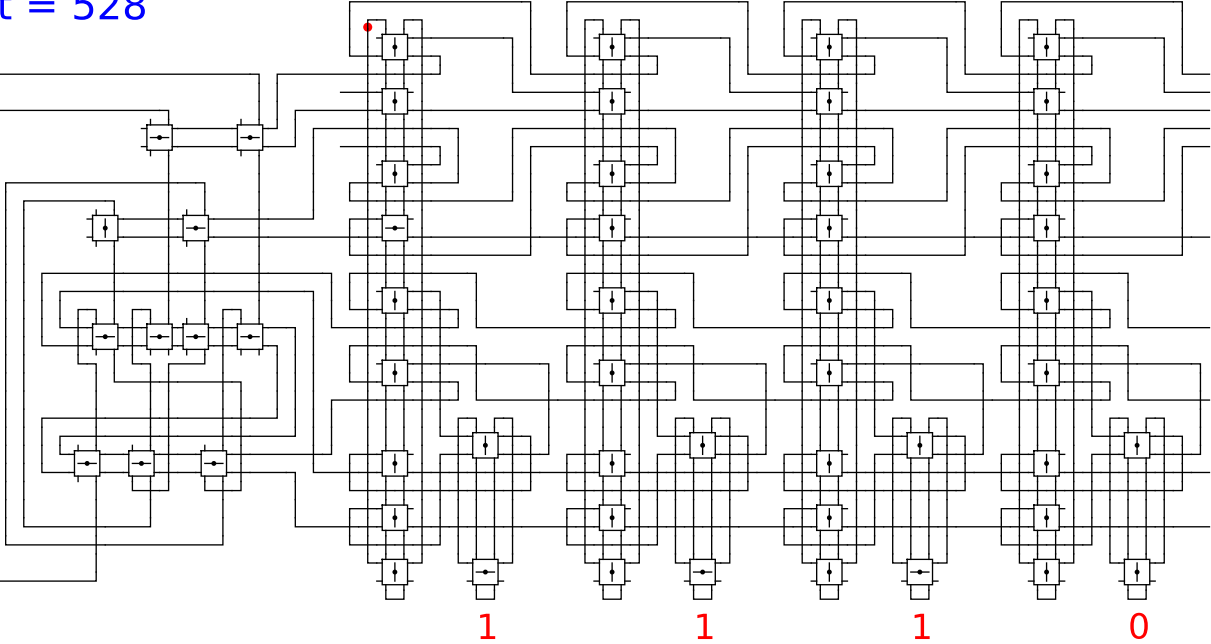
1

0

t = 528

Reject
Accept

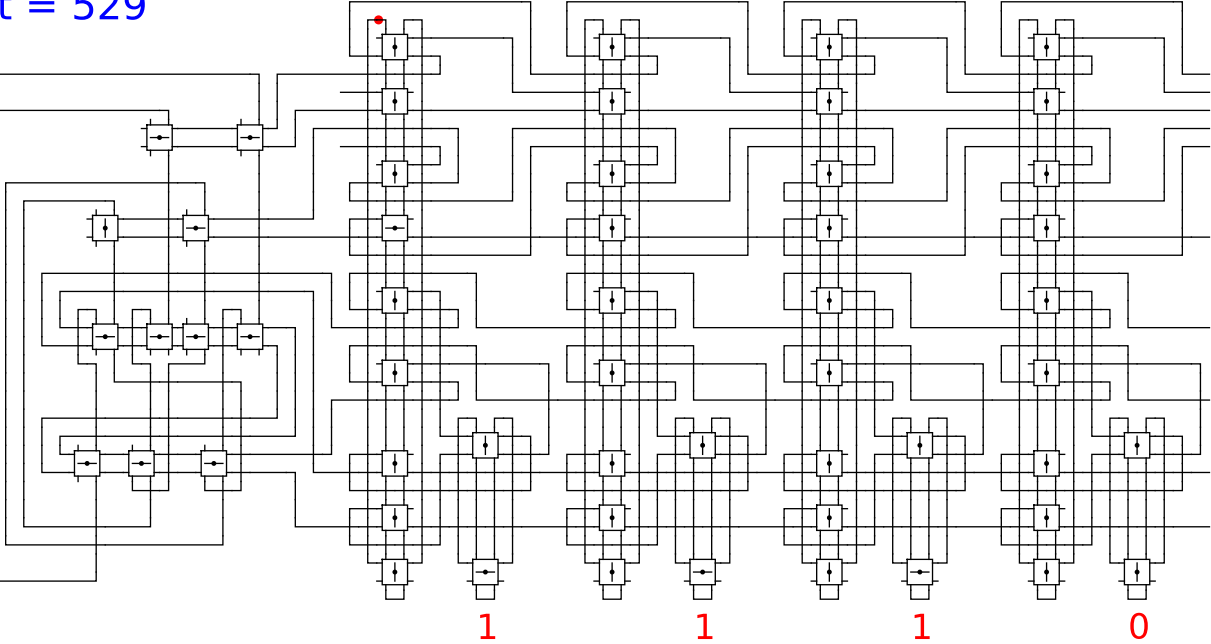
Begin



t = 529

Reject
Accept

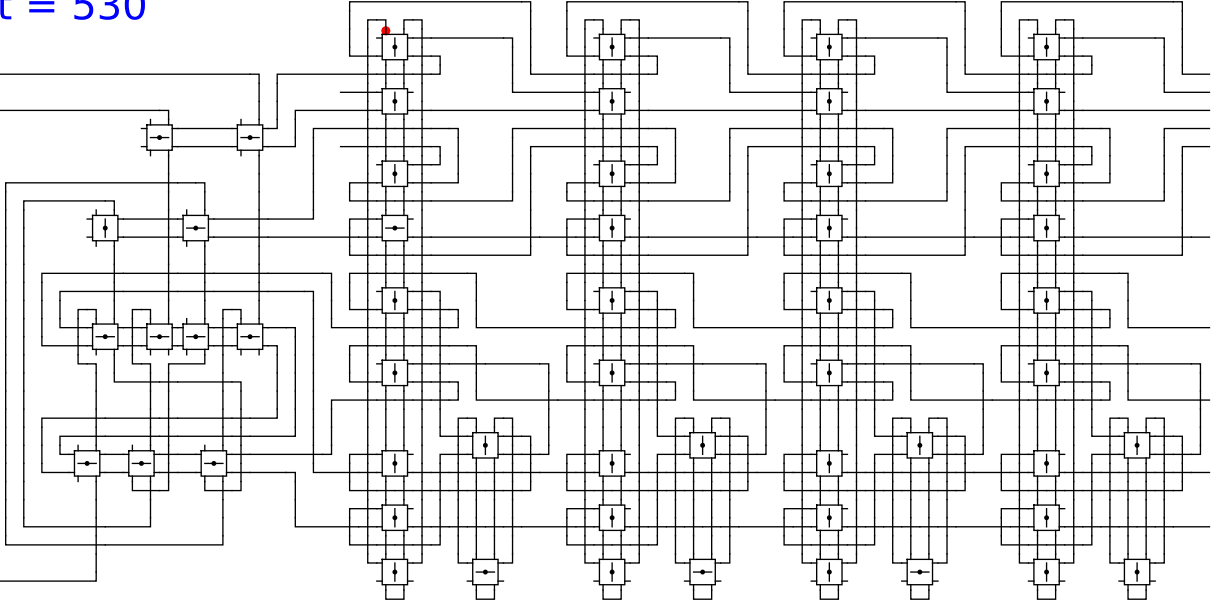
Begin



t = 530

Reject
Accept

Begin



1

1

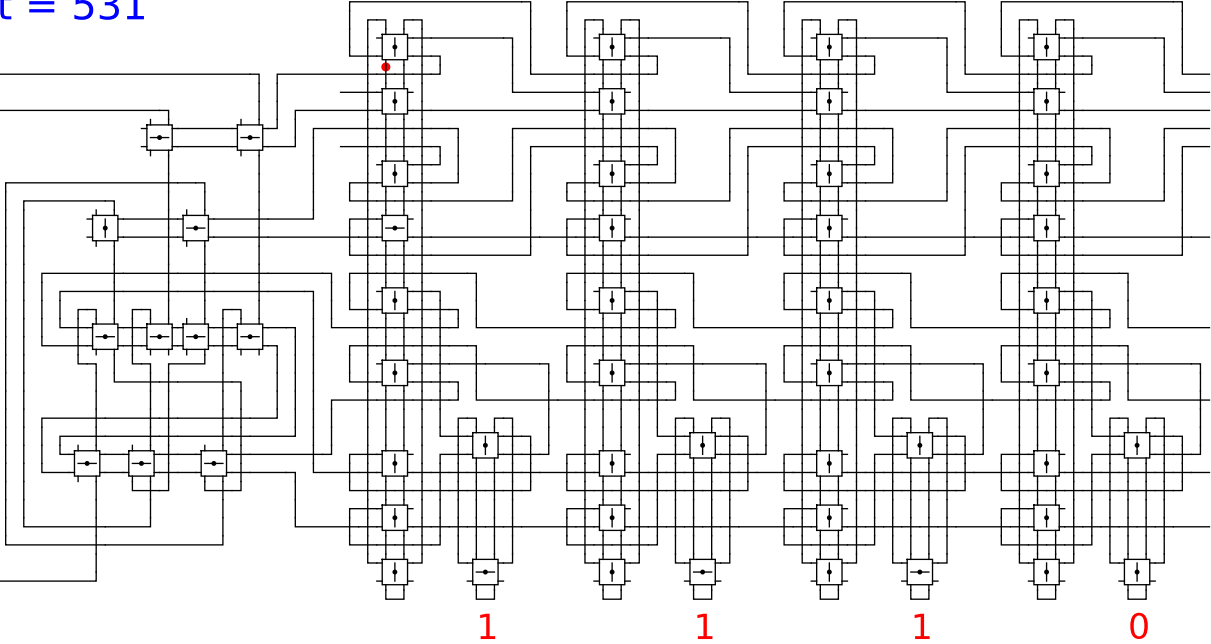
1

0

t = 531

Reject
Accept

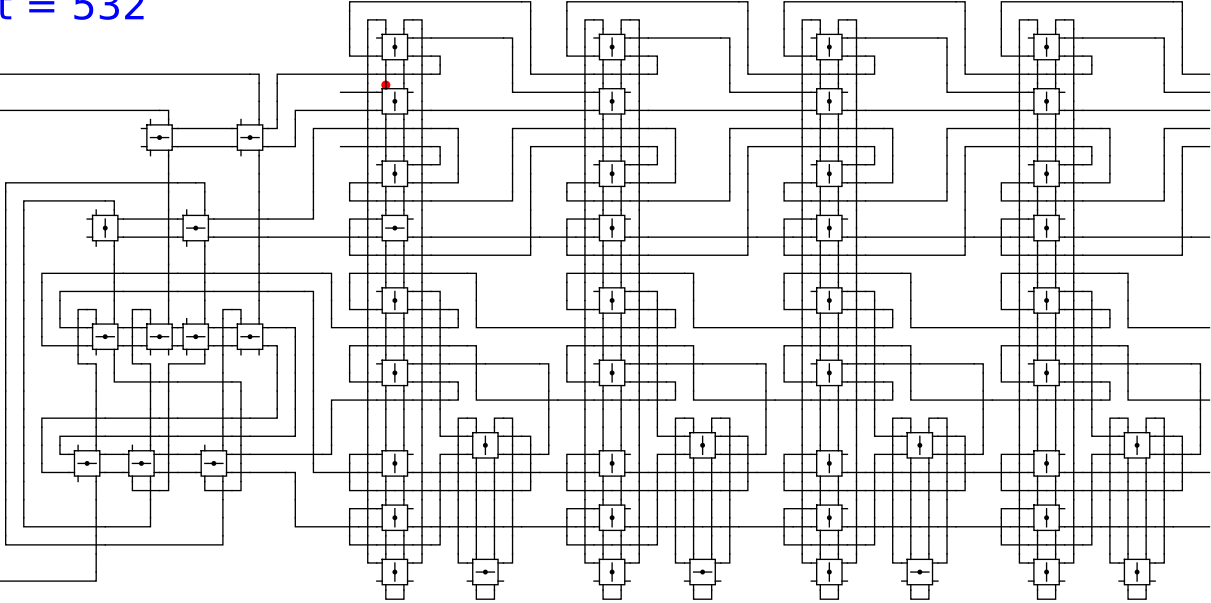
Begin



t = 532

Reject
Accept

Begin



1

1

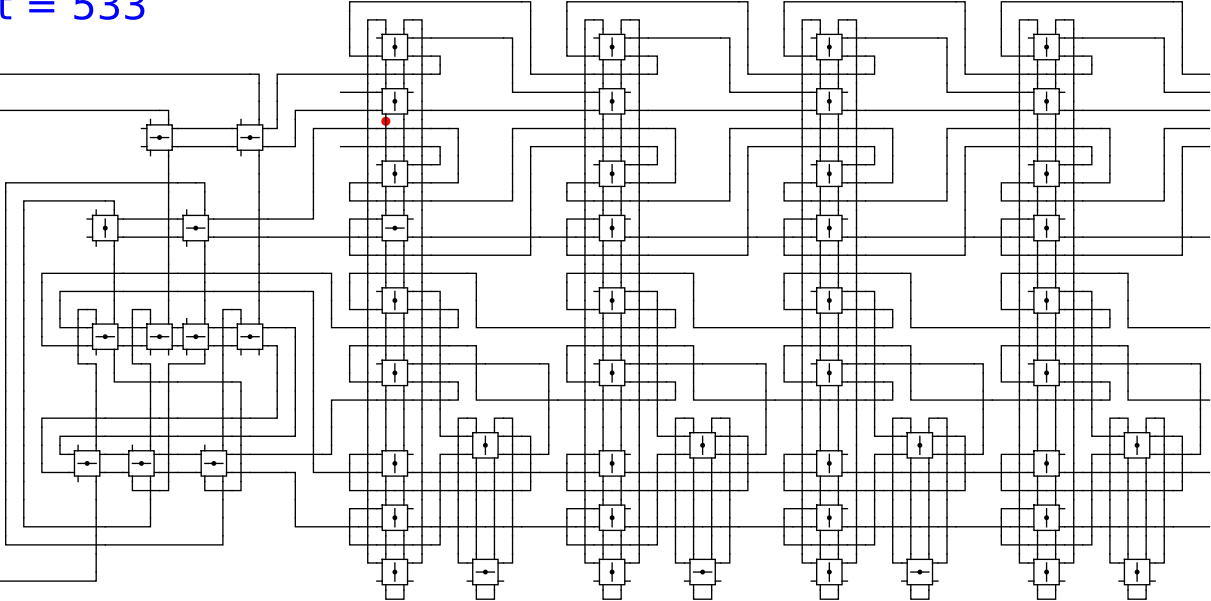
1

0

t = 533

Reject
Accept

Begin



1

1

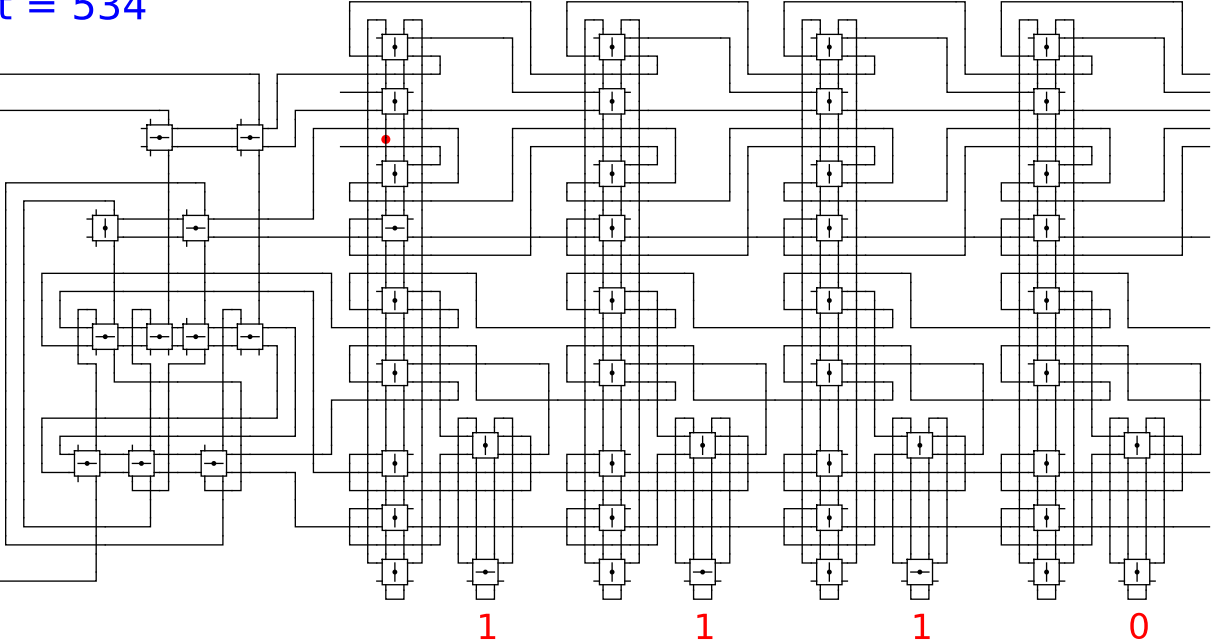
1

0

t = 534

Reject
Accept

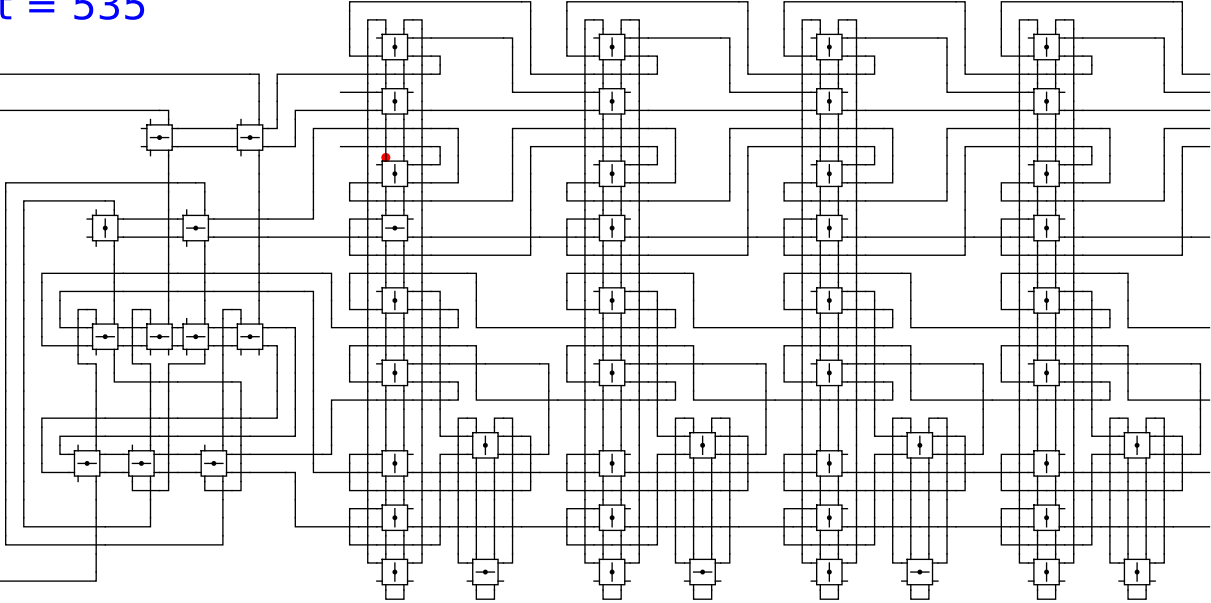
Begin



t = 535

Reject
Accept

Begin



1

1

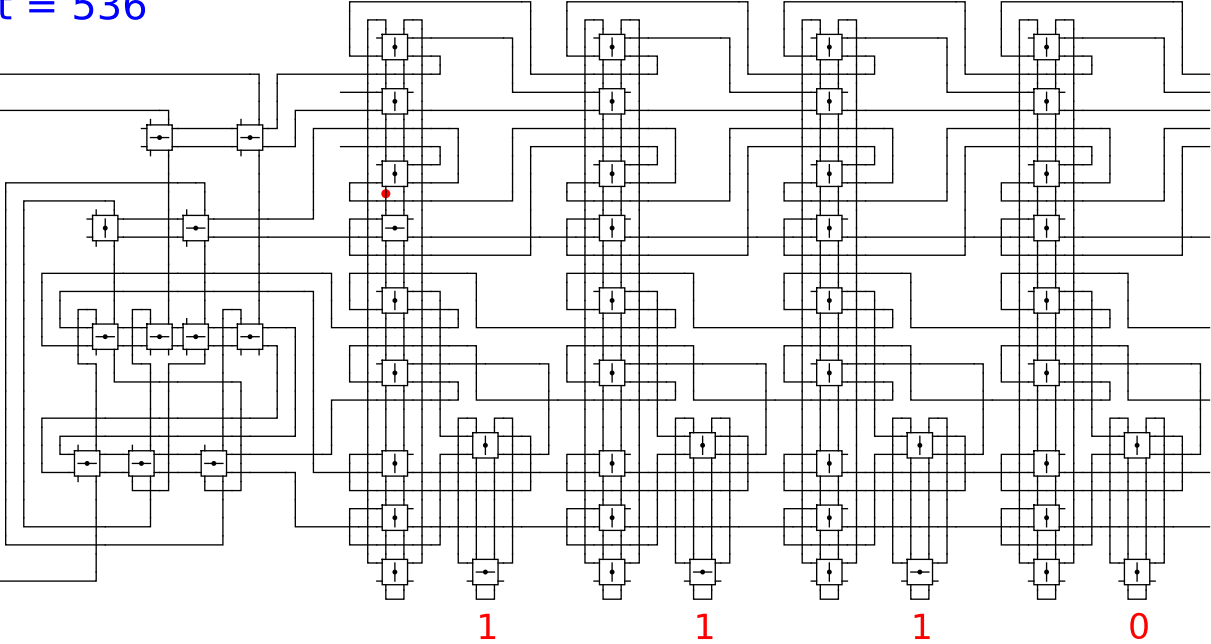
1

0

t = 536

Reject
Accept

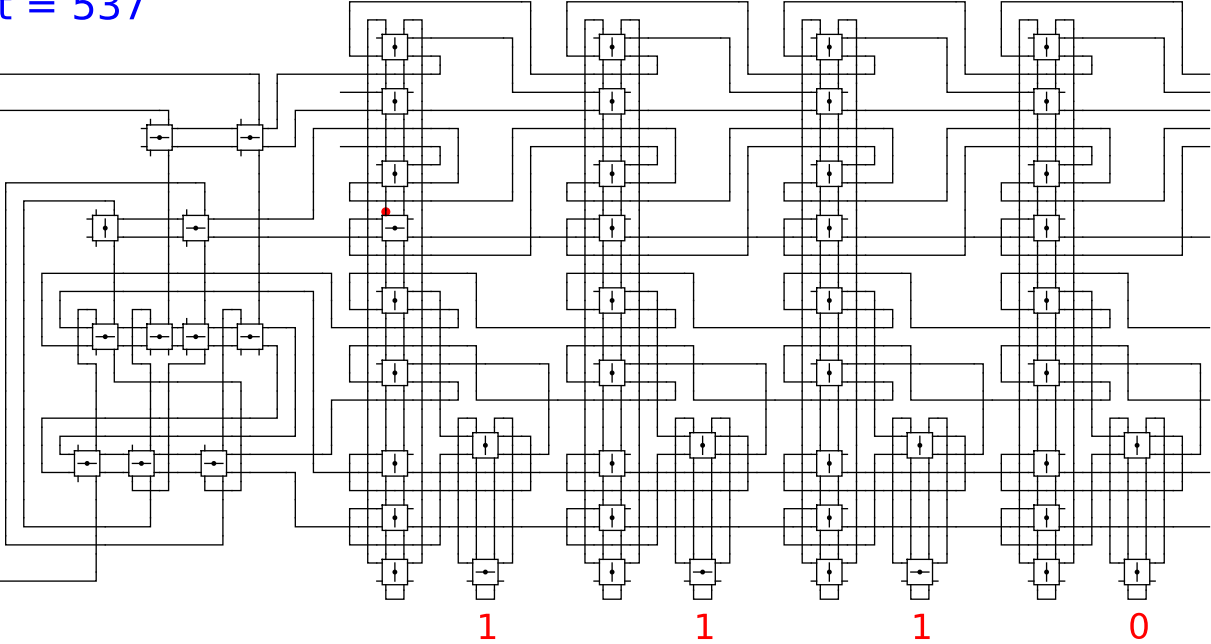
Begin



t = 537

Reject
Accept

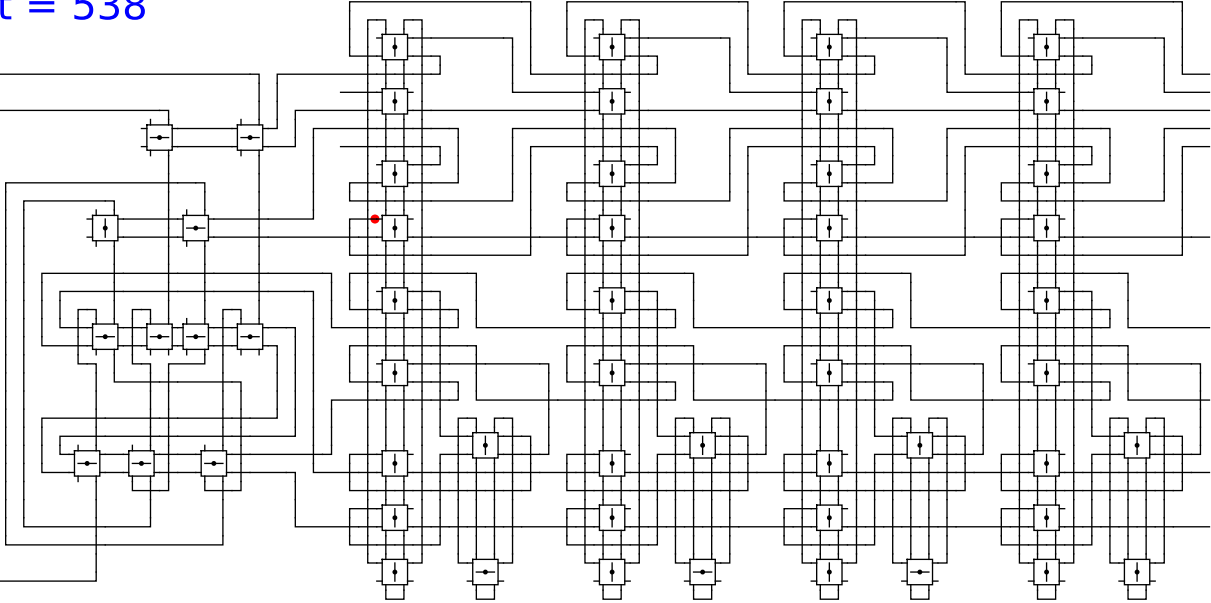
Begin



t = 538

Reject
Accept

Begin



1

1

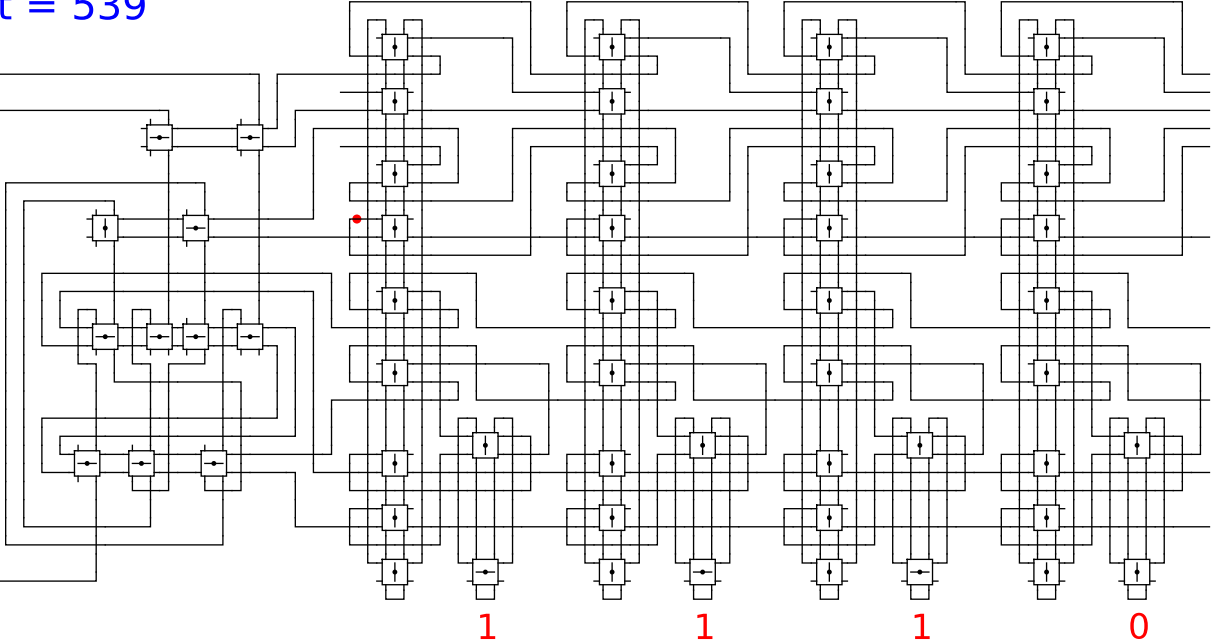
1

0

t = 539

Reject
Accept

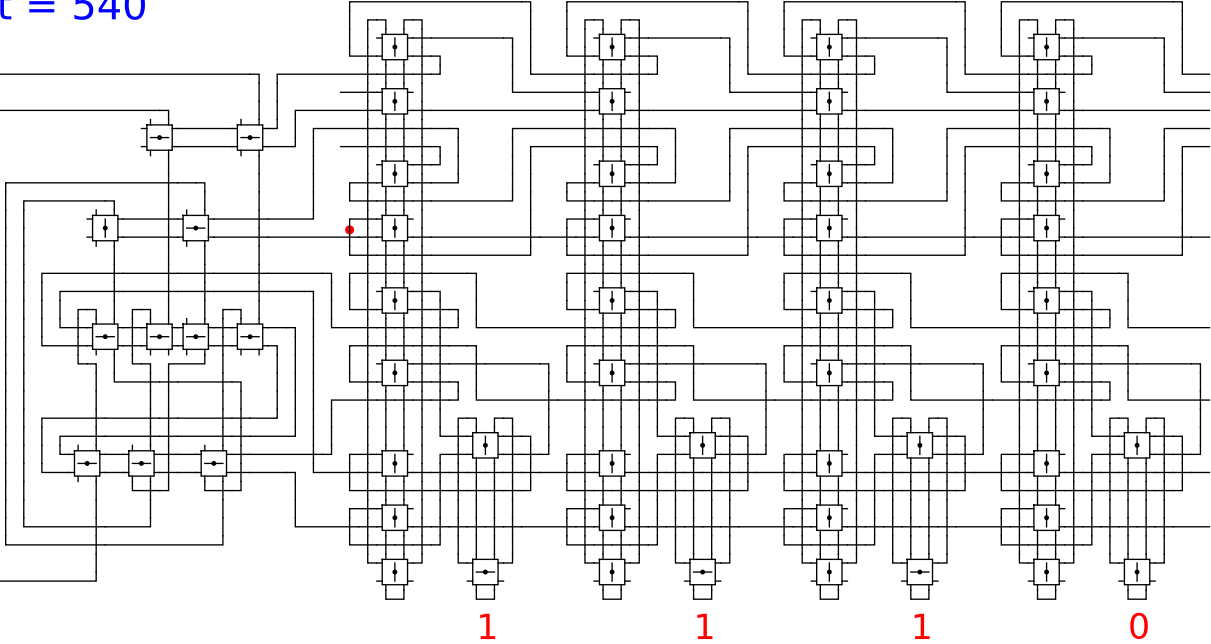
Begin



t = 540

Reject
Accept

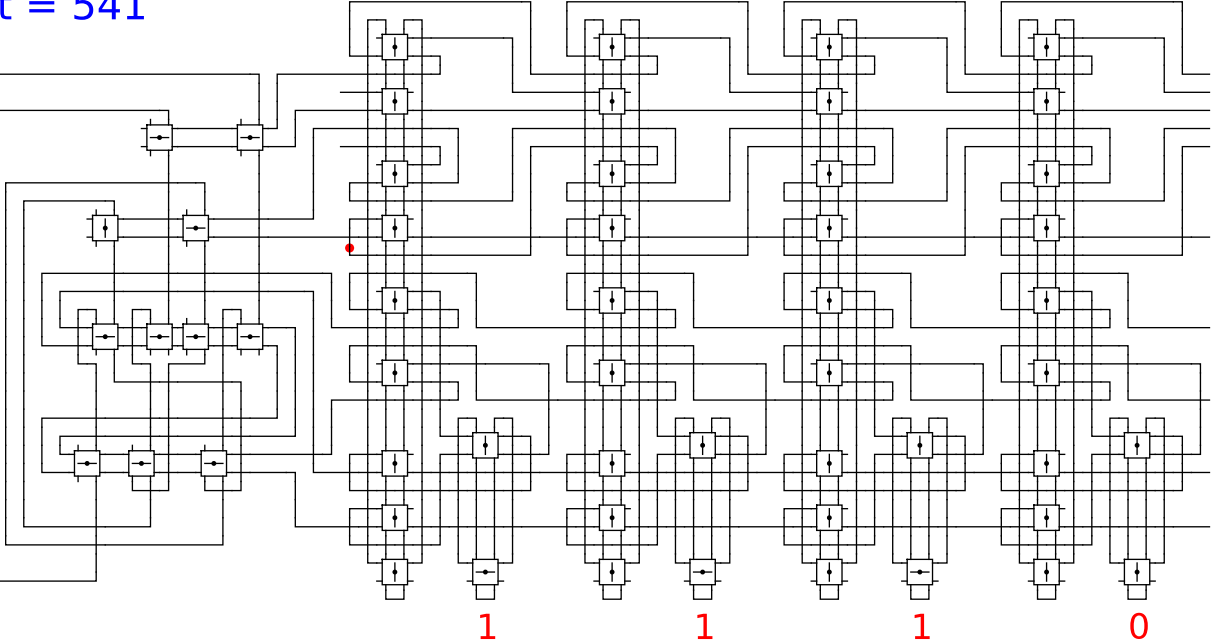
Begin



t = 541

Reject
Accept

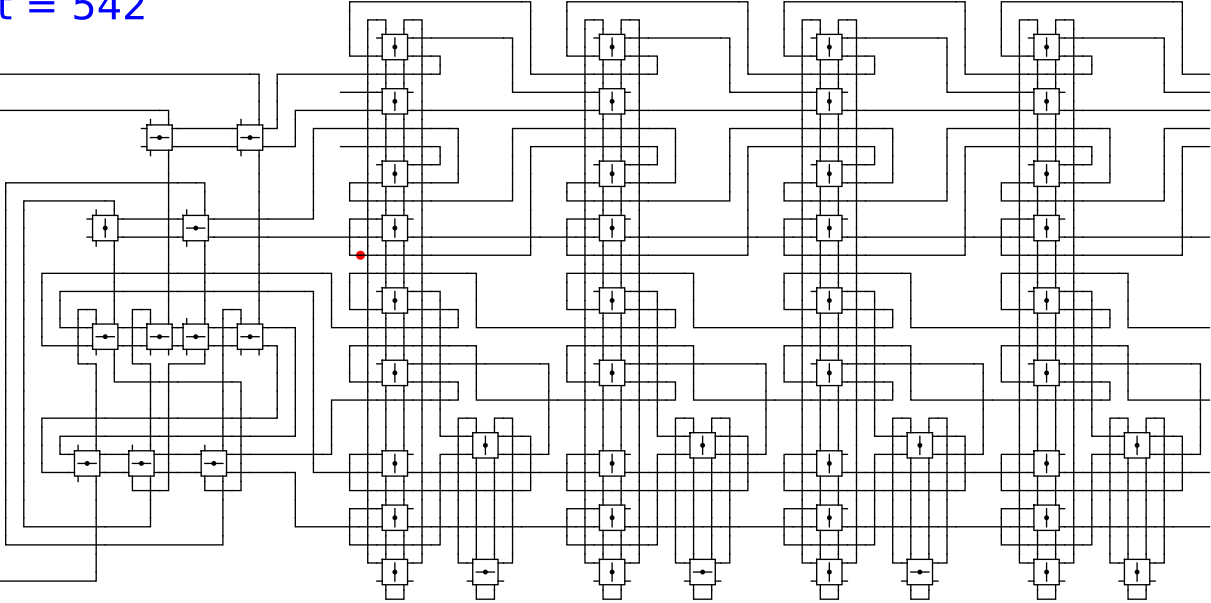
Begin



t = 542

Reject
Accept

Begin



1

1

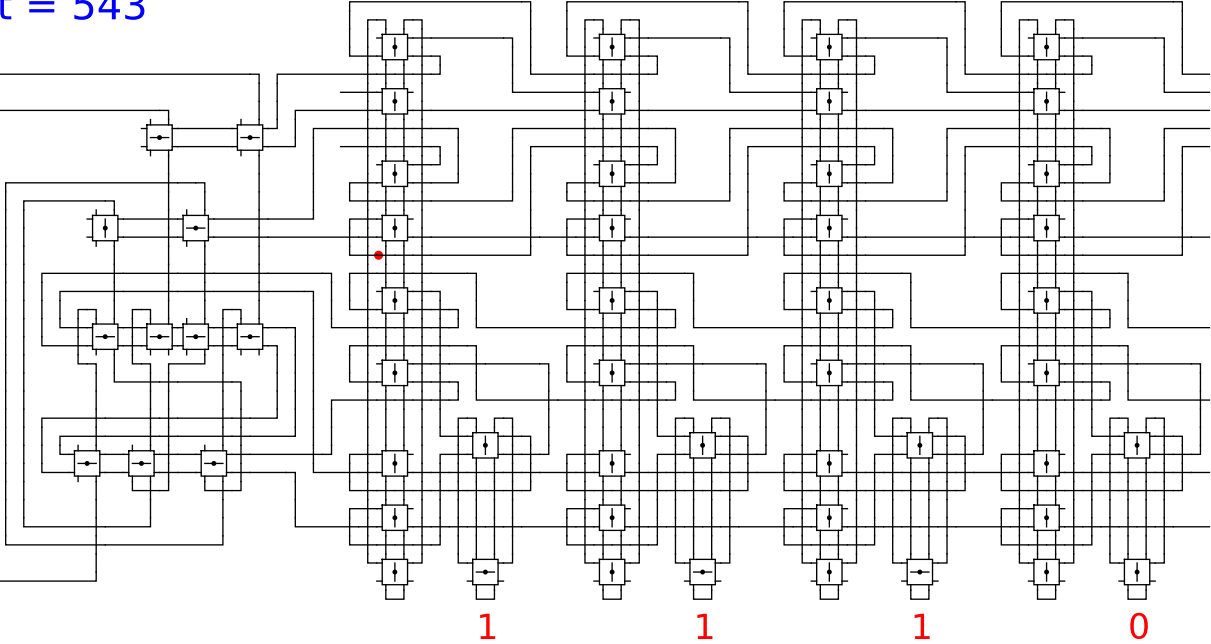
1

0

t = 543

Reject
Accept

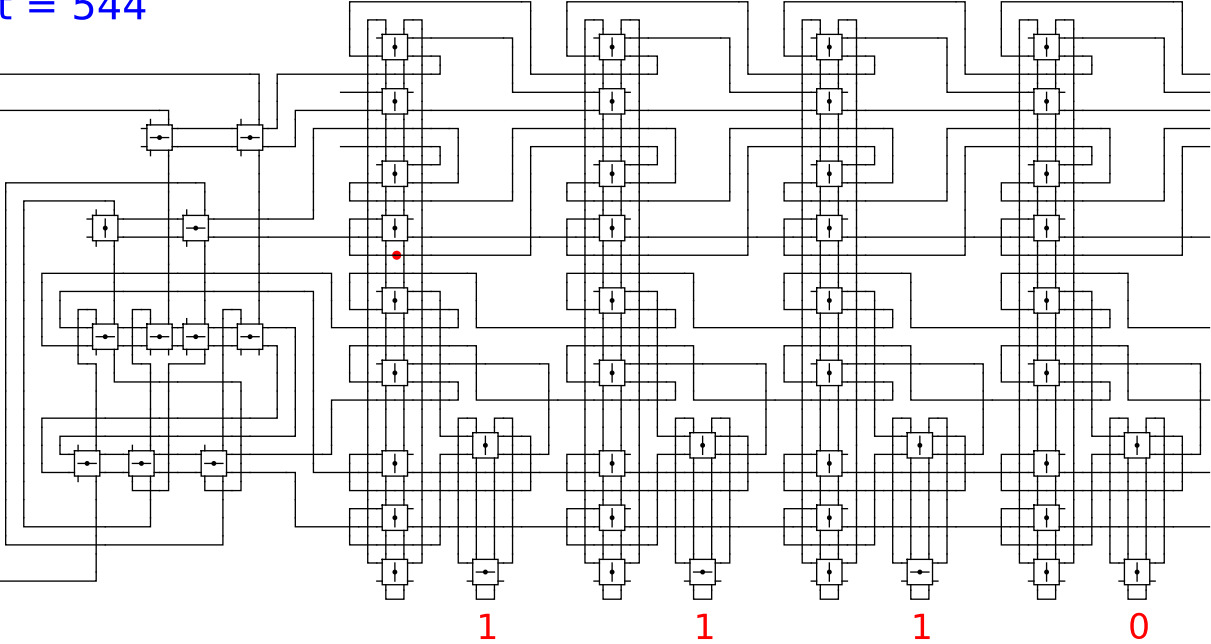
Begin



t = 544

Reject
Accept

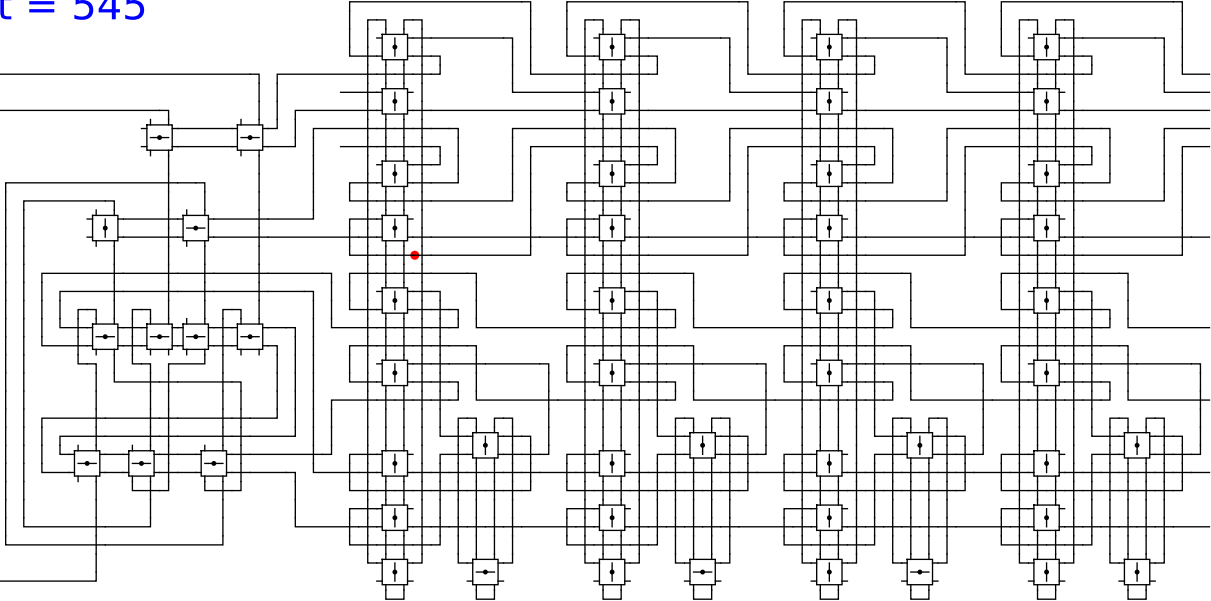
Begin



t = 545

Reject
Accept

Begin



1

1

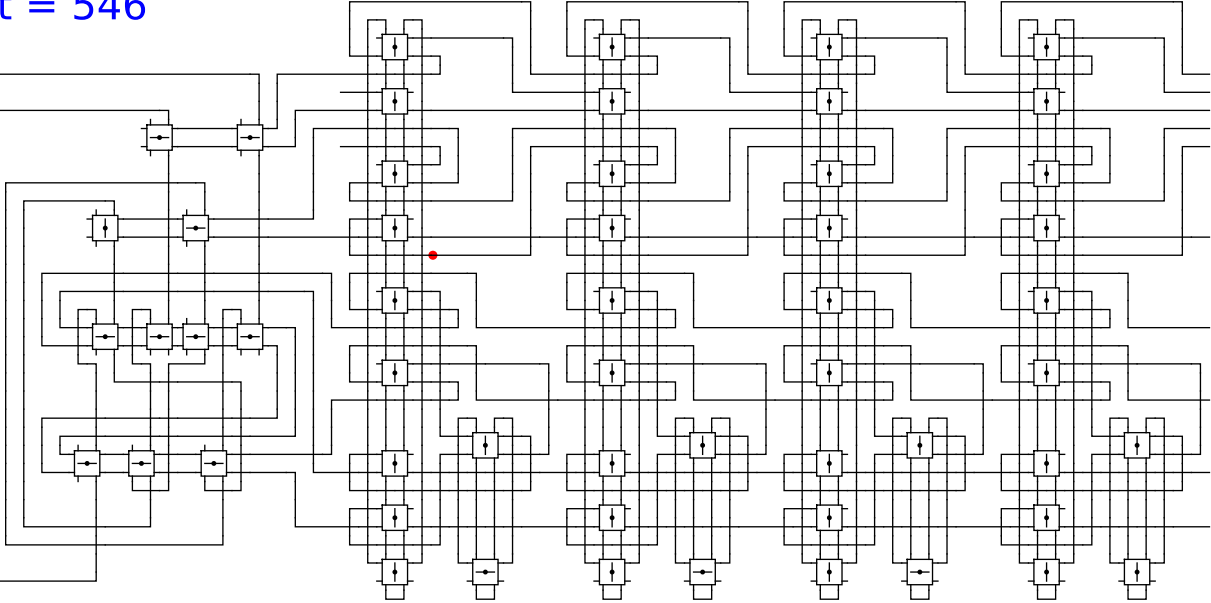
1

0

t = 546

Reject
Accept

Begin



1

1

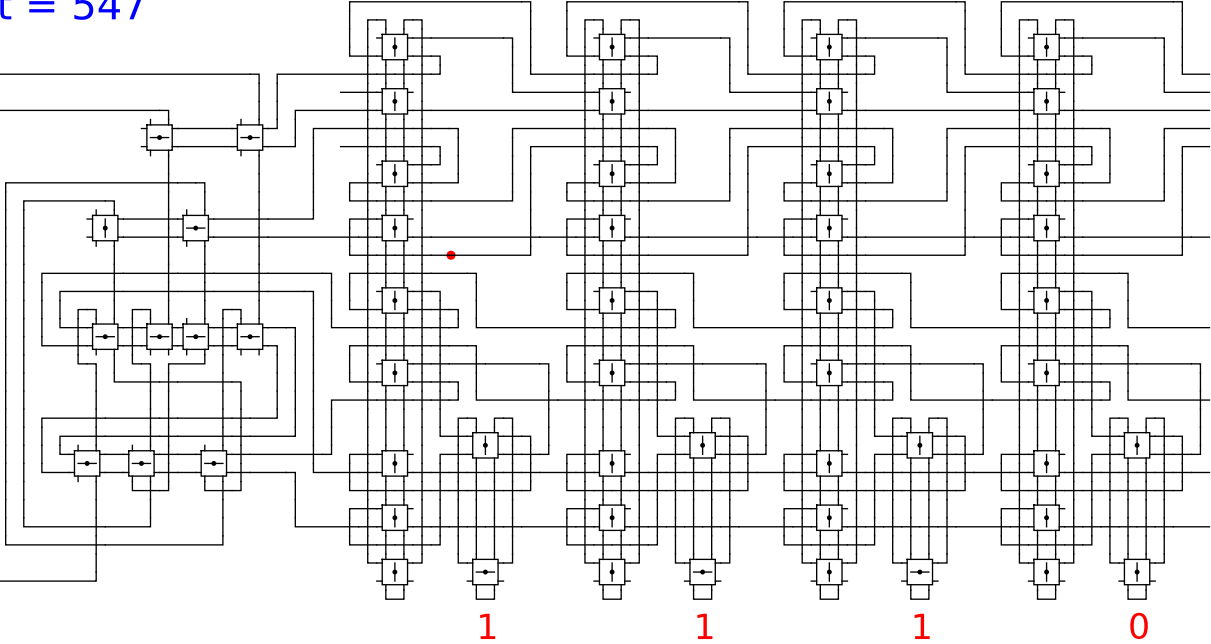
1

0

t = 547

Reject
Accept

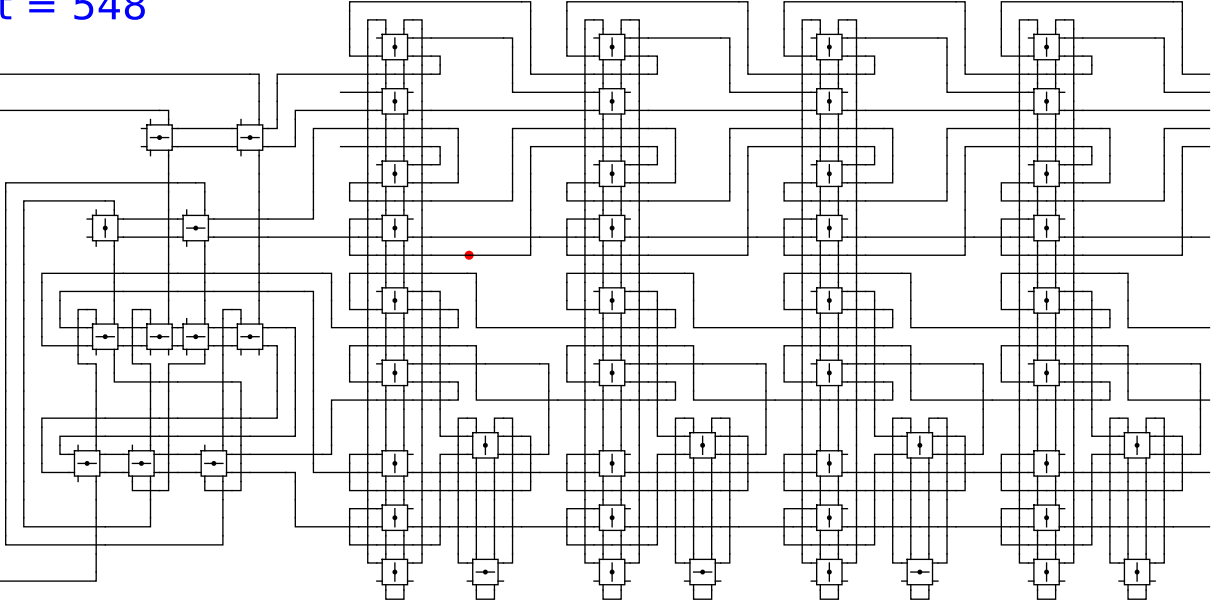
Begin



t = 548

Reject
Accept

Begin



1

1

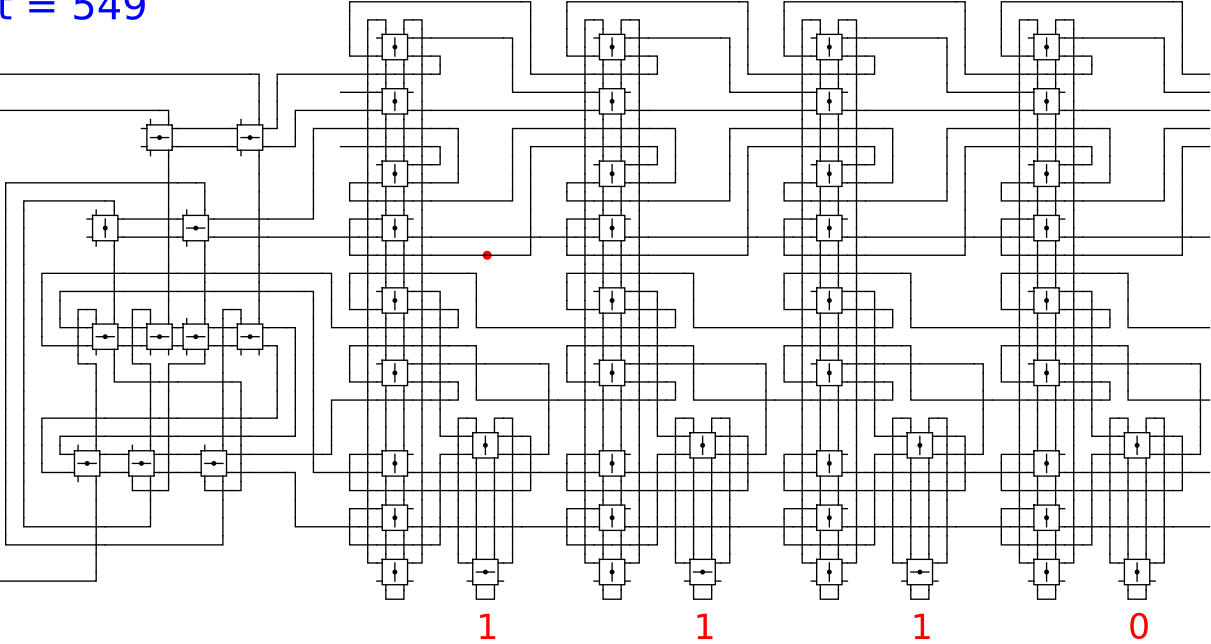
1

0

t = 549

Reject
Accept

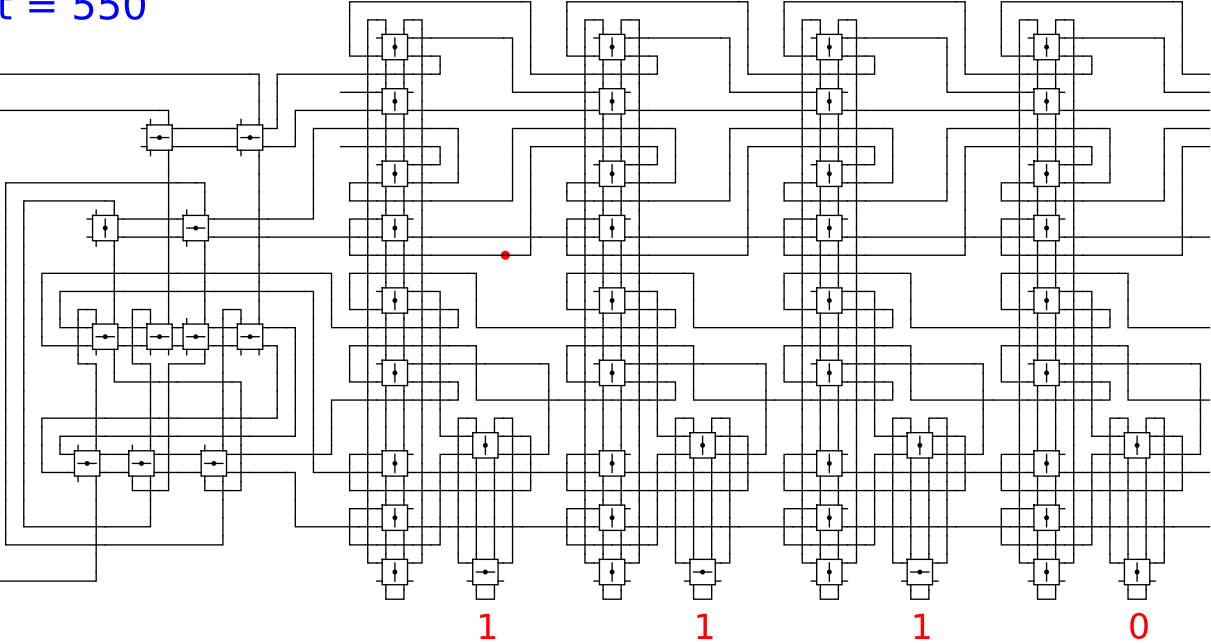
Begin



t = 550

Reject
Accept

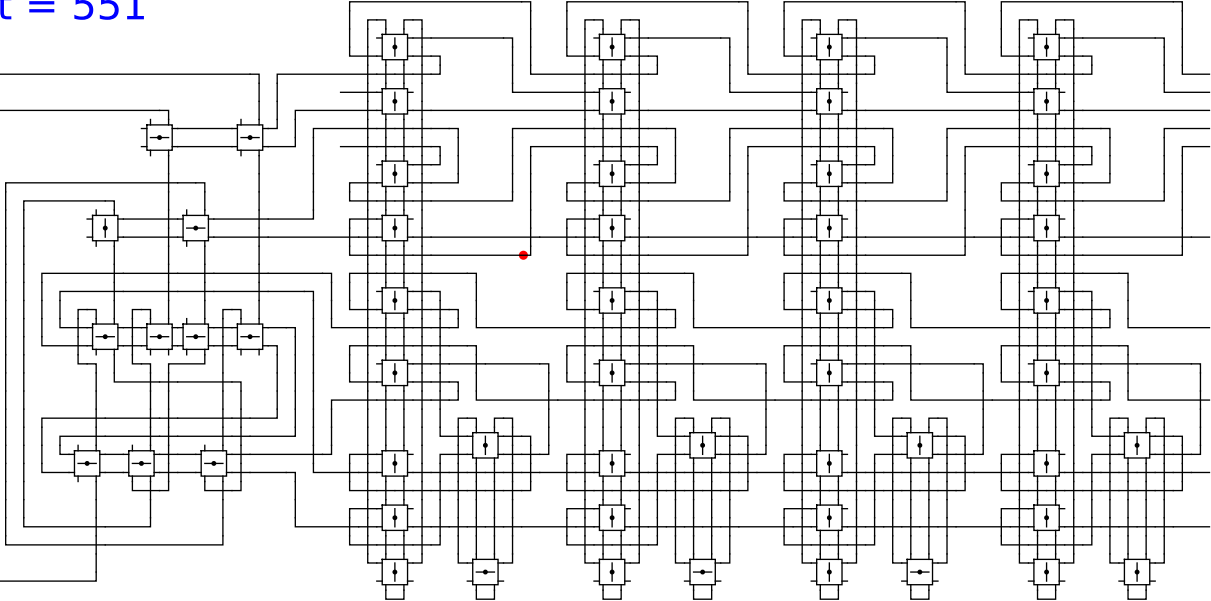
Begin



t = 551

Reject
Accept

Begin



1

1

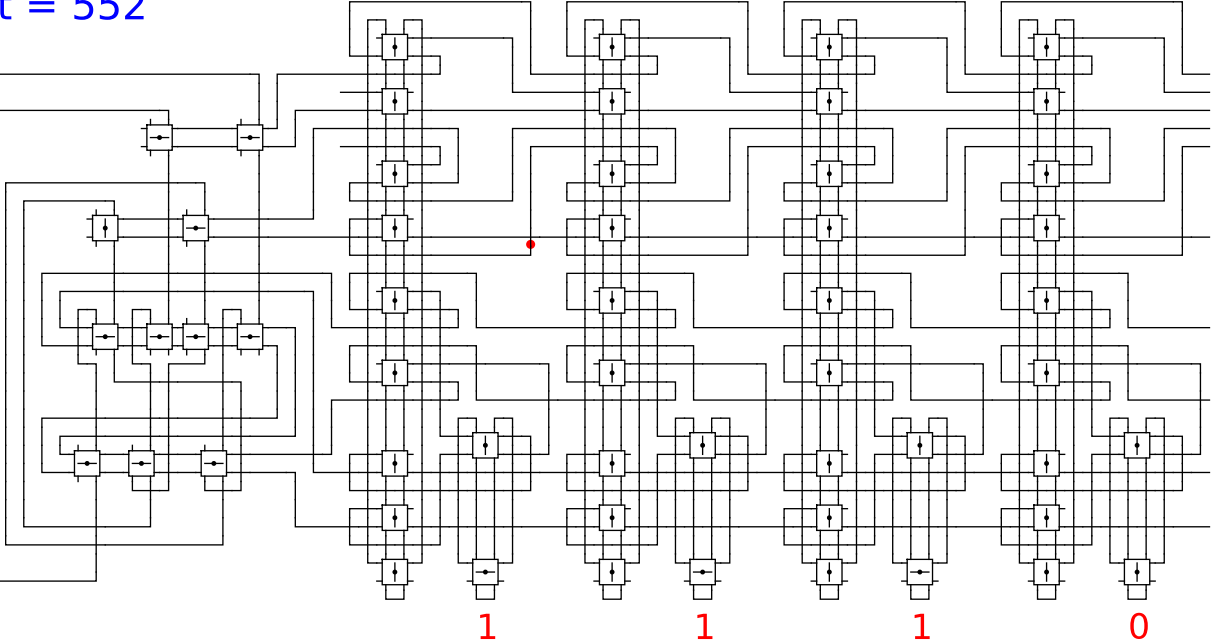
1

0

t = 552

Reject
Accept

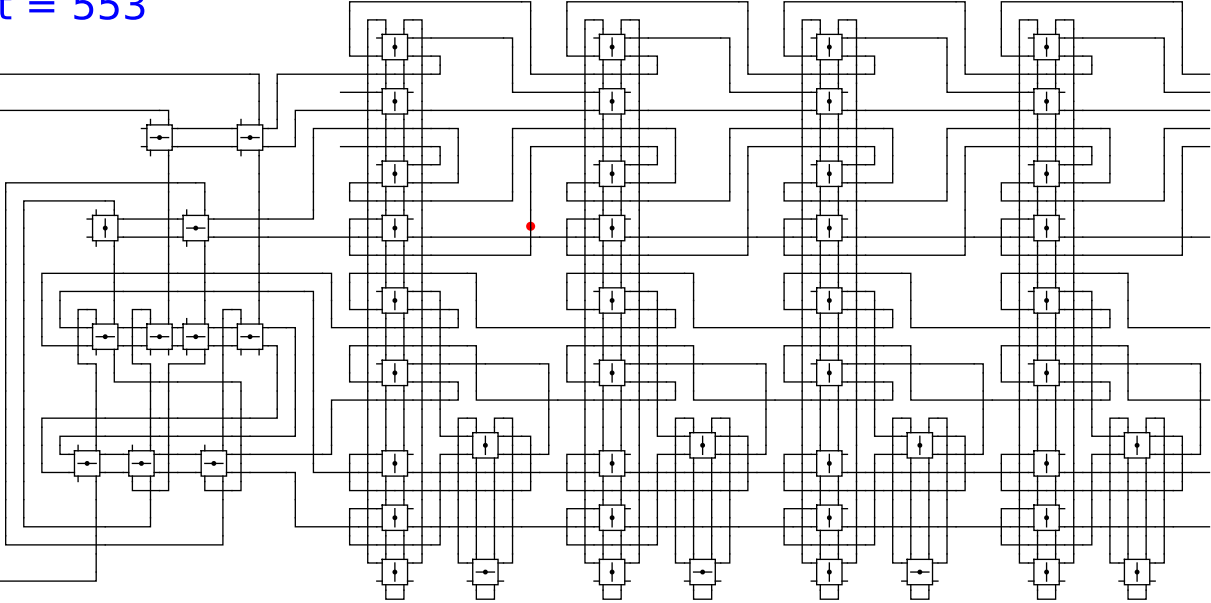
Begin



t = 553

Reject
Accept

Begin



1

1

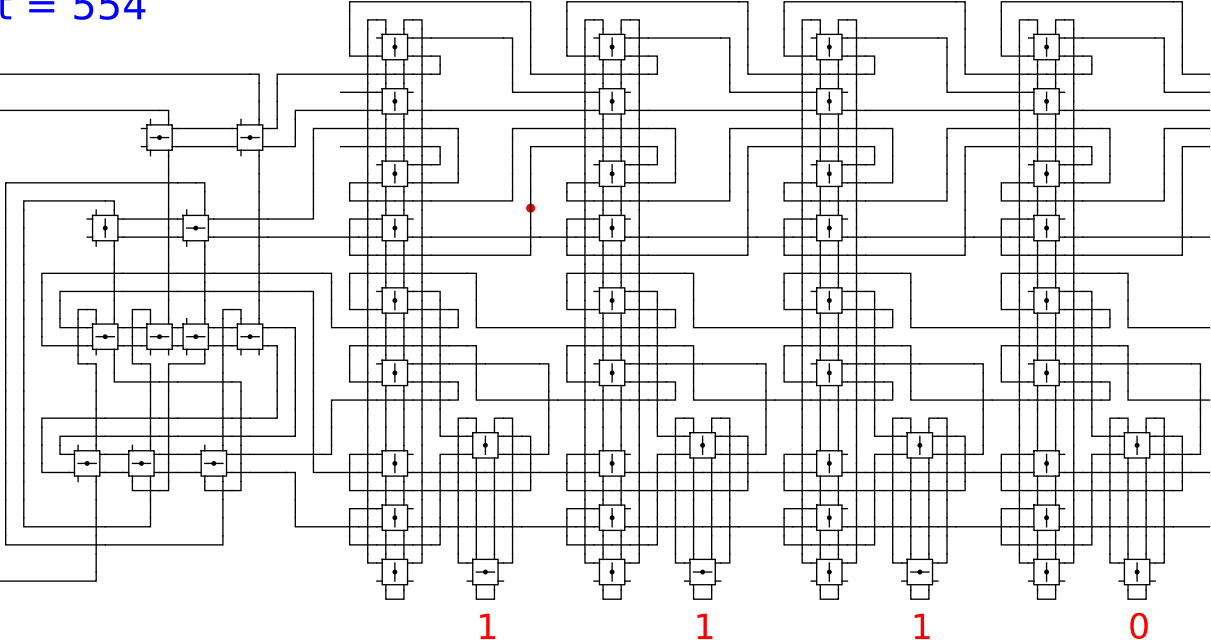
1

0

t = 554

Reject
Accept

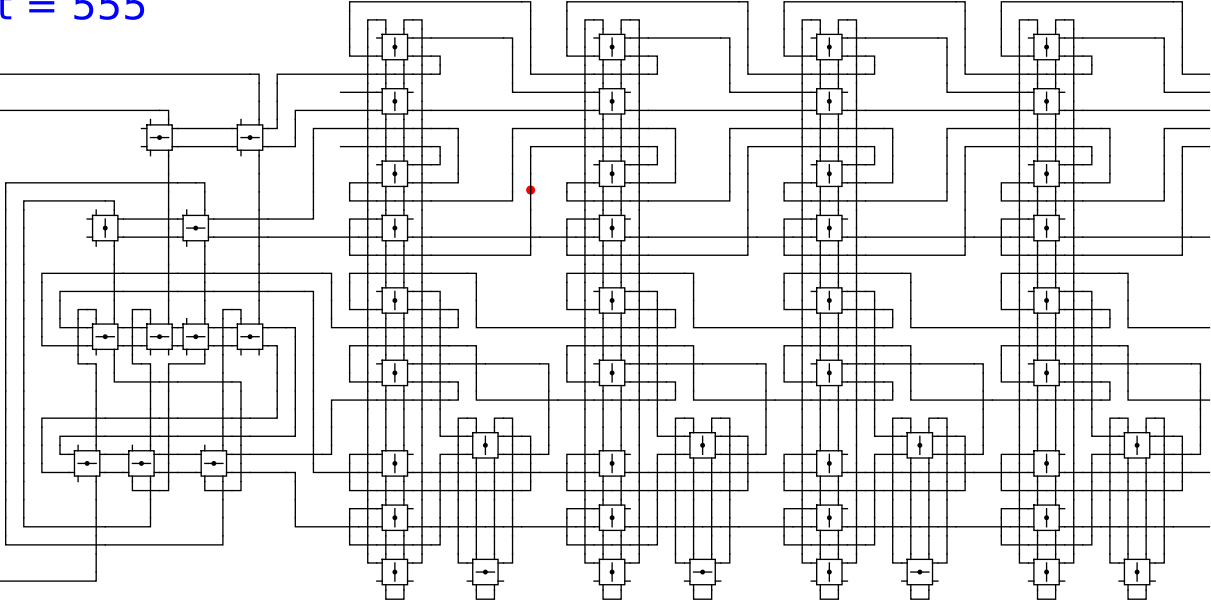
Begin



t = 555

Reject
Accept

Begin

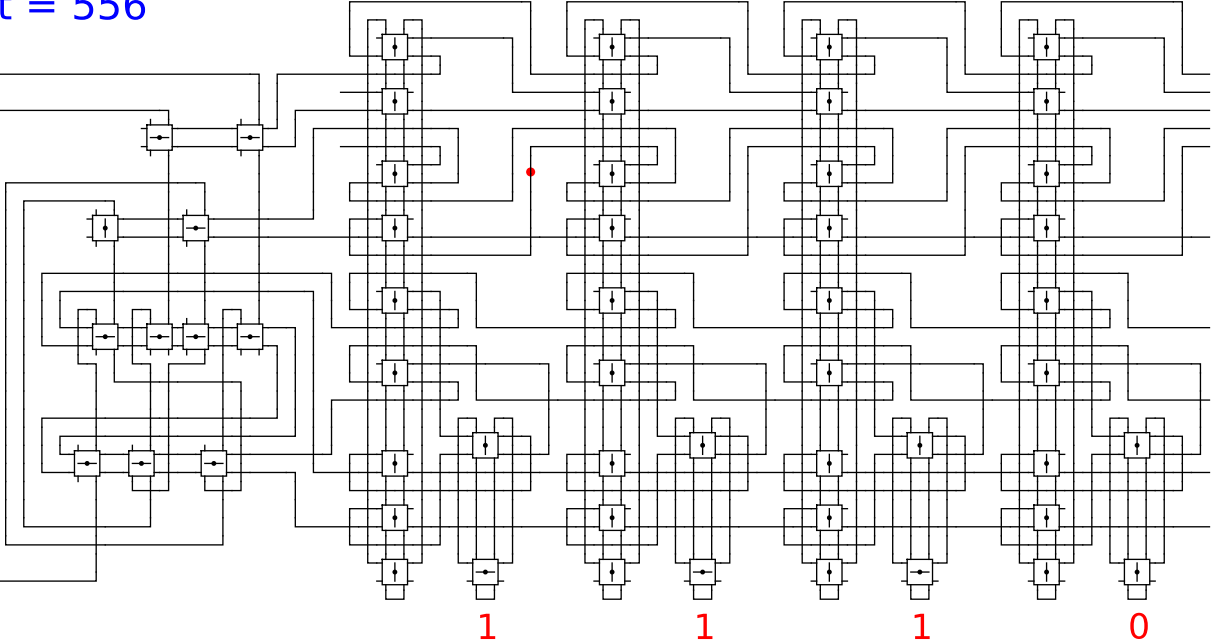


1 1 1 0

t = 556

Reject
Accept

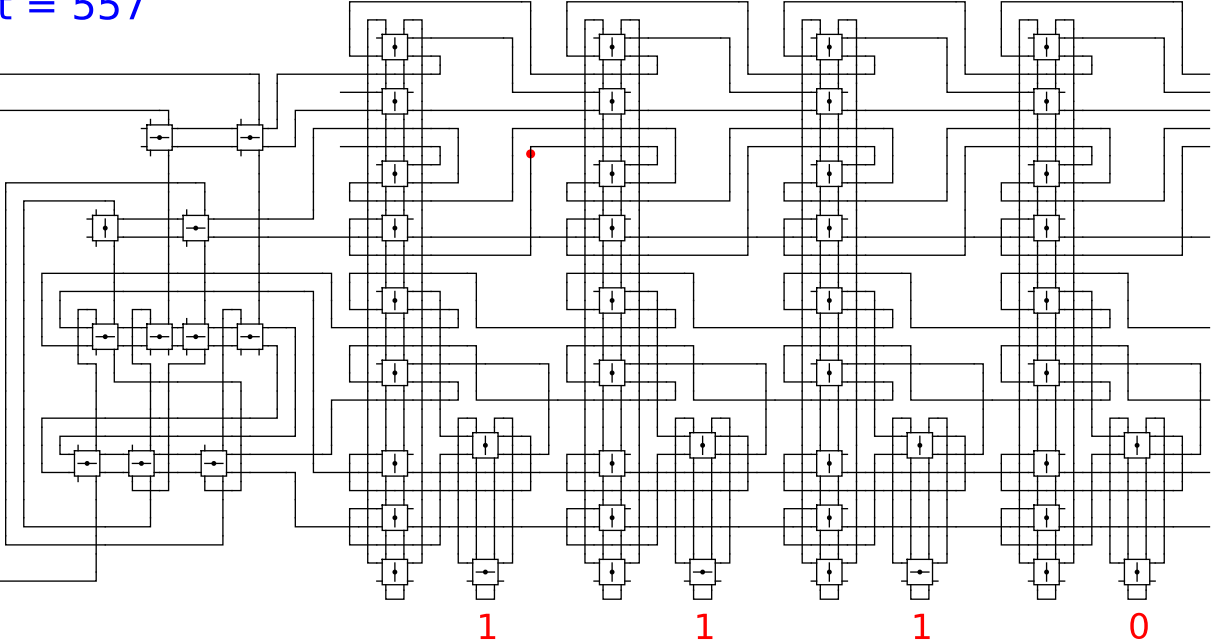
Begin



t = 557

Reject
Accept

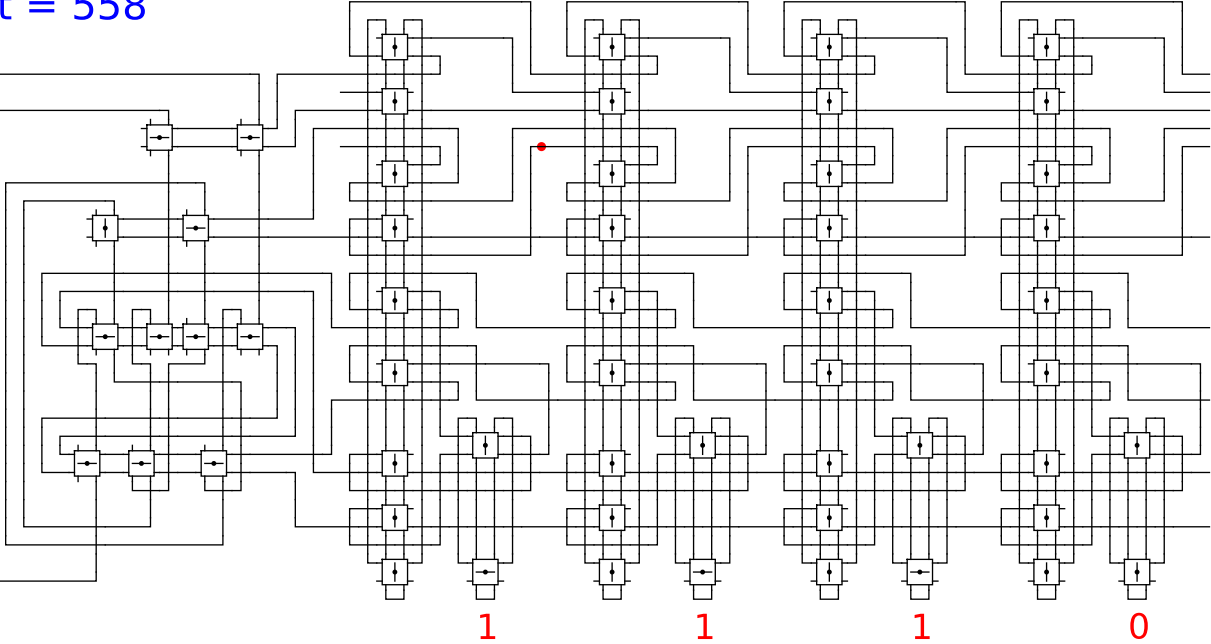
Begin



t = 558

Reject
Accept

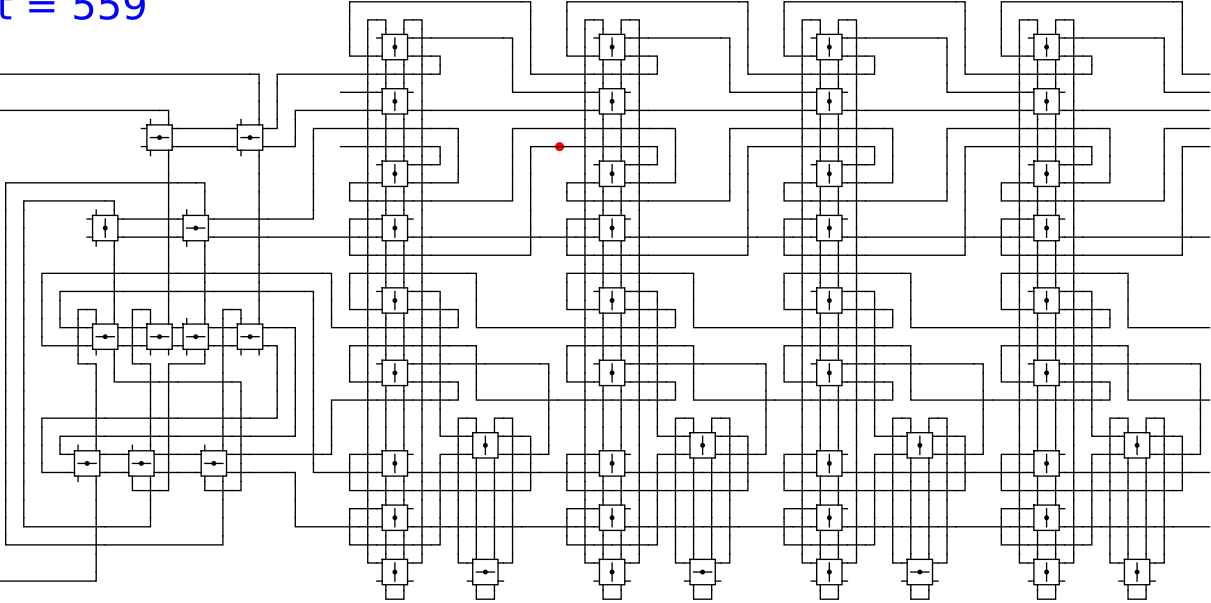
Begin



t = 559

Reject
Accept

Begin



1

1

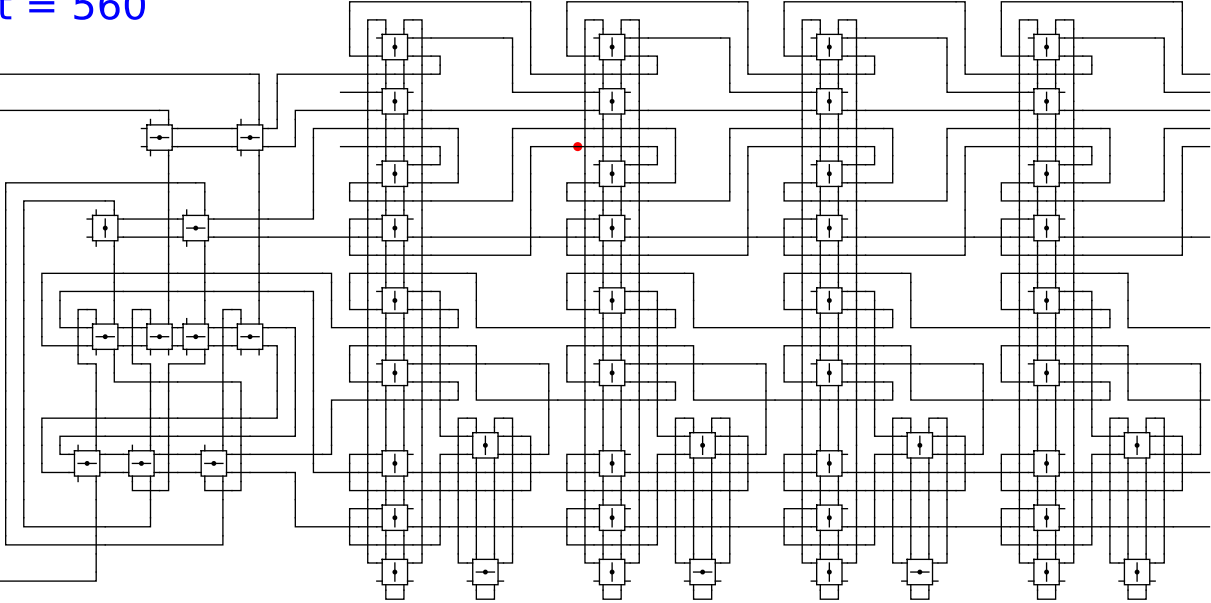
1

0

t = 560

Reject
Accept

Begin



1

1

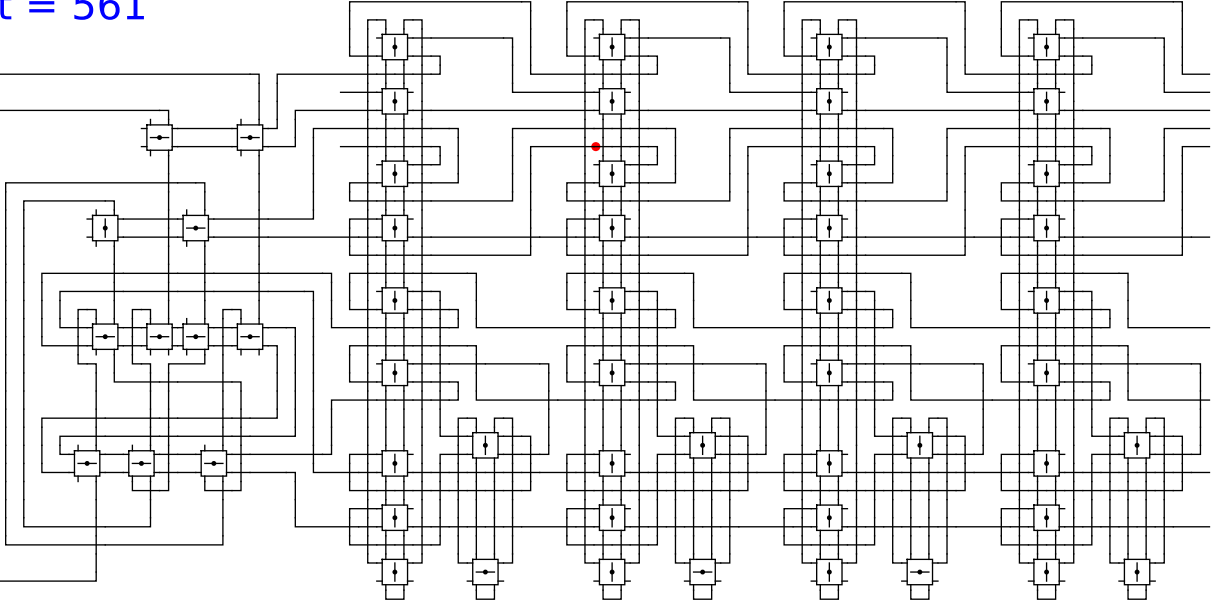
1

0

t = 561

Reject
Accept

Begin

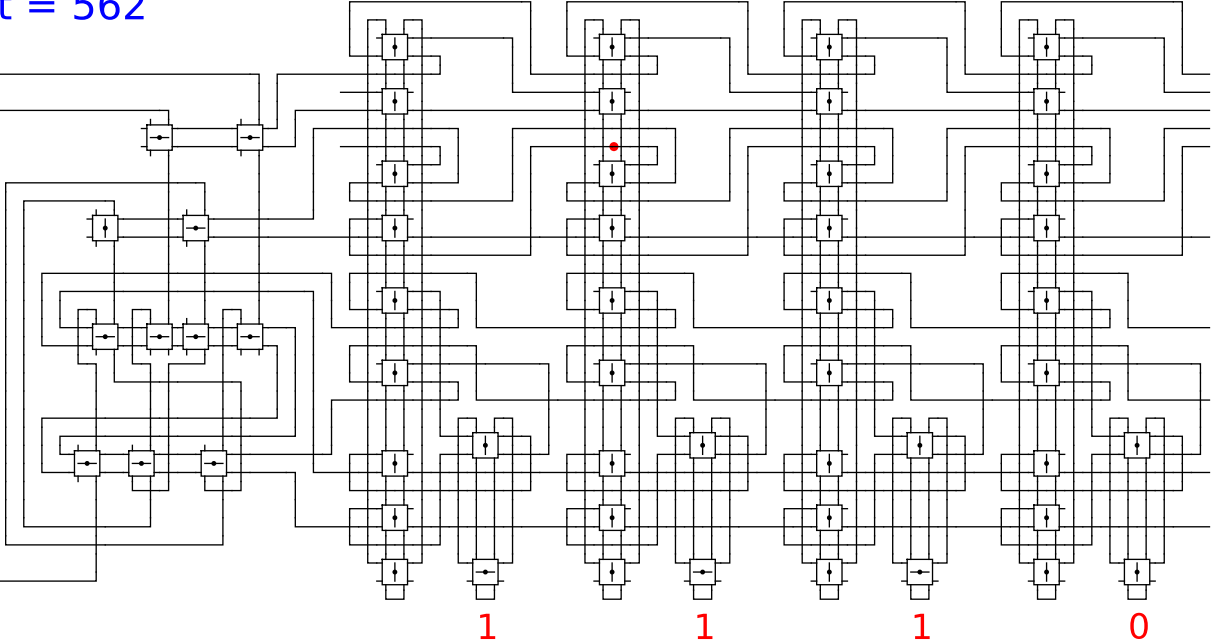


1 1 1 0

t = 562

Reject
Accept

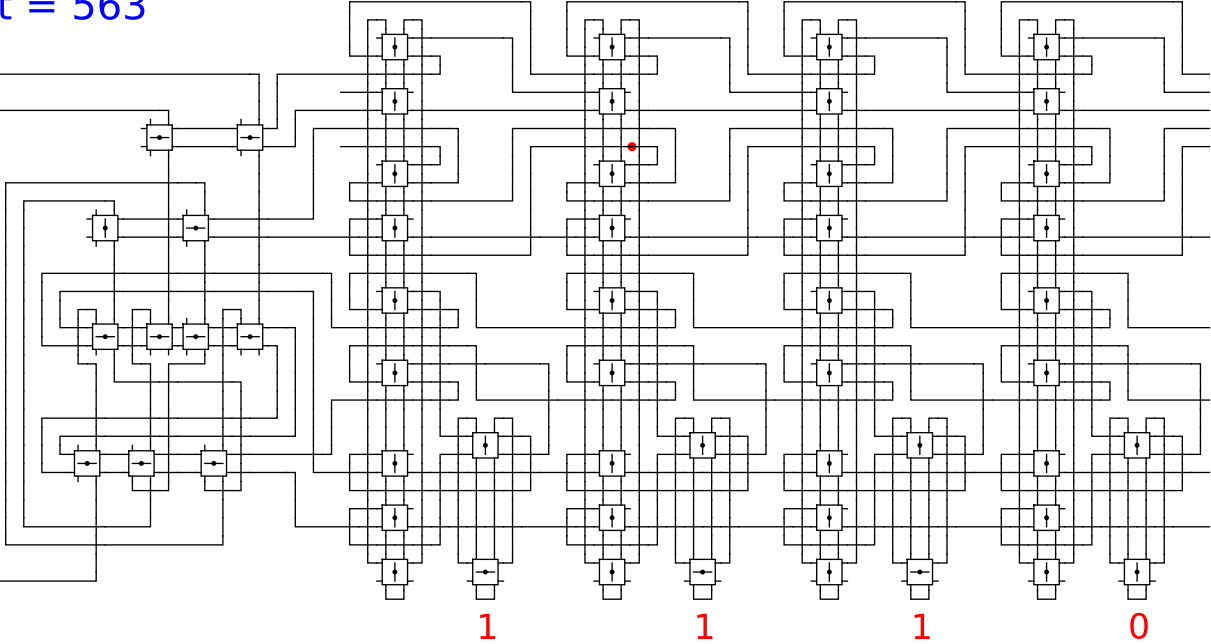
Begin



t = 563

Reject
Accept

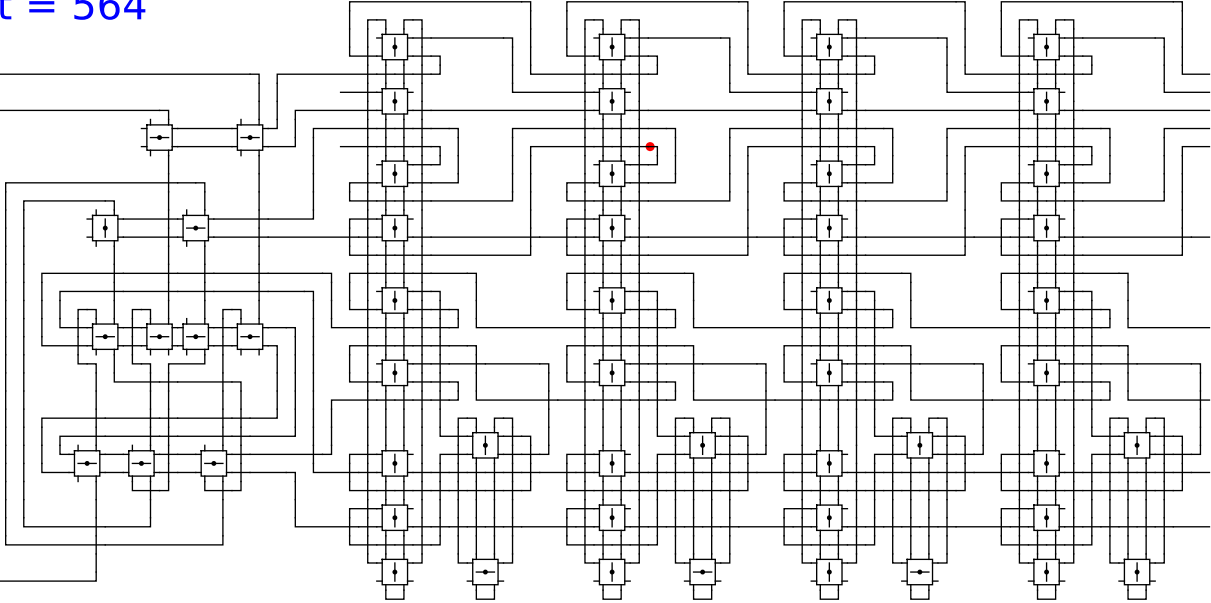
Begin



t = 564

Reject
Accept

Begin



1

1

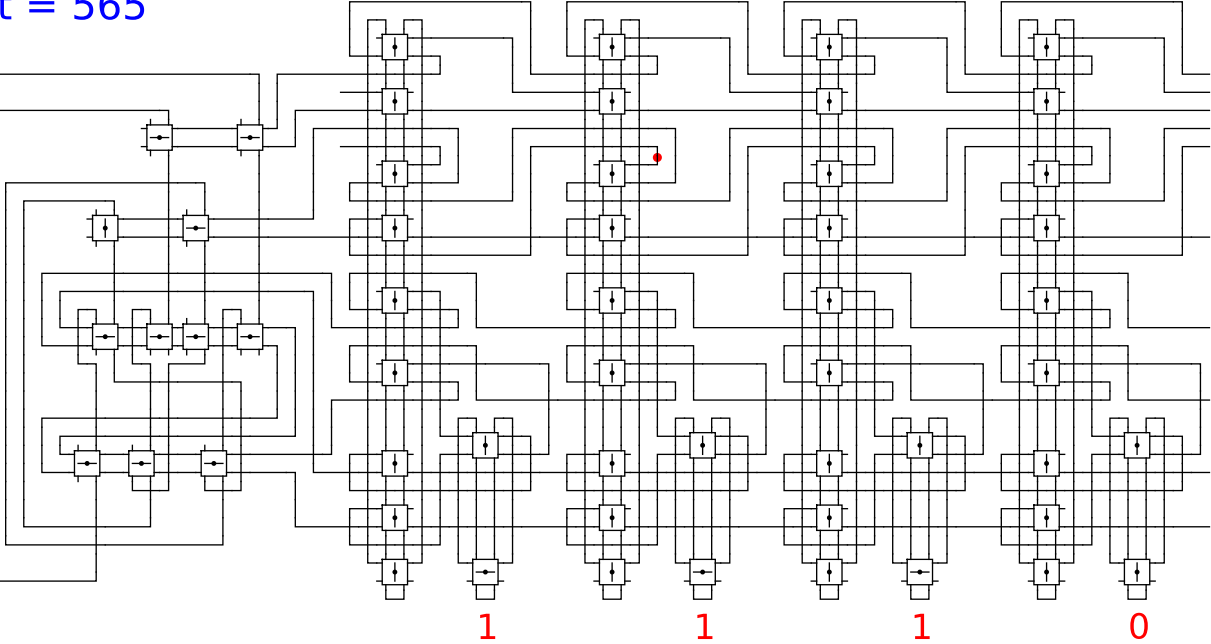
1

0

t = 565

Reject
Accept

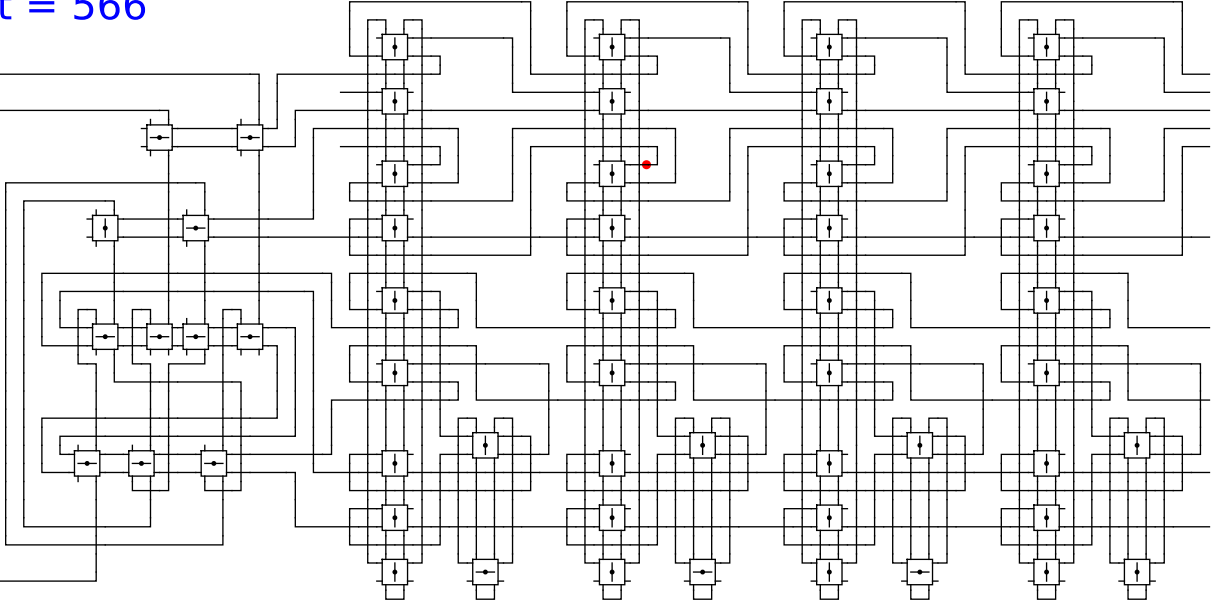
Begin



t = 566

Reject
Accept

Begin



1

1

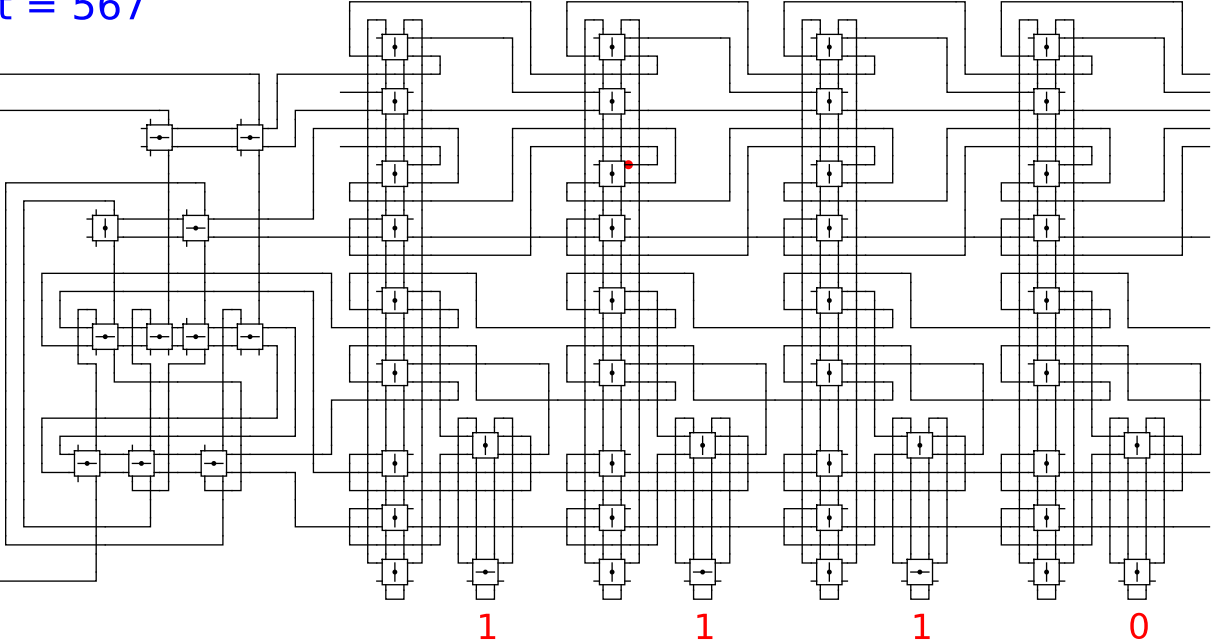
1

0

t = 567

Reject
Accept

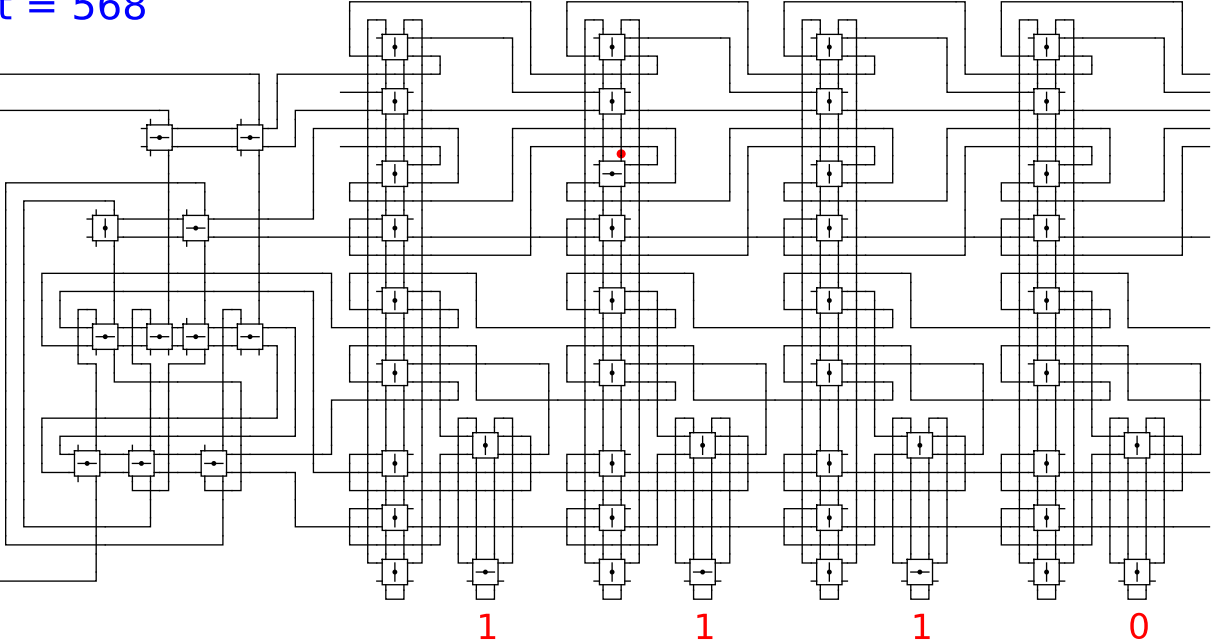
Begin



t = 568

Reject
Accept

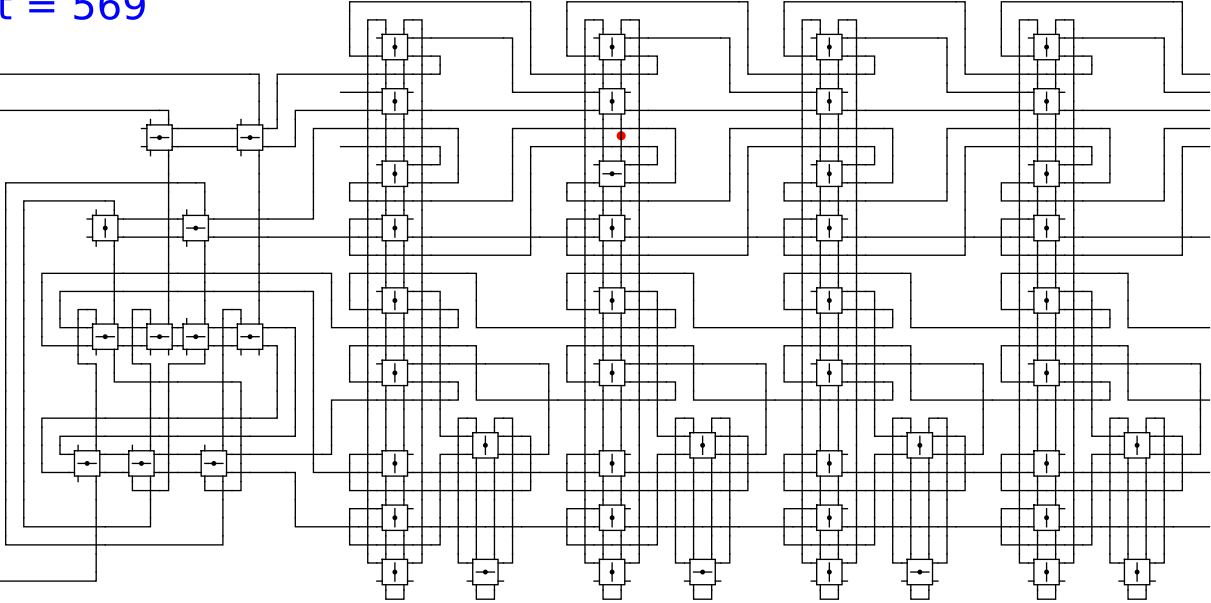
Begin



t = 569

Reject
Accept

Begin



1

1

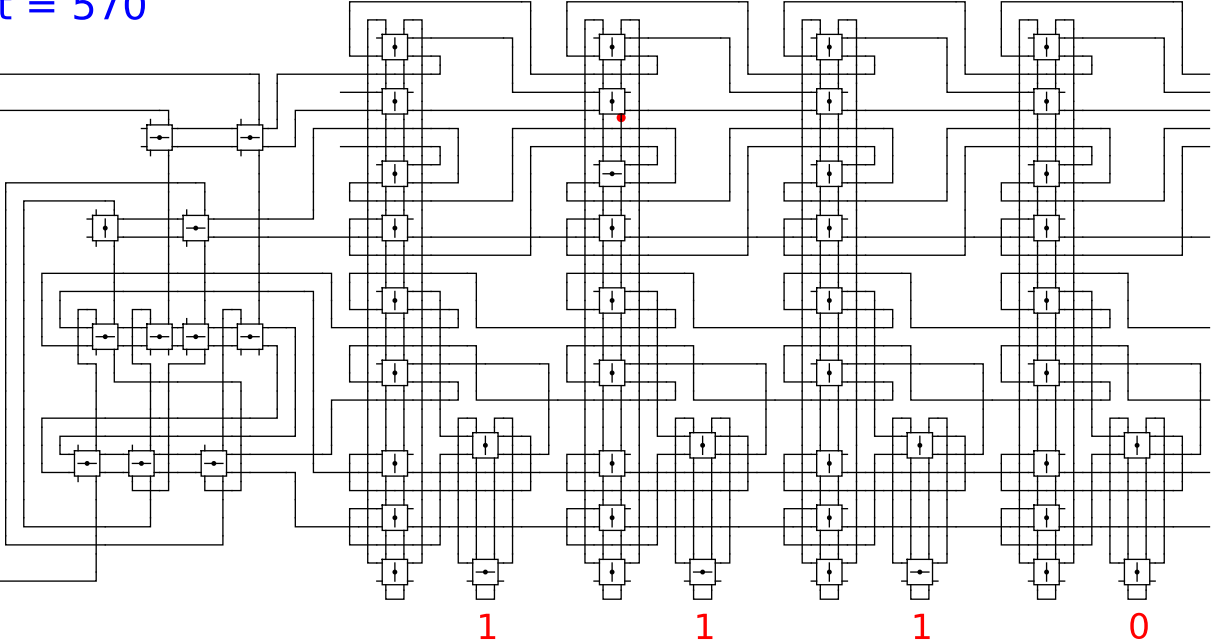
1

0

t = 570

Reject
Accept

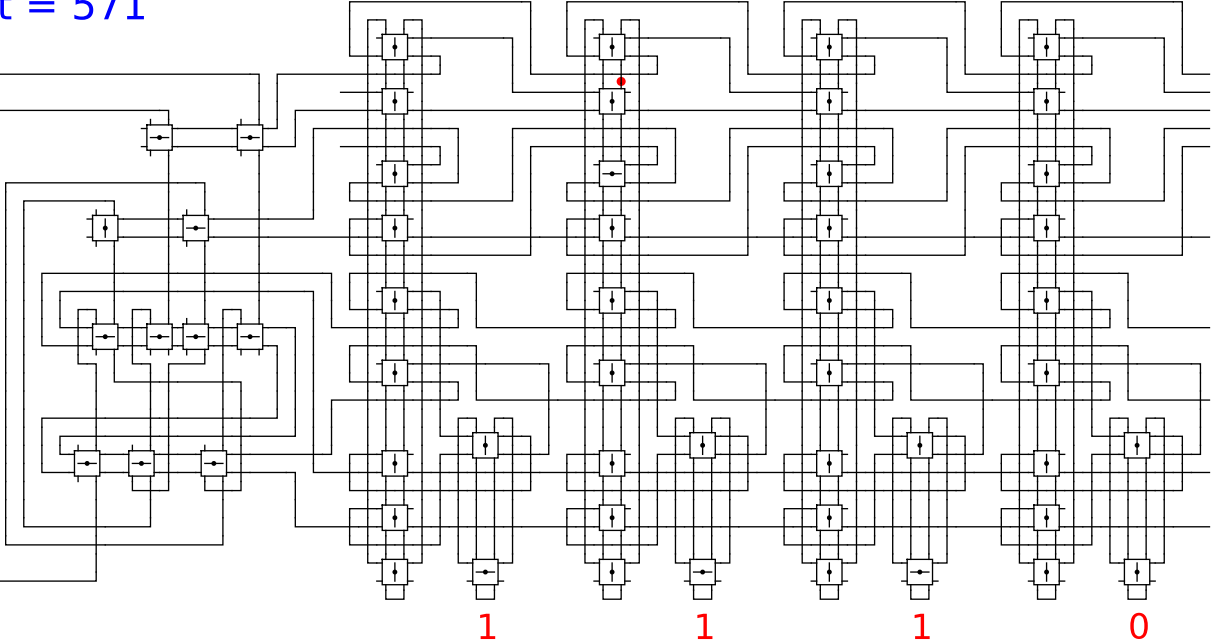
Begin



t = 571

Reject
Accept

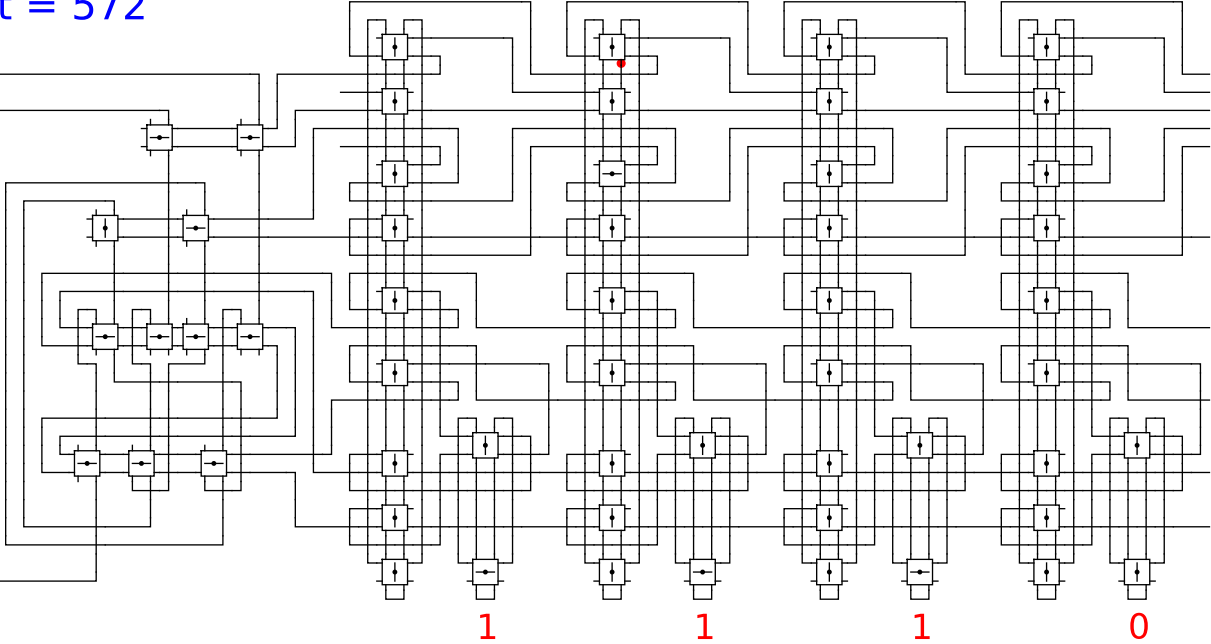
Begin



t = 572

Reject
Accept

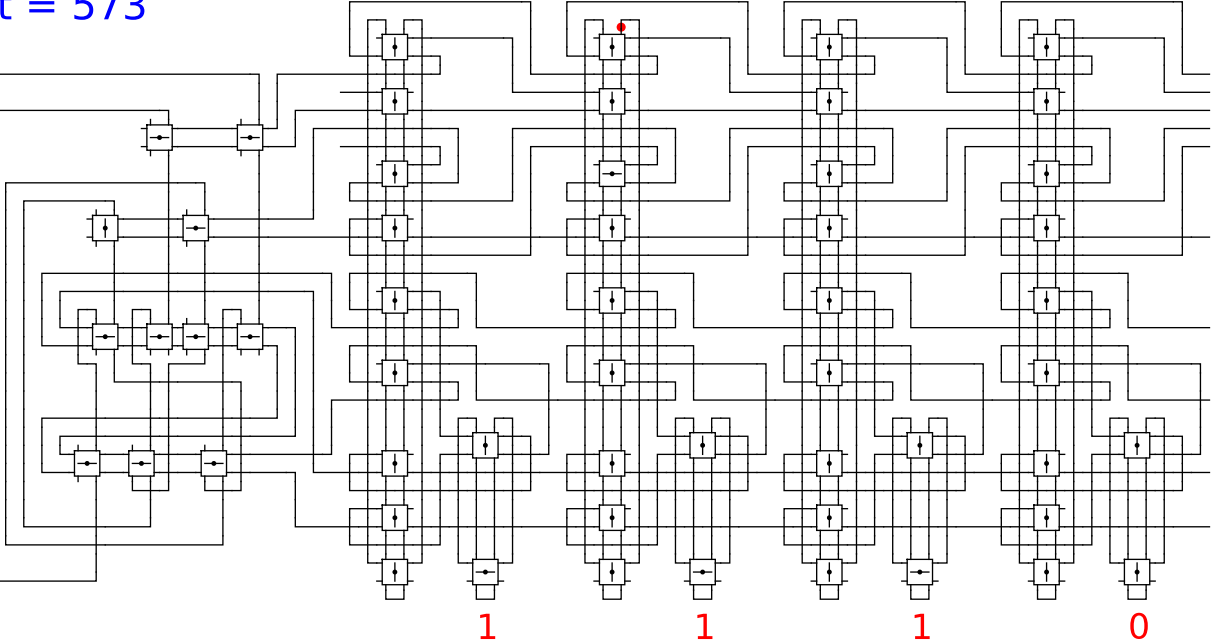
Begin



t = 573

Reject
Accept

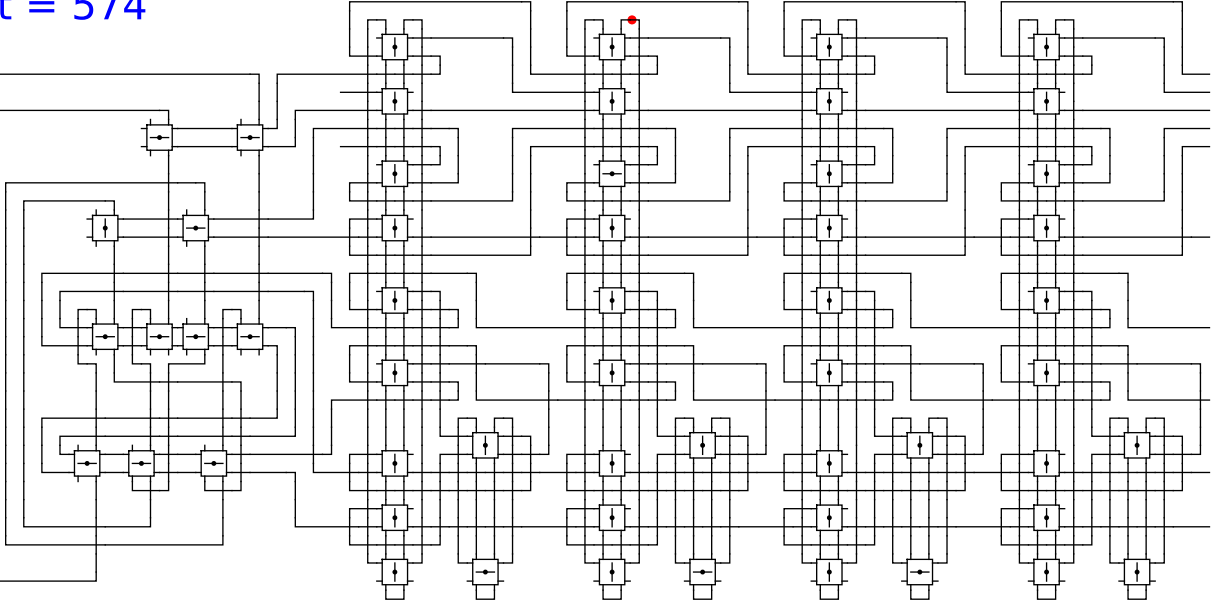
Begin



t = 574

Reject
Accept

Begin



1

1

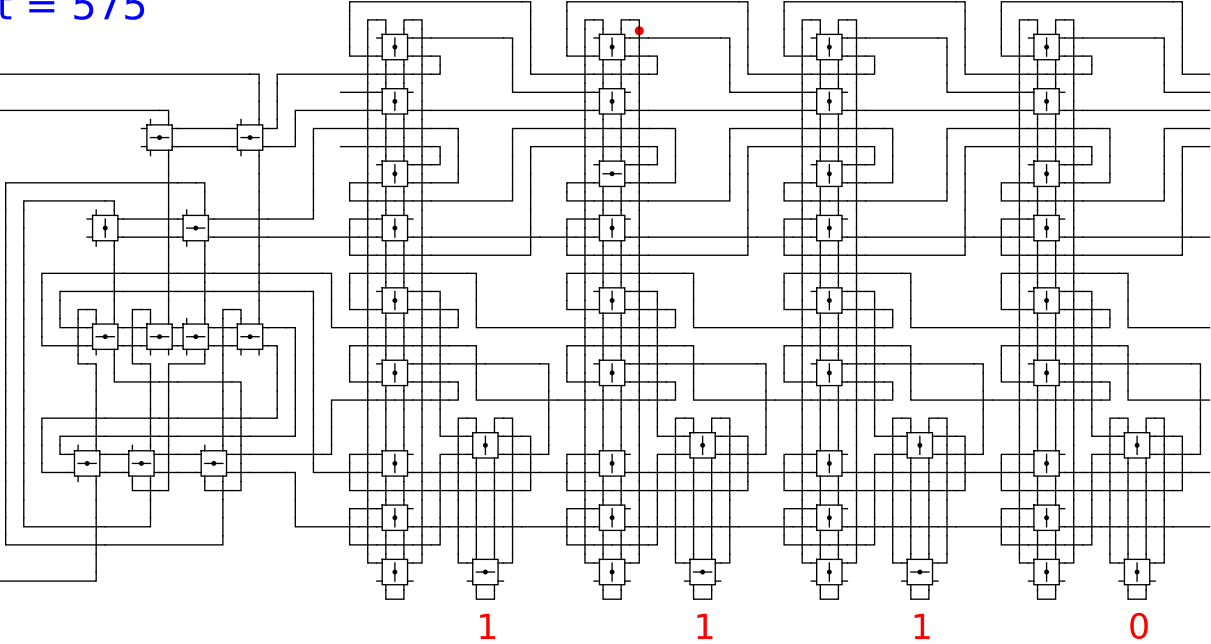
1

0

t = 575

Reject
Accept

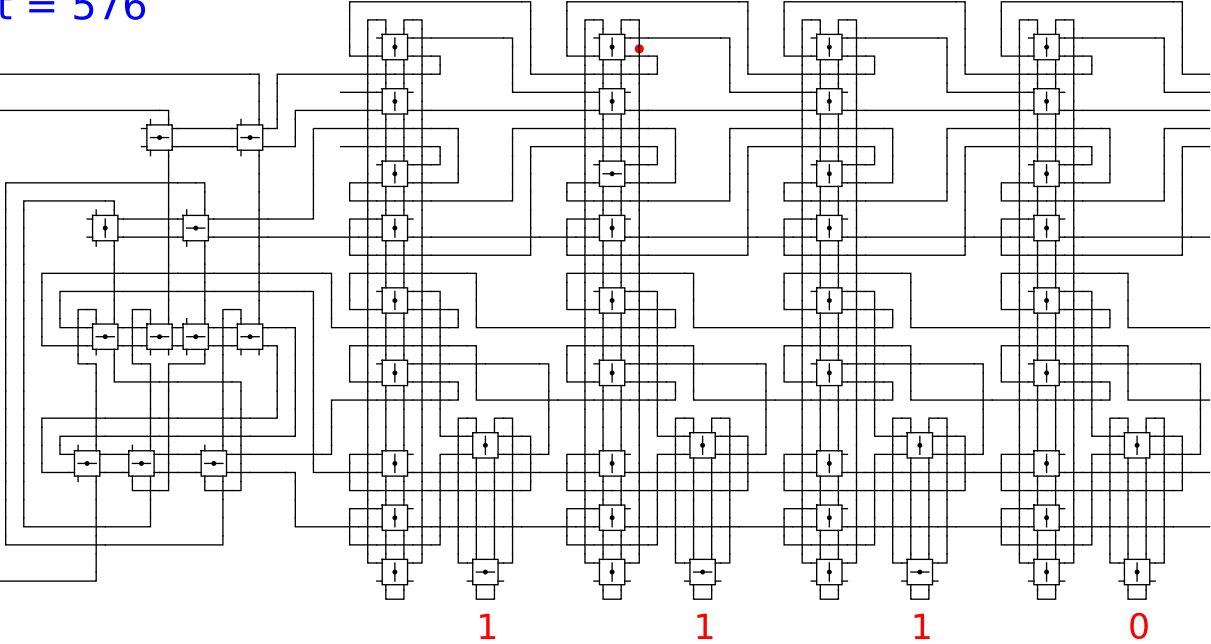
Begin



t = 576

Reject
Accept

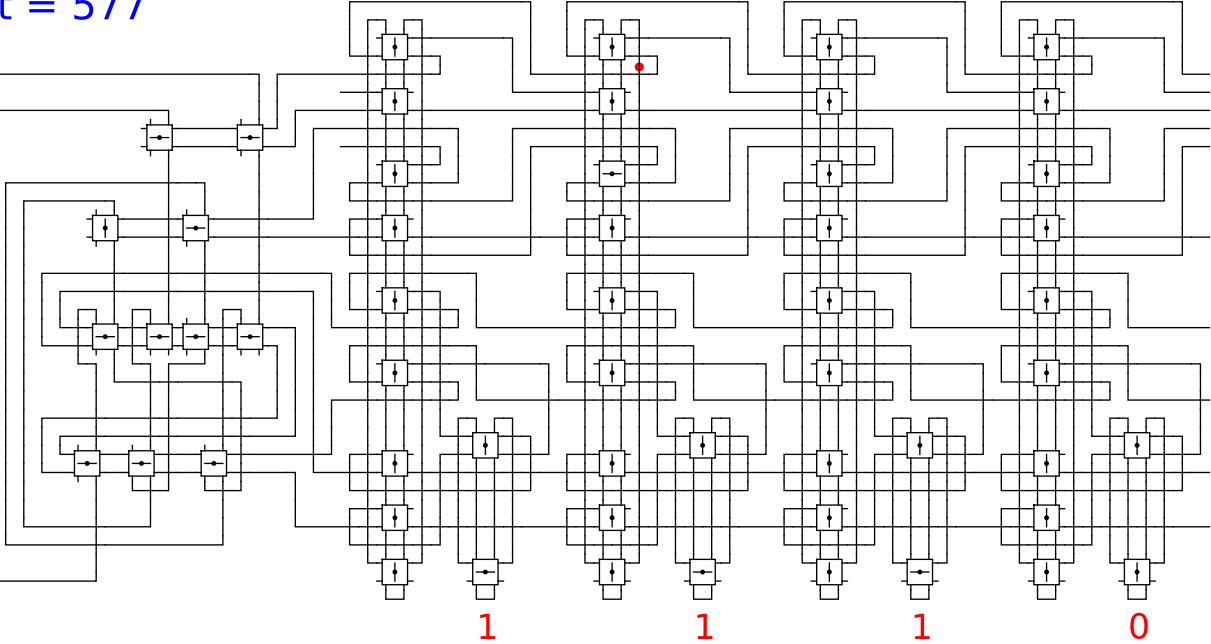
Begin



t = 577

Reject
Accept

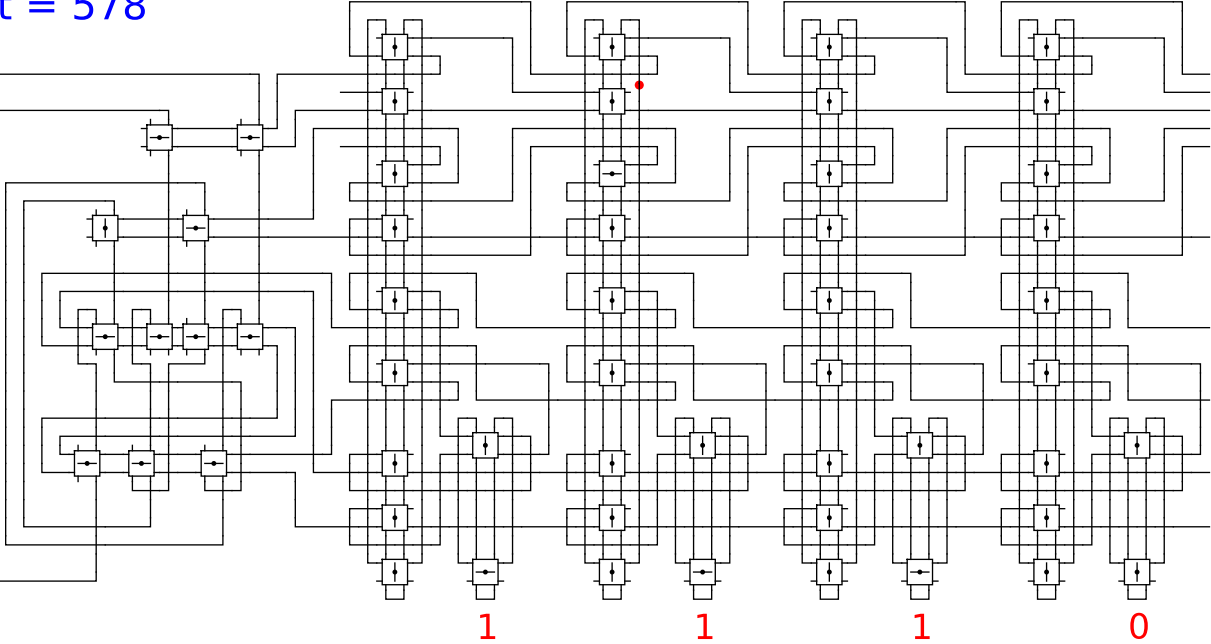
Begin



t = 578

Reject
Accept

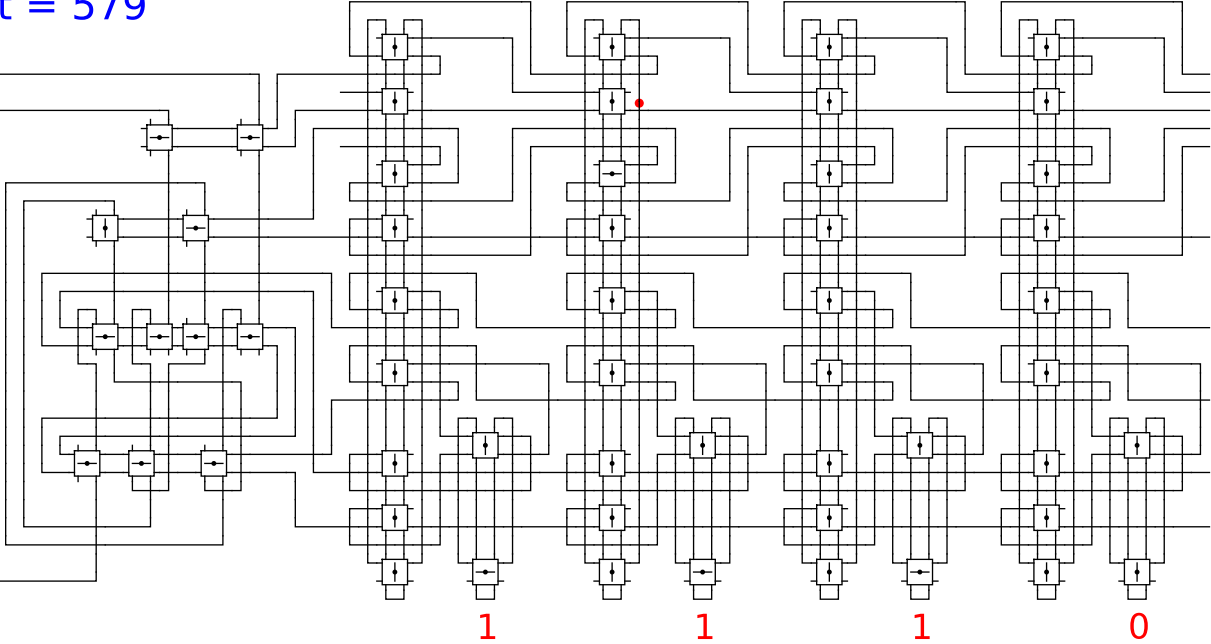
Begin



t = 579

Reject
Accept

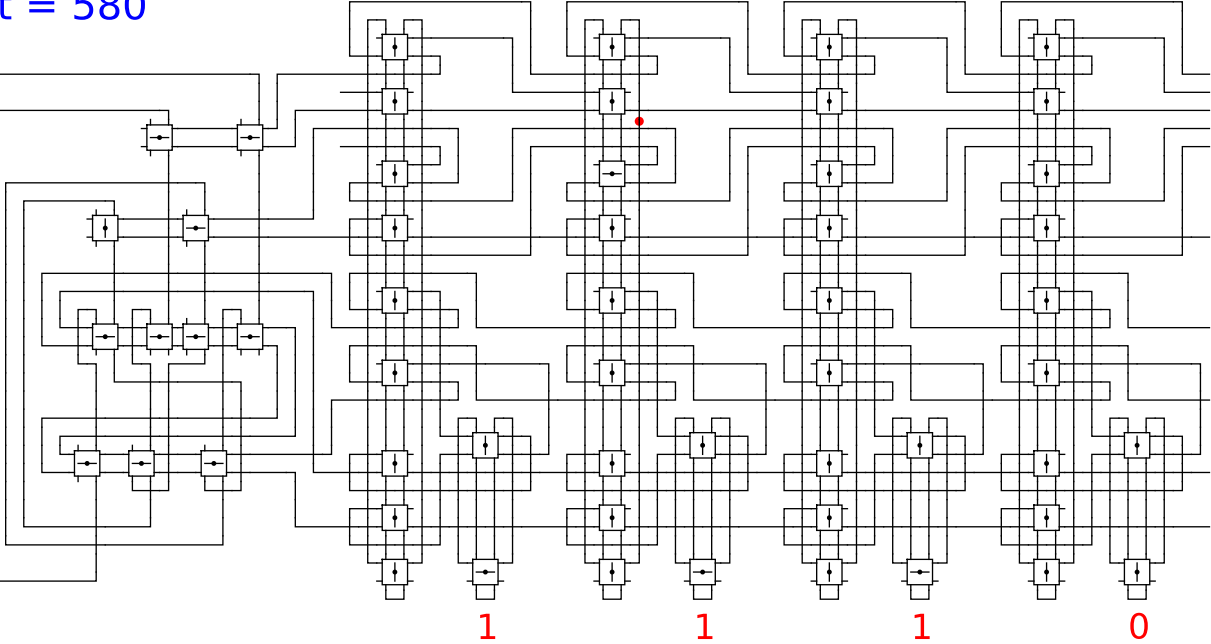
Begin



t = 580

Reject
Accept

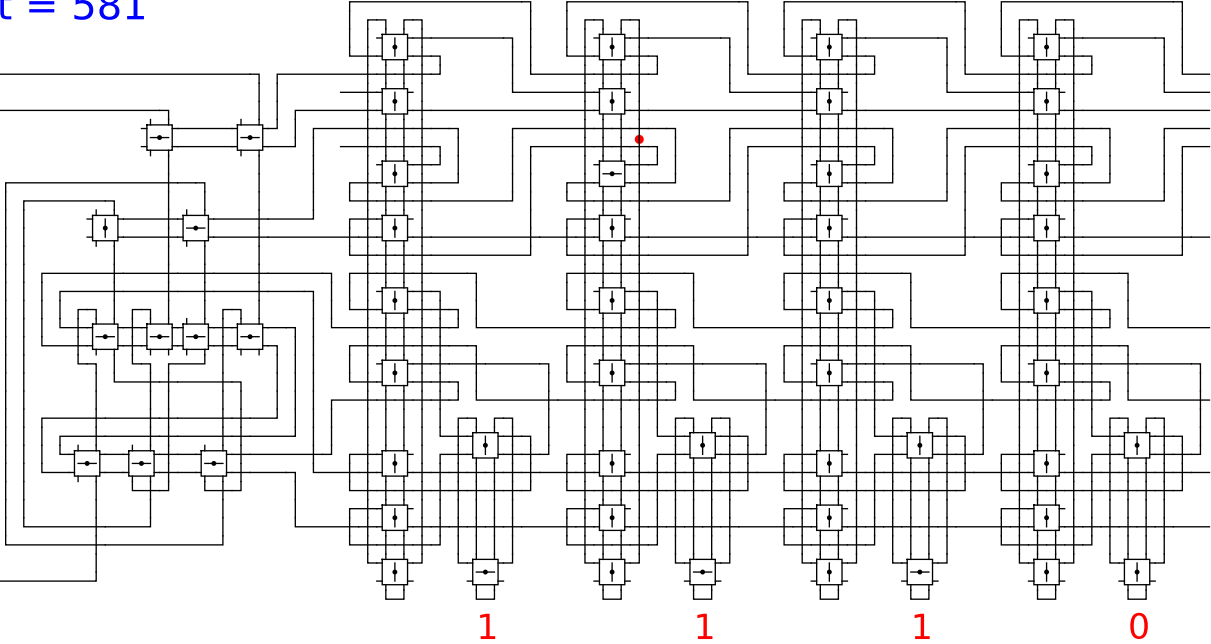
Begin



t = 581

Reject
Accept

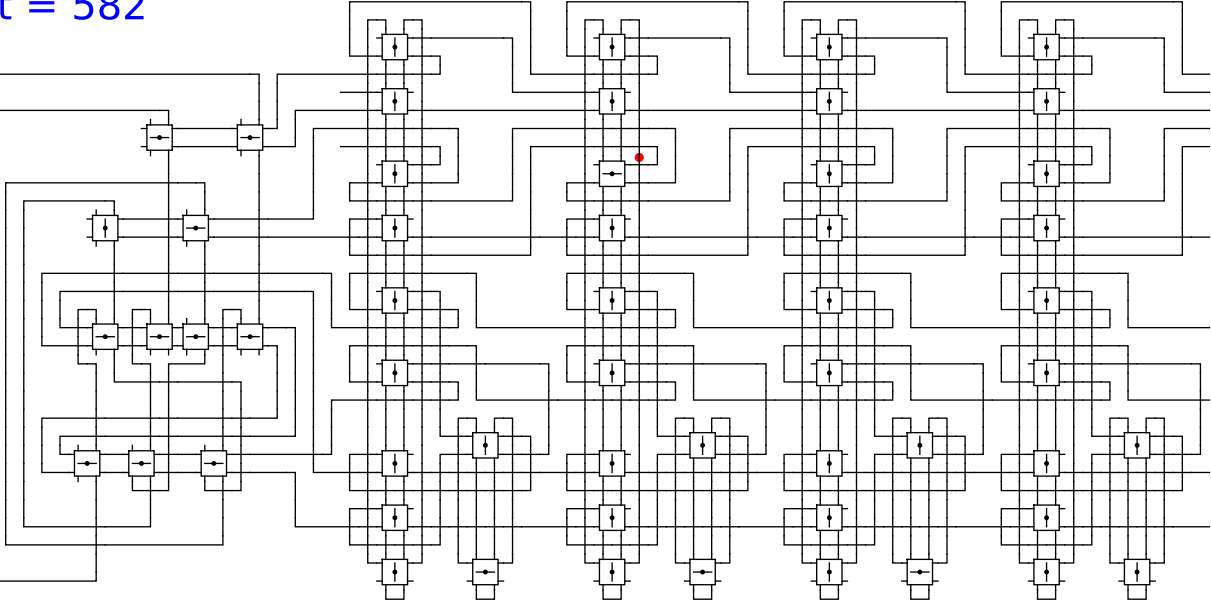
Begin



t = 582

Reject
Accept

Begin



1

1

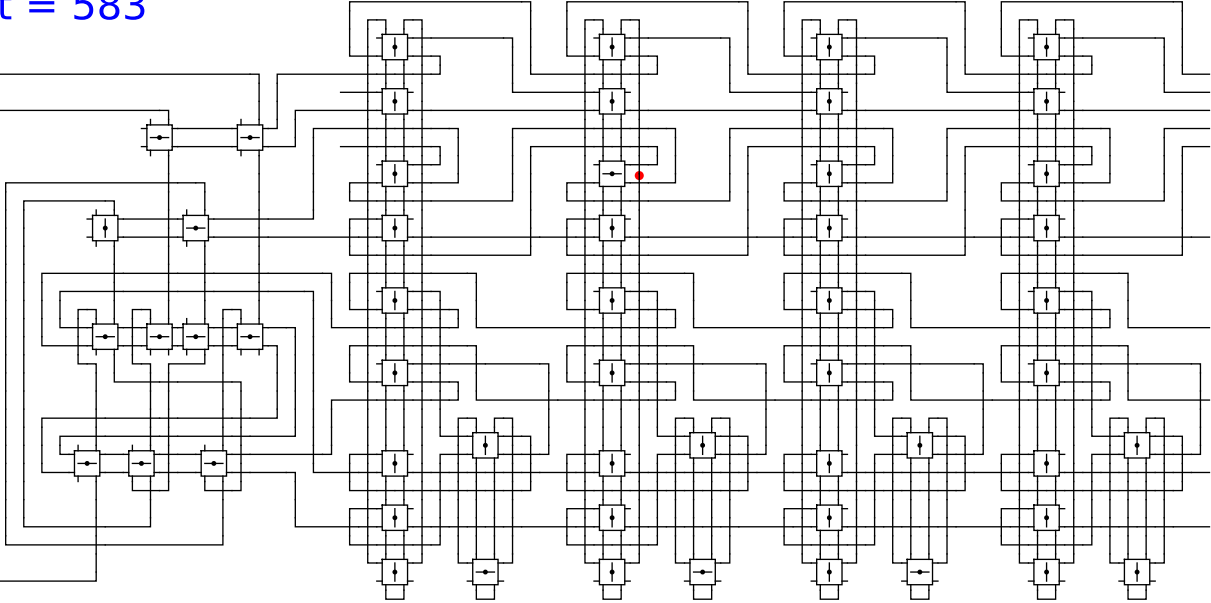
1

0

t = 583

Reject
Accept

Begin



1

1

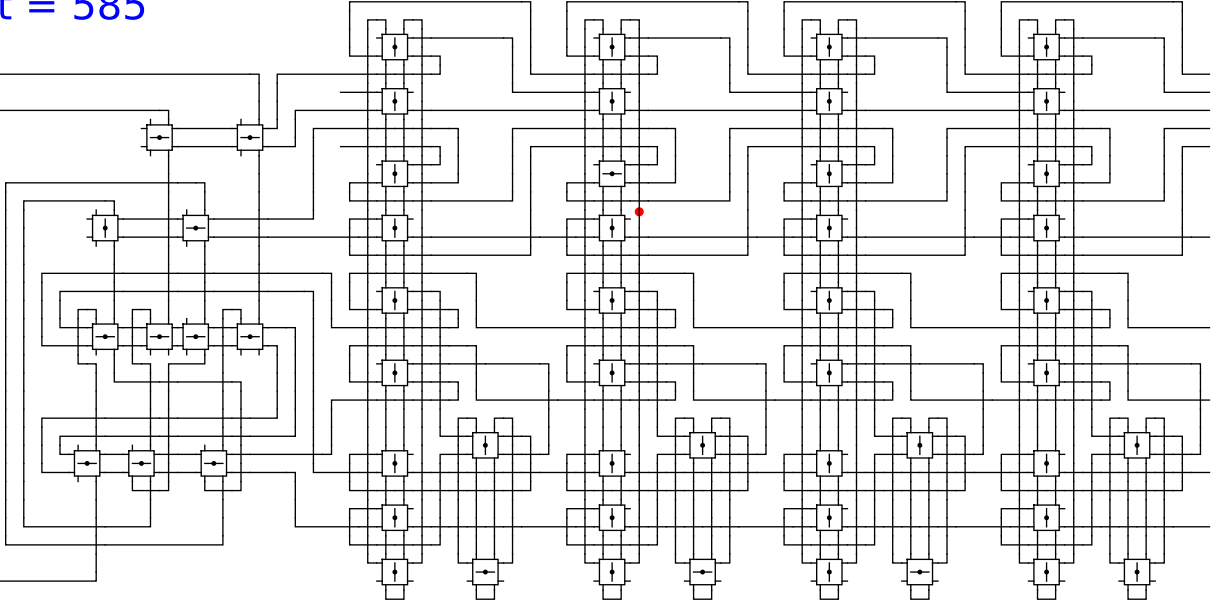
1

0

t = 585

Reject
Accept

Begin



1

1

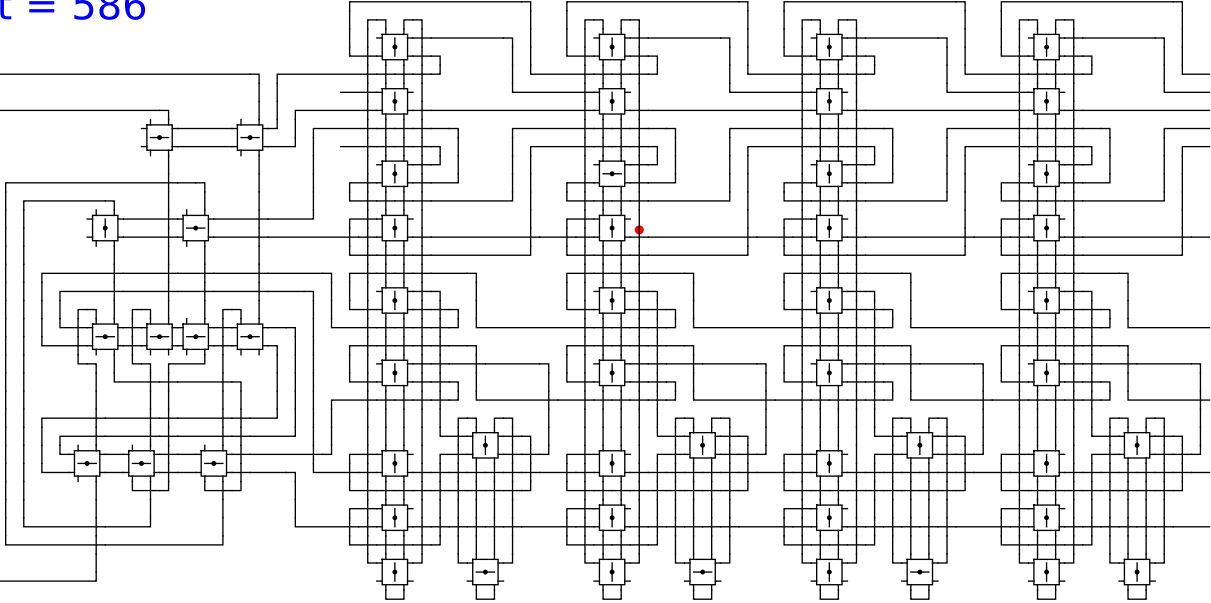
1

0

t = 586

Reject
Accept

Begin



1

1

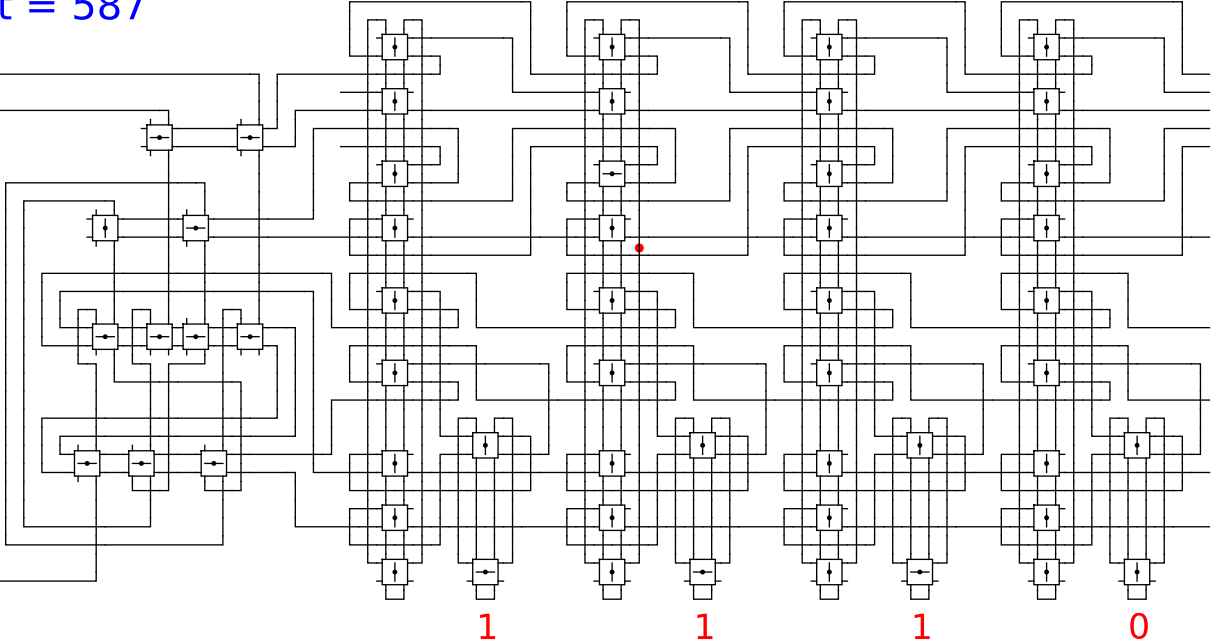
1

0

t = 587

Reject
Accept

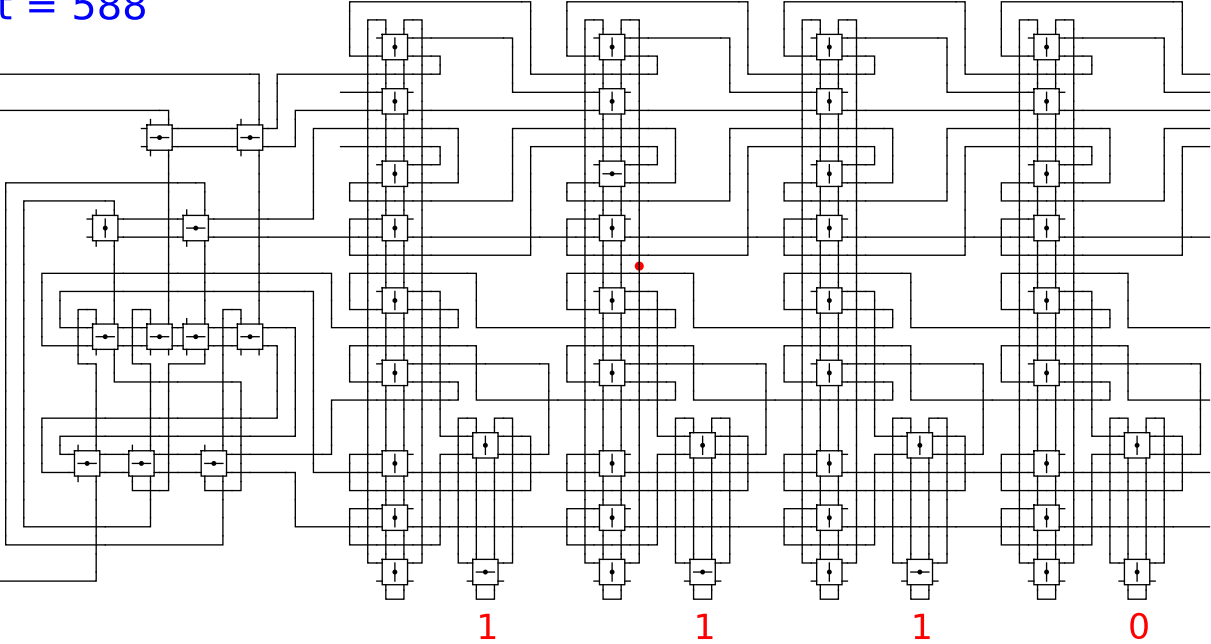
Begin



t = 588

Reject
Accept

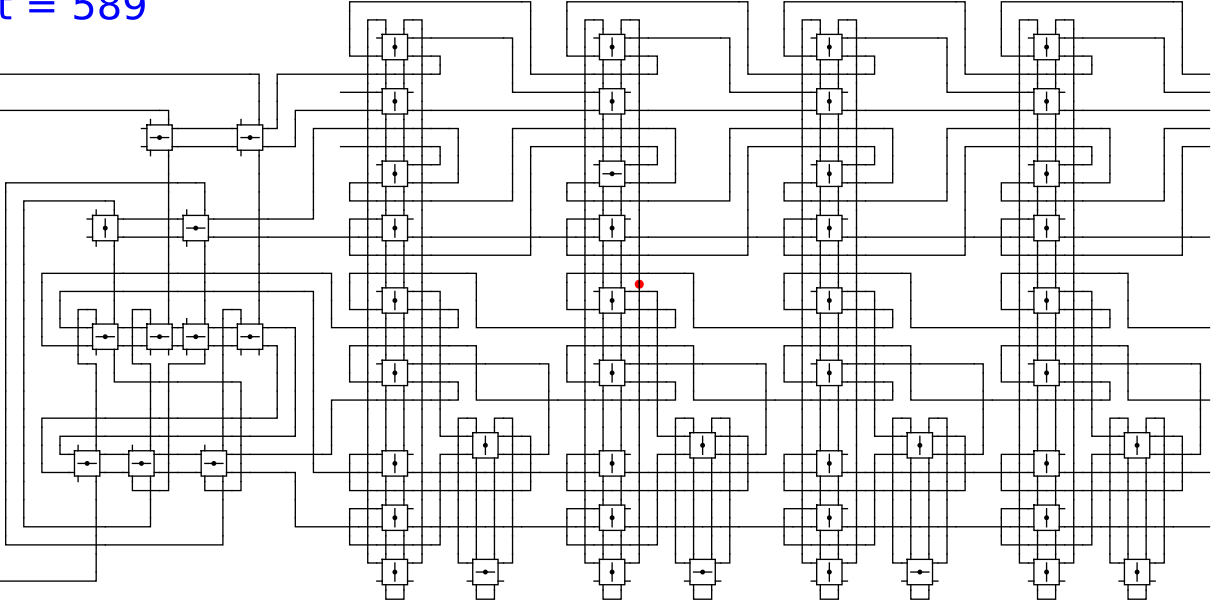
Begin



t = 589

Reject
Accept

Begin



1

1

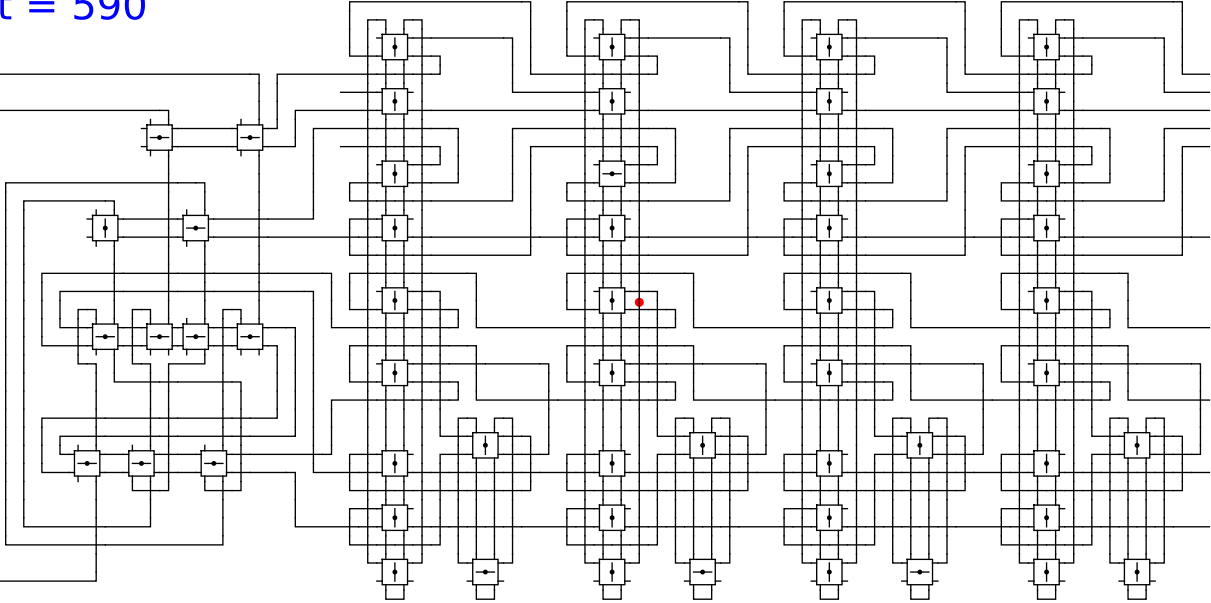
1

0

t = 590

Reject
Accept

Begin



1

1

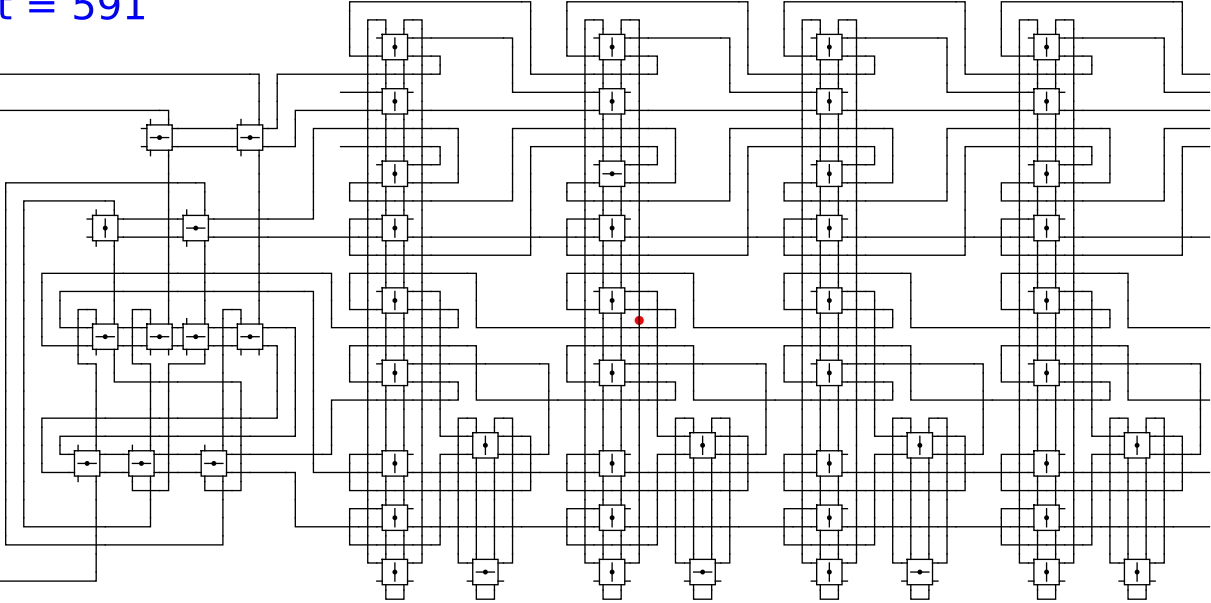
1

0

t = 591

Reject
Accept

Begin



1

1

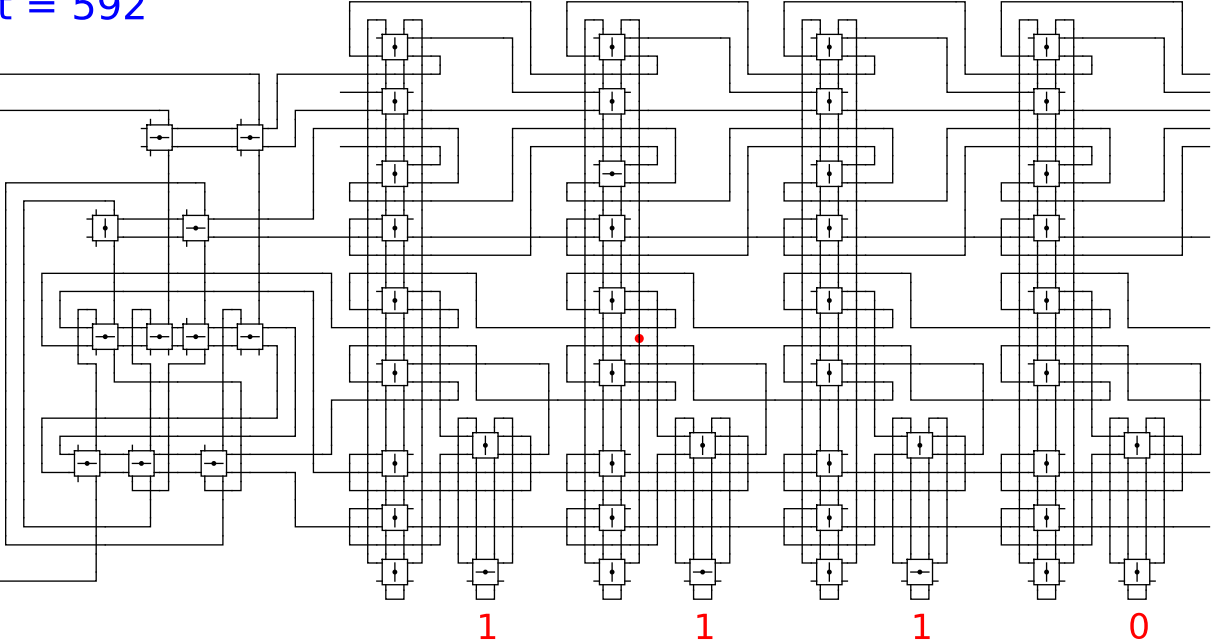
1

0

t = 592

Reject
Accept

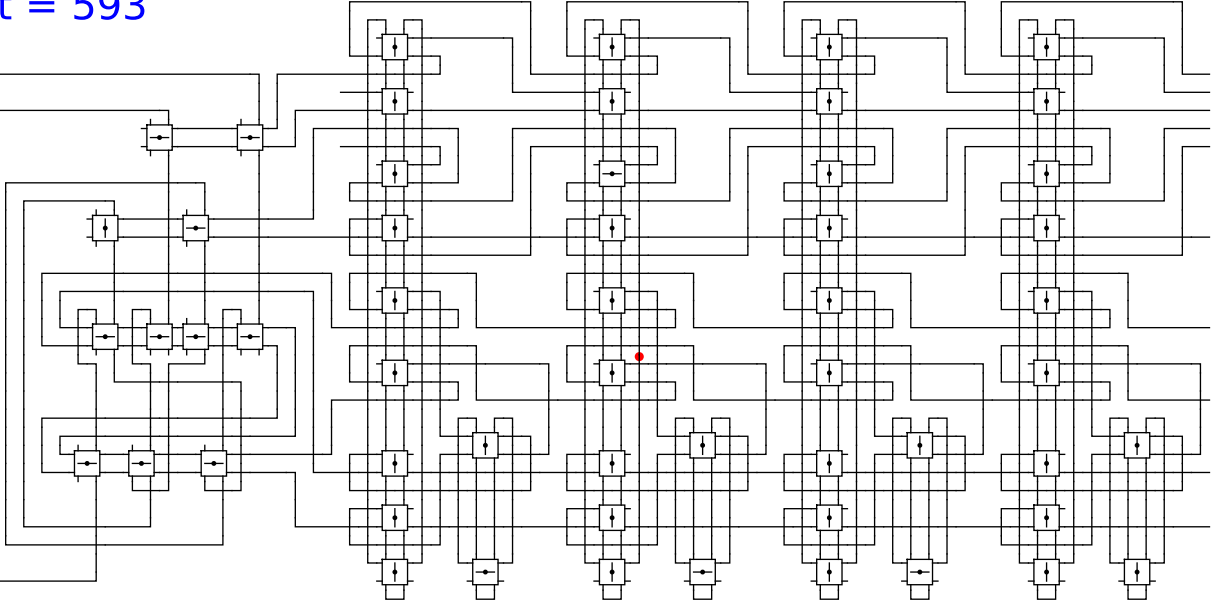
Begin



t = 593

Reject
Accept

Begin



1

1

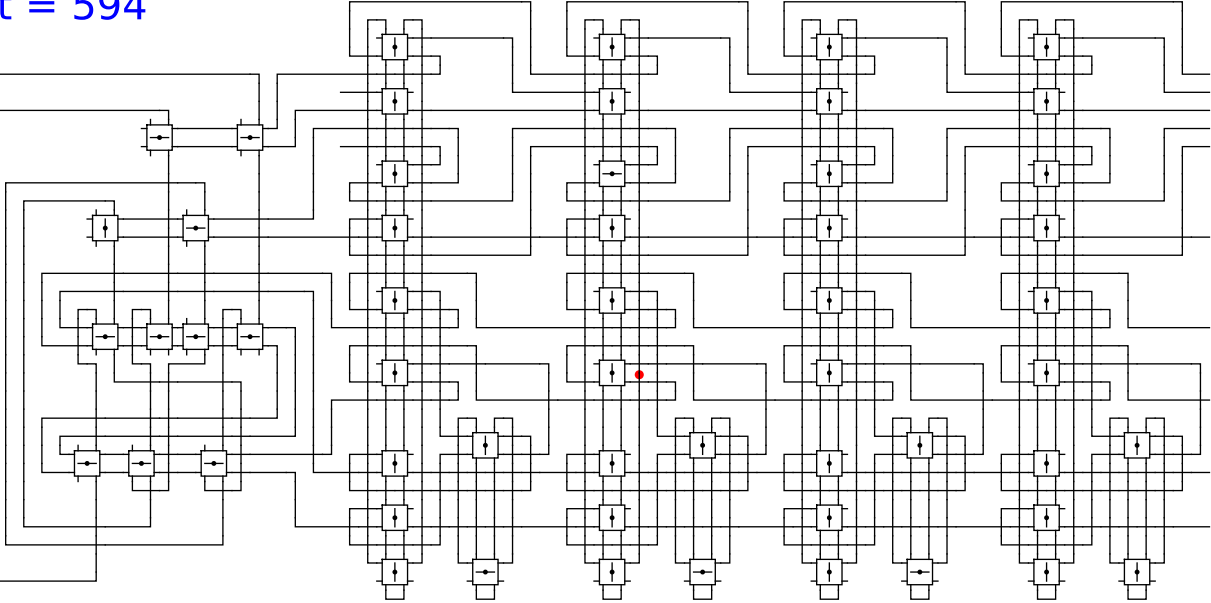
1

0

t = 594

Reject
Accept

Begin



1

1

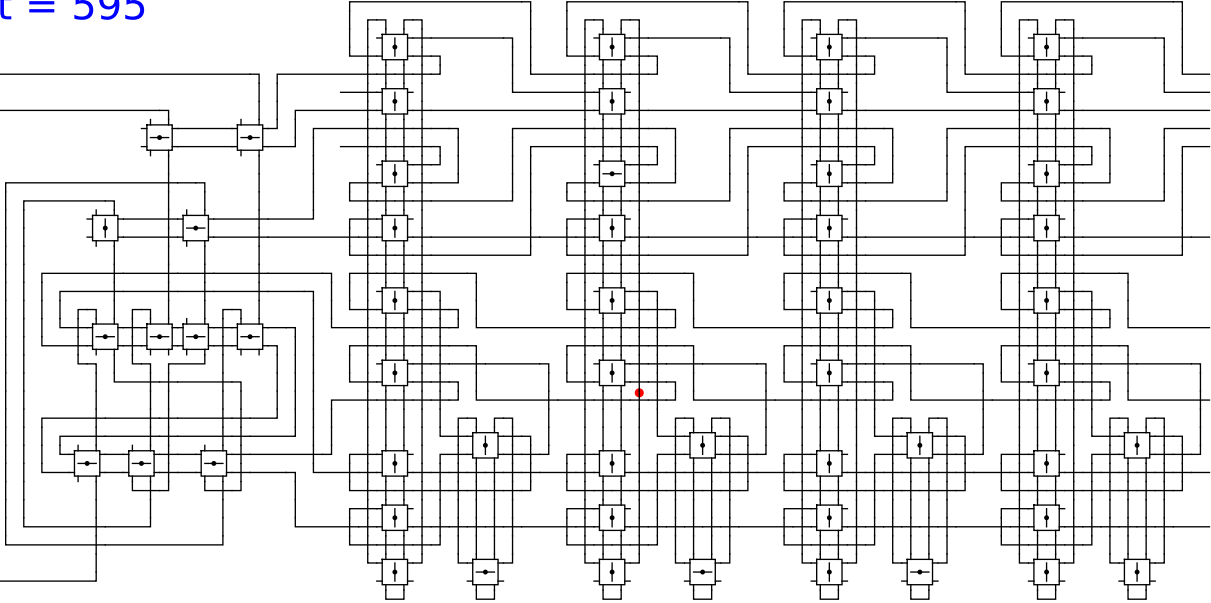
1

0

t = 595

Reject
Accept

Begin



1

1

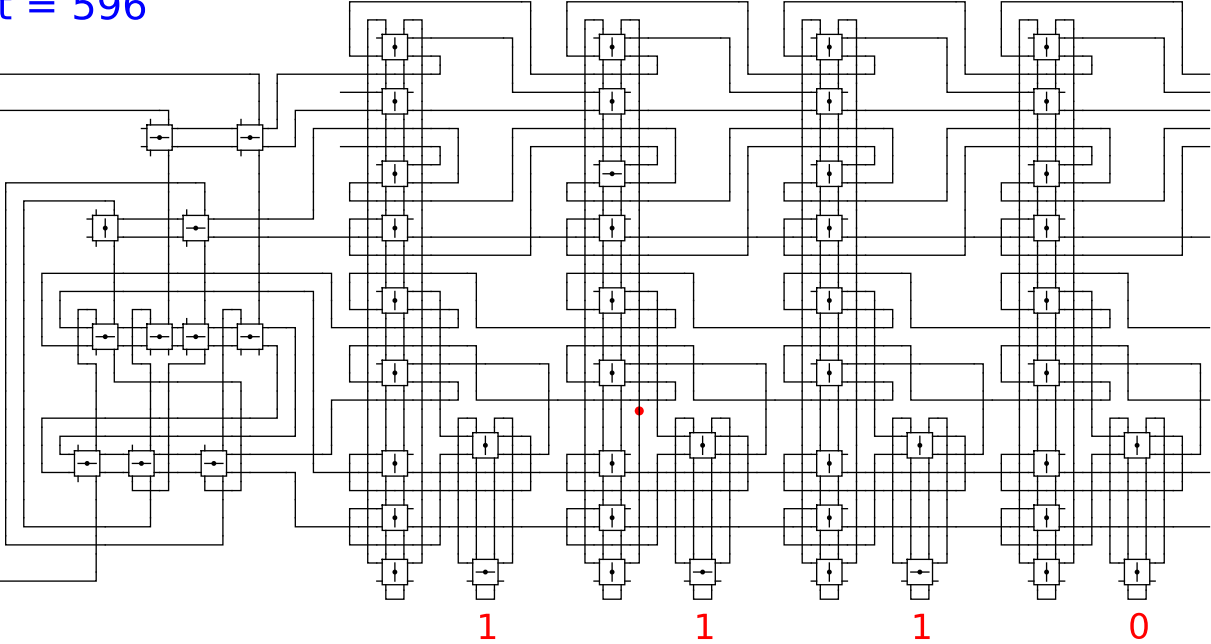
1

0

t = 596

Reject
Accept

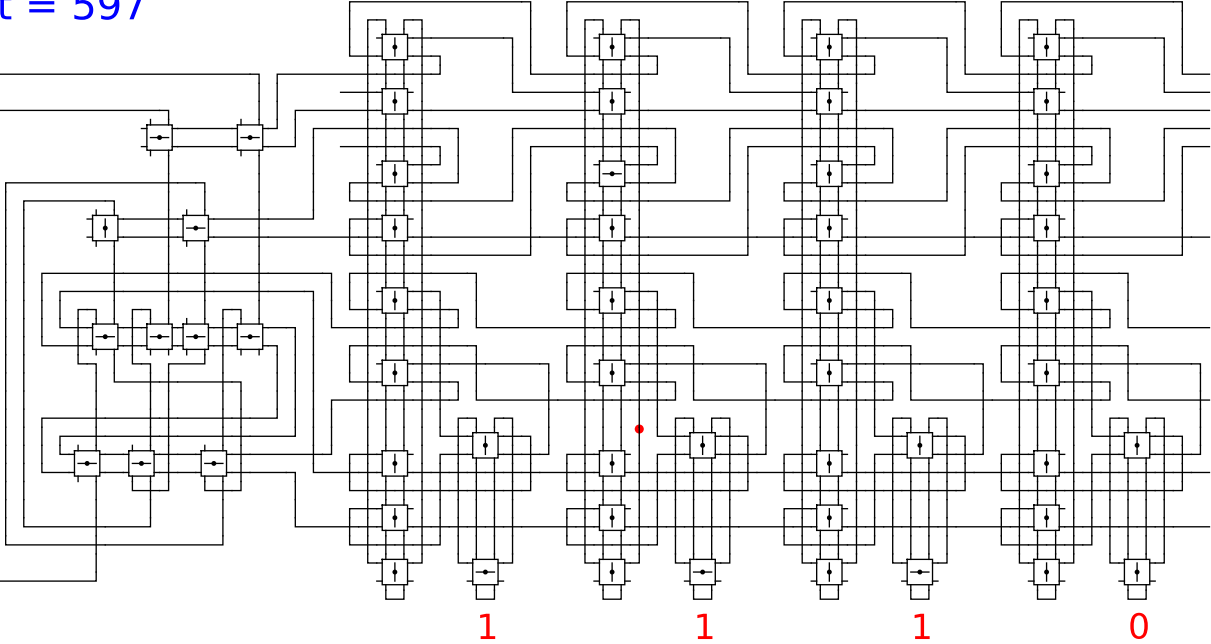
Begin



t = 597

Reject
Accept

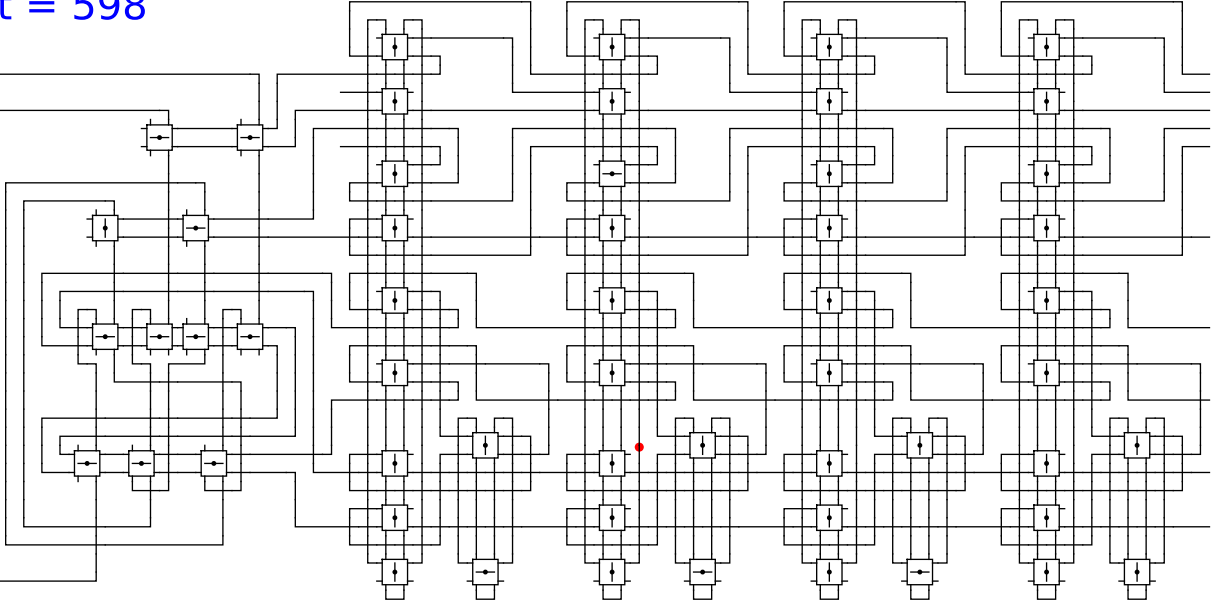
Begin



t = 598

Reject
Accept

Begin



1

1

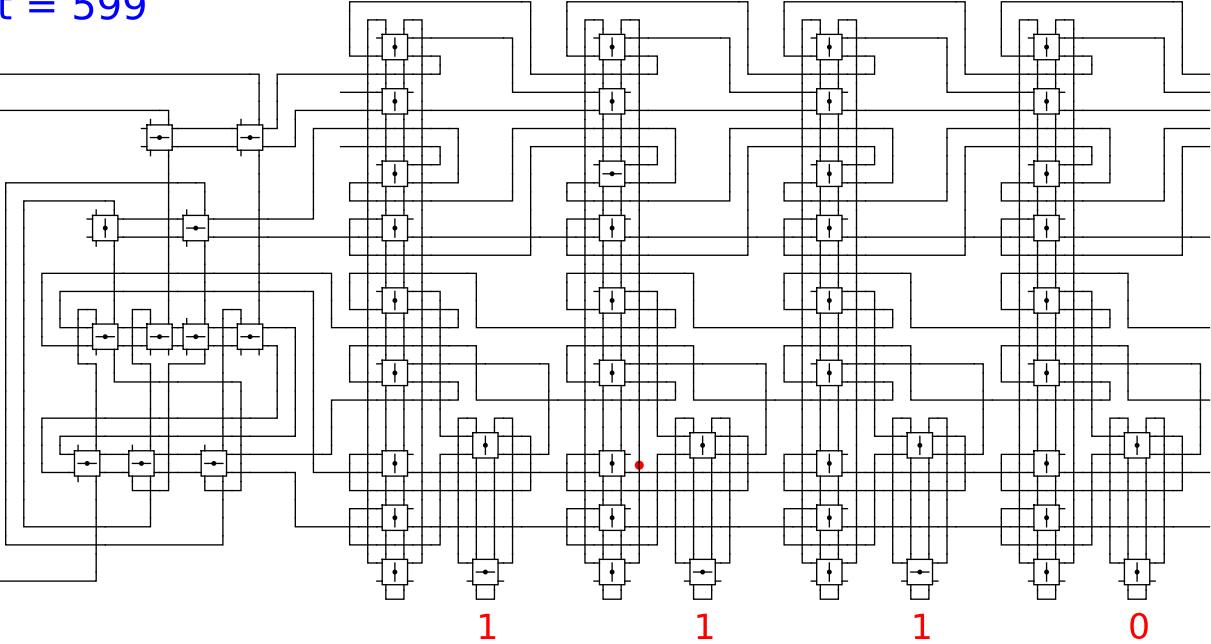
1

0

t = 599

Reject
Accept

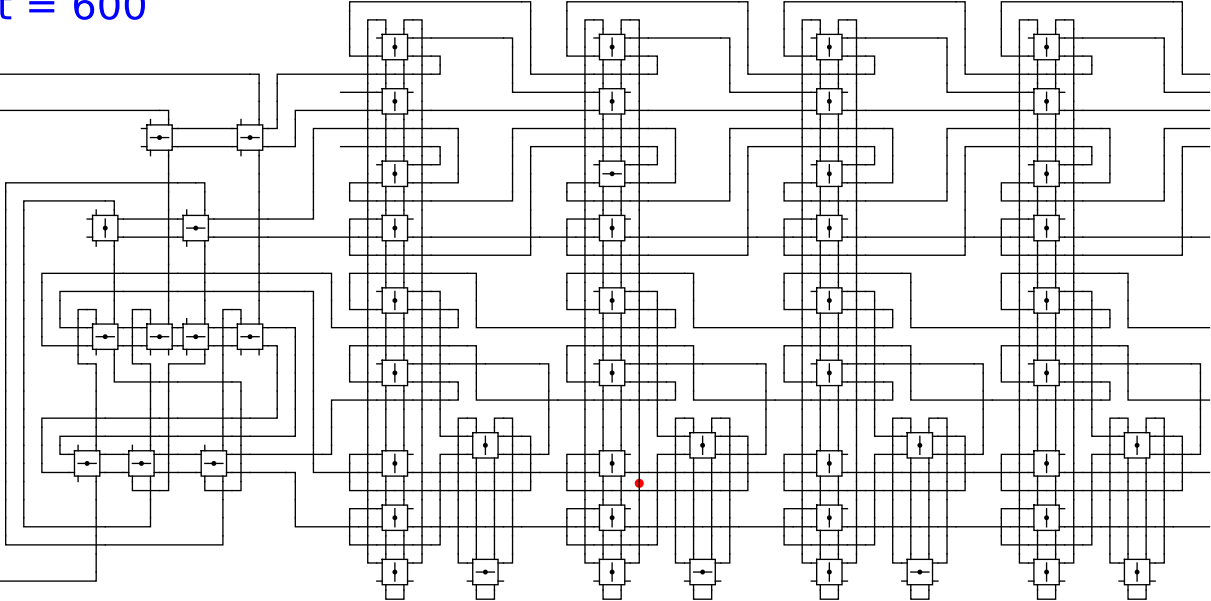
Begin



t = 600

Reject
Accept

Begin



1

1

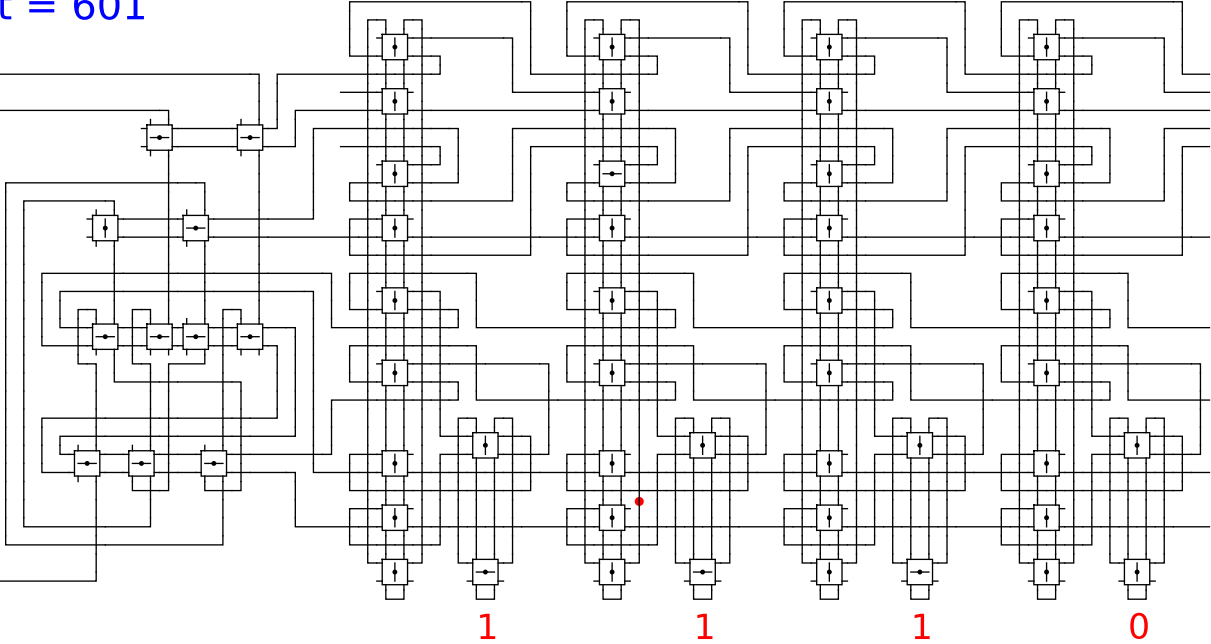
1

0

t = 601

Reject
Accept

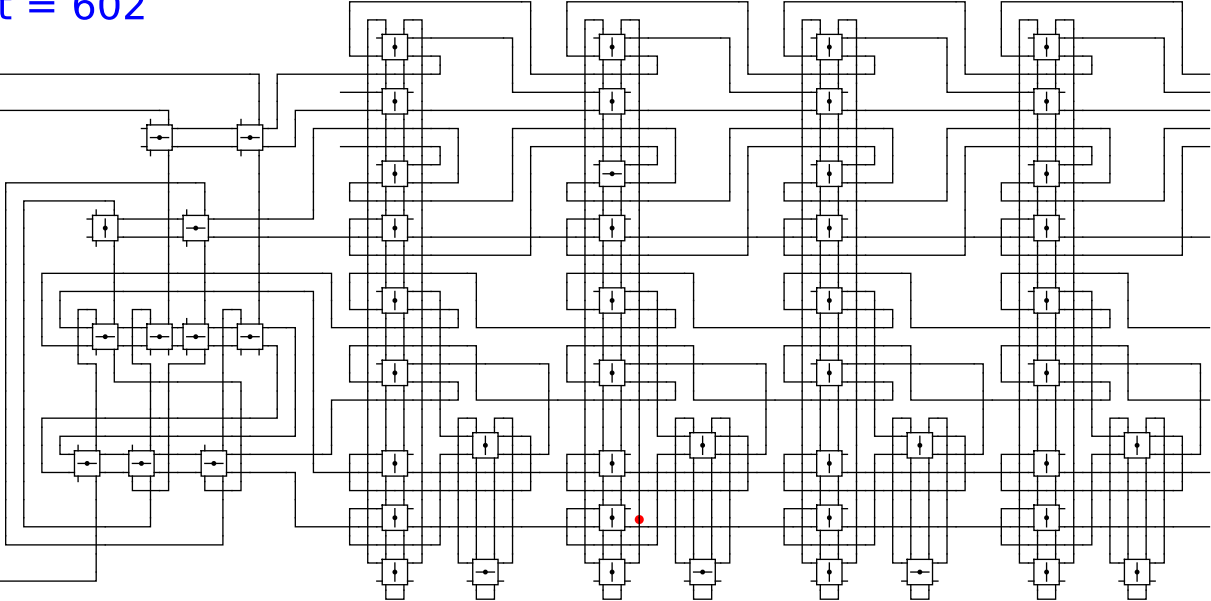
Begin



t = 602

Reject
Accept

Begin



1

1

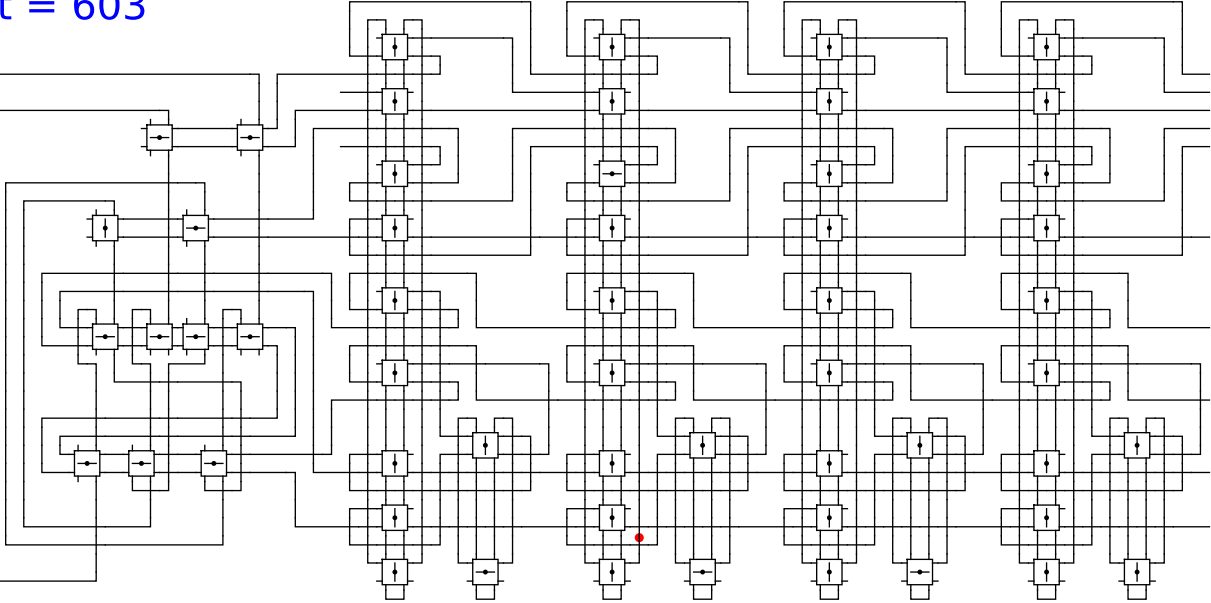
1

0

t = 603

Reject
Accept

Begin



1

1

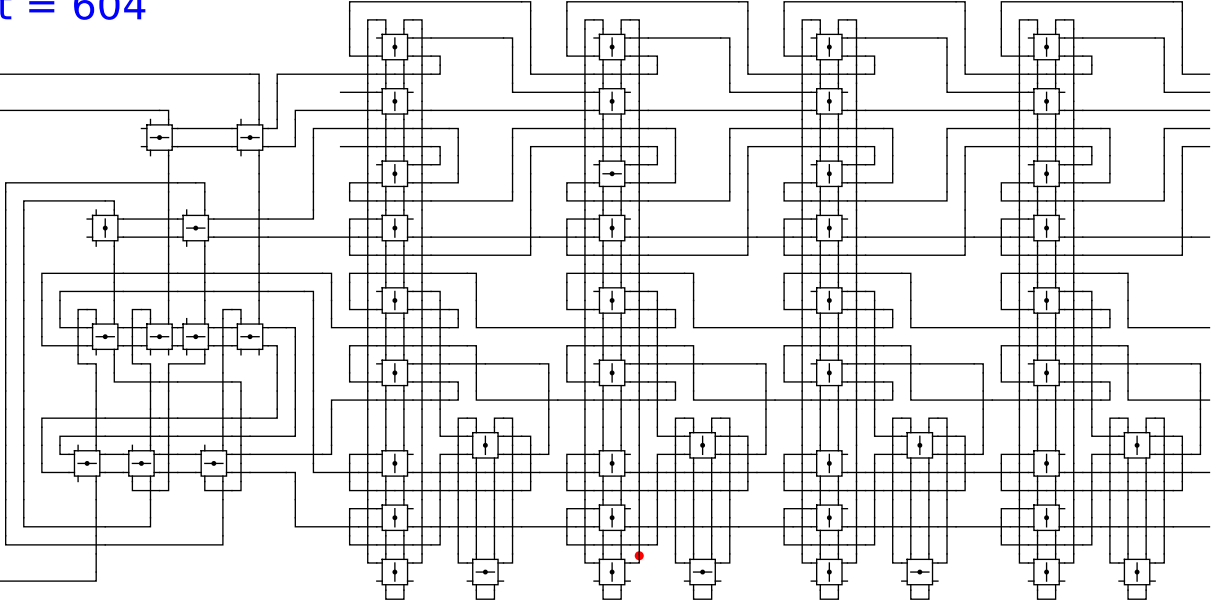
1

0

t = 604

Reject
Accept

Begin



1

1

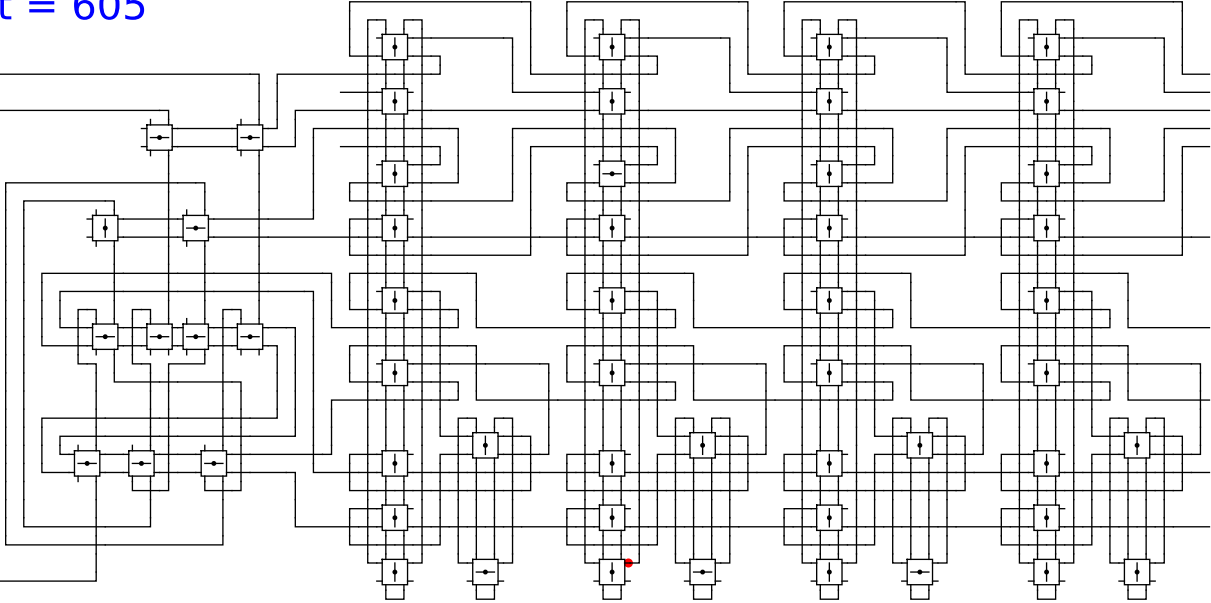
1

0

t = 605

Reject
Accept

Begin



1

1

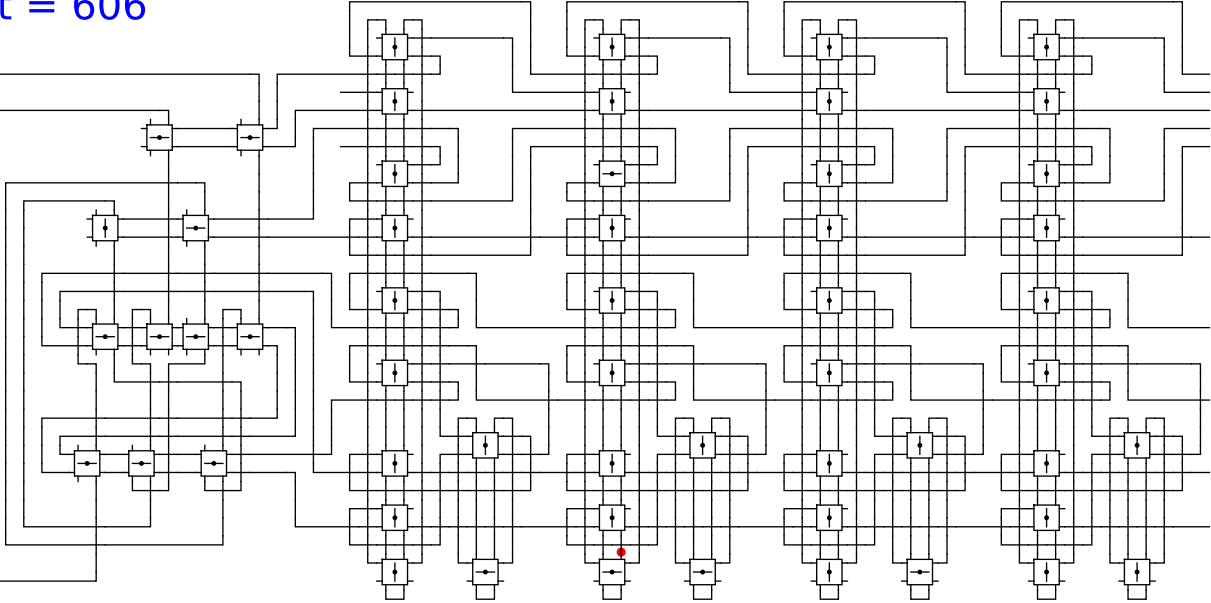
1

0

t = 606

Reject
Accept

Begin

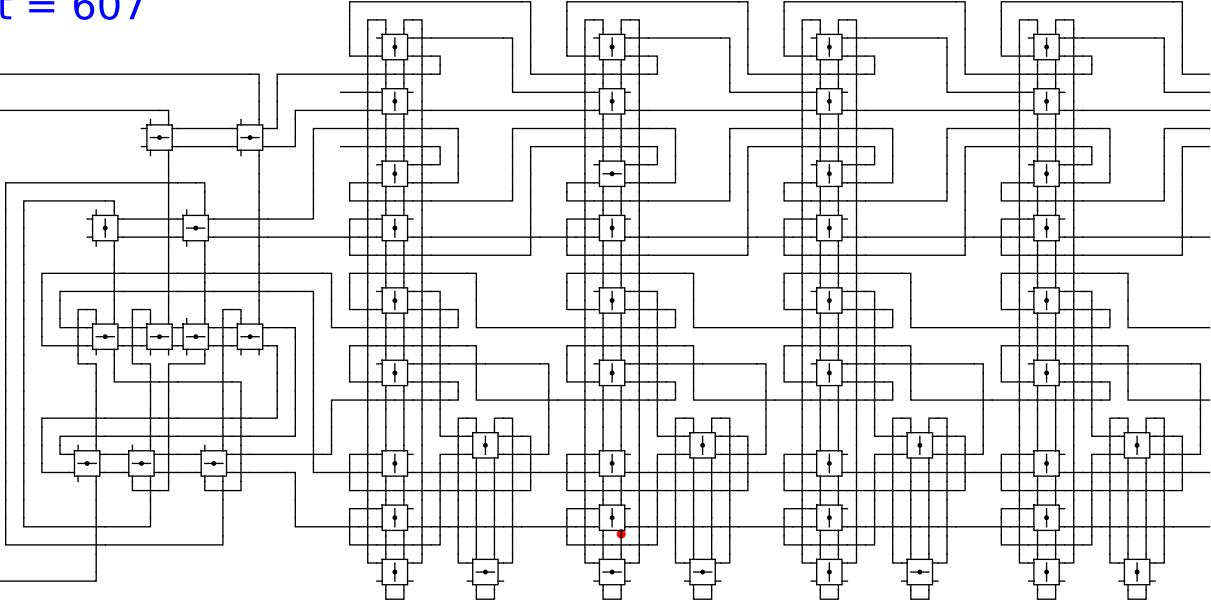


1 head 1 1 0

t = 607

Reject
Accept

Begin

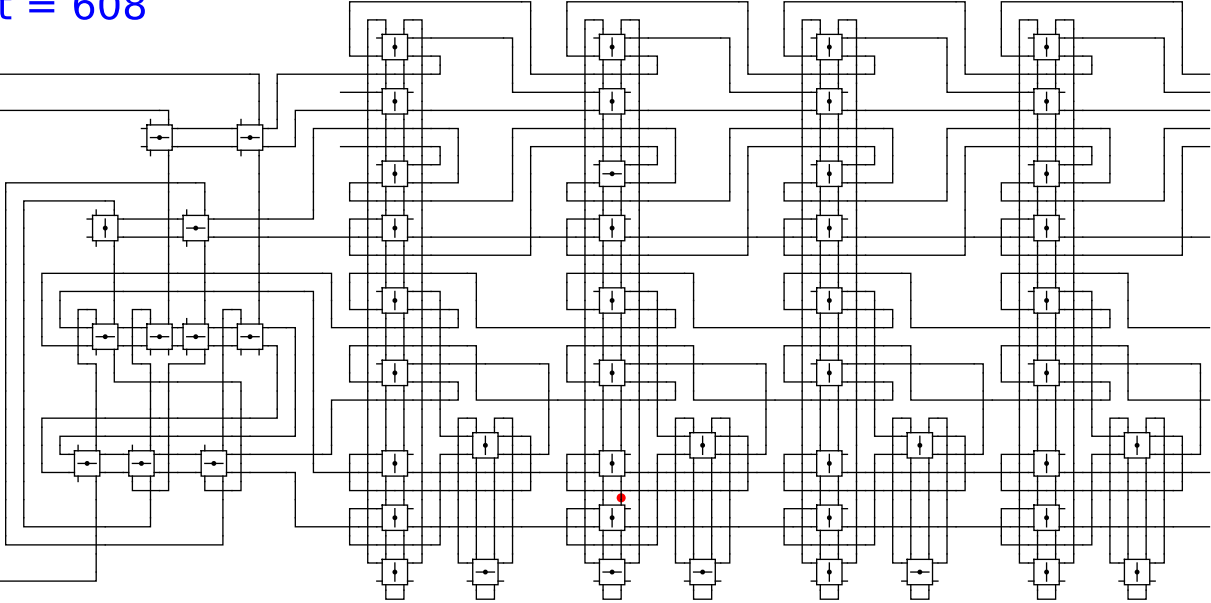


1 head 1 1 0

t = 608

Reject
Accept

Begin

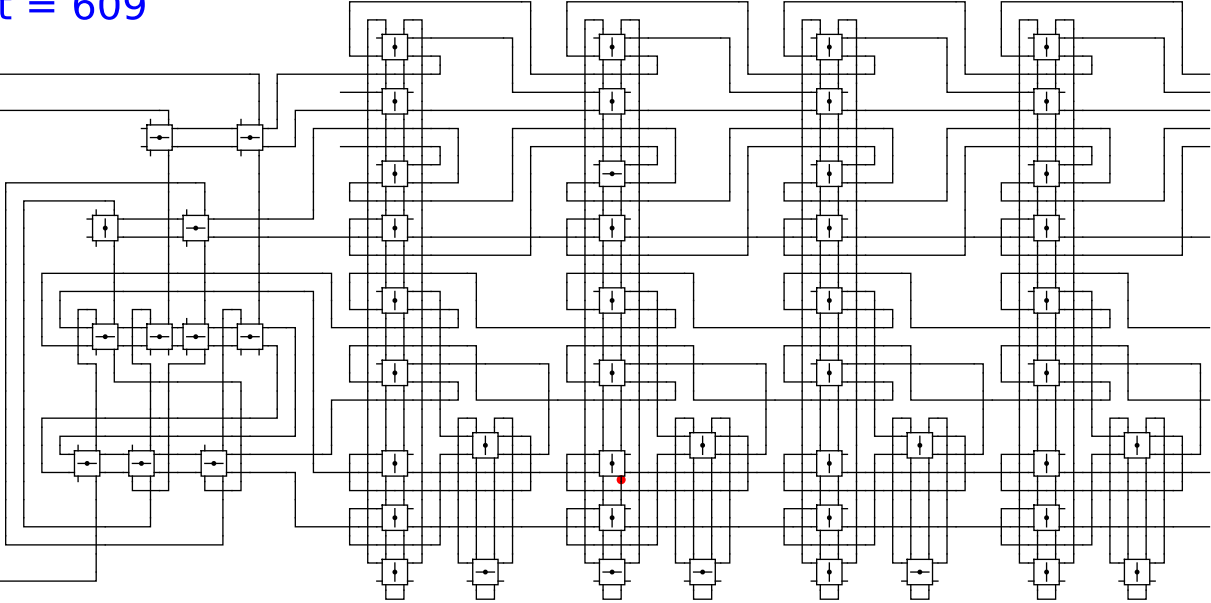


1 head 1 1 0

t = 609

Reject
Accept

Begin

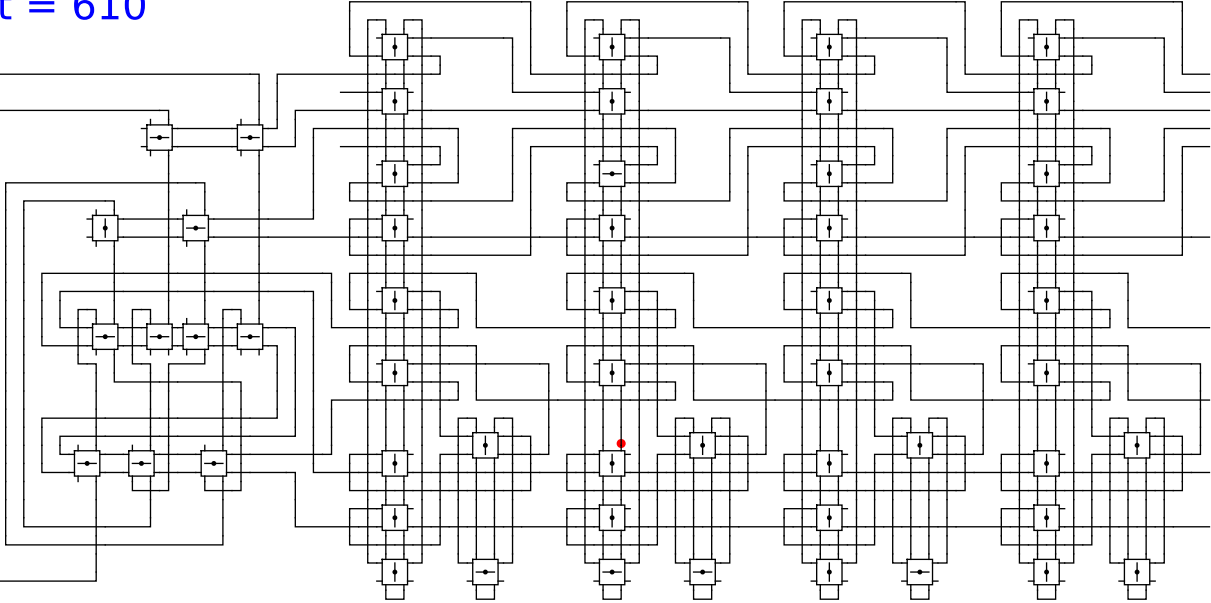


1 head 1 1 0

t = 610

Reject
Accept

Begin

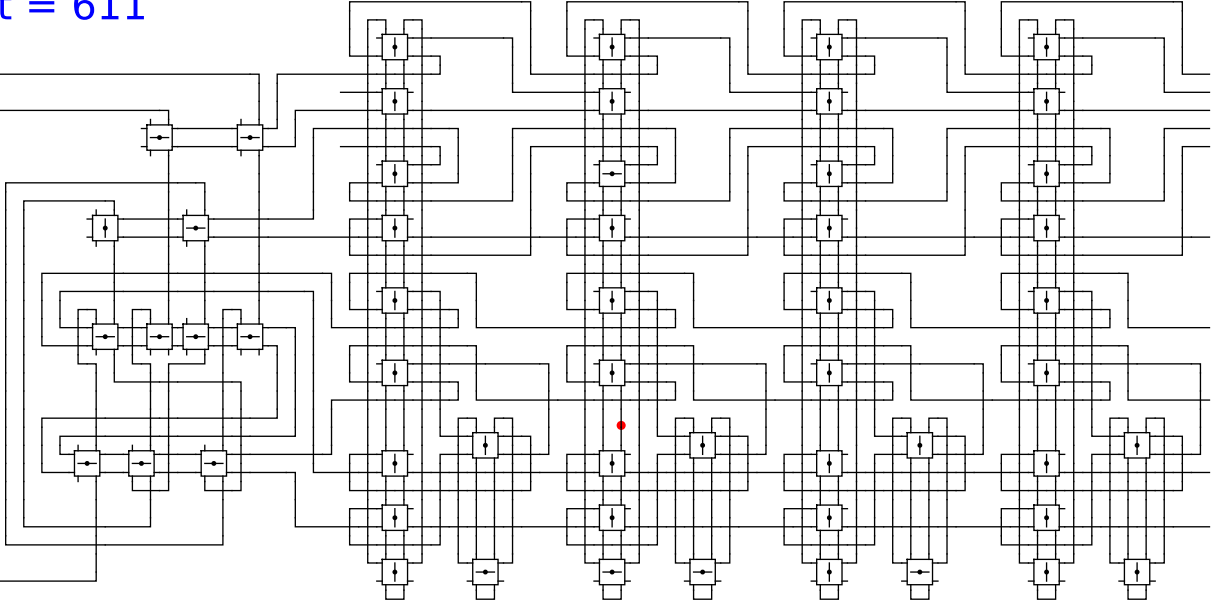


1 head 1 1 0

t = 611

Reject
Accept

Begin

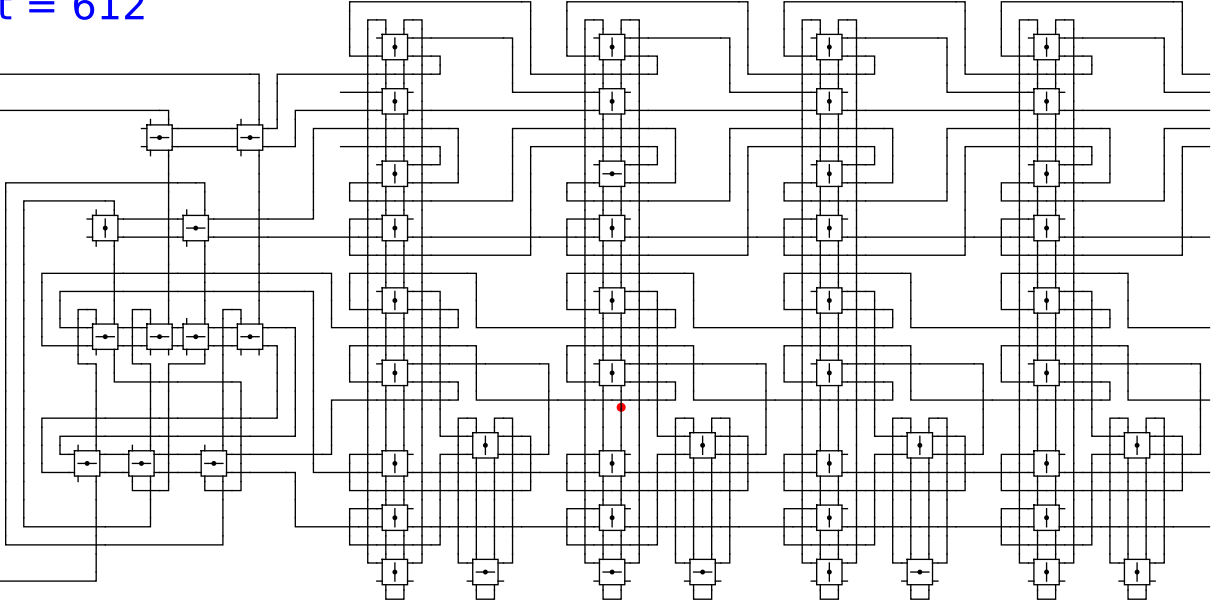


1 head 1 1 0

t = 612

Reject
Accept

Begin

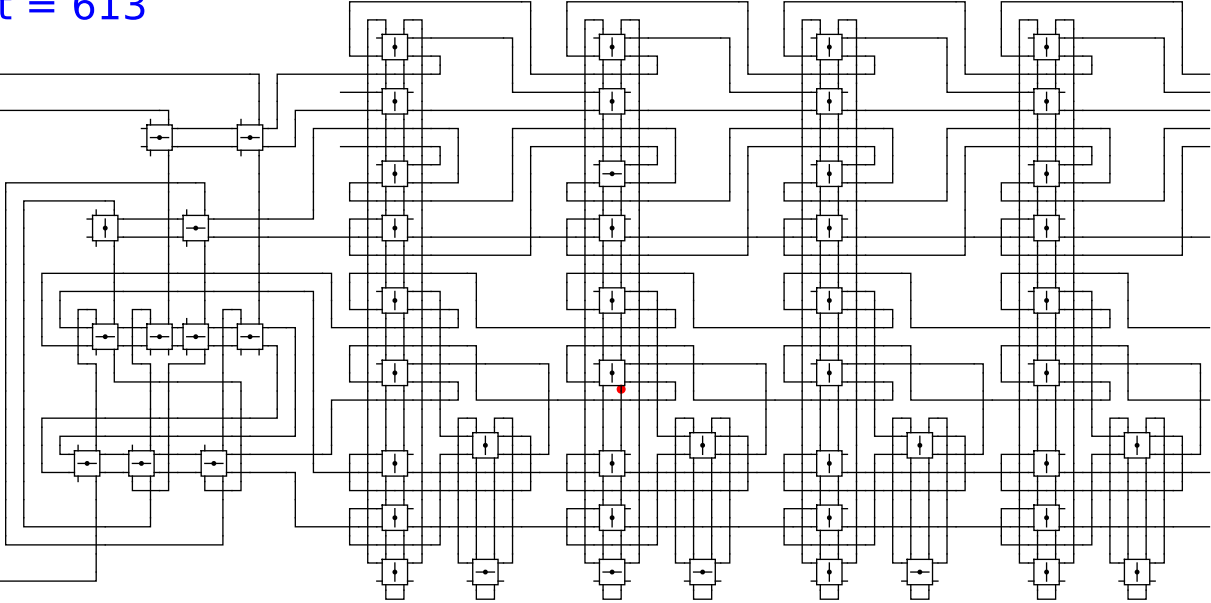


1 head 1 1 0

t = 613

Reject
Accept

Begin

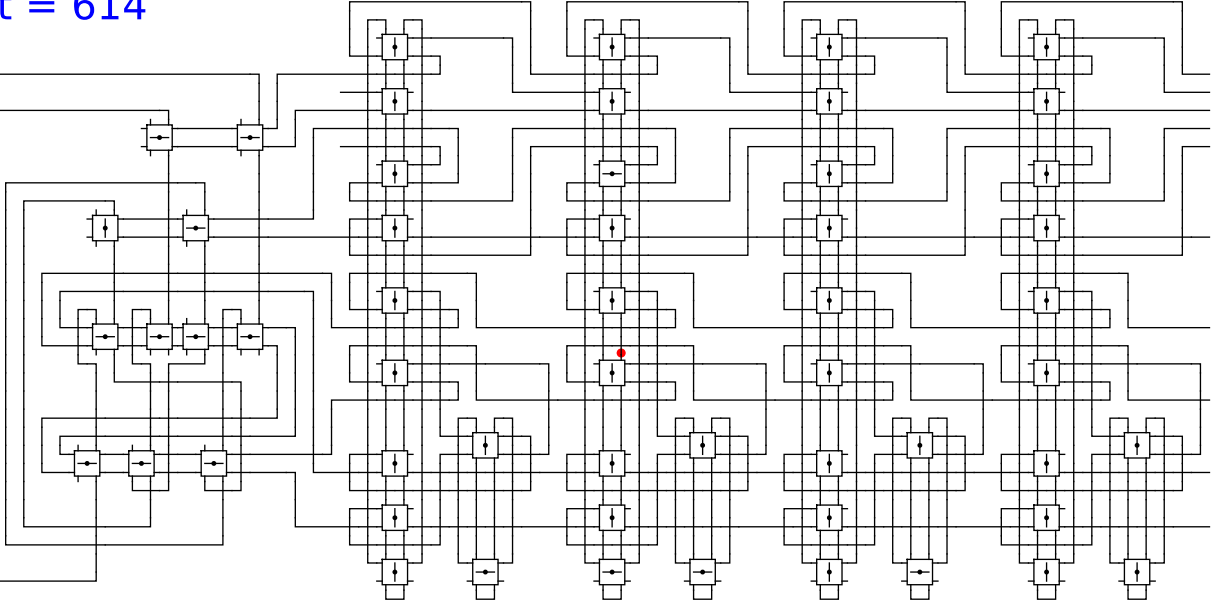


1 head 1 1 0

t = 614

Reject
Accept

Begin

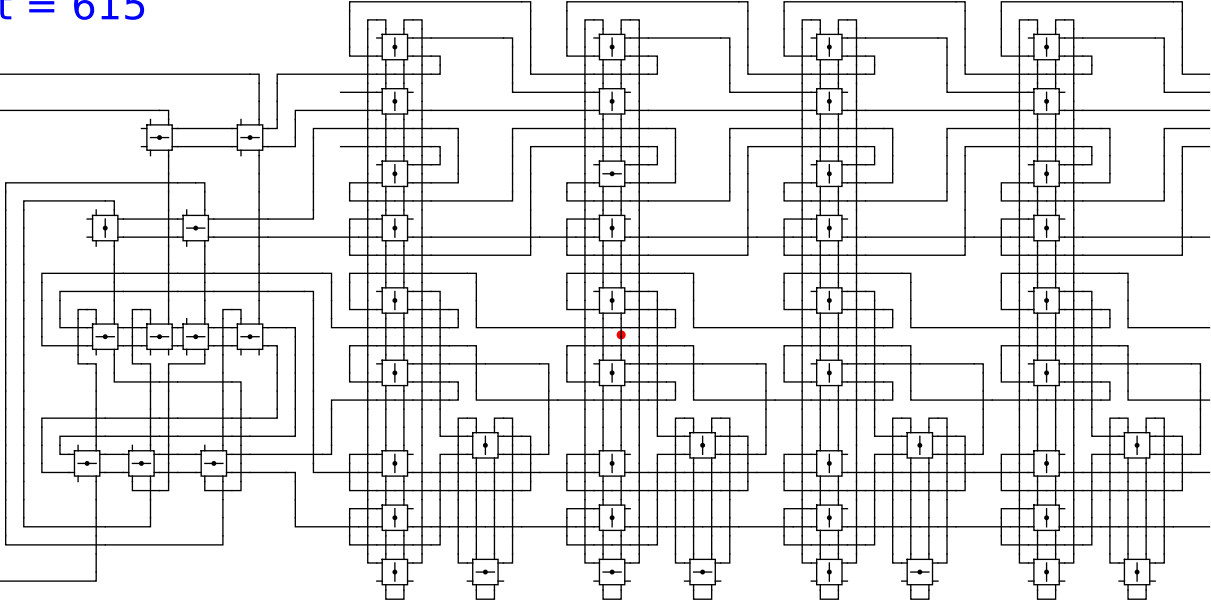


1 head 1 1 0

t = 615

Reject
Accept

Begin

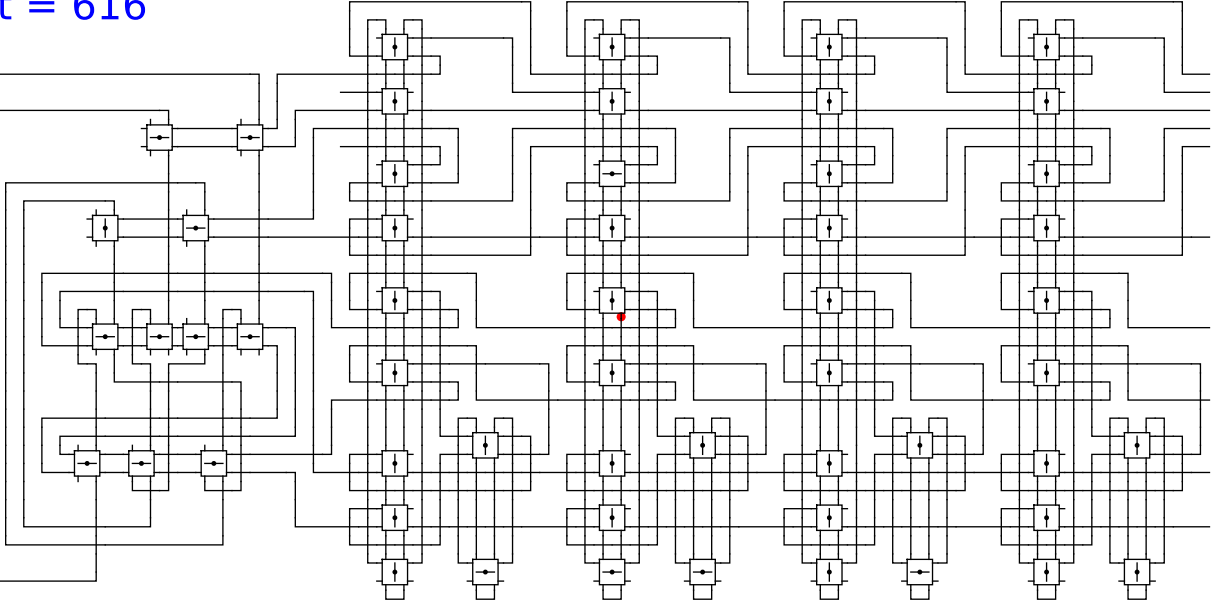


1 head 1 1 0

t = 616

Reject
Accept

Begin

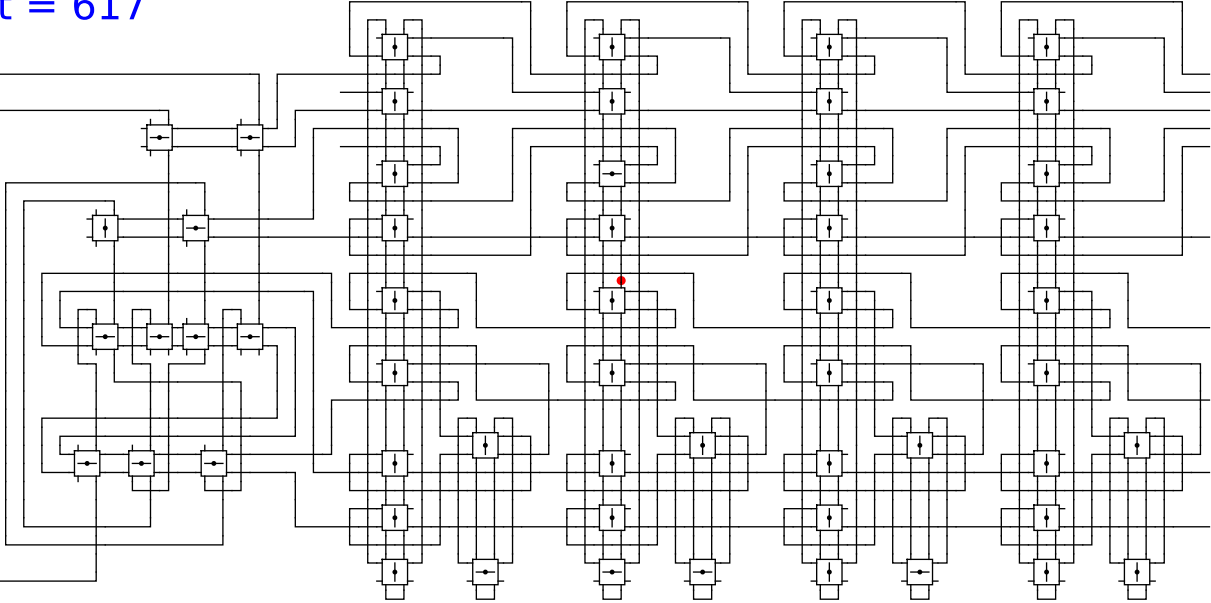


1 head 1 1 0

t = 617

Reject
Accept

Begin

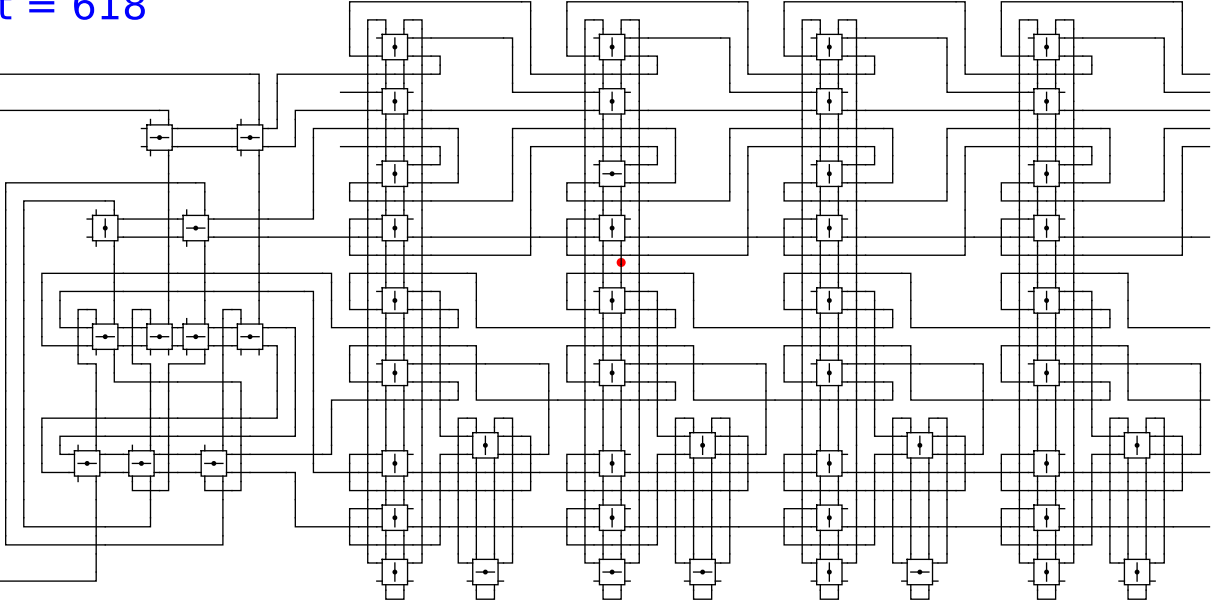


1 head 1 1 0

t = 618

Reject
Accept

Begin

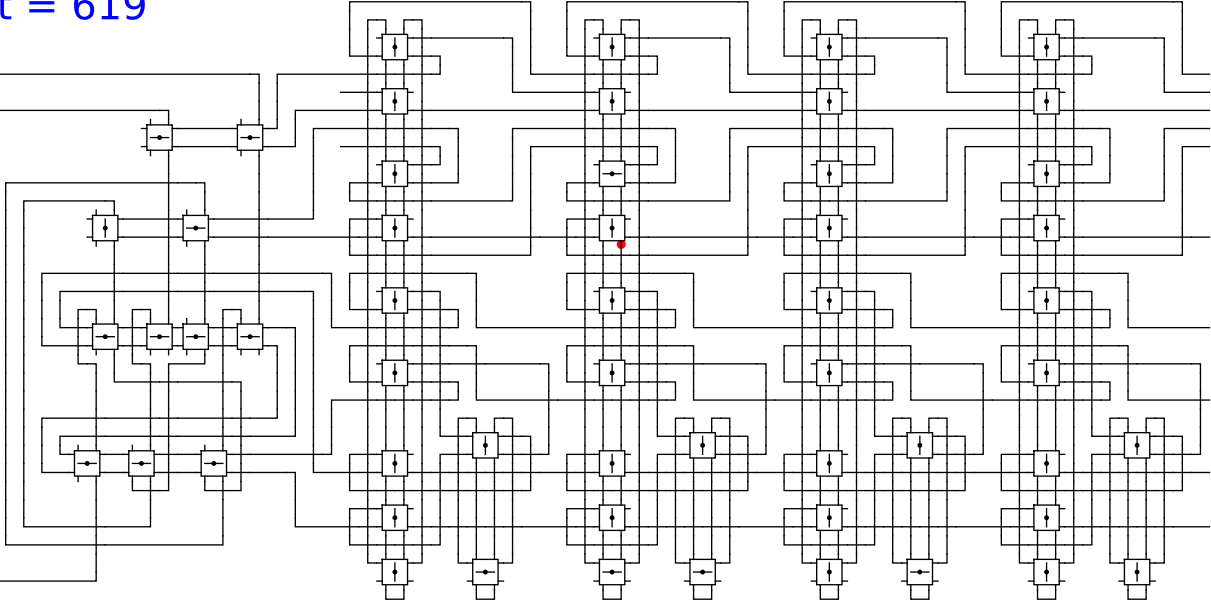


1 head 1 1 0

t = 619

Reject
Accept

Begin

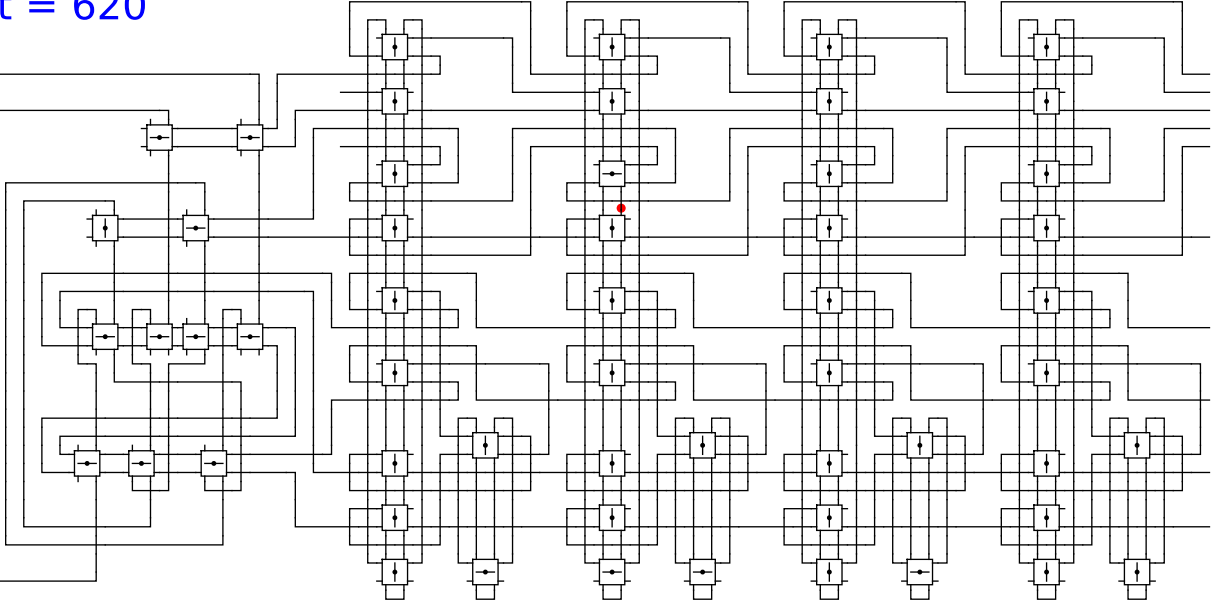


1 head 1 1 0

t = 620

Reject
Accept

Begin

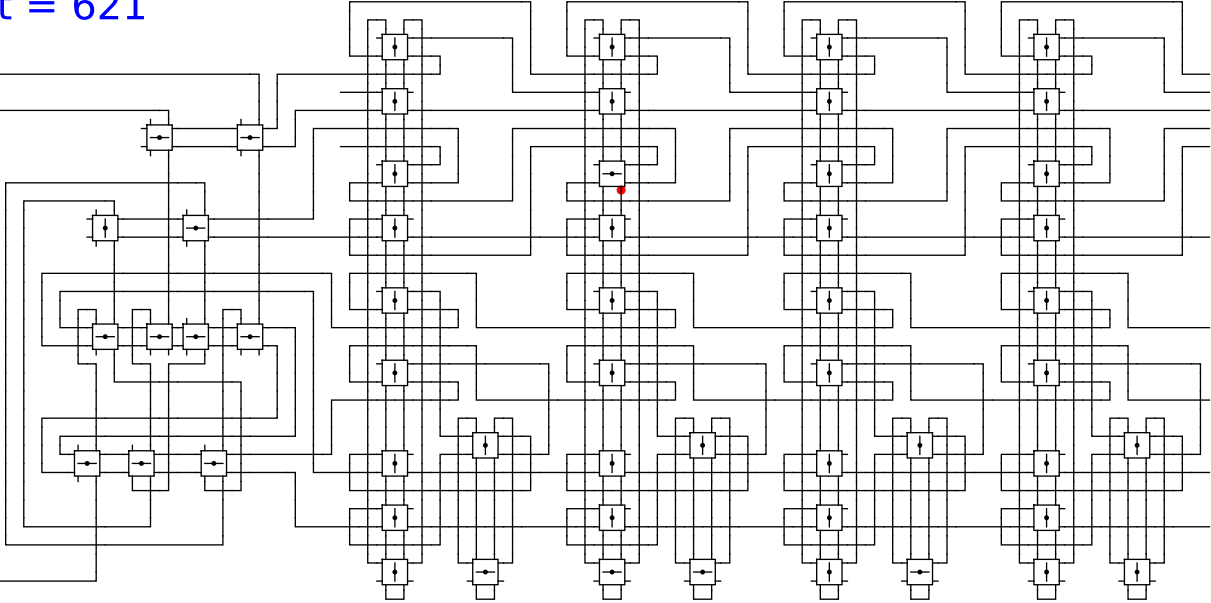


1 head 1 1 0

t = 621

Reject
Accept

Begin

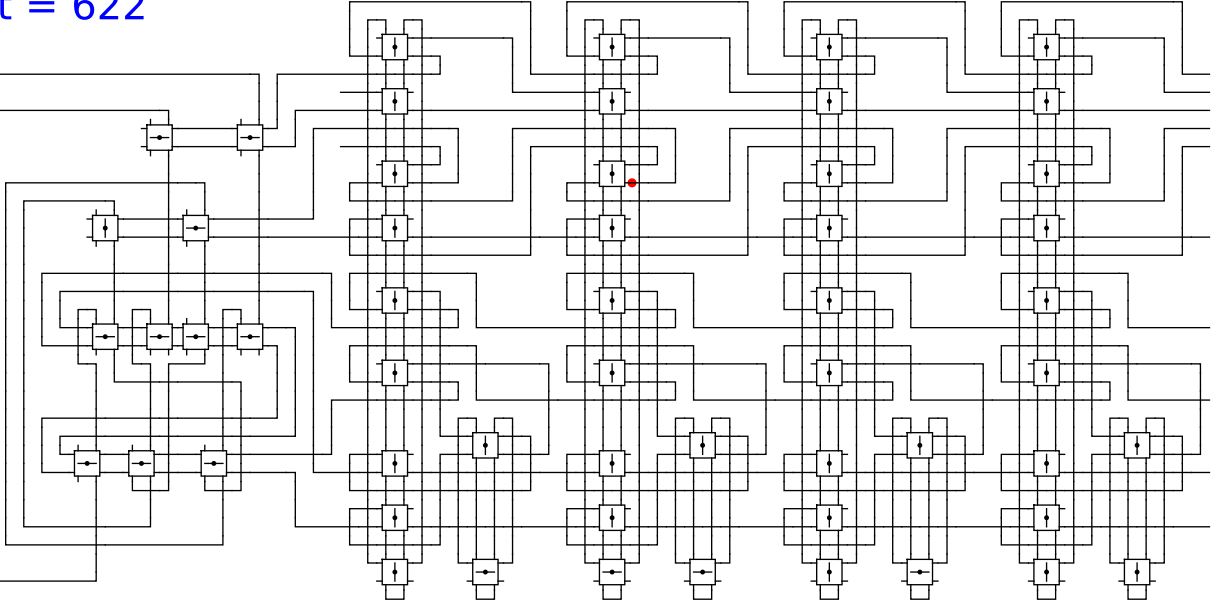


1 head 1 1 0

t = 622

Reject
Accept

Begin

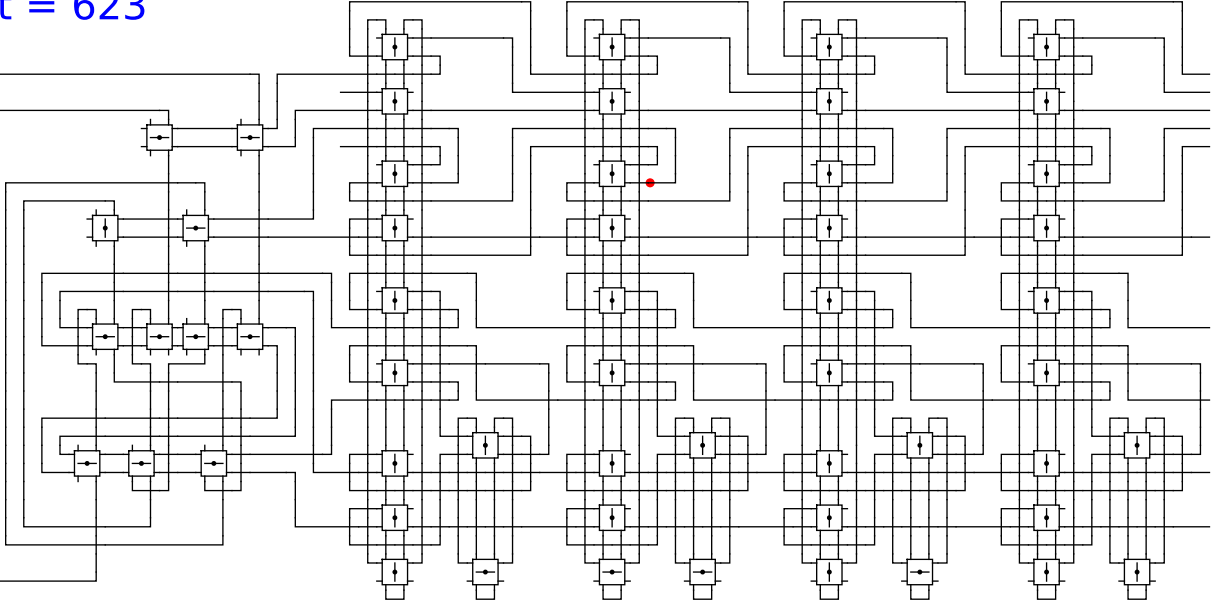


1 head 1 1 0

t = 623

Reject
Accept

Begin

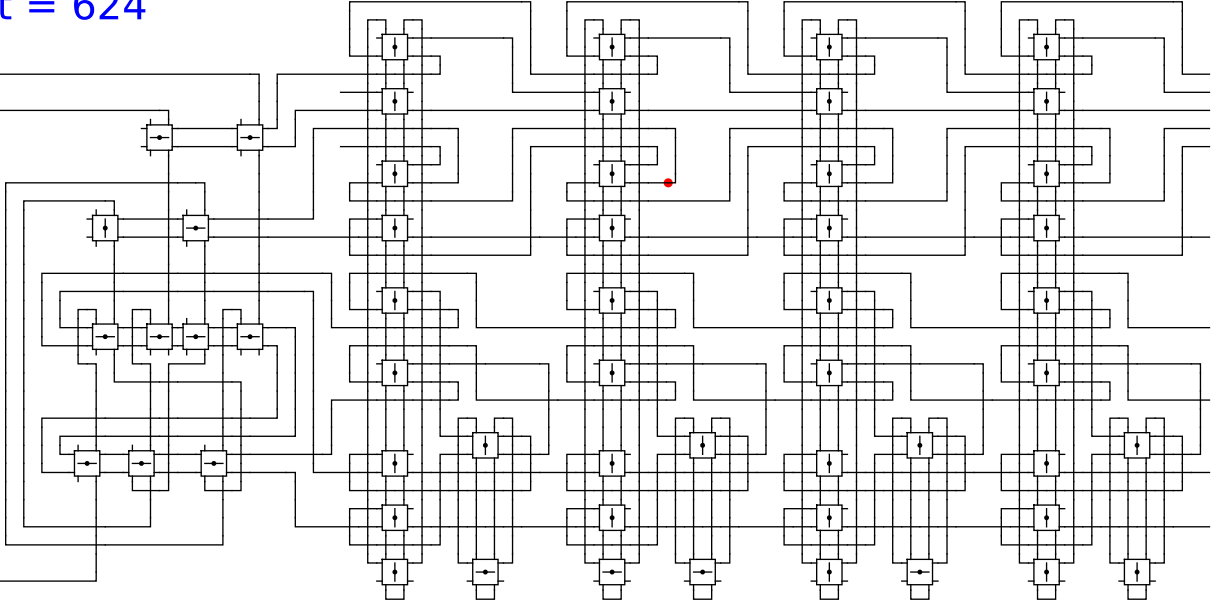


1 head 1 1 0

t = 624

Reject
Accept

Begin

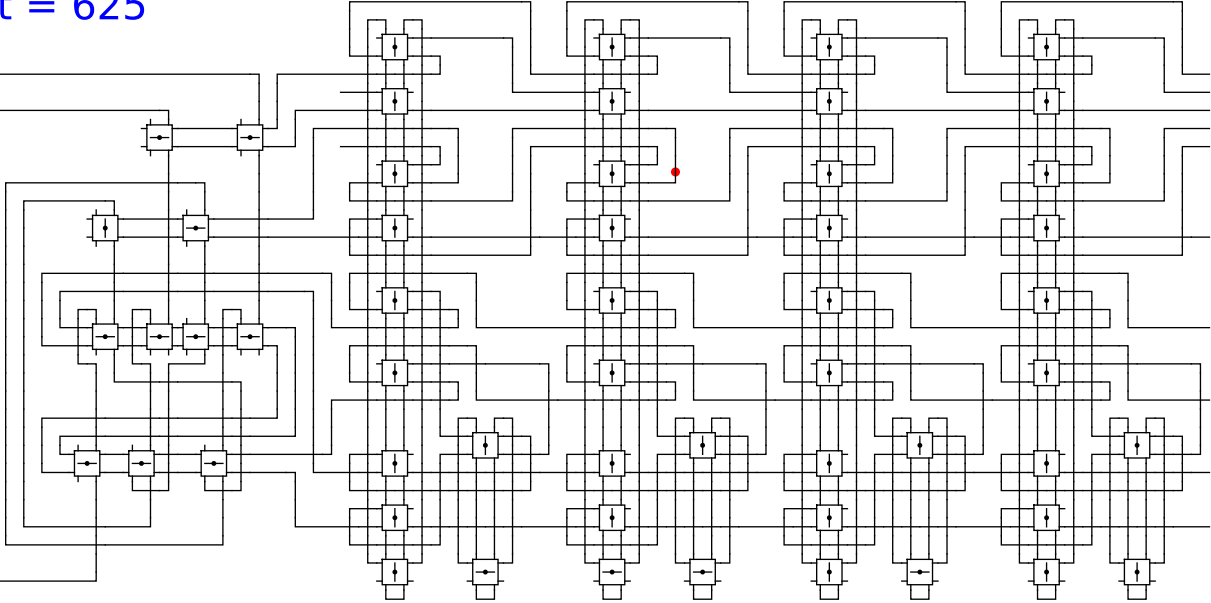


1 head 1 1 0

t = 625

Reject
Accept

Begin

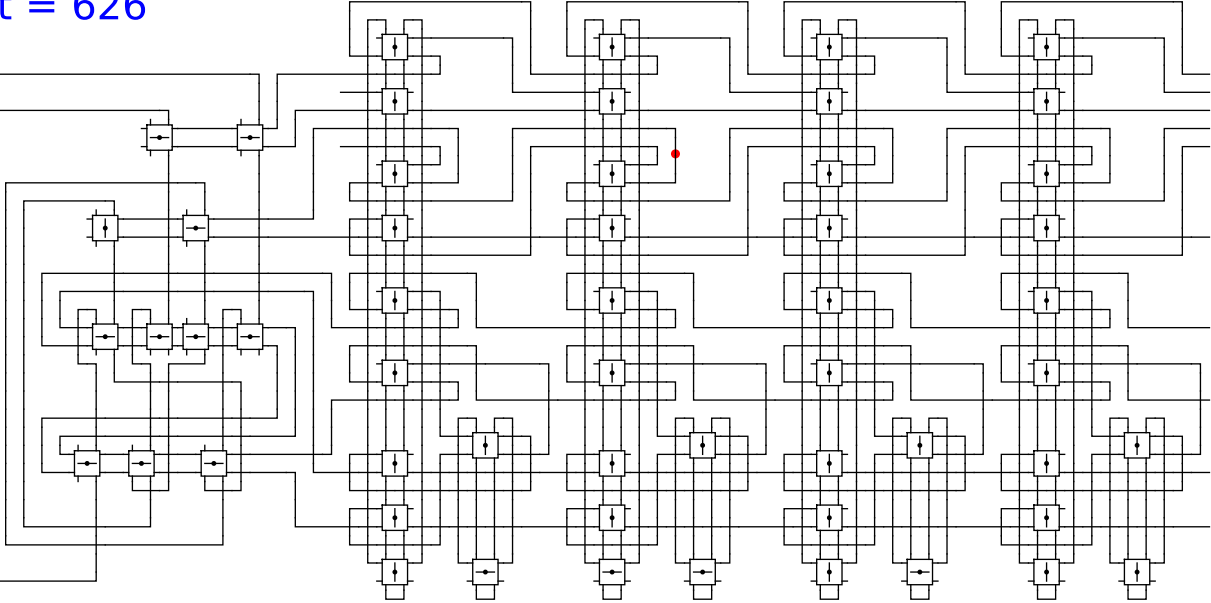


1 head 1 1 0

t = 626

Reject
Accept

Begin

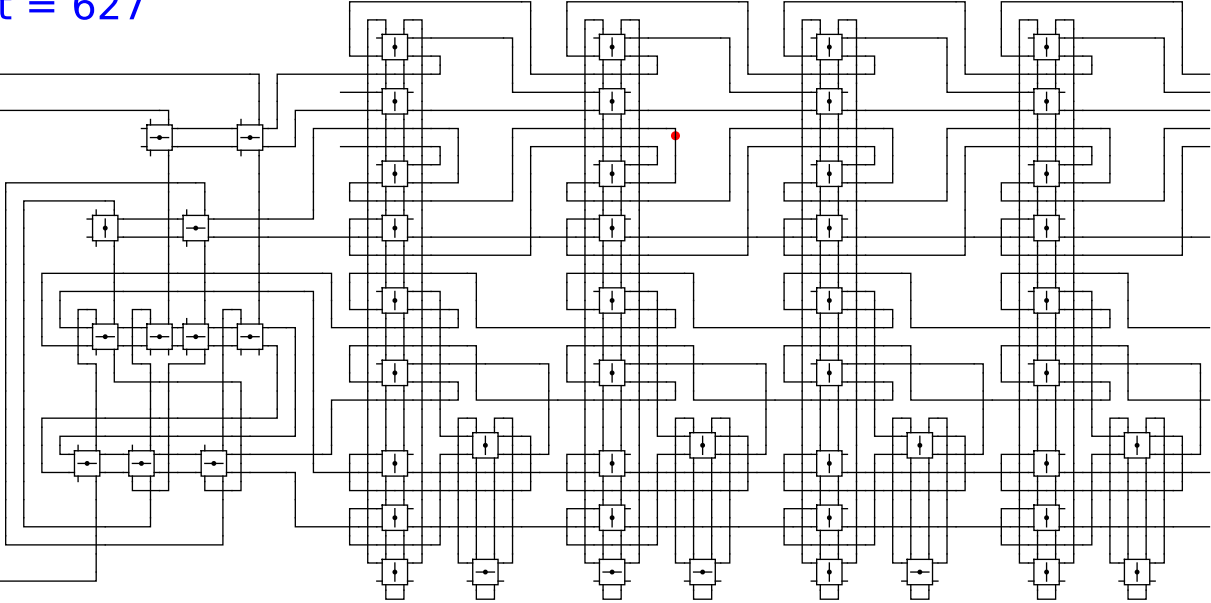


1 head 1 1 0

t = 627

Reject
Accept

Begin

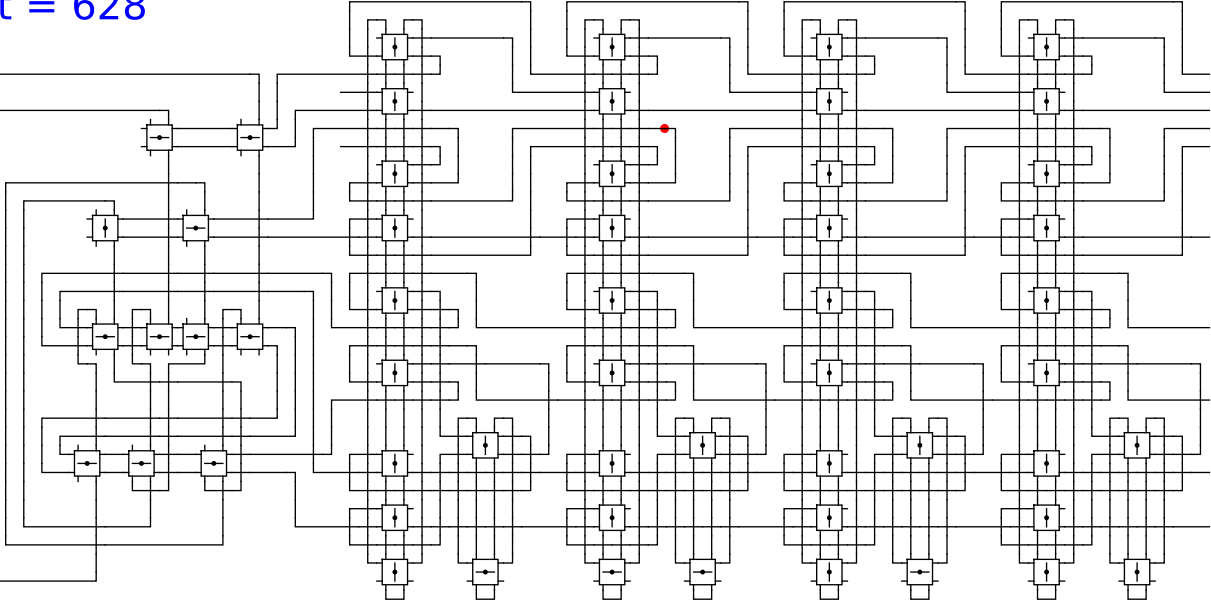


1 head 1 1 0

t = 628

Reject
Accept

Begin

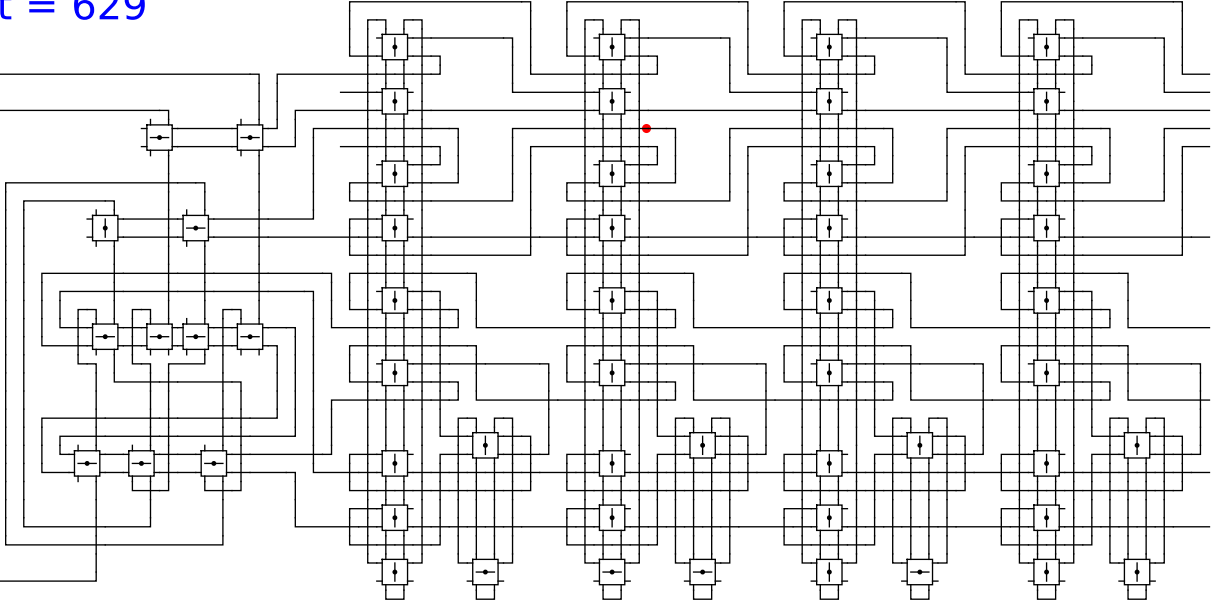


1 head 1 1 0

t = 629

Reject
Accept

Begin

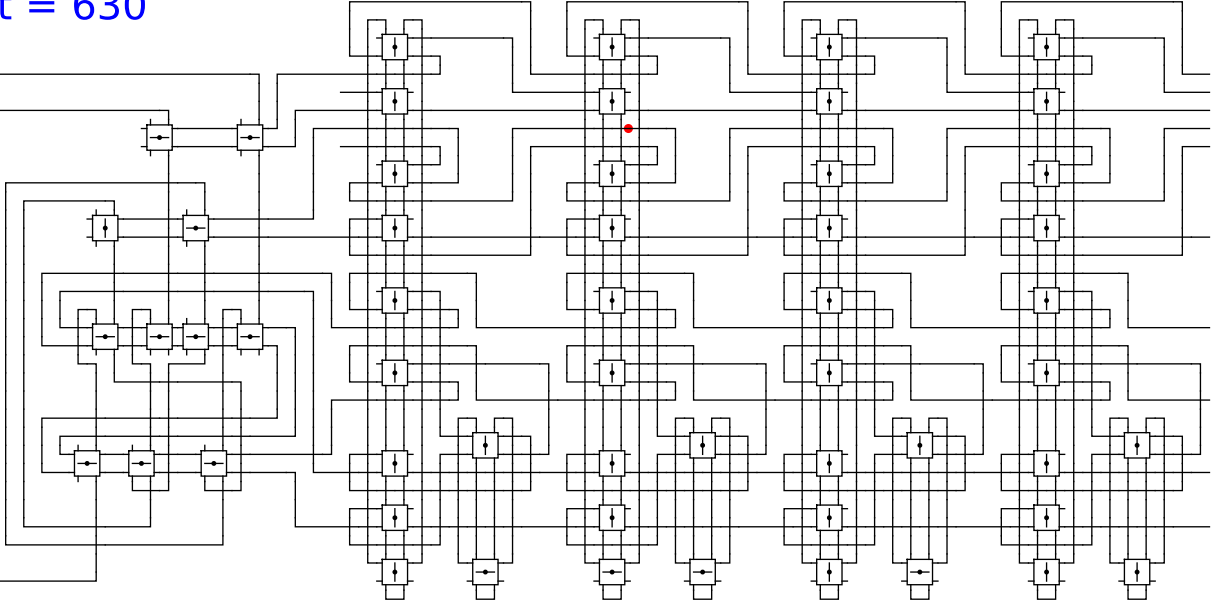


1 head 1 1 0

t = 630

Reject
Accept

Begin

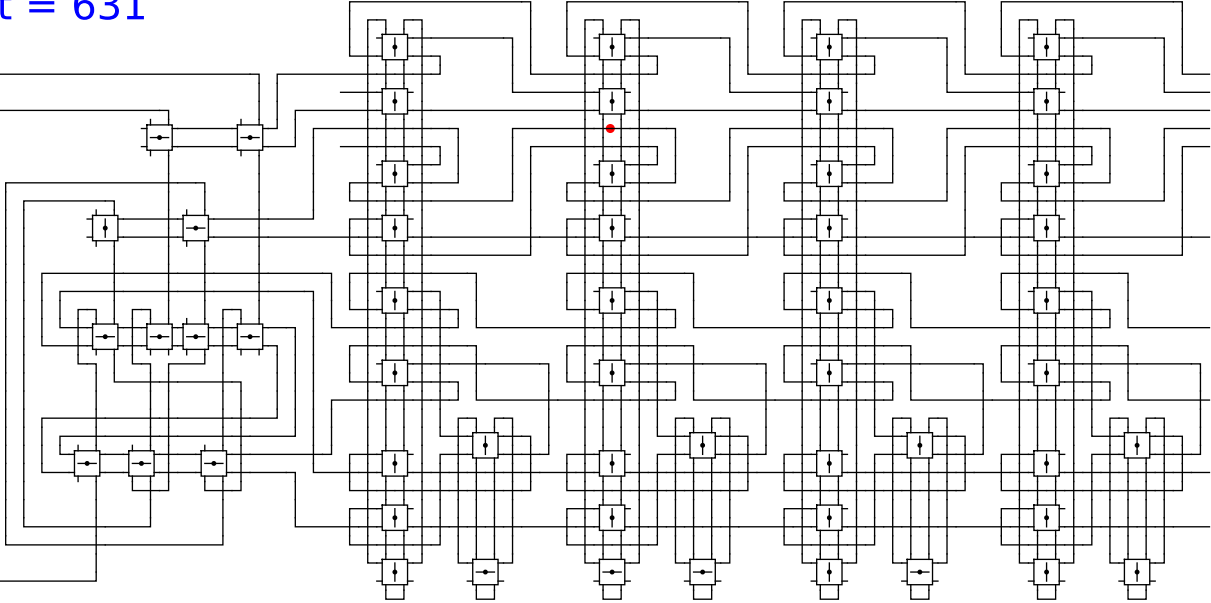


1 head 1 1 0

t = 631

Reject
Accept

Begin

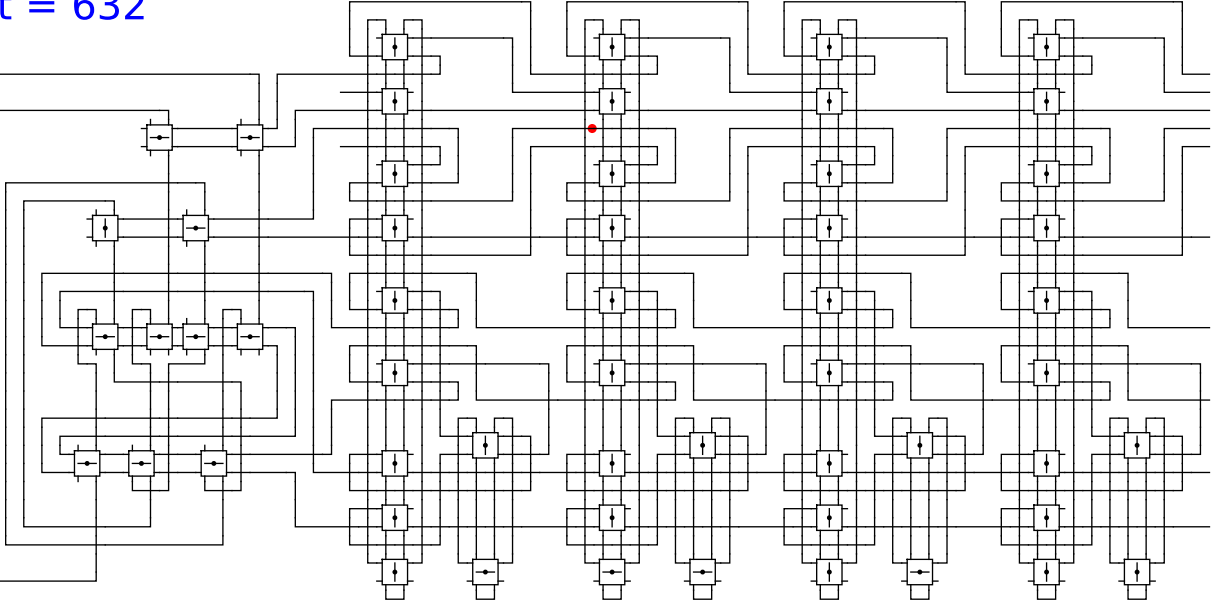


1 head 1 1 0

t = 632

Reject
Accept

Begin

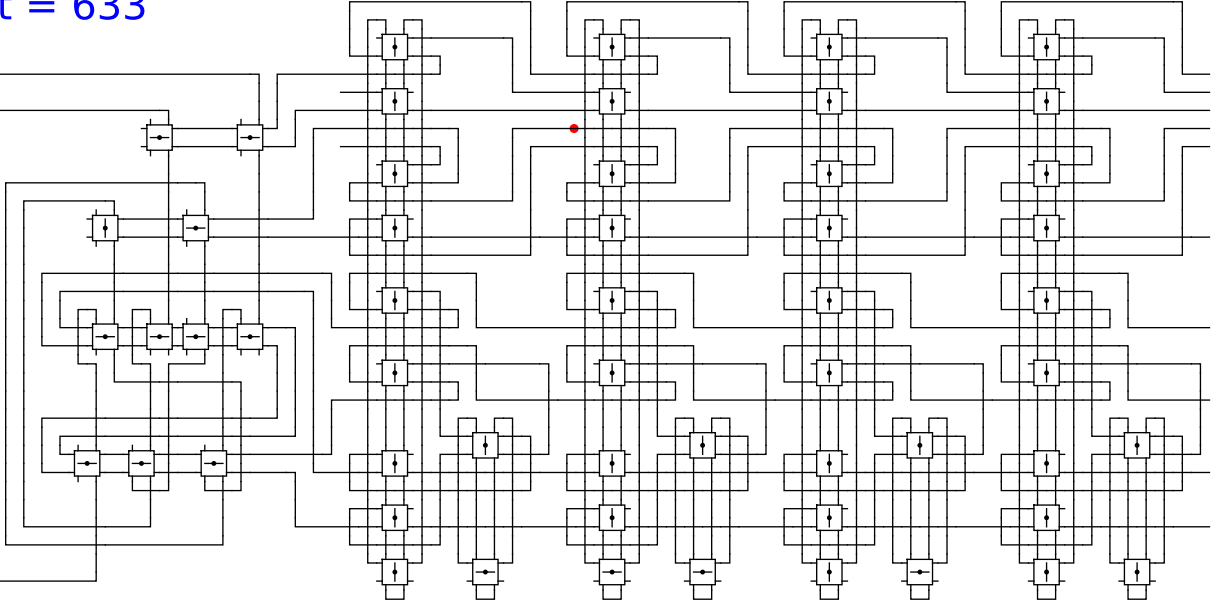


1 head 1 1 0

t = 633

Reject
Accept

Begin

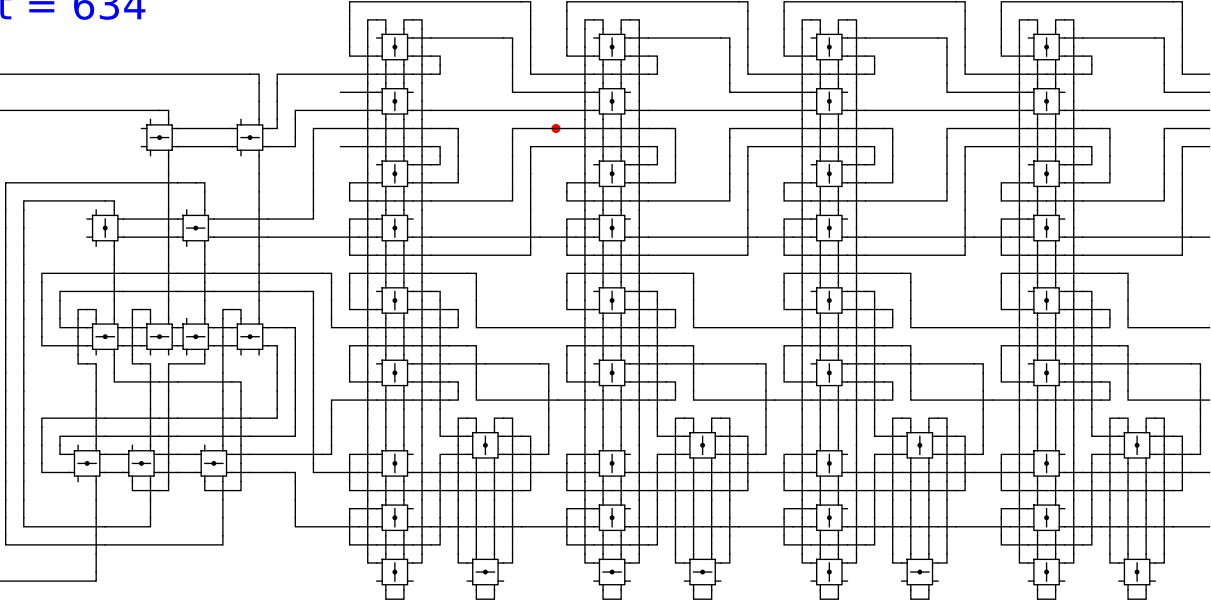


1 head 1 1 0

t = 634

Reject
Accept

Begin

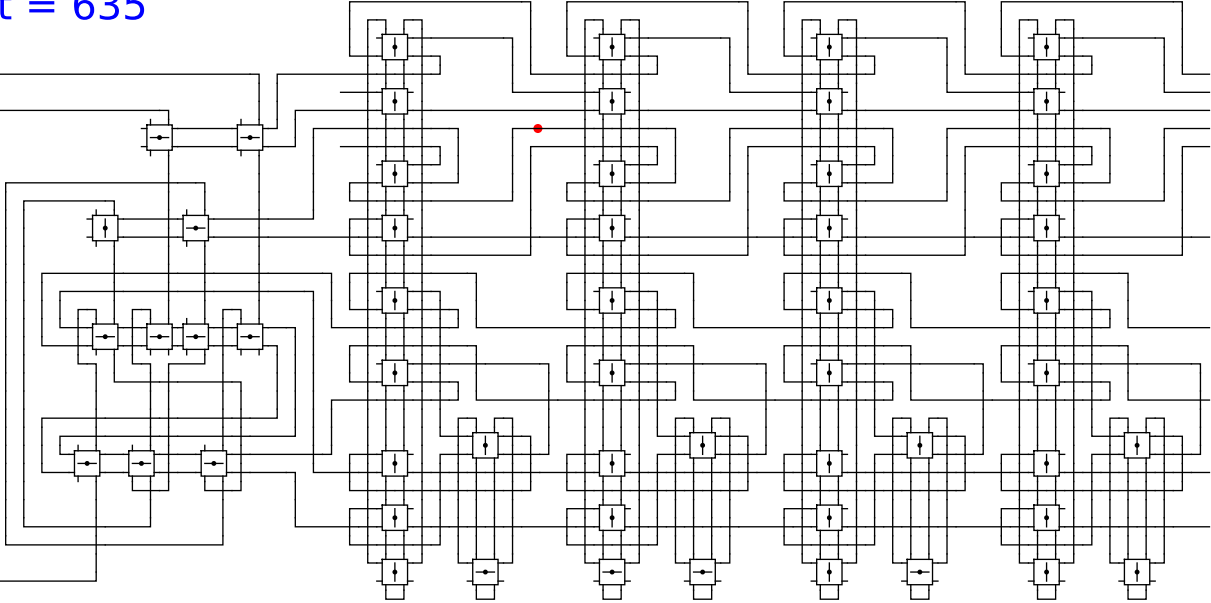


1 head 1 1 0

t = 635

Reject
Accept

Begin

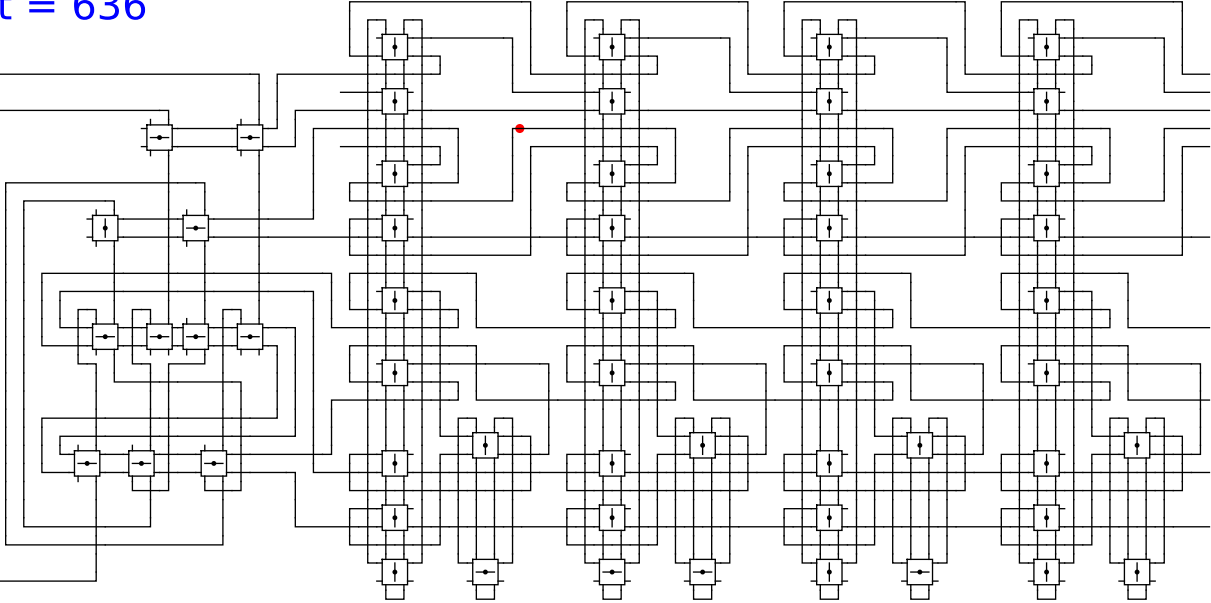


1 head 1 1 0

t = 636

Reject
Accept

Begin

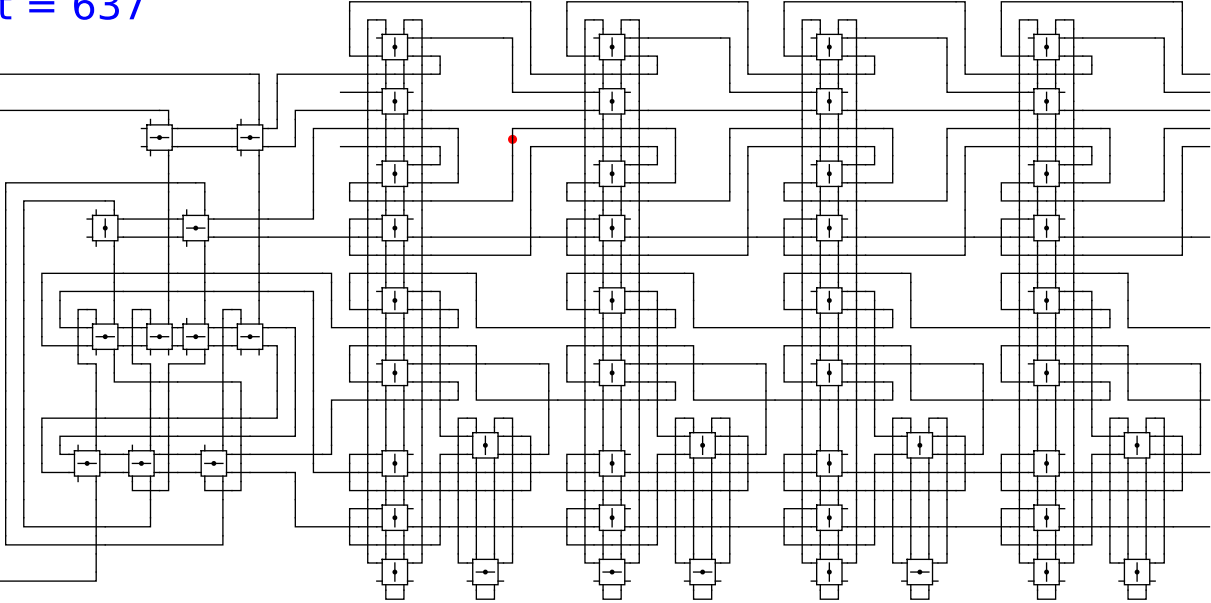


1 head 1 1 0

t = 637

Reject
Accept

Begin

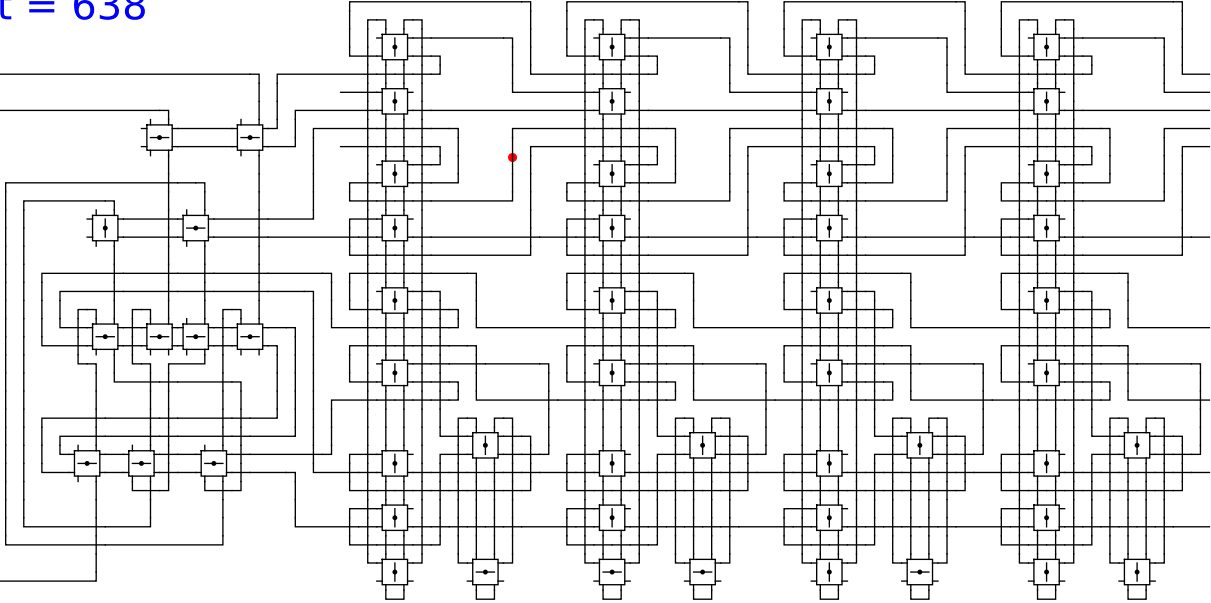


1 head 1 0

t = 638

Reject
Accept

Begin

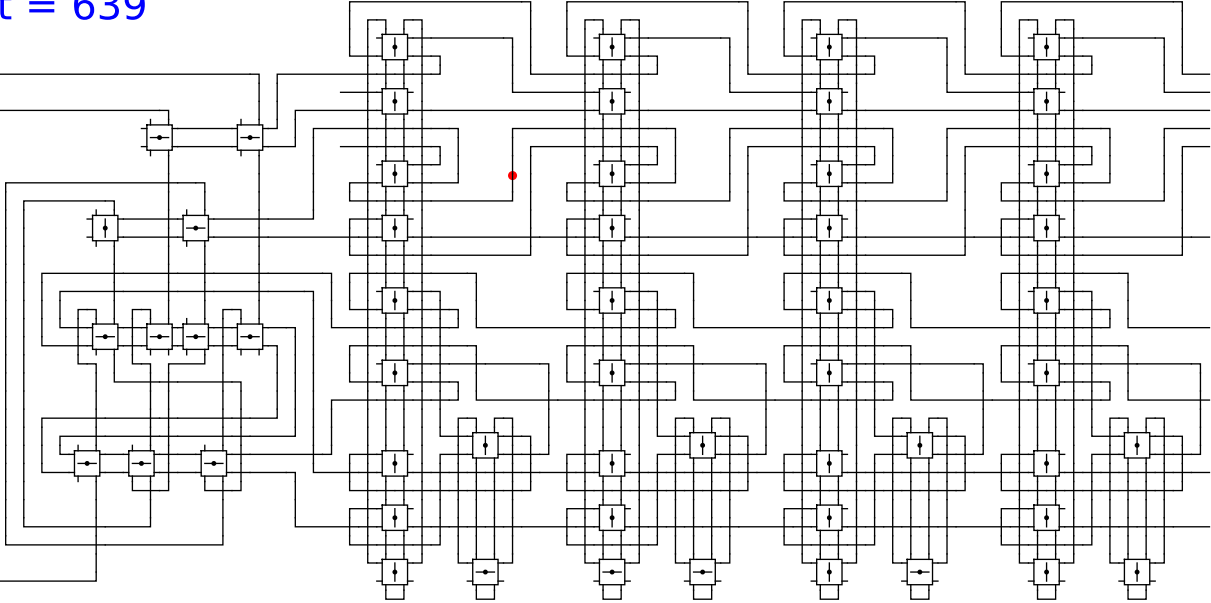


1 head 1 0

t = 639

Reject
Accept

Begin

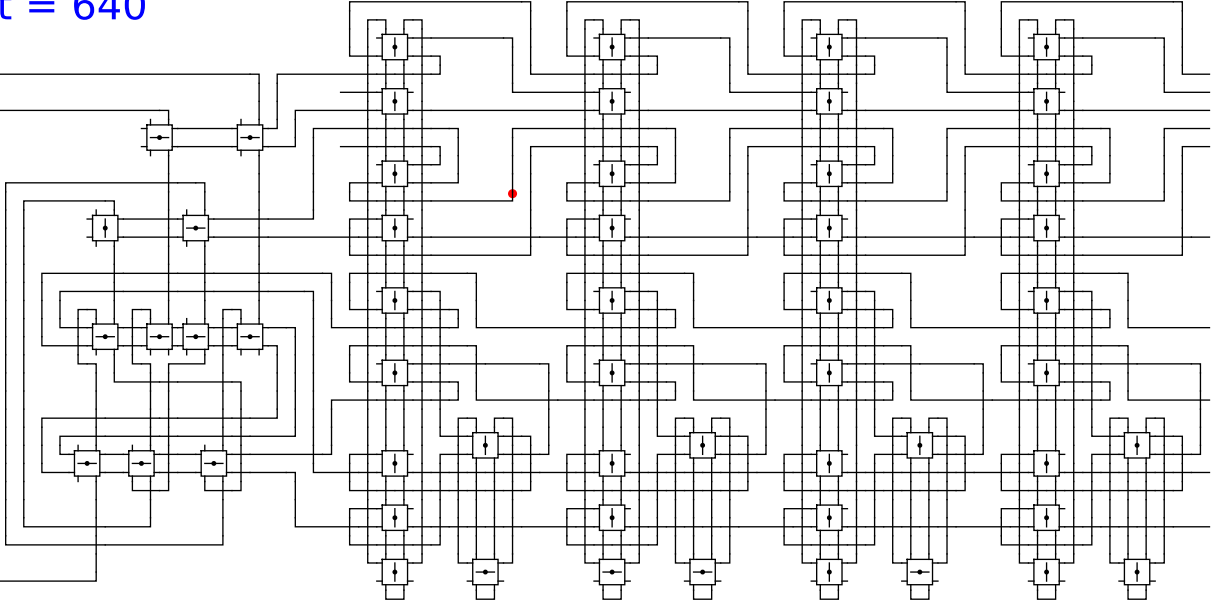


1 head 1 1 0

t = 640

Reject
Accept

Begin

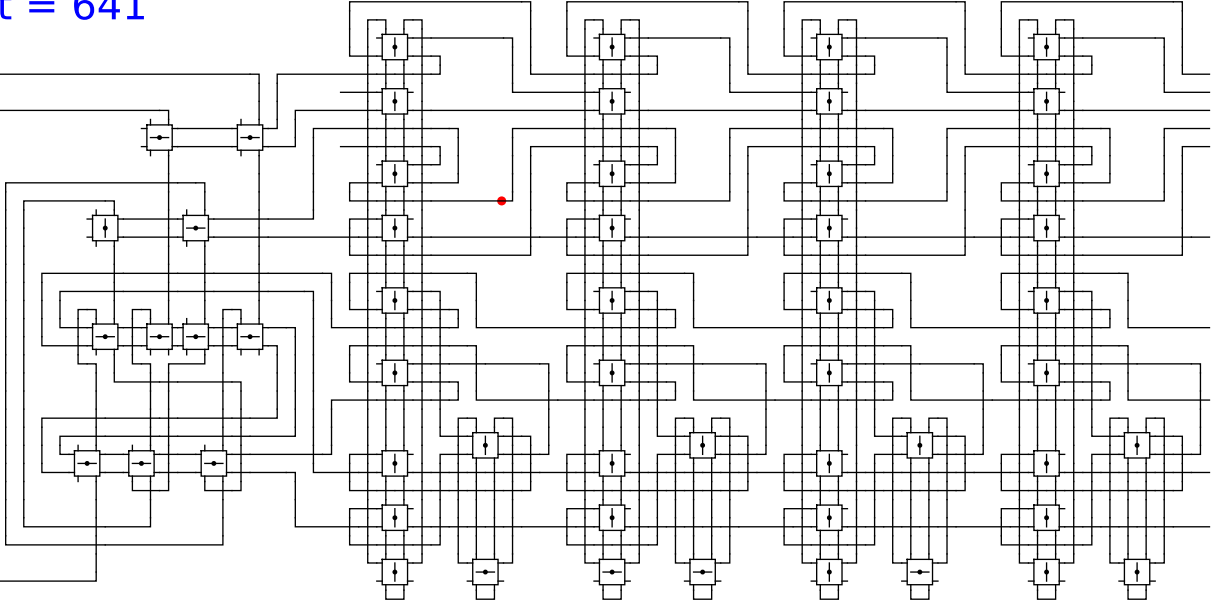


1 head 1 1 0

t = 641

Reject
Accept

Begin

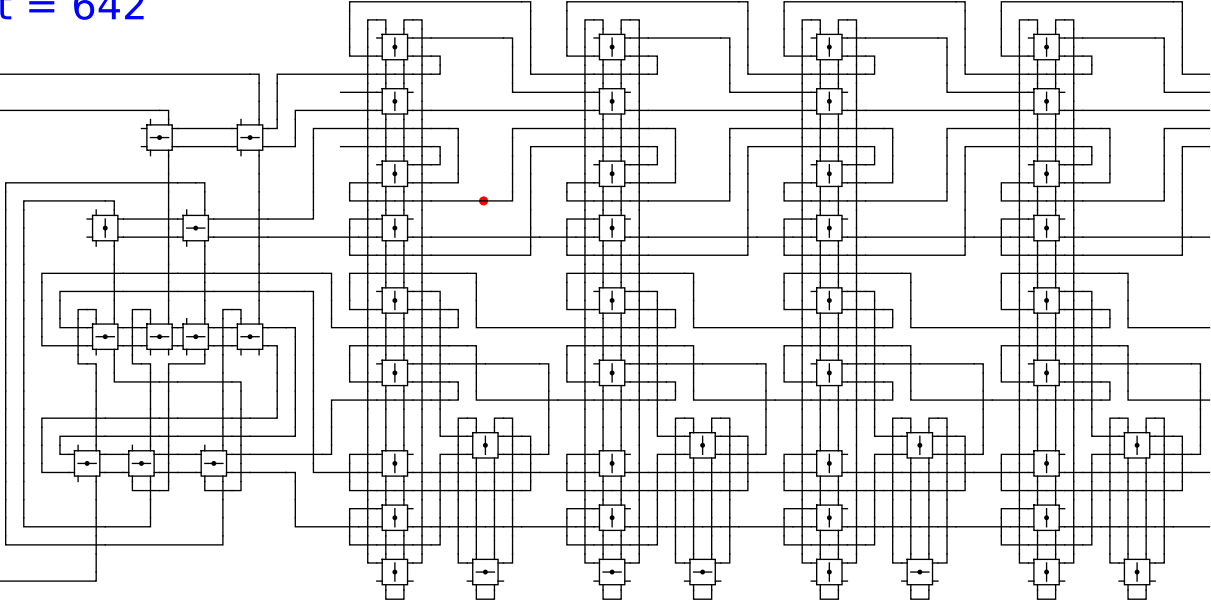


1 head 1 1 0

t = 642

Reject
Accept

Begin

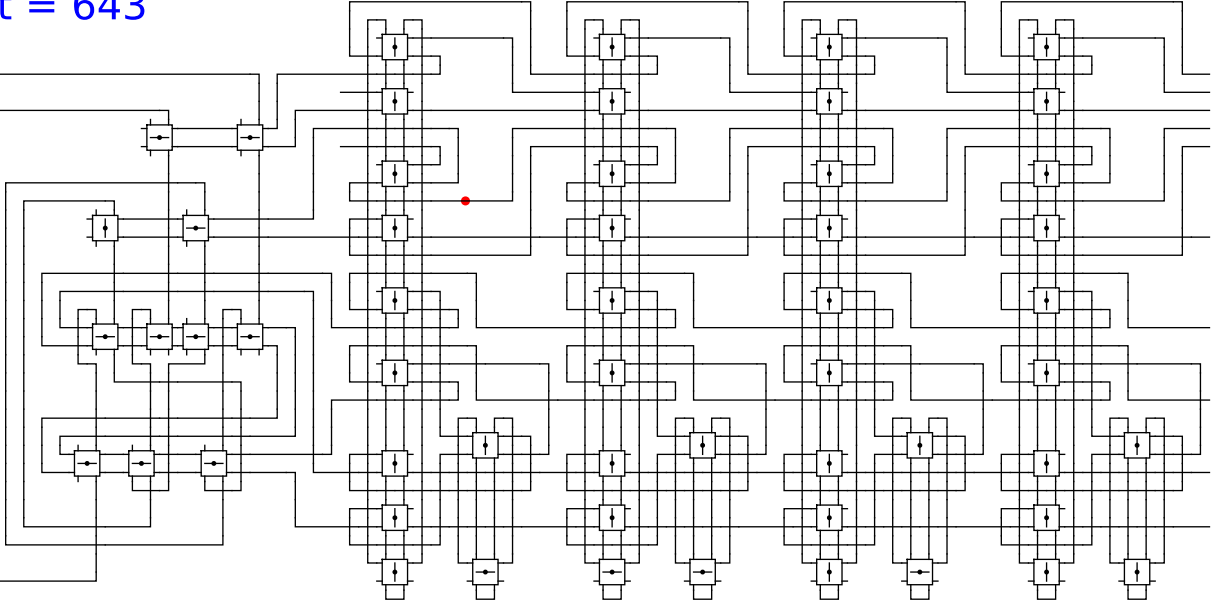


1 head 1 1 0

t = 643

Reject
Accept

Begin

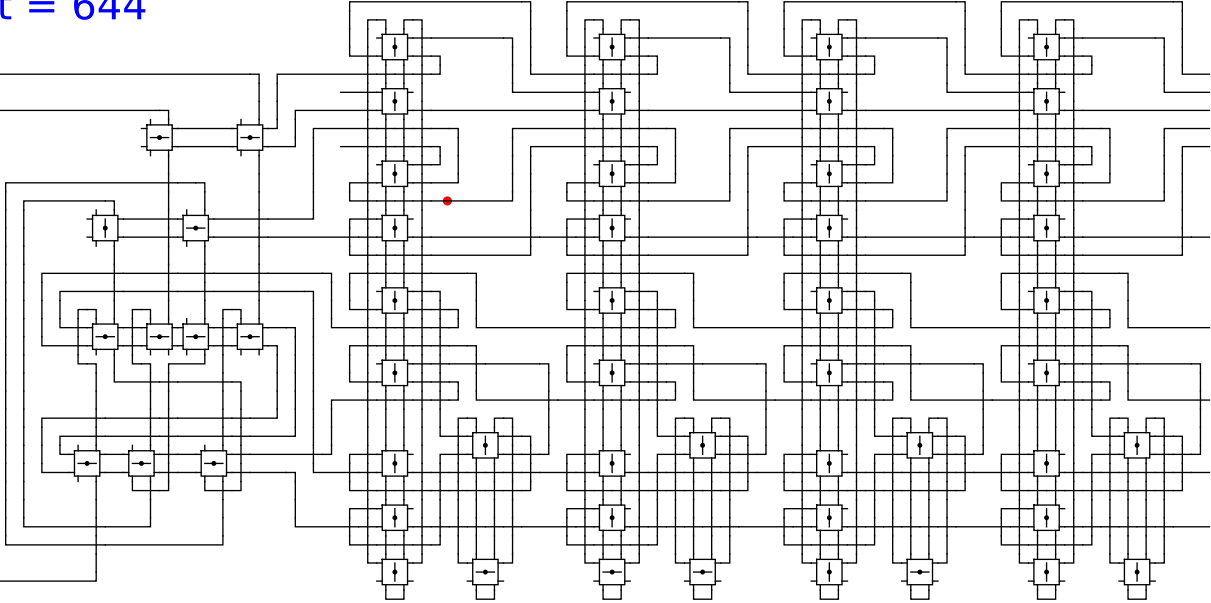


1 head 1 1 0

t = 644

Reject
Accept

Begin

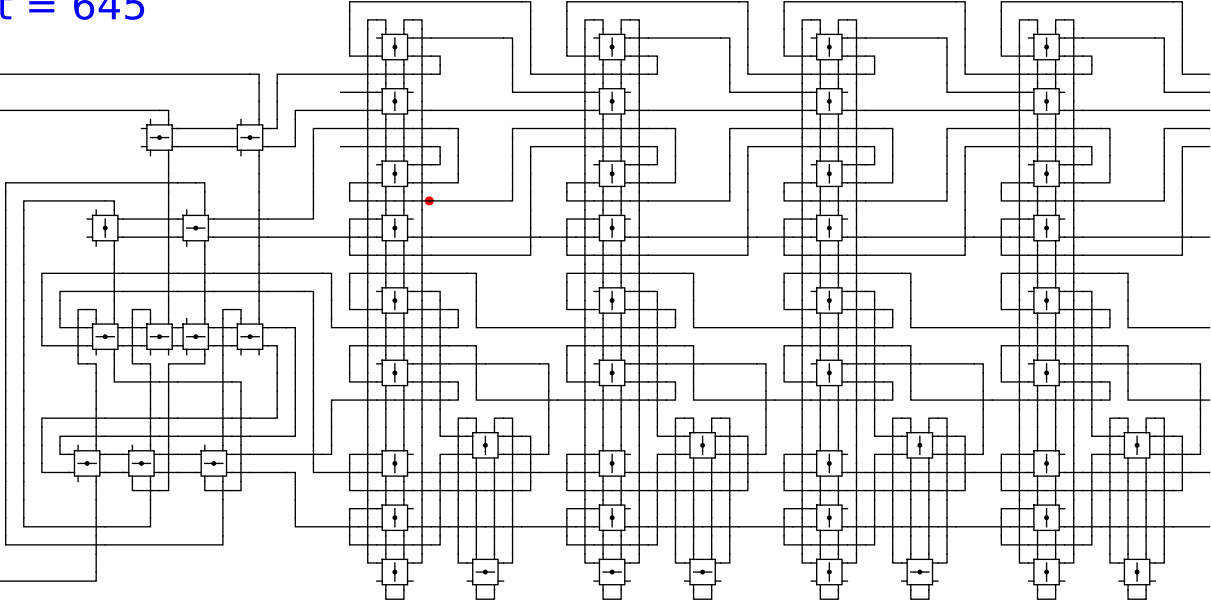


1 head 1 0

t = 645

Reject
Accept

Begin

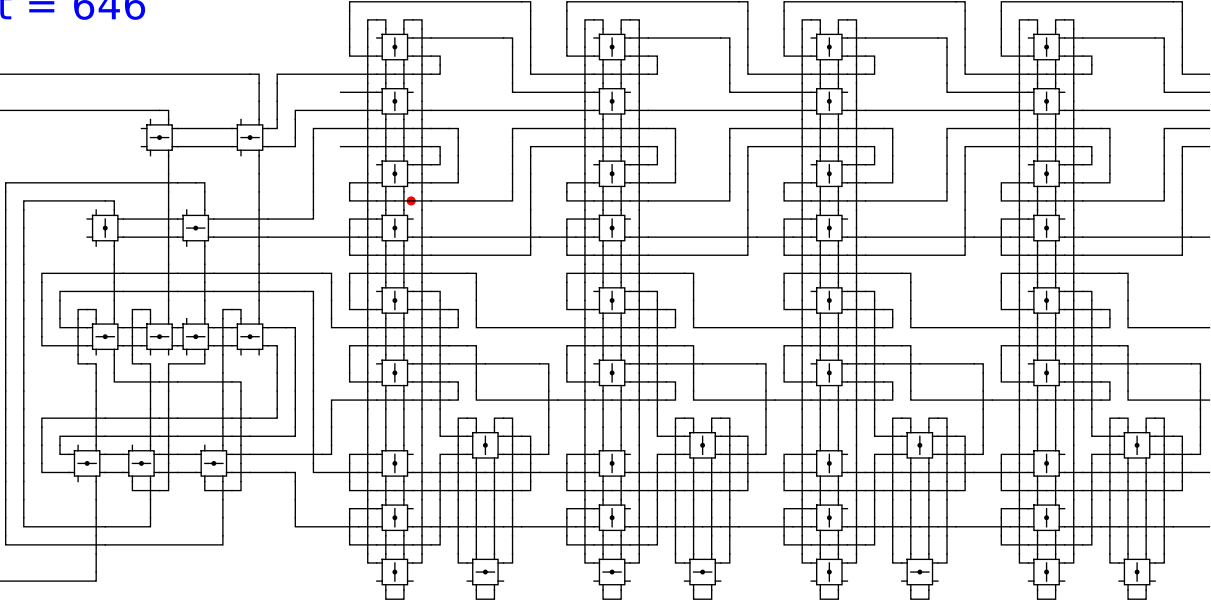


1 head 1 1 0

t = 646

Reject
Accept

Begin

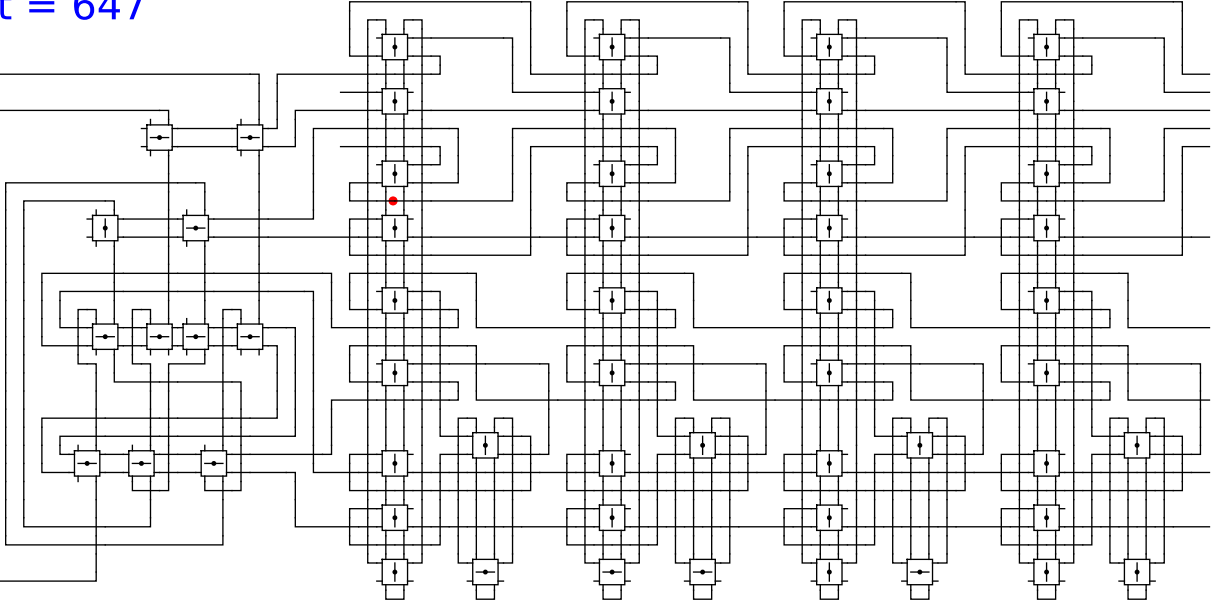


1 head 1 1 0

t = 647

Reject
Accept

Begin

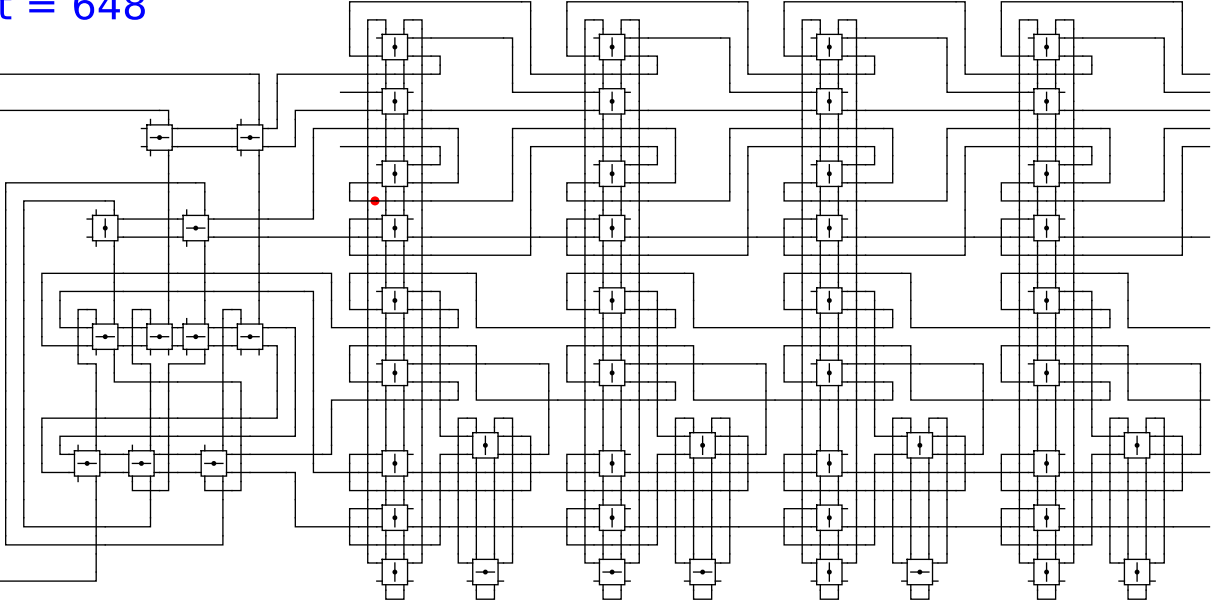


1 head 1 1 0

t = 648

Reject
Accept

Begin

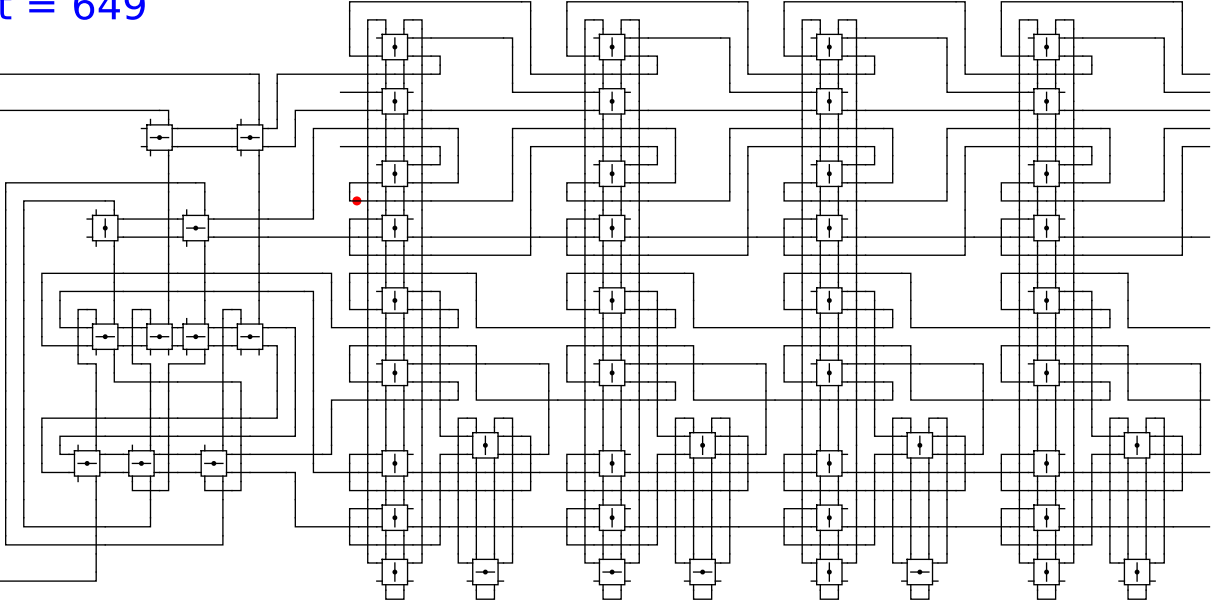


1 head 1 1 0

t = 649

Reject
Accept

Begin

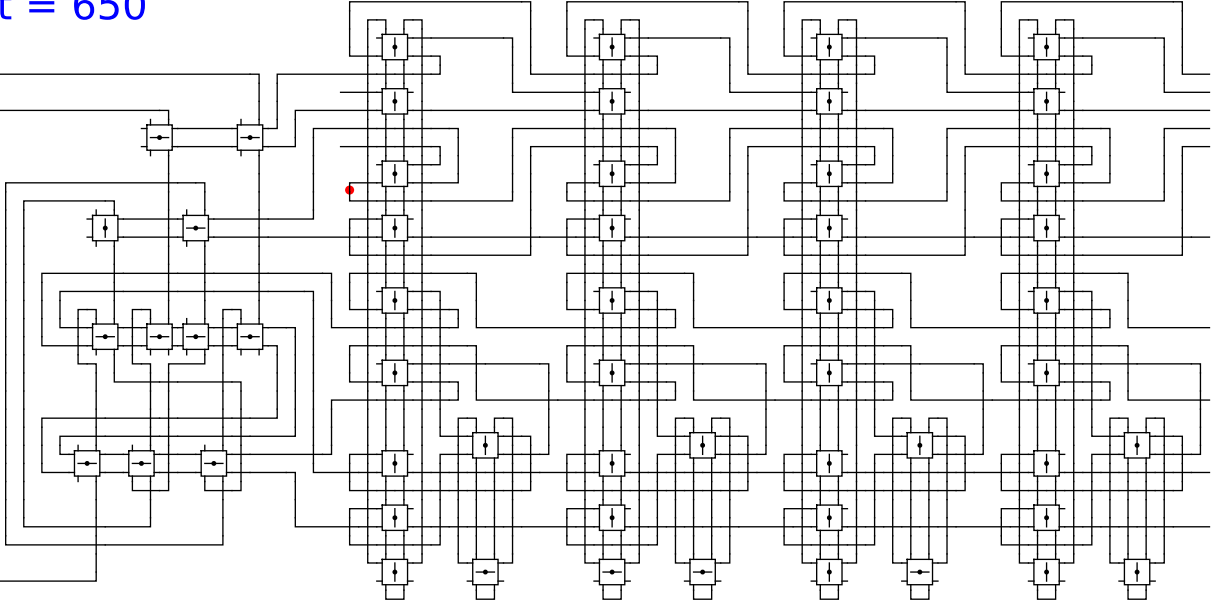


1 head 1 1 0

t = 650

Reject
Accept

Begin

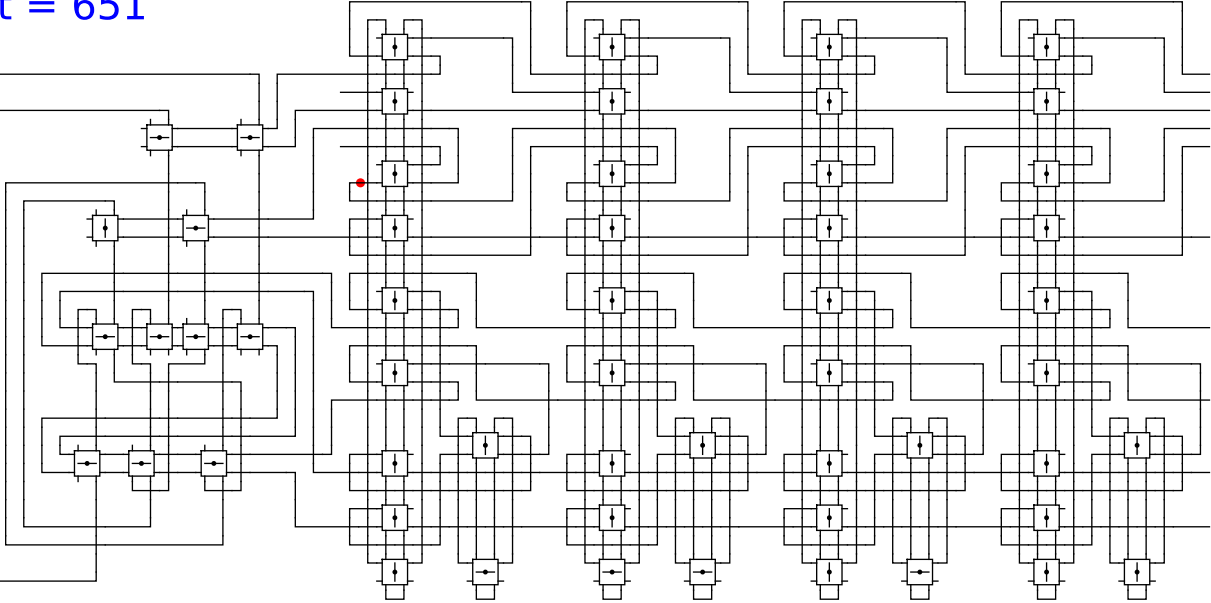


1 head 1 1 0

t = 651

Reject
Accept

Begin

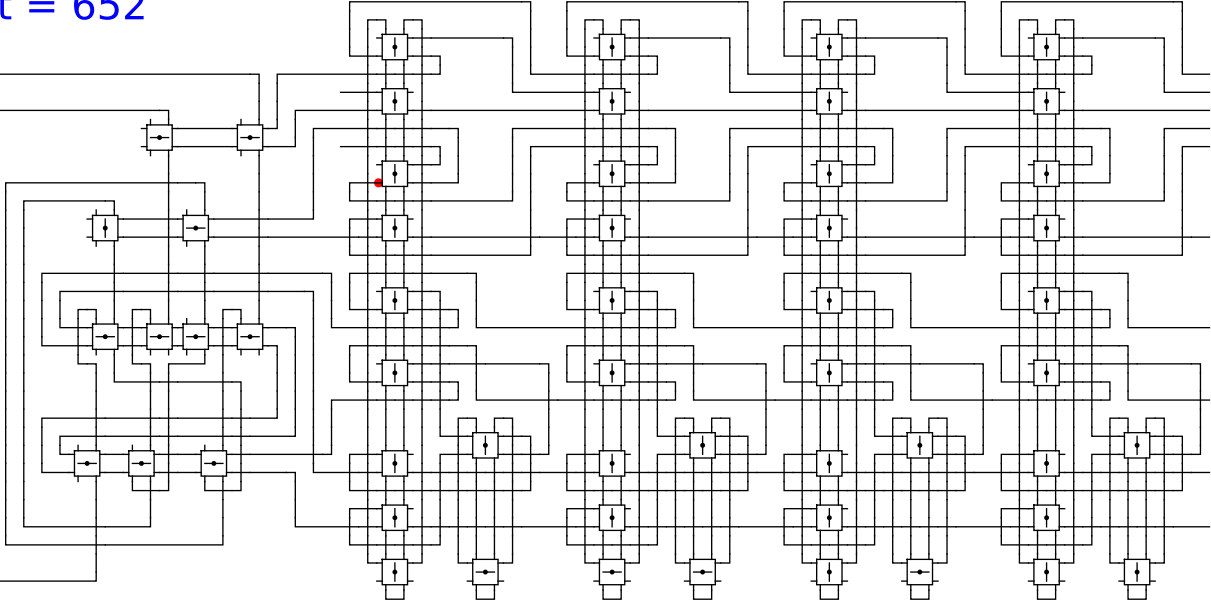


1 head 1 1 0

t = 652

Reject
Accept

Begin

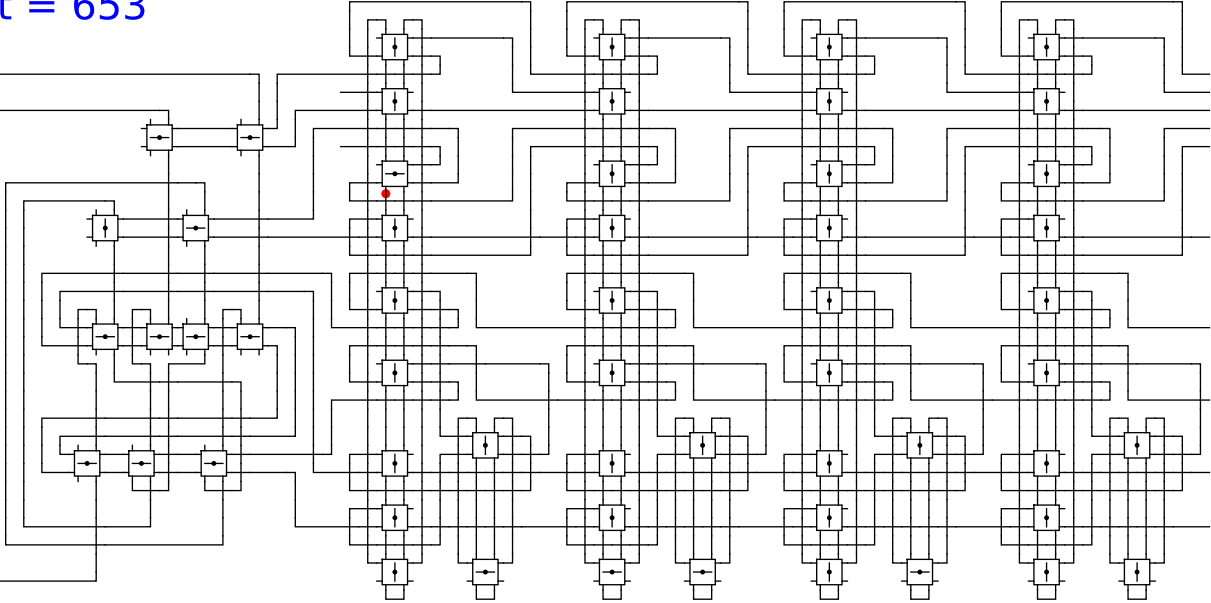


1 head 1 1 0

t = 653

Reject
Accept

Begin

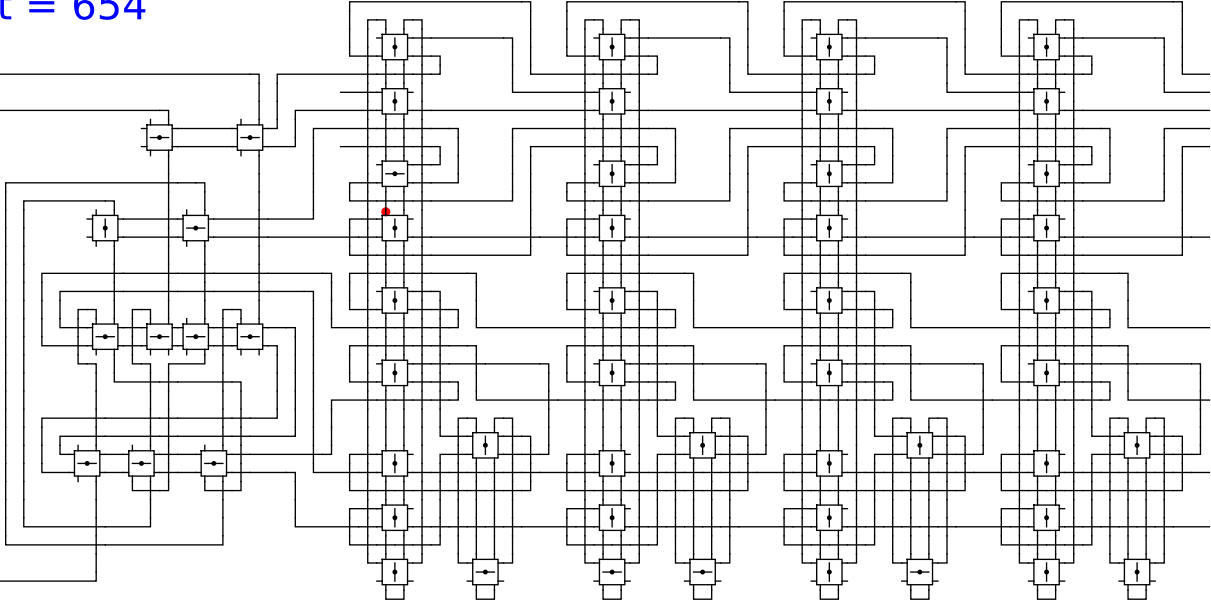


1 head 1 1 0

t = 654

Reject
Accept

Begin

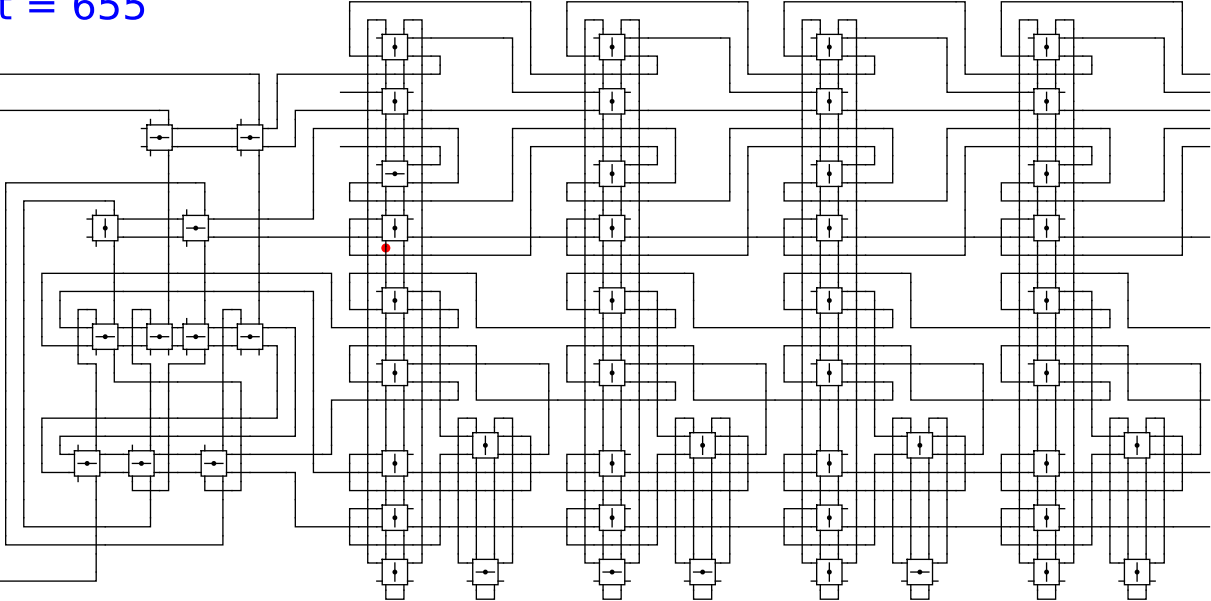


1 head 1 1 0

t = 655

Reject
Accept

Begin

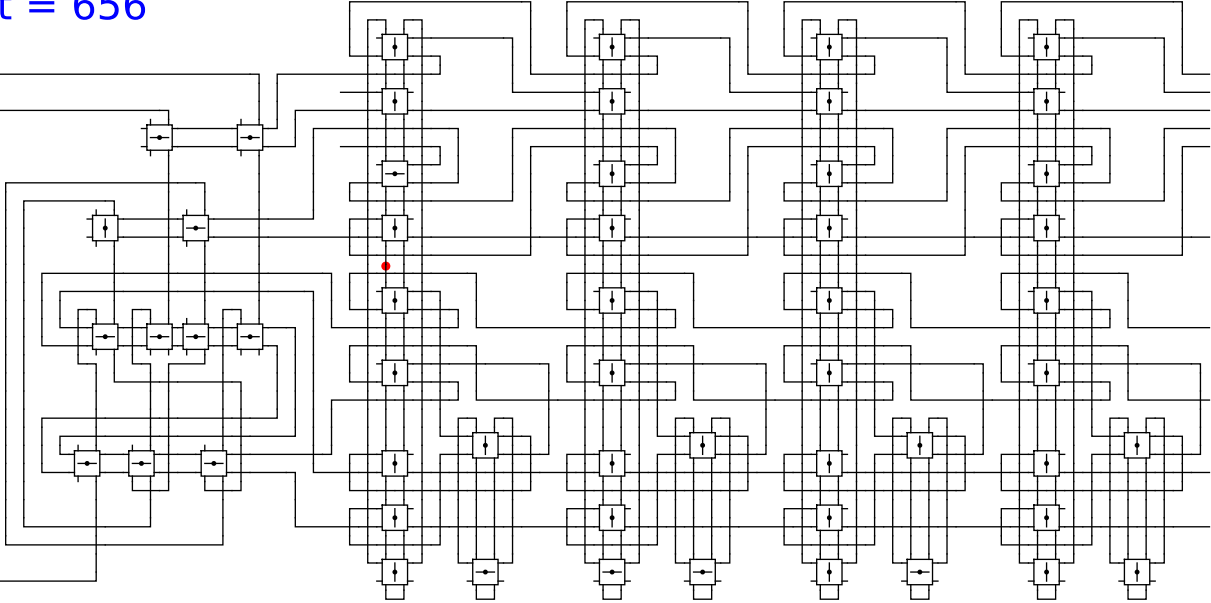


1 head 1 1 0

t = 656

Reject
Accept

Begin

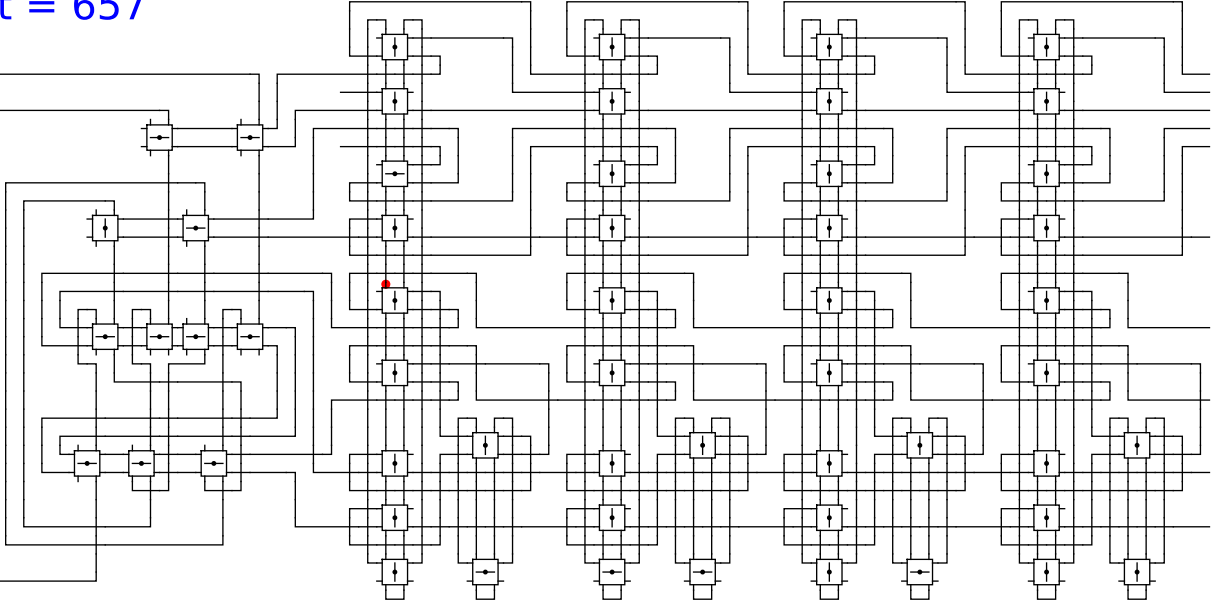


1 head 1 1 0

t = 657

Reject
Accept

Begin

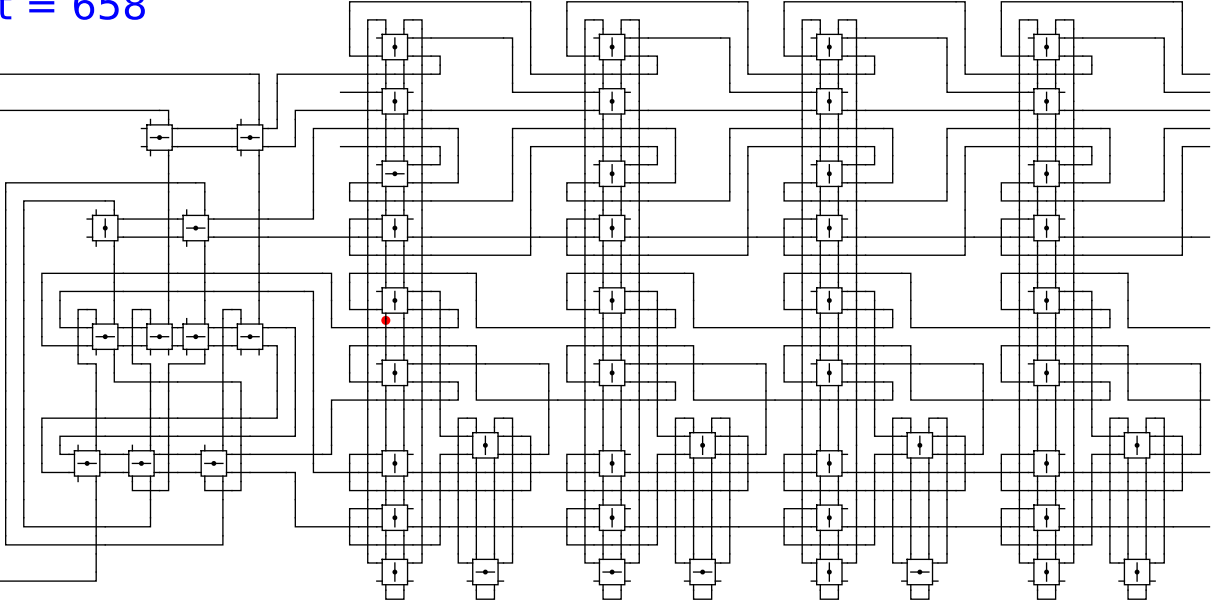


1 head 1 1 0

t = 658

Reject
Accept

Begin

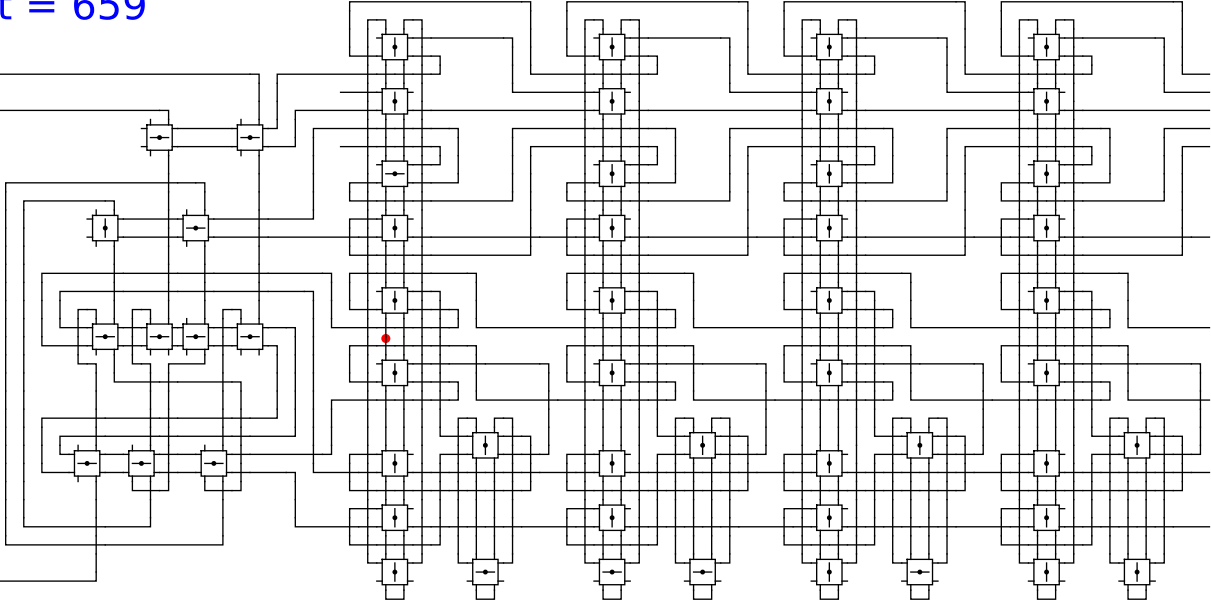


1 head 1 1 0

t = 659

Reject
Accept

Begin

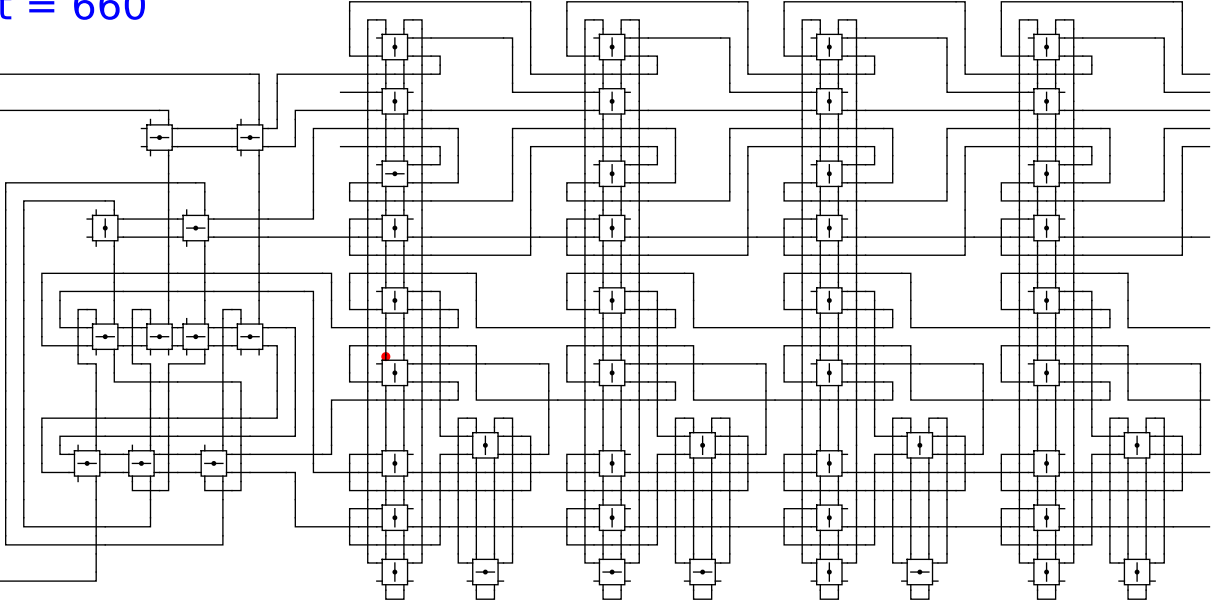


1 head 1 1 0

t = 660

Reject
Accept

Begin

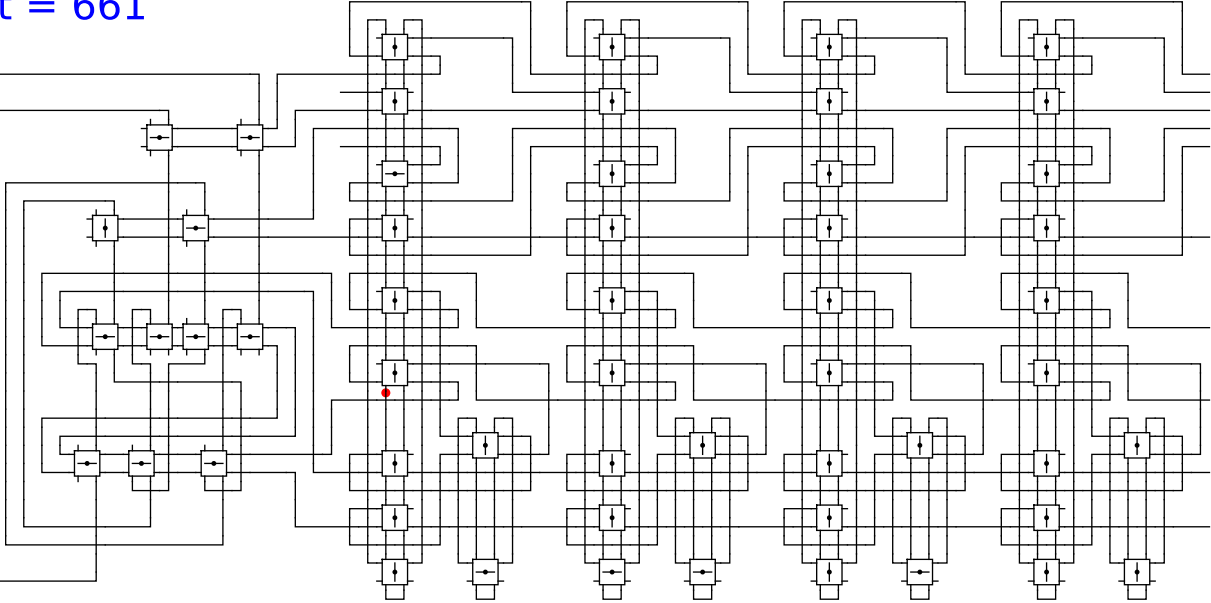


1 head 1 1 0

t = 661

Reject
Accept

Begin

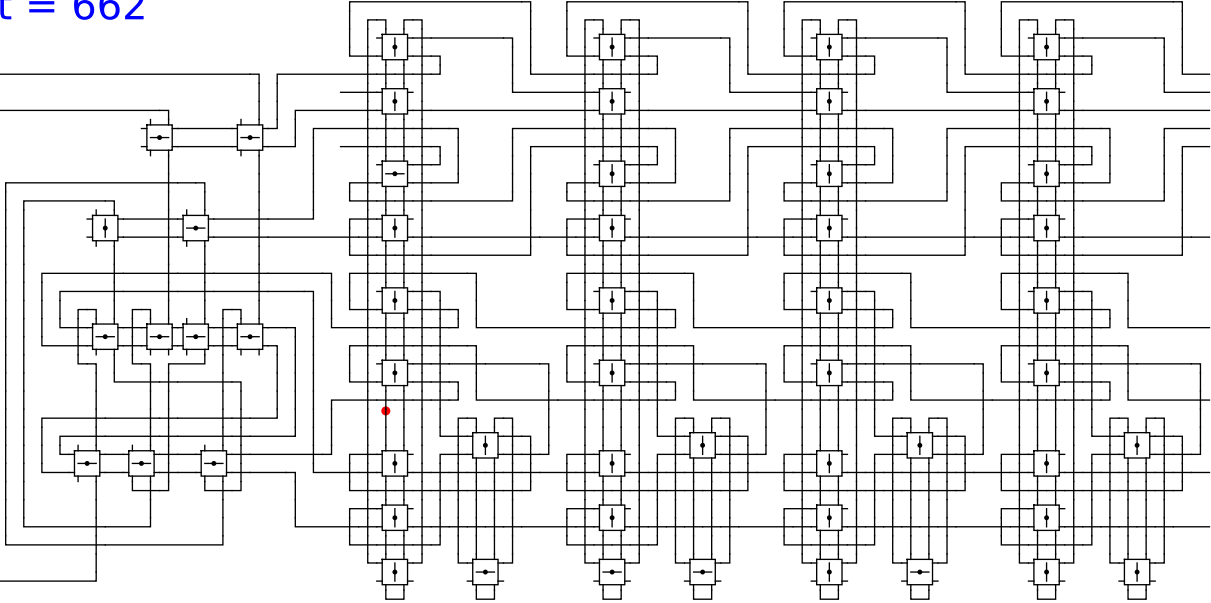


1 head 1 1 0

t = 662

Reject
Accept

Begin

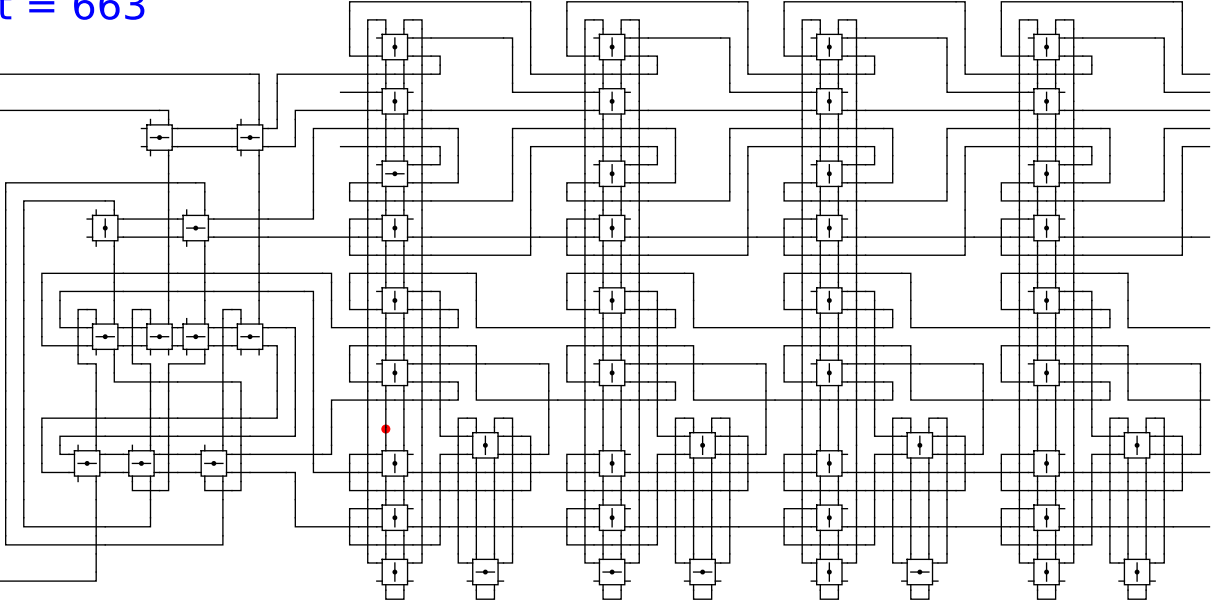


1 head 1 1 0

t = 663

Reject
Accept

Begin

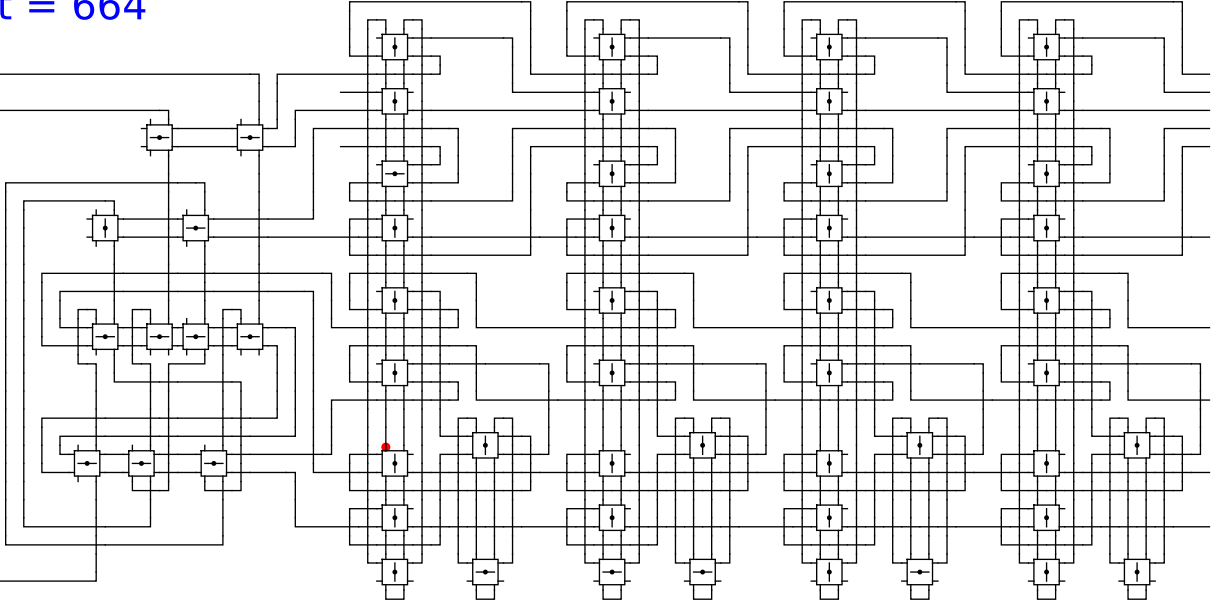


1 head 1 1 0

t = 664

Reject
Accept

Begin

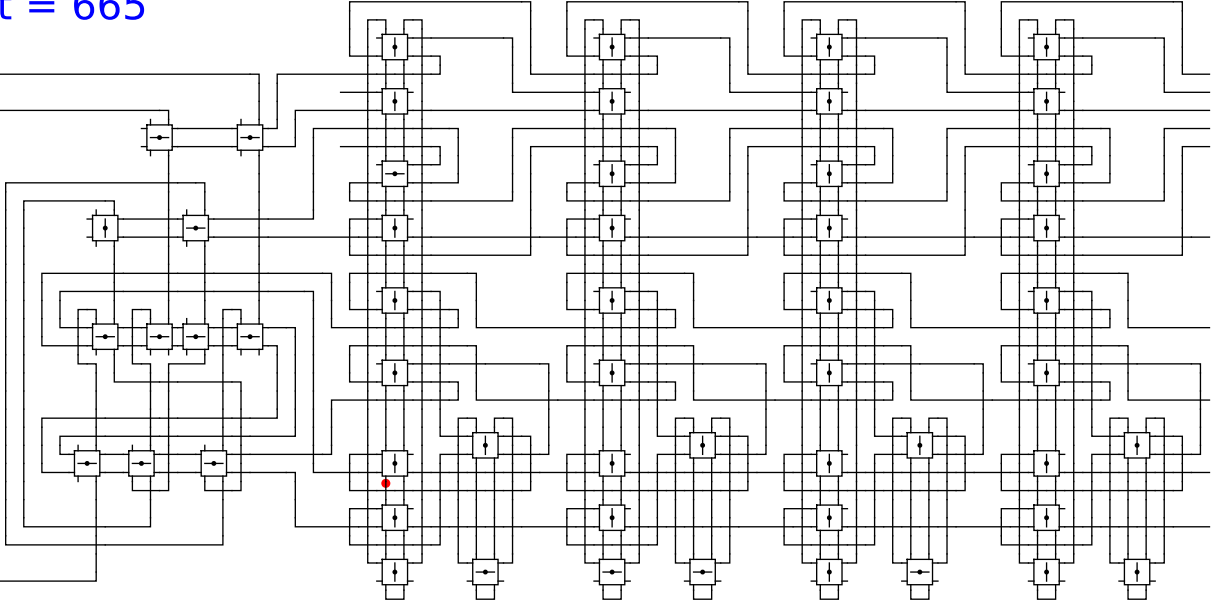


1 head 1 1 0

t = 665

Reject
Accept

Begin

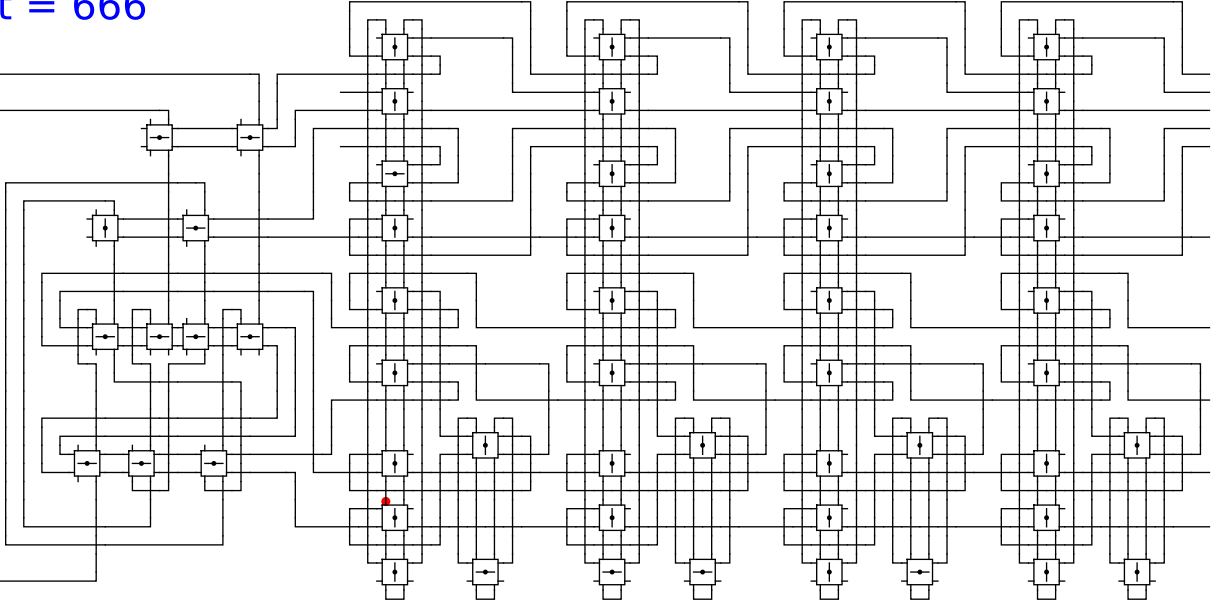


1 head 1 1 0

t = 666

Reject
Accept

Begin

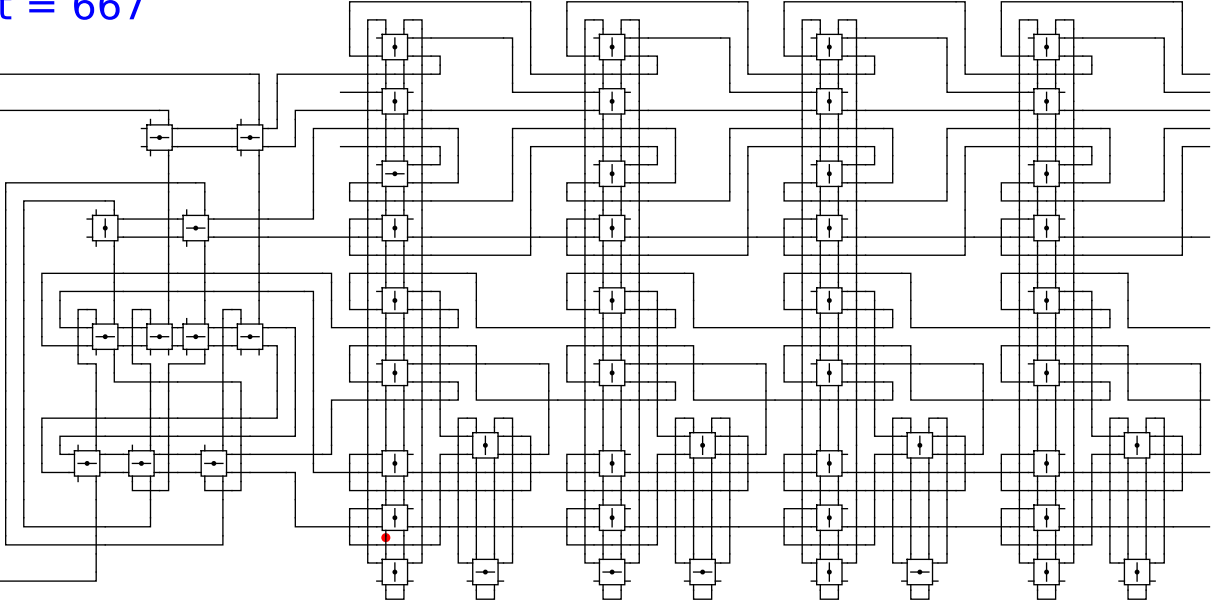


1 head 1 1 0

t = 667

Reject
Accept

Begin

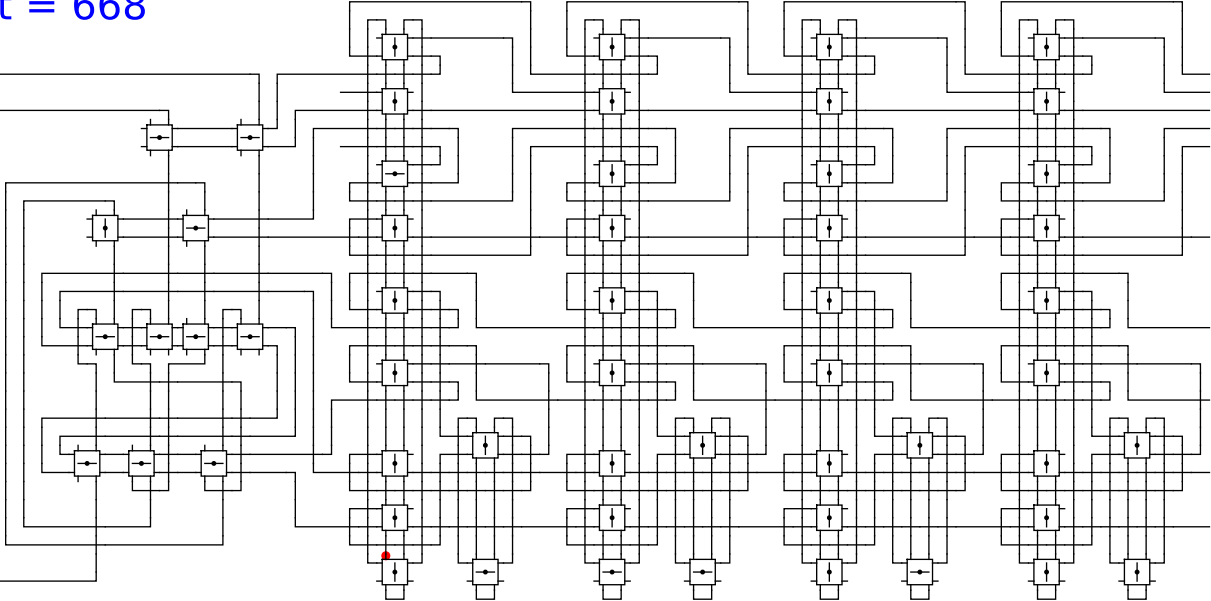


1 head 1 1 0

t = 668

Reject
Accept

Begin

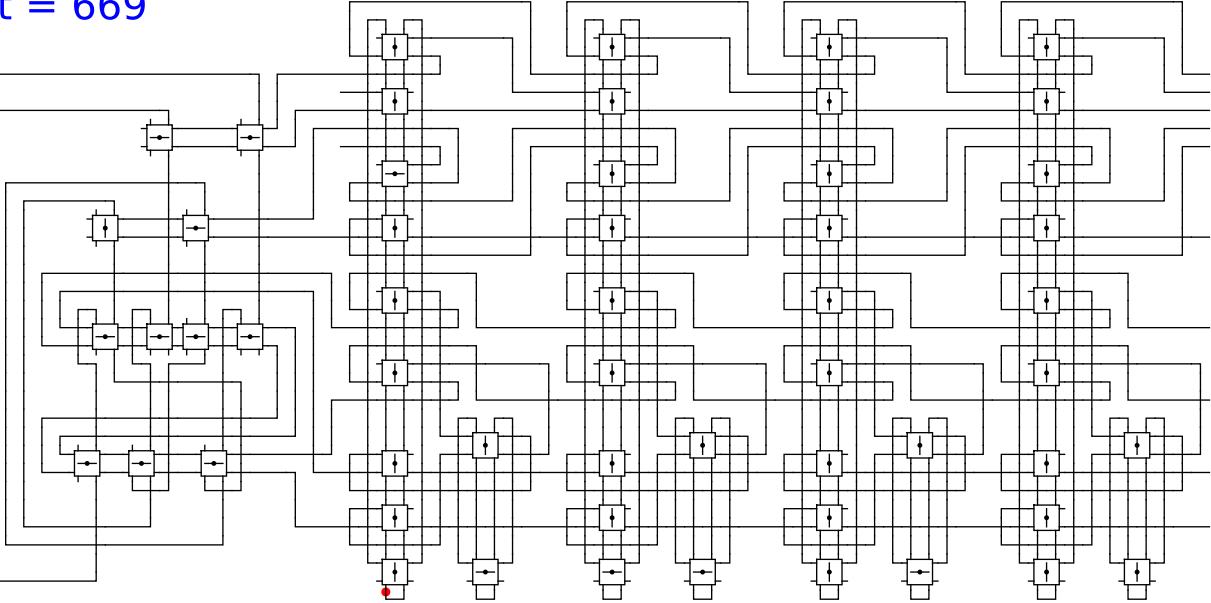


1 head 1 1 0

t = 669

Reject
Accept

Begin

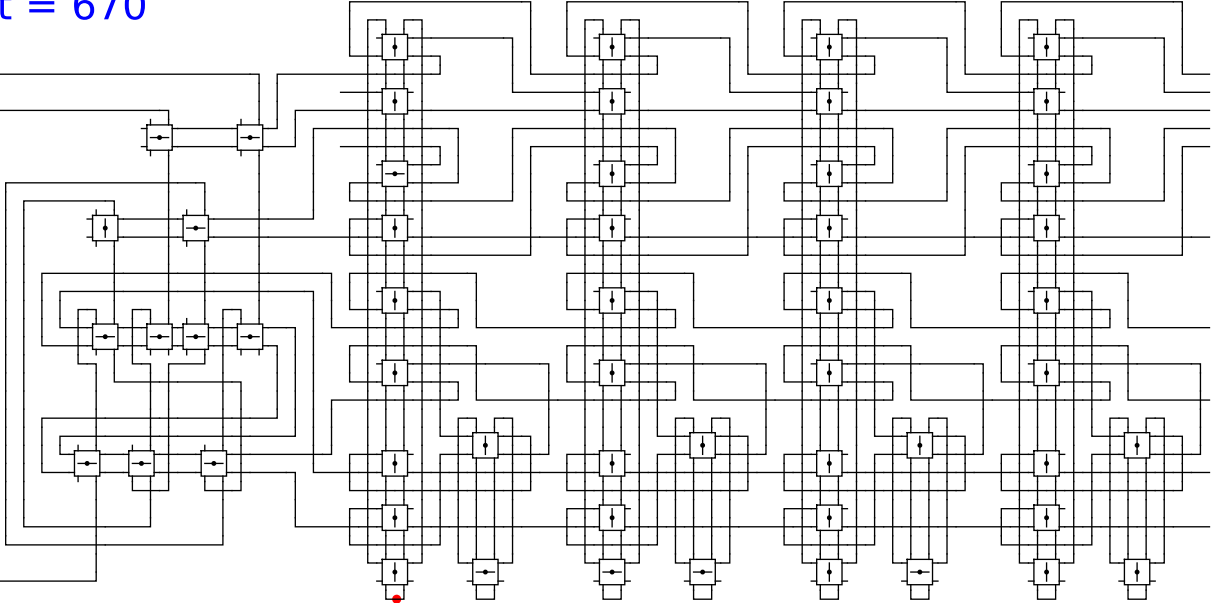


1 head 1 1 0

t = 670

Reject
Accept

Begin

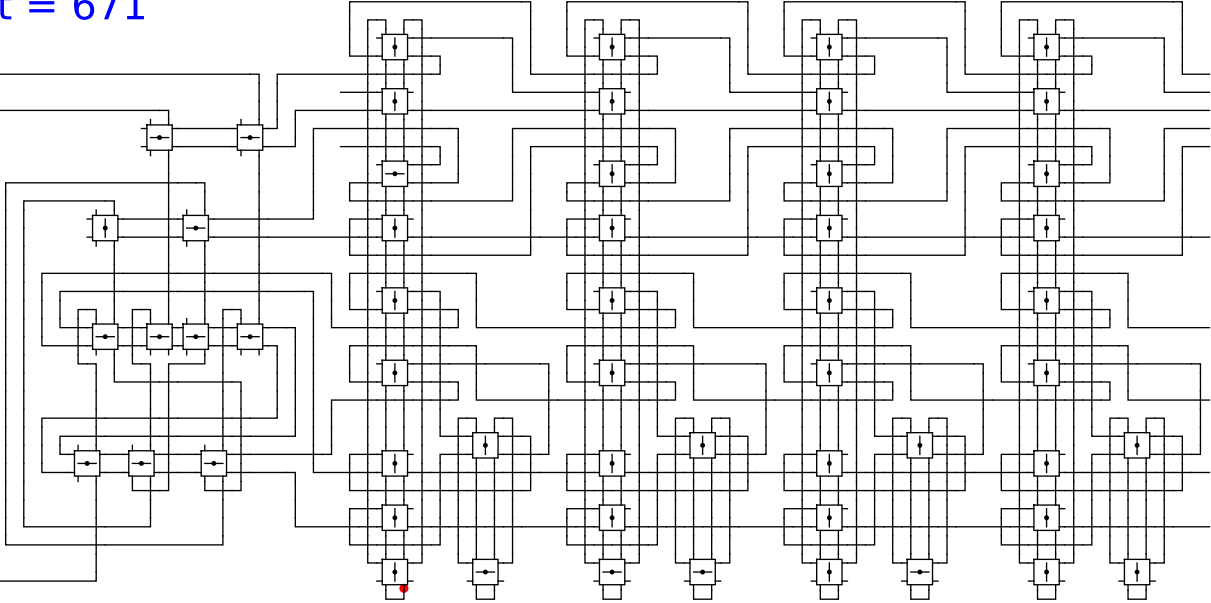


1 head 1 1 0

t = 671

Reject
Accept

Begin

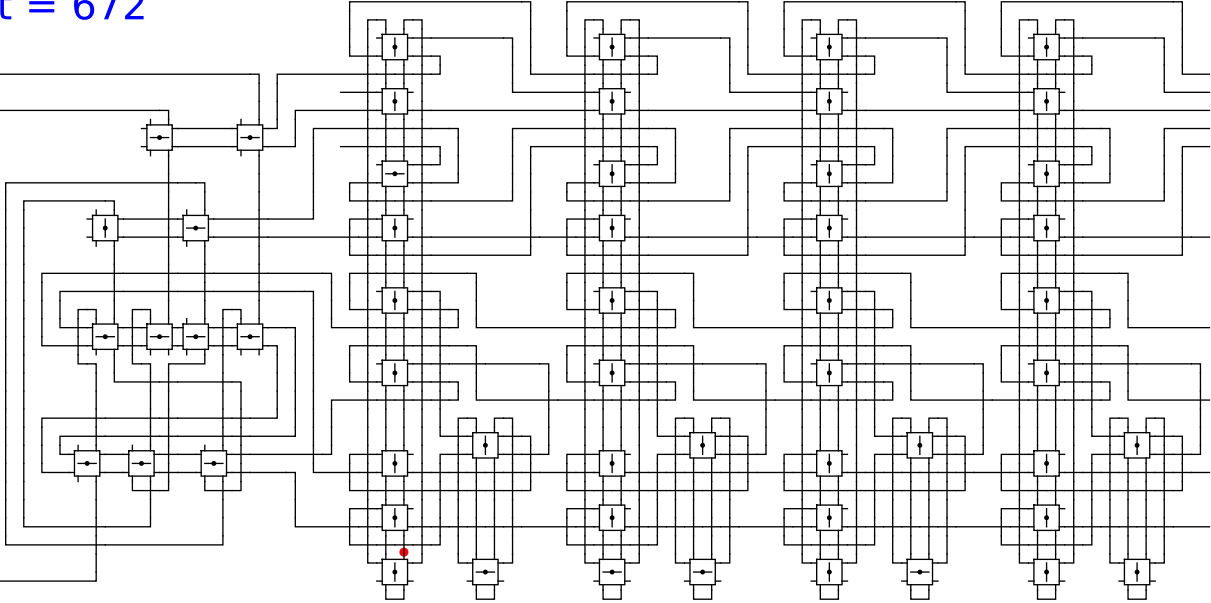


1 head 1 1 0

t = 672

Reject
Accept

Begin

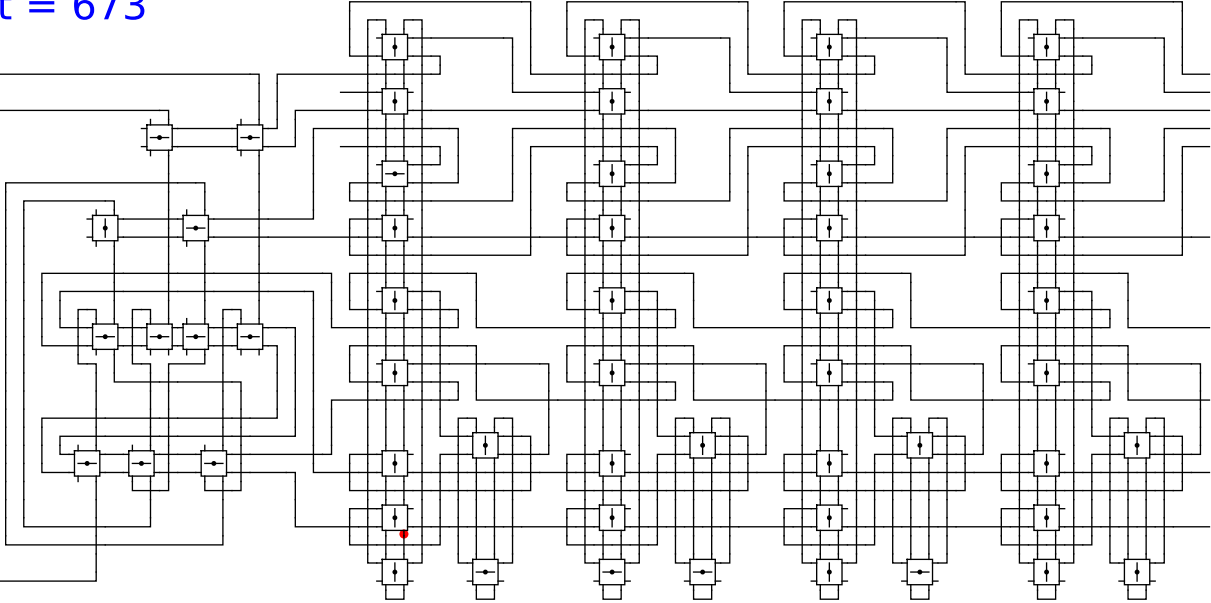


1 head 1 1 0

t = 673

Reject
Accept

Begin

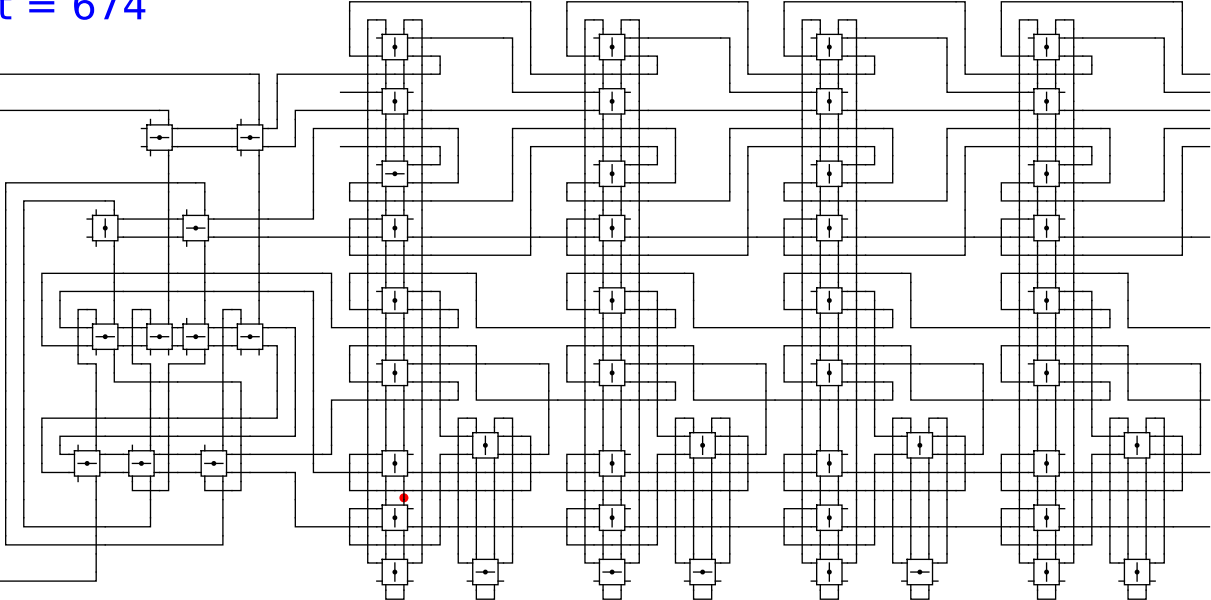


1 head 1 1 0

t = 674

Reject
Accept

Begin

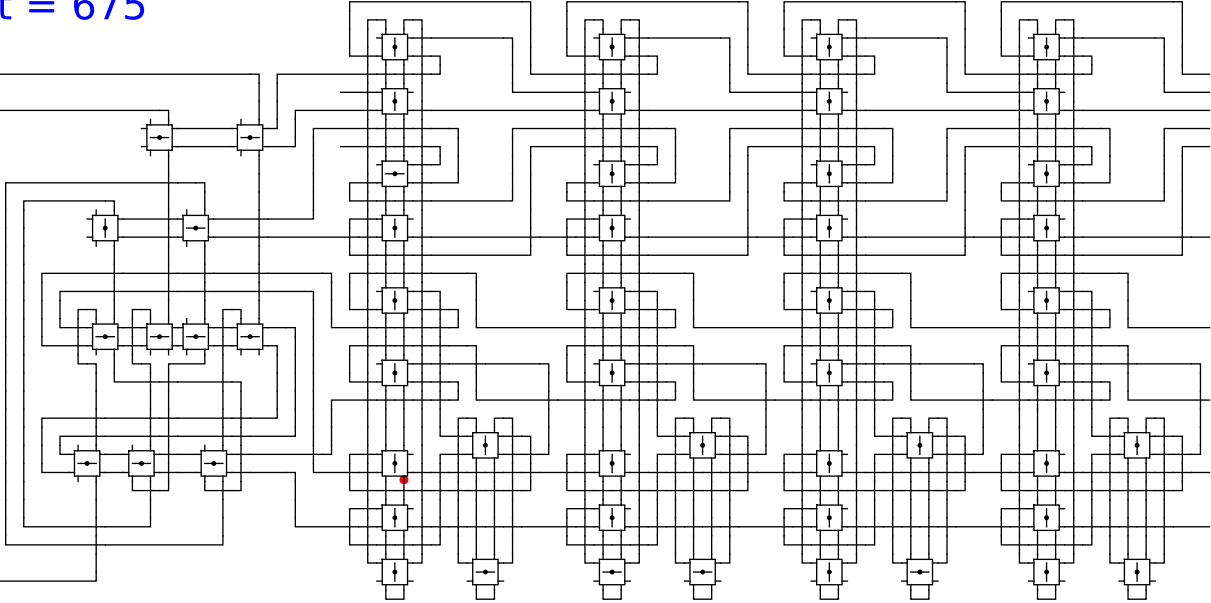


1 head 1 1 0

t = 675

Reject
Accept

Begin

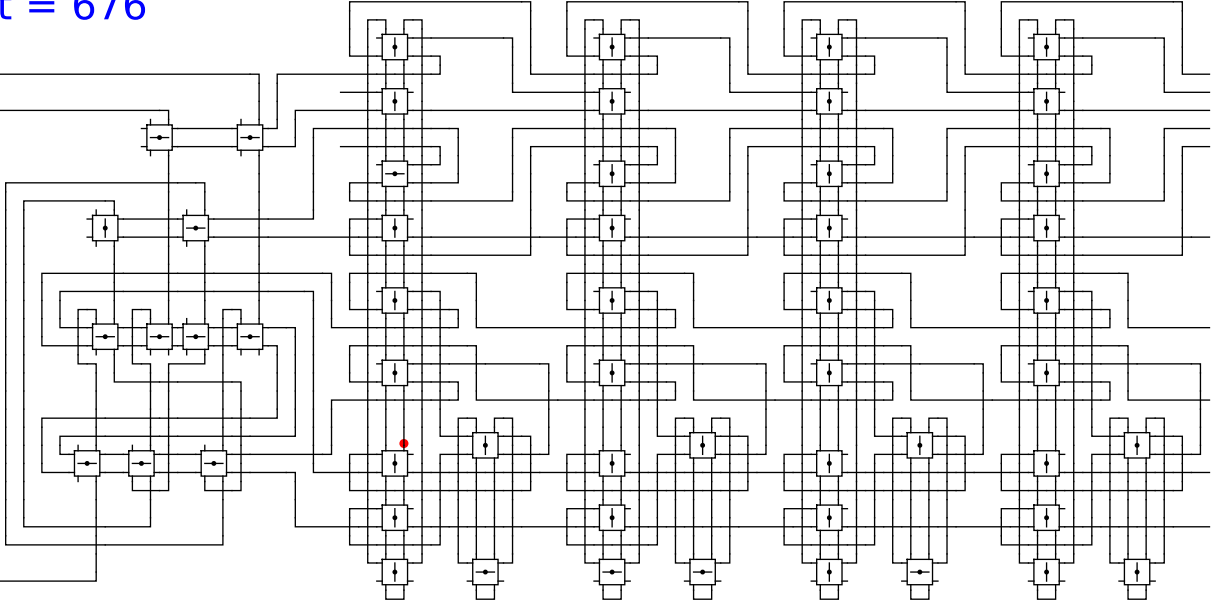


1 head 1 1 0

t = 676

Reject
Accept

Begin

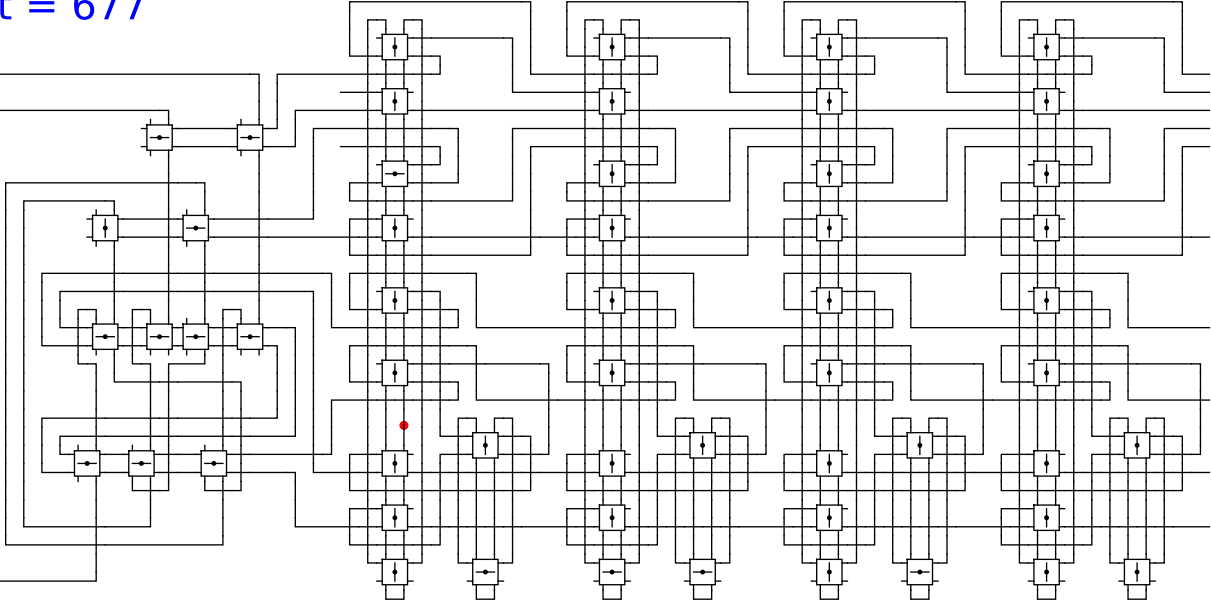


1 head 1 1 0

t = 677

Reject
Accept

Begin

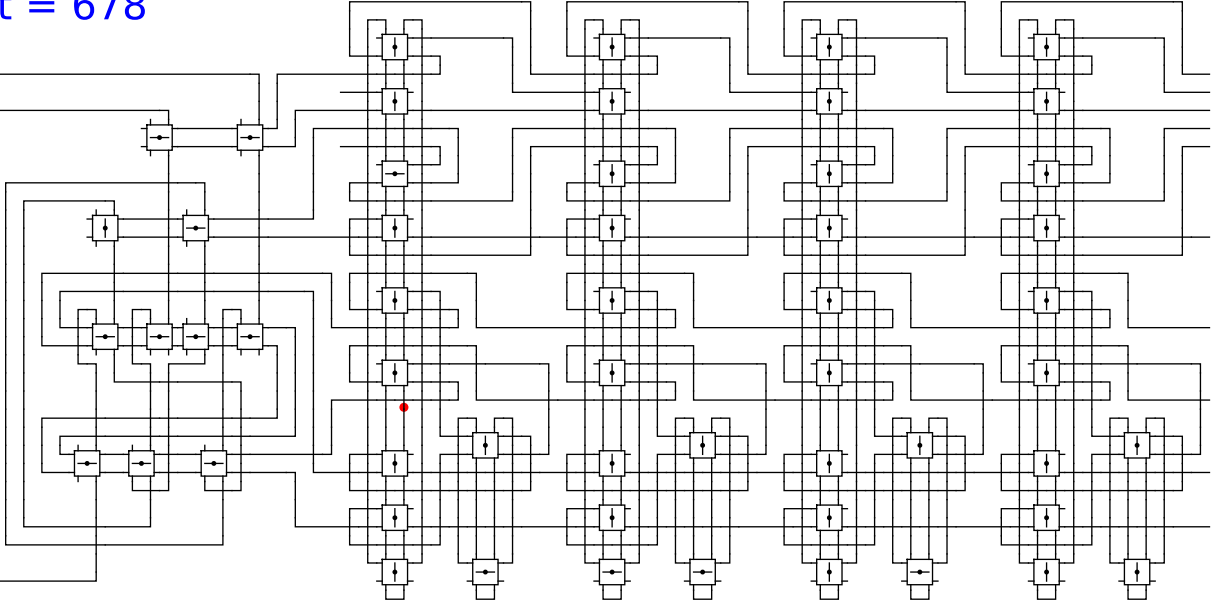


1 head 1 1 1 0

t = 678

Reject
Accept

Begin

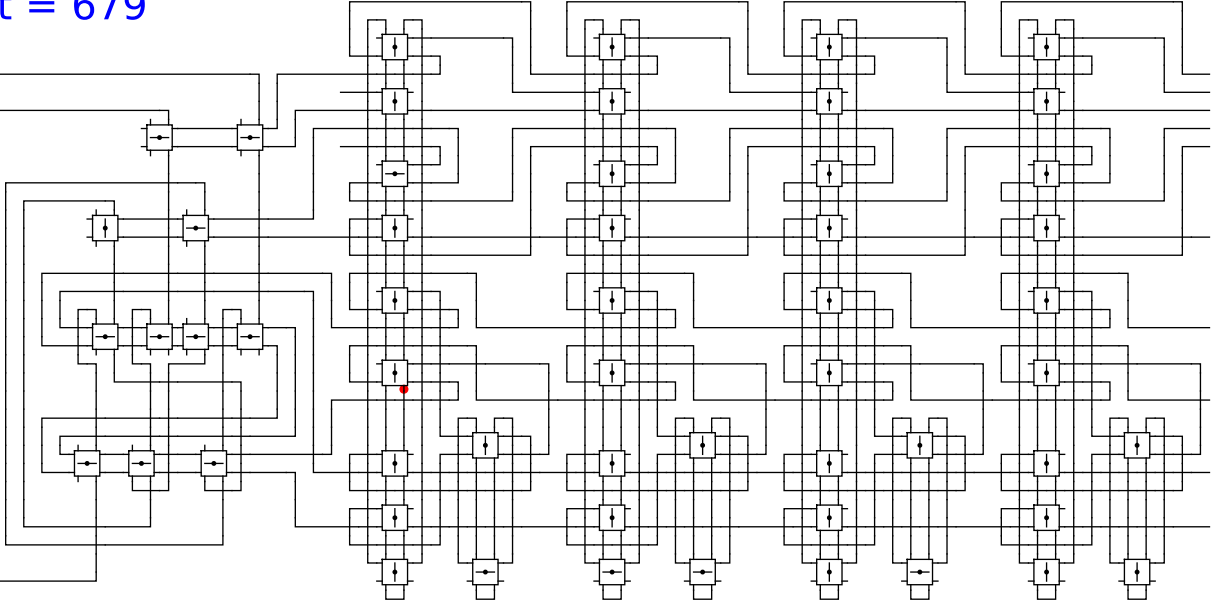


1 head 1 1 0

t = 679

Reject
Accept

Begin

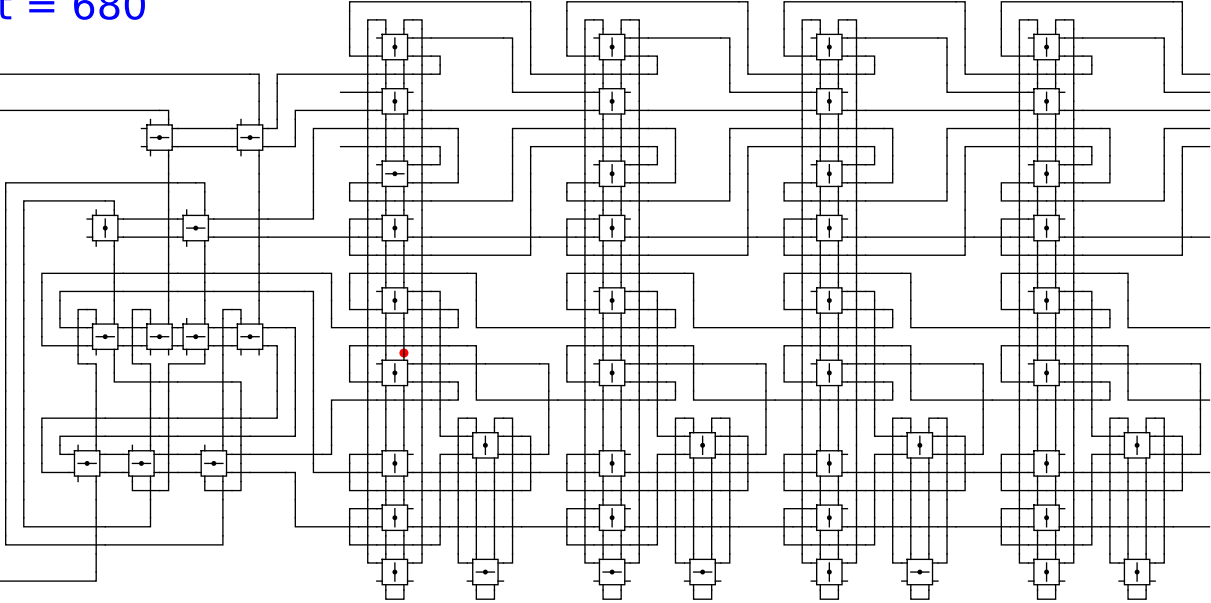


1 head 1 1 0

t = 680

Reject
Accept

Begin

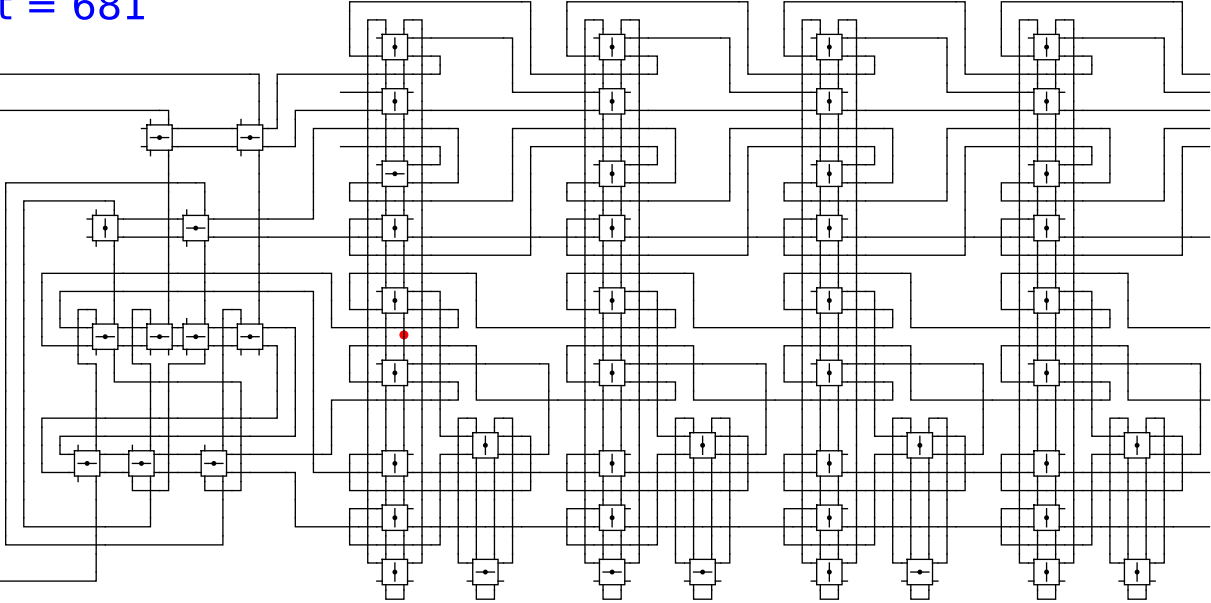


1 head 1 1 0

t = 681

Reject
Accept

Begin

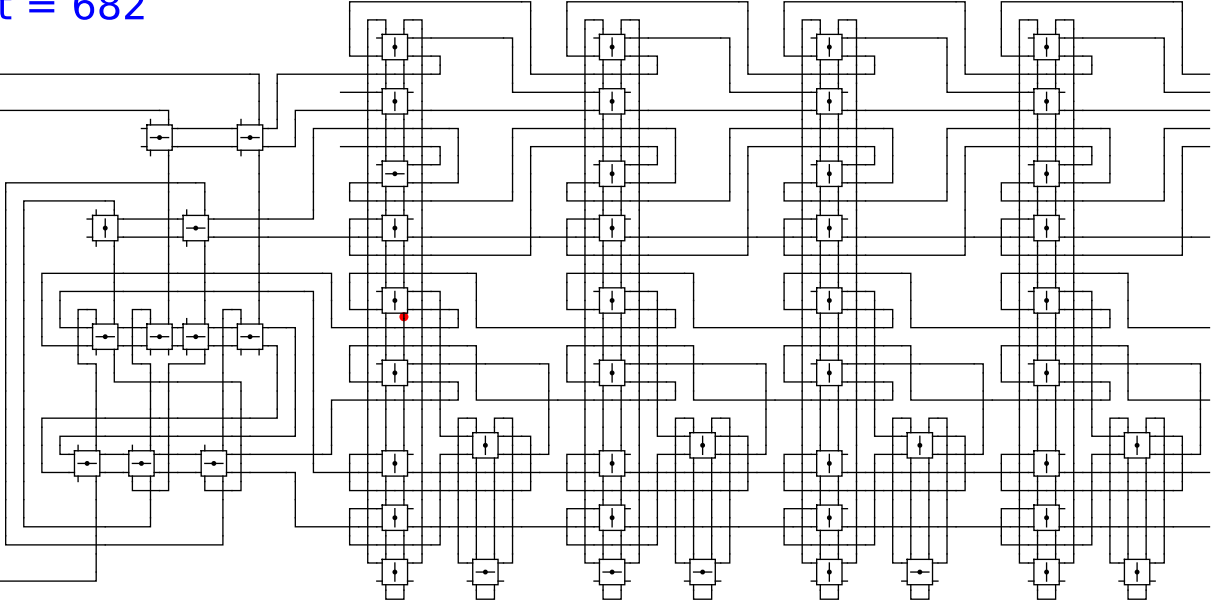


1 head 1 1 0

t = 682

Reject
Accept

Begin

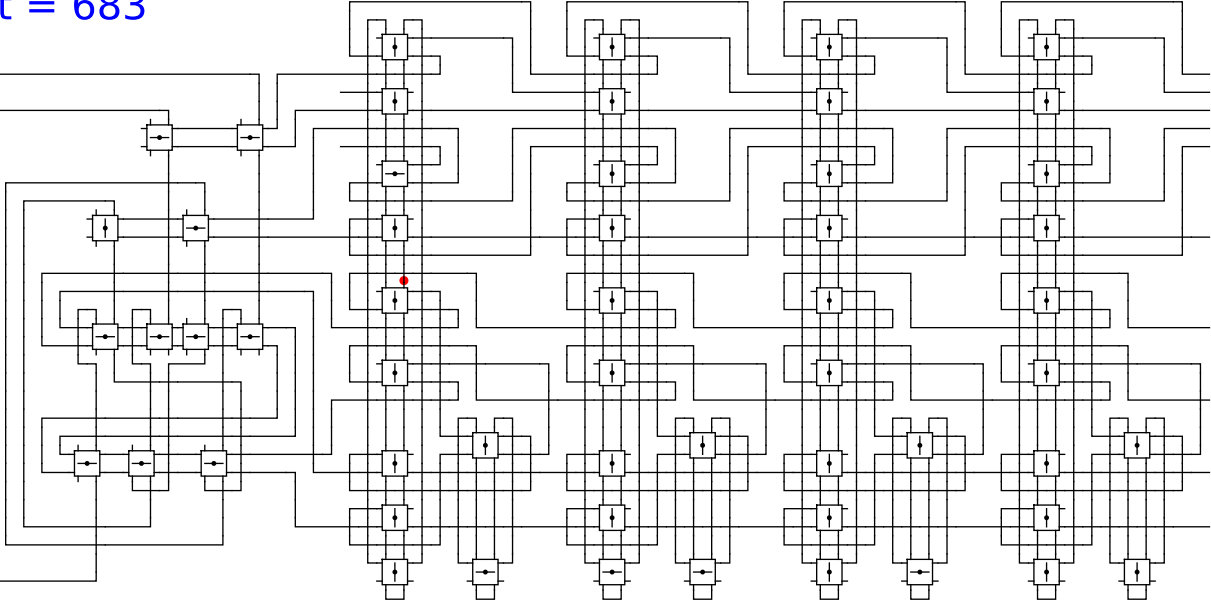


1 head 1 1 0

t = 683

Reject
Accept

Begin

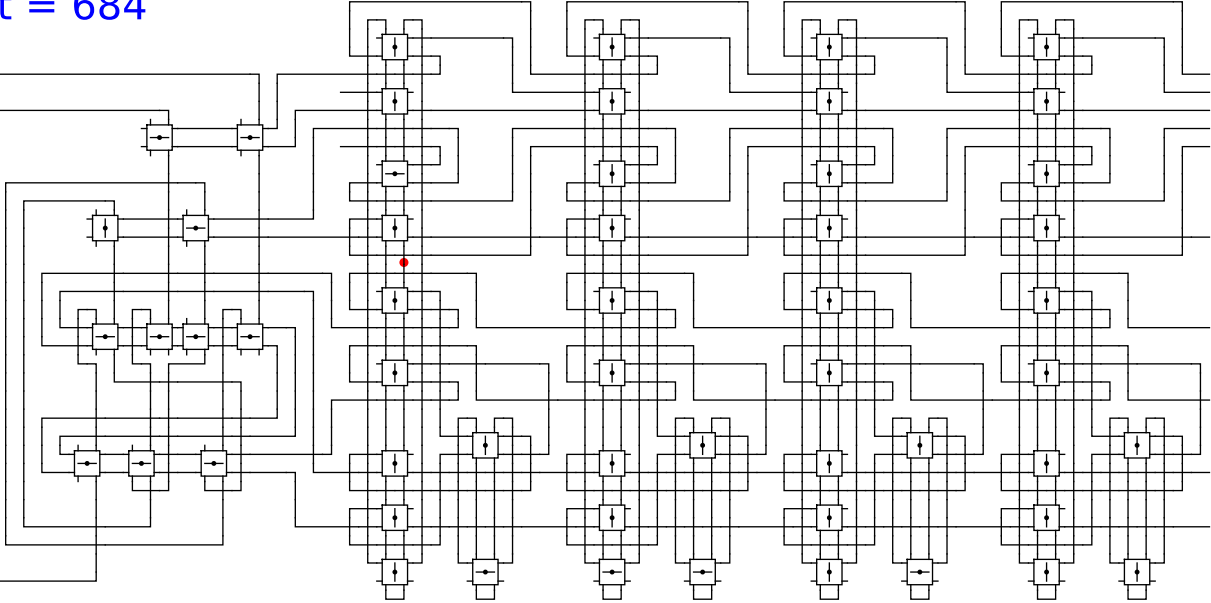


1 head 1 1 0

t = 684

Reject
Accept

Begin

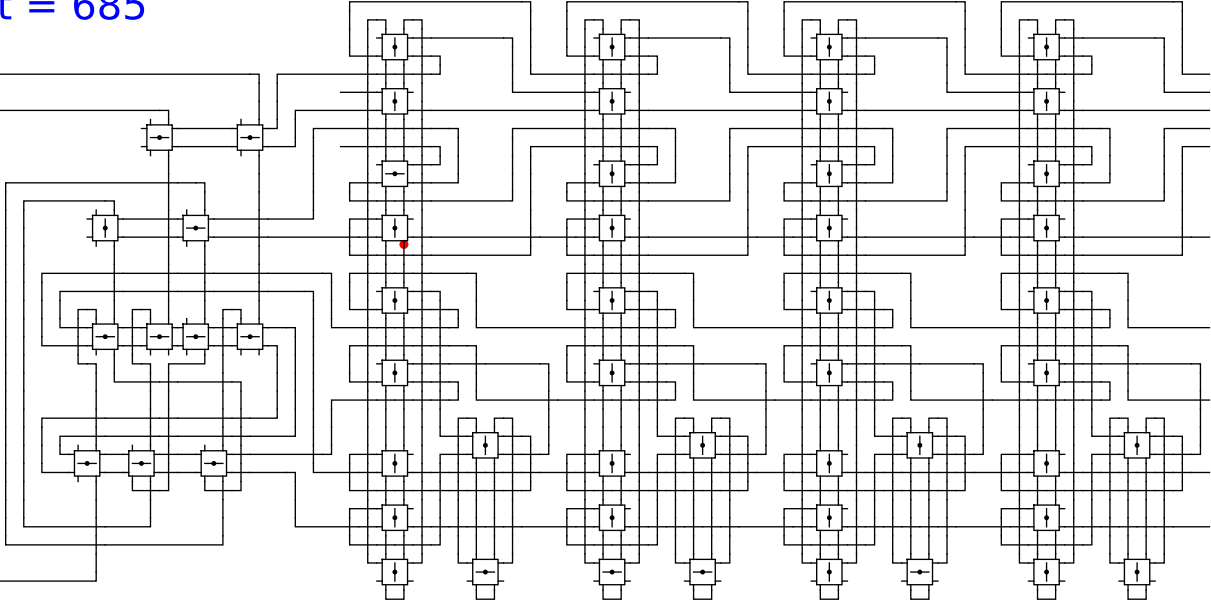


1 head 1 1 0

t = 685

Reject
Accept

Begin

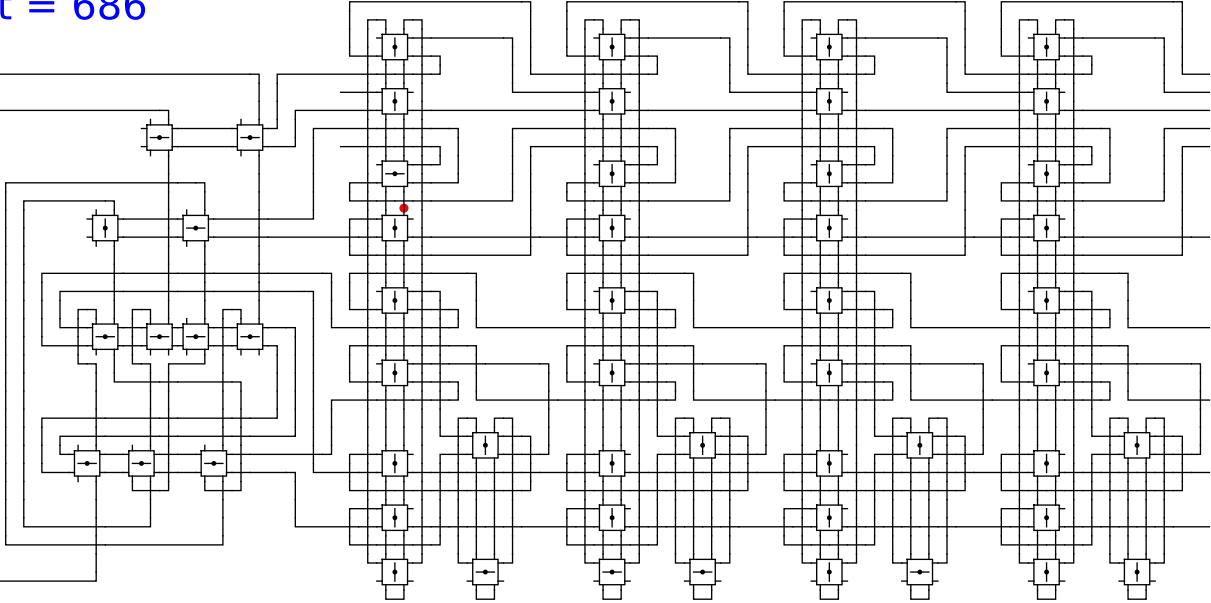


1 head 1 1 0

t = 686

Reject
Accept

Begin

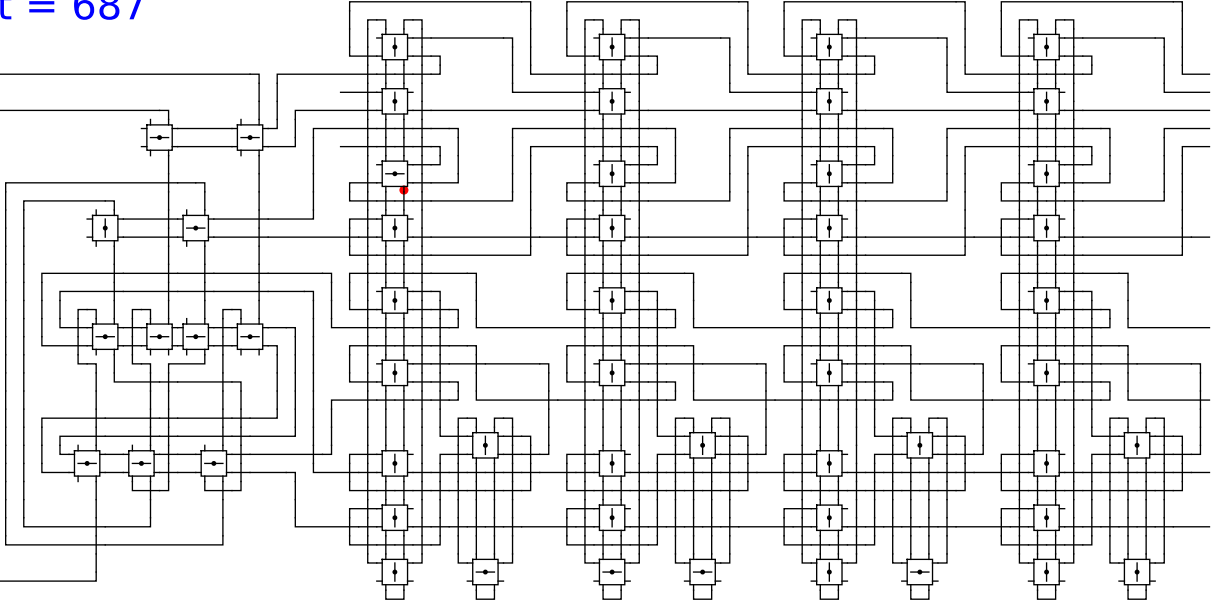


1 head 1 1 0

t = 687

Reject
Accept

Begin

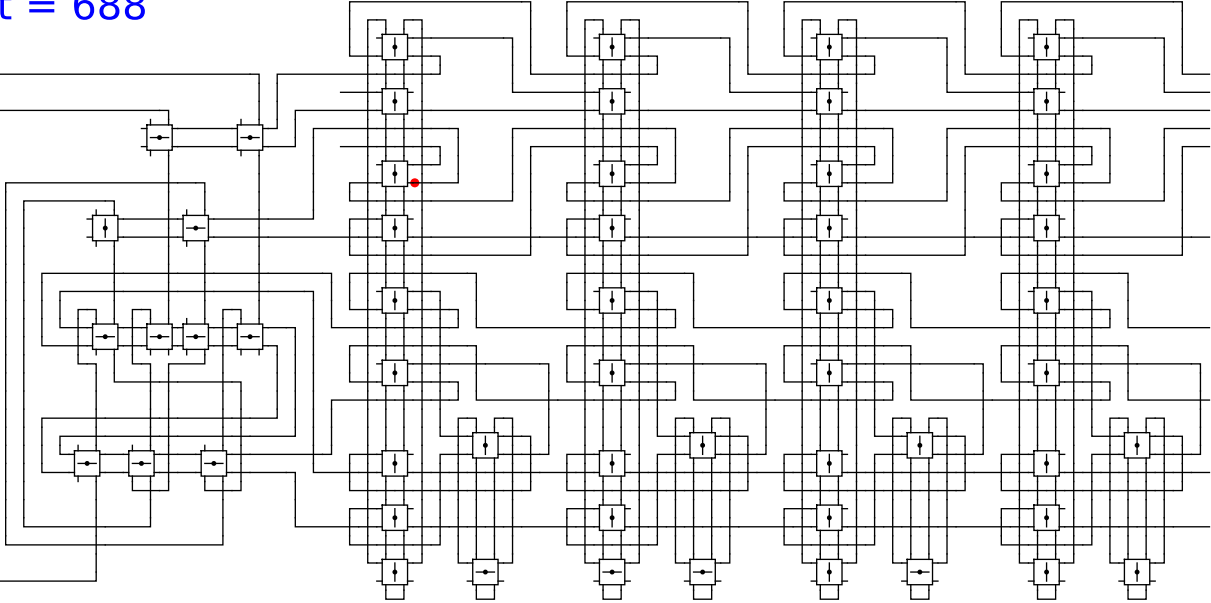


1 head 1 1 0

t = 688

Reject
Accept

Begin

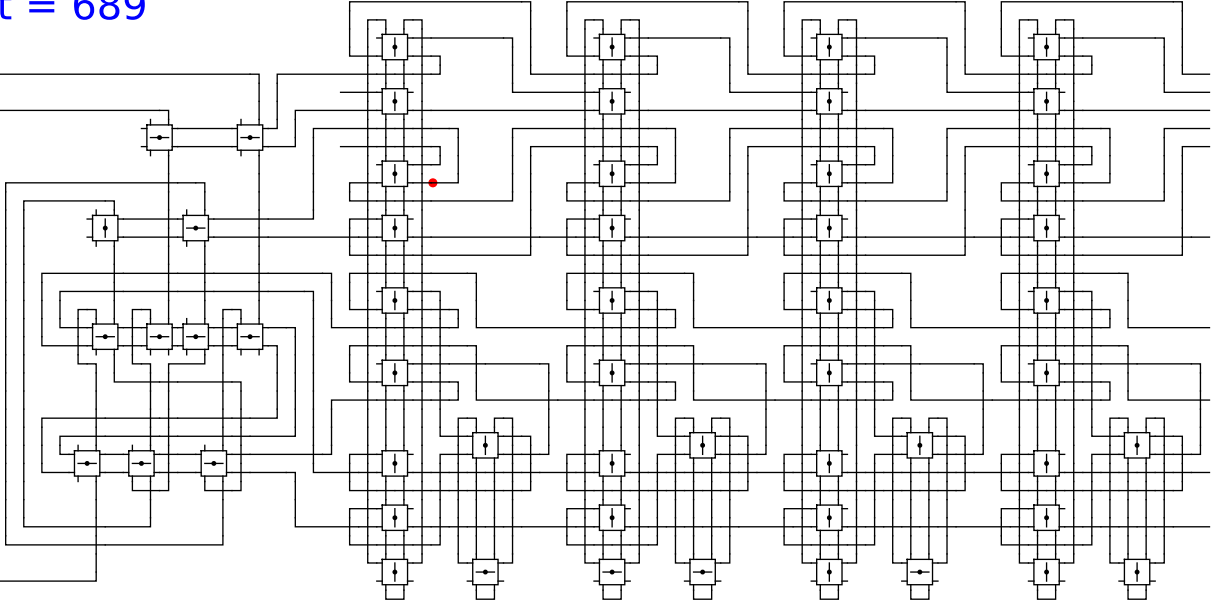


1 head 1 1 0

t = 689

Reject
Accept

Begin

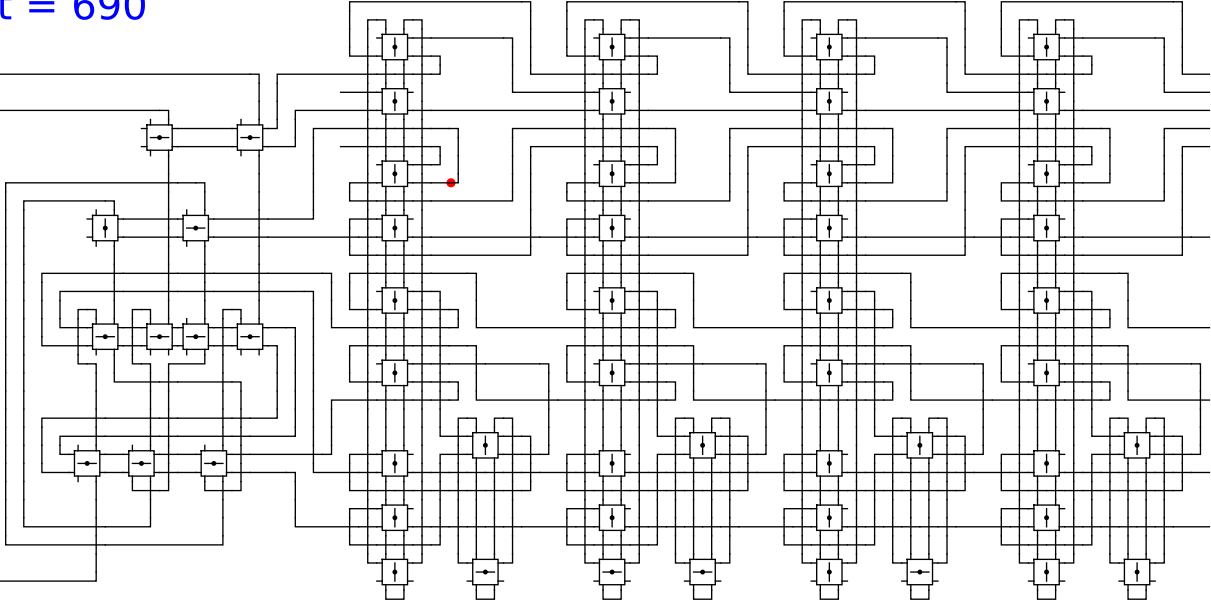


1 head 1 1 0

t = 690

Reject
Accept

Begin



1

head

1

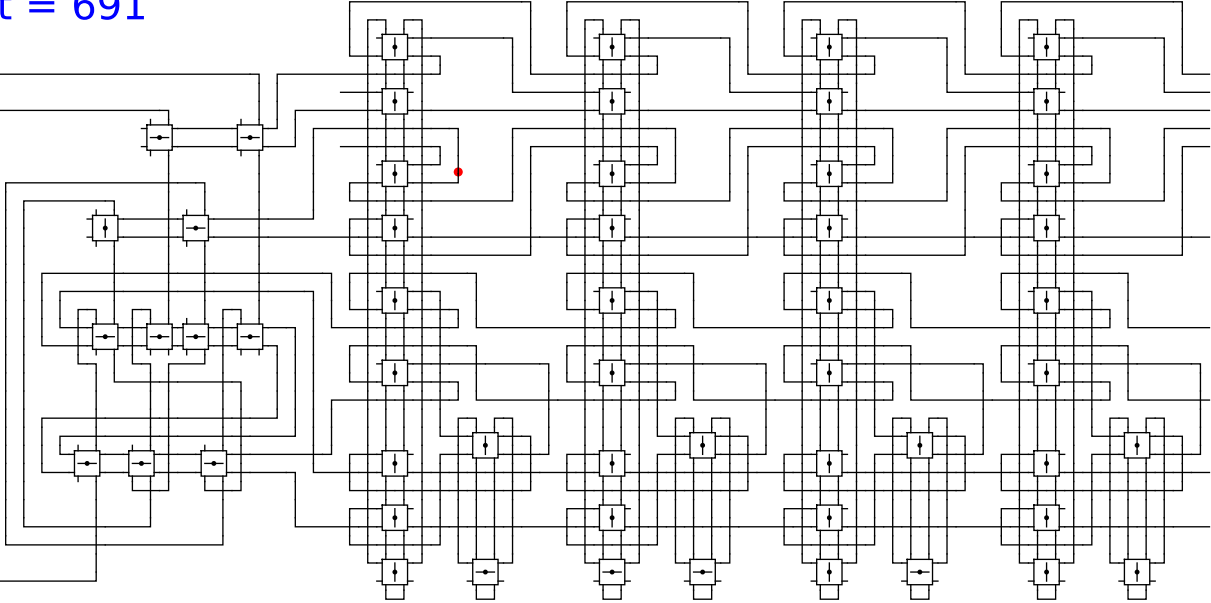
1

0

t = 691

Reject
Accept

Begin

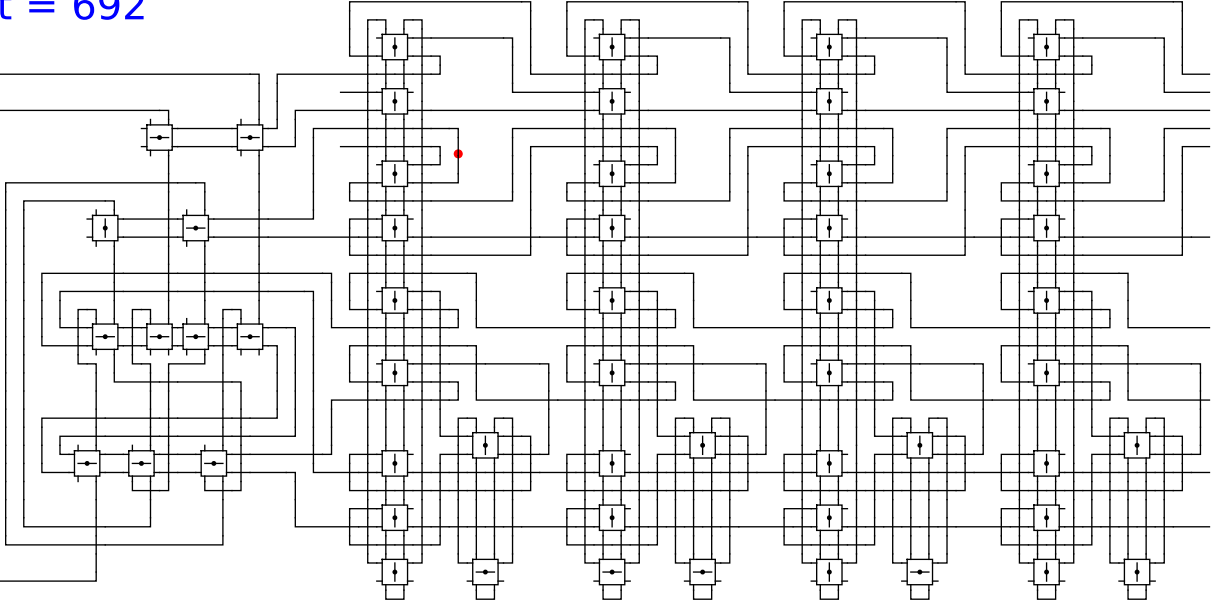


1 head 1 1 0

t = 692

Reject
Accept

Begin

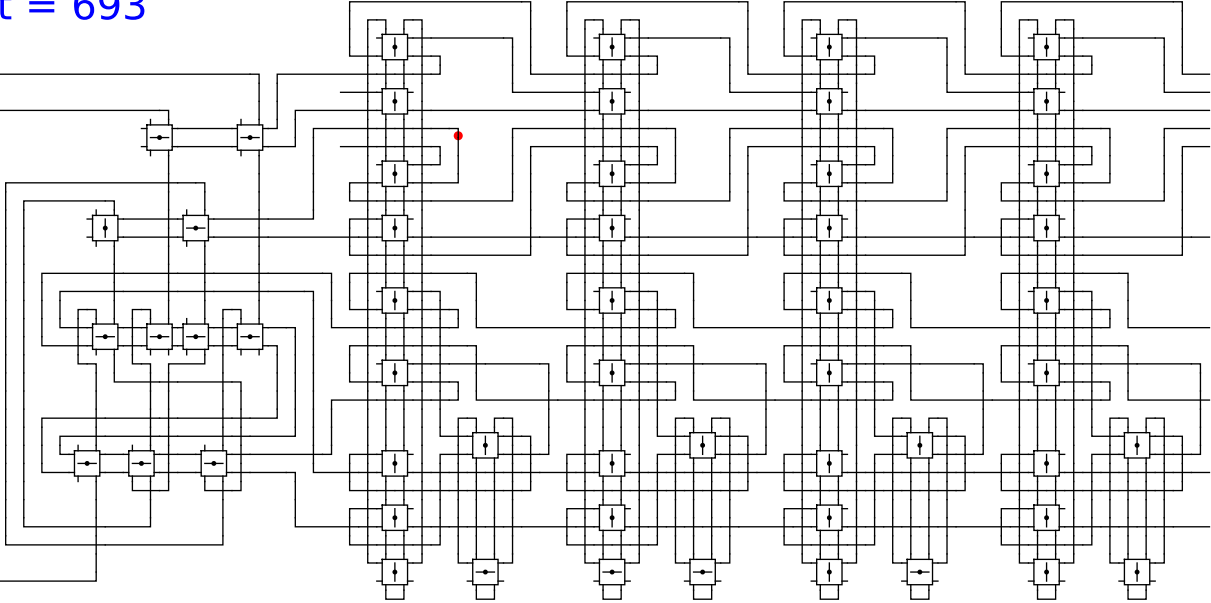


1 head 1 1 0

t = 693

Reject
Accept

Begin

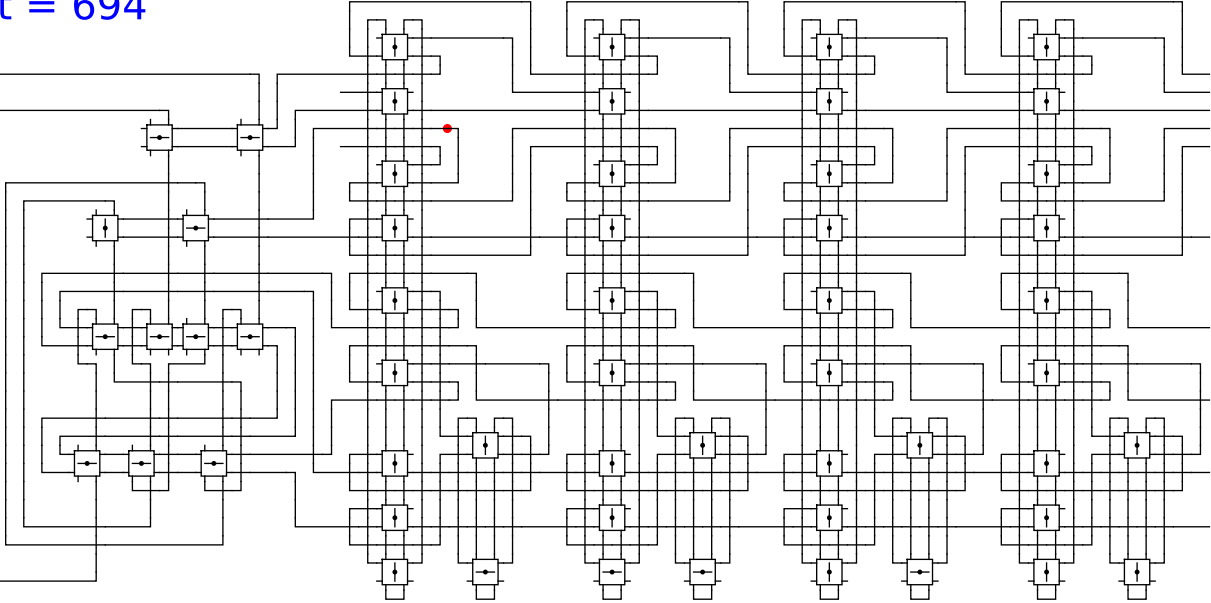


1 head 1 1 0

t = 694

Reject
Accept

Begin

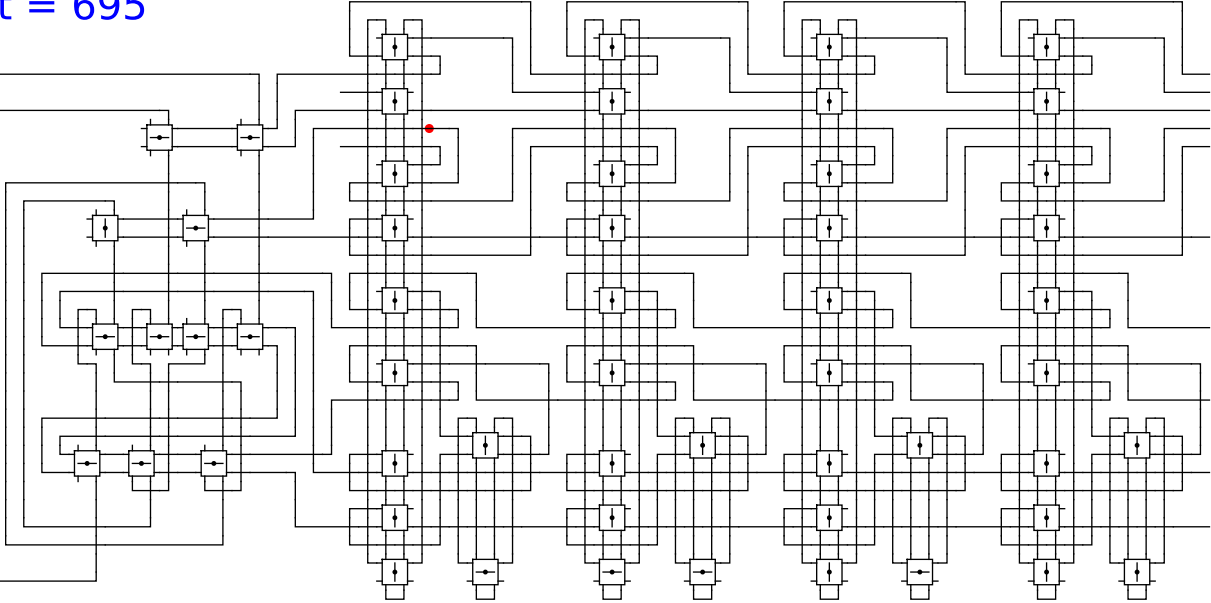


1 head 1 1 0

t = 695

Reject
Accept

Begin

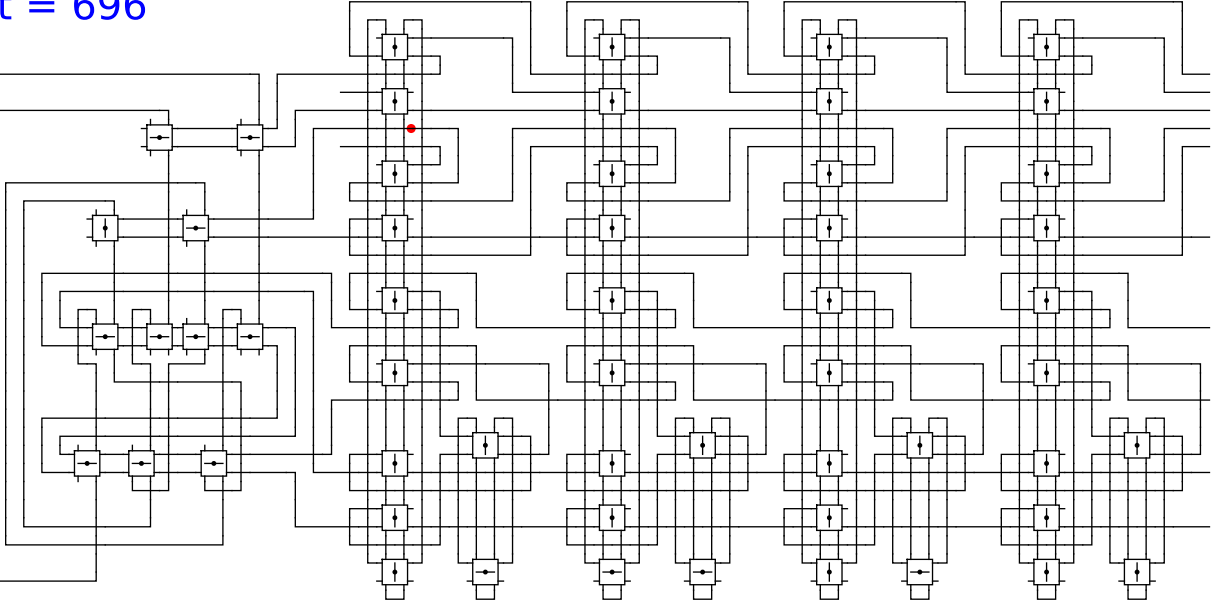


1 head 1 1 0

t = 696

Reject
Accept

Begin

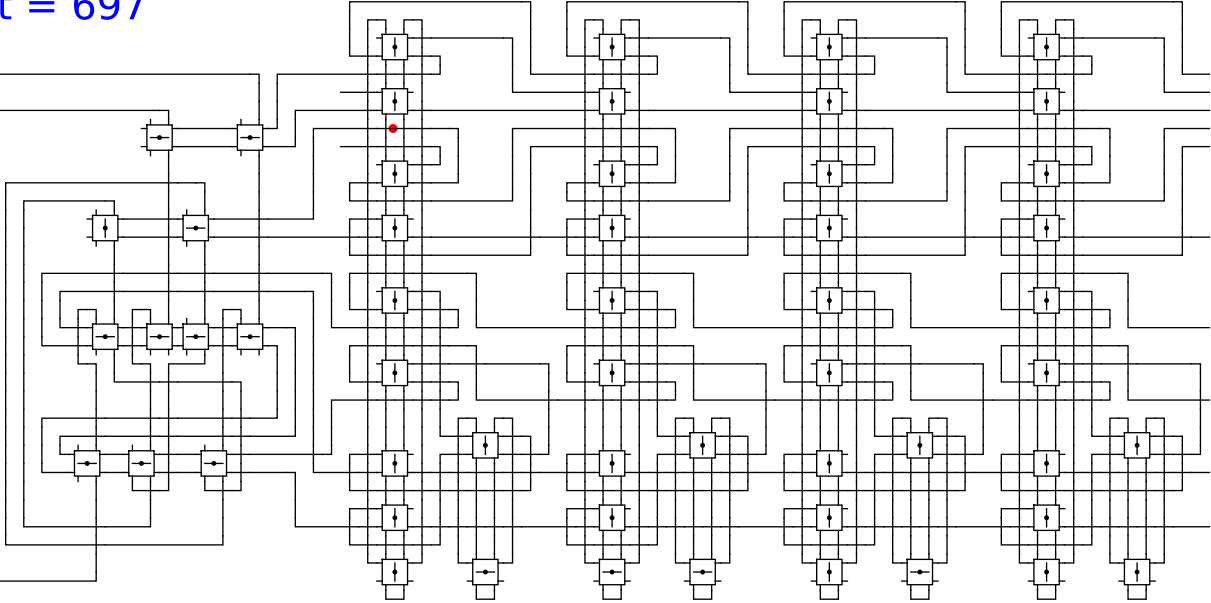


1 head 1 1 0

t = 697

Reject
Accept

Begin

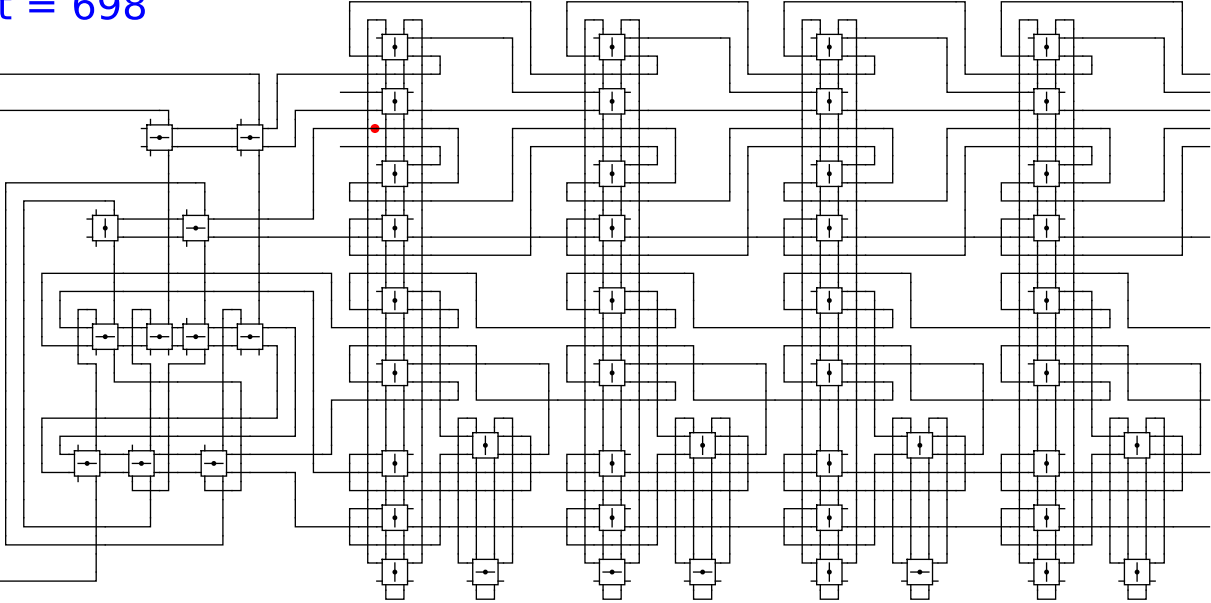


1 head 1 1 0

t = 698

Reject
Accept

Begin

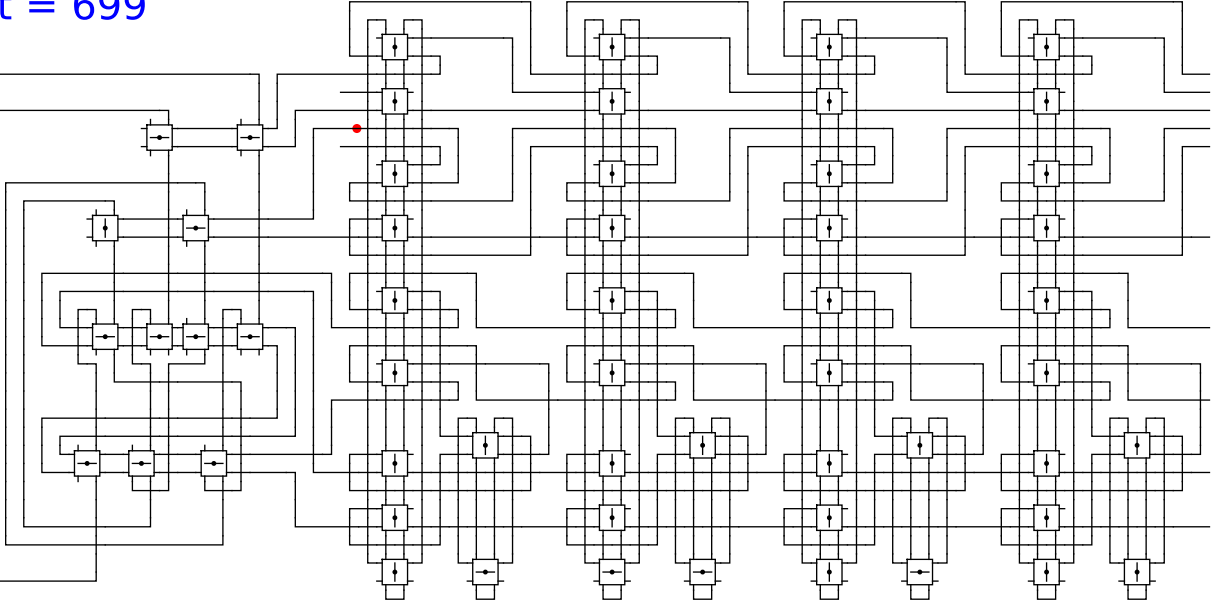


1 head 1 1 0

t = 699

Reject
Accept

Begin

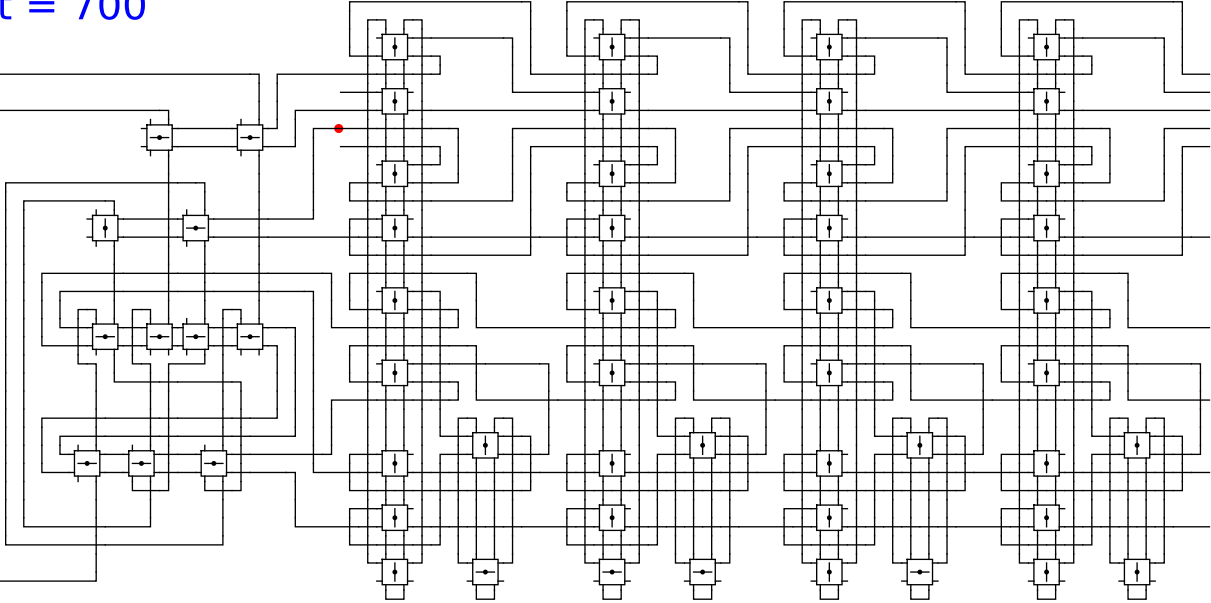


1 head 1 1 0

t = 700

Reject
Accept

Begin

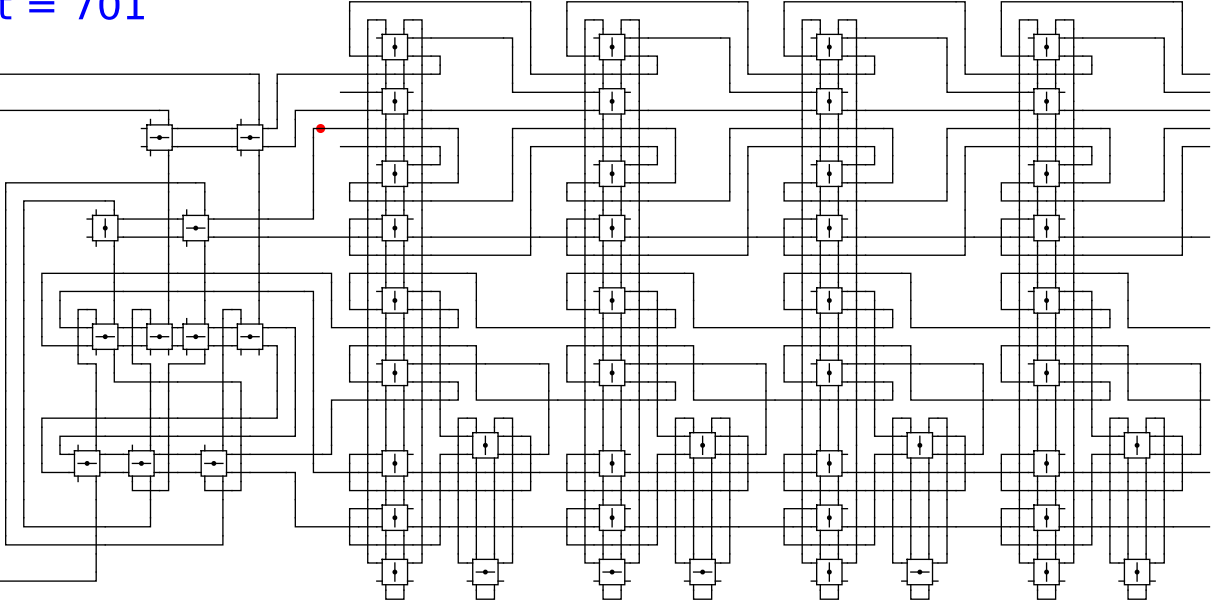


1 head 1 1 0

t = 701

Reject
Accept

Begin

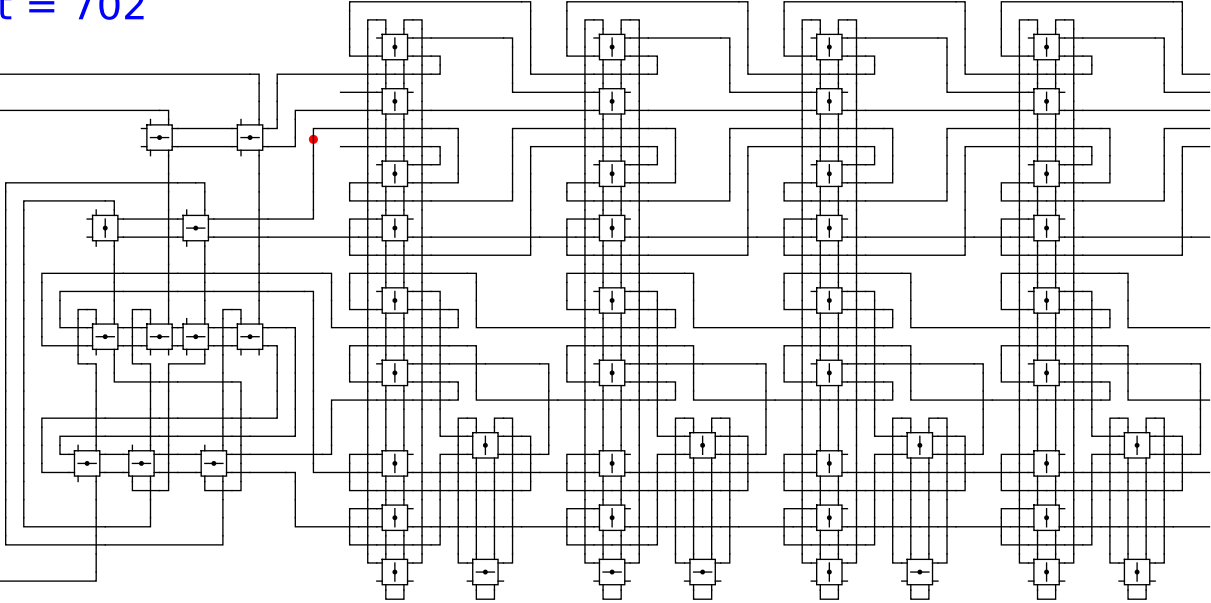


1 head 1 1 1 0

t = 702

Reject
Accept

Begin

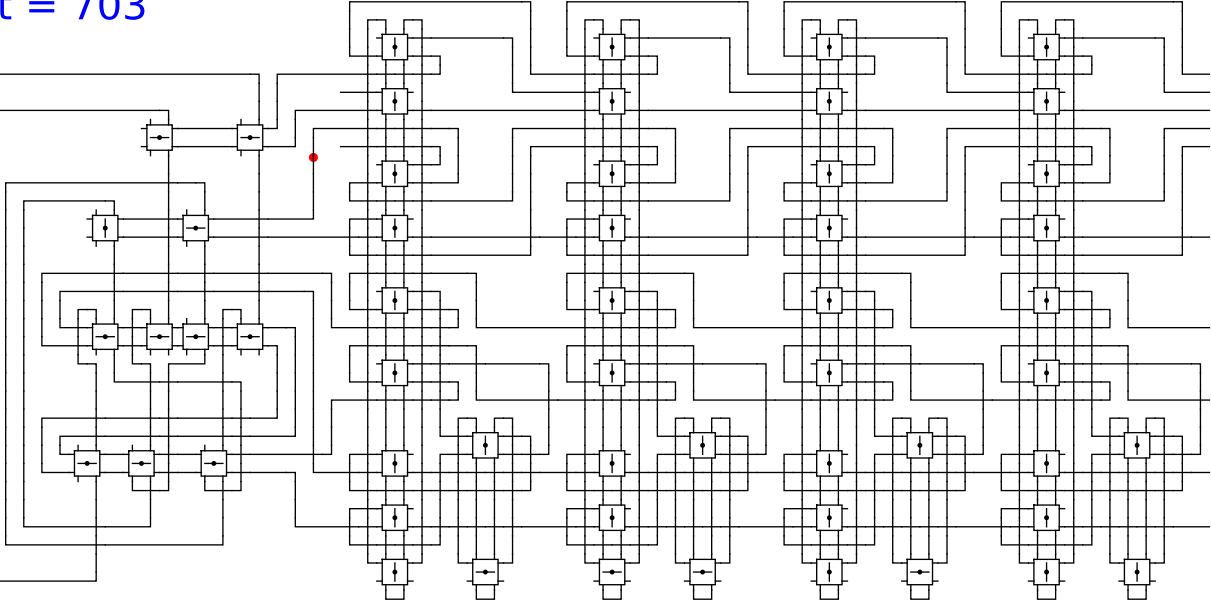


1 head 1 1 0

t = 703

Reject
Accept

Begin

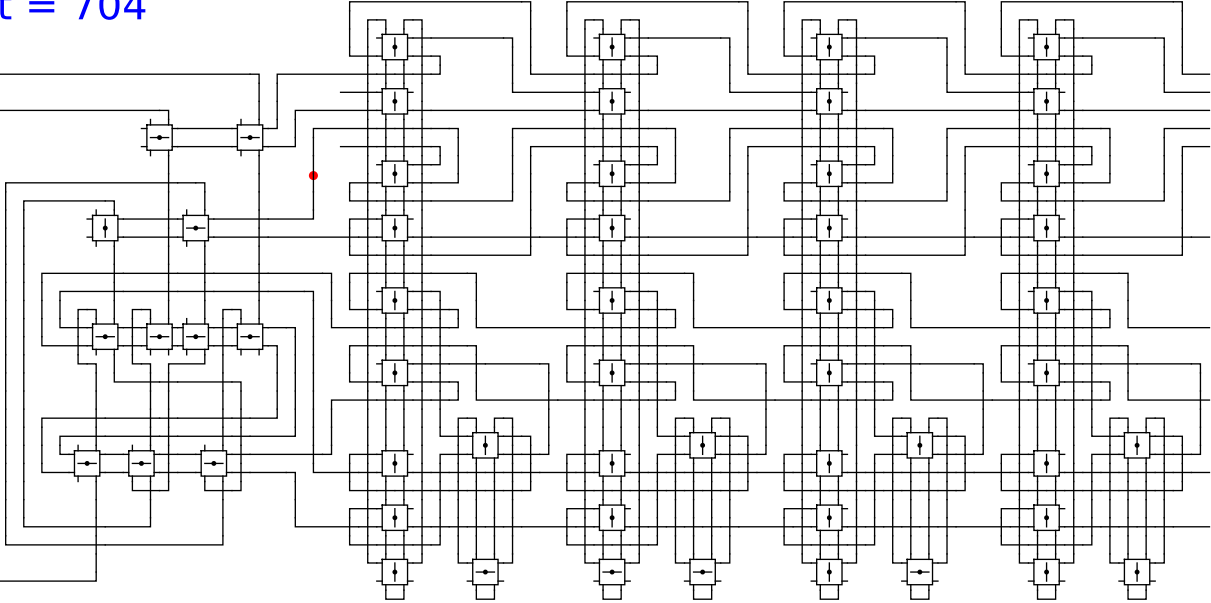


1 head 1 1 0

t = 704

Reject
Accept

Begin

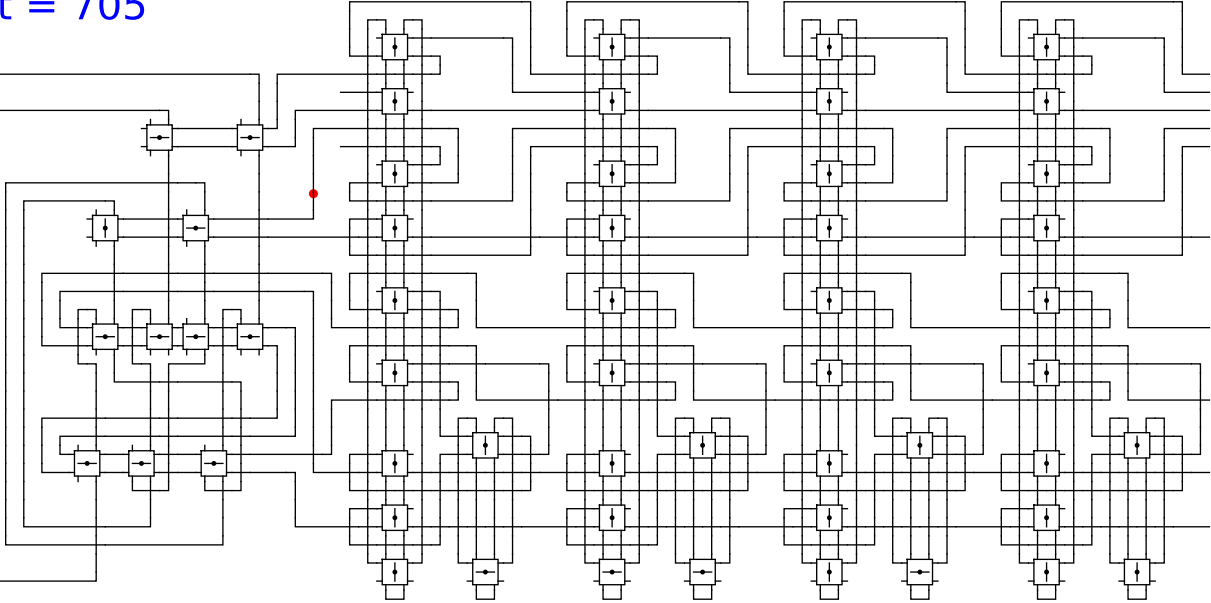


1 head 1 1 0

t = 705

Reject
Accept

Begin

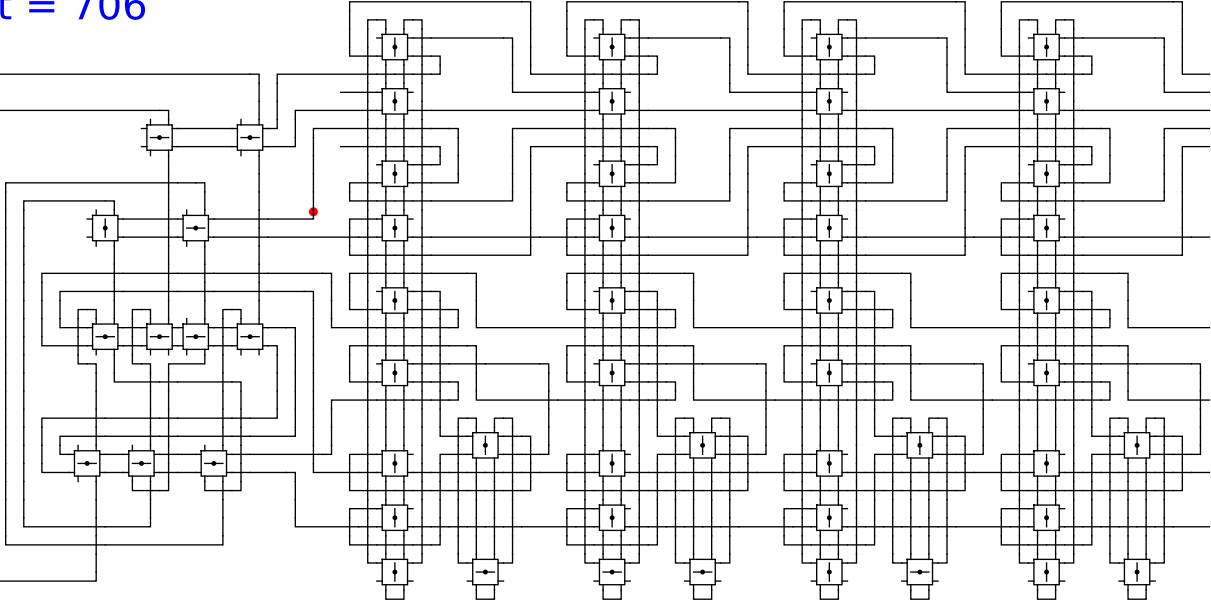


1 head 1 1 0

t = 706

Reject
Accept

Begin

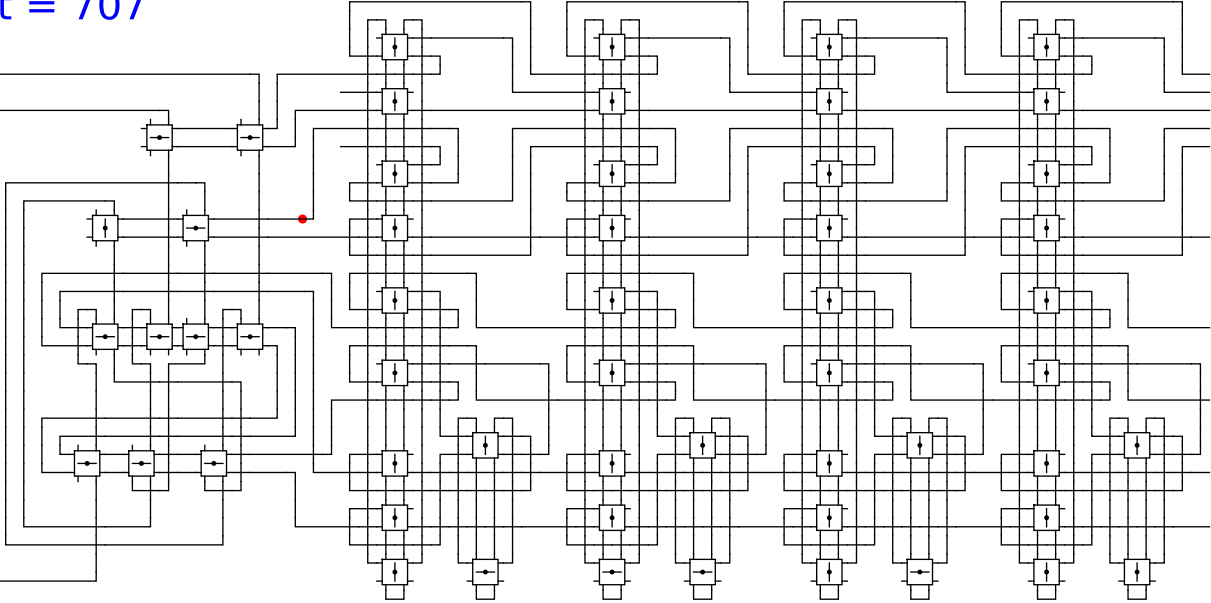


1 head 1 1 0

t = 707

Reject
Accept

Begin

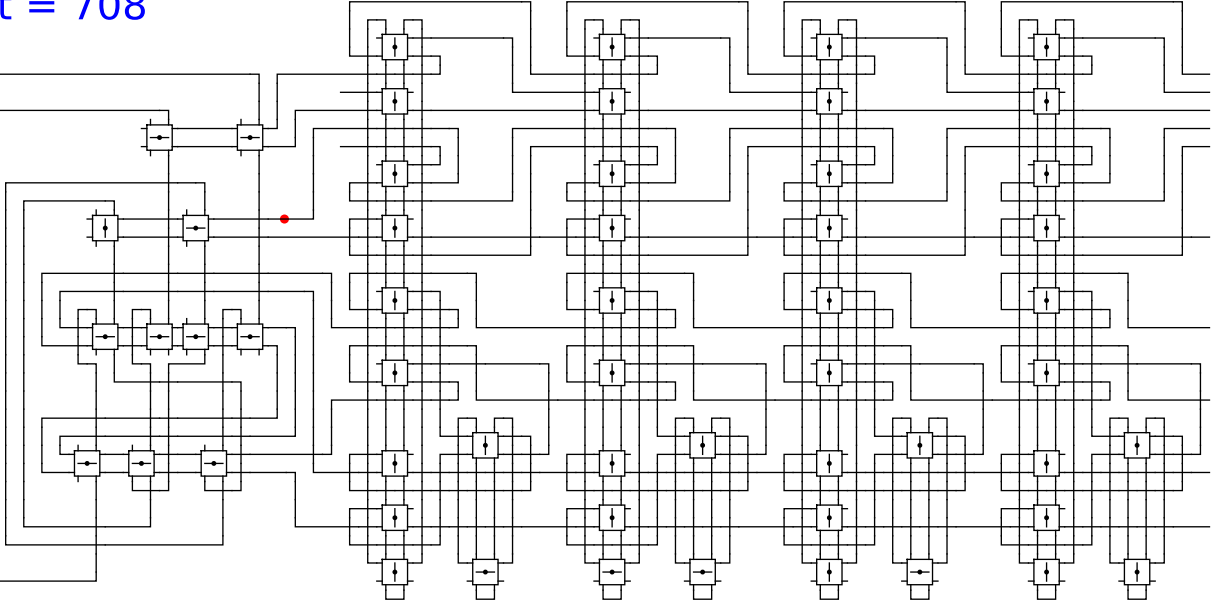


1 head 1 1 0

t = 708

Reject
Accept

Begin

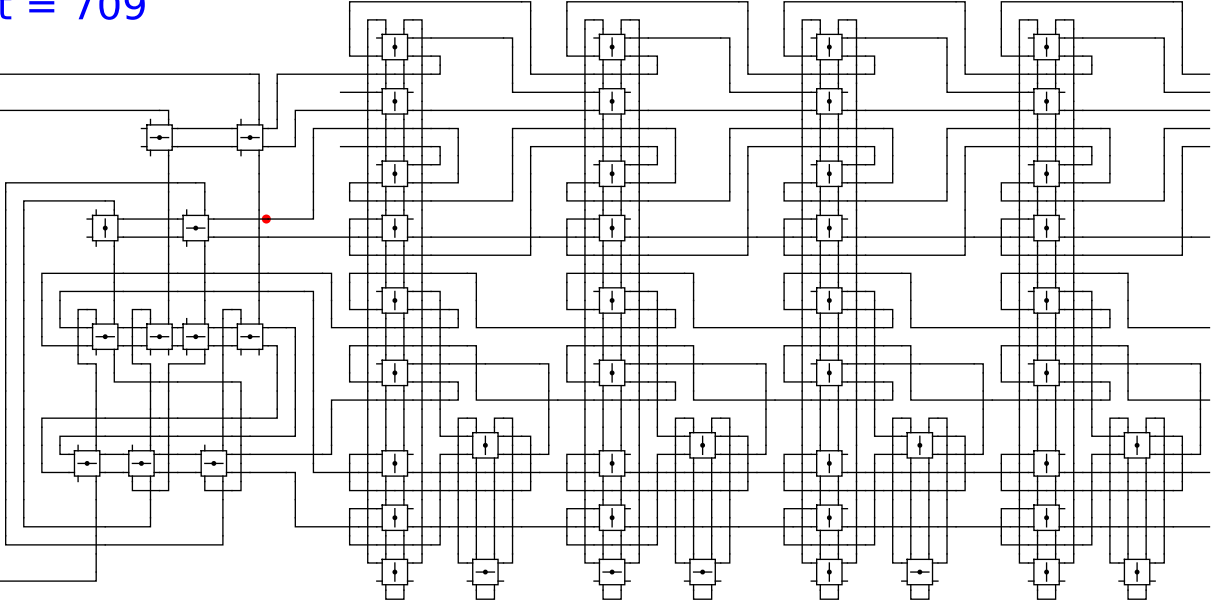


1 head 1 1 0

t = 709

Reject
Accept

Begin

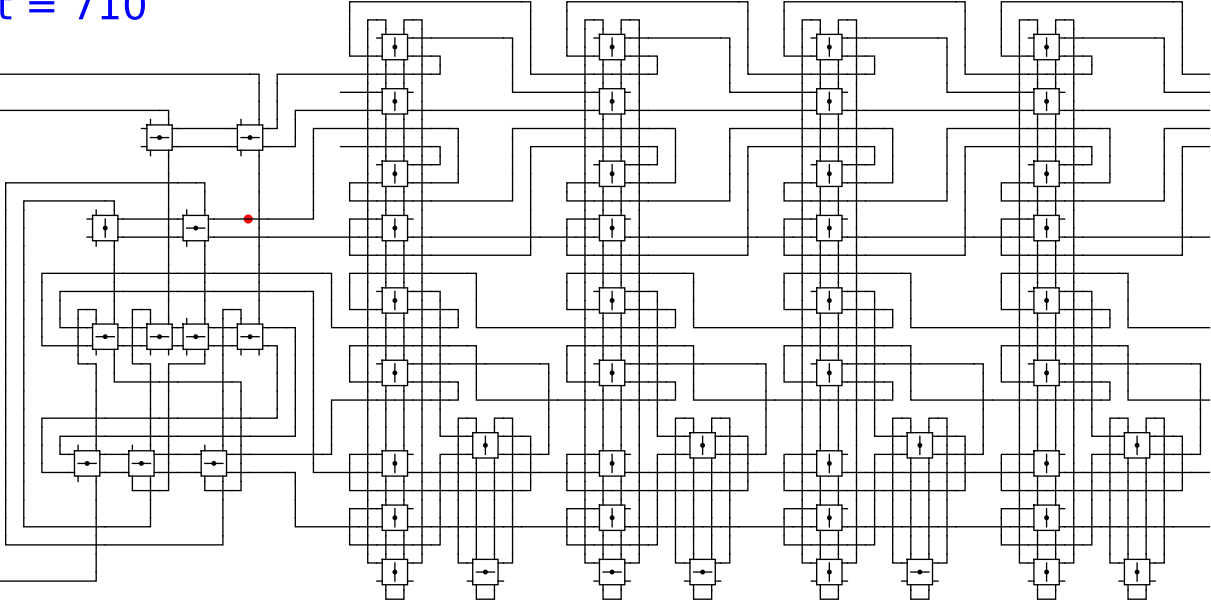


1 head 1 1 0

t = 710

Reject
Accept

Begin

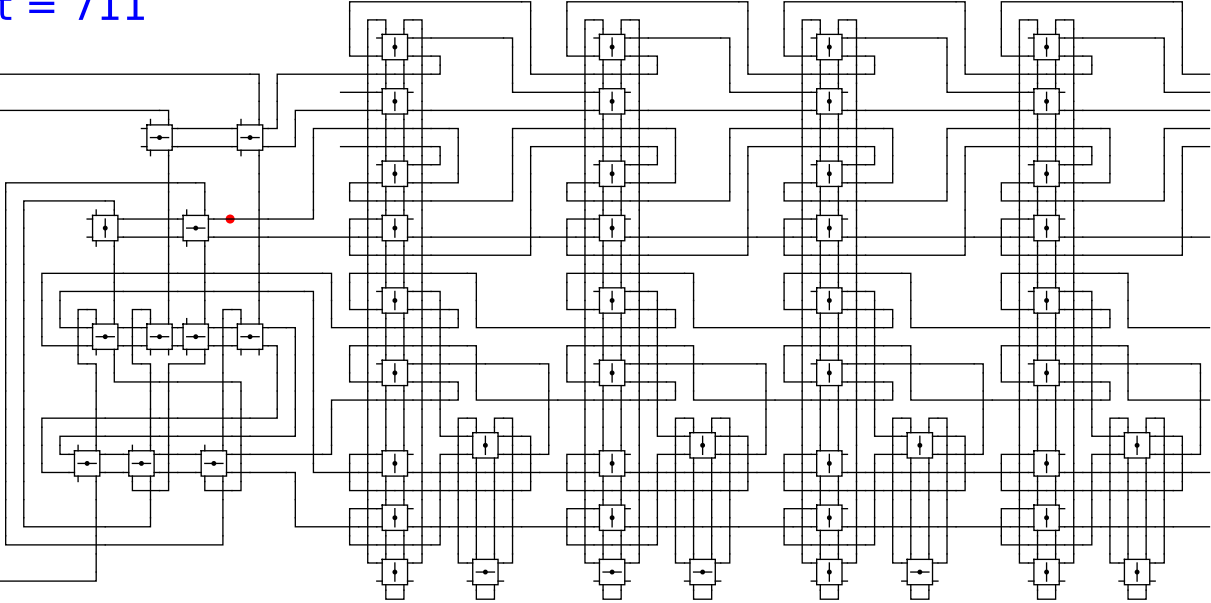


1 head 1 1 0

t = 711

Reject
Accept

Begin

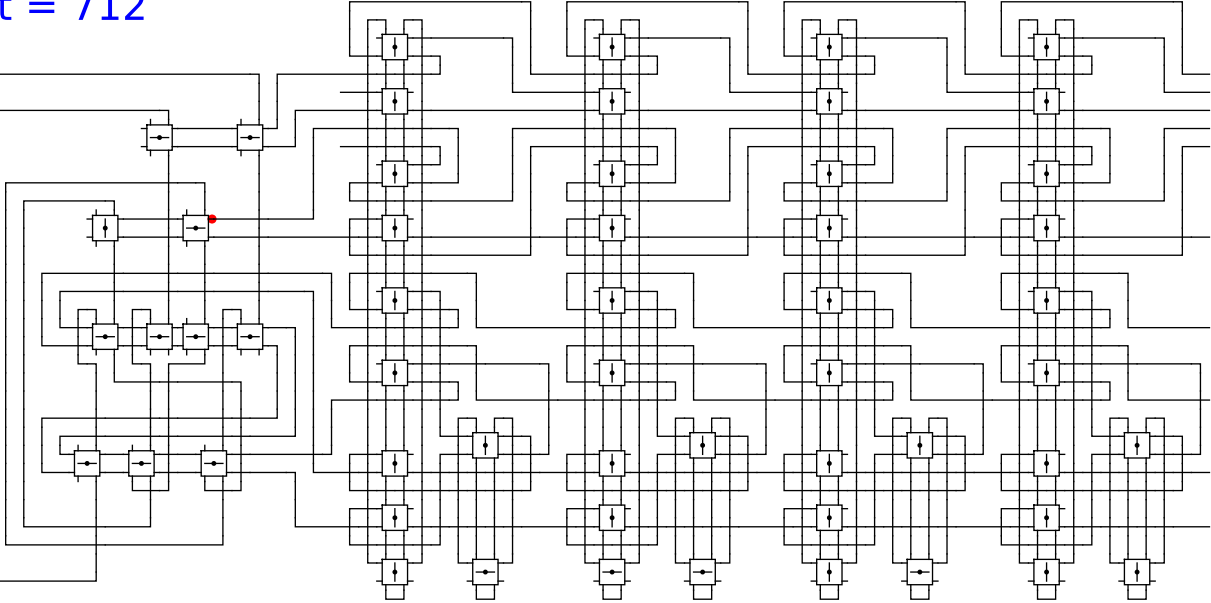


1 head 1 1 0

t = 712

Reject
Accept

Begin

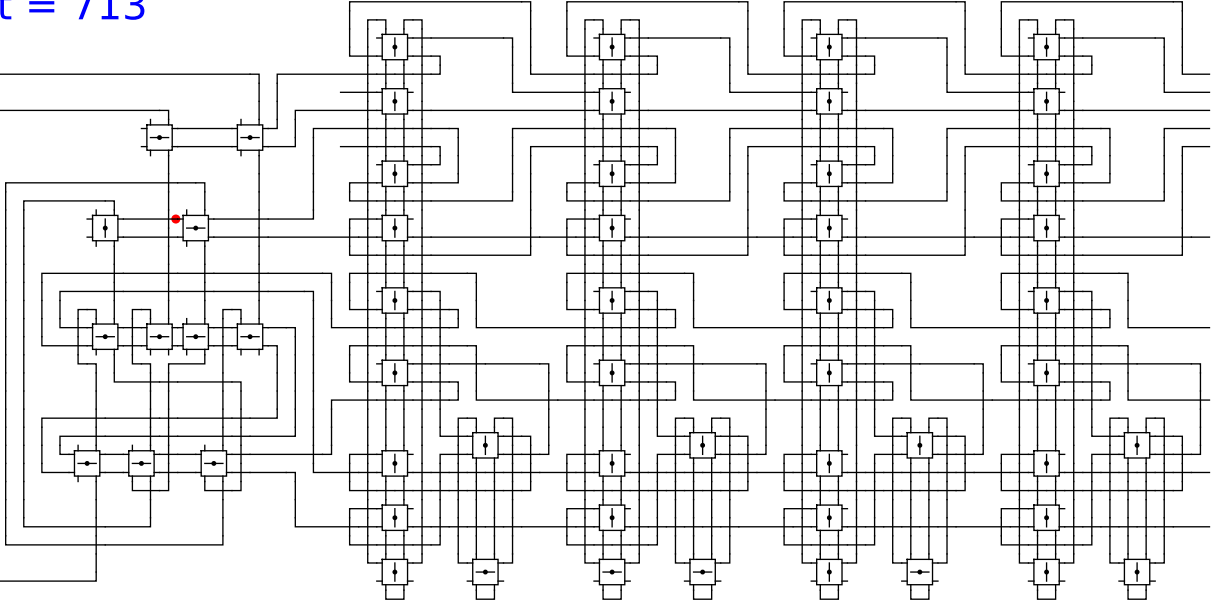


1 head 1 1 0

t = 713

Reject
Accept

Begin

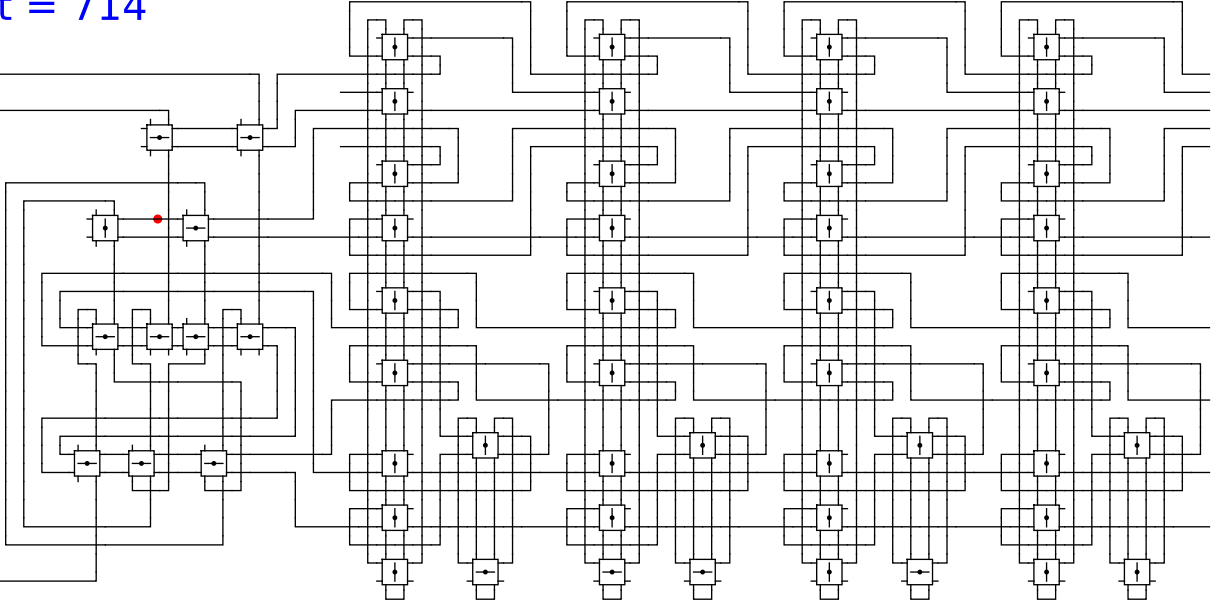


1 head 1 1 0

t = 714

Reject
Accept

Begin

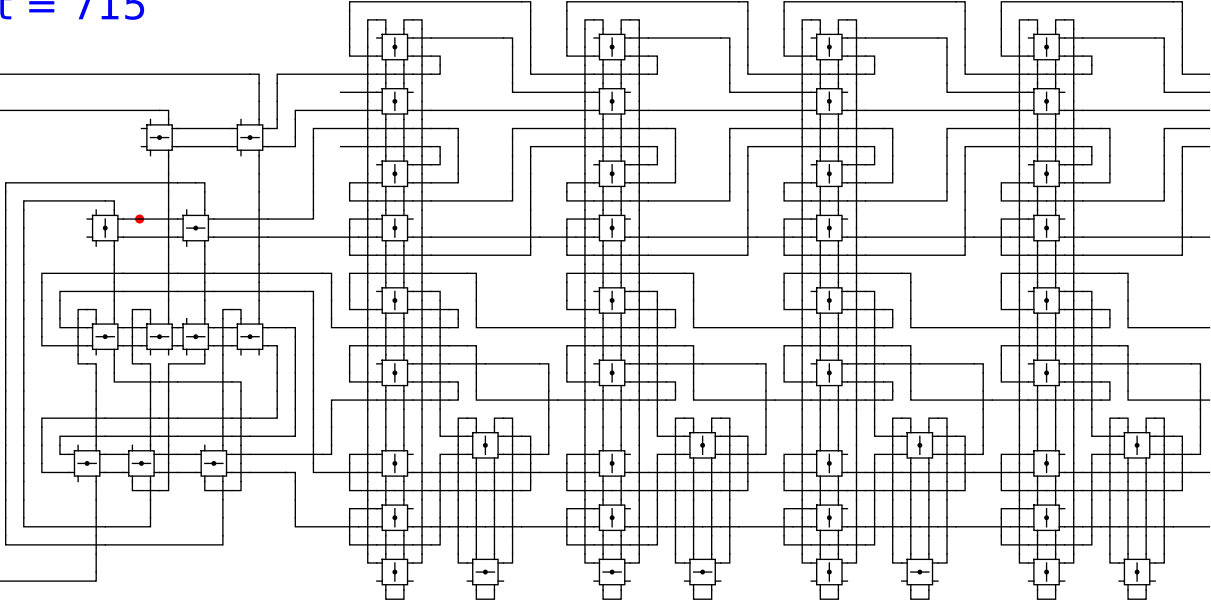


1 head 1 1 0

t = 715

Reject
Accept

Begin

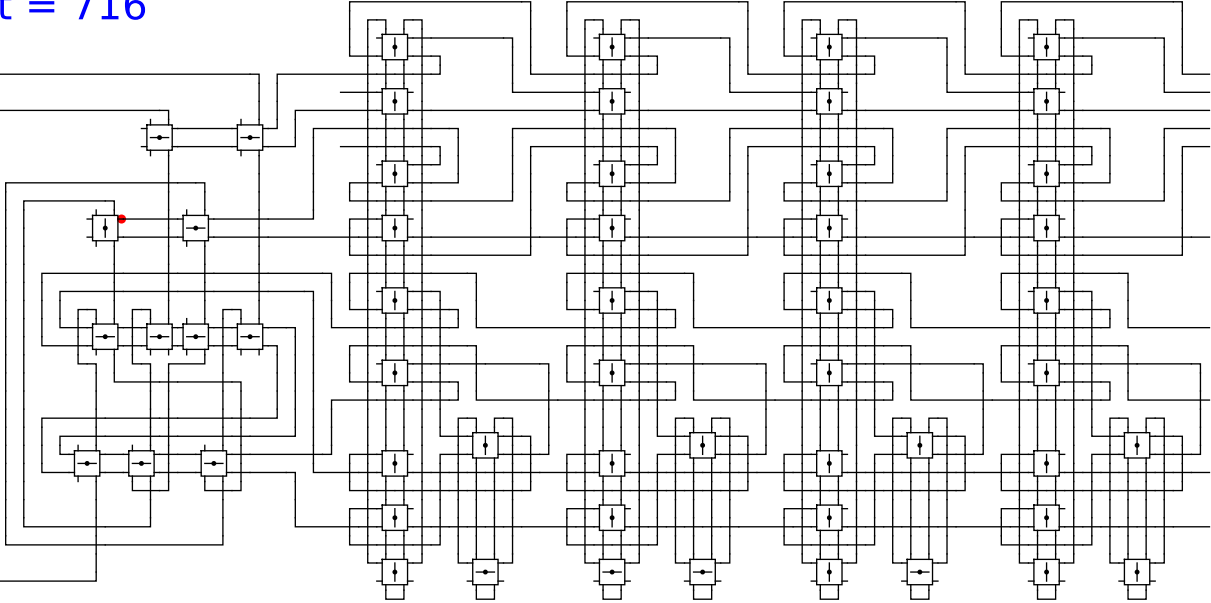


1 1 1 0

t = 716

Reject
Accept

Begin

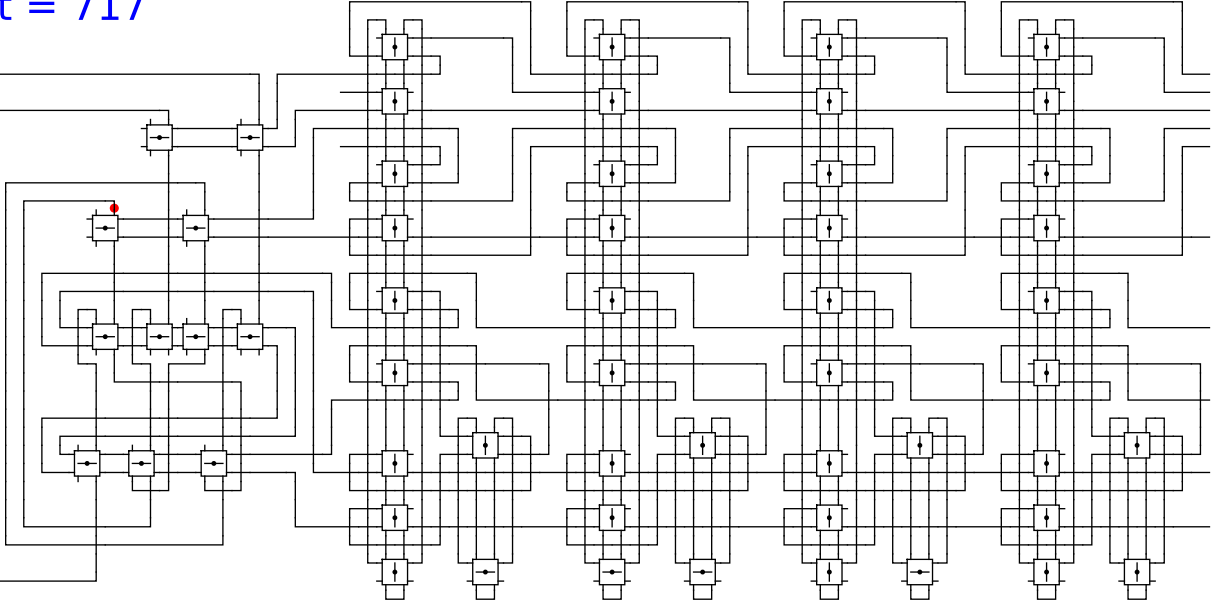


1 head 1 1 0

t = 717

Reject
Accept

Begin

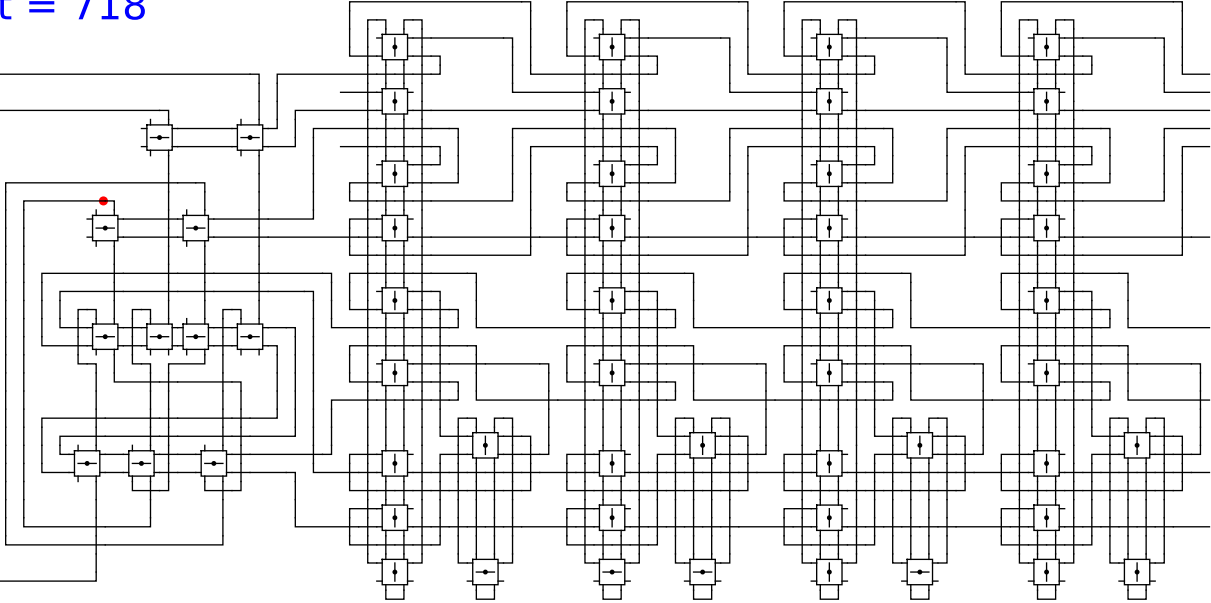


1 head 1 1 0

t = 718

Reject
Accept

Begin

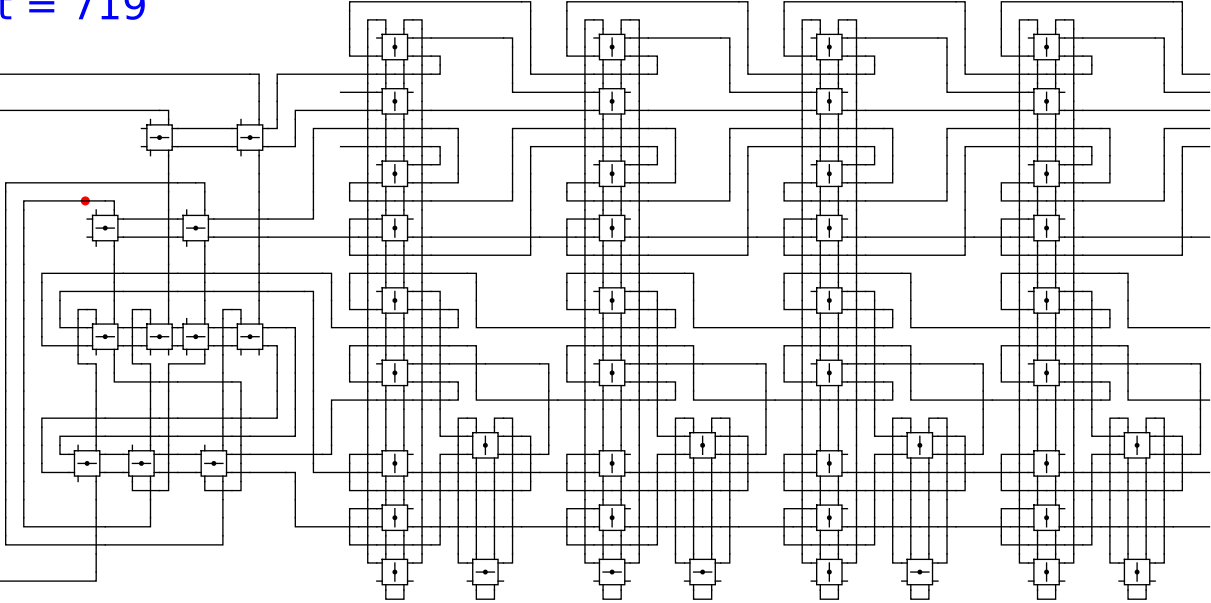


1 head 1 1 0

t = 719

Reject
Accept

Begin

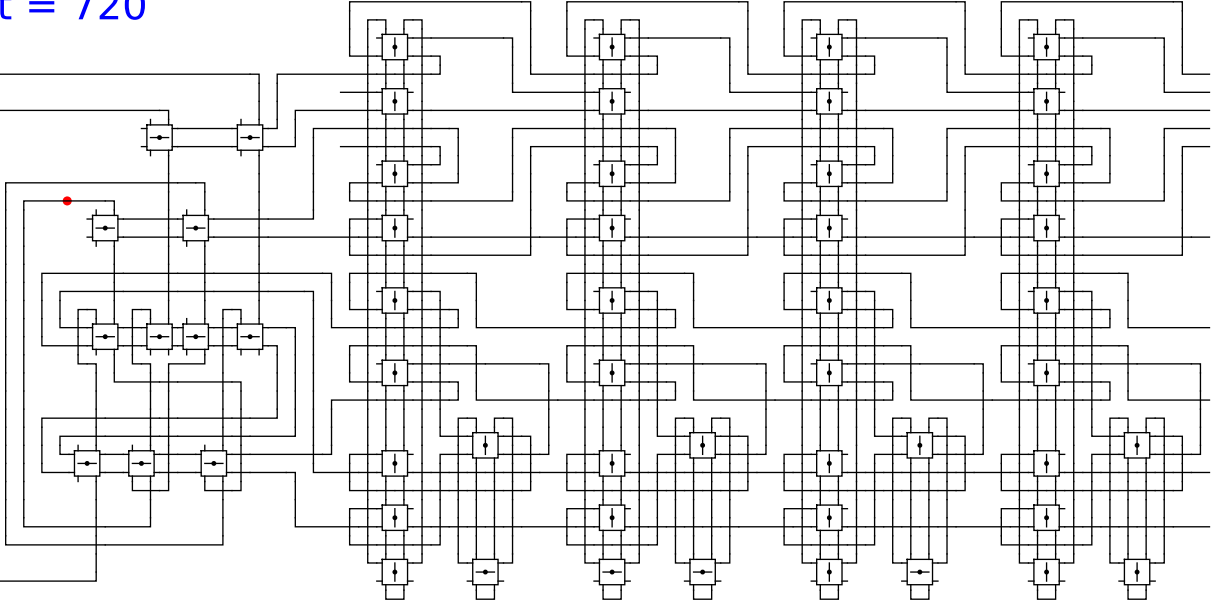


1 head 1 0

t = 720

Reject
Accept

Begin

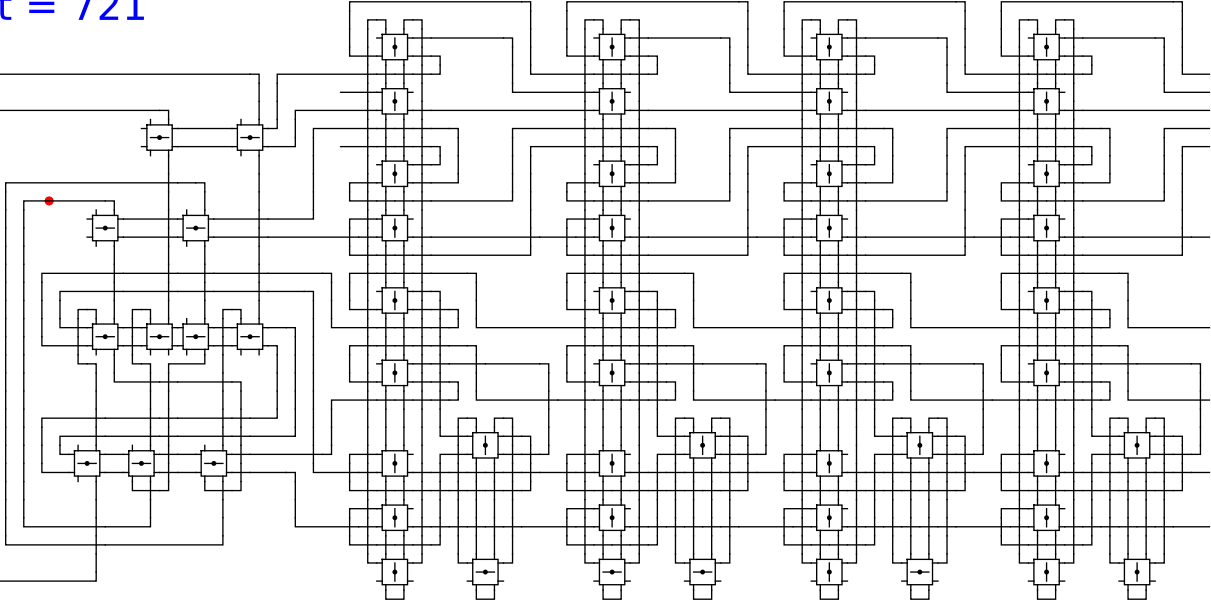


1 head 1 1 0

t = 721

Reject
Accept

Begin

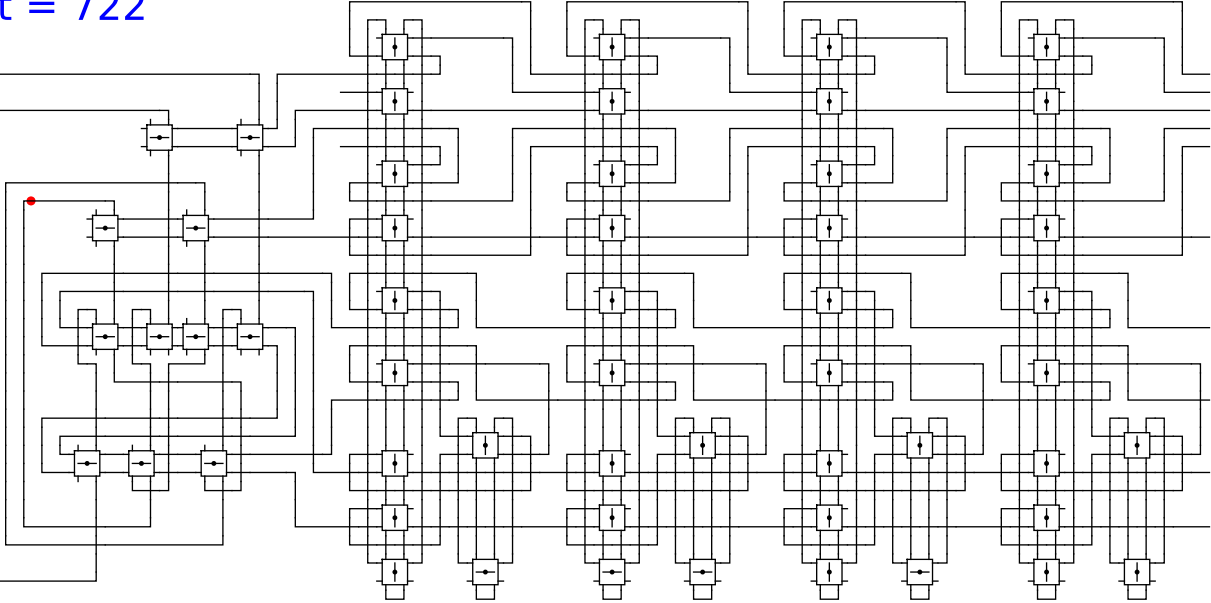


1 head 1 1 0

t = 722

Reject
Accept

Begin

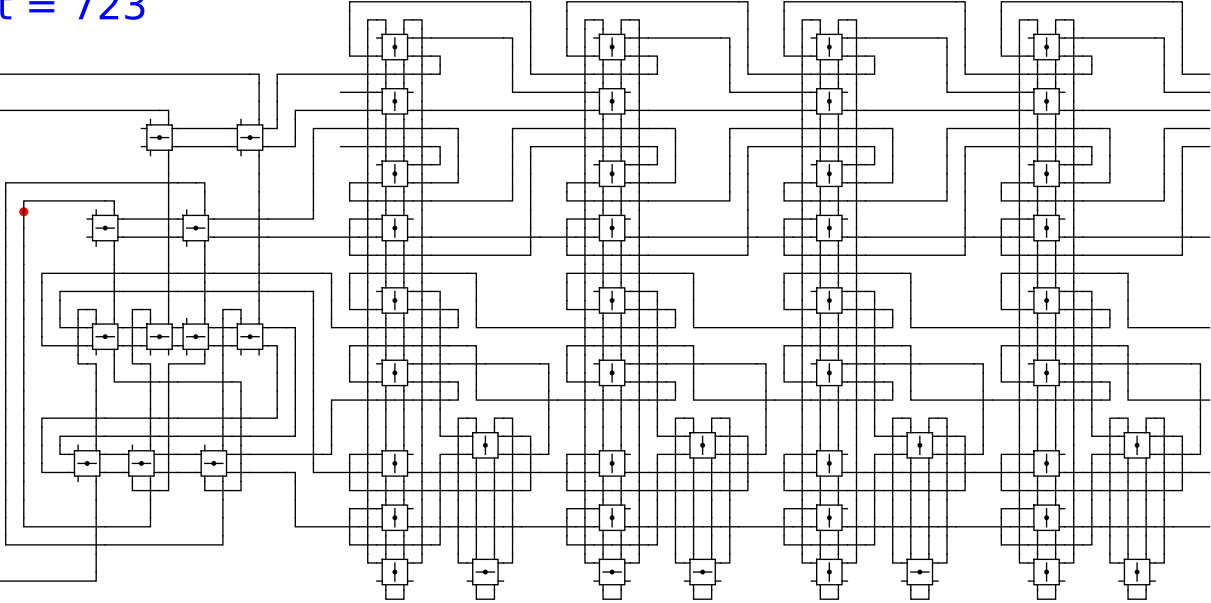


1 head 1 1 0

t = 723

Reject
Accept

Begin

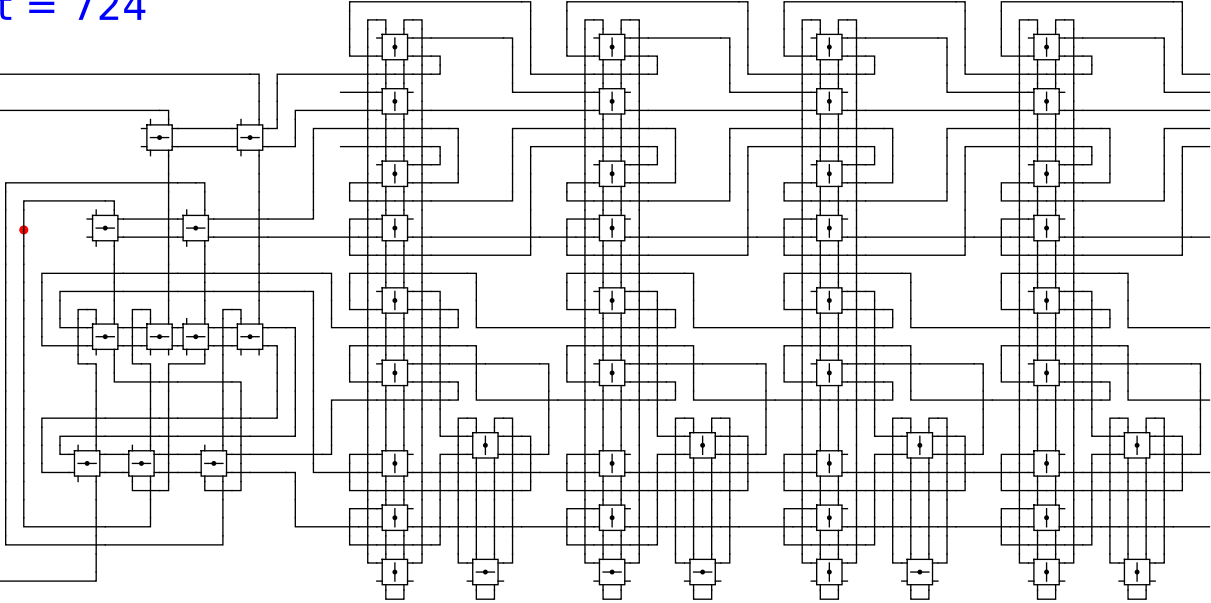


1 head 1 1 0

t = 724

Reject
Accept

Begin

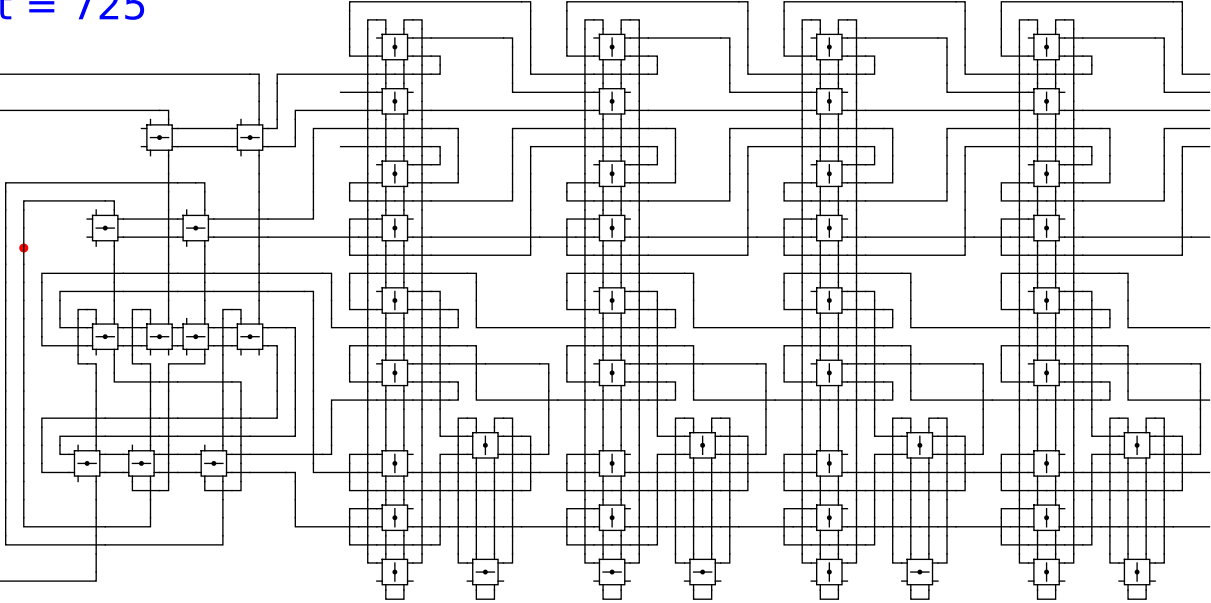


1 head 1 1 0

t = 725

Reject
Accept

Begin

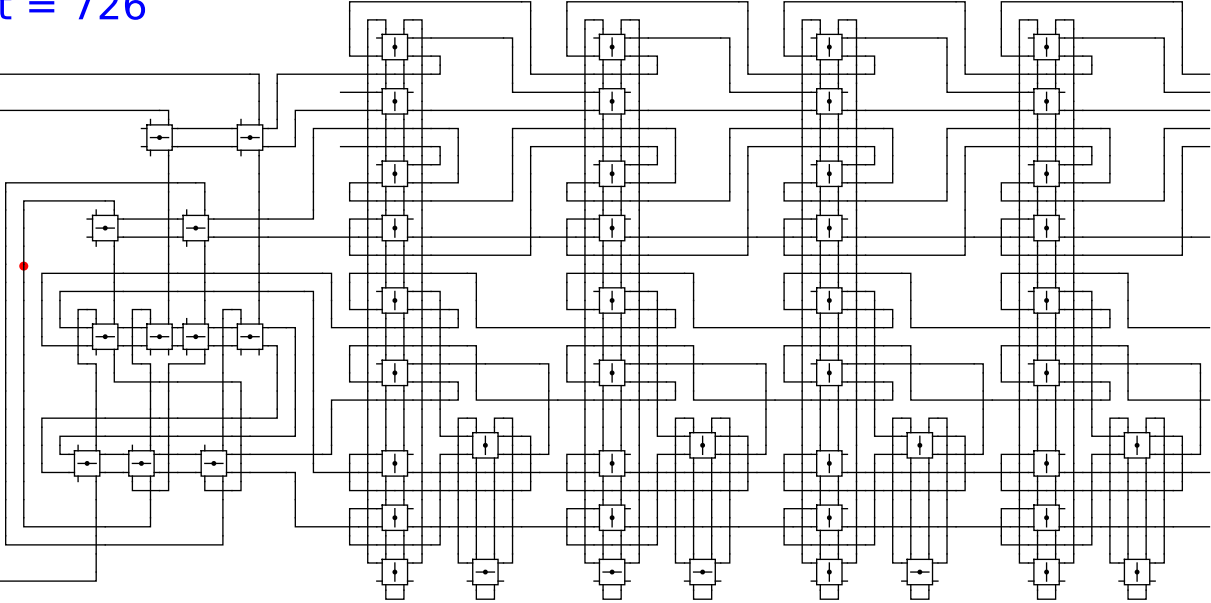


1 head 1 1 0

t = 726

Reject
Accept

Begin

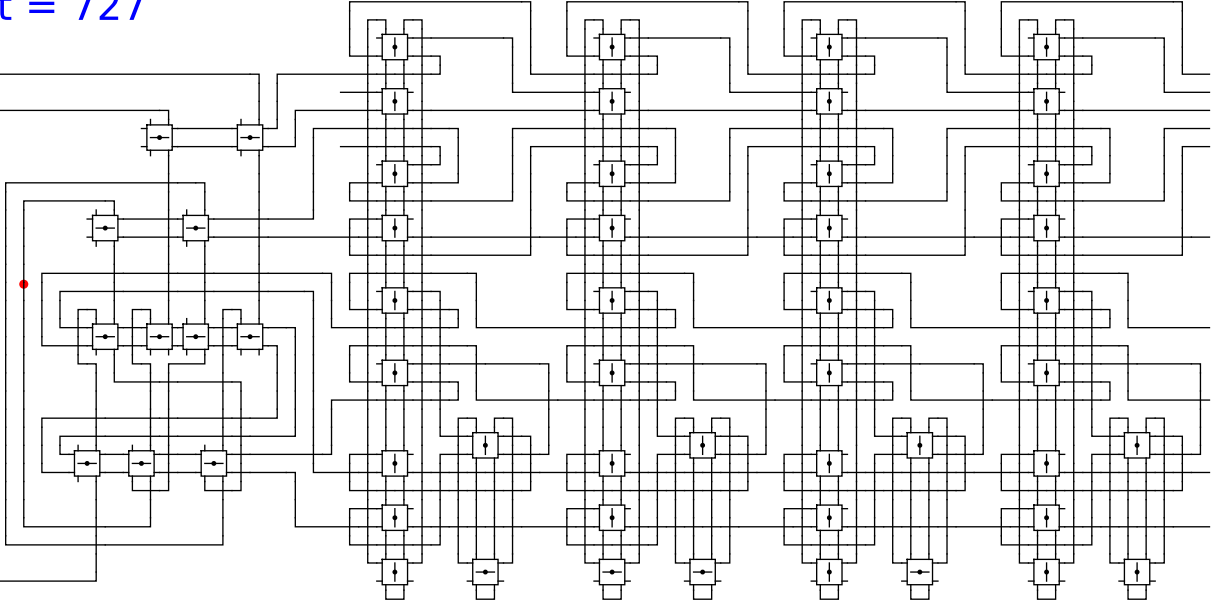


1 head 1 1 0

t = 727

Reject
Accept

Begin

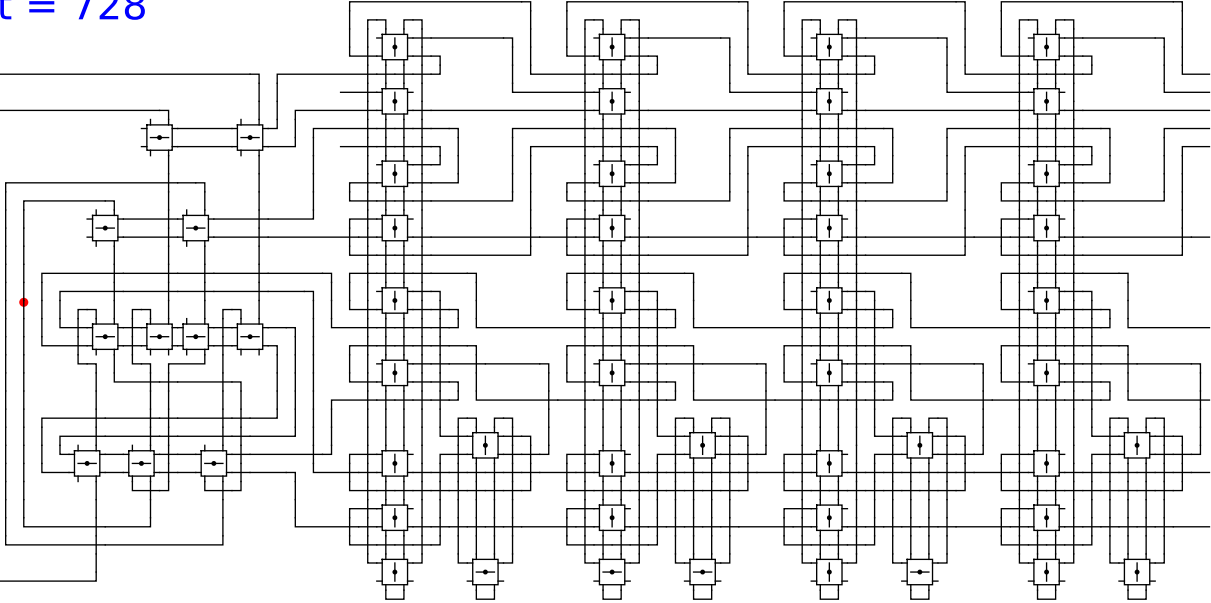


1 head 1 1 0

t = 728

Reject
Accept

Begin

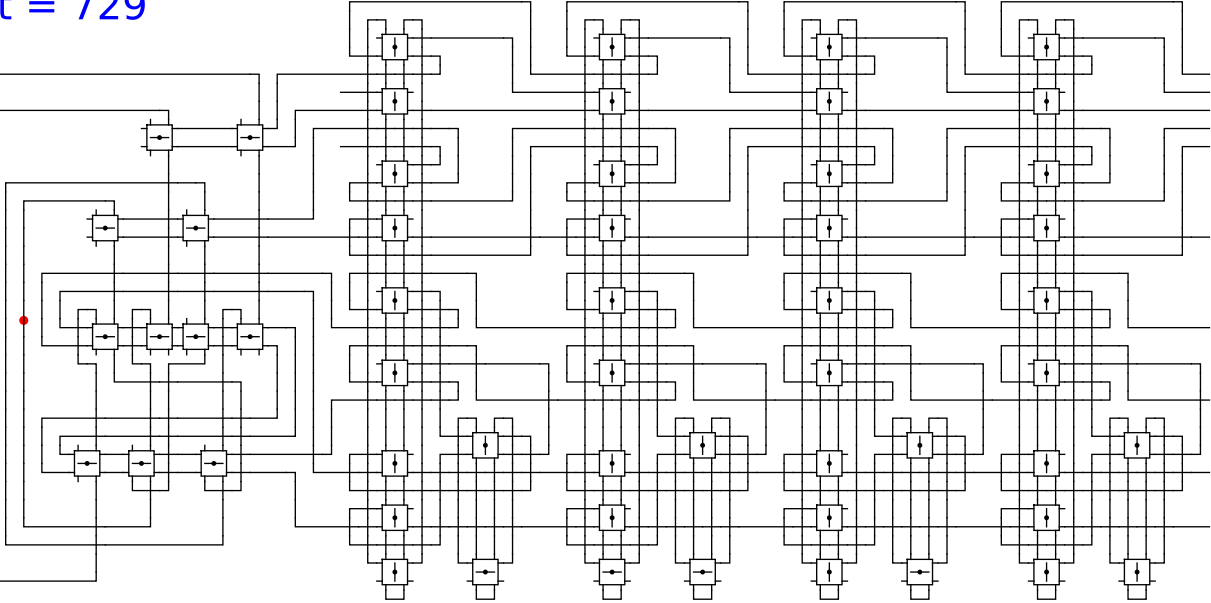


1 head 1 1 0

t = 729

Reject
Accept

Begin

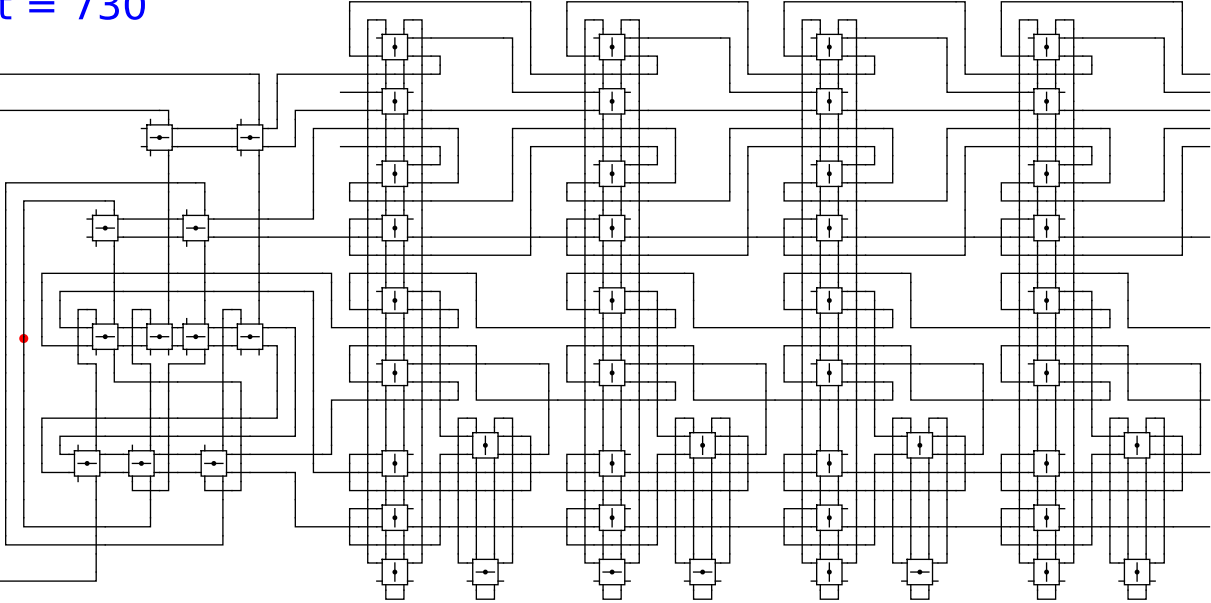


1 head 1 1 0

t = 730

Reject
Accept

Begin

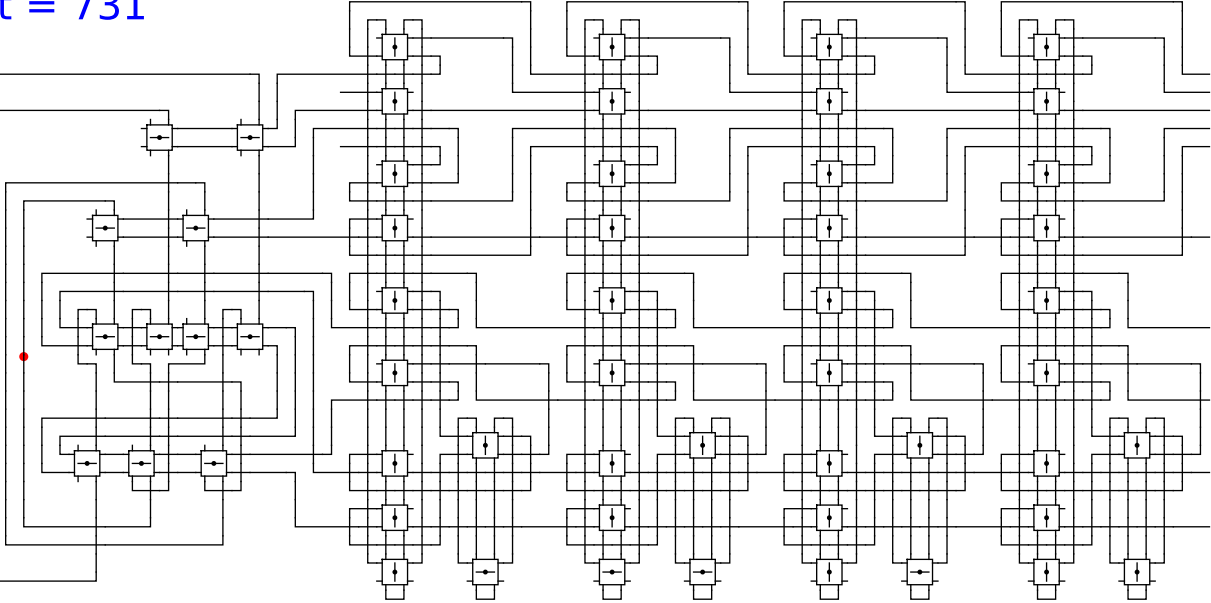


1 head 1 1 0

t = 731

Reject
Accept

Begin

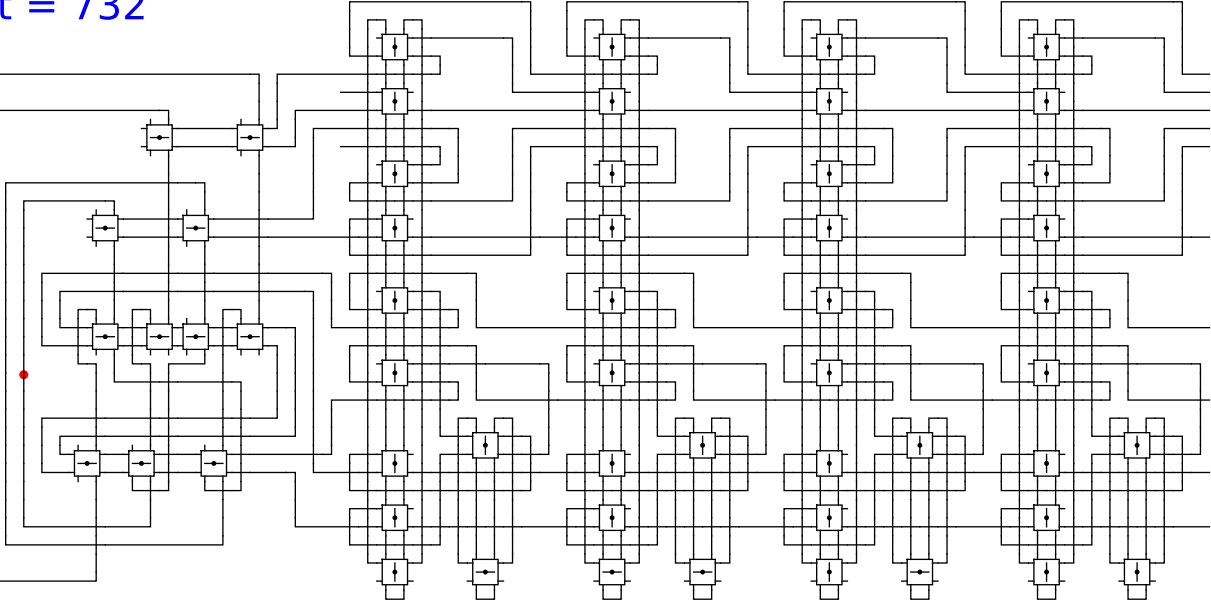


1 head 1 1 0

t = 732

Reject
Accept

Begin

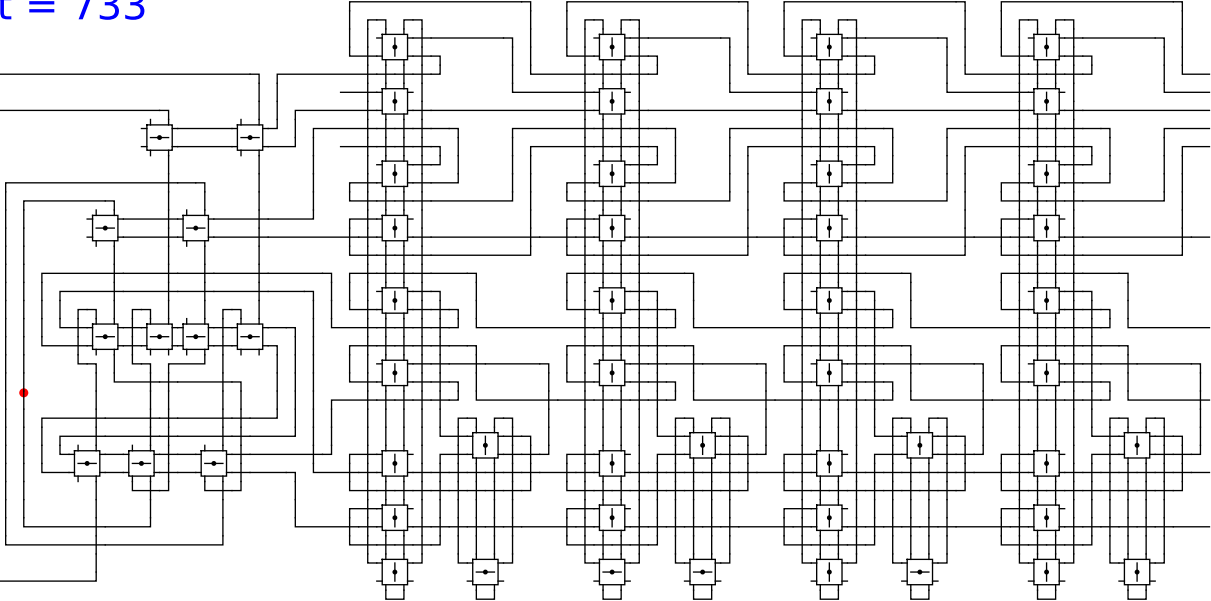


1 head 1 1 0

t = 733

Reject
Accept

Begin

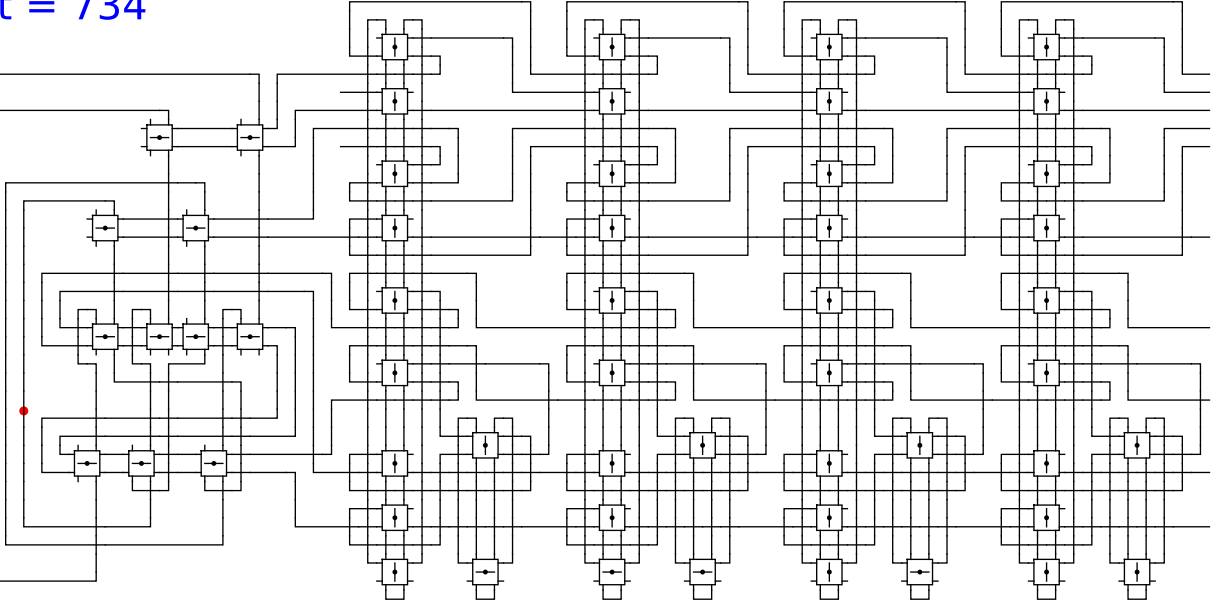


1 head 1 1 0

t = 734

Reject
Accept

Begin

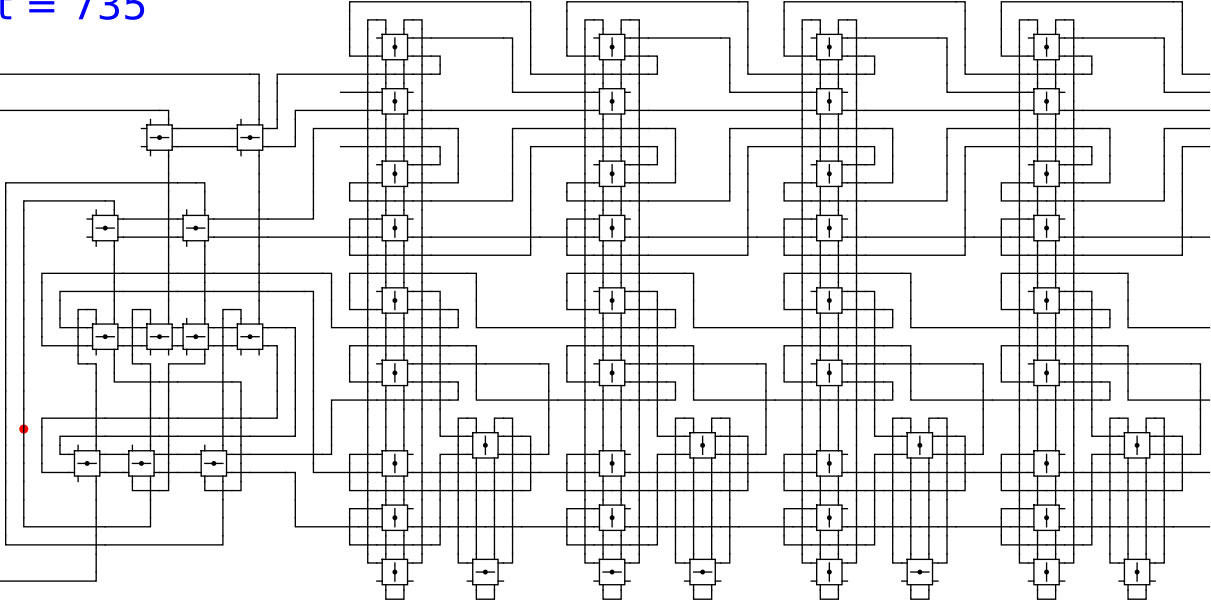


1 head 1 1 0

t = 735

Reject
Accept

Begin

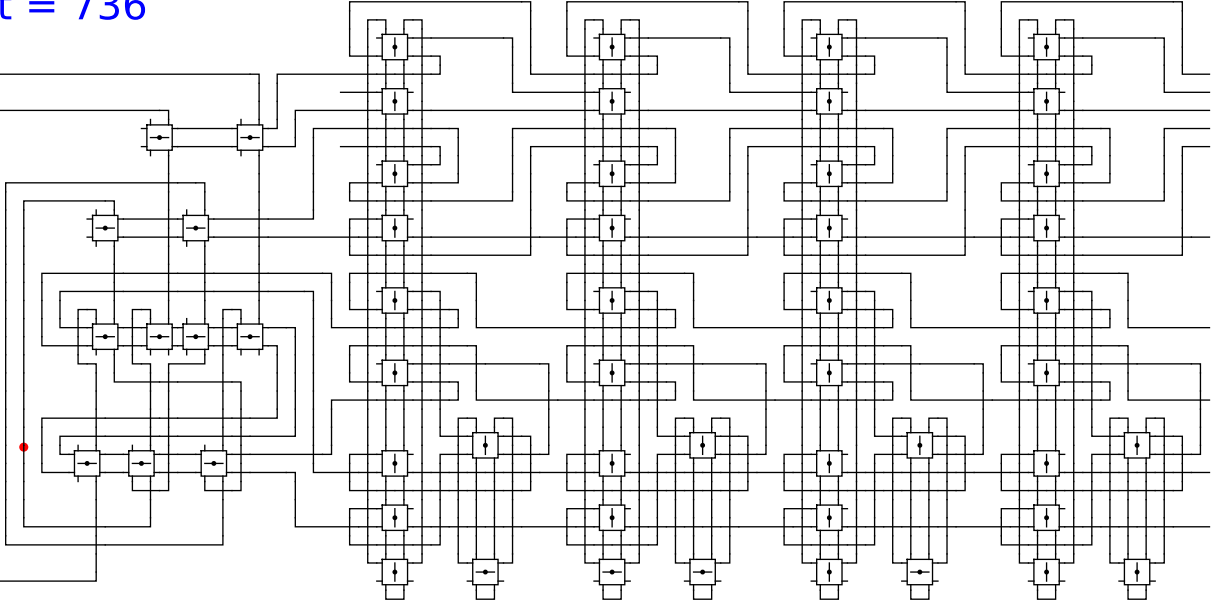


1 head 1 1 0

t = 736

Reject
Accept

Begin

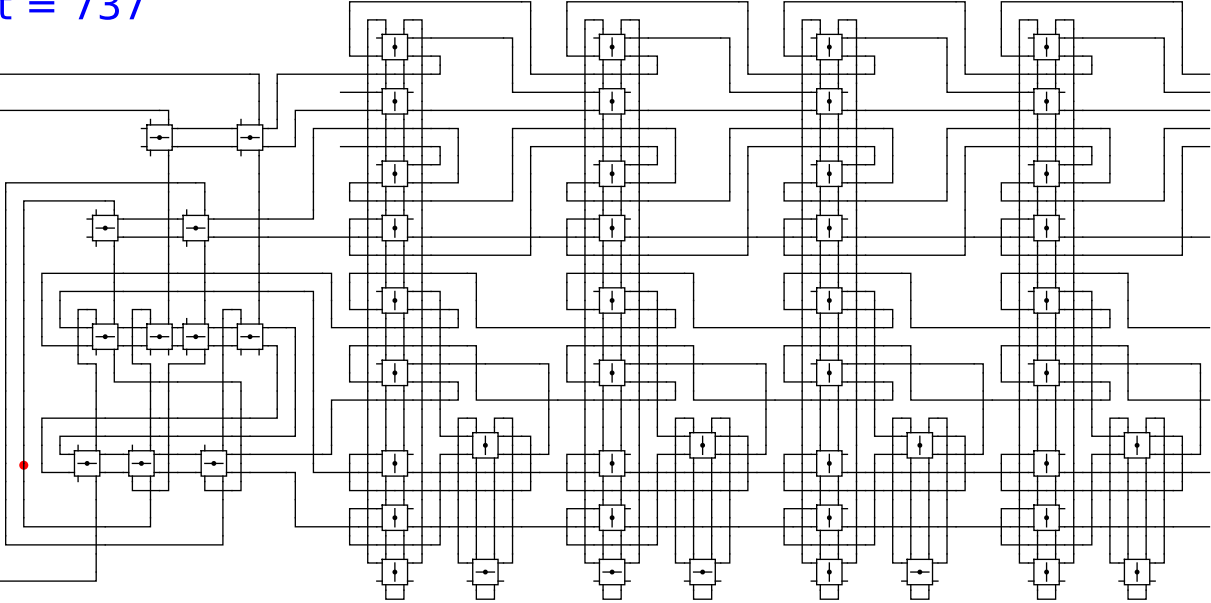


1 head 1 1 0

t = 737

Reject
Accept

Begin

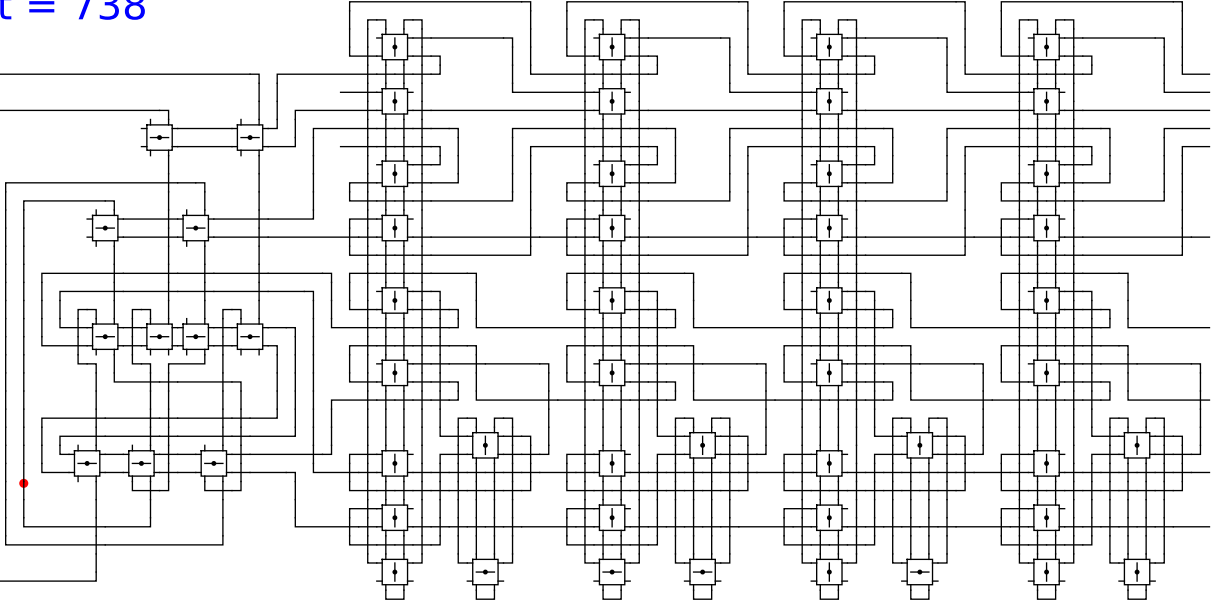


1 head 1 1 0

t = 738

Reject
Accept

Begin

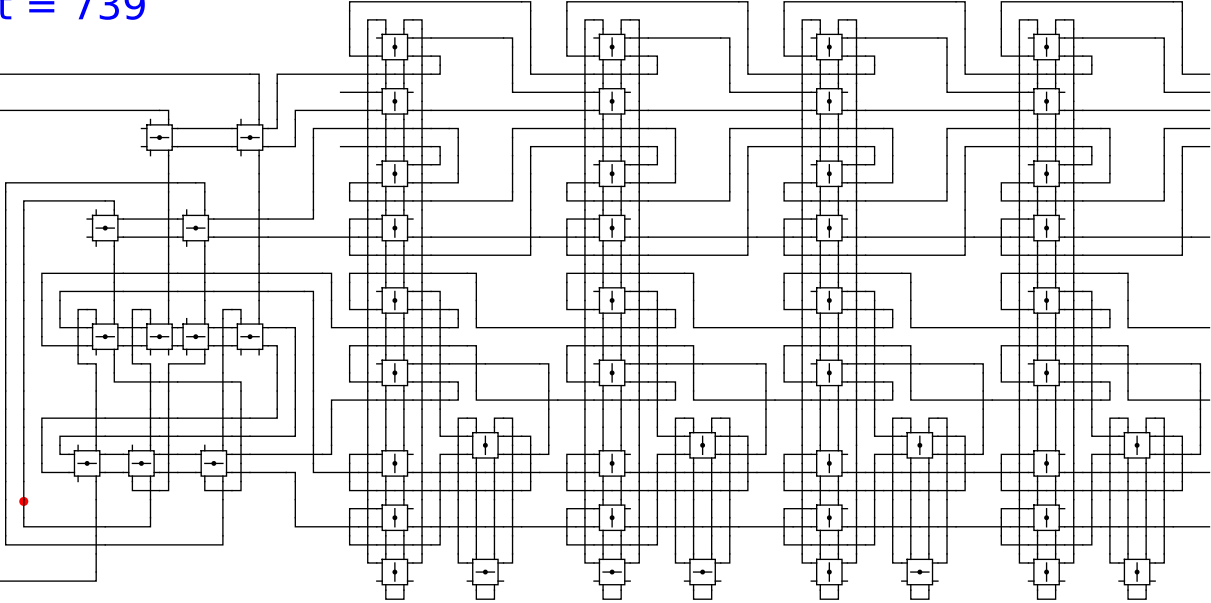


1 head 1 1 0

t = 739

Reject
Accept

Begin

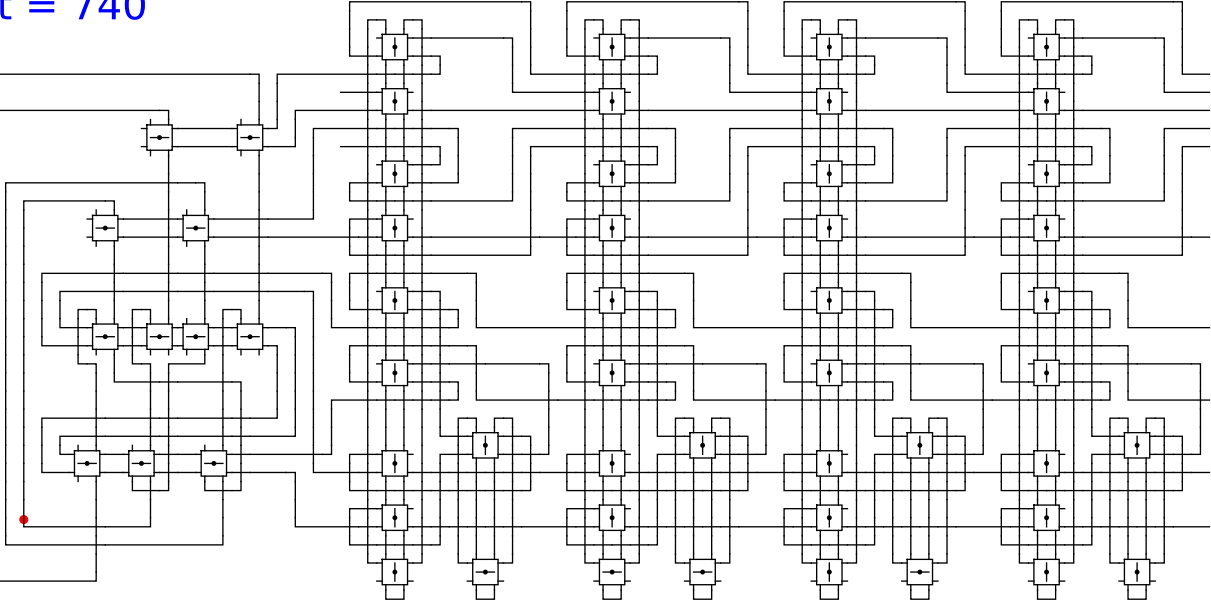


1 head 1 1 0

t = 740

Reject
Accept

Begin

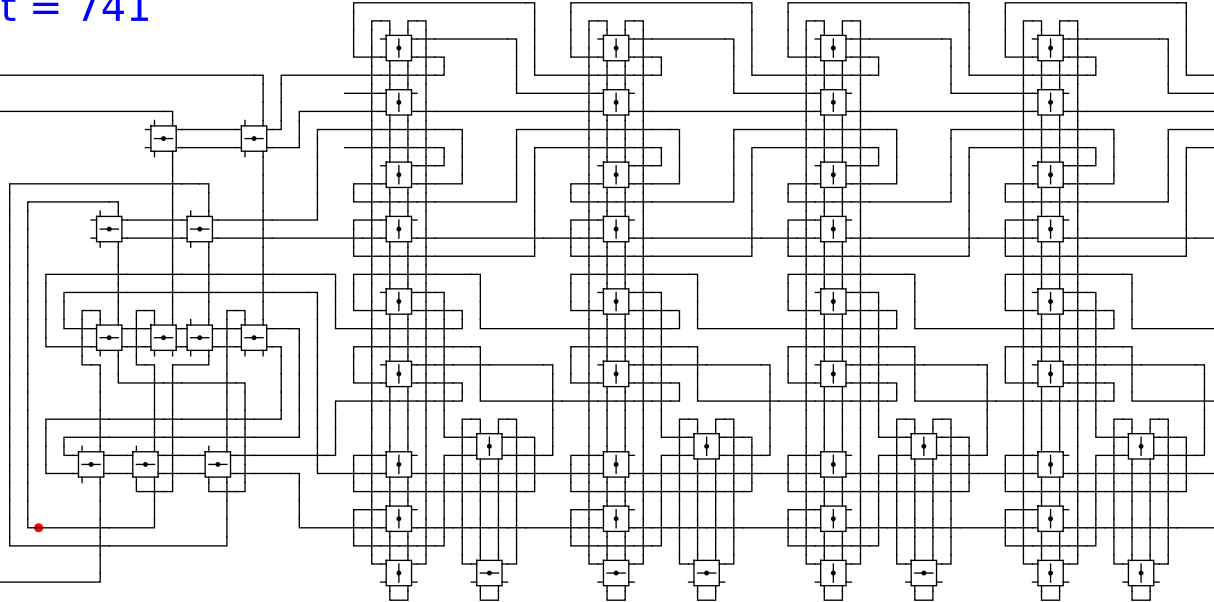


1 head 1 1 0

t = 741

Reject
Accept

Begin

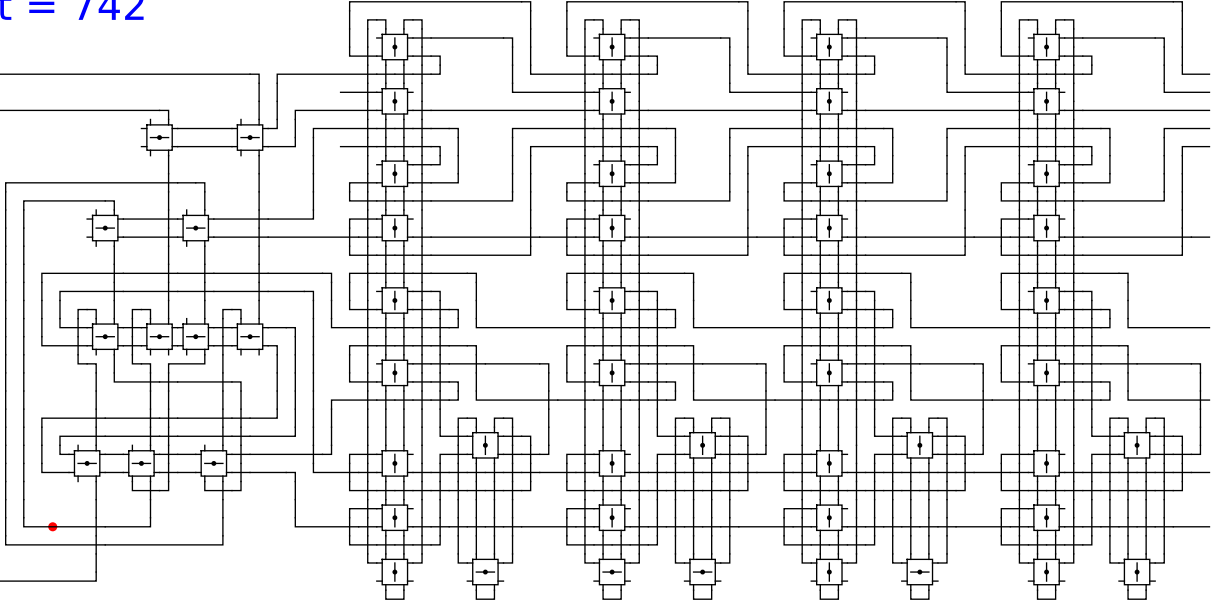


1 head 1 1 0

t = 742

Reject
Accept

Begin

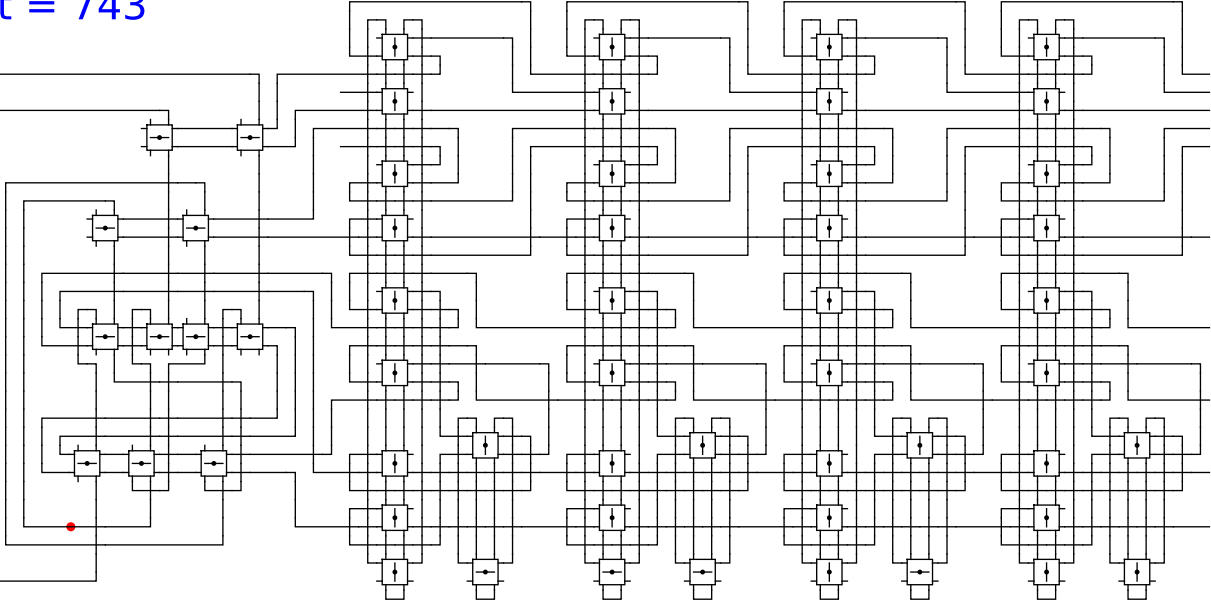


1 head 1 1 0

t = 743

Reject
Accept

Begin

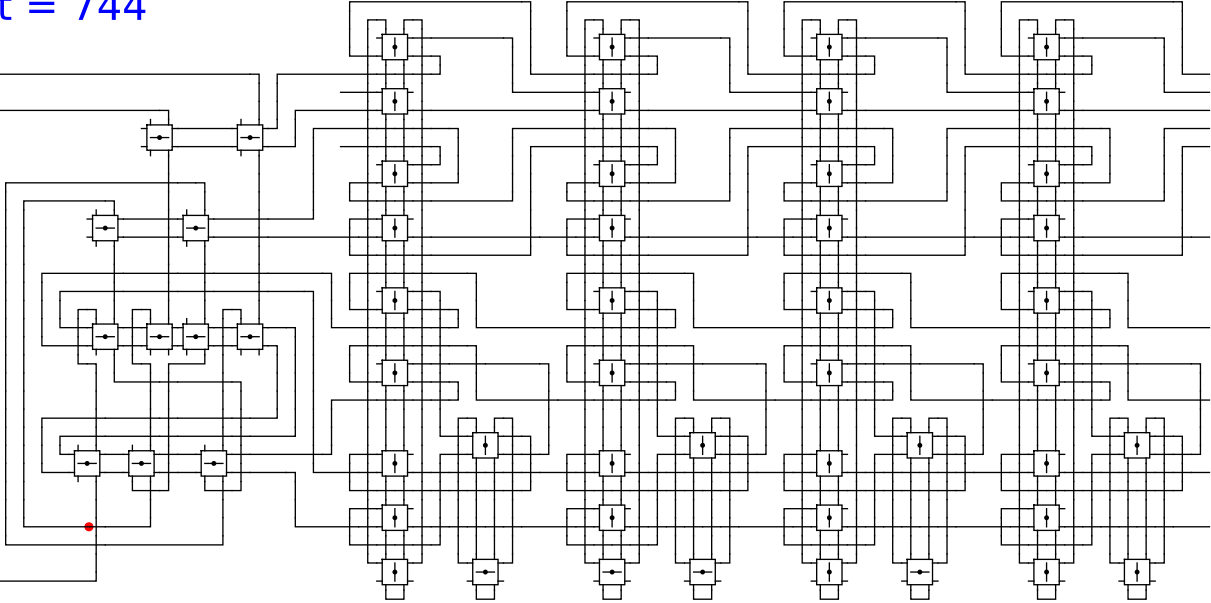


1 head 1 1 0

t = 744

Reject
Accept

Begin

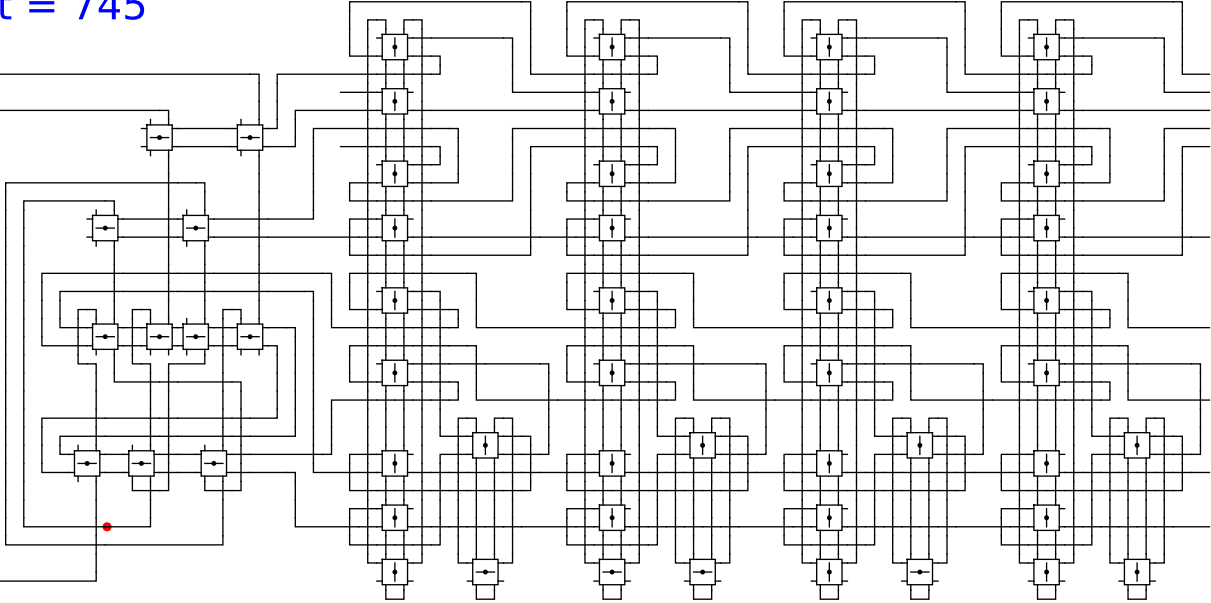


1 head 1 1 0

t = 745

Reject
Accept

Begin

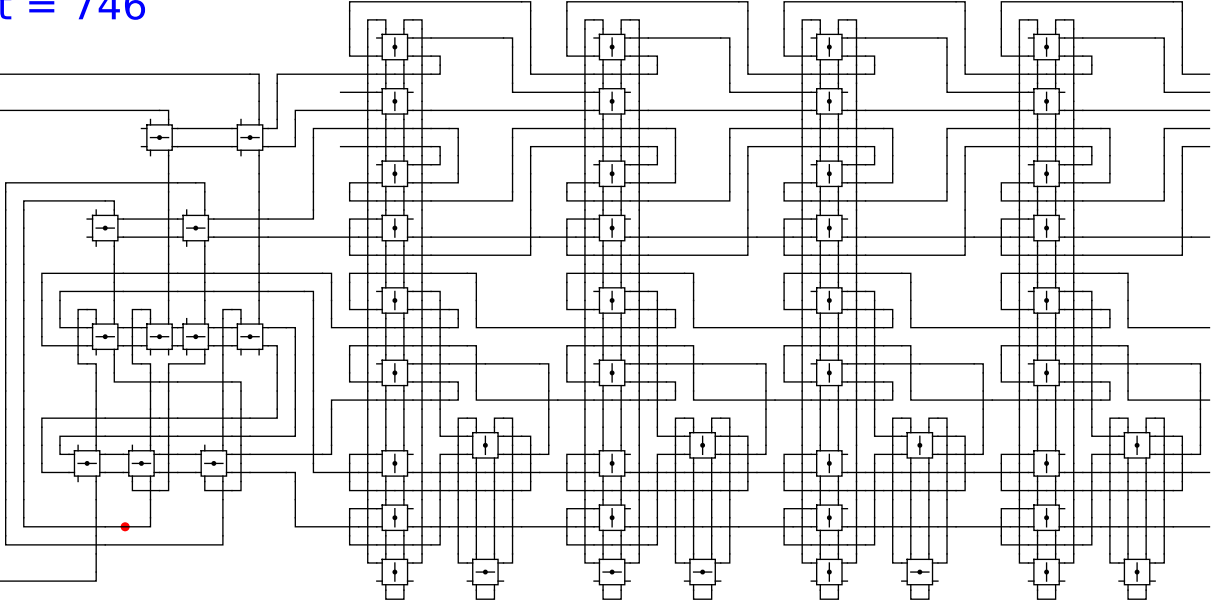


1 head 1 1 0

t = 746

Reject
Accept

Begin

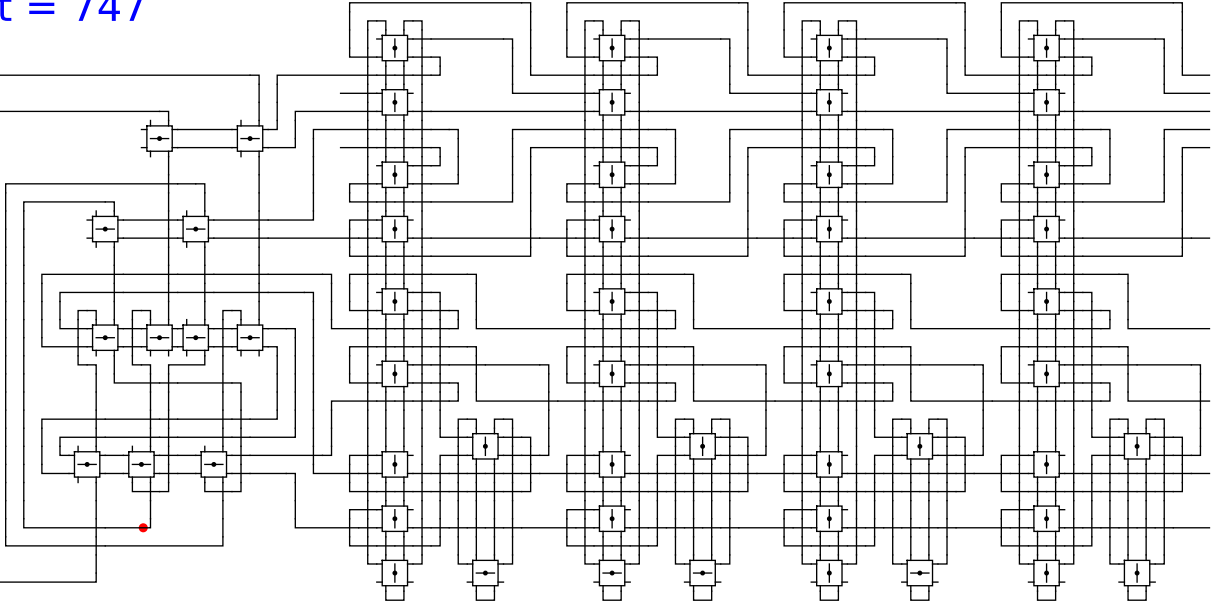


1 head 1 1 0

t = 747

Reject
Accept

Begin

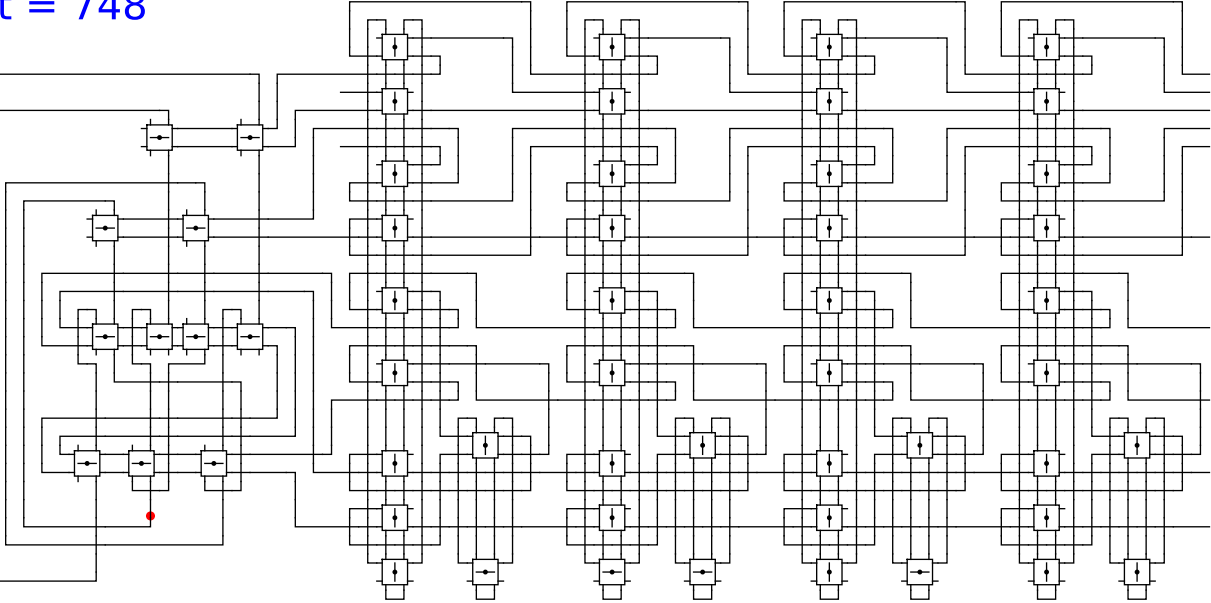


1 head 1 1 0

t = 748

Reject
Accept

Begin

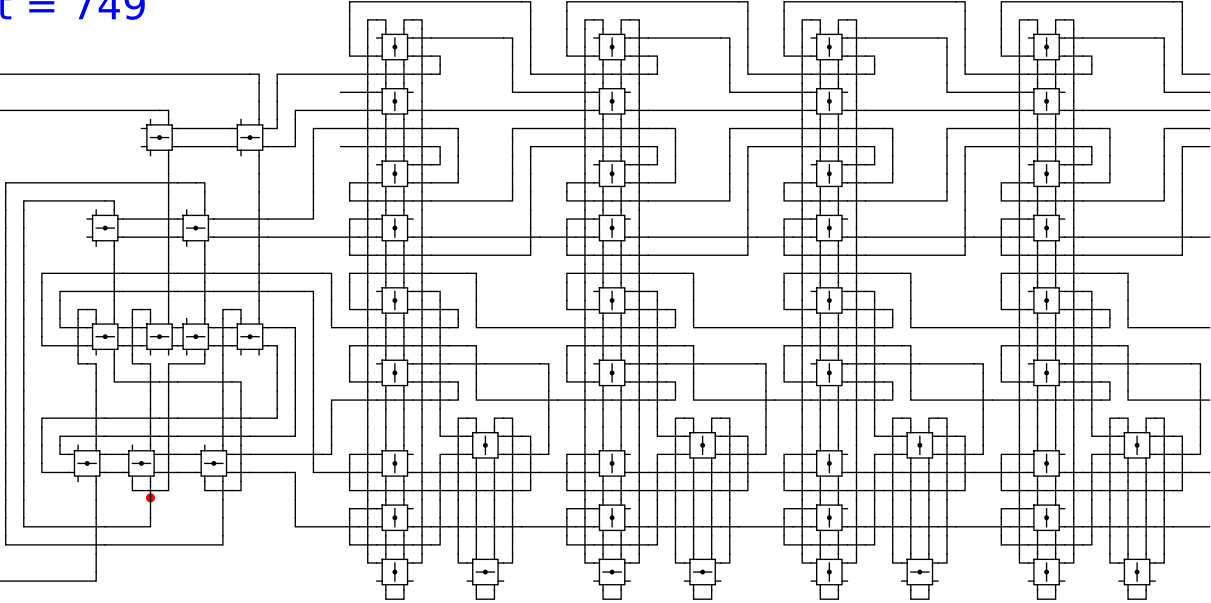


1 head 1 1 0

t = 749

Reject
Accept

Begin

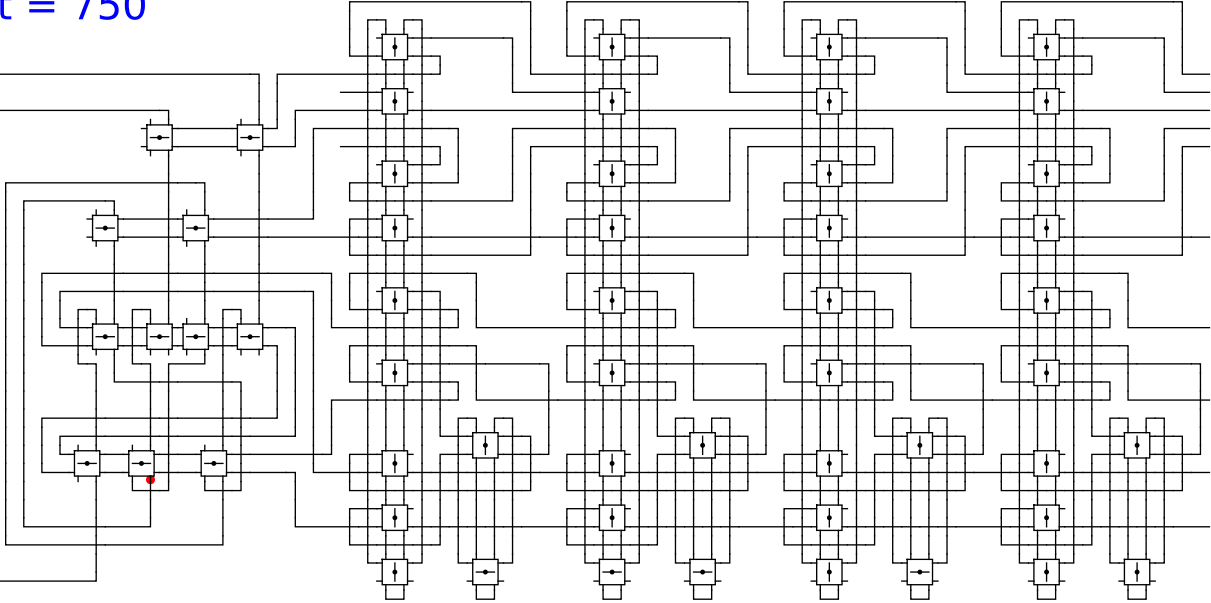


1 head 1 1 0

t = 750

Reject
Accept

Begin

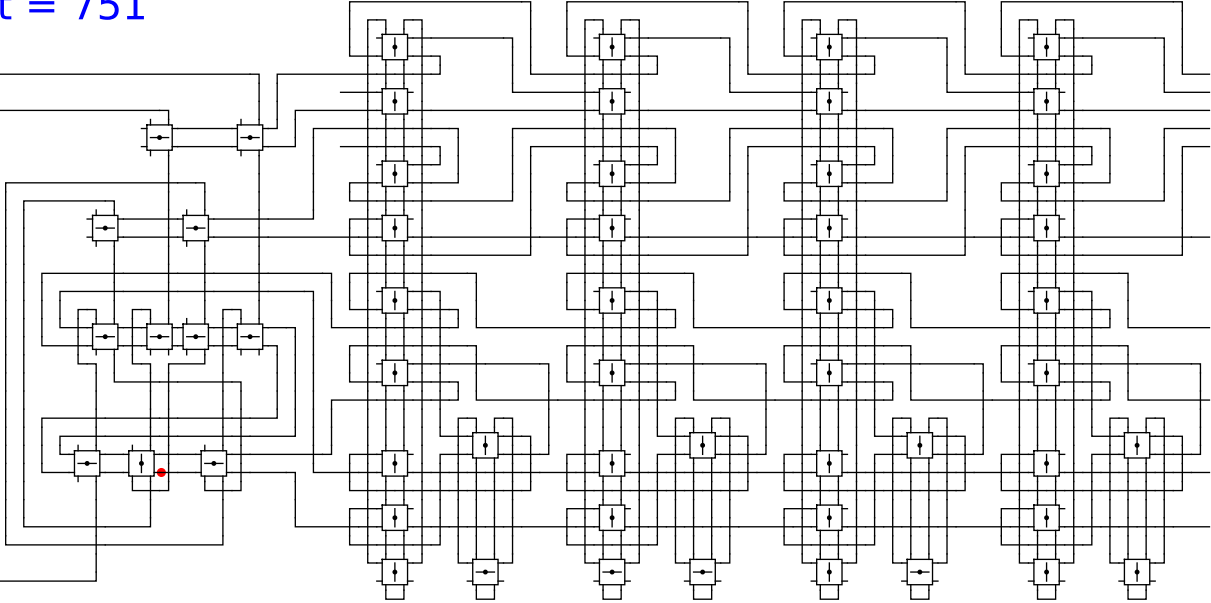


1 head 1 1 1 0

t = 751

Reject
Accept

Begin

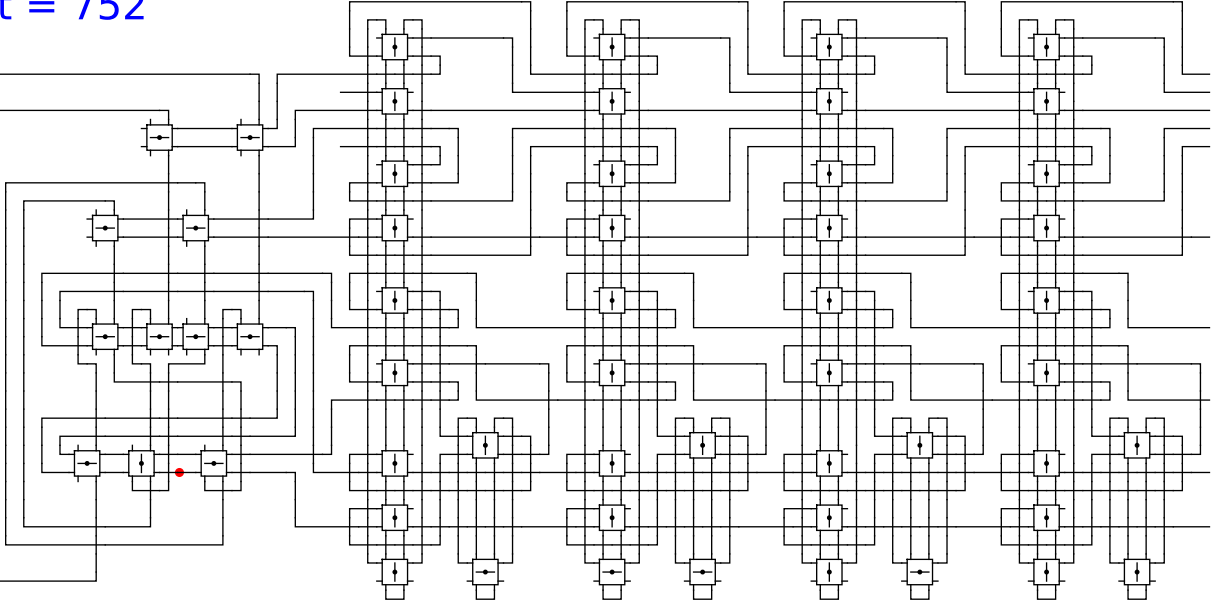


1 head 1 1 0

t = 752

Reject
Accept

Begin

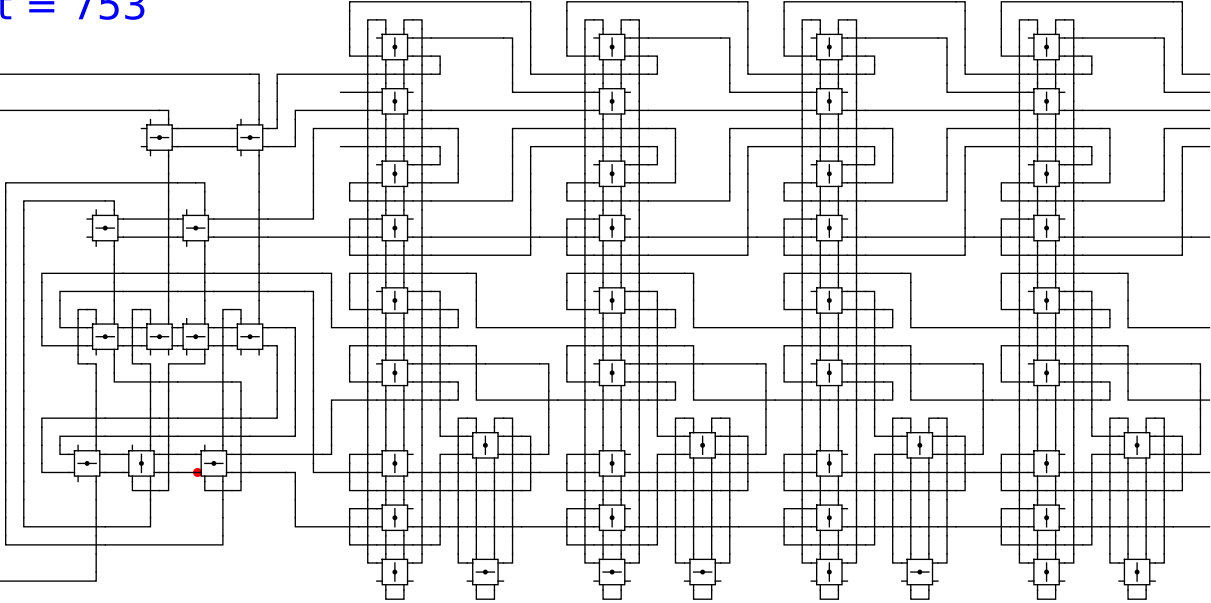


1 head 1 1 0

t = 753

Reject
Accept

Begin

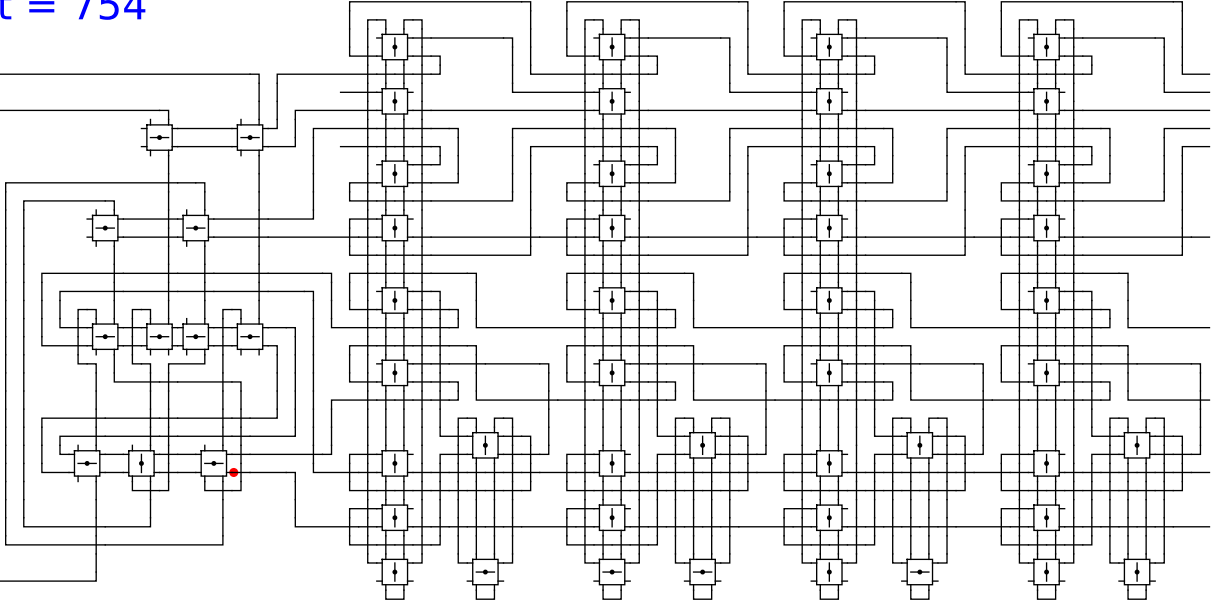


1 head 1 1 0

t = 754

Reject
Accept

Begin

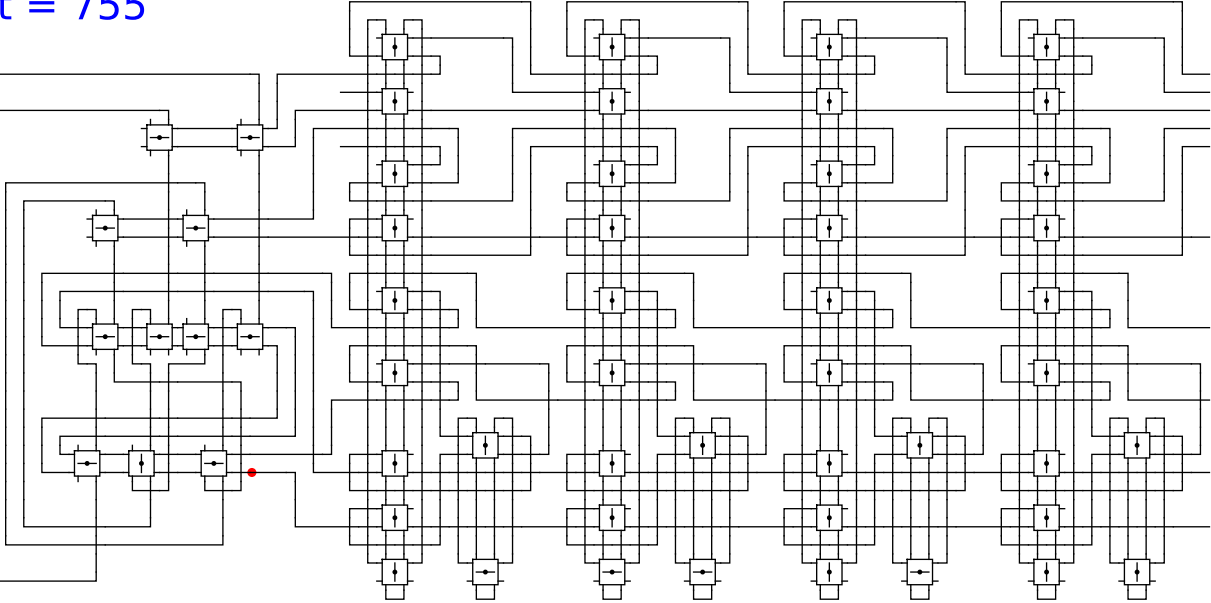


1 head 1 1 0

t = 755

Reject
Accept

Begin

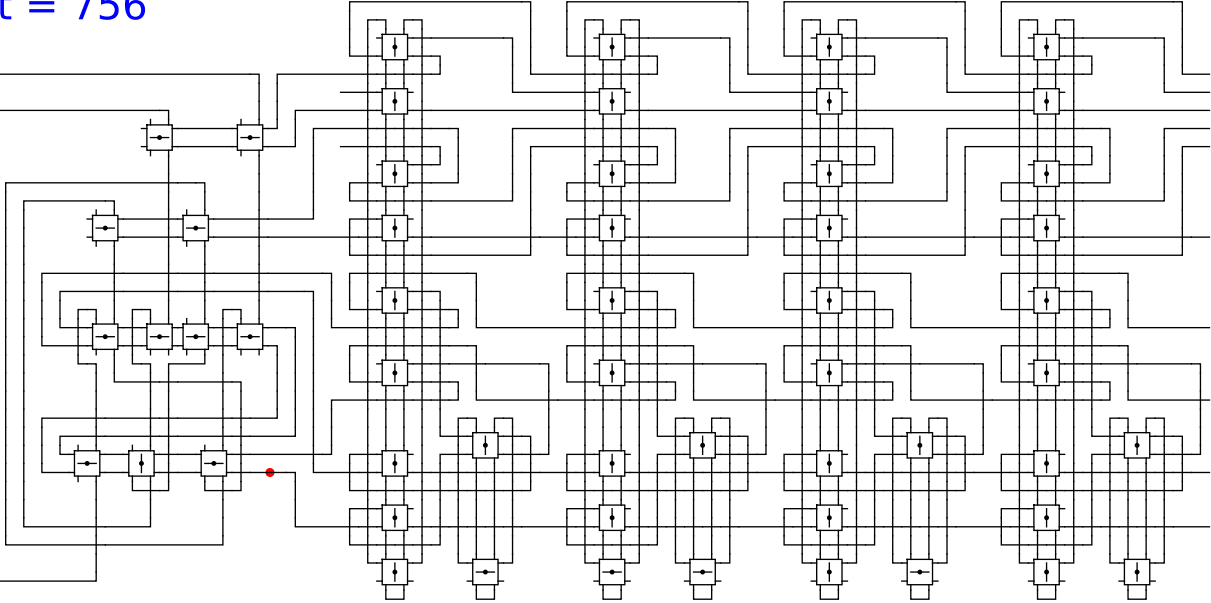


1 head 1 1 0

t = 756

Reject
Accept

Begin

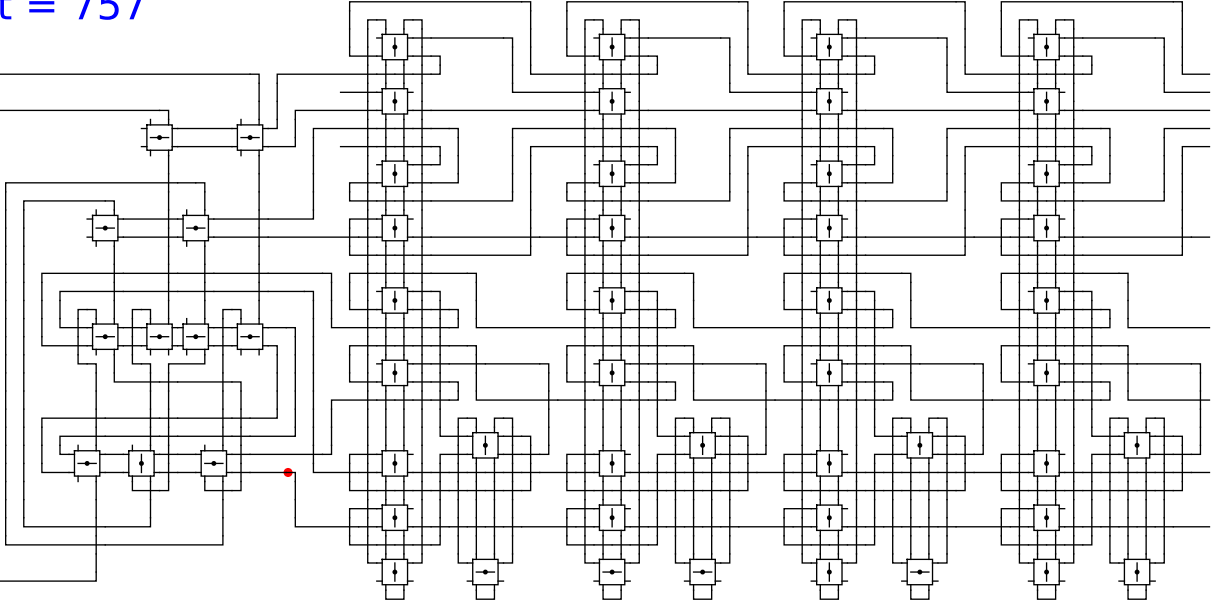


1 head 1 1 0

t = 757

Reject
Accept

Begin

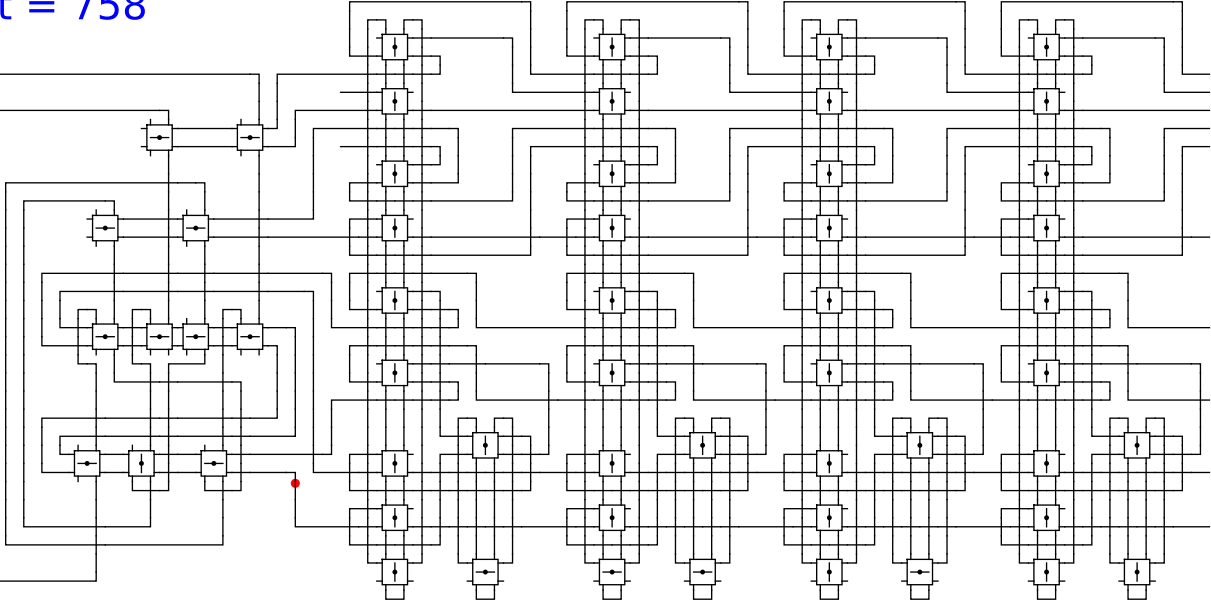


1 head 1 1 0

t = 758

Reject
Accept

Begin

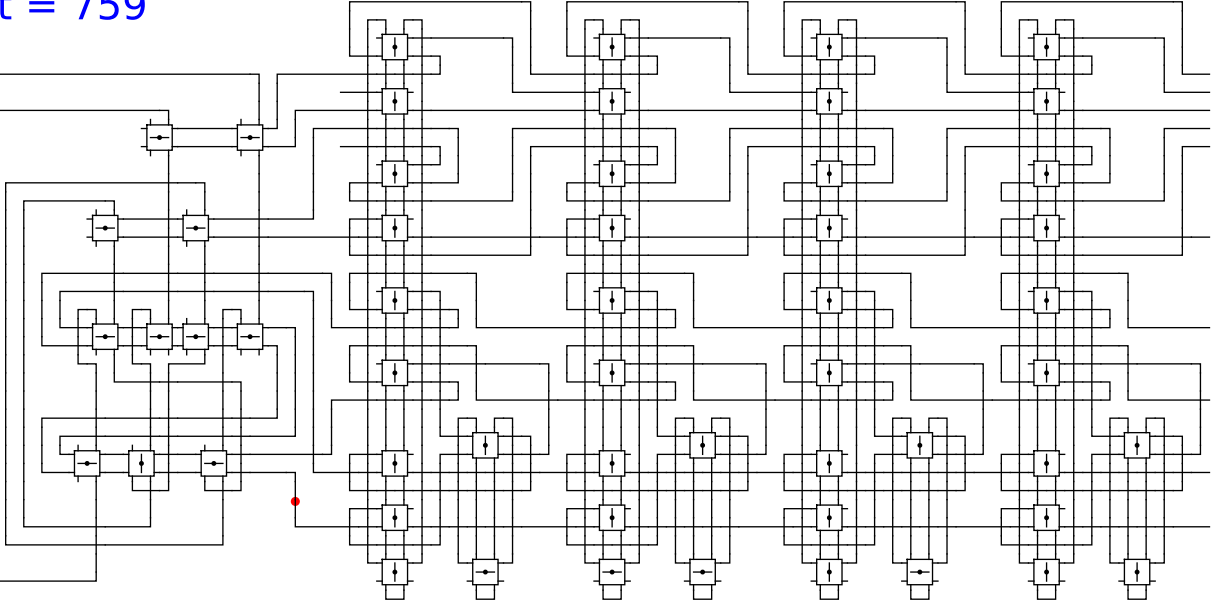


1 head 1 1 0

t = 759

Reject
Accept

Begin

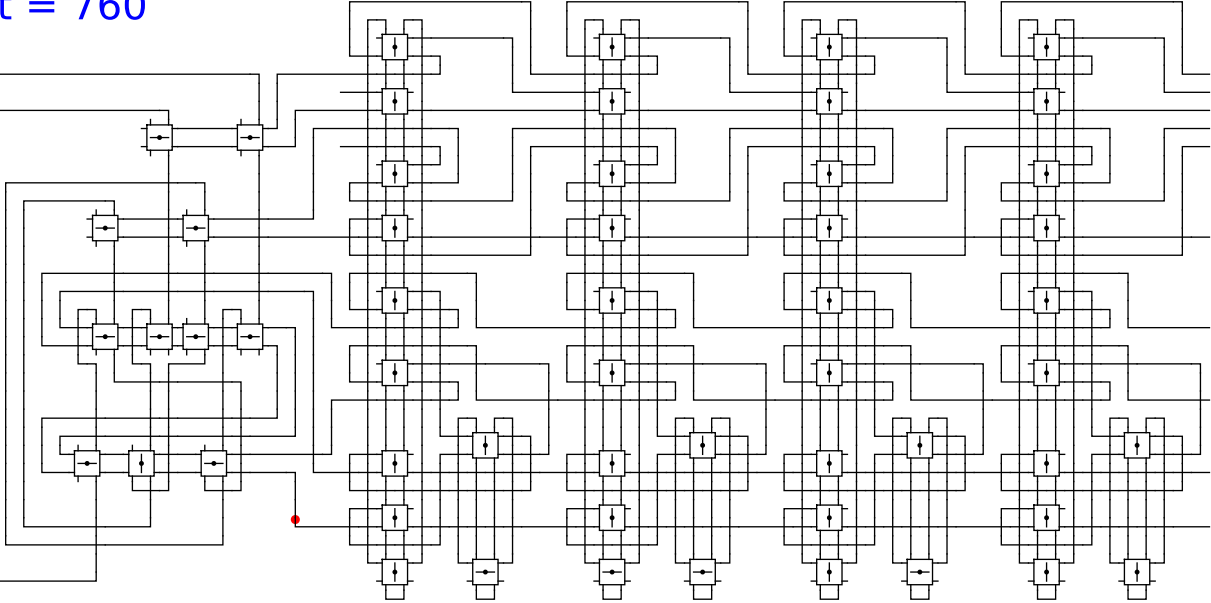


1 head 1 1 0

t = 760

Reject
Accept

Begin

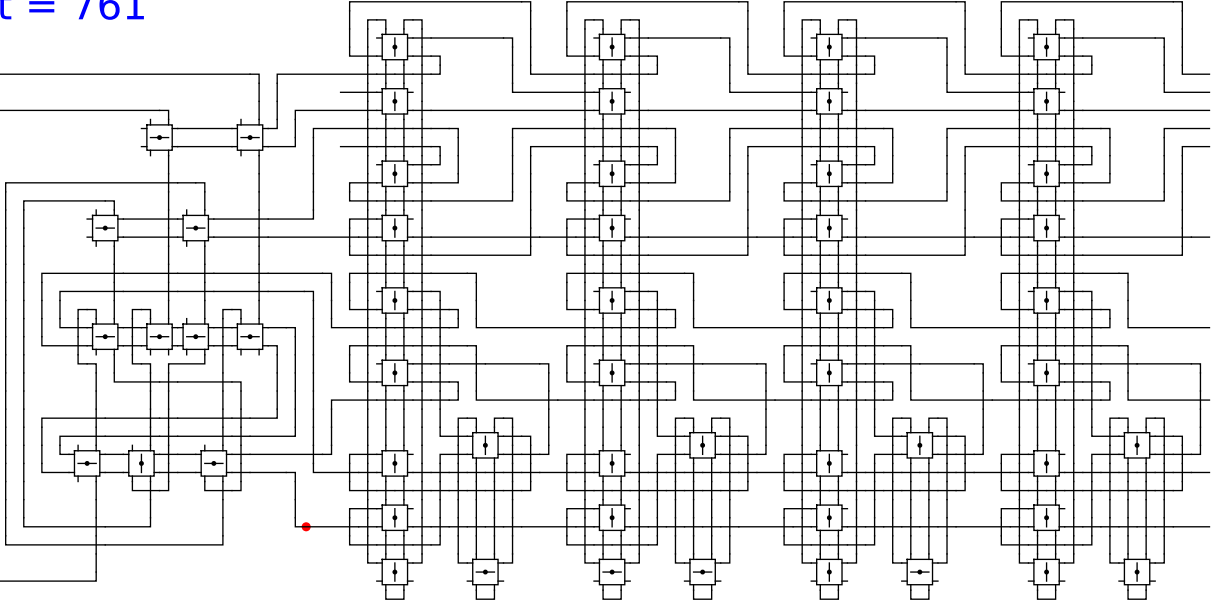


1 head 1 1 0

t = 761

Reject
Accept

Begin

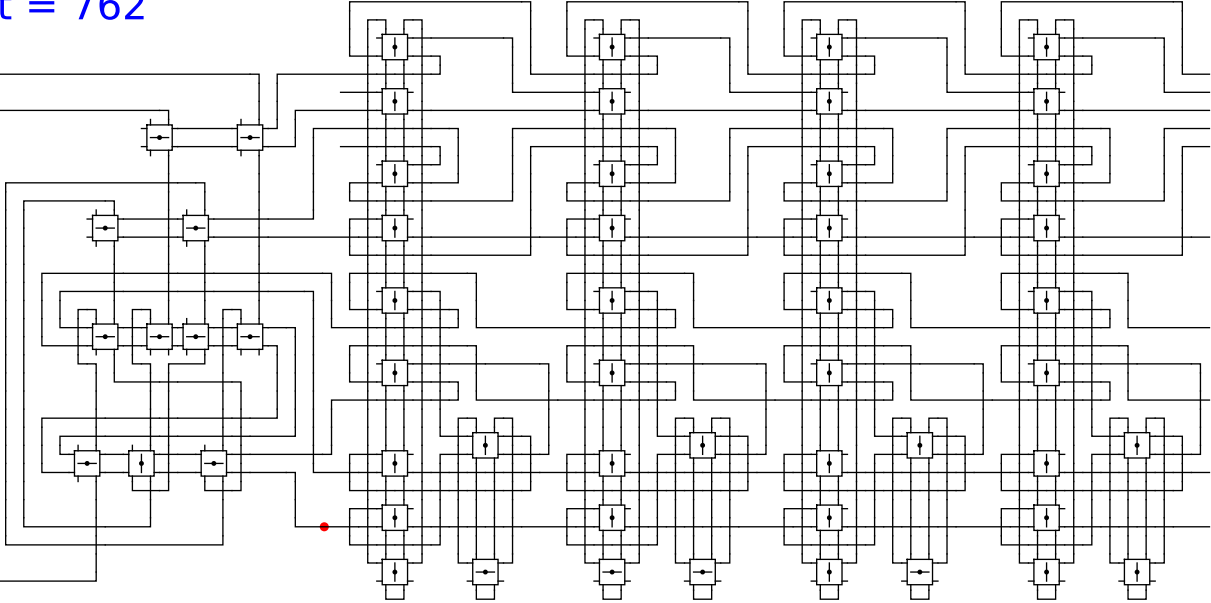


1 head 1 1 0

t = 762

Reject
Accept

Begin

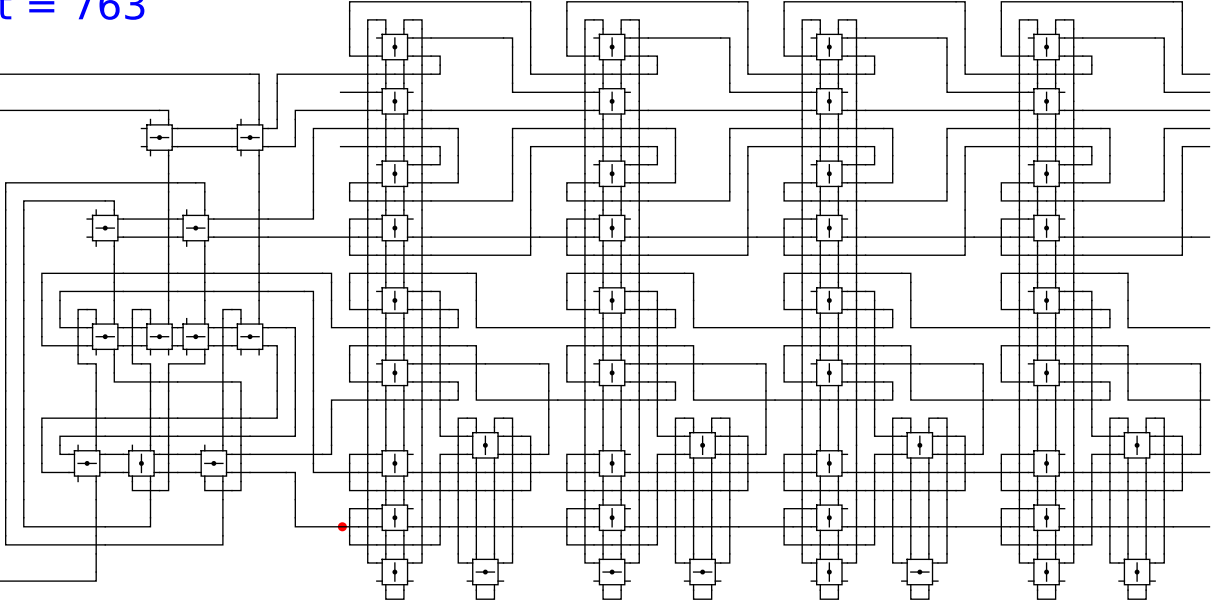


1 head 1 0

t = 763

Reject
Accept

Begin

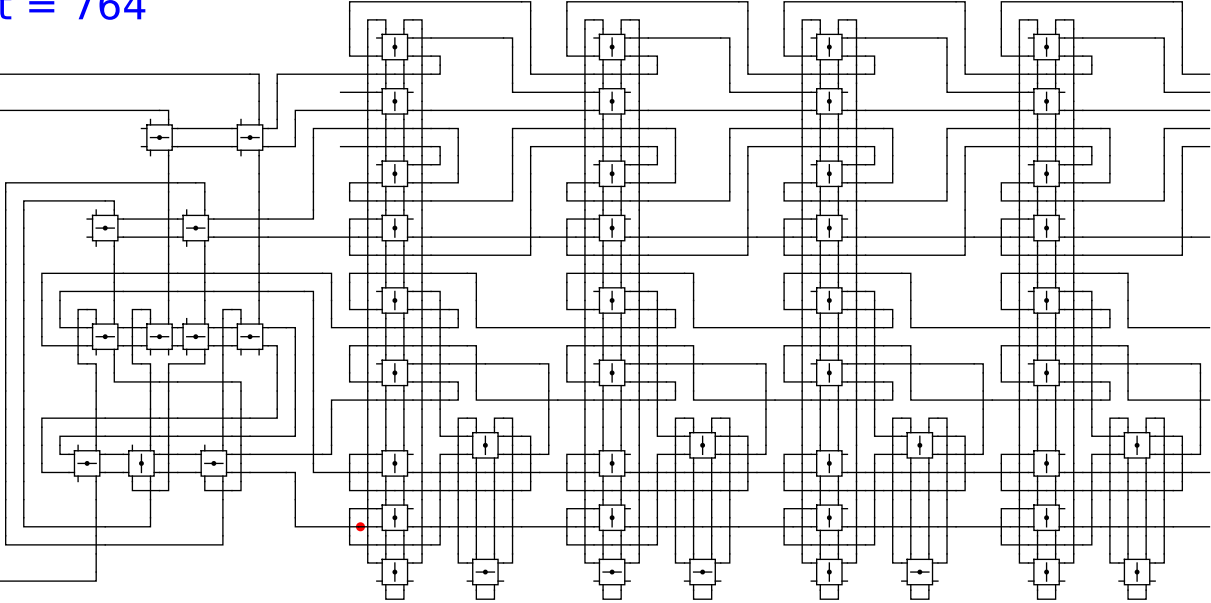


1 head 1 1 0

t = 764

Reject
Accept

Begin

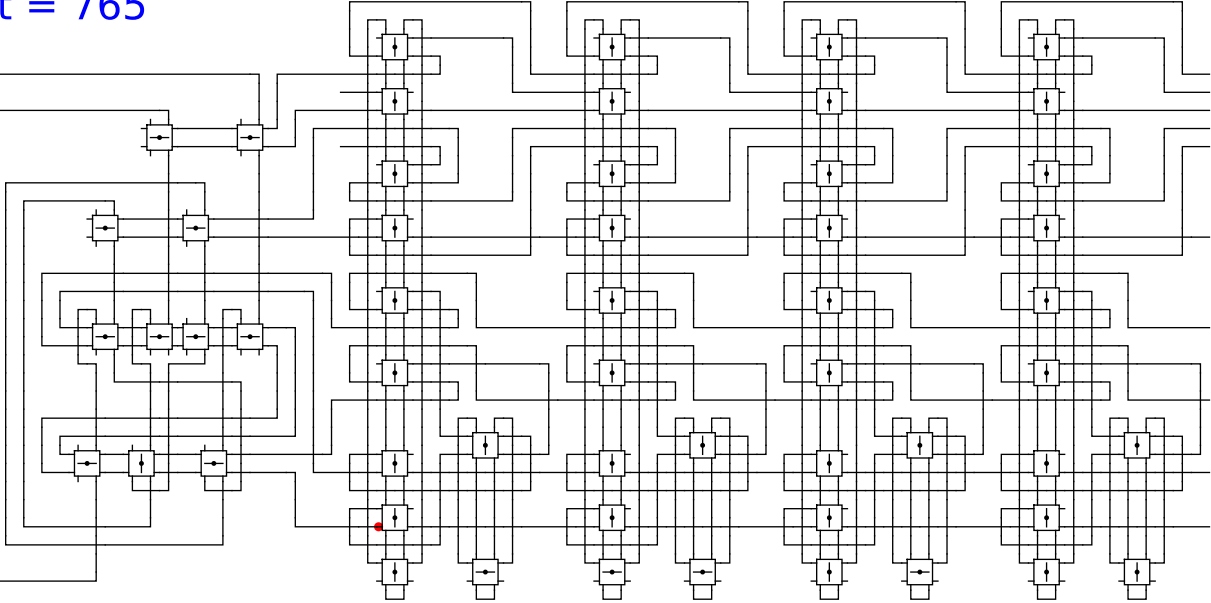


1 head 1 1 0

t = 765

Reject
Accept

Begin

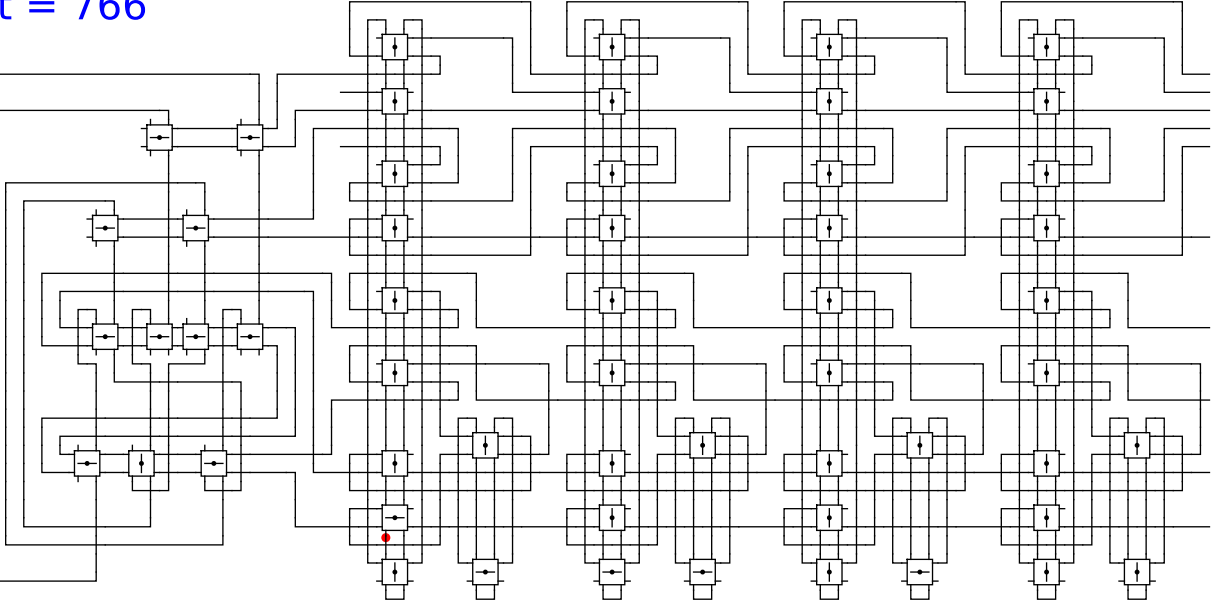


1 head 1 1 0

t = 766

Reject
Accept

Begin

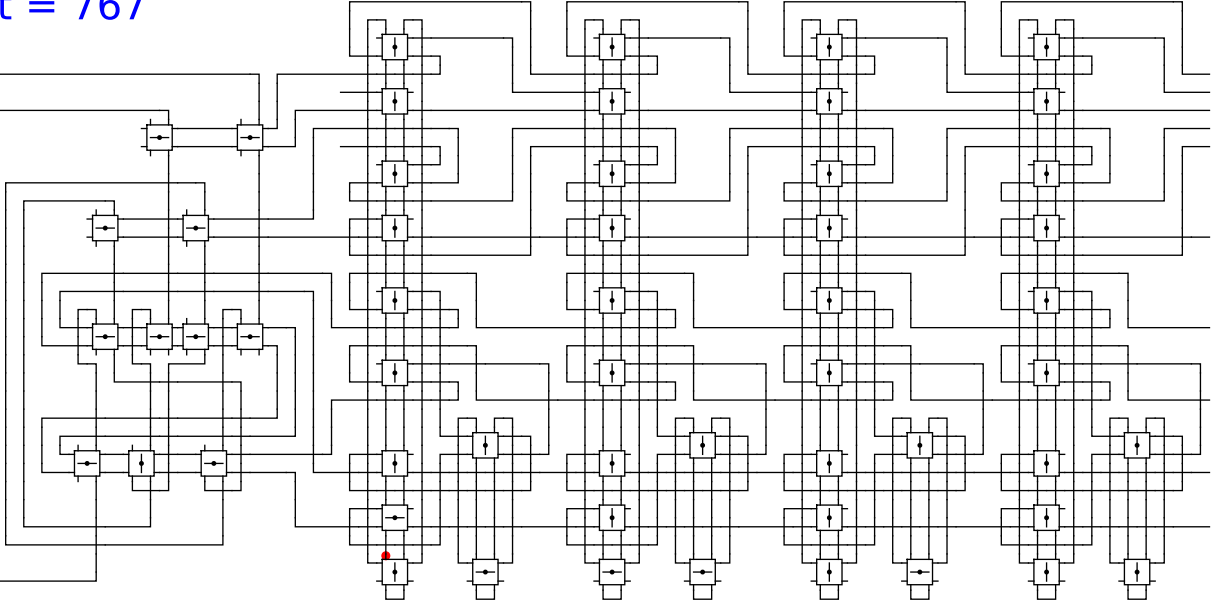


1 head 1 1 0

t = 767

Reject
Accept

Begin

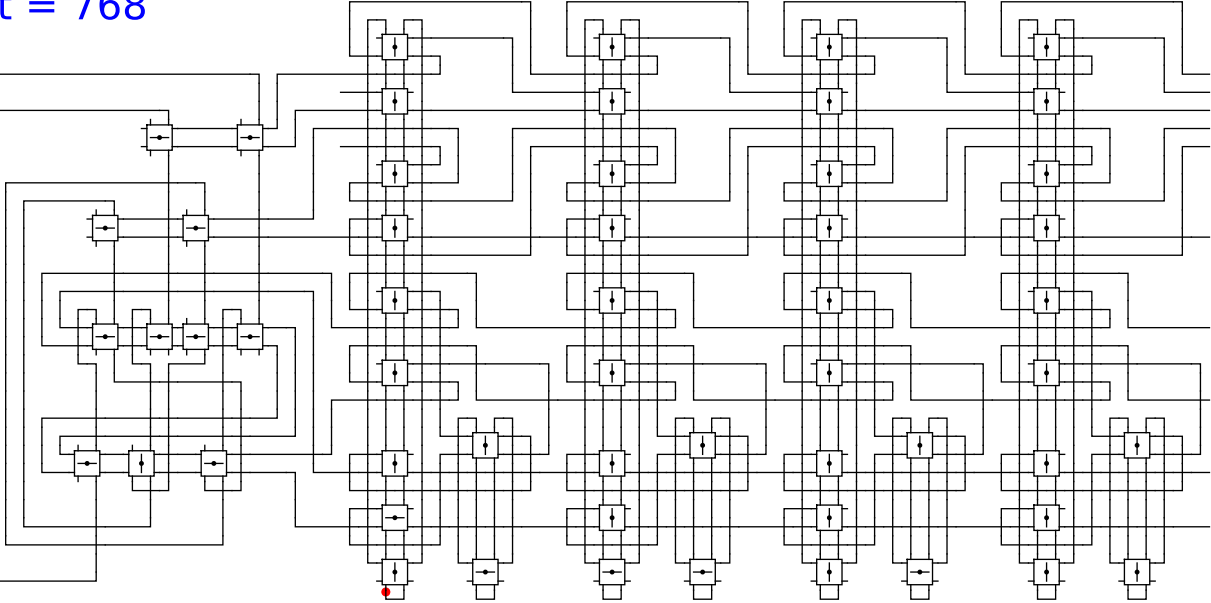


1 head 1 1 0

t = 768

Reject
Accept

Begin

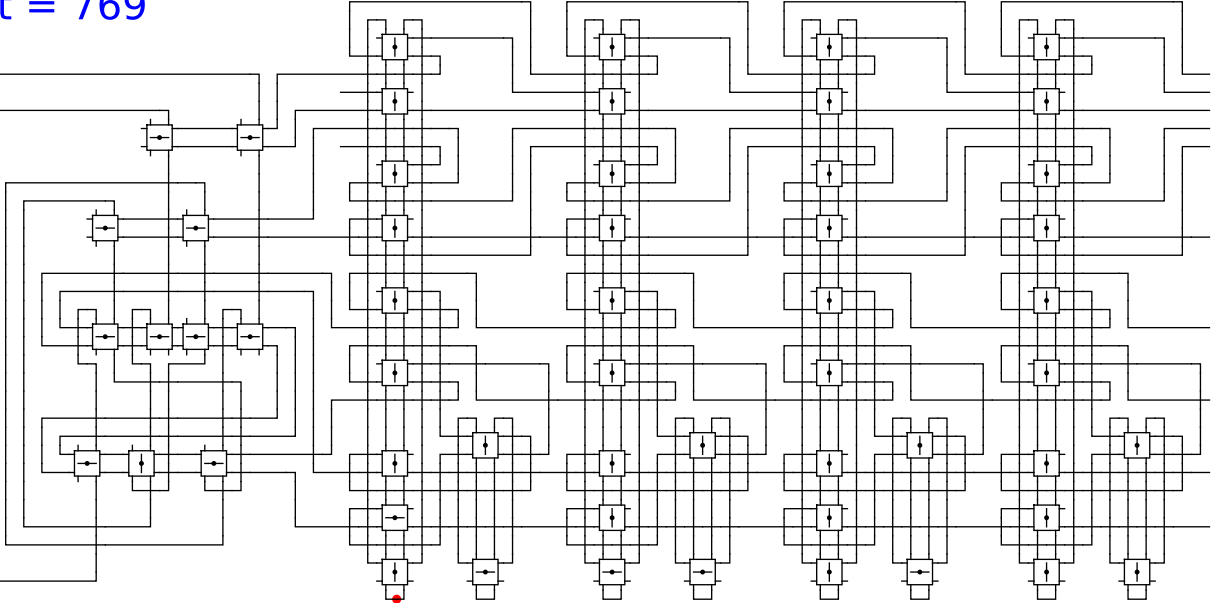


1 head 1 1 0

t = 769

Reject
Accept

Begin

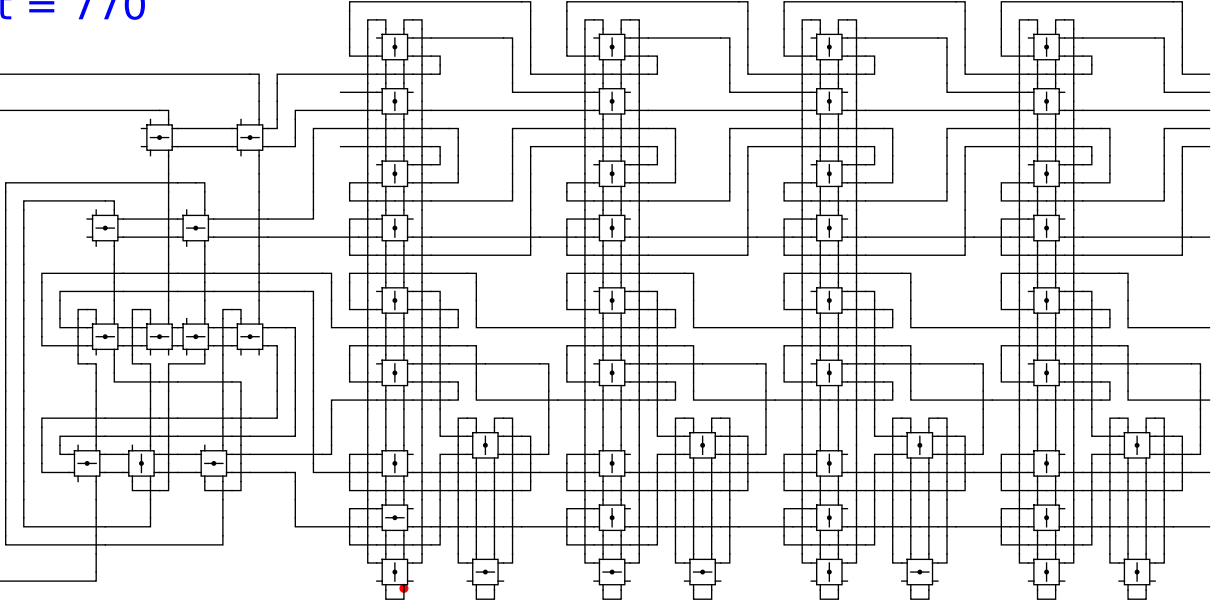


1 head 1 1 1 1 1 0

t = 770

Reject
Accept

Begin

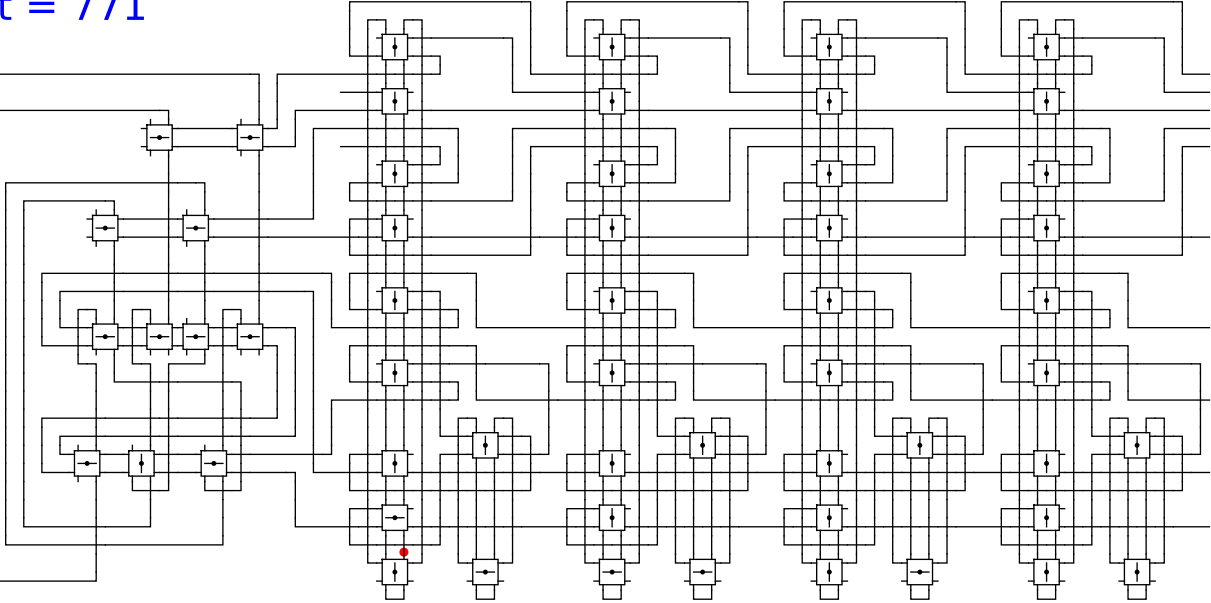


1 head 1 1 0

t = 771

Reject
Accept

Begin

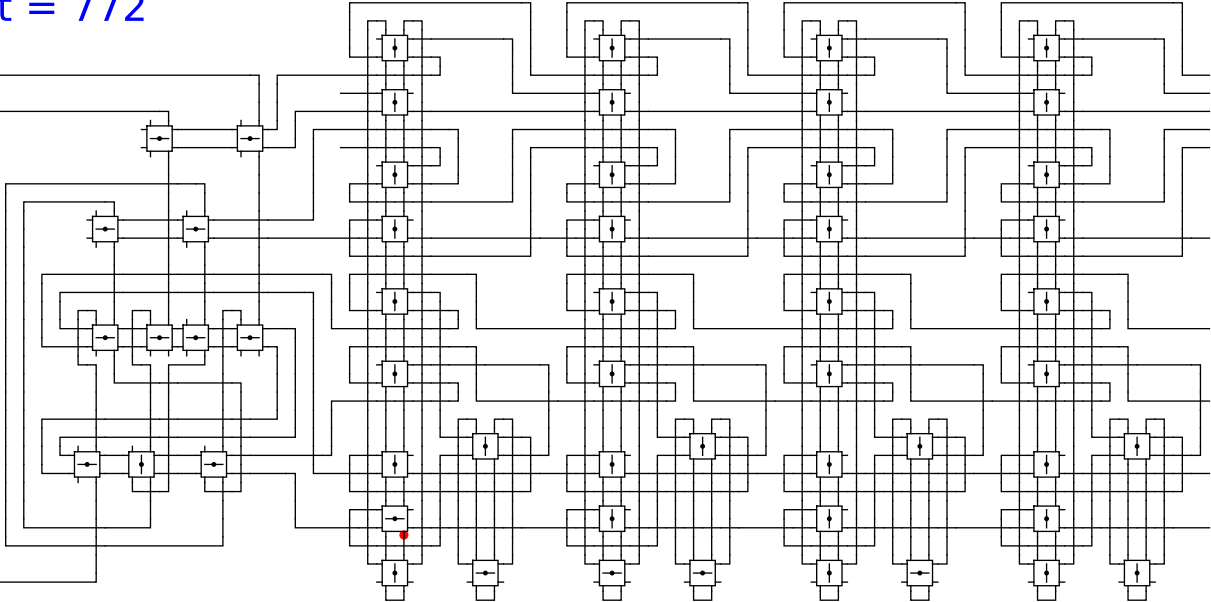


1 head 1 1 1 0

t = 772

Reject
Accept

Begin

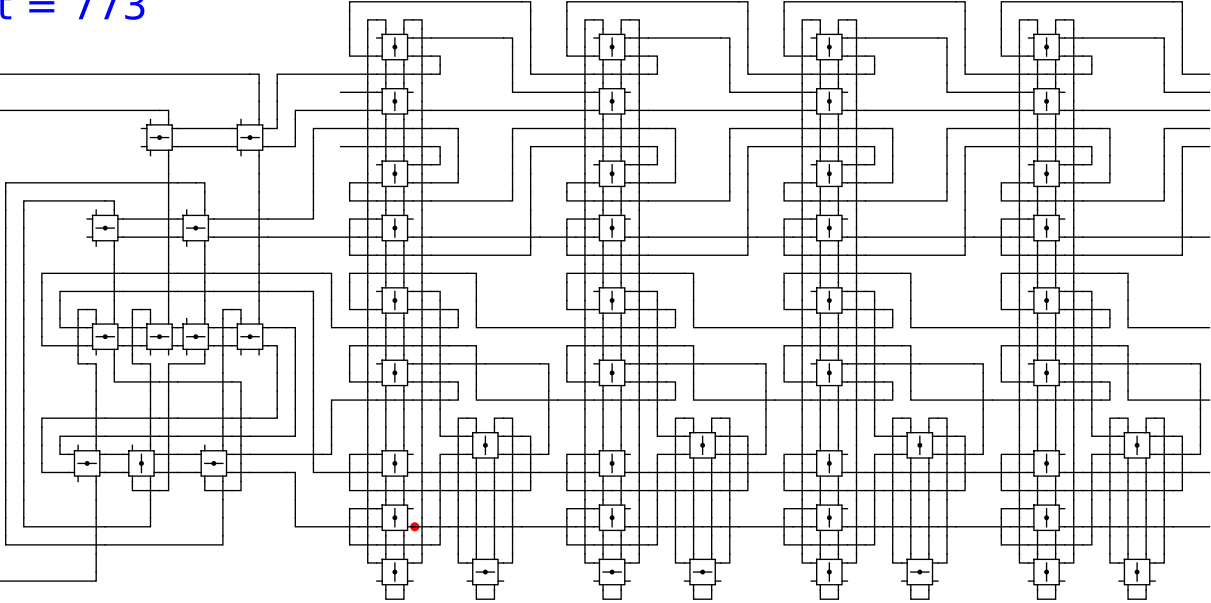


1 head 1 1 0

t = 773

Reject
Accept

Begin

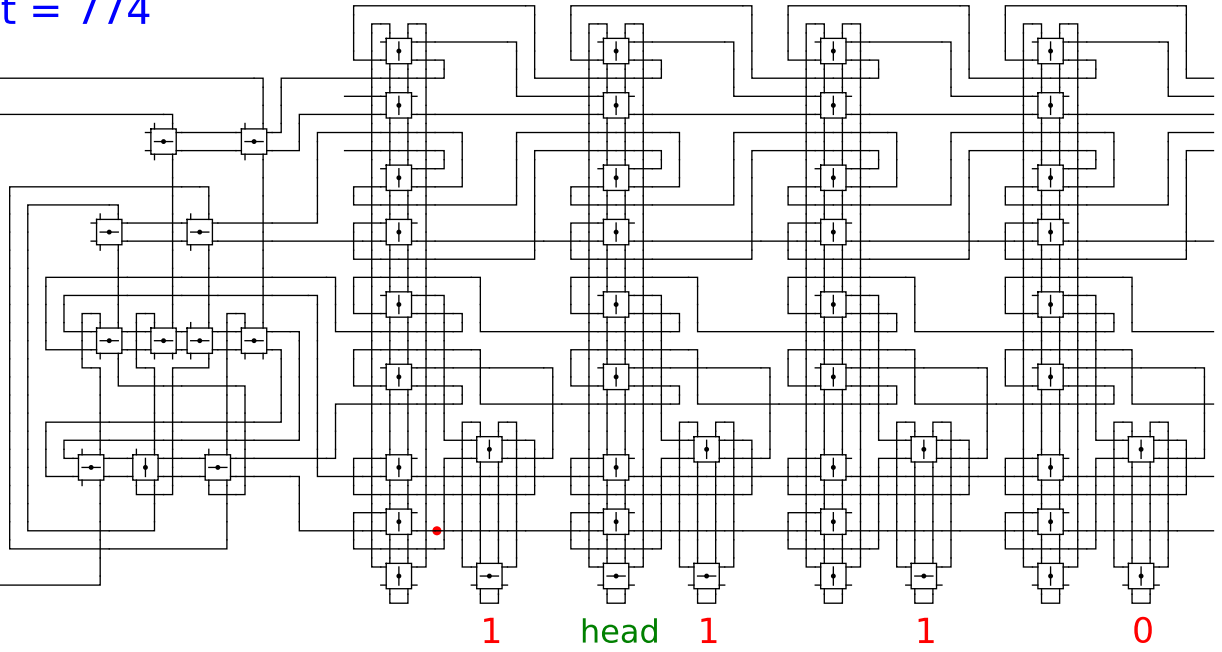


1 head 1 1 0

t = 774

Reject
Accept

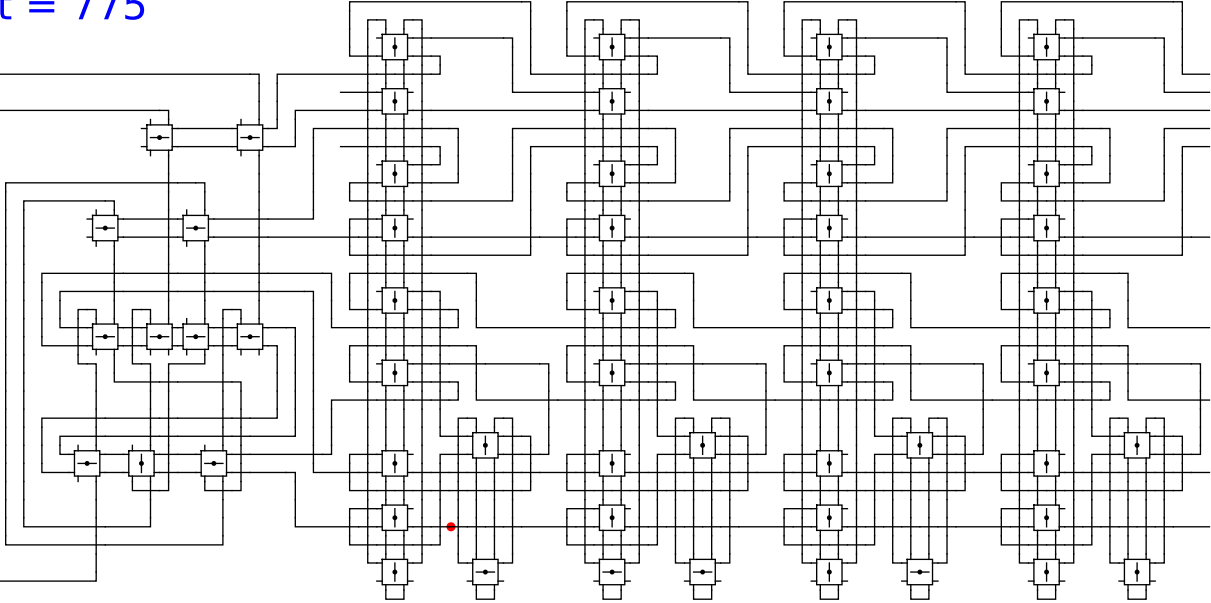
Begin



t = 775

Reject
Accept

Begin

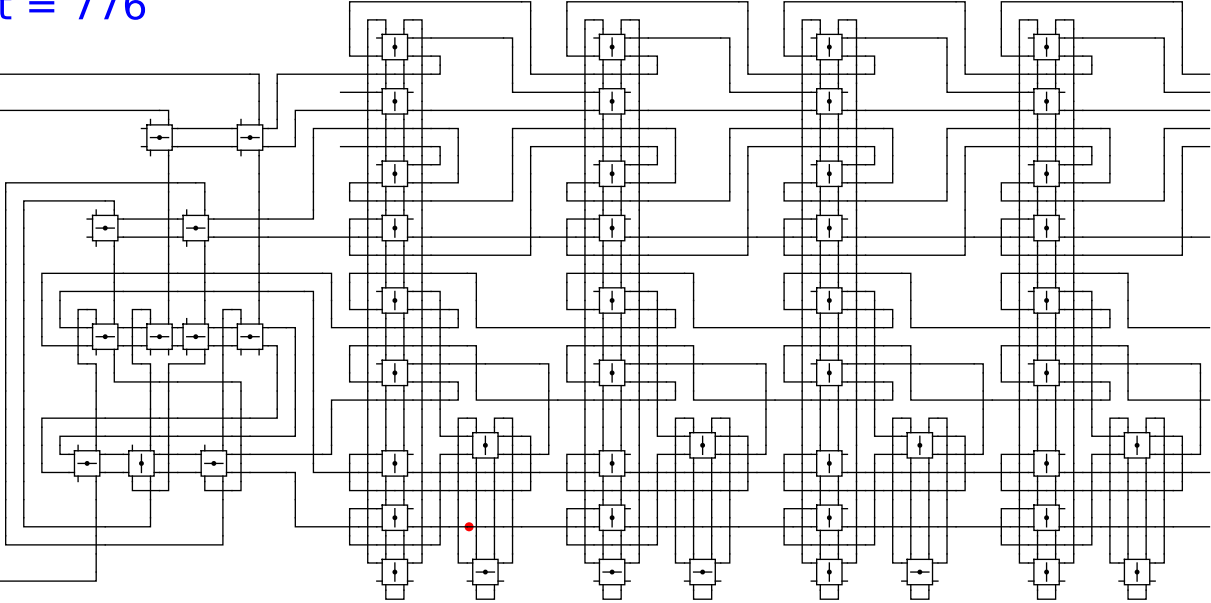


1 head 1 1 0

t = 776

Reject
Accept

Begin

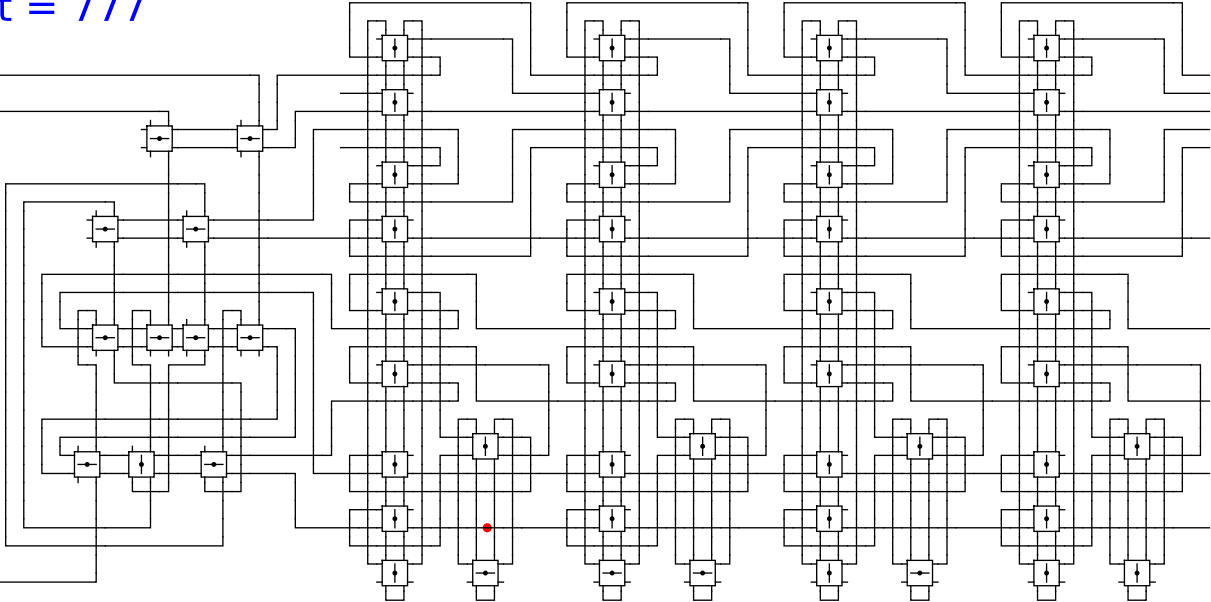


1 head 1 1 0

t = 777

Reject
Accept

Begin

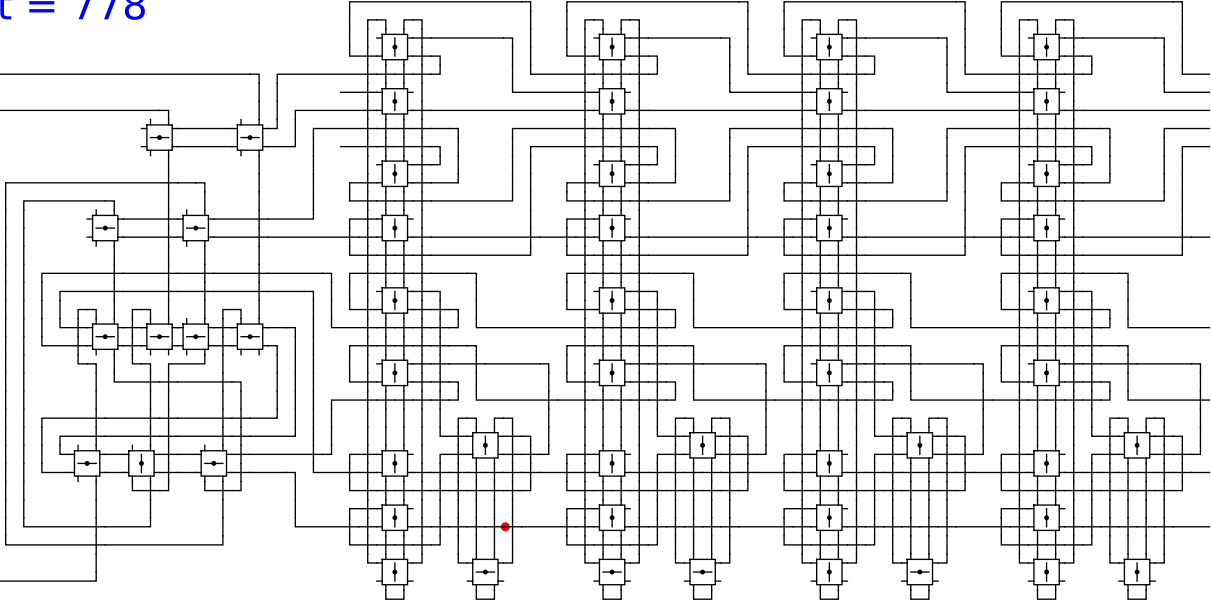


1 head 1 1 0

t = 778

Reject
Accept

Begin

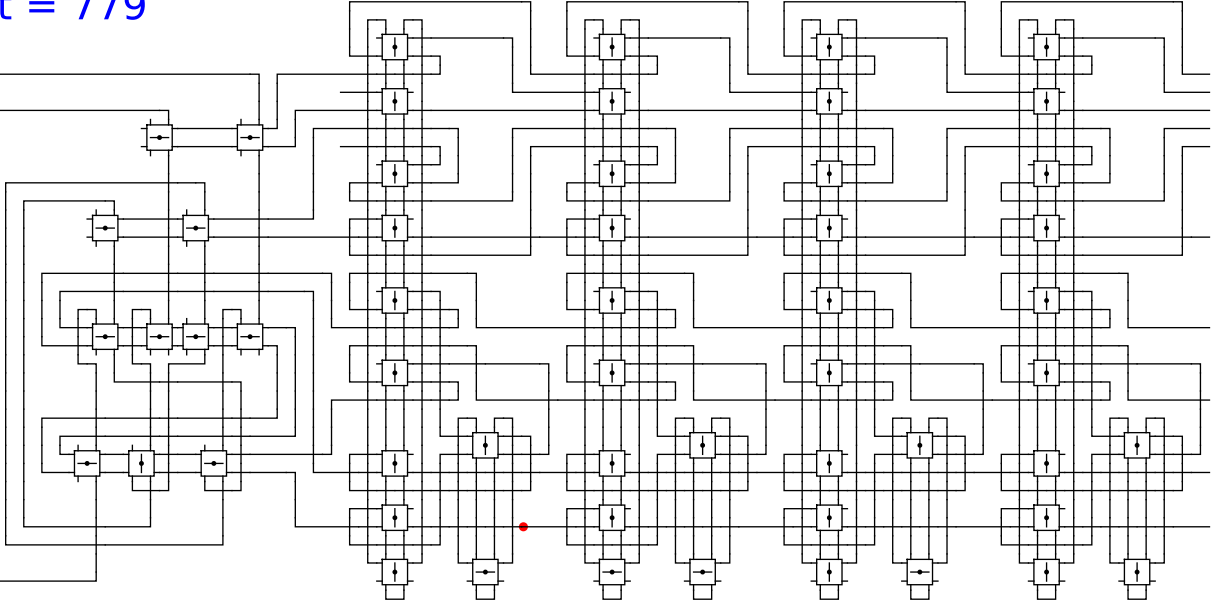


1 head 1 1 0

t = 779

Reject
Accept

Begin

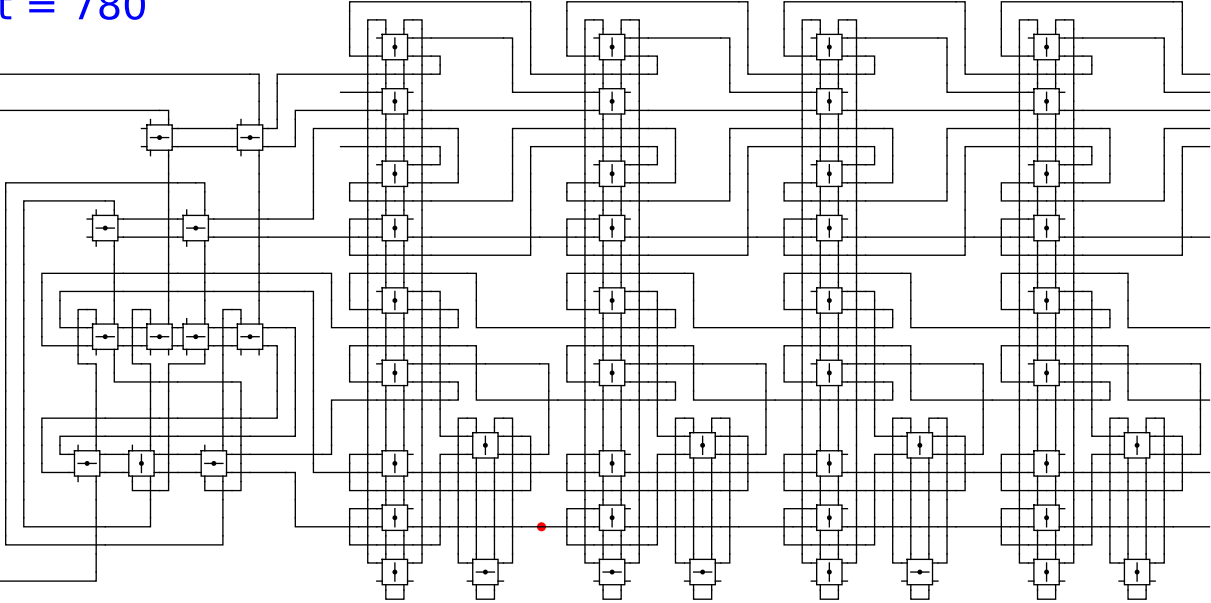


1 head 1 1 0

t = 780

Reject
Accept

Begin

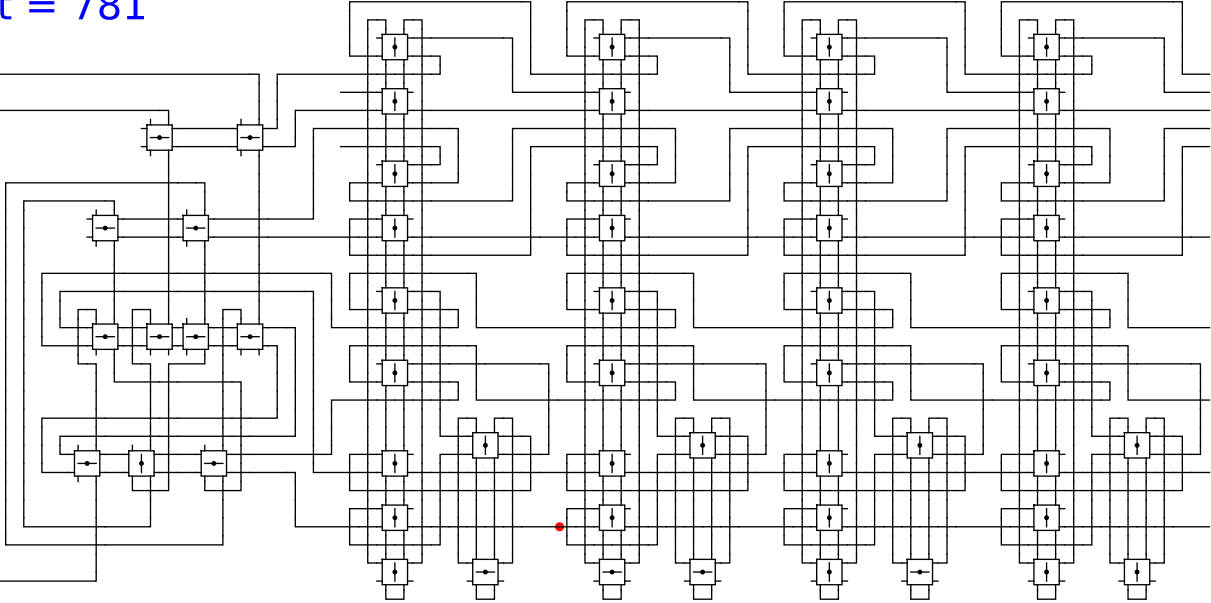


1 head 1 1 0

t = 781

Reject
Accept

Begin

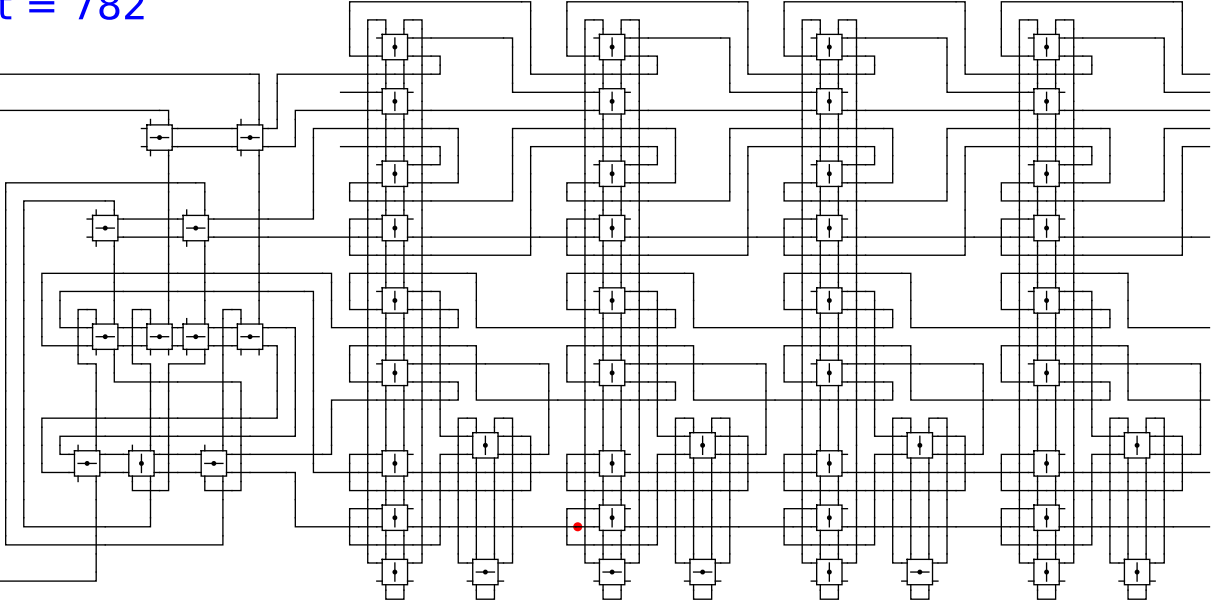


1 head 1 1 0

t = 782

Reject
Accept

Begin

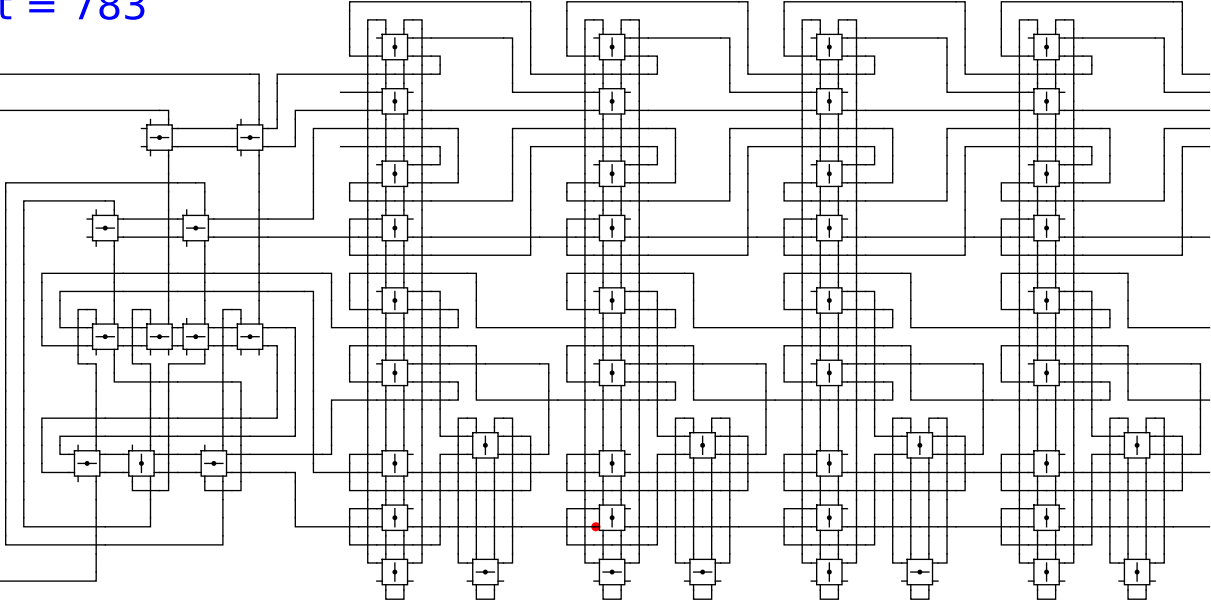


1 head 1 1 0

t = 783

Reject
Accept

Begin

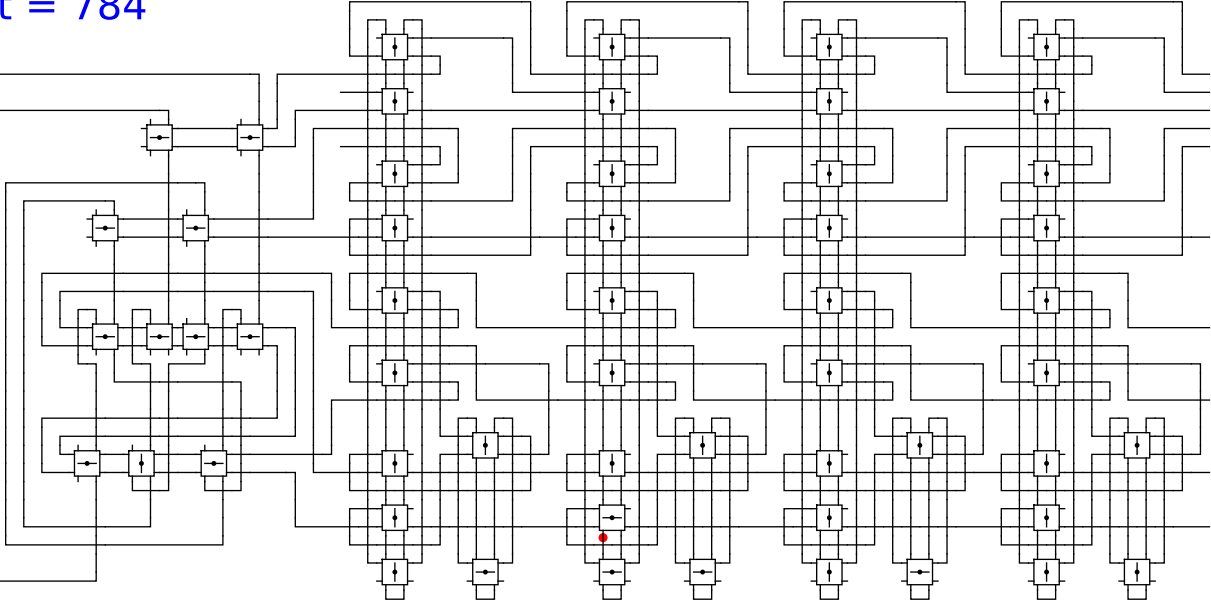


1 head 1 1 0

t = 784

Reject
Accept

Begin

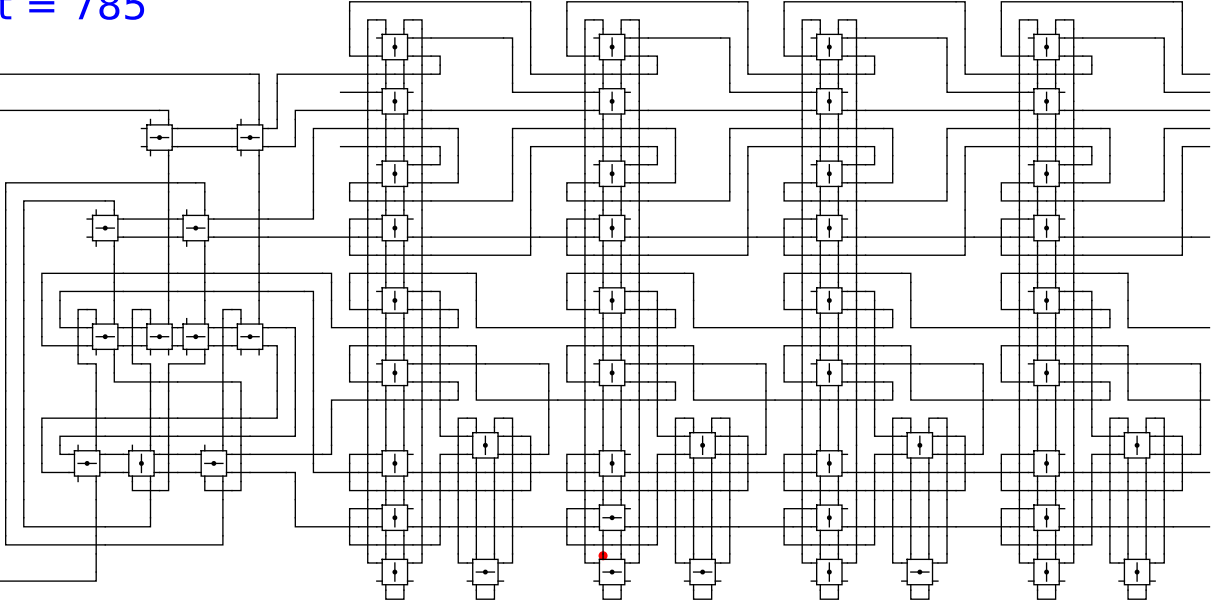


1 head 1 1 0

t = 785

Reject
Accept

Begin

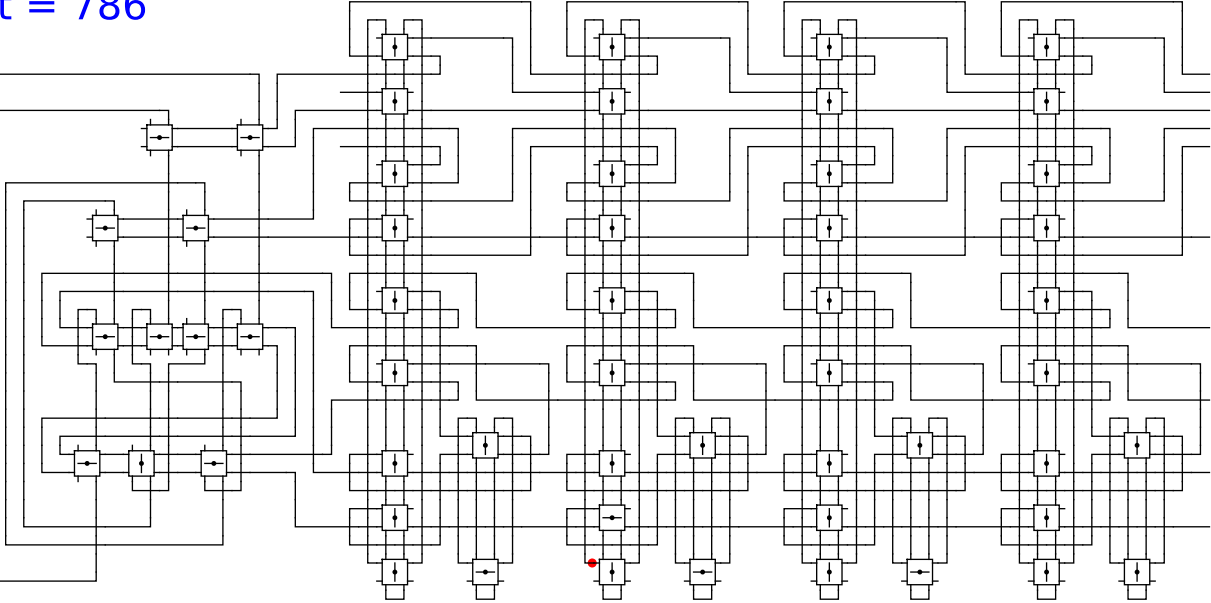


1 head 1 1 0

t = 786

Reject
Accept

Begin



1

1

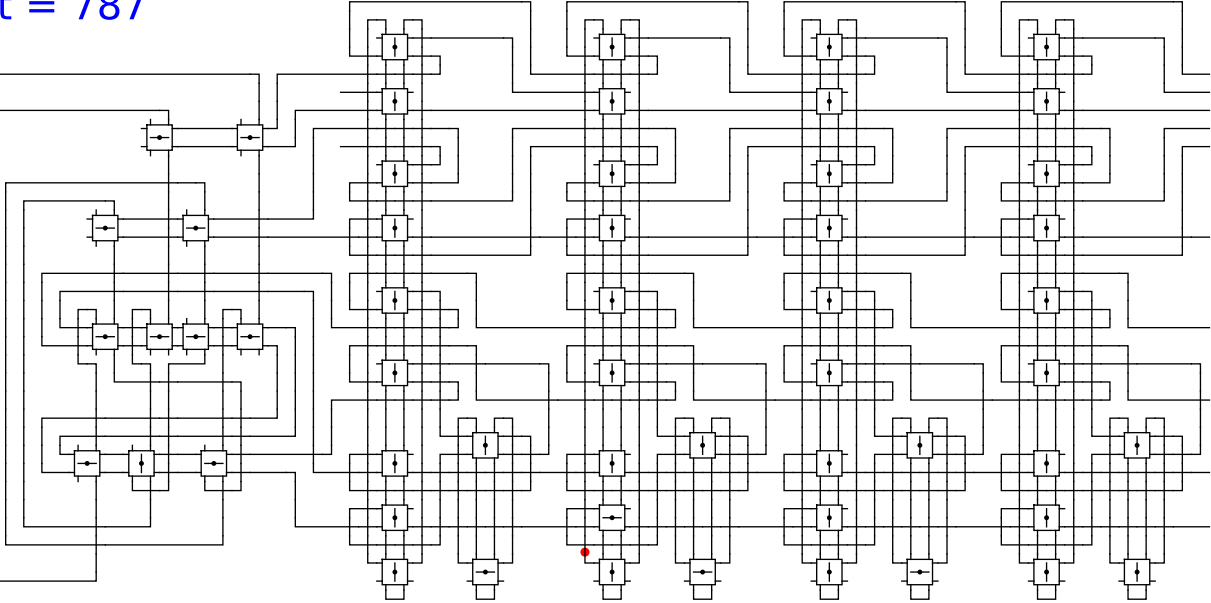
1

0

t = 787

Reject
Accept

Begin



1

1

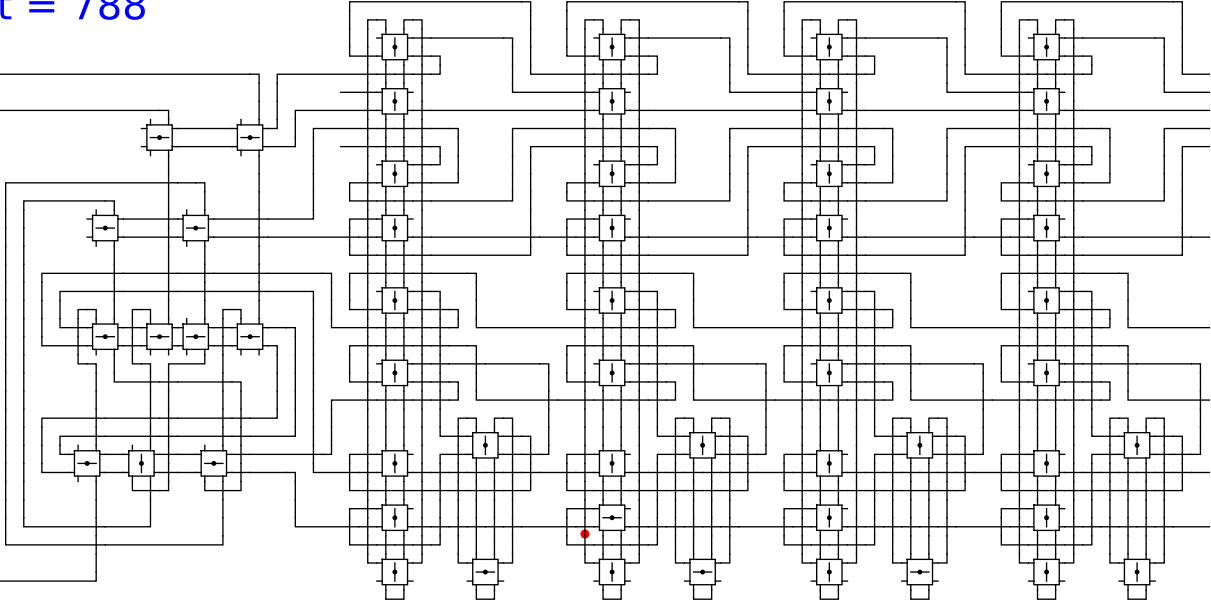
1

0

t = 788

Reject
Accept

Begin



1

1

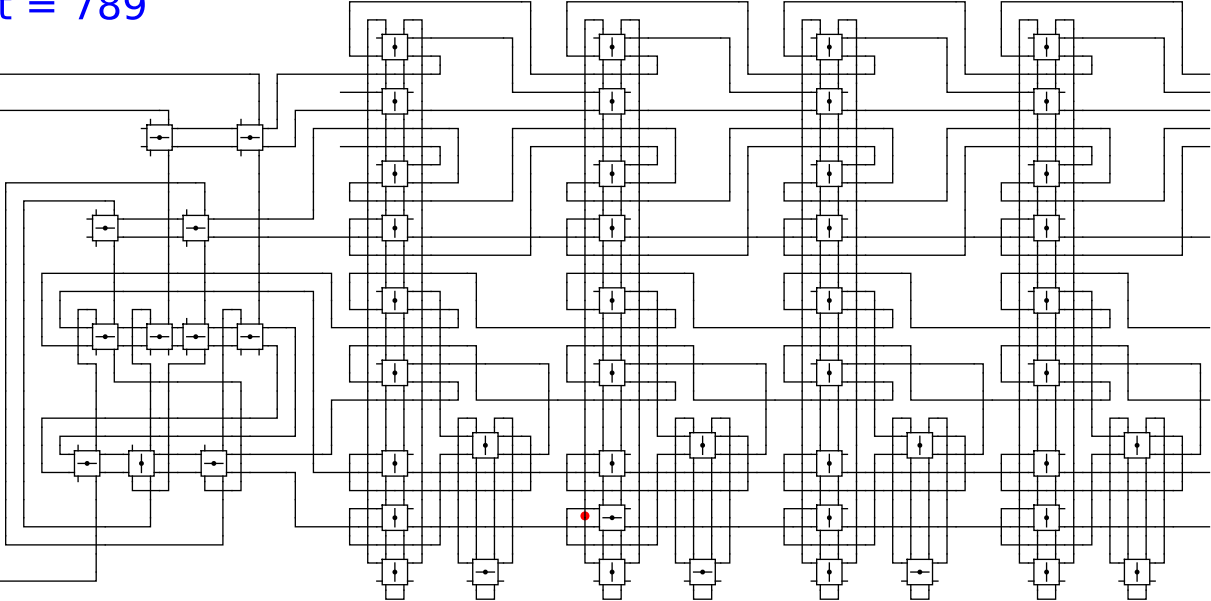
1

0

t = 789

Reject
Accept

Begin



1

1

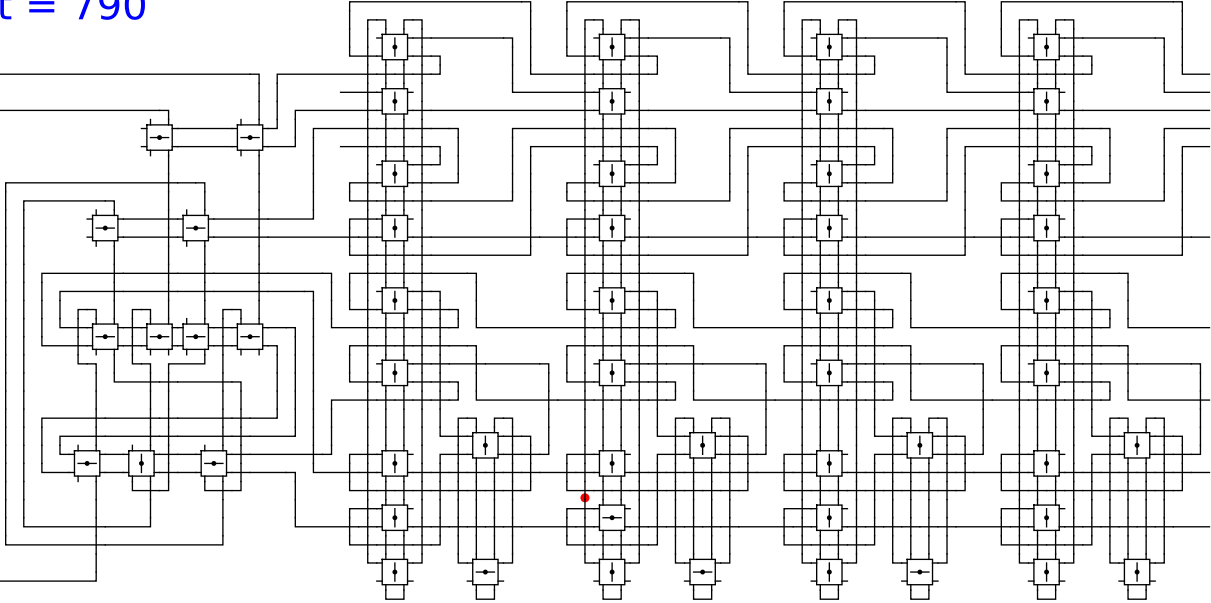
1

0

t = 790

Reject
Accept

Begin



1

1

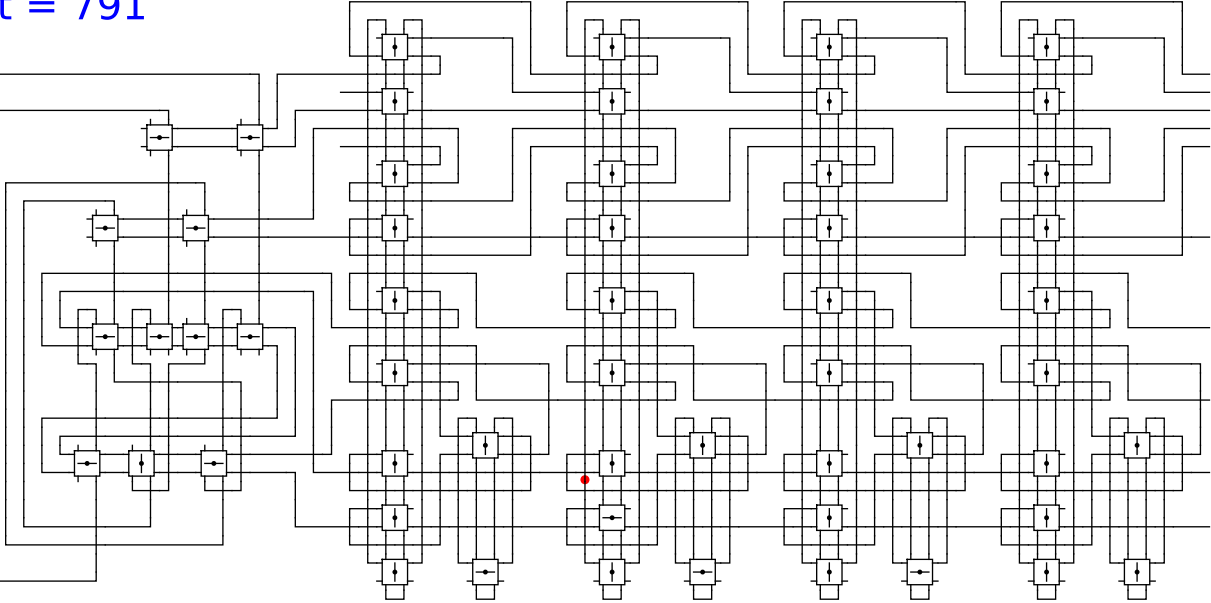
1

0

t = 791

Reject
Accept

Begin



1

1

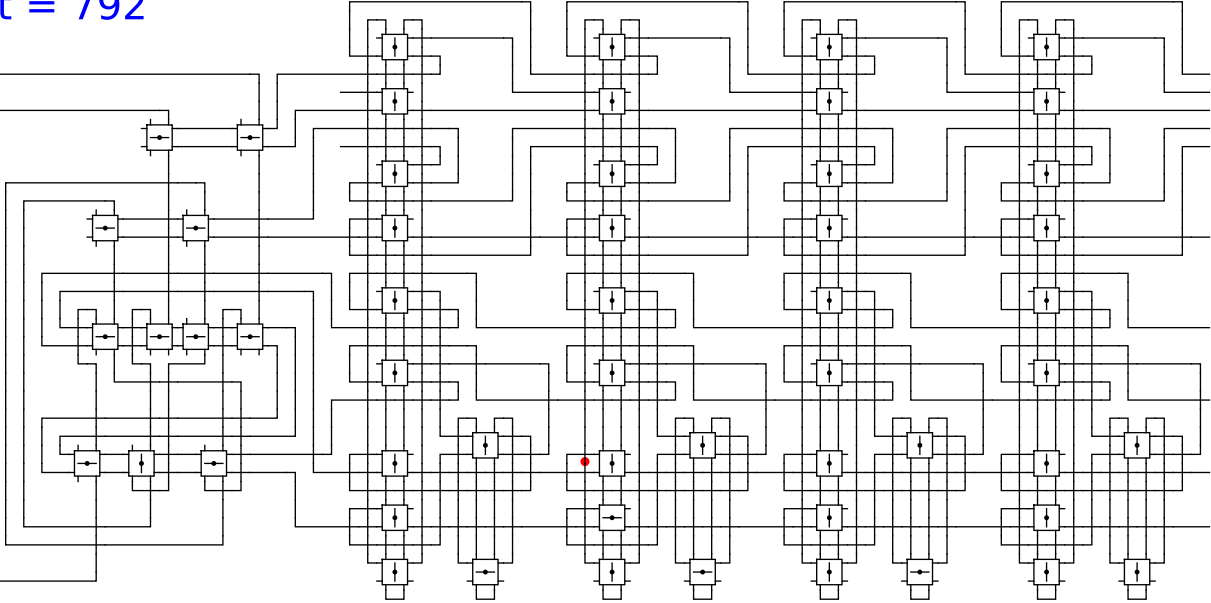
1

0

t = 792

Reject
Accept

Begin



1

1

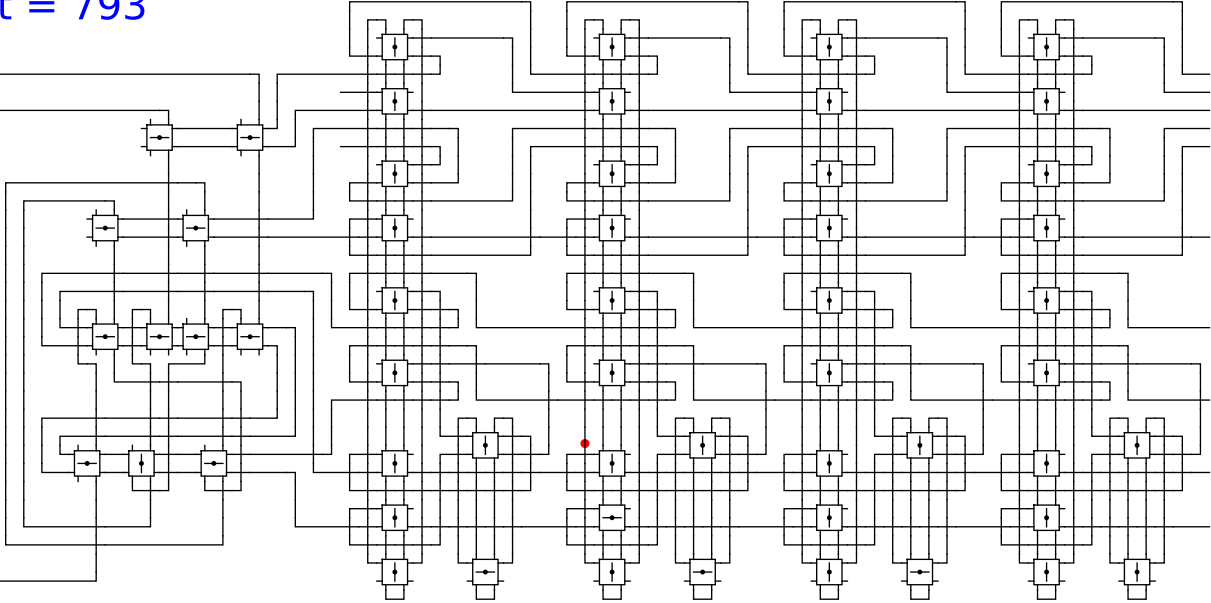
1

0

t = 793

Reject
Accept

Begin



1

1

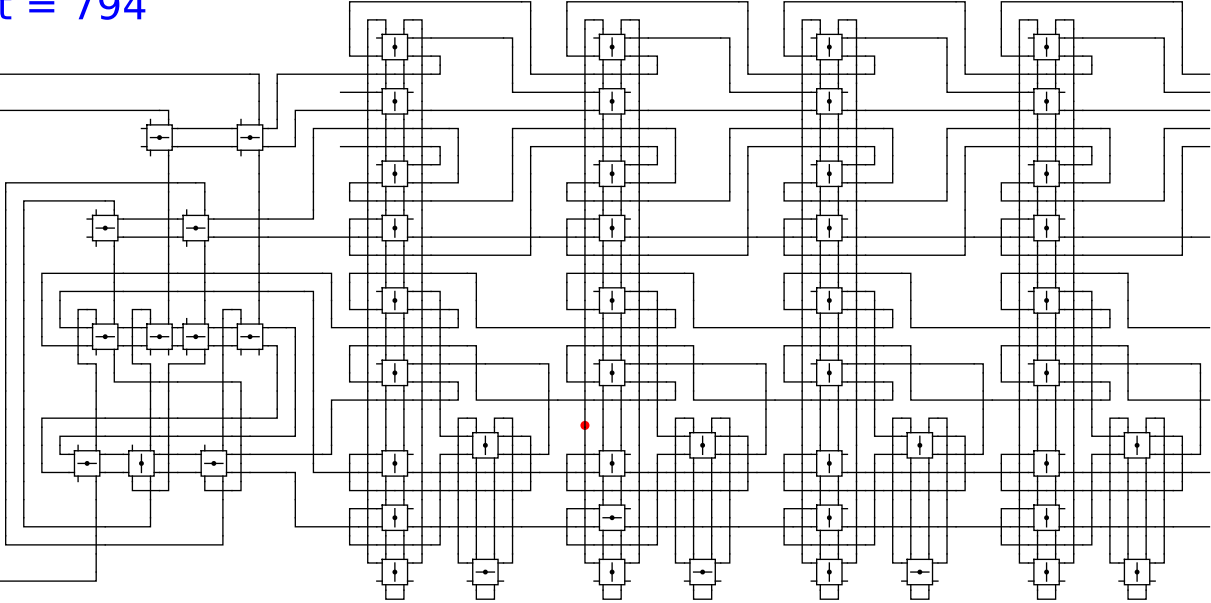
1

0

t = 794

Reject
Accept

Begin



1

1

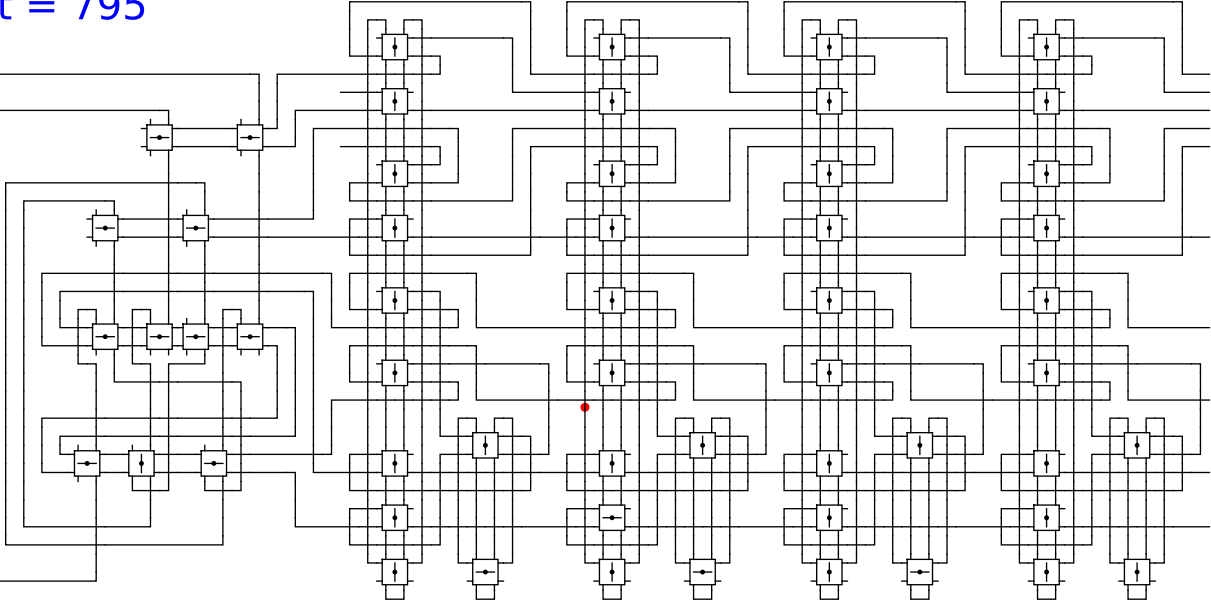
1

0

t = 795

Reject
Accept

Begin



1

1

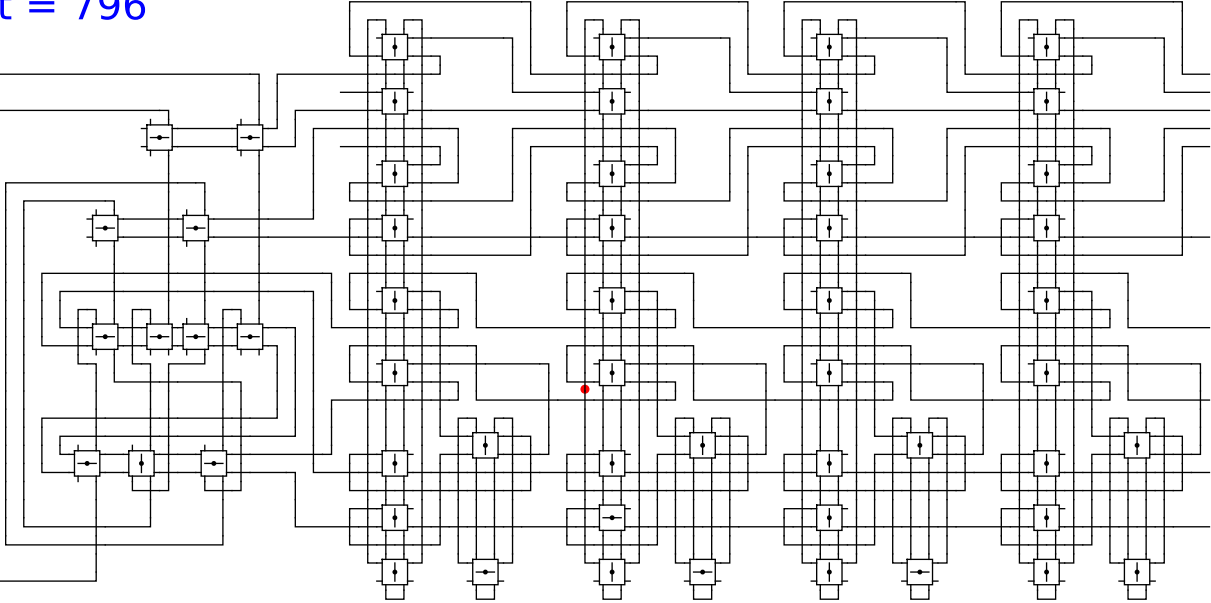
1

0

t = 796

Reject
Accept

Begin



1

1

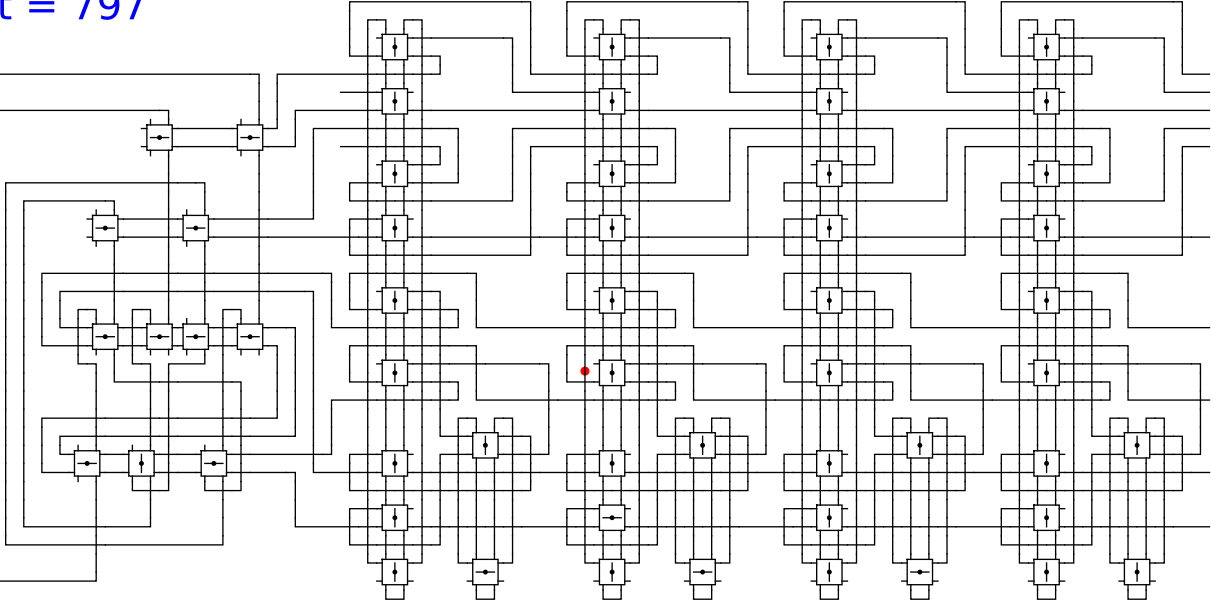
1

0

$t = 797$

Reject
Accept

Begin



1

1

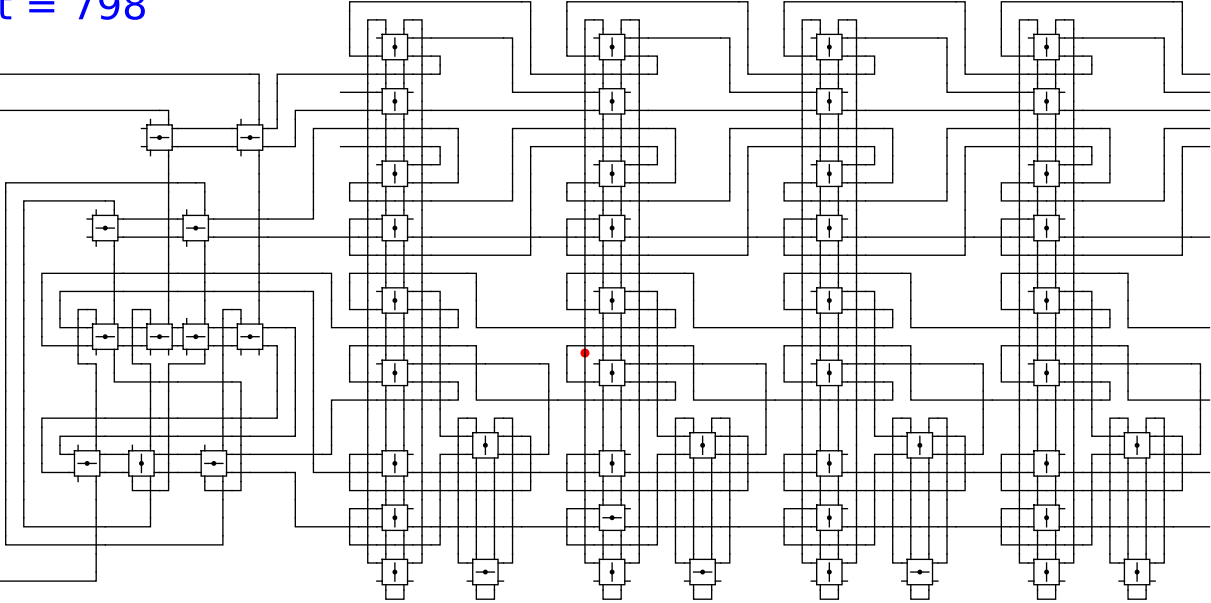
1

0

t = 798

Reject
Accept

Begin

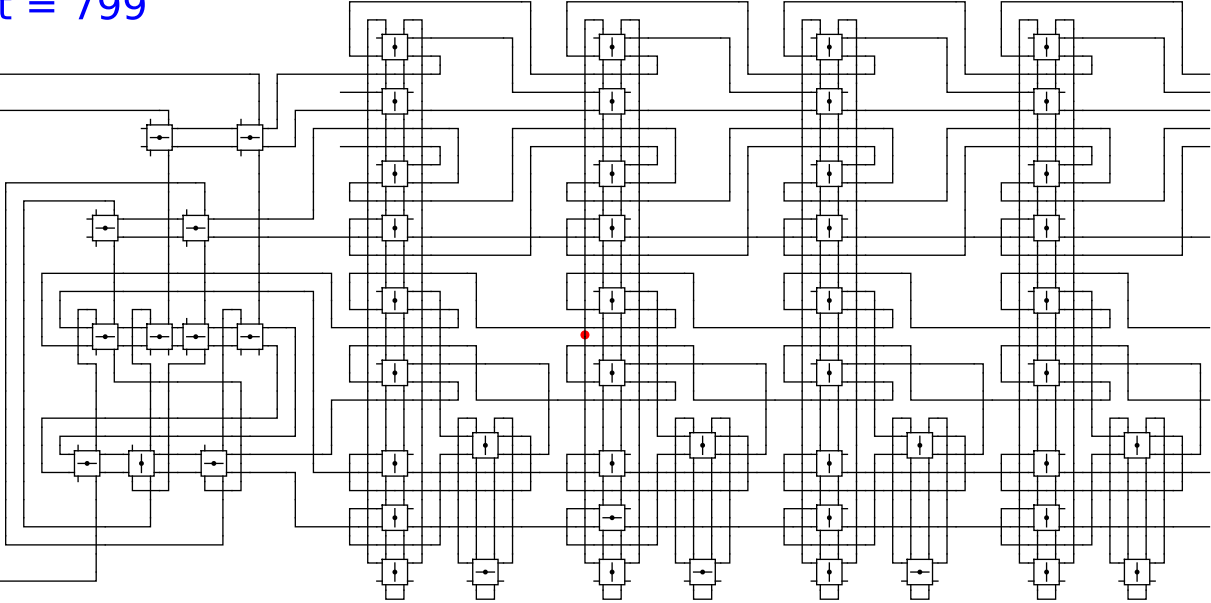


1 1 1 0

t = 799

Reject
Accept

Begin



1

1

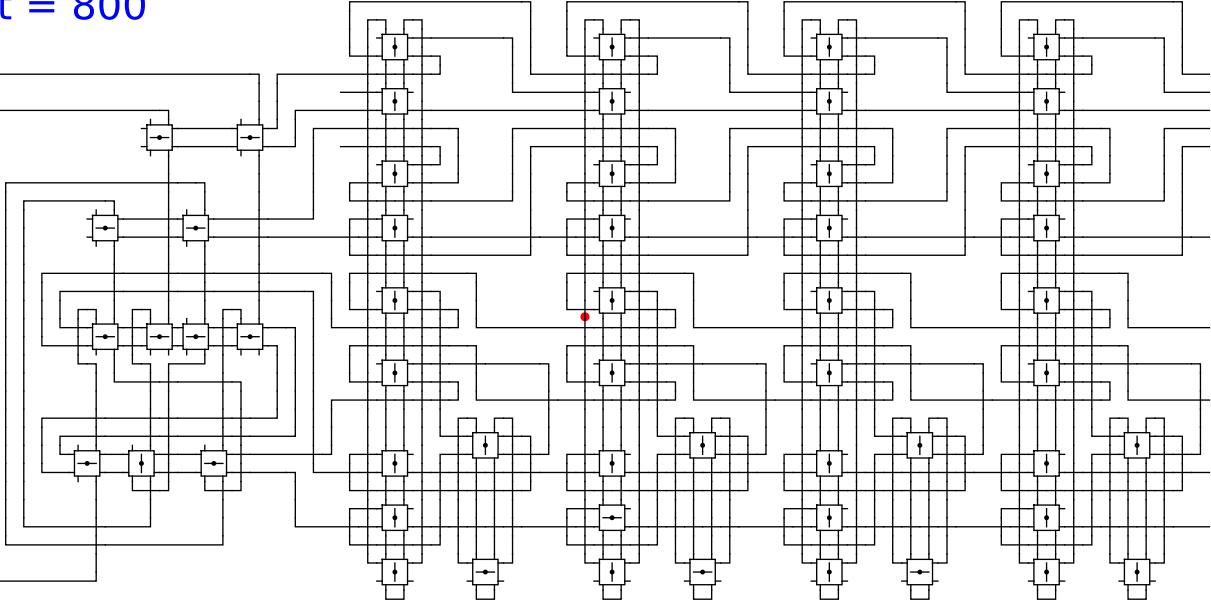
1

0

t = 800

Reject
Accept

Begin



1

1

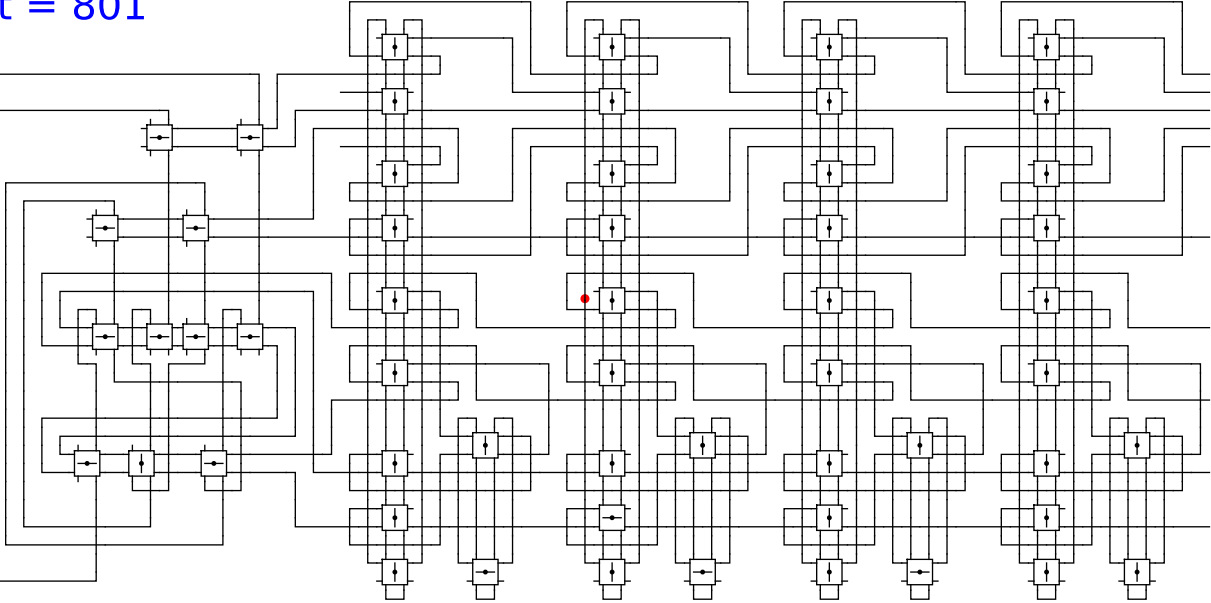
1

0

t = 801

Reject
Accept

Begin

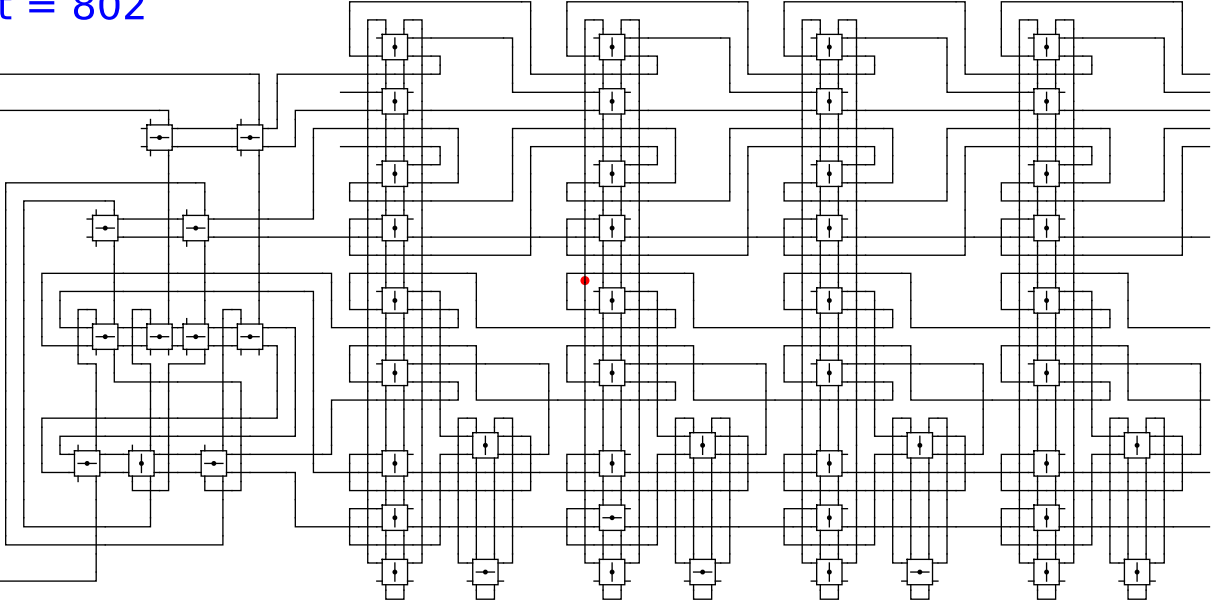


1 1 1 0

t = 802

Reject
Accept

Begin



1

1

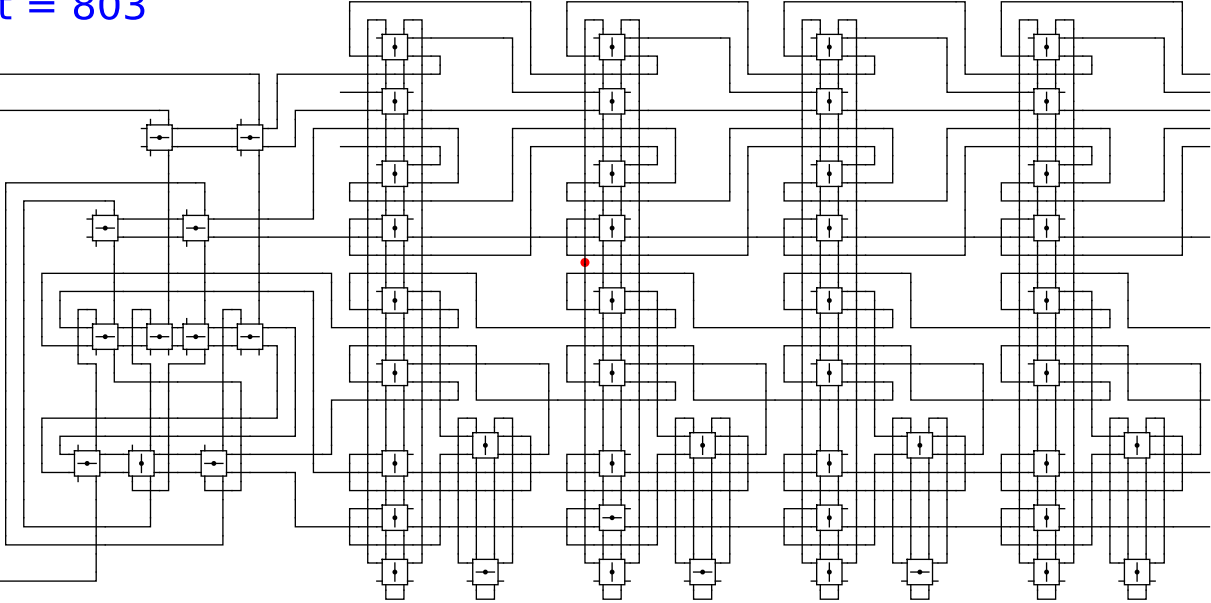
1

0

t = 803

Reject
Accept

Begin



1

1

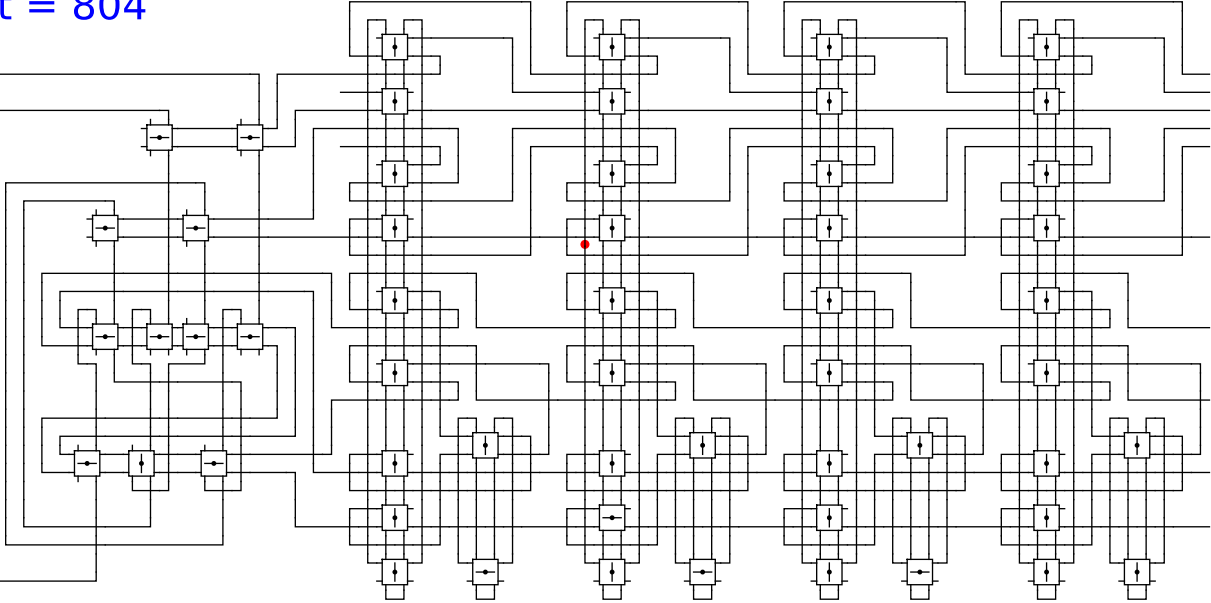
1

0

t = 804

Reject
Accept

Begin



1

1

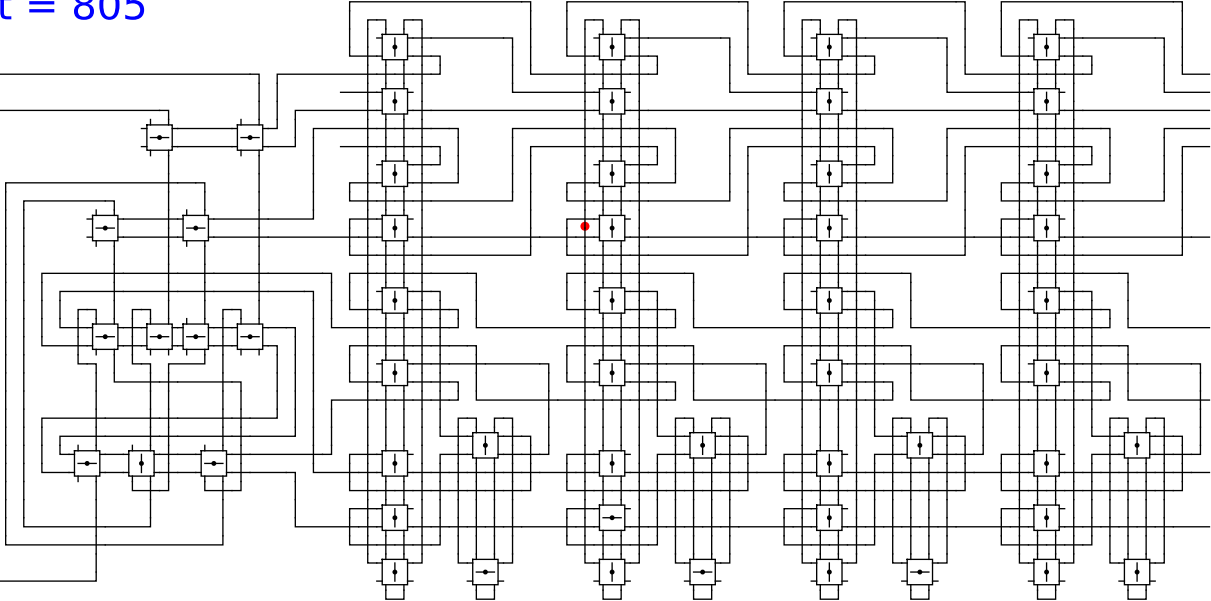
1

0

t = 805

Reject
Accept

Begin



1

1

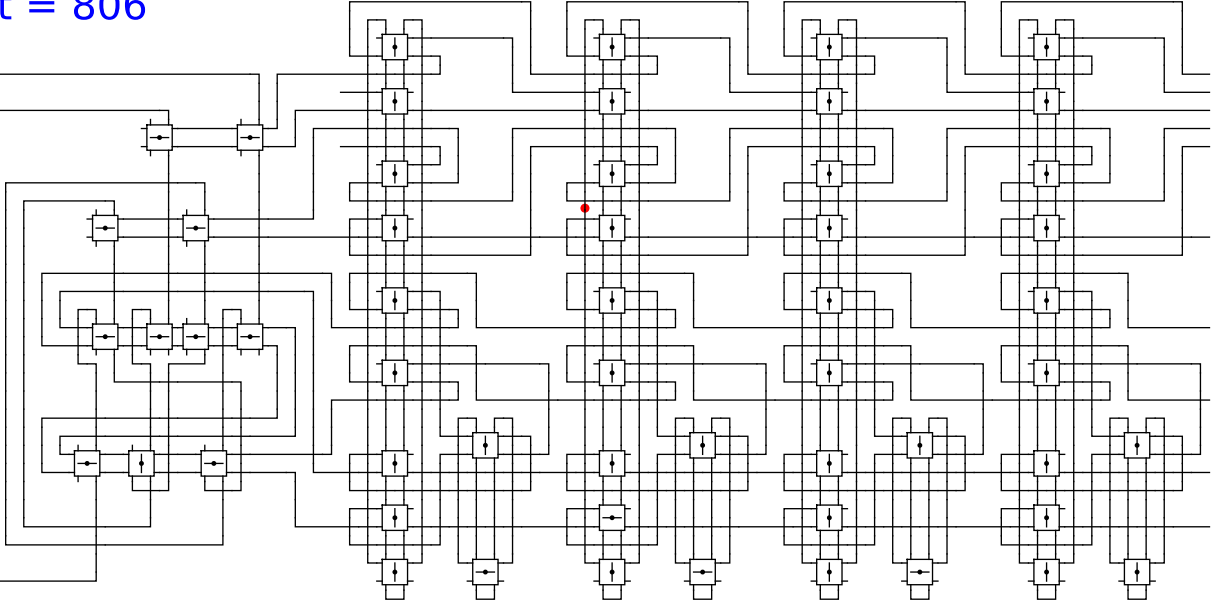
1

0

t = 806

Reject
Accept

Begin



1

1

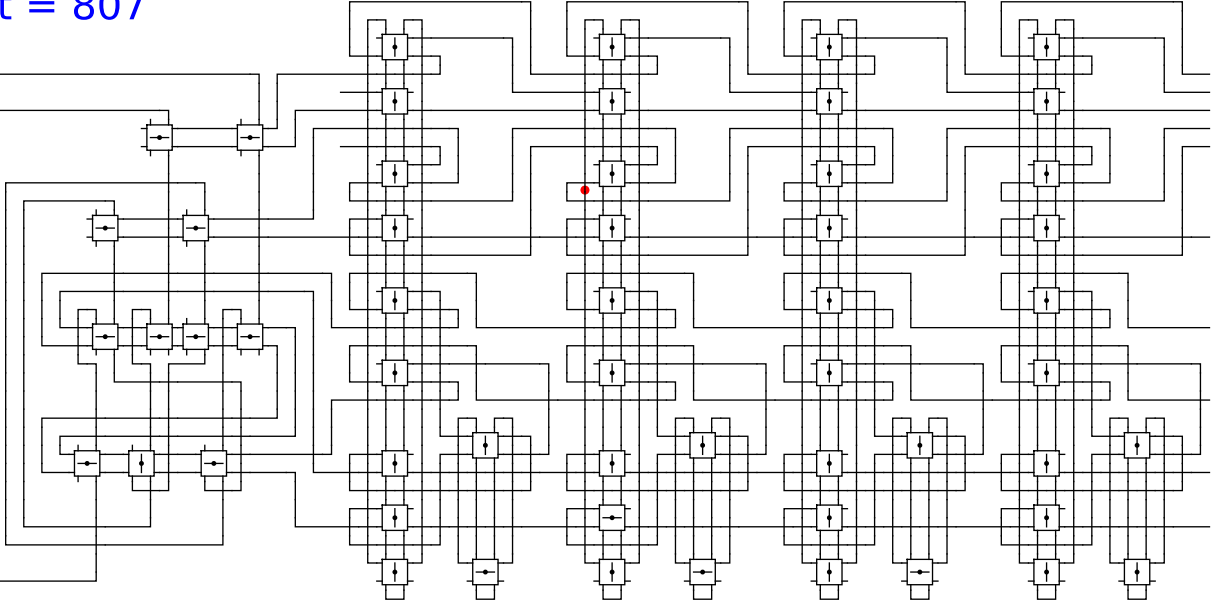
1

0

t = 807

Reject
Accept

Begin



1

1

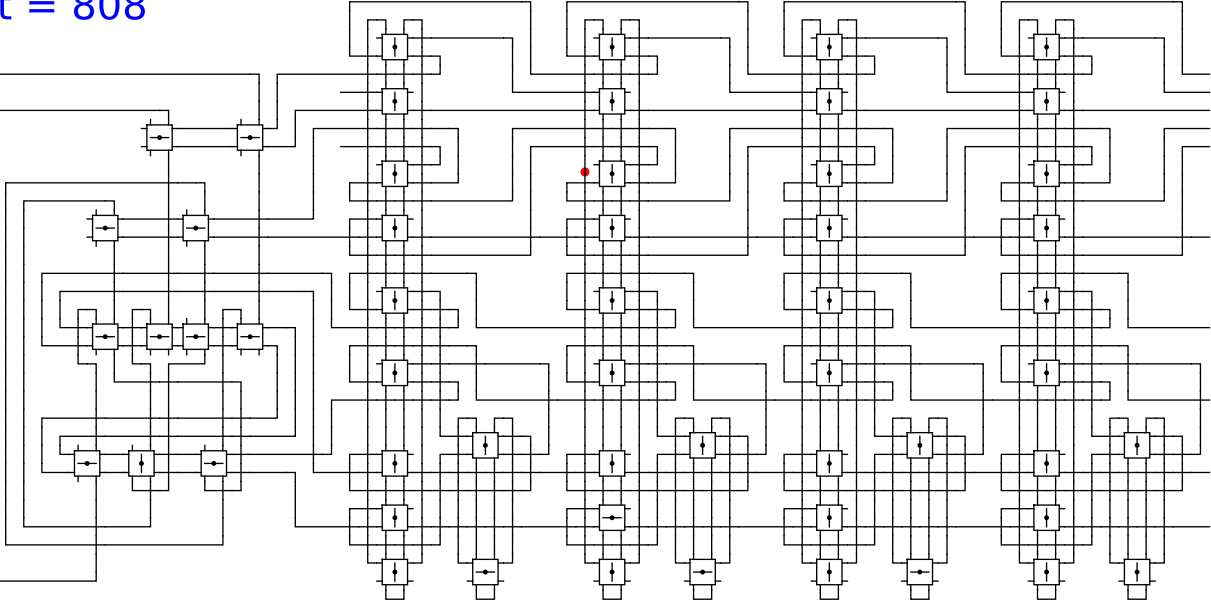
1

0

t = 808

Reject
Accept

Begin



1

1

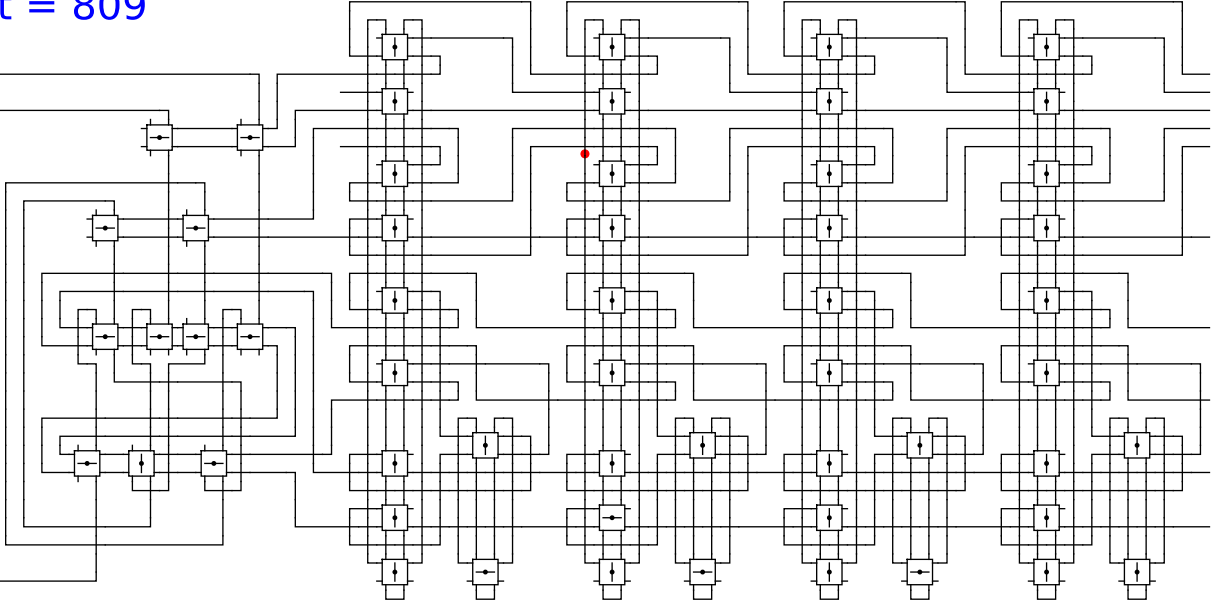
1

0

t = 809

Reject
Accept

Begin



1

1

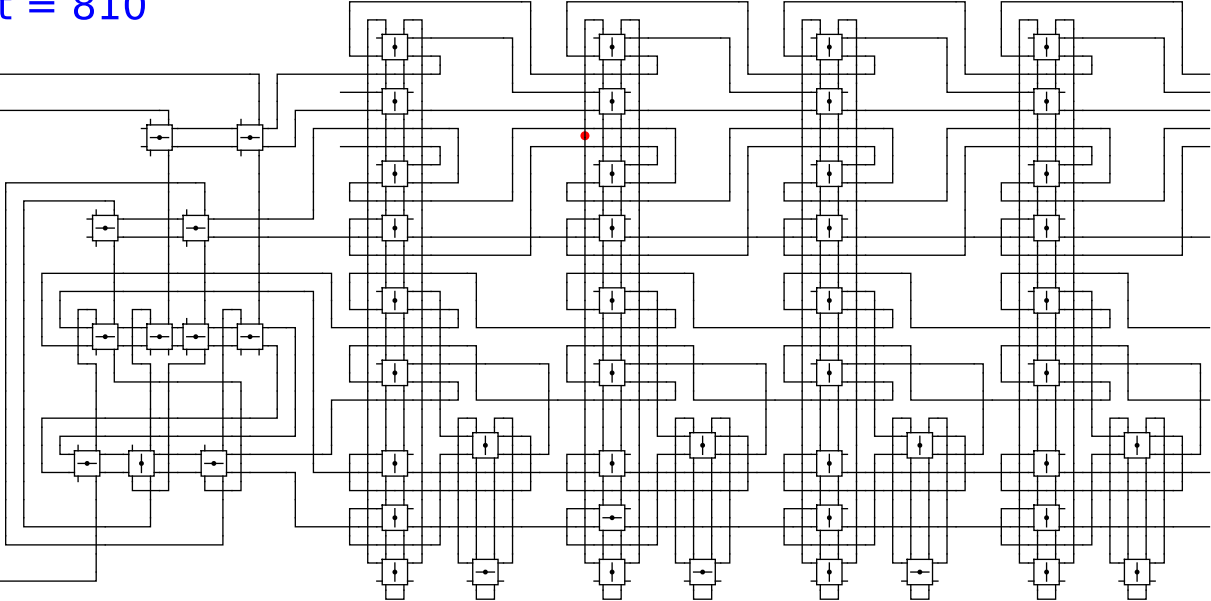
1

0

t = 810

Reject
Accept

Begin



1

1

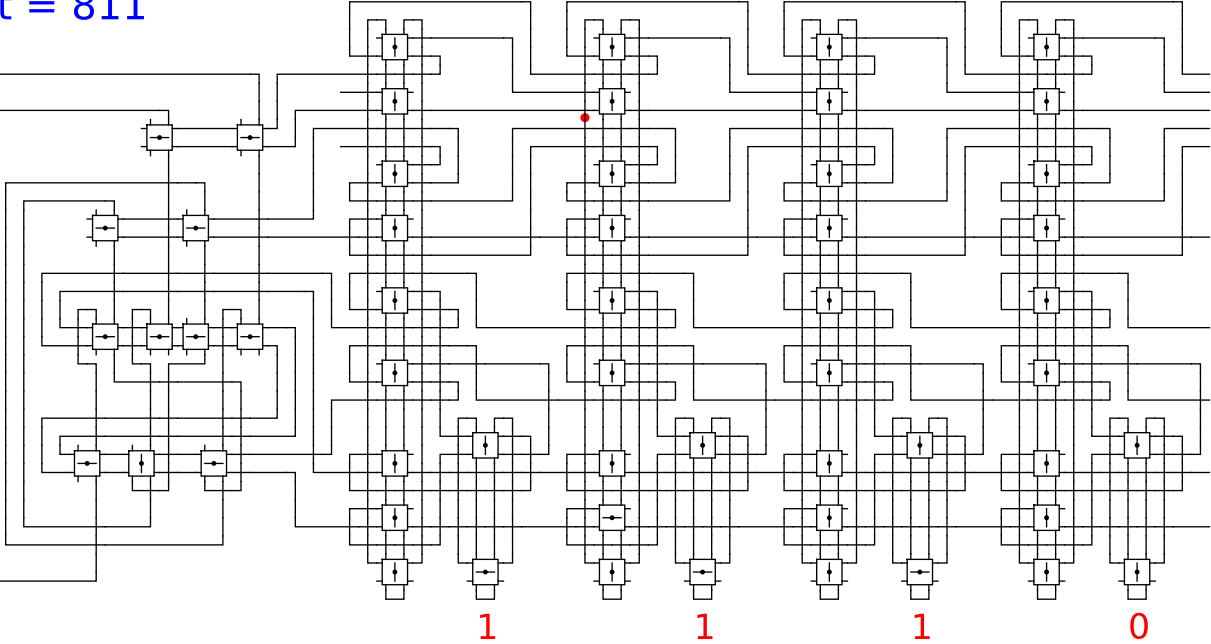
1

0

t = 811

Reject
Accept

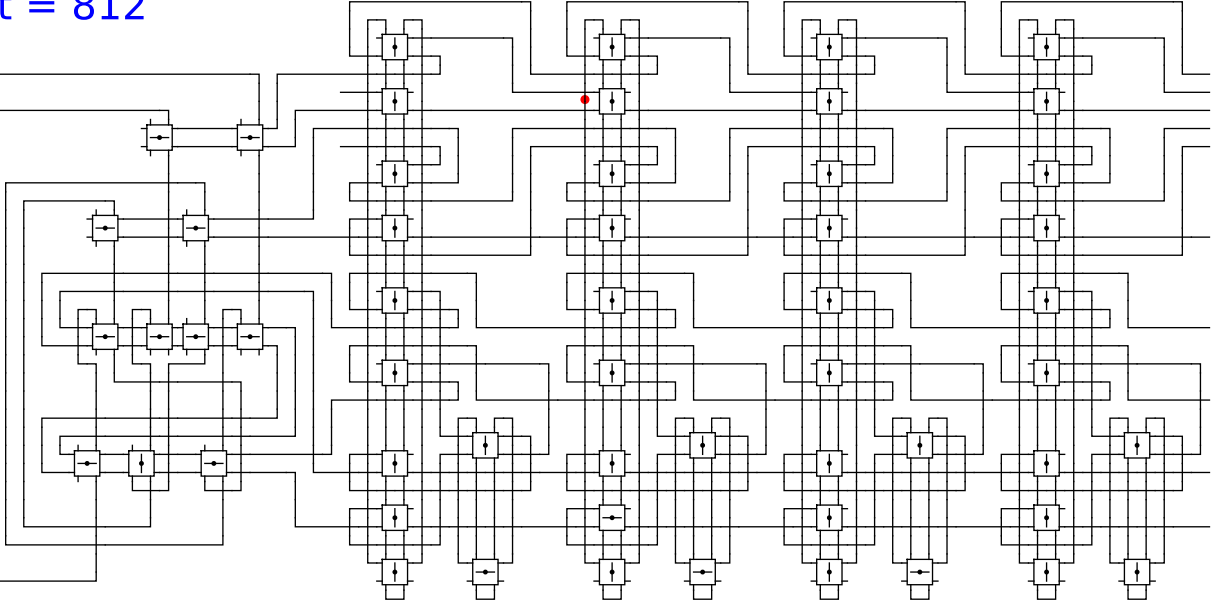
Begin



t = 812

Reject
Accept

Begin



1

1

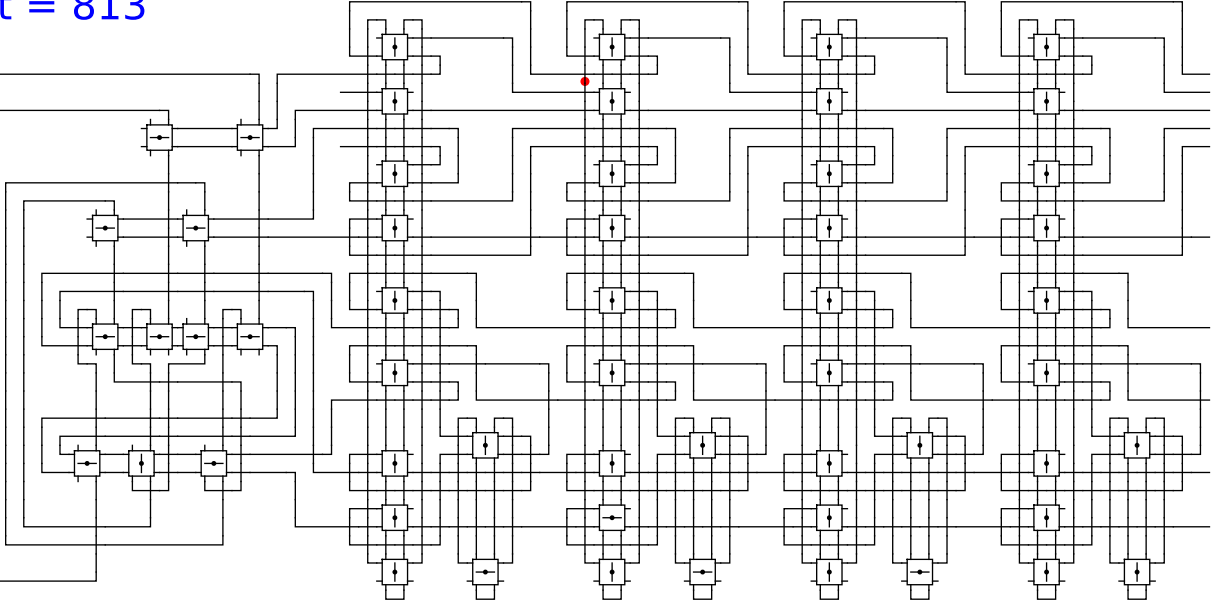
1

0

t = 813

Reject
Accept

Begin



1

1

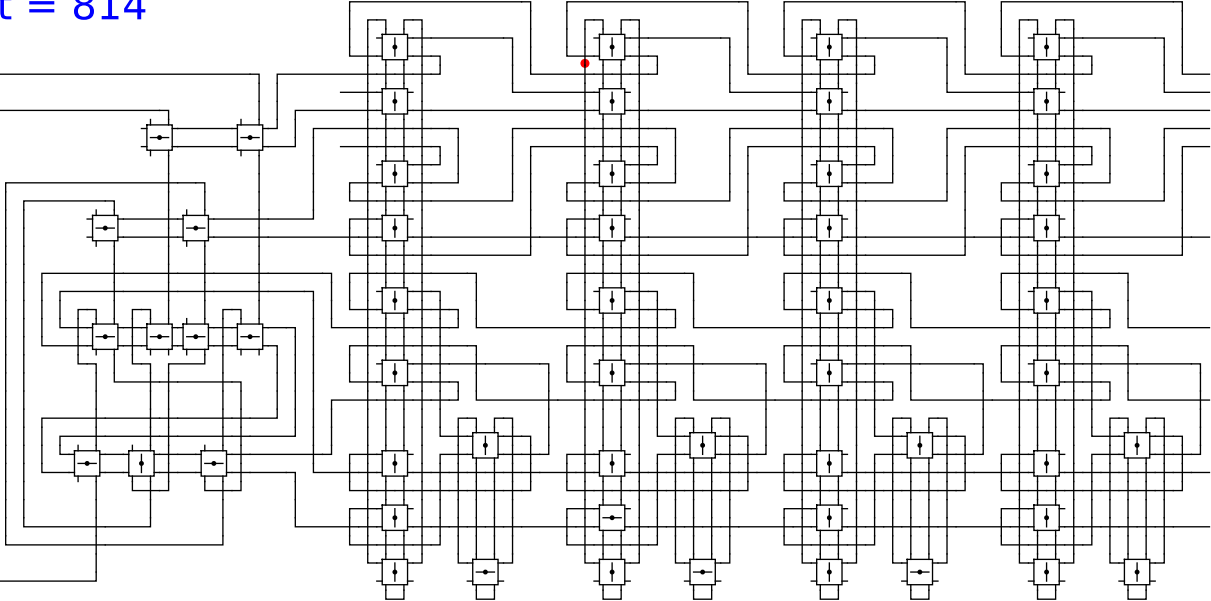
1

0

t = 814

Reject
Accept

Begin



1

1

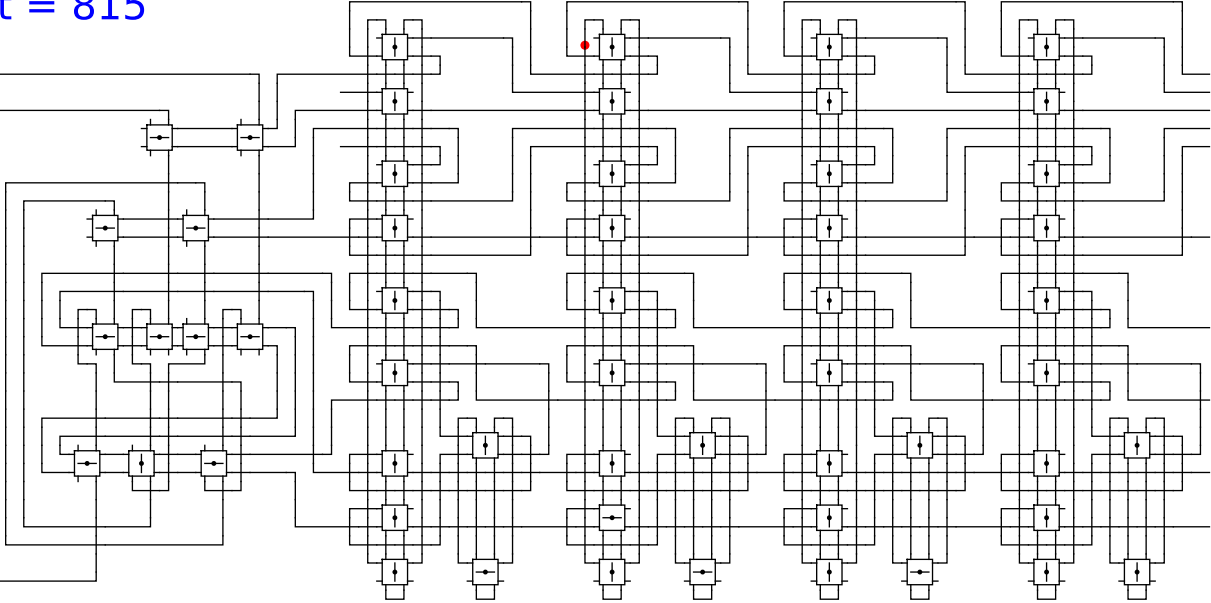
1

0

t = 815

Reject
Accept

Begin



1

1

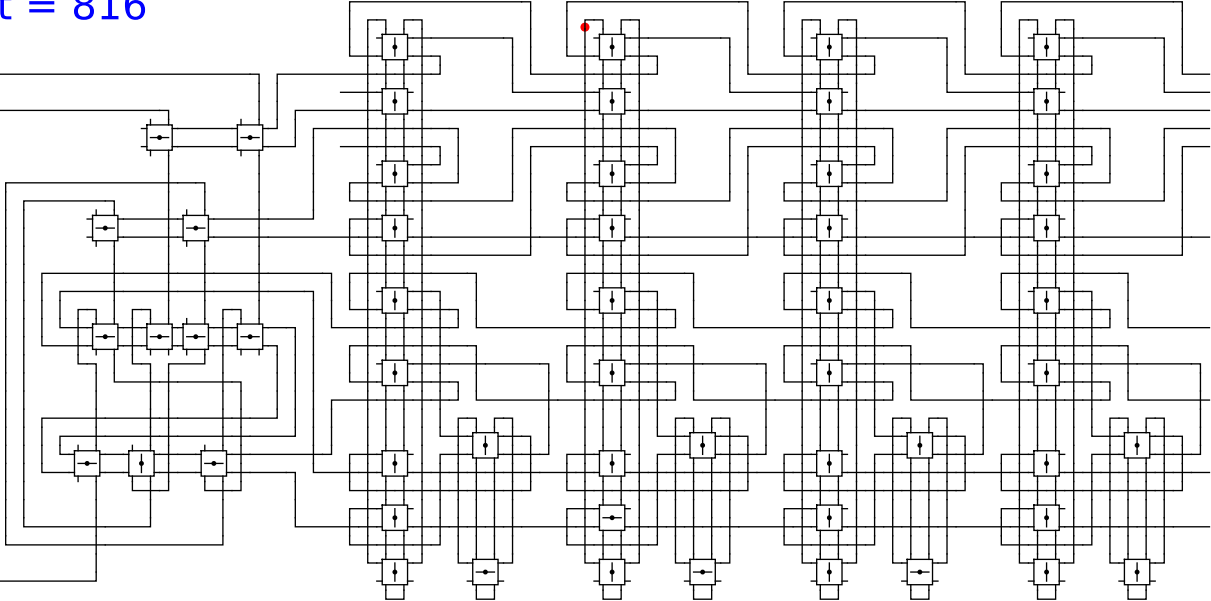
1

0

t = 816

Reject
Accept

Begin



1

1

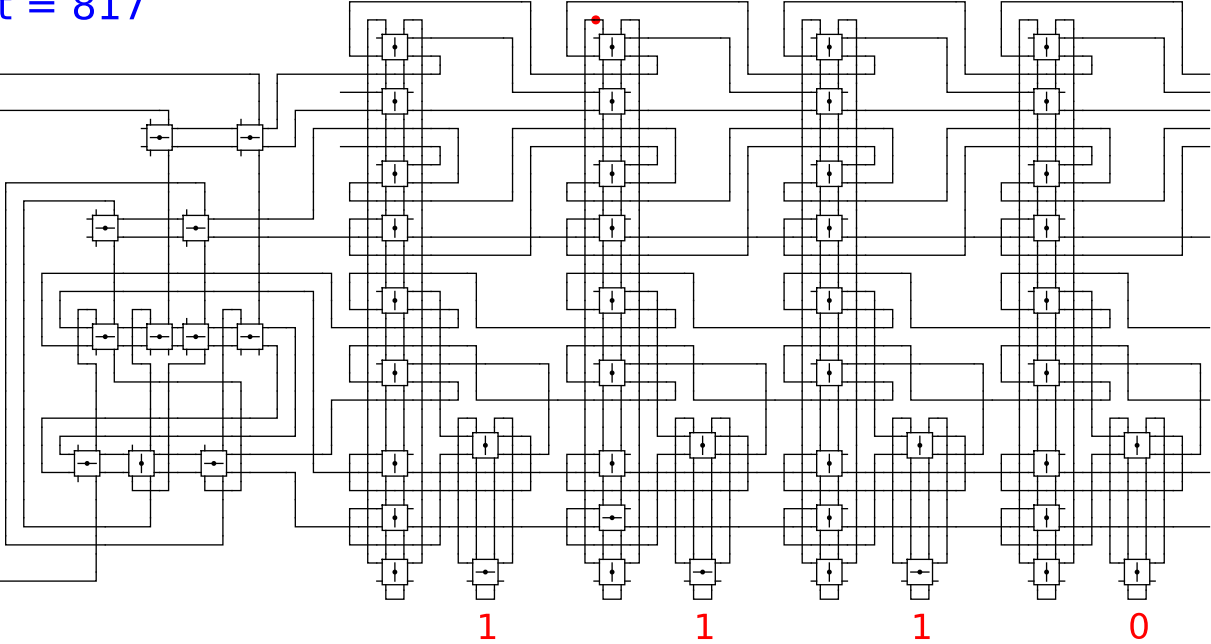
1

0

t = 817

Reject
Accept

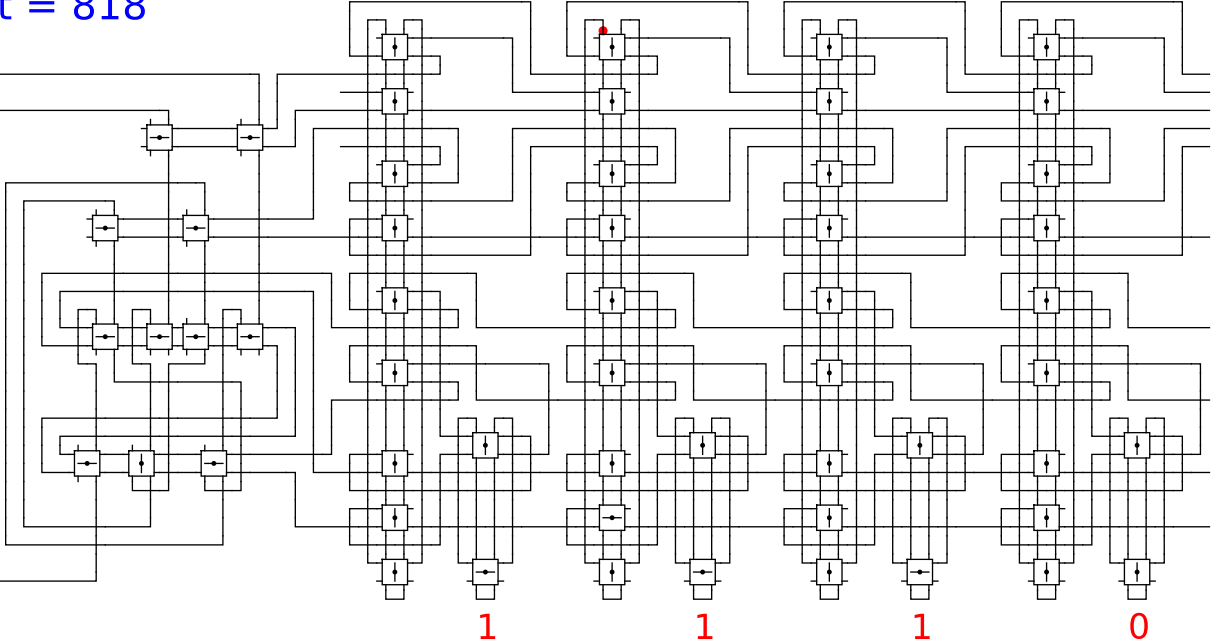
Begin



t = 818

Reject
Accept

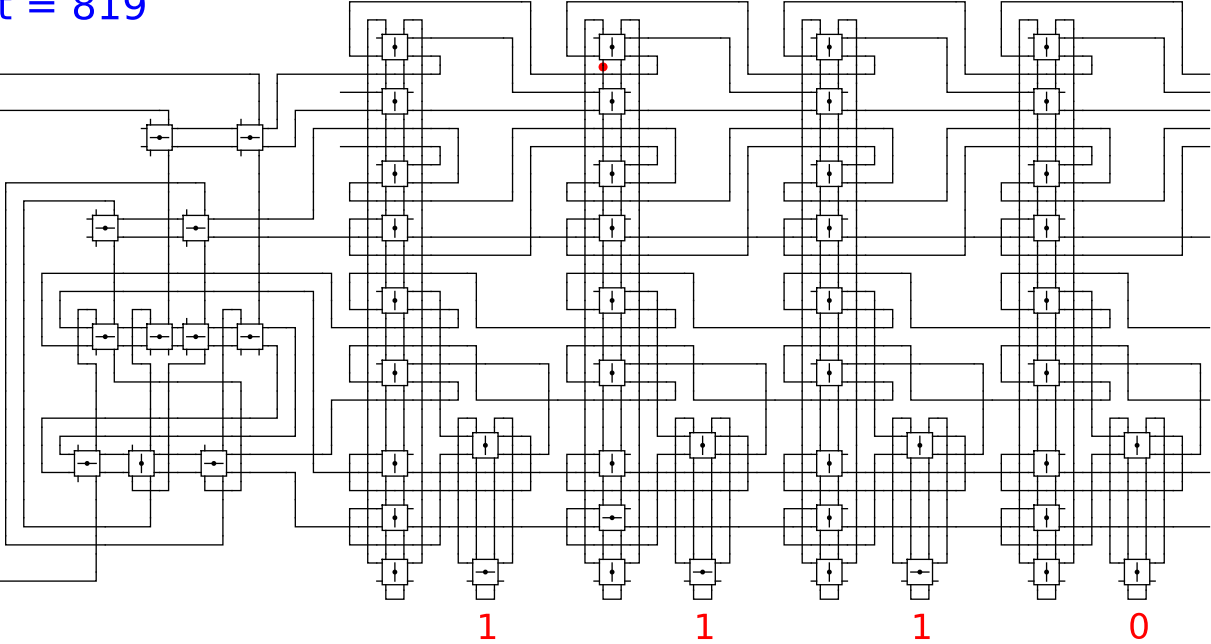
Begin



t = 819

Reject
Accept

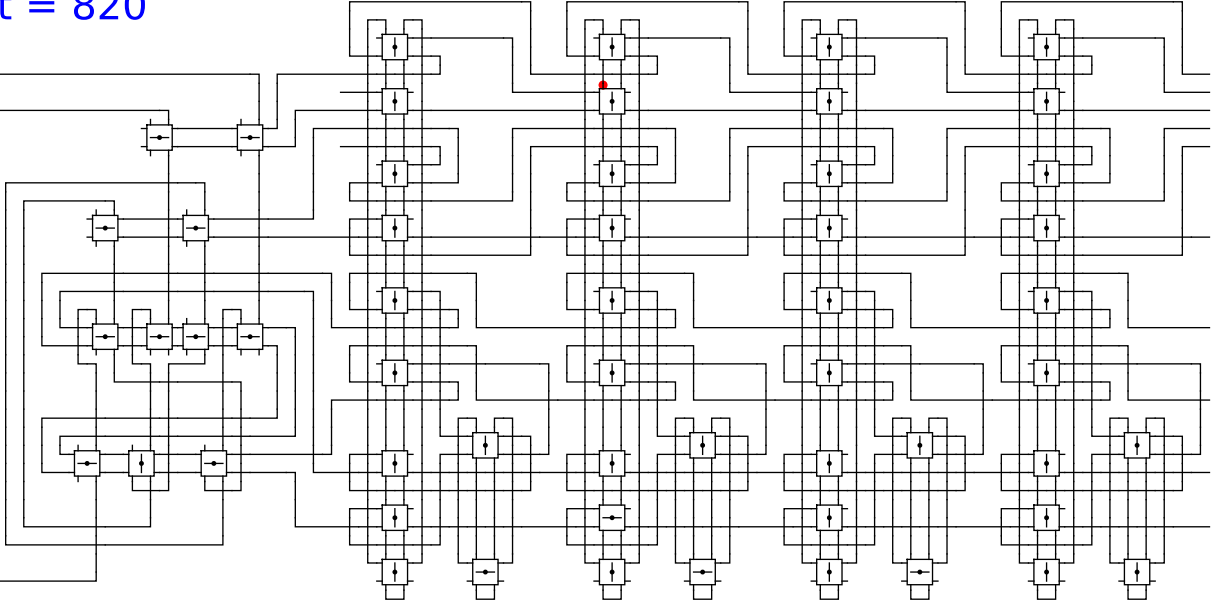
Begin



t = 820

Reject
Accept

Begin



1

1

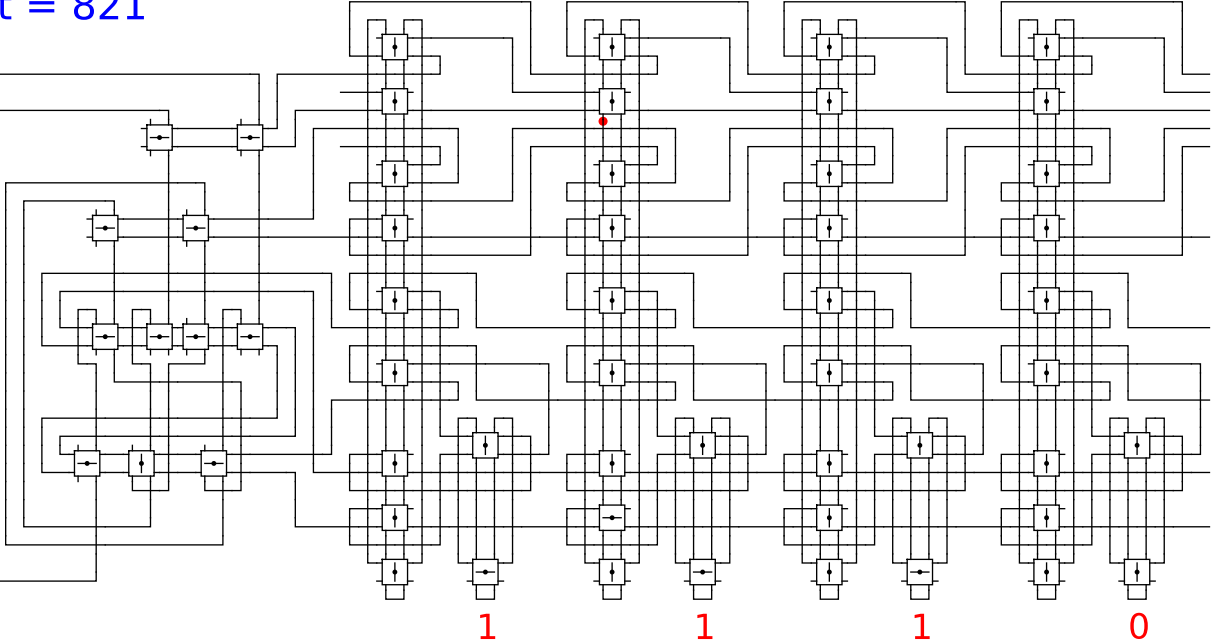
1

0

$t = 821$

Reject
Accept

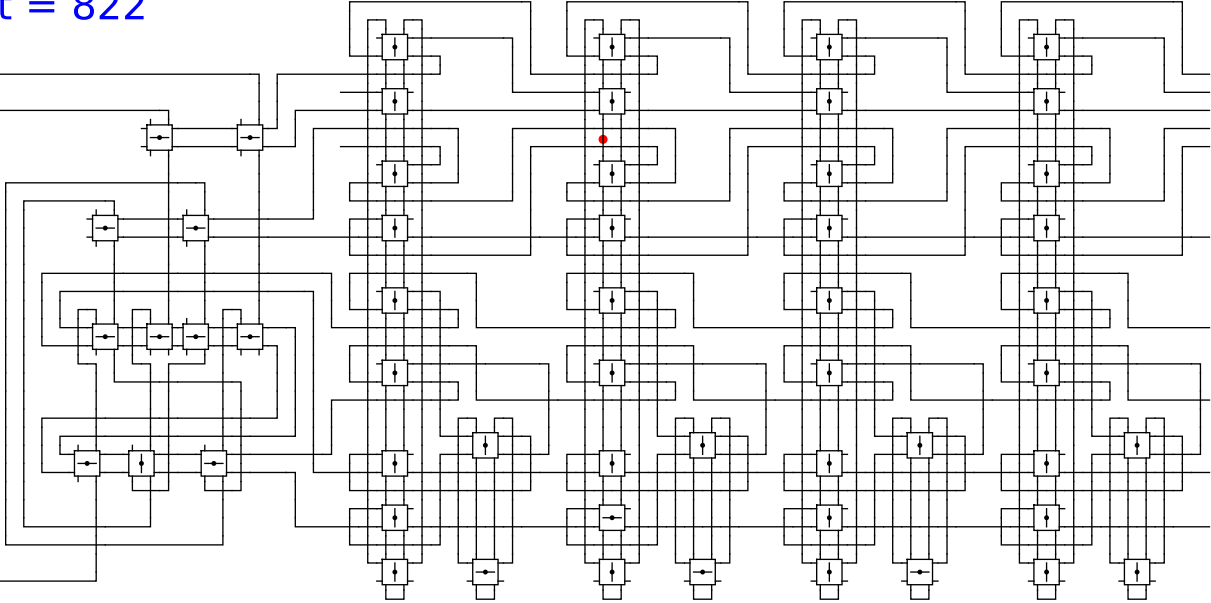
Begin



t = 822

Reject
Accept

Begin



1

1

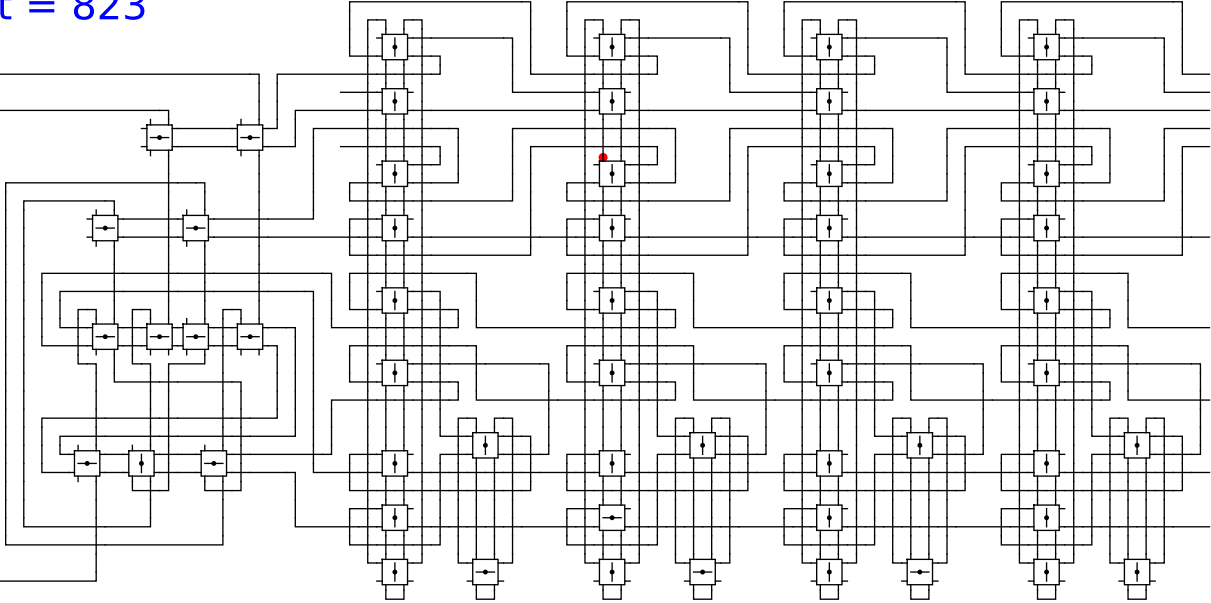
1

0

t = 823

Reject
Accept

Begin



1

1

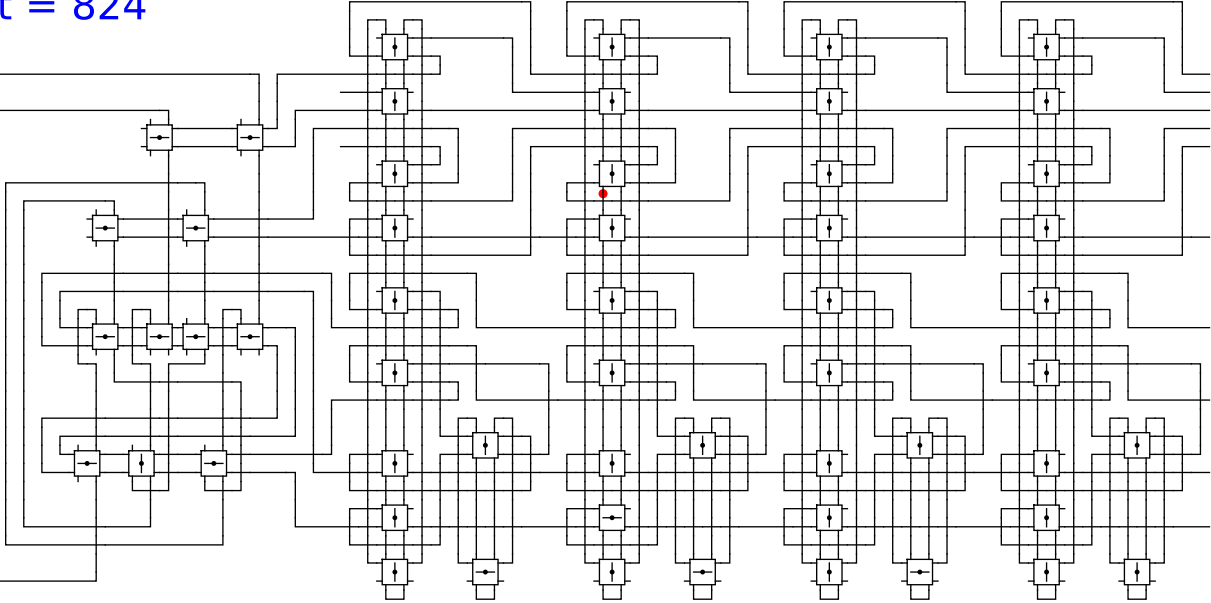
1

0

t = 824

Reject
Accept

Begin



1

1

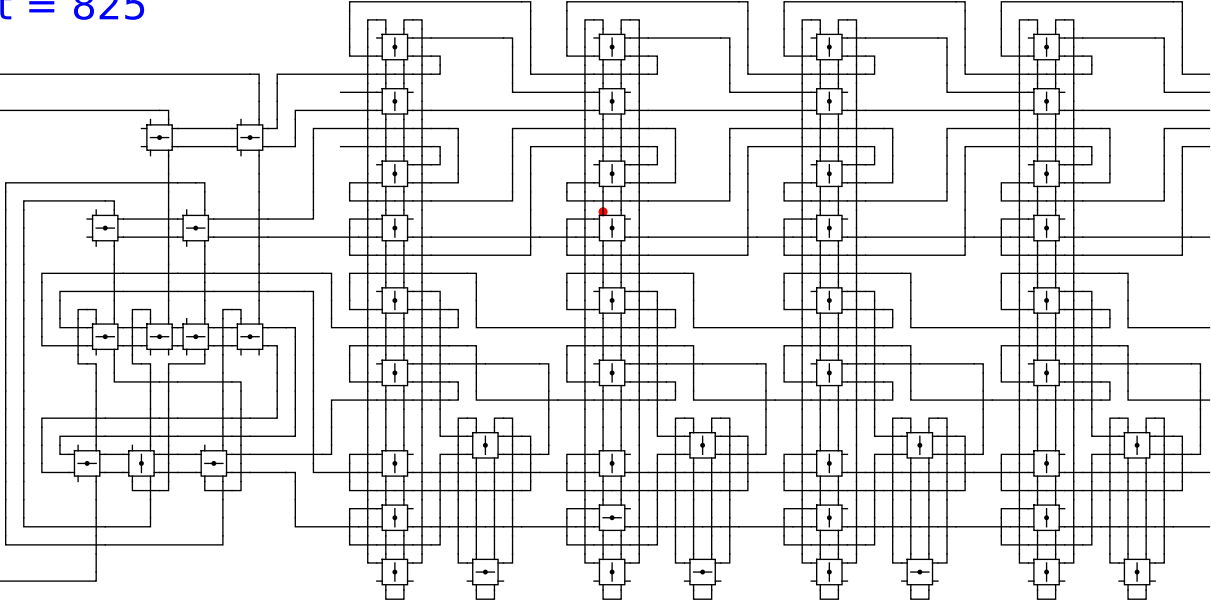
1

0

t = 825

Reject
Accept

Begin



1

1

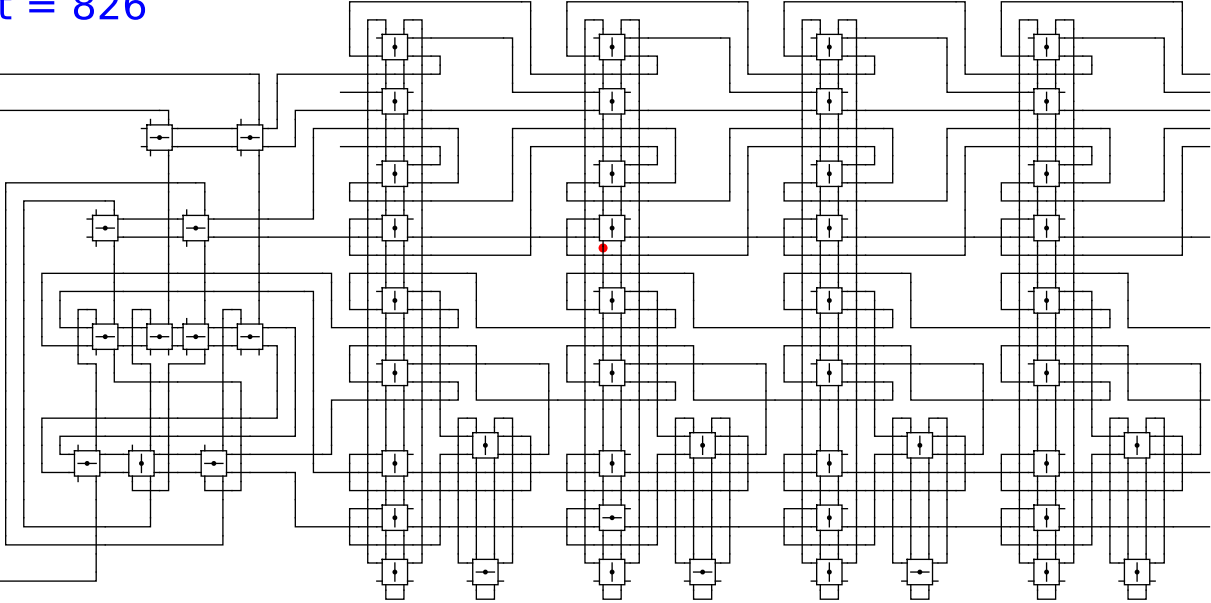
1

0

t = 826

Reject
Accept

Begin

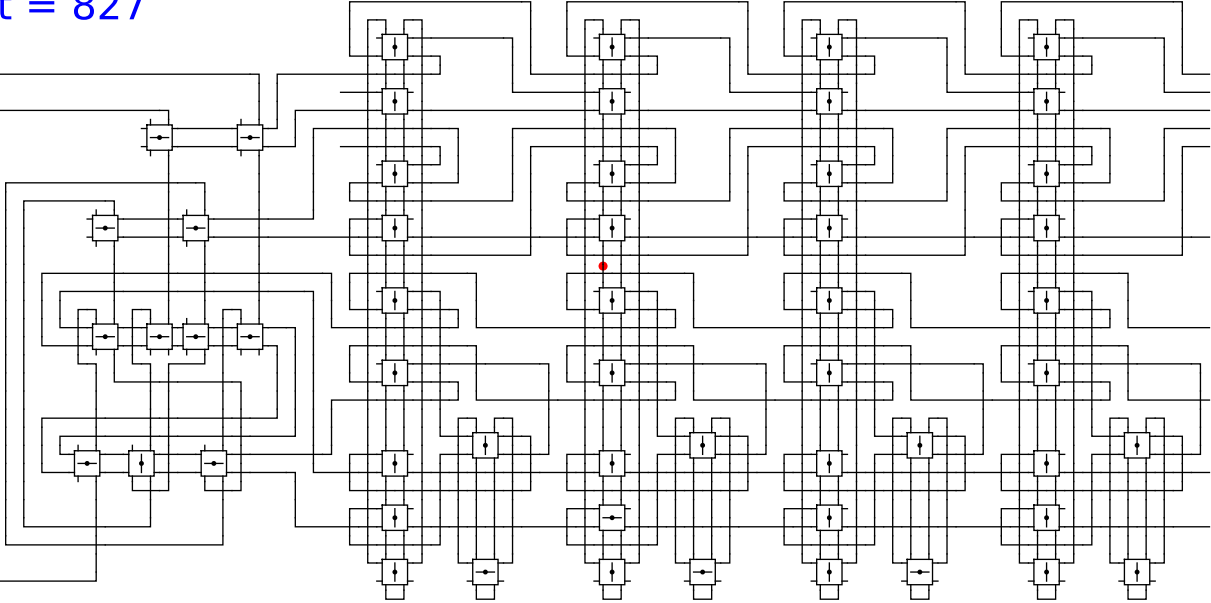


1 1 1 0

t = 827

Reject
Accept

Begin



1

1

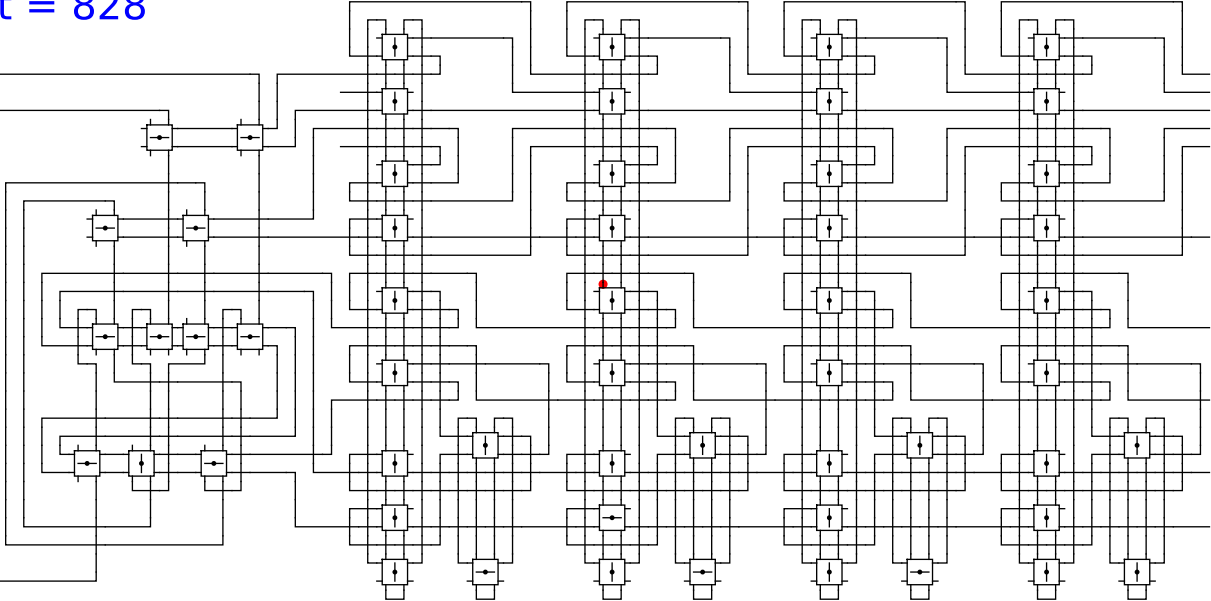
1

0

t = 828

Reject
Accept

Begin



1

1

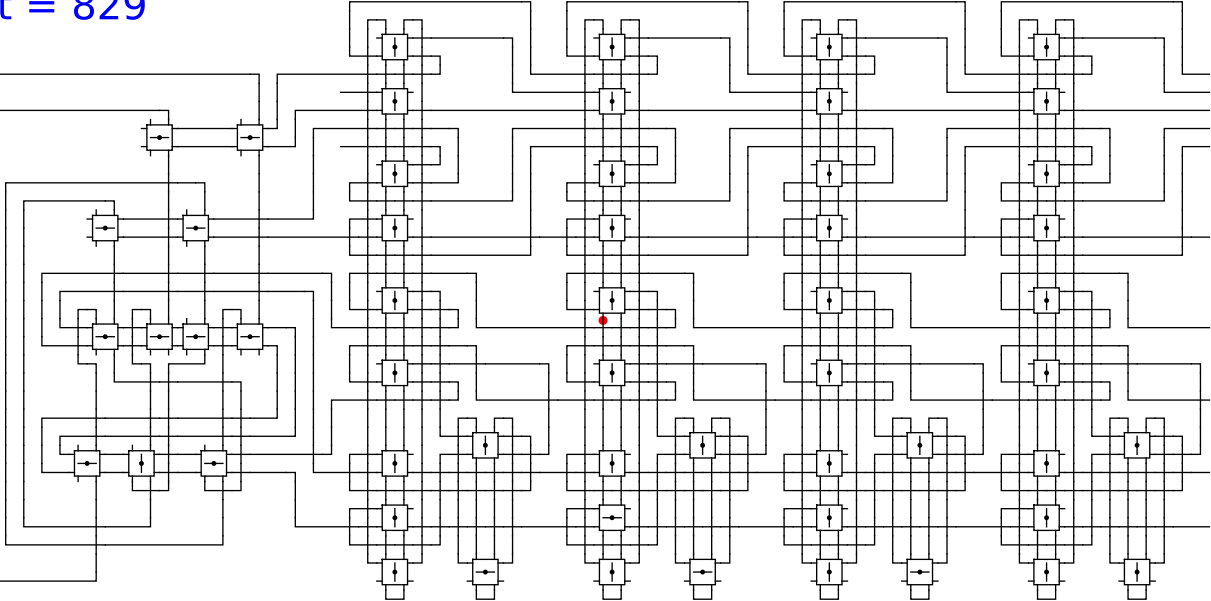
1

0

t = 829

Reject
Accept

Begin



1

1

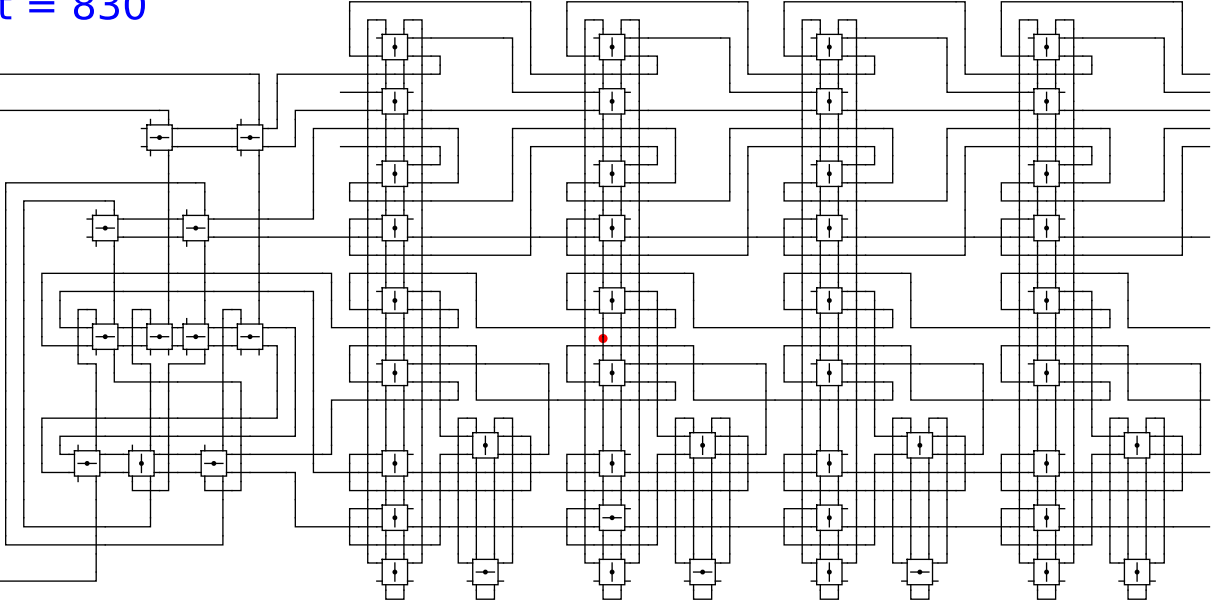
1

0

t = 830

Reject
Accept

Begin



1

1

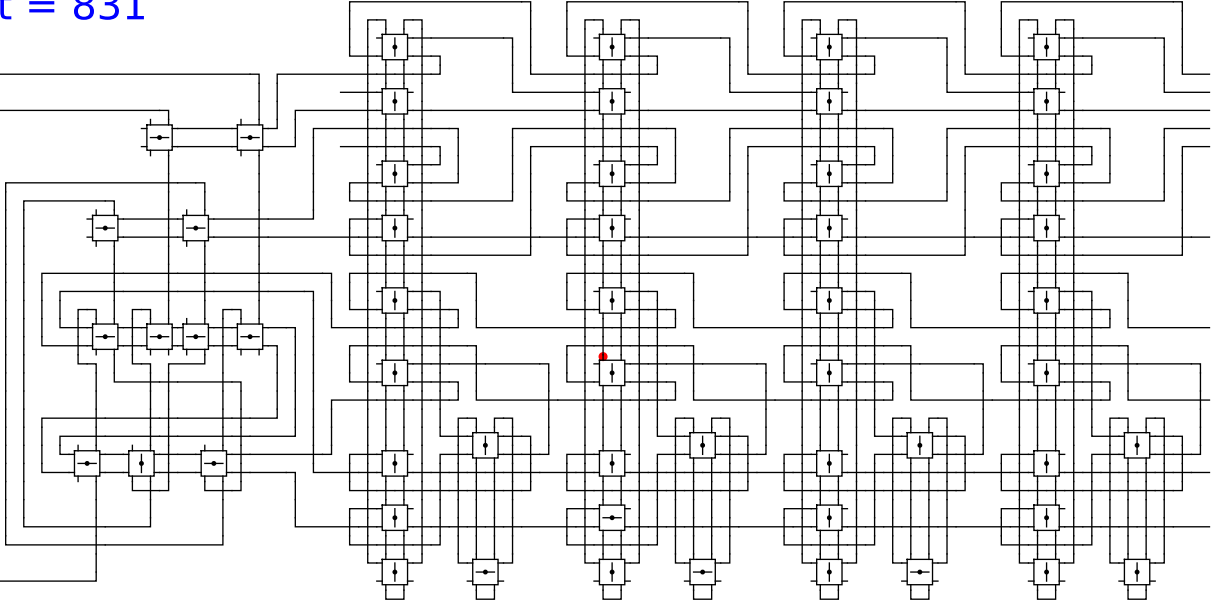
1

0

t = 831

Reject
Accept

Begin



1

1

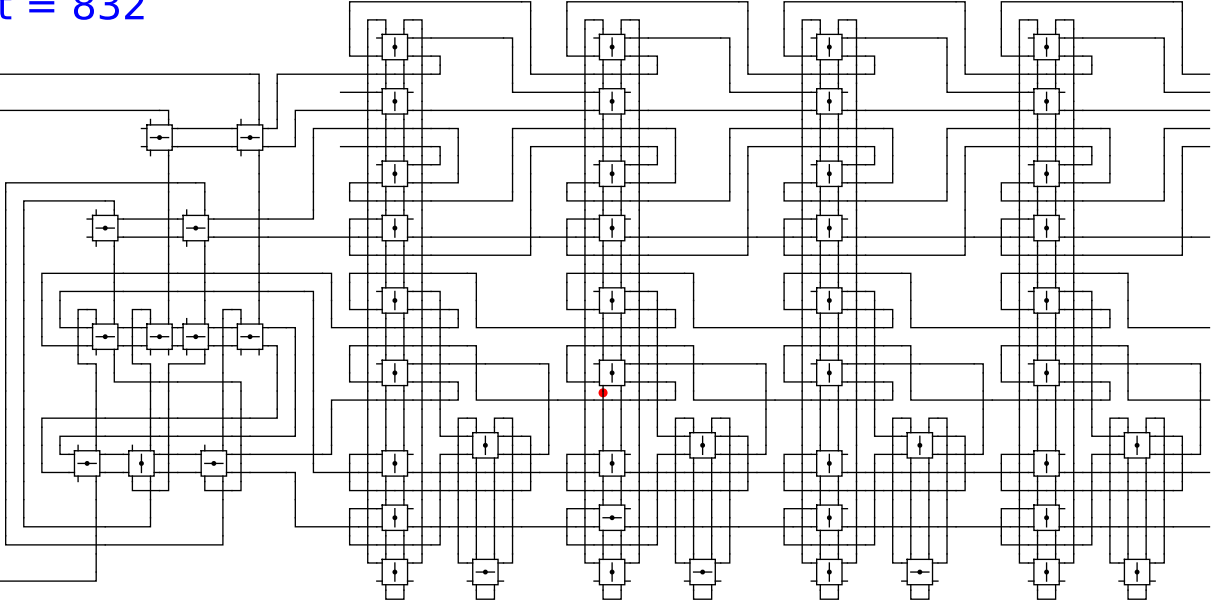
1

0

t = 832

Reject
Accept

Begin



1

1

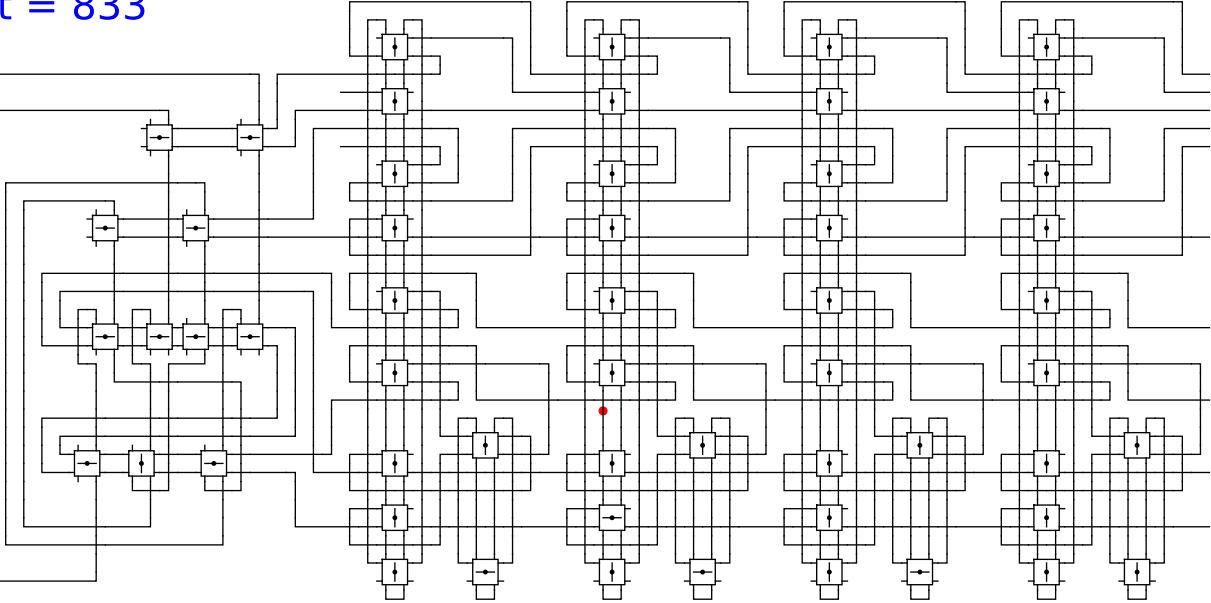
1

0

t = 833

Reject
Accept

Begin



1

1

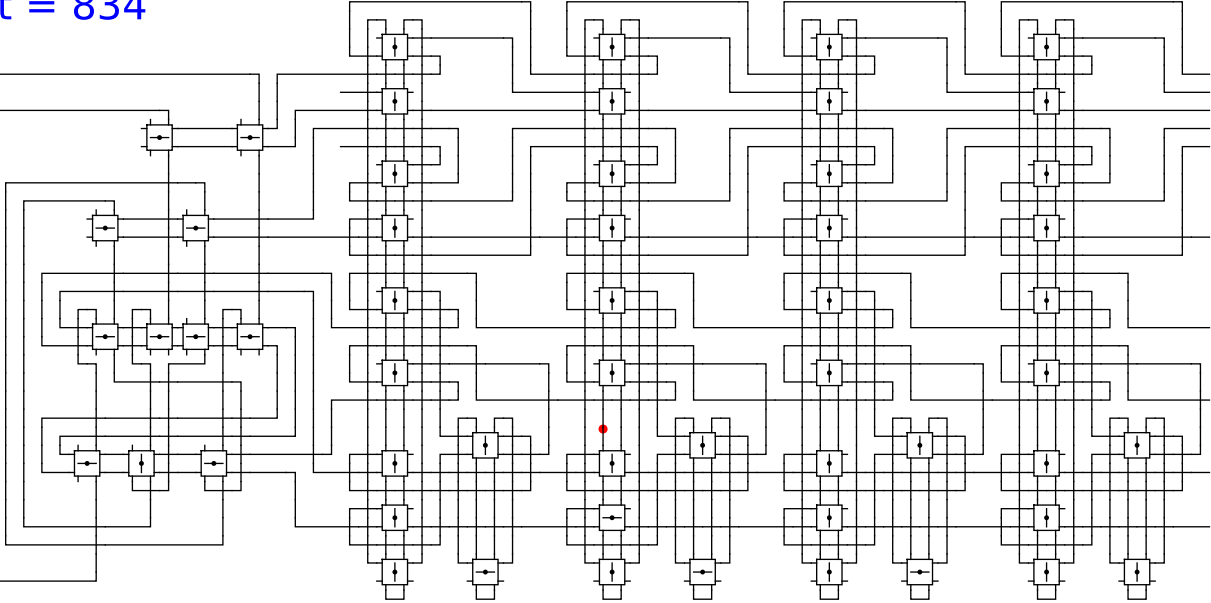
1

0

t = 834

Reject
Accept

Begin



1

1

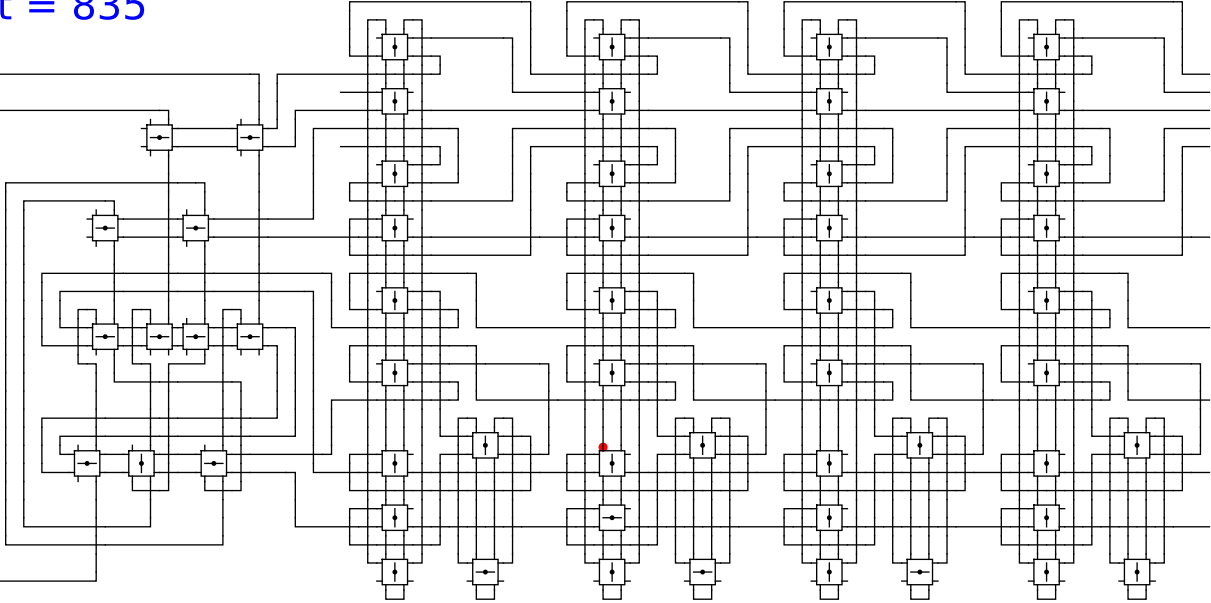
1

0

t = 835

Reject
Accept

Begin



1

1

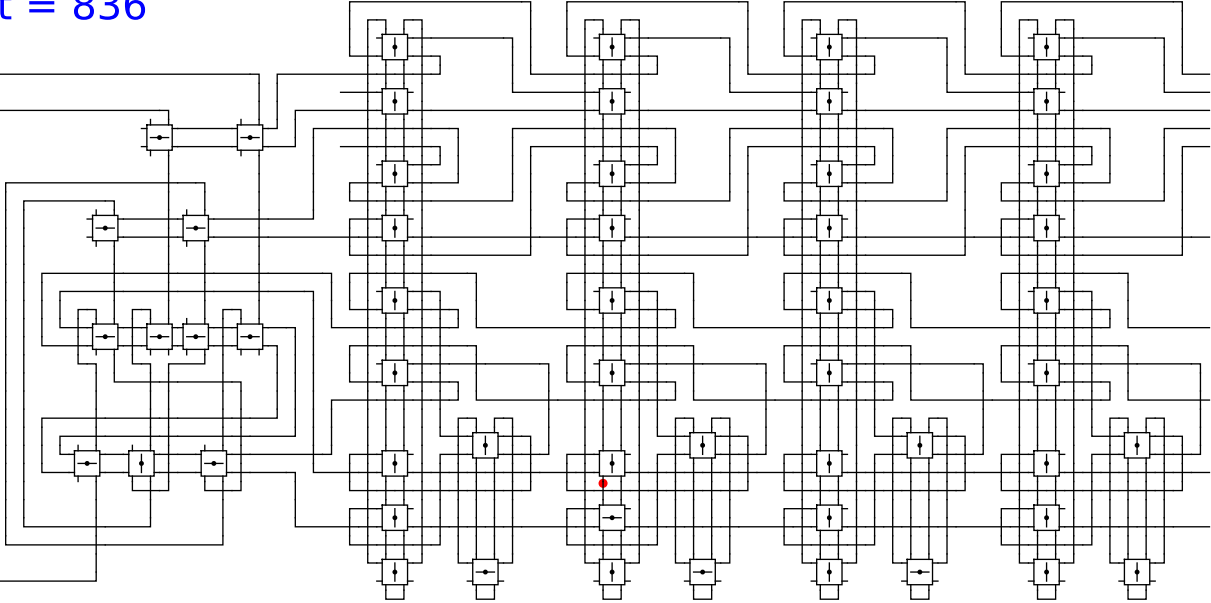
1

0

t = 836

Reject
Accept

Begin



1

1

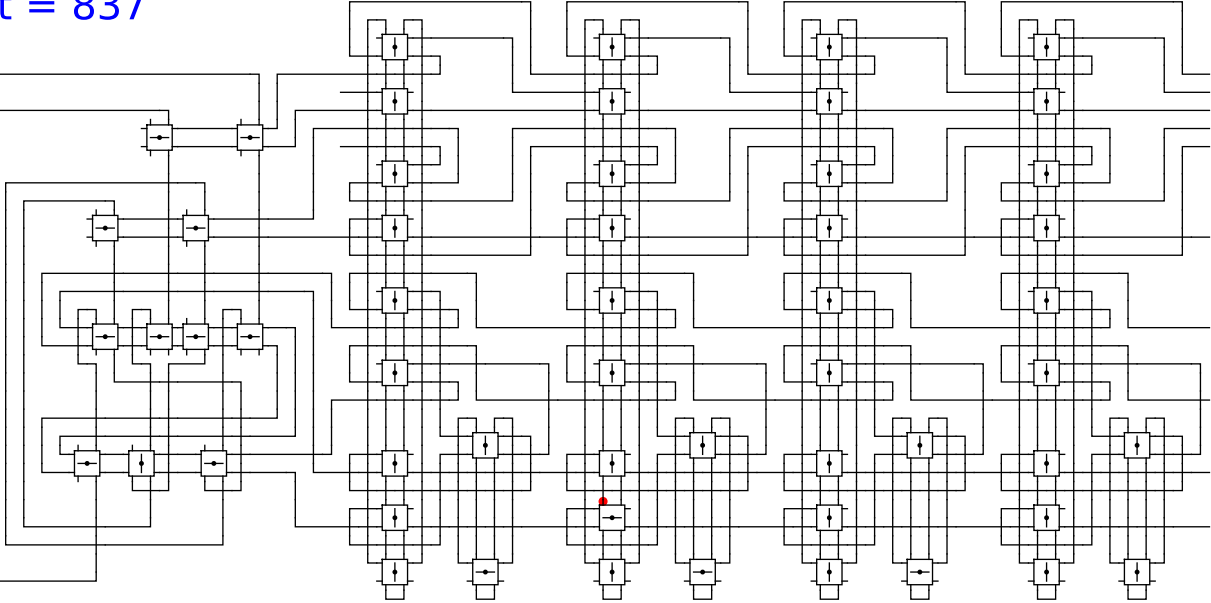
1

0

t = 837

Reject
Accept

Begin



1

1

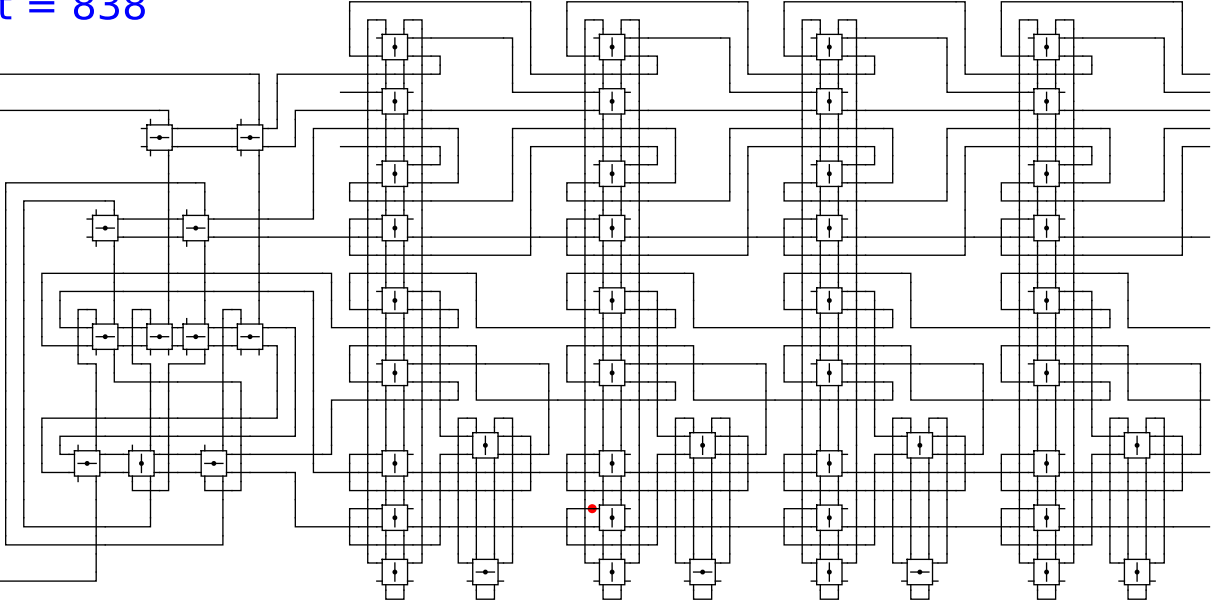
1

0

t = 838

Reject
Accept

Begin



1

1

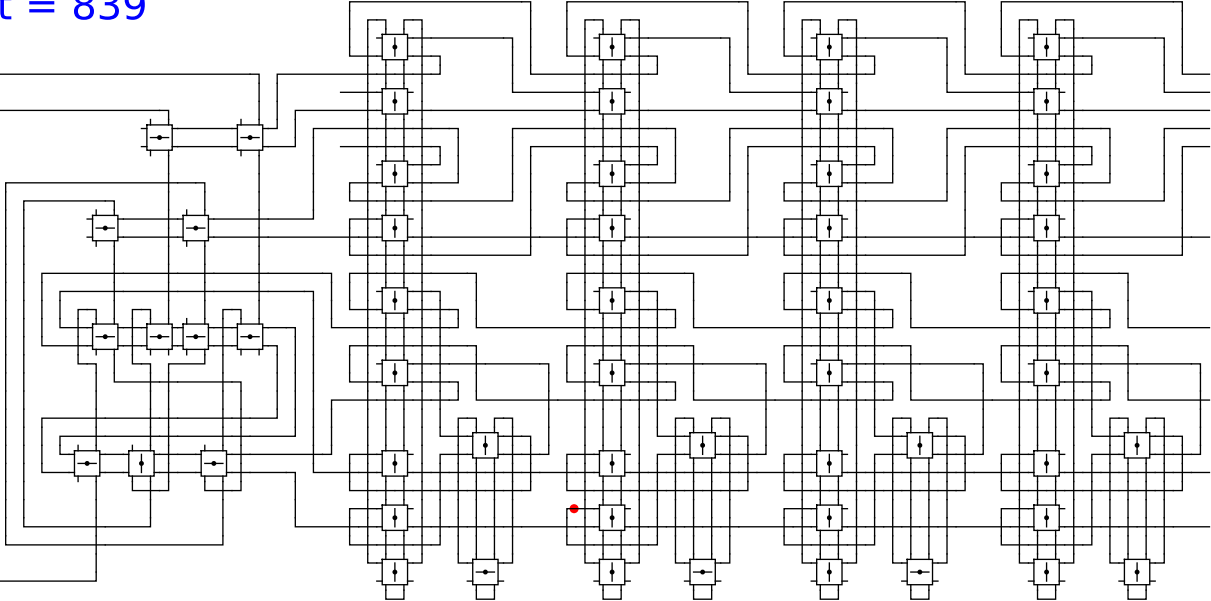
1

0

t = 839

Reject
Accept

Begin



1

1

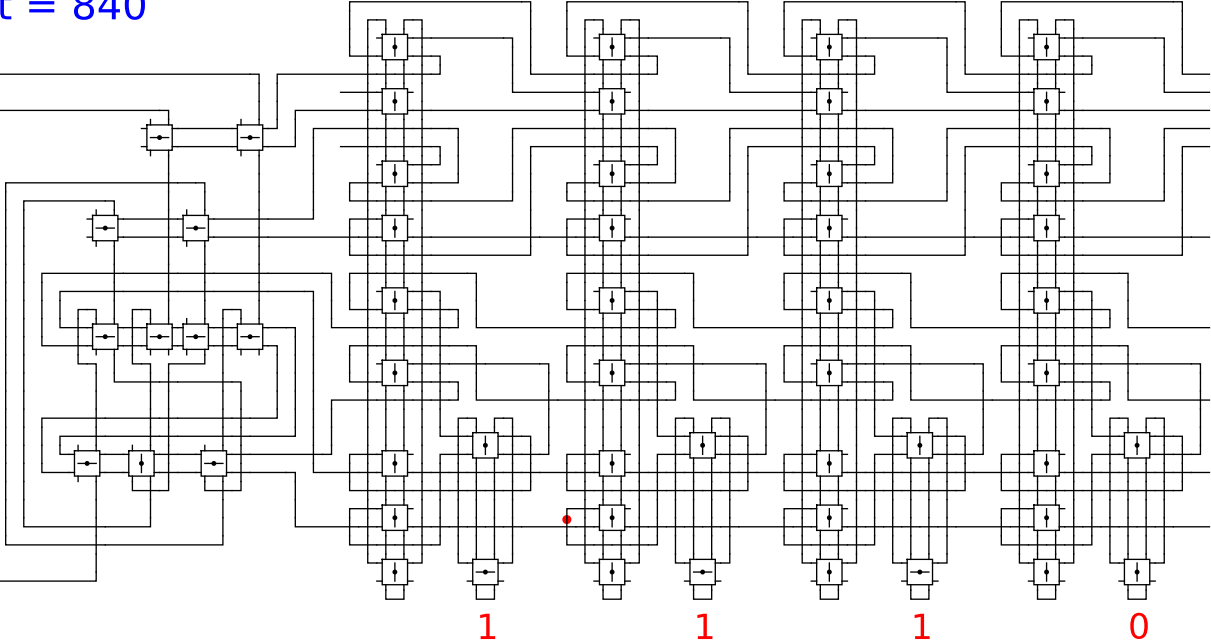
1

0

t = 840

Reject
Accept

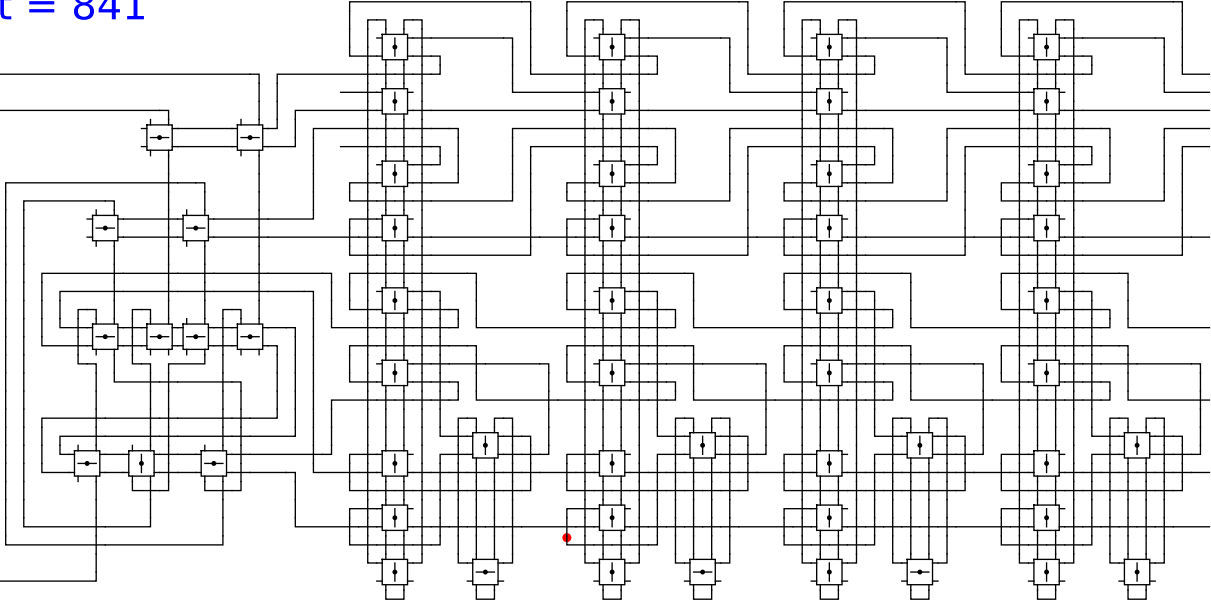
Begin



t = 841

Reject
Accept

Begin



1

1

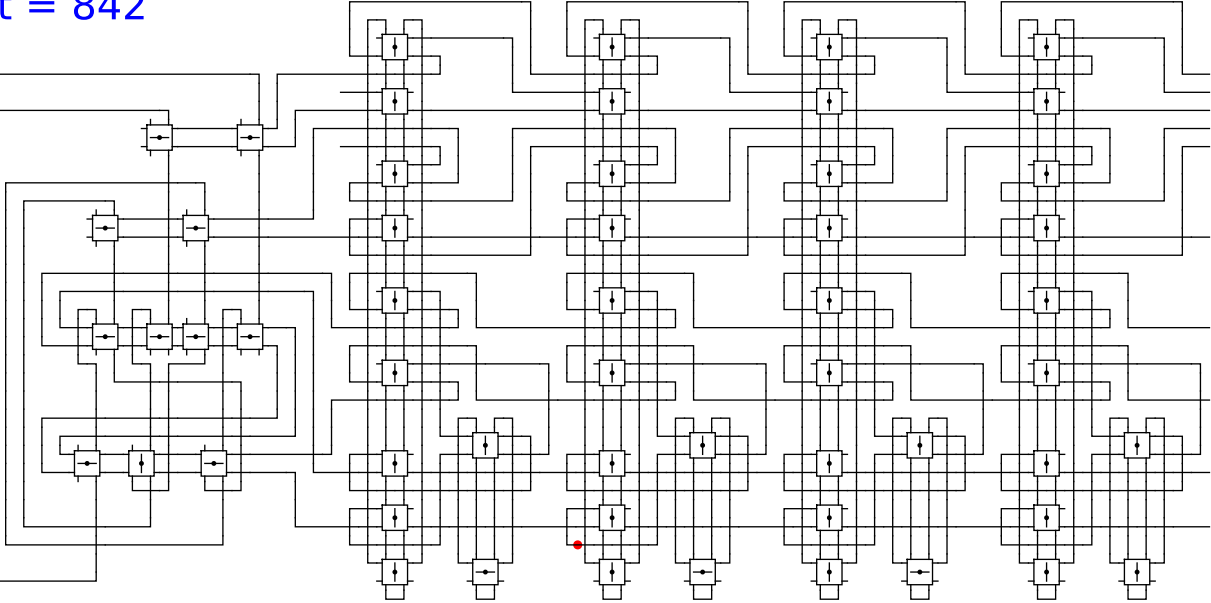
1

0

t = 842

Reject
Accept

Begin



1

1

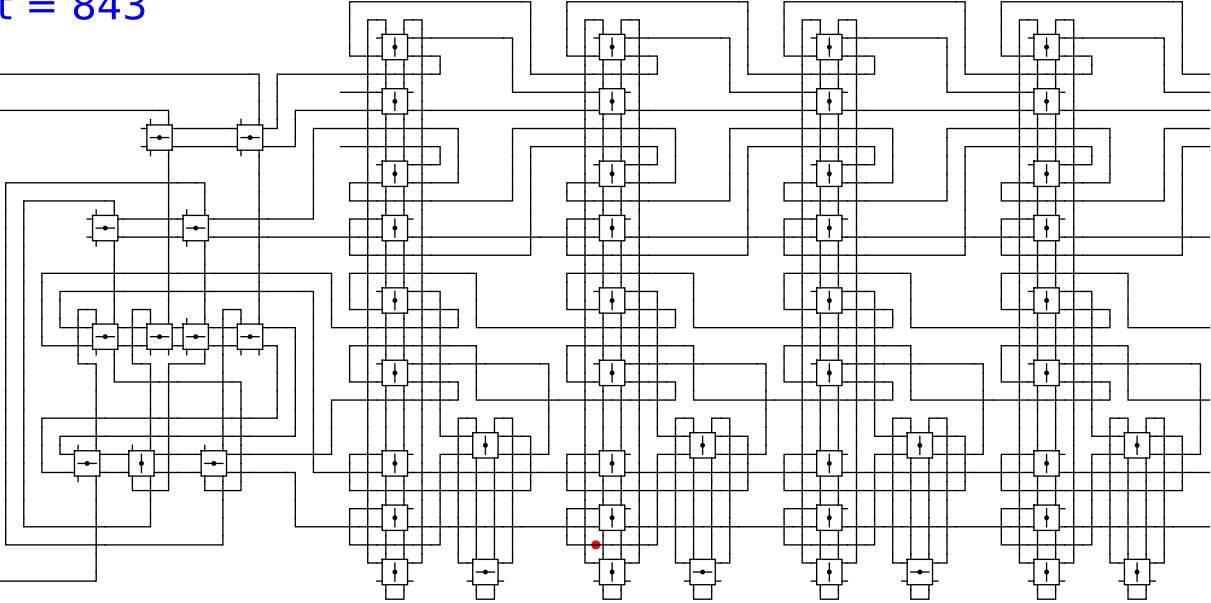
1

0

t = 843

Reject
Accept

Begin



1

1

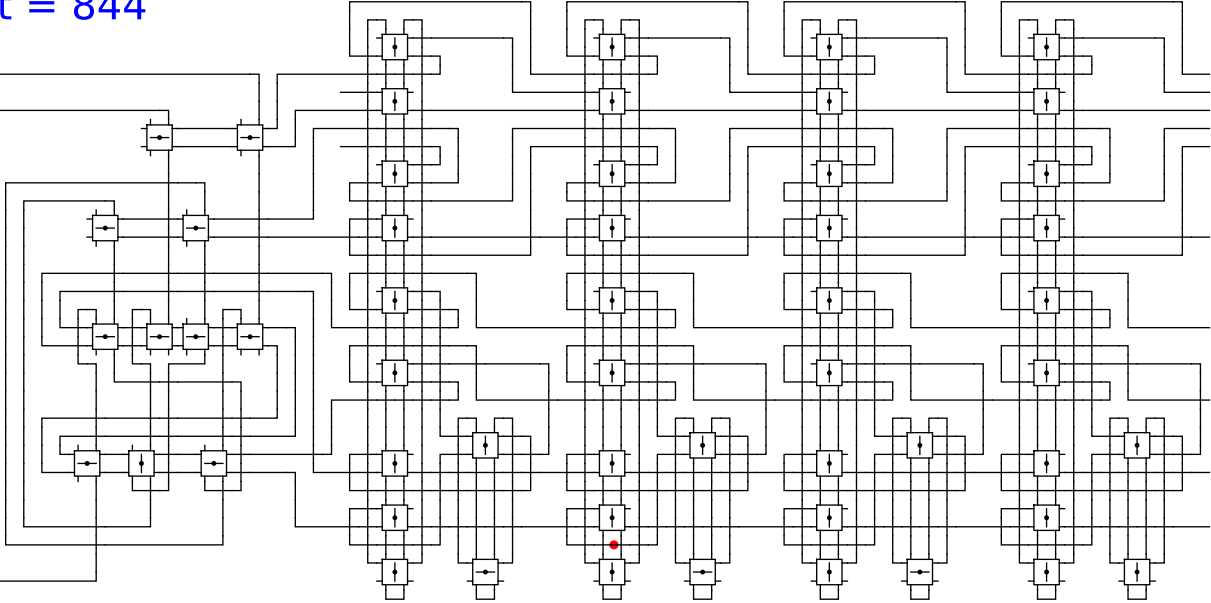
1

0

t = 844

Reject
Accept

Begin



1

1

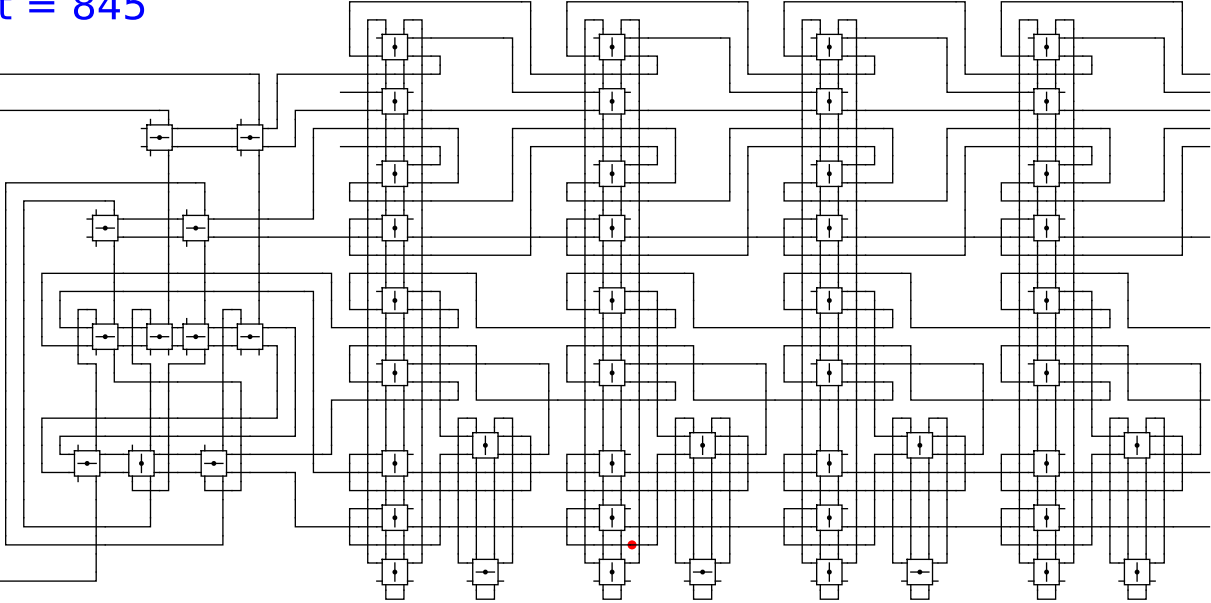
1

0

t = 845

Reject
Accept

Begin



1

1

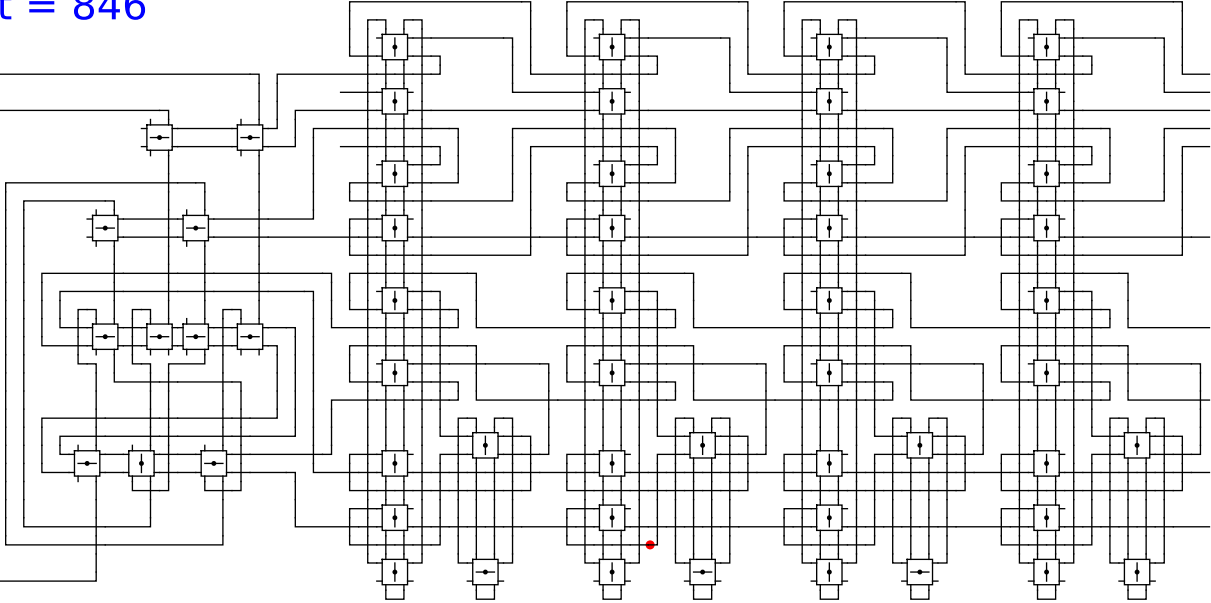
1

0

t = 846

Reject
Accept

Begin



1

1

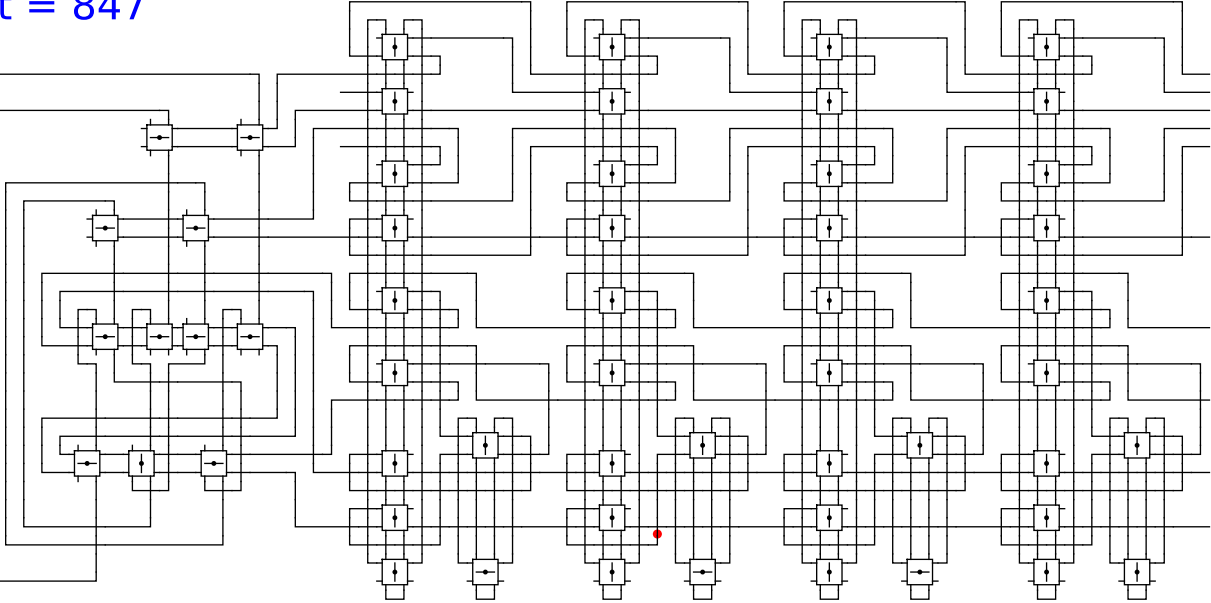
1

0

t = 847

Reject
Accept

Begin



1

1

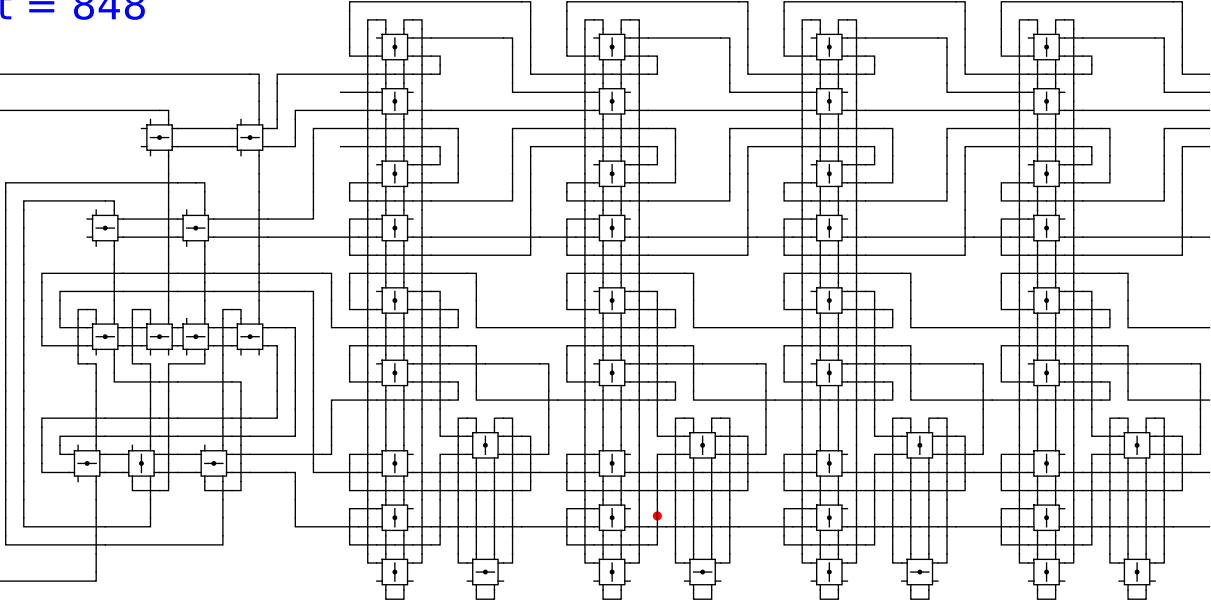
1

0

t = 848

Reject
Accept

Begin



1

1

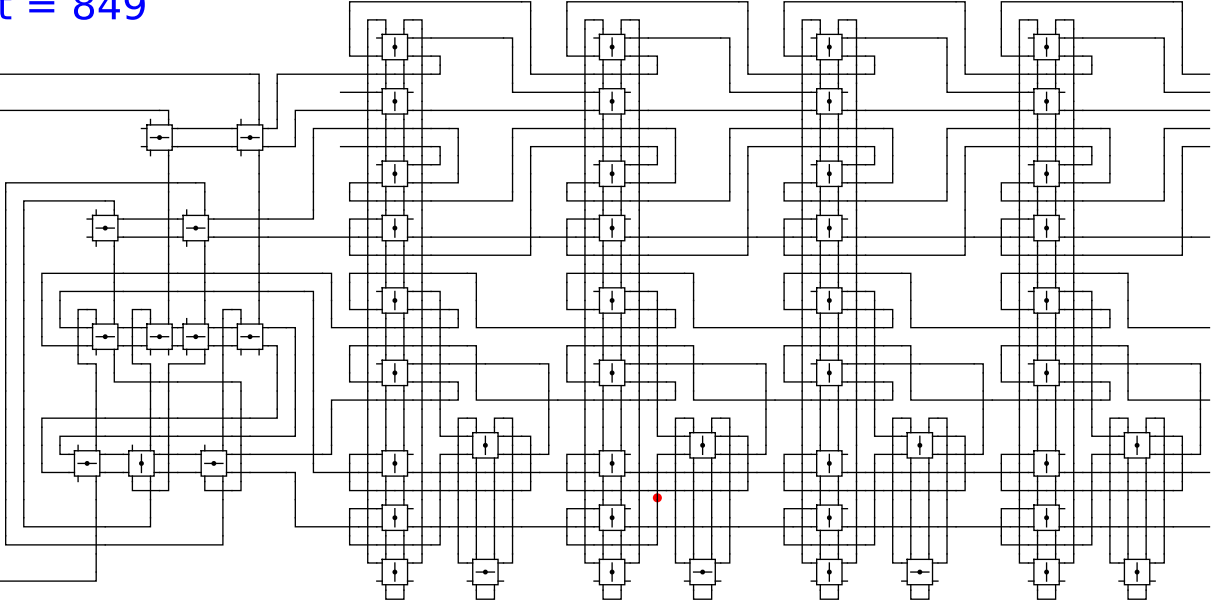
1

0

t = 849

Reject
Accept

Begin



1

1

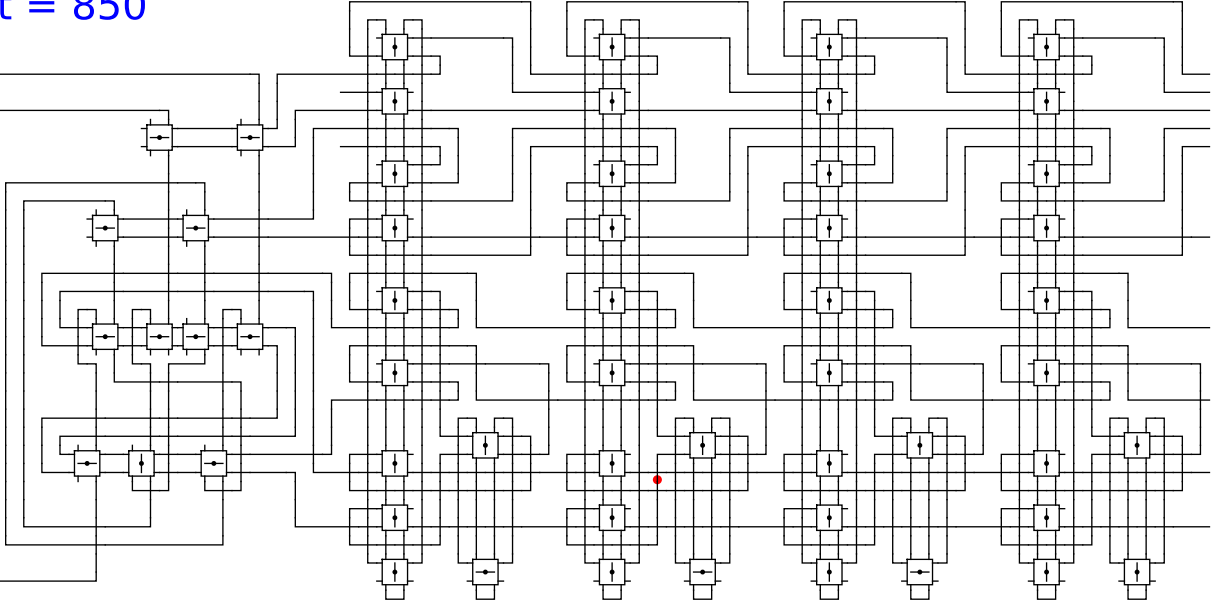
1

0

t = 850

Reject
Accept

Begin



1

1

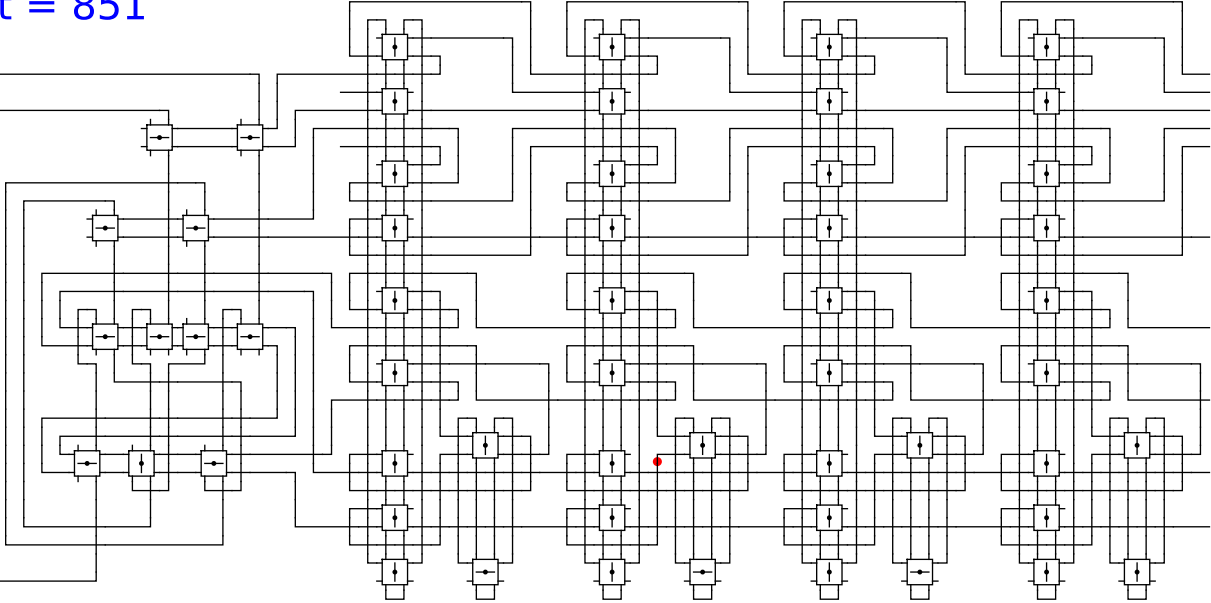
1

0

t = 851

Reject
Accept

Begin



1

1

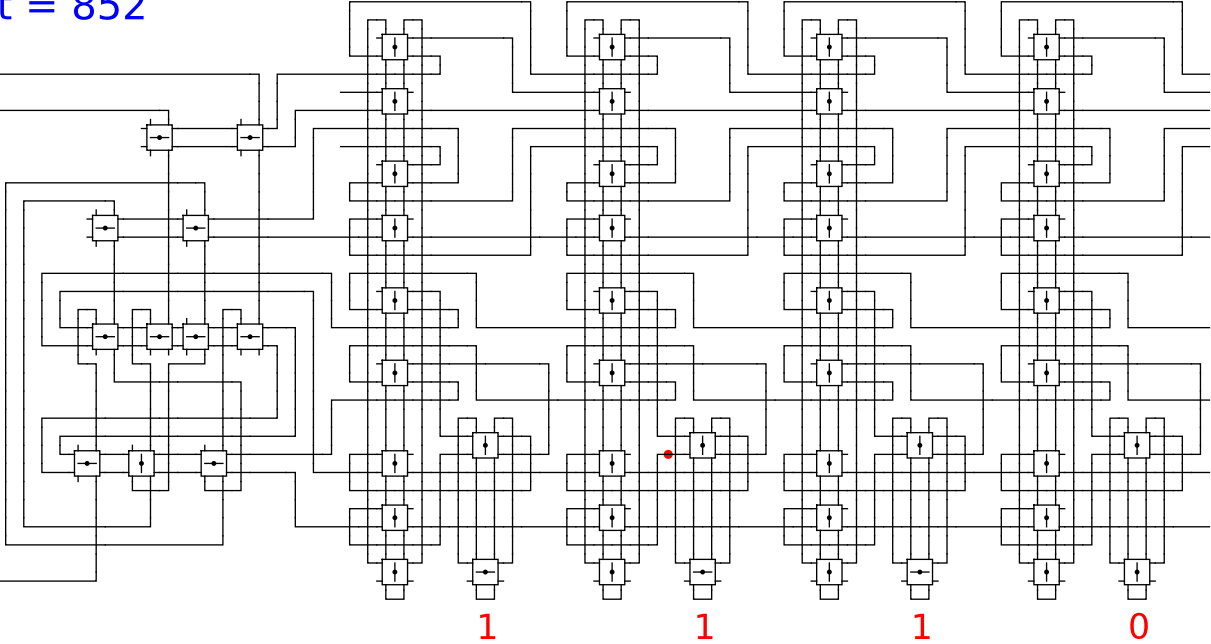
1

0

t = 852

Reject
Accept

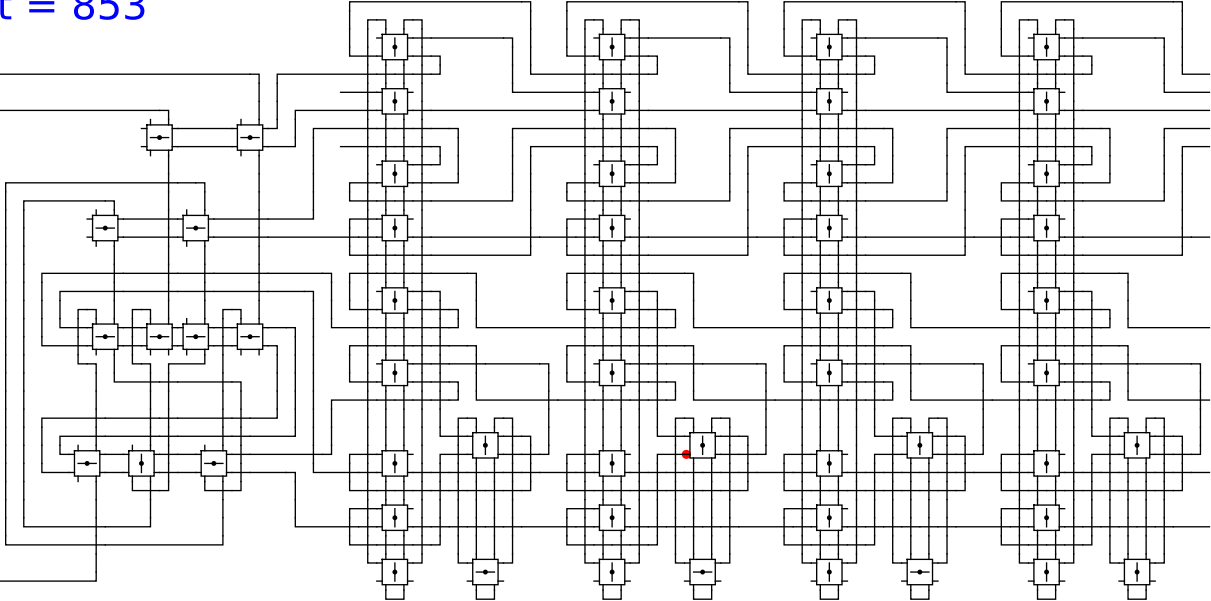
Begin



t = 853

Reject
Accept

Begin



1

1

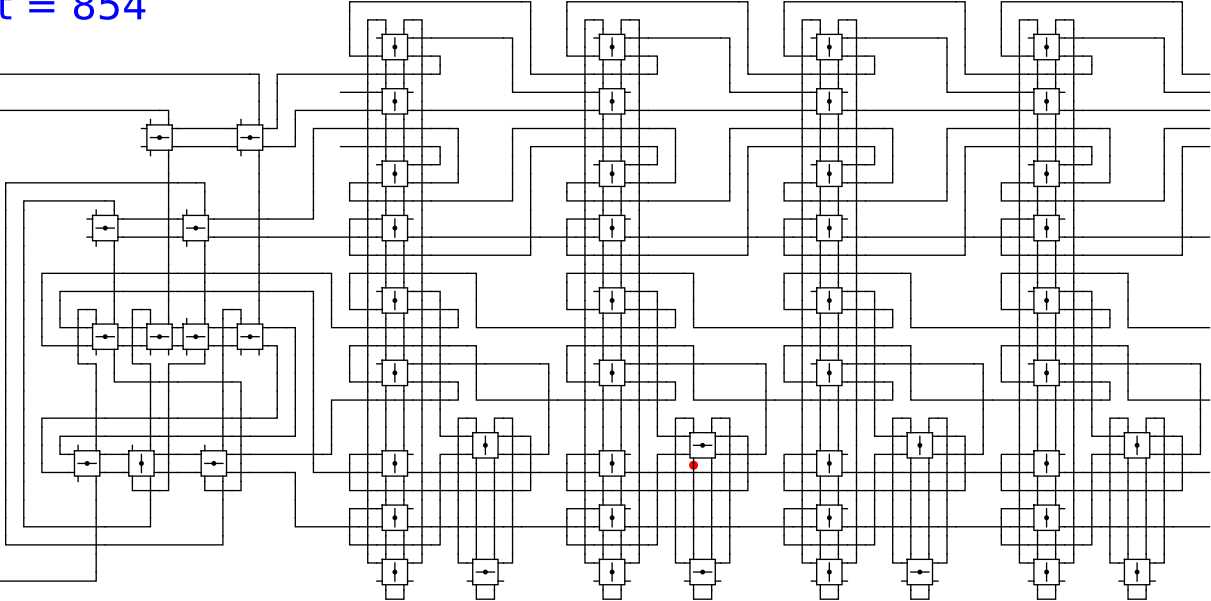
1

0

t = 854

Reject
Accept

Begin



1

1

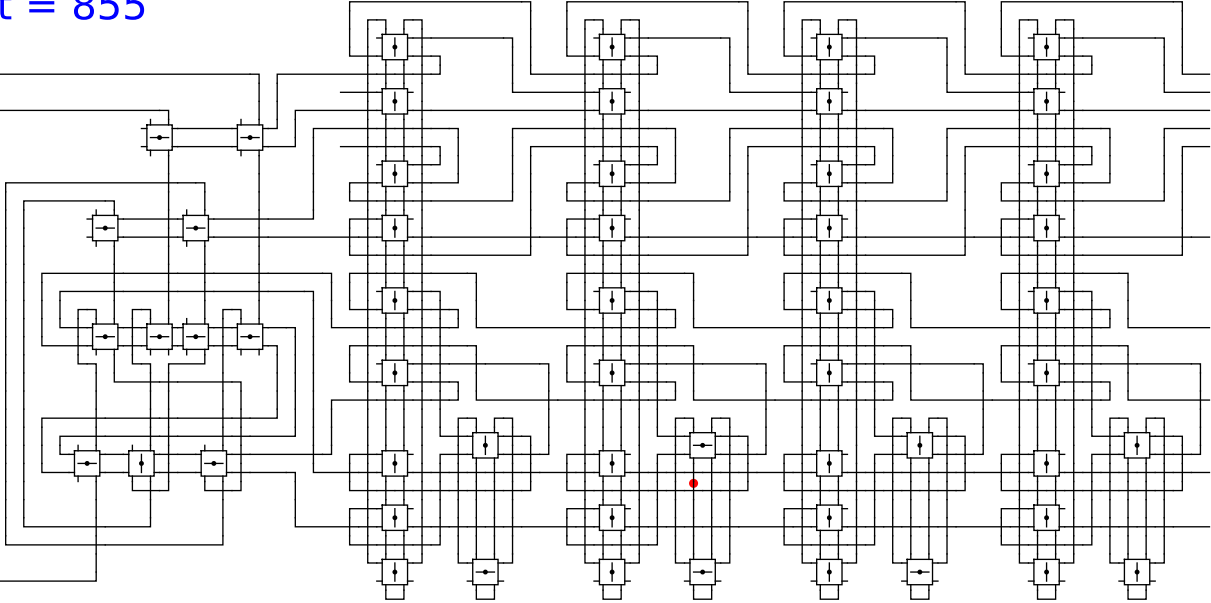
1

0

t = 855

Reject
Accept

Begin



1

1

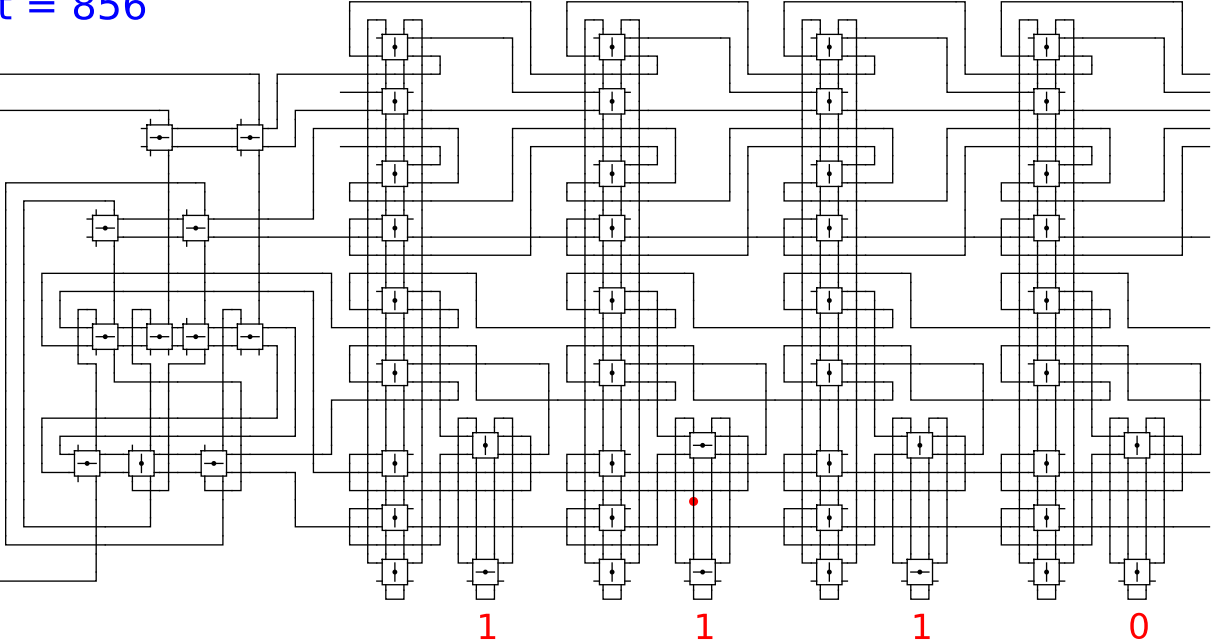
1

0

t = 856

Reject
Accept

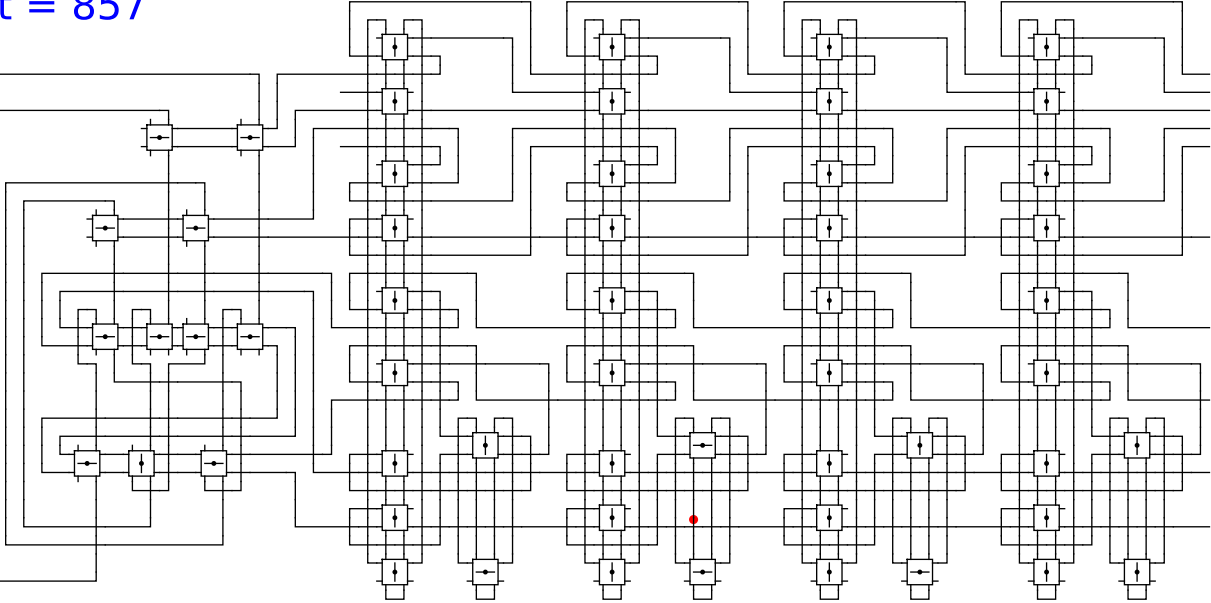
Begin



t = 857

Reject
Accept

Begin



1

1

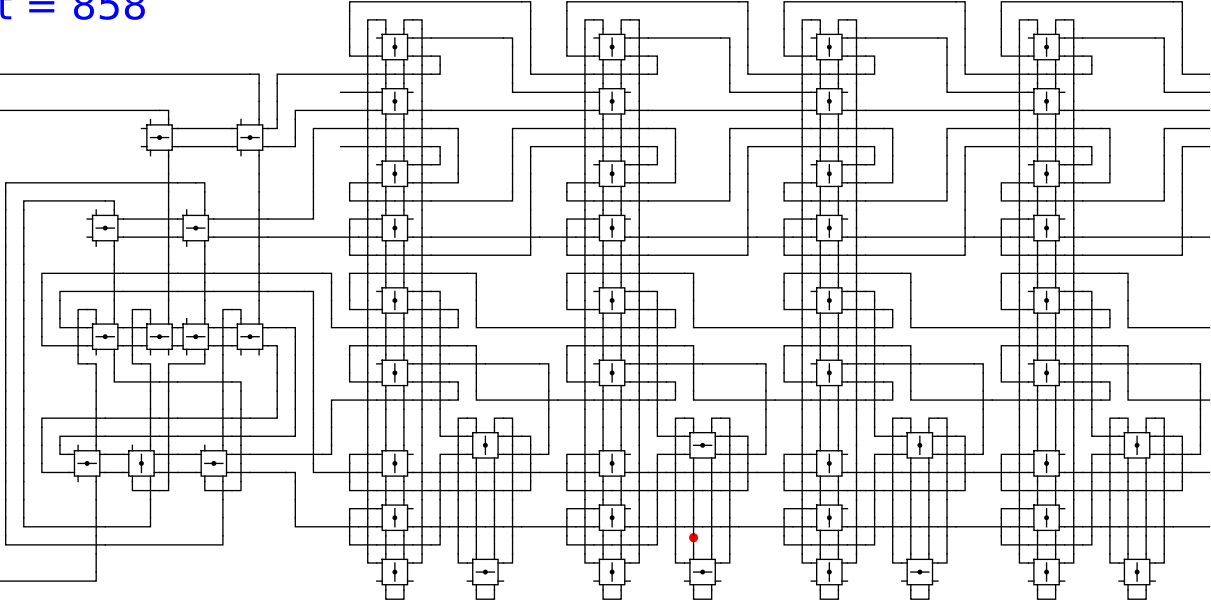
1

0

t = 858

Reject
Accept

Begin



1

1

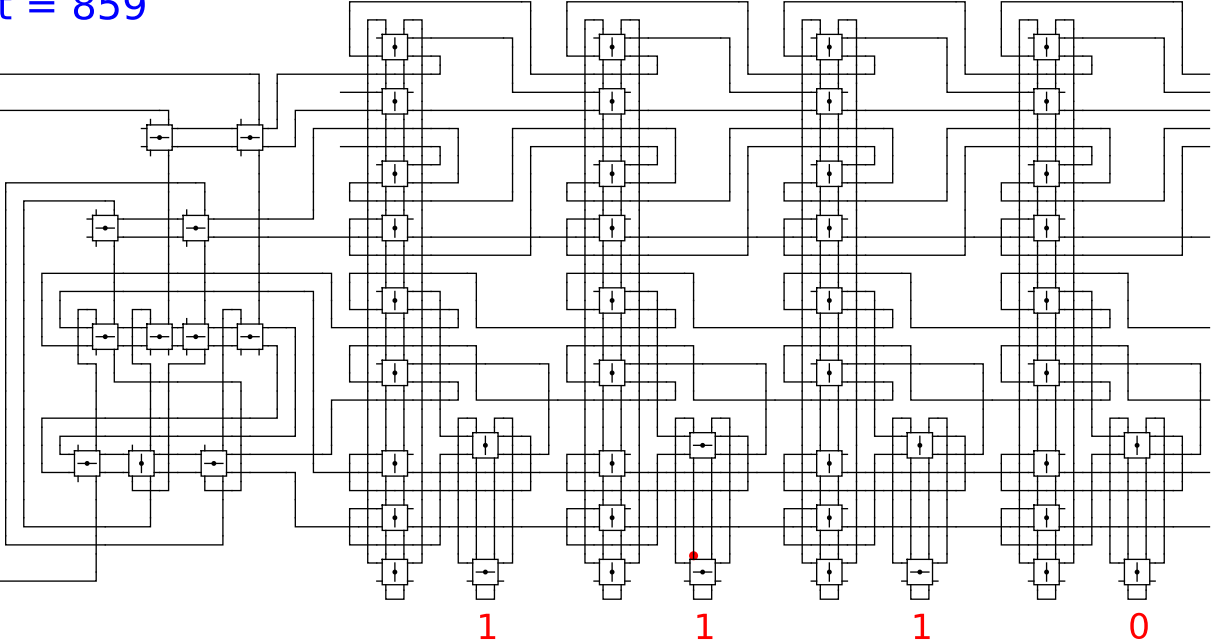
1

0

t = 859

Reject
Accept

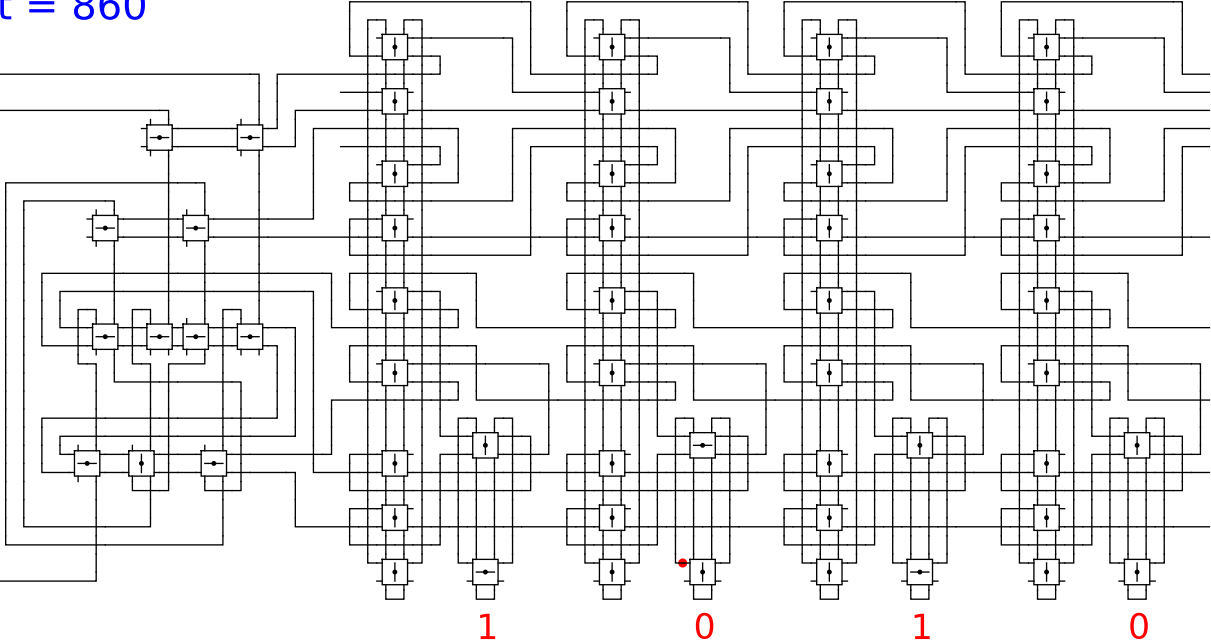
Begin



t = 860

Reject
Accept

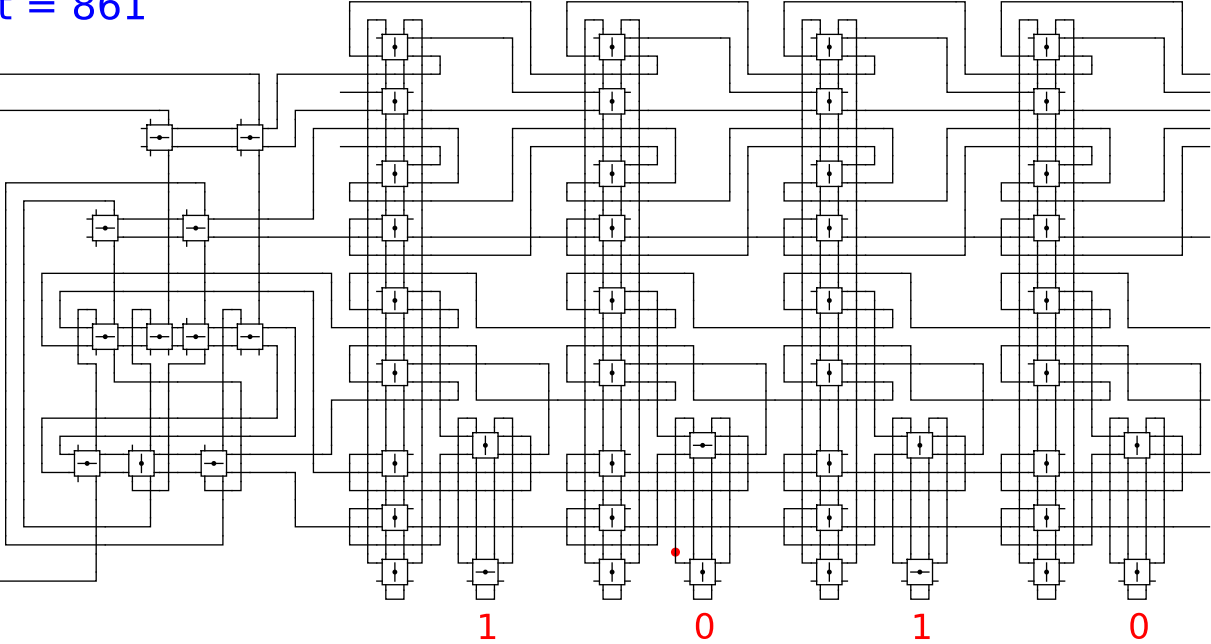
Begin



t = 861

Reject
Accept

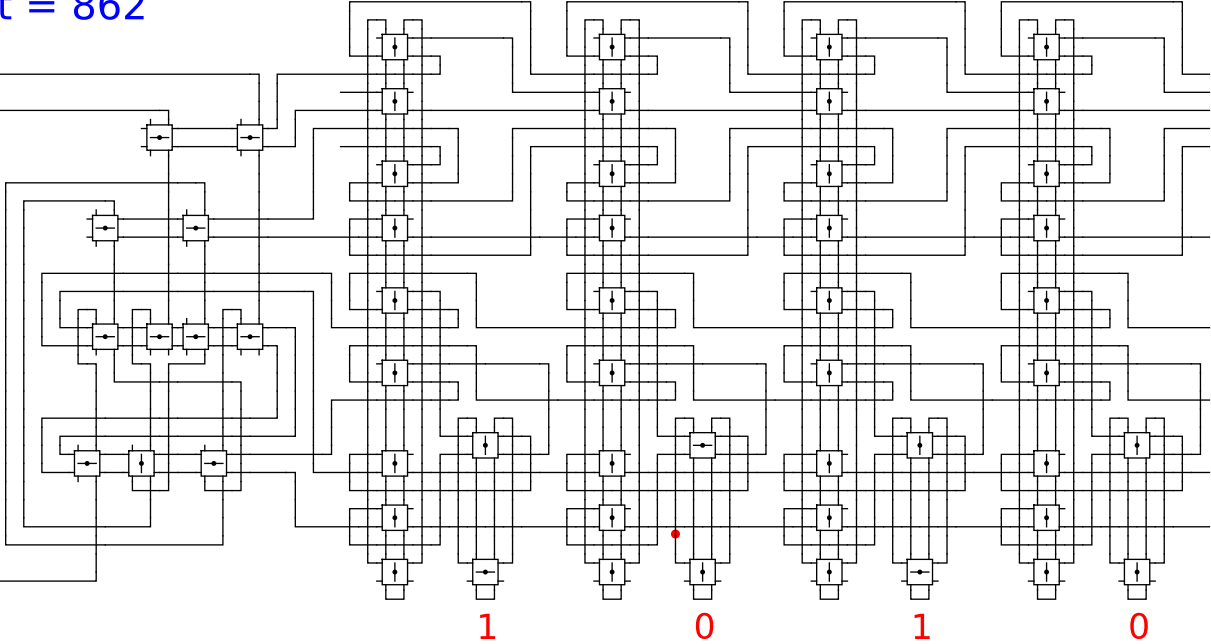
Begin



t = 862

Reject
Accept

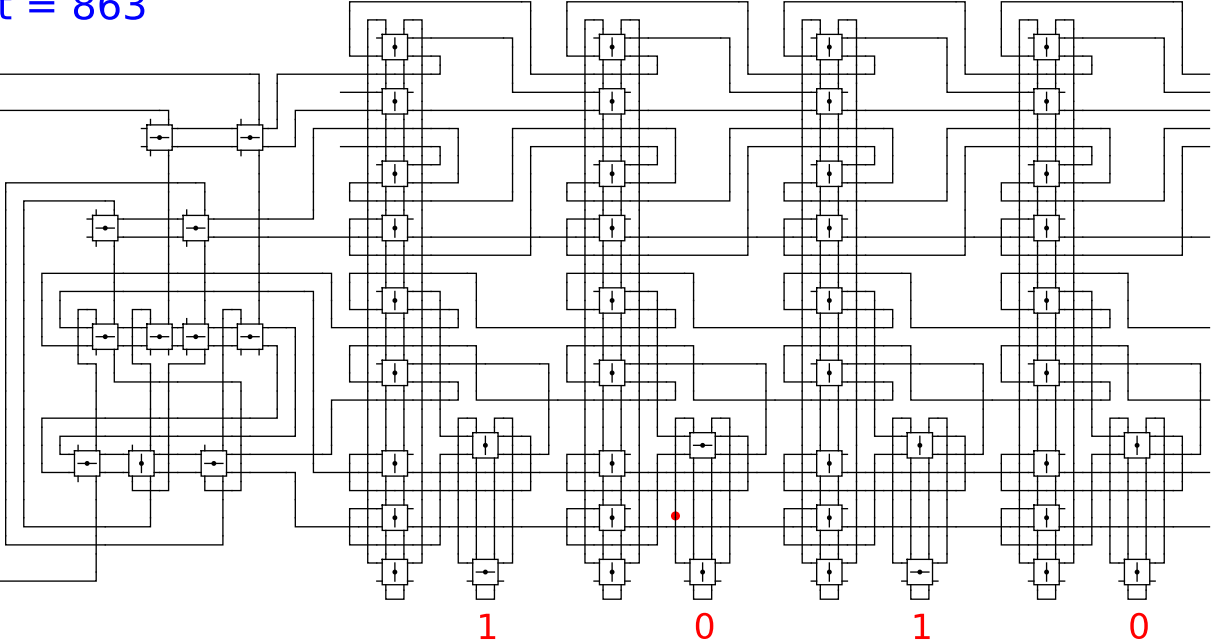
Begin



t = 863

Reject
Accept

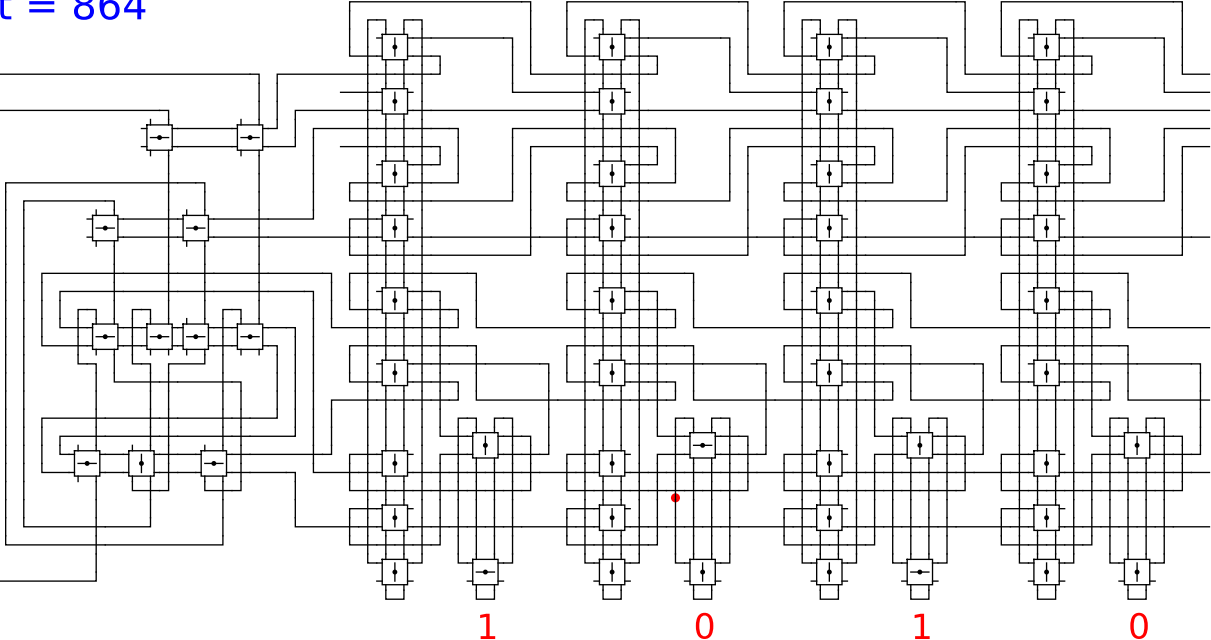
Begin



t = 864

Reject
Accept

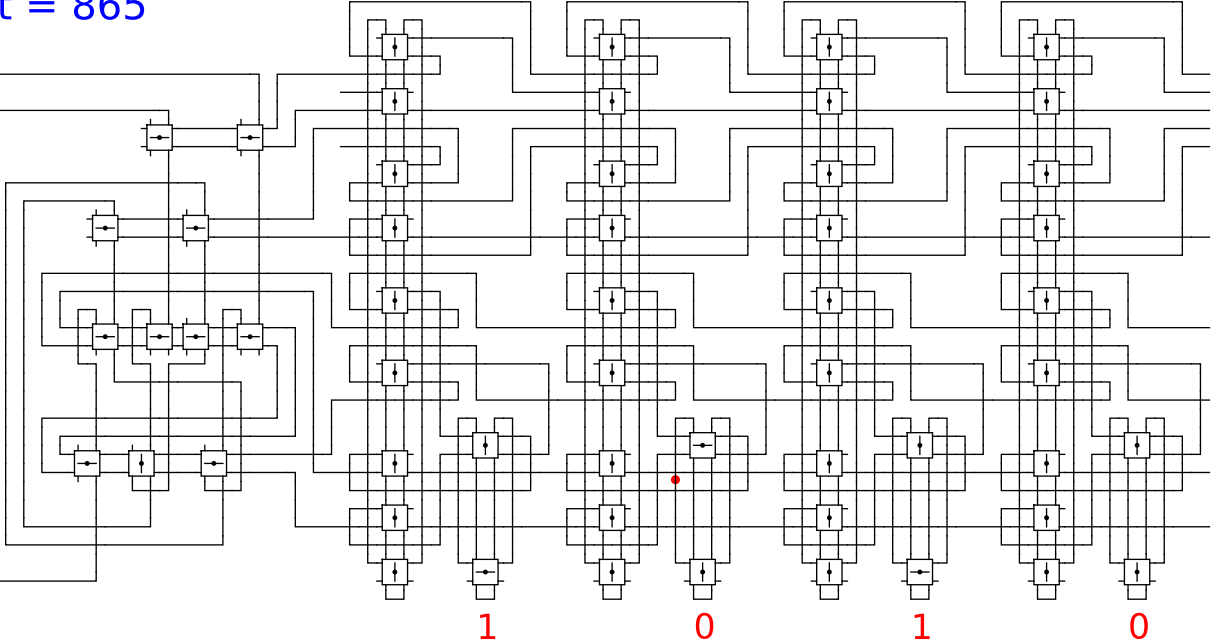
Begin



t = 865

Reject
Accept

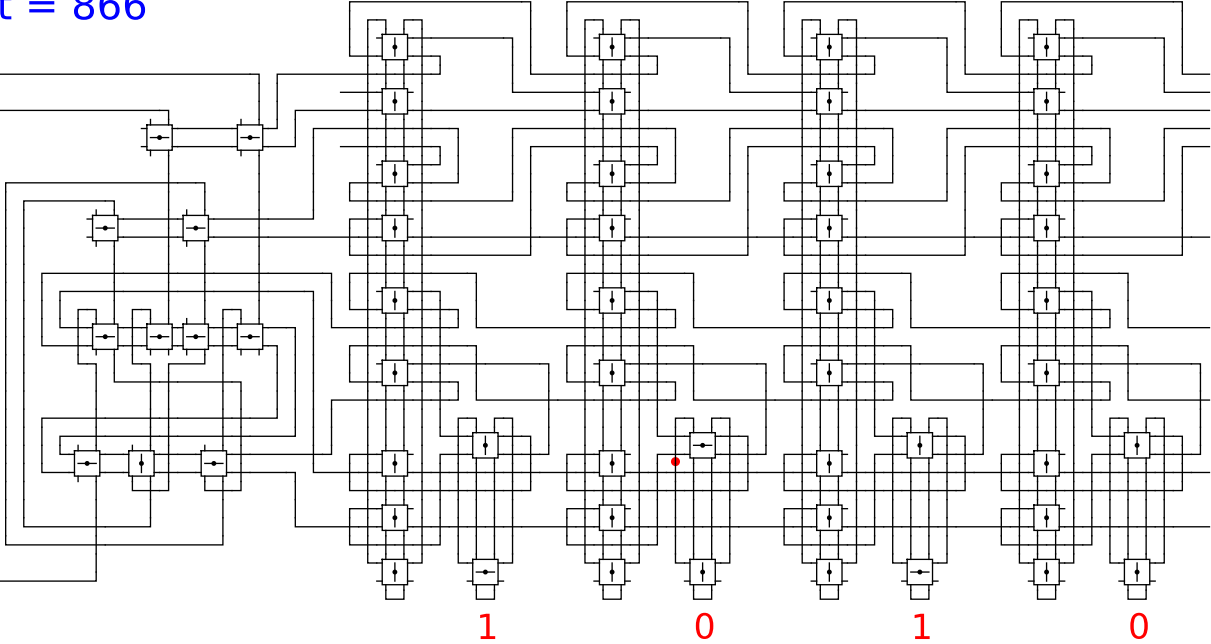
Begin



t = 866

Reject
Accept

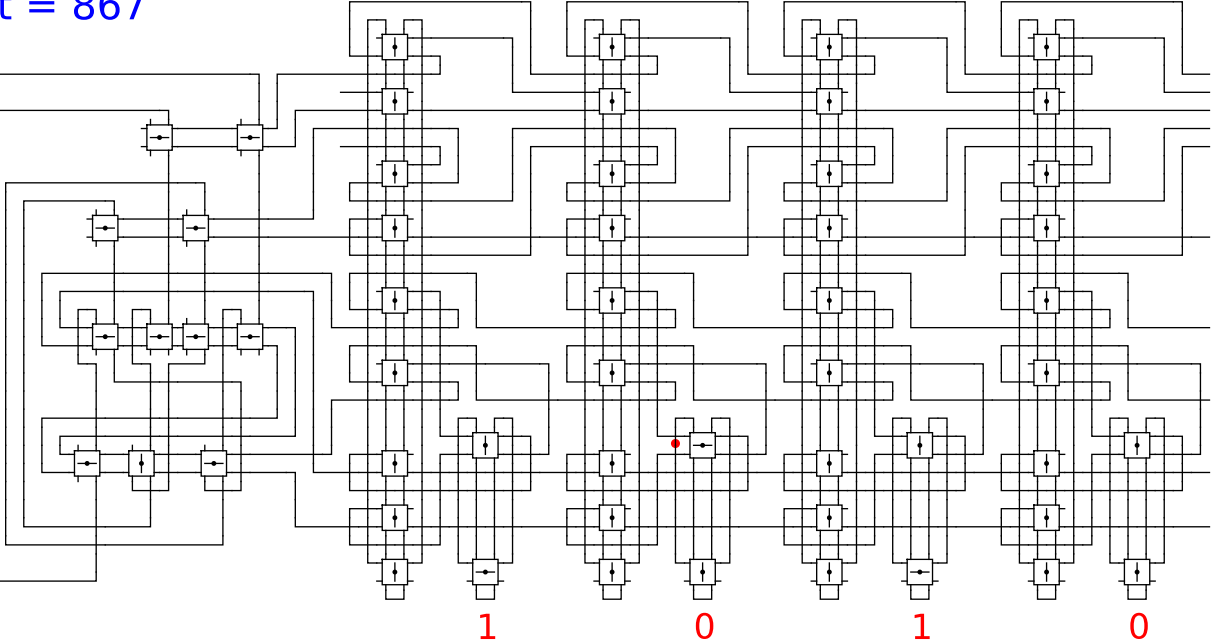
Begin



t = 867

Reject
Accept

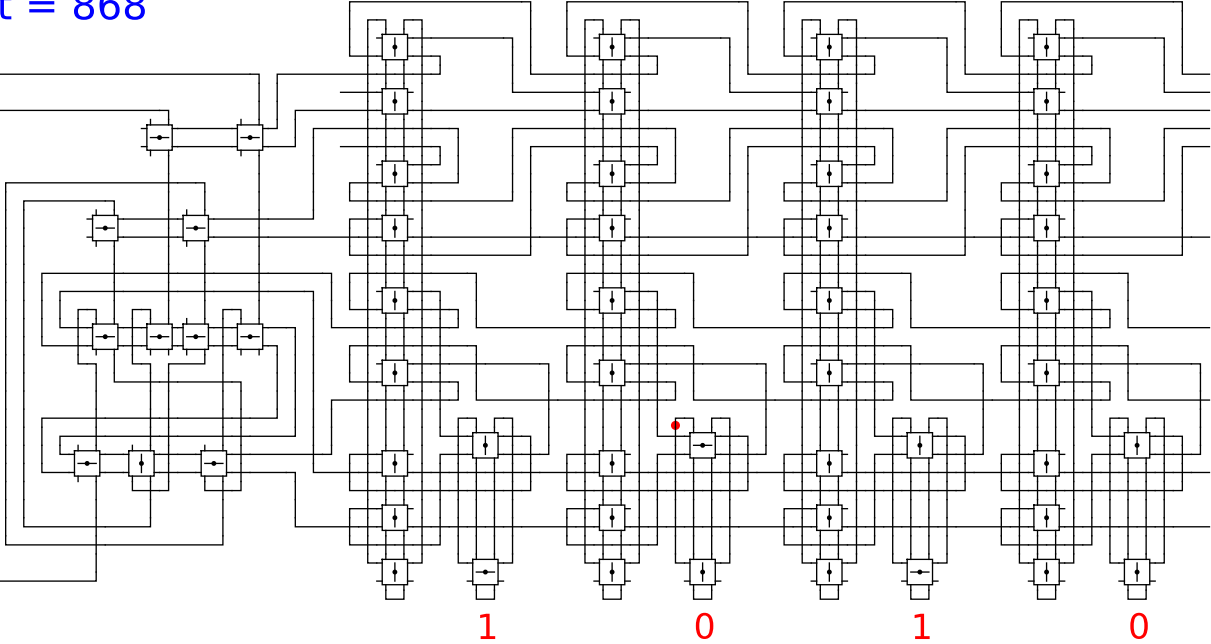
Begin



t = 868

Reject
Accept

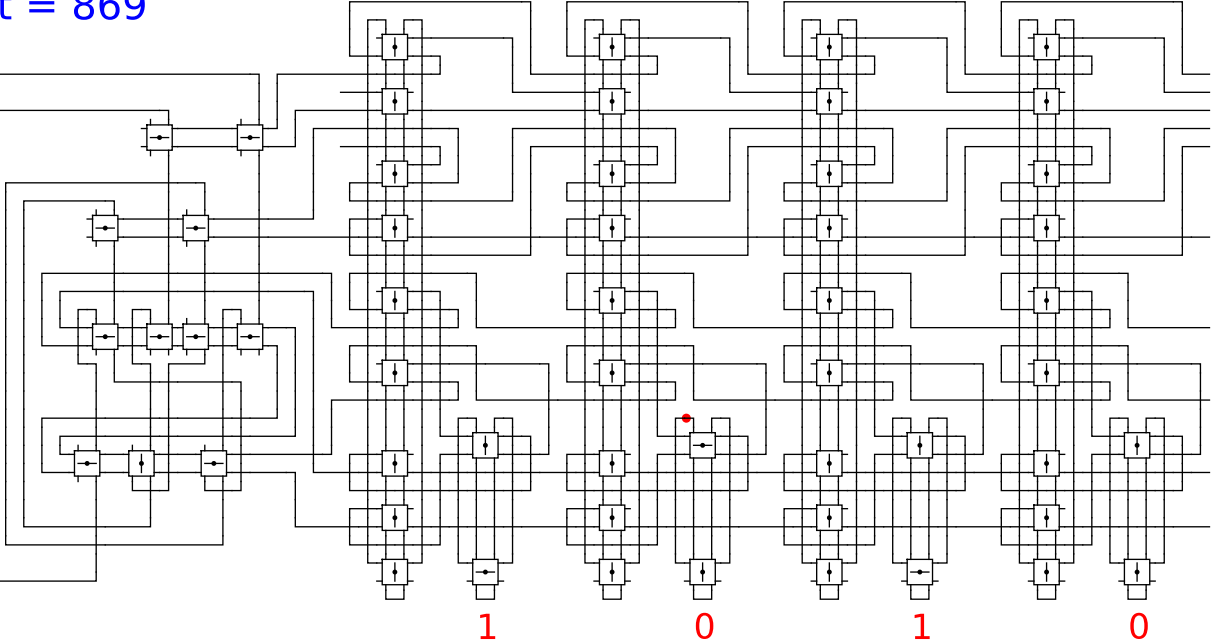
Begin



t = 869

Reject
Accept

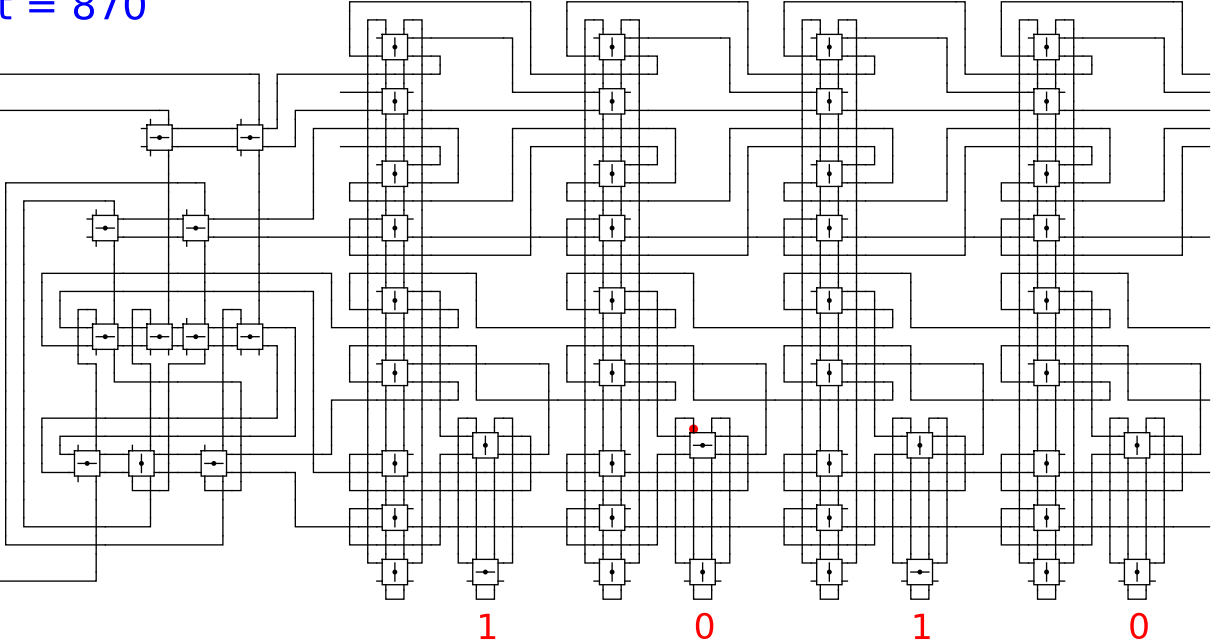
Begin



t = 870

Reject
Accept

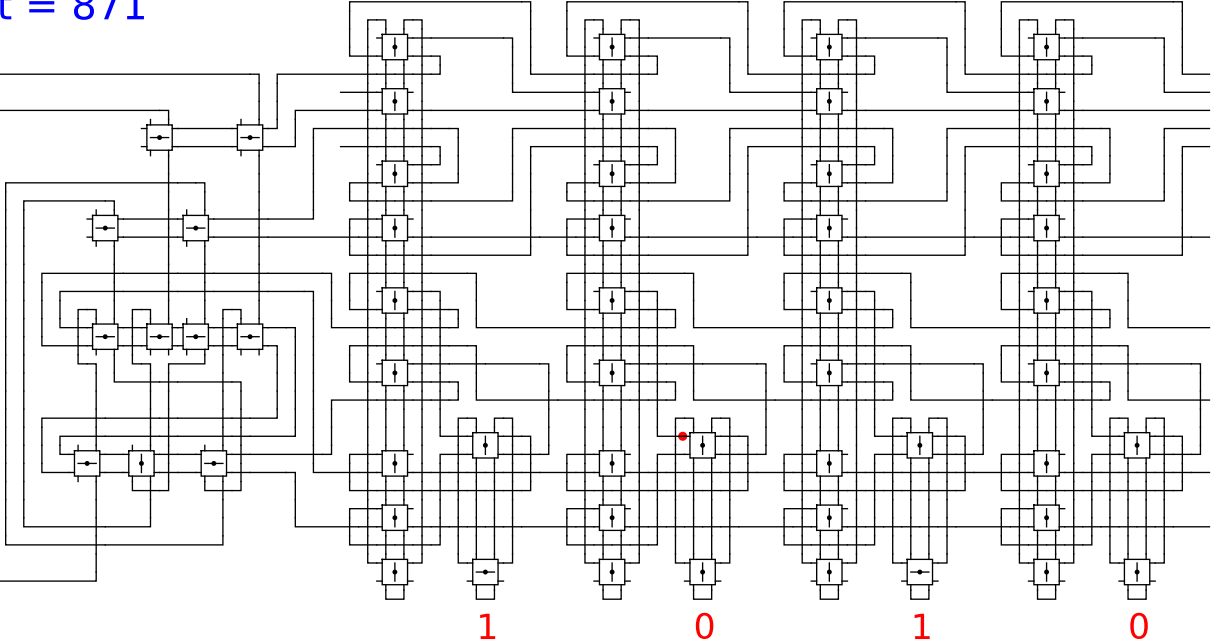
Begin



t = 871

Reject
Accept

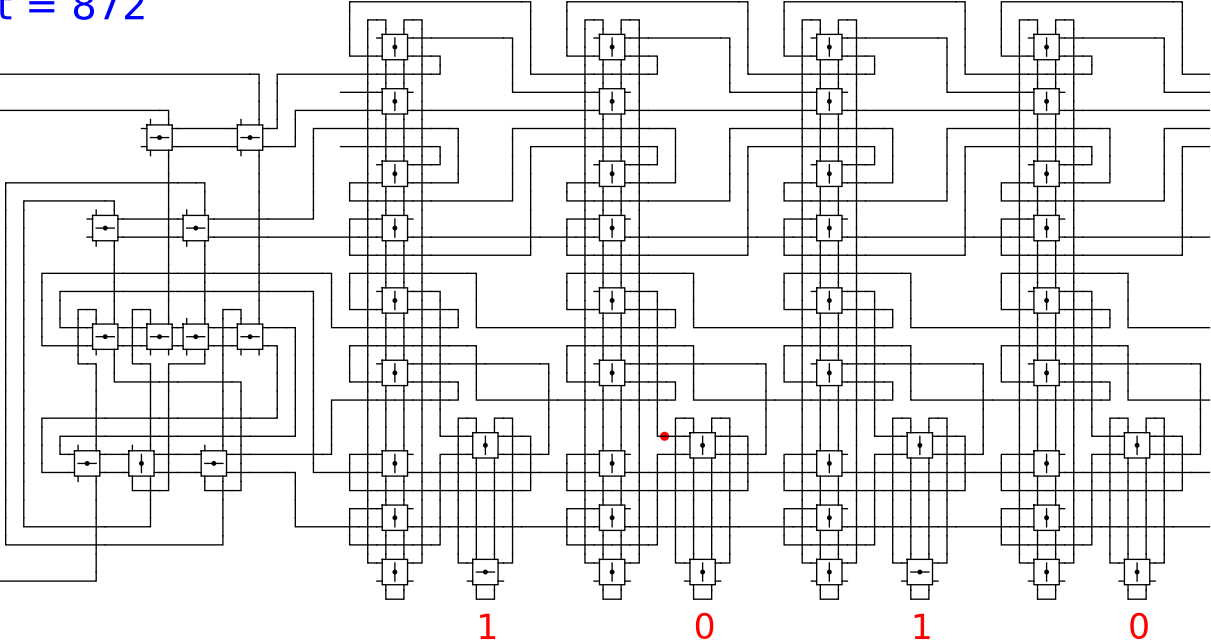
Begin



$t = 872$

Reject
Accept

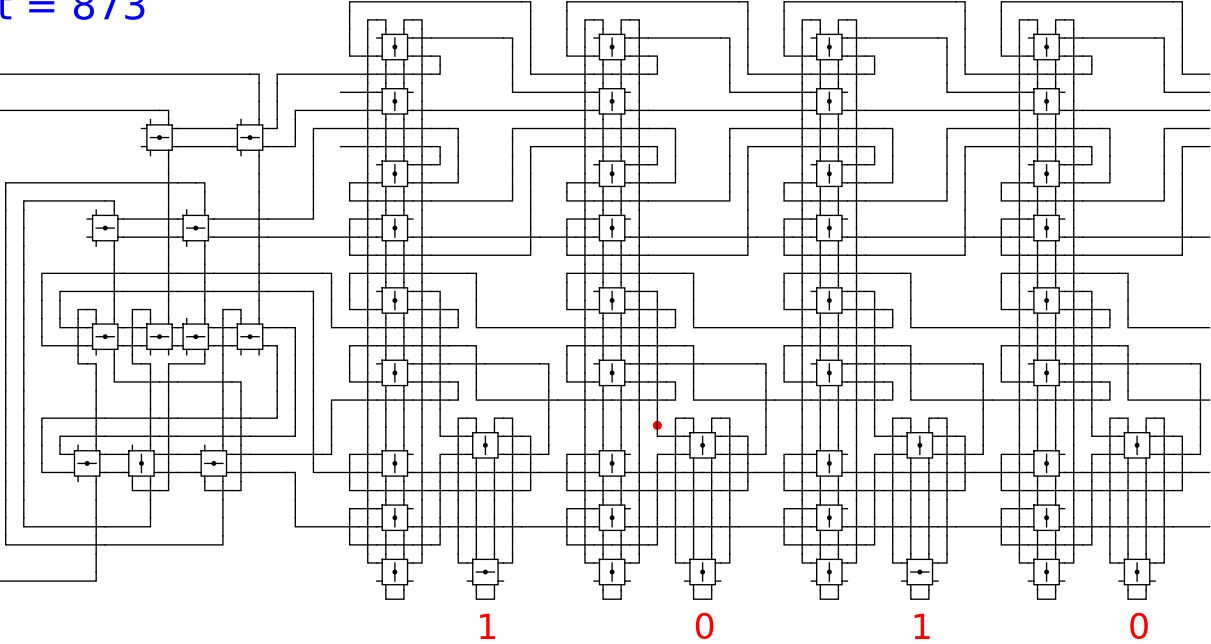
Begin



$t = 873$

Reject
Accept

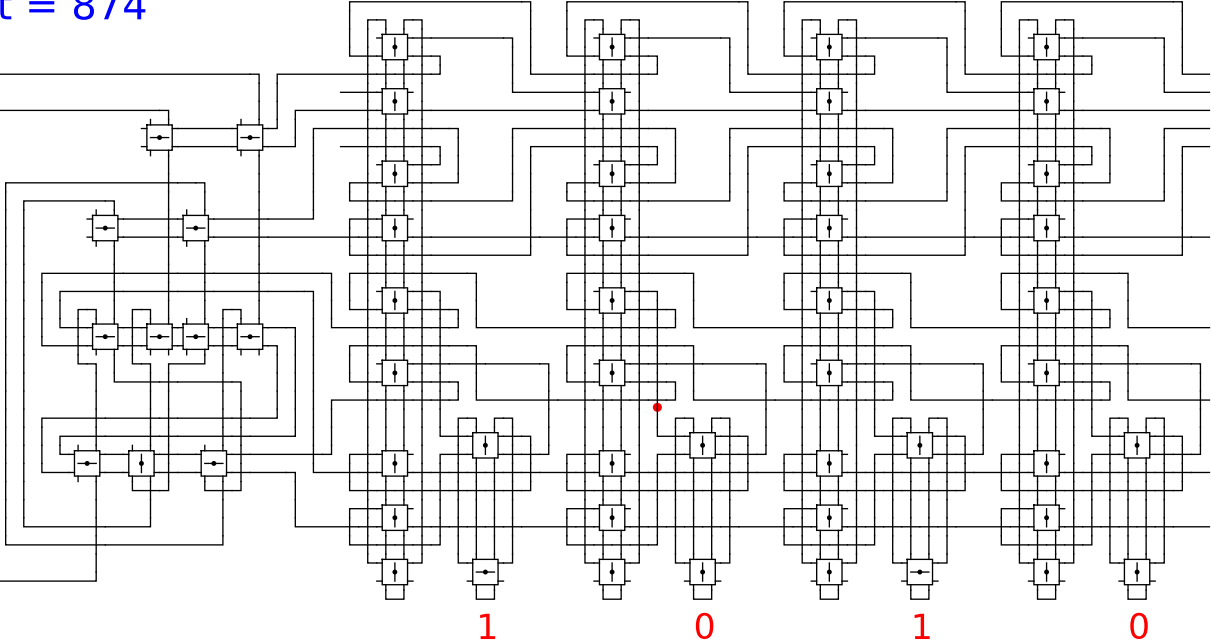
Begin



t = 874

Reject
Accept

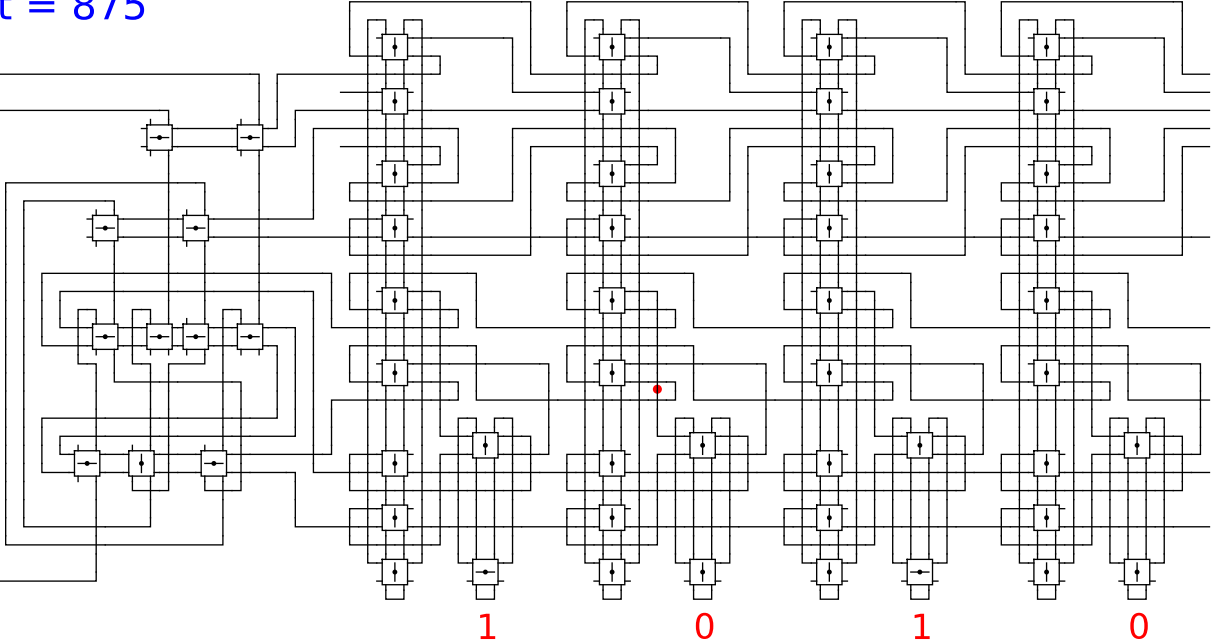
Begin



t = 875

Reject
Accept

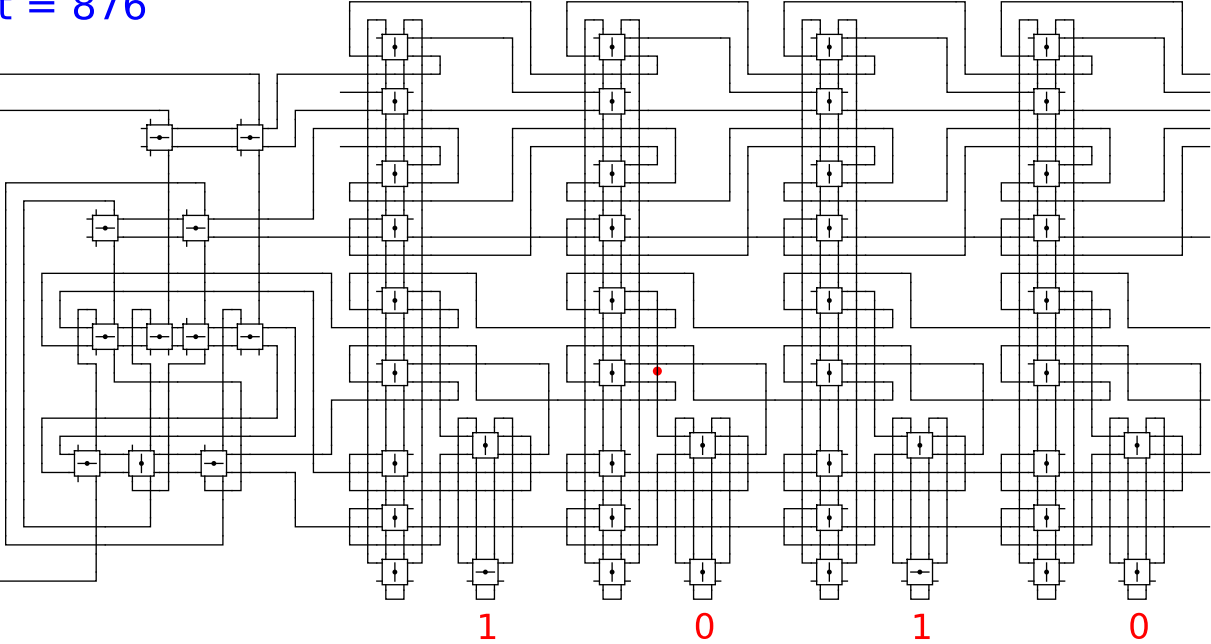
Begin



t = 876

Reject
Accept

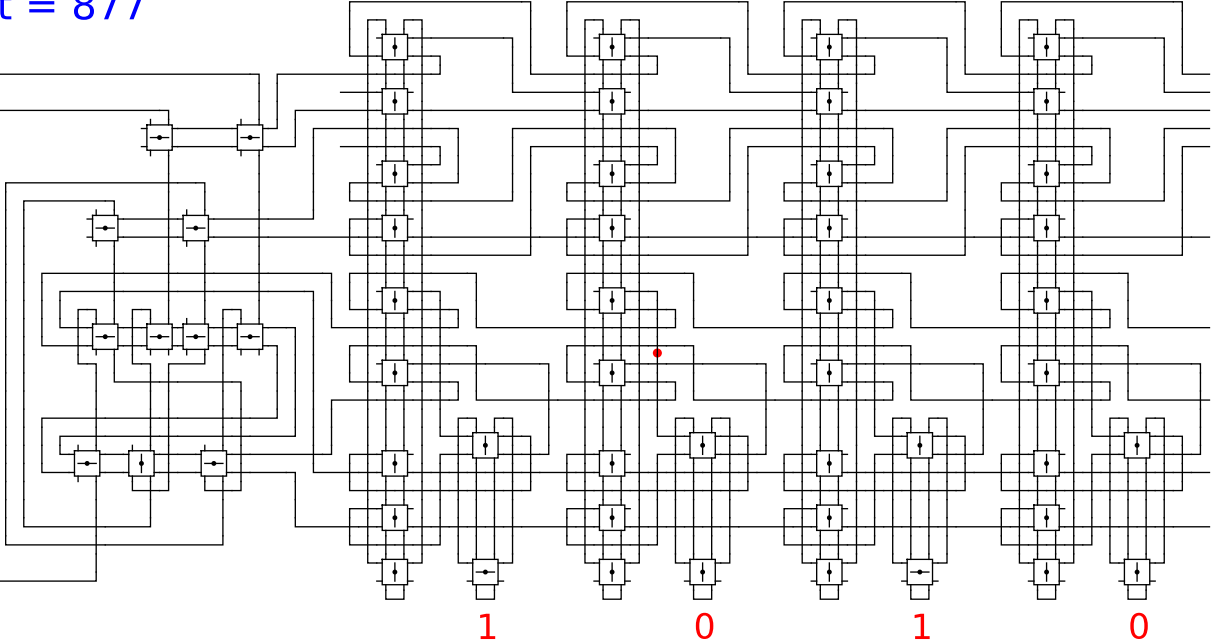
Begin



$t = 877$

Reject
Accept

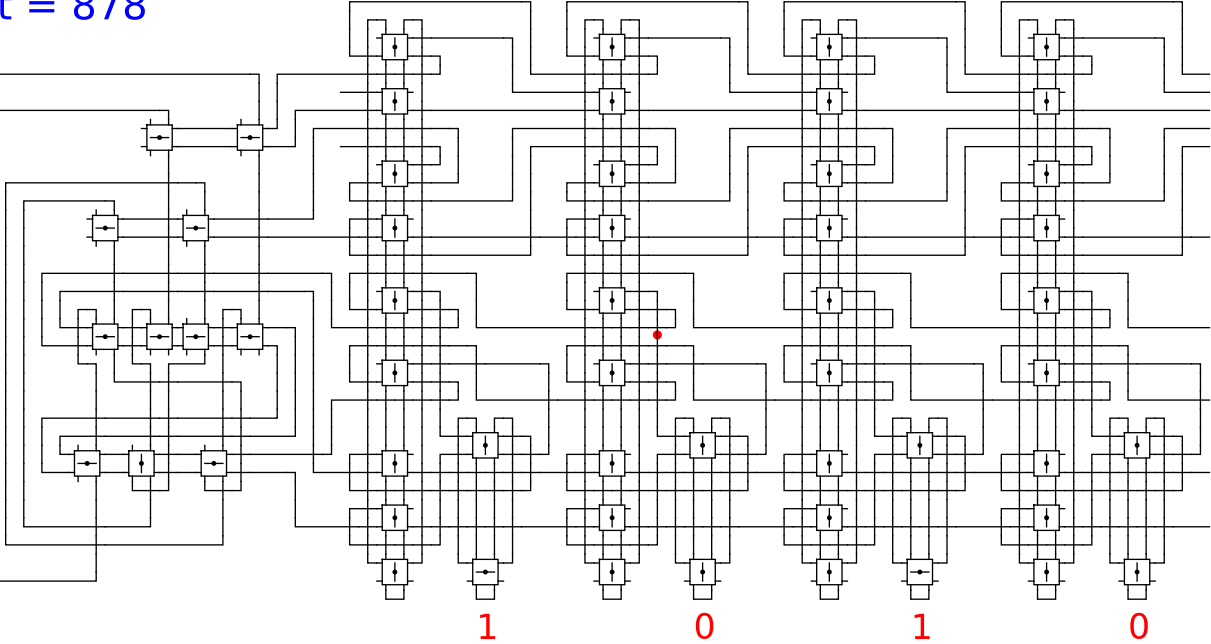
Begin



t = 878

Reject
Accept

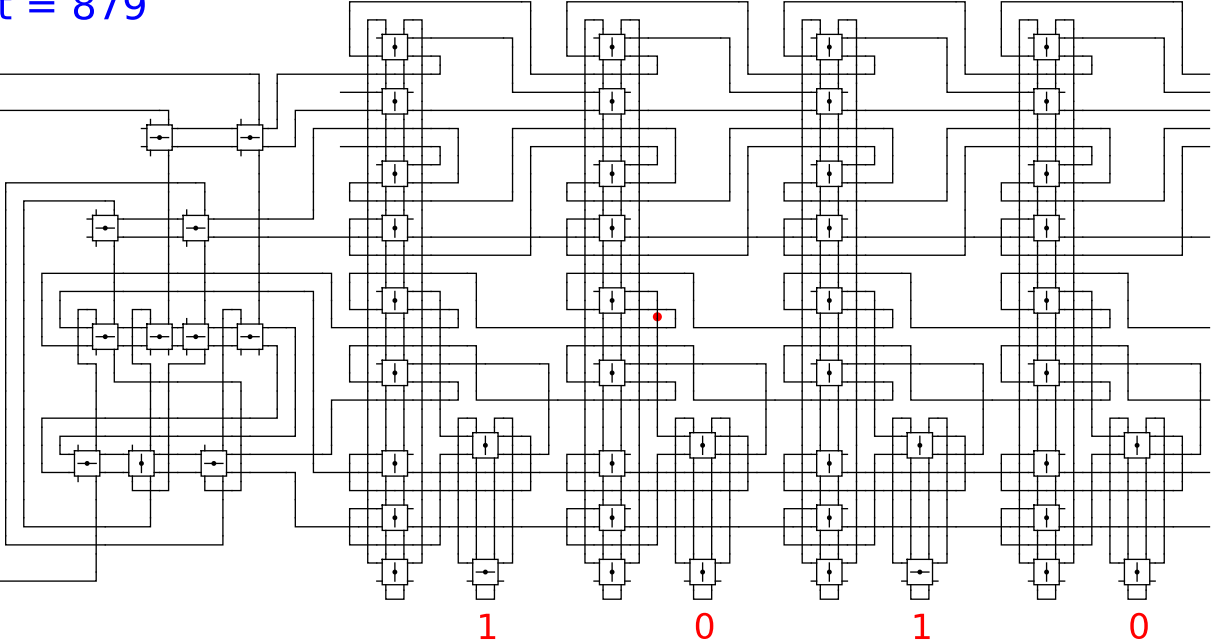
Begin



t = 879

Reject
Accept

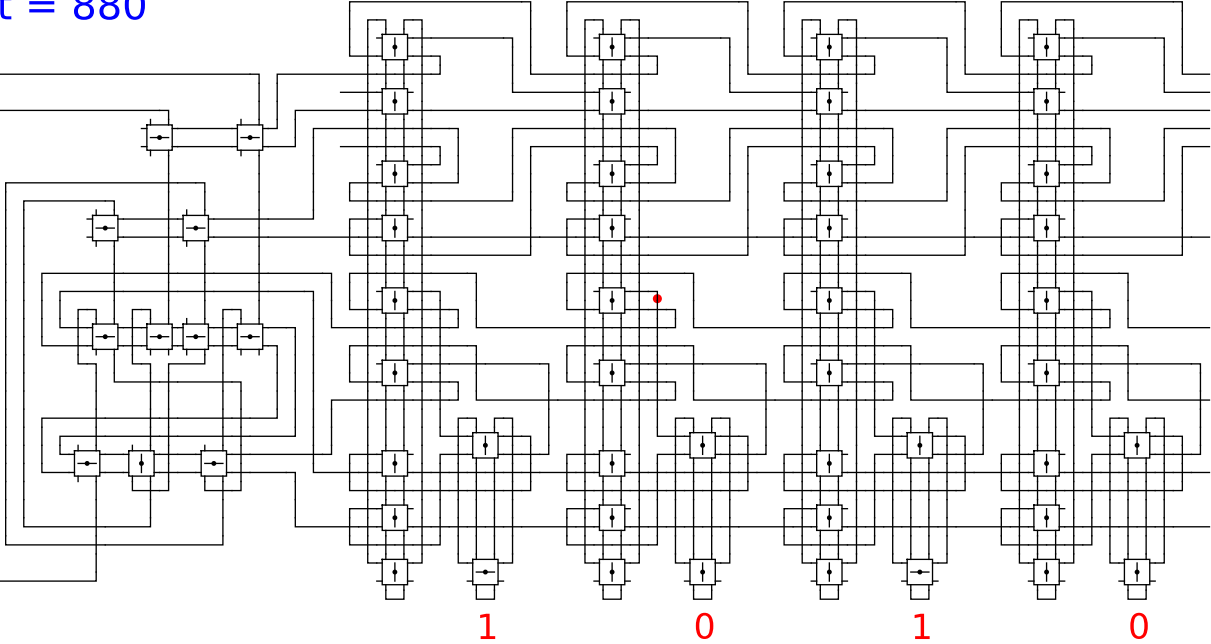
Begin



t = 880

Reject
Accept

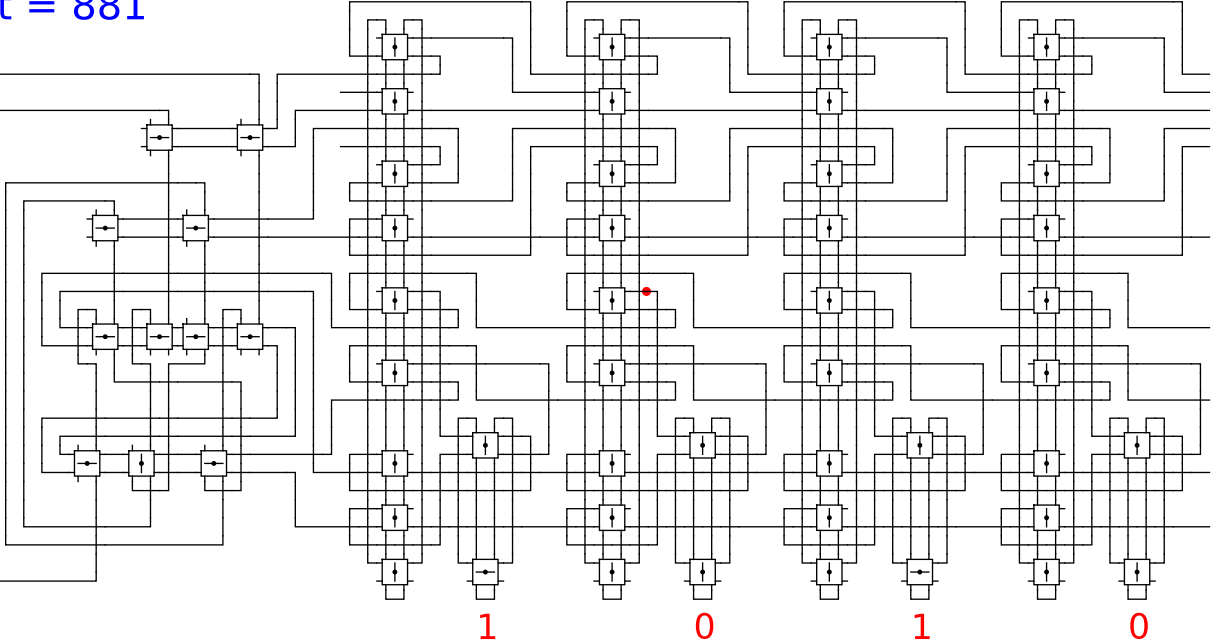
Begin



t = 881

Reject
Accept

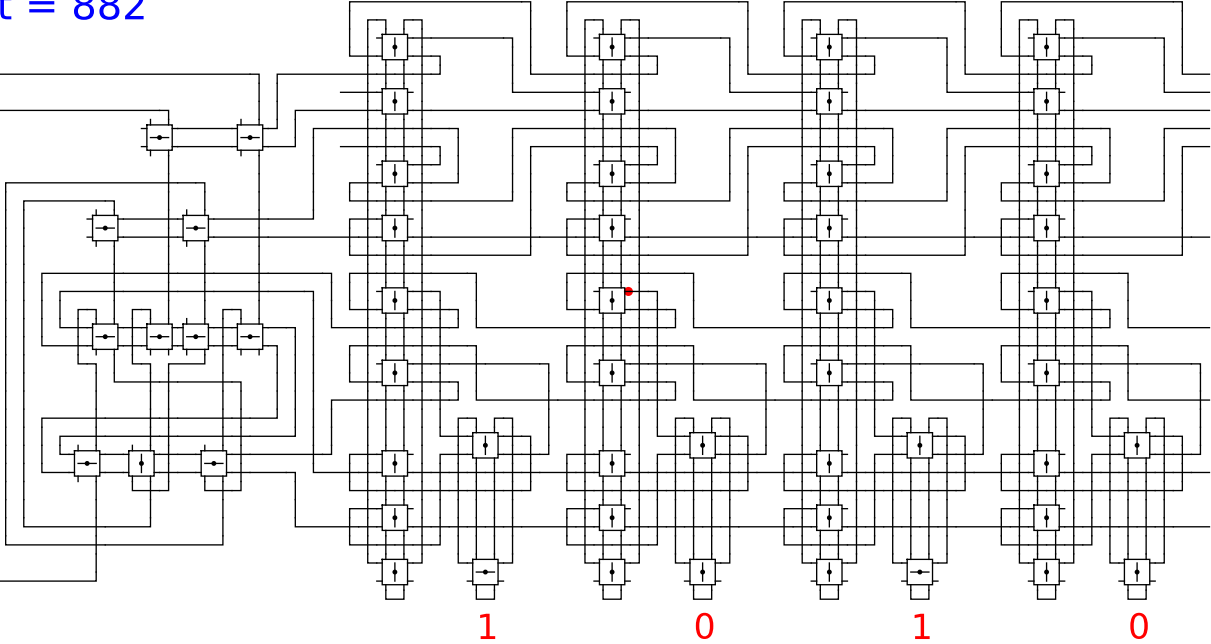
Begin



t = 882

Reject
Accept

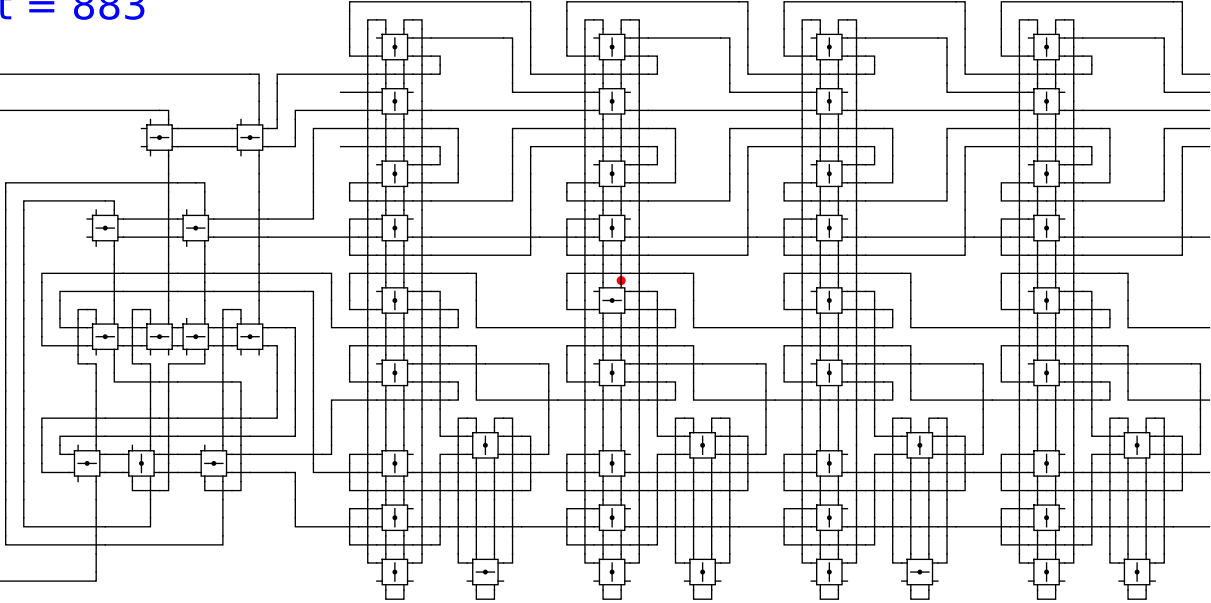
Begin



t = 883

Reject
Accept

Begin



1

0

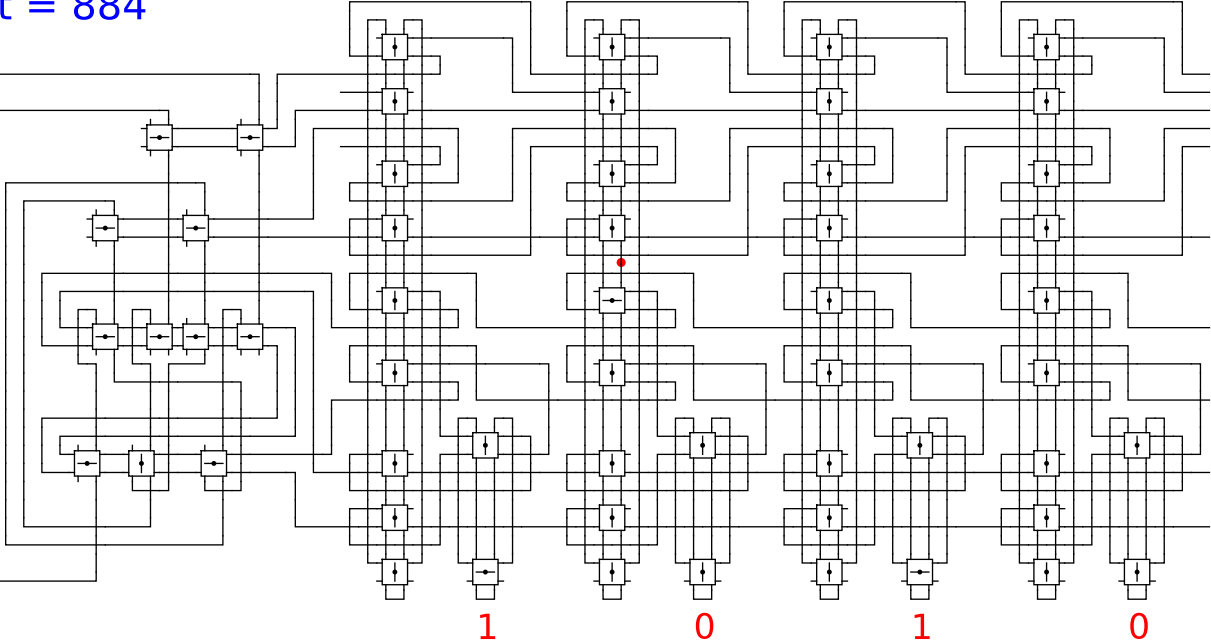
1

0

t = 884

Reject
Accept

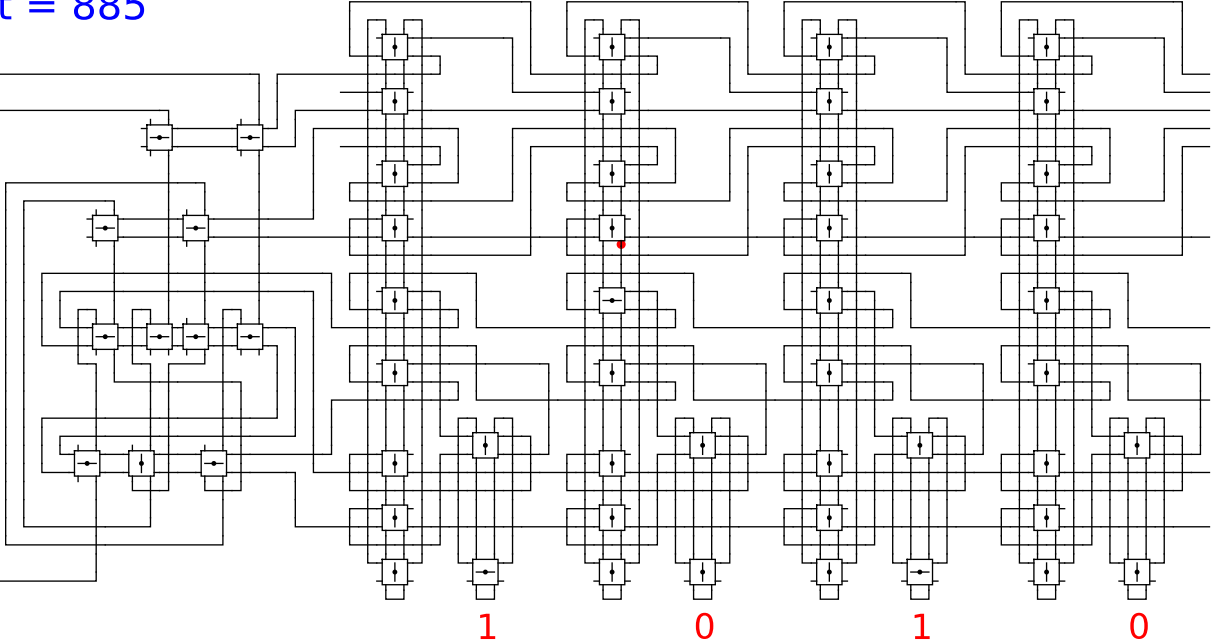
Begin



t = 885

Reject
Accept

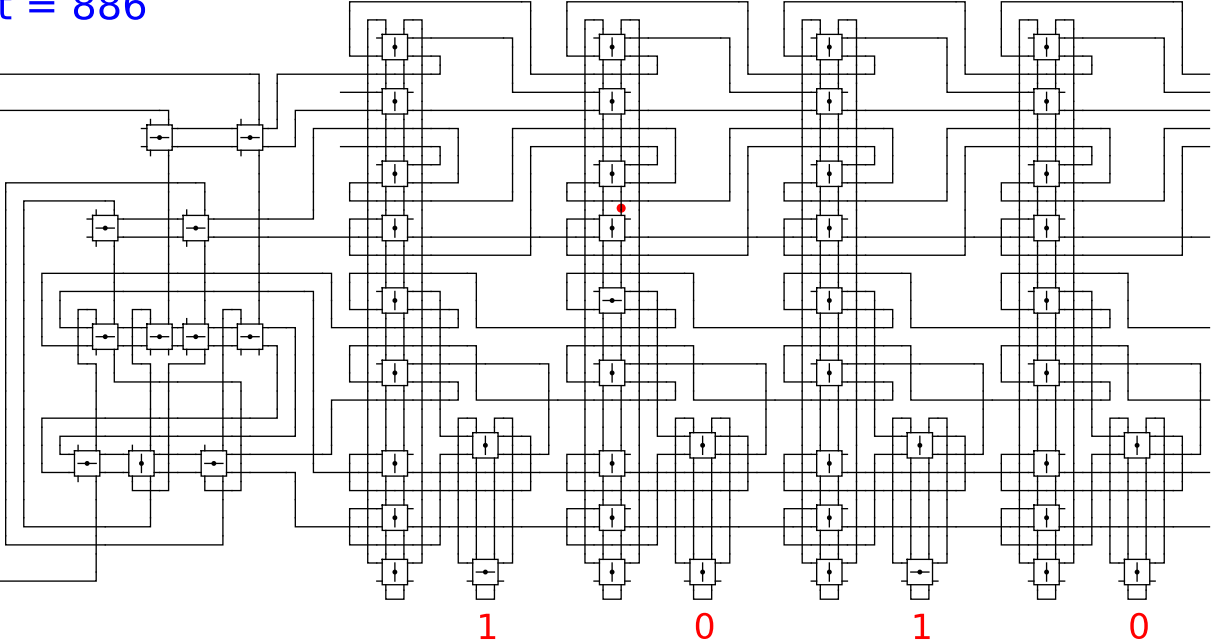
Begin



t = 886

Reject
Accept

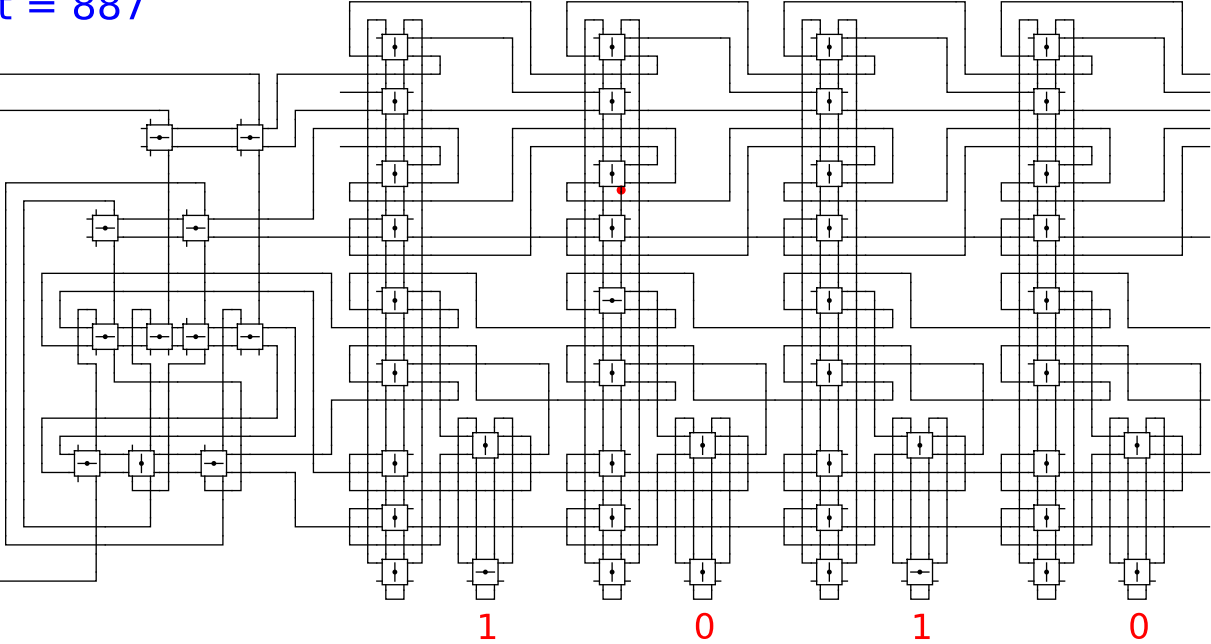
Begin



t = 887

Reject
Accept

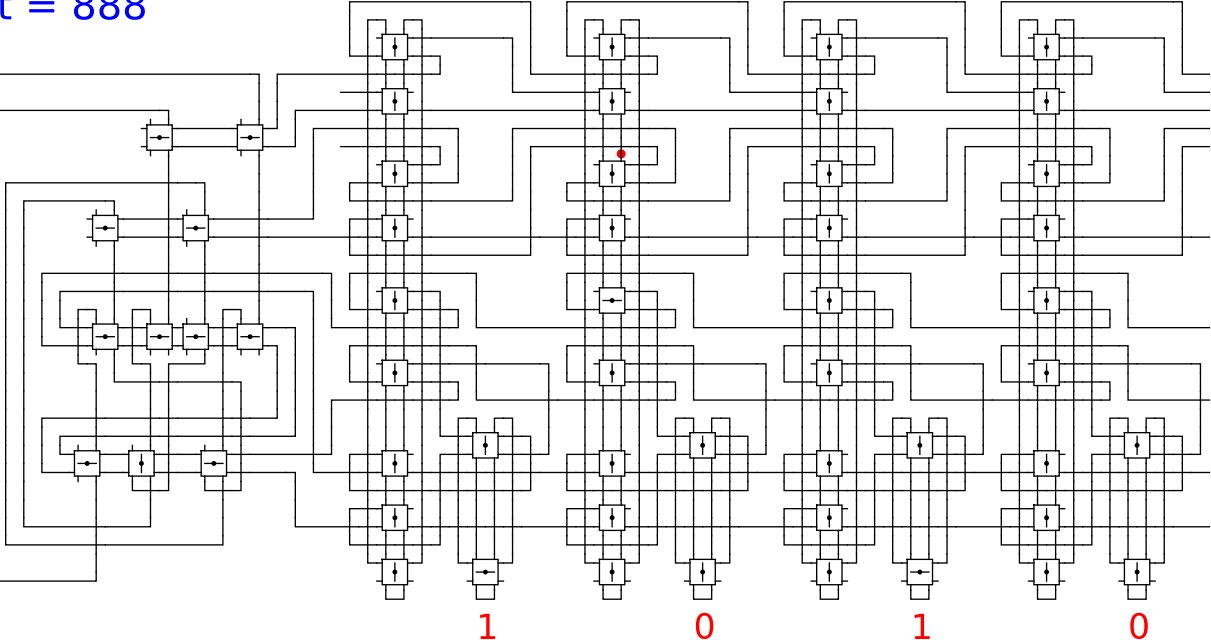
Begin



t = 888

Reject
Accept

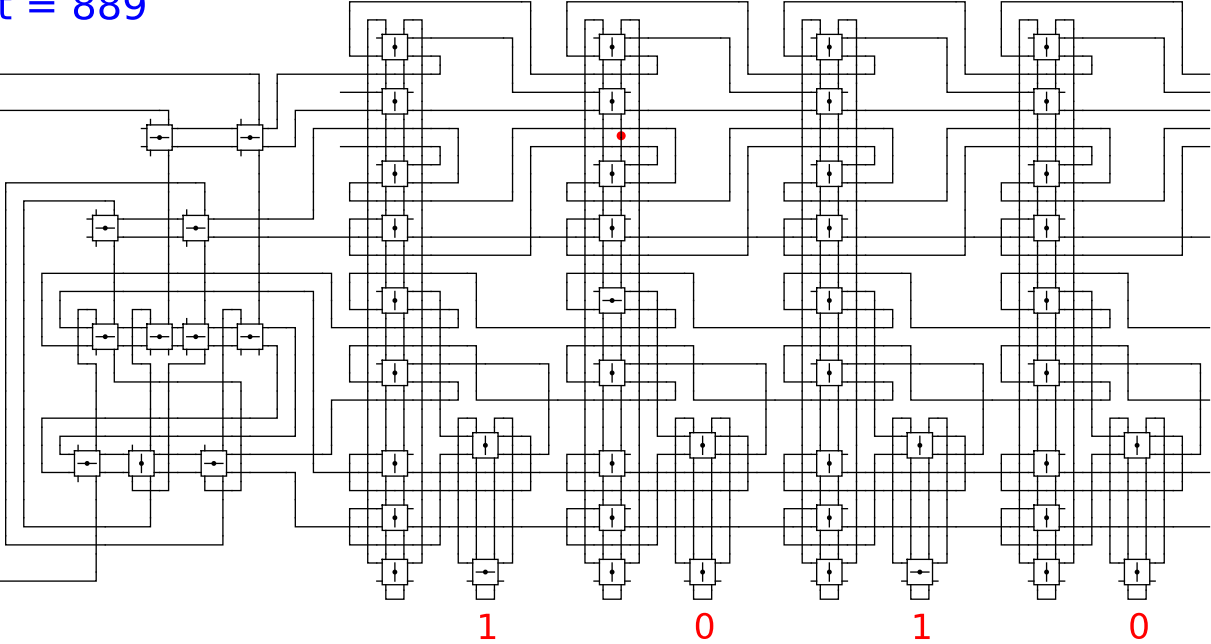
Begin



t = 889

Reject
Accept

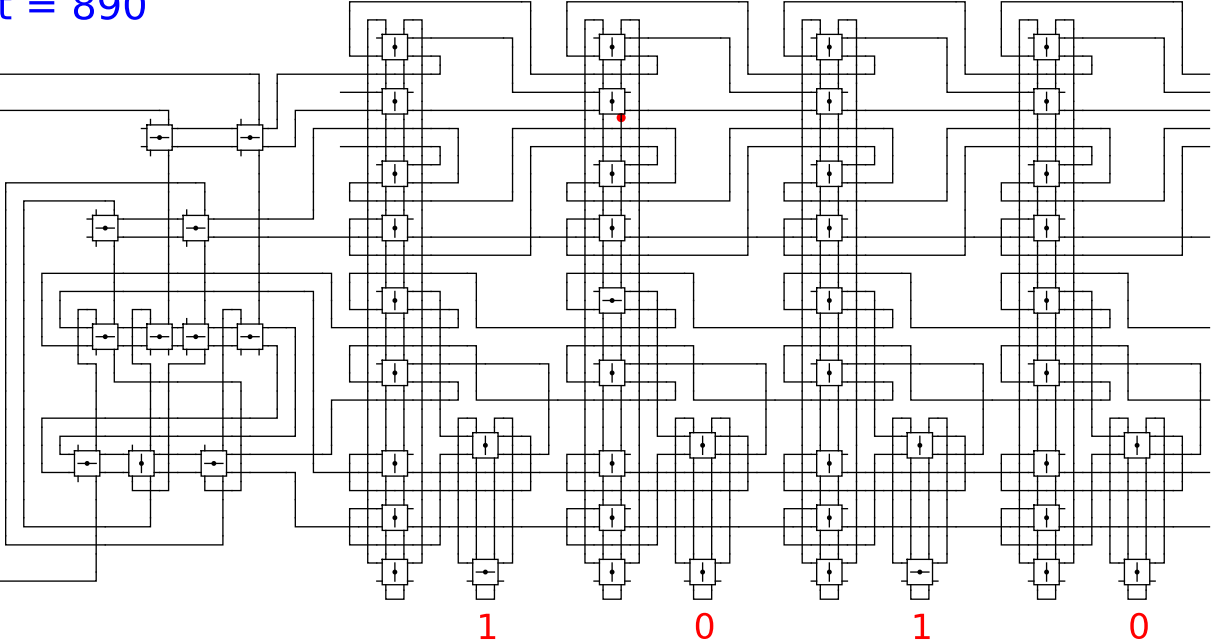
Begin



t = 890

Reject
Accept

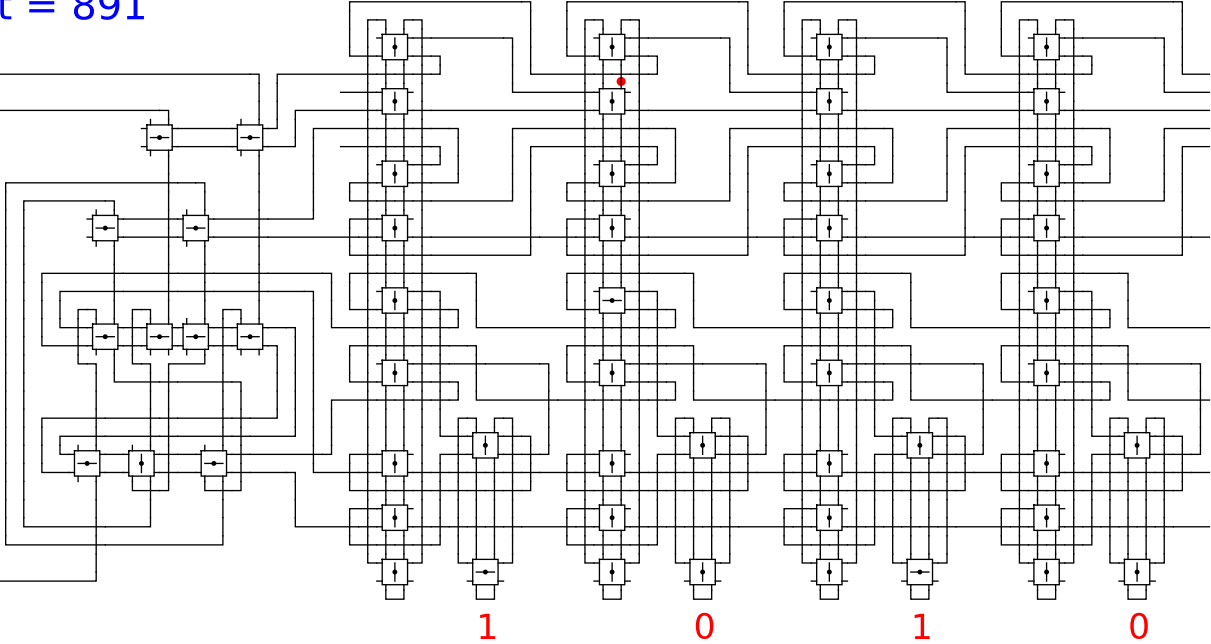
Begin



t = 891

Reject
Accept

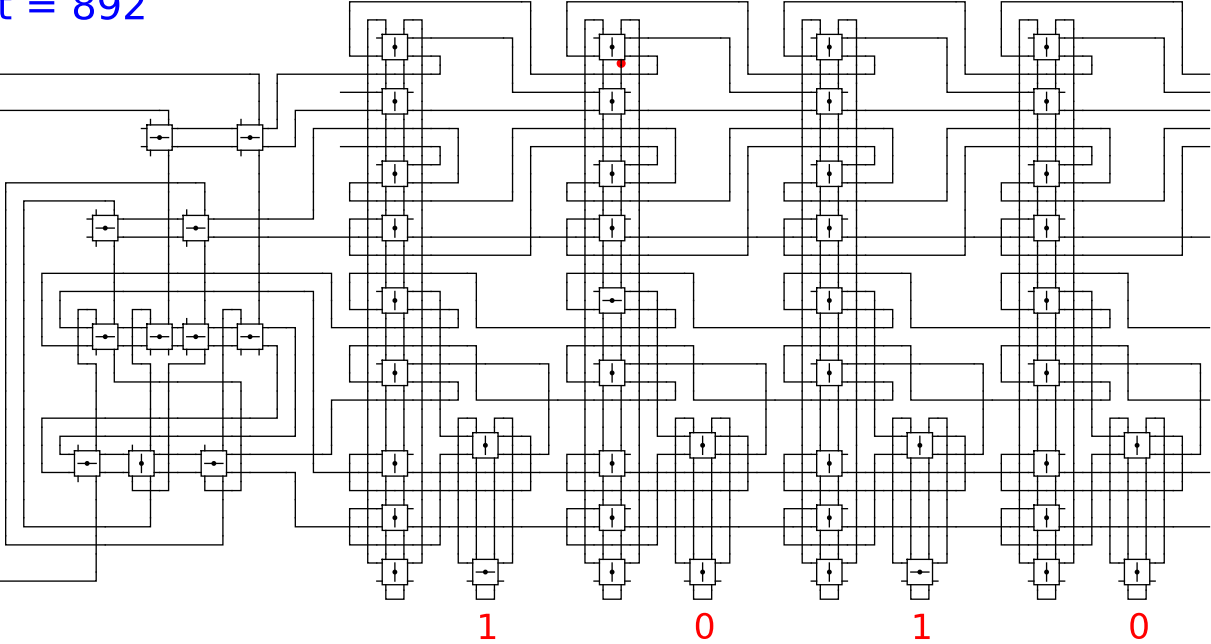
Begin



t = 892

Reject
Accept

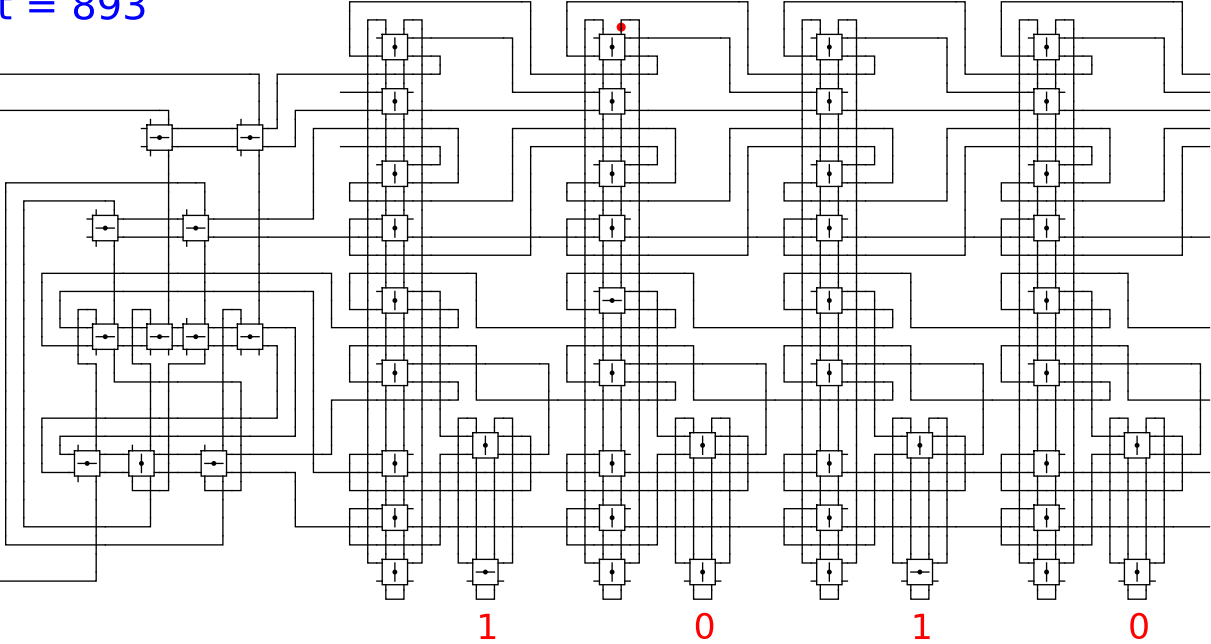
Begin



t = 893

Reject
Accept

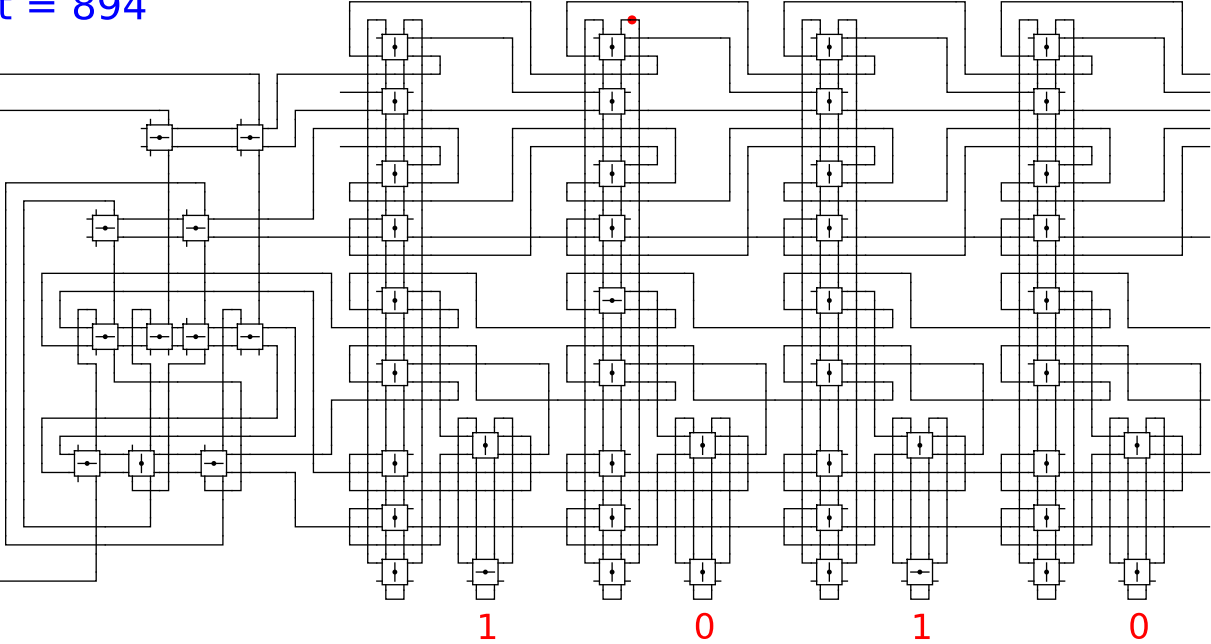
Begin



t = 894

Reject
Accept

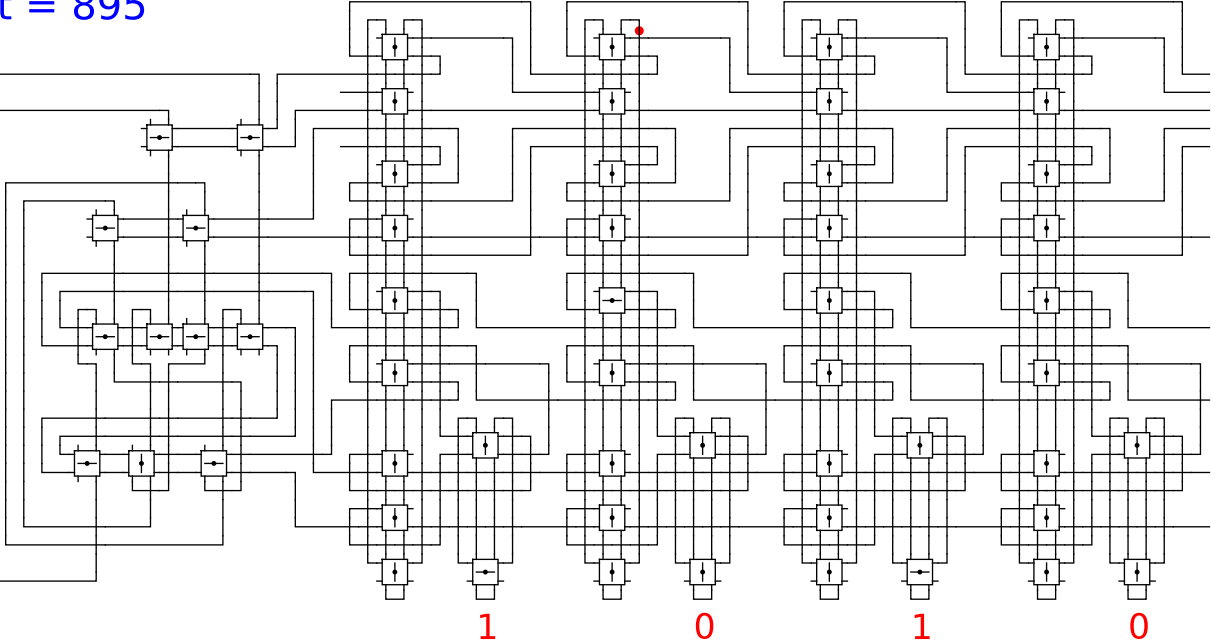
Begin



t = 895

Reject
Accept

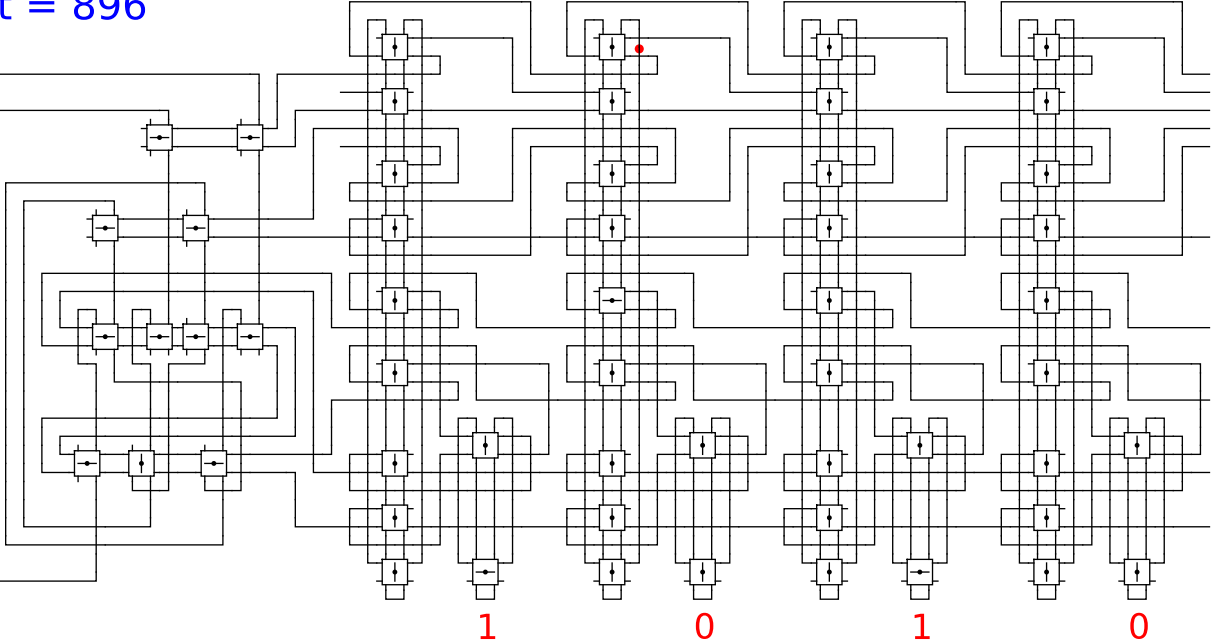
Begin



t = 896

Reject
Accept

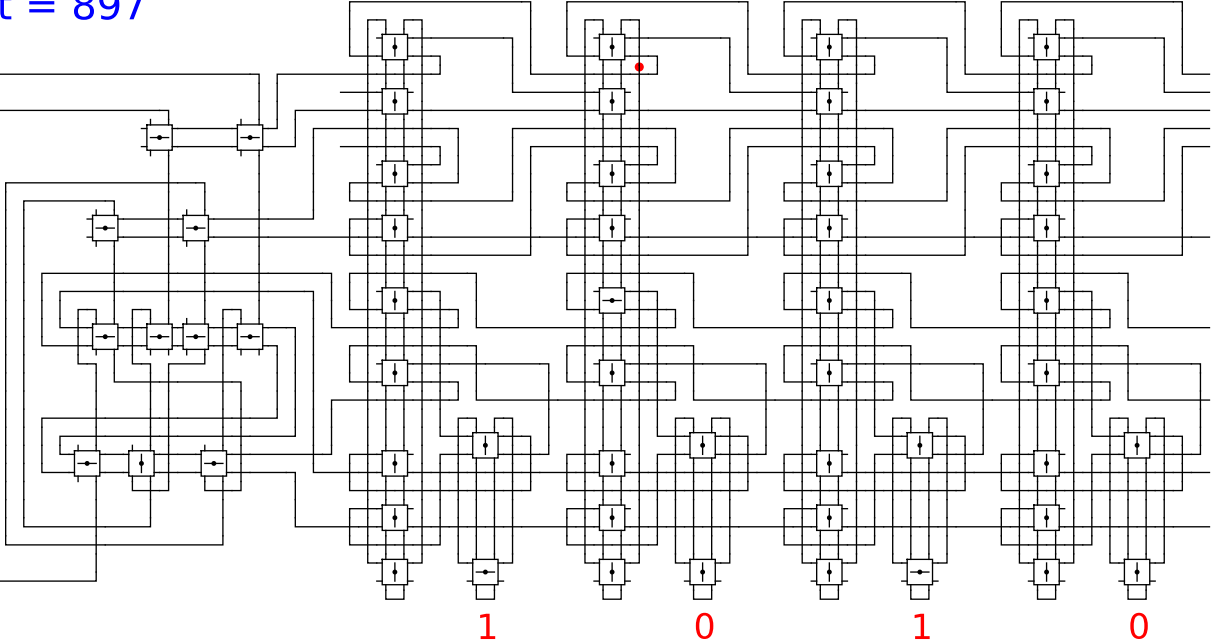
Begin



t = 897

Reject
Accept

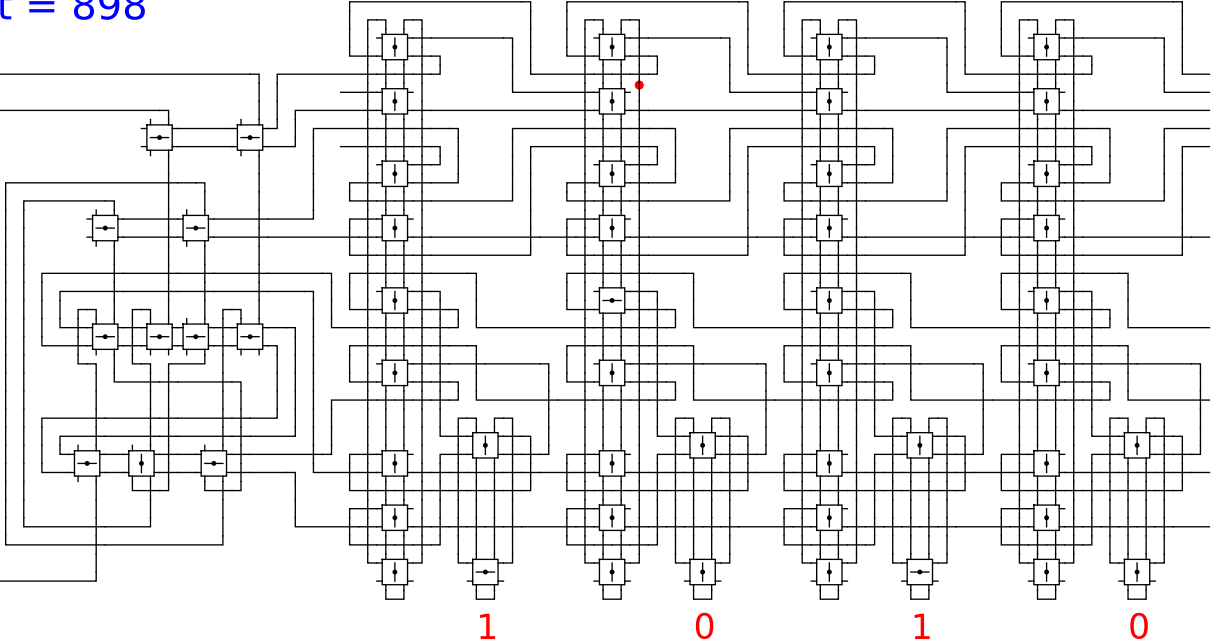
Begin



t = 898

Reject
Accept

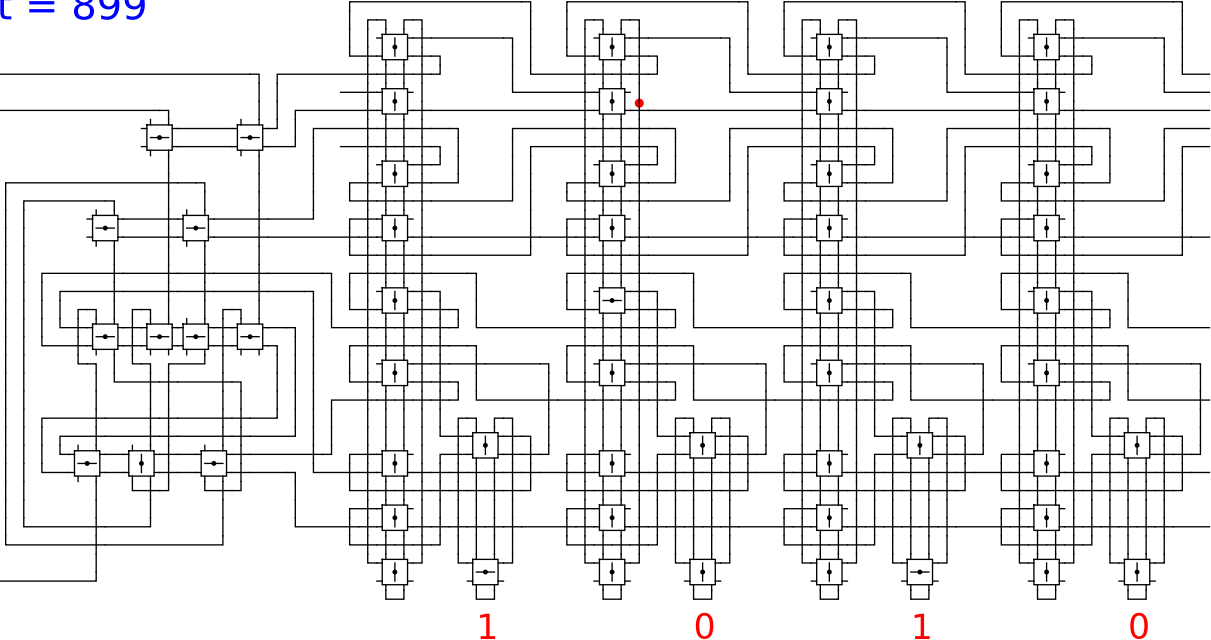
Begin



t = 899

Reject
Accept

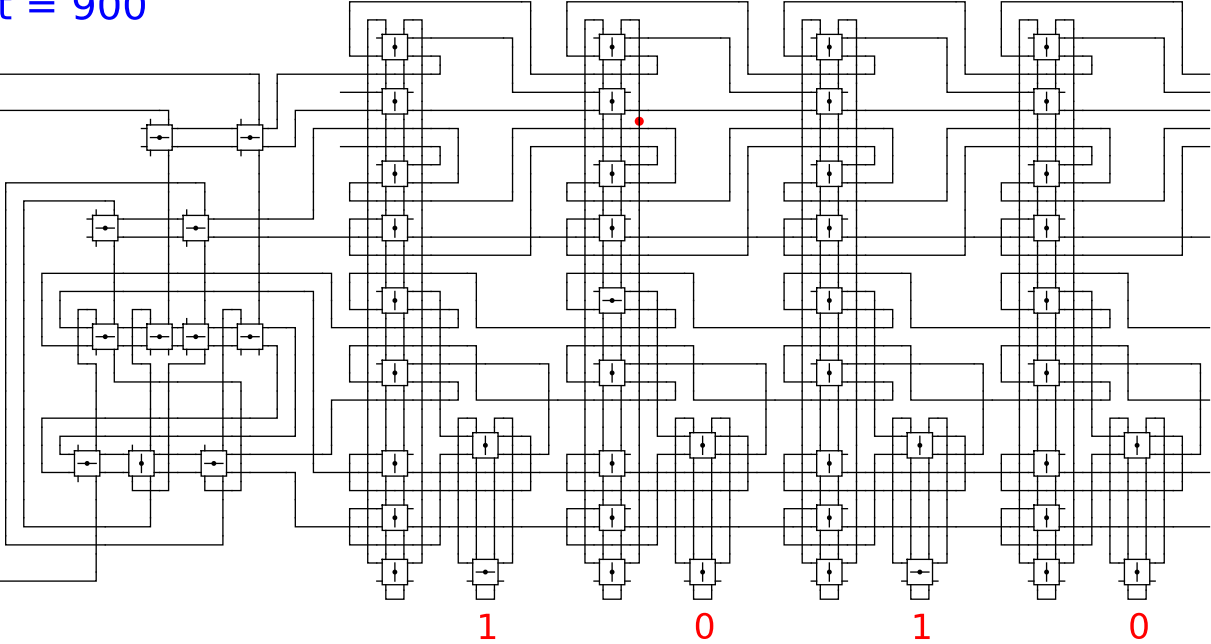
Begin



t = 900

Reject
Accept

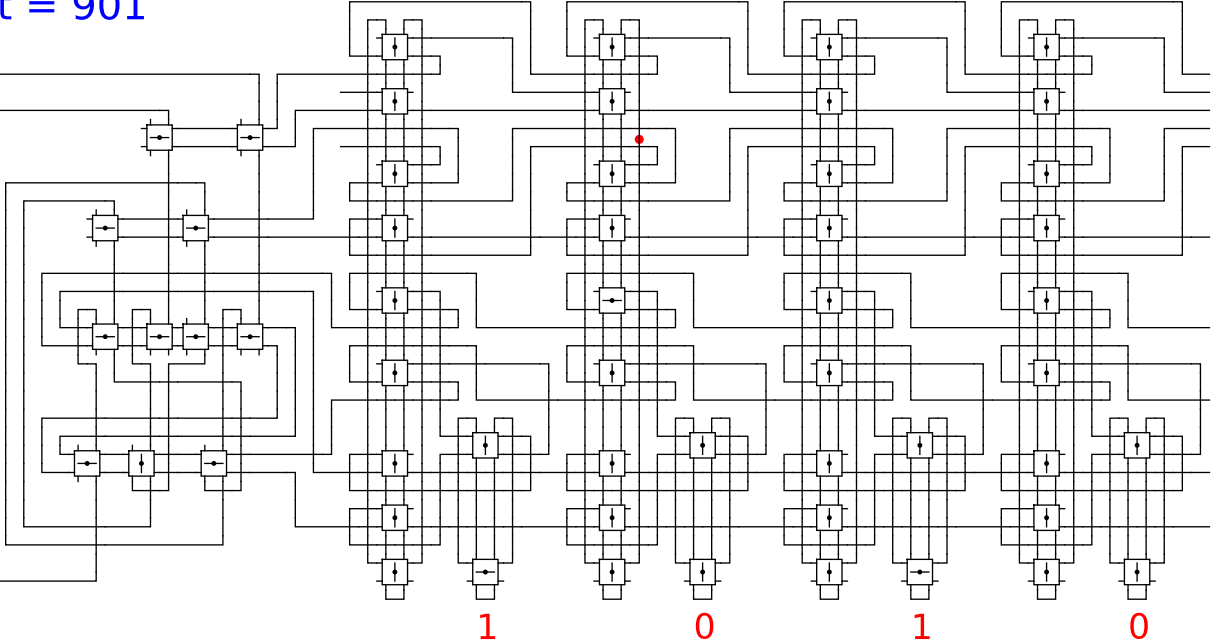
Begin



t = 901

Reject
Accept

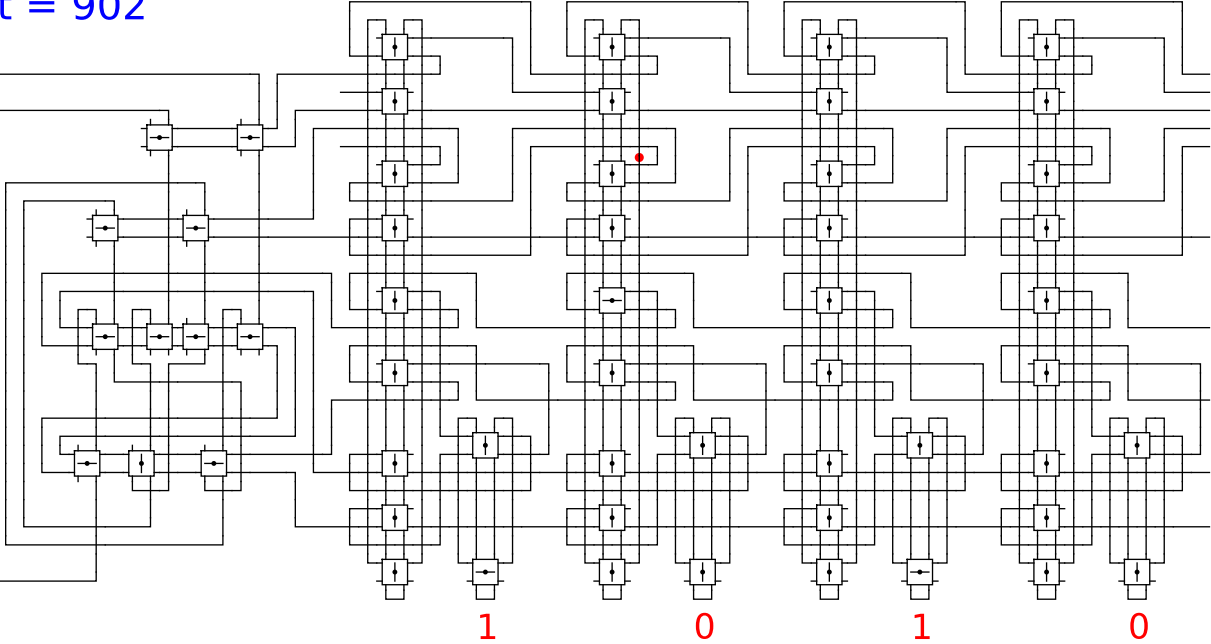
Begin



t = 902

Reject
Accept

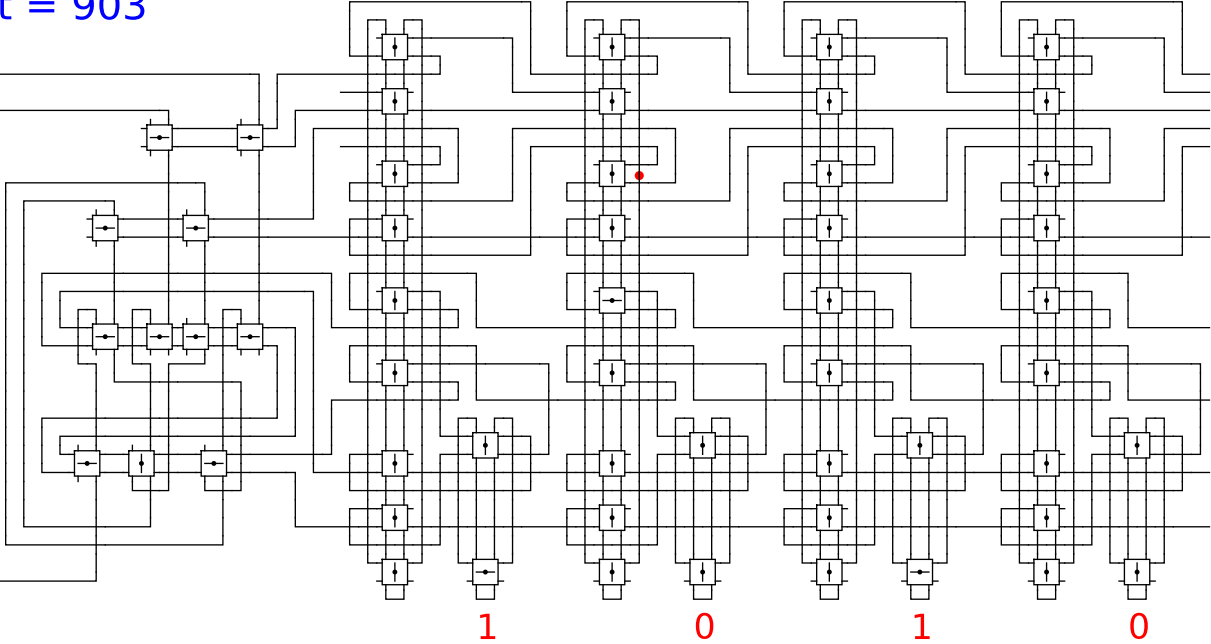
Begin



t = 903

Reject
Accept

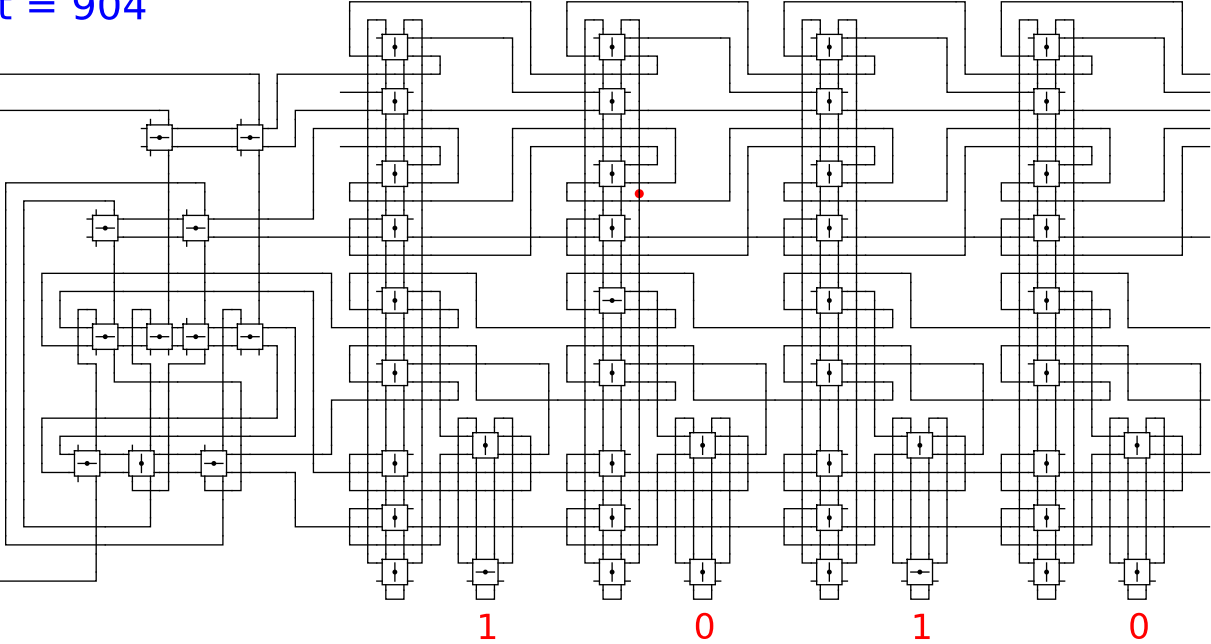
Begin



t = 904

Reject
Accept

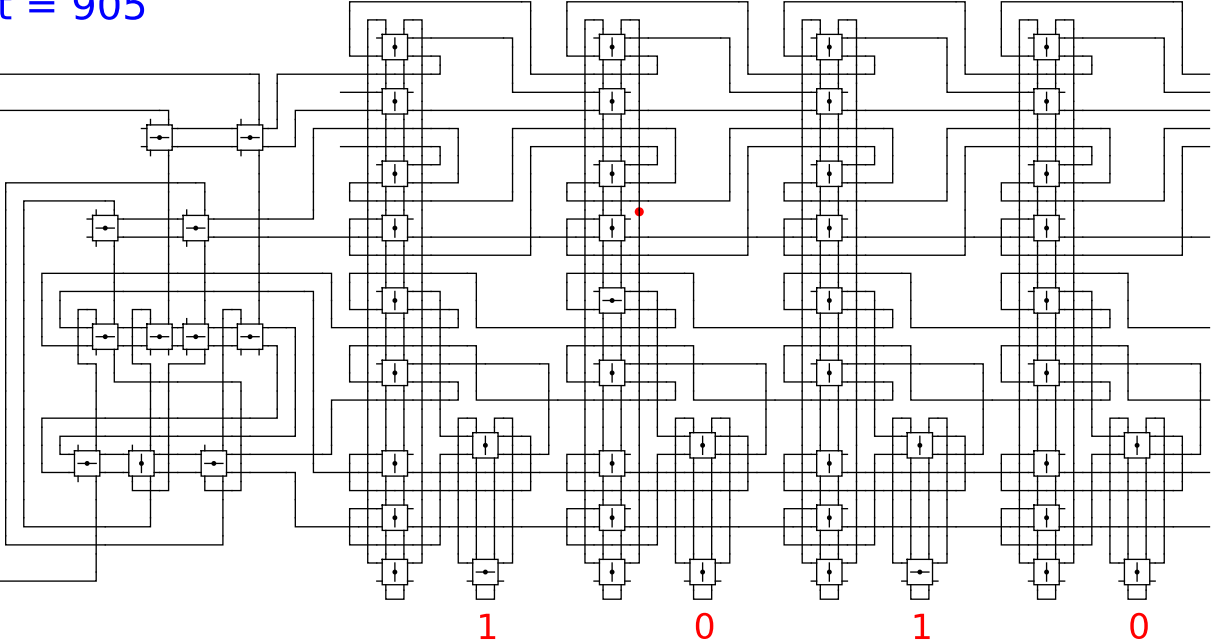
Begin



t = 905

Reject
Accept

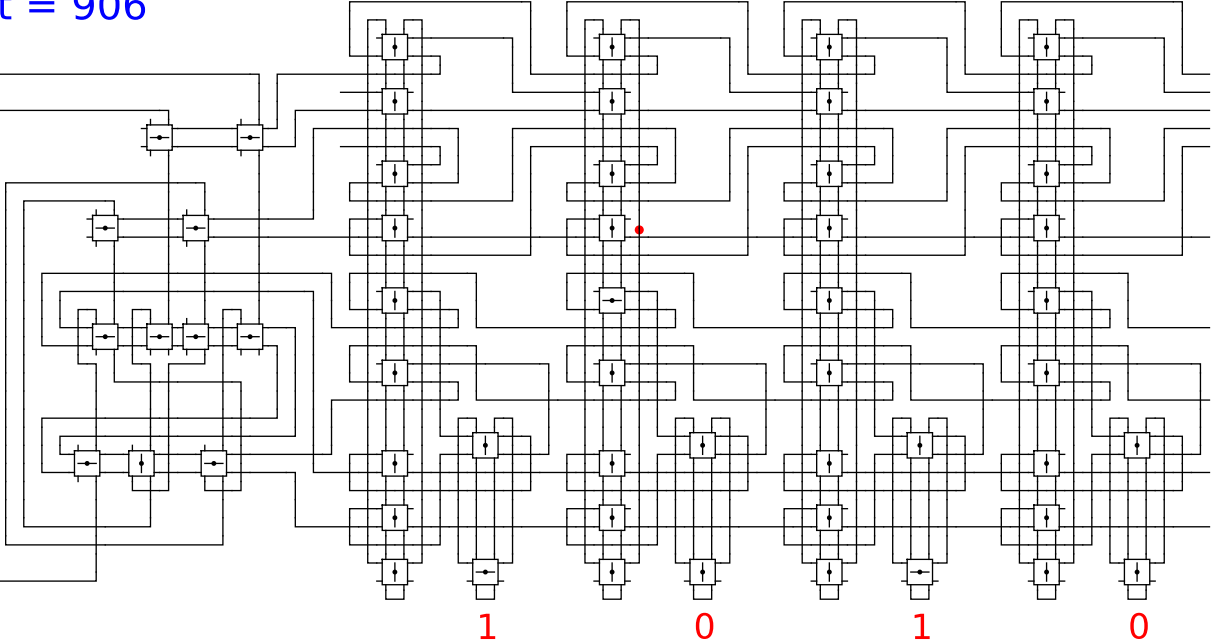
Begin



t = 906

Reject
Accept

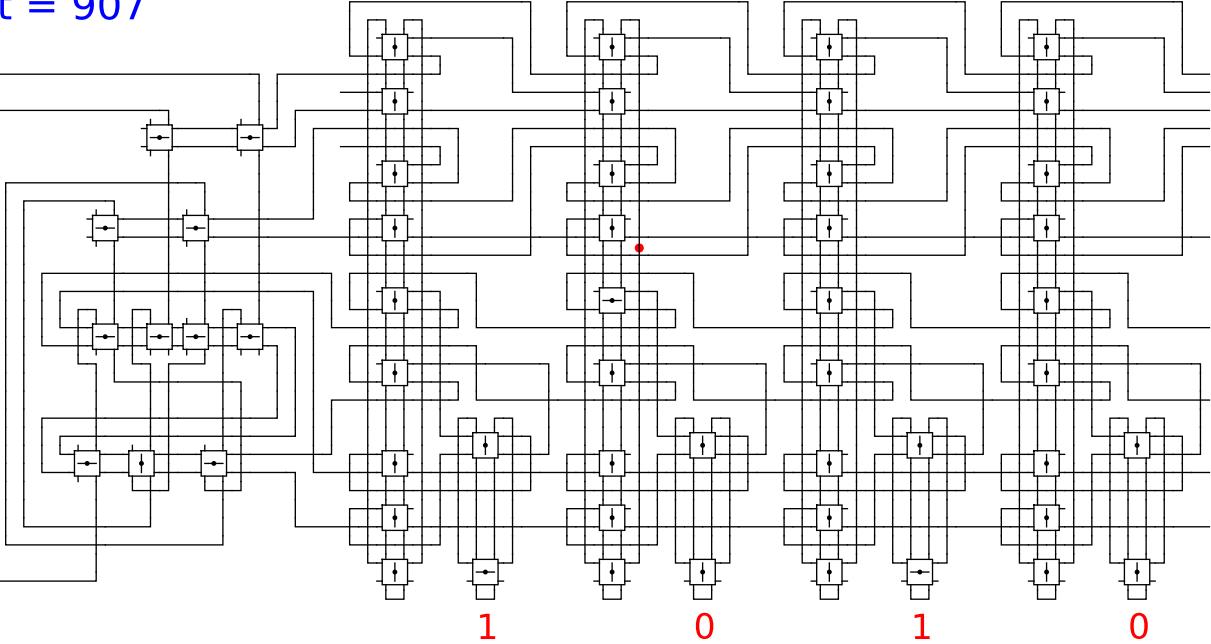
Begin



t = 907

Reject
Accept

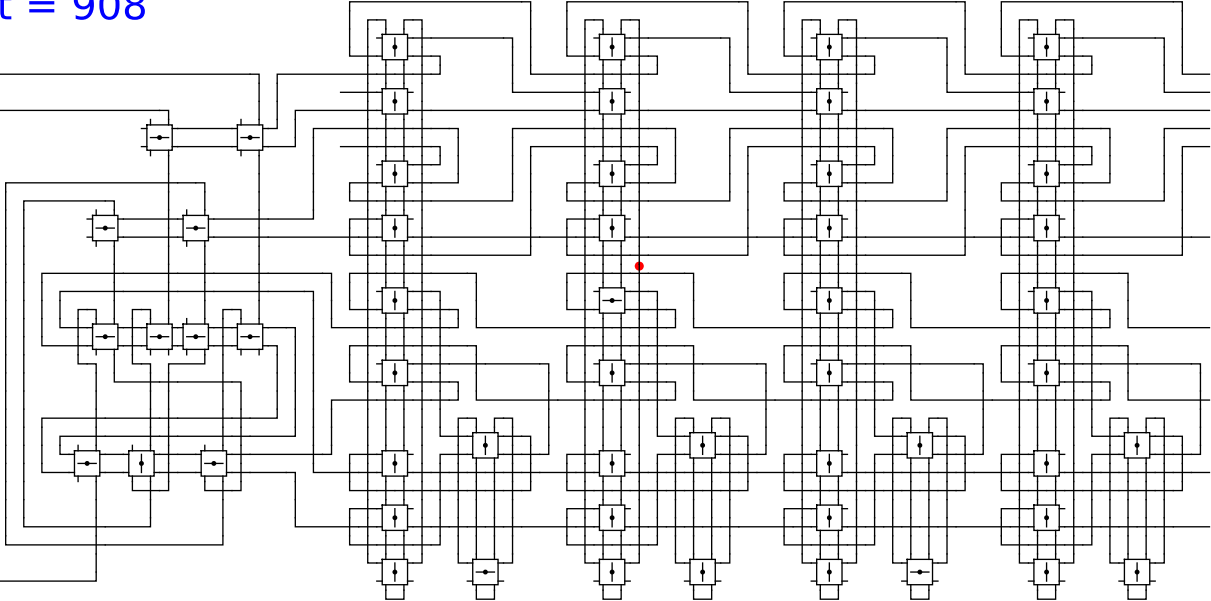
Begin



t = 908

Reject
Accept

Begin



1

0

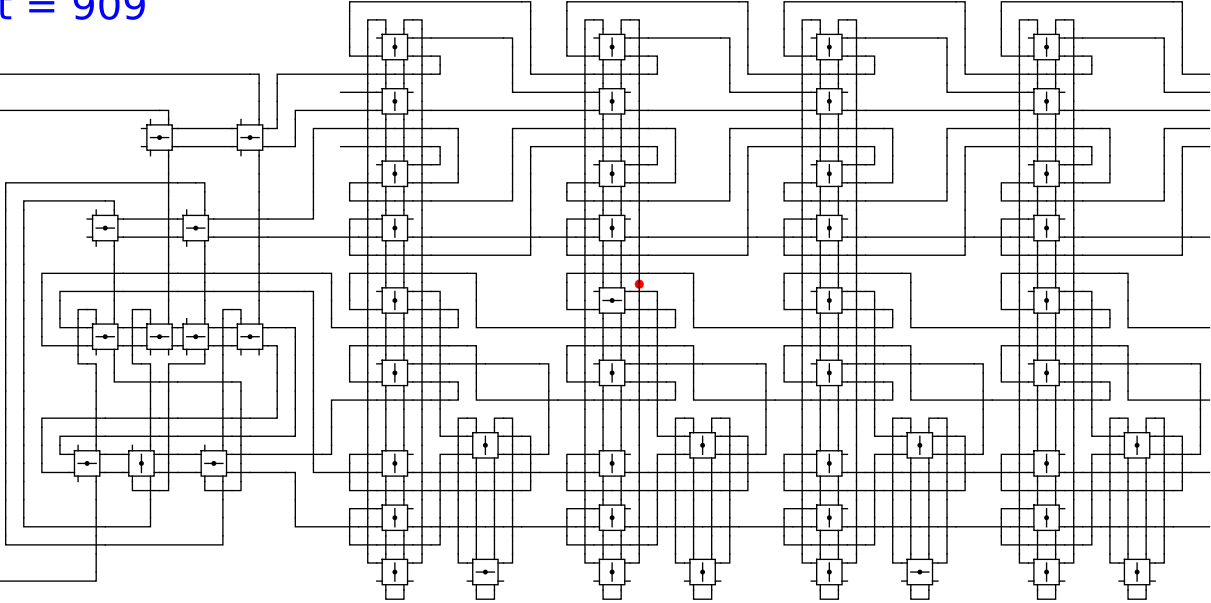
1

0

t = 909

Reject
Accept

Begin



1

0

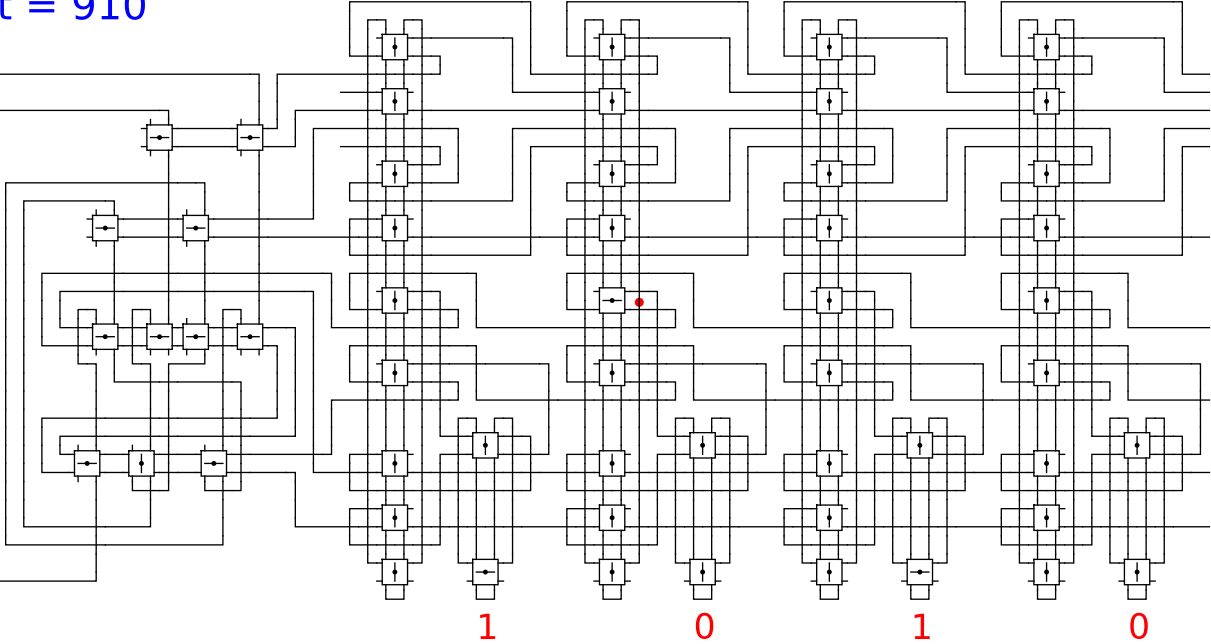
1

0

t = 910

Reject
Accept

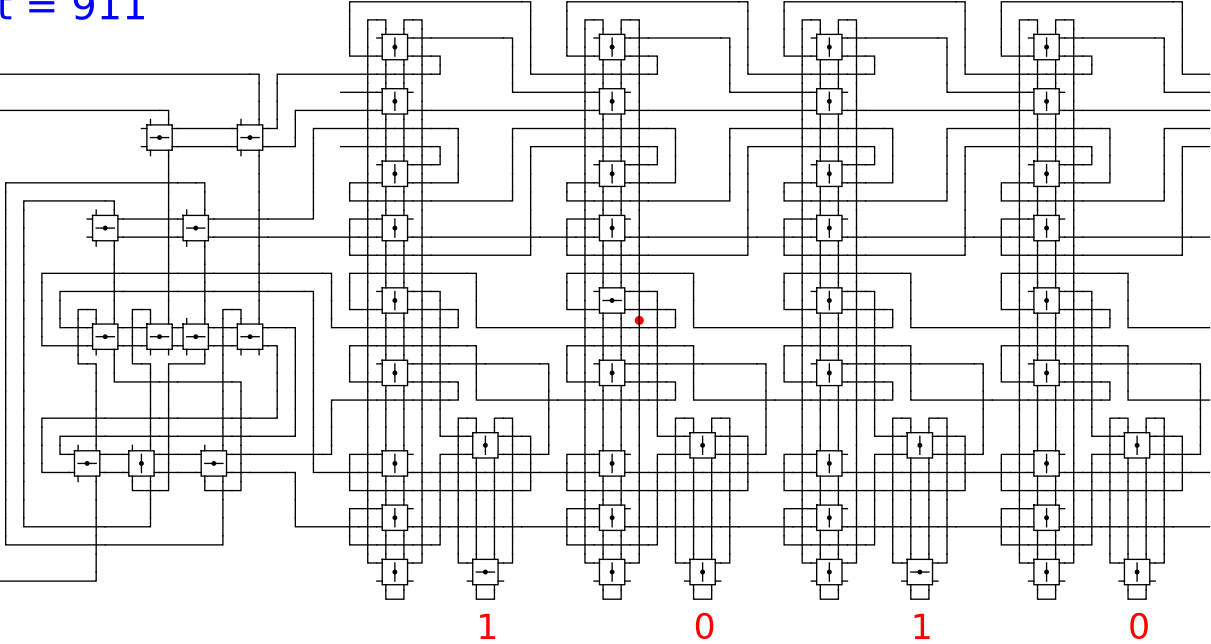
Begin



t = 911

Reject
Accept

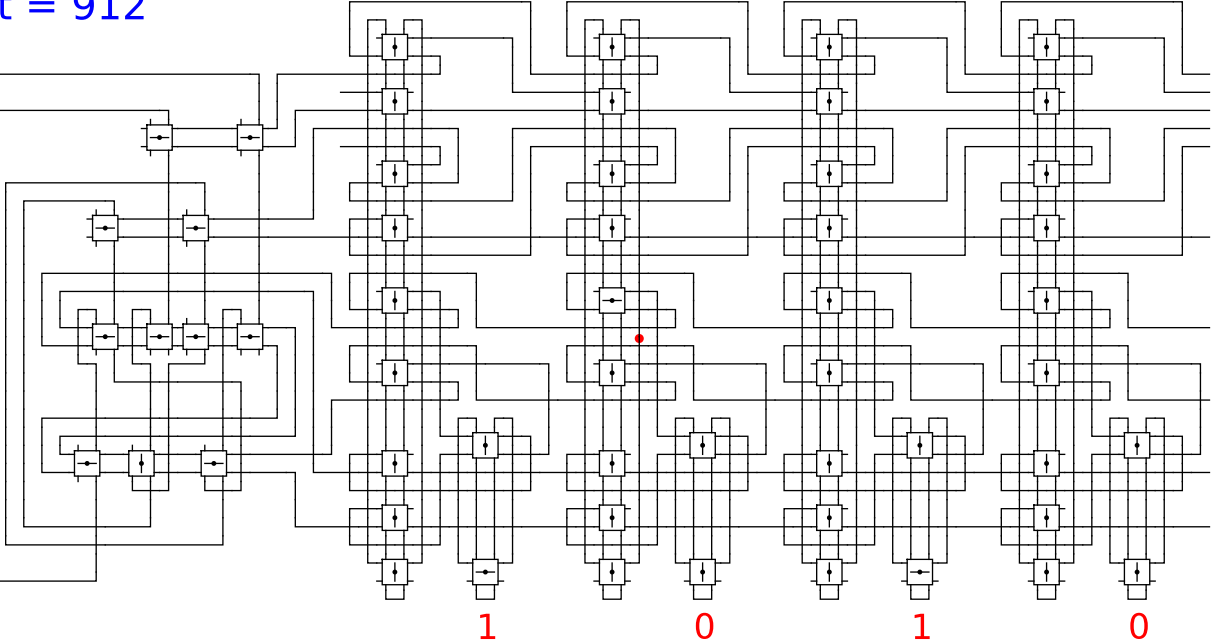
Begin



t = 912

Reject
Accept

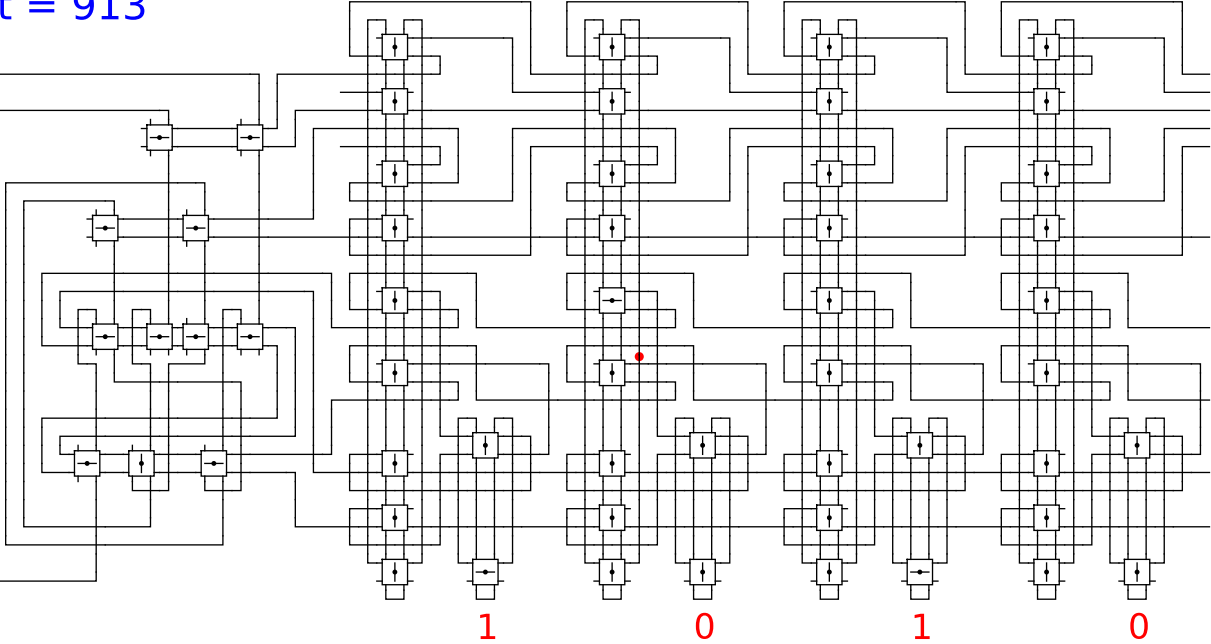
Begin



t = 913

Reject
Accept

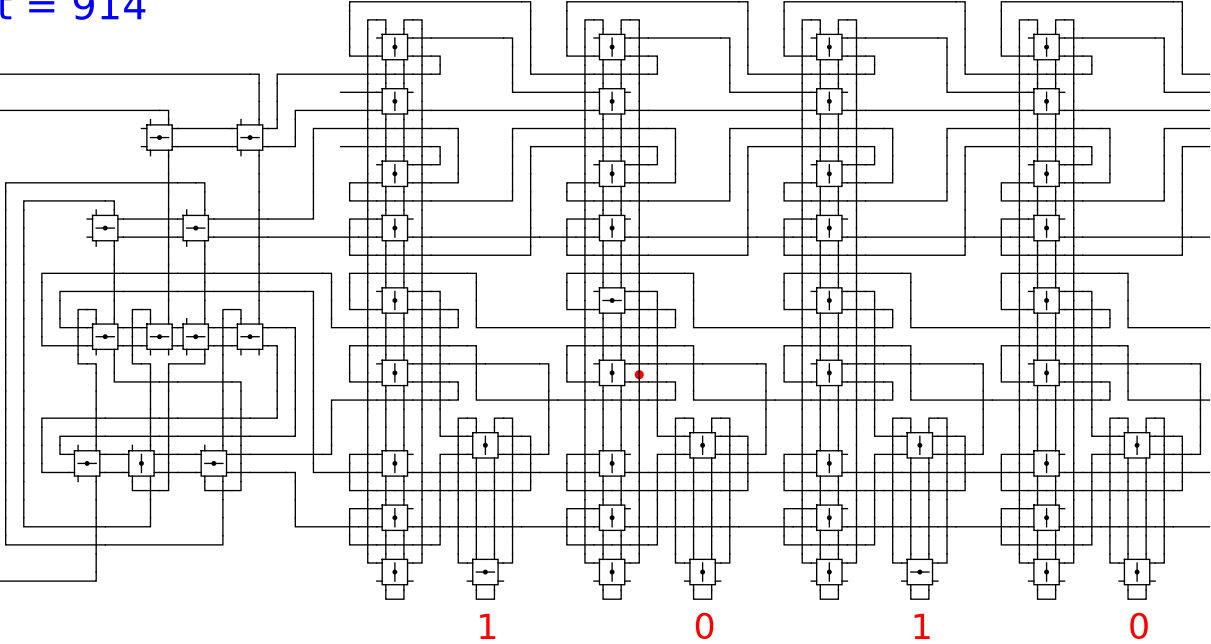
Begin



t = 914

Reject
Accept

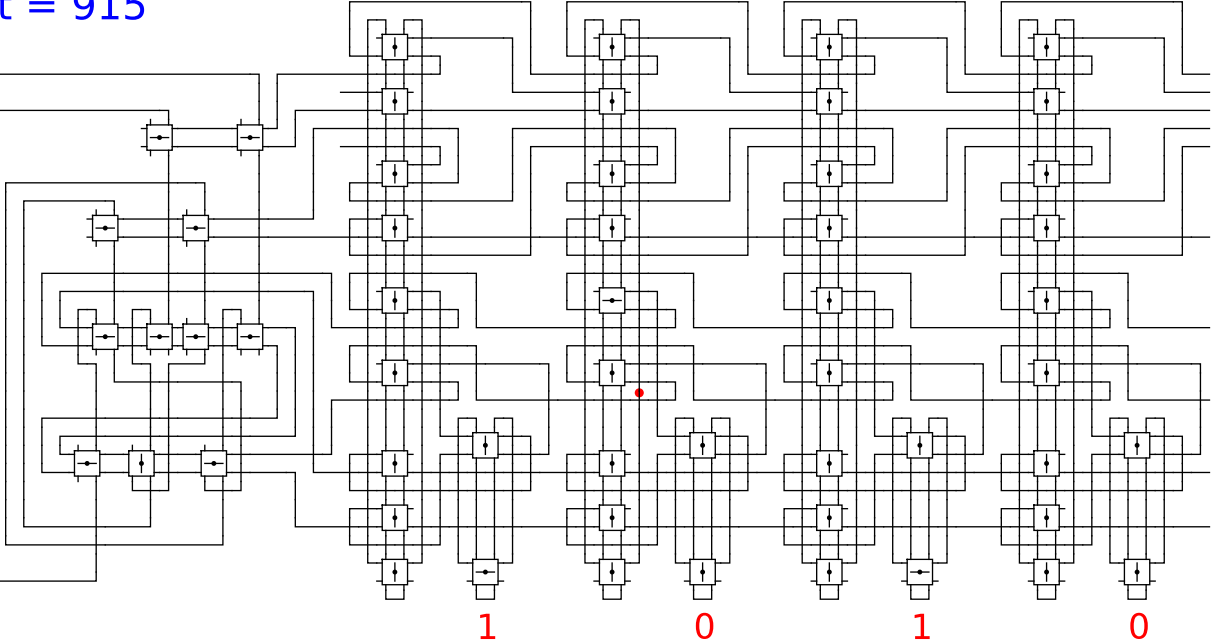
Begin



t = 915

Reject
Accept

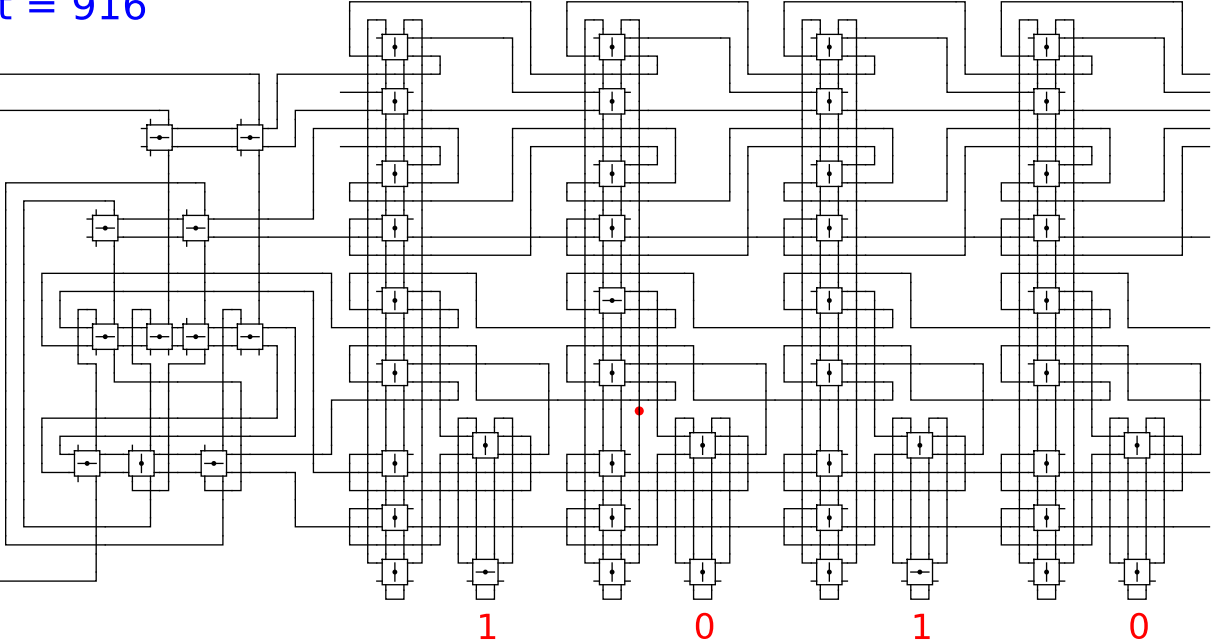
Begin



t = 916

Reject
Accept

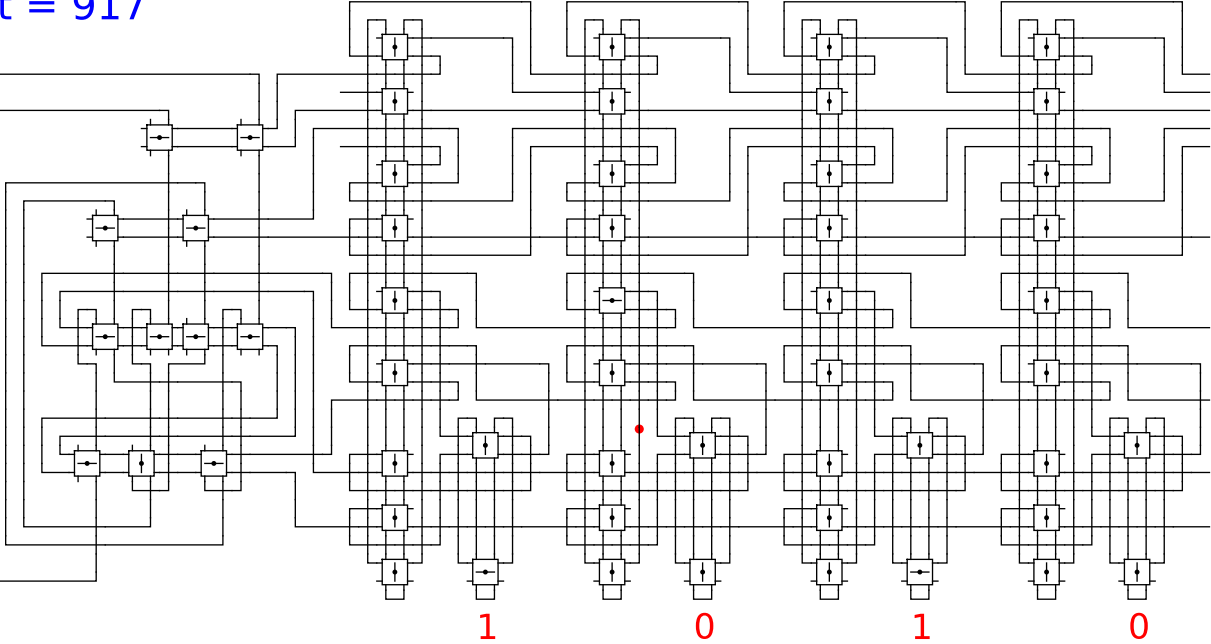
Begin



t = 917

Reject
Accept

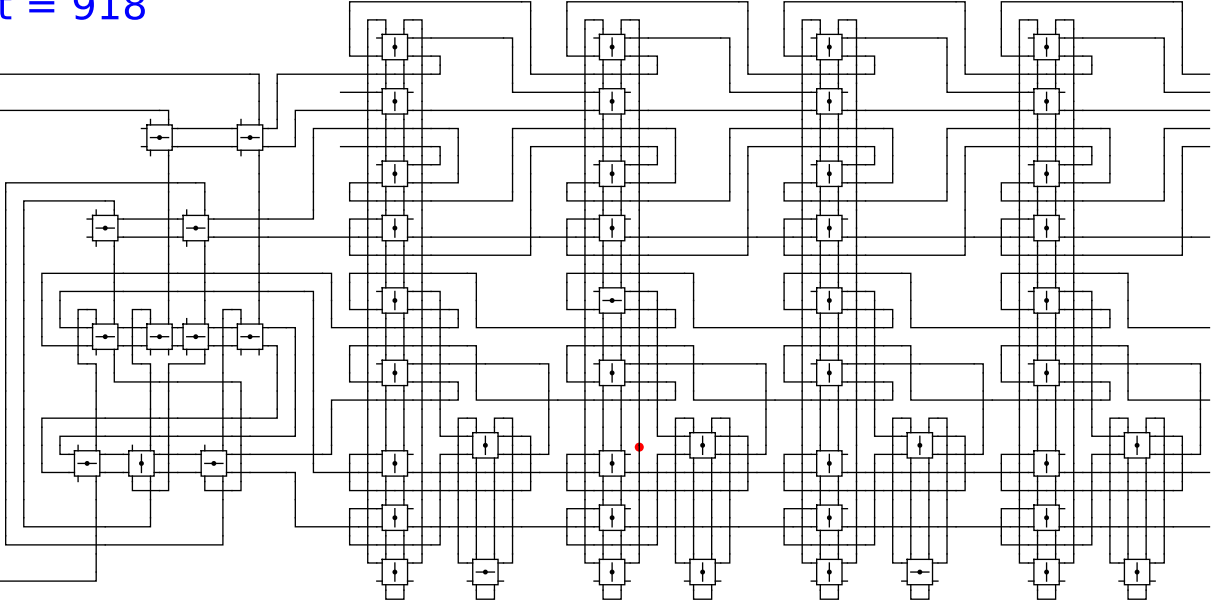
Begin



t = 918

Reject
Accept

Begin



1

0

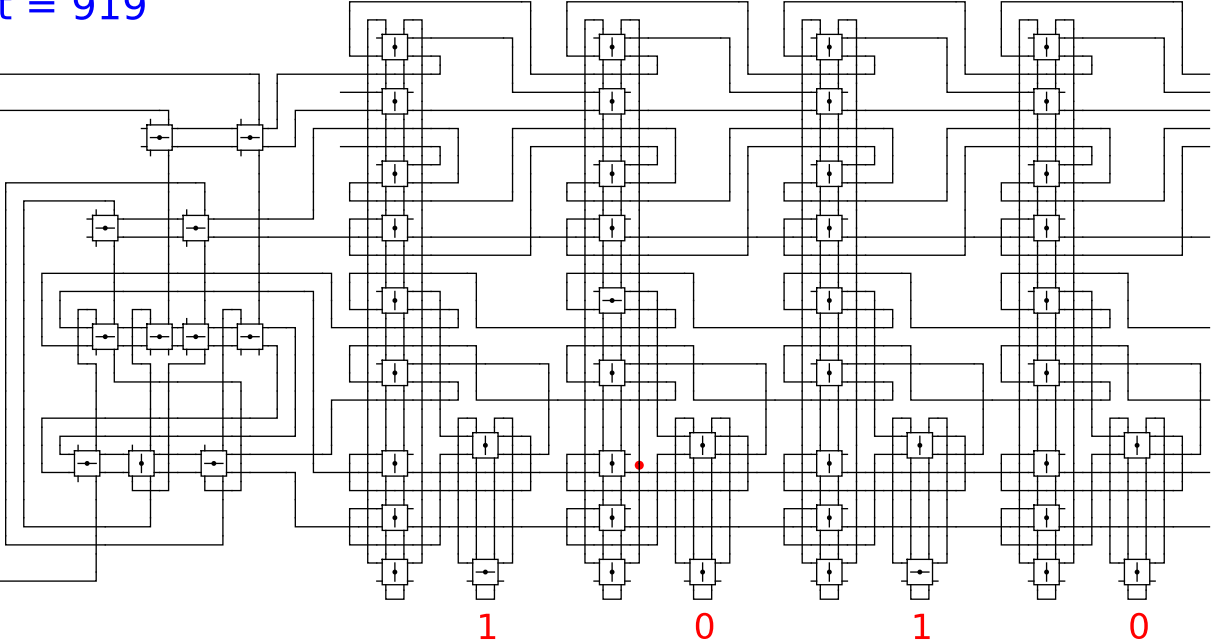
1

0

t = 919

Reject
Accept

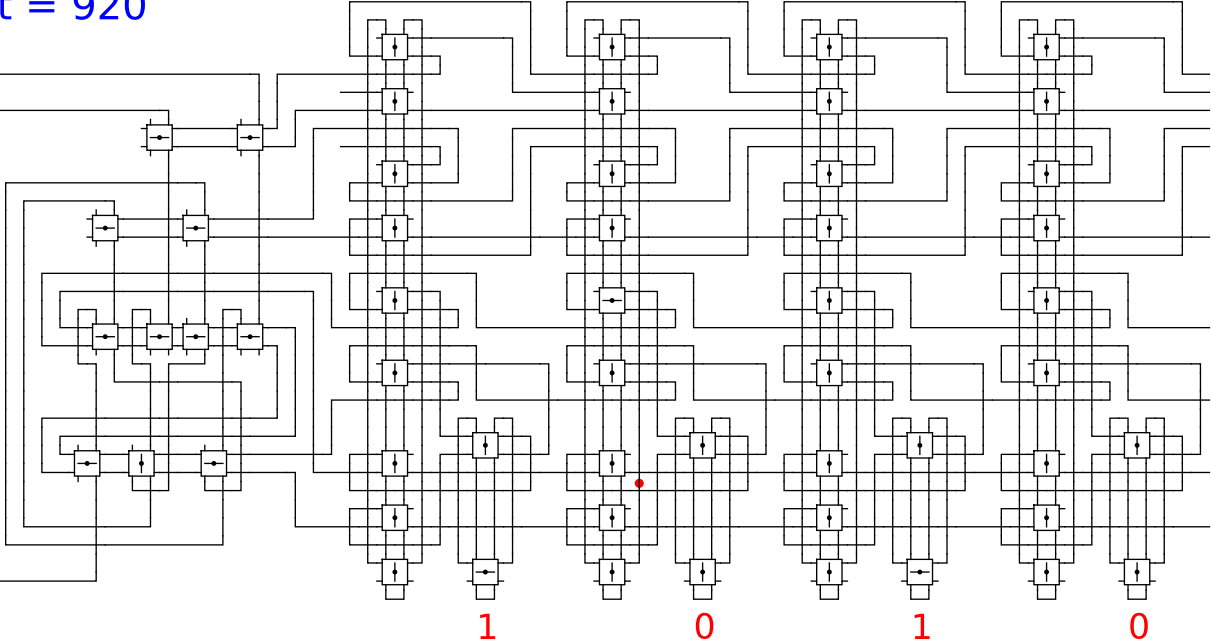
Begin



t = 920

Reject
Accept

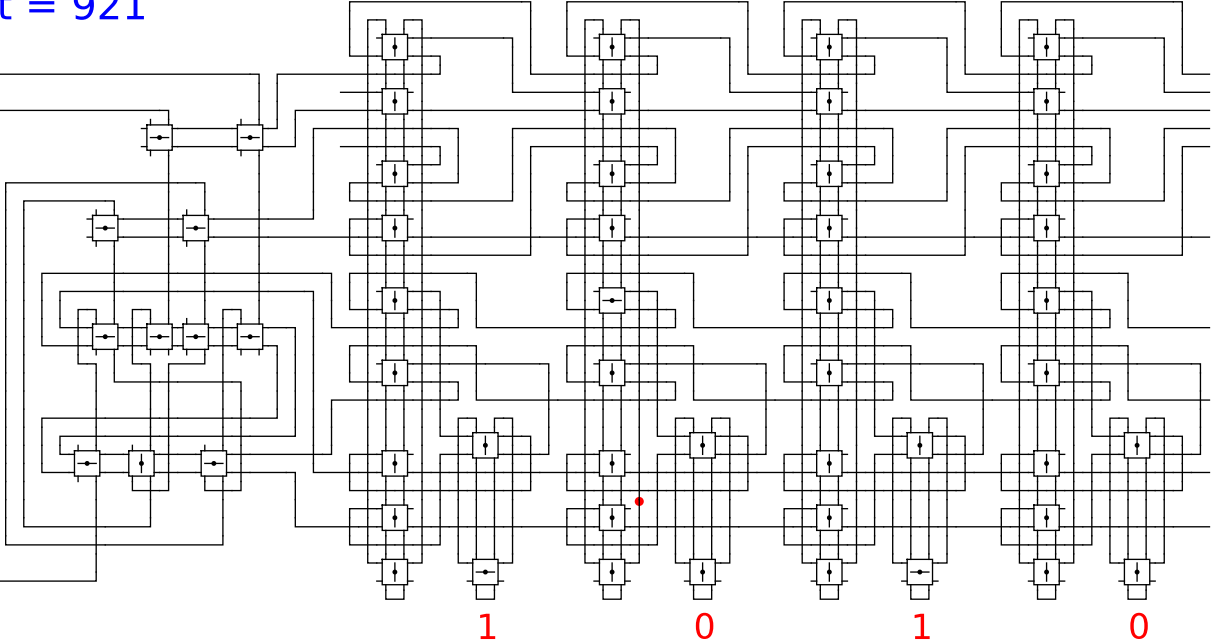
Begin



t = 921

Reject
Accept

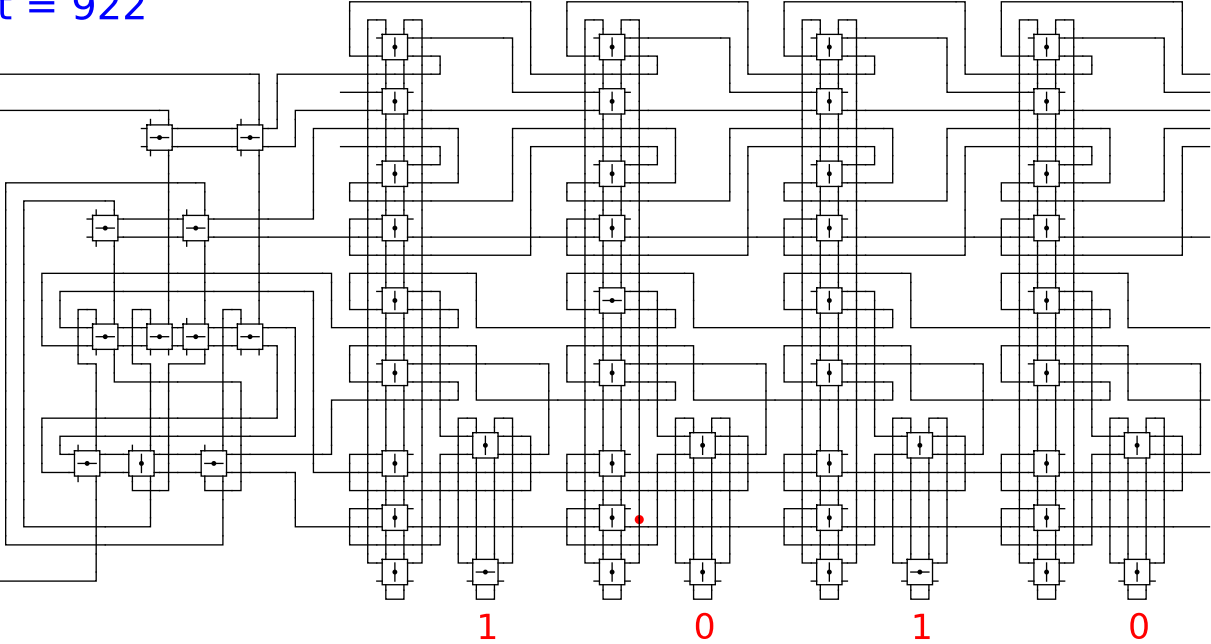
Begin



t = 922

Reject
Accept

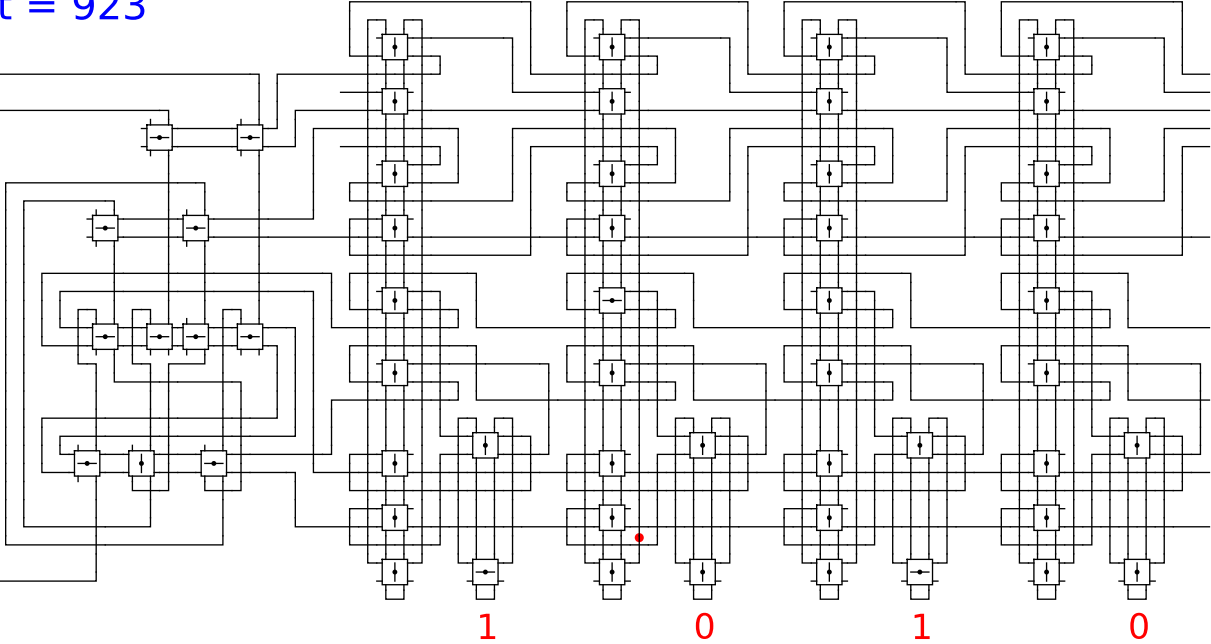
Begin



t = 923

Reject
Accept

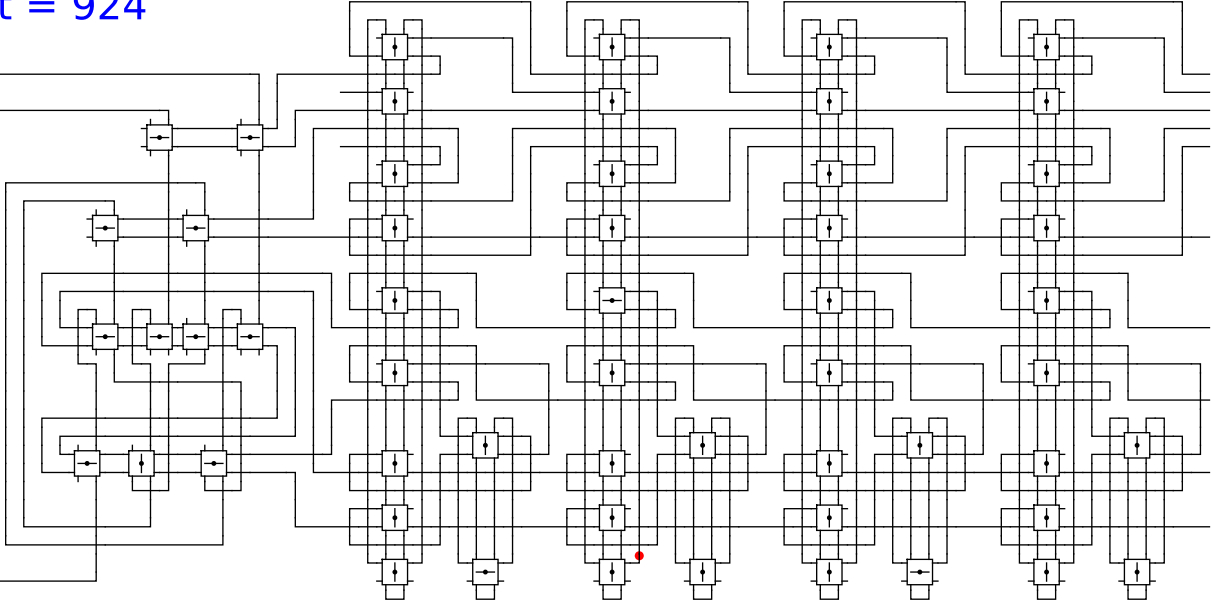
Begin



t = 924

Reject
Accept

Begin



1

0

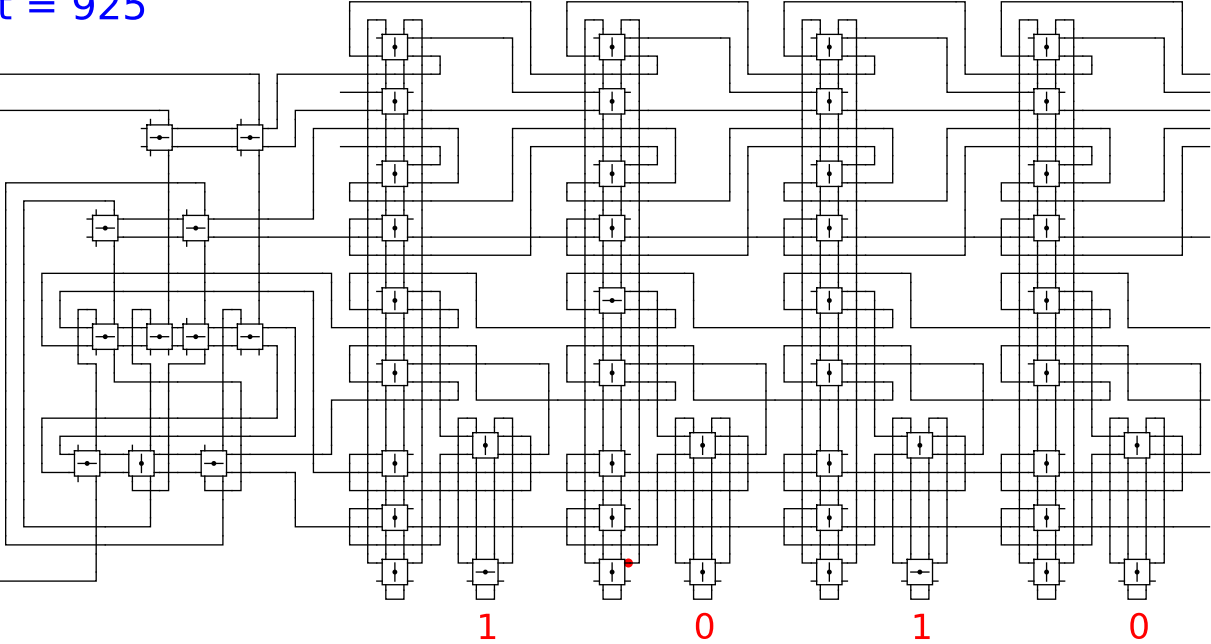
1

0

t = 925

Reject
Accept

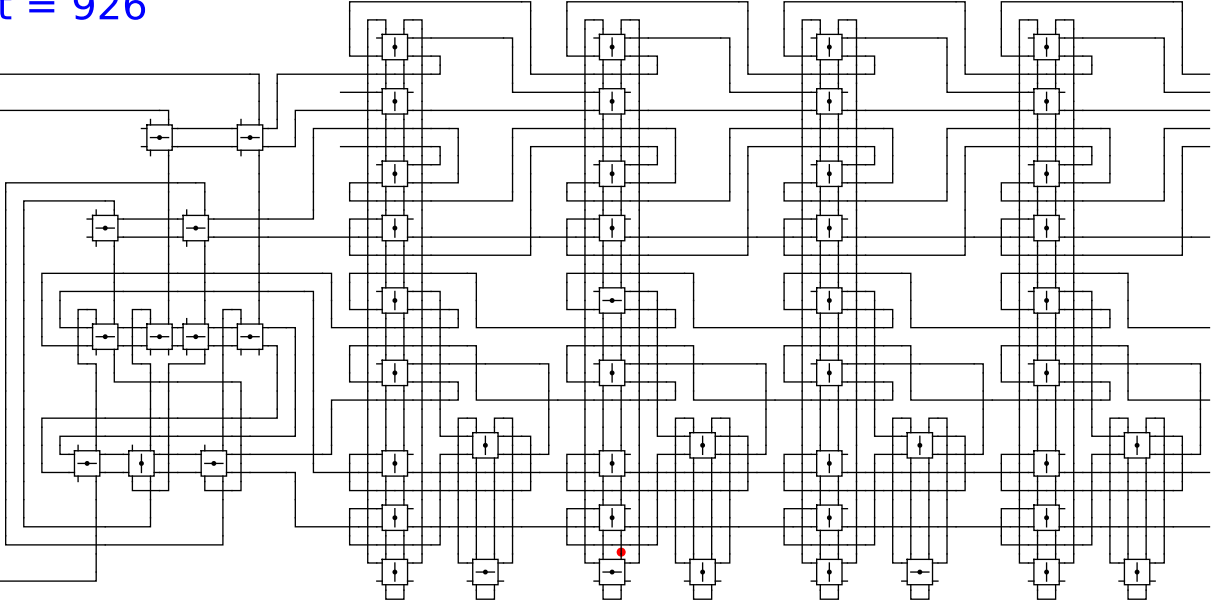
Begin



t = 926

Reject
Accept

Begin

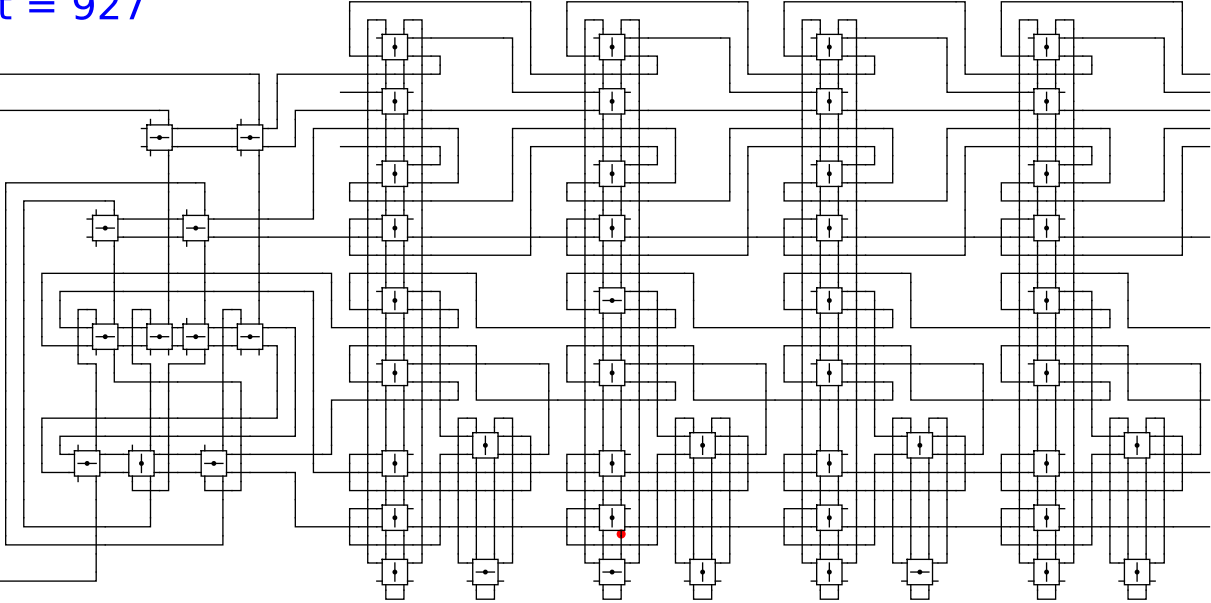


1 head 0 1 0

t = 927

Reject
Accept

Begin



1

head

0

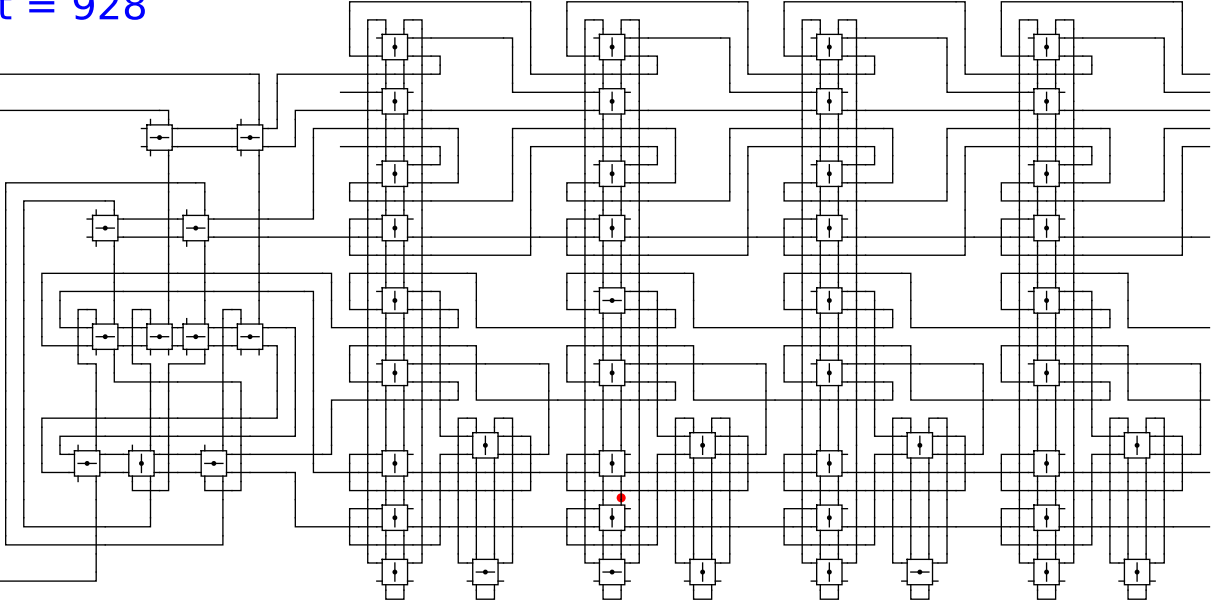
1

0

t = 928

Reject
Accept

Begin

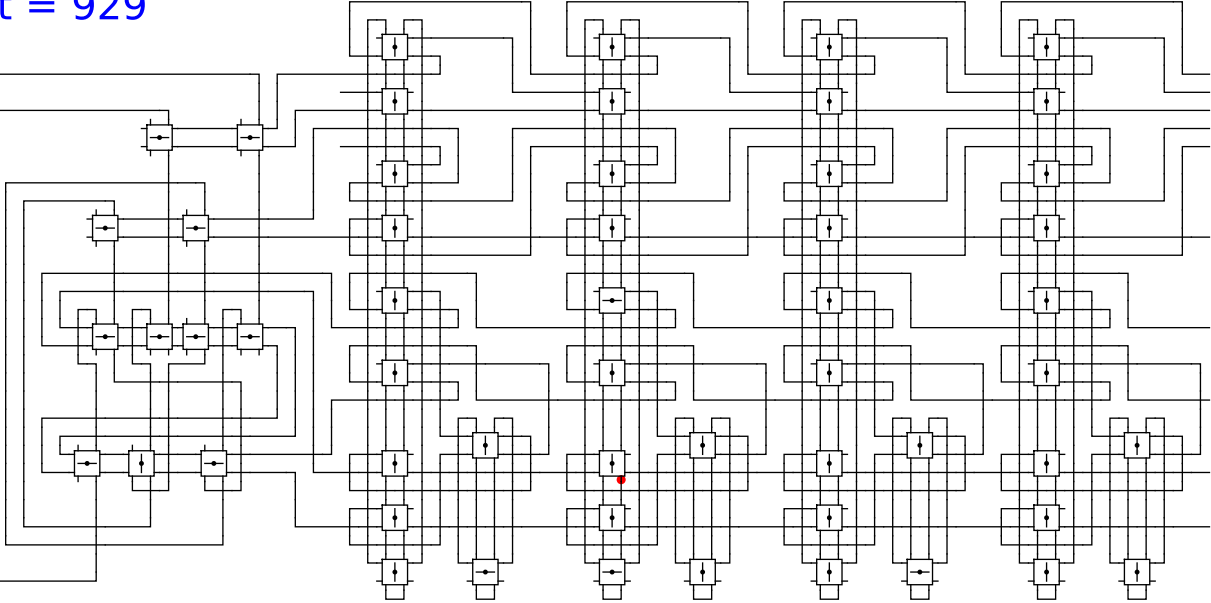


1 head 0 1 0

t = 929

Reject
Accept

Begin

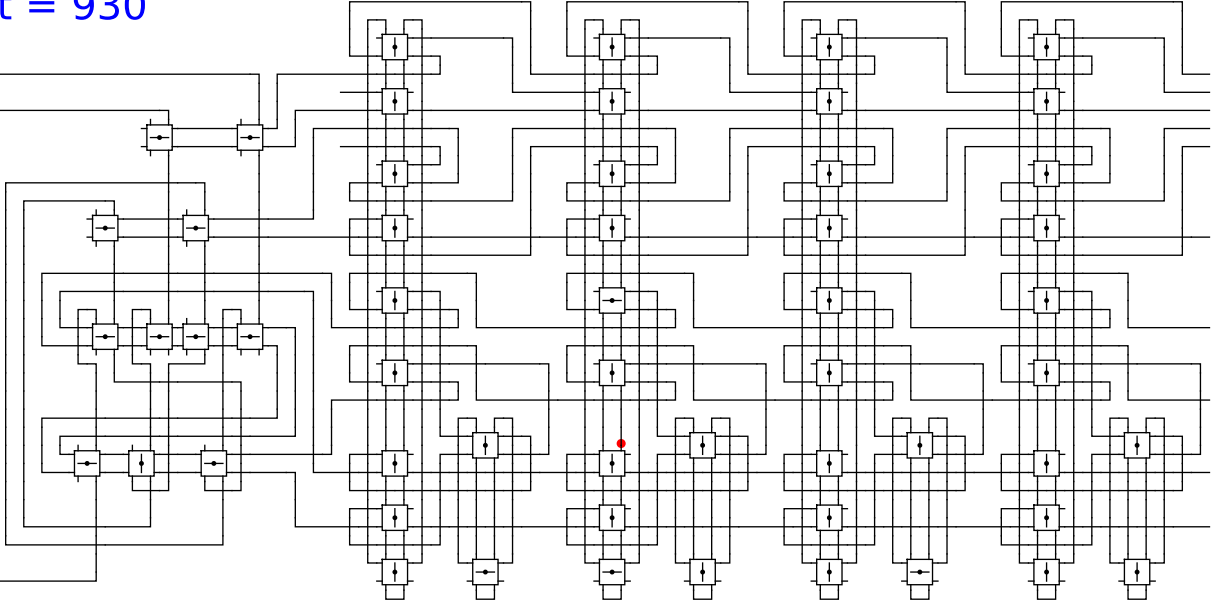


1 head 0 1 0

t = 930

Reject
Accept

Begin

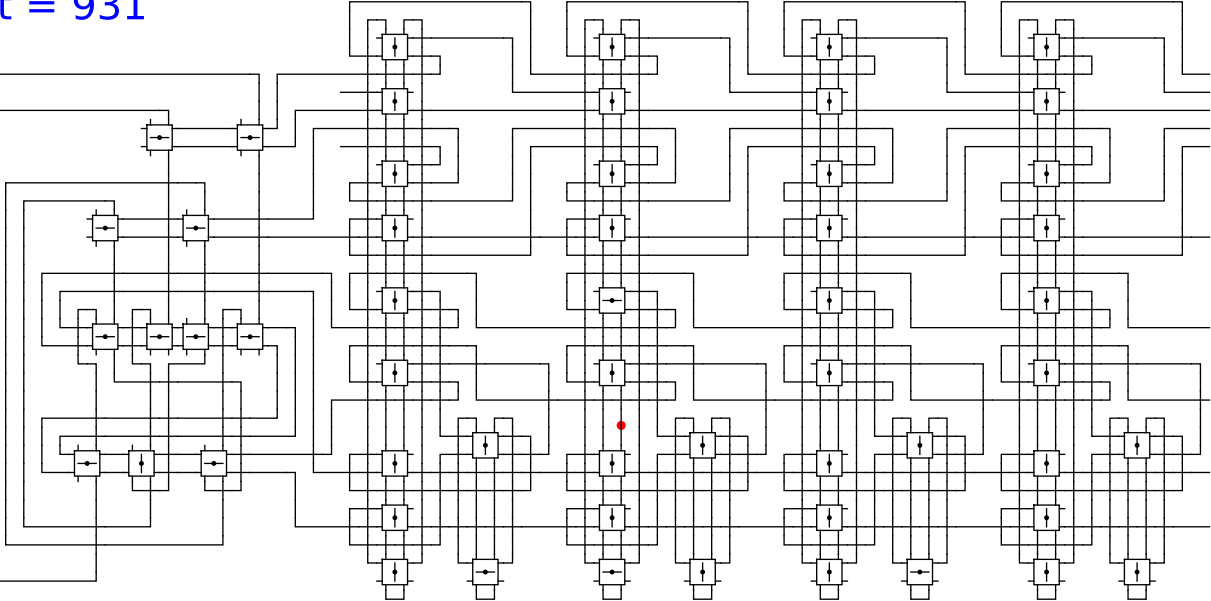


1 0 1 0

t = 931

Reject
Accept

Begin

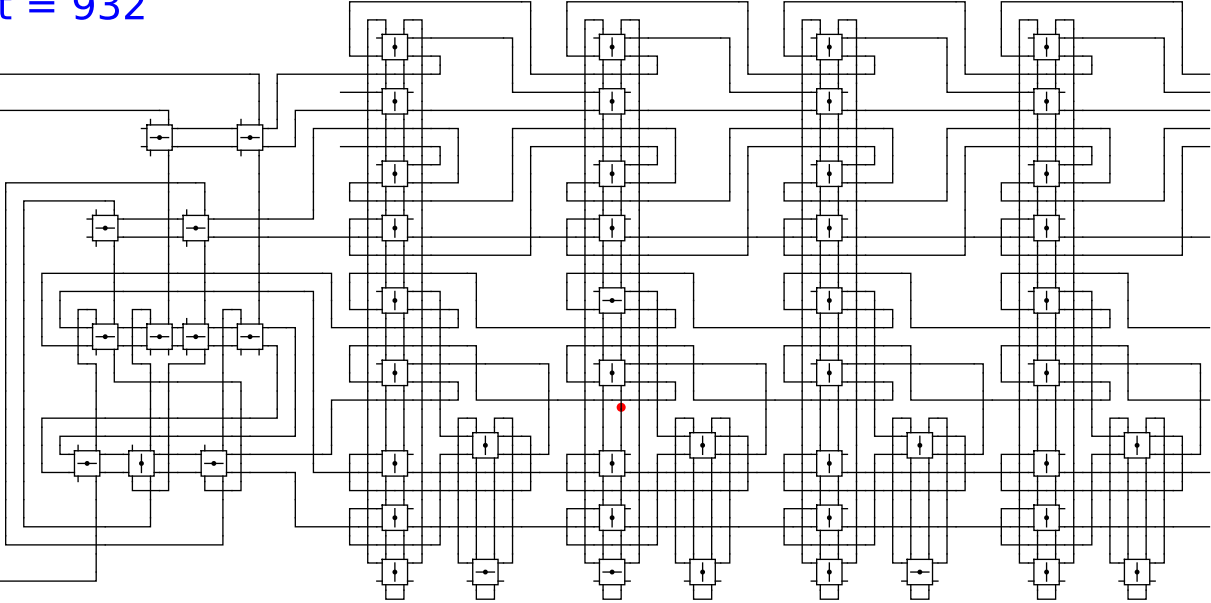


1 head 0 1 0

t = 932

Reject
Accept

Begin

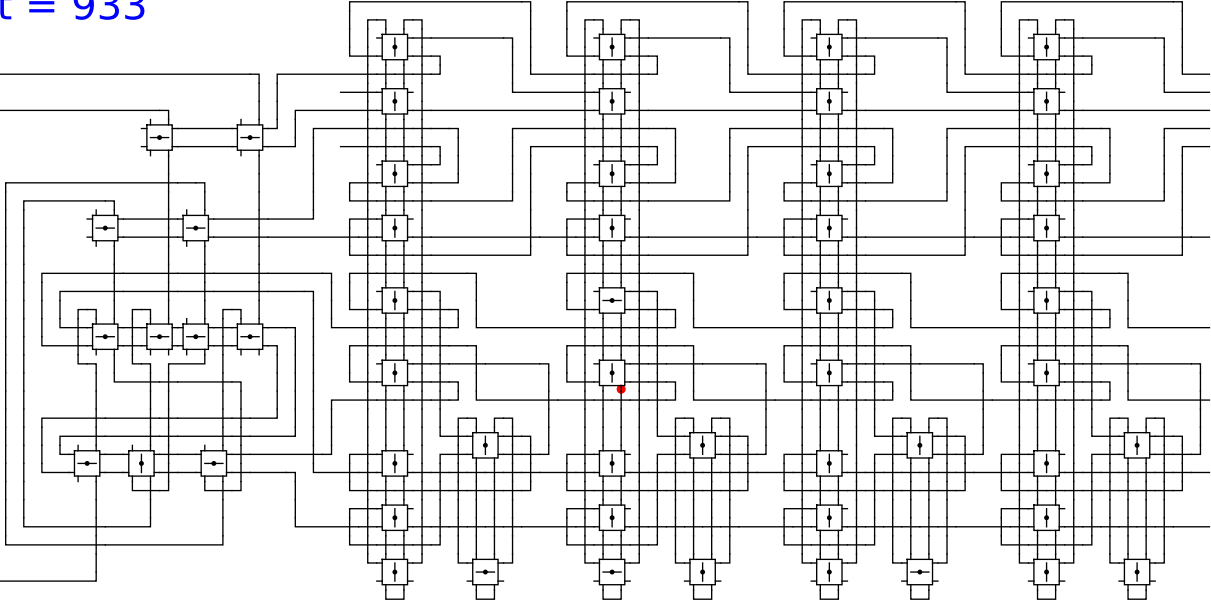


1 head 0 1 0

t = 933

Reject
Accept

Begin

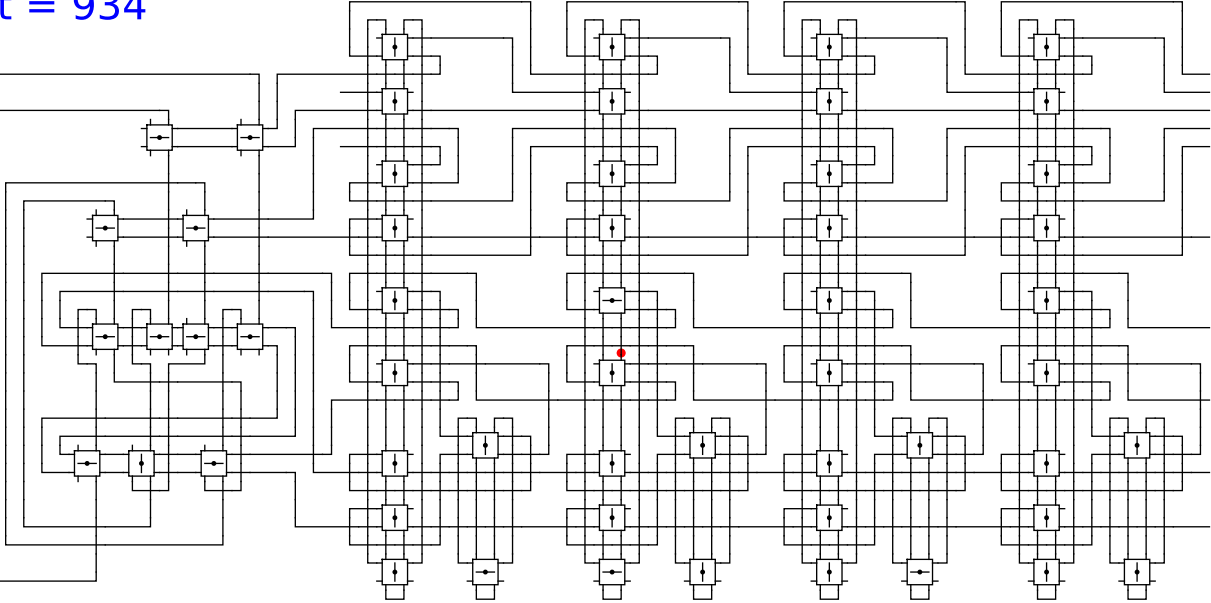


1 head 0 1 0

t = 934

Reject
Accept

Begin

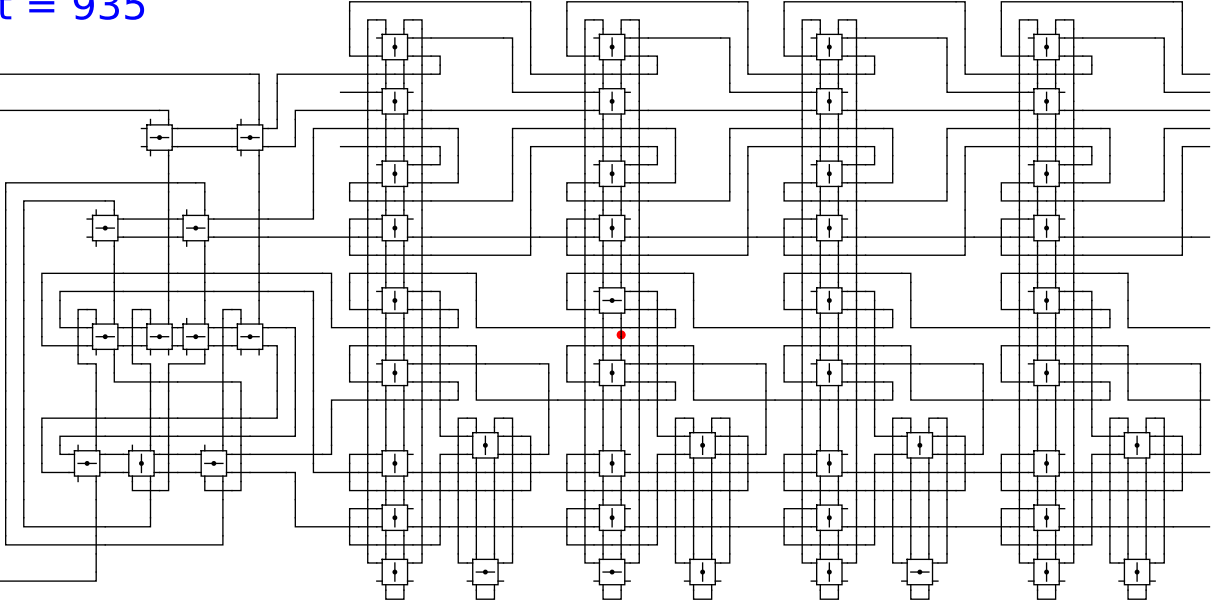


1 head 0 1 0

t = 935

Reject
Accept

Begin

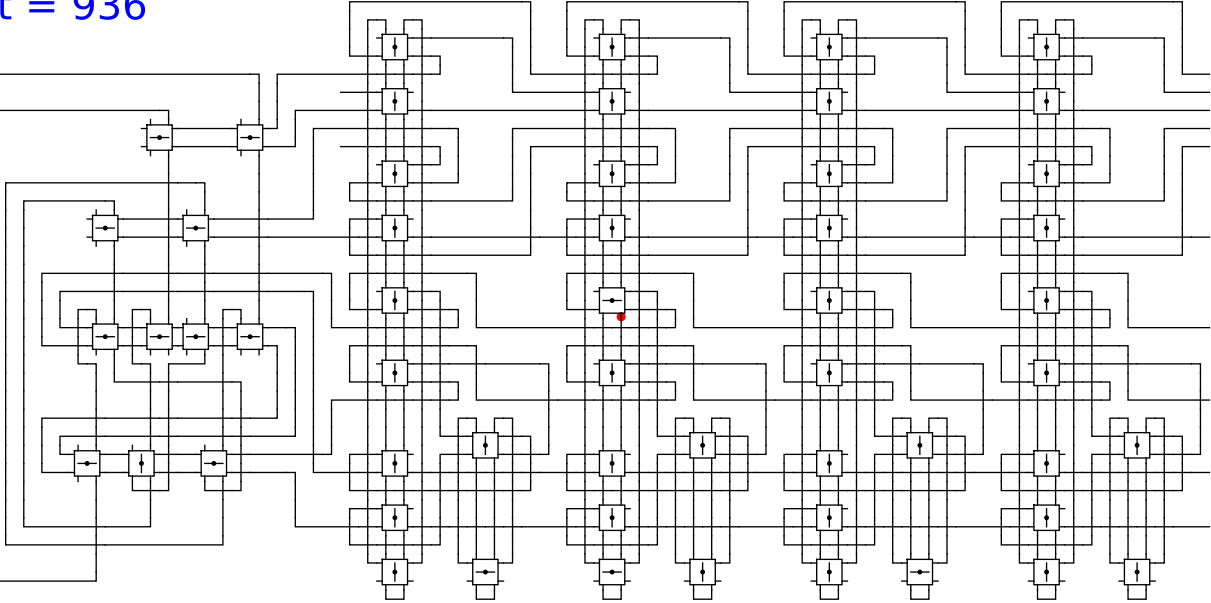


1 head 0 1 0

t = 936

Reject
Accept

Begin

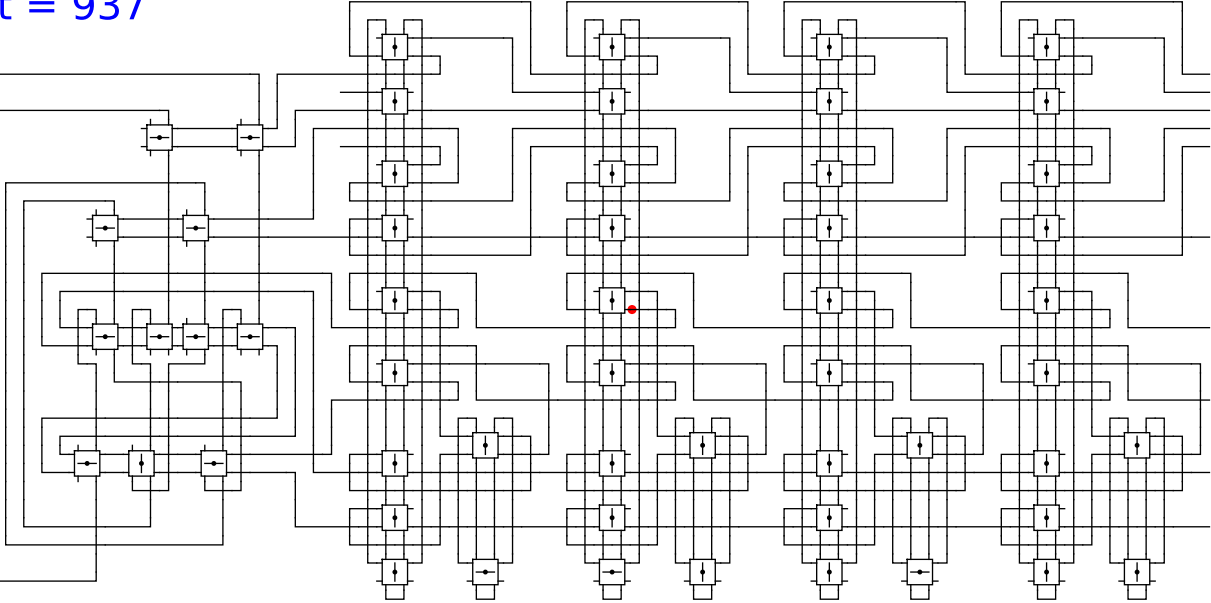


1 head 0 1 0

t = 937

Reject
Accept

Begin

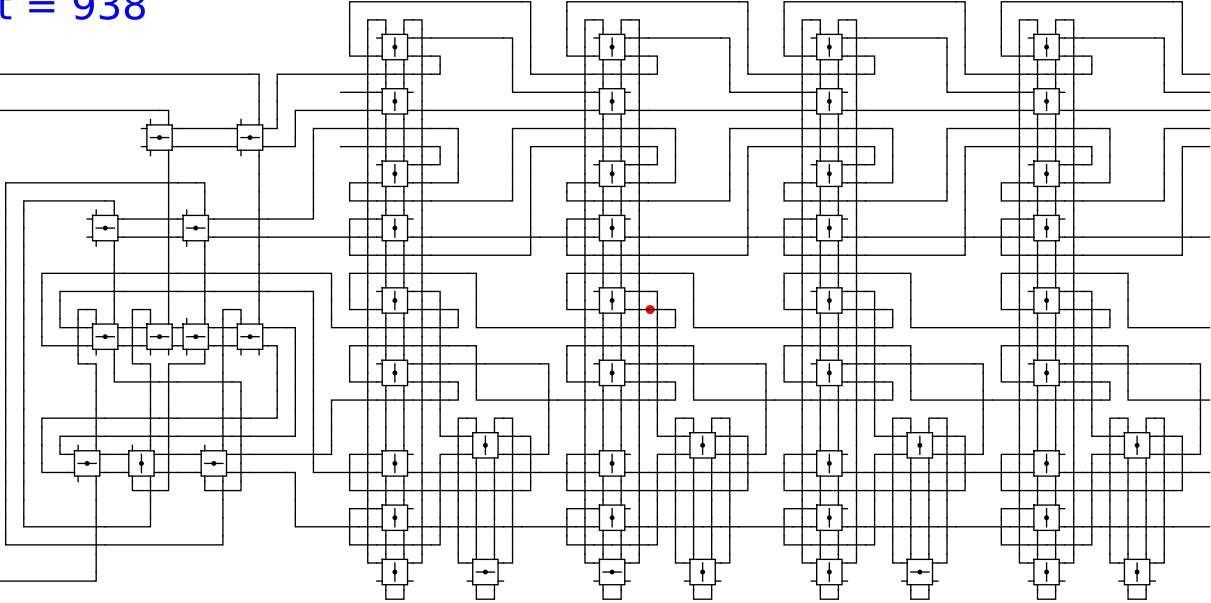


1 head 0 1 0

t = 938

Reject
Accept

Begin

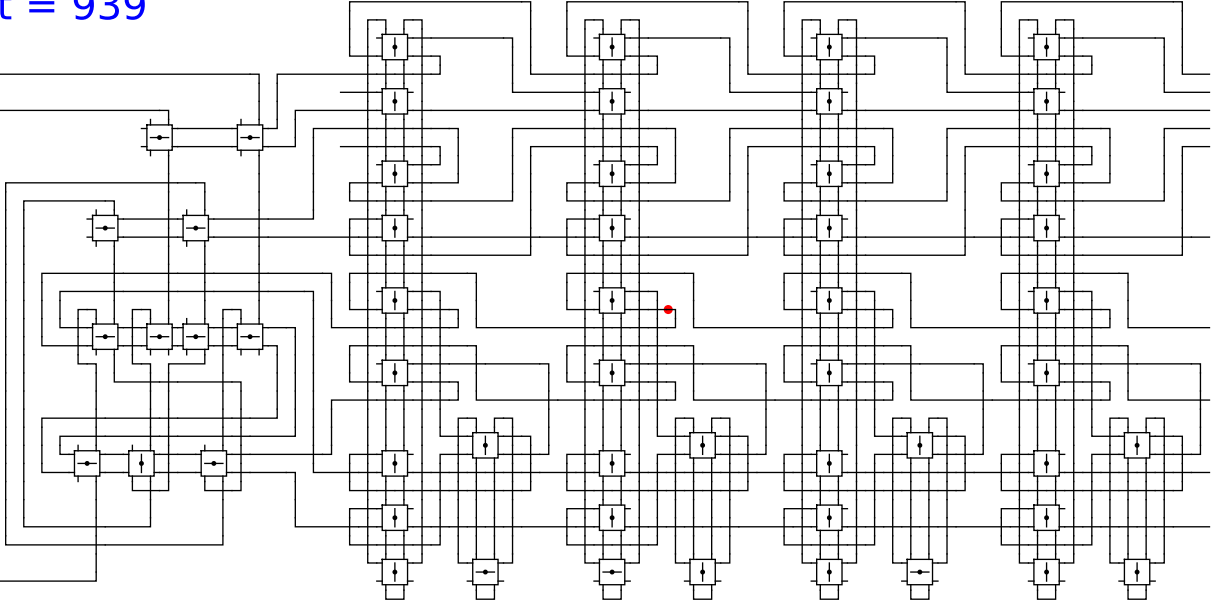


1 head 0 1 0

t = 939

Reject
Accept

Begin

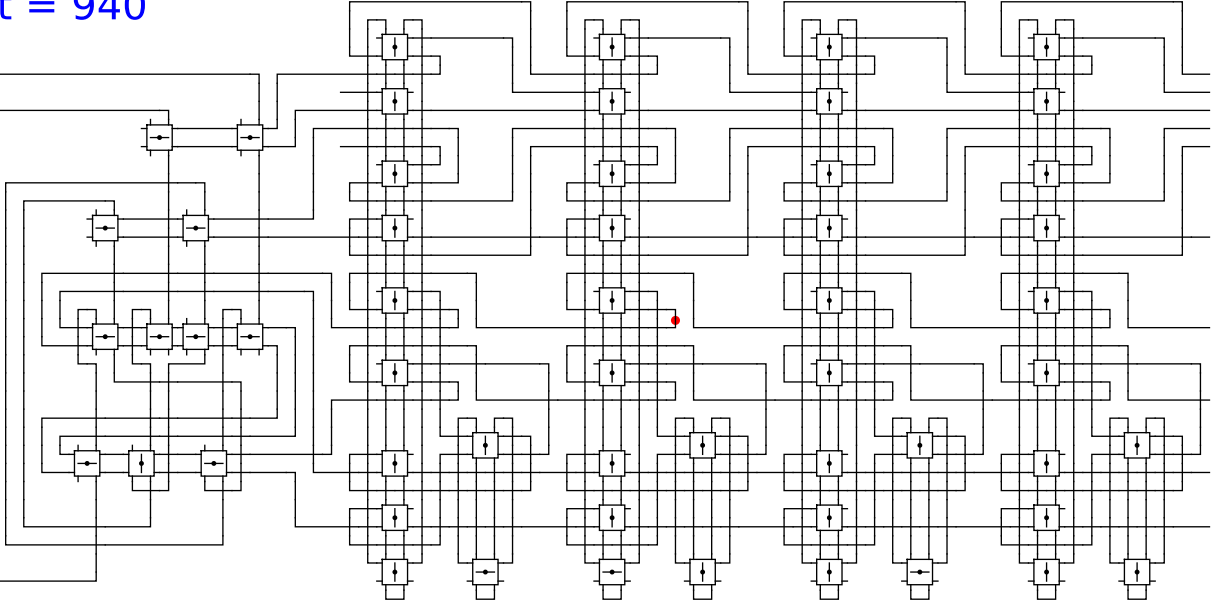


1 head 0 1 0

t = 940

Reject
Accept

Begin

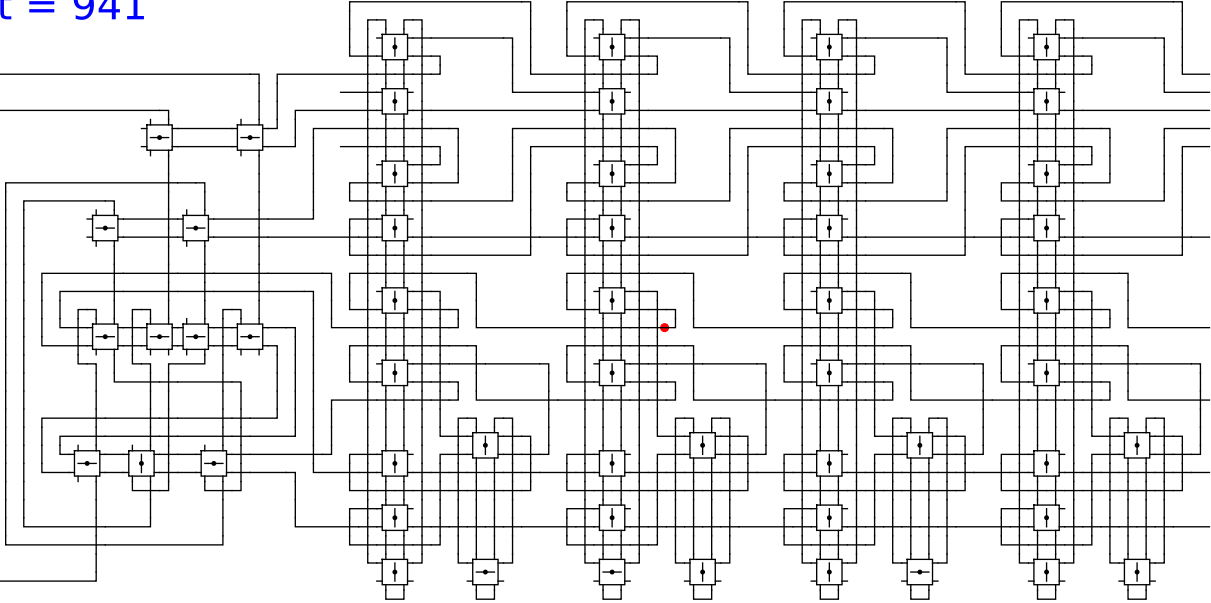


1 head 0 1 0

t = 941

Reject
Accept

Begin

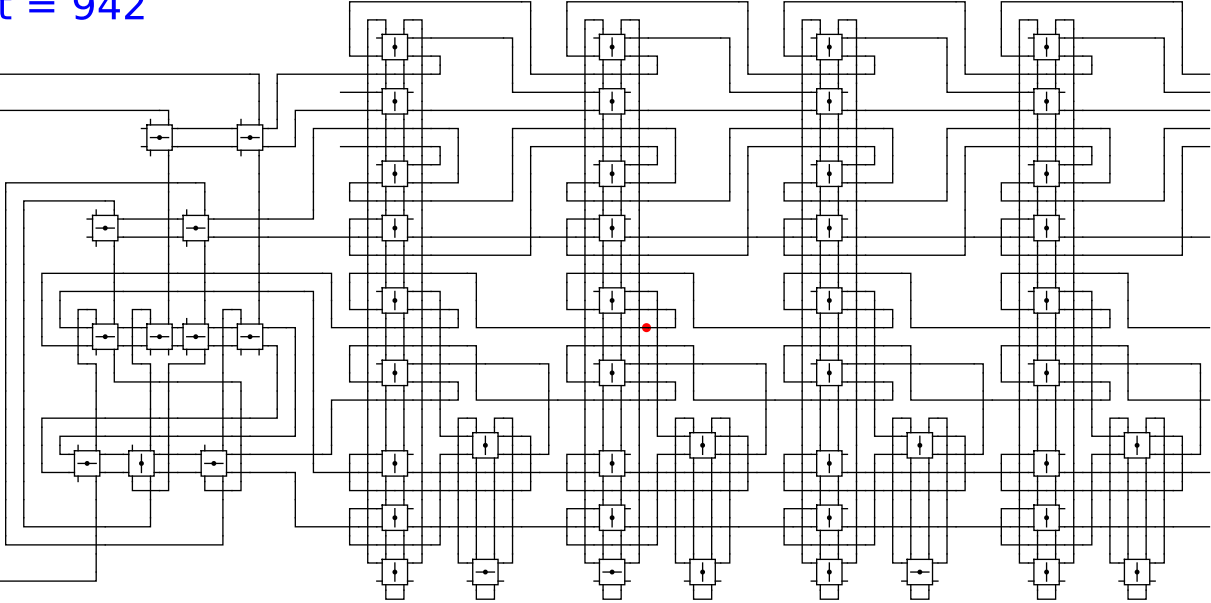


1 head 0 1 0

t = 942

Reject
Accept

Begin

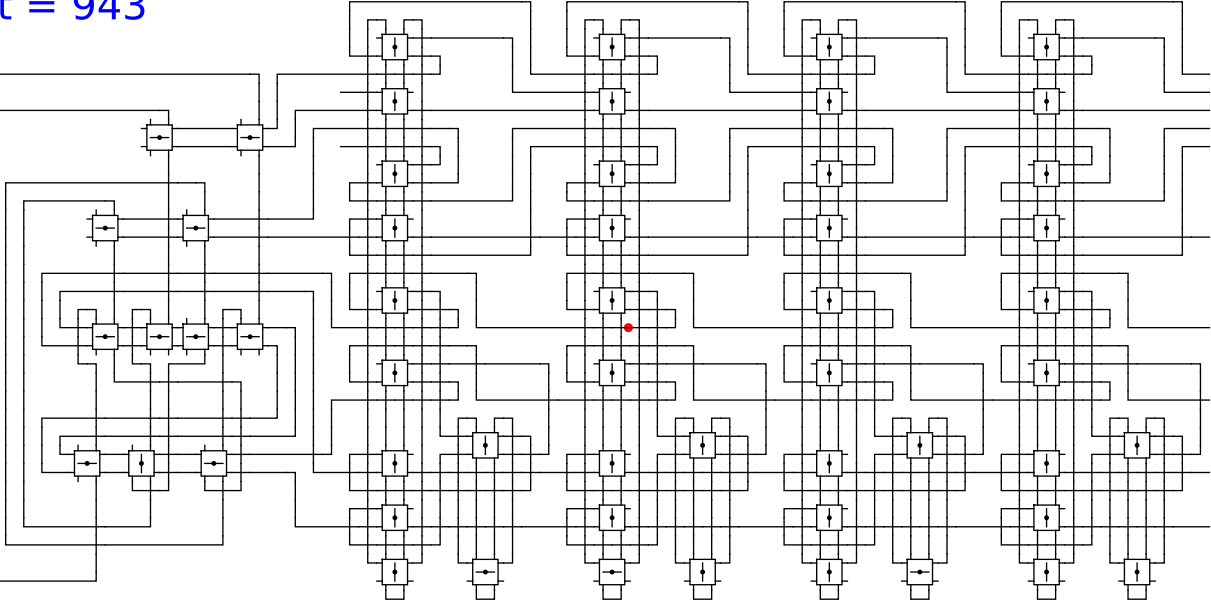


1 head 0 1 0

t = 943

Reject
Accept

Begin

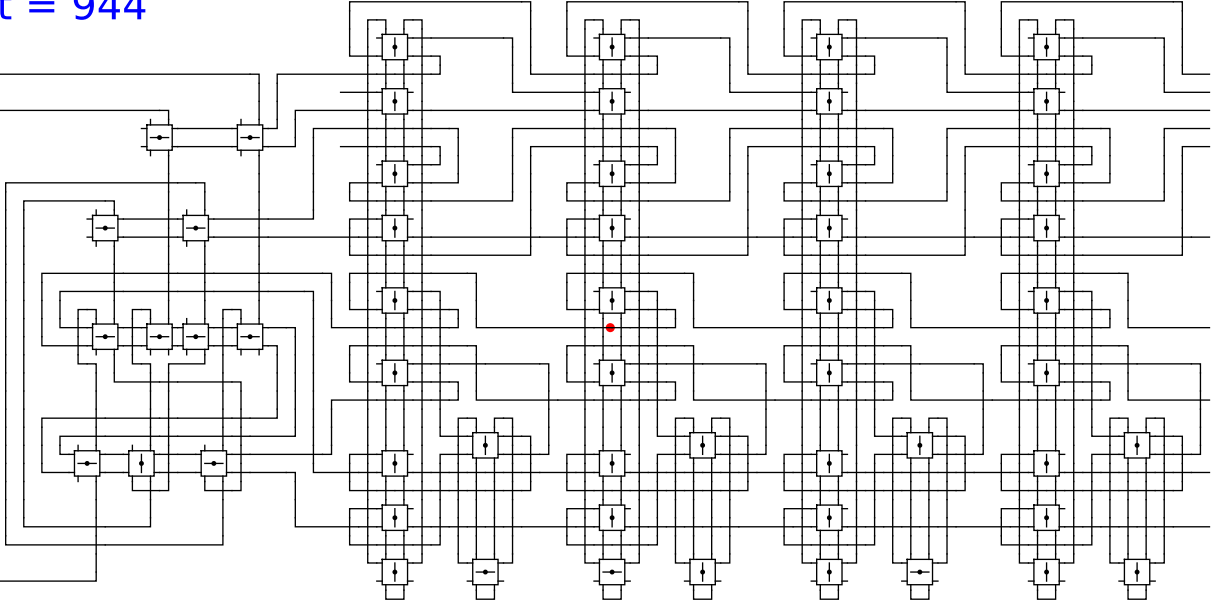


1 head 0 1 0

t = 944

Reject
Accept

Begin

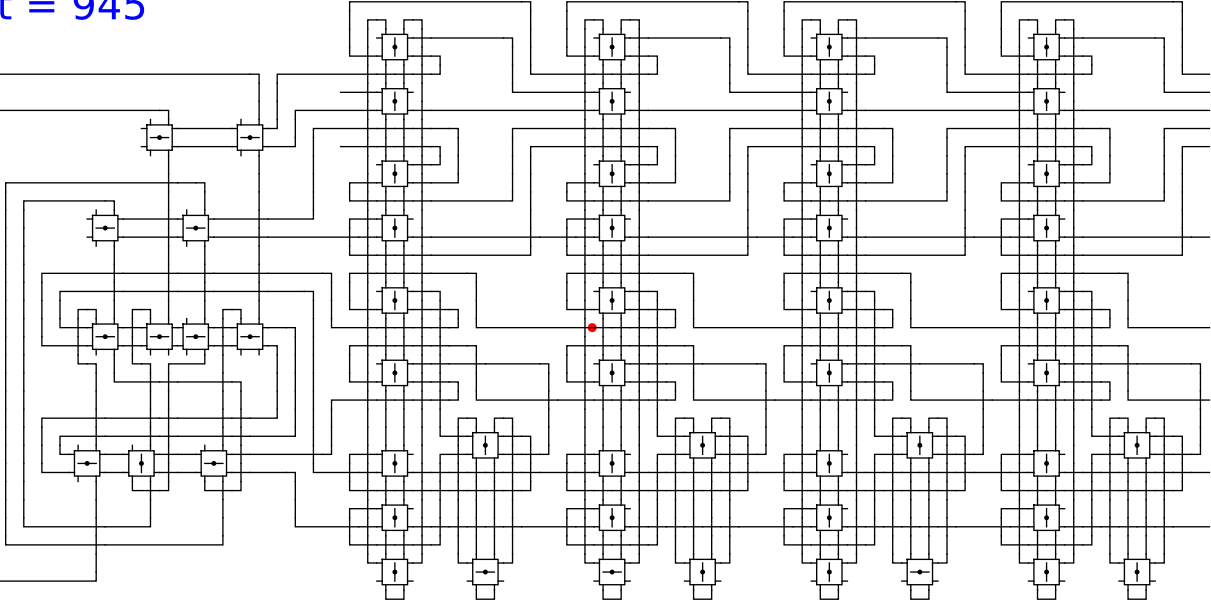


1 head 0 1 0

t = 945

Reject
Accept

Begin

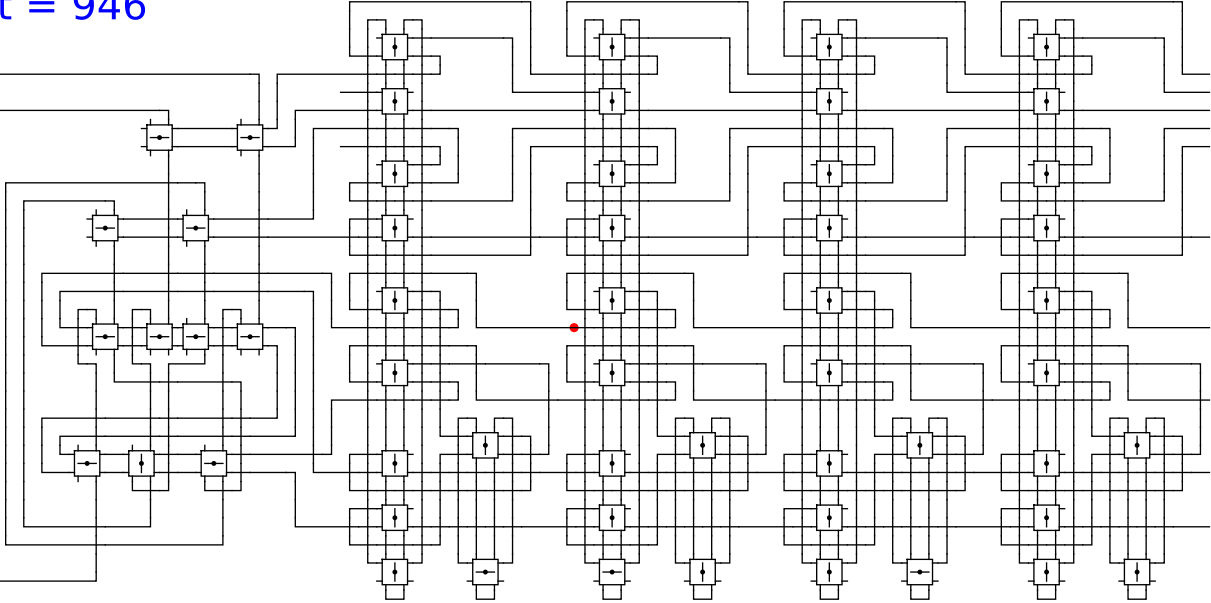


1 head 0 1 0

t = 946

Reject
Accept

Begin

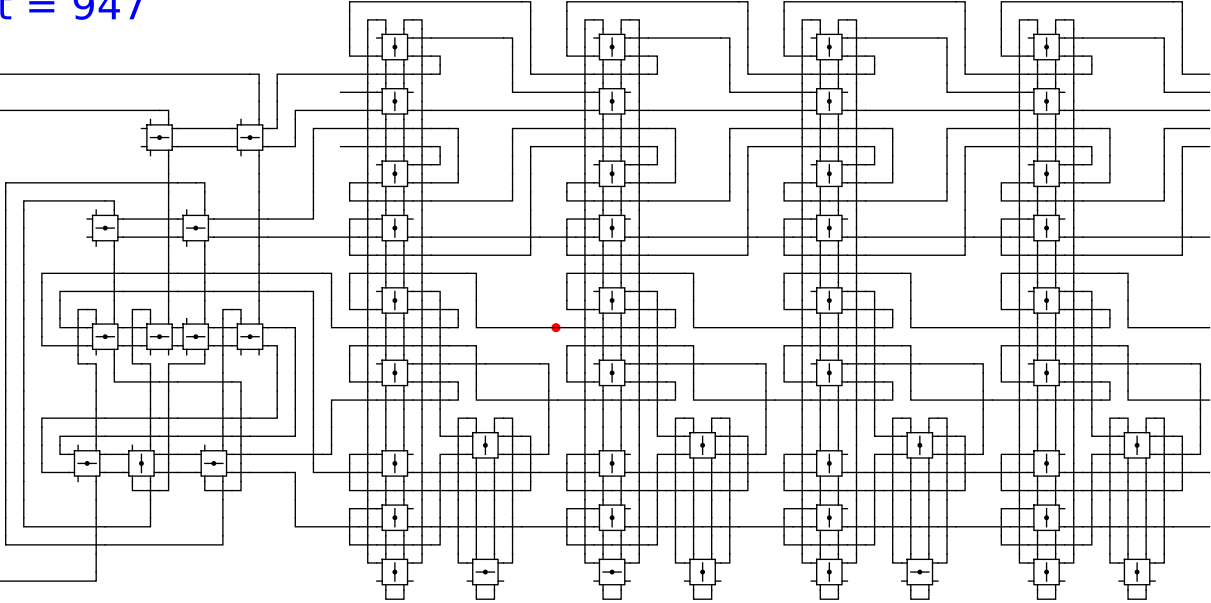


1 head 0 1 0

t = 947

Reject
Accept

Begin

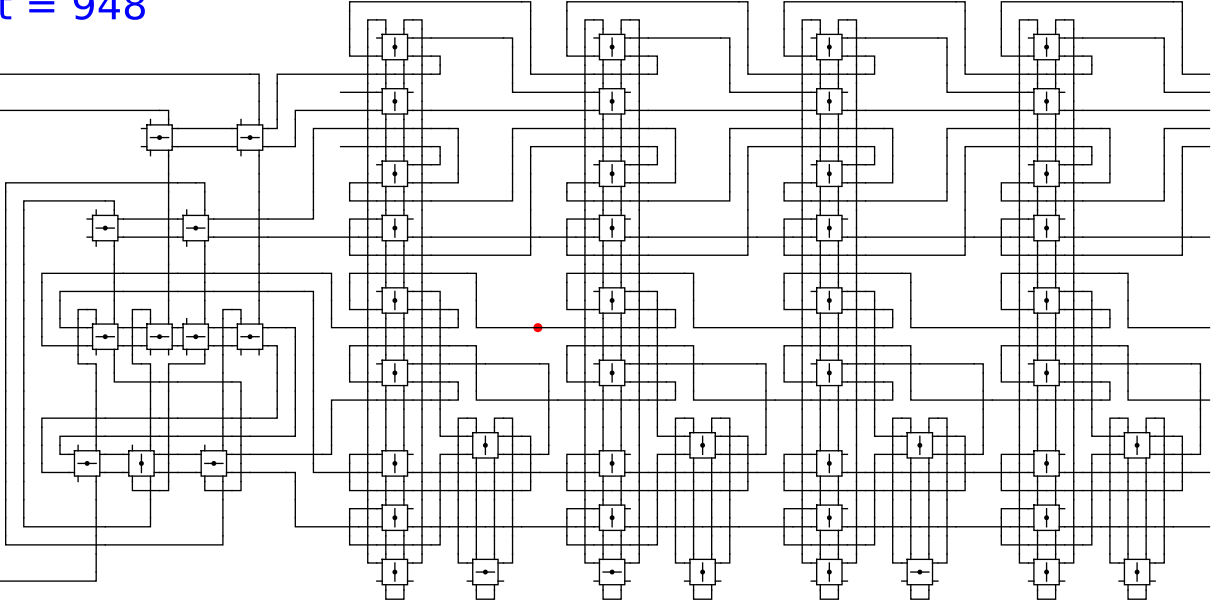


1 head 0 1 0

t = 948

Reject
Accept

Begin

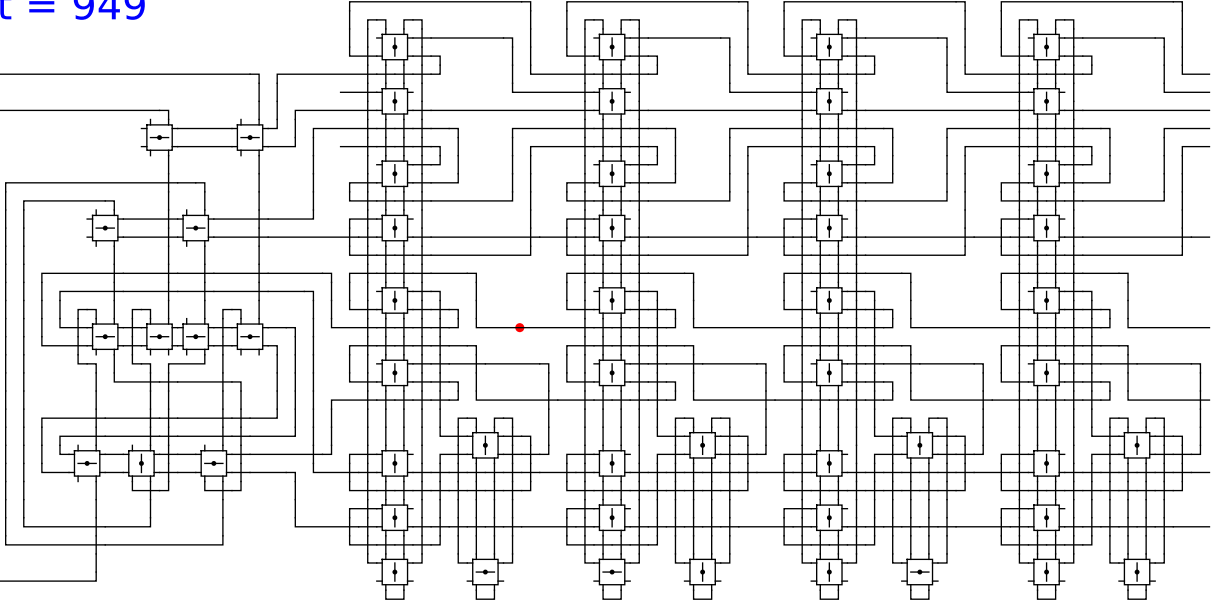


1 head 0 1 0

t = 949

Reject
Accept

Begin

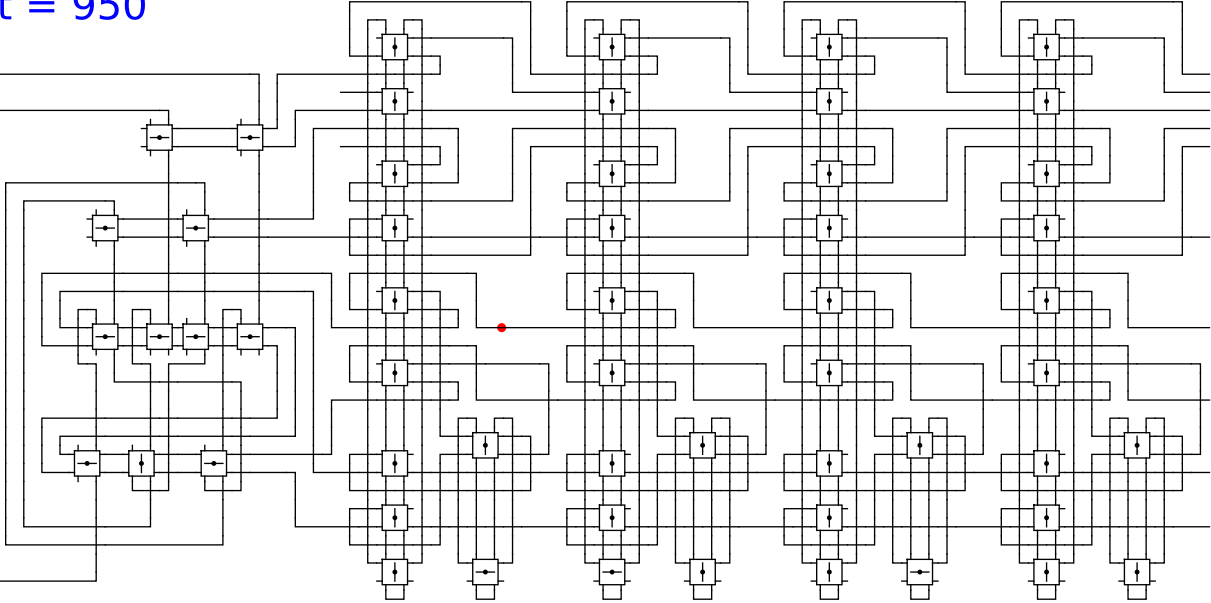


1 head 0 1 0

t = 950

Reject
Accept

Begin

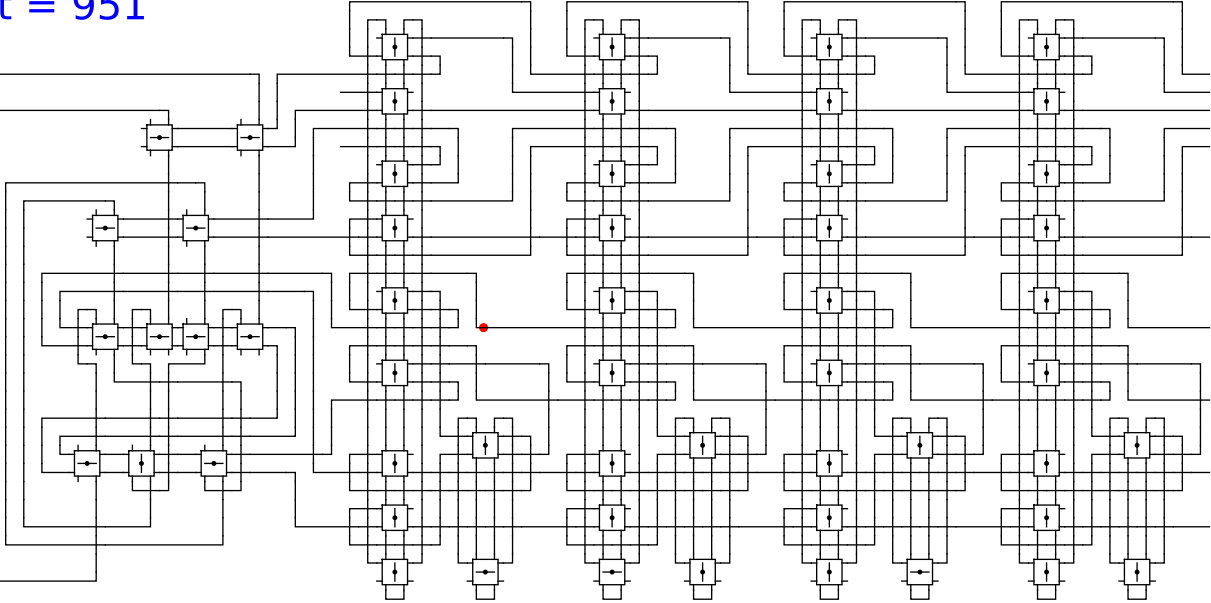


1 head 0 1 0

t = 951

Reject
Accept

Begin

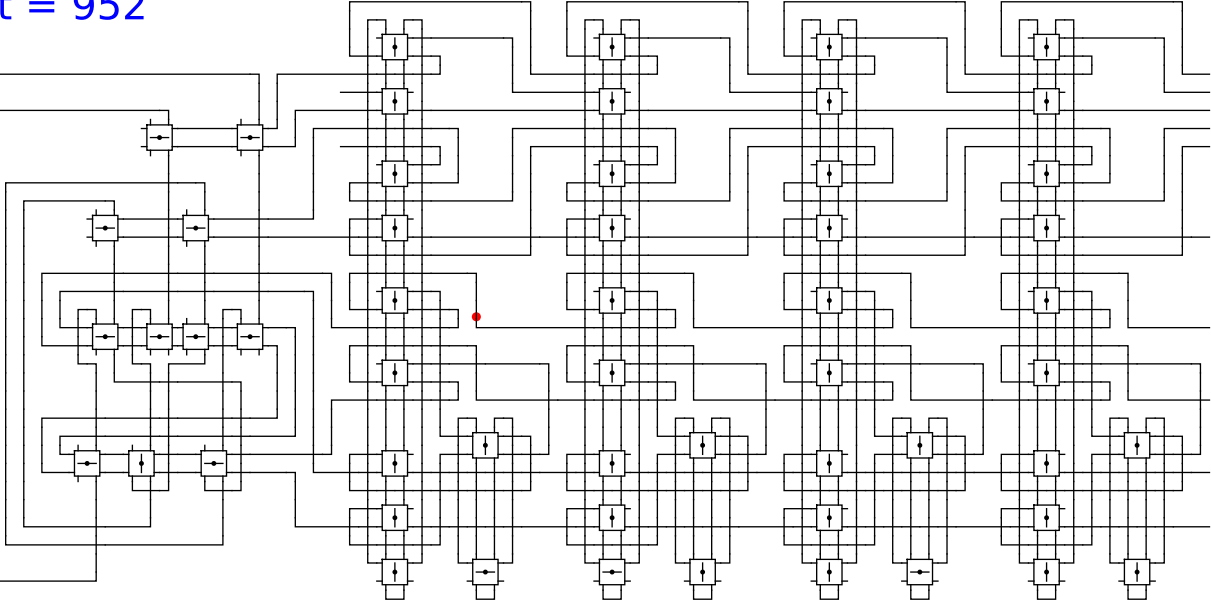


1 head 0 1 0

t = 952

Reject
Accept

Begin

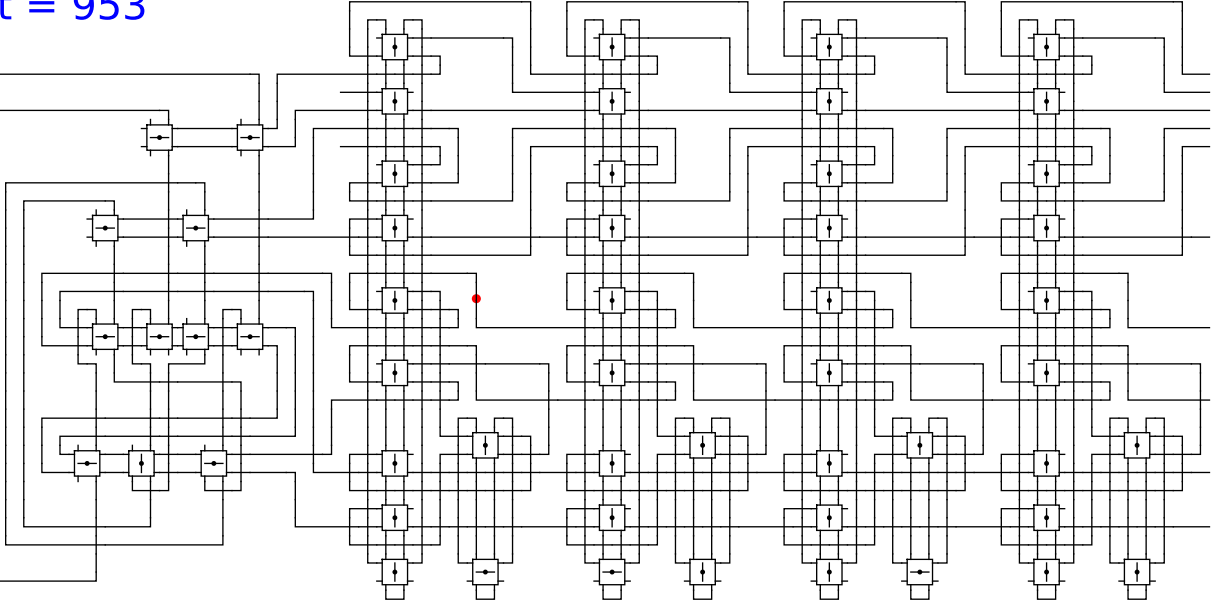


1 head 0 1 0

t = 953

Reject
Accept

Begin



1

head

0

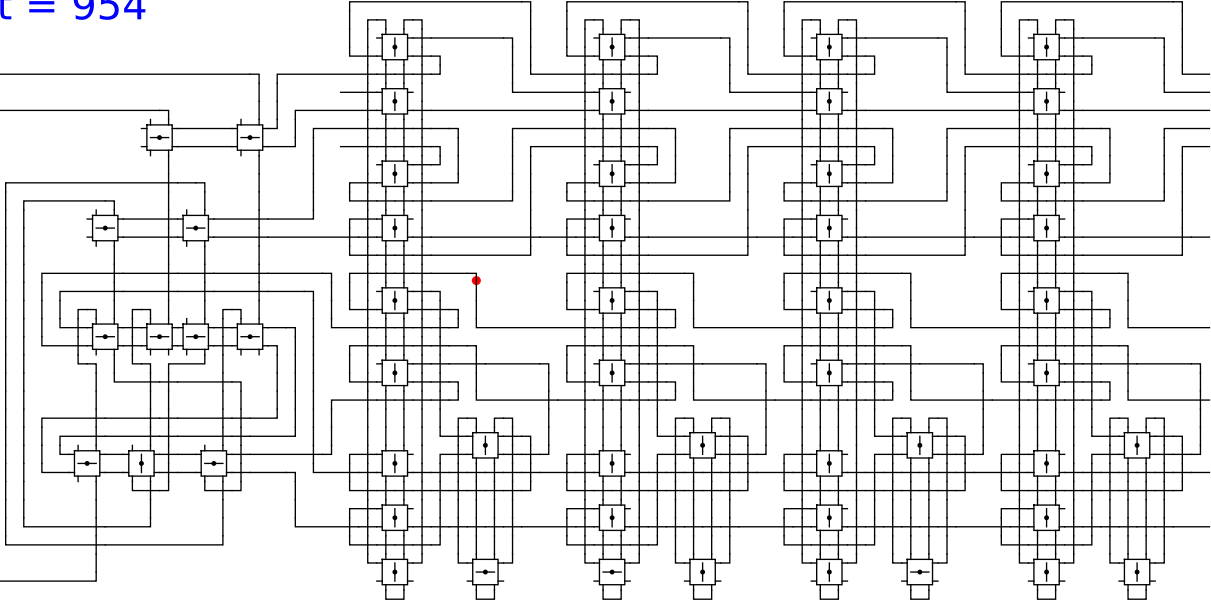
1

0

t = 954

Reject
Accept

Begin

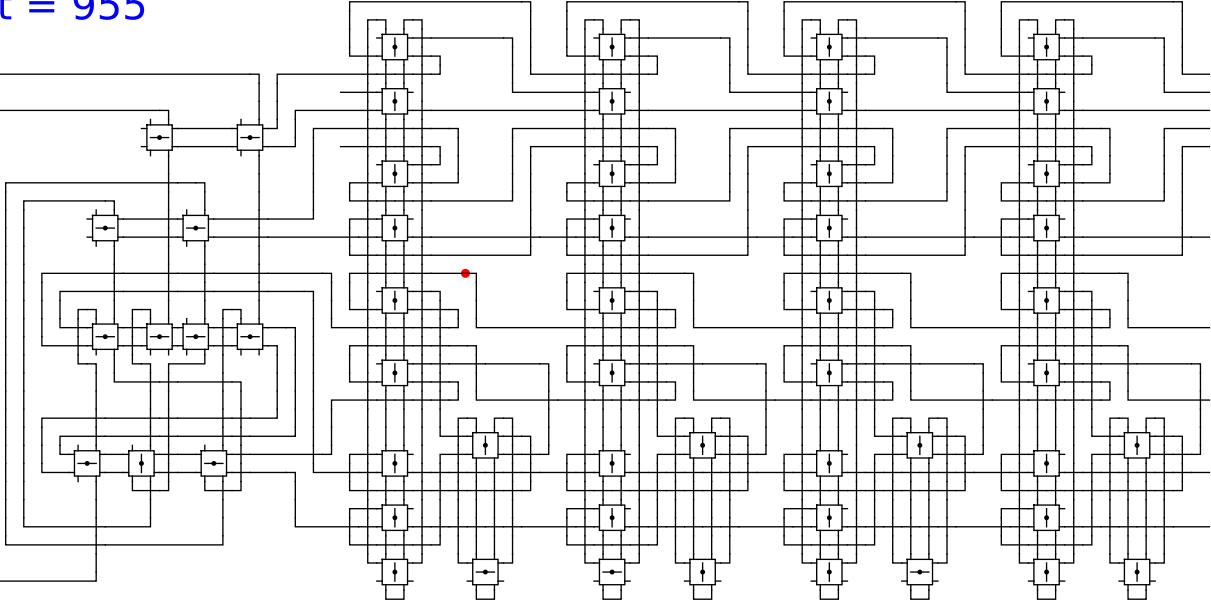


1 head 0 1 0

t = 955

Reject
Accept

Begin

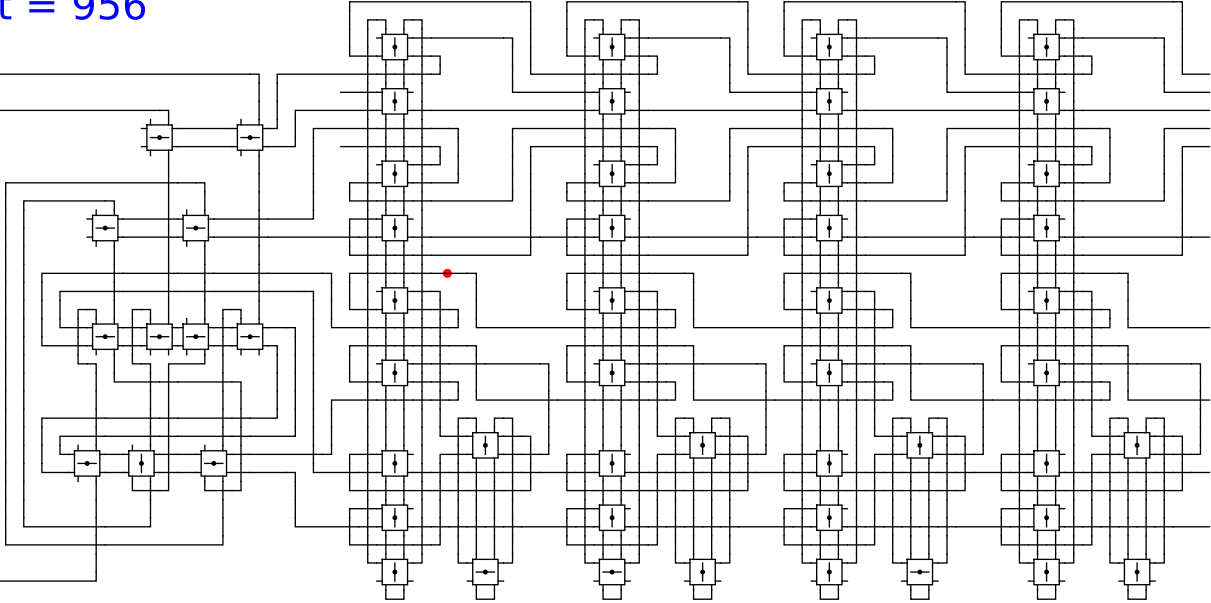


1 head 0 1 0

t = 956

Reject
Accept

Begin



1

head

0

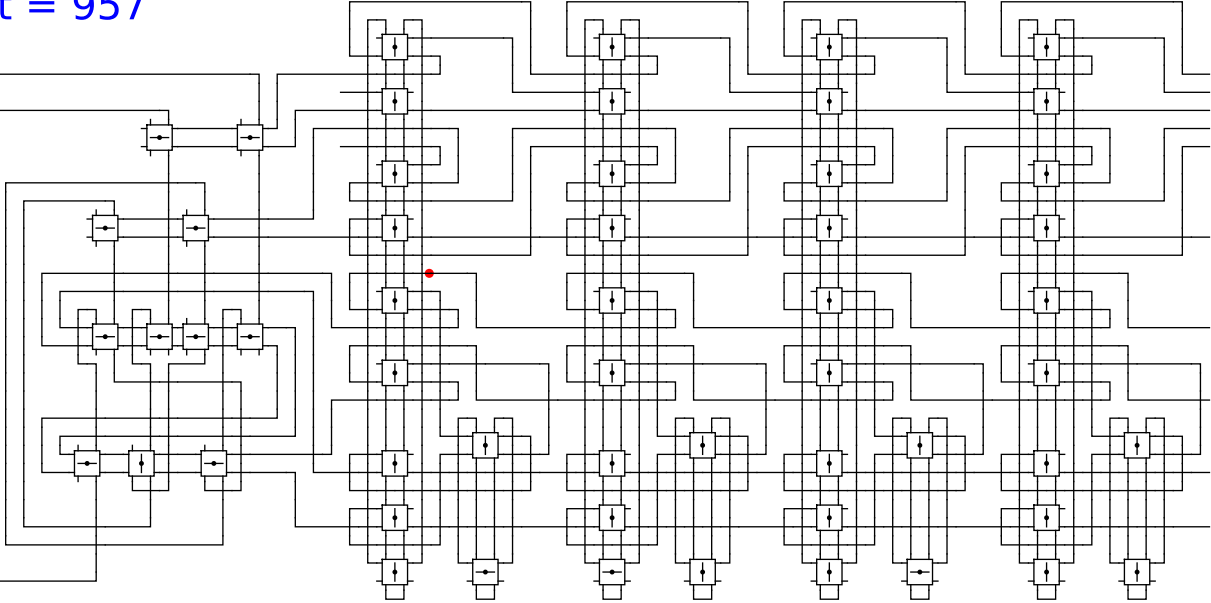
1

0

t = 957

Reject
Accept

Begin

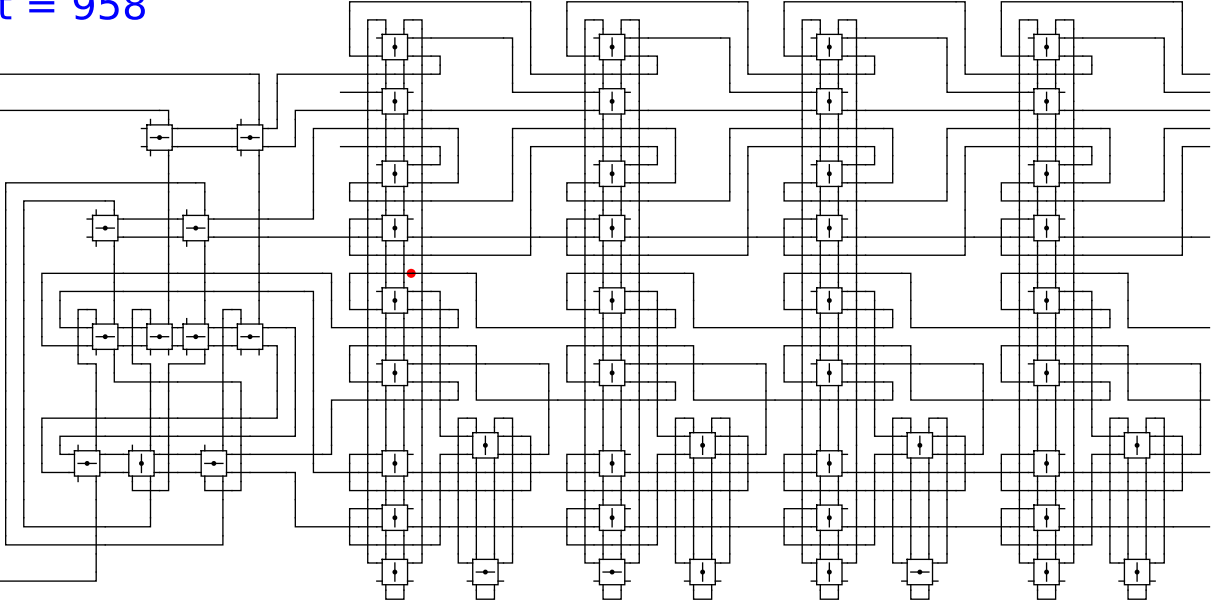


1 head 0 1 0

t = 958

Reject
Accept

Begin

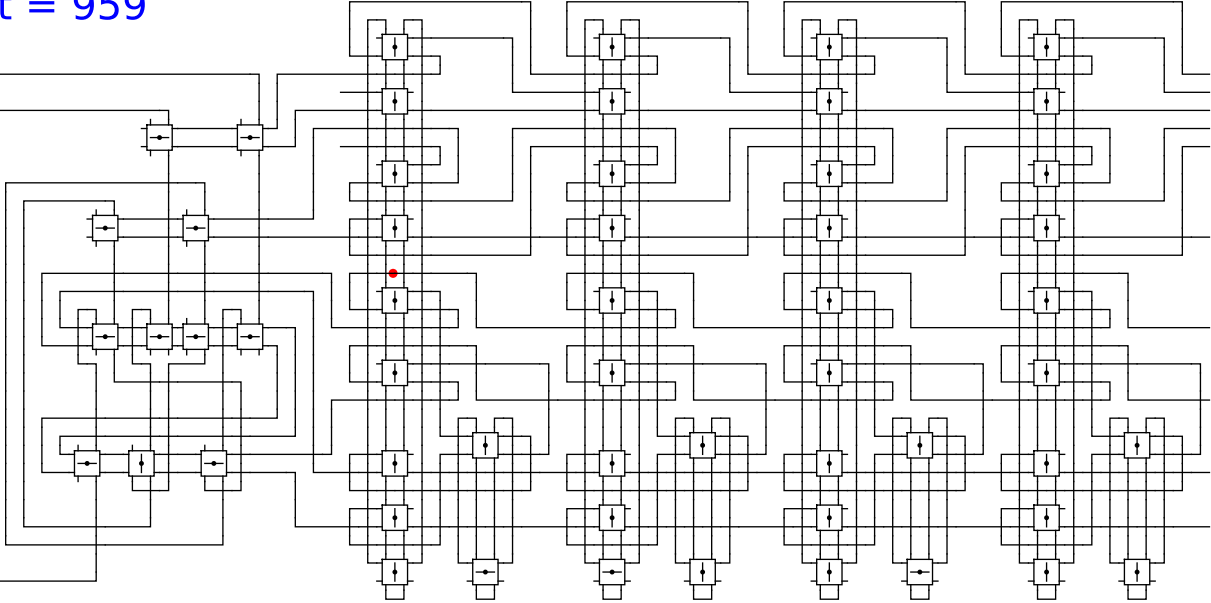


1 head 0 1 0

t = 959

Reject
Accept

Begin

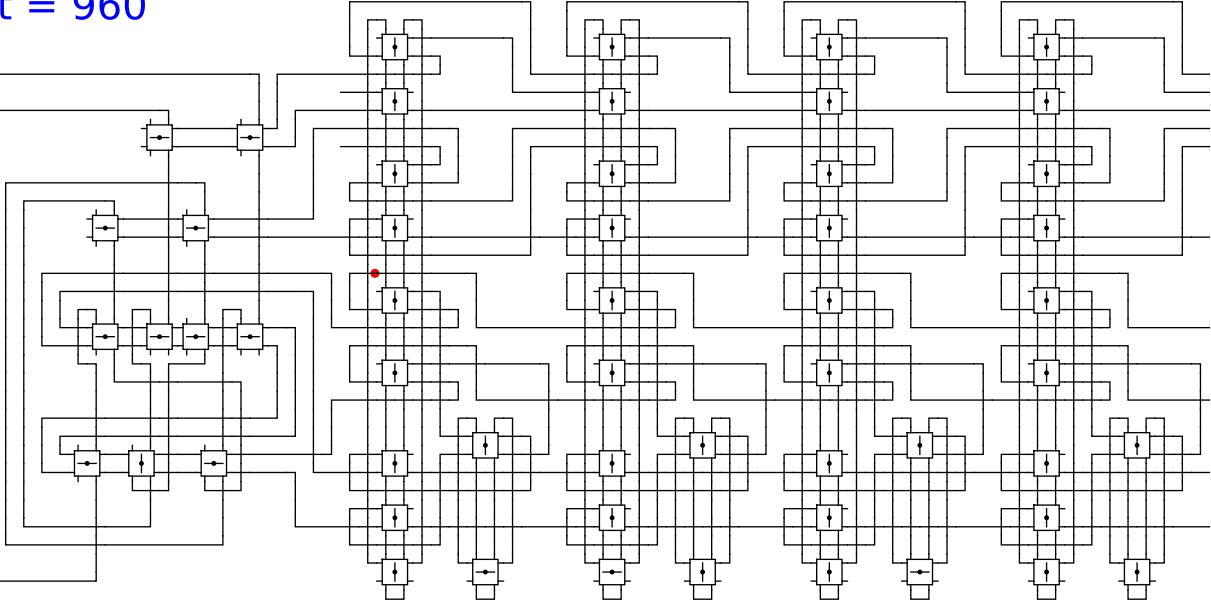


1 head 0 1 0

t = 960

Reject
Accept

Begin

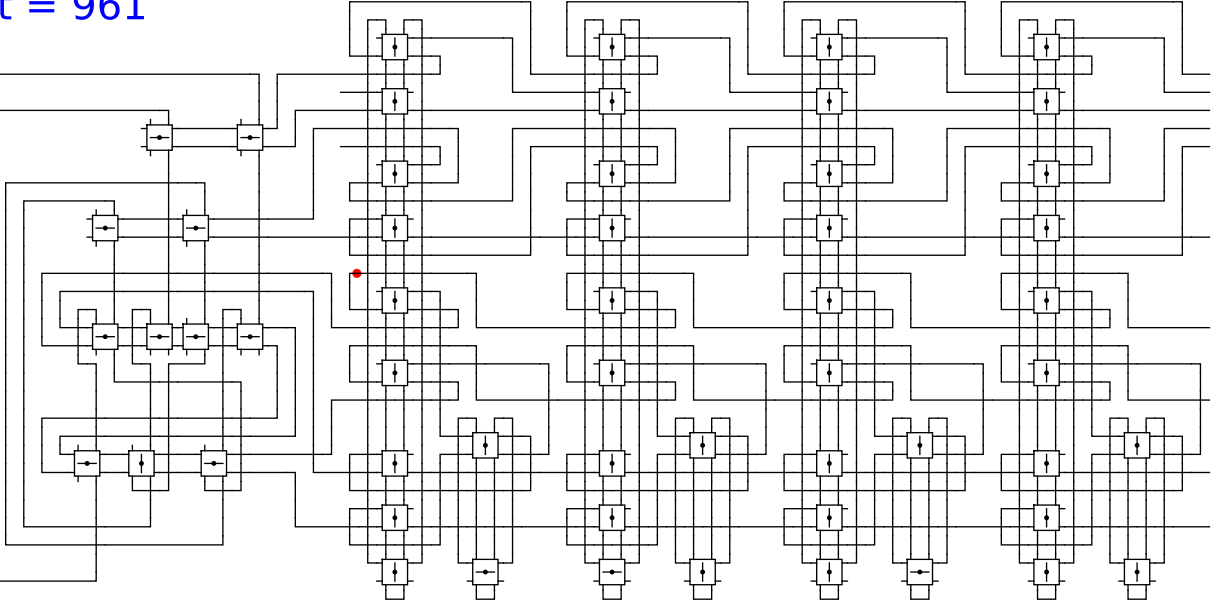


1 head 0 1 0

t = 961

Reject
Accept

Begin

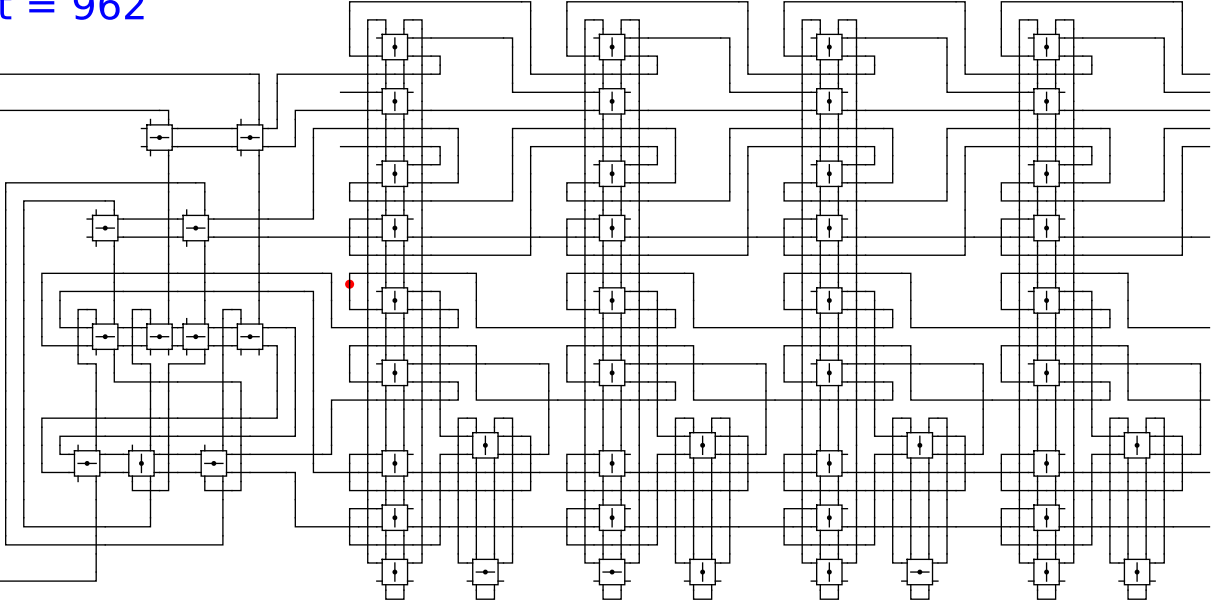


1 head 0 1 0

t = 962

Reject
Accept

Begin

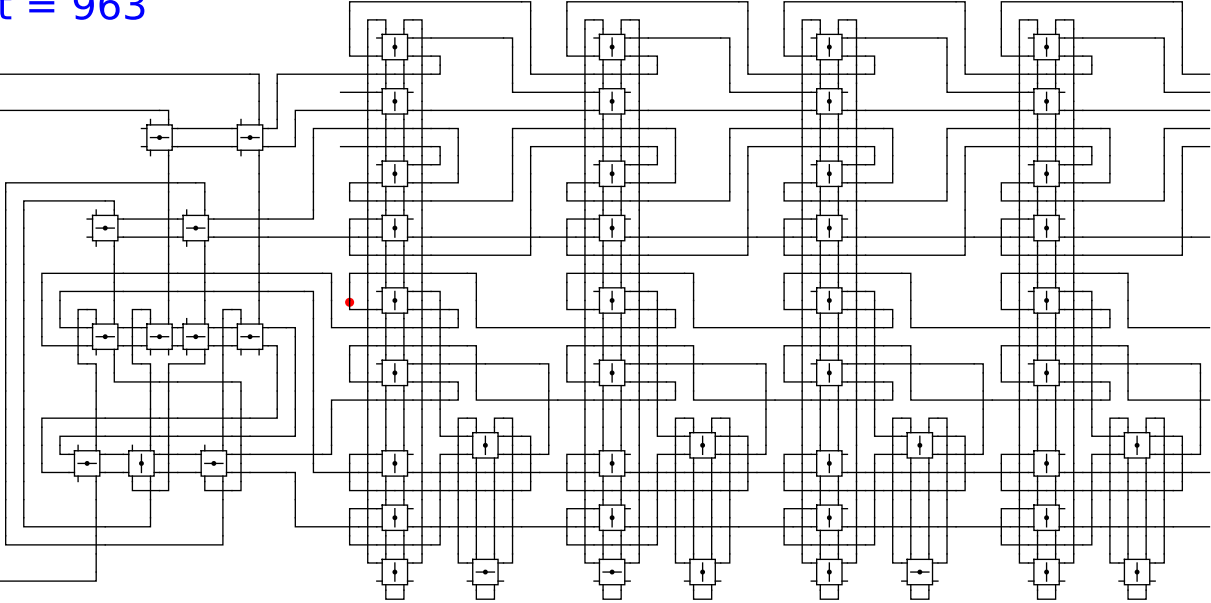


1 head 0 1 0

t = 963

Reject
Accept

Begin

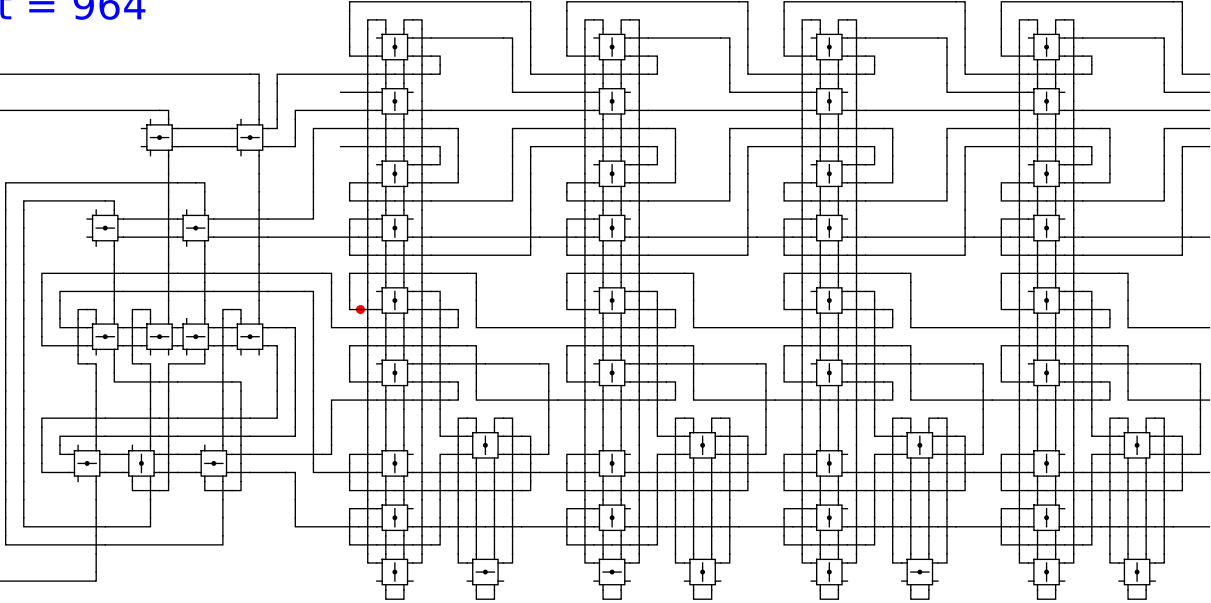


1 head 0 1 0

t = 964

Reject
Accept

Begin

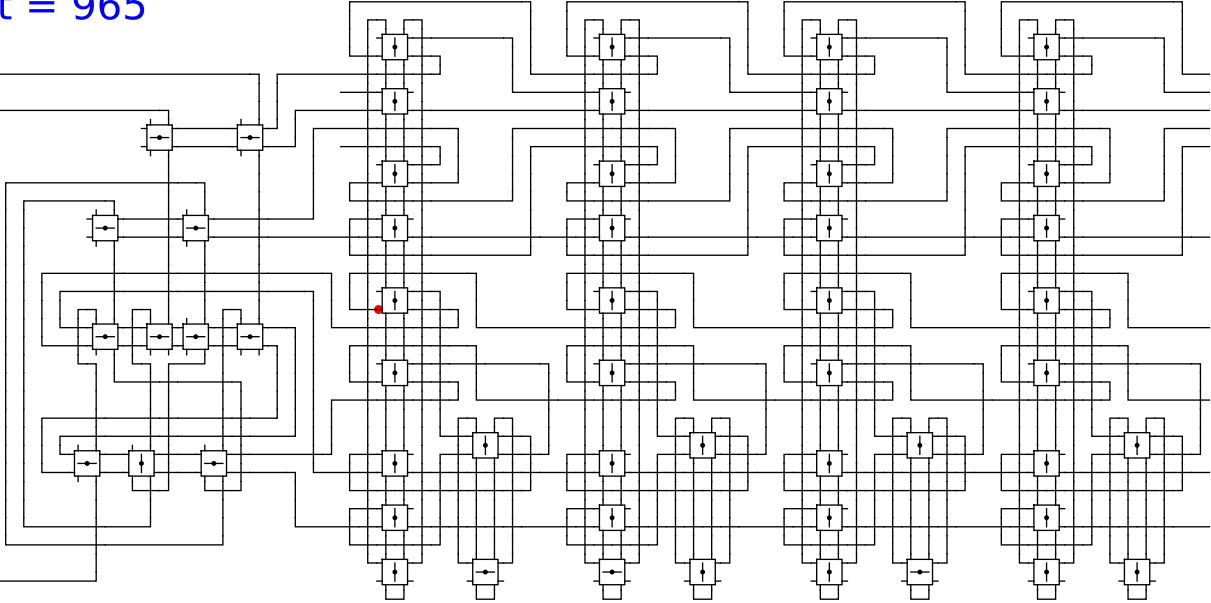


1 head 0 1 0

t = 965

Reject
Accept

Begin



1

head

0

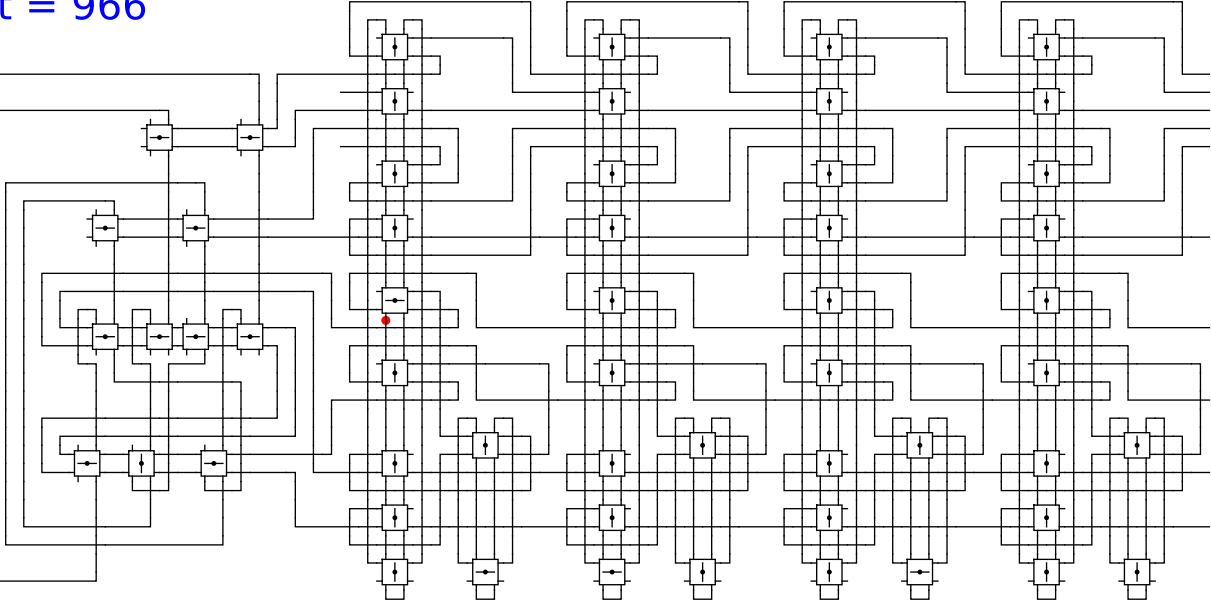
1

0

t = 966

Reject
Accept

Begin

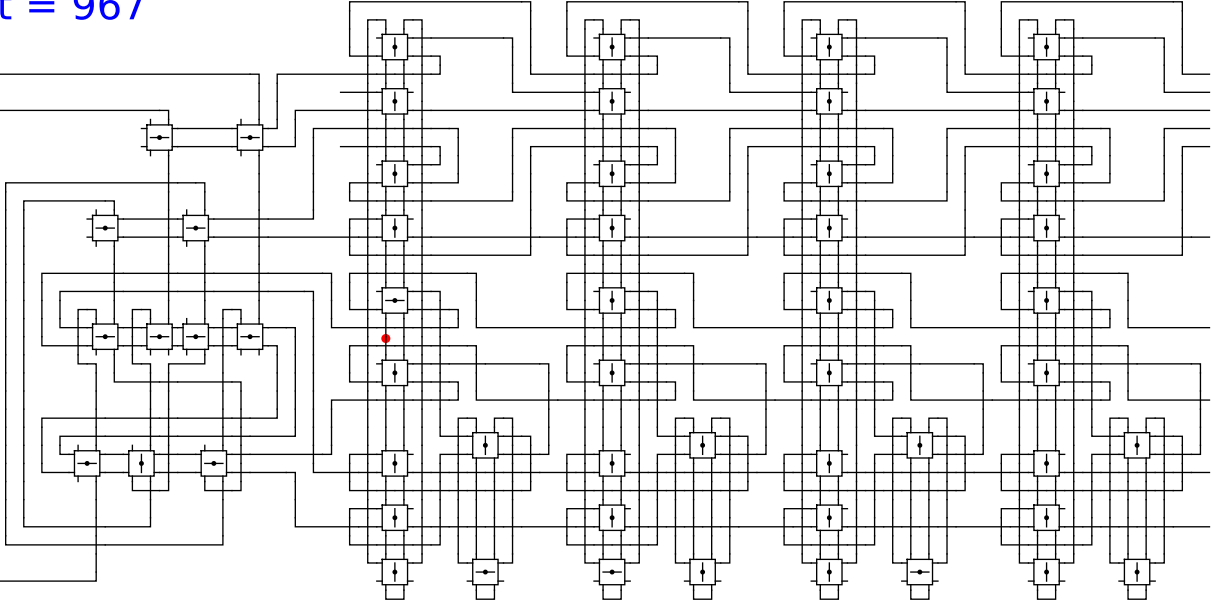


1 head 0 1 0

t = 967

Reject
Accept

Begin

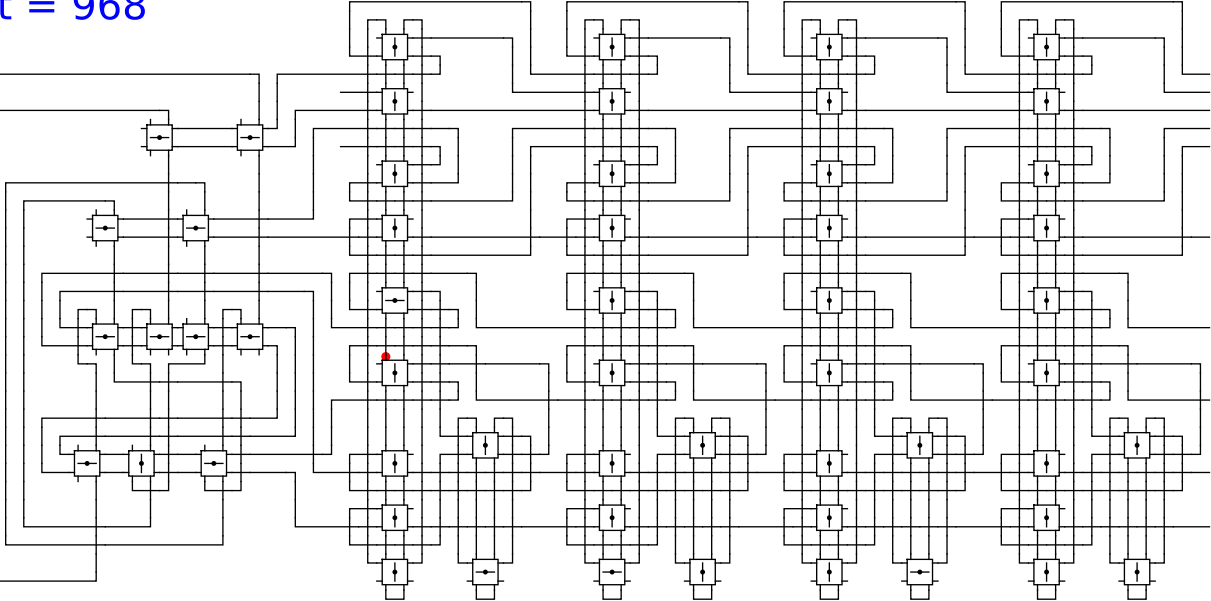


1 head 0 1 0

t = 968

Reject
Accept

Begin

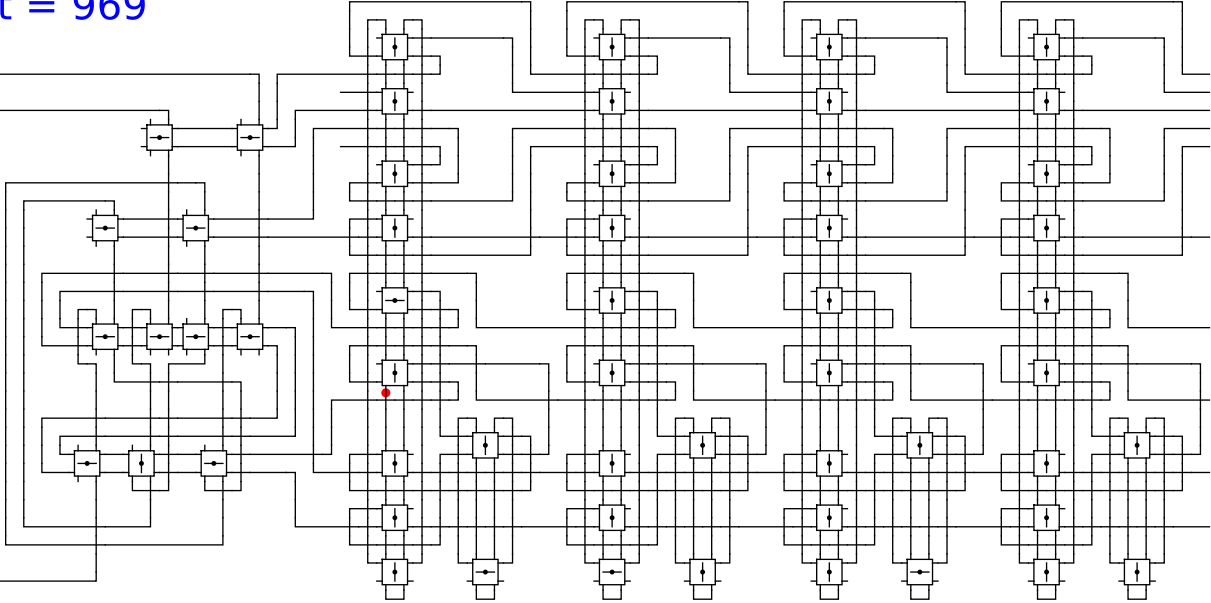


1 head 0 1 0

t = 969

Reject
Accept

Begin

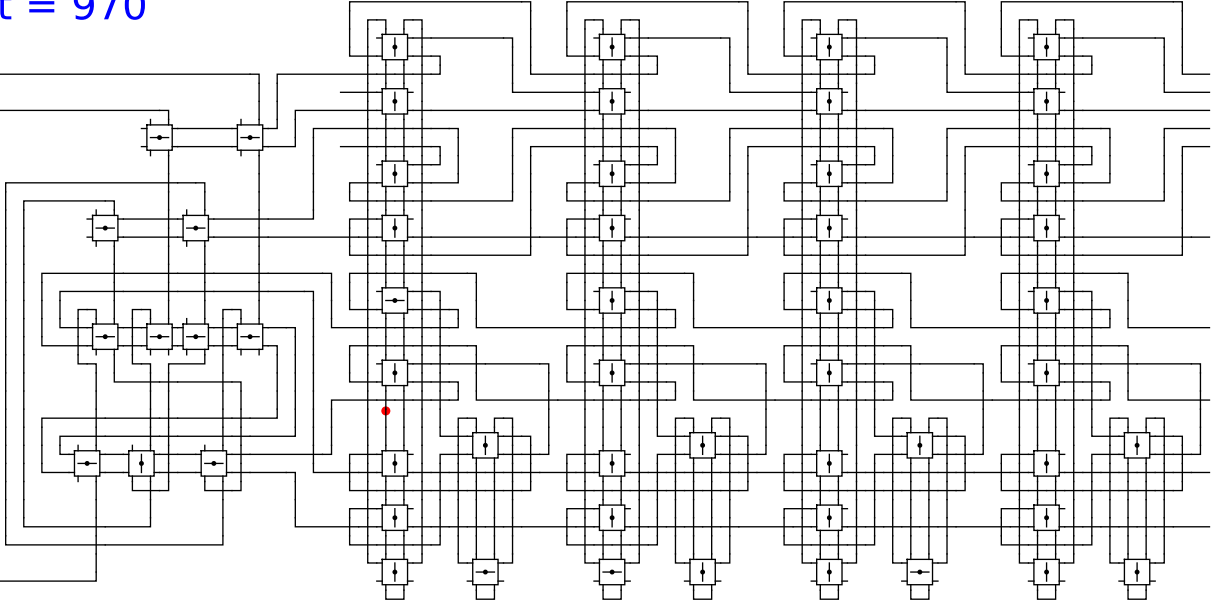


1 head 0 1 0

t = 970

Reject
Accept

Begin



1

head

0

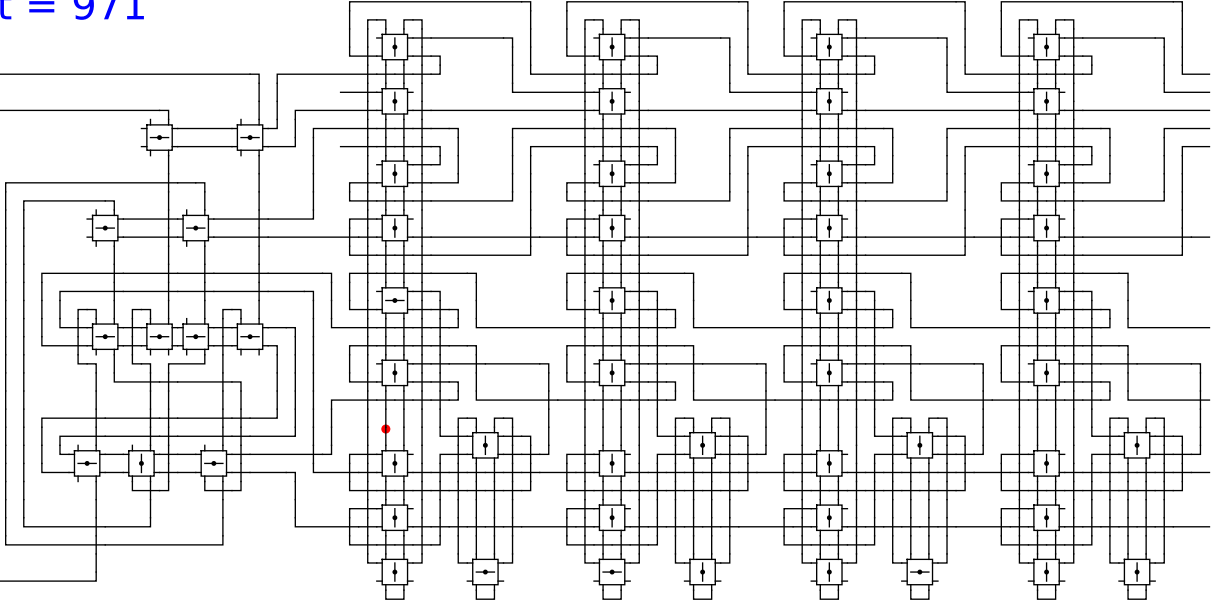
1

0

t = 971

Reject
Accept

Begin

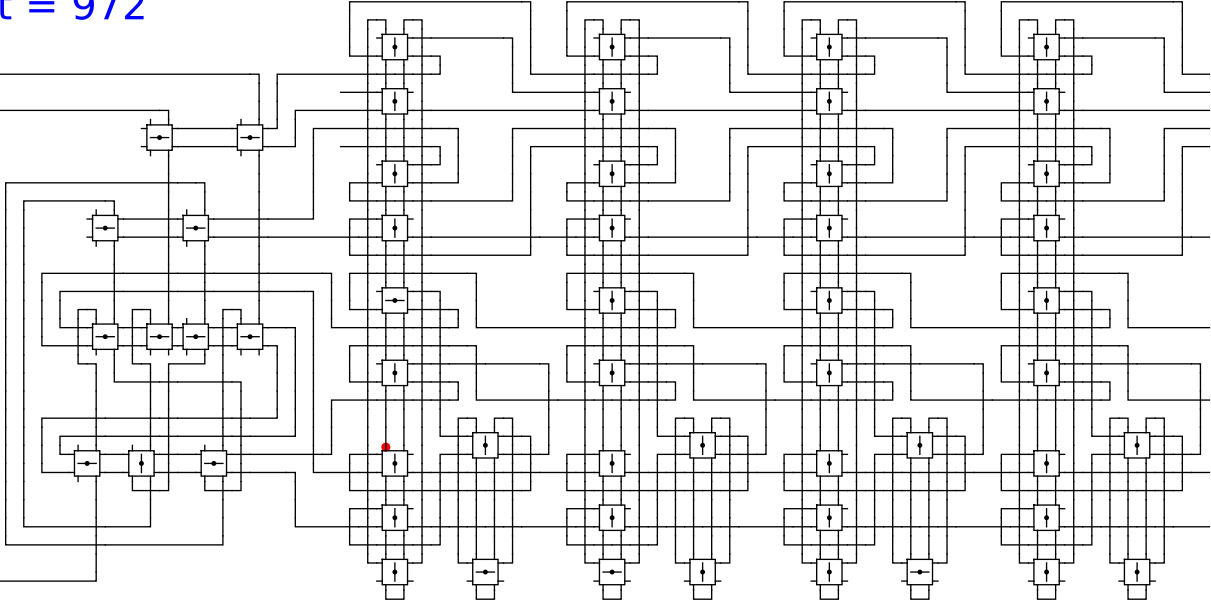


1 head 0 1 0

t = 972

Reject
Accept

Begin

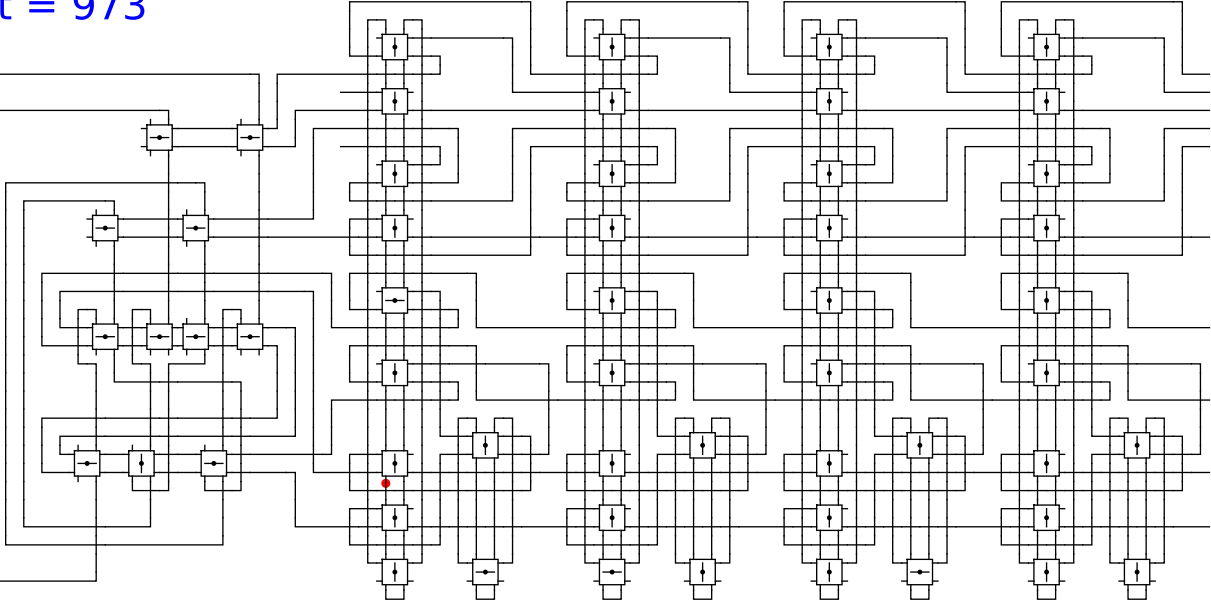


1 head 0 1 0

t = 973

Reject
Accept

Begin

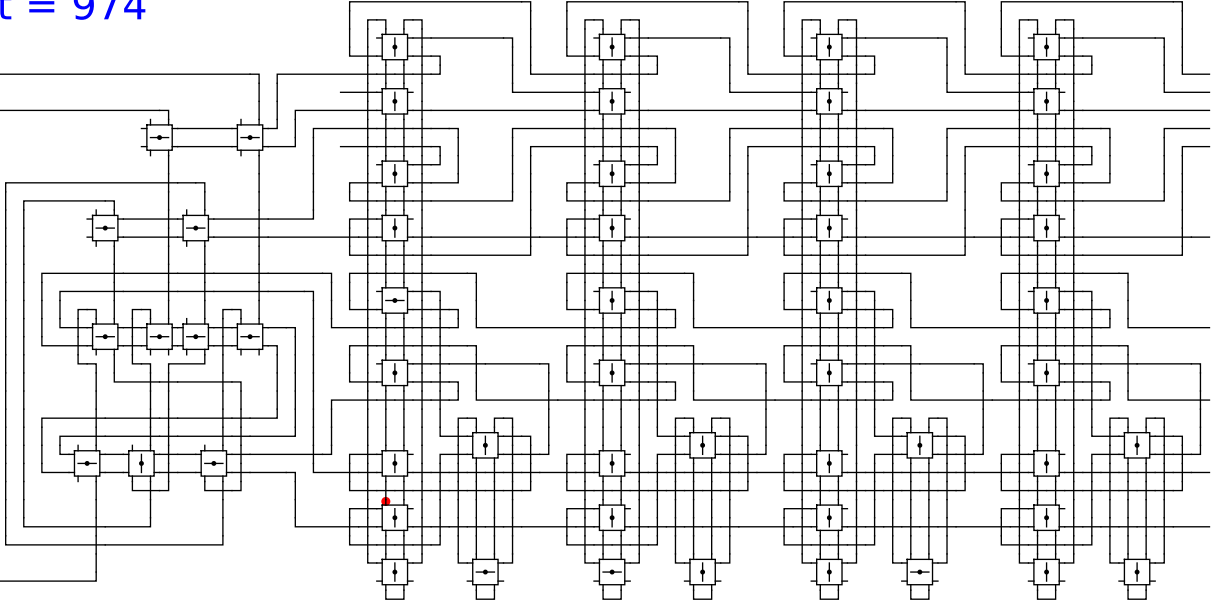


1 head 0 1 0

t = 974

Reject
Accept

Begin

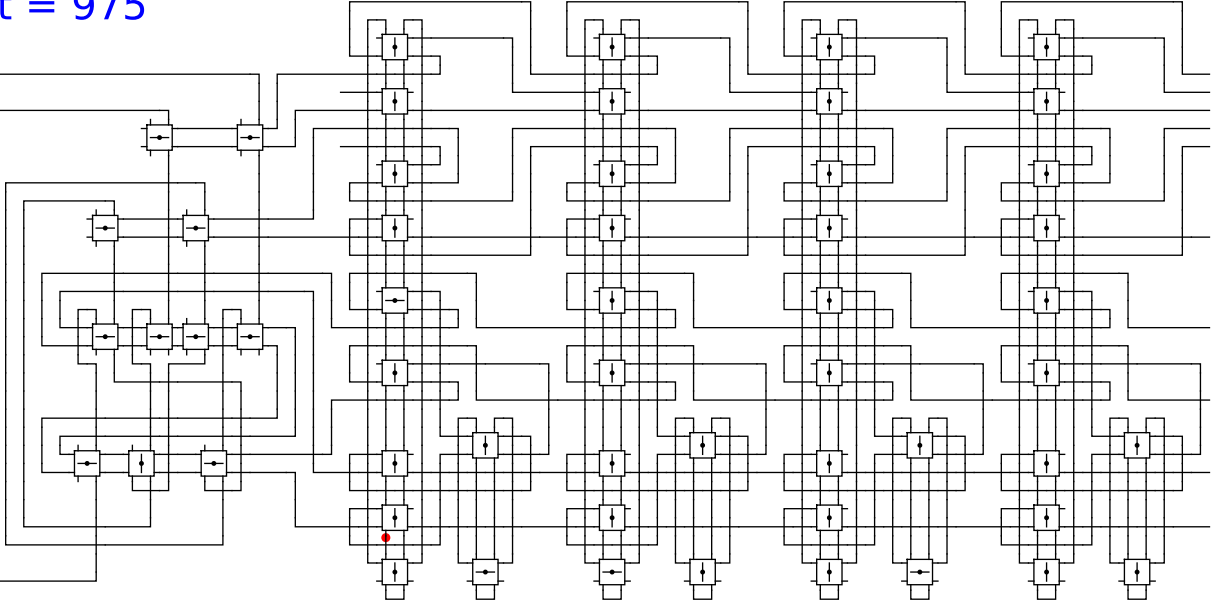


1 head 0 1 0

t = 975

Reject
Accept

Begin

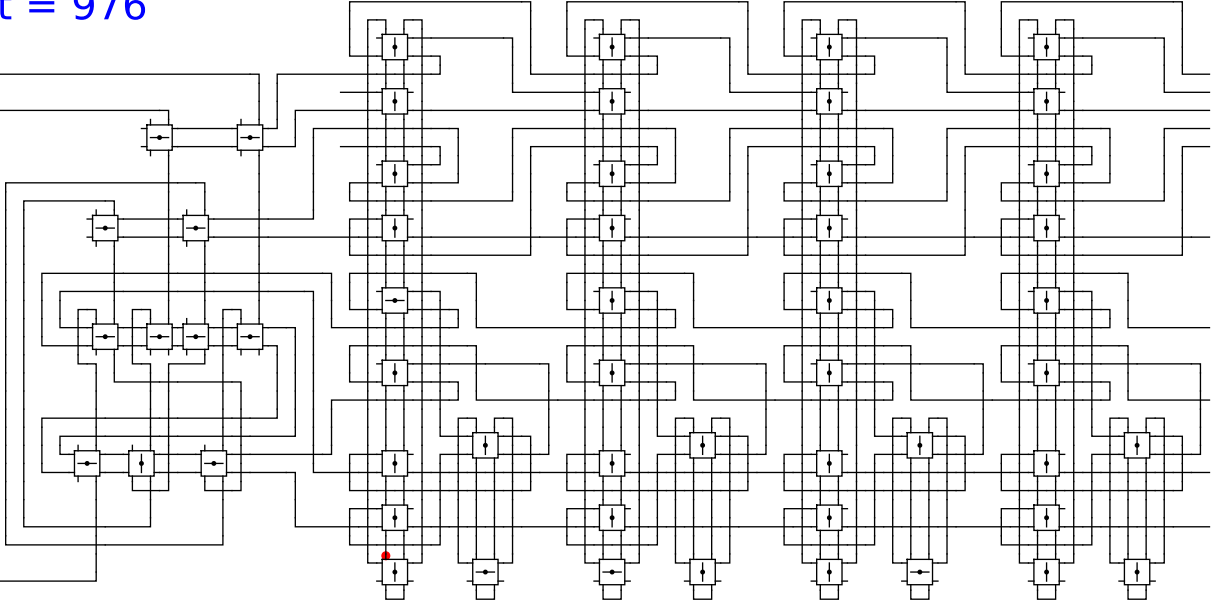


1 head 0 1 0

t = 976

Reject
Accept

Begin

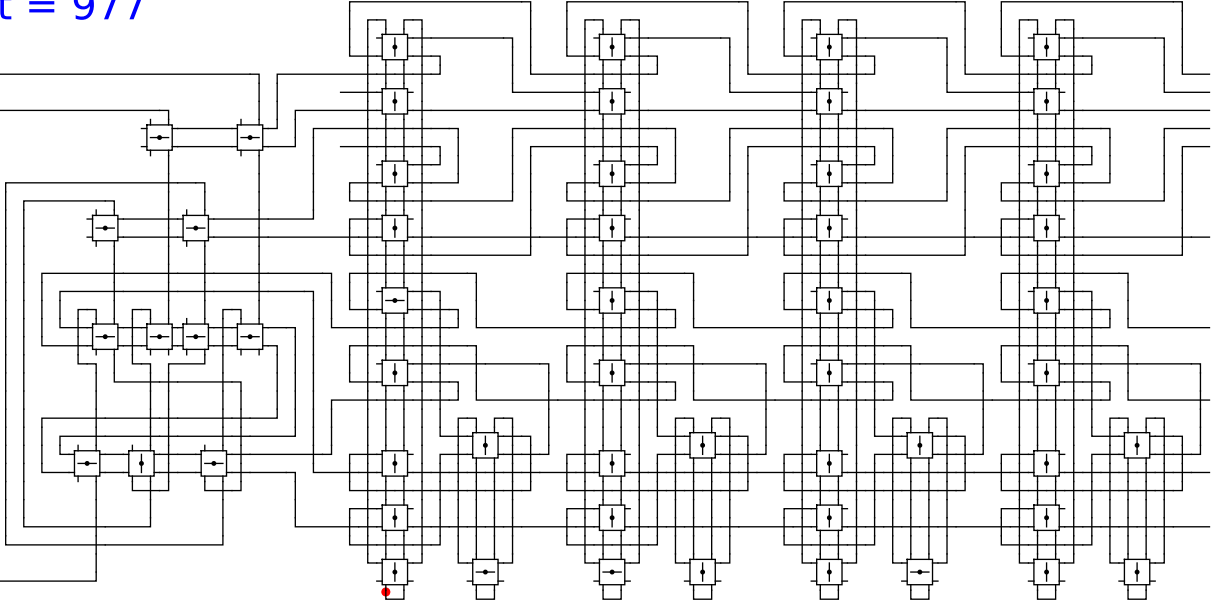


1 head 0 1 0

t = 977

Reject
Accept

Begin



1

head

0

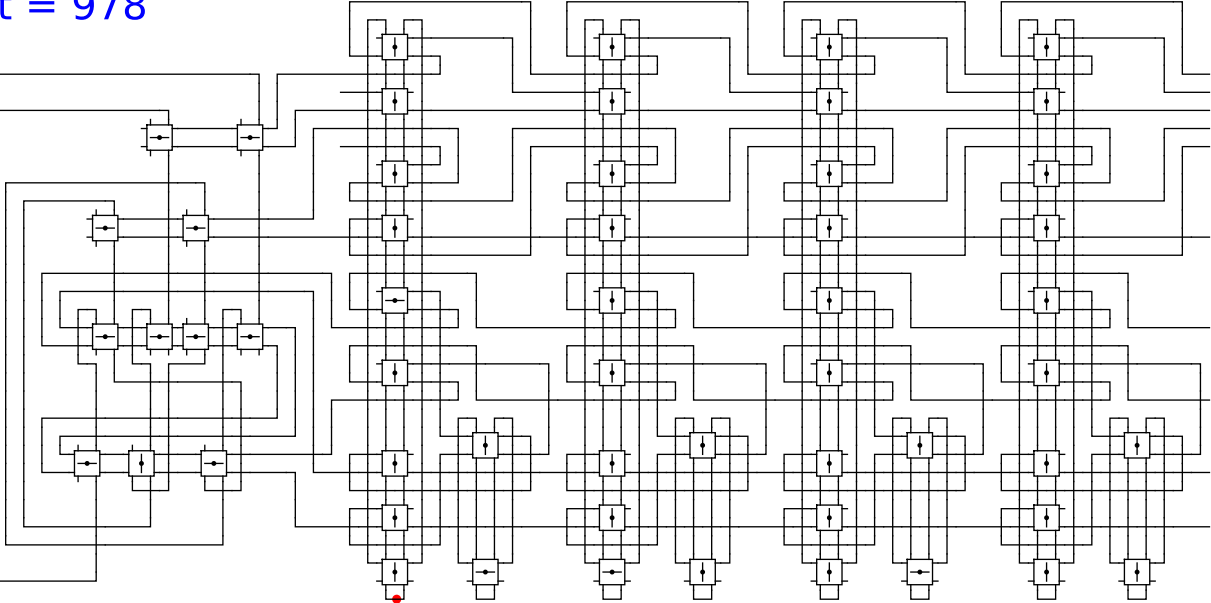
1

0

t = 978

Reject
Accept

Begin



1

head

0

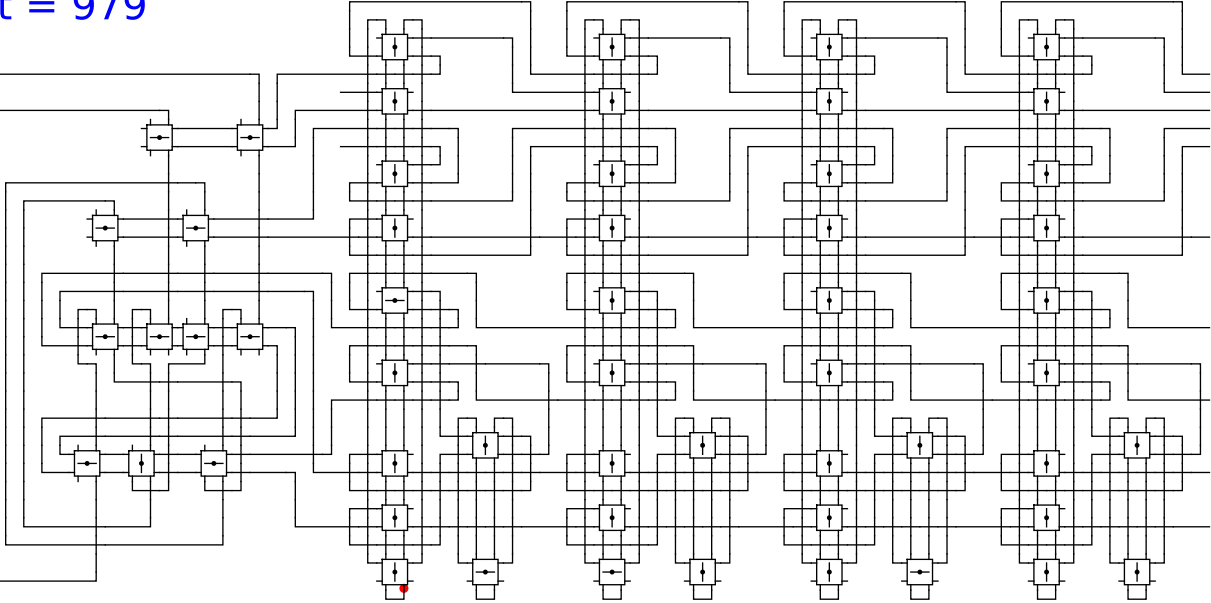
1

0

t = 979

Reject
Accept

Begin



1

head

0

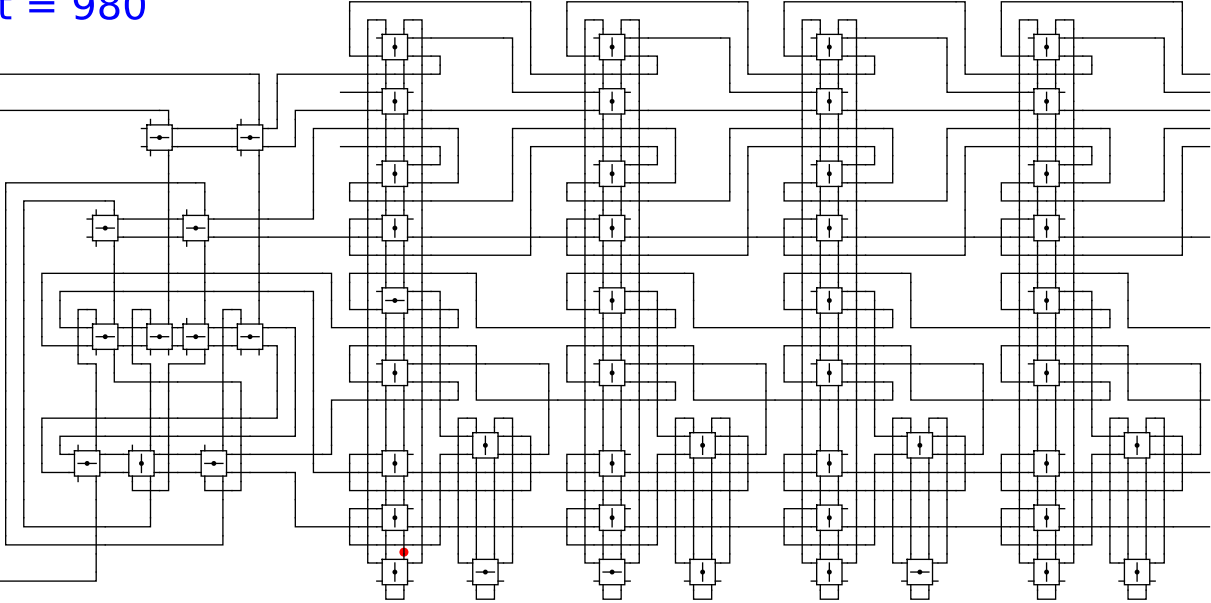
1

0

t = 980

Reject
Accept

Begin

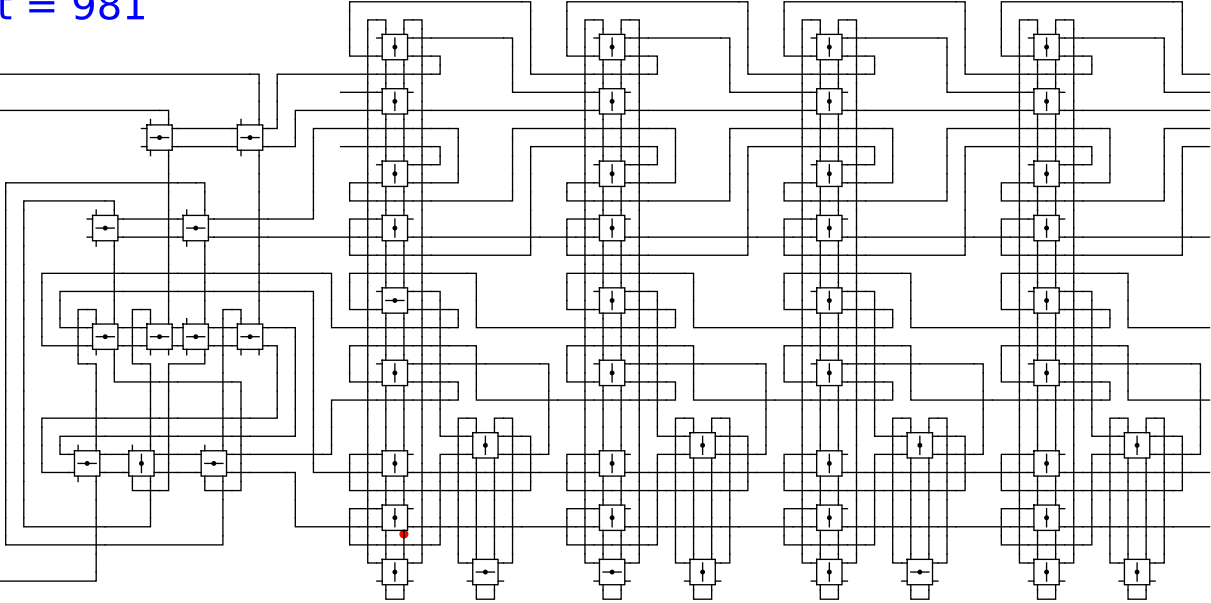


1 head 0 1 0

t = 981

Reject
Accept

Begin

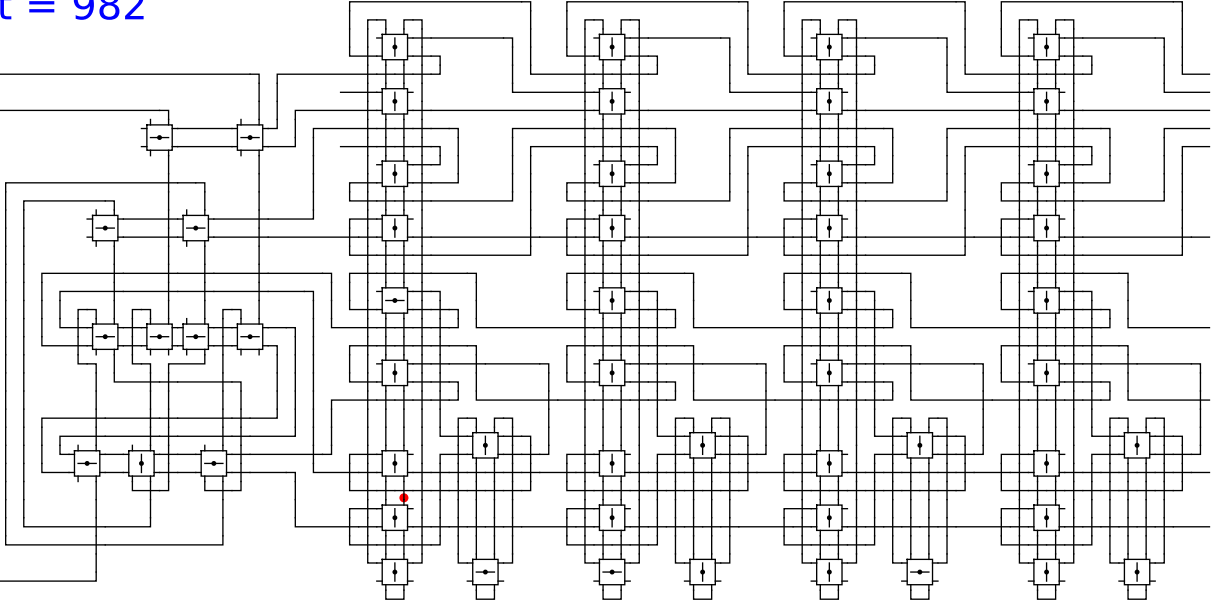


1 head 0 1 0

t = 982

Reject
Accept

Begin

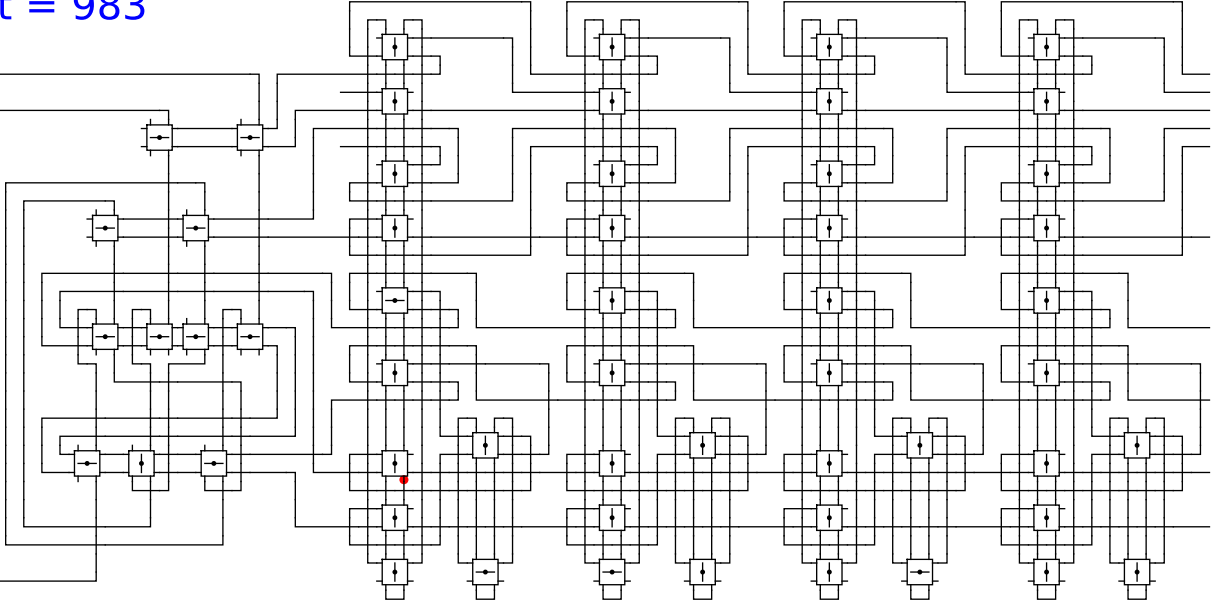


1 head 0 1 0

t = 983

Reject
Accept

Begin



1

head

0

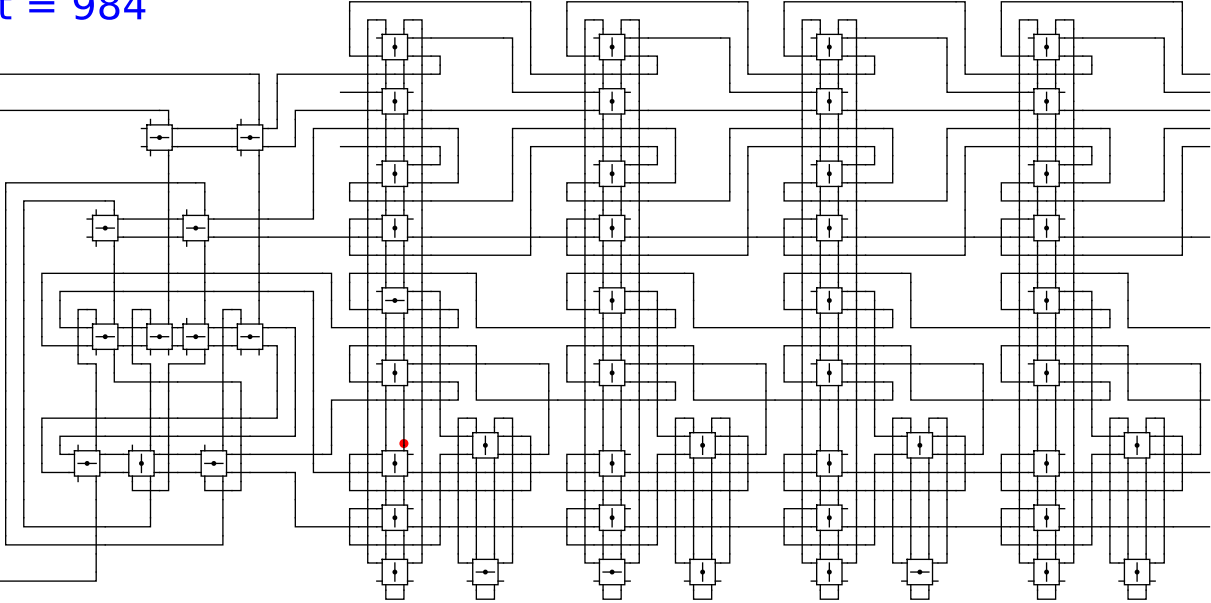
1

0

t = 984

Reject
Accept

Begin

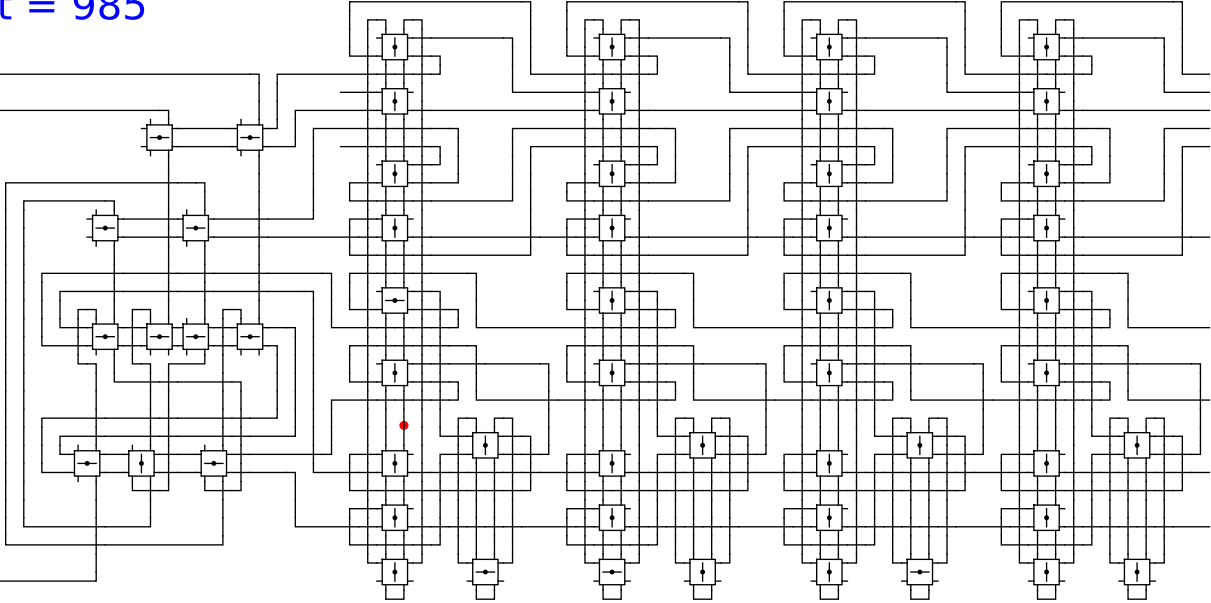


1 0 1 0

t = 985

Reject
Accept

Begin

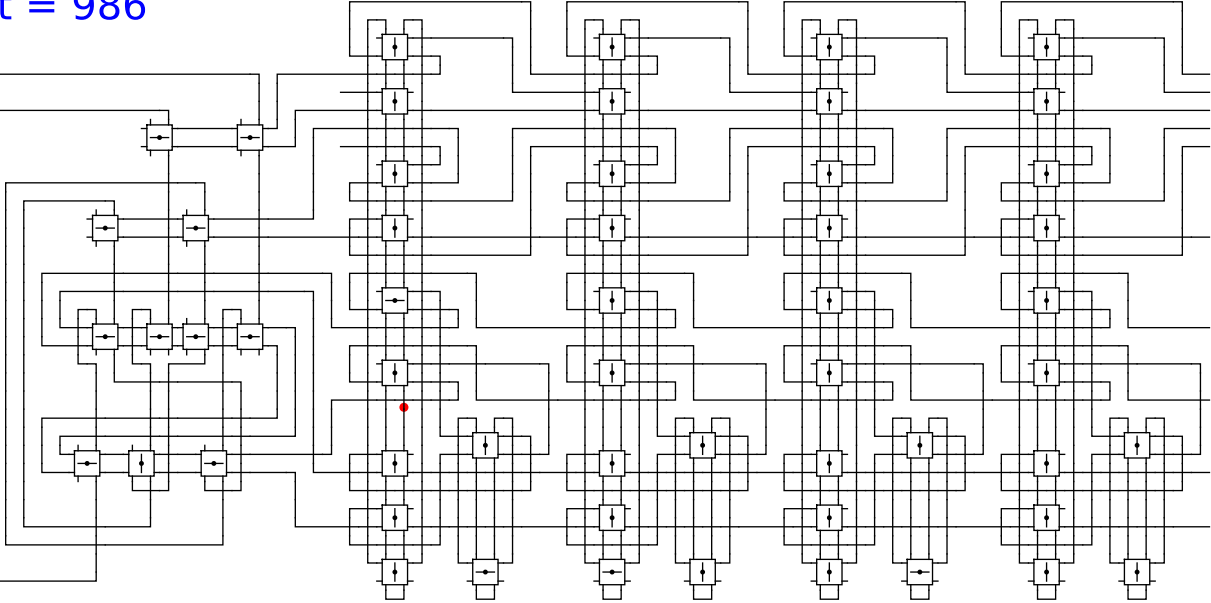


1 head 0 1 0

t = 986

Reject
Accept

Begin

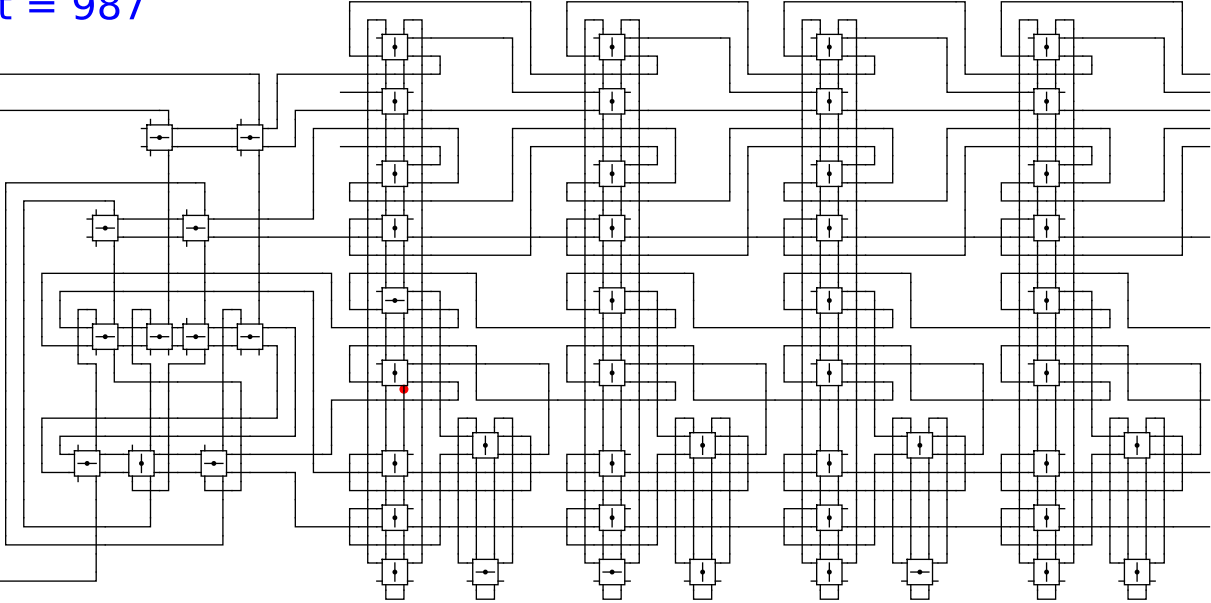


1 head 0 1 0

t = 987

Reject
Accept

Begin

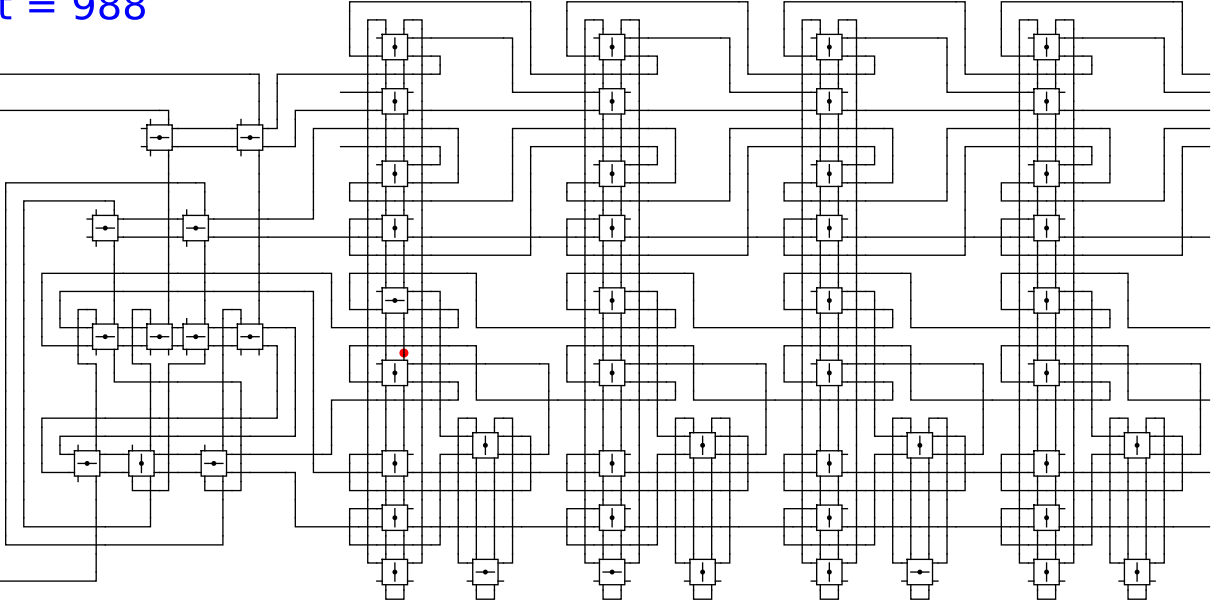


1 head 0 1 0

t = 988

Reject
Accept

Begin

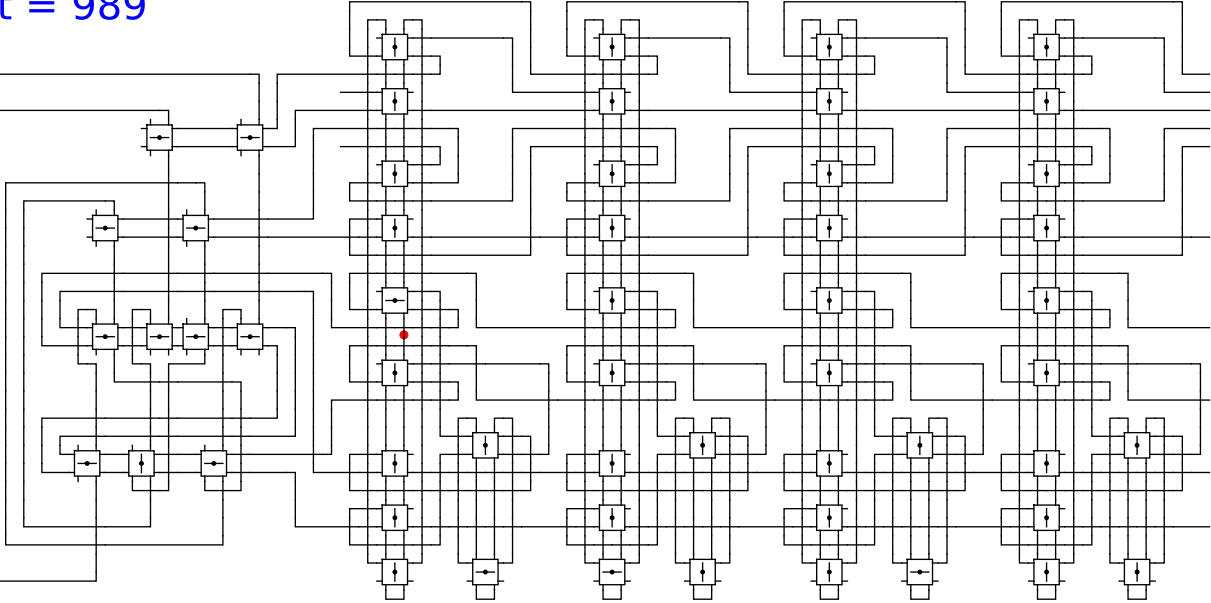


1 head 0 1 0

t = 989

Reject
Accept

Begin

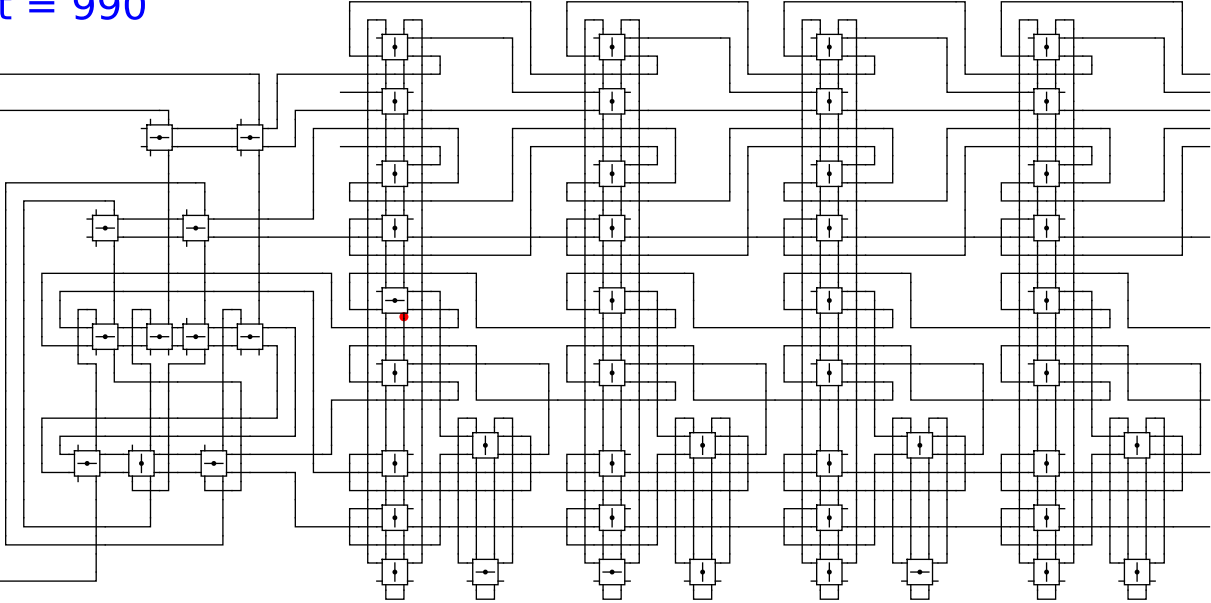


1 head 0 1 0

t = 990

Reject
Accept

Begin

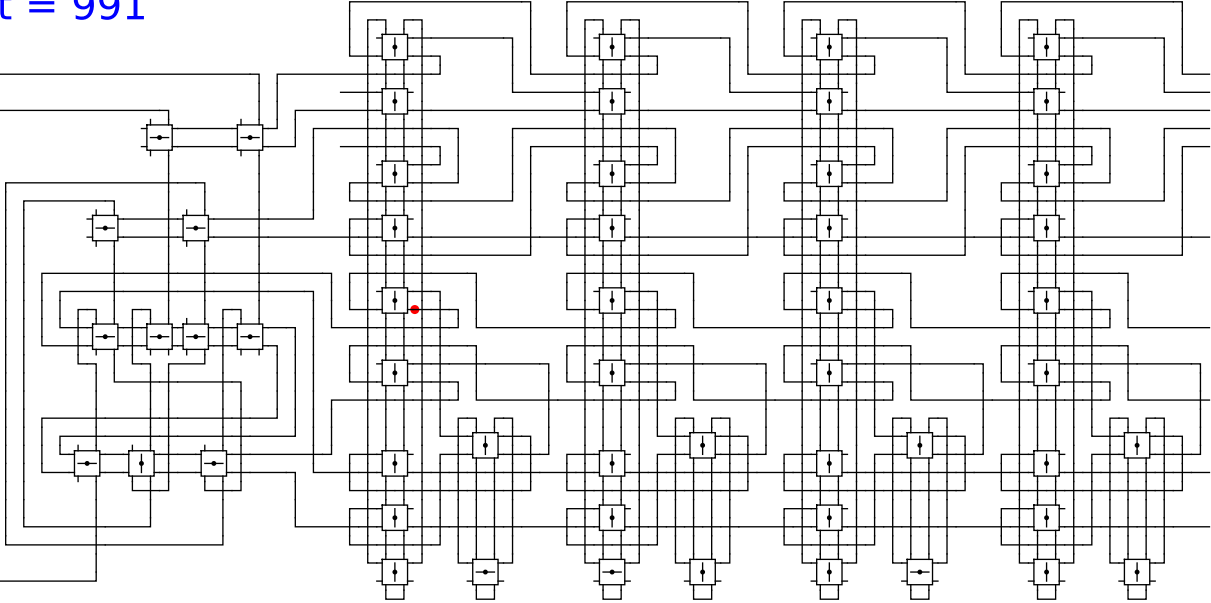


1 head 0 1 0

t = 991

Reject
Accept

Begin

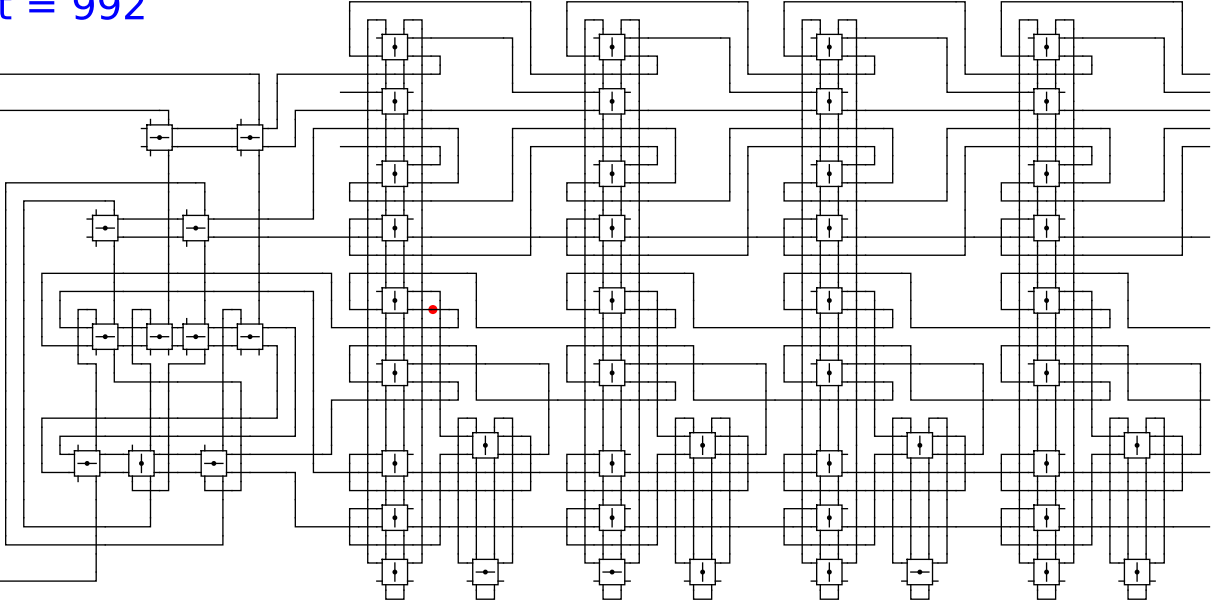


1 head 0 1 0

t = 992

Reject
Accept

Begin

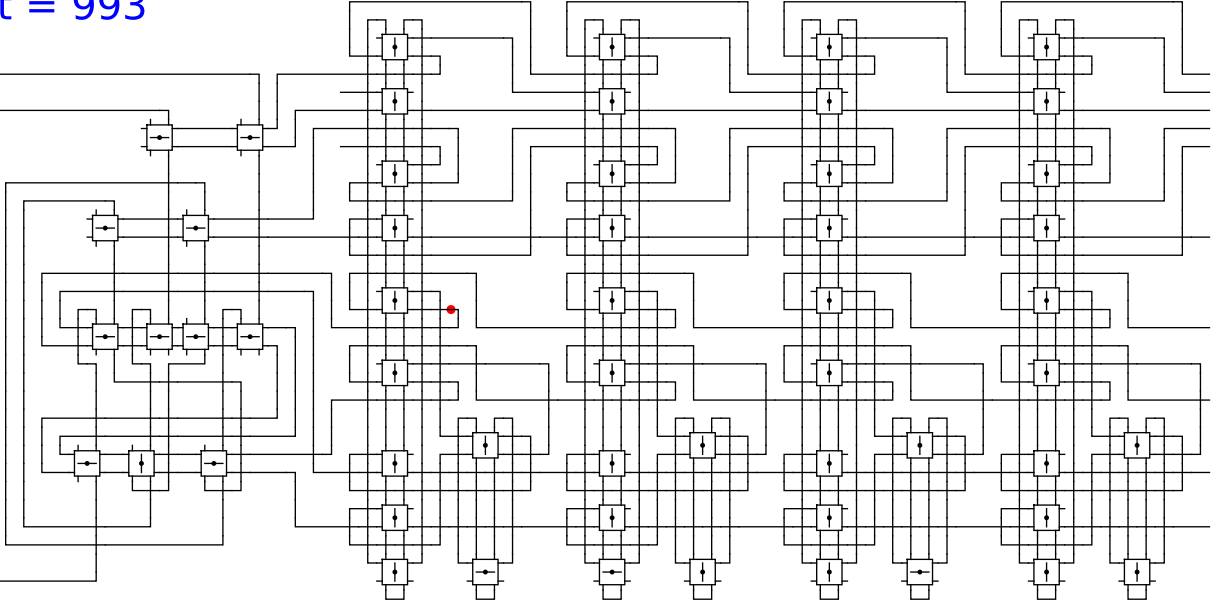


1 head 0 1 0

t = 993

Reject
Accept

Begin

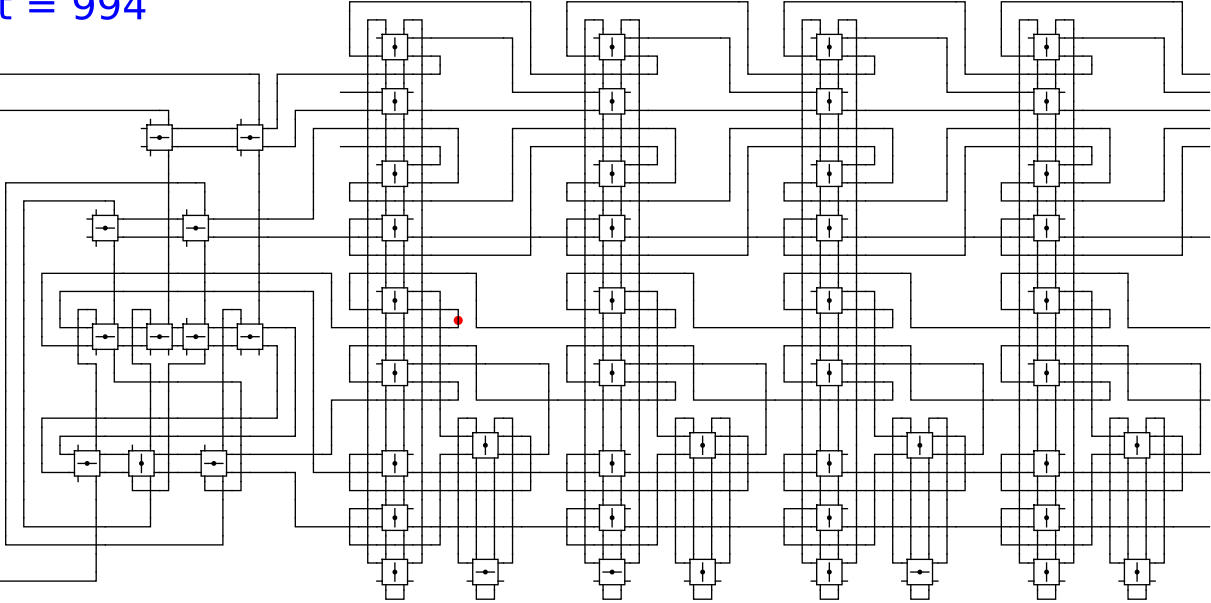


1 head 0 1 0

t = 994

Reject
Accept

Begin

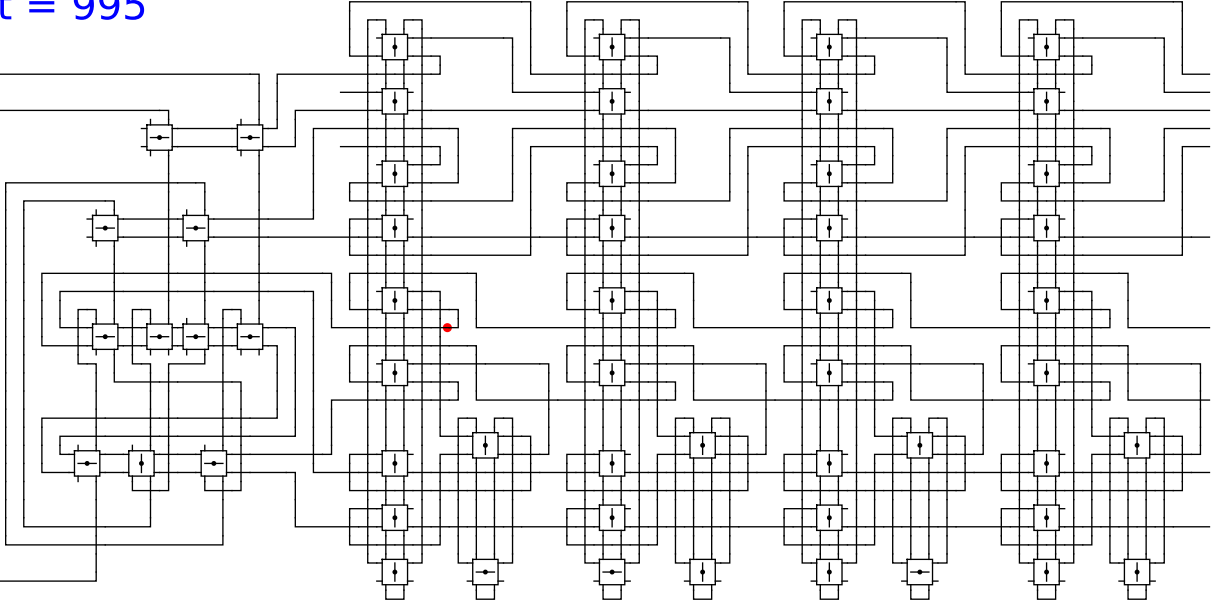


1 head 0 1 0

t = 995

Reject
Accept

Begin

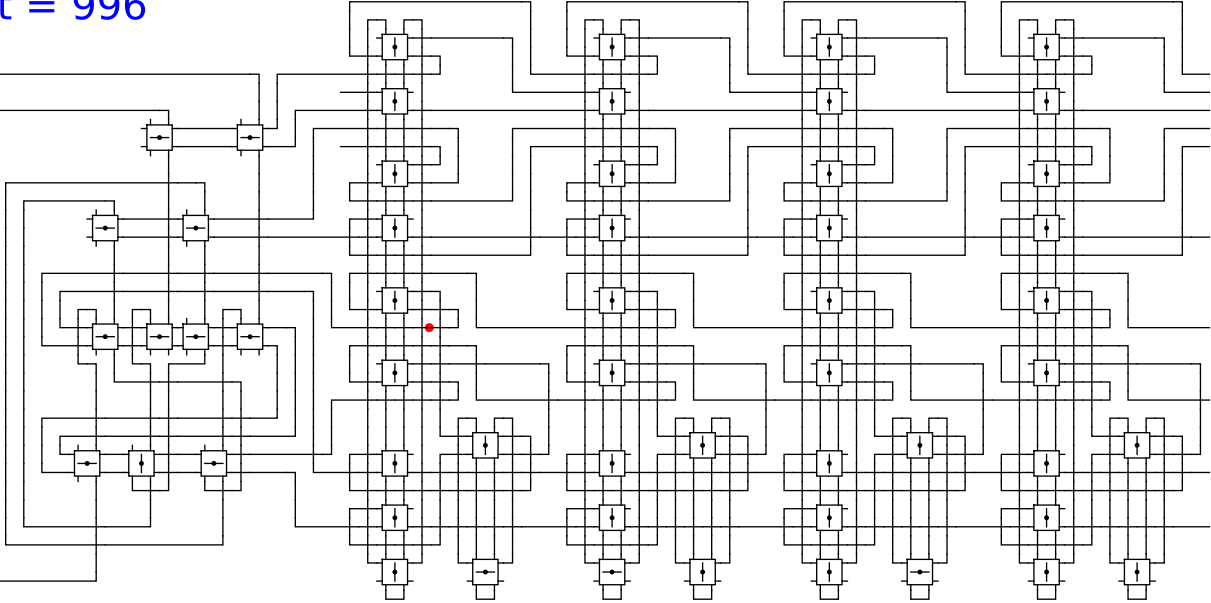


1 head 0 1 0

t = 996

Reject
Accept

Begin

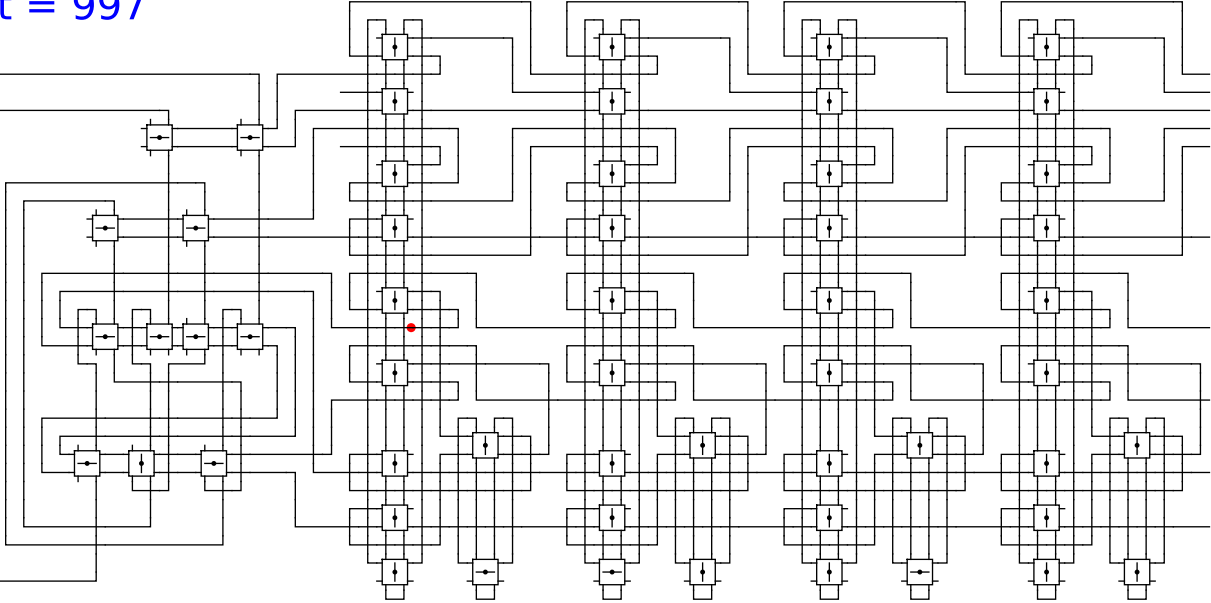


1 head 0 1 0

t = 997

Reject
Accept

Begin

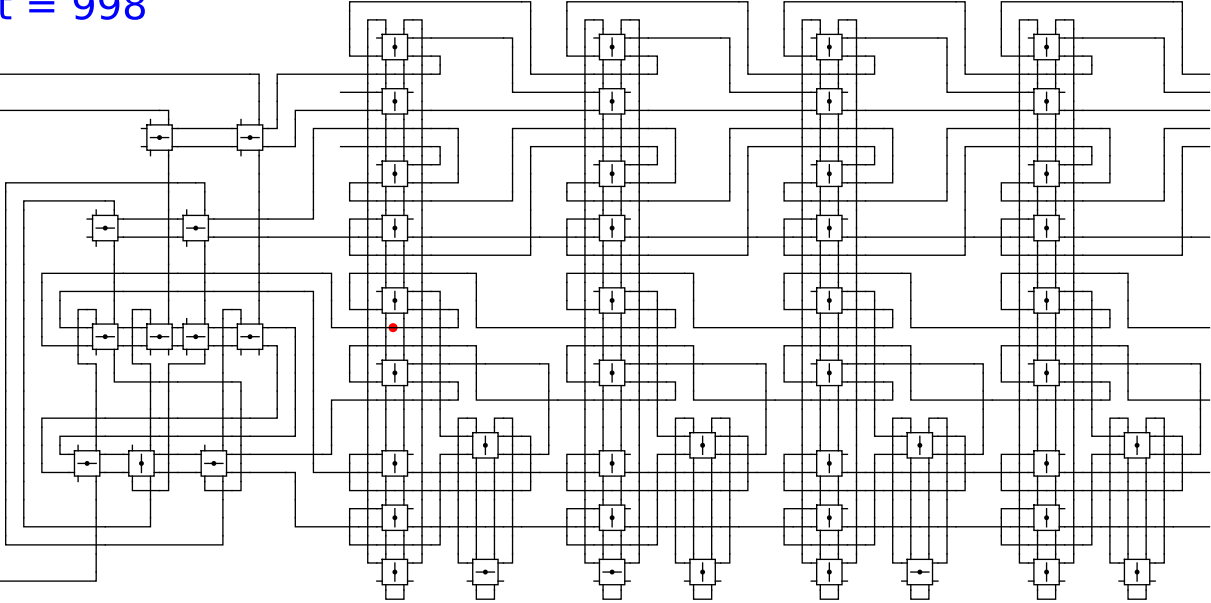


1 head 0 1 0

t = 998

Reject
Accept

Begin

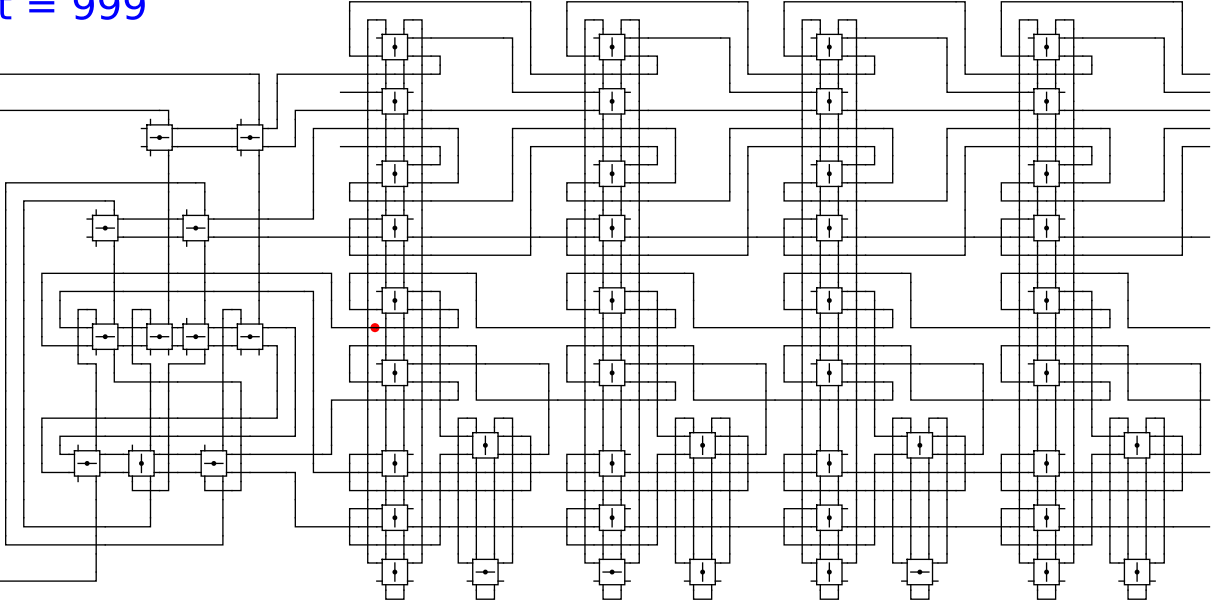


1 head 0 1 0

t = 999

Reject
Accept

Begin

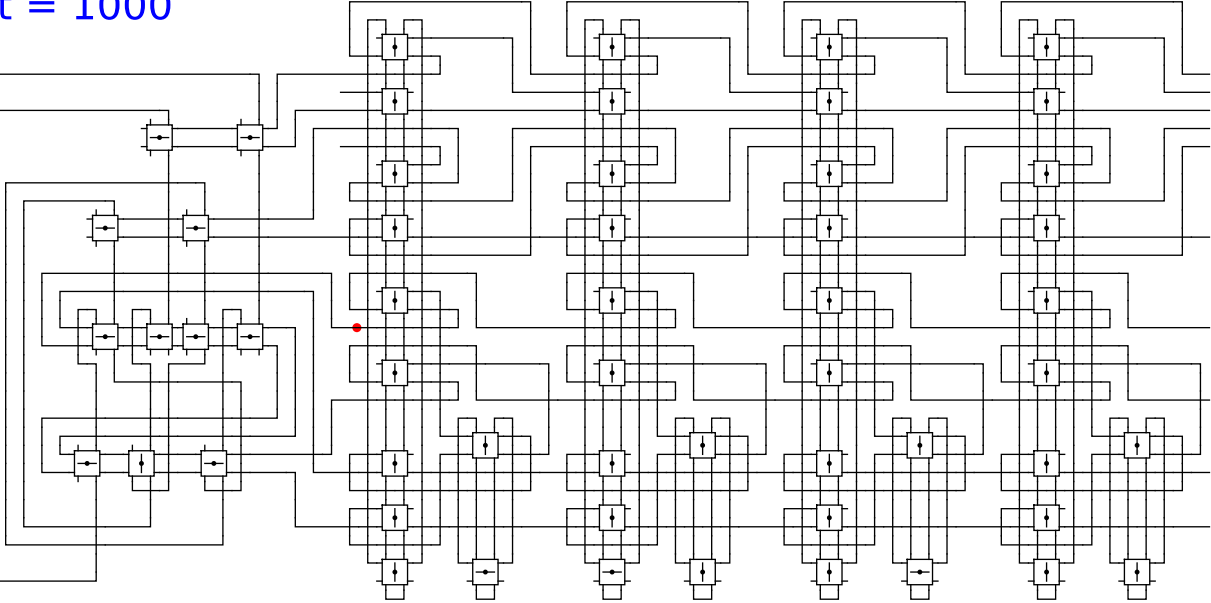


1 head 0 1 0

t = 1000

Reject
Accept

Begin



1

head

0

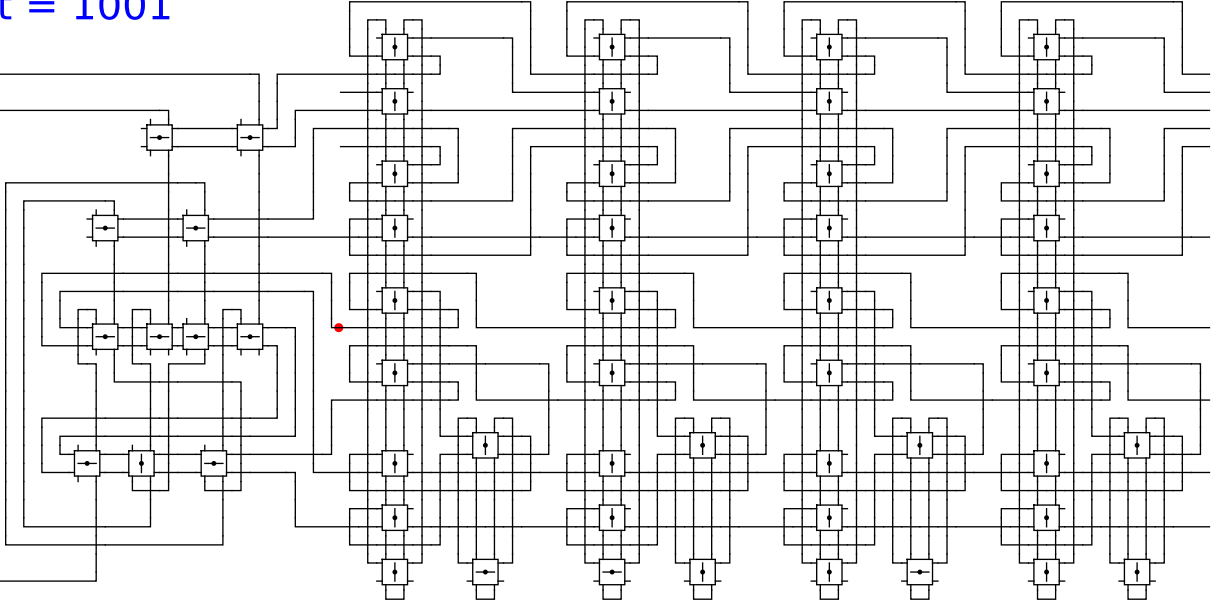
1

0

t = 1001

Reject
Accept

Begin

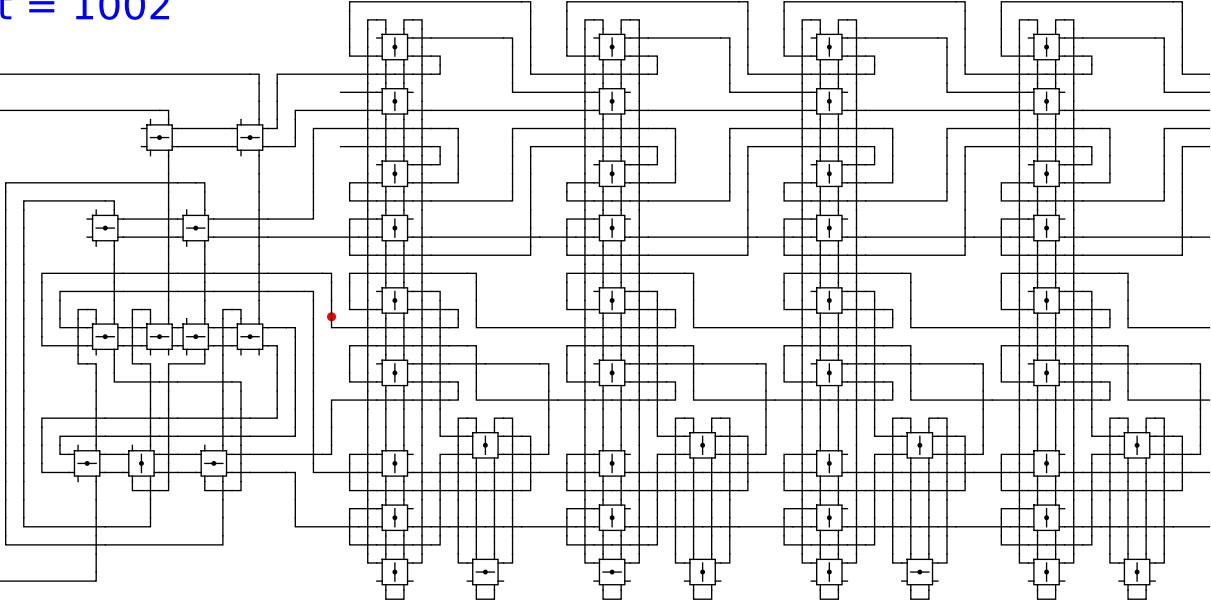


1 head 0 1 0

t = 1002

Reject
Accept

Begin

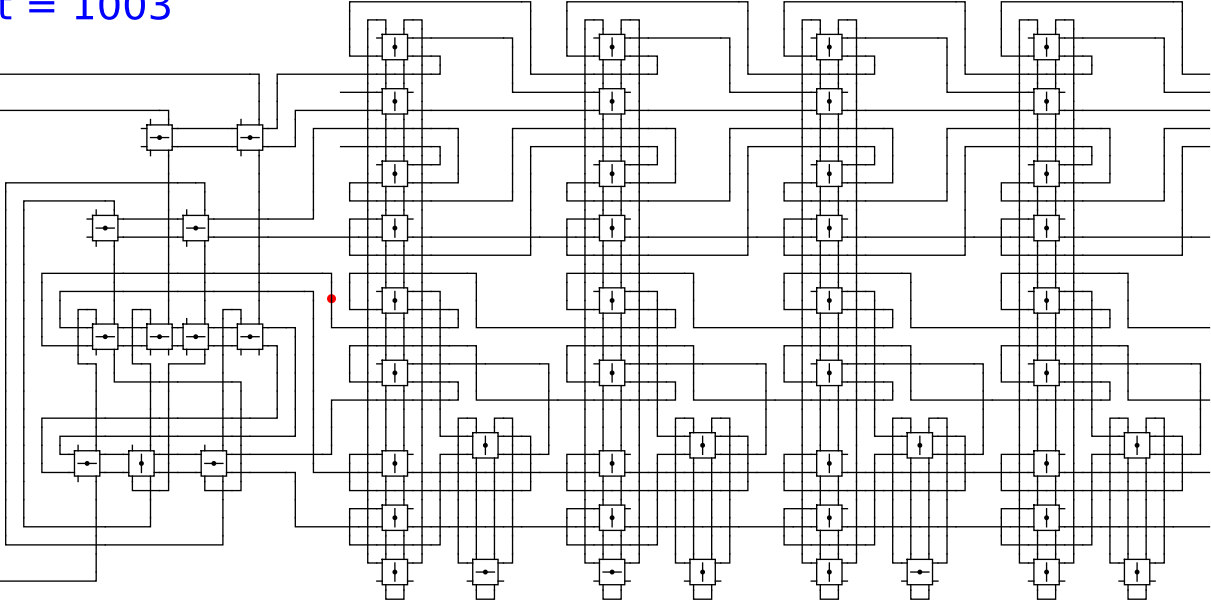


1 head 0 1 0

t = 1003

Reject
Accept

Begin

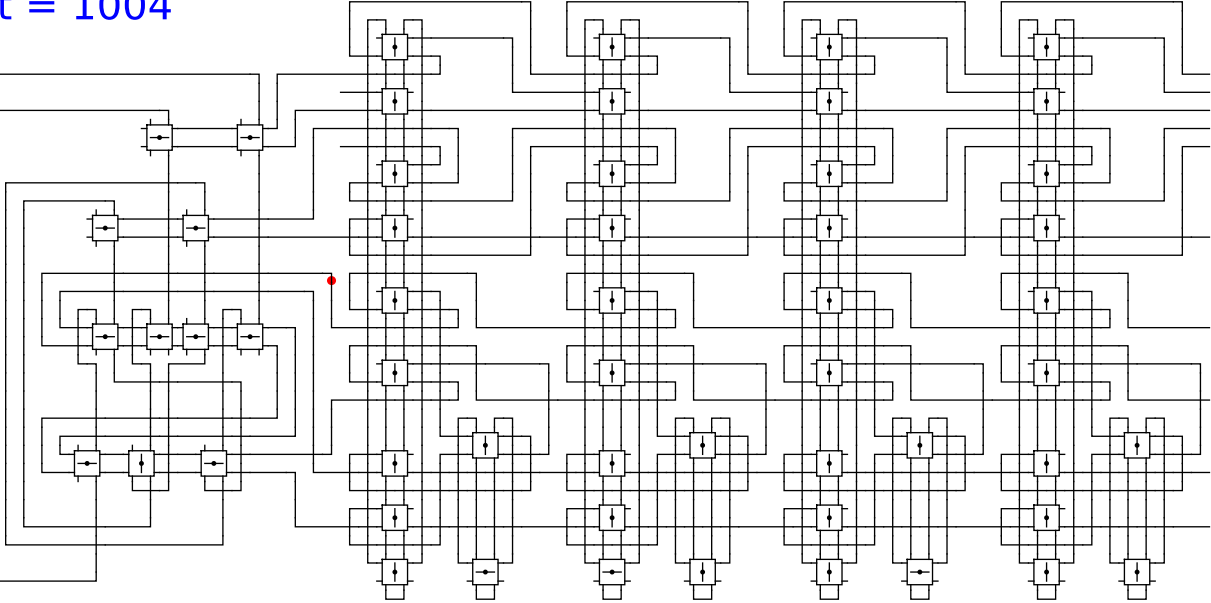


1 head 0 1 0

t = 1004

Reject
Accept

Begin

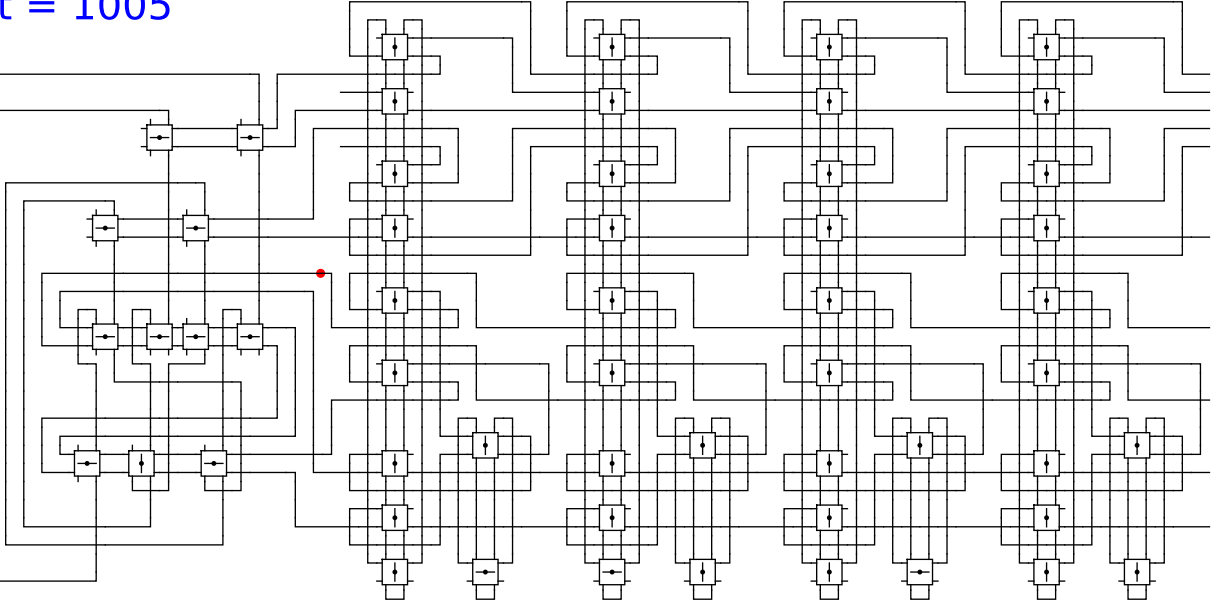


1 head 0 1 0

t = 1005

Reject
Accept

Begin

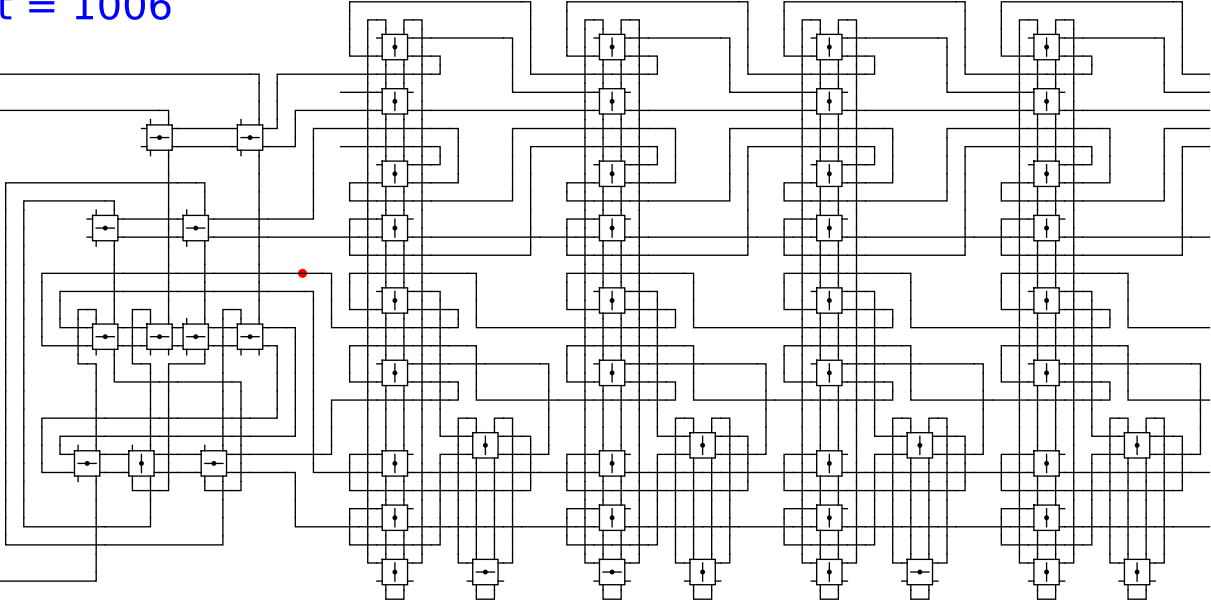


1 head 0 1 0

t = 1006

Reject
Accept

Begin

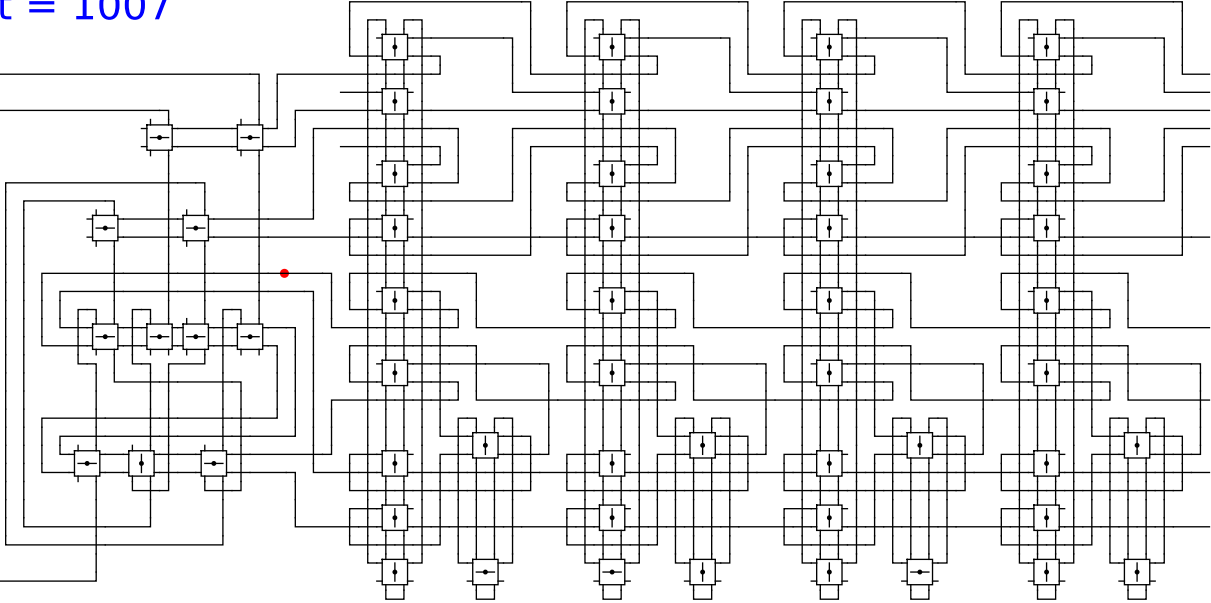


1 head 0 1 0

t = 1007

Reject
Accept

Begin

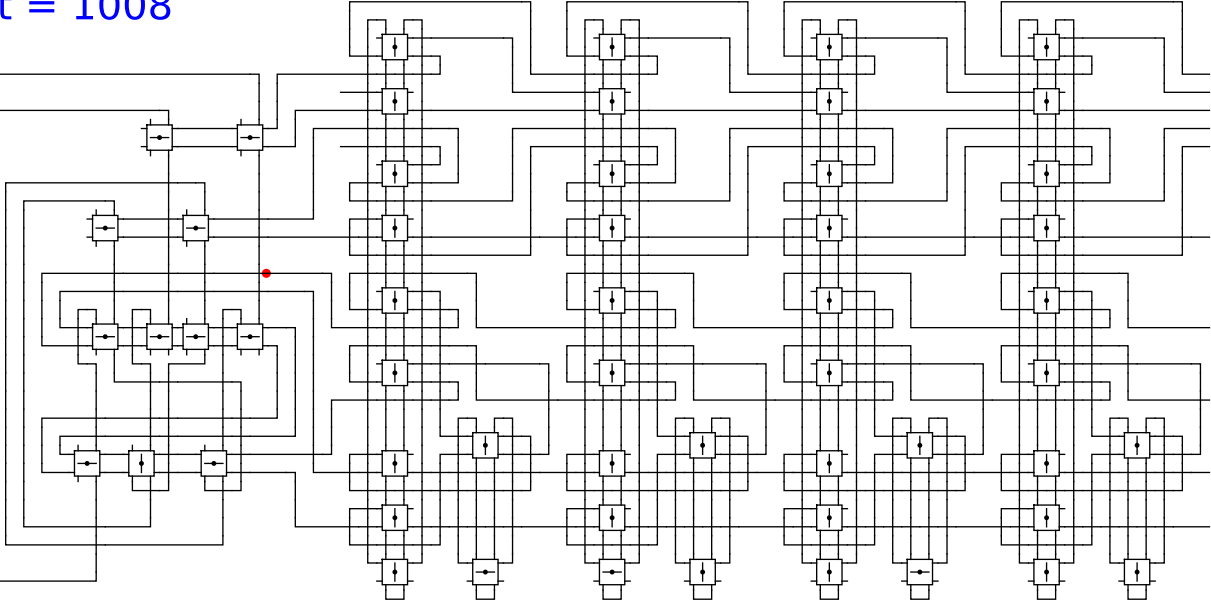


1 head 0 1 0

t = 1008

Reject
Accept

Begin

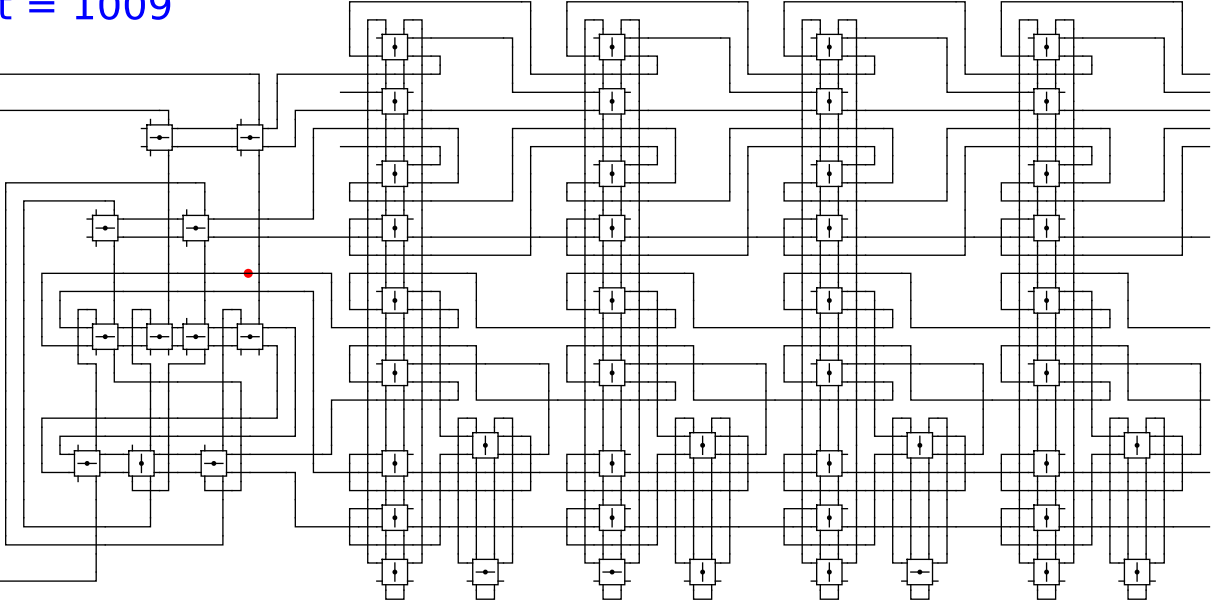


1 head 0 1 0

t = 1009

Reject
Accept

Begin

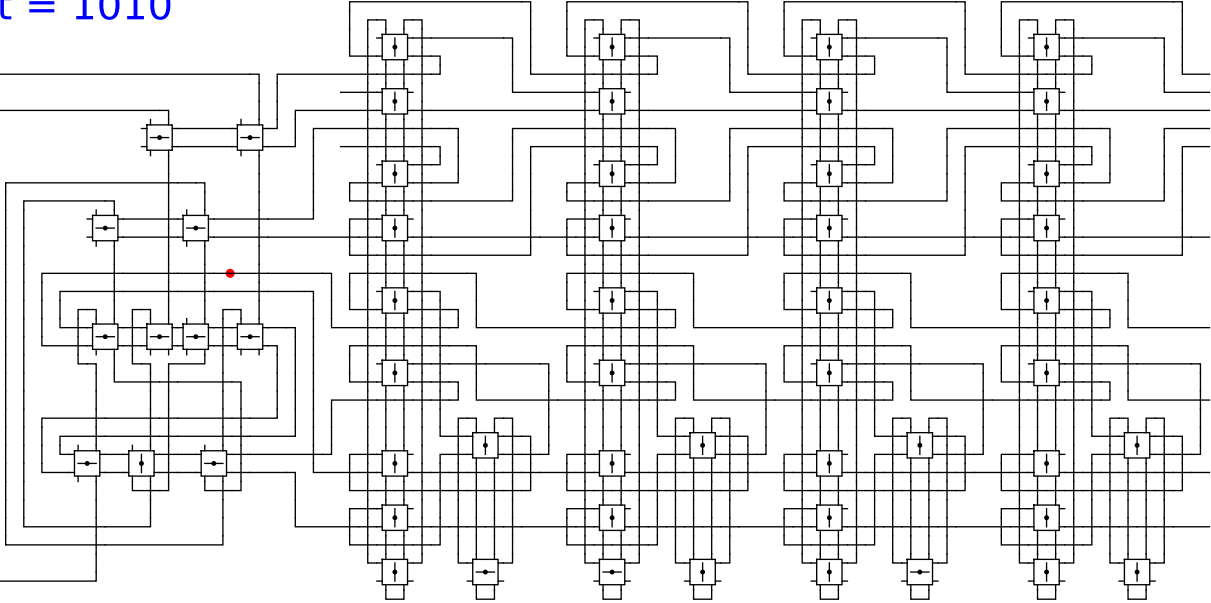


1 head 0 1 0

t = 1010

Reject
Accept

Begin

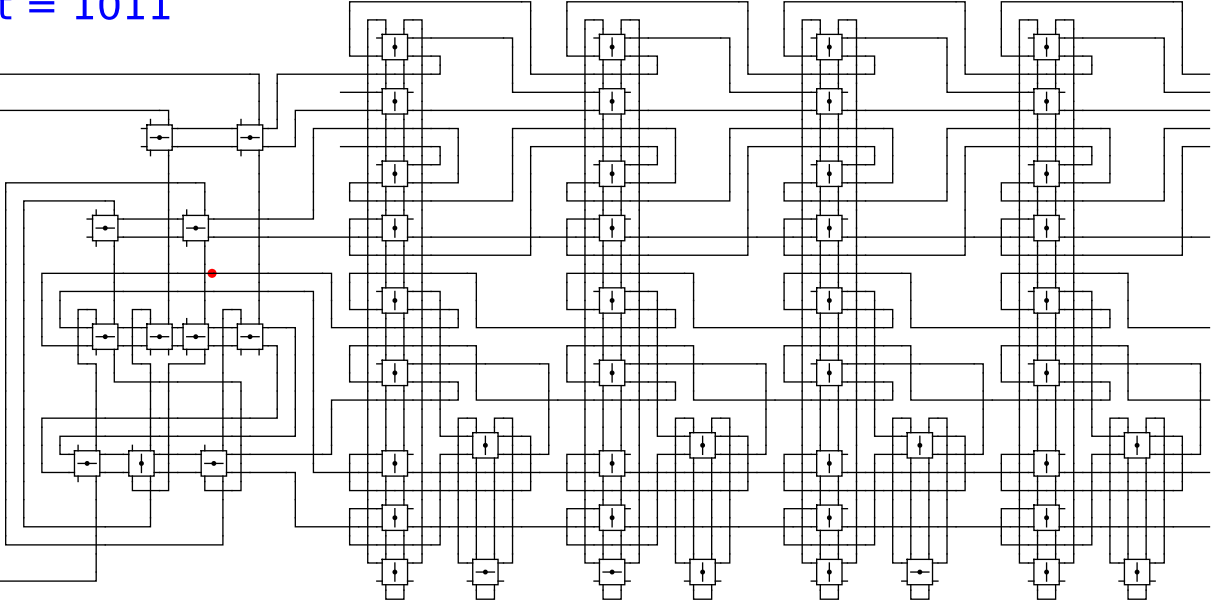


1 head 0 1 0

t = 1011

Reject
Accept

Begin

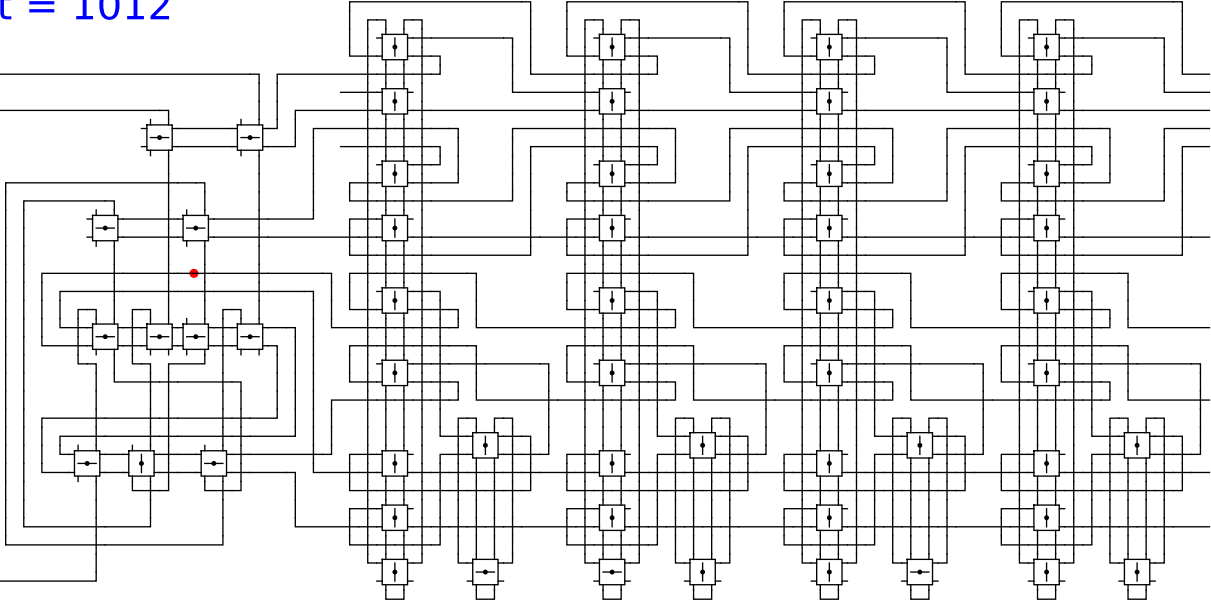


1 head 0 1 0

$t = 1012$

Reject
Accept

Begin



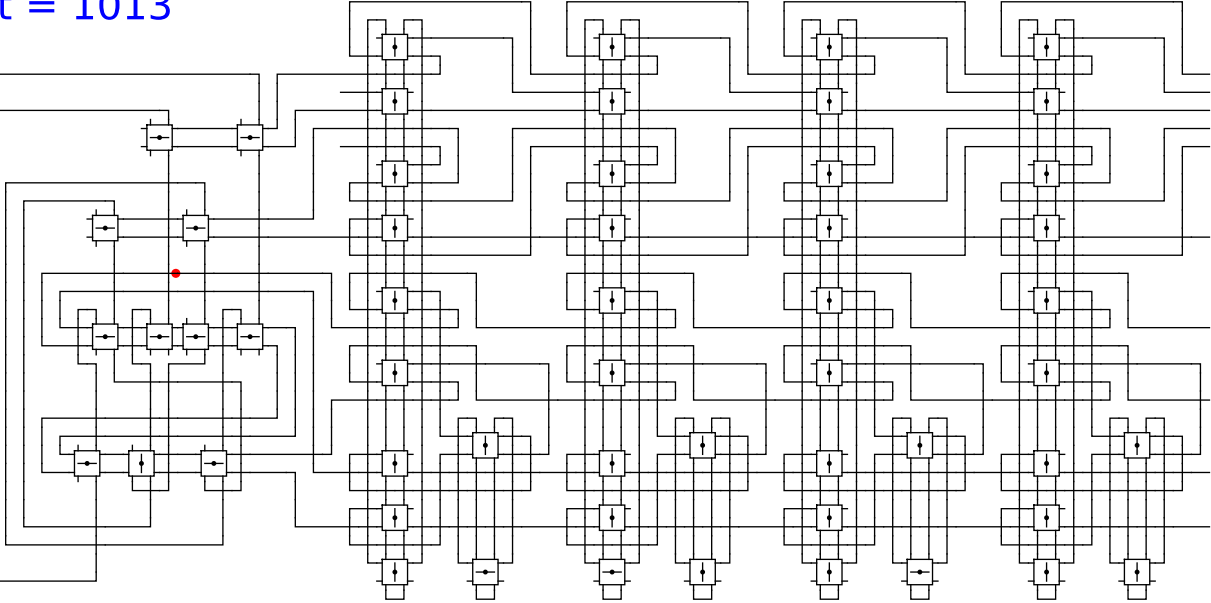
1 0 1 0

head

t = 1013

Reject
Accept

Begin

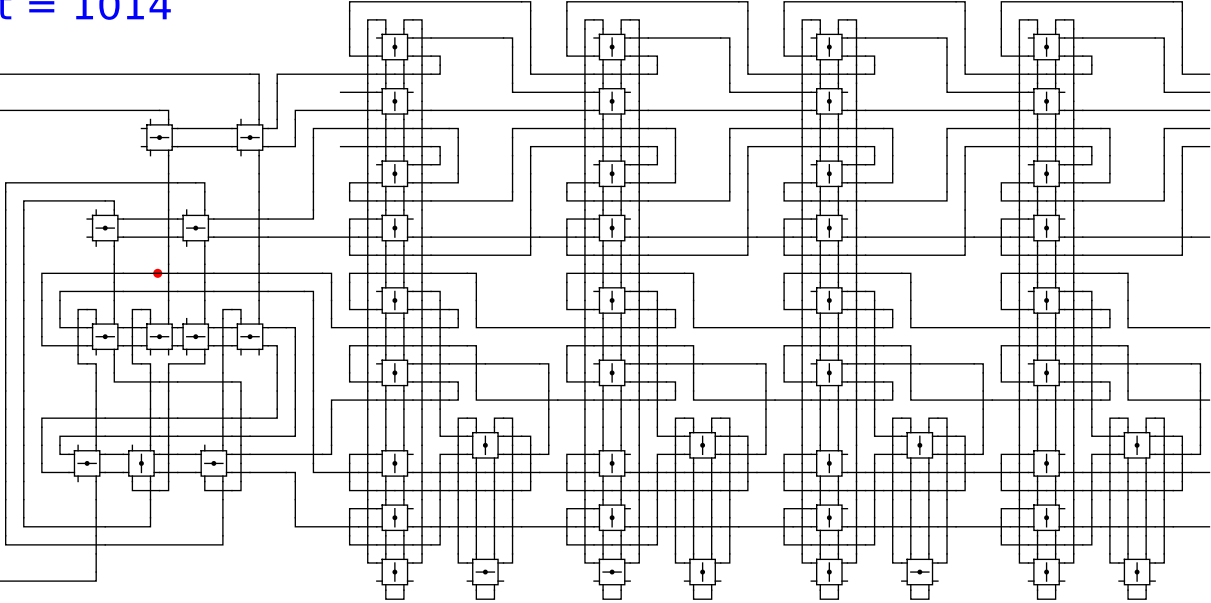


1 head 0 1 0

t = 1014

Reject
Accept

Begin

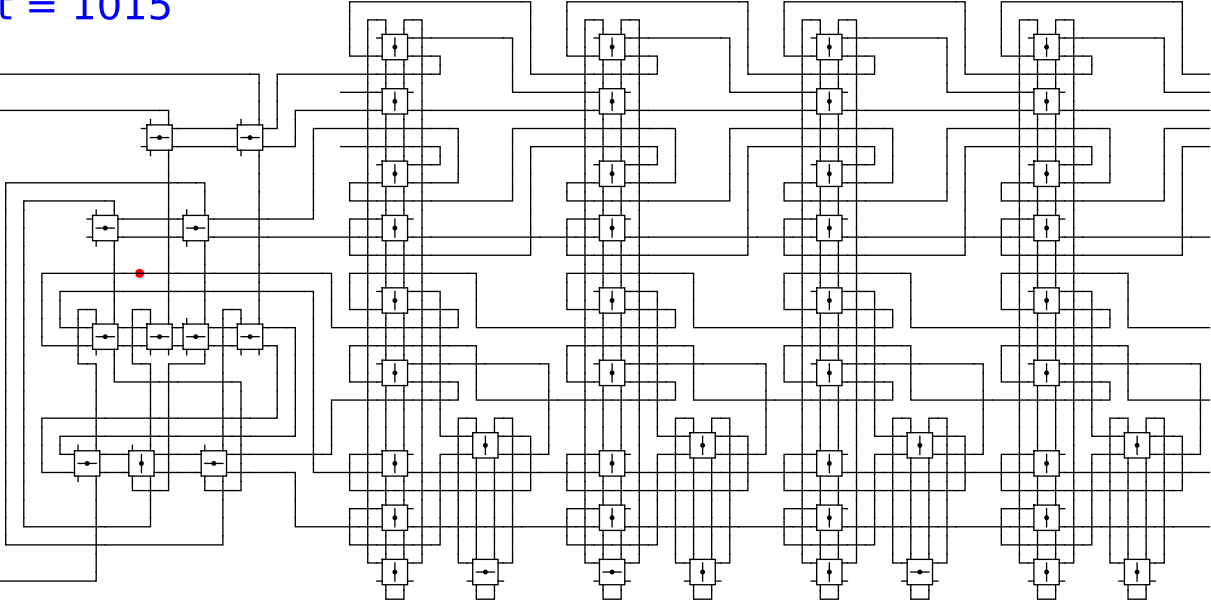


1 head 0 1 0

t = 1015

Reject
Accept

Begin

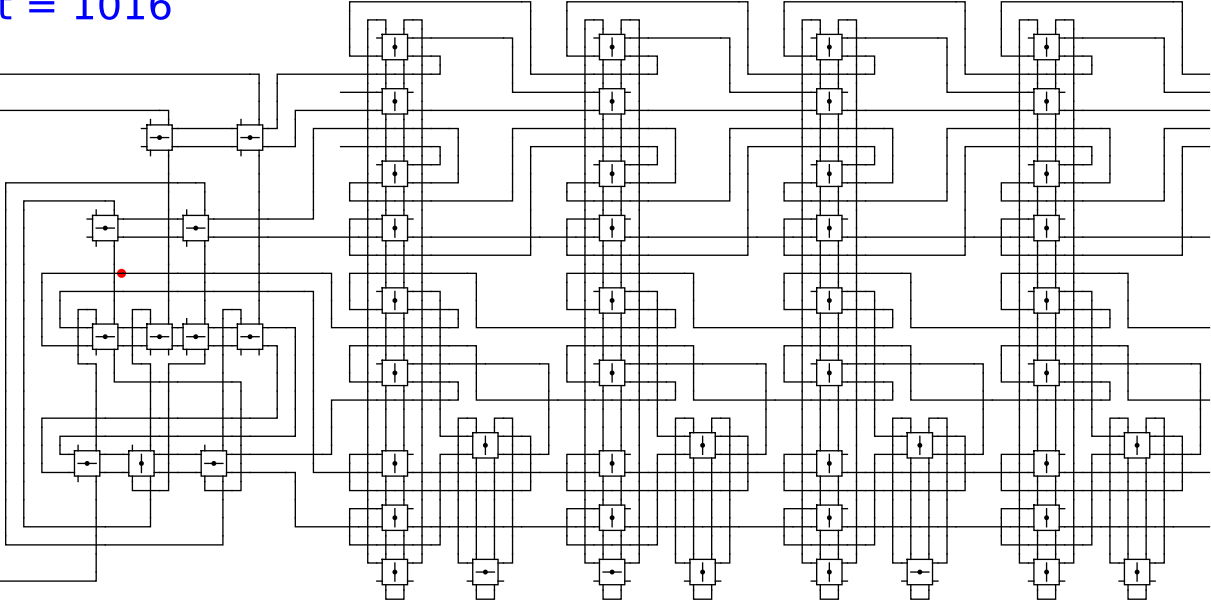


1 head 0 1 0

t = 1016

Reject
Accept

Begin

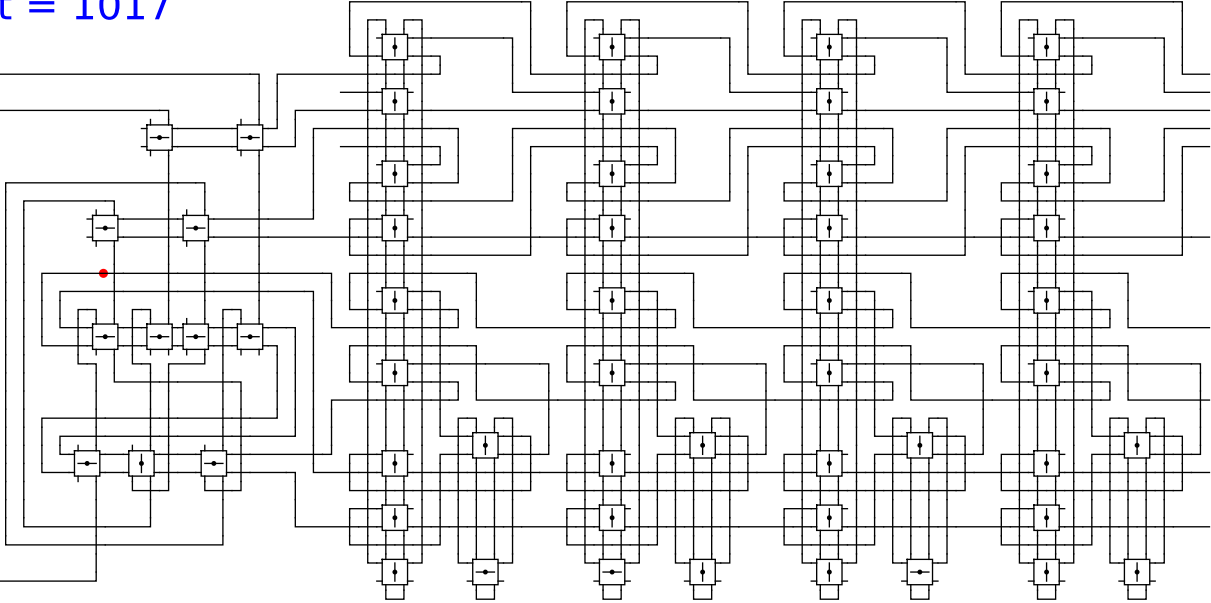


1 head 0 1 0

t = 1017

Reject
Accept

Begin

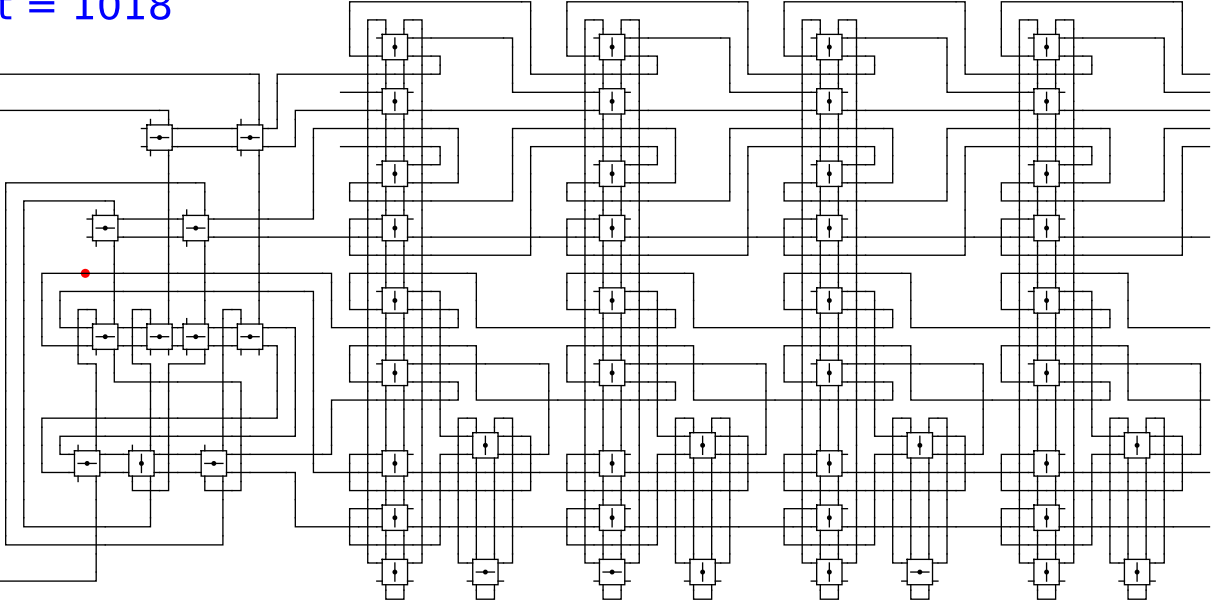


1 head 0 1 0

t = 1018

Reject
Accept

Begin

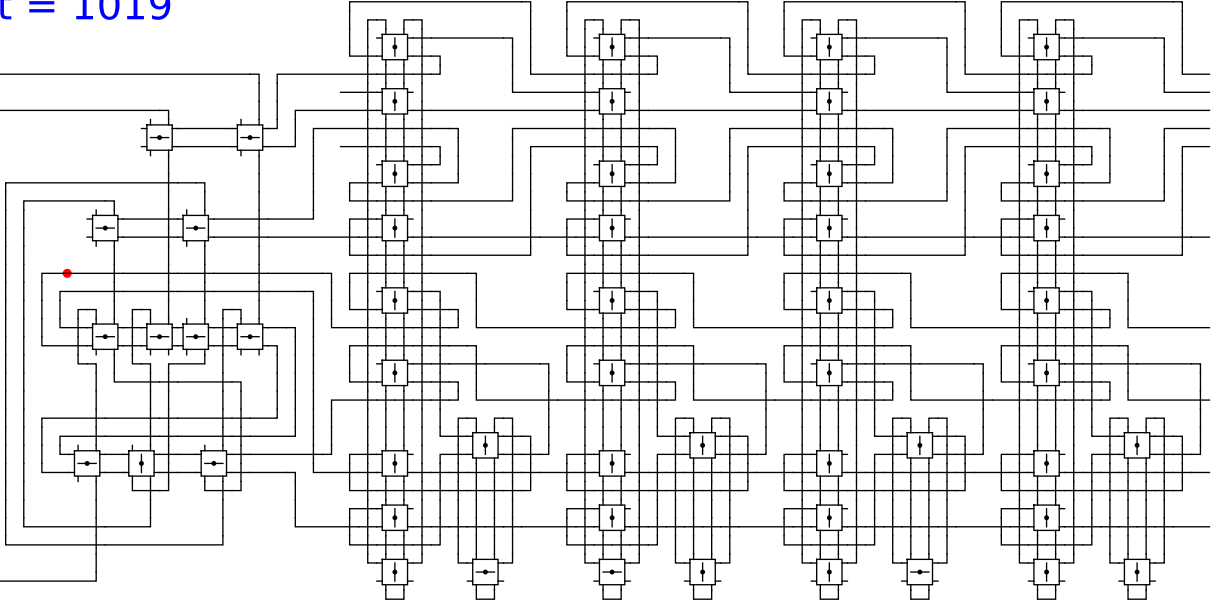


1 head 0 1 0

t = 1019

Reject
Accept

Begin

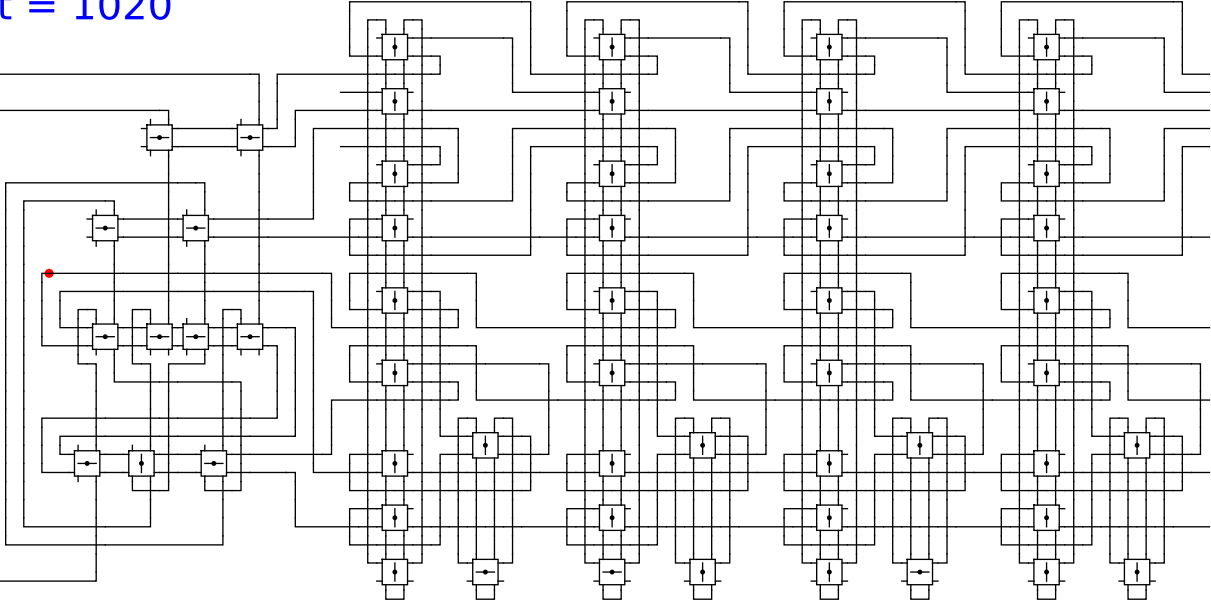


1 head 0 1 0

$t = 1020$

Reject
Accept

Begin

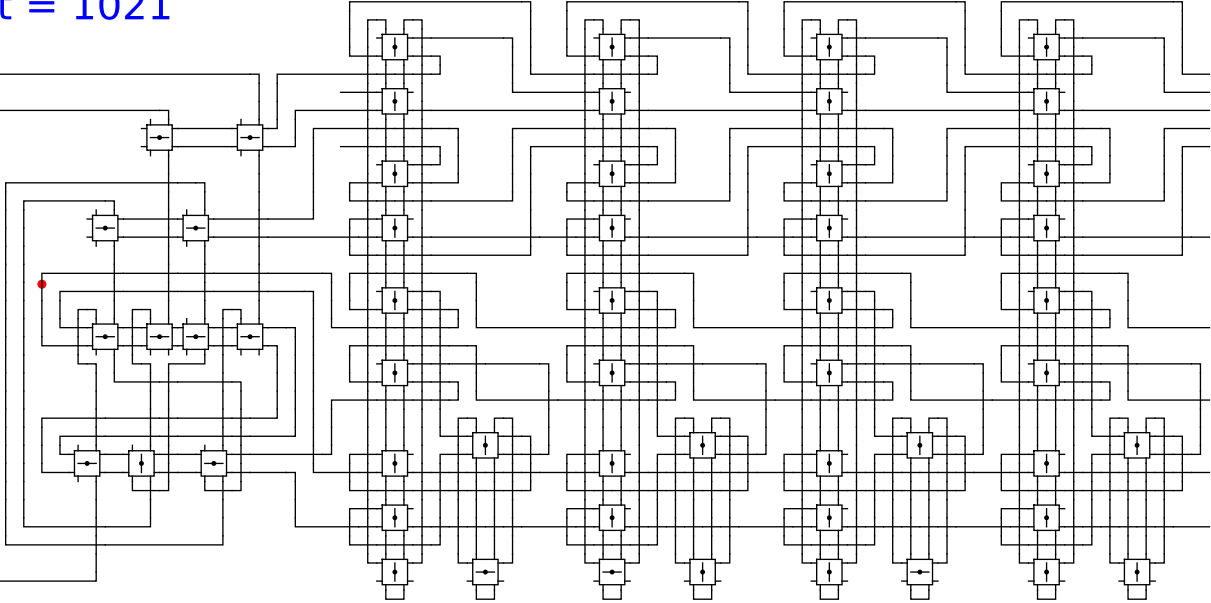


1 head 0 1 0

$t = 1021$

Reject
Accept

Begin

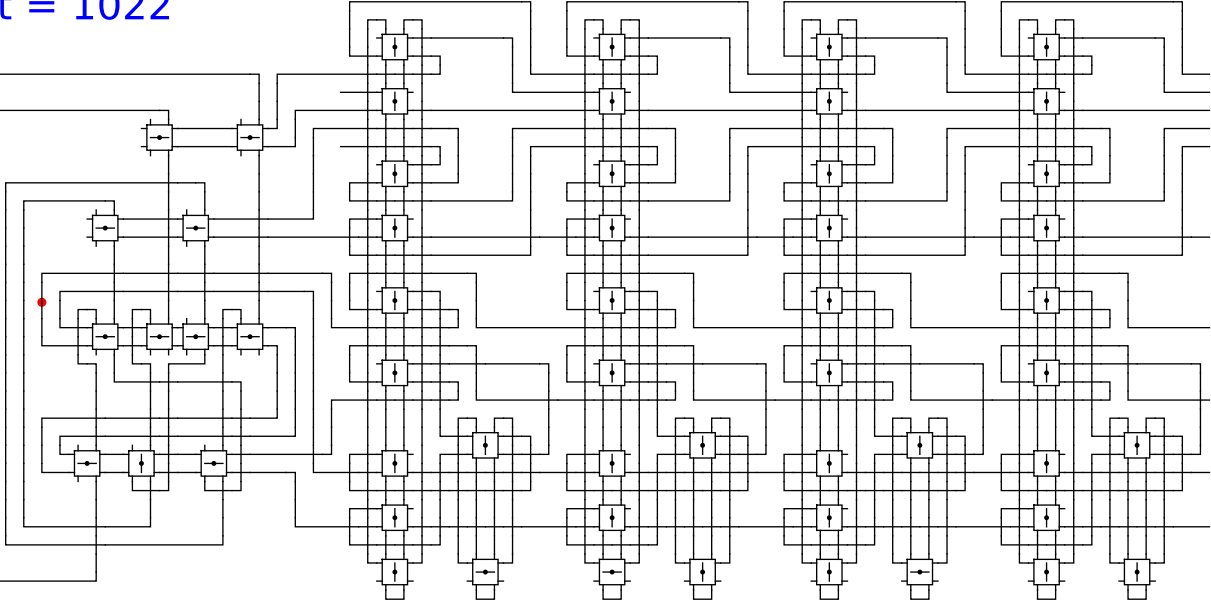


1 head 0 1 0

t = 1022

Reject
Accept

Begin

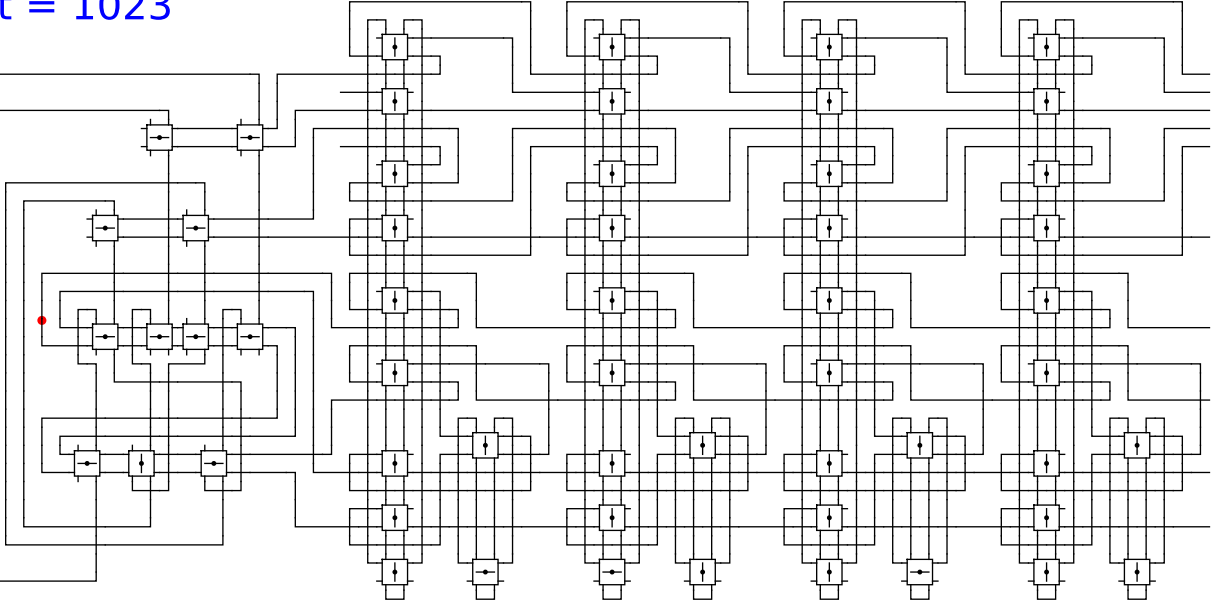


1 head 0 1 0

t = 1023

Reject
Accept

Begin

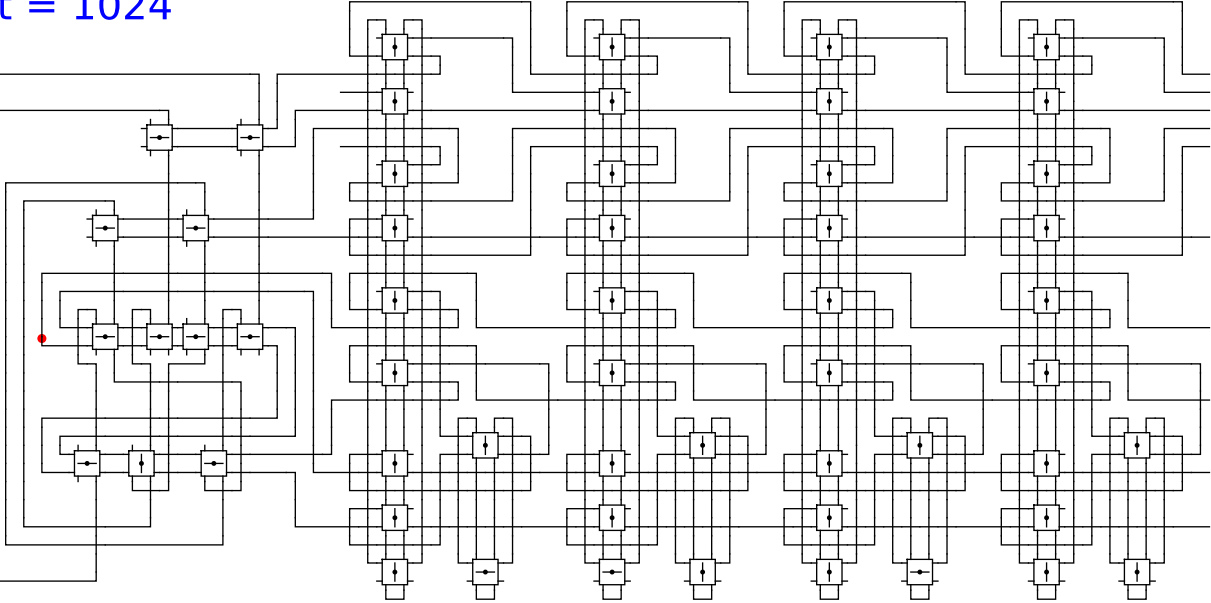


1 head 0 1 0

t = 1024

Reject
Accept

Begin

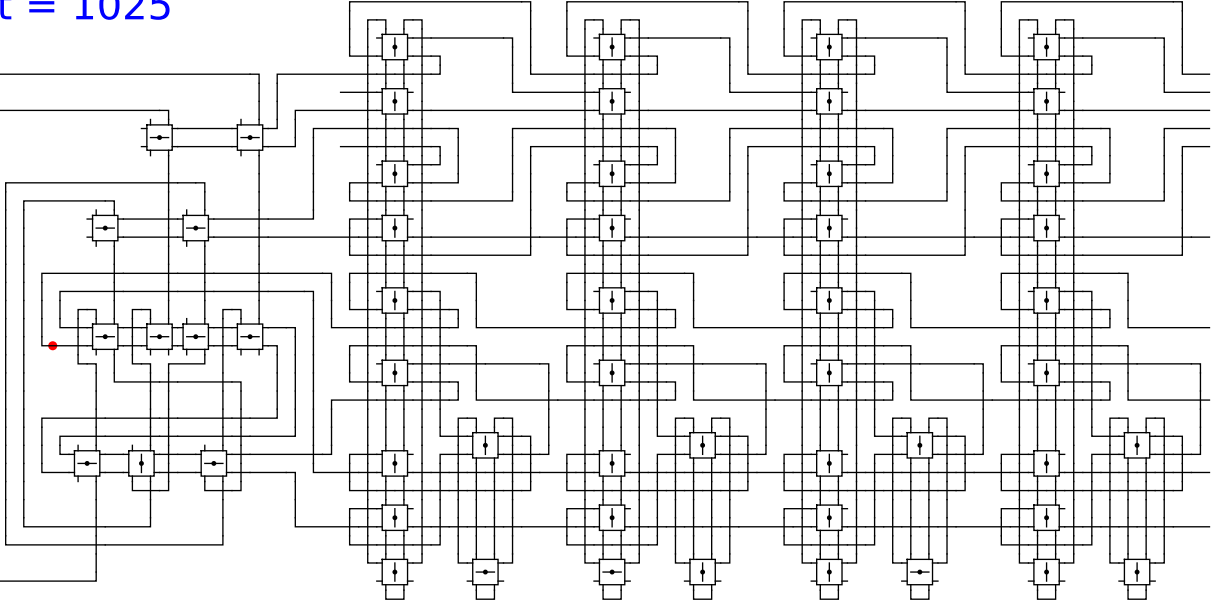


1 head 0 1 0

$t = 1025$

Reject
Accept

Begin

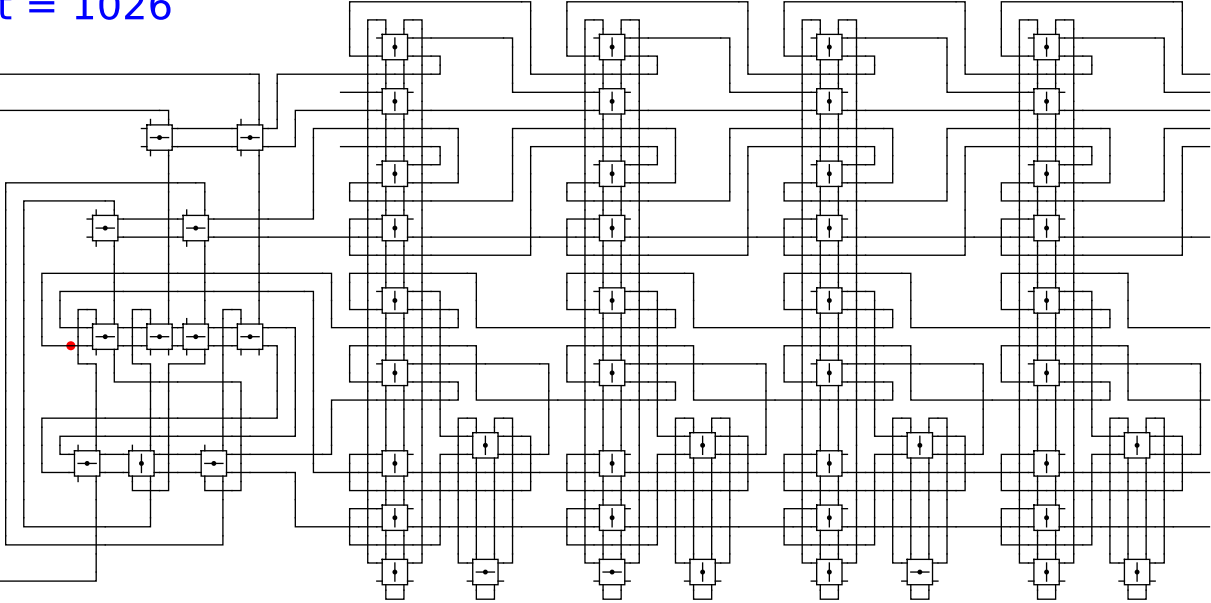


1 head 0 1 0

t = 1026

Reject
Accept

Begin

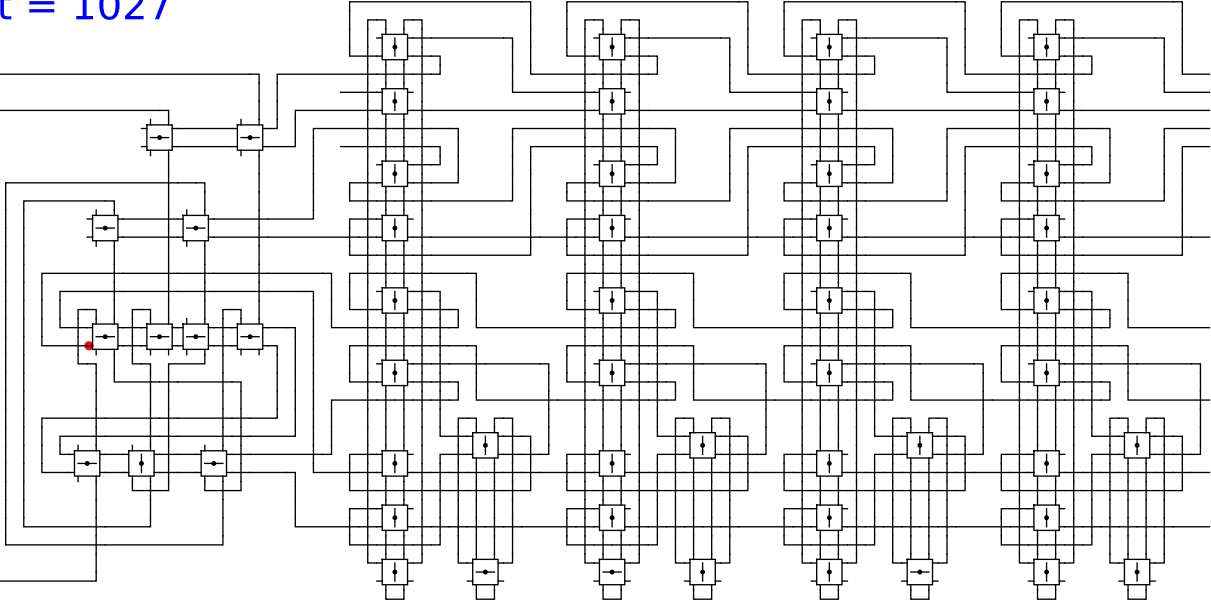


1 head 0 1 0

$t = 1027$

Reject
Accept

Begin

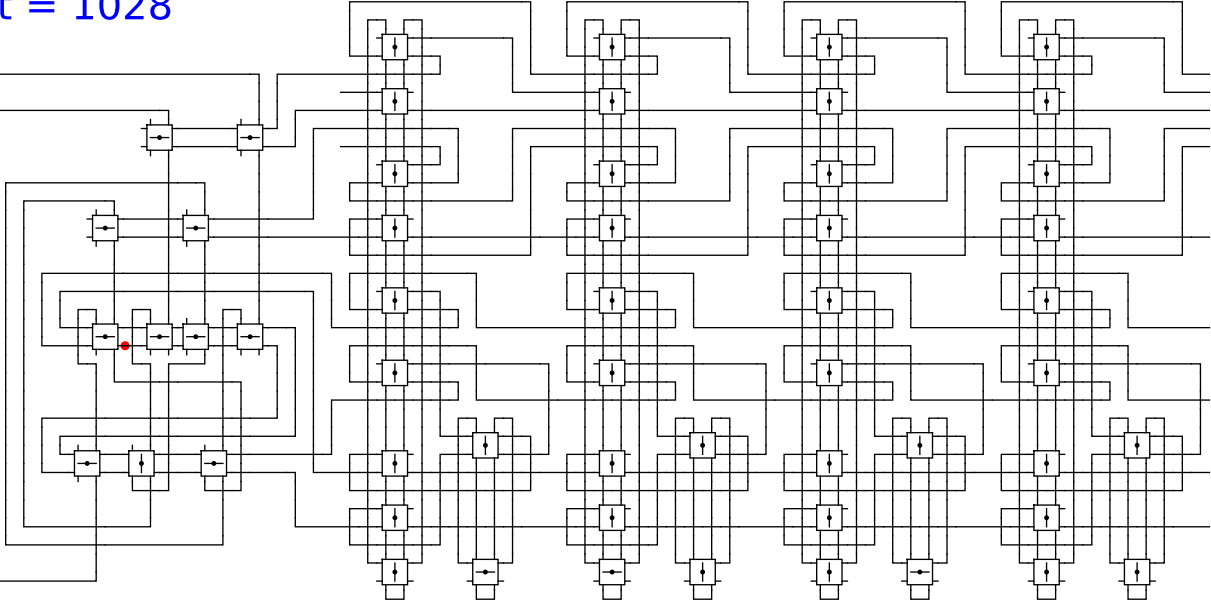


1 head 0 1 0

t = 1028

Reject
Accept

Begin

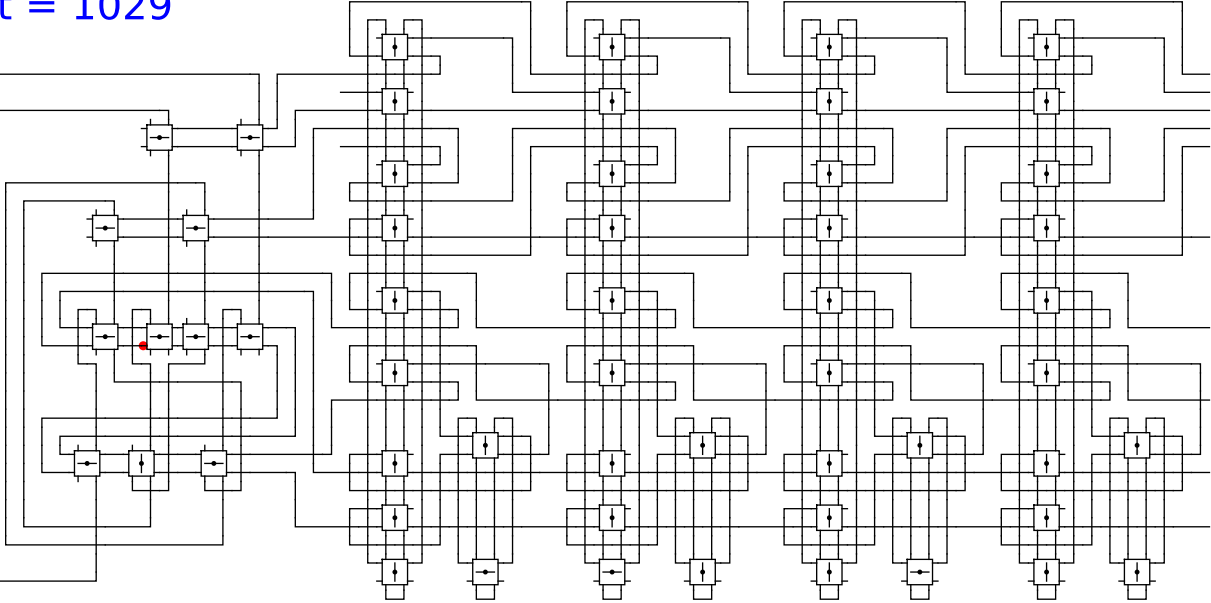


1 head 0 1 0

t = 1029

Reject
Accept

Begin

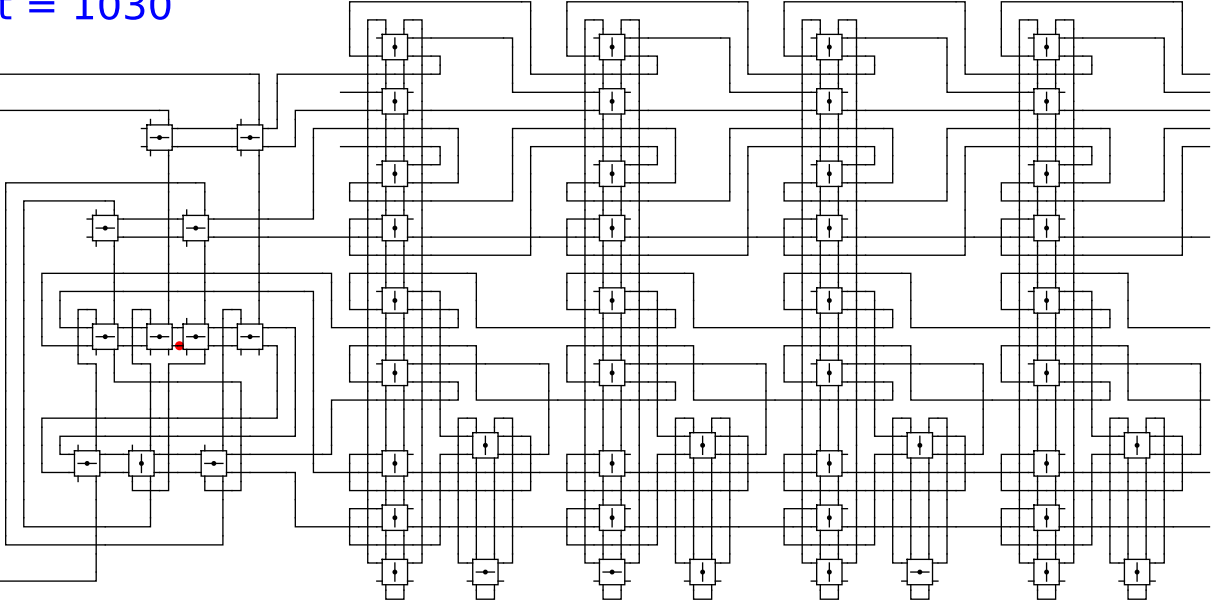


1 head 0 1 0

t = 1030

Reject
Accept

Begin

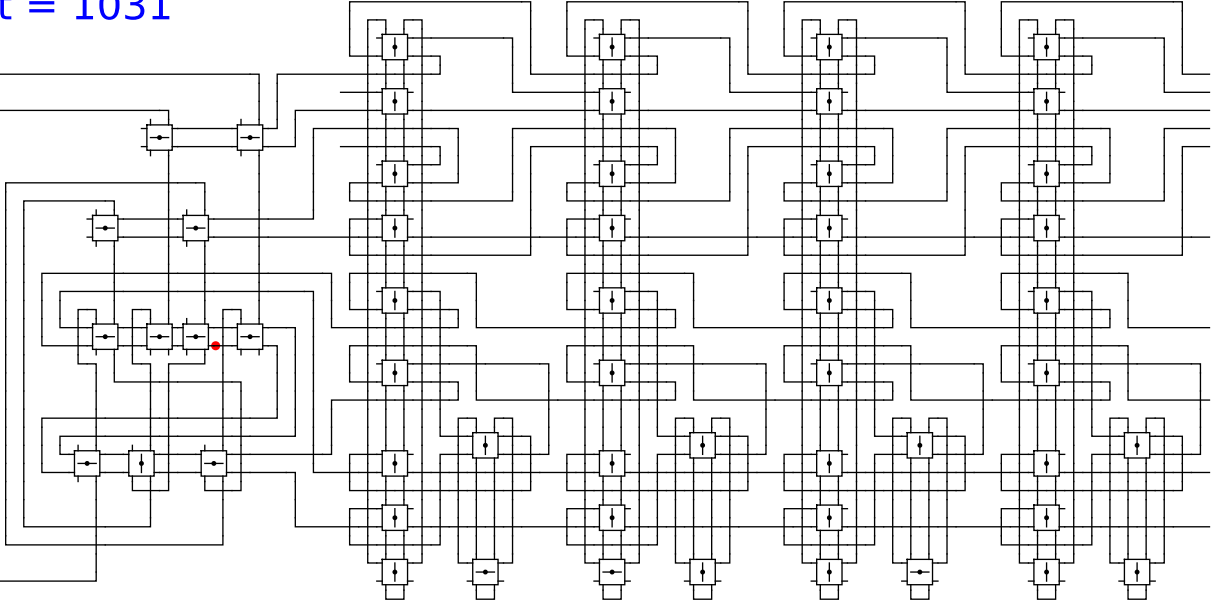


1 head 0 1 0

t = 1031

Reject
Accept

Begin

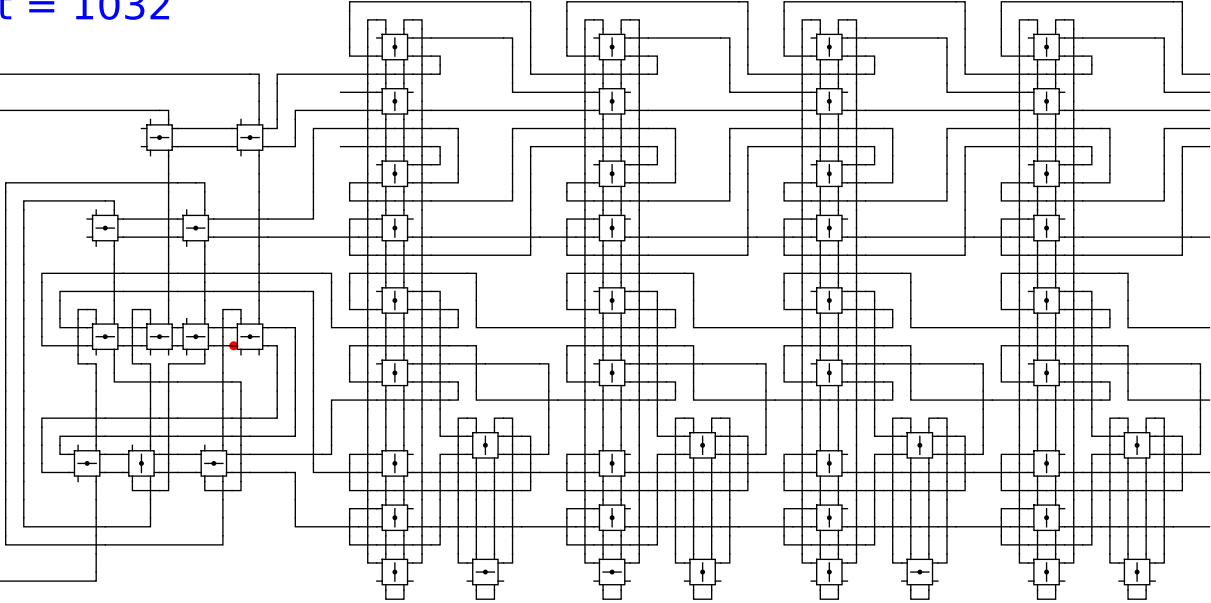


1 head 0 1 0

t = 1032

Reject
Accept

Begin

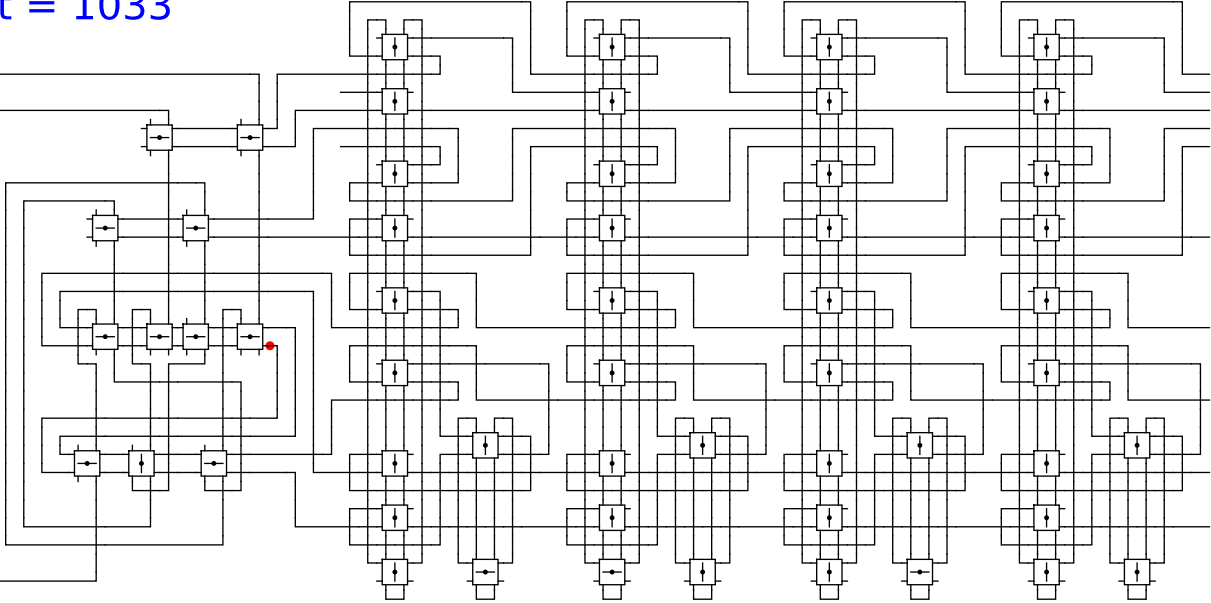


1 head 0 1 0

$t = 1033$

Reject
Accept

Begin

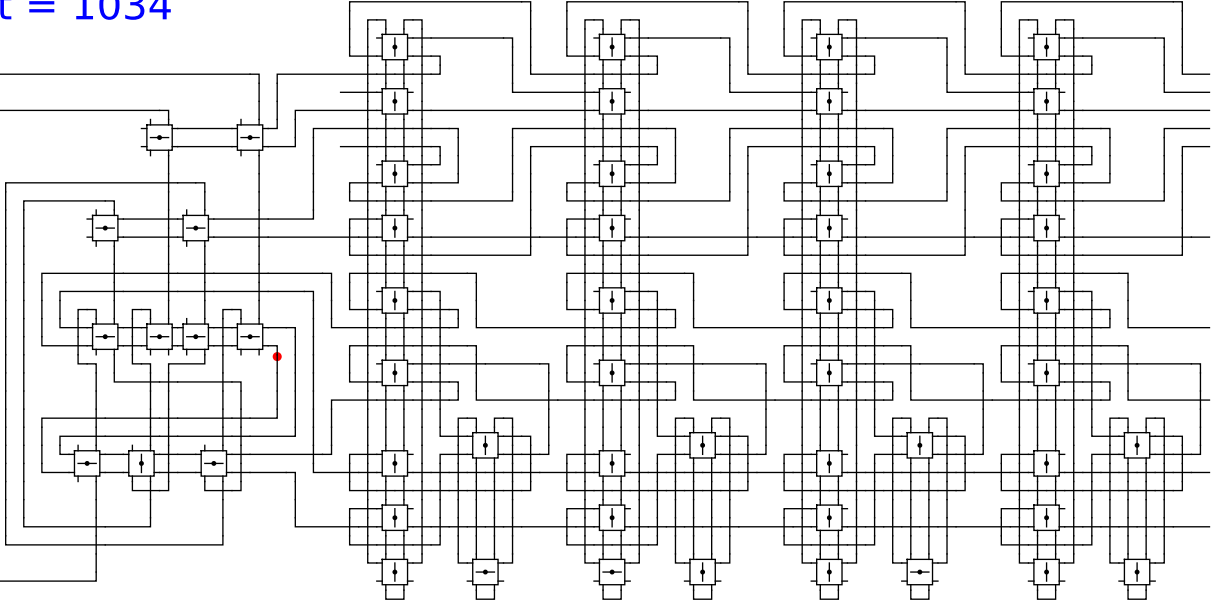


1 head 0 1 0

t = 1034

Reject
Accept

Begin

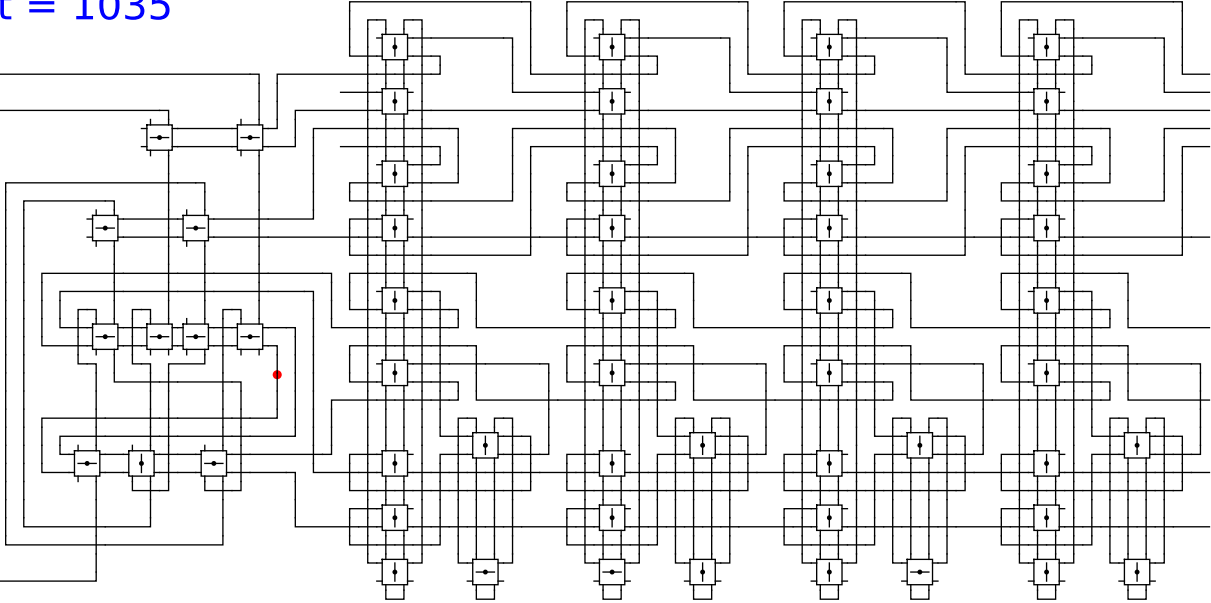


1 head 0 1 0

t = 1035

Reject
Accept

Begin



1

head

0

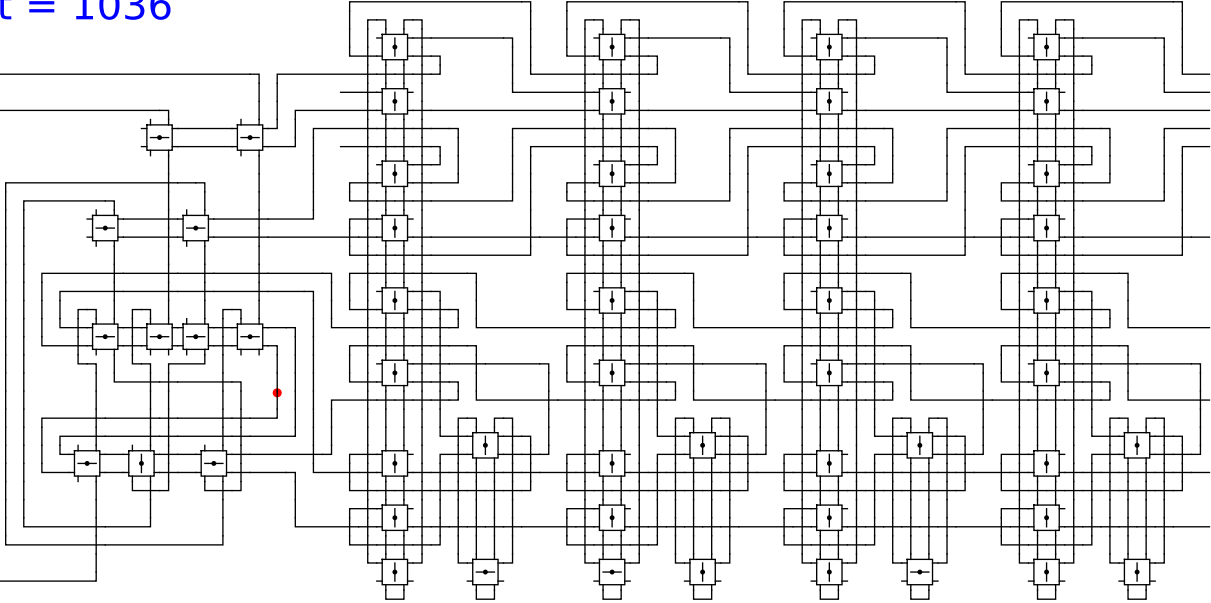
1

0

t = 1036

Reject
Accept

Begin

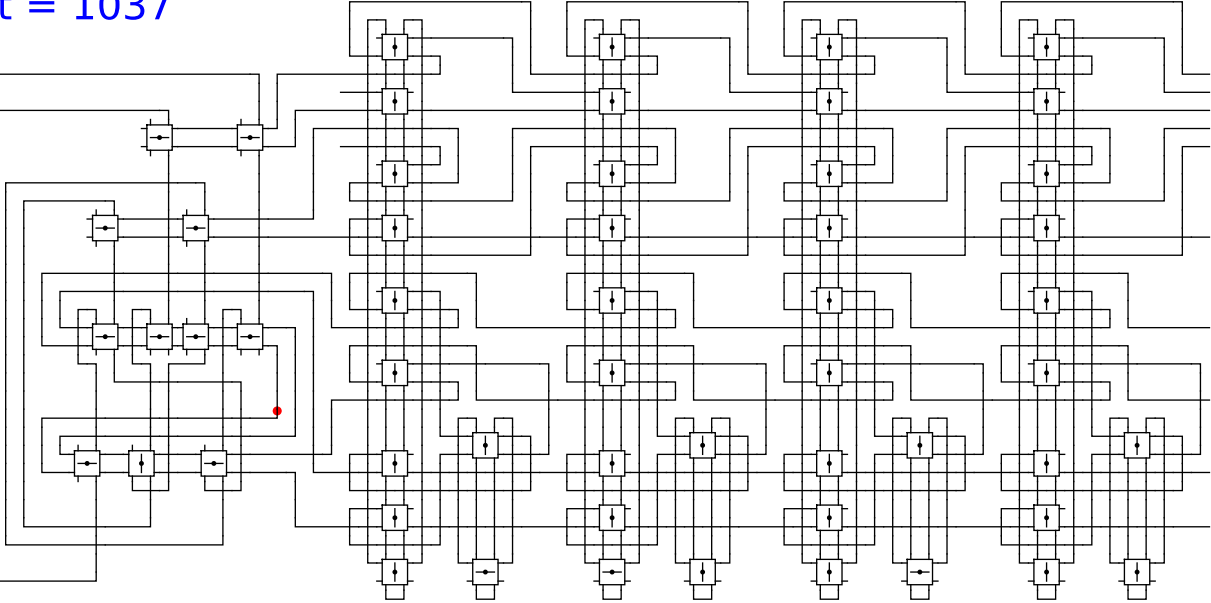


1 head 0 1 0

t = 1037

Reject
Accept

Begin

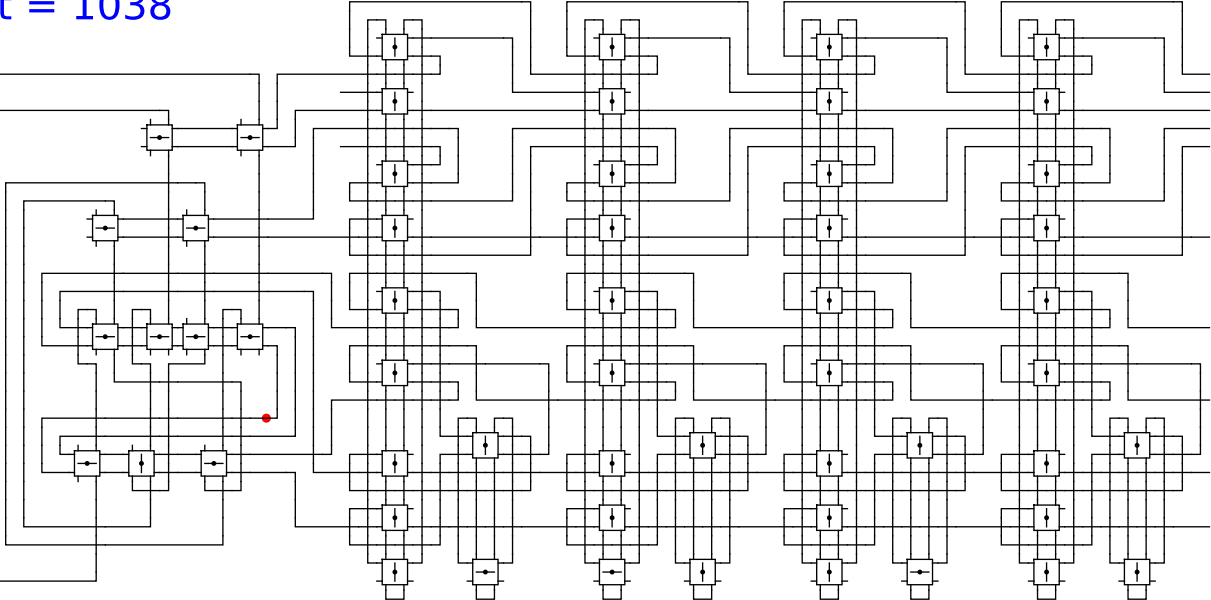


1 0 1 0

t = 1038

Reject
Accept

Begin

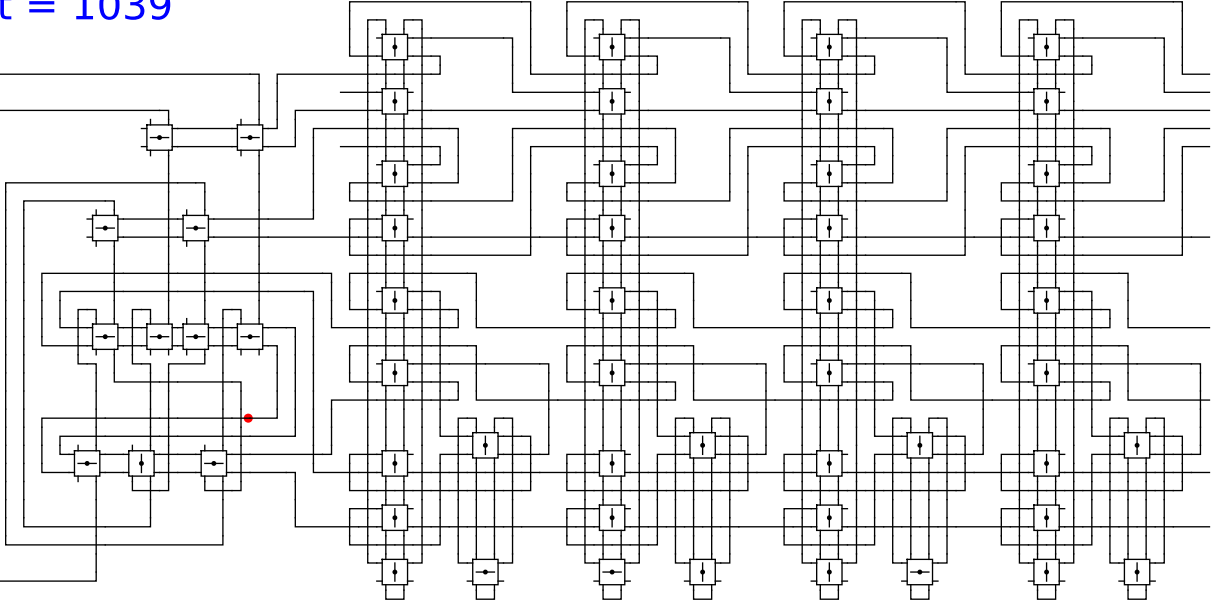


1 head 0 1 0

t = 1039

Reject
Accept

Begin

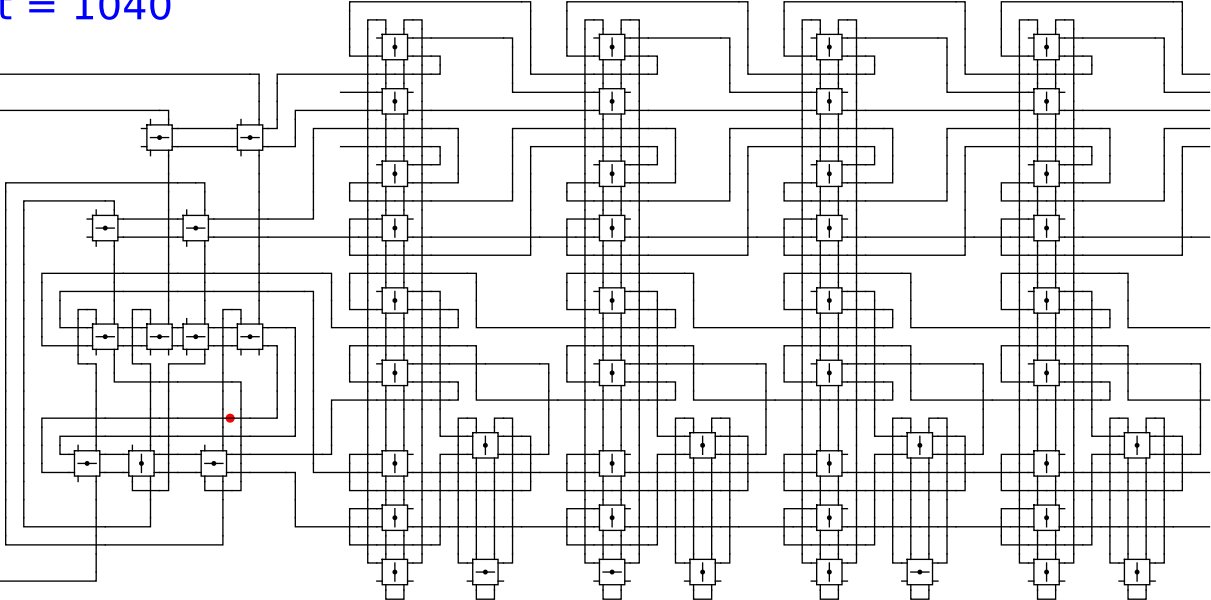


1 head 0 1 0

t = 1040

Reject
Accept

Begin

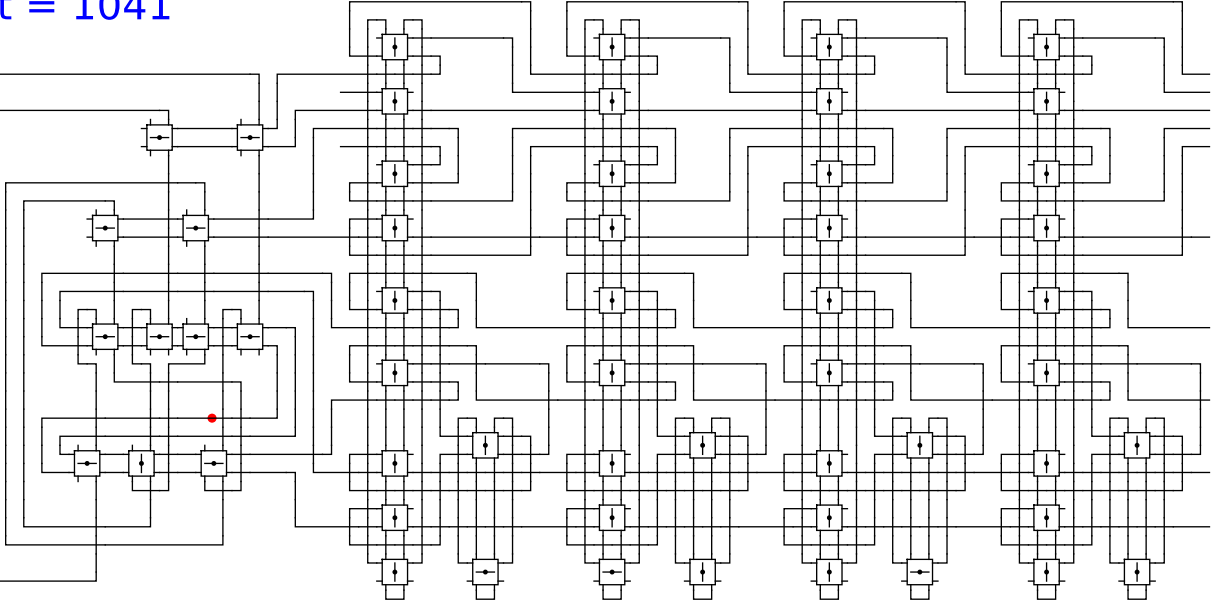


1 head 0 1 0

t = 1041

Reject
Accept

Begin

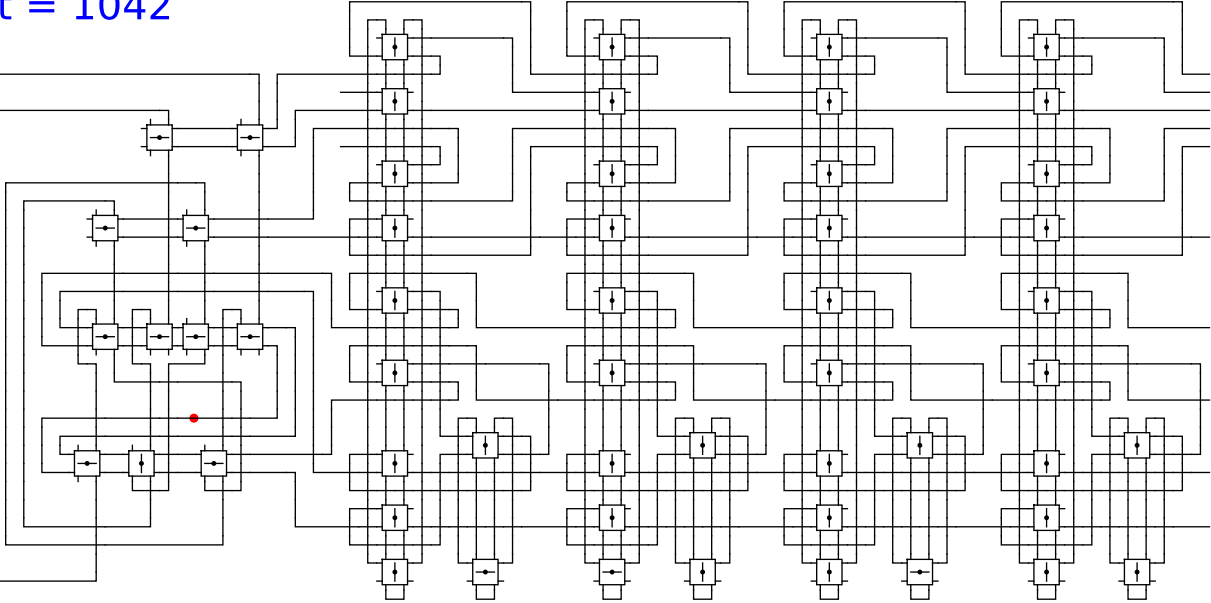


1 head 0 1 0

t = 1042

Reject
Accept

Begin

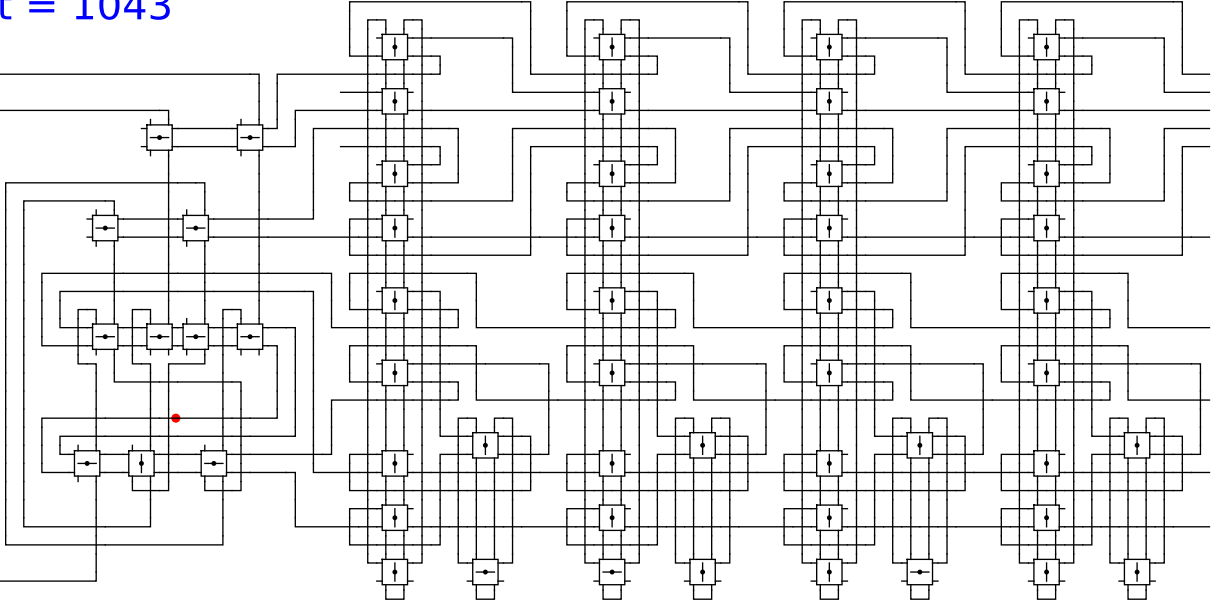


1 head 0 1 0

t = 1043

Reject
Accept

Begin

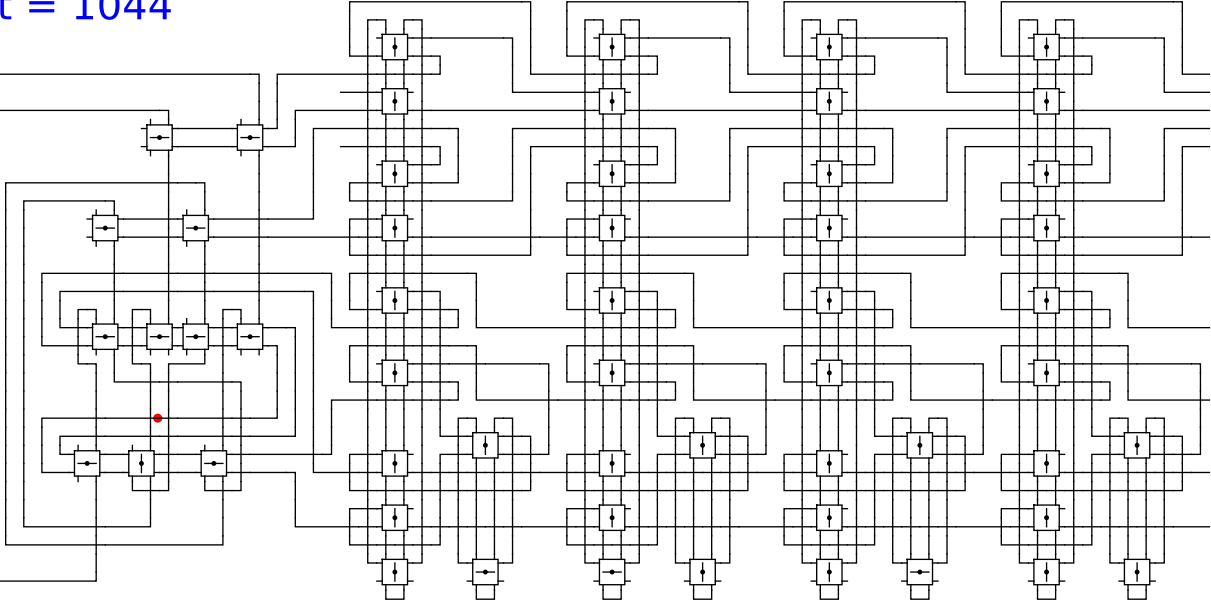


1 head 0 1 0

t = 1044

Reject
Accept

Begin

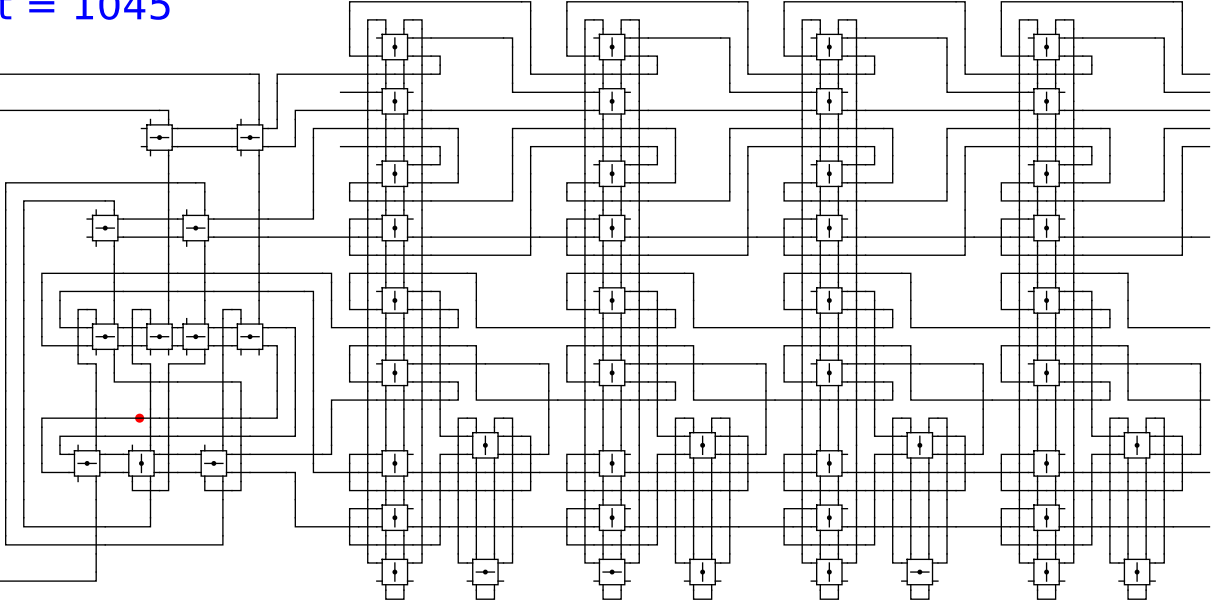


1 head 0 1 0

t = 1045

Reject
Accept

Begin

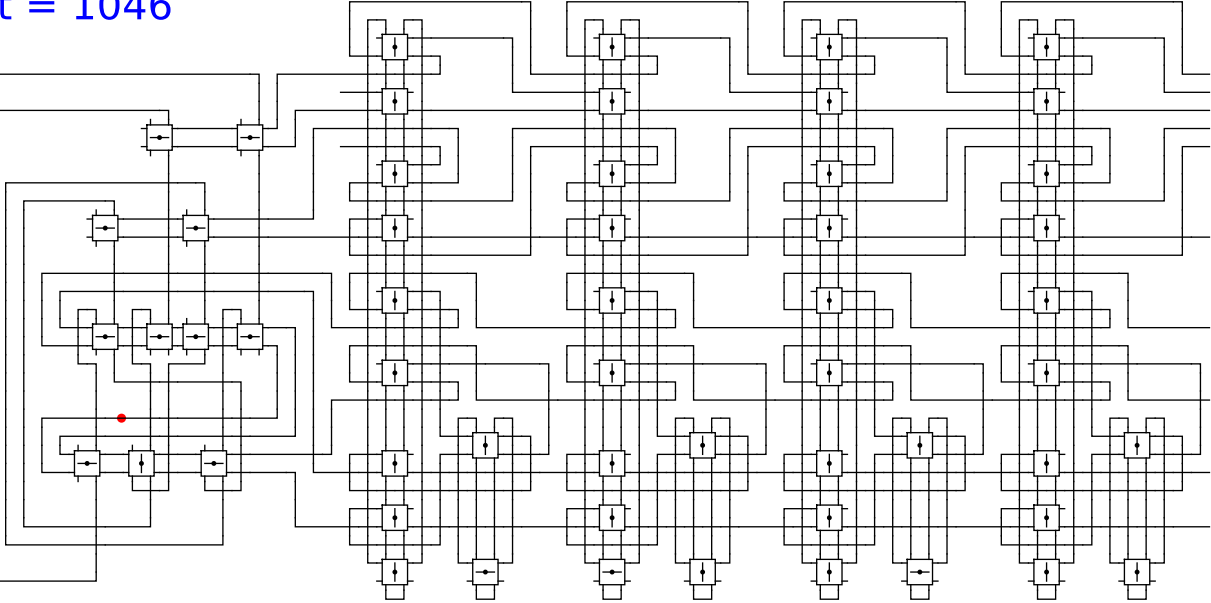


1 head 0 1 0

t = 1046

Reject
Accept

Begin

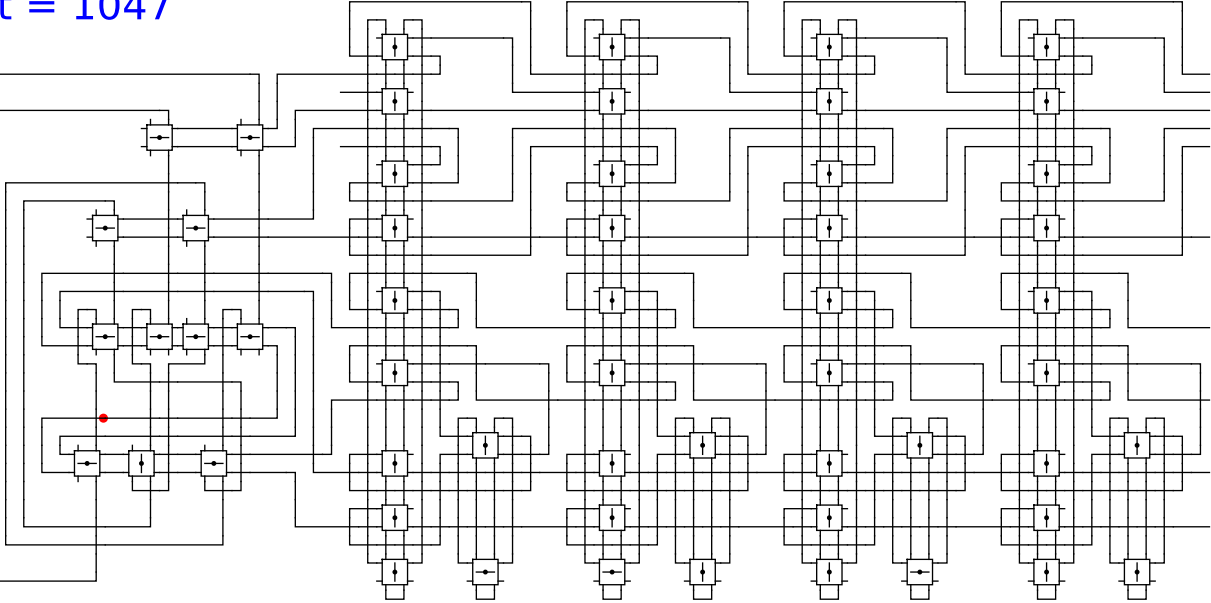


1 head 0 1 0

$t = 1047$

Reject
Accept

Begin

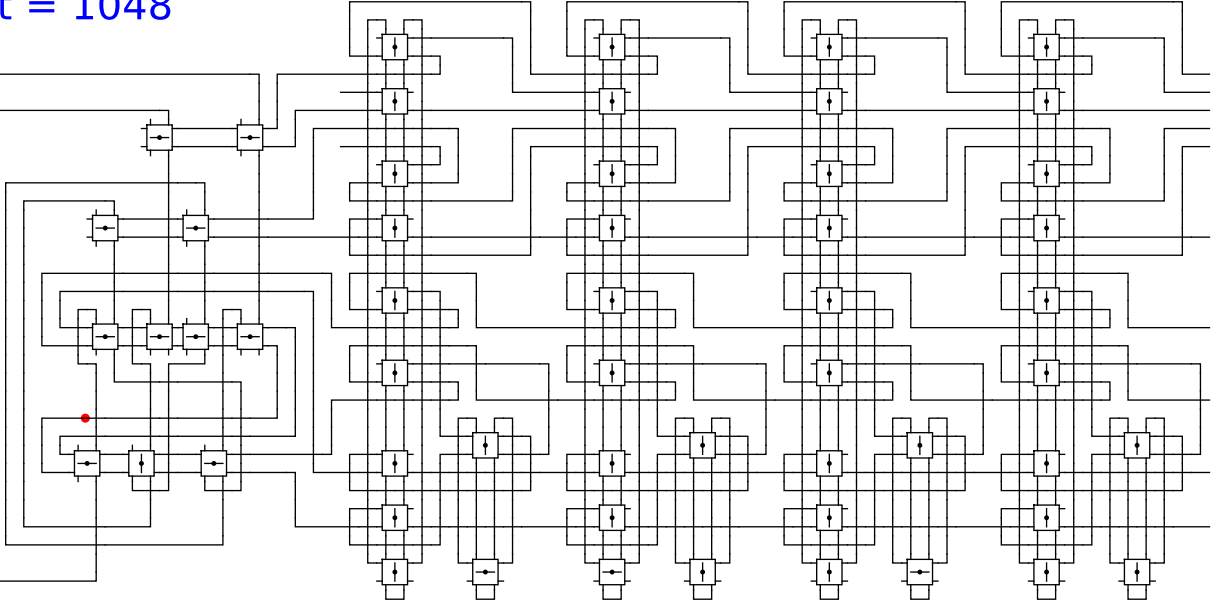


1 head 0 1 0

t = 1048

Reject
Accept

Begin

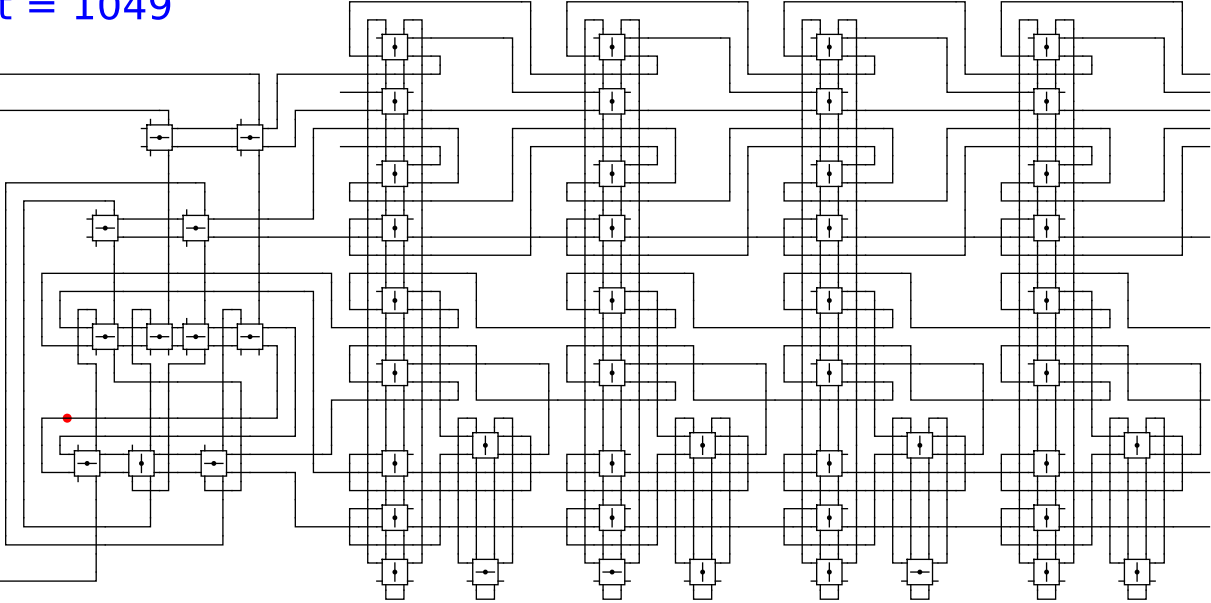


1 head 0 1 0

t = 1049

Reject
Accept

Begin



1

head

0

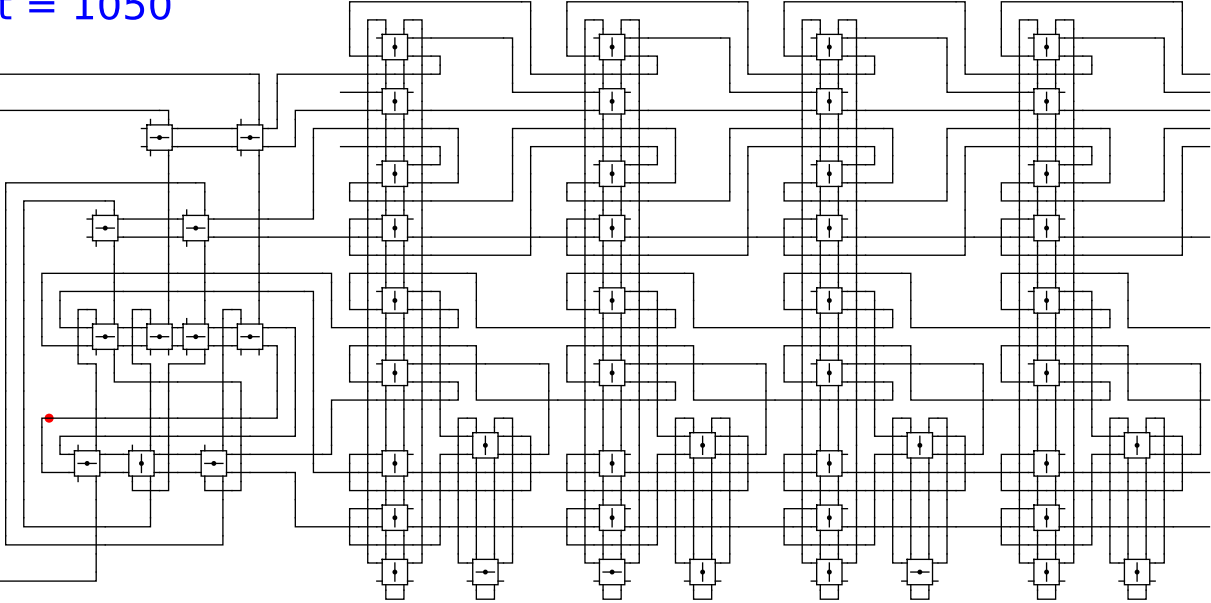
1

0

t = 1050

Reject
Accept

Begin

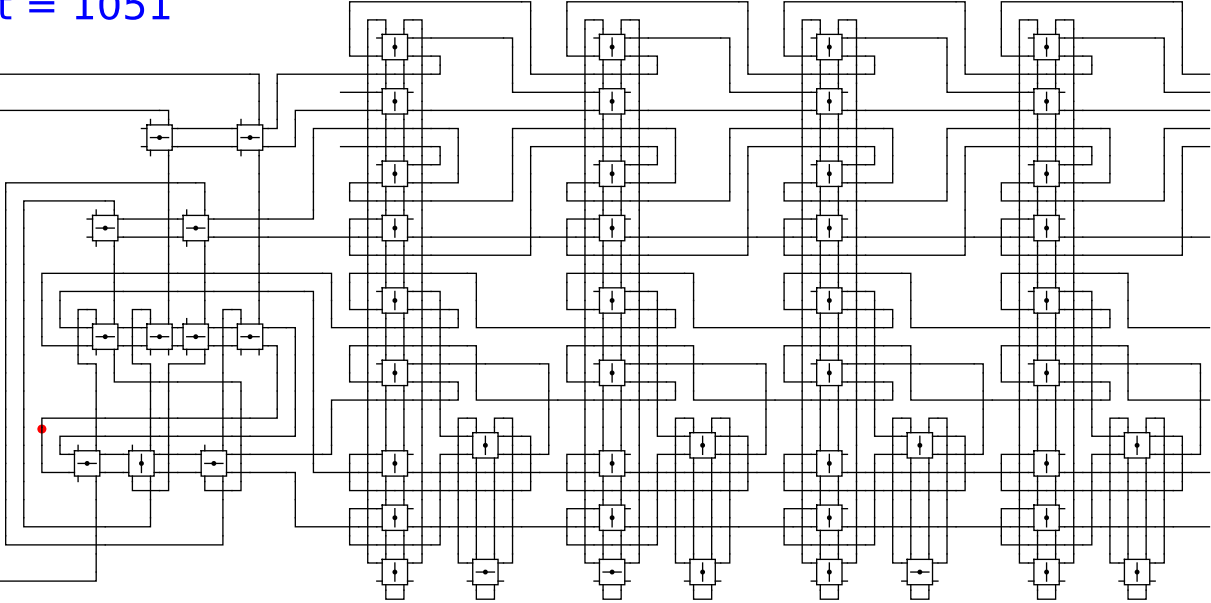


1 head 0 1 0

t = 1051

Reject
Accept

Begin

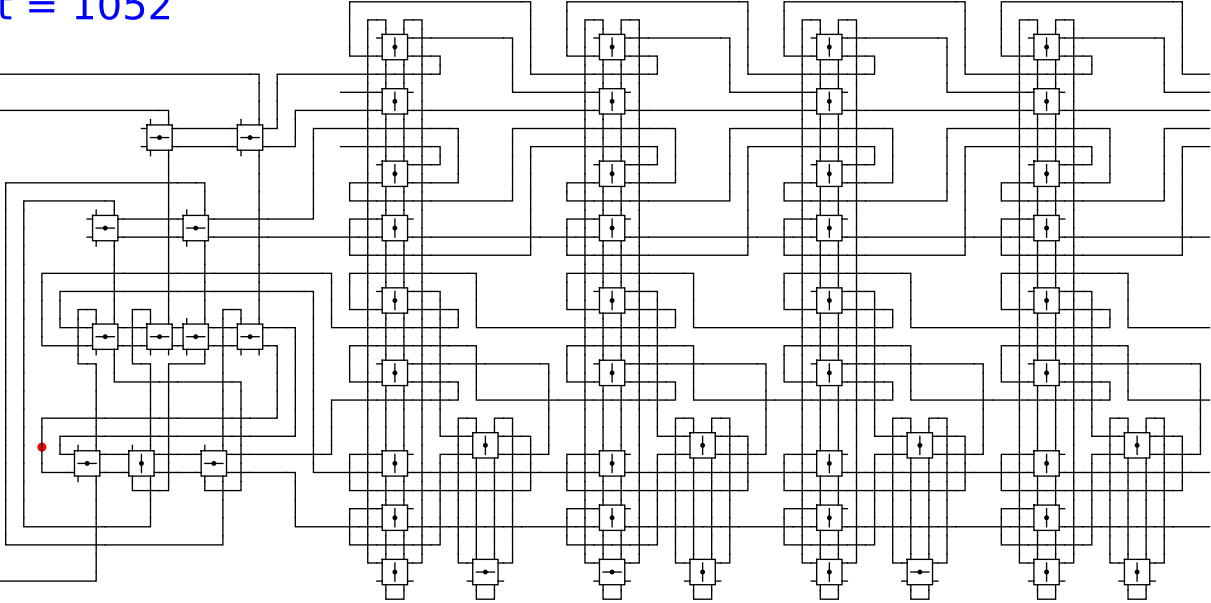


1 head 0 1 0

t = 1052

Reject
Accept

Begin

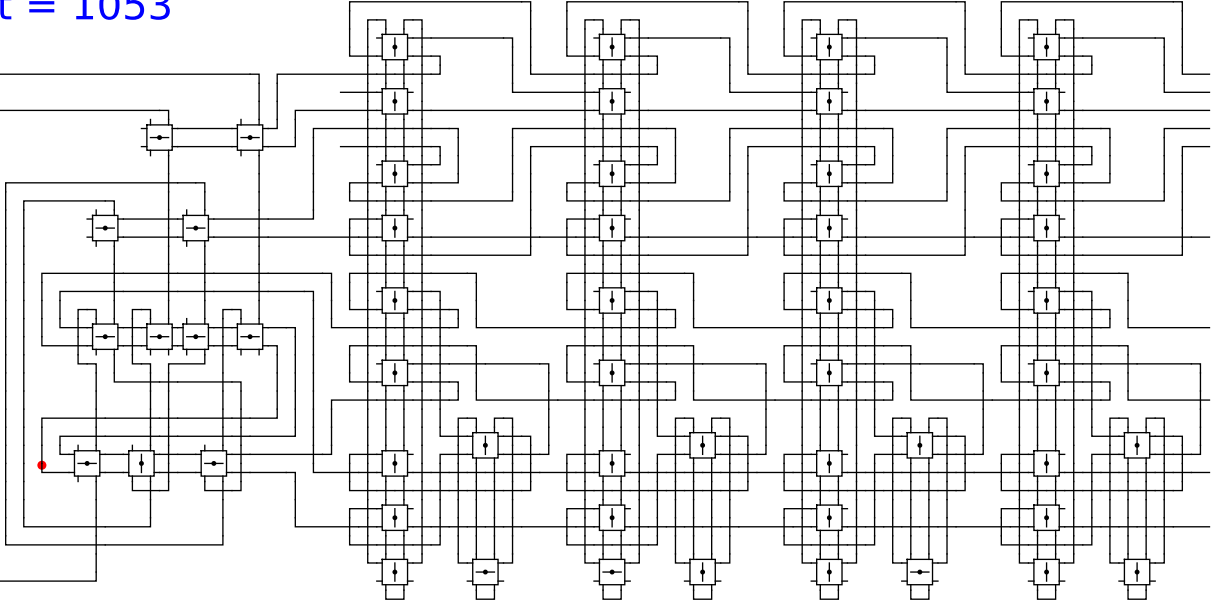


1 head 0 1 0

t = 1053

Reject
Accept

Begin

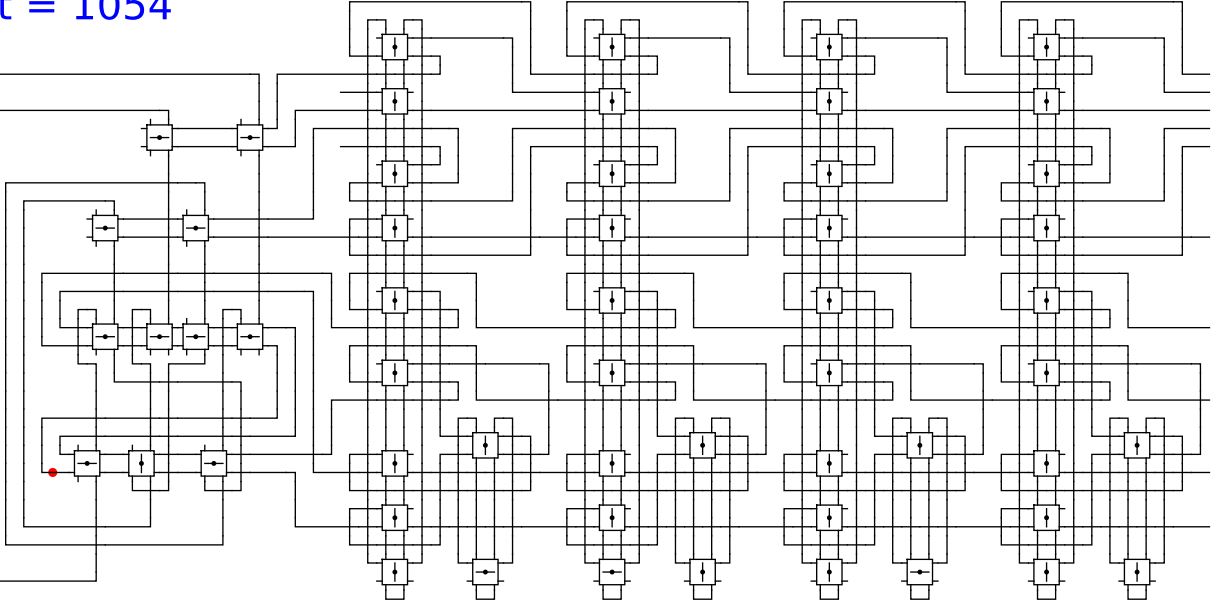


1 head 0 1 0

t = 1054

Reject
Accept

Begin

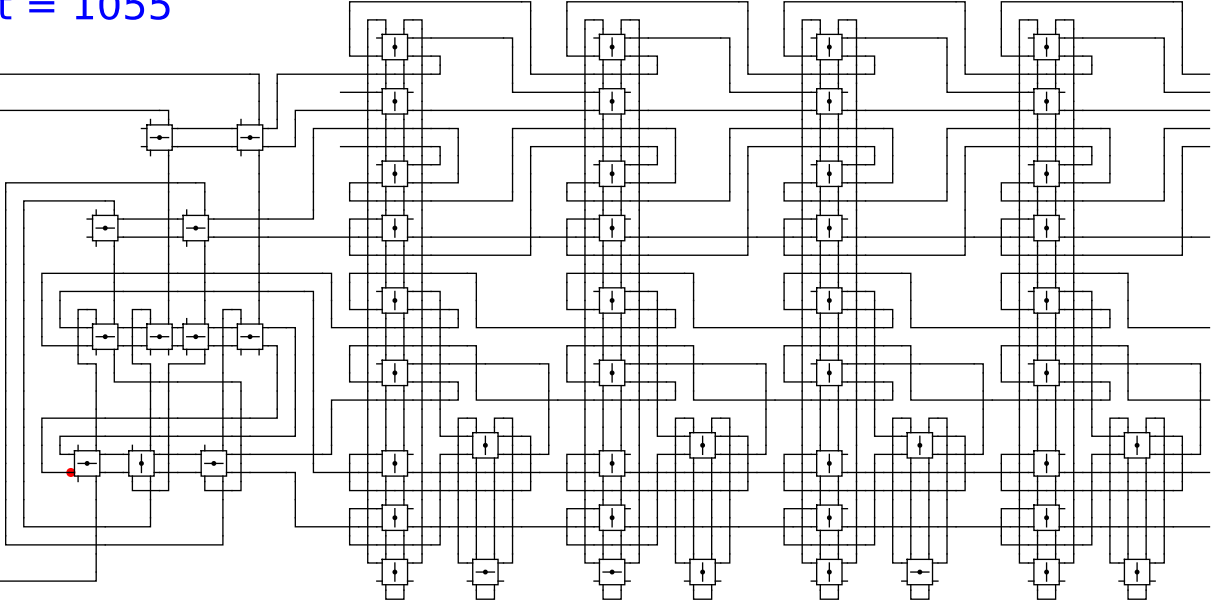


1 head 0 1 0

t = 1055

Reject
Accept

Begin

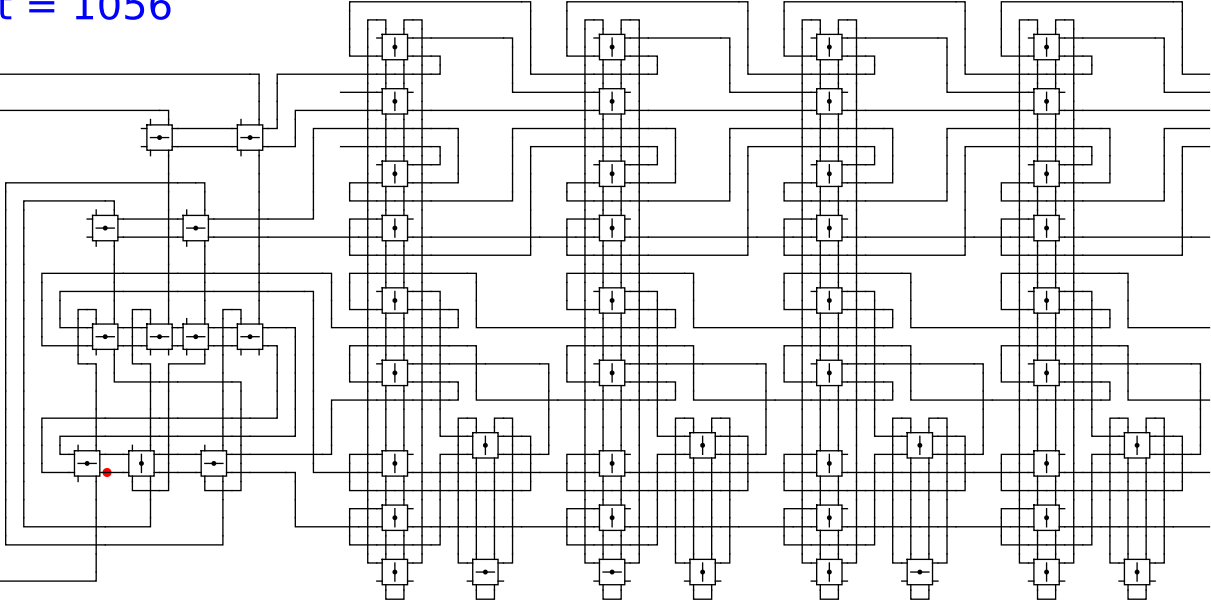


1 head 0 1 0

t = 1056

Reject
Accept

Begin

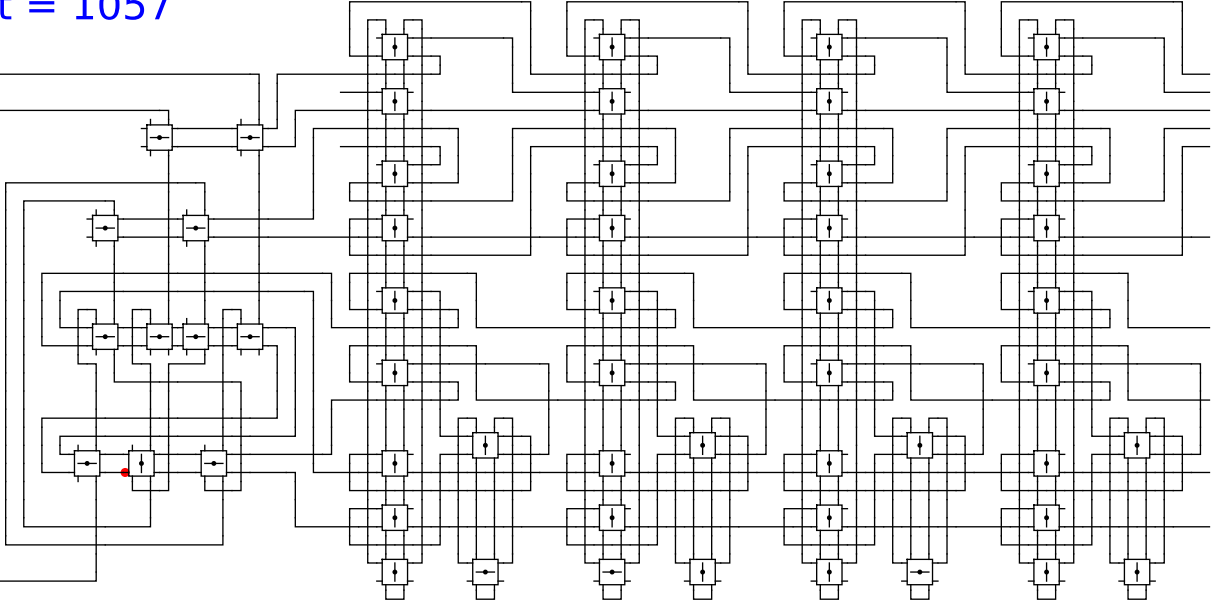


1 head 0 1 0

t = 1057

Reject
Accept

Begin

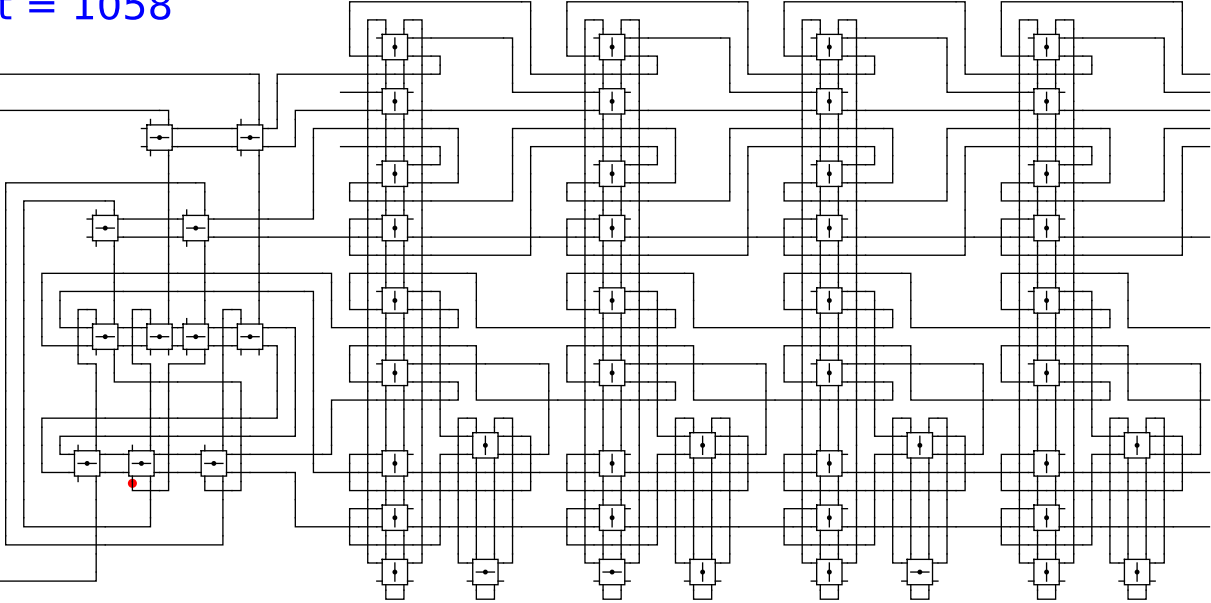


1 head 0 1 0

t = 1058

Reject
Accept

Begin

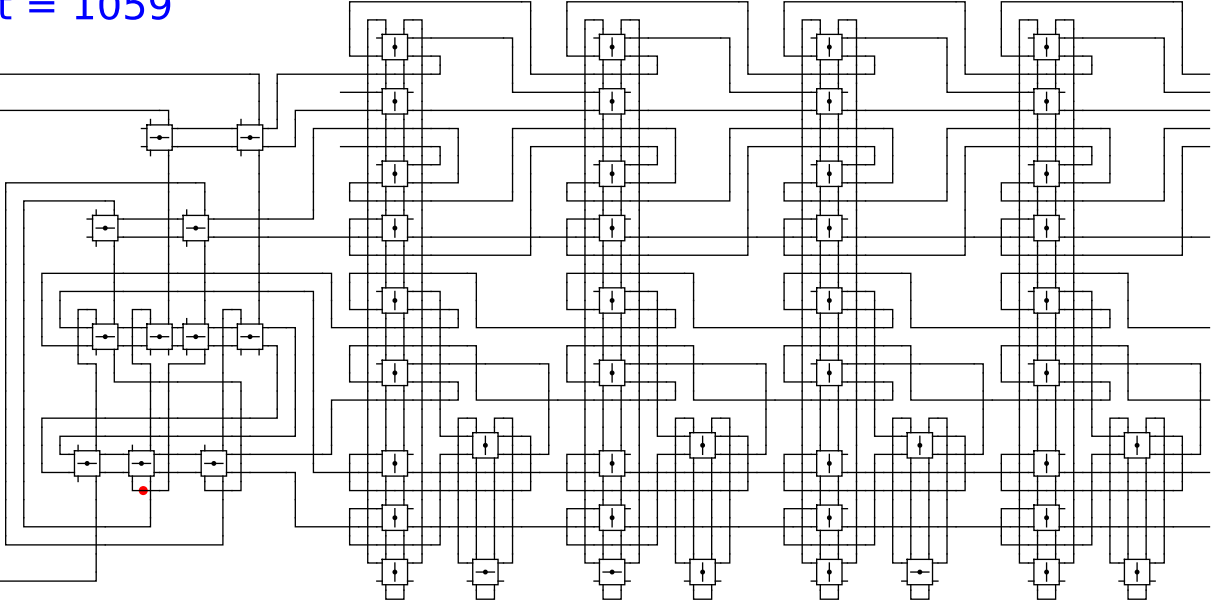


1 head 0 1 0

t = 1059

Reject
Accept

Begin

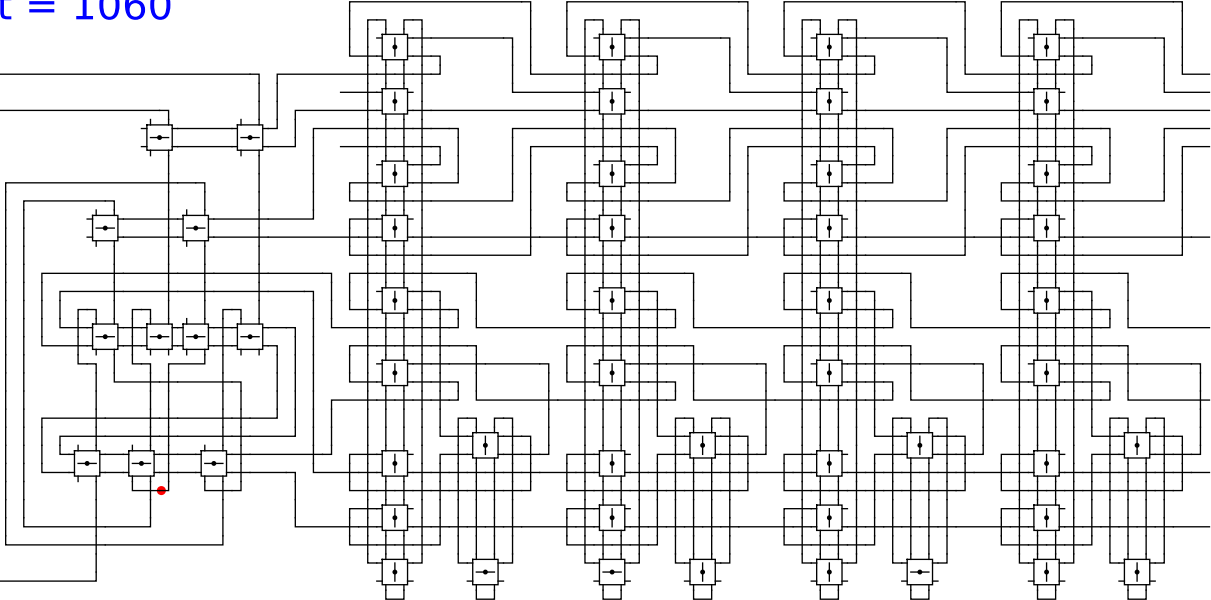


1 head 0 1 0

t = 1060

Reject
Accept

Begin

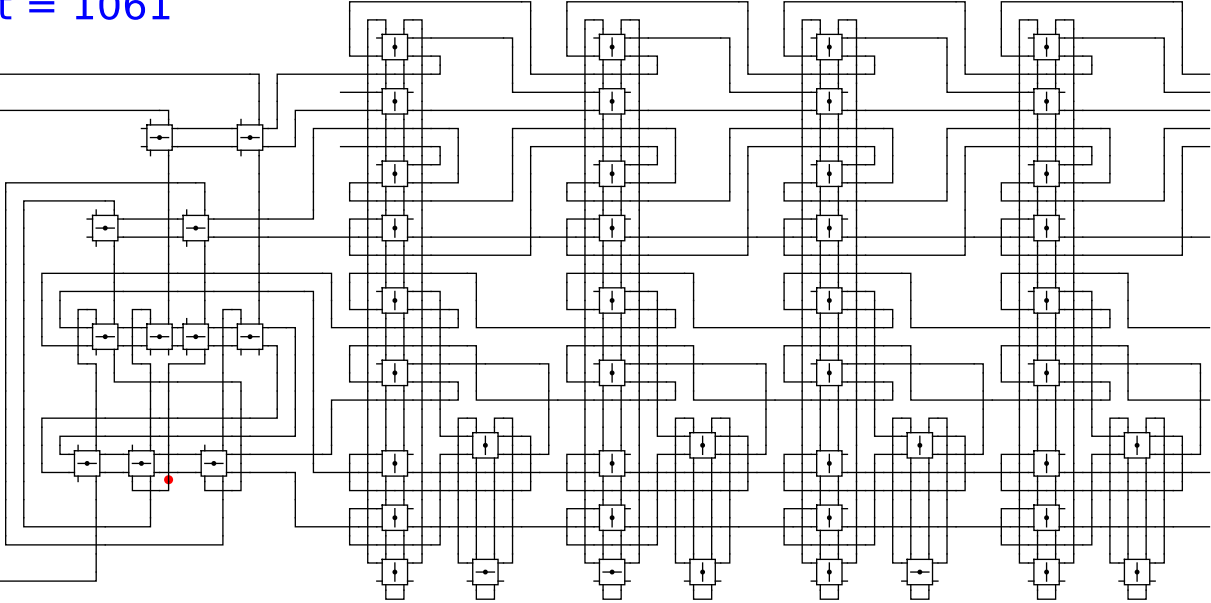


1 head 0 1 0

t = 1061

Reject
Accept

Begin

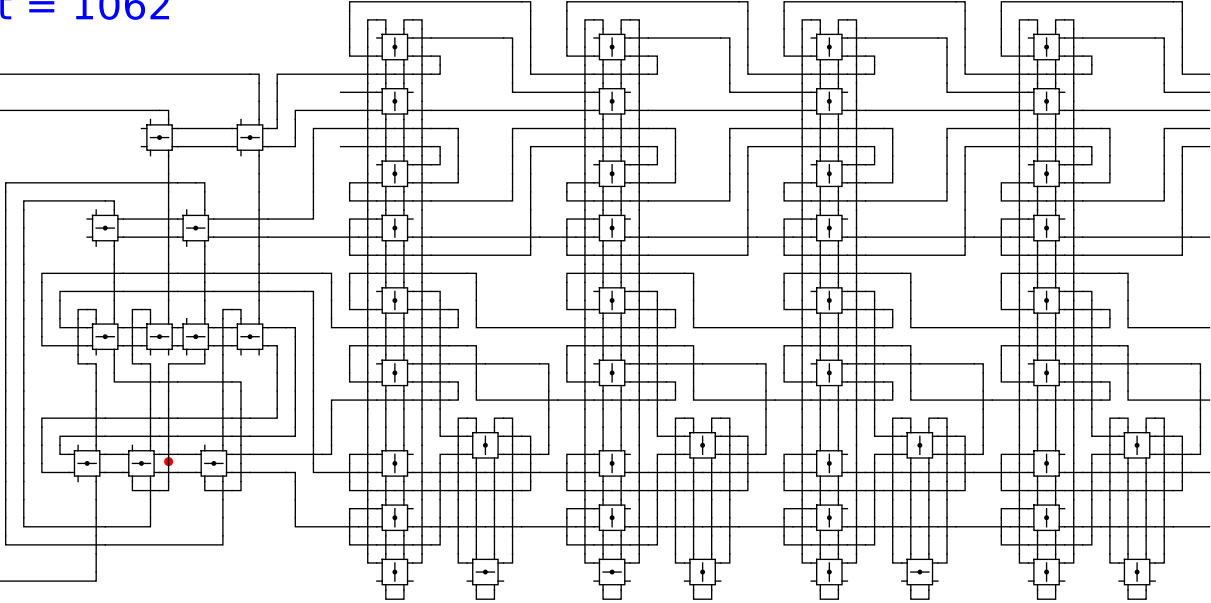


1 head 0 1 0

t = 1062

Reject
Accept

Begin

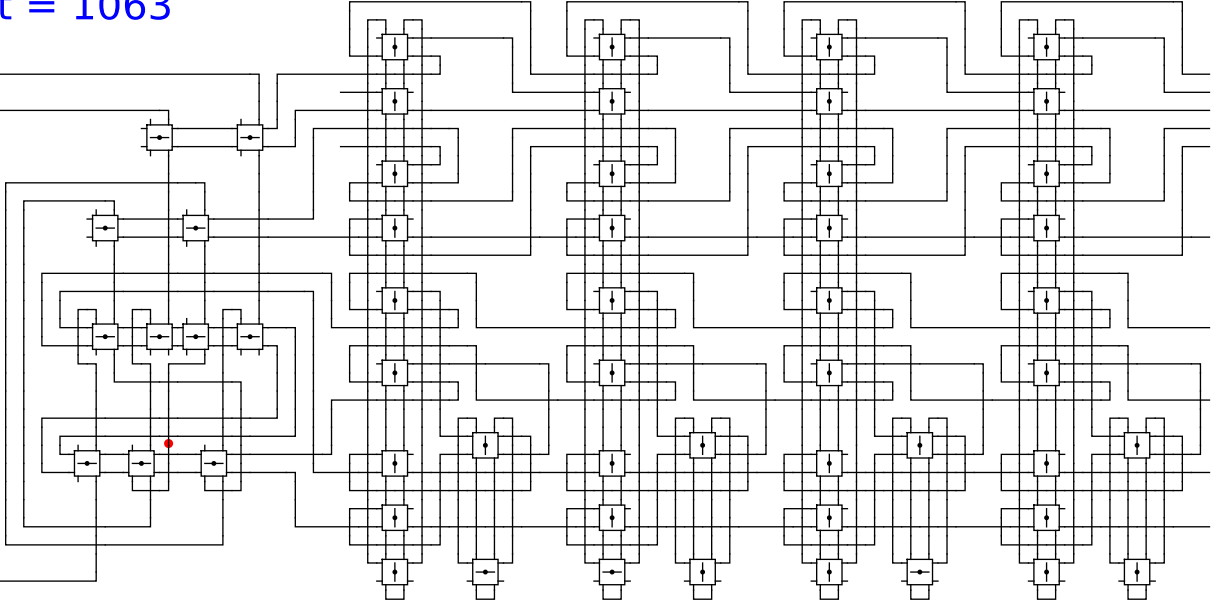


1 head 0 1 0

t = 1063

Reject
Accept

Begin

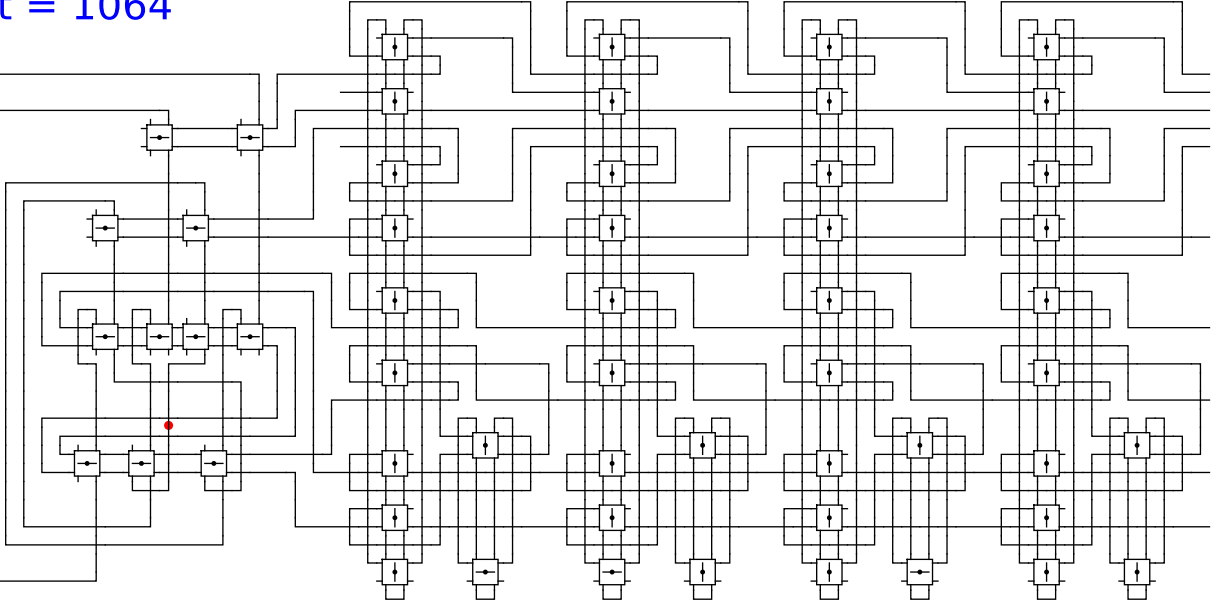


1 head 0 1 0

t = 1064

Reject
Accept

Begin

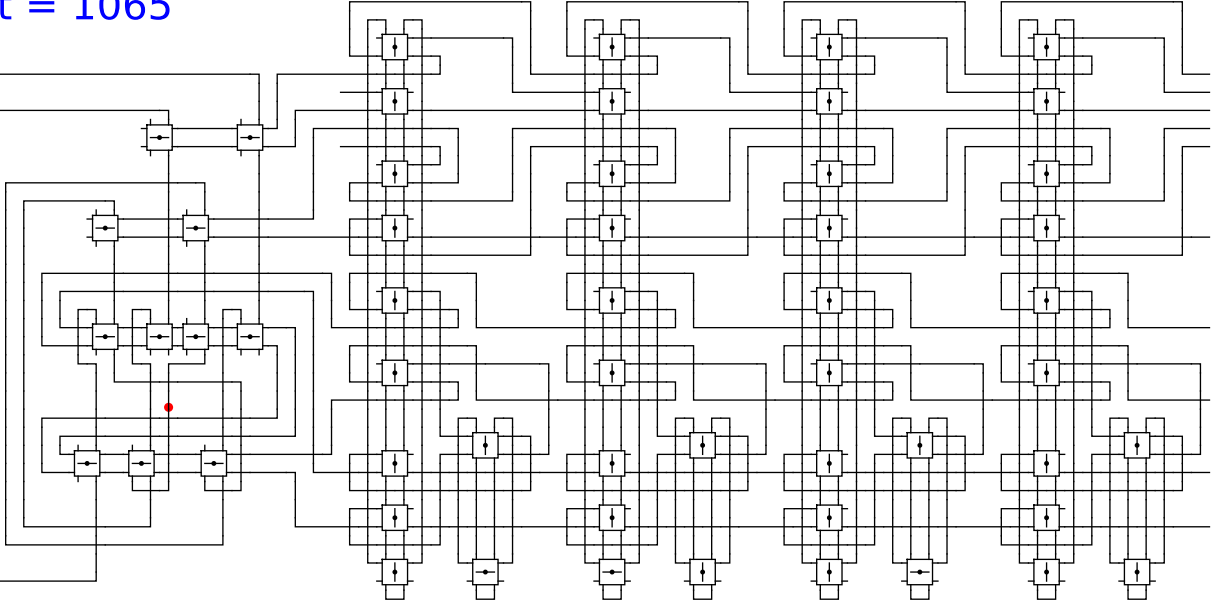


1 head 0 1 0

t = 1065

Reject
Accept

Begin

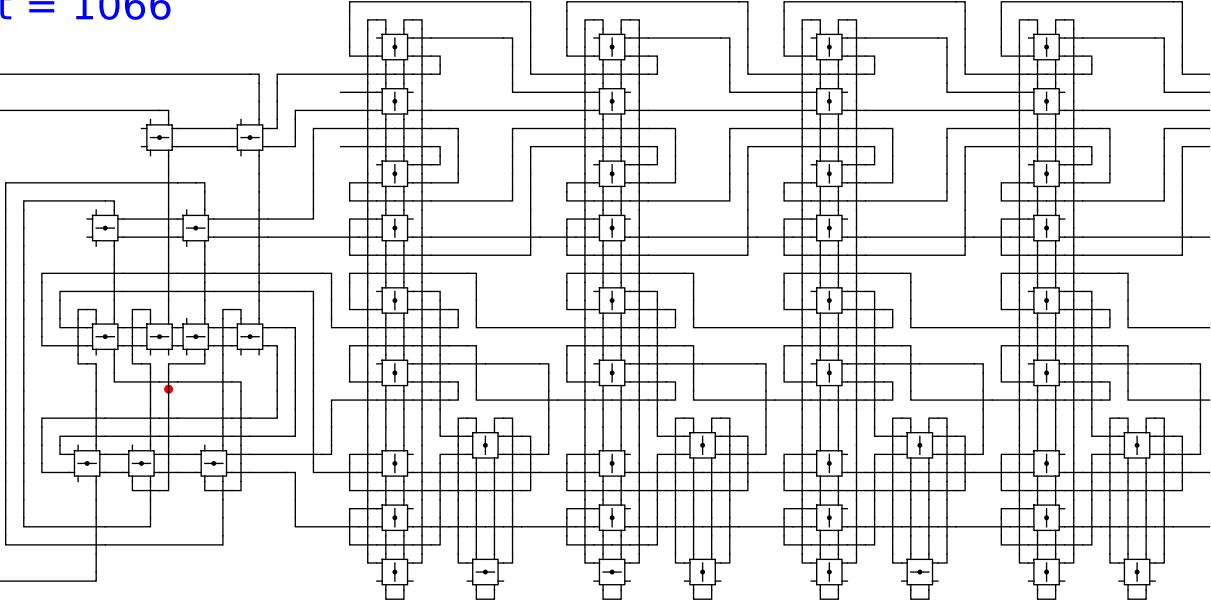


1 head 0 1 0

t = 1066

Reject
Accept

Begin

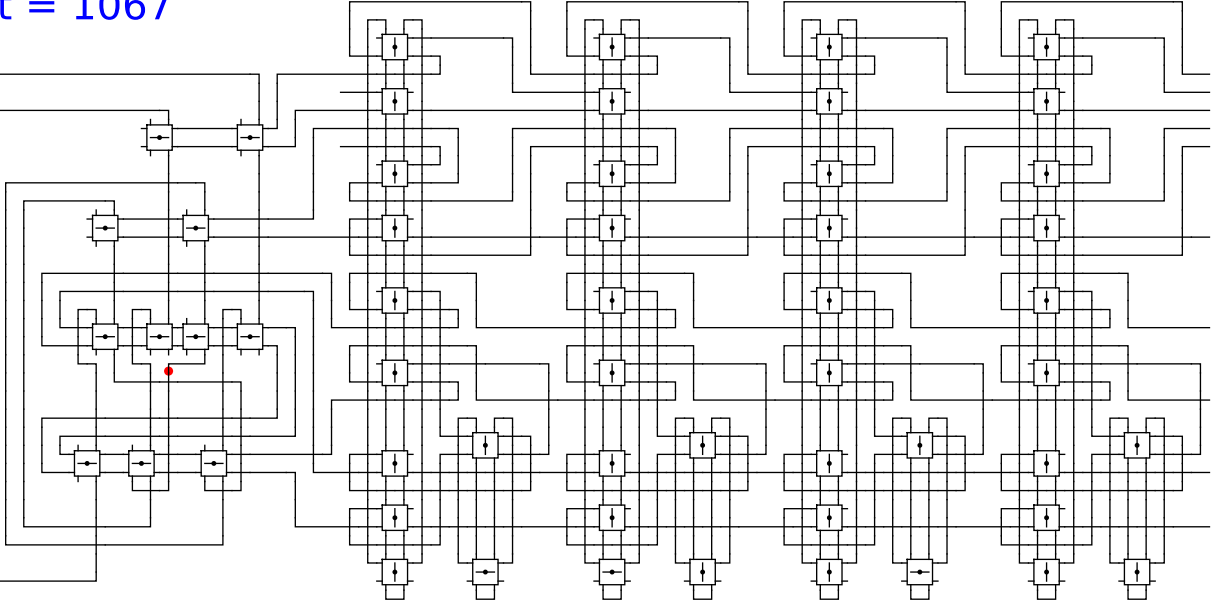


1 head 0 1 0

t = 1067

Reject
Accept

Begin

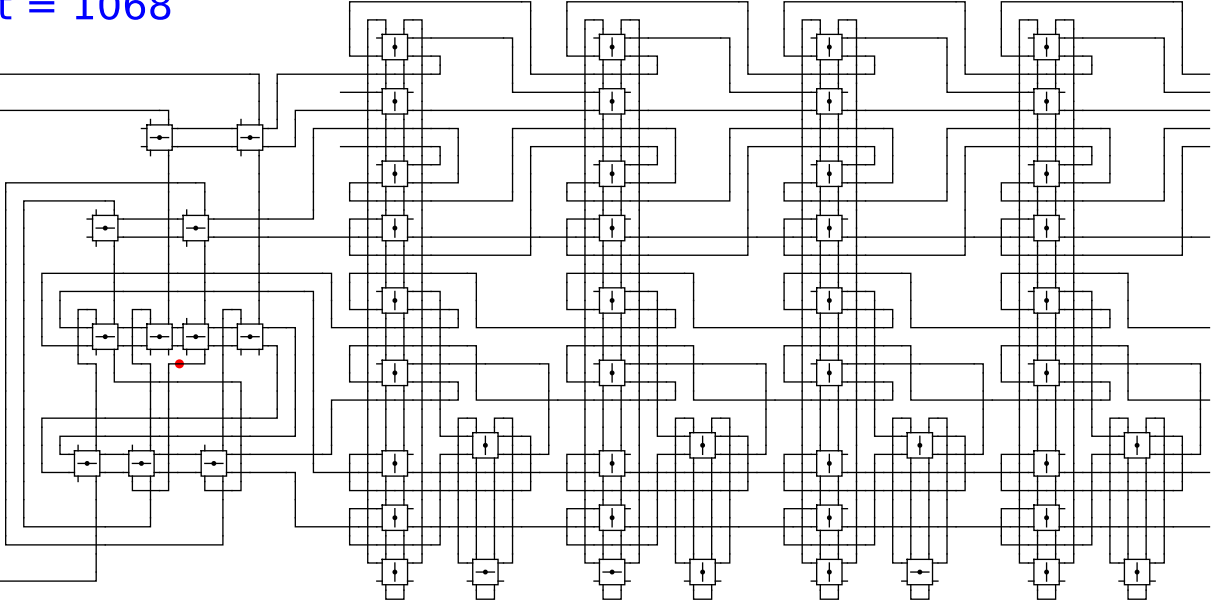


1 head 0 1 0

t = 1068

Reject
Accept

Begin

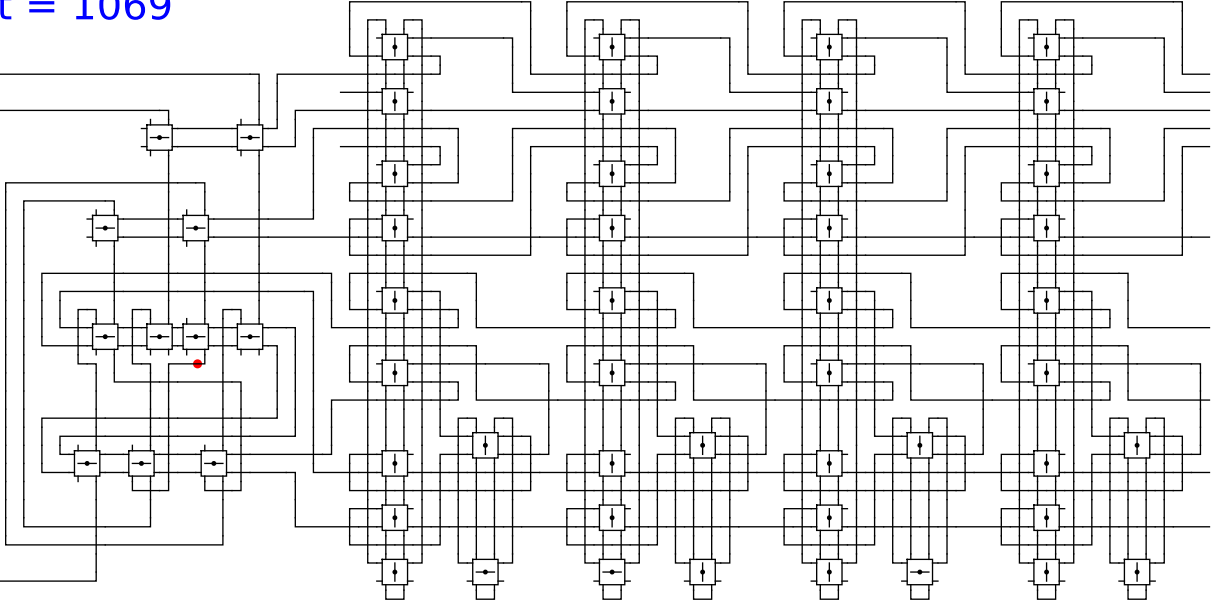


1 head 0 1 0

t = 1069

Reject
Accept

Begin

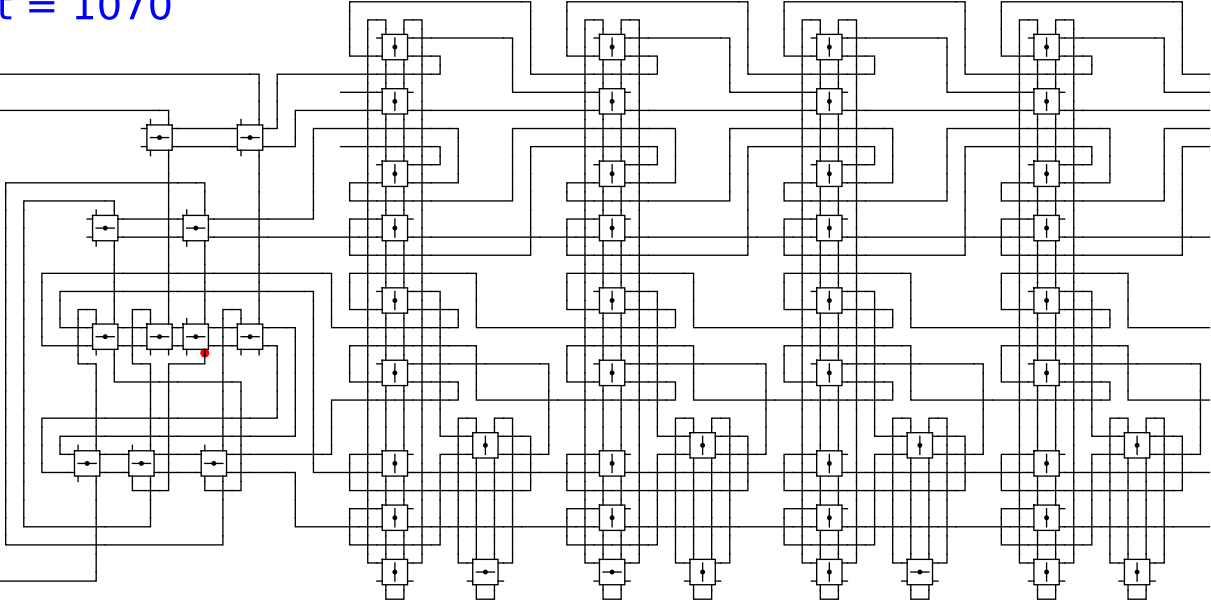


1 head 0 1 0

t = 1070

Reject
Accept

Begin

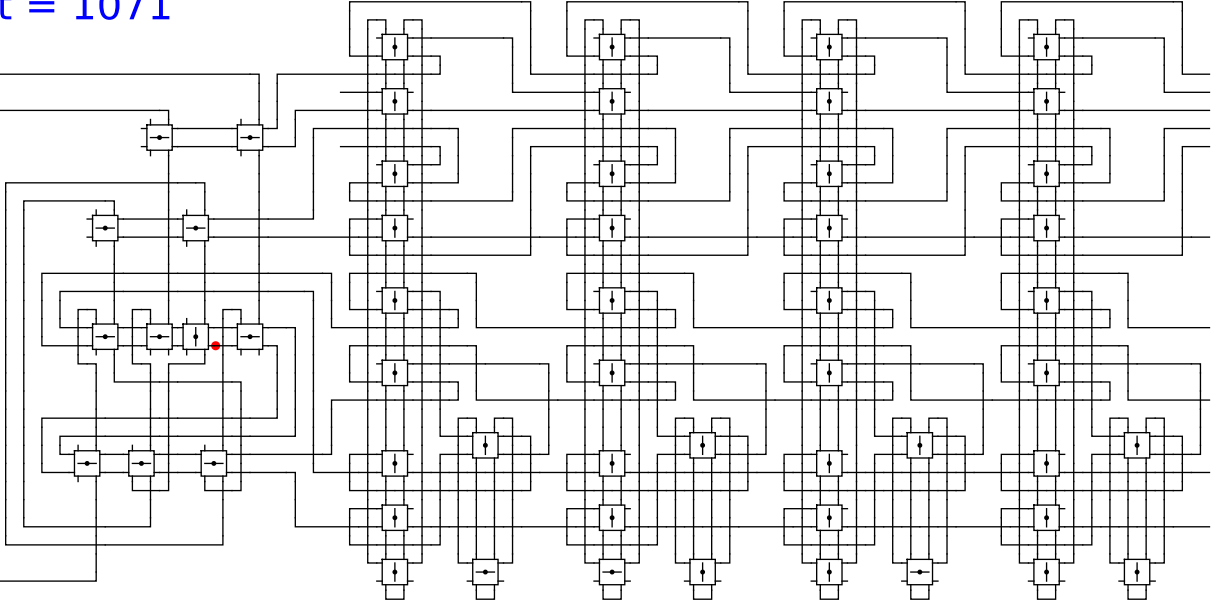


1 head 0 1 0

t = 1071

Reject
Accept

Begin

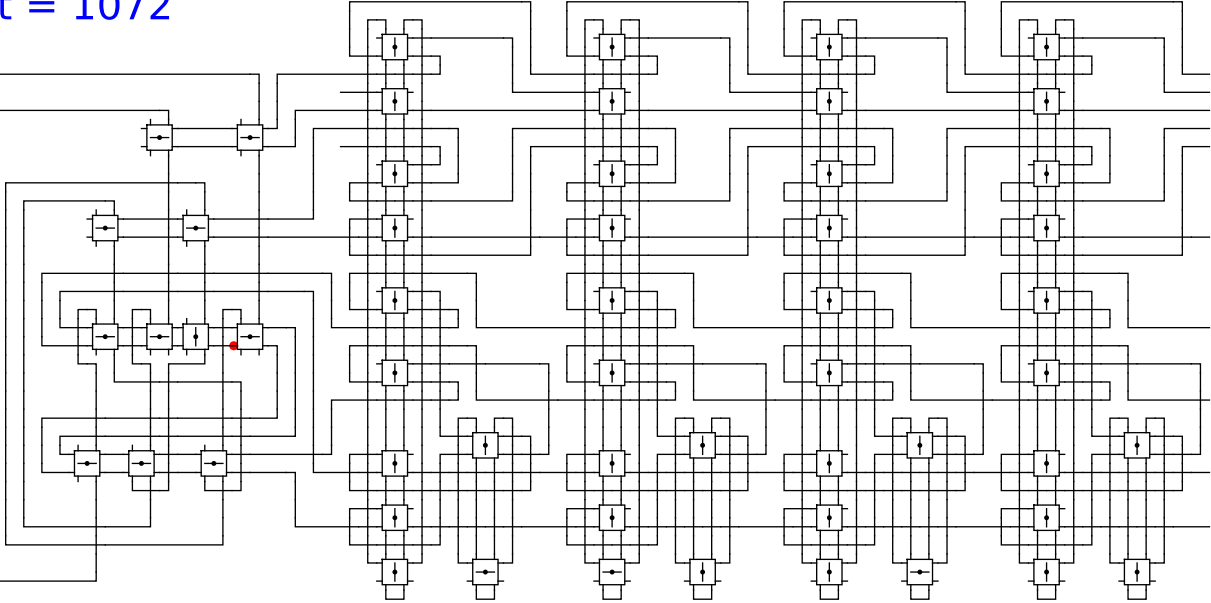


1 head 0 1 0

t = 1072

Reject
Accept

Begin

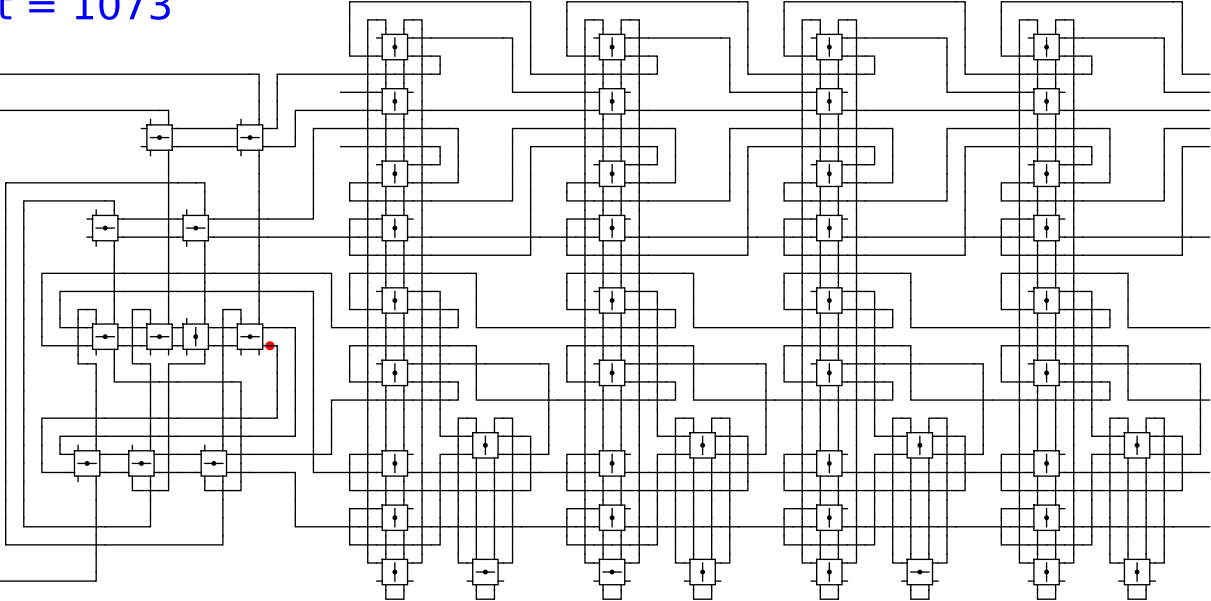


1 head 0 1 0

t = 1073

Reject
Accept

Begin

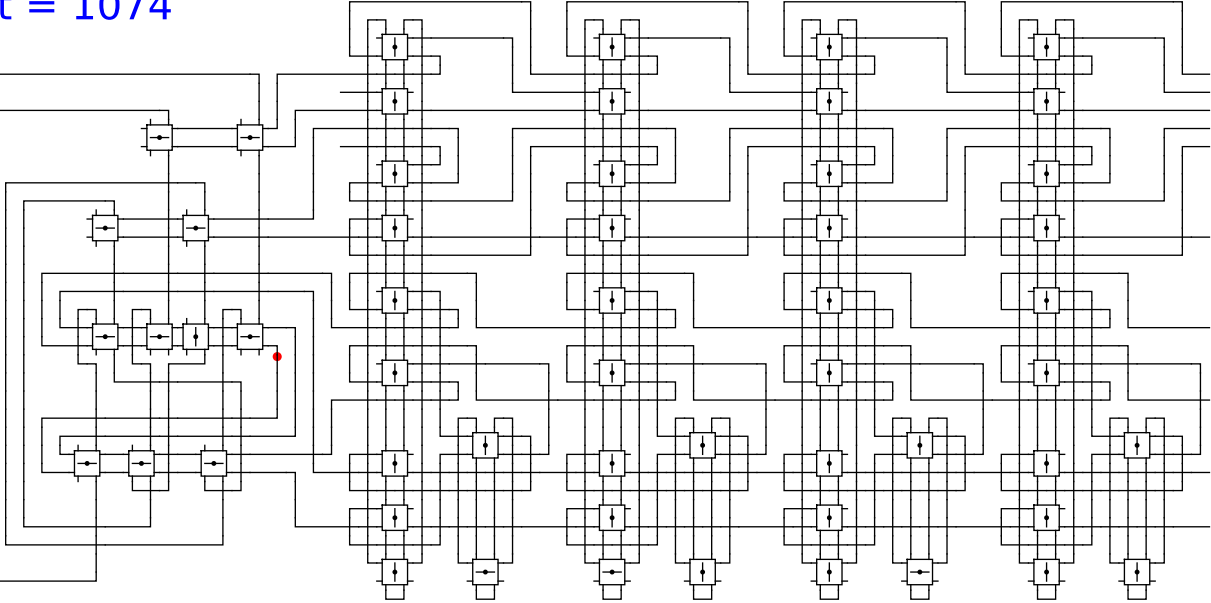


1 head 0 1 0

t = 1074

Reject
Accept

Begin

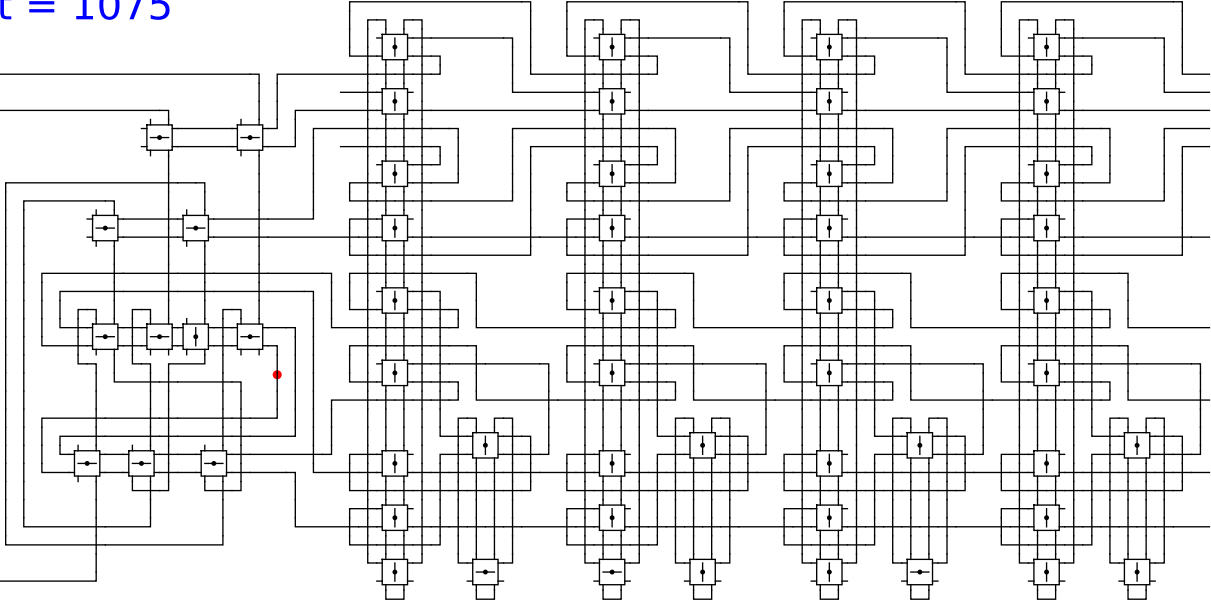


1 head 0 1 0

t = 1075

Reject
Accept

Begin



1

head

0

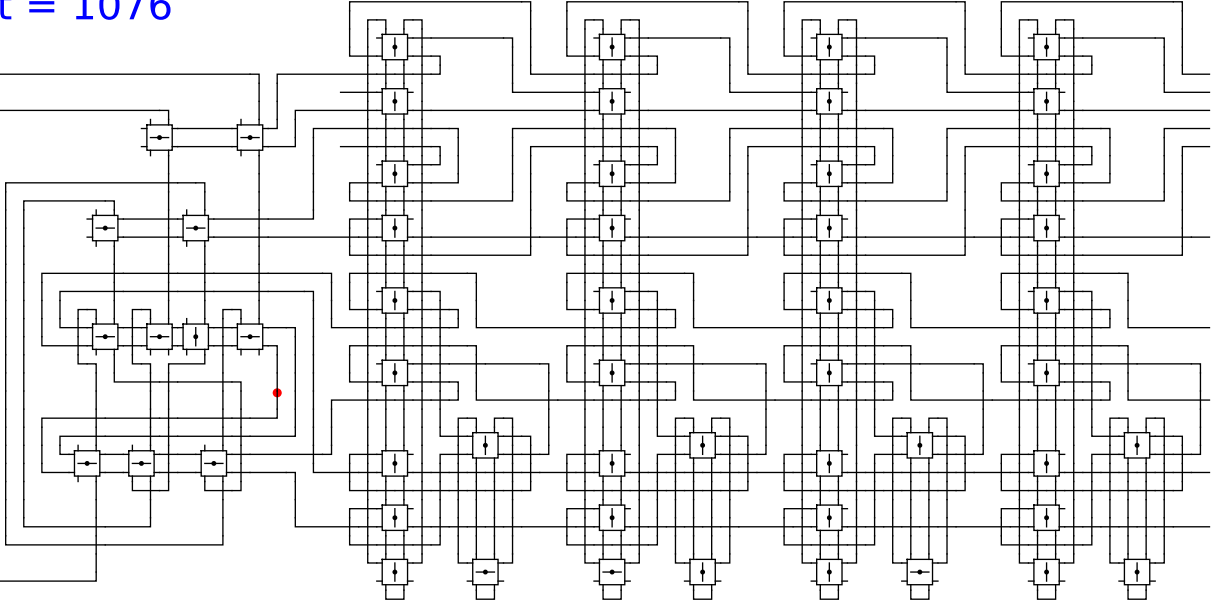
1

0

t = 1076

Reject
Accept

Begin

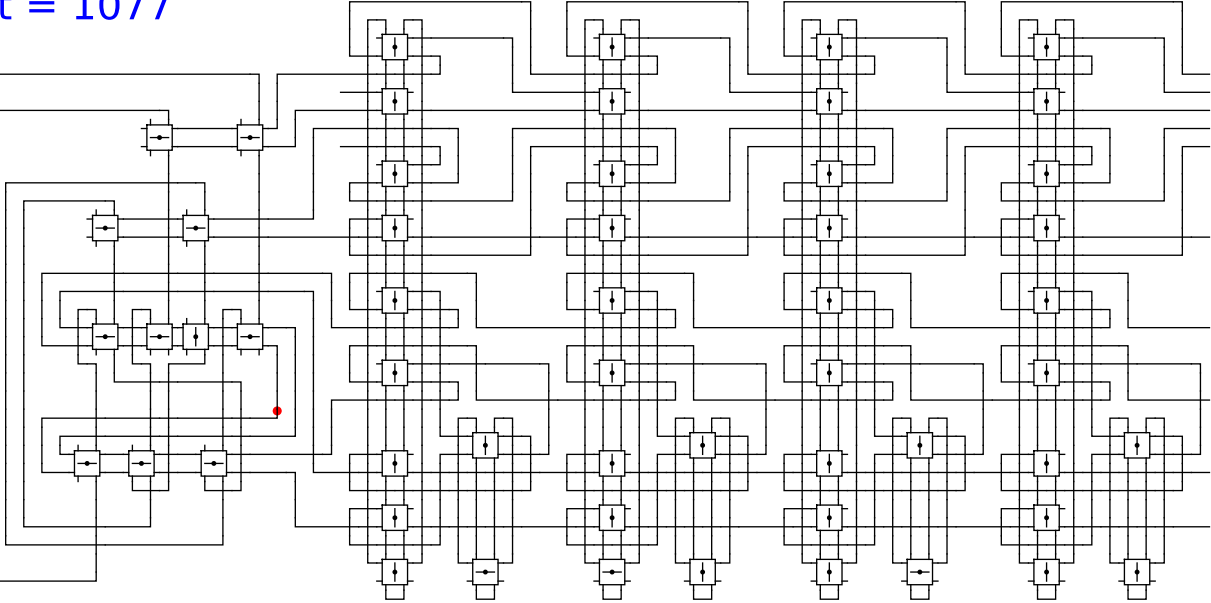


1 head 0 1 0

t = 1077

Reject
Accept

Begin

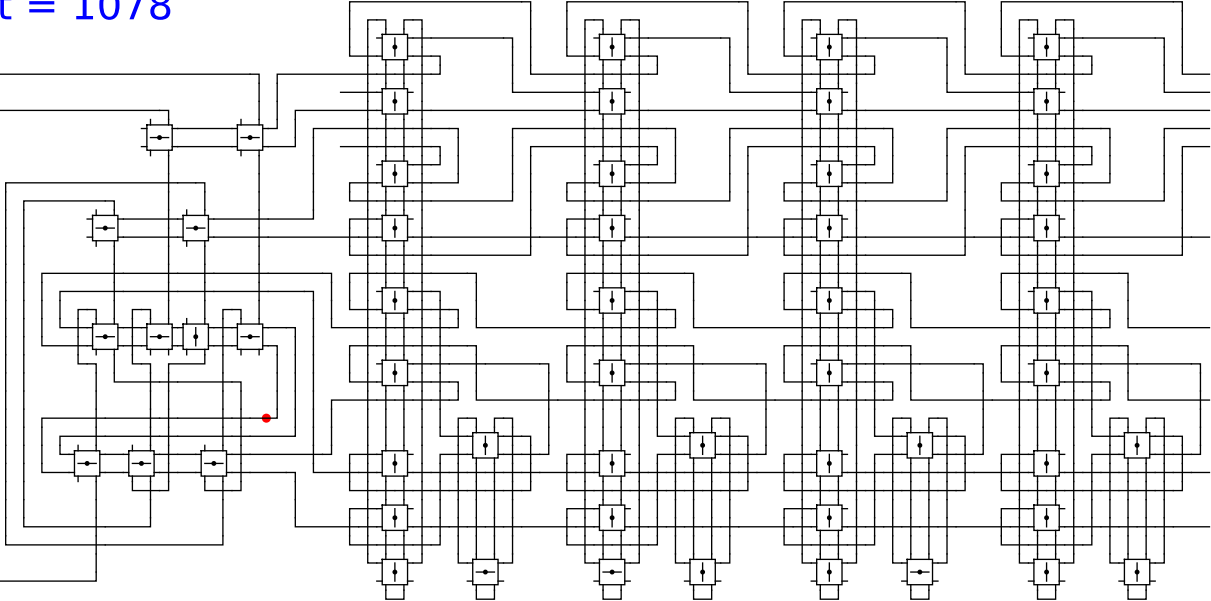


1 head 0 1 0

t = 1078

Reject
Accept

Begin

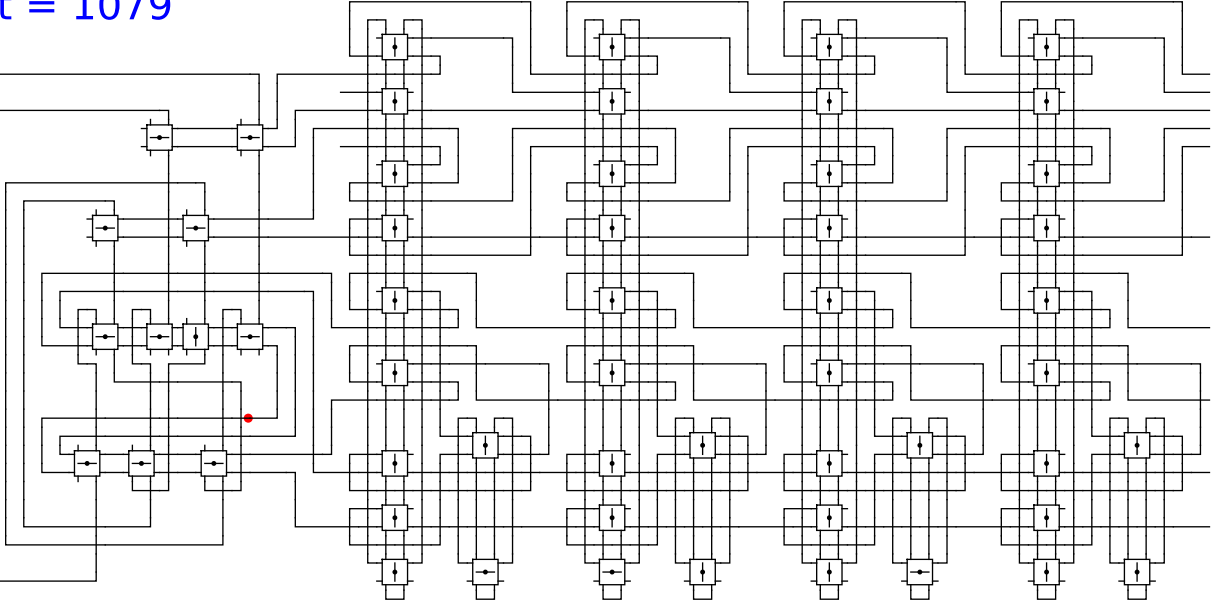


1 head 0 1 0

t = 1079

Reject
Accept

Begin

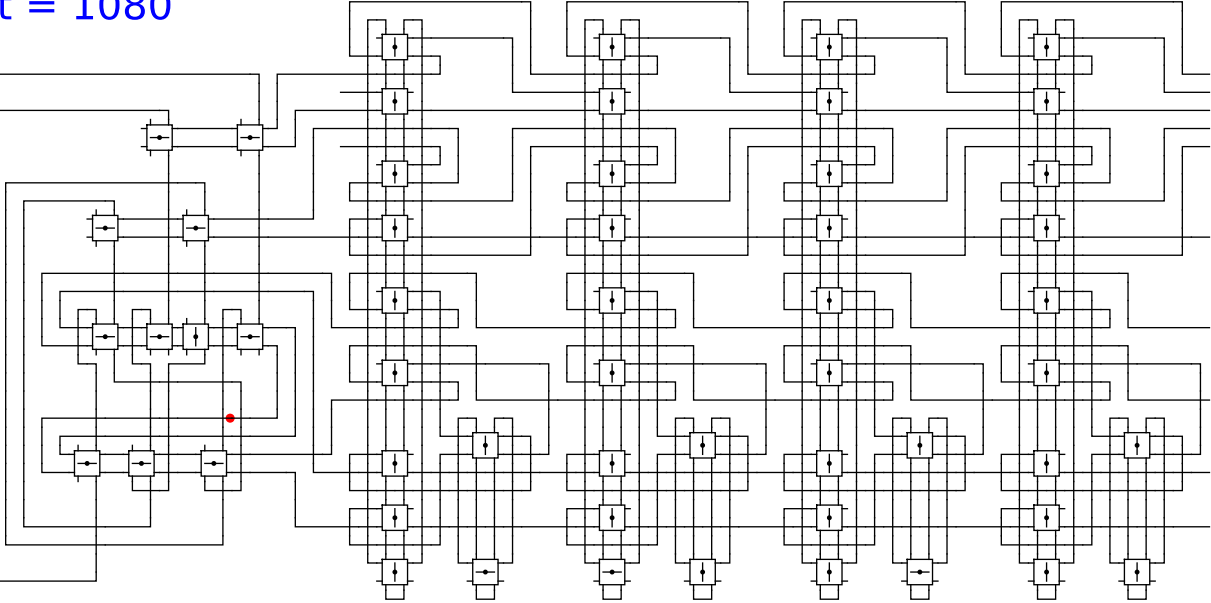


1 head 0 1 0

t = 1080

Reject
Accept

Begin

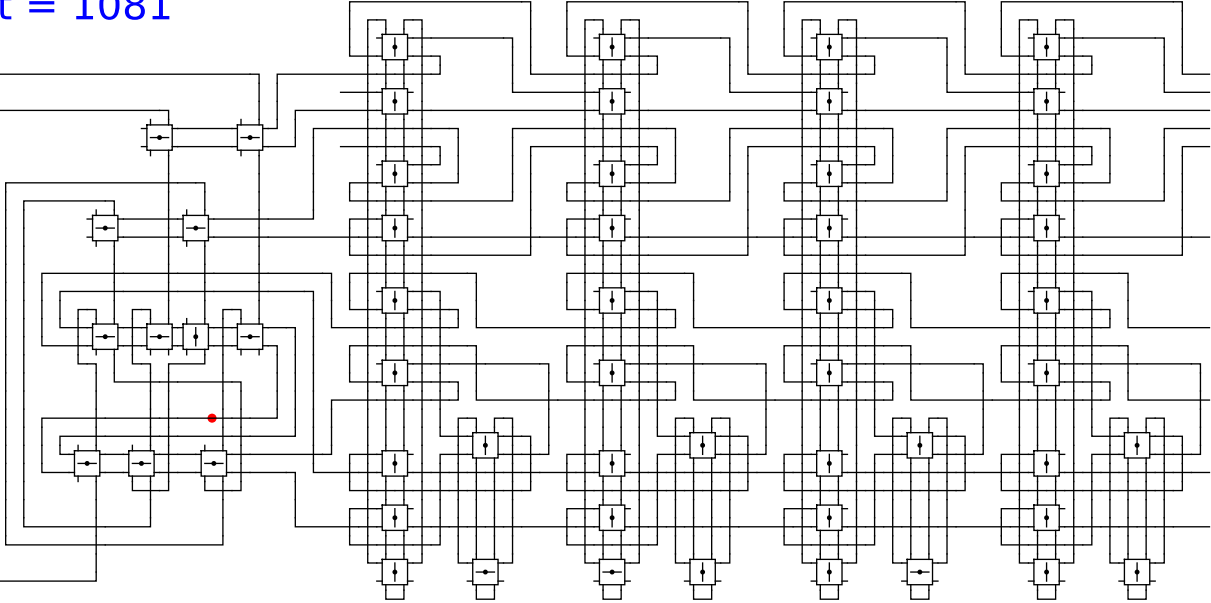


1 head 0 1 0

t = 1081

Reject
Accept

Begin

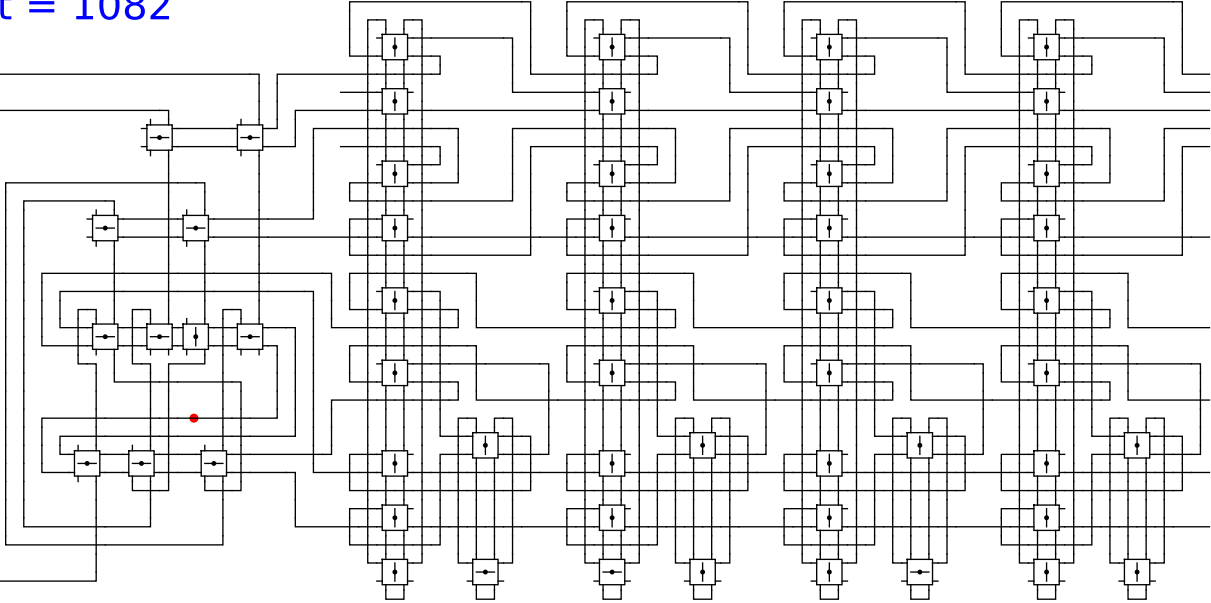


1 head 0 1 0

t = 1082

Reject
Accept

Begin

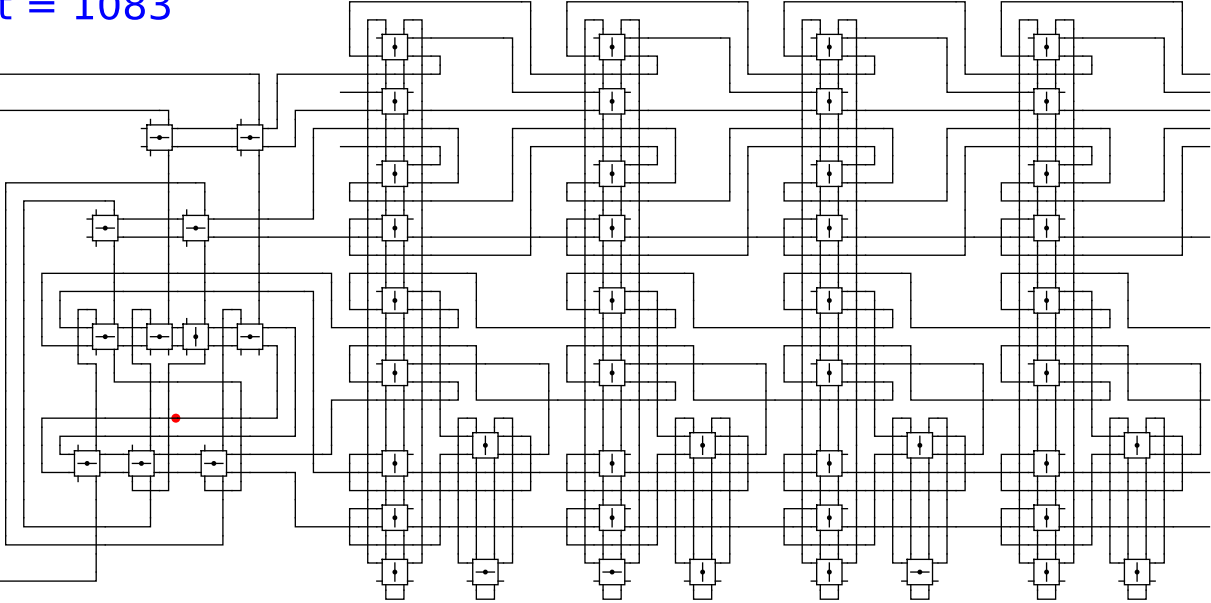


1 head 0 1 0

t = 1083

Reject
Accept

Begin

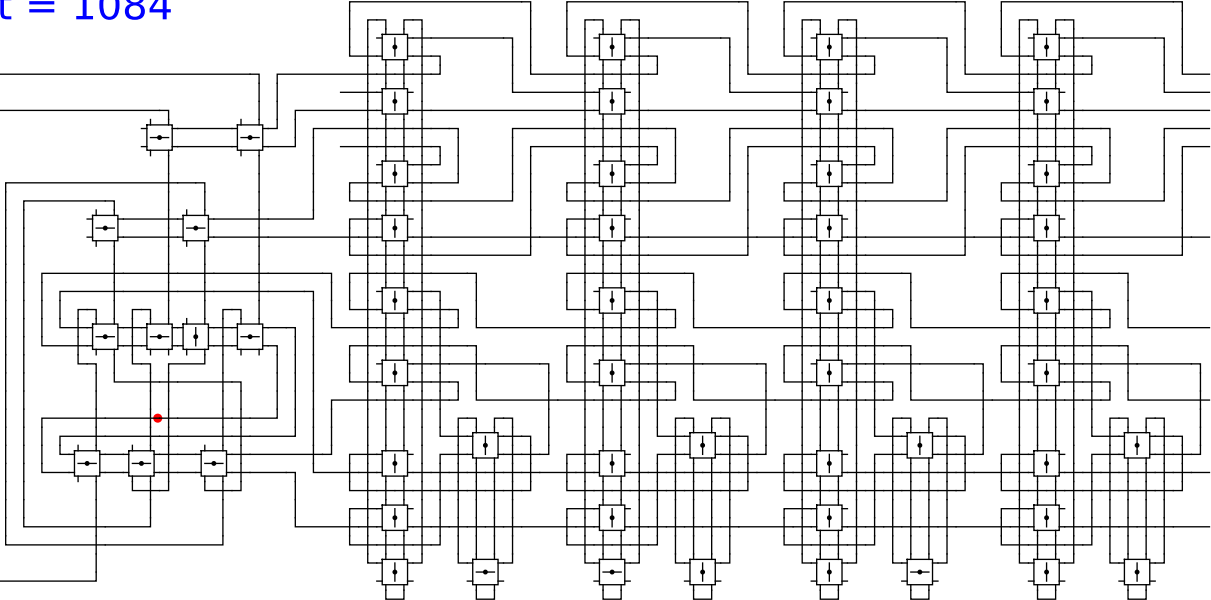


1 head 0 1 0

t = 1084

Reject
Accept

Begin

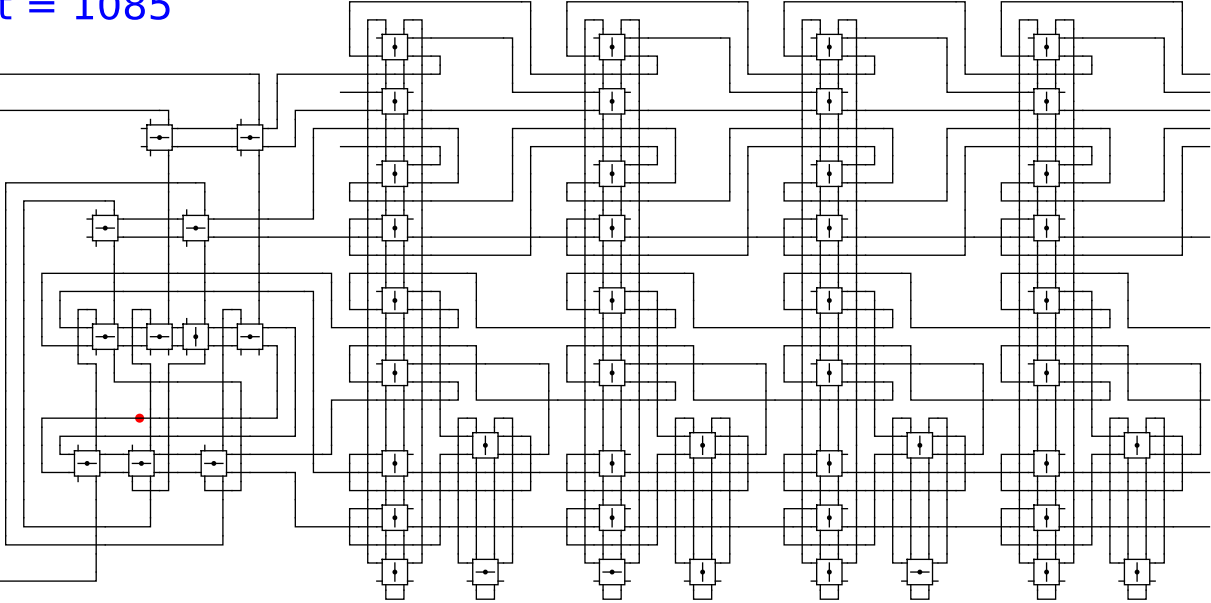


1 head 0 1 0

t = 1085

Reject
Accept

Begin

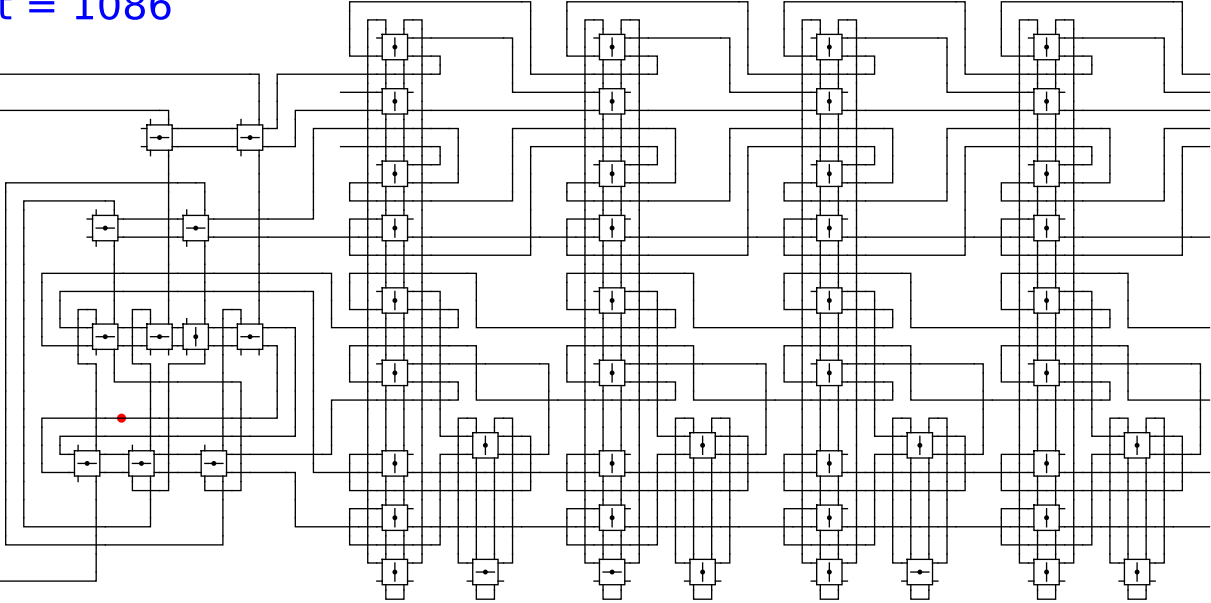


1 head 0 1 0

t = 1086

Reject
Accept

Begin

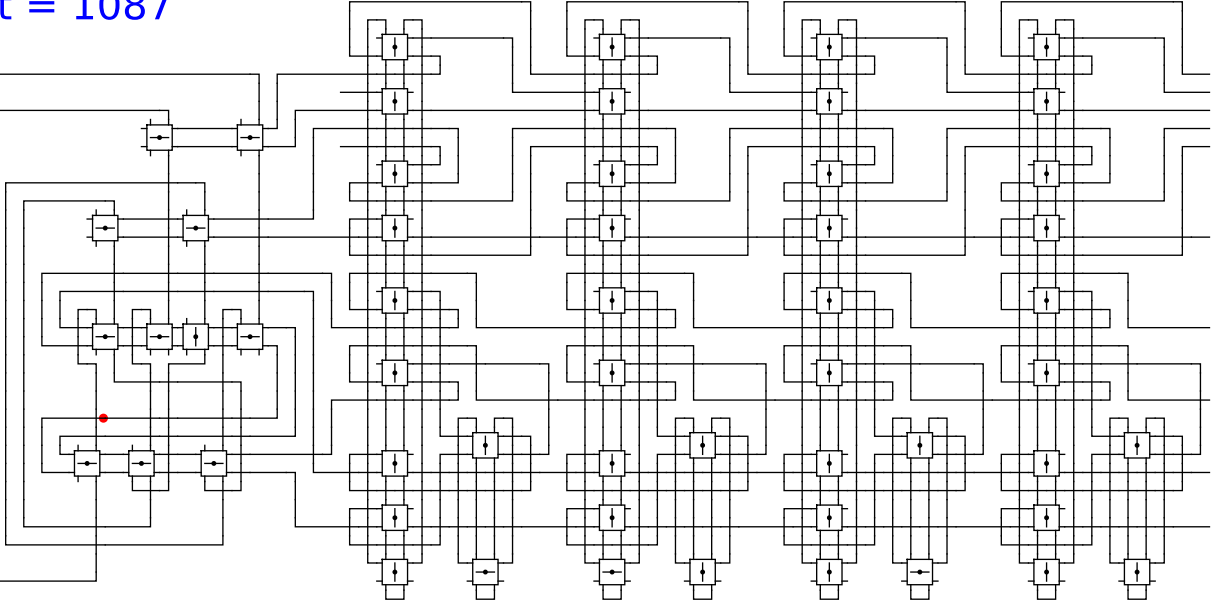


1 head 0 1 0

t = 1087

Reject
Accept

Begin

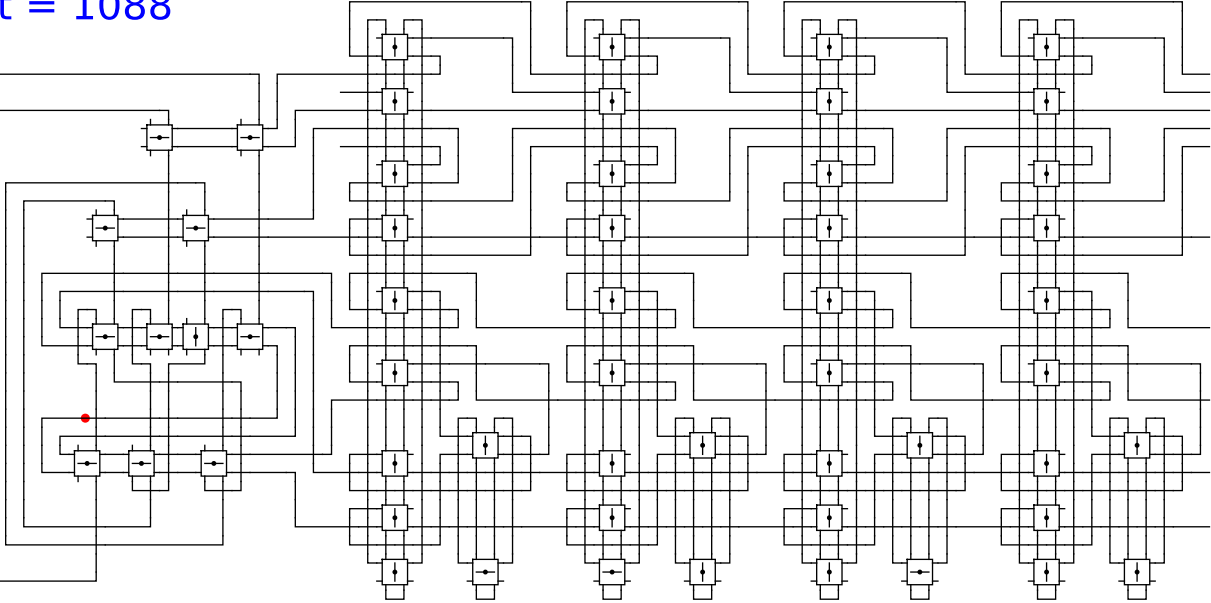


1 head 0 1 0

t = 1088

Reject
Accept

Begin

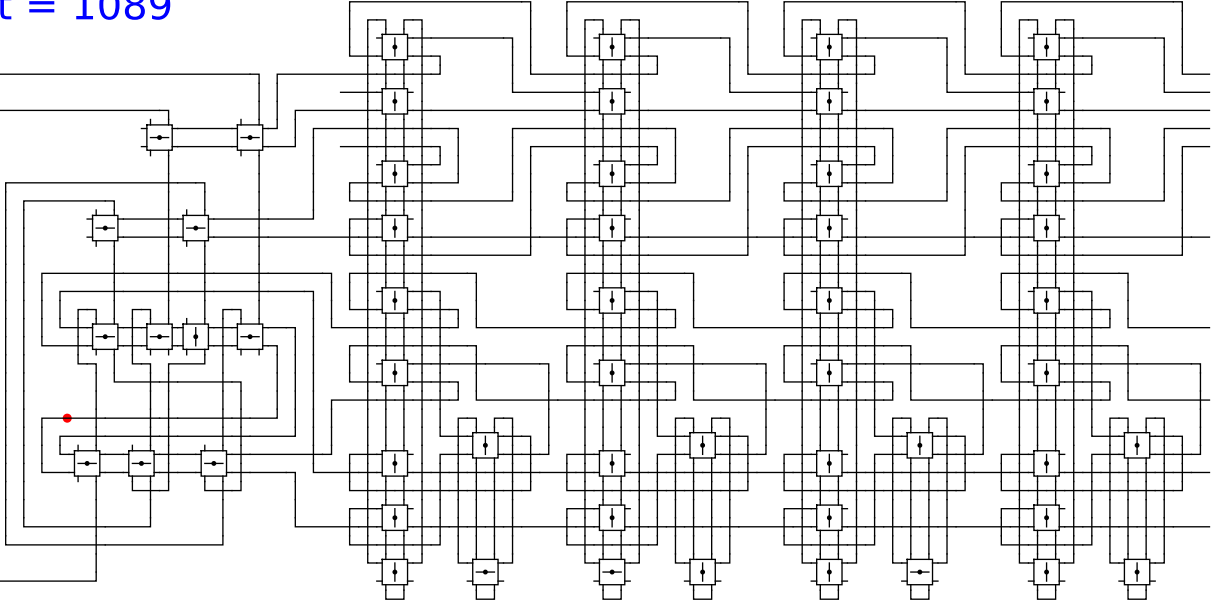


1 head 0 1 0

t = 1089

Reject
Accept

Begin

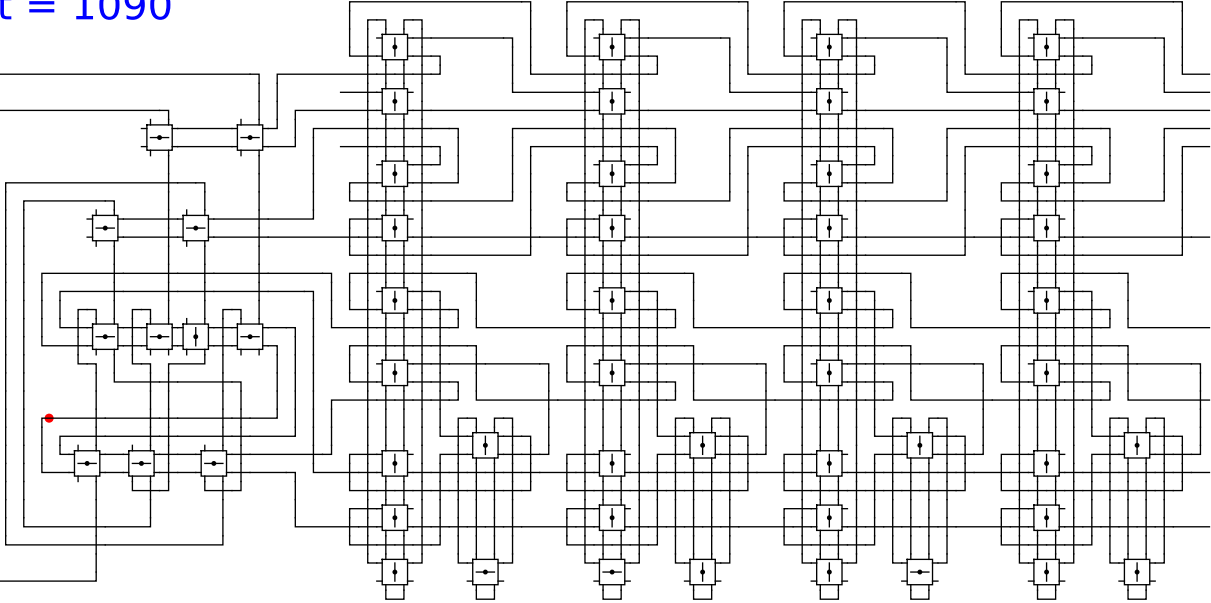


1 head 0 1 0

t = 1090

Reject
Accept

Begin



1

head

0

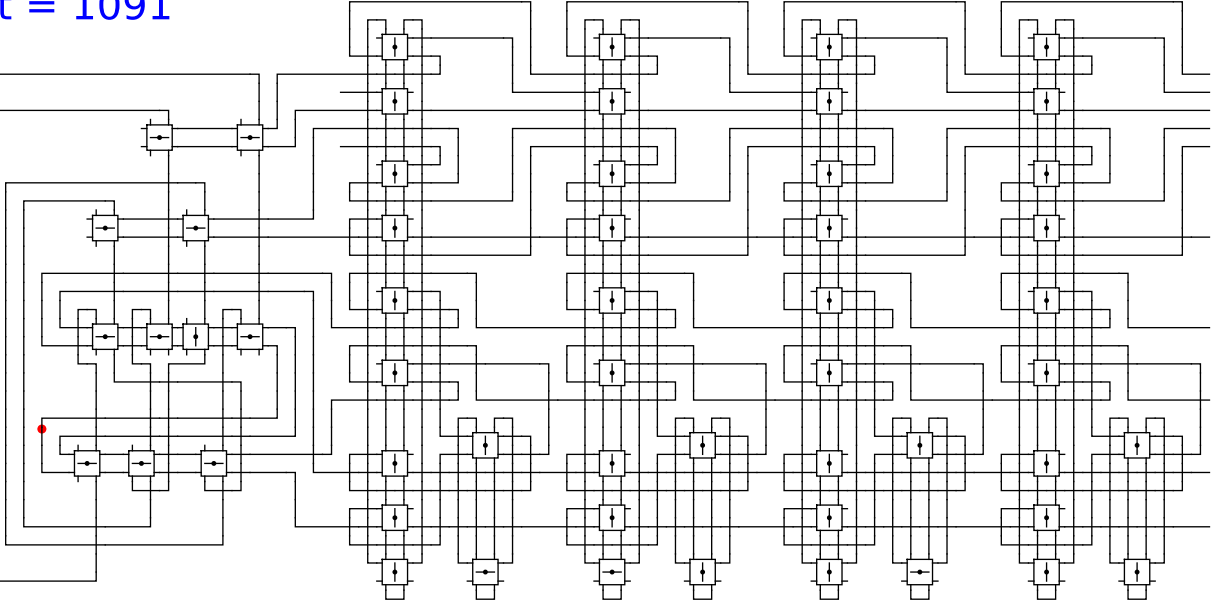
1

0

t = 1091

Reject
Accept

Begin

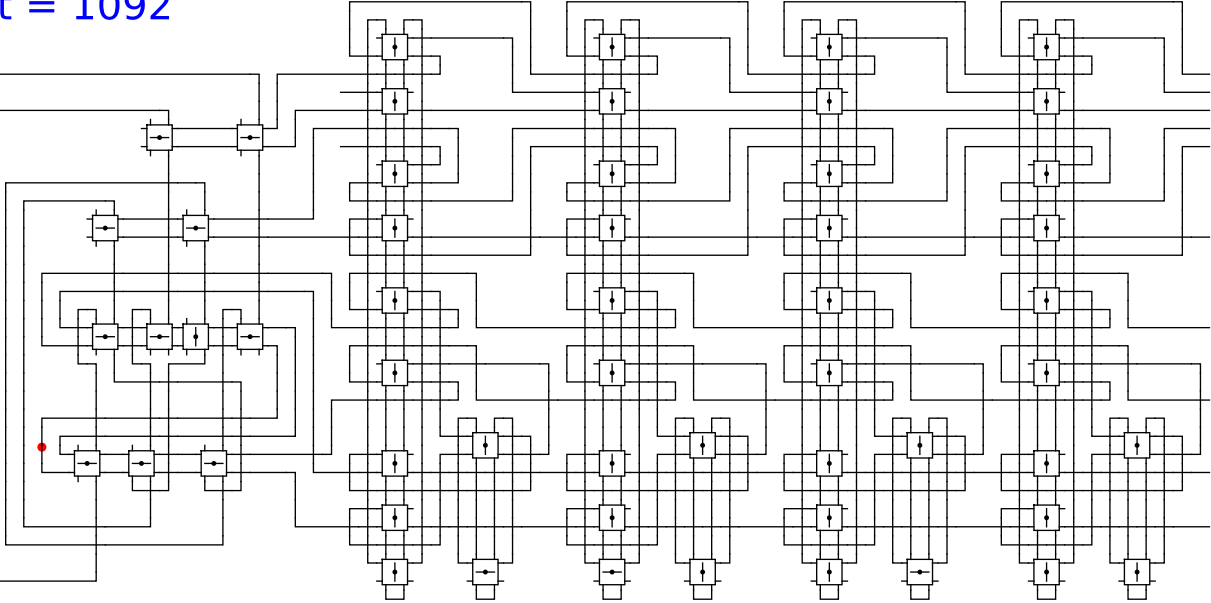


1 head 0 1 0

t = 1092

Reject
Accept

Begin

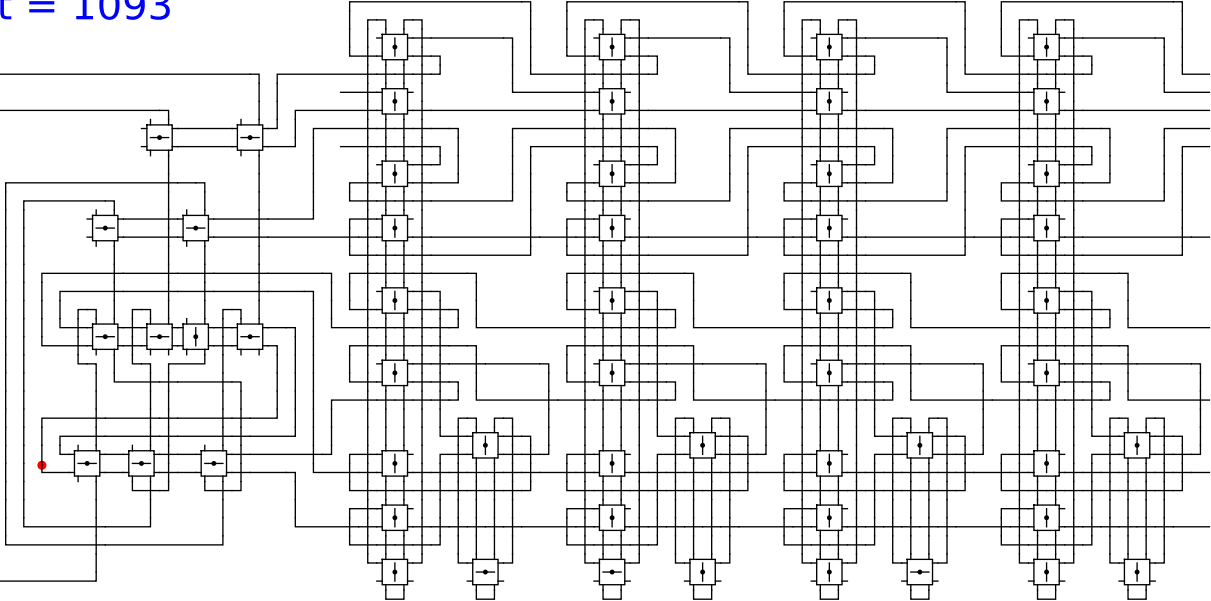


1 head 0 1 0

t = 1093

Reject
Accept

Begin

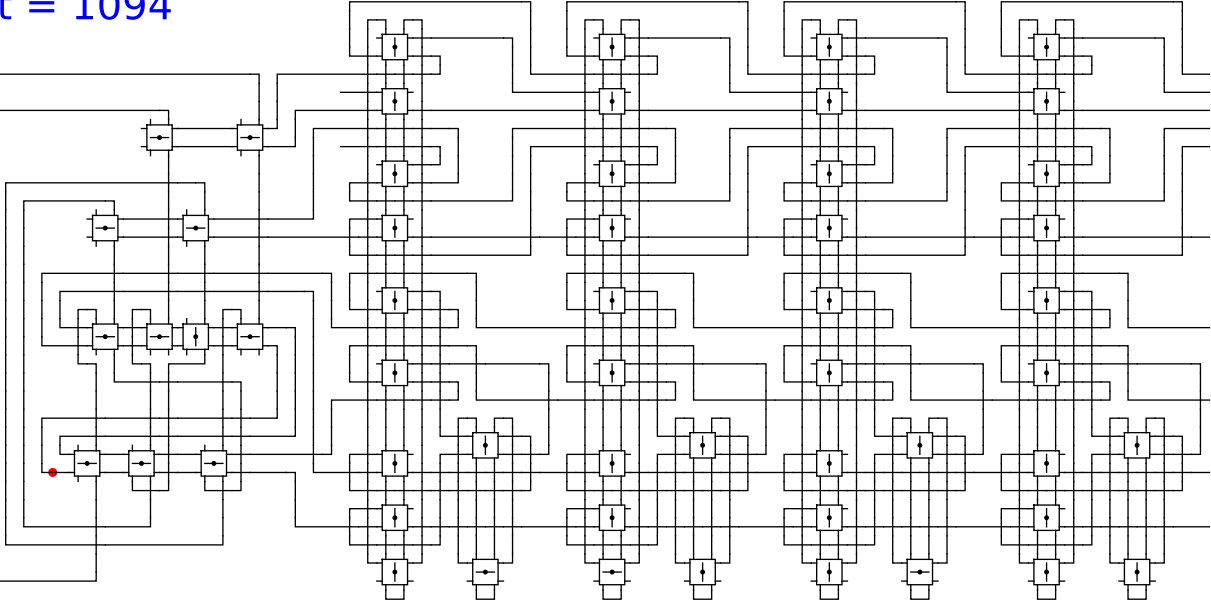


1 head 0 1 0

t = 1094

Reject
Accept

Begin

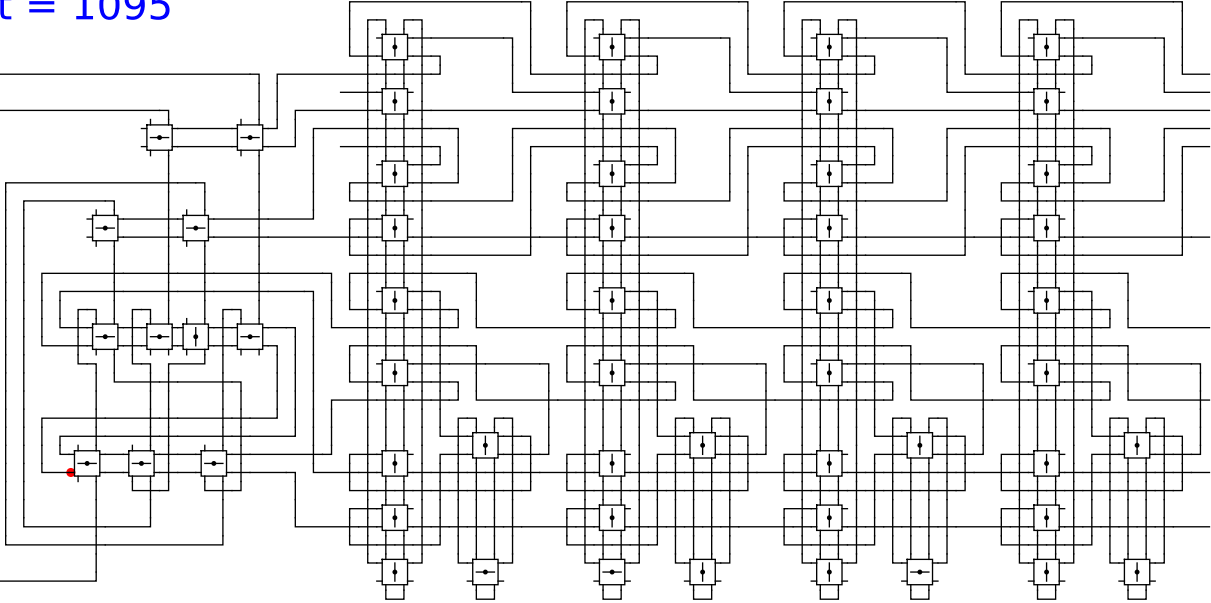


1 0 1 0

t = 1095

Reject
Accept

Begin

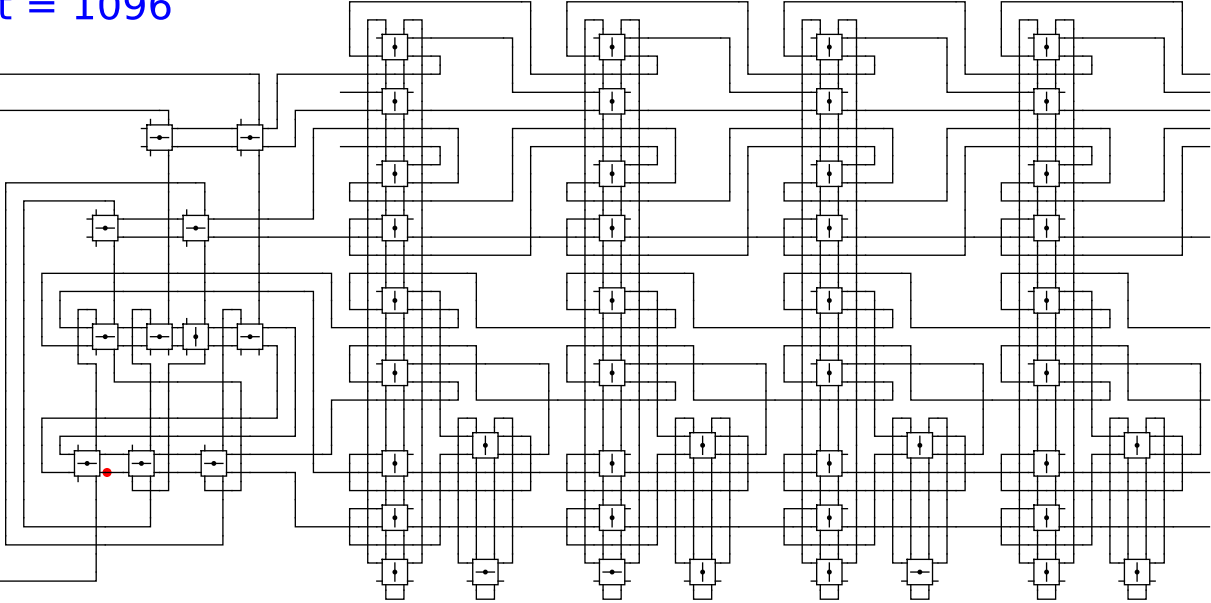


1 head 0 1 0

t = 1096

Reject
Accept

Begin

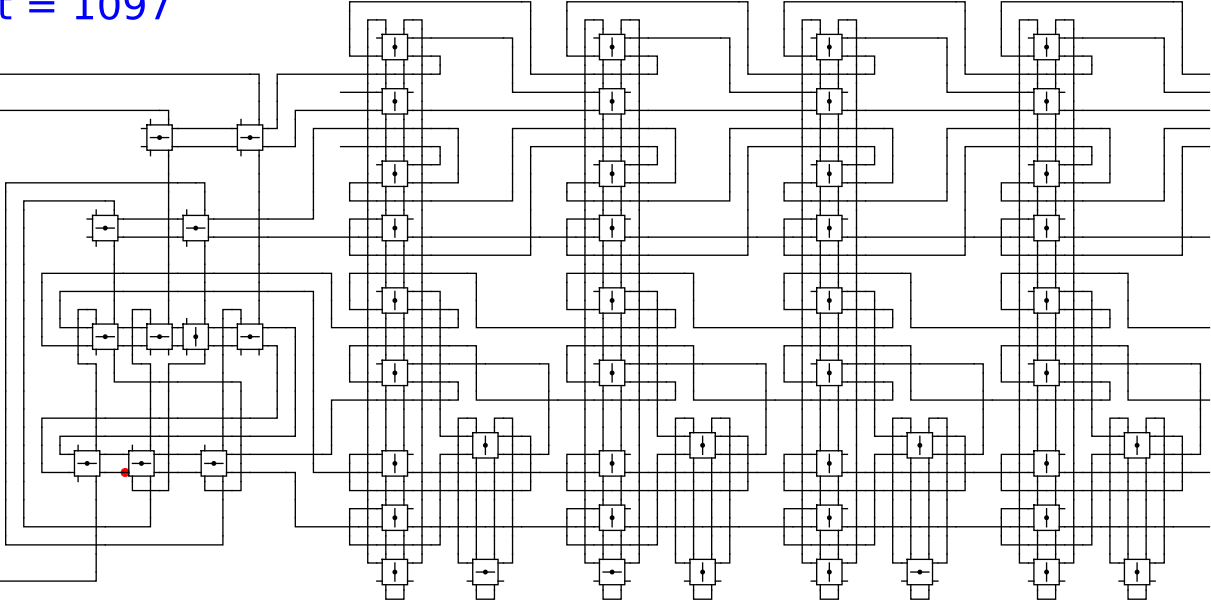


1 head 0 1 0

t = 1097

Reject
Accept

Begin

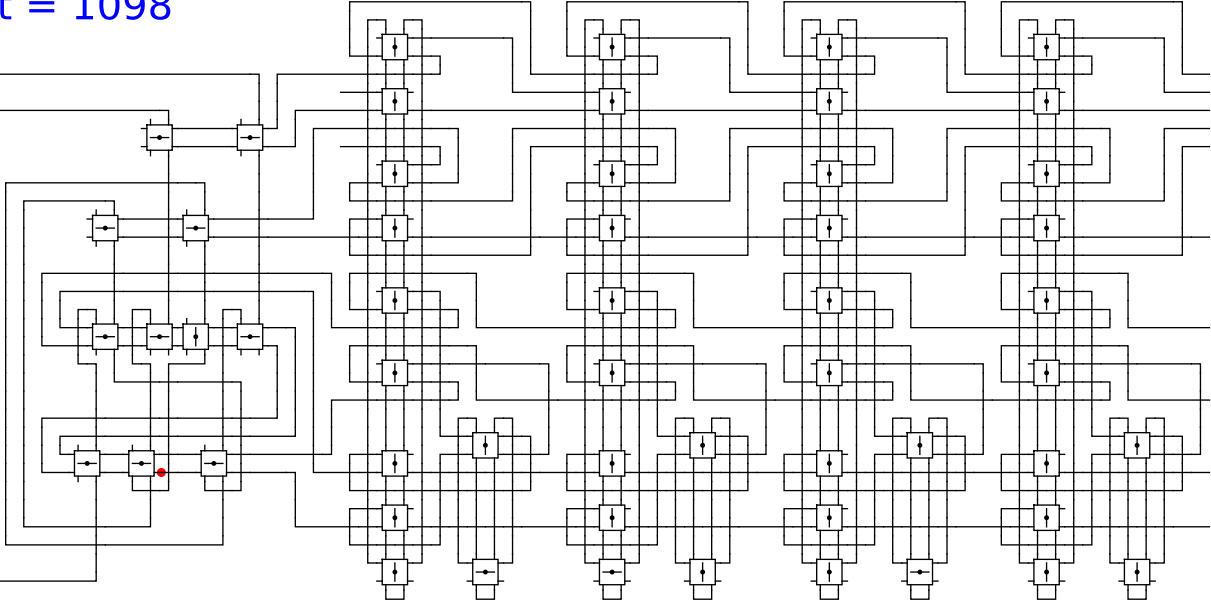


1 head 0 1 0

t = 1098

Reject
Accept

Begin

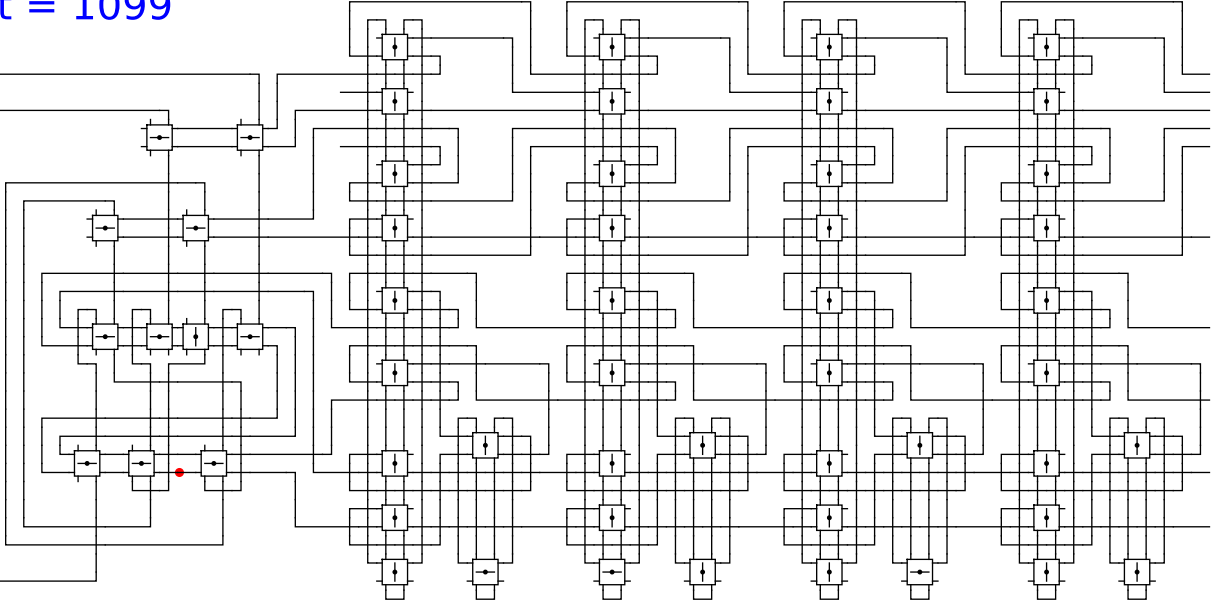


1 head 0 1 0

t = 1099

Reject
Accept

Begin

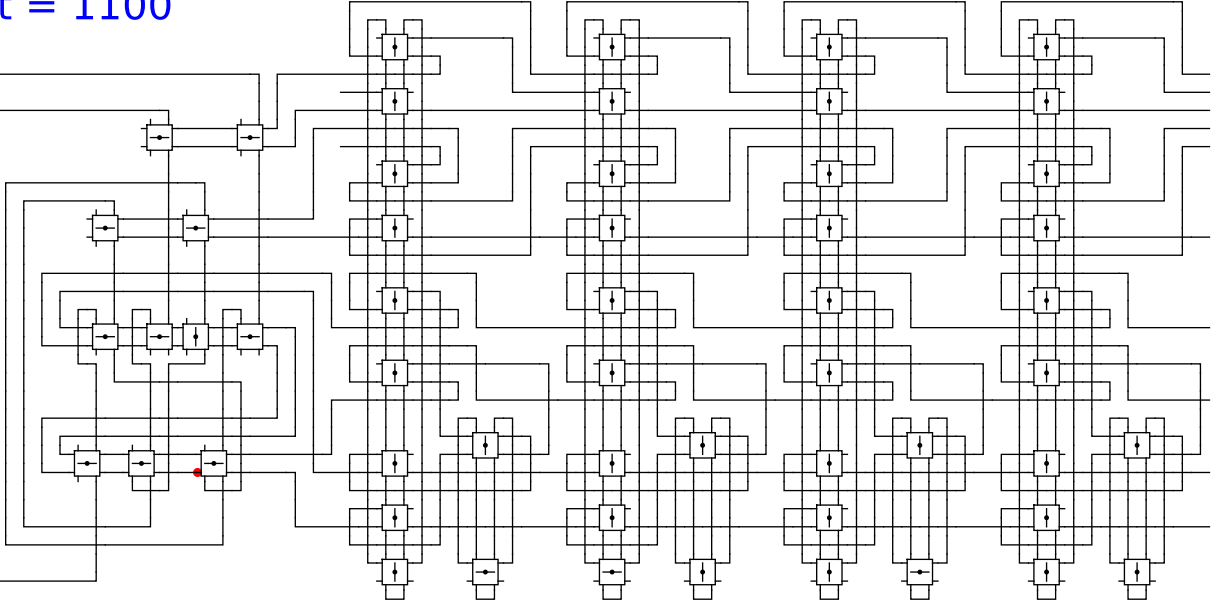


1 head 0 1 0

t = 1100

Reject
Accept

Begin



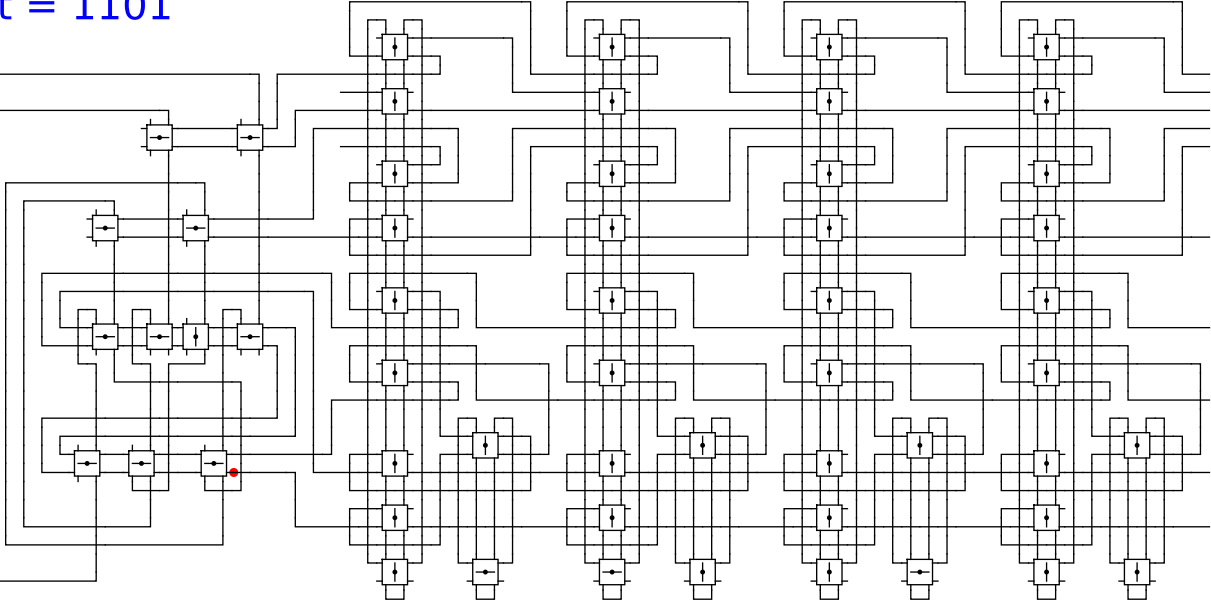
1 0 1 0

head

t = 1101

Reject
Accept

Begin

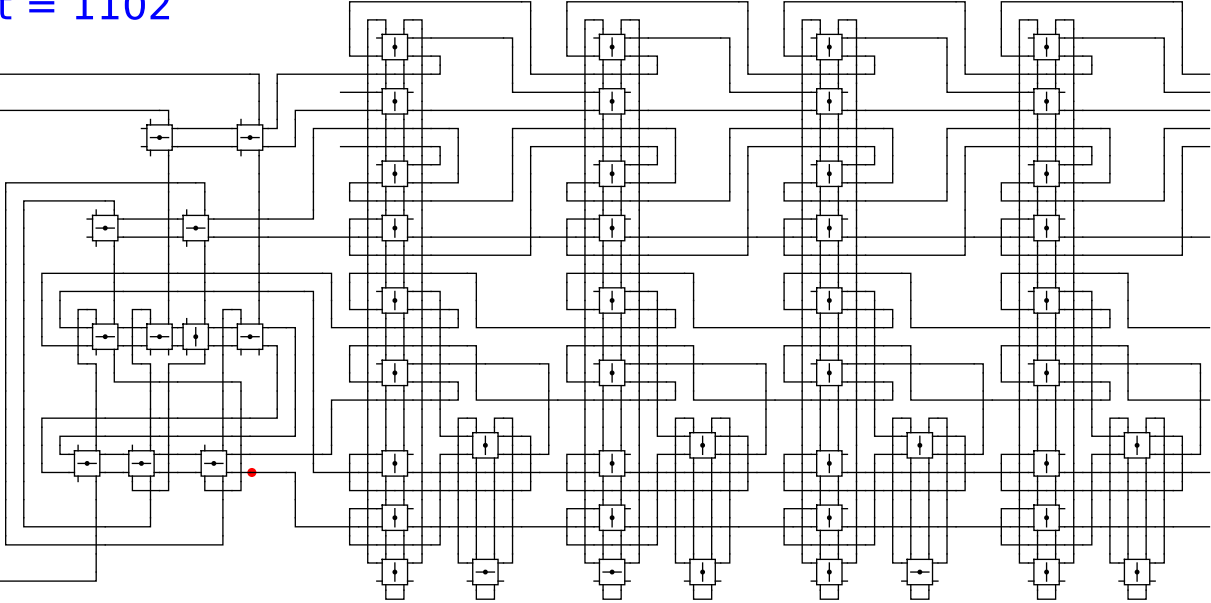


1 head 0 1 0

t = 1102

Reject
Accept

Begin

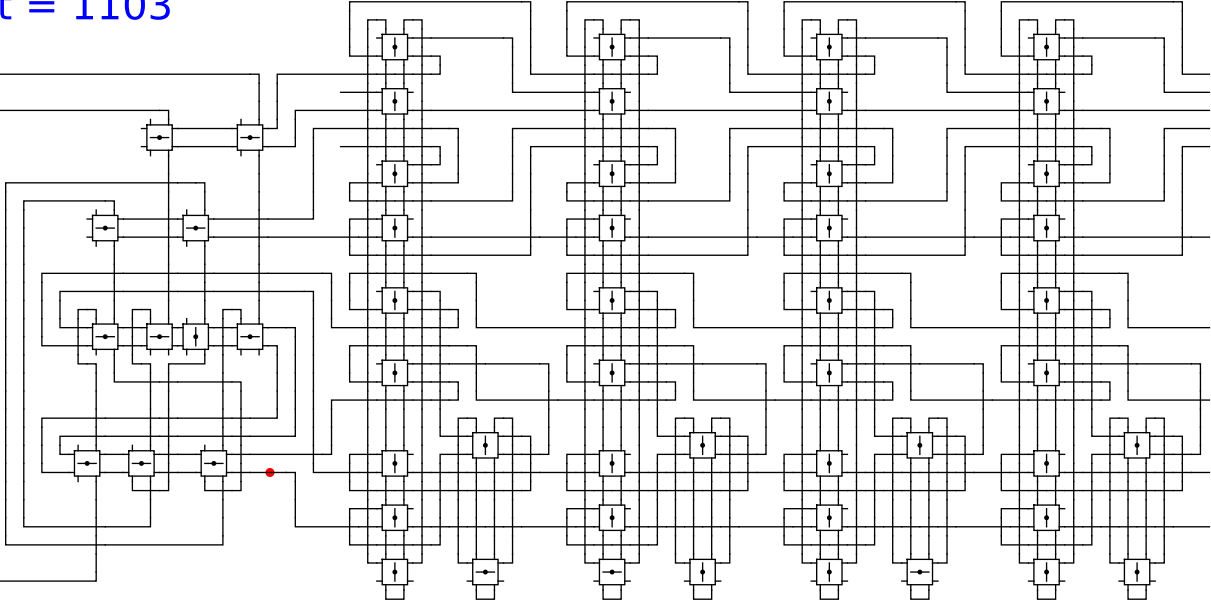


1 head 0 1 0

t = 1103

Reject
Accept

Begin

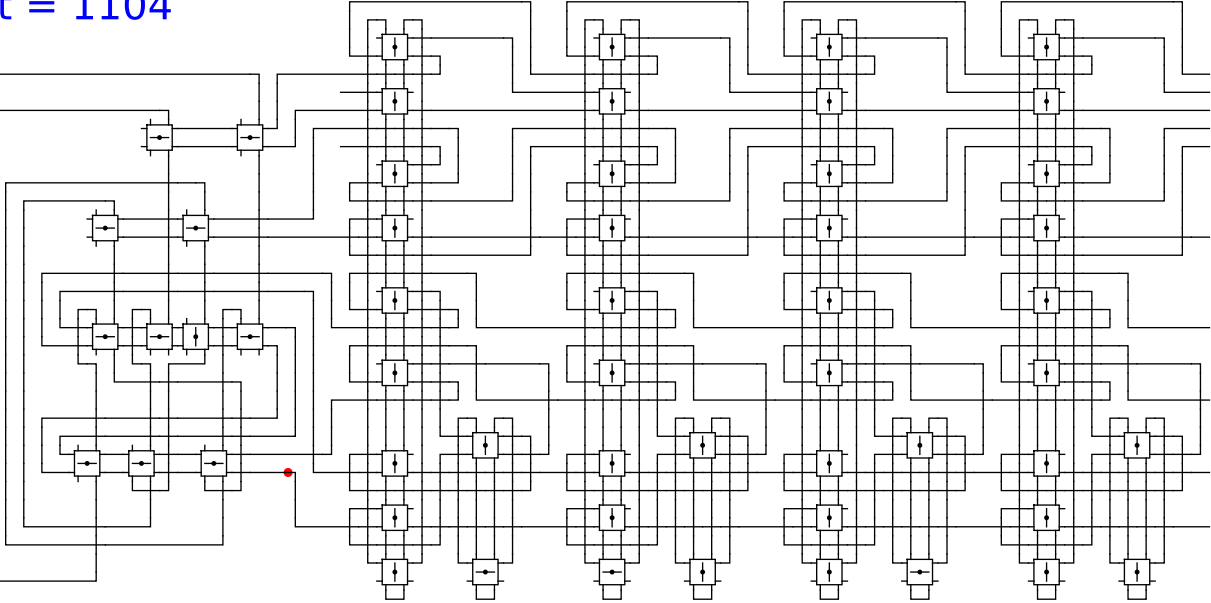


1 head 0 1 0

t = 1104

Reject
Accept

Begin

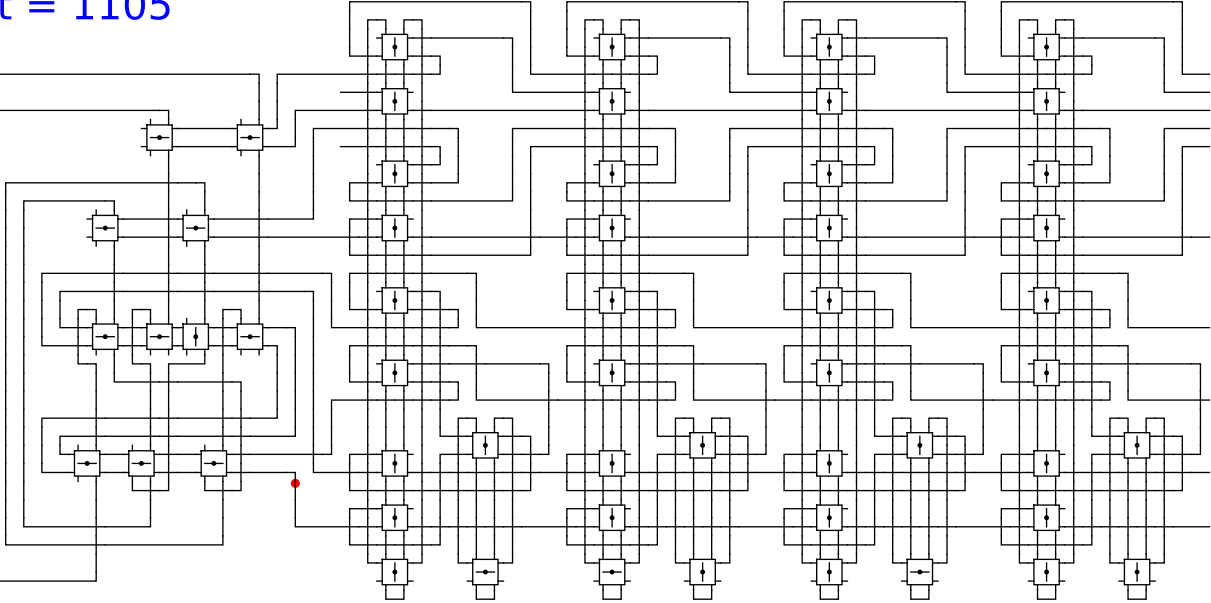


1 head 0 1 0

t = 1105

Reject
Accept

Begin



1

head

0

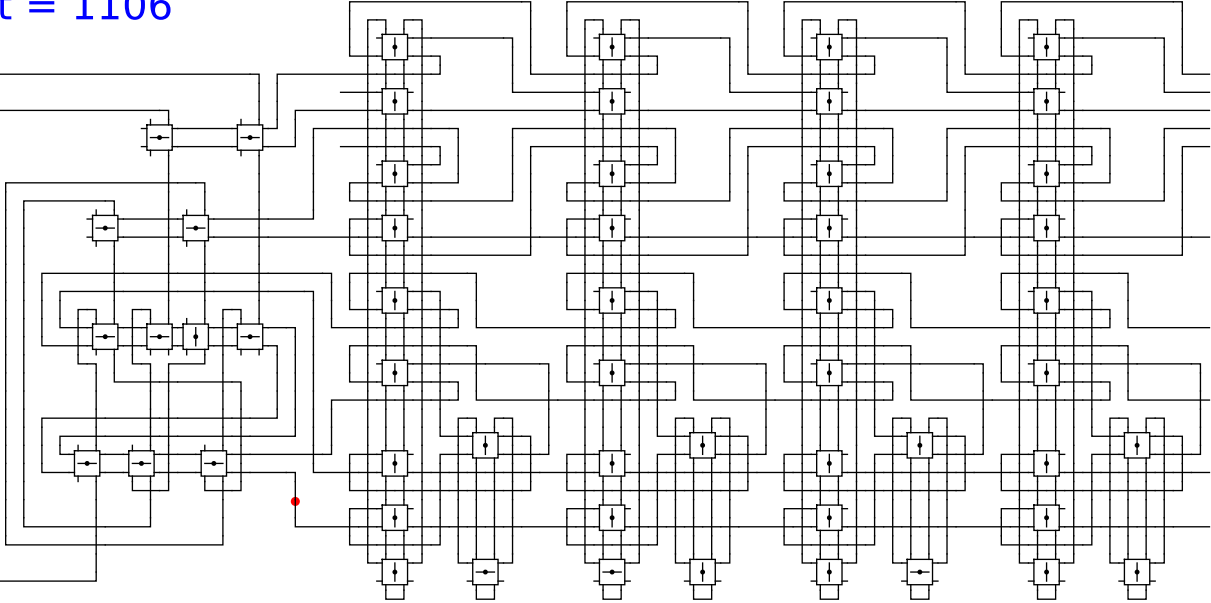
1

0

t = 1106

Reject
Accept

Begin

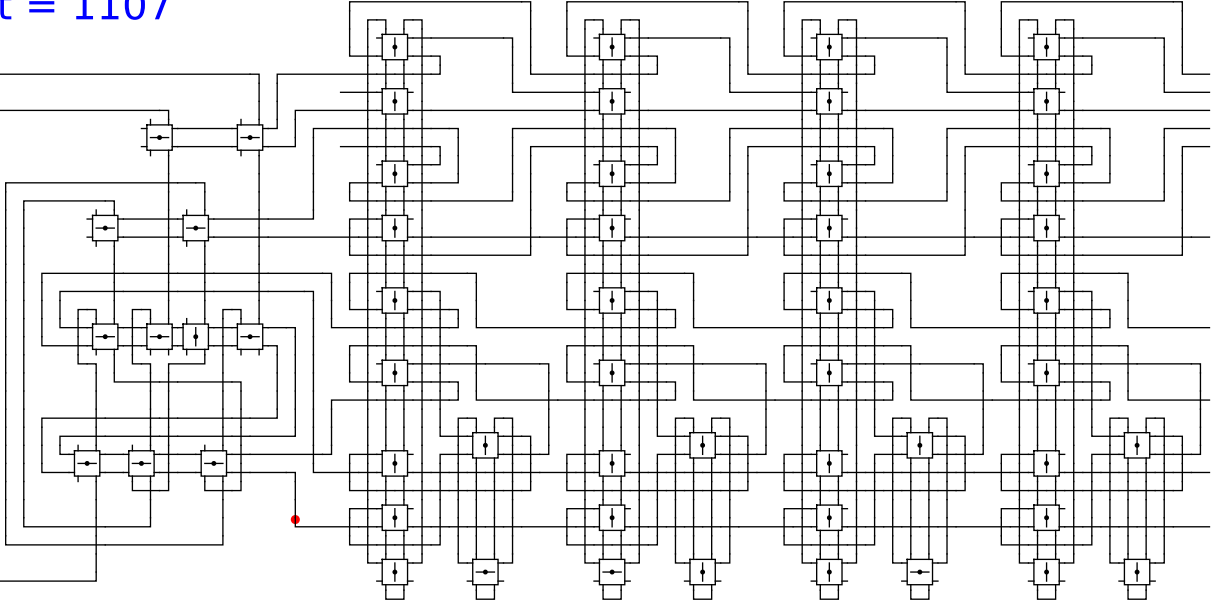


1 head 0 1 0

t = 1107

Reject
Accept

Begin

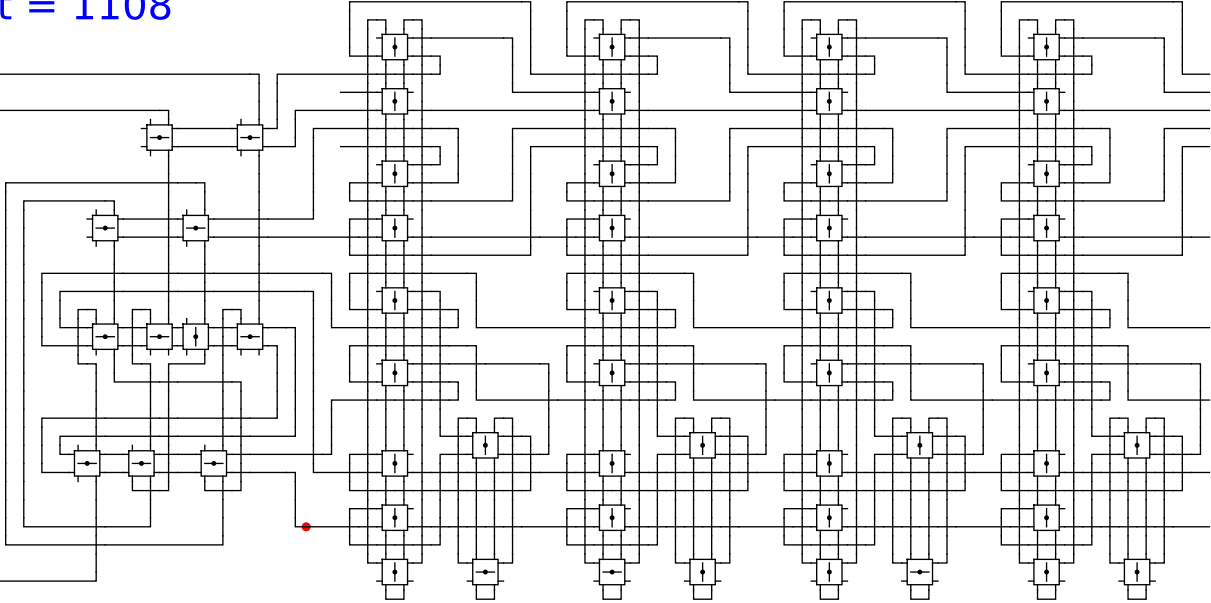


1 head 0 1 0

t = 1108

Reject
Accept

Begin

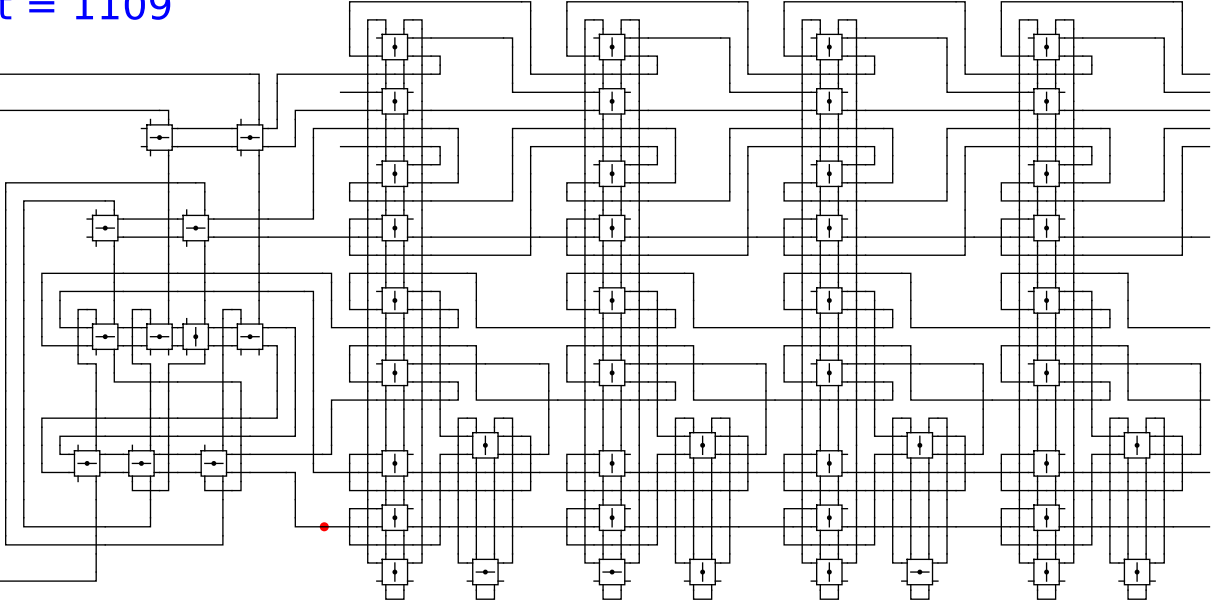


1 head 0 1 0

t = 1109

Reject
Accept

Begin

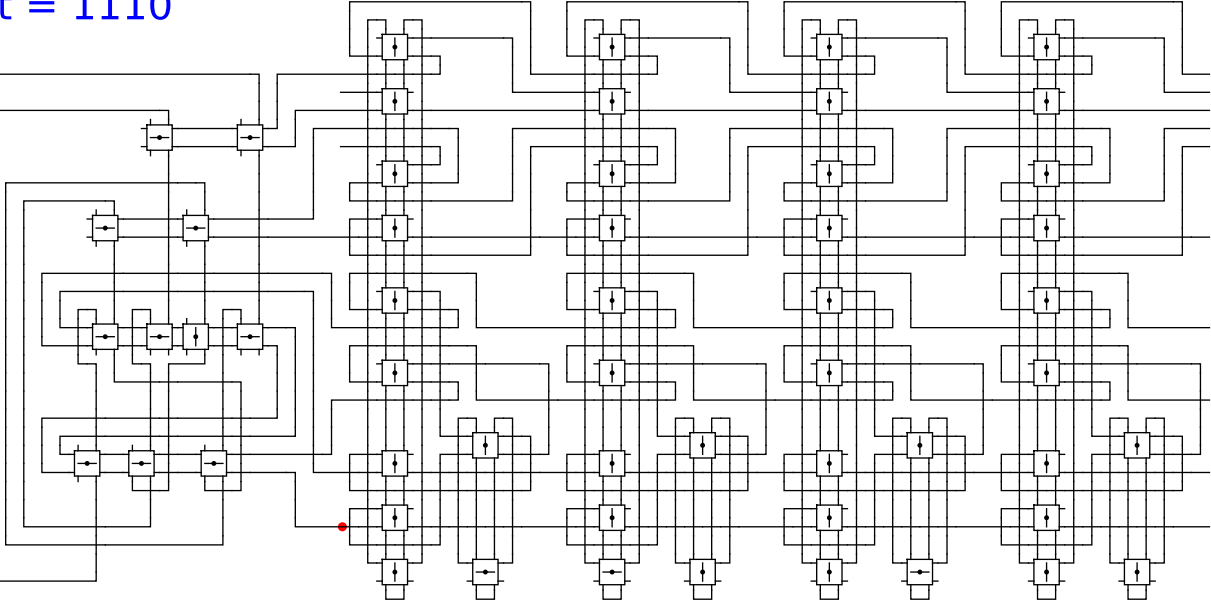


1 head 0 1 0

t = 1110

Reject
Accept

Begin

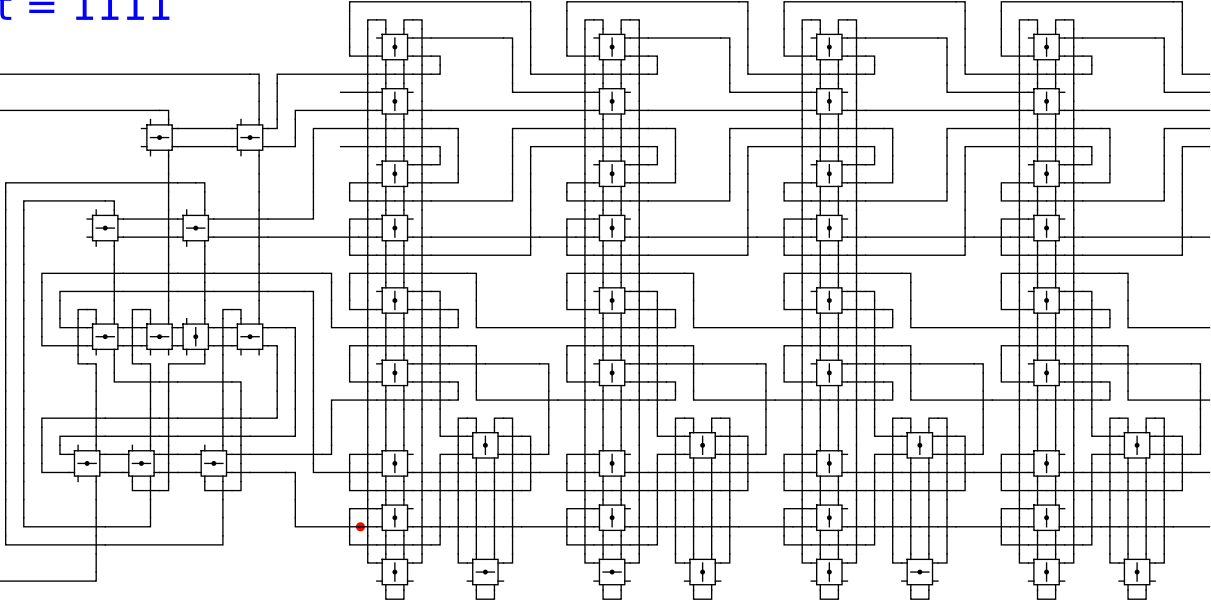


1 head 0 1 0

t = 1111

Reject
Accept

Begin

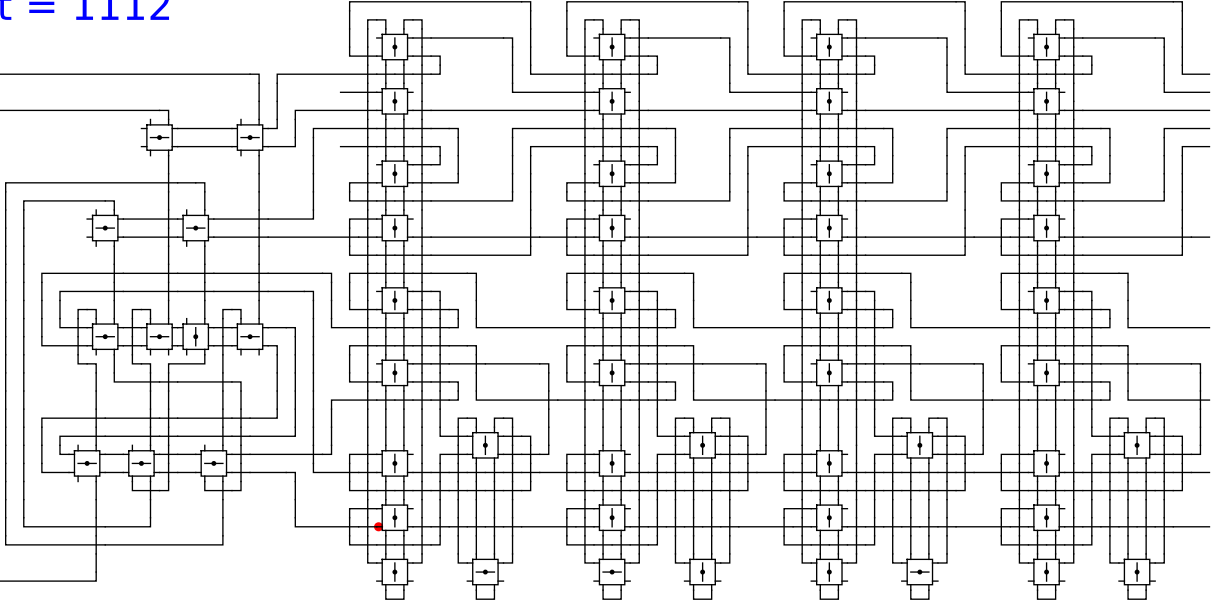


1 head 0 1 0

t = 1112

Reject
Accept

Begin

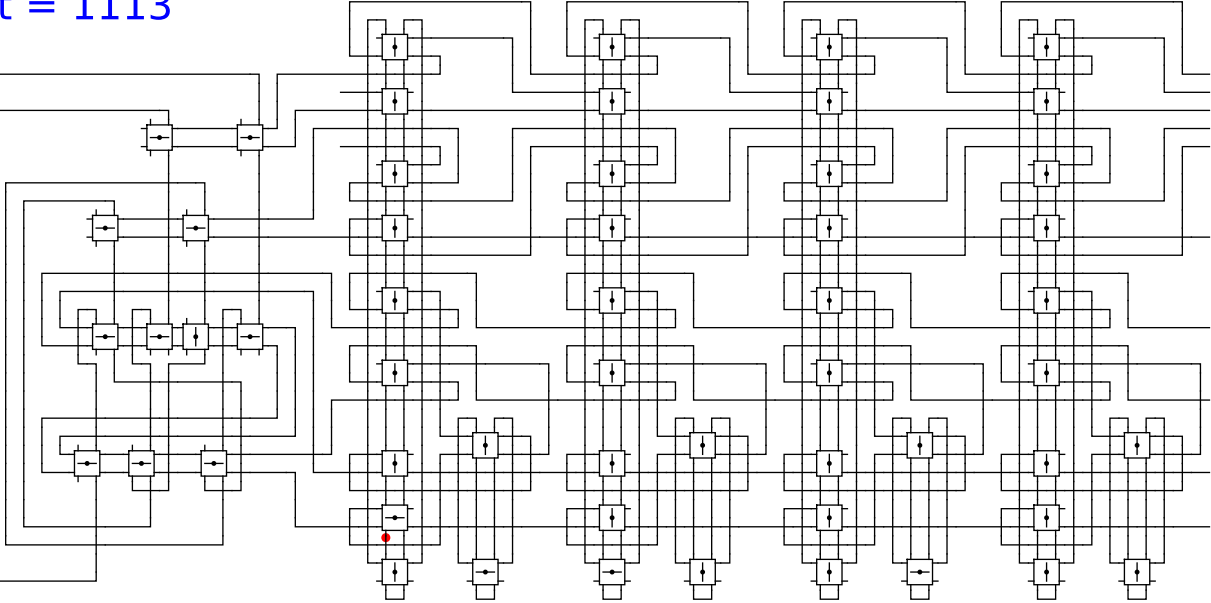


1 head 0 1 0

t = 1113

Reject
Accept

Begin

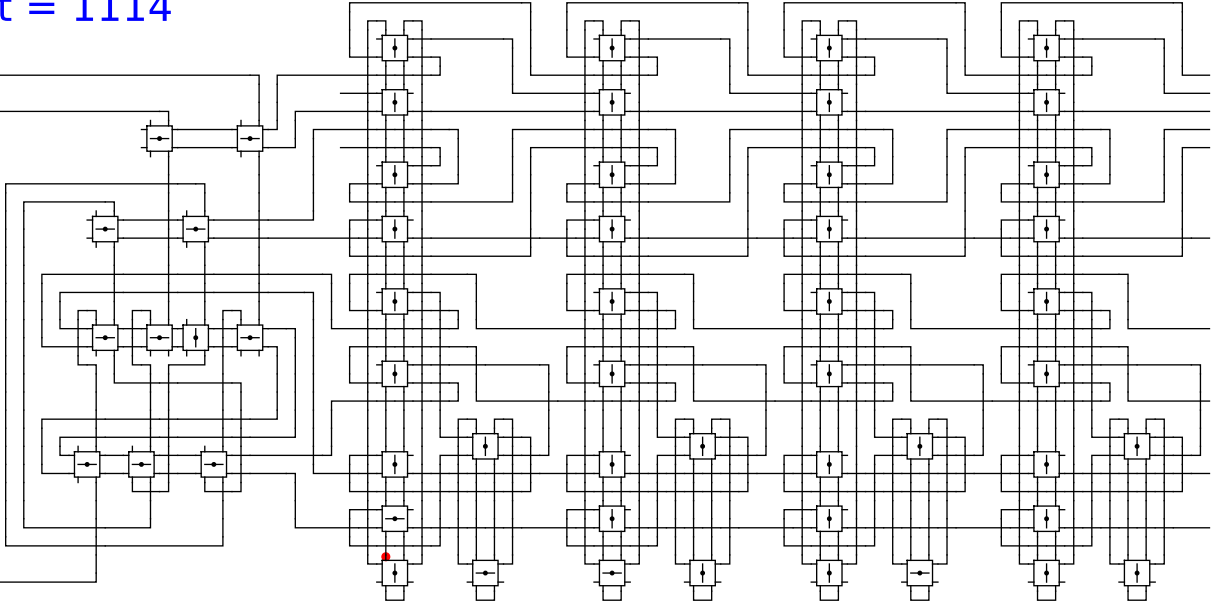


1 head 0 1 0

t = 1114

Reject
Accept

Begin



1

head

0

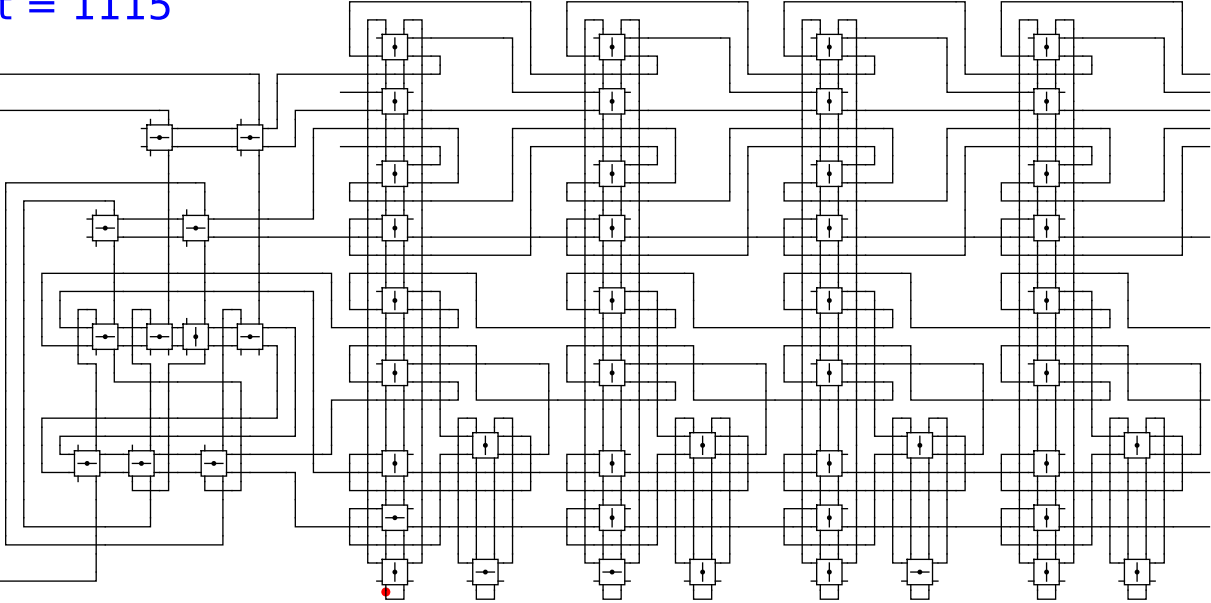
1

0

t = 1115

Reject
Accept

Begin

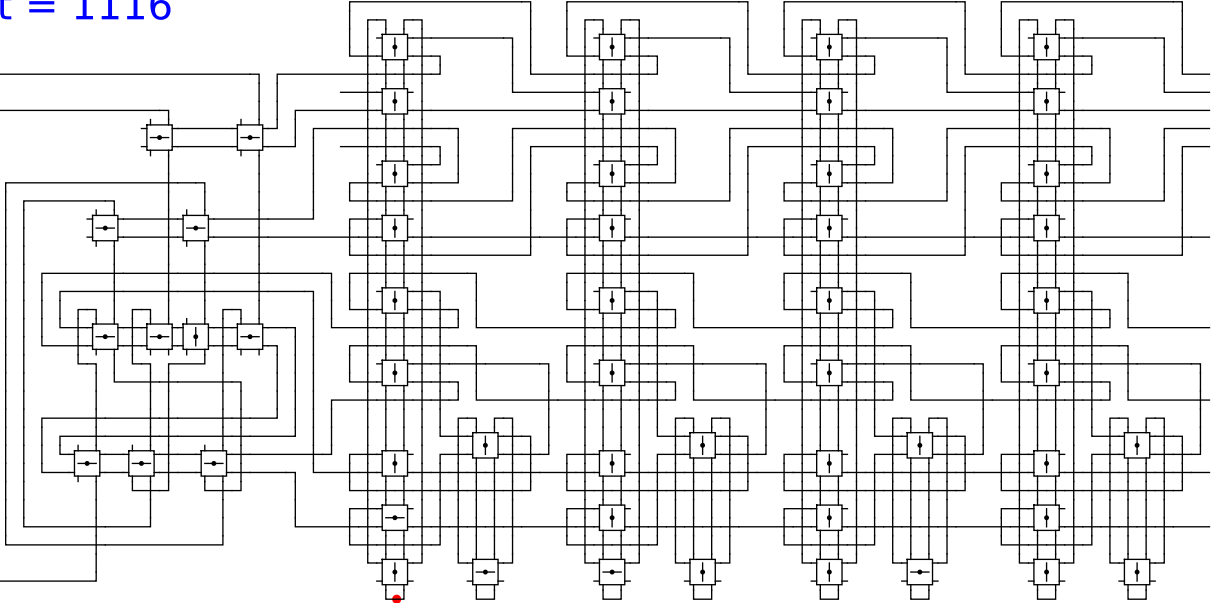


1 head 0 1 0

t = 1116

Reject
Accept

Begin

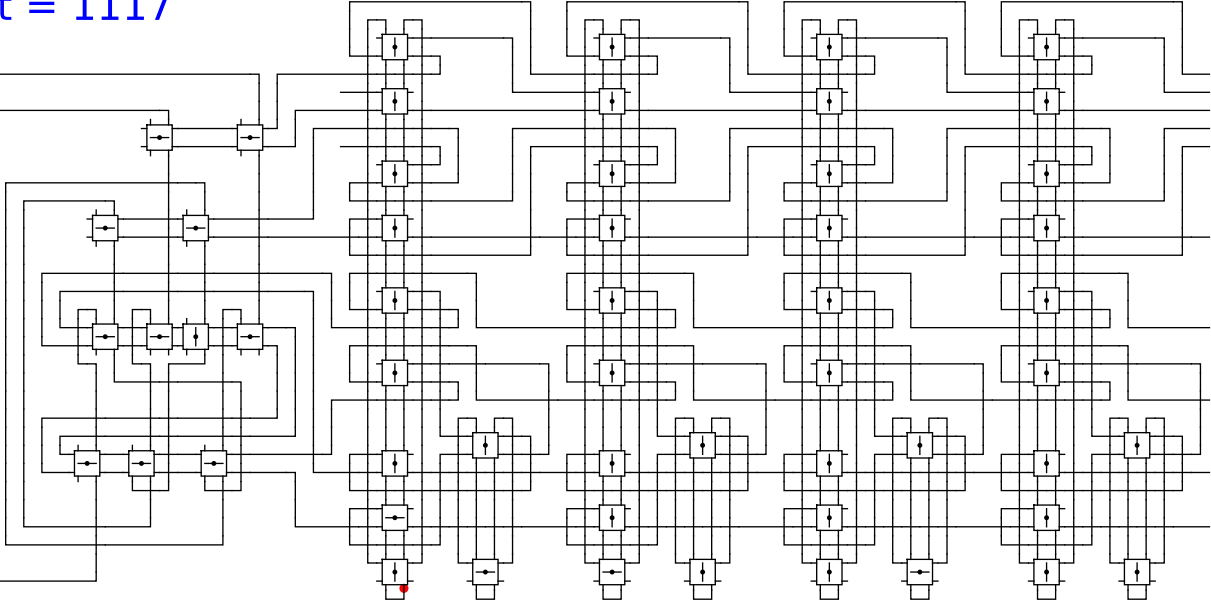


1 head 0 1 0

t = 1117

Reject
Accept

Begin

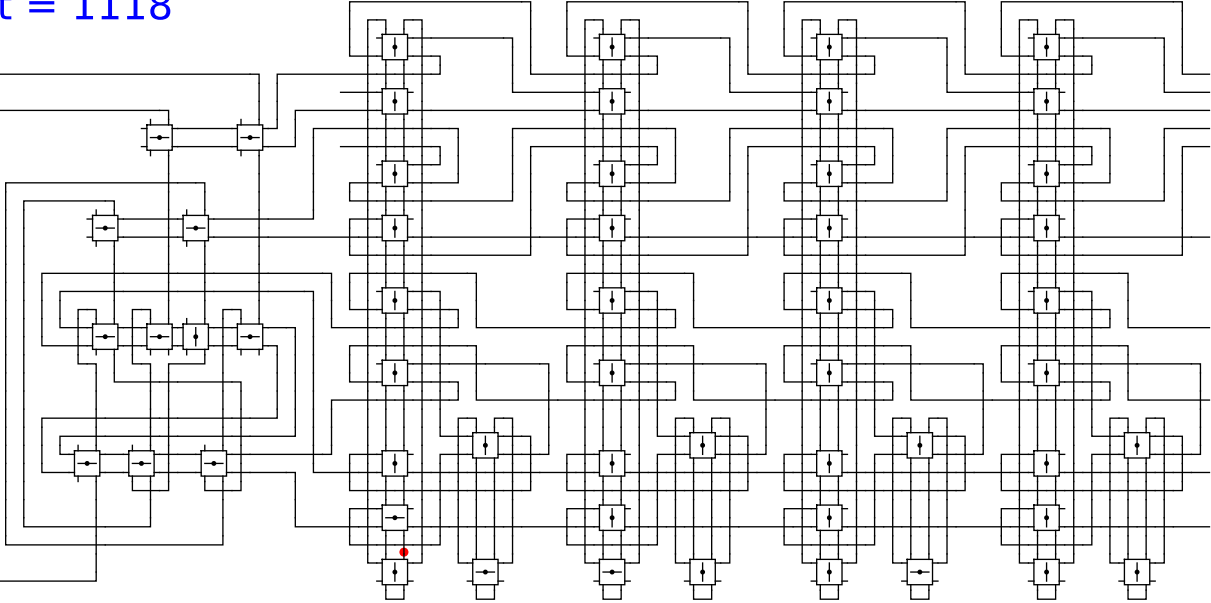


1 head 0 1 0

t = 1118

Reject
Accept

Begin

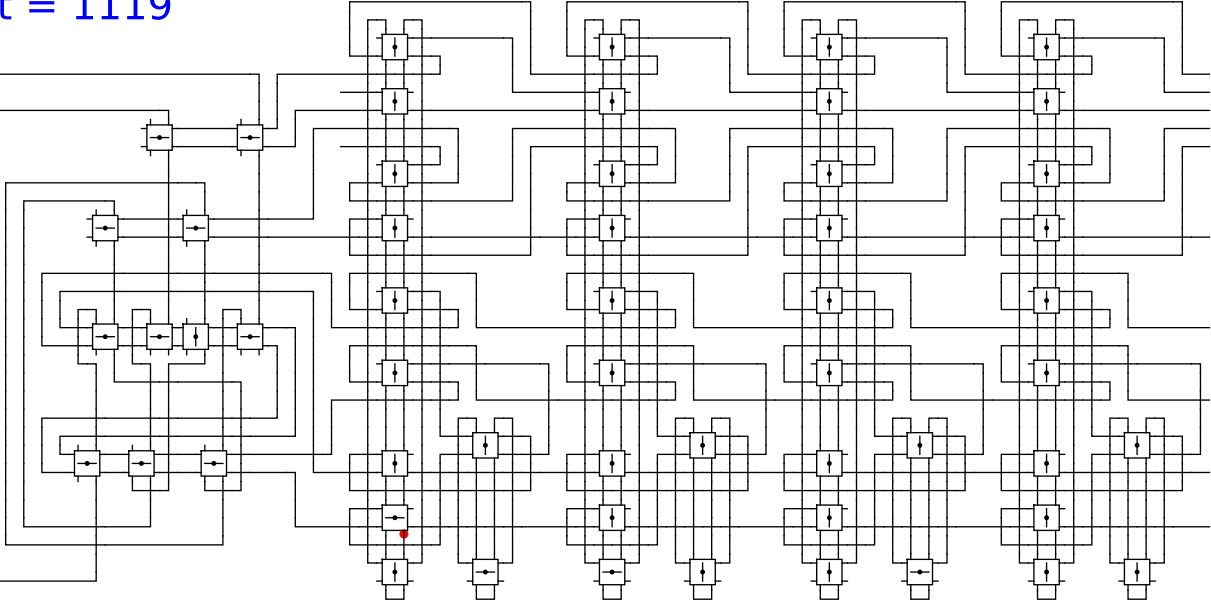


1 head 0 1 0

t = 1119

Reject
Accept

Begin

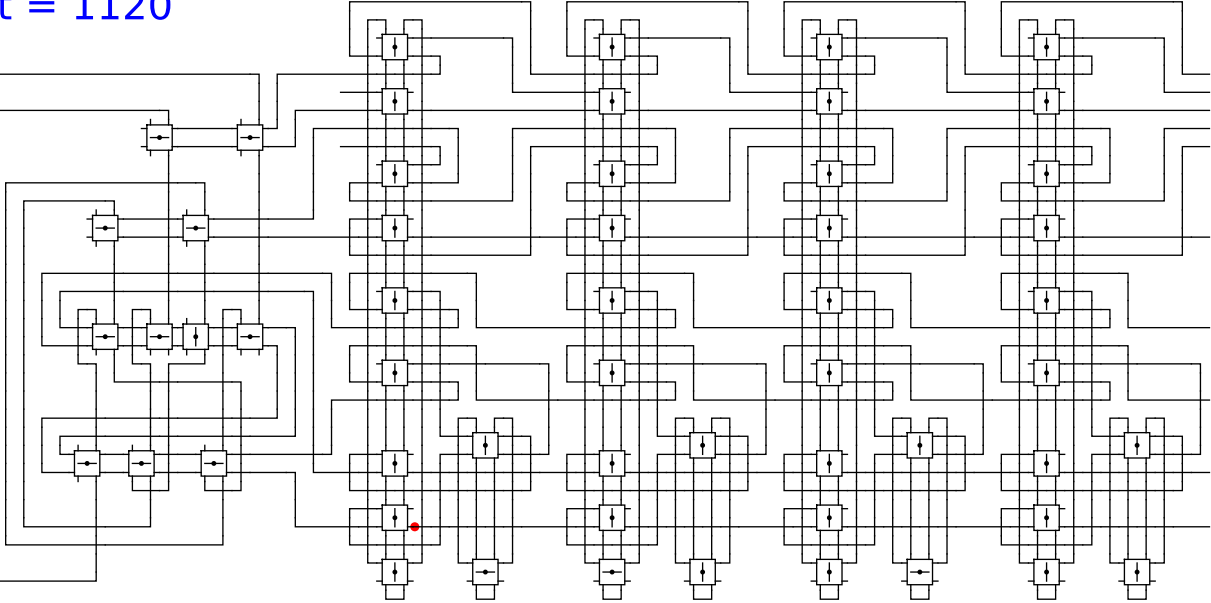


1 head 0 1 0

t = 1120

Reject
Accept

Begin

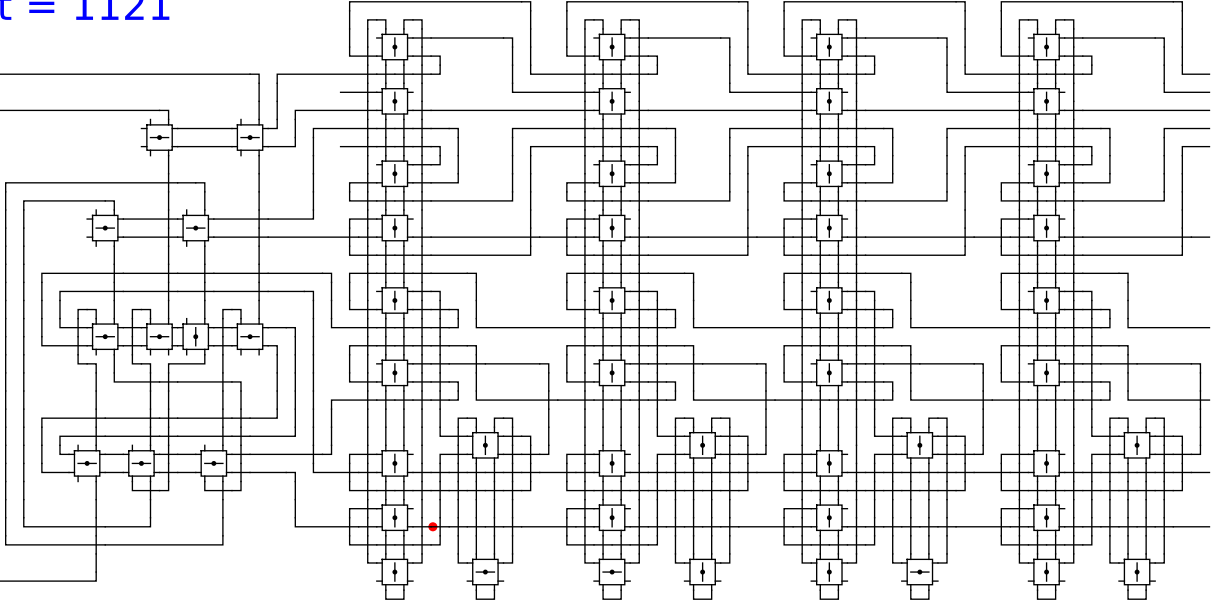


1 head 0 1 0

t = 1121

Reject
Accept

Begin

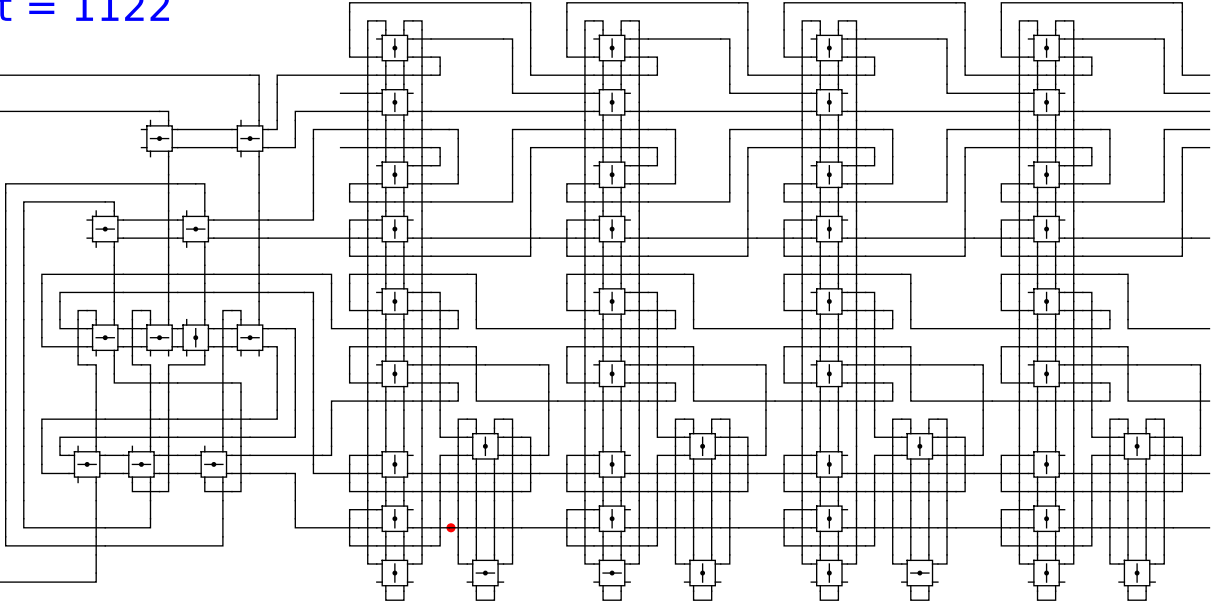


1 head 0 1 0

t = 1122

Reject
Accept

Begin



1

head

0

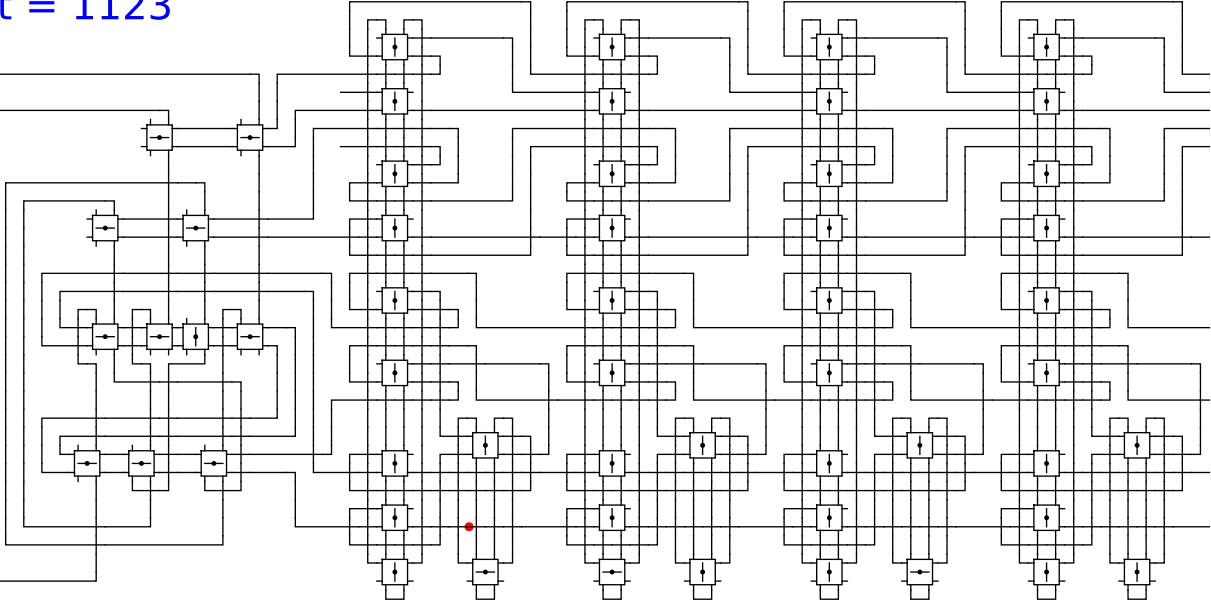
1

0

t = 1123

Reject
Accept

Begin

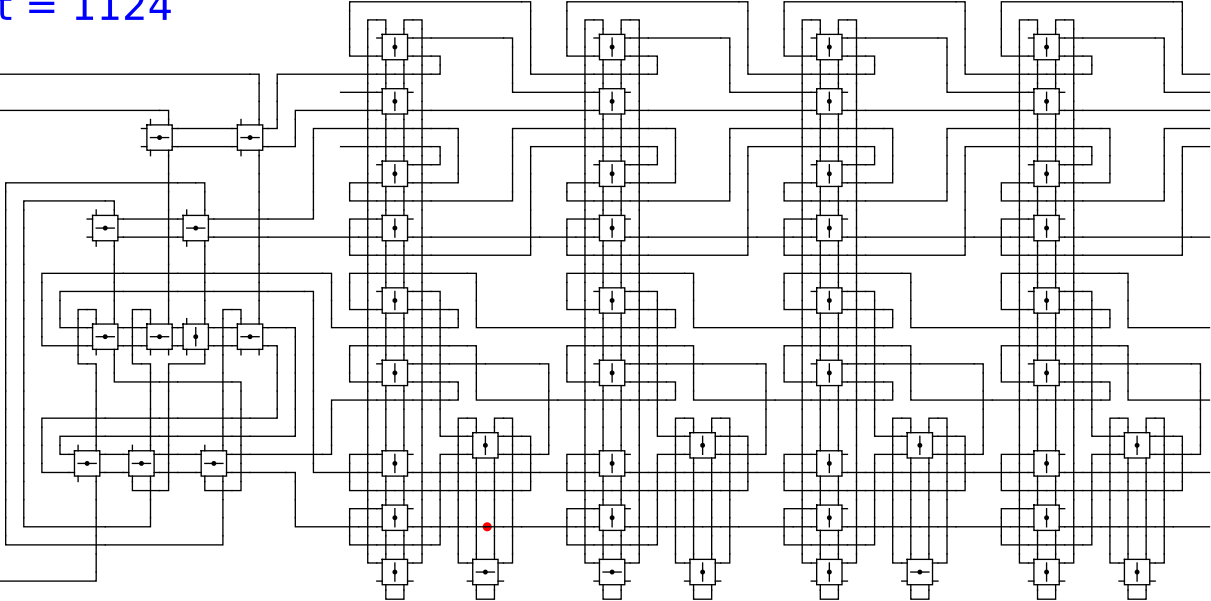


1 head 0 1 0

t = 1124

Reject
Accept

Begin

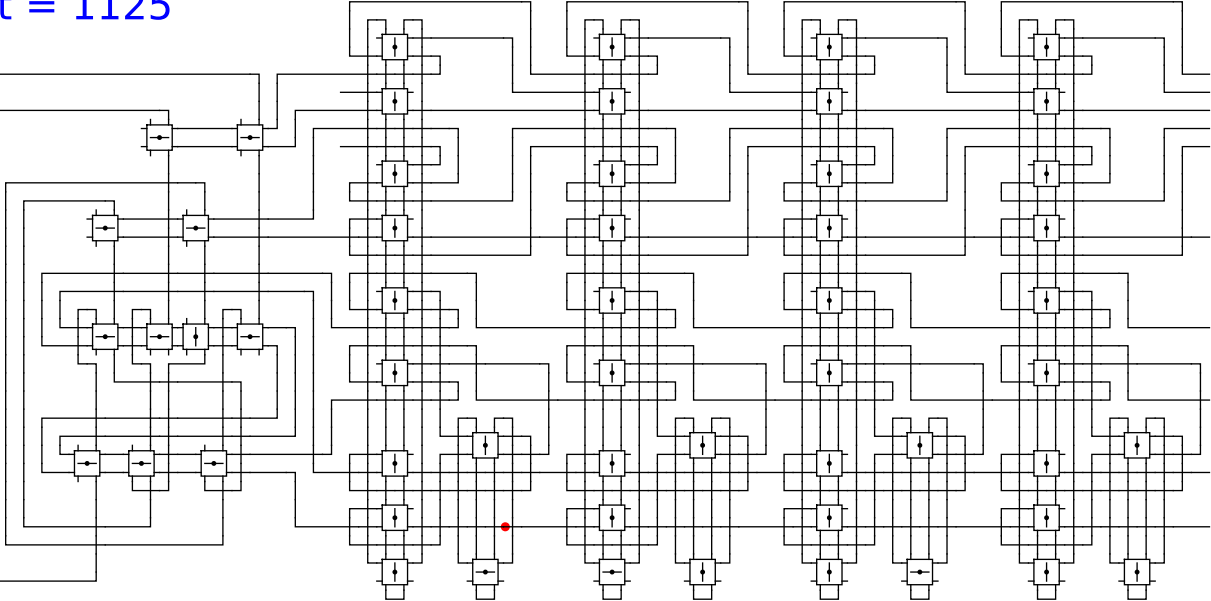


1 head 0 1 0

t = 1125

Reject
Accept

Begin

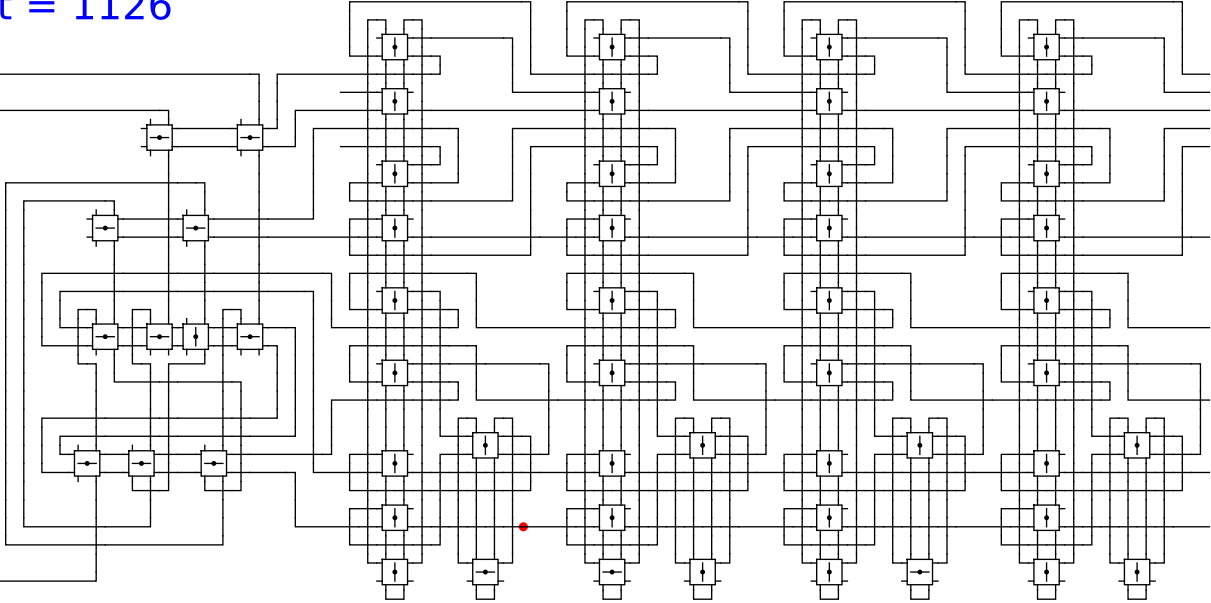


1 head 0 1 0

t = 1126

Reject
Accept

Begin

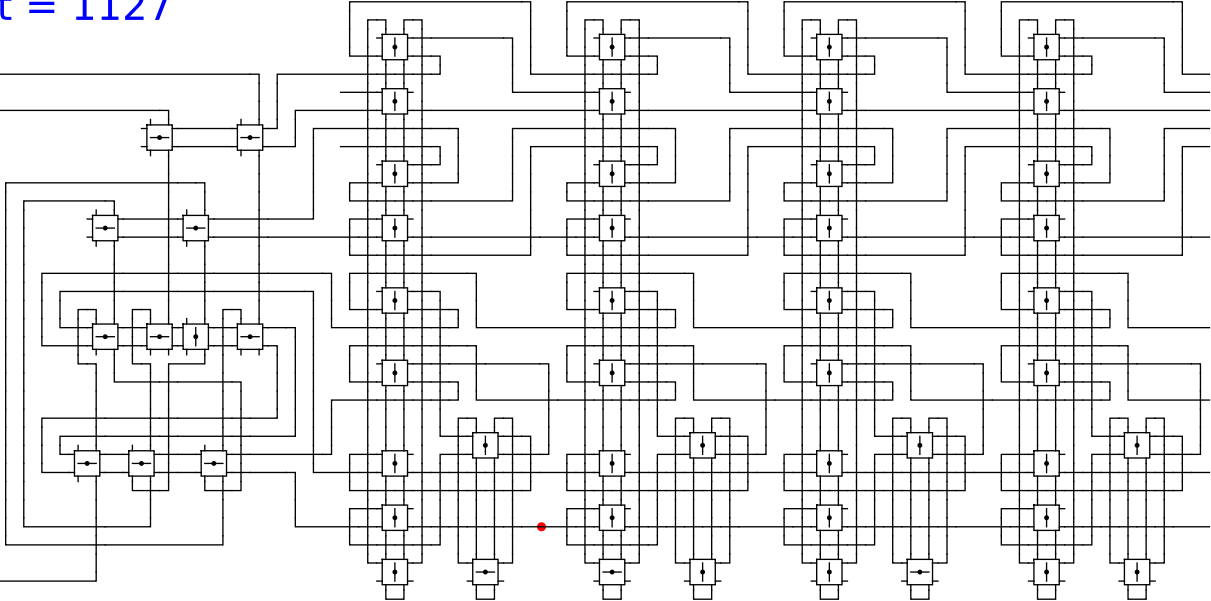


1 head 0 1 0

t = 1127

Reject
Accept

Begin

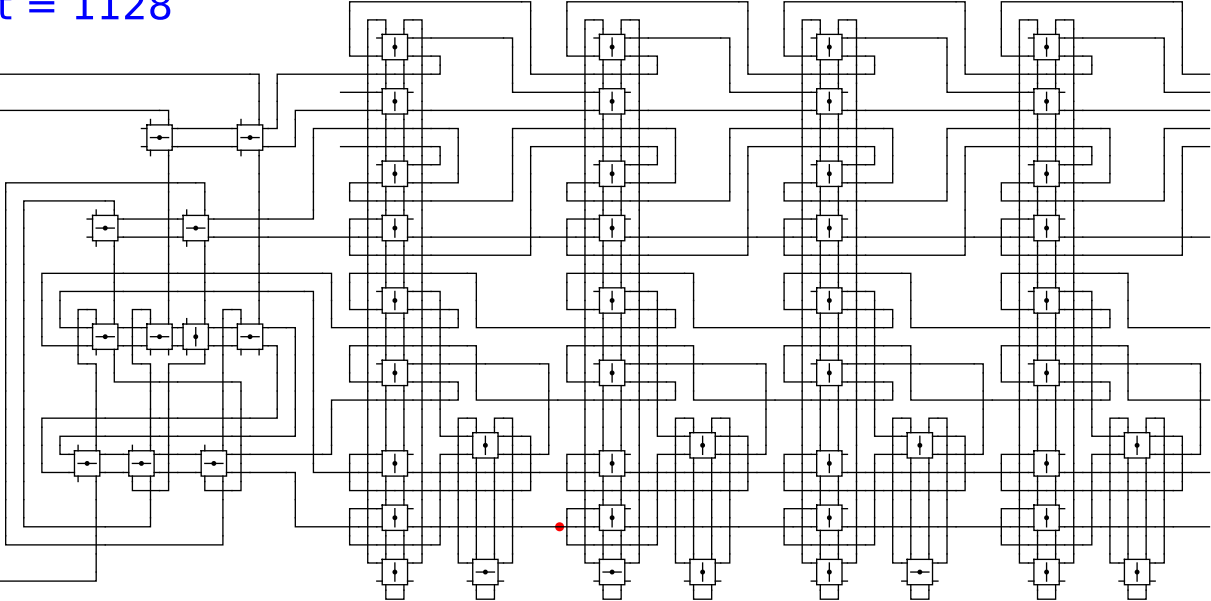


1 head 0 1 0

t = 1128

Reject
Accept

Begin

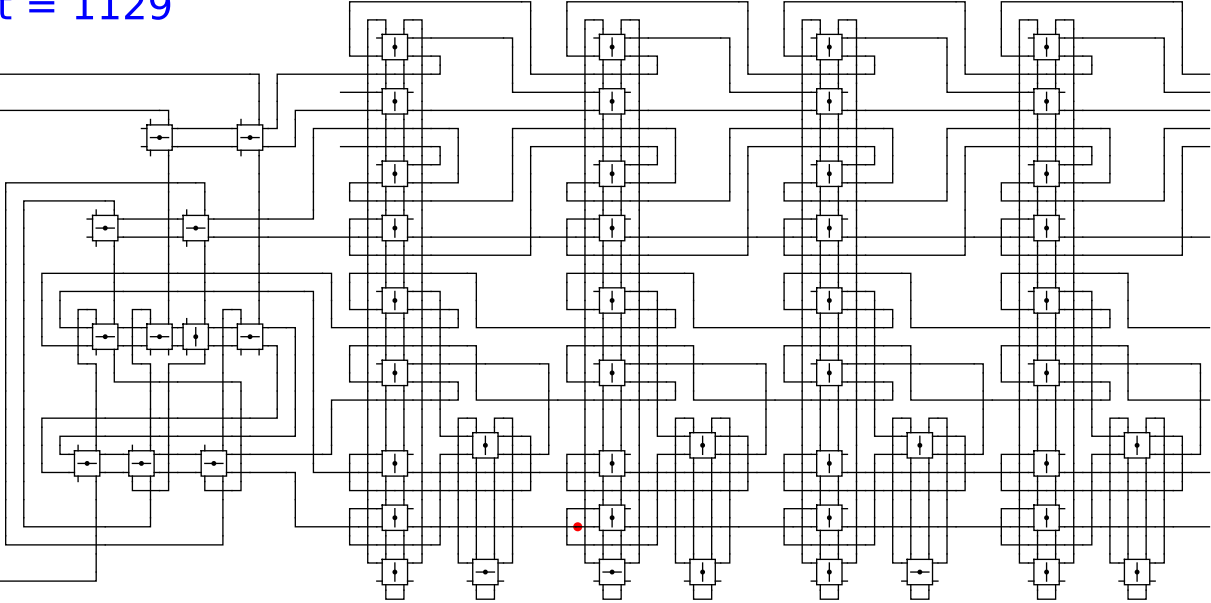


1 head 0 1 0

t = 1129

Reject
Accept

Begin

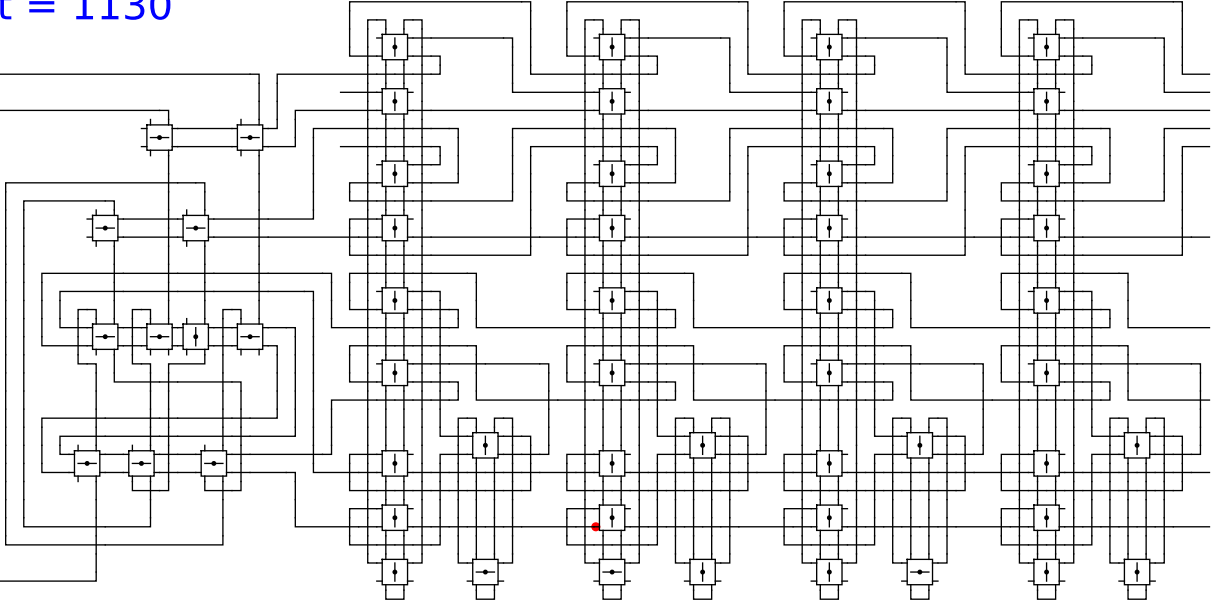


1 head 0 1 0

t = 1130

Reject
Accept

Begin

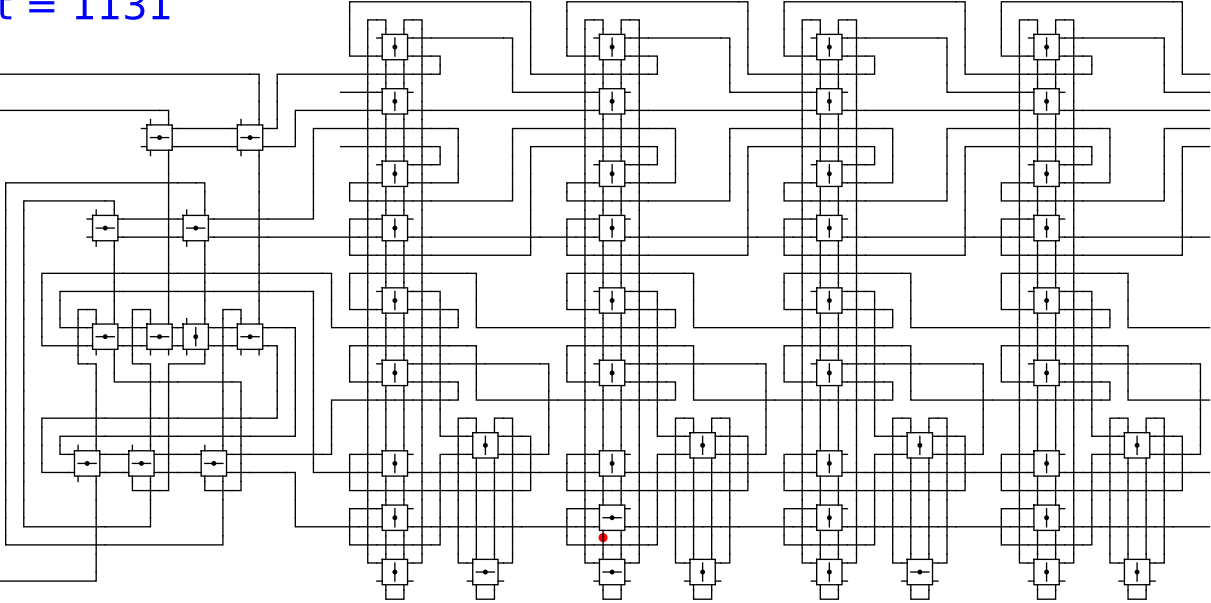


1 0 1 0

t = 1131

Reject
Accept

Begin

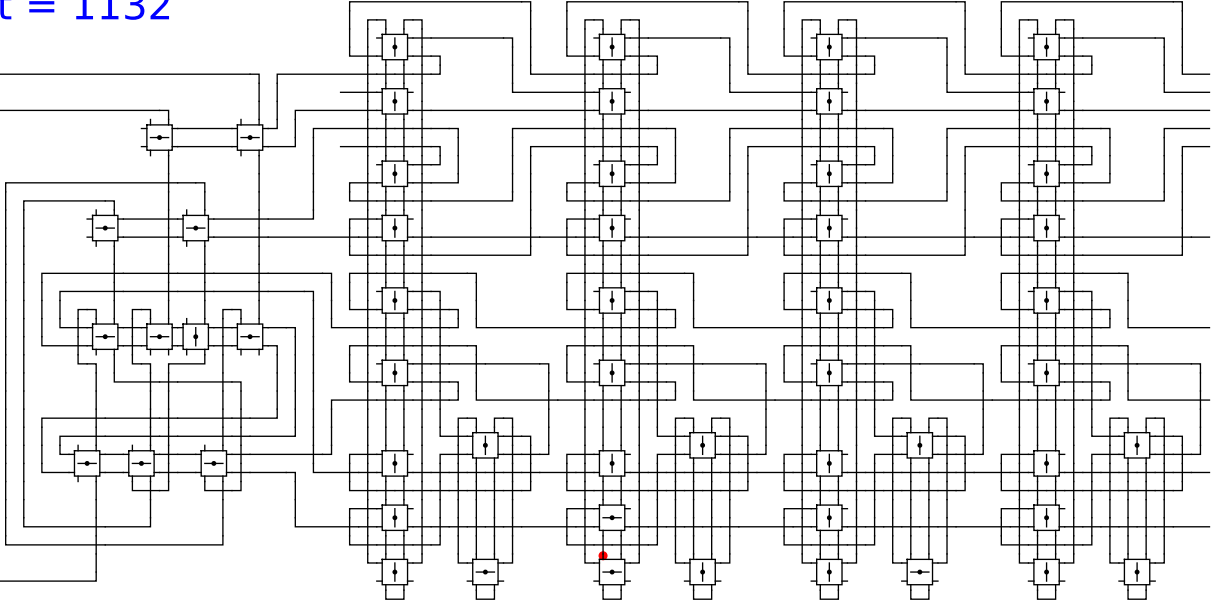


1 head 0 1 0

t = 1132

Reject
Accept

Begin

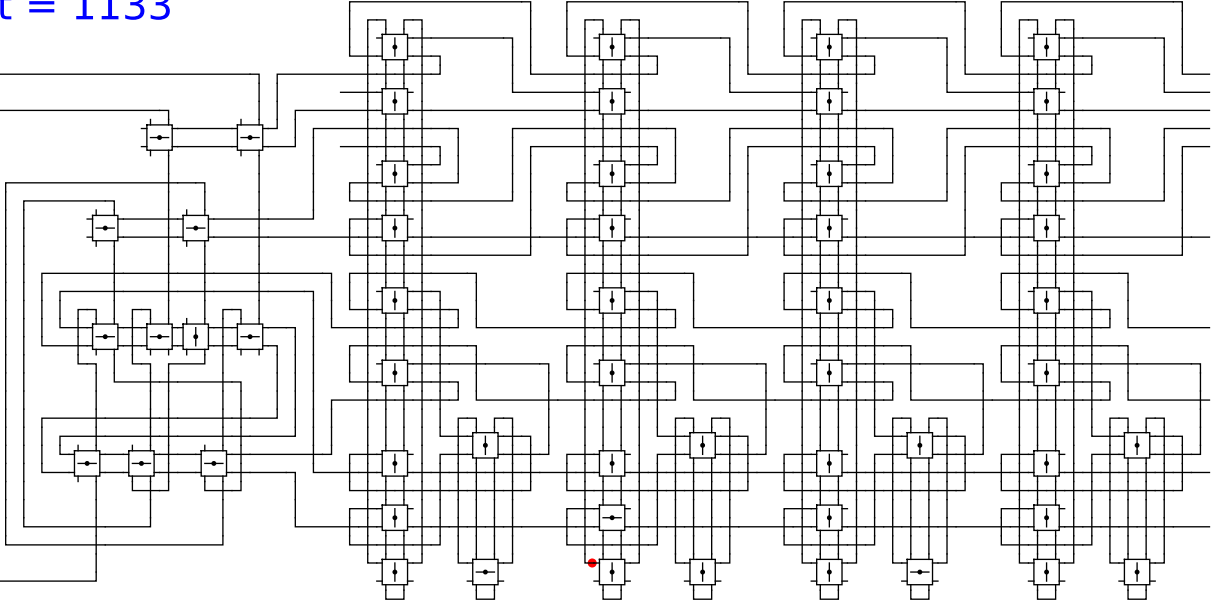


1 head 0 1 0

t = 1133

Reject
Accept

Begin



1

0

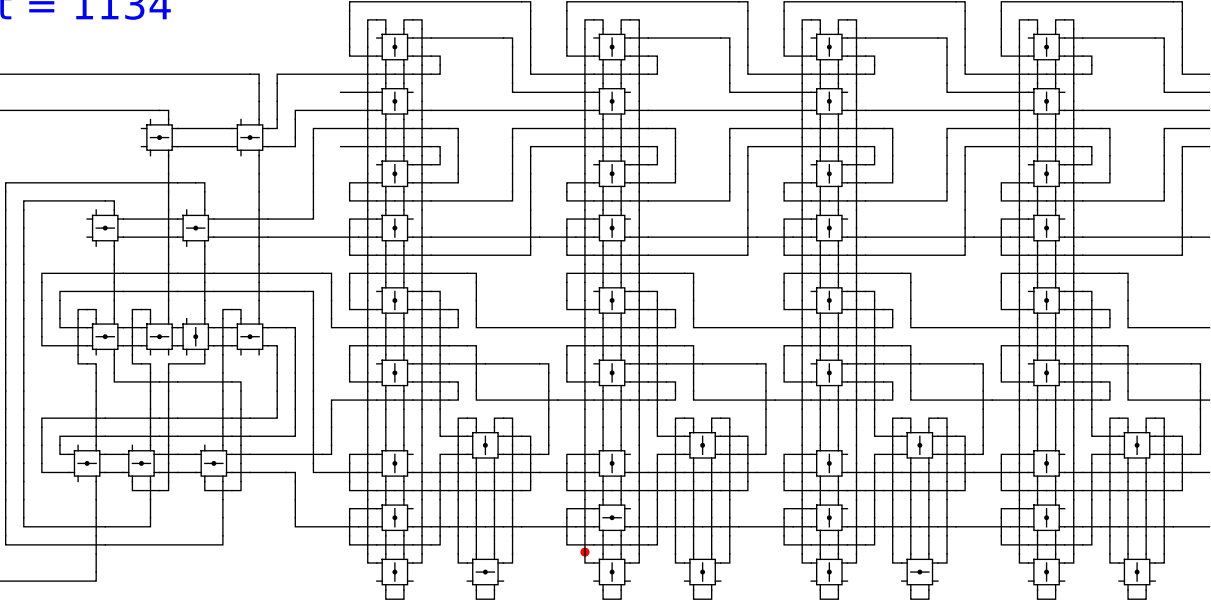
1

0

t = 1134

Reject
Accept

Begin



1

0

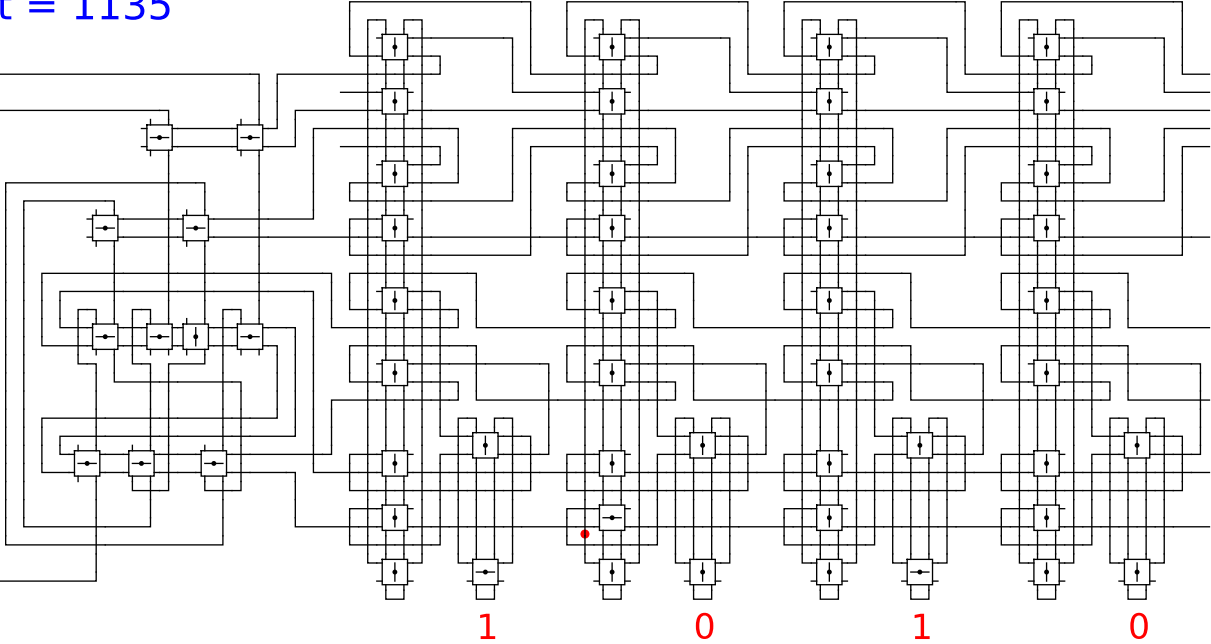
1

0

t = 1135

Reject
Accept

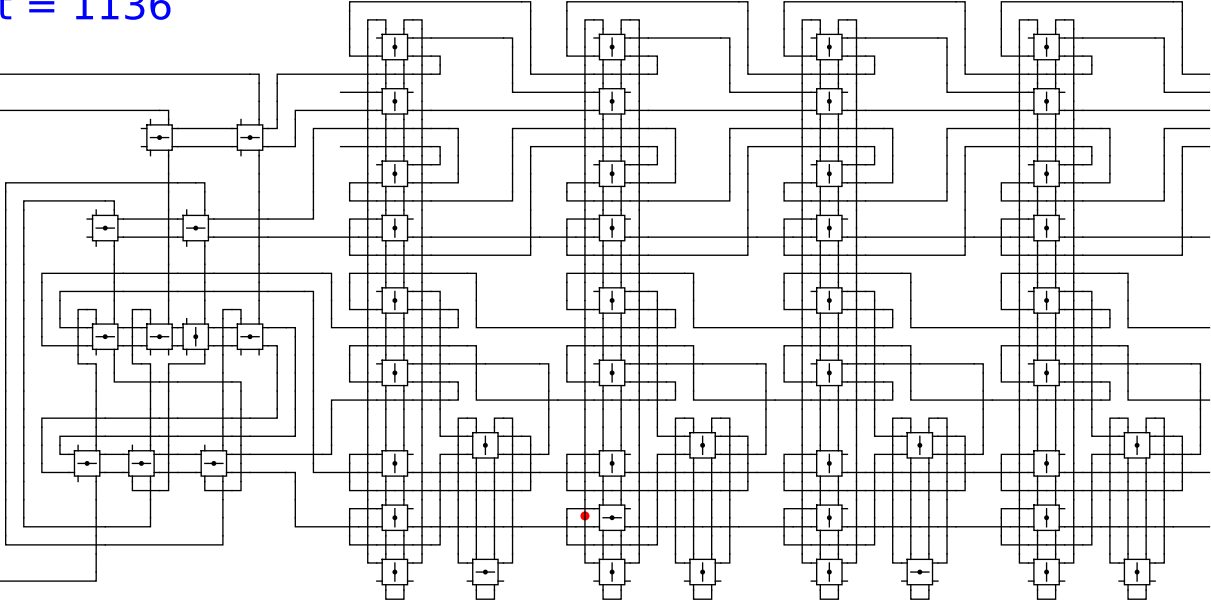
Begin



t = 1136

Reject
Accept

Begin



1

0

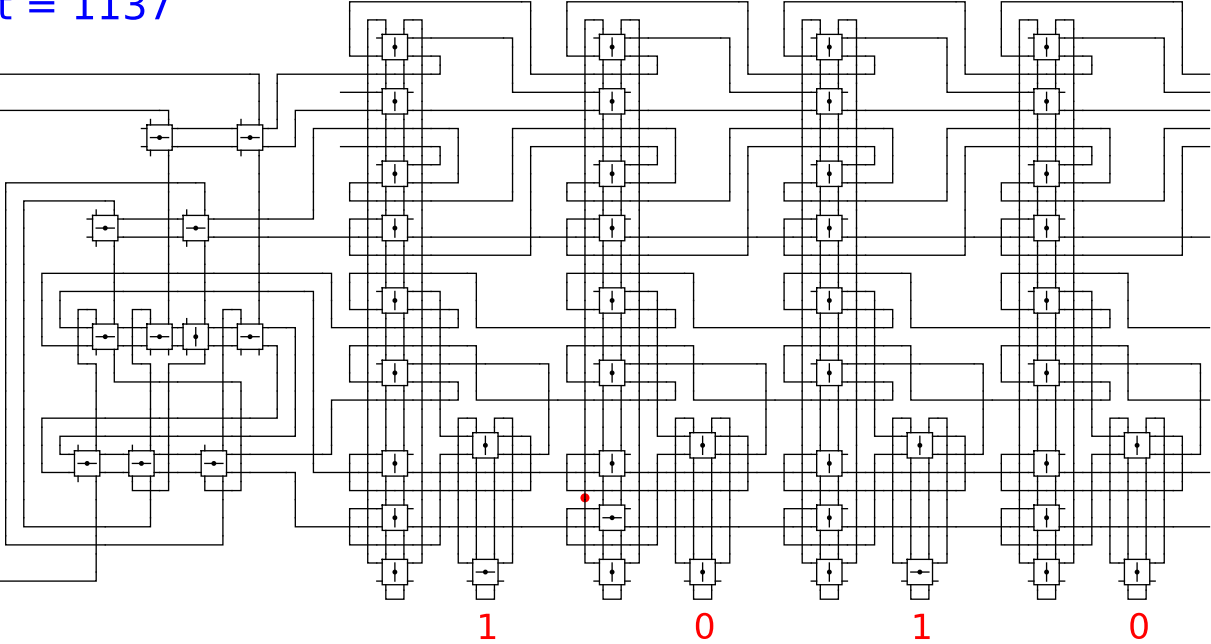
1

0

t = 1137

Reject
Accept

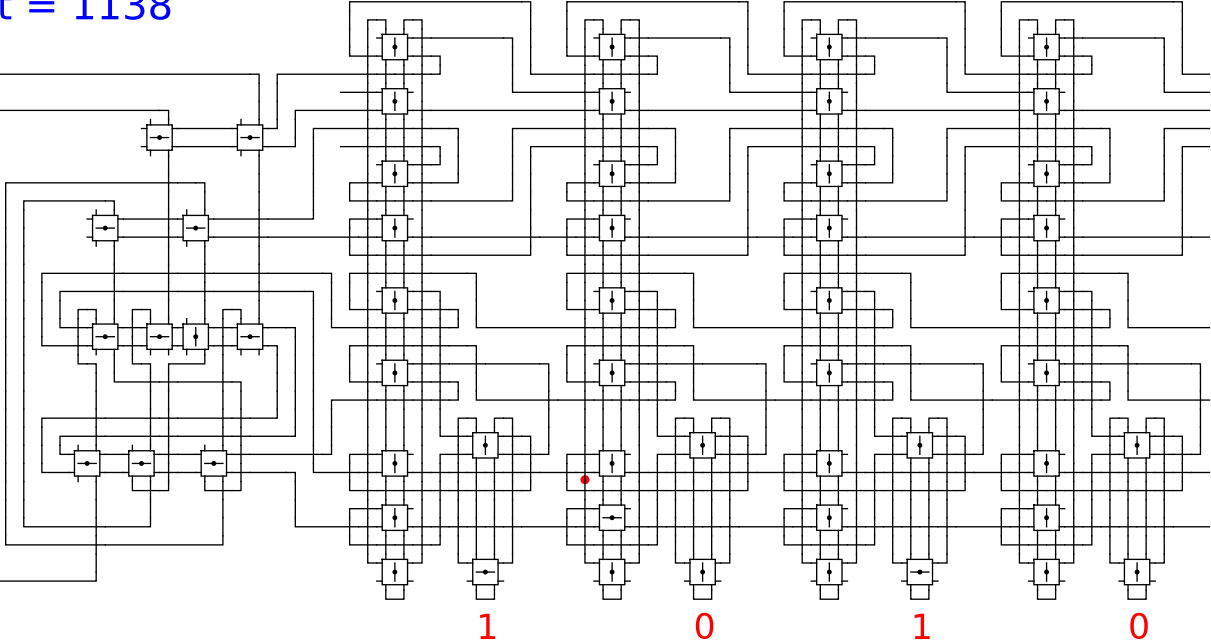
Begin



t = 1138

Reject
Accept

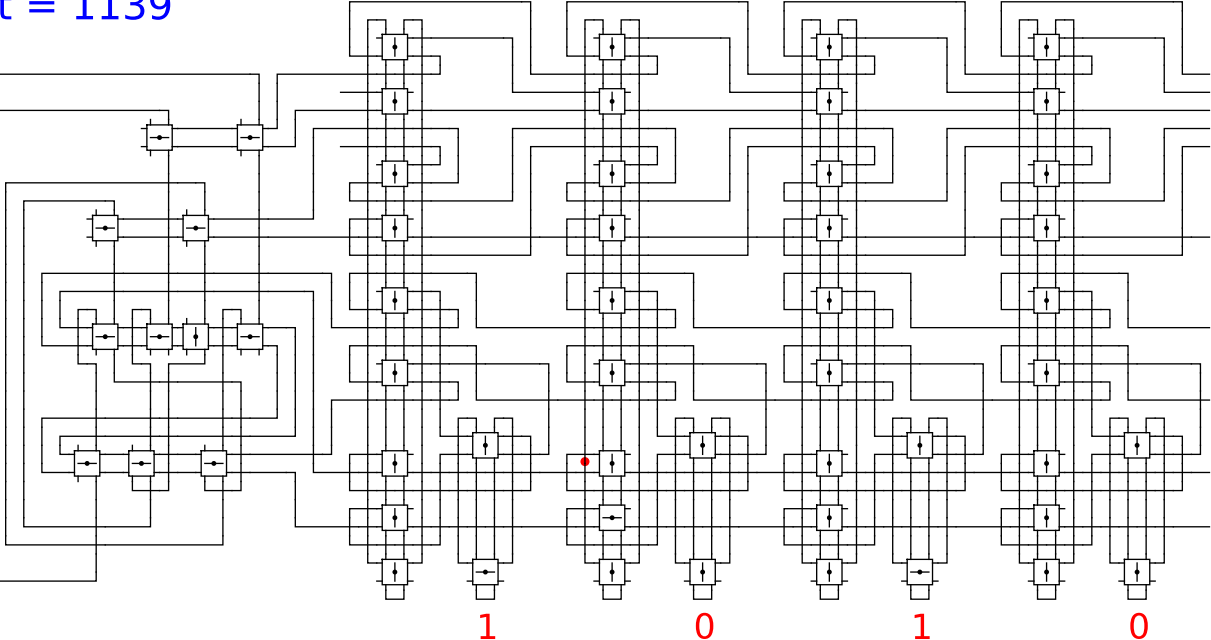
Begin



t = 1139

Reject
Accept

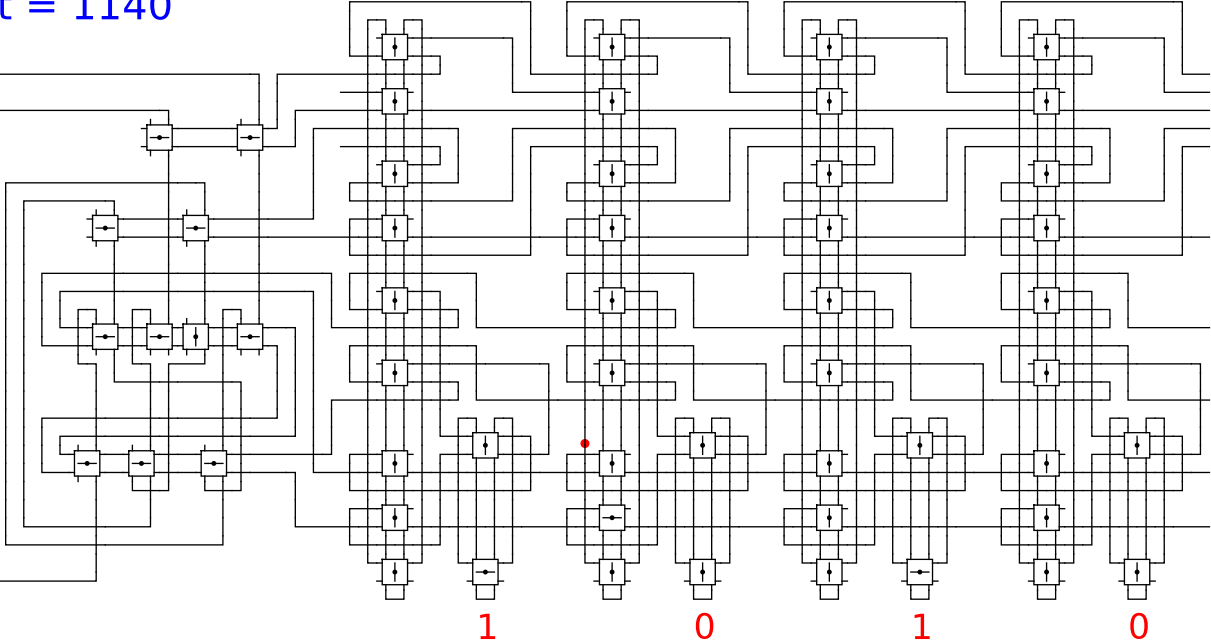
Begin



t = 1140

Reject
Accept

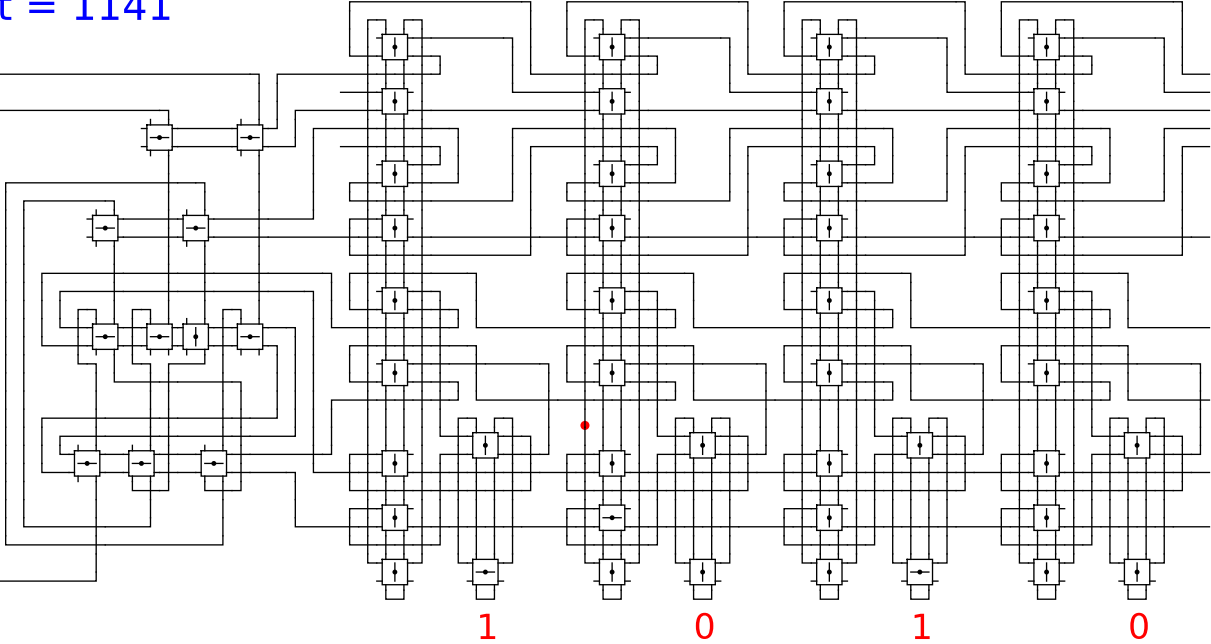
Begin



t = 1141

Reject
Accept

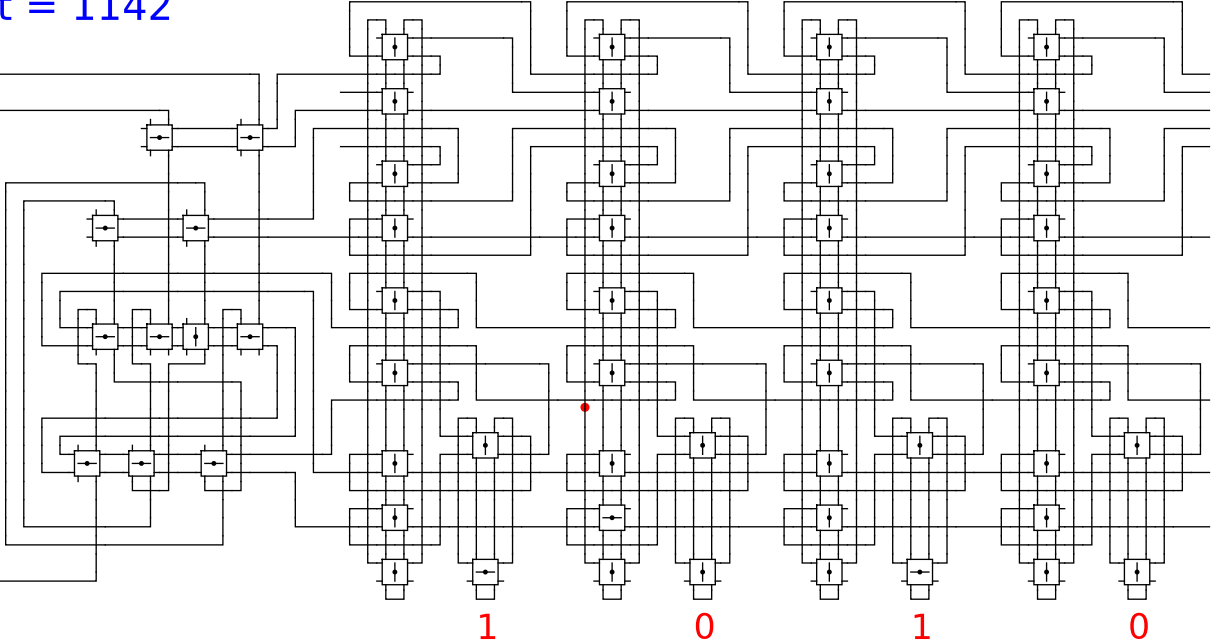
Begin



t = 1142

Reject
Accept

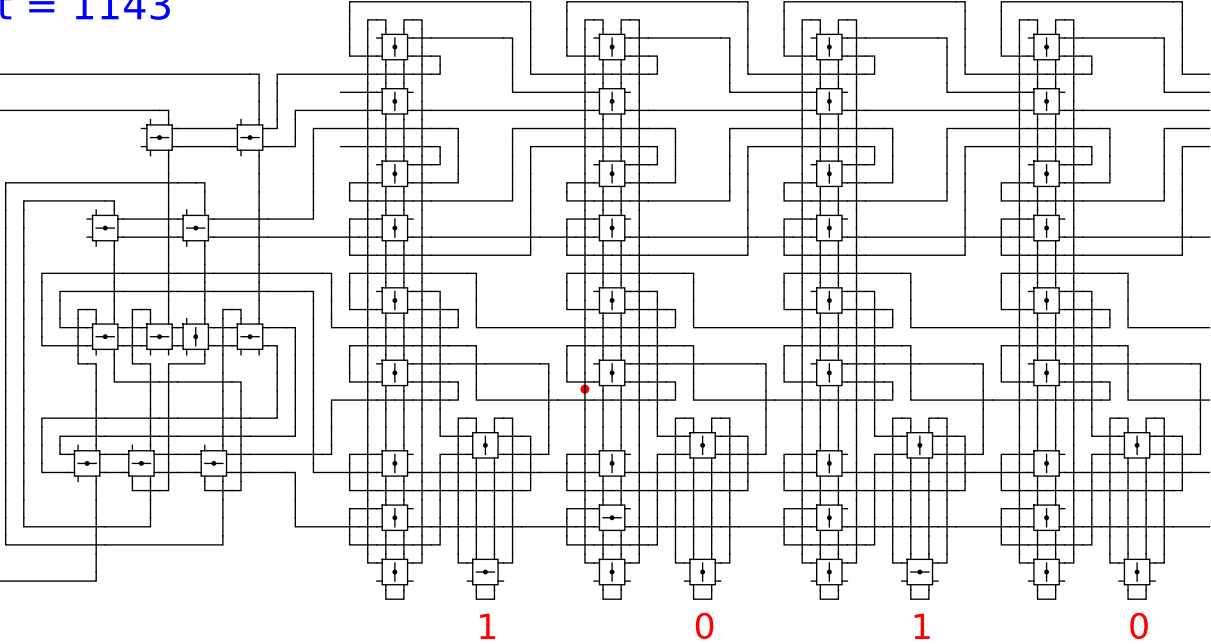
Begin



t = 1143

Reject
Accept

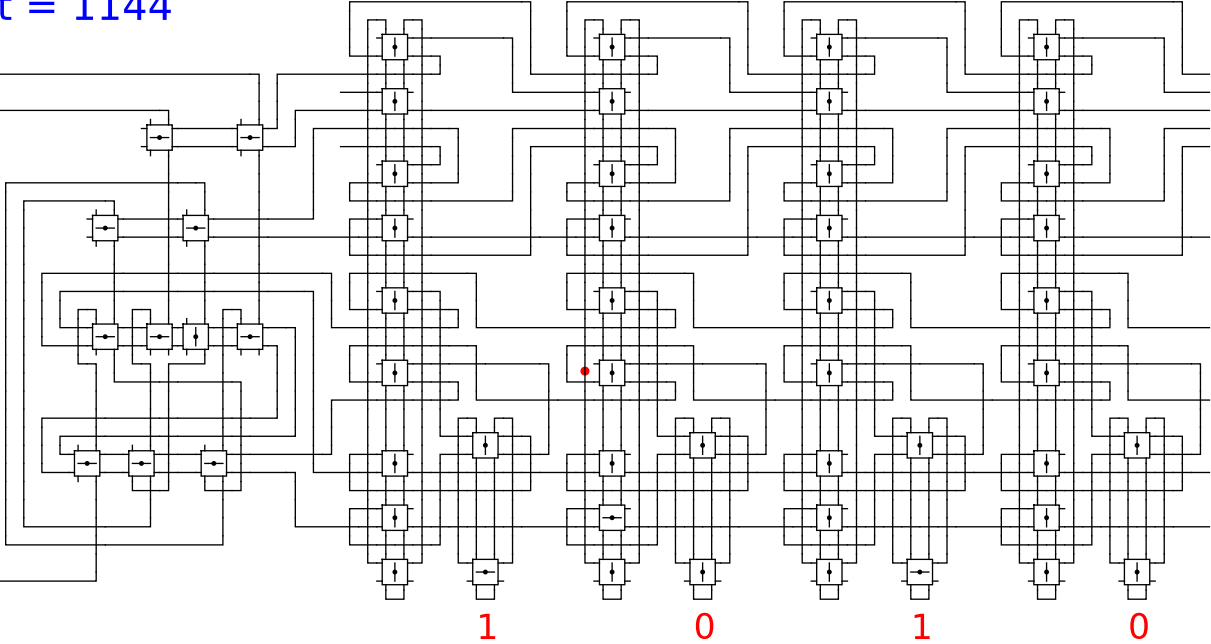
Begin



t = 1144

Reject
Accept

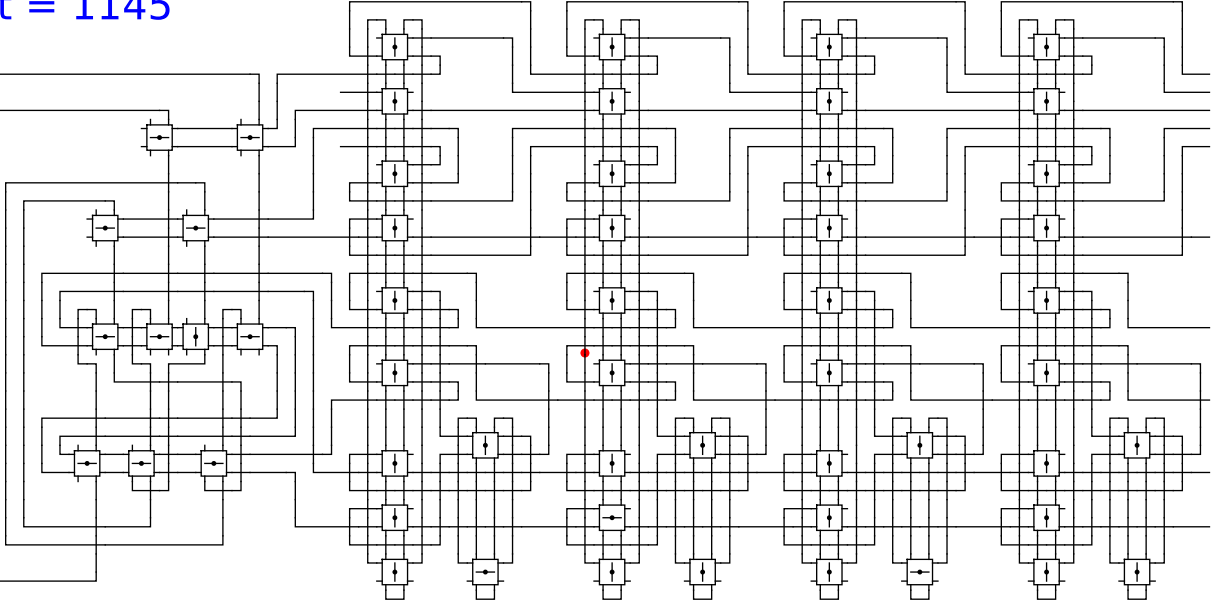
Begin



t = 1145

Reject
Accept

Begin



1

0

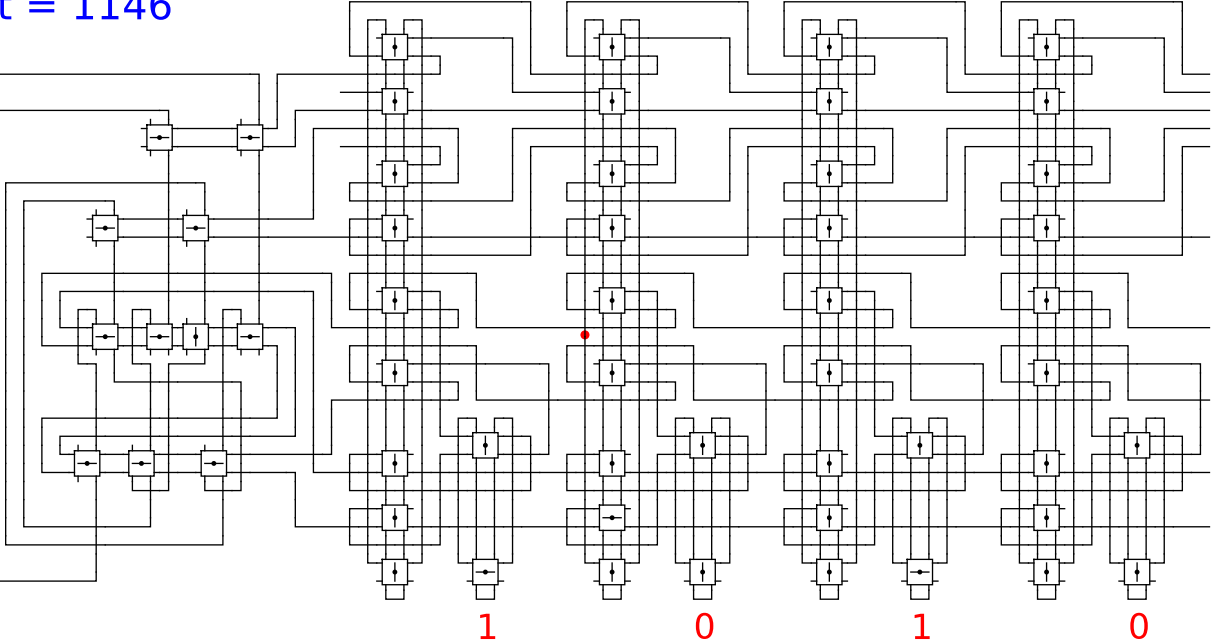
1

0

t = 1146

Reject
Accept

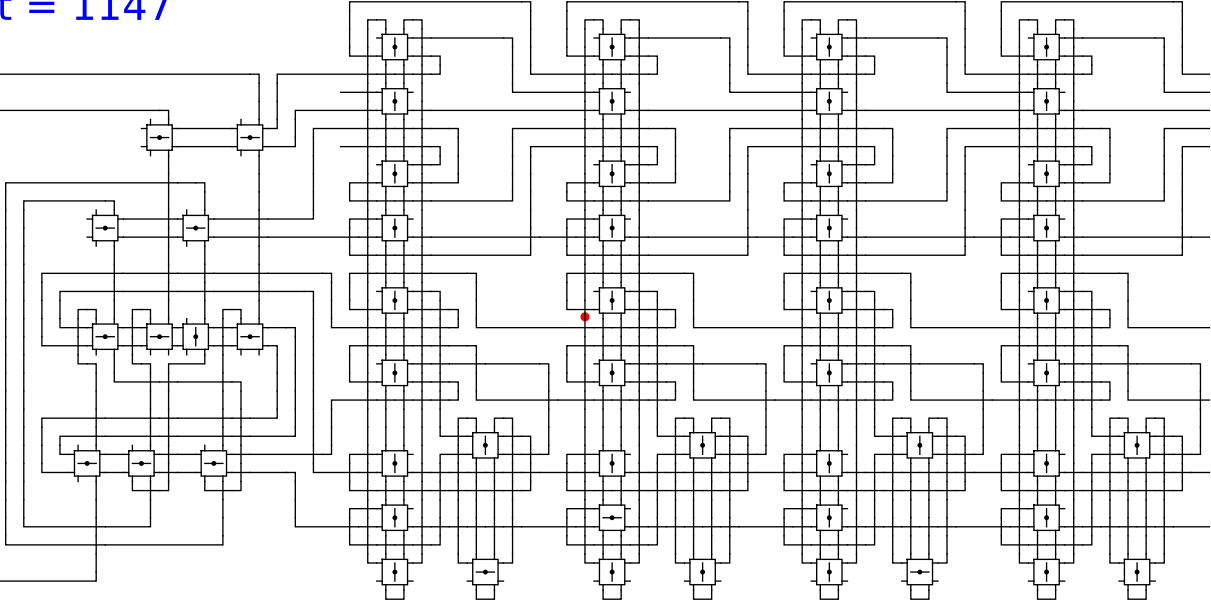
Begin



t = 1147

Reject
Accept

Begin



1

0

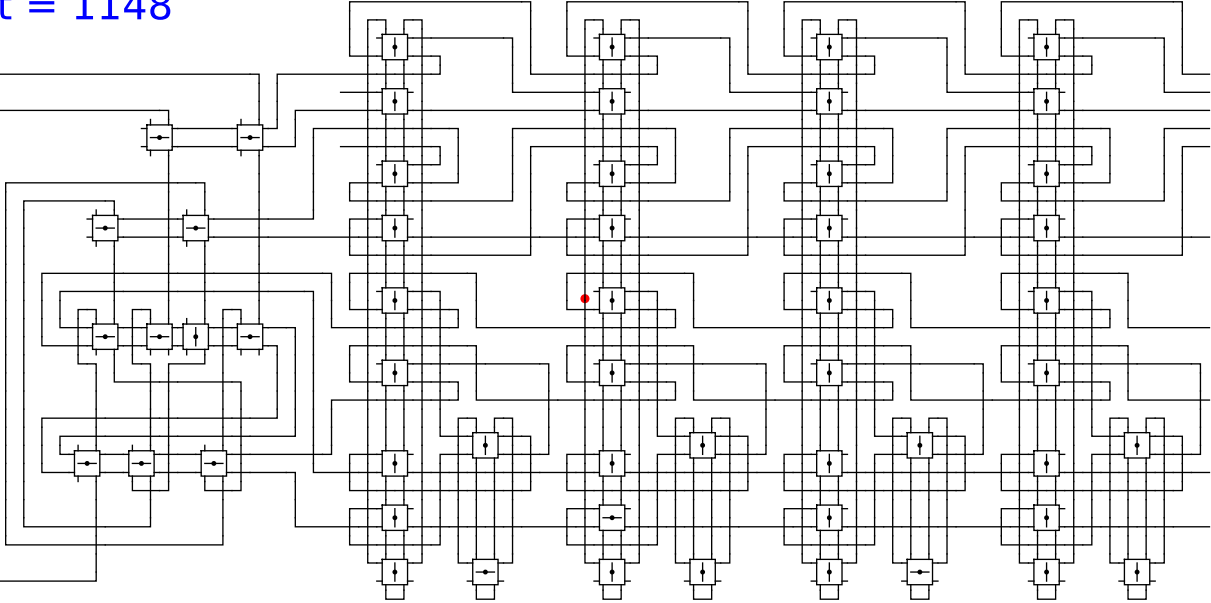
1

0

t = 1148

Reject
Accept

Begin



1

0

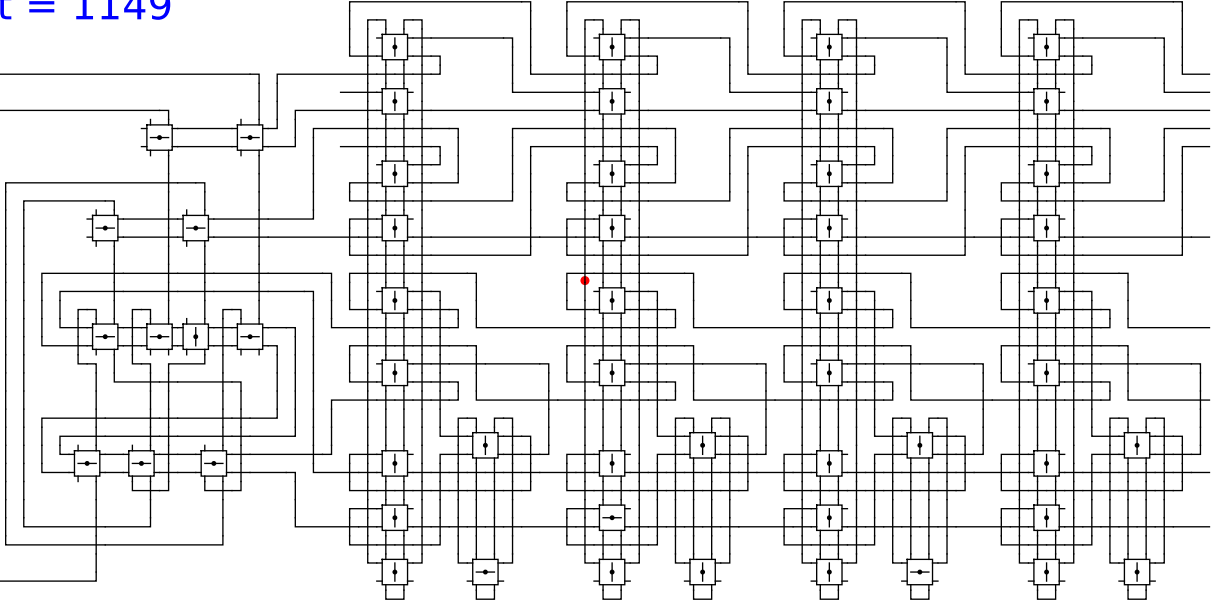
1

0

t = 1149

Reject
Accept

Begin



1

0

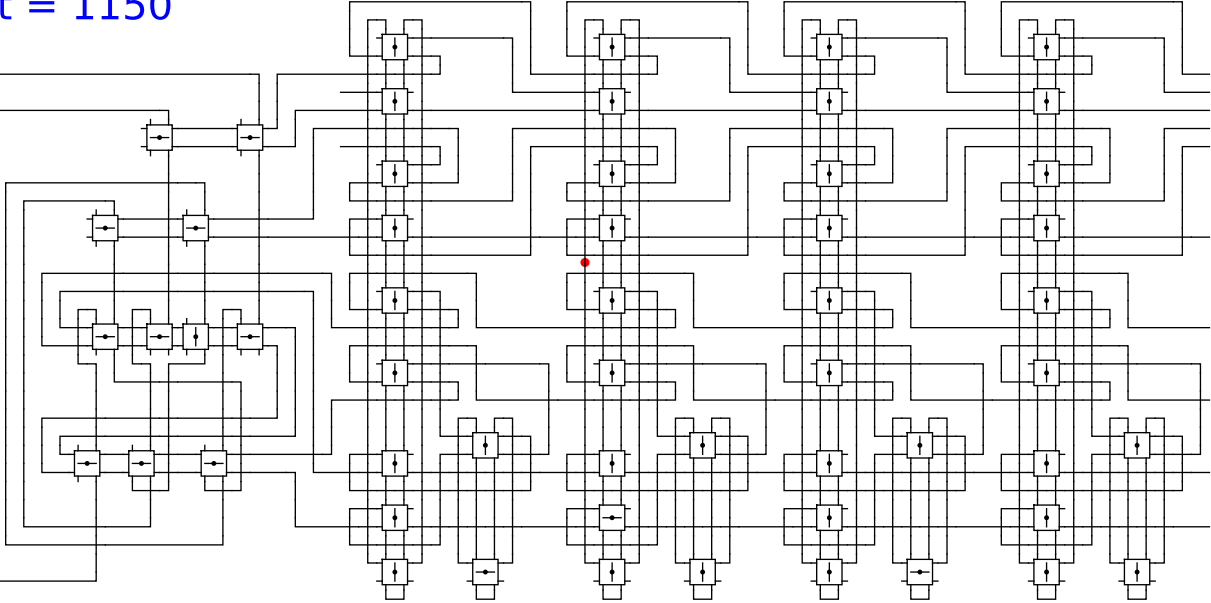
1

0

t = 1150

Reject
Accept

Begin



1

0

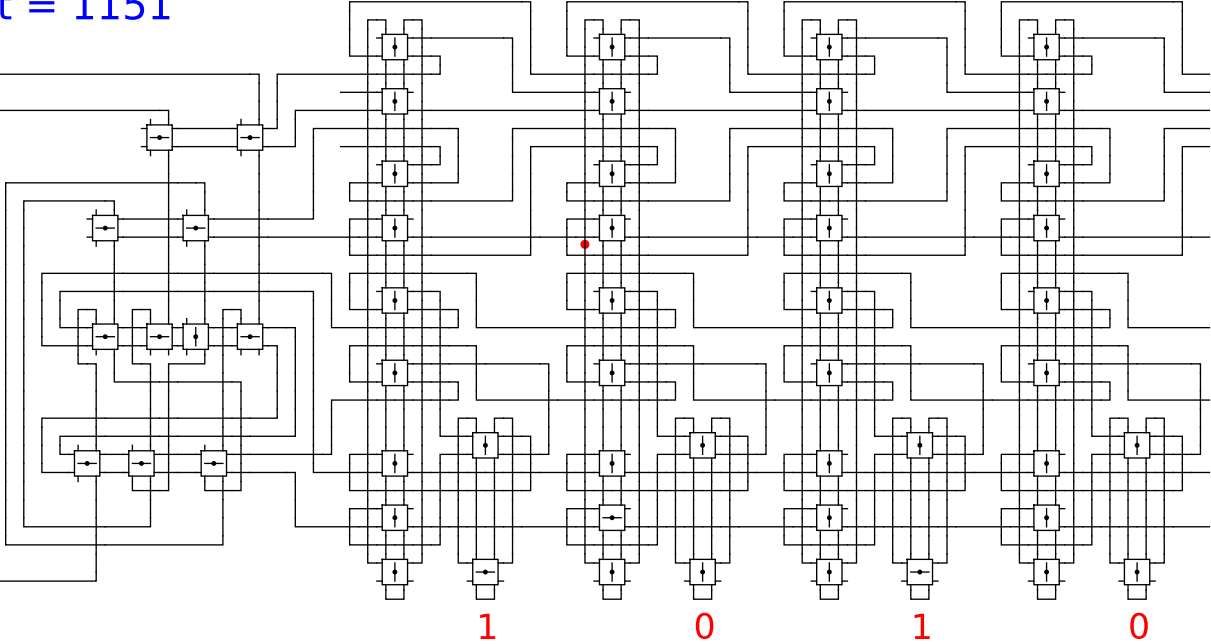
1

0

t = 1151

Reject
Accept

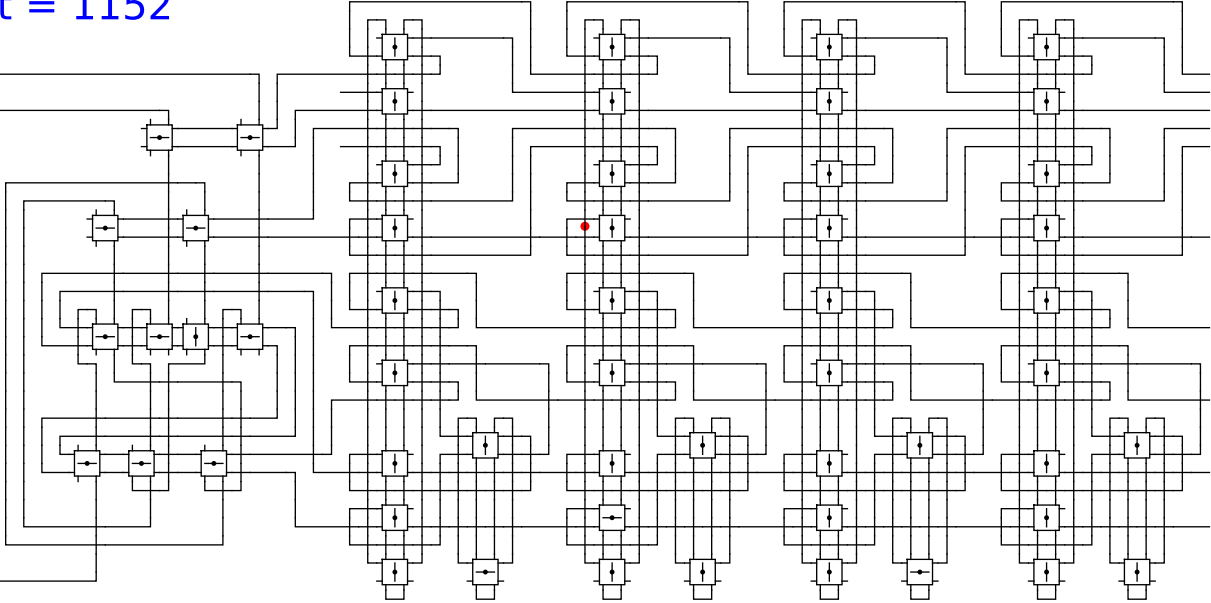
Begin



t = 1152

Reject
Accept

Begin



1

0

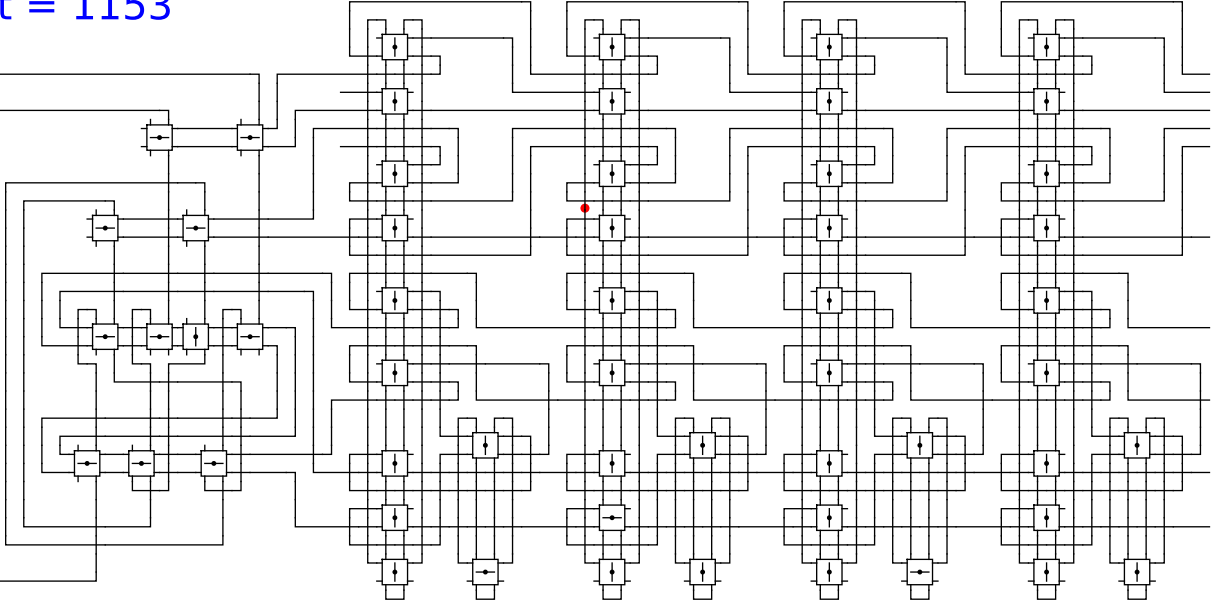
1

0

t = 1153

Reject
Accept

Begin



1

0

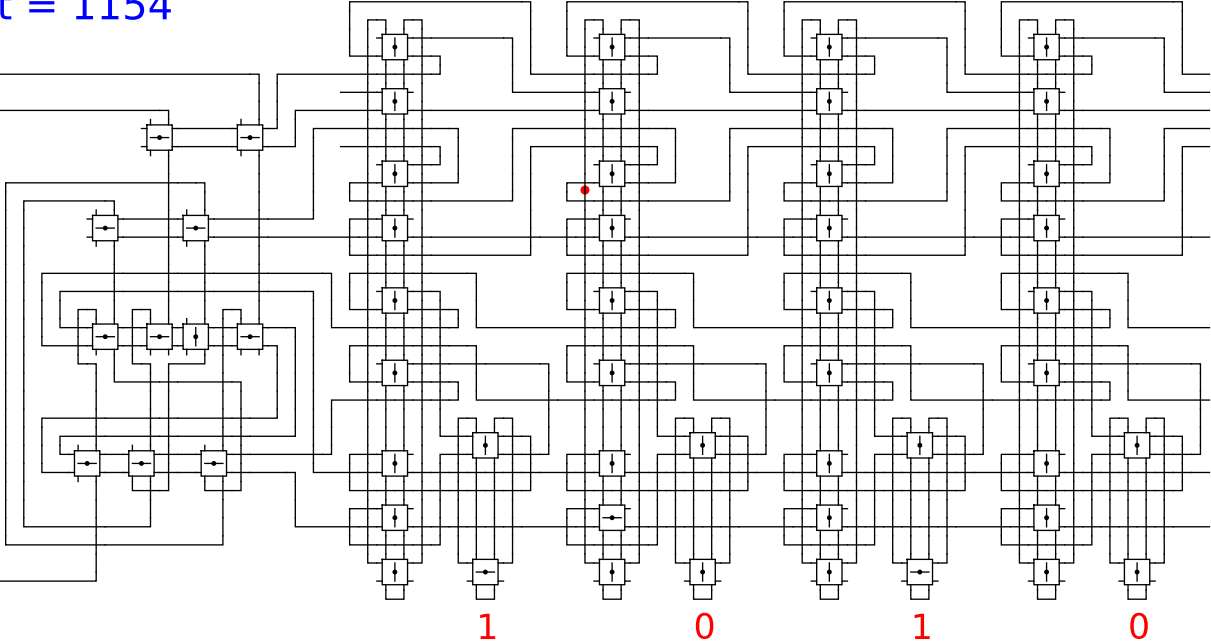
1

0

t = 1154

Reject
Accept

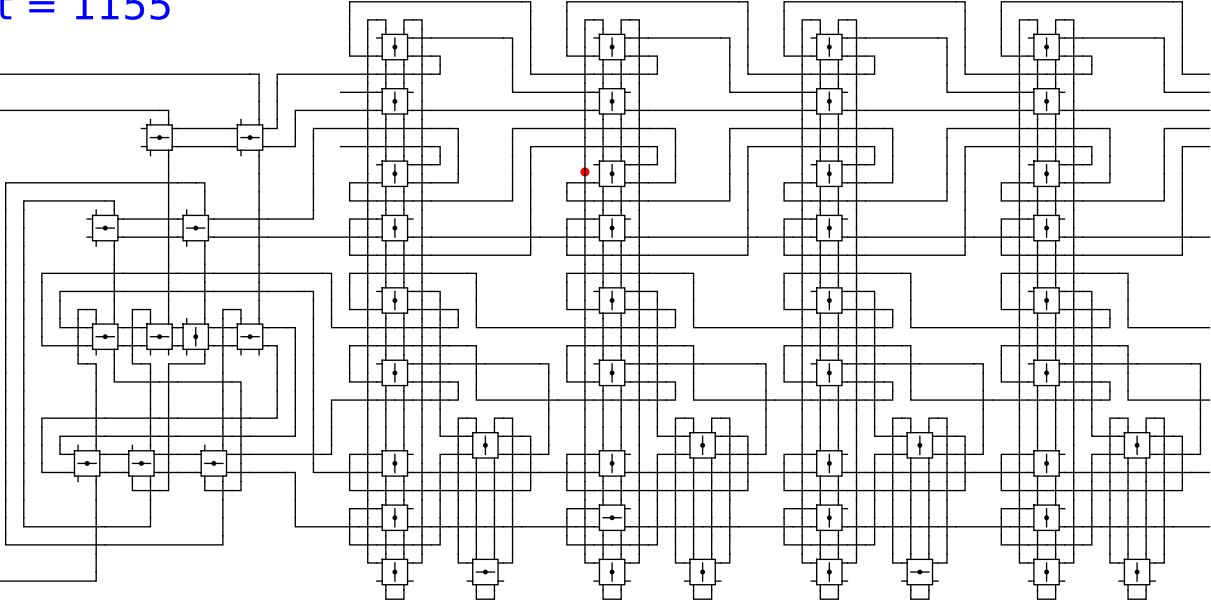
Begin



t = 1155

Reject
Accept

Begin



1

0

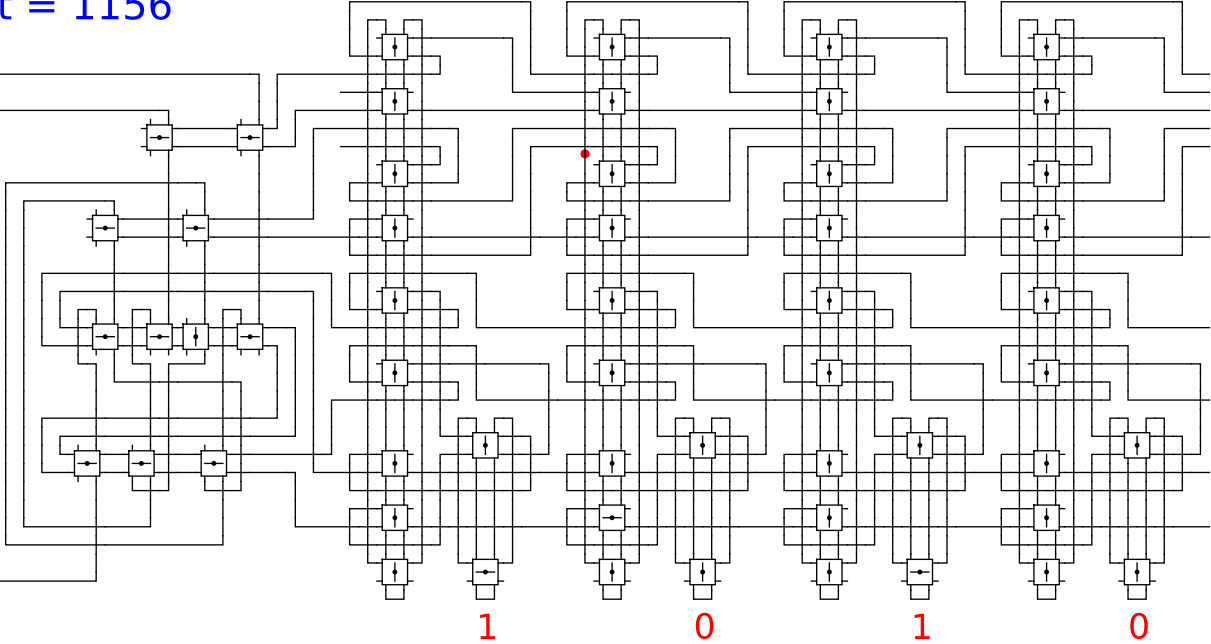
1

0

t = 1156

Reject
Accept

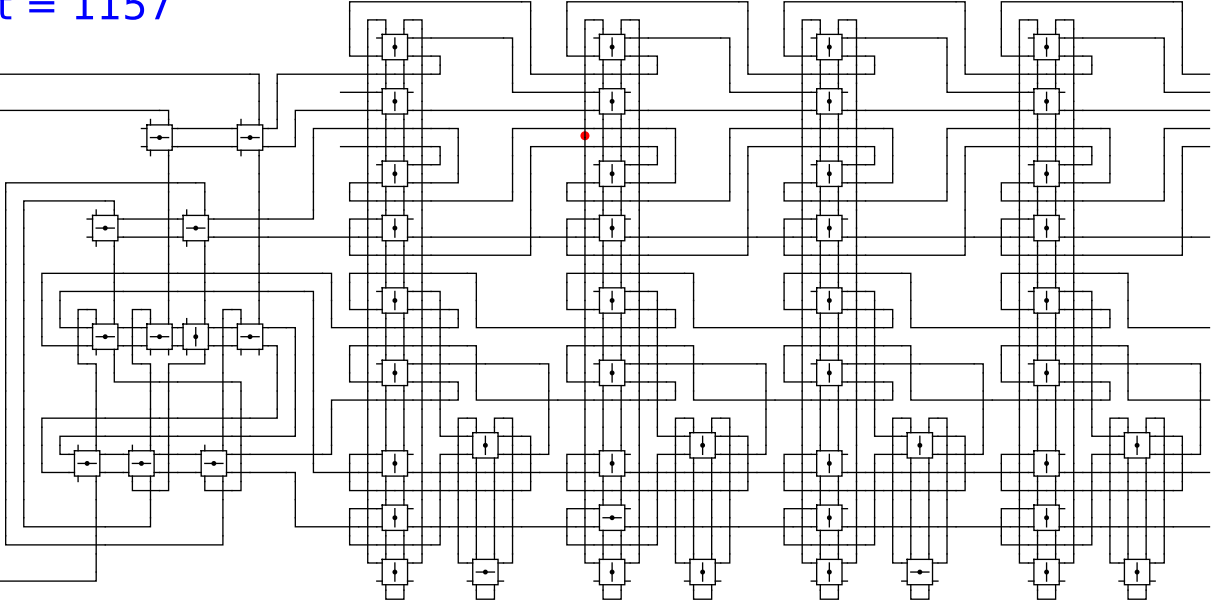
Begin



t = 1157

Reject
Accept

Begin



1

0

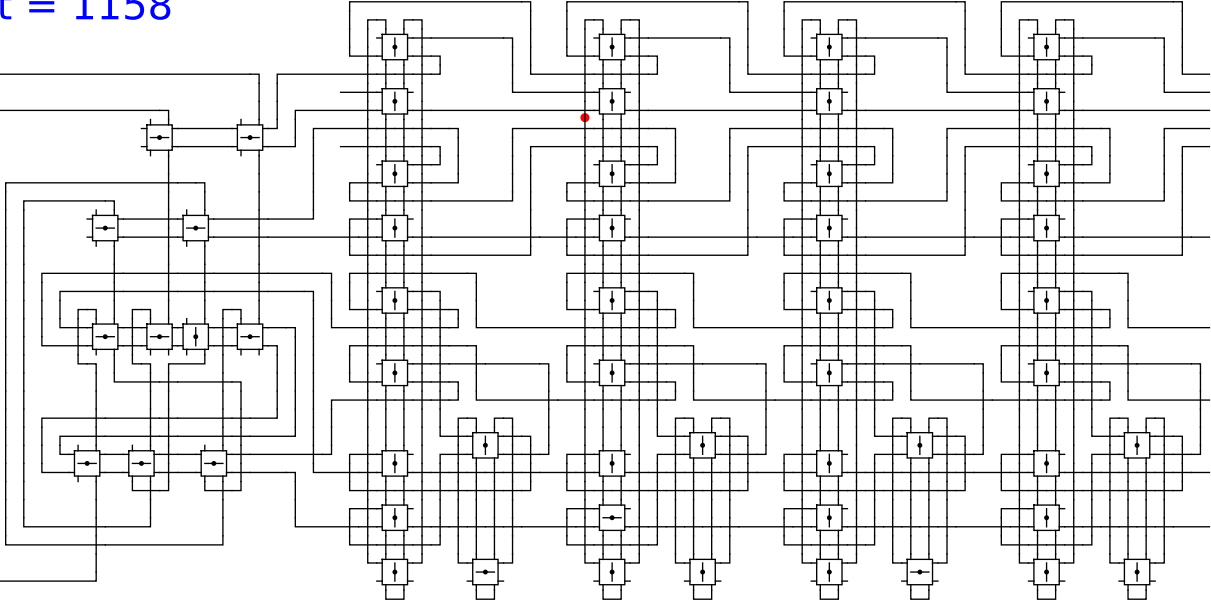
1

0

t = 1158

Reject
Accept

Begin



1

0

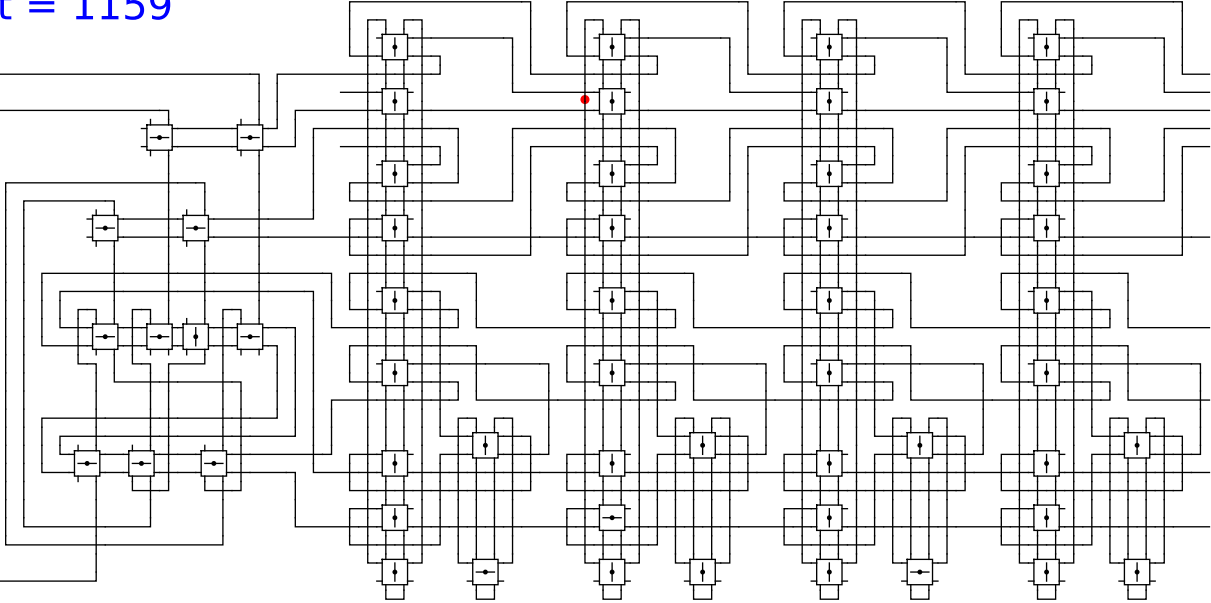
1

0

t = 1159

Reject
Accept

Begin



1

0

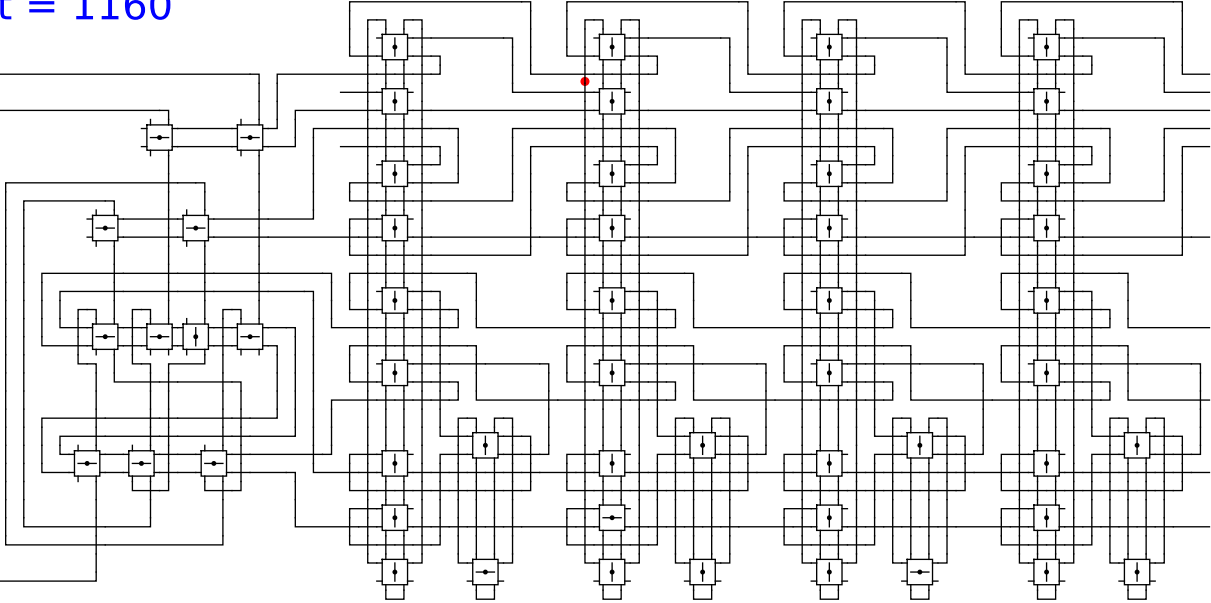
1

0

t = 1160

Reject
Accept

Begin



1

0

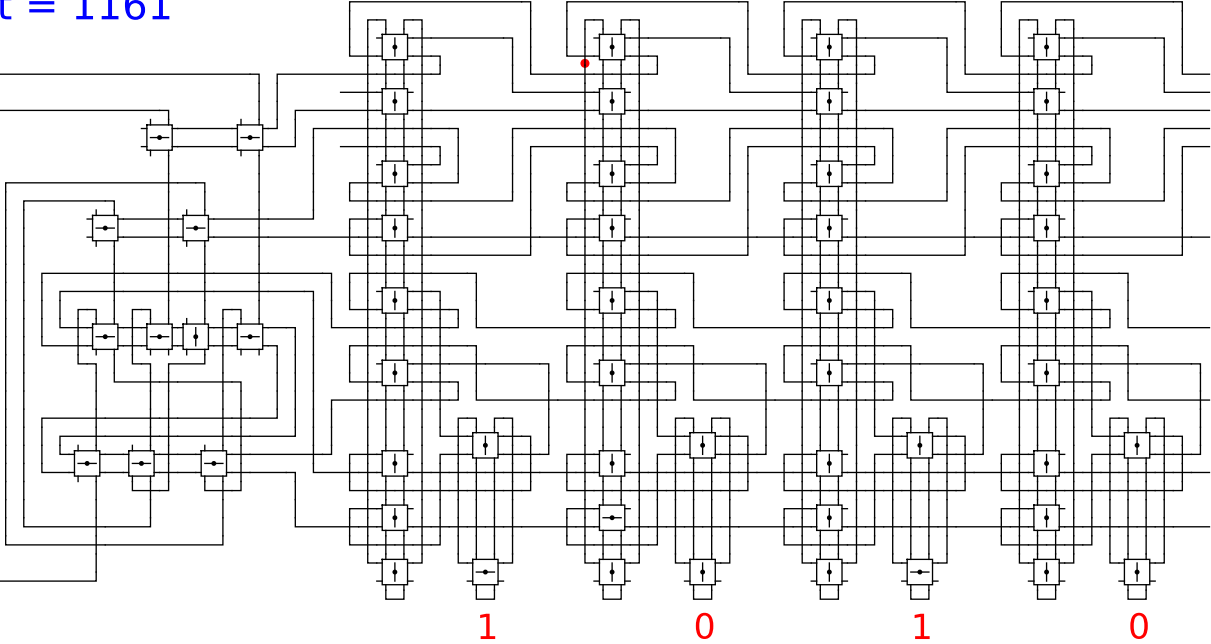
1

0

t = 1161

Reject
Accept

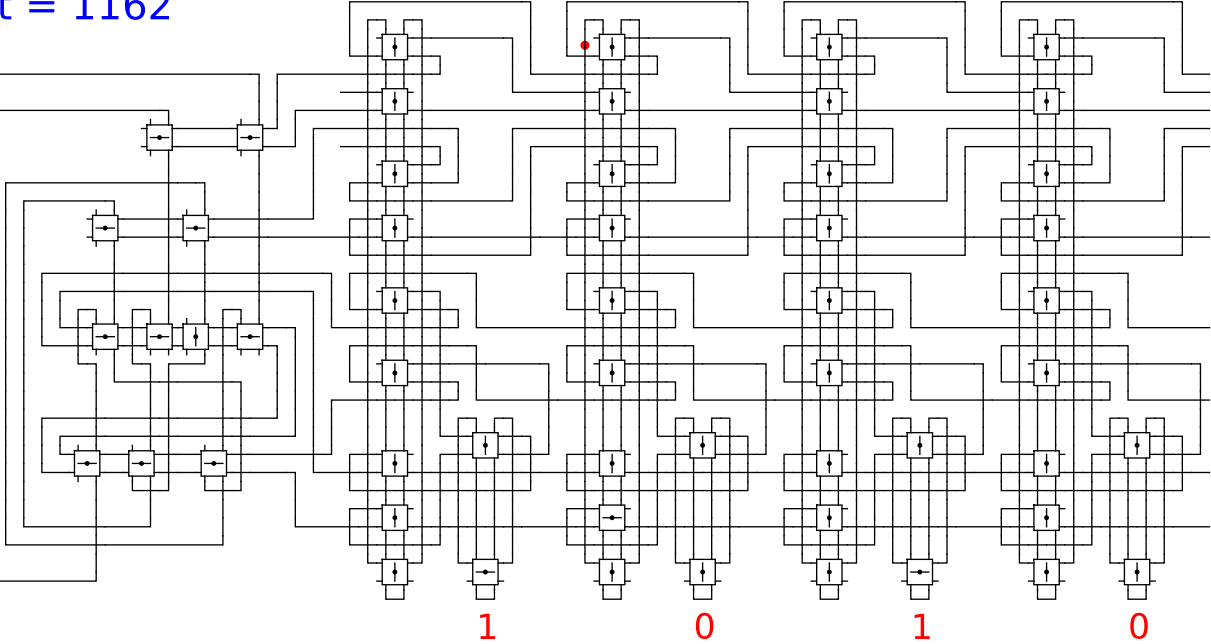
Begin



t = 1162

Reject
Accept

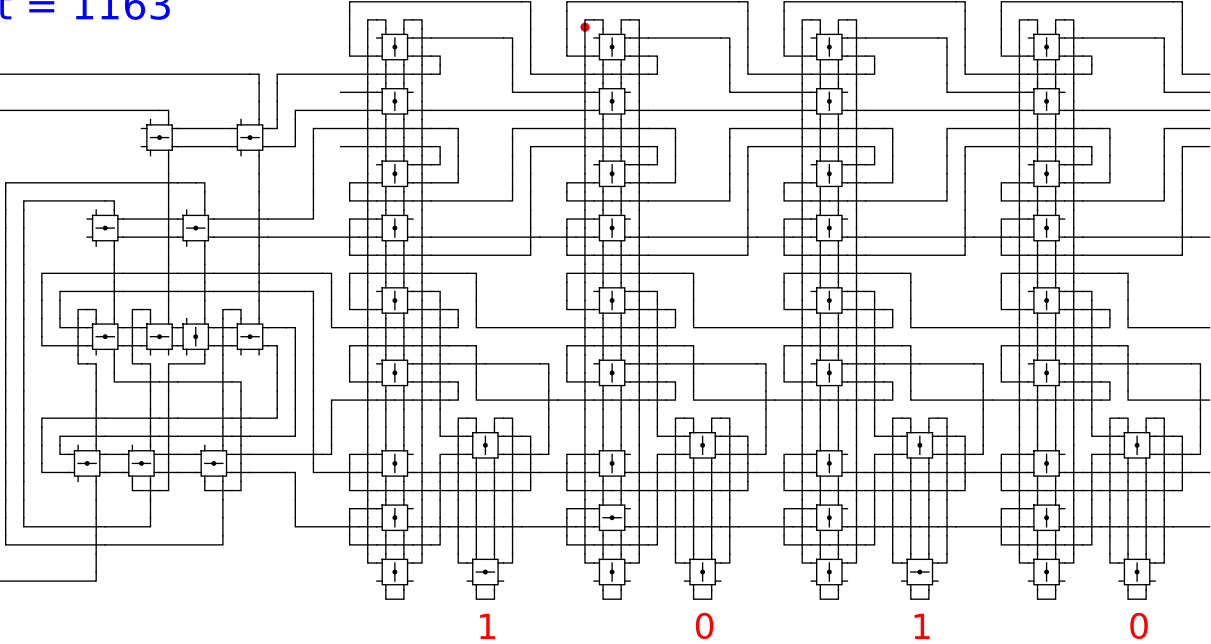
Begin



t = 1163

Reject
Accept

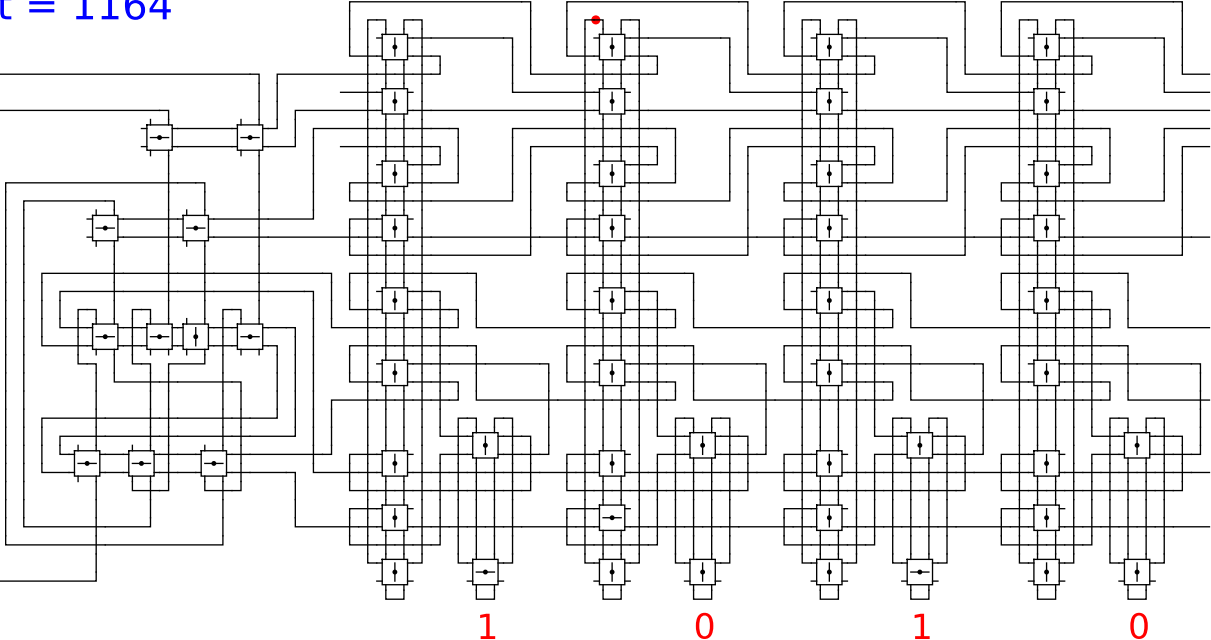
Begin



t = 1164

Reject
Accept

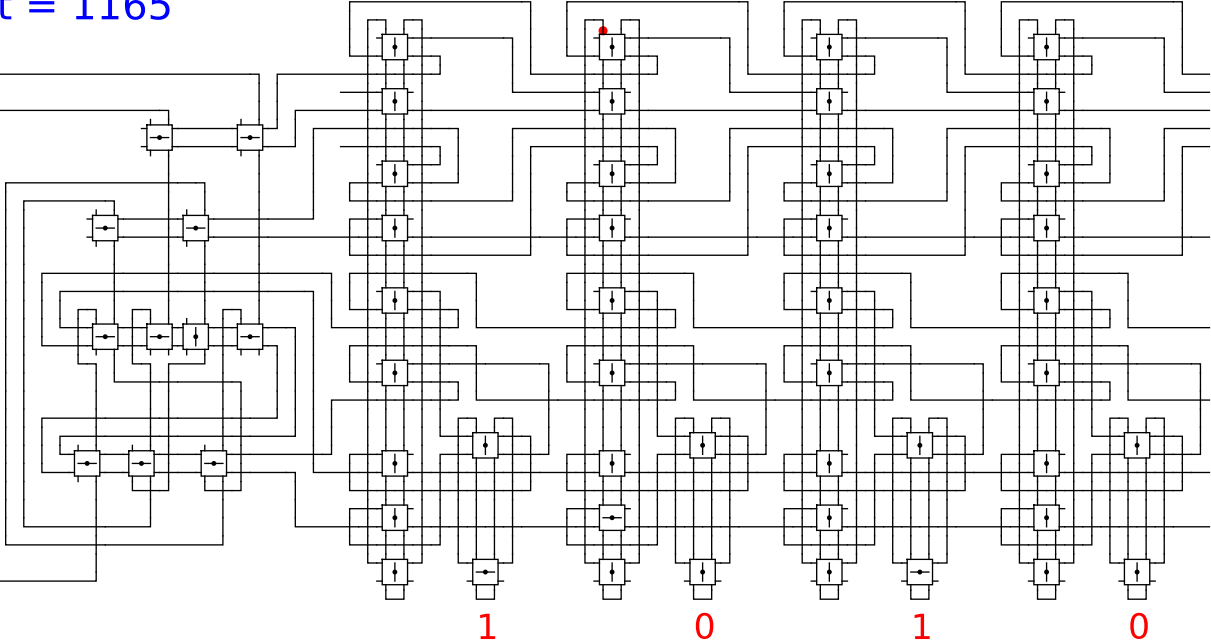
Begin



t = 1165

Reject
Accept

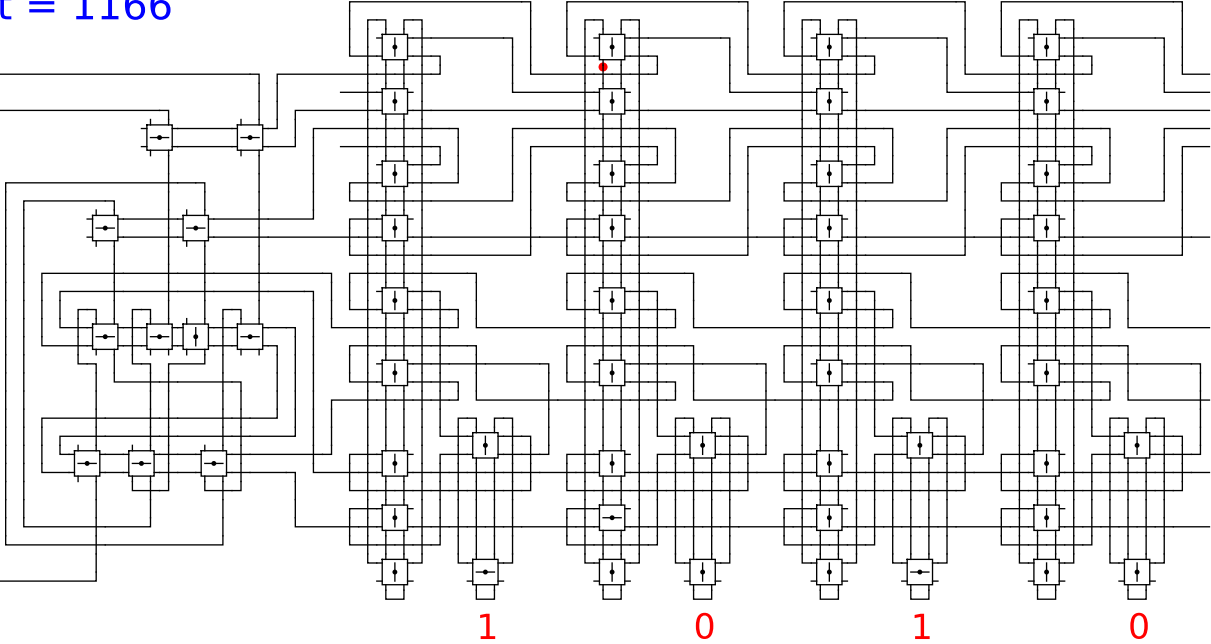
Begin



t = 1166

Reject
Accept

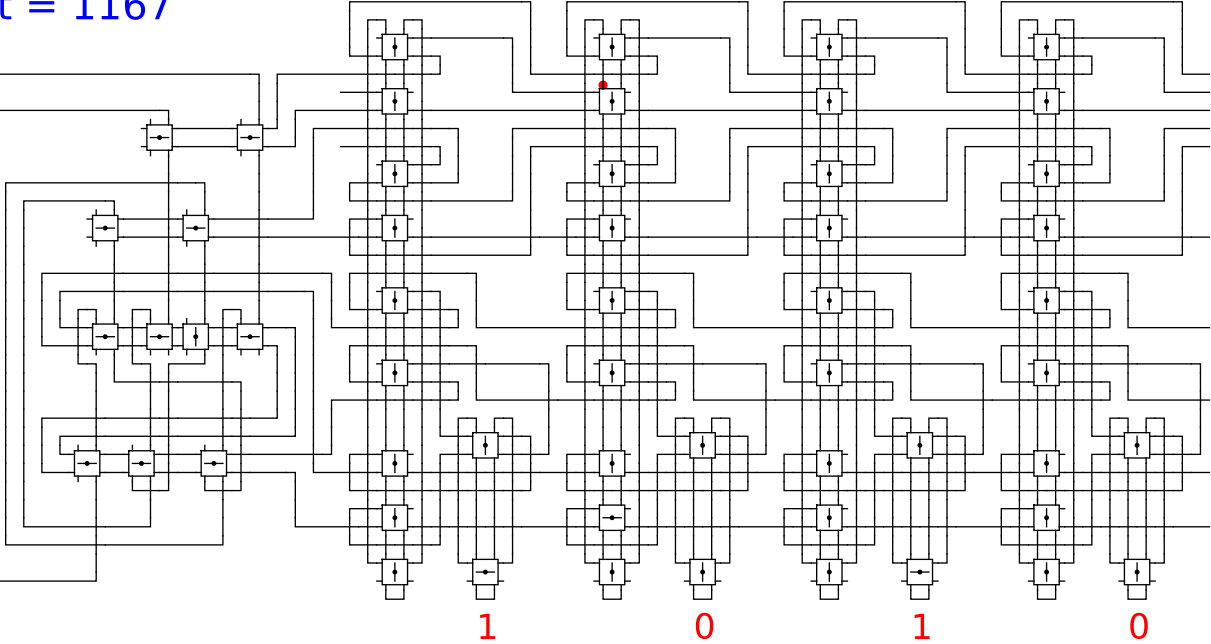
Begin



t = 1167

Reject
Accept

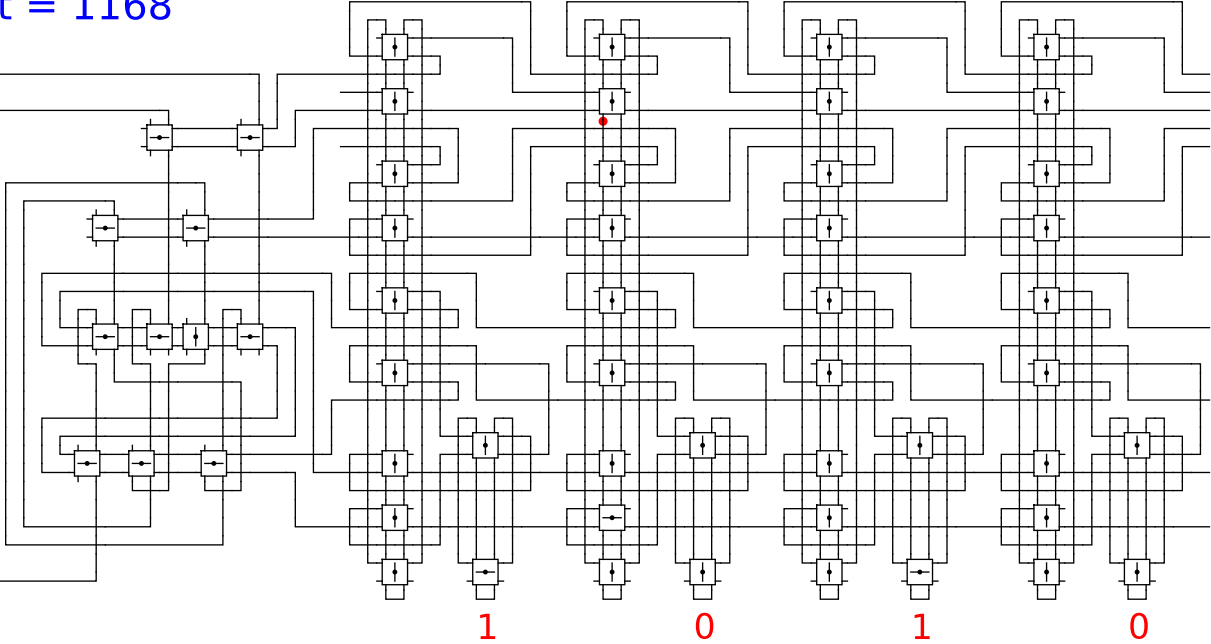
Begin



t = 1168

Reject
Accept

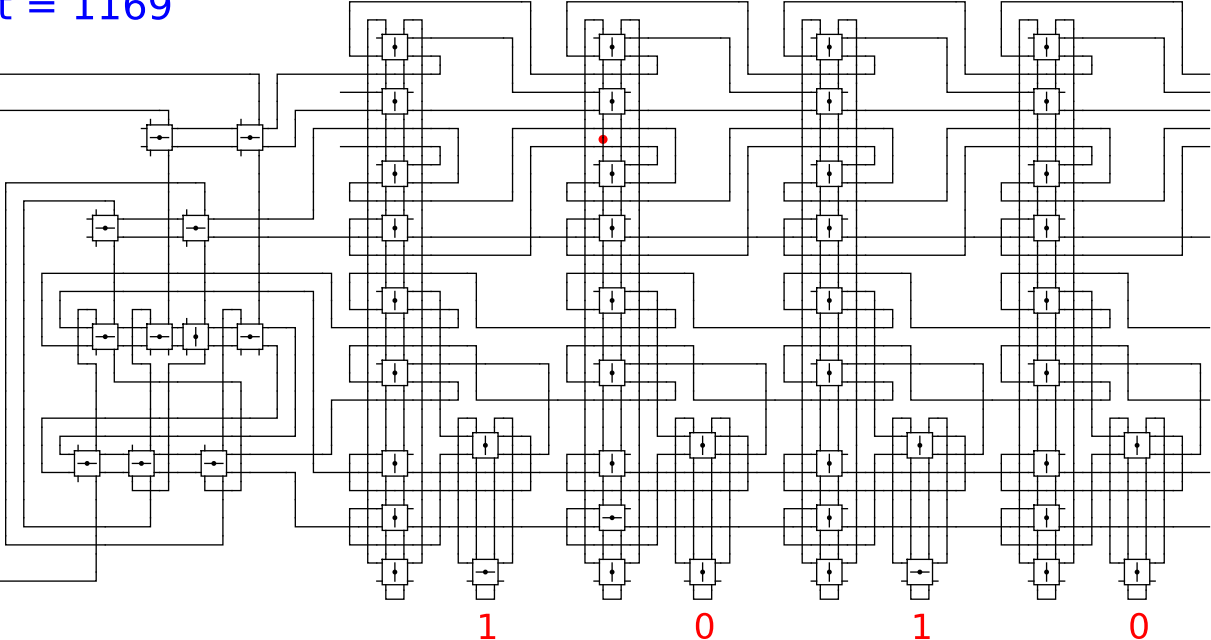
Begin



t = 1169

Reject
Accept

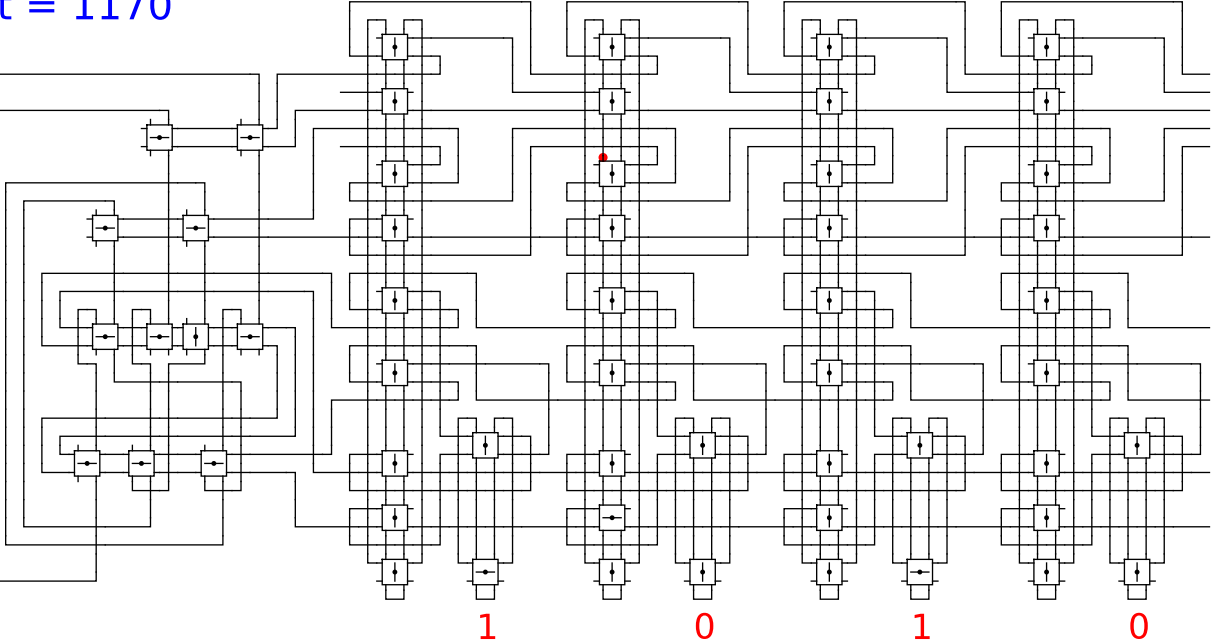
Begin



t = 1170

Reject
Accept

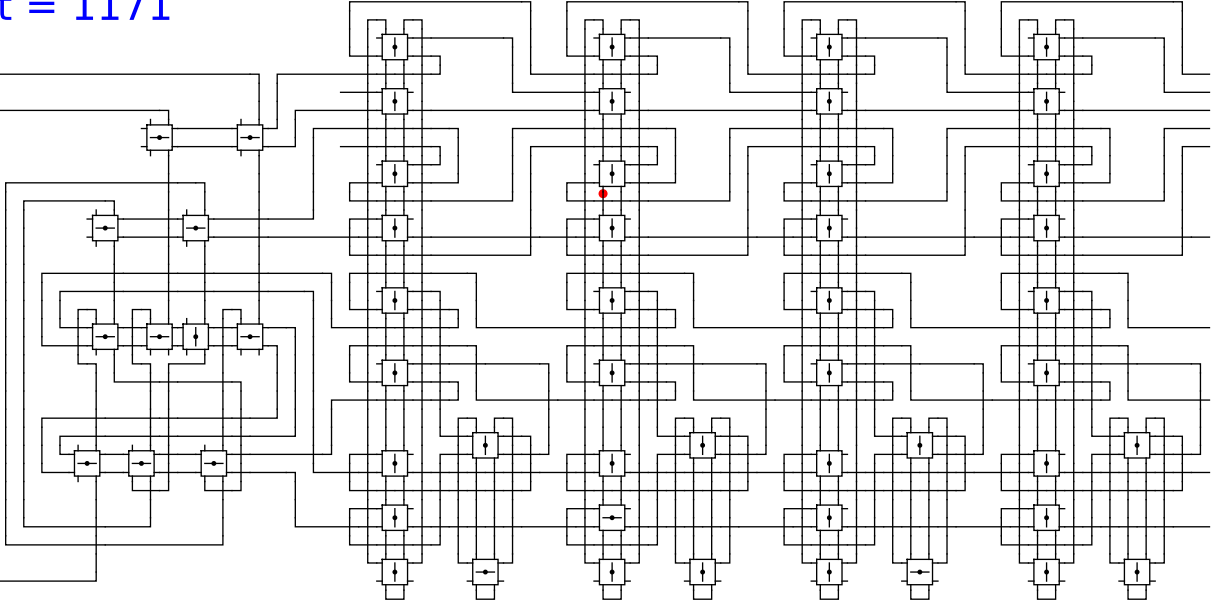
Begin



t = 1171

Reject
Accept

Begin



1

0

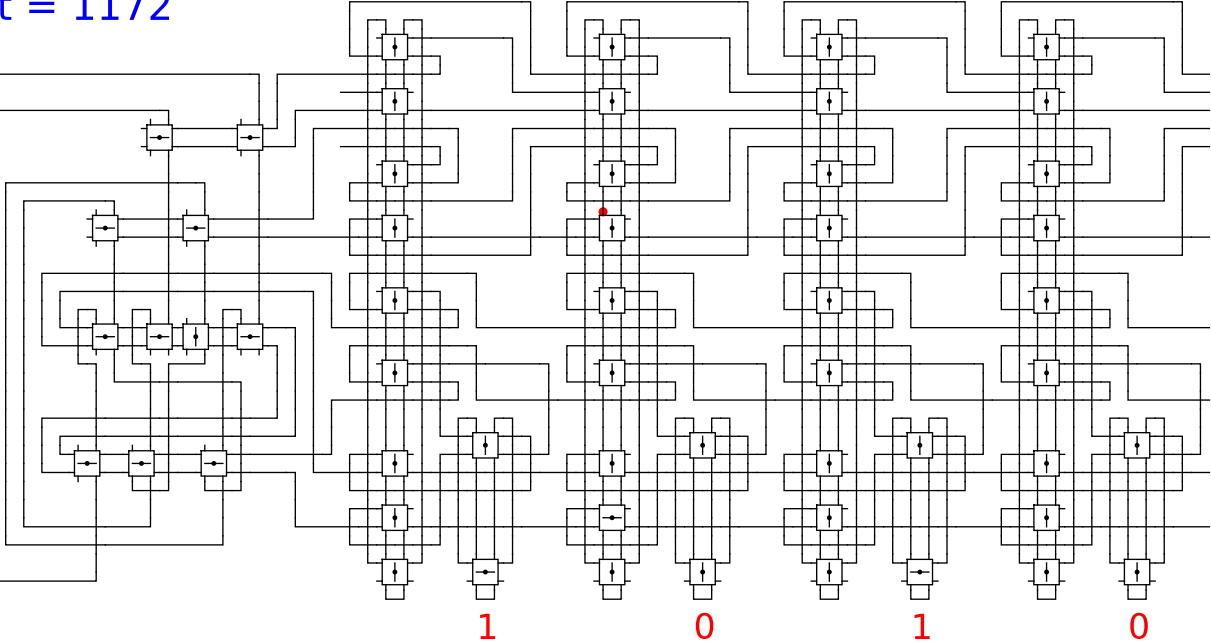
1

0

t = 1172

Reject
Accept

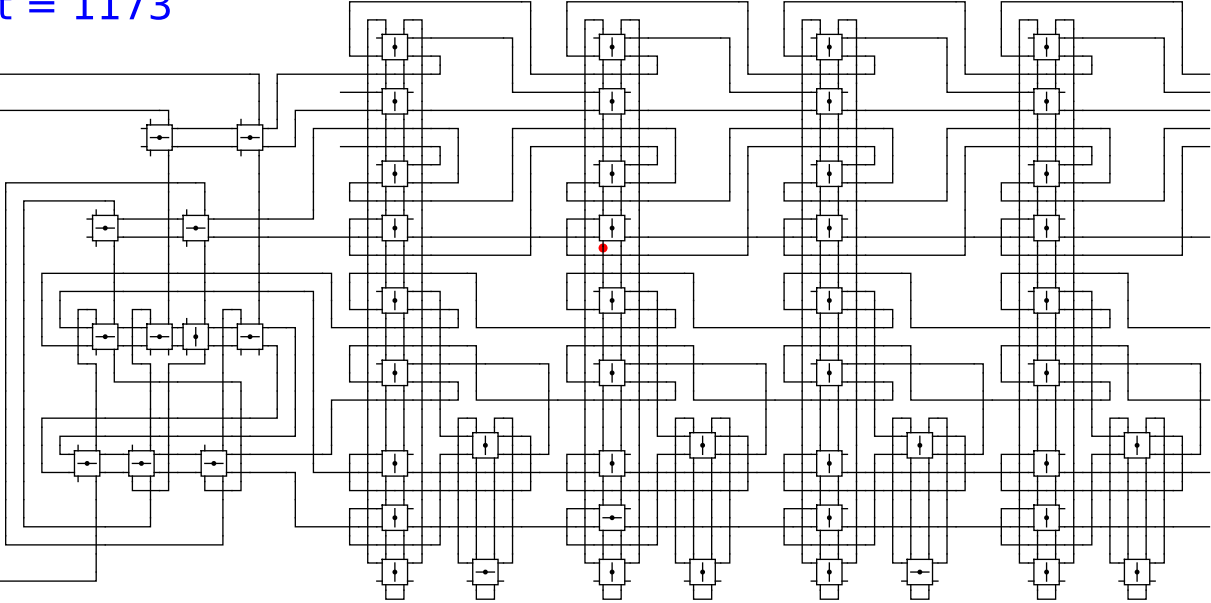
Begin



t = 1173

Reject
Accept

Begin



1

0

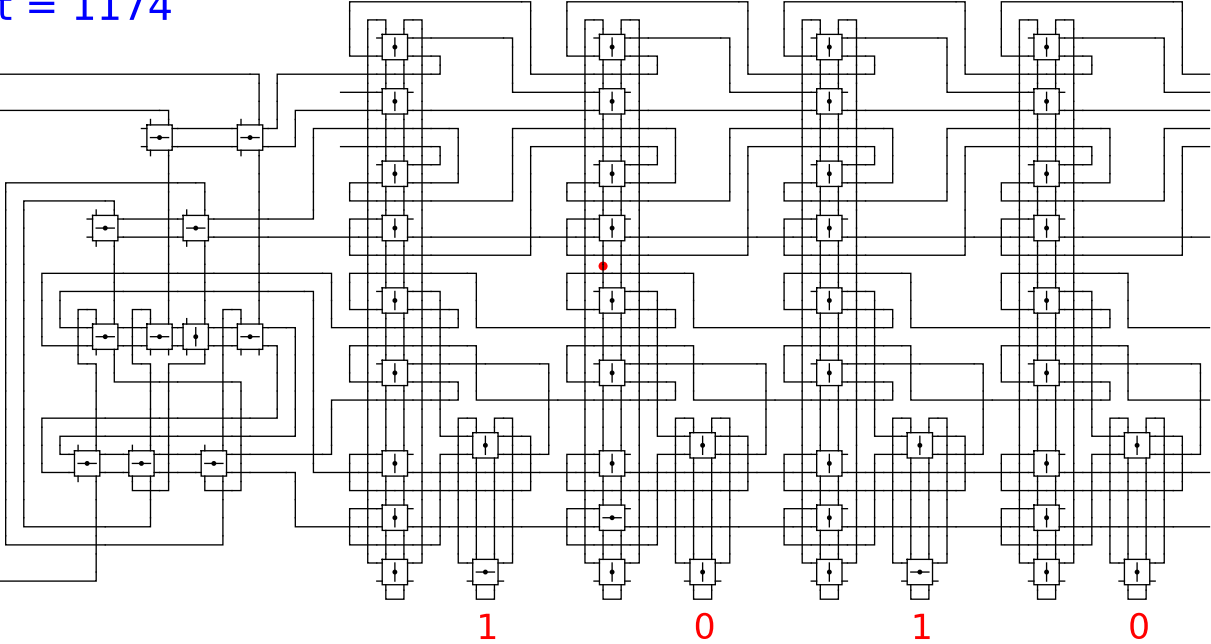
1

0

t = 1174

Reject
Accept

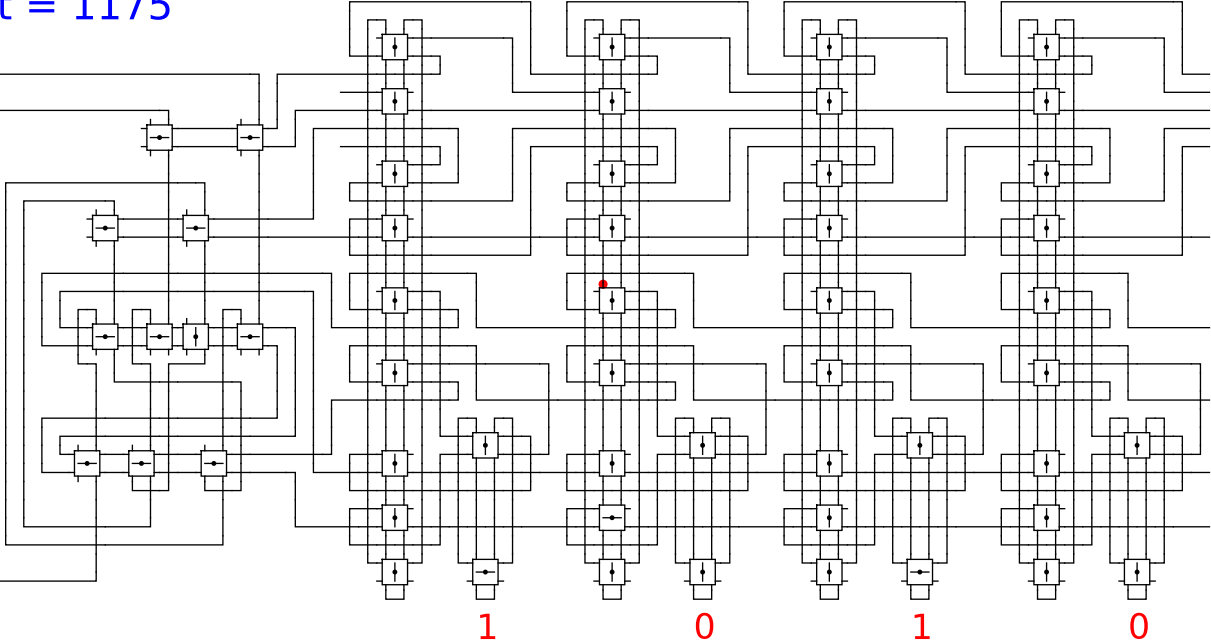
Begin



t = 1175

Reject
Accept

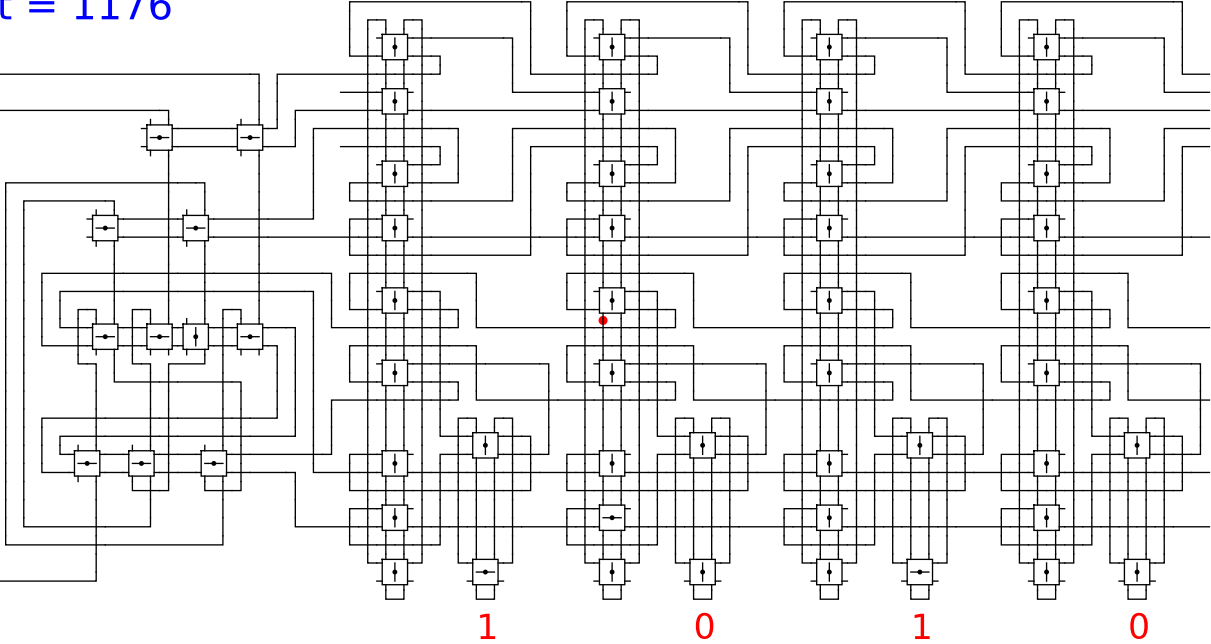
Begin



t = 1176

Reject
Accept

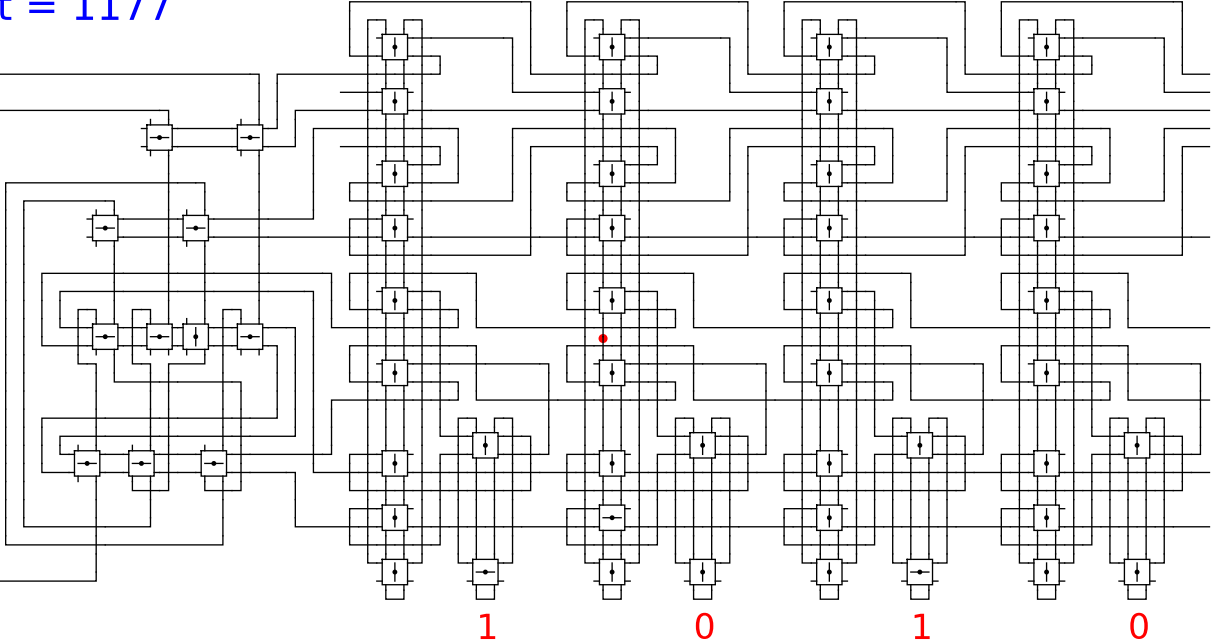
Begin



t = 1177

Reject
Accept

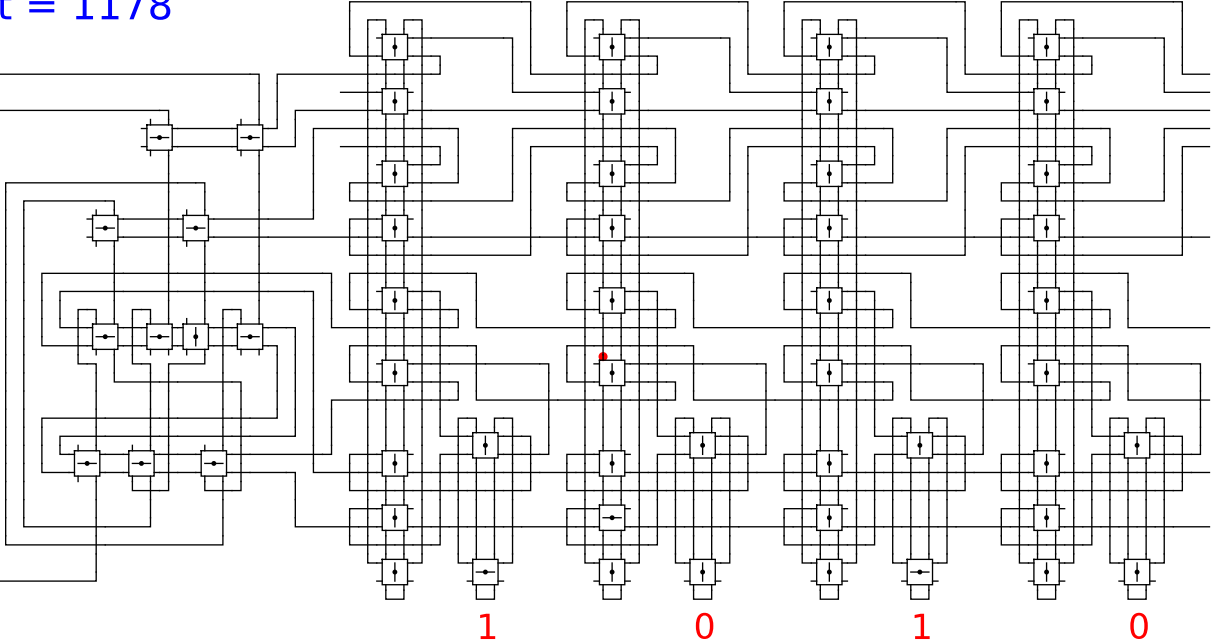
Begin



t = 1178

Reject
Accept

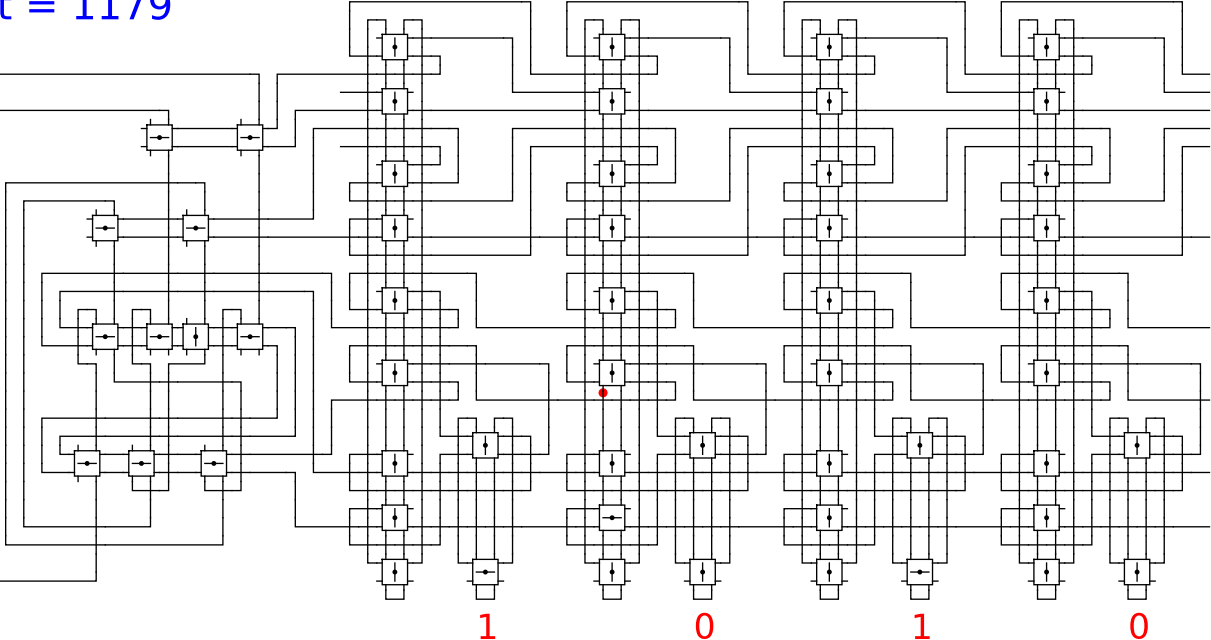
Begin



t = 1179

Reject
Accept

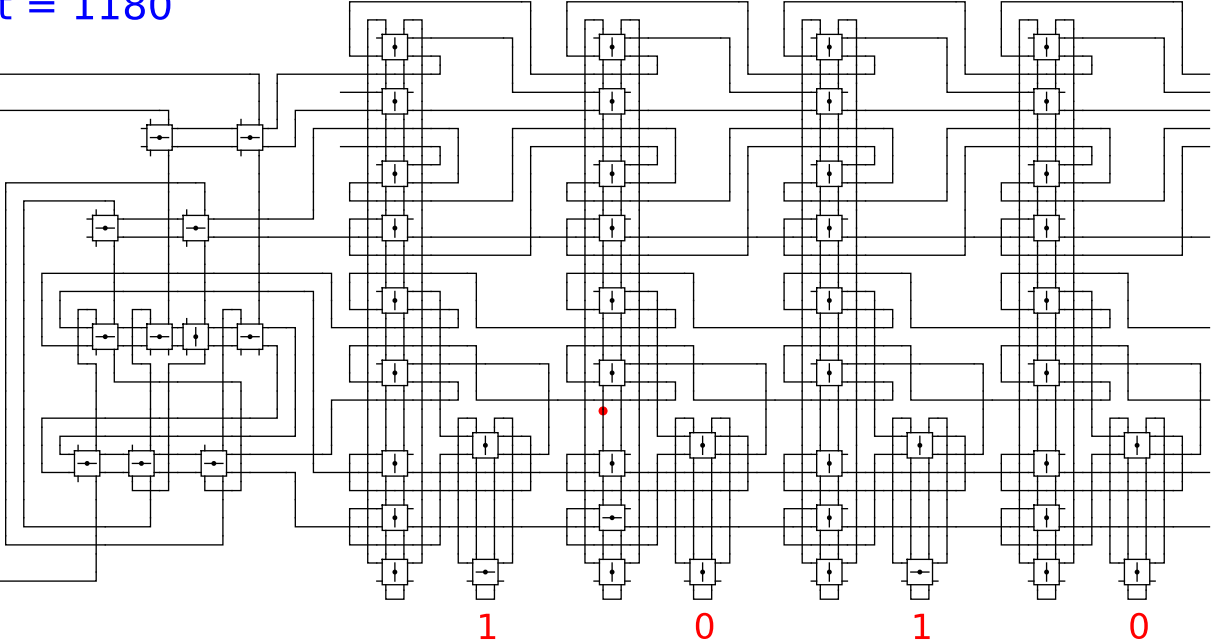
Begin



t = 1180

Reject
Accept

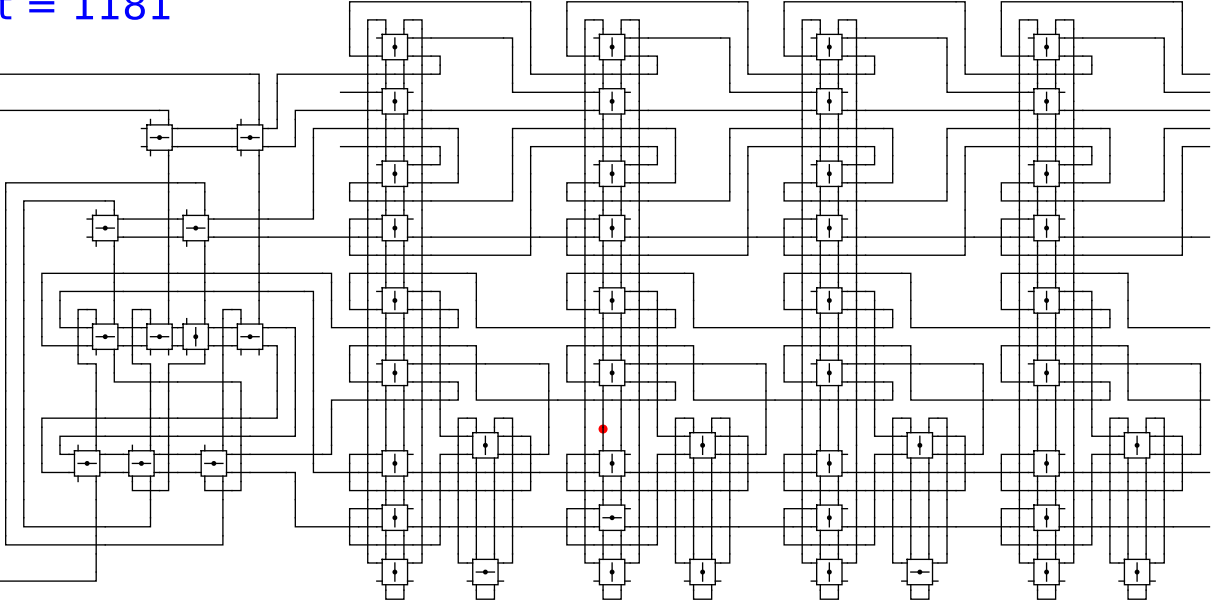
Begin



t = 1181

Reject
Accept

Begin



1

0

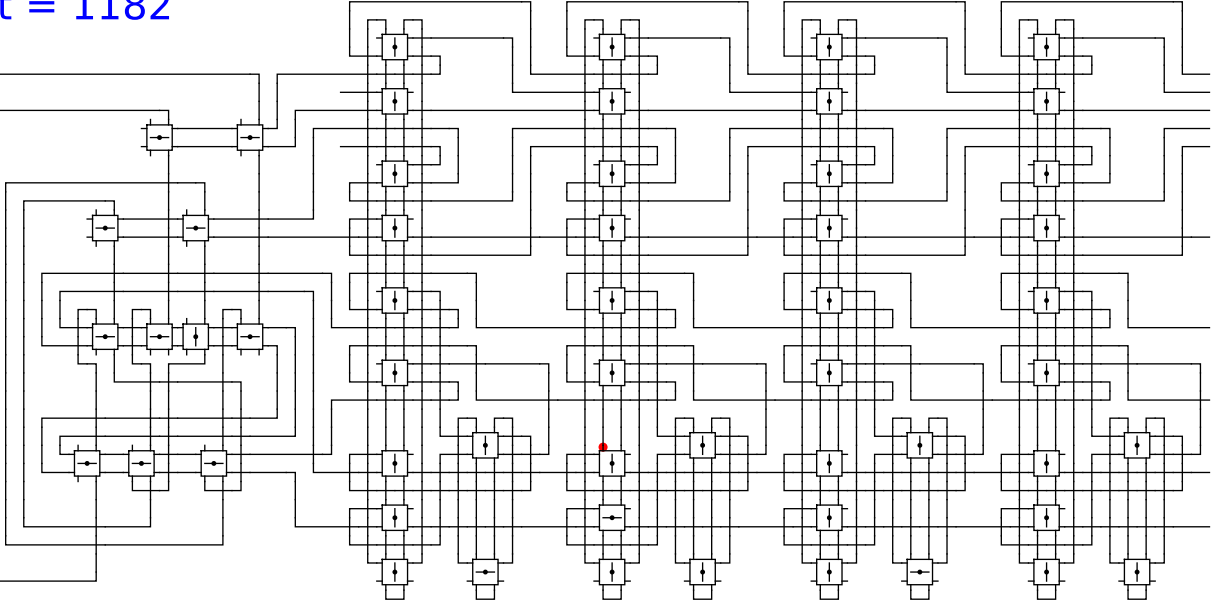
1

0

t = 1182

Reject
Accept

Begin



1

0

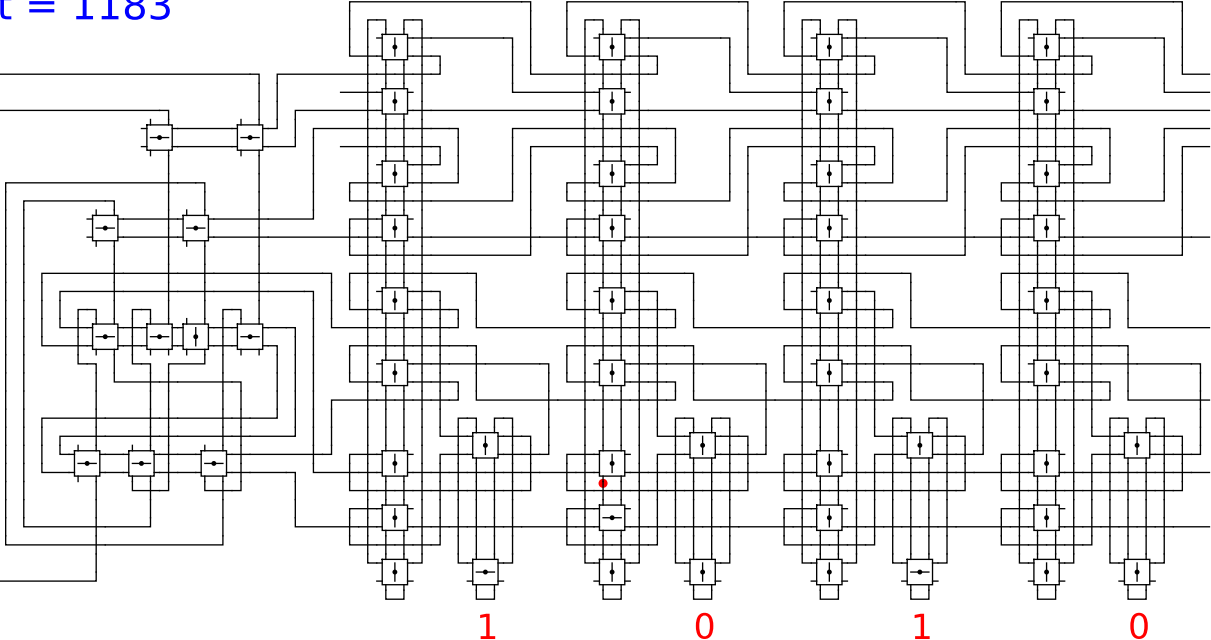
1

0

t = 1183

Reject
Accept

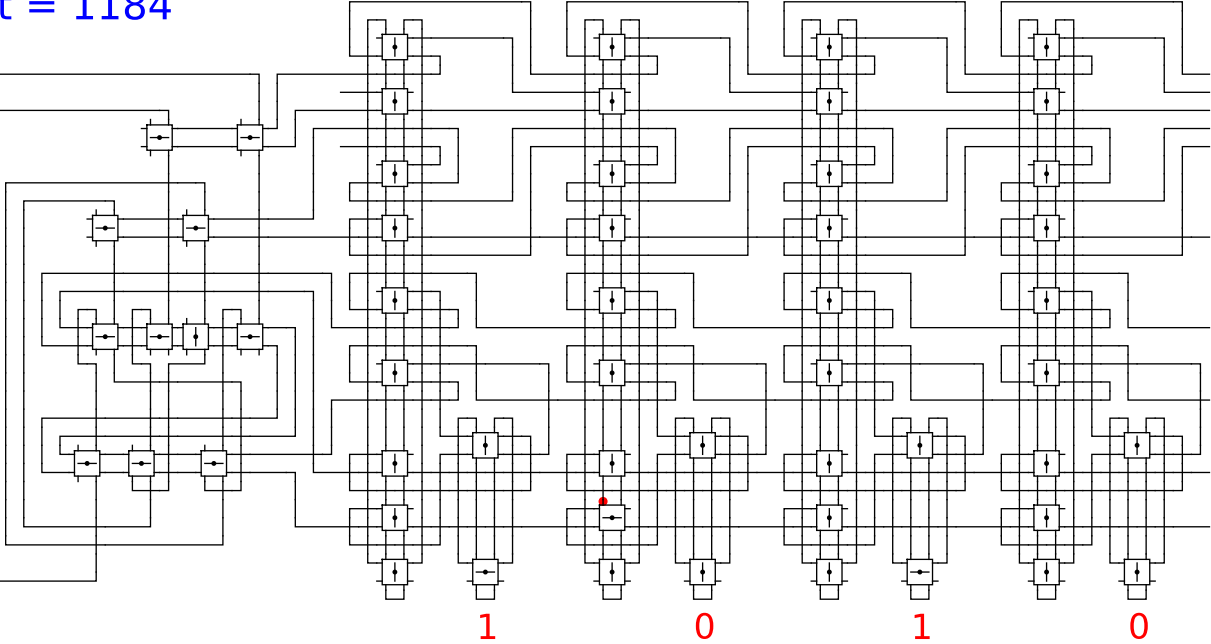
Begin



t = 1184

Reject
Accept

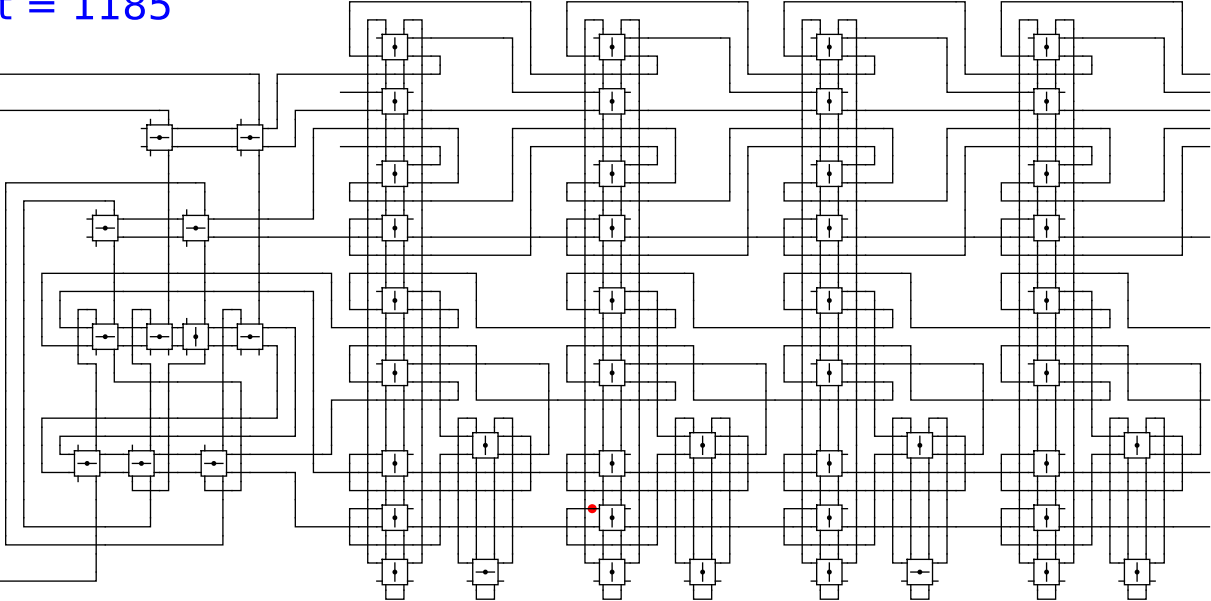
Begin



t = 1185

Reject
Accept

Begin



1

0

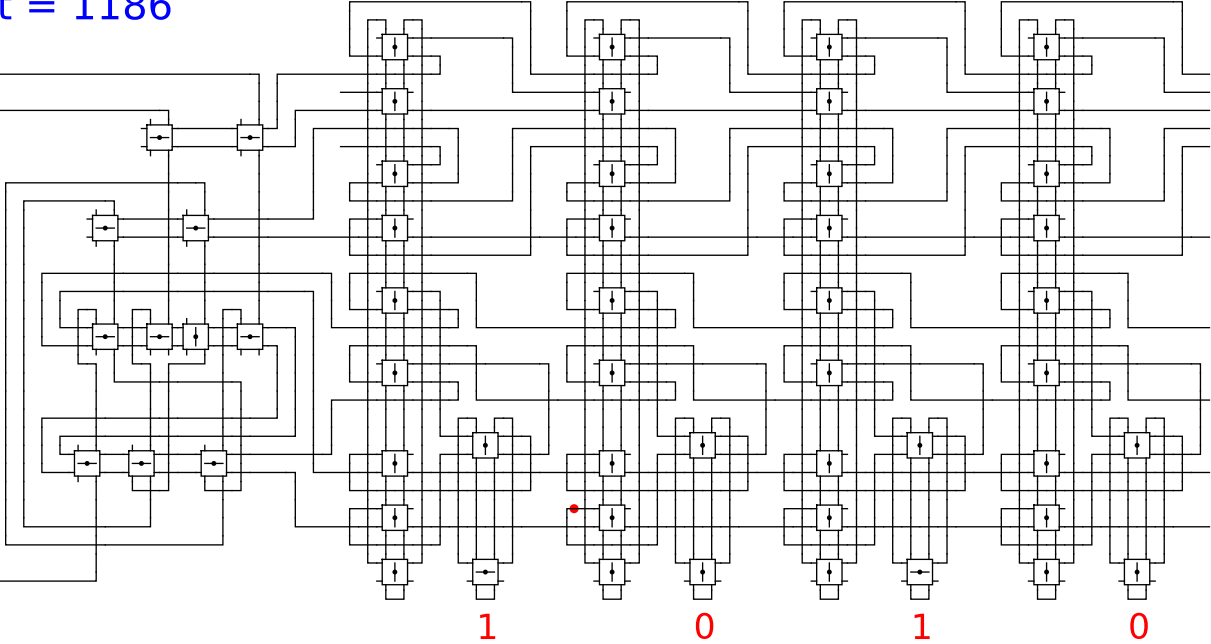
1

0

t = 1186

Reject
Accept

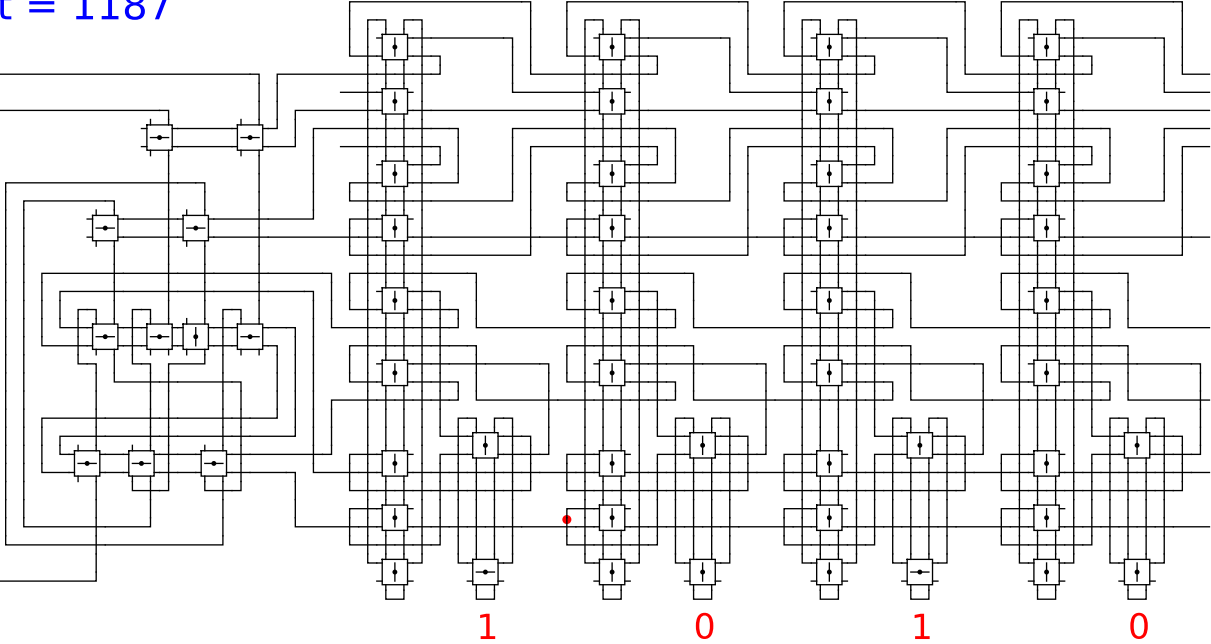
Begin



t = 1187

Reject
Accept

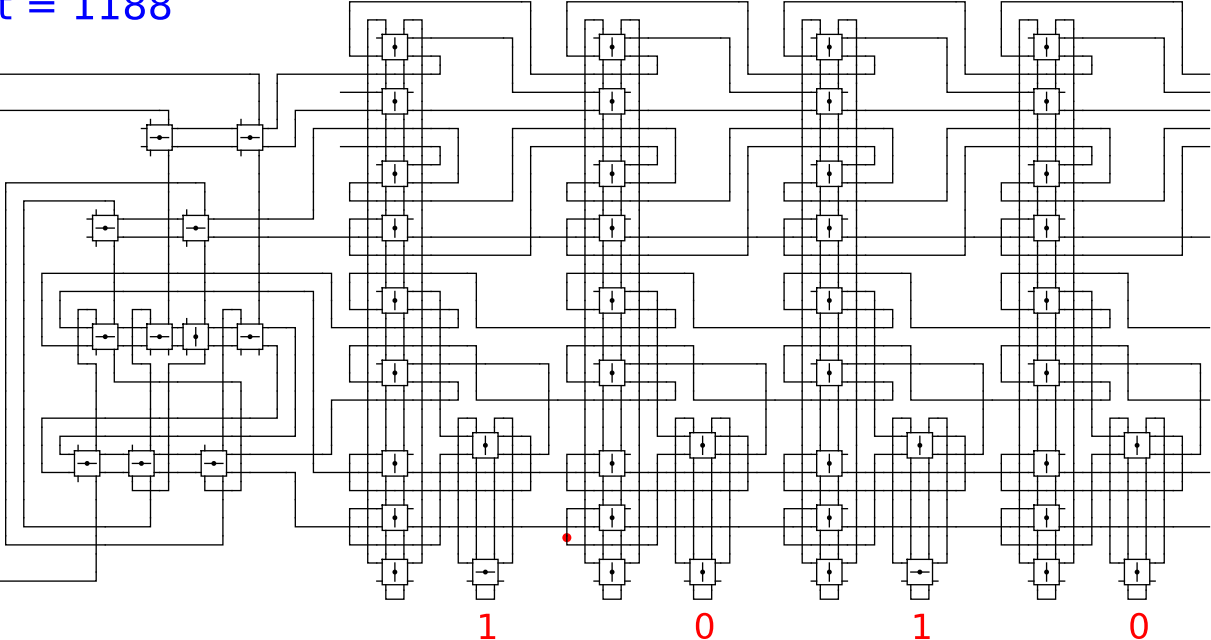
Begin



t = 1188

Reject
Accept

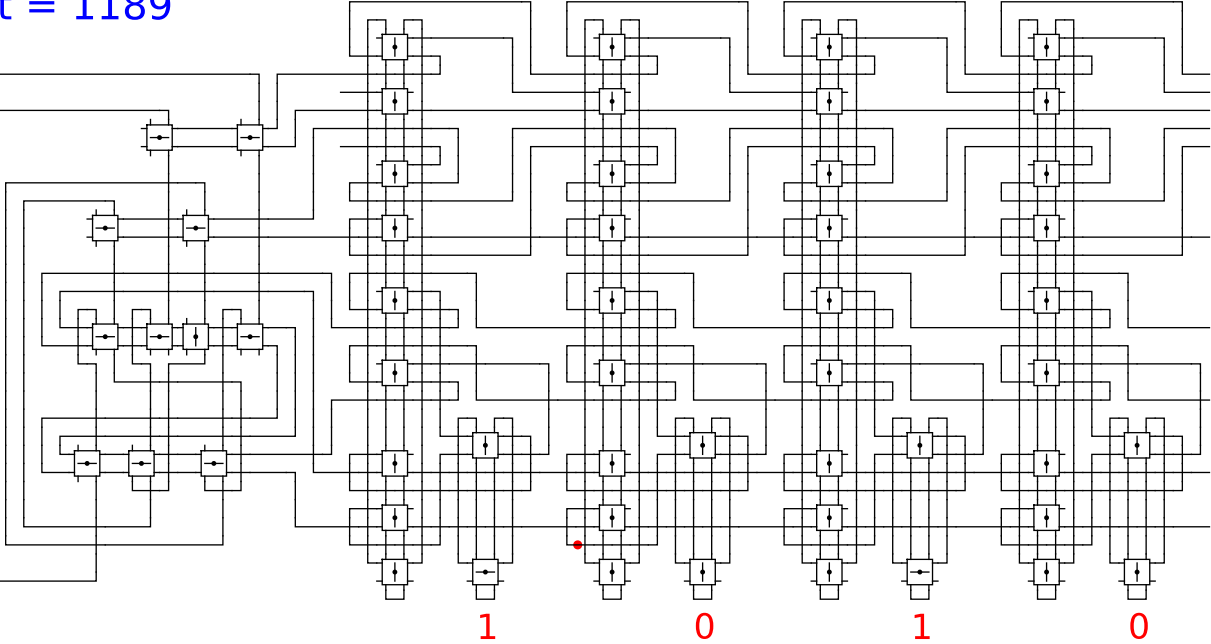
Begin



t = 1189

Reject
Accept

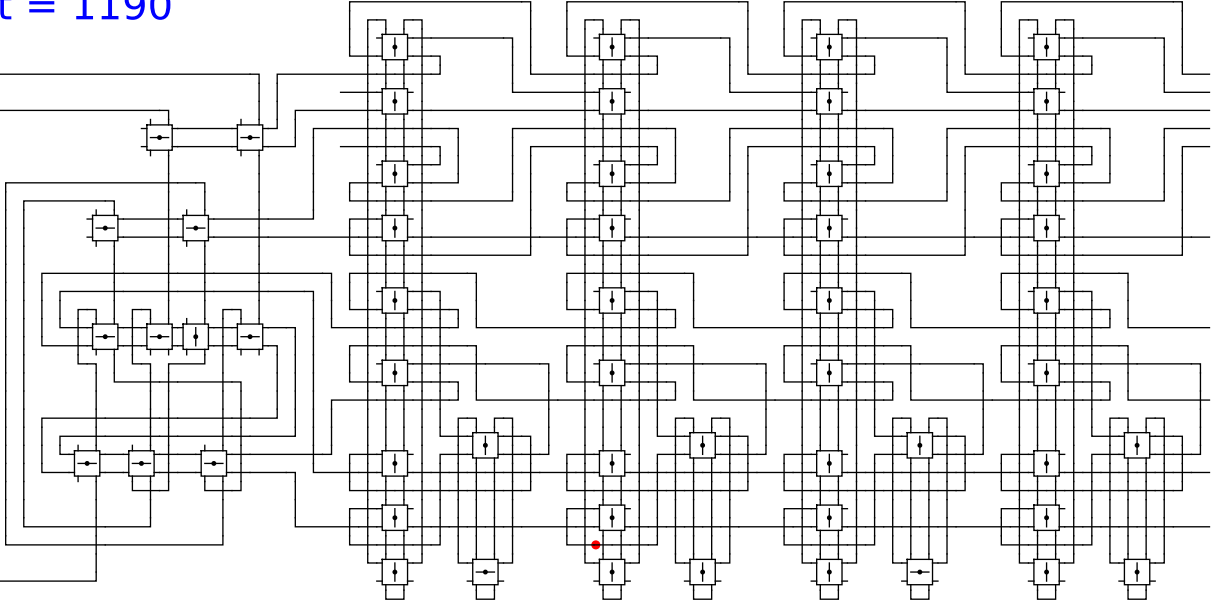
Begin



t = 1190

Reject
Accept

Begin



1

0

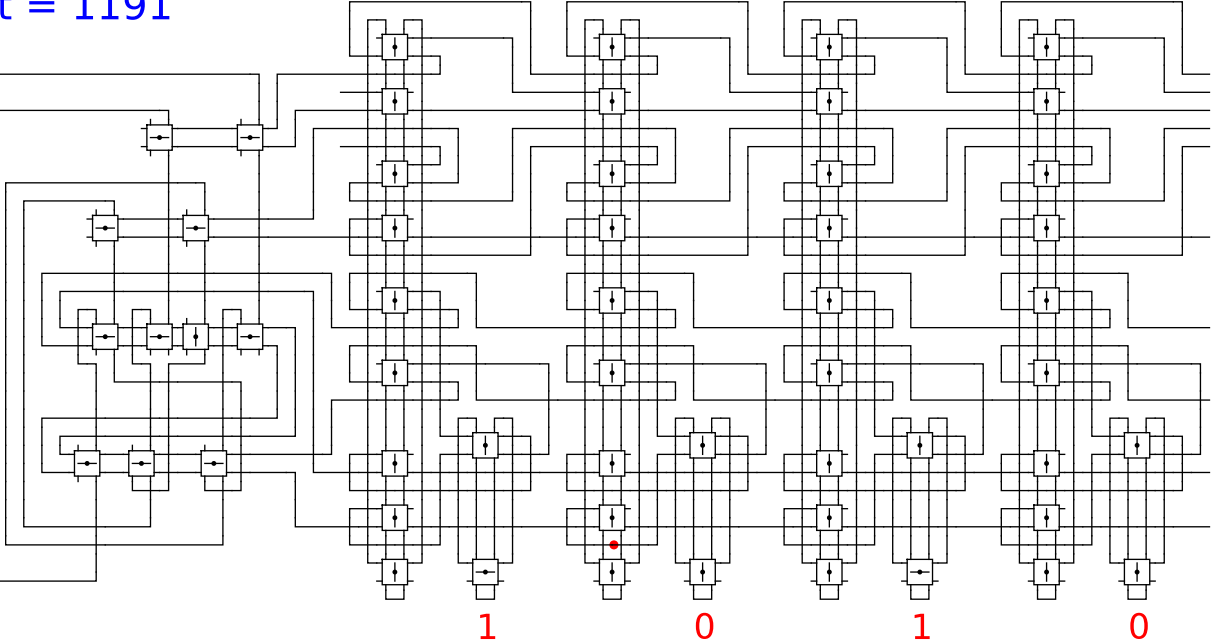
1

0

t = 1191

Reject
Accept

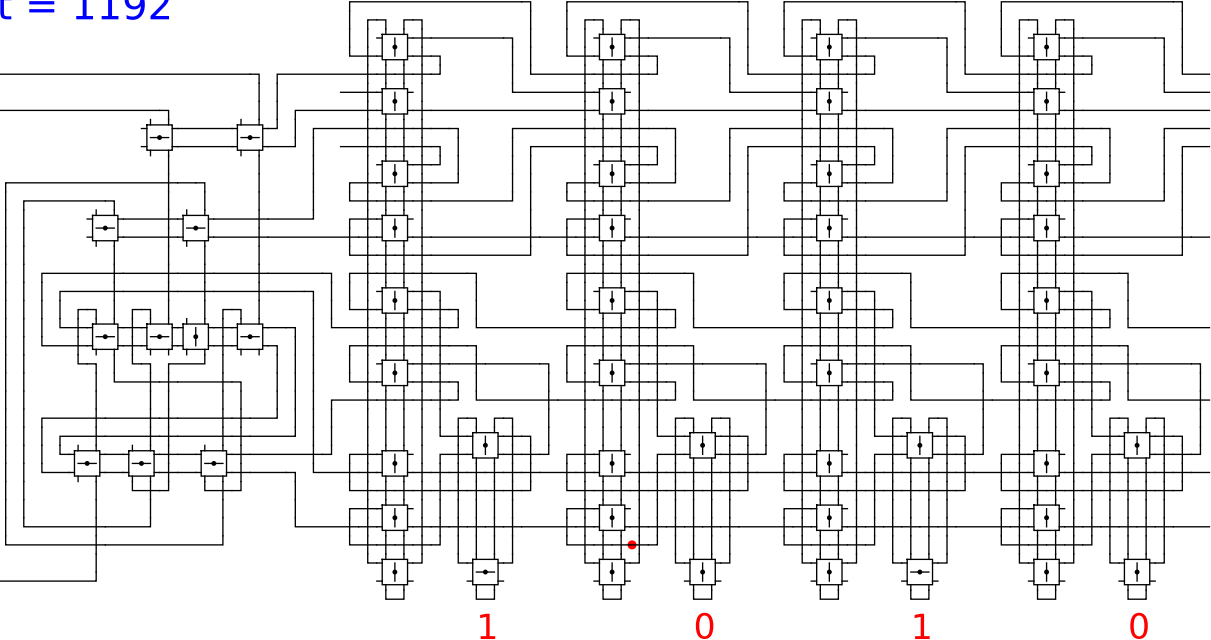
Begin



t = 1192

Reject
Accept

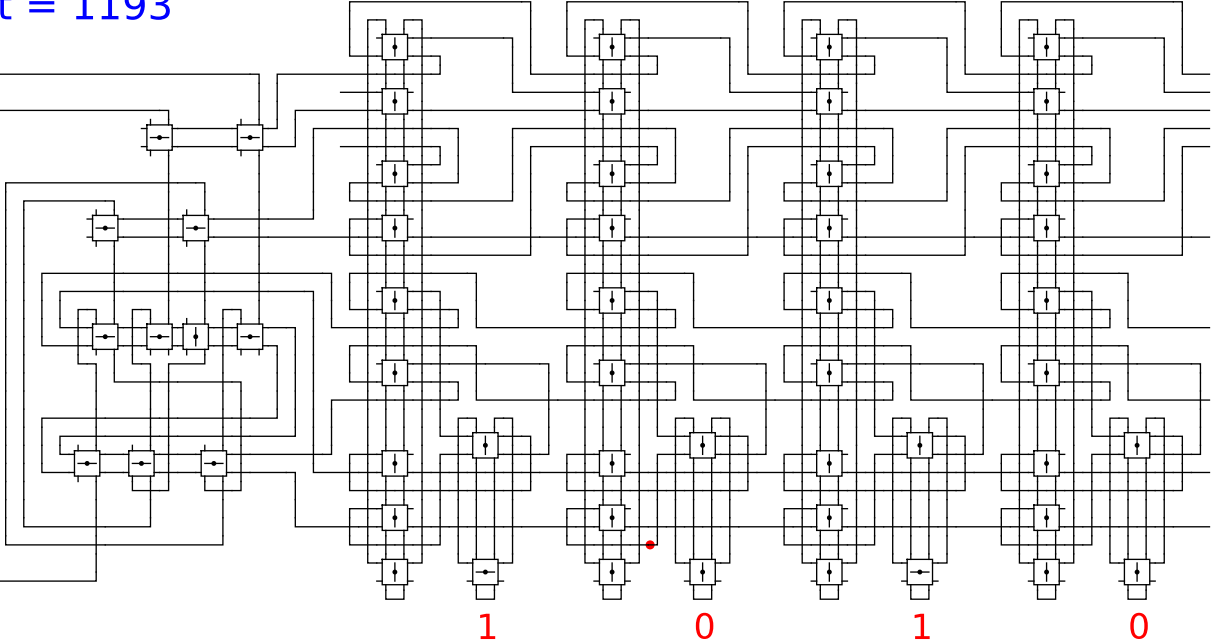
Begin



t = 1193

Reject
Accept

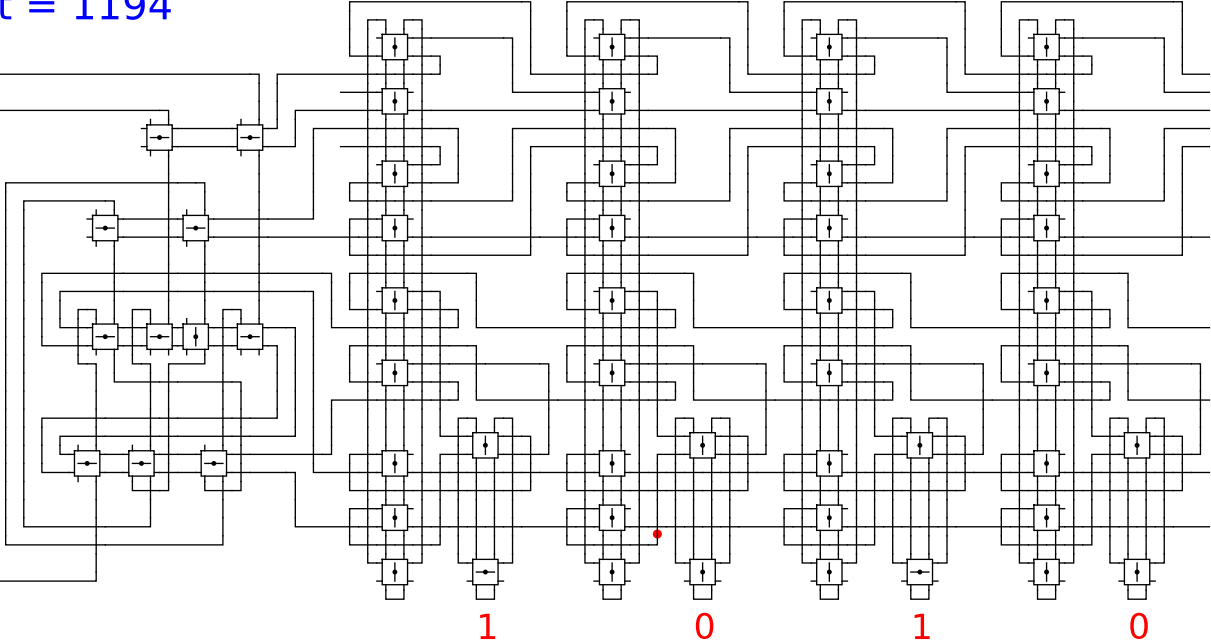
Begin



t = 1194

Reject
Accept

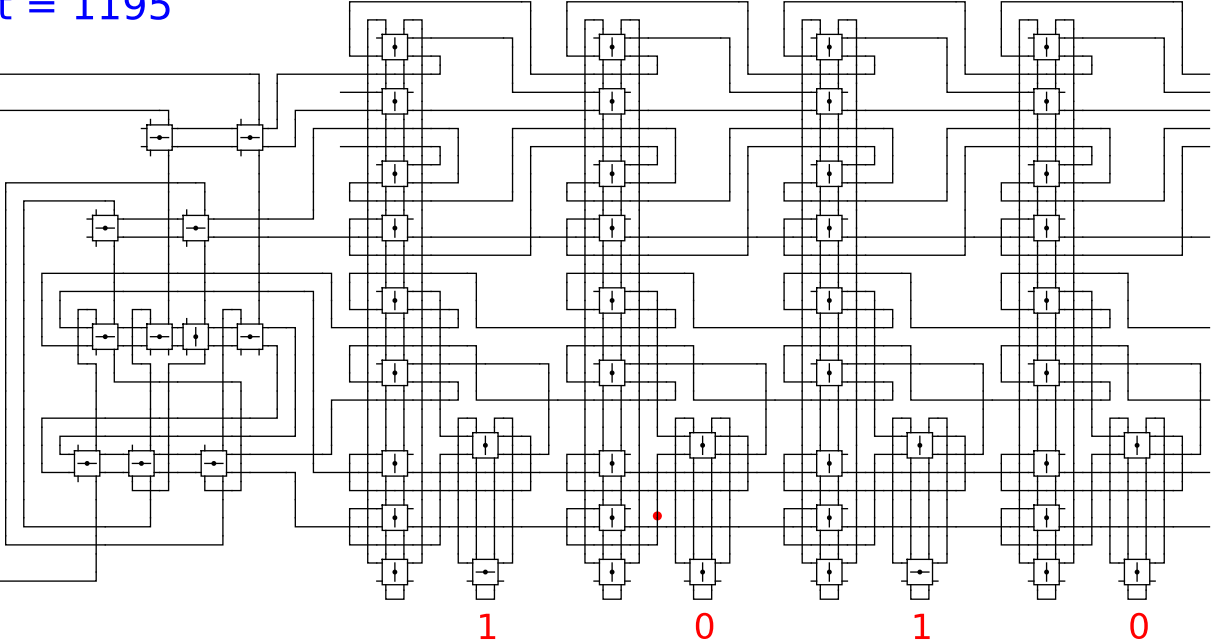
Begin



t = 1195

Reject
Accept

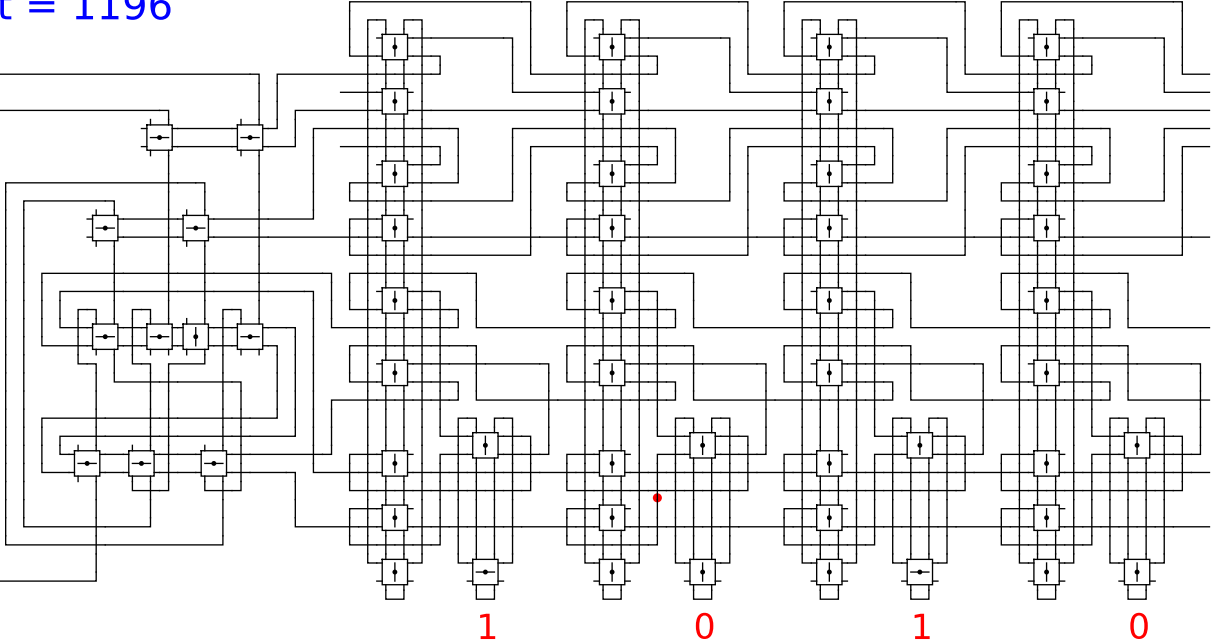
Begin



t = 1196

Reject
Accept

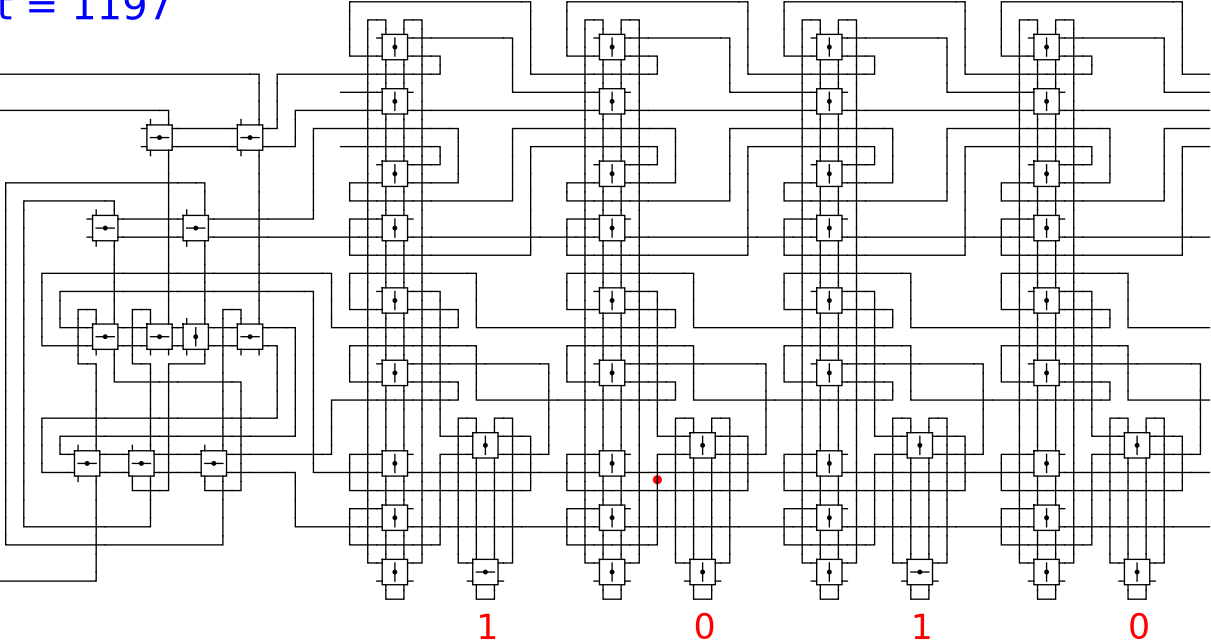
Begin



t = 1197

Reject
Accept

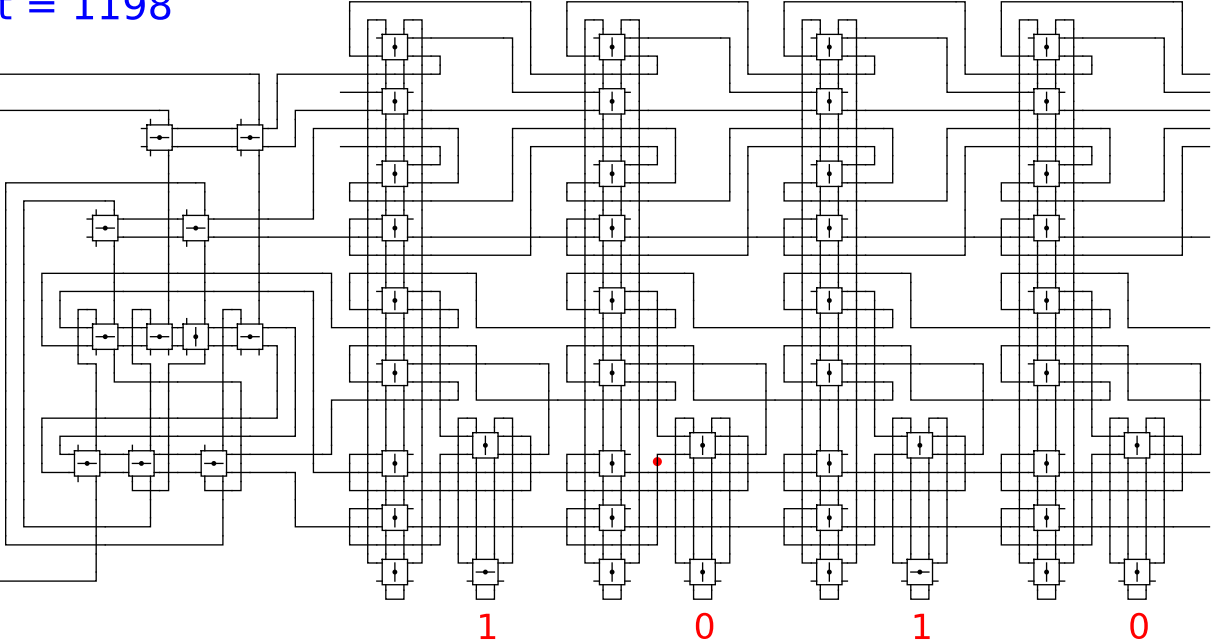
Begin



t = 1198

Reject
Accept

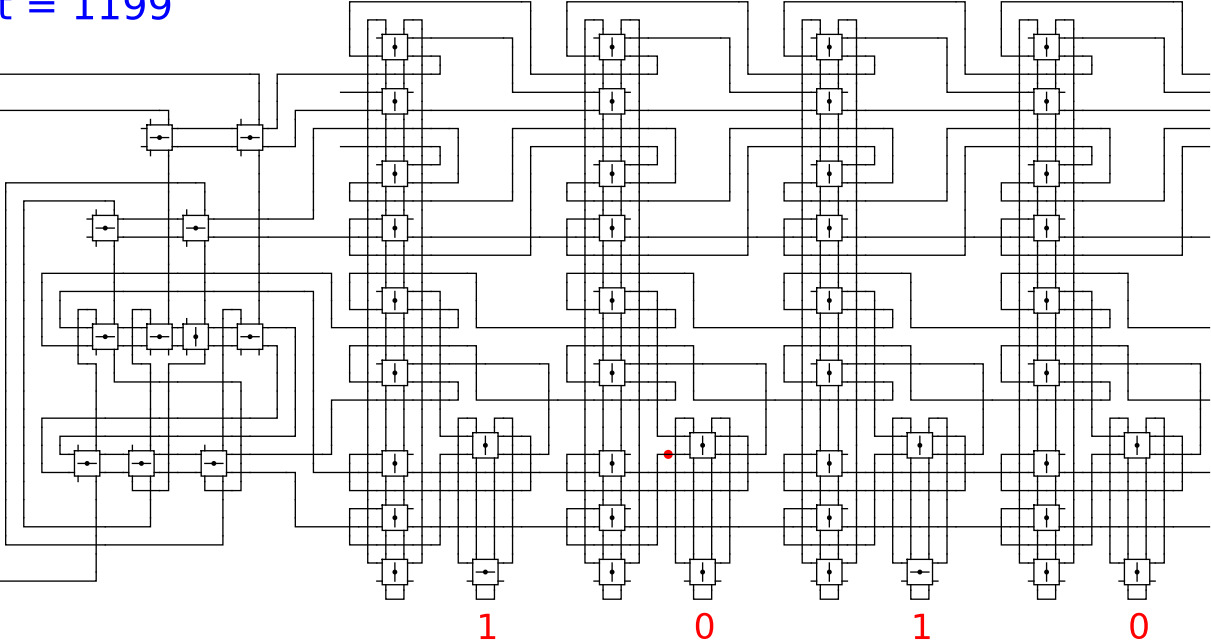
Begin



t = 1199

Reject
Accept

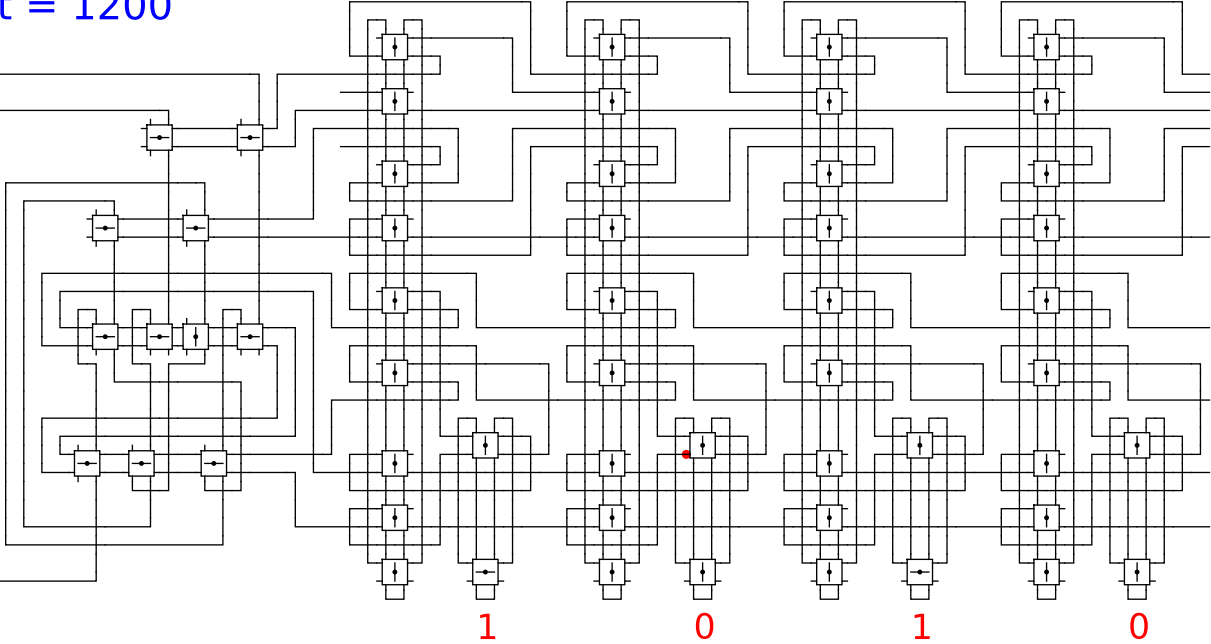
Begin



t = 1200

Reject
Accept

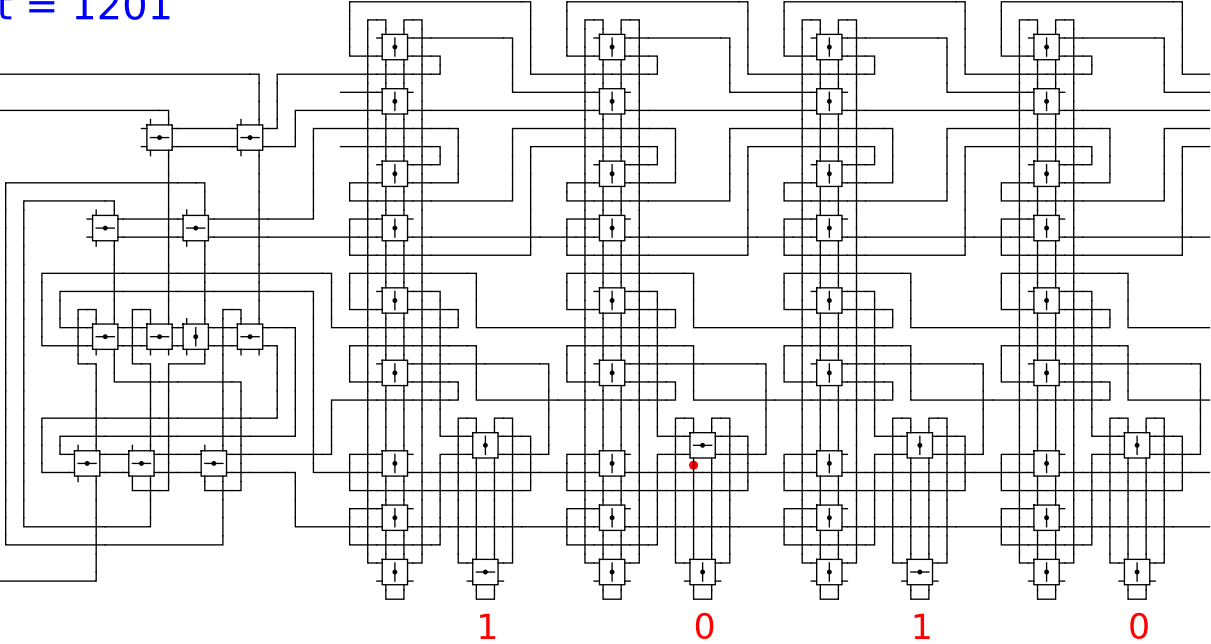
Begin



t = 1201

Reject
Accept

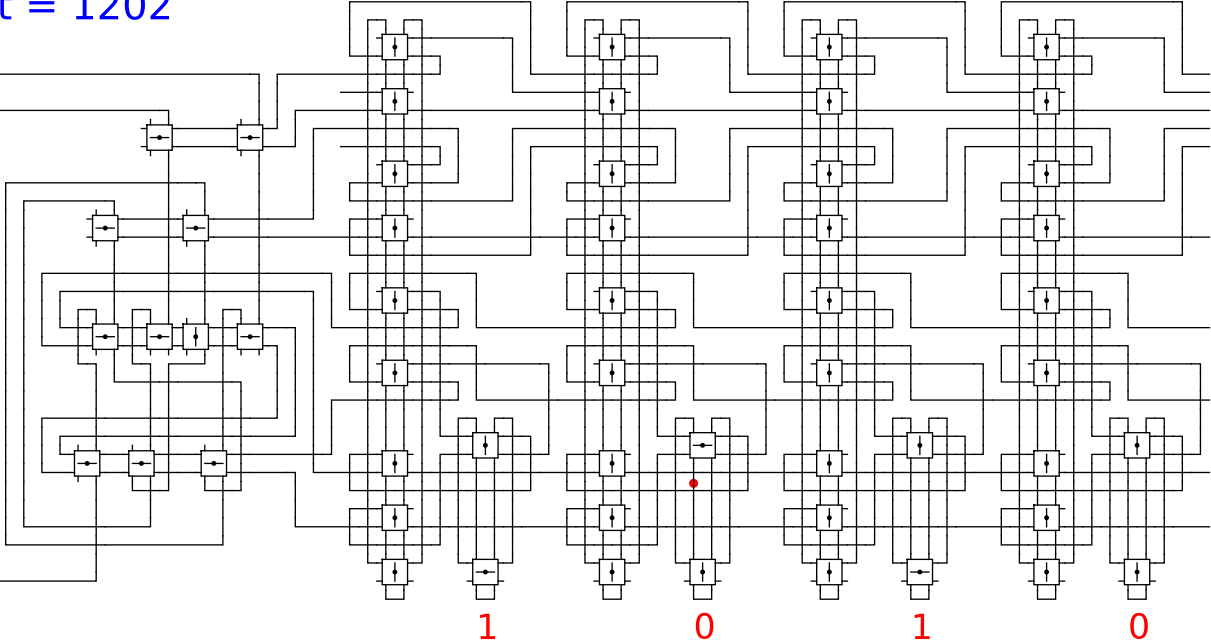
Begin



t = 1202

Reject
Accept

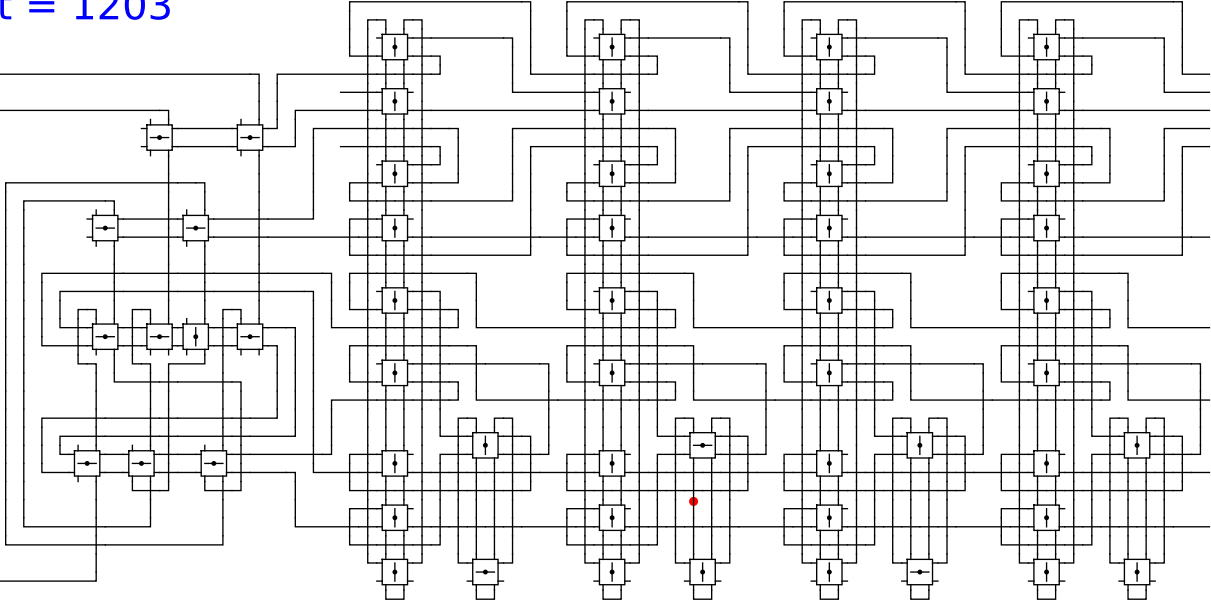
Begin



t = 1203

Reject
Accept

Begin



1

0

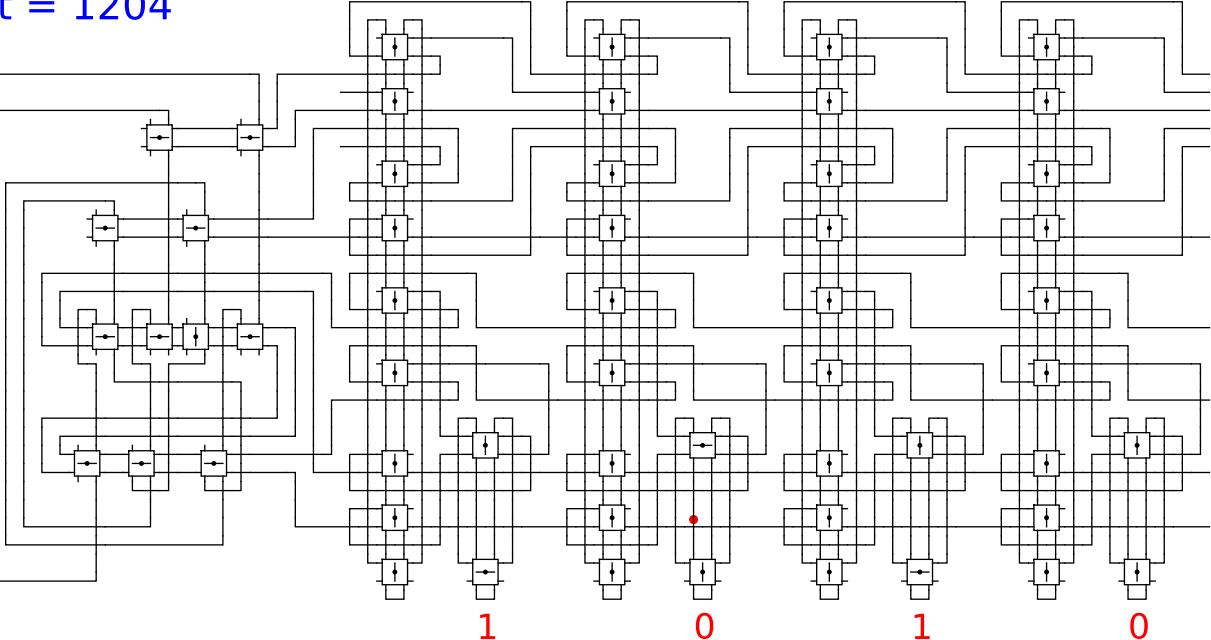
1

0

t = 1204

Reject
Accept

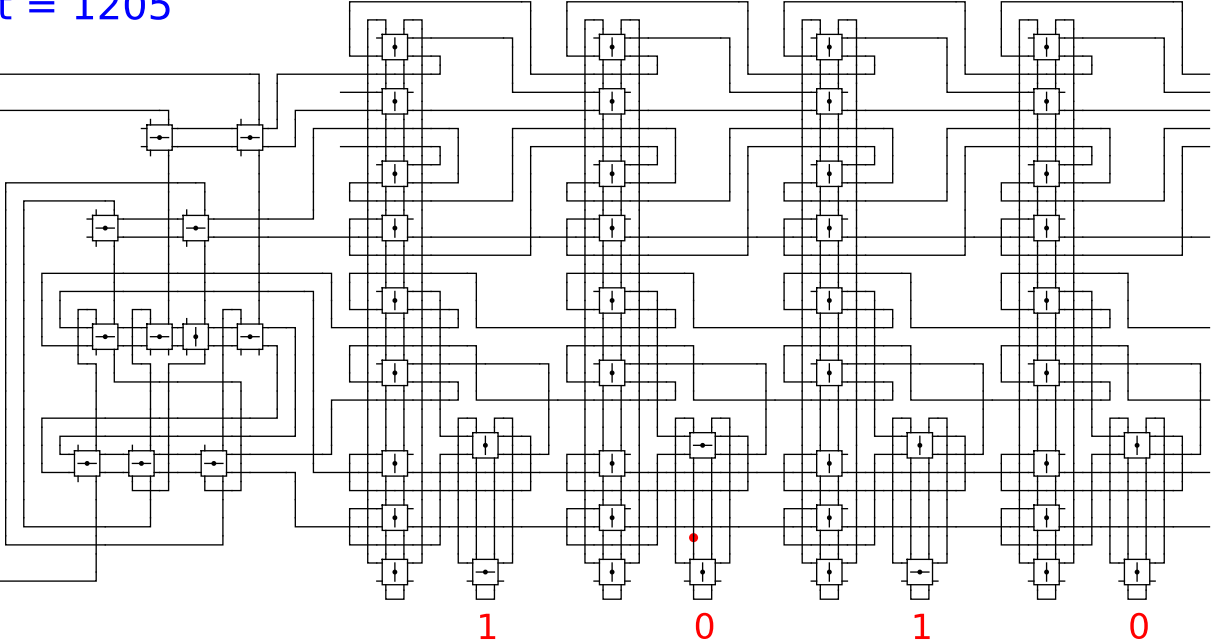
Begin



t = 1205

Reject
Accept

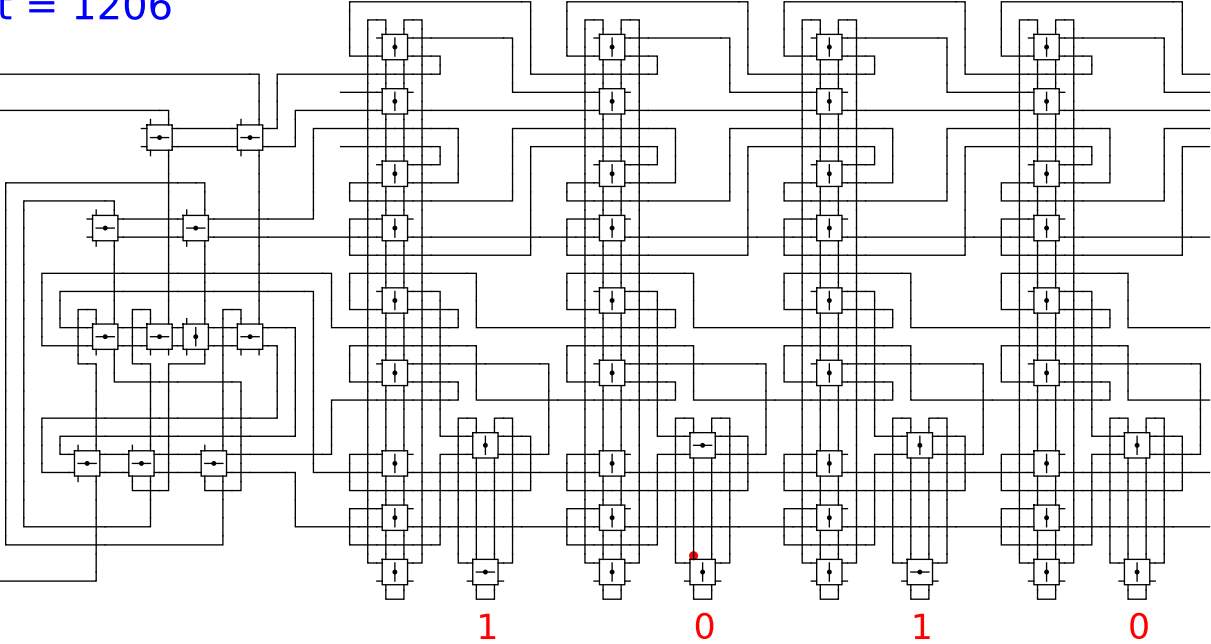
Begin



t = 1206

Reject
Accept

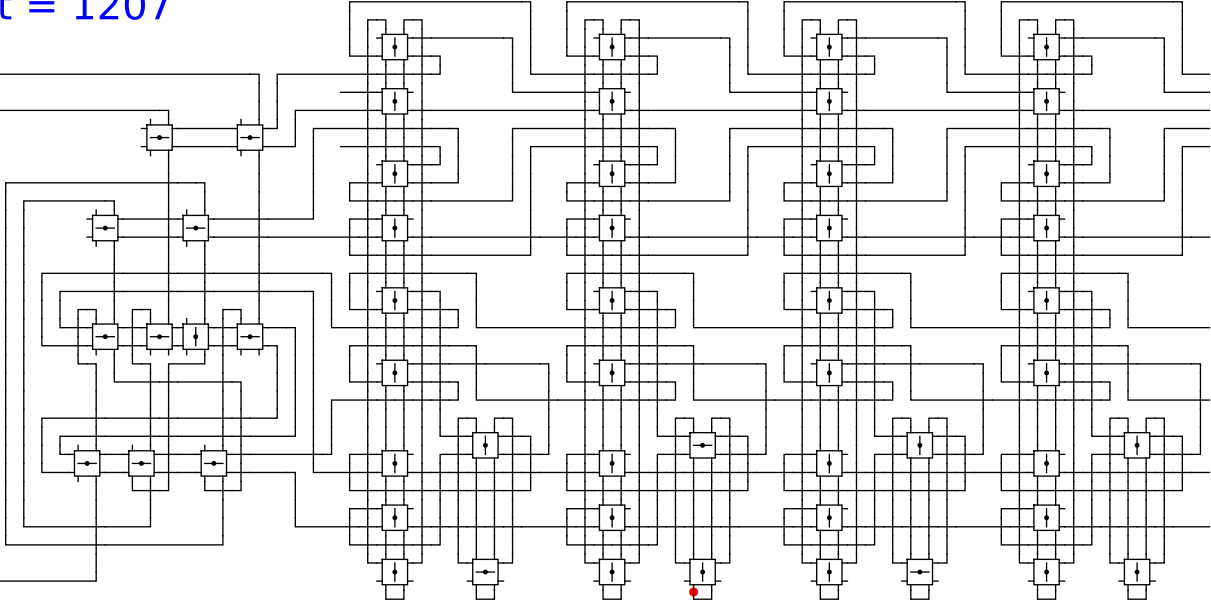
Begin



t = 1207

Reject
Accept

Begin



1

0

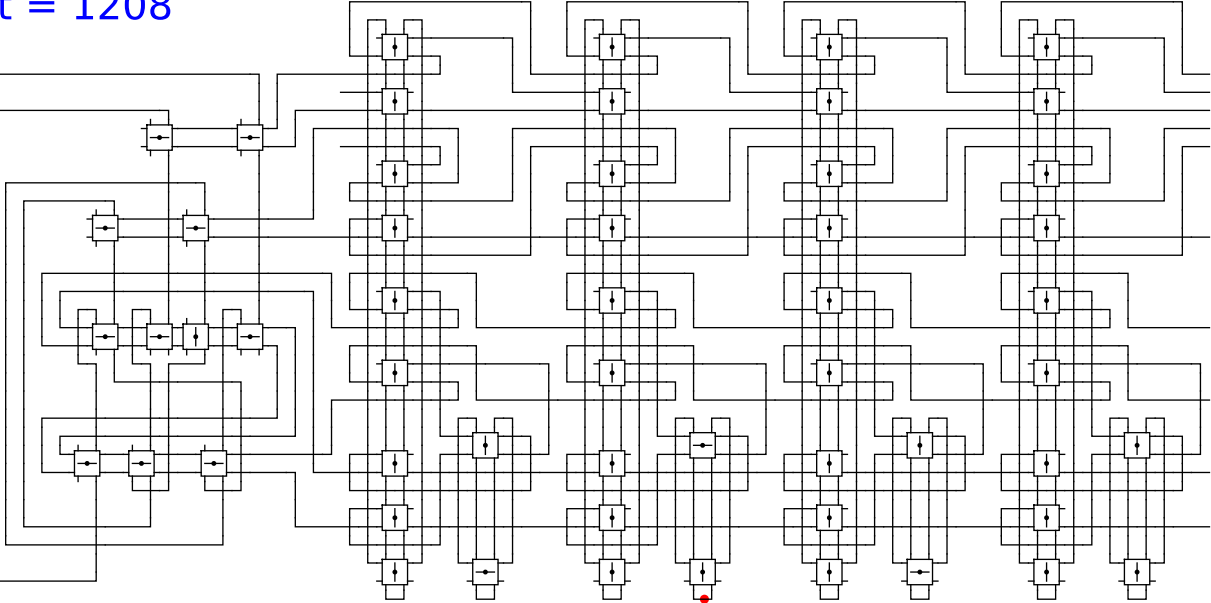
1

0

t = 1208

Reject
Accept

Begin



1

0

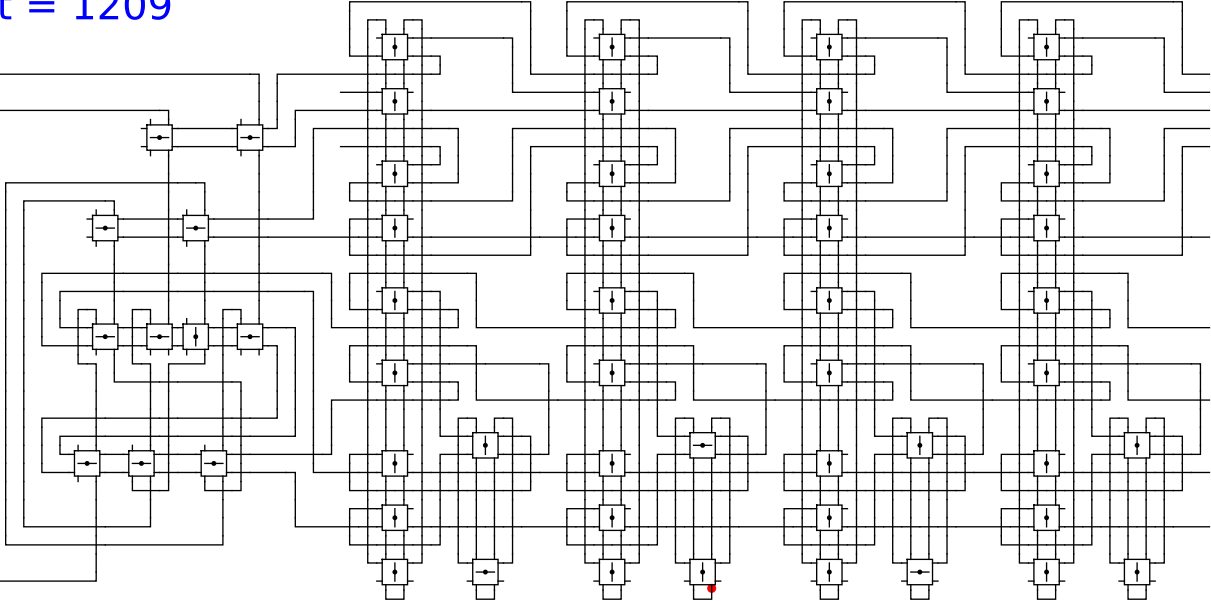
1

0

t = 1209

Reject
Accept

Begin



1

0

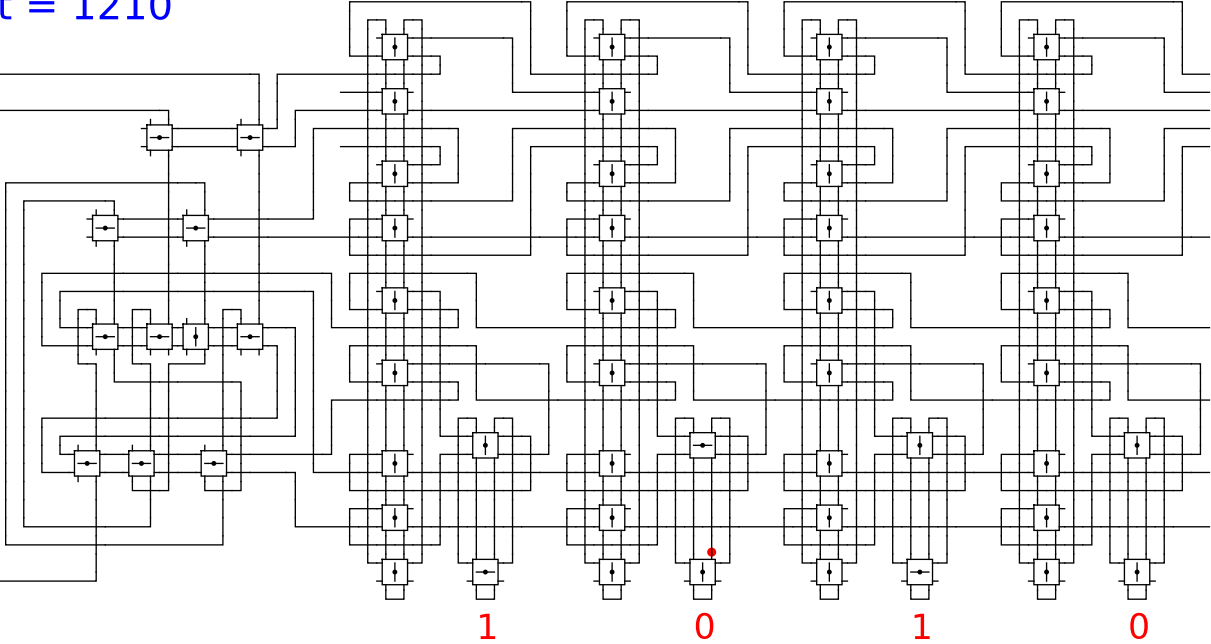
1

0

t = 1210

Reject
Accept

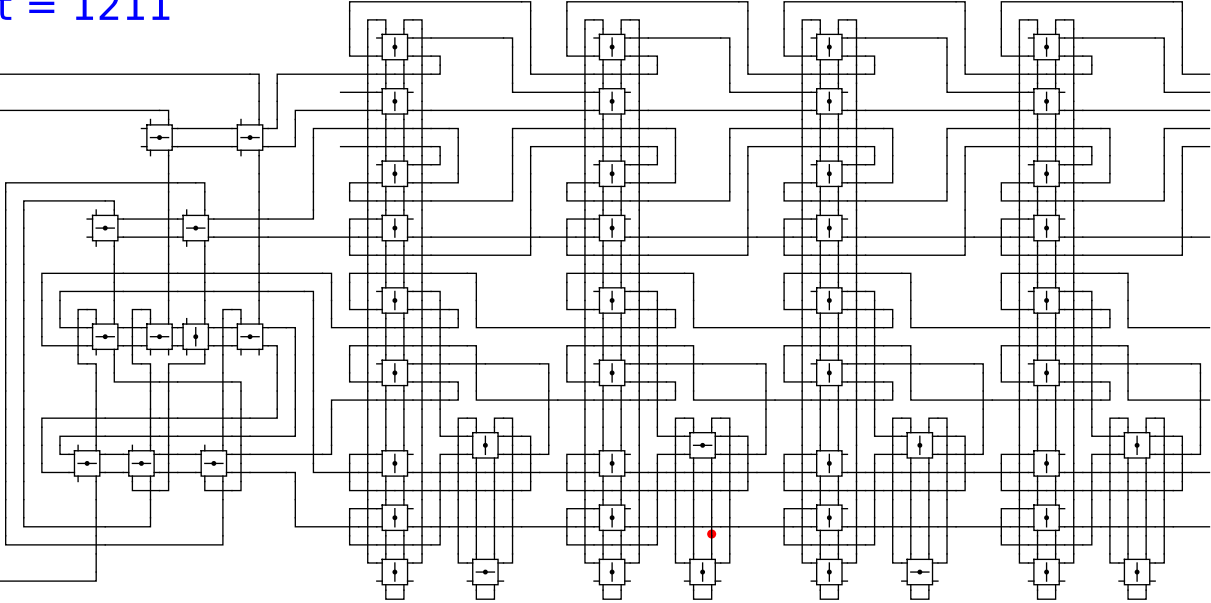
Begin



t = 1211

Reject
Accept

Begin



1

0

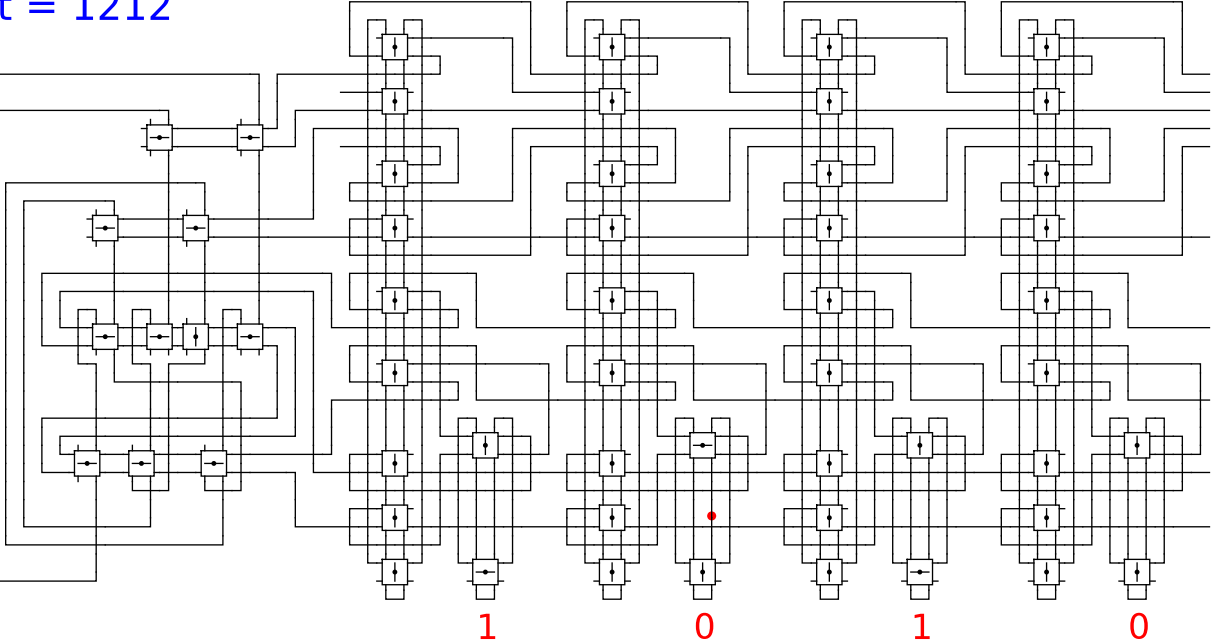
1

0

t = 1212

Reject
Accept

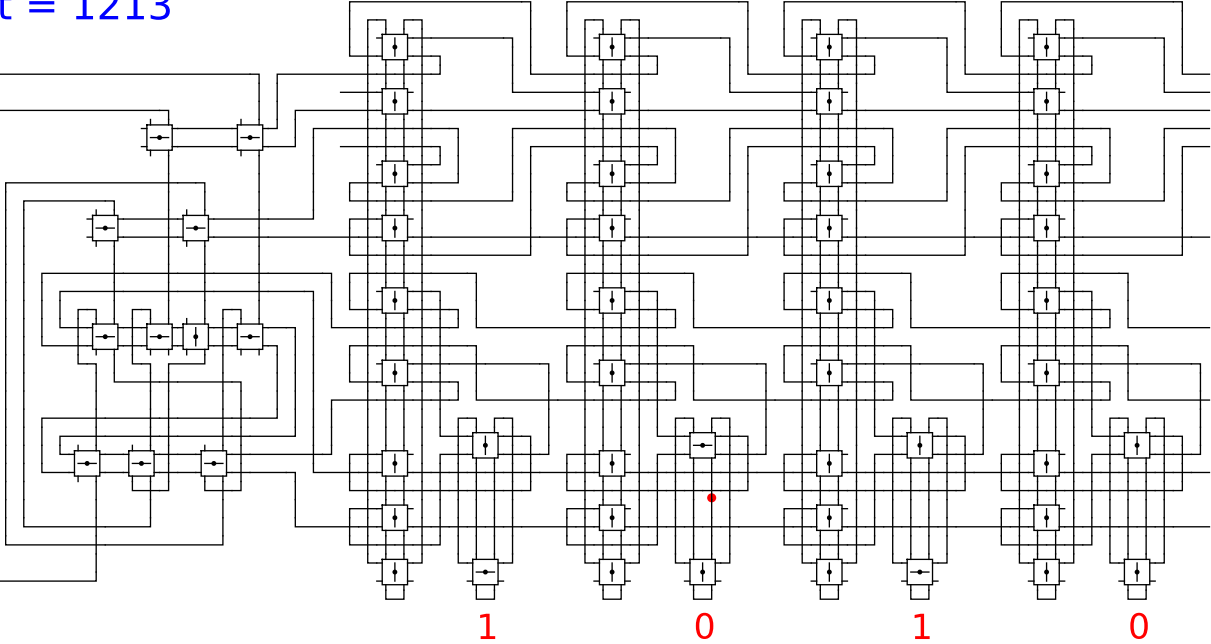
Begin



t = 1213

Reject
Accept

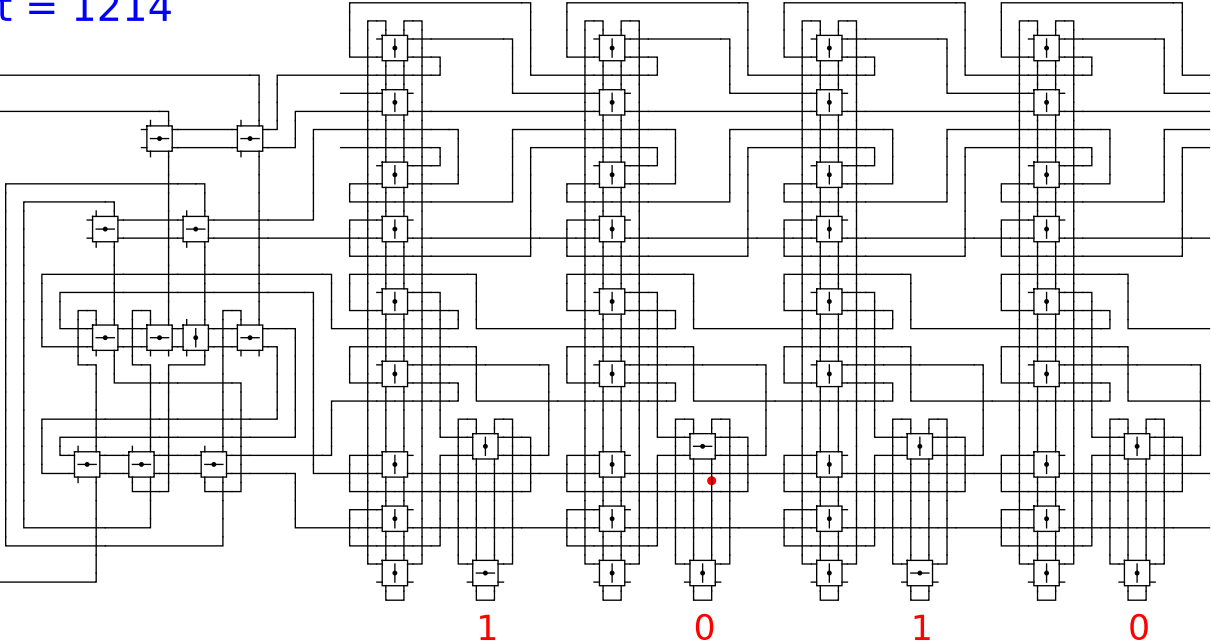
Begin



t = 1214

Reject
Accept

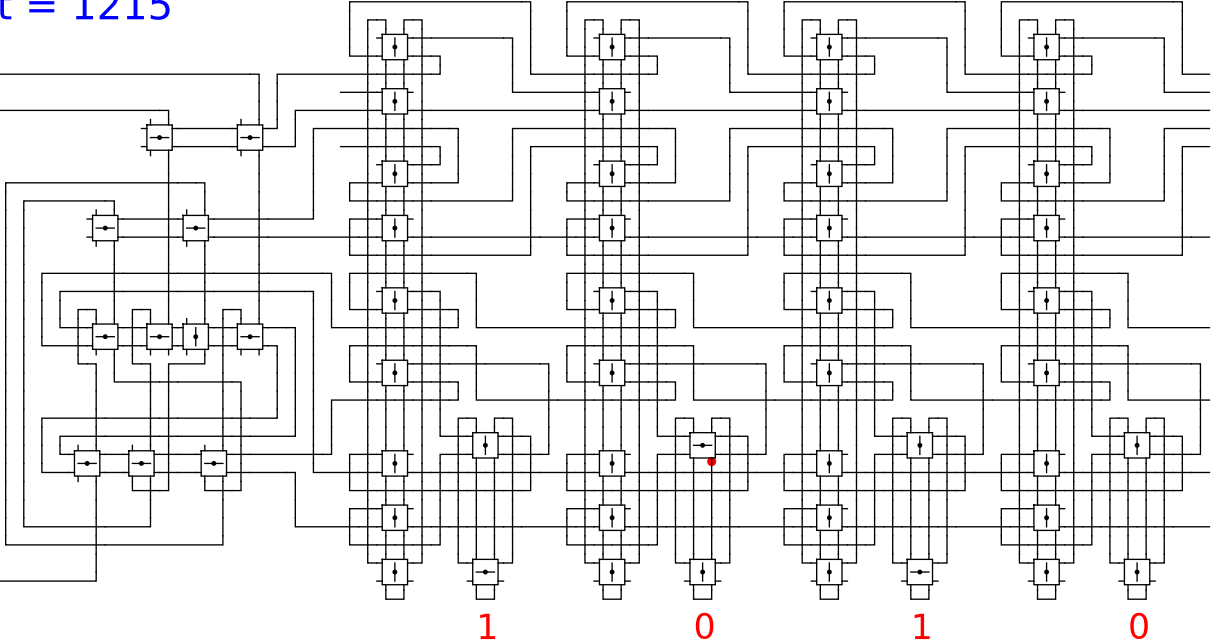
Begin



t = 1215

Reject
Accept

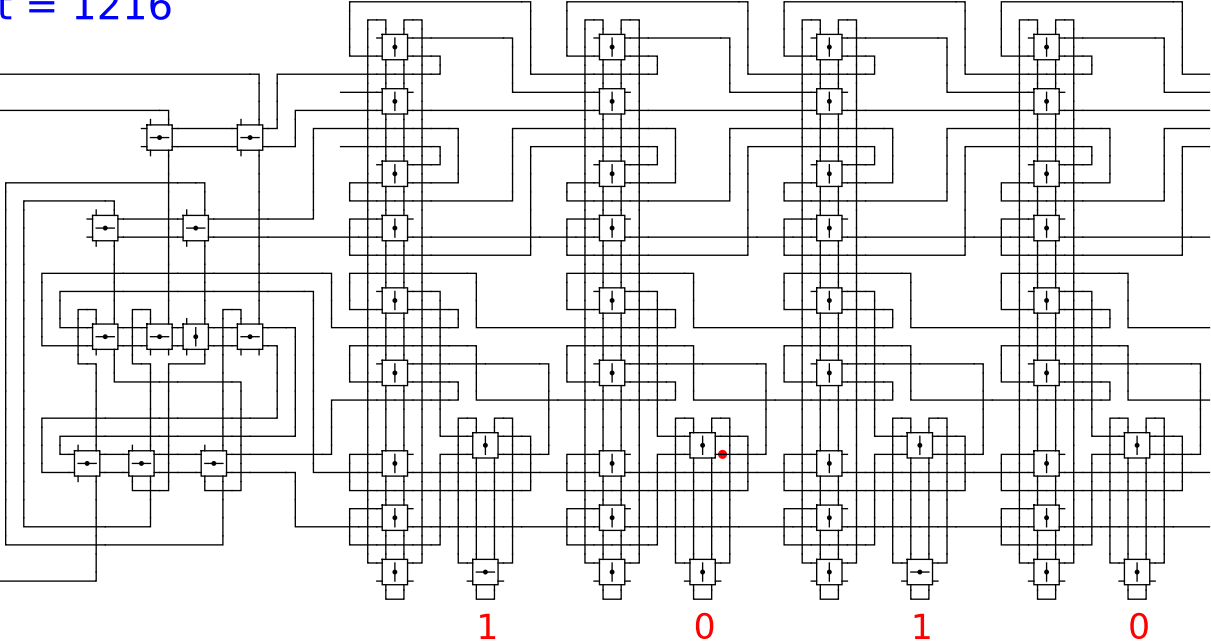
Begin



t = 1216

Reject
Accept

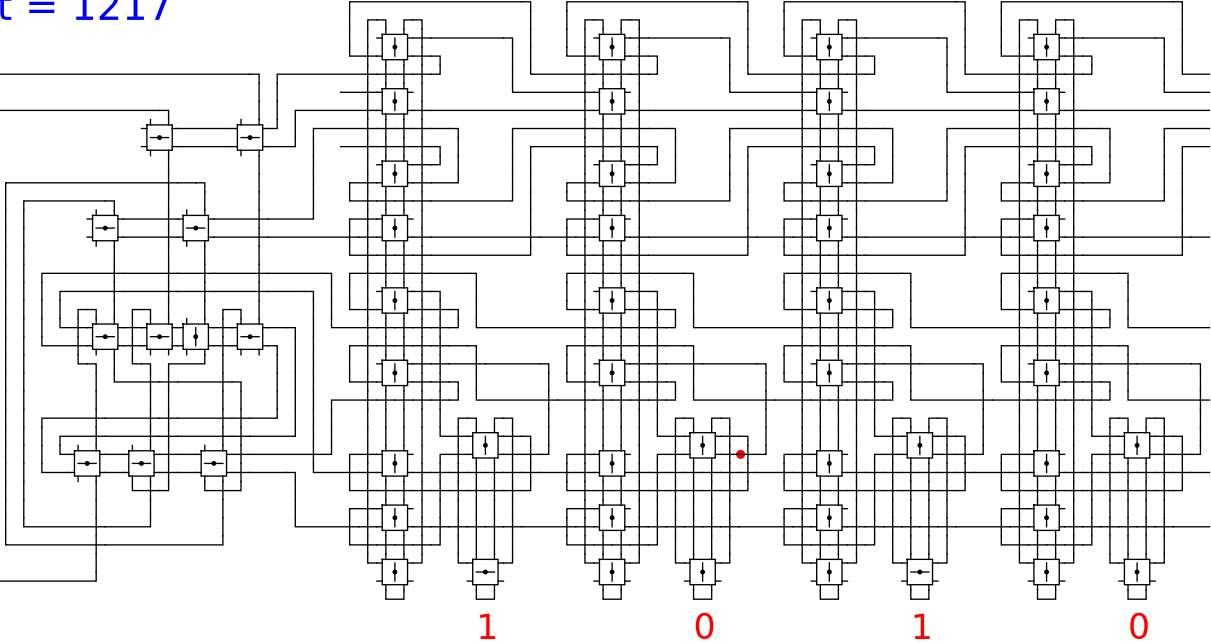
Begin



t = 1217

Reject
Accept

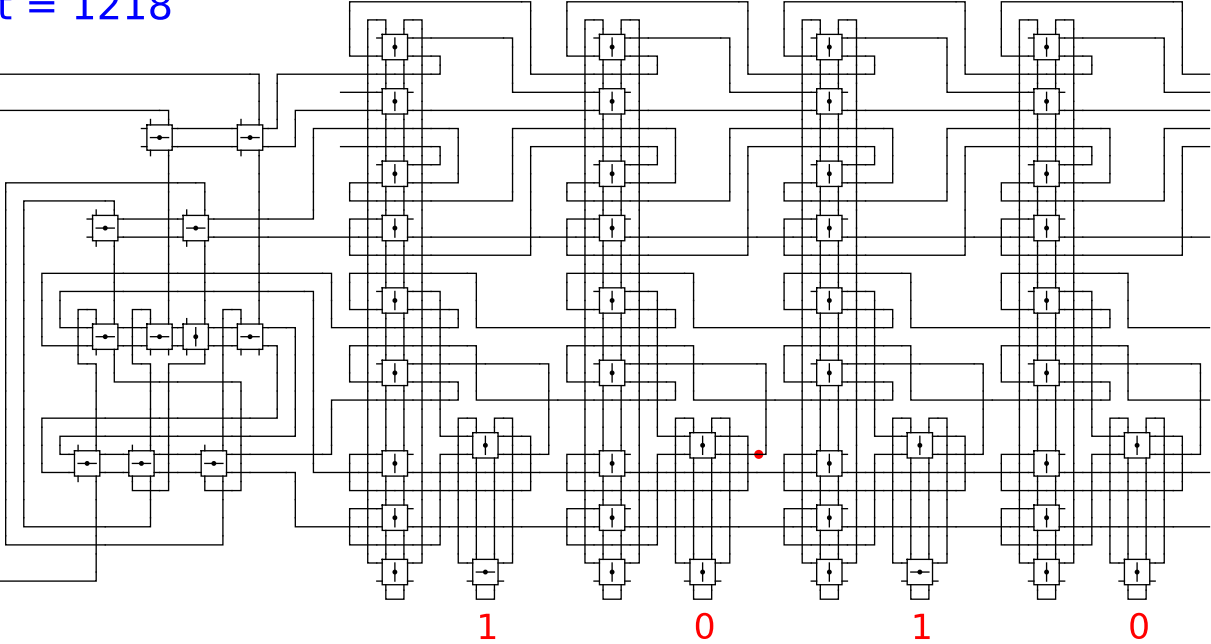
Begin



$t = 1218$

Reject
Accept

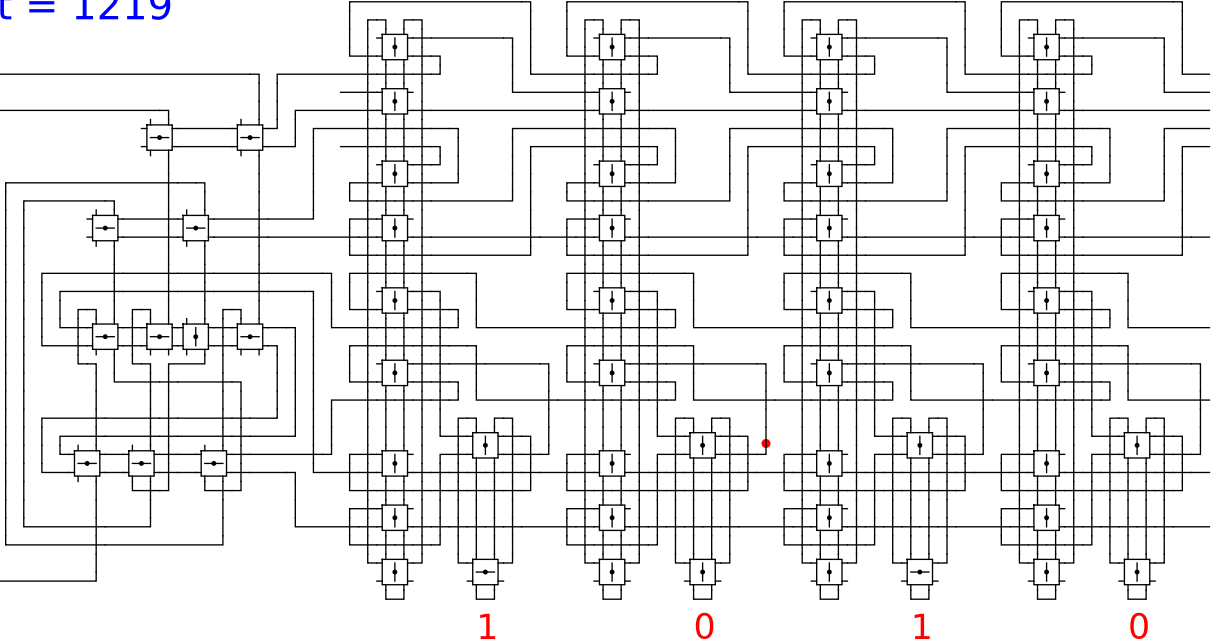
Begin



t = 1219

Reject
Accept

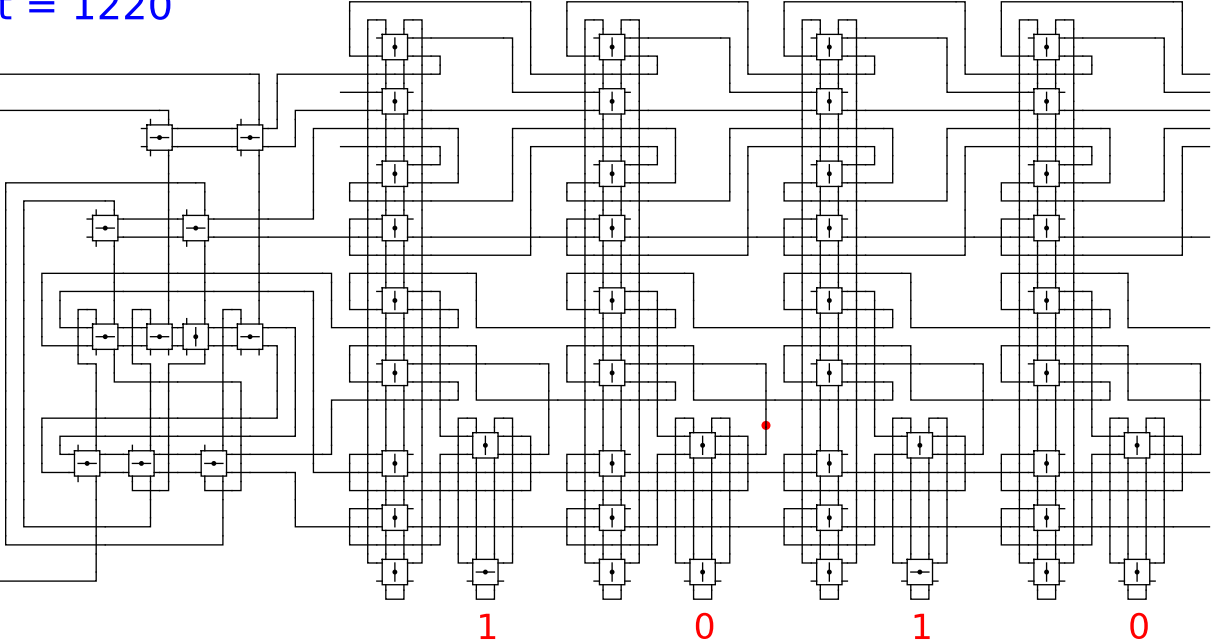
Begin



t = 1220

Reject
Accept

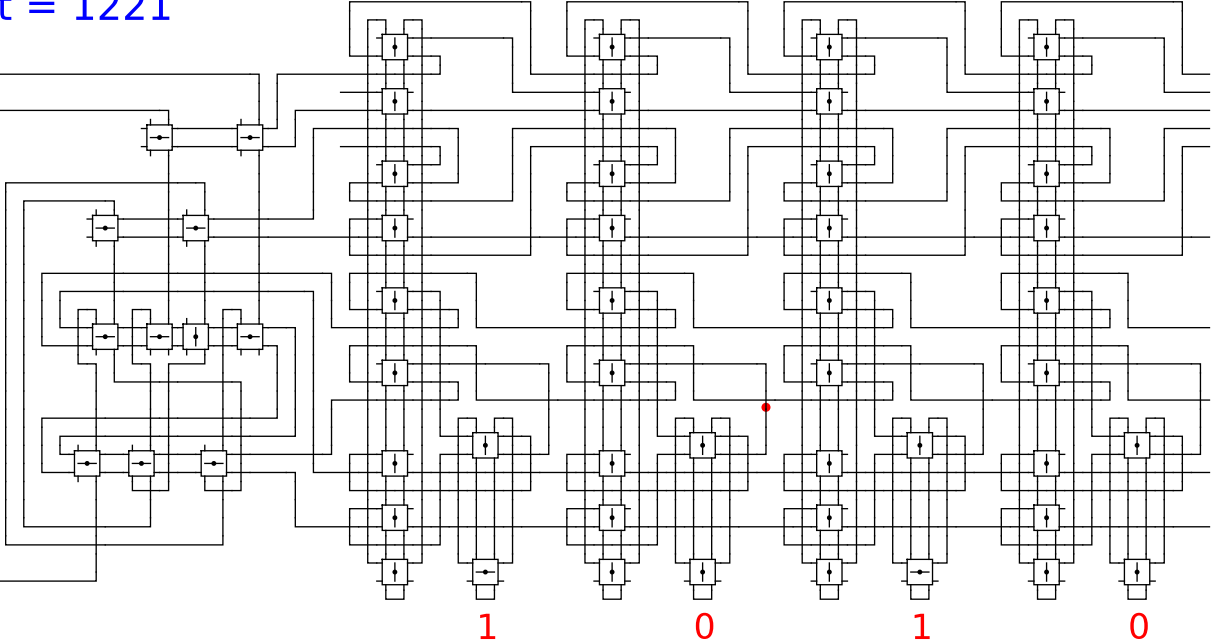
Begin



t = 1221

Reject
Accept

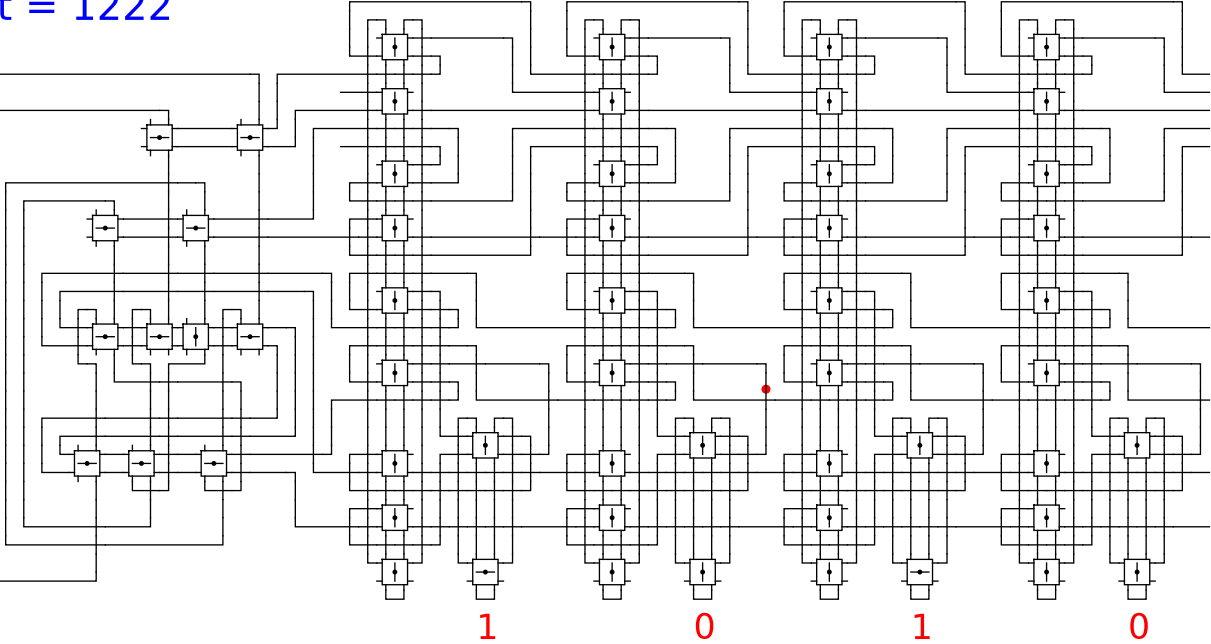
Begin



t = 1222

Reject
Accept

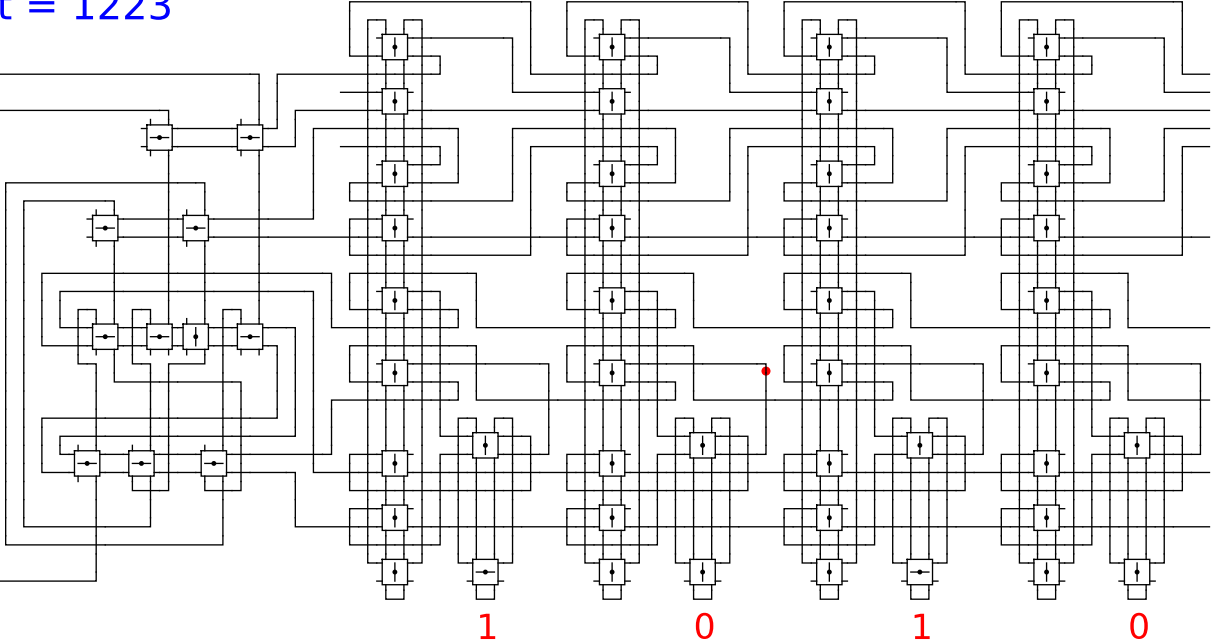
Begin



t = 1223

Reject
Accept

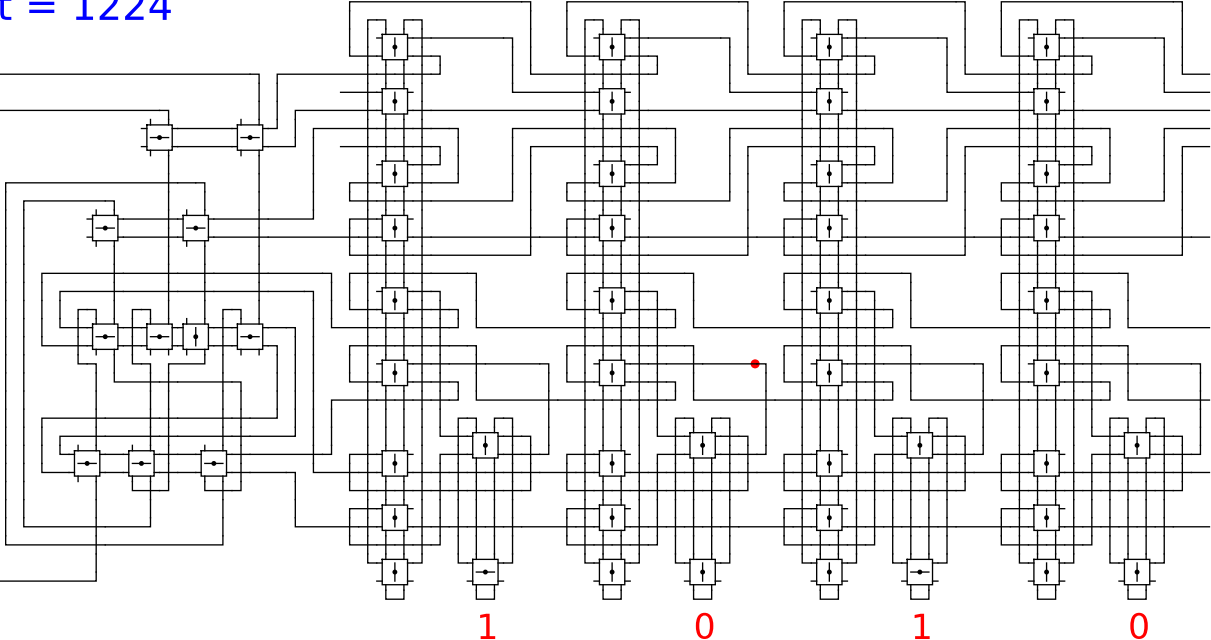
Begin



t = 1224

Reject
Accept

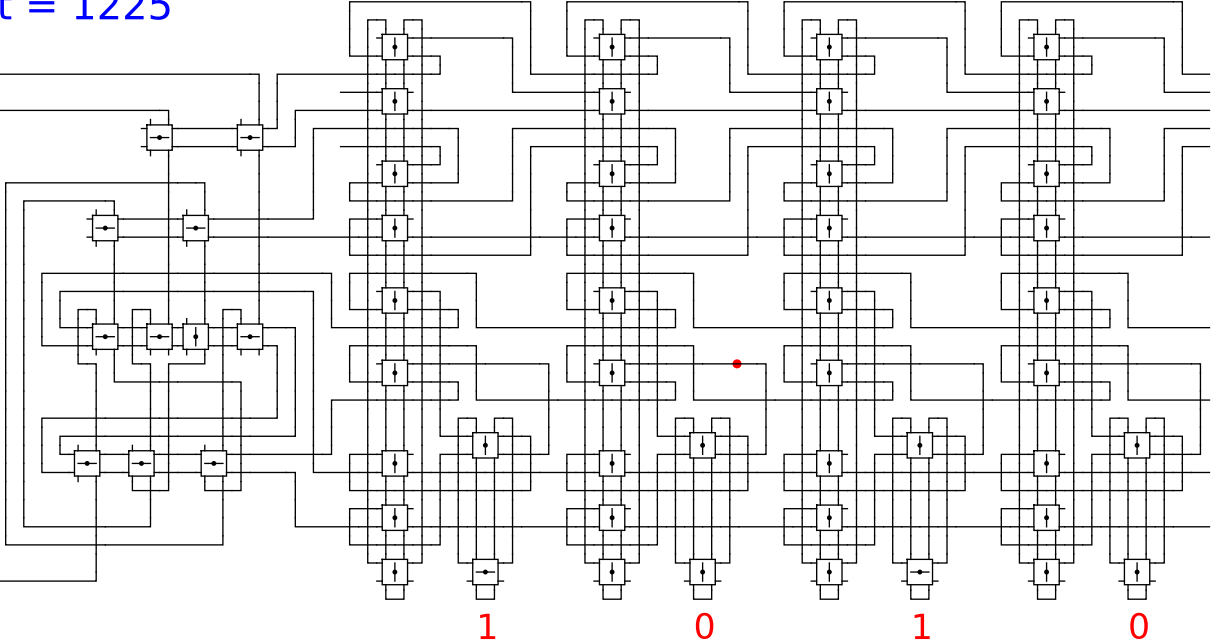
Begin



t = 1225

Reject
Accept

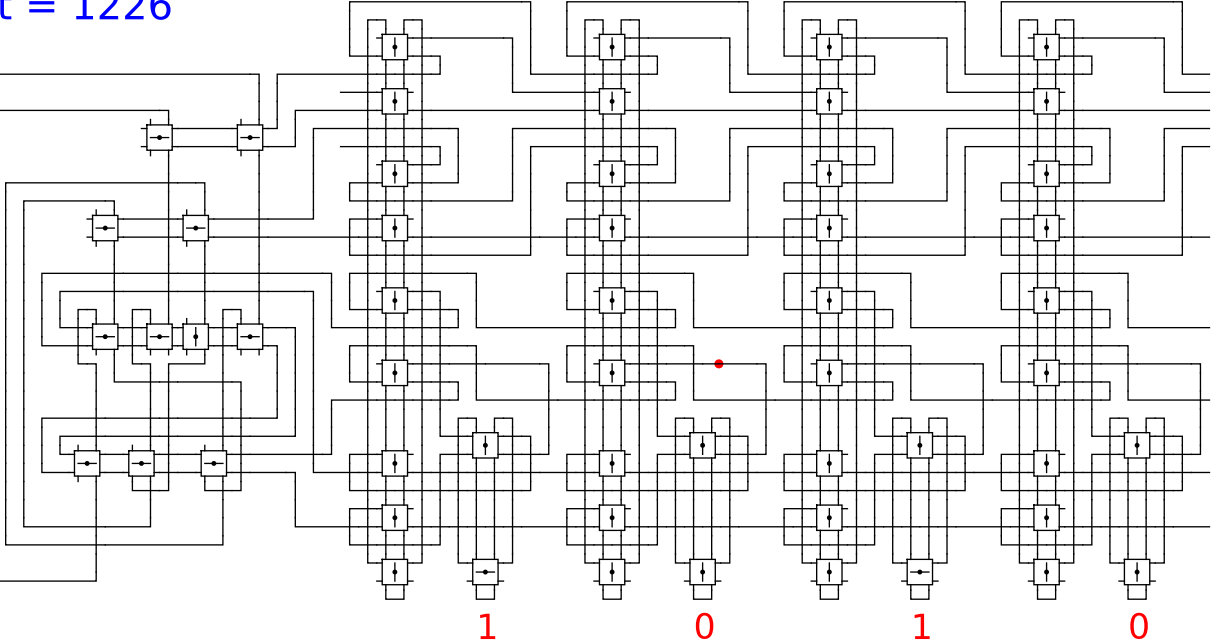
Begin



t = 1226

Reject
Accept

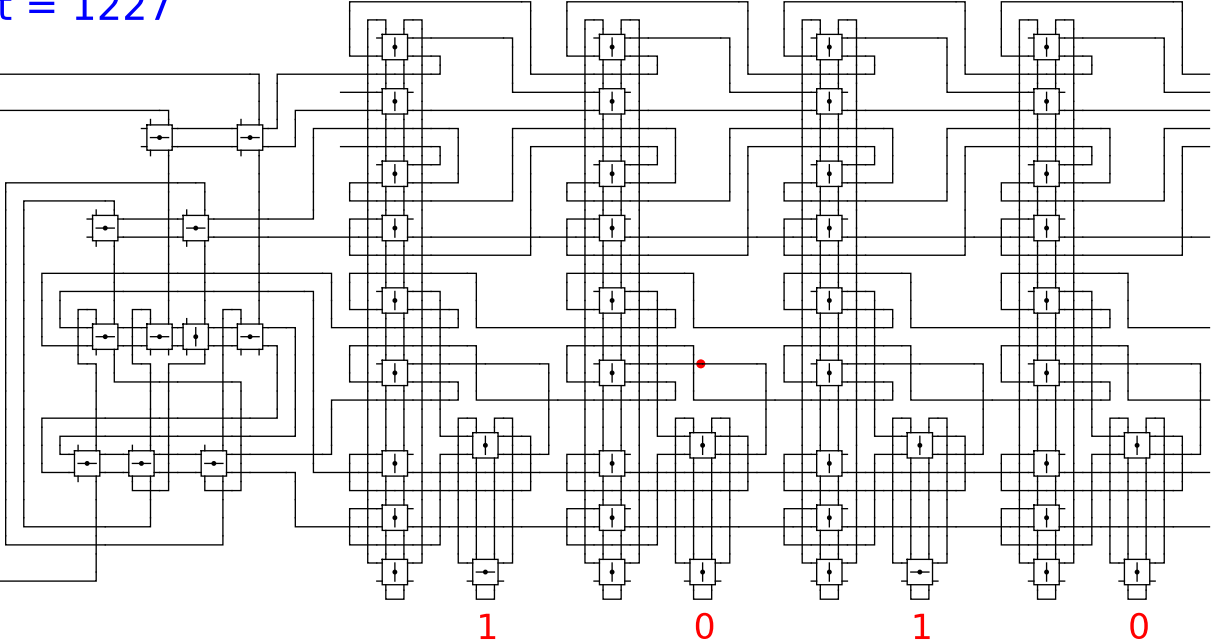
Begin



t = 1227

Reject
Accept

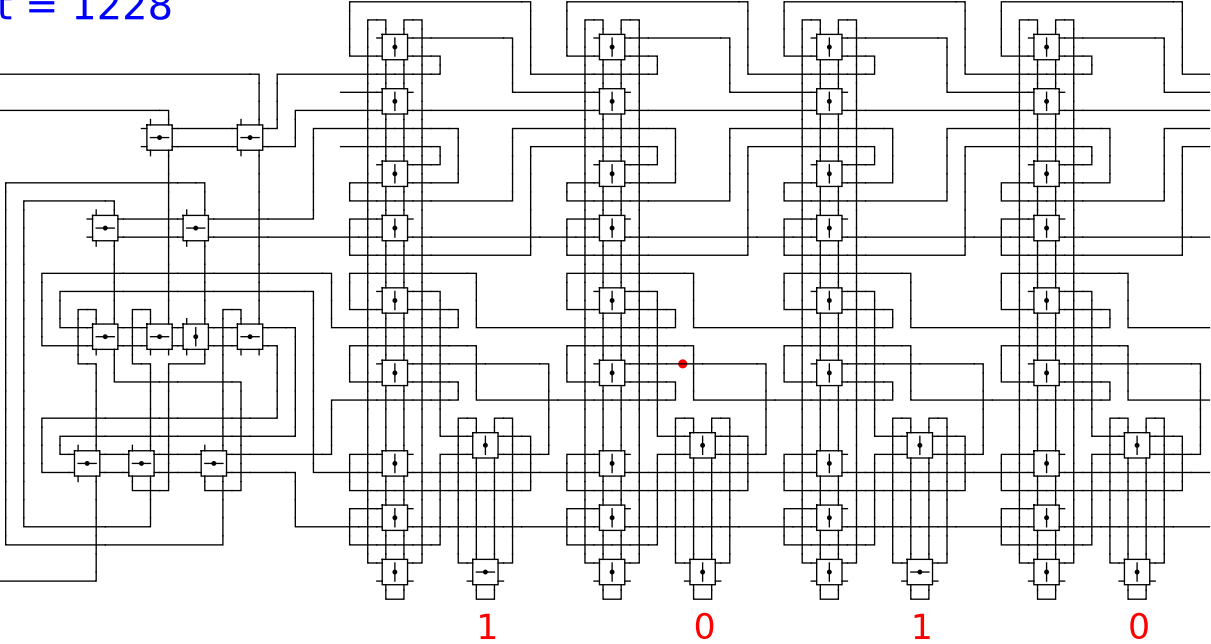
Begin



$t = 1228$

Reject
Accept

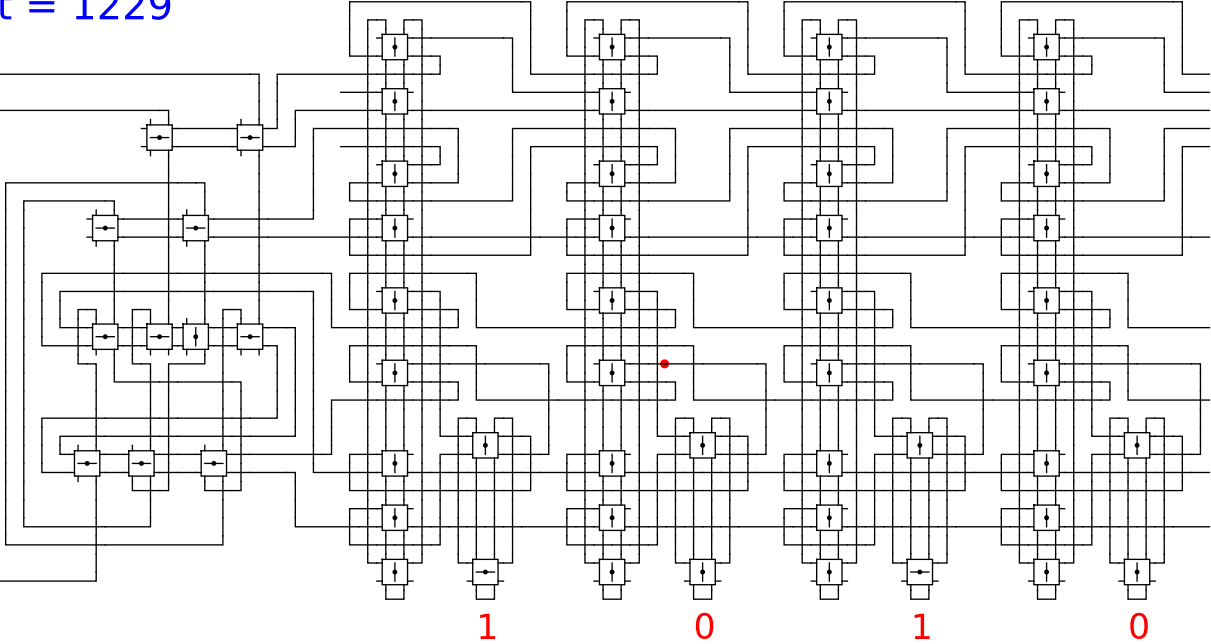
Begin



t = 1229

Reject
Accept

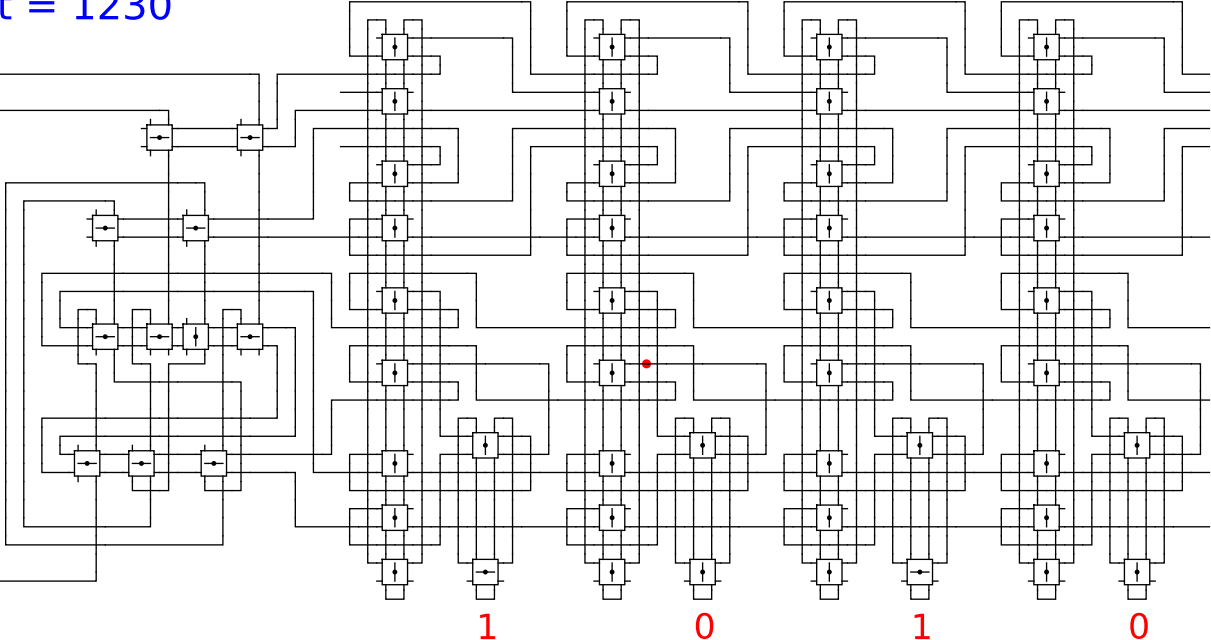
Begin



t = 1230

Reject
Accept

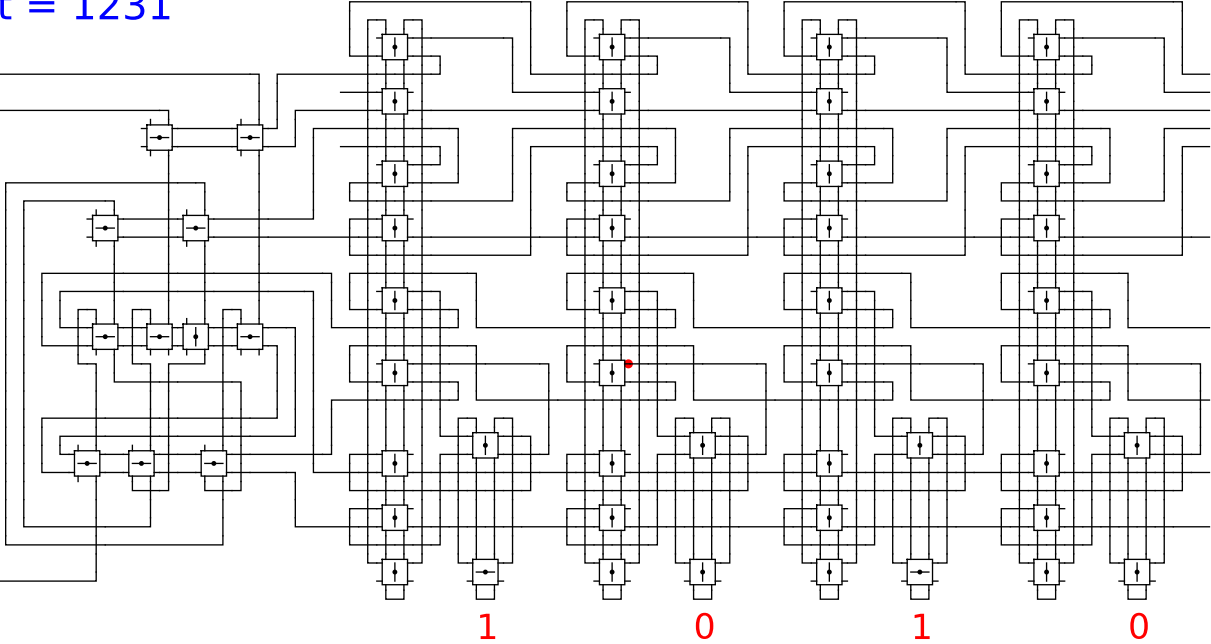
Begin



t = 1231

Reject
Accept

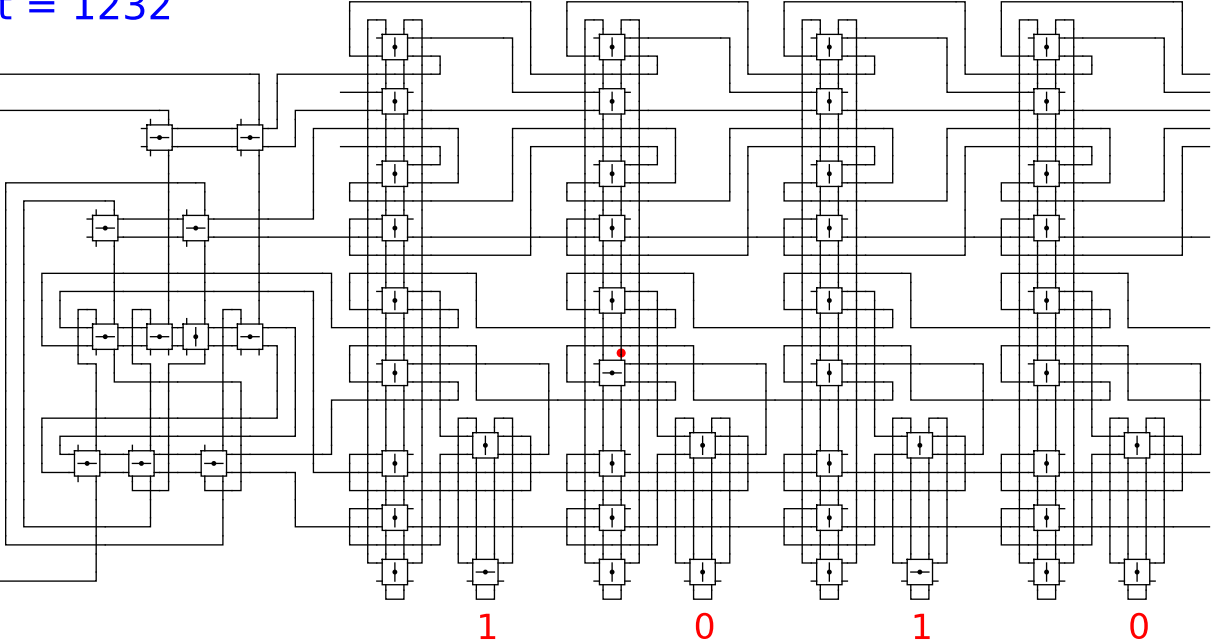
Begin



t = 1232

Reject
Accept

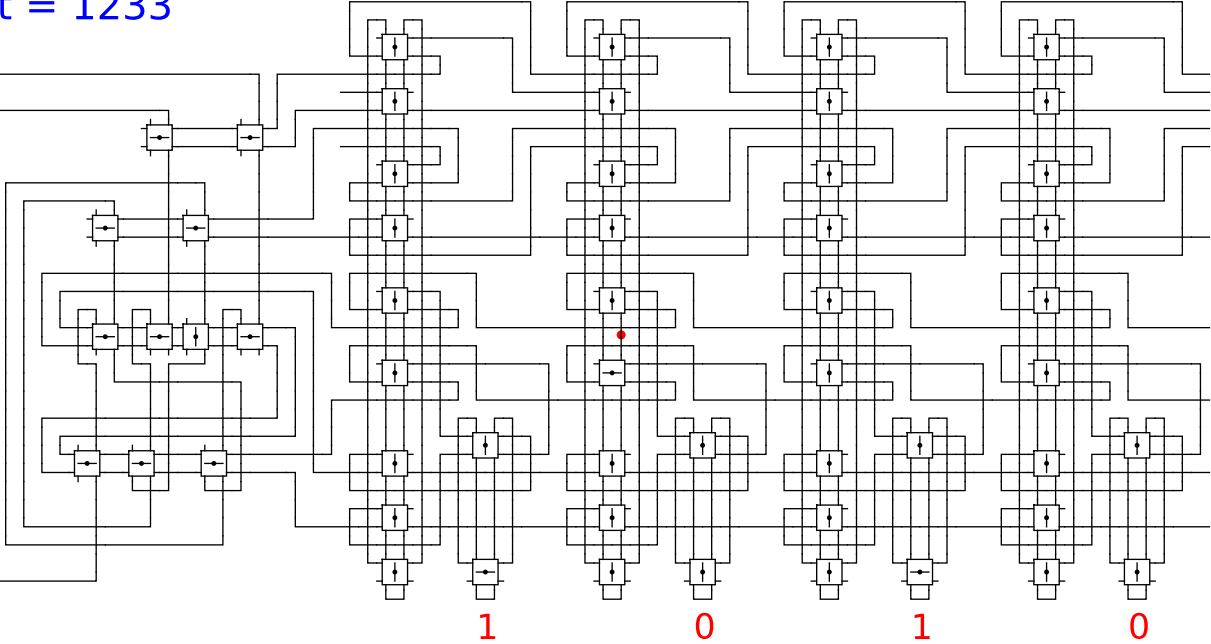
Begin



t = 1233

Reject
Accept

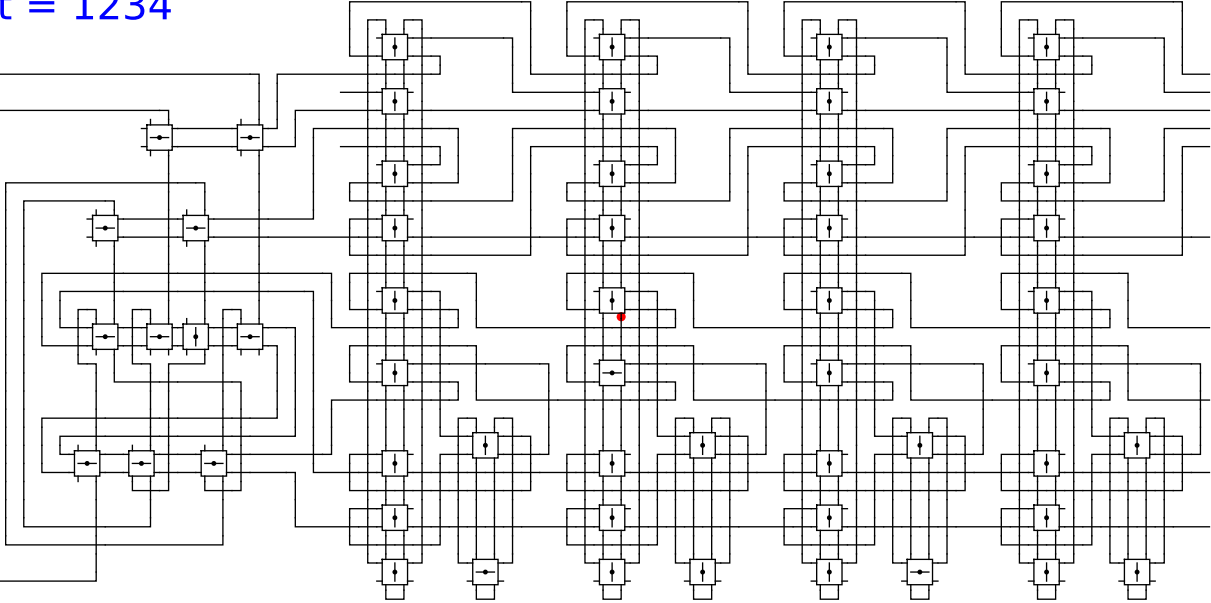
Begin



t = 1234

Reject
Accept

Begin



1

0

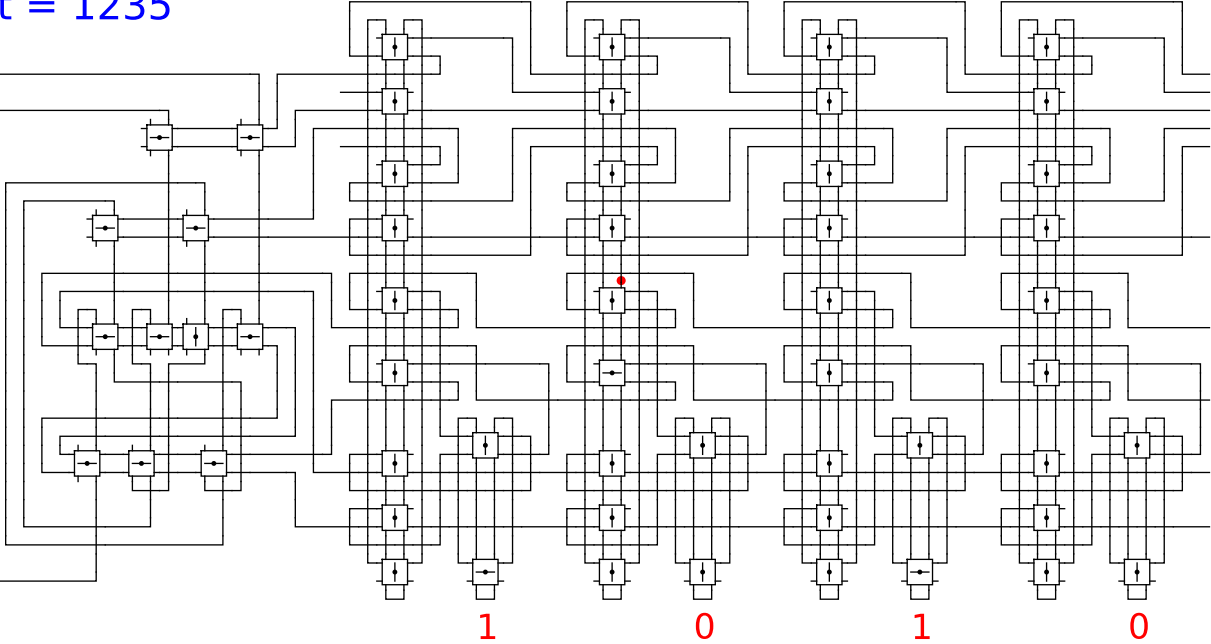
1

0

t = 1235

Reject
Accept

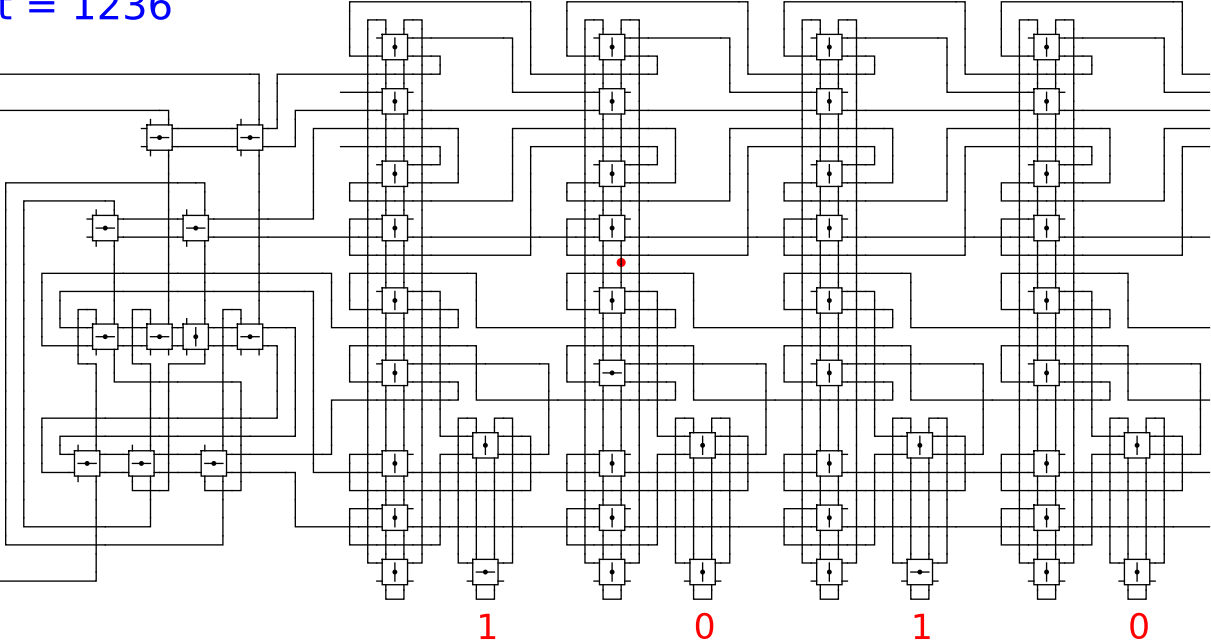
Begin



t = 1236

Reject
Accept

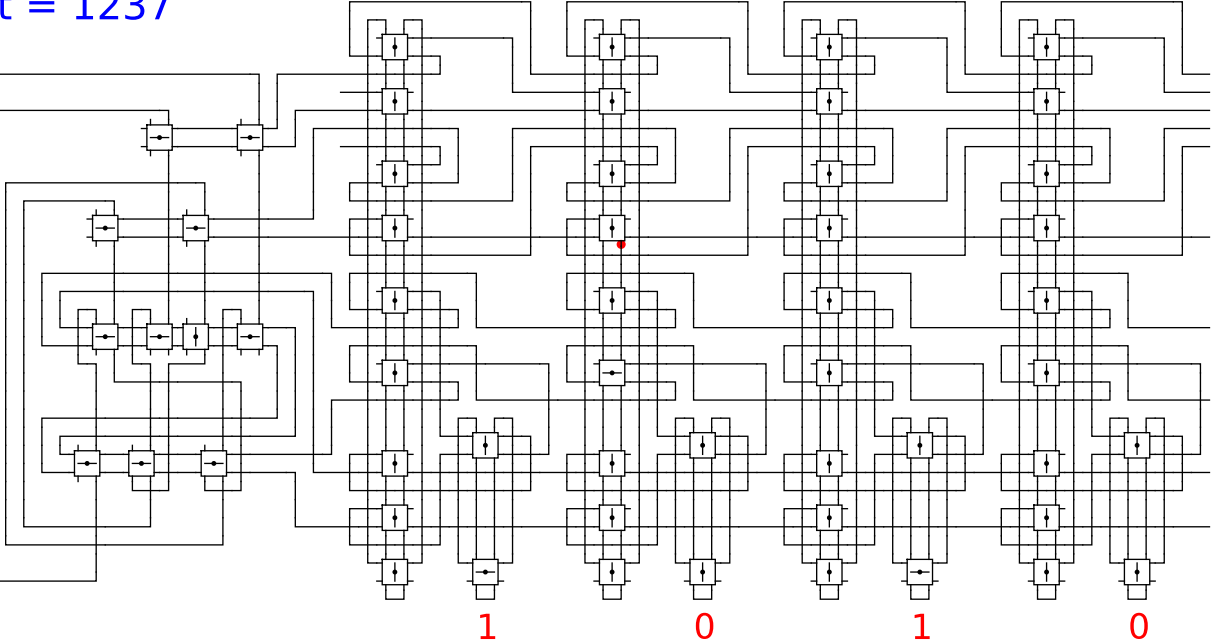
Begin



t = 1237

Reject
Accept

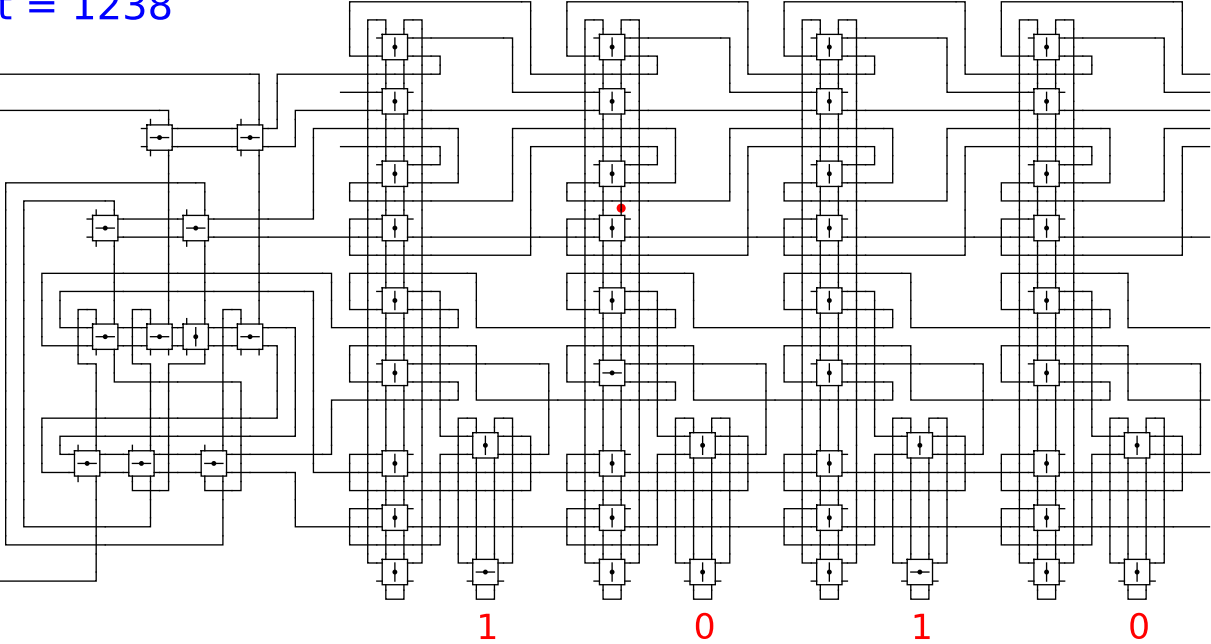
Begin



t = 1238

Reject
Accept

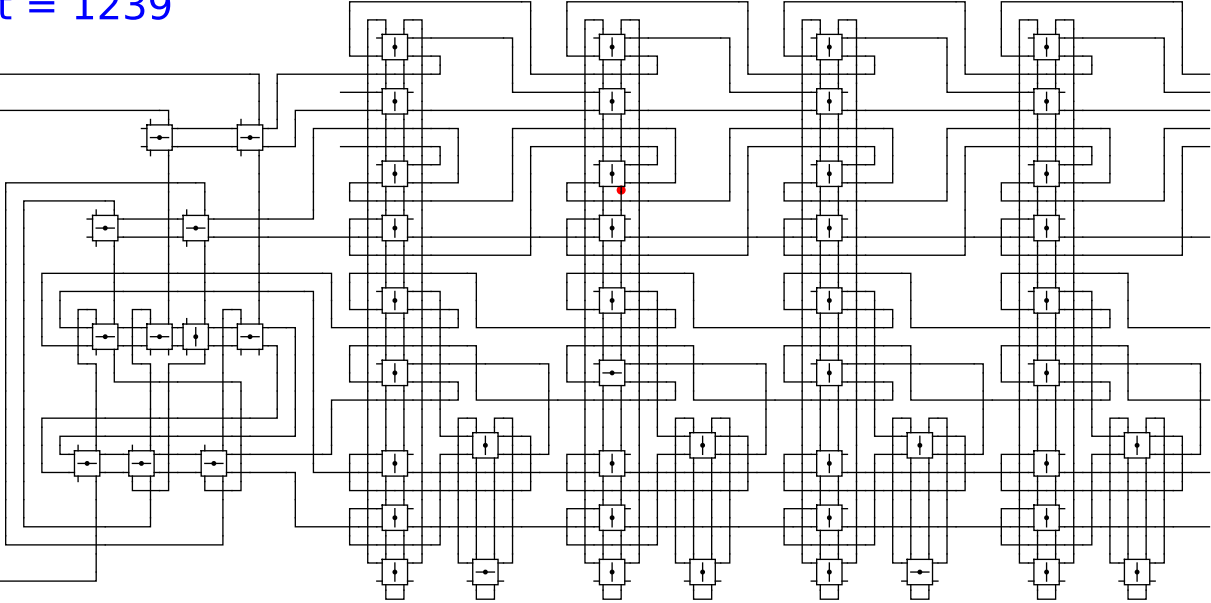
Begin



t = 1239

Reject
Accept

Begin



1

0

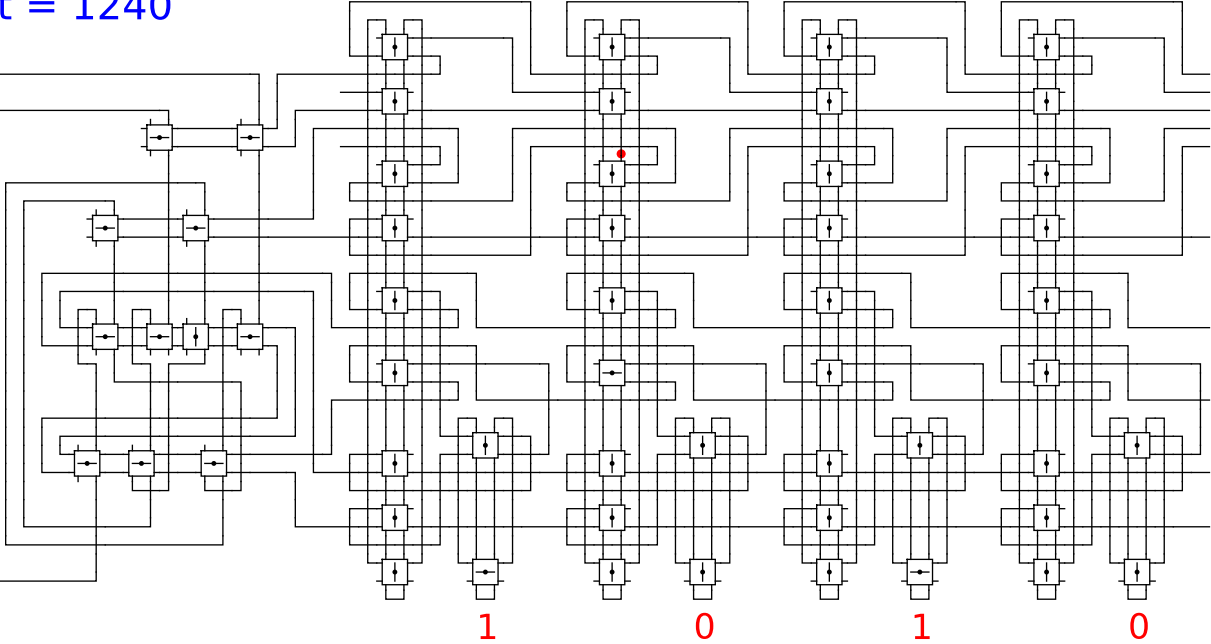
1

0

t = 1240

Reject
Accept

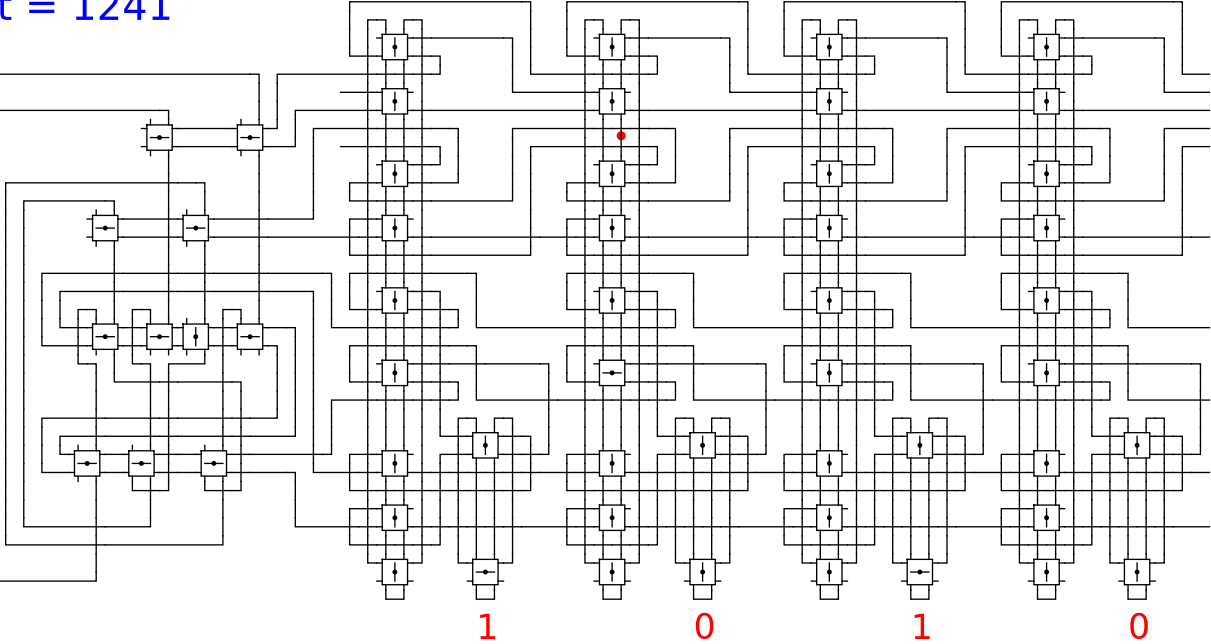
Begin



t = 1241

Reject
Accept

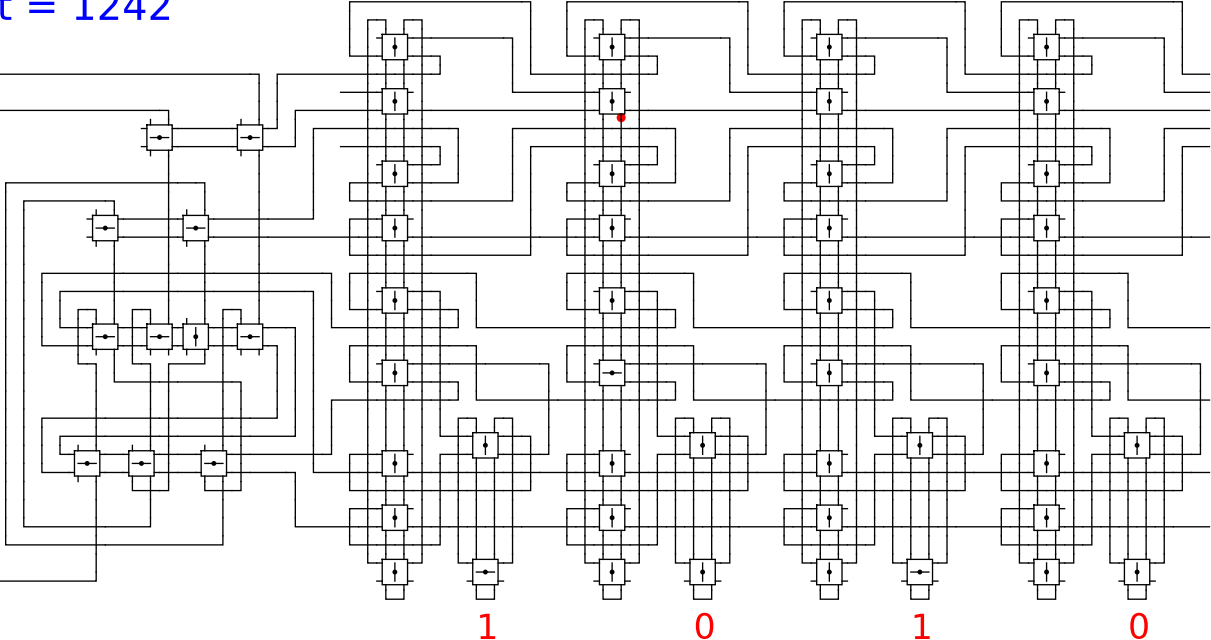
Begin



t = 1242

Reject
Accept

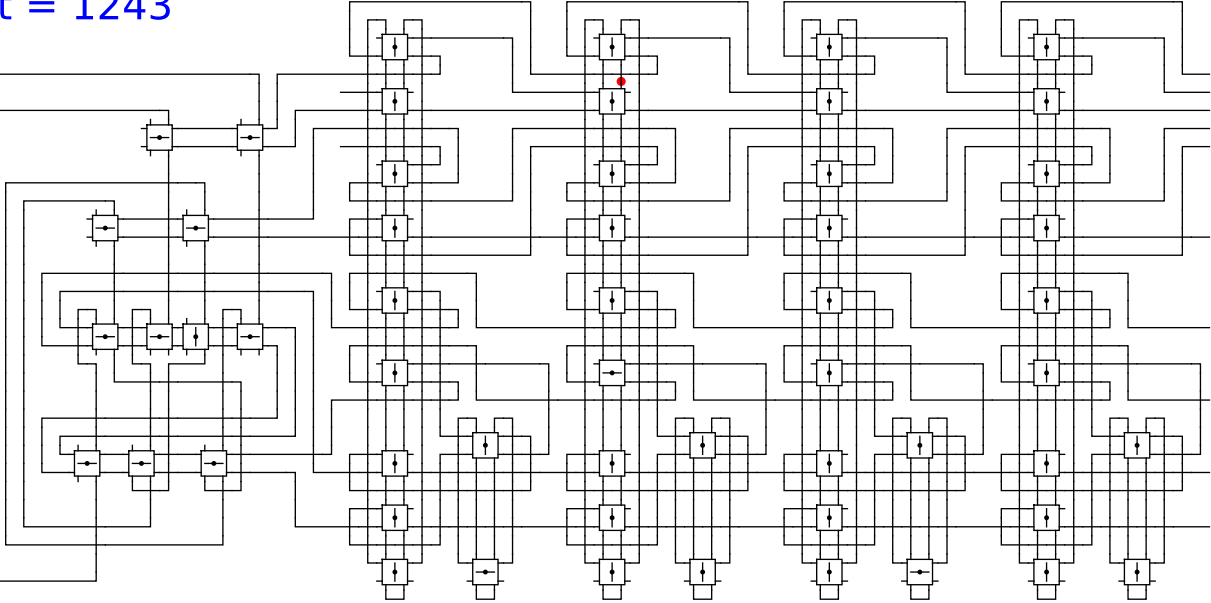
Begin



t = 1243

Reject
Accept

Begin



1

0

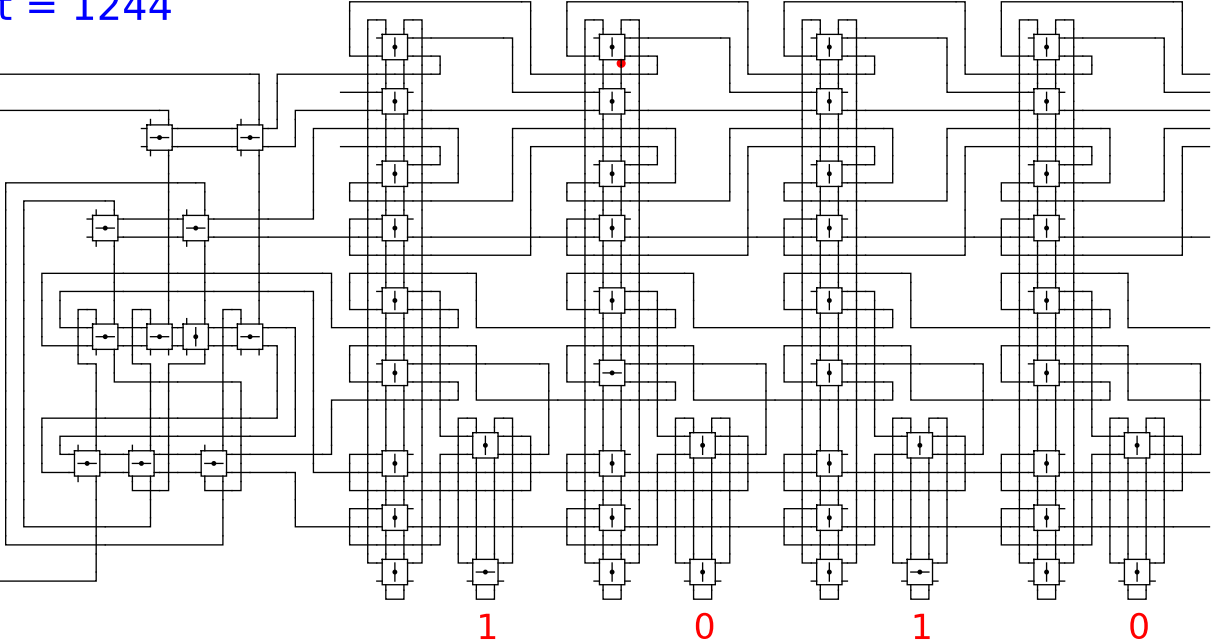
1

0

t = 1244

Reject
Accept

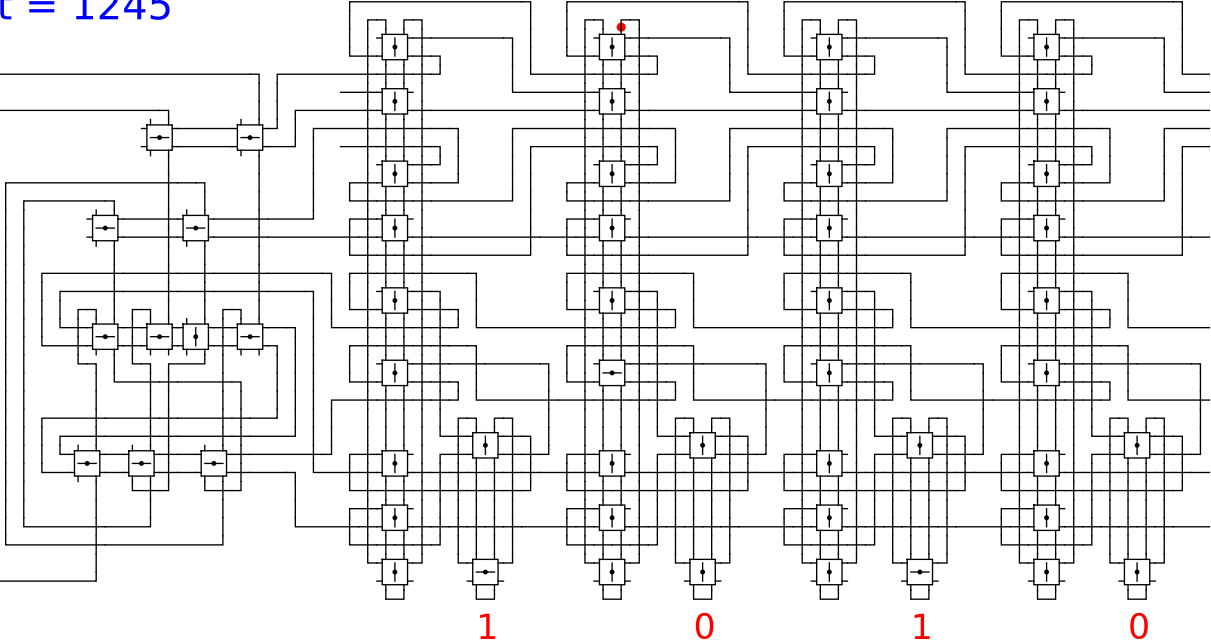
Begin



t = 1245

Reject
Accept

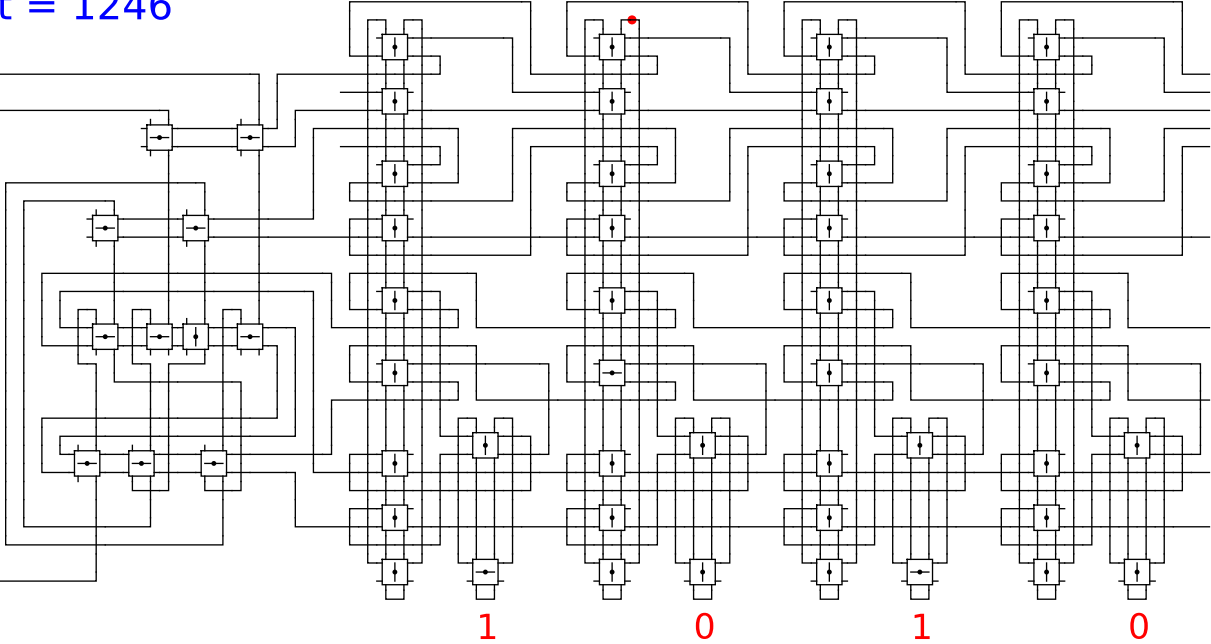
Begin



t = 1246

Reject
Accept

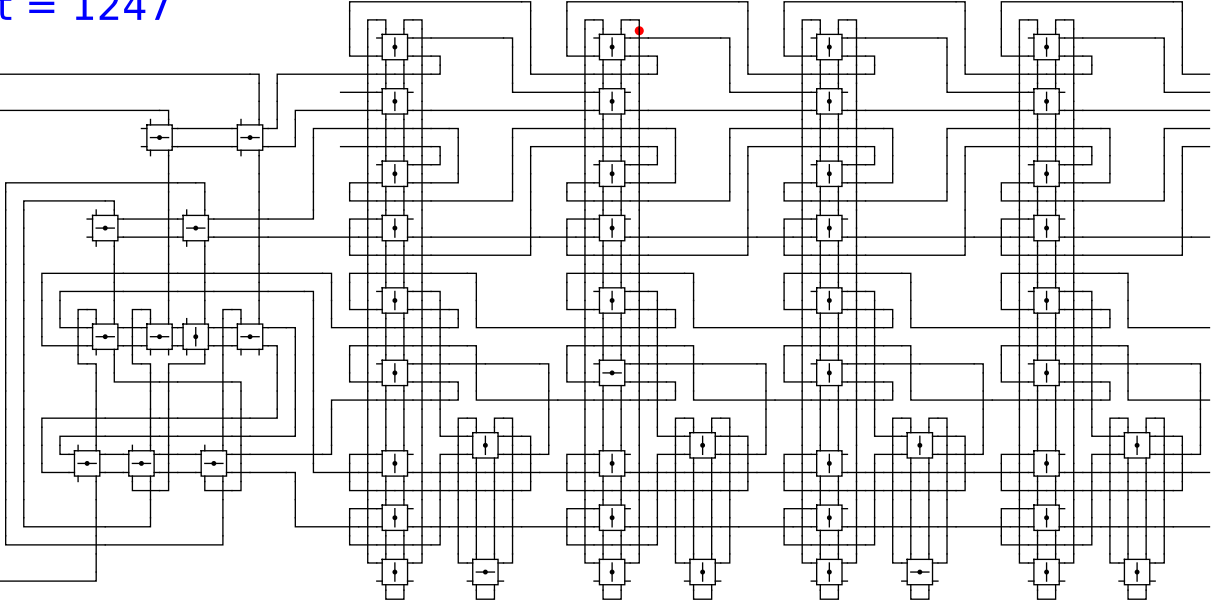
Begin



t = 1247

Reject
Accept

Begin



1

0

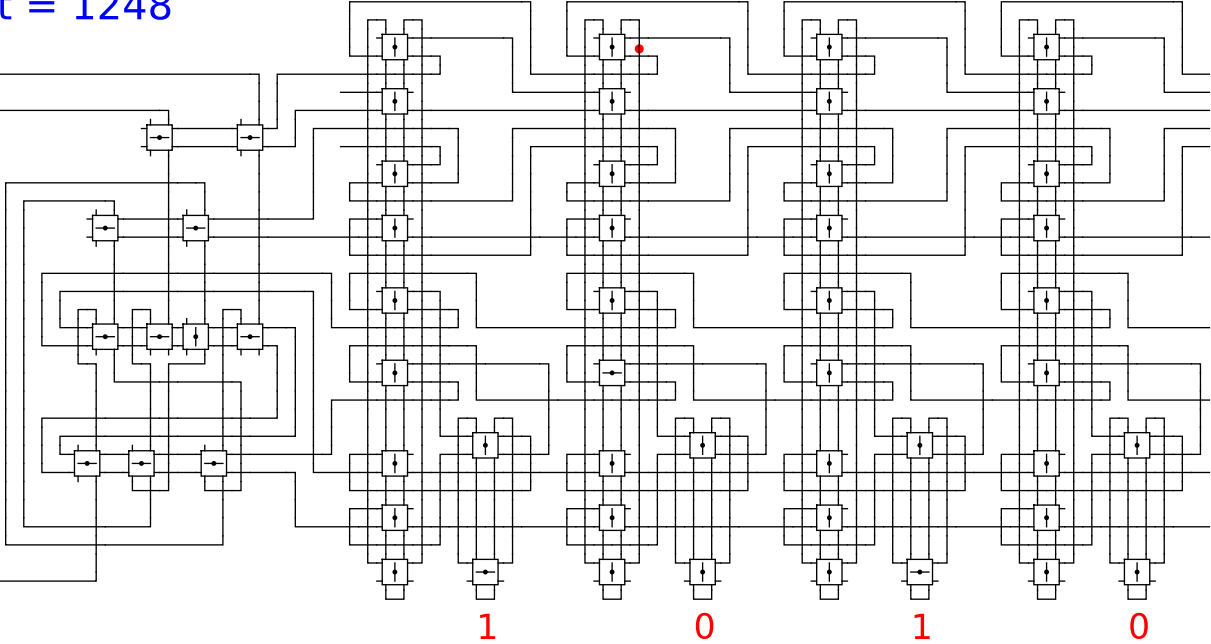
1

0

t = 1248

Reject
Accept

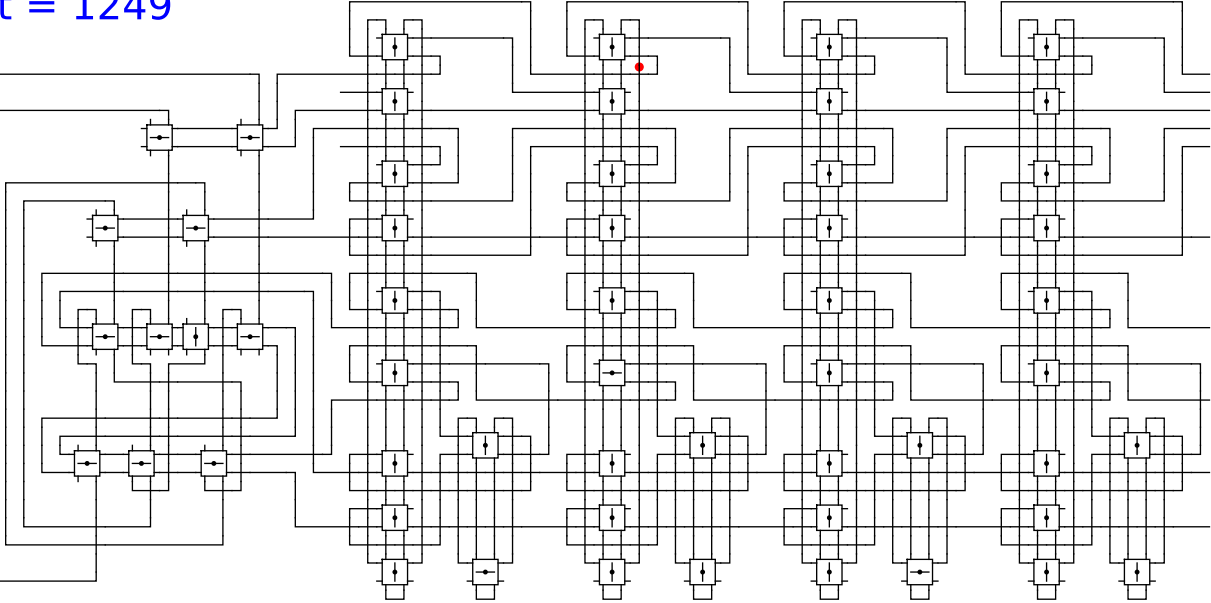
Begin



t = 1249

Reject
Accept

Begin



1

0

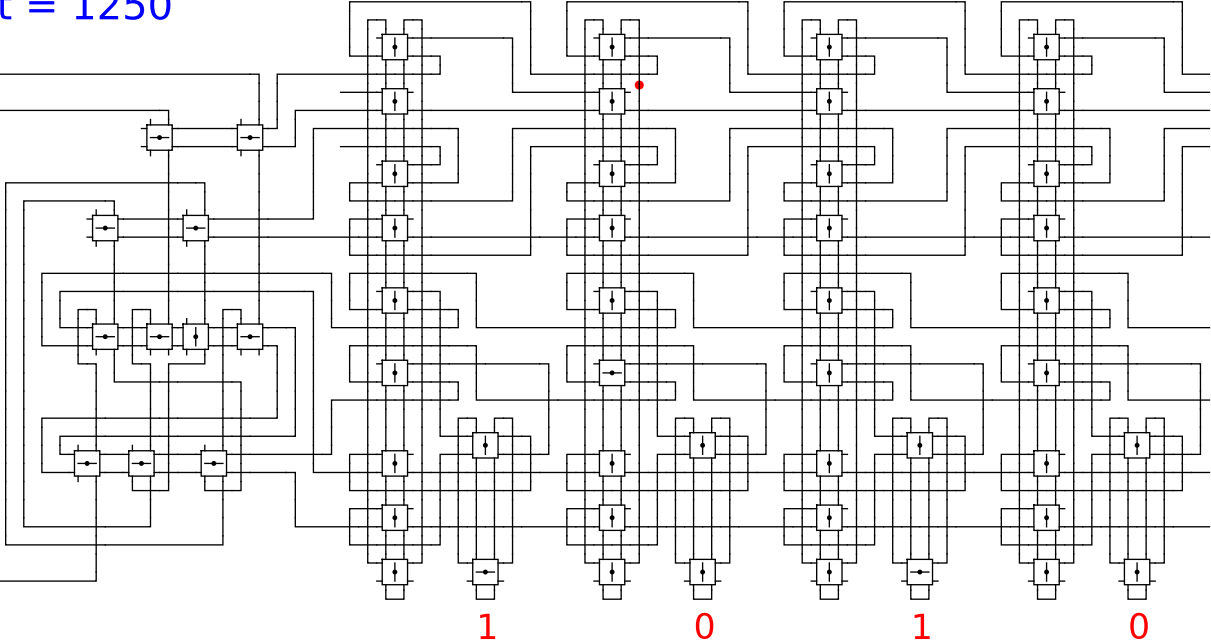
1

0

$t = 1250$

Reject
Accept

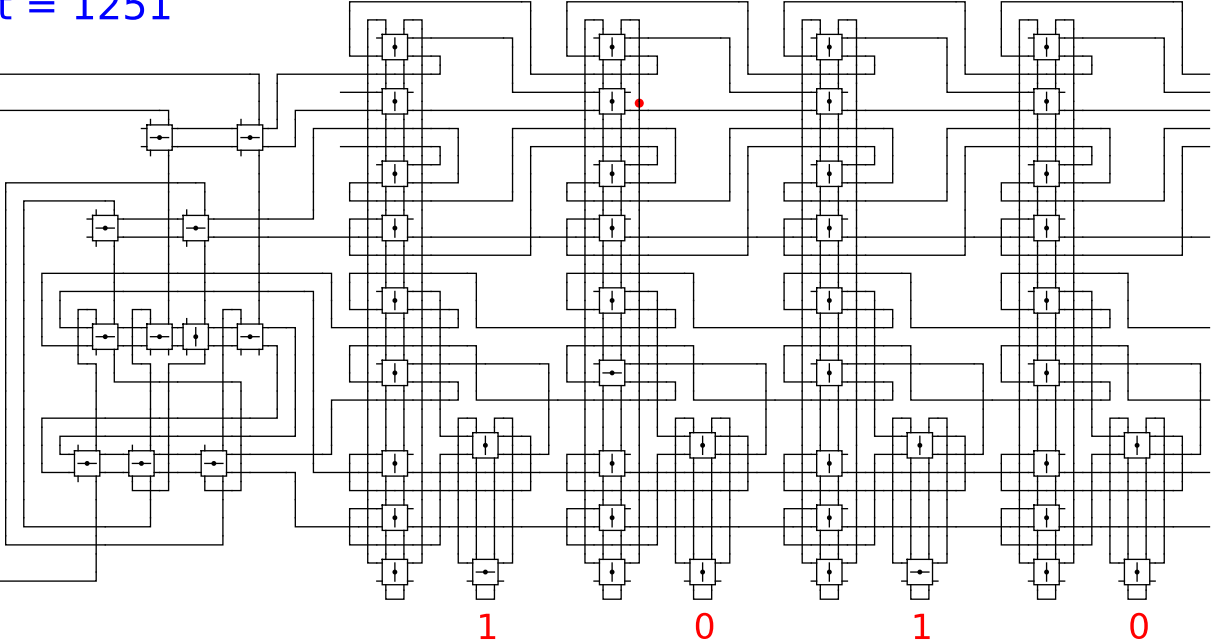
Begin



t = 1251

Reject
Accept

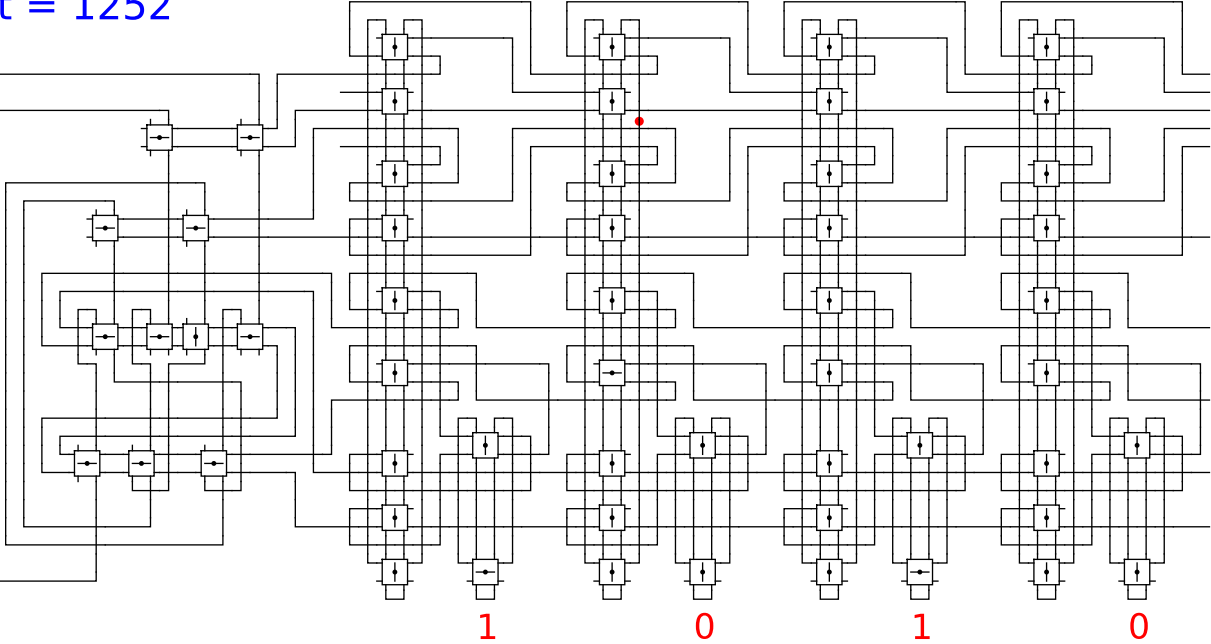
Begin



$t = 1252$

Reject
Accept

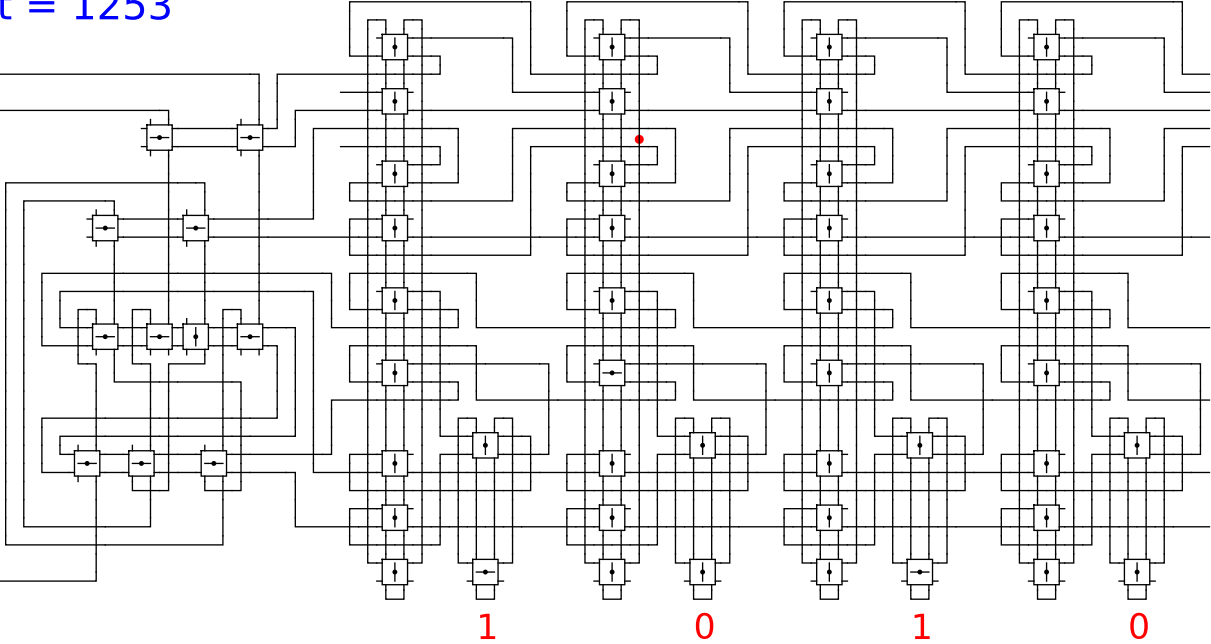
Begin



$t = 1253$

Reject
Accept

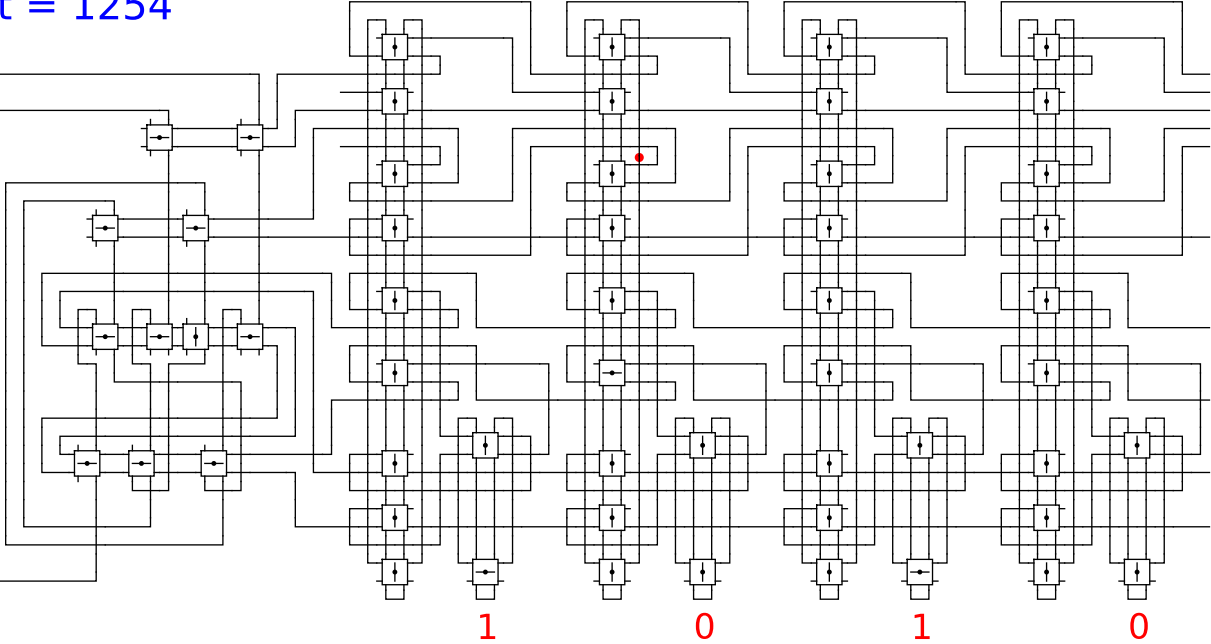
Begin



$t = 1254$

Reject
Accept

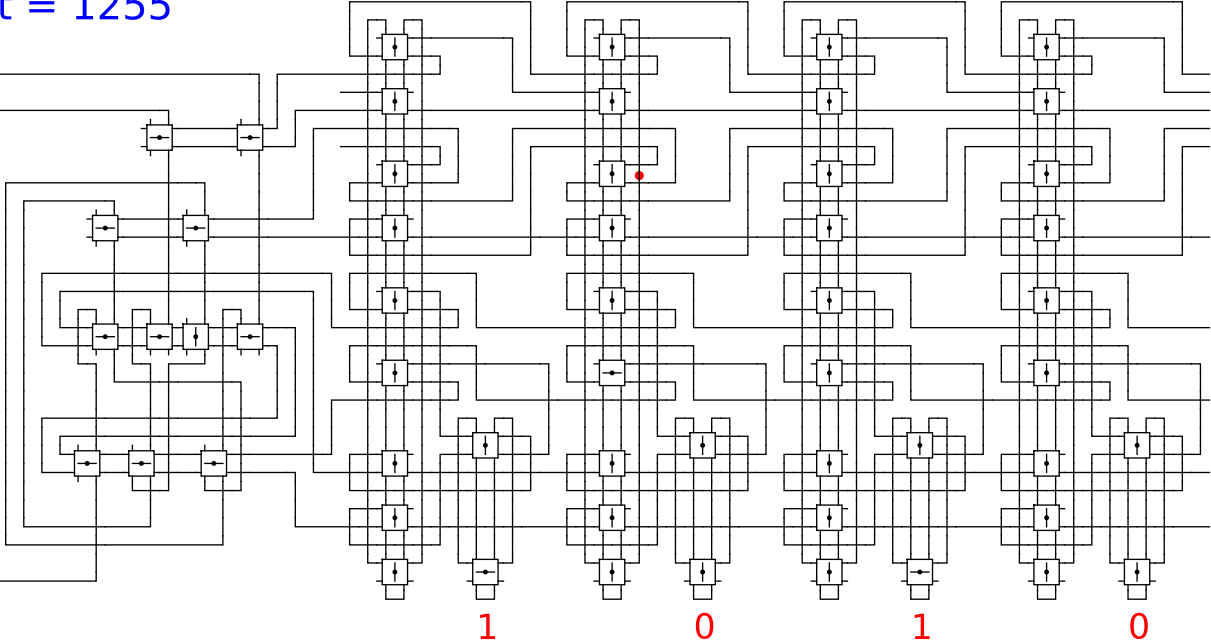
Begin



t = 1255

Reject
Accept

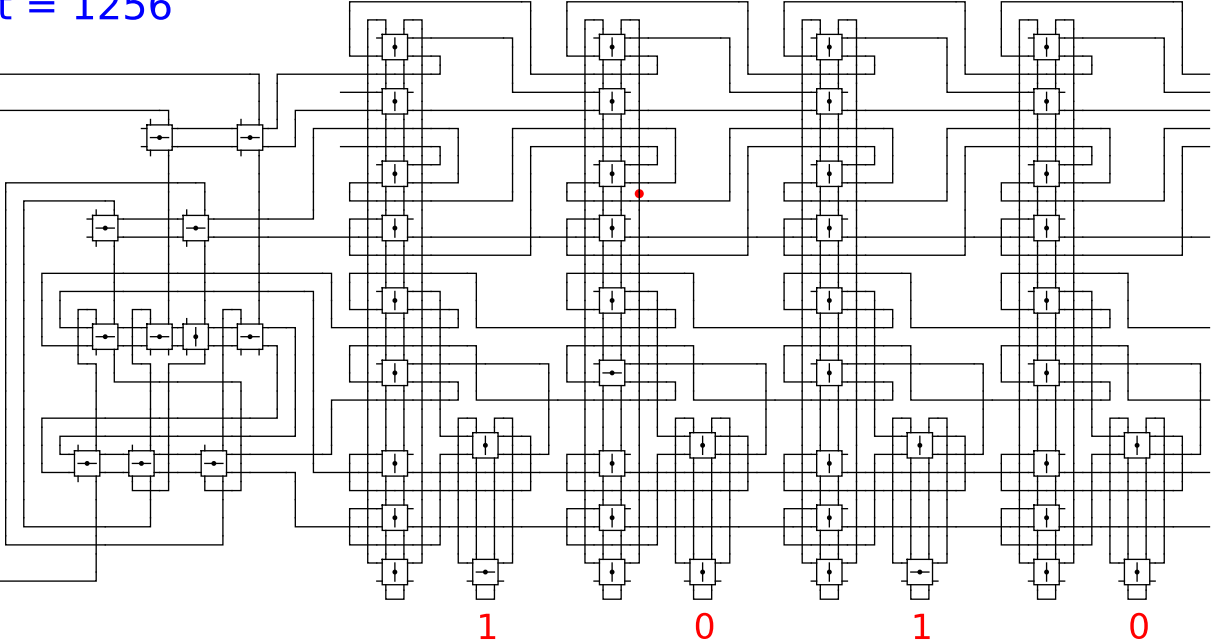
Begin



t = 1256

Reject
Accept

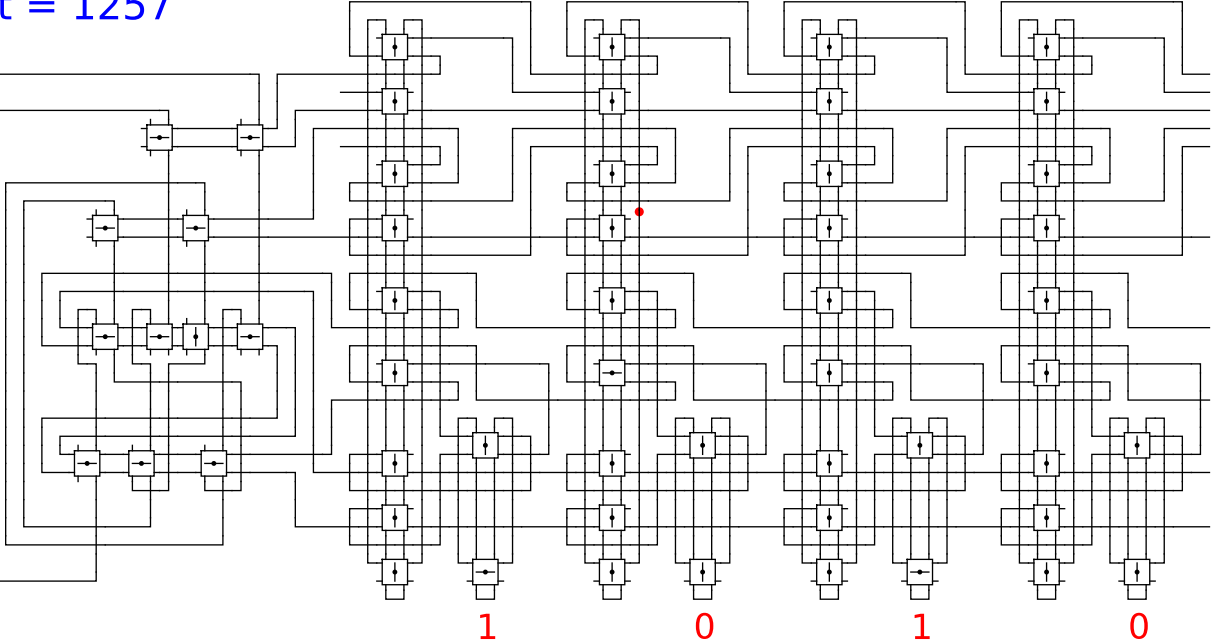
Begin



t = 1257

Reject
Accept

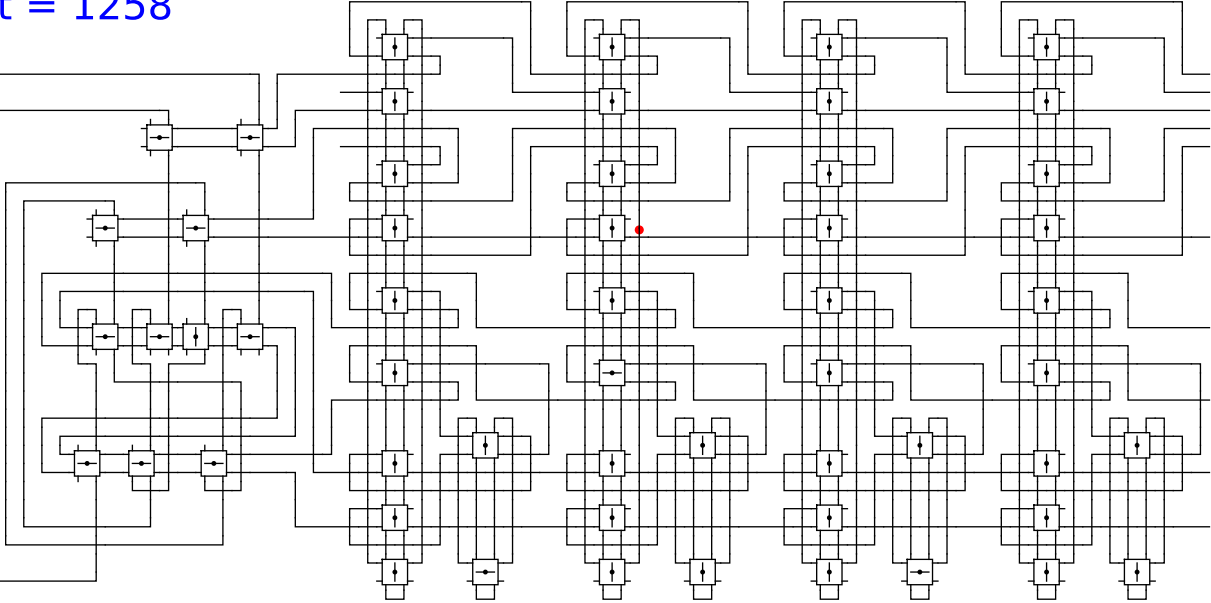
Begin



t = 1258

Reject
Accept

Begin



1

0

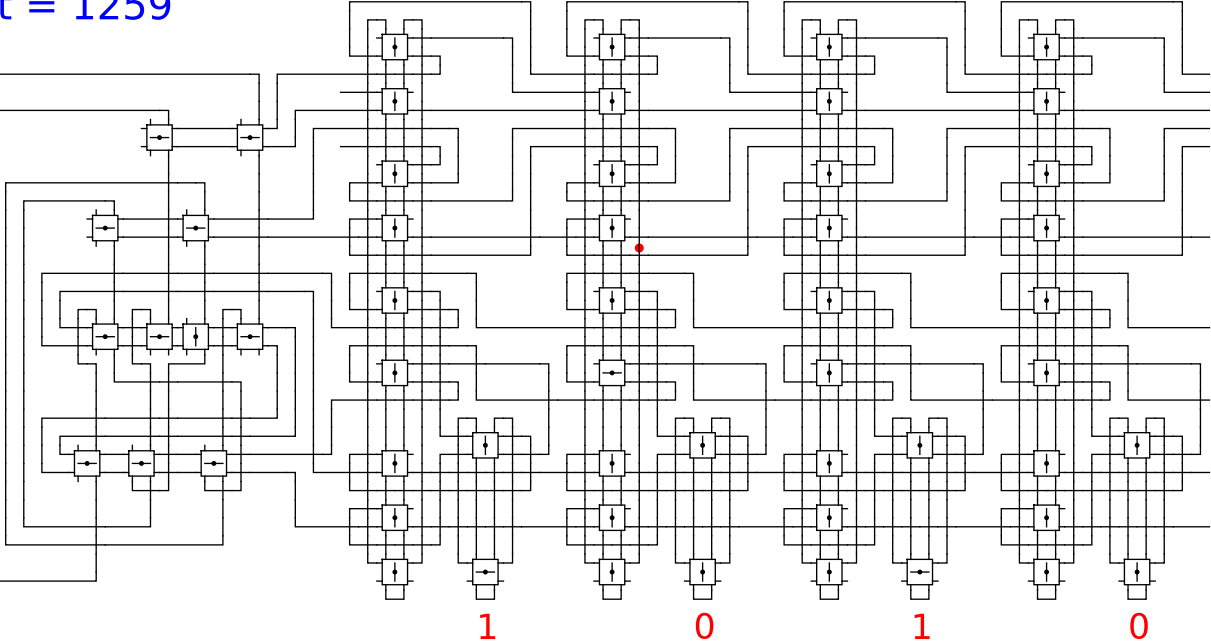
1

0

t = 1259

Reject
Accept

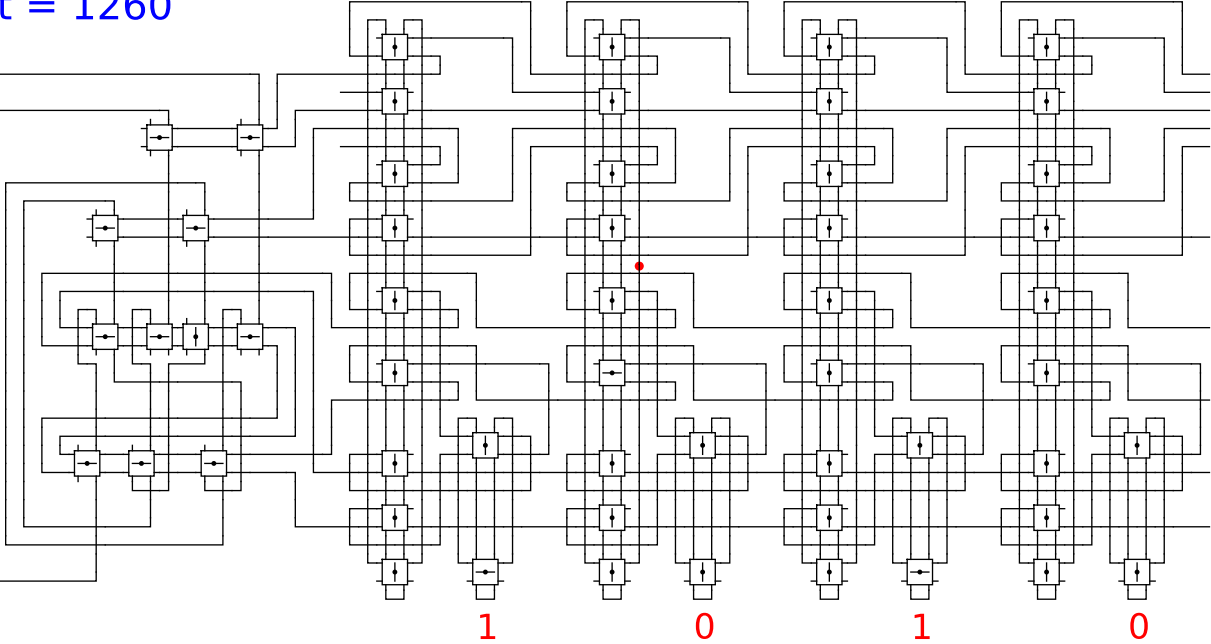
Begin



t = 1260

Reject
Accept

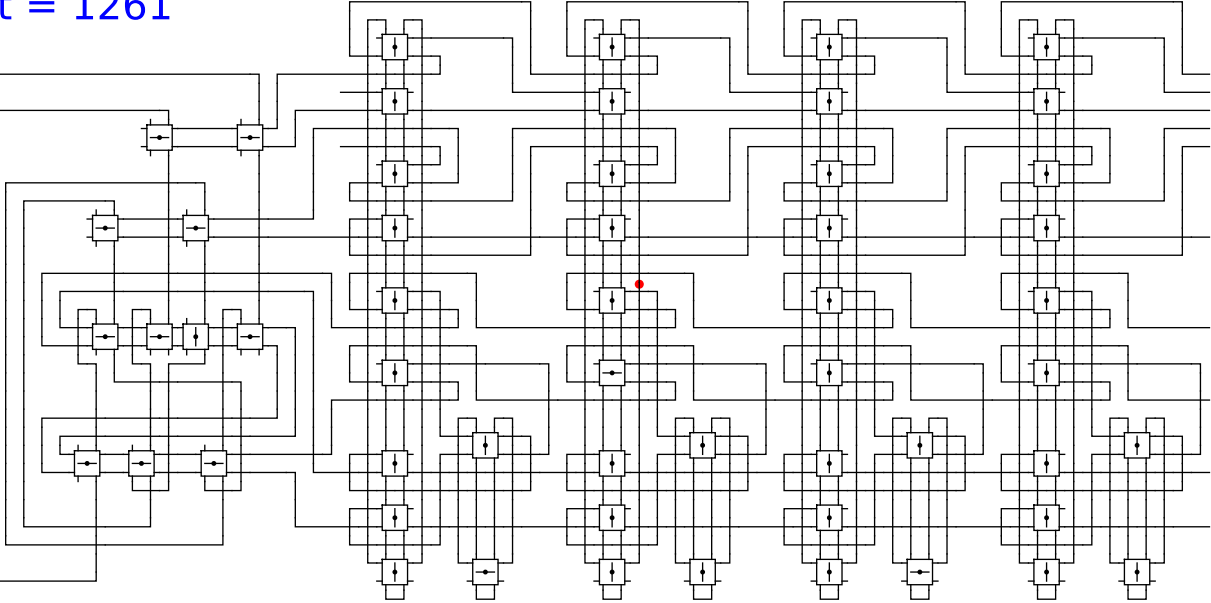
Begin



t = 1261

Reject
Accept

Begin



1

0

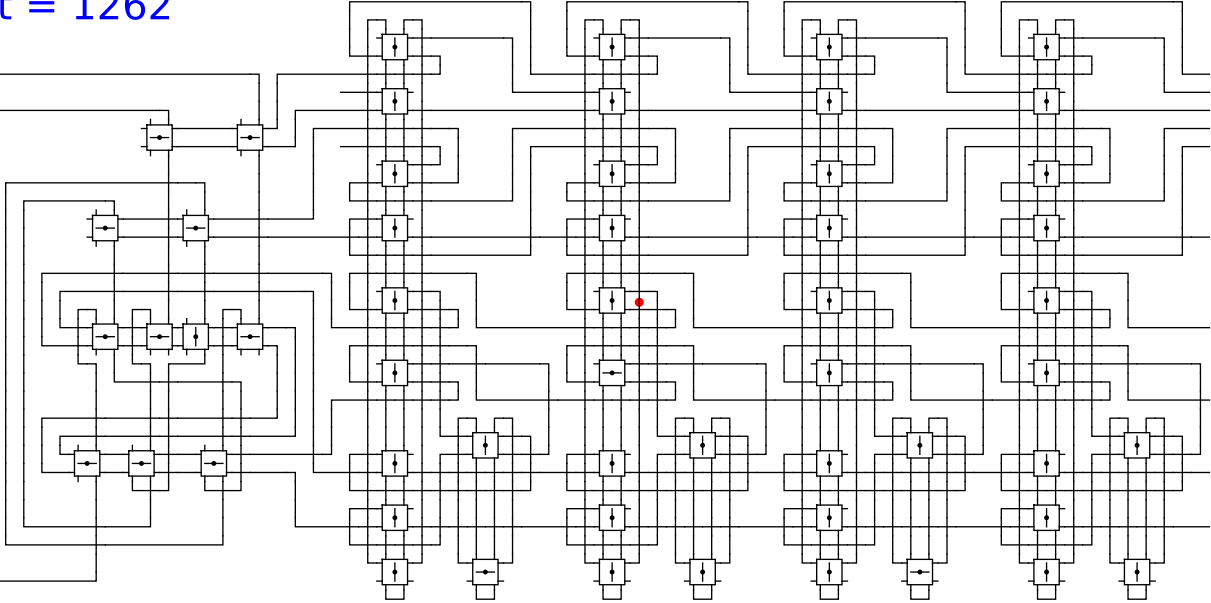
1

0

t = 1262

Reject
Accept

Begin



1

0

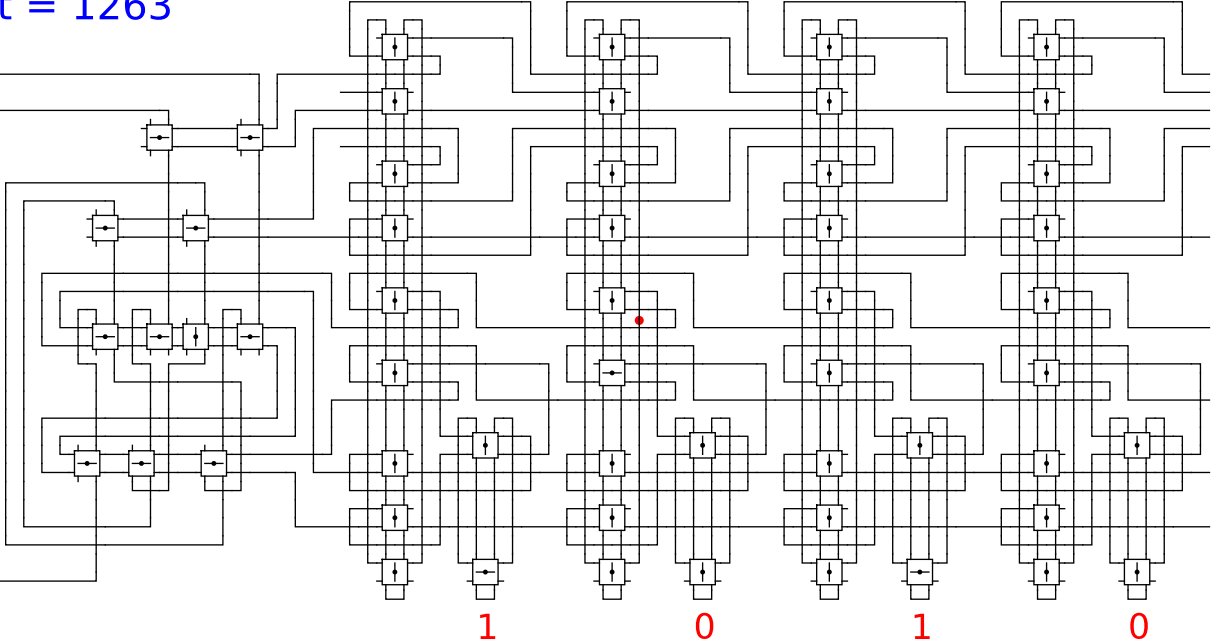
1

0

t = 1263

Reject
Accept

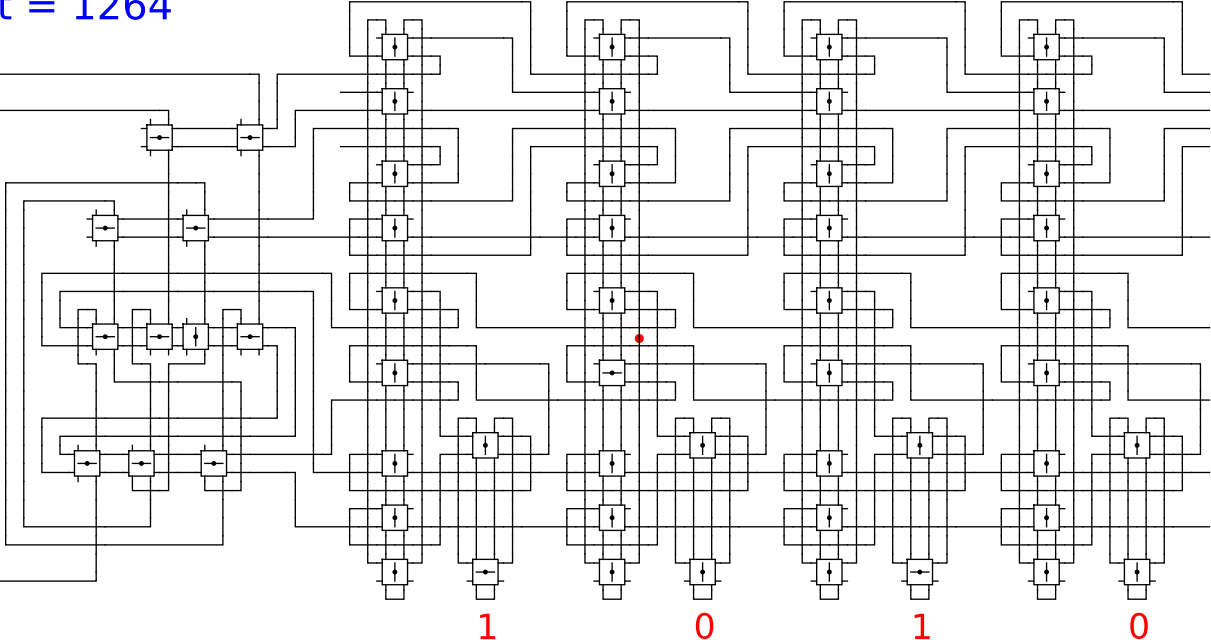
Begin



t = 1264

Reject
Accept

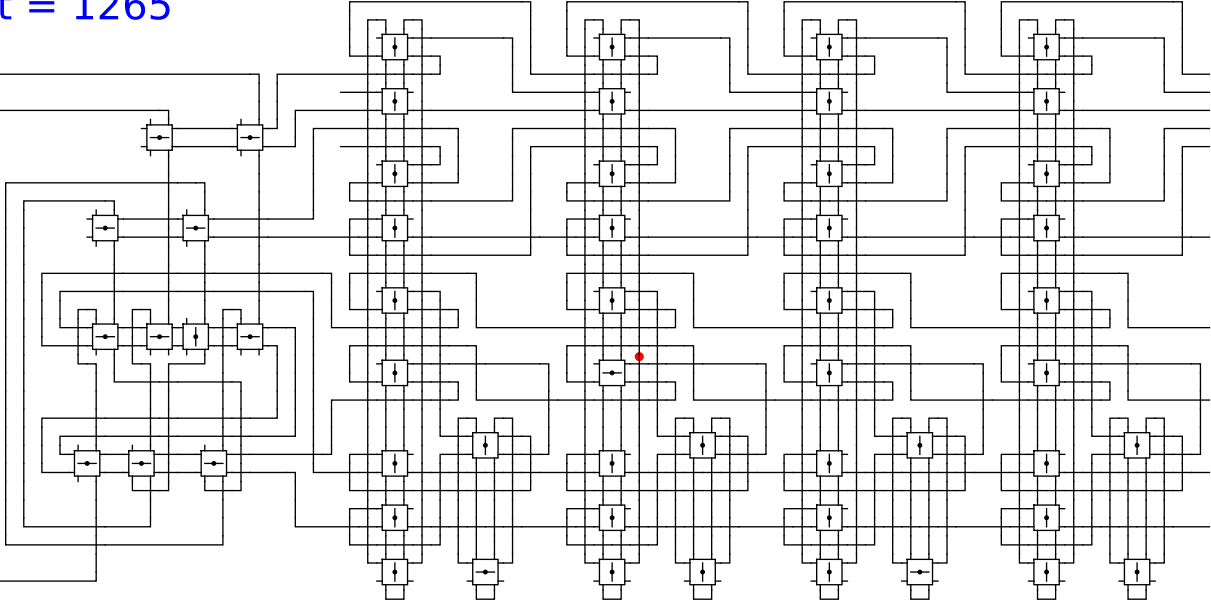
Begin



t = 1265

Reject
Accept

Begin



1

0

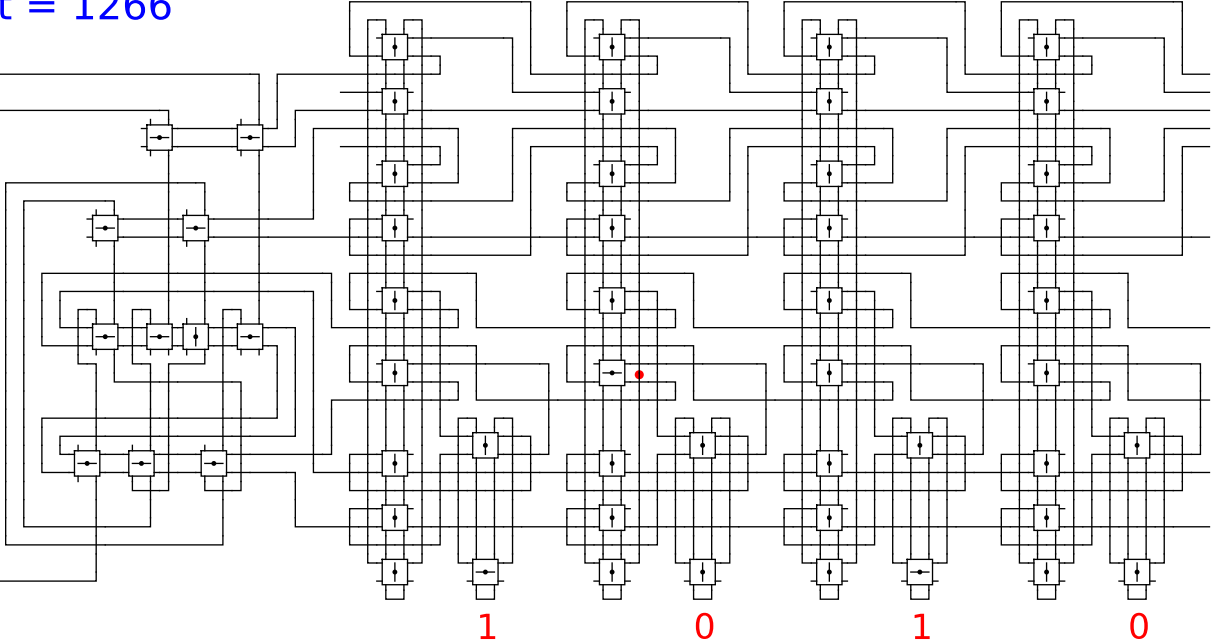
1

0

t = 1266

Reject
Accept

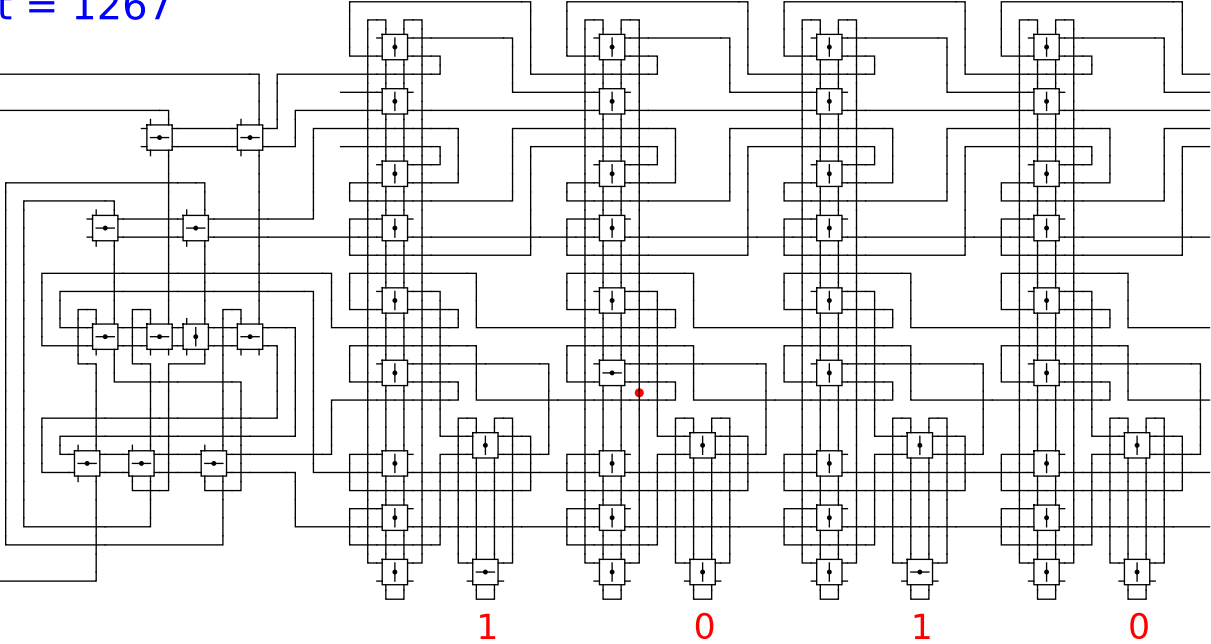
Begin



t = 1267

Reject
Accept

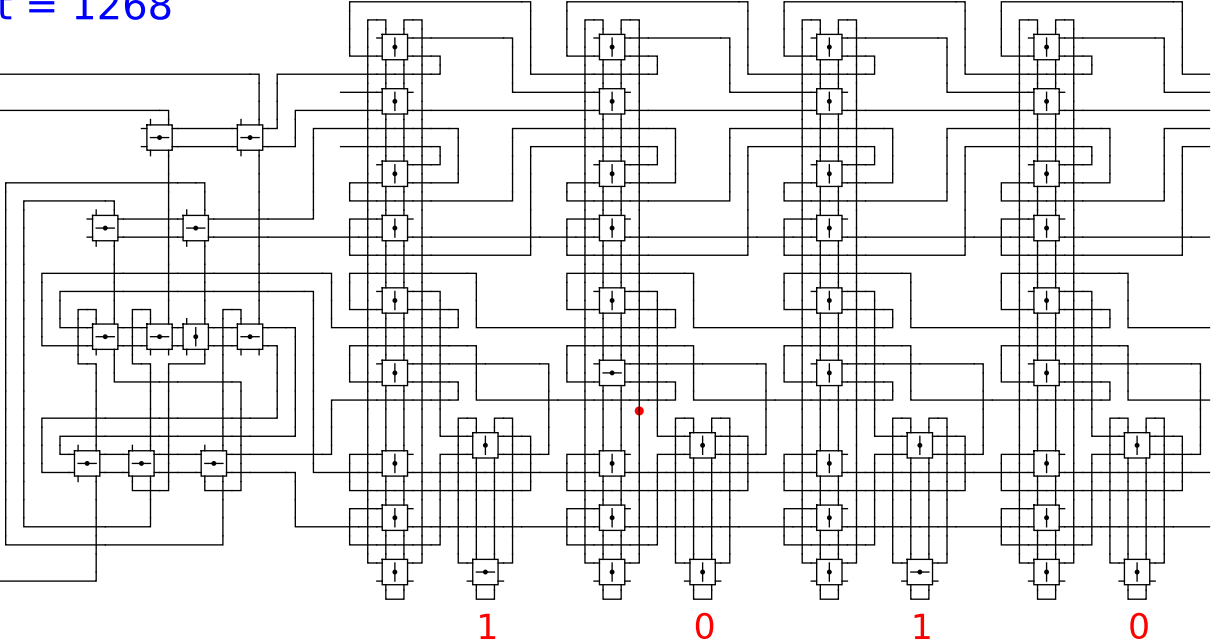
Begin



t = 1268

Reject
Accept

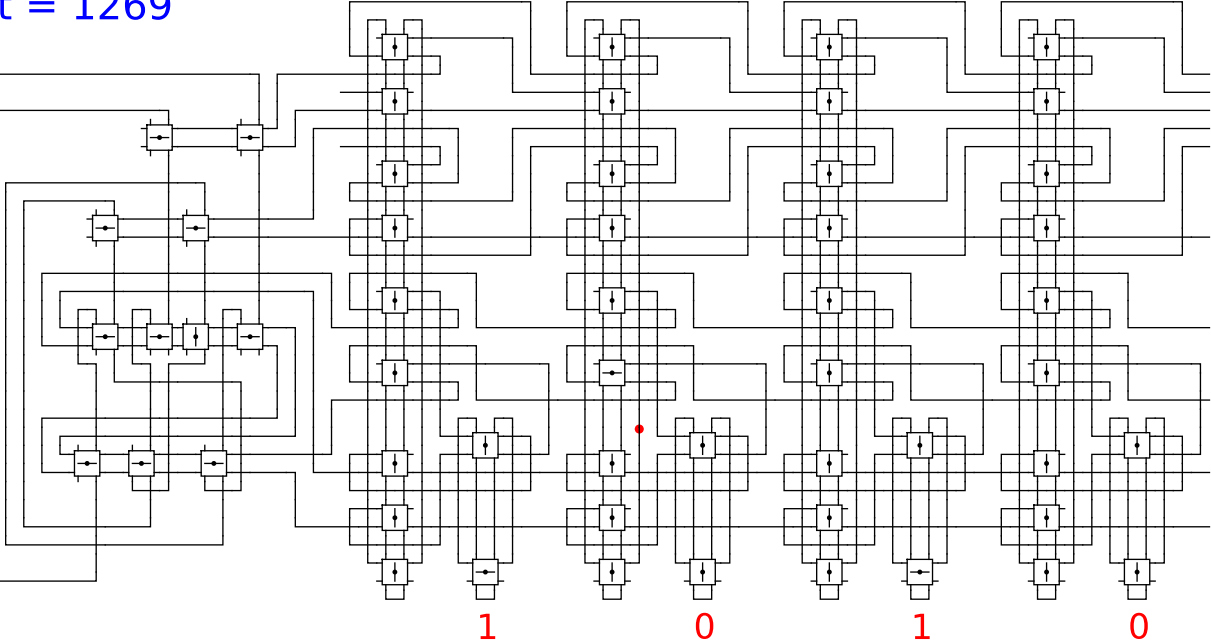
Begin



t = 1269

Reject
Accept

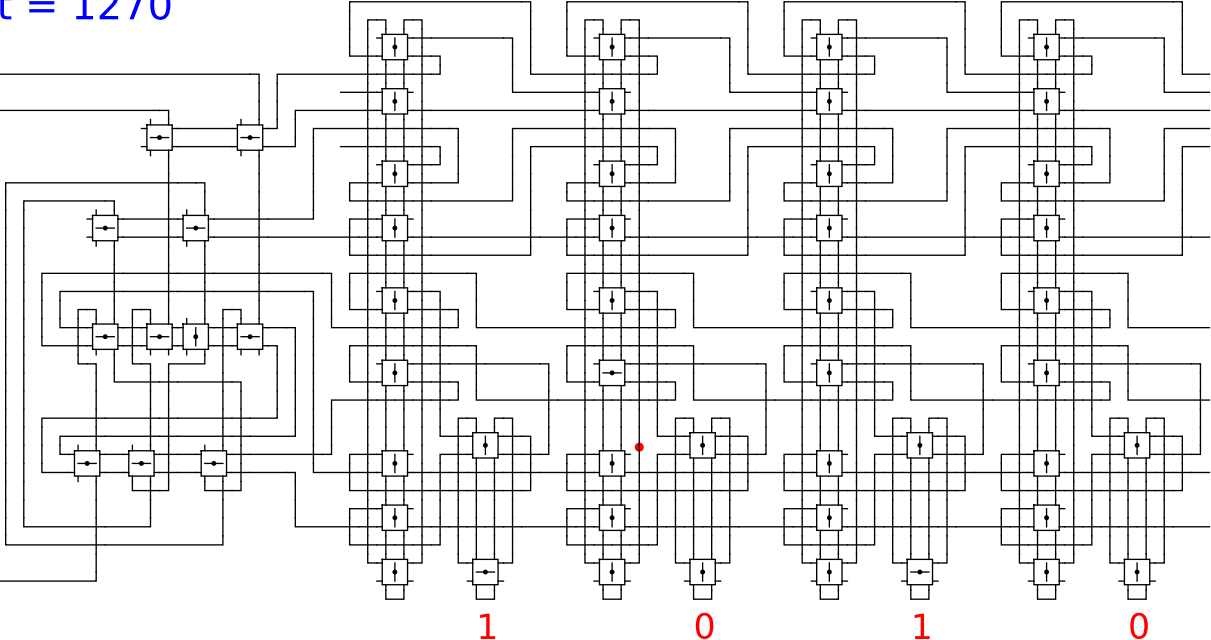
Begin



t = 1270

Reject
Accept

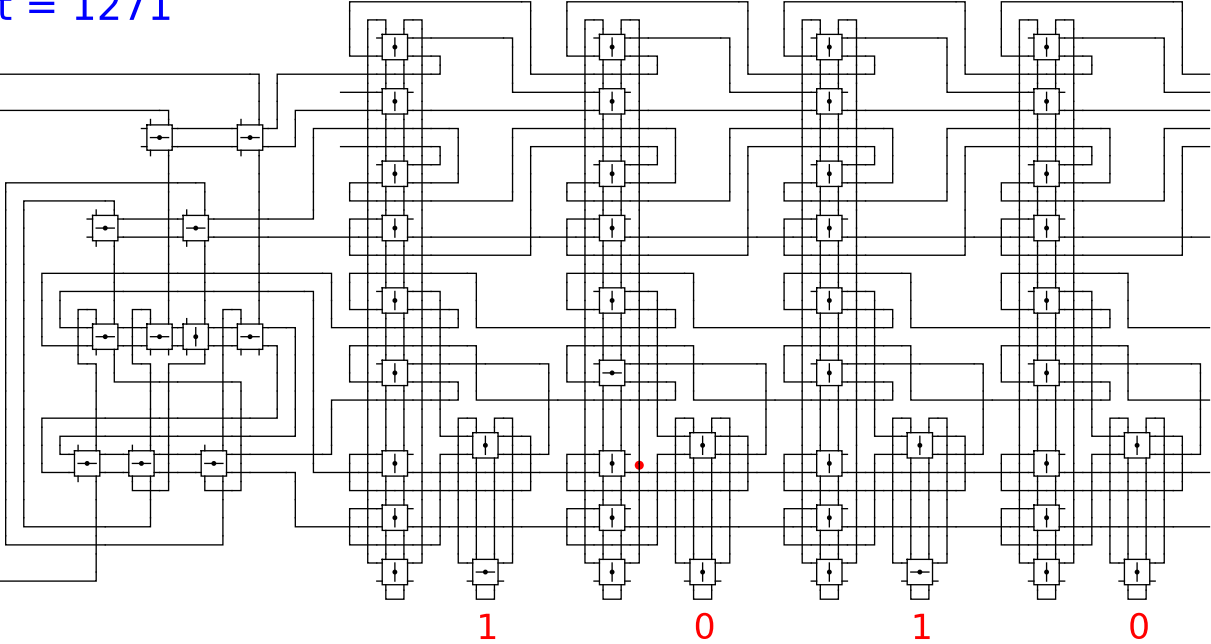
Begin



t = 1271

Reject
Accept

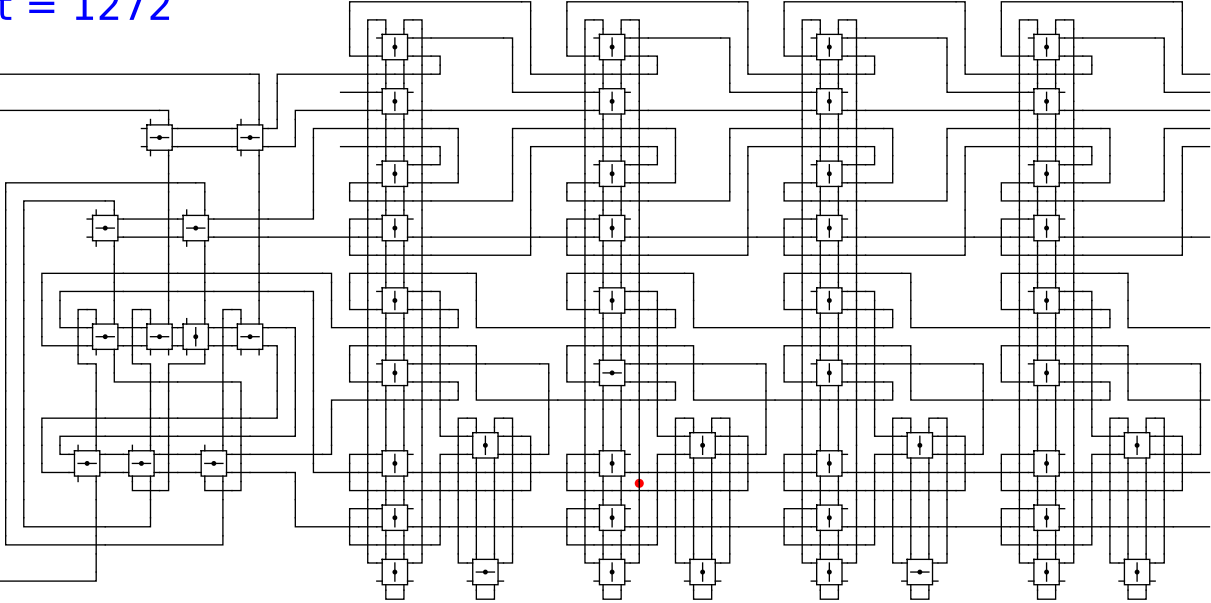
Begin



t = 1272

Reject
Accept

Begin



1

0

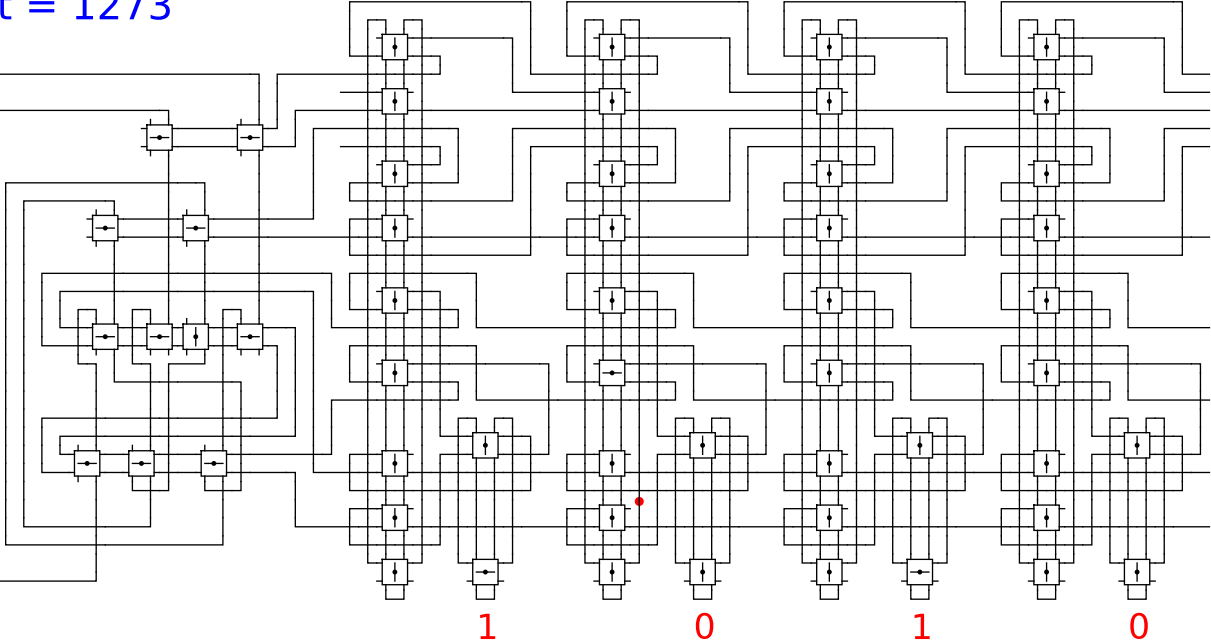
1

0

$t = 1273$

Reject
Accept

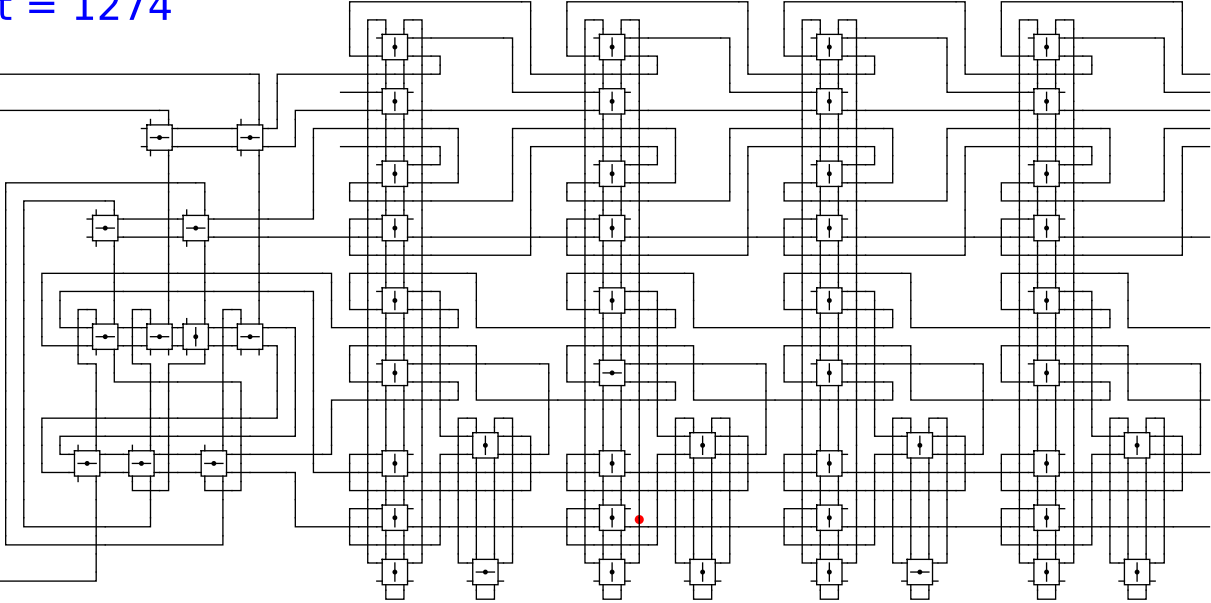
Begin



t = 1274

Reject
Accept

Begin



1

0

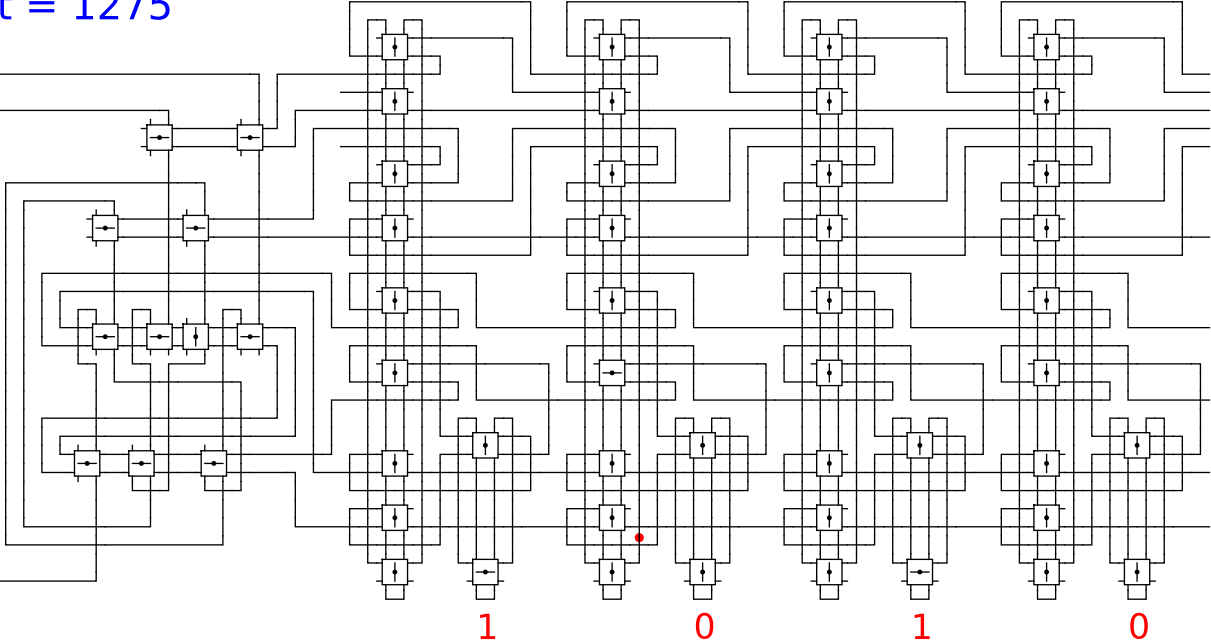
1

0

t = 1275

Reject
Accept

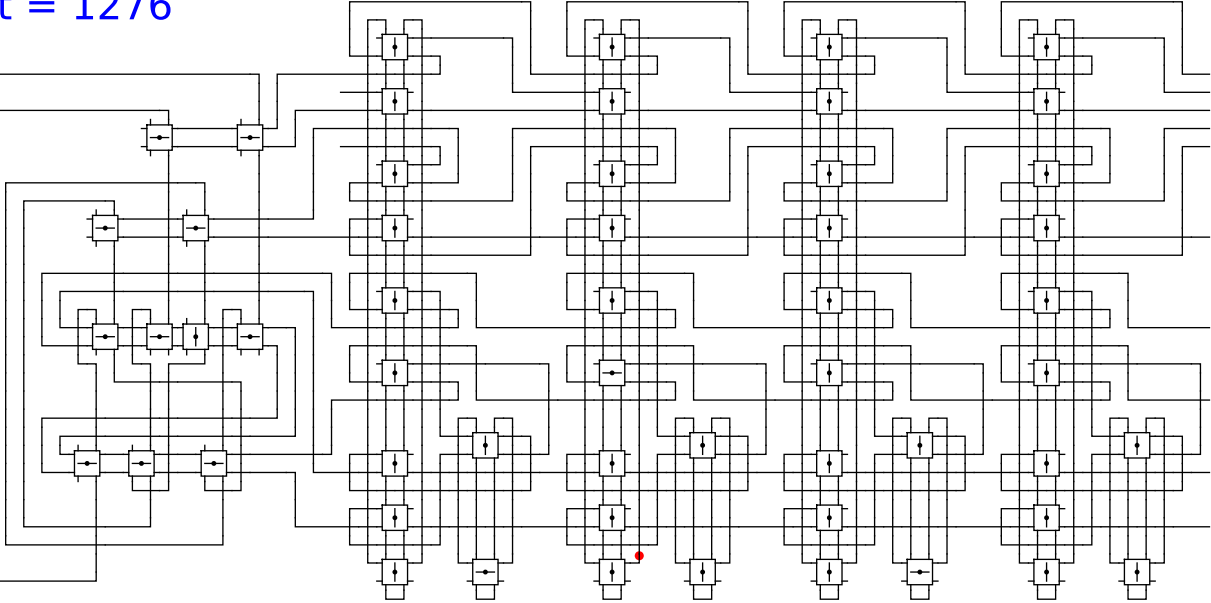
Begin



t = 1276

Reject
Accept

Begin



1

0

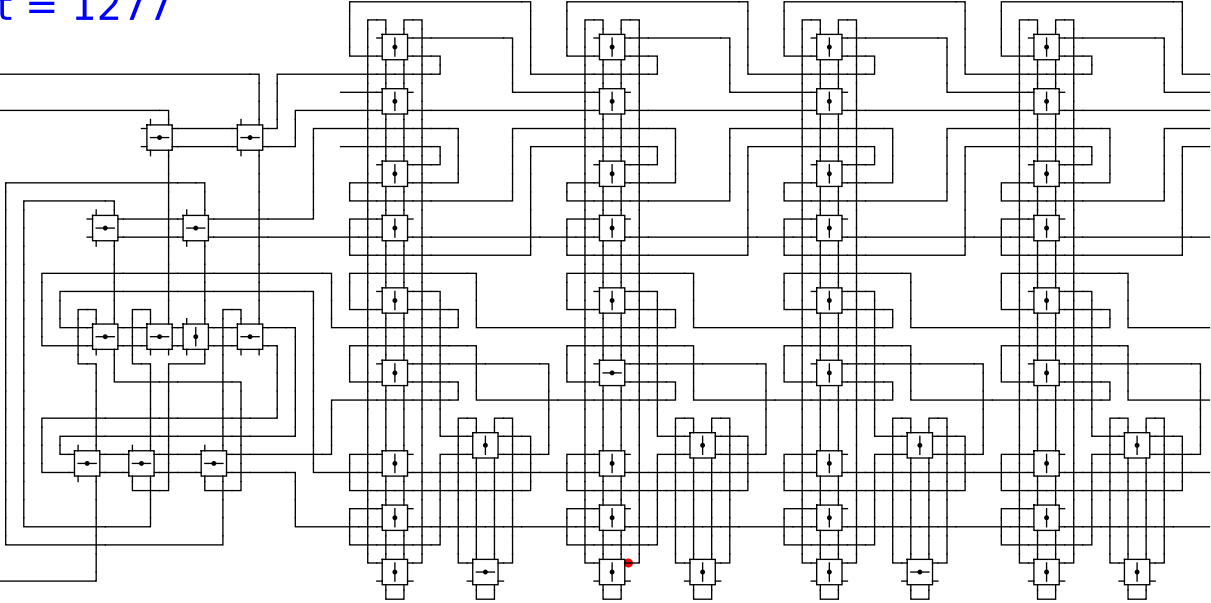
1

0

t = 1277

Reject
Accept

Begin



1

0

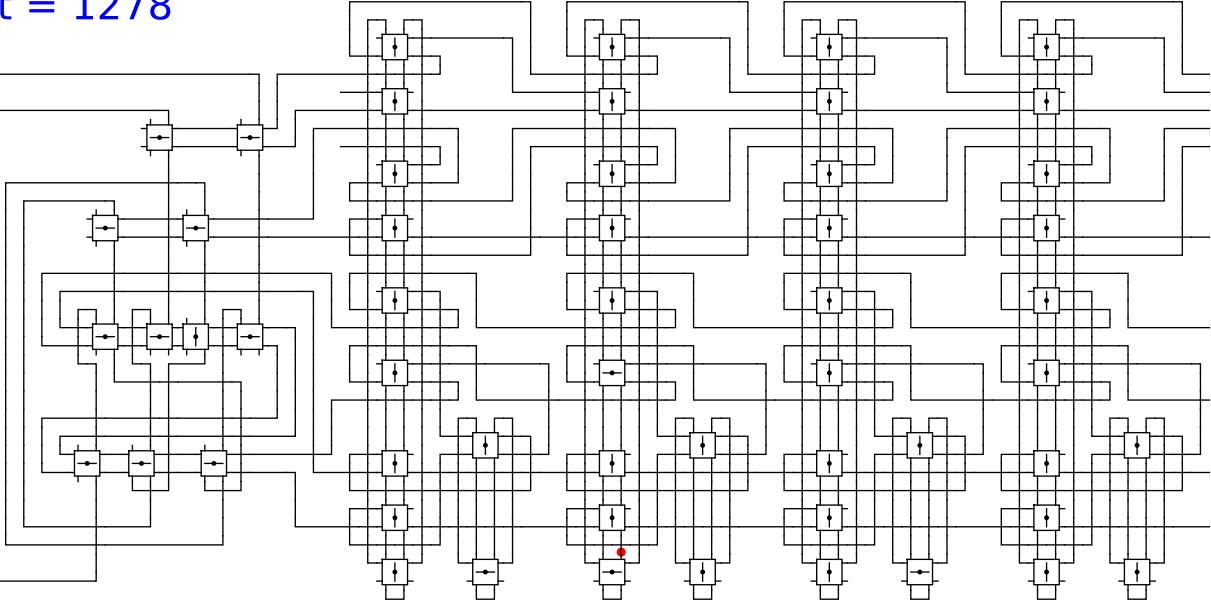
1

0

t = 1278

Reject
Accept

Begin

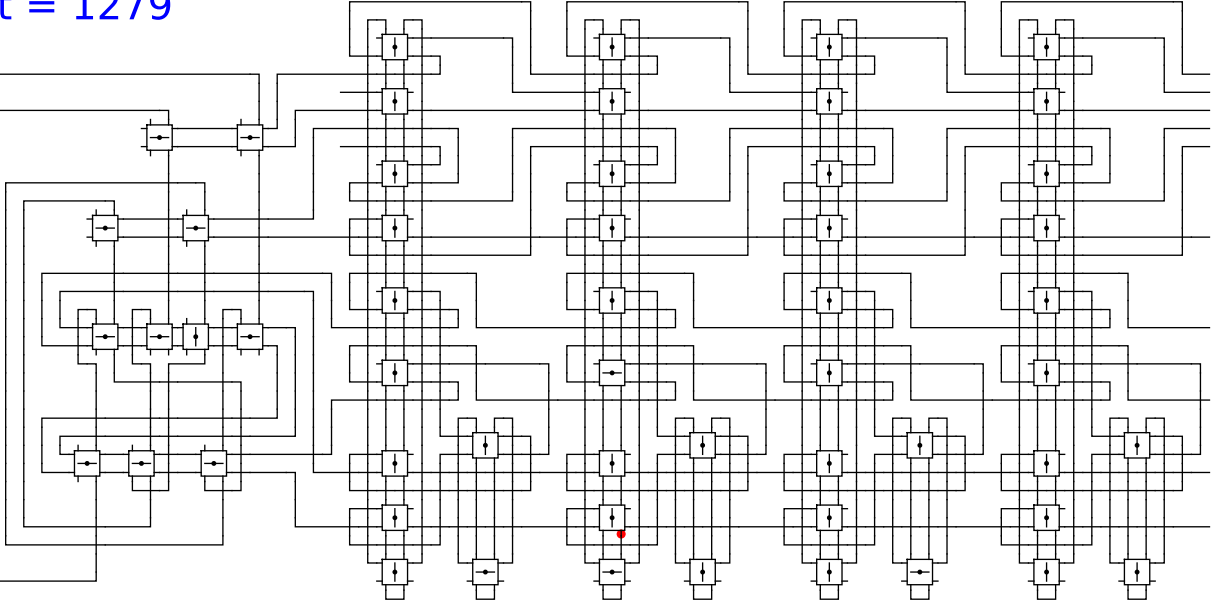


1 head 0 1 0

t = 1279

Reject
Accept

Begin

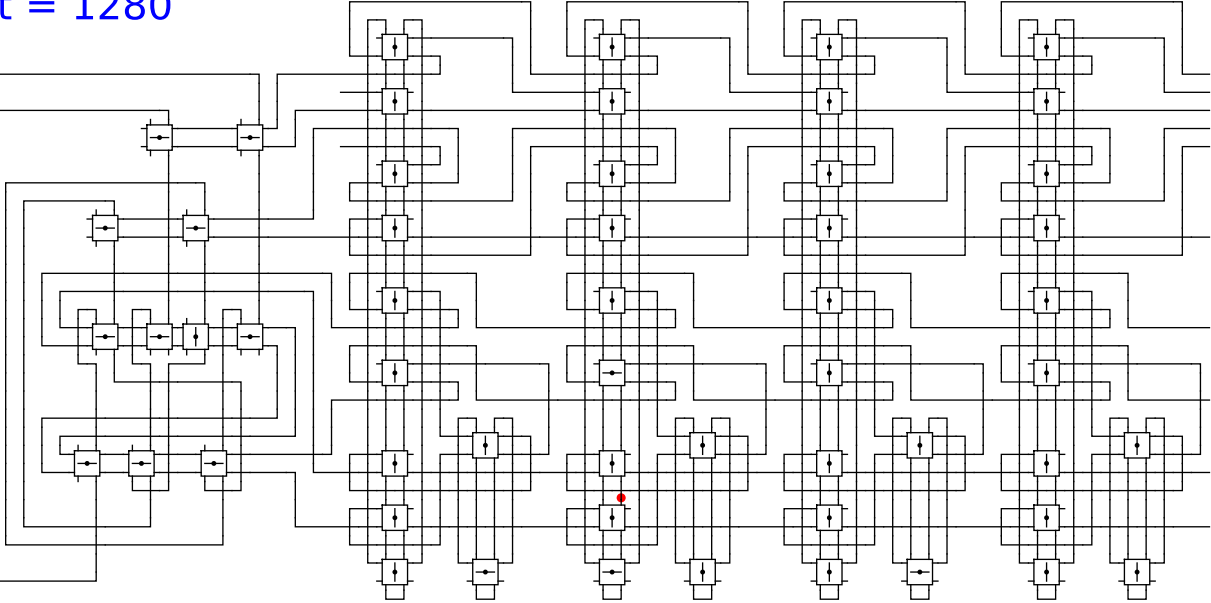


1 head 0 1 0

t = 1280

Reject
Accept

Begin



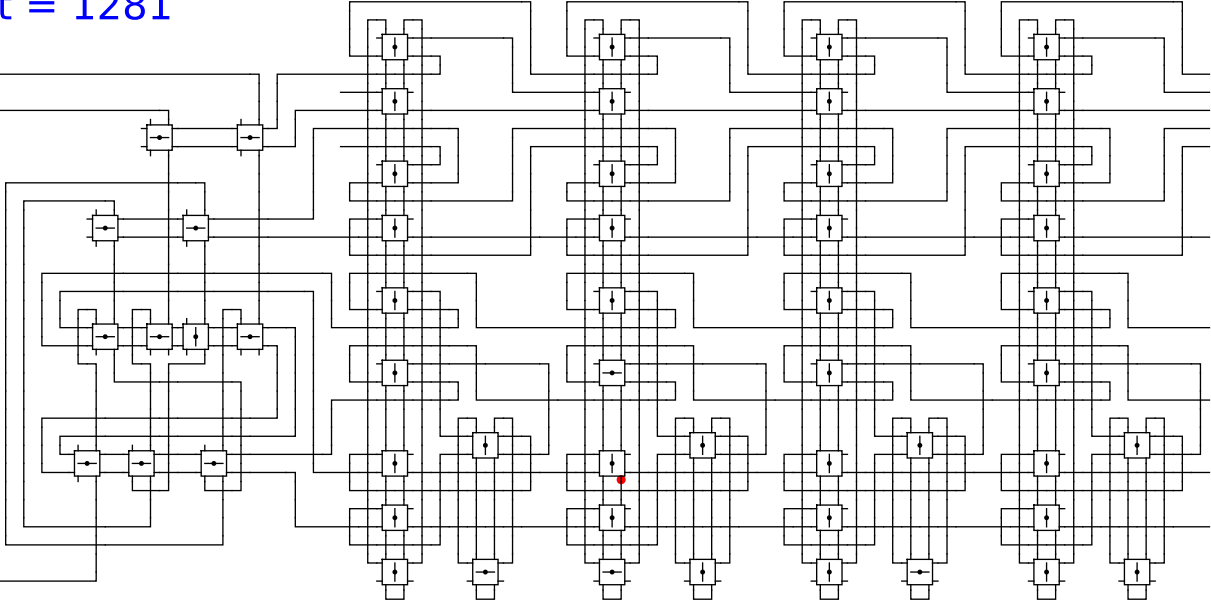
1 0 1 0

head

t = 1281

Reject
Accept

Begin

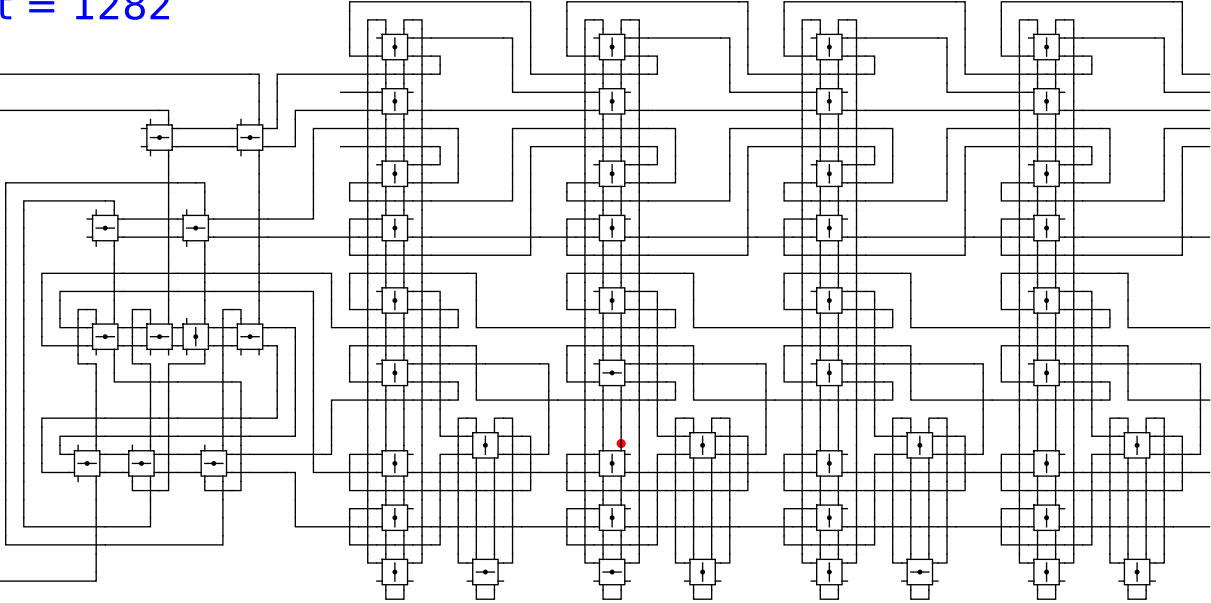


1 head 0 1 0

t = 1282

Reject
Accept

Begin

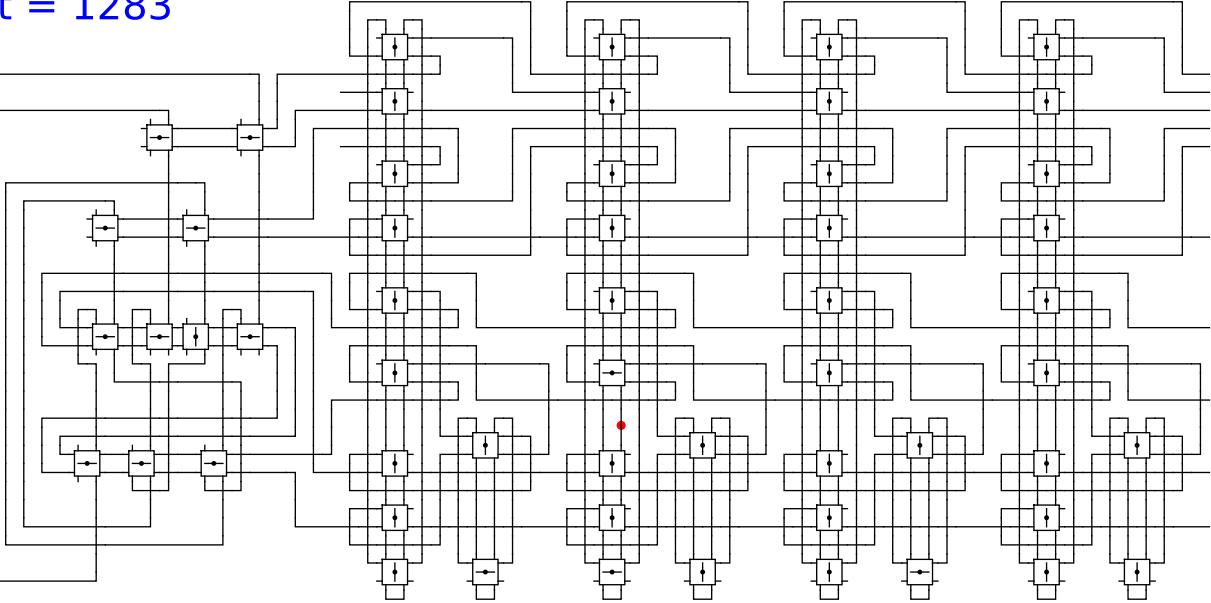


1 head 0 1 0

t = 1283

Reject
Accept

Begin

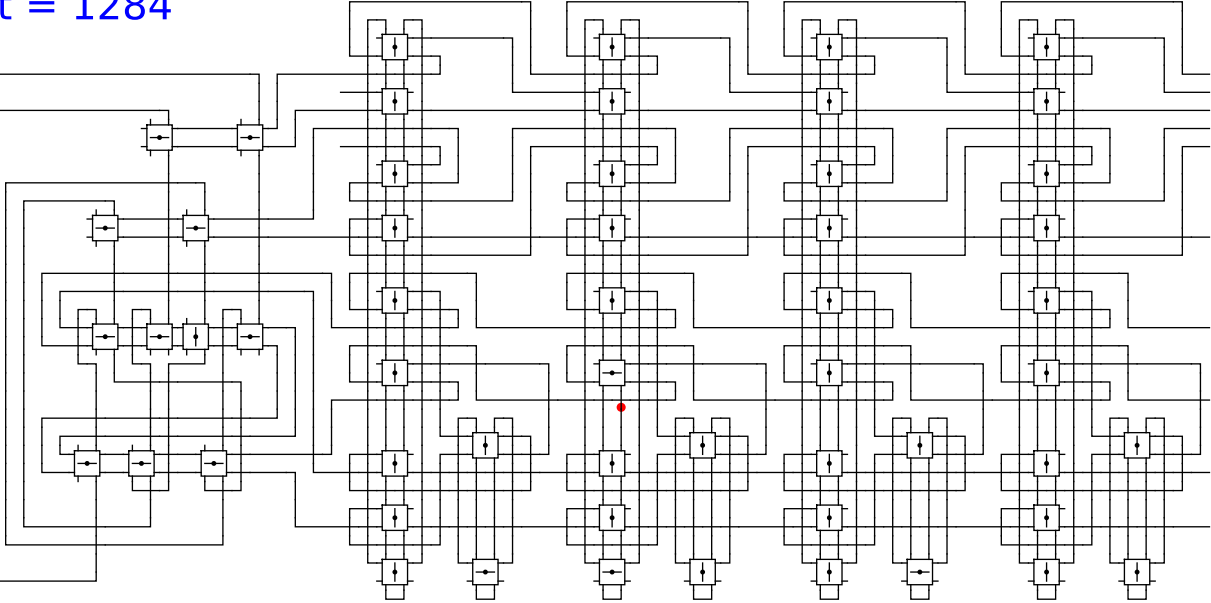


1 head 0 1 0

t = 1284

Reject
Accept

Begin

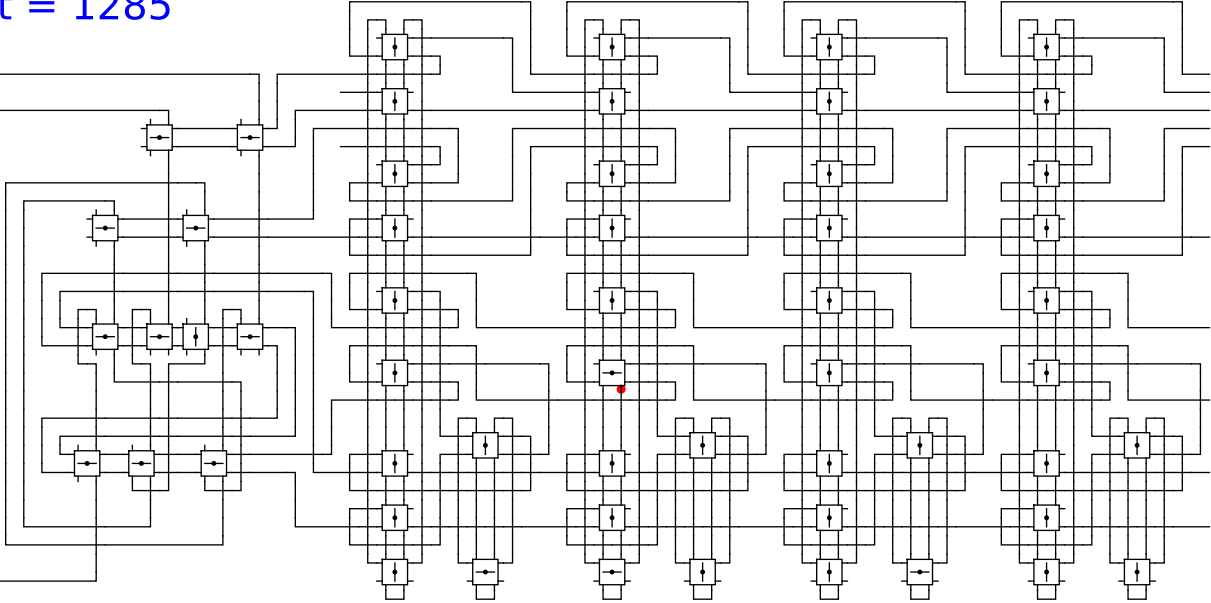


1 head 0 1 0

t = 1285

Reject
Accept

Begin

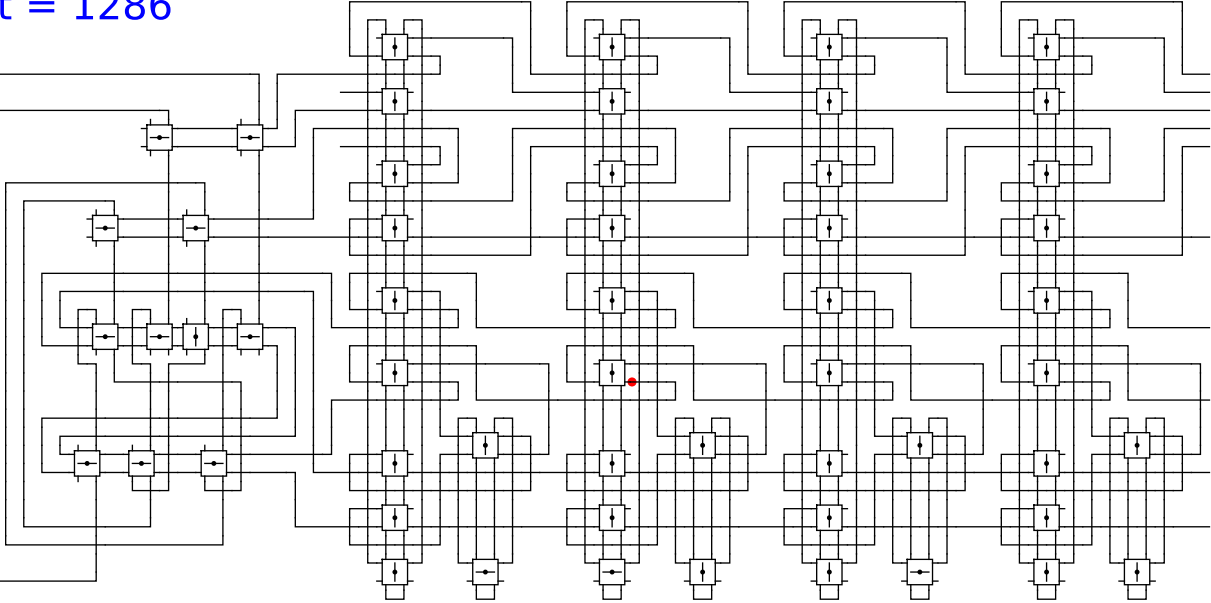


1 head 0 1 0

t = 1286

Reject
Accept

Begin

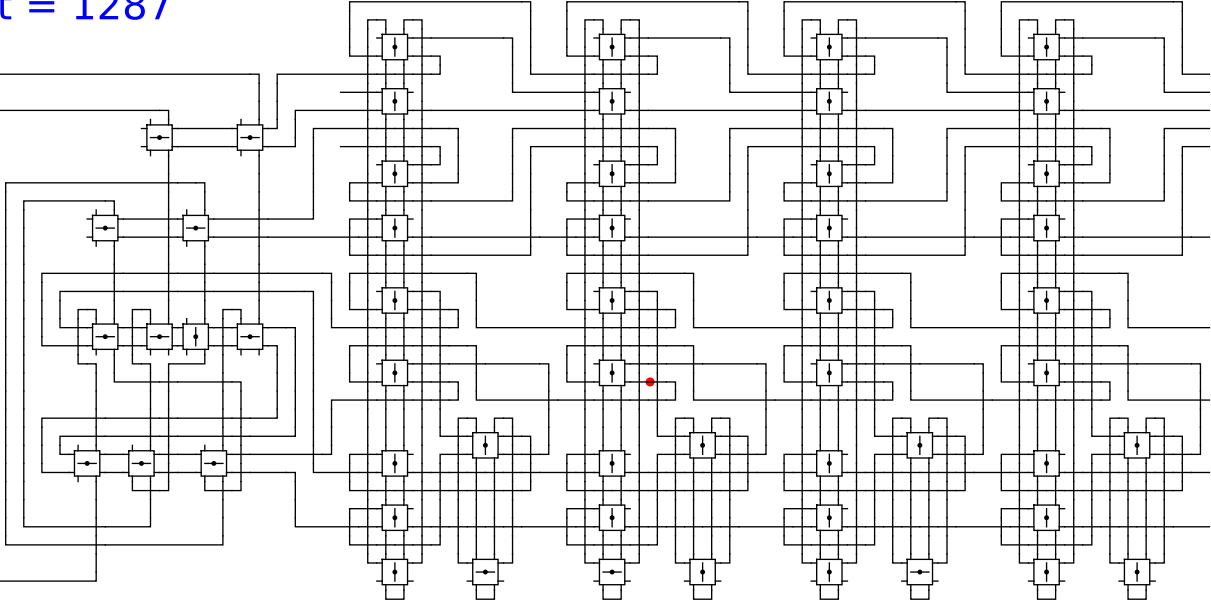


1 head 0 1 0

t = 1287

Reject
Accept

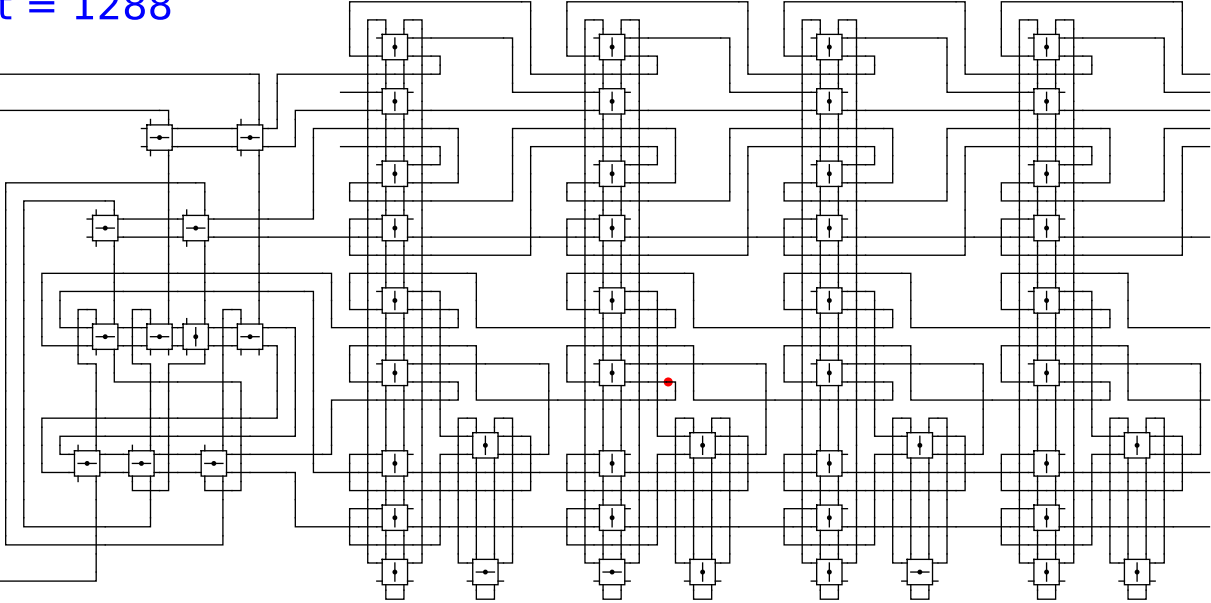
Begin



t = 1288

Reject
Accept

Begin

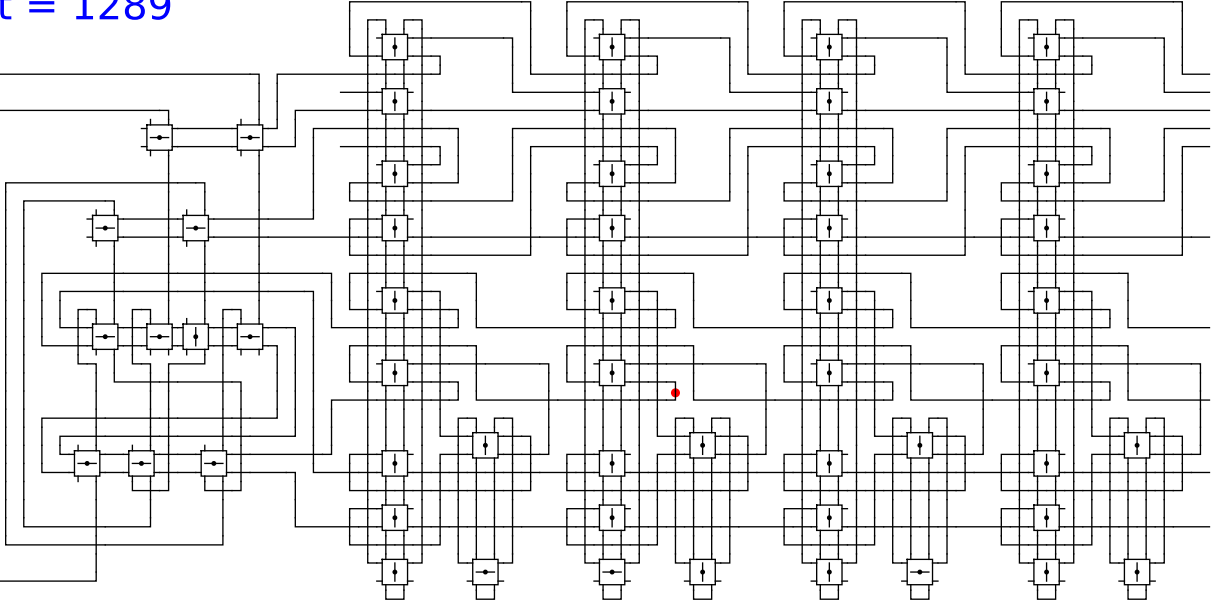


1 head 0 1 0

t = 1289

Reject
Accept

Begin

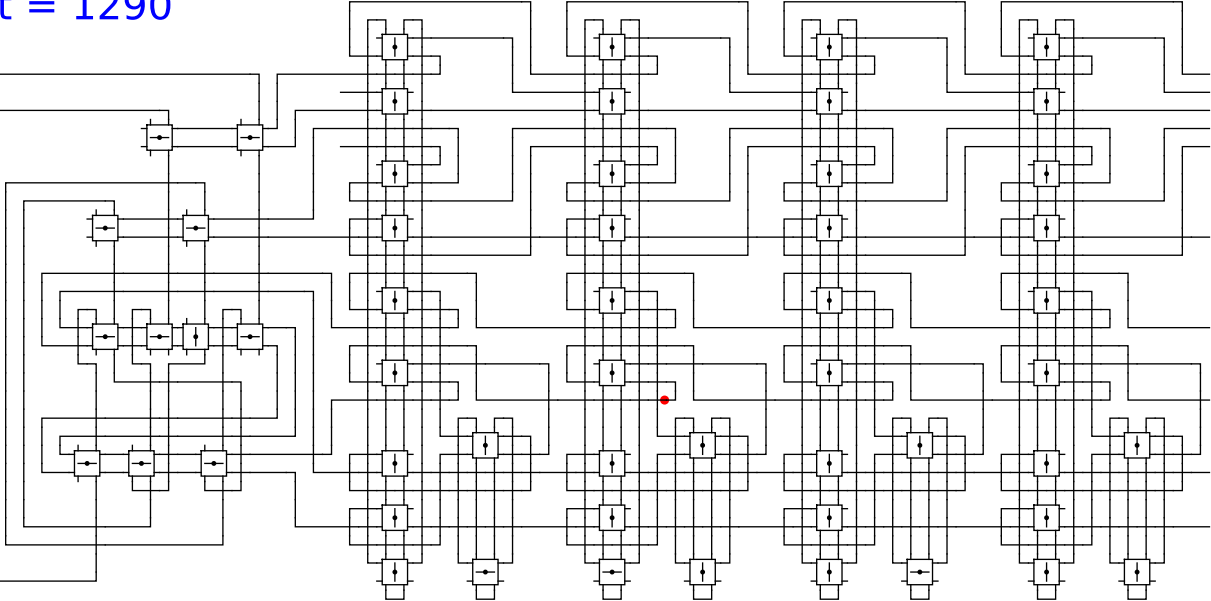


1 head 0 1 0

t = 1290

Reject
Accept

Begin

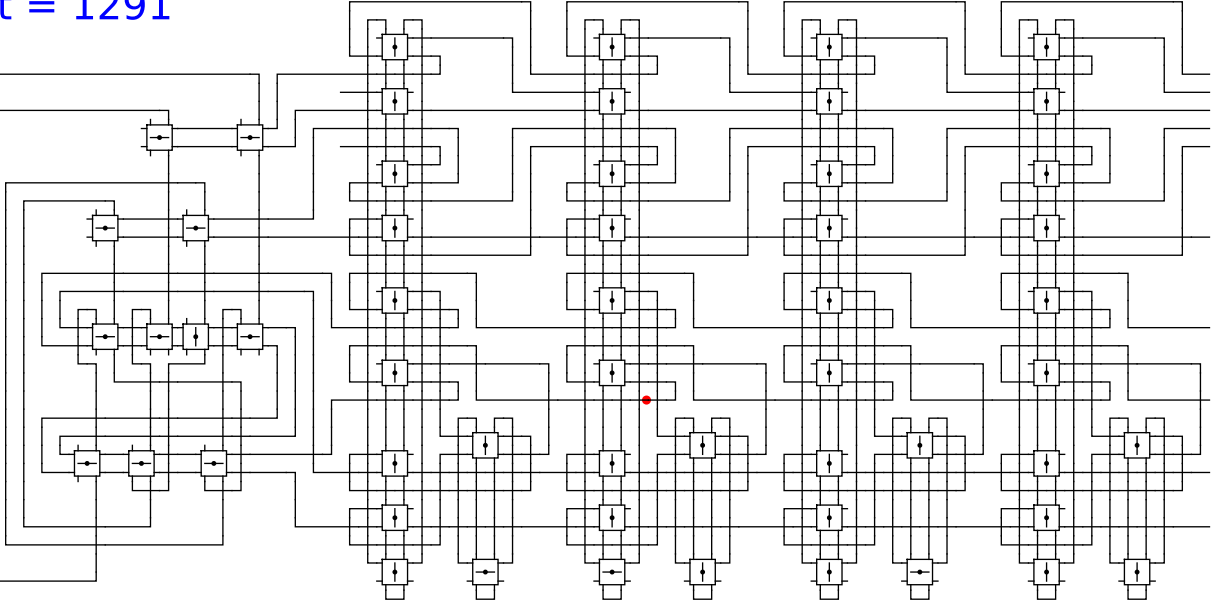


1 head 0 1 0

t = 1291

Reject
Accept

Begin

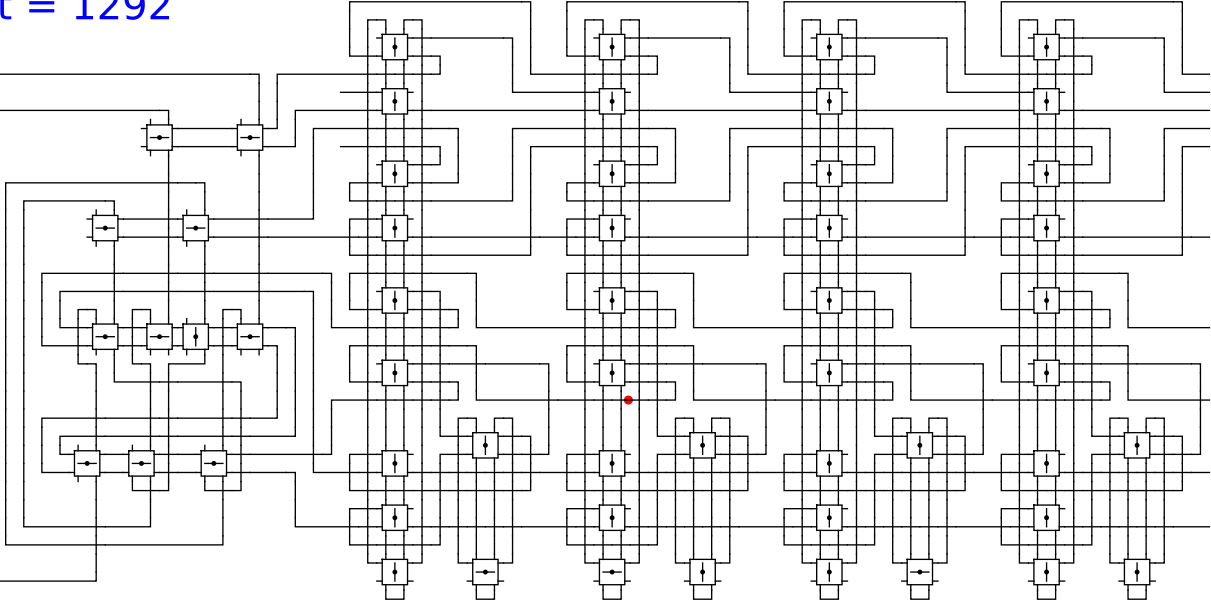


1 head 0 1 0

t = 1292

Reject
Accept

Begin

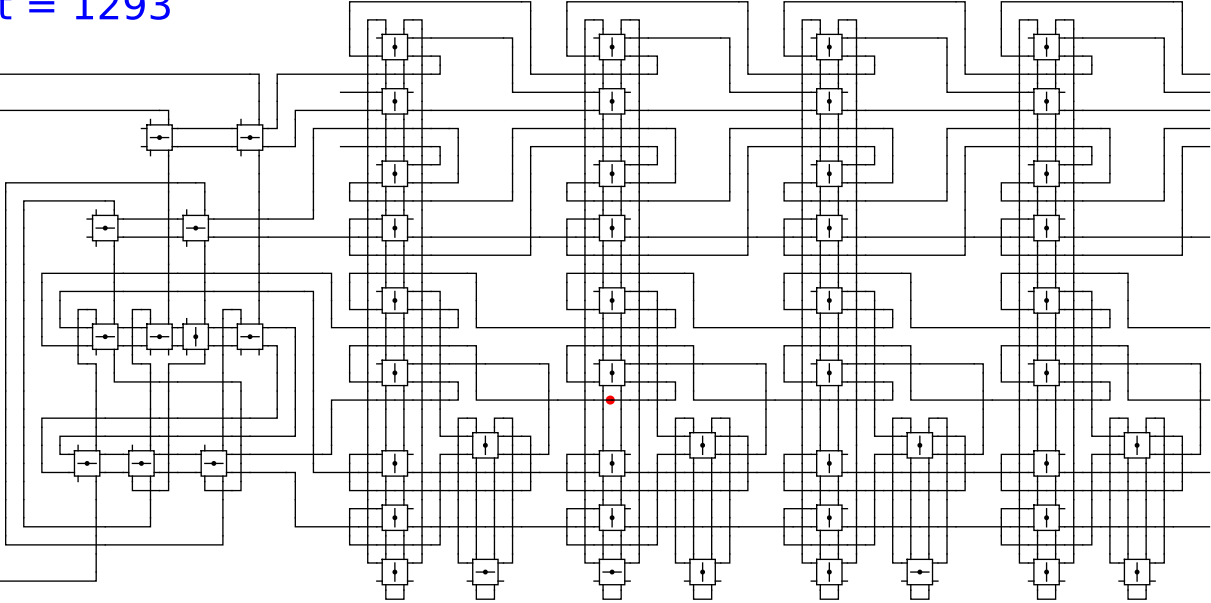


1 head 0 1 0

t = 1293

Reject
Accept

Begin

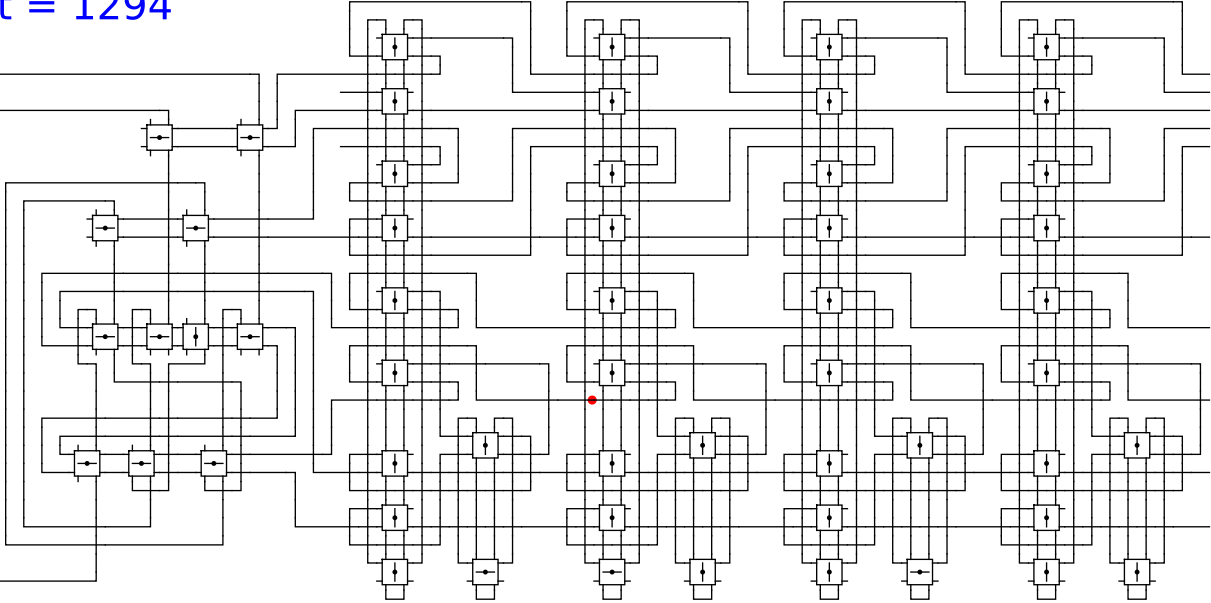


1 head 0 1 0

t = 1294

Reject
Accept

Begin

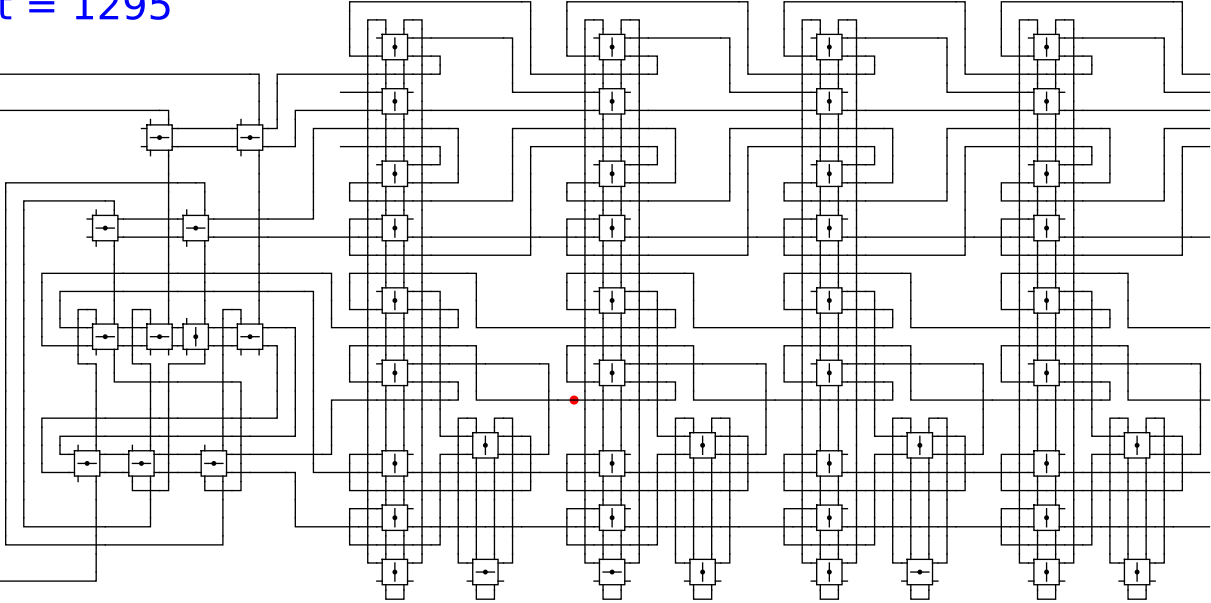


1 head 0 1 0

t = 1295

Reject
Accept

Begin

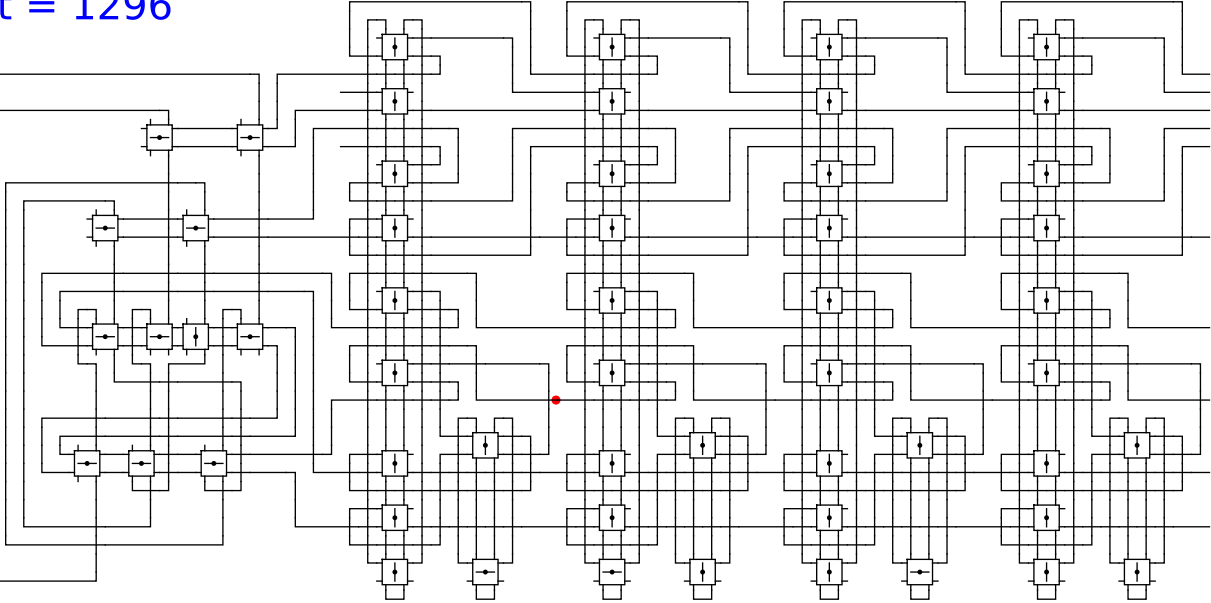


1 head 0 1 0

t = 1296

Reject
Accept

Begin

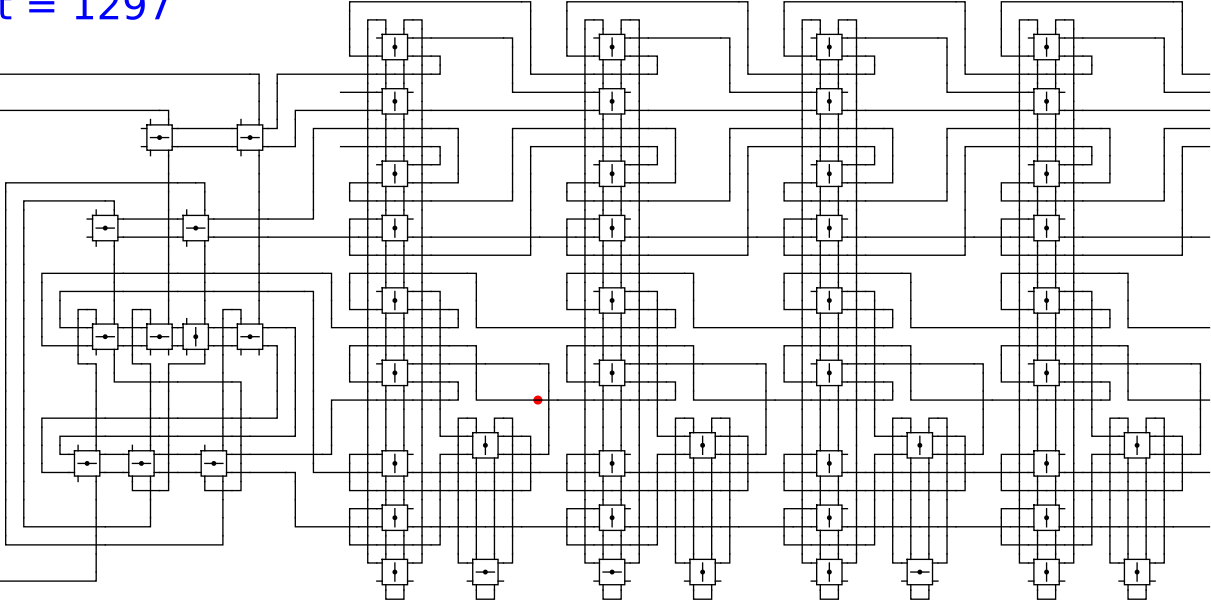


1 head 0 1 0

t = 1297

Reject
Accept

Begin

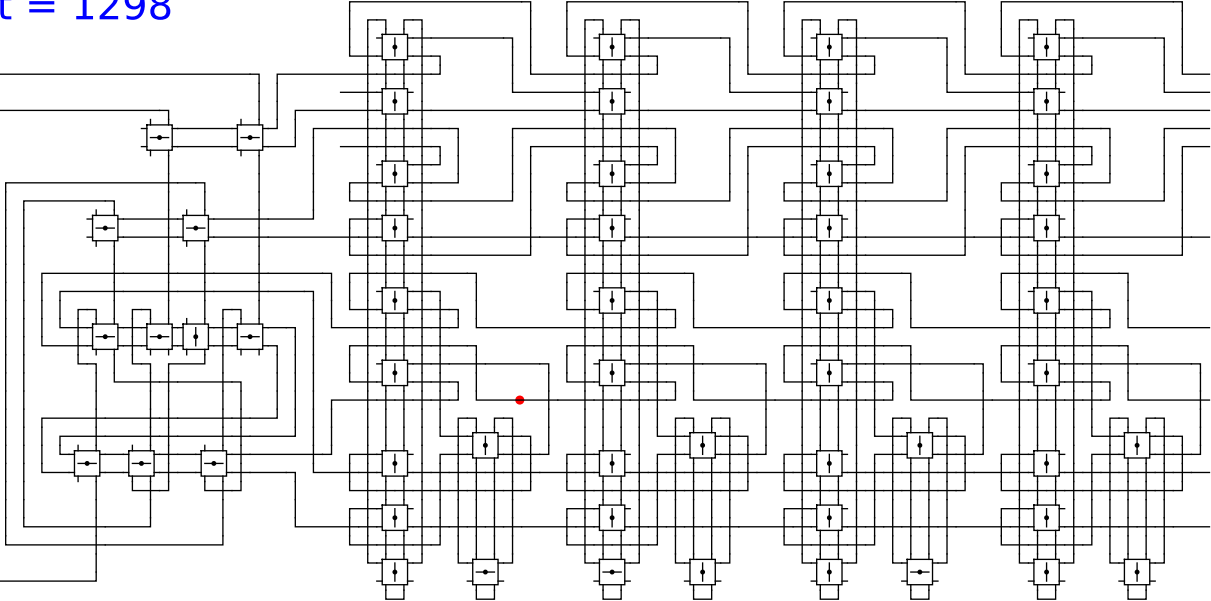


1 head 0 1 0

t = 1298

Reject
Accept

Begin

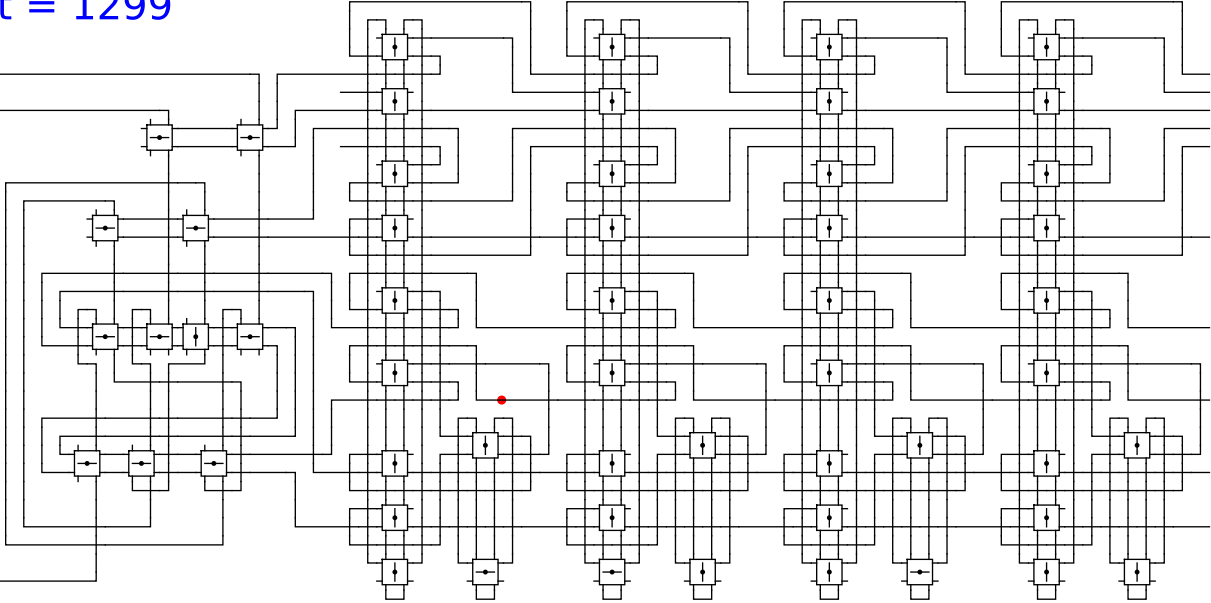


1 head 0 1 0

t = 1299

Reject
Accept

Begin

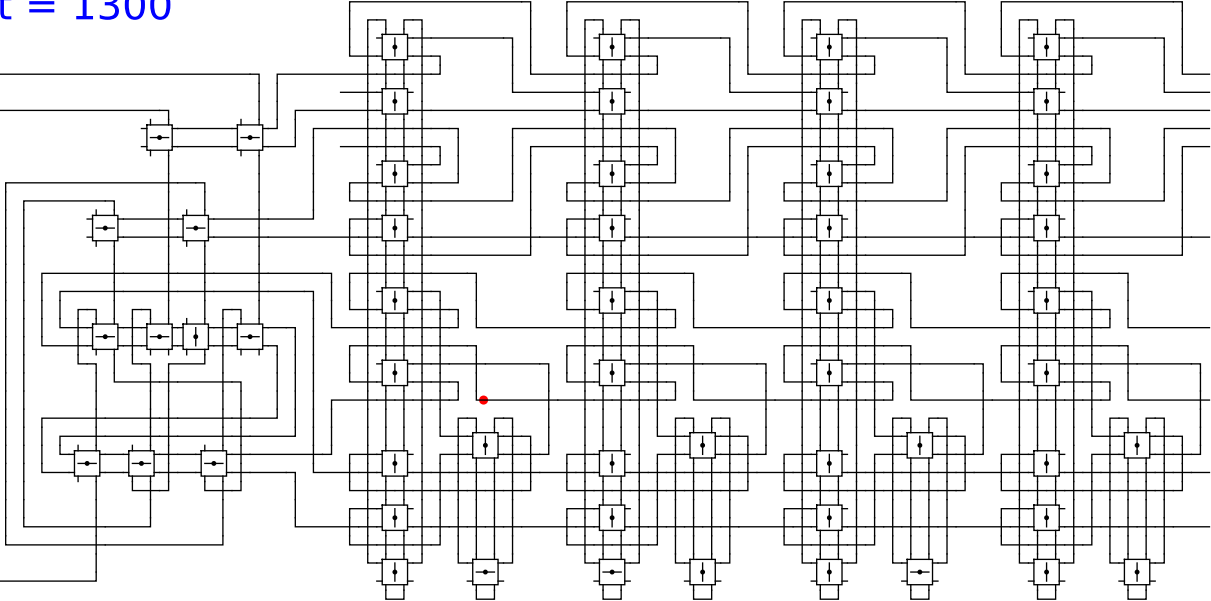


1 head 0 1 0

t = 1300

Reject
Accept

Begin

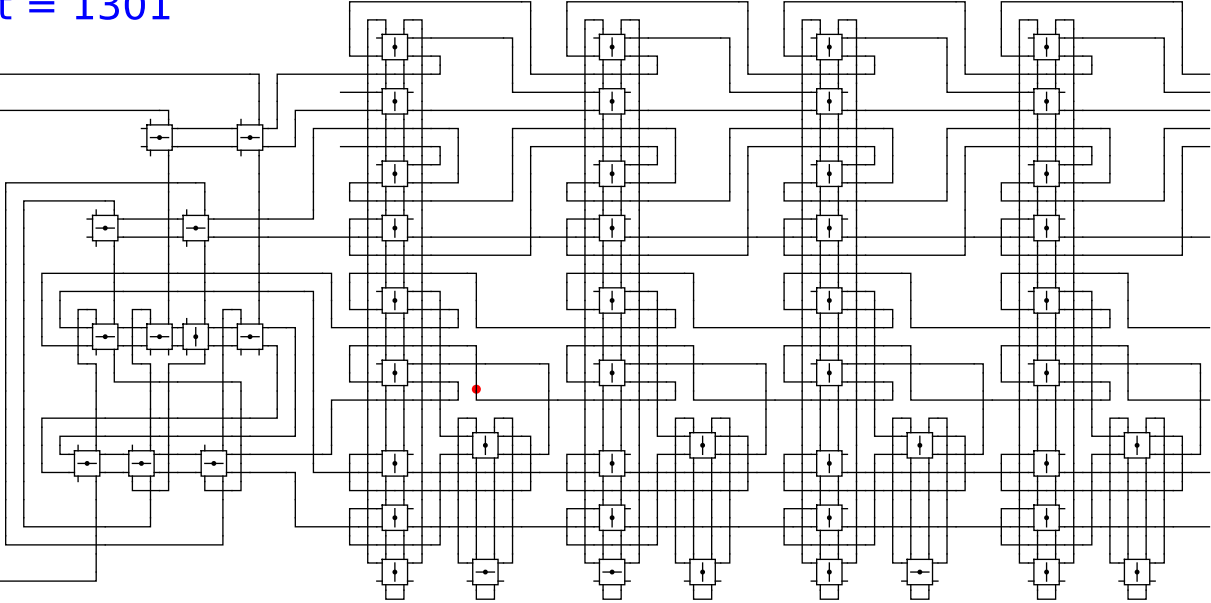


1 head 0 1 0

t = 1301

Reject
Accept

Begin

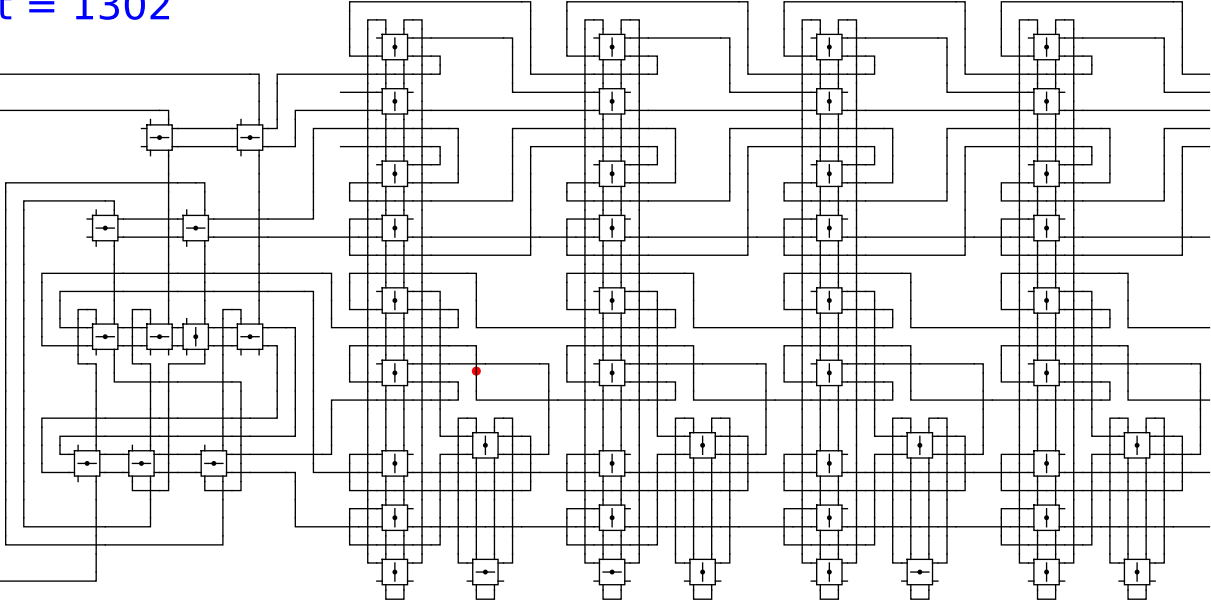


1 head 0 1 0

t = 1302

Reject
Accept

Begin

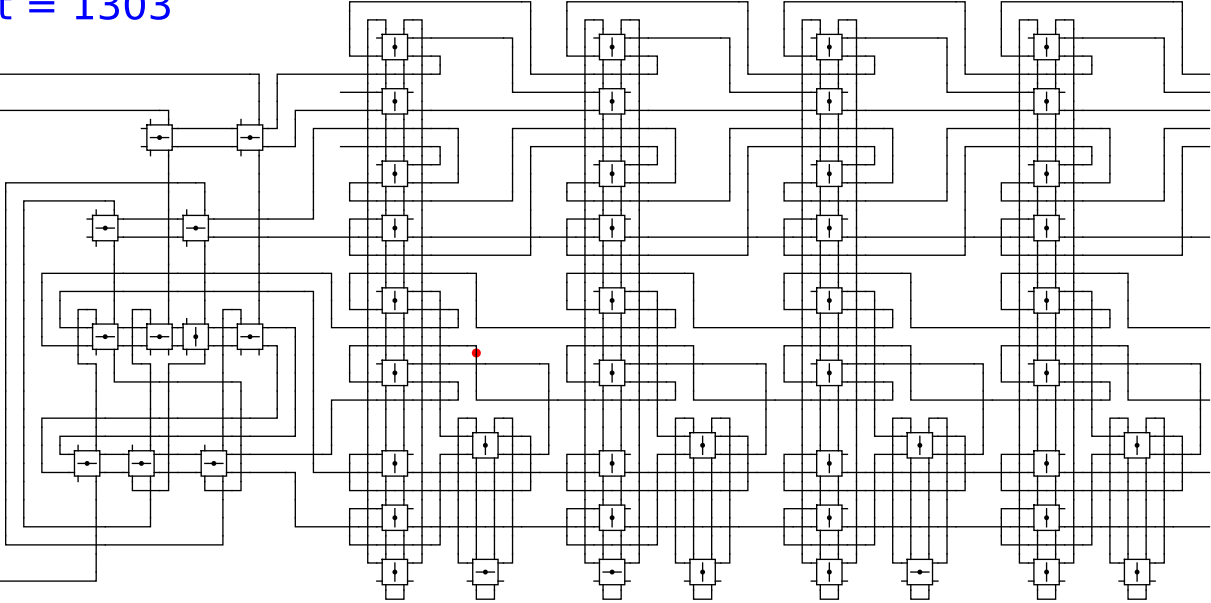


1 head 0 1 0

t = 1303

Reject
Accept

Begin

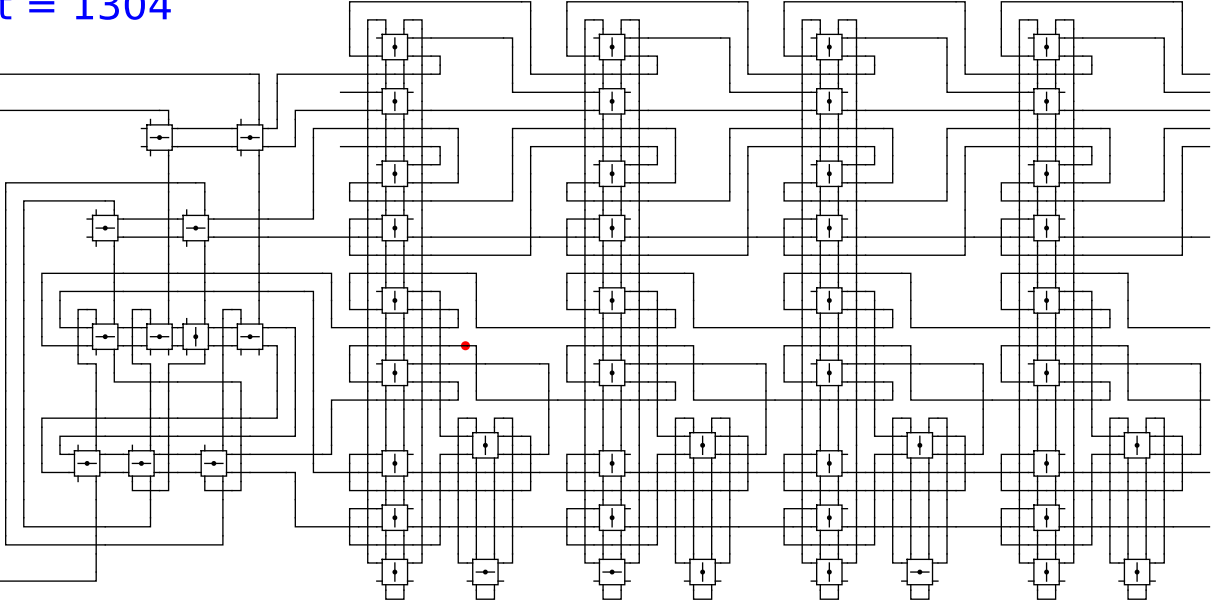


1 head 0 1 0

t = 1304

Reject
Accept

Begin

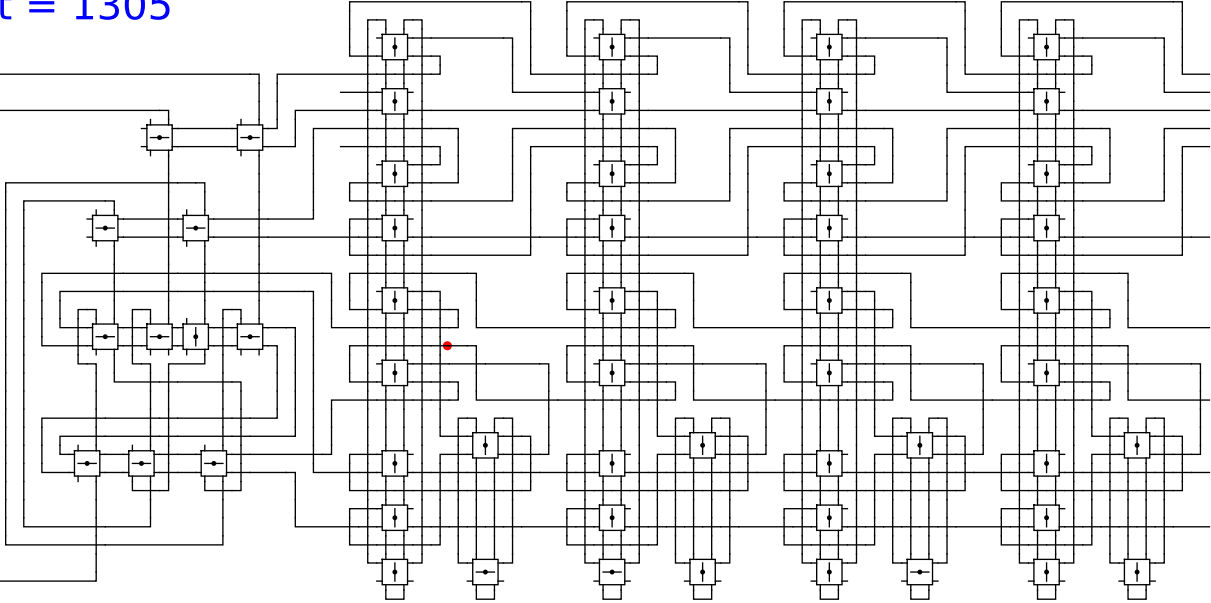


1 head 0 1 0

t = 1305

Reject
Accept

Begin

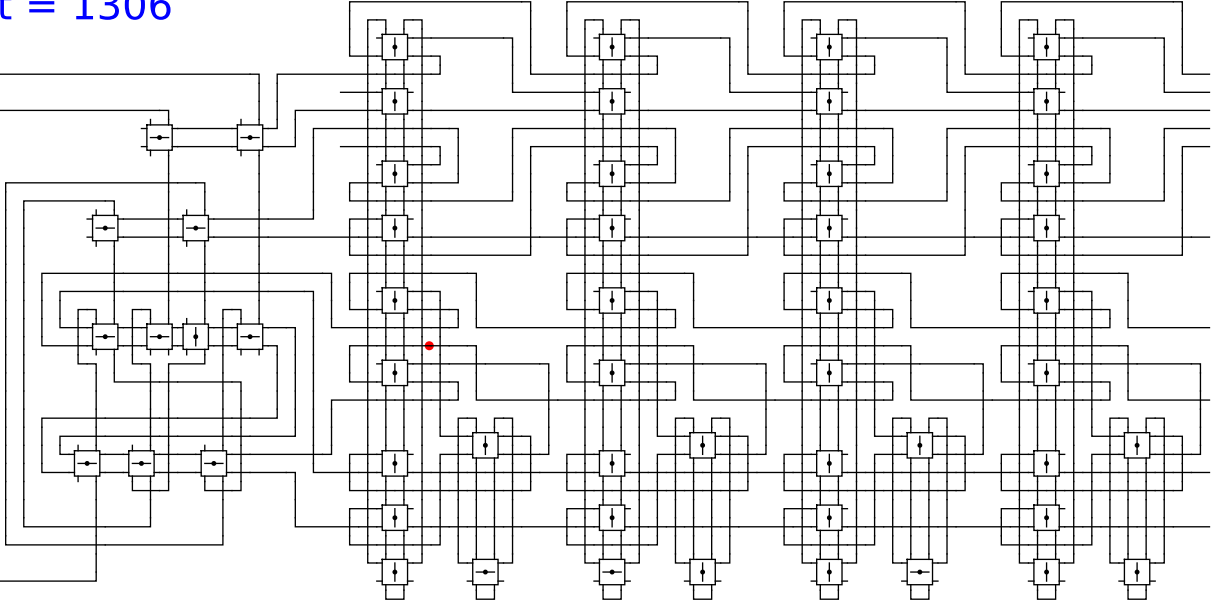


1 head 0 1 0

t = 1306

Reject
Accept

Begin

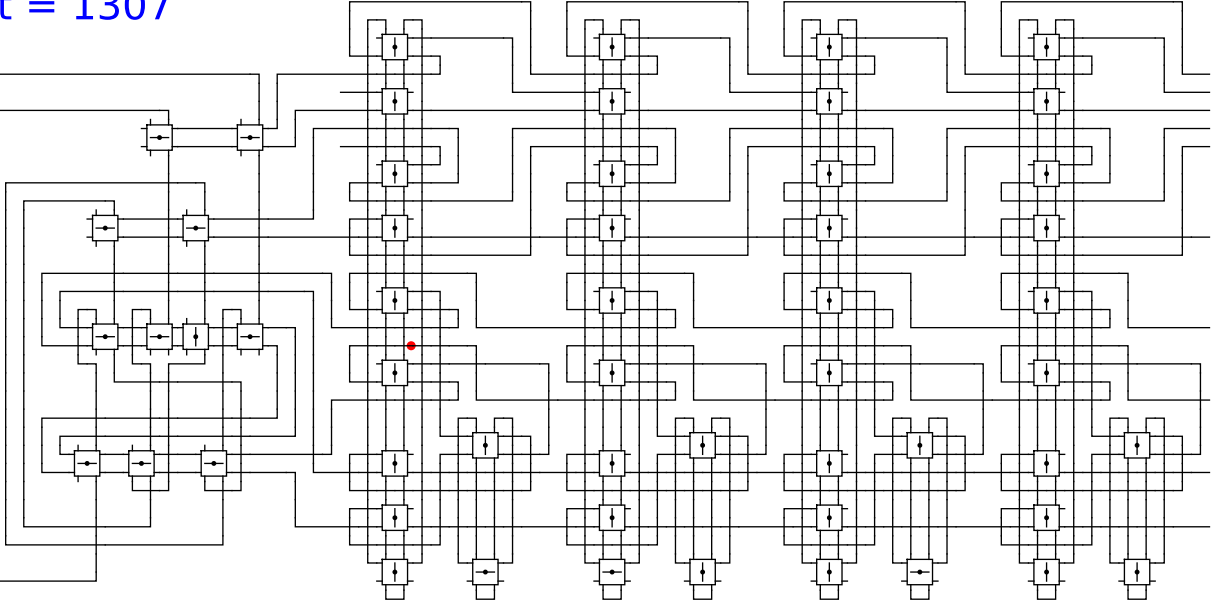


1 head 0 1 0

t = 1307

Reject
Accept

Begin

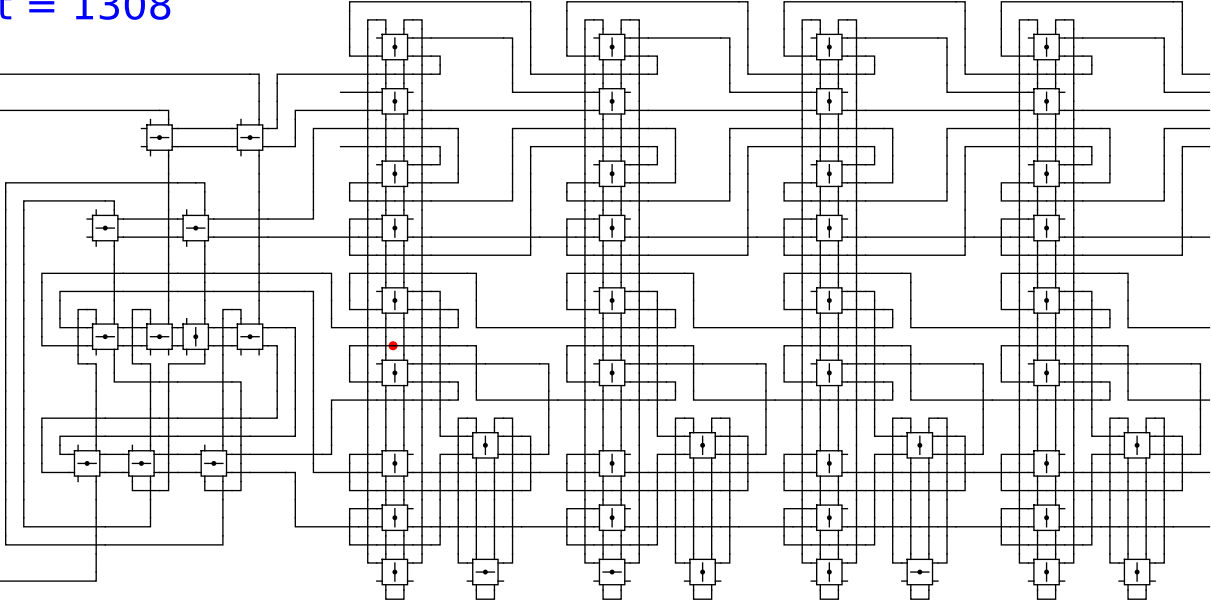


1 head 0 1 0

t = 1308

Reject
Accept

Begin

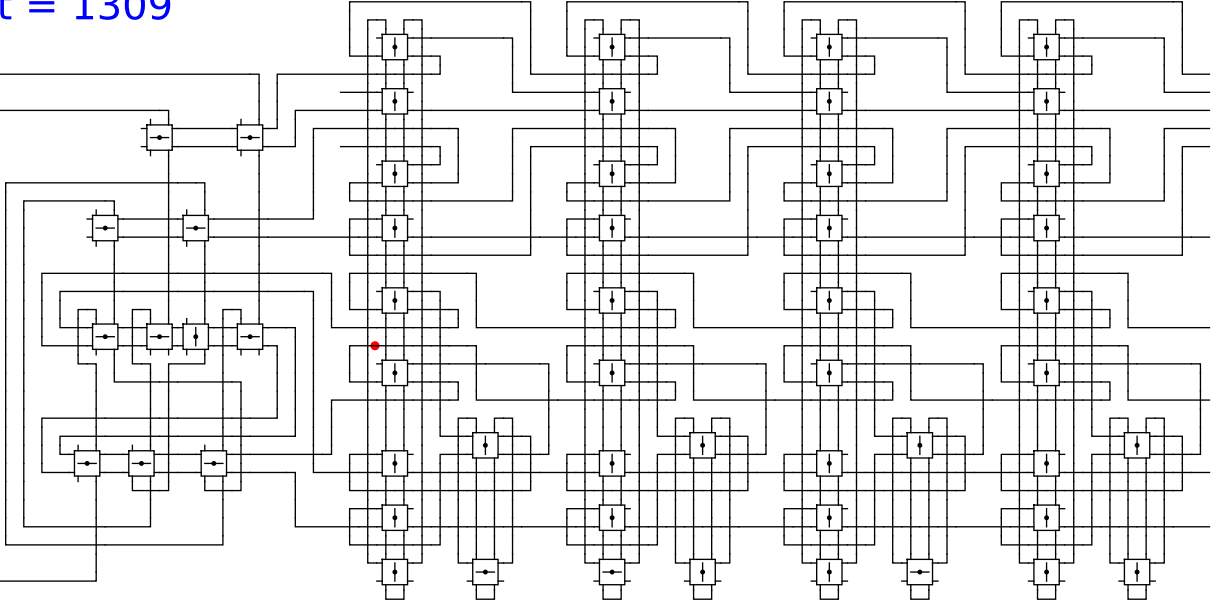


1 head 0 1 0

t = 1309

Reject
Accept

Begin

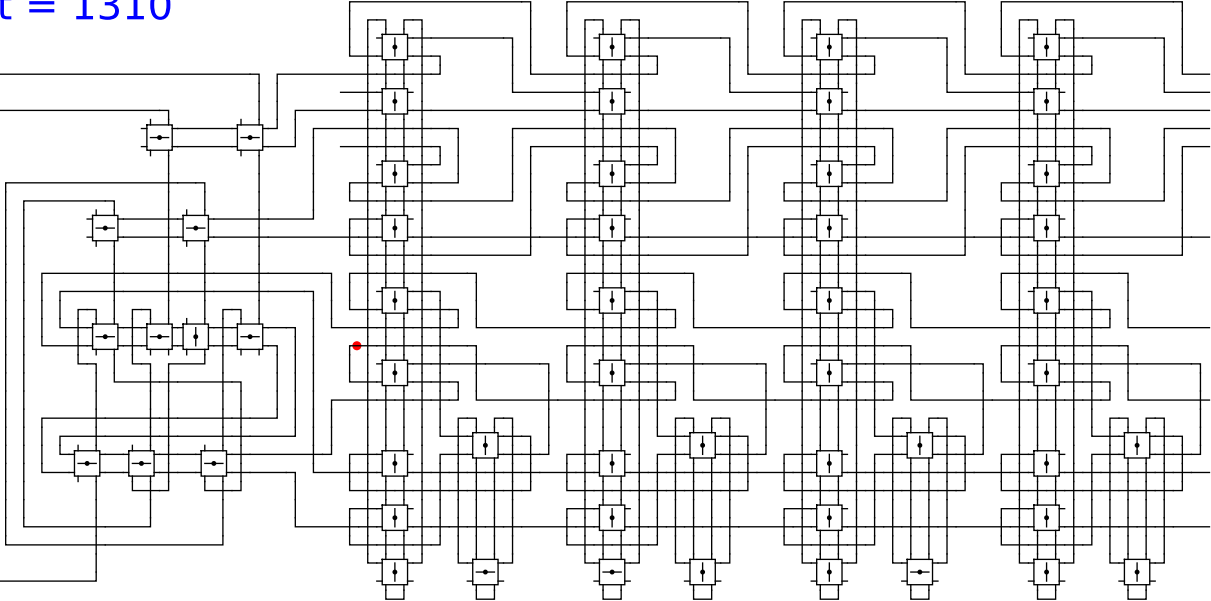


1 head 0 1 0

$t = 1310$

Reject
Accept

Begin

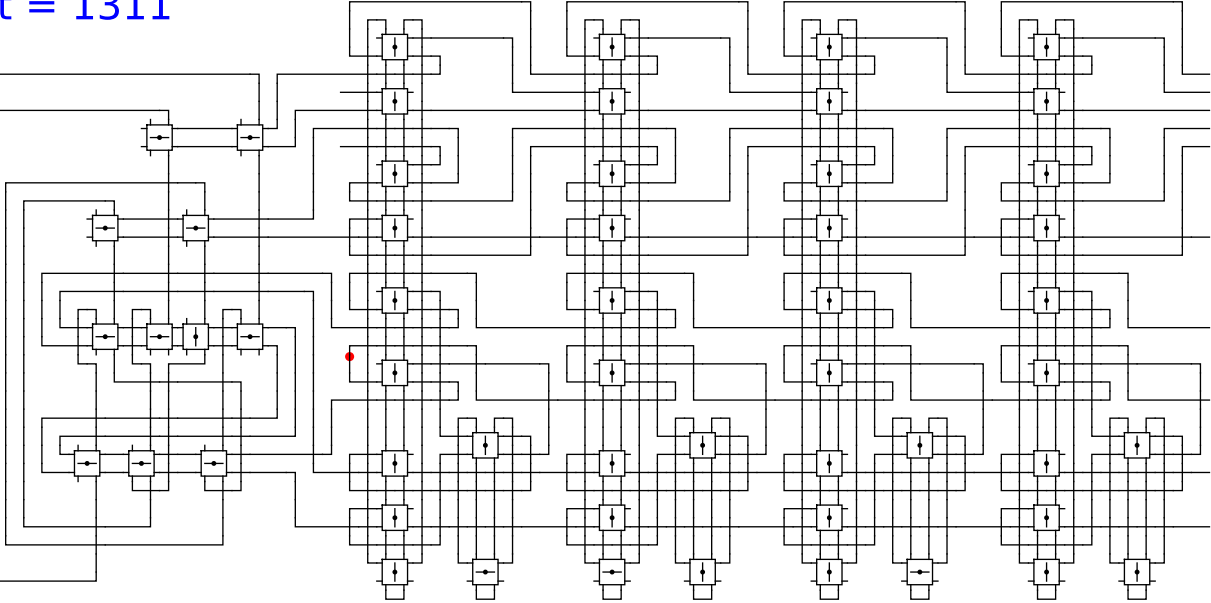


1 head 0 1 0

t = 1311

Reject
Accept

Begin

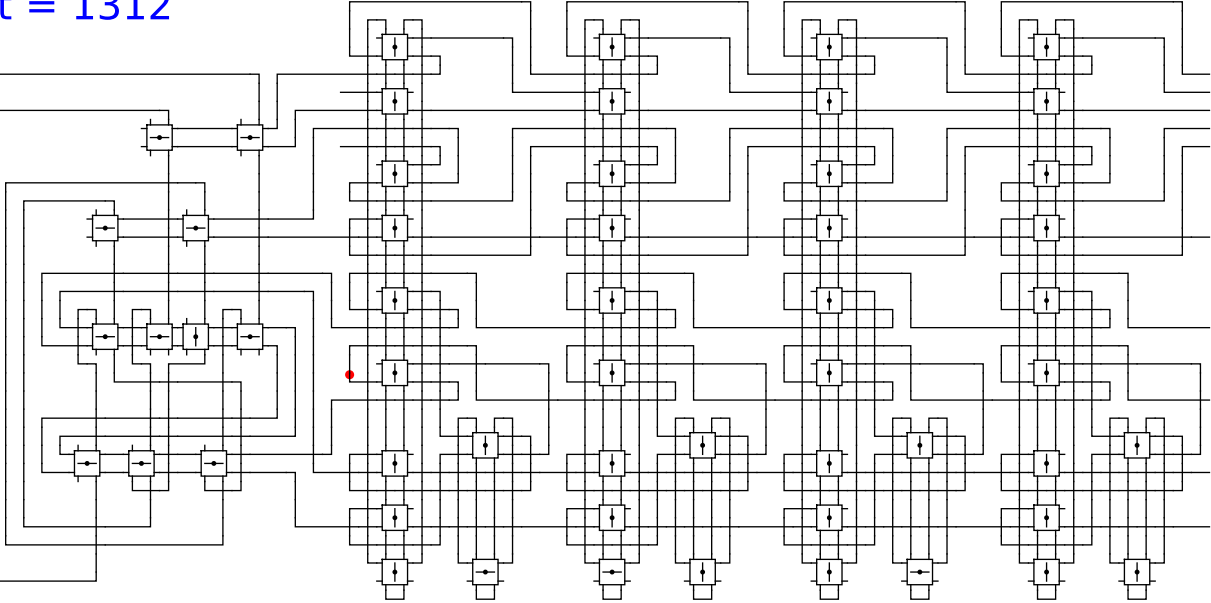


1 head 0 1 0

t = 1312

Reject
Accept

Begin

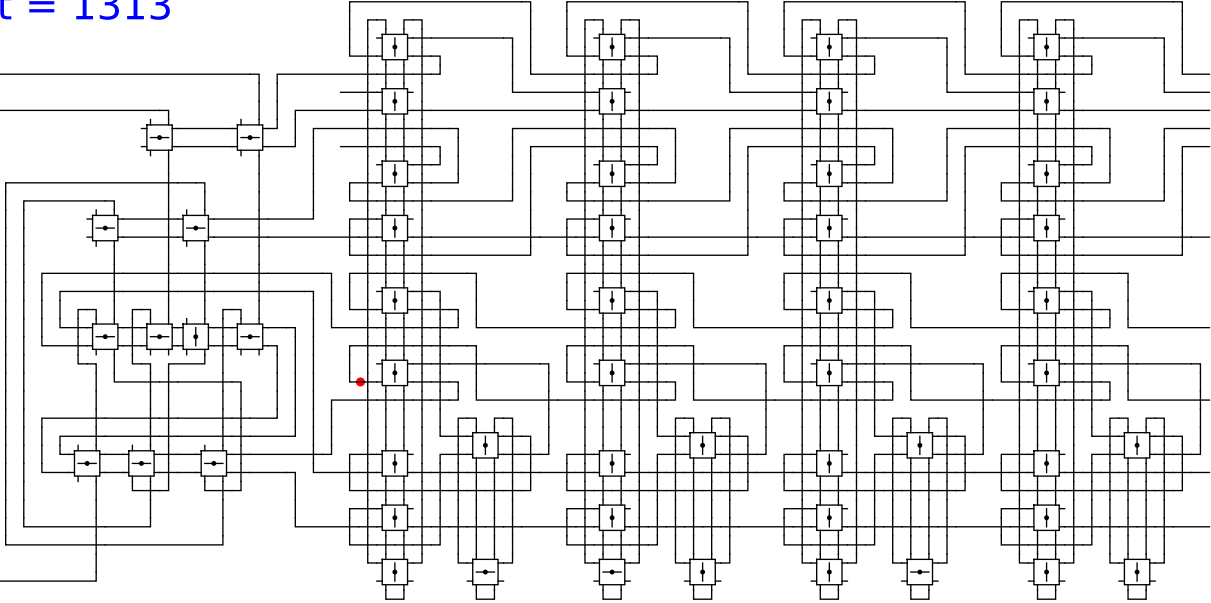


1 head 0 1 0

t = 1313

Reject
Accept

Begin

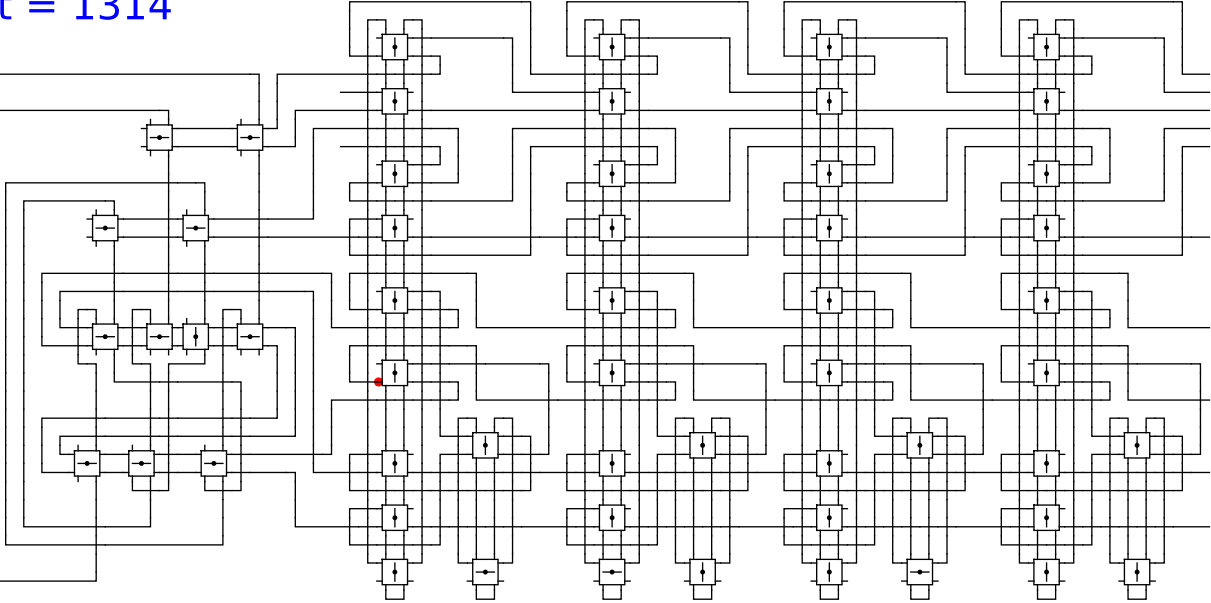


1 head 0 1 0

t = 1314

Reject
Accept

Begin

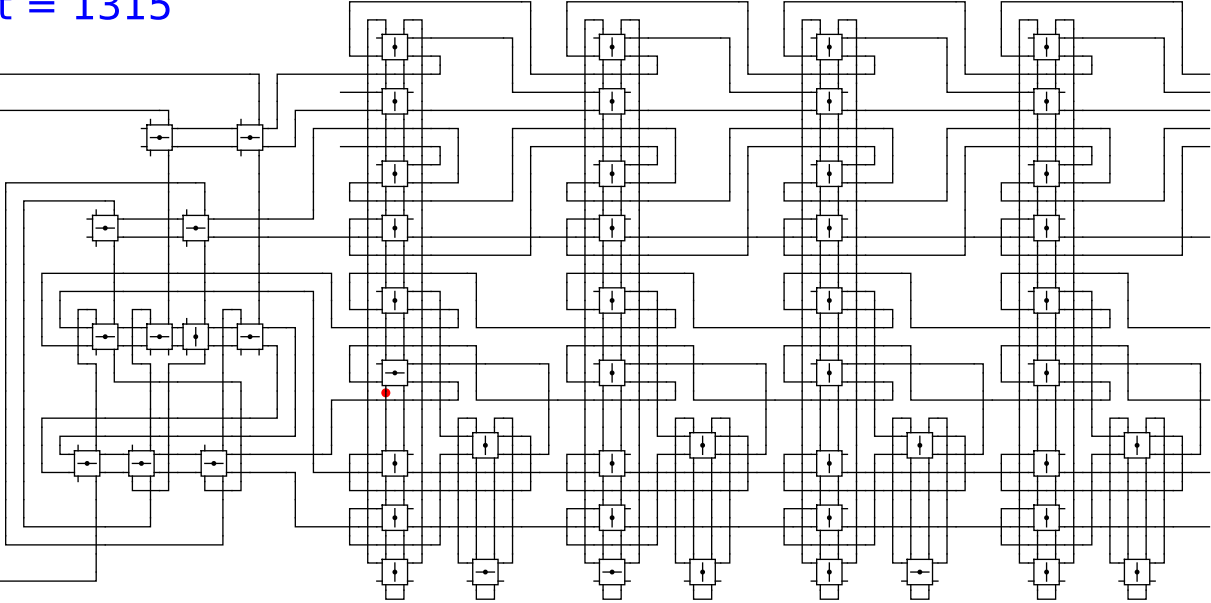


1 head 0 1 0

t = 1315

Reject
Accept

Begin

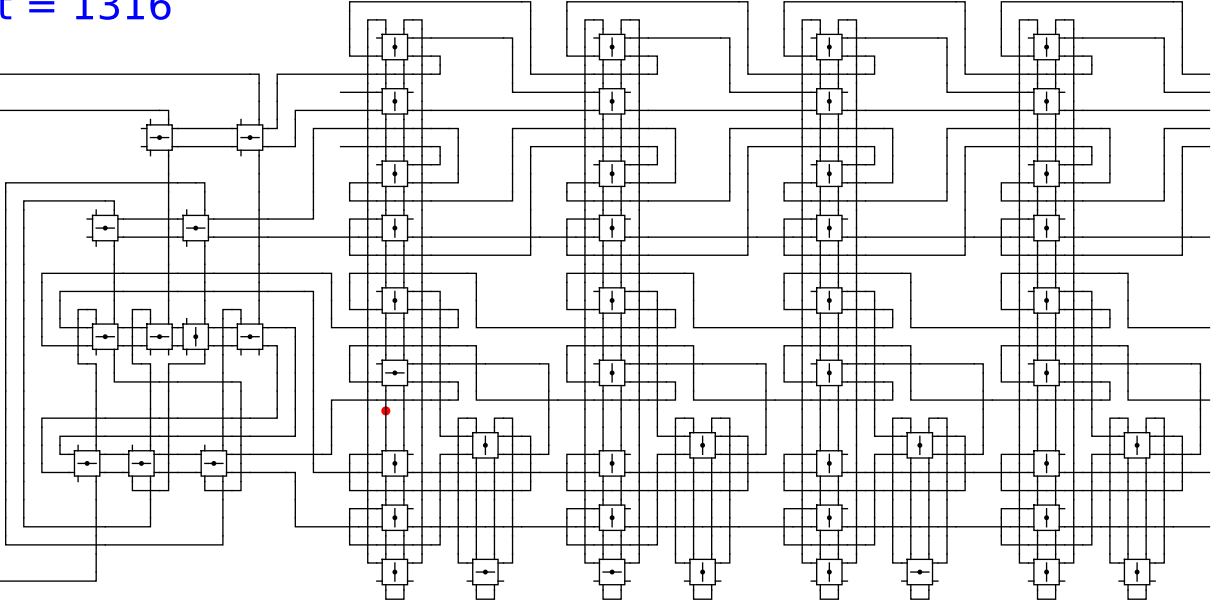


1 head 0 1 0

t = 1316

Reject
Accept

Begin

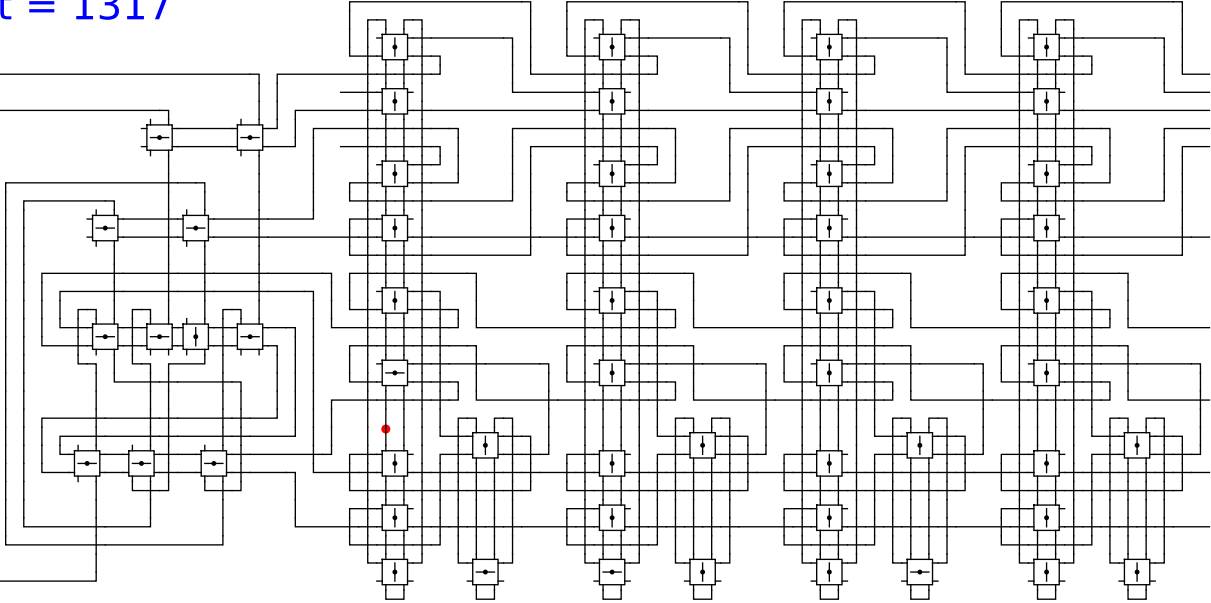


1 head 0 1 0

t = 1317

Reject
Accept

Begin

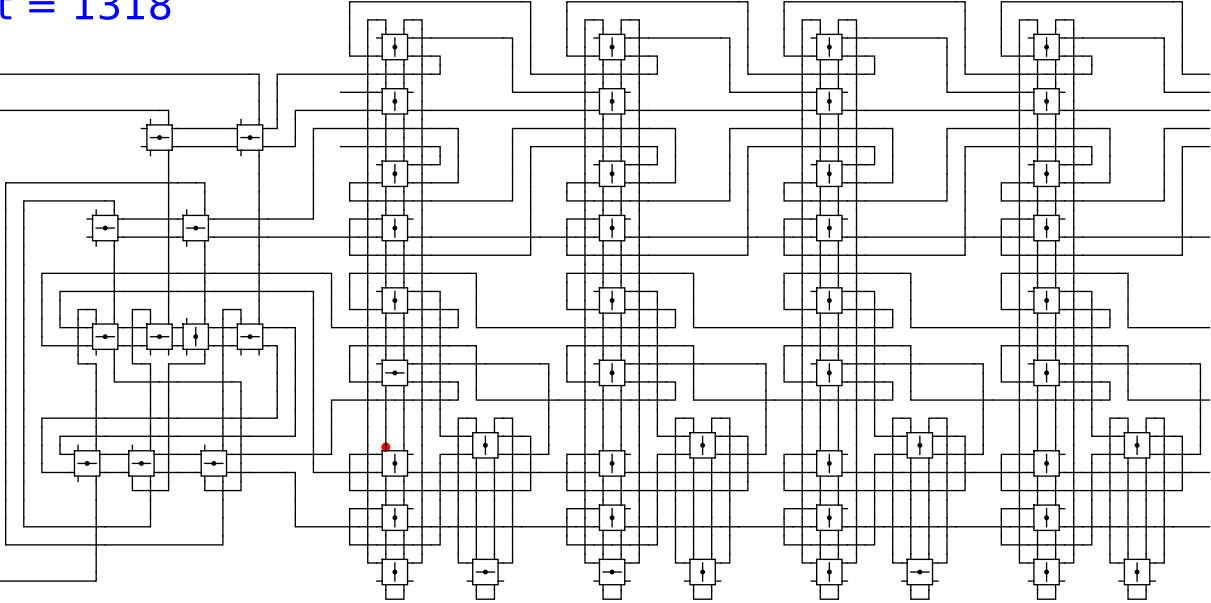


1 green 0 1 0

t = 1318

Reject
Accept

Begin

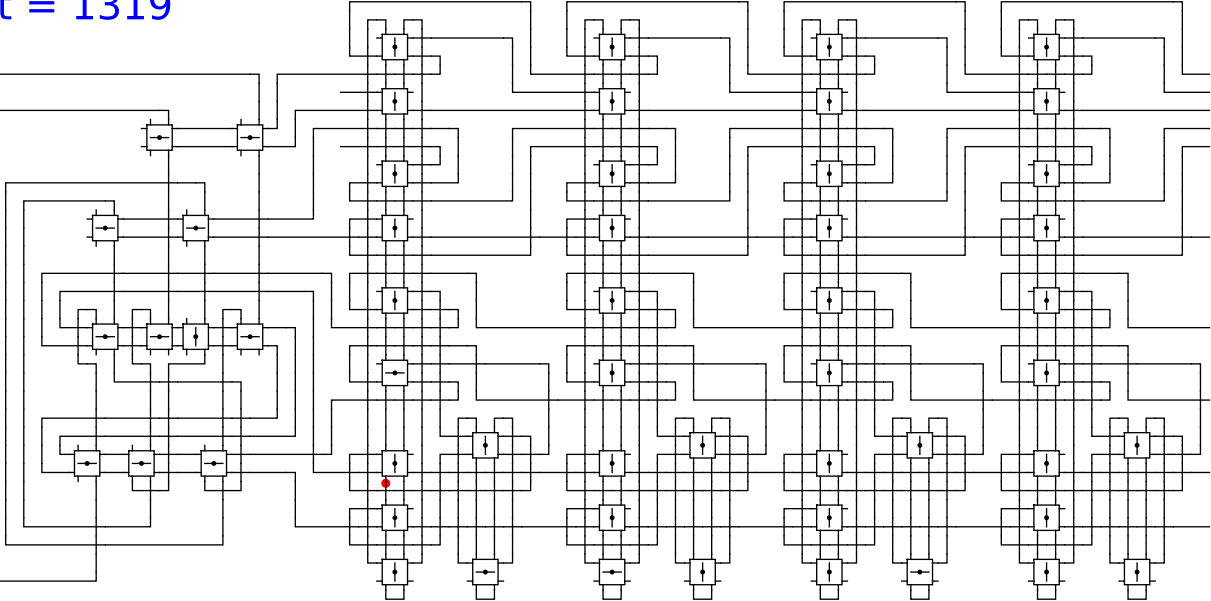


1 head 0 1 0

t = 1319

Reject
Accept

Begin

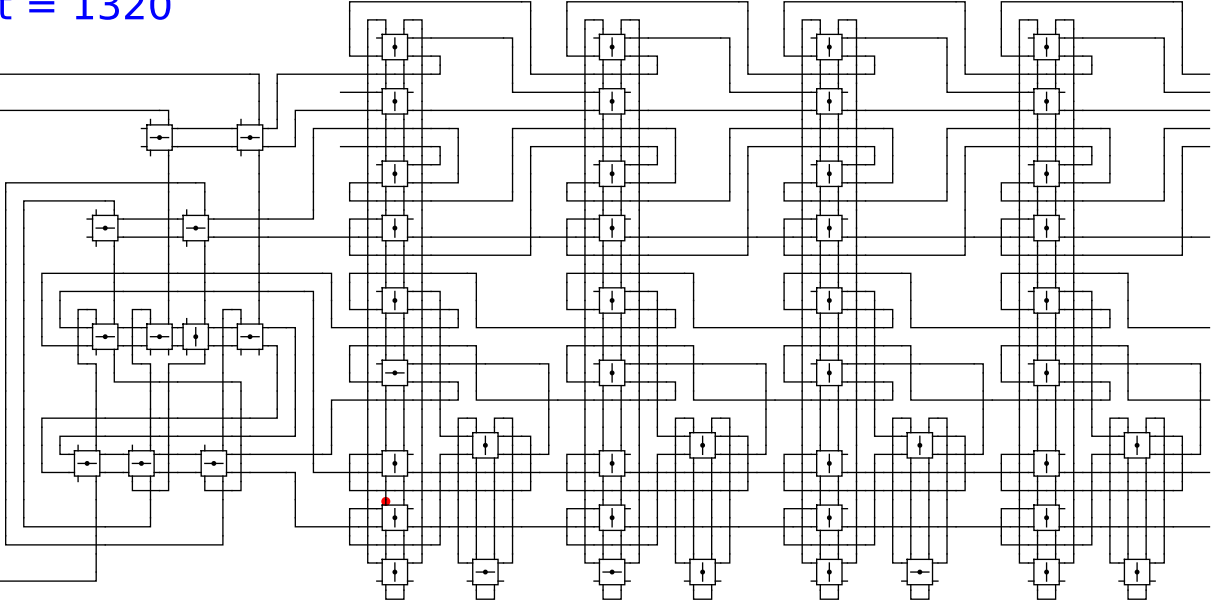


1 head 0 1 0

t = 1320

Reject
Accept

Begin

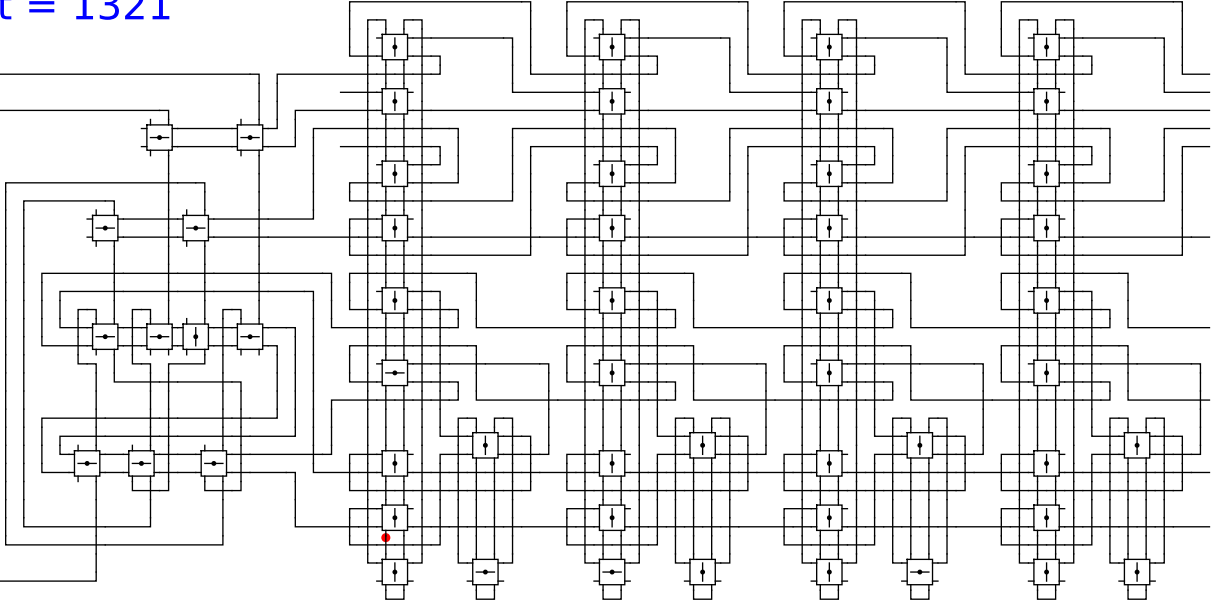


1 head 0 1 0

t = 1321

Reject
Accept

Begin

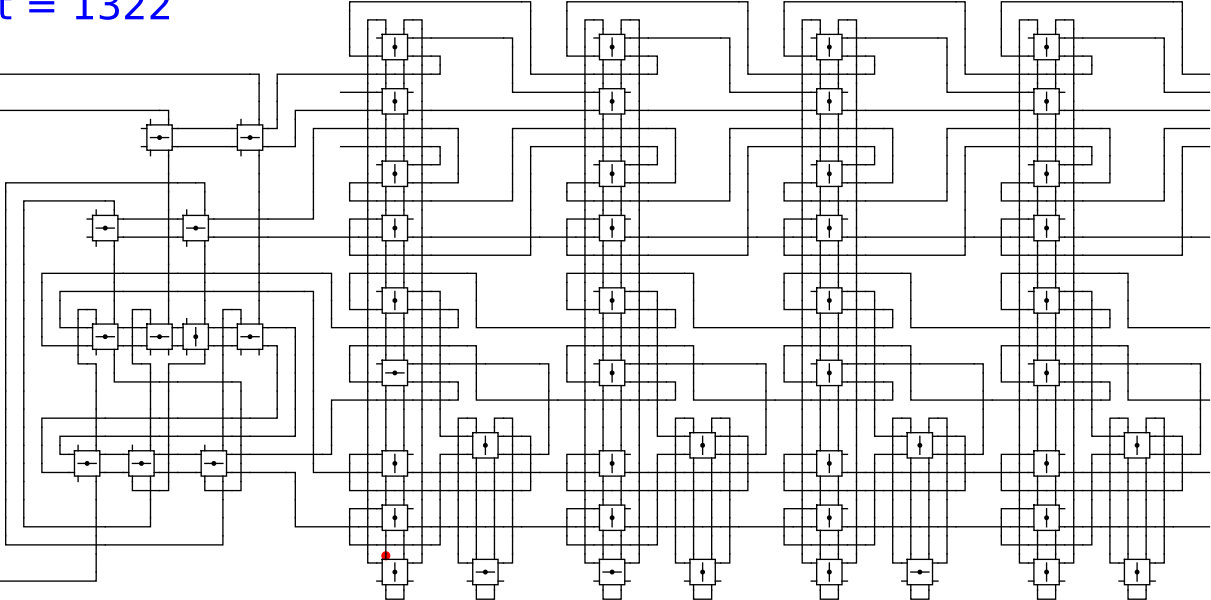


1 head 0 1 0

t = 1322

Reject
Accept

Begin

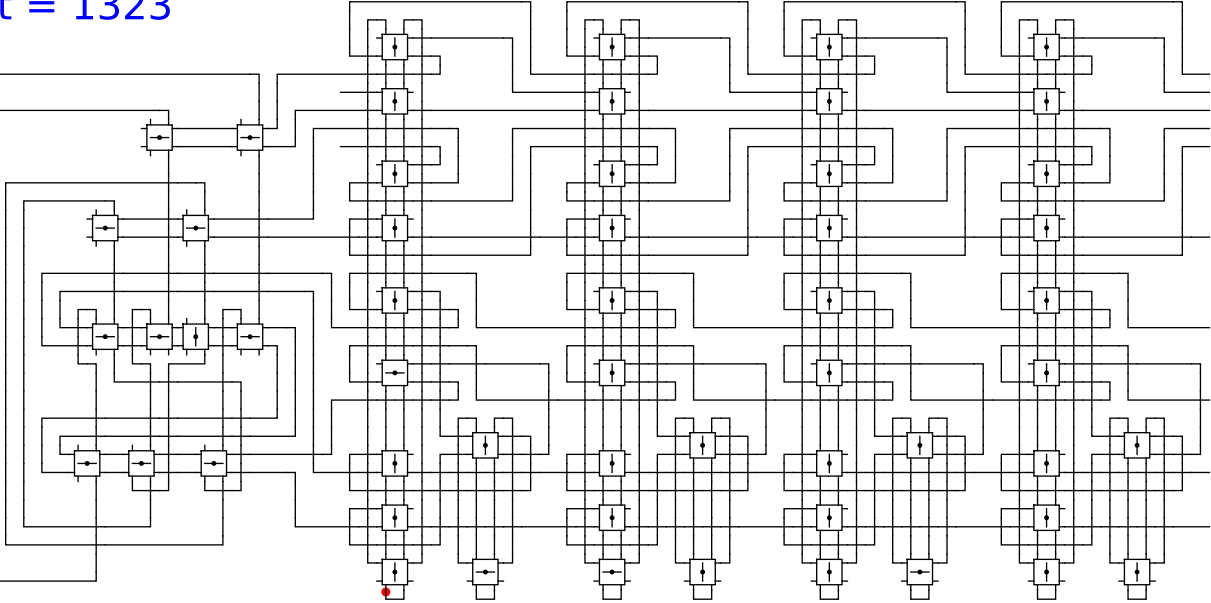


1 head 0 1 0

t = 1323

Reject
Accept

Begin

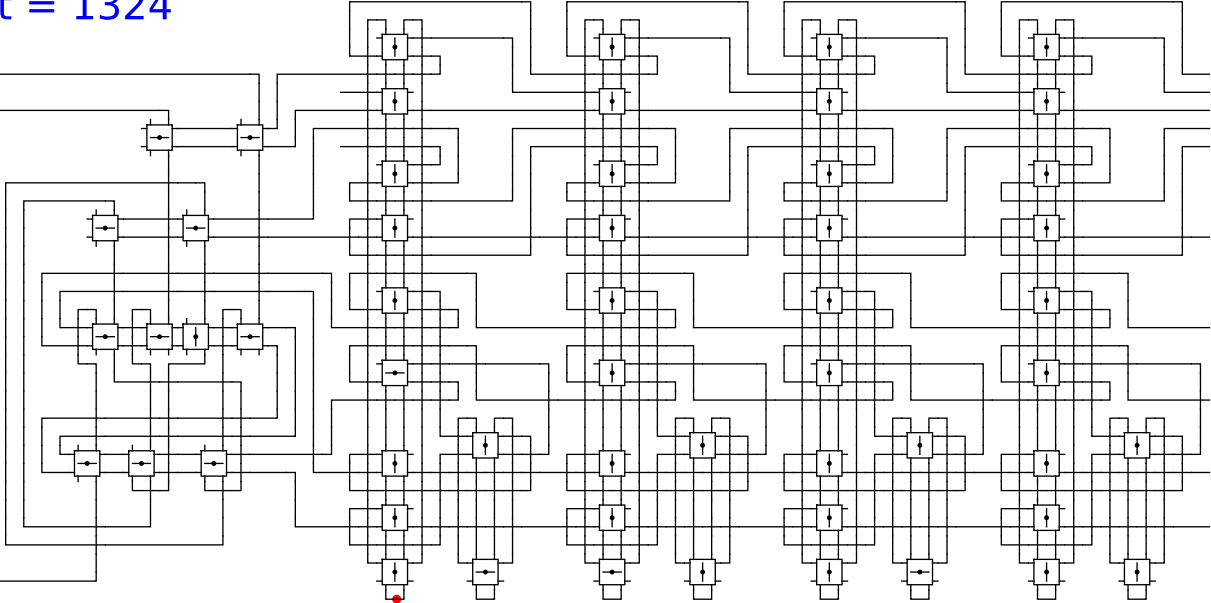


1 head 0 1 0 1 0 1

t = 1324

Reject
Accept

Begin

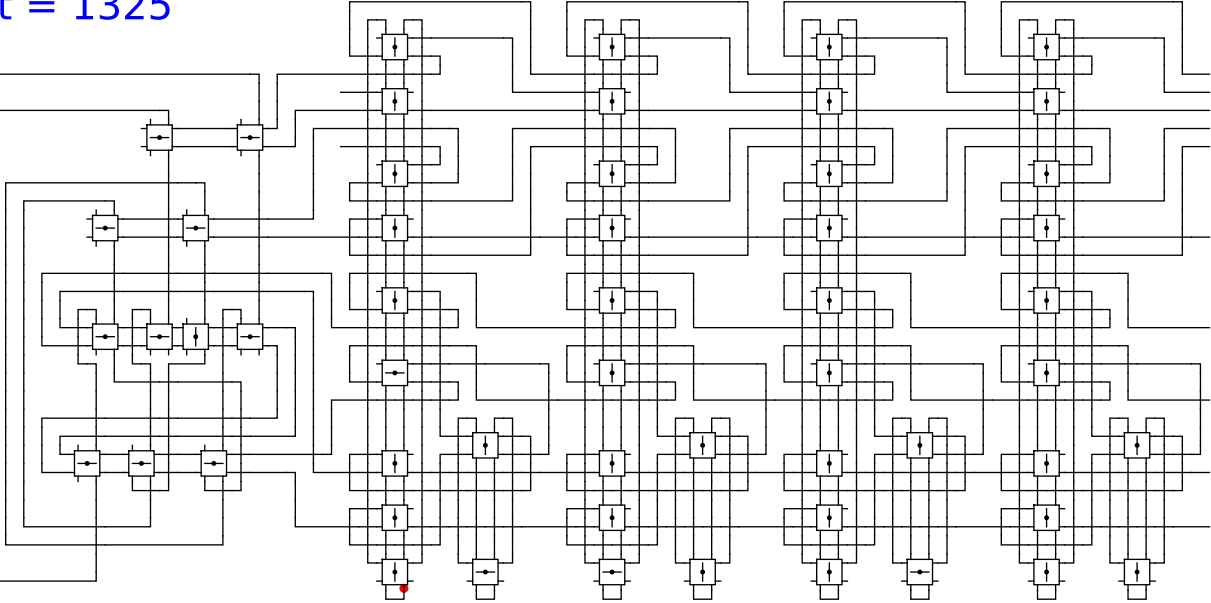


1 head 0 1 0

t = 1325

Reject
Accept

Begin

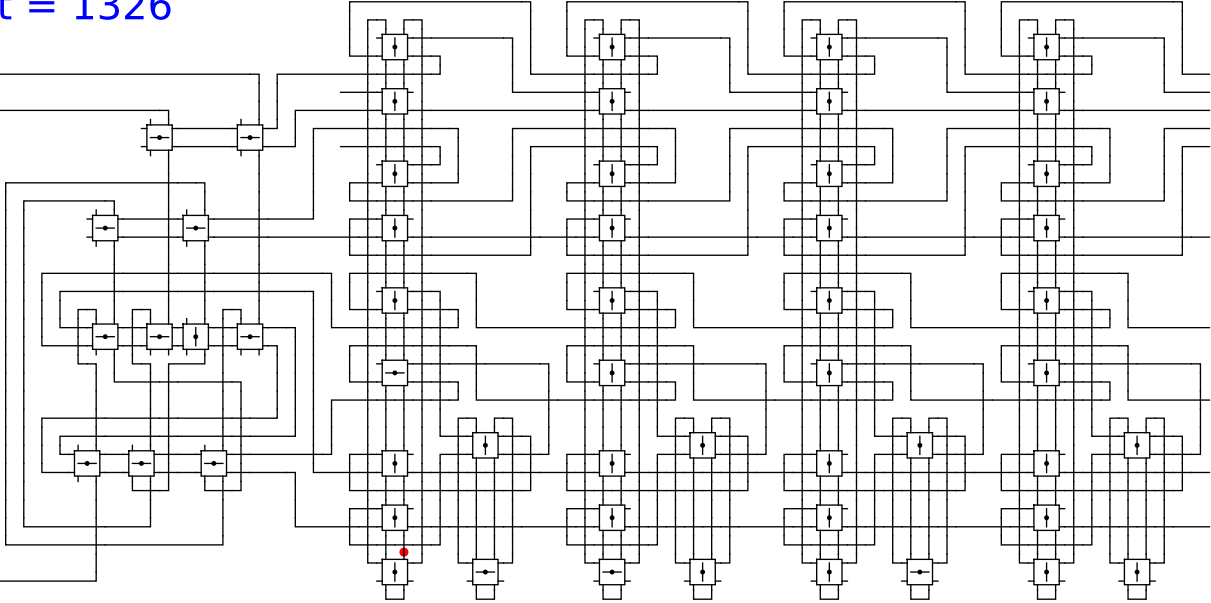


1 head 0 1 0

t = 1326

Reject
Accept

Begin



1

head

0

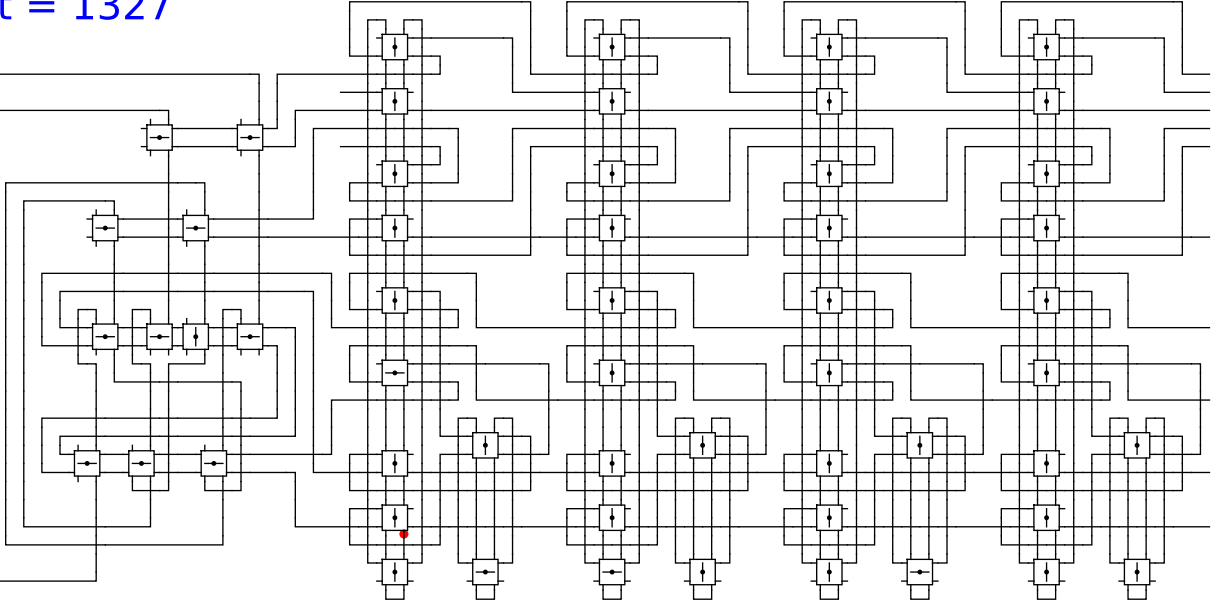
1

0

t = 1327

Reject
Accept

Begin

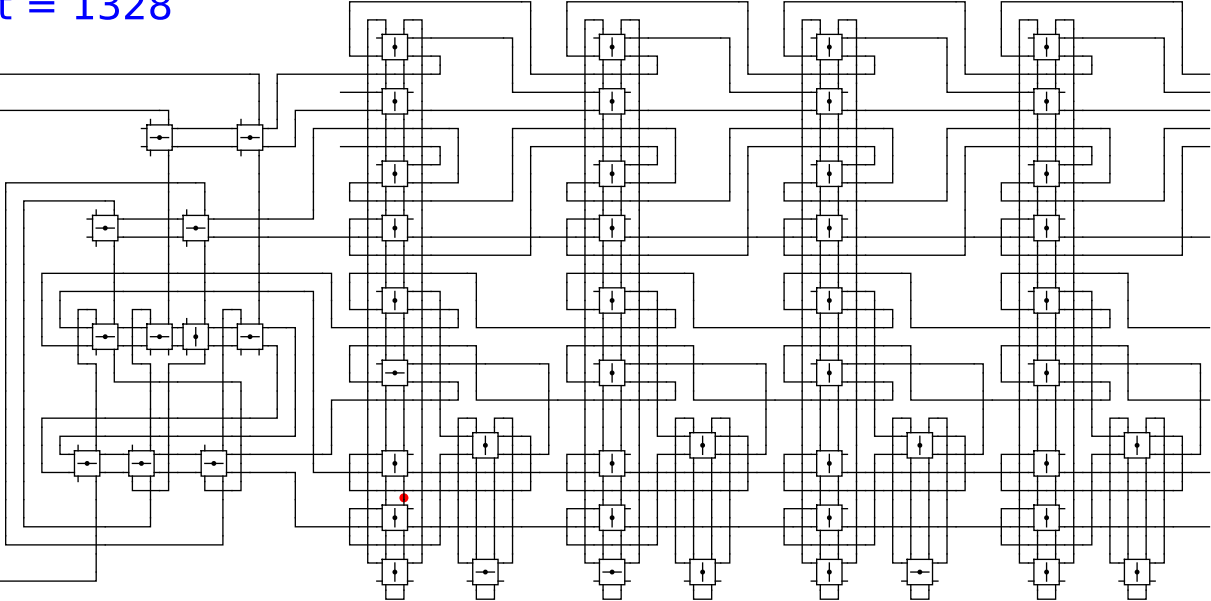


1 head 0 1 0

t = 1328

Reject
Accept

Begin

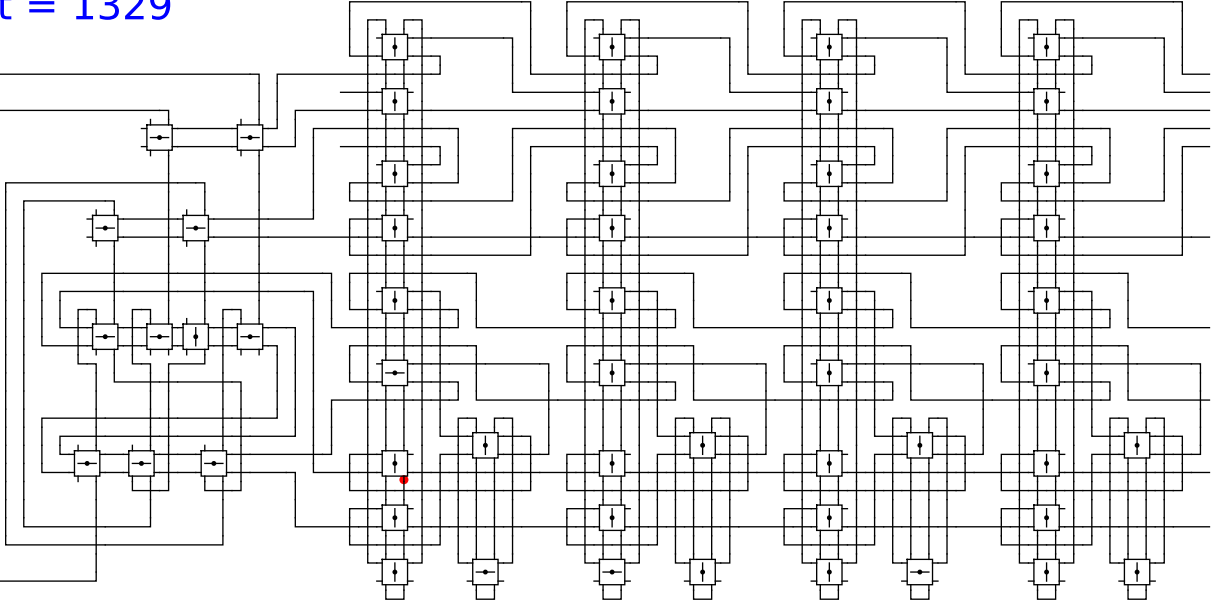


1 head 0 1 0

t = 1329

Reject
Accept

Begin

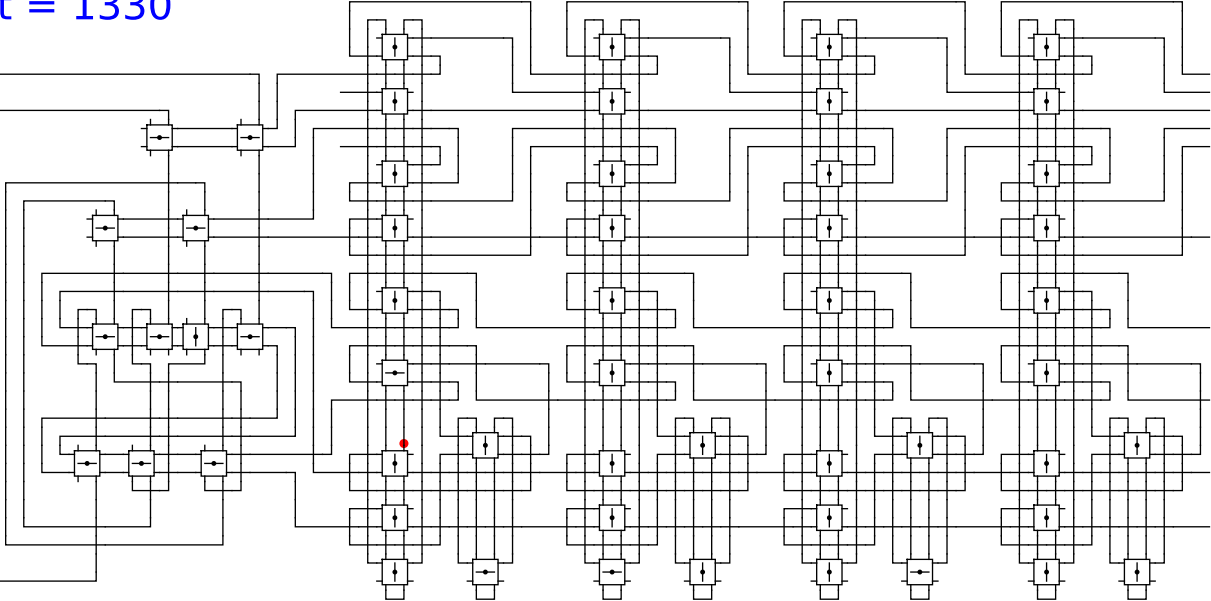


1 head 0 1 0

t = 1330

Reject
Accept

Begin

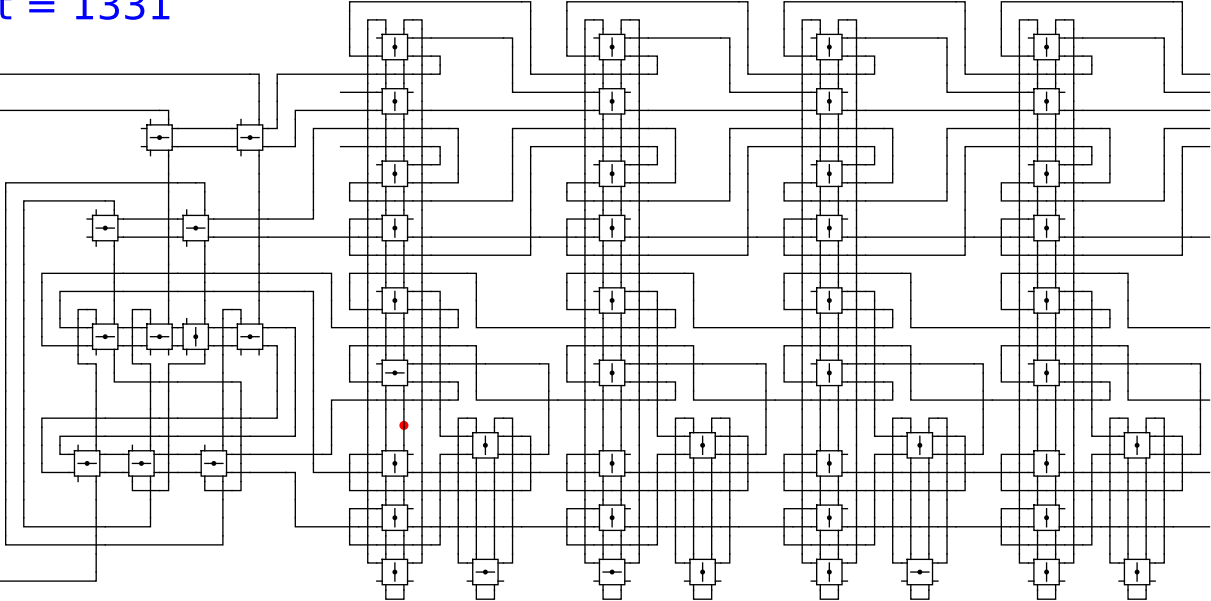


1 head 0 1 0

t = 1331

Reject
Accept

Begin

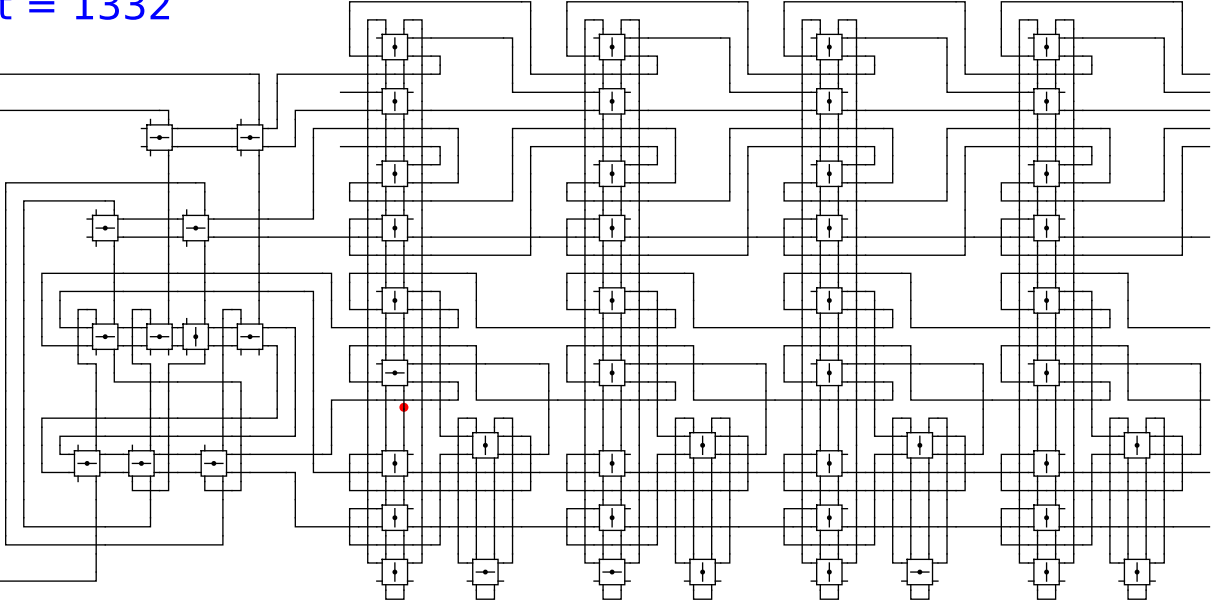


1 head 0 1 0

t = 1332

Reject
Accept

Begin

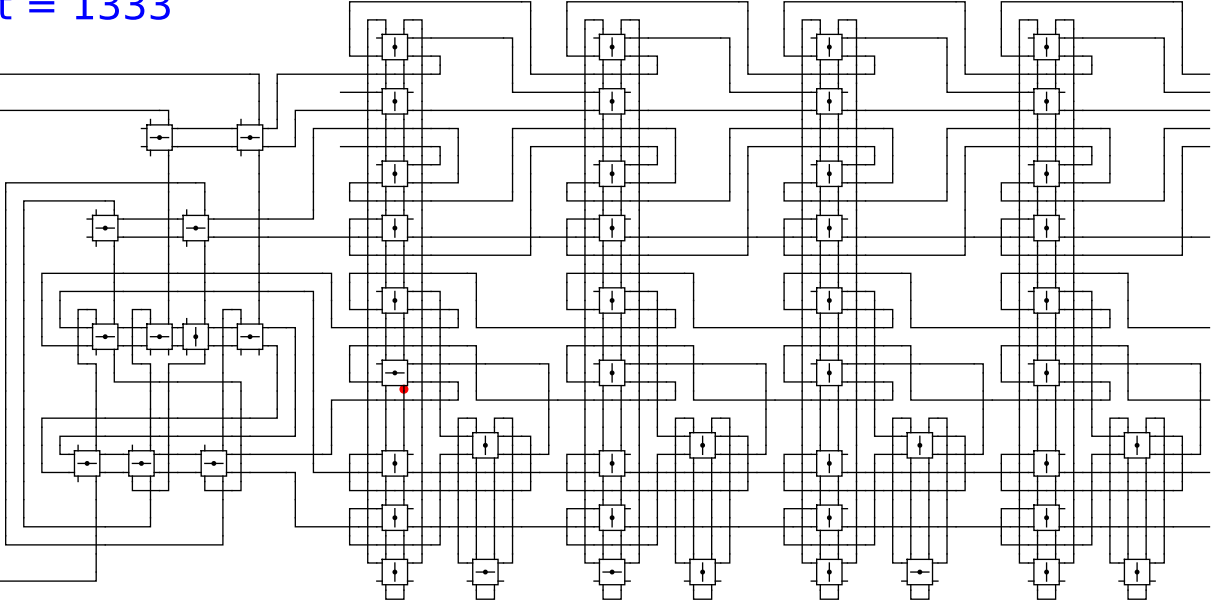


1 head 0 1 0

t = 1333

Reject
Accept

Begin

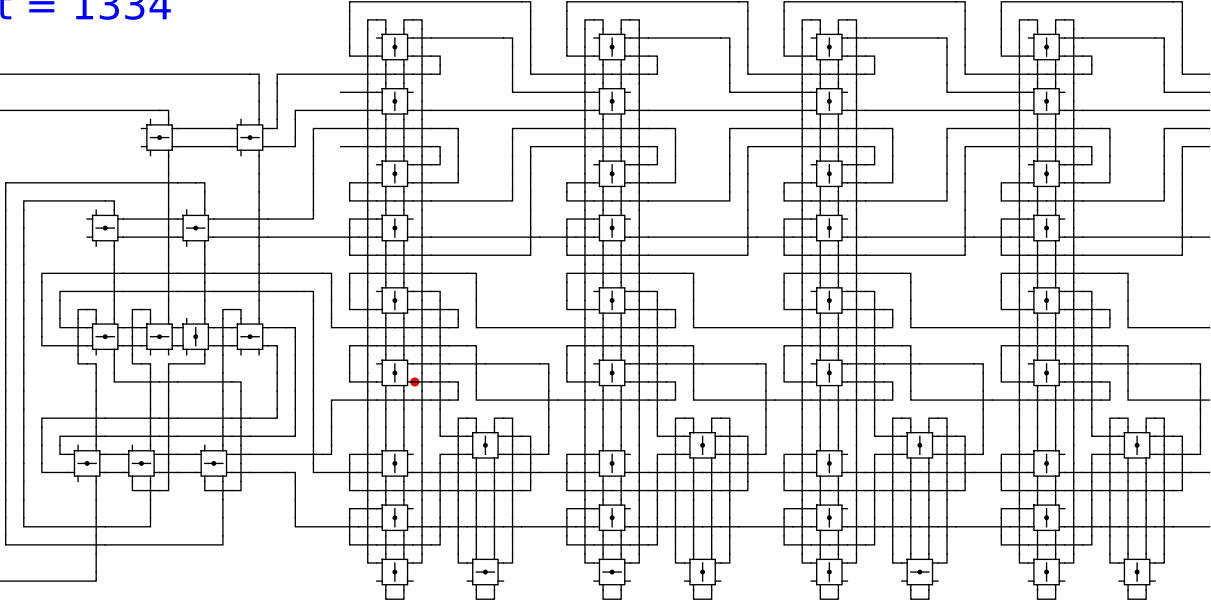


1 head 0 1 0

t = 1334

Reject
Accept

Begin

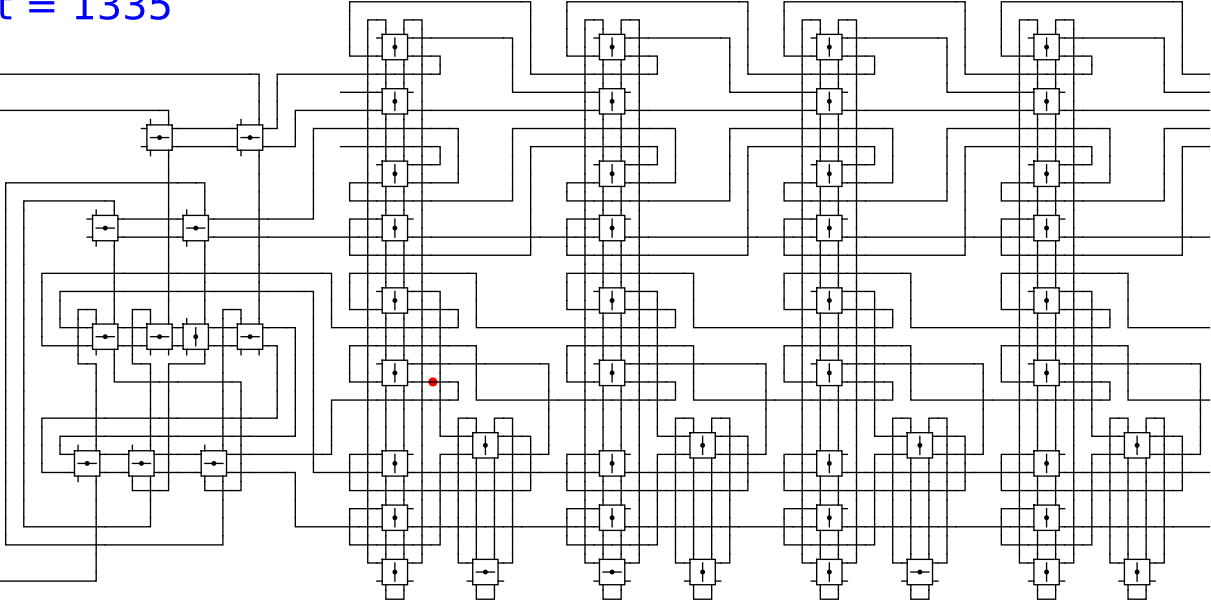


1 head 0 1 0

t = 1335

Reject
Accept

Begin

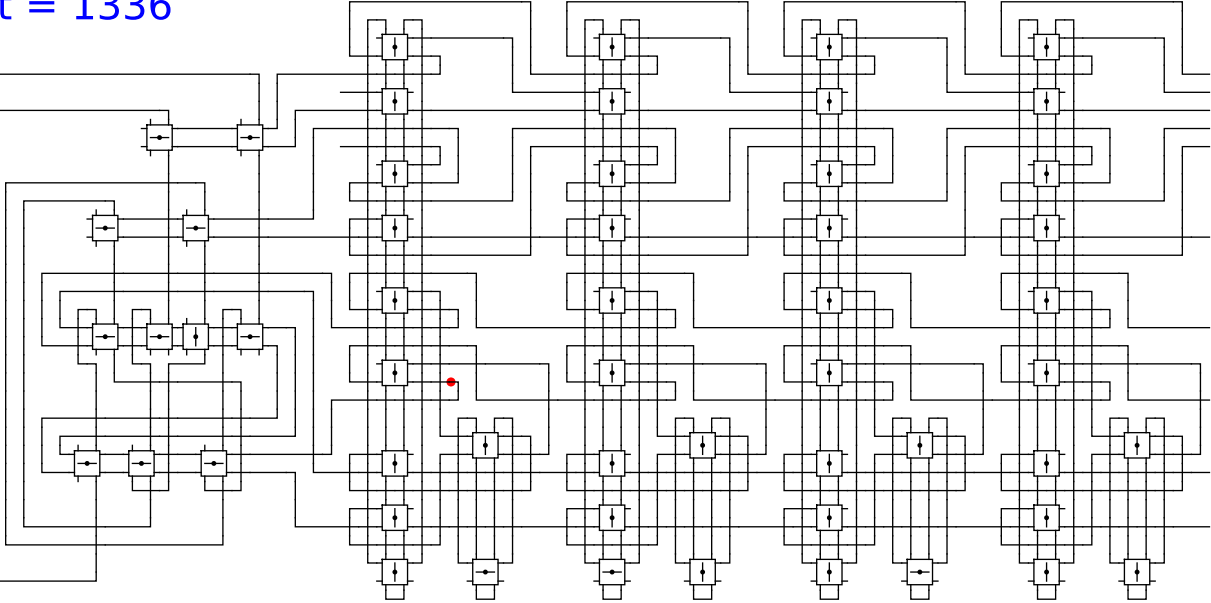


1 head 0 1 0

t = 1336

Reject
Accept

Begin

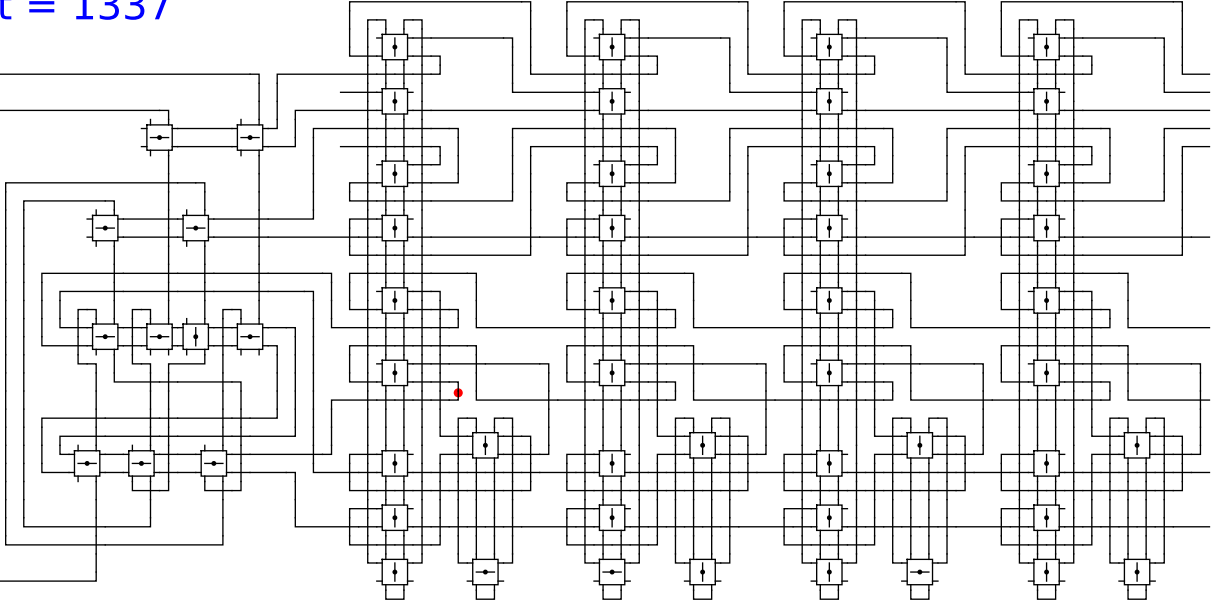


1 head 0 1 0

t = 1337

Reject
Accept

Begin

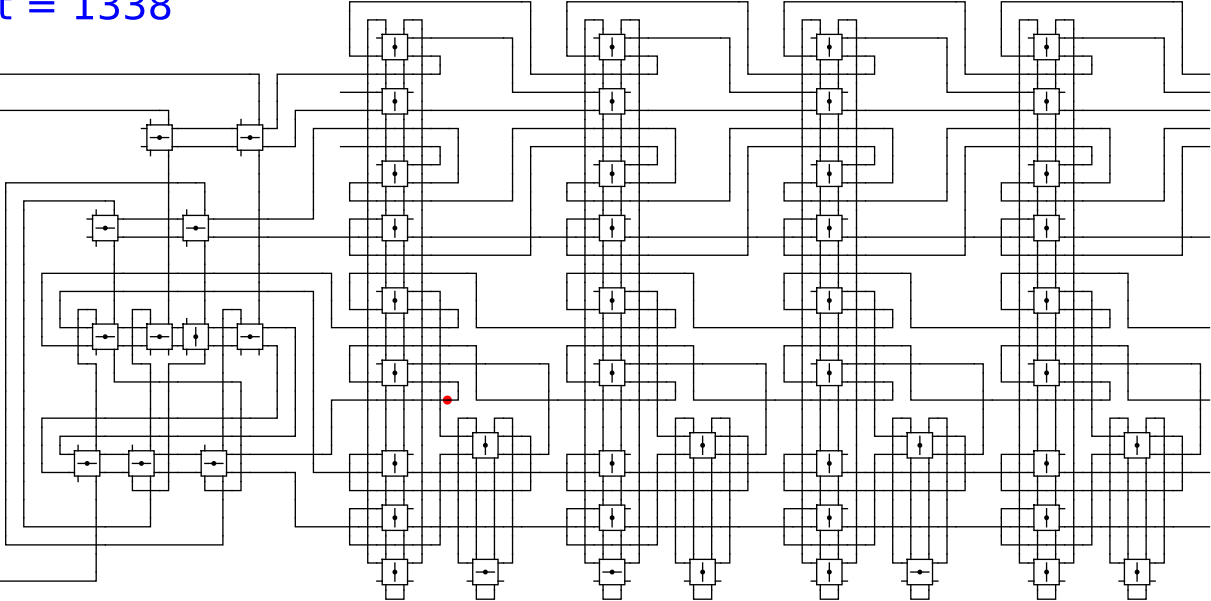


1 head 0 1 0

t = 1338

Reject
Accept

Begin

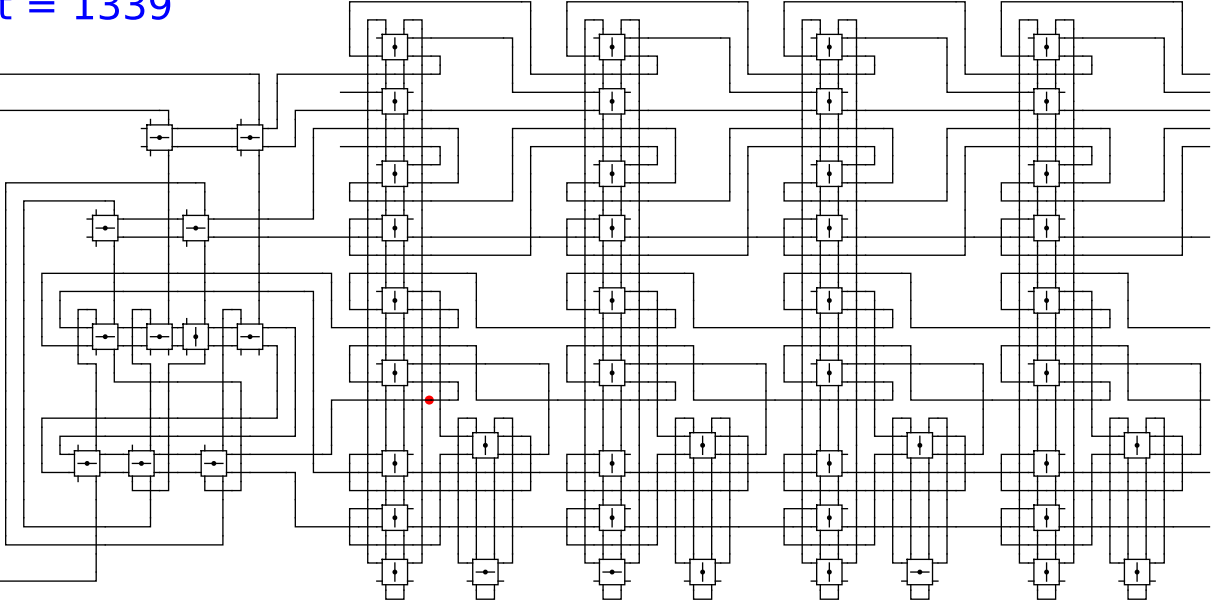


1 head 0 1 0

t = 1339

Reject
Accept

Begin

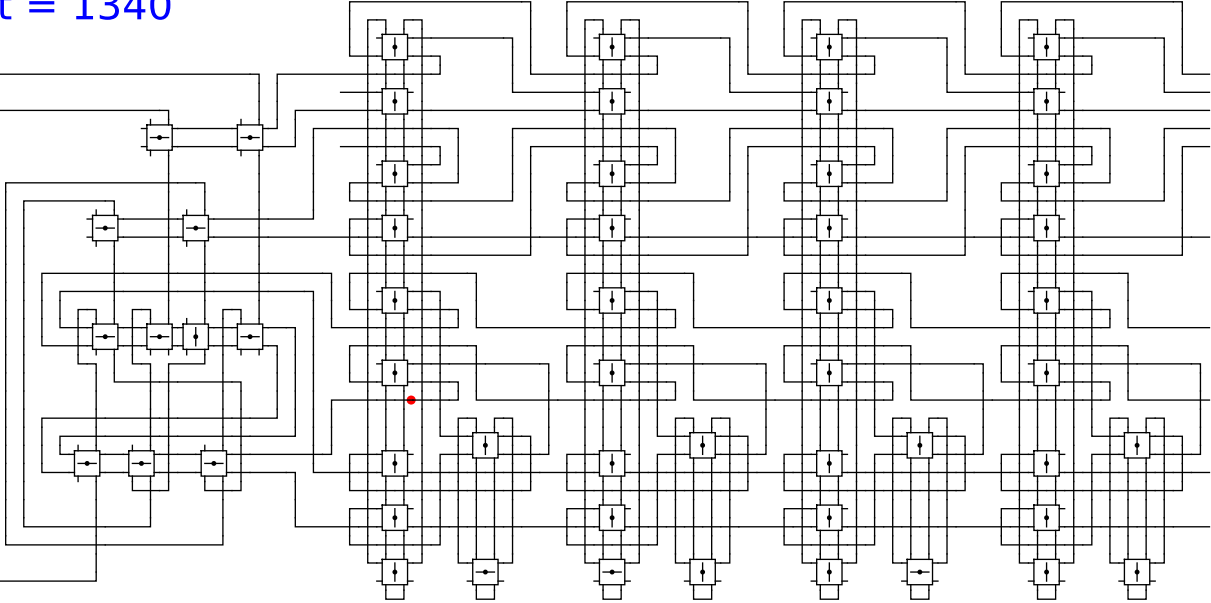


1 head 0 1 0

t = 1340

Reject
Accept

Begin

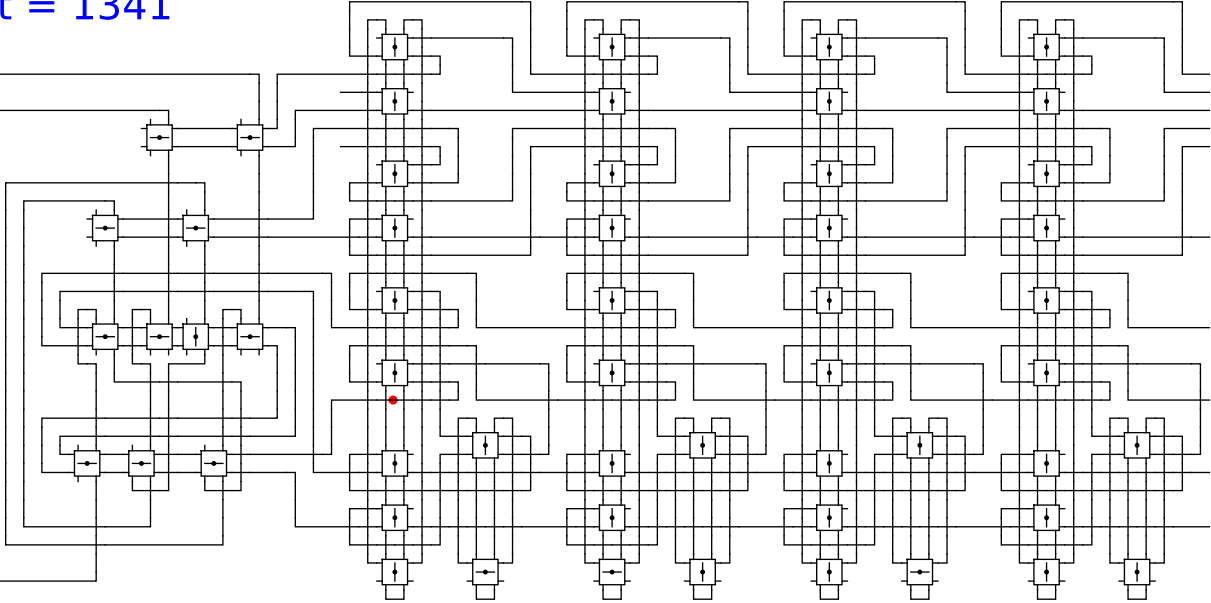


1 head 0 1 0

t = 1341

Reject
Accept

Begin

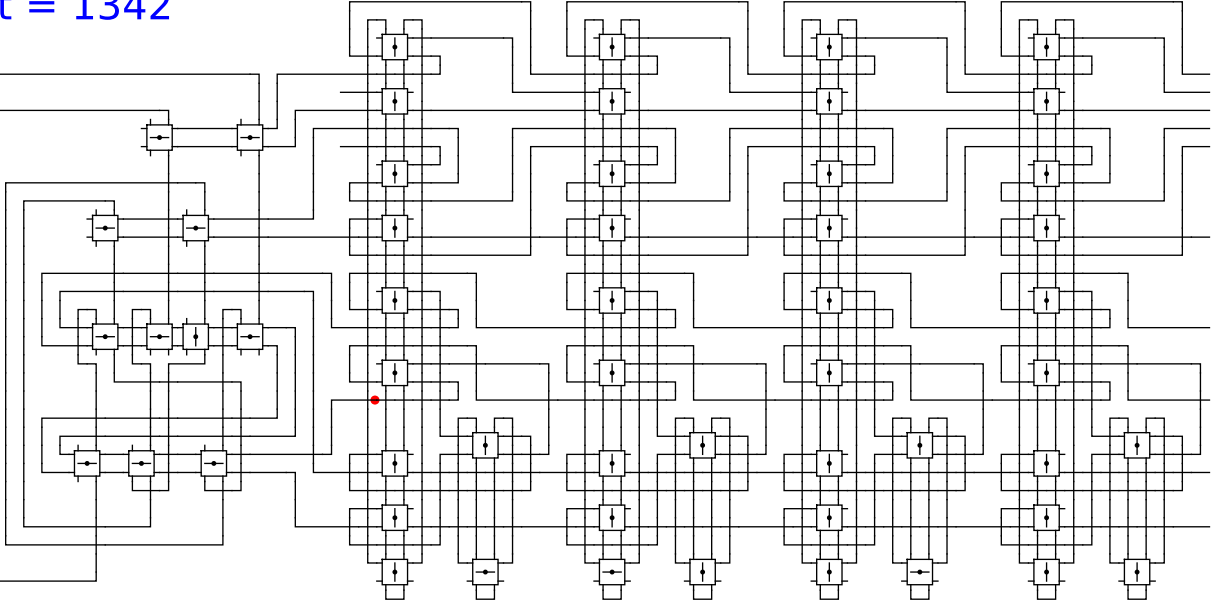


1 head 0 1 0

t = 1342

Reject
Accept

Begin



1

head

0

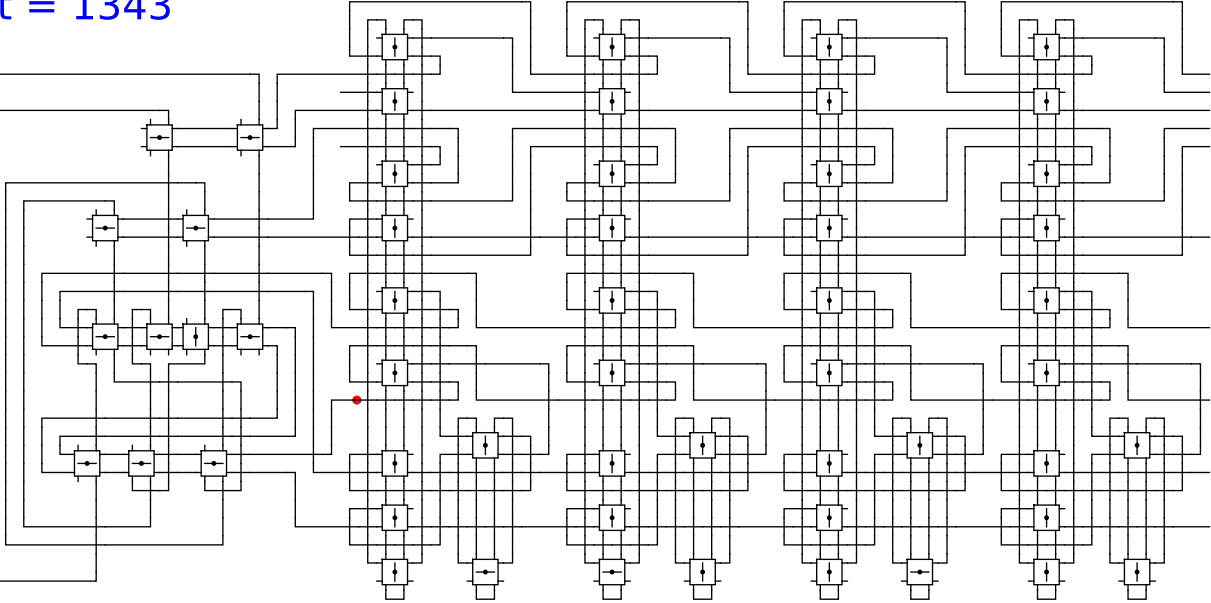
1

0

t = 1343

Reject
Accept

Begin

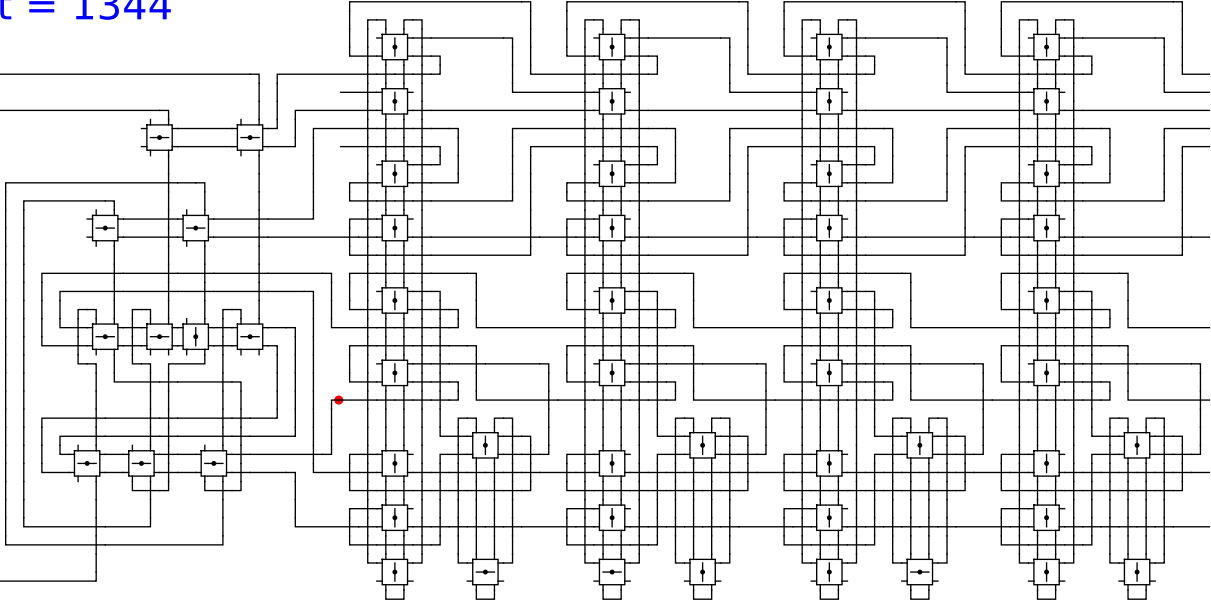


1 head 0 1 0

t = 1344

Reject
Accept

Begin

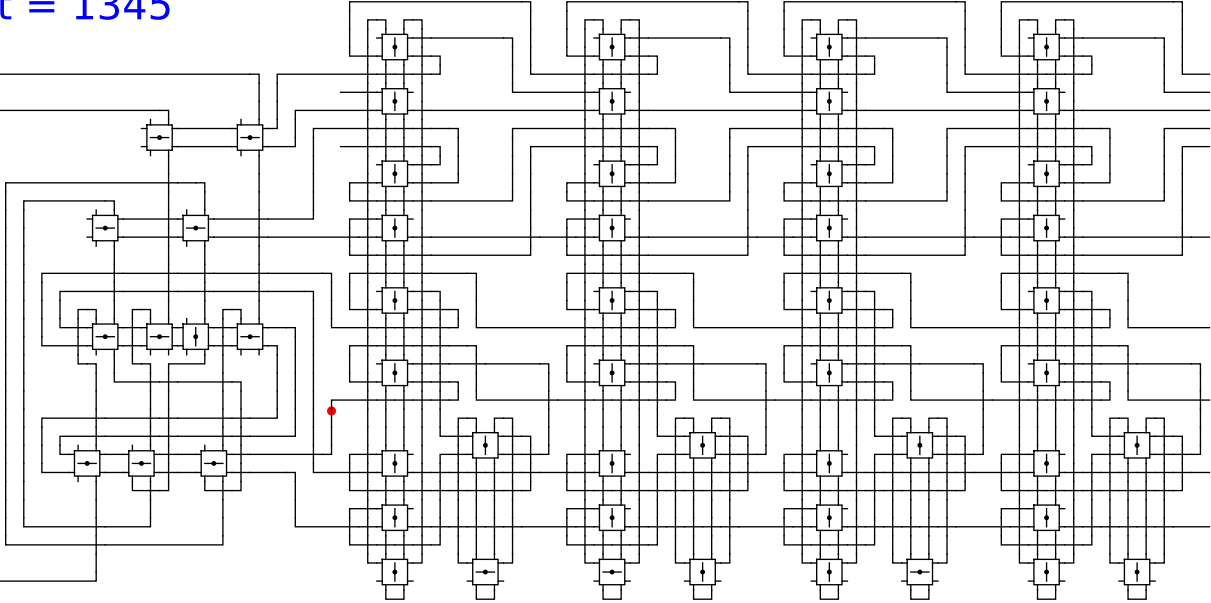


1 head 0 1 0

t = 1345

Reject
Accept

Begin

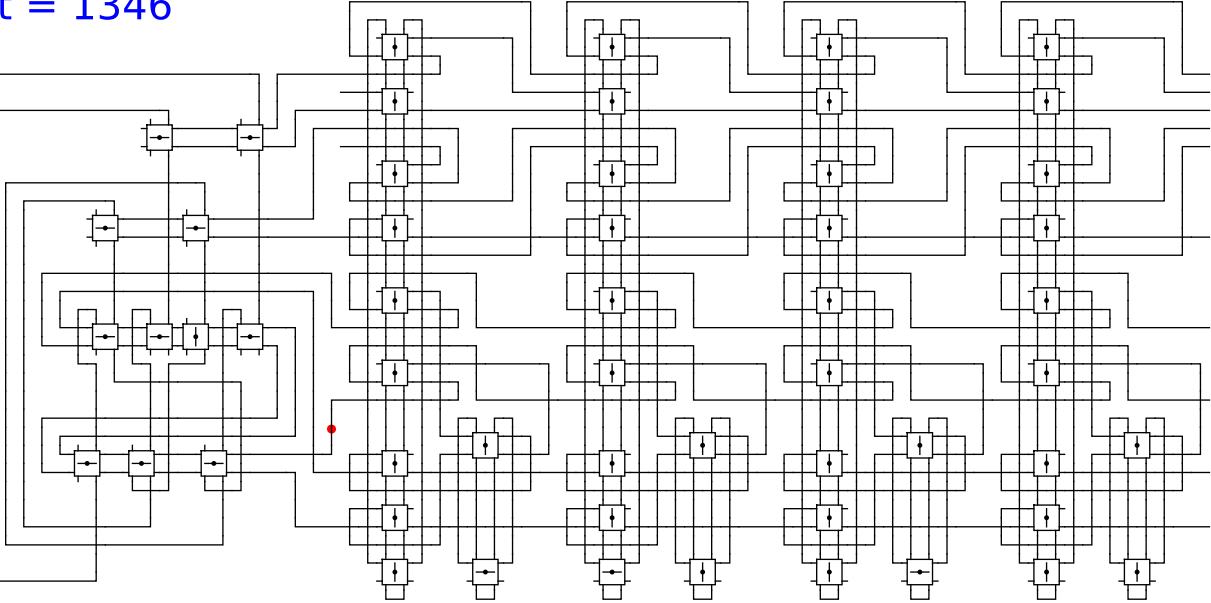


1 head 0 1 0

t = 1346

Reject
Accept

Begin

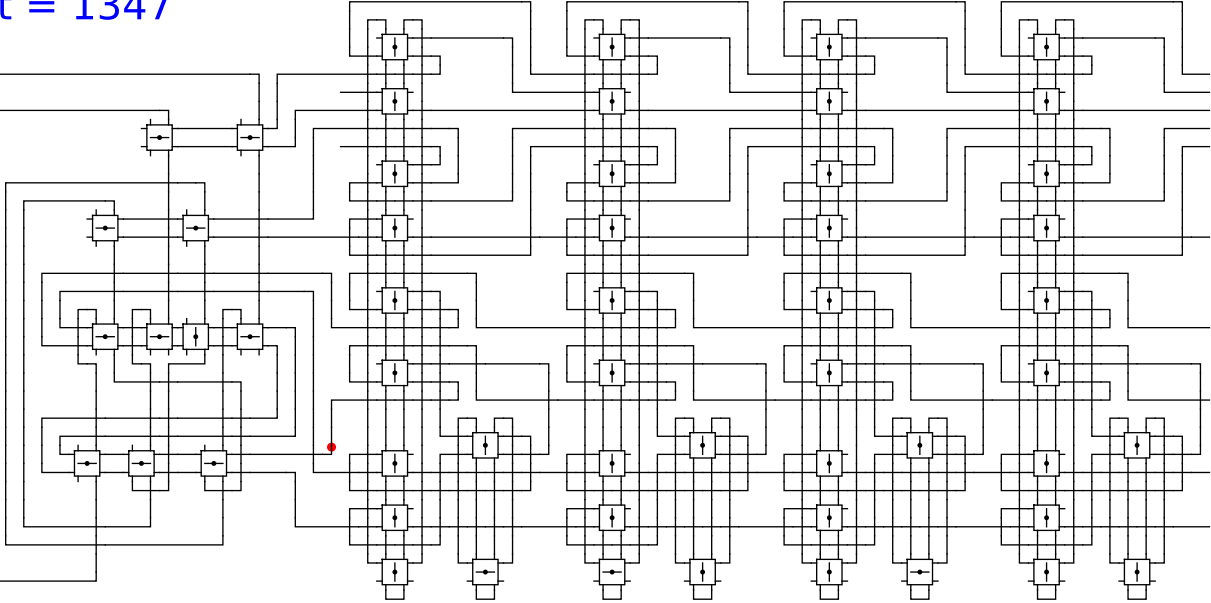


1 0 1 0

t = 1347

Reject
Accept

Begin

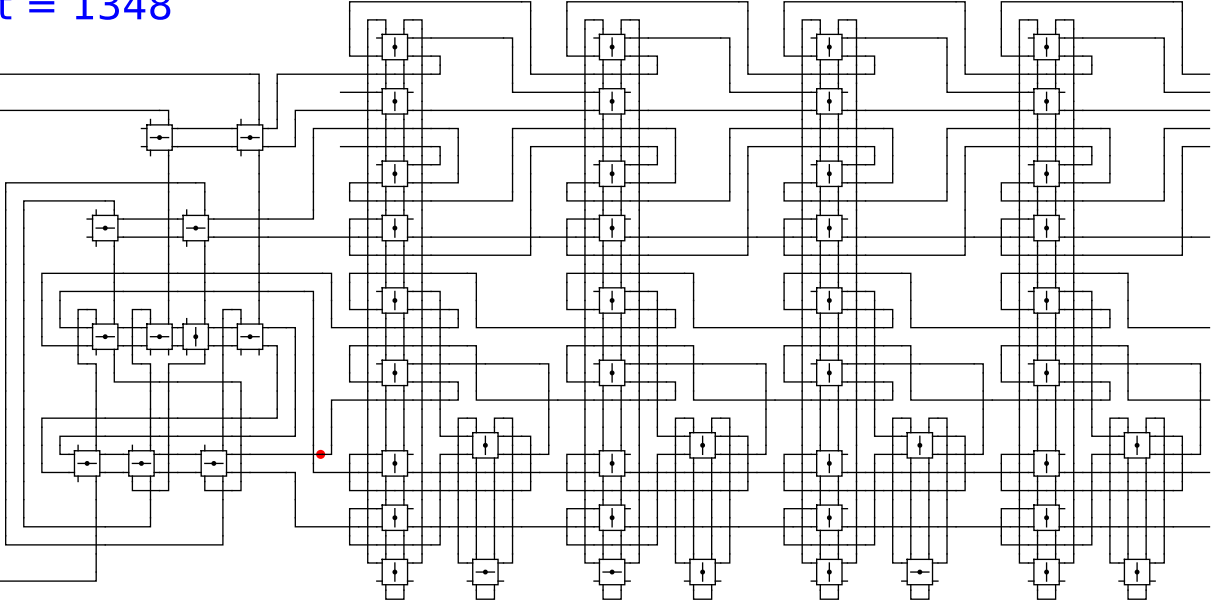


1 0 1 0

t = 1348

Reject
Accept

Begin

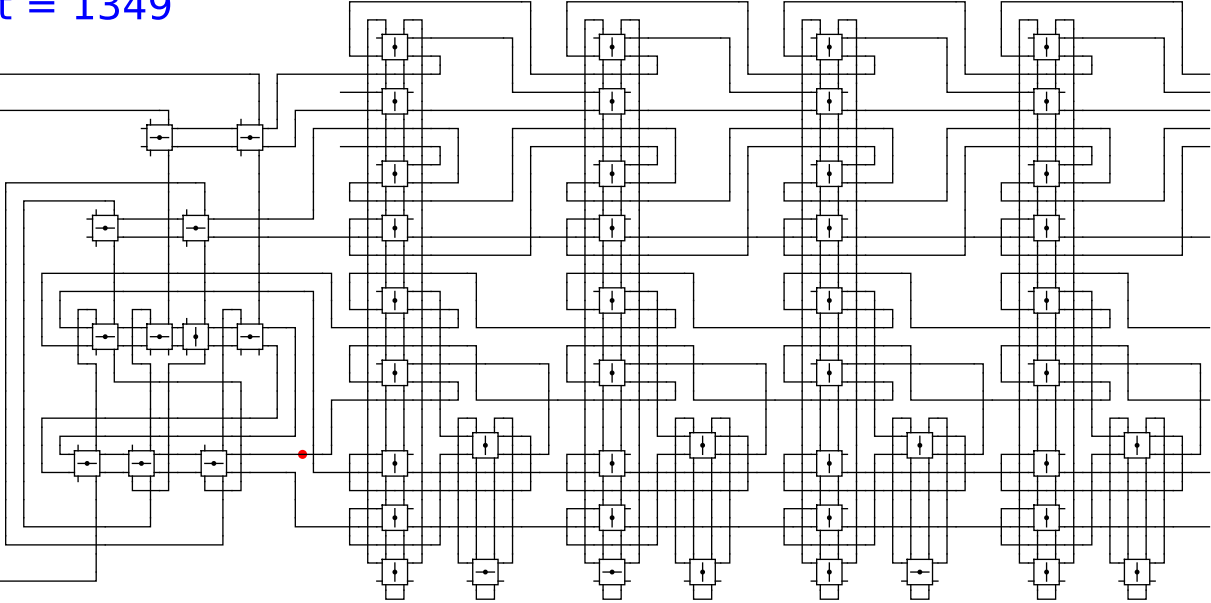


1 head 0 1 0

t = 1349

Reject
Accept

Begin

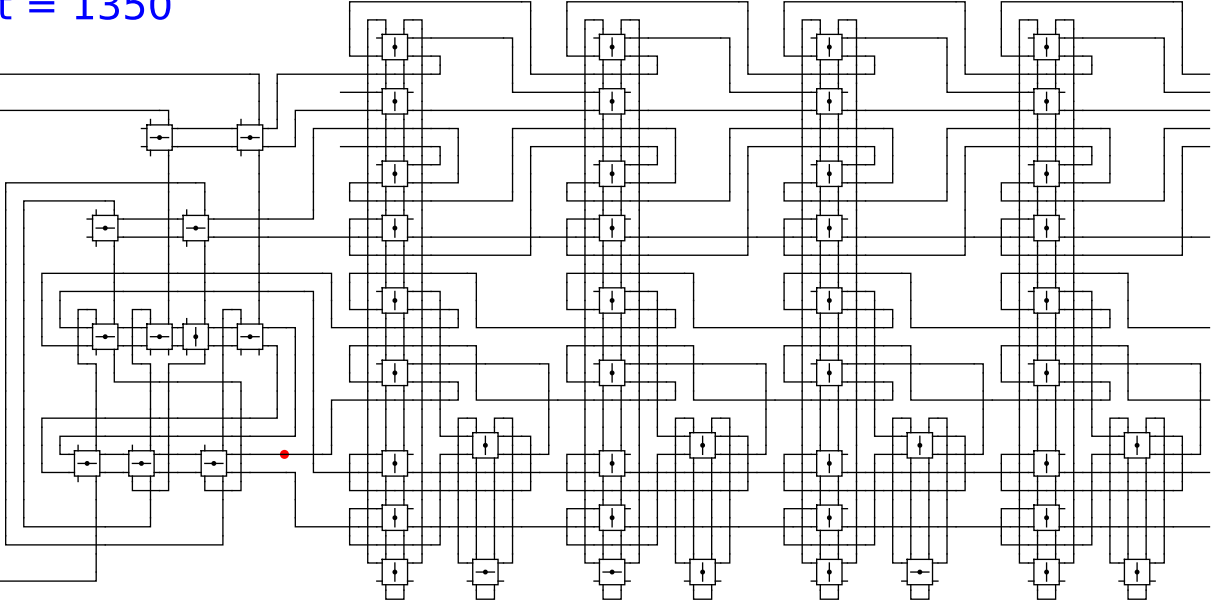


1 head 0 1 0

t = 1350

Reject
Accept

Begin

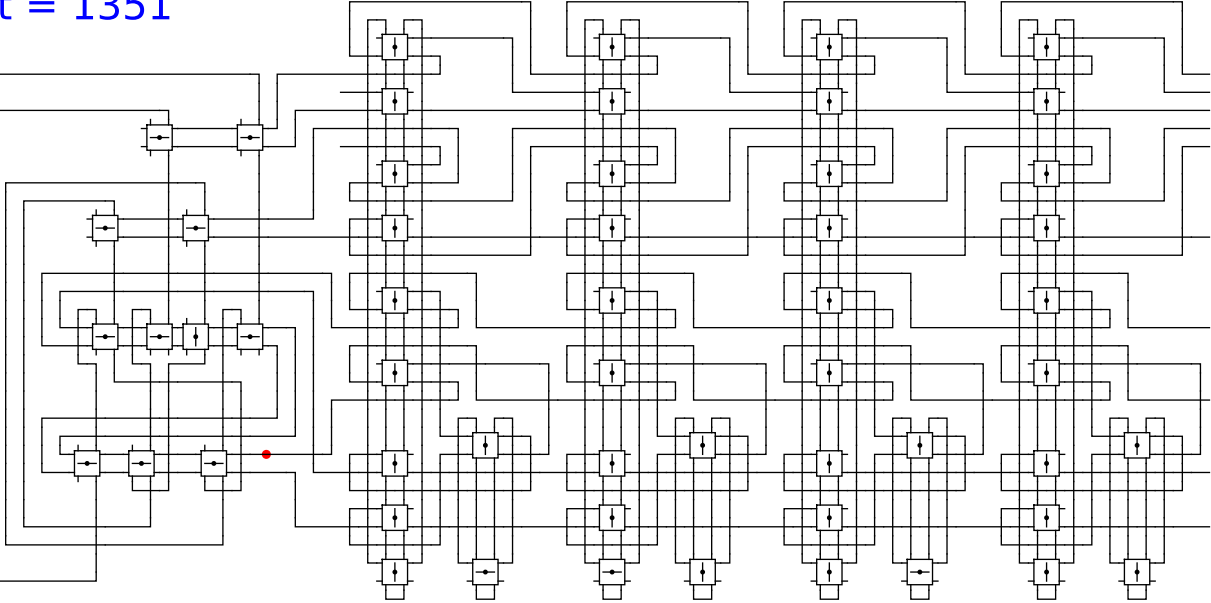


1 head 0 1 0

t = 1351

Reject
Accept

Begin

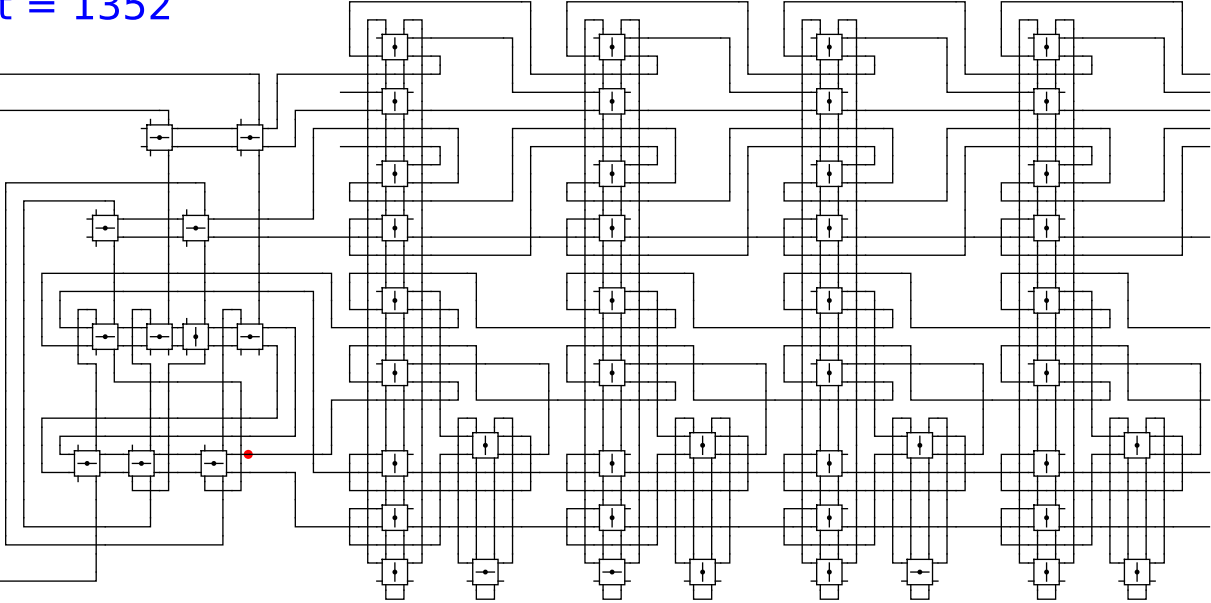


1 head 0 1 0

$t = 1352$

Reject
Accept

Begin

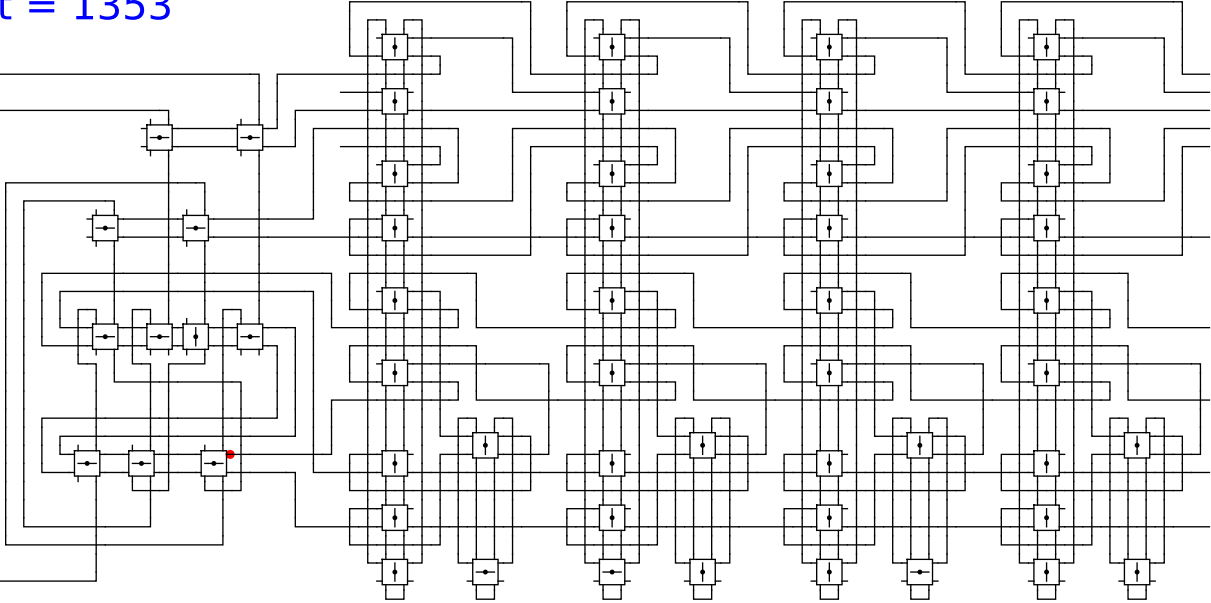


1 head 0 1 0

t = 1353

Reject
Accept

Begin

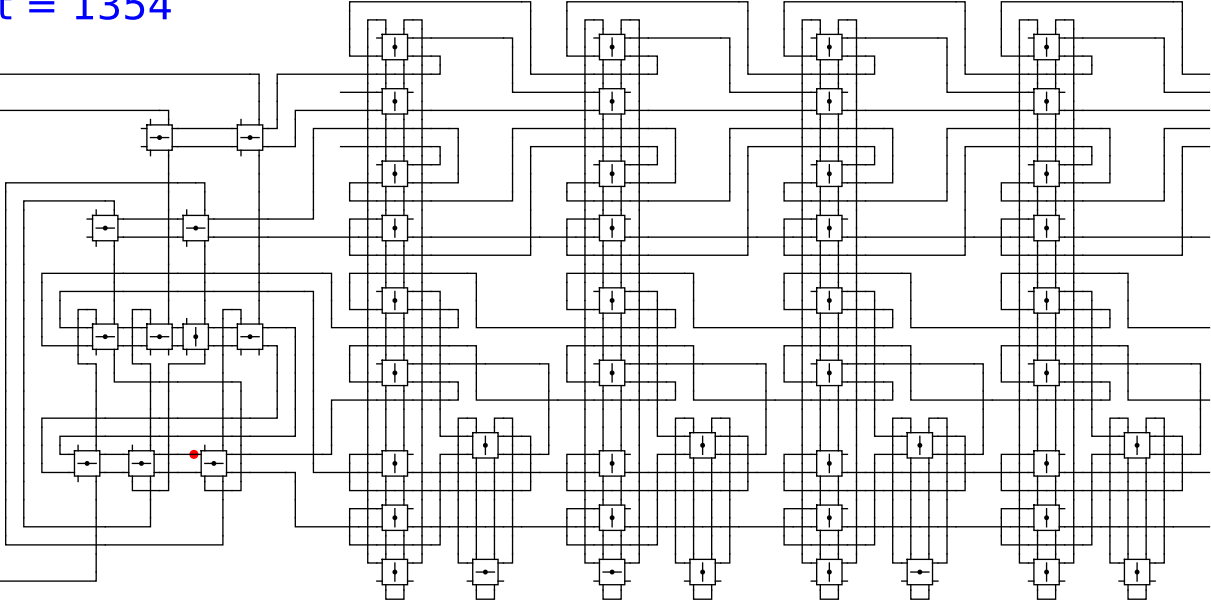


1 head 0 1 0

t = 1354

Reject
Accept

Begin

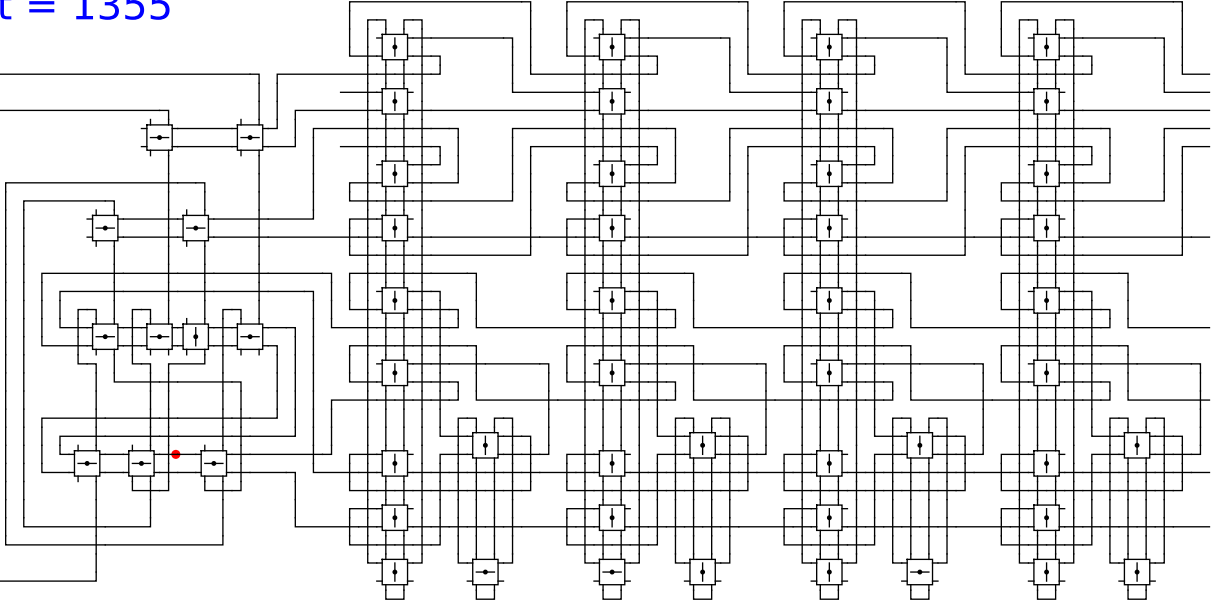


1 head 0 1 0

t = 1355

Reject
Accept

Begin

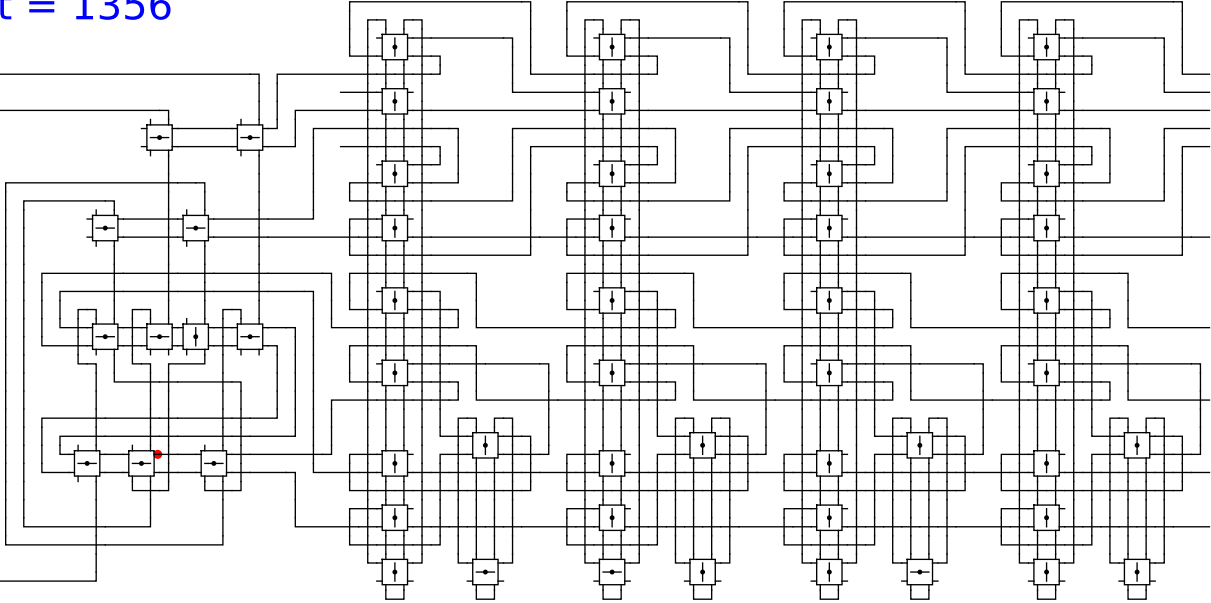


1 head 0 1 0

t = 1356

Reject
Accept

Begin

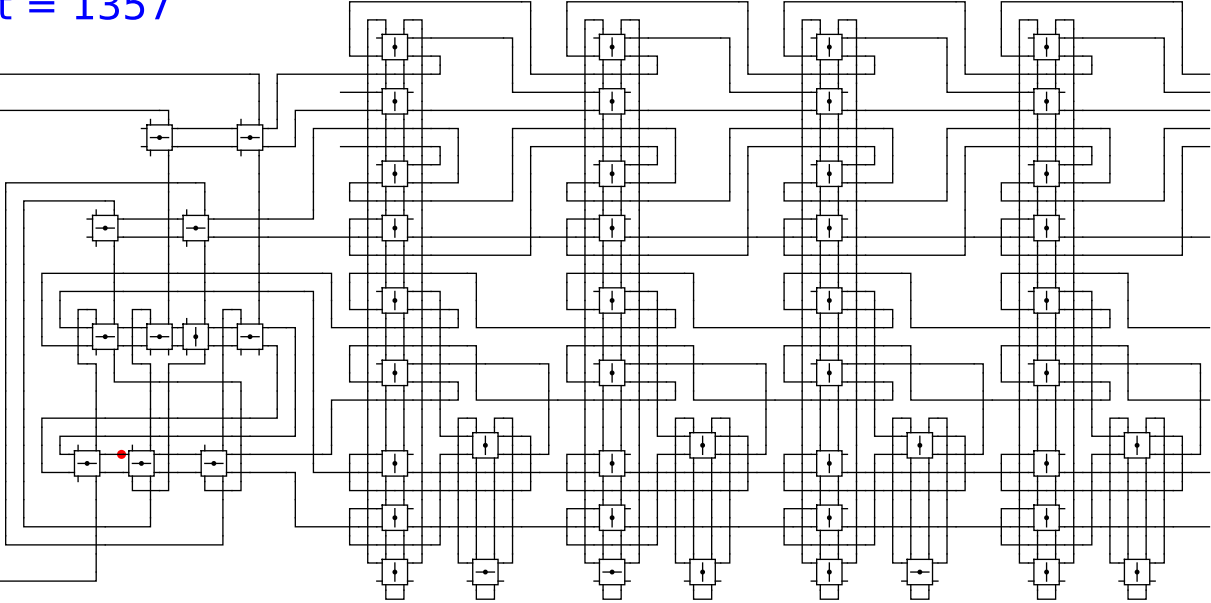


1 head 0 1 0

t = 1357

Reject
Accept

Begin

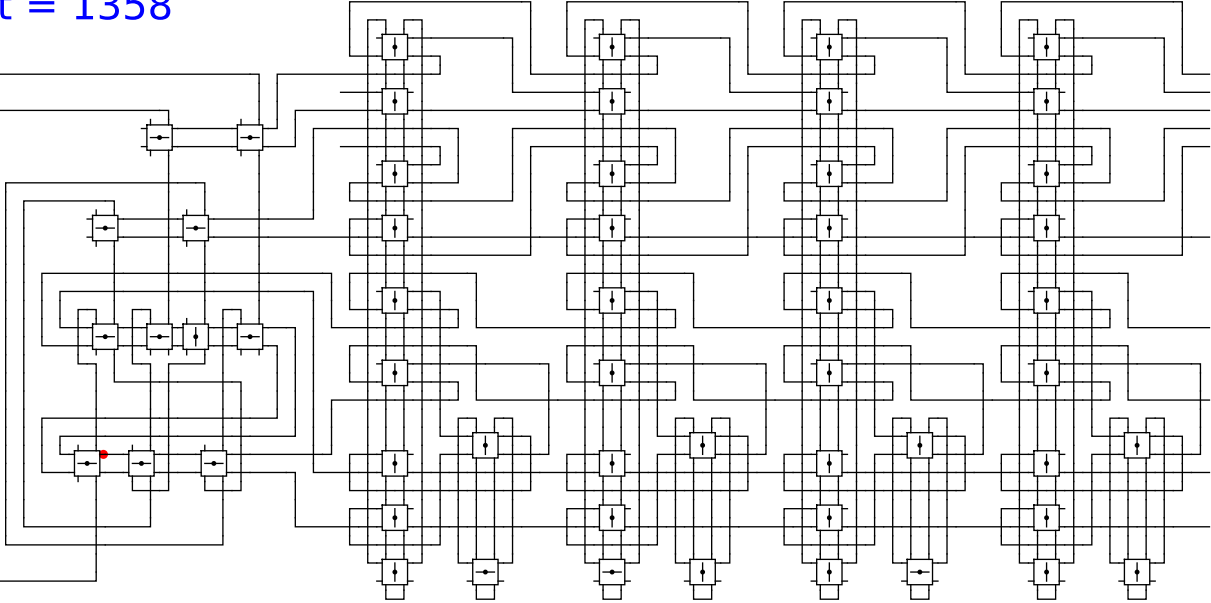


1 head 0 1 0

t = 1358

Reject
Accept

Begin

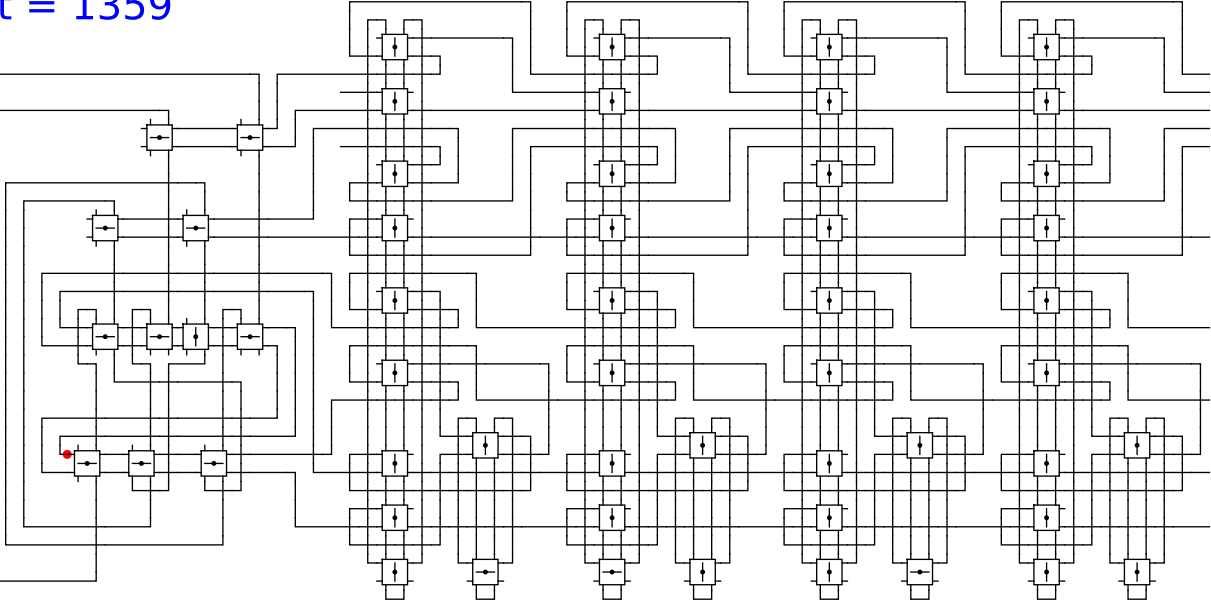


1 head 0 1 0

t = 1359

Reject
Accept

Begin

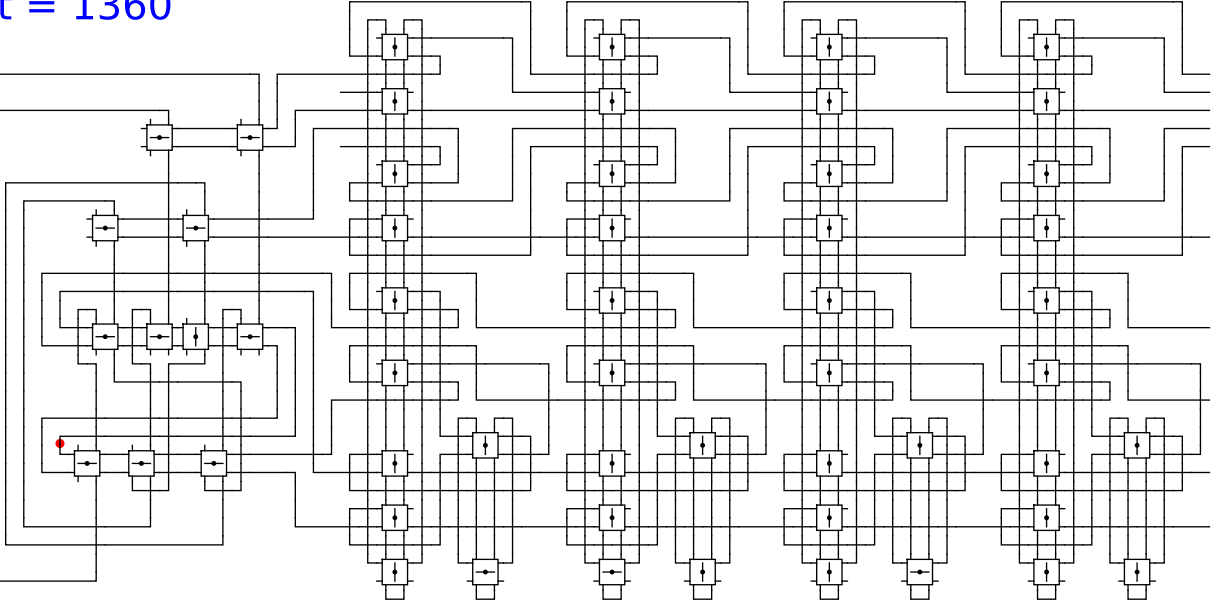


1 head 0 1 0

t = 1360

Reject
Accept

Begin

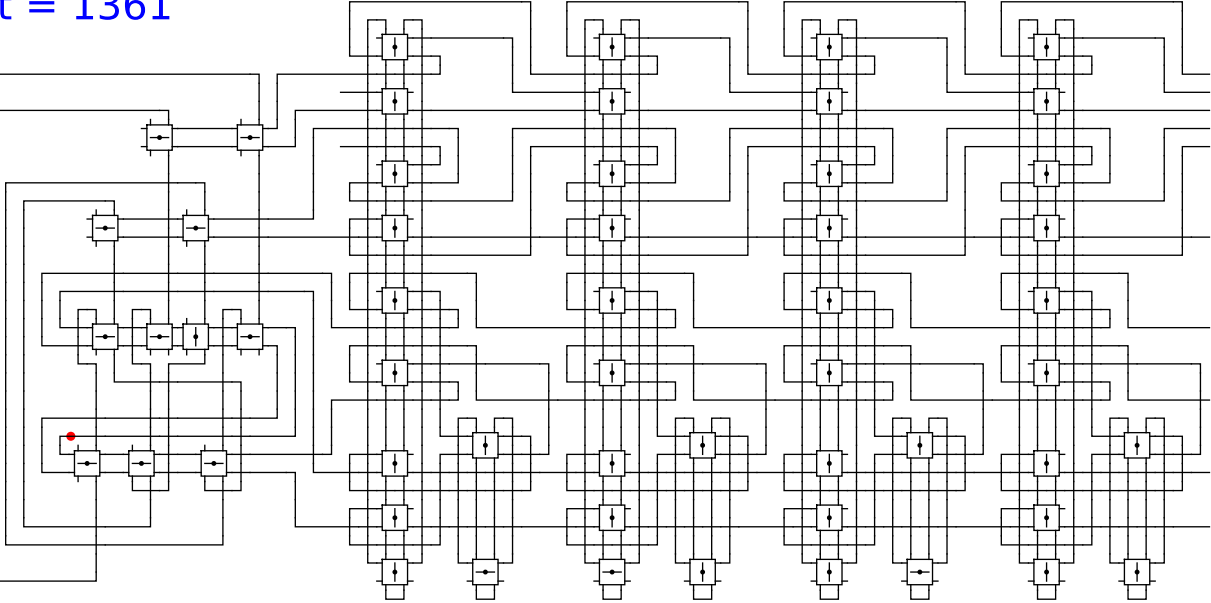


1 head 0 1 0

t = 1361

Reject
Accept

Begin

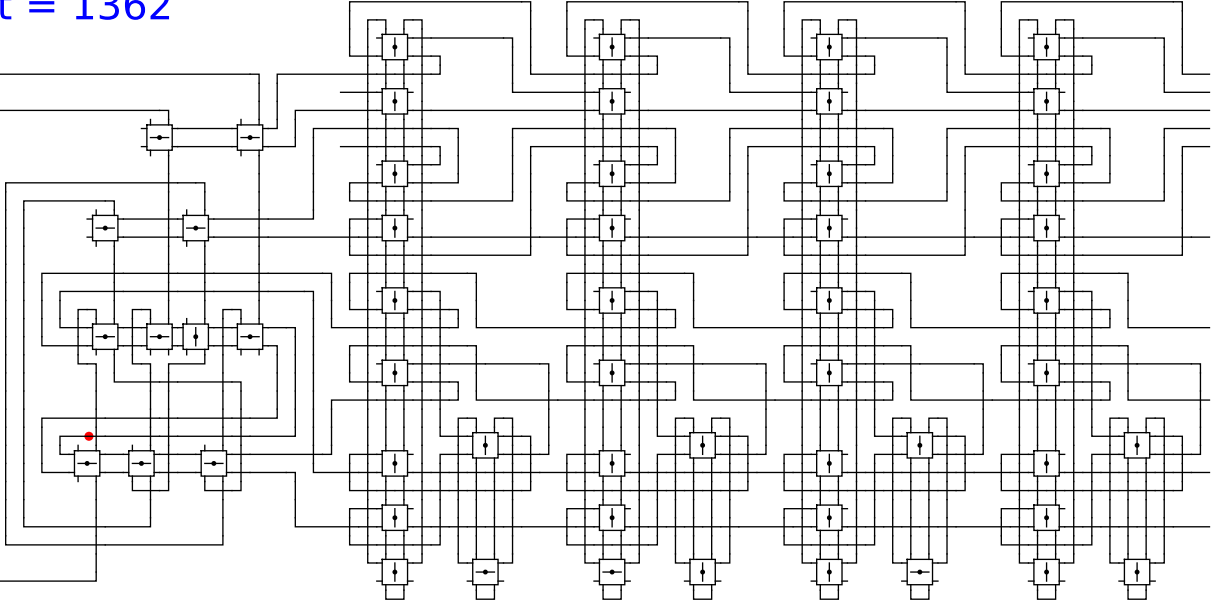


1 0 1 0

t = 1362

Reject
Accept

Begin

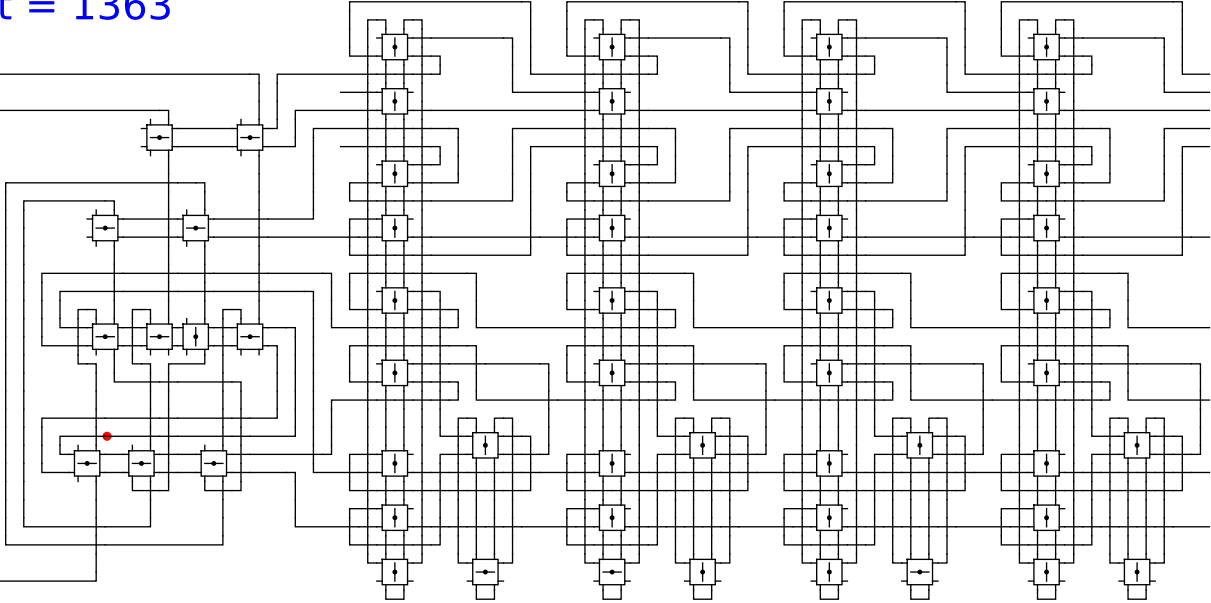


1 head 0 1 0

t = 1363

Reject
Accept

Begin

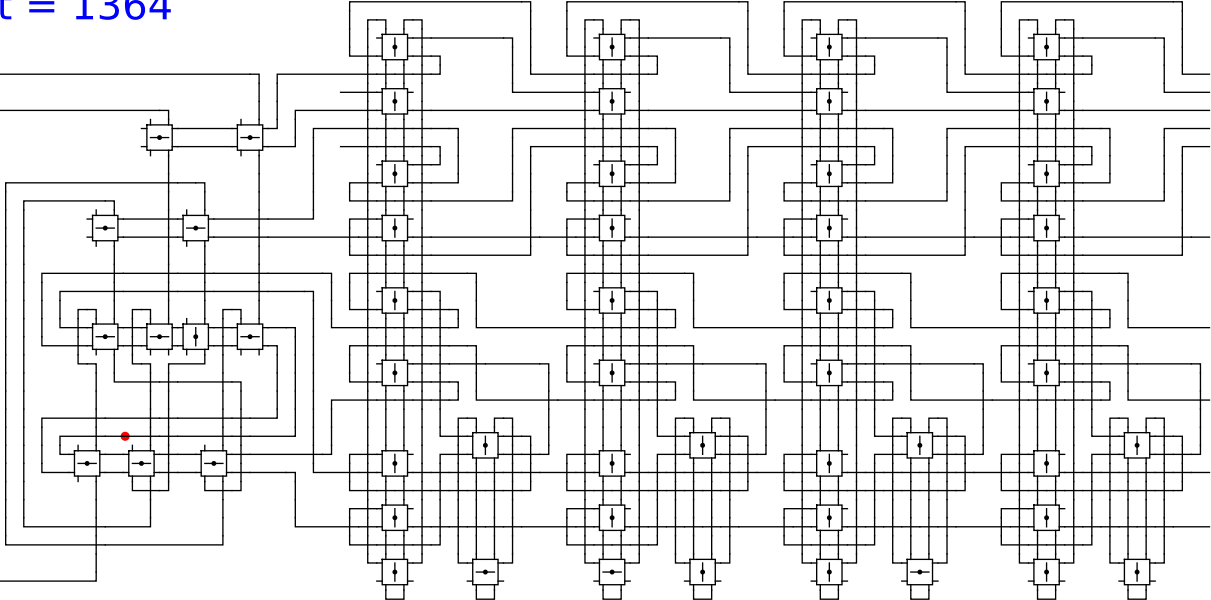


1 head 0 1 0

t = 1364

Reject
Accept

Begin

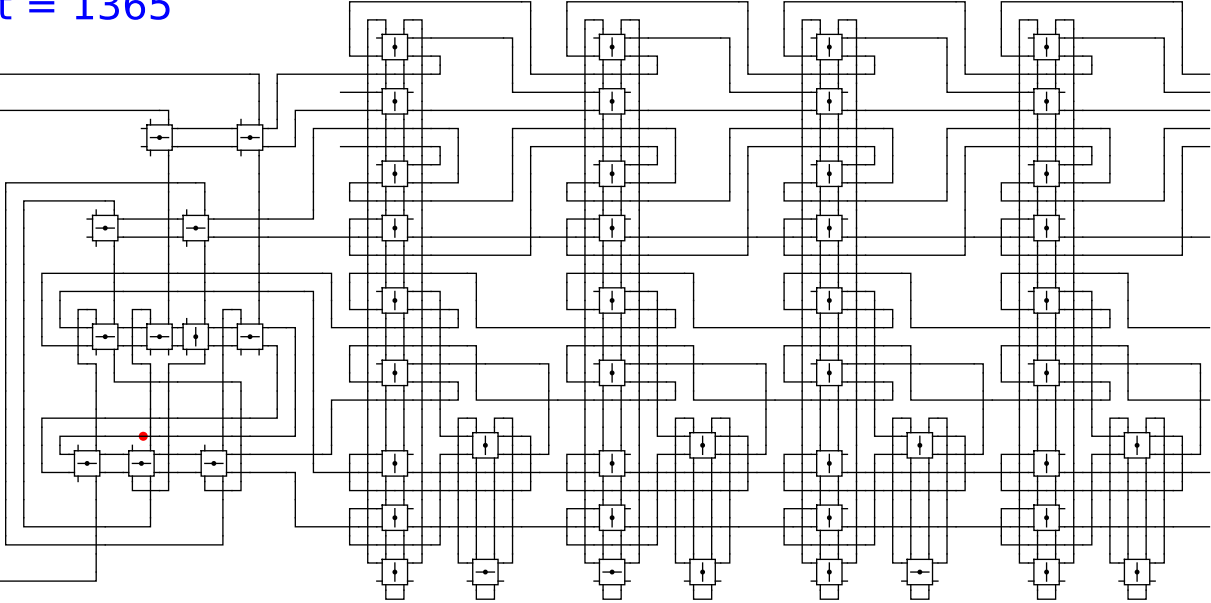


1 head 0 1 0

t = 1365

Reject
Accept

Begin

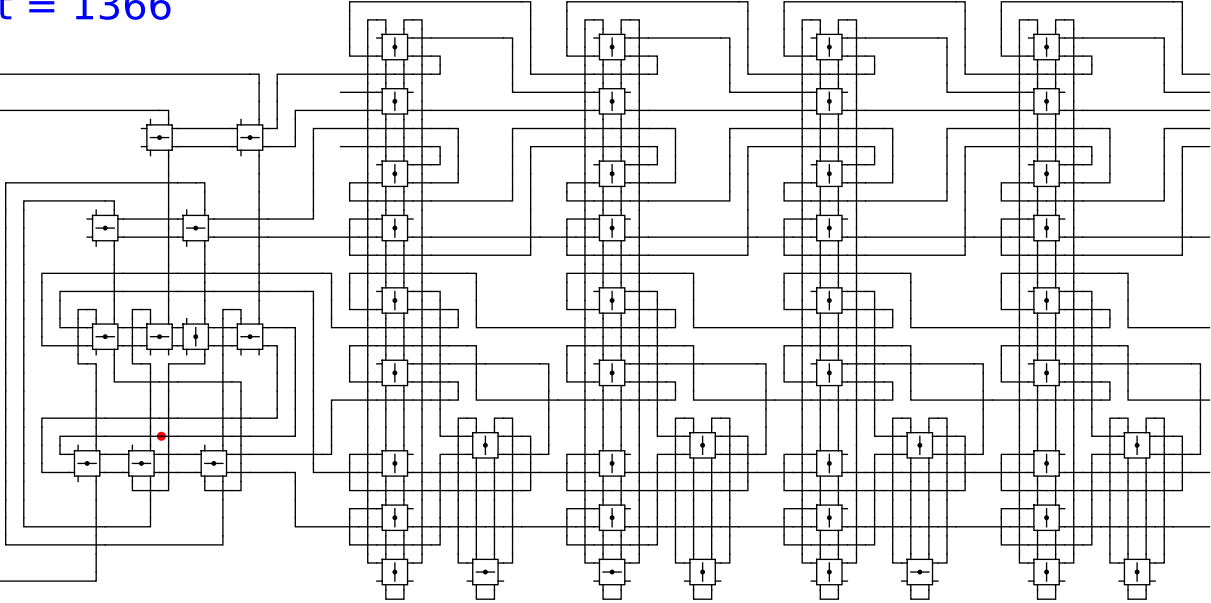


1 head 0 1 0

t = 1366

Reject
Accept

Begin

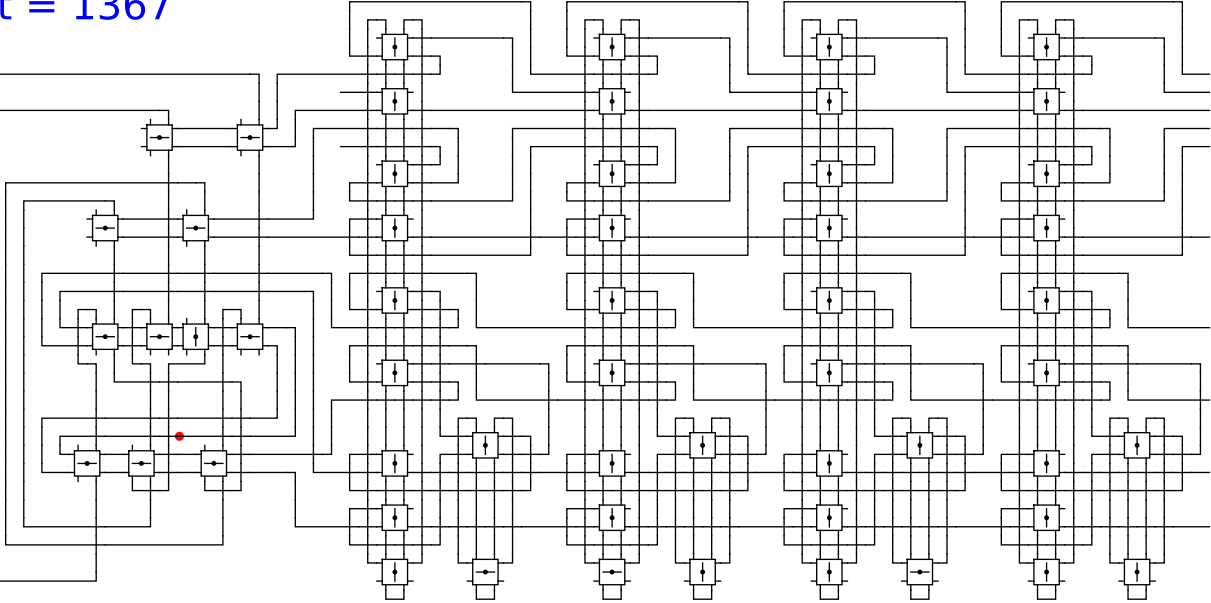


1 head 0 1 0

t = 1367

Reject
Accept

Begin

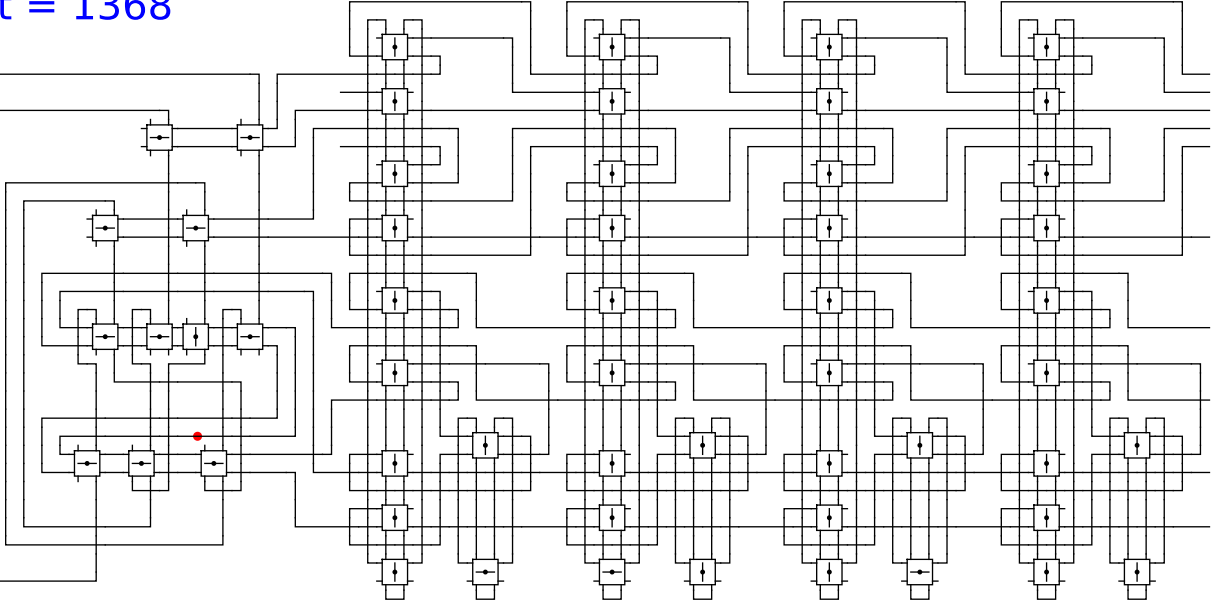


1 head 0 1 0

t = 1368

Reject
Accept

Begin

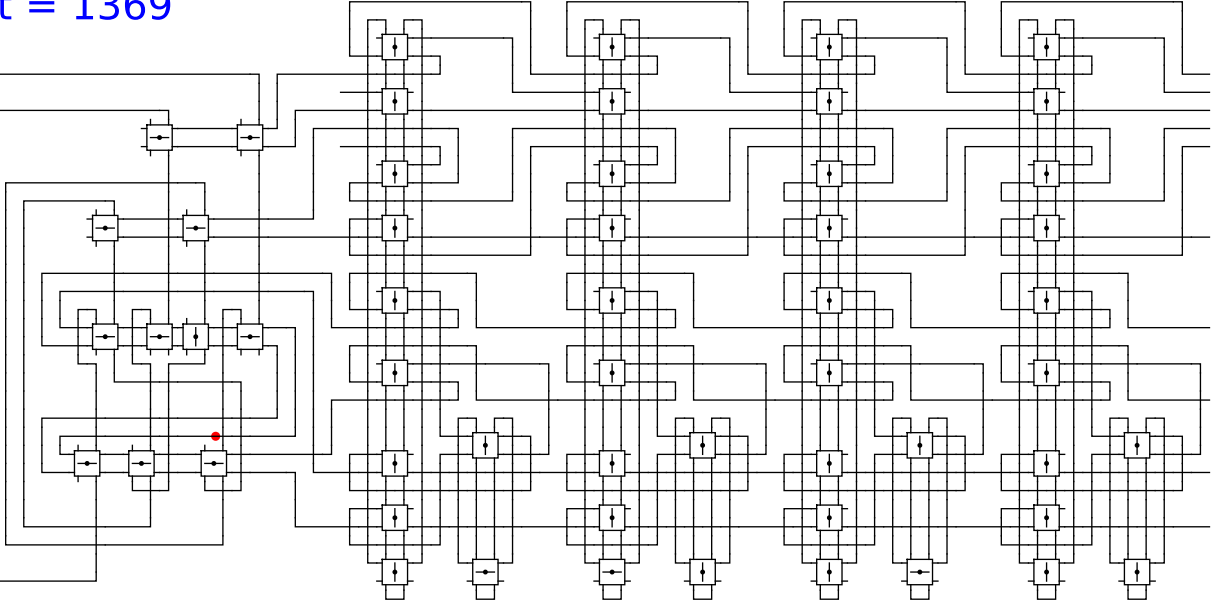


1 head 0 1 0

t = 1369

Reject
Accept

Begin



1

head

0

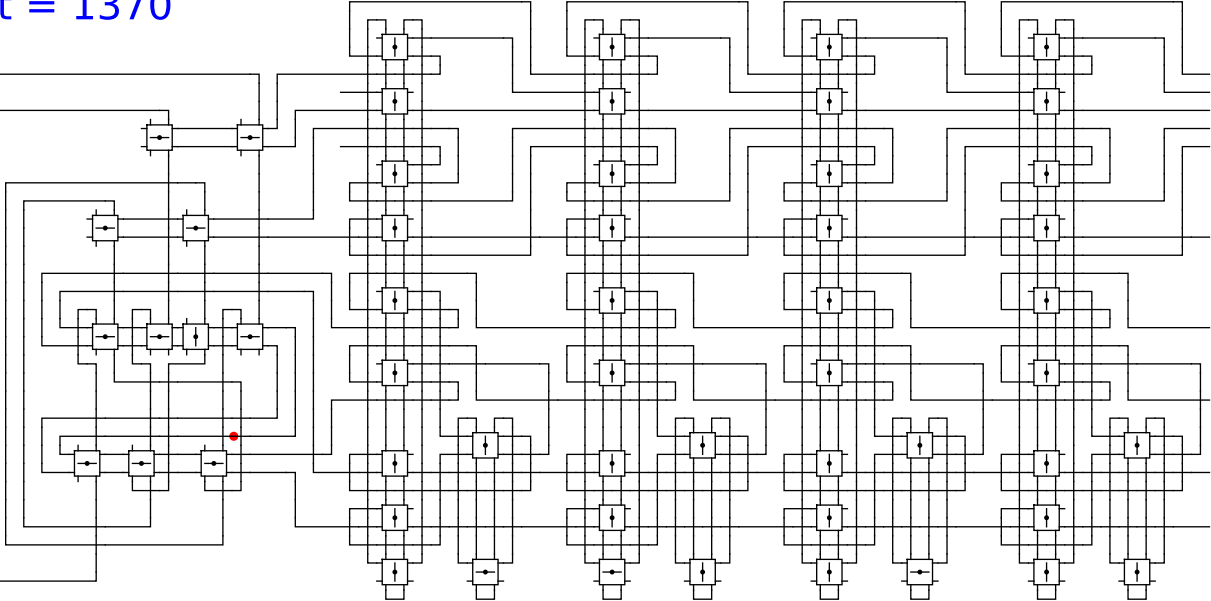
1

0

t = 1370

Reject
Accept

Begin



1

head

0

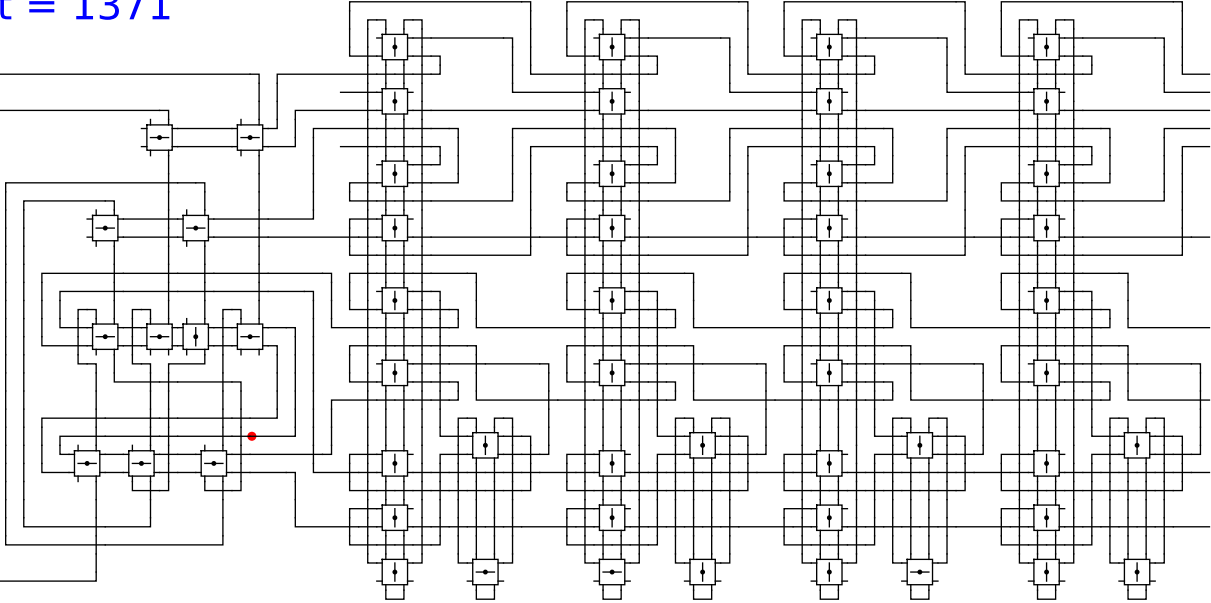
1

0

t = 1371

Reject
Accept

Begin

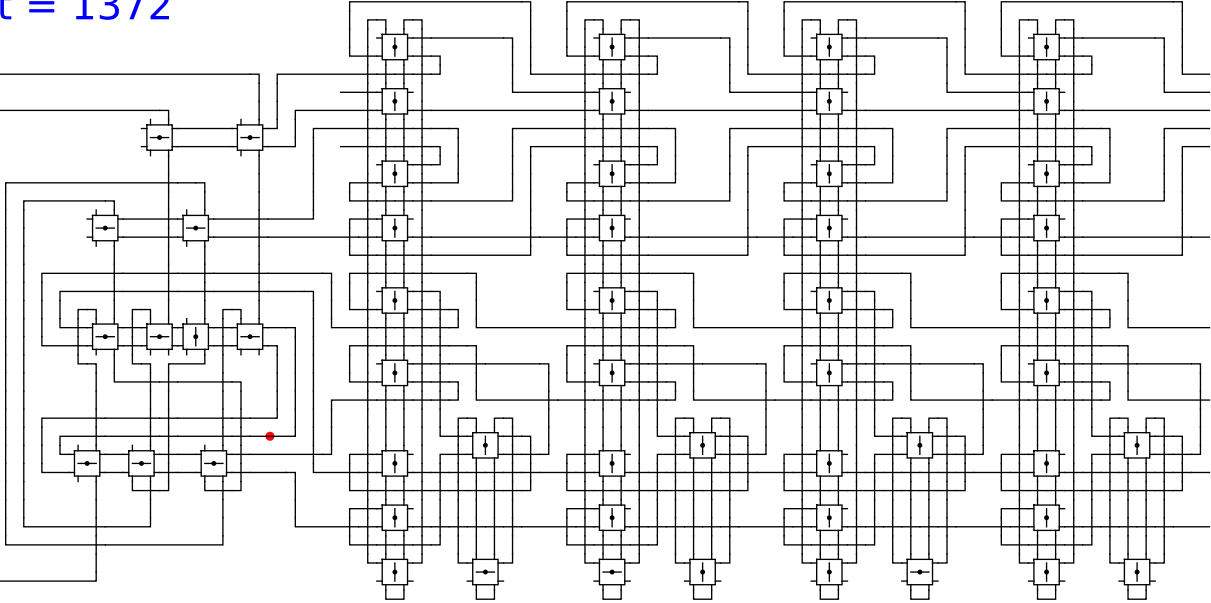


1 head 0 1 0

t = 1372

Reject
Accept

Begin

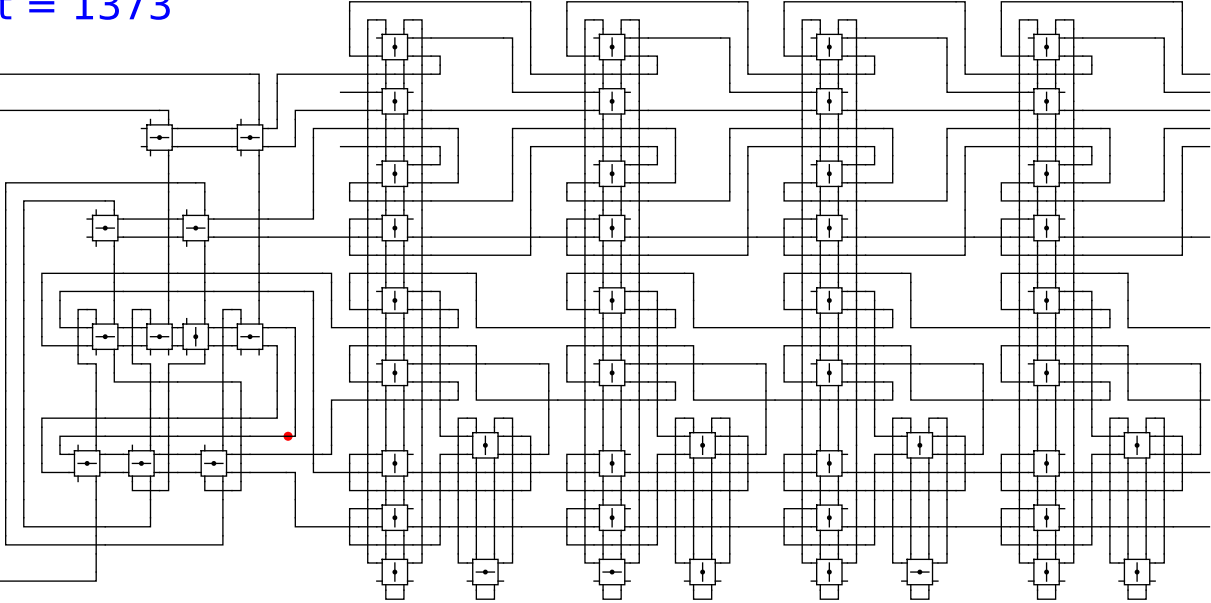


1 head 0 1 0

t = 1373

Reject
Accept

Begin

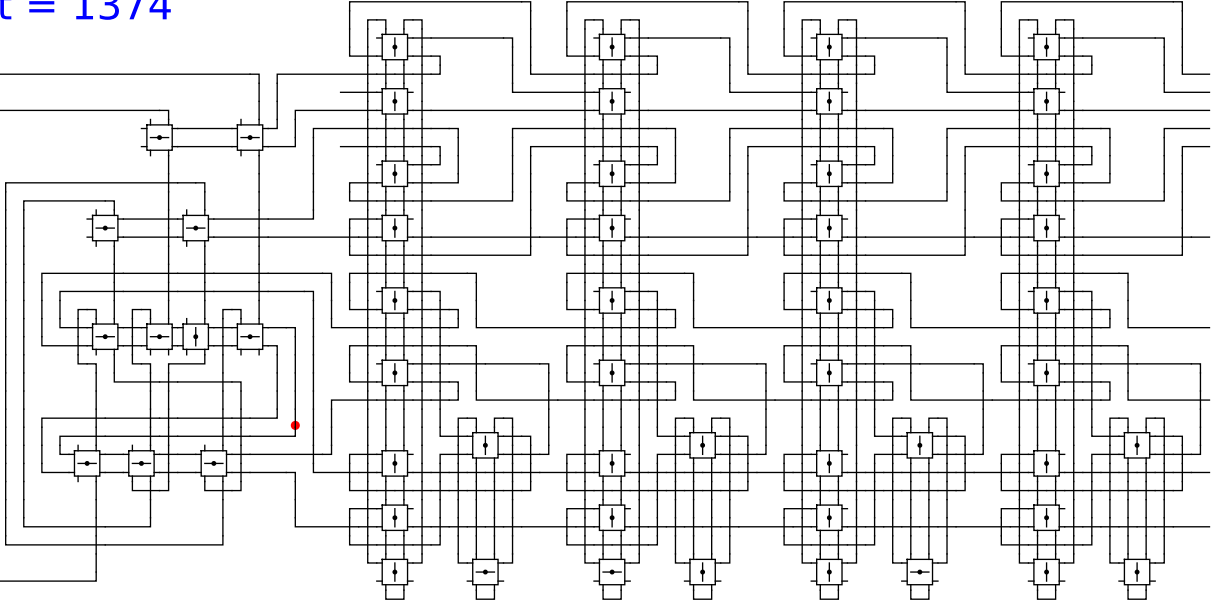


1 head 0 1 0

t = 1374

Reject
Accept

Begin

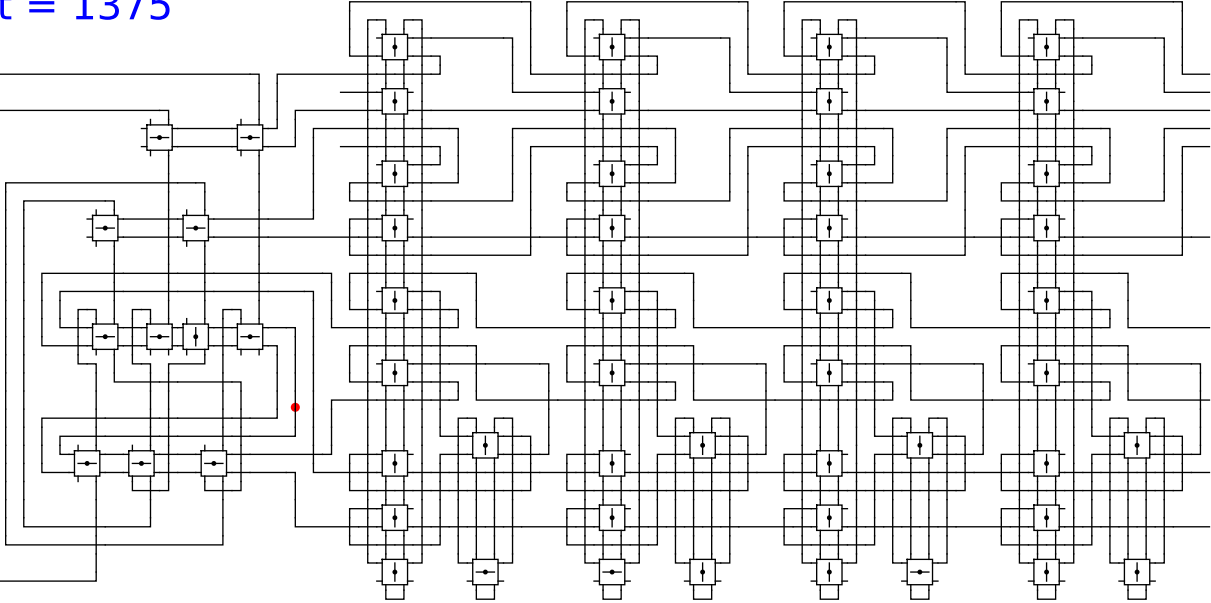


1 head 0 1 0

t = 1375

Reject
Accept

Begin

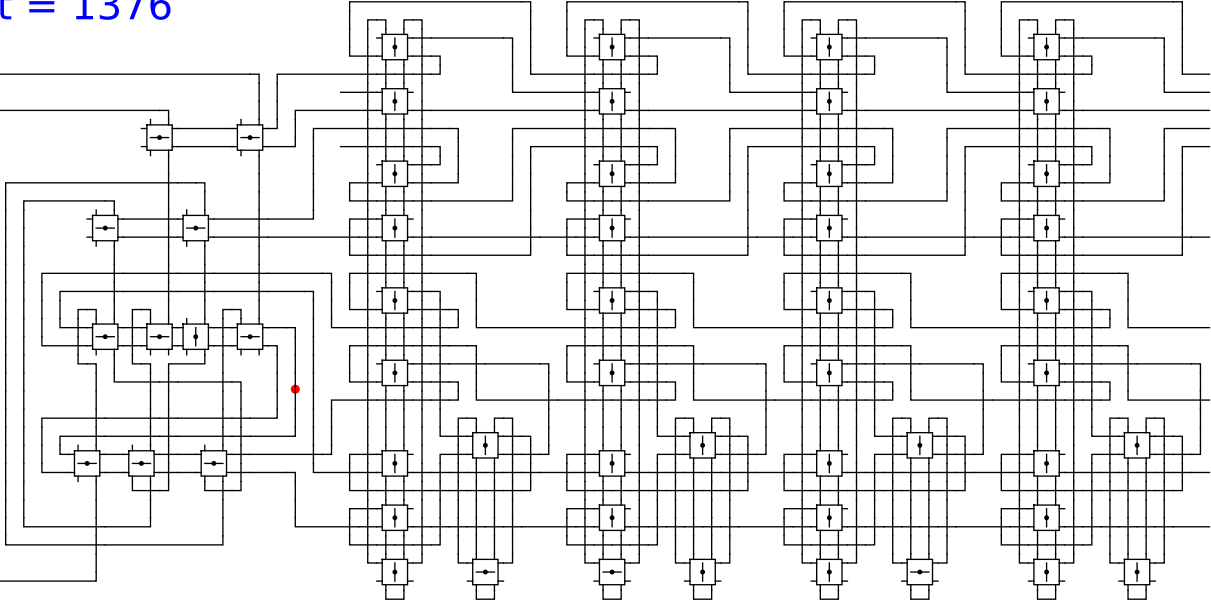


1 head 0 1 0

t = 1376

Reject
Accept

Begin

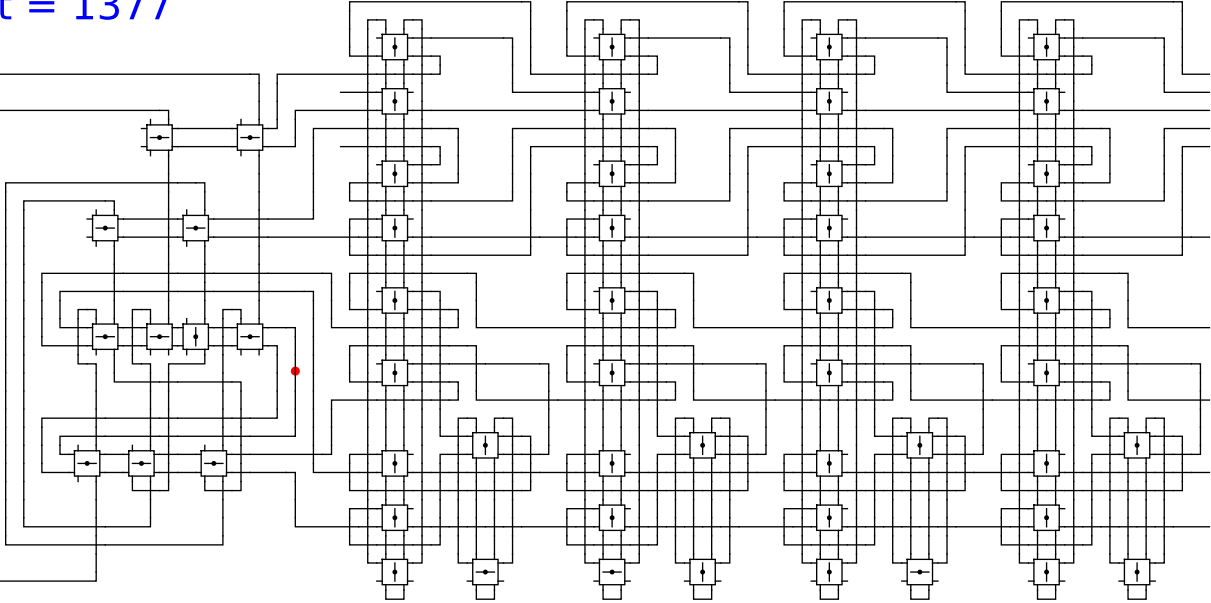


1 head 0 1 0

t = 1377

Reject
Accept

Begin

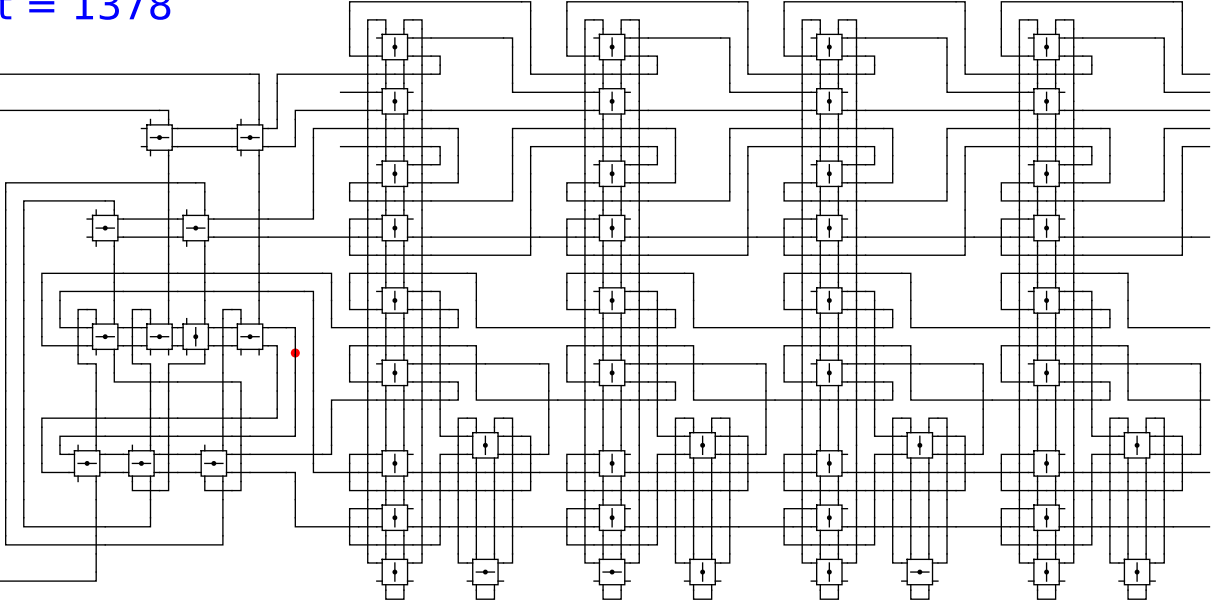


1 head 0 1 0

t = 1378

Reject
Accept

Begin

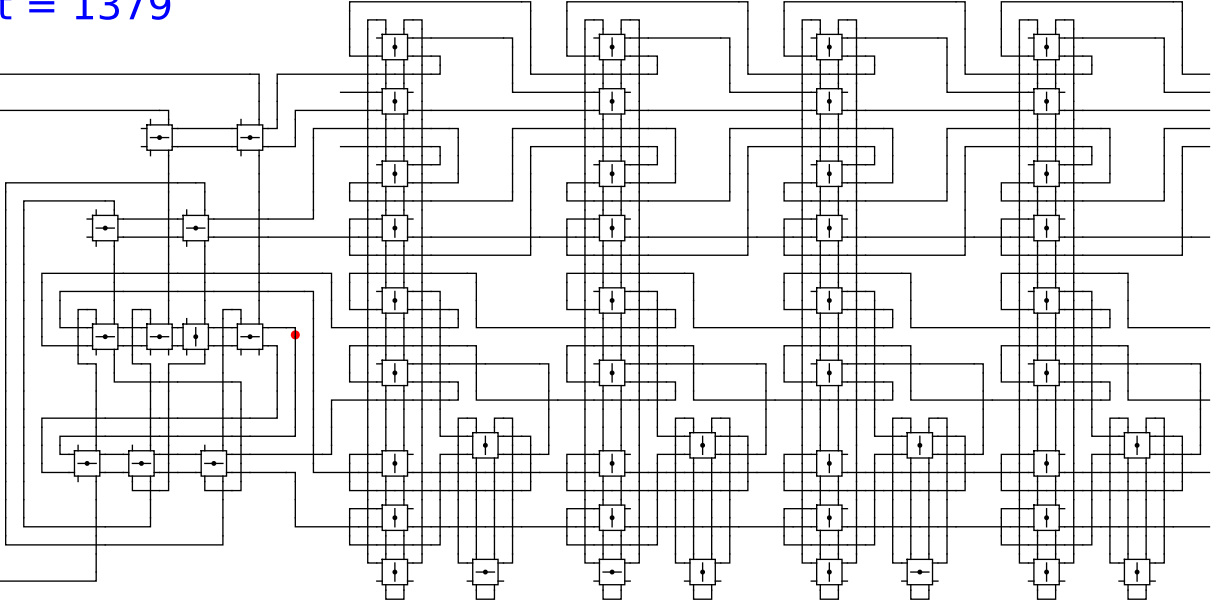


1 head 0 1 0

t = 1379

Reject
Accept

Begin

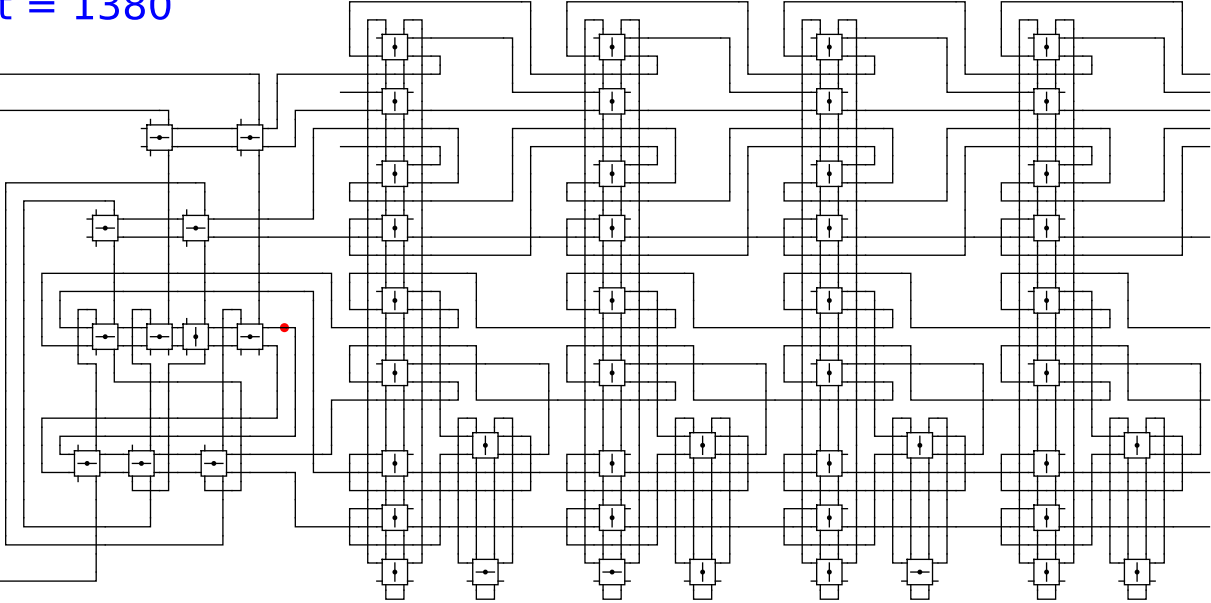


1 head 0 1 0

t = 1380

Reject
Accept

Begin

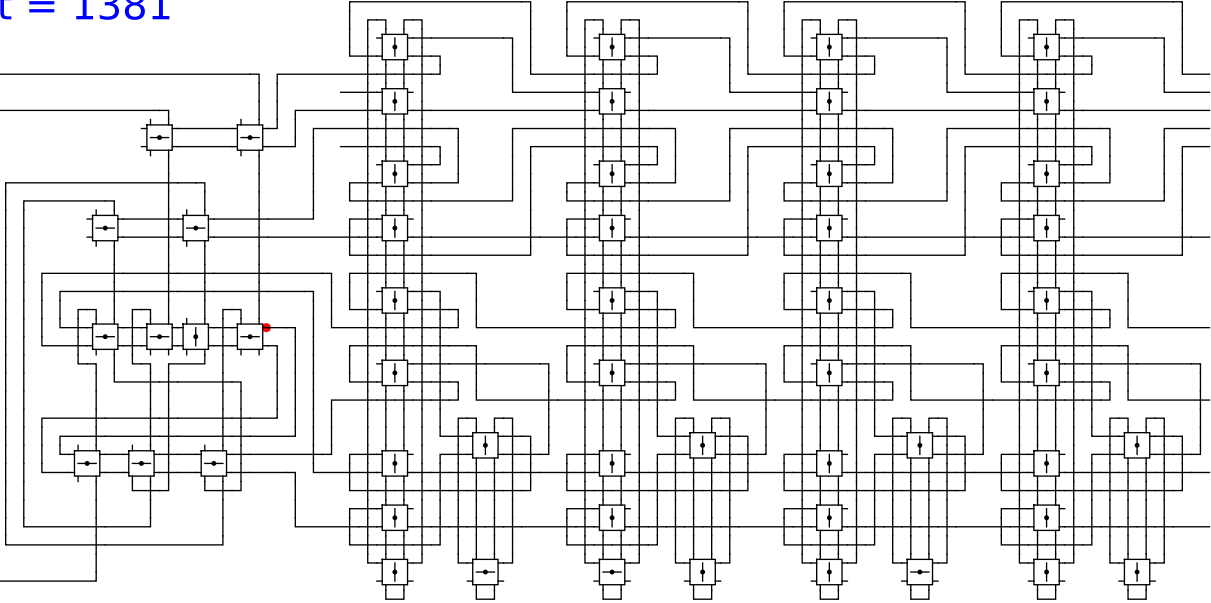


1 head 0 1 0

t = 1381

Reject
Accept

Begin

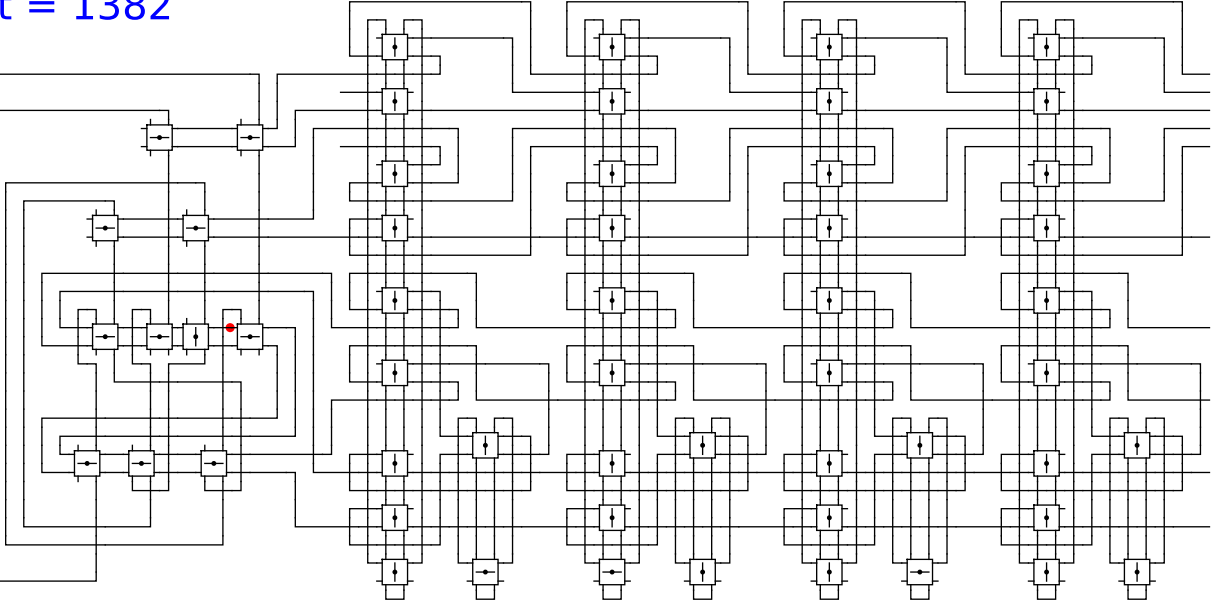


1 head 0 1 0

t = 1382

Reject
Accept

Begin

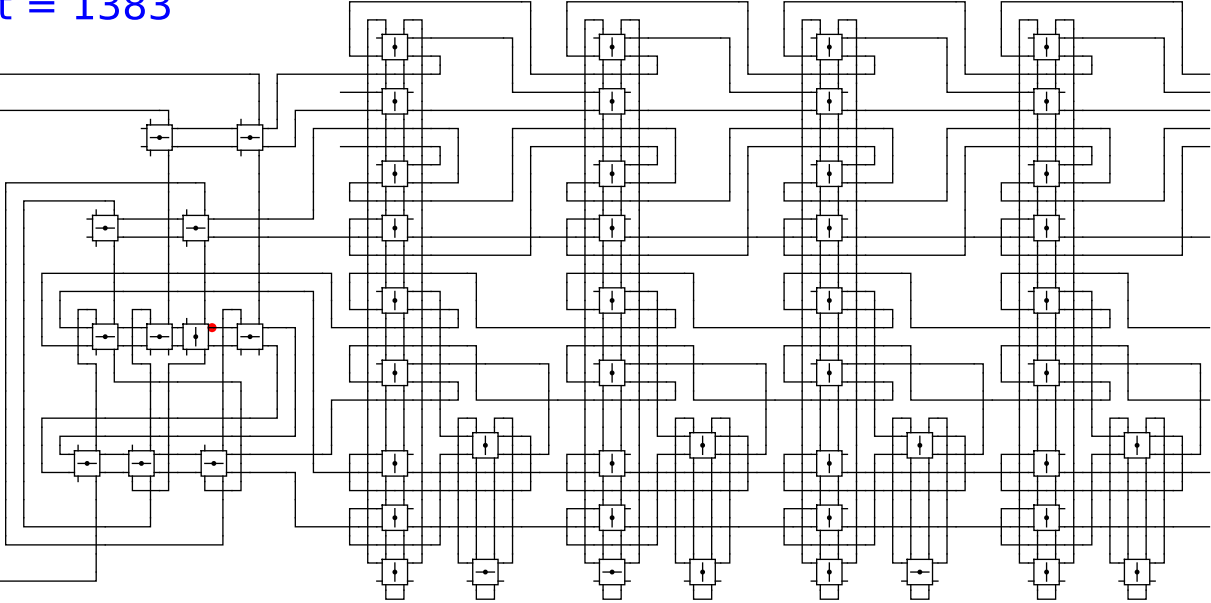


1 head 0 1 0

t = 1383

Reject
Accept

Begin

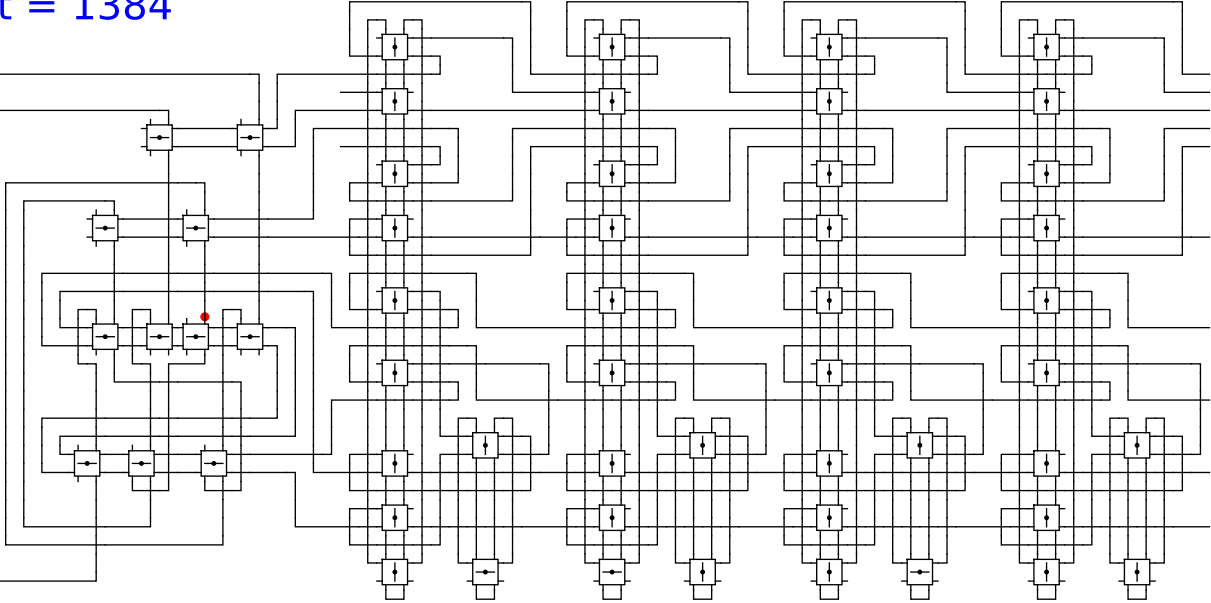


1 head 0 1 0

t = 1384

Reject
Accept

Begin

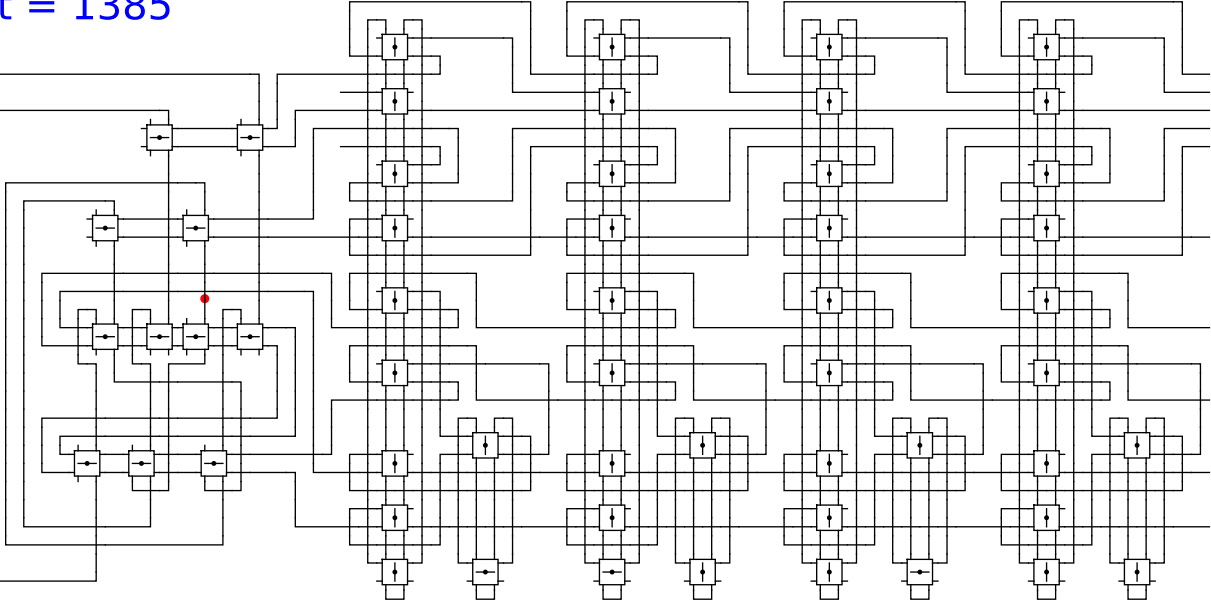


1 head 0 1 0

t = 1385

Reject
Accept

Begin

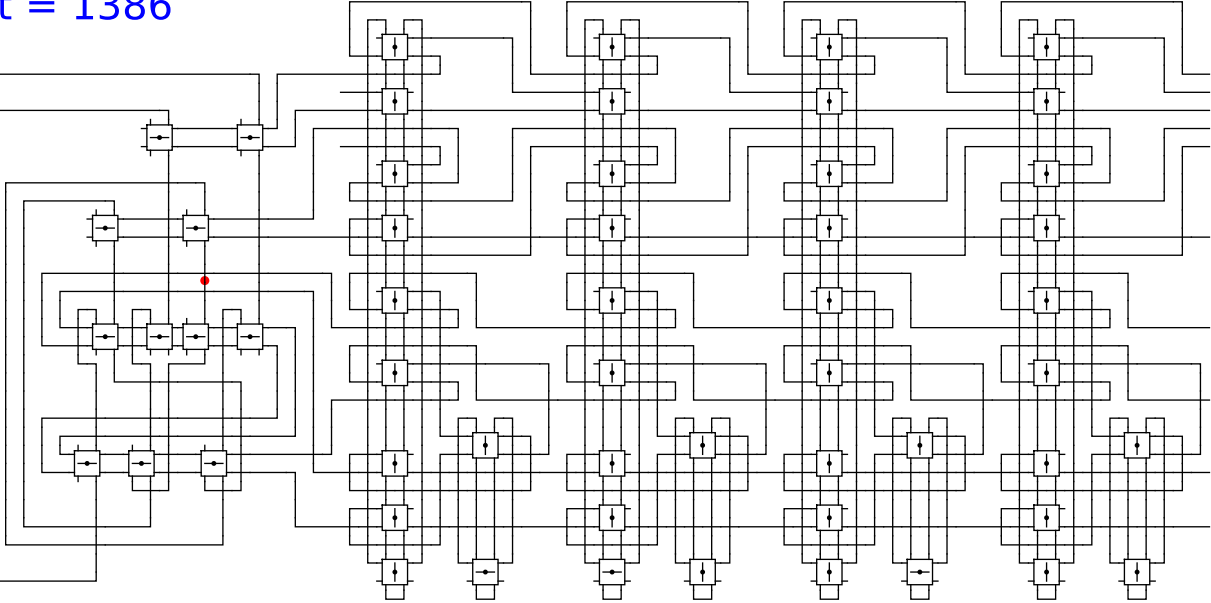


1 head 0 1 0

t = 1386

Reject
Accept

Begin

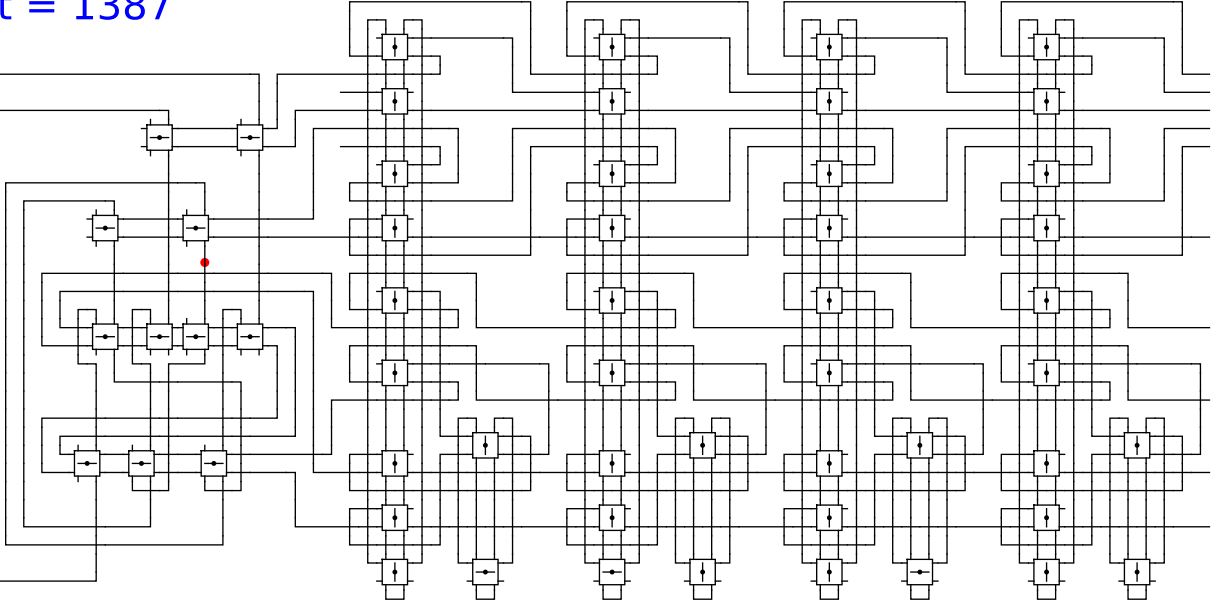


1 head 0 1 0

t = 1387

Reject
Accept

Begin

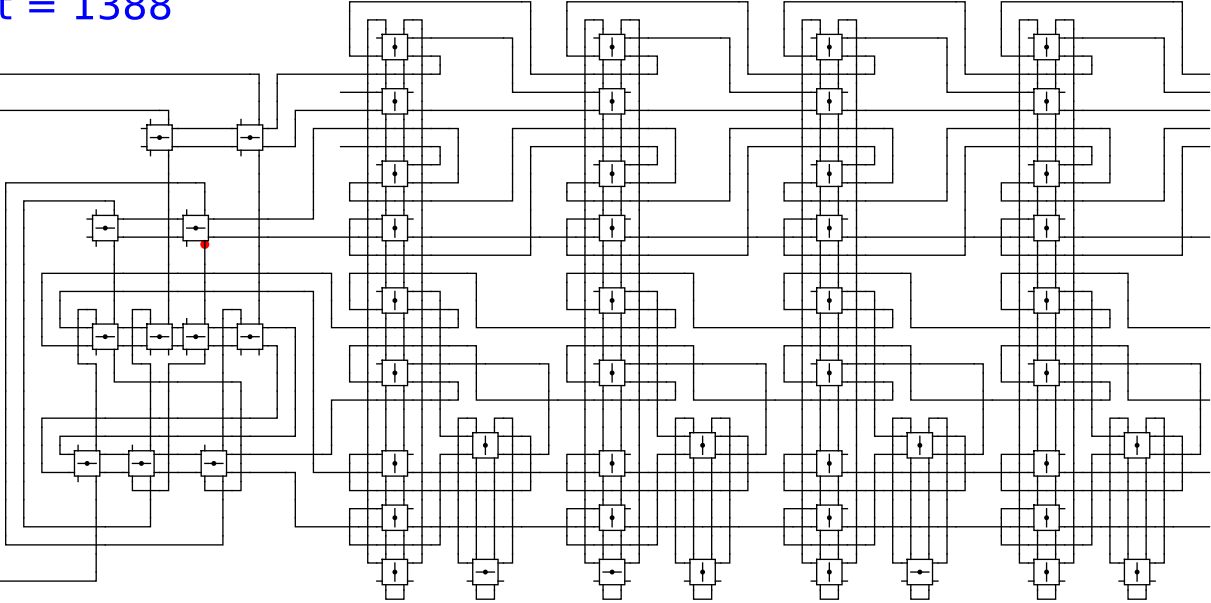


1 head 0 1 0

t = 1388

Reject
Accept

Begin

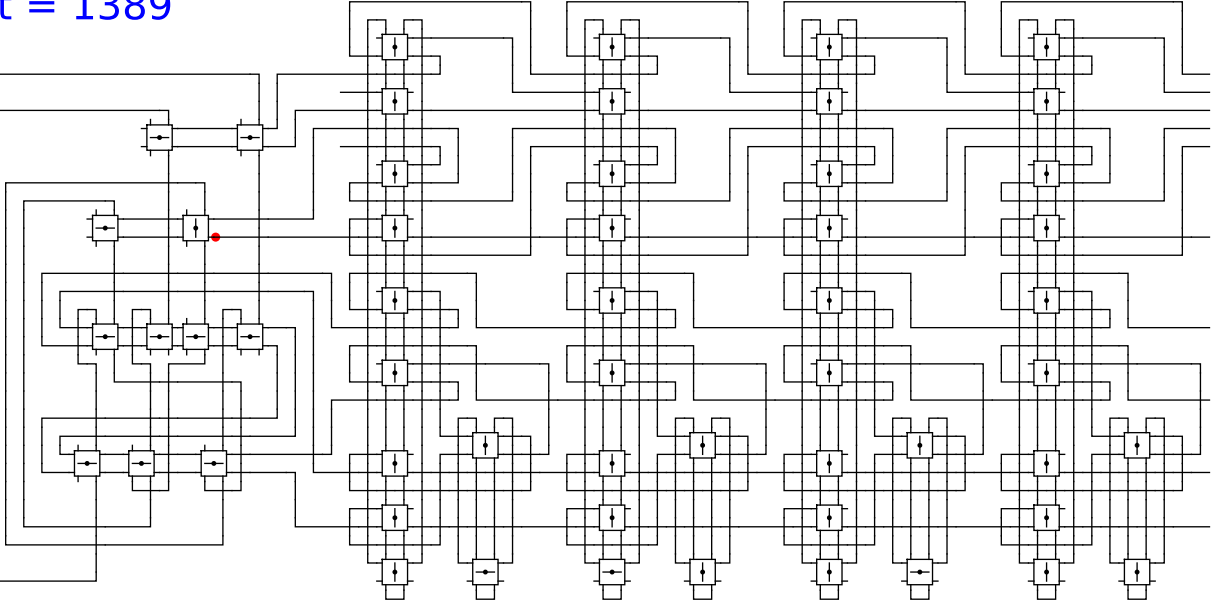


1 head 0 1 0

t = 1389

Reject
Accept

Begin

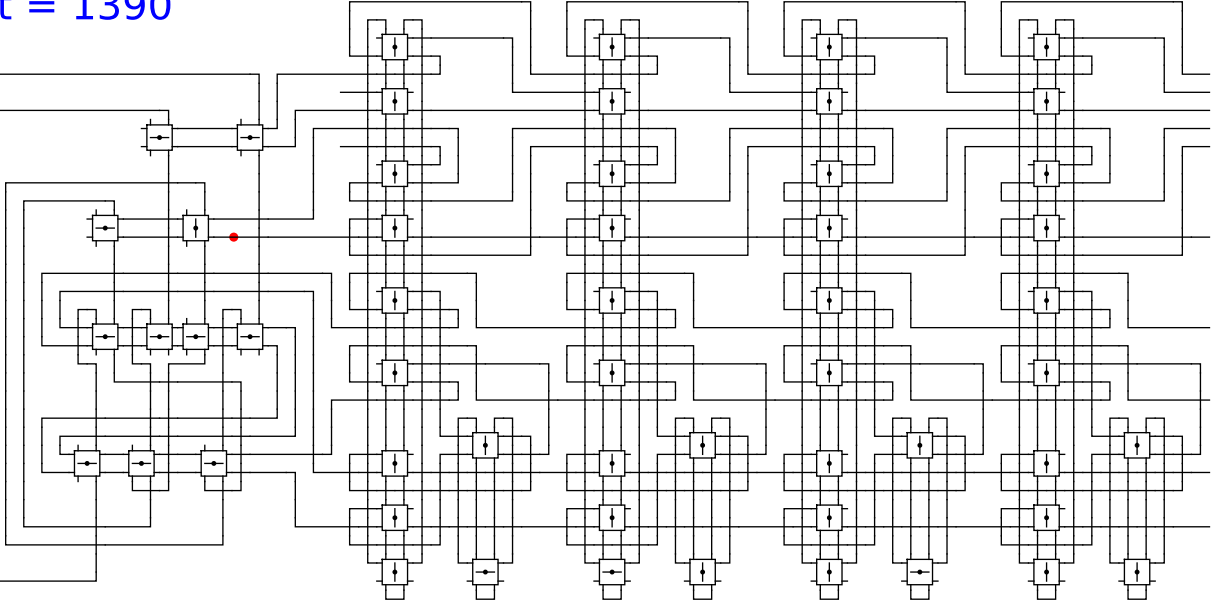


1 head 0 1 0

t = 1390

Reject
Accept

Begin

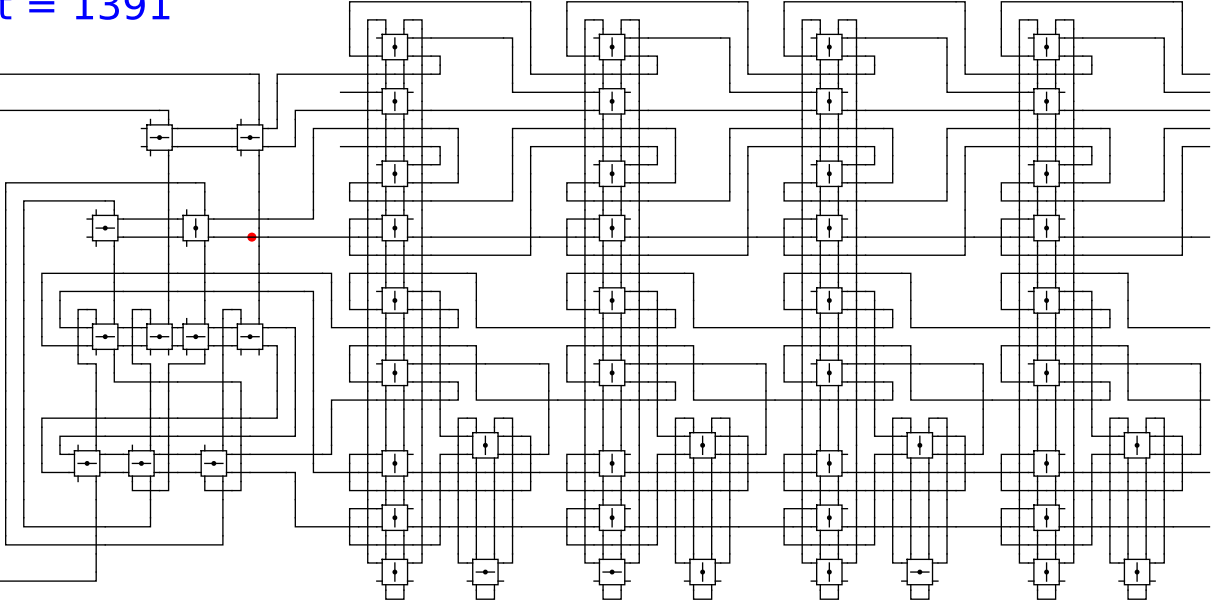


1 head 0 1 0

t = 1391

Reject
Accept

Begin

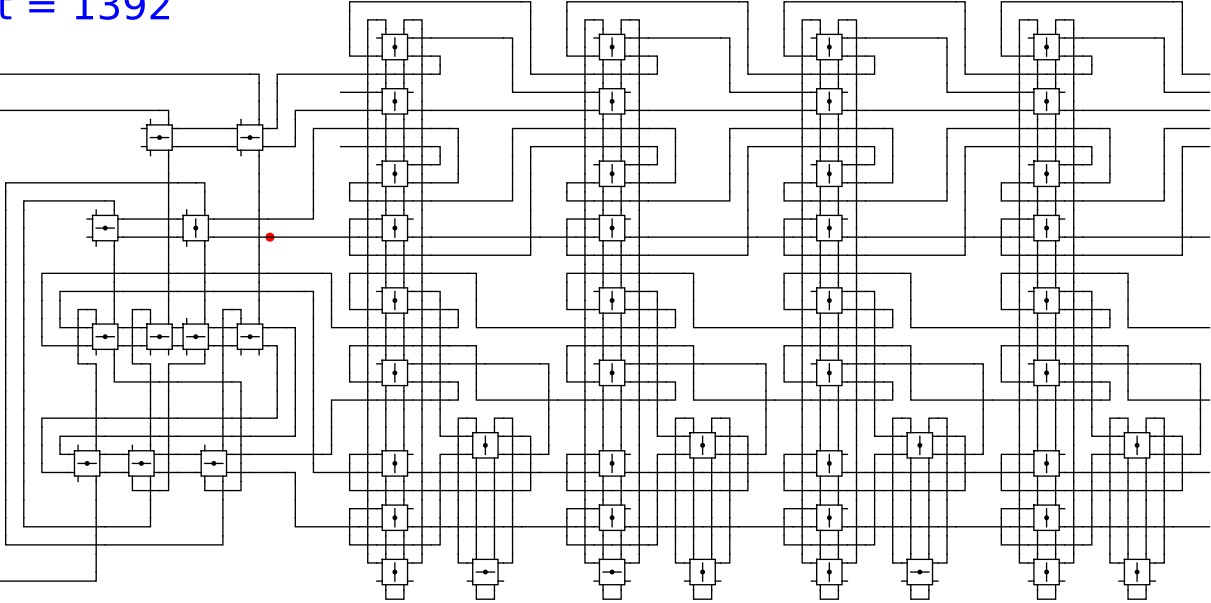


1 head 0 1 0

t = 1392

Reject
Accept

Begin

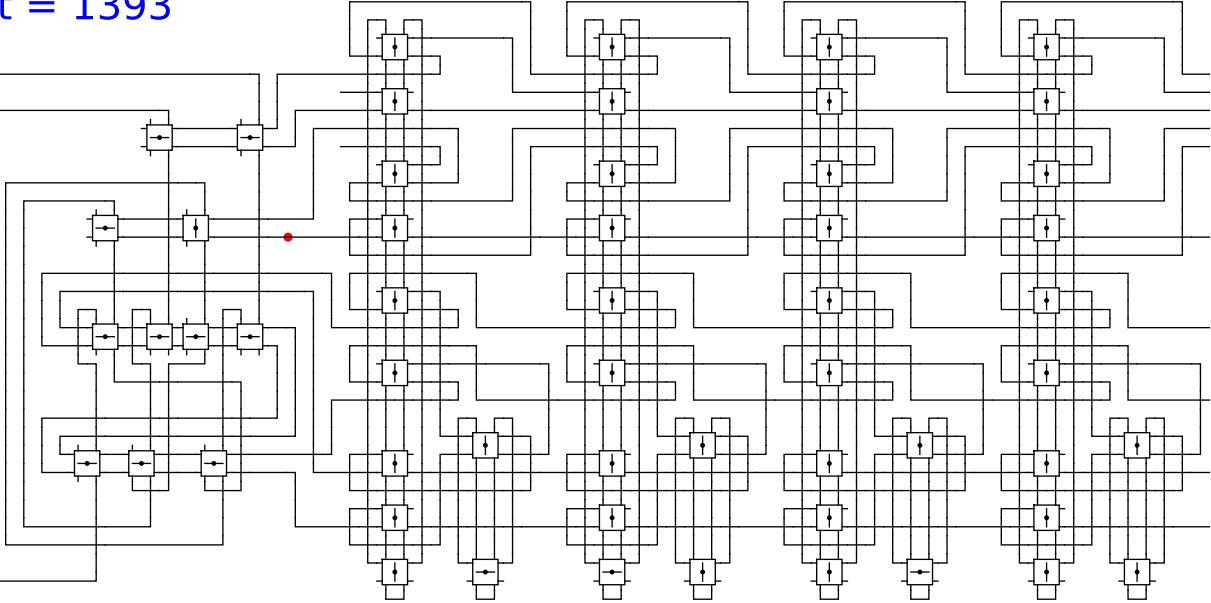


1 head 0 1 0

t = 1393

Reject
Accept

Begin

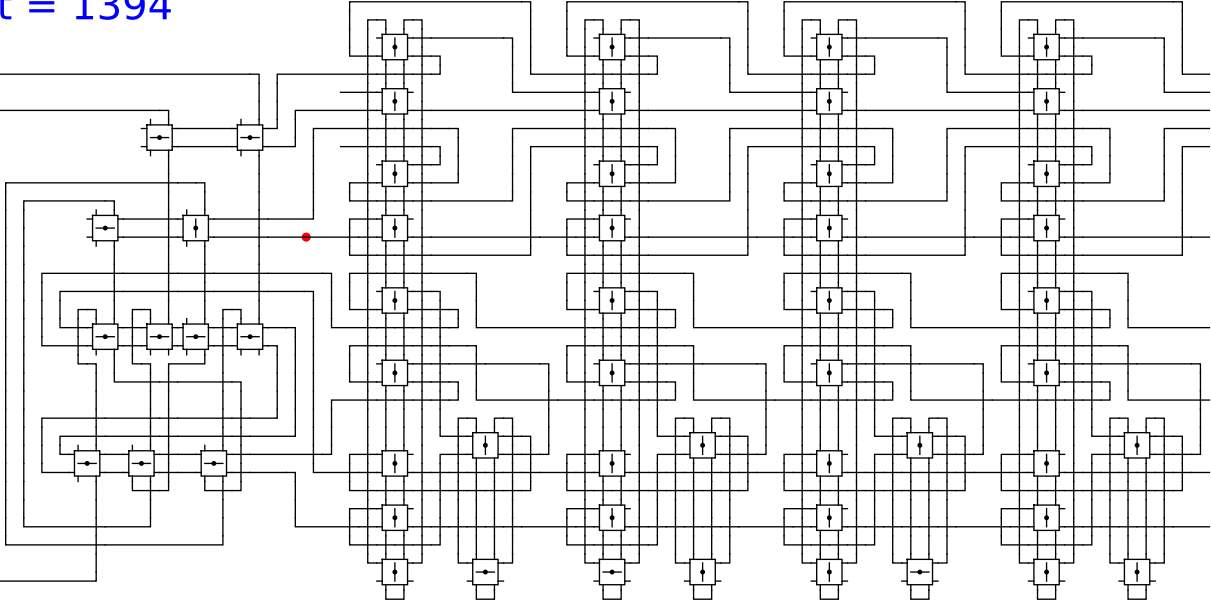


1 head 0 1 0

t = 1394

Reject
Accept

Begin

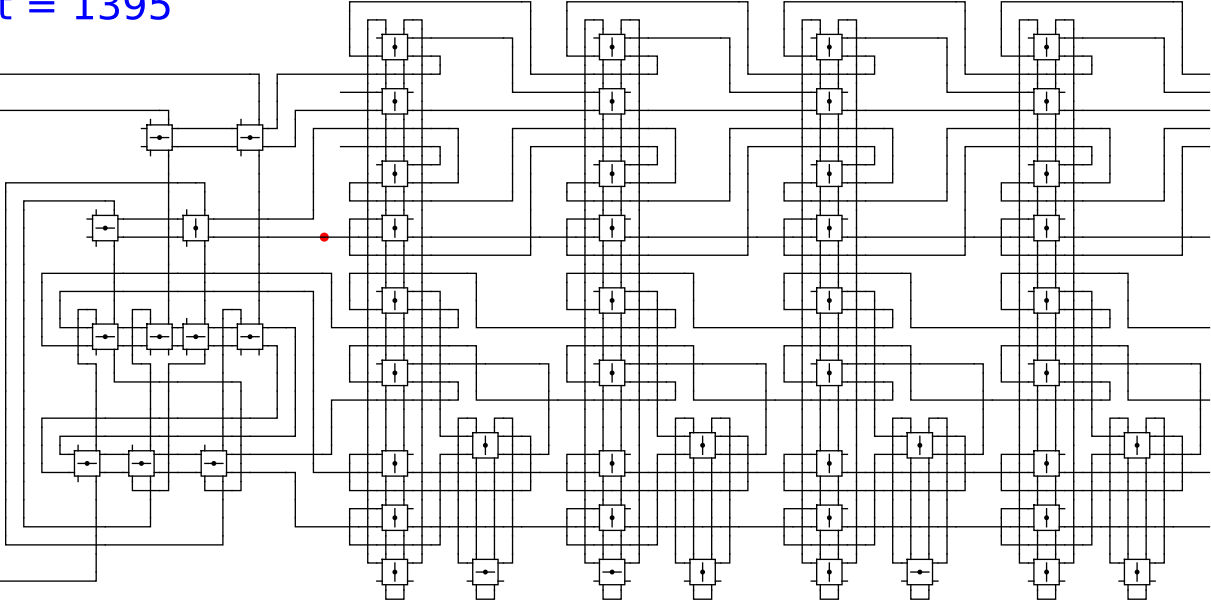


1 head 0 1 0

t = 1395

Reject
Accept

Begin

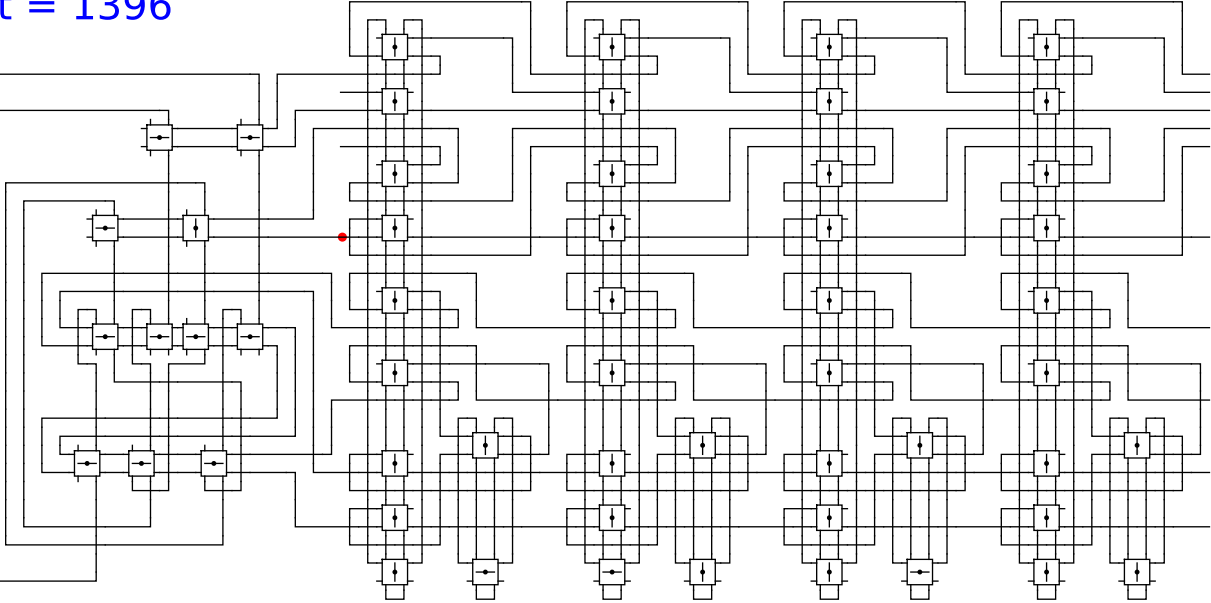


1 head 0 1 0

t = 1396

Reject
Accept

Begin

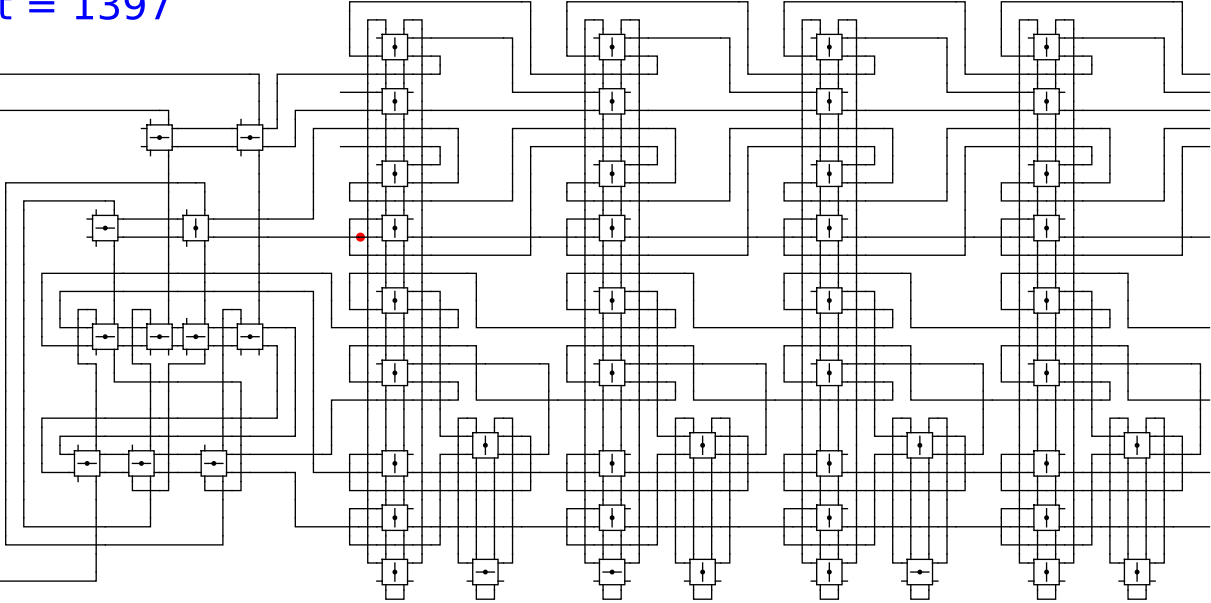


1 head 0 1 0

t = 1397

Reject
Accept

Begin

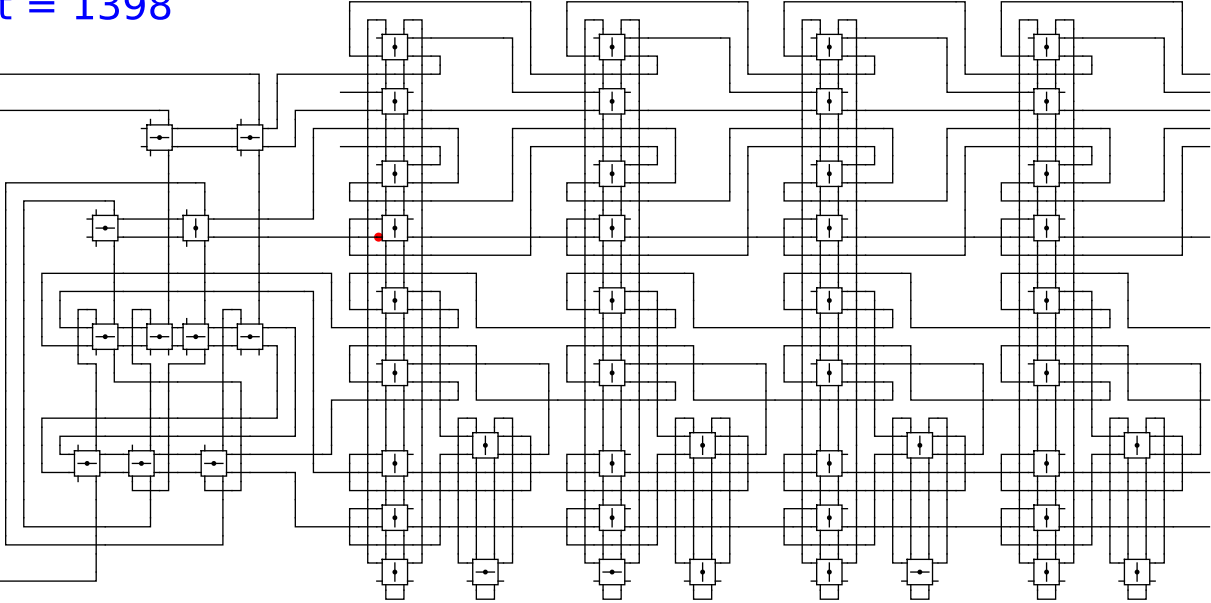


1 head 0 1 0

t = 1398

Reject
Accept

Begin

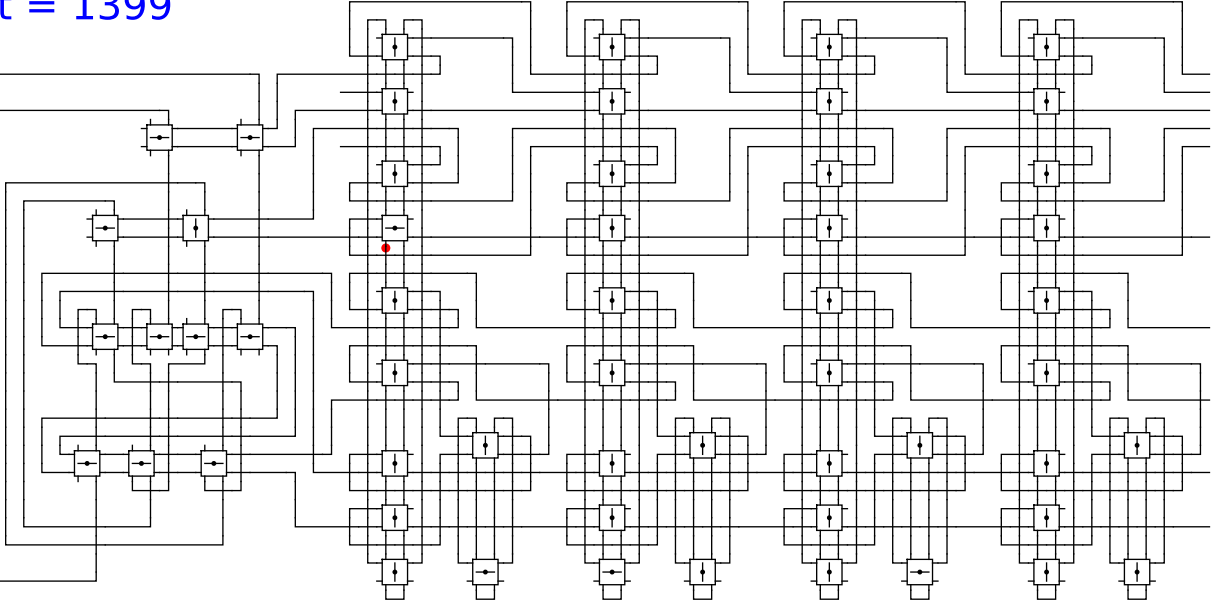


1 head 0 1 0

t = 1399

Reject
Accept

Begin

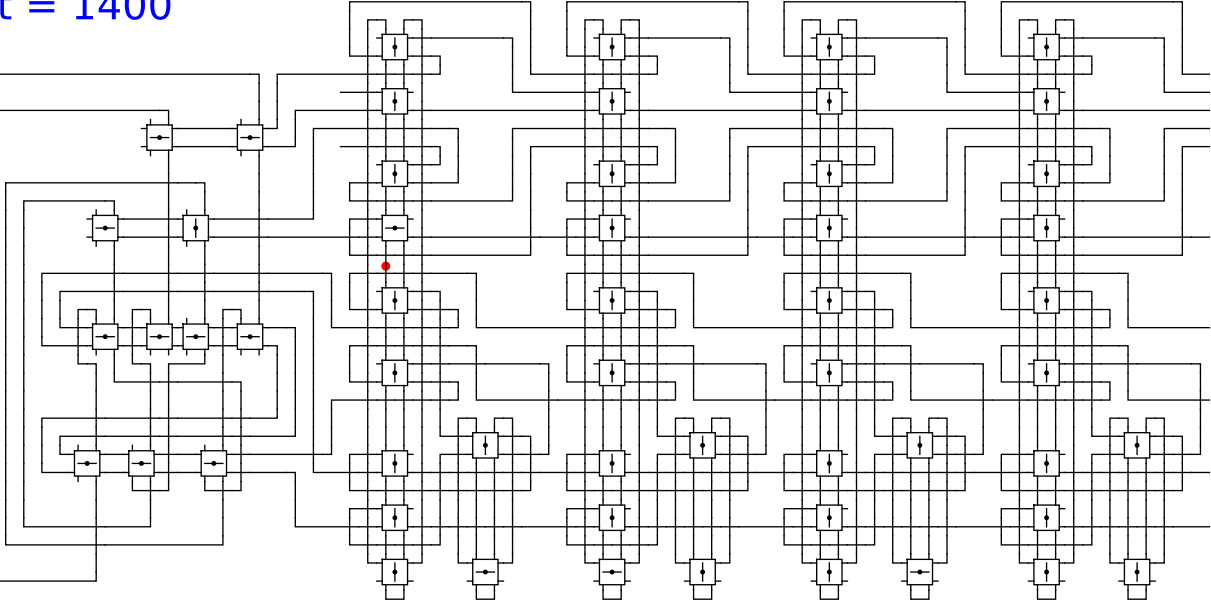


1 head 0 1 0

t = 1400

Reject
Accept

Begin



1

head

0

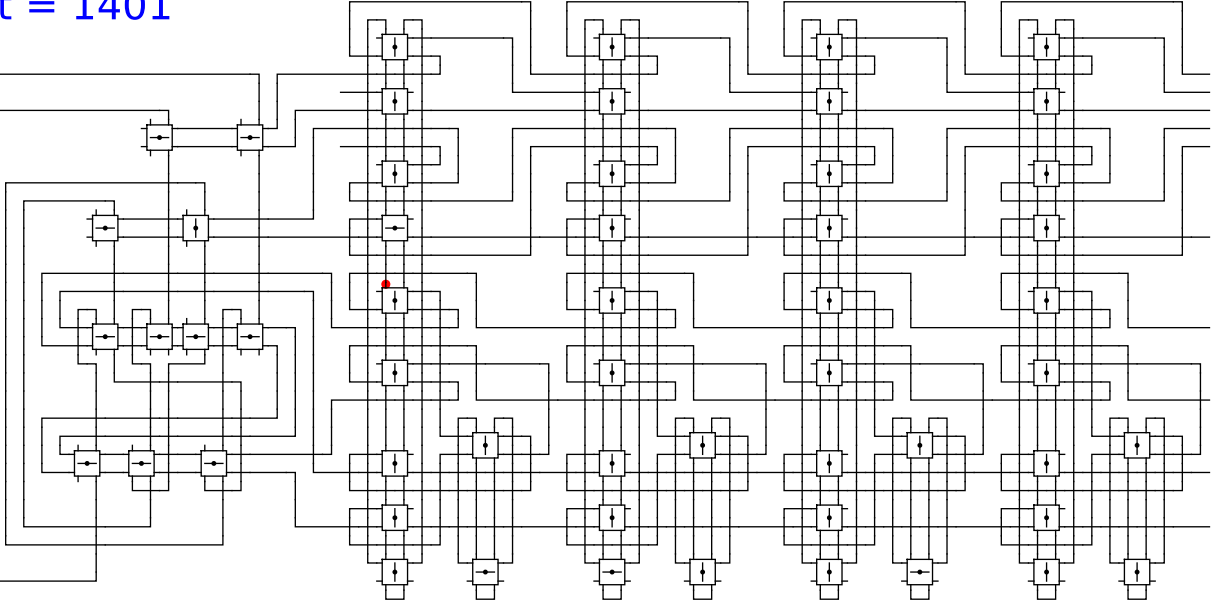
1

0

t = 1401

Reject
Accept

Begin

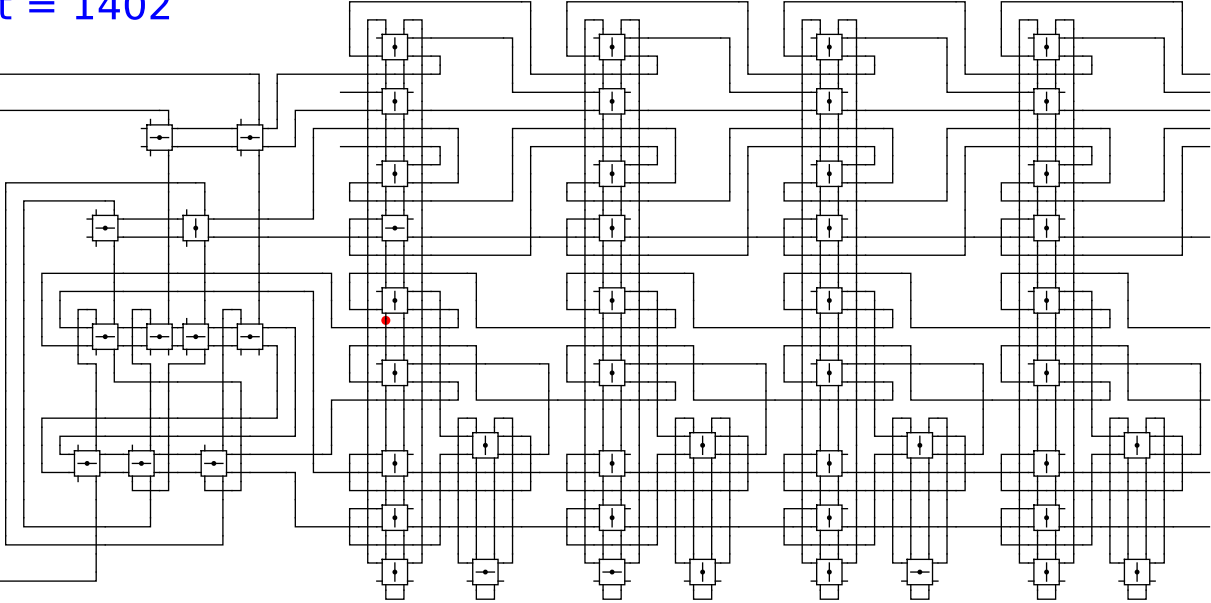


1 head 0 1 0

t = 1402

Reject
Accept

Begin



1

head

0

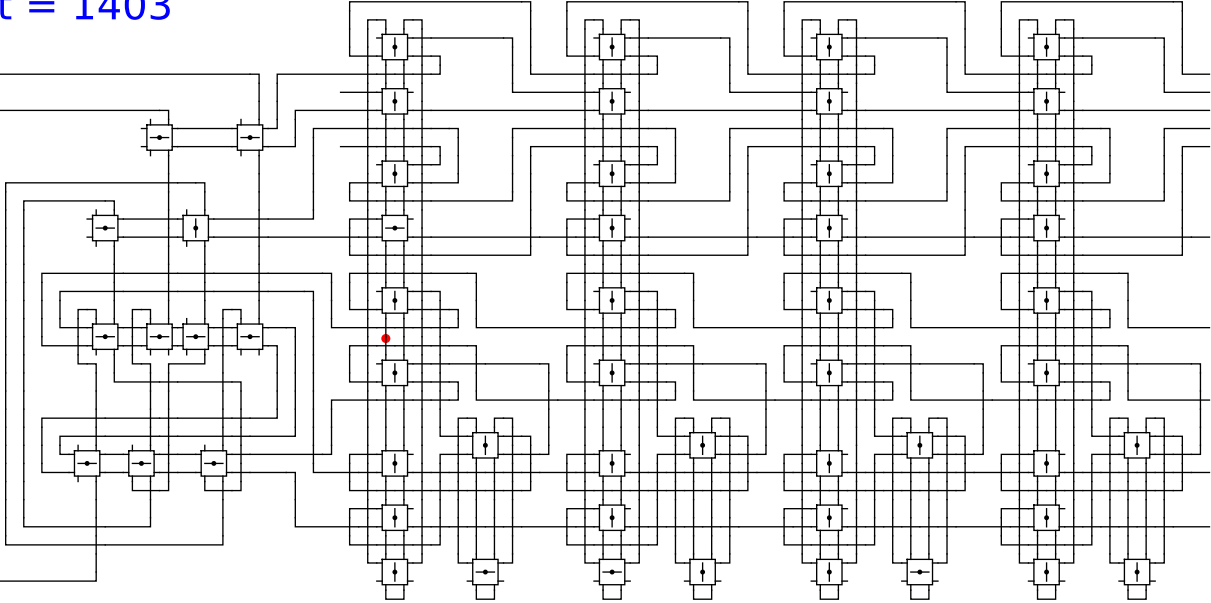
1

0

t = 1403

Reject
Accept

Begin

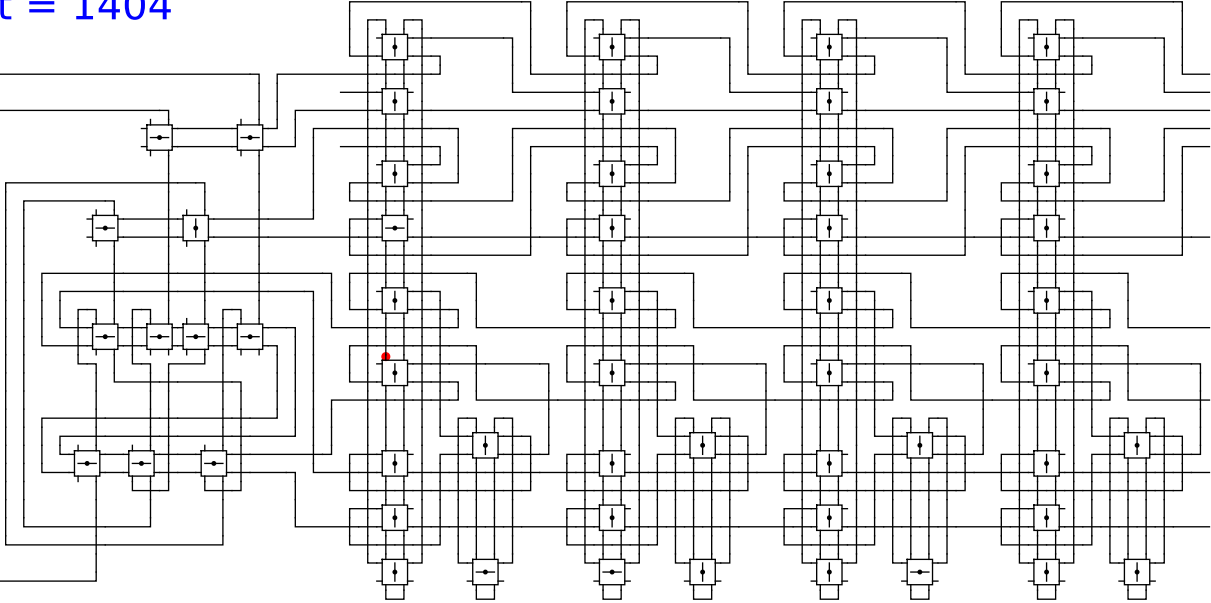


1 head 0 1 0

t = 1404

Reject
Accept

Begin

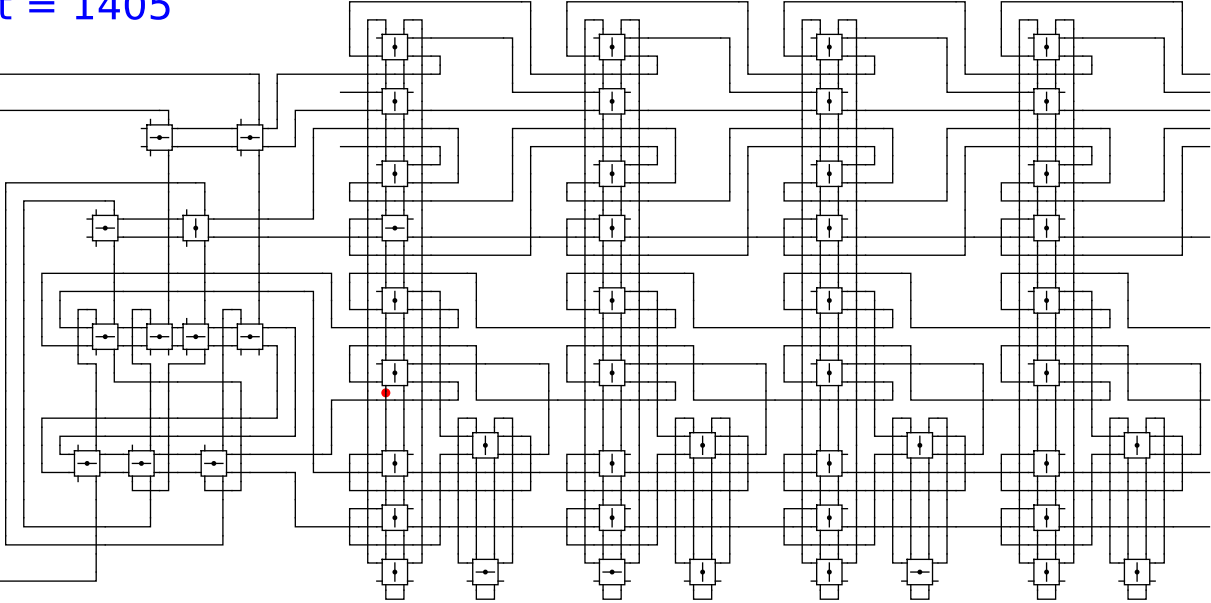


1 head 0 1 0

t = 1405

Reject
Accept

Begin

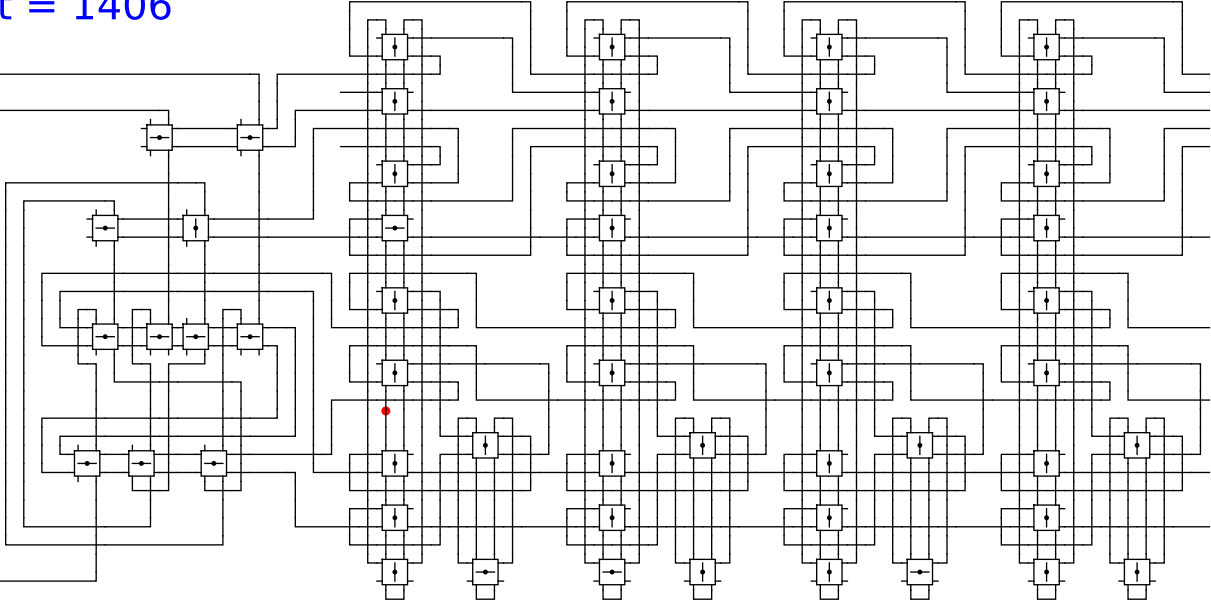


1 head 0 1 0

t = 1406

Reject
Accept

Begin

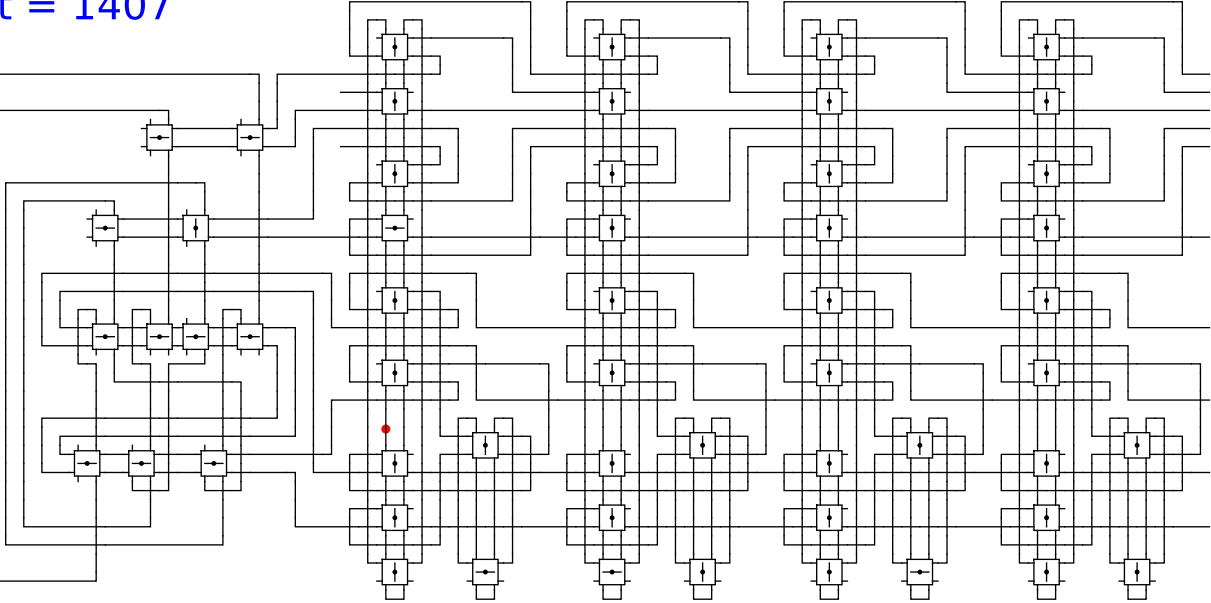


1 head 0 1 0

t = 1407

Reject
Accept

Begin

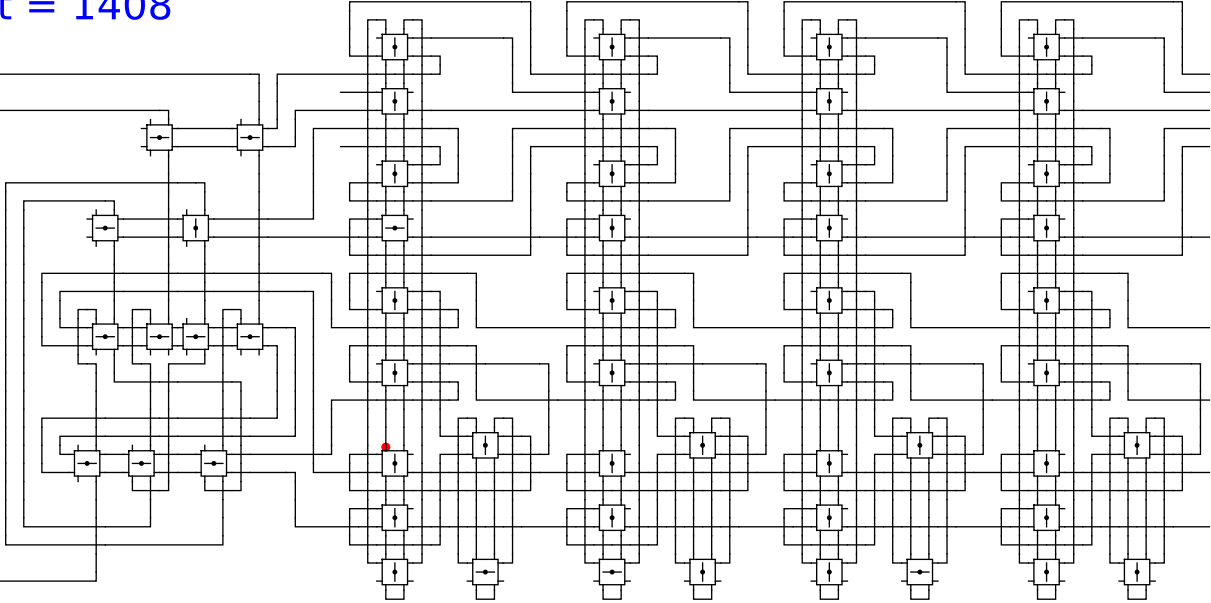


1 head 0 1 0

t = 1408

Reject
Accept

Begin

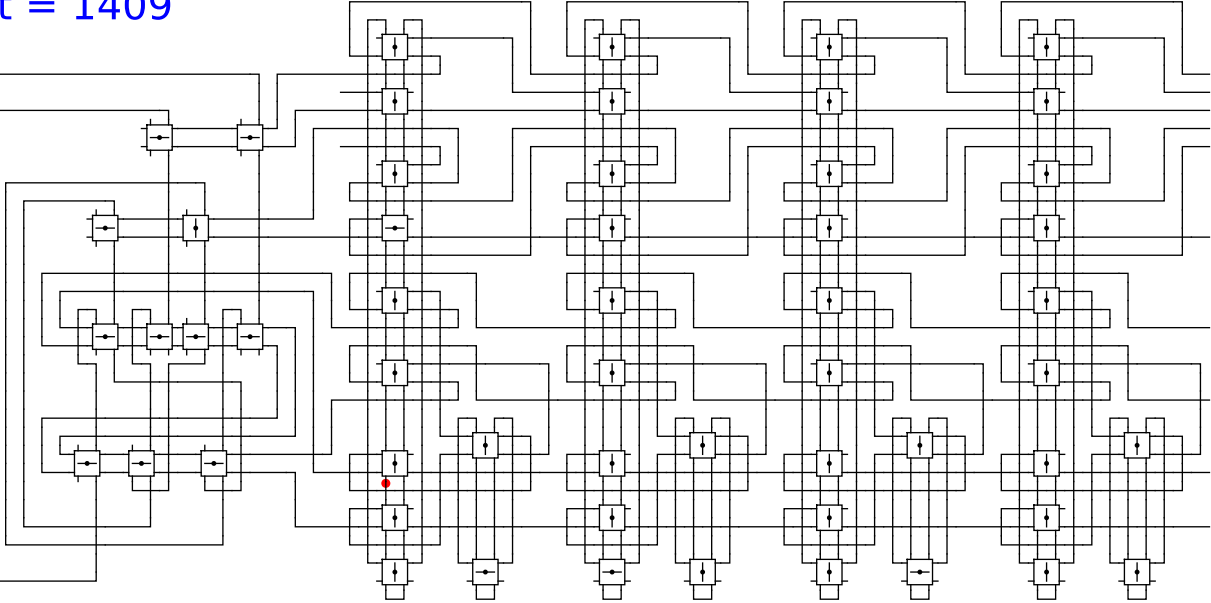


1 head 0 1 0

t = 1409

Reject
Accept

Begin

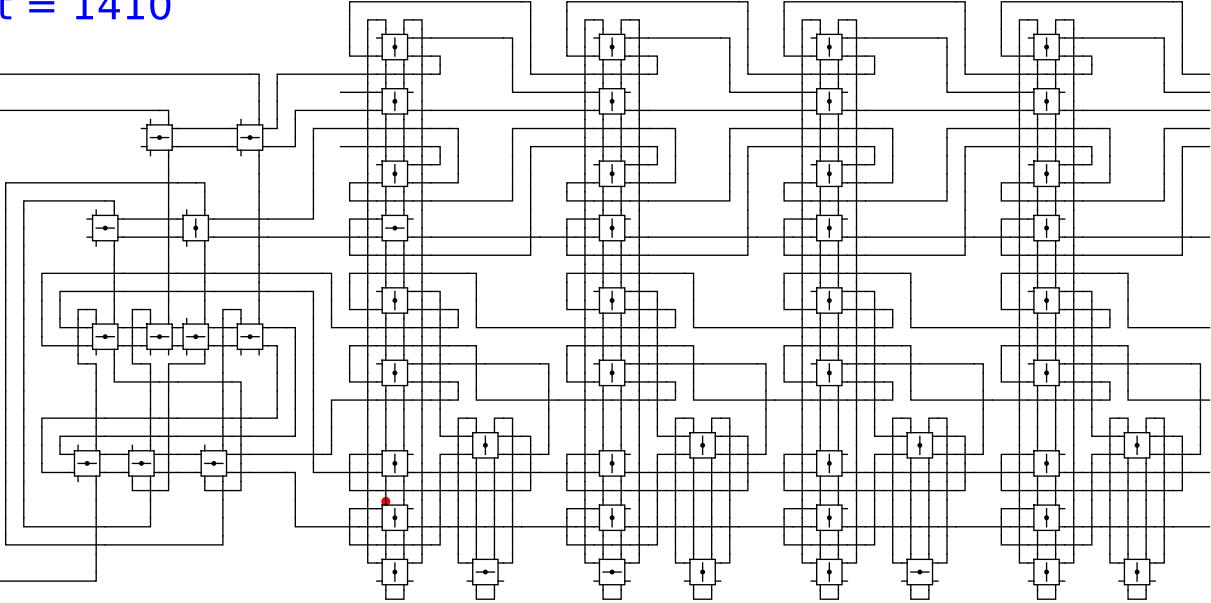


1 head 0 1 0

t = 1410

Reject
Accept

Begin

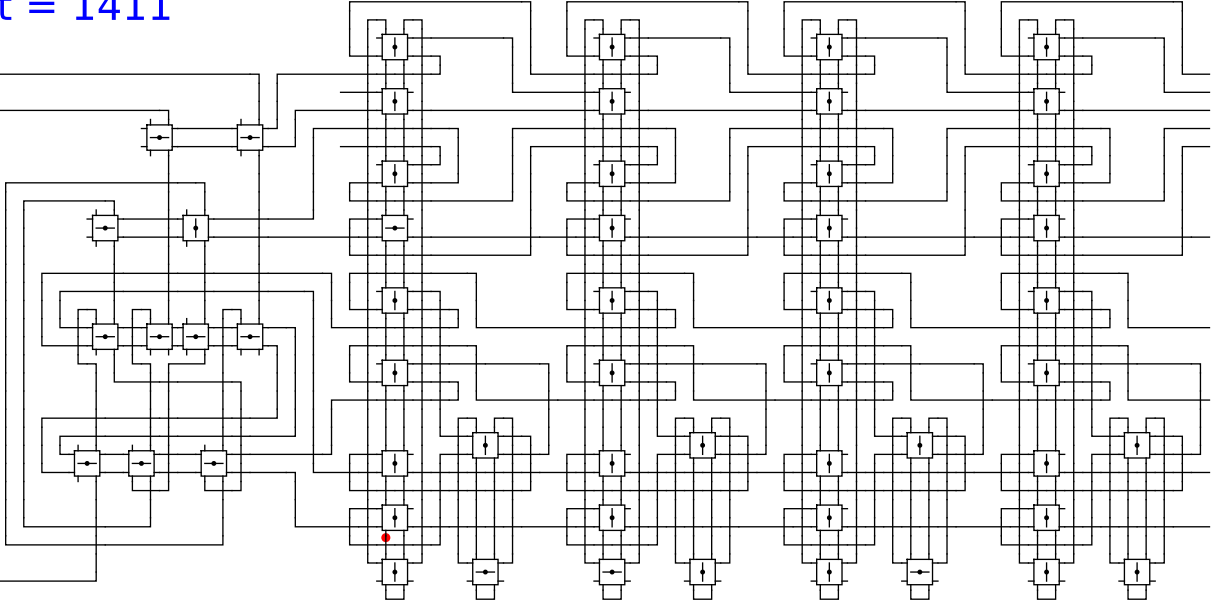


1 green 0 1 0

t = 1411

Reject
Accept

Begin

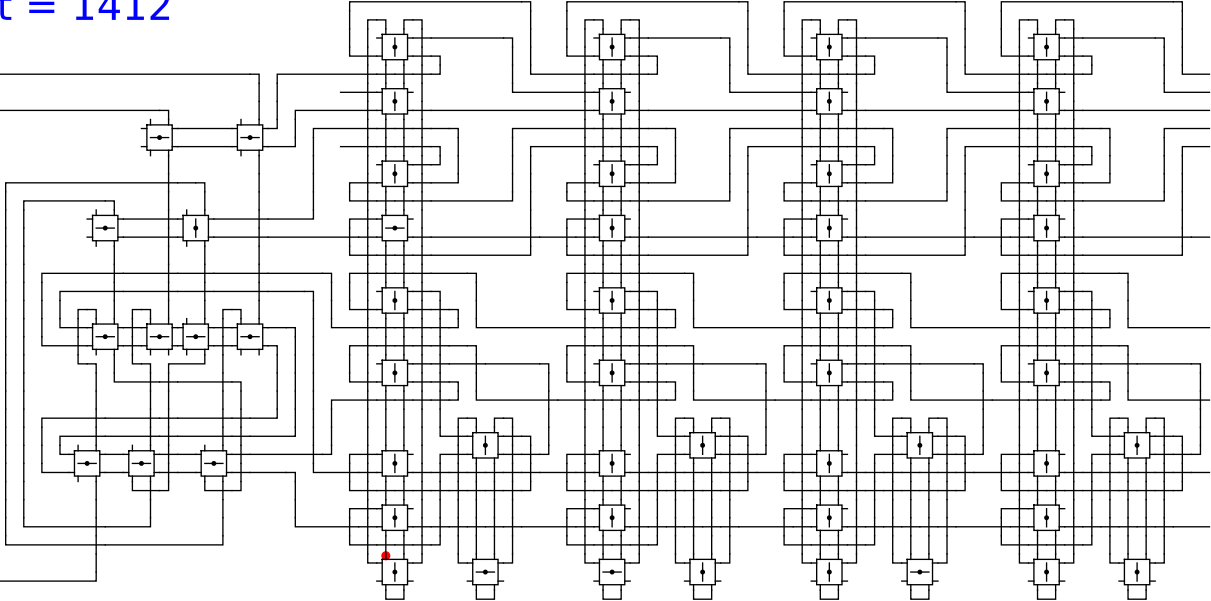


1 head 0 1 0

t = 1412

Reject
Accept

Begin



1

head

0

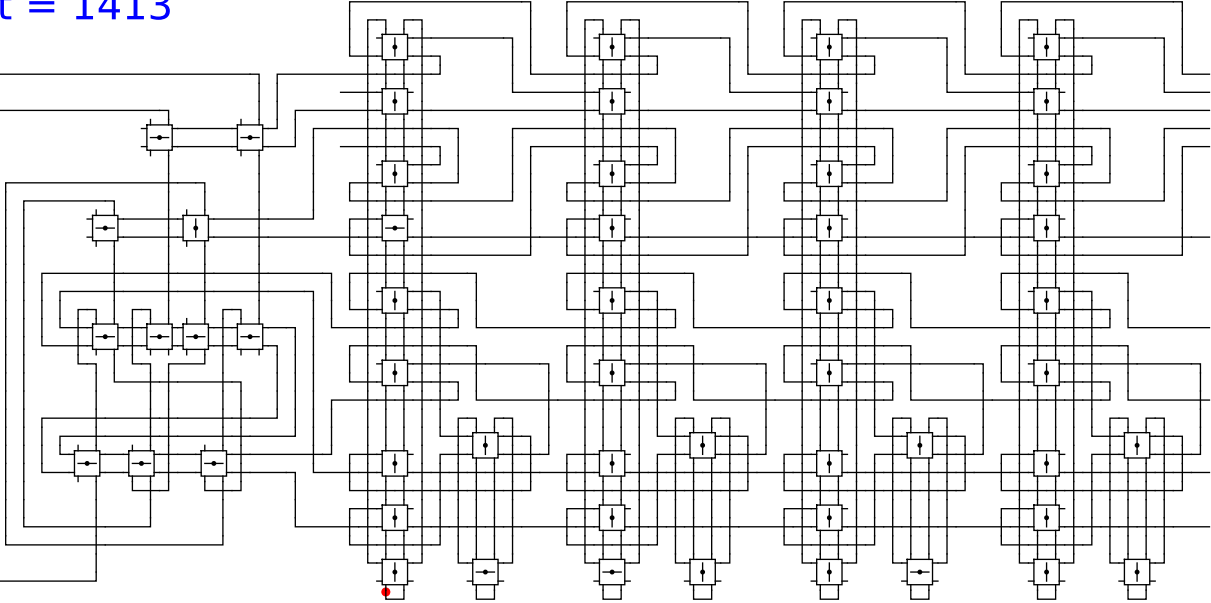
1

0

t = 1413

Reject
Accept

Begin



1

head 0

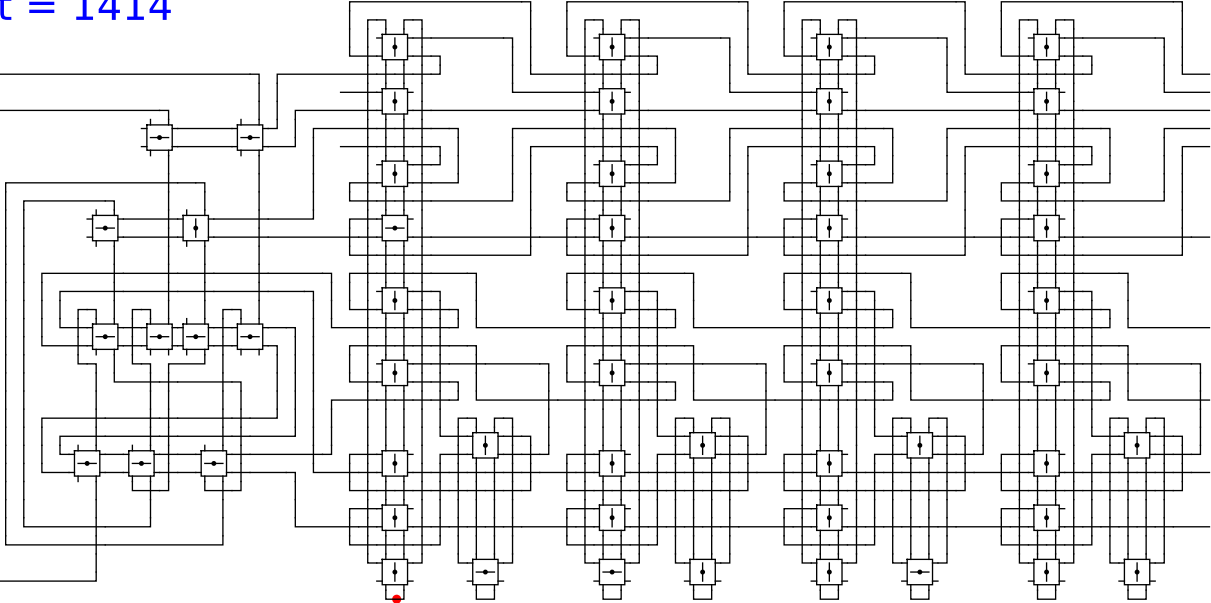
1

0

t = 1414

Reject
Accept

Begin

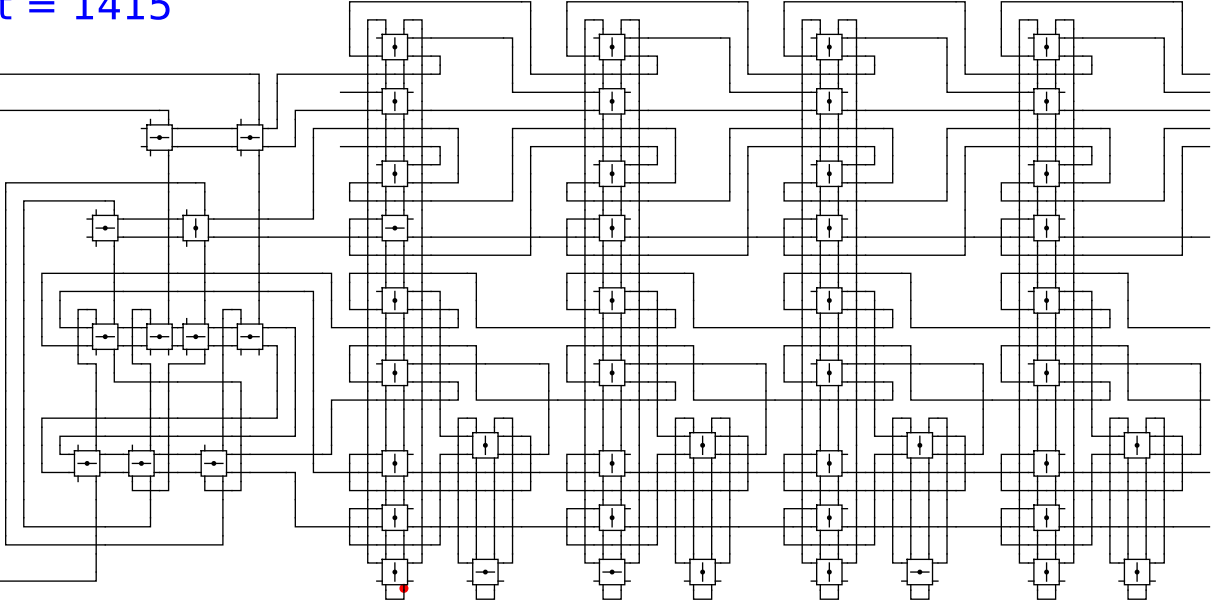


1 head 0 1 0

t = 1415

Reject
Accept

Begin

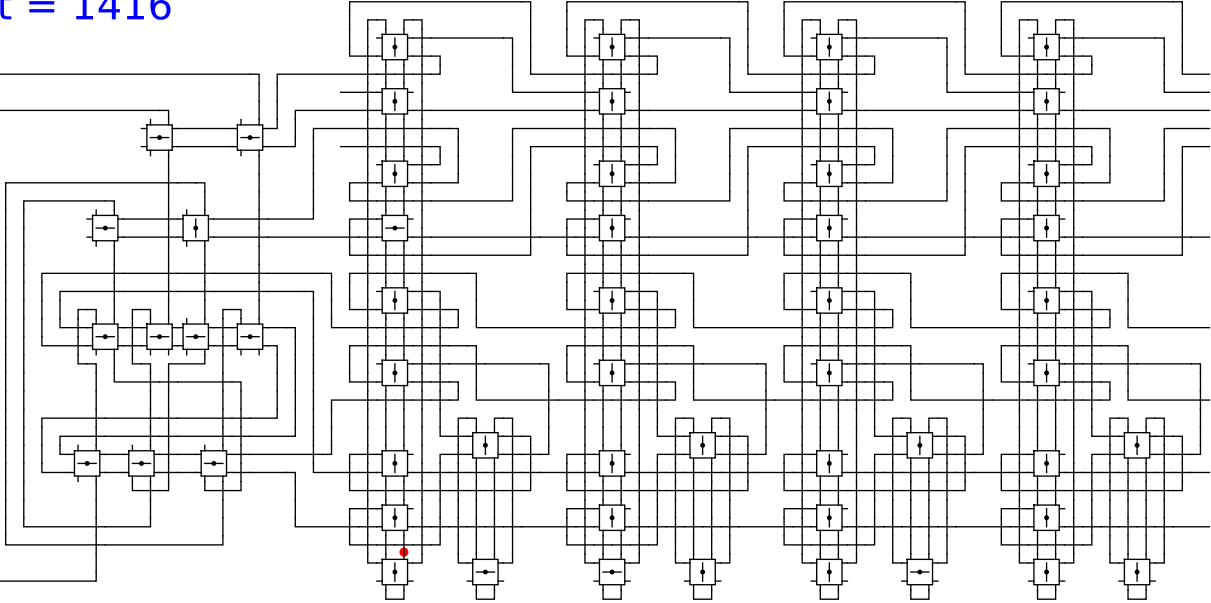


1 head 0 1 0

t = 1416

Reject
Accept

Begin

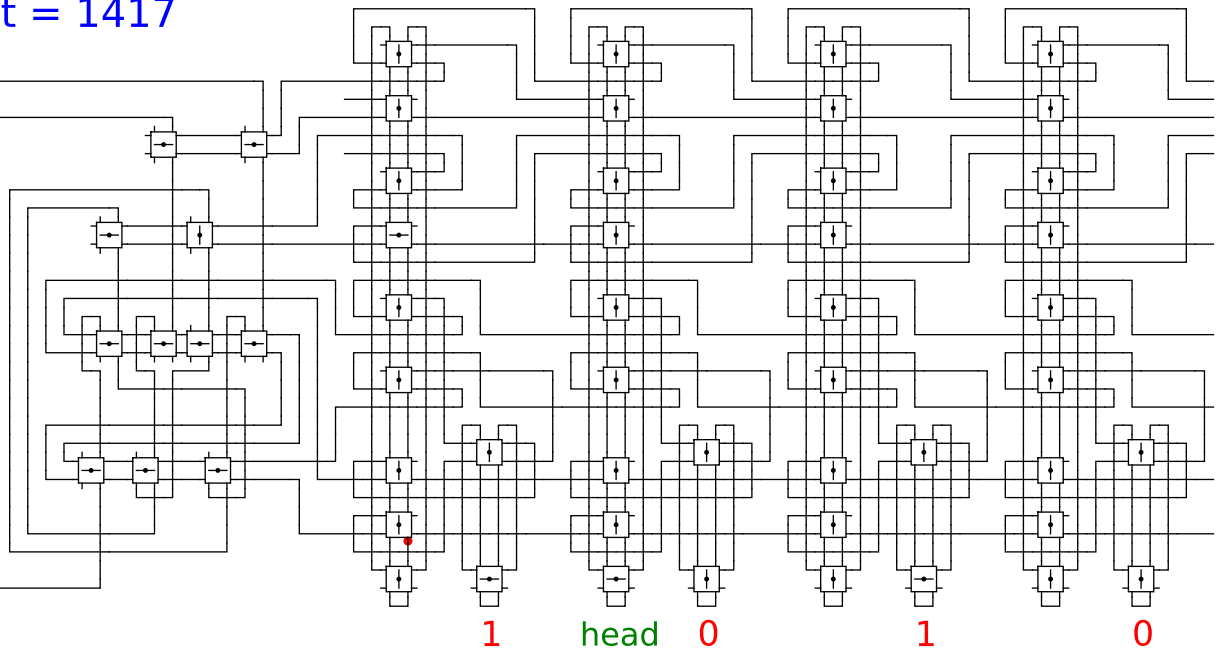


1 head 0 1 0

t = 1417

Reject
Accept

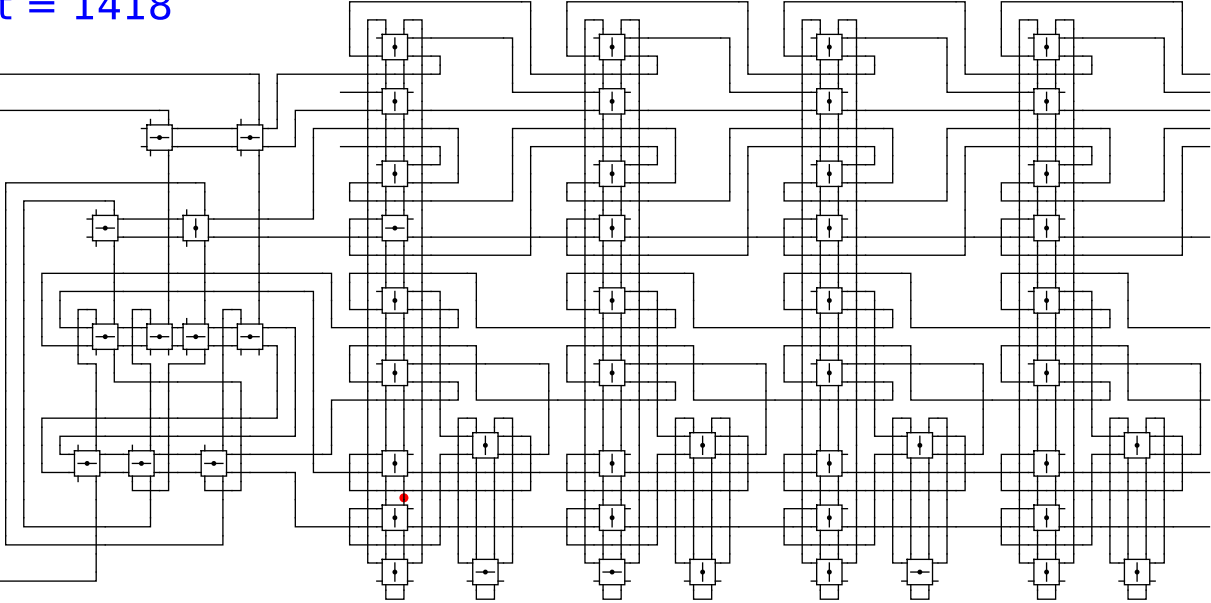
Begin



t = 1418

Reject
Accept

Begin

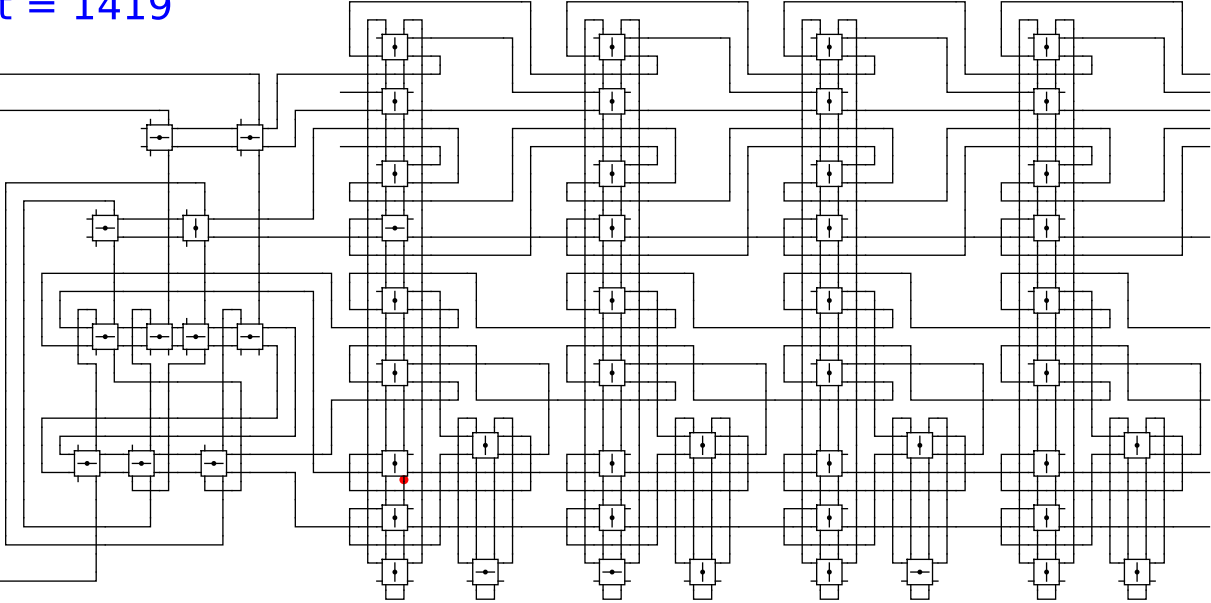


1 head 0 1 0

t = 1419

Reject
Accept

Begin

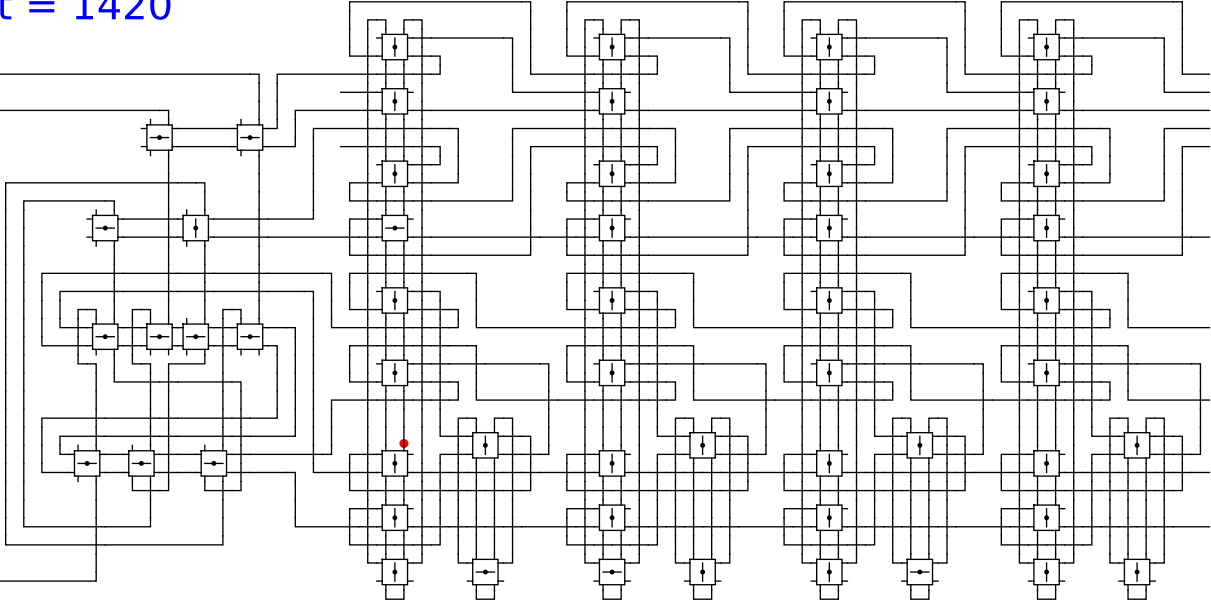


1 head 0 1 0

t = 1420

Reject
Accept

Begin

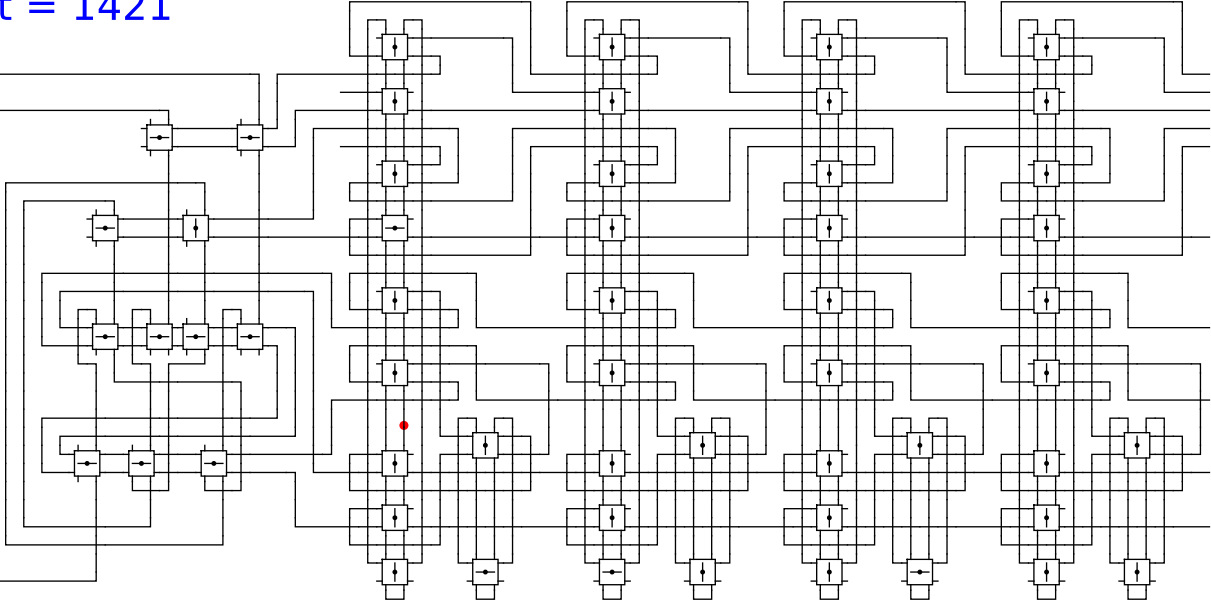


1 head 0 1 0

t = 1421

Reject
Accept

Begin

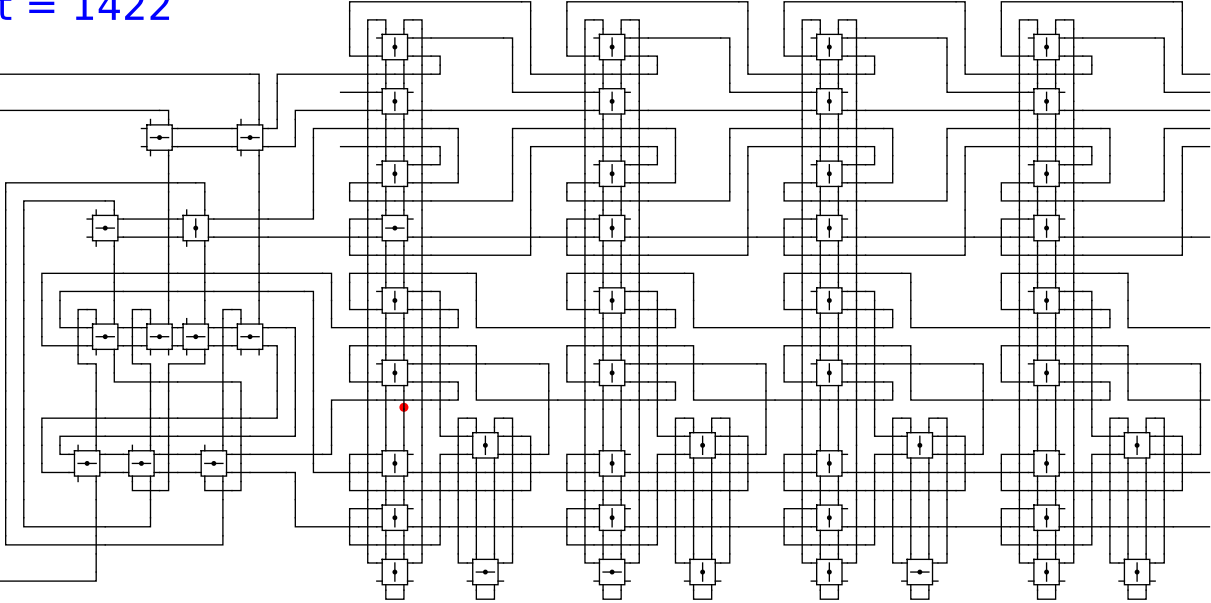


1 head 0 1 0

t = 1422

Reject
Accept

Begin

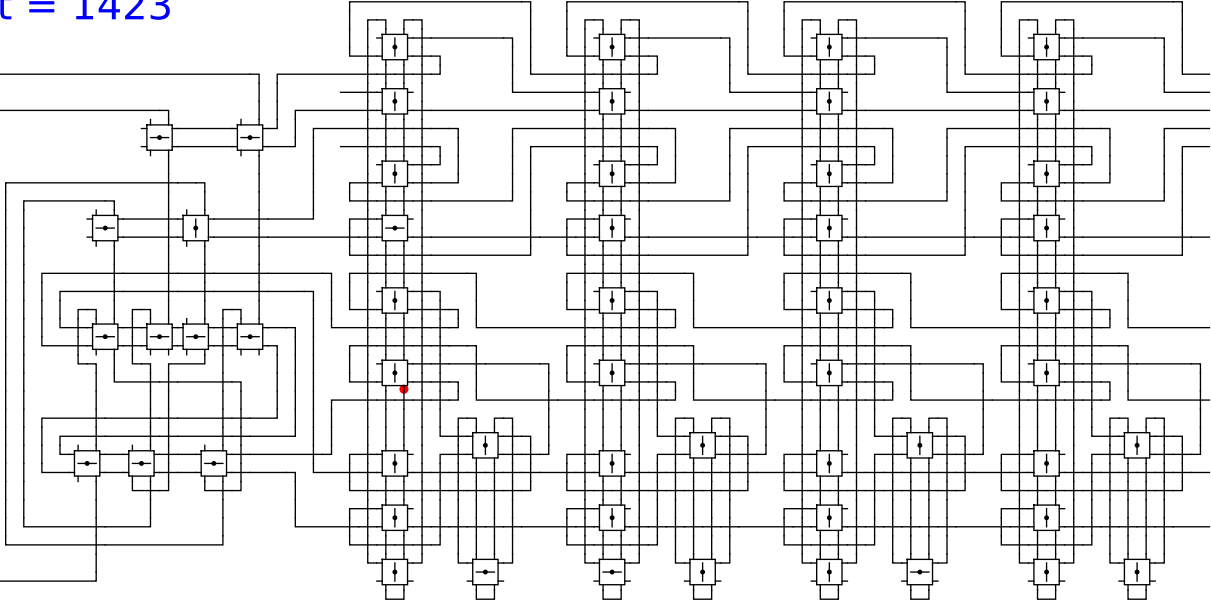


1 head 0 1 0

t = 1423

Reject
Accept

Begin

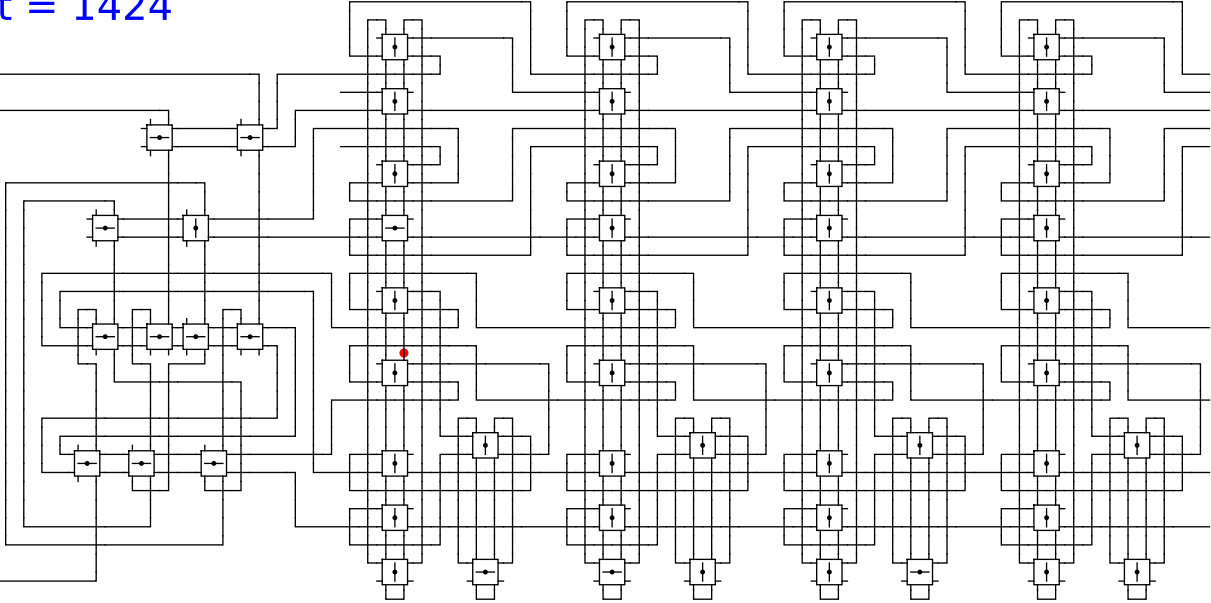


1 head 0 1 0

t = 1424

Reject
Accept

Begin

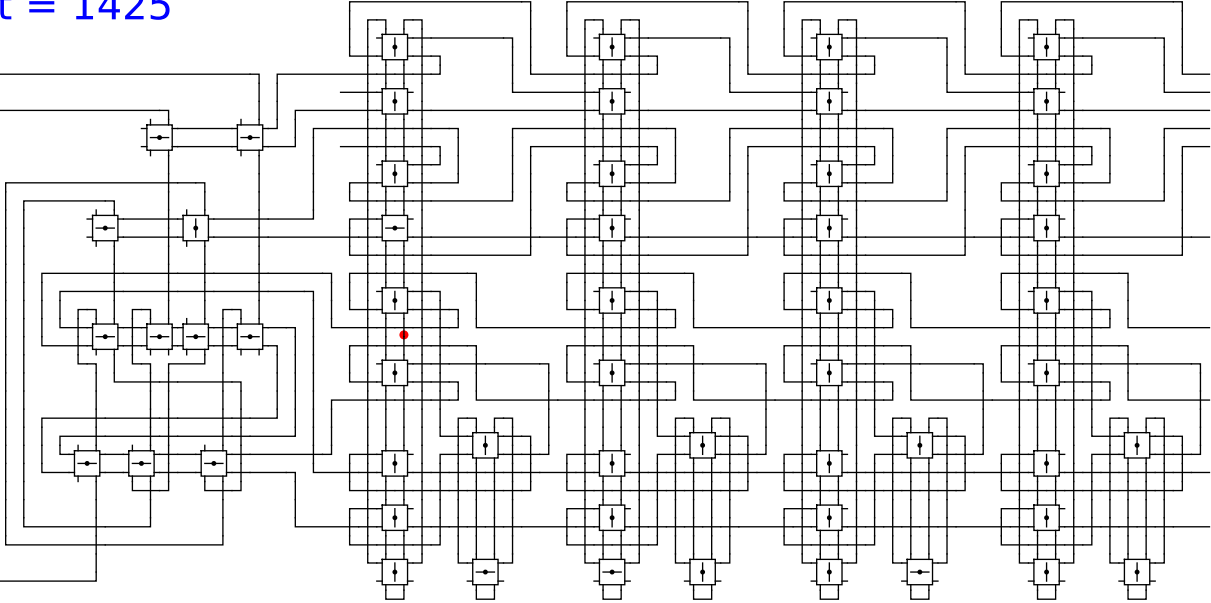


1 head 0 1 0

t = 1425

Reject
Accept

Begin

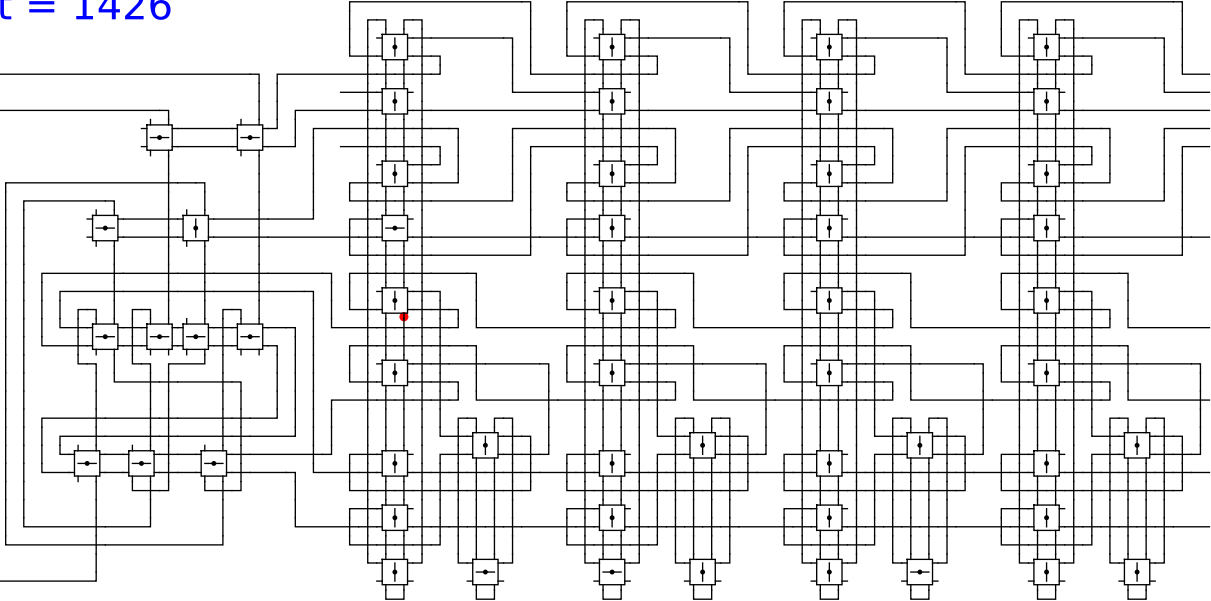


1 head 0 1 0

t = 1426

Reject
Accept

Begin

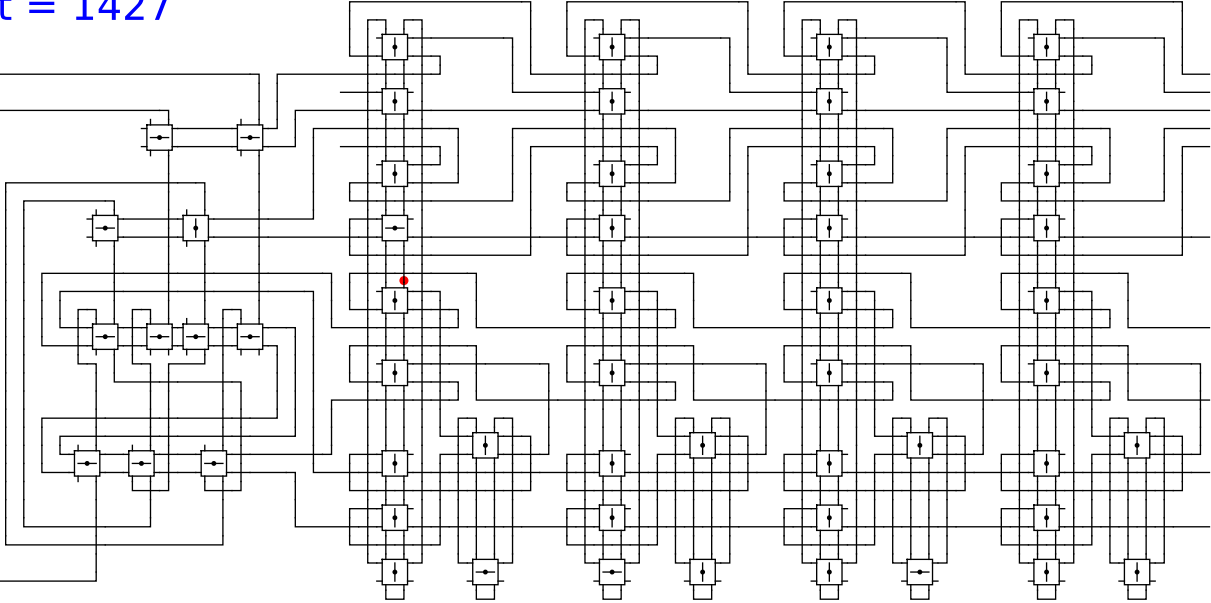


1 head 0 1 0

t = 1427

Reject
Accept

Begin

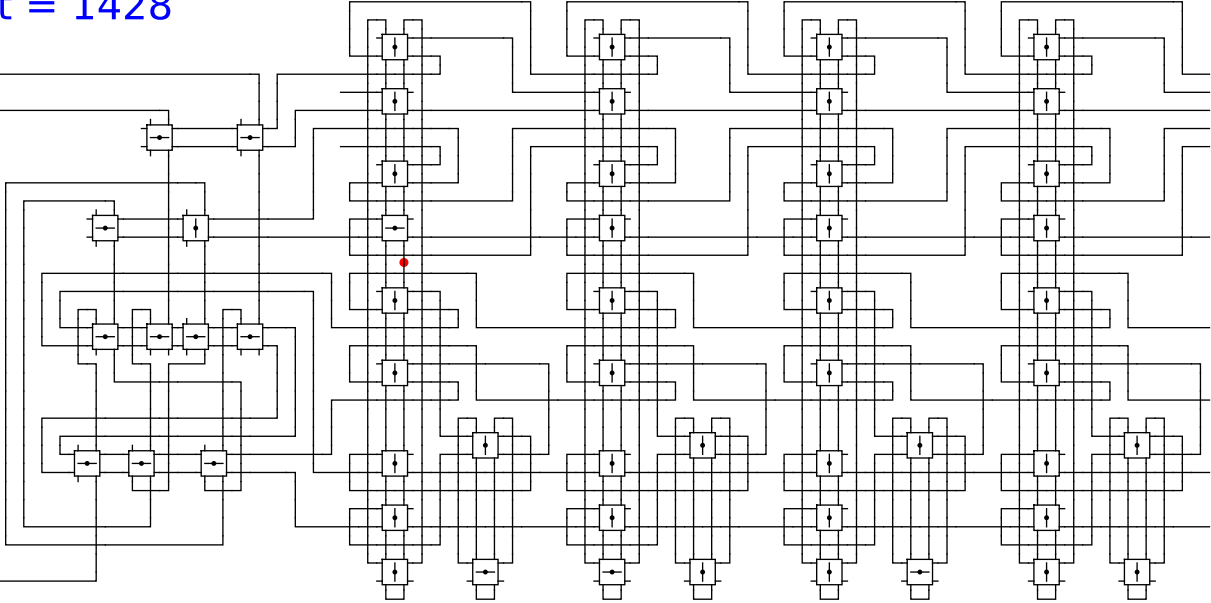


1 head 0 1 0

t = 1428

Reject
Accept

Begin

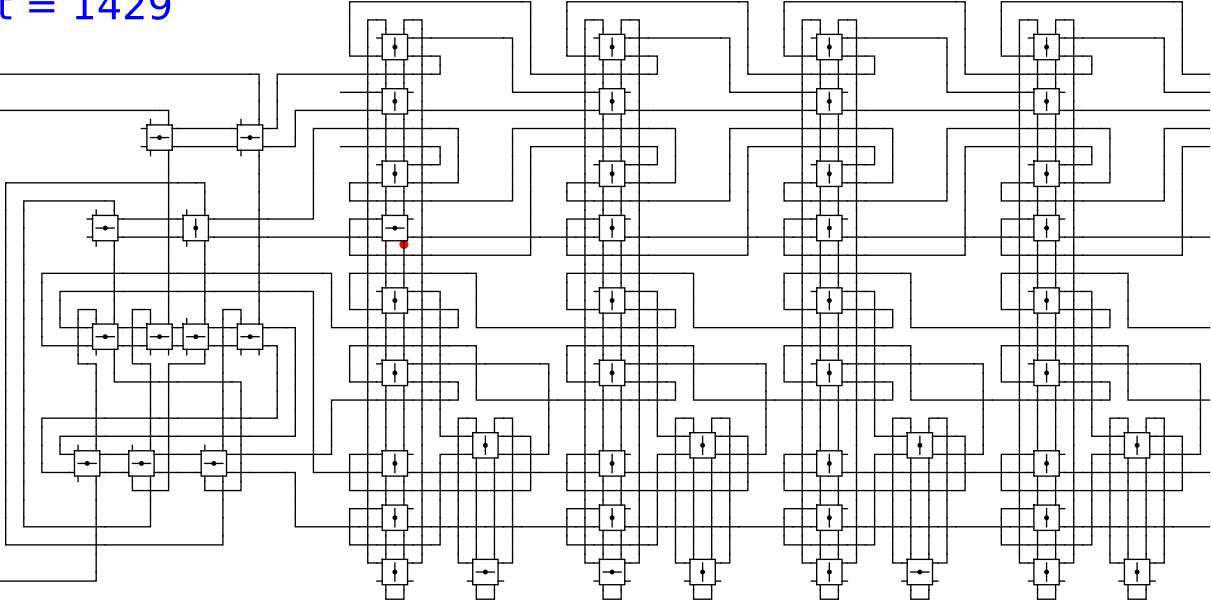


1 head 0 1 0

t = 1429

Reject
Accept

Begin

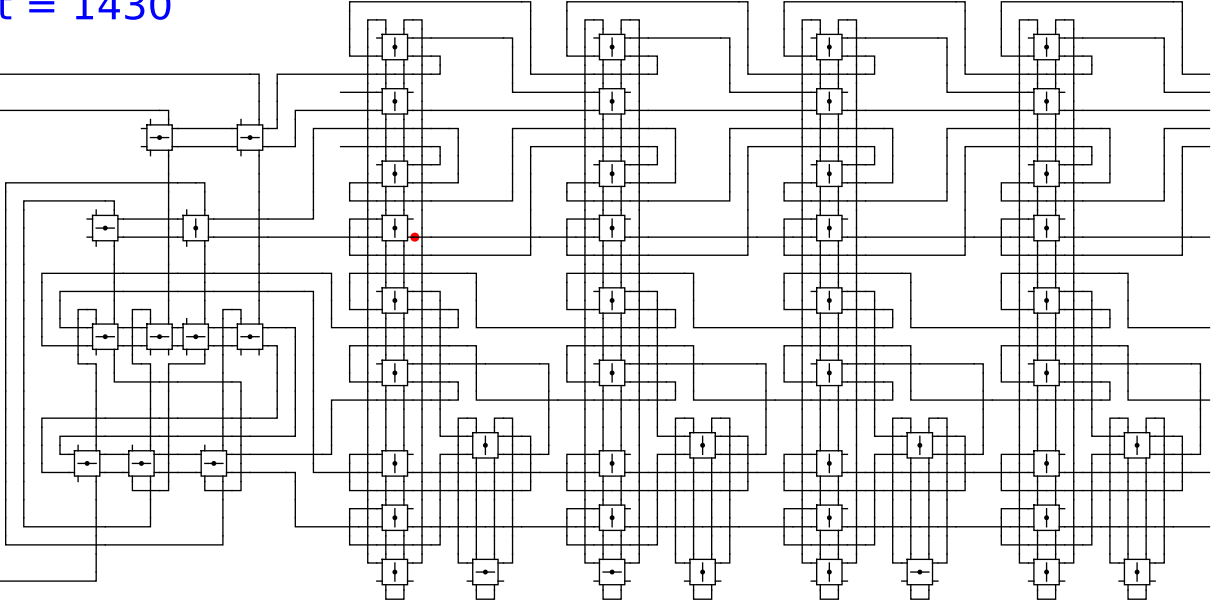


1 head 0 1 0

t = 1430

Reject
Accept

Begin

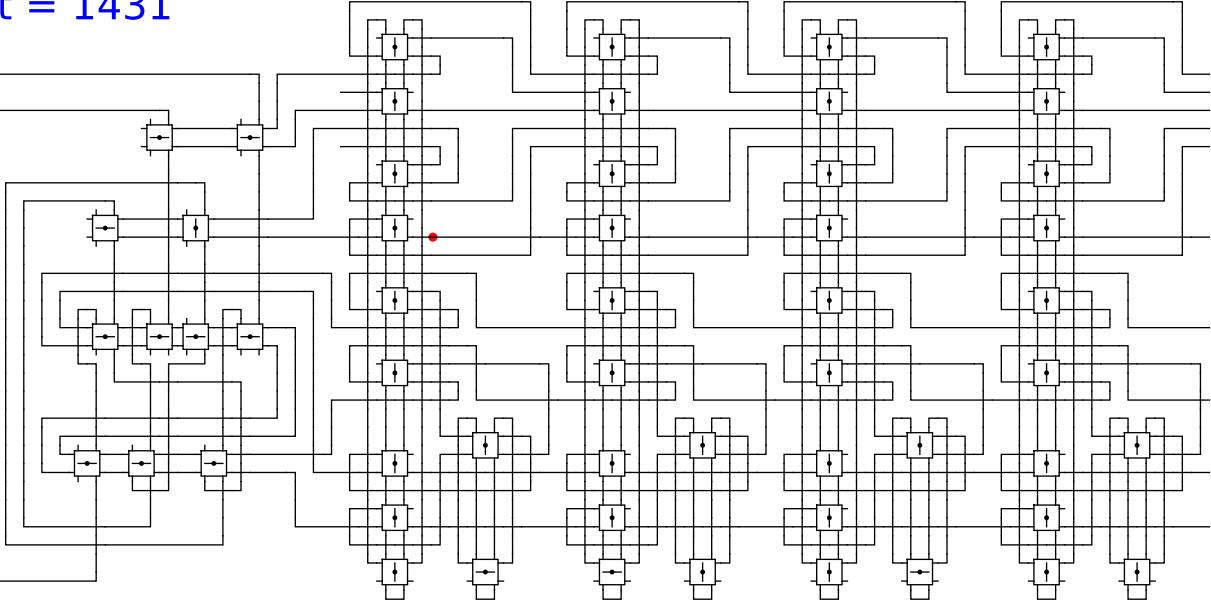


1 head 0 1 0

t = 1431

Reject
Accept

Begin

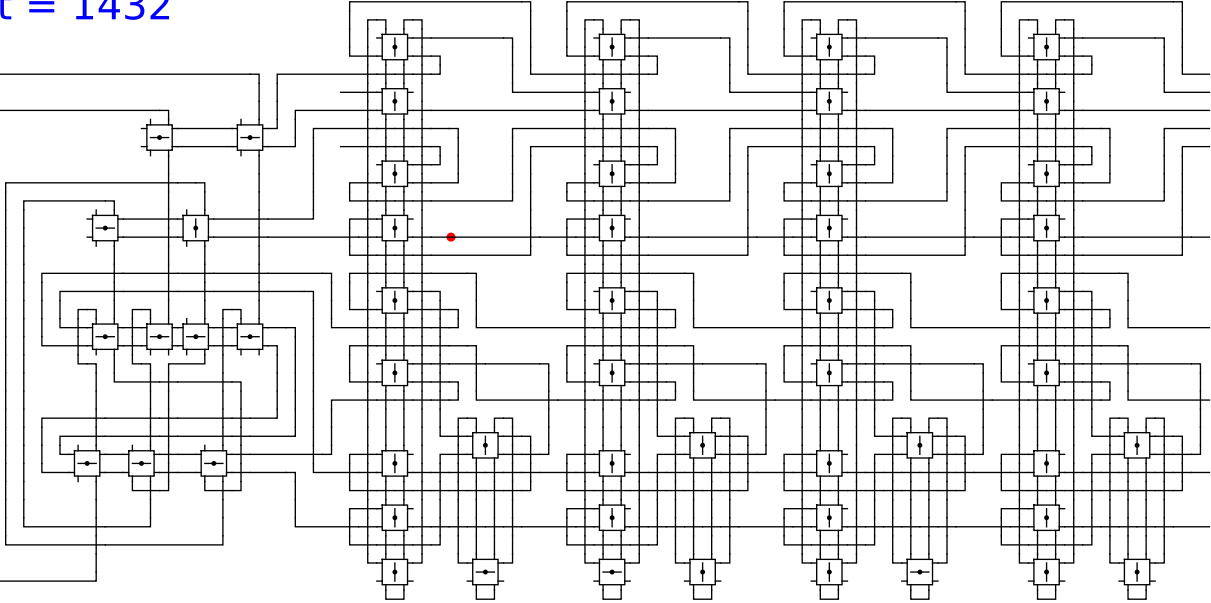


1 head 0 1 0

t = 1432

Reject
Accept

Begin

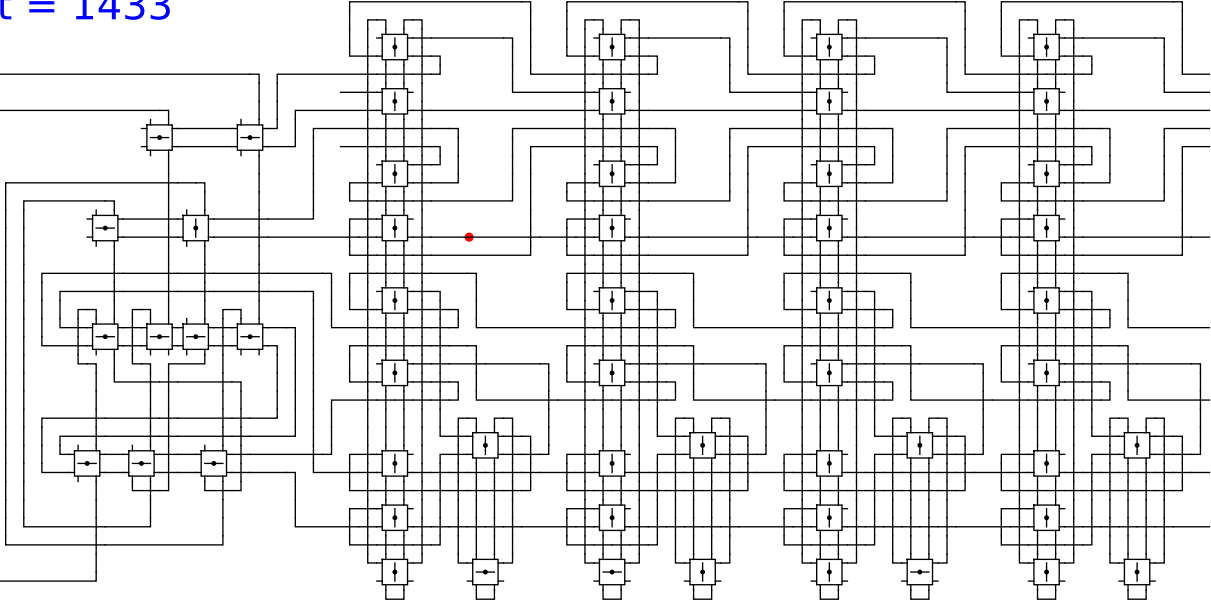


1 head 0 1 0

t = 1433

Reject
Accept

Begin

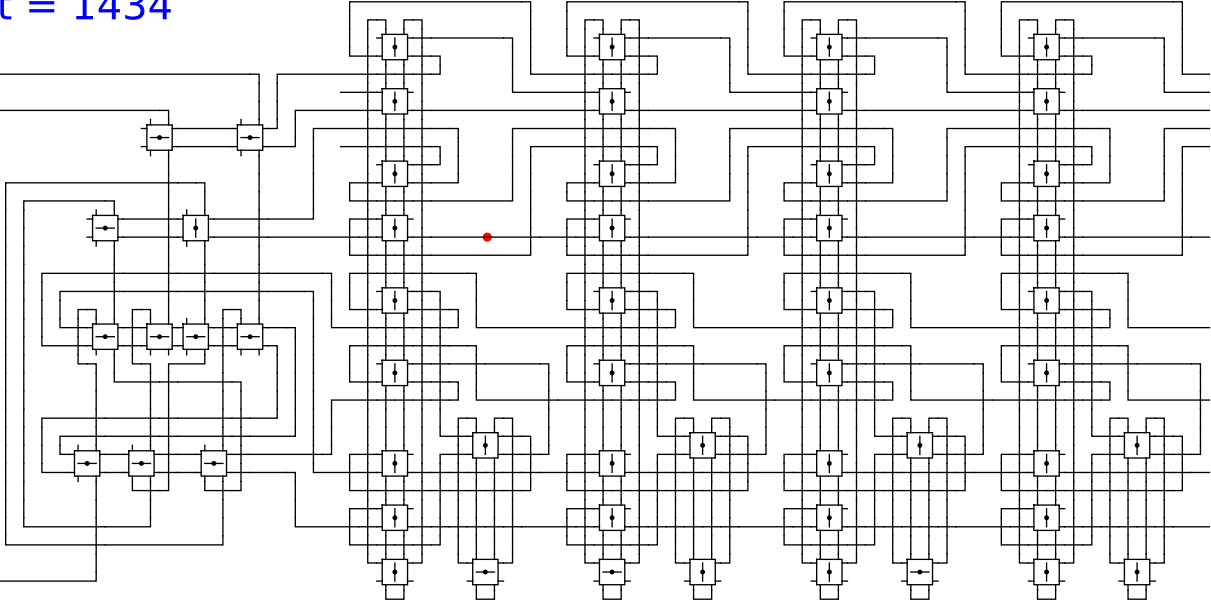


1 head 0 1 0

t = 1434

Reject
Accept

Begin

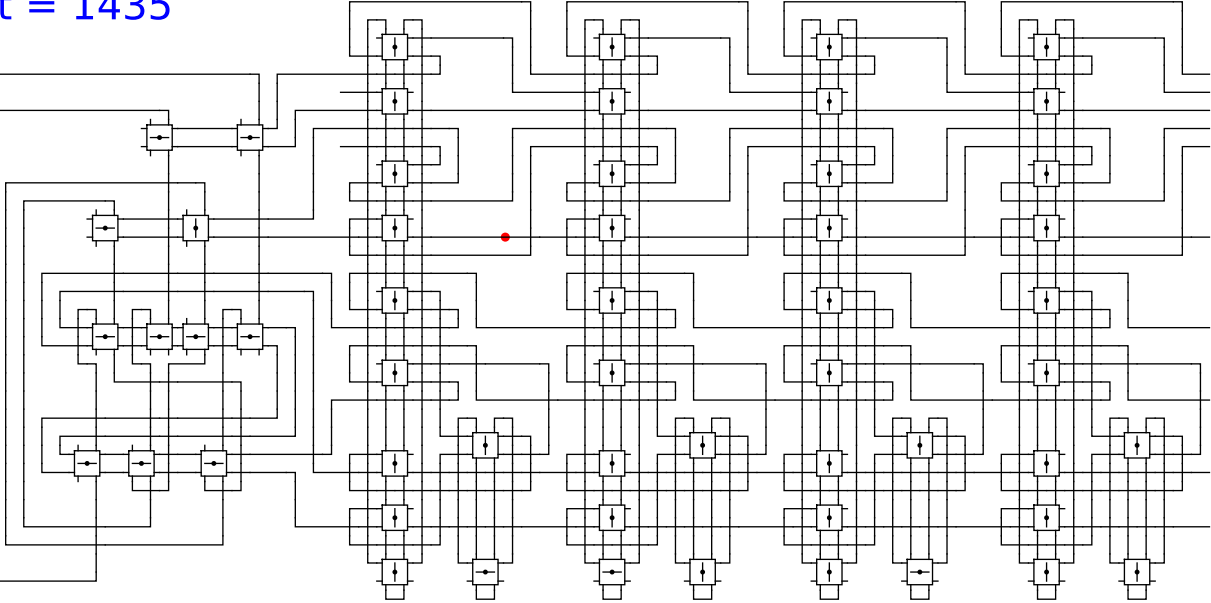


1 head 0 1 0

t = 1435

Reject
Accept

Begin

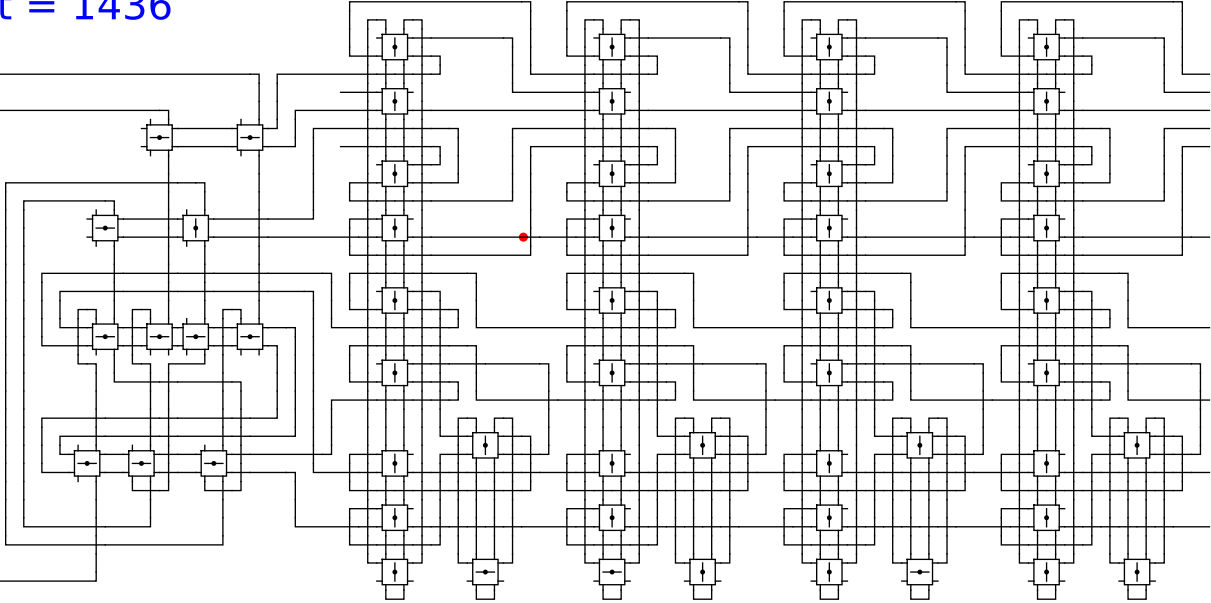


1 head 0 1 0

t = 1436

Reject
Accept

Begin

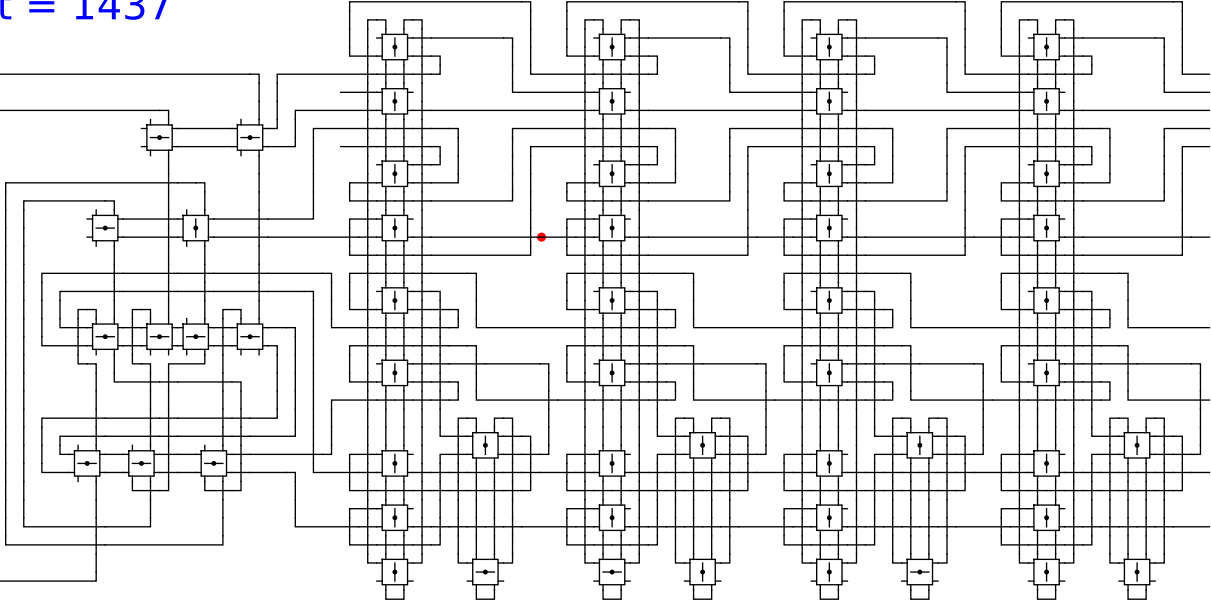


1 head 0 1 0

$t = 1437$

Reject
Accept

Begin

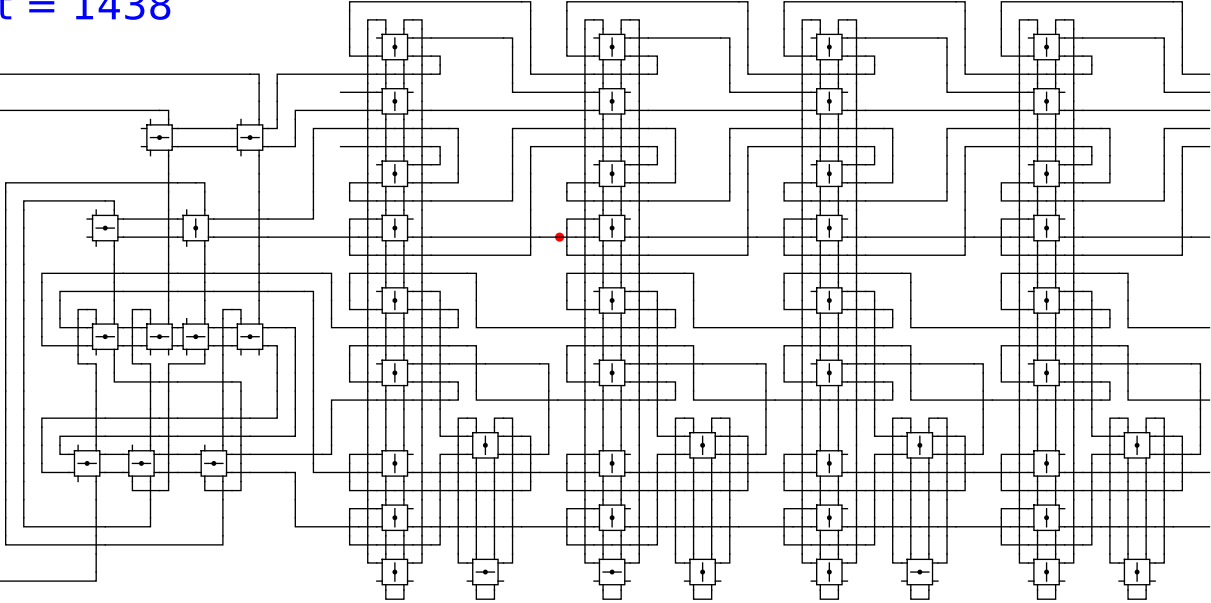


1 head 0 1 0

t = 1438

Reject
Accept

Begin

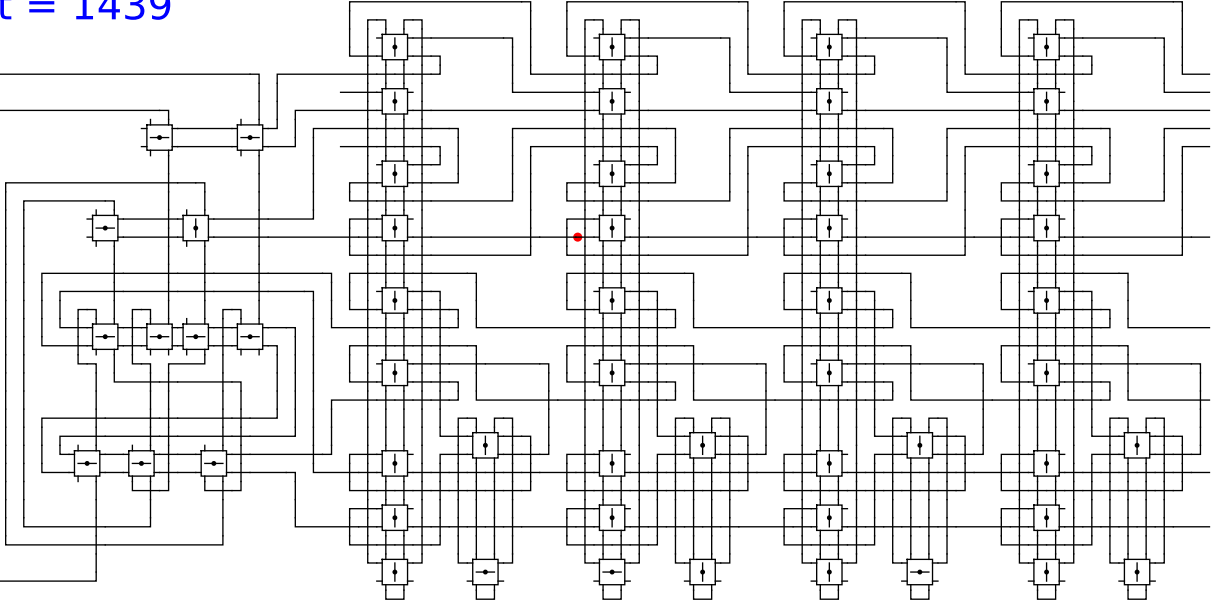


1 head 0 1 0

t = 1439

Reject
Accept

Begin

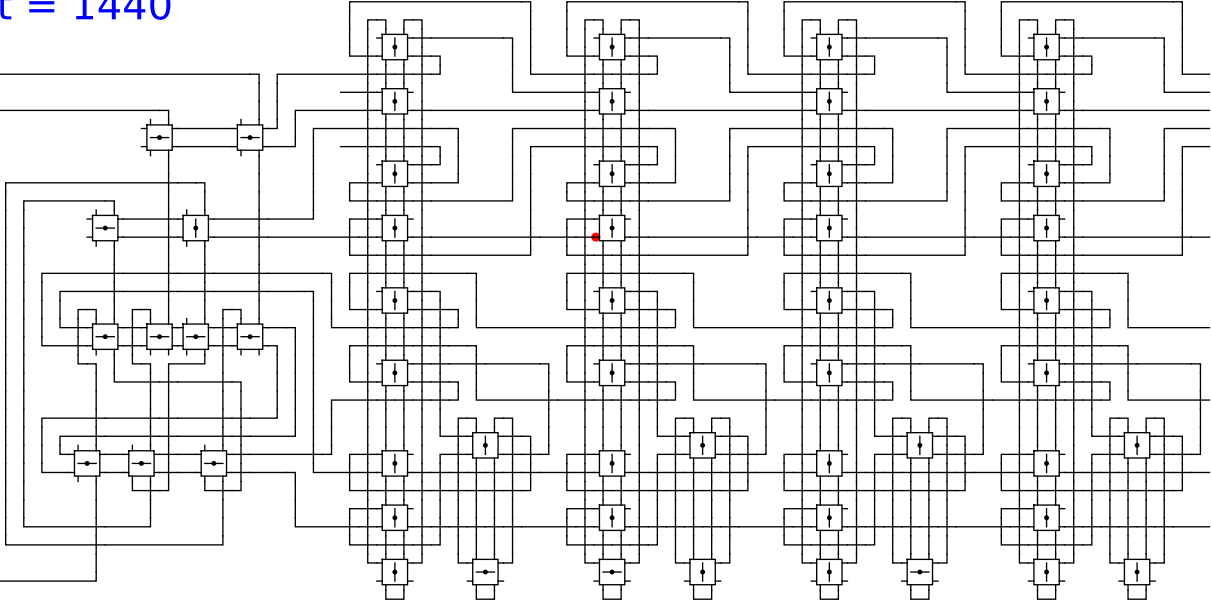


1 head 0 1 0

t = 1440

Reject
Accept

Begin

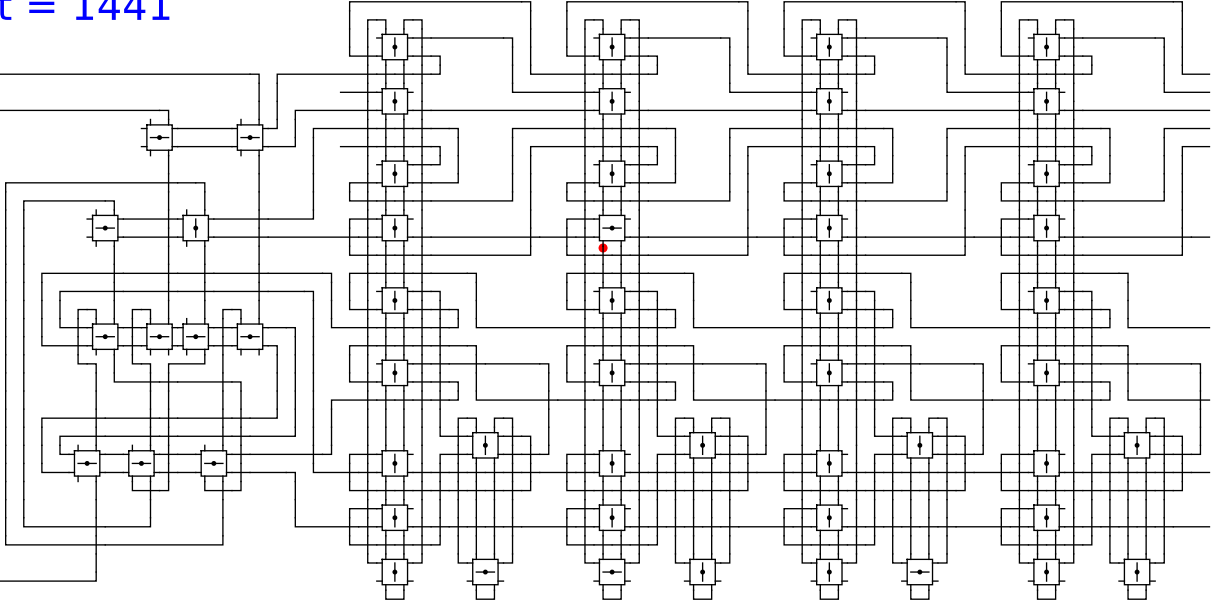


1 head 0 1 0

t = 1441

Reject
Accept

Begin

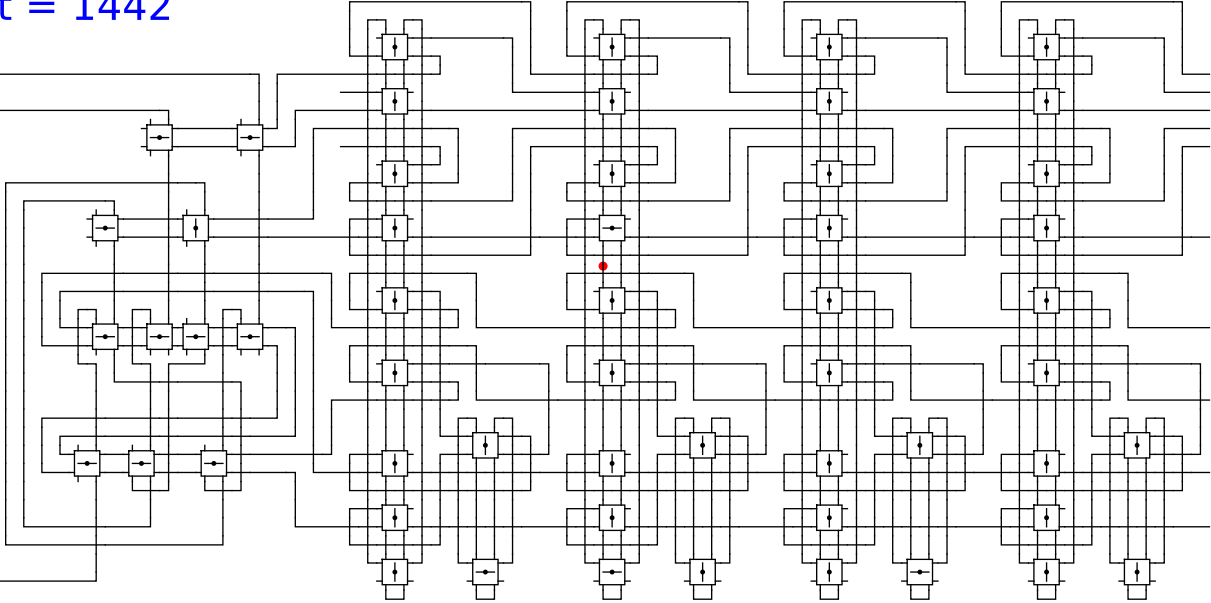


1 head 0 1 0

t = 1442

Reject
Accept

Begin

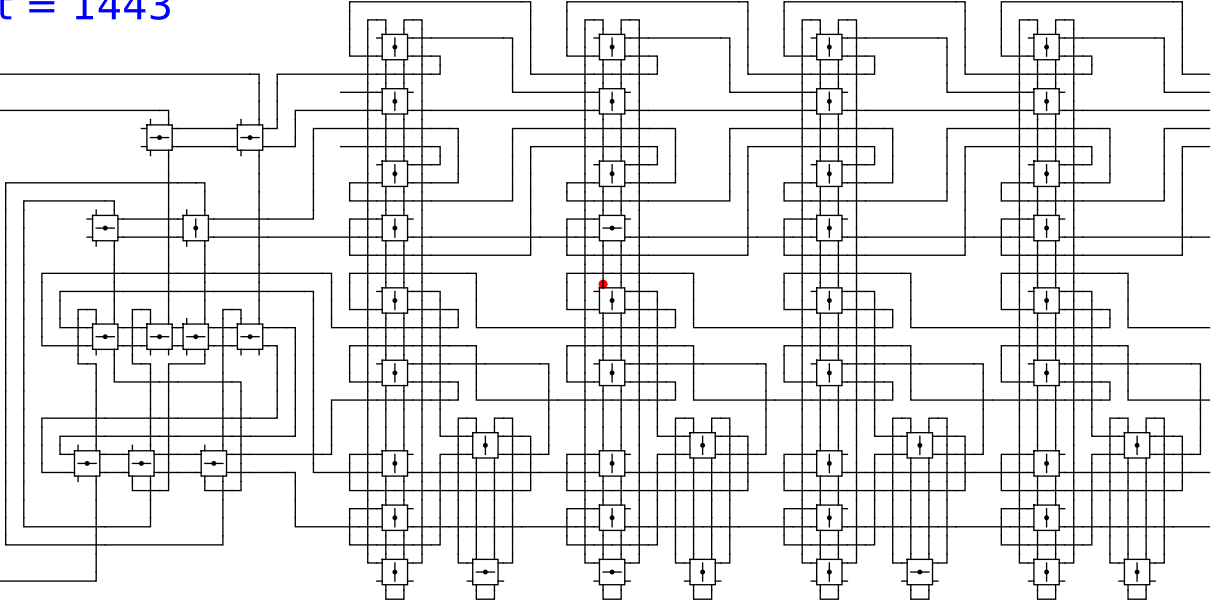


1 head 0 1 0

t = 1443

Reject
Accept

Begin

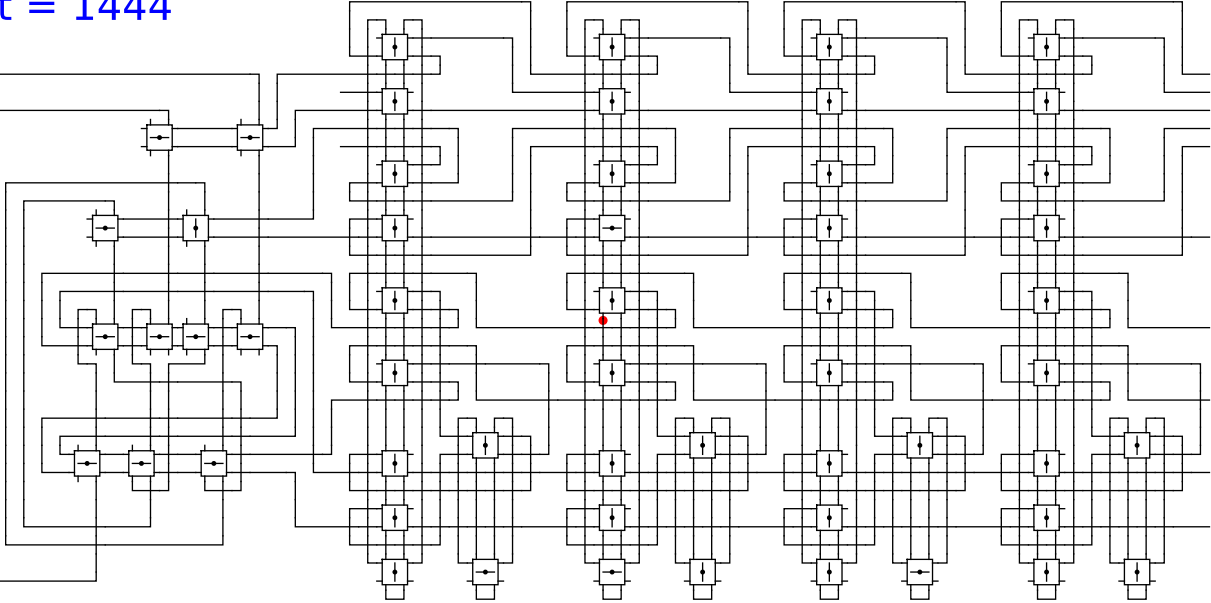


1 0 1 0

t = 1444

Reject
Accept

Begin

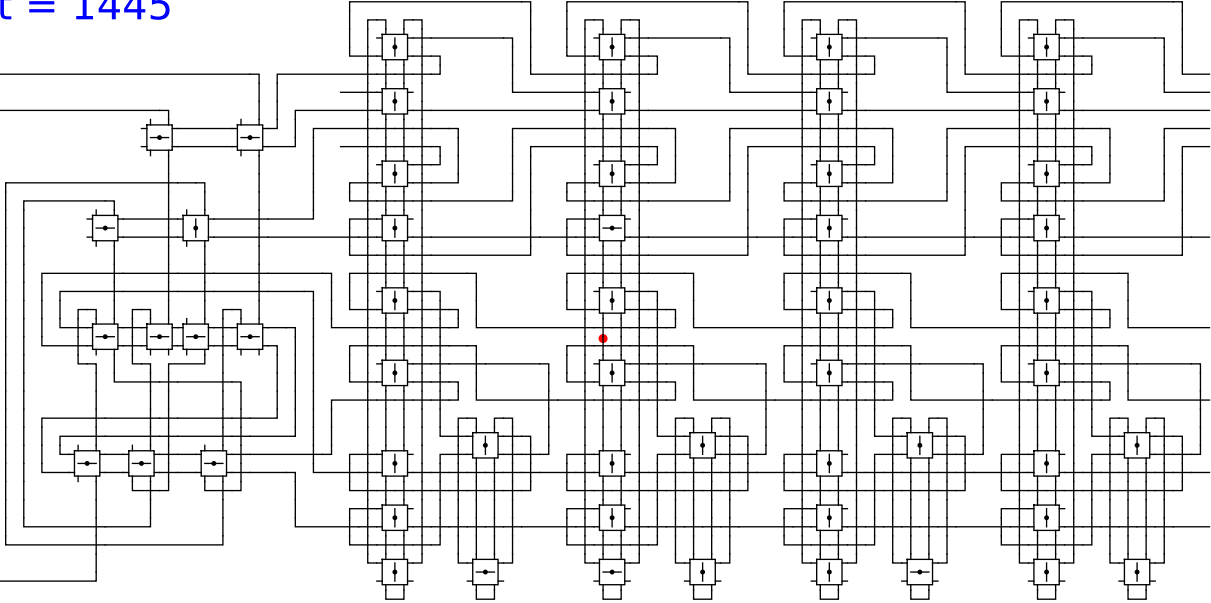


1 head 0 1 0

t = 1445

Reject
Accept

Begin

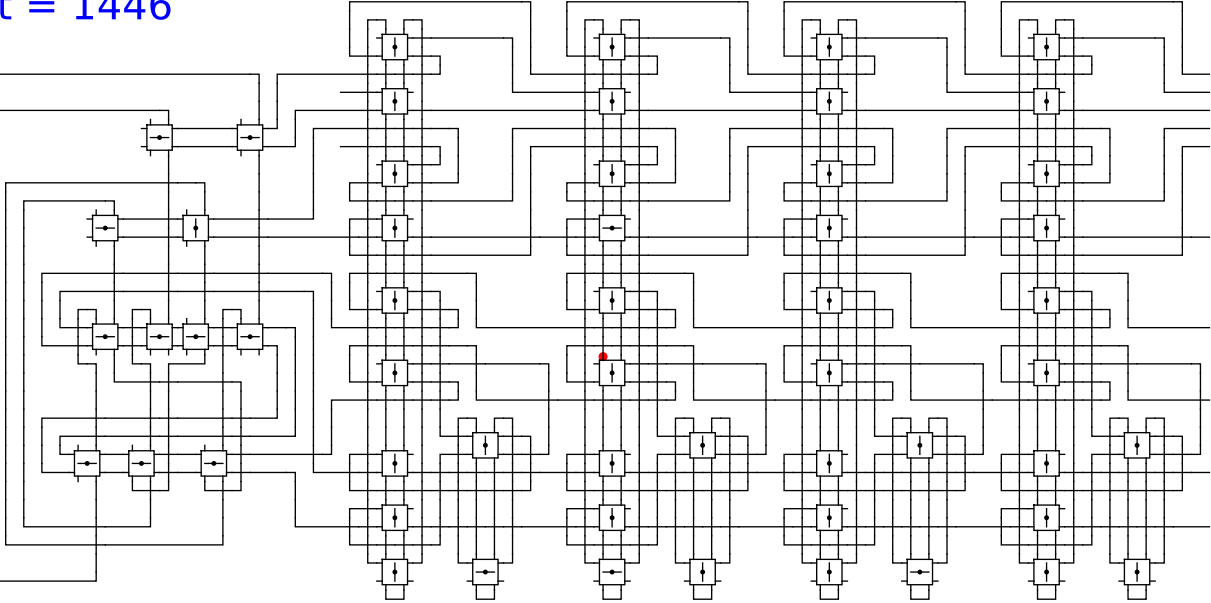


1 head 0 1 0

t = 1446

Reject
Accept

Begin

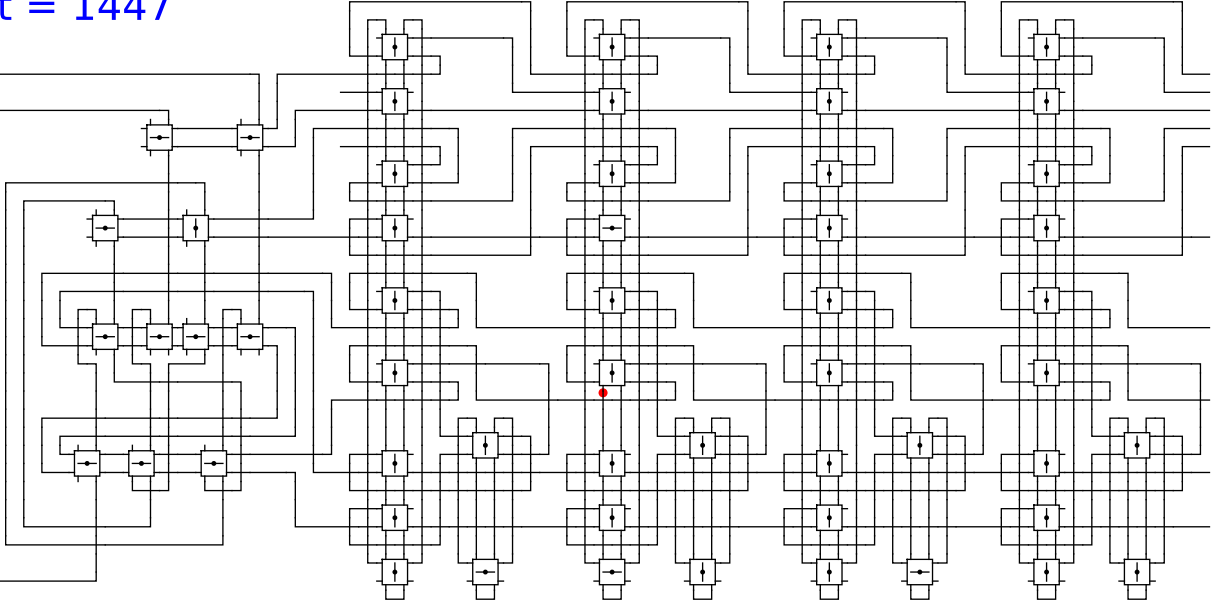


1 head 0 1 0

t = 1447

Reject
Accept

Begin

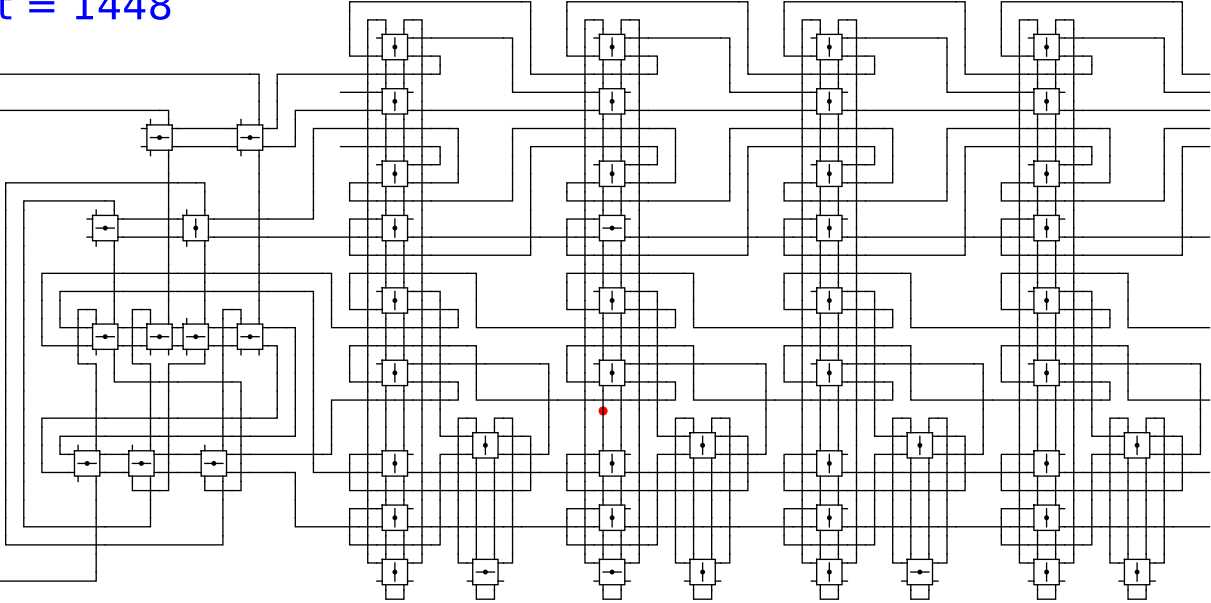


1 head 0 1 0

t = 1448

Reject
Accept

Begin

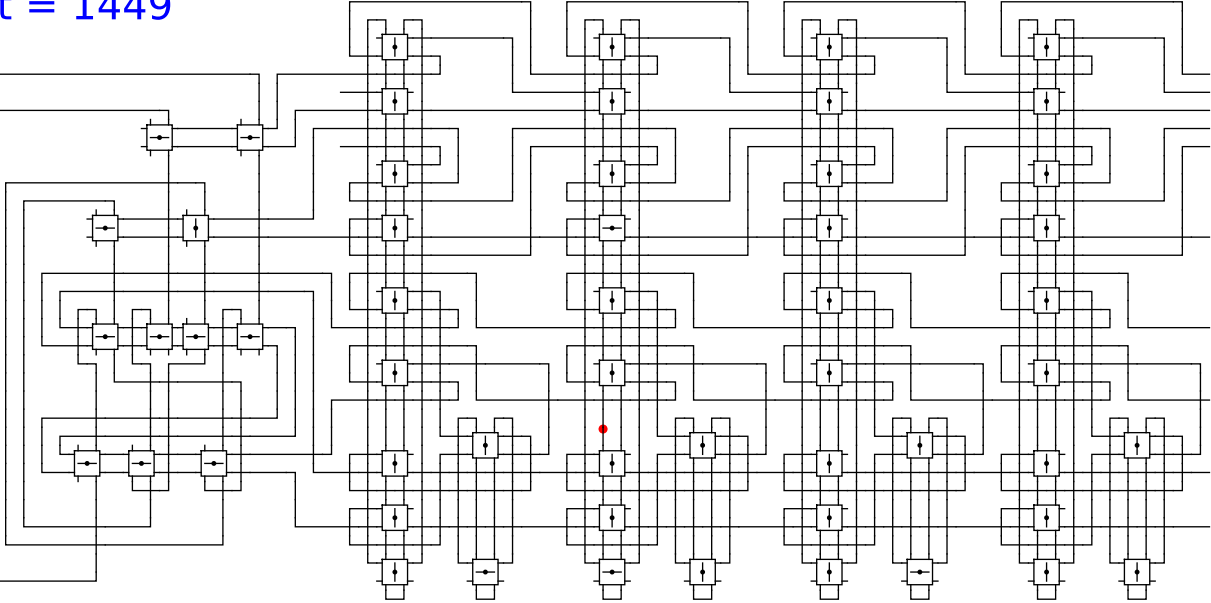


1 head 0 1 0

t = 1449

Reject
Accept

Begin

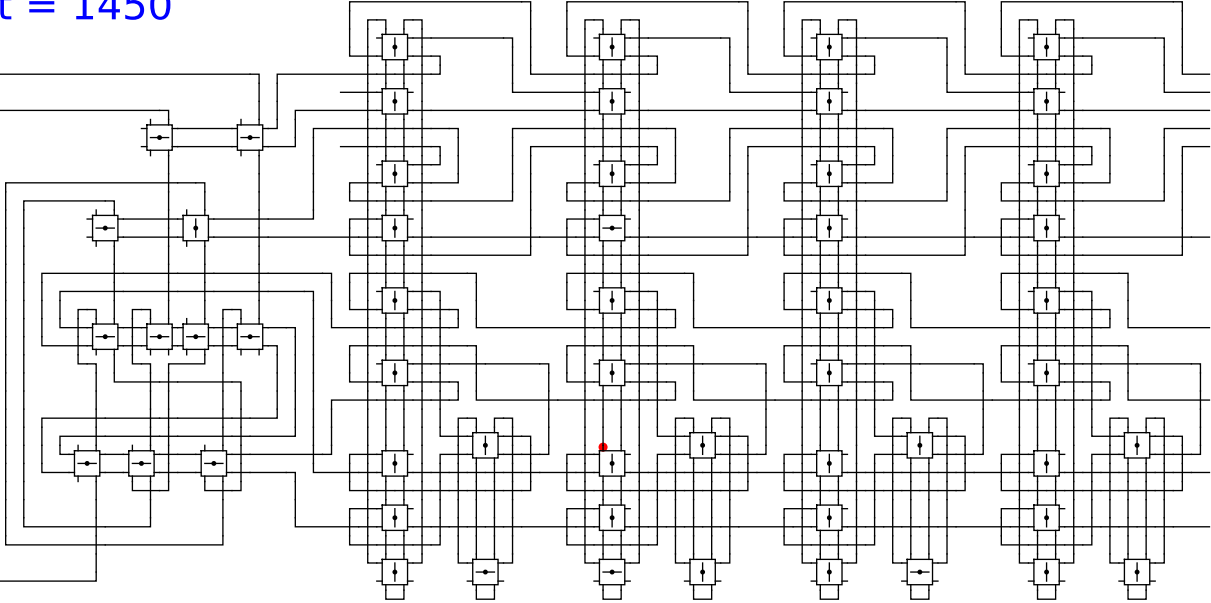


1 head 0 1 0

t = 1450

Reject
Accept

Begin

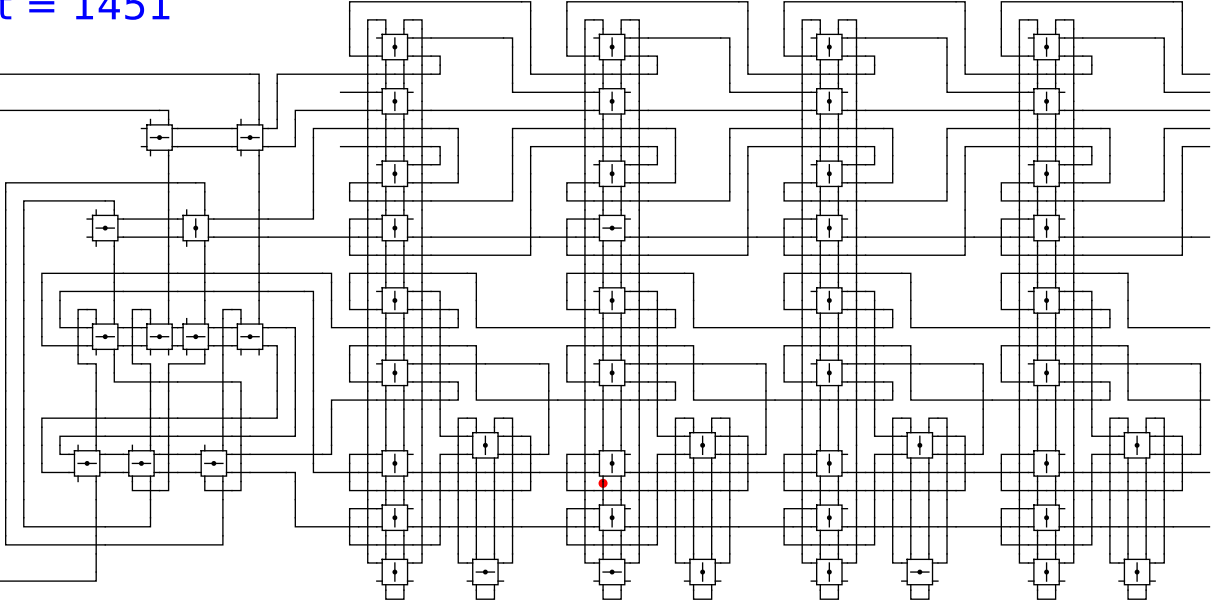


1 head 0 1 0

t = 1451

Reject
Accept

Begin

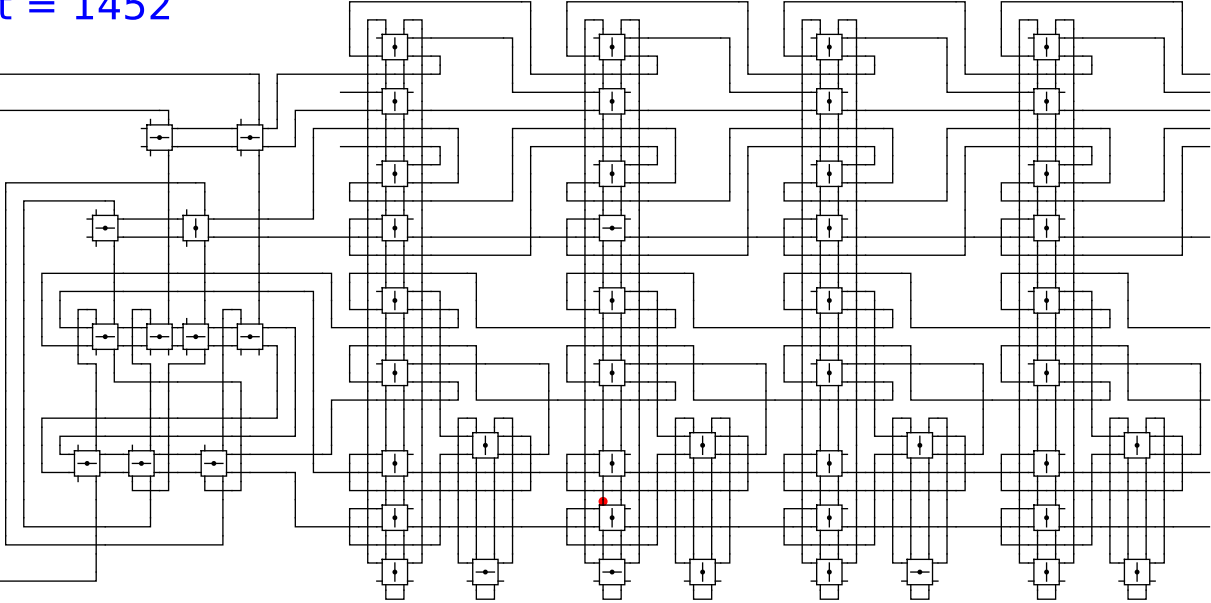


1 head 0 1 0

t = 1452

Reject
Accept

Begin

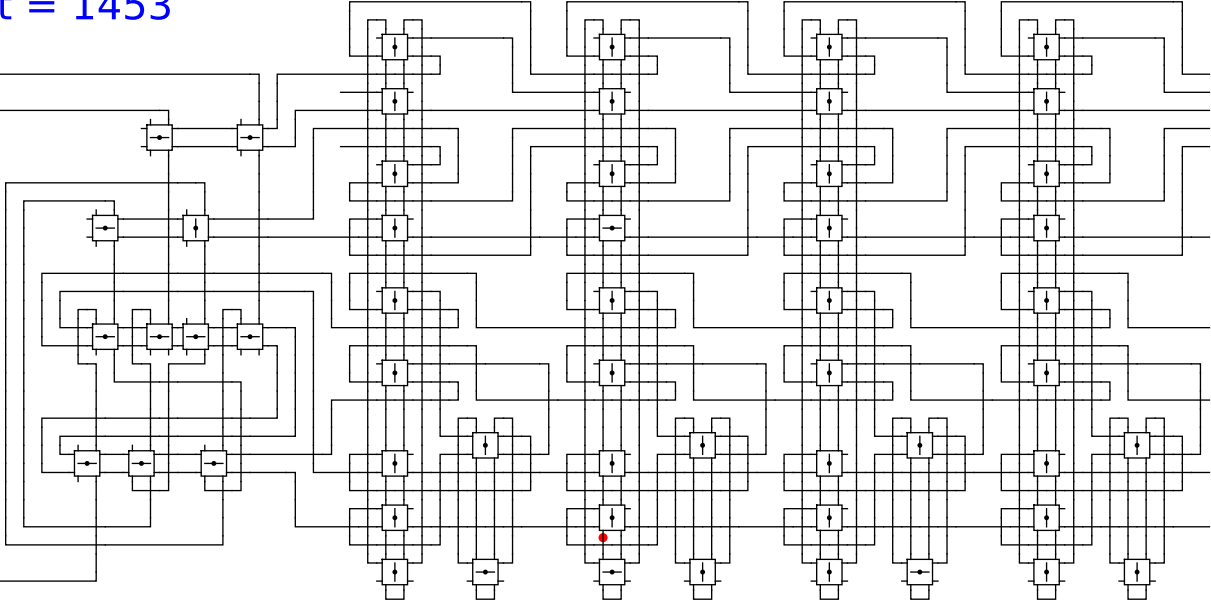


1 head 0 1 0

t = 1453

Reject
Accept

Begin

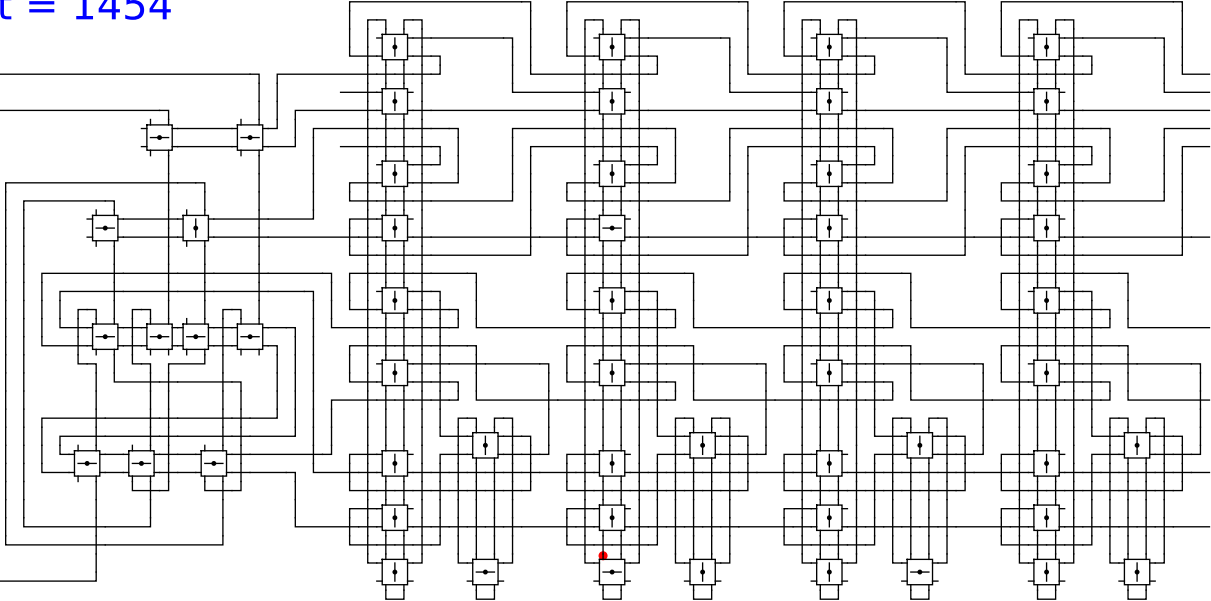


1 head 0 1 0

t = 1454

Reject
Accept

Begin



1

head

0

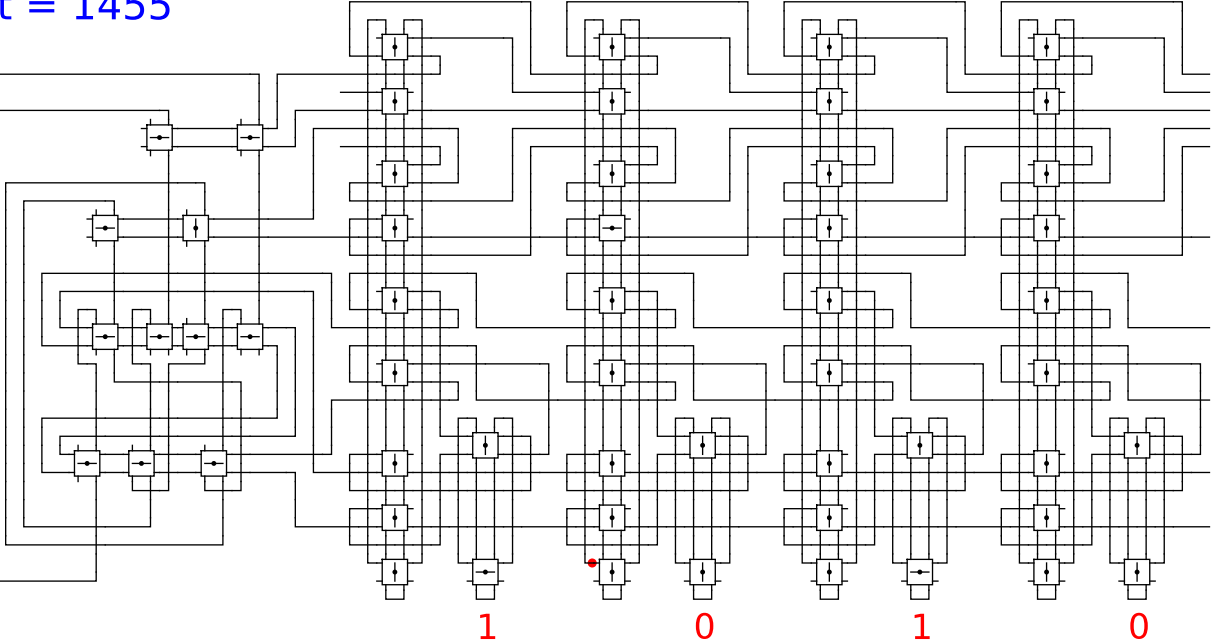
1

0

t = 1455

Reject
Accept

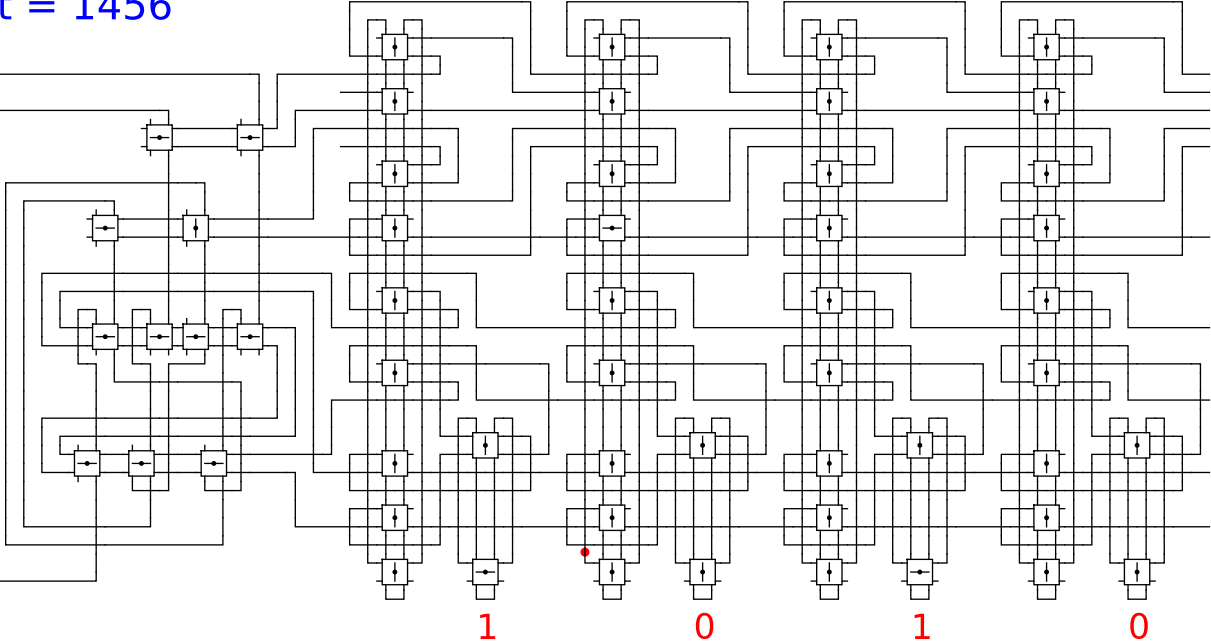
Begin



t = 1456

Reject
Accept

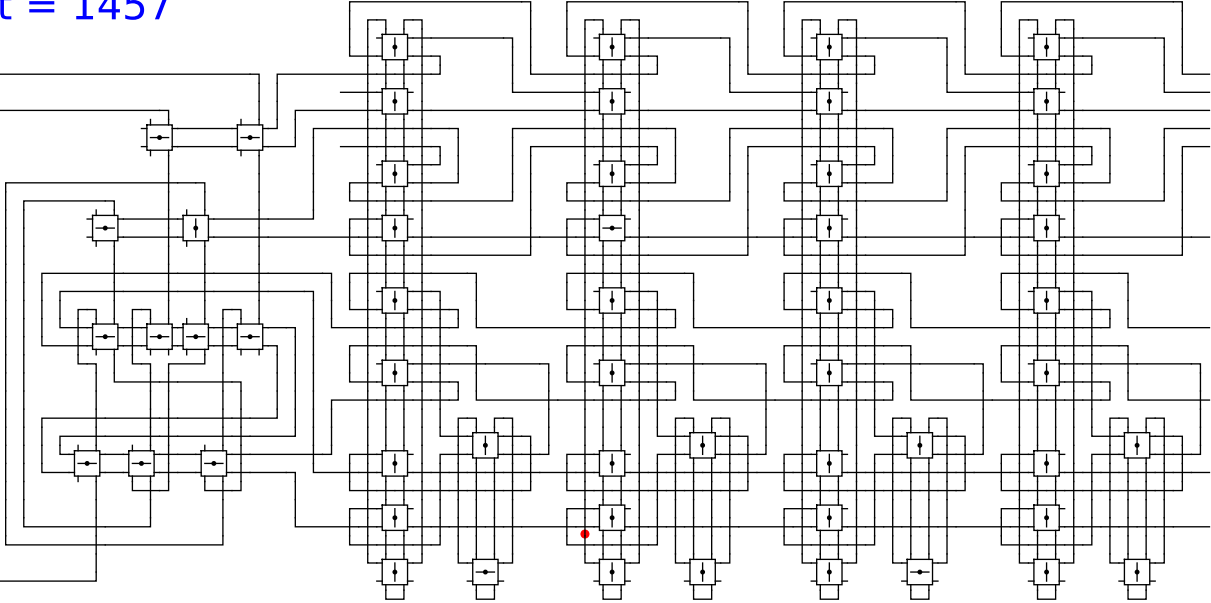
Begin



t = 1457

Reject
Accept

Begin



1

0

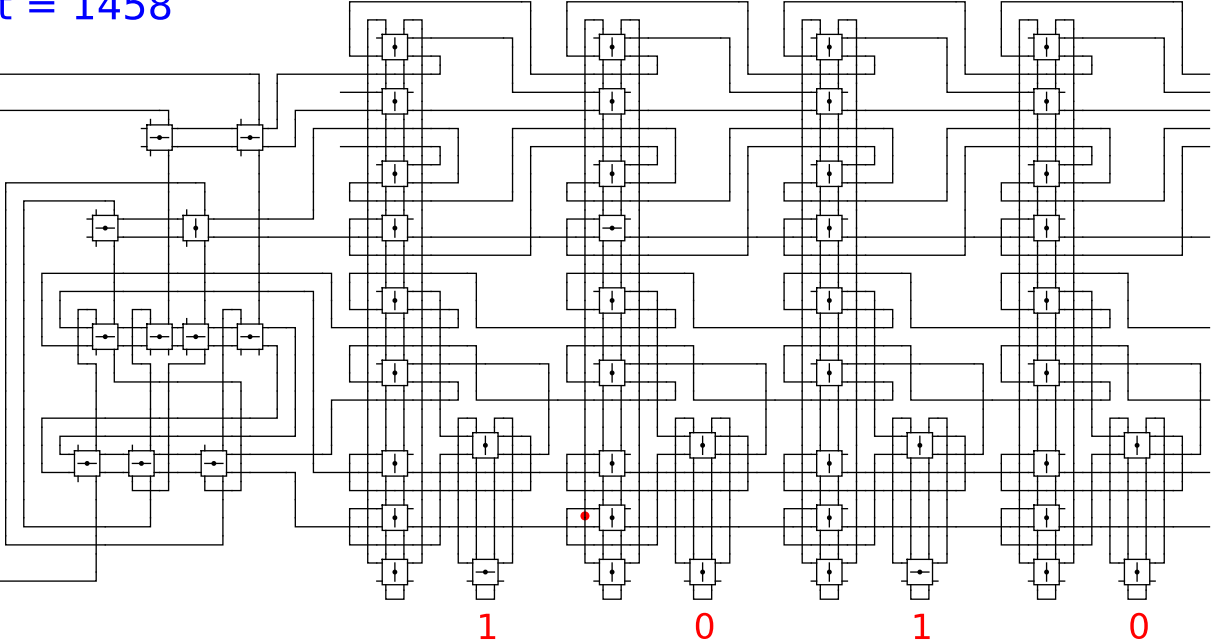
1

0

t = 1458

Reject
Accept

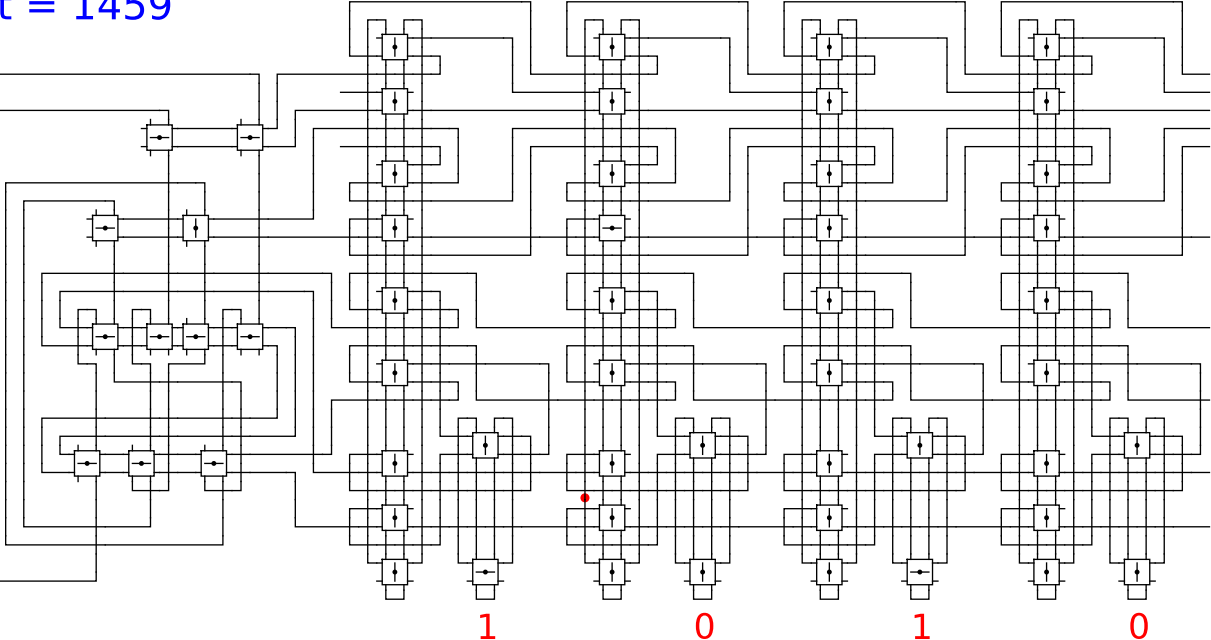
Begin



t = 1459

Reject
Accept

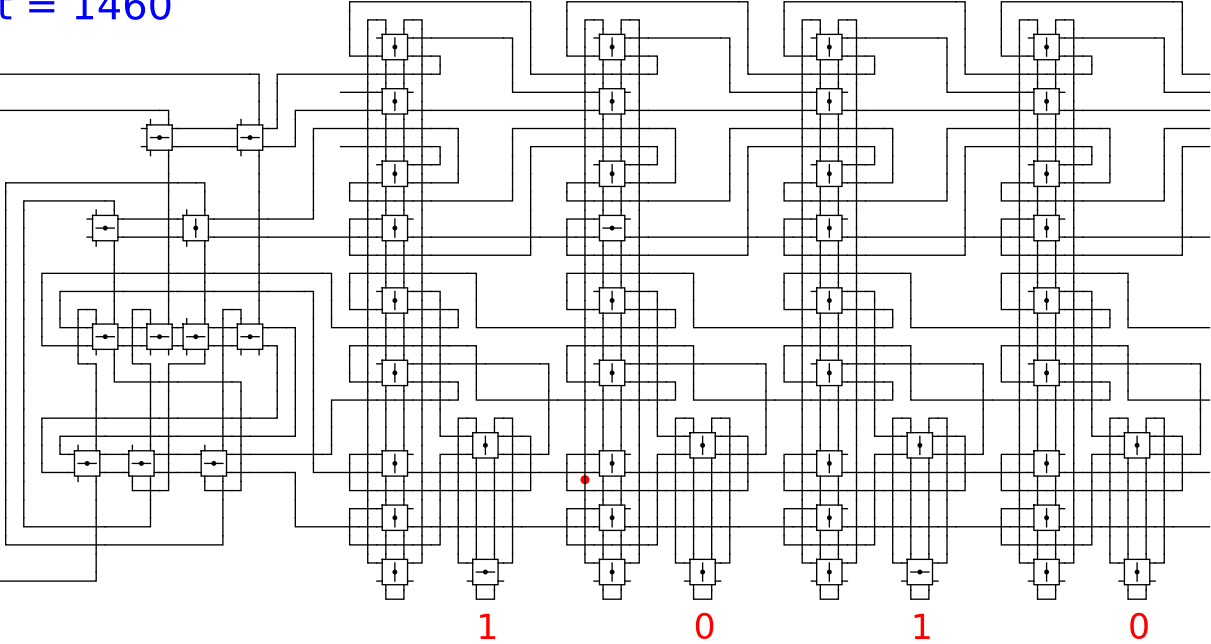
Begin



t = 1460

Reject
Accept

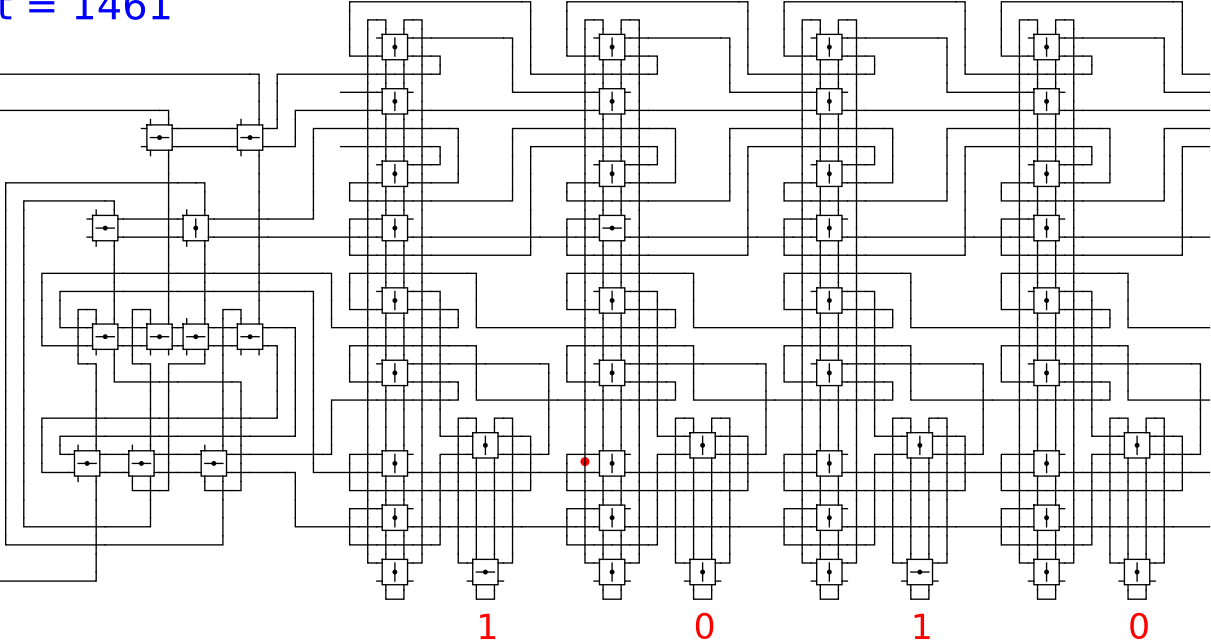
Begin



t = 1461

Reject
Accept

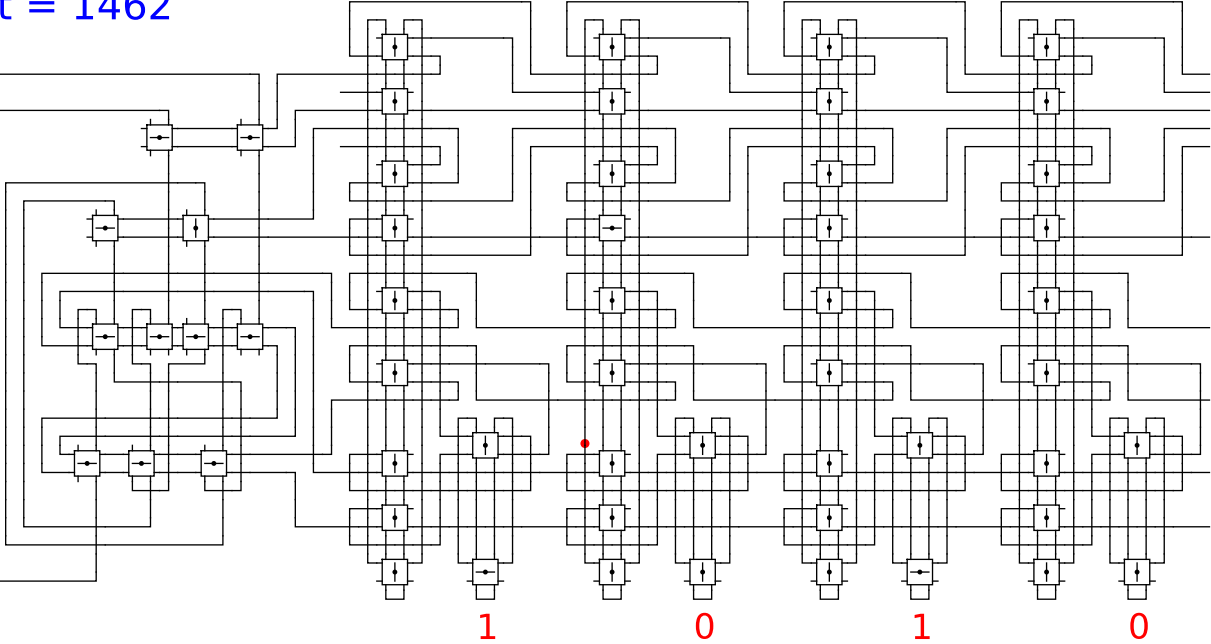
Begin



t = 1462

Reject
Accept

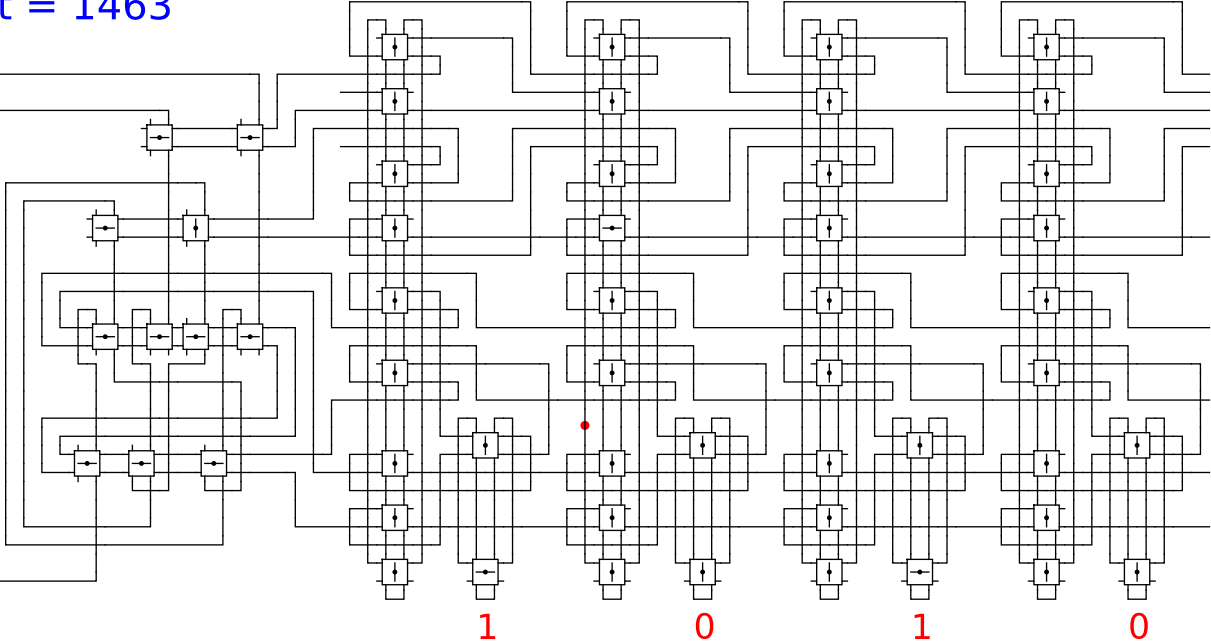
Begin



t = 1463

Reject
Accept

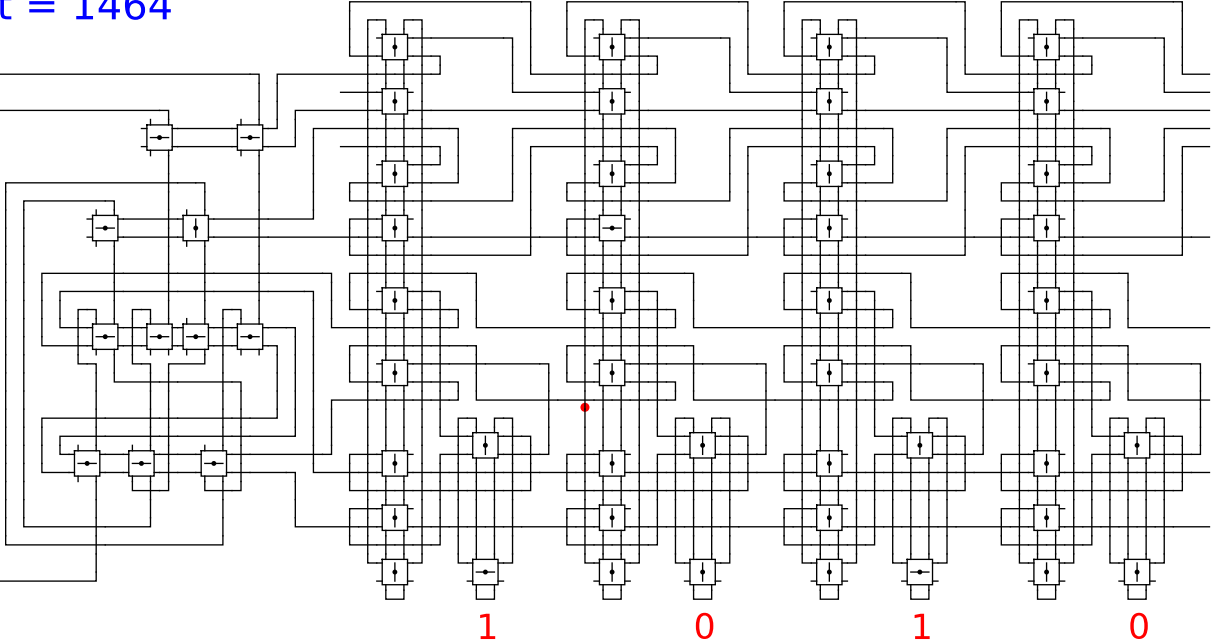
Begin



t = 1464

Reject
Accept

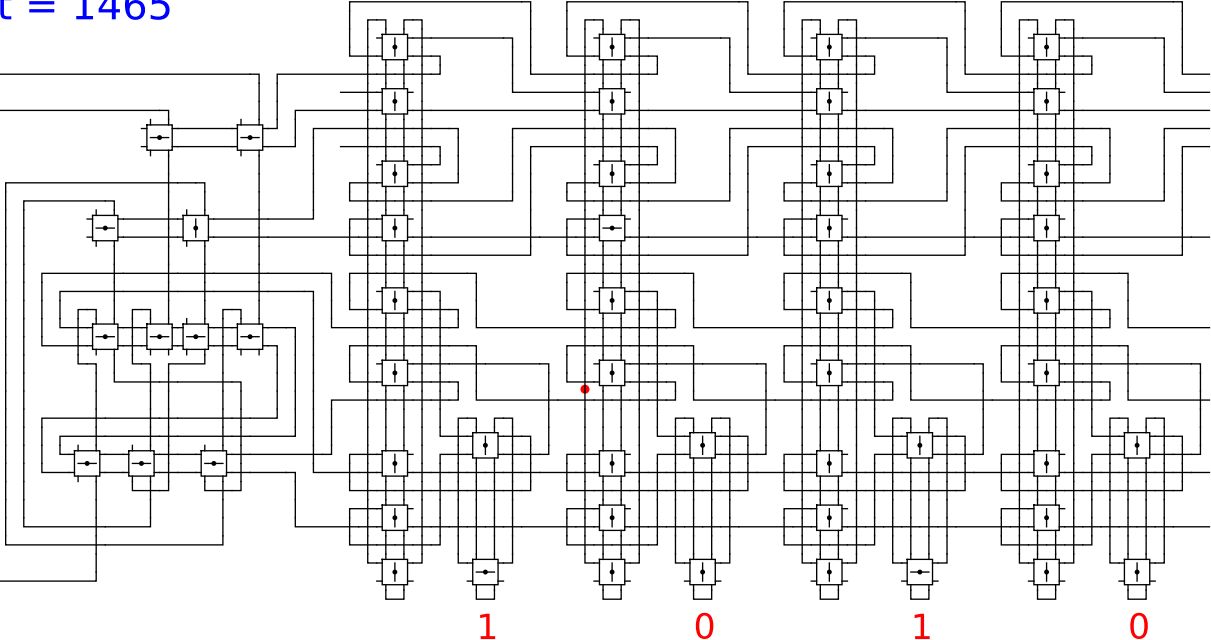
Begin



t = 1465

Reject
Accept

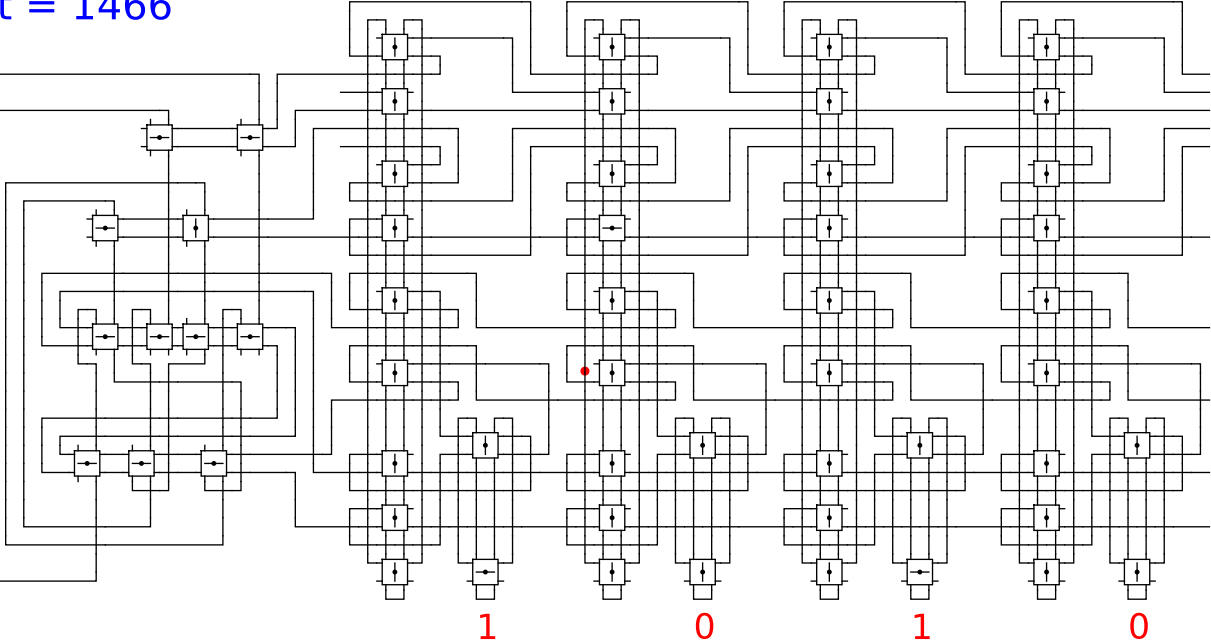
Begin



t = 1466

Reject
Accept

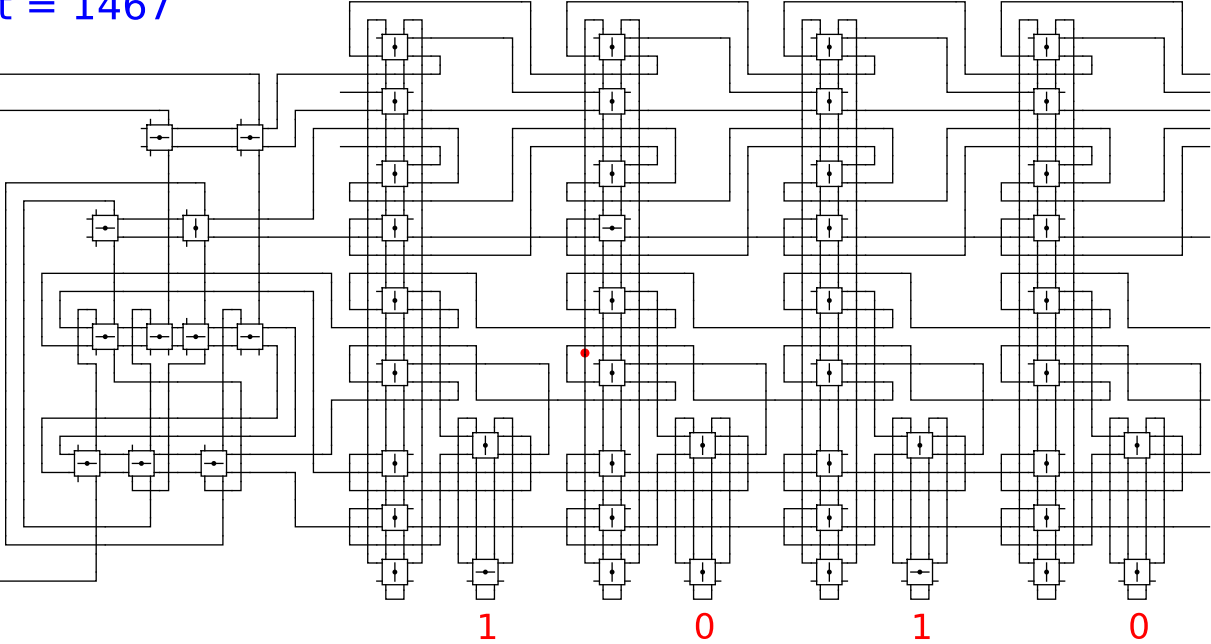
Begin



t = 1467

Reject
Accept

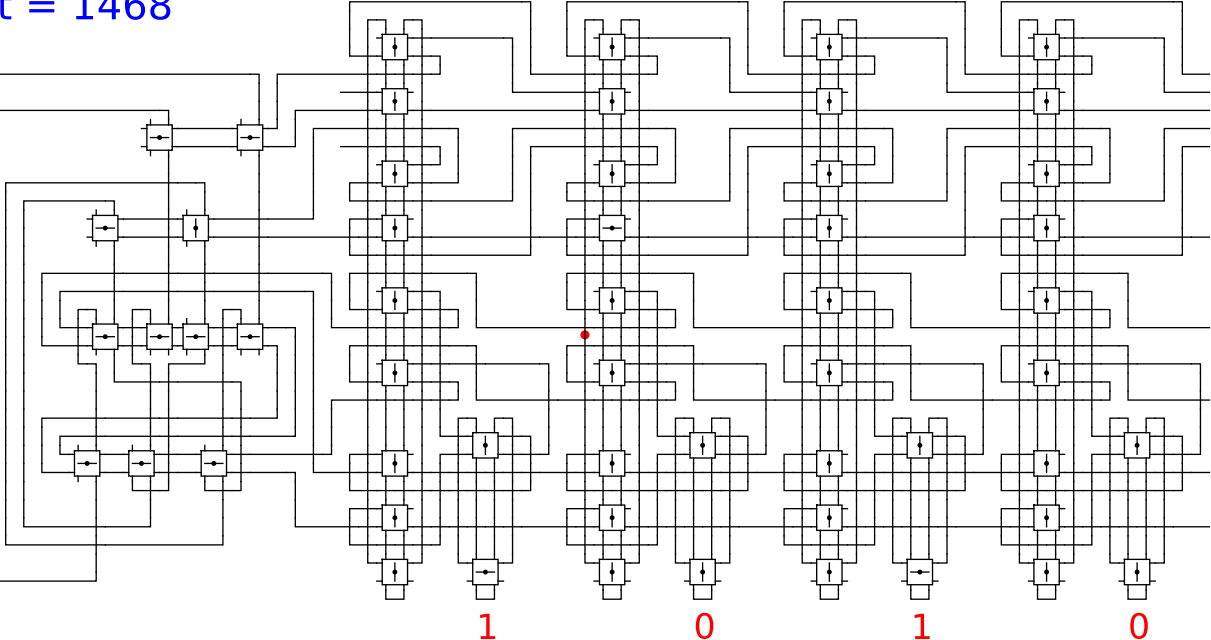
Begin



t = 1468

Reject
Accept

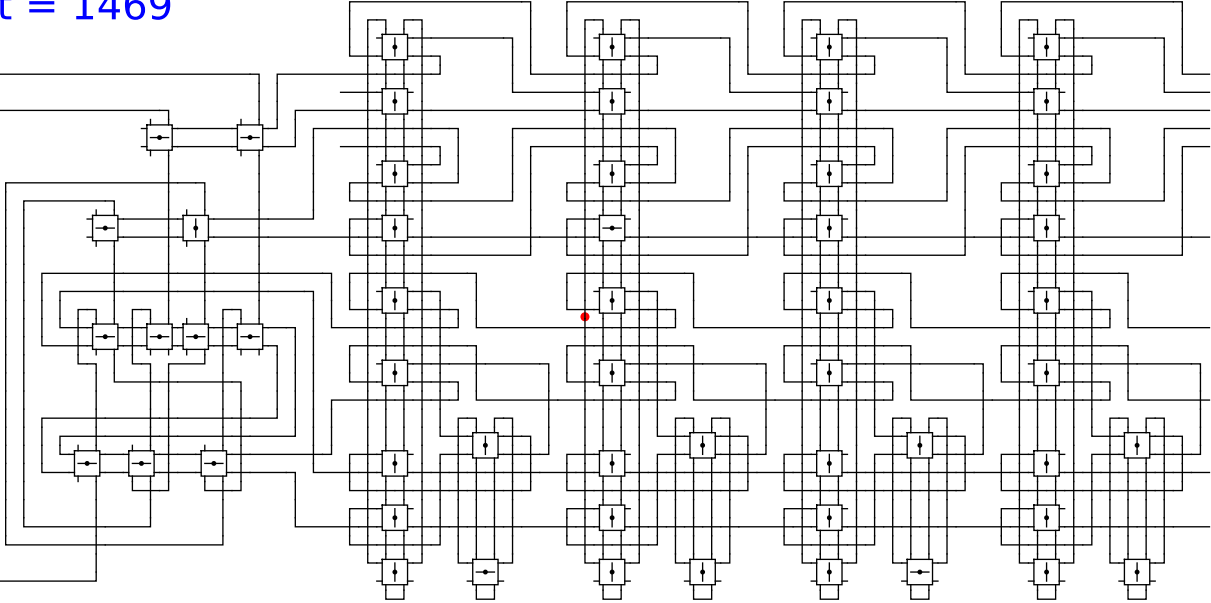
Begin



t = 1469

Reject
Accept

Begin



1

0

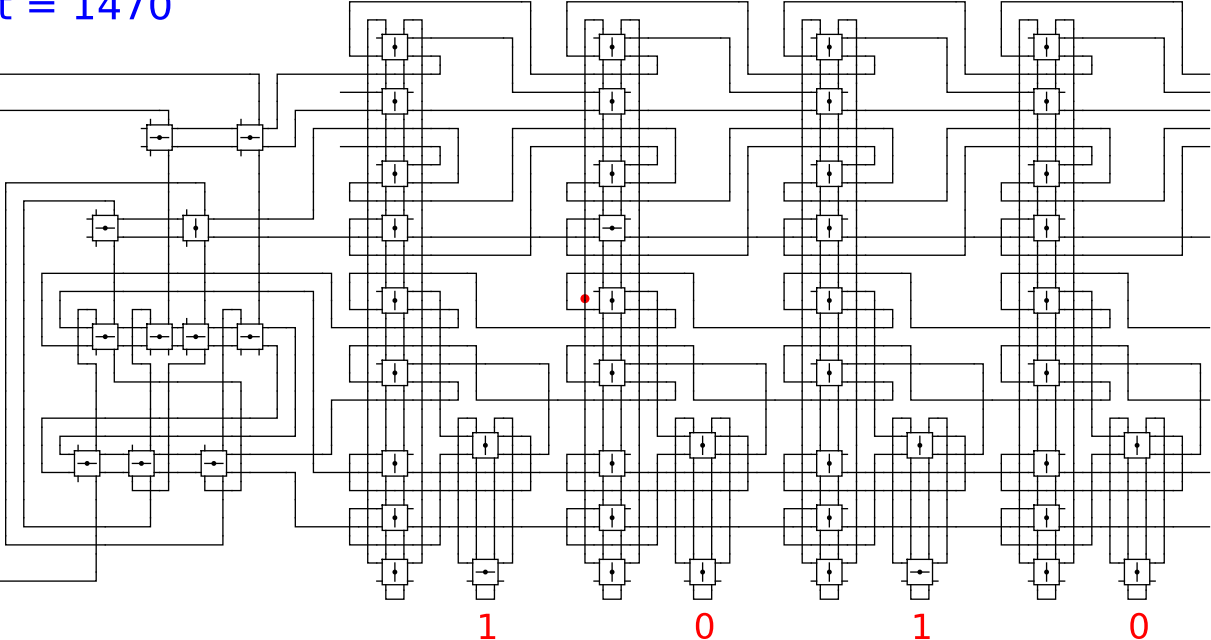
1

0

t = 1470

Reject
Accept

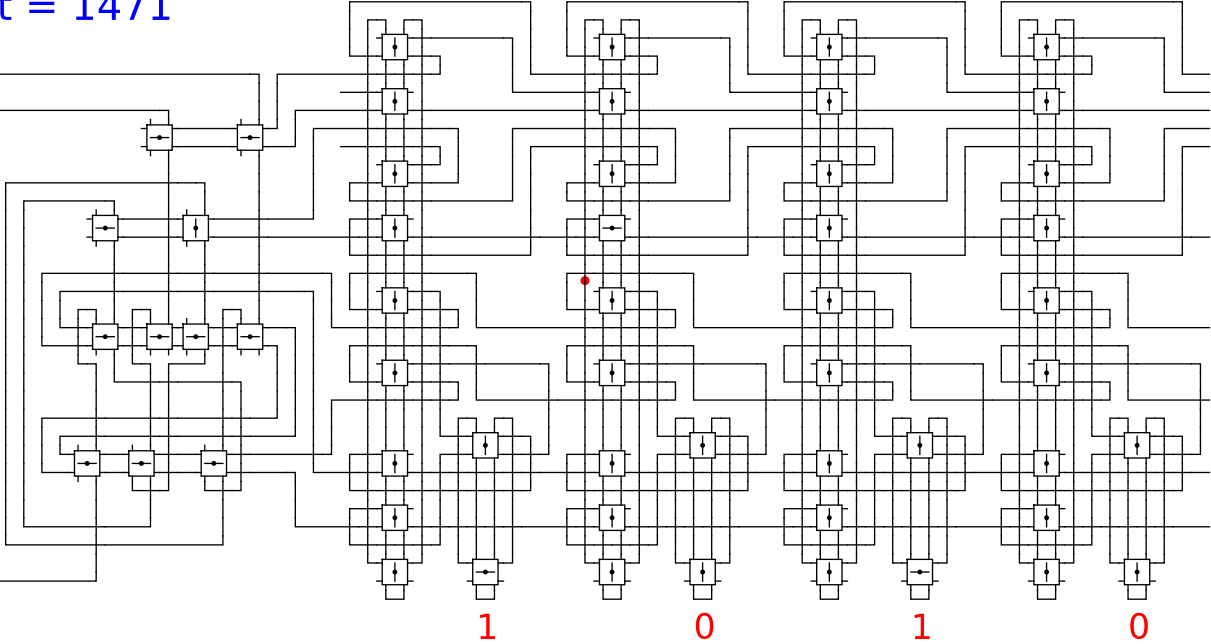
Begin



t = 1471

Reject
Accept

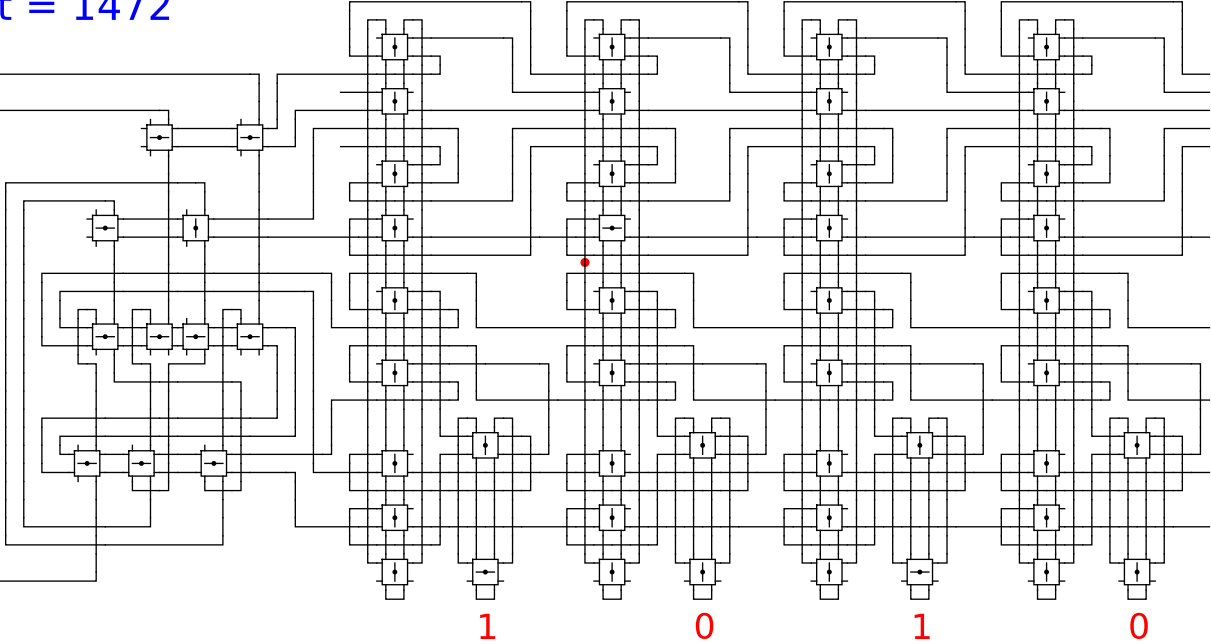
Begin



t = 1472

Reject
Accept

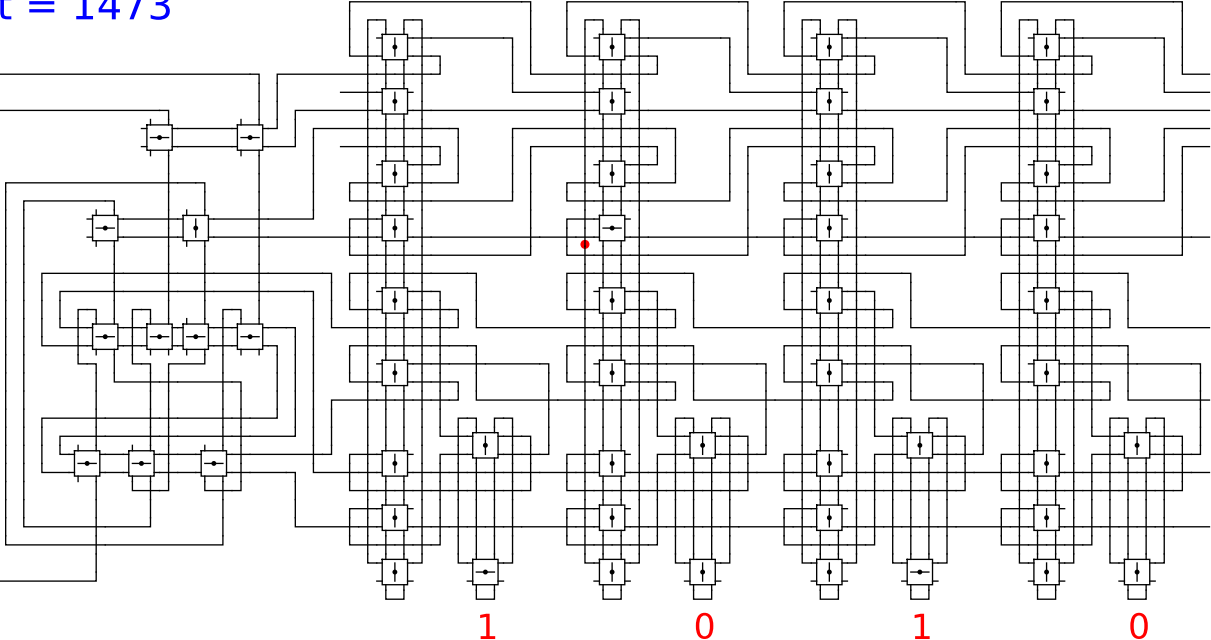
Begin



t = 1473

Reject
Accept

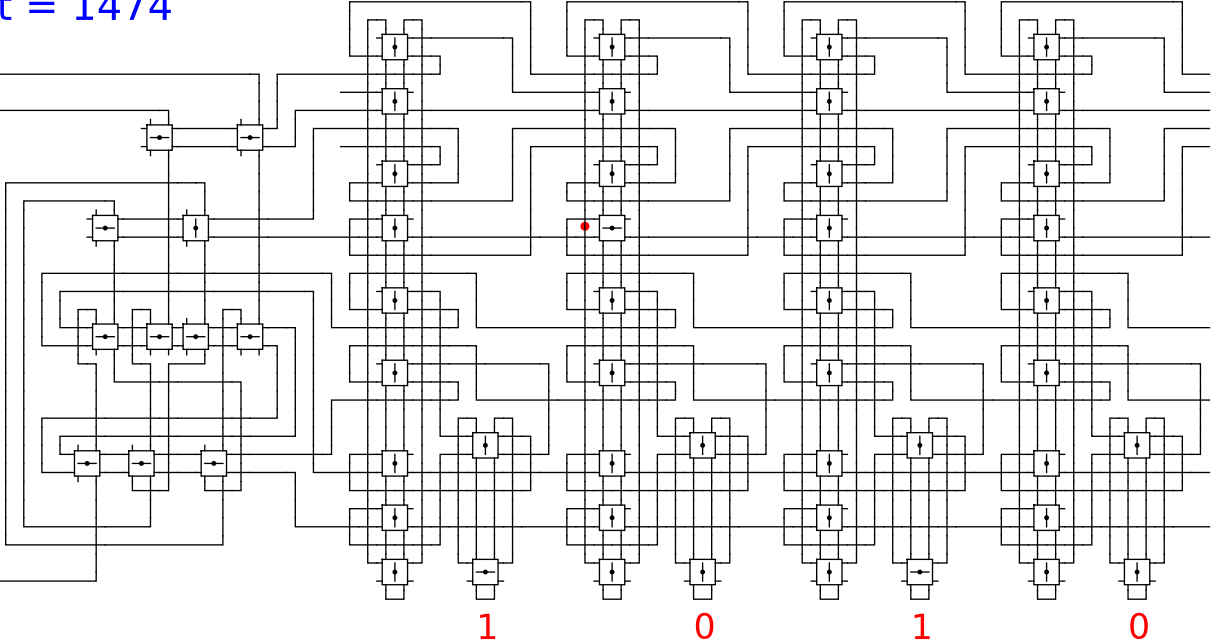
Begin



t = 1474

Reject
Accept

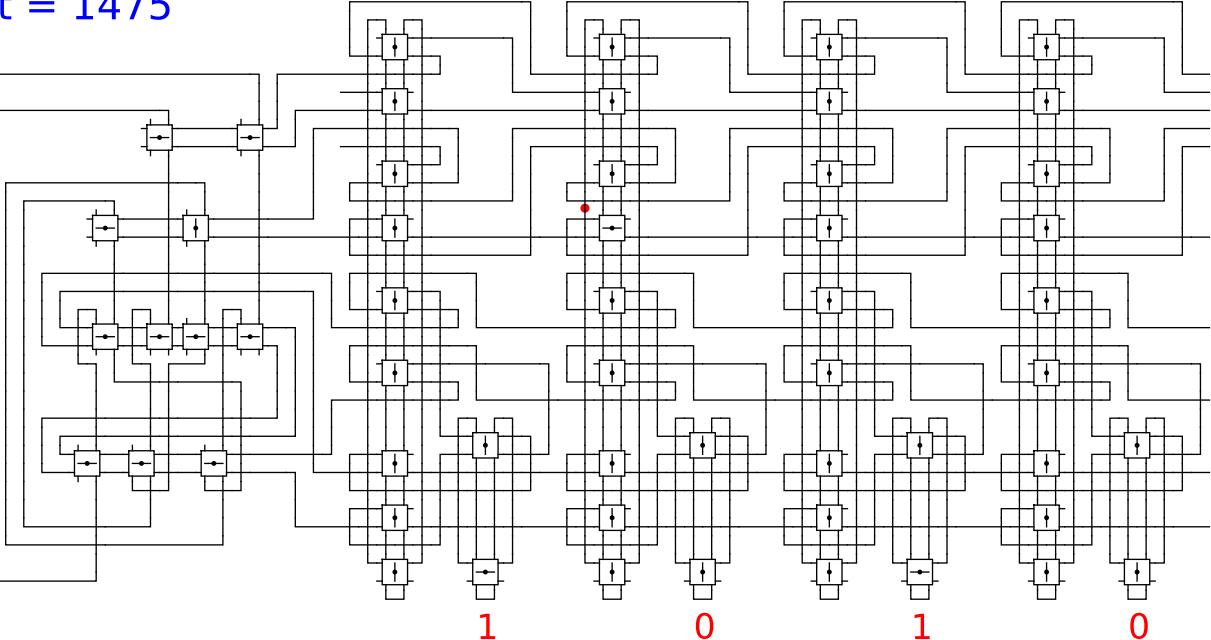
Begin



t = 1475

Reject
Accept

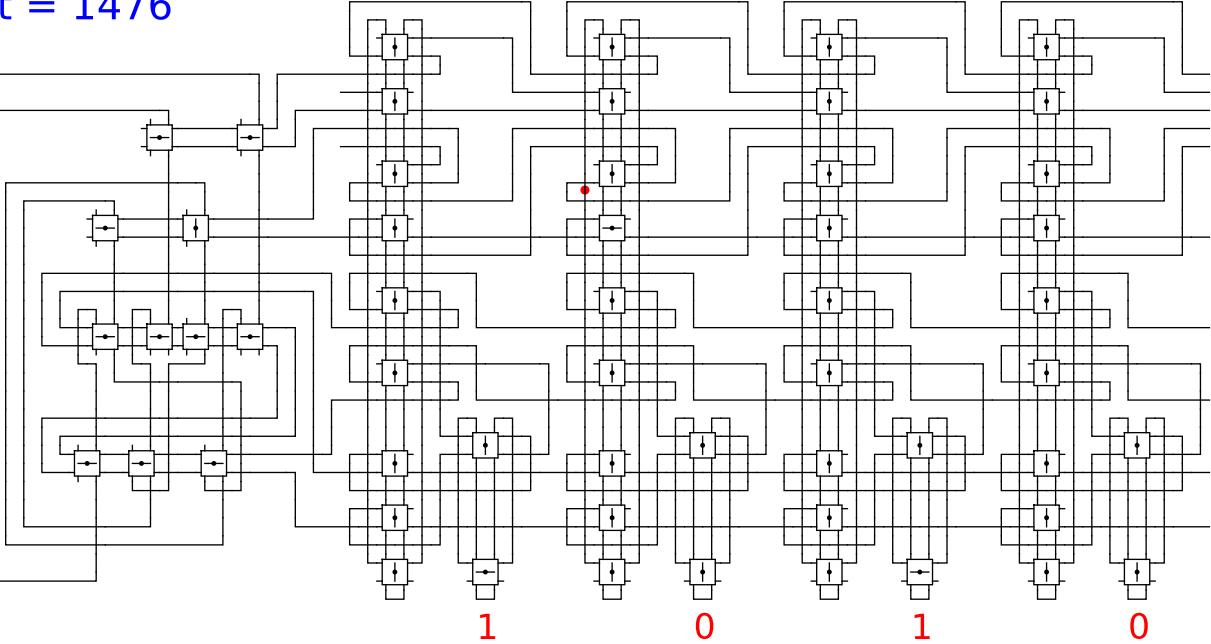
Begin



t = 1476

Reject
Accept

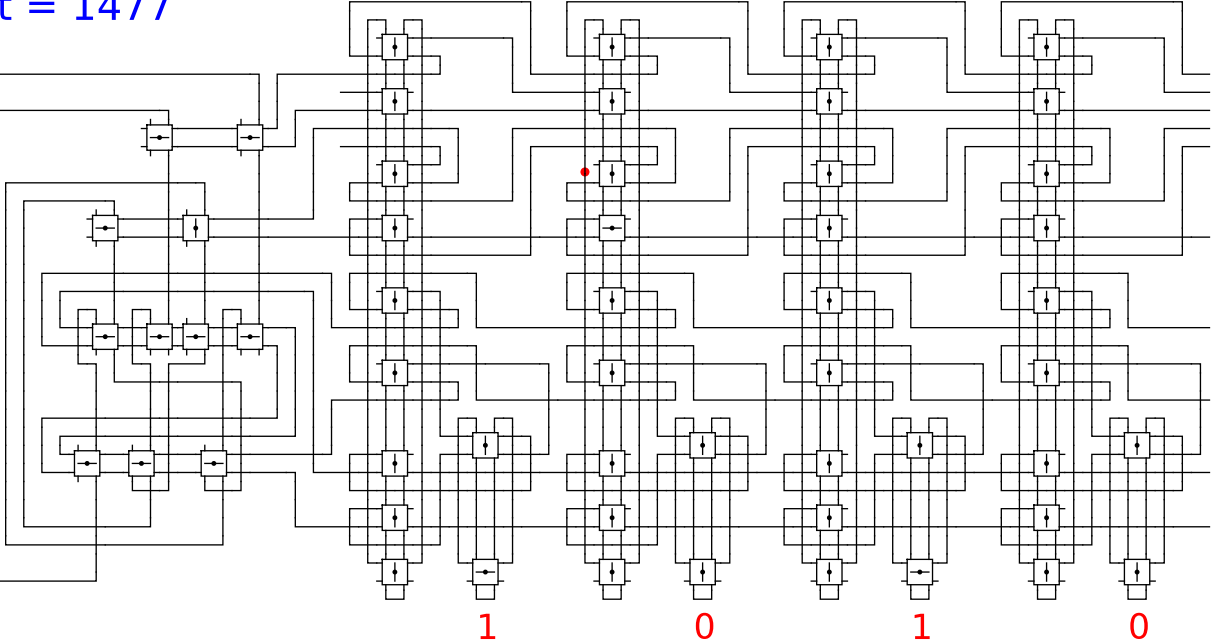
Begin



$t = 1477$

Reject
Accept

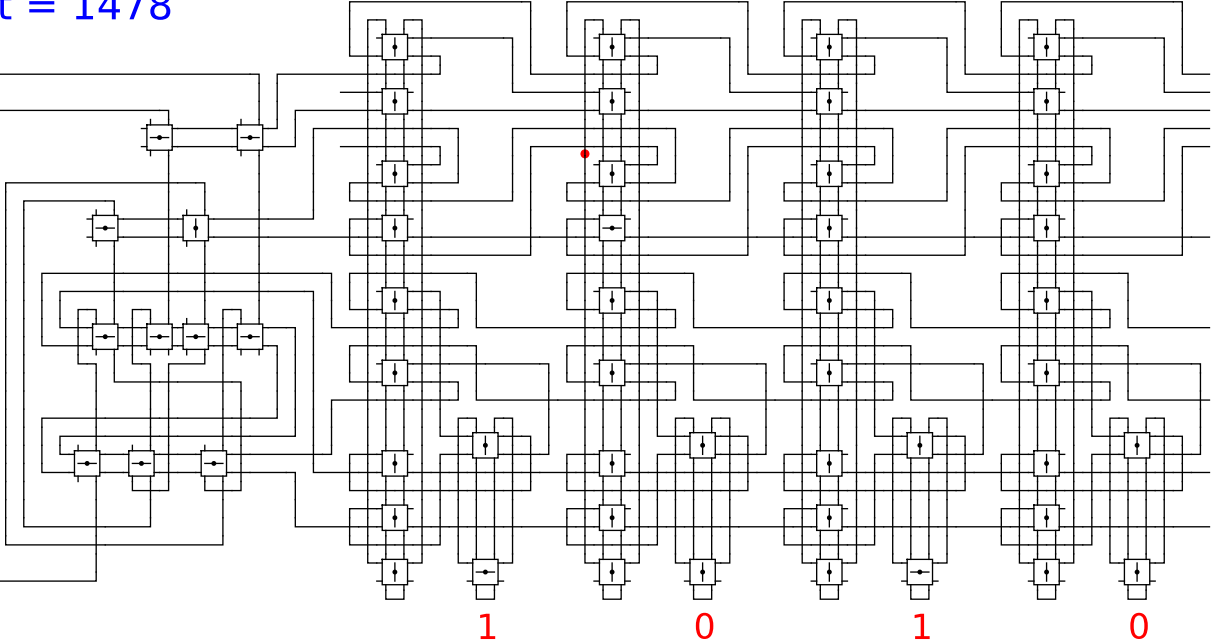
Begin



$t = 1478$

Reject
Accept

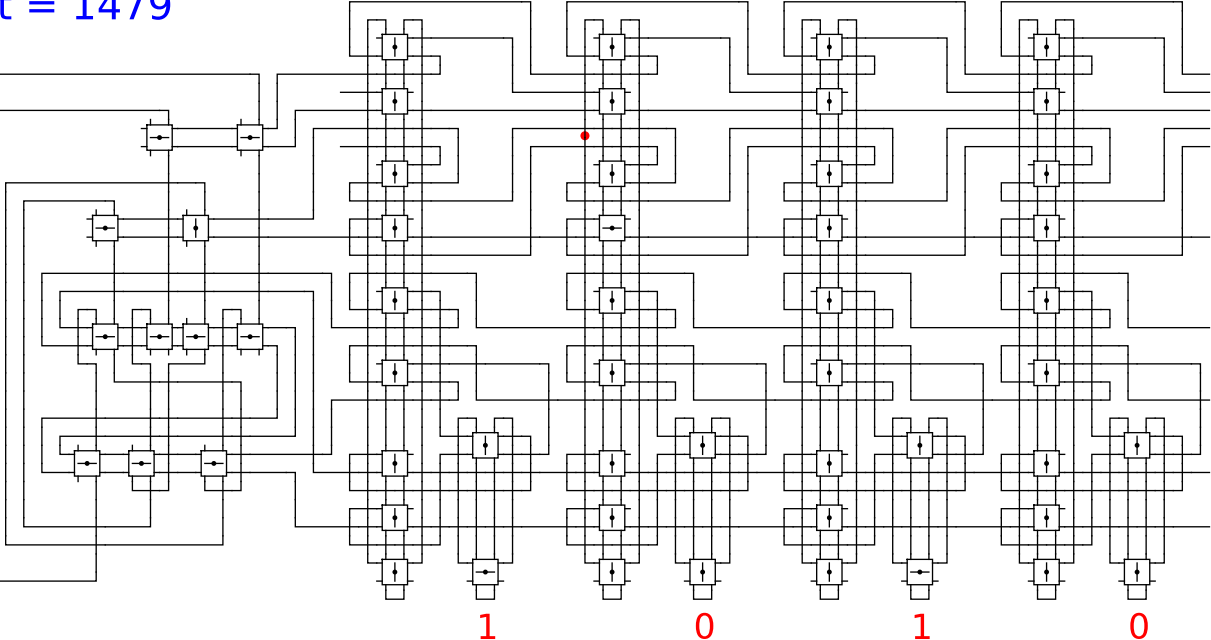
Begin



t = 1479

Reject
Accept

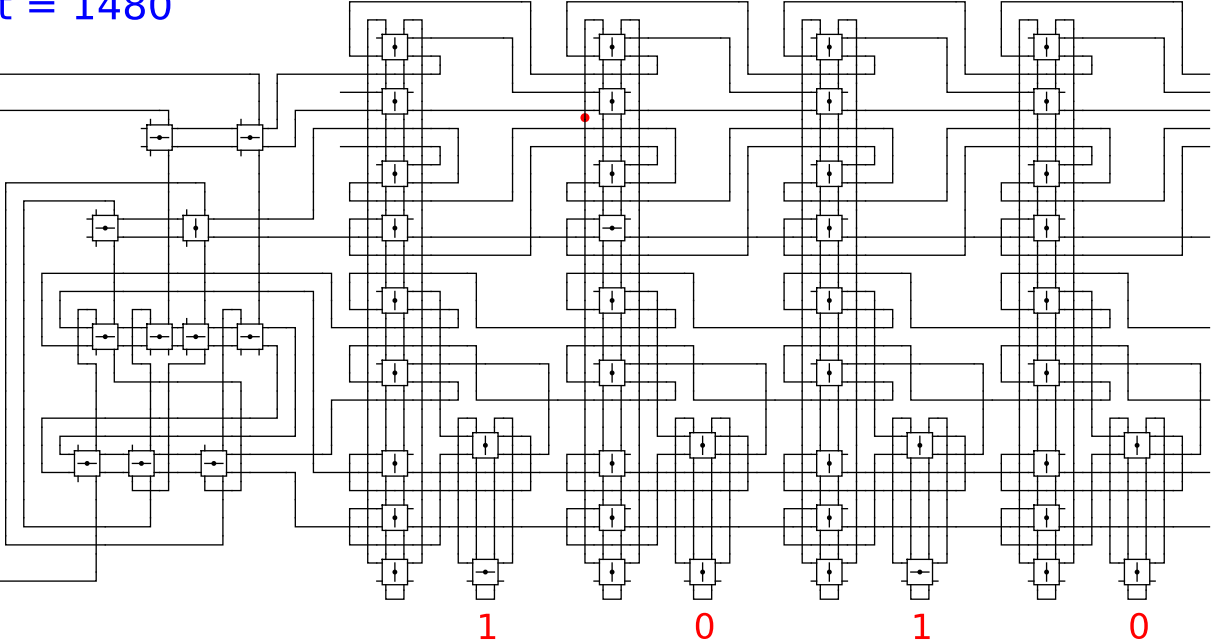
Begin



t = 1480

Reject
Accept

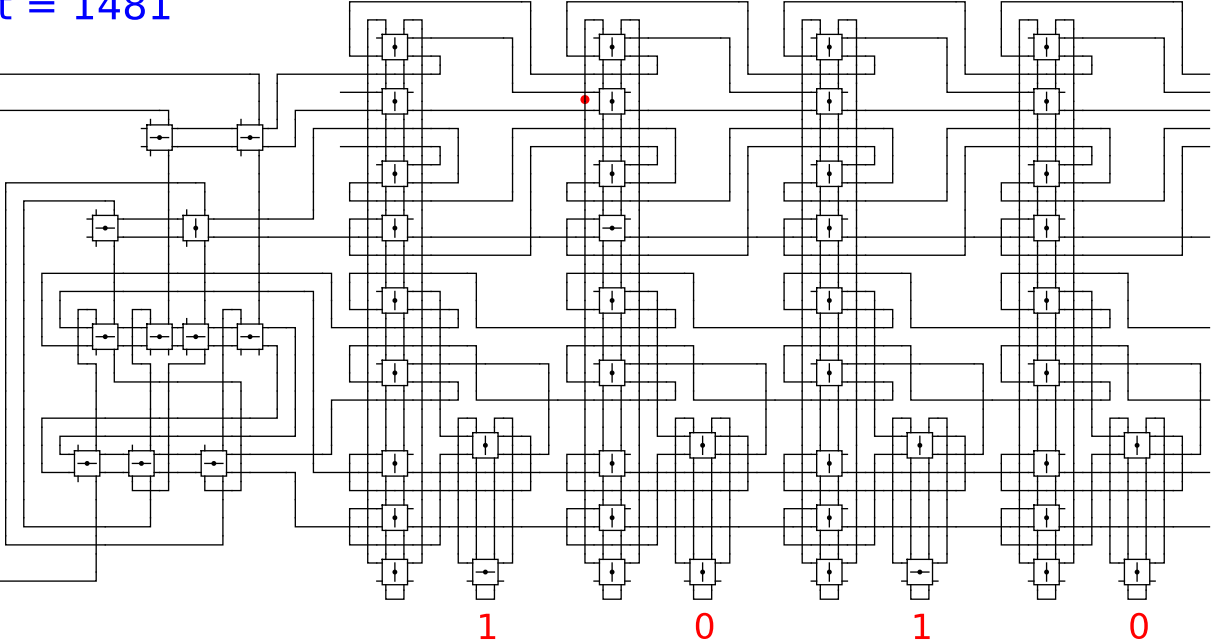
Begin



t = 1481

Reject
Accept

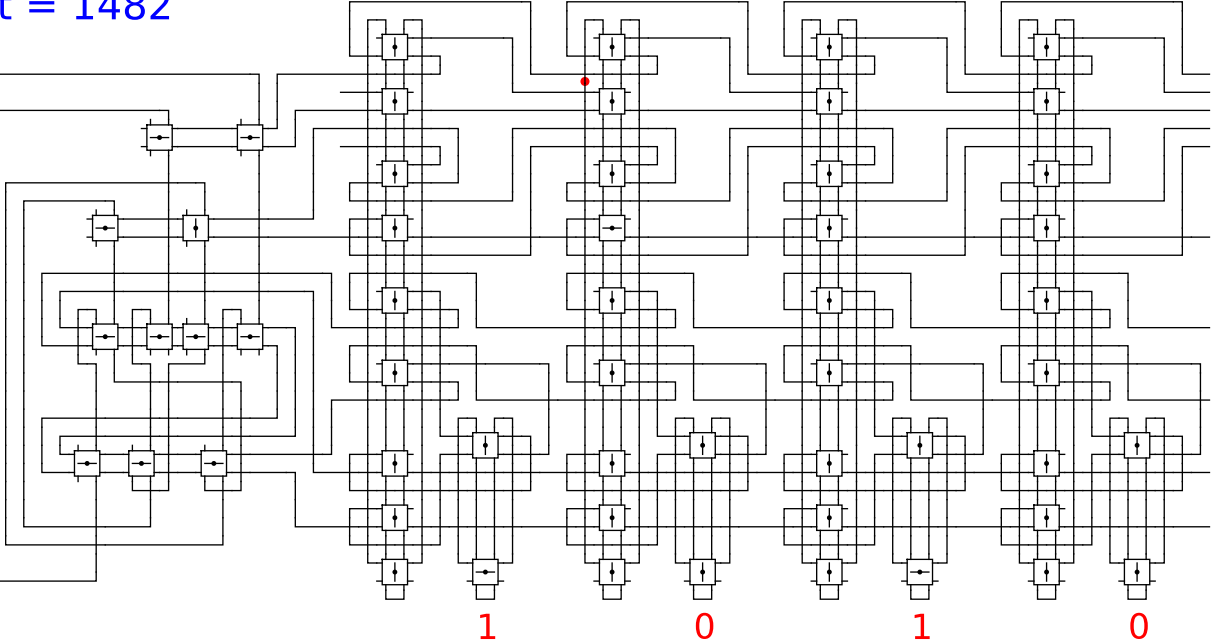
Begin



t = 1482

Reject
Accept

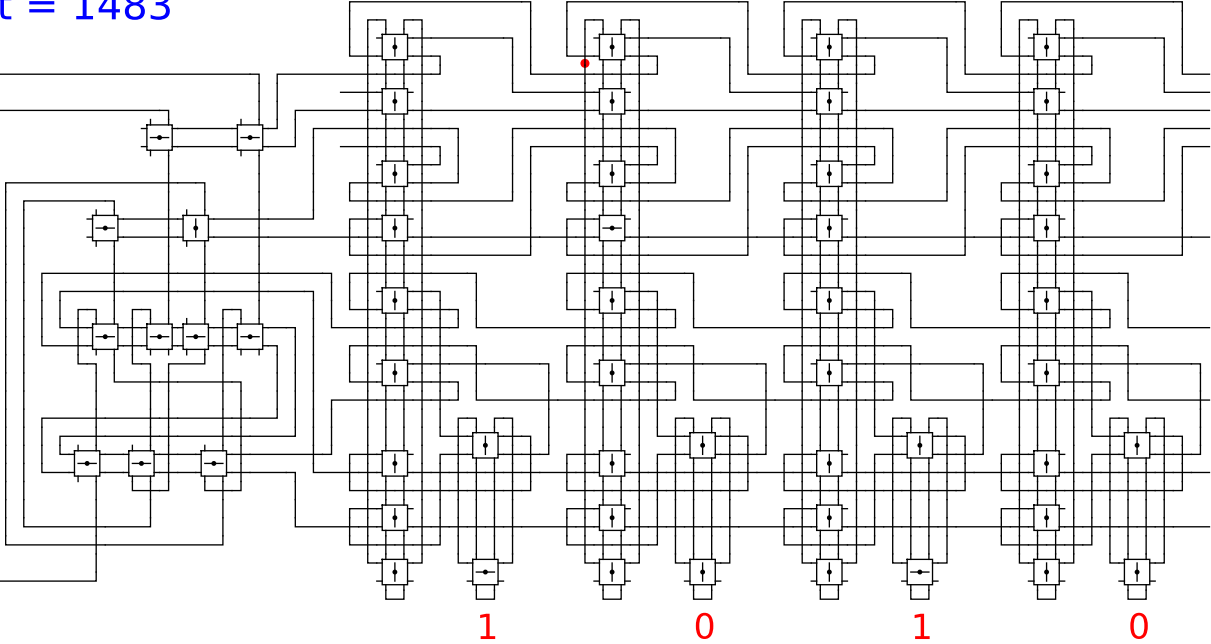
Begin



t = 1483

Reject
Accept

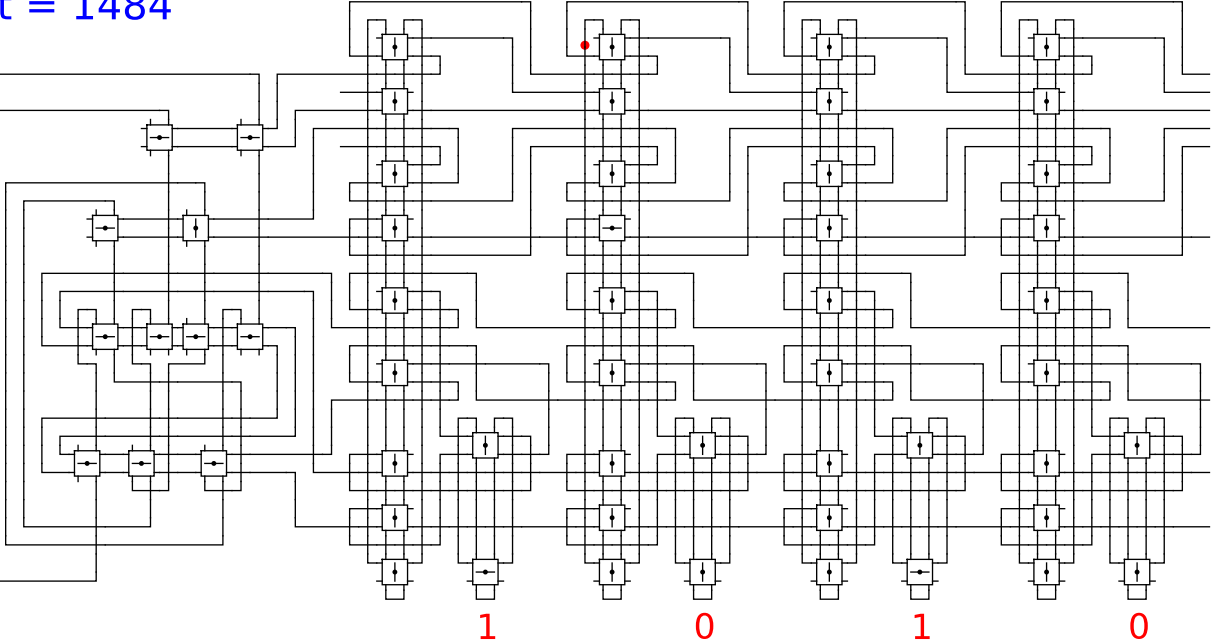
Begin



t = 1484

Reject
Accept

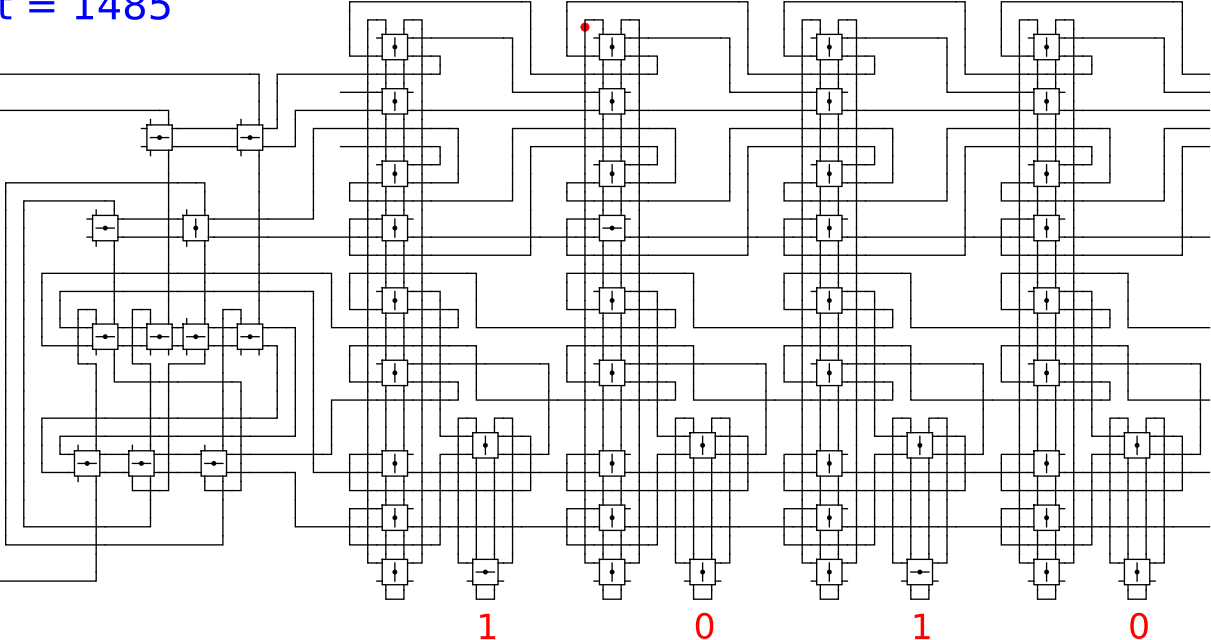
Begin



t = 1485

Reject
Accept

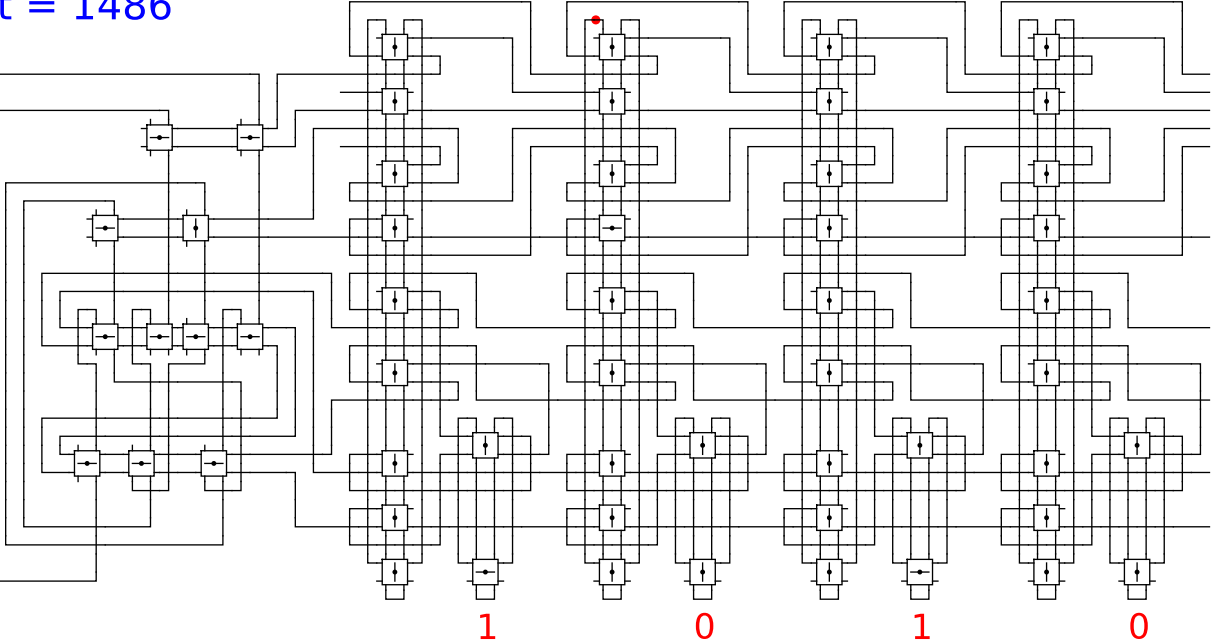
Begin



t = 1486

Reject
Accept

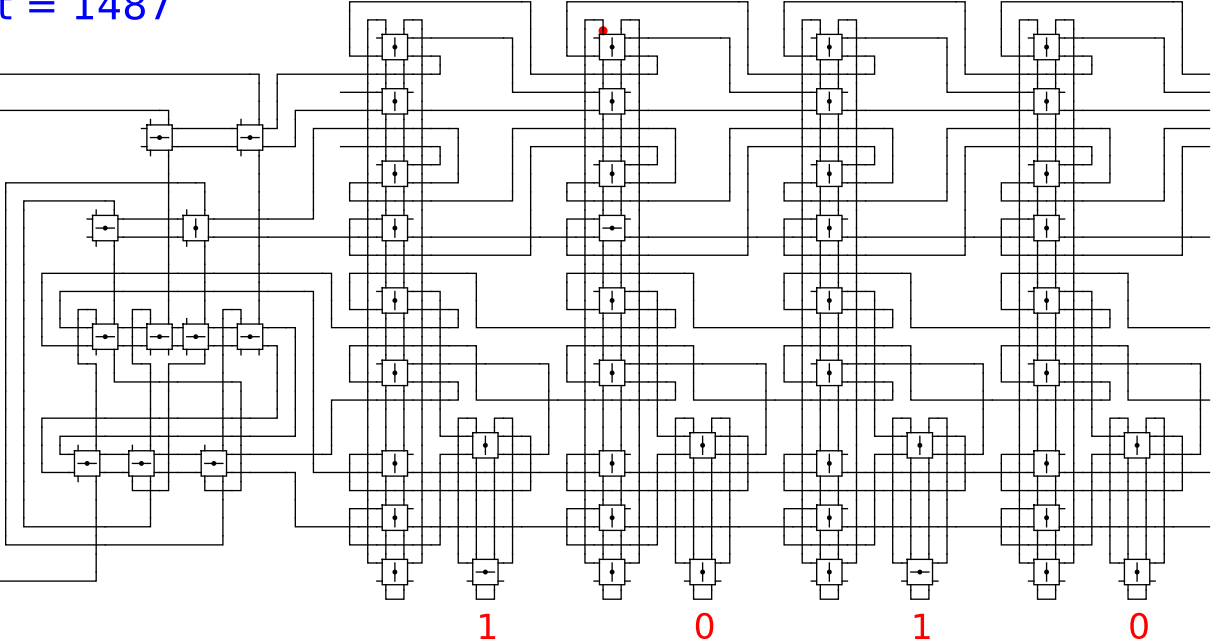
Begin



t = 1487

Reject
Accept

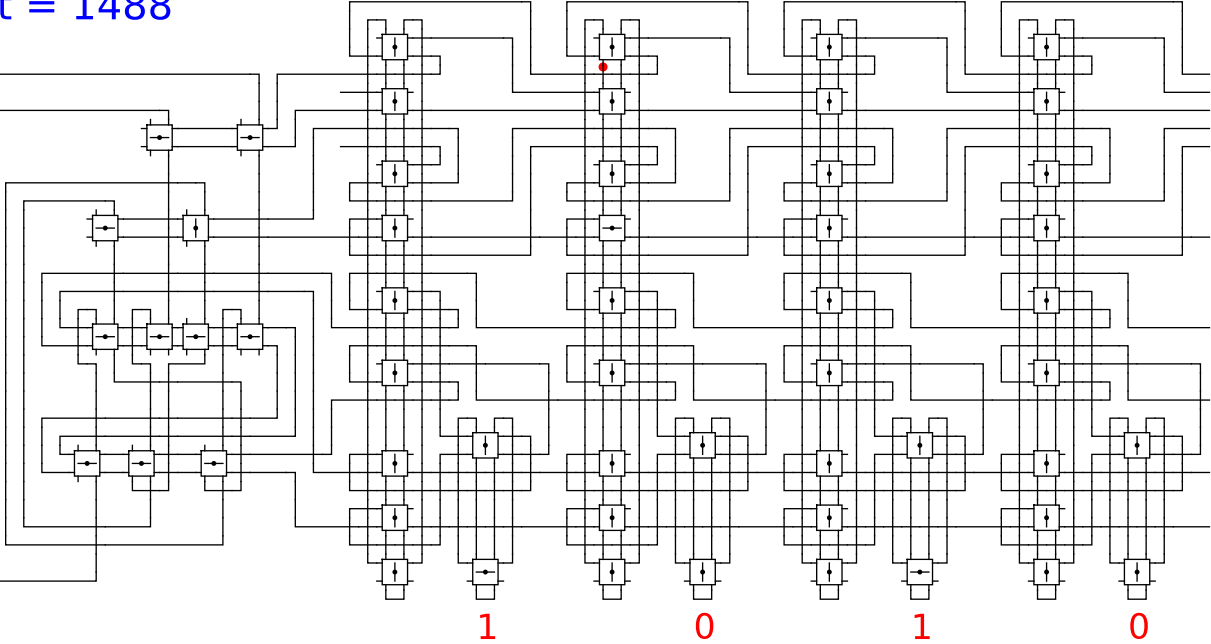
Begin



t = 1488

Reject
Accept

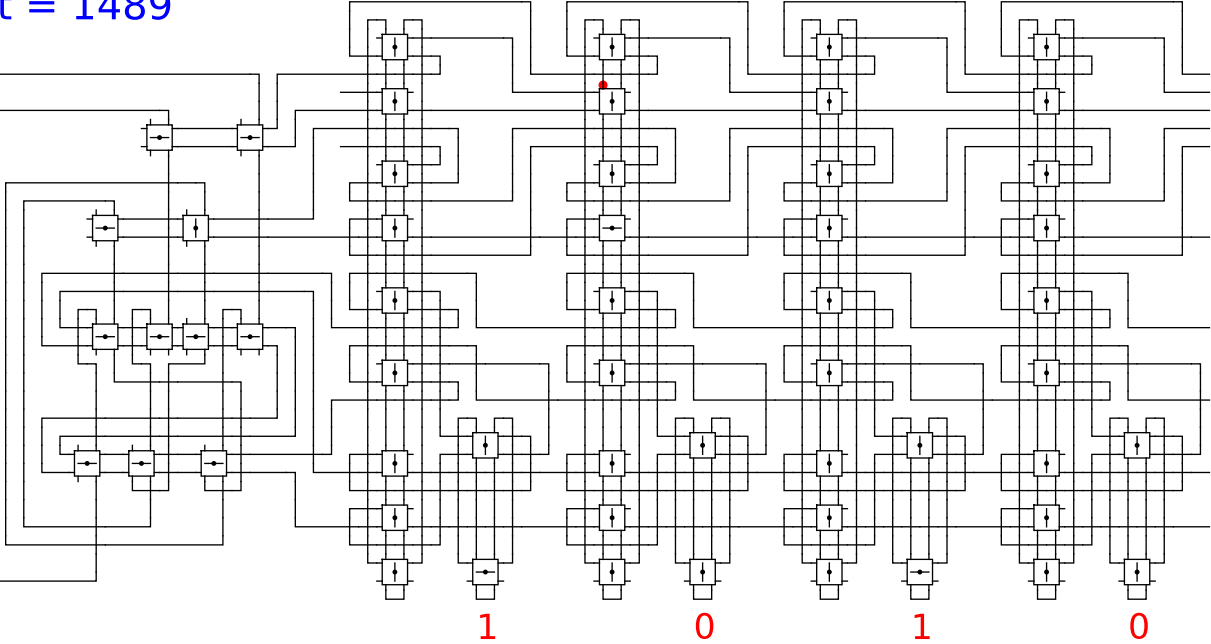
Begin



t = 1489

Reject
Accept

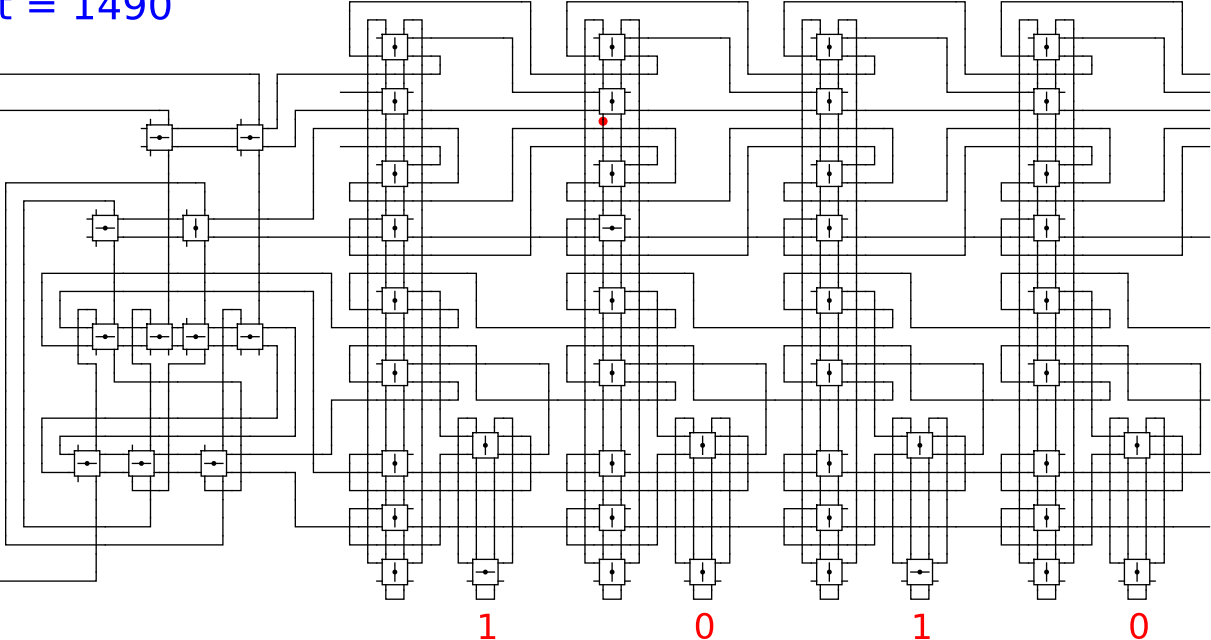
Begin



t = 1490

Reject
Accept

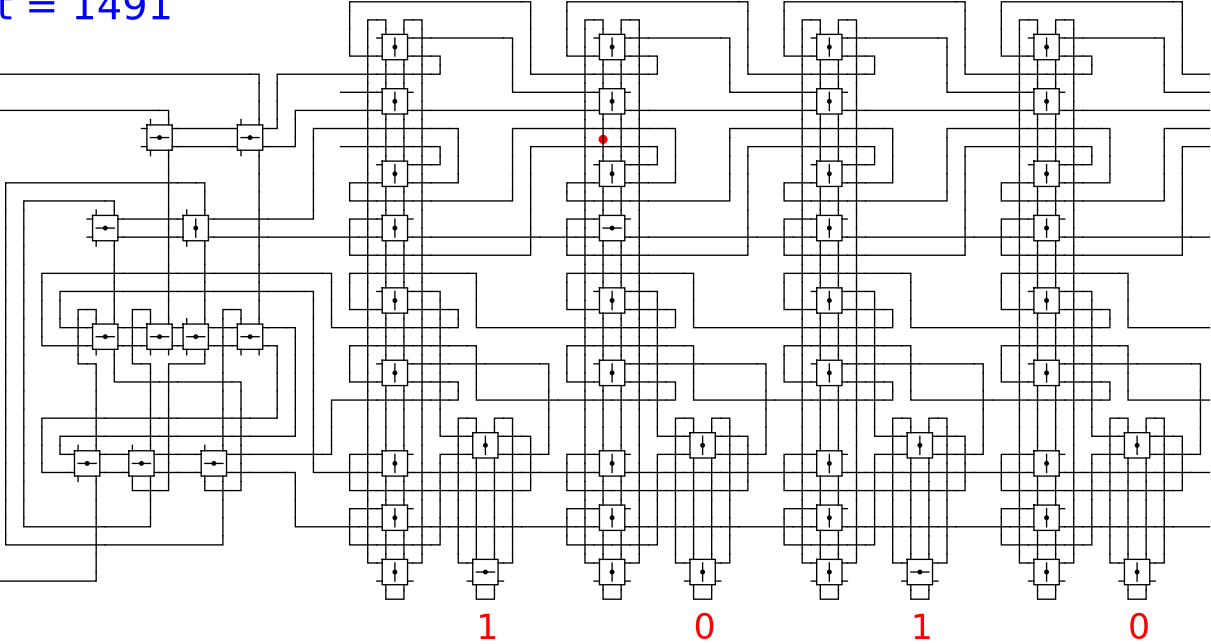
Begin



t = 1491

Reject
Accept

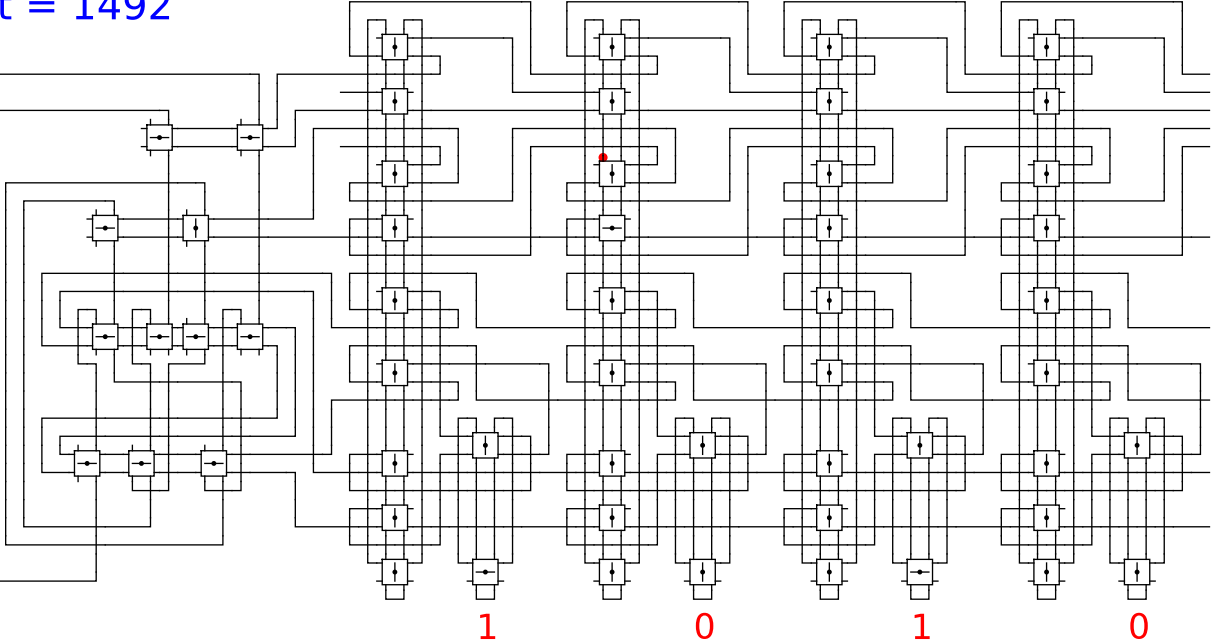
Begin



t = 1492

Reject
Accept

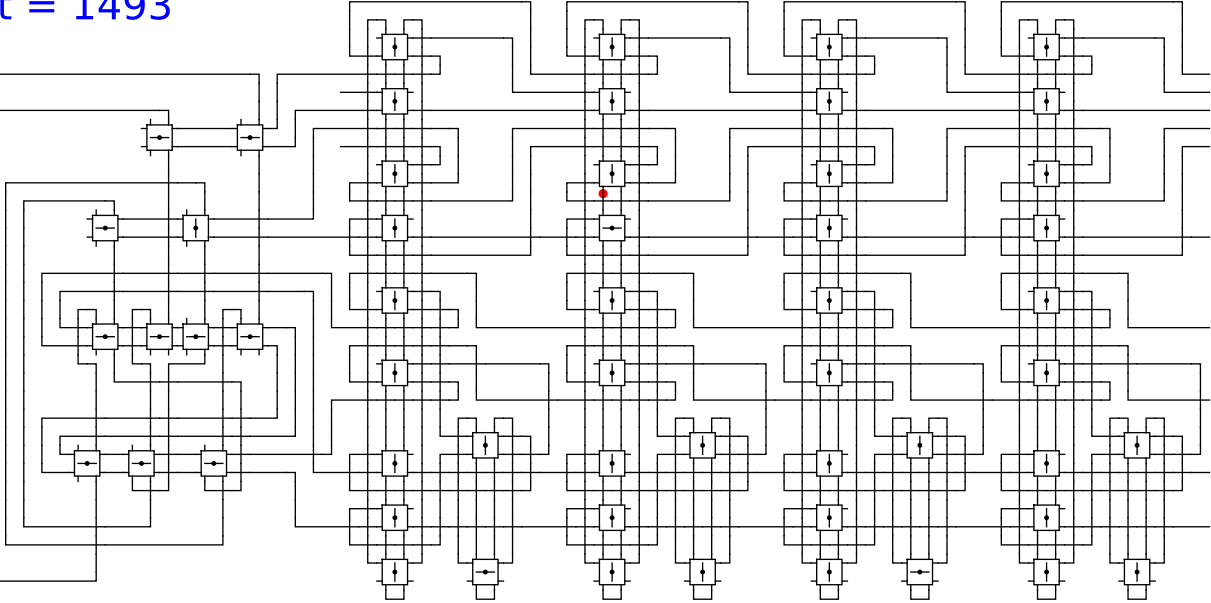
Begin



t = 1493

Reject
Accept

Begin



1

0

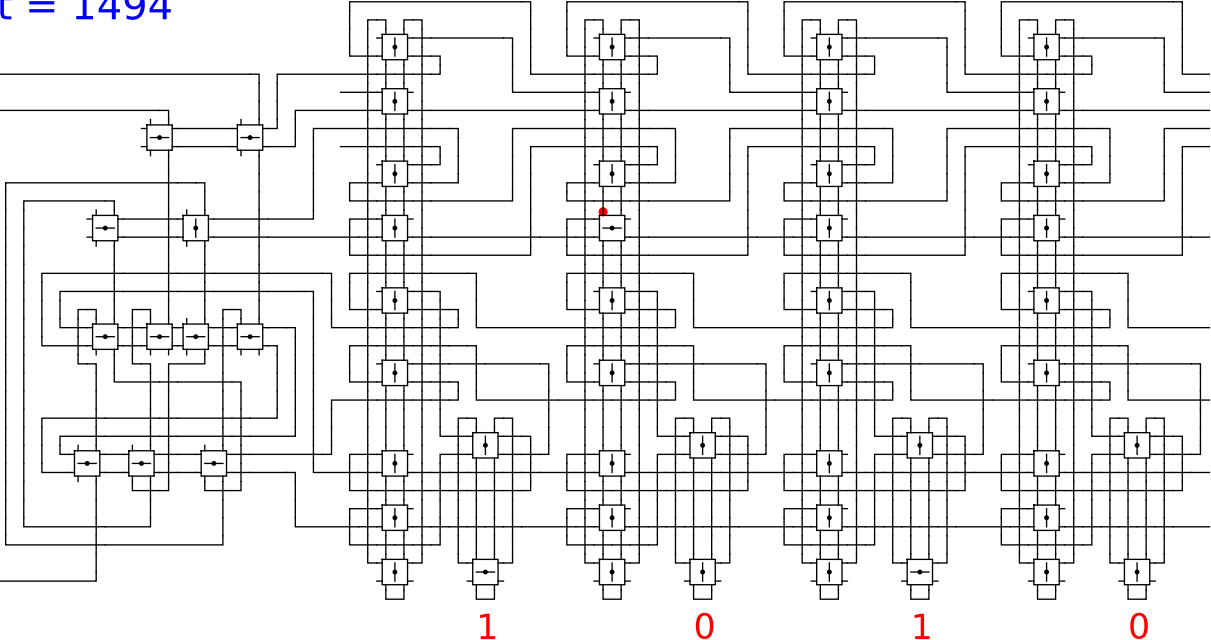
1

0

t = 1494

Reject
Accept

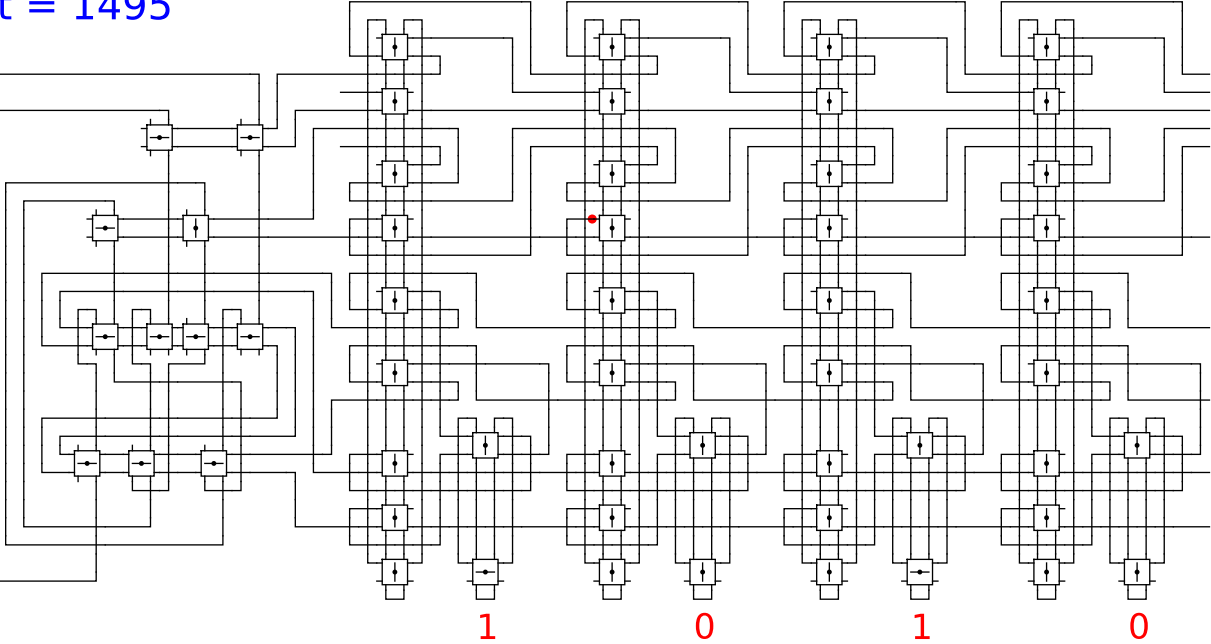
Begin



t = 1495

Reject
Accept

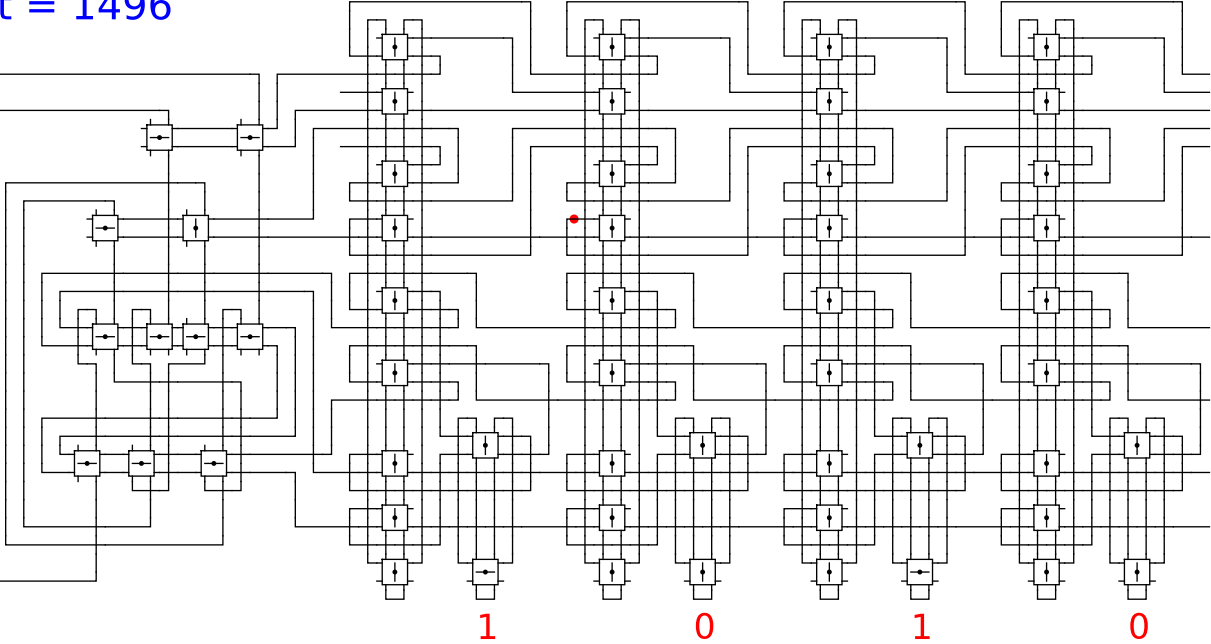
Begin



t = 1496

Reject
Accept

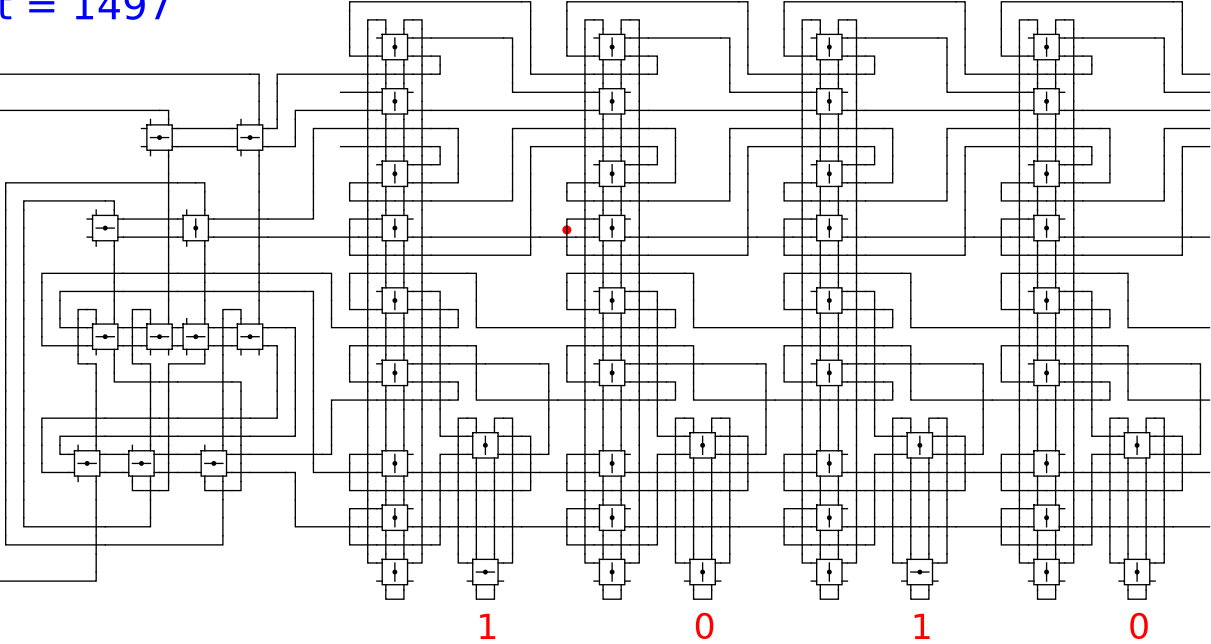
Begin



t = 1497

Reject
Accept

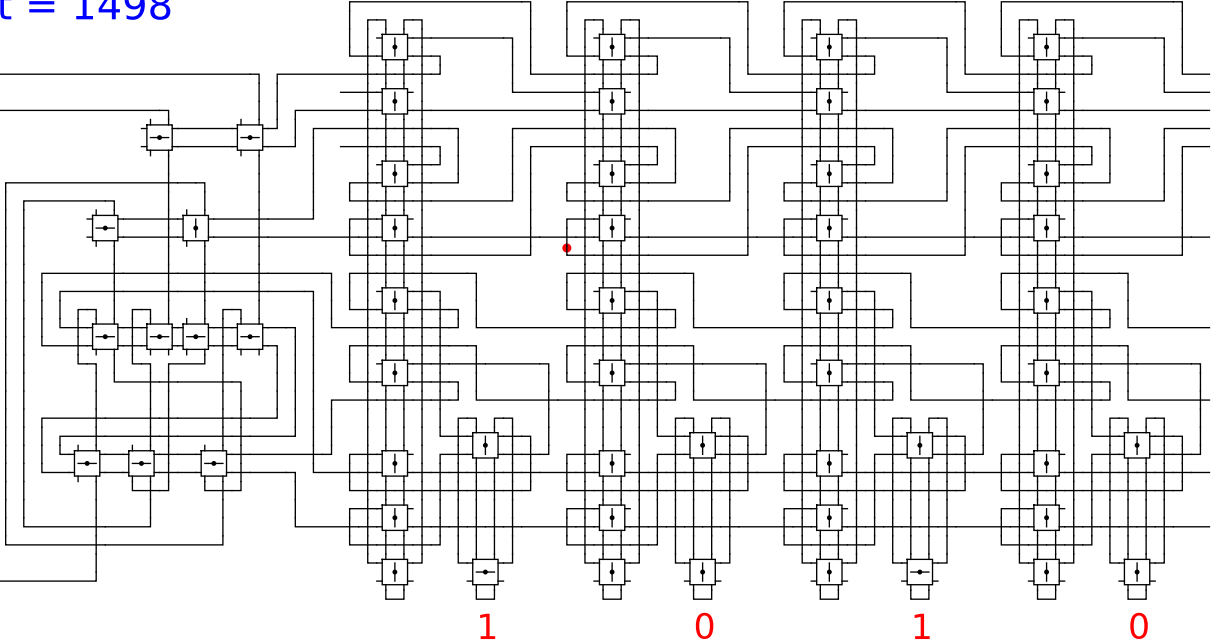
Begin



t = 1498

Reject
Accept

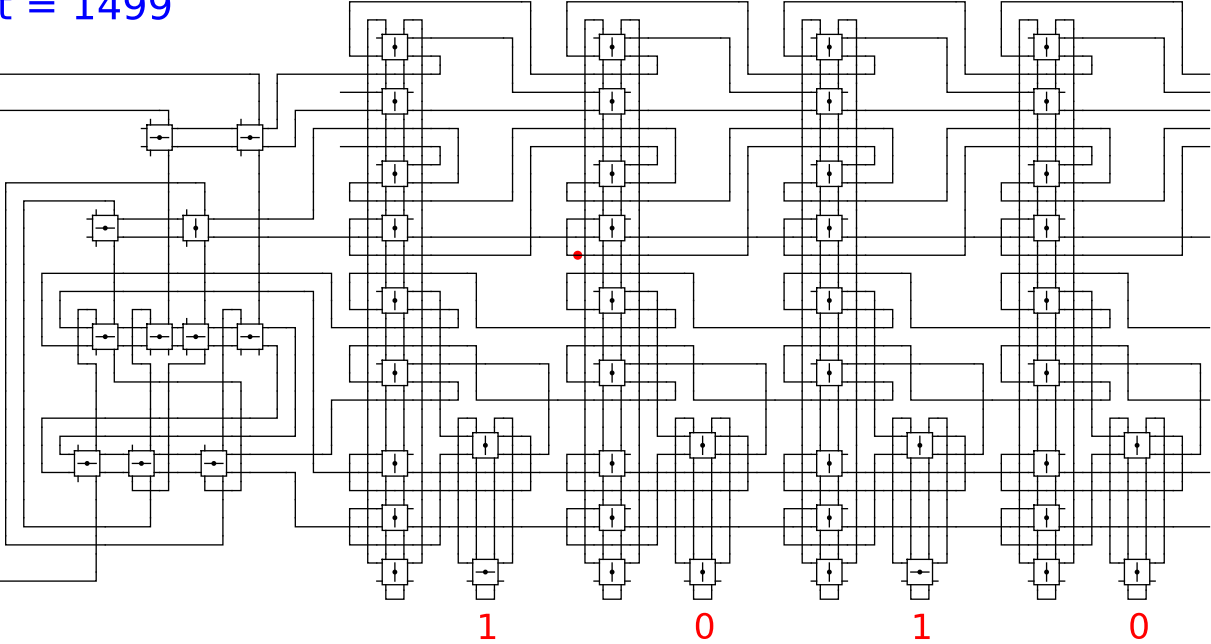
Begin



t = 1499

Reject
Accept

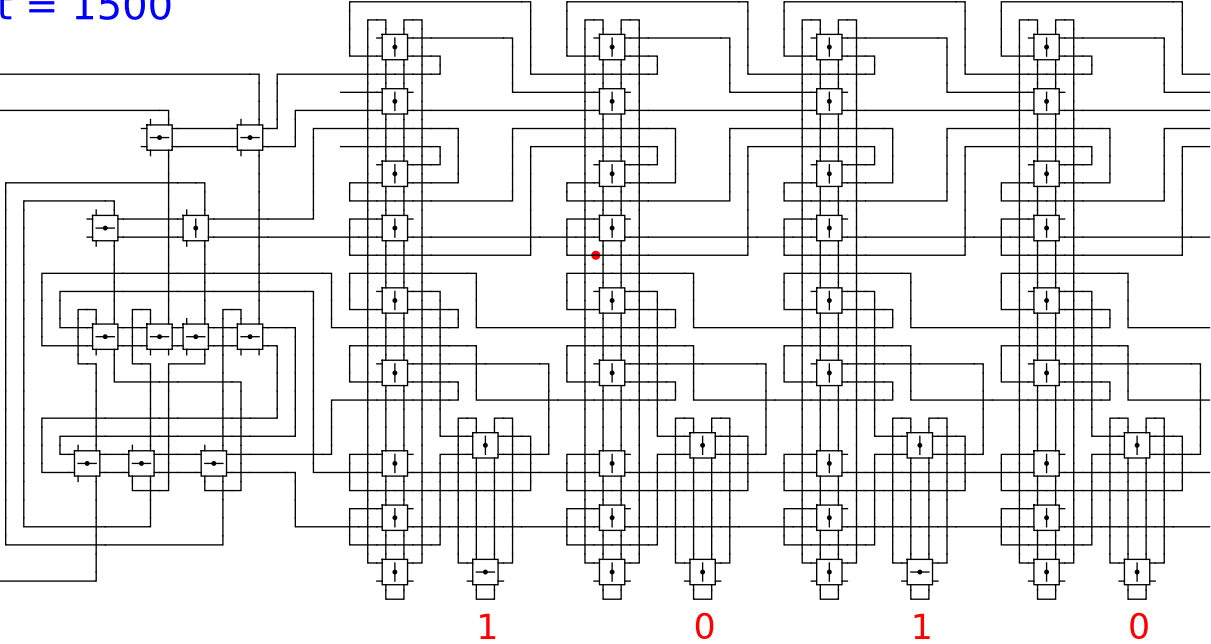
Begin



t = 1500

Reject
Accept

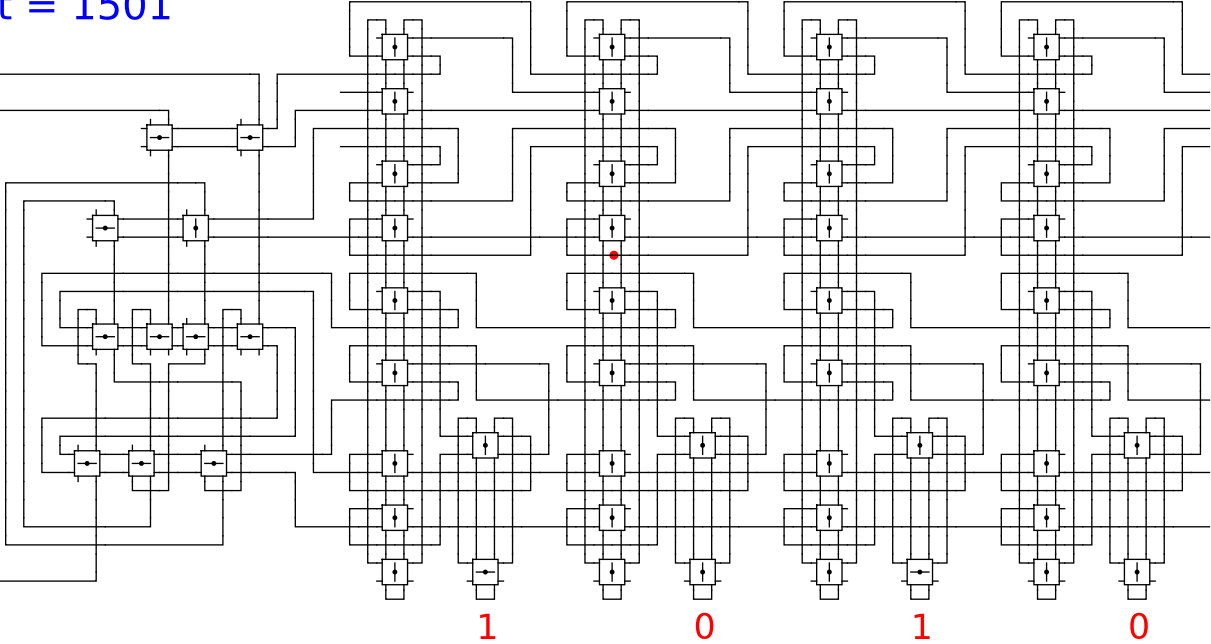
Begin



$t = 1501$

Reject
Accept

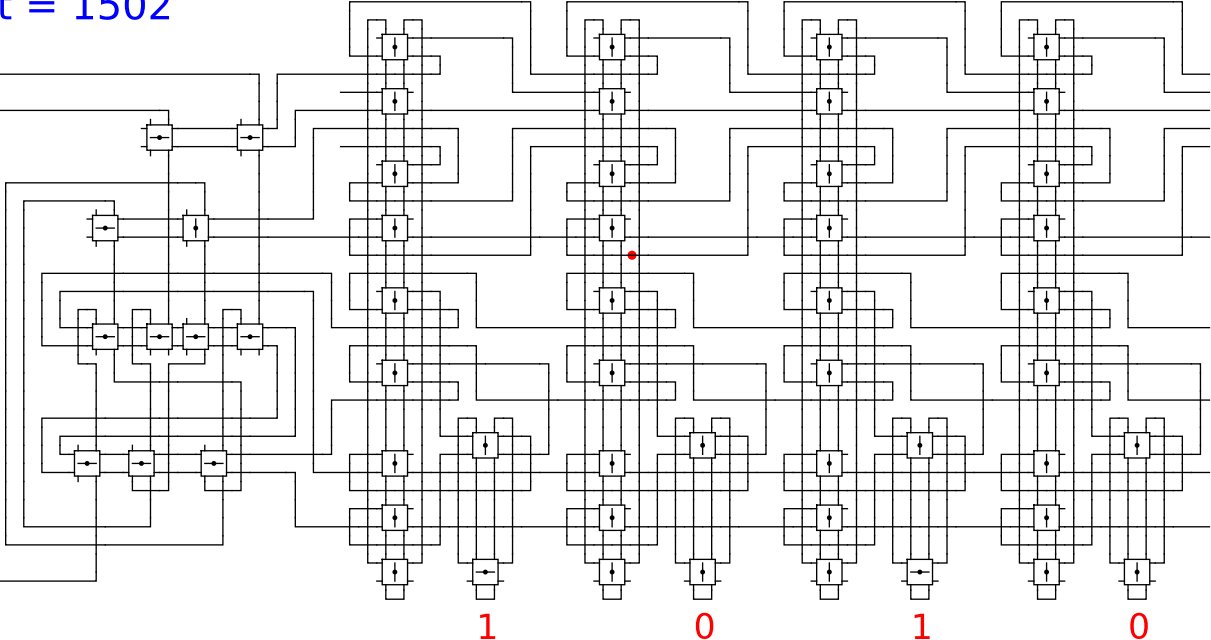
Begin



t = 1502

Reject
Accept

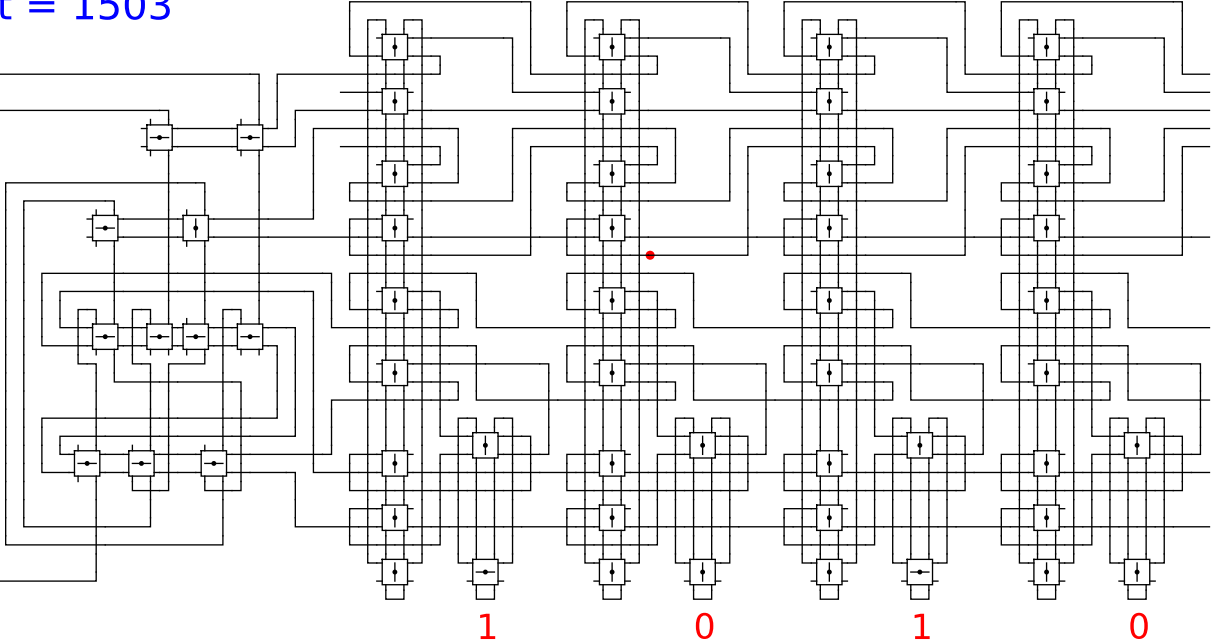
Begin



t = 1503

Reject
Accept

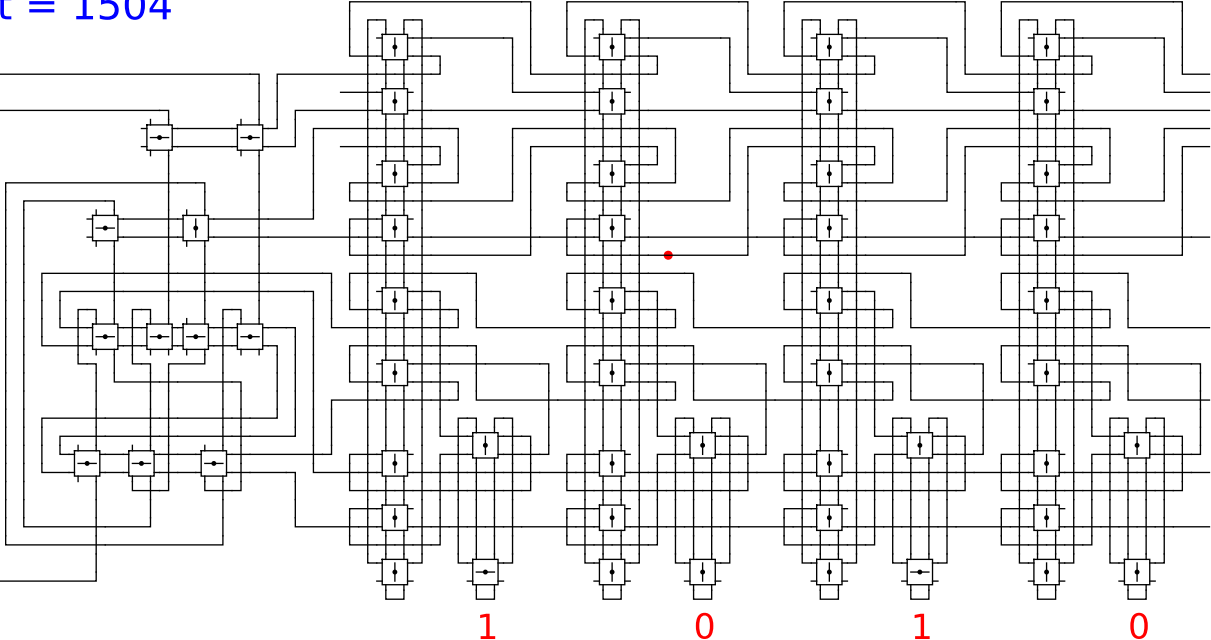
Begin



t = 1504

Reject
Accept

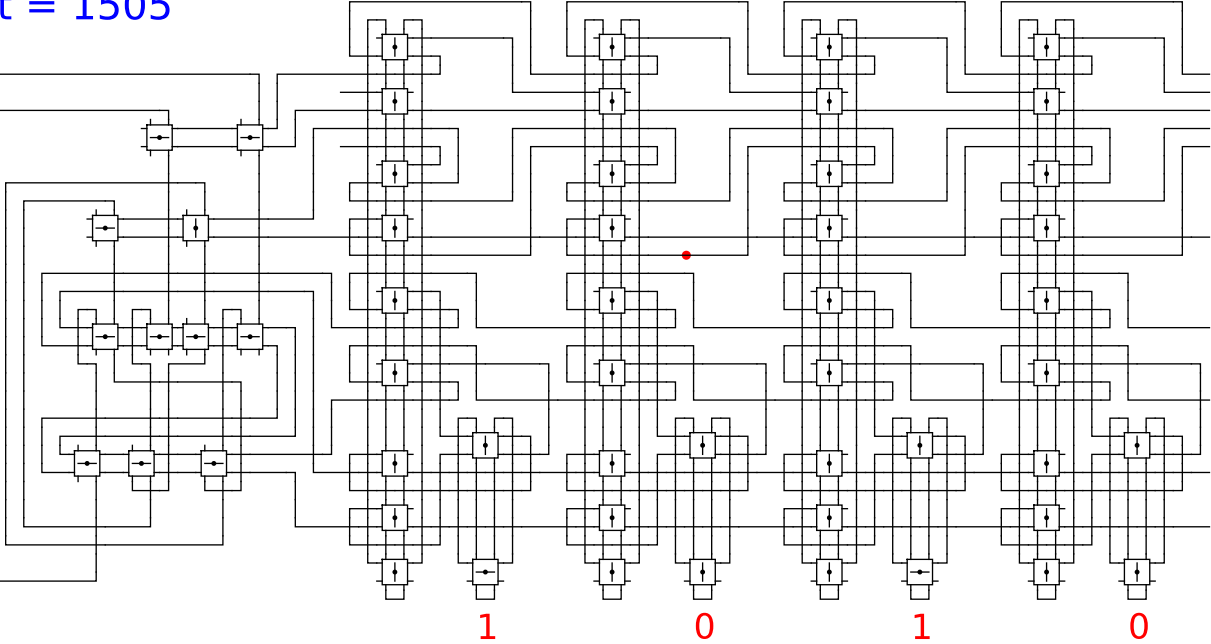
Begin



t = 1505

Reject
Accept

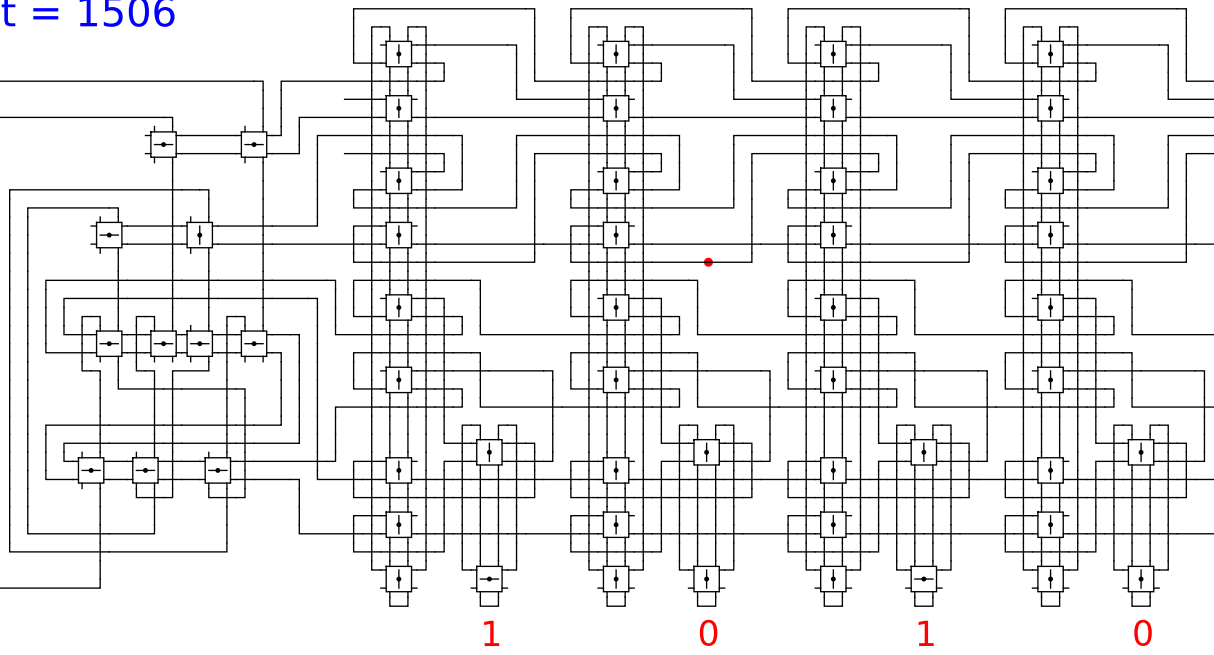
Begin



$t = 1506$

Reject
Accept

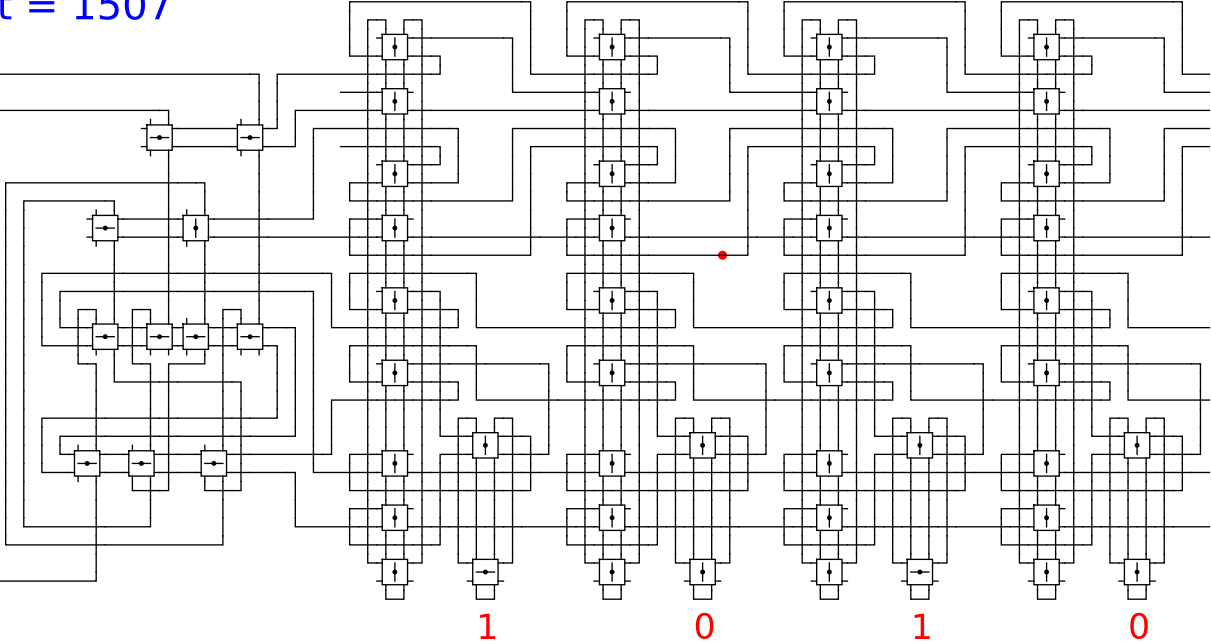
Begin



t = 1507

Reject
Accept

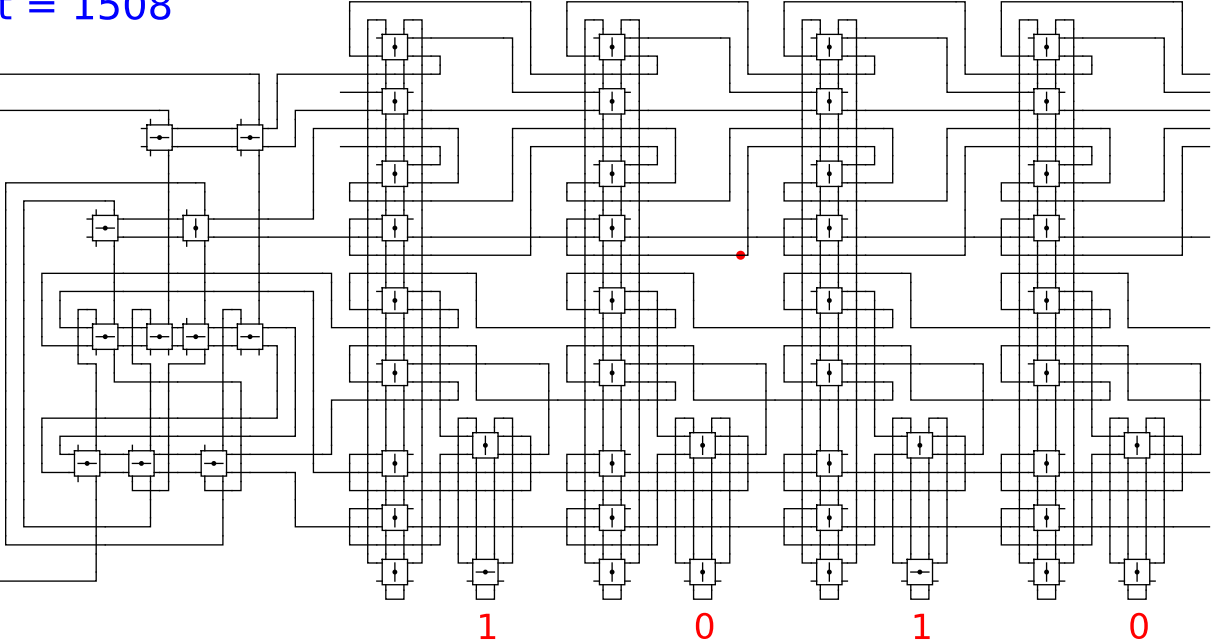
Begin



t = 1508

Reject
Accept

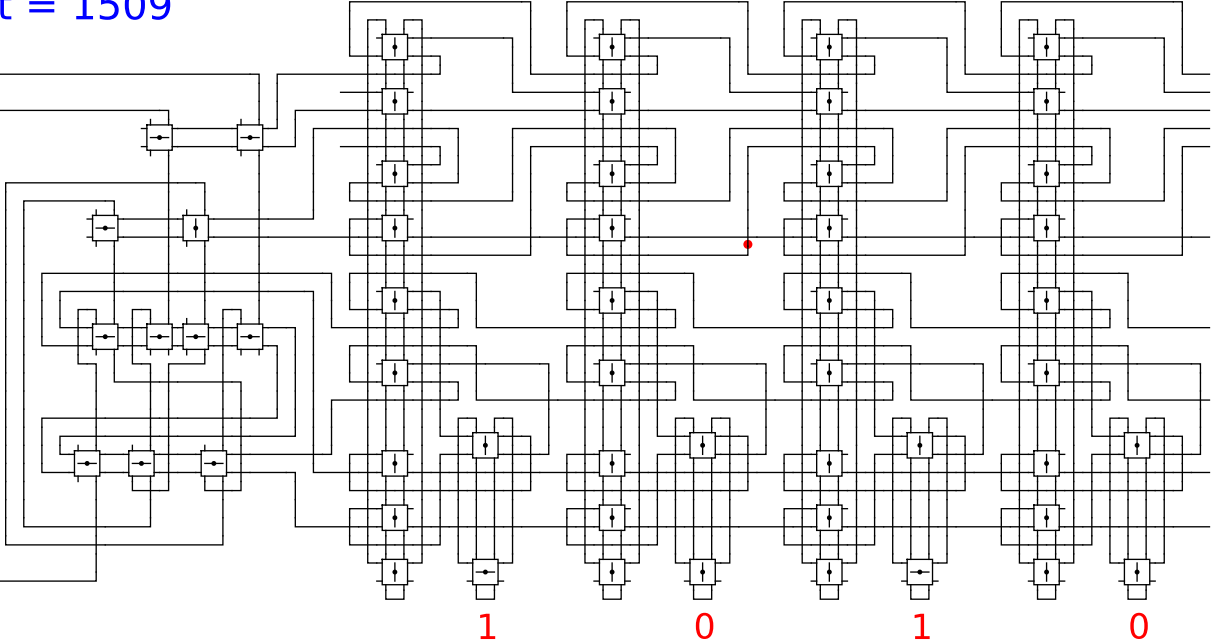
Begin



t = 1509

Reject
Accept

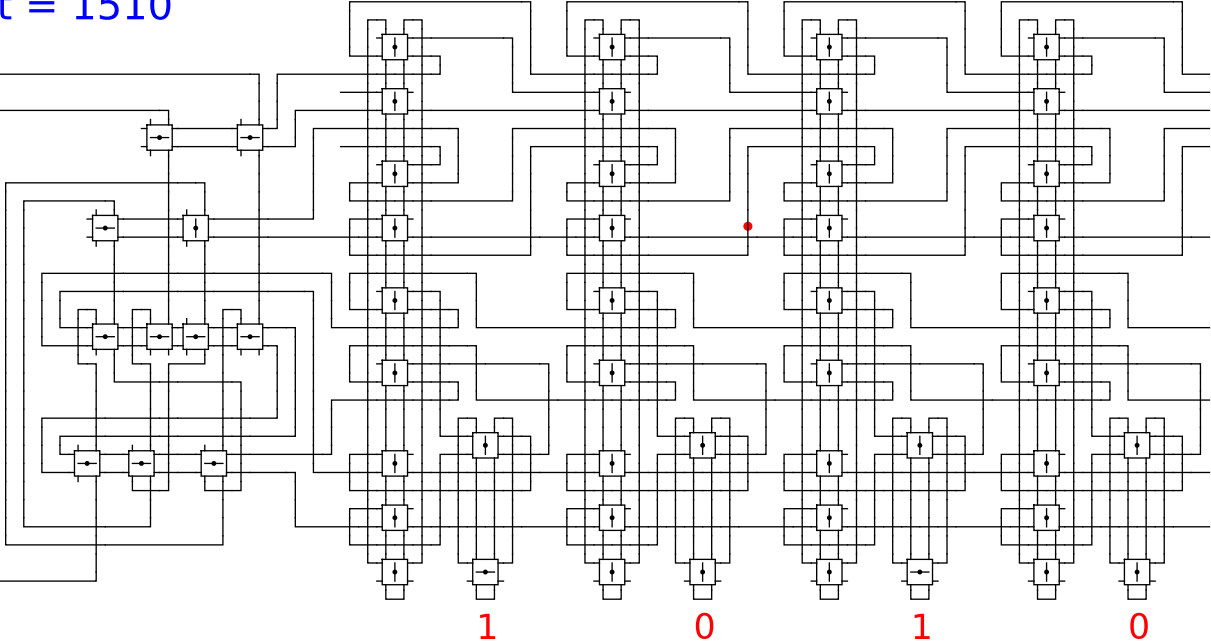
Begin



$t = 1510$

Reject
Accept

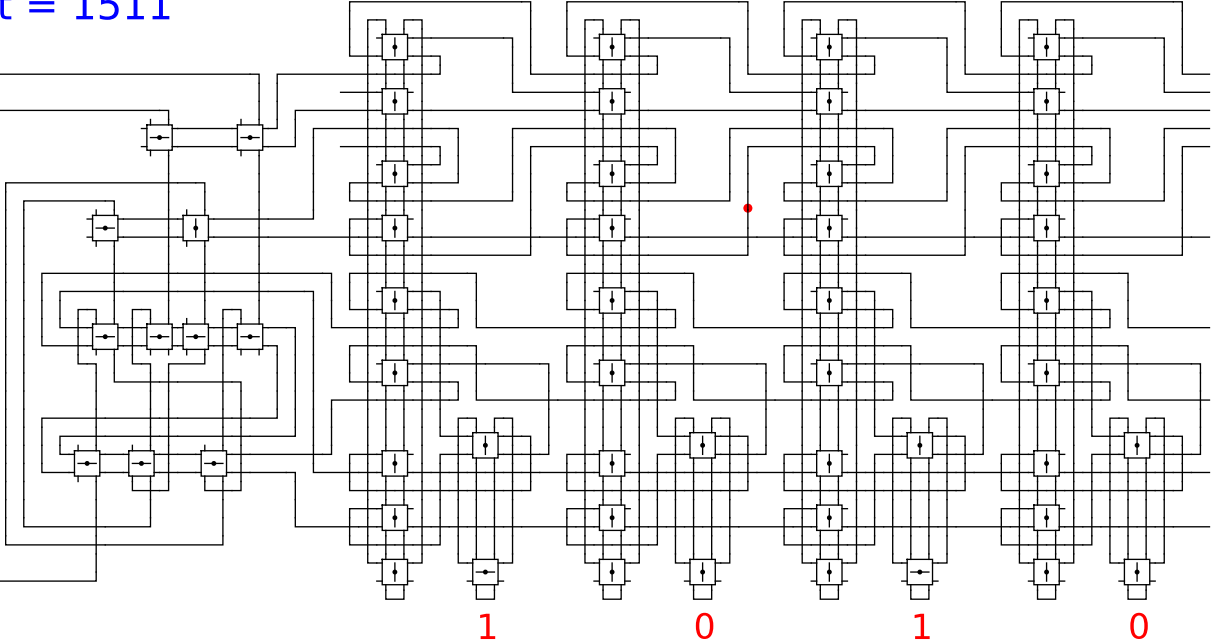
Begin



t = 1511

Reject
Accept

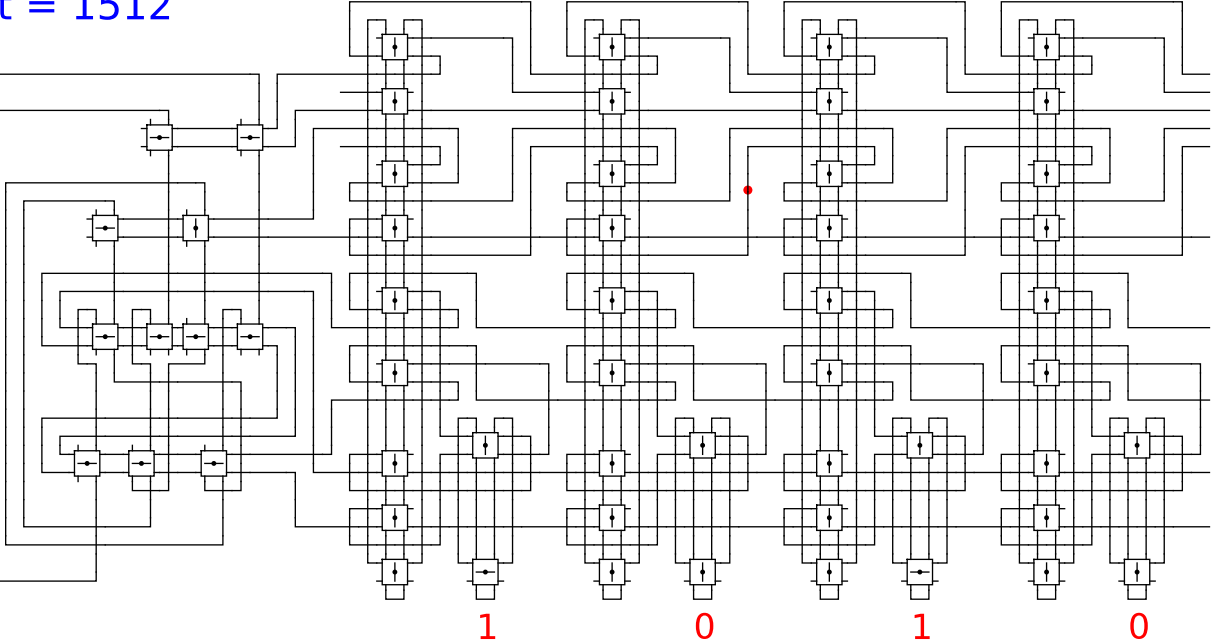
Begin



t = 1512

Reject
Accept

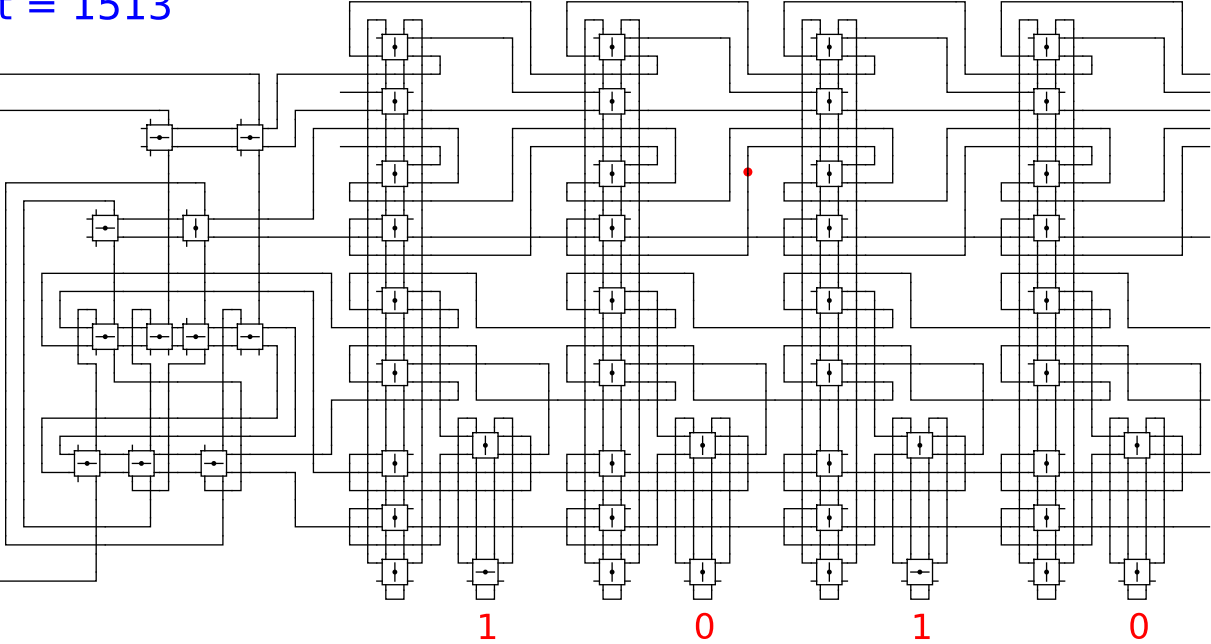
Begin



t = 1513

Reject
Accept

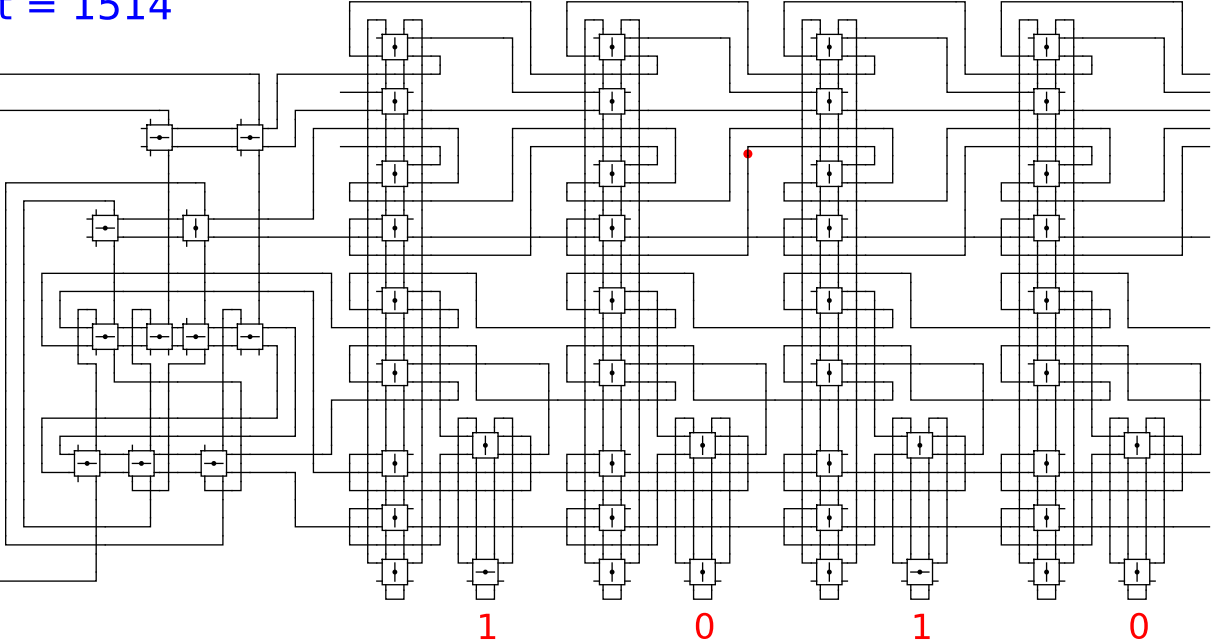
Begin



t = 1514

Reject
Accept

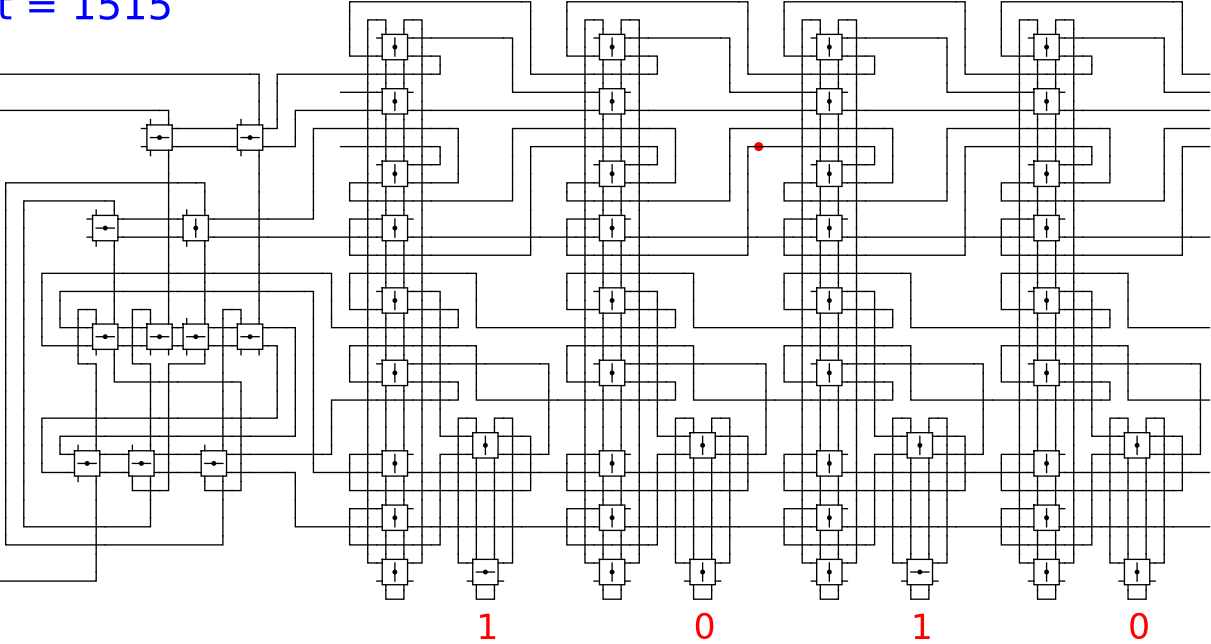
Begin



t = 1515

Reject
Accept

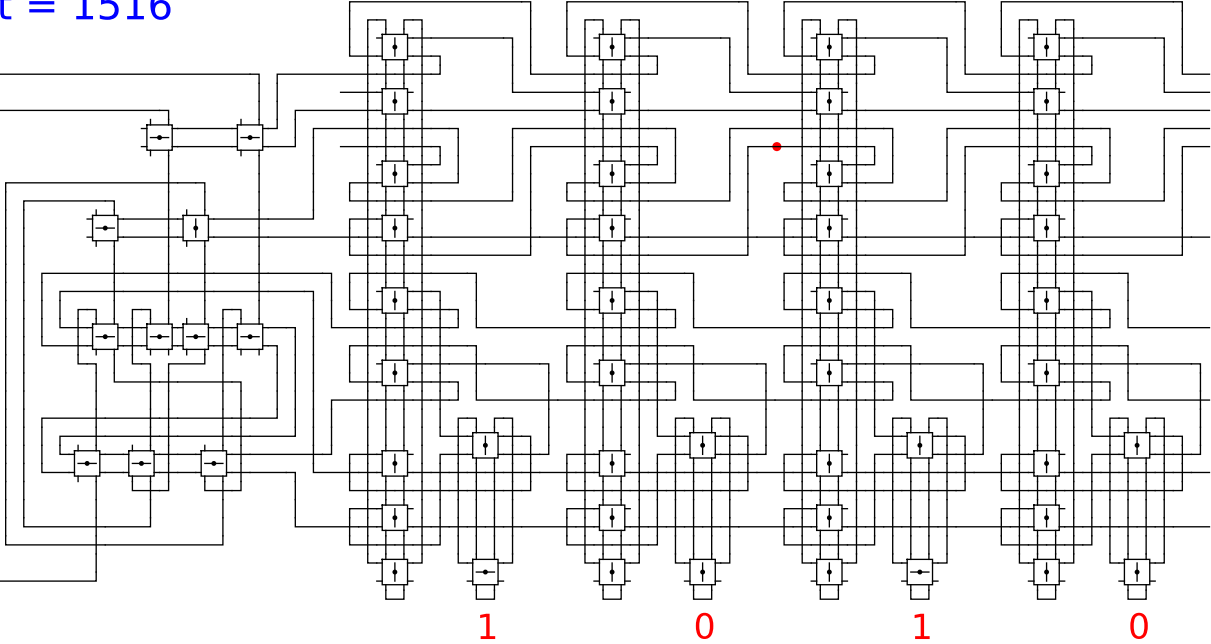
Begin



t = 1516

Reject
Accept

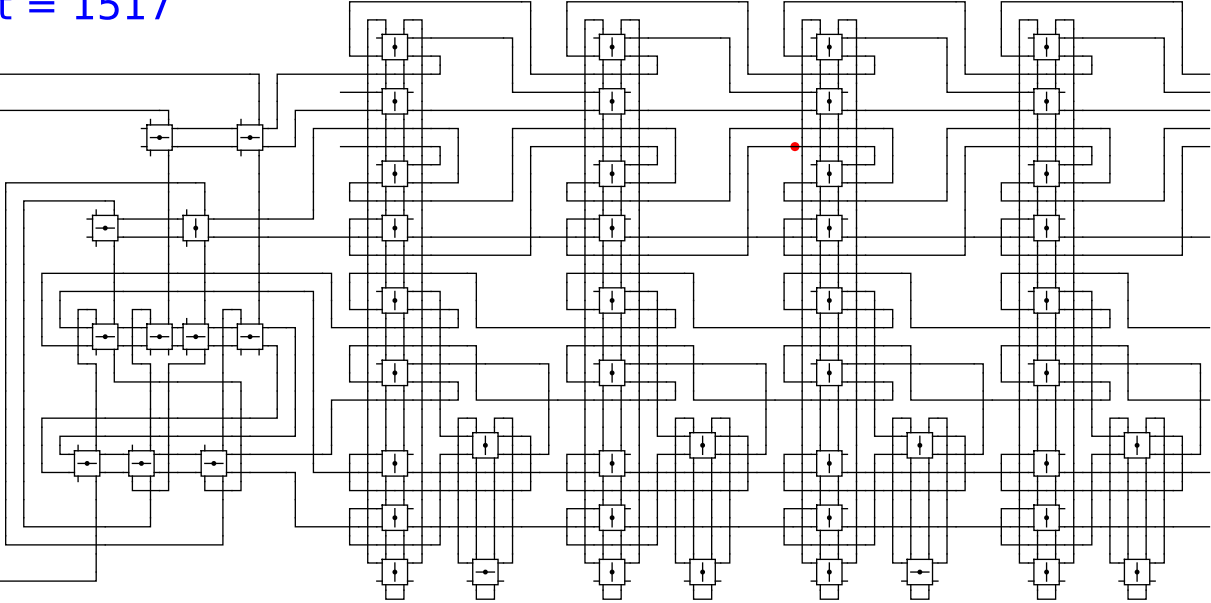
Begin



t = 1517

Reject
Accept

Begin



1

0

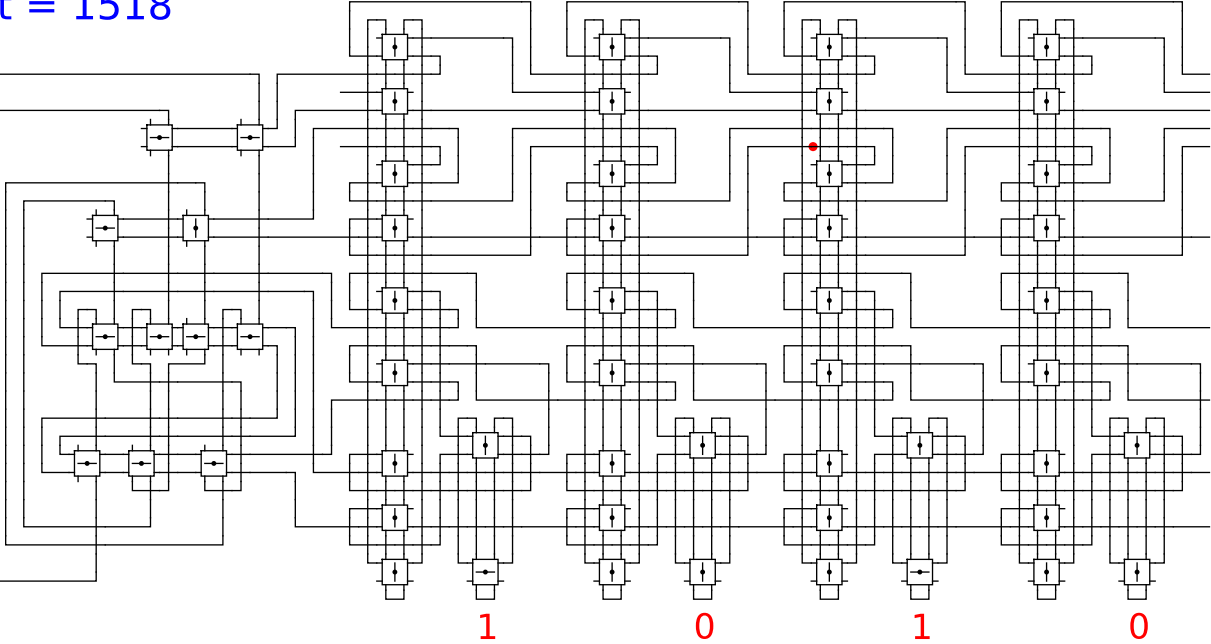
1

0

t = 1518

Reject
Accept

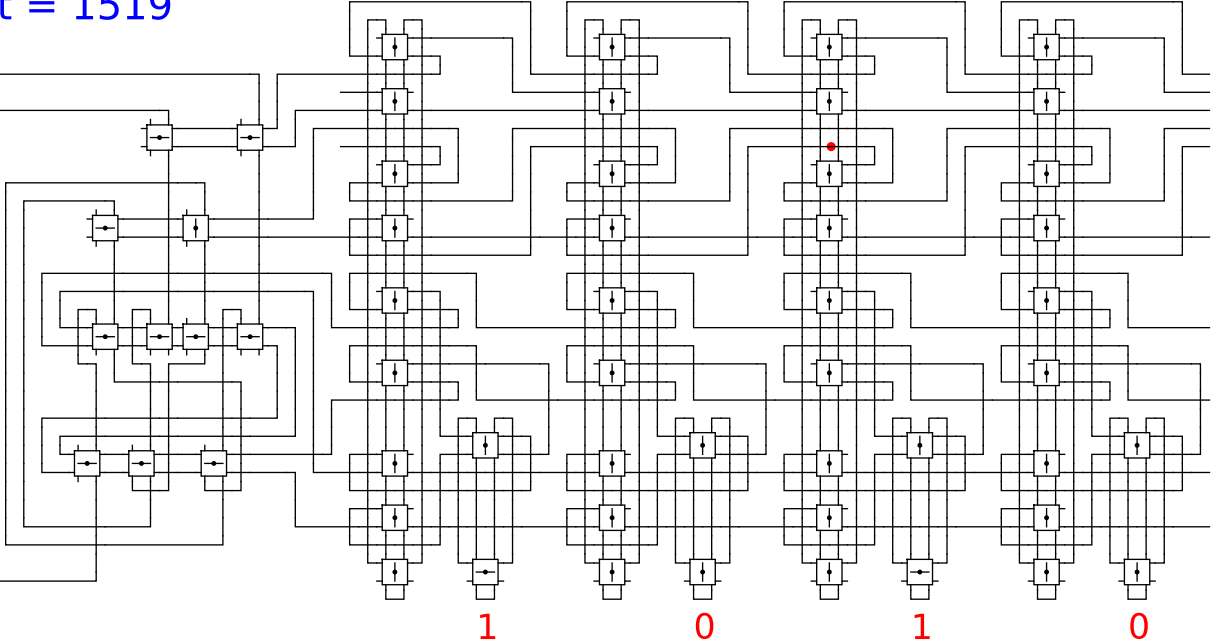
Begin



t = 1519

Reject
Accept

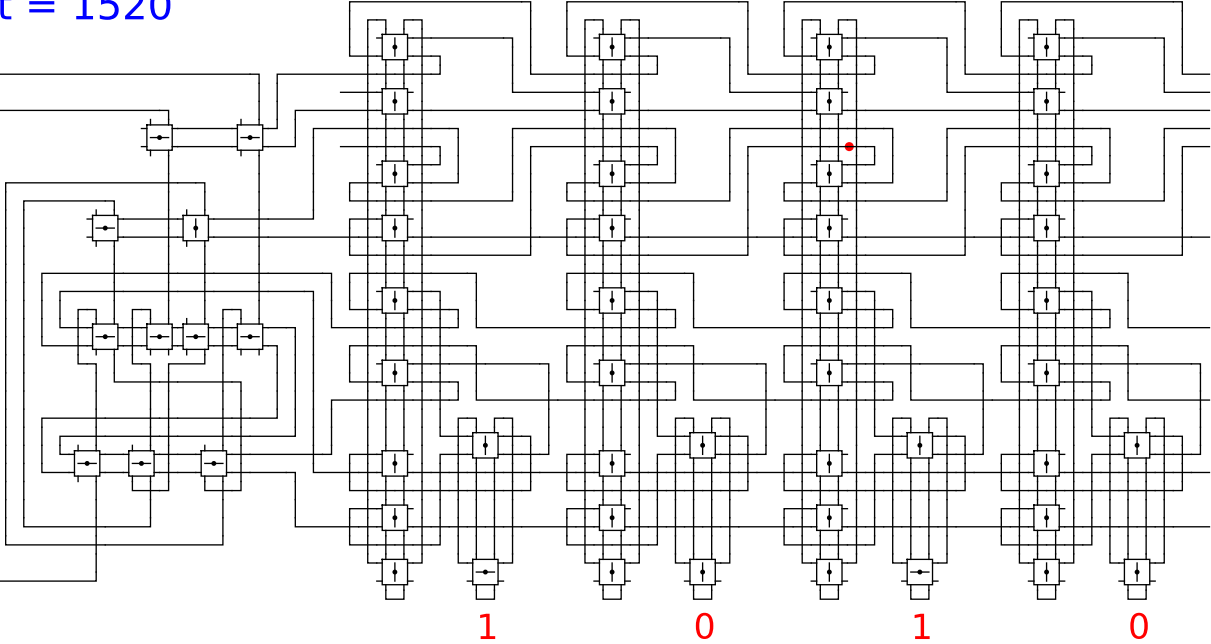
Begin



t = 1520

Reject
Accept

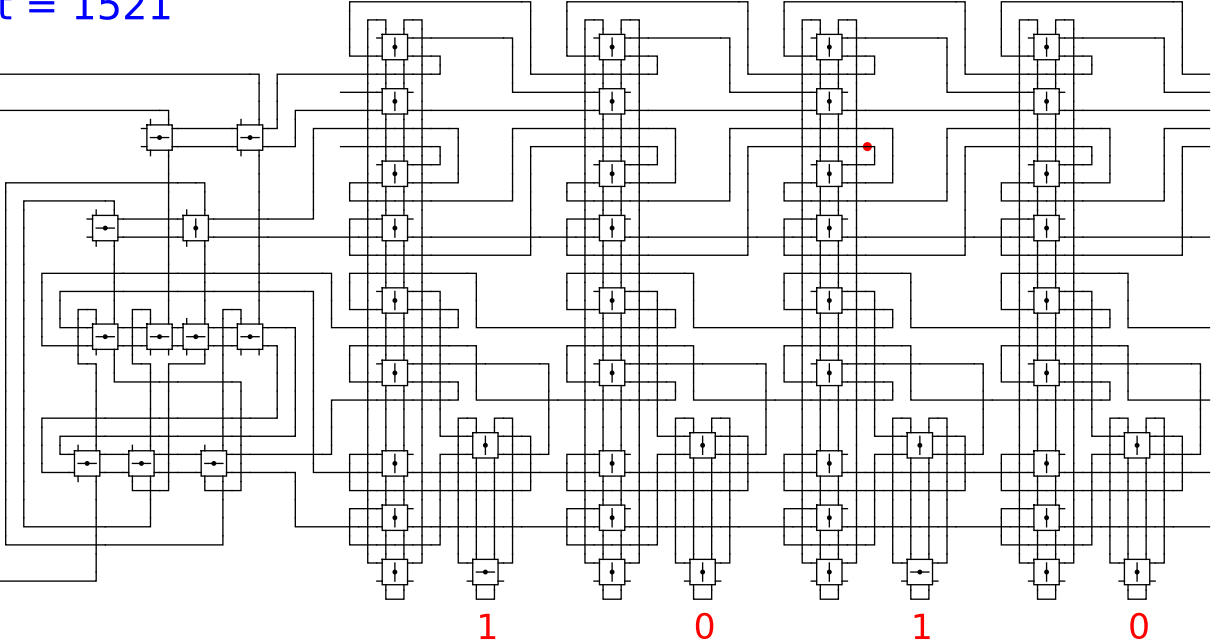
Begin



$t = 1521$

Reject
Accept

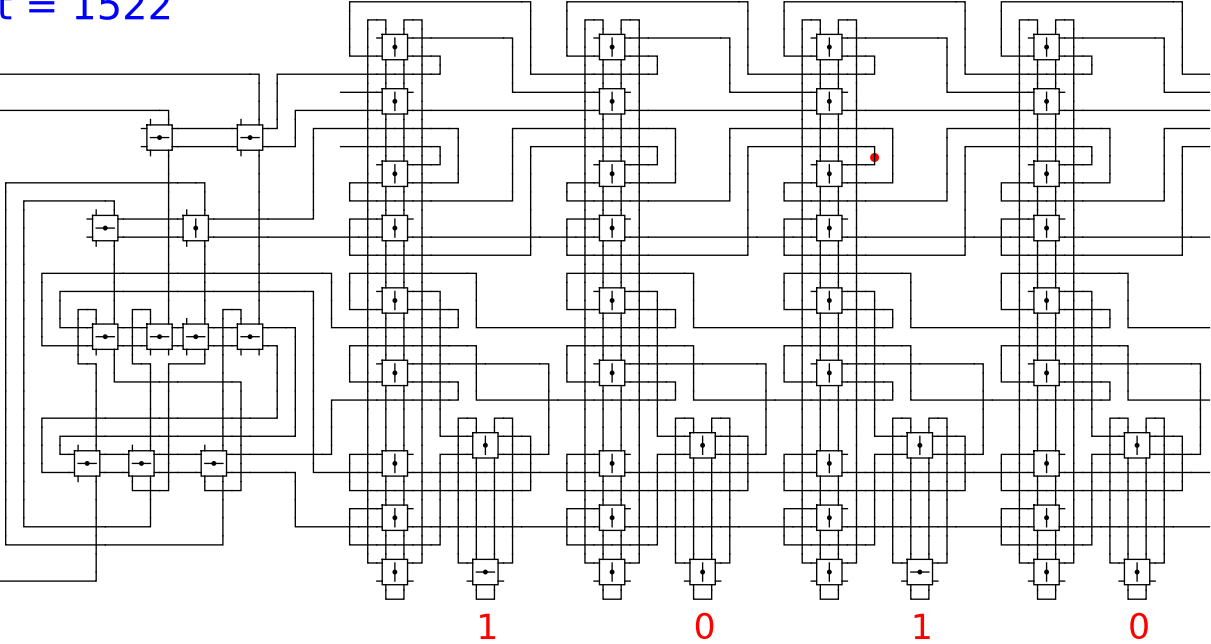
Begin



t = 1522

Reject
Accept

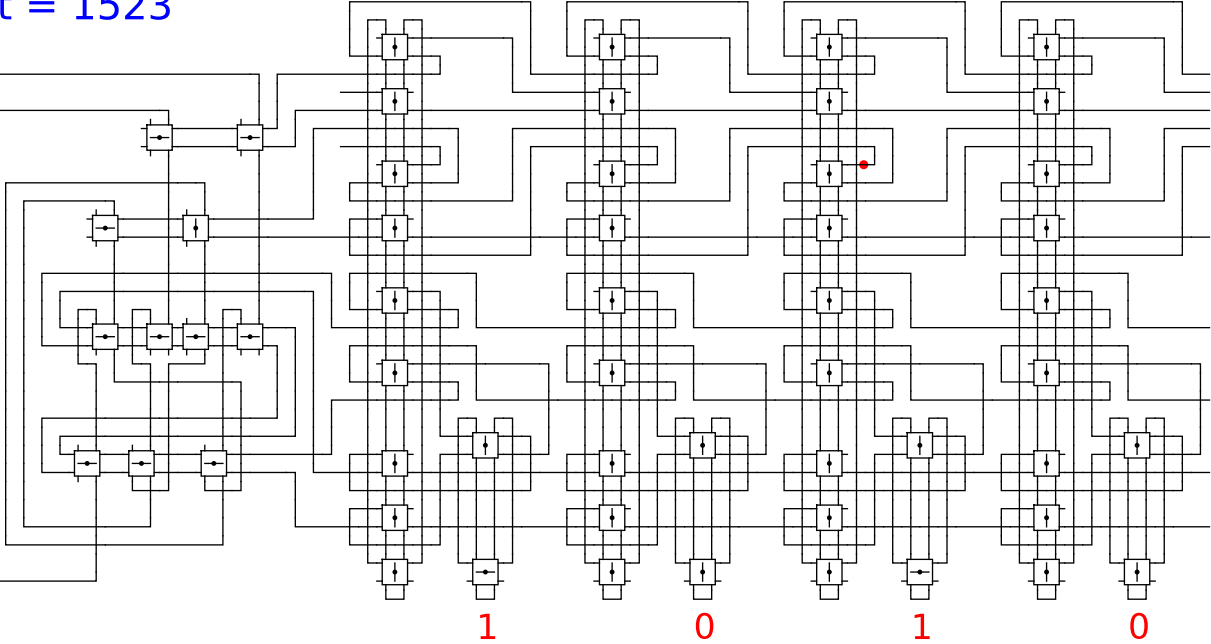
Begin



t = 1523

Reject
Accept

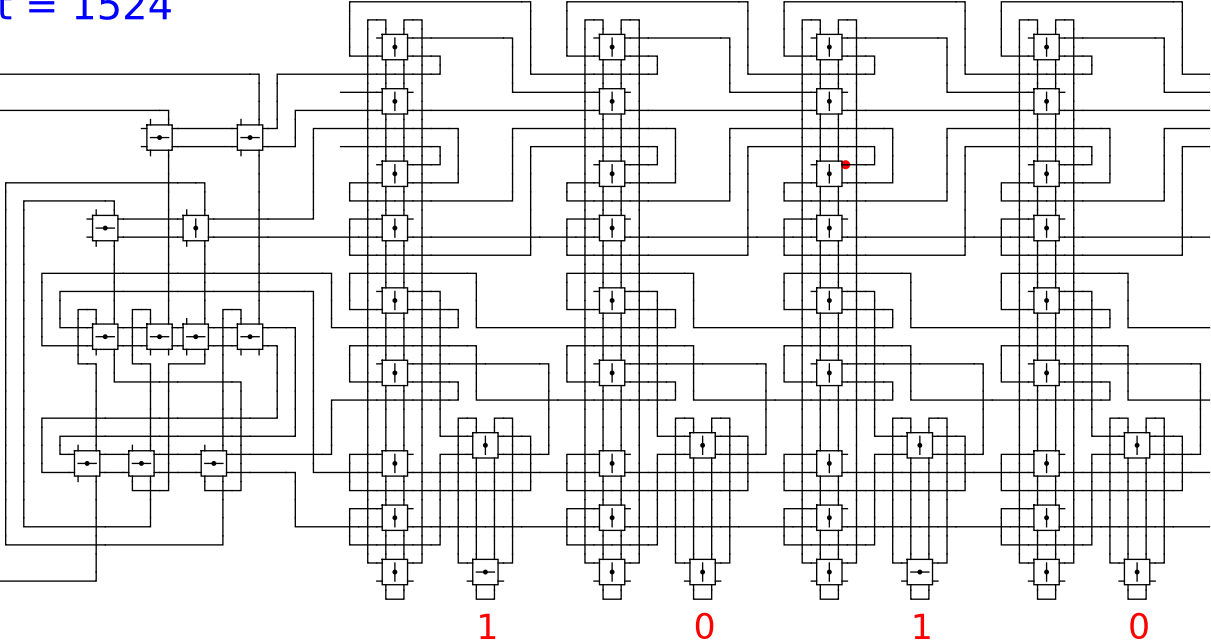
Begin



$t = 1524$

Reject
Accept

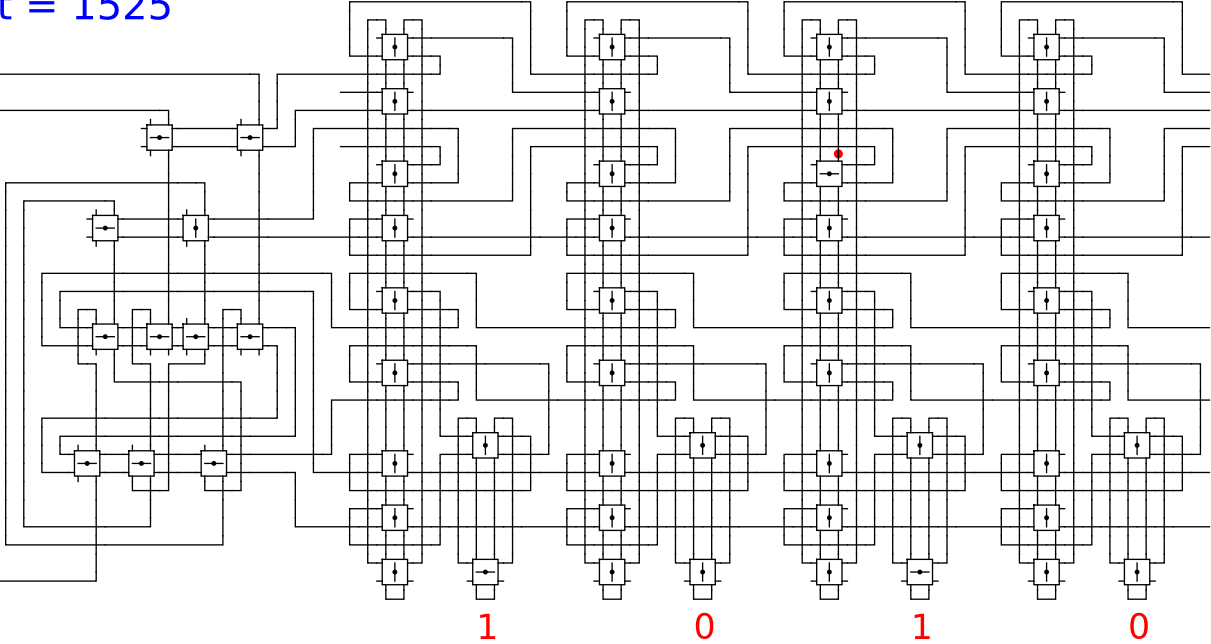
Begin



$t = 1525$

Reject
Accept

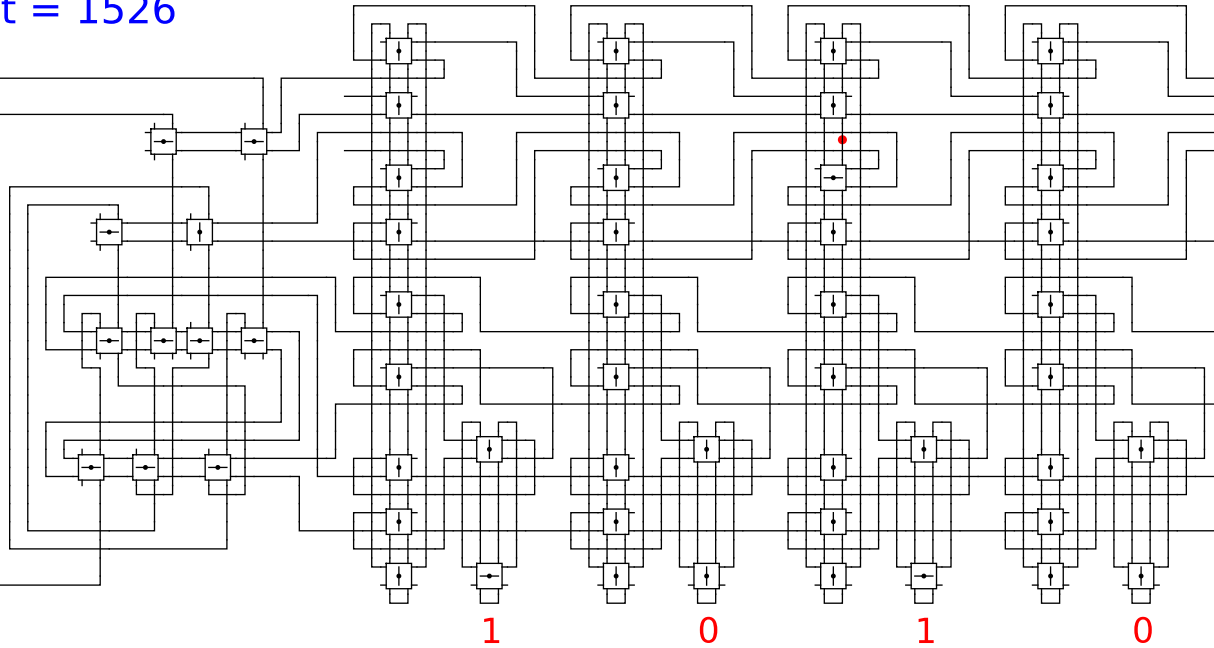
Begin



t = 1526

Reject
Accept

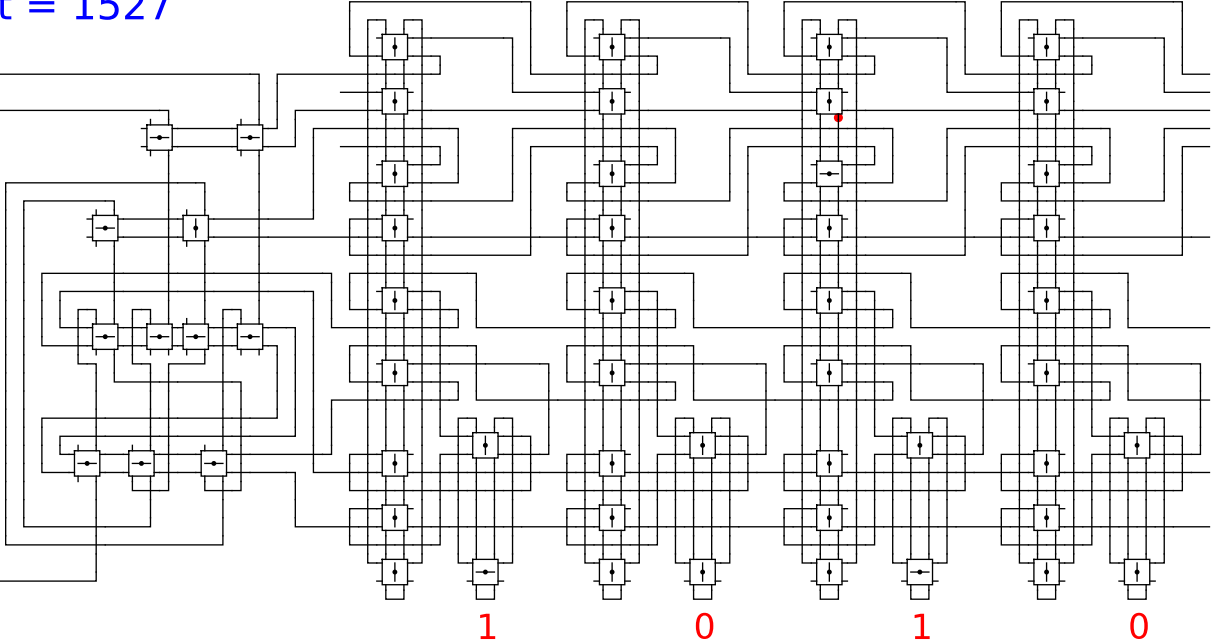
Begin



$t = 1527$

Reject
Accept

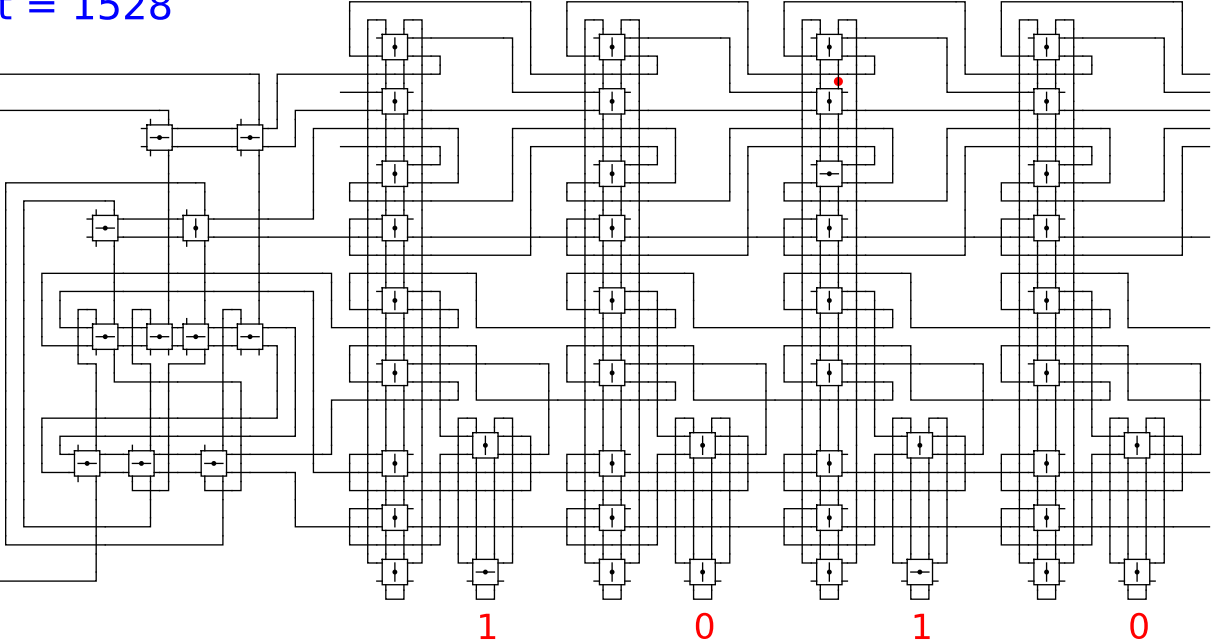
Begin



t = 1528

Reject
Accept

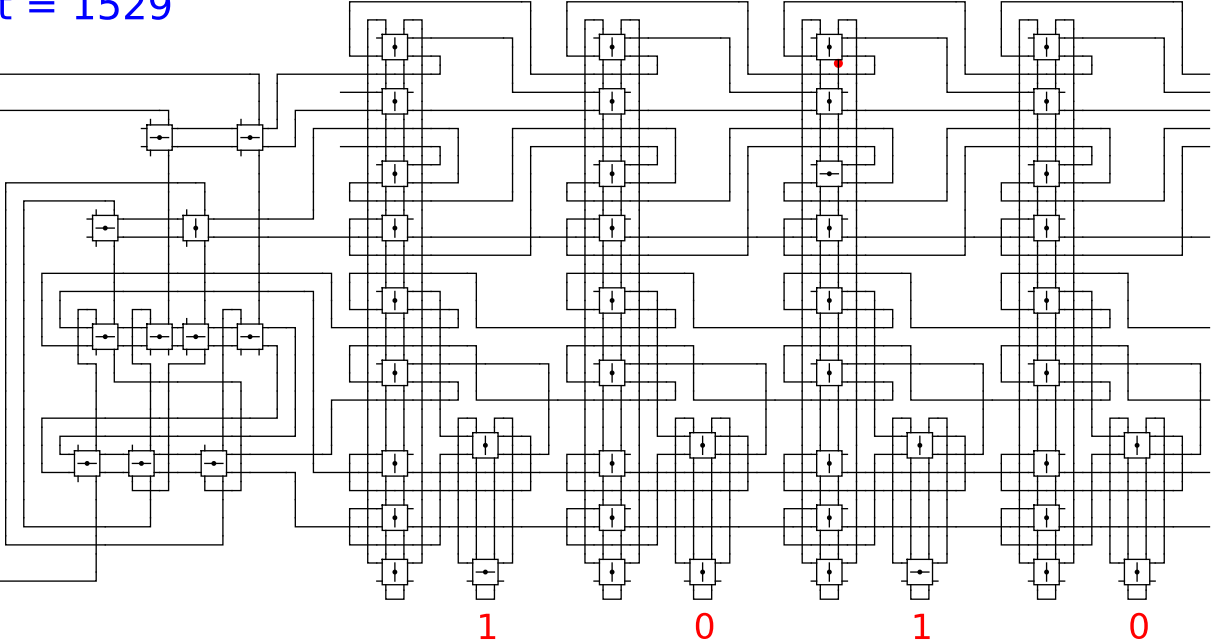
Begin



t = 1529

Reject
Accept

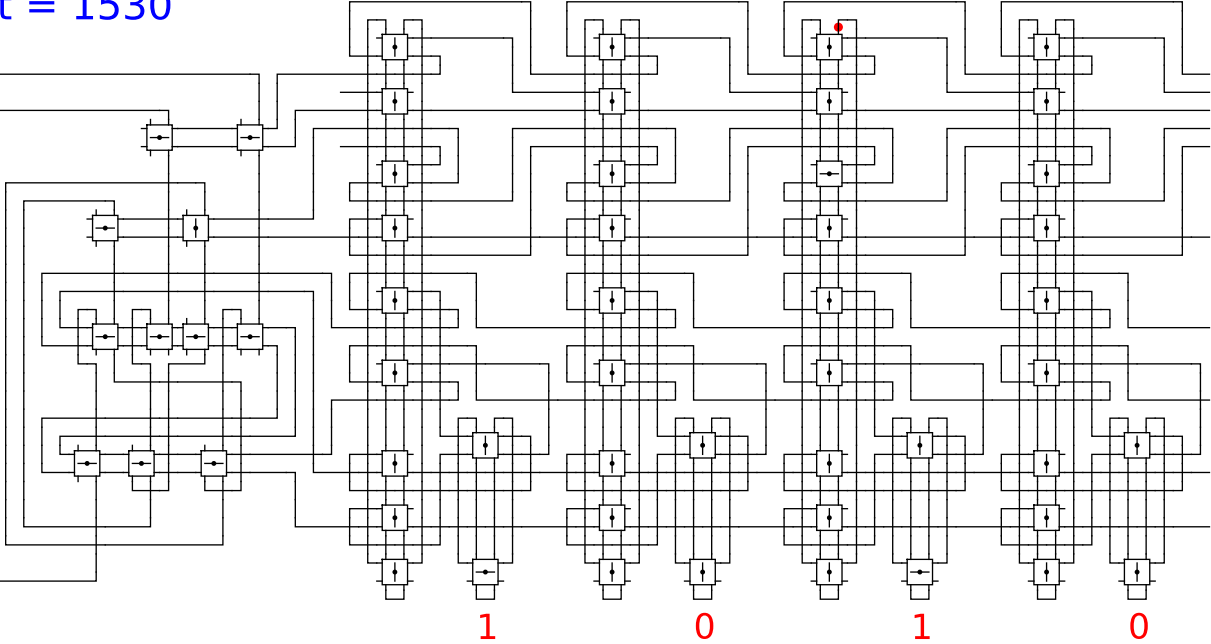
Begin



t = 1530

Reject
Accept

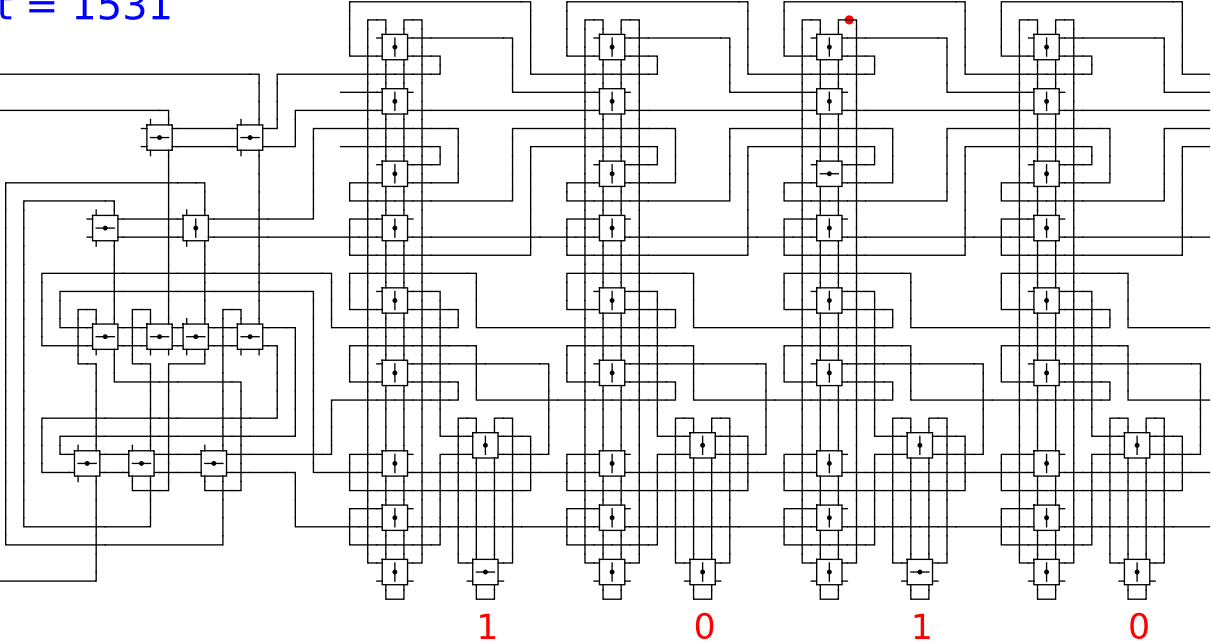
Begin



t = 1531

Reject
Accept

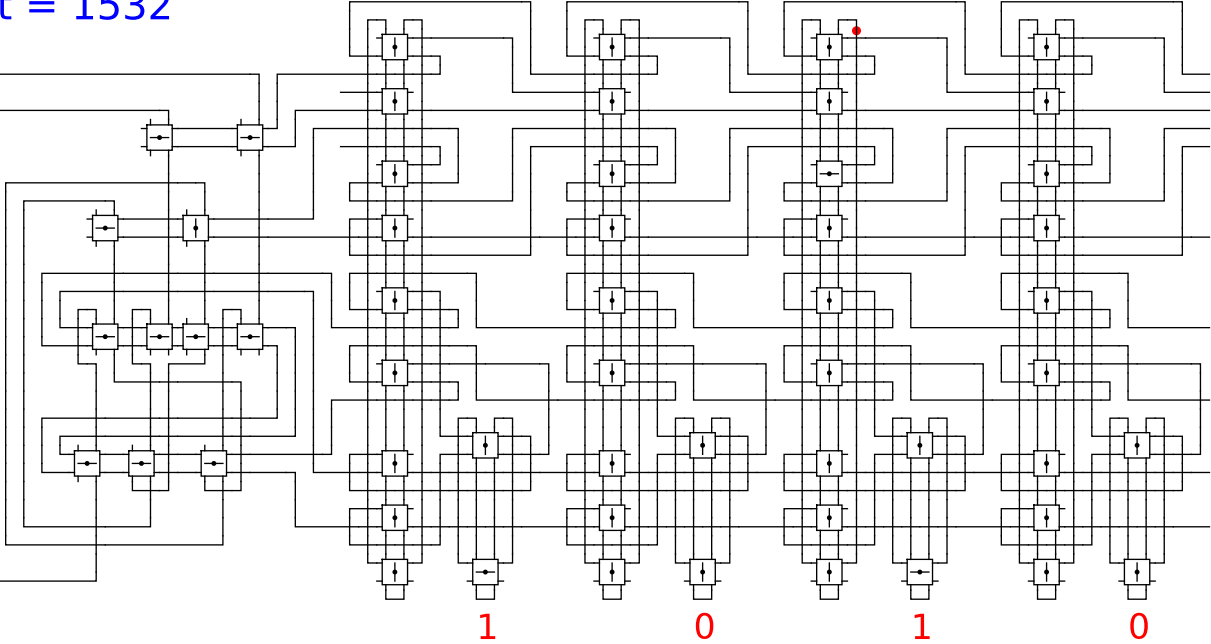
Begin



t = 1532

Reject
Accept

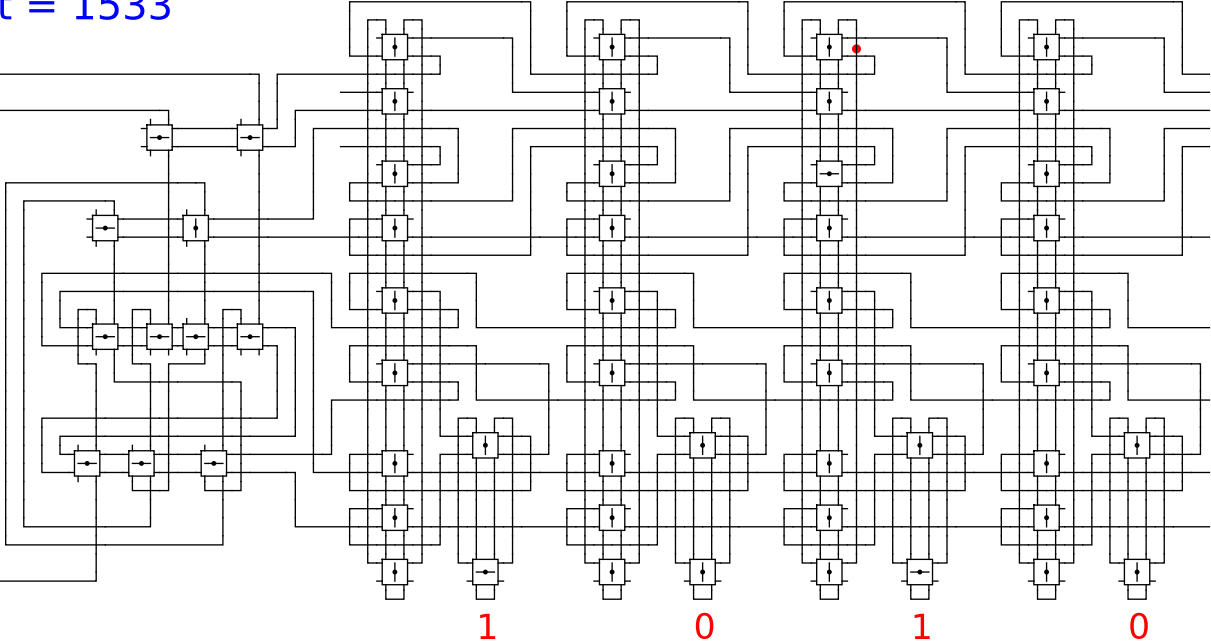
Begin



t = 1533

Reject
Accept

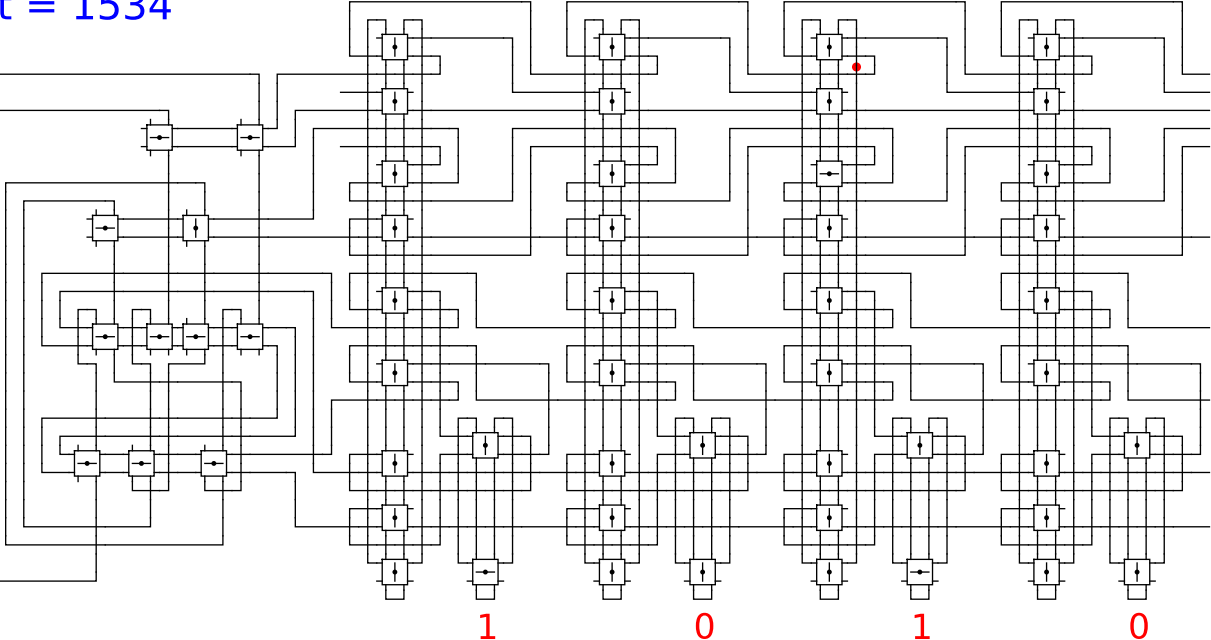
Begin



t = 1534

Reject
Accept

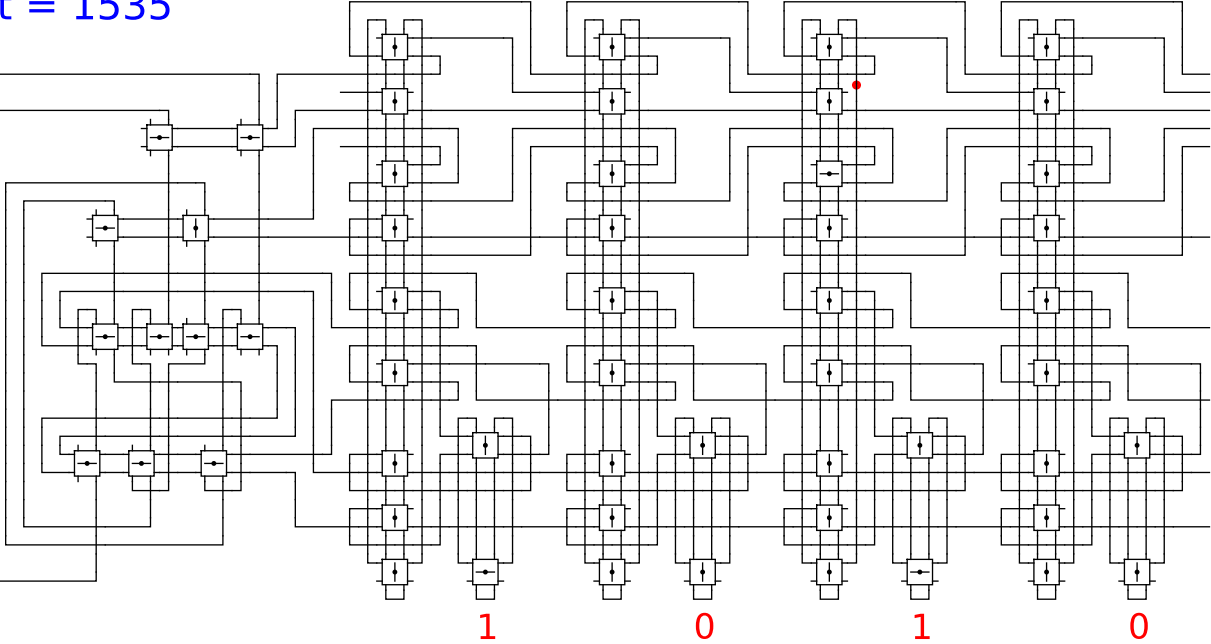
Begin



$t = 1535$

Reject
Accept

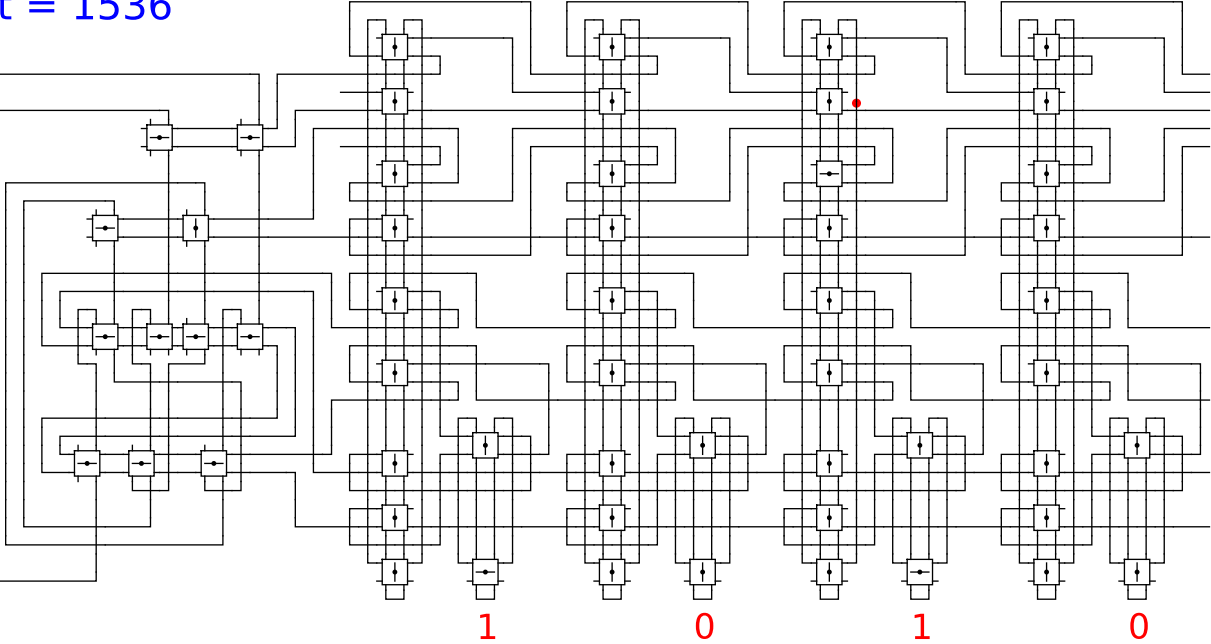
Begin



t = 1536

Reject
Accept

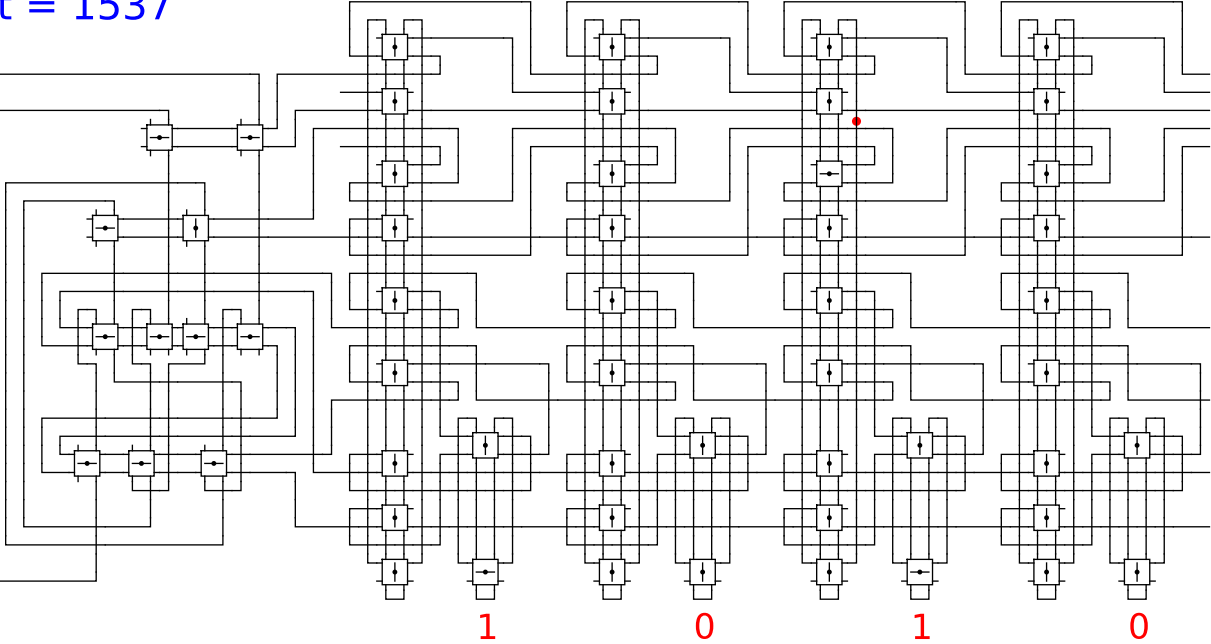
Begin



t = 1537

Reject
Accept

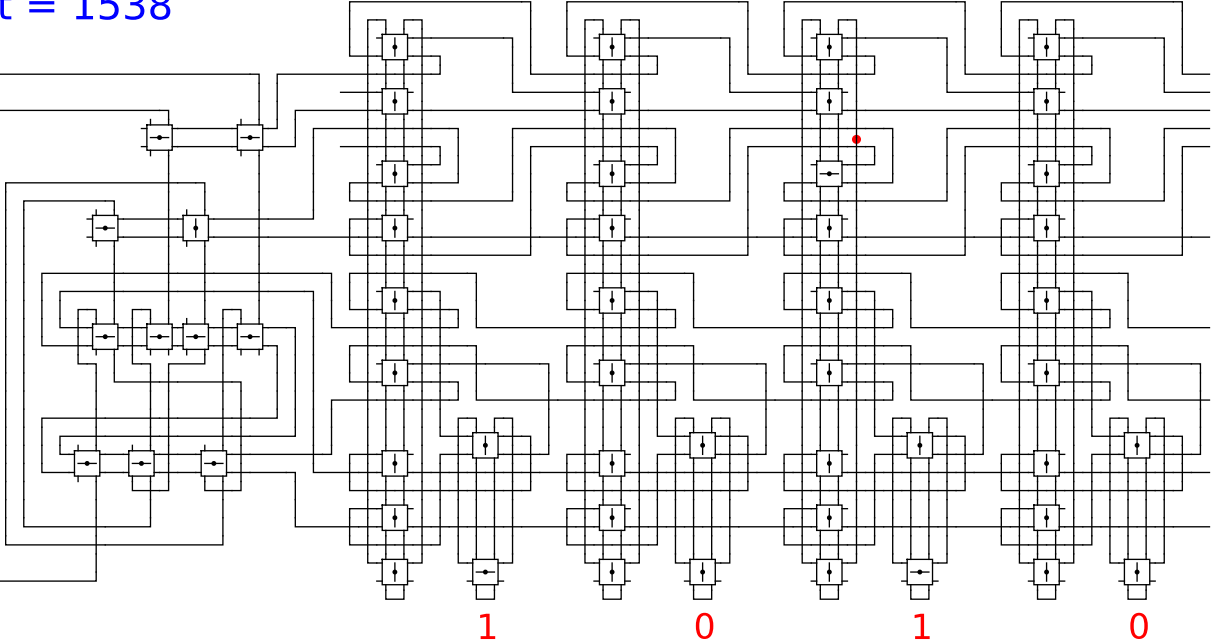
Begin



t = 1538

Reject
Accept

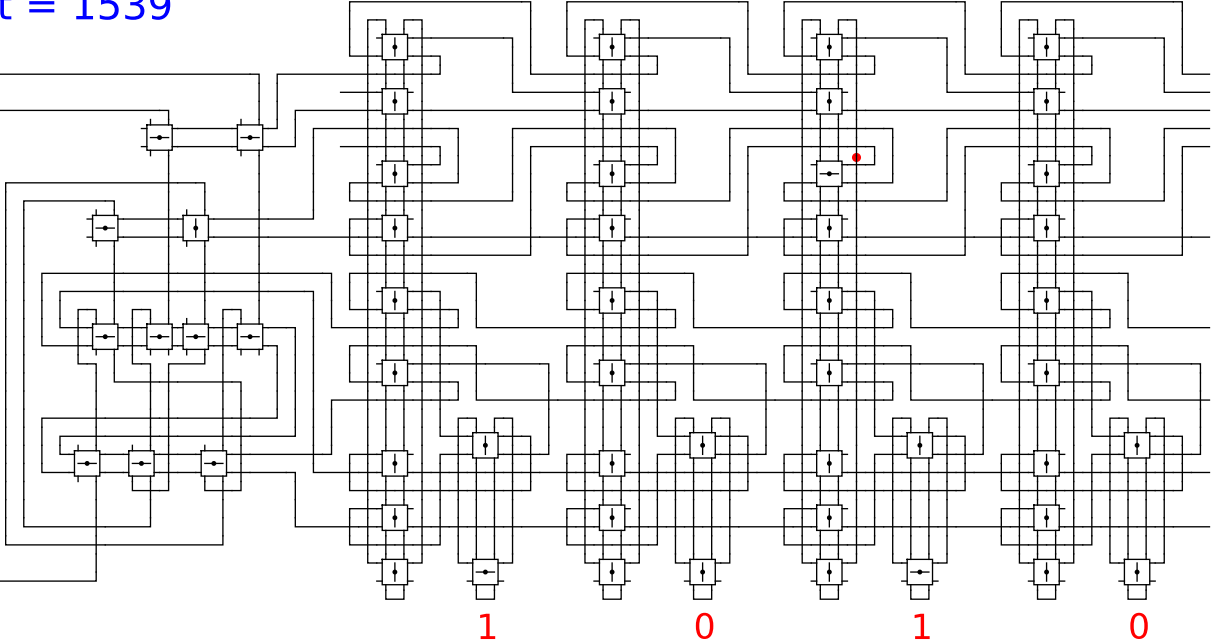
Begin



t = 1539

Reject
Accept

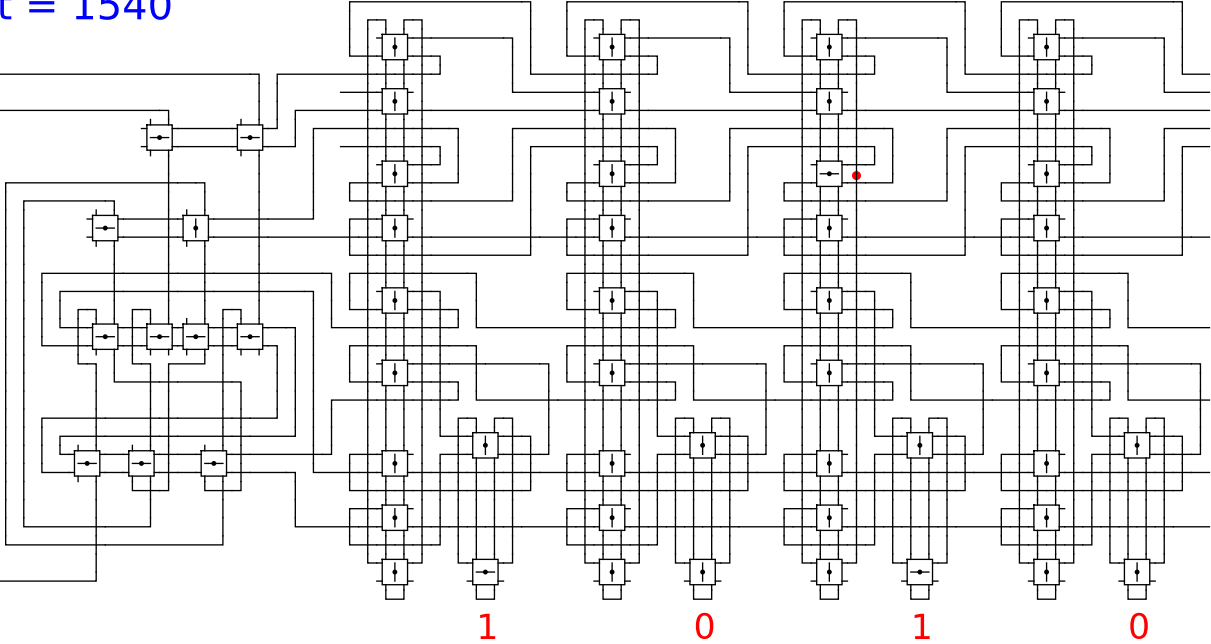
Begin



t = 1540

Reject
Accept

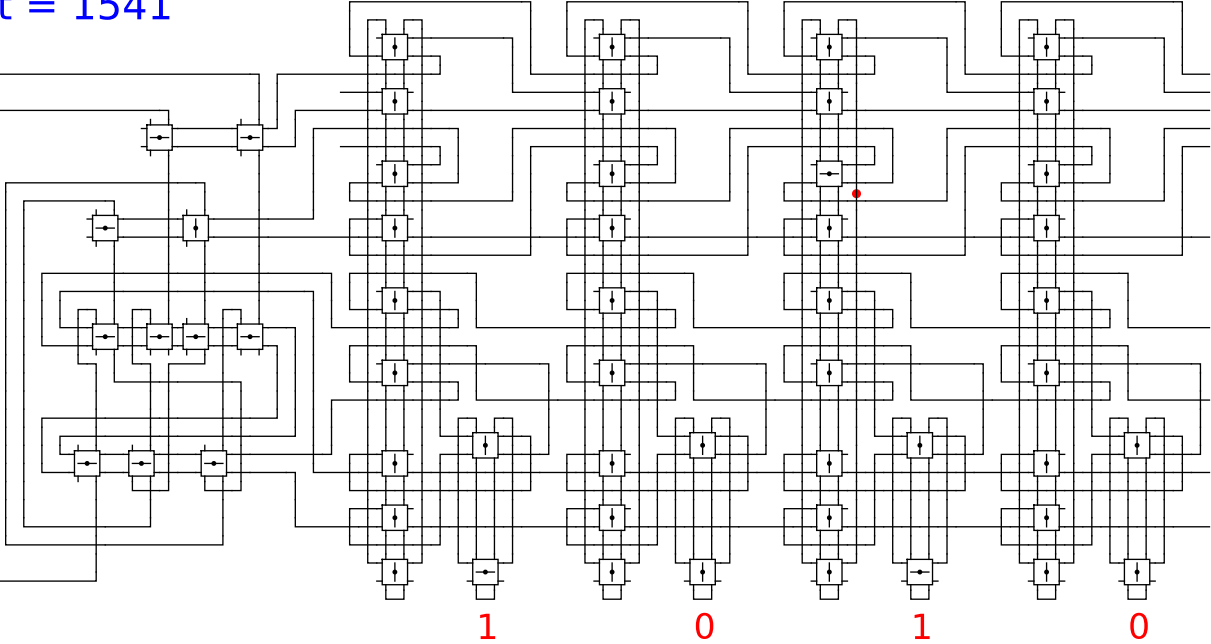
Begin



t = 1541

Reject
Accept

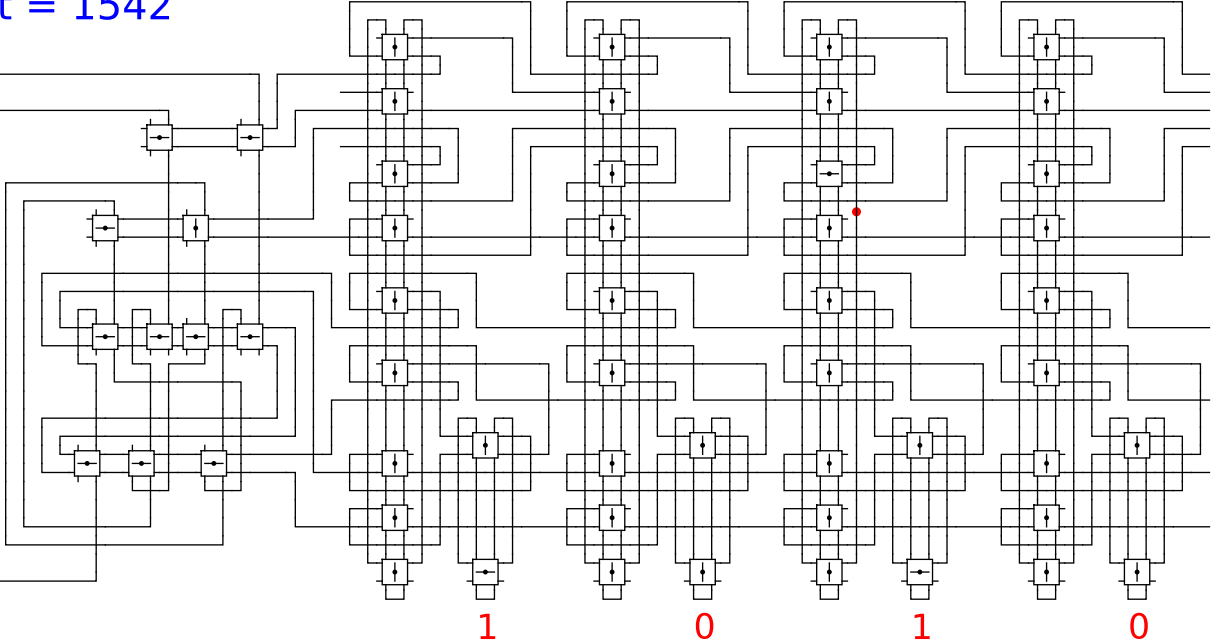
Begin



t = 1542

Reject
Accept

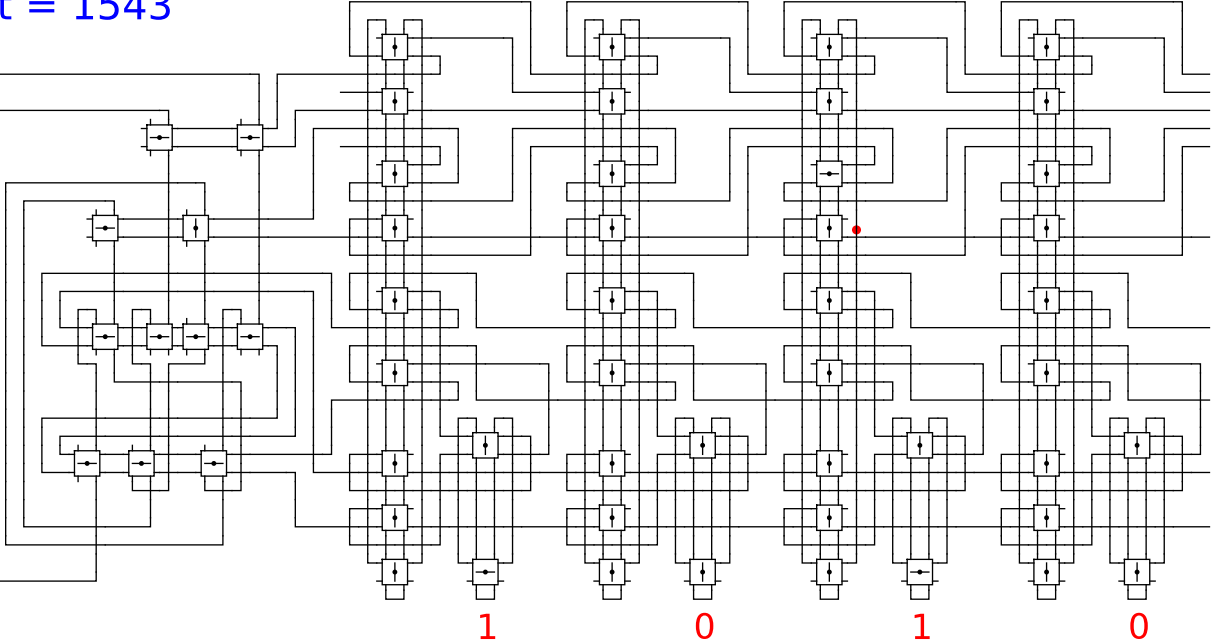
Begin



t = 1543

Reject
Accept

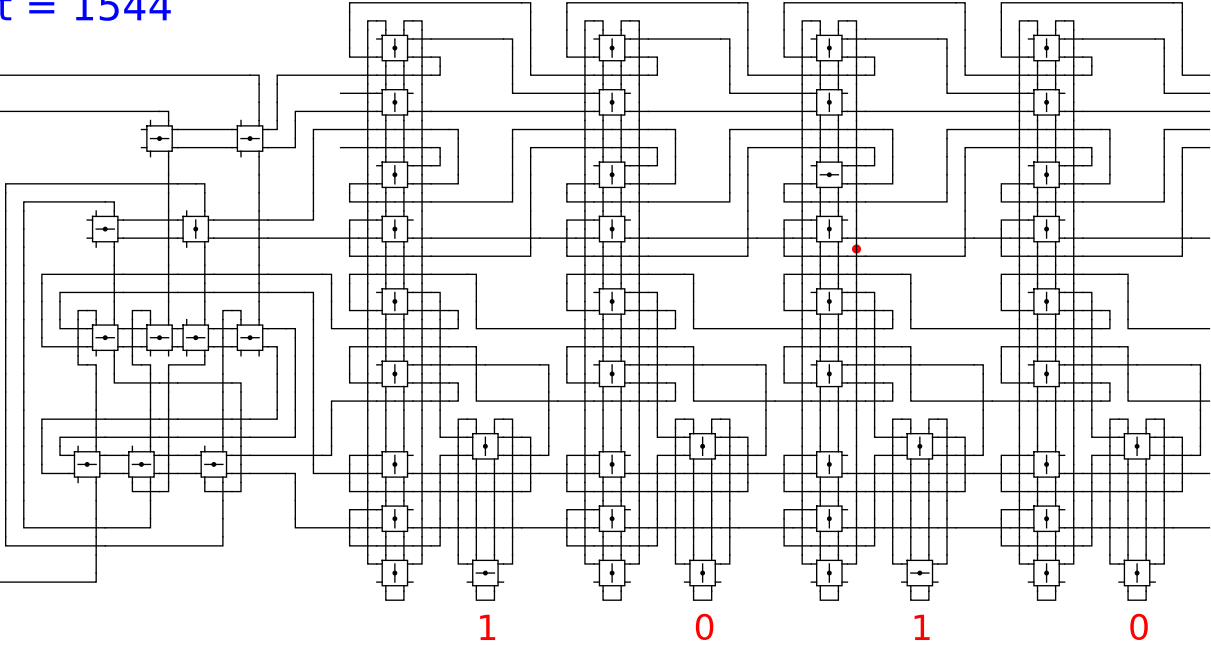
Begin



$t = 1544$

Reject
Accept

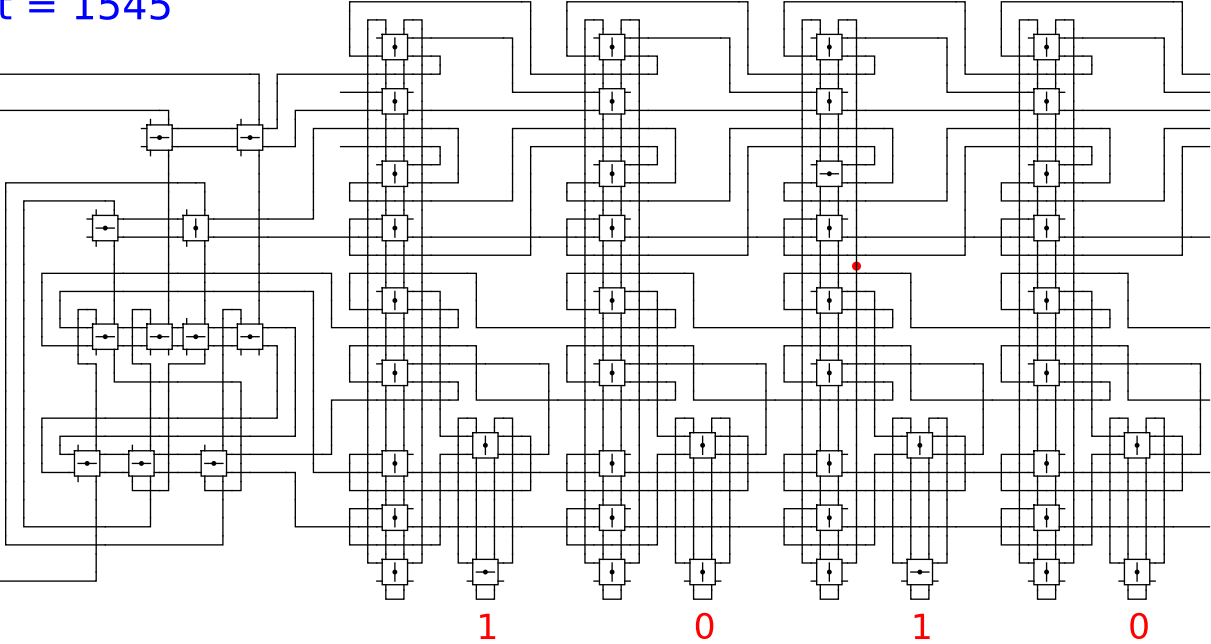
Begin



t = 1545

Reject
Accept

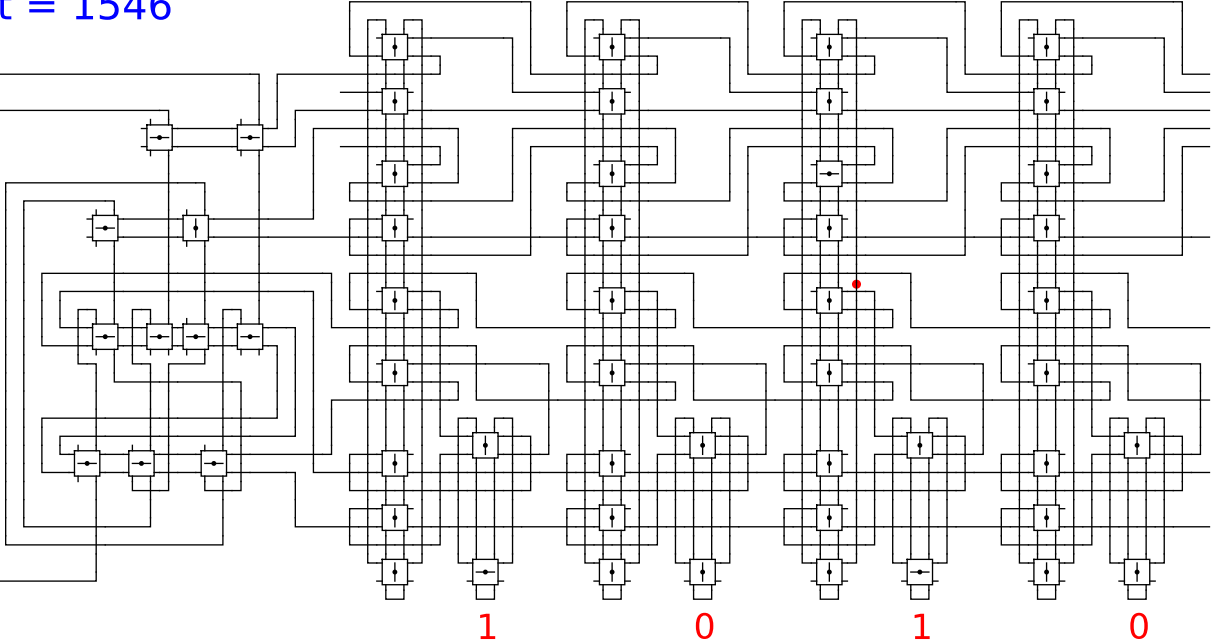
Begin



t = 1546

Reject
Accept

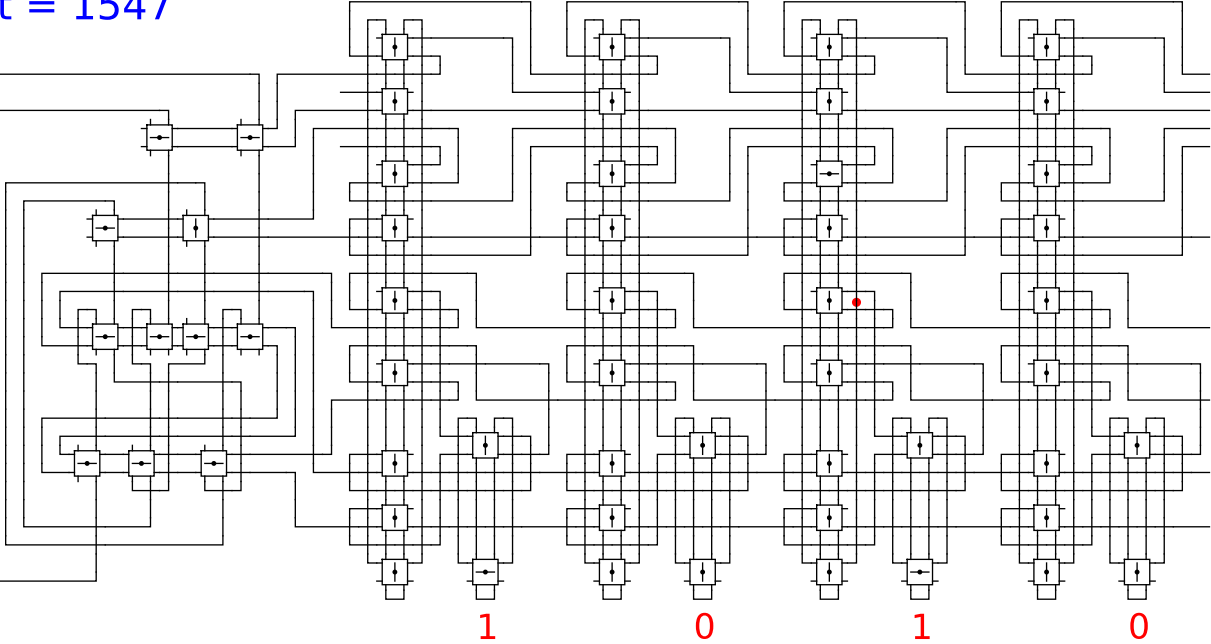
Begin



t = 1547

Reject
Accept

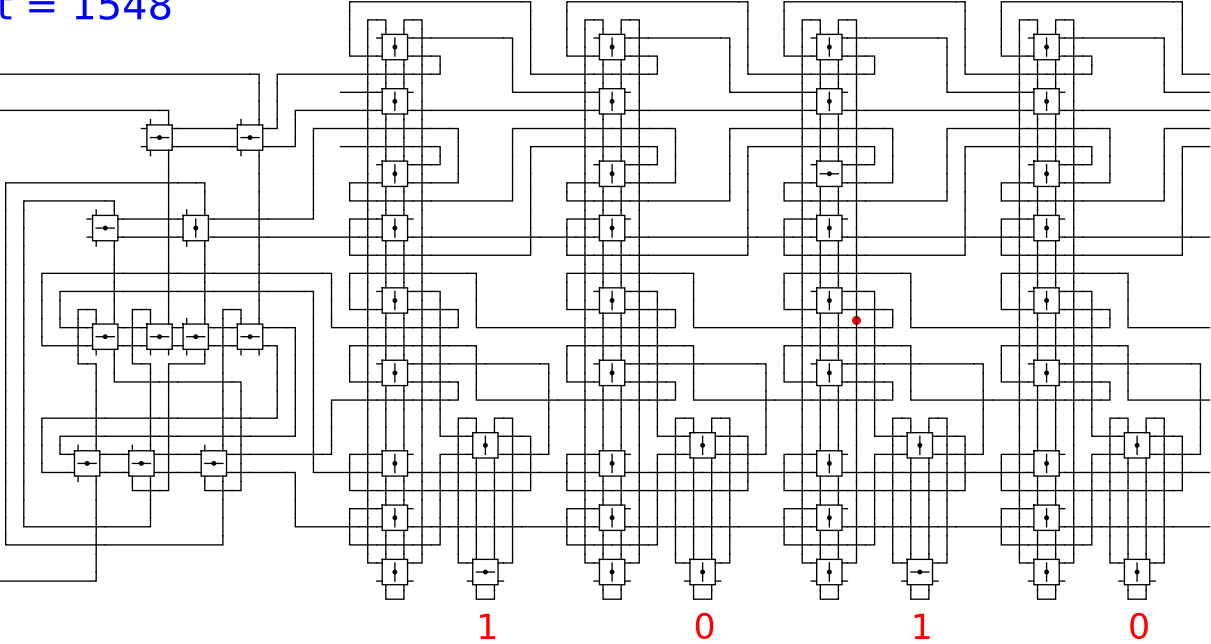
Begin



t = 1548

Reject
Accept

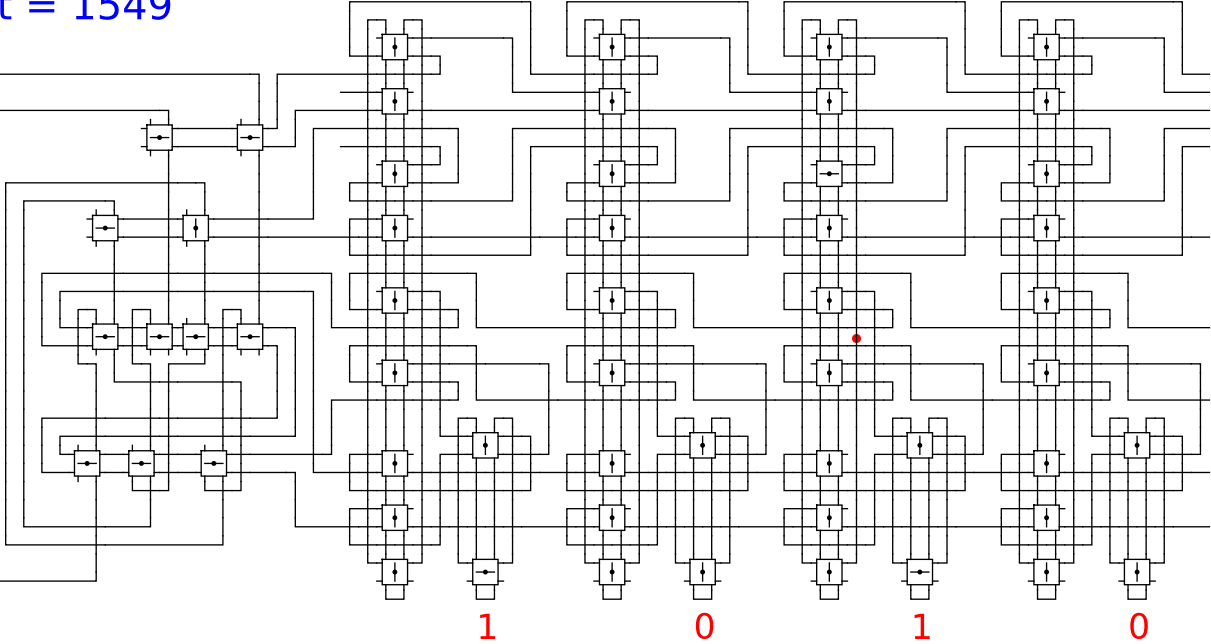
Begin



t = 1549

Reject
Accept

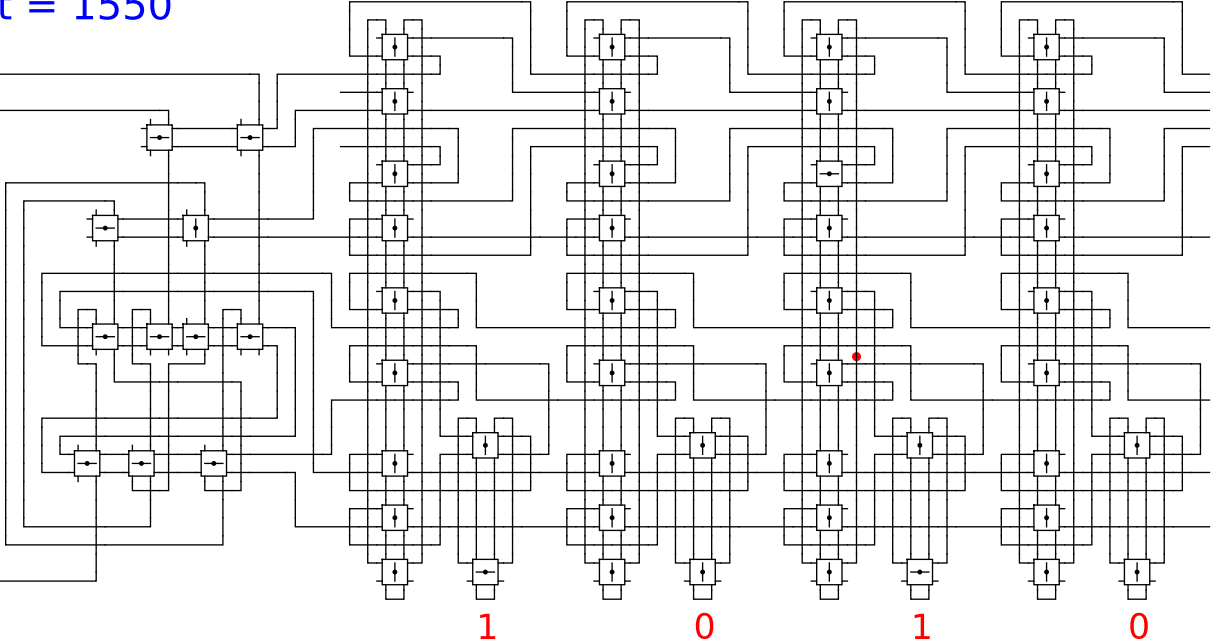
Begin



t = 1550

Reject
Accept

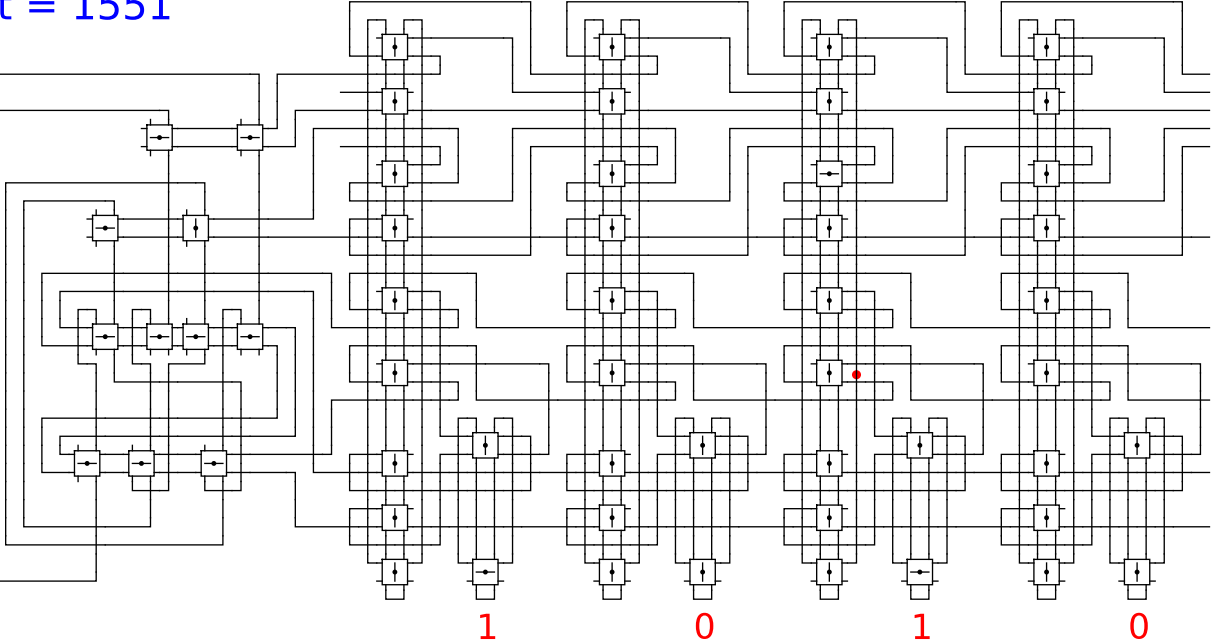
Begin



t = 1551

Reject
Accept

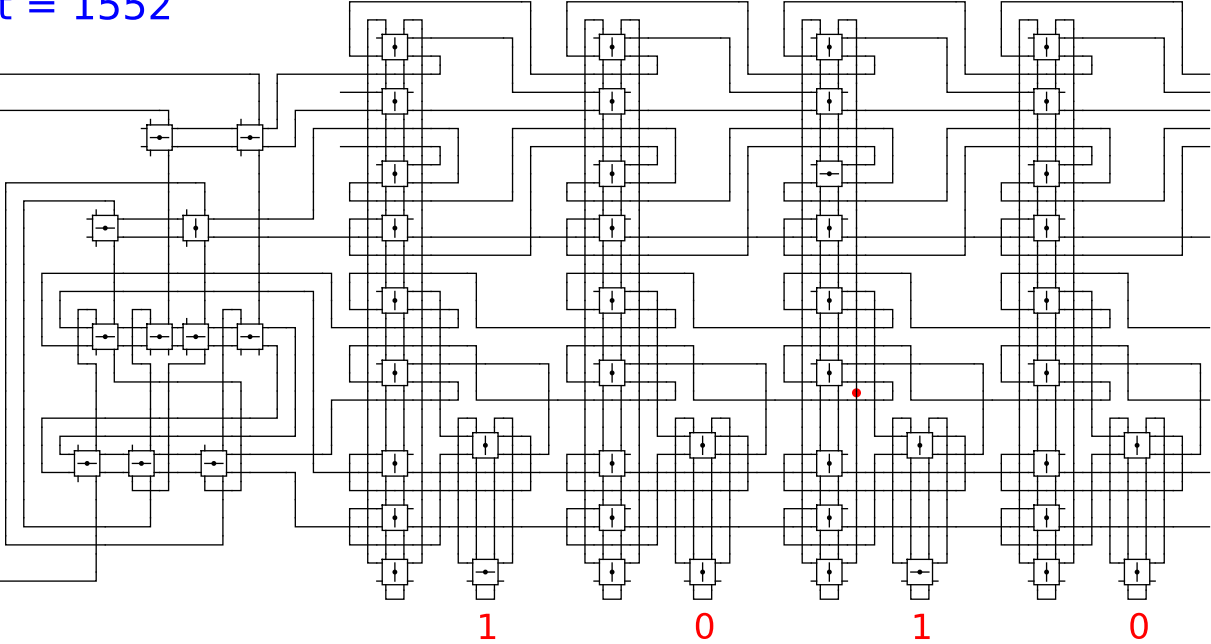
Begin



t = 1552

Reject
Accept

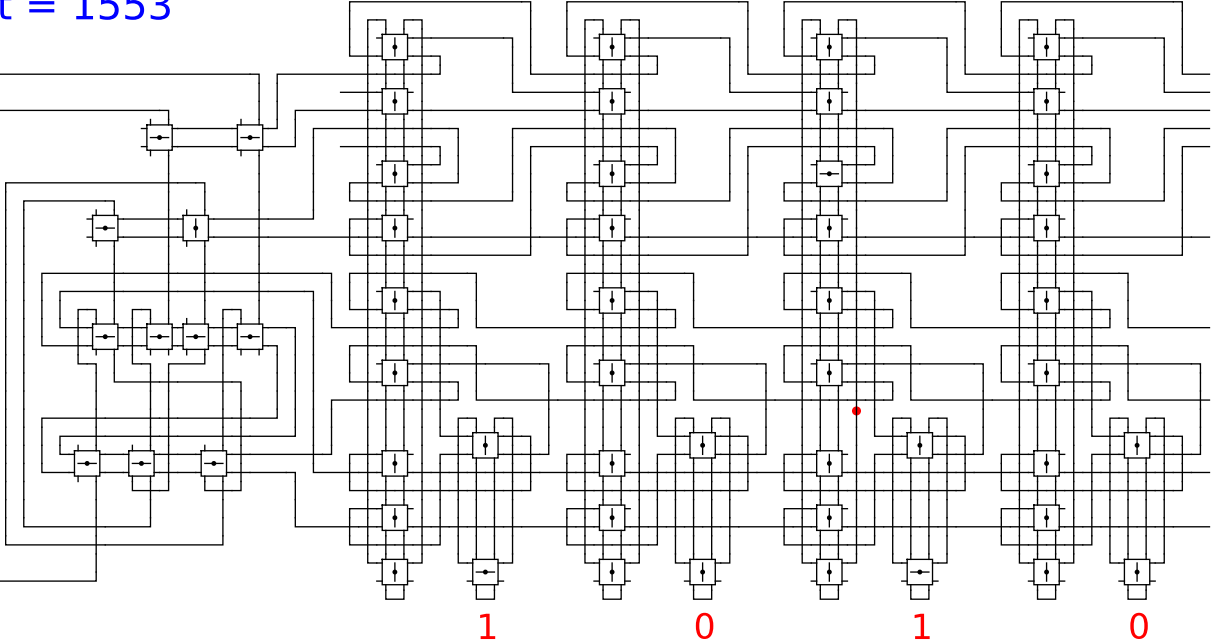
Begin



$t = 1553$

Reject
Accept

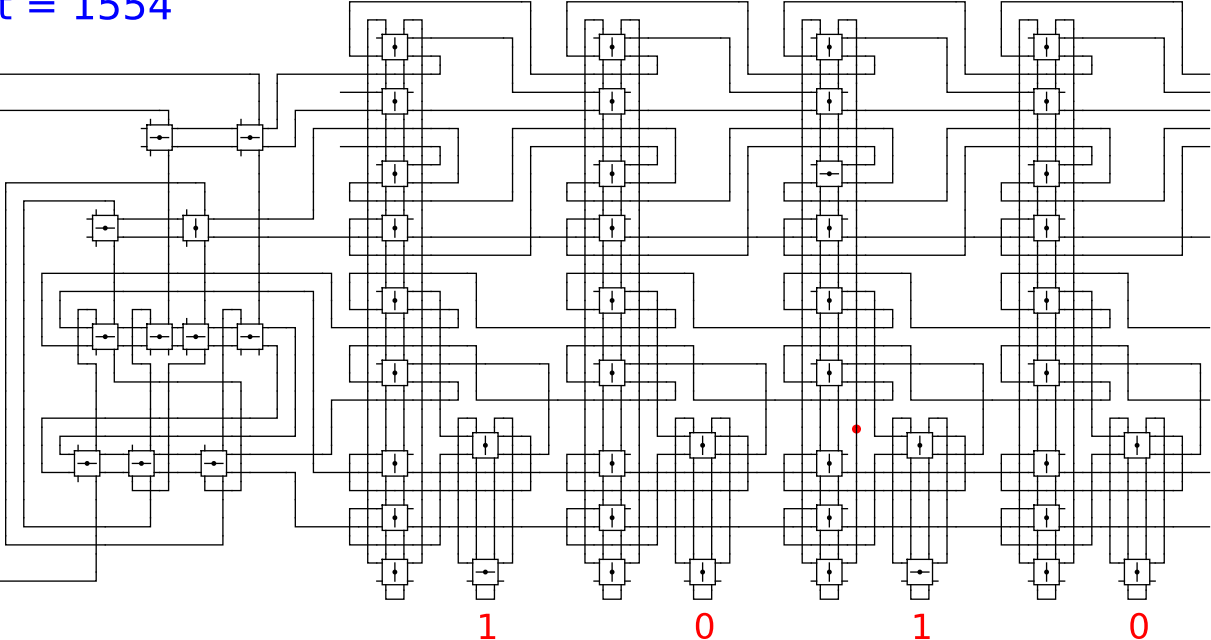
Begin



t = 1554

Reject
Accept

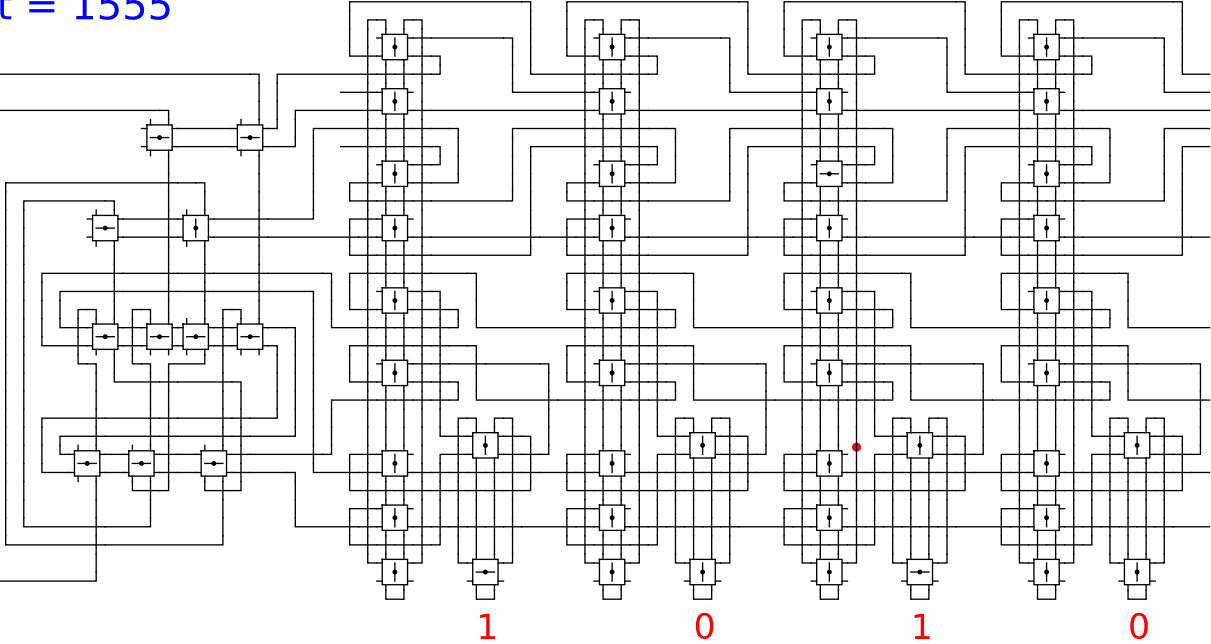
Begin



t = 1555

Reject
Accept

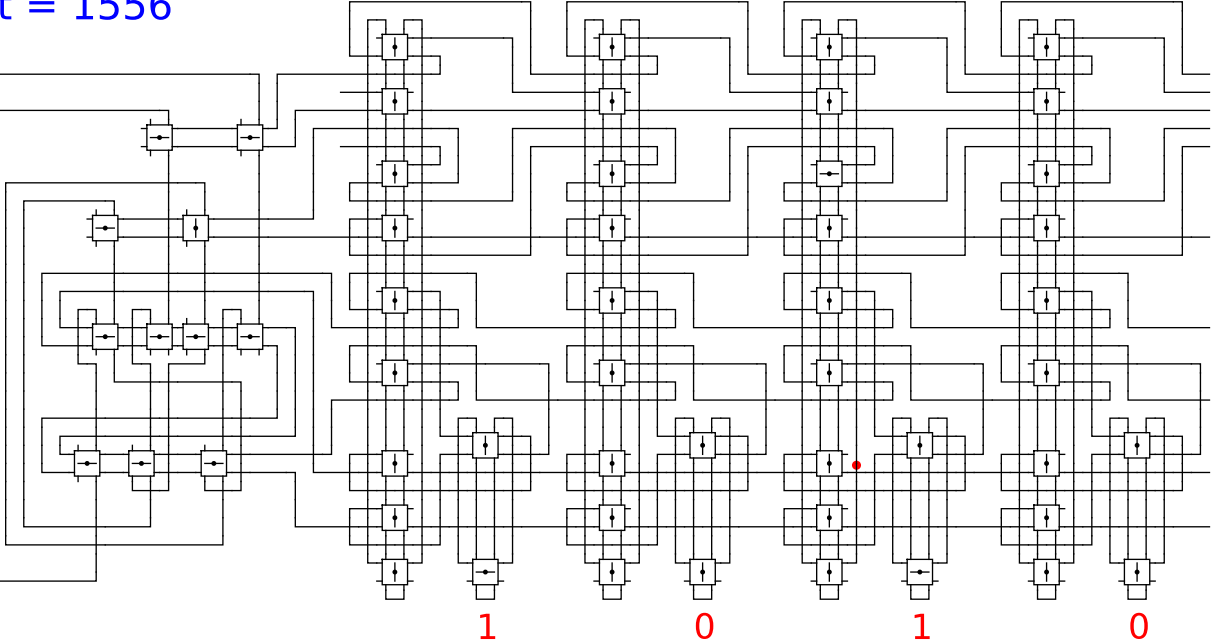
Begin



t = 1556

Reject
Accept

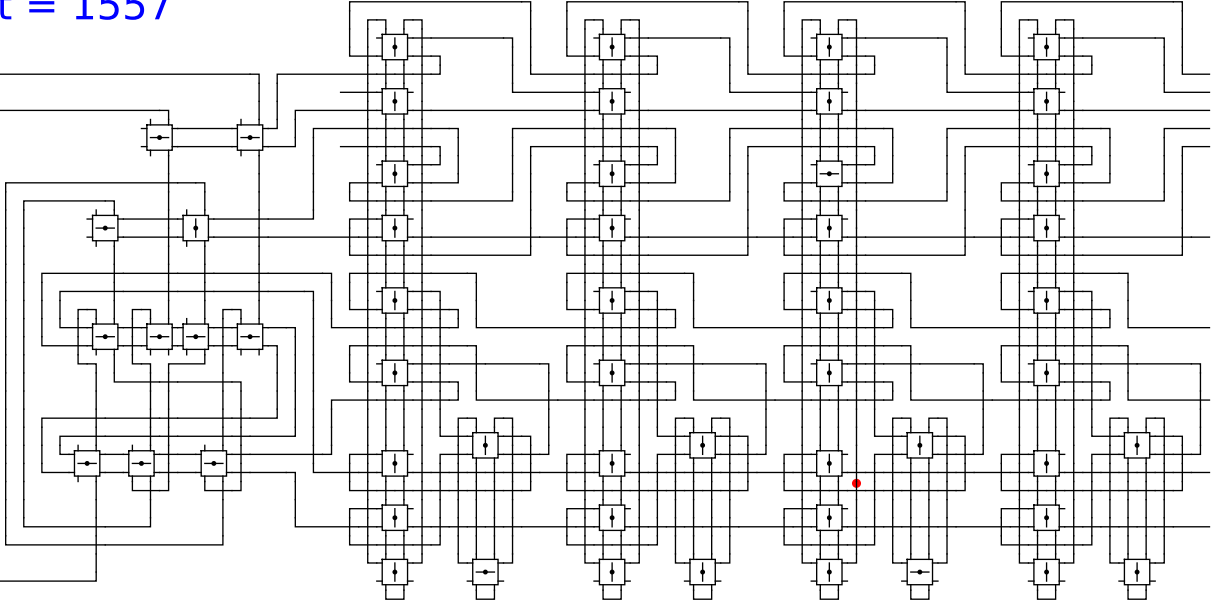
Begin



t = 1557

Reject
Accept

Begin



1

0

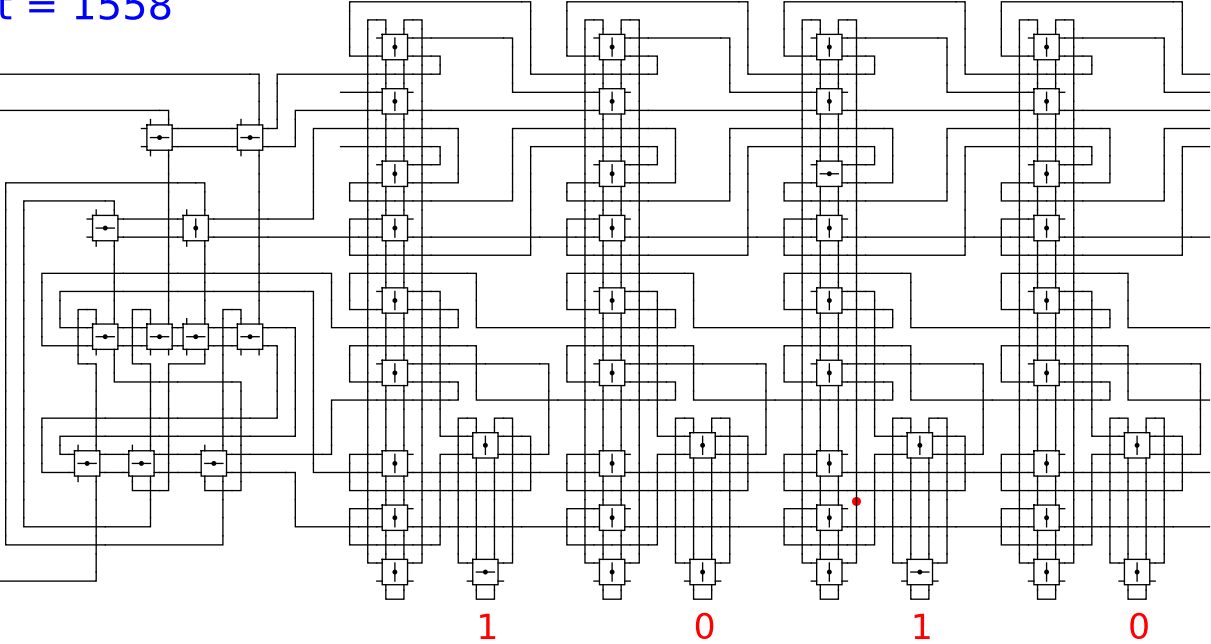
1

0

t = 1558

Reject
Accept

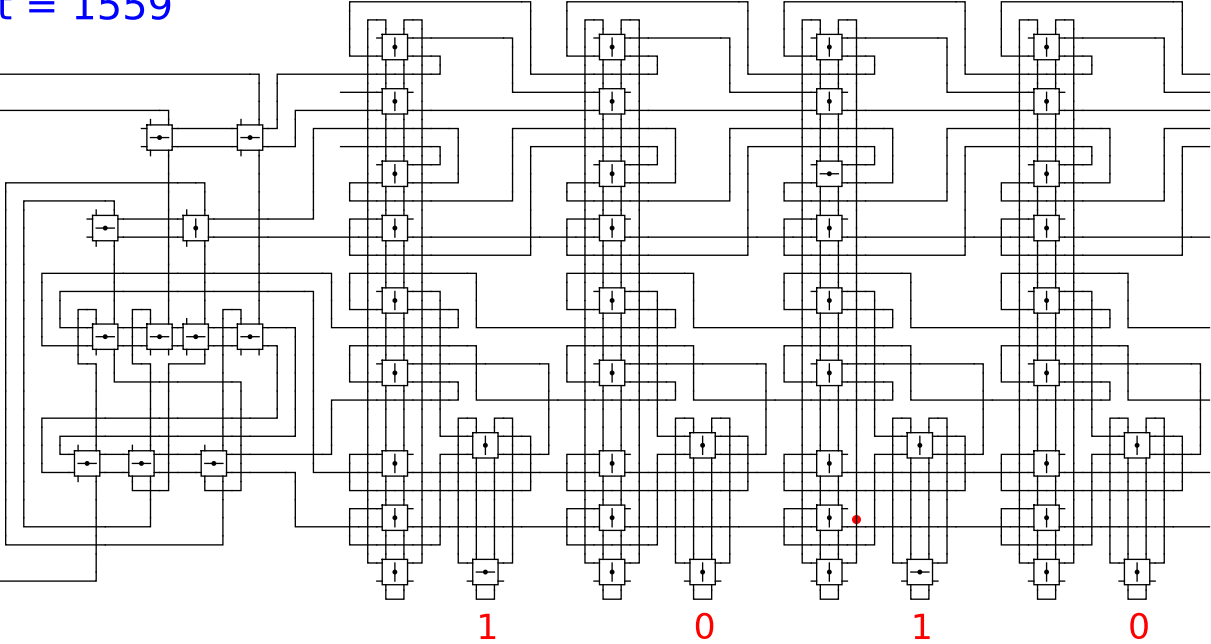
Begin



t = 1559

Reject
Accept

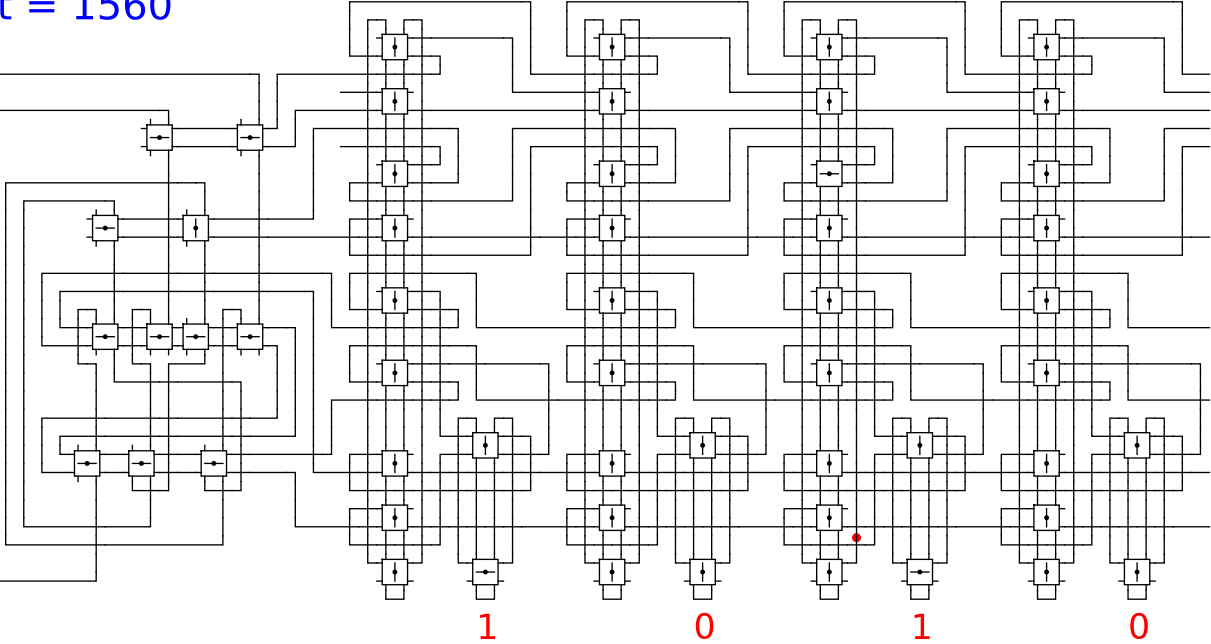
Begin



$t = 1560$

Reject
Accept

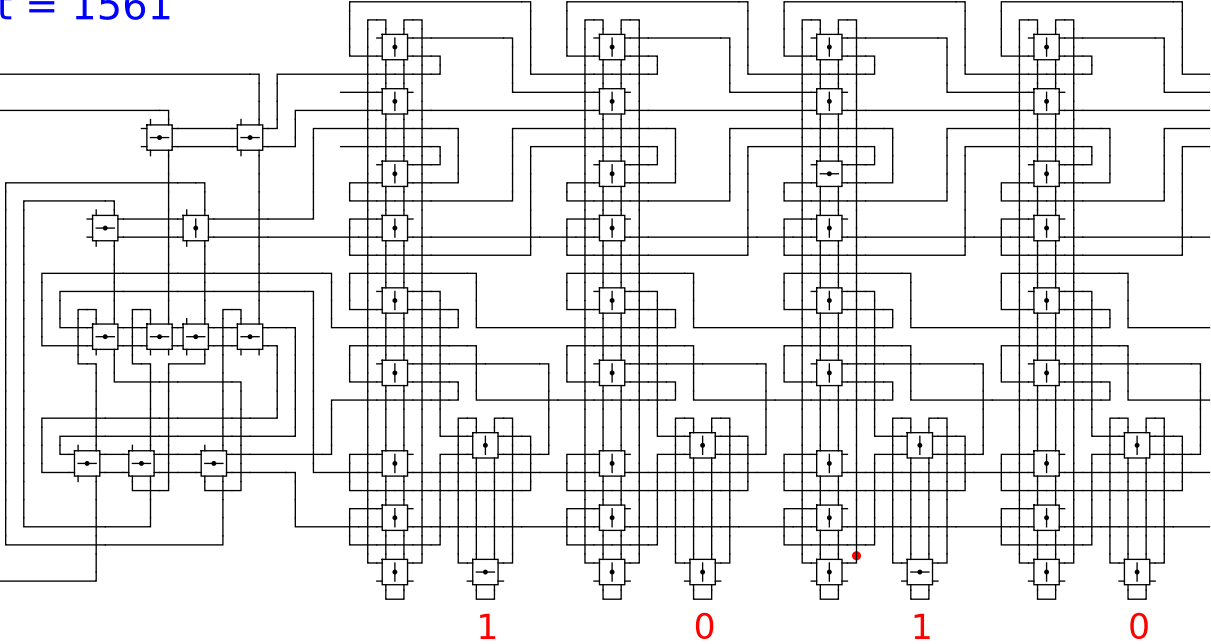
Begin



t = 1561

Reject
Accept

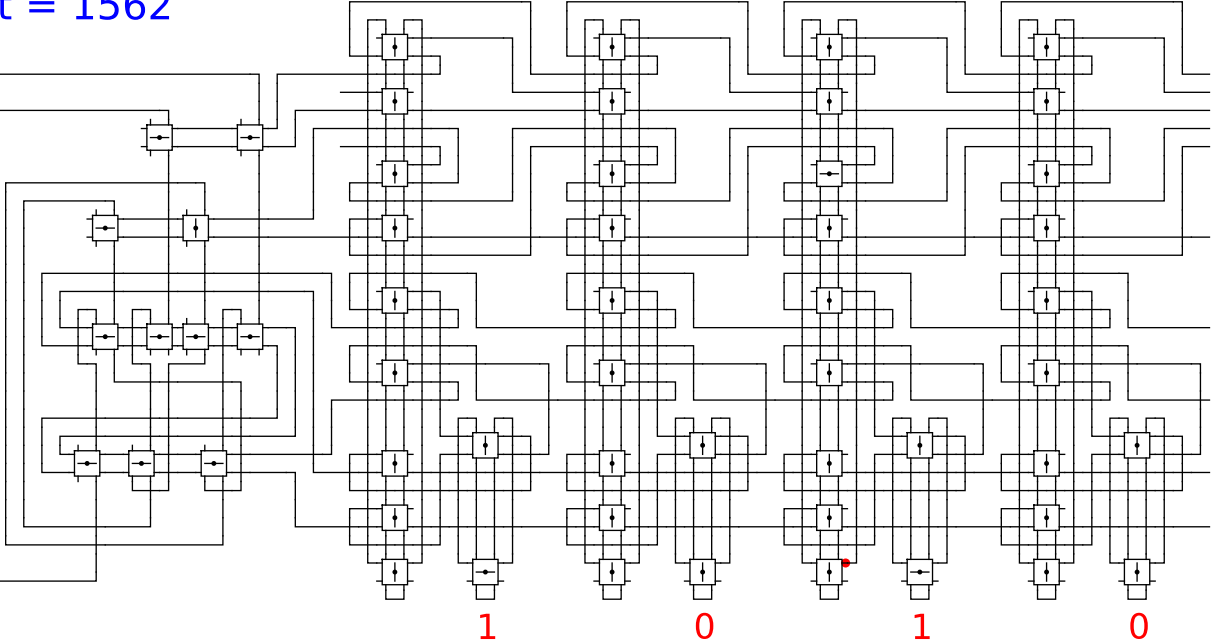
Begin



t = 1562

Reject
Accept

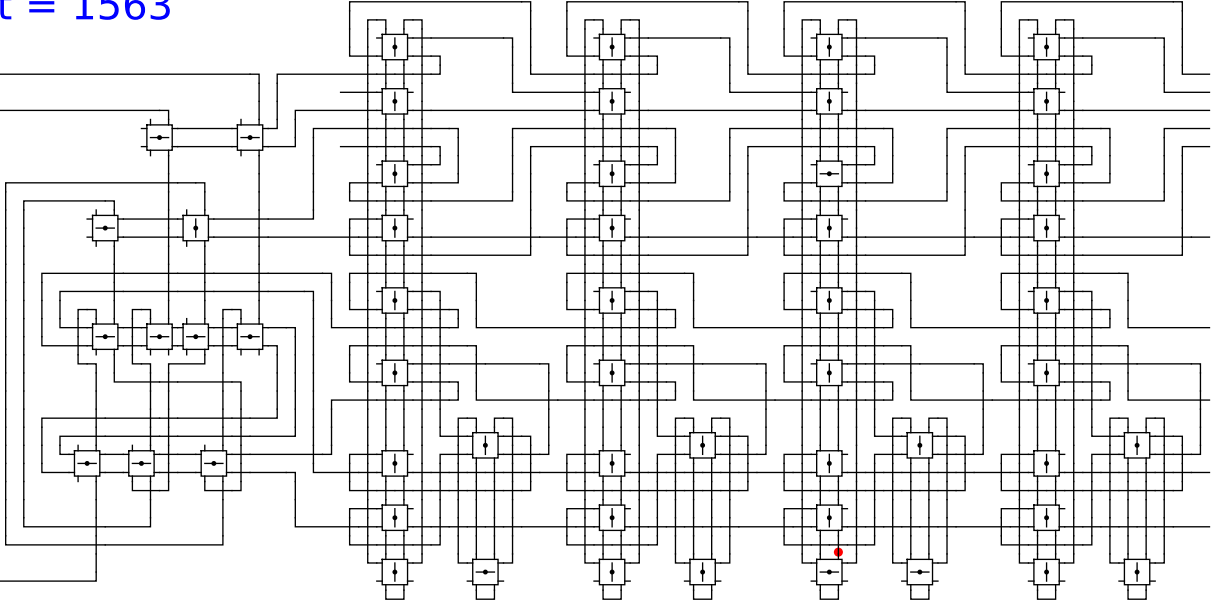
Begin



t = 1563

Reject
Accept

Begin

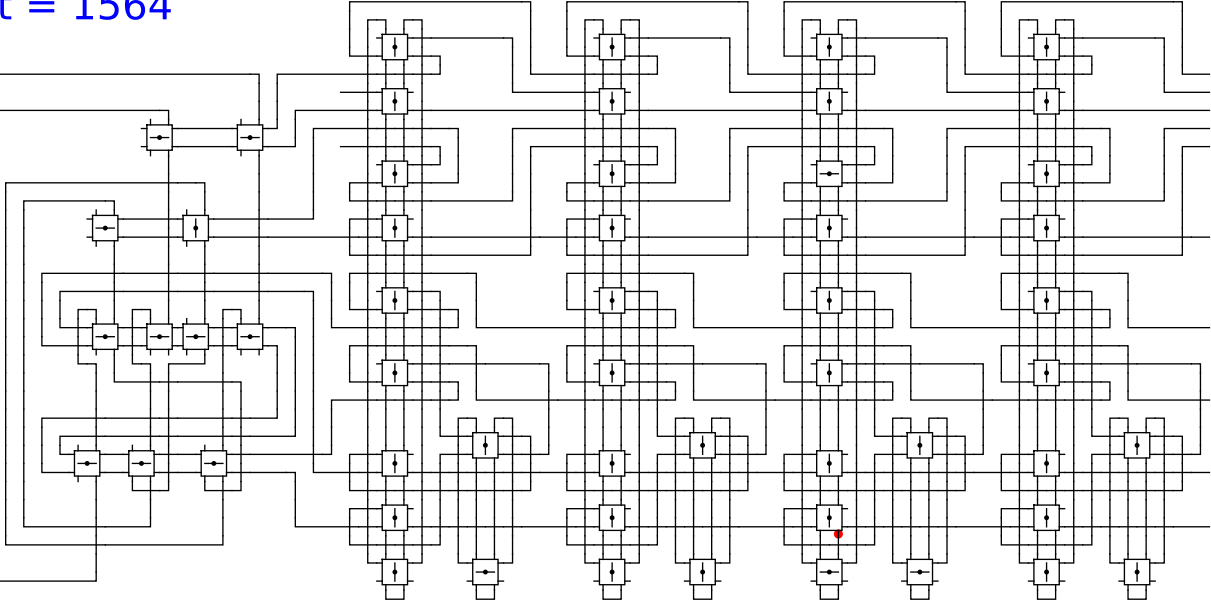


1 0 head 1 0

t = 1564

Reject
Accept

Begin

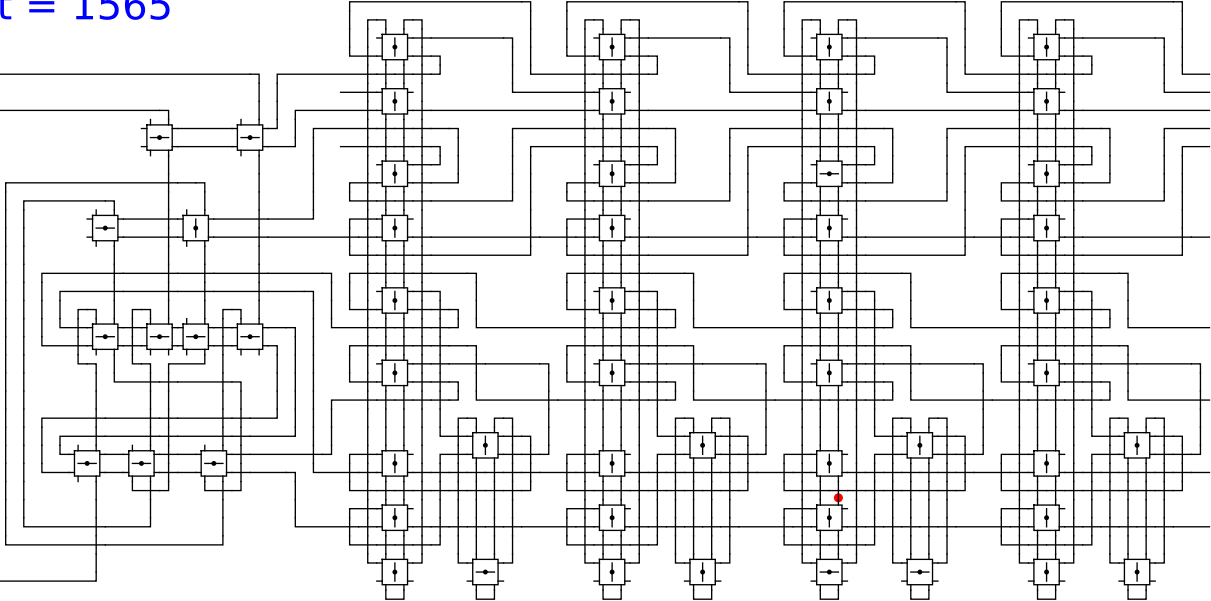


1 0 head 1 0

t = 1565

Reject
Accept

Begin

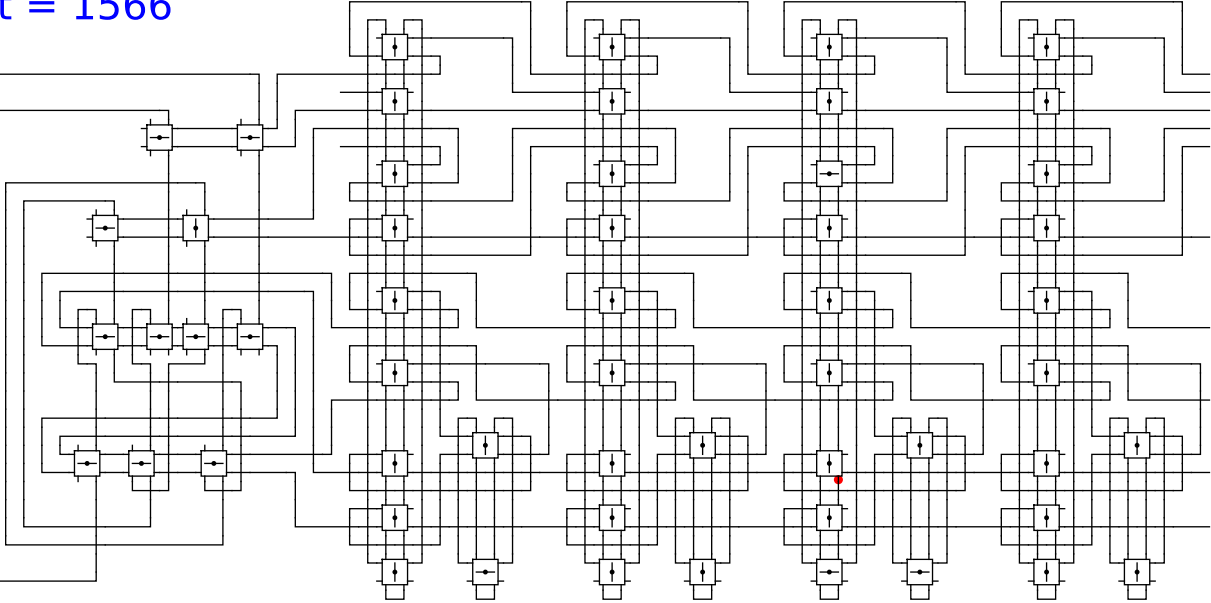


1 0 head 1 0

t = 1566

Reject
Accept

Begin

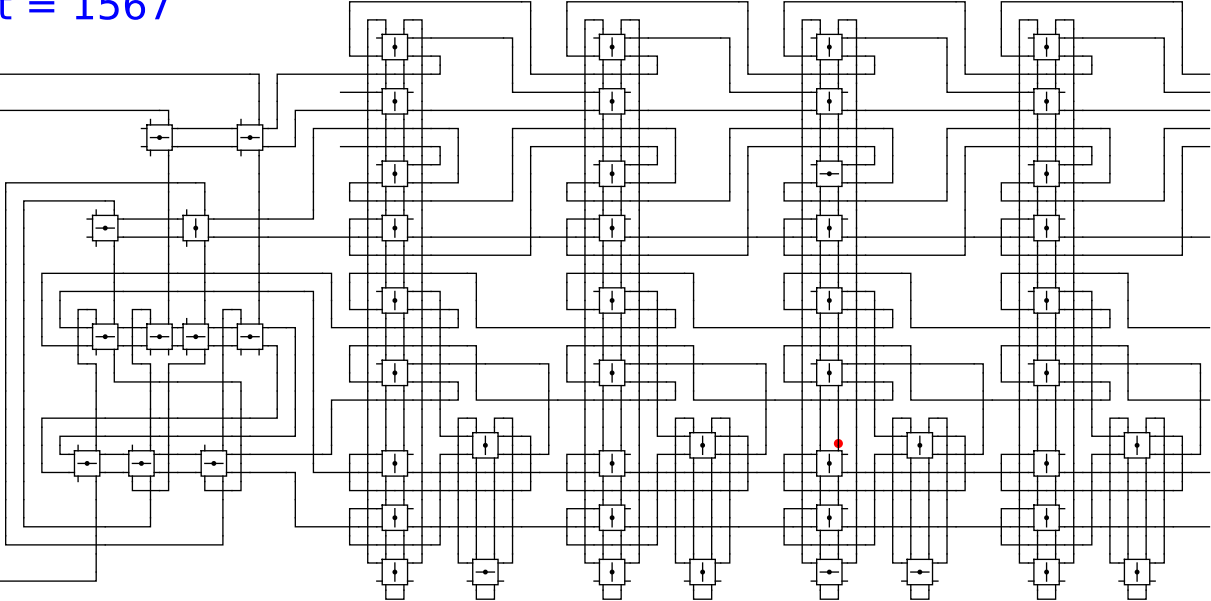


1 0 head 1 0

t = 1567

Reject
Accept

Begin

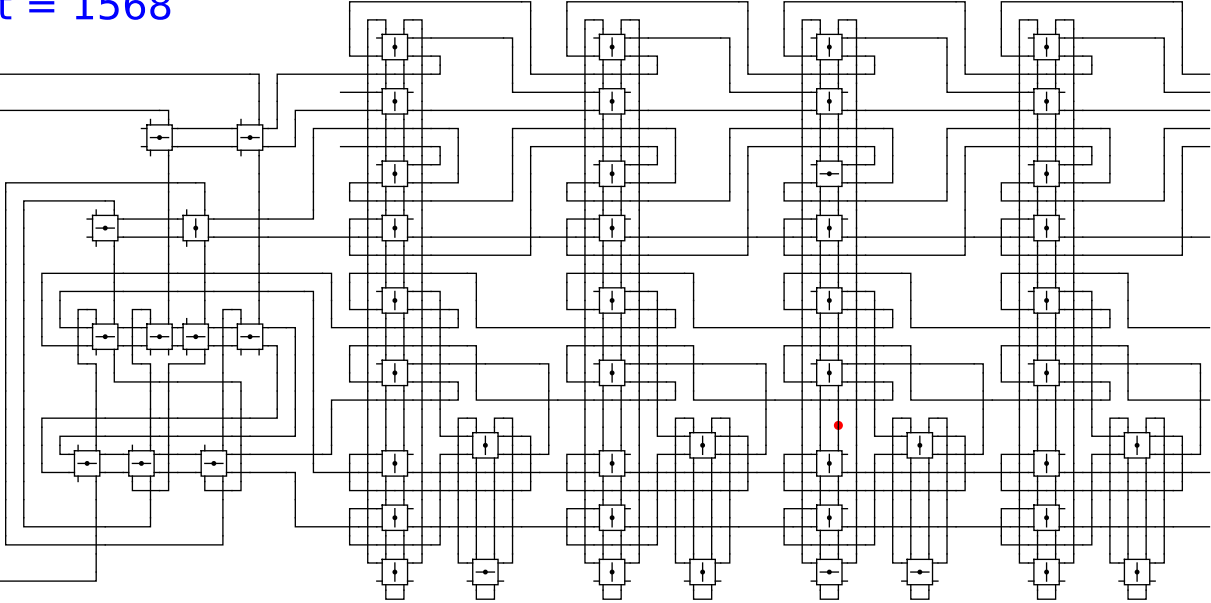


1 0 head 1 0

t = 1568

Reject
Accept

Begin

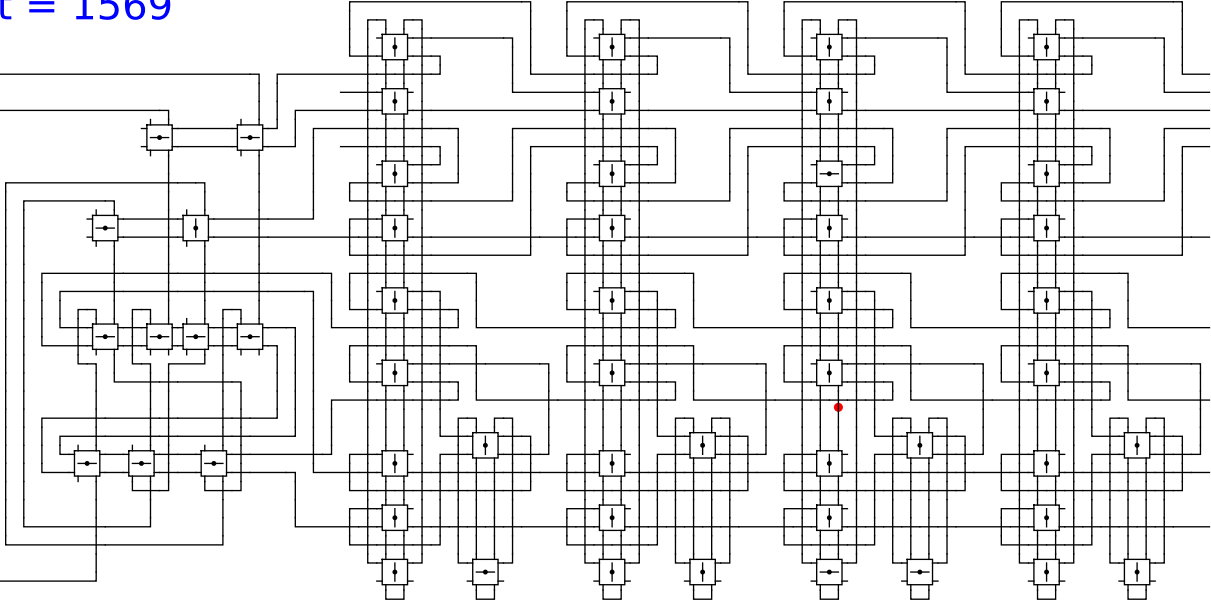


1 0 head 1 0

t = 1569

Reject
Accept

Begin

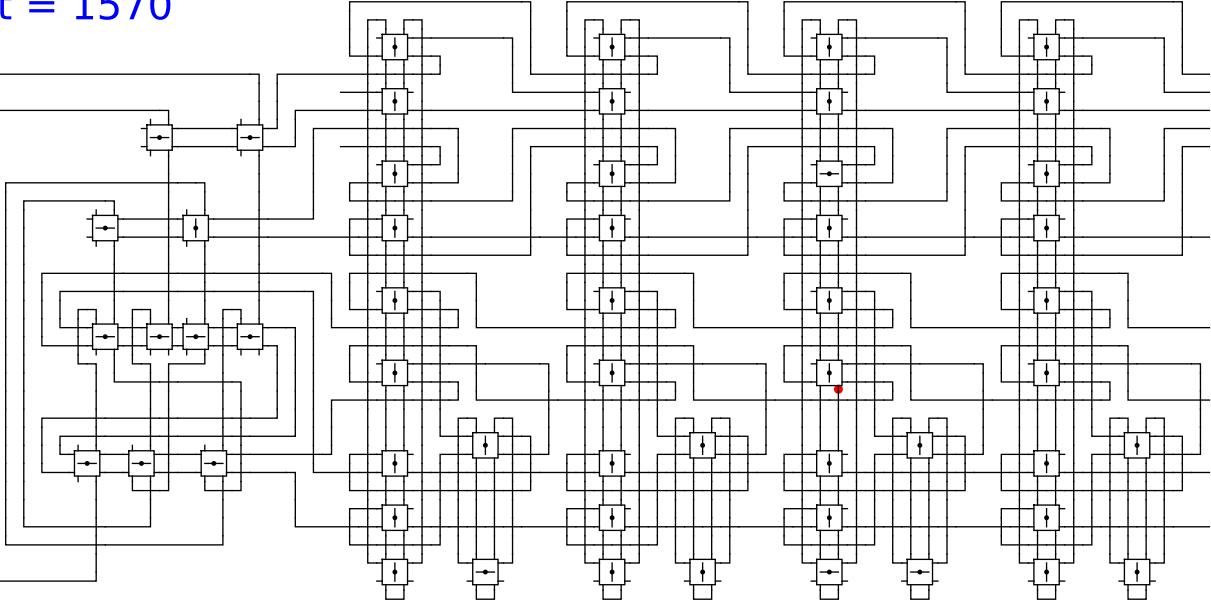


1 0 head 1 0

t = 1570

Reject
Accept

Begin

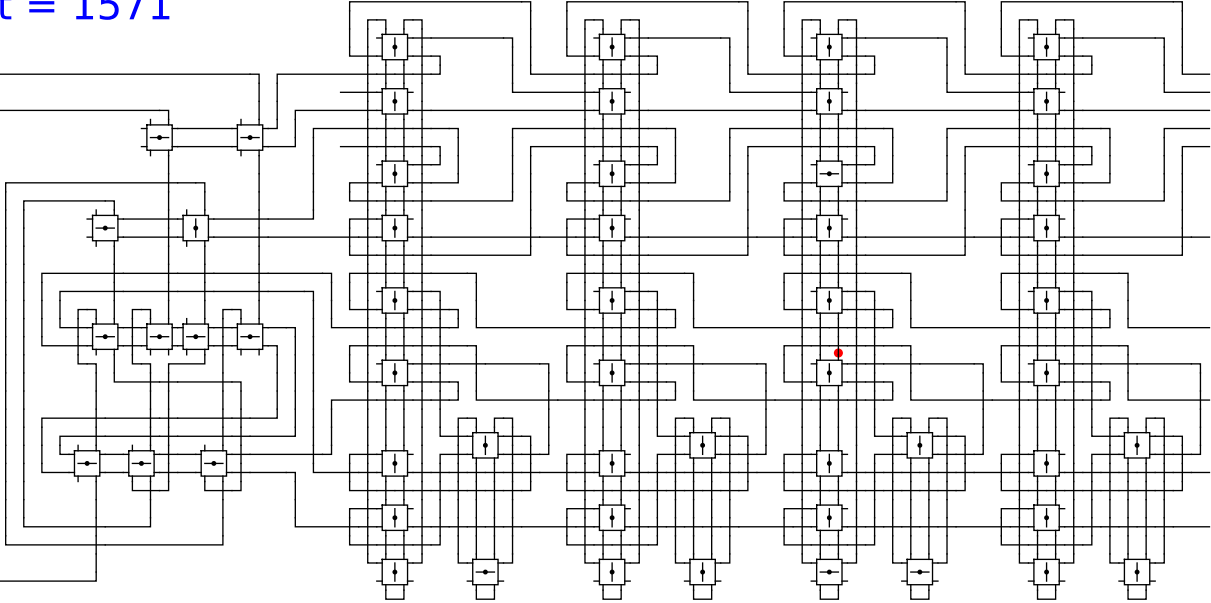


1 0 head 1 0

t = 1571

Reject
Accept

Begin

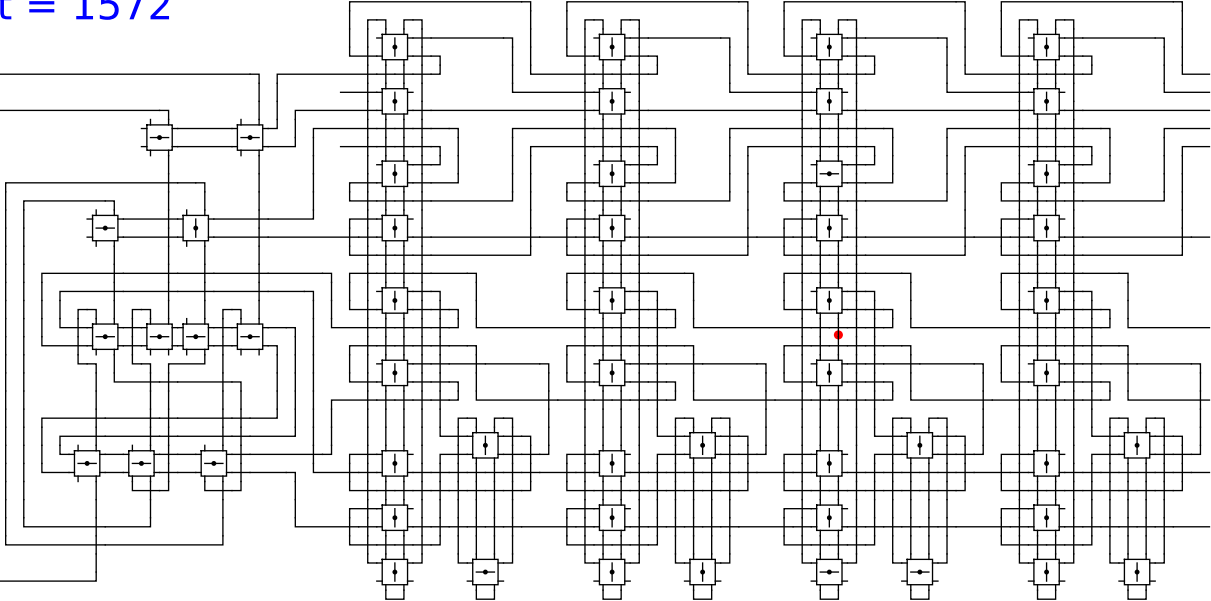


1 0 head 1 0

t = 1572

Reject
Accept

Begin

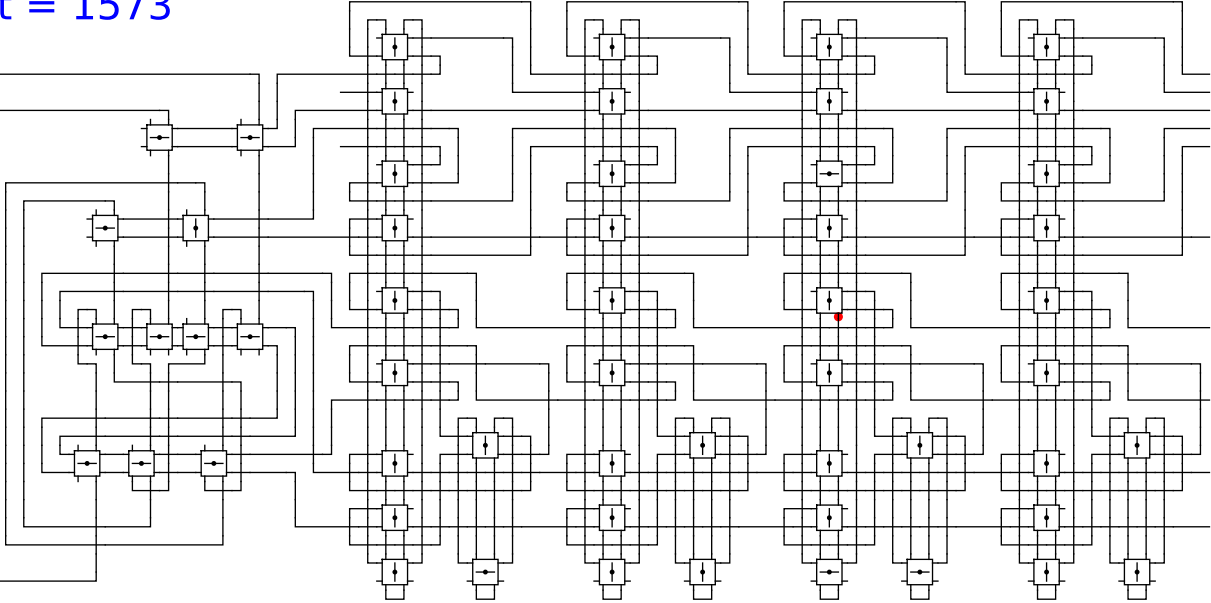


1 0 head 1 0

t = 1573

Reject
Accept

Begin

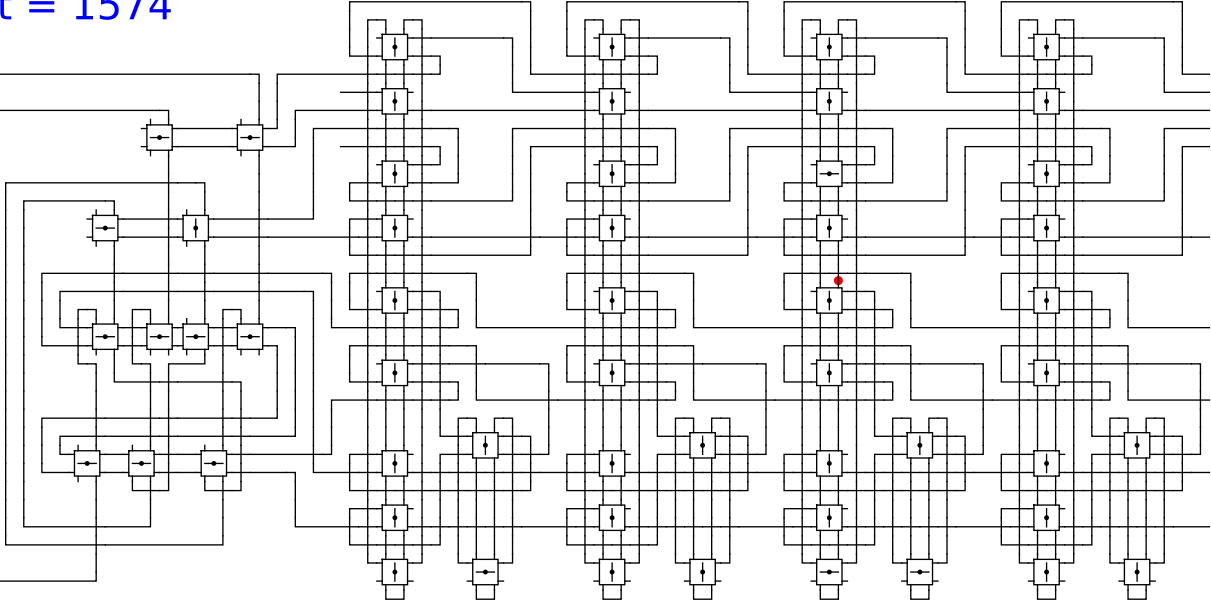


1 0 head 1 0

t = 1574

Reject
Accept

Begin

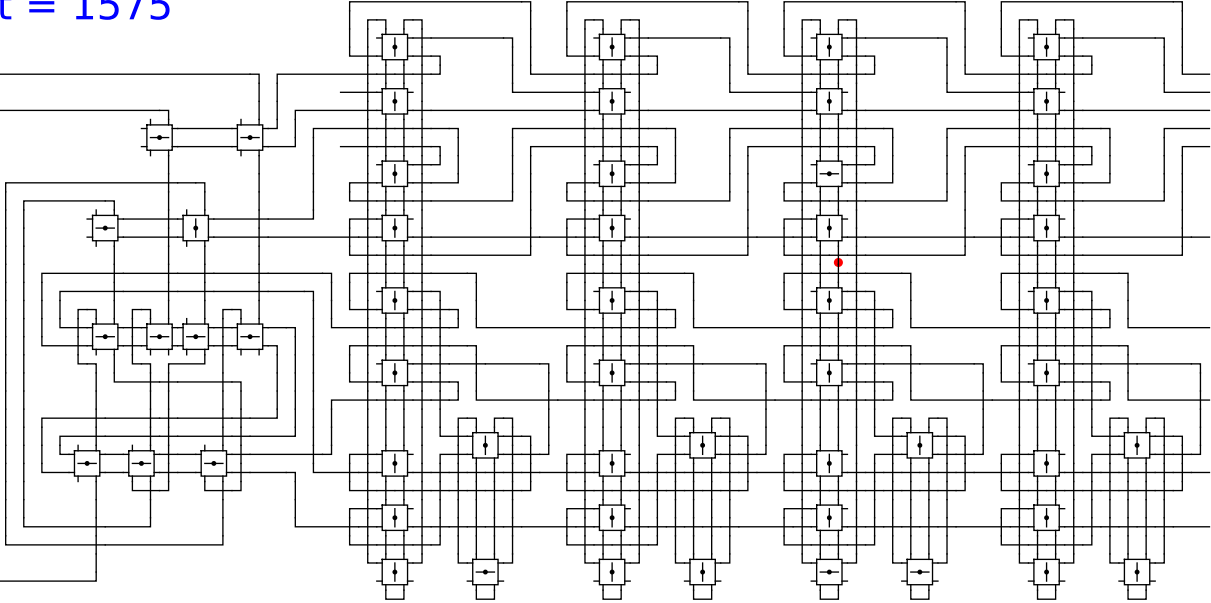


1 0 head 1 0

t = 1575

Reject
Accept

Begin

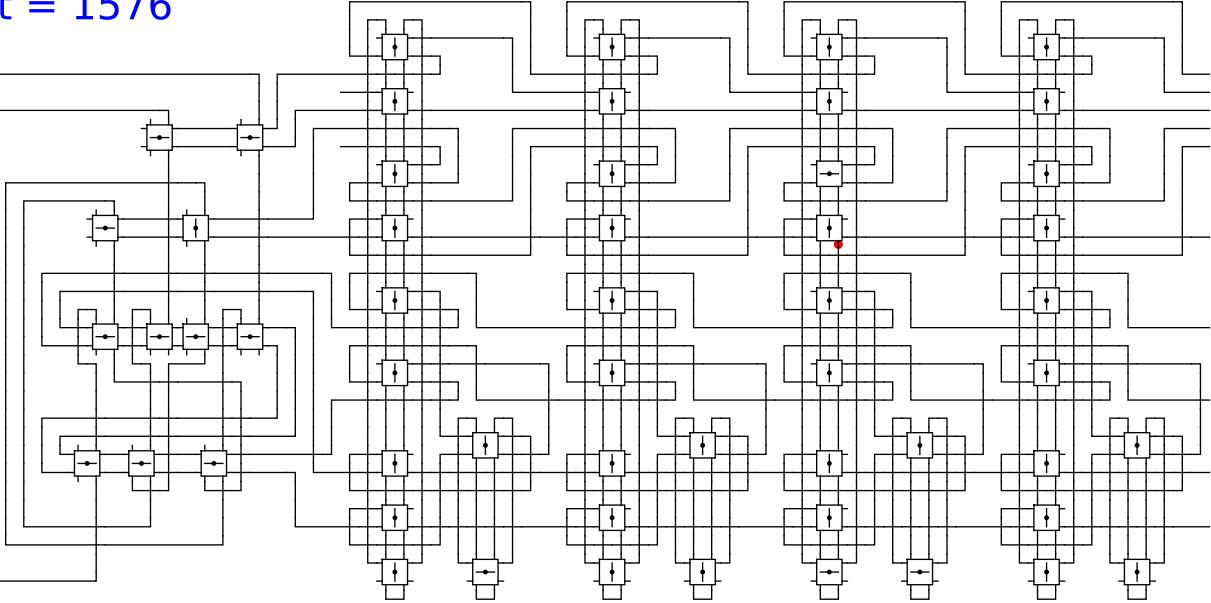


1 0 head 1 0

t = 1576

Reject
Accept

Begin

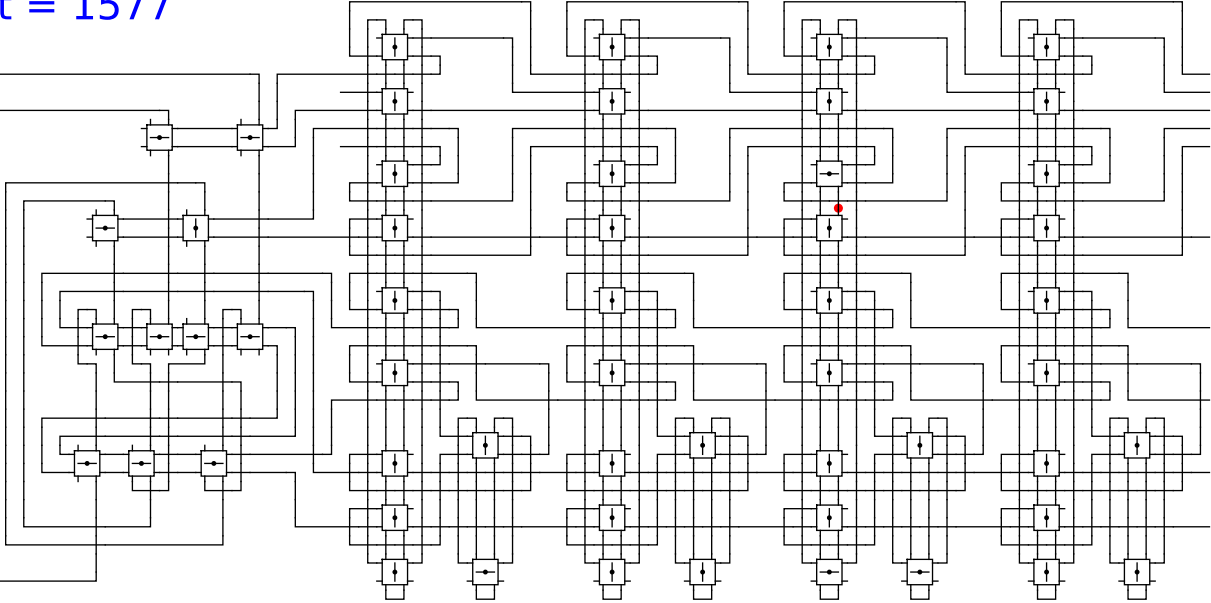


1 0 head 1 0

t = 1577

Reject
Accept

Begin

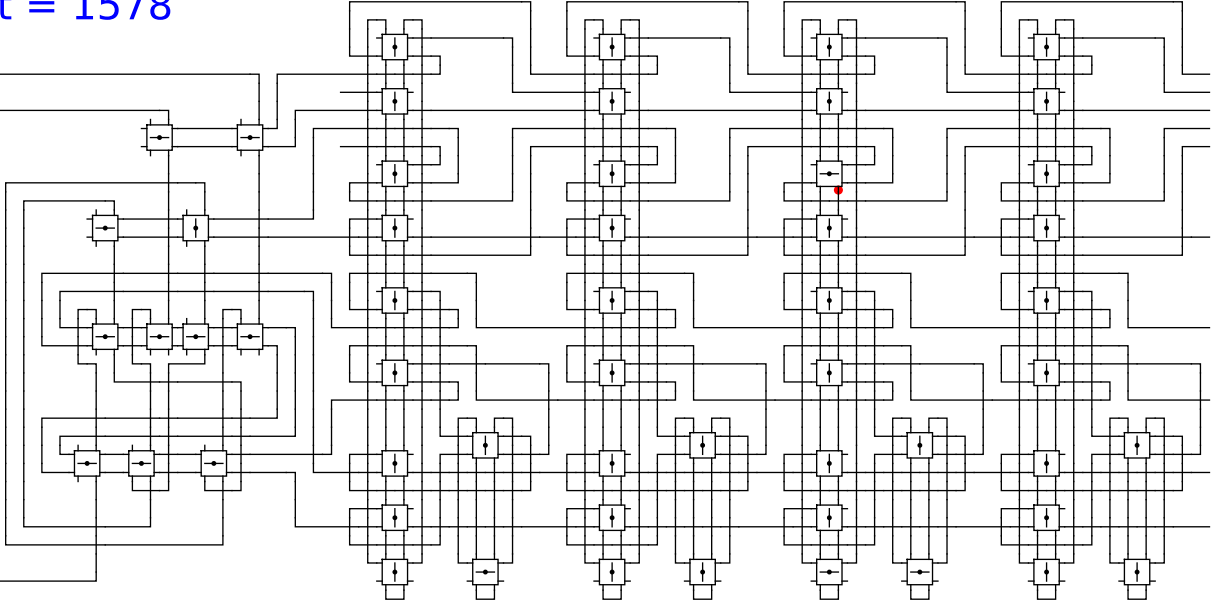


1 0 head 1 0

t = 1578

Reject
Accept

Begin

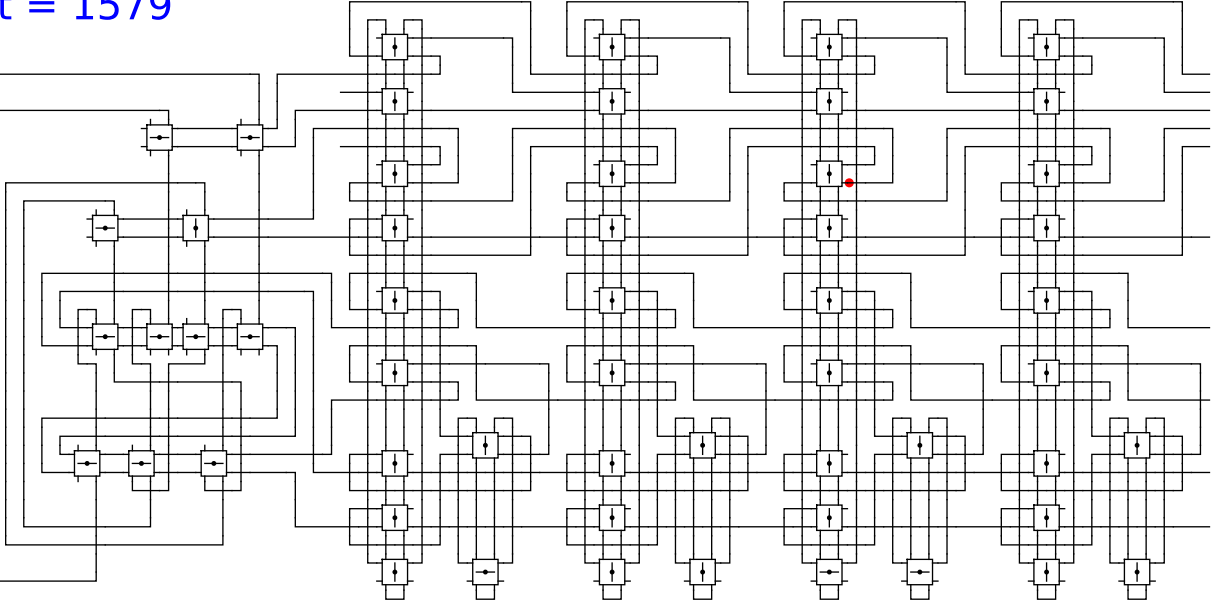


1 0 head 1 0

t = 1579

Reject
Accept

Begin

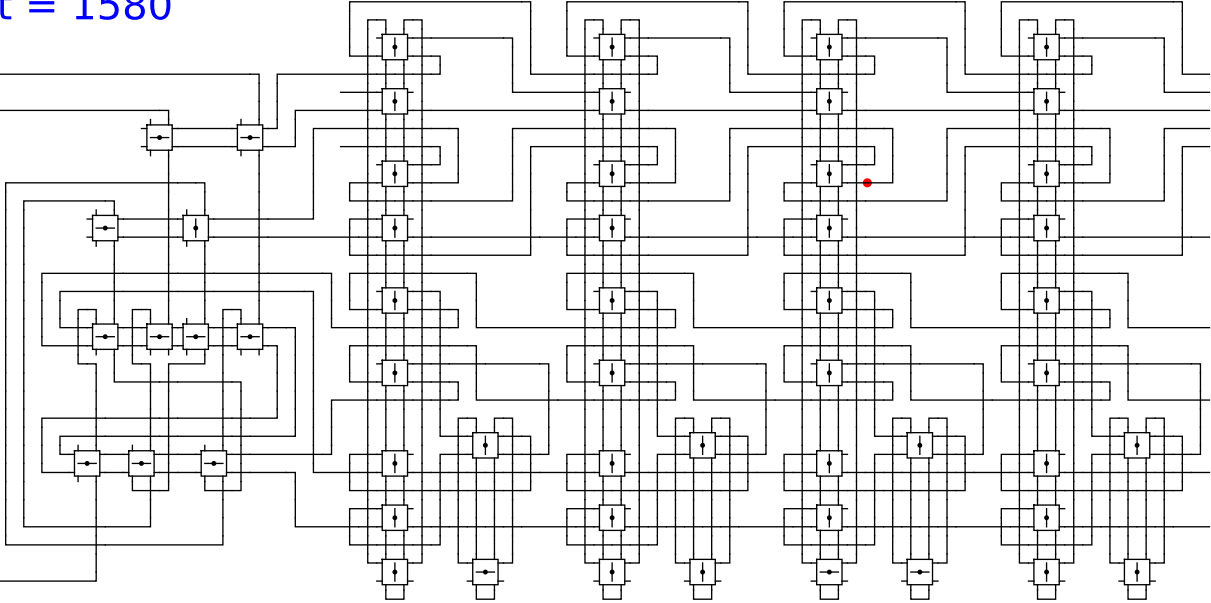


1 0 head 1 0

t = 1580

Reject
Accept

Begin

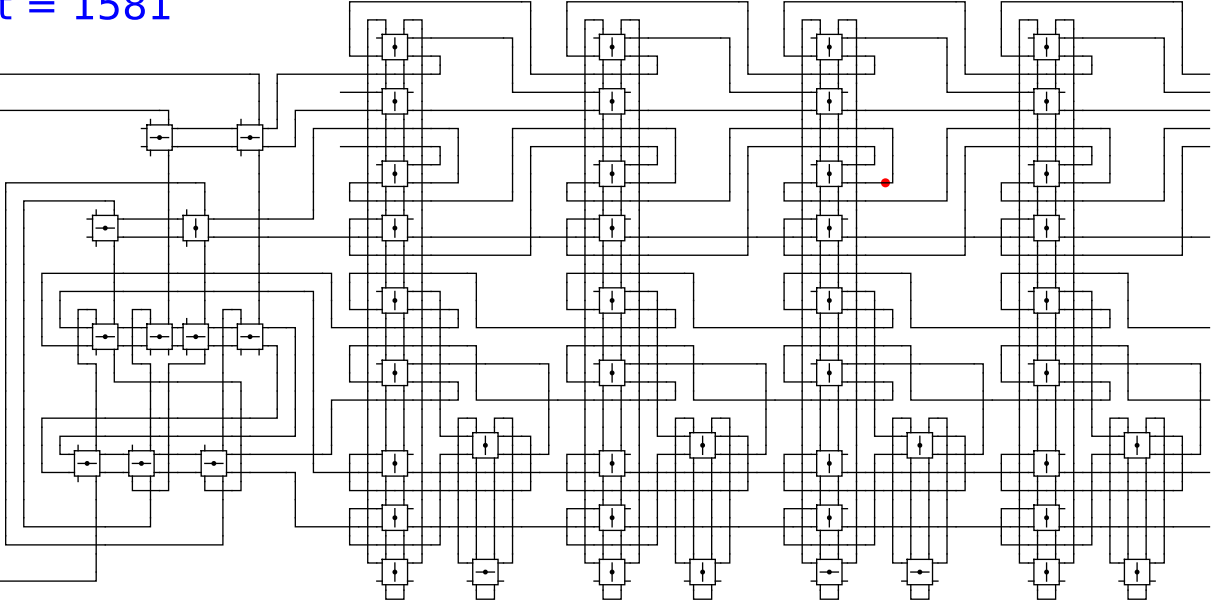


1 0 head 1 0

t = 1581

Reject
Accept

Begin

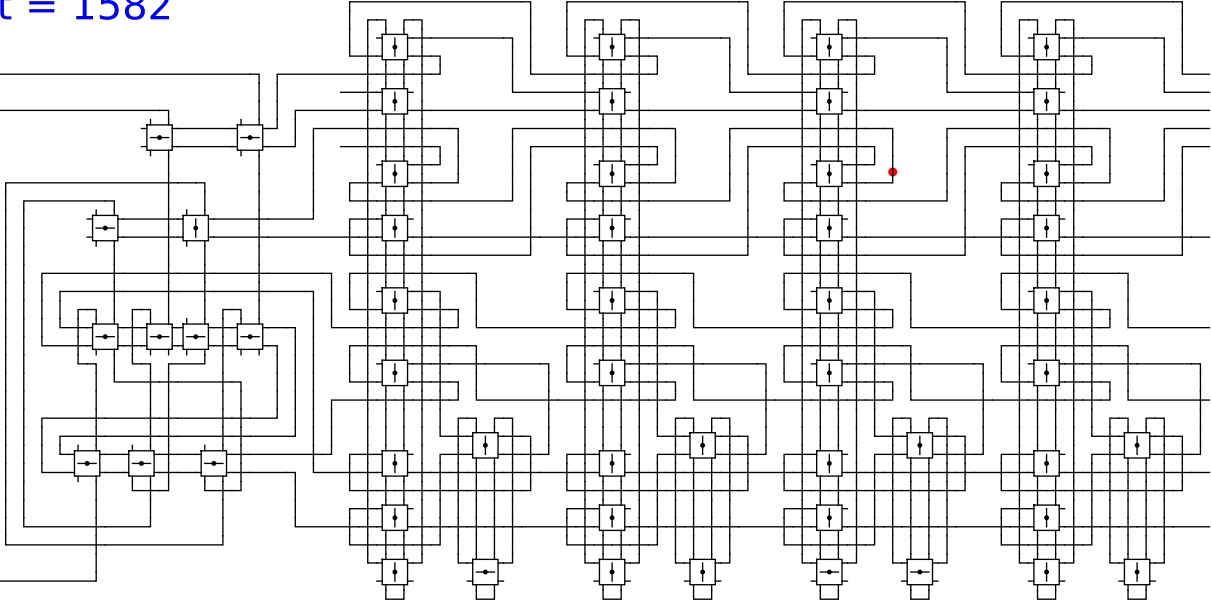


1 0 head 1 0

t = 1582

Reject
Accept

Begin

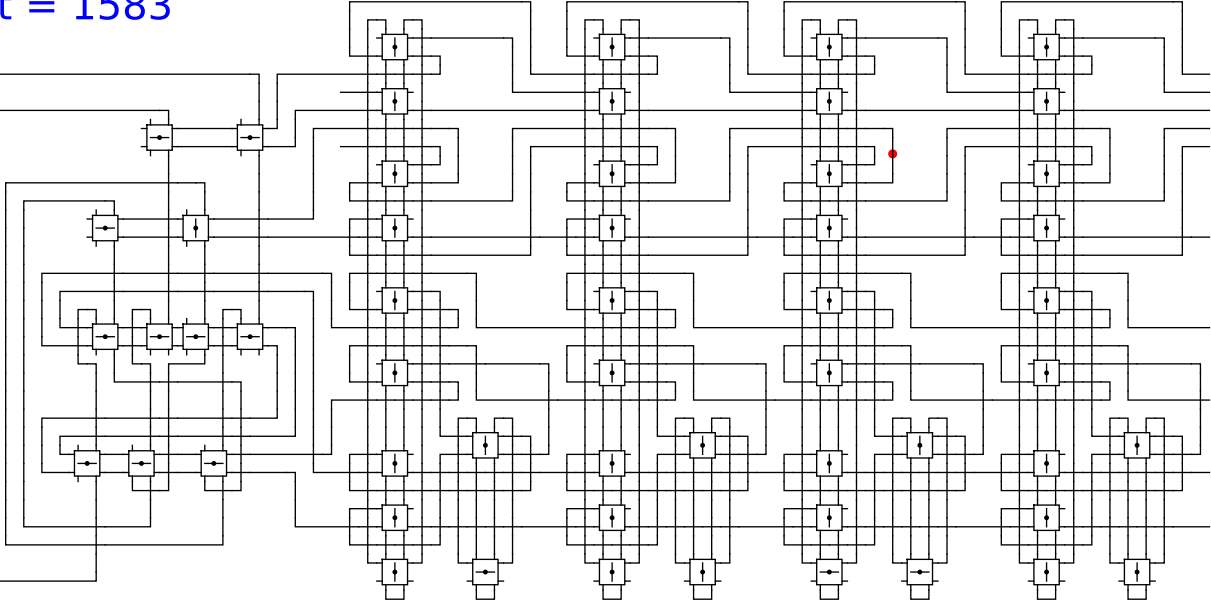


1 0 head 1 0

t = 1583

Reject
Accept

Begin

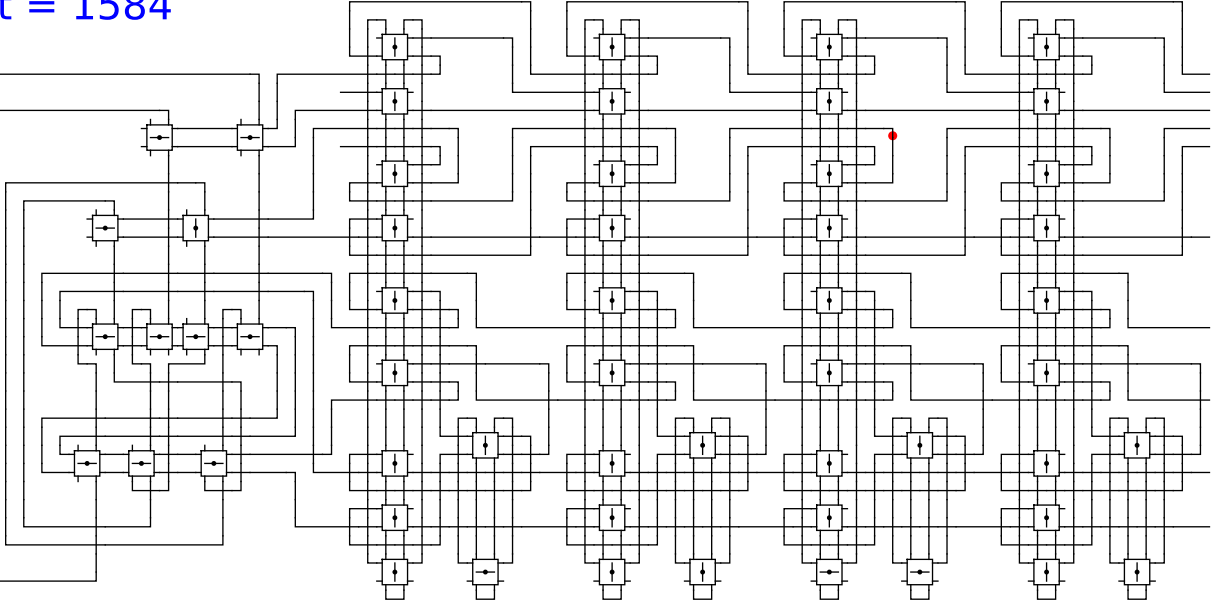


1 0 head 1 0

t = 1584

Reject
Accept

Begin

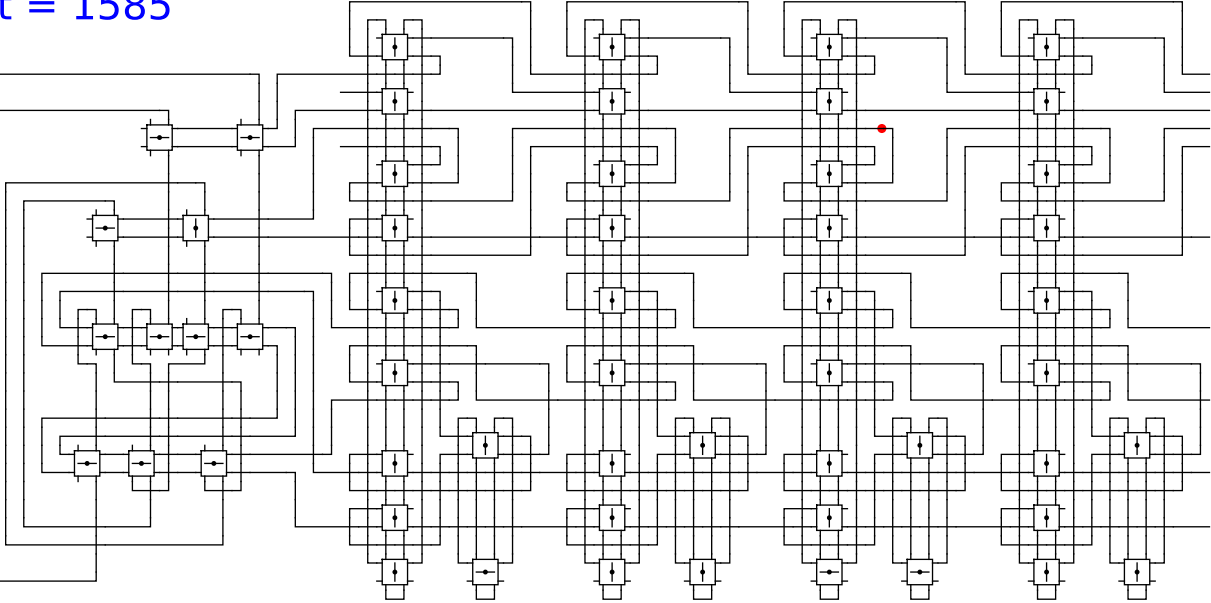


1 0 head 1 0

t = 1585

Reject
Accept

Begin

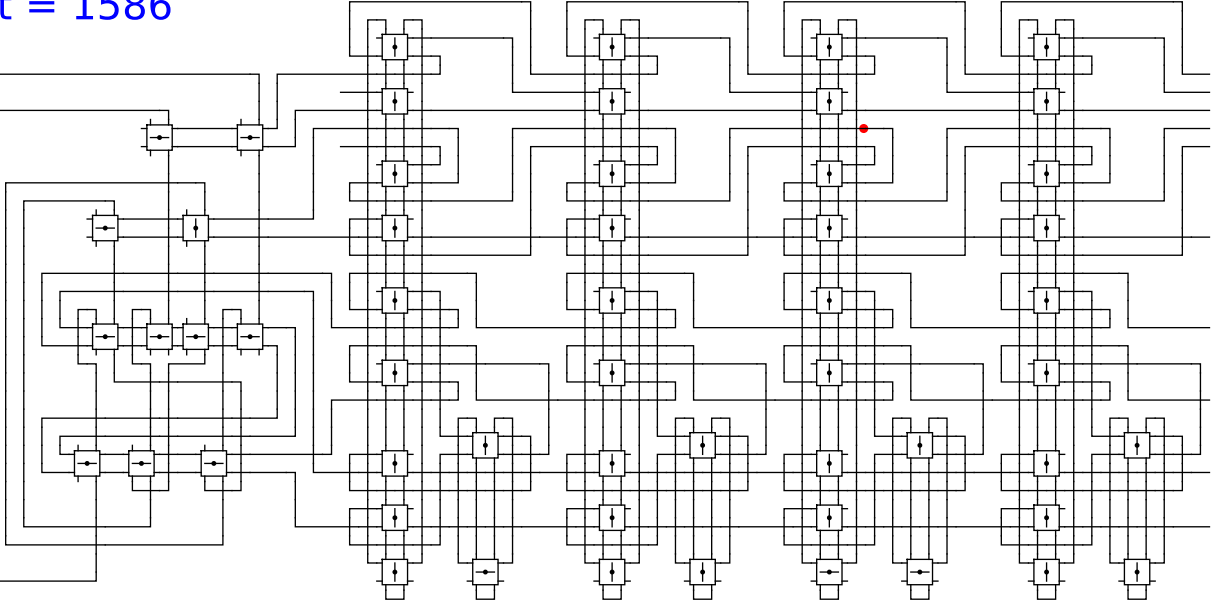


1 0 head 1 0

t = 1586

Reject
Accept

Begin

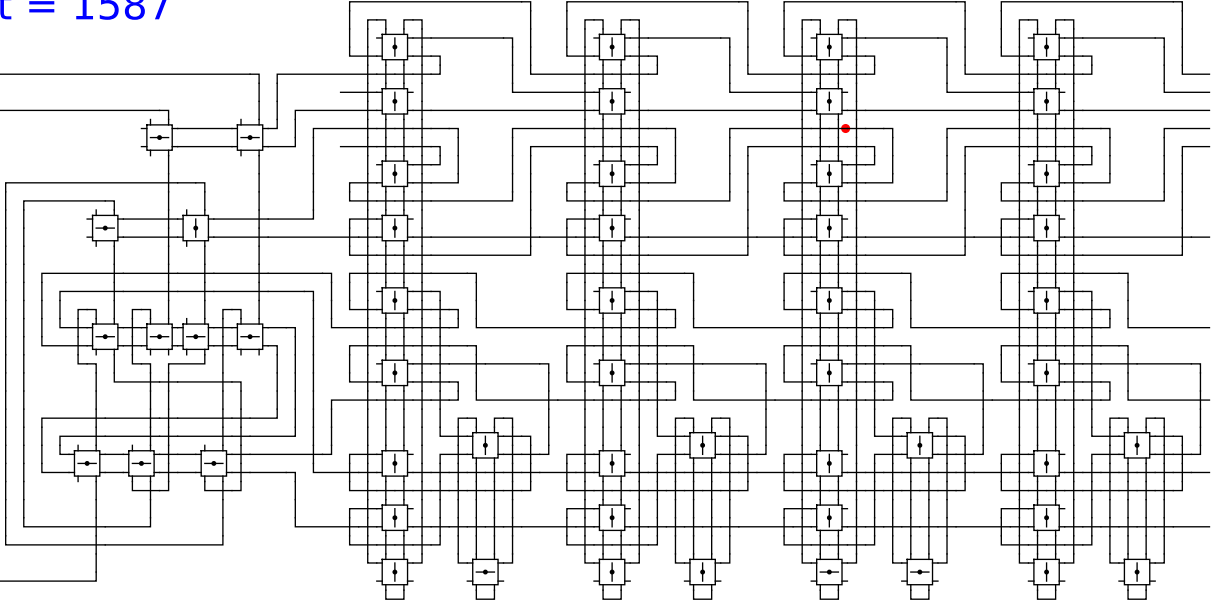


1 0 head 1 0

t = 1587

Reject
Accept

Begin

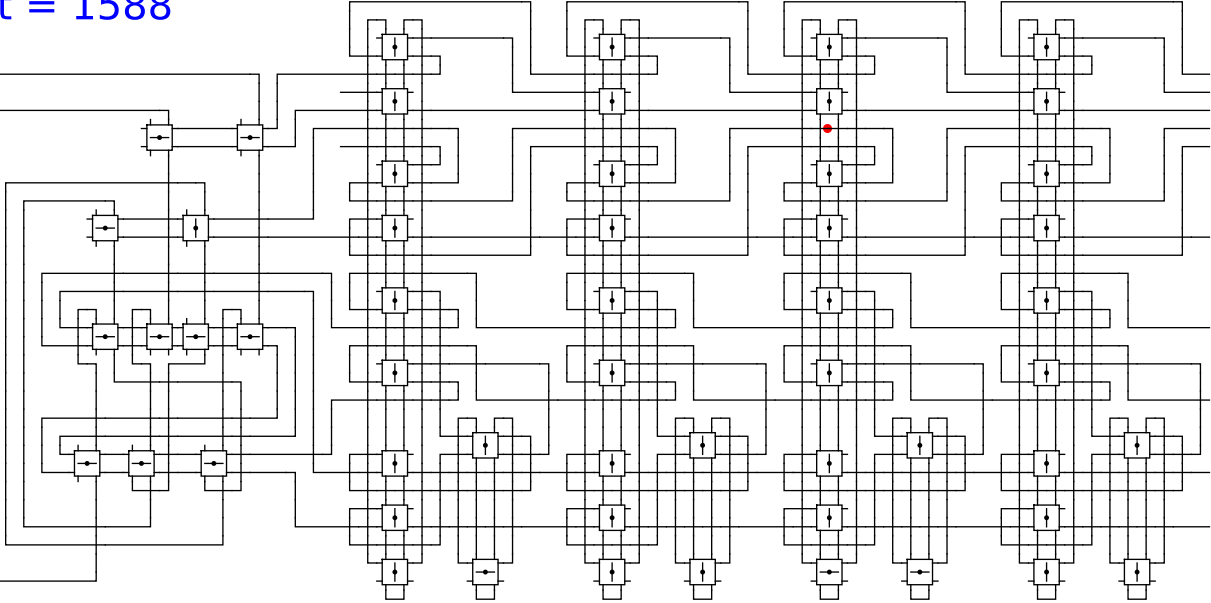


1 0 head 1 0

t = 1588

Reject
Accept

Begin



1

0

head

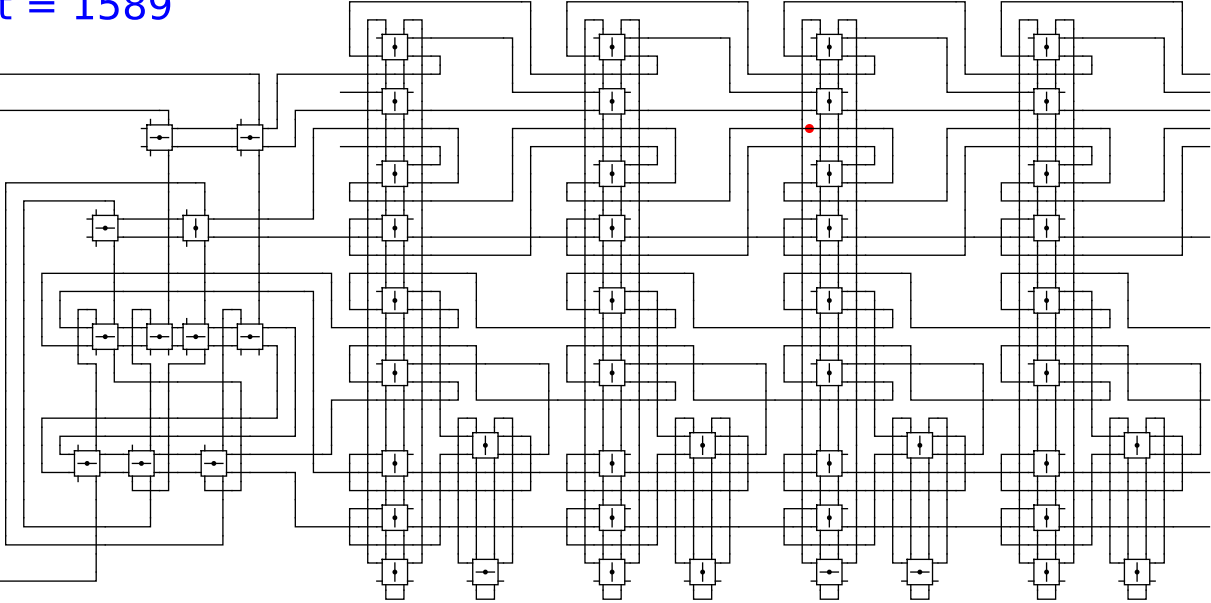
1

0

t = 1589

Reject
Accept

Begin

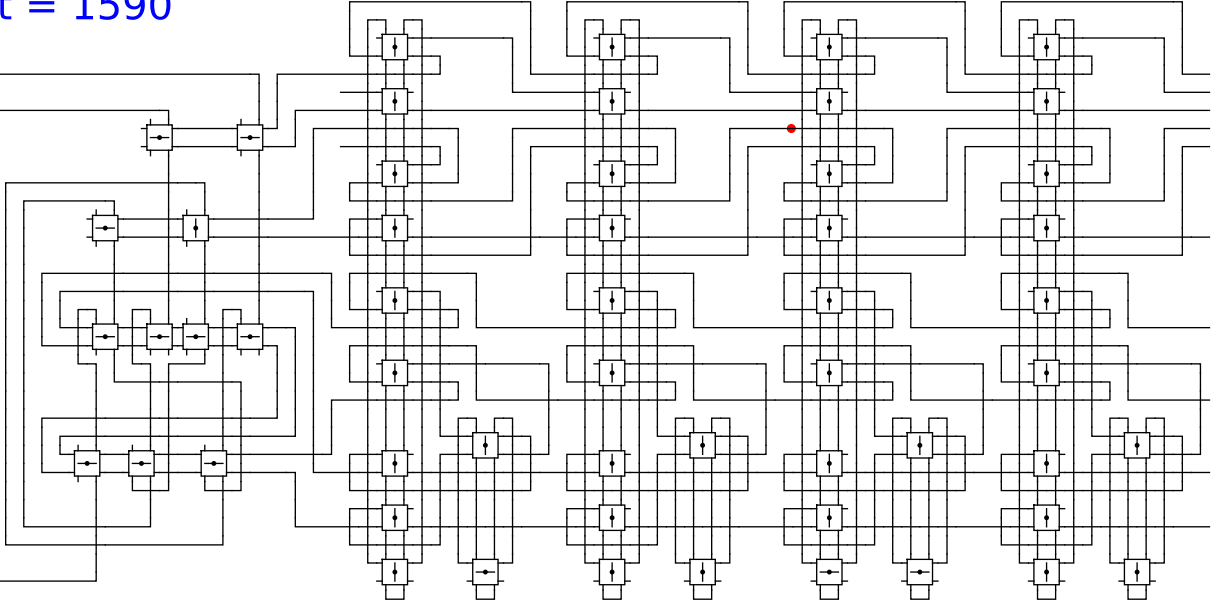


1 0 head 1 0

t = 1590

Reject
Accept

Begin



1

0

head

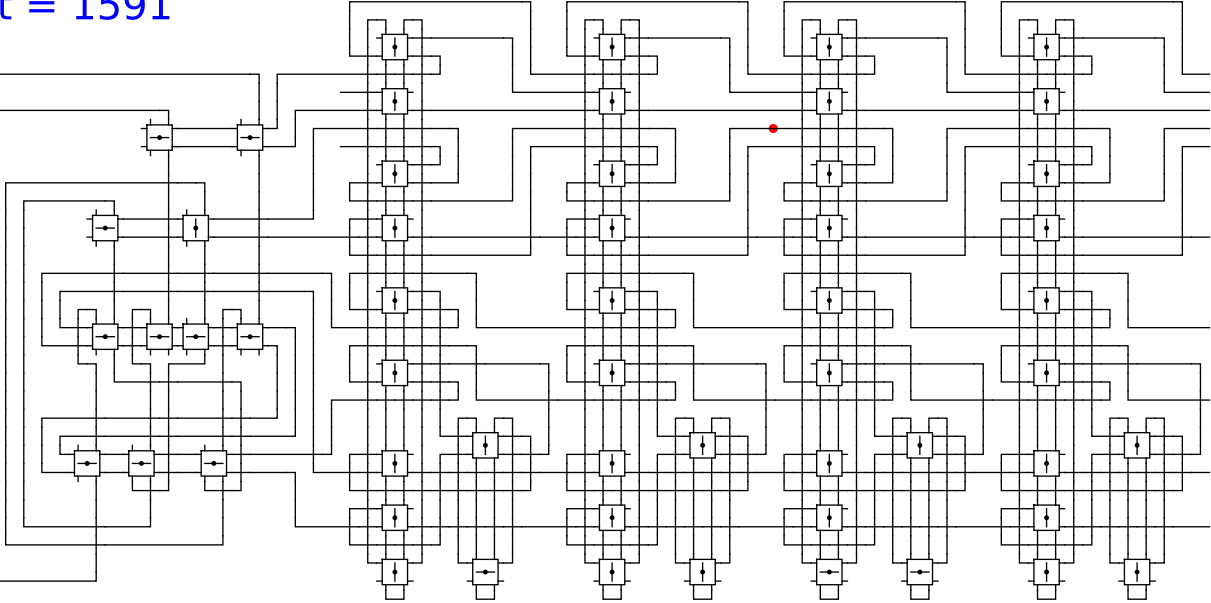
1

0

t = 1591

Reject
Accept

Begin

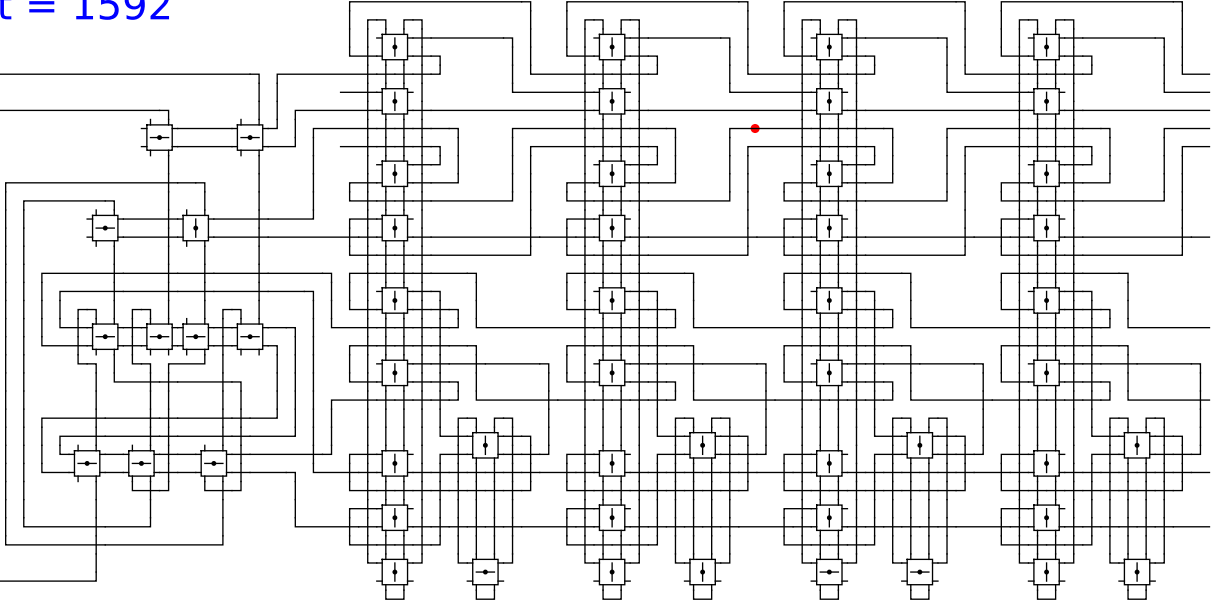


1 0 head 1 0

t = 1592

Reject
Accept

Begin

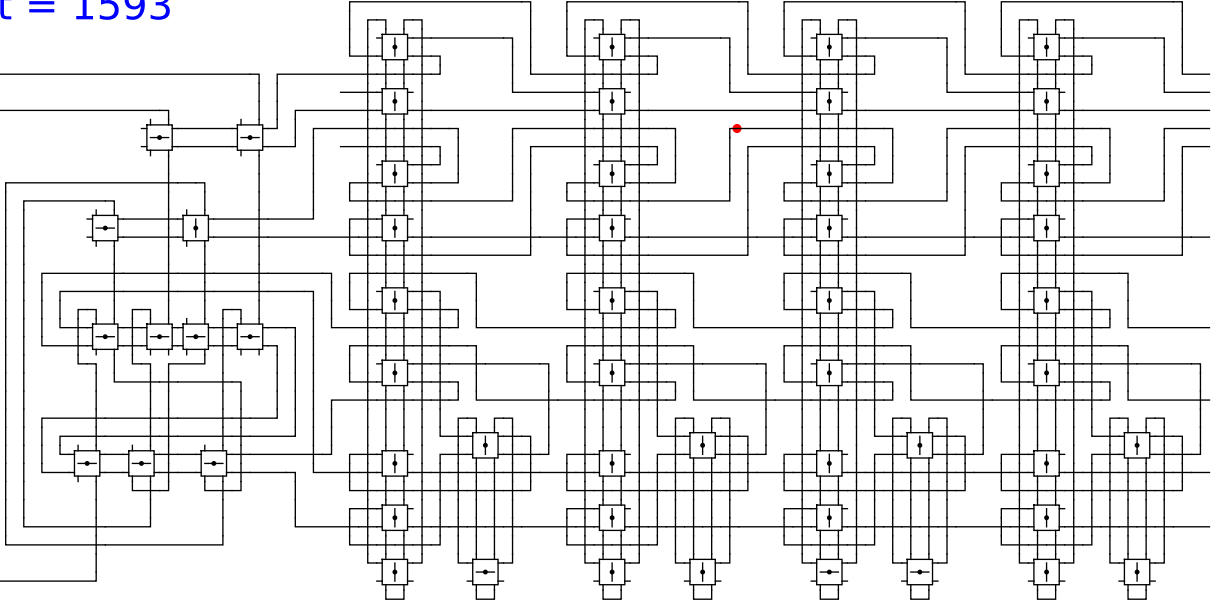


1 0 head 1 0

t = 1593

Reject
Accept

Begin

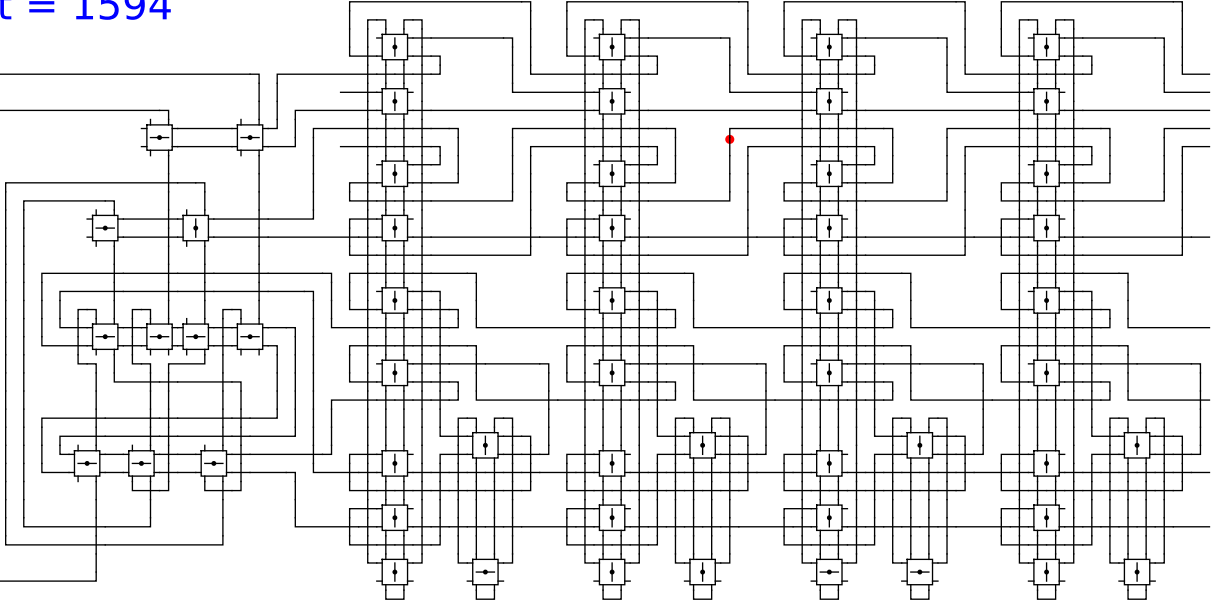


1 0 head 1 0

t = 1594

Reject
Accept

Begin



1

0

head

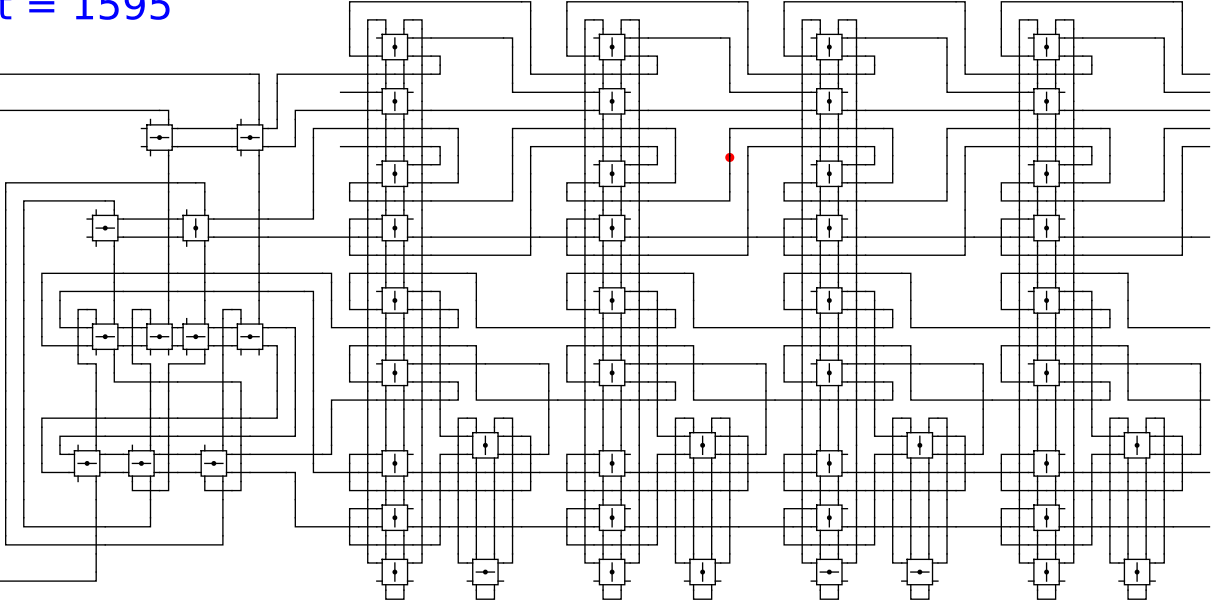
1

0

t = 1595

Reject
Accept

Begin

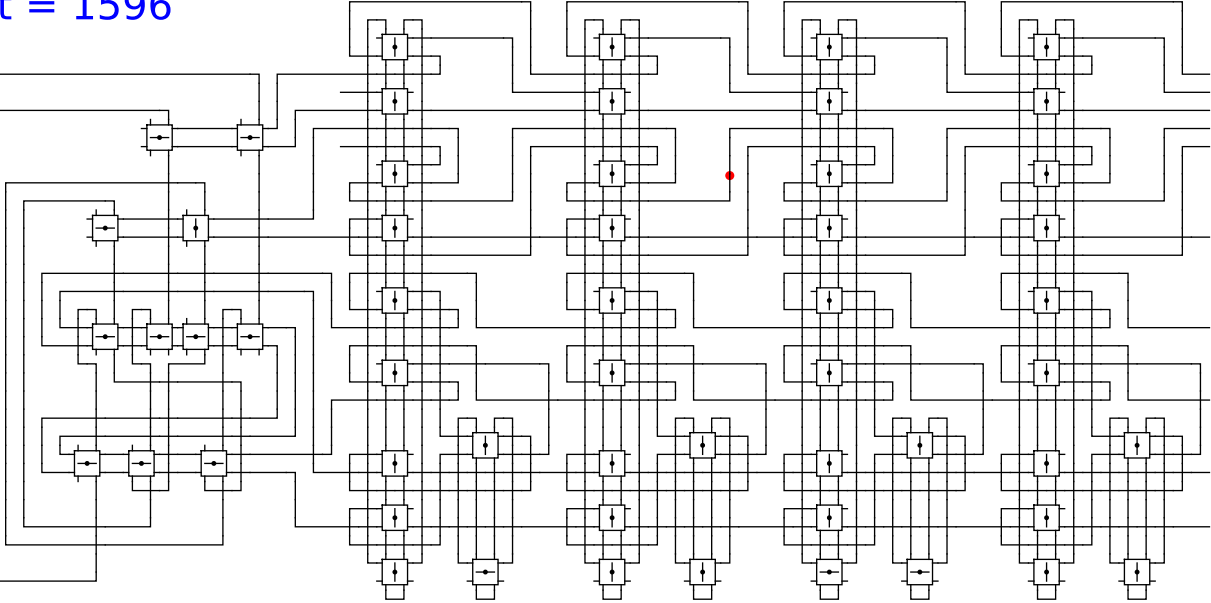


1 0 head 1 0

t = 1596

Reject
Accept

Begin

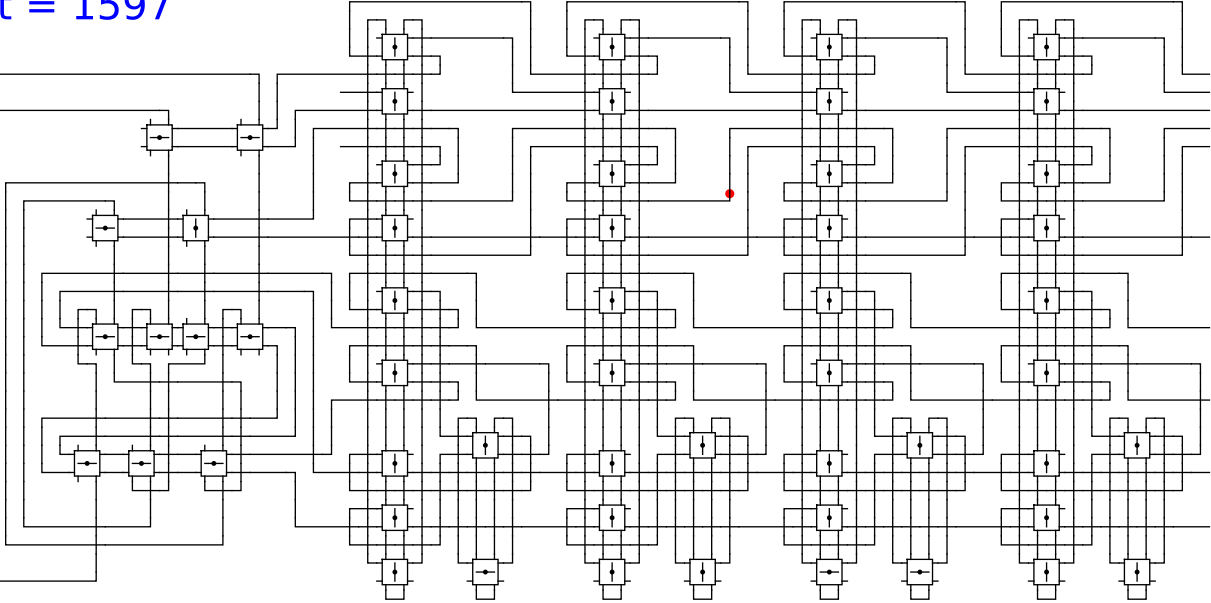


1 0 head 1 0

t = 1597

Reject
Accept

Begin

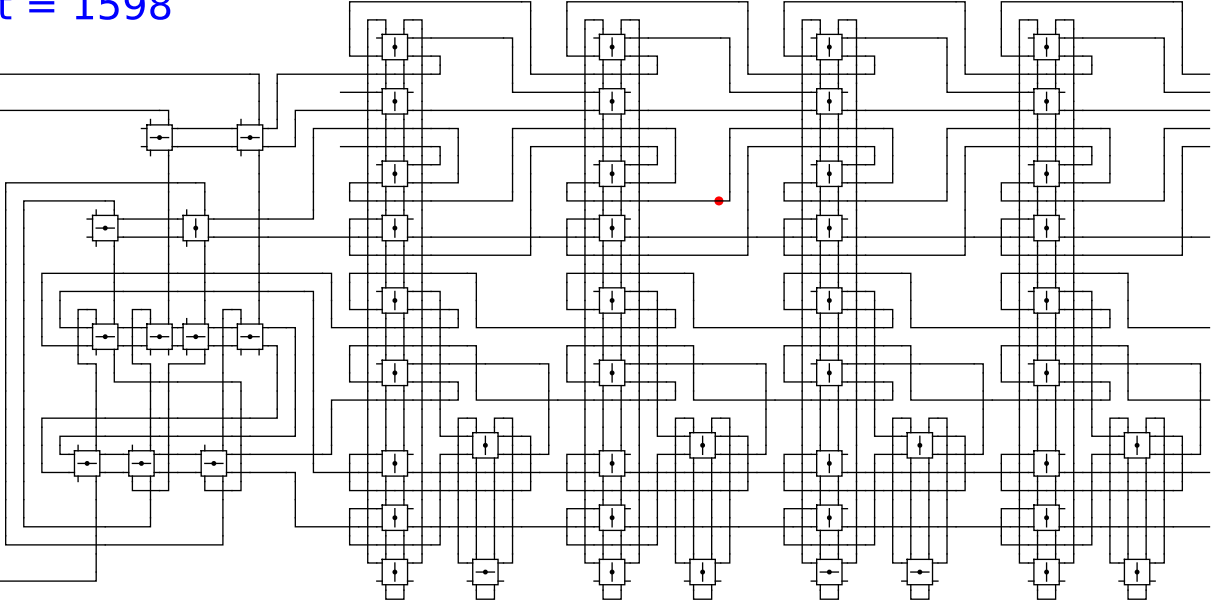


1 0 head 1 0

t = 1598

Reject
Accept

Begin

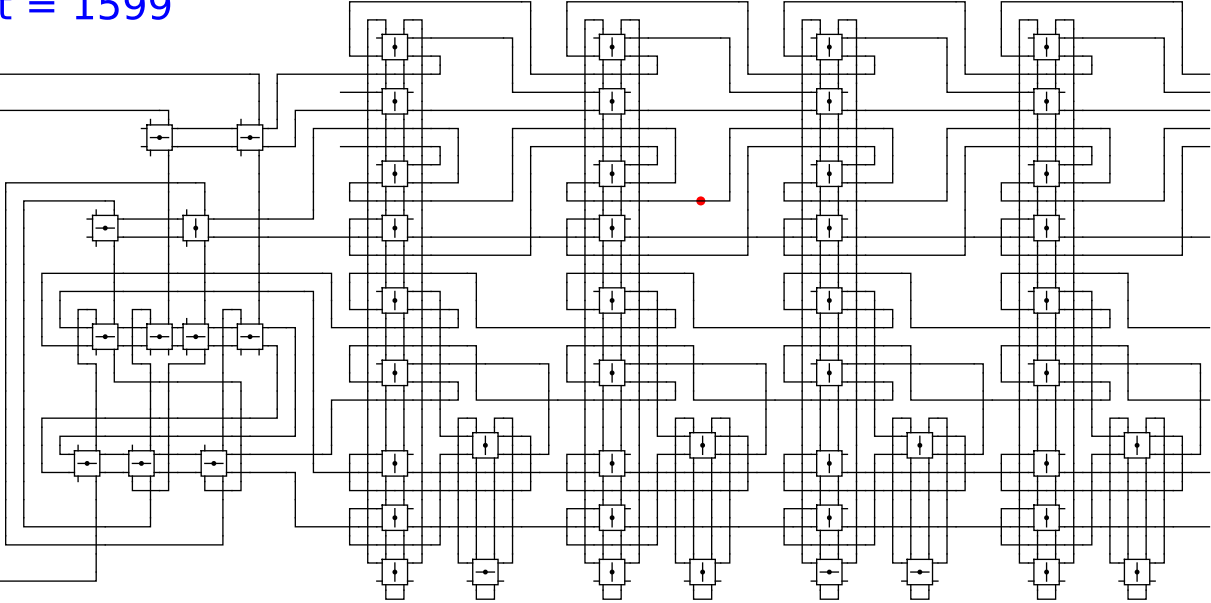


1 0 head 1 0

t = 1599

Reject
Accept

Begin

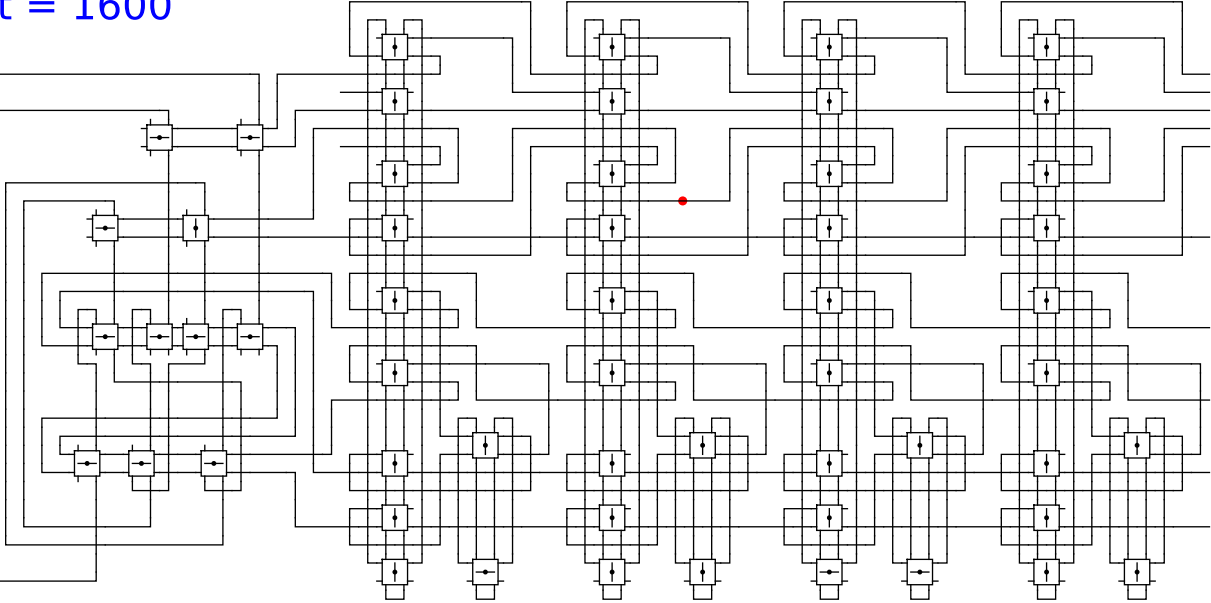


1 0 head 1 0

t = 1600

Reject
Accept

Begin

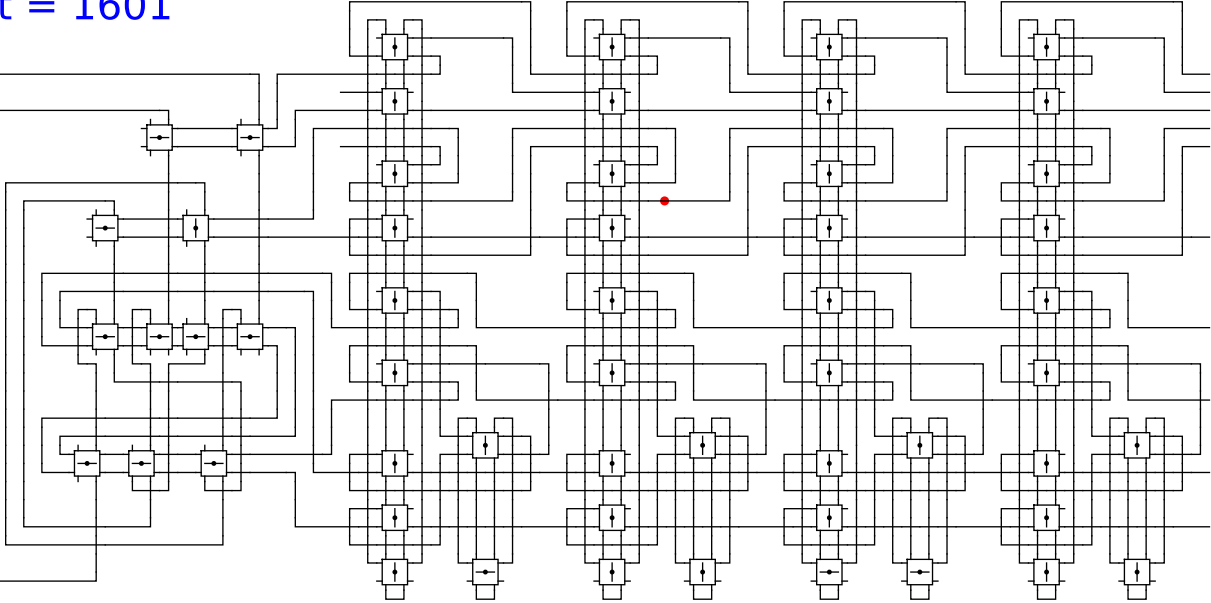


1 0 head 1 0

t = 1601

Reject
Accept

Begin

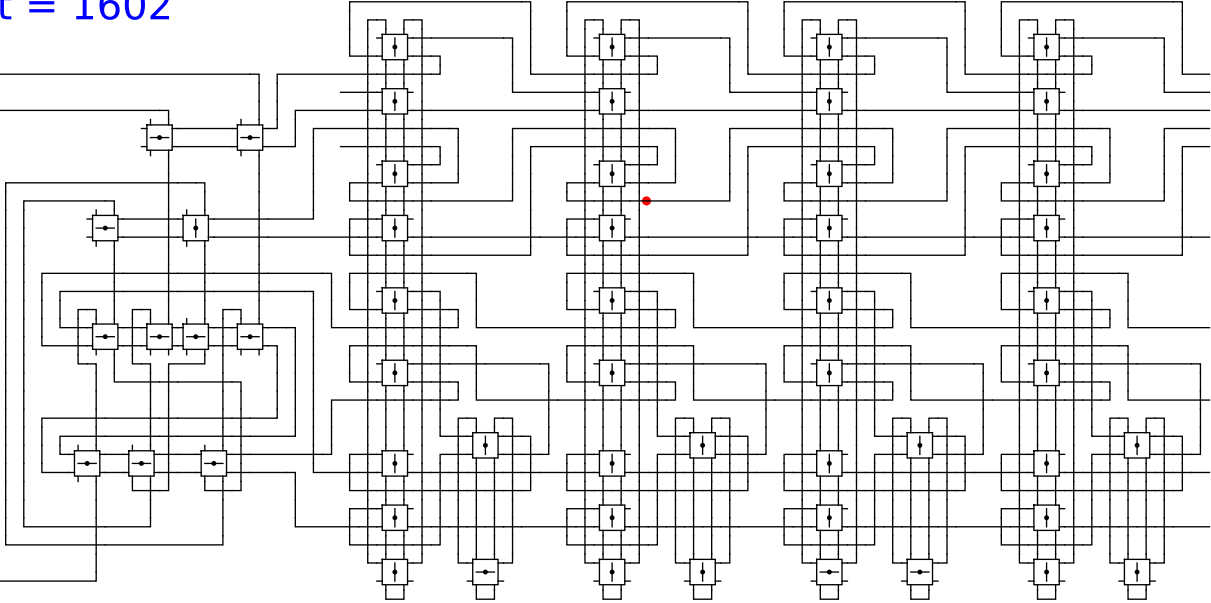


1 0 head 1 0

t = 1602

Reject
Accept

Begin

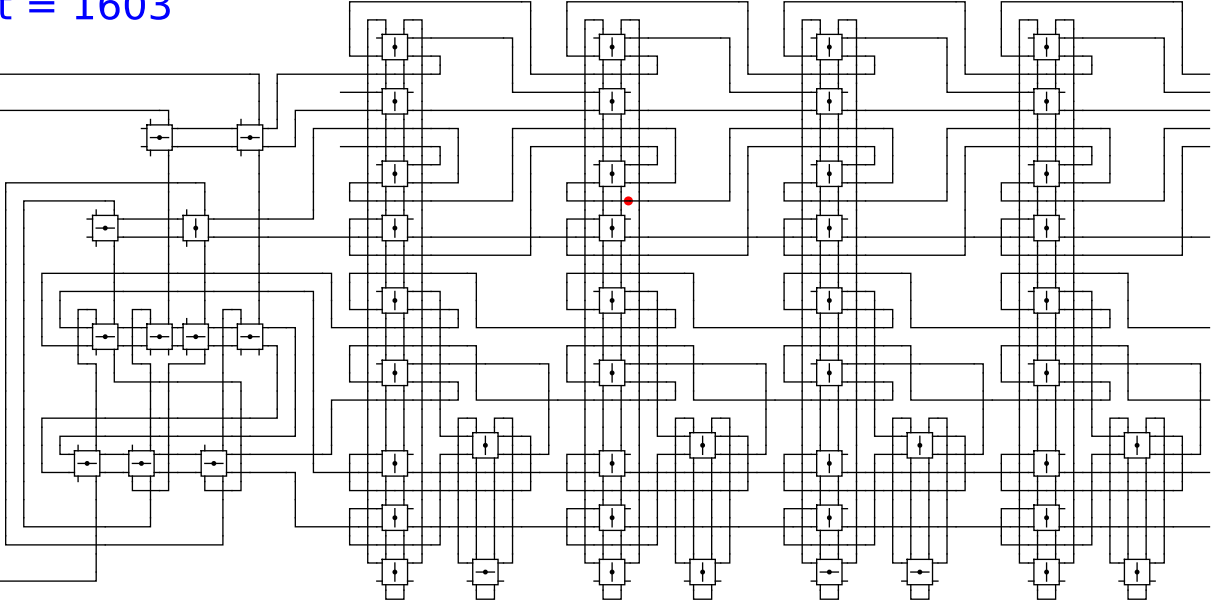


1 0 head 1 0

t = 1603

Reject
Accept

Begin

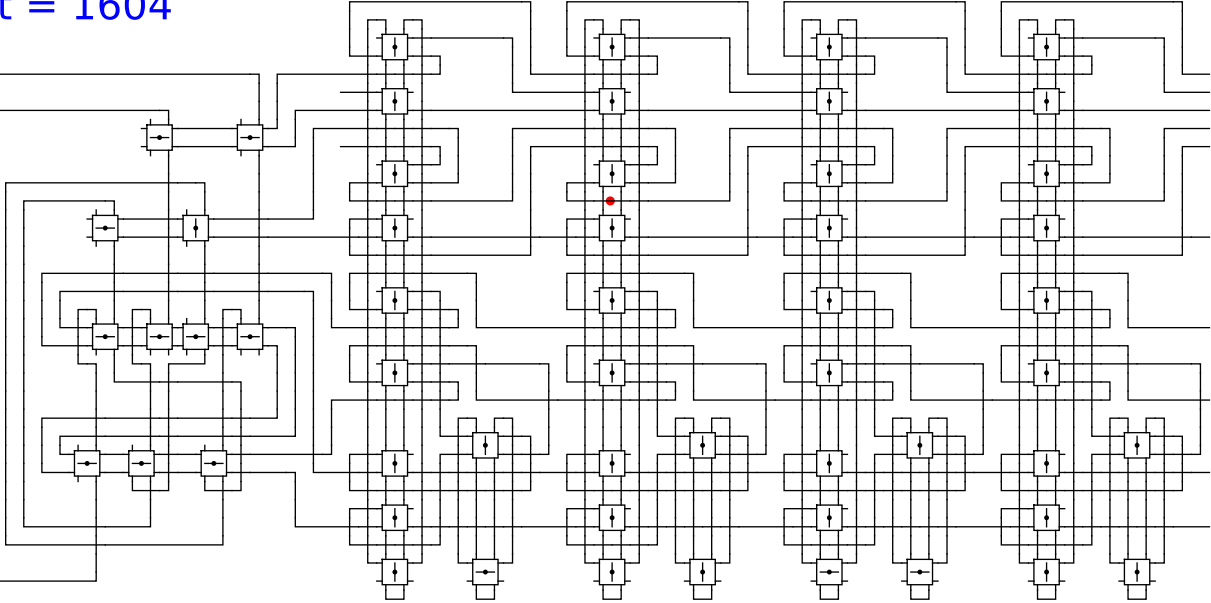


1 0 head 1 0

t = 1604

Reject
Accept

Begin

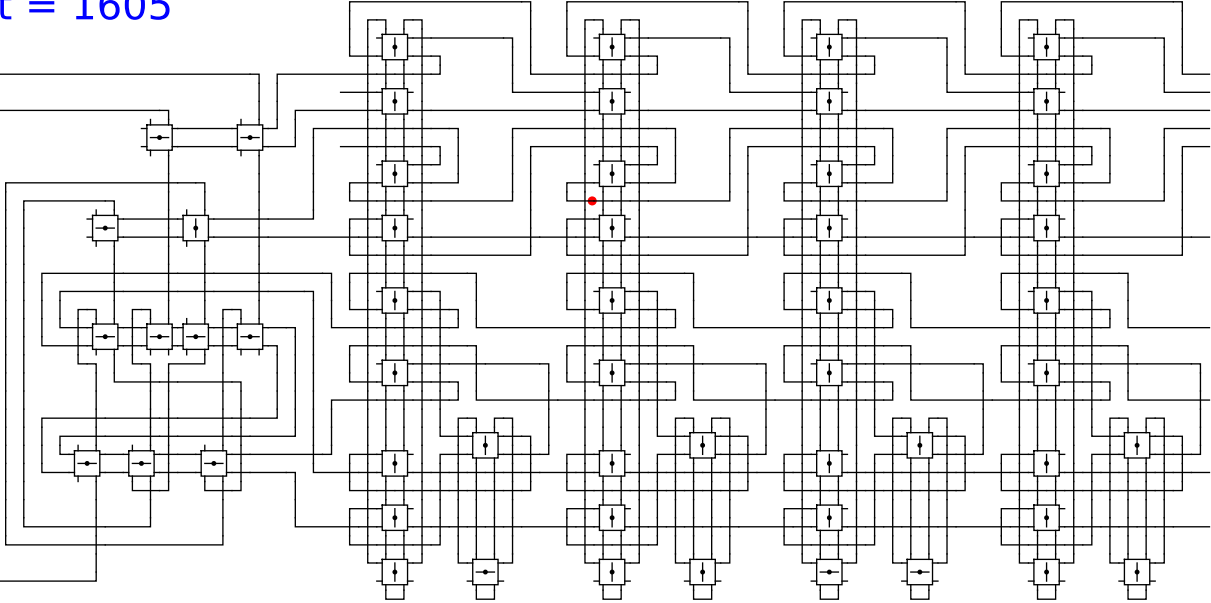


1 0 head 1 0

t = 1605

Reject
Accept

Begin

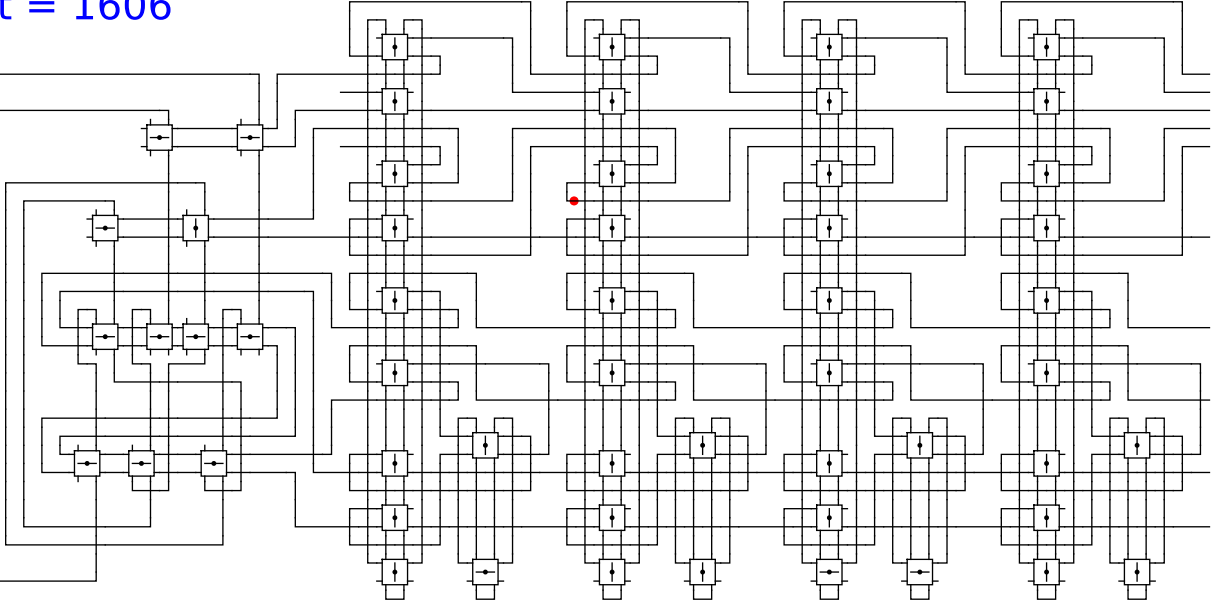


1 0 head 1 0

t = 1606

Reject
Accept

Begin



1

0

head

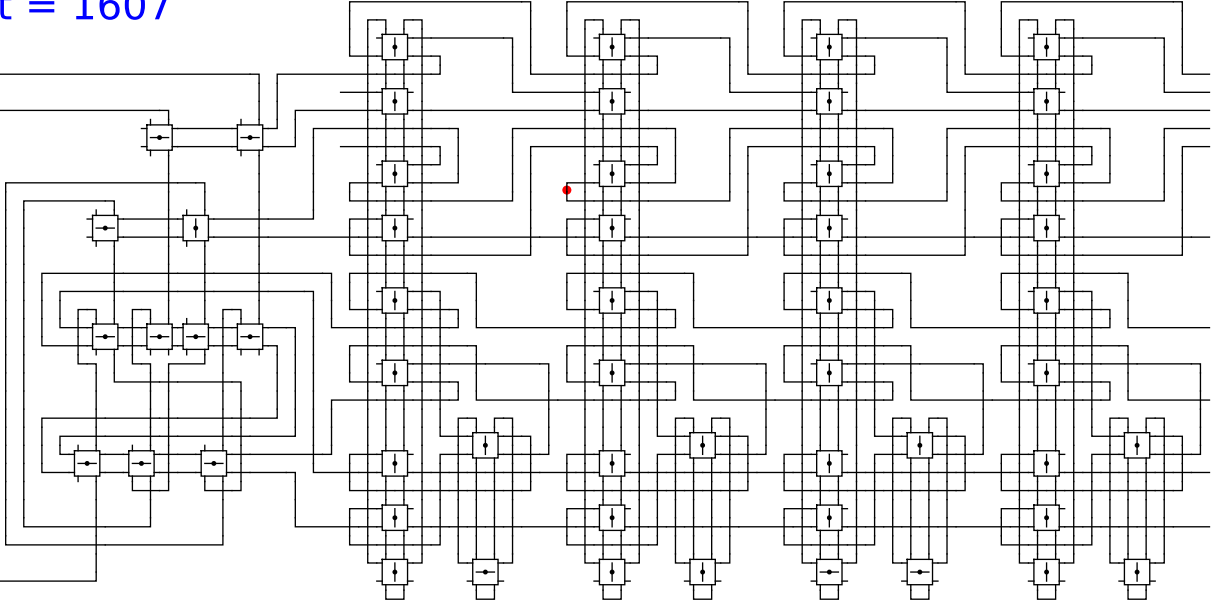
1

0

t = 1607

Reject
Accept

Begin



1

0

head

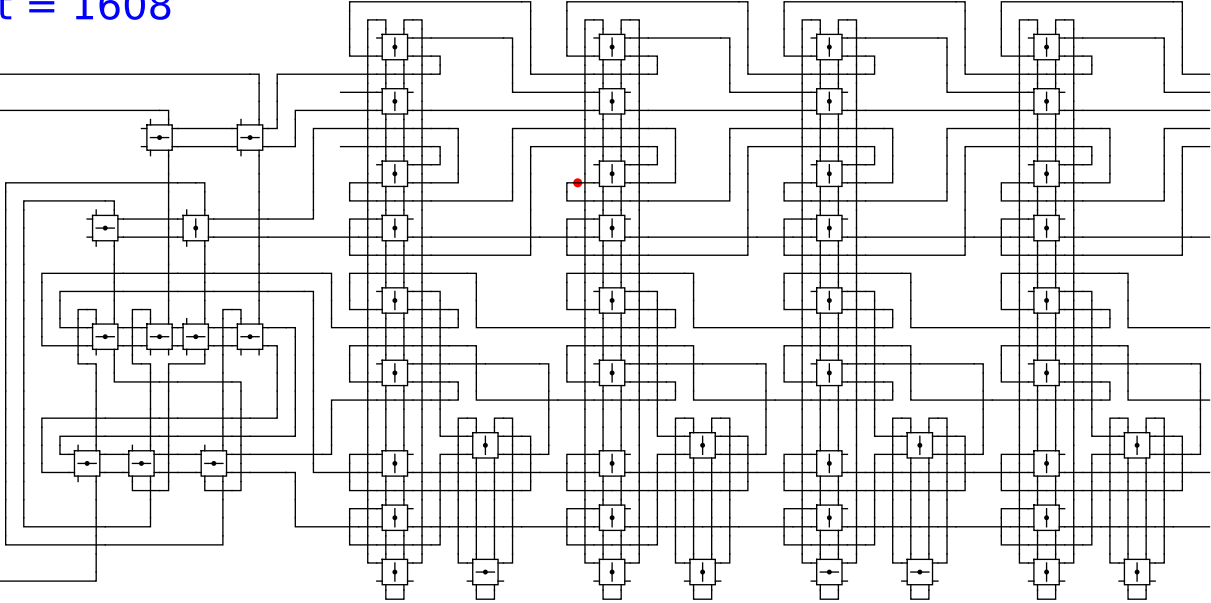
1

0

t = 1608

Reject
Accept

Begin

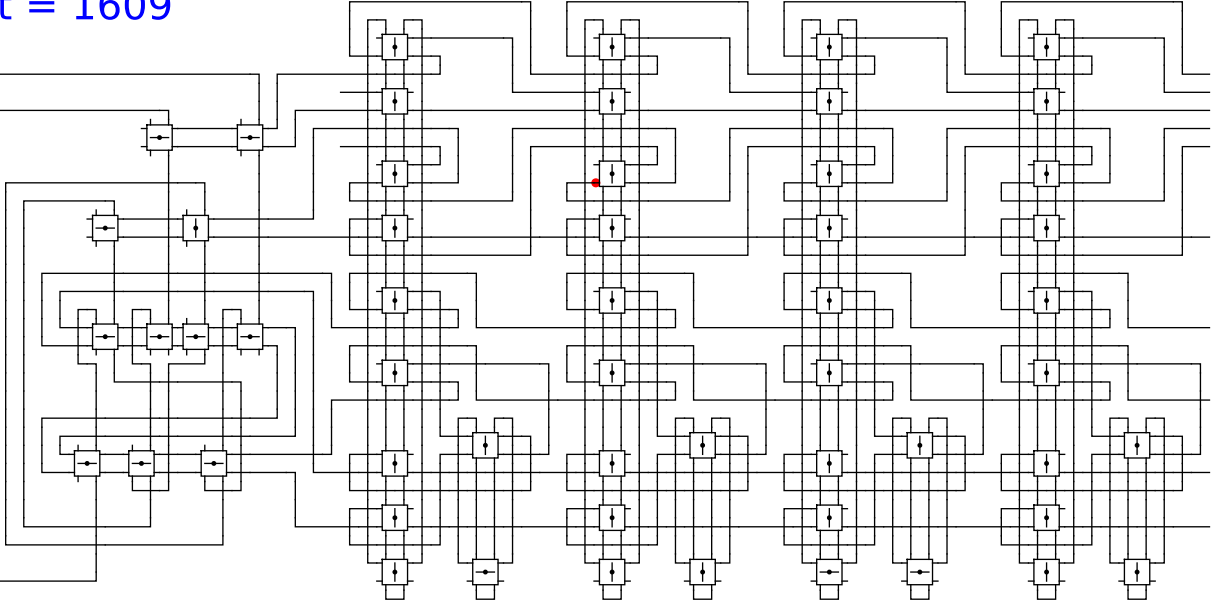


1 0 head 1 0

t = 1609

Reject
Accept

Begin

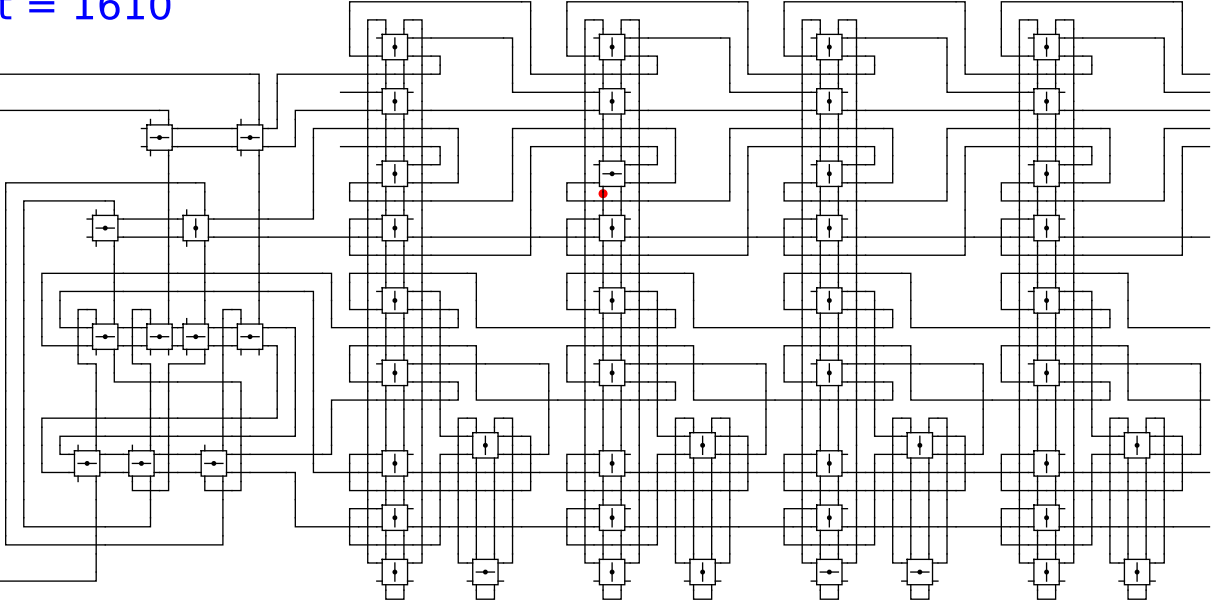


1 0 head 1 0

t = 1610

Reject
Accept

Begin



1

0

head

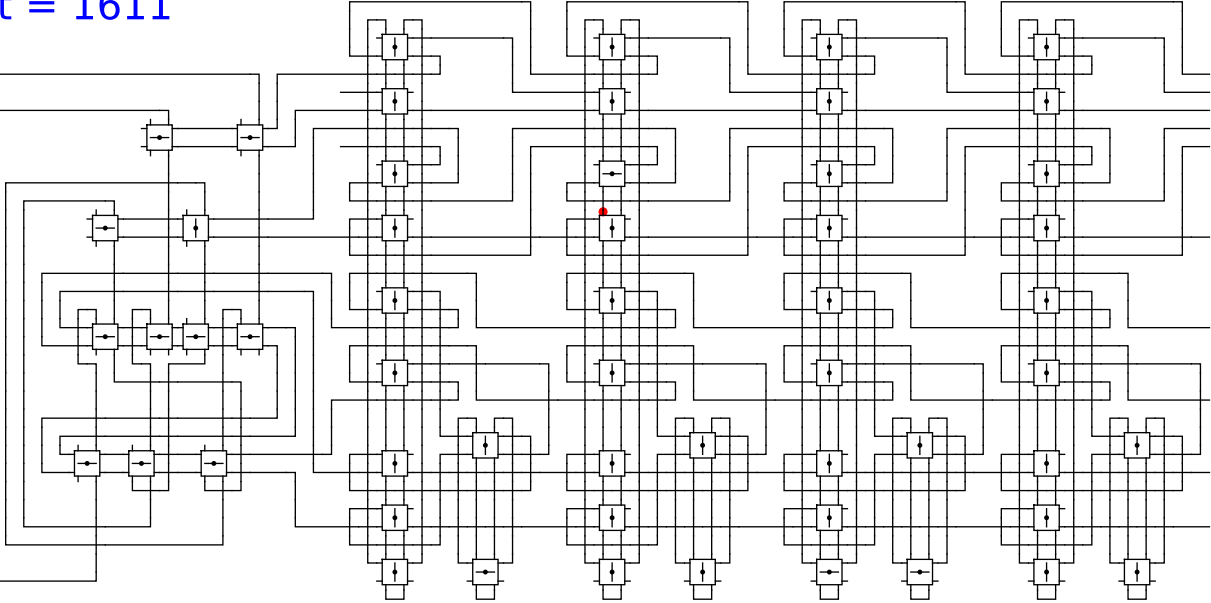
1

0

t = 1611

Reject
Accept

Begin

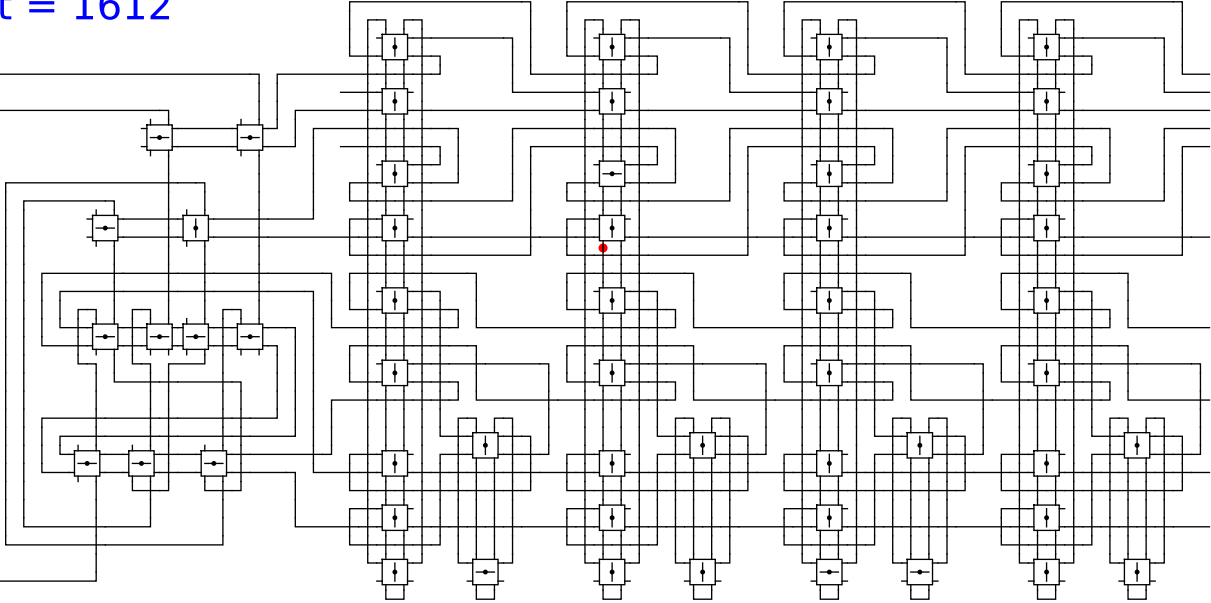


1 0 head 1 0

t = 1612

Reject
Accept

Begin

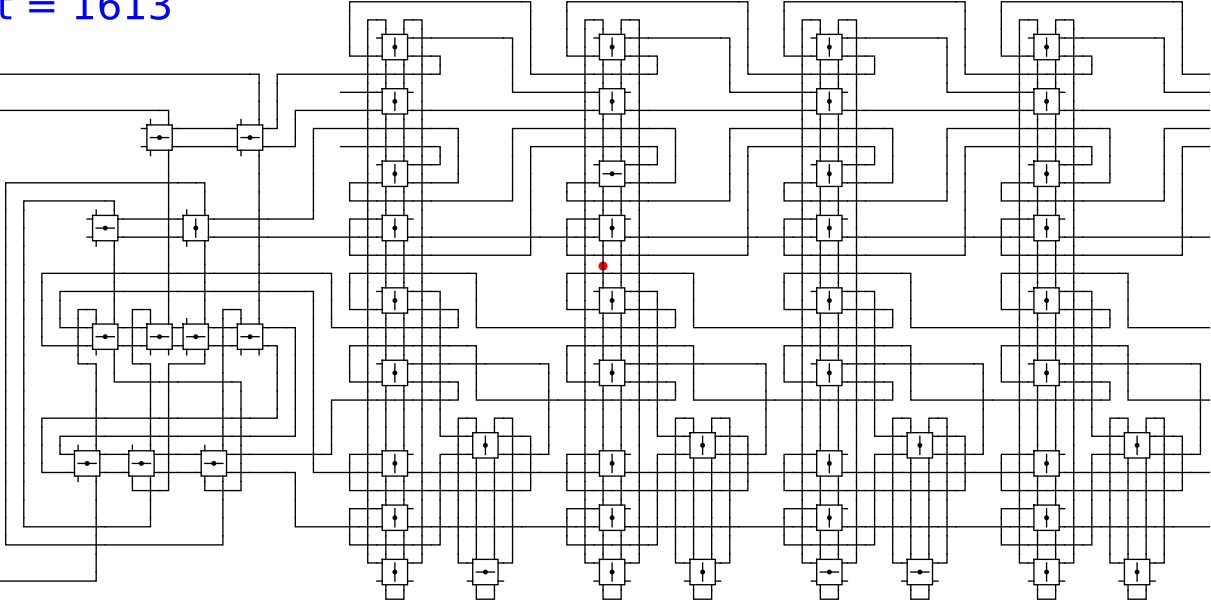


1 0 head 1 0

t = 1613

Reject
Accept

Begin

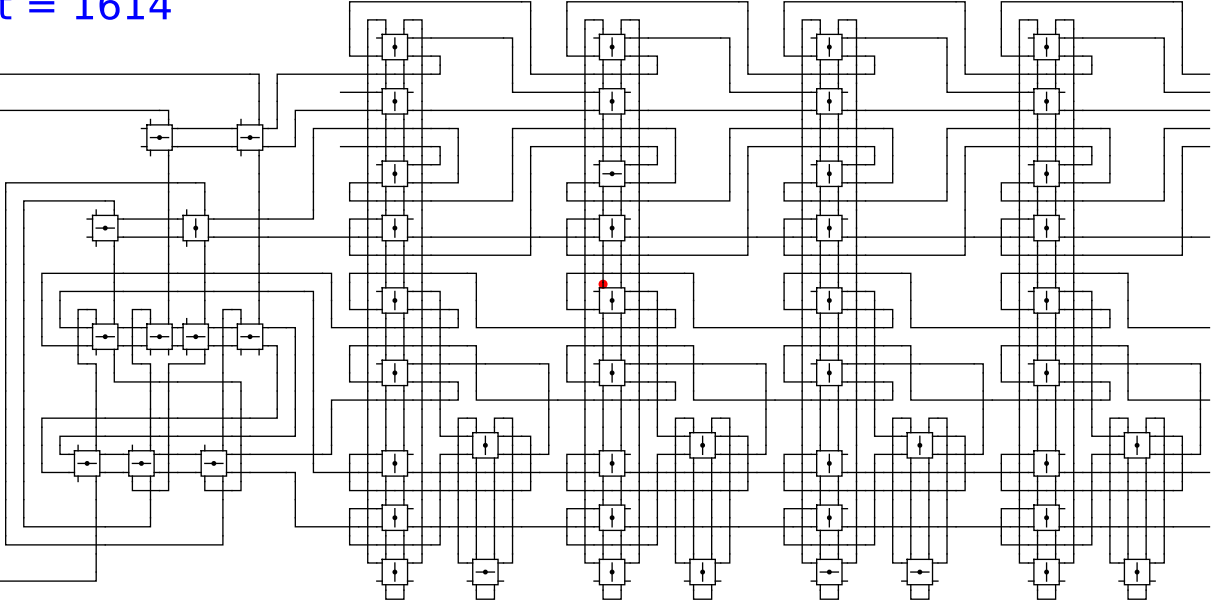


1 0 head 1 0

t = 1614

Reject
Accept

Begin



1

0

head

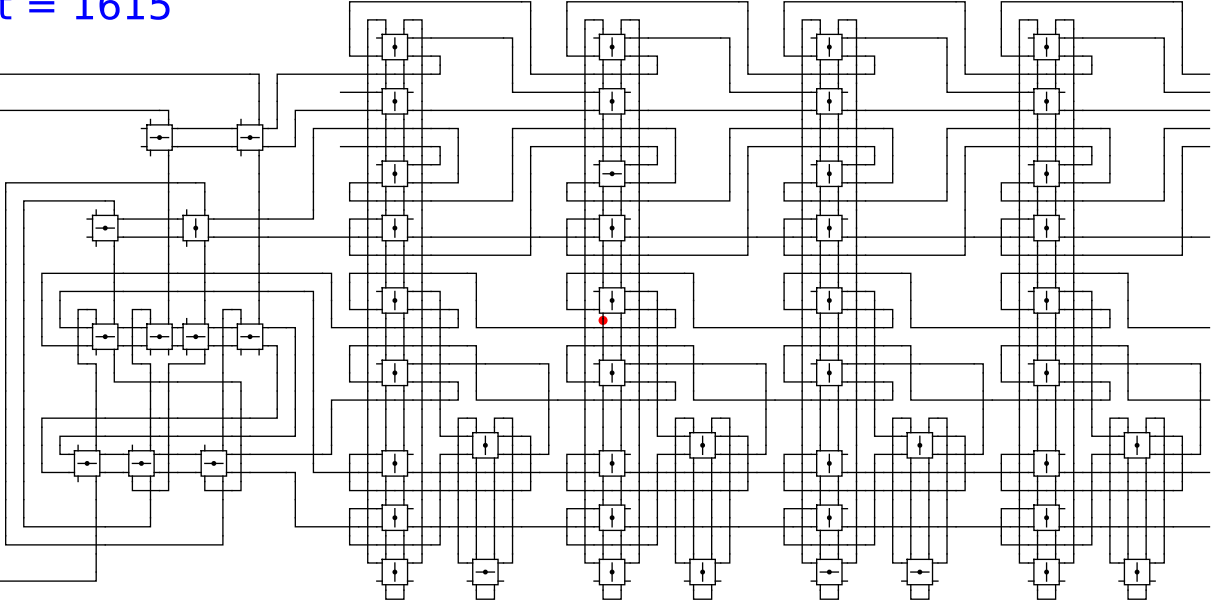
1

0

t = 1615

Reject
Accept

Begin

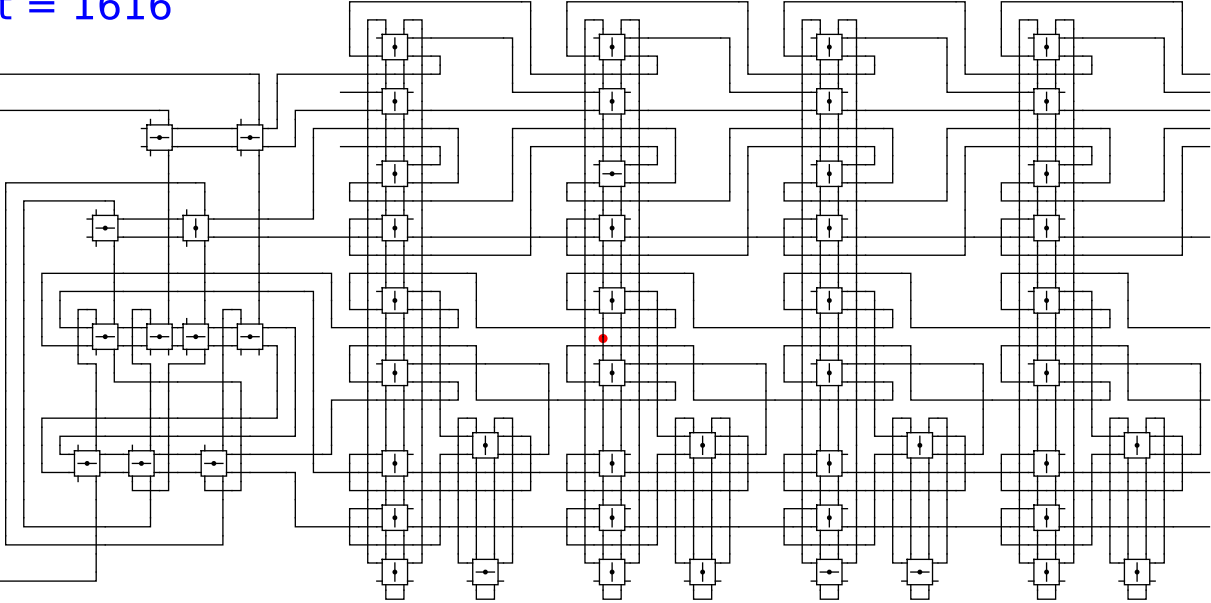


1 0 head 1 0

t = 1616

Reject
Accept

Begin

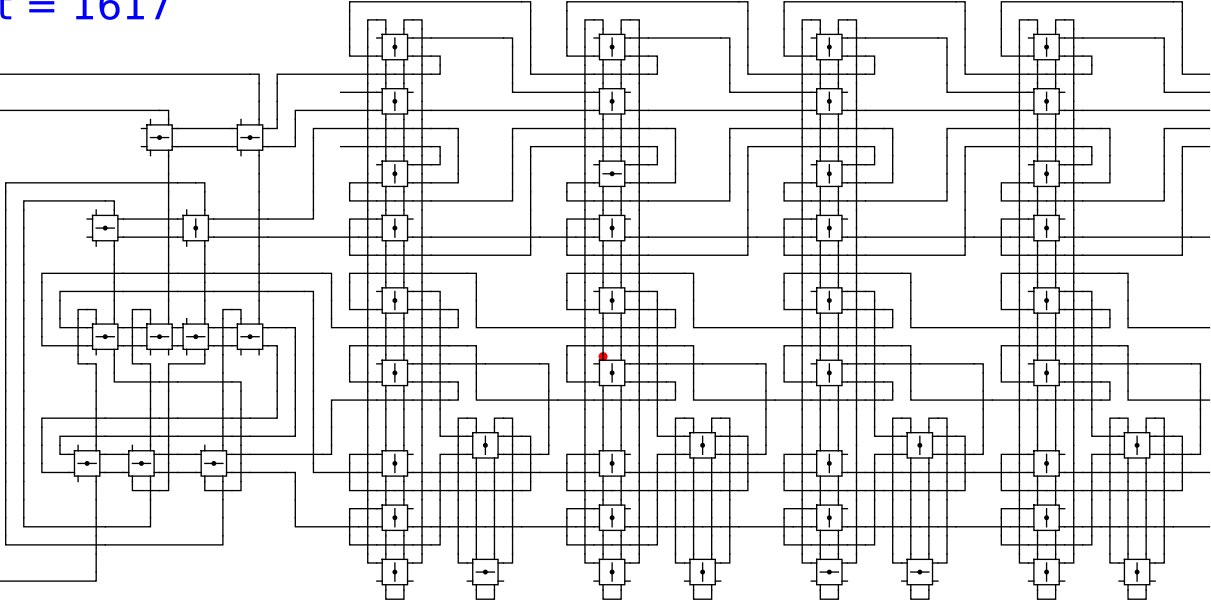


1 0 head 1 0

t = 1617

Reject
Accept

Begin



1

0

head

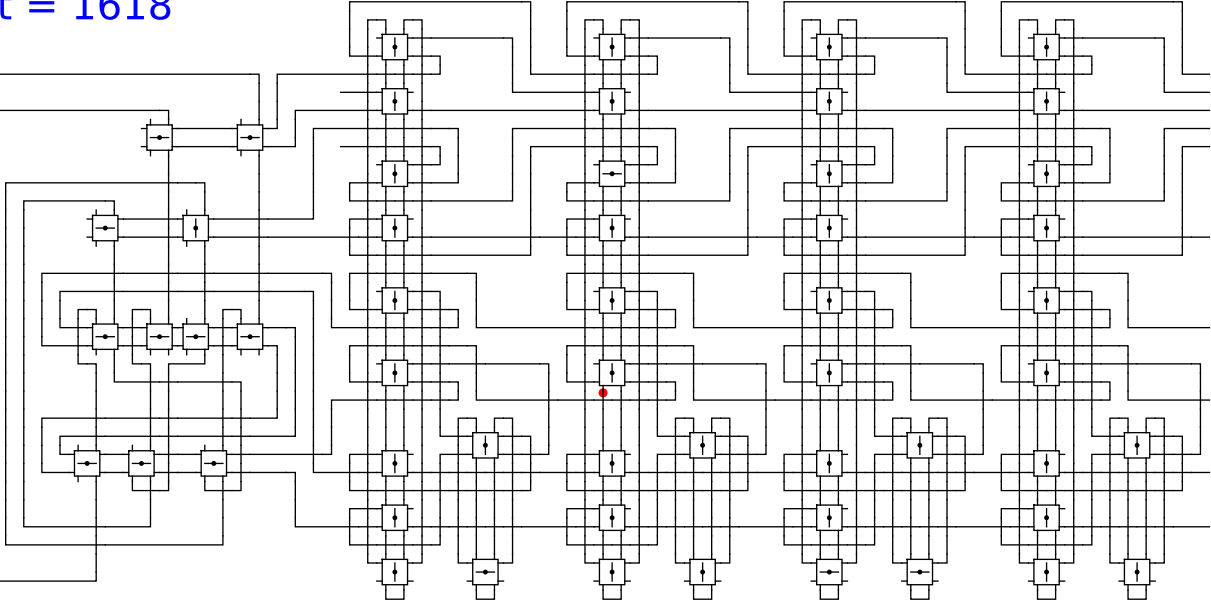
1

0

t = 1618

Reject
Accept

Begin

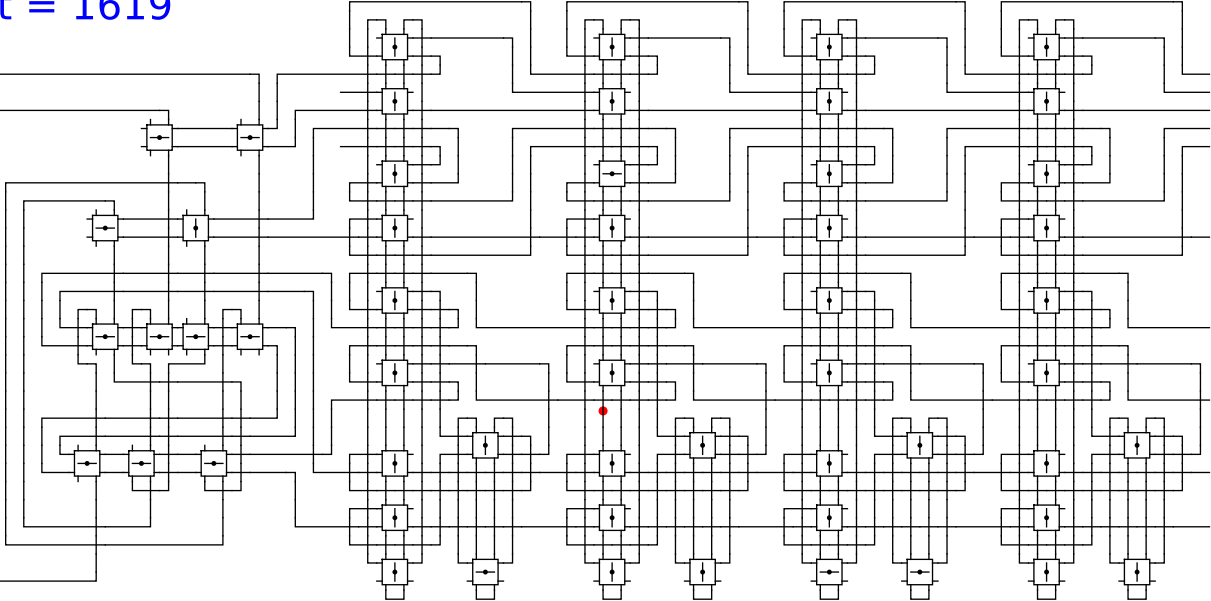


1 0 head 1 0

t = 1619

Reject
Accept

Begin

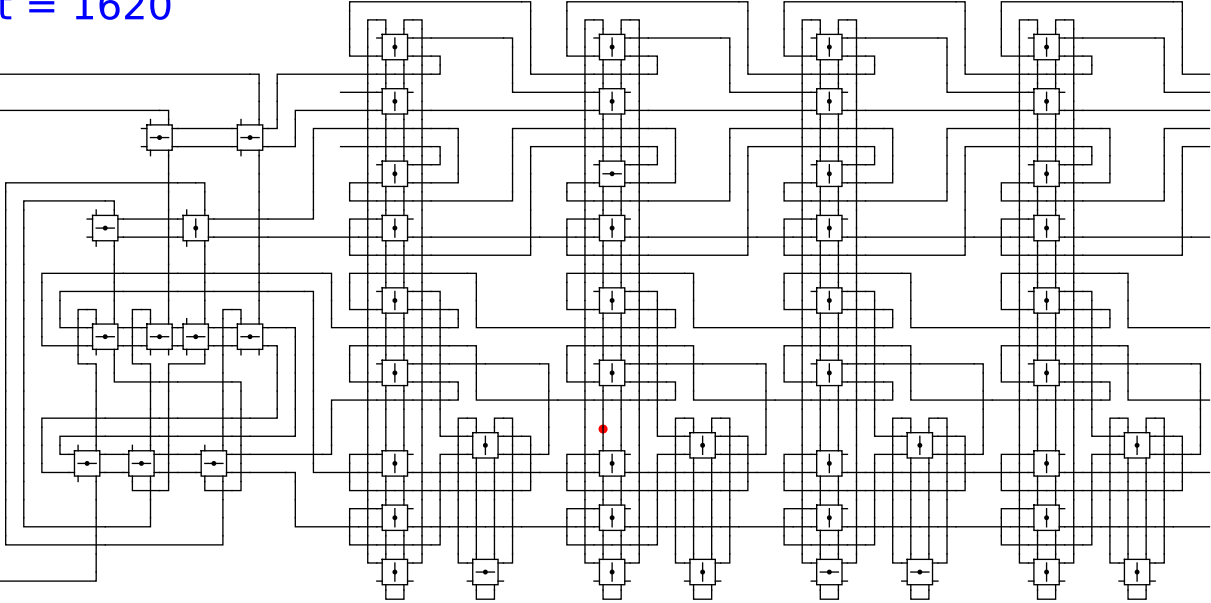


1 0 head 1 0

t = 1620

Reject
Accept

Begin

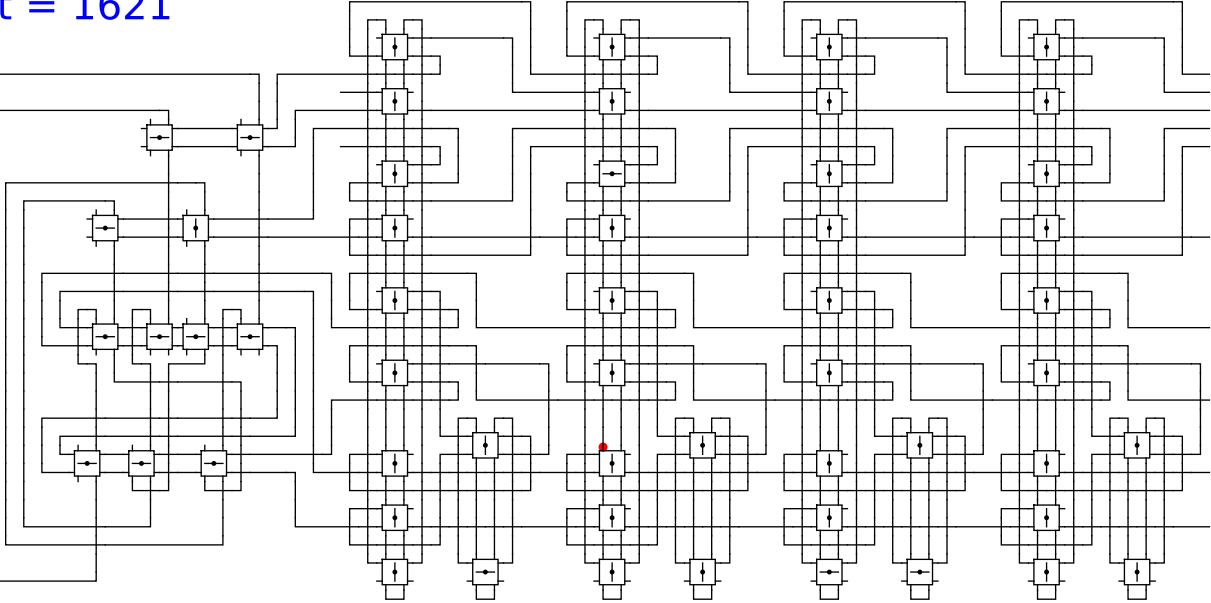


1 0 head 1 0

t = 1621

Reject
Accept

Begin

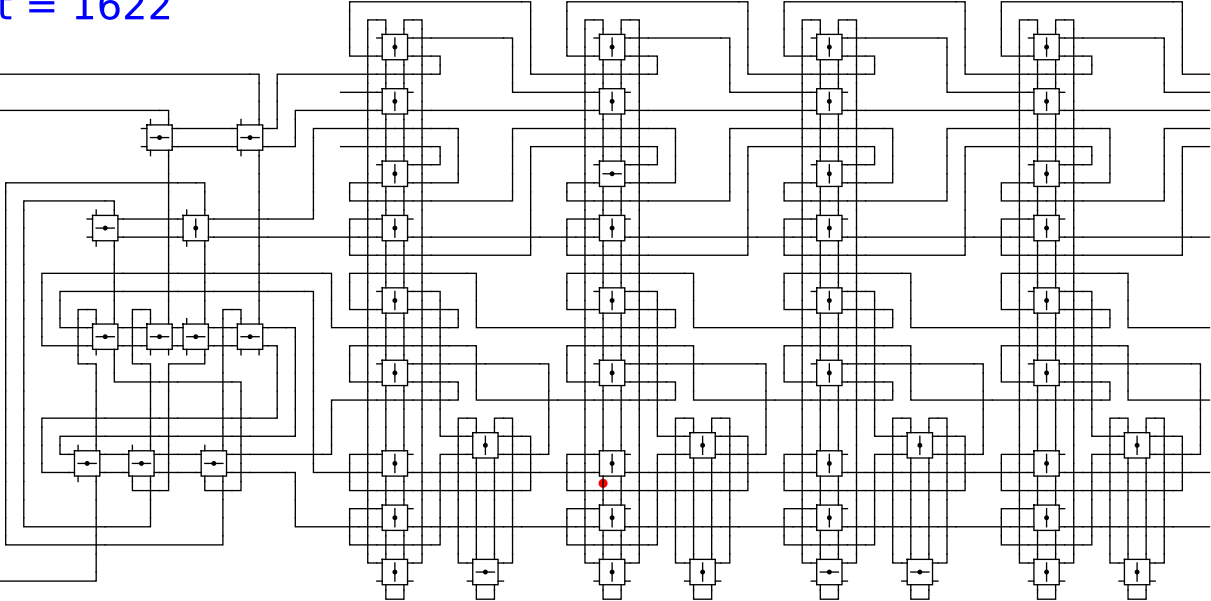


1 0 head 1 0

t = 1622

Reject
Accept

Begin



1

0

head

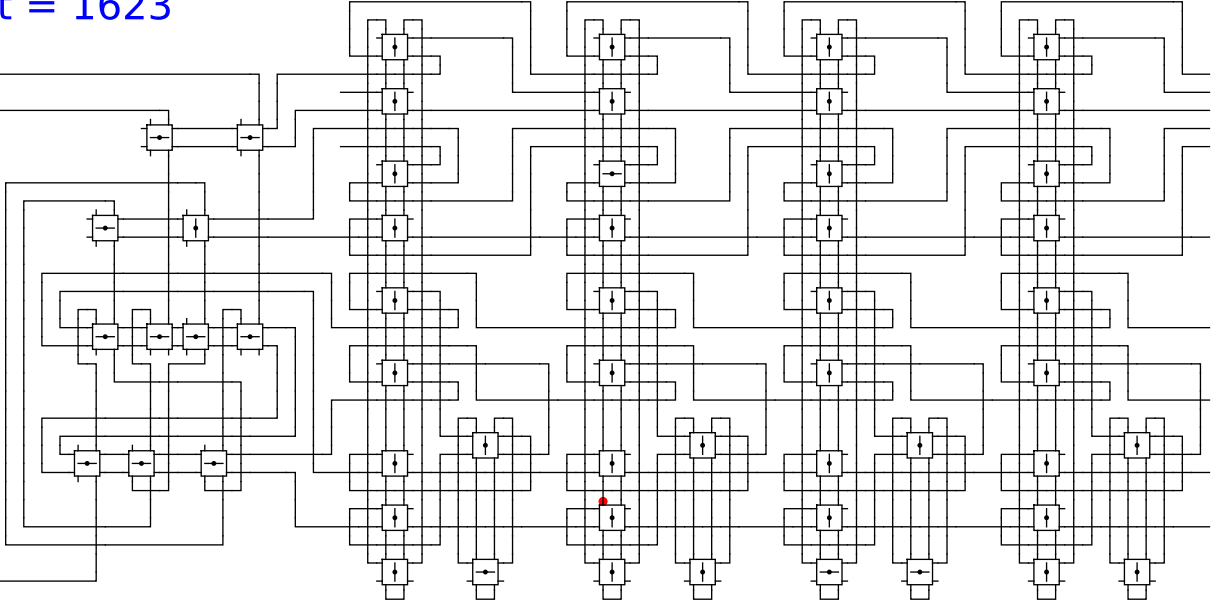
1

0

t = 1623

Reject
Accept

Begin

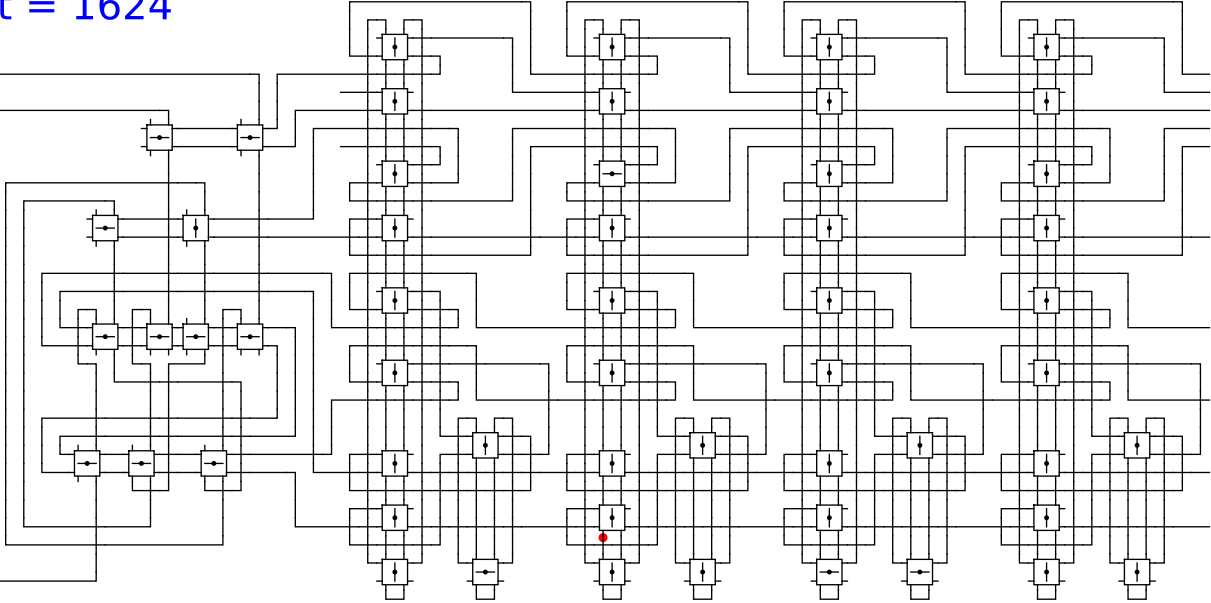


1 0 head 1 0

t = 1624

Reject
Accept

Begin

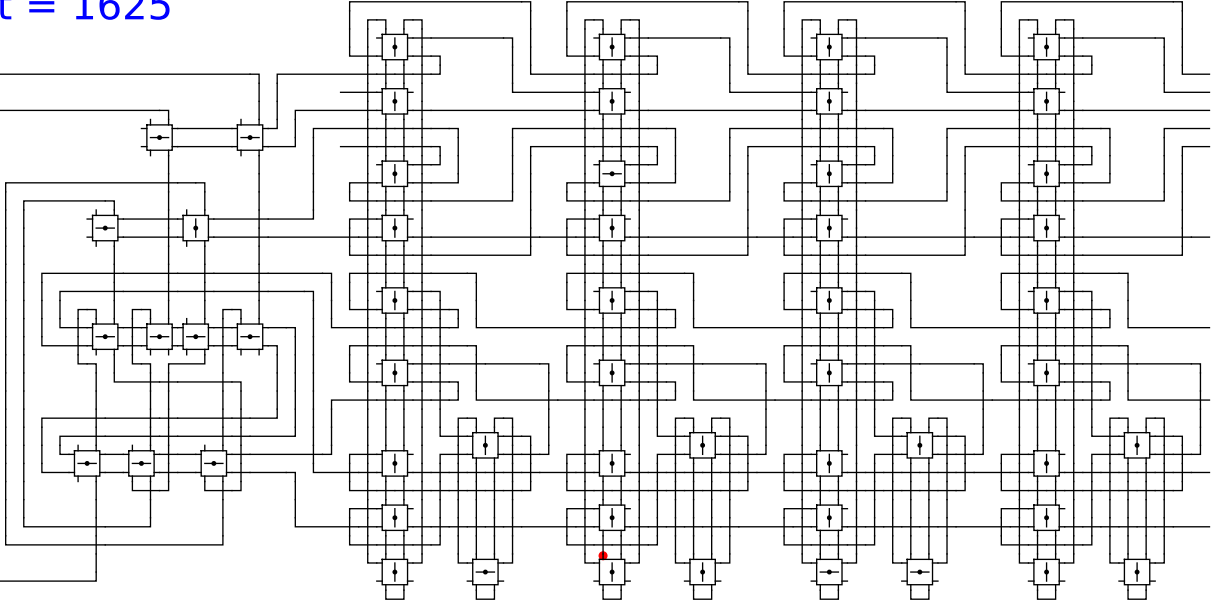


1 0 head 1 0

t = 1625

Reject
Accept

Begin

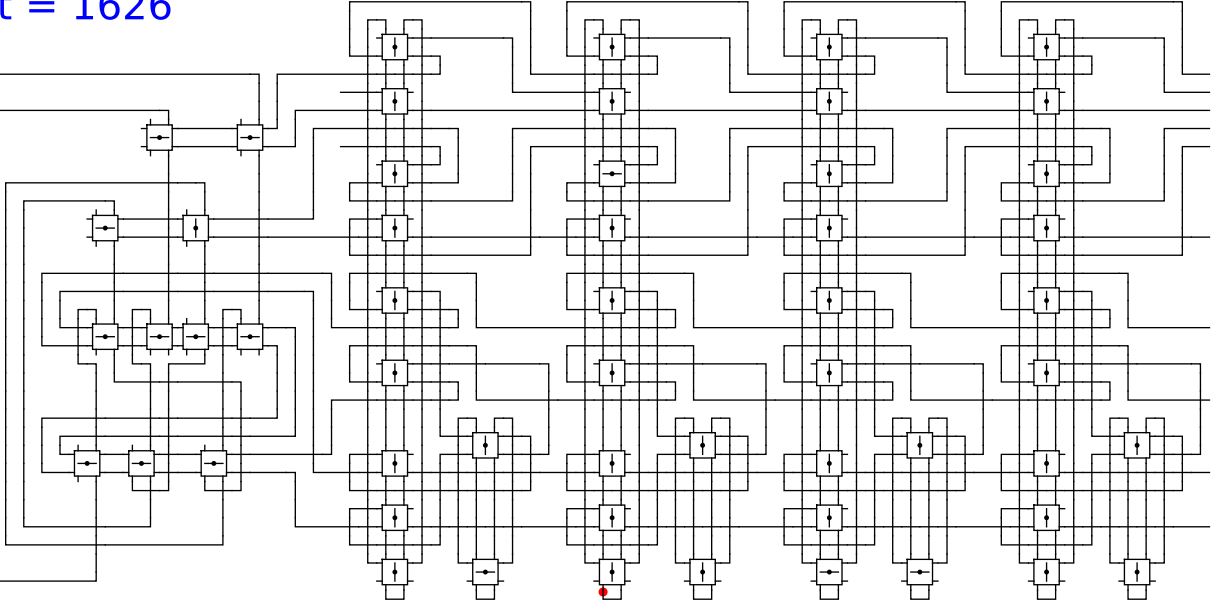


1 0 head 1 0

t = 1626

Reject
Accept

Begin



1

0

head

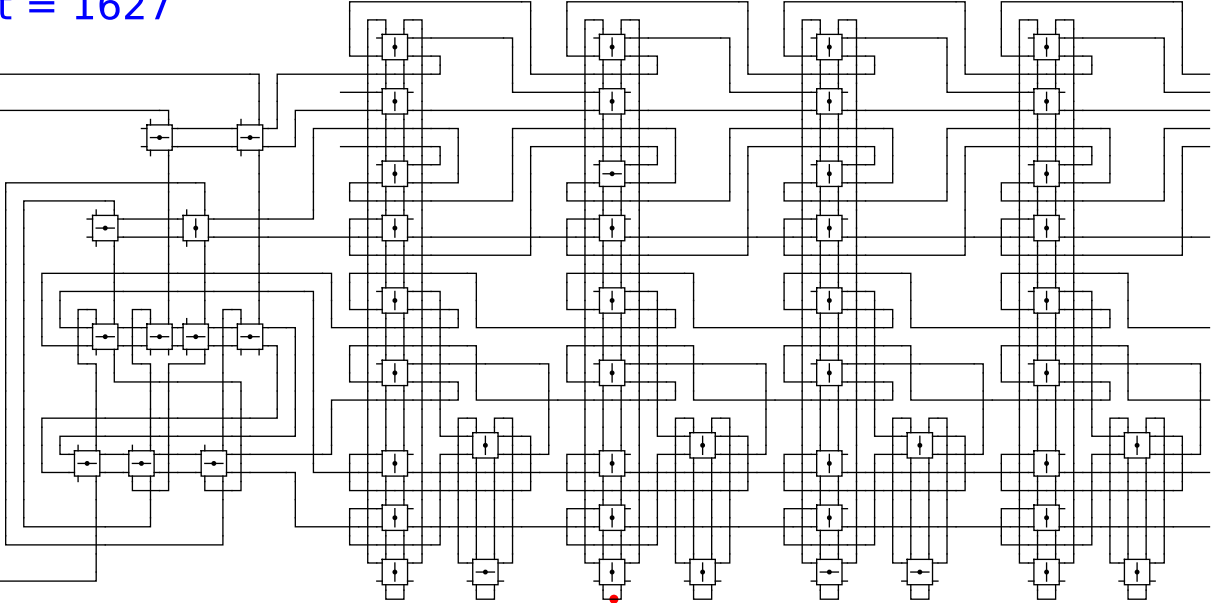
1

0

$t = 1627$

Reject
Accept

Begin

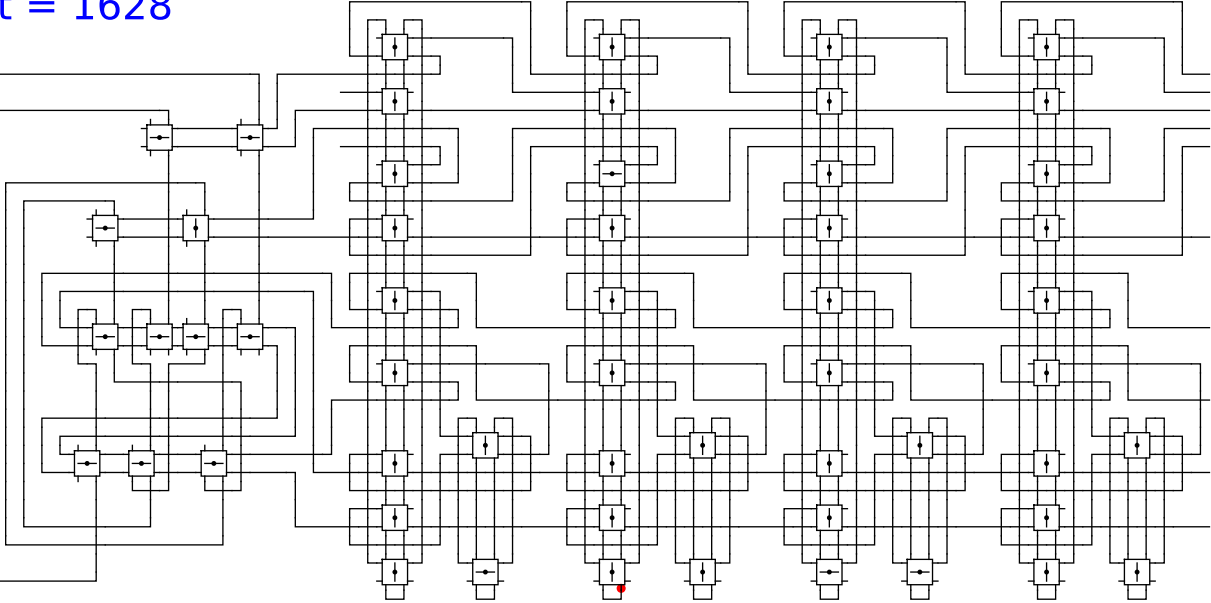


1 0 head 1 0

t = 1628

Reject
Accept

Begin

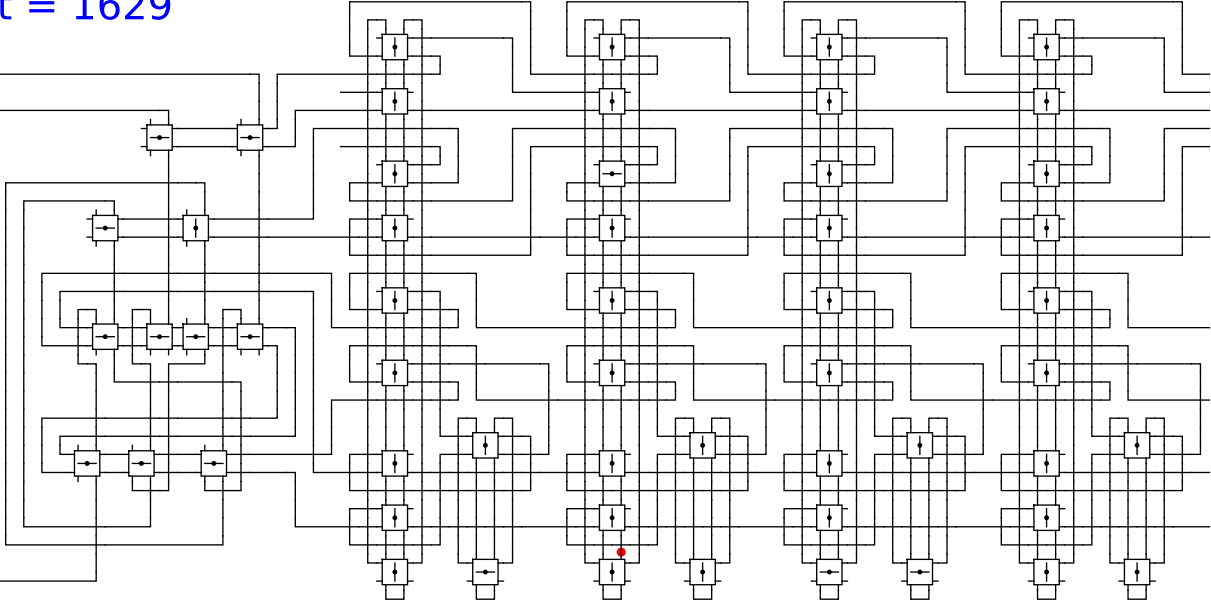


1 0 head 1 0

t = 1629

Reject
Accept

Begin

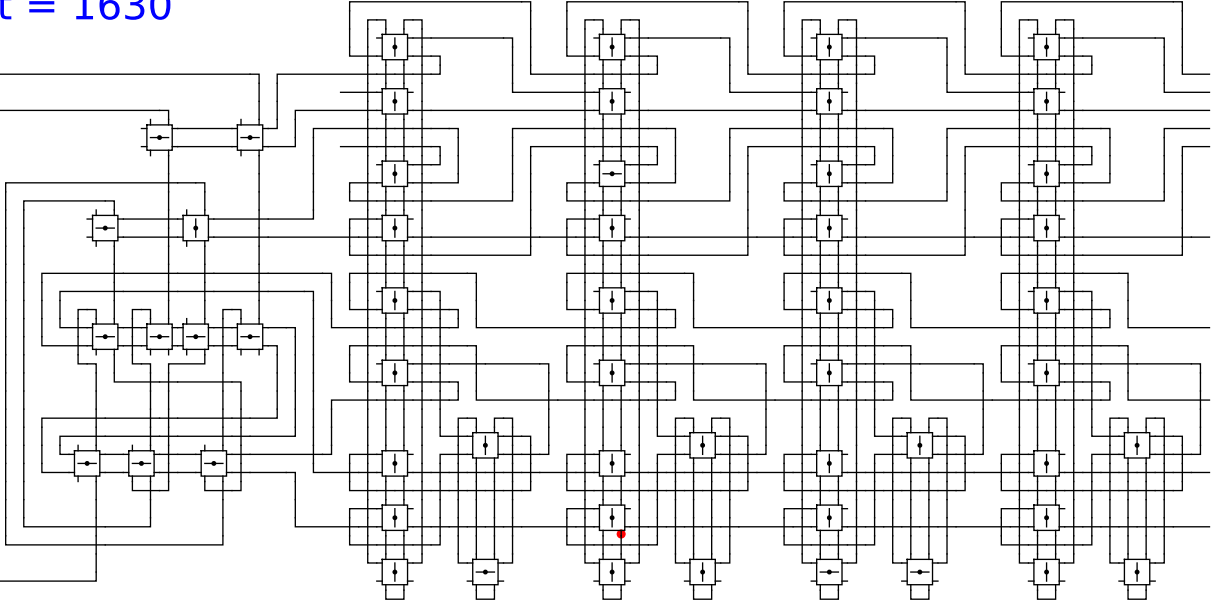


1 0 head 1 0

t = 1630

Reject
Accept

Begin

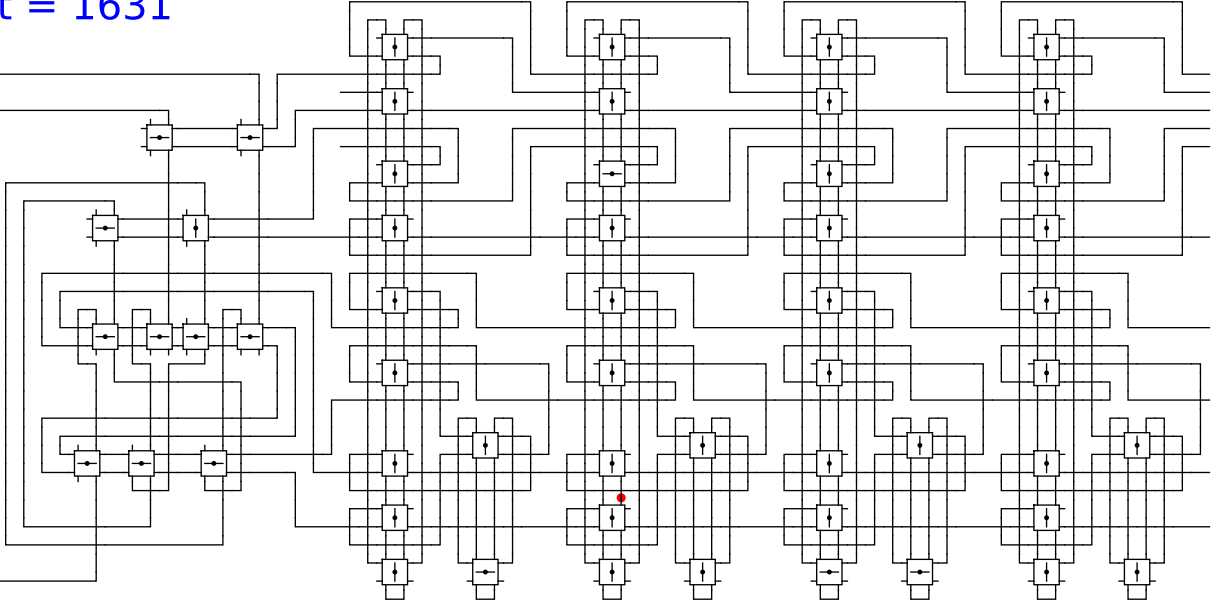


1 0 head 1 0

t = 1631

Reject
Accept

Begin

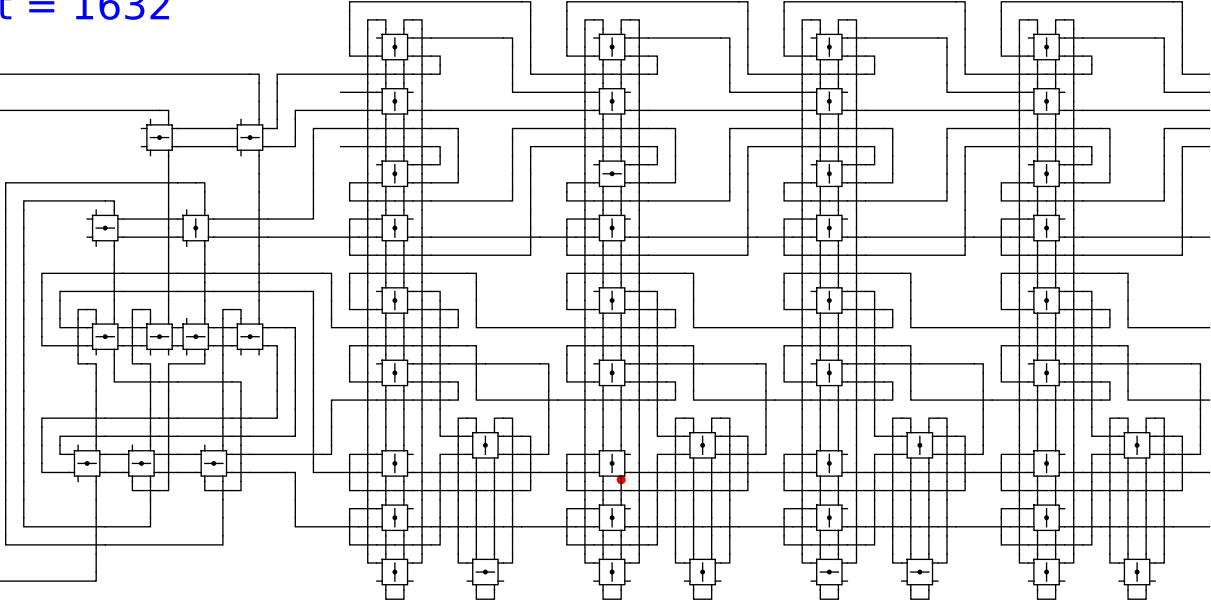


1 0 head 1 0

t = 1632

Reject
Accept

Begin

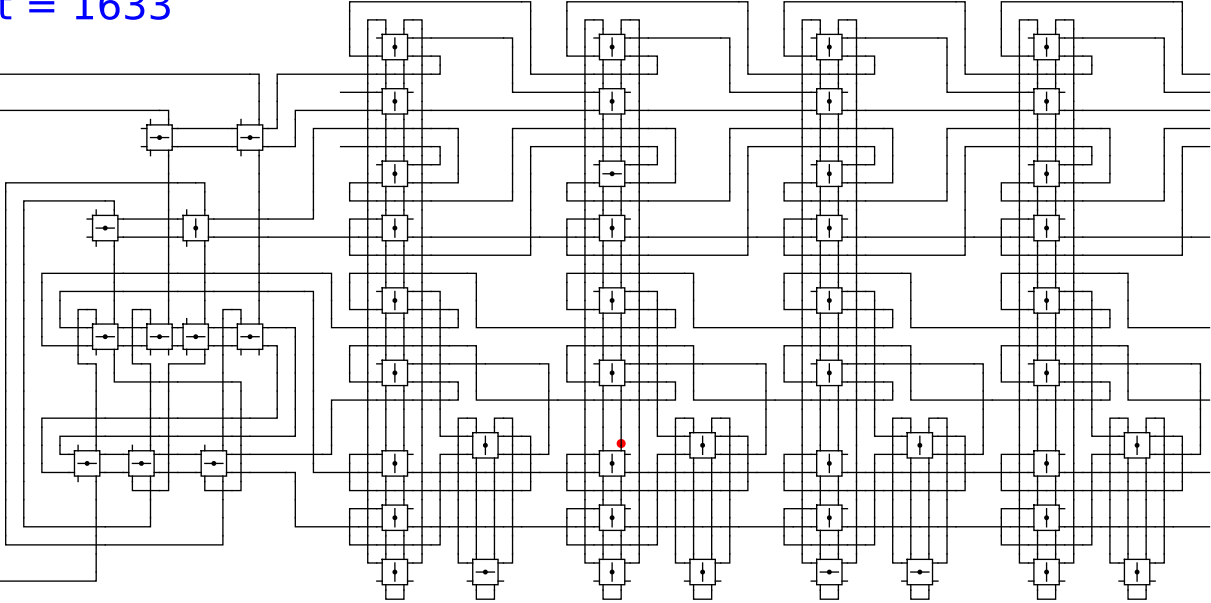


1 0 head 1 0

t = 1633

Reject
Accept

Begin



1

0

head

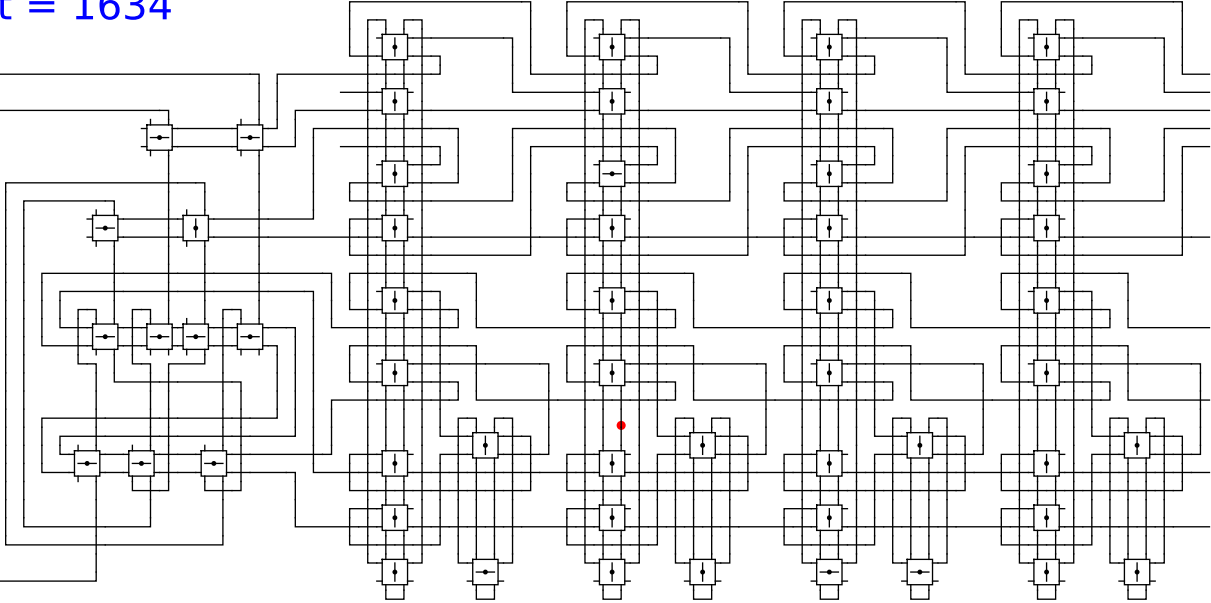
1

0

t = 1634

Reject
Accept

Begin

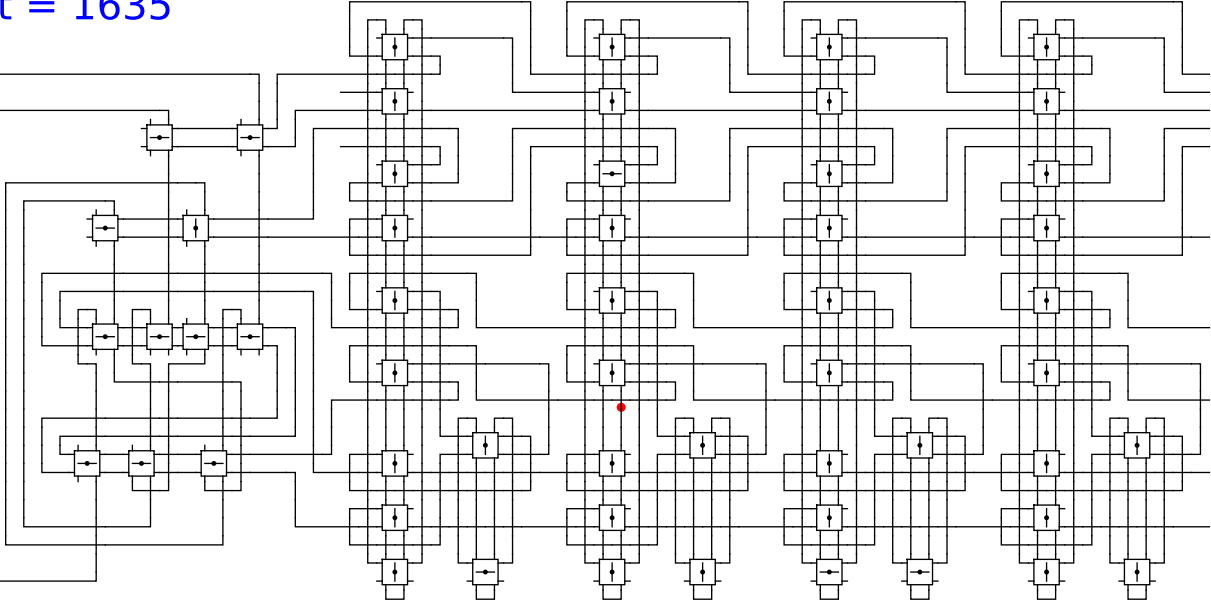


1 0 head 1 0

t = 1635

Reject
Accept

Begin

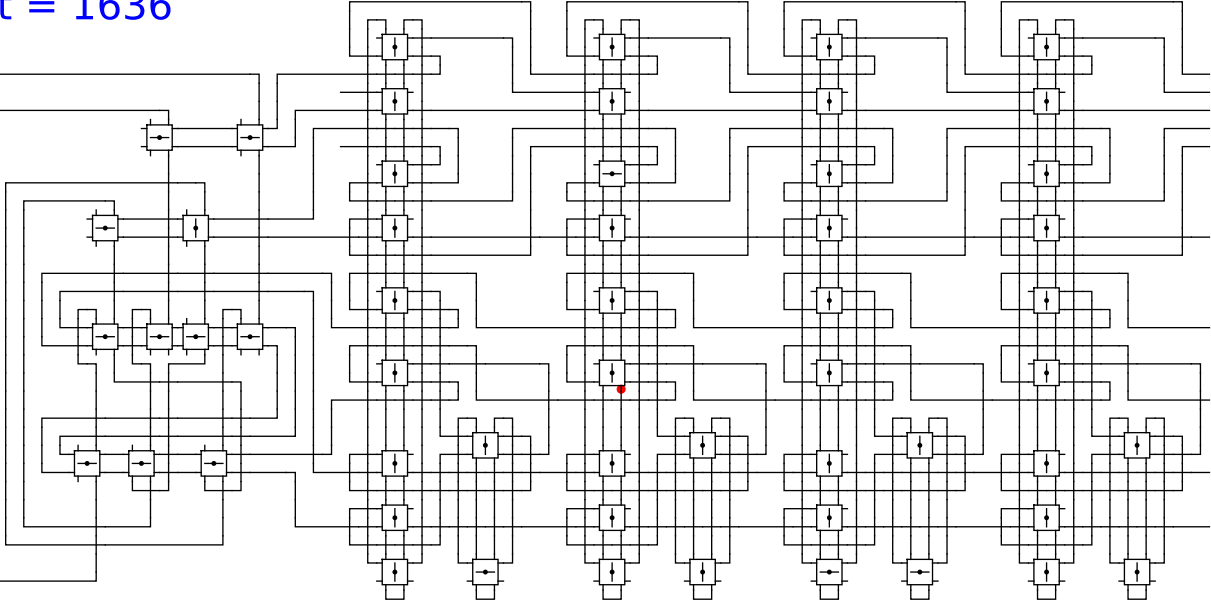


1 0 head 1 0

t = 1636

Reject
Accept

Begin

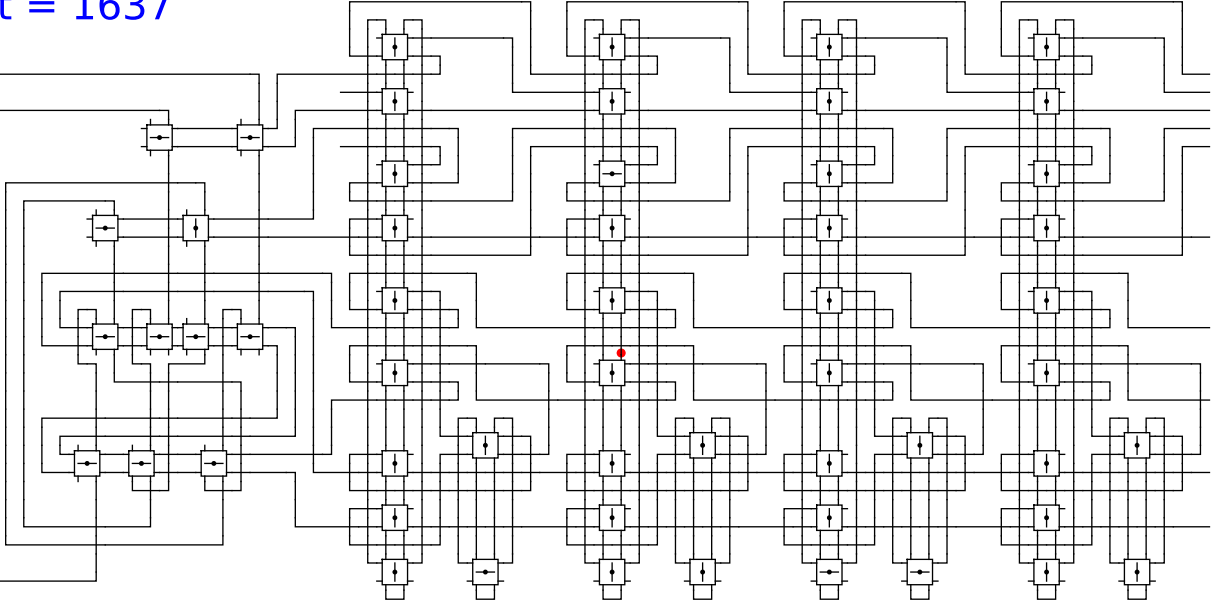


1 0 head 1 0

t = 1637

Reject
Accept

Begin

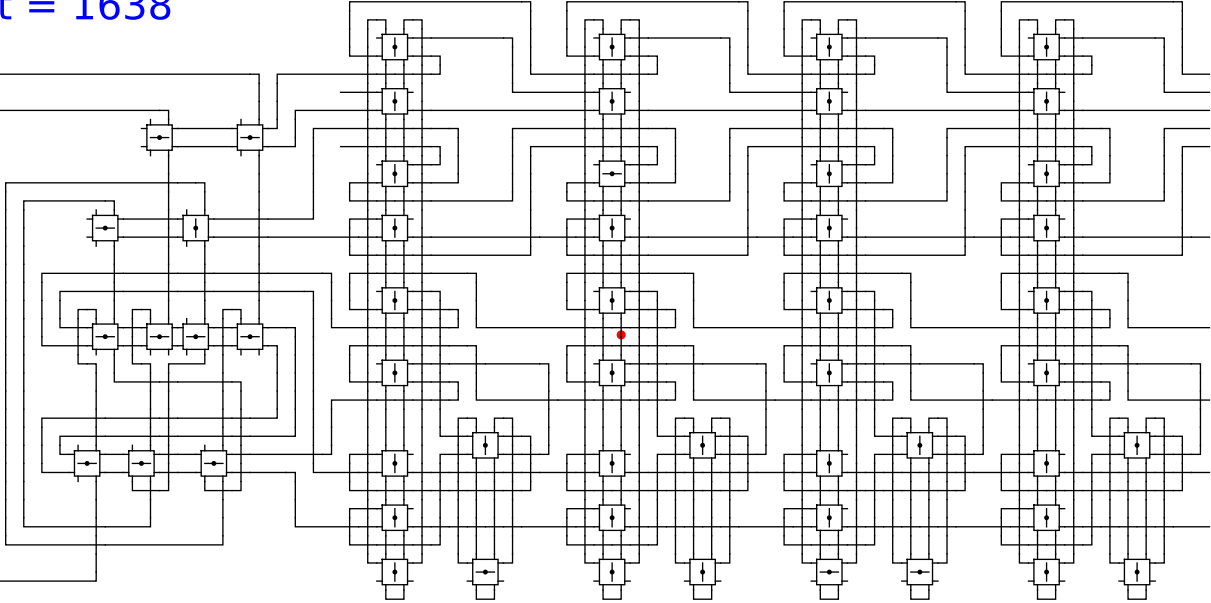


1 0 head 1 0

t = 1638

Reject
Accept

Begin

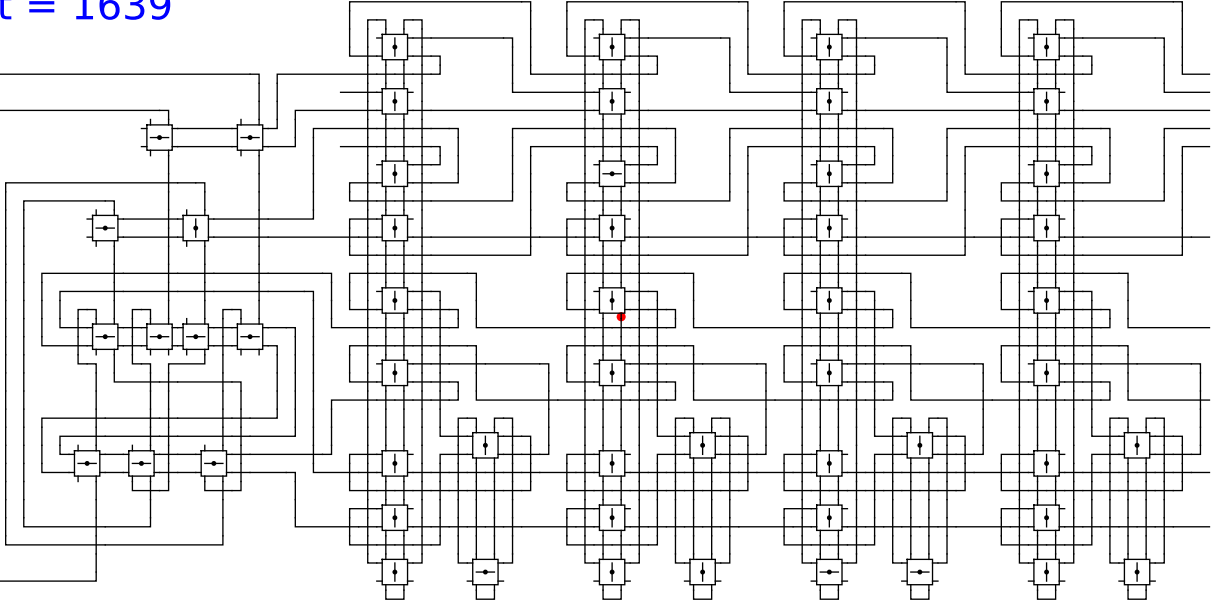


1 0 head 1 0

t = 1639

Reject
Accept

Begin

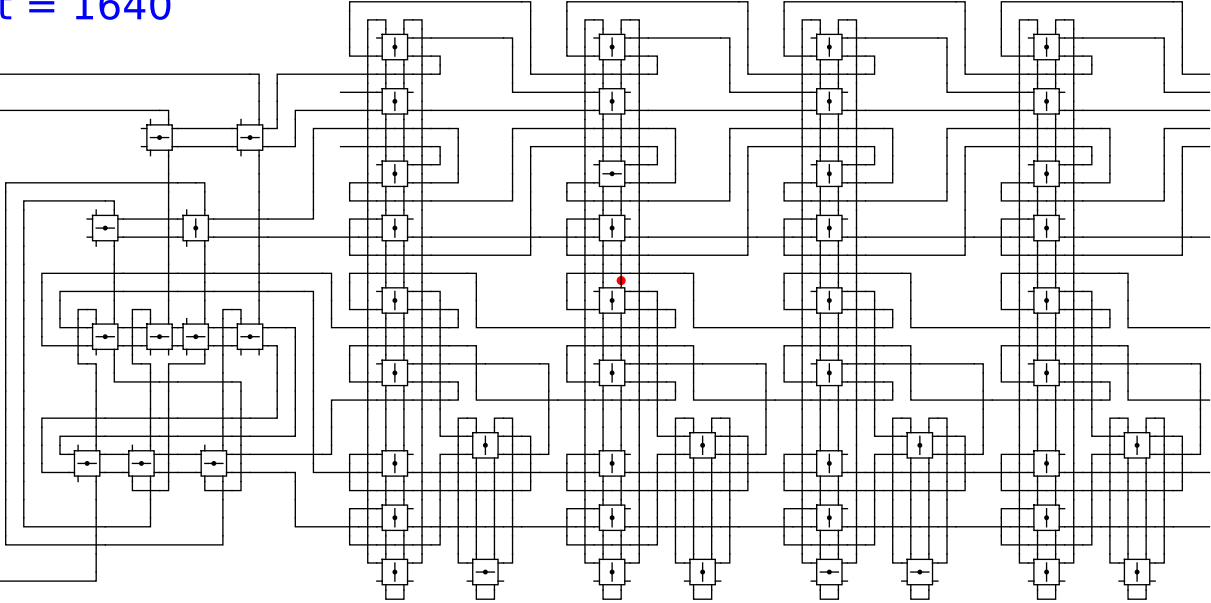


1 0 head 1 0

t = 1640

Reject
Accept

Begin

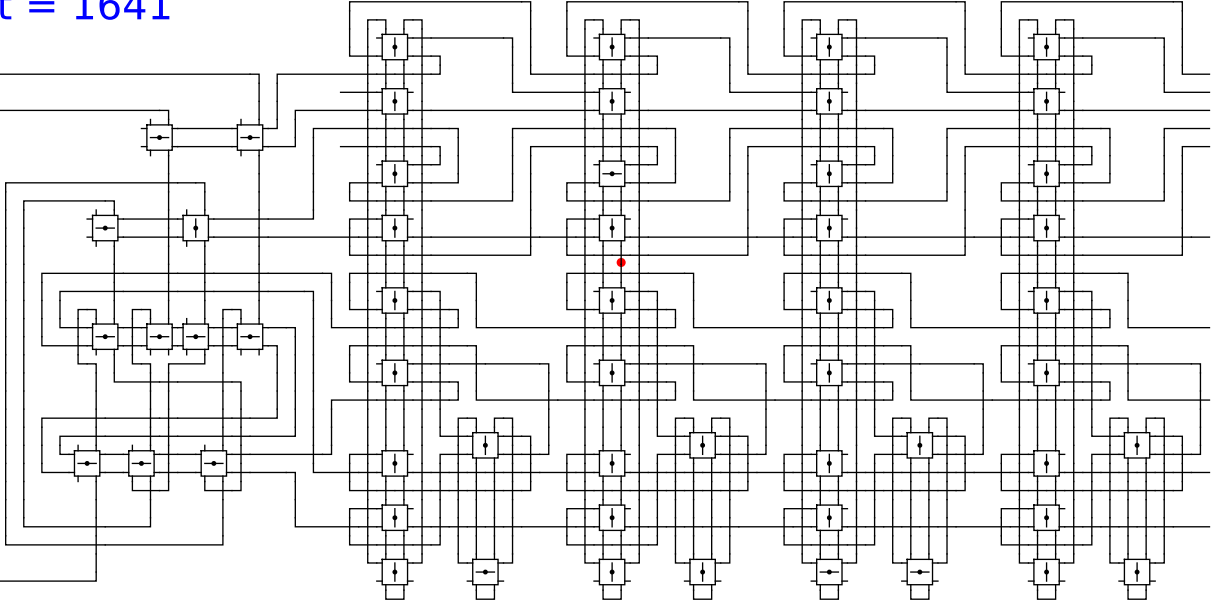


1 0 head 1 0

t = 1641

Reject
Accept

Begin

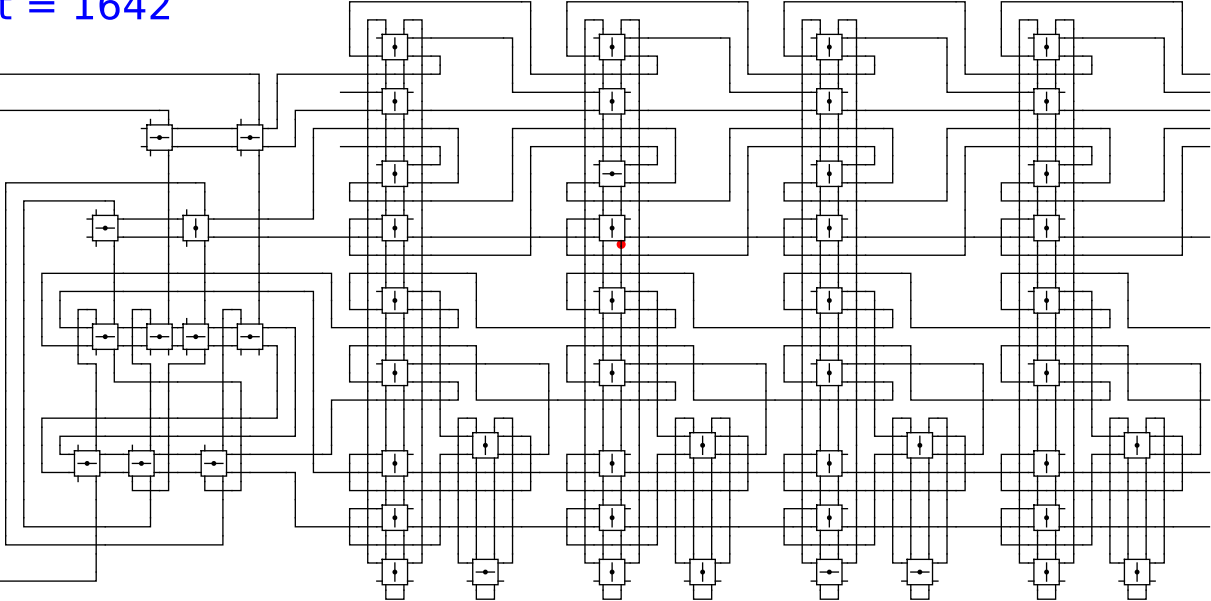


1 0 head 1 0

t = 1642

Reject
Accept

Begin

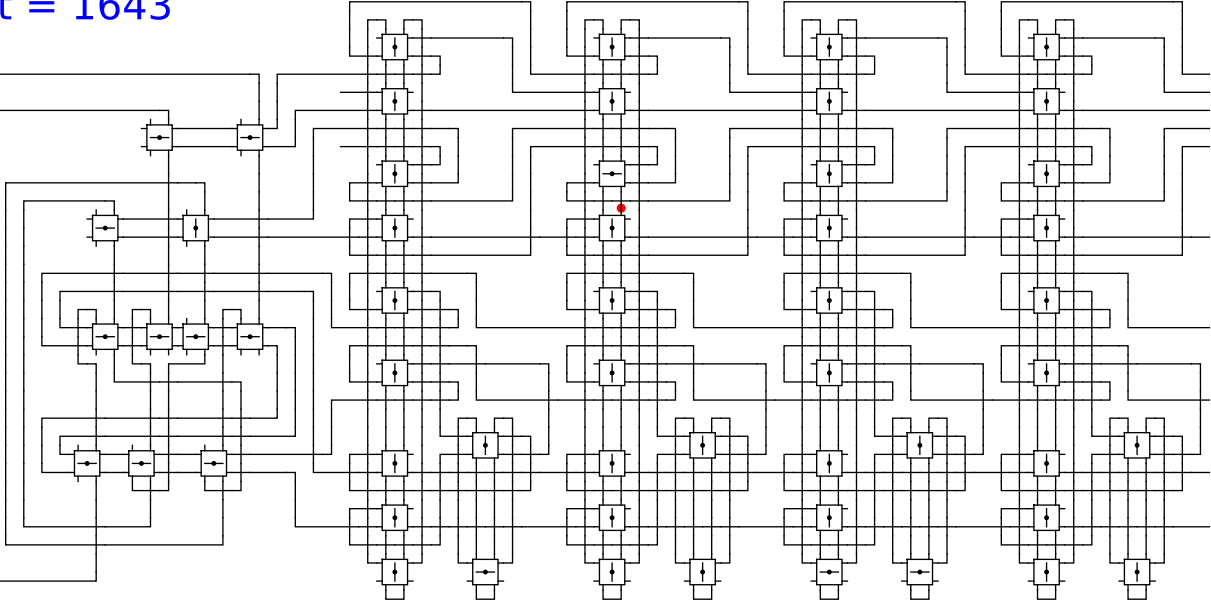


1 0 head 1 0

t = 1643

Reject
Accept

Begin

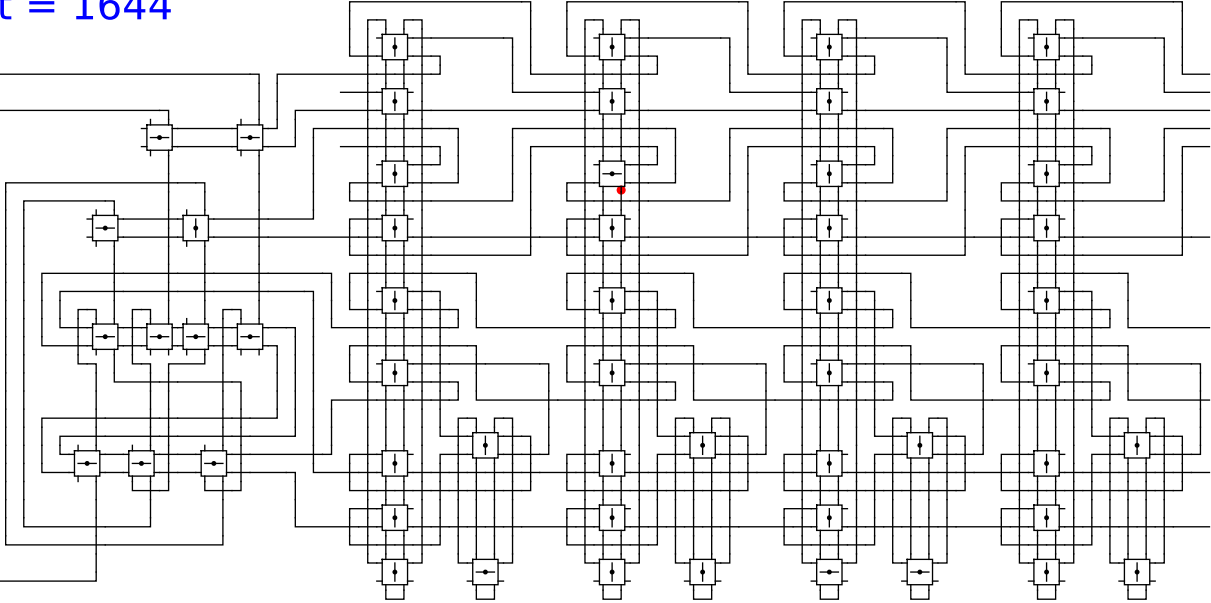


1 0 head 1 0

t = 1644

Reject
Accept

Begin

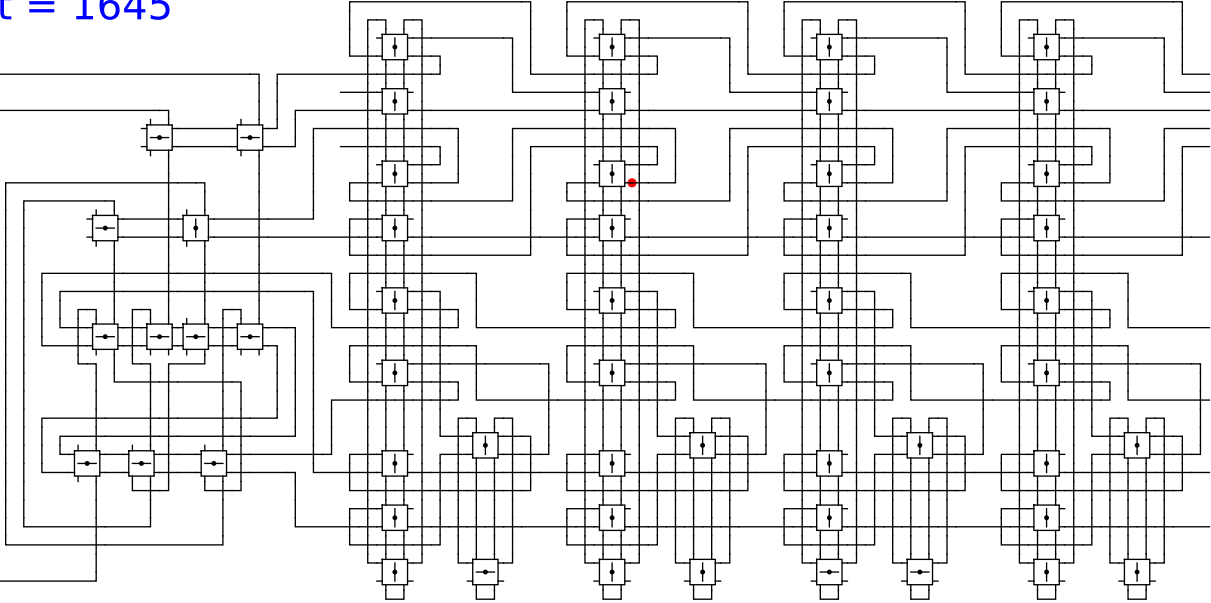


1 0 head 1 0

t = 1645

Reject
Accept

Begin



1

0

head

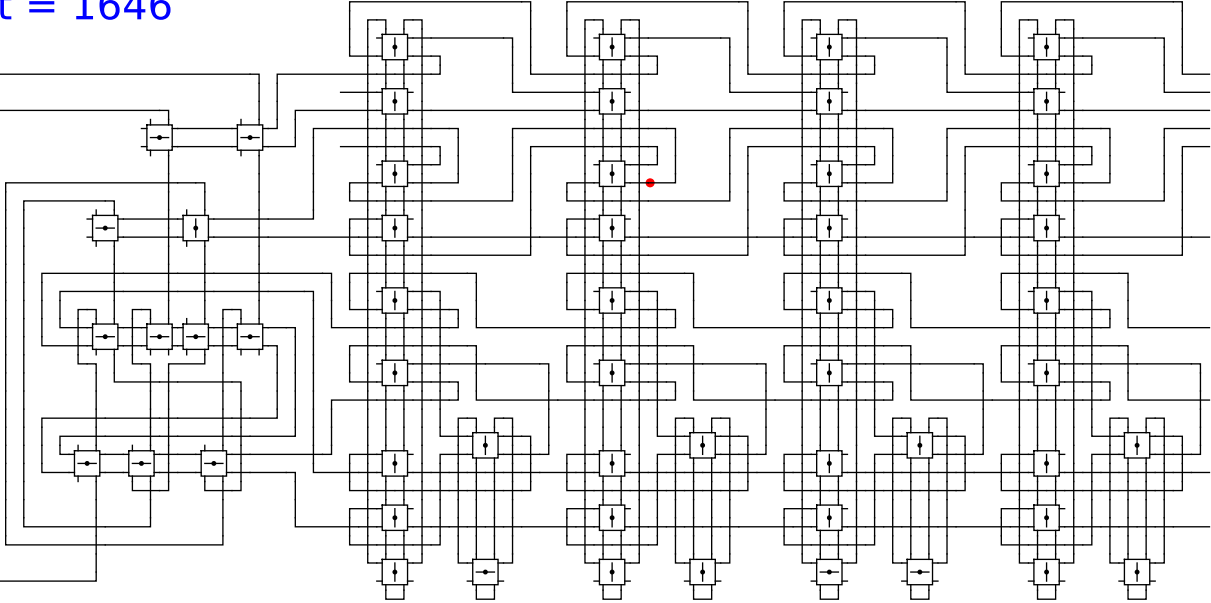
1

0

t = 1646

Reject
Accept

Begin

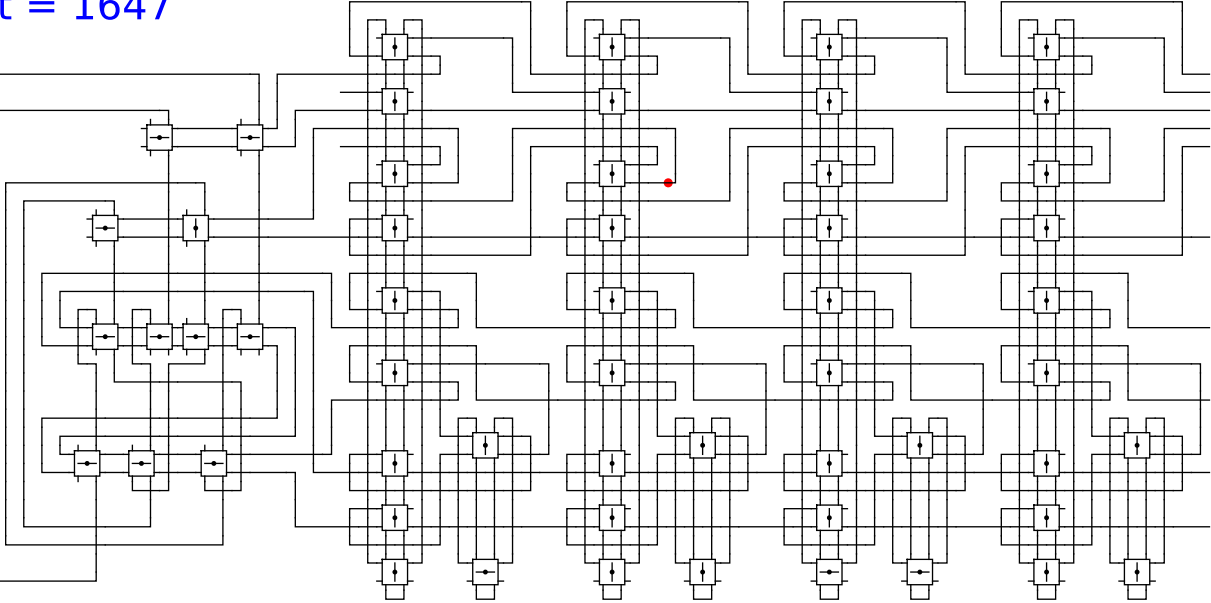


1 0 head 1 0

t = 1647

Reject
Accept

Begin

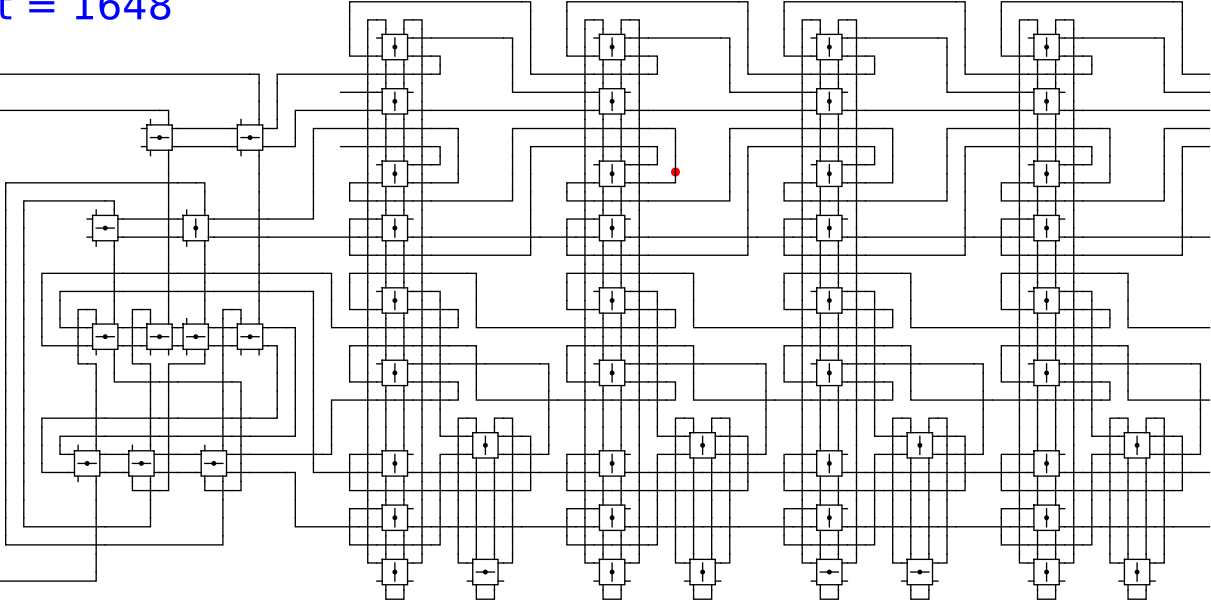


1 0 head 1 0

t = 1648

Reject
Accept

Begin

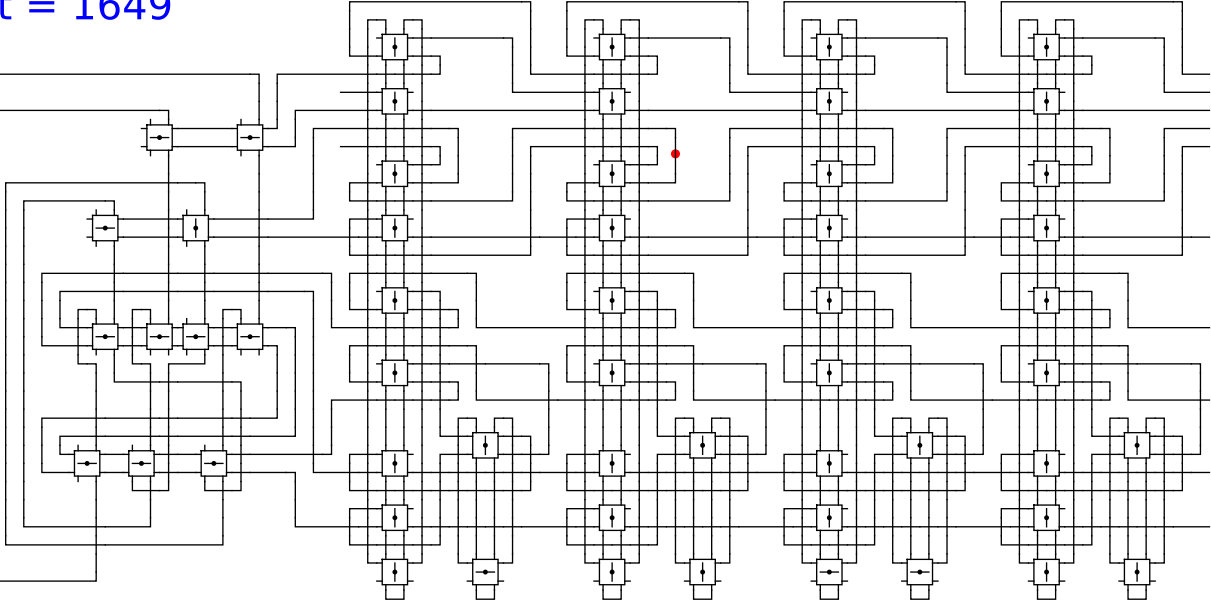


1 0 head 1 0

t = 1649

Reject
Accept

Begin

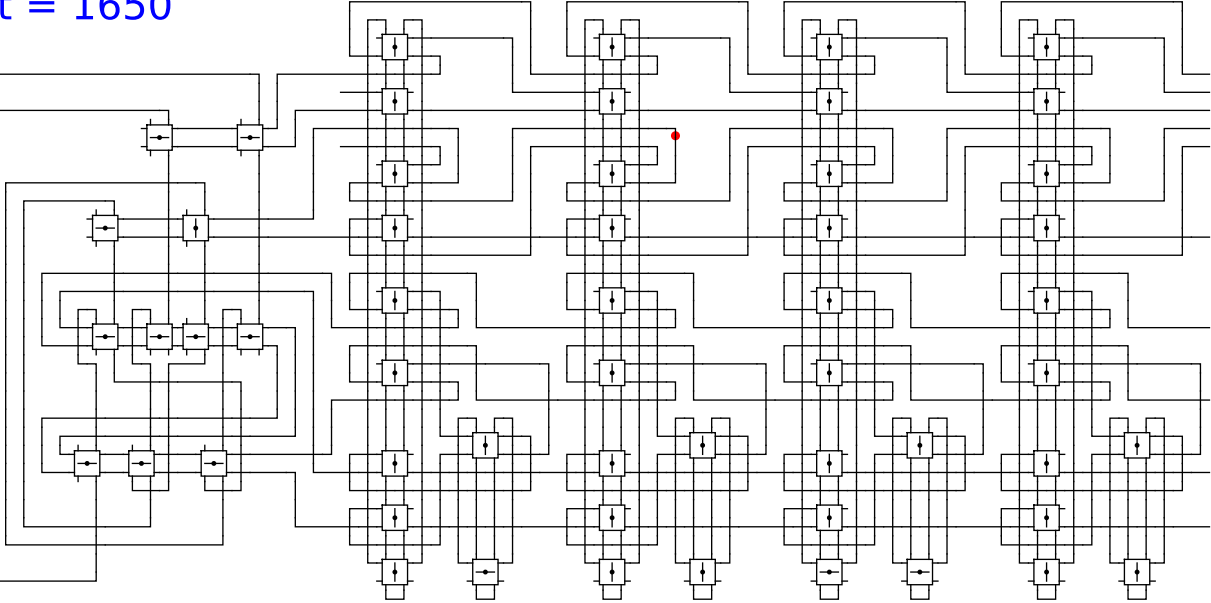


1 0 head 1 0

t = 1650

Reject
Accept

Begin

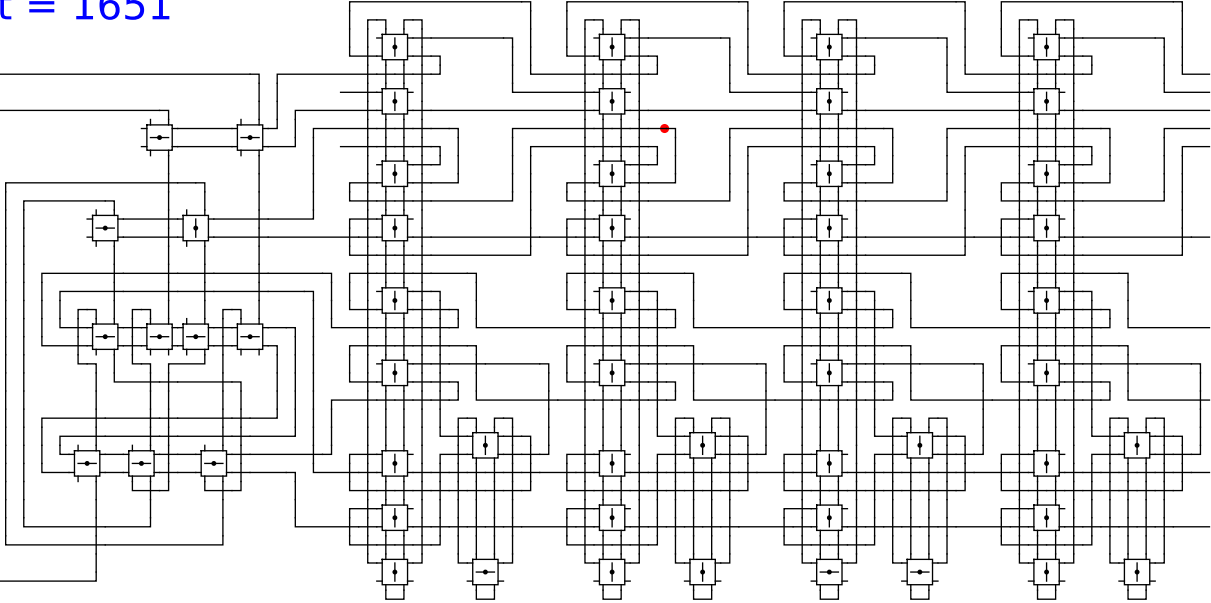


1 0 head 1 0

t = 1651

Reject
Accept

Begin

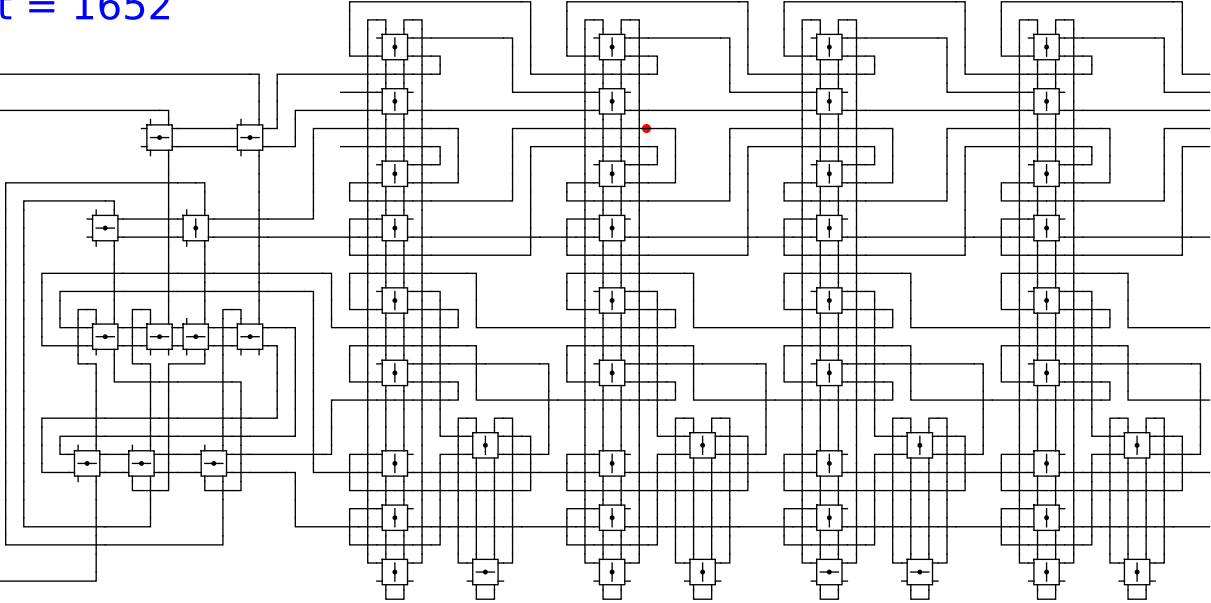


1 0 head 1 0

t = 1652

Reject
Accept

Begin

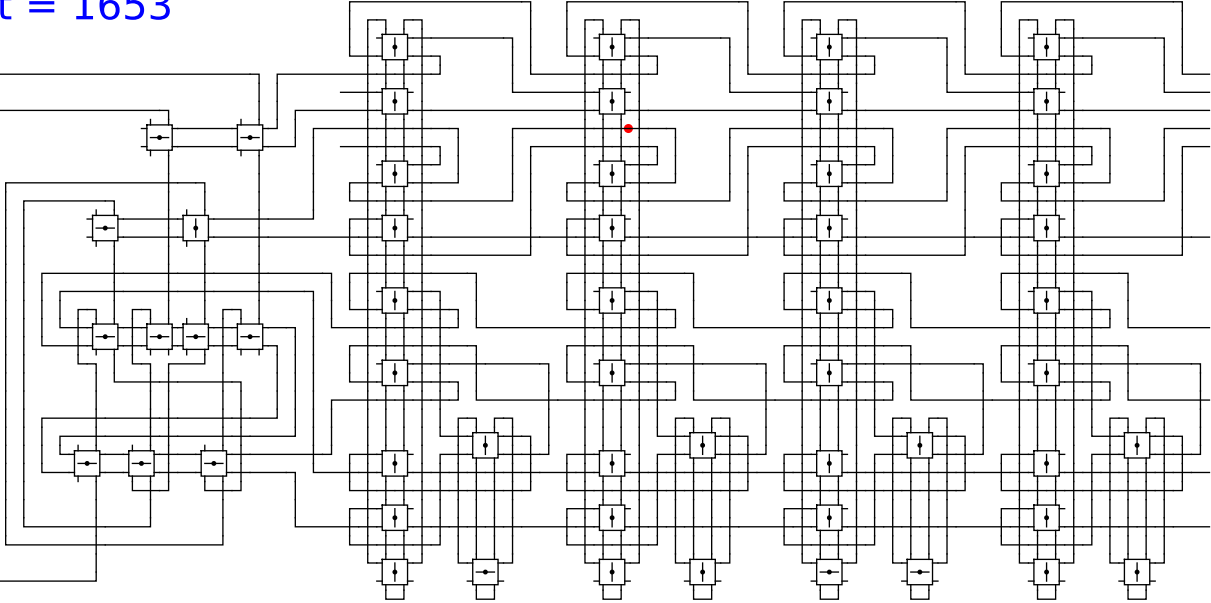


1 0 head 1 0

t = 1653

Reject
Accept

Begin

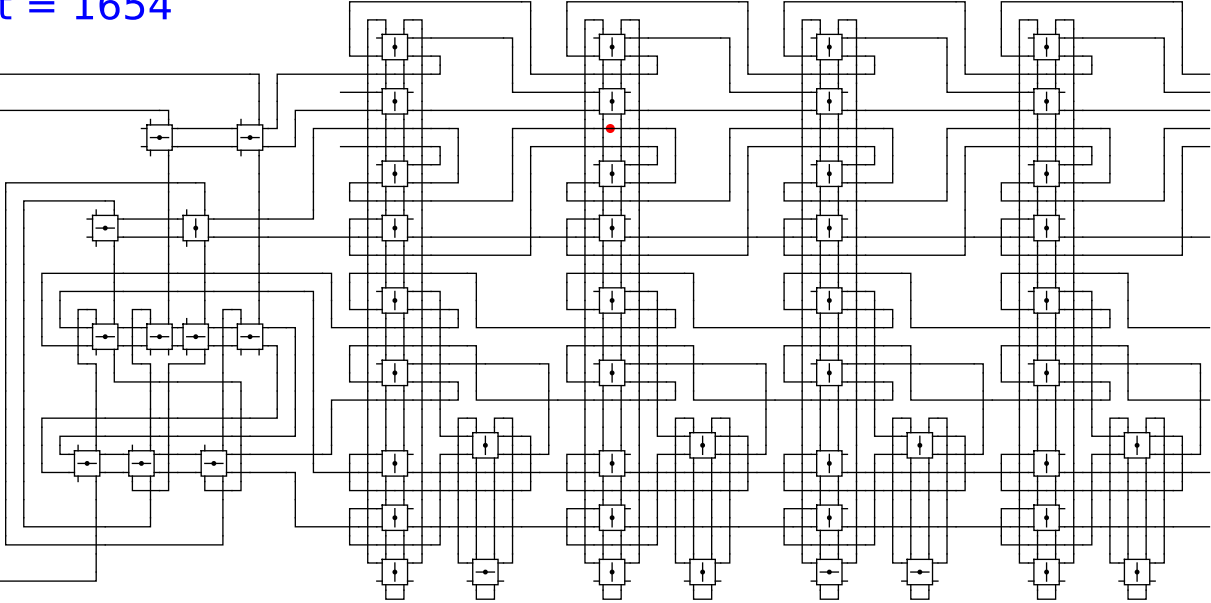


1 0 head 1 0

t = 1654

Reject
Accept

Begin



1

0

head

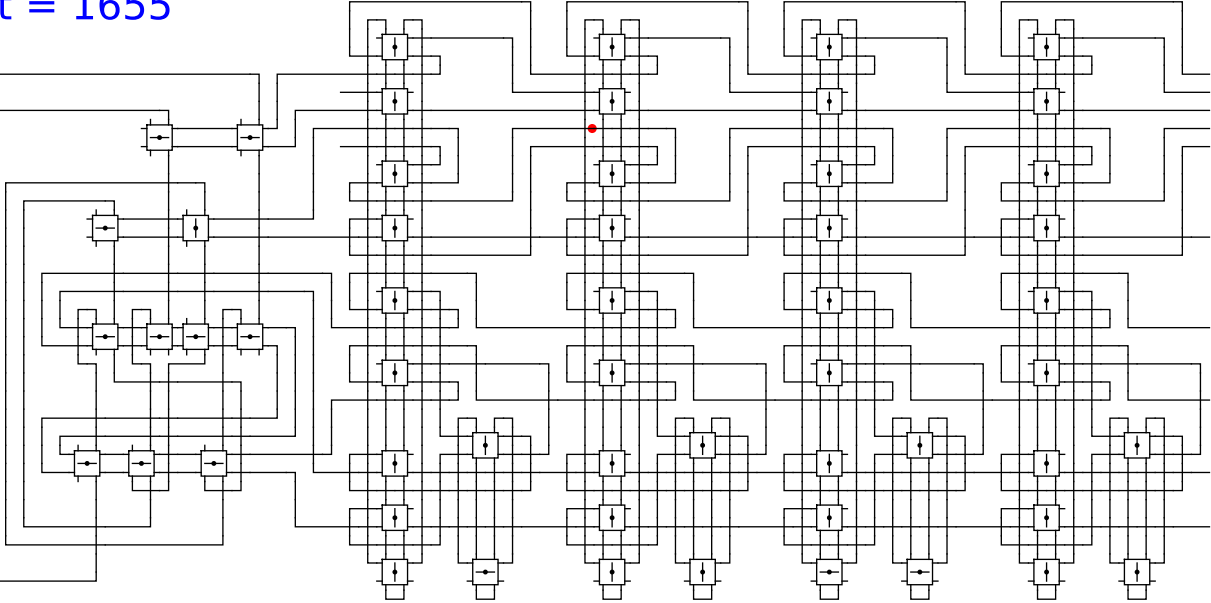
1

0

t = 1655

Reject
Accept

Begin



1

0

head

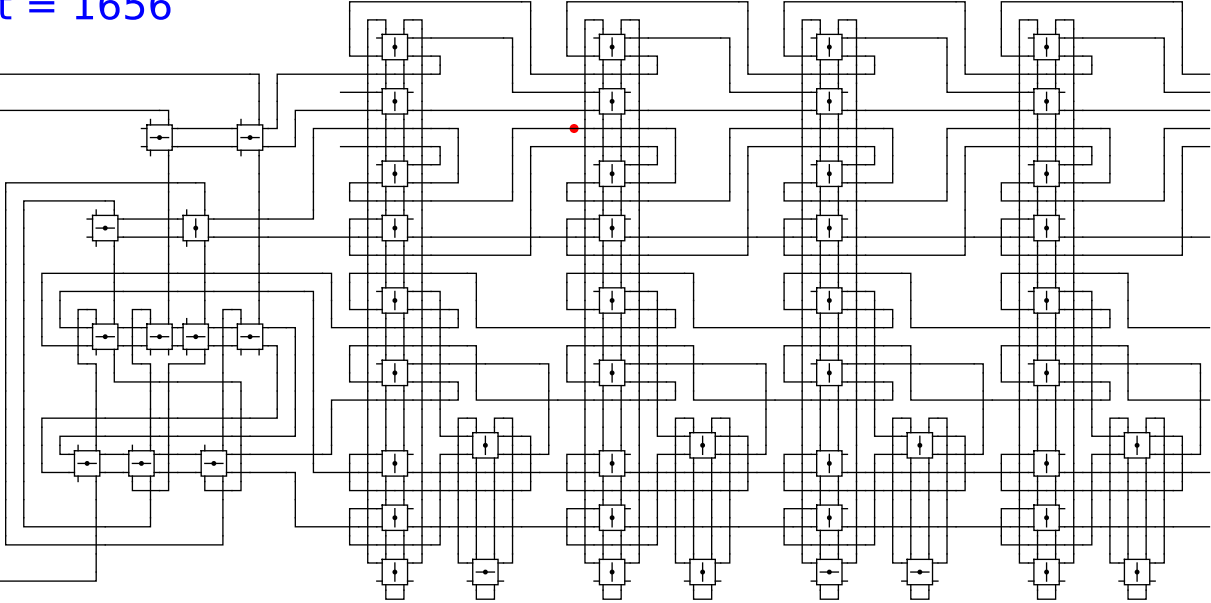
1

0

t = 1656

Reject
Accept

Begin



1

0

head

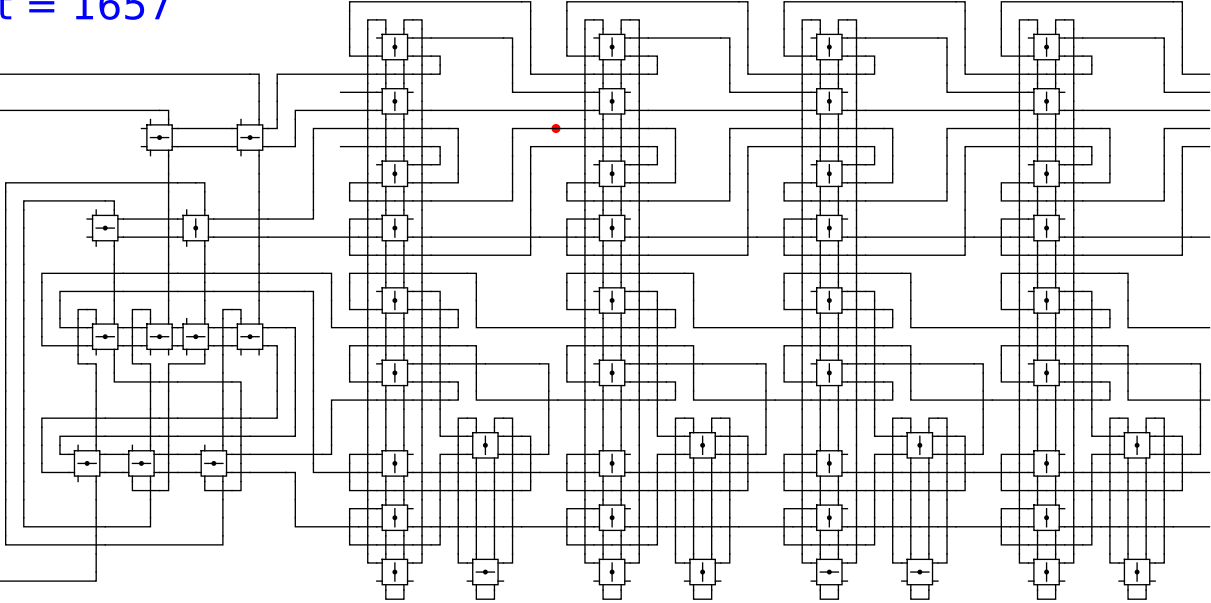
1

0

t = 1657

Reject
Accept

Begin



1

0

head

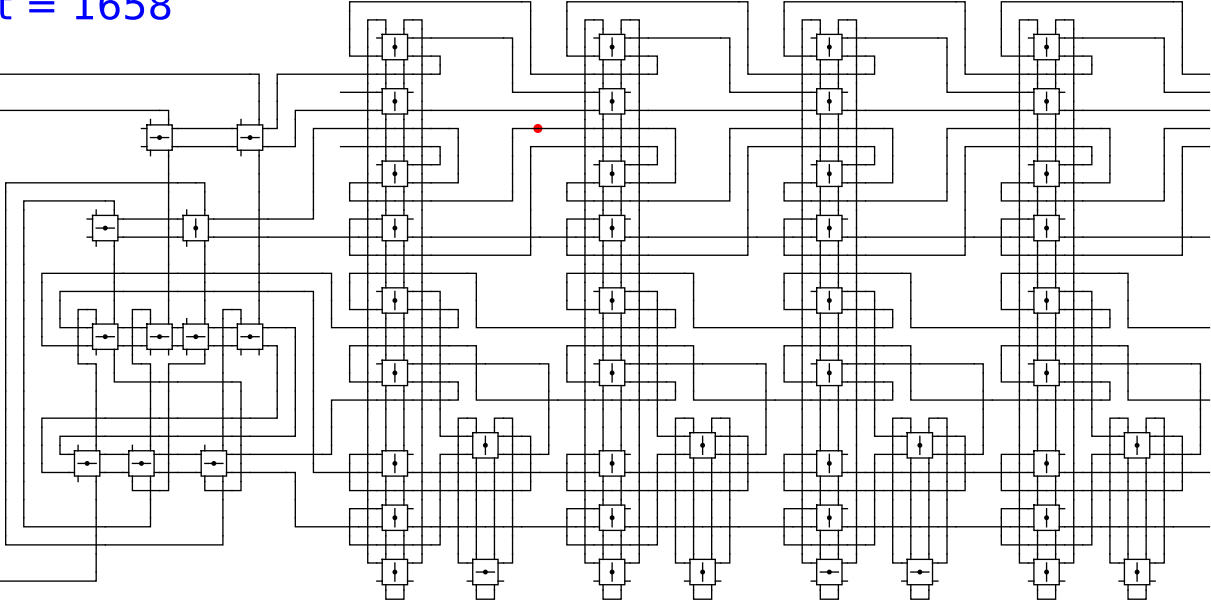
1

0

t = 1658

Reject
Accept

Begin

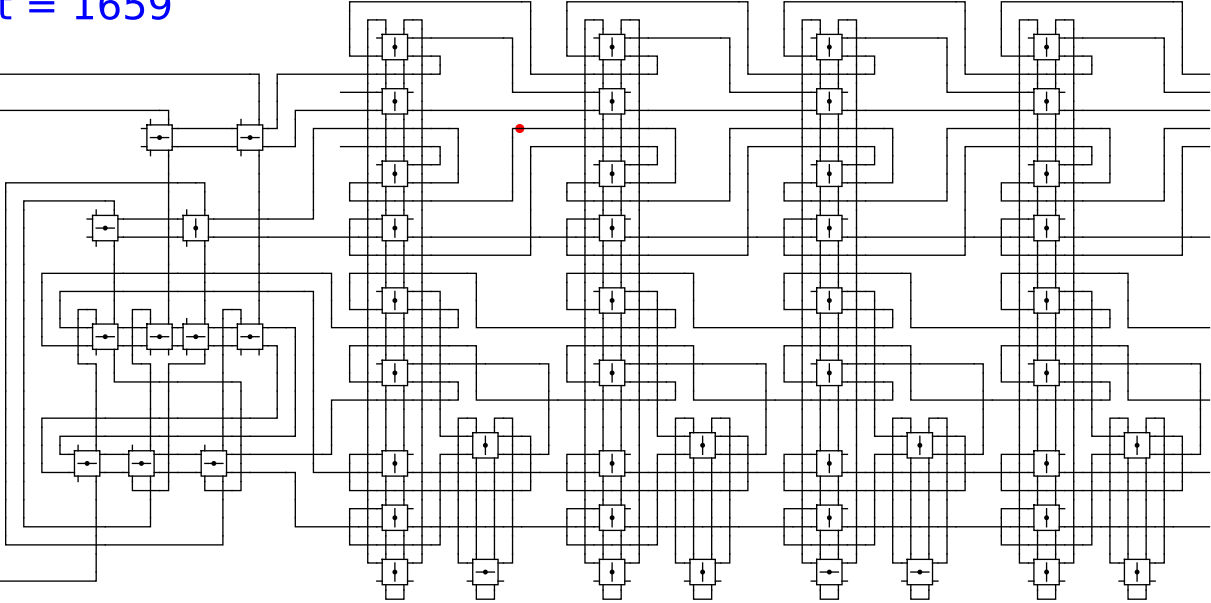


1 0 head 1 0

t = 1659

Reject
Accept

Begin

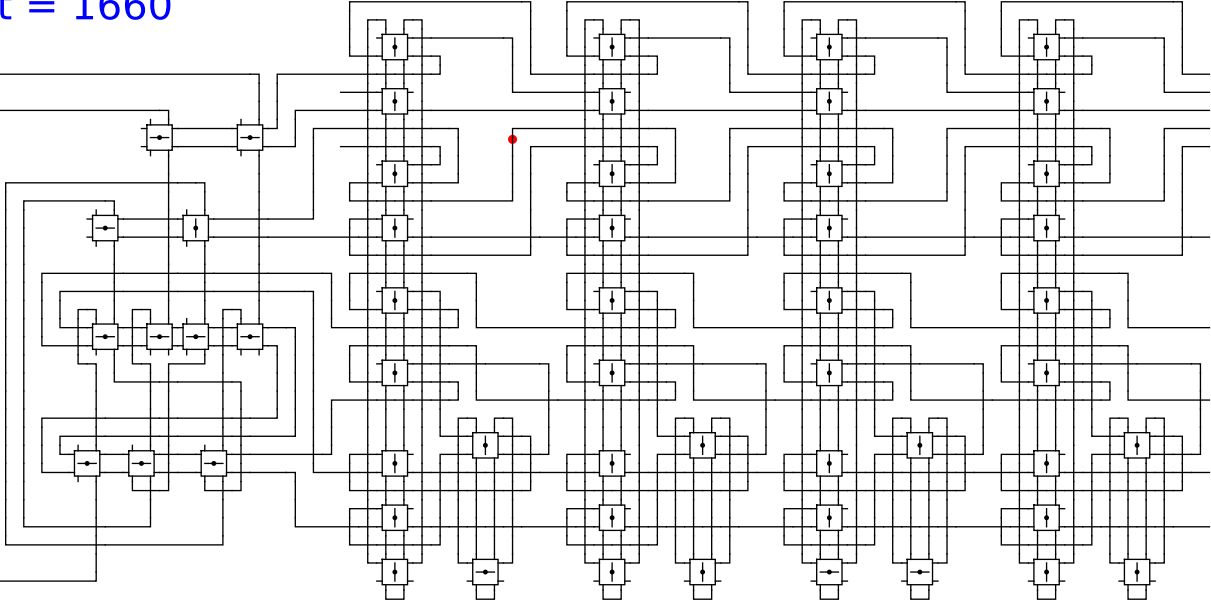


1 0 head 1 0

t = 1660

Reject
Accept

Begin

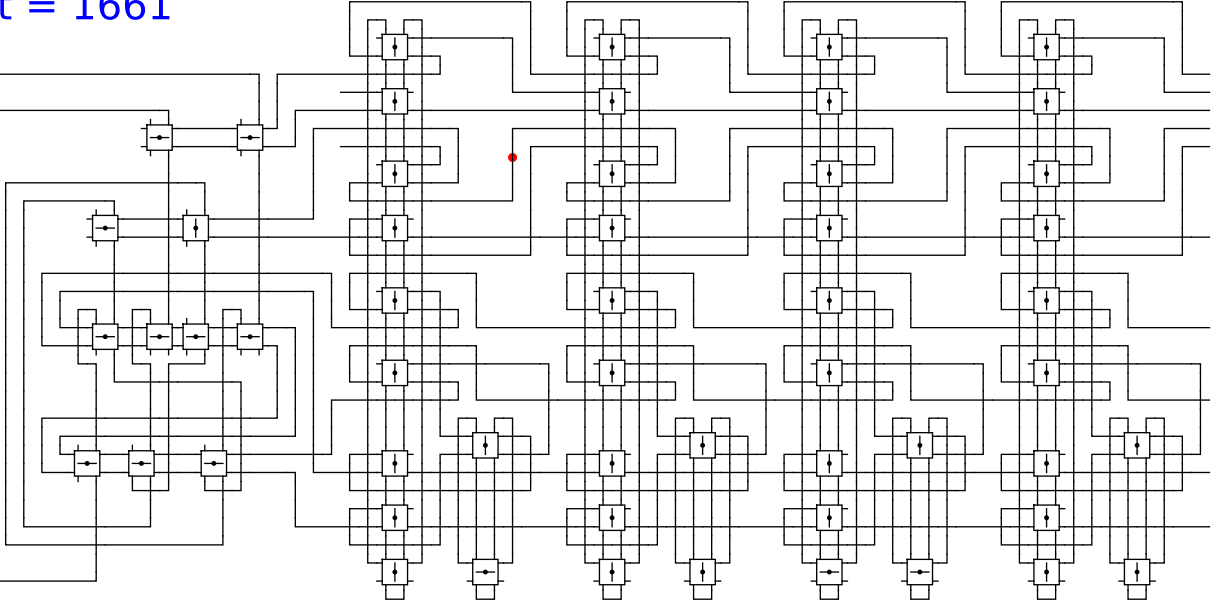


1 0 head 1 0

t = 1661

Reject
Accept

Begin

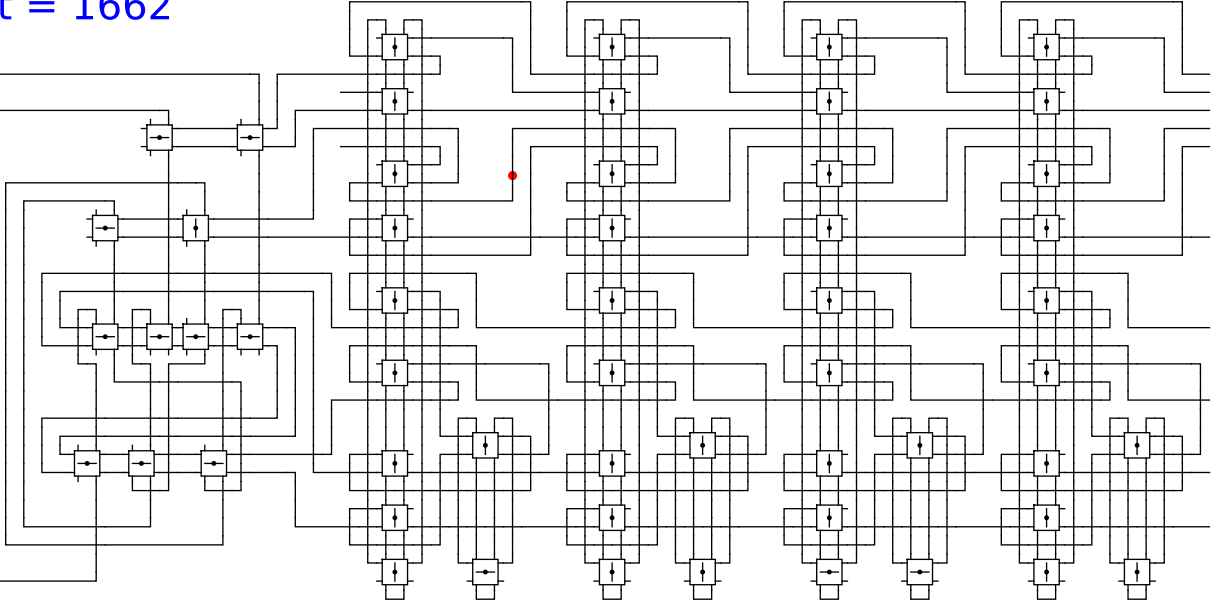


1 0 head 1 0

t = 1662

Reject
Accept

Begin



1

0

head

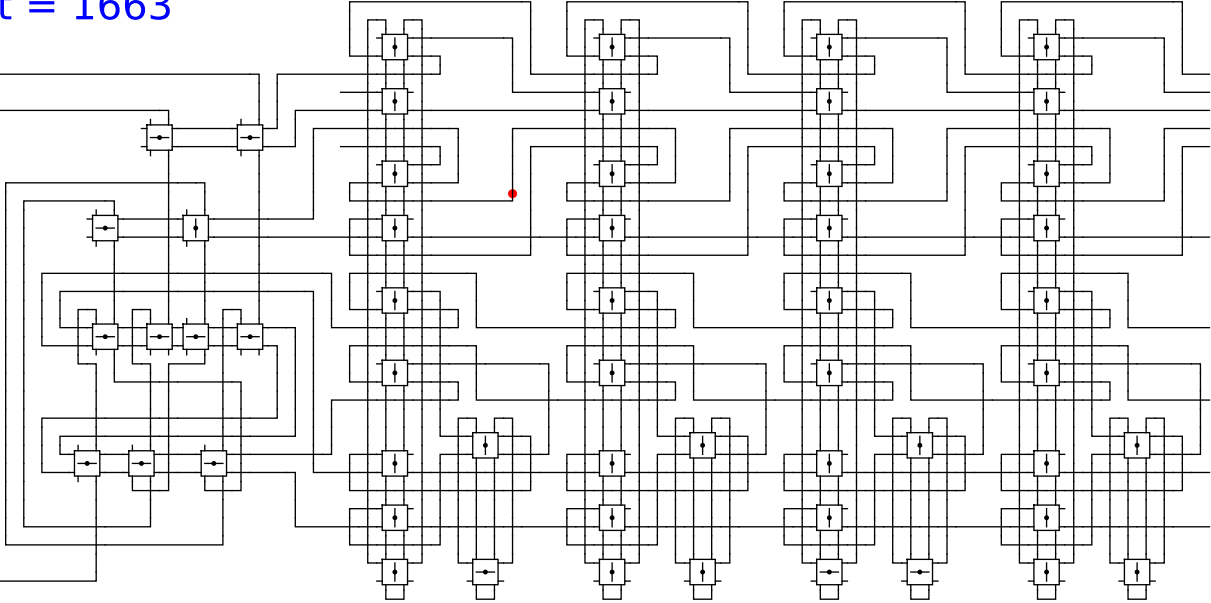
1

0

t = 1663

Reject
Accept

Begin

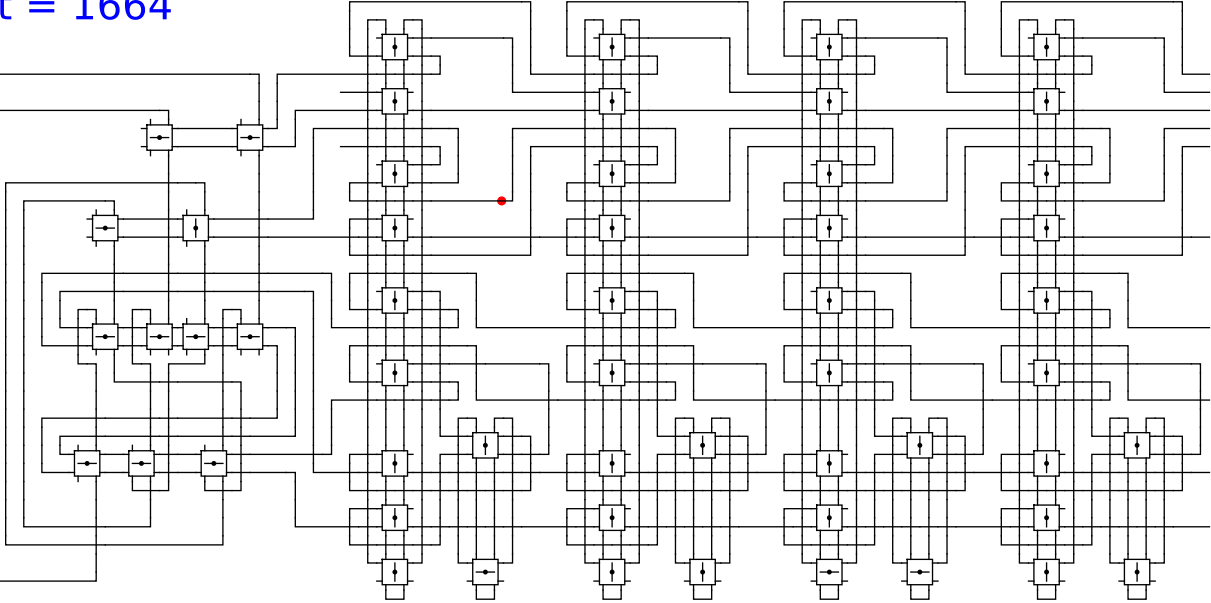


1 0 head 1 0

t = 1664

Reject
Accept

Begin

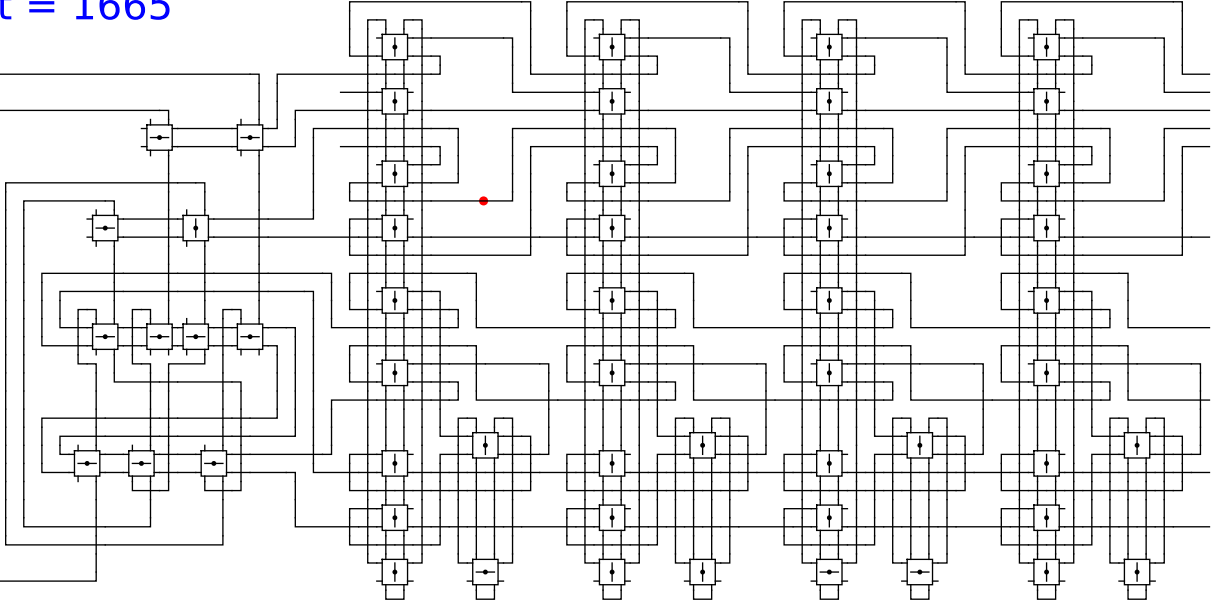


1 0 head 1 0

t = 1665

Reject
Accept

Begin

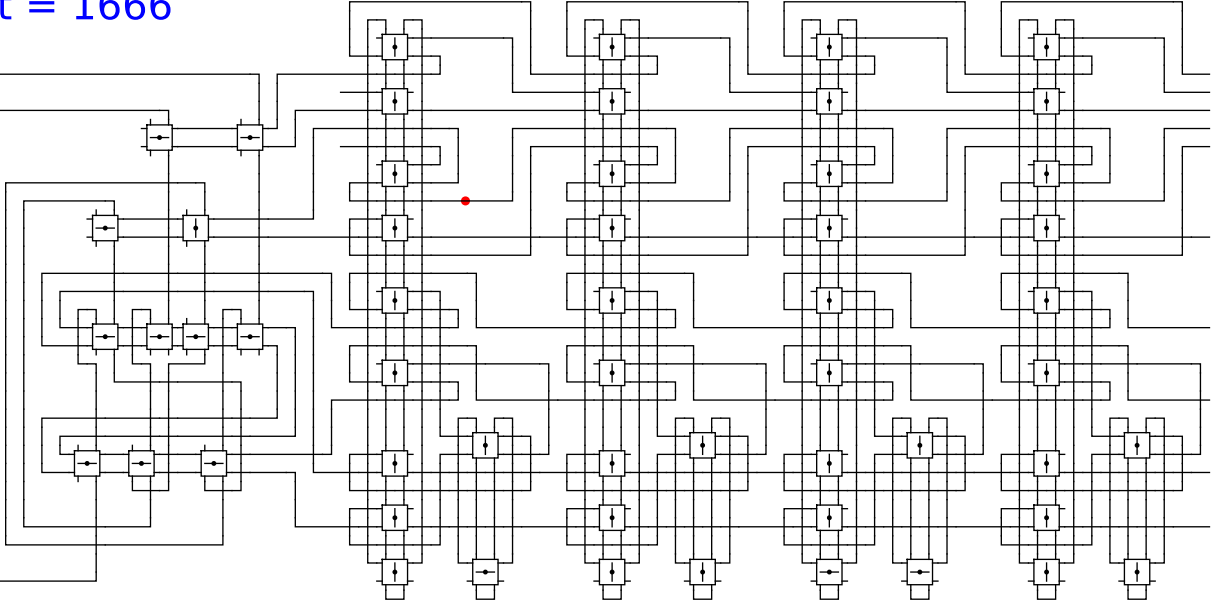


1 0 head 1 0

t = 1666

Reject
Accept

Begin

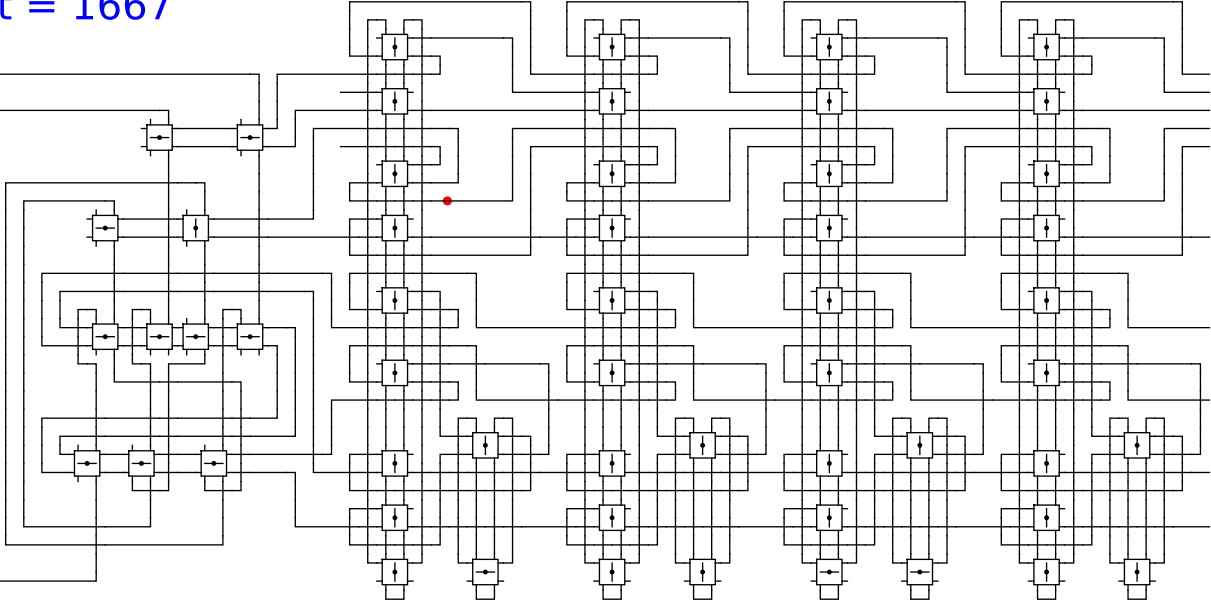


1 0 head 1 0

t = 1667

Reject
Accept

Begin

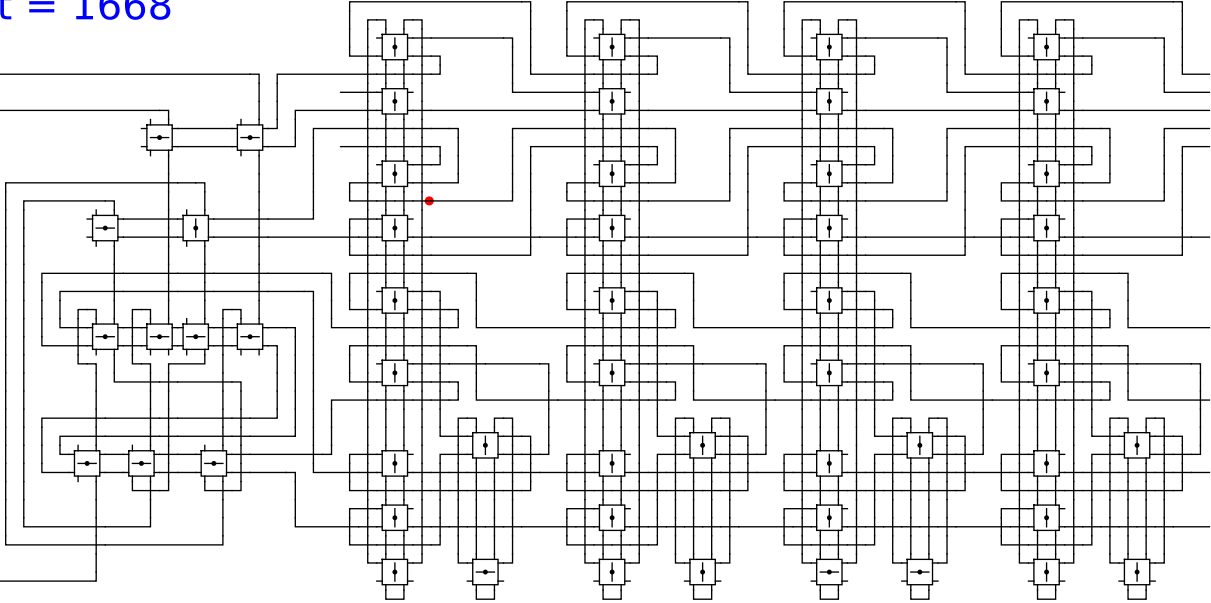


1 0 head 1 0

t = 1668

Reject
Accept

Begin



1

0

head

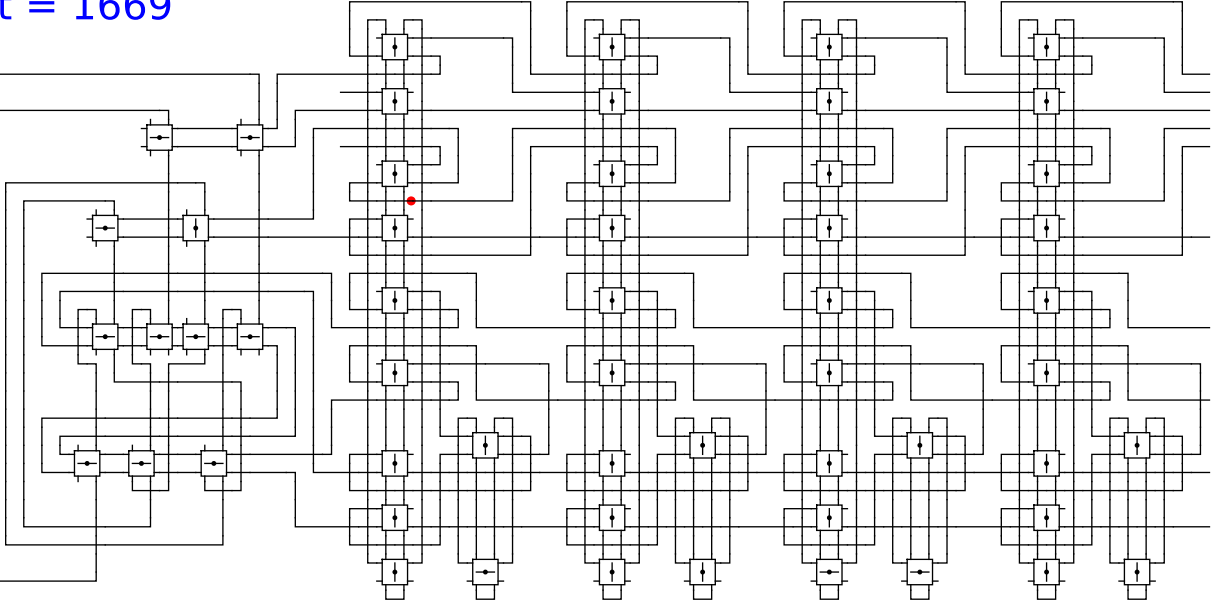
1

0

t = 1669

Reject
Accept

Begin

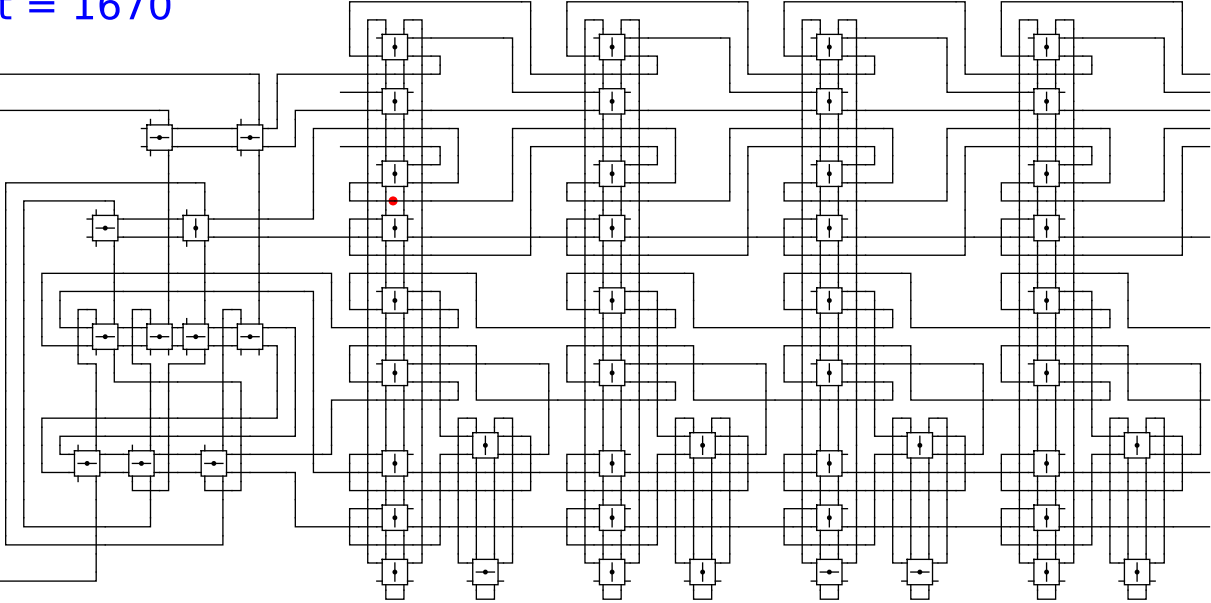


1 0 head 1 0

t = 1670

Reject
Accept

Begin



1

0

head

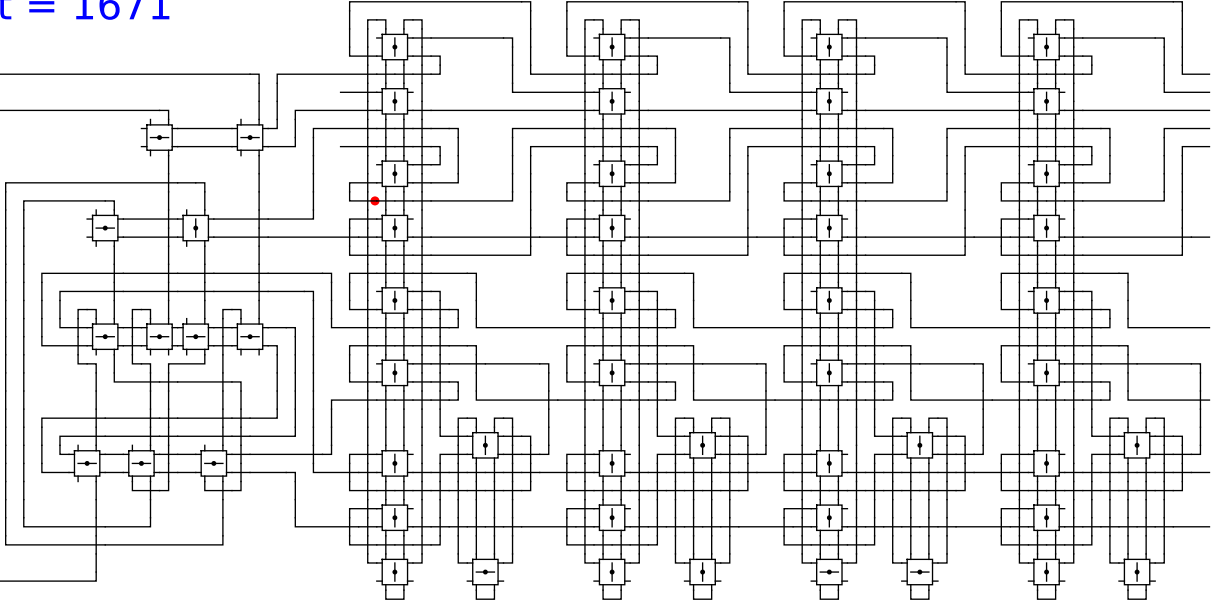
1

0

t = 1671

Reject
Accept

Begin

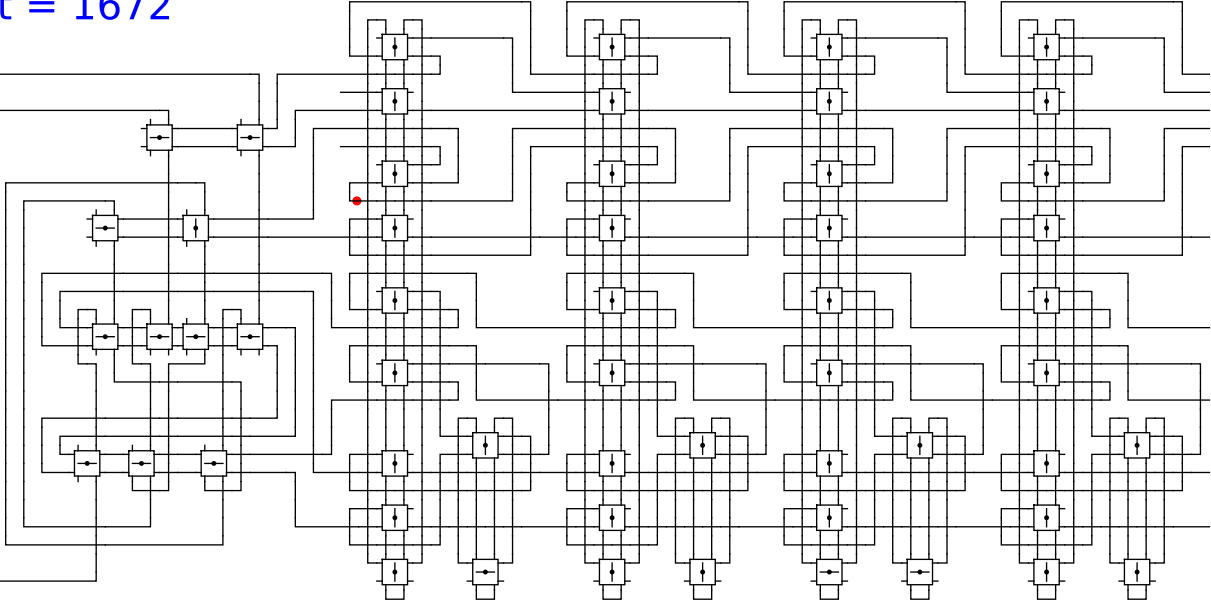


1 0 head 1 0

t = 1672

Reject
Accept

Begin

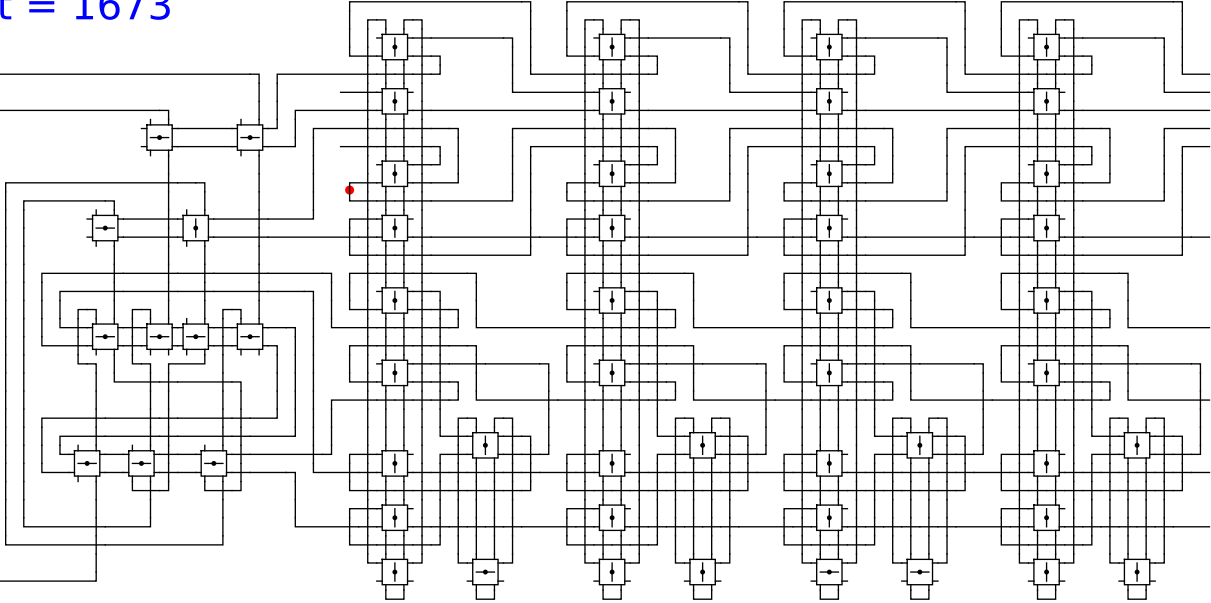


1 0 head 1 0

$t = 1673$

Reject
Accept

Begin



1

0

head

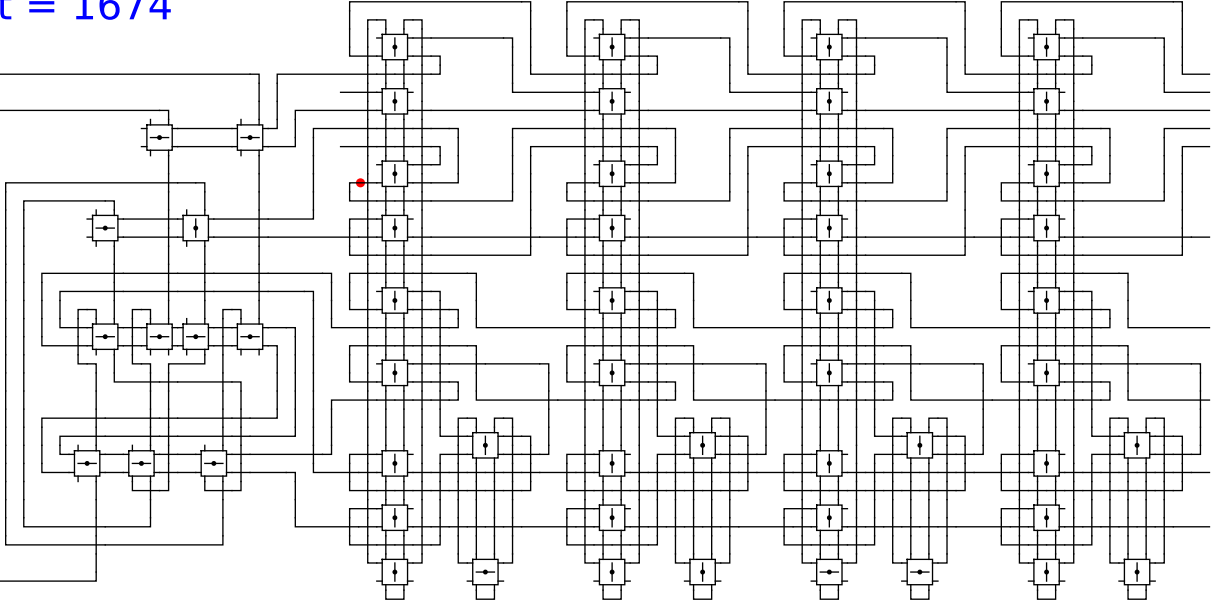
1

0

t = 1674

Reject
Accept

Begin

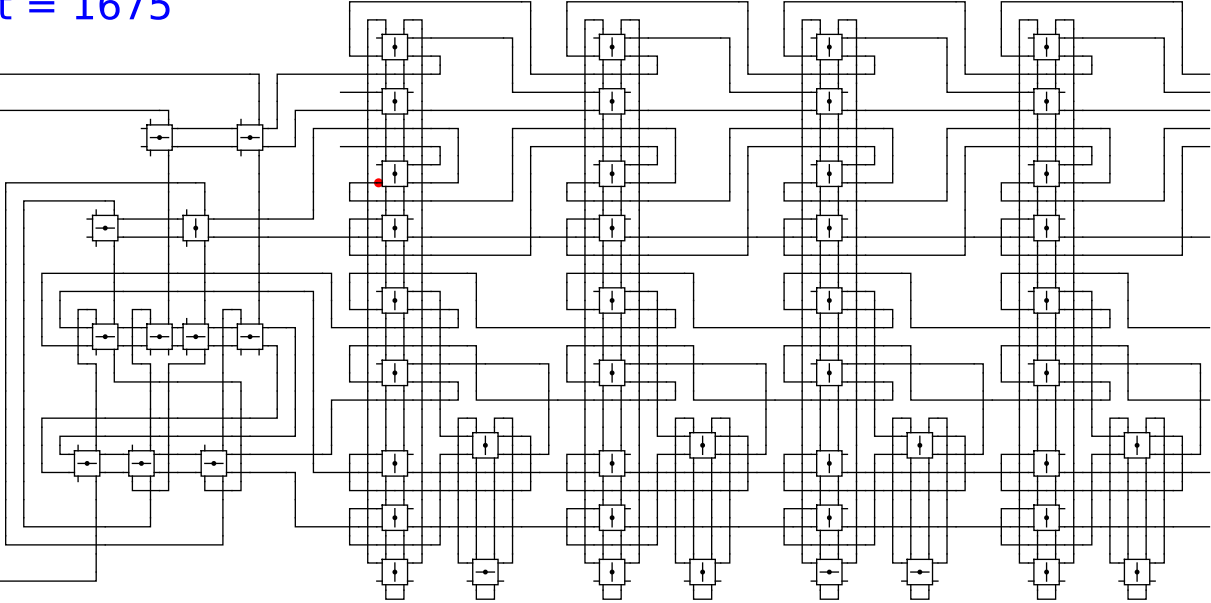


1 0 head 1 0

t = 1675

Reject
Accept

Begin

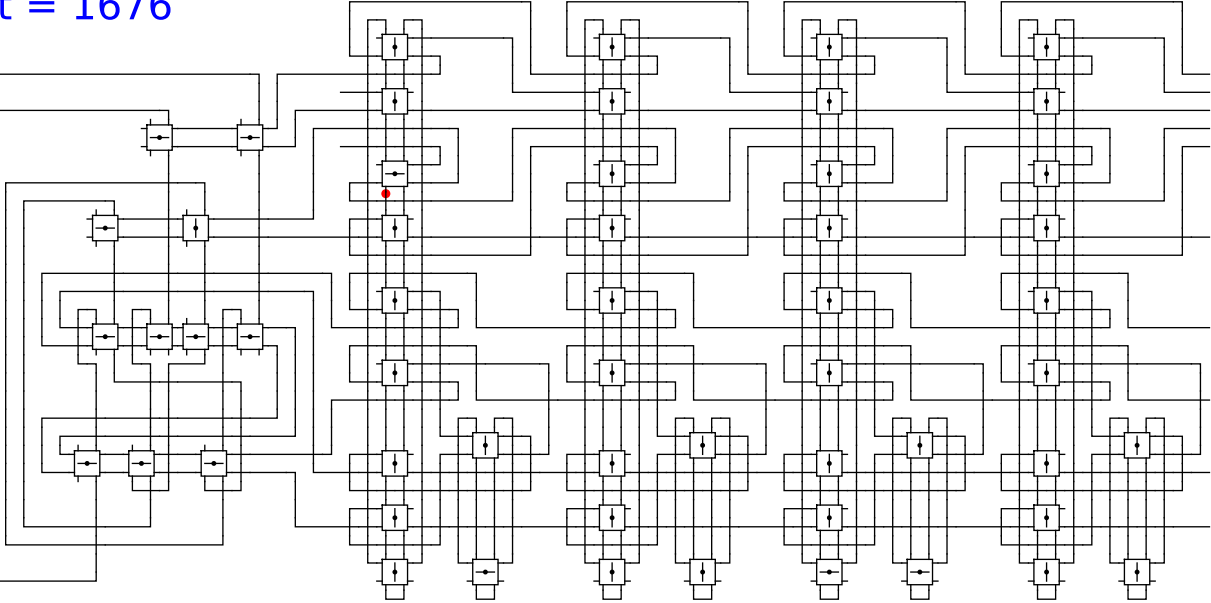


1 0 head 1 0

t = 1676

Reject
Accept

Begin

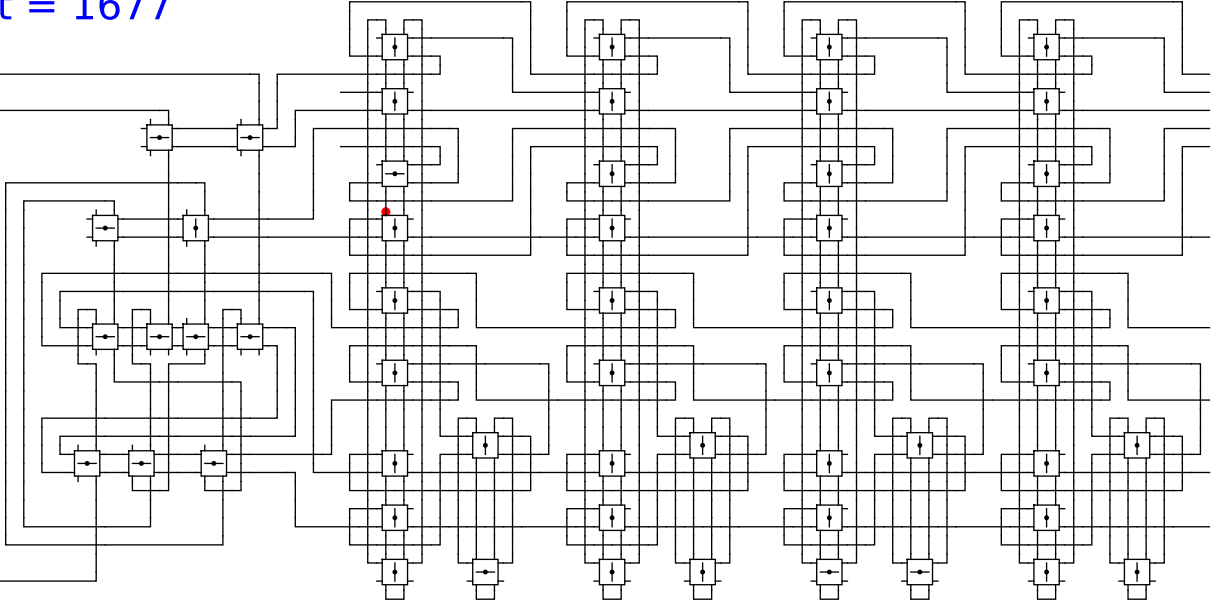


1 0 head 1 0

t = 1677

Reject
Accept

Begin

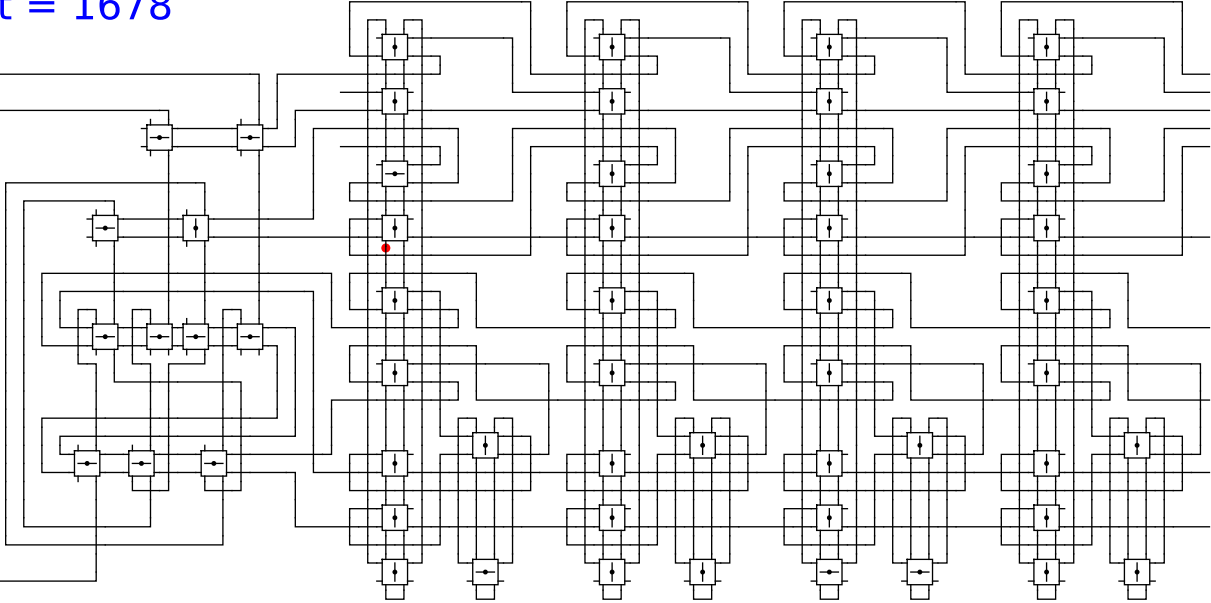


1 0 head 1 0

t = 1678

Reject
Accept

Begin

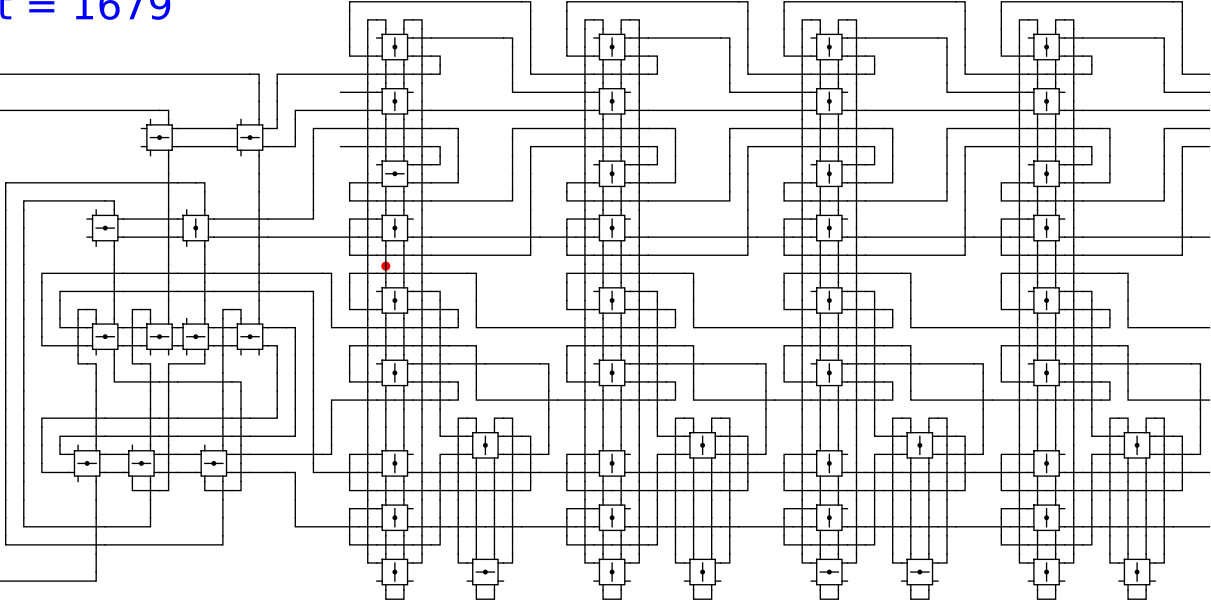


1 0 head 1 0

t = 1679

Reject
Accept

Begin



1

0

head

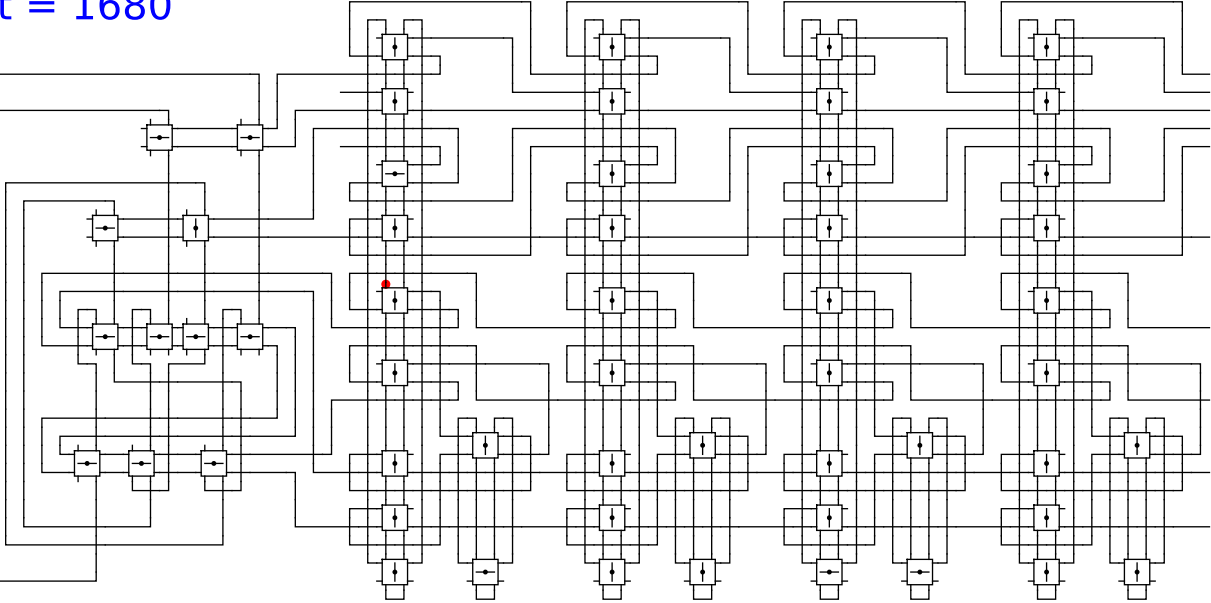
1

0

t = 1680

Reject
Accept

Begin

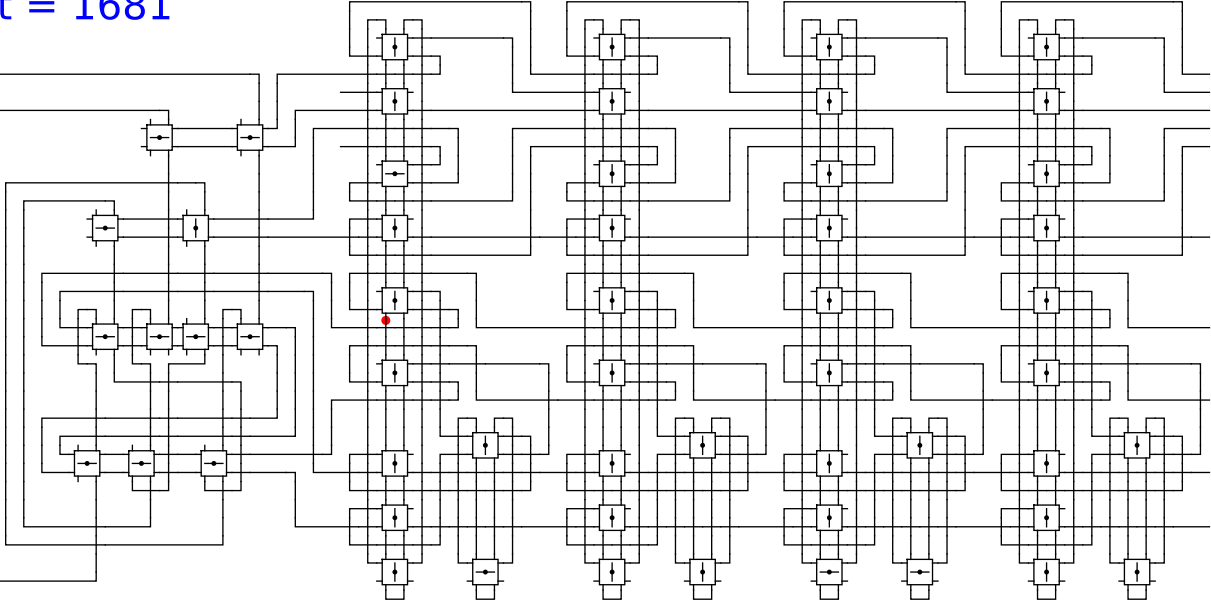


1 0 head 1 0

t = 1681

Reject
Accept

Begin

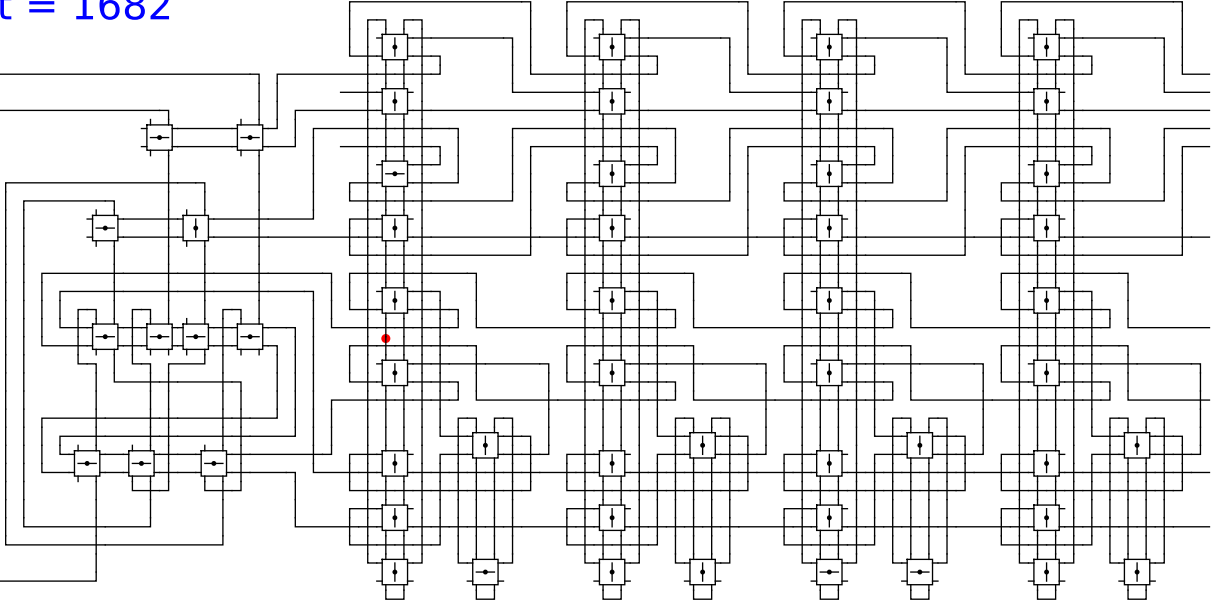


1 0 head 1 0

t = 1682

Reject
Accept

Begin



1

0

head

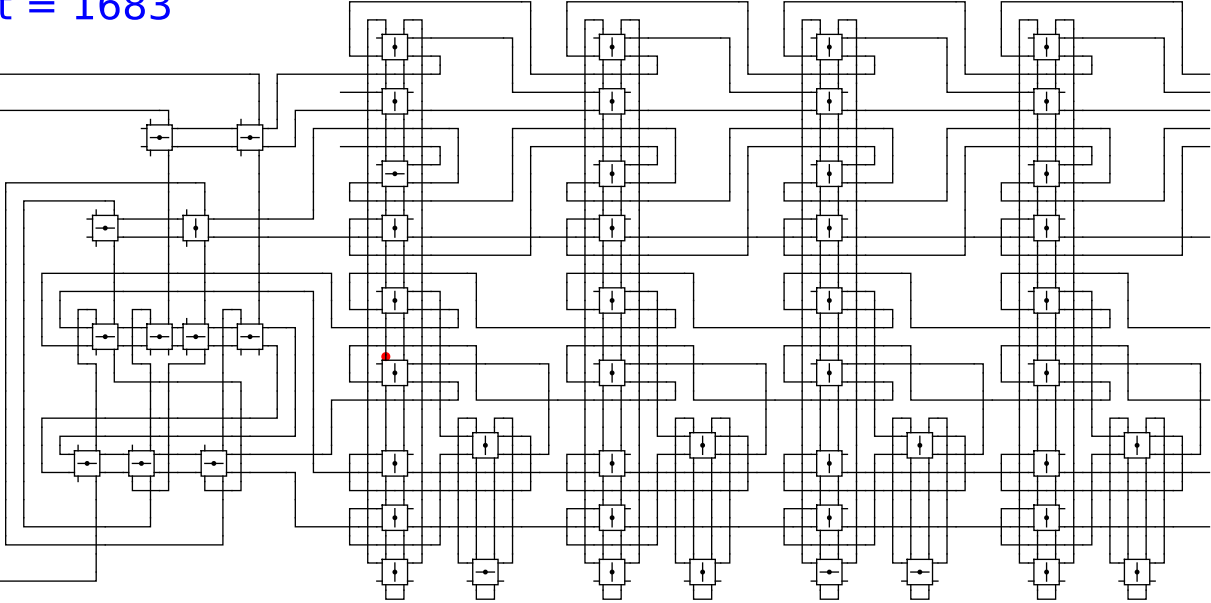
1

0

t = 1683

Reject
Accept

Begin



1

0

head

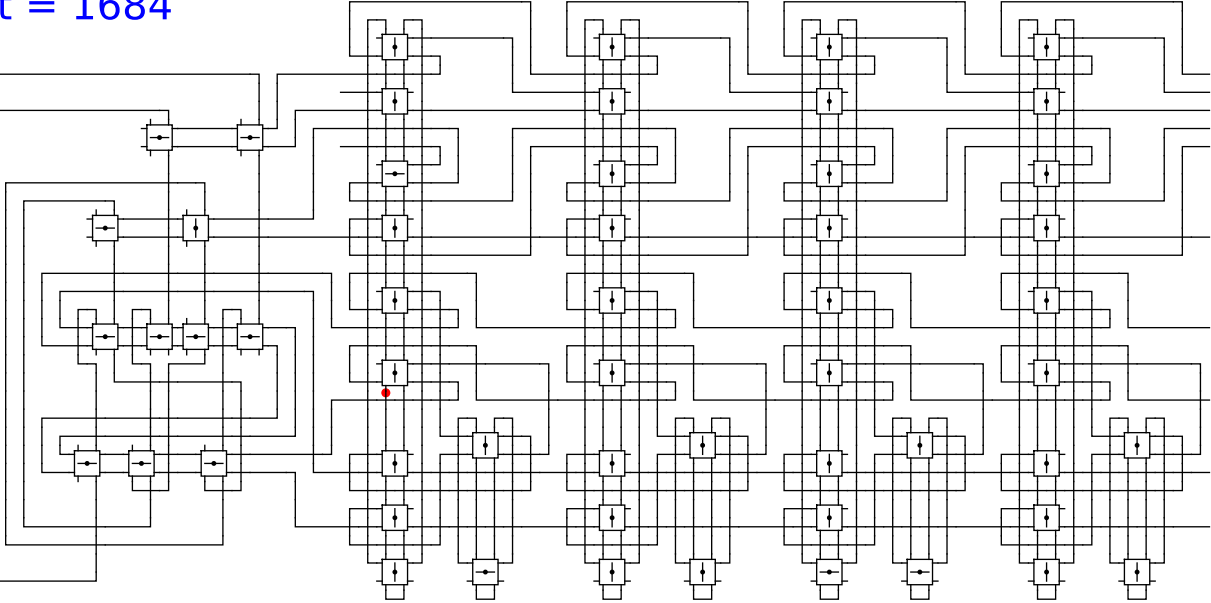
1

0

t = 1684

Reject
Accept

Begin

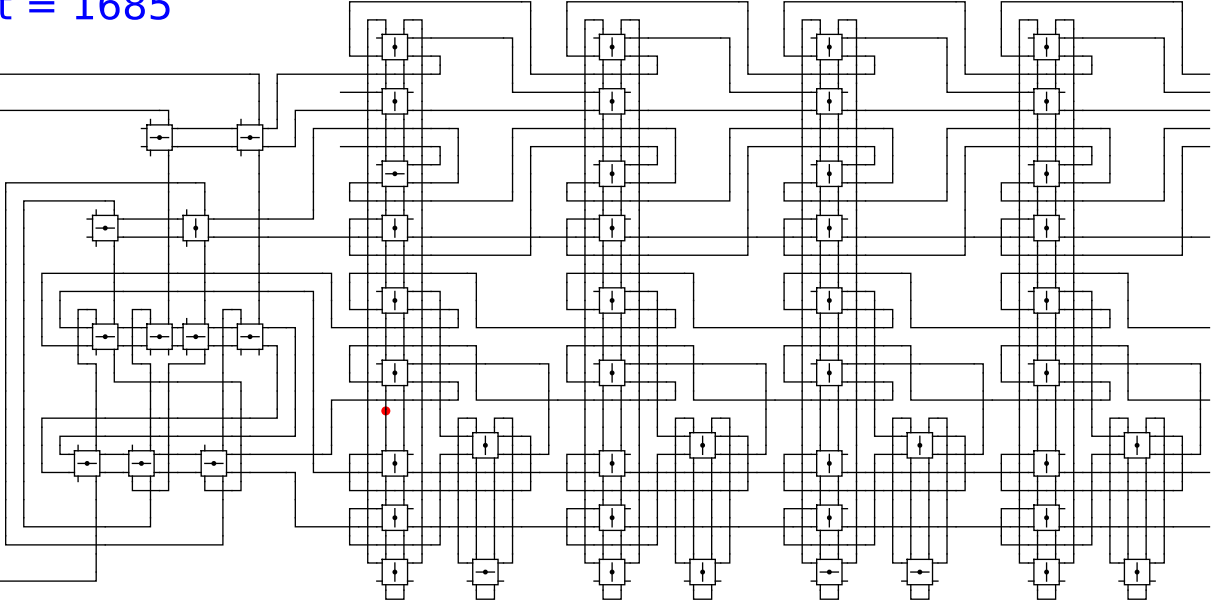


1 0 head 1 0

t = 1685

Reject
Accept

Begin

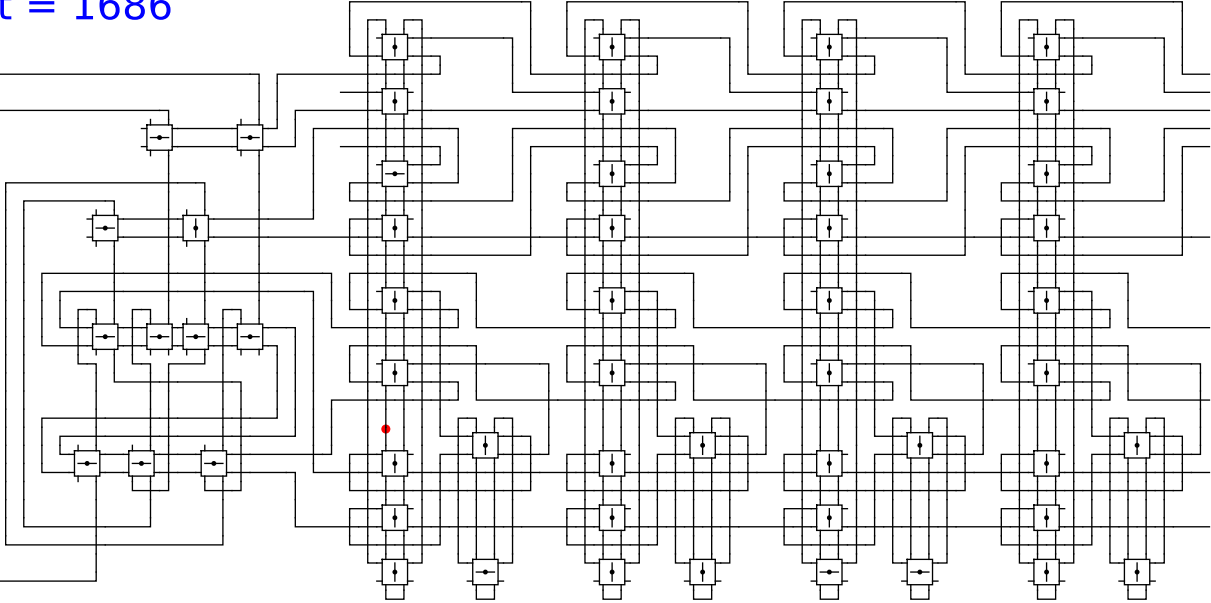


1 0 head 1 0

t = 1686

Reject
Accept

Begin



1

0

head

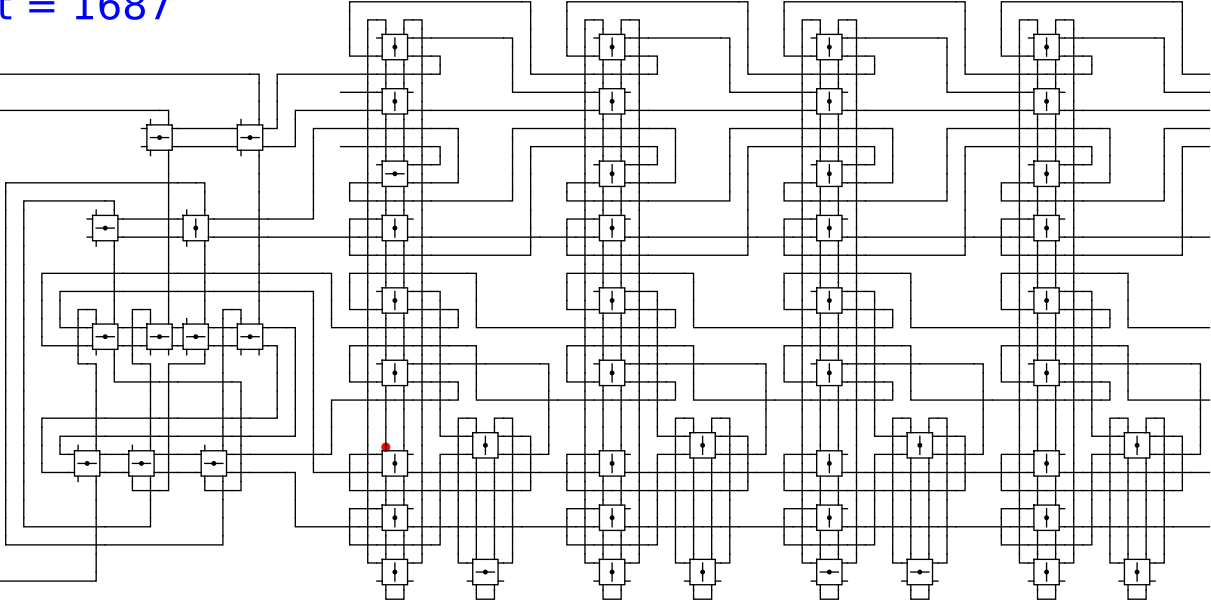
1

0

t = 1687

Reject
Accept

Begin

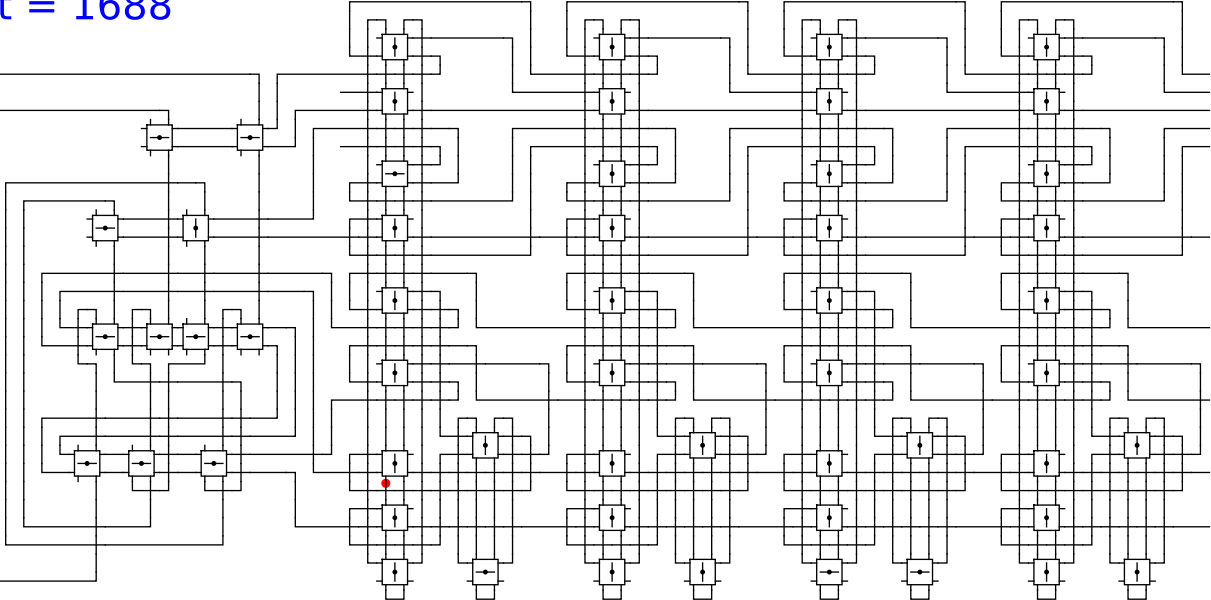


1 0 head 1 0

t = 1688

Reject
Accept

Begin

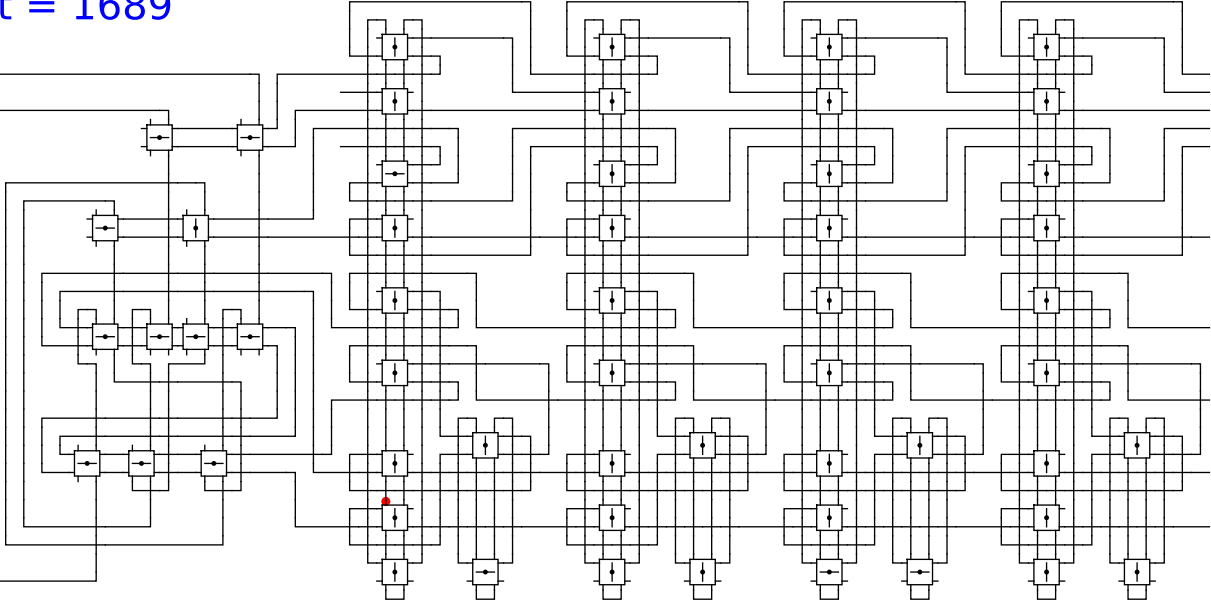


1 0 head 1 0

t = 1689

Reject
Accept

Begin

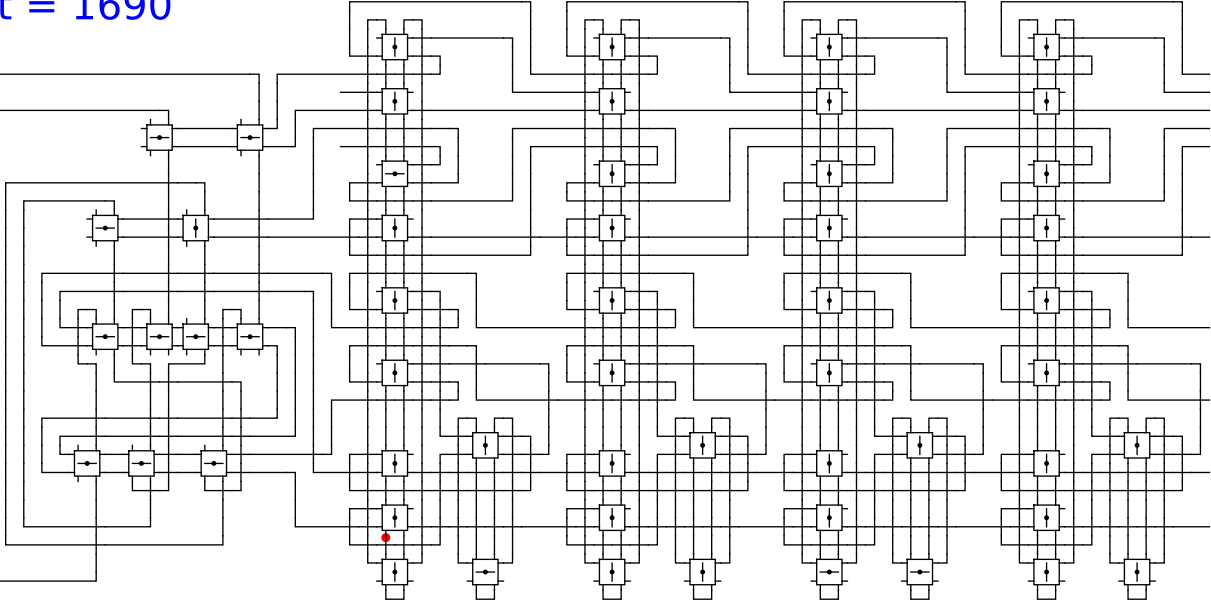


1 0 head 1 0

t = 1690

Reject
Accept

Begin

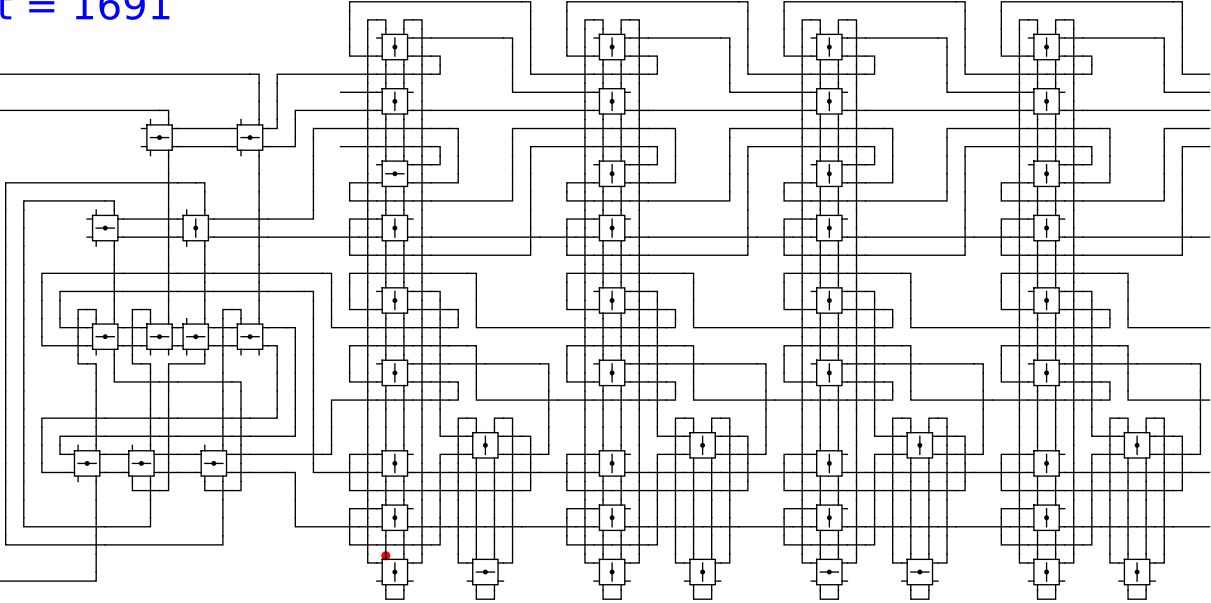


1 0 head 1 0

t = 1691

Reject
Accept

Begin

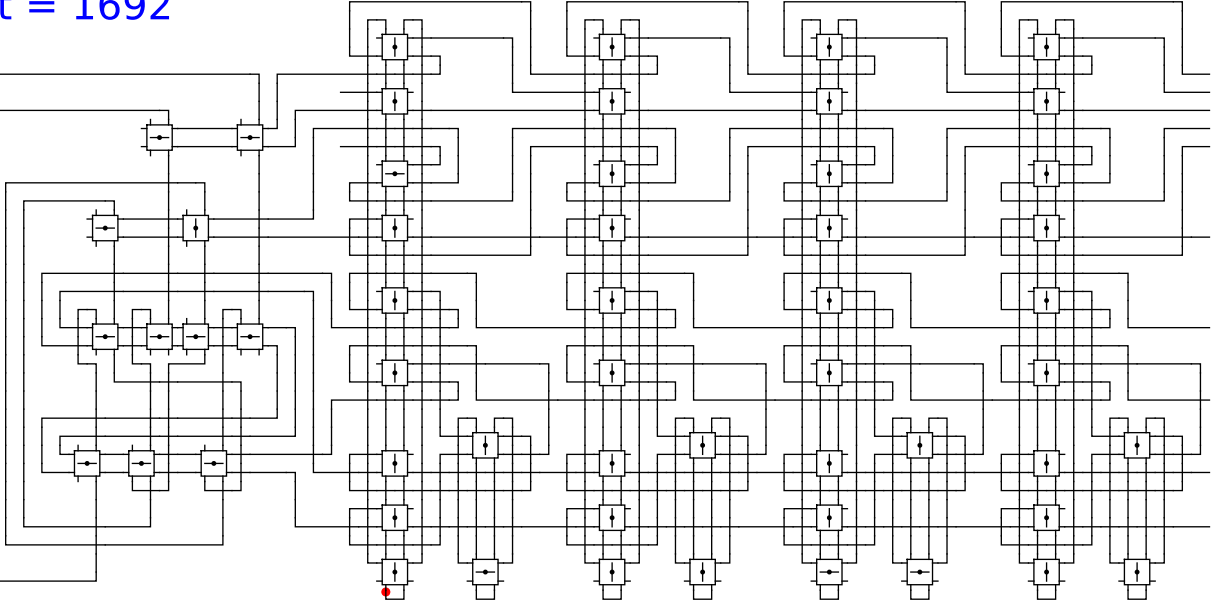


1 0 head 1 0

t = 1692

Reject
Accept

Begin

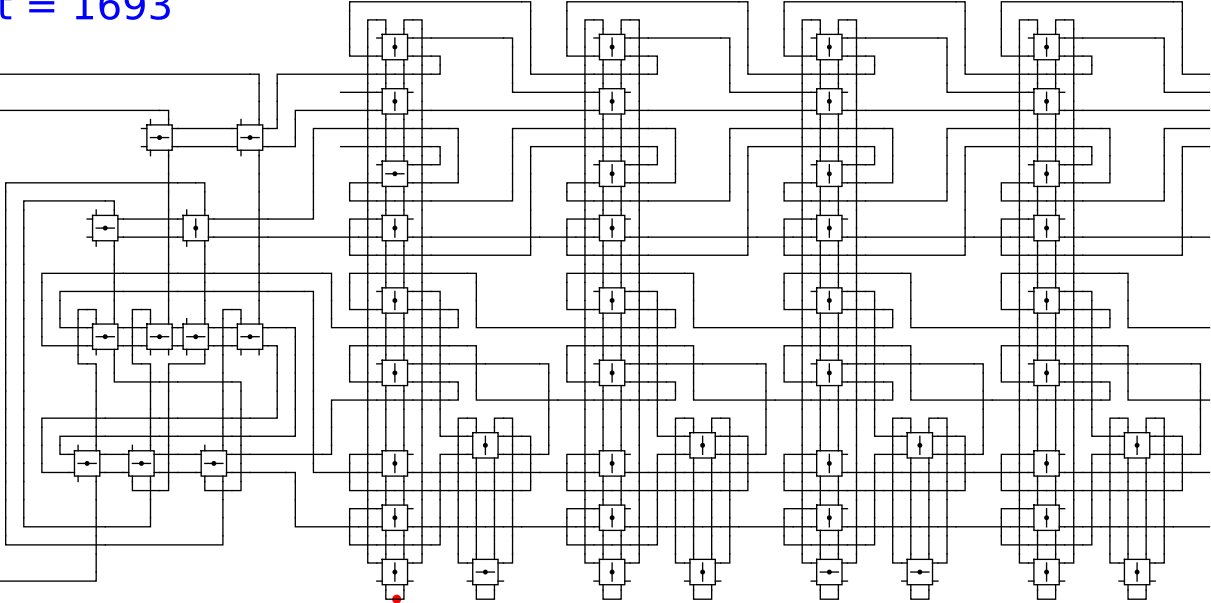


1 0 head 1 0

t = 1693

Reject
Accept

Begin

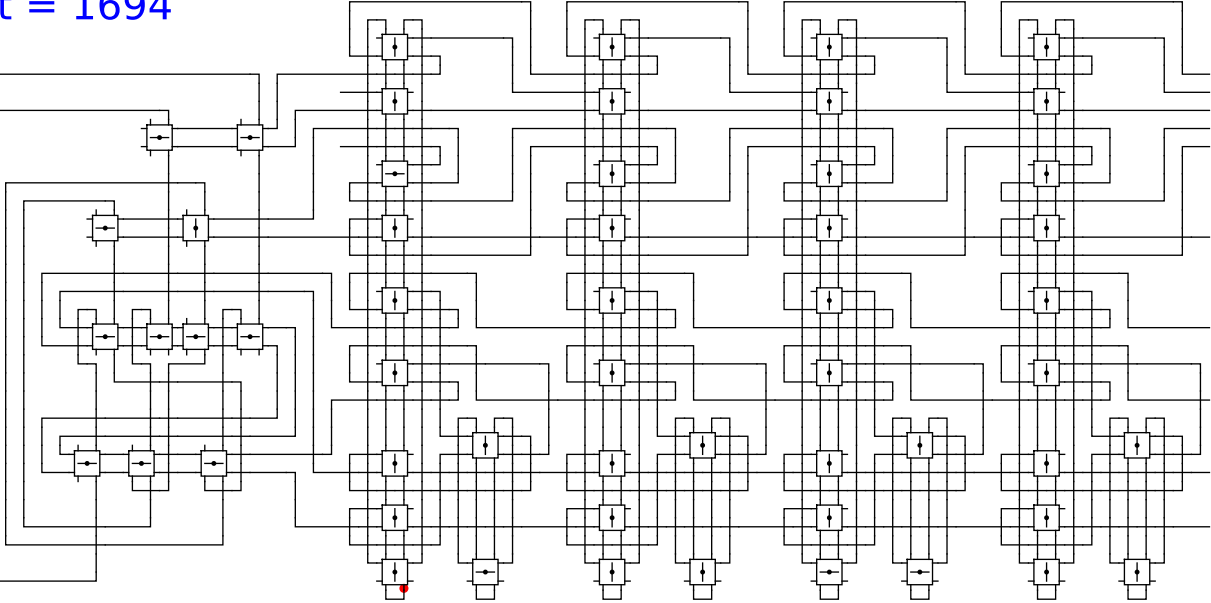


1 0 head 1 0

t = 1694

Reject
Accept

Begin

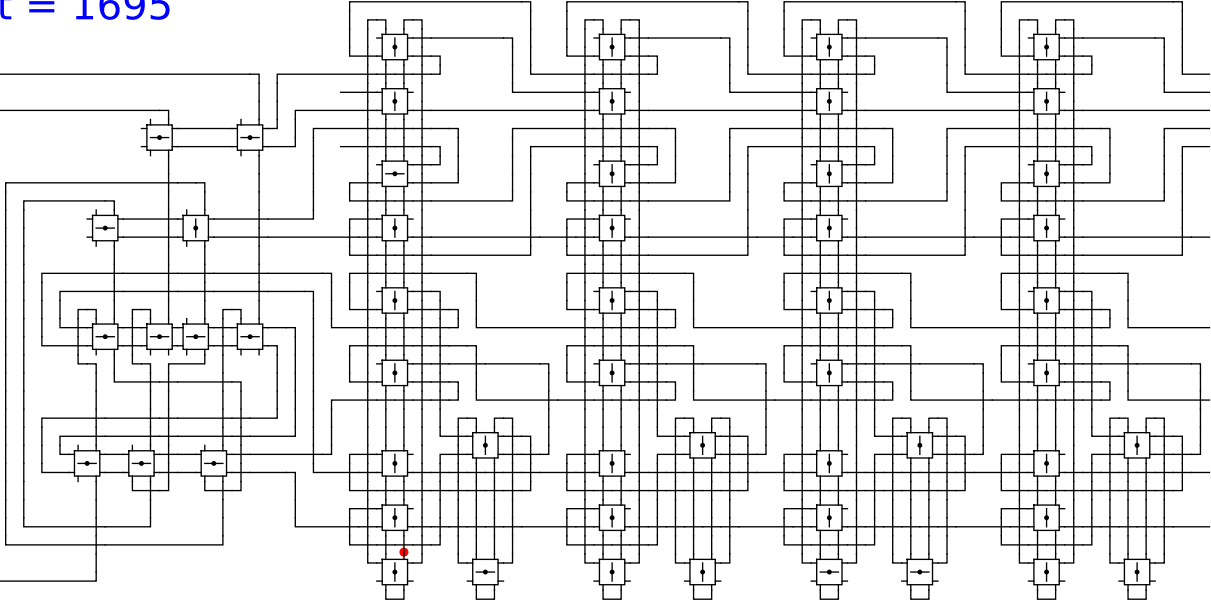


1 0 head 1 0

t = 1695

Reject
Accept

Begin



1

0

head

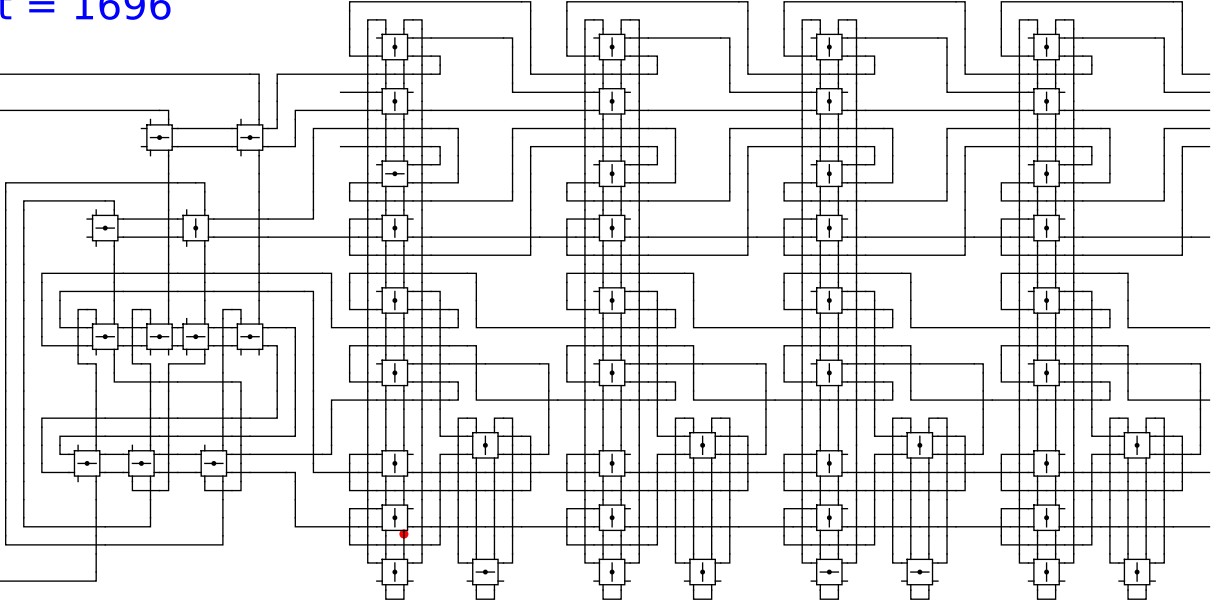
1

0

t = 1696

Reject
Accept

Begin

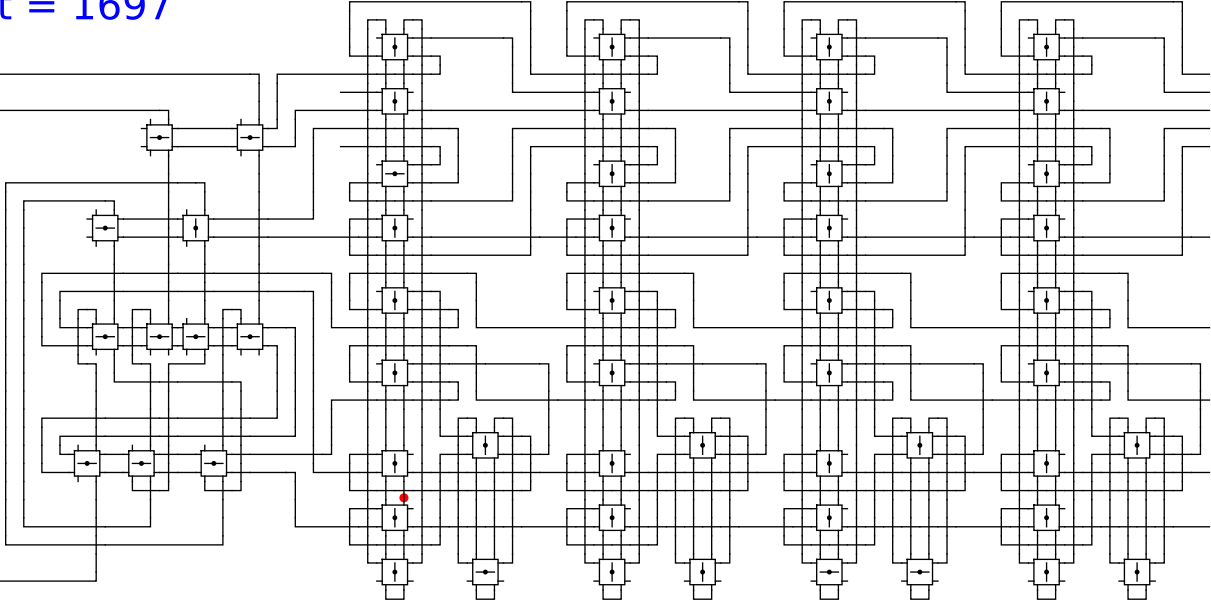


1 0 head 1 0

t = 1697

Reject
Accept

Begin

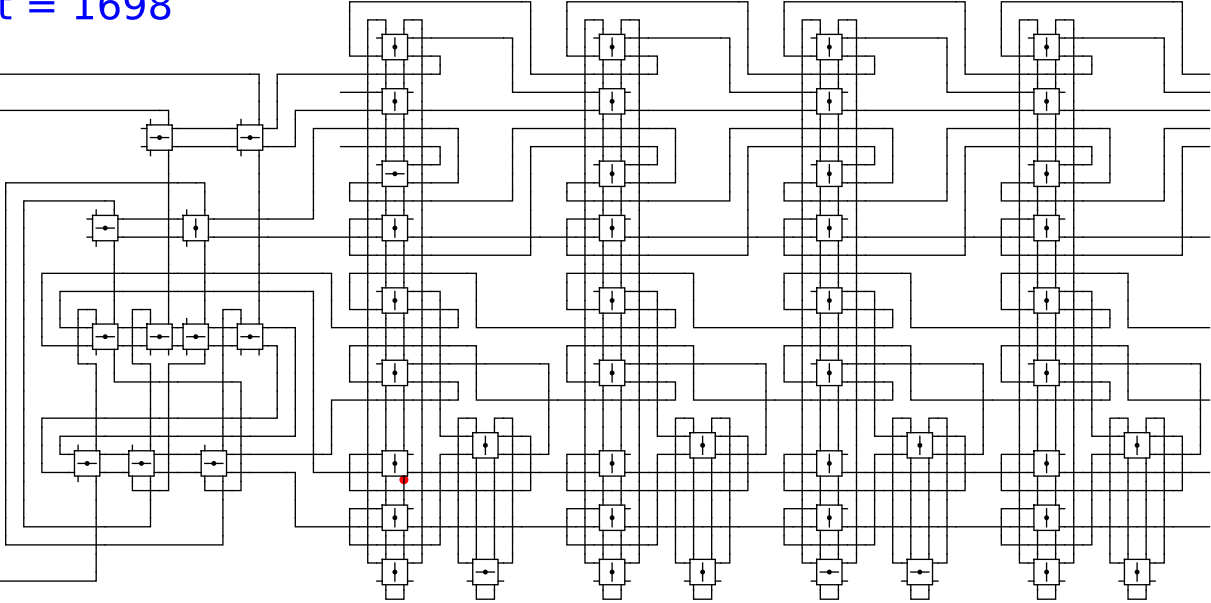


1 0 head 1 0

t = 1698

Reject
Accept

Begin

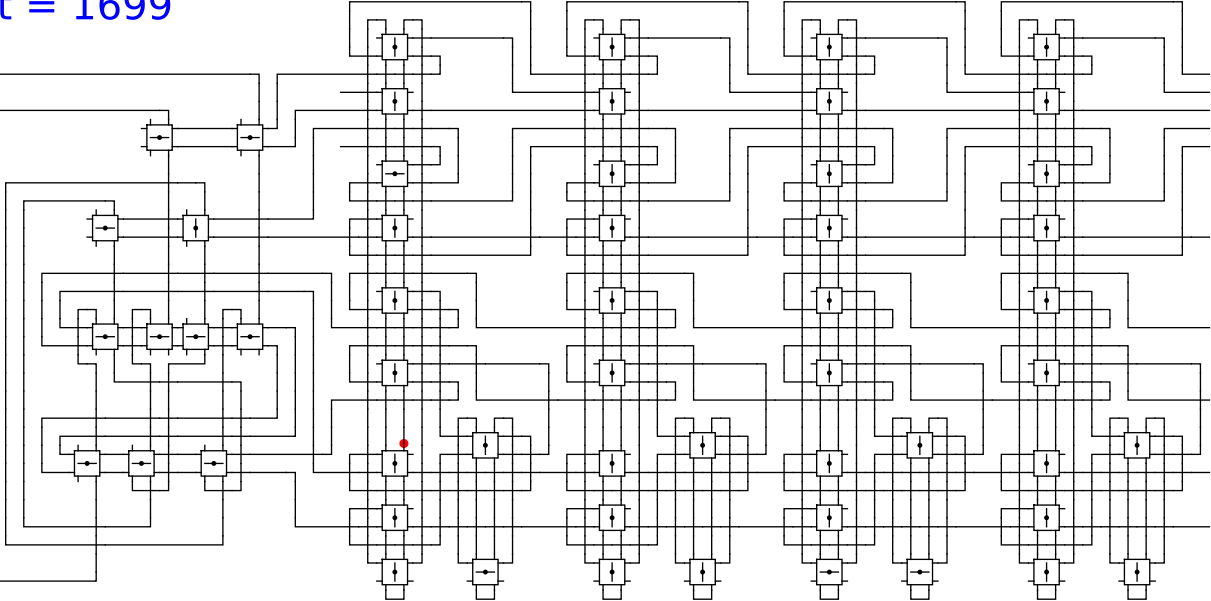


1 0 head 1 0

t = 1699

Reject
Accept

Begin

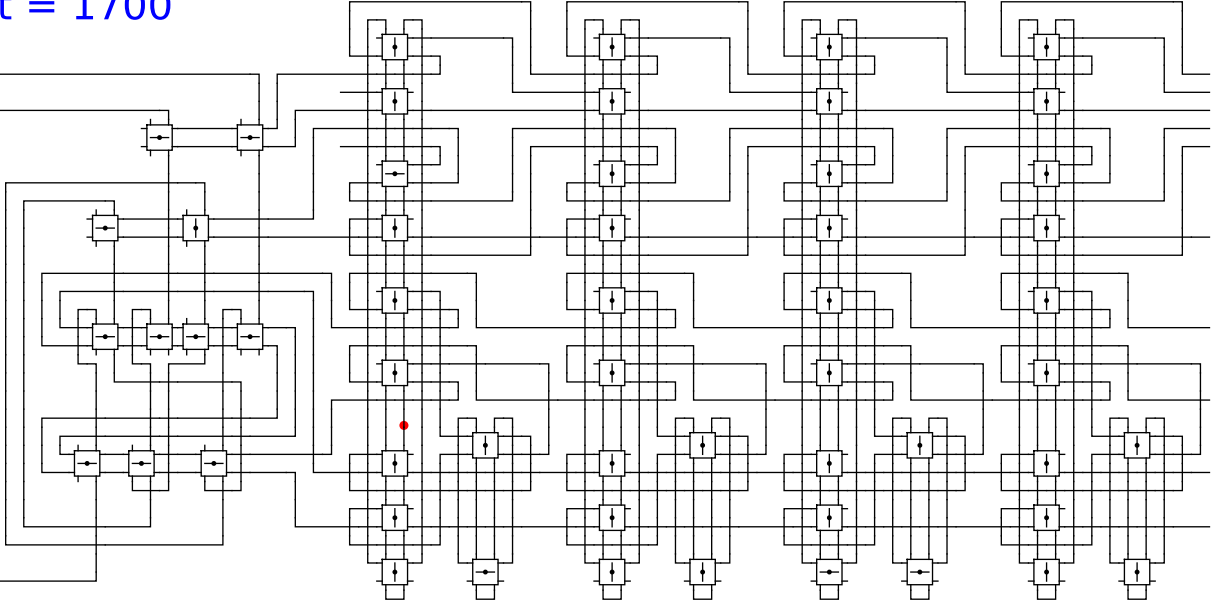


1 0 head 1 0

t = 1700

Reject
Accept

Begin

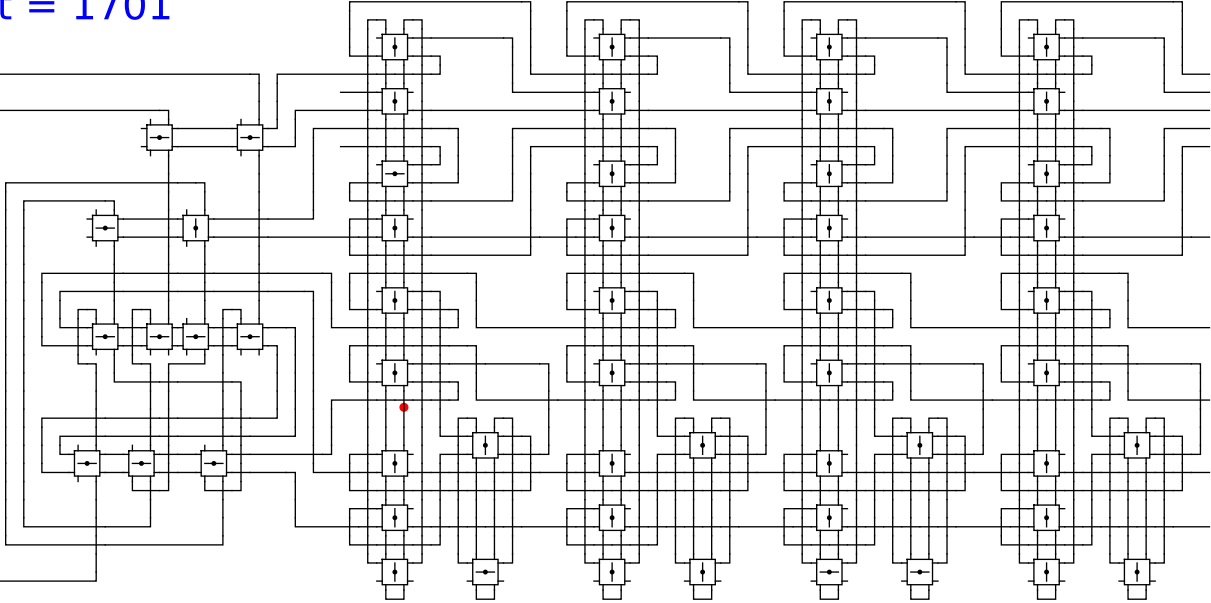


1 0 head 1 0

t = 1701

Reject
Accept

Begin

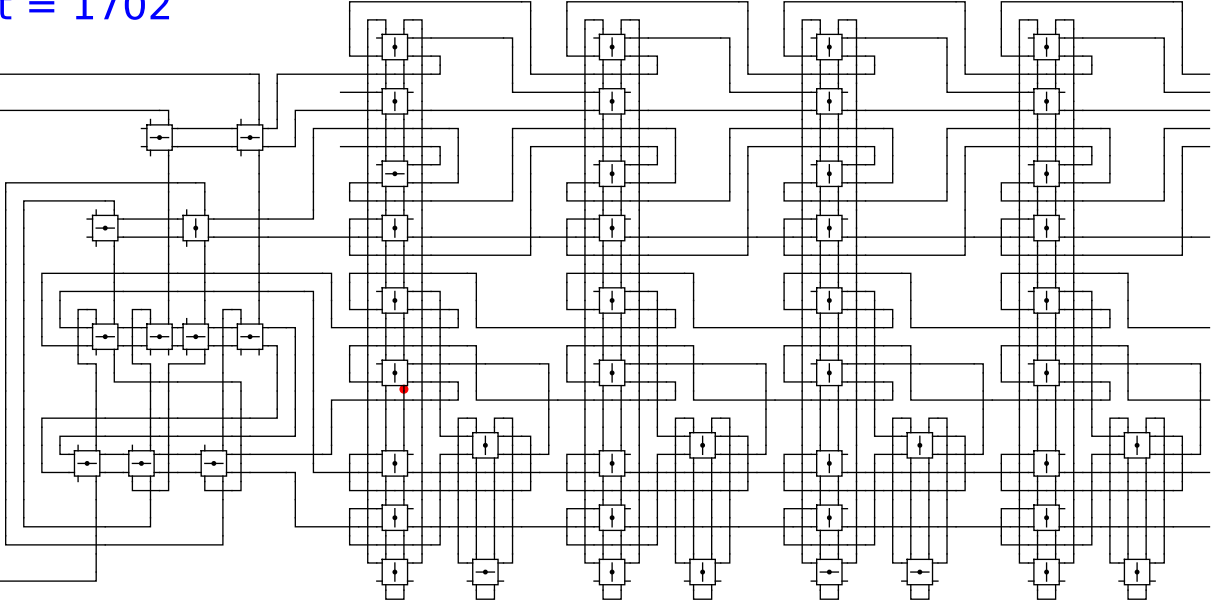


1 0 head 1 0

t = 1702

Reject
Accept

Begin

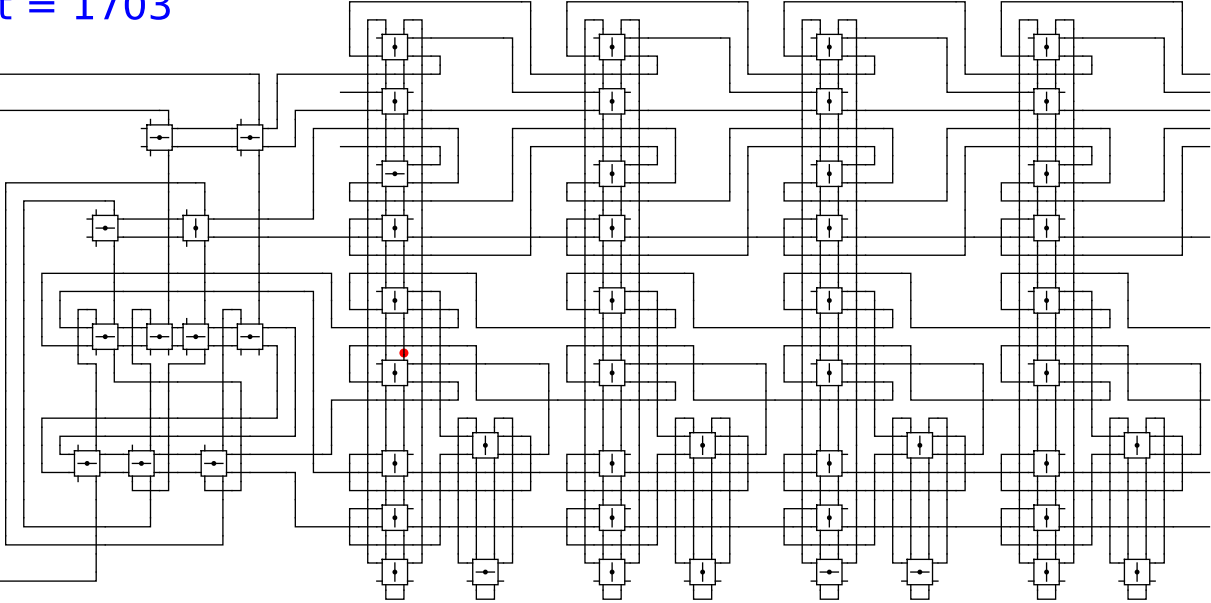


1 0 head 1 0

t = 1703

Reject
Accept

Begin



1

0

head

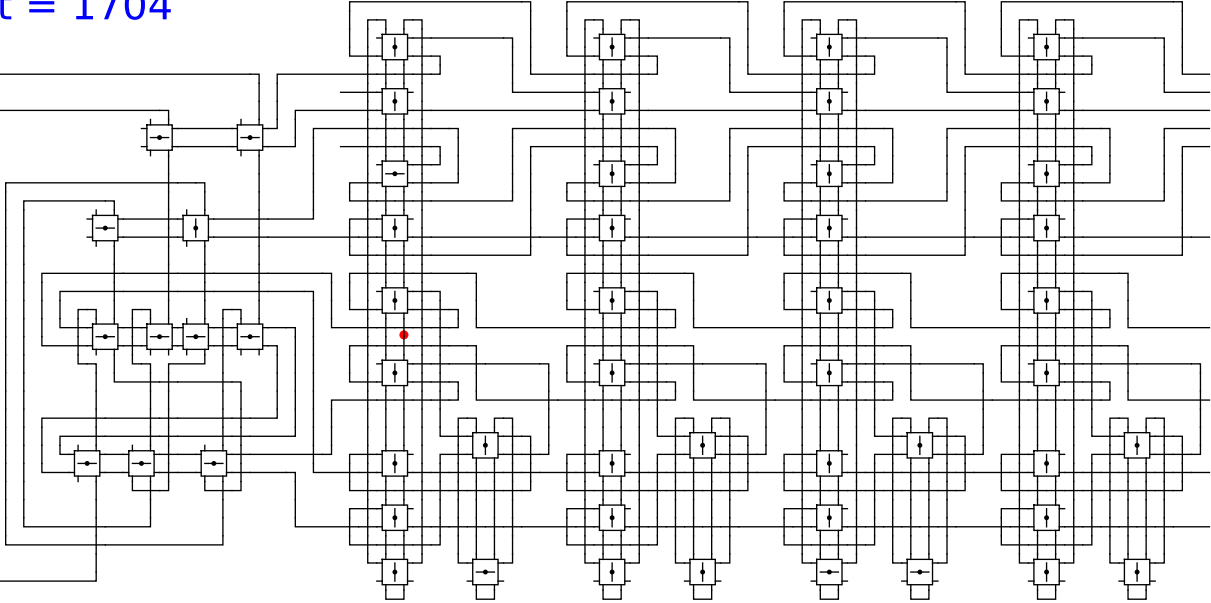
1

0

t = 1704

Reject
Accept

Begin

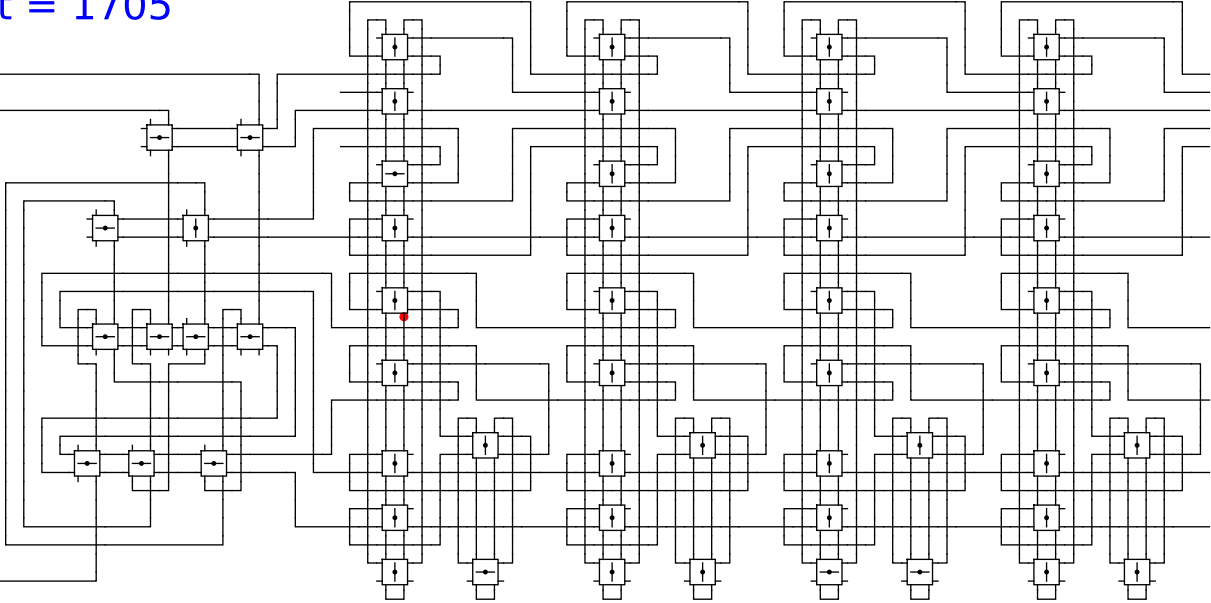


1 0 head 1 0

t = 1705

Reject
Accept

Begin



1

0

head

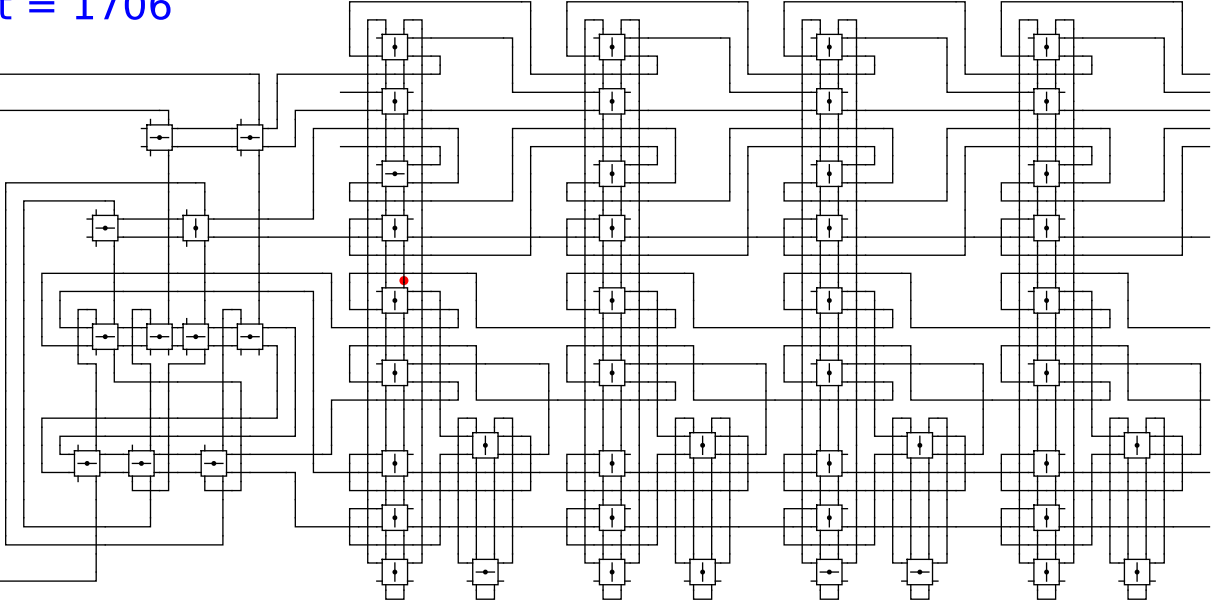
1

0

t = 1706

Reject
Accept

Begin

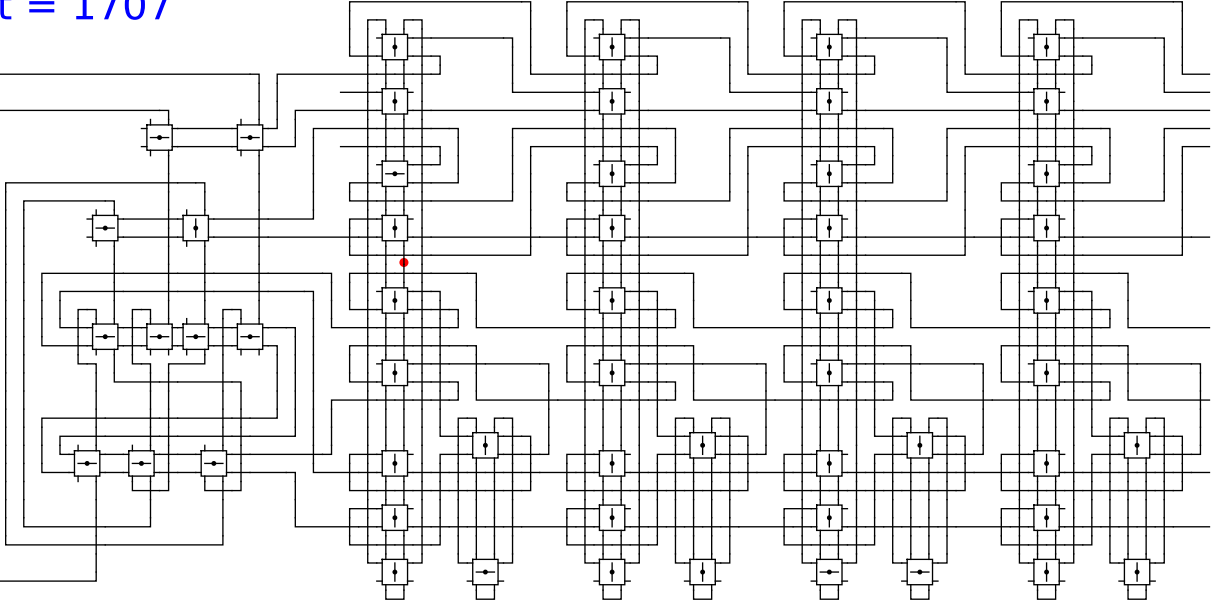


1 0 head 1 0

t = 1707

Reject
Accept

Begin

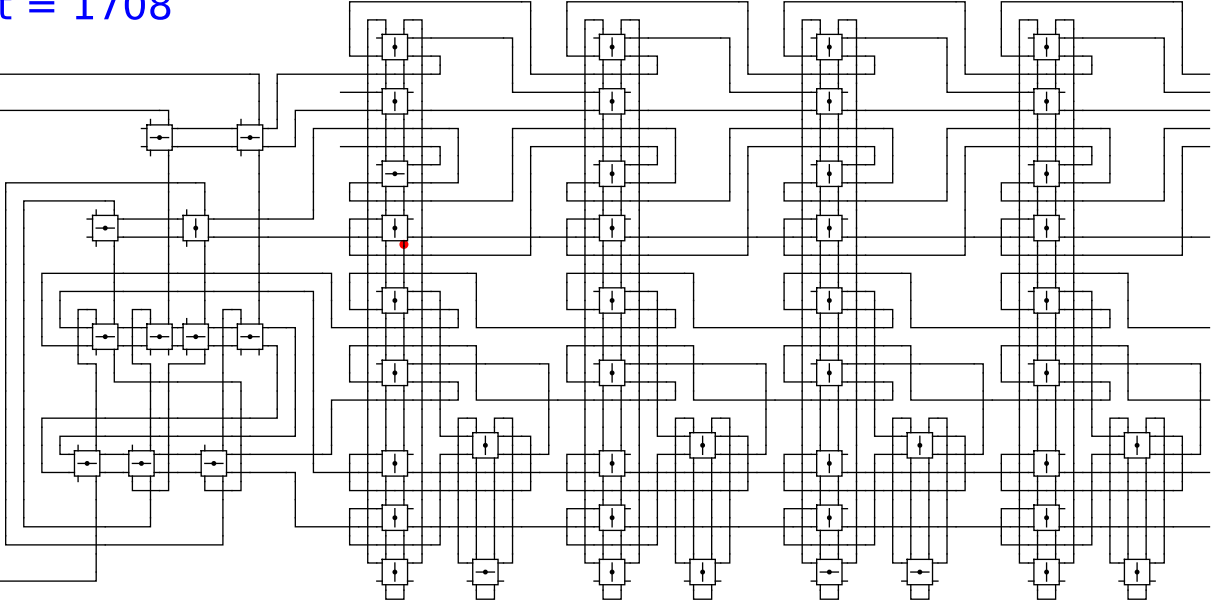


1 0 head 1 0

t = 1708

Reject
Accept

Begin

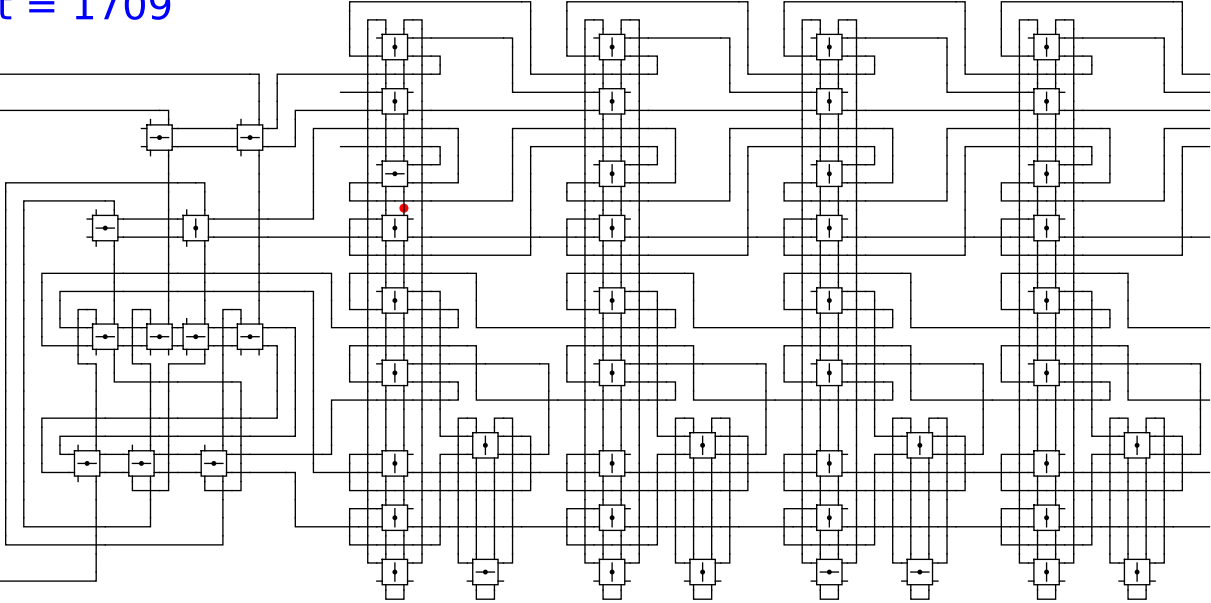


1 0 head 1 0

t = 1709

Reject
Accept

Begin

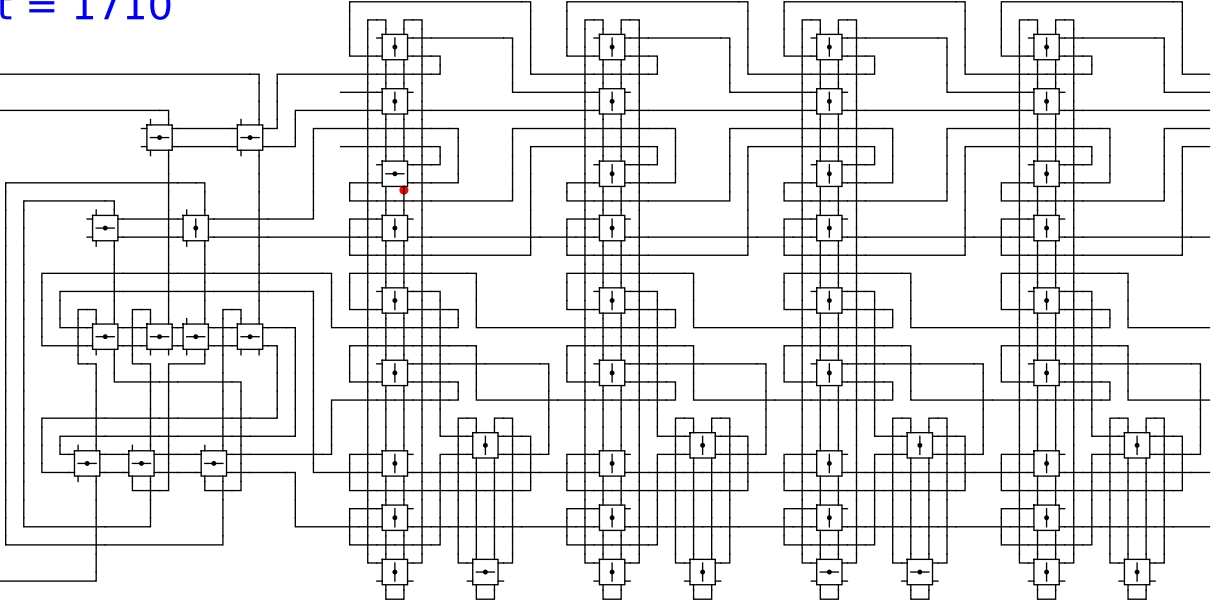


1 0 head 1 0

t = 1710

Reject
Accept

Begin

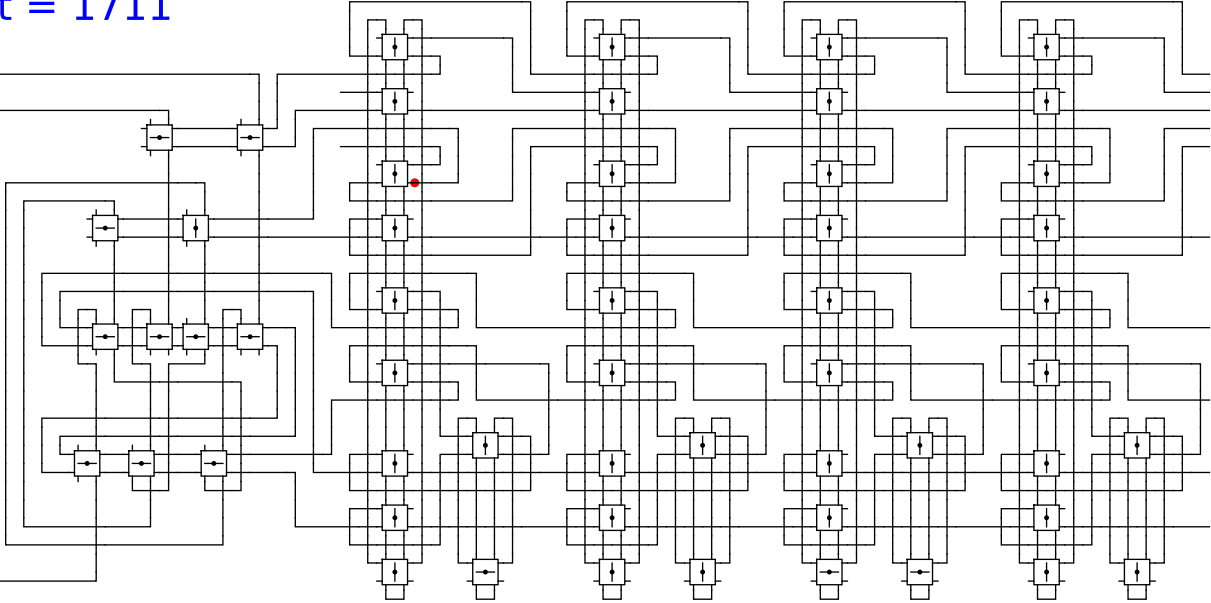


1 0 head 1 0

t = 1711

Reject
Accept

Begin



1

0

head

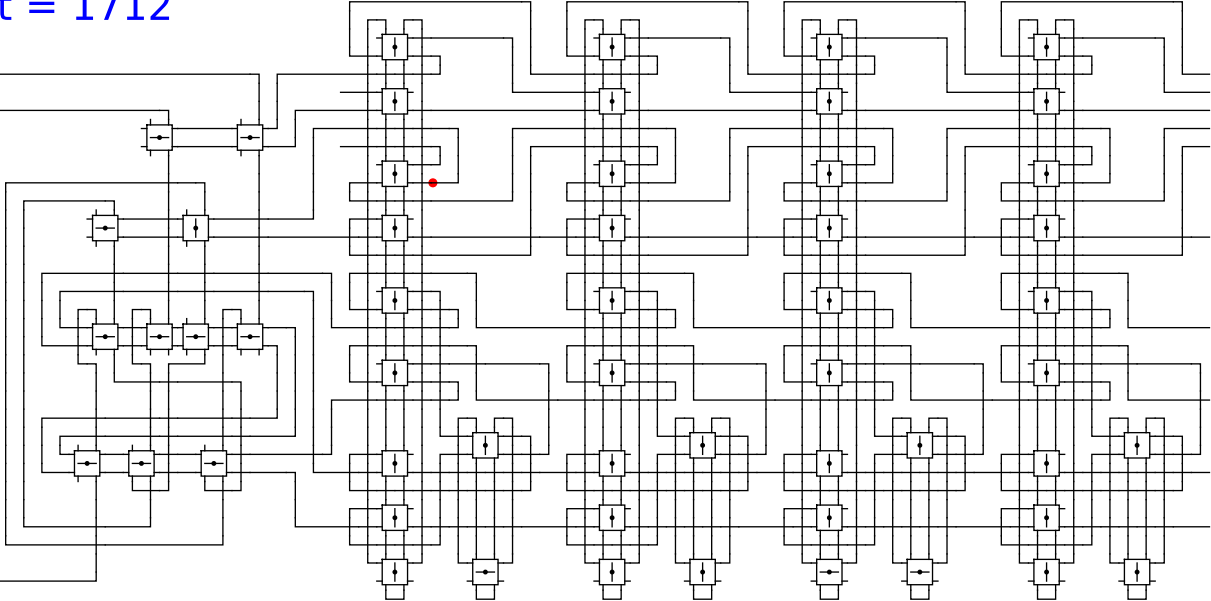
1

0

t = 1712

Reject
Accept

Begin

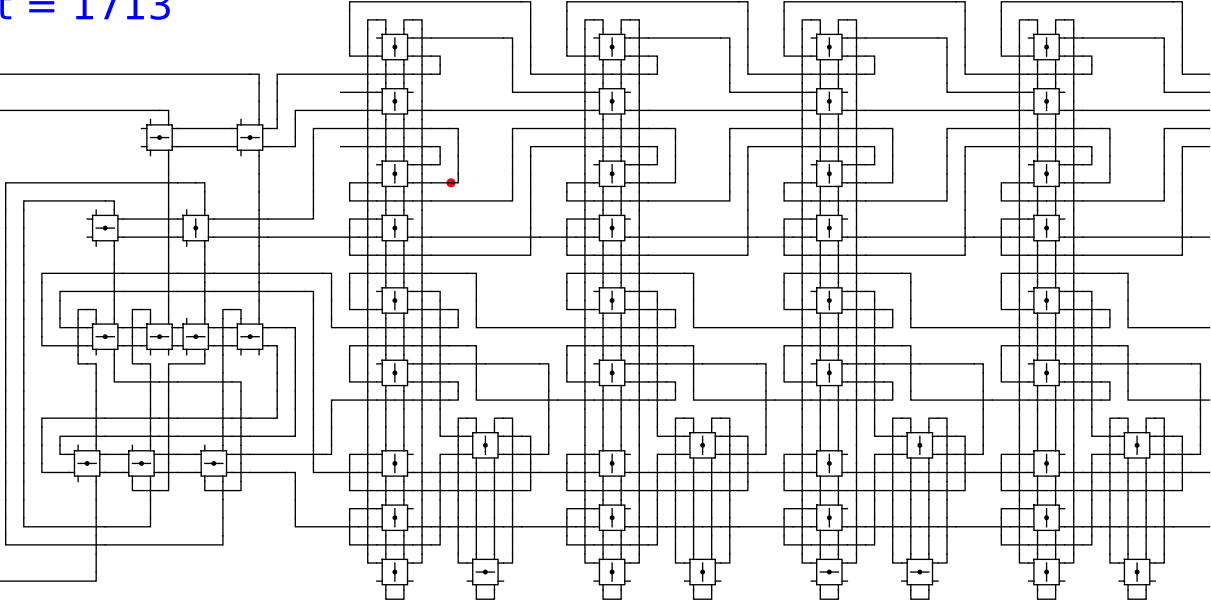


1 0 head 1 0

t = 1713

Reject
Accept

Begin



1

0

head

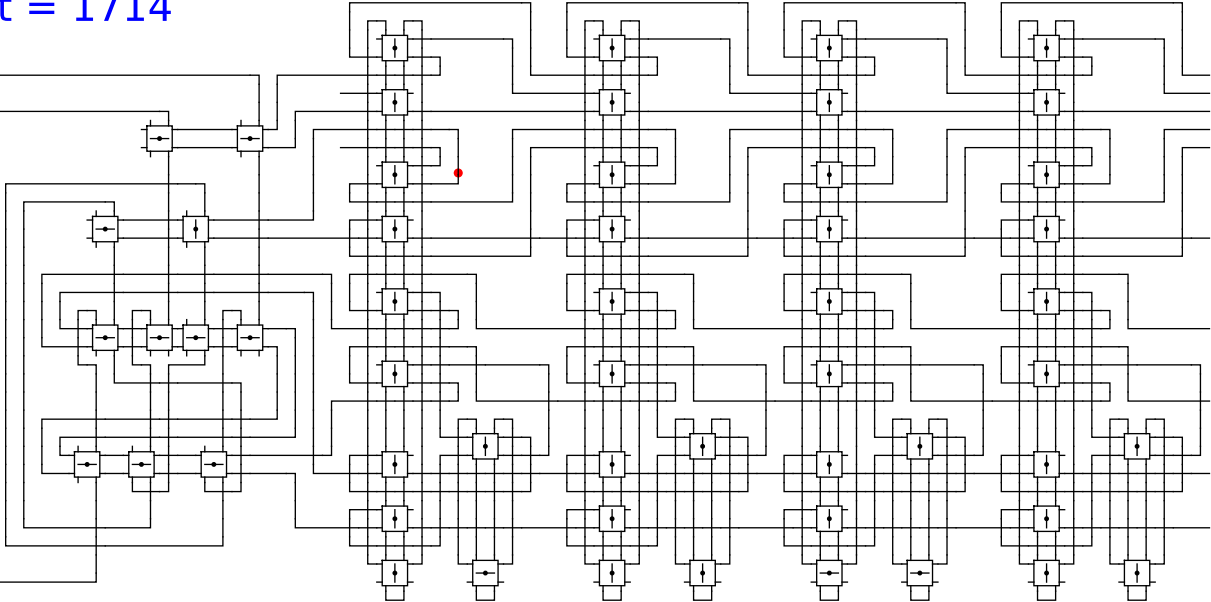
1

0

t = 1714

Reject
Accept

Begin



1

0

head

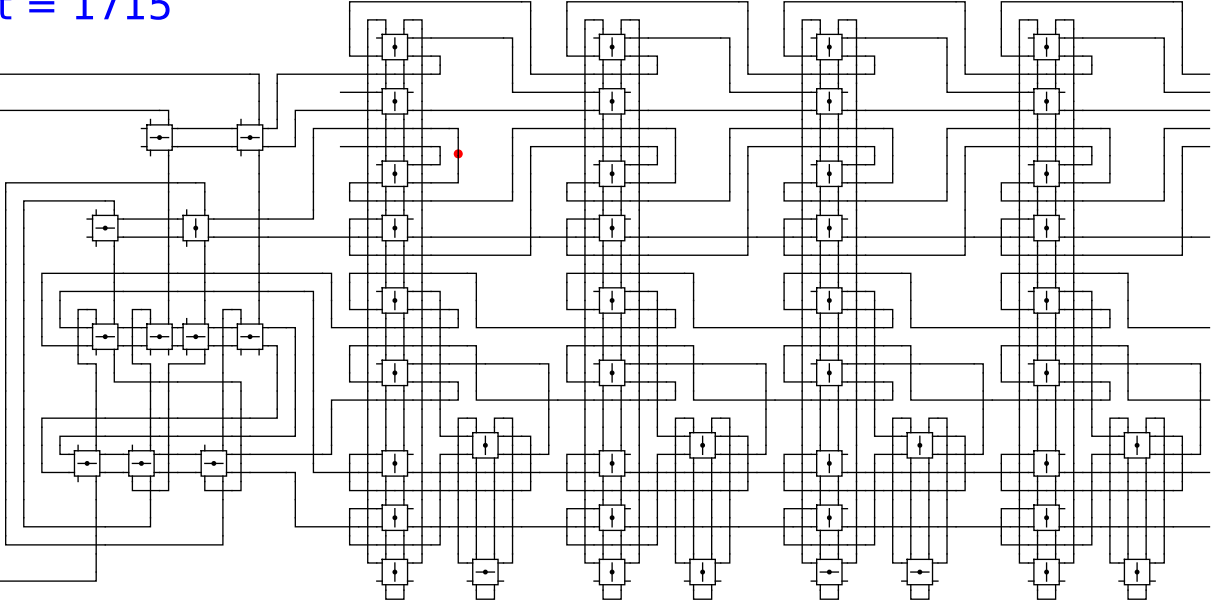
1

0

t = 1715

Reject
Accept

Begin



1

0

head

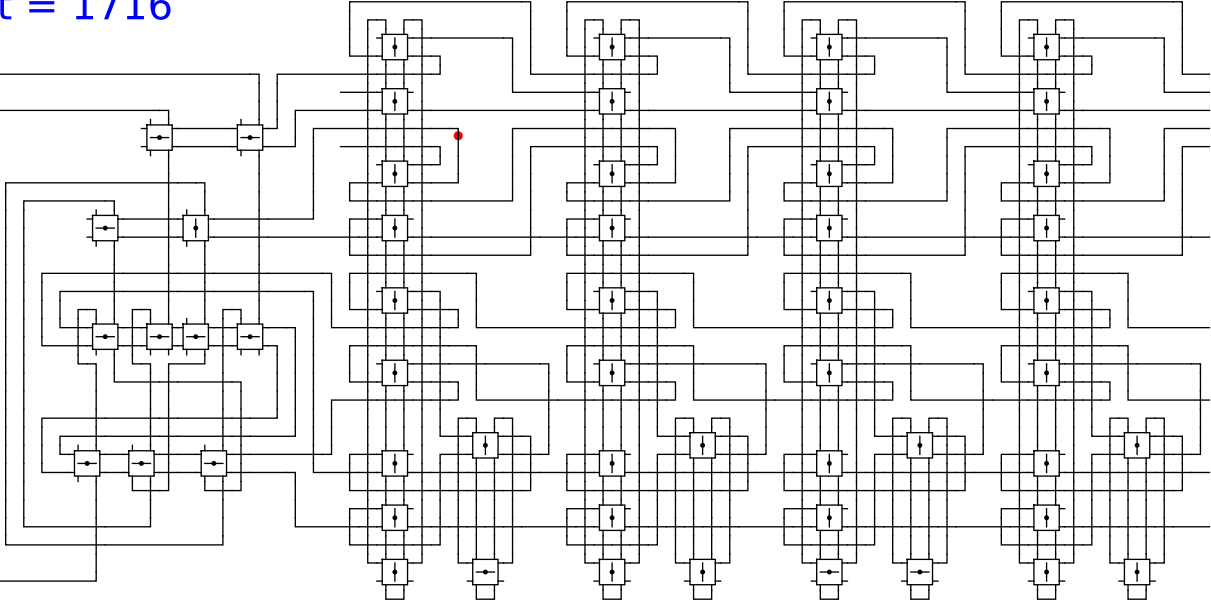
1

0

t = 1716

Reject
Accept

Begin

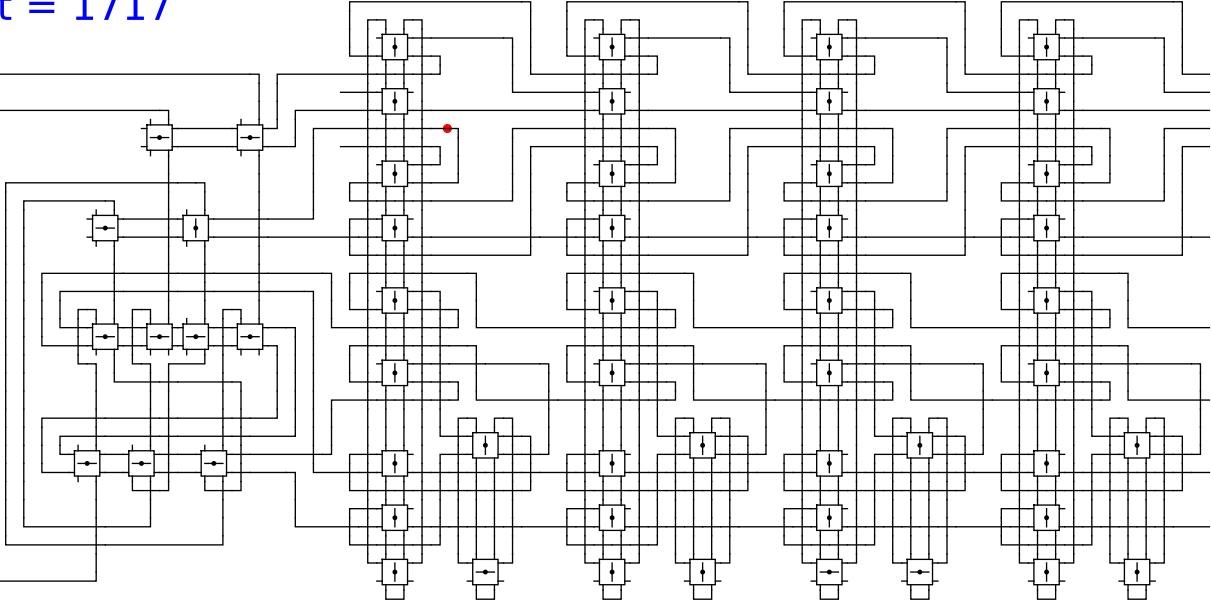


1 0 head 1 0

t = 1717

Reject
Accept

Begin



1

0

head

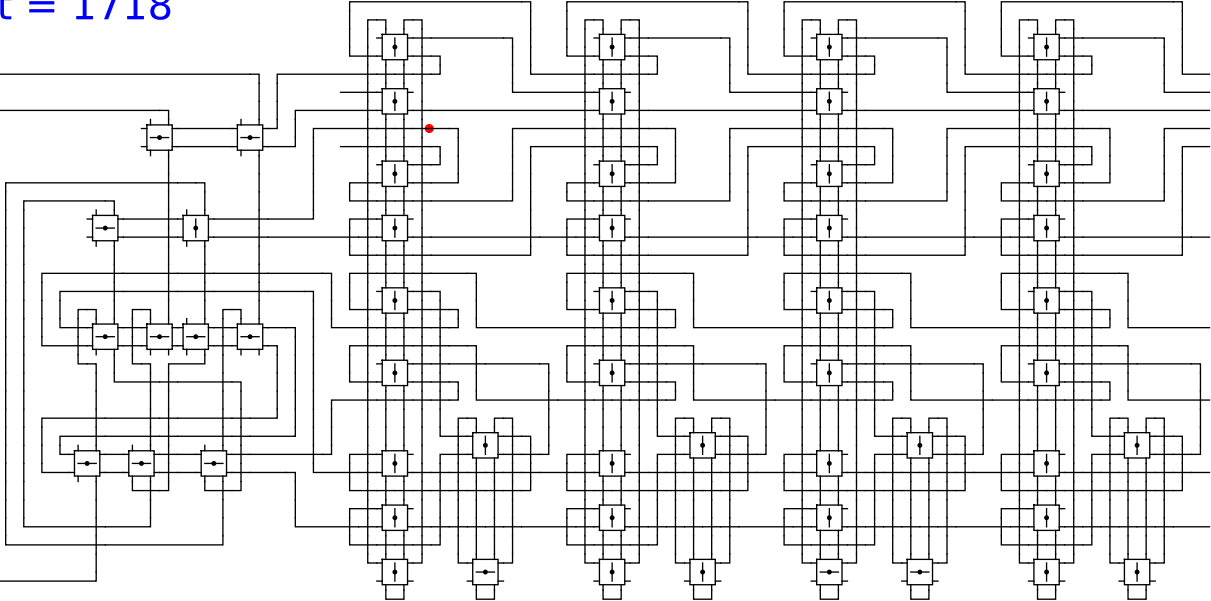
1

0

t = 1718

Reject
Accept

Begin



1

0

head

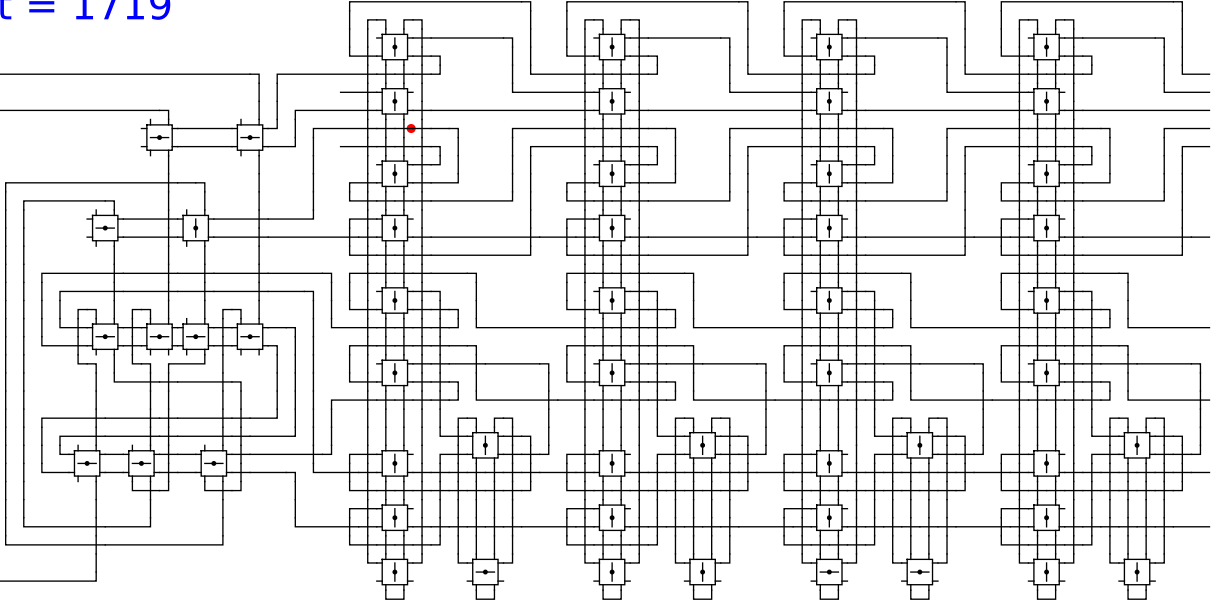
1

0

t = 1719

Reject
Accept

Begin

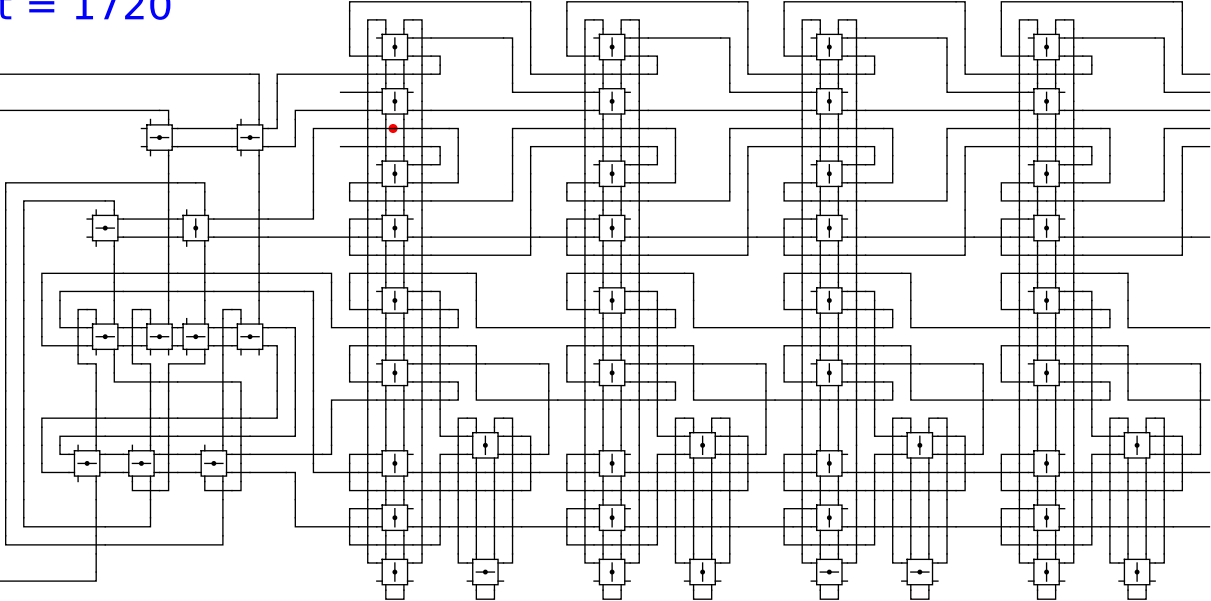


1 0 head 1 0

t = 1720

Reject
Accept

Begin



1

0

head

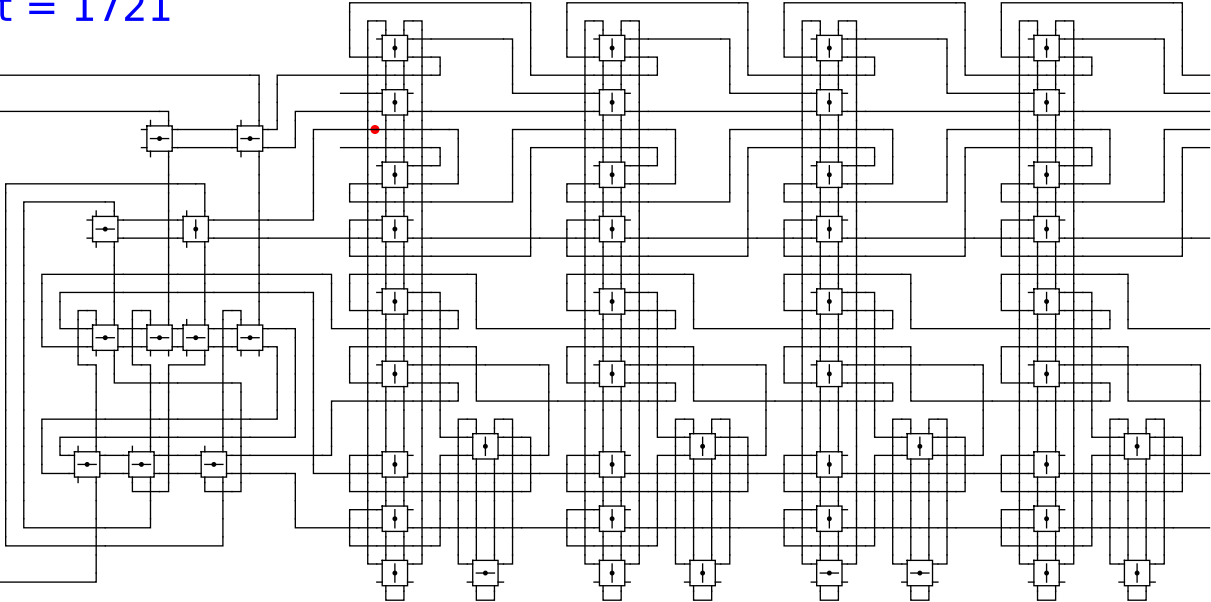
1

0

t = 1721

Reject
Accept

Begin

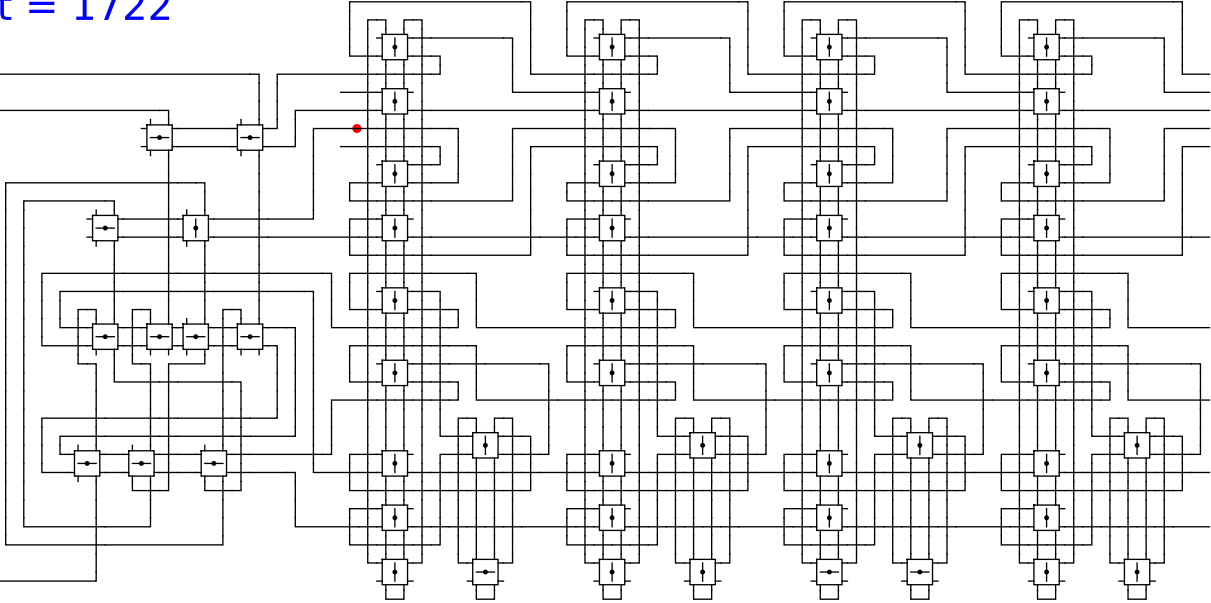


1 0 head 1 0

t = 1722

Reject
Accept

Begin



1

0

head

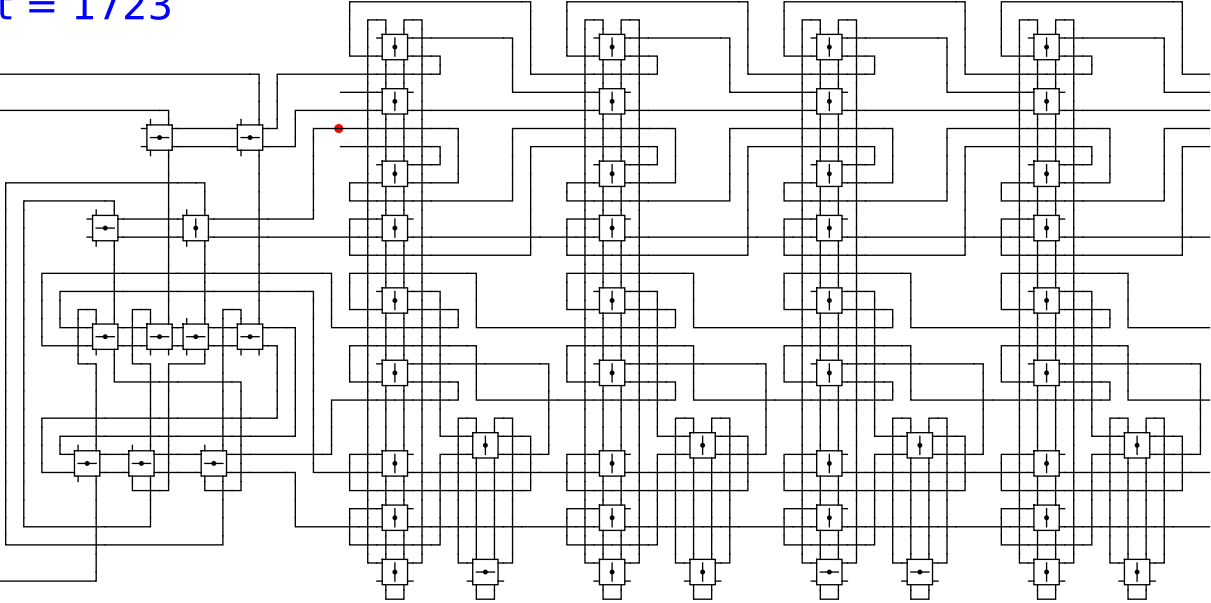
1

0

t = 1723

Reject
Accept

Begin

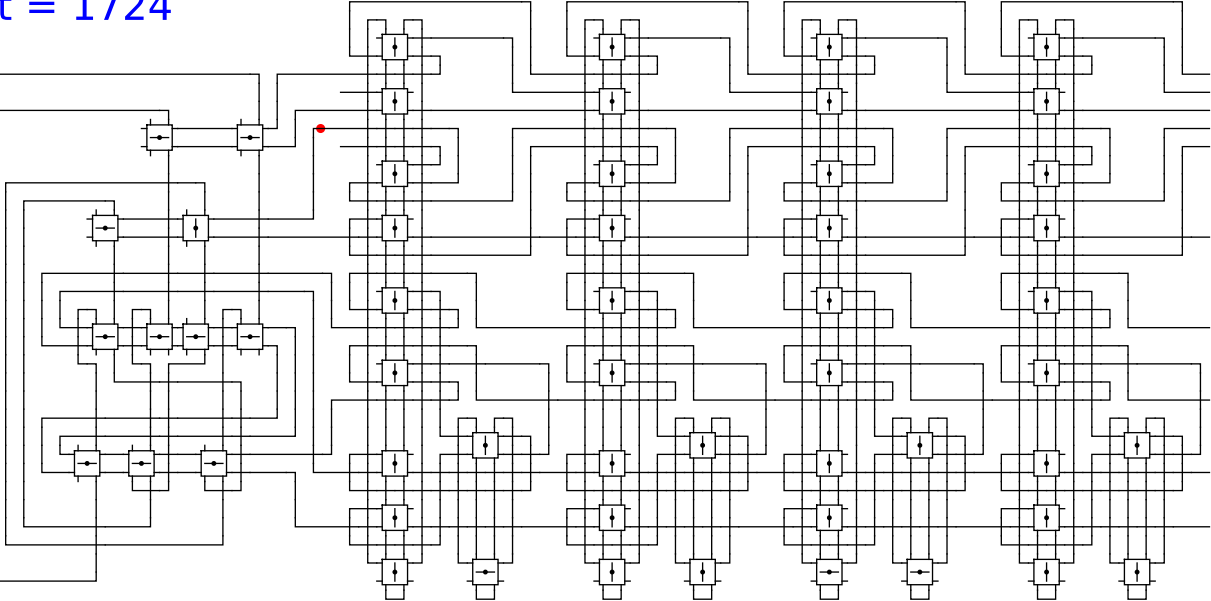


1 0 head 1 0

t = 1724

Reject
Accept

Begin



1

0

head

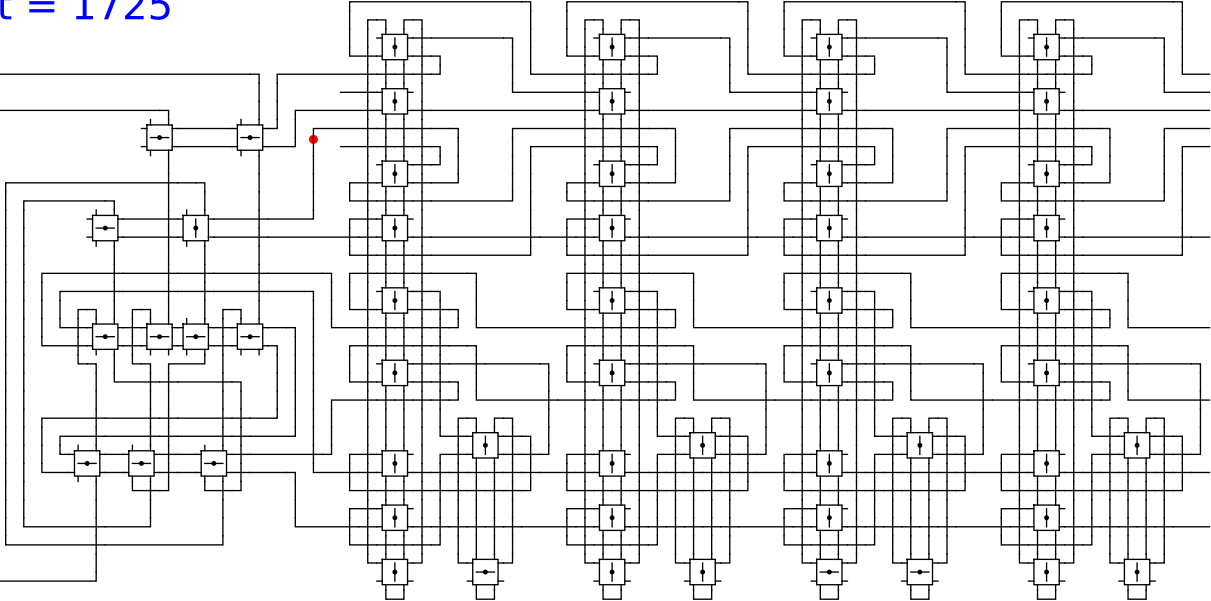
1

0

t = 1725

Reject
Accept

Begin



1

0

head

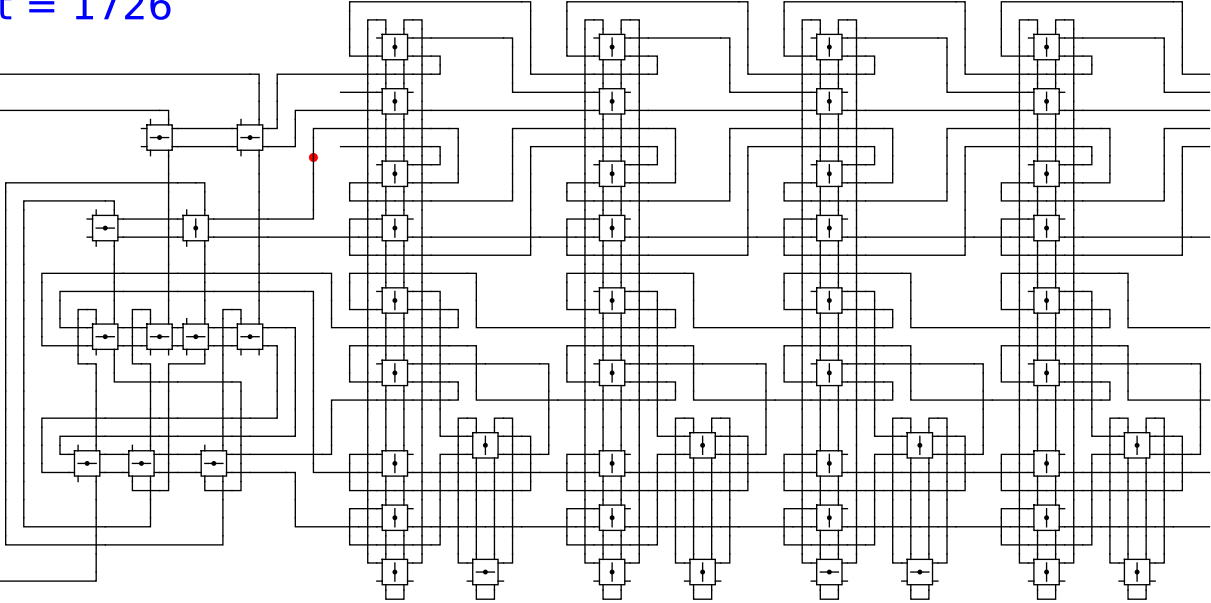
1

0

t = 1726

Reject
Accept

Begin

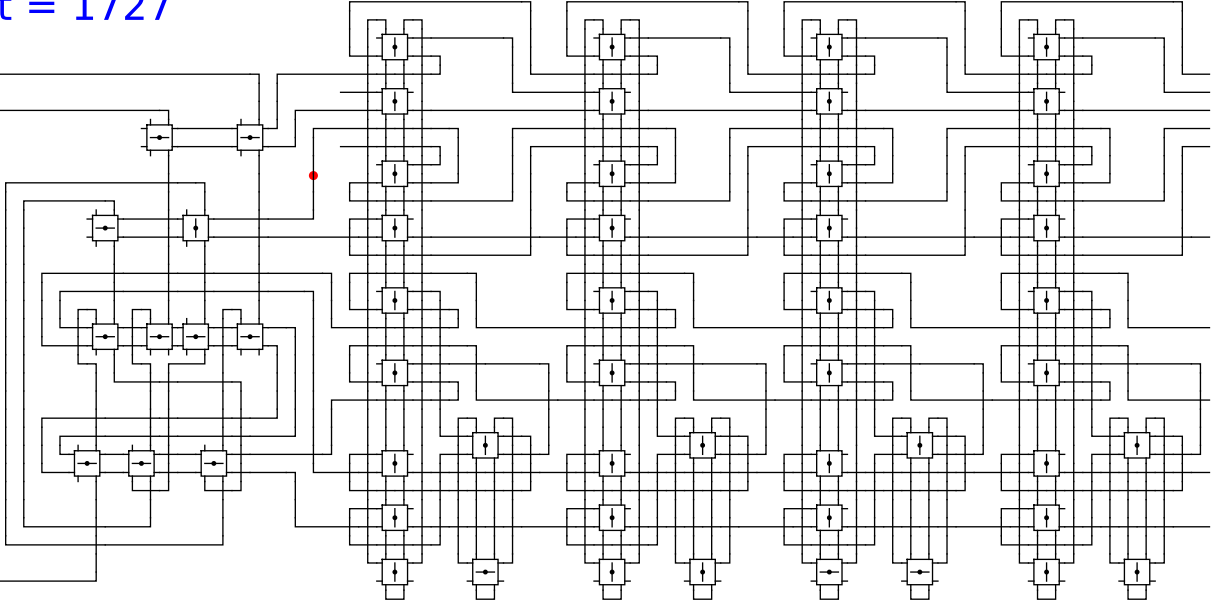


1 0 head 1 0

t = 1727

Reject
Accept

Begin

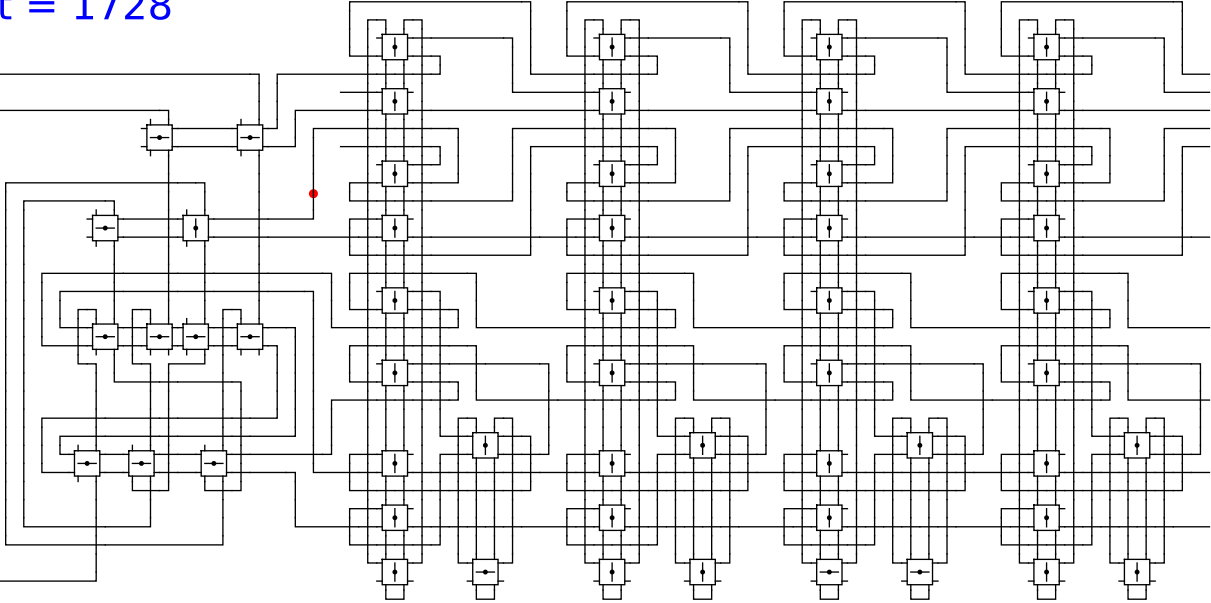


1 0 head 1 0

t = 1728

Reject
Accept

Begin

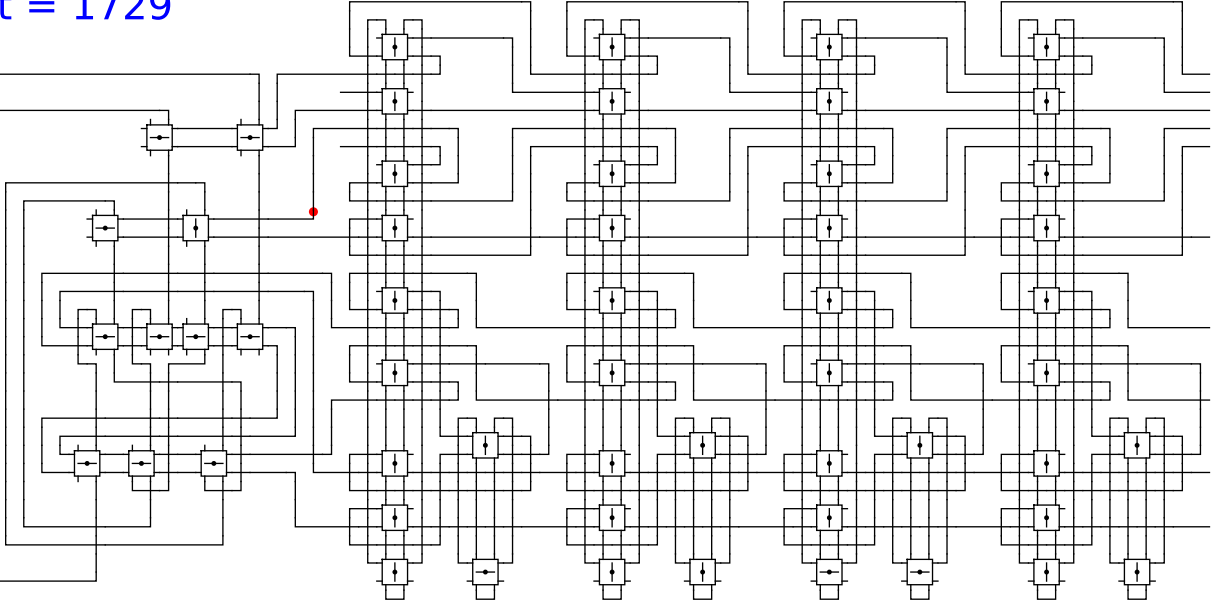


1 0 head 1 0

t = 1729

Reject
Accept

Begin

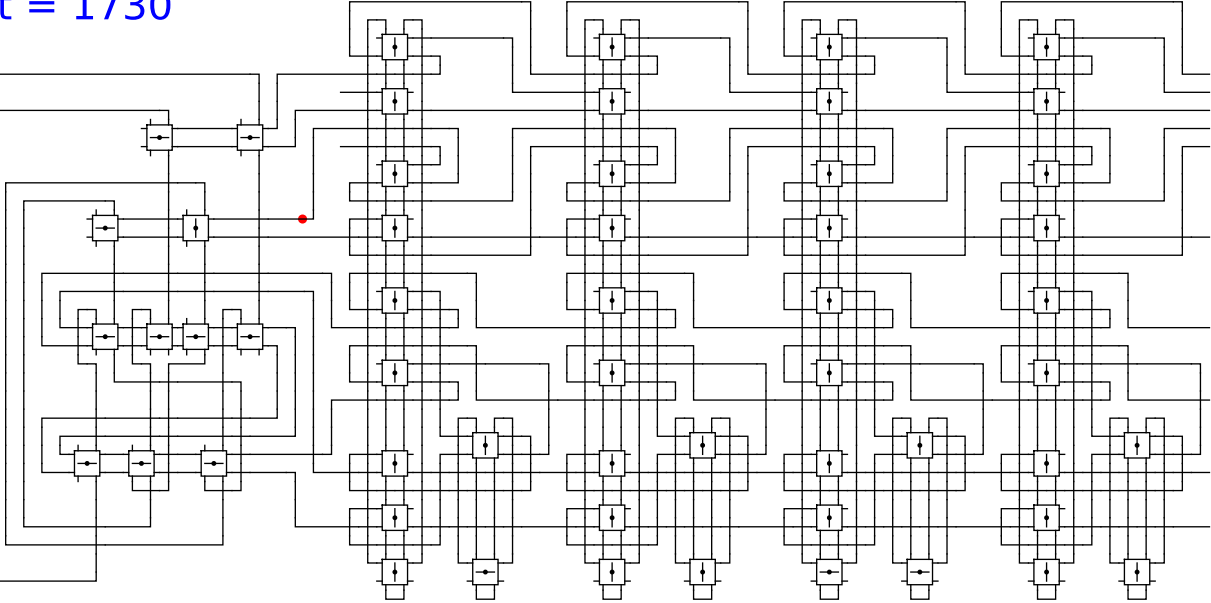


1 0 head 1 0

$t = 1730$

Reject
Accept

Begin

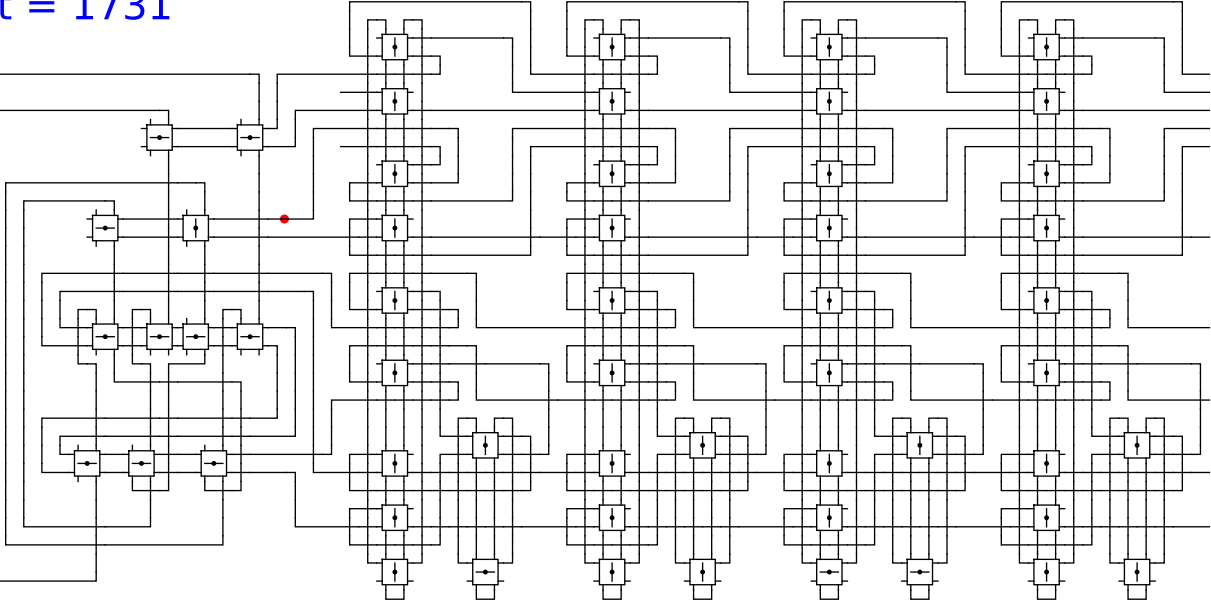


1 0 head 1 0

t = 1731

Reject
Accept

Begin

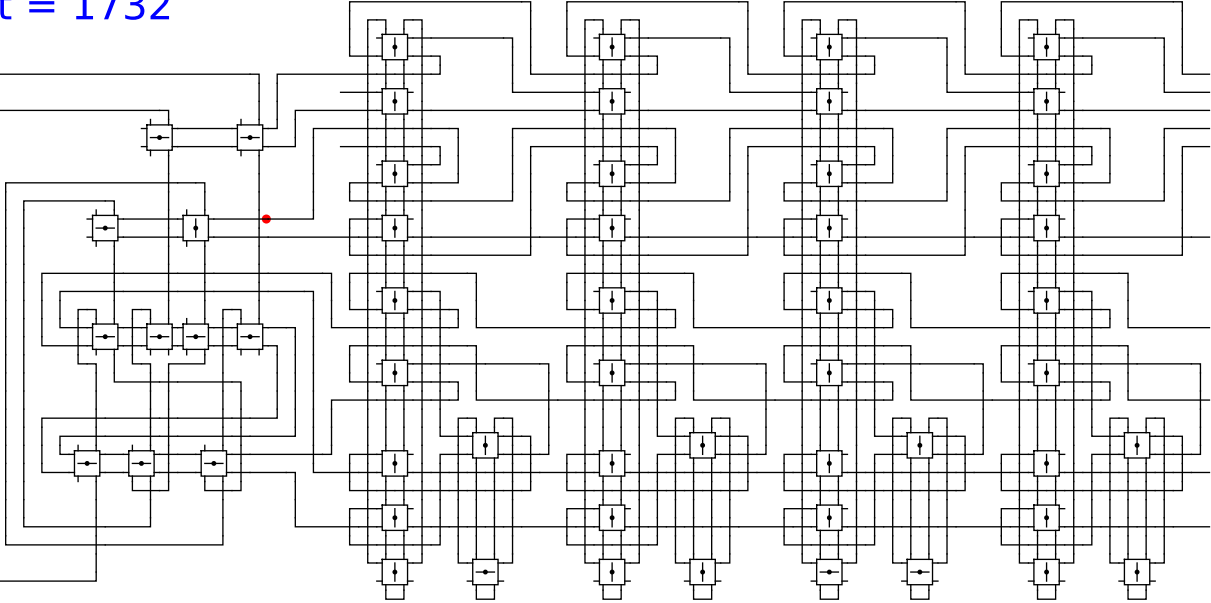


1 0 head 1 0

t = 1732

Reject
Accept

Begin

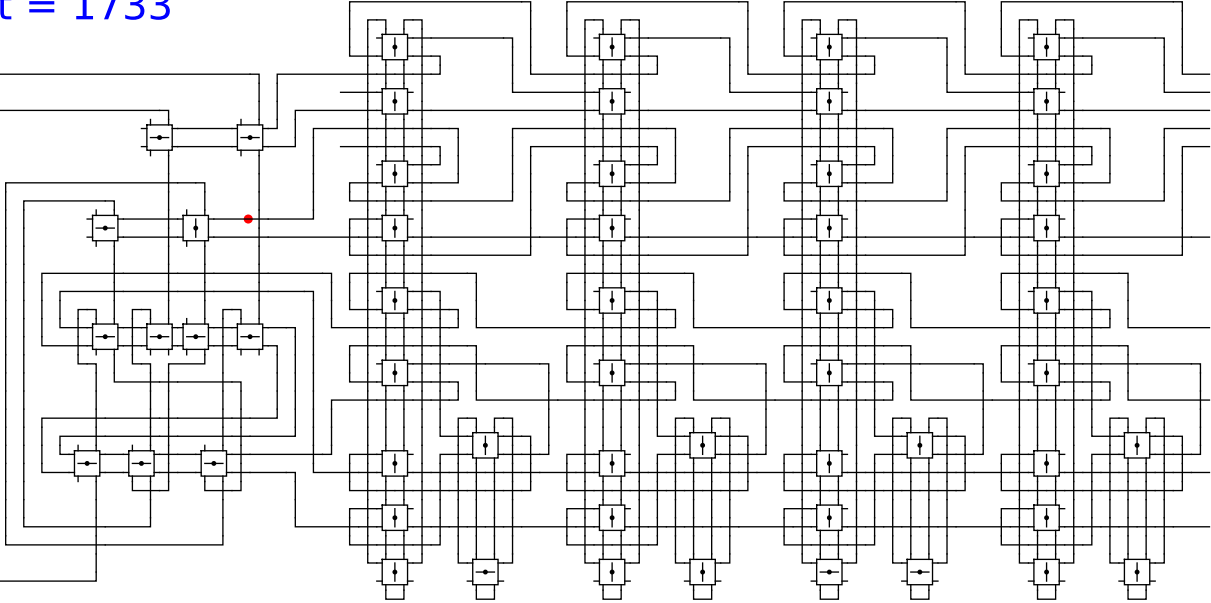


1 0 head 1 0

$t = 1733$

Reject
Accept

Begin

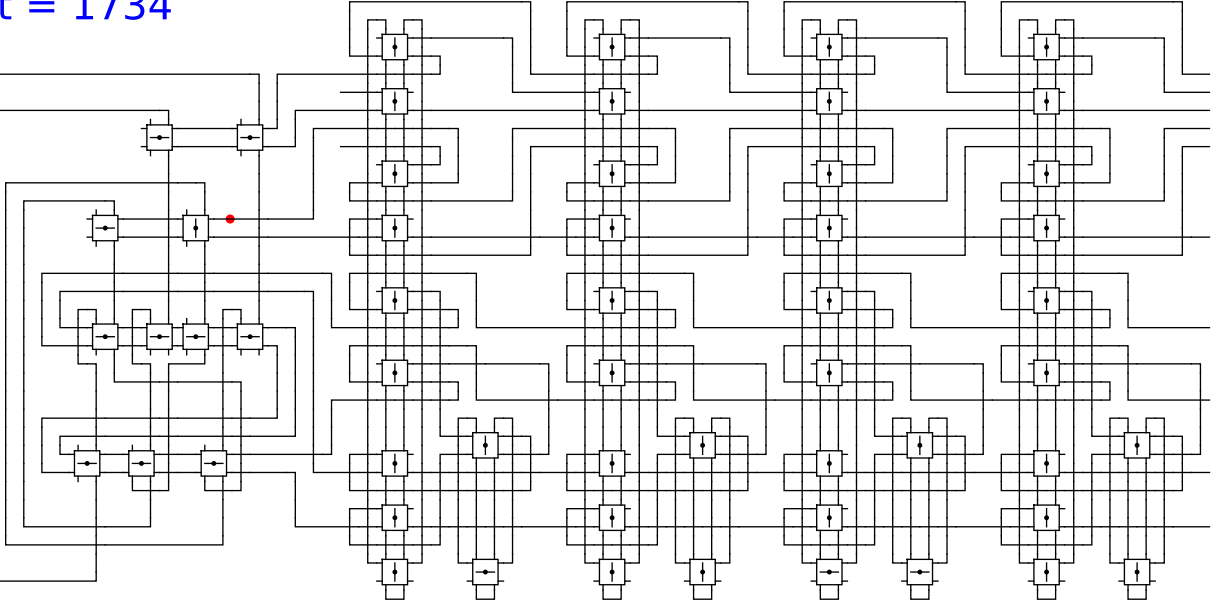


1 0 head 1 0

t = 1734

Reject
Accept

Begin

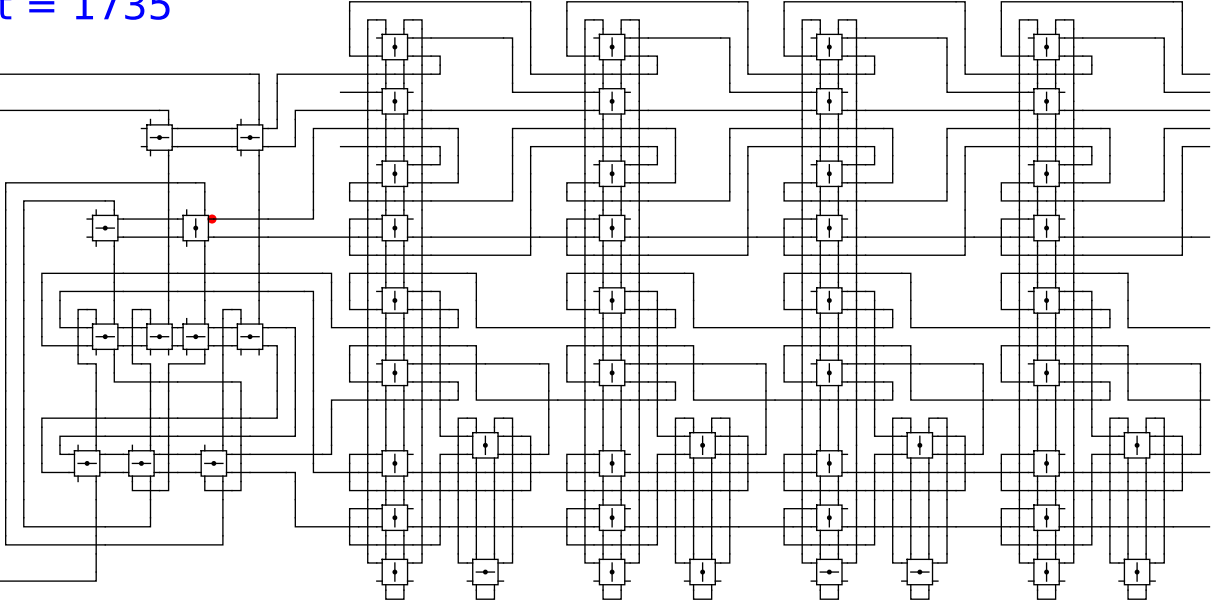


1 0 head 1 0

t = 1735

Reject
Accept

Begin

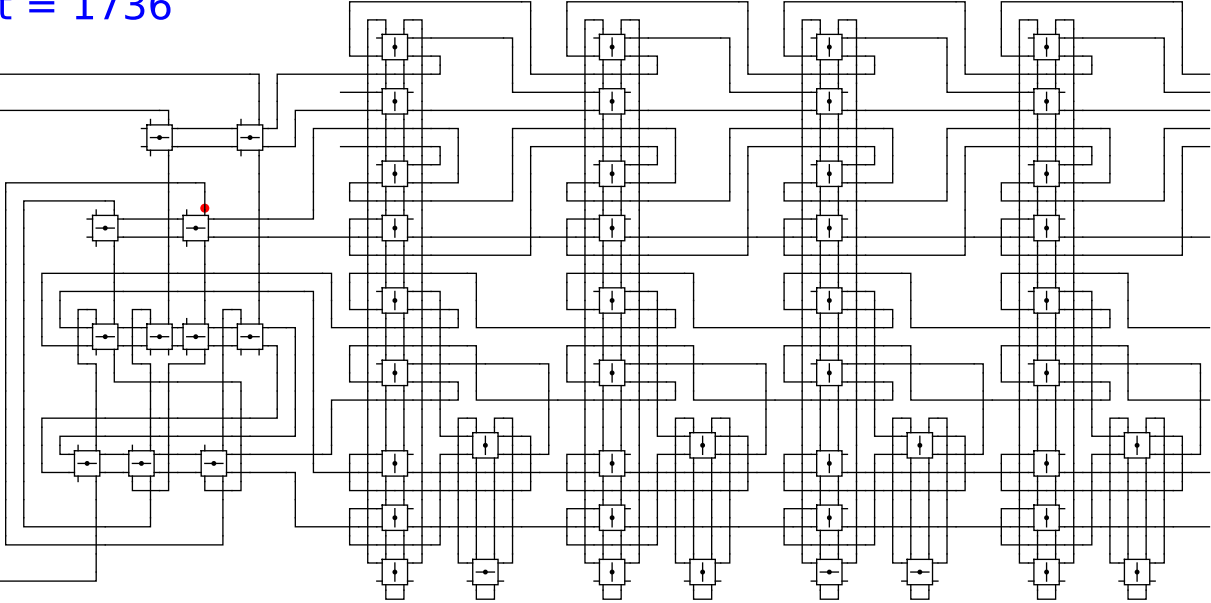


1 0 head 1 0

t = 1736

Reject
Accept

Begin

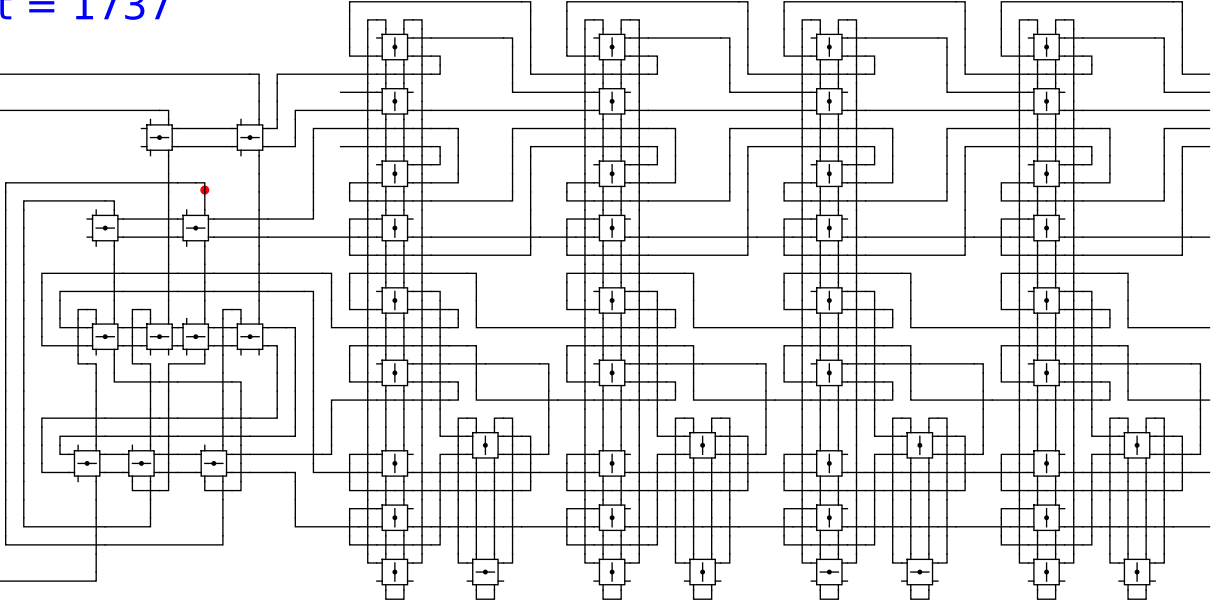


1 0 head 1 0

t = 1737

Reject
Accept

Begin



1

0

head

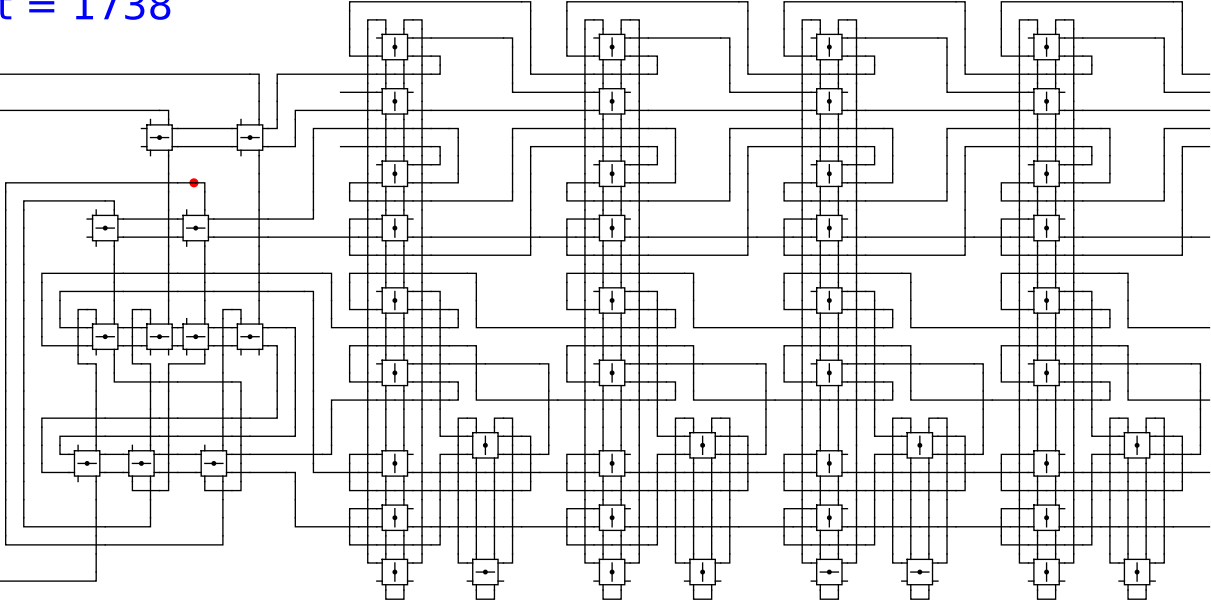
1

0

t = 1738

Reject
Accept

Begin

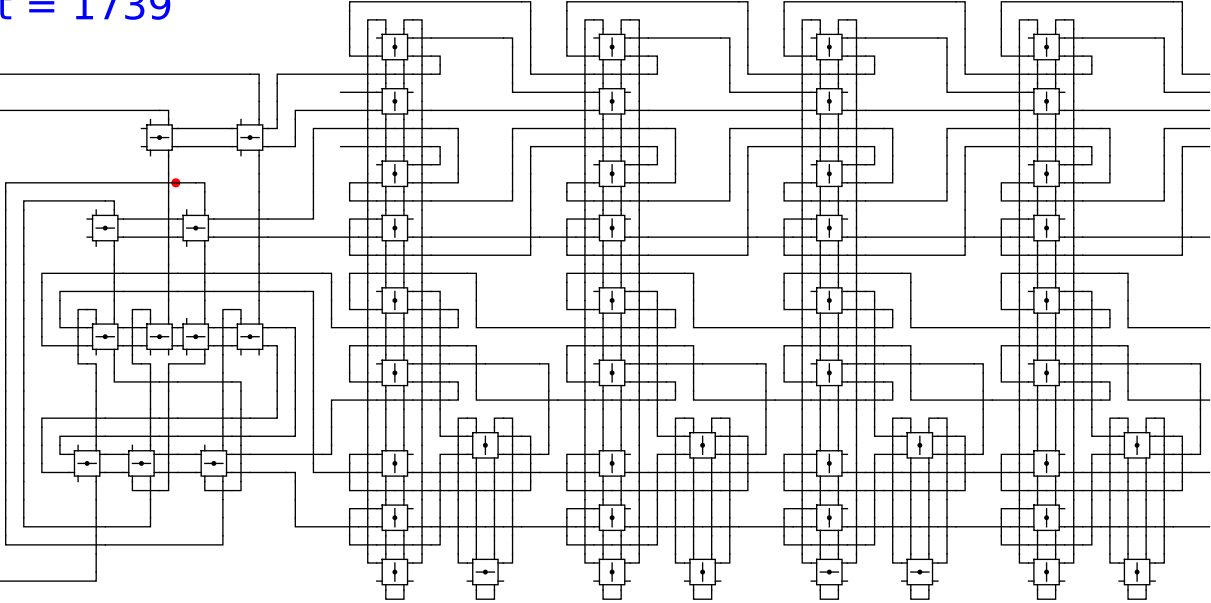


1 0 head 1 0

t = 1739

Reject
Accept

Begin

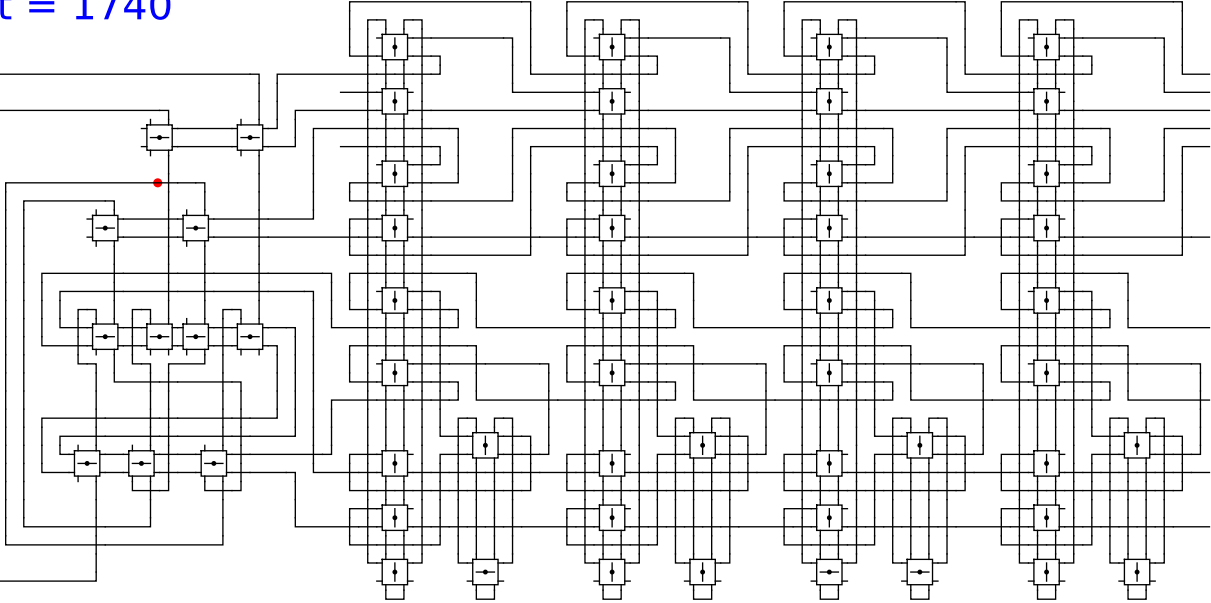


1 0 head 1 0

t = 1740

Reject
Accept

Begin



1

0

head

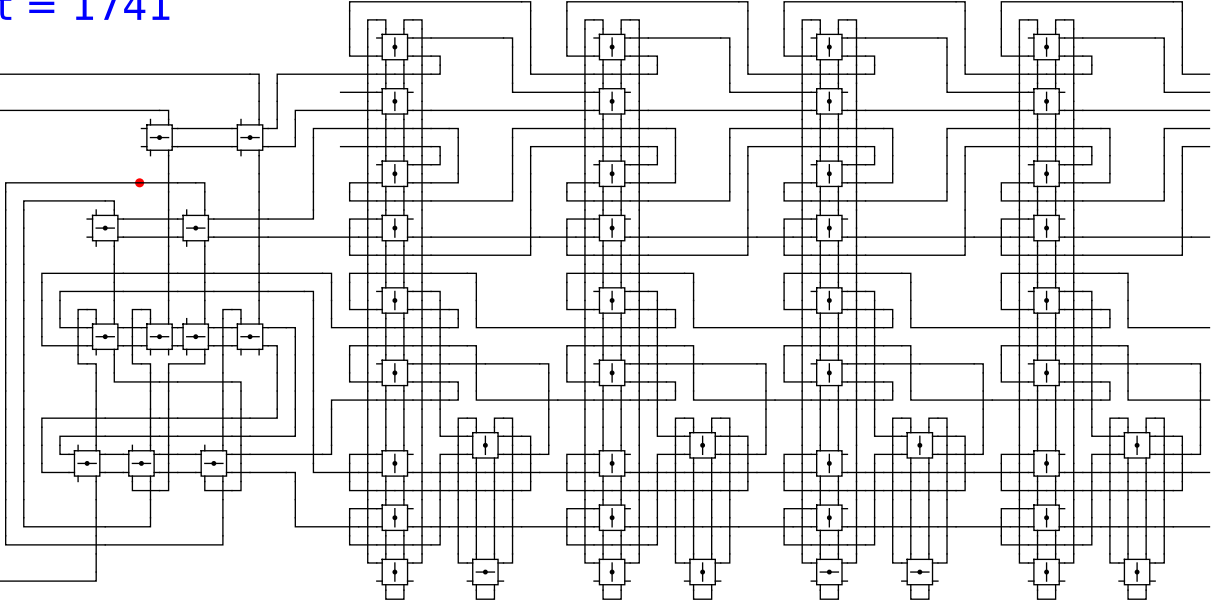
1

0

t = 1741

Reject
Accept

Begin

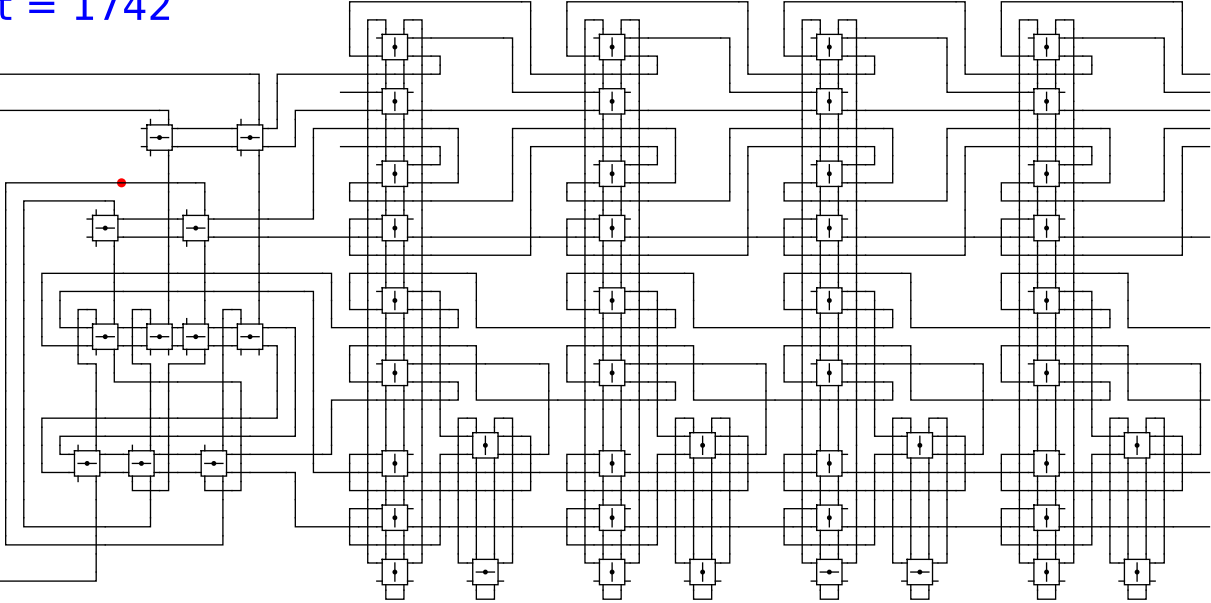


1 0 head 1 0

t = 1742

Reject
Accept

Begin



1

0

head

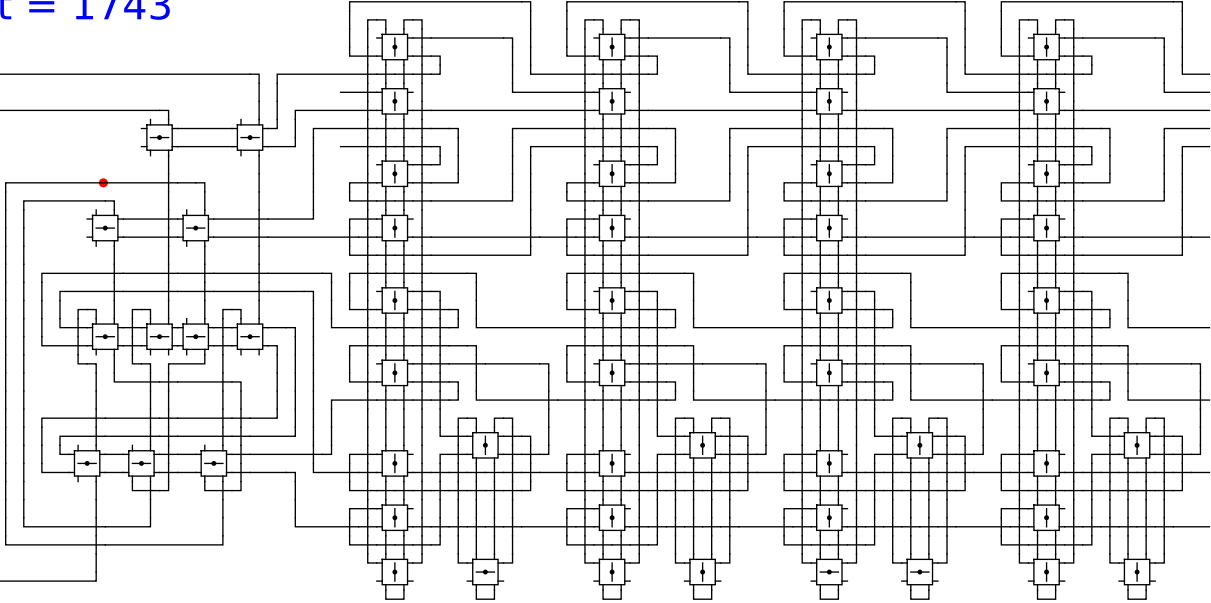
1

0

t = 1743

Reject
Accept

Begin

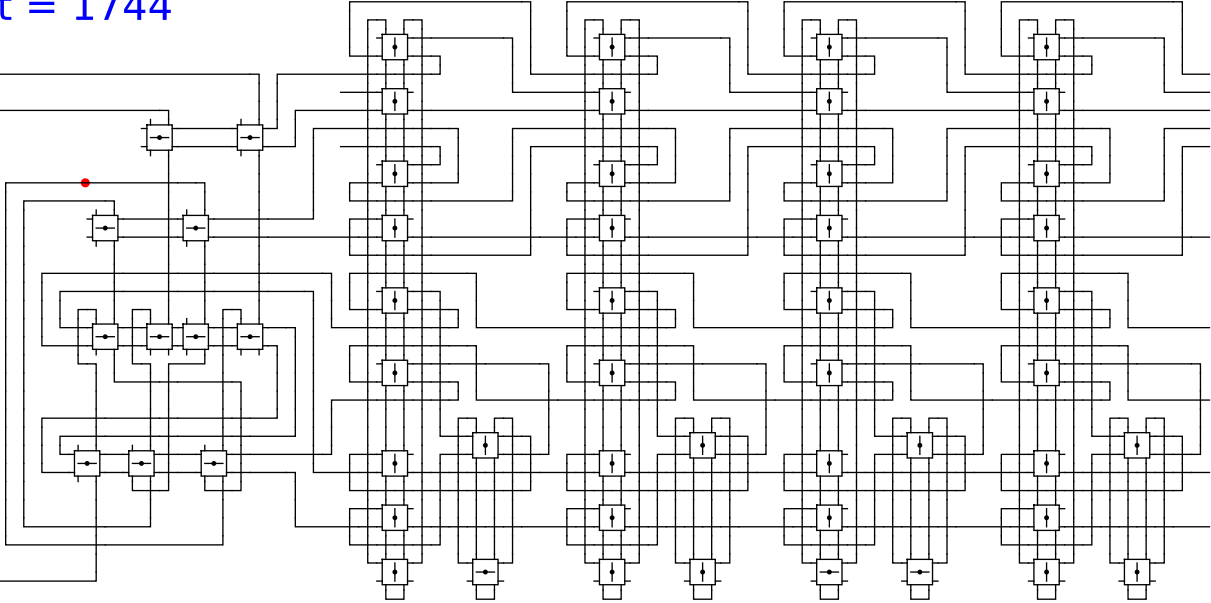


1 0 head 1 0

t = 1744

Reject
Accept

Begin

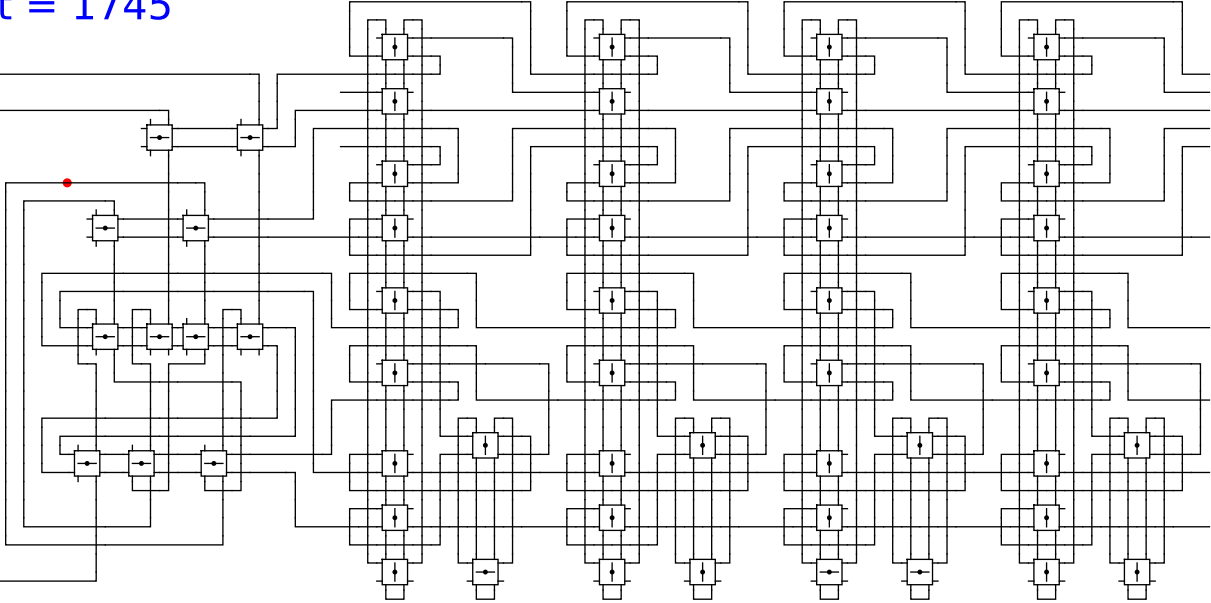


1 0 head 1 0

t = 1745

Reject
Accept

Begin

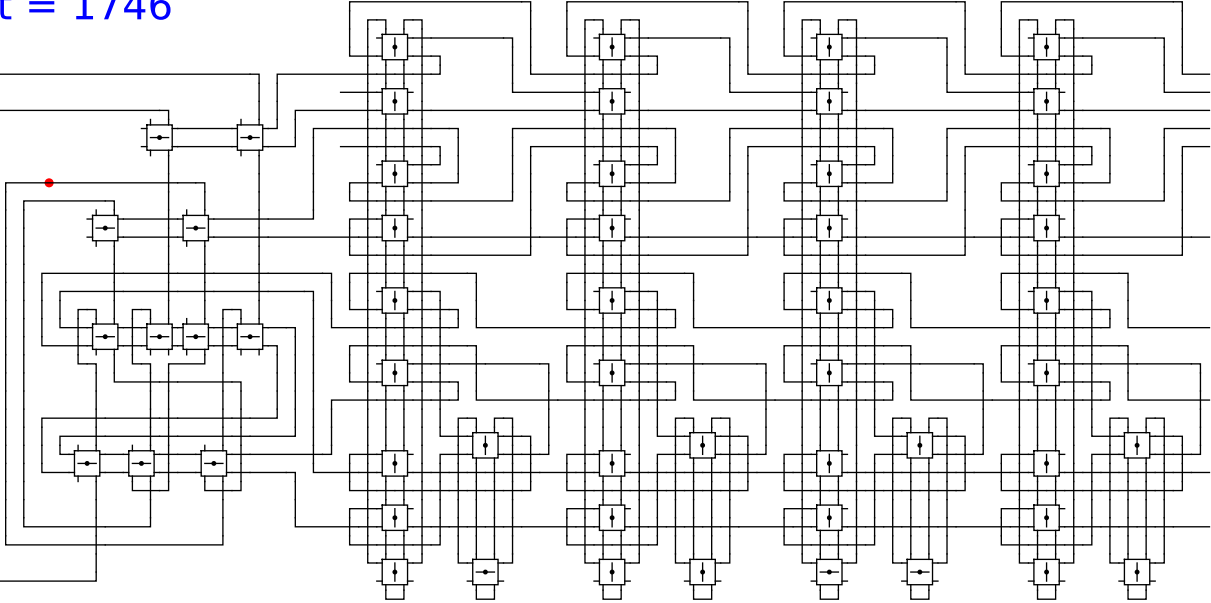


1 0 head 1 0

t = 1746

Reject
Accept

Begin



1

0

head

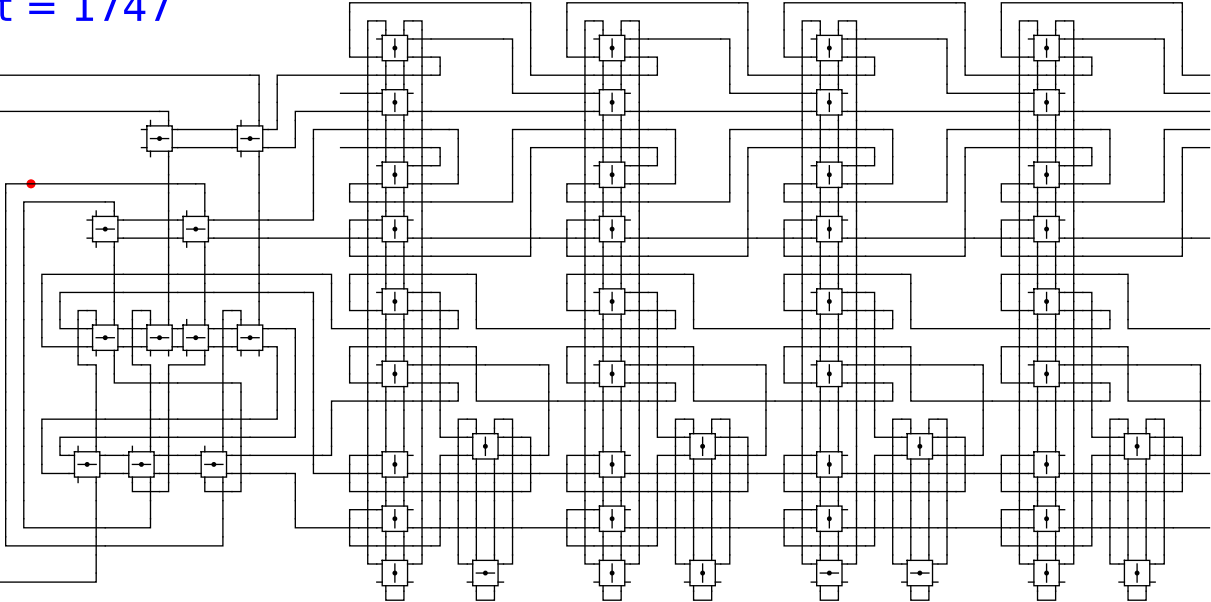
1

0

t = 1747

Reject
Accept

Begin

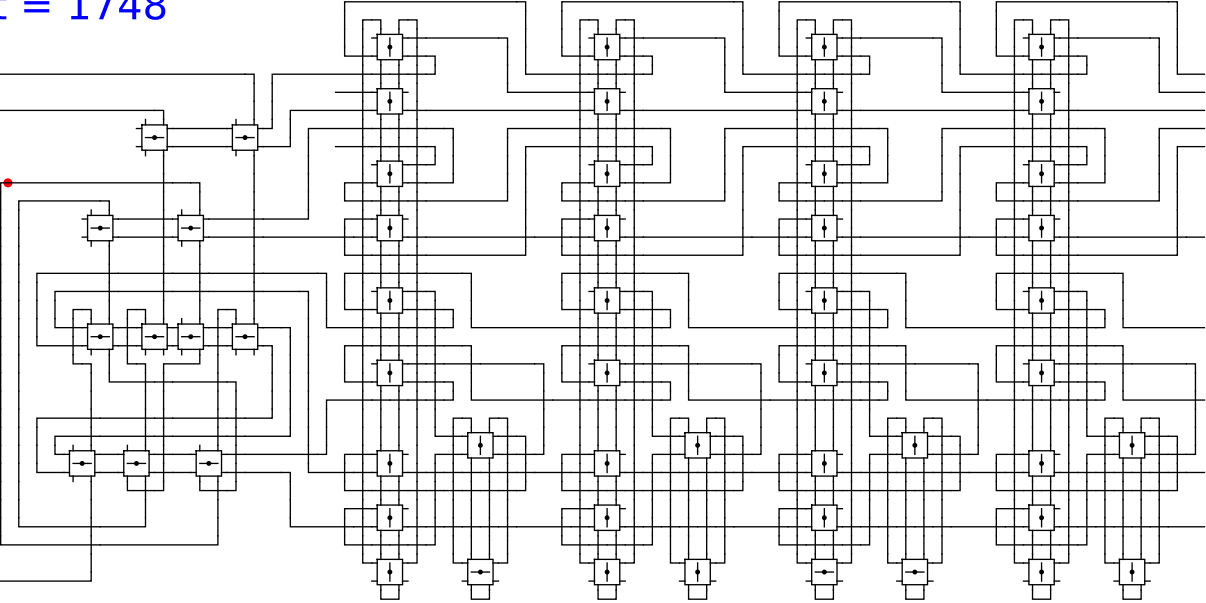


1 0 head 1 0

t = 1748

Reject
Accept

Begin

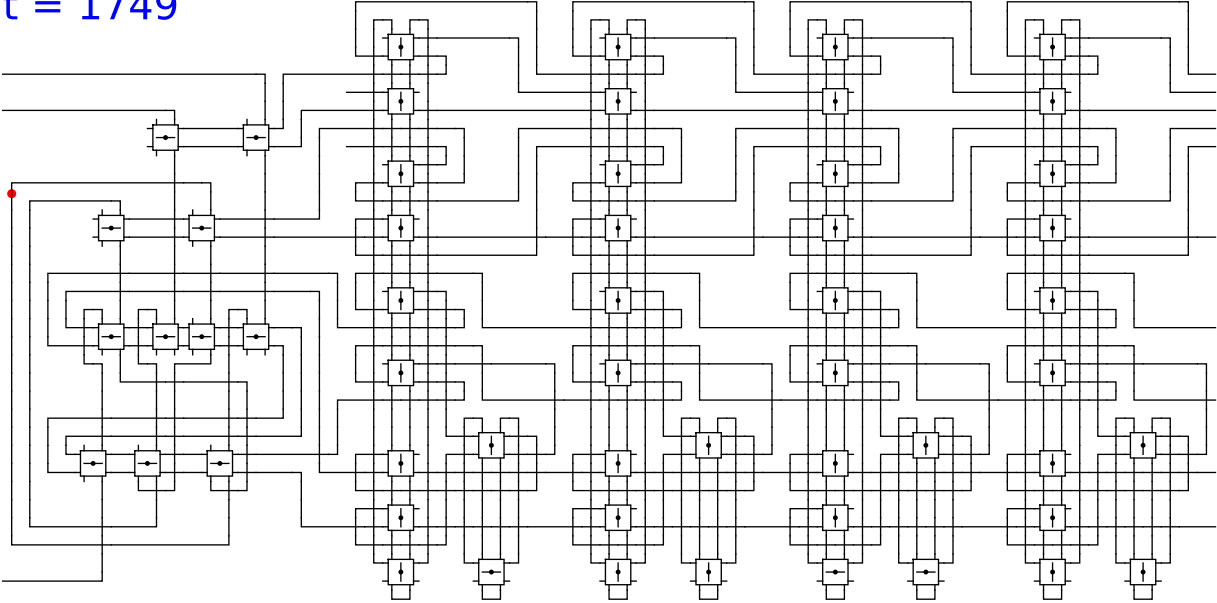


1 0 head 1 0

t = 1749

Reject
Accept

Begin

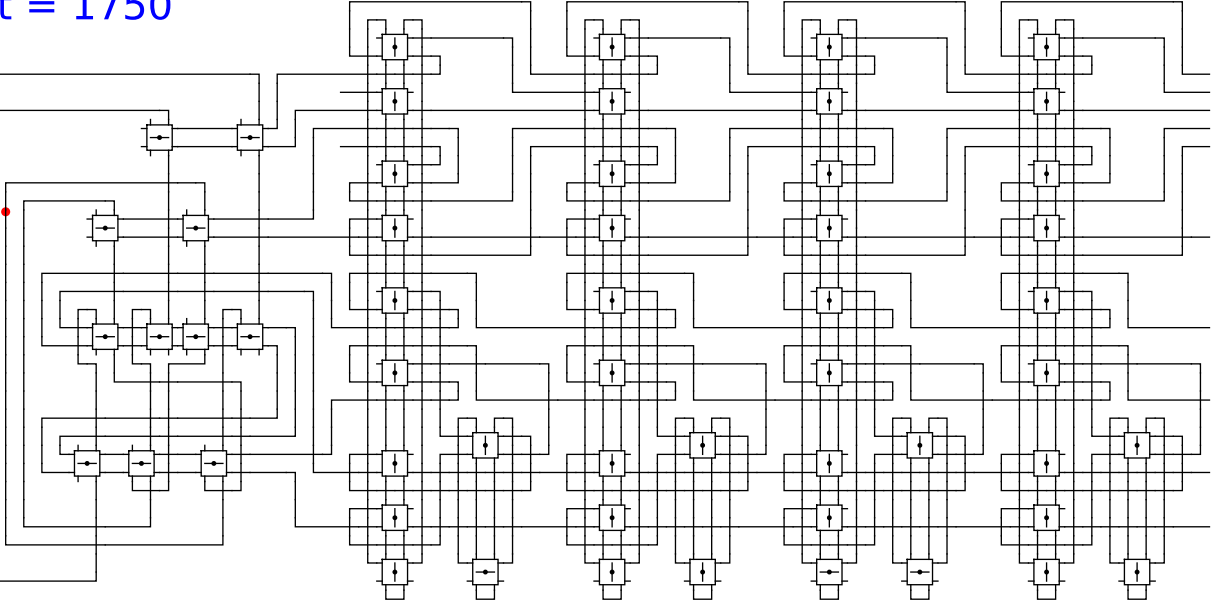


1 0 head 1 0

t = 1750

Reject
Accept

Begin

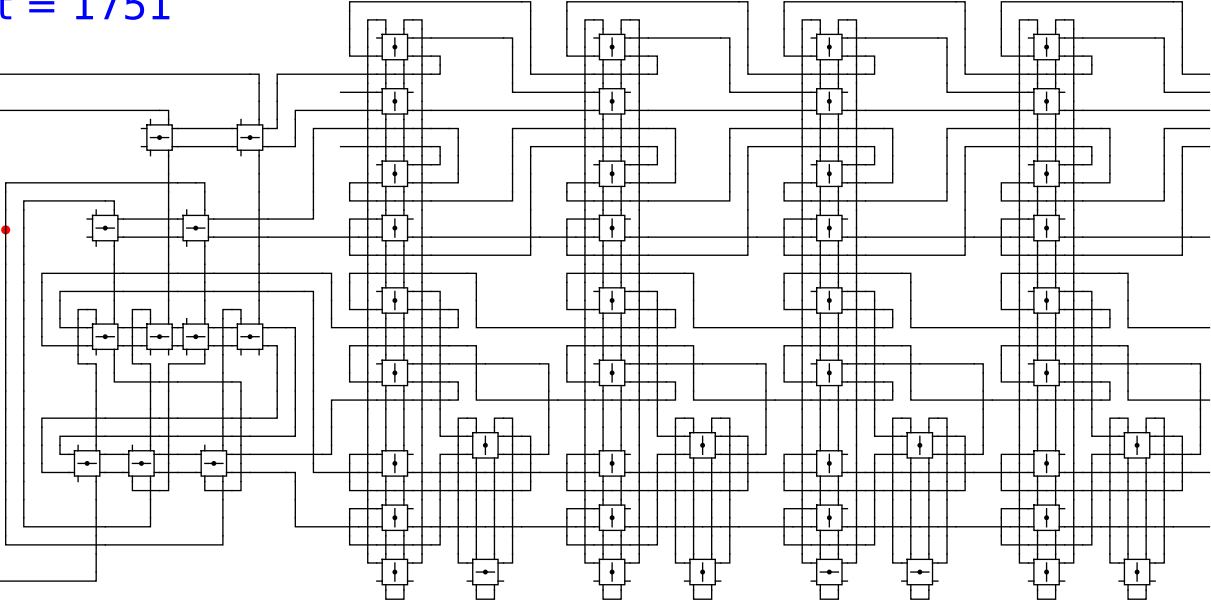


1 0 head 1 0

t = 1751

Reject
Accept

Begin

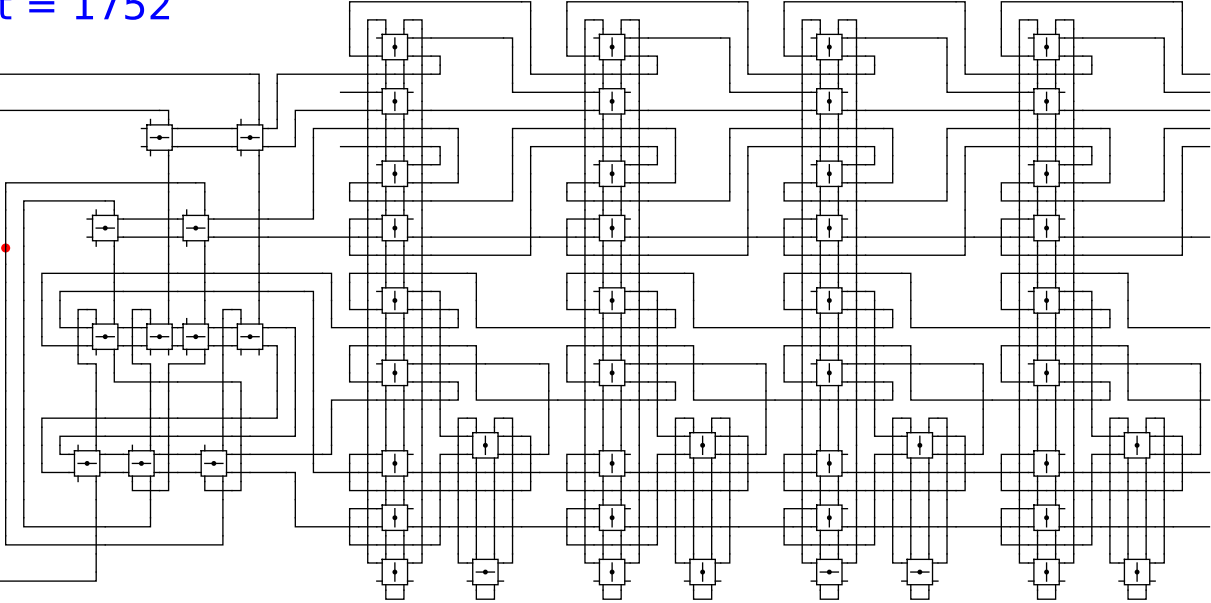


1 0 head 1 0

t = 1752

Reject
Accept

Begin

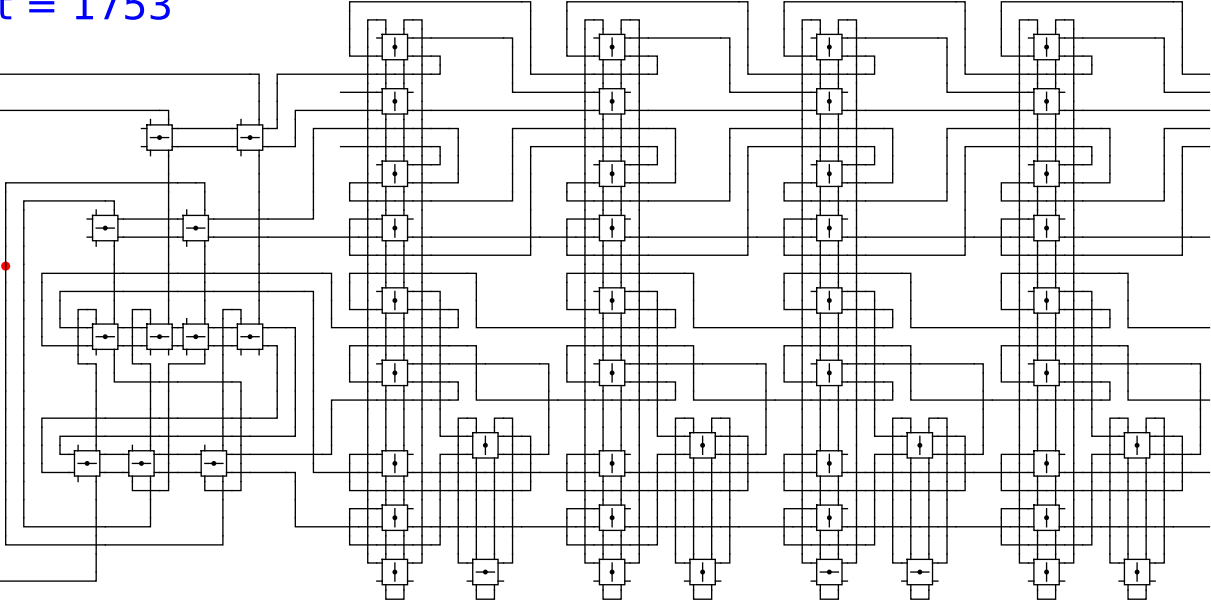


1 0 head 1 0

t = 1753

Reject
Accept

Begin



1

0

head

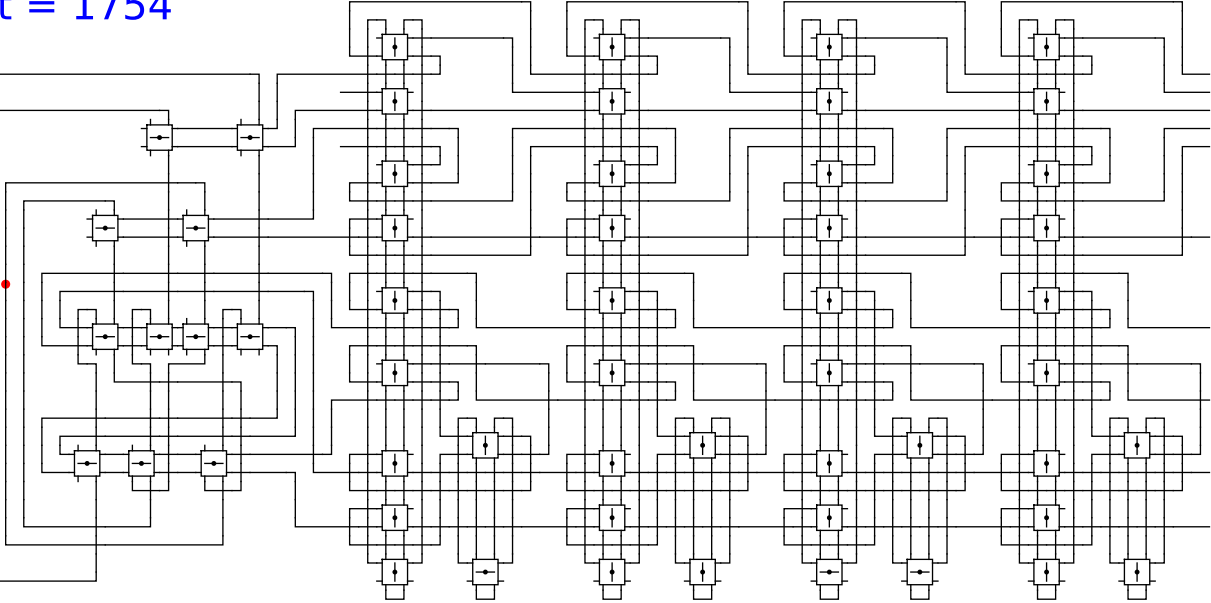
1

0

t = 1754

Reject
Accept

Begin

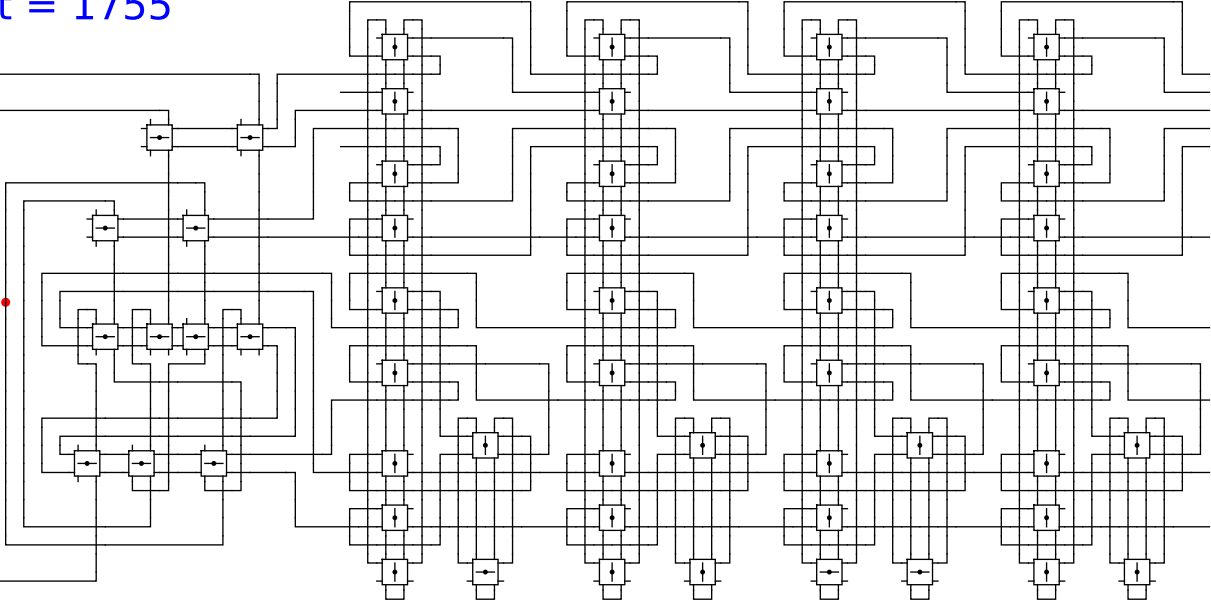


1 0 head 1 0

t = 1755

Reject
Accept

Begin

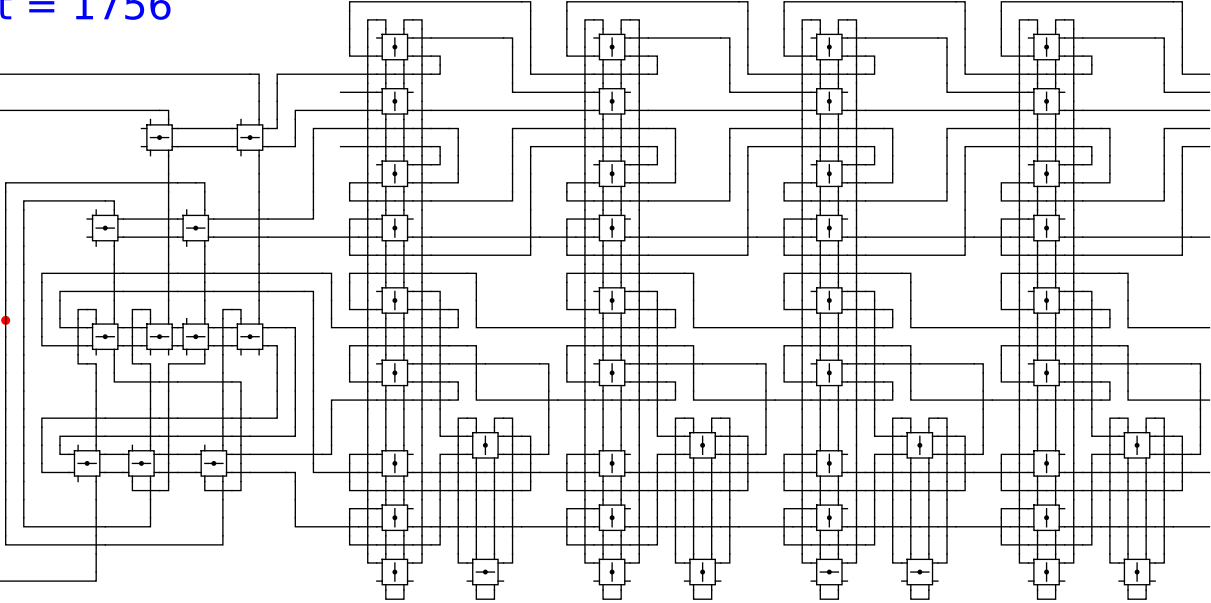


1 0 head 1 0

$t = 1756$

Reject
Accept

Begin

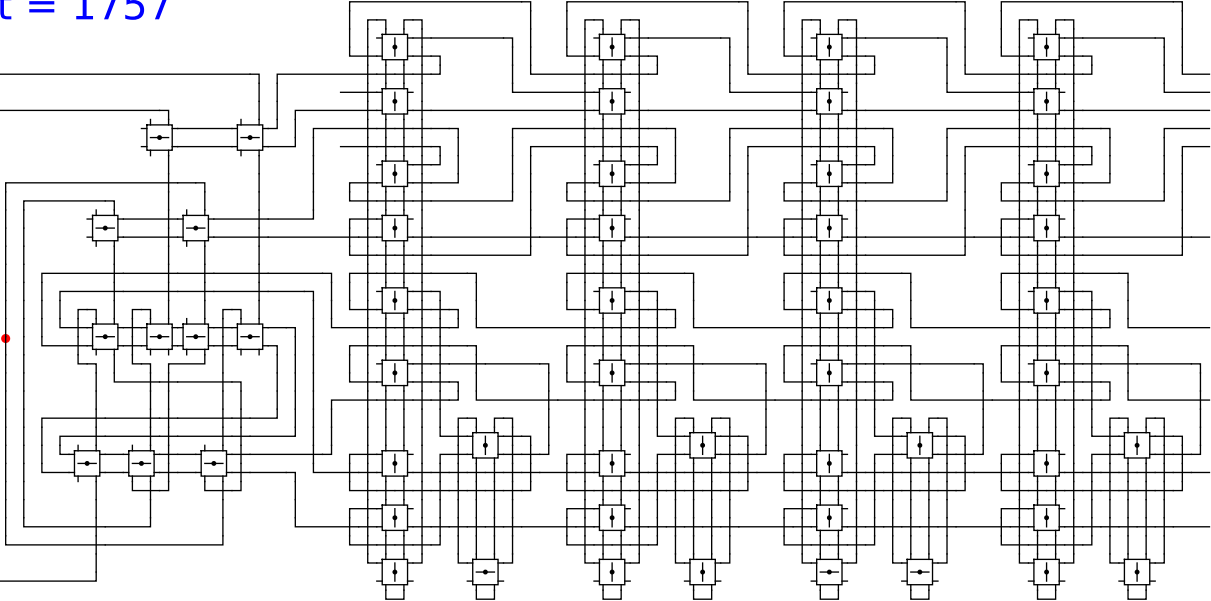


1 0 head 1 0

t = 1757

Reject
Accept

Begin



1

0

head

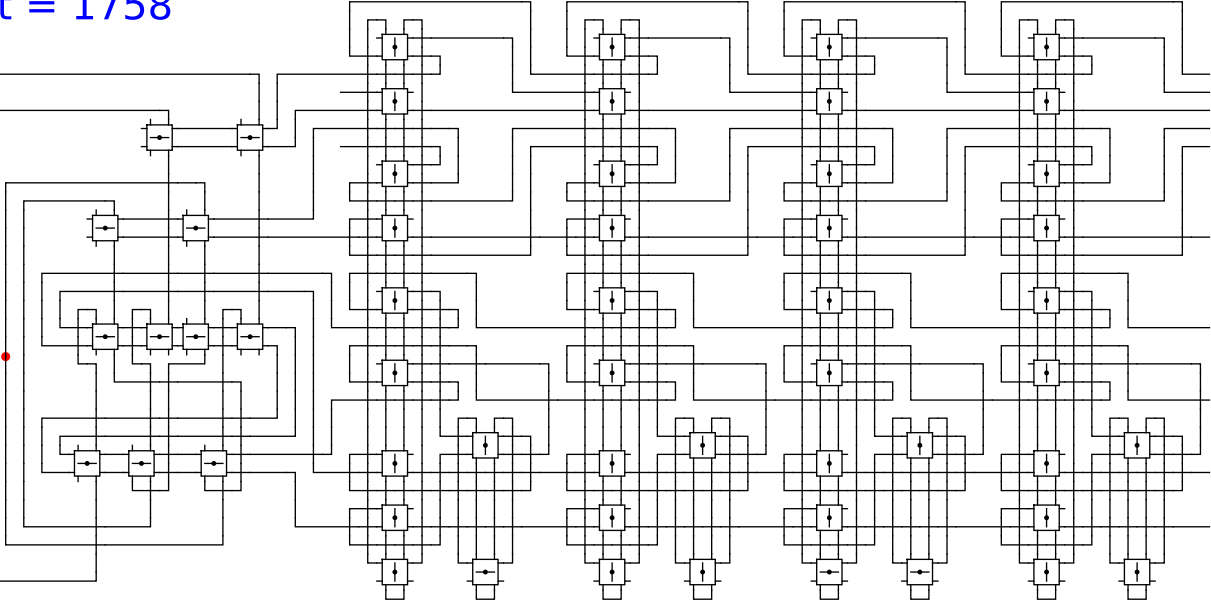
1

0

t = 1758

Reject
Accept

Begin

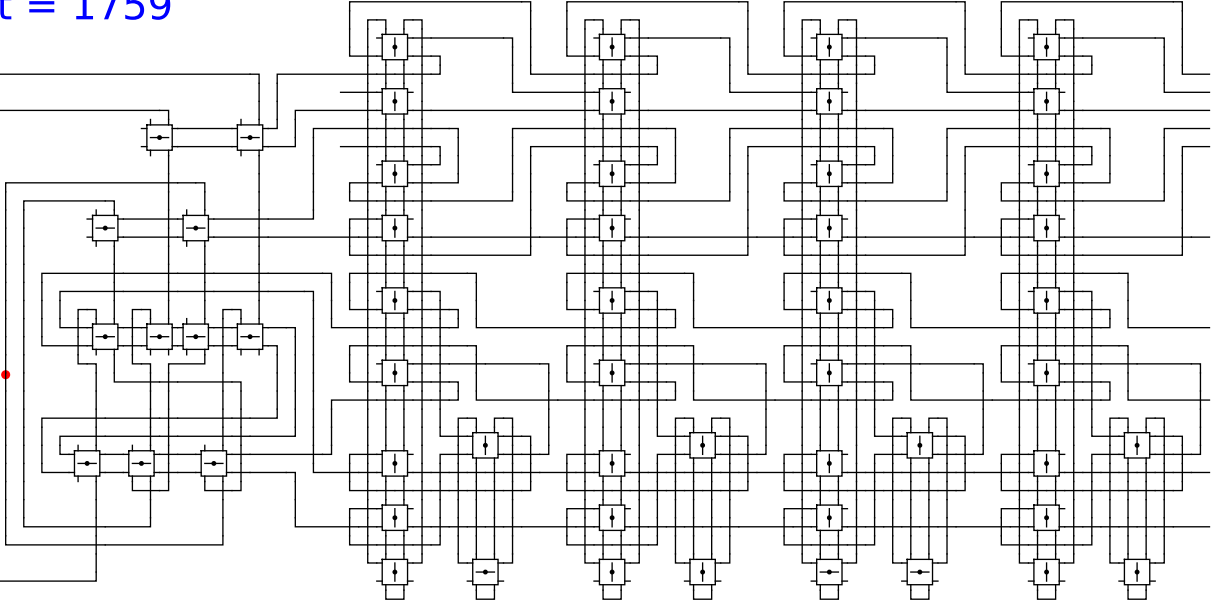


1 0 head 1 0

t = 1759

Reject
Accept

Begin

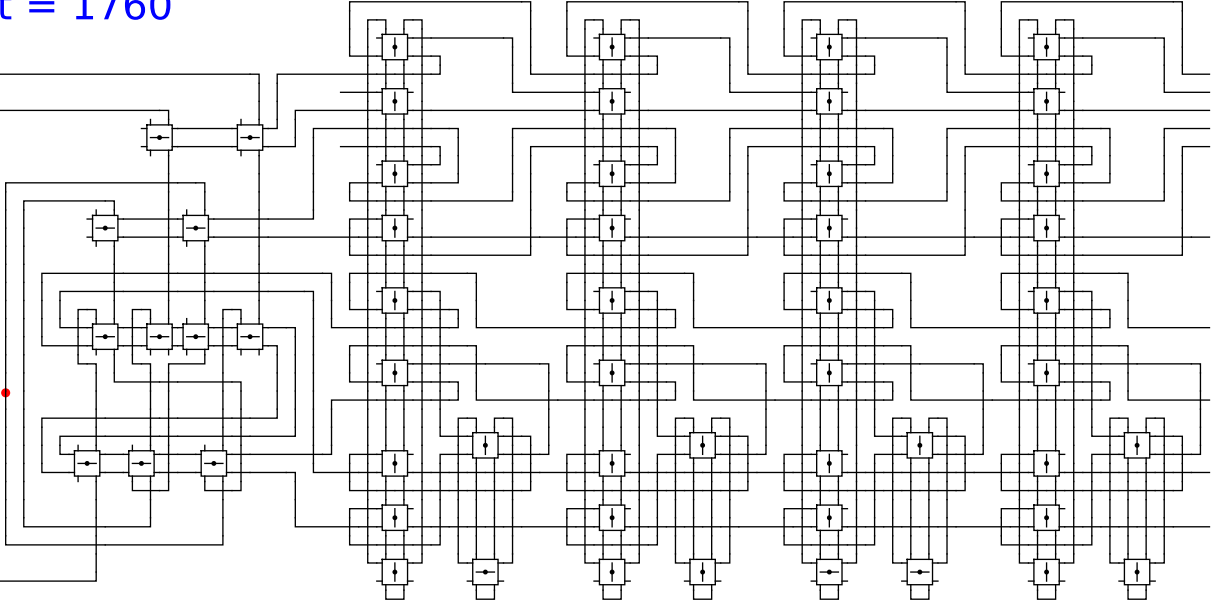


1 0 head 1 0

t = 1760

Reject
Accept

Begin

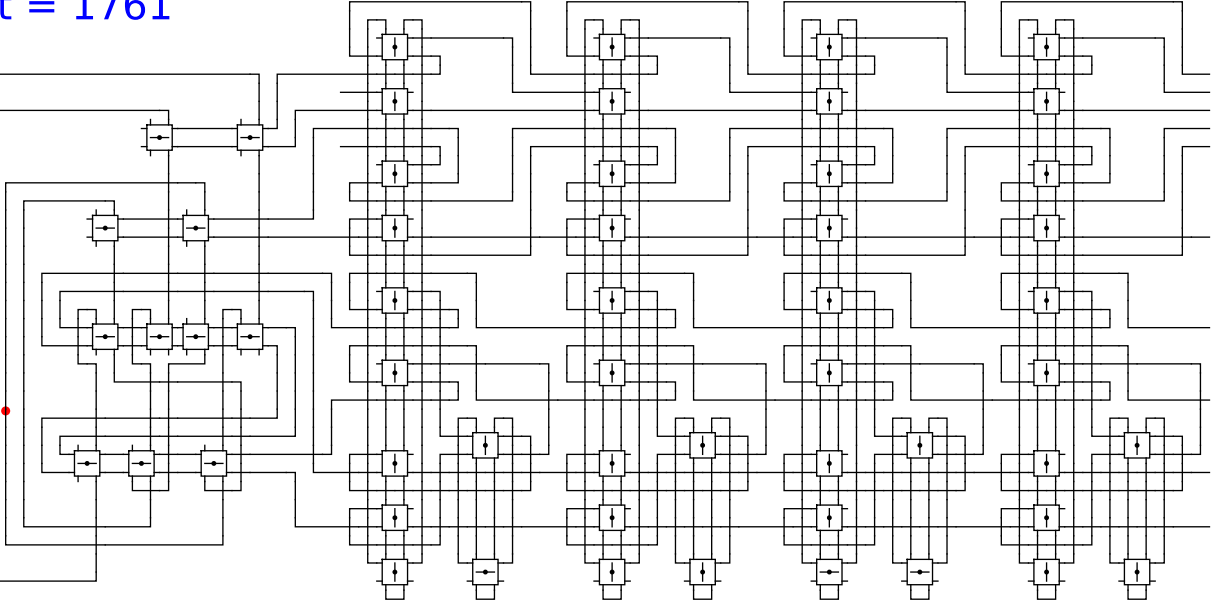


1 0 head 1 0

t = 1761

Reject
Accept

Begin

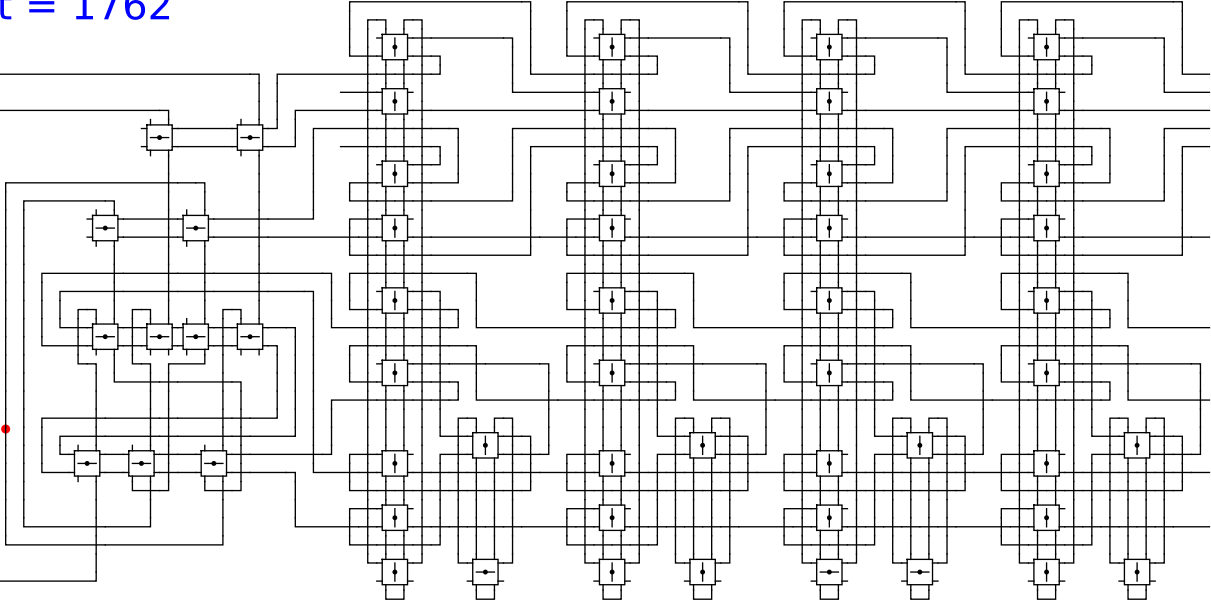


1 0 head 1 0

t = 1762

Reject
Accept

Begin

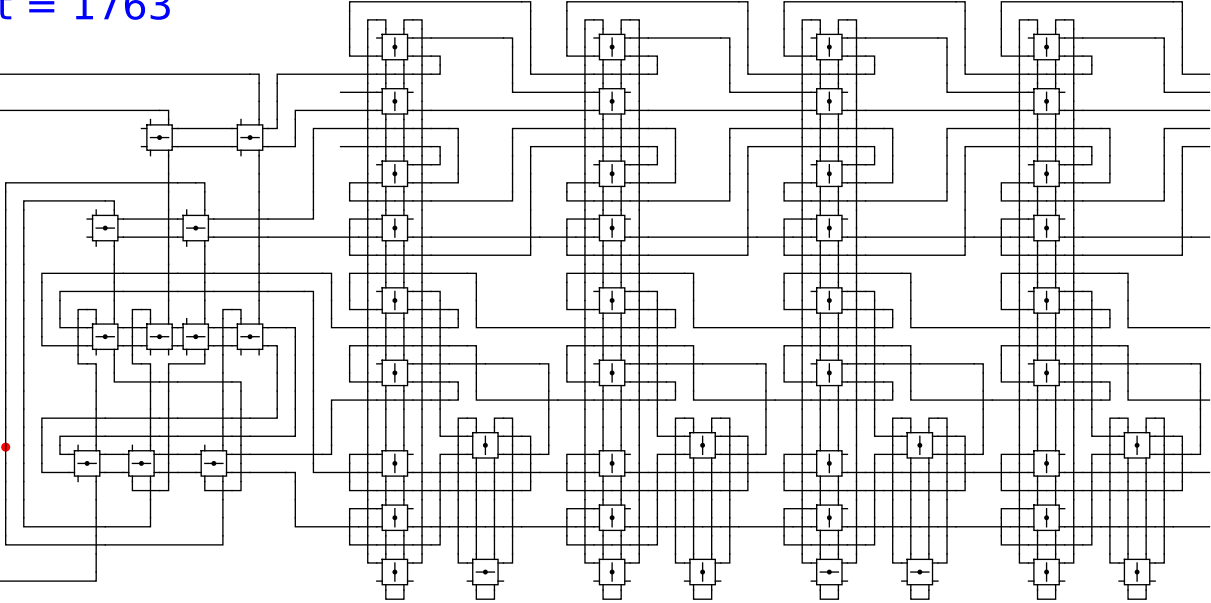


1 0 head 1 0

t = 1763

Reject
Accept

Begin

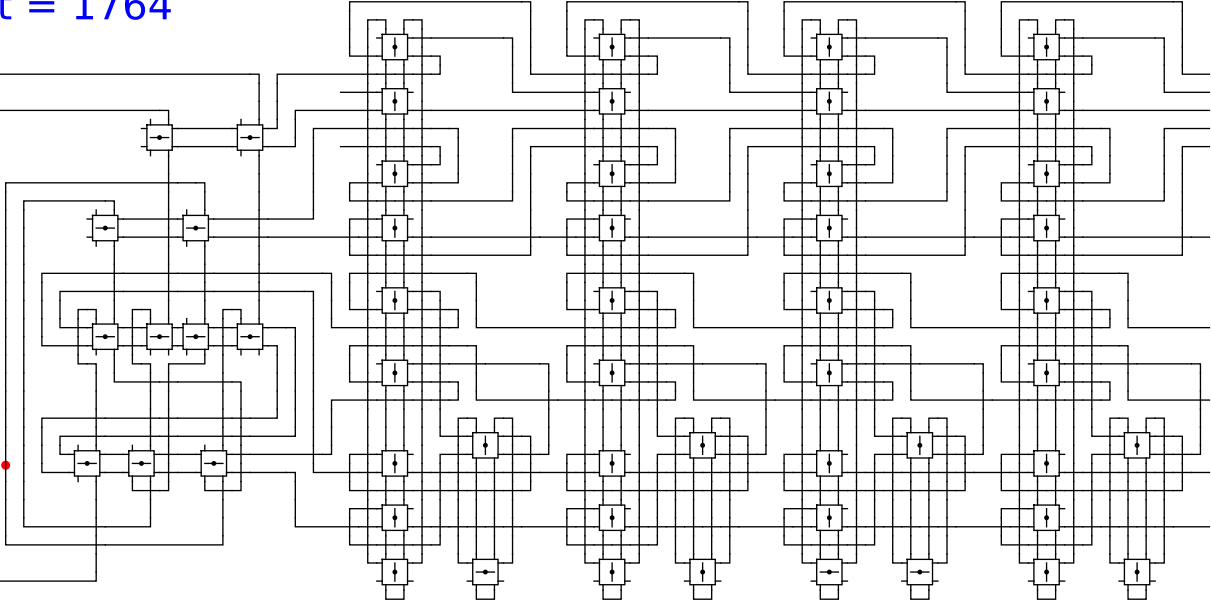


1 0 head 1 0

t = 1764

Reject
Accept

Begin

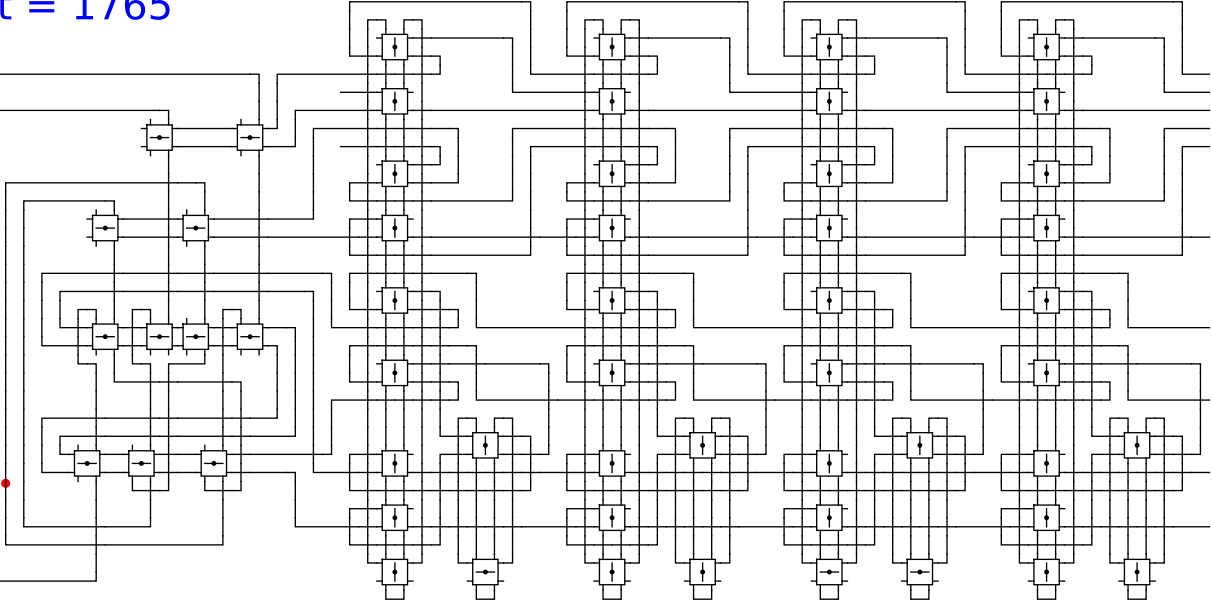


1 0 head 1 0

t = 1765

Reject
Accept

Begin

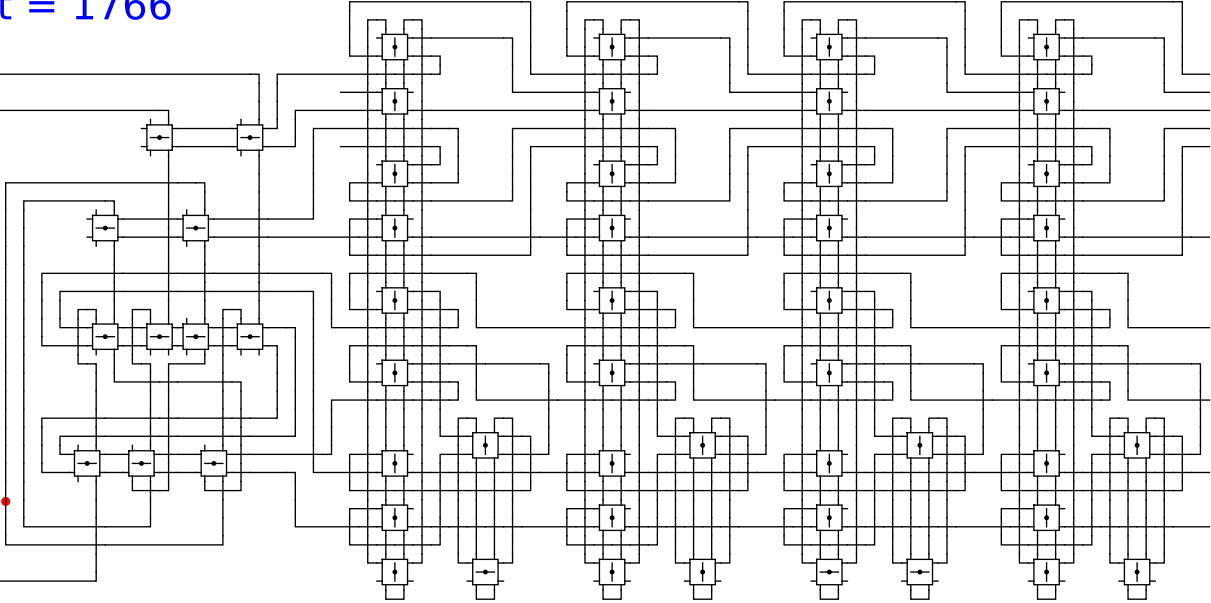


1 0 head 1 0

t = 1766

Reject
Accept

Begin

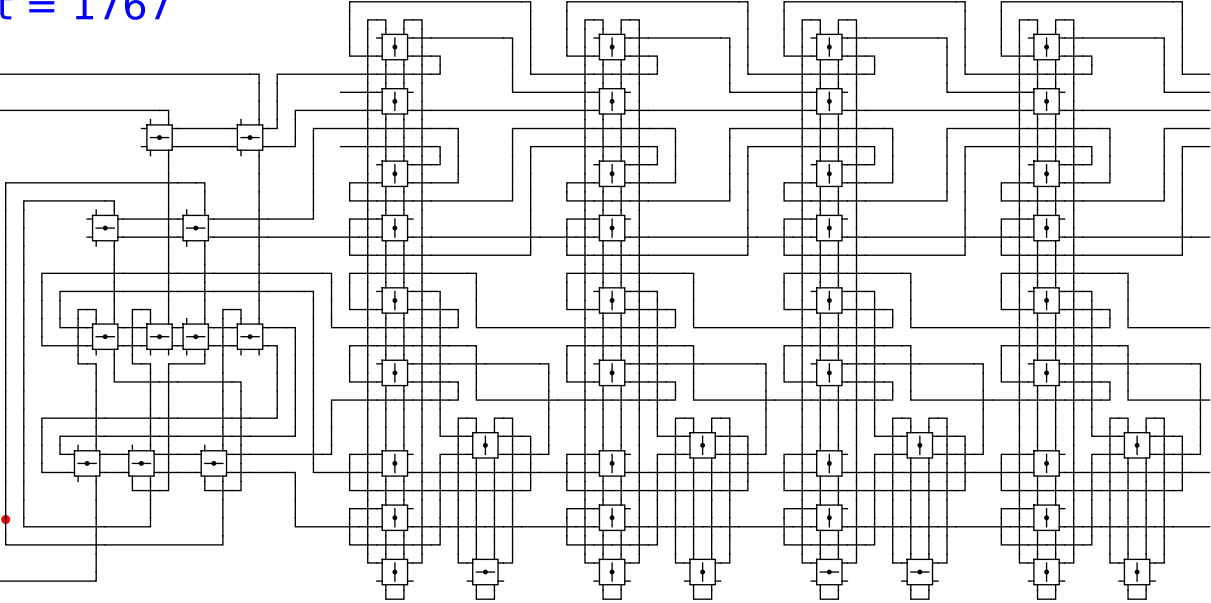


1 0 head 1 0

t = 1767

Reject
Accept

Begin

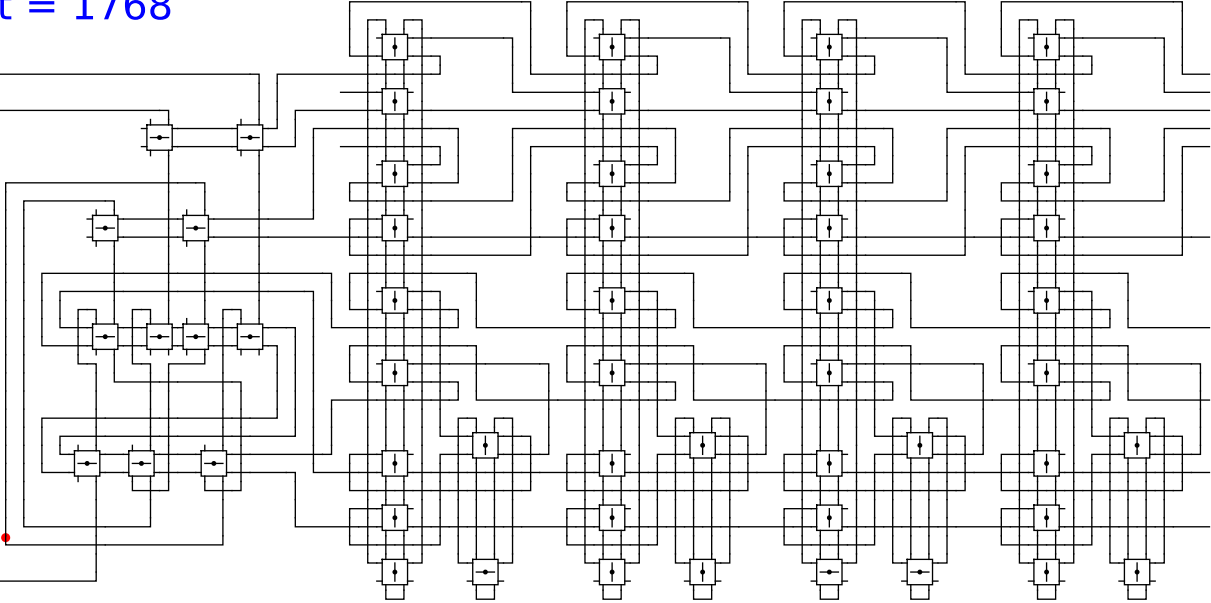


1 0 head 1 0

t = 1768

Reject
Accept

Begin

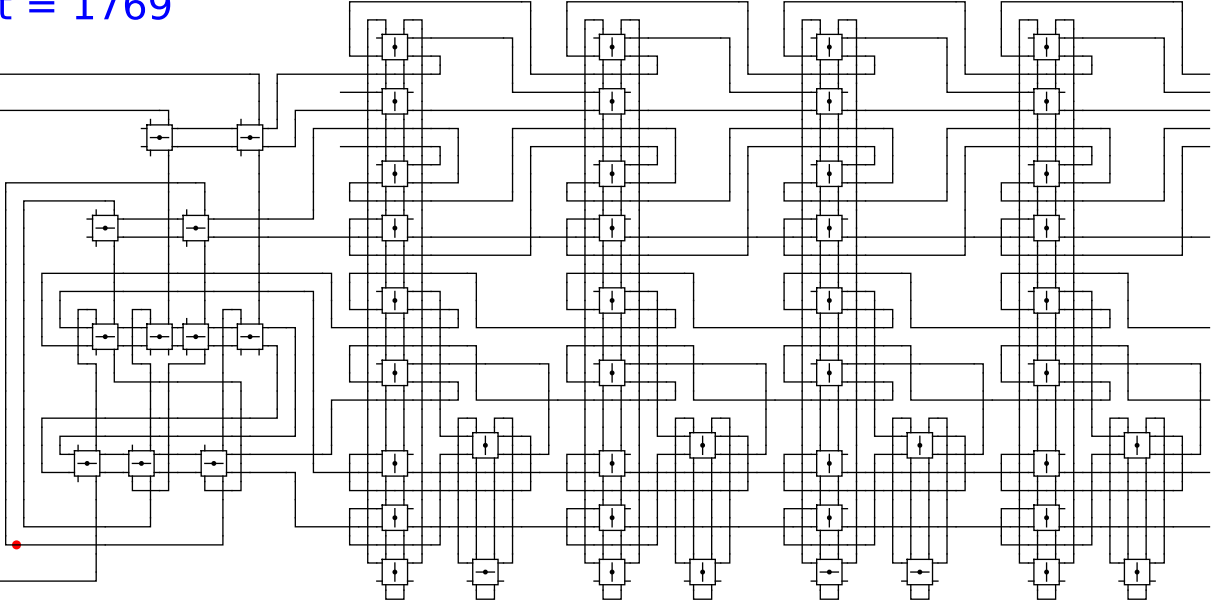


1 0 head 1 0

t = 1769

Reject
Accept

Begin

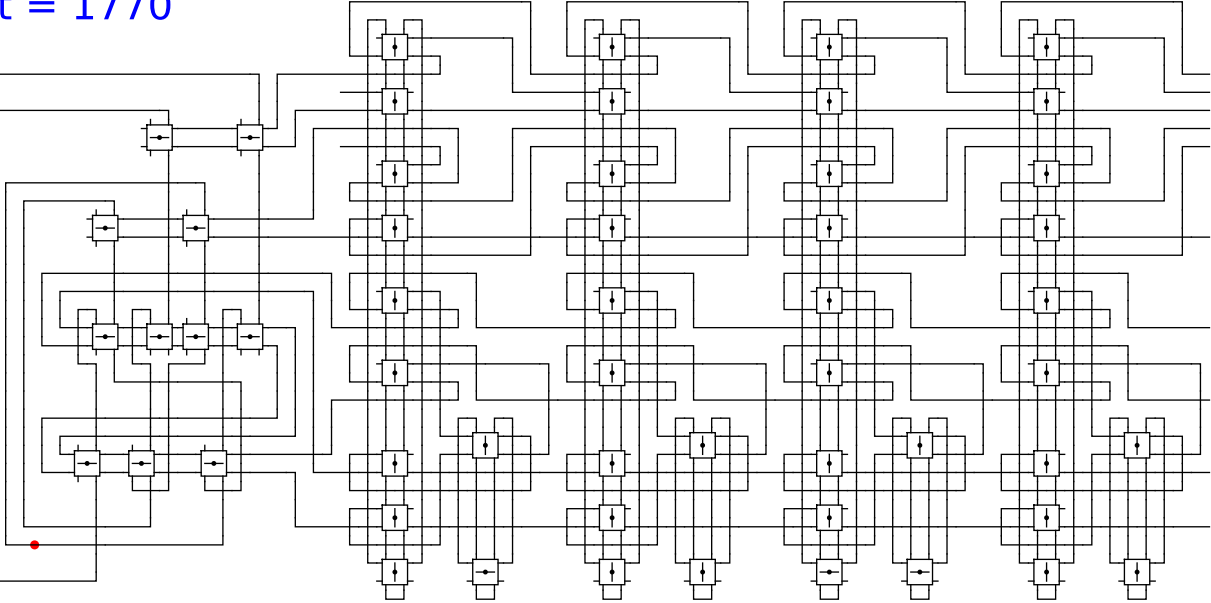


1 0 head 1 0

t = 1770

Reject
Accept

Begin

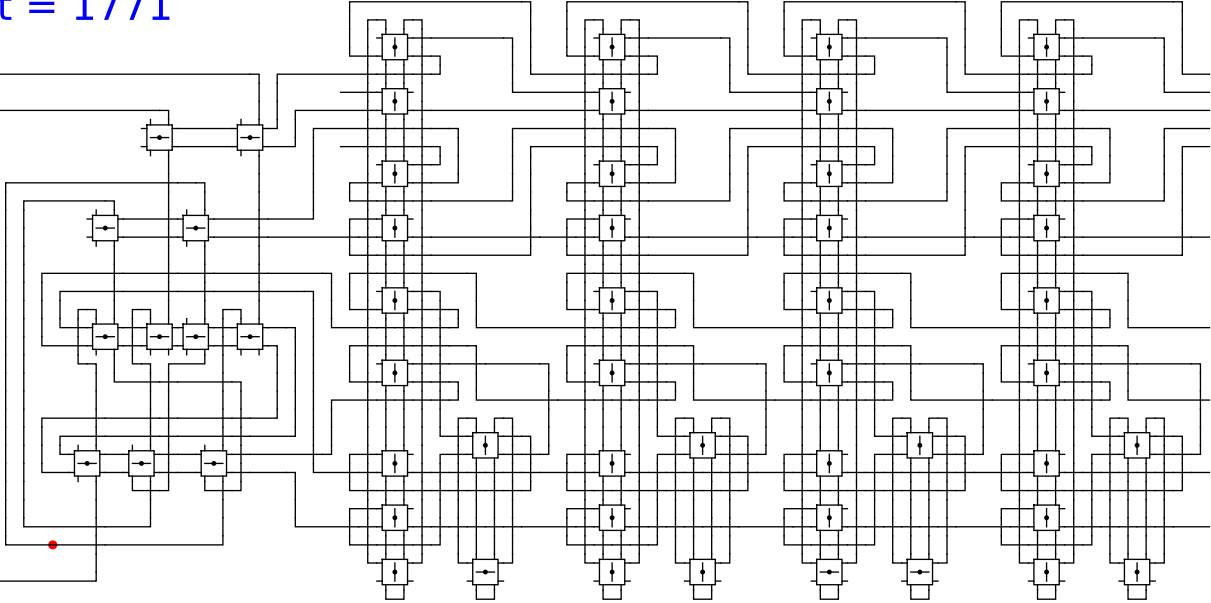


1 0 head 1 0

t = 1771

Reject
Accept

Begin

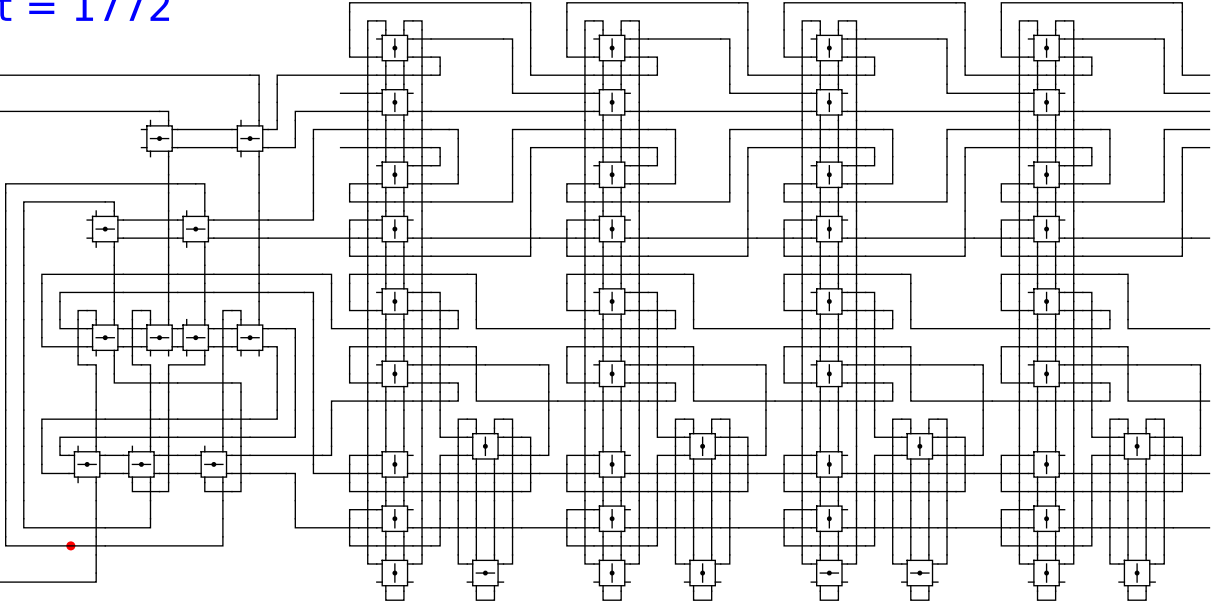


1 0 head 1 0

t = 1772

Reject
Accept

Begin

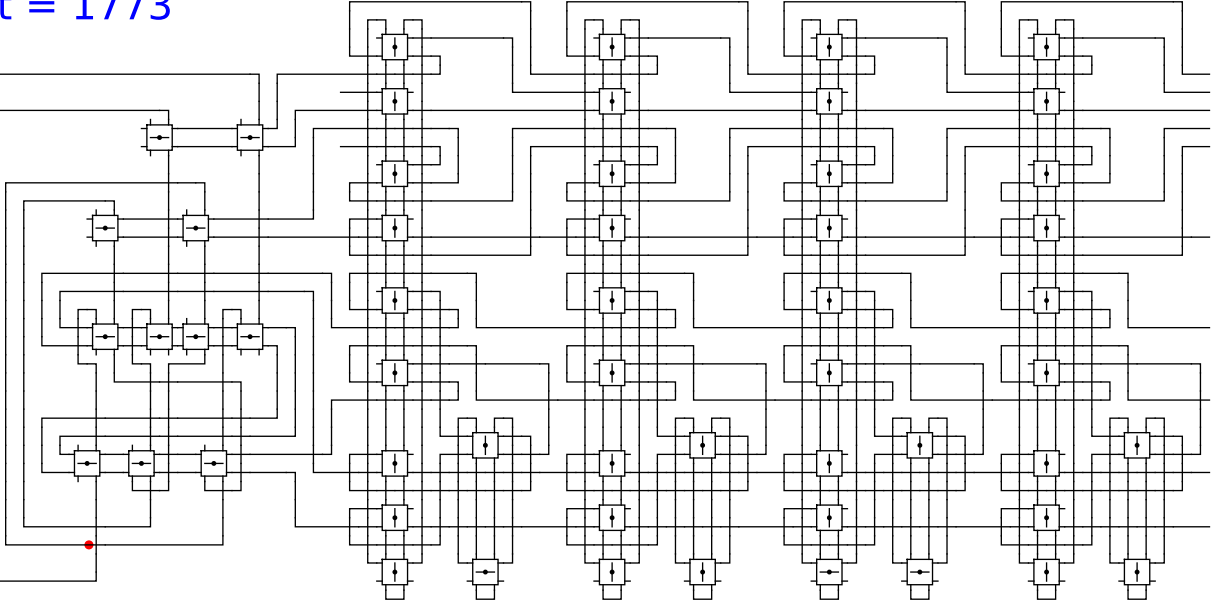


1 0 head 1 0

t = 1773

Reject
Accept

Begin

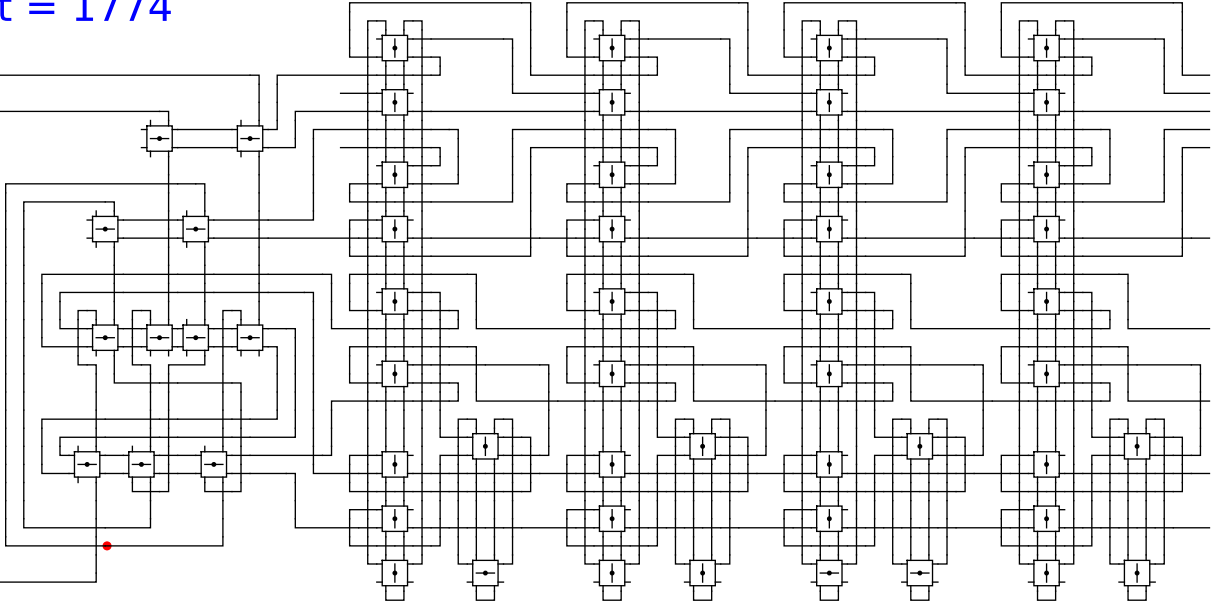


1 0 head 1 0

t = 1774

Reject
Accept

Begin



1

0

head

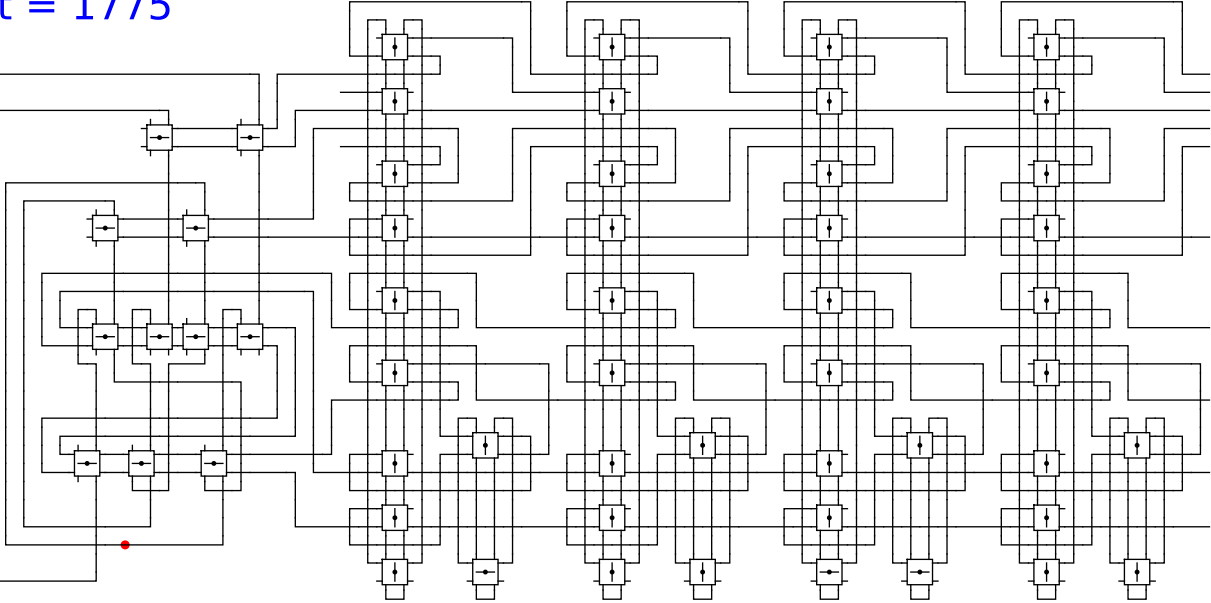
1

0

t = 1775

Reject
Accept

Begin

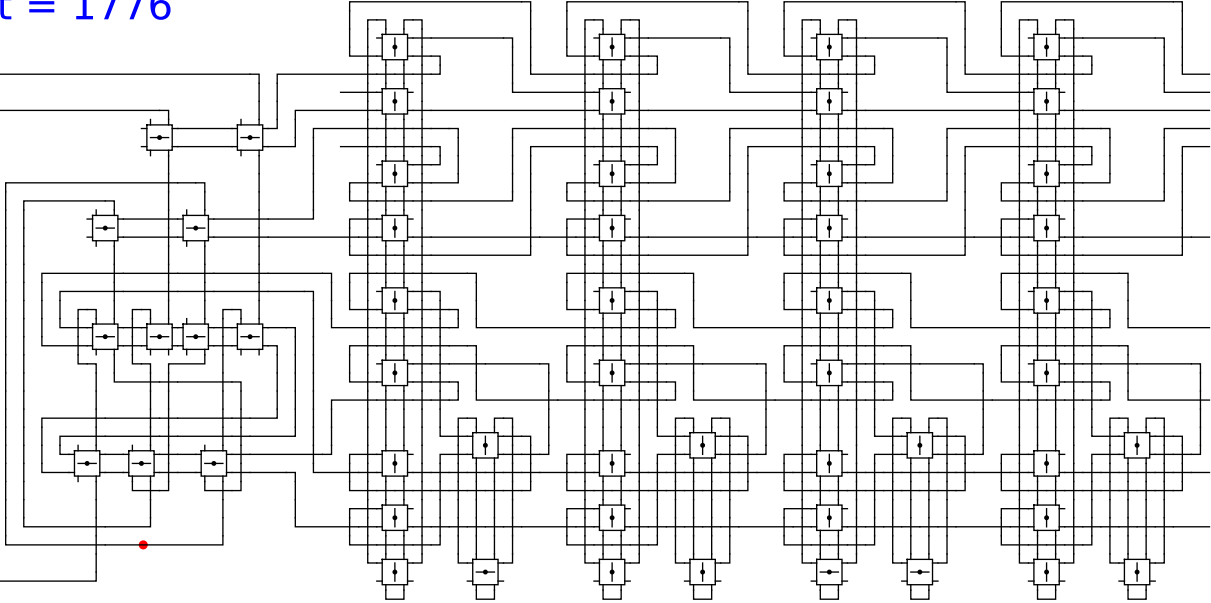


1 0 head 1 0

t = 1776

Reject
Accept

Begin

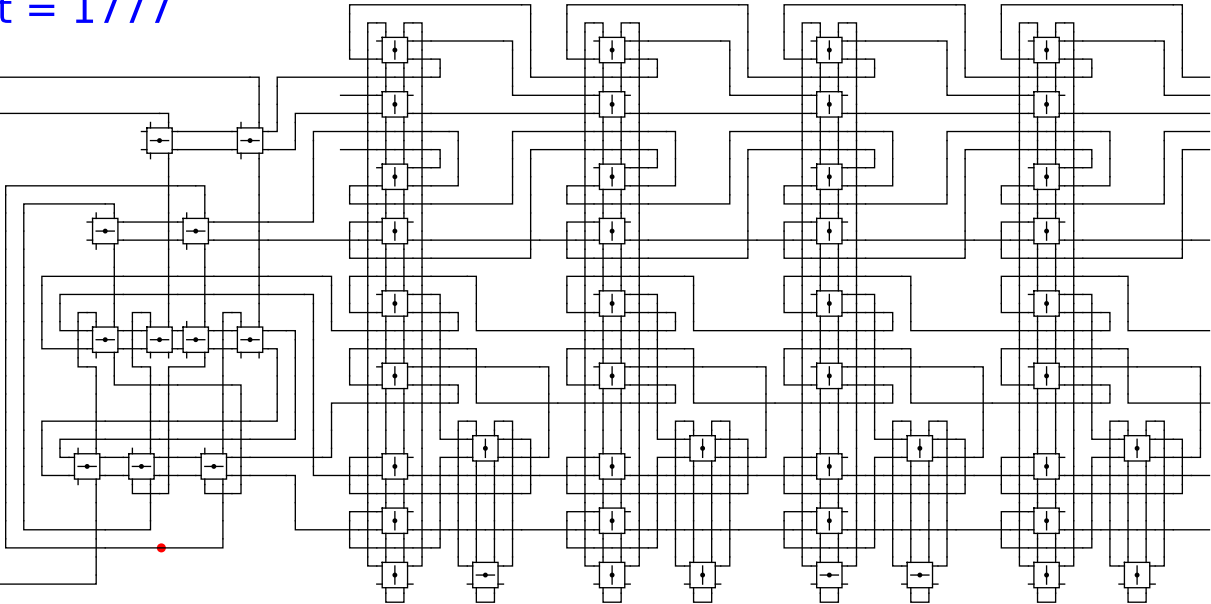


1 0 head 1 0

t = 1777

Reject
Accept

Begin



1

0

head

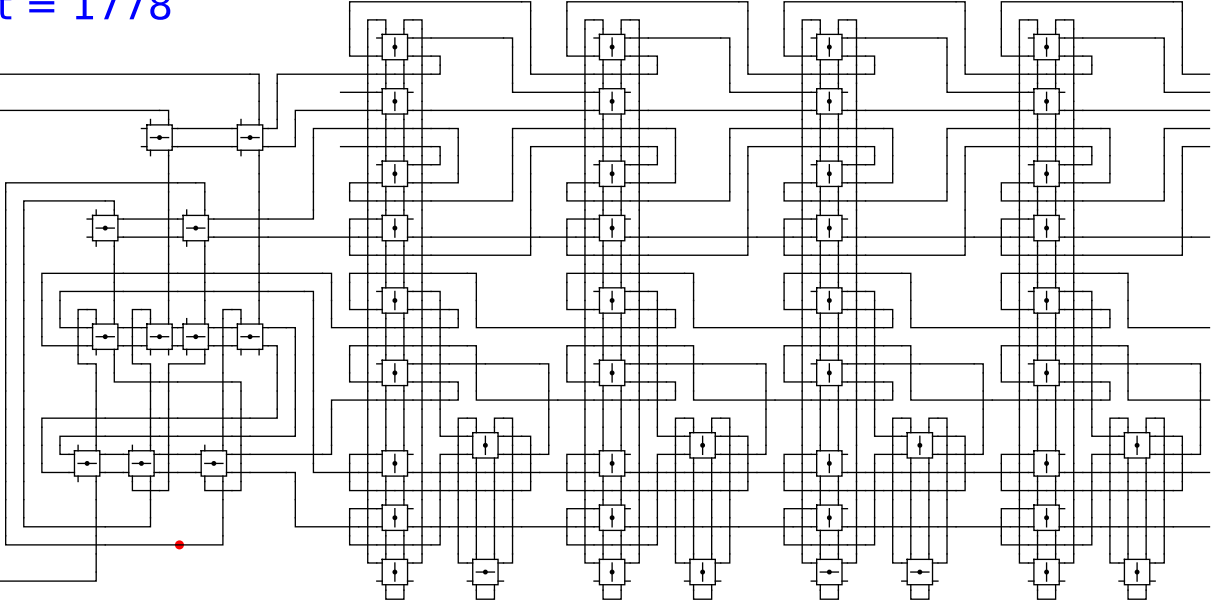
1

0

t = 1778

Reject
Accept

Begin

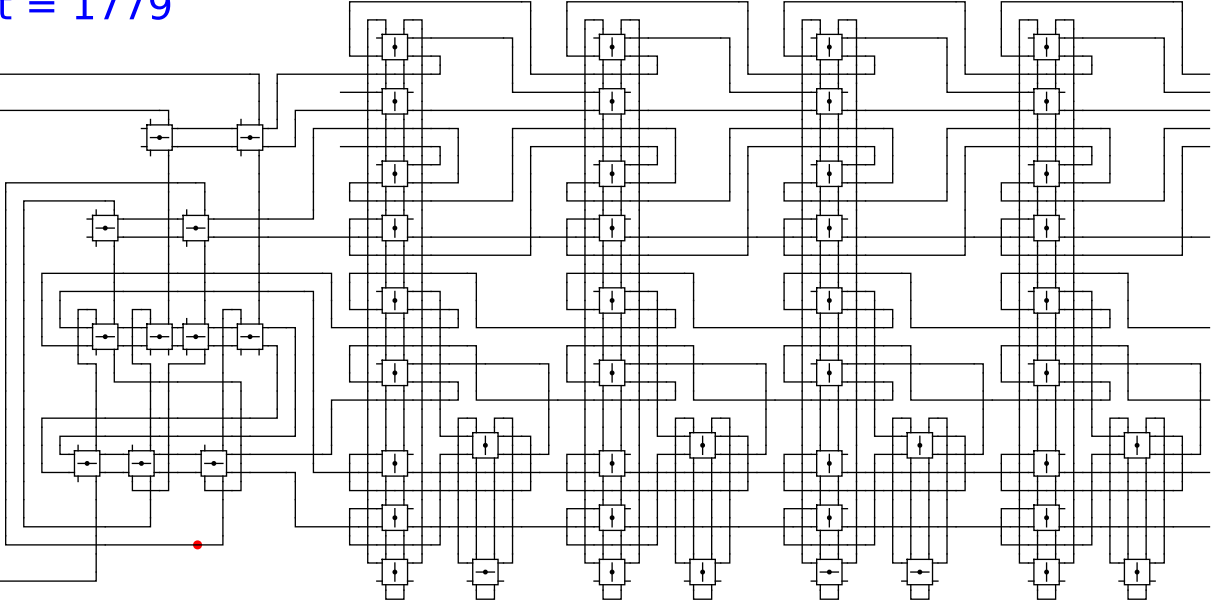


1 0 head 1 0

t = 1779

Reject
Accept

Begin



1

0

head

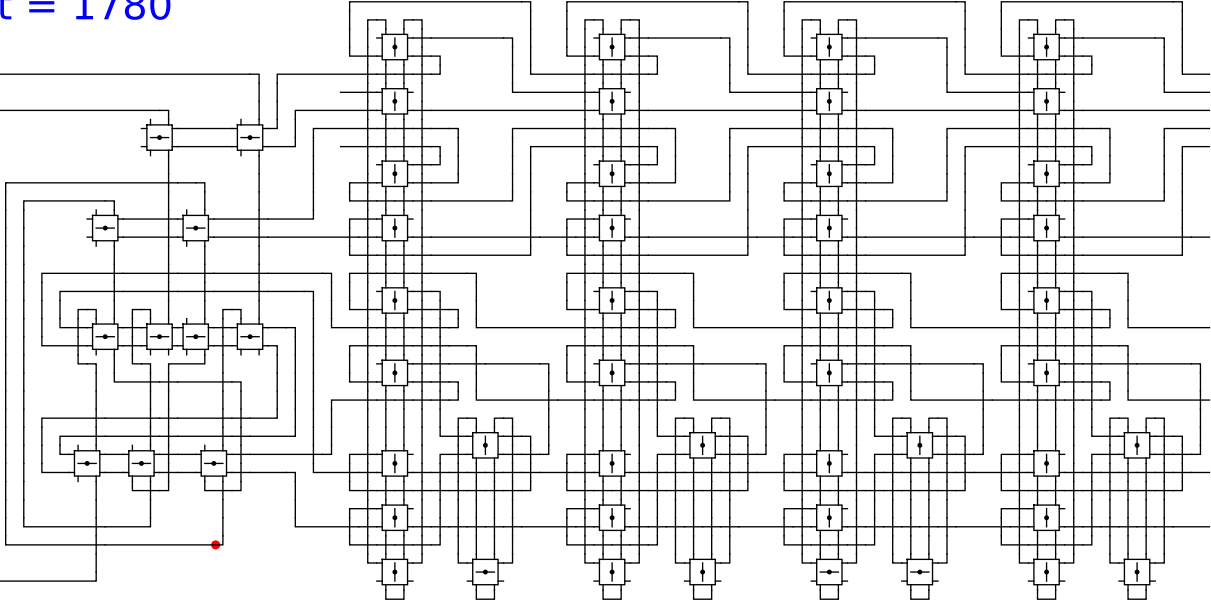
1

0

t = 1780

Reject
Accept

Begin

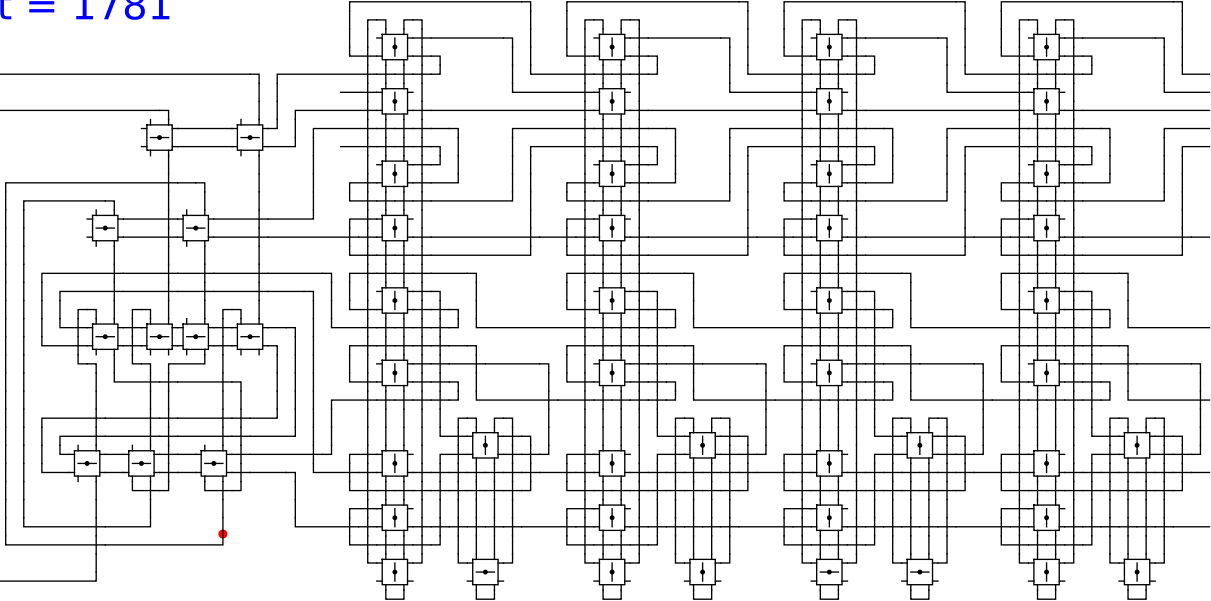


1 0 head 1 0

t = 1781

Reject
Accept

Begin



1

0

head

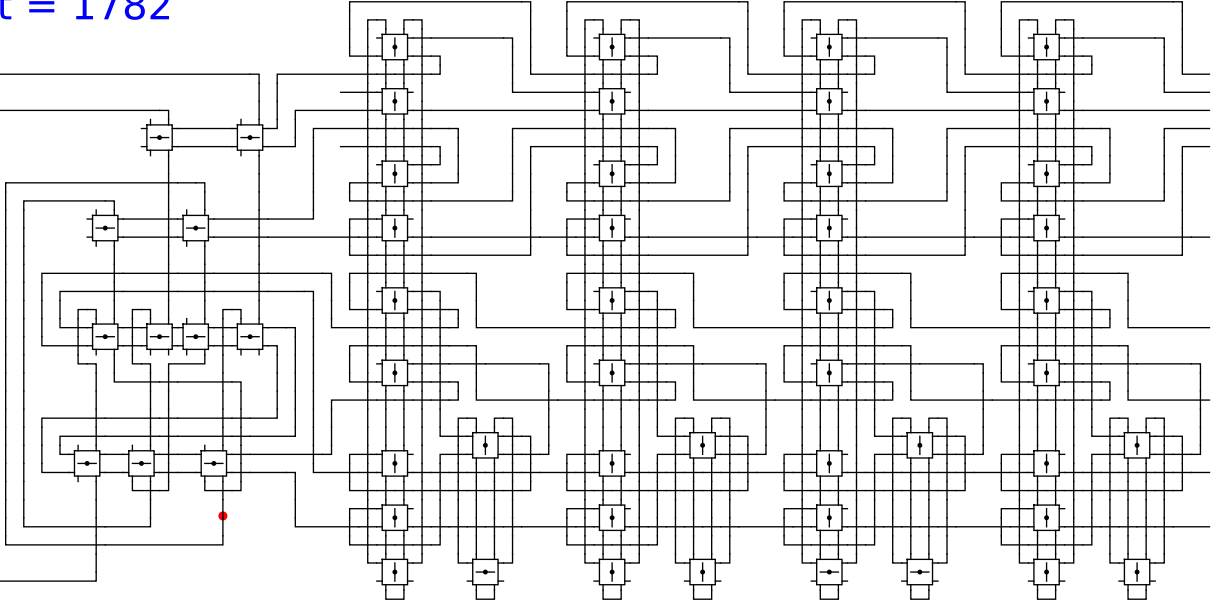
1

0

t = 1782

Reject
Accept

Begin

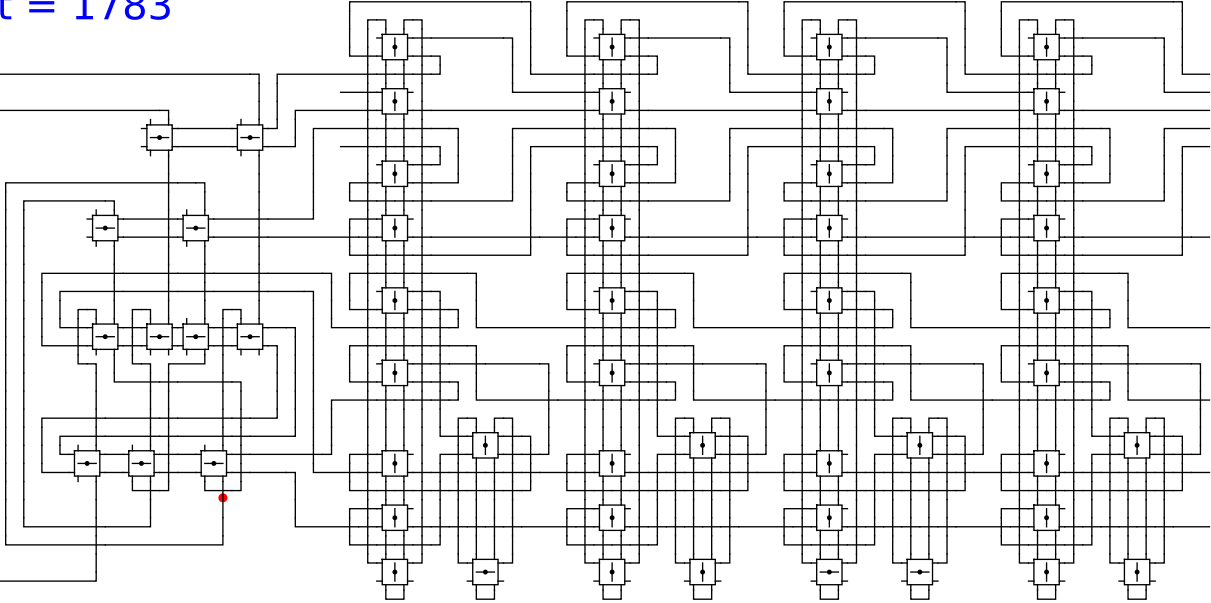


1 0 head 1 0

t = 1783

Reject
Accept

Begin

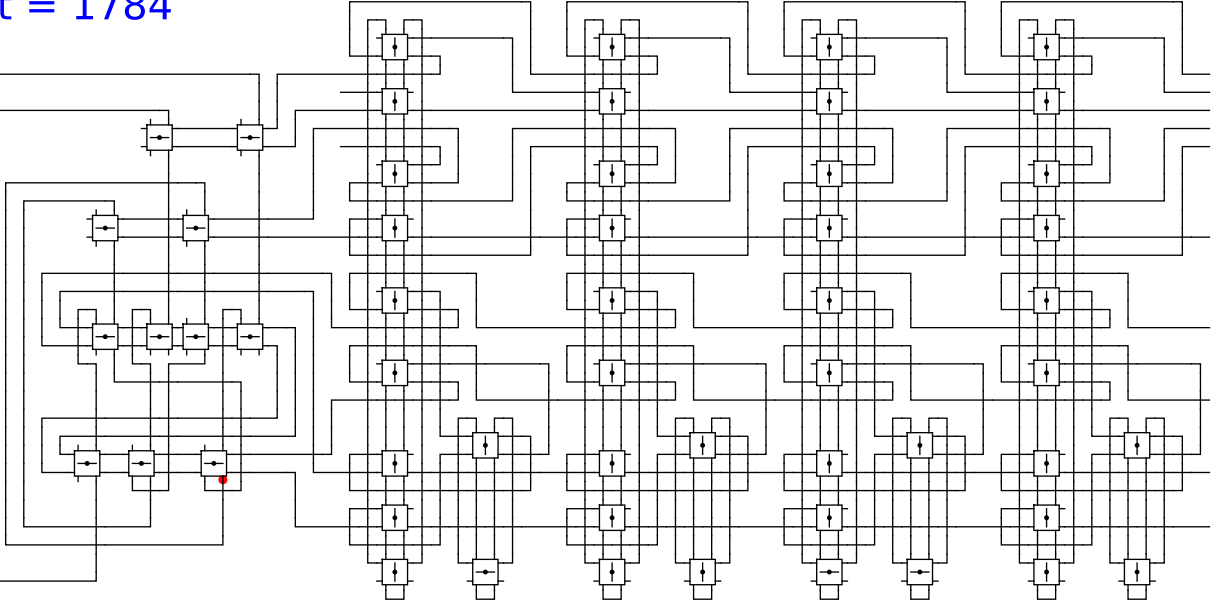


1 0 head 1 0

t = 1784

Reject
Accept

Begin

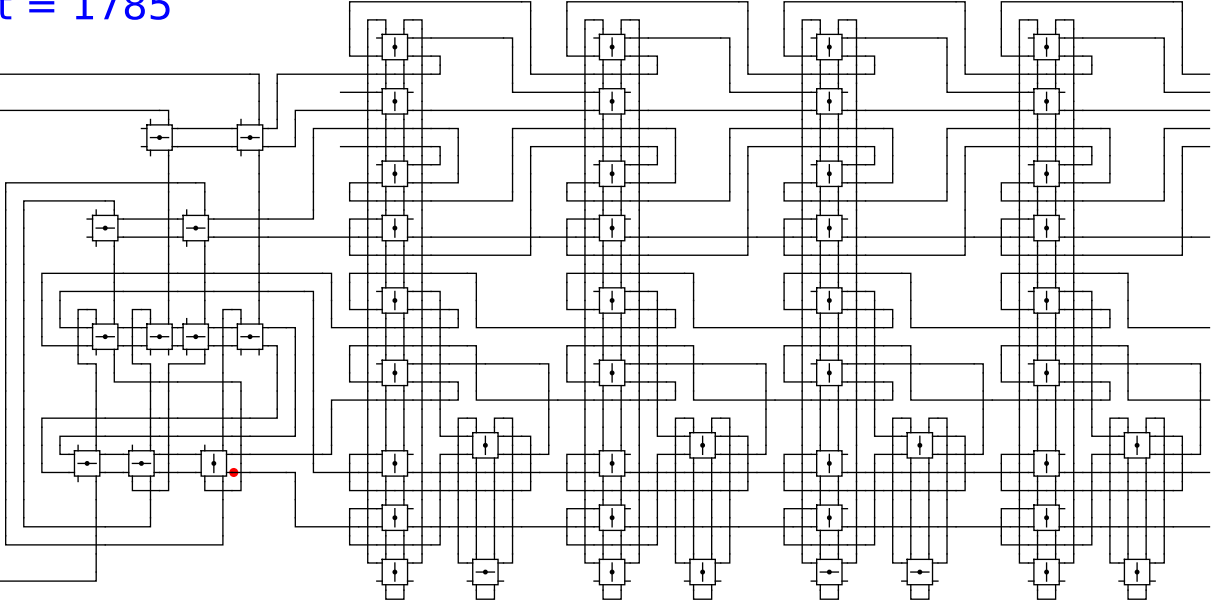


1 0 head 1 0

t = 1785

Reject
Accept

Begin



1

0

head

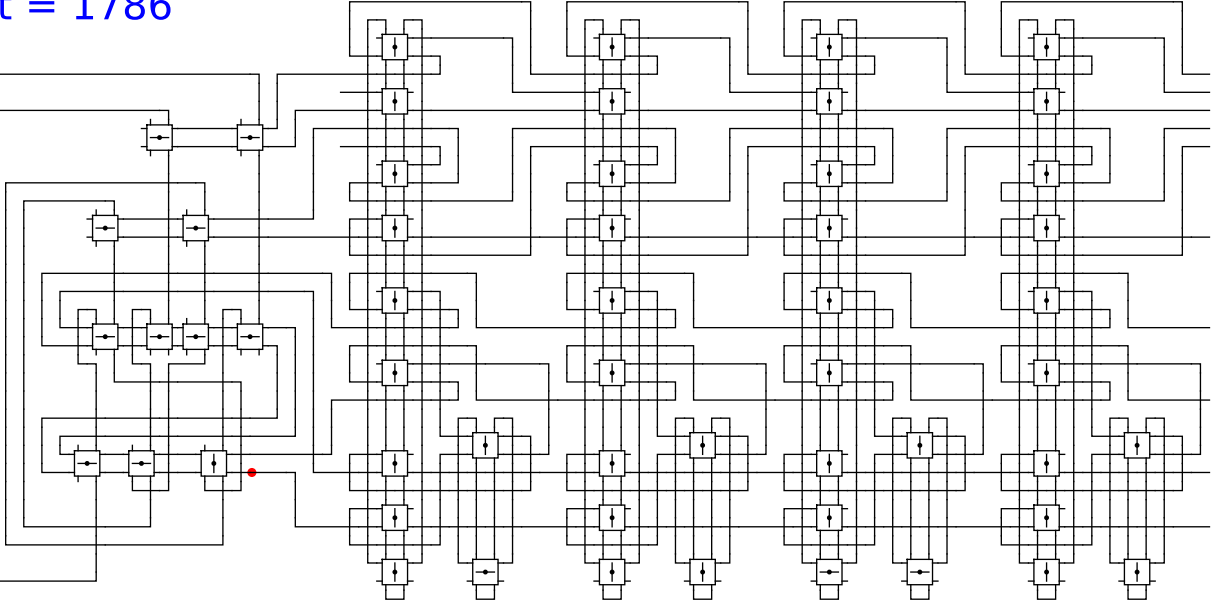
1

0

t = 1786

Reject
Accept

Begin

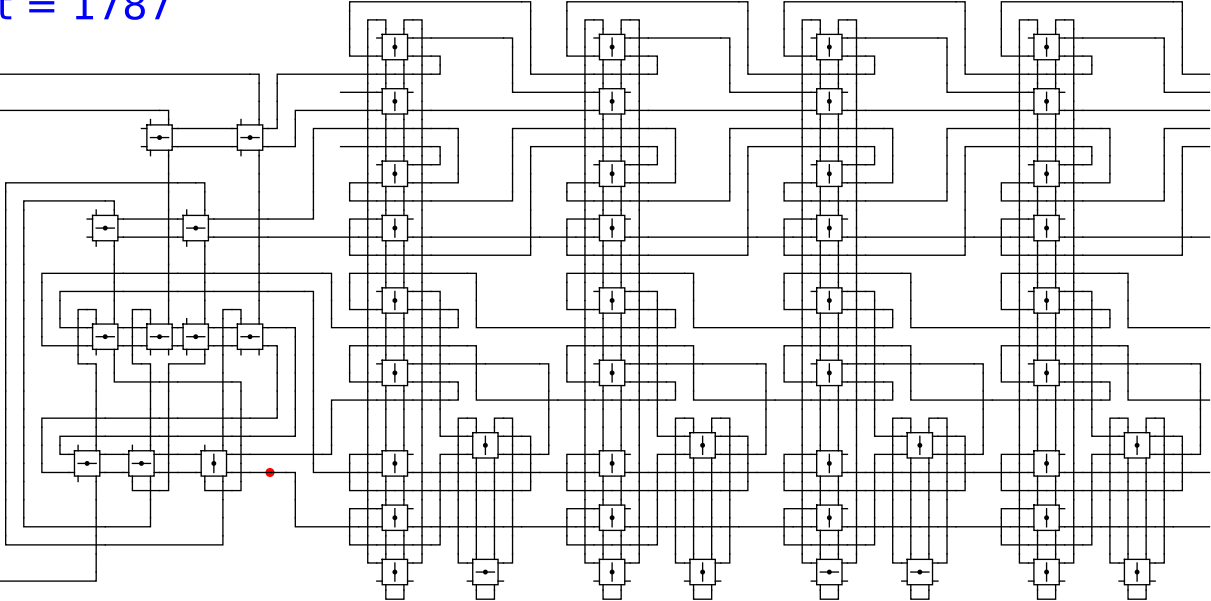


1 0 head 1 0

t = 1787

Reject
Accept

Begin



1

0

head

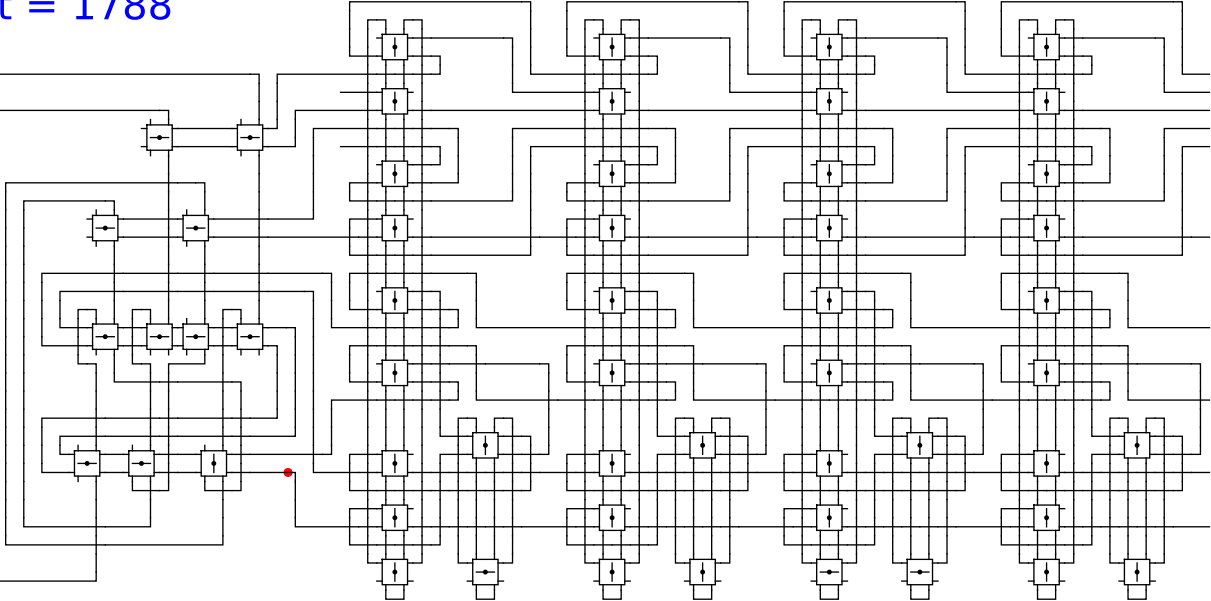
1

0

t = 1788

Reject
Accept

Begin

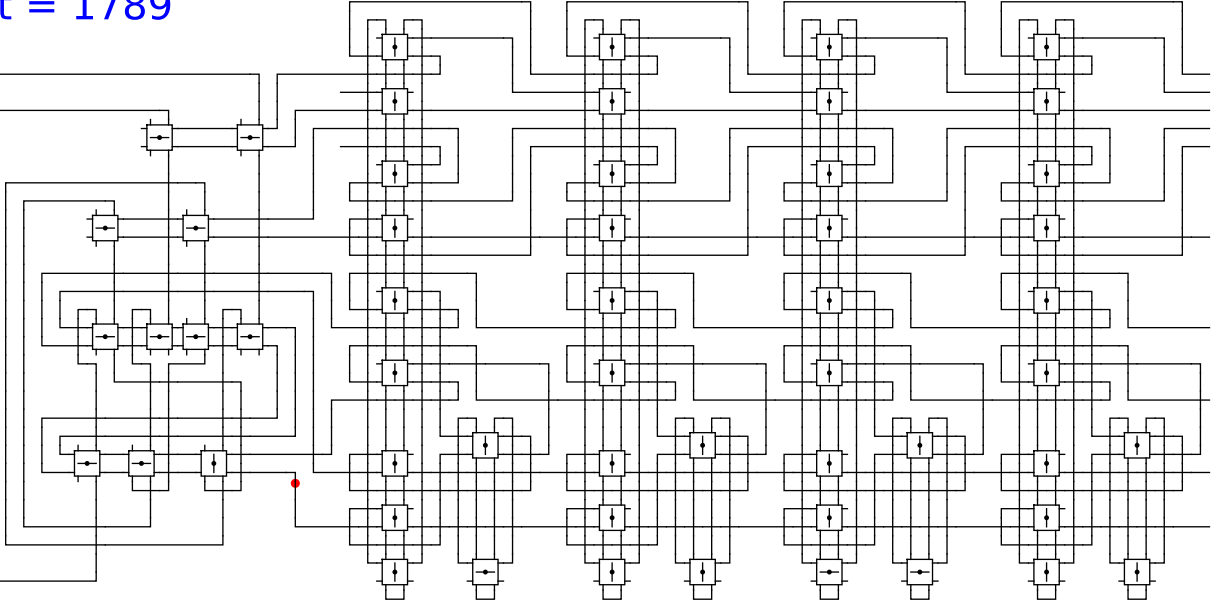


1 0 head 1 0

t = 1789

Reject
Accept

Begin

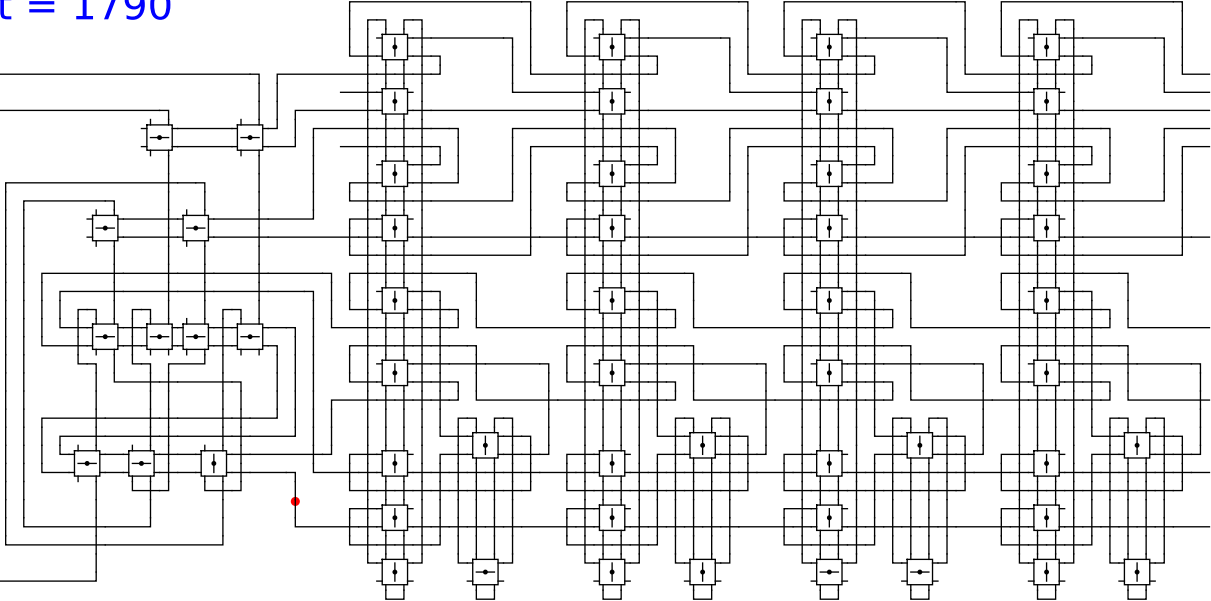


1 0 head 1 0

t = 1790

Reject
Accept

Begin



1

0

head

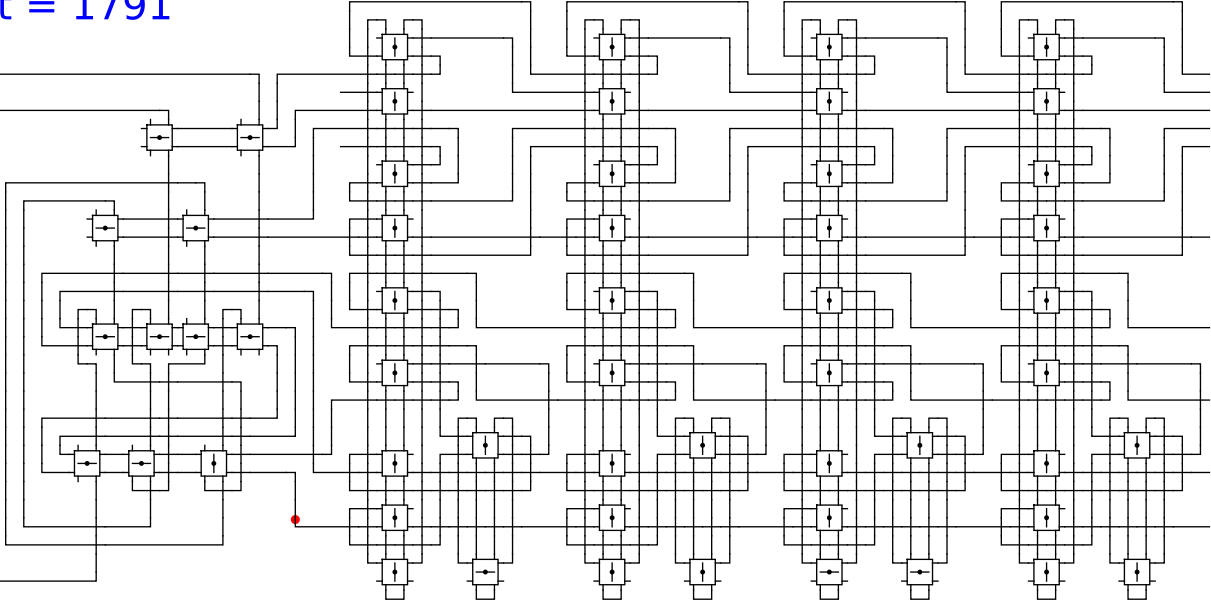
1

0

t = 1791

Reject
Accept

Begin

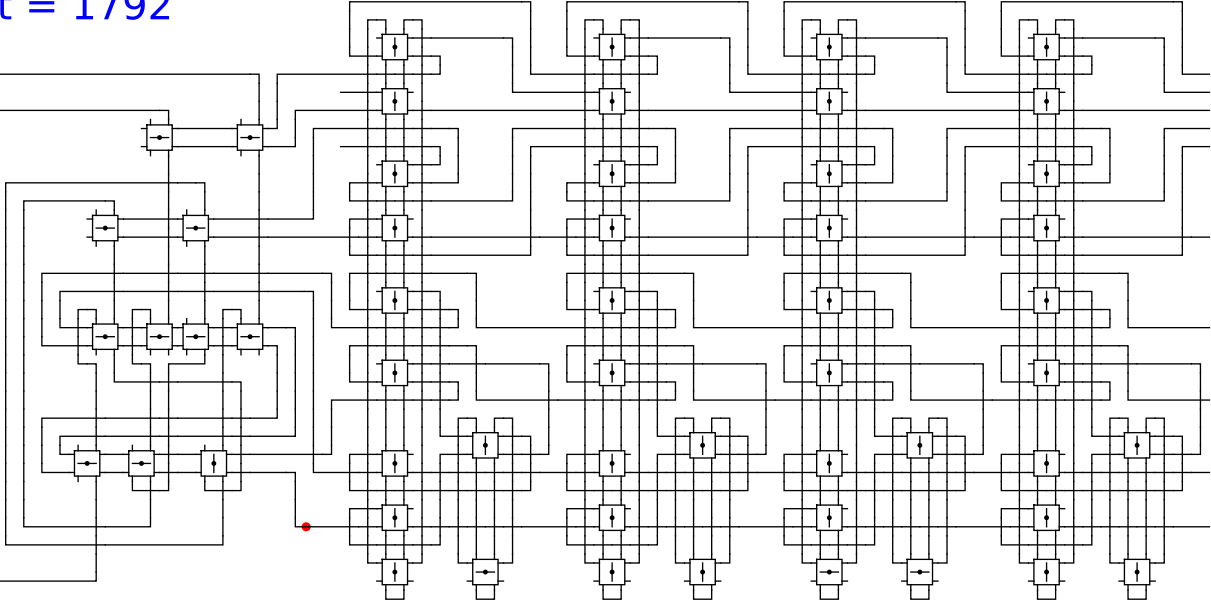


1 0 head 1 0

t = 1792

Reject
Accept

Begin

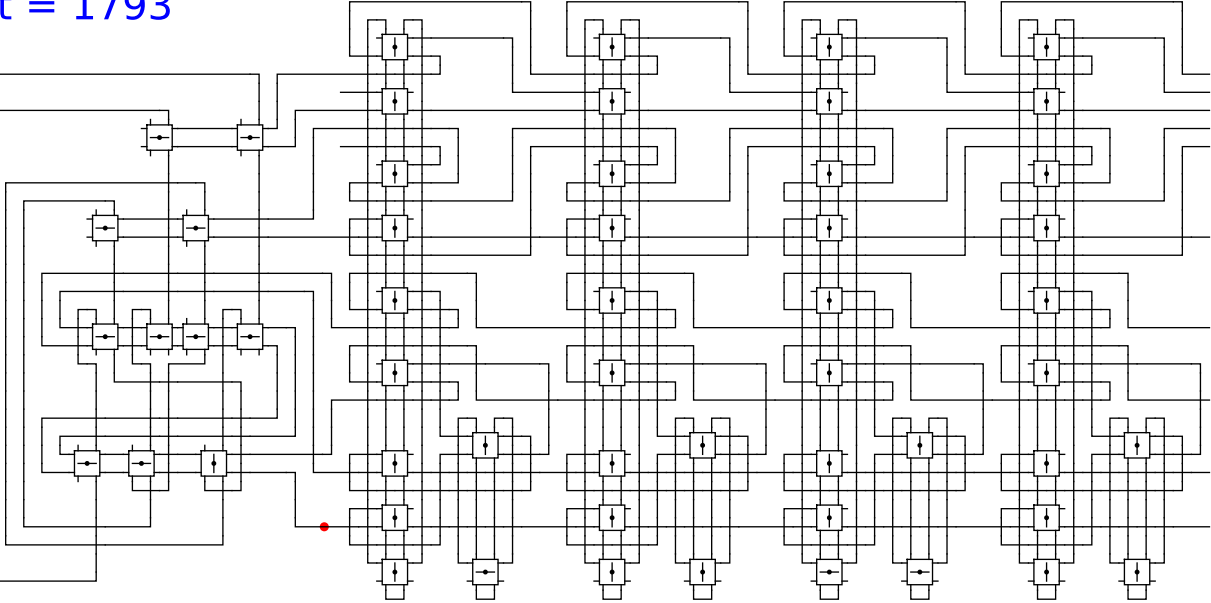


1 0 head 1 0

t = 1793

Reject
Accept

Begin

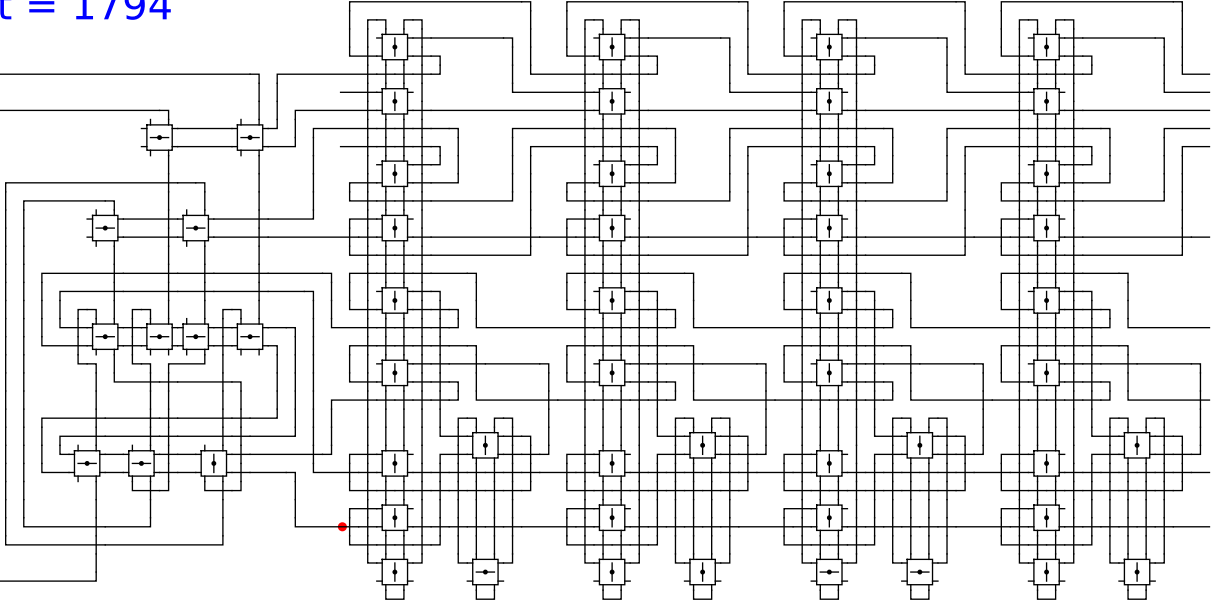


1 0 head 1 0

t = 1794

Reject
Accept

Begin

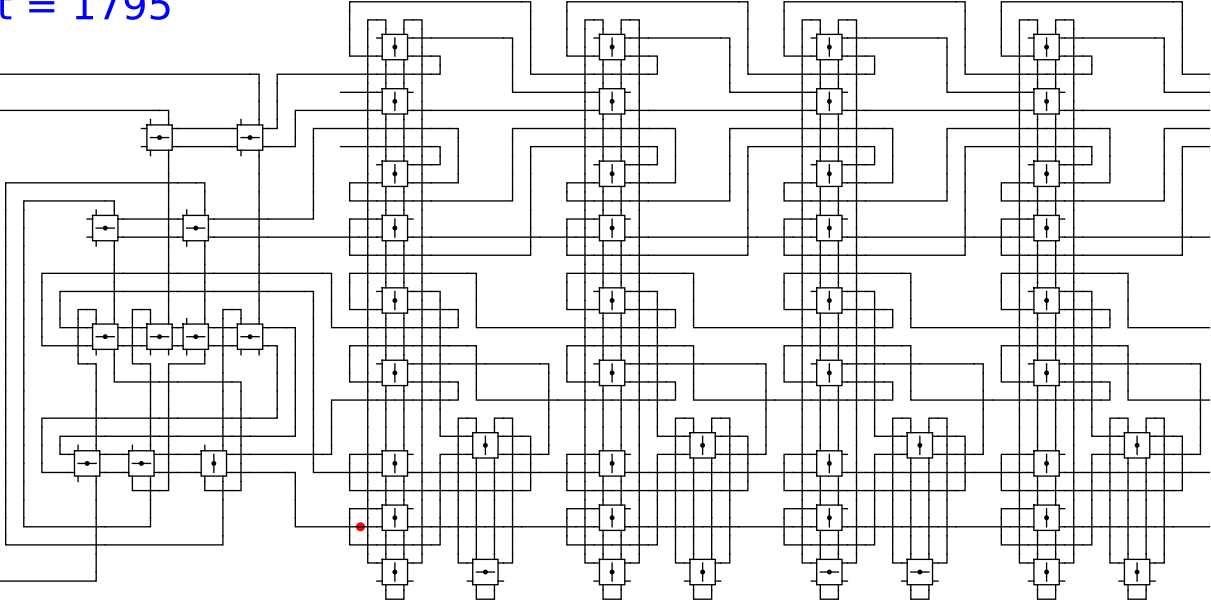


1 0 head 1 0

t = 1795

Reject
Accept

Begin

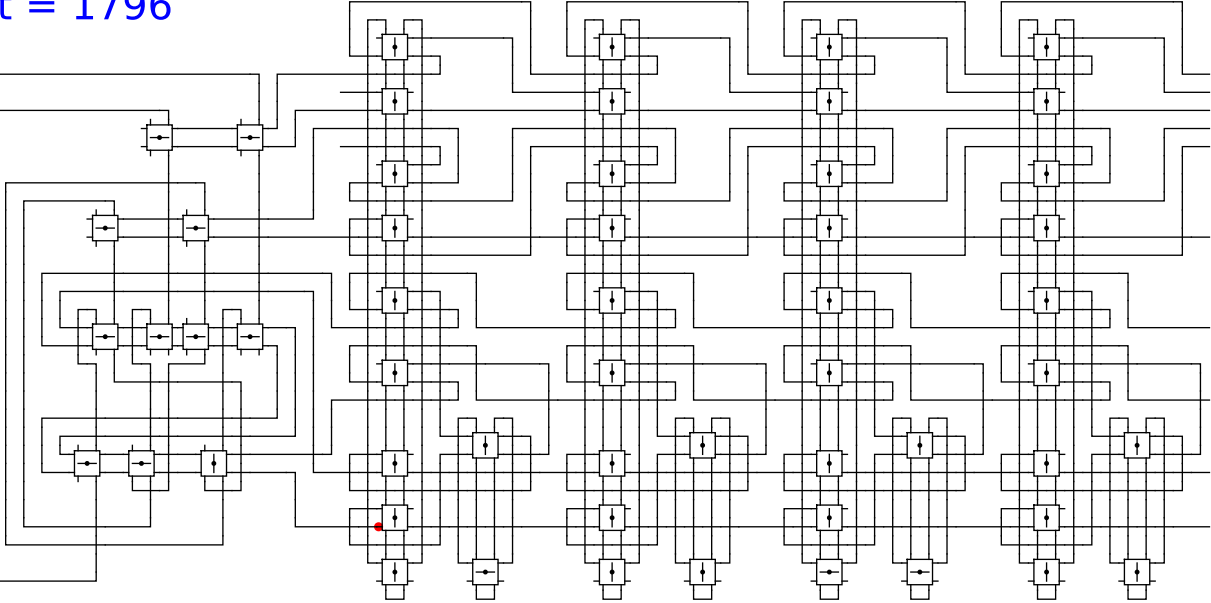


1 0 head 1 0

t = 1796

Reject
Accept

Begin

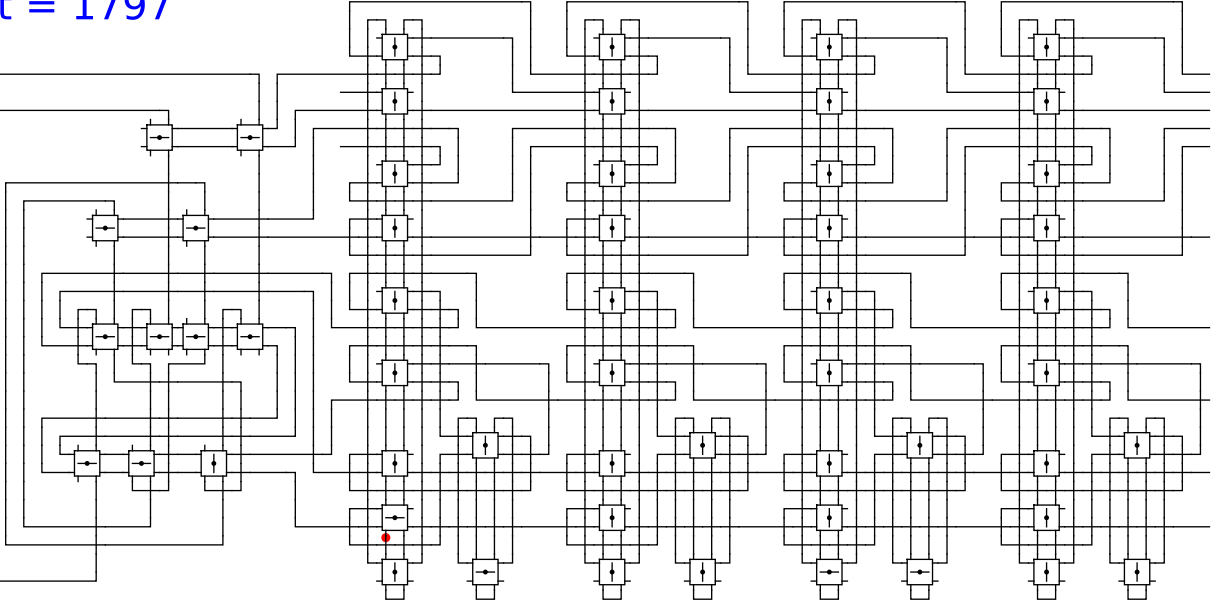


1 0 head 1 0

t = 1797

Reject
Accept

Begin



1

0

head

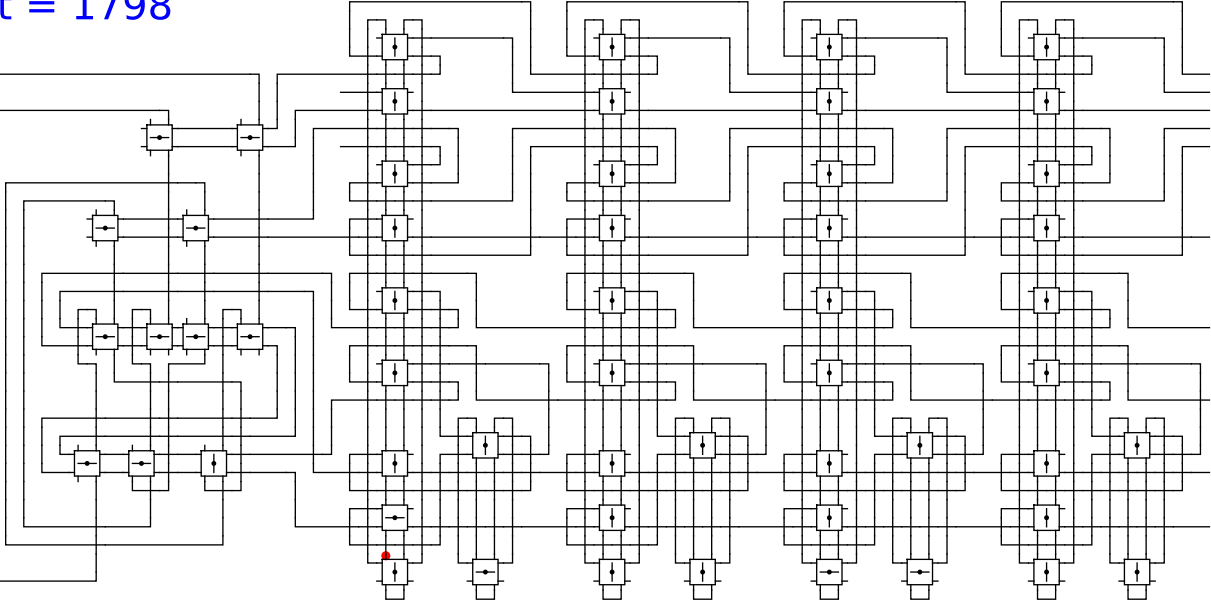
1

0

t = 1798

Reject
Accept

Begin

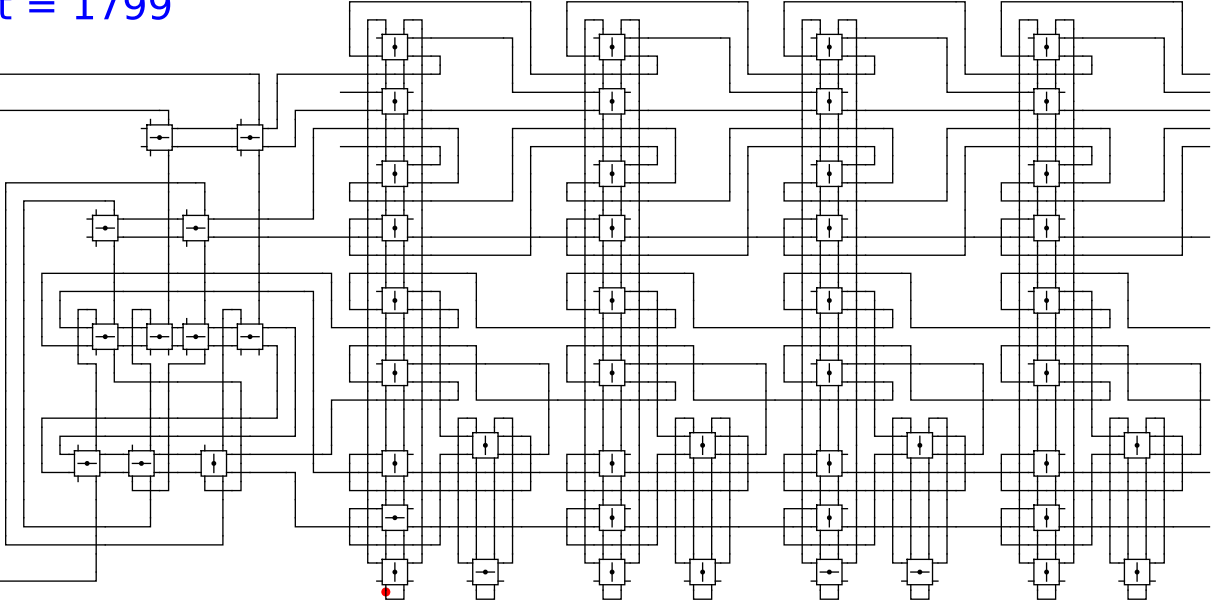


1 0 head 1 0

t = 1799

Reject
Accept

Begin



1

0

head

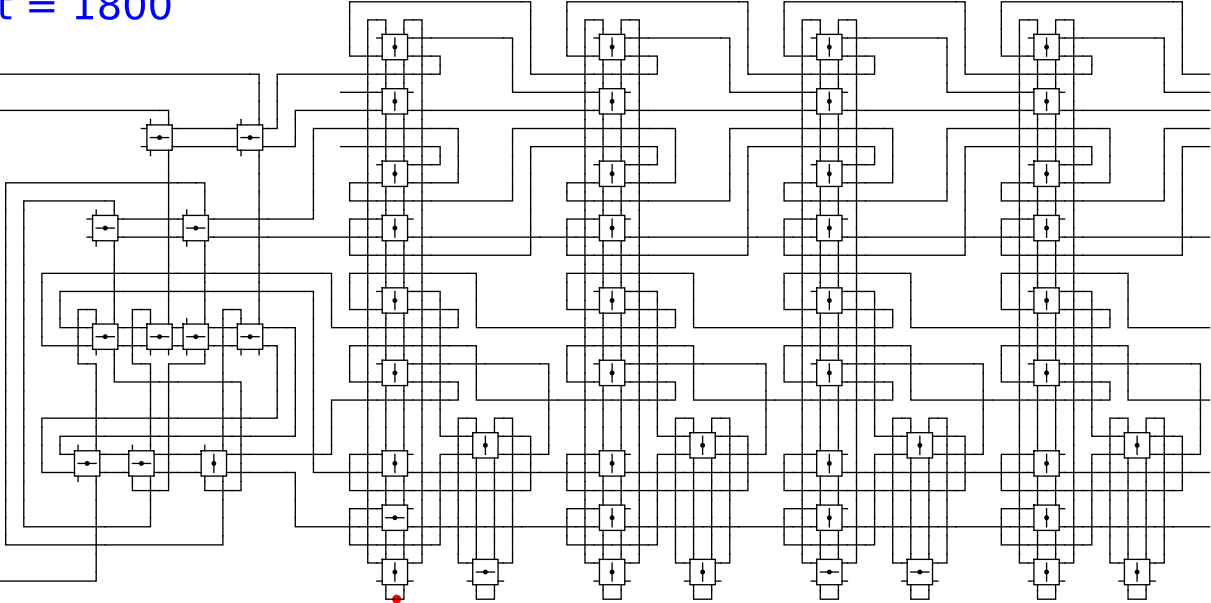
1

0

t = 1800

Reject
Accept

Begin



1

0

head

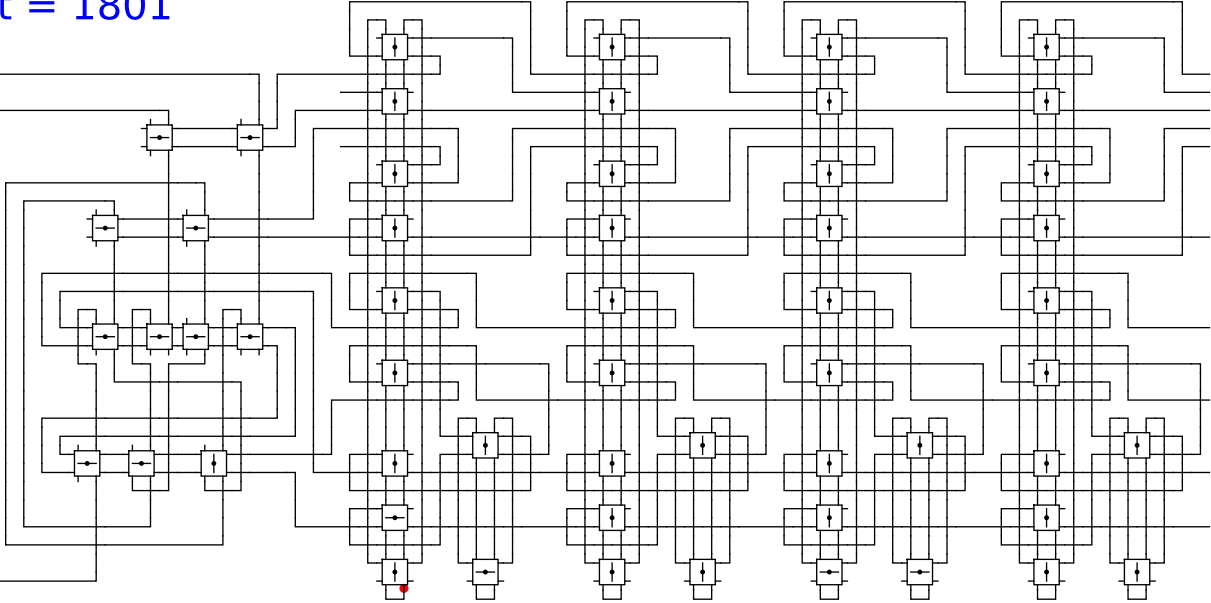
1

0

t = 1801

Reject
Accept

Begin

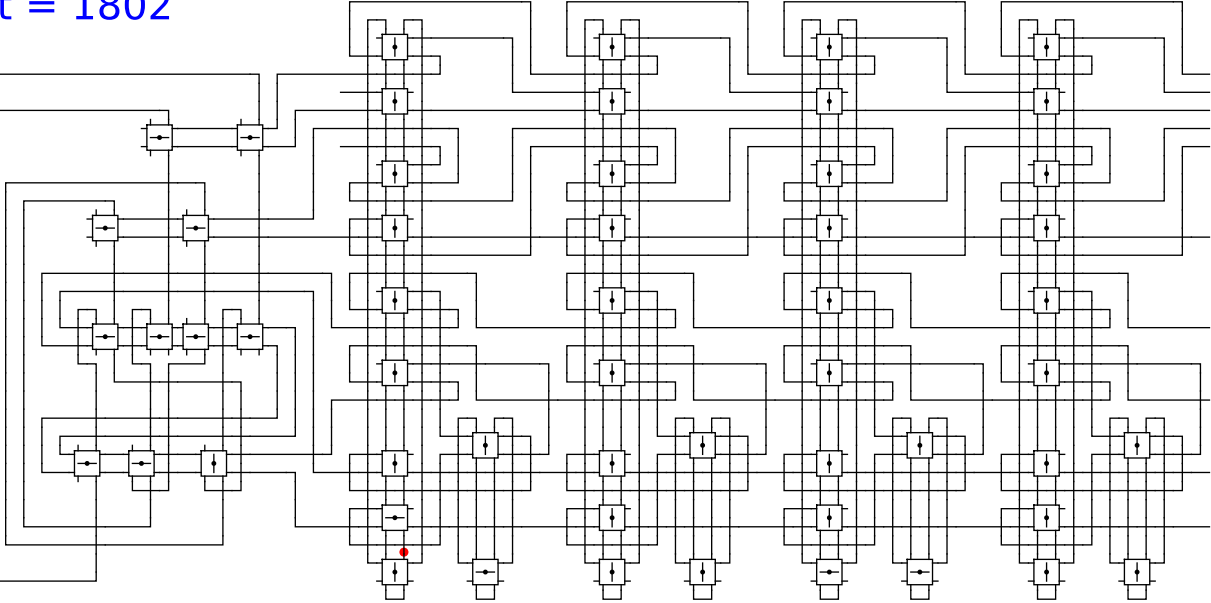


1 0 head 1 0

t = 1802

Reject
Accept

Begin

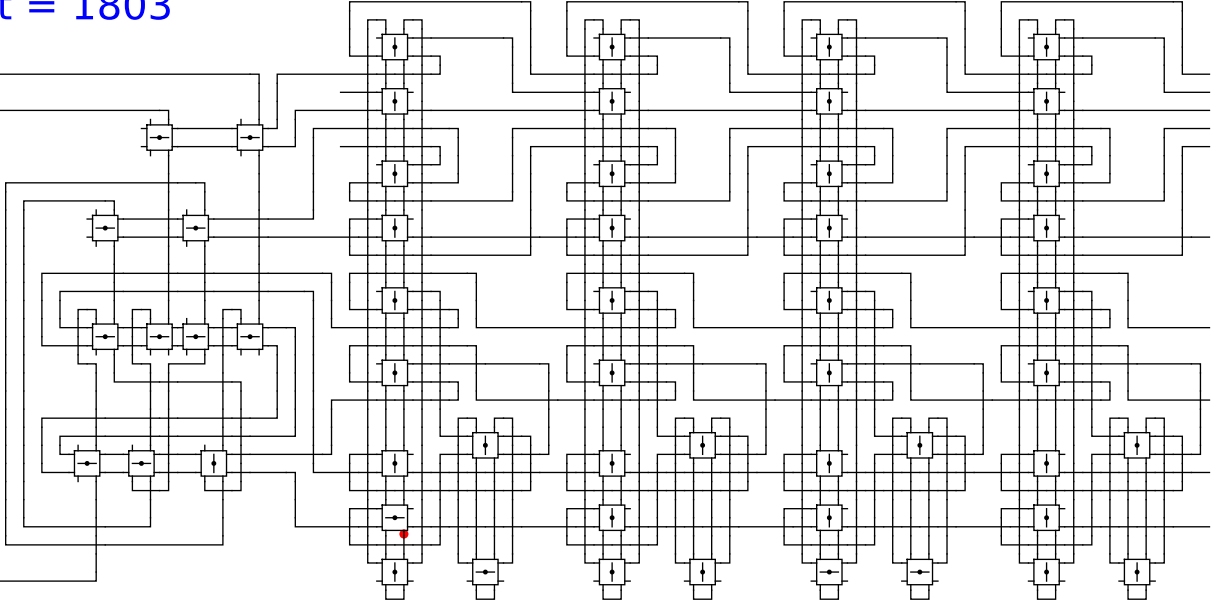


1 0 head 1 0

t = 1803

Reject
Accept

Begin

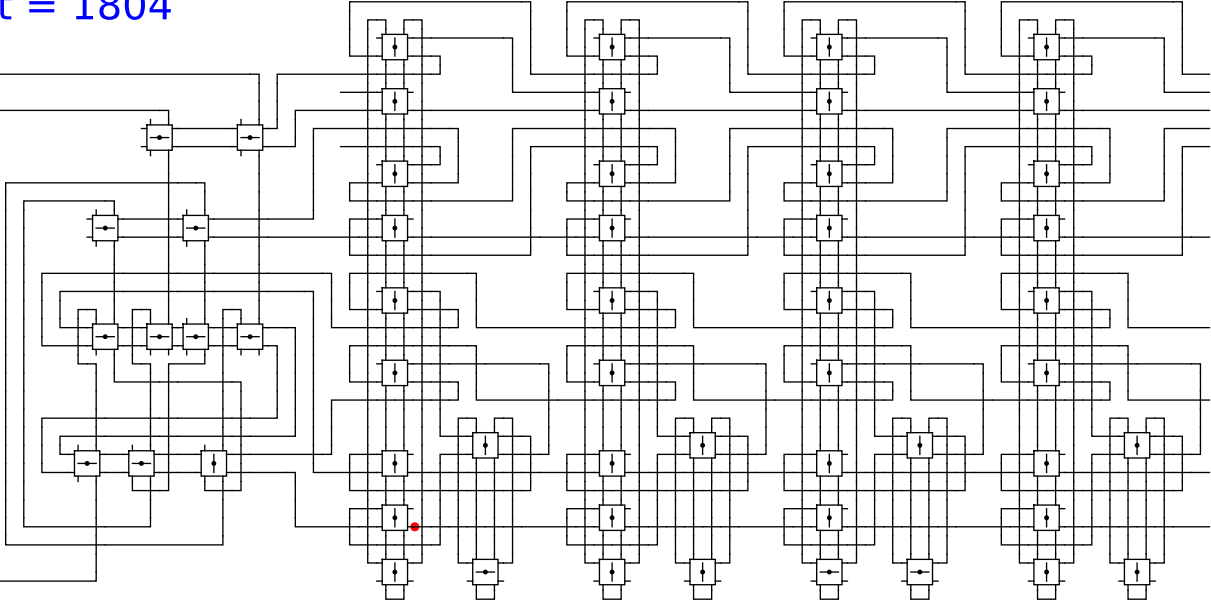


1 0 head 1 0

t = 1804

Reject
Accept

Begin

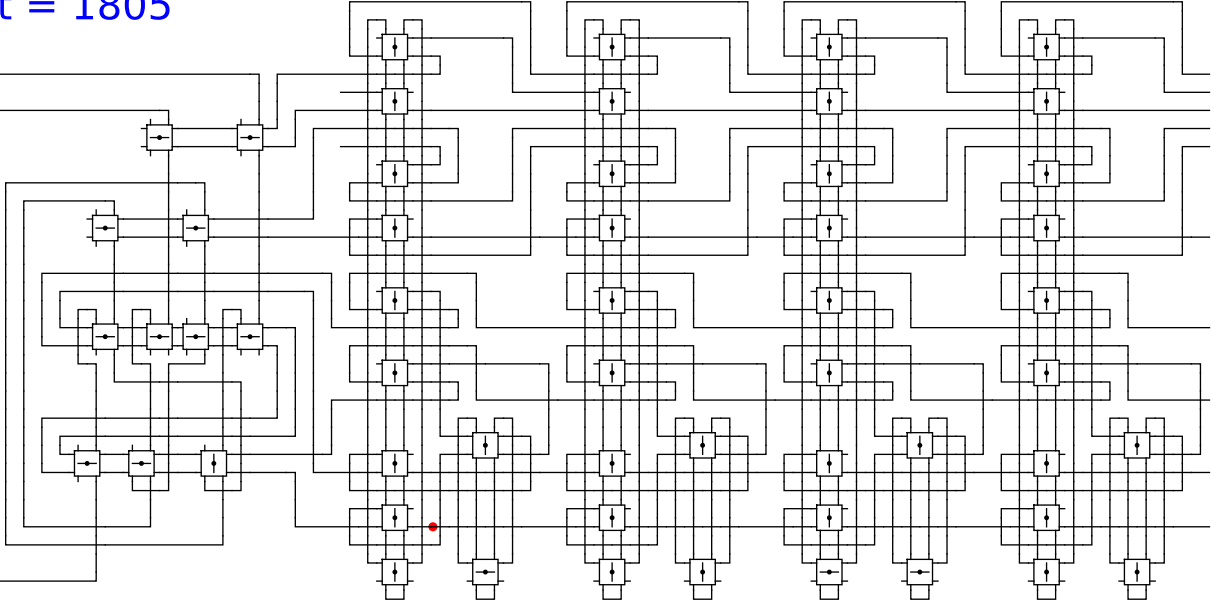


1 0 head 1 0

t = 1805

Reject
Accept

Begin

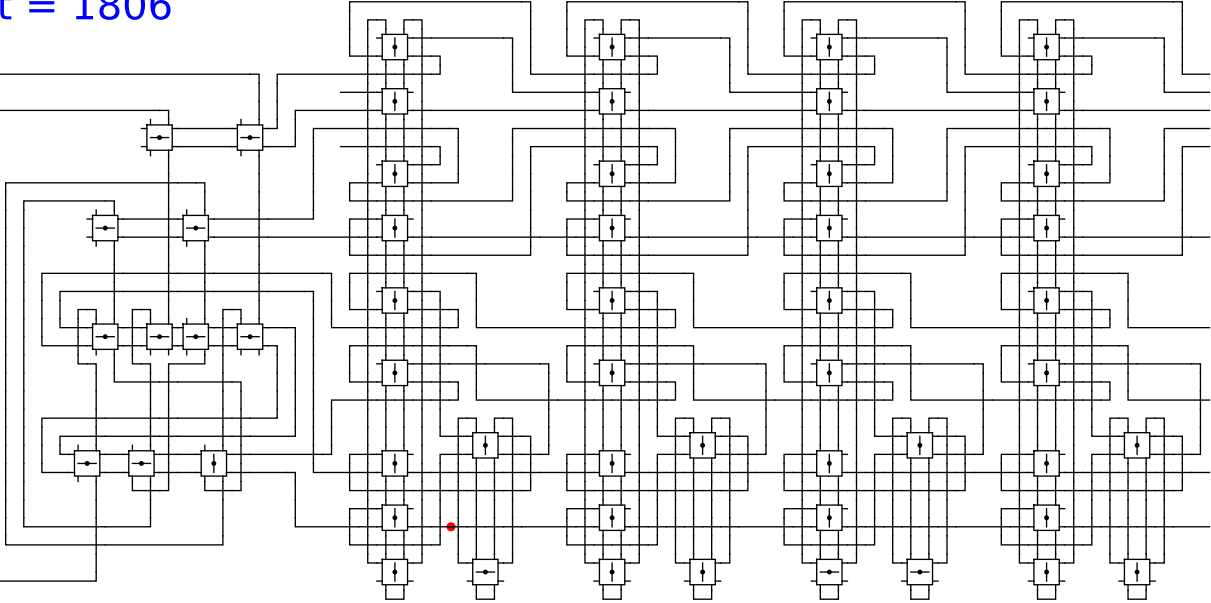


1 0 head 1 0

t = 1806

Reject
Accept

Begin

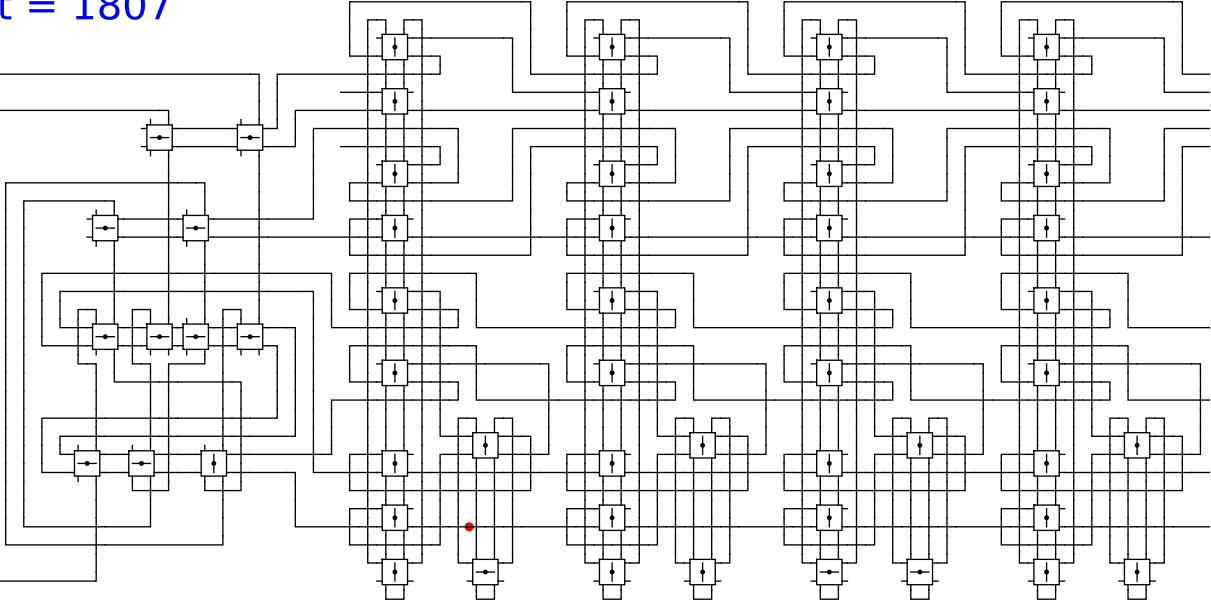


1 0 head 1 0

t = 1807

Reject
Accept

Begin

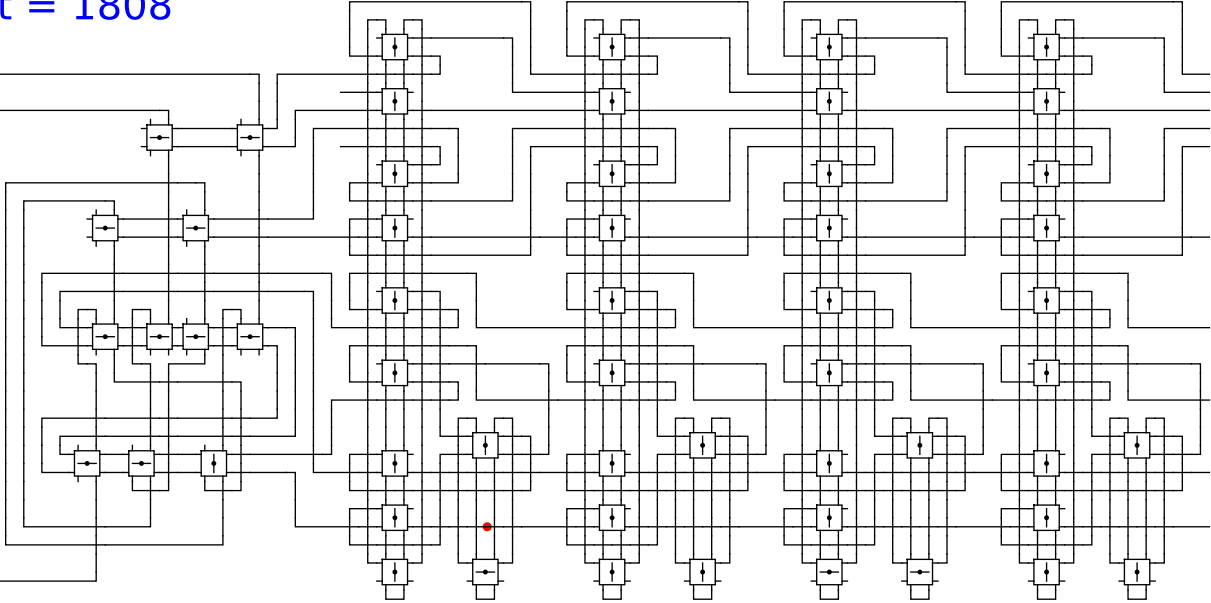


1 0 head 1 0

t = 1808

Reject
Accept

Begin

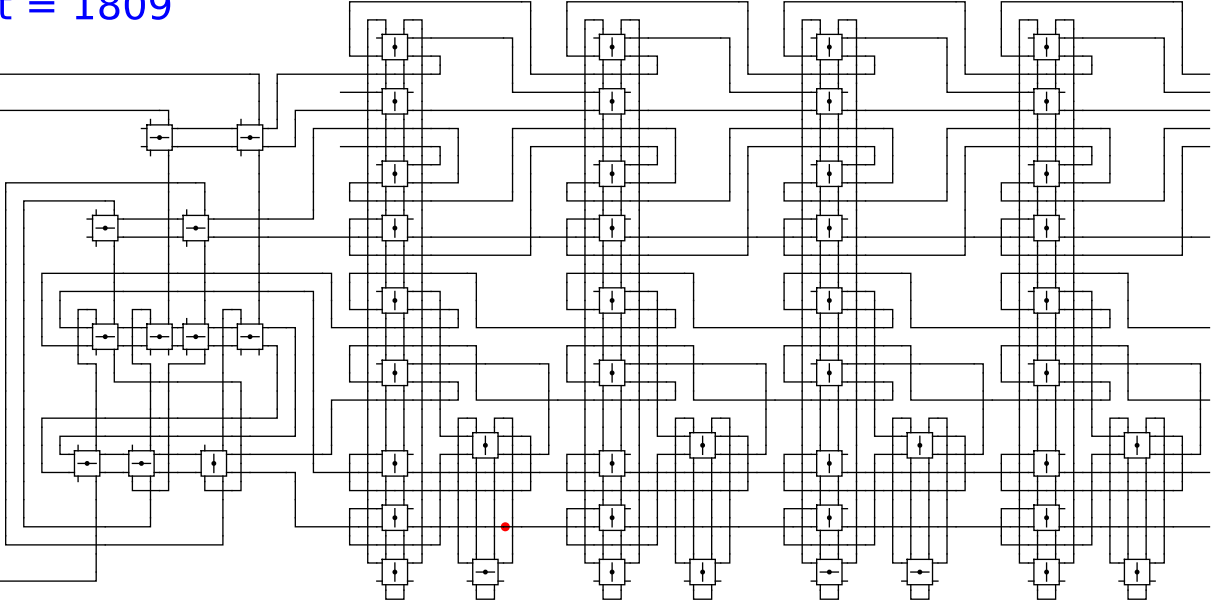


1 0 head 1 0

t = 1809

Reject
Accept

Begin

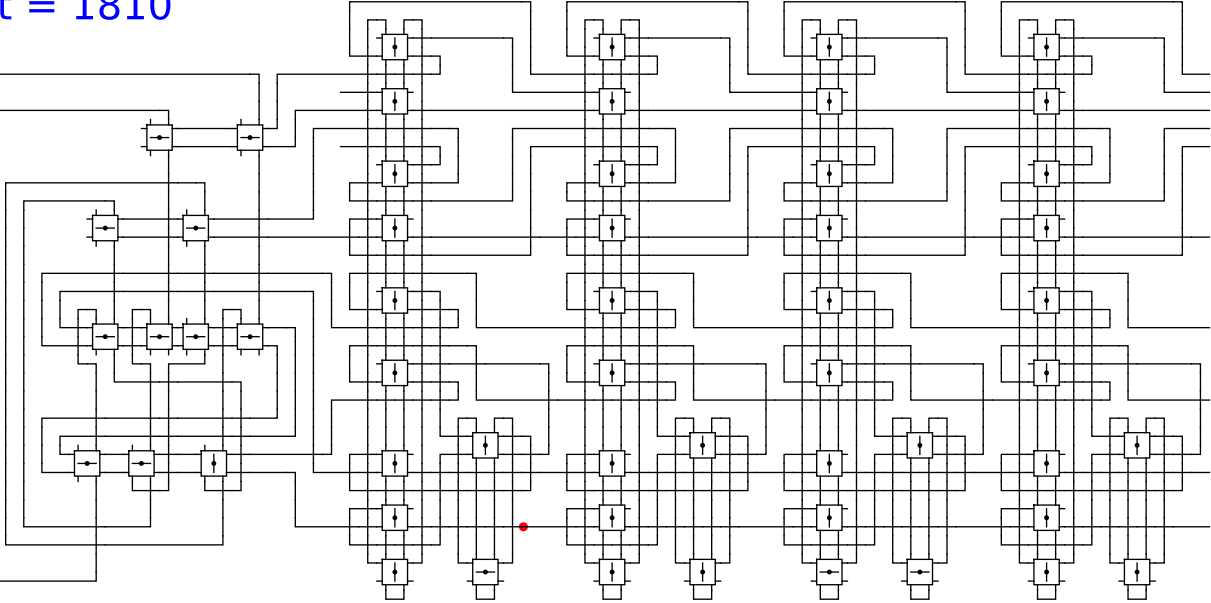


1 0 head 1 0

t = 1810

Reject
Accept

Begin

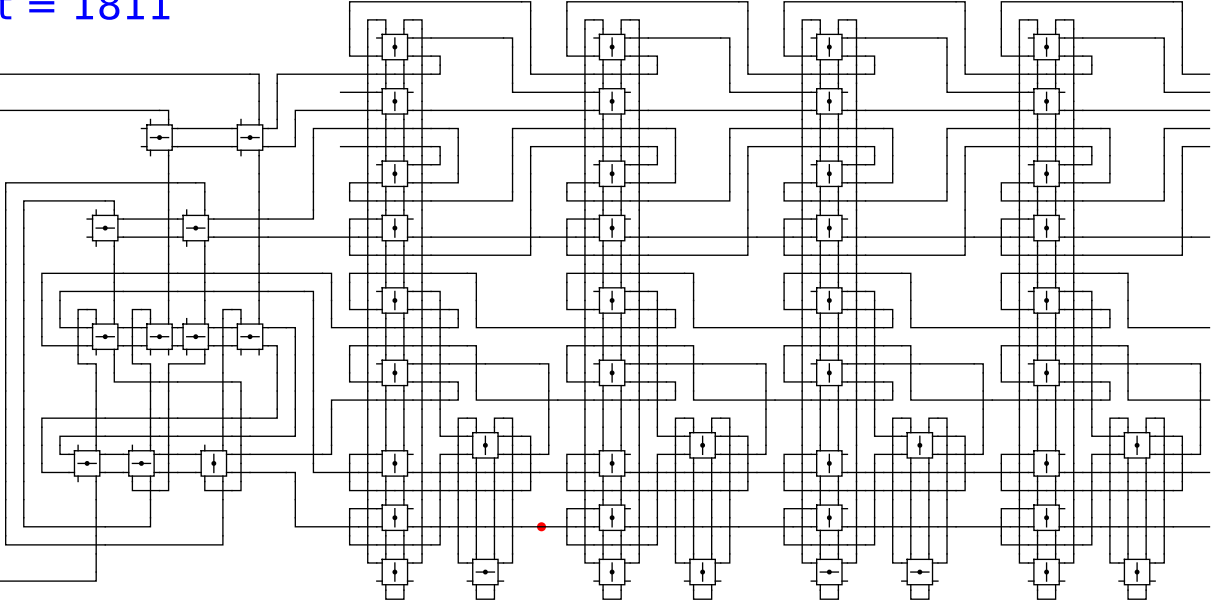


1 0 head 1 0

t = 1811

Reject
Accept

Begin

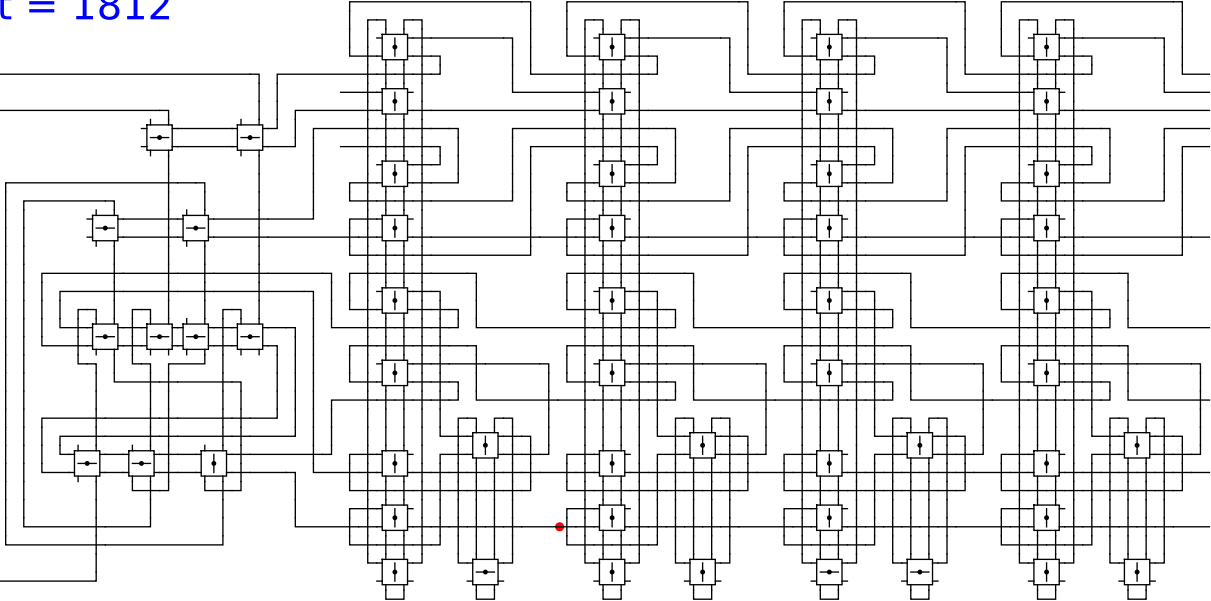


1 0 head 1 0

t = 1812

Reject
Accept

Begin

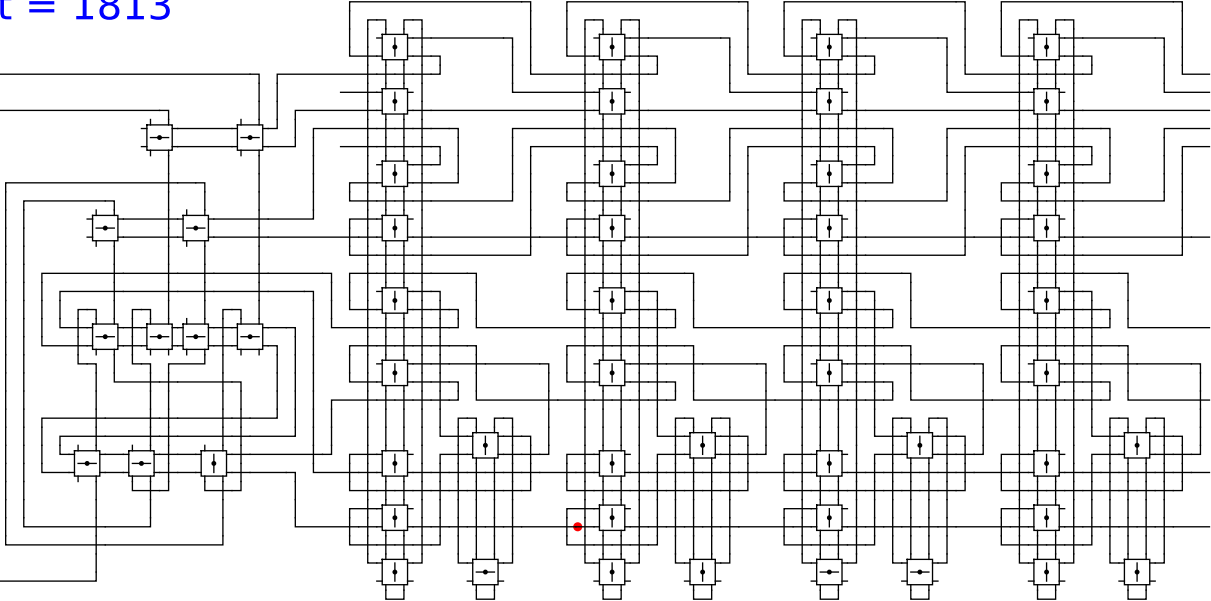


1 0 head 1 0

t = 1813

Reject
Accept

Begin

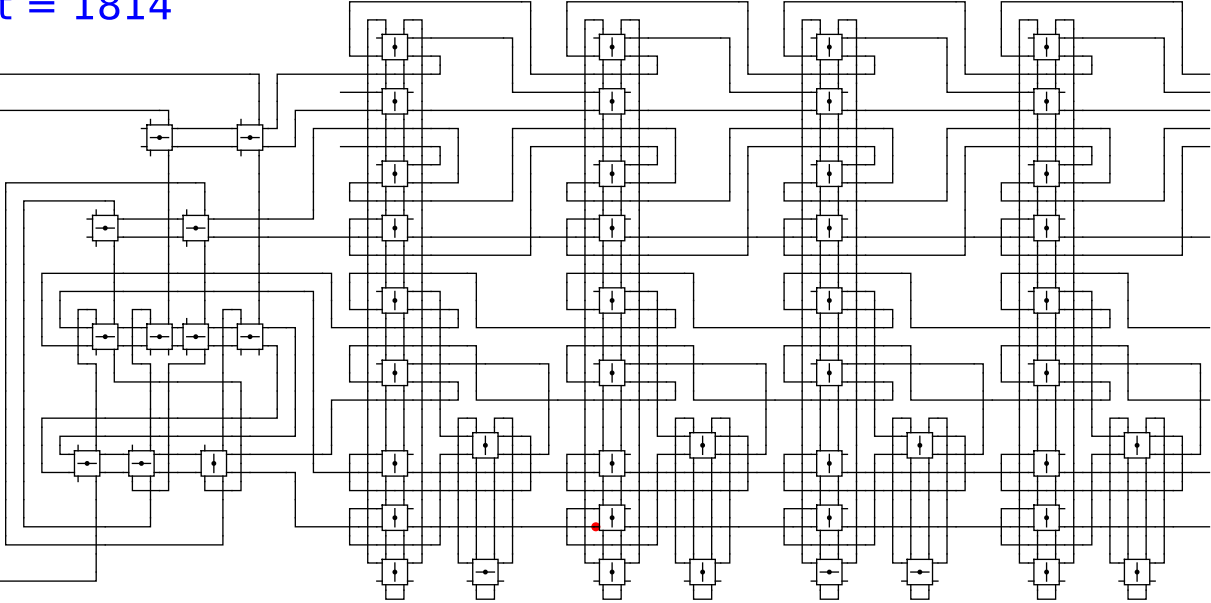


1 0 head 1 0

t = 1814

Reject
Accept

Begin

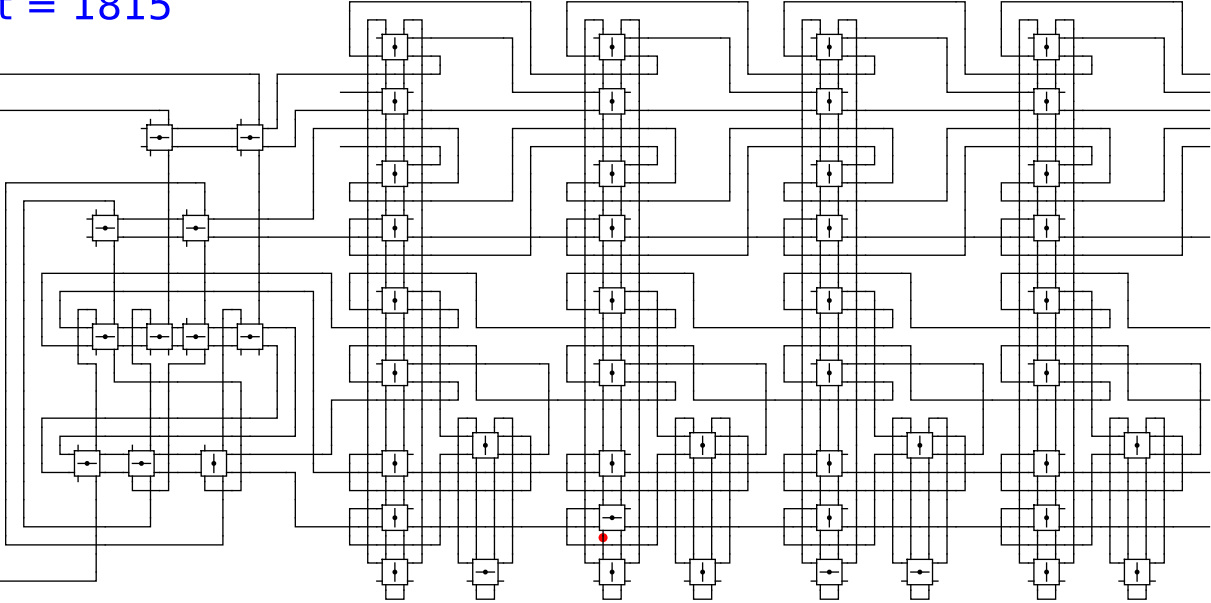


1 0 head 1 0

t = 1815

Reject
Accept

Begin

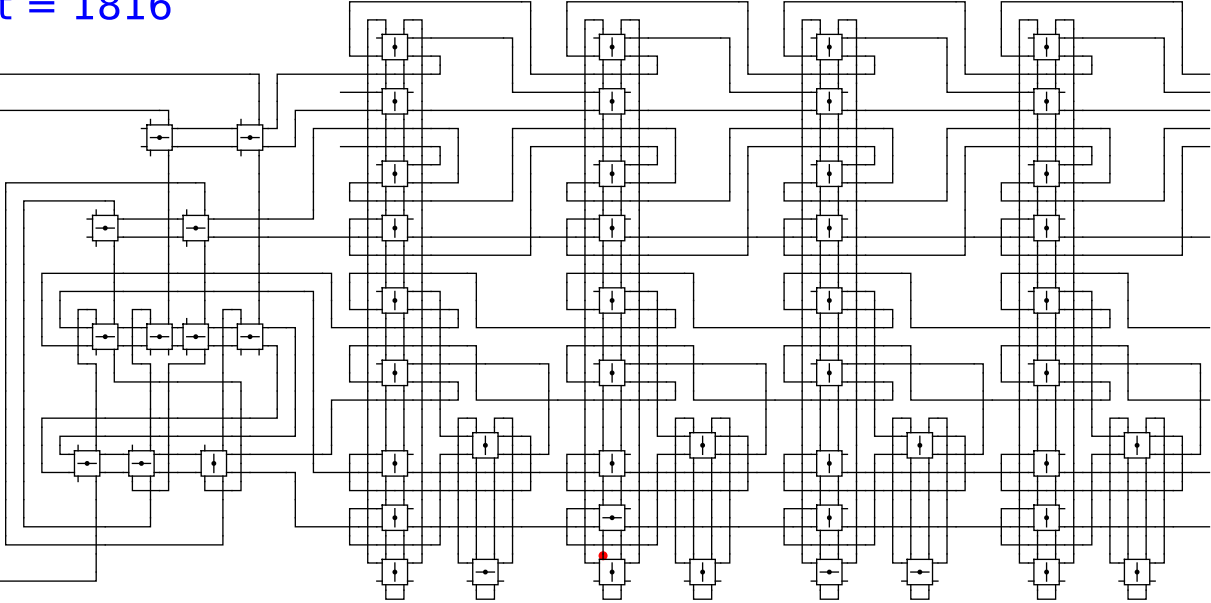


1 0 head 1 0

t = 1816

Reject
Accept

Begin

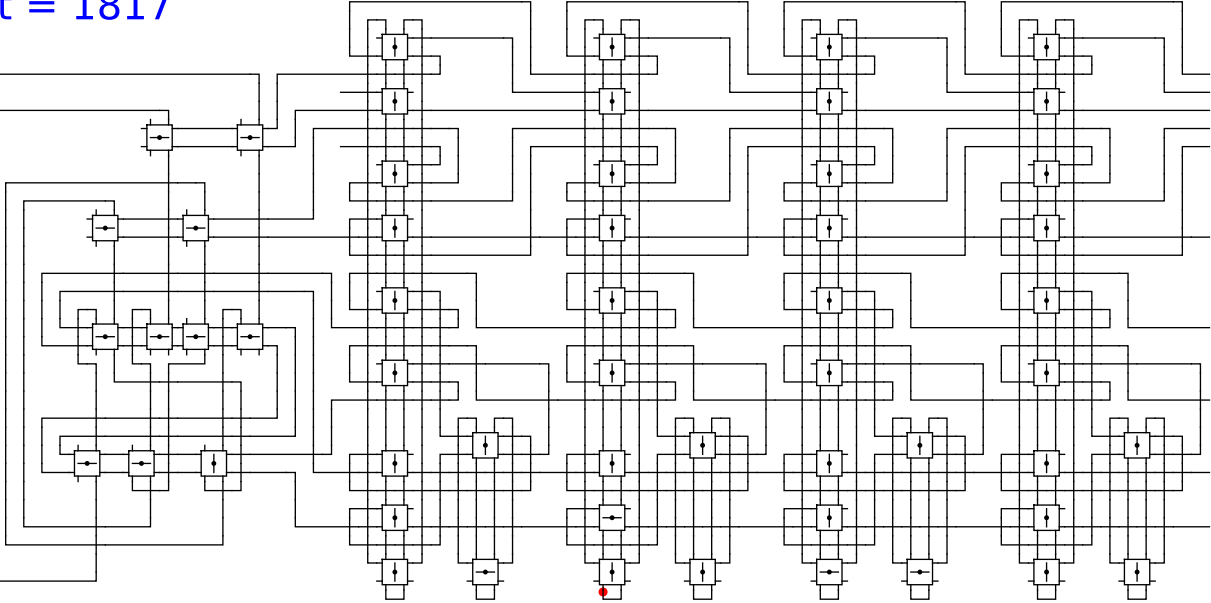


1 0 head 1 0

t = 1817

Reject
Accept

Begin

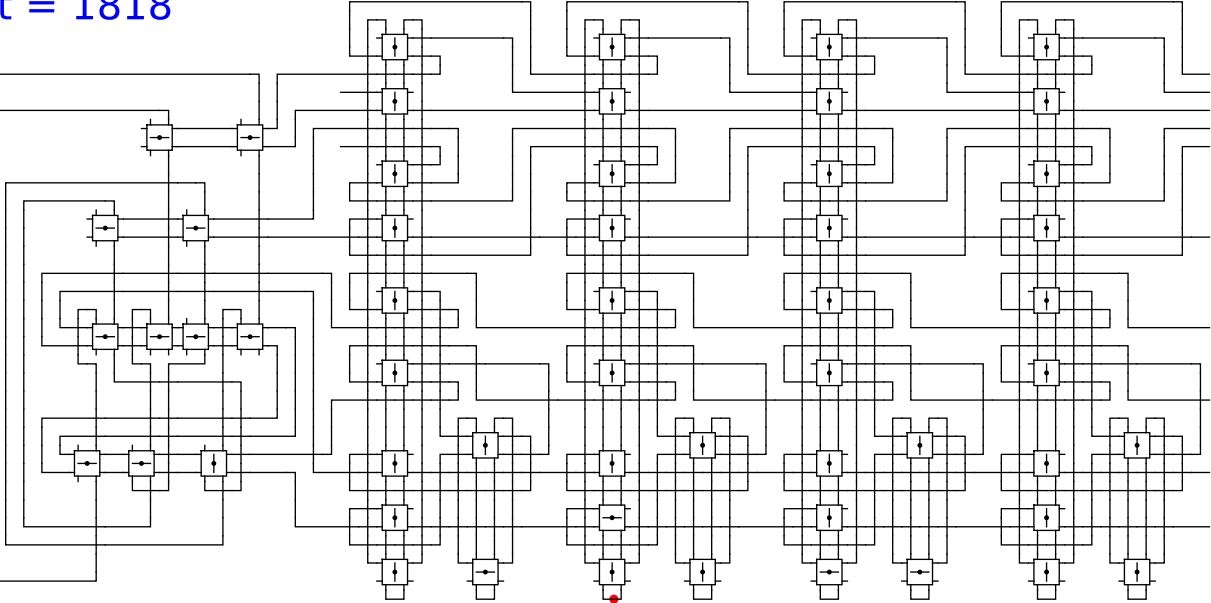


1 0 head 1 0

t = 1818

Reject
Accept

Begin

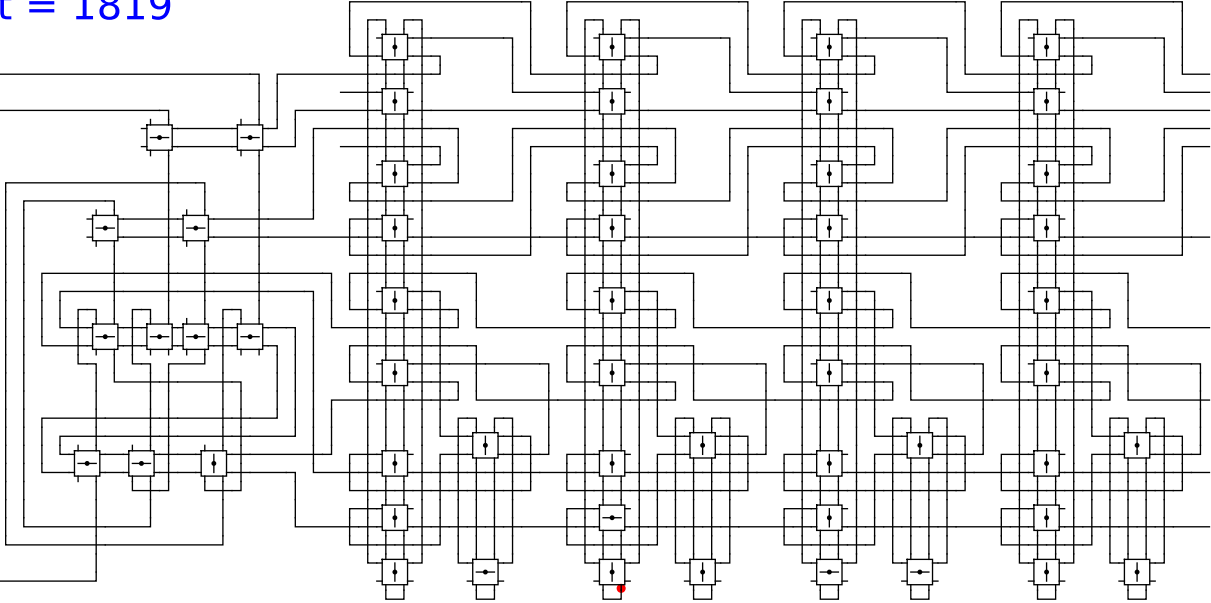


1 0 head 1 0

t = 1819

Reject
Accept

Begin

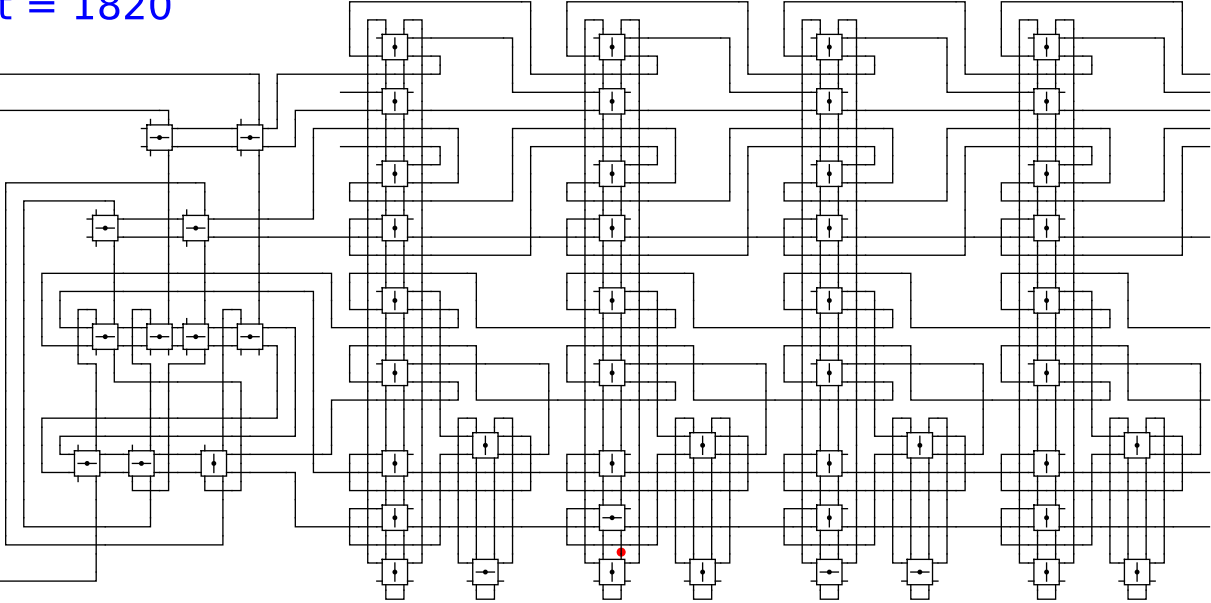


1 0 head 1 0

t = 1820

Reject
Accept

Begin

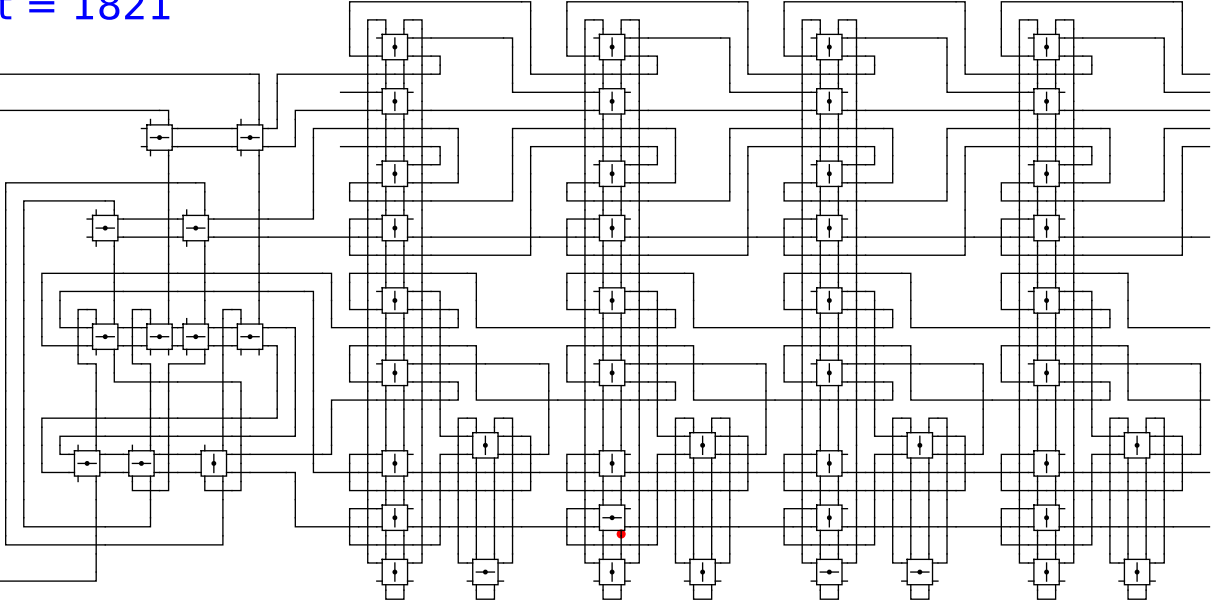


1 0 head 1 0

t = 1821

Reject
Accept

Begin

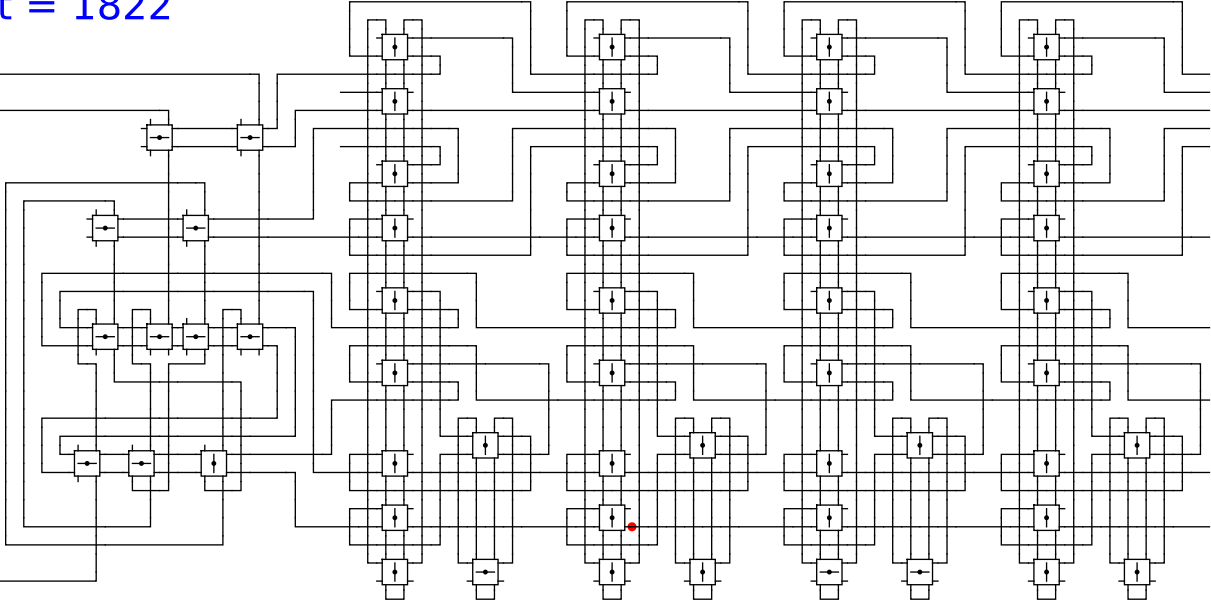


1 0 head 1 0

t = 1822

Reject
Accept

Begin



1

0

head

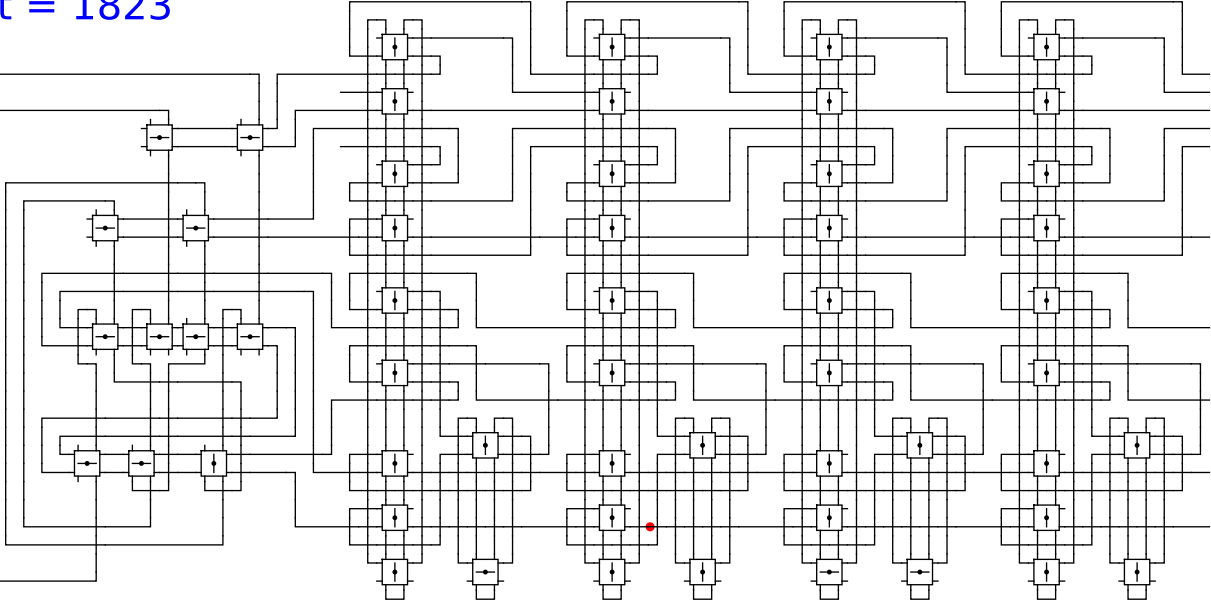
1

0

t = 1823

Reject
Accept

Begin



1

0

head

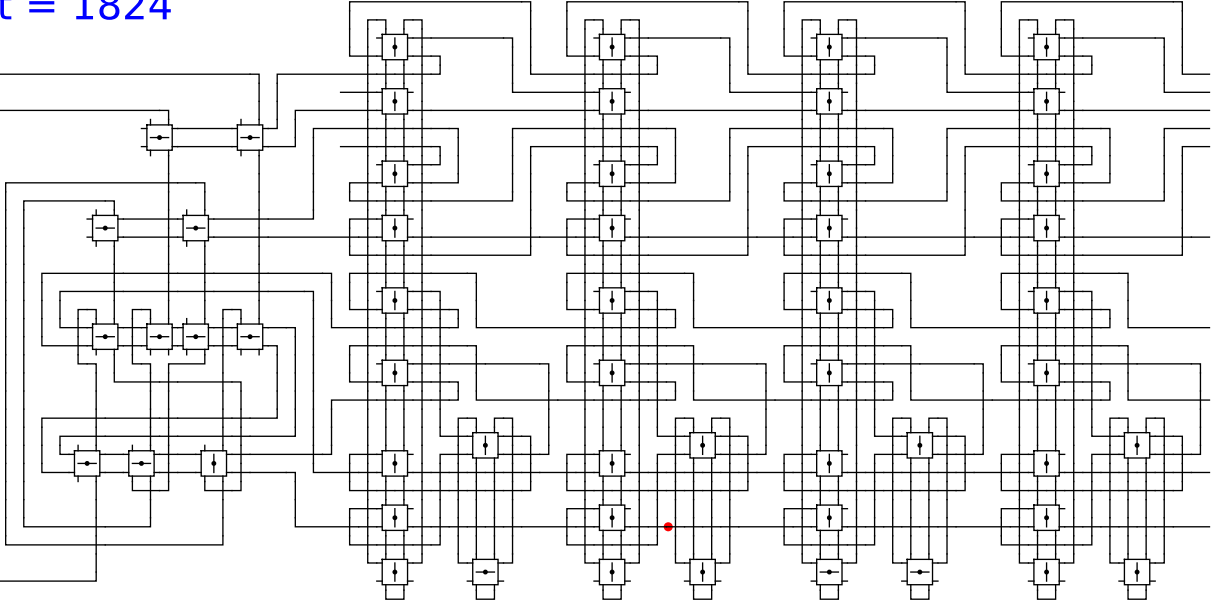
1

0

t = 1824

Reject
Accept

Begin



1

0

head

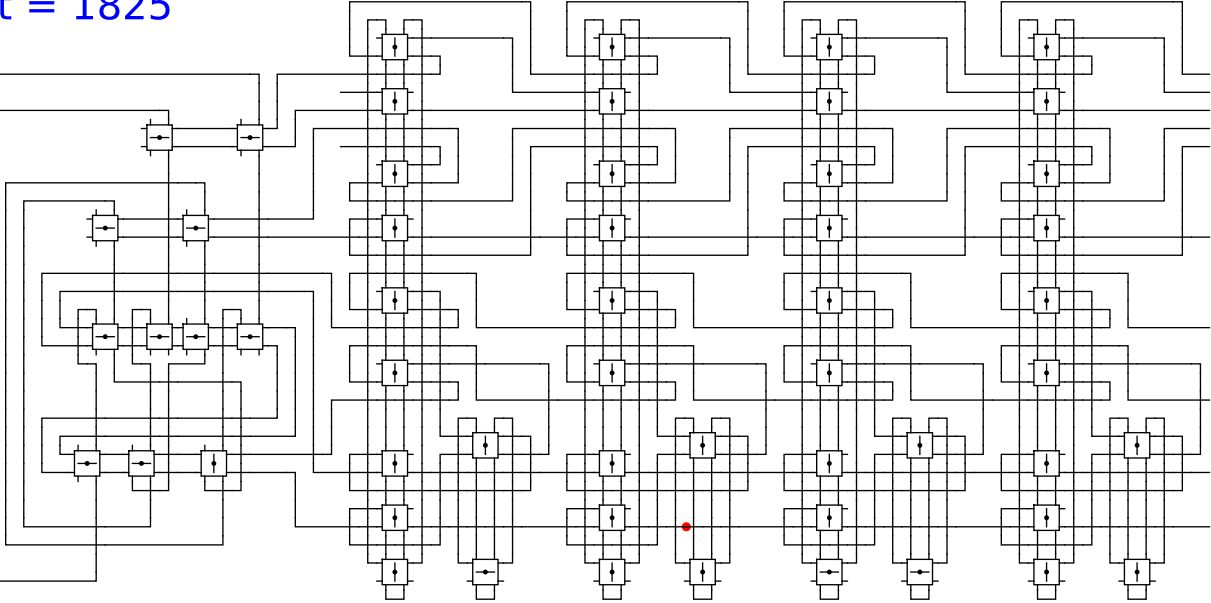
1

0

t = 1825

Reject
Accept

Begin

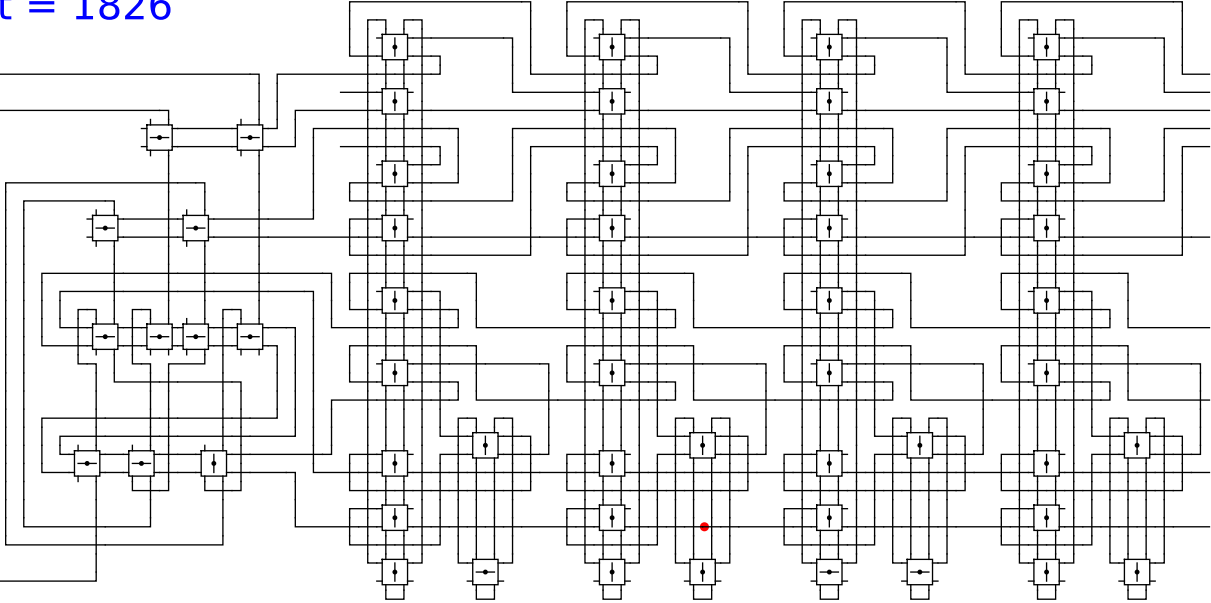


1 0 head 1 0

t = 1826

Reject
Accept

Begin



1

0

head

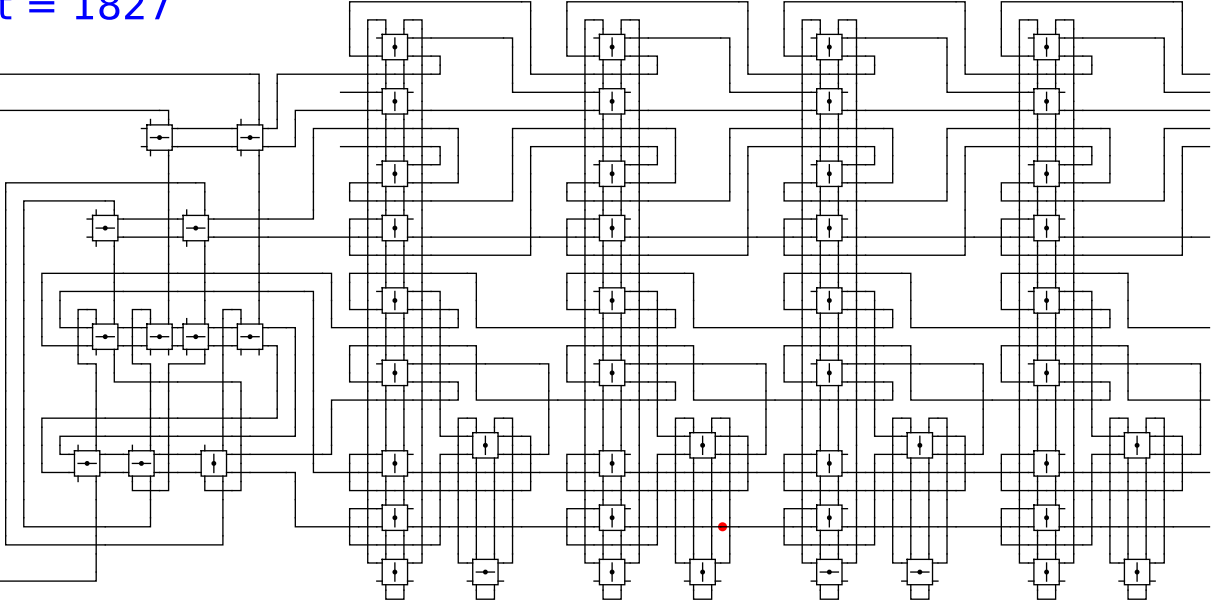
1

0

t = 1827

Reject
Accept

Begin

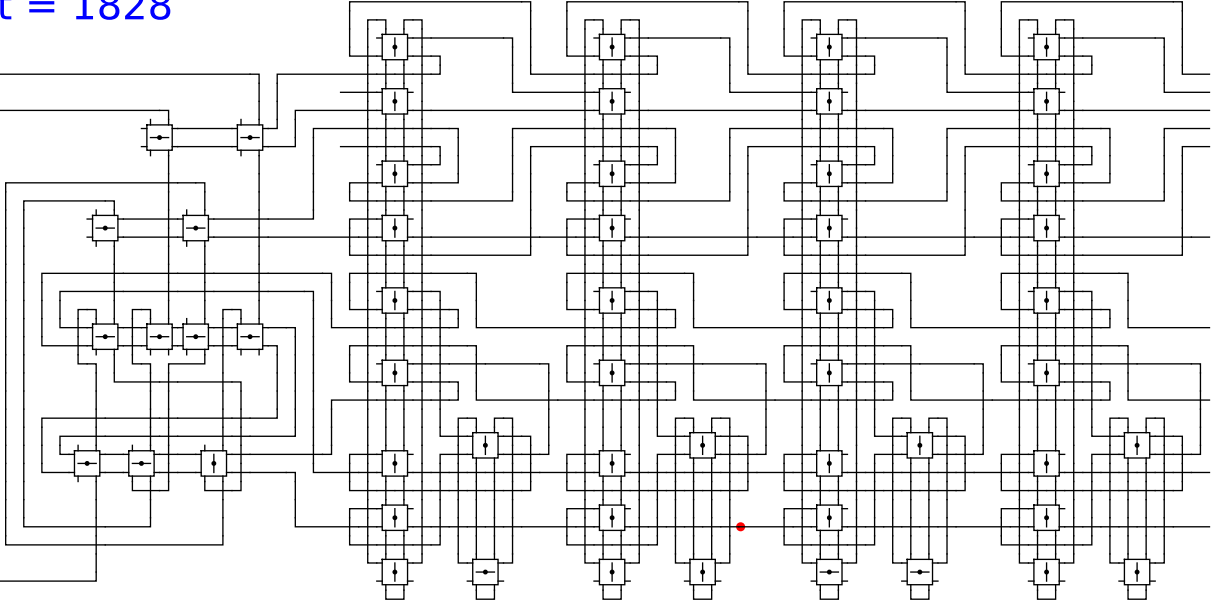


1 0 head 1 0

t = 1828

Reject
Accept

Begin

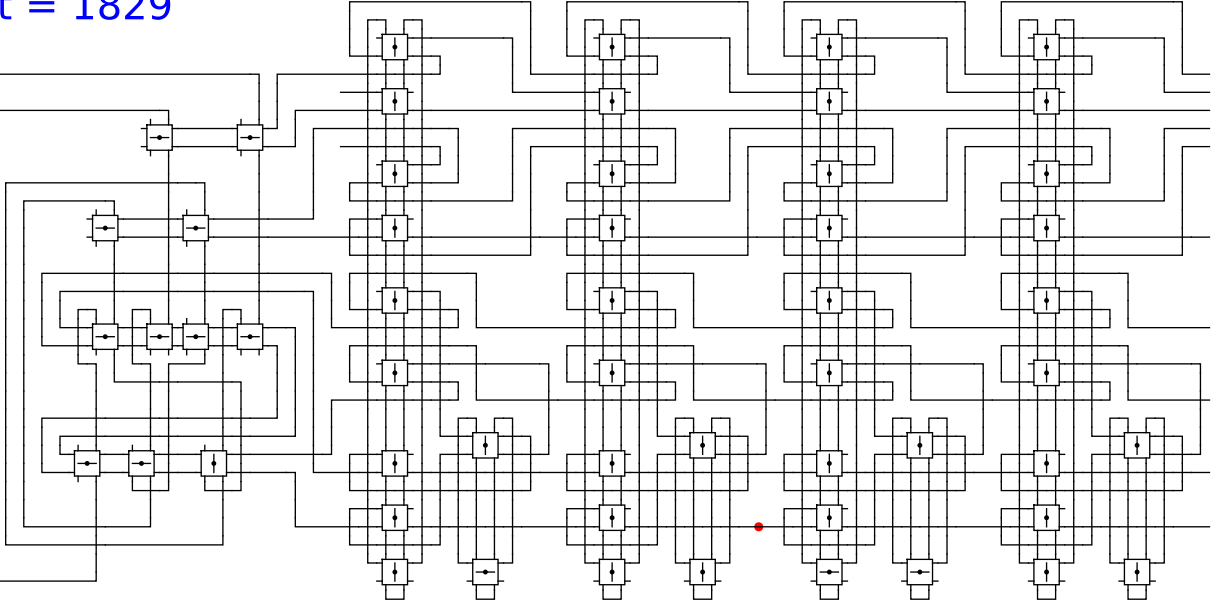


1 0 head 1 0

t = 1829

Reject
Accept

Begin

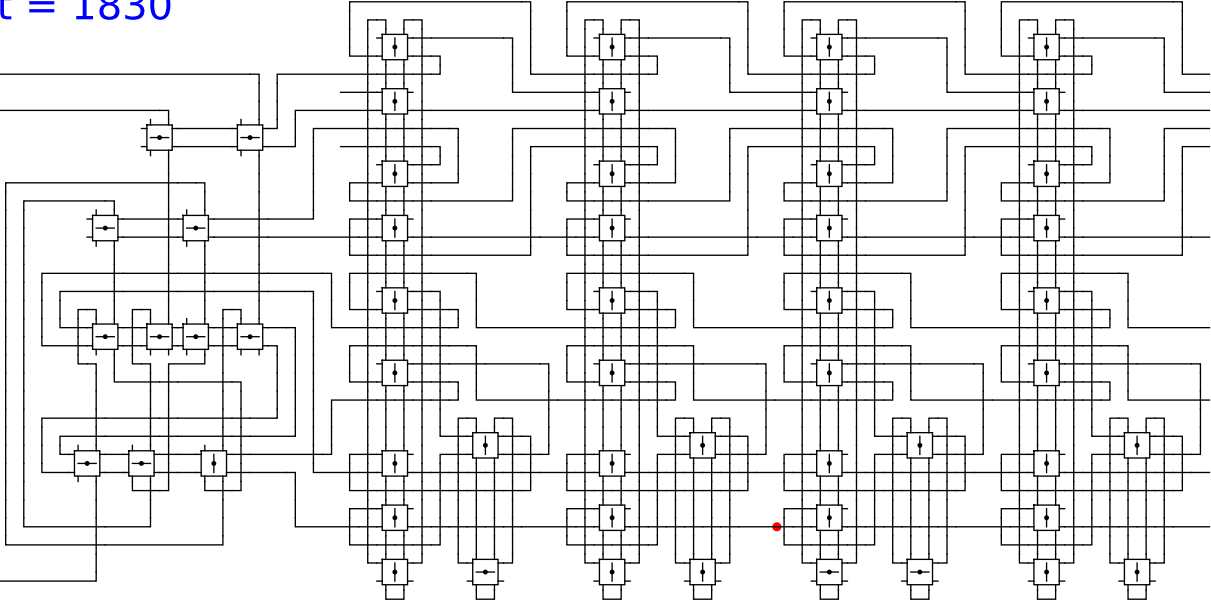


1 0 head 1 0

t = 1830

Reject
Accept

Begin

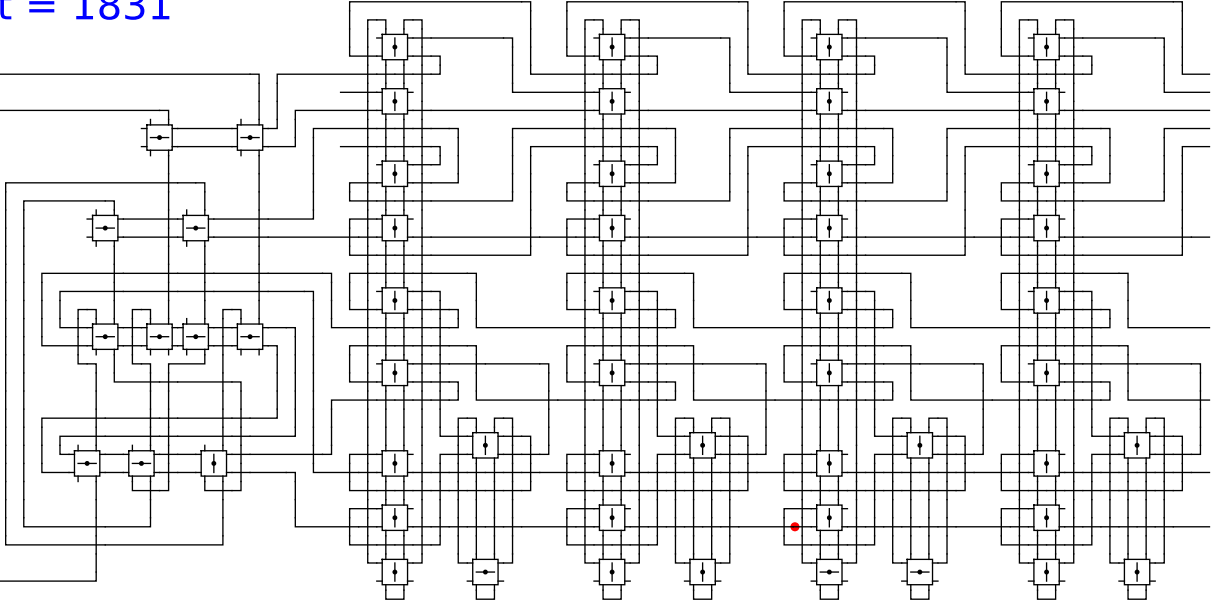


1 0 head 1 0

t = 1831

Reject
Accept

Begin

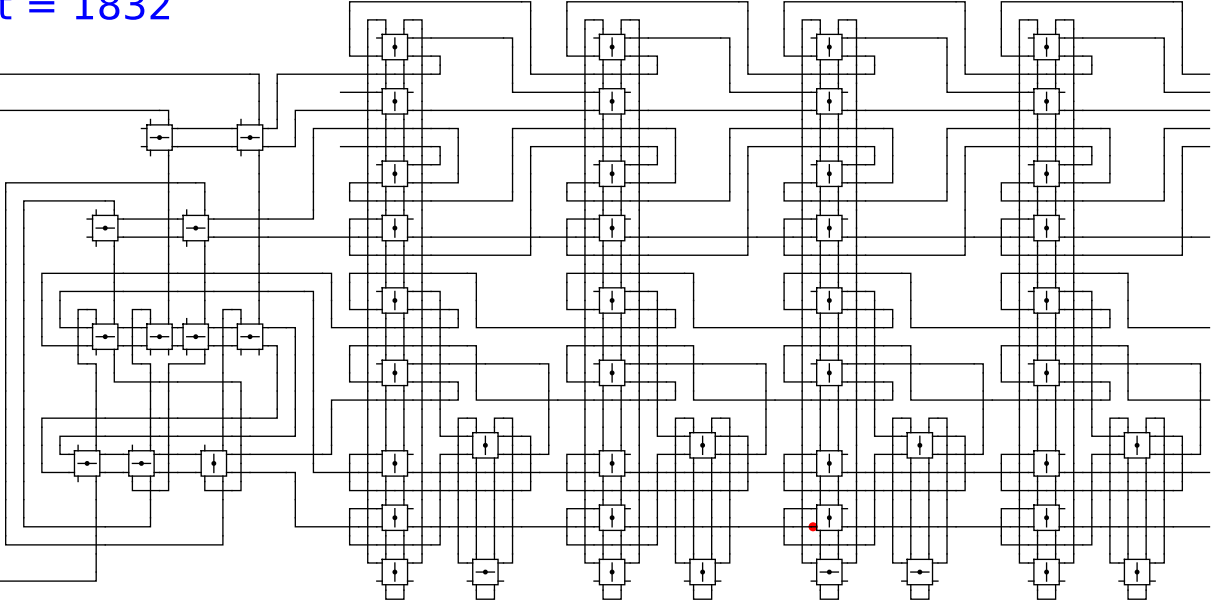


1 0 head 1 0

t = 1832

Reject
Accept

Begin

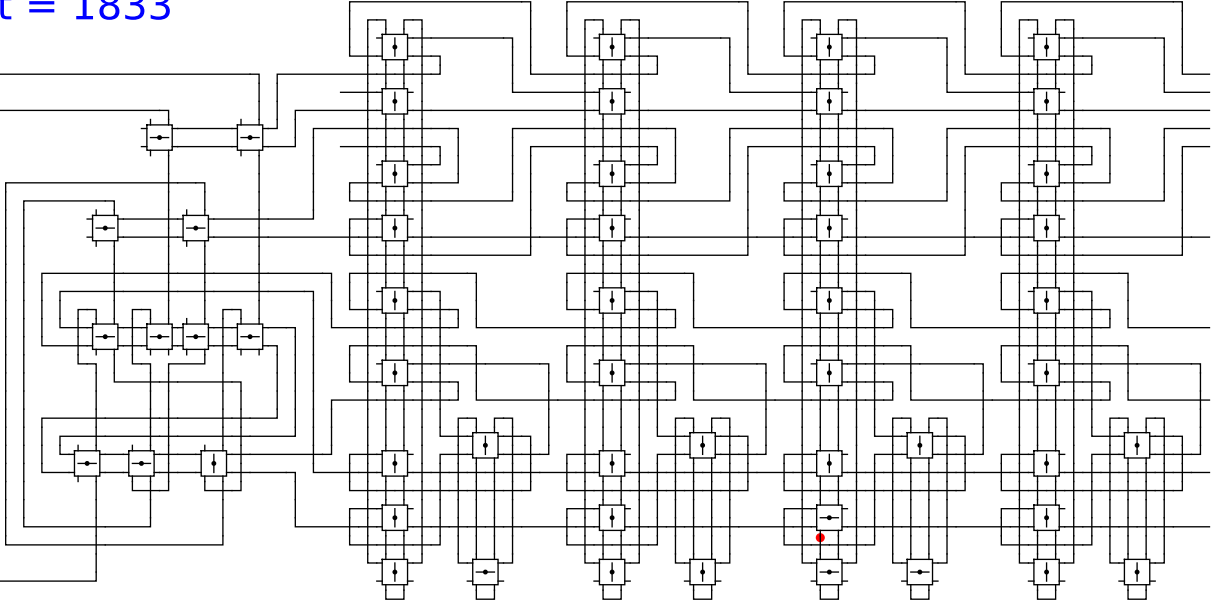


1 0 head 1 0

t = 1833

Reject
Accept

Begin

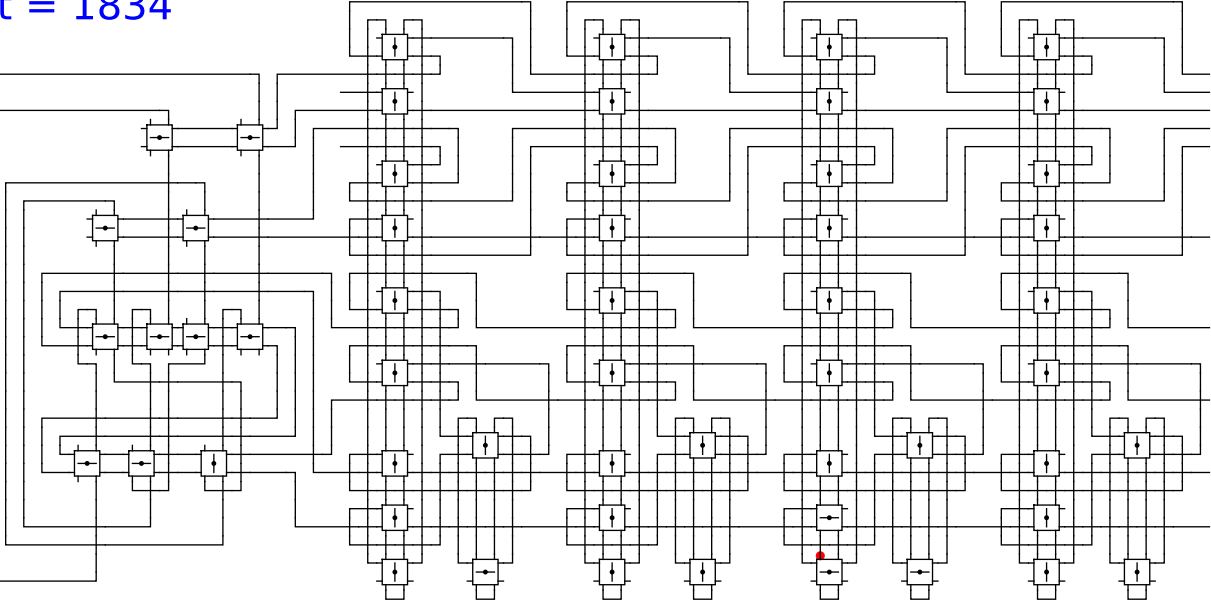


1 0 head 1 0

t = 1834

Reject
Accept

Begin

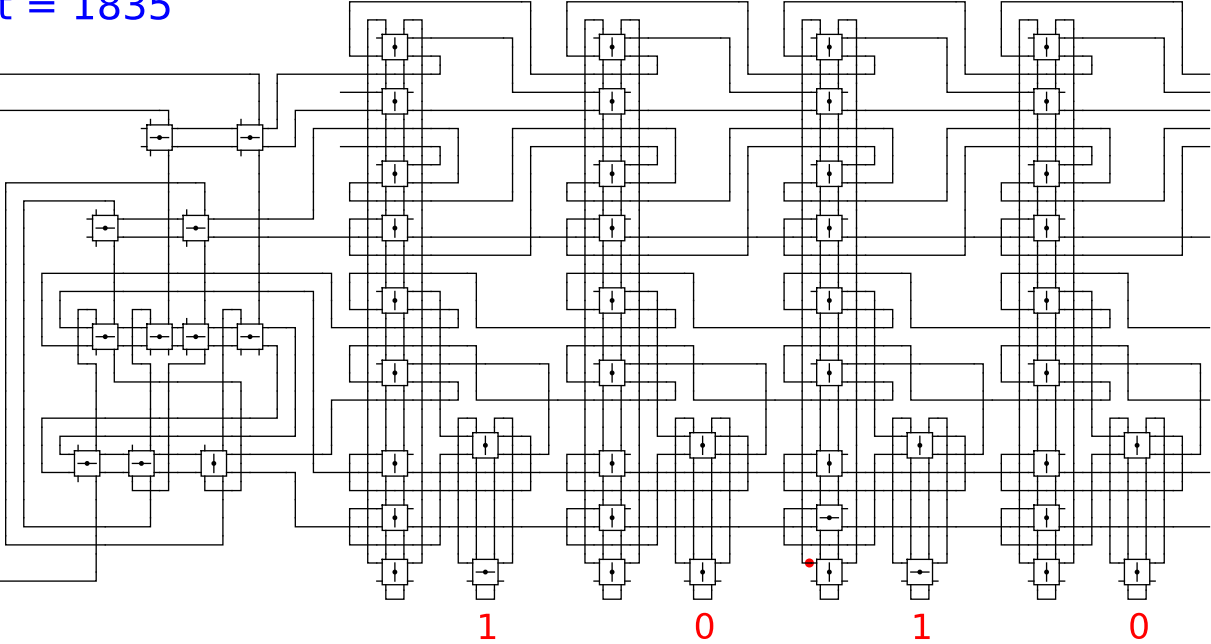


1 0 head 1 0

t = 1835

Reject
Accept

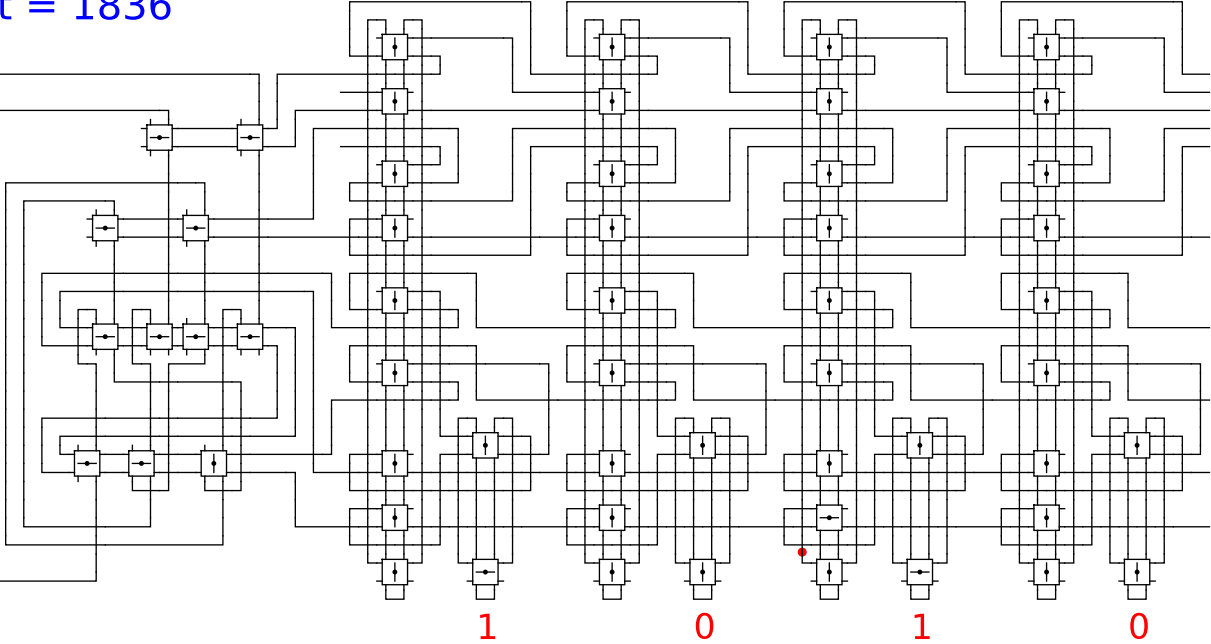
Begin



t = 1836

Reject
Accept

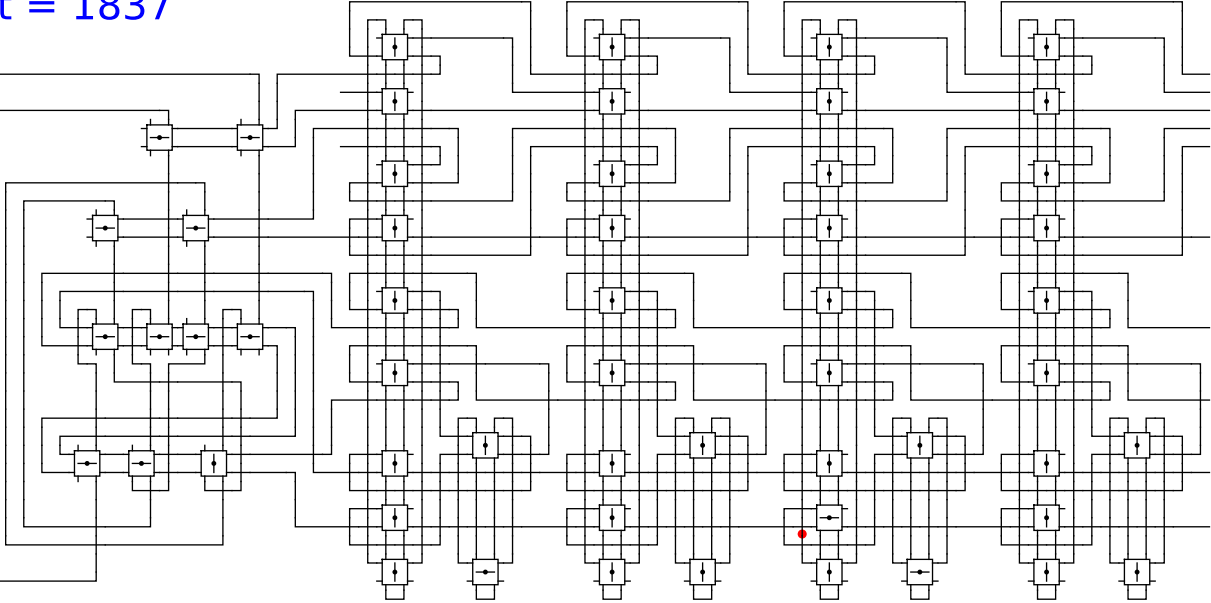
Begin



t = 1837

Reject
Accept

Begin



1

0

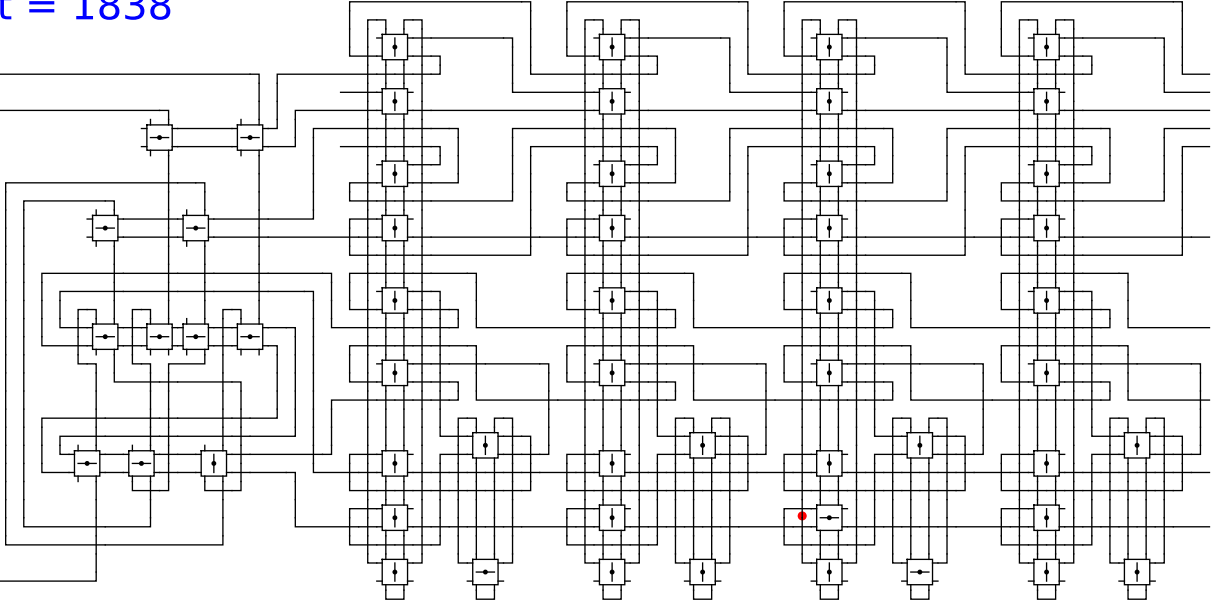
1

0

t = 1838

Reject
Accept

Begin



1

0

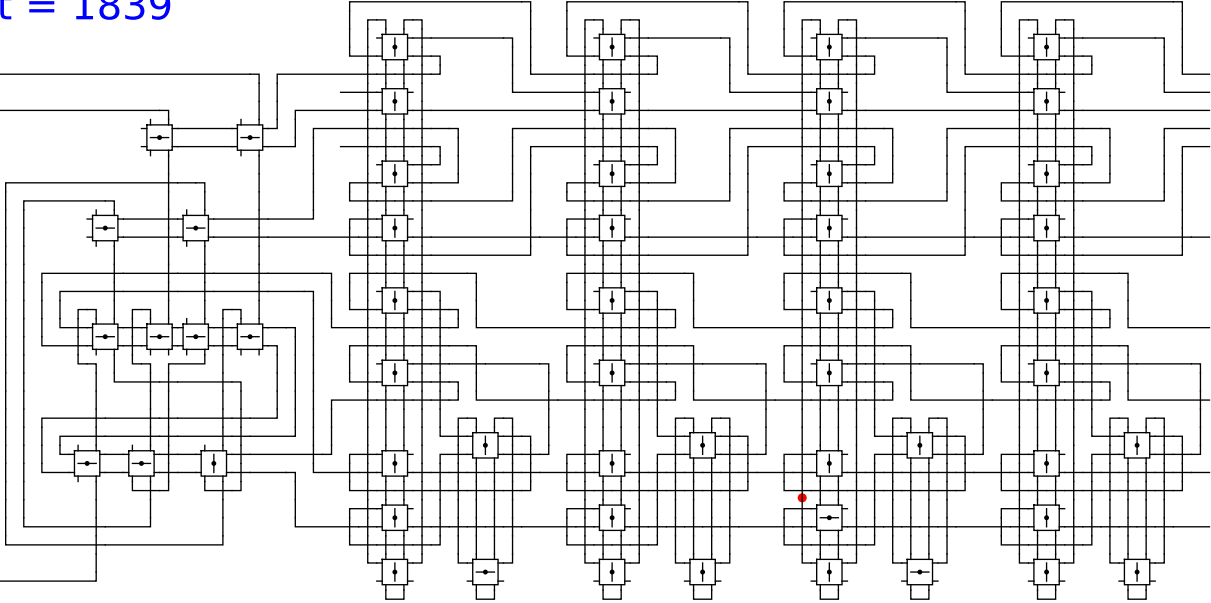
1

0

t = 1839

Reject
Accept

Begin



1

0

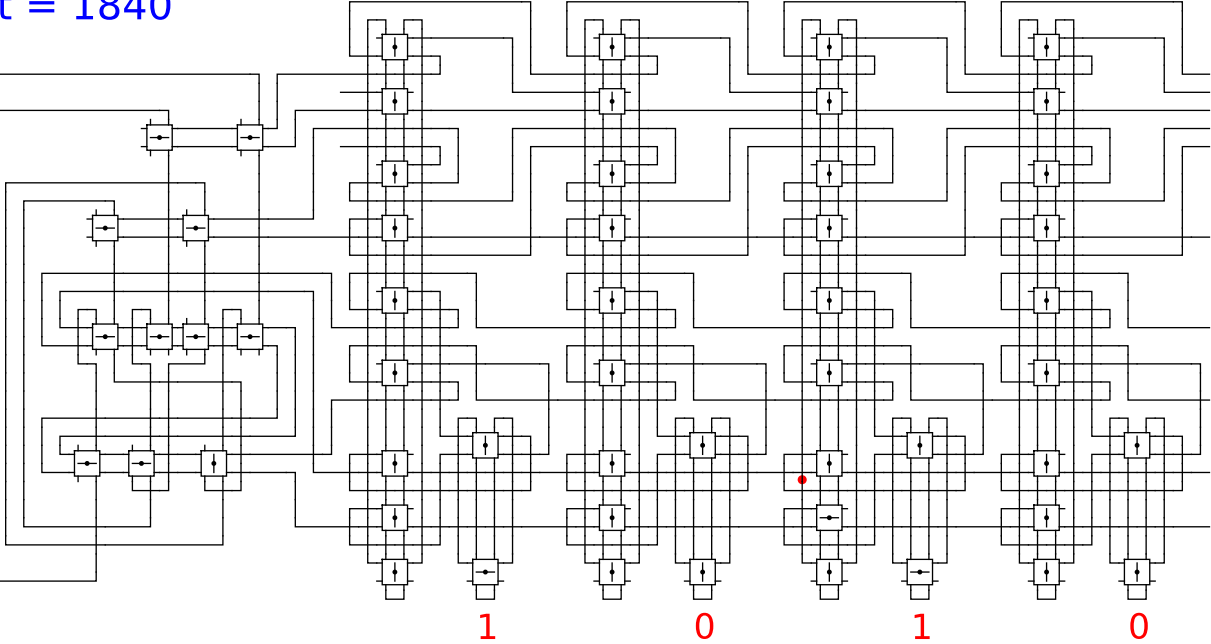
1

0

t = 1840

Reject
Accept

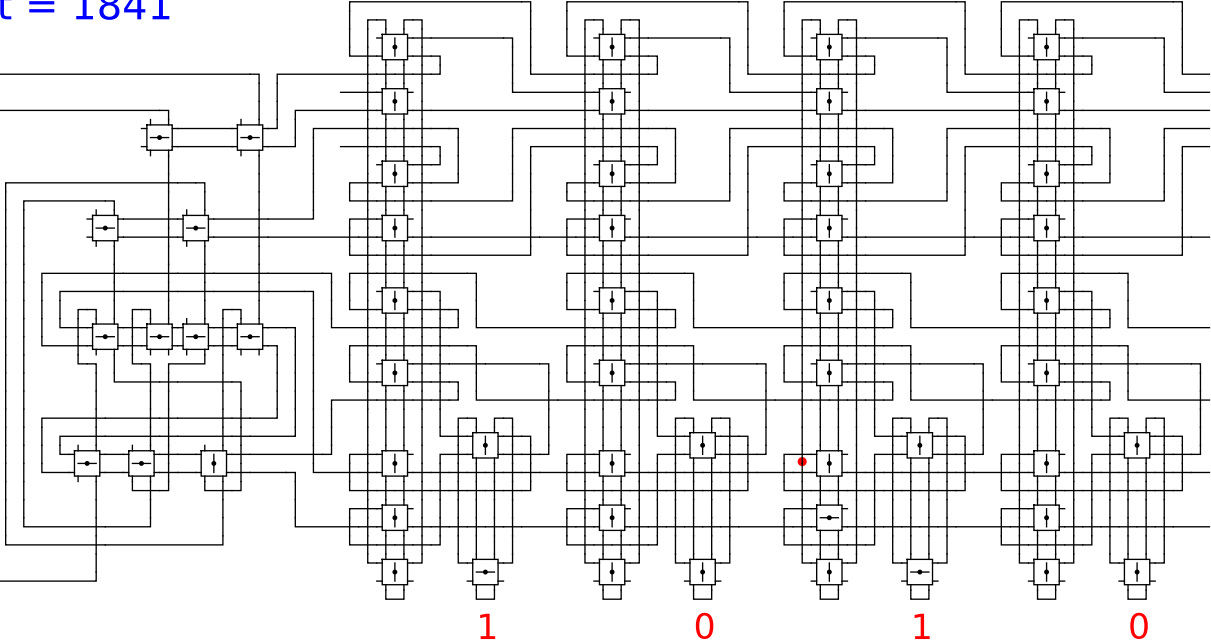
Begin



t = 1841

Reject
Accept

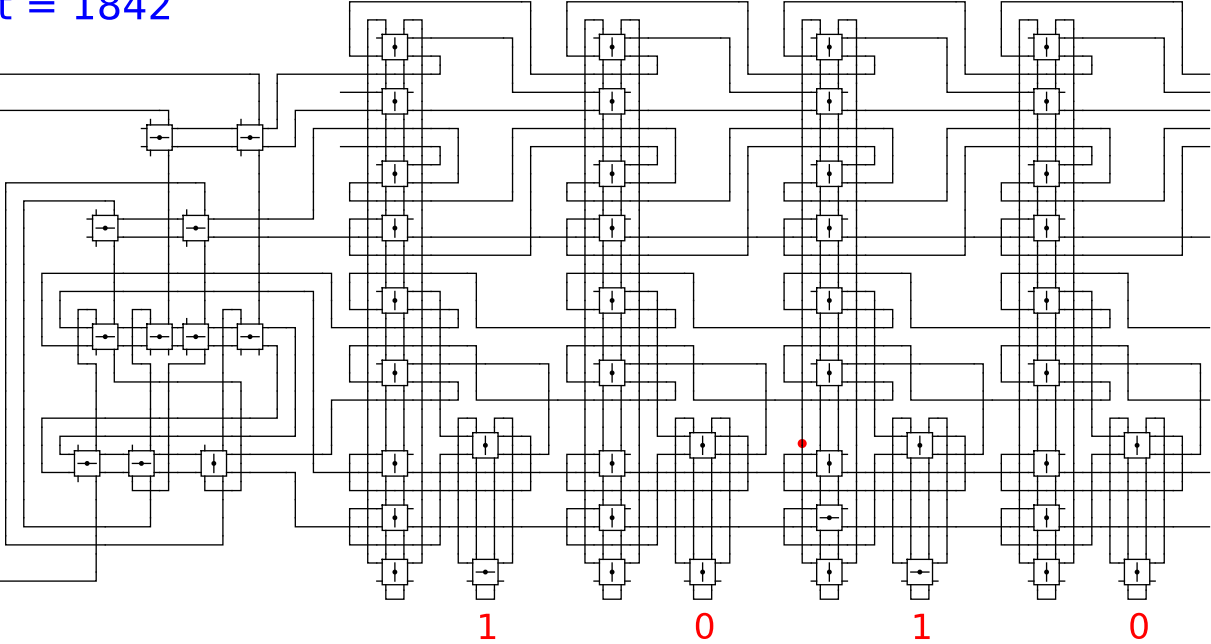
Begin



t = 1842

Reject
Accept

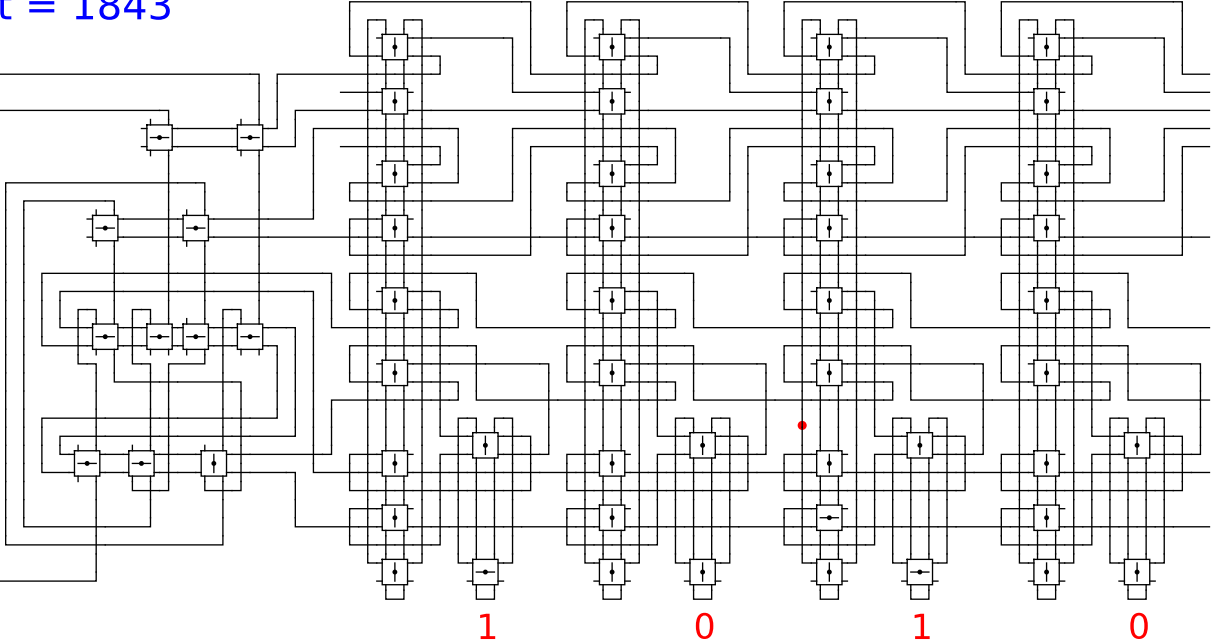
Begin



t = 1843

Reject
Accept

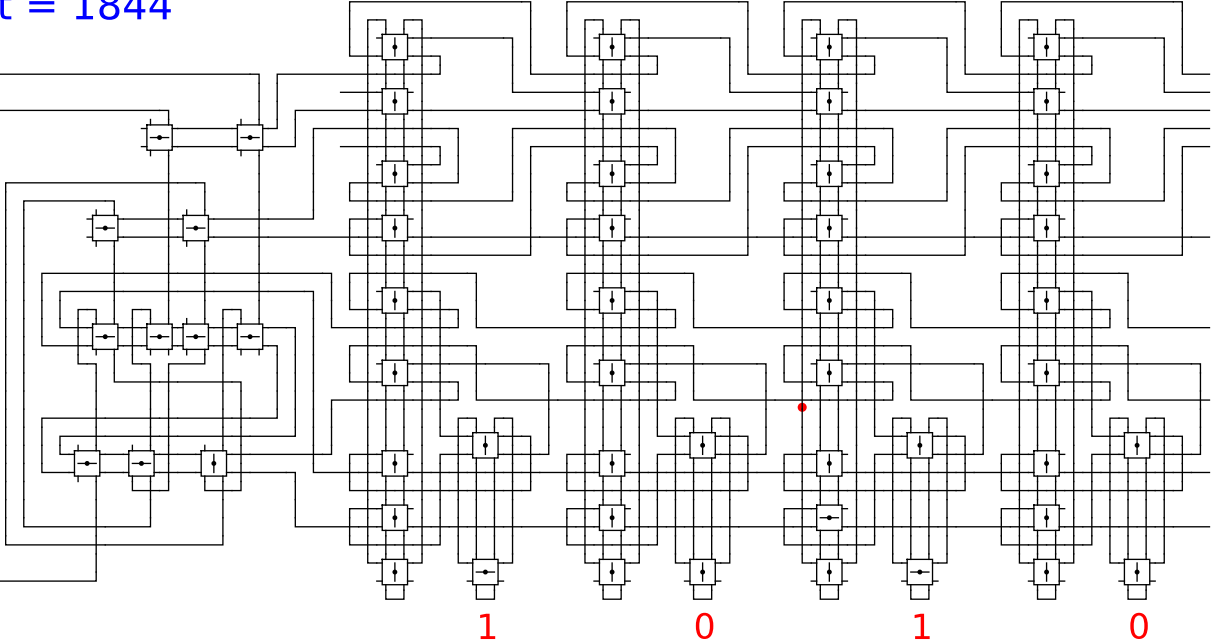
Begin



t = 1844

Reject
Accept

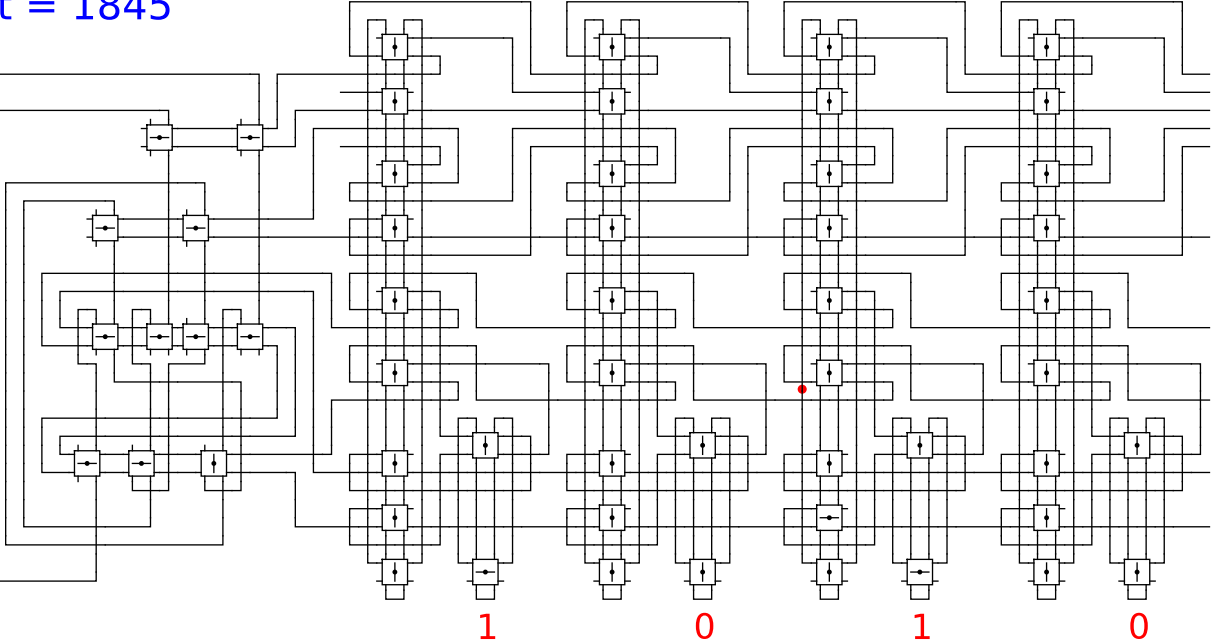
Begin



t = 1845

Reject
Accept

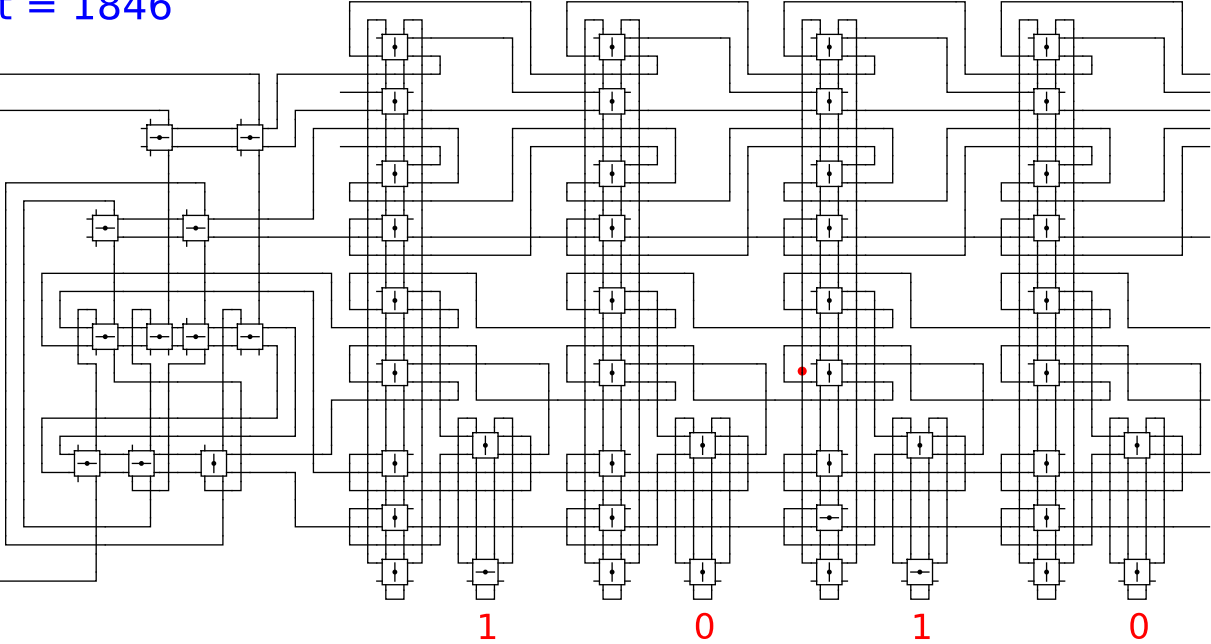
Begin



t = 1846

Reject
Accept

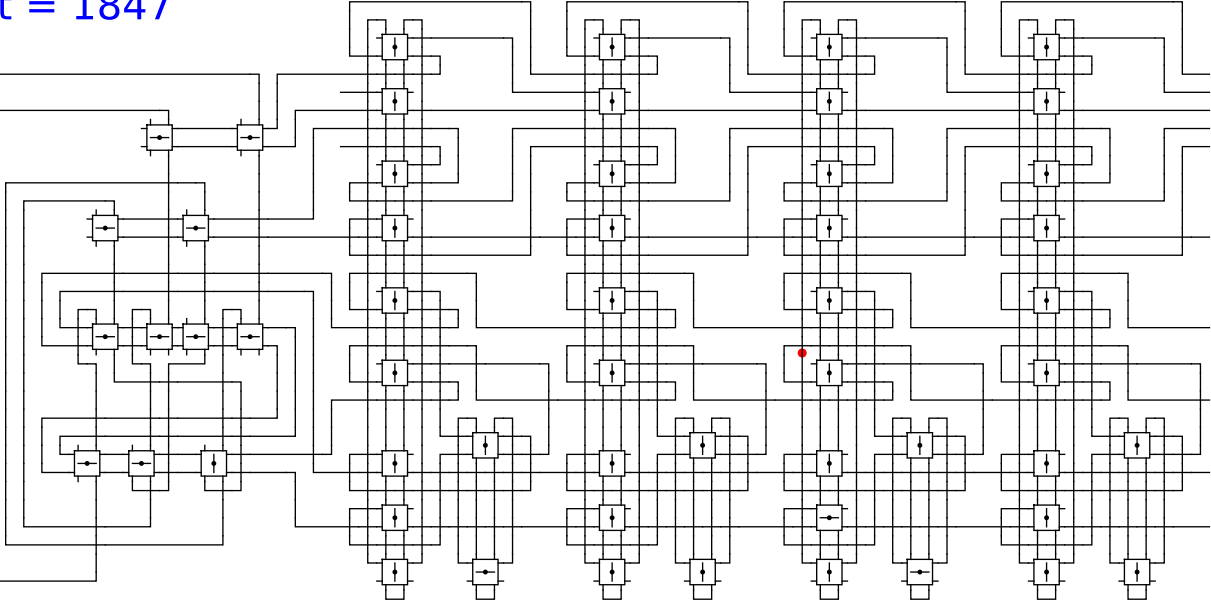
Begin



t = 1847

Reject
Accept

Begin



1

0

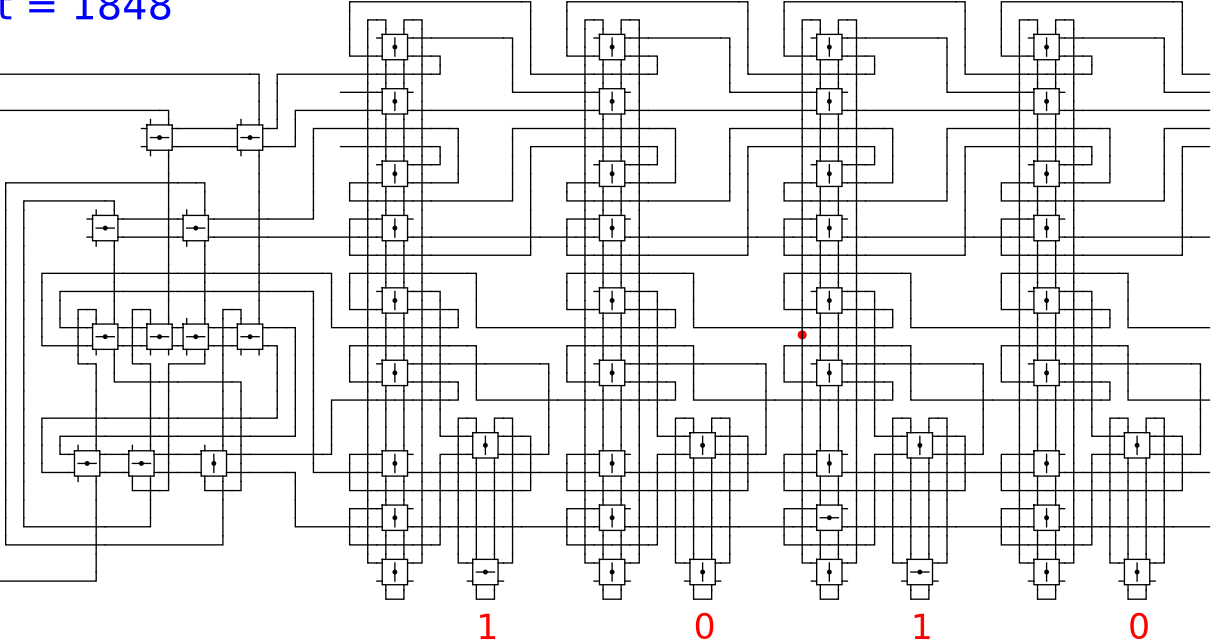
1

0

t = 1848

Reject
Accept

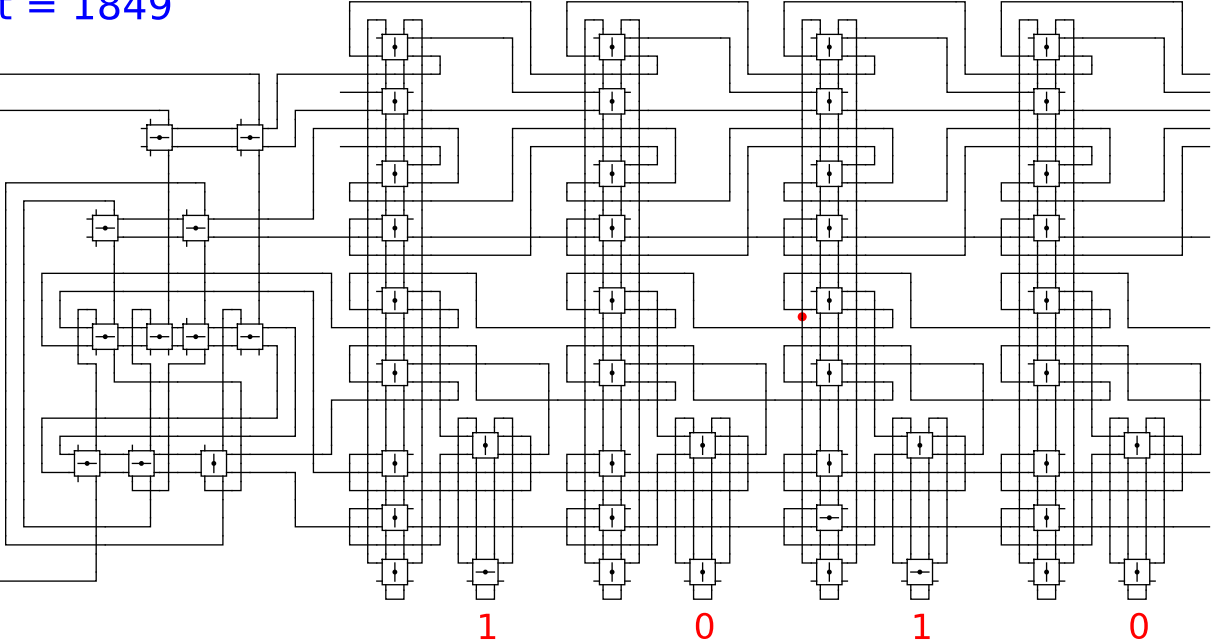
Begin



t = 1849

Reject
Accept

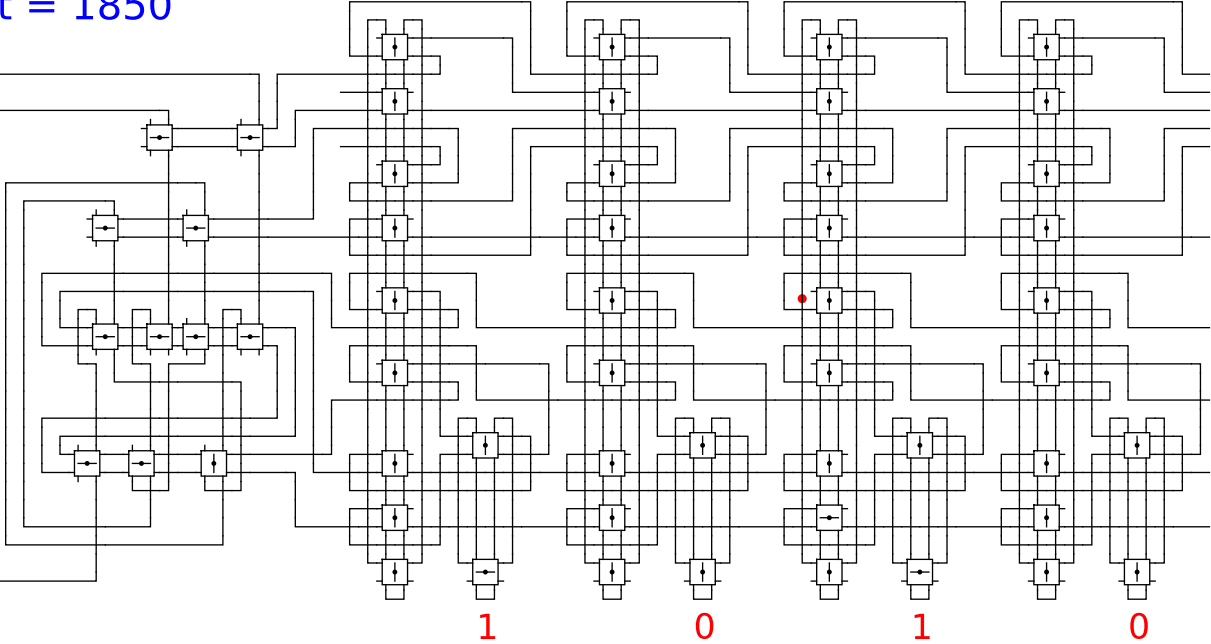
Begin



t = 1850

Reject
Accept

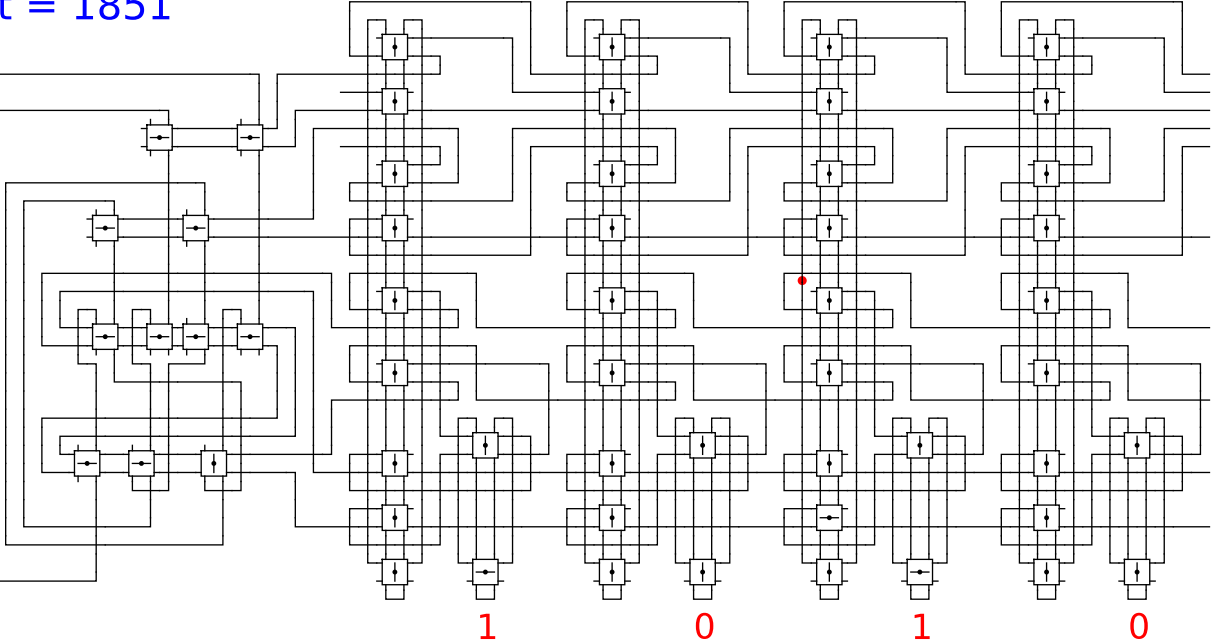
Begin



t = 1851

Reject
Accept

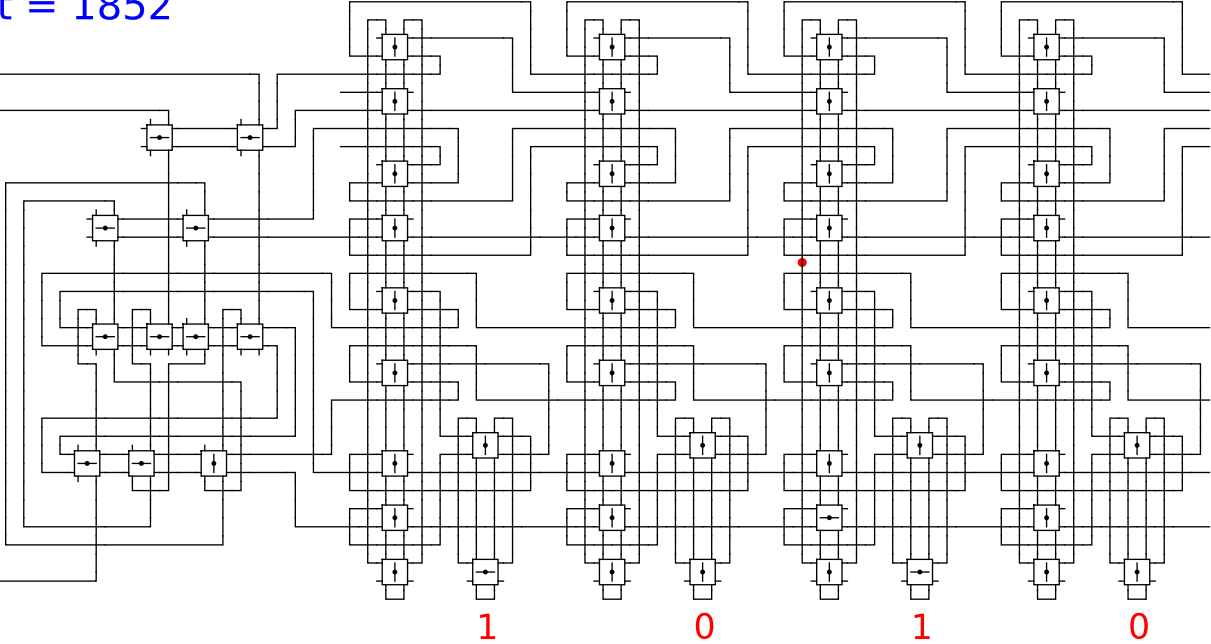
Begin



t = 1852

Reject
Accept

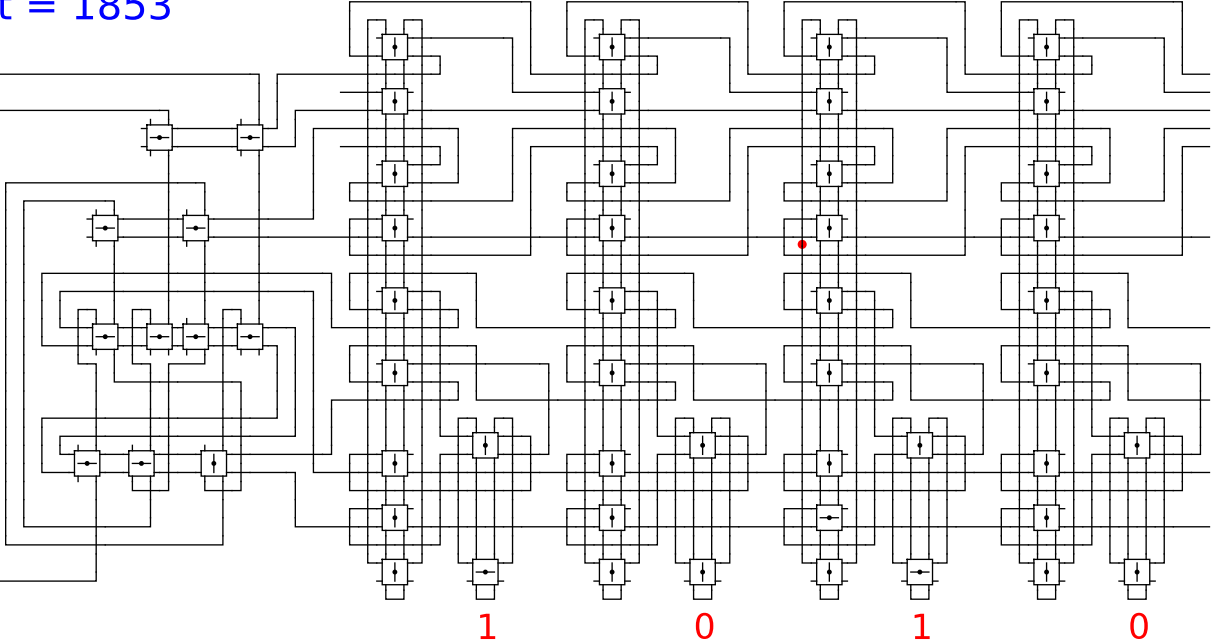
Begin



t = 1853

Reject
Accept

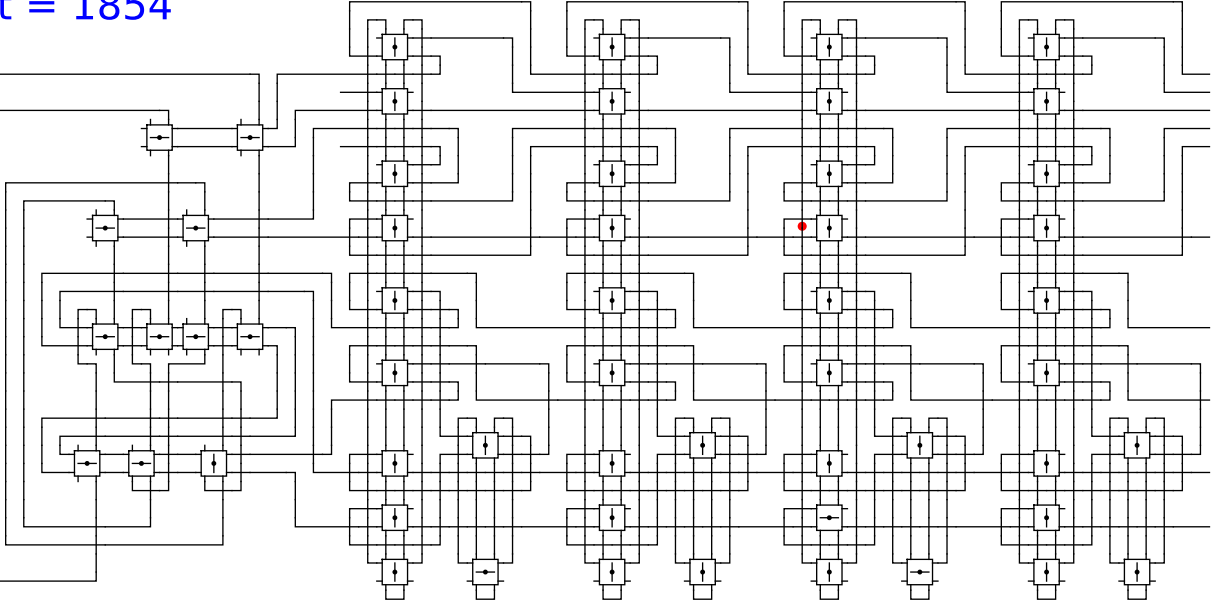
Begin



t = 1854

Reject
Accept

Begin



1

0

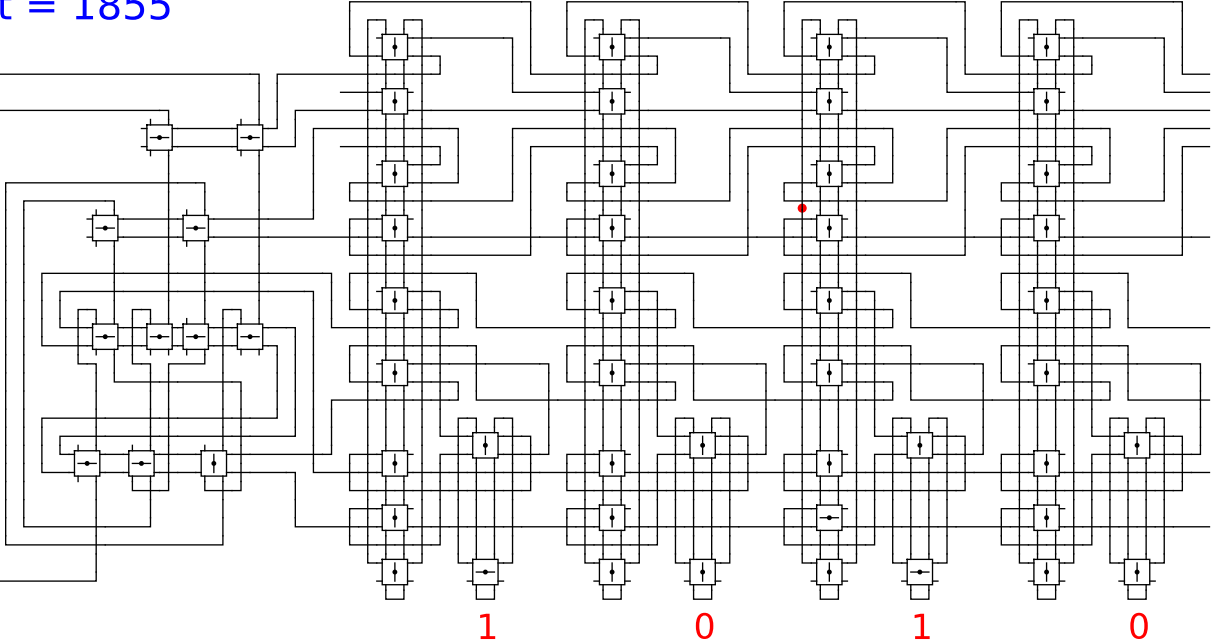
1

0

t = 1855

Reject
Accept

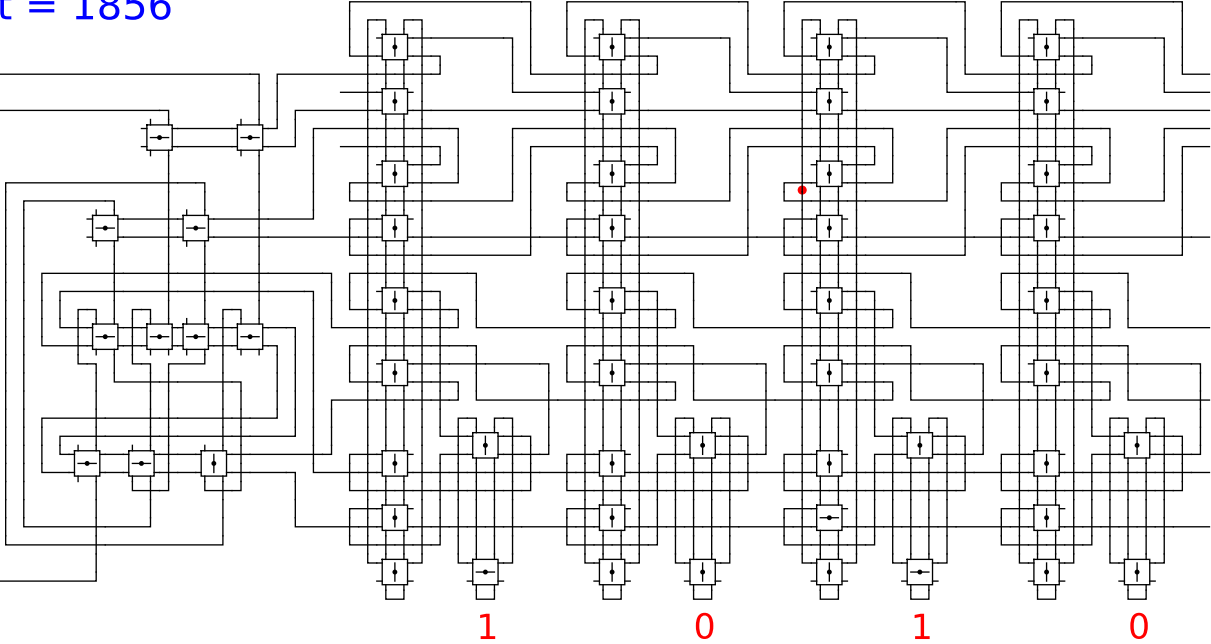
Begin



t = 1856

Reject
Accept

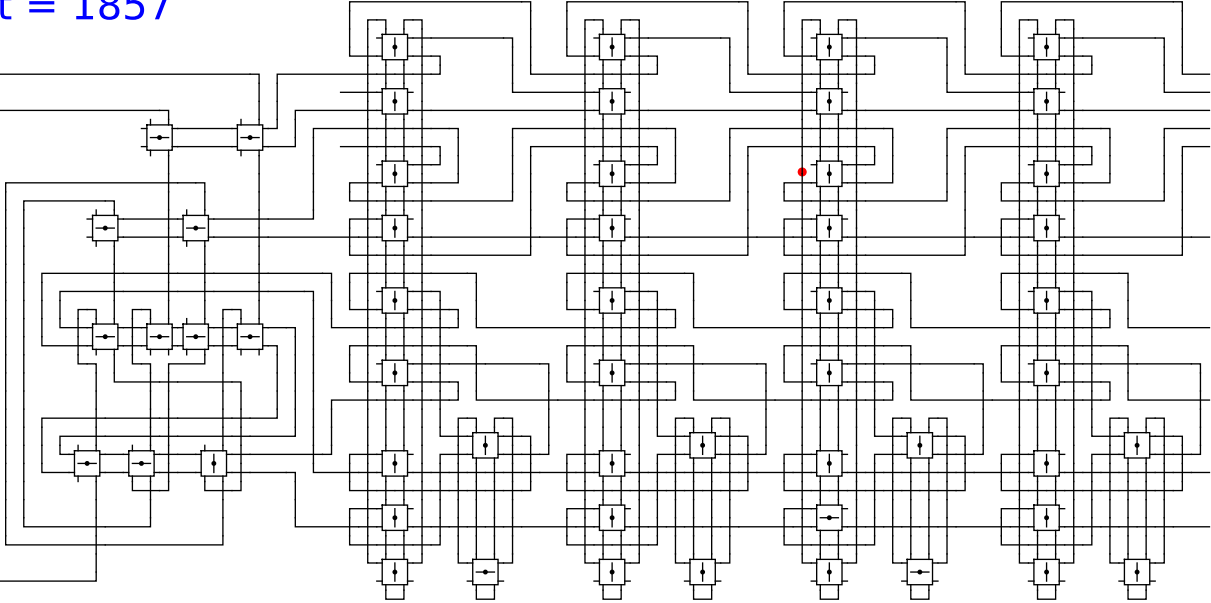
Begin



t = 1857

Reject
Accept

Begin



1

0

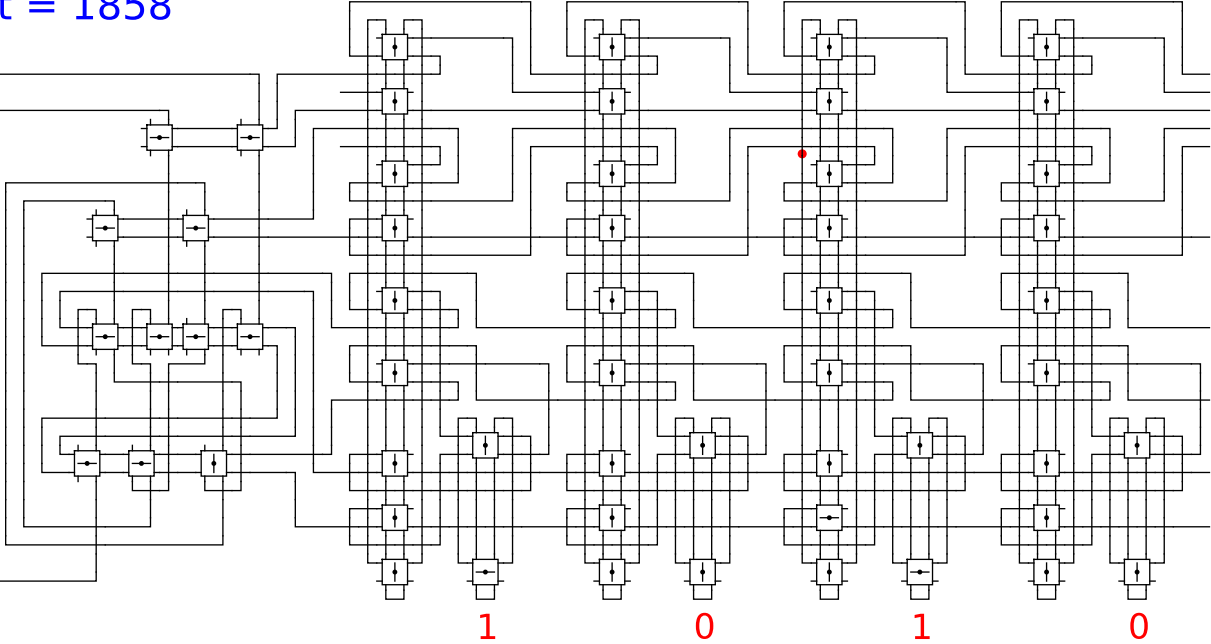
1

0

t = 1858

Reject
Accept

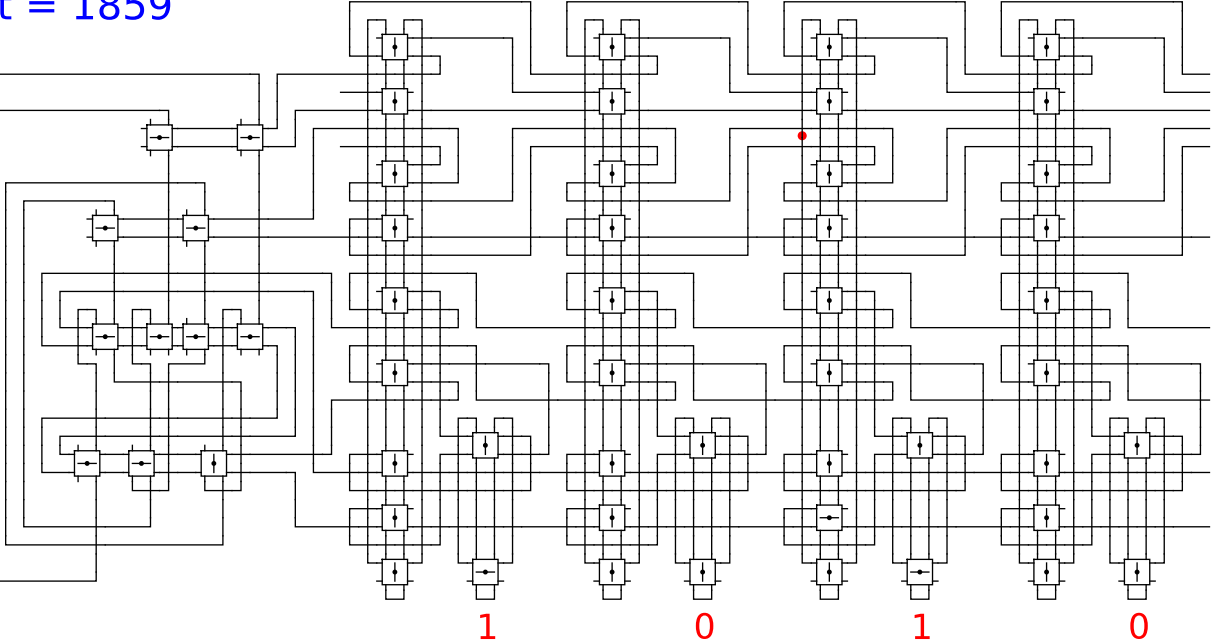
Begin



t = 1859

Reject
Accept

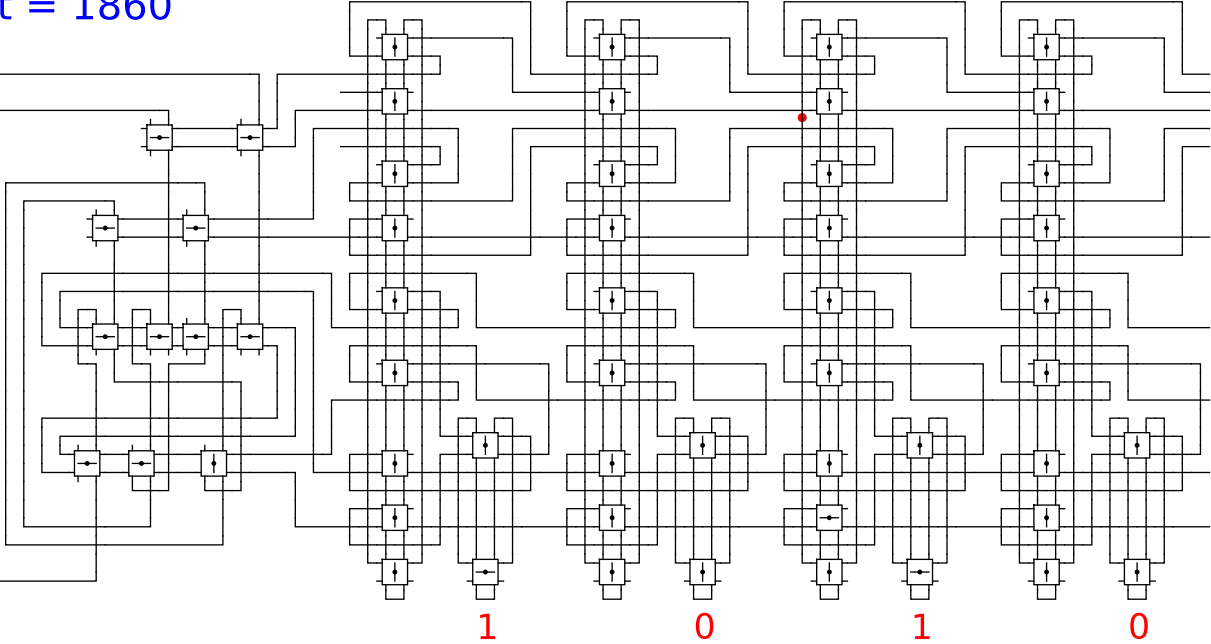
Begin



t = 1860

Reject
Accept

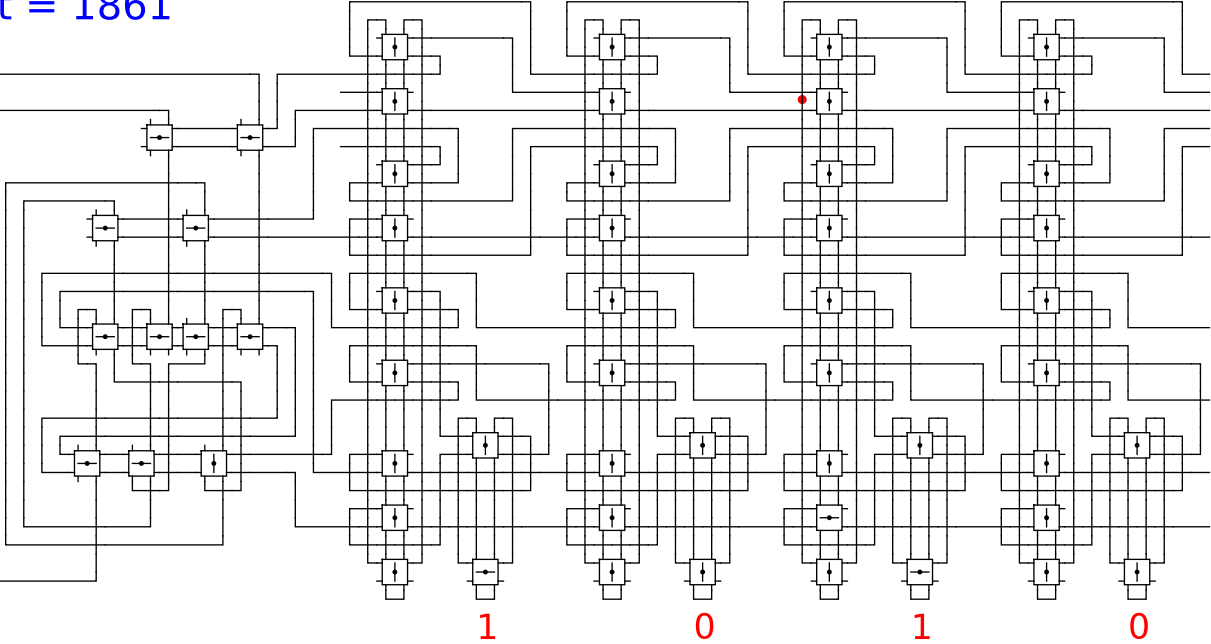
Begin



t = 1861

Reject
Accept

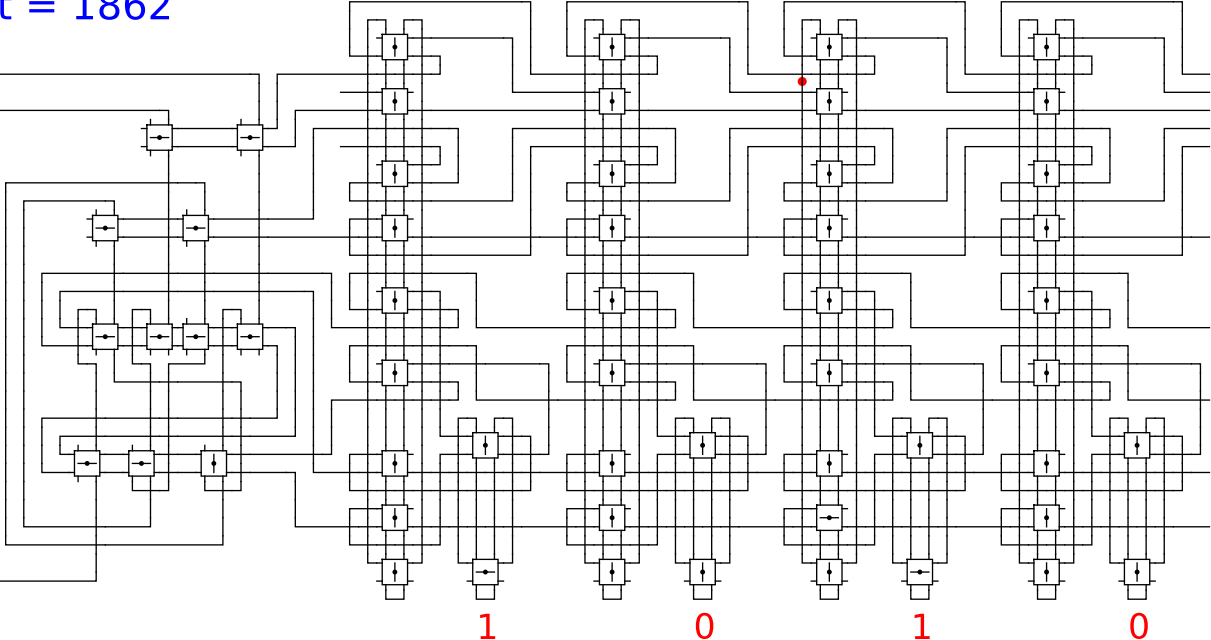
Begin



t = 1862

Reject
Accept

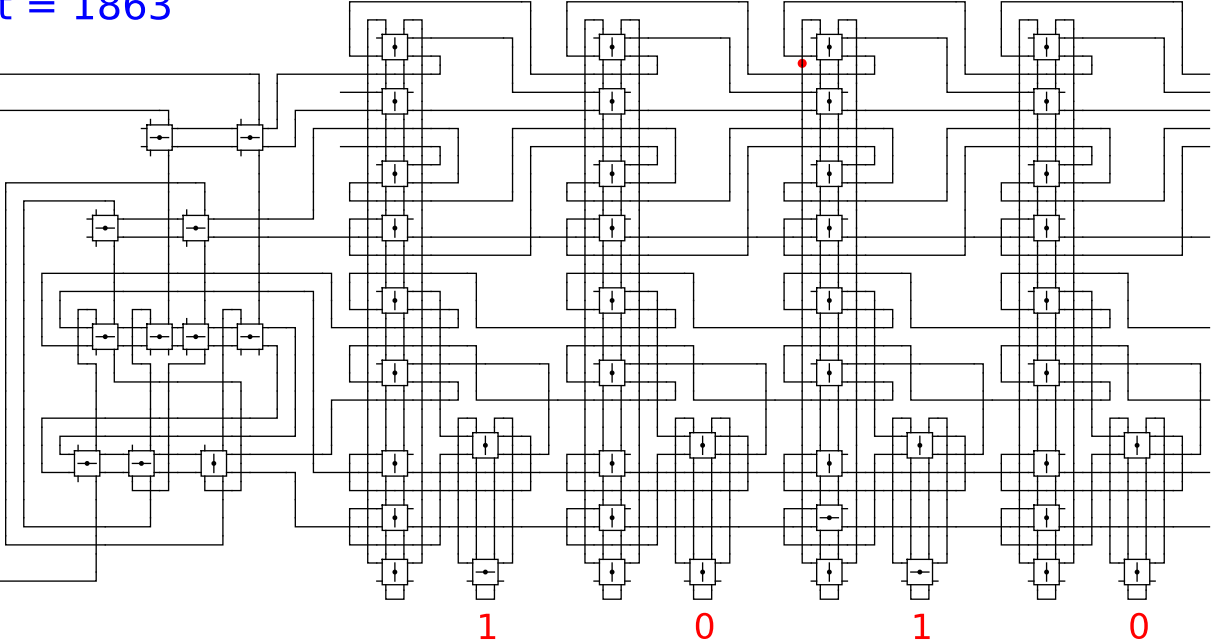
Begin



t = 1863

Reject
Accept

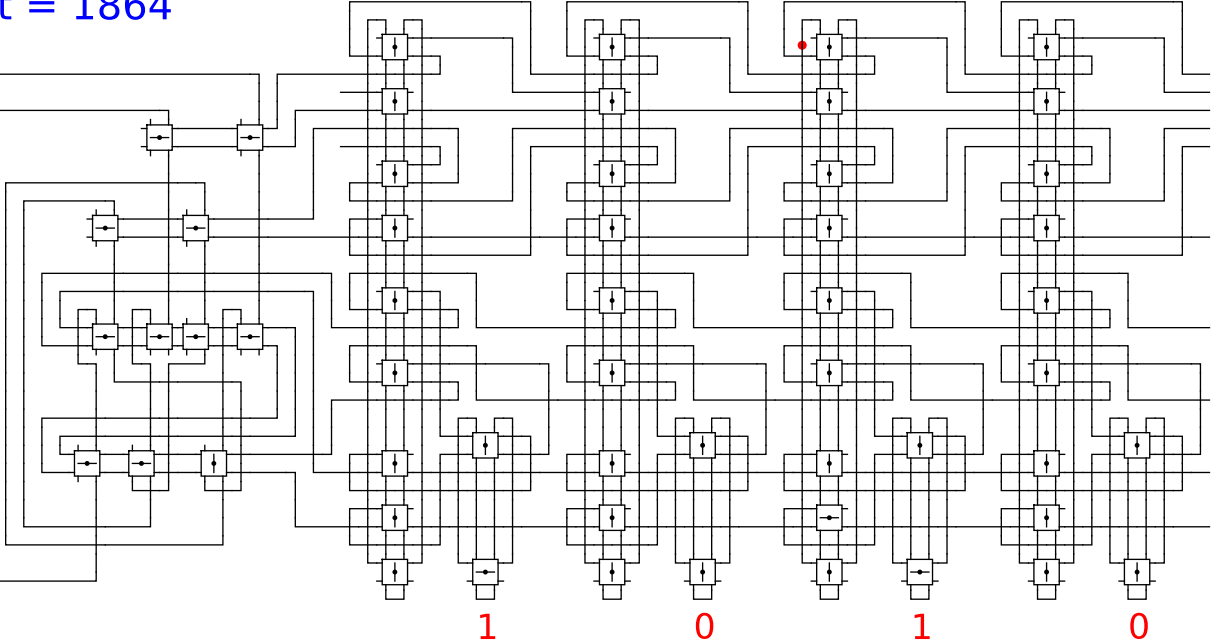
Begin



t = 1864

Reject
Accept

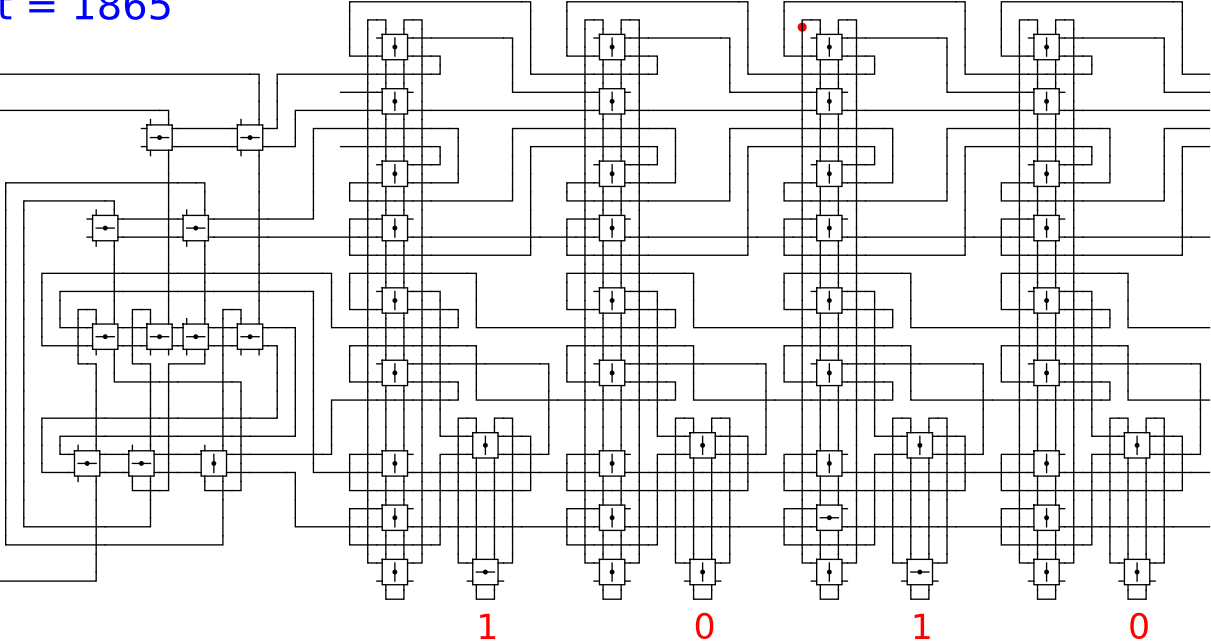
Begin



t = 1865

Reject
Accept

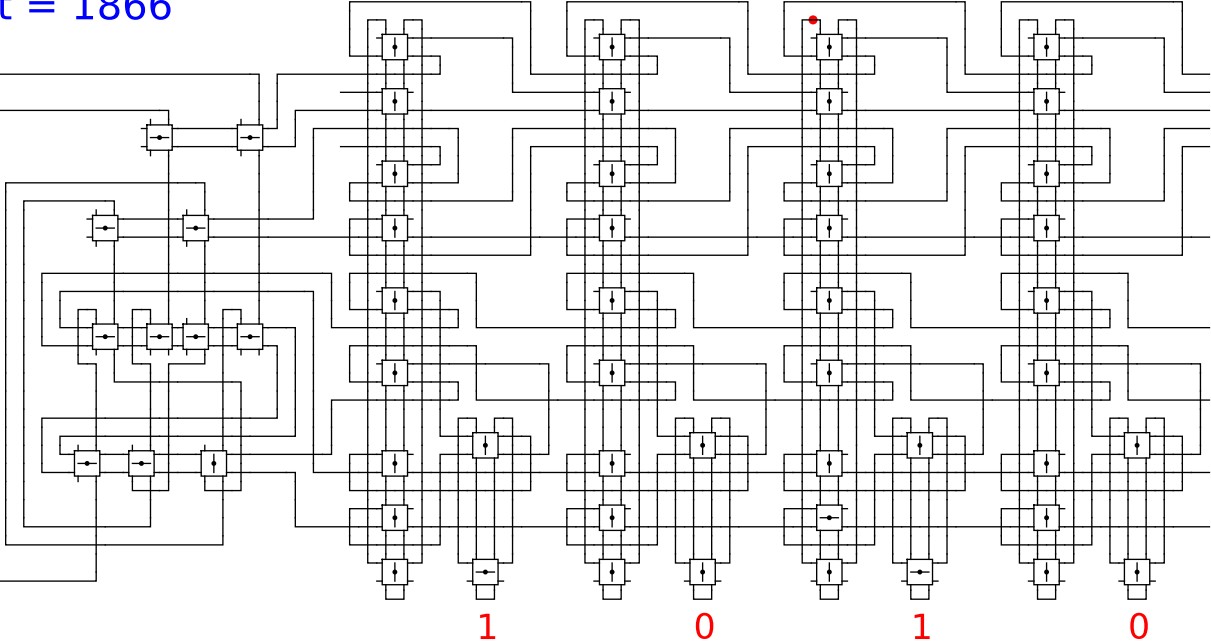
Begin



t = 1866

Reject
Accept

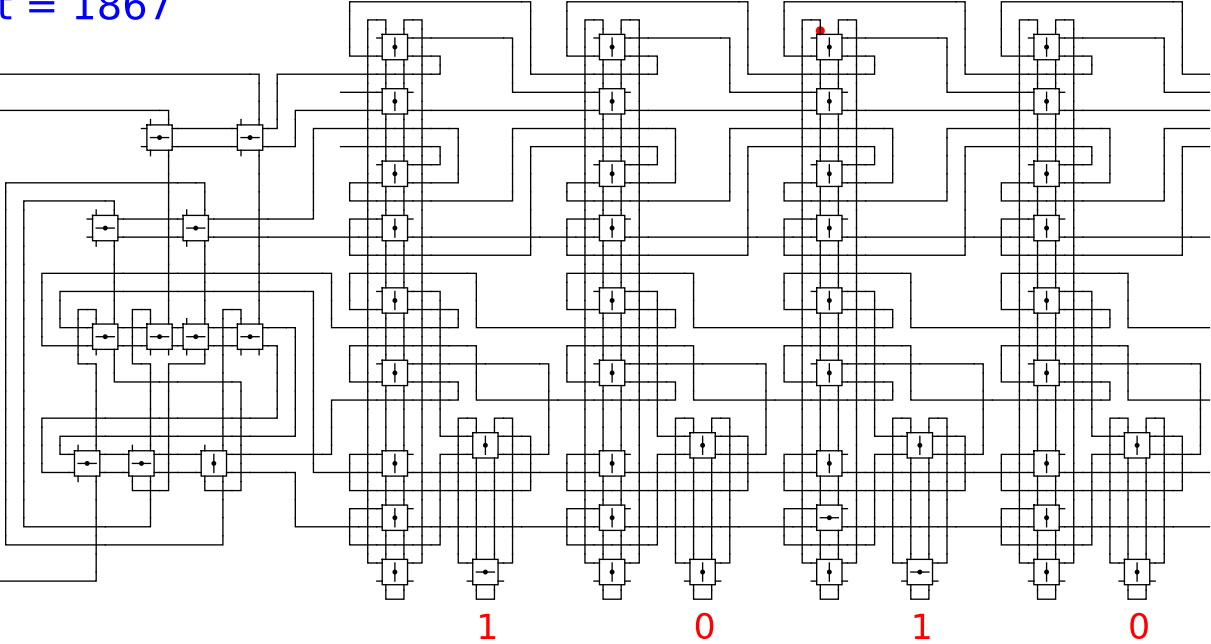
Begin



t = 1867

Reject
Accept

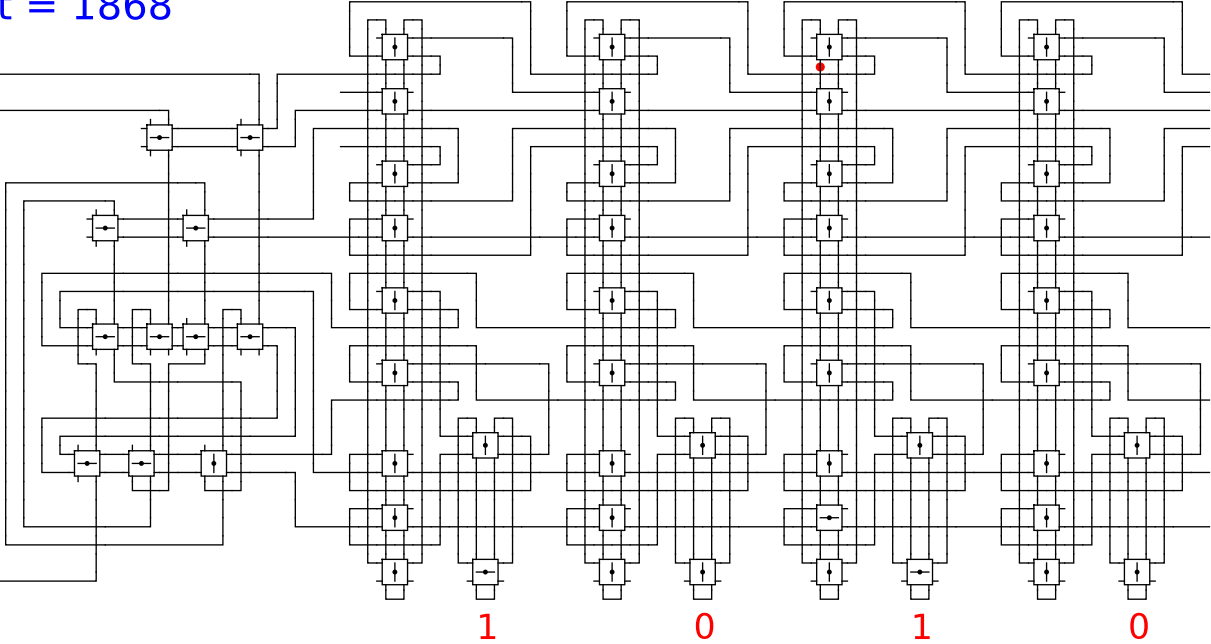
Begin



t = 1868

Reject
Accept

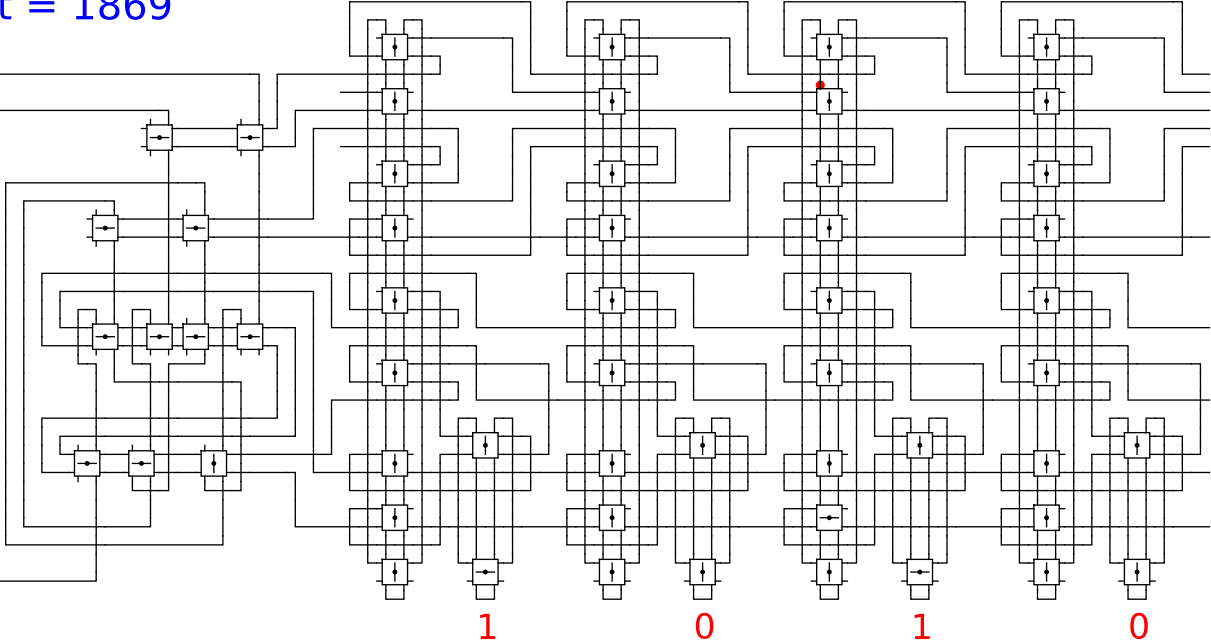
Begin



t = 1869

Reject
Accept

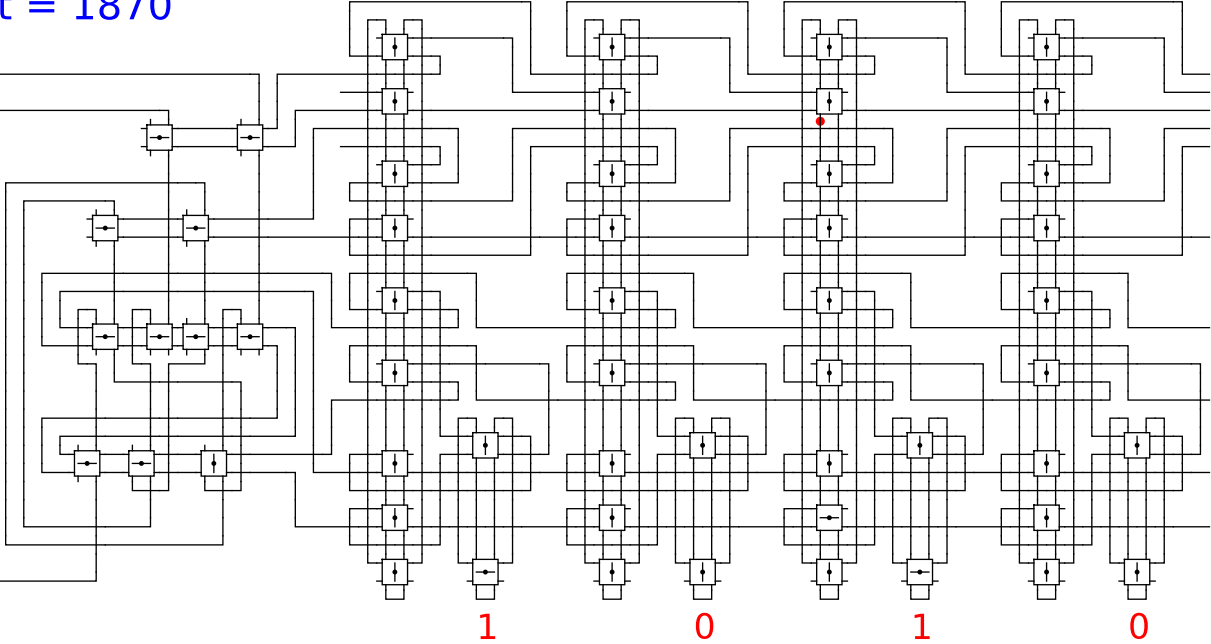
Begin



t = 1870

Reject
Accept

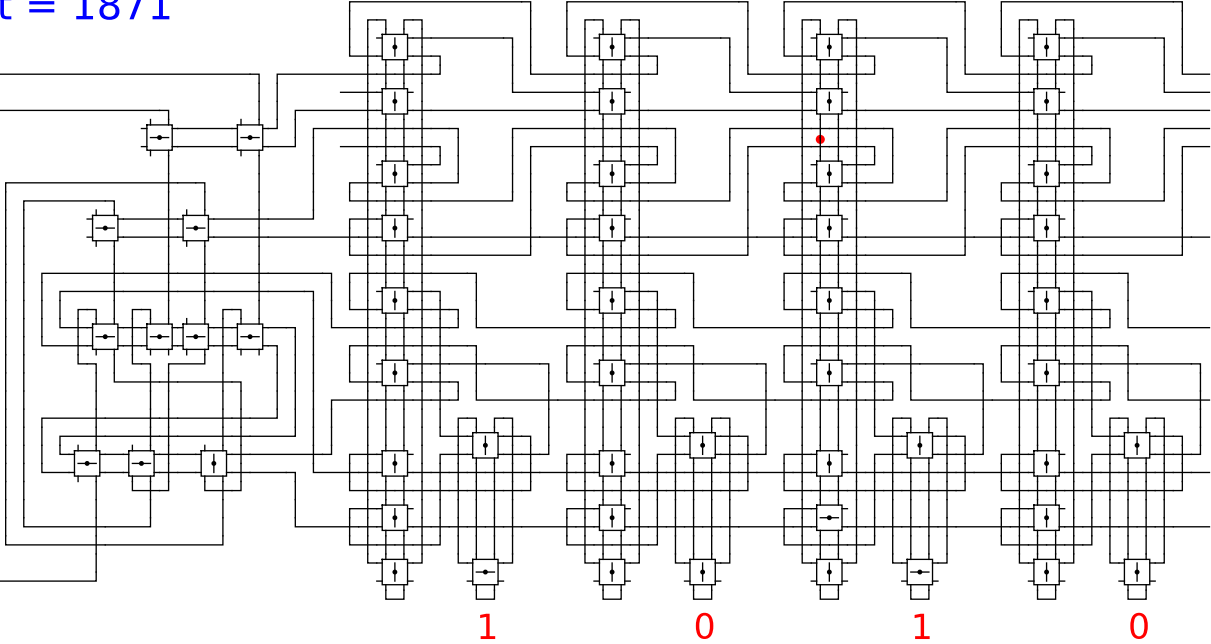
Begin



t = 1871

Reject
Accept

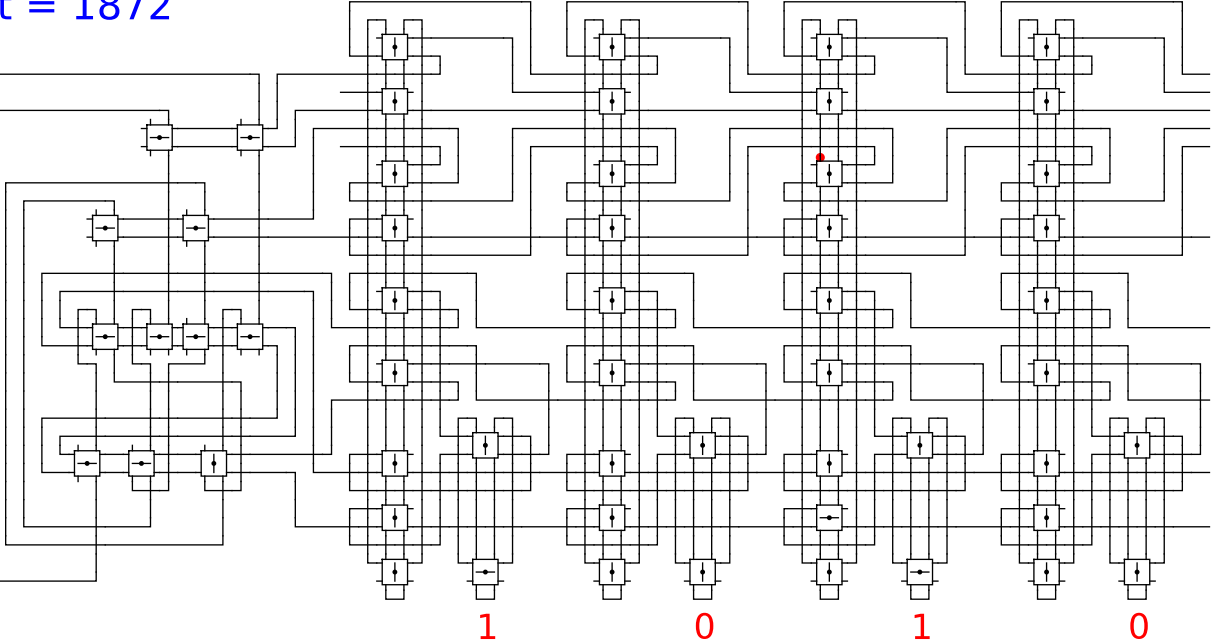
Begin



t = 1872

Reject
Accept

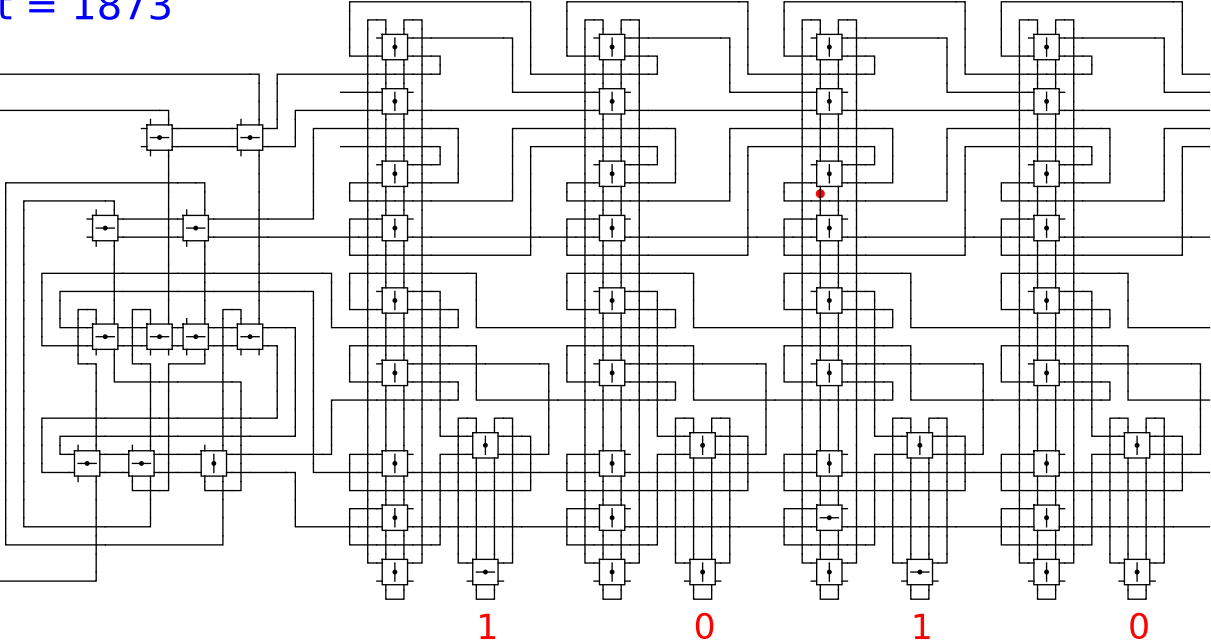
Begin



t = 1873

Reject
Accept

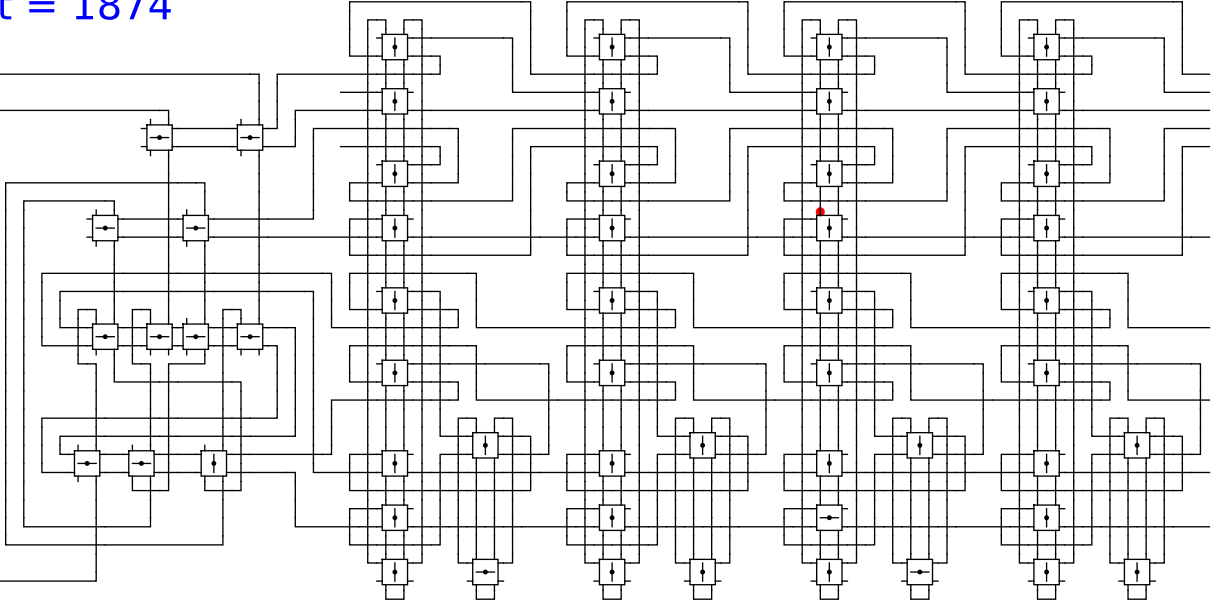
Begin



t = 1874

Reject
Accept

Begin



1

0

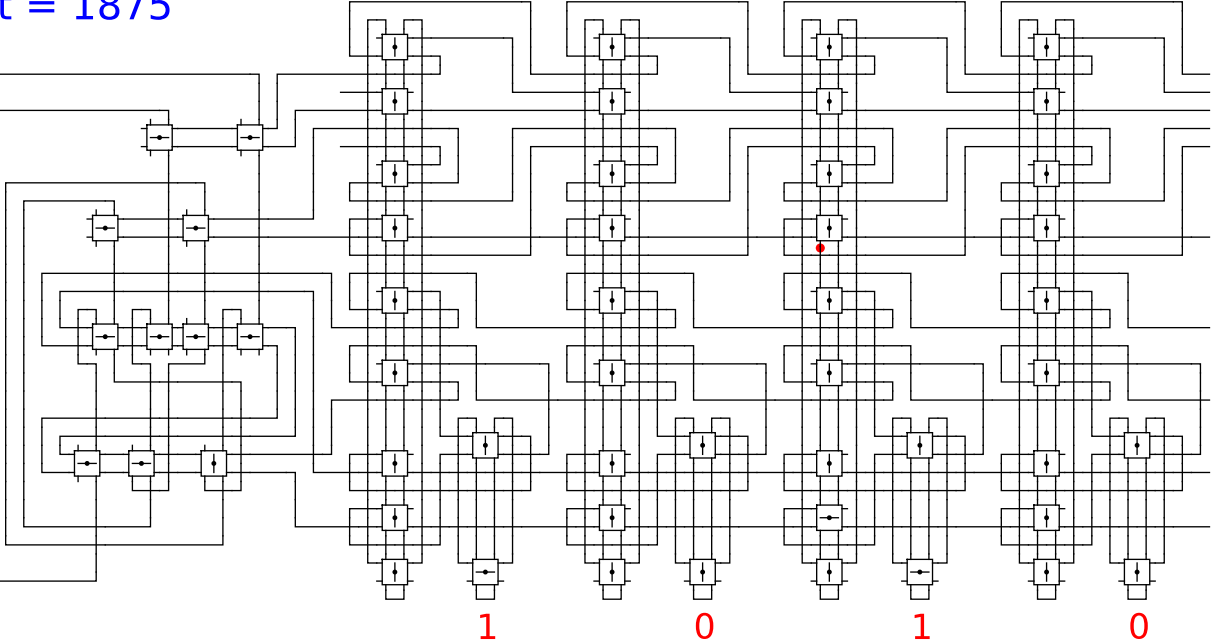
1

0

t = 1875

Reject
Accept

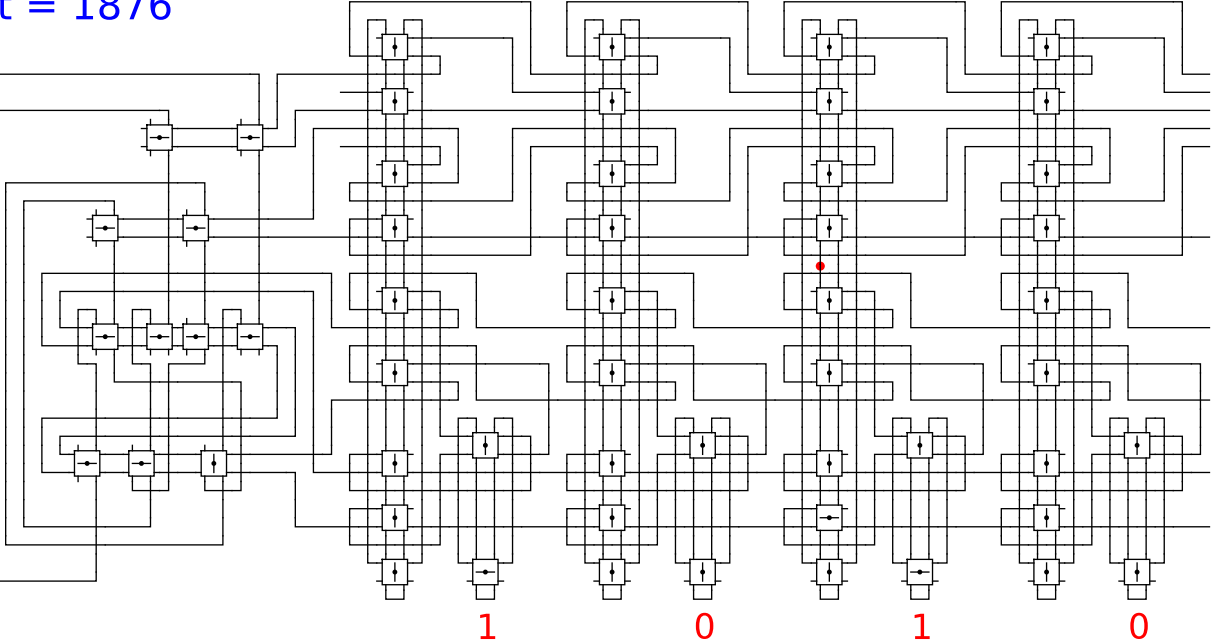
Begin



t = 1876

Reject
Accept

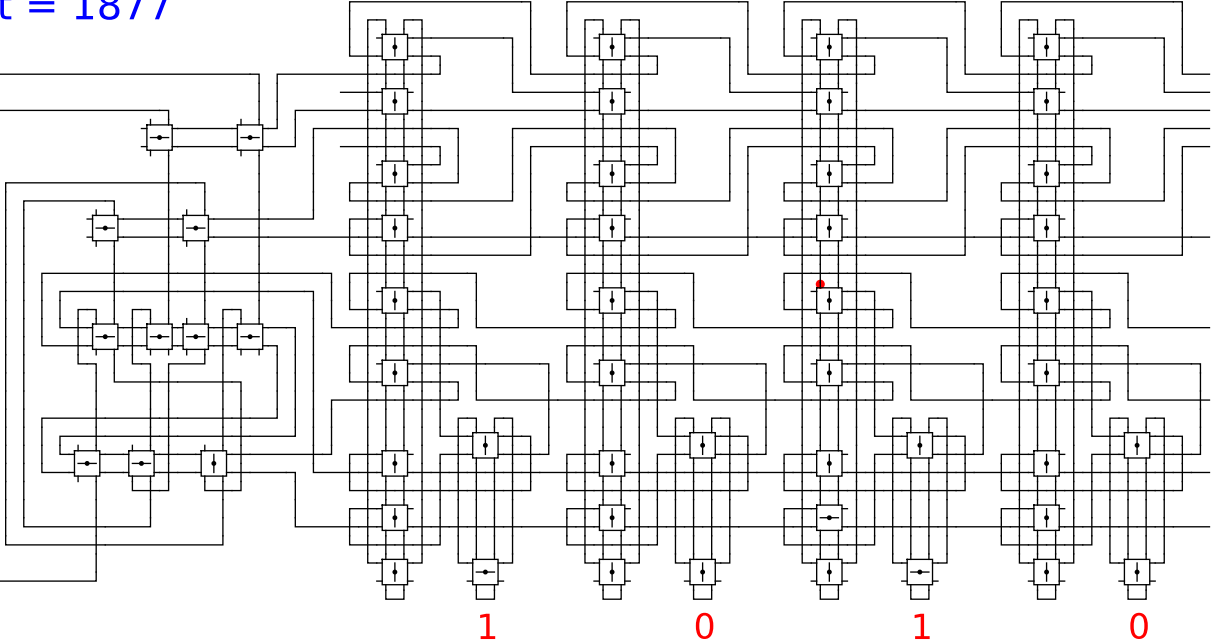
Begin



t = 1877

Reject
Accept

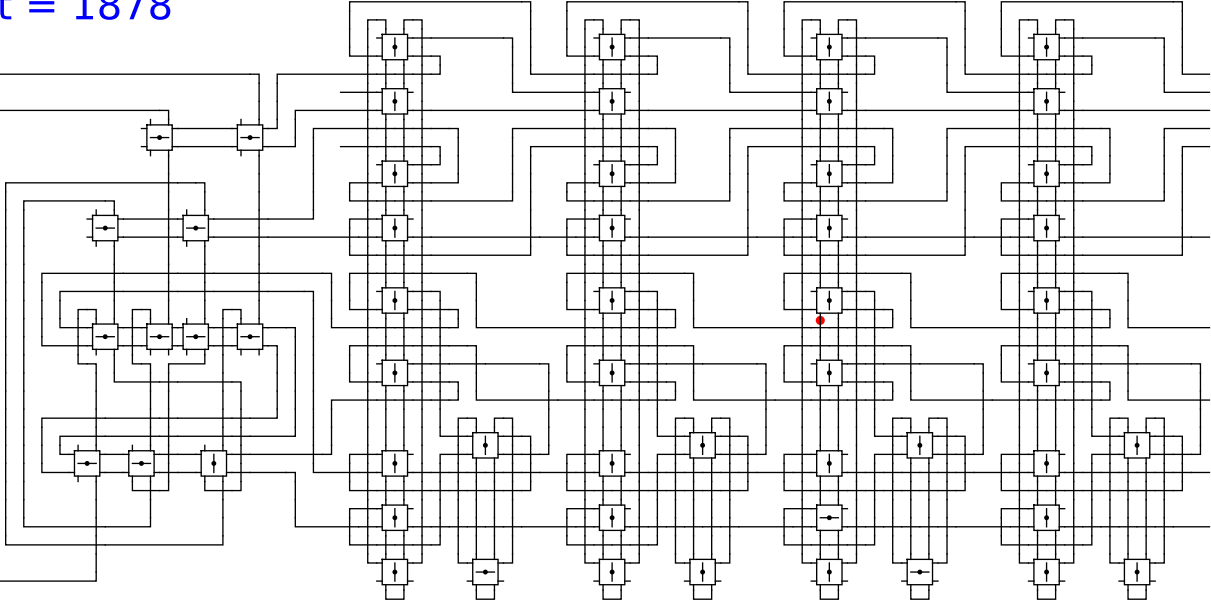
Begin



t = 1878

Reject
Accept

Begin



1

0

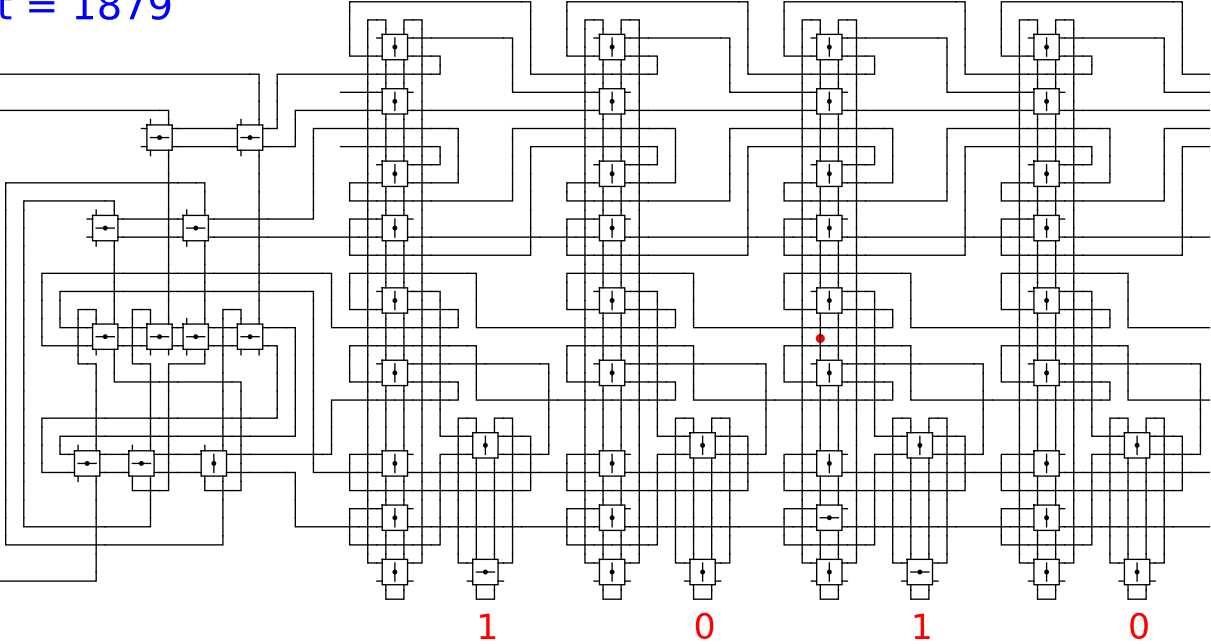
1

0

t = 1879

Reject
Accept

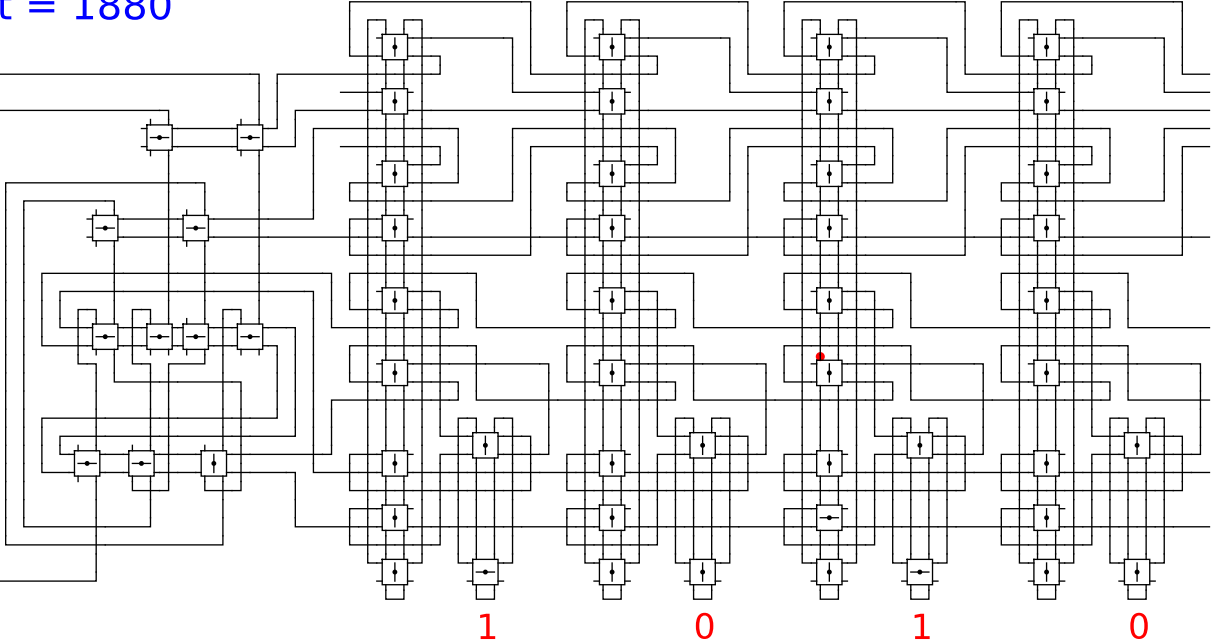
Begin



t = 1880

Reject
Accept

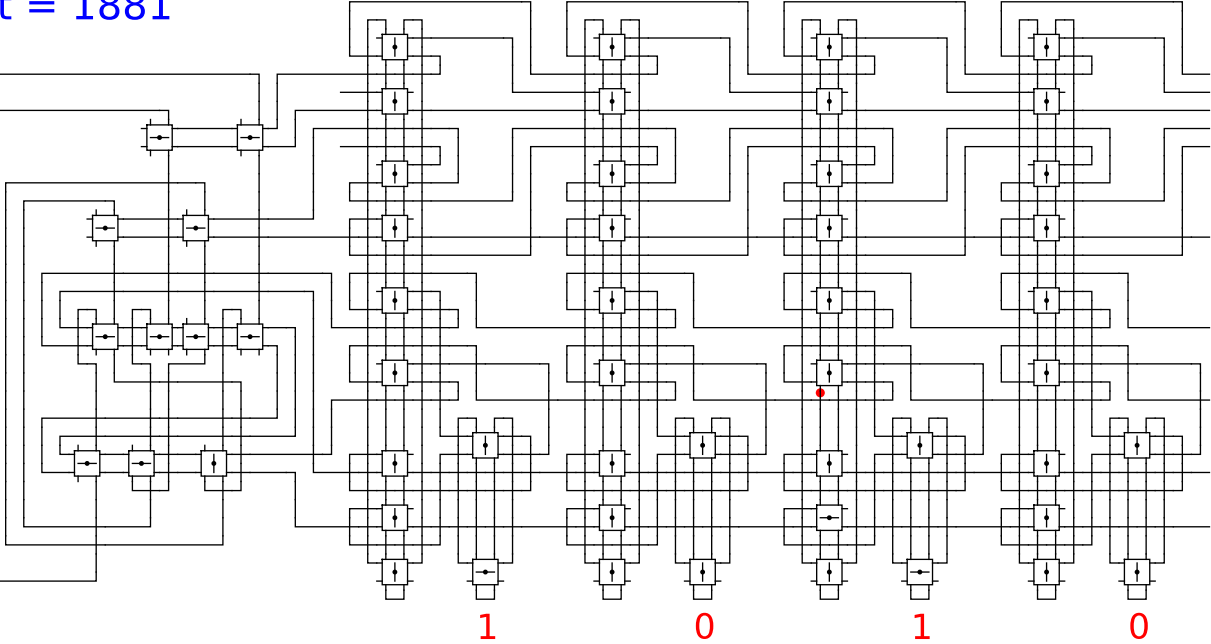
Begin



t = 1881

Reject
Accept

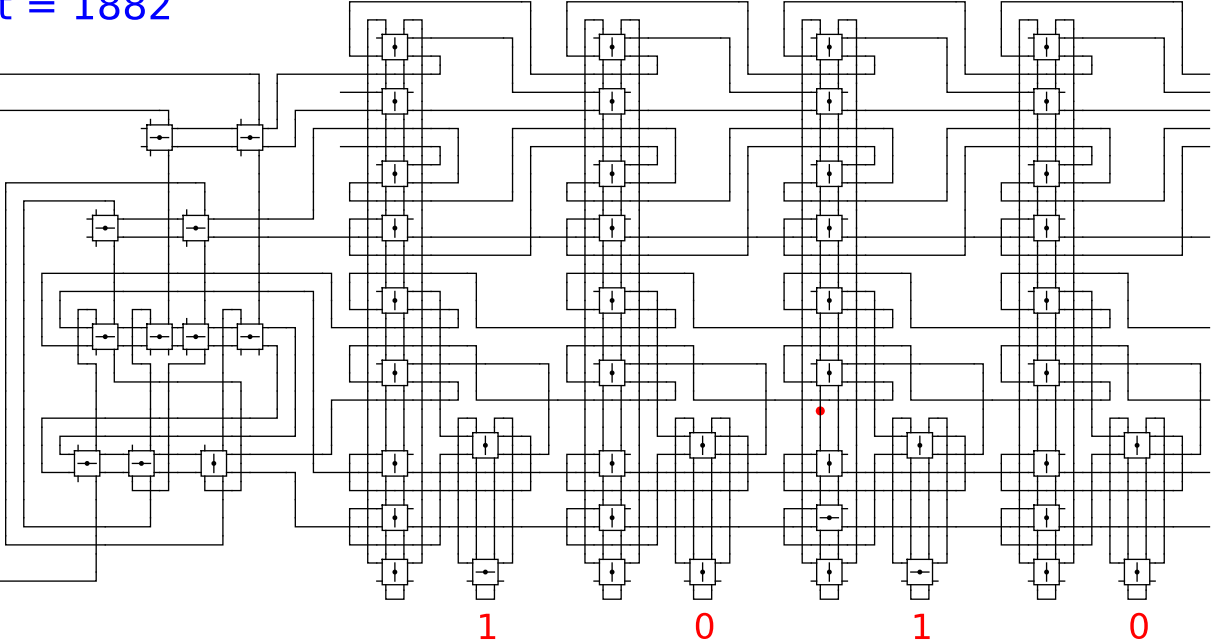
Begin



t = 1882

Reject
Accept

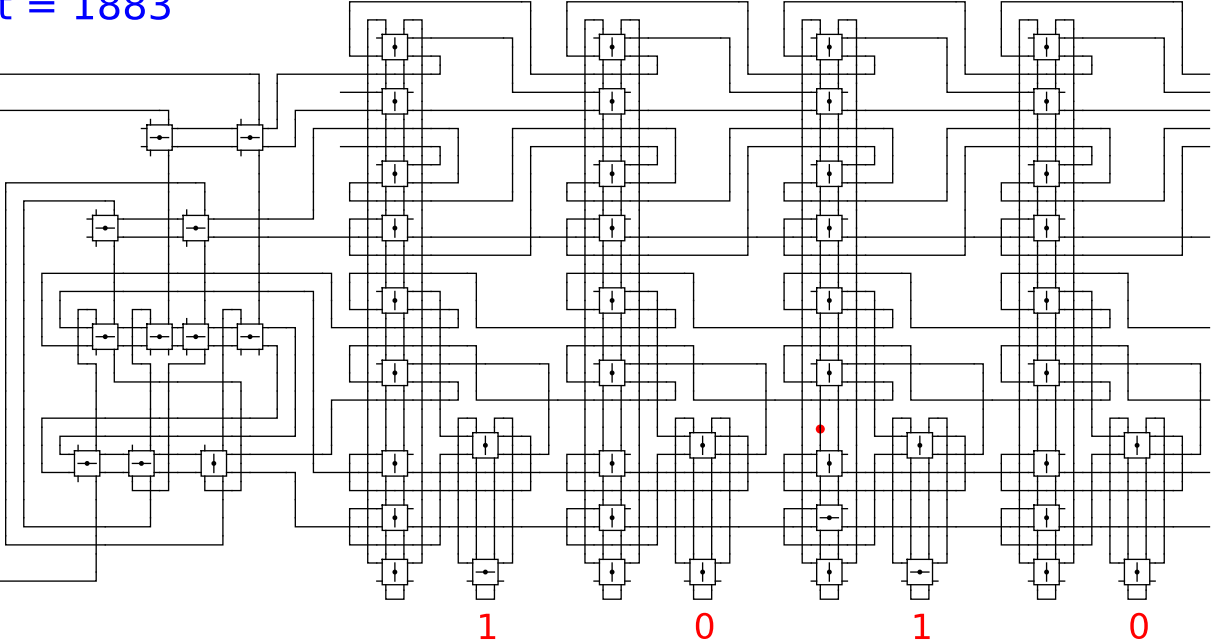
Begin



t = 1883

Reject
Accept

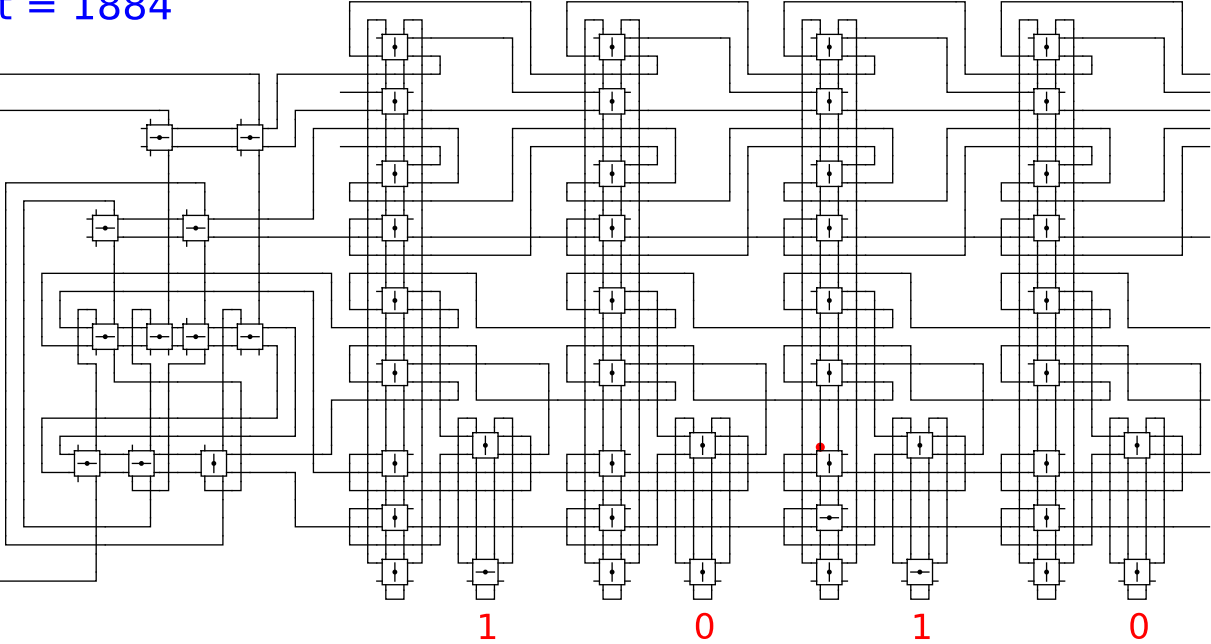
Begin



t = 1884

Reject
Accept

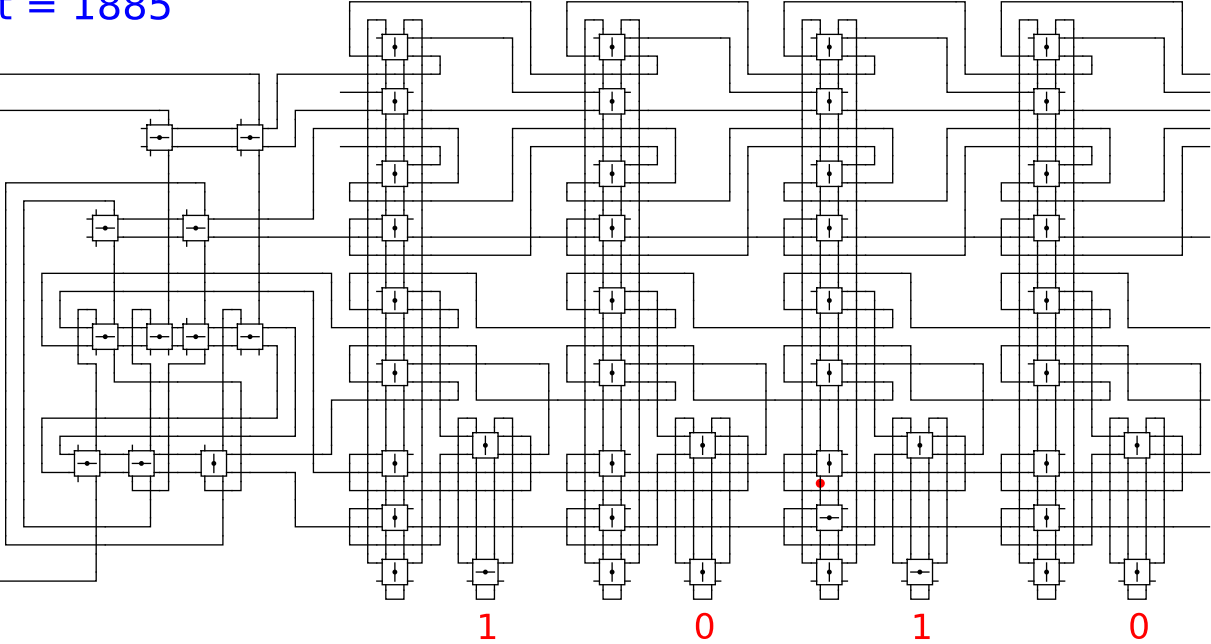
Begin



t = 1885

Reject
Accept

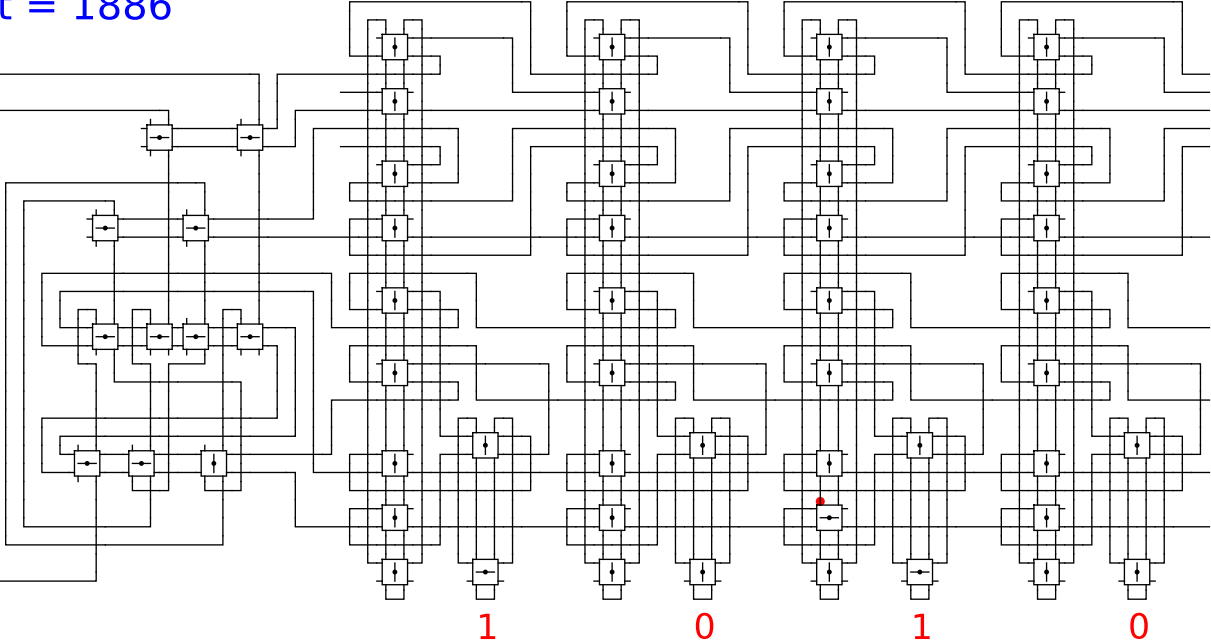
Begin



t = 1886

Reject
Accept

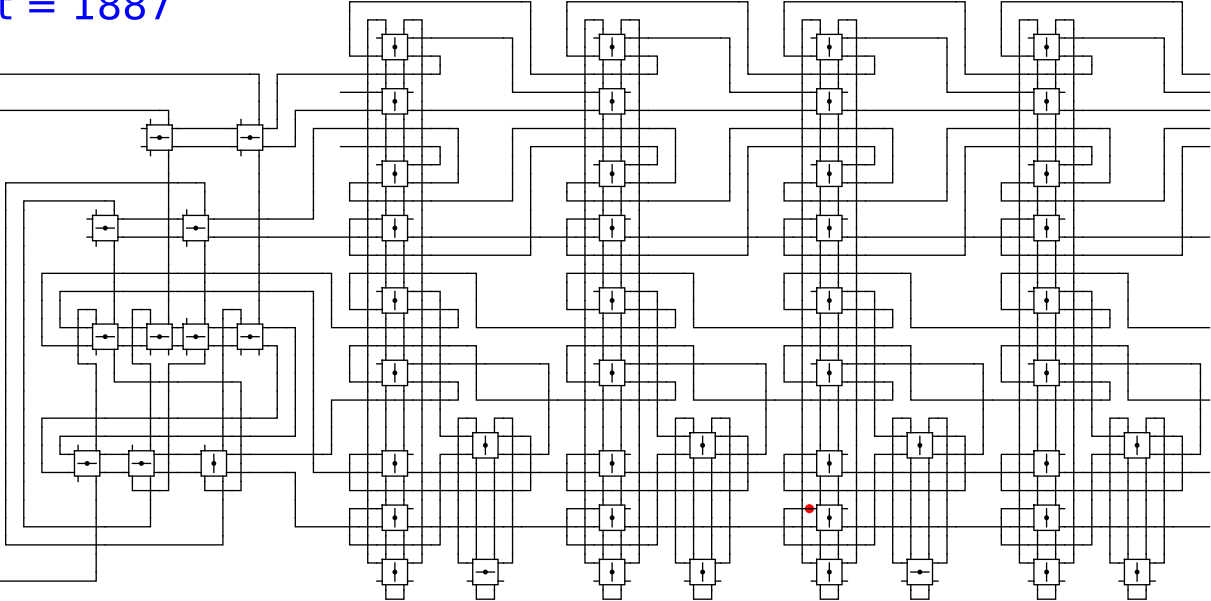
Begin



t = 1887

Reject
Accept

Begin



1

0

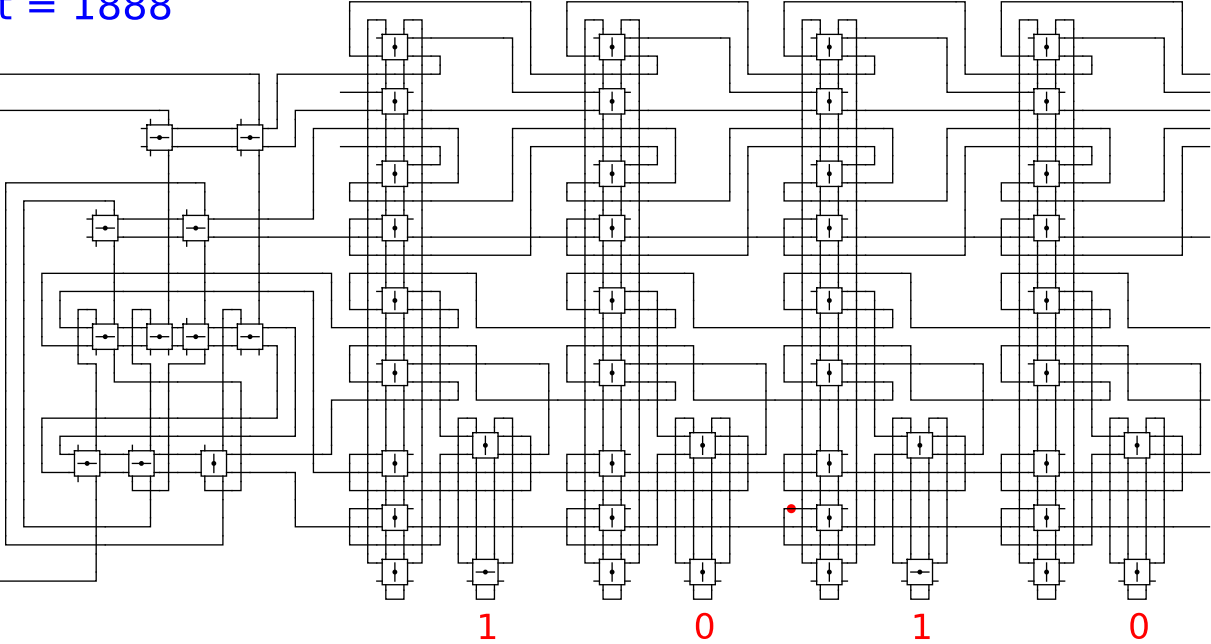
1

0

t = 1888

Reject
Accept

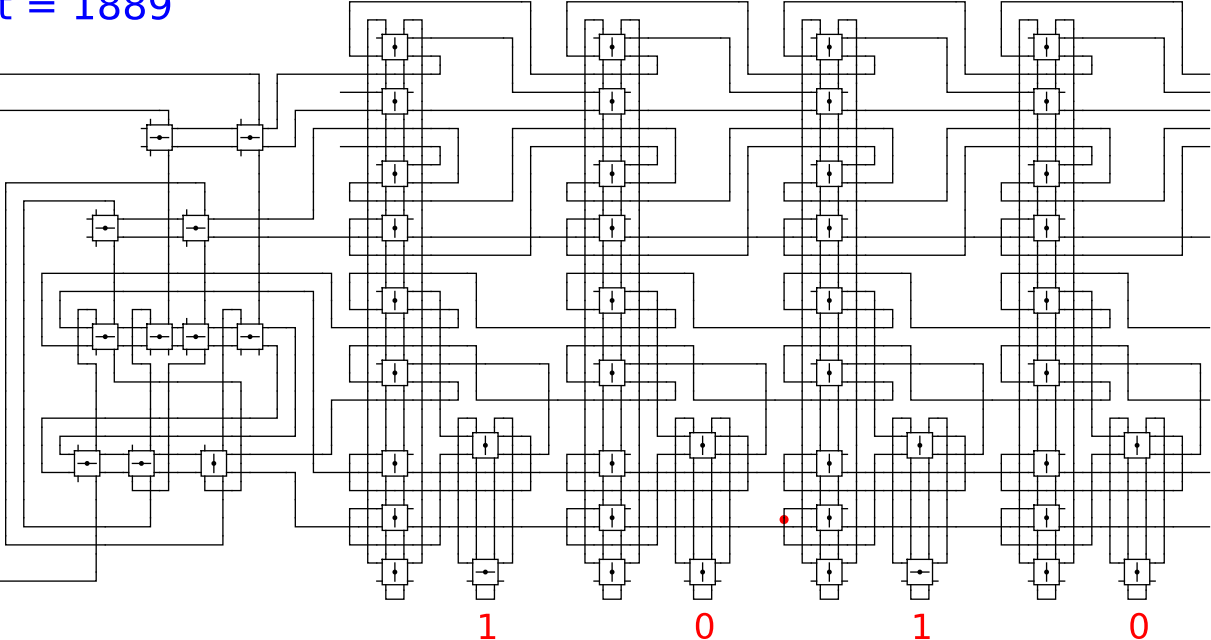
Begin



t = 1889

Reject
Accept

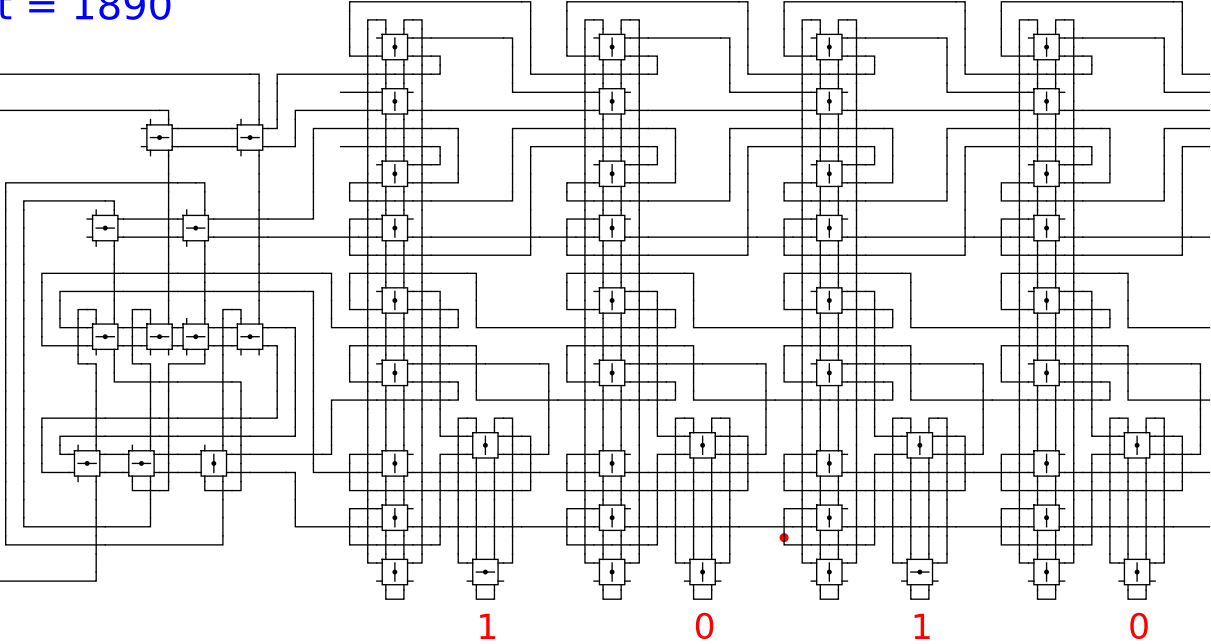
Begin



t = 1890

Reject
Accept

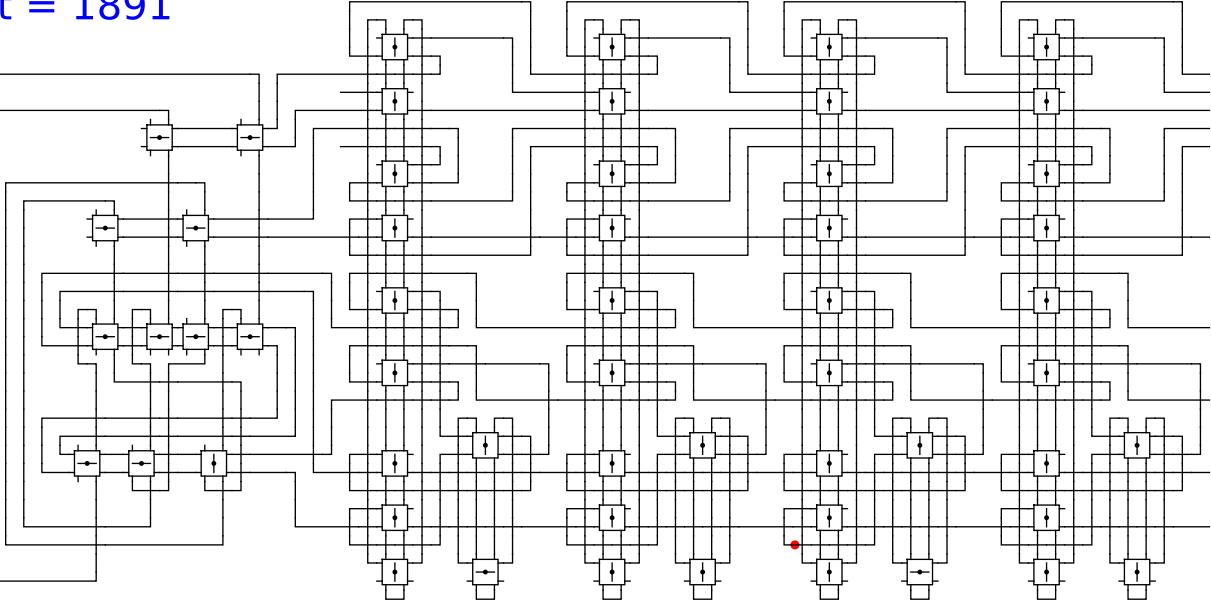
Begin



t = 1891

Reject
Accept

Begin



1

0

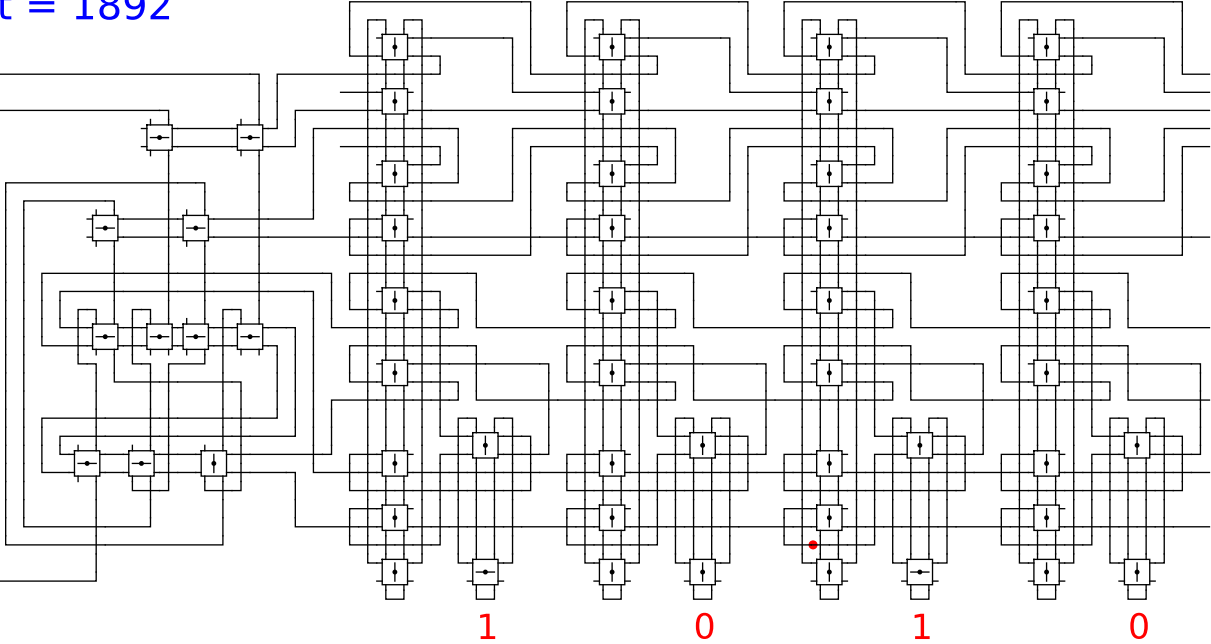
1

0

t = 1892

Reject
Accept

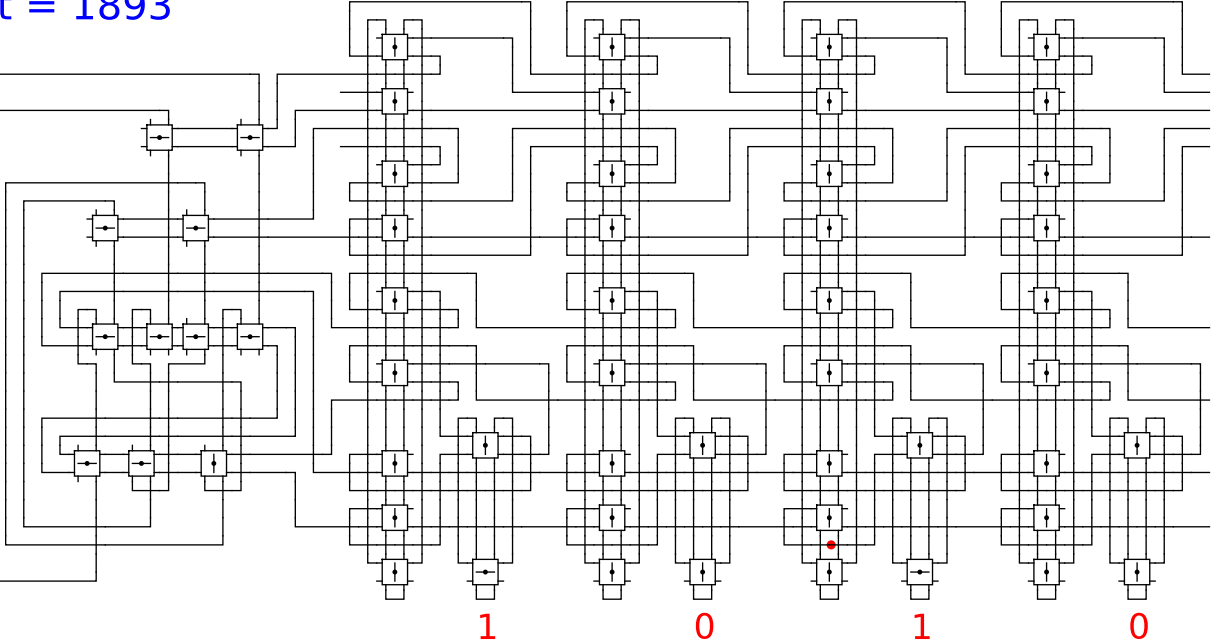
Begin



t = 1893

Reject
Accept

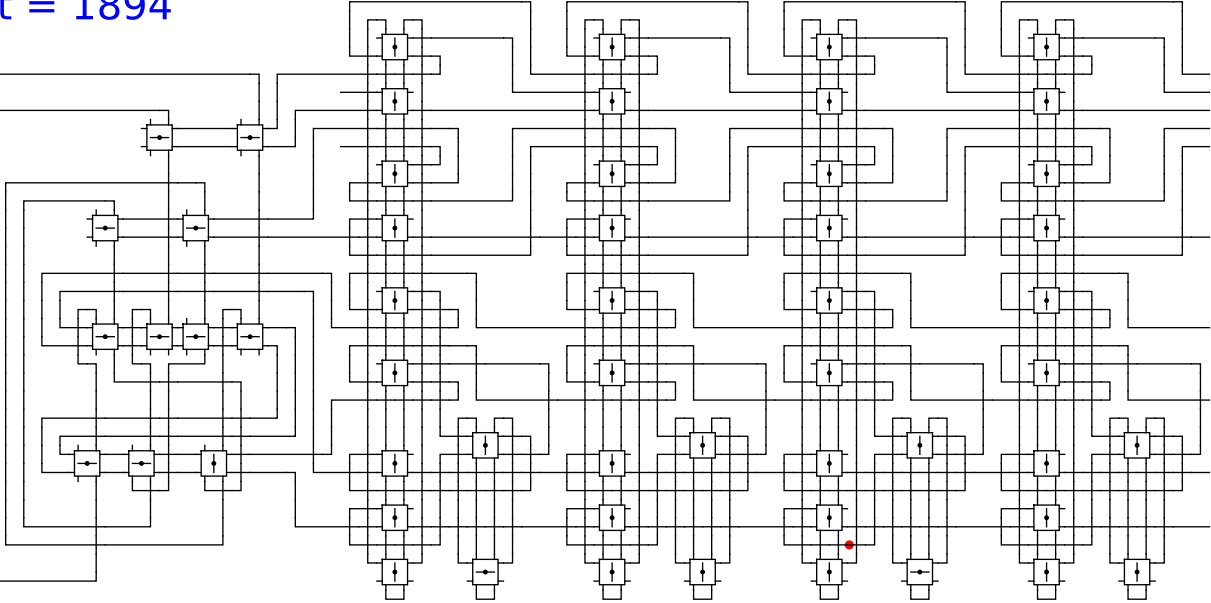
Begin



t = 1894

Reject
Accept

Begin



1

0

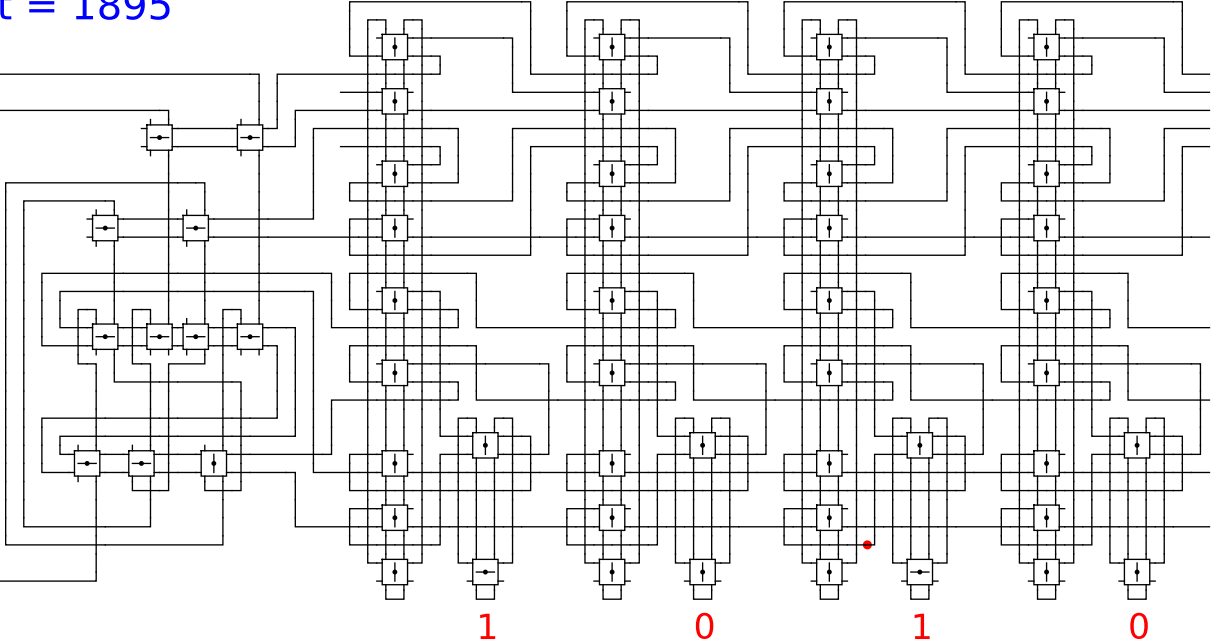
1

0

t = 1895

Reject
Accept

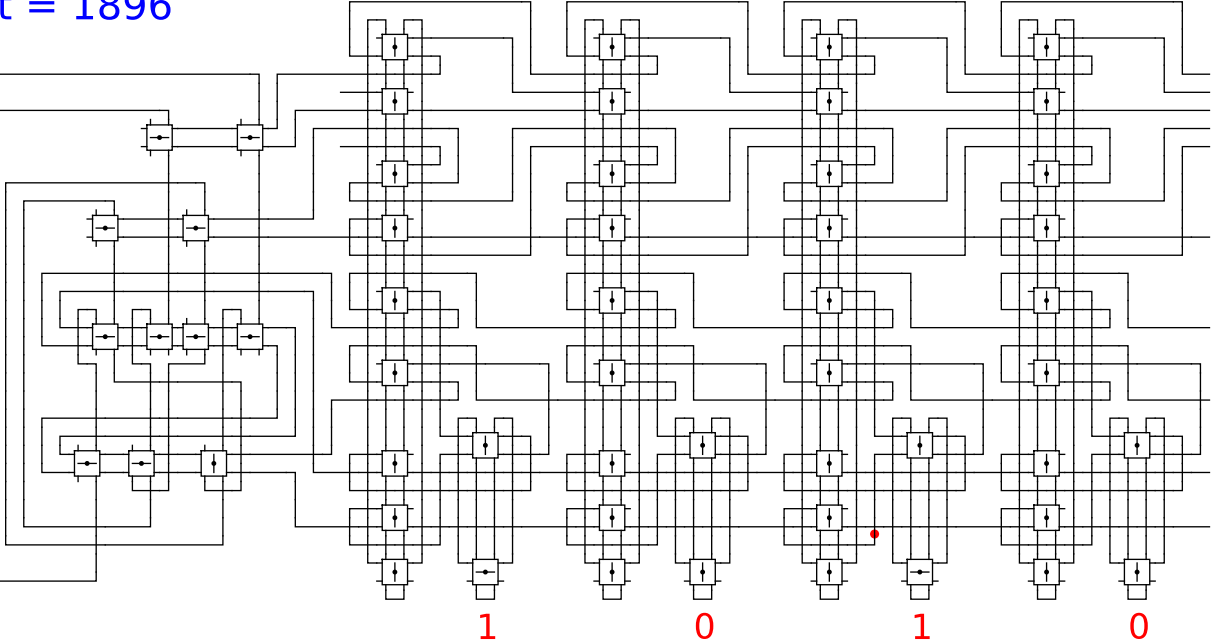
Begin



t = 1896

Reject
Accept

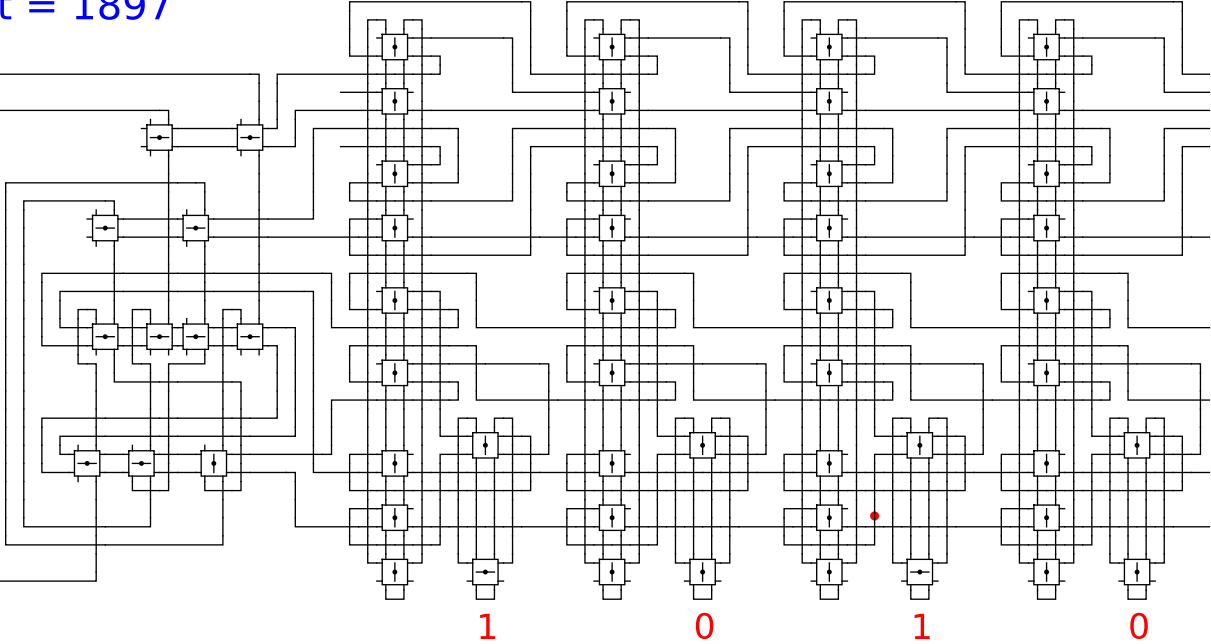
Begin



t = 1897

Reject
Accept

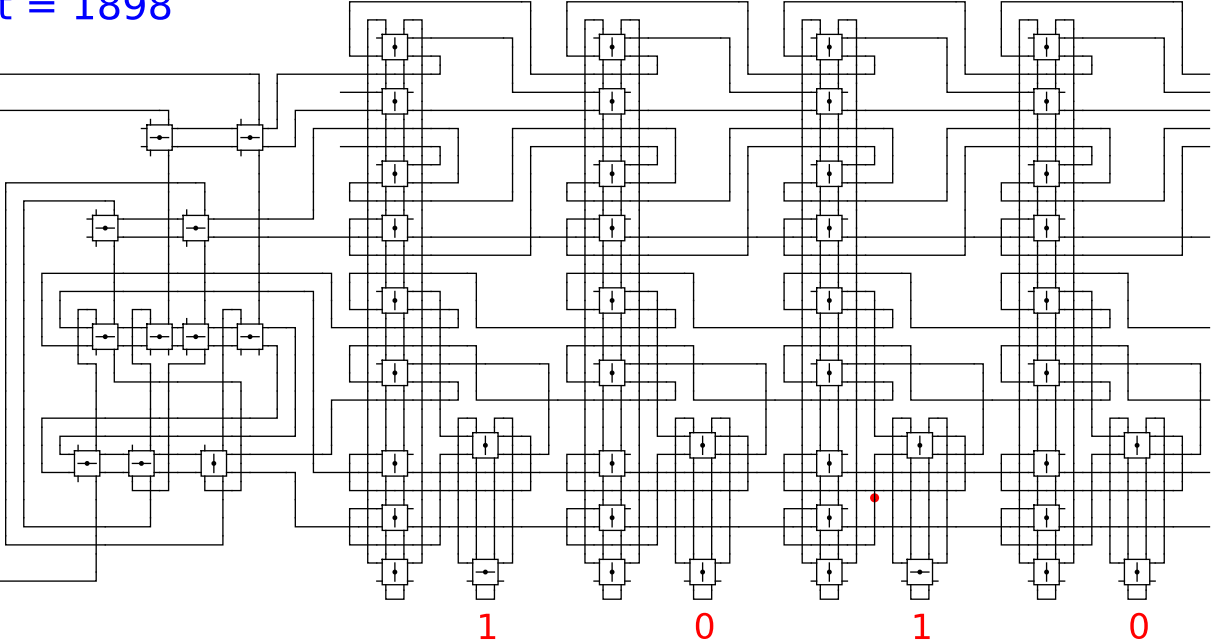
Begin



t = 1898

Reject
Accept

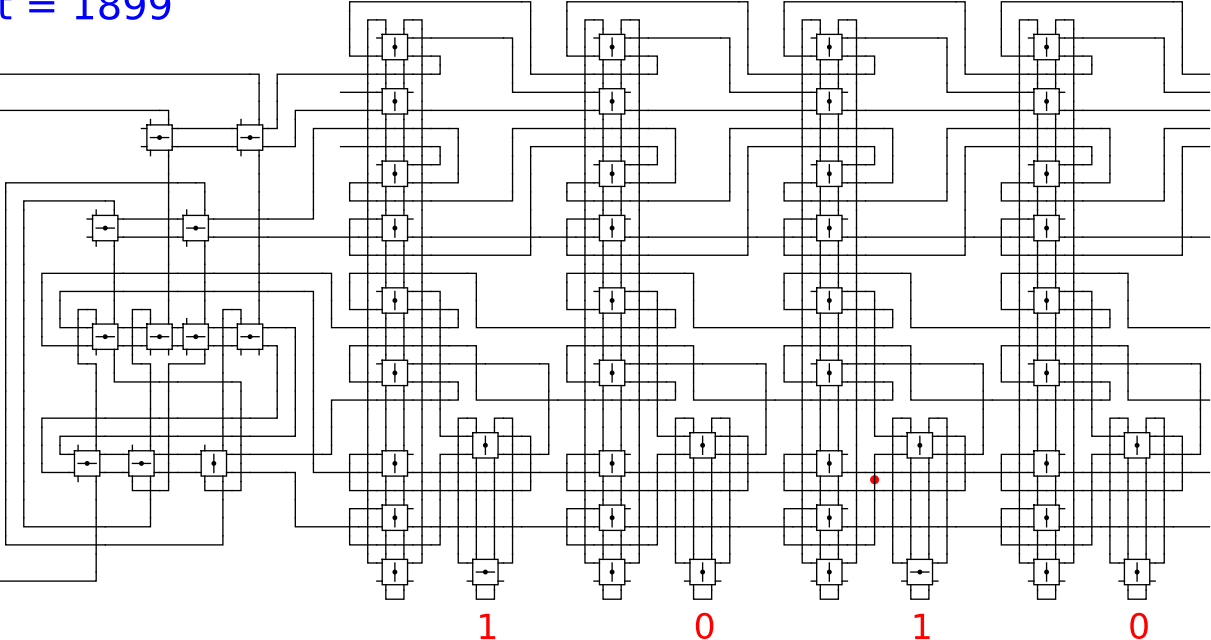
Begin



t = 1899

Reject
Accept

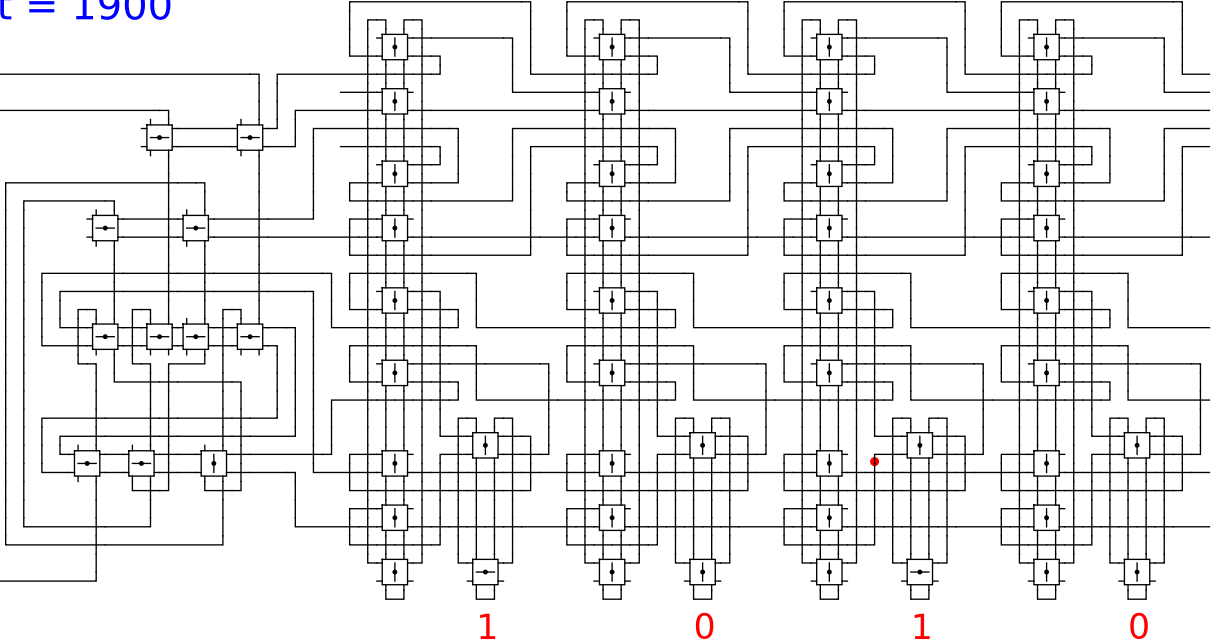
Begin



t = 1900

Reject
Accept

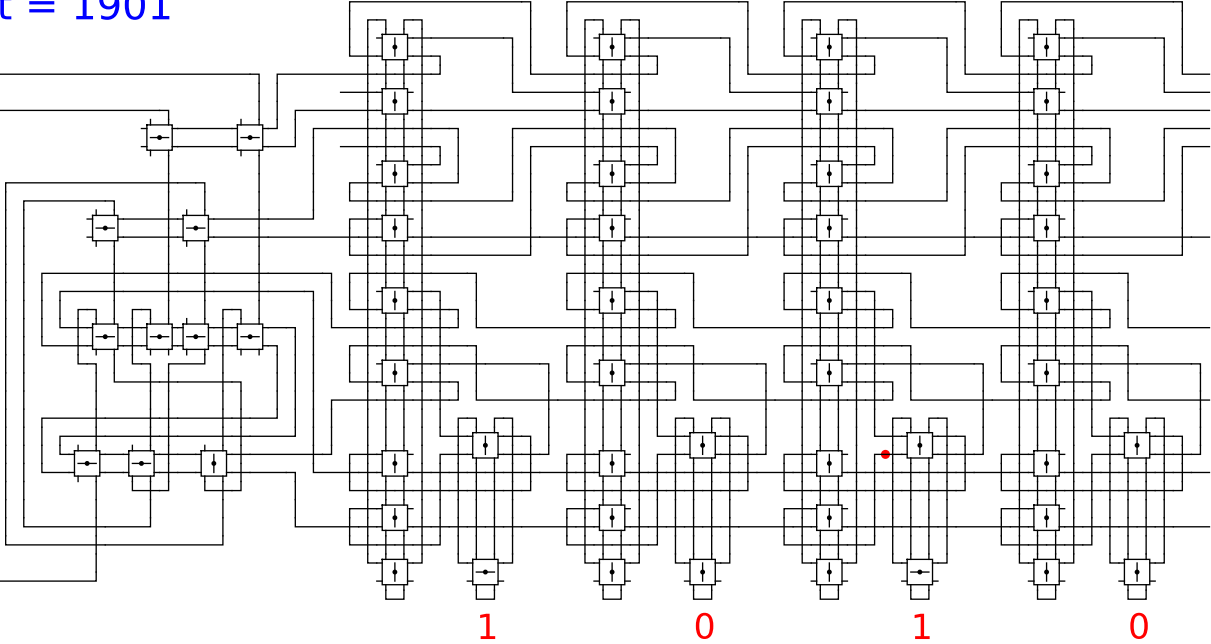
Begin



t = 1901

Reject
Accept

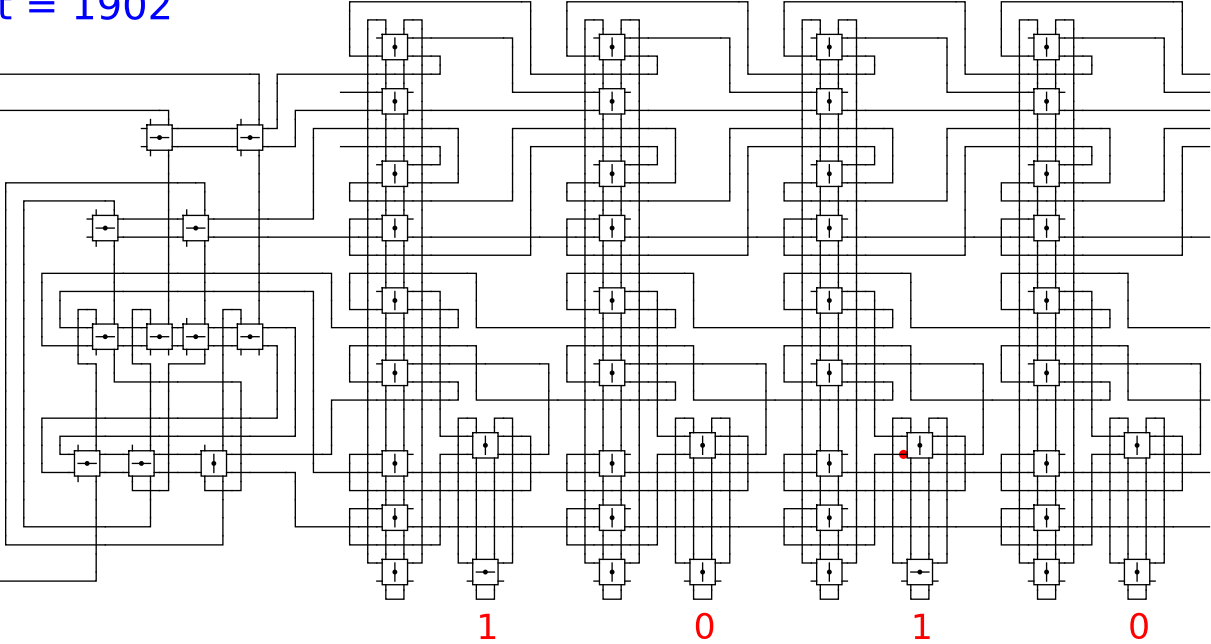
Begin



t = 1902

Reject
Accept

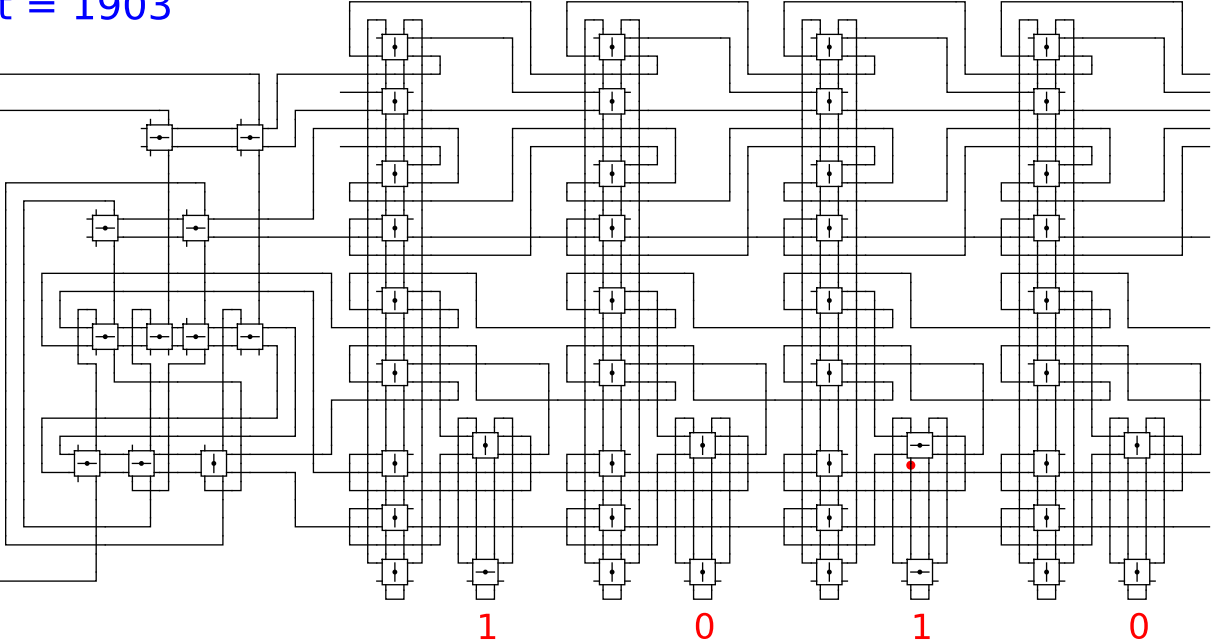
Begin



t = 1903

Reject
Accept

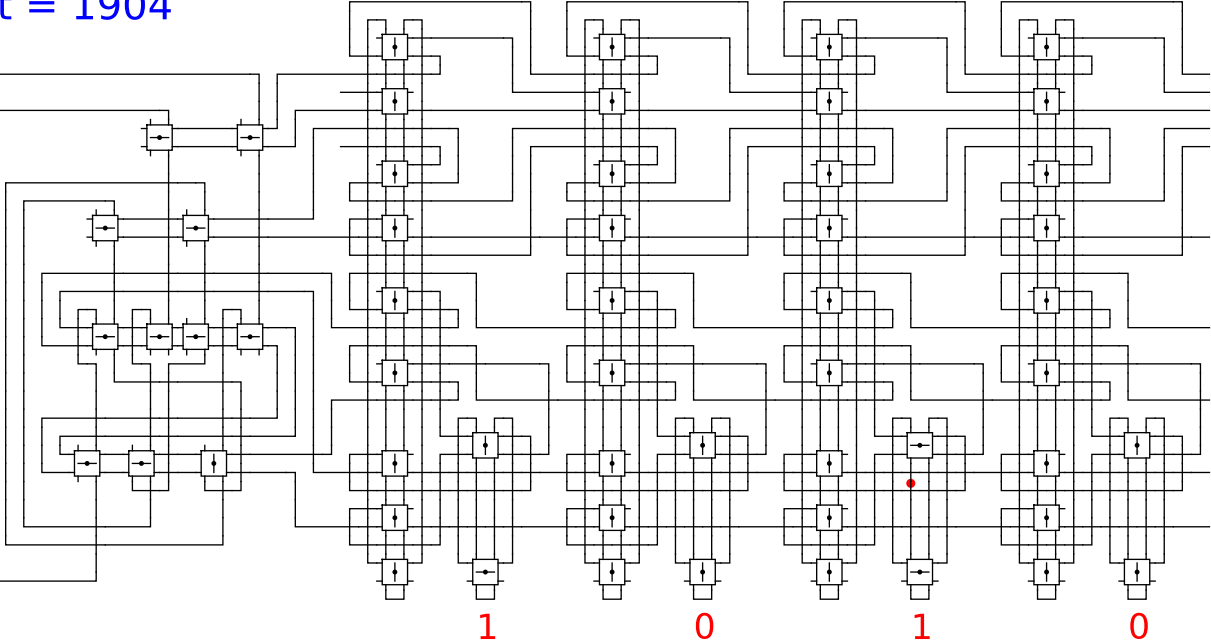
Begin



t = 1904

Reject
Accept

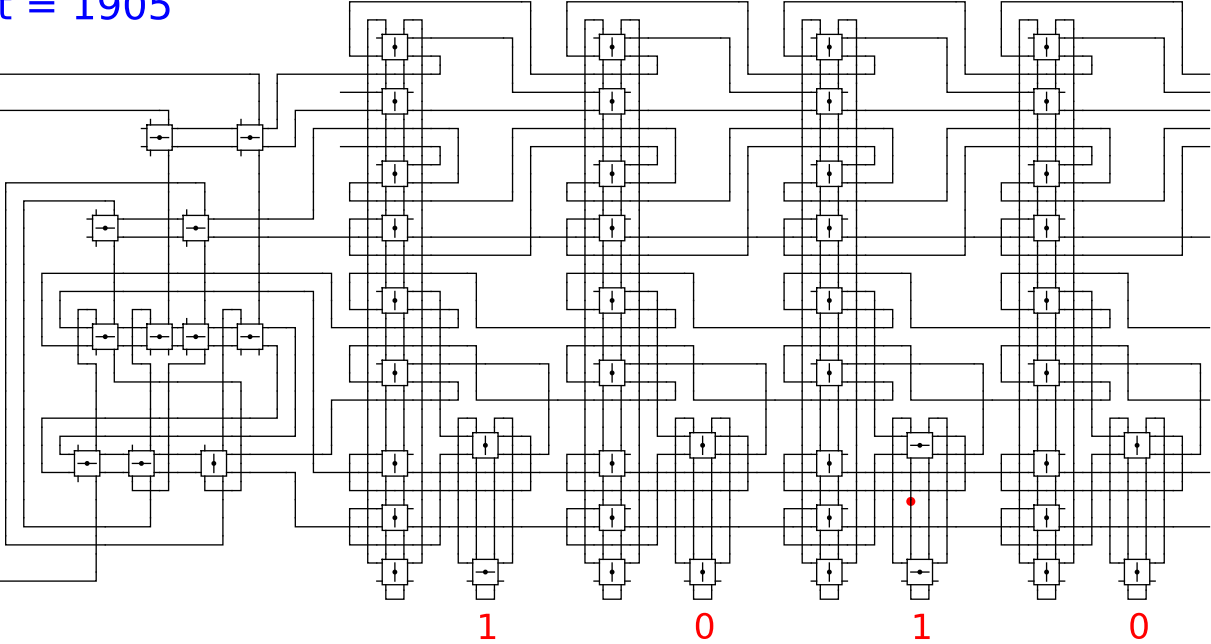
Begin



t = 1905

Reject
Accept

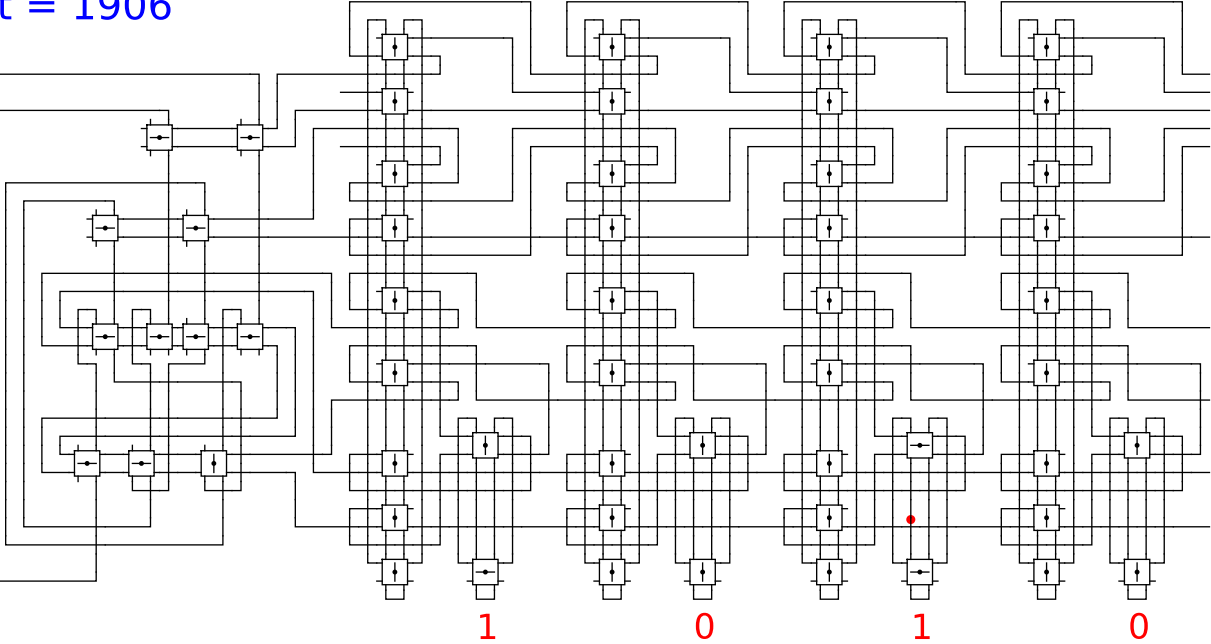
Begin



t = 1906

Reject
Accept

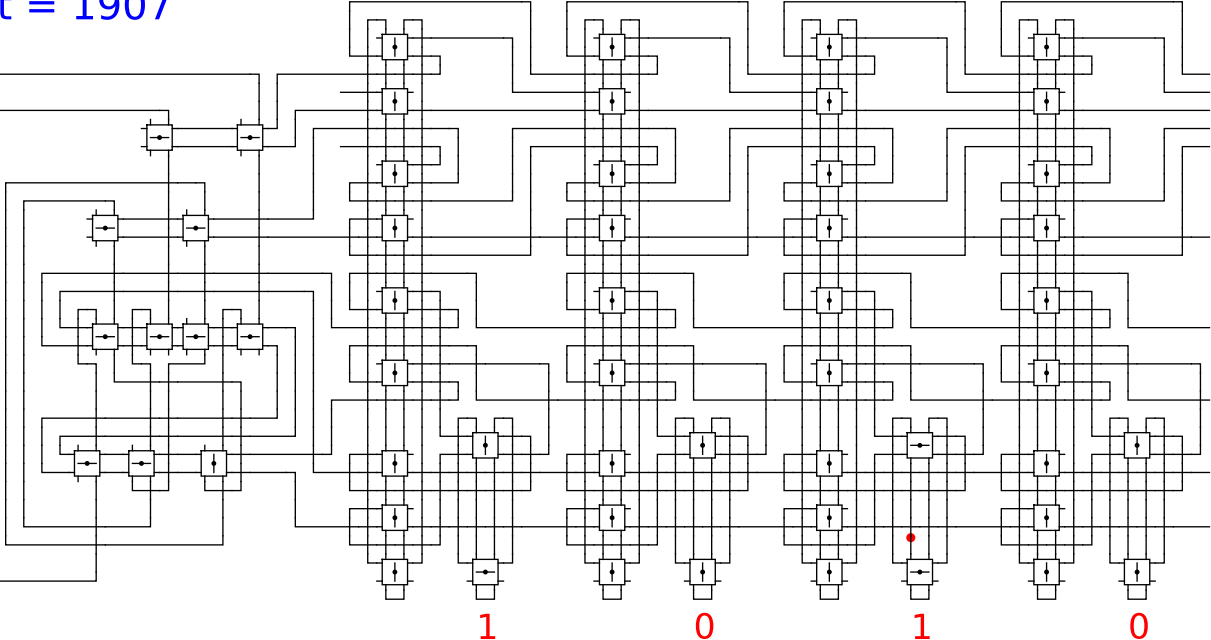
Begin



t = 1907

Reject
Accept

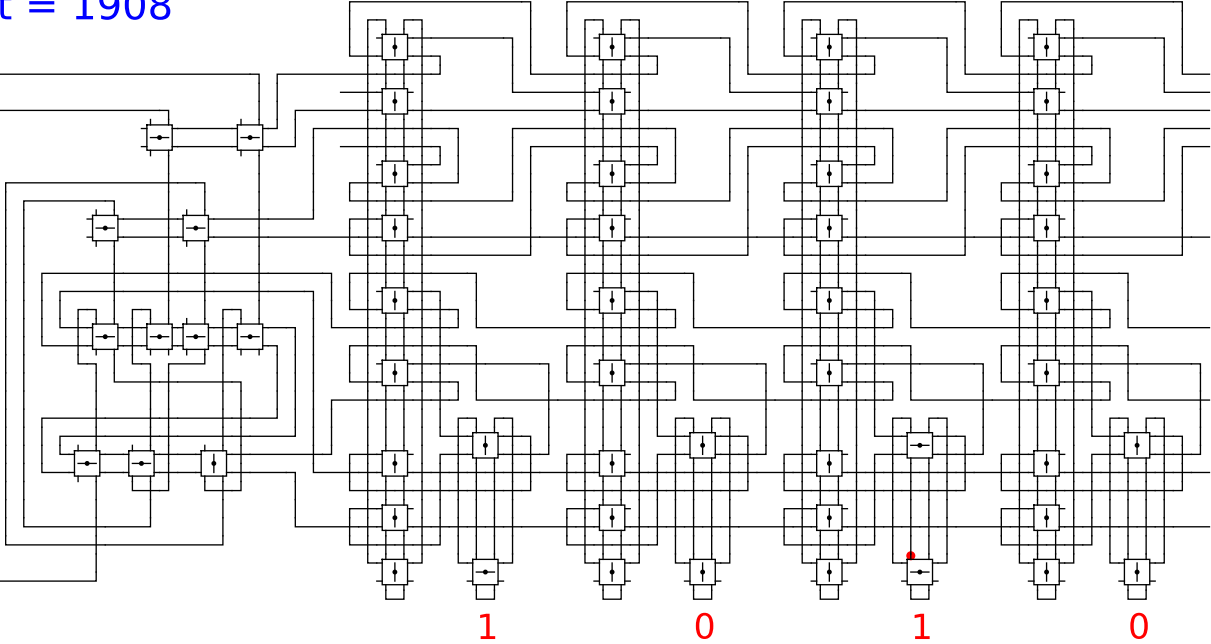
Begin



t = 1908

Reject
Accept

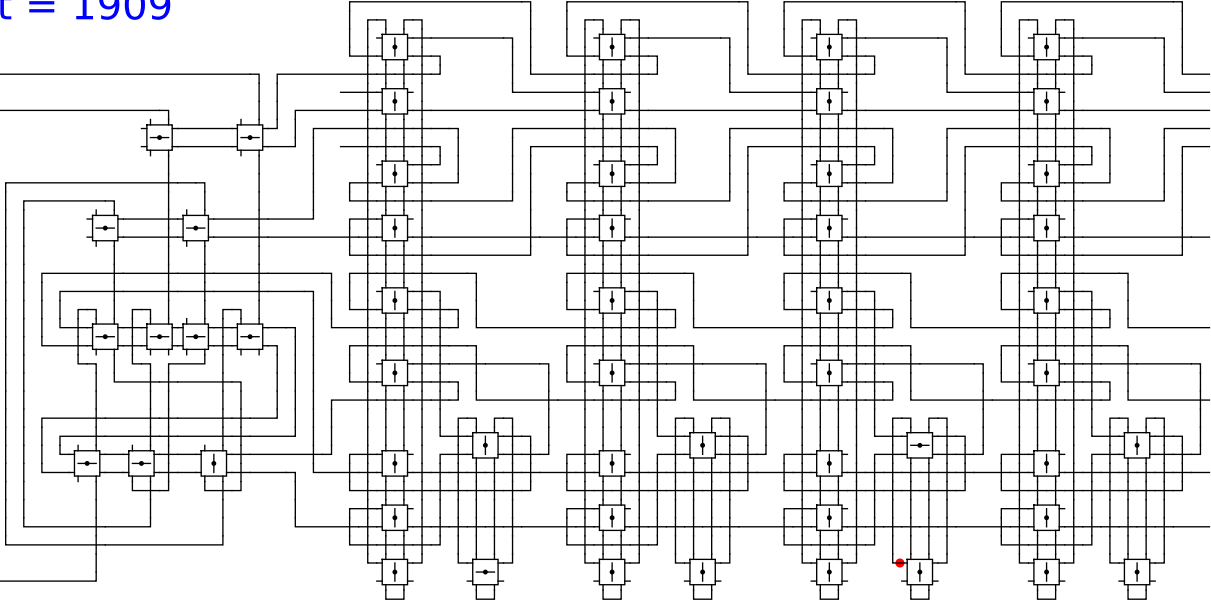
Begin



t = 1909

Reject
Accept

Begin



1

0

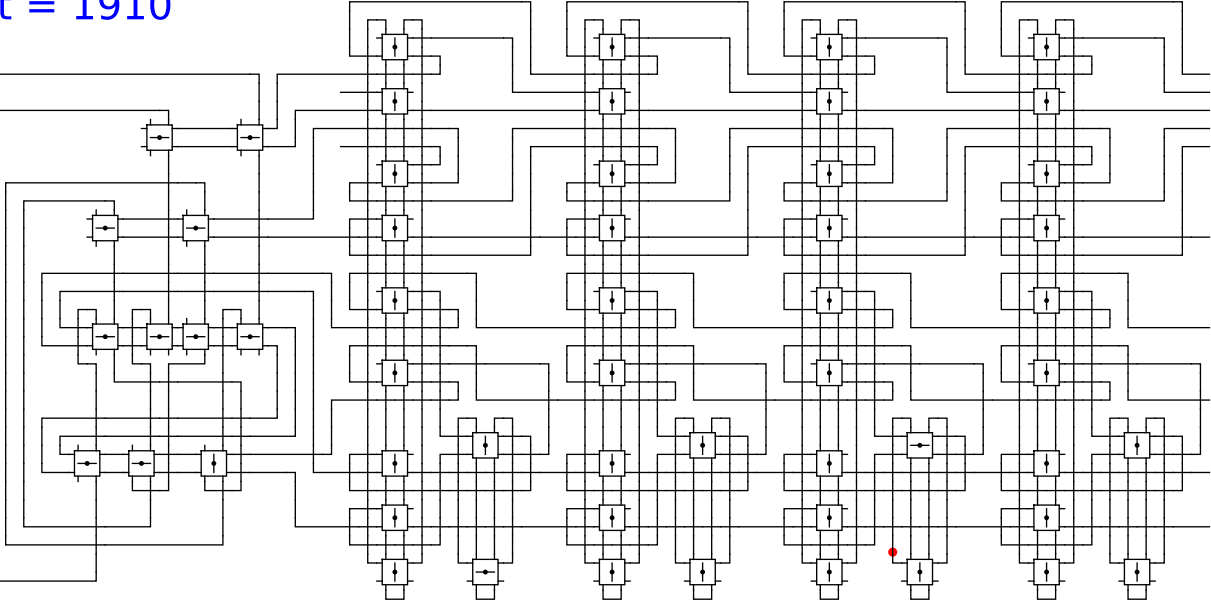
0

0

t = 1910

Reject
Accept

Begin



1

0

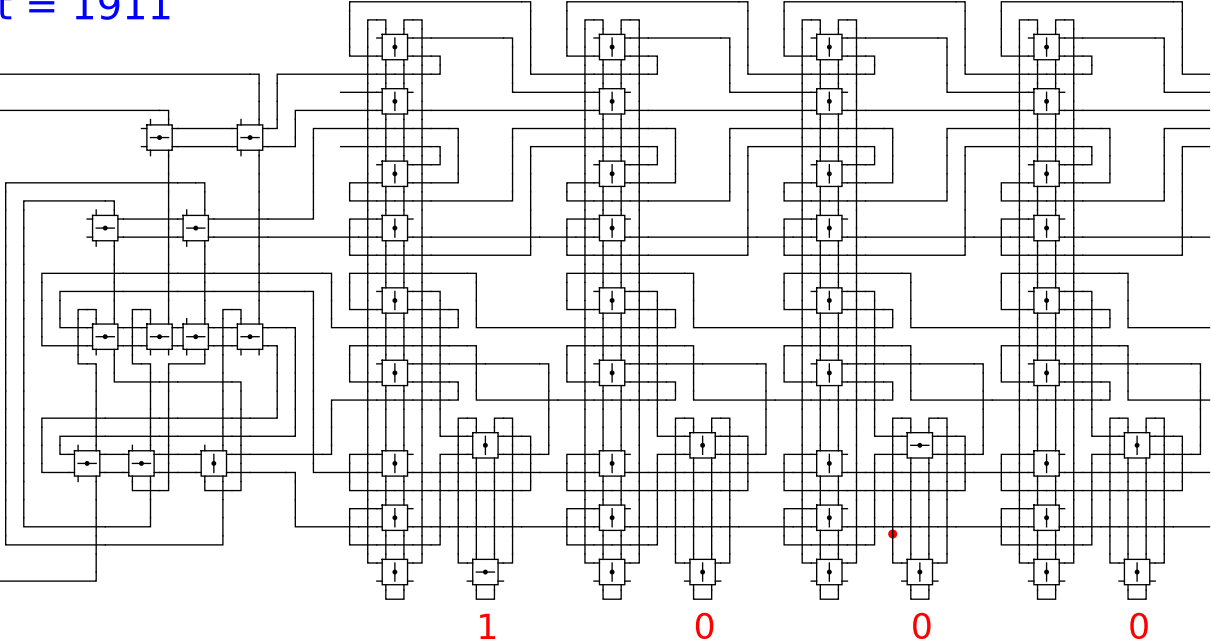
0

0

t = 1911

Reject
Accept

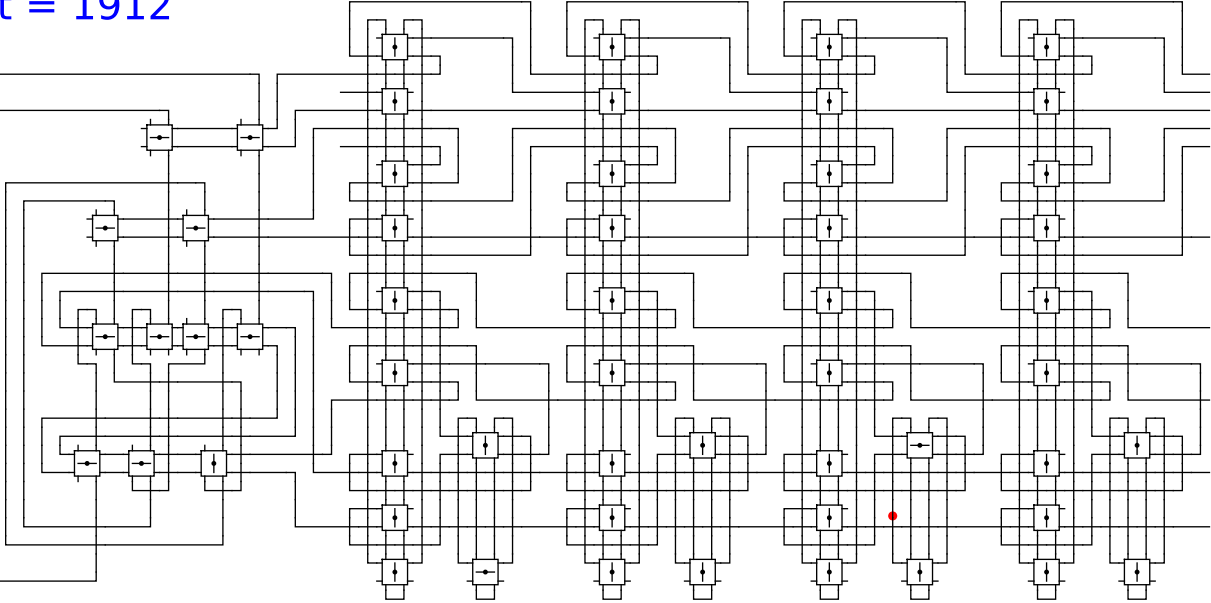
Begin



t = 1912

Reject
Accept

Begin



1

0

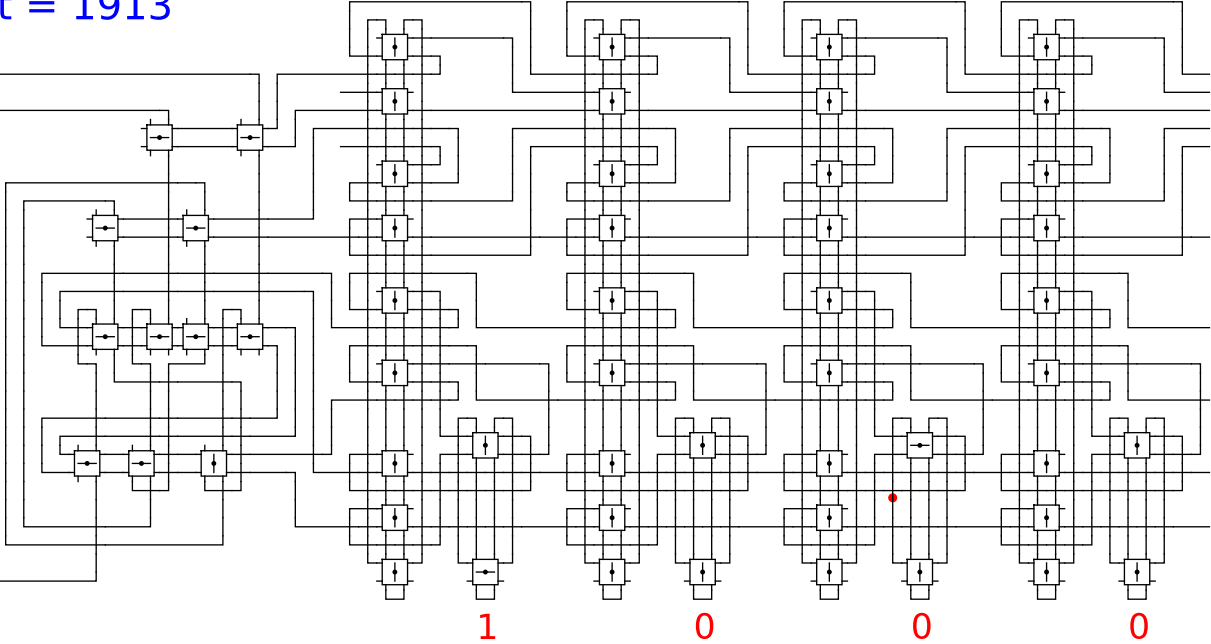
0

0

t = 1913

Reject
Accept

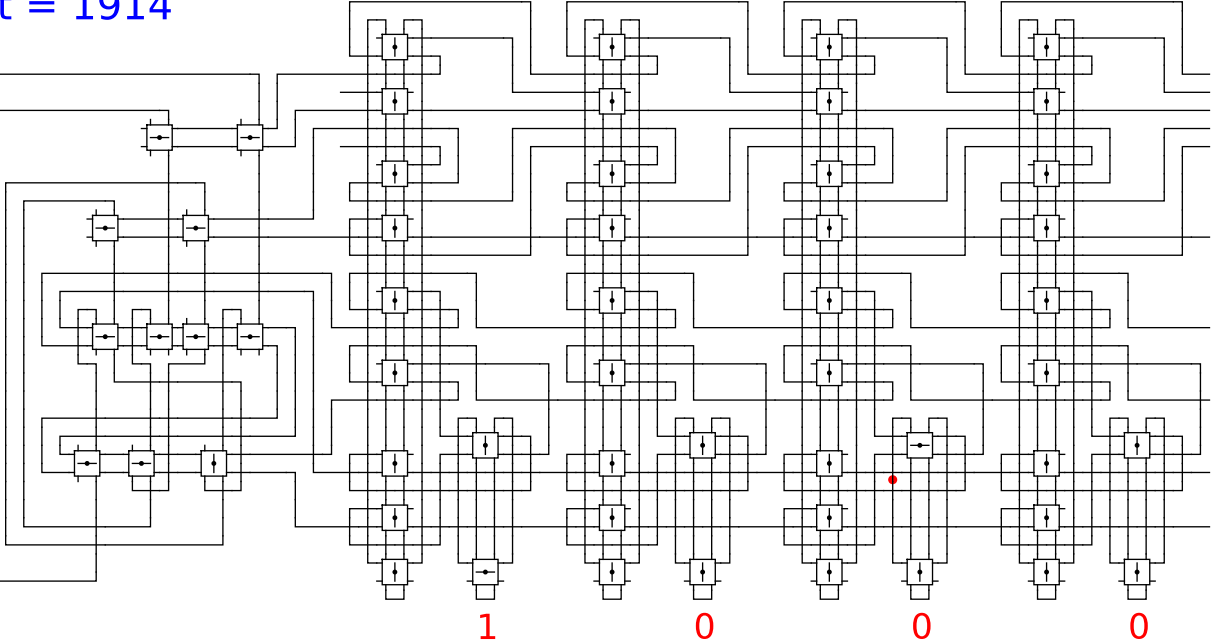
Begin



t = 1914

Reject
Accept

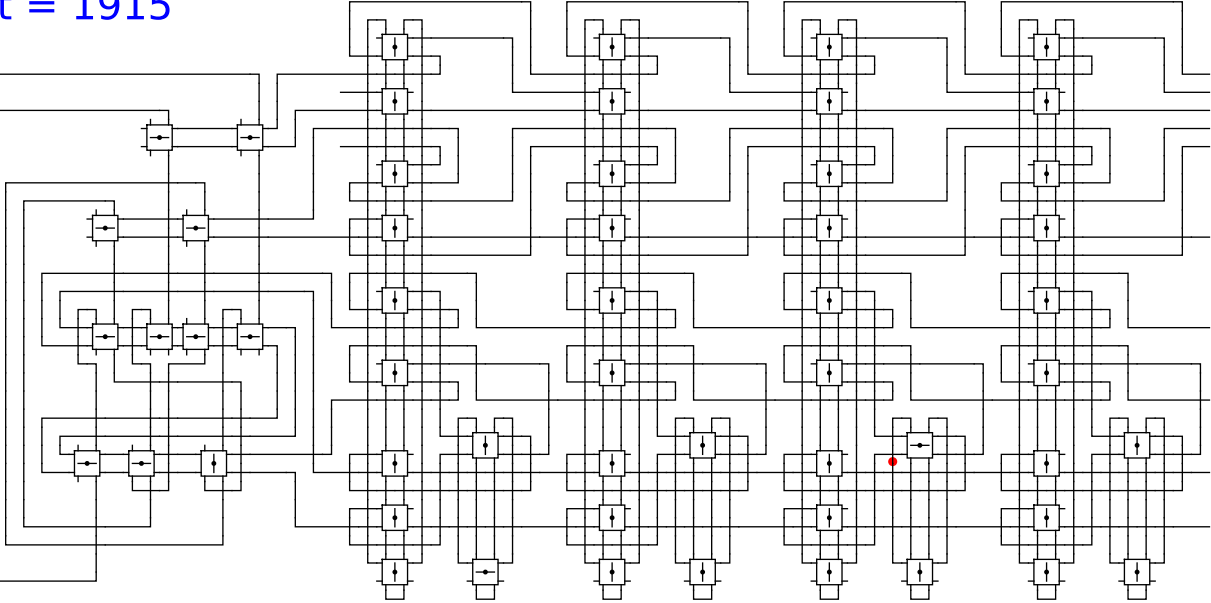
Begin



t = 1915

Reject
Accept

Begin



1

0

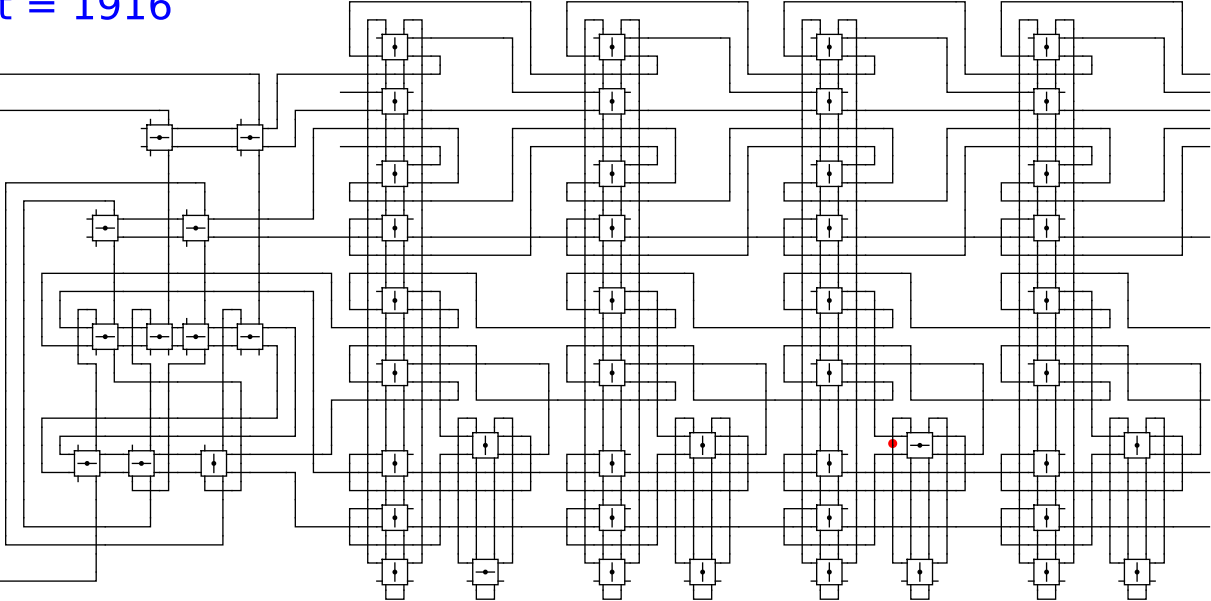
0

0

t = 1916

Reject
Accept

Begin



1

0

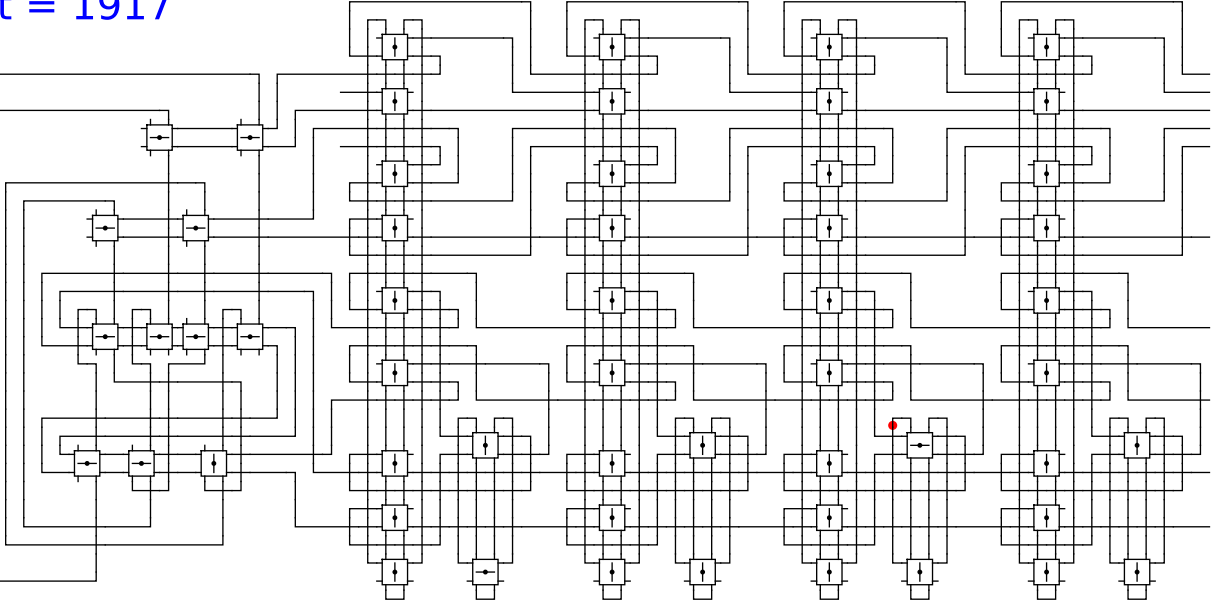
0

0

t = 1917

Reject
Accept

Begin



1

0

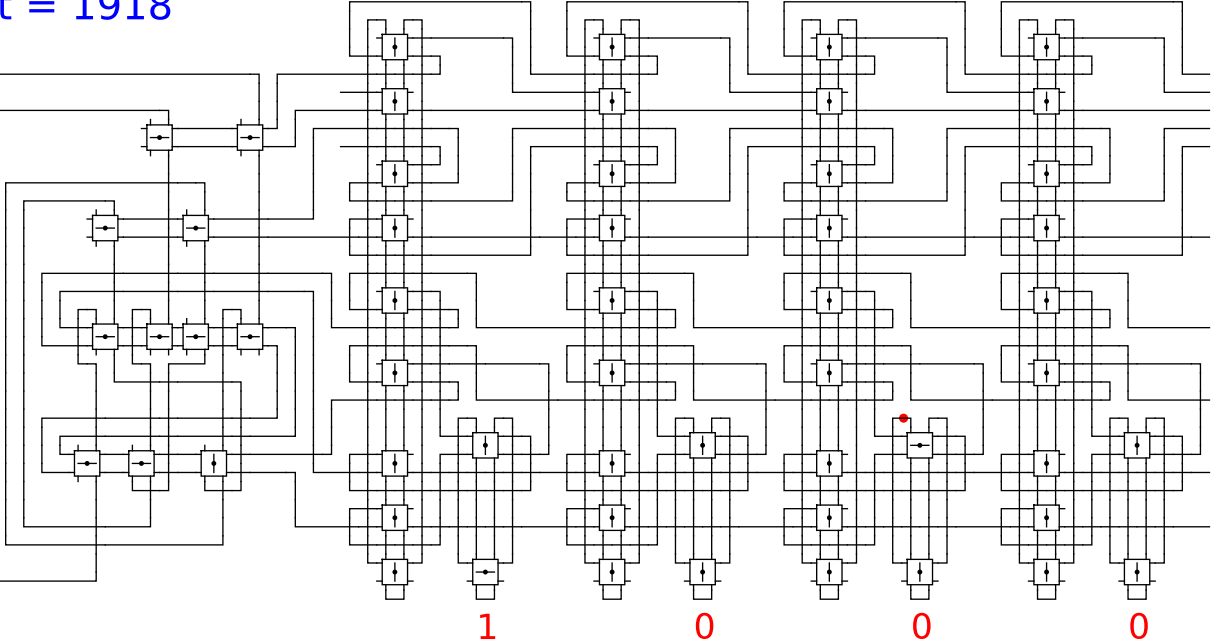
0

0

t = 1918

Reject
Accept

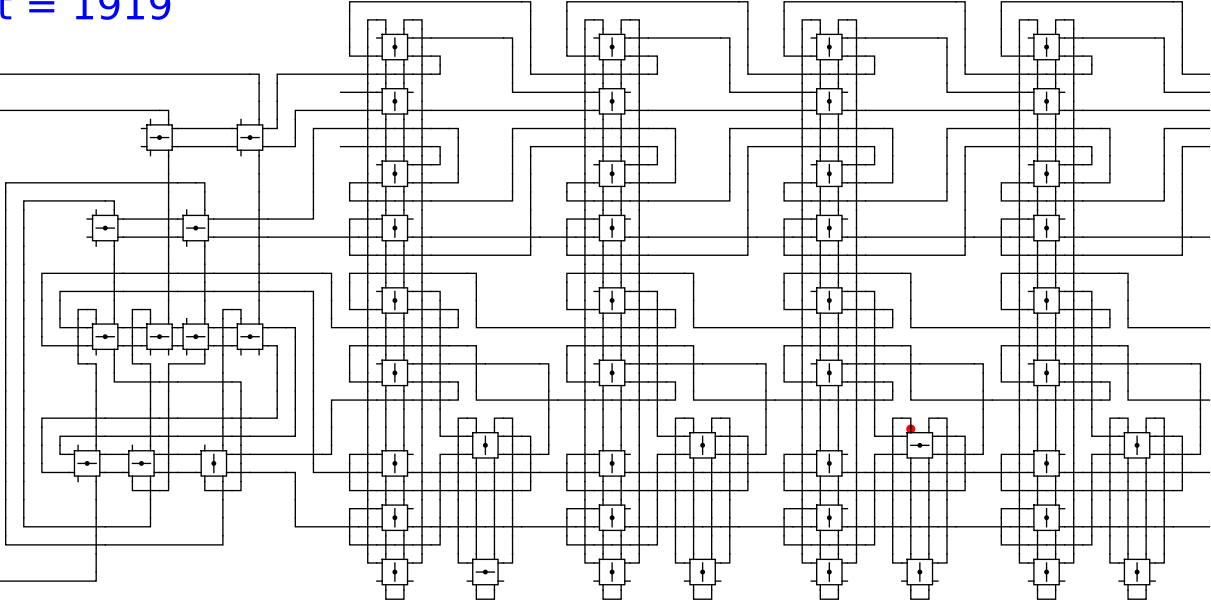
Begin



t = 1919

Reject
Accept

Begin



1

0

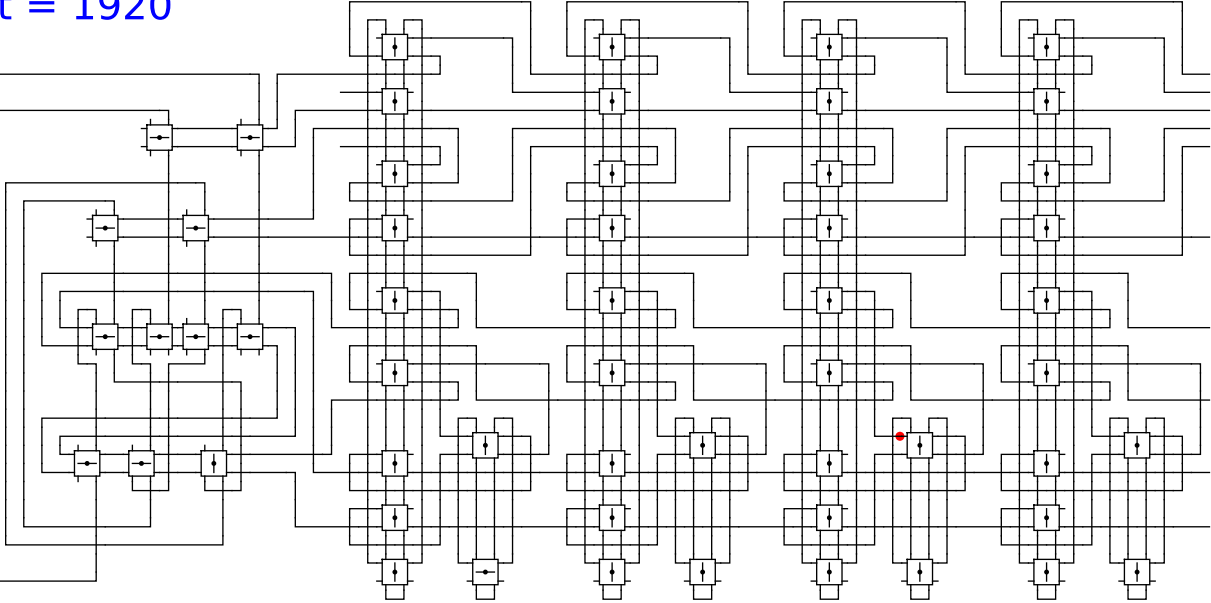
0

0

t = 1920

Reject
Accept

Begin



1

0

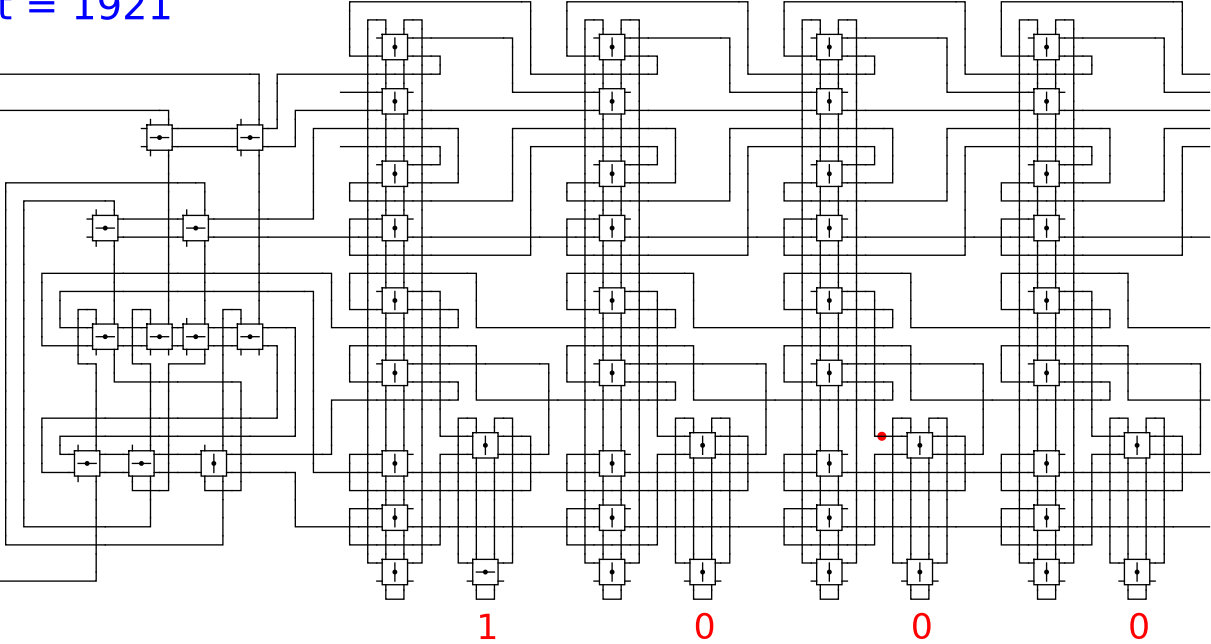
0

0

t = 1921

Reject
Accept

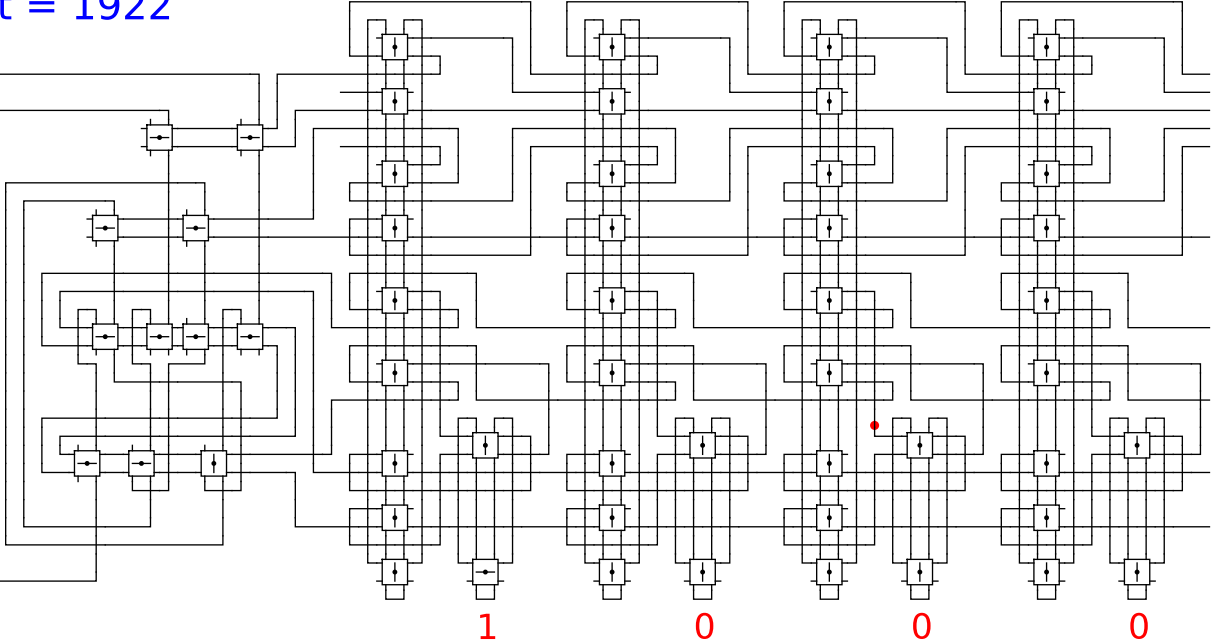
Begin



t = 1922

Reject
Accept

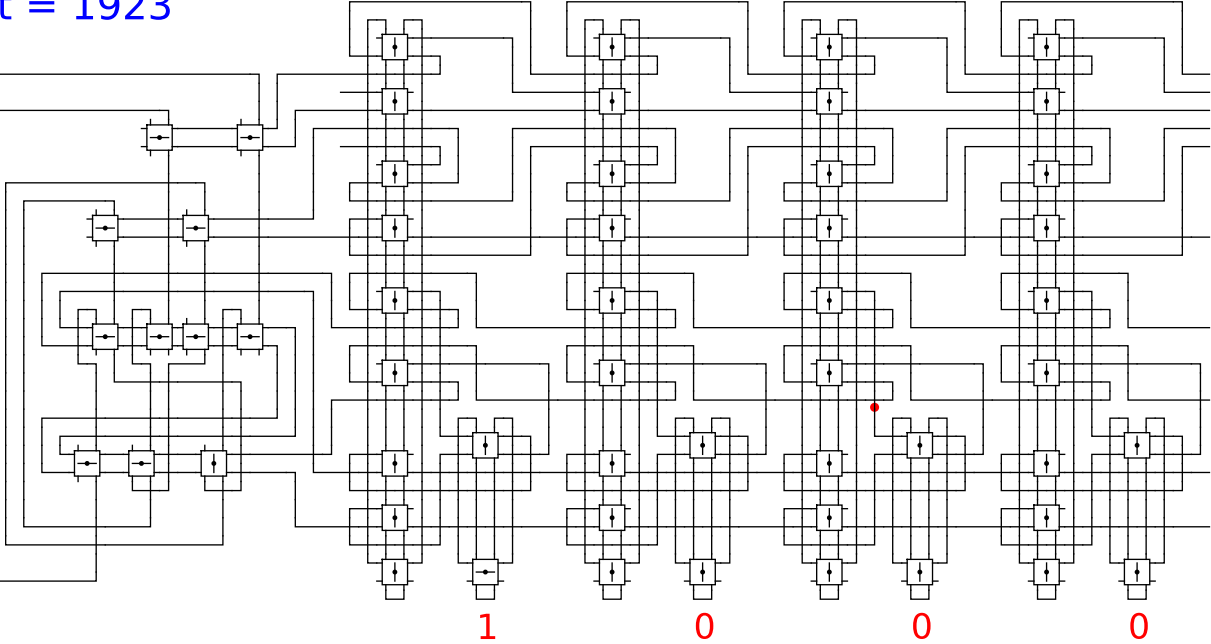
Begin



t = 1923

Reject
Accept

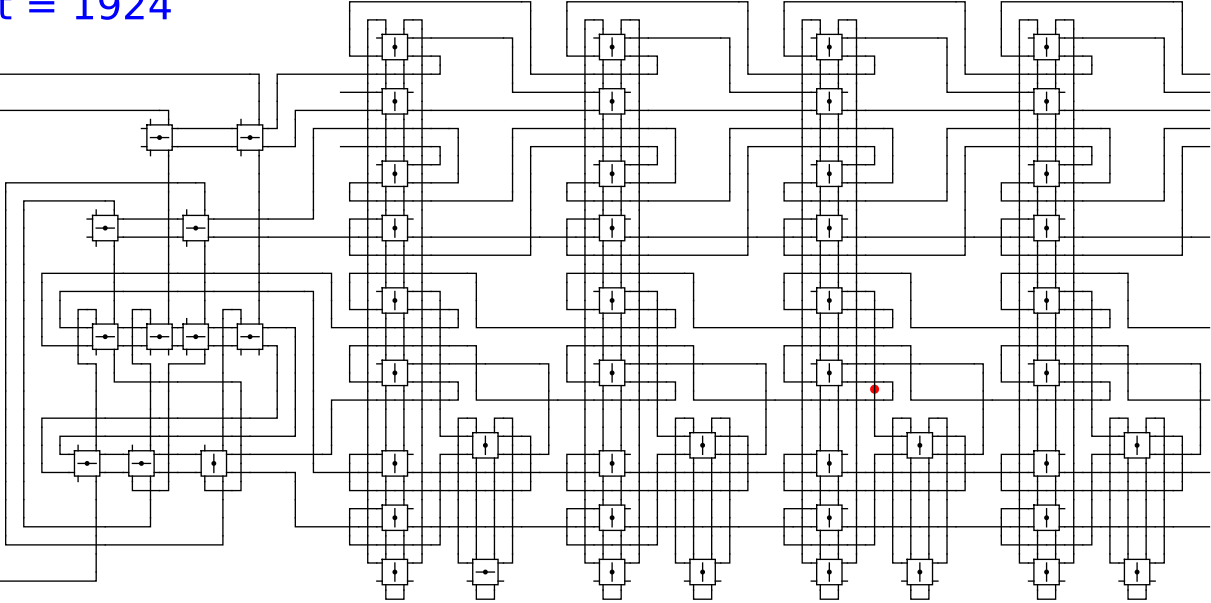
Begin



t = 1924

Reject
Accept

Begin

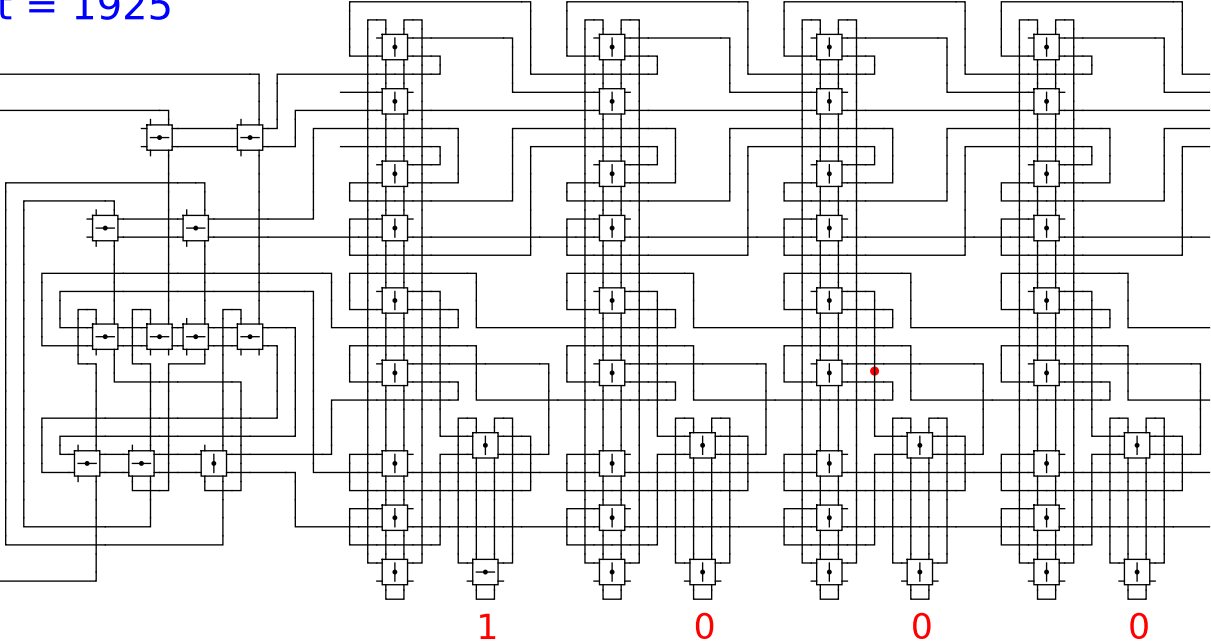


1 0 0 0

t = 1925

Reject
Accept

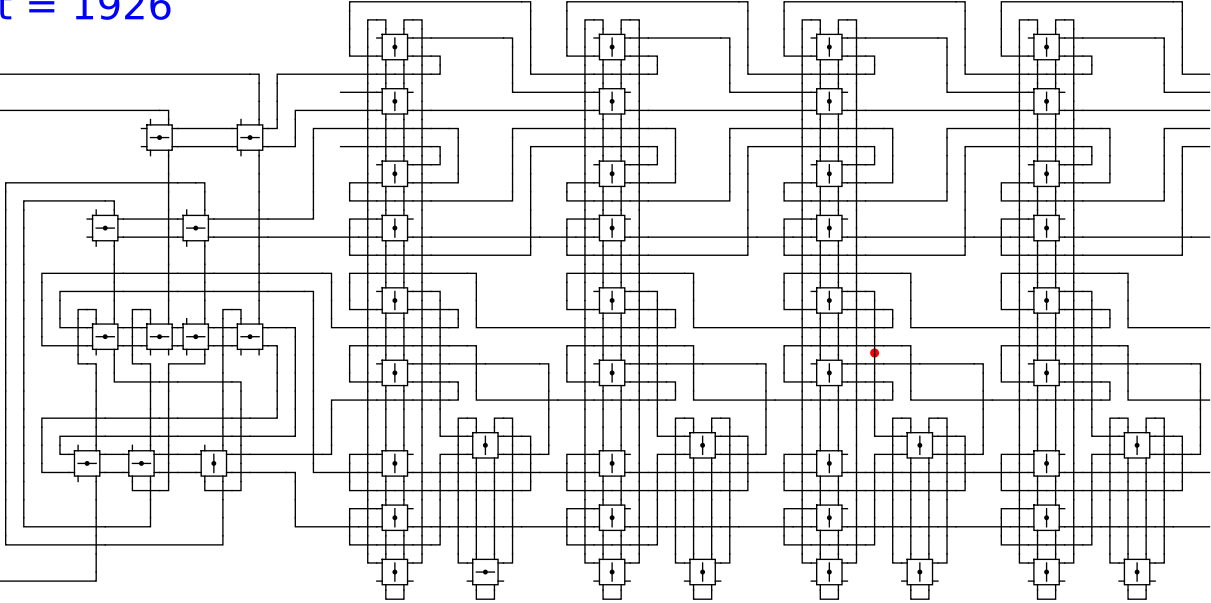
Begin



t = 1926

Reject
Accept

Begin



1

0

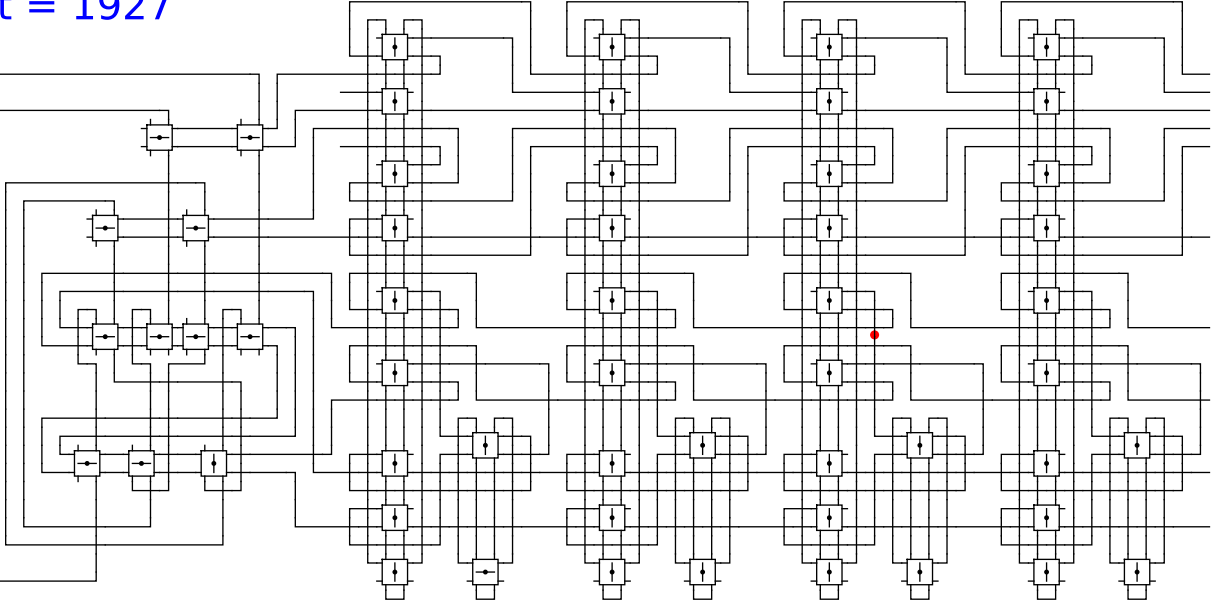
0

0

t = 1927

Reject
Accept

Begin



1

0

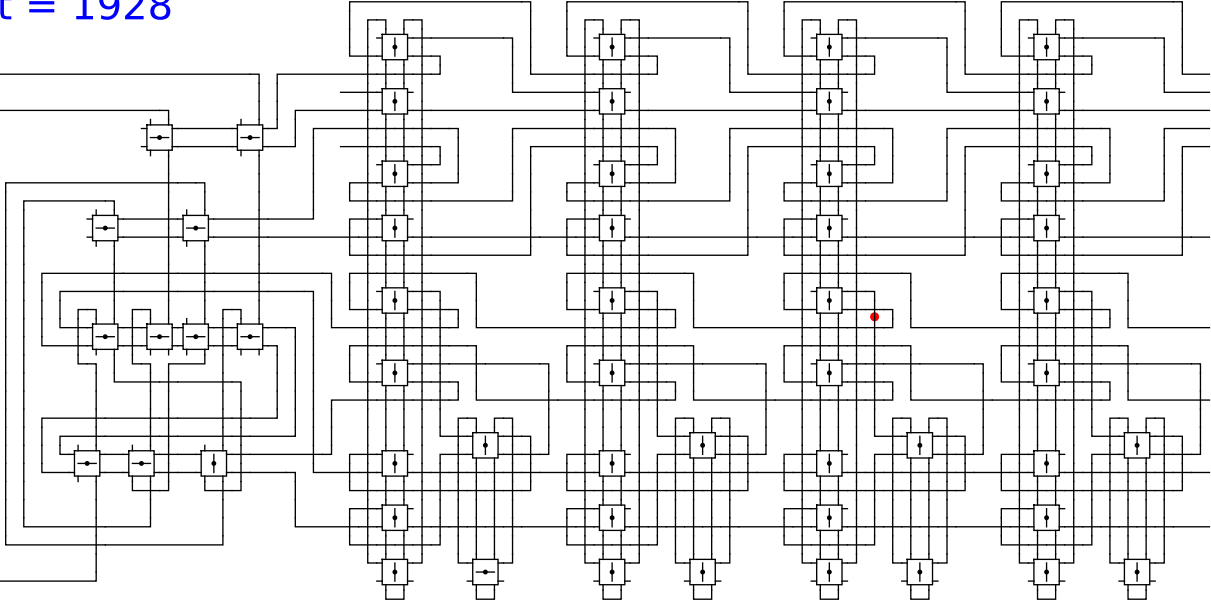
0

0

t = 1928

Reject
Accept

Begin



1

0

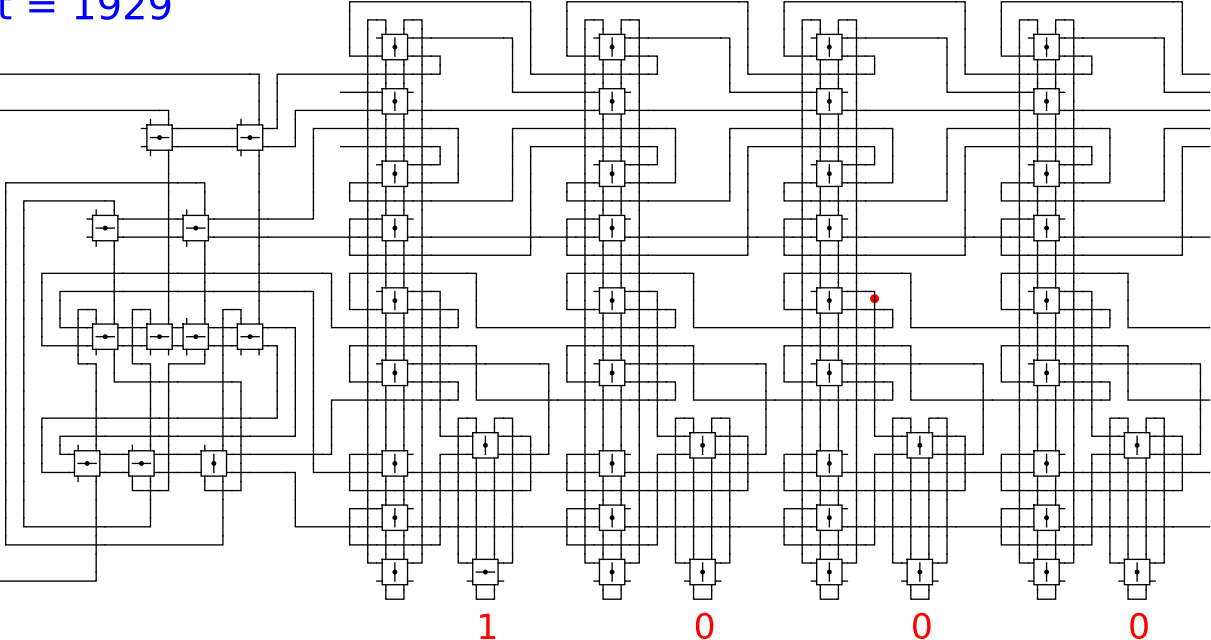
0

0

t = 1929

Reject
Accept

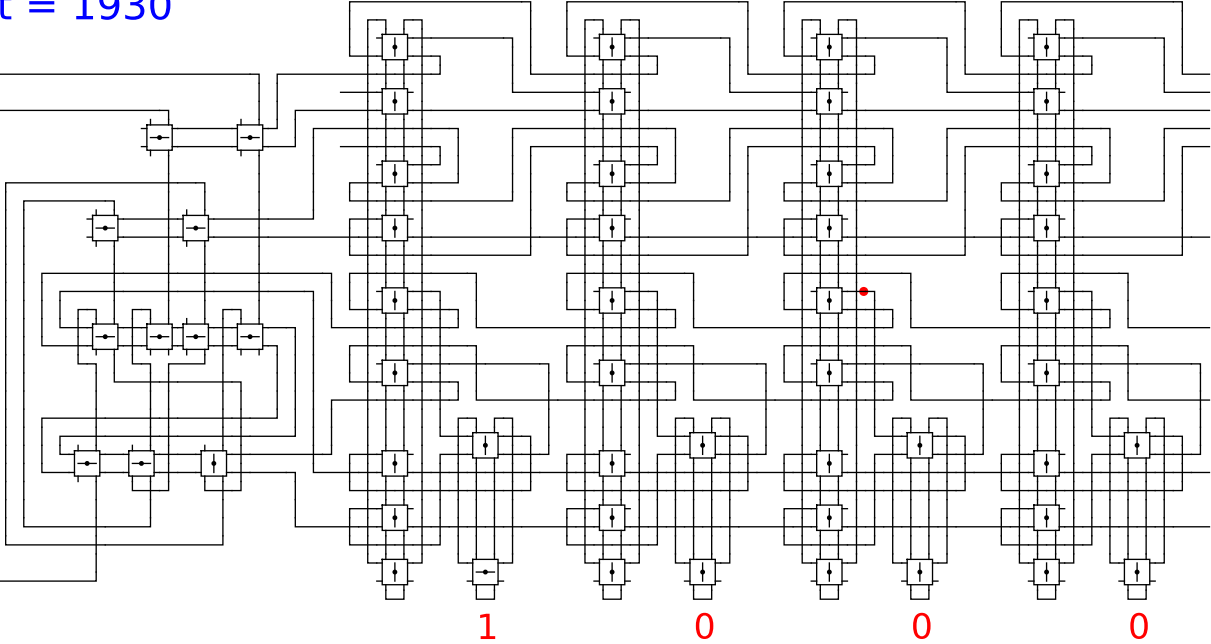
Begin



t = 1930

Reject
Accept

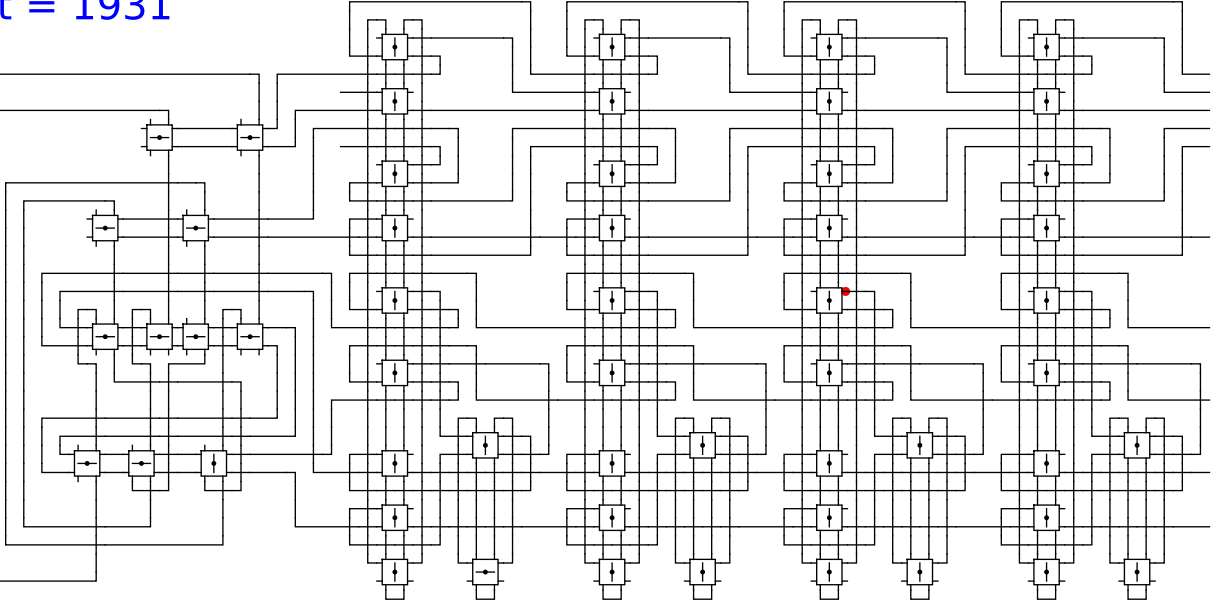
Begin



t = 1931

Reject
Accept

Begin



1

0

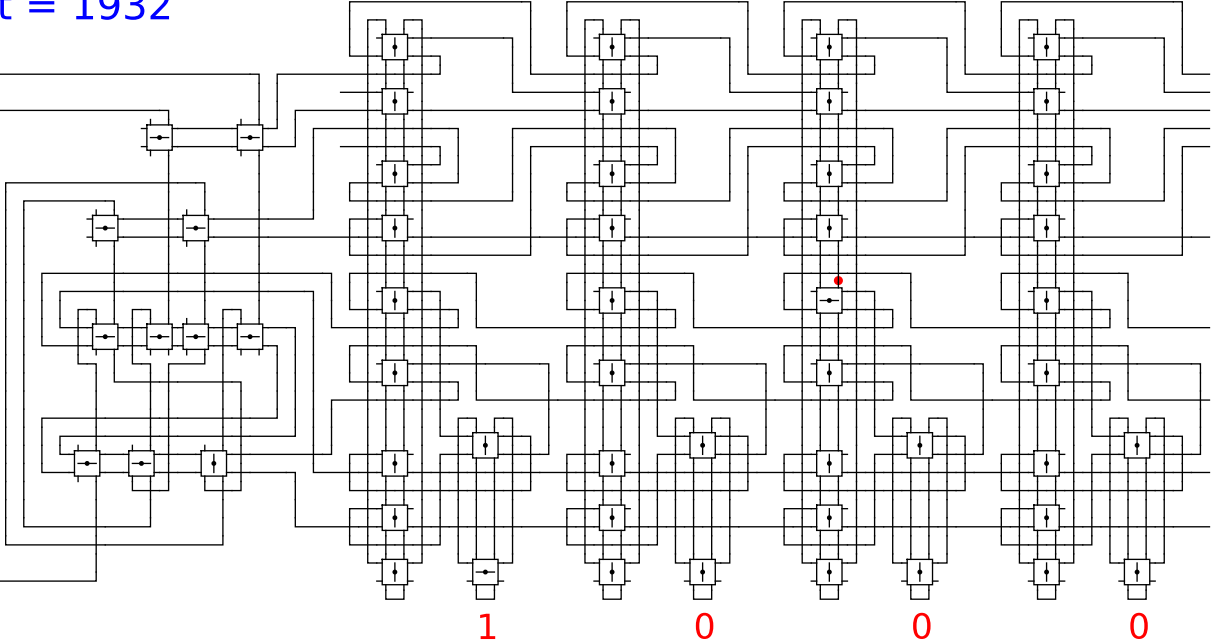
0

0

t = 1932

Reject
Accept

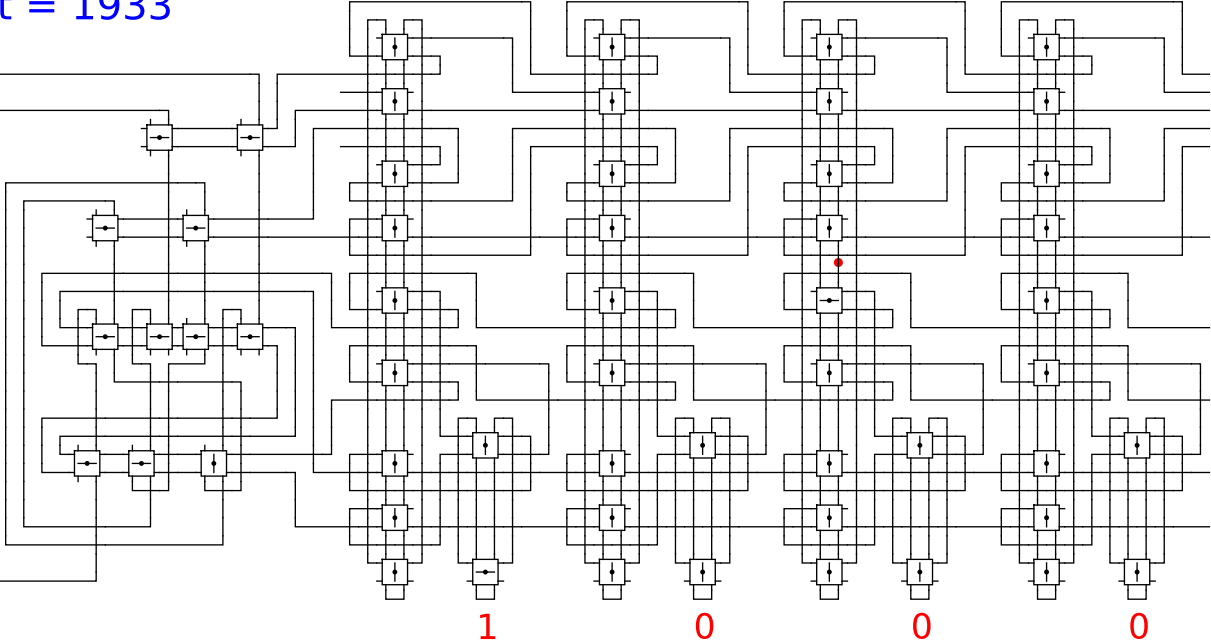
Begin



t = 1933

Reject
Accept

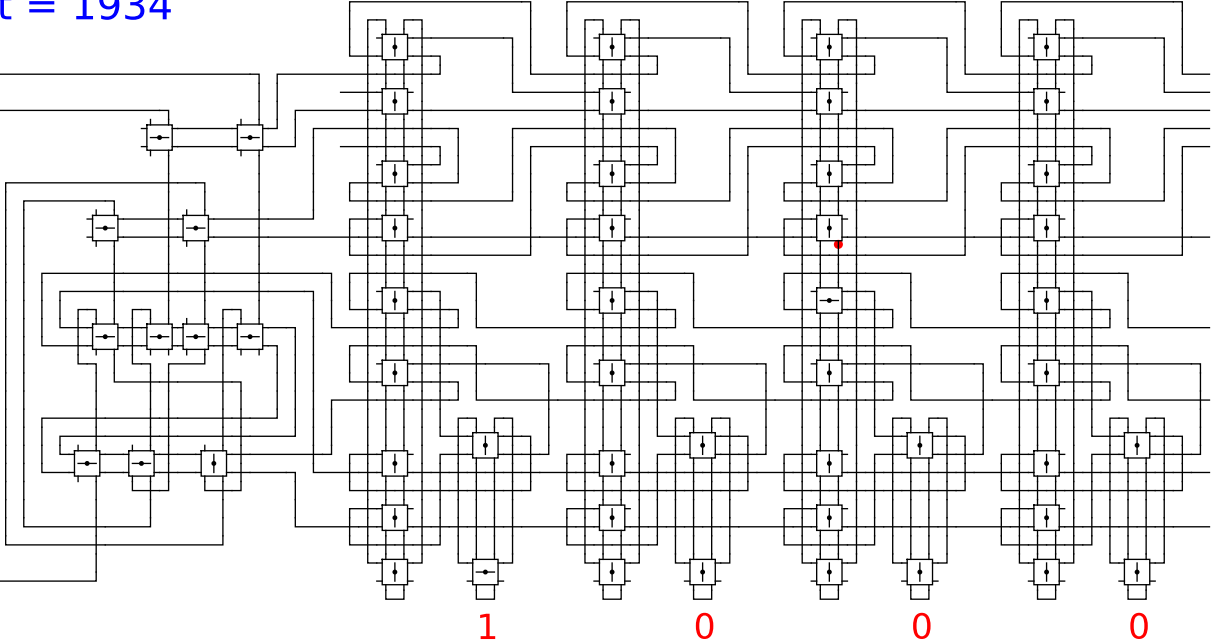
Begin



t = 1934

Reject
Accept

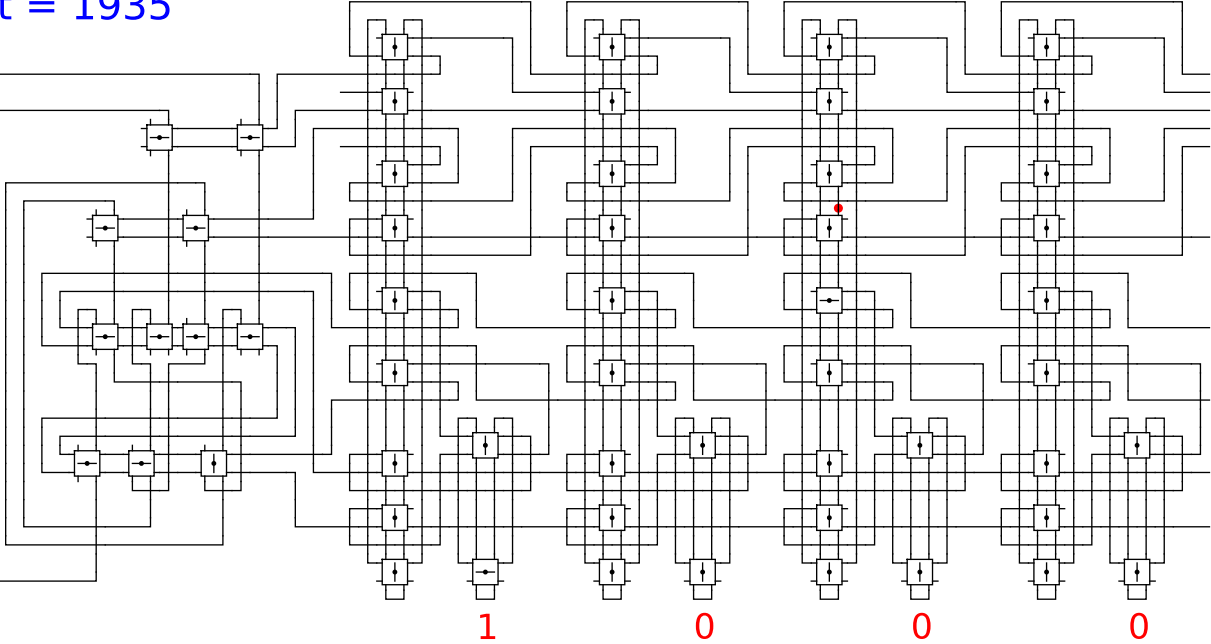
Begin



t = 1935

Reject
Accept

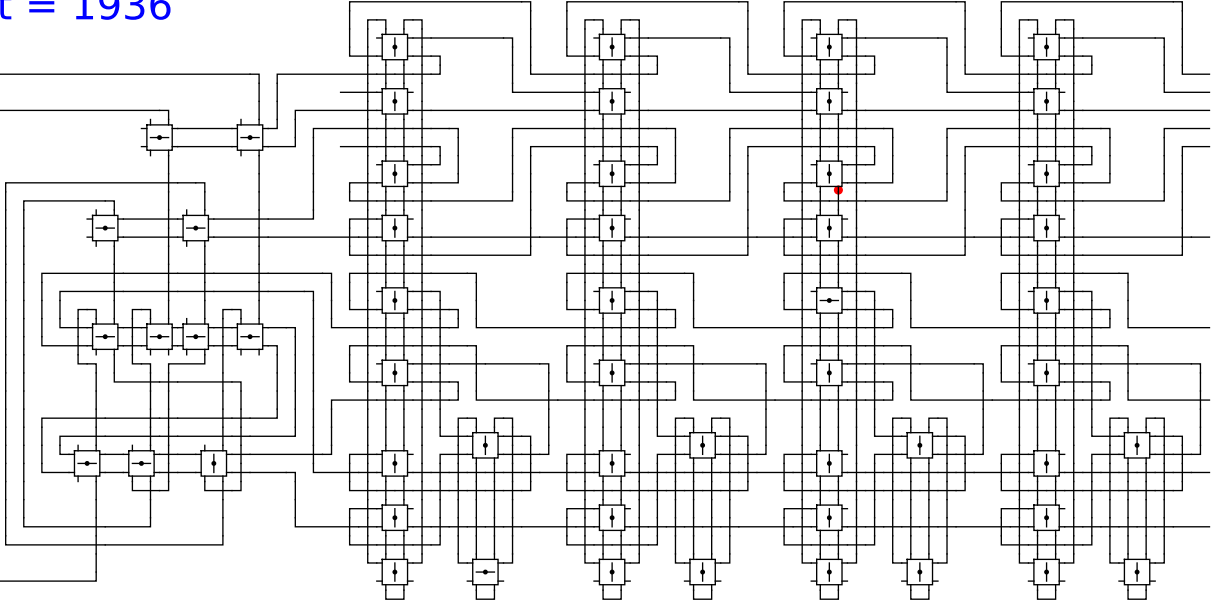
Begin



t = 1936

Reject
Accept

Begin



1

0

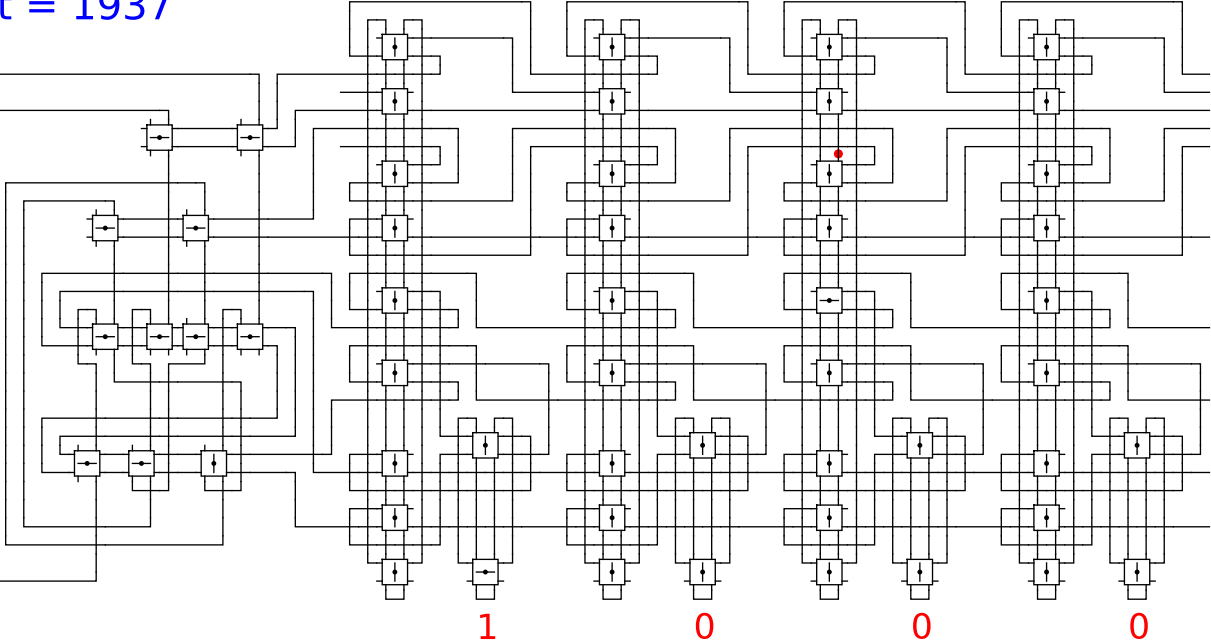
0

0

t = 1937

Reject
Accept

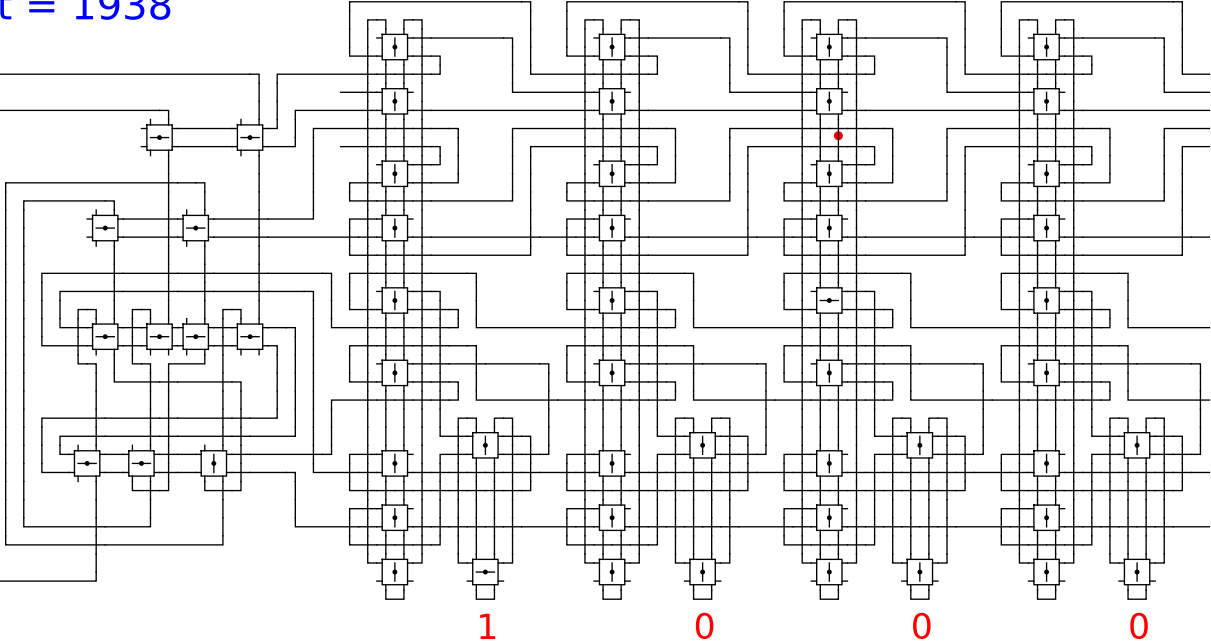
Begin



t = 1938

Reject
Accept

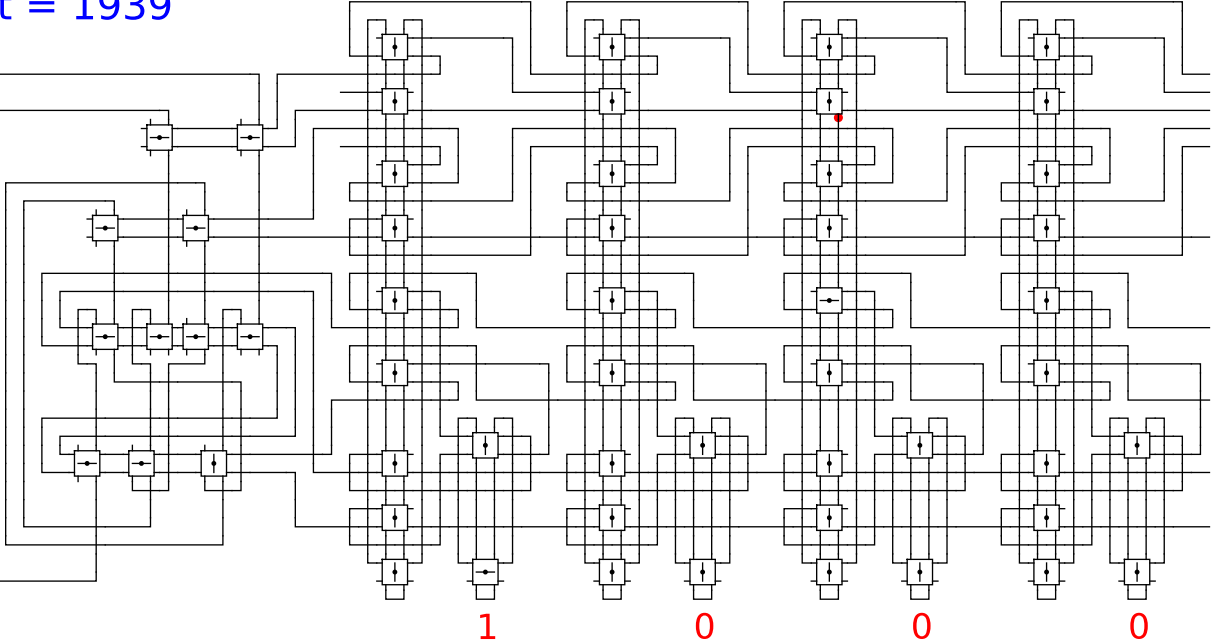
Begin



t = 1939

Reject
Accept

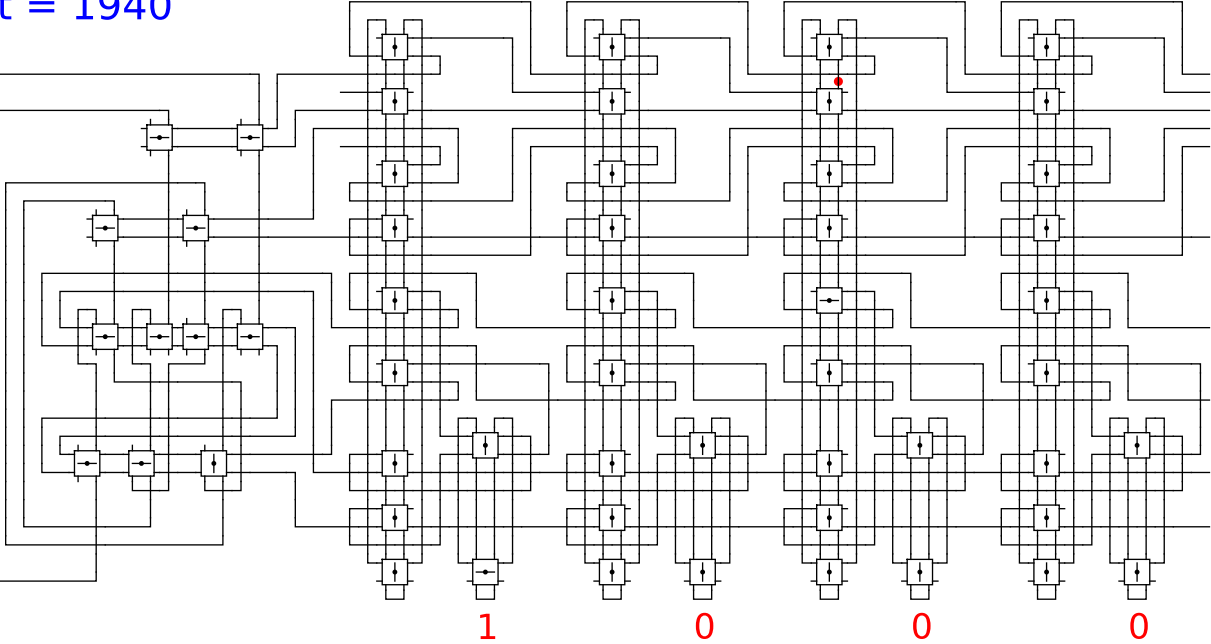
Begin



t = 1940

Reject
Accept

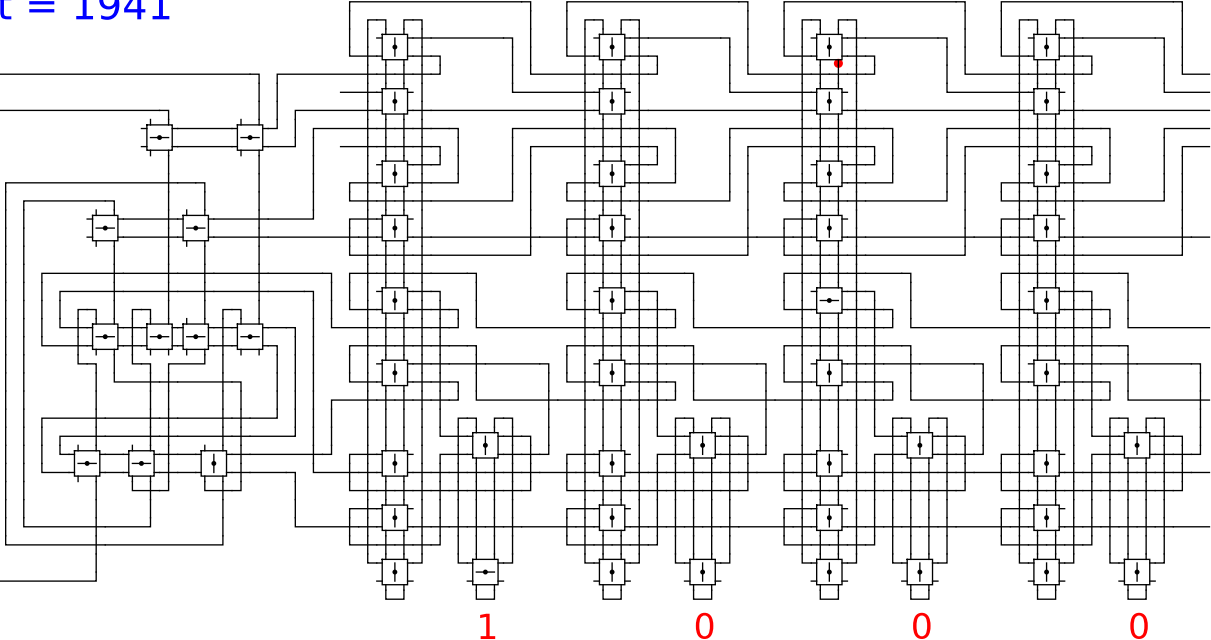
Begin



t = 1941

Reject
Accept

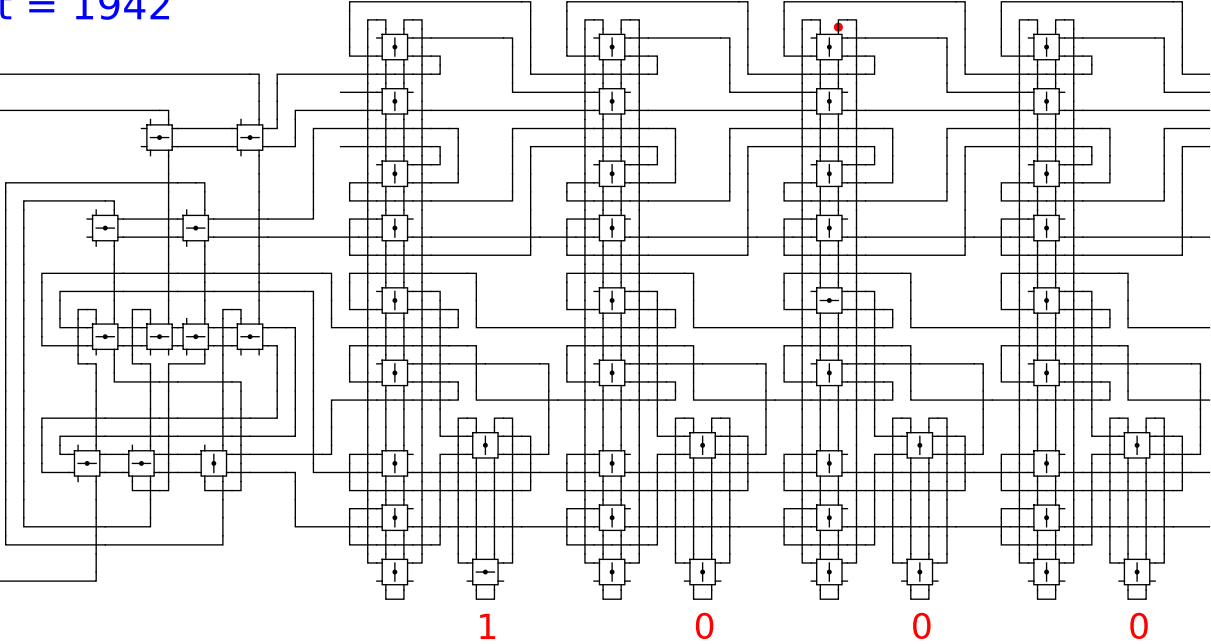
Begin



t = 1942

Reject
Accept

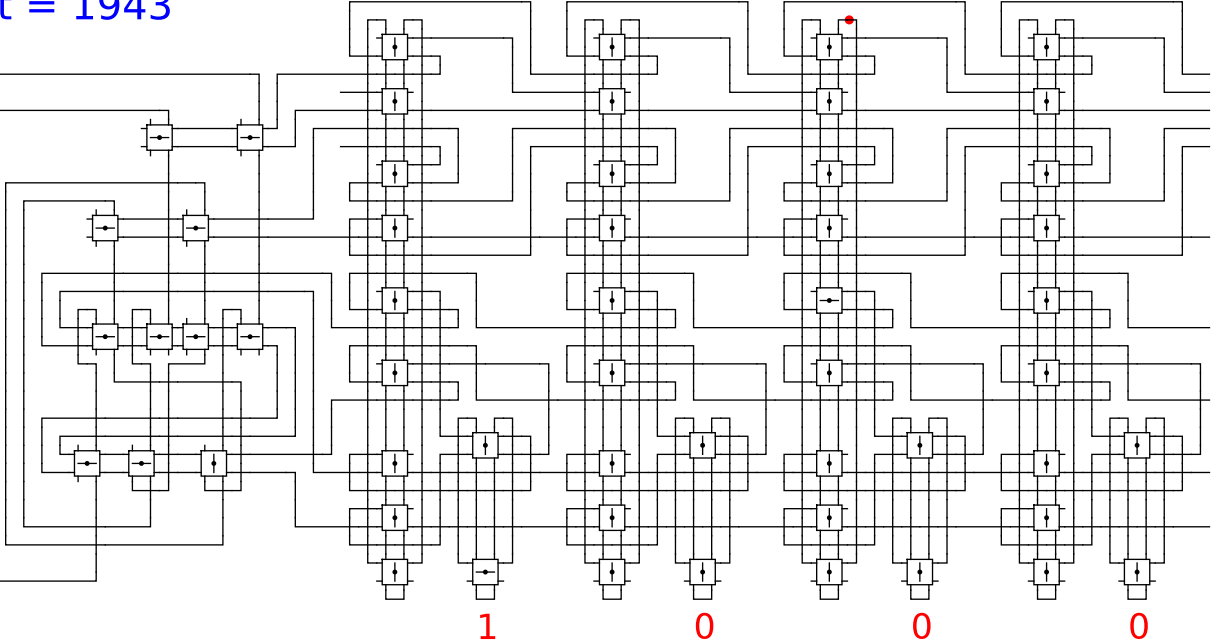
Begin



t = 1943

Reject
Accept

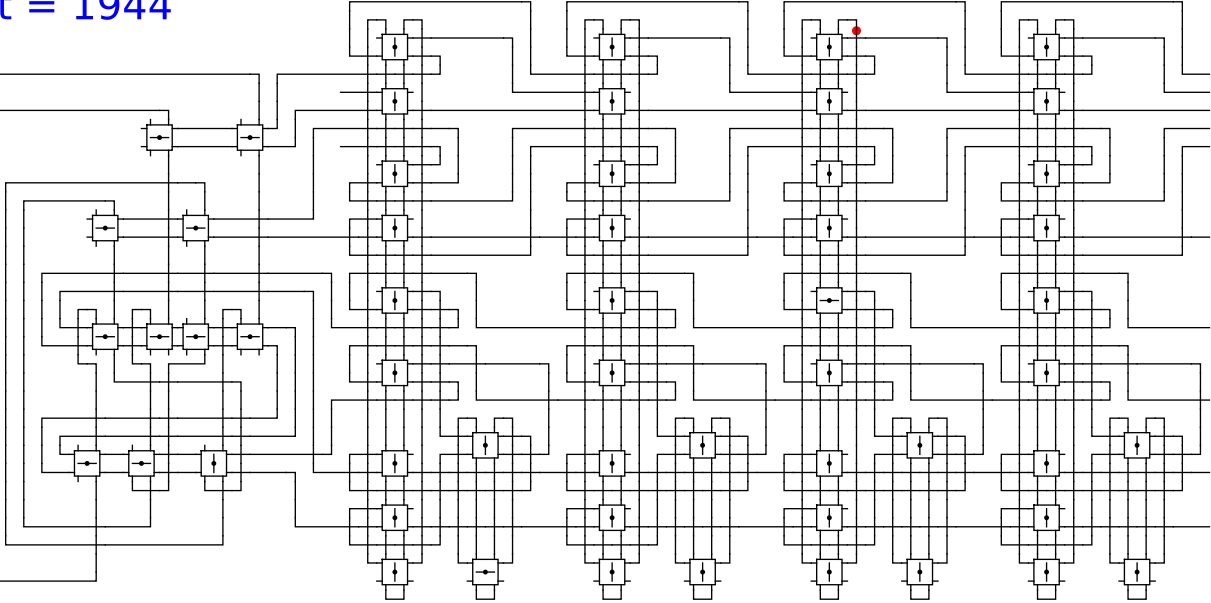
Begin



t = 1944

Reject
Accept

Begin



1

0

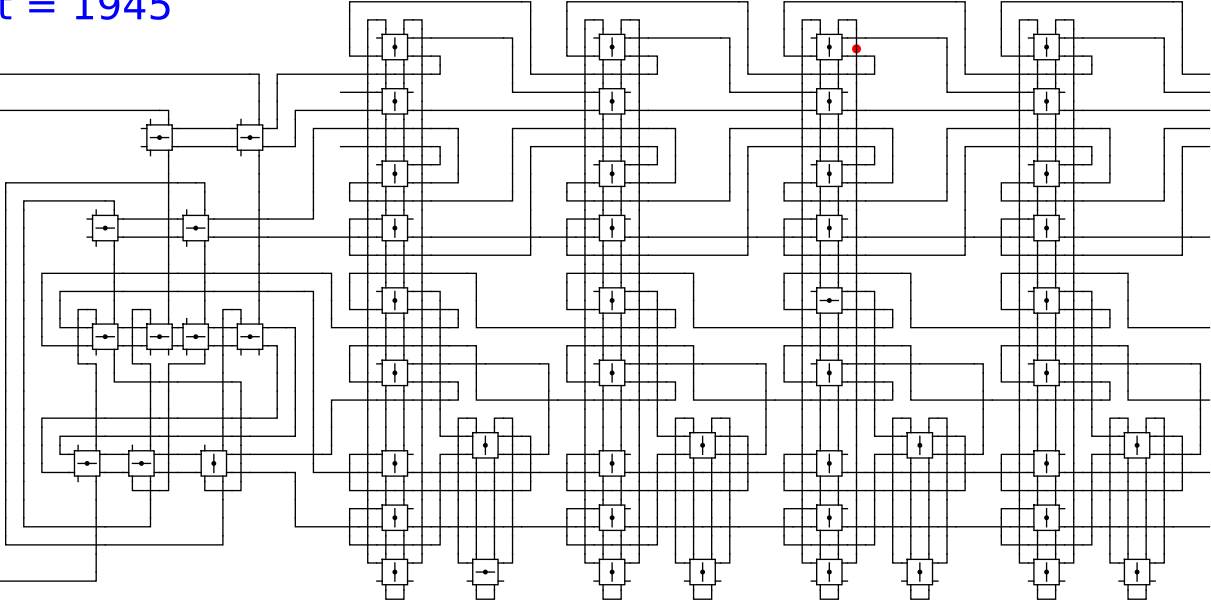
0

0

t = 1945

Reject
Accept

Begin



1

0

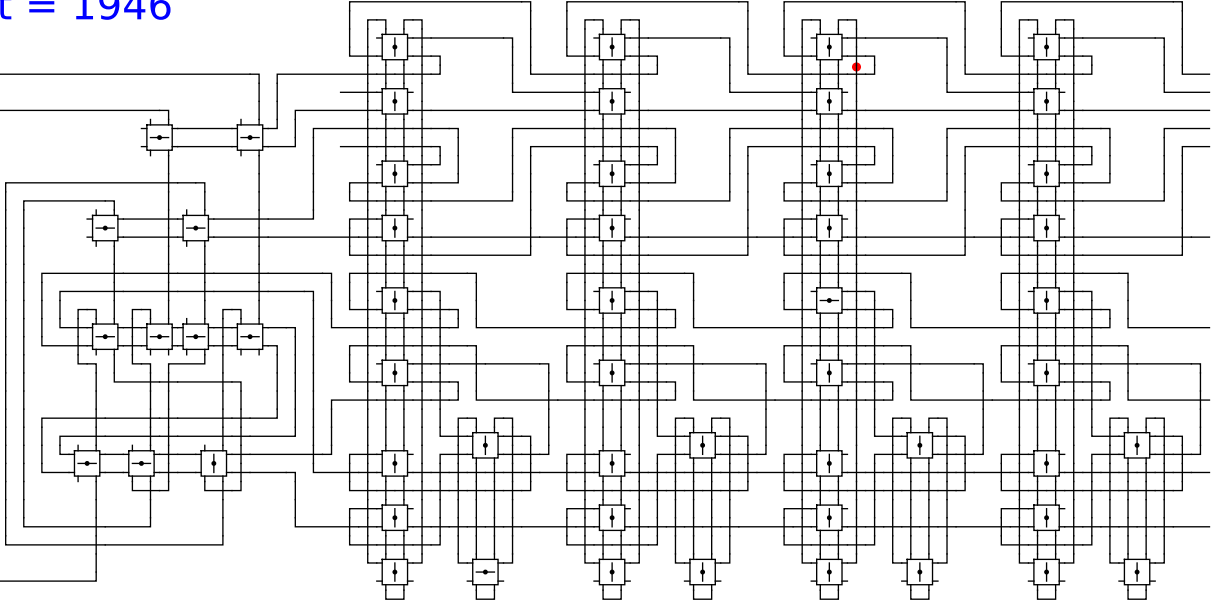
0

0

t = 1946

Reject
Accept

Begin



1

0

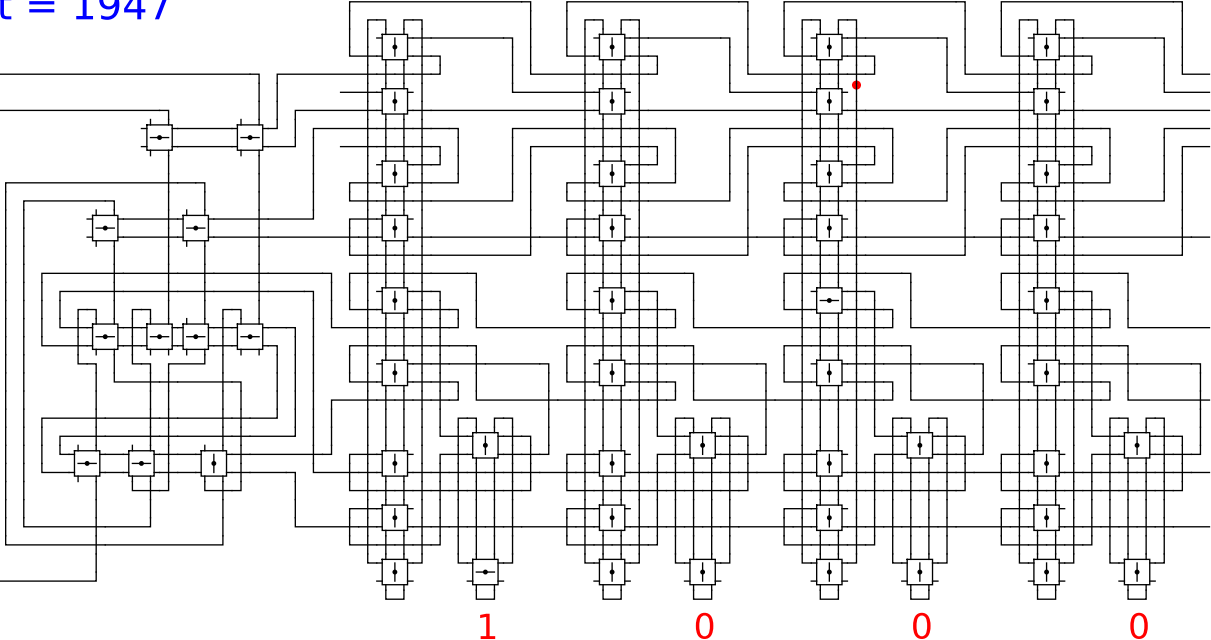
0

0

t = 1947

Reject
Accept

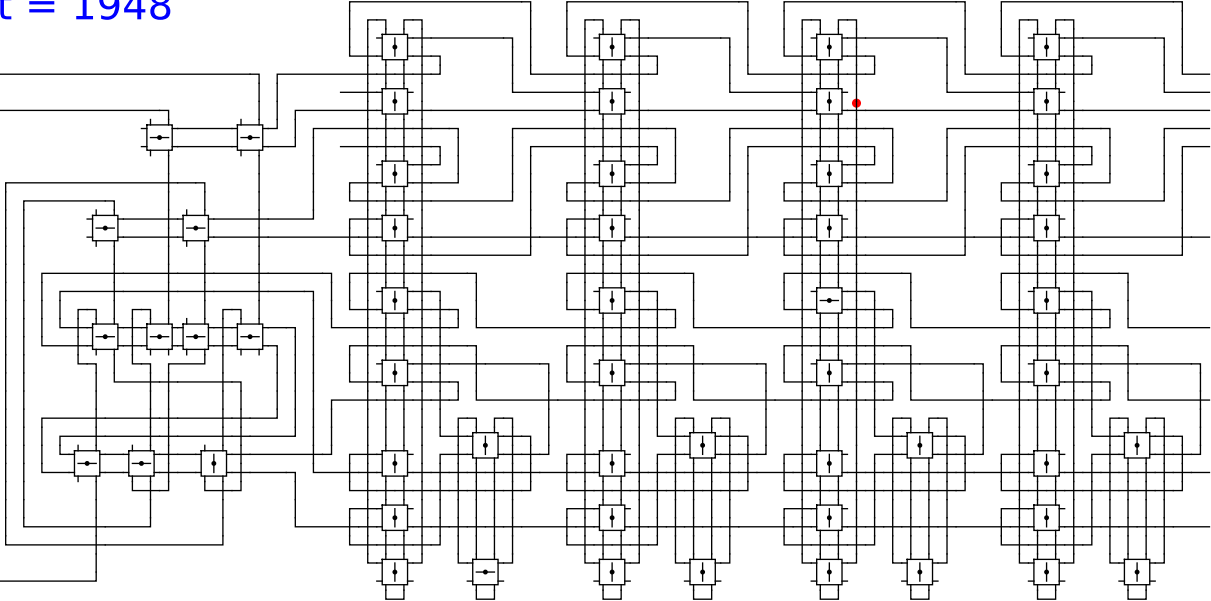
Begin



t = 1948

Reject
Accept

Begin



1

0

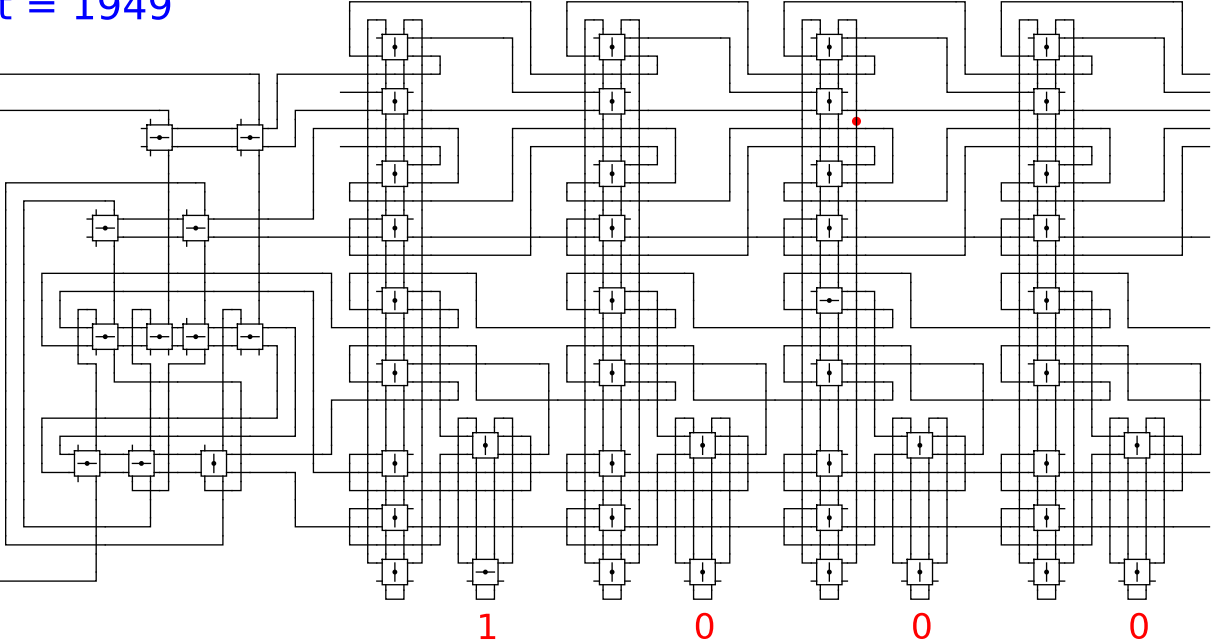
0

0

t = 1949

Reject
Accept

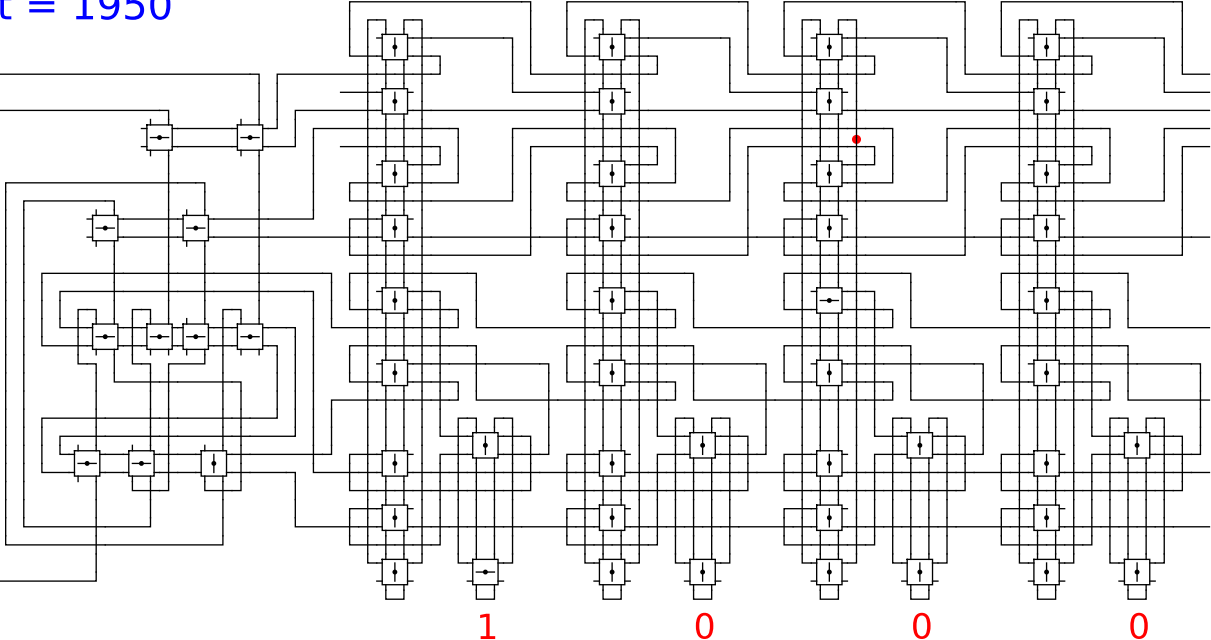
Begin



t = 1950

Reject
Accept

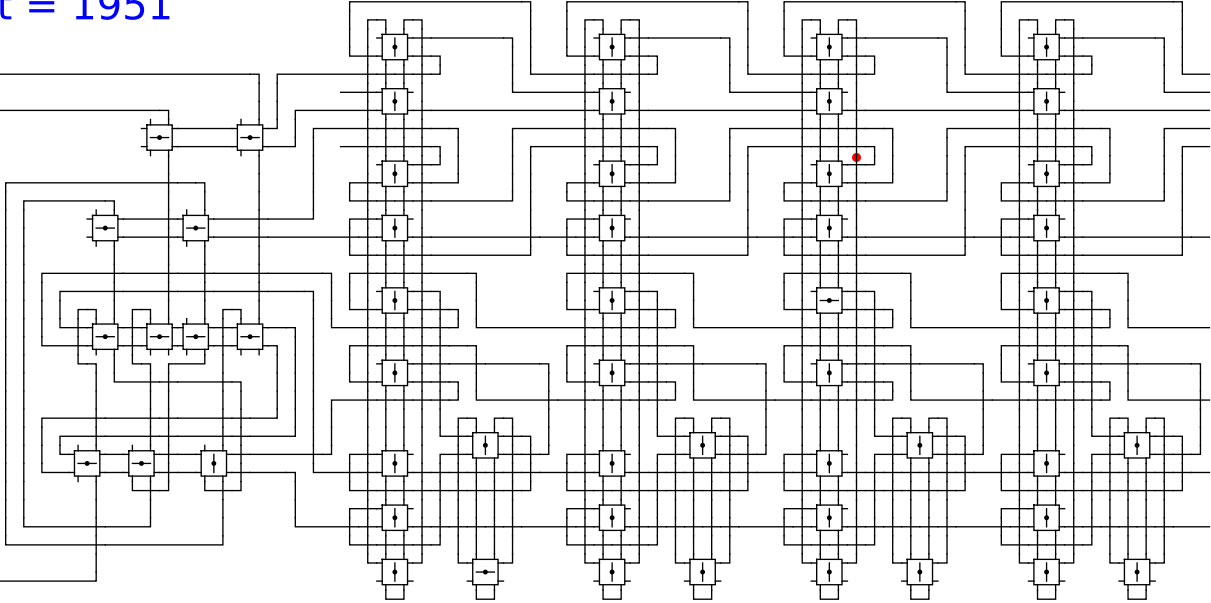
Begin



t = 1951

Reject
Accept

Begin



1

0

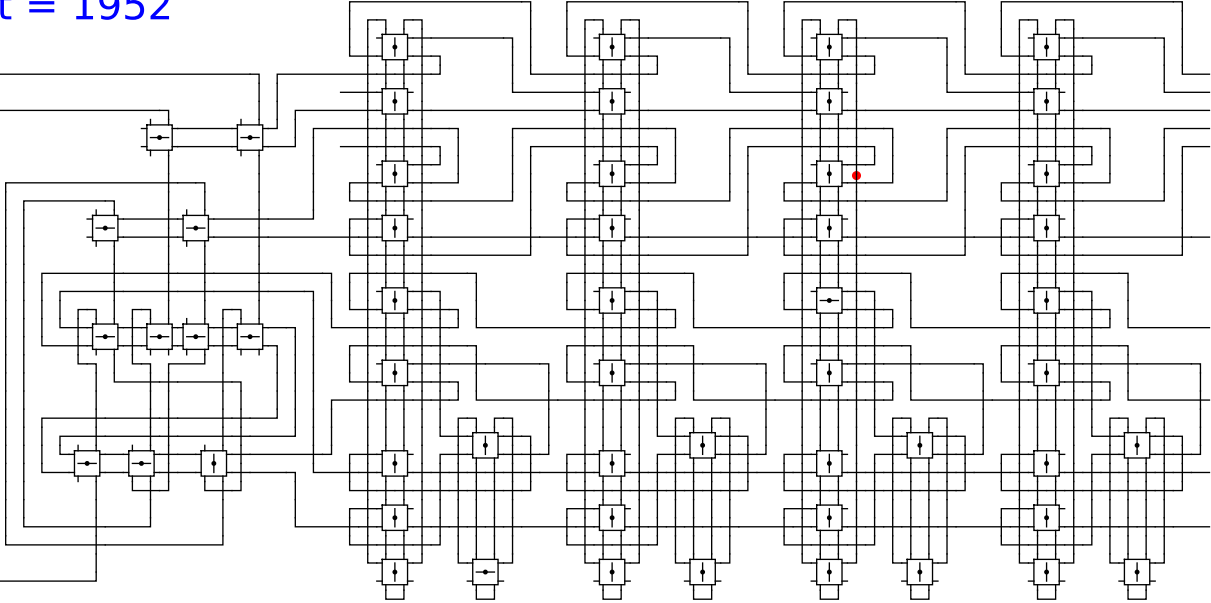
0

0

t = 1952

Reject
Accept

Begin



1

0

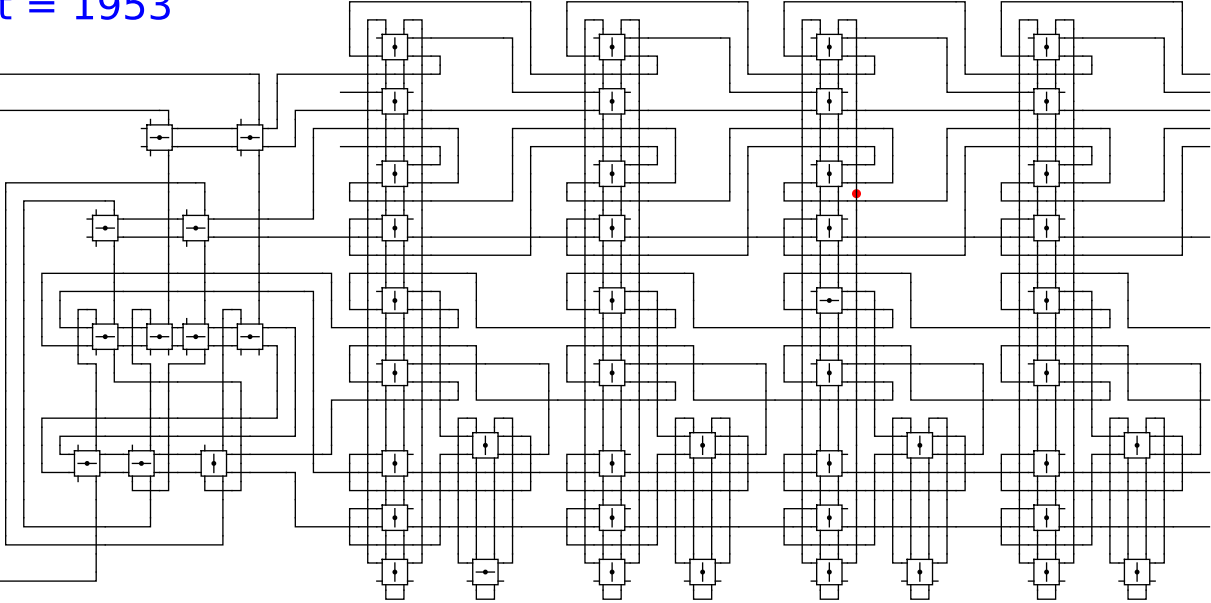
0

0

t = 1953

Reject
Accept

Begin



1

0

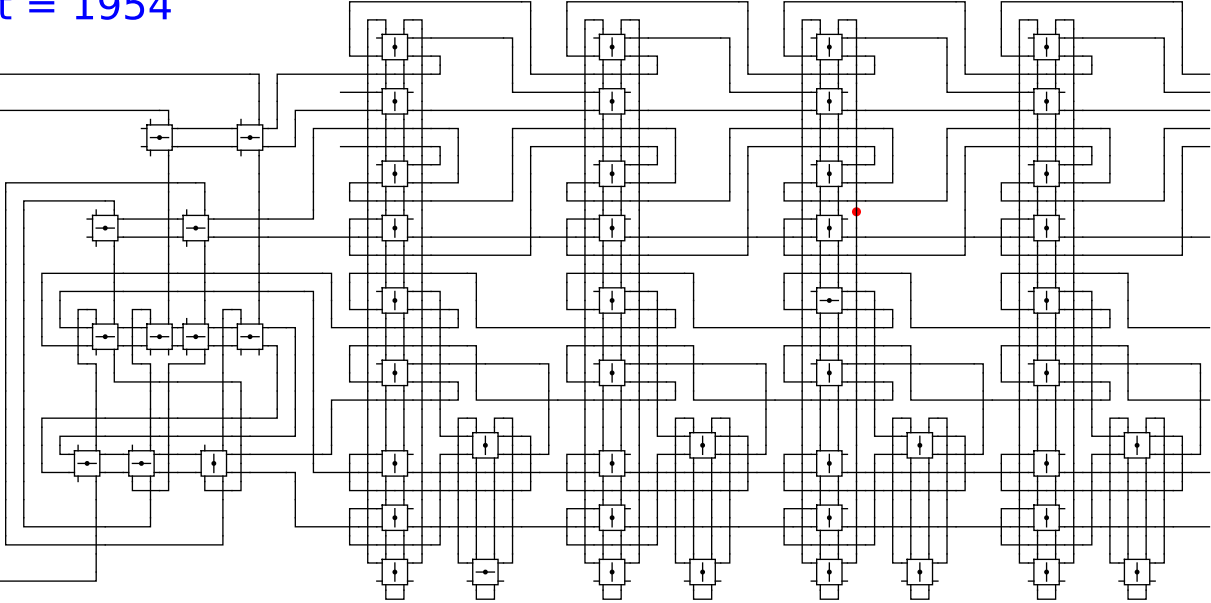
0

0

t = 1954

Reject
Accept

Begin



1

0

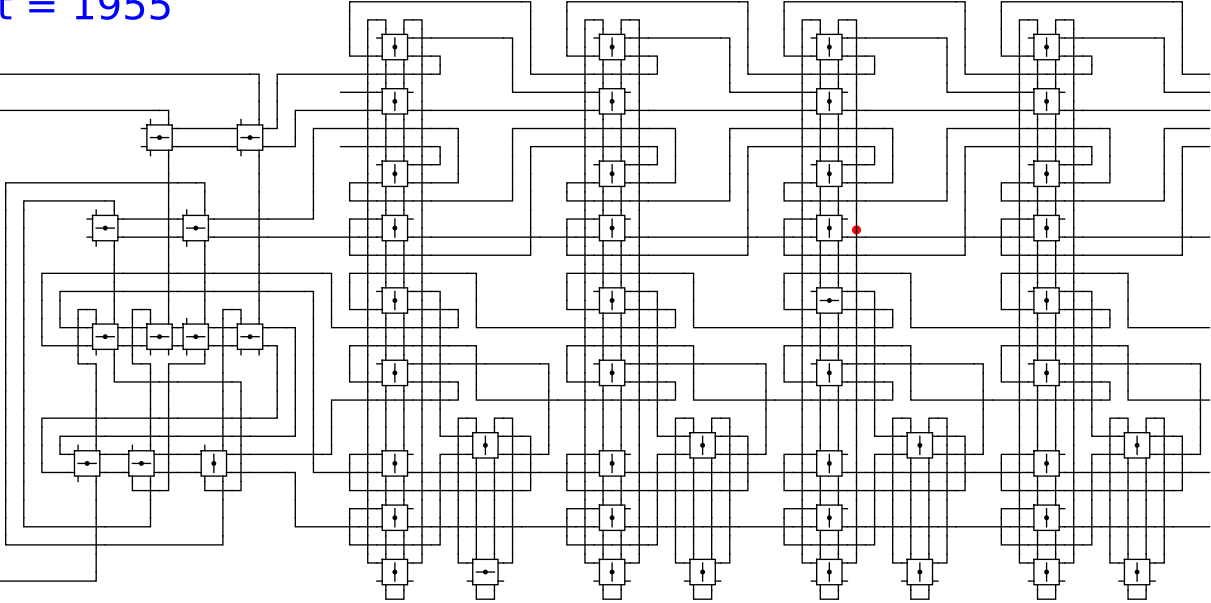
0

0

t = 1955

Reject
Accept

Begin



1

0

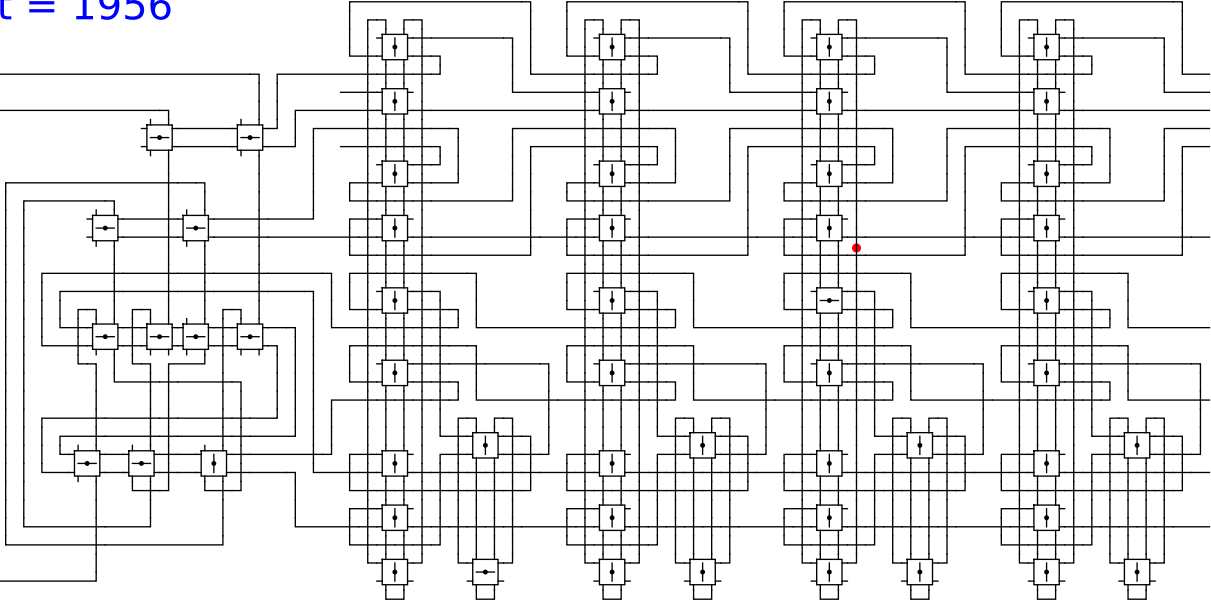
0

0

t = 1956

Reject
Accept

Begin



1

0

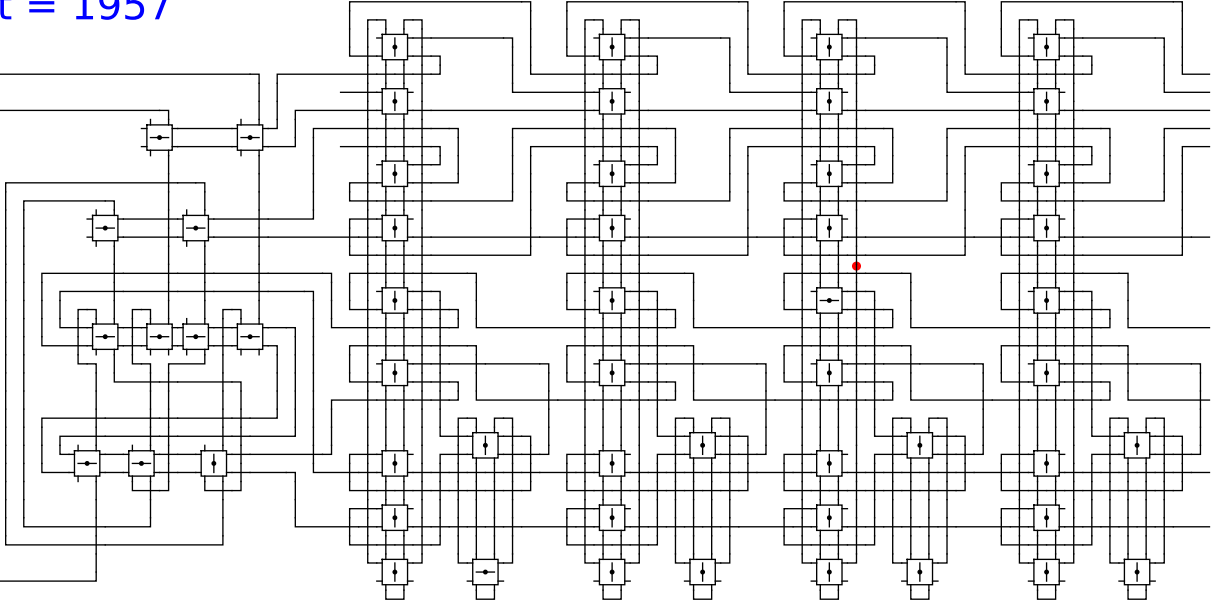
0

0

t = 1957

Reject
Accept

Begin



1

0

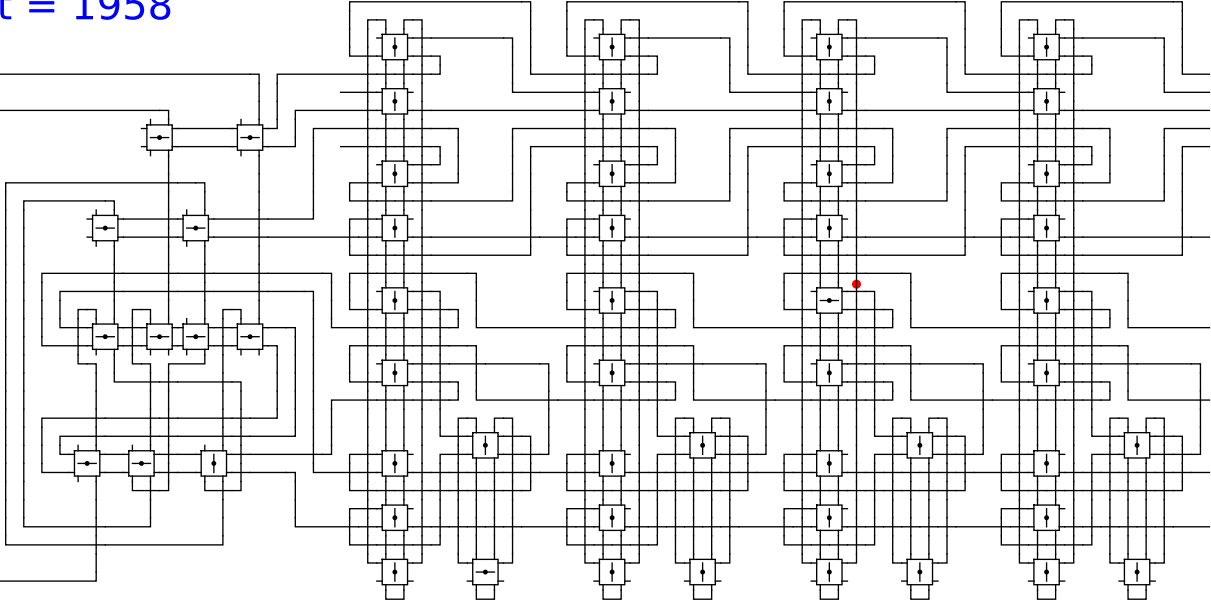
0

0

t = 1958

Reject
Accept

Begin



1

0

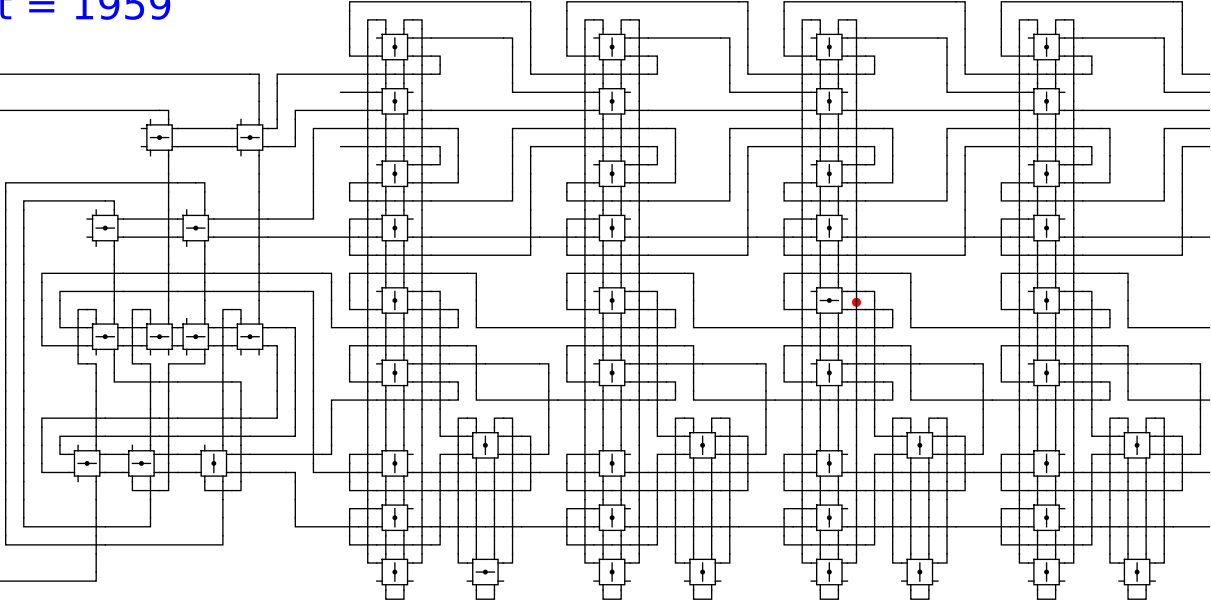
0

0

t = 1959

Reject
Accept

Begin



1

0

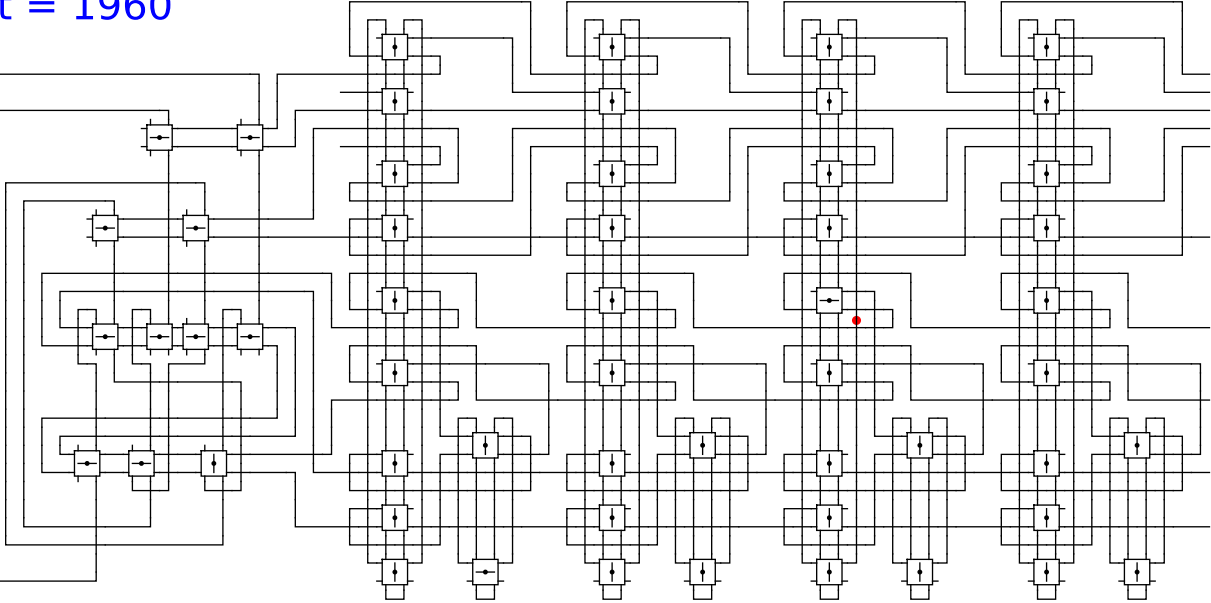
0

0

t = 1960

Reject
Accept

Begin



1

0

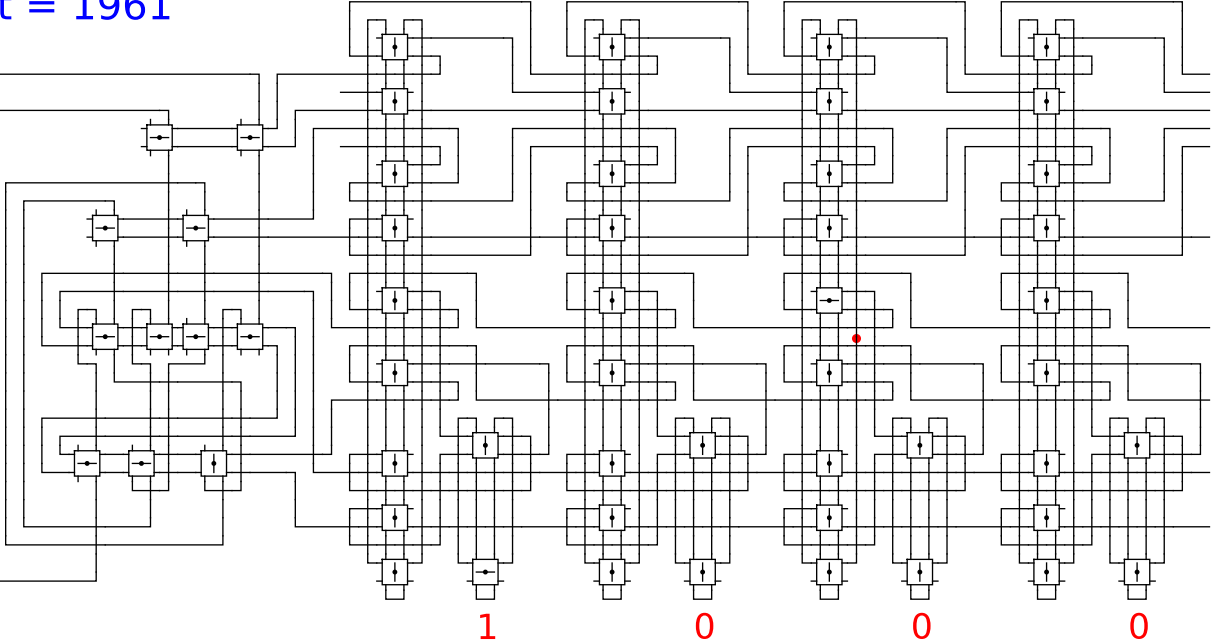
0

0

t = 1961

Reject
Accept

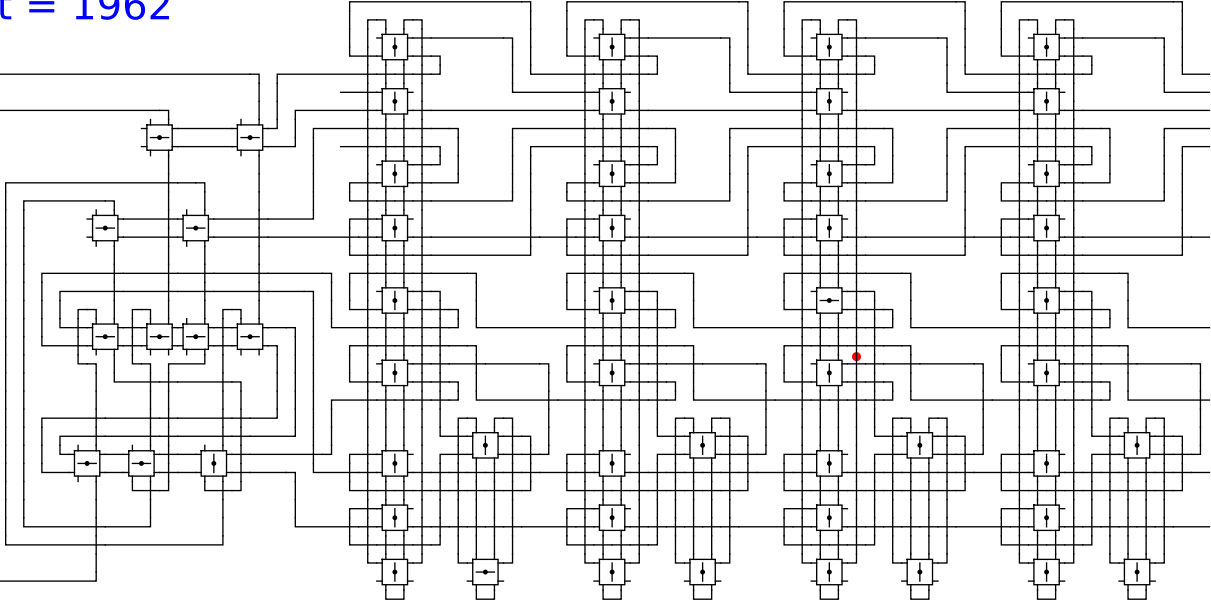
Begin



t = 1962

Reject
Accept

Begin



1

0

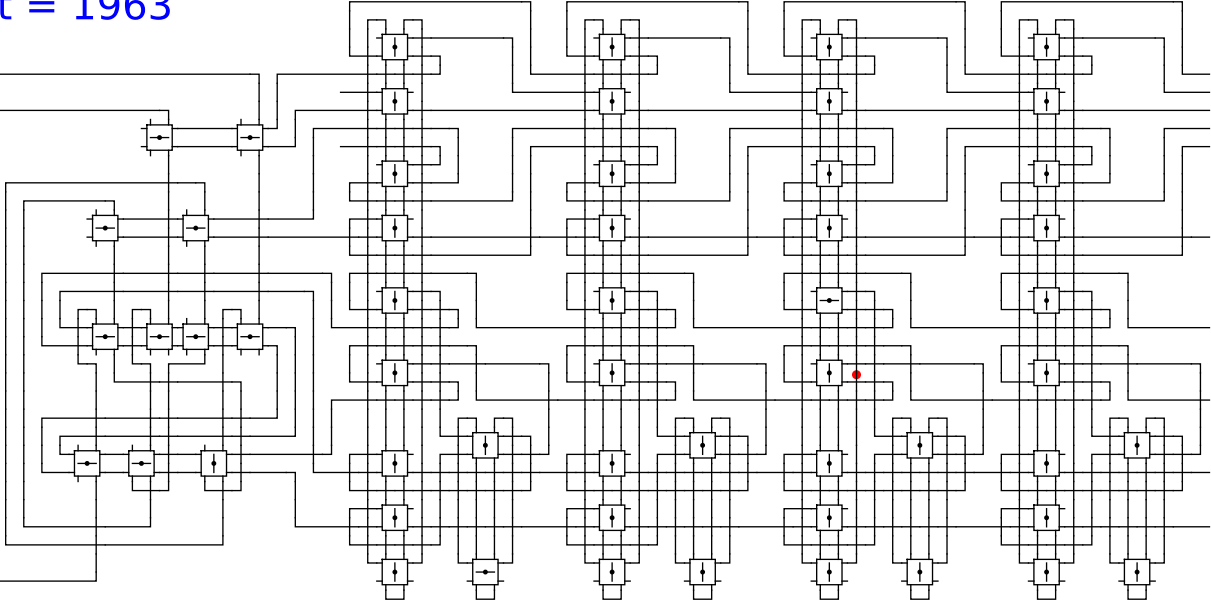
0

0

t = 1963

Reject
Accept

Begin



1

0

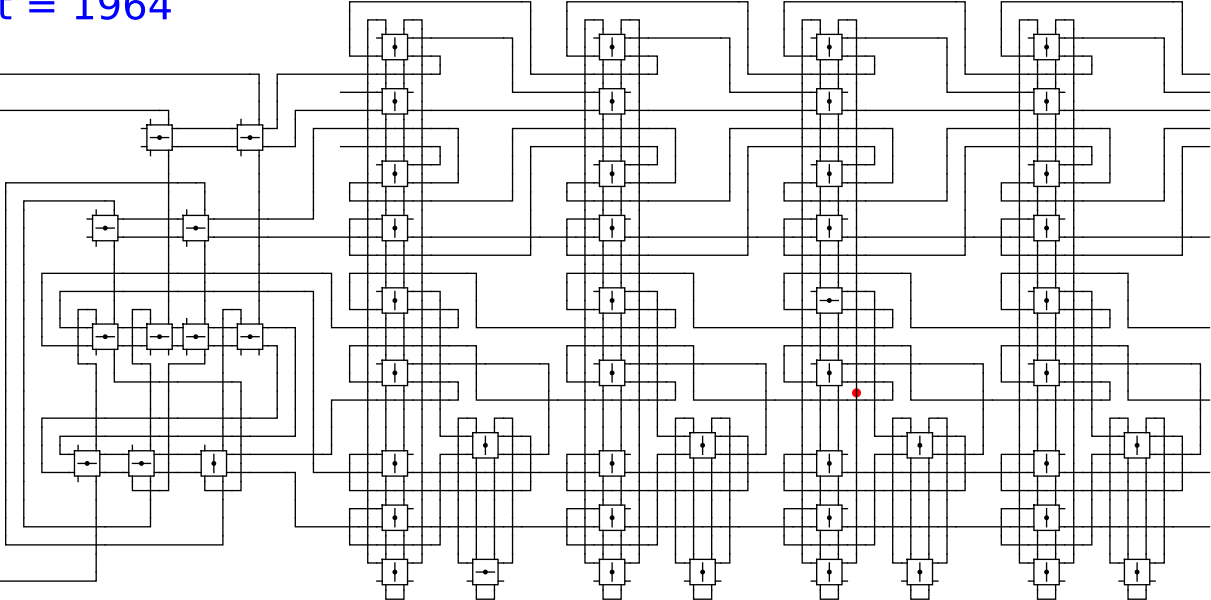
0

0

t = 1964

Reject
Accept

Begin



1

0

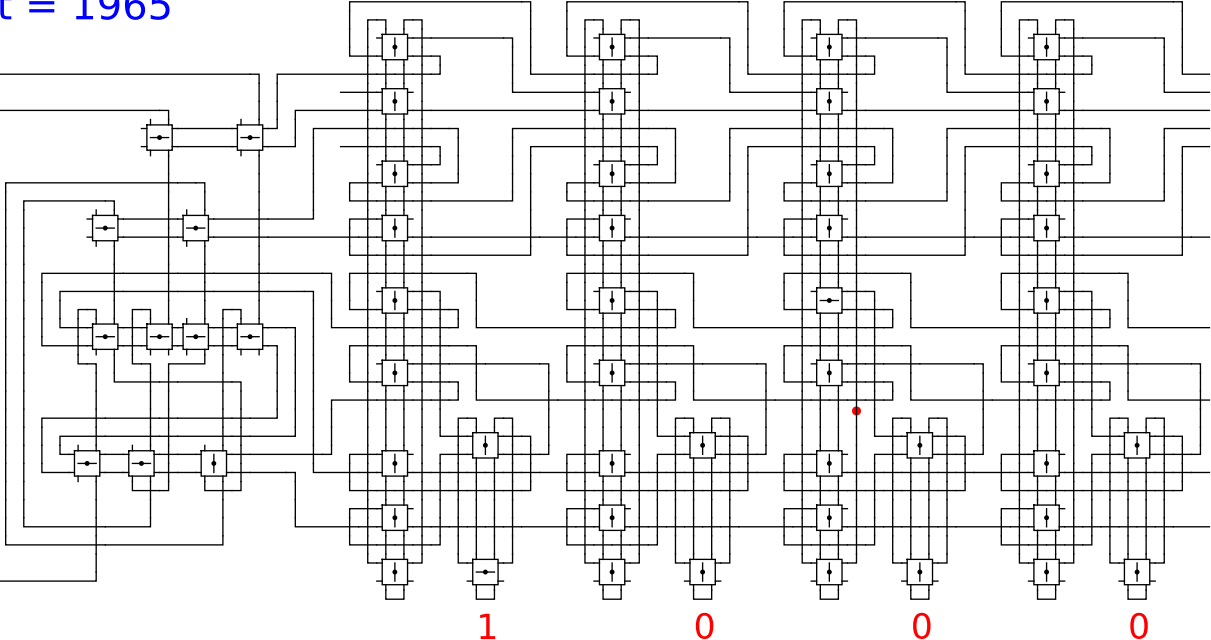
0

0

t = 1965

Reject
Accept

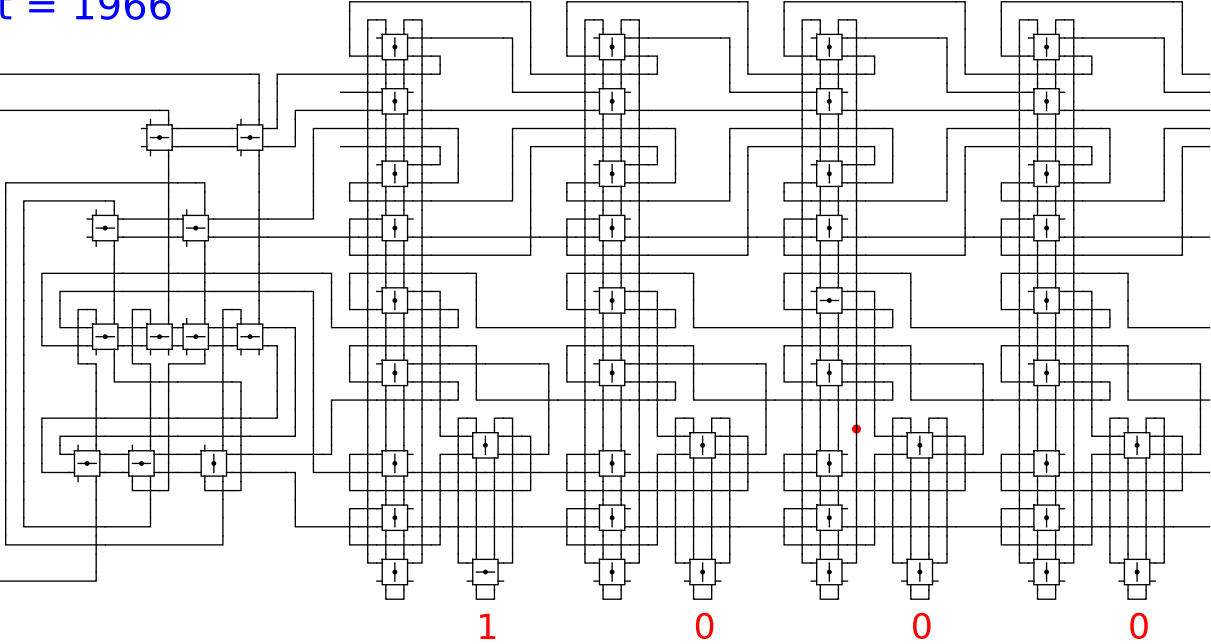
Begin



t = 1966

Reject
Accept

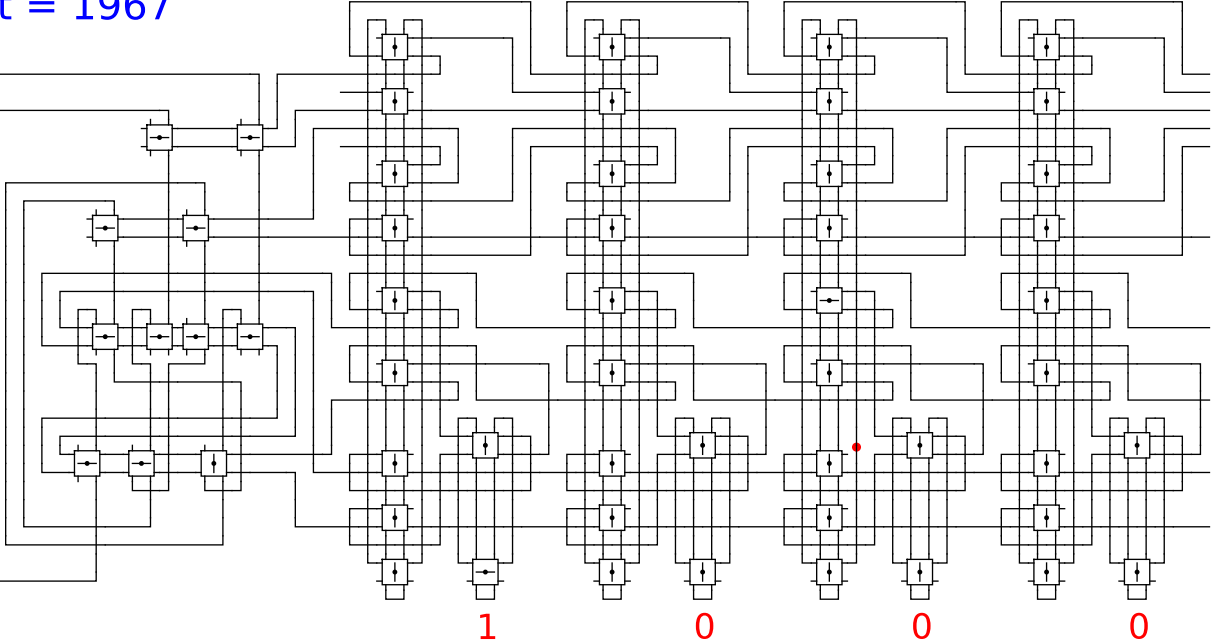
Begin



t = 1967

Reject
Accept

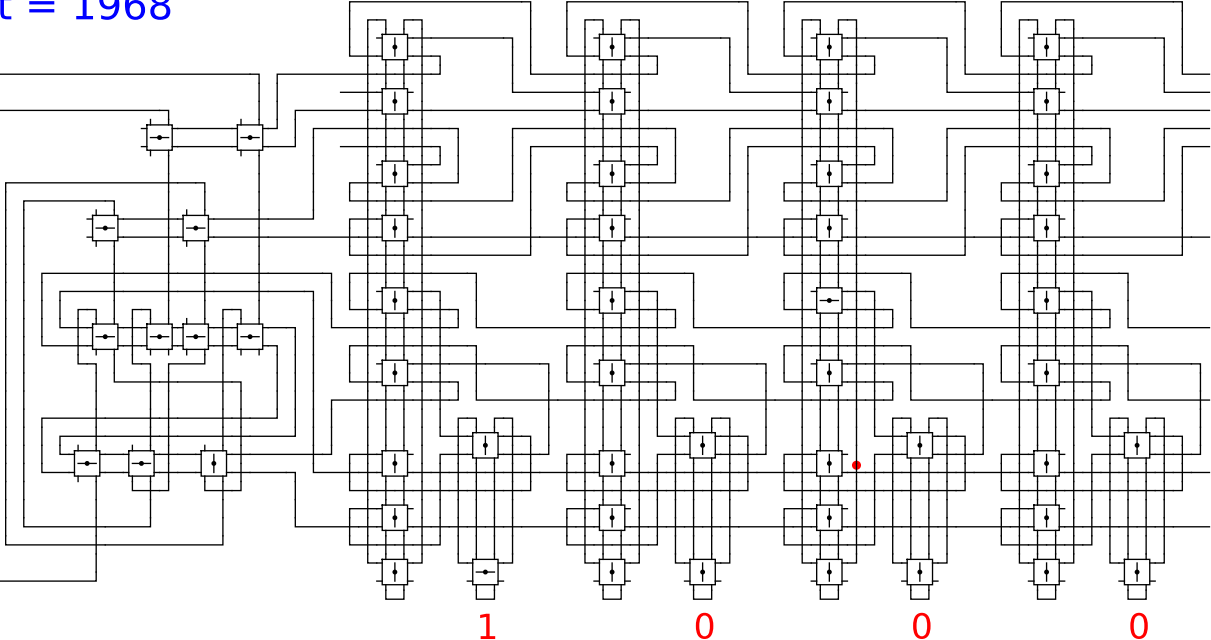
Begin



t = 1968

Reject
Accept

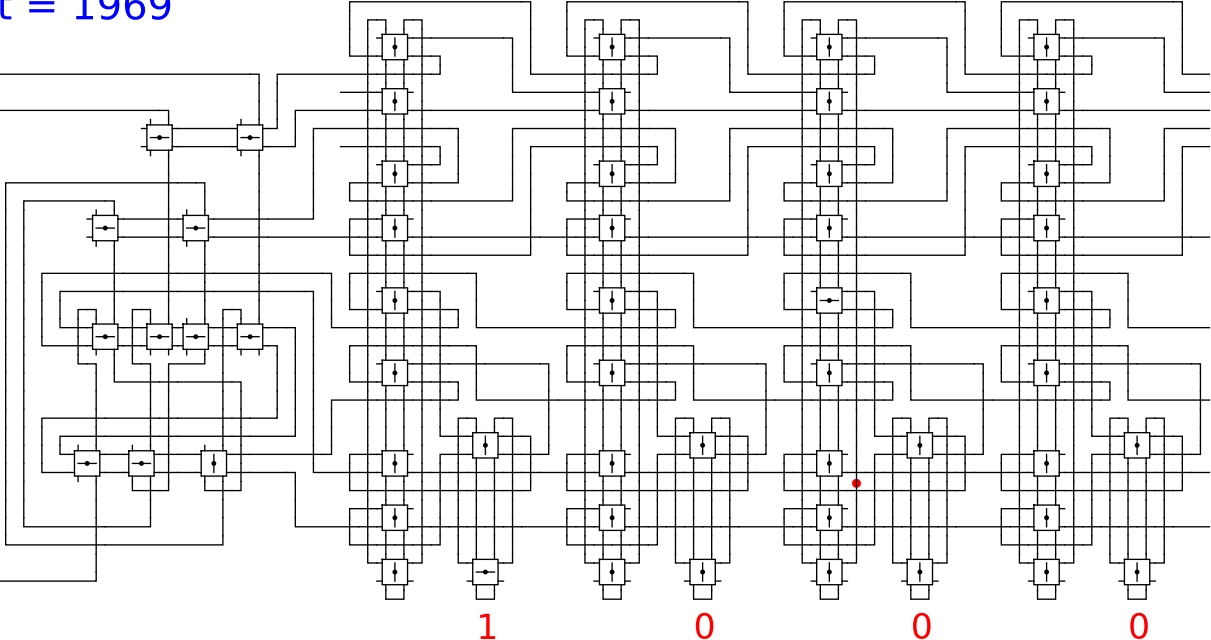
Begin



t = 1969

Reject
Accept

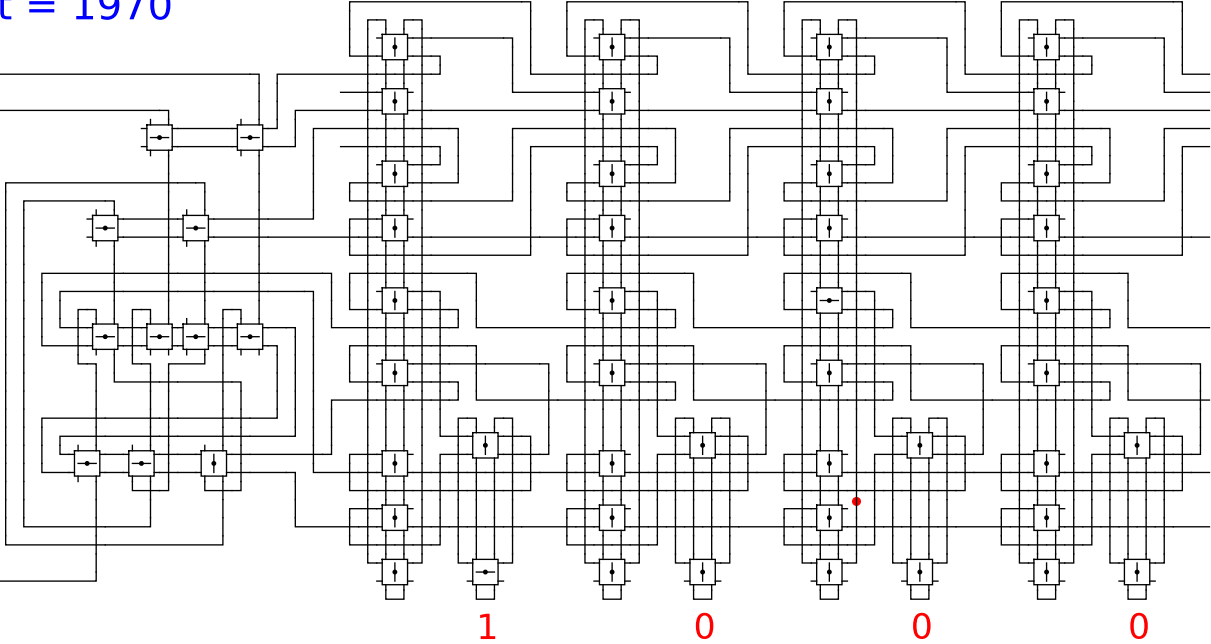
Begin



t = 1970

Reject
Accept

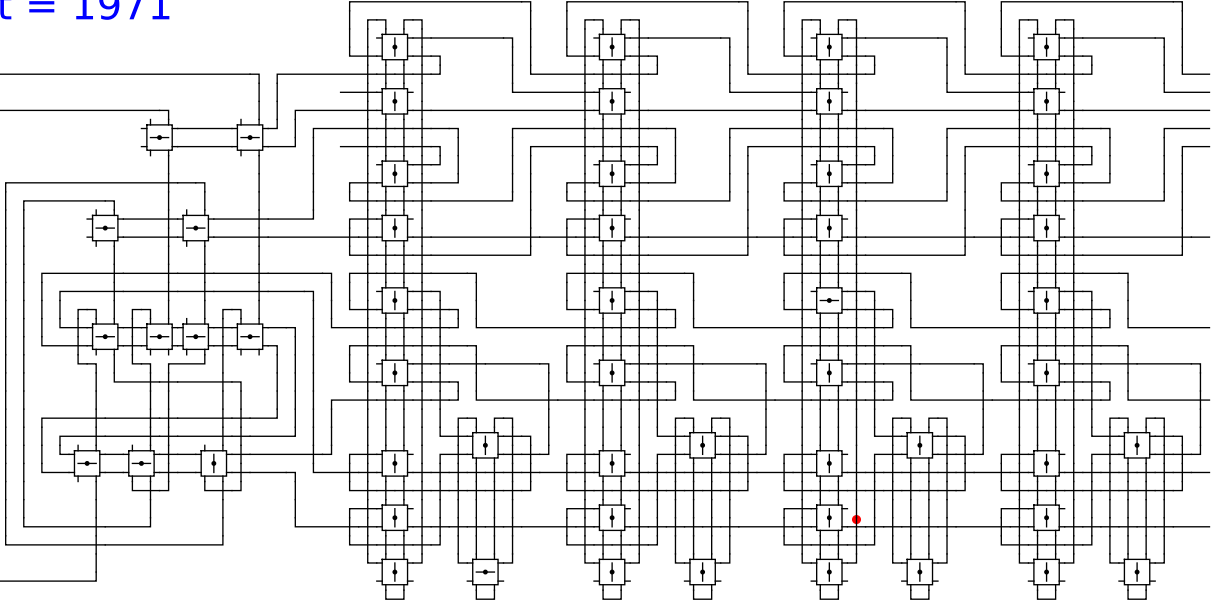
Begin



t = 1971

Reject
Accept

Begin



1

0

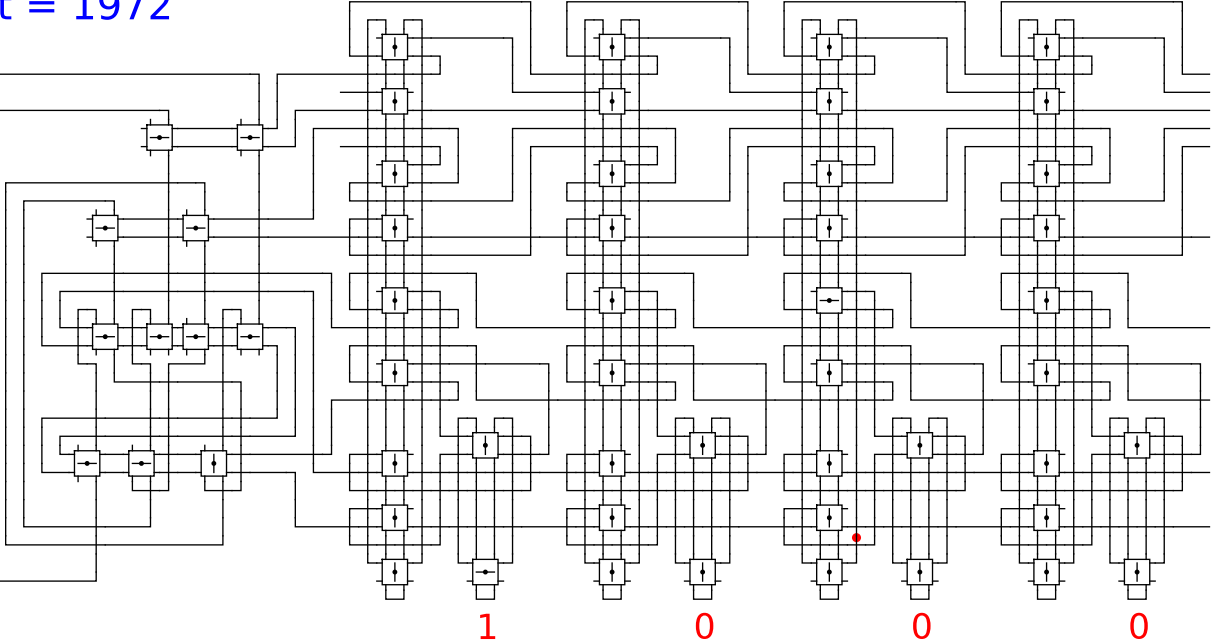
0

0

t = 1972

Reject
Accept

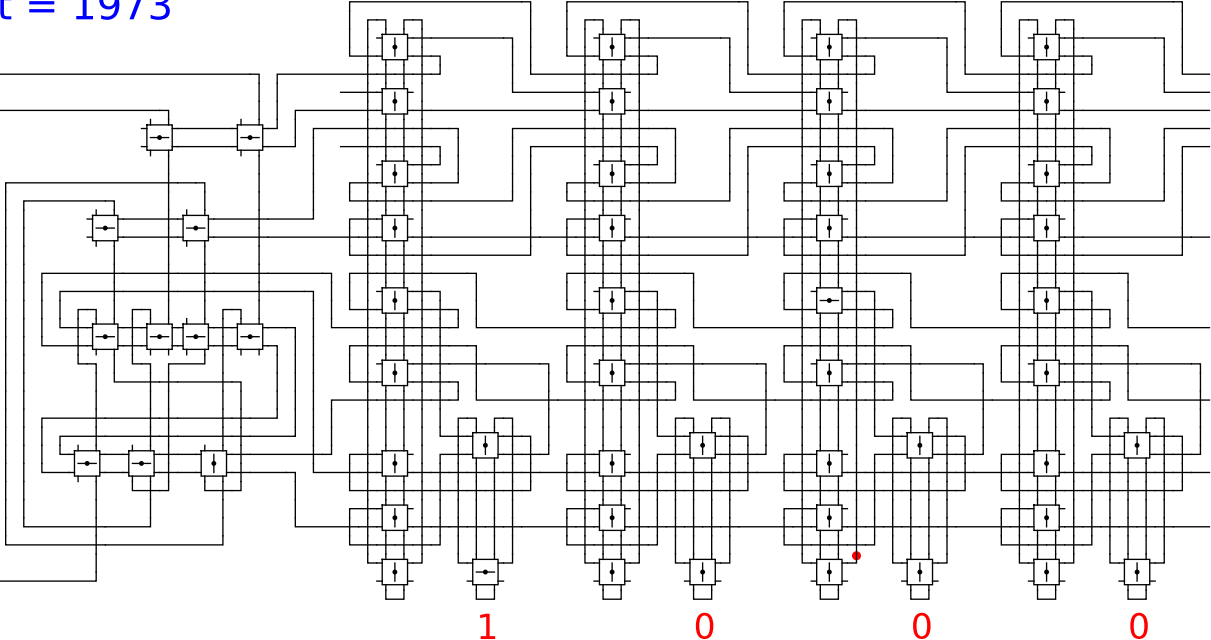
Begin



t = 1973

Reject
Accept

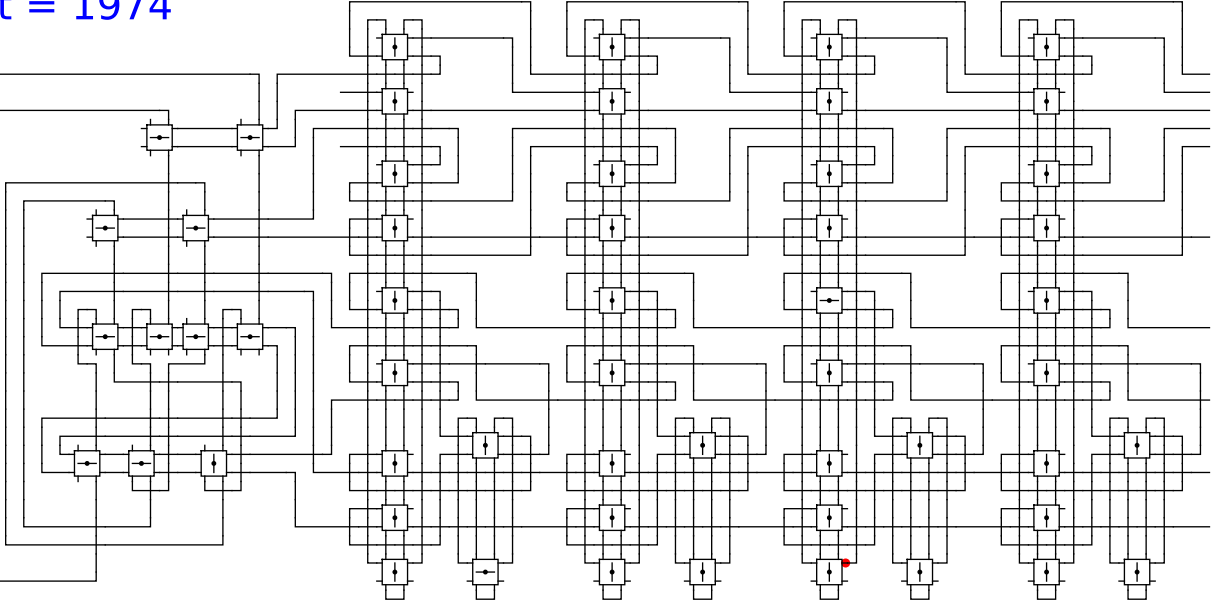
Begin



t = 1974

Reject
Accept

Begin



1

0

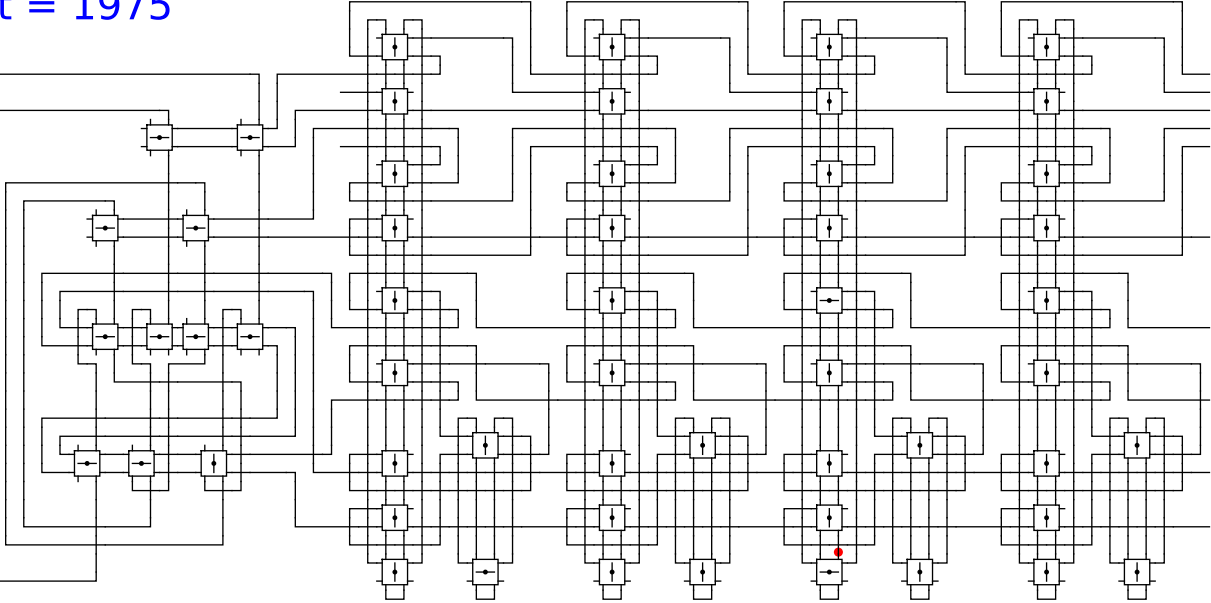
0

0

t = 1975

Reject
Accept

Begin

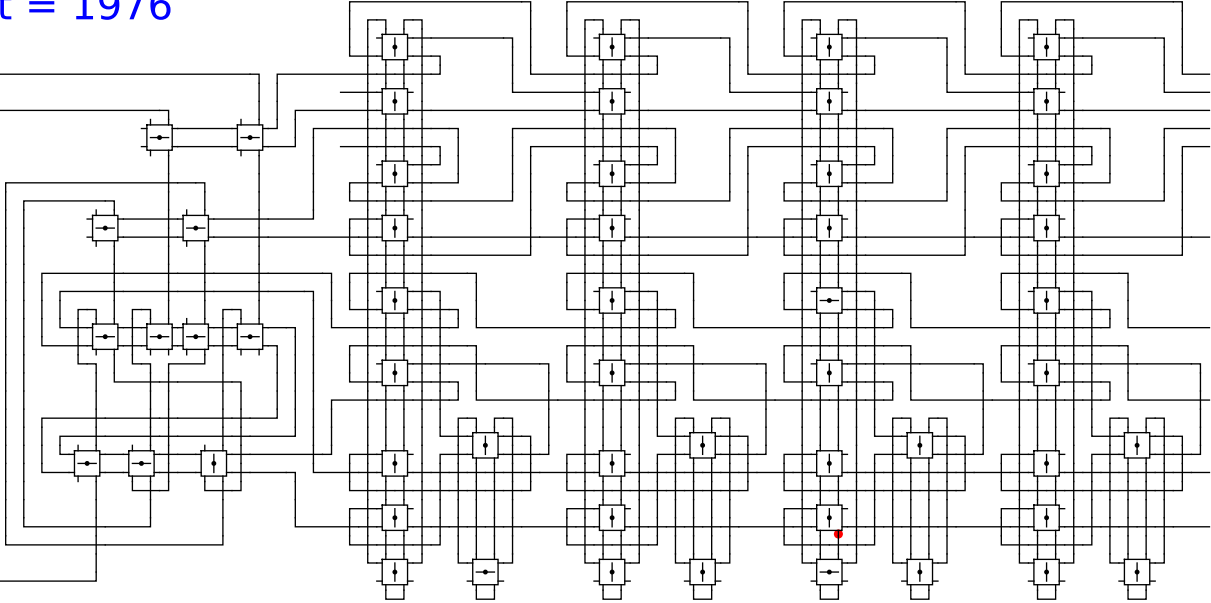


1 0 head 0 0

t = 1976

Reject
Accept

Begin

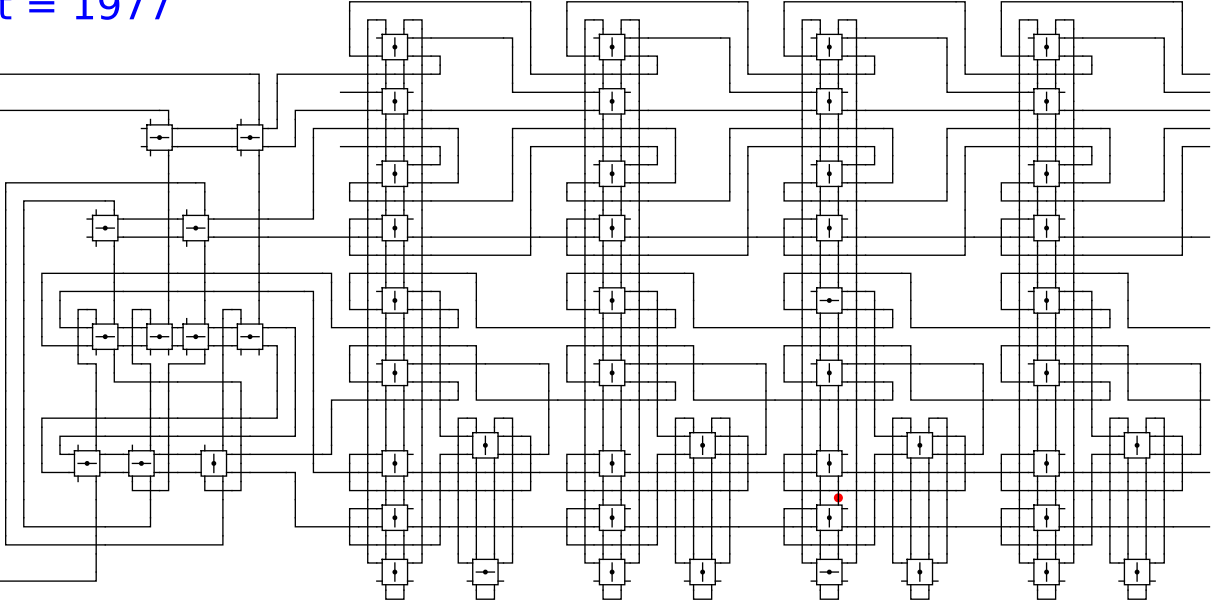


1 0 head 0 0

t = 1977

Reject
Accept

Begin

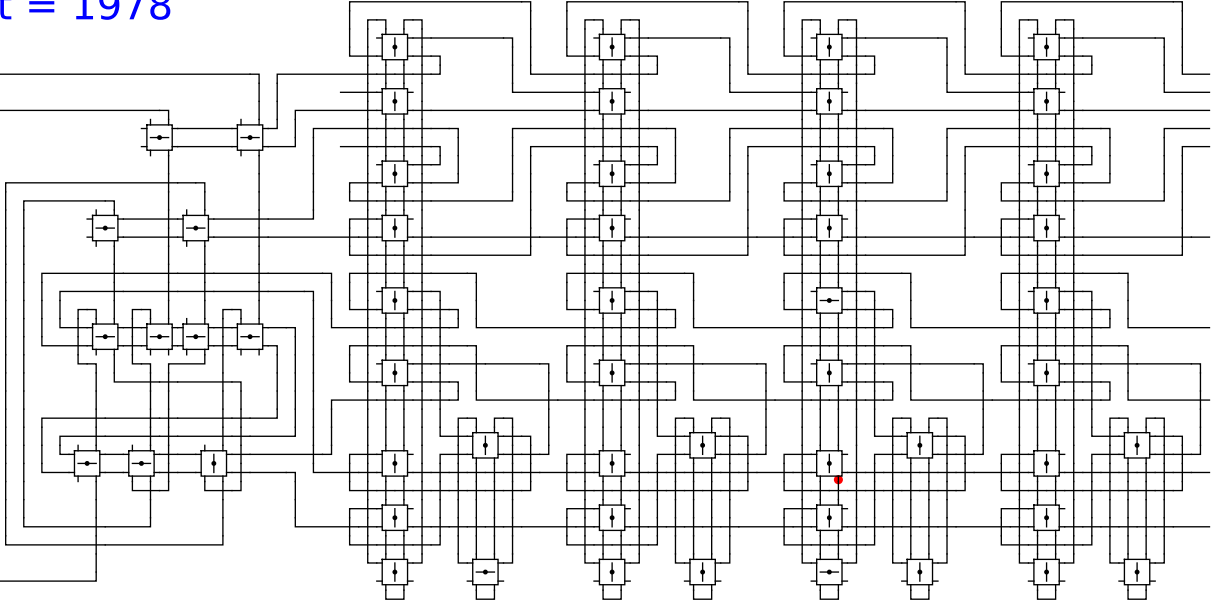


1 0 head 0 0

t = 1978

Reject
Accept

Begin

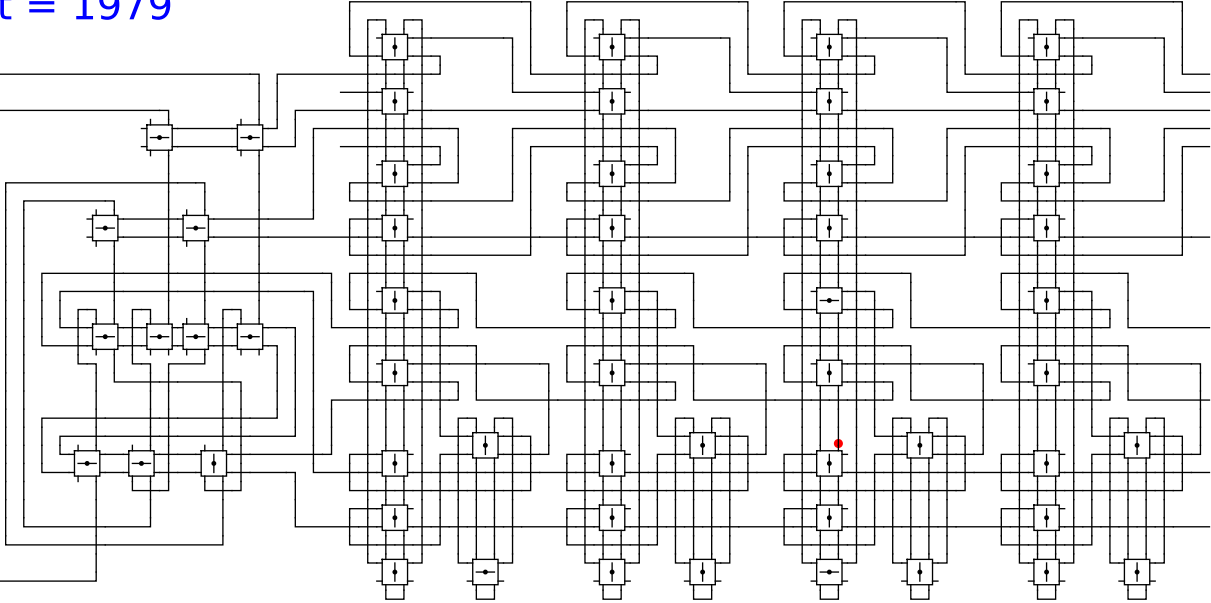


1 0 head 0 0

t = 1979

Reject
Accept

Begin

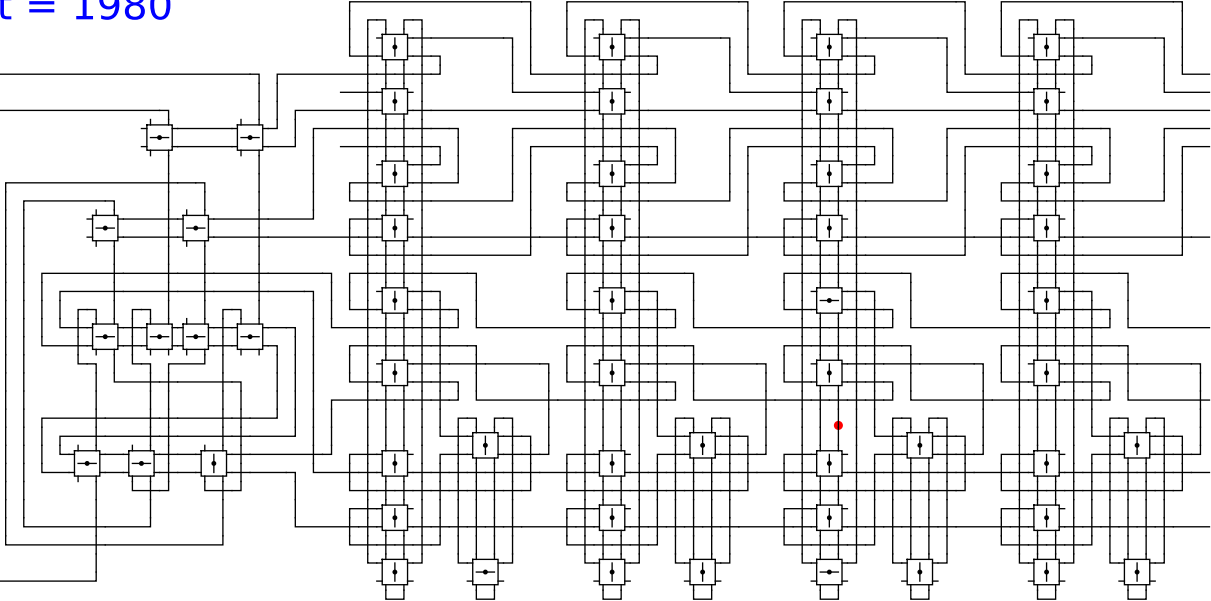


1 0 head 0 0

t = 1980

Reject
Accept

Begin



1

0

head

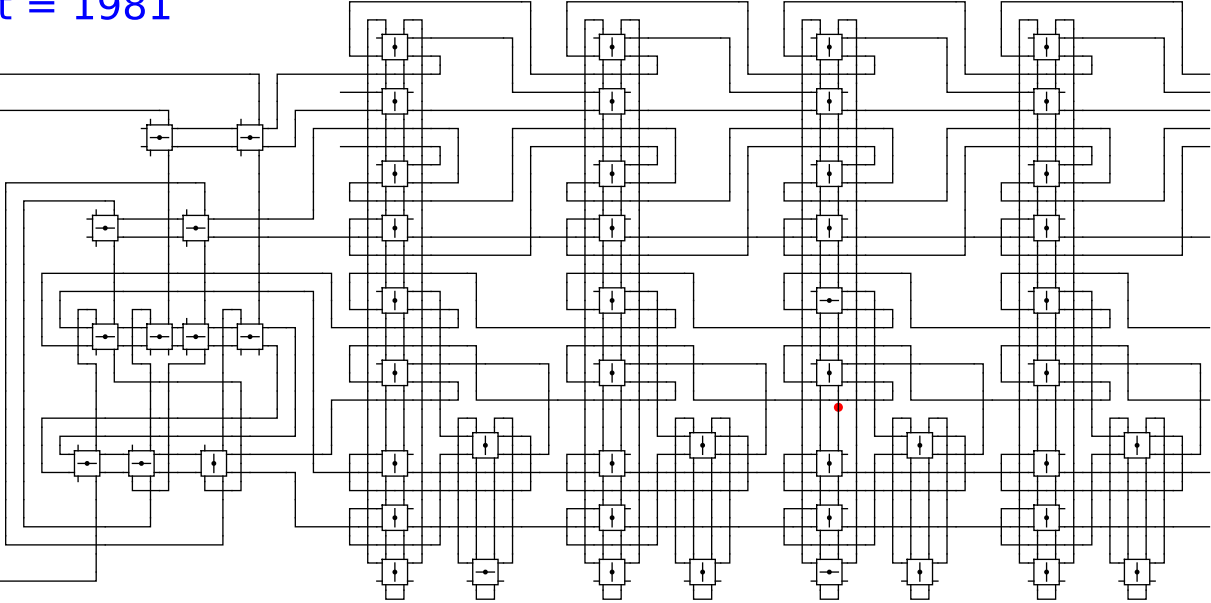
0

0

t = 1981

Reject
Accept

Begin



1

0

head

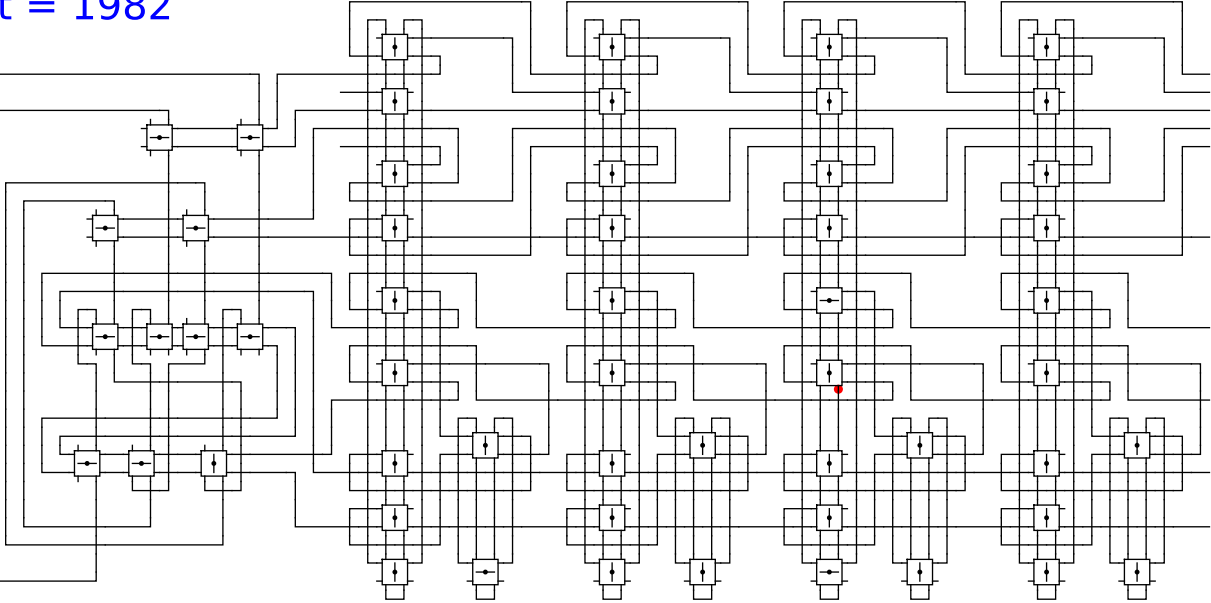
0

0

t = 1982

Reject
Accept

Begin

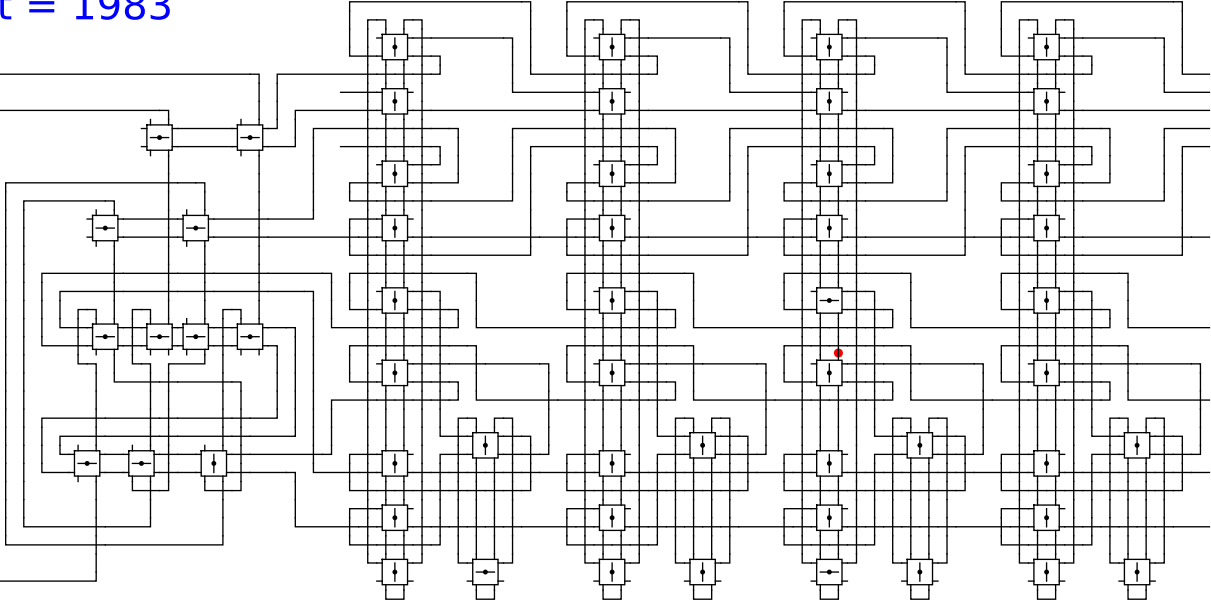


1 0 head 0 0

t = 1983

Reject
Accept

Begin



1

0

head

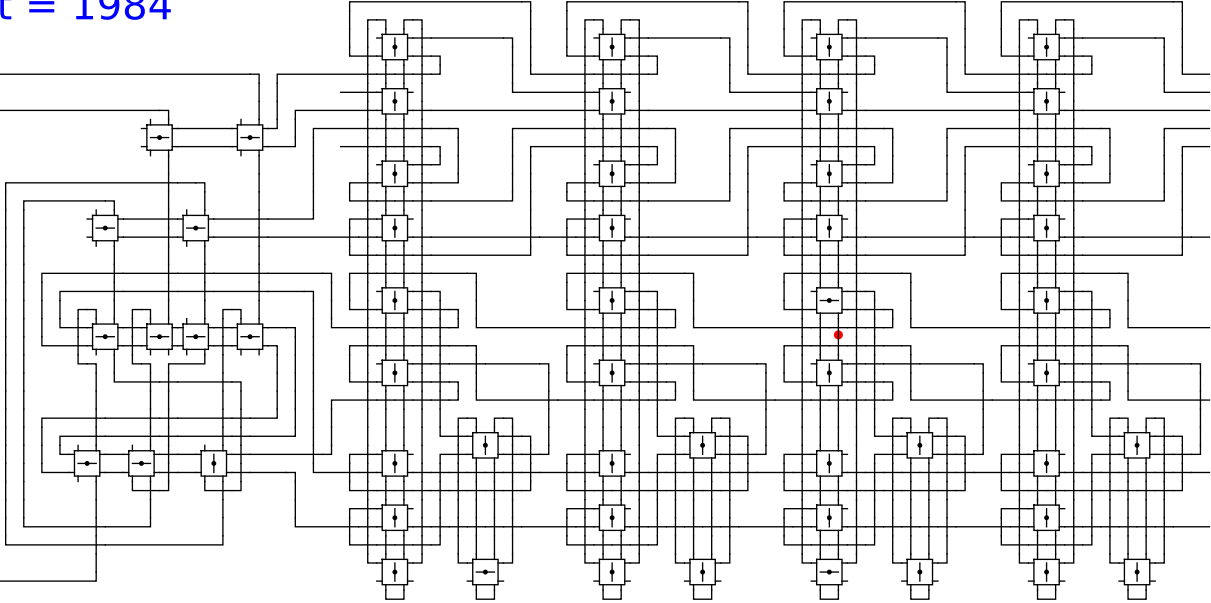
0

0

t = 1984

Reject
Accept

Begin

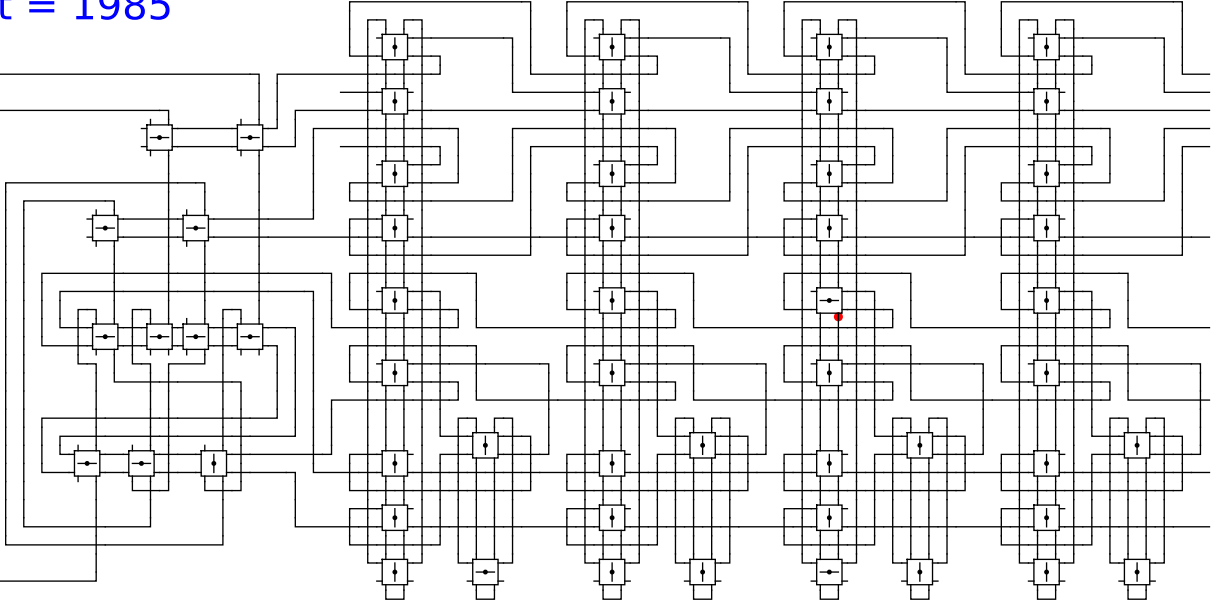


1 0 head 0 0

t = 1985

Reject
Accept

Begin

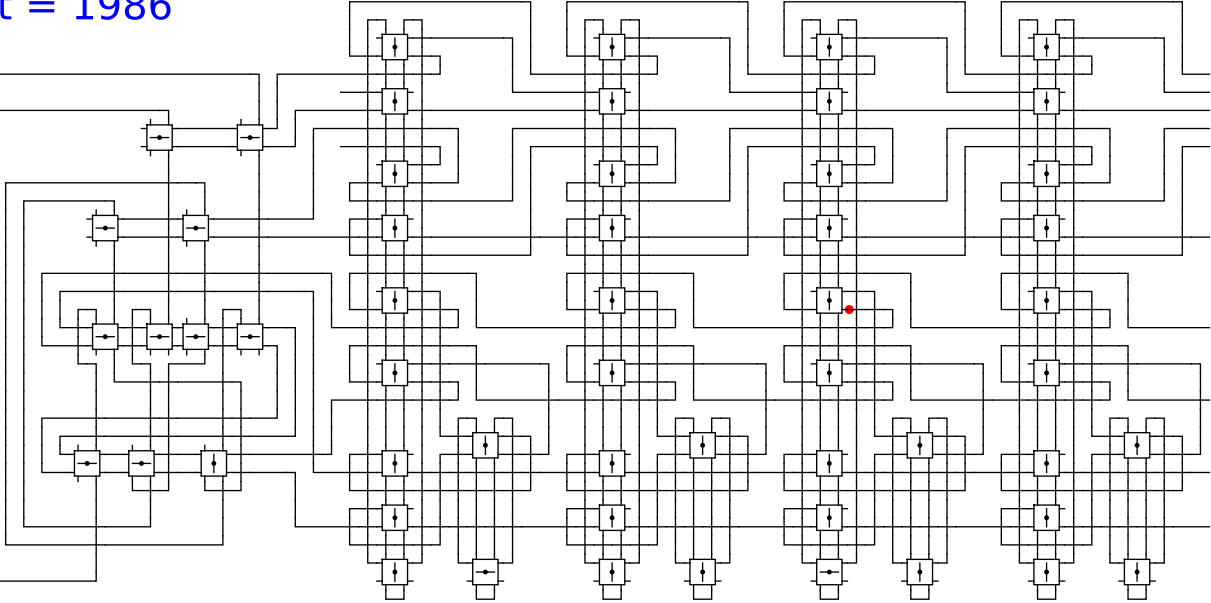


1 0 head 0 0

t = 1986

Reject
Accept

Begin

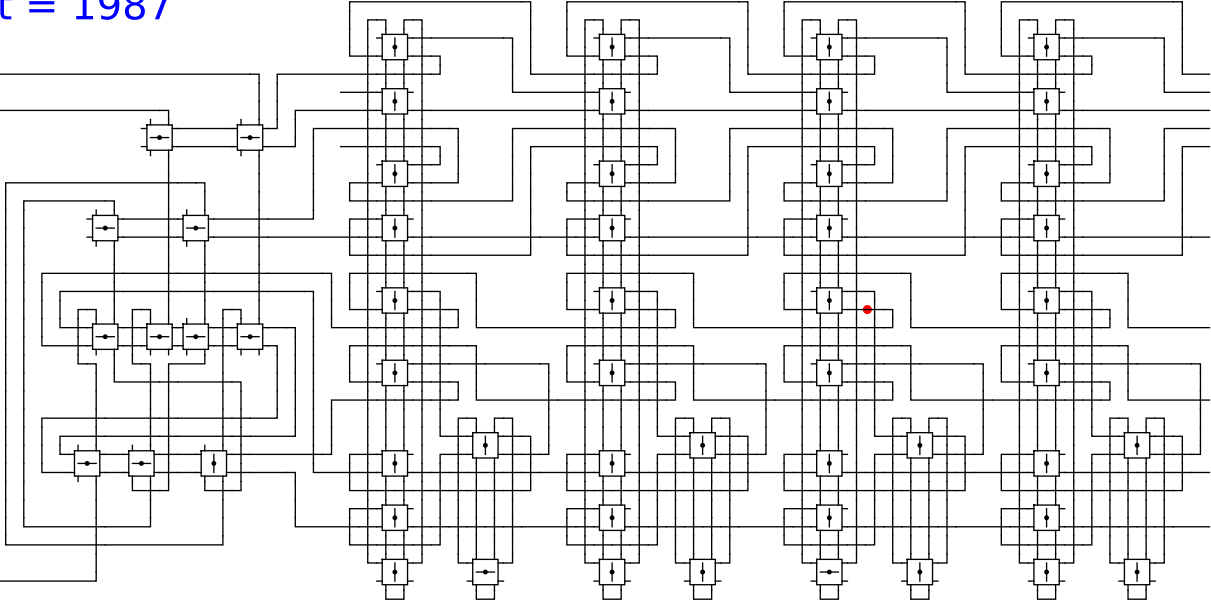


1 0 head 0 0

t = 1987

Reject
Accept

Begin

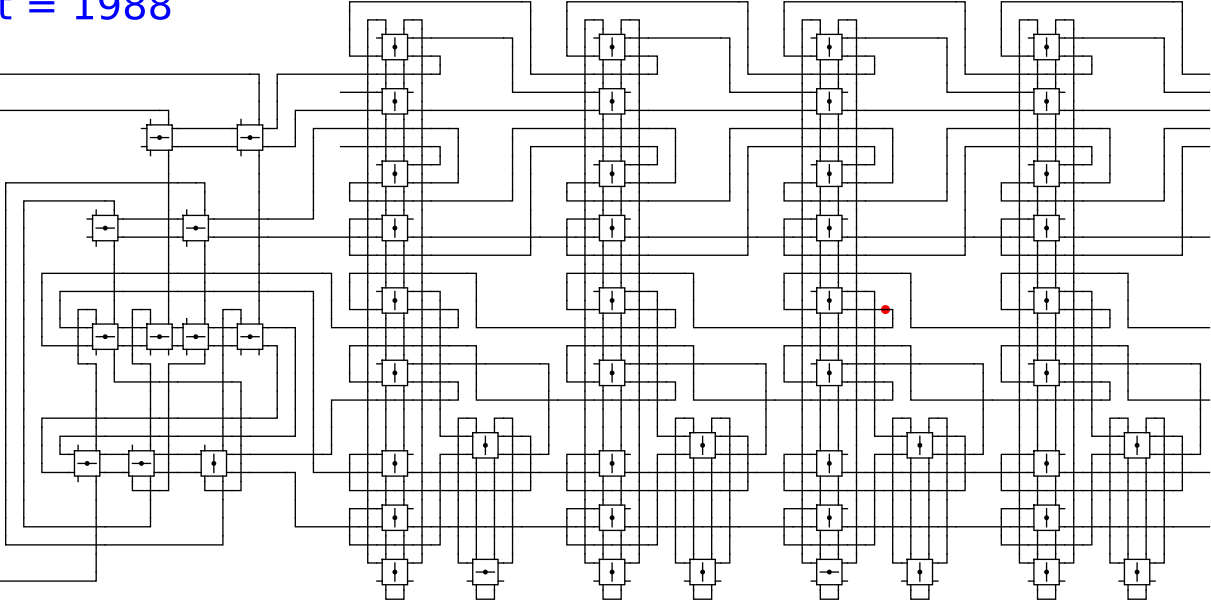


1 0 head 0 0

t = 1988

Reject
Accept

Begin

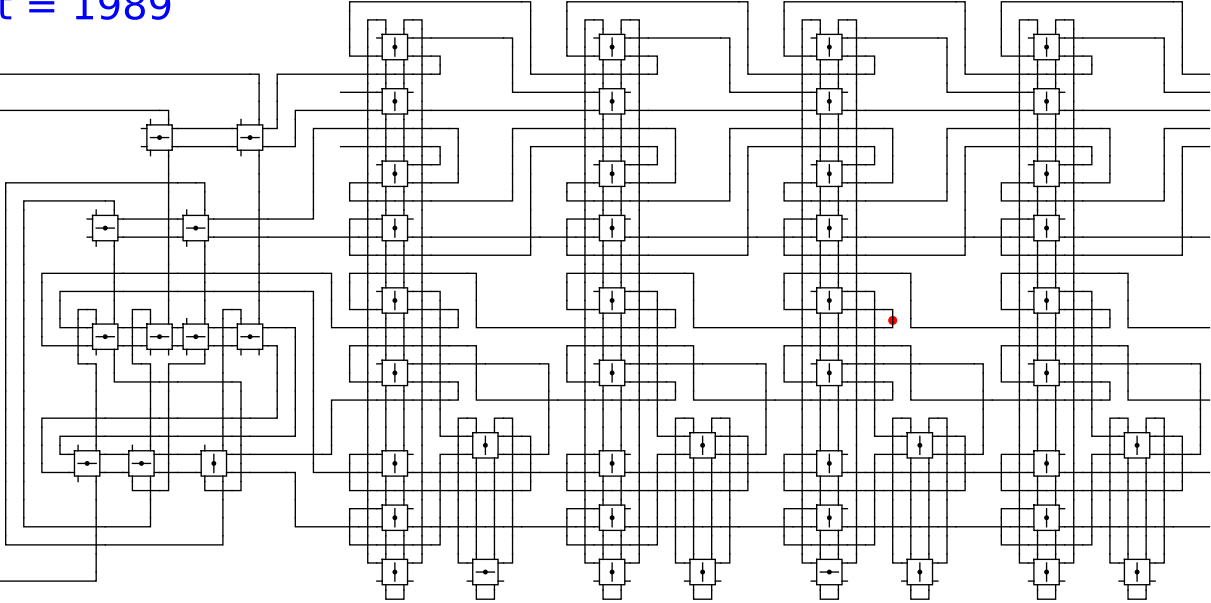


1 0 head 0 0

t = 1989

Reject
Accept

Begin

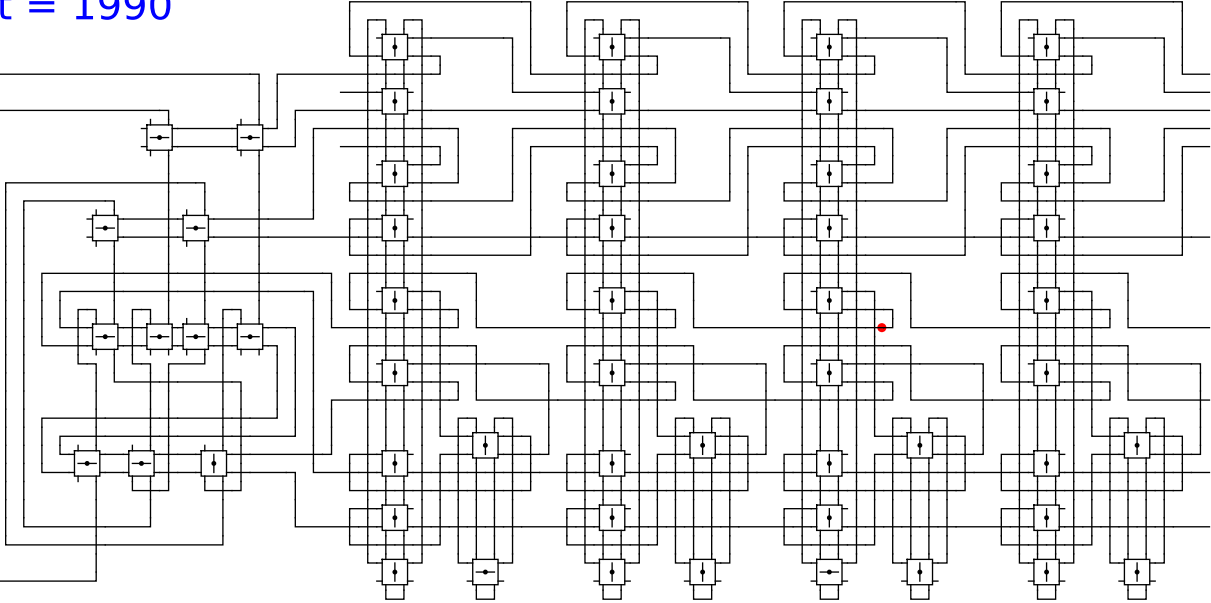


1 0 head 0 0

t = 1990

Reject
Accept

Begin

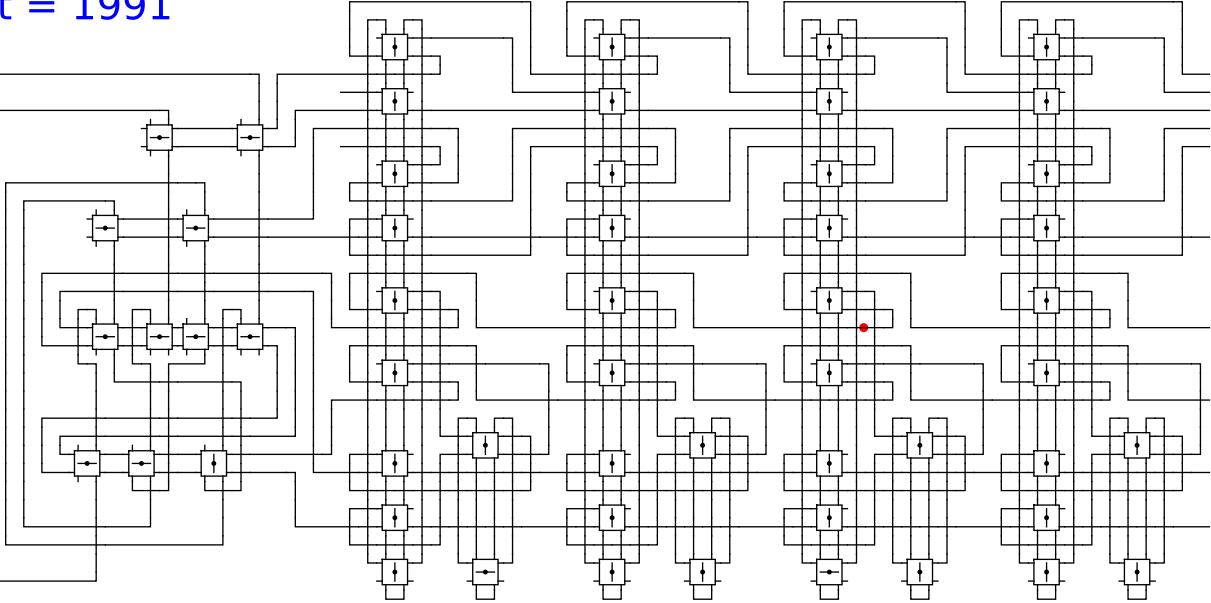


1 0 head 0 0

t = 1991

Reject
Accept

Begin

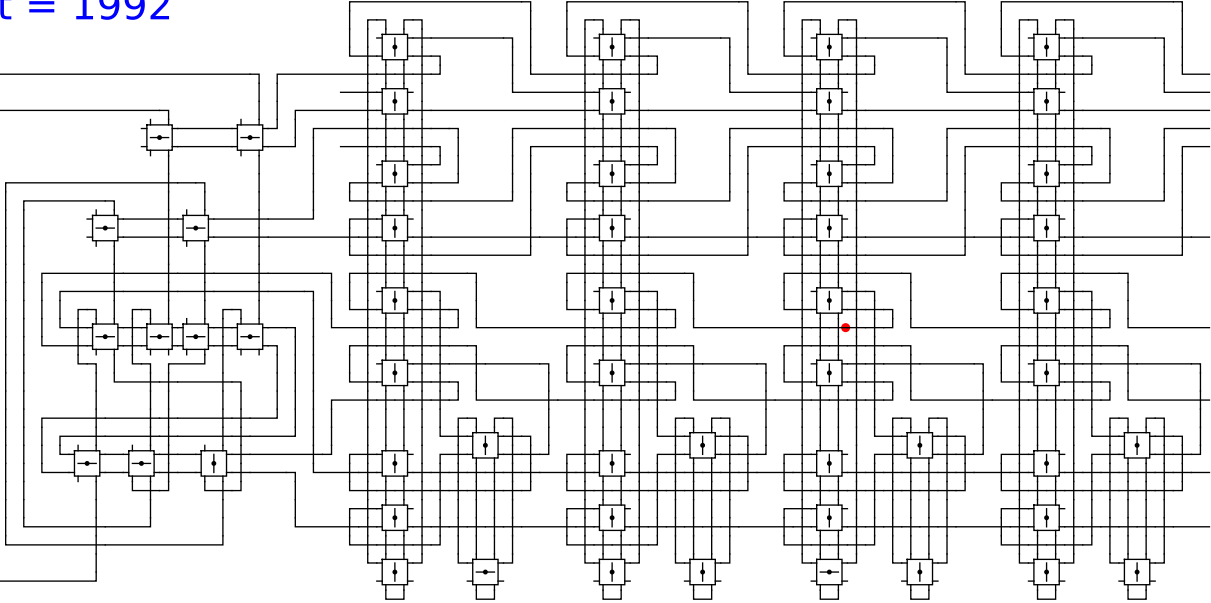


1 0 head 0 0

t = 1992

Reject
Accept

Begin



1

0

head

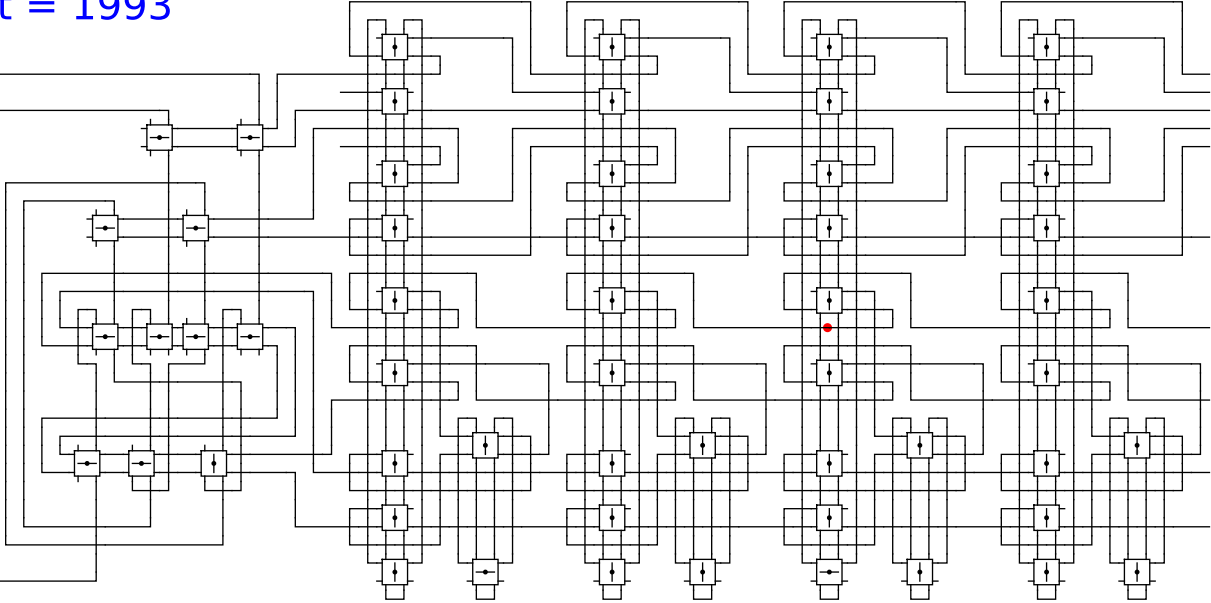
0

0

t = 1993

Reject
Accept

Begin

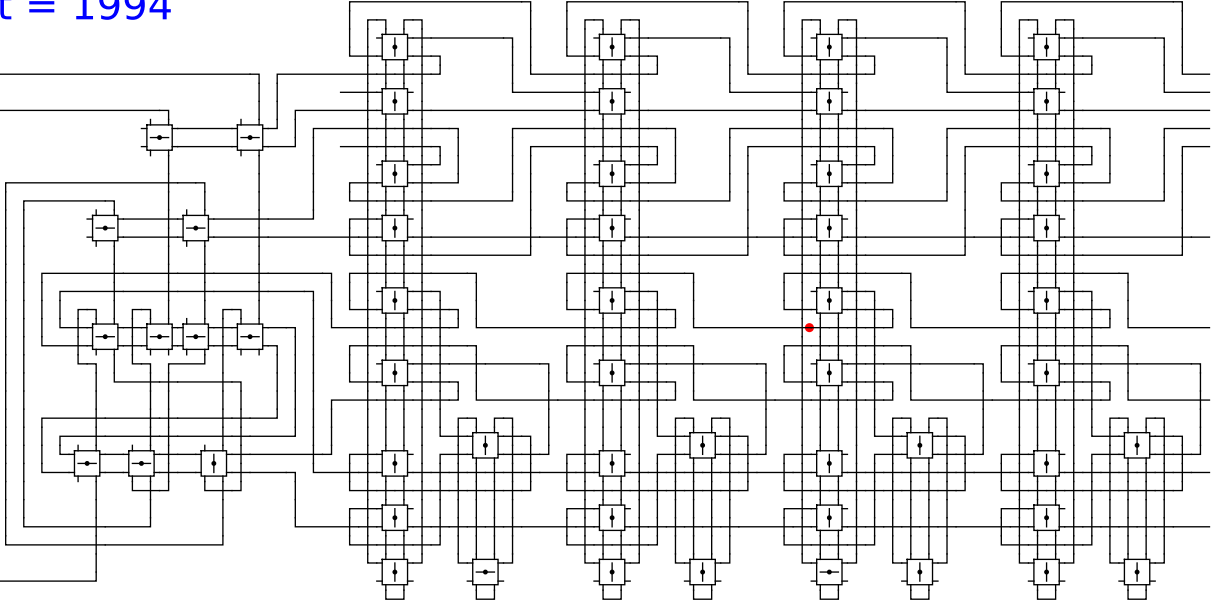


1 0 head 0 0

t = 1994

Reject
Accept

Begin



1

0

head

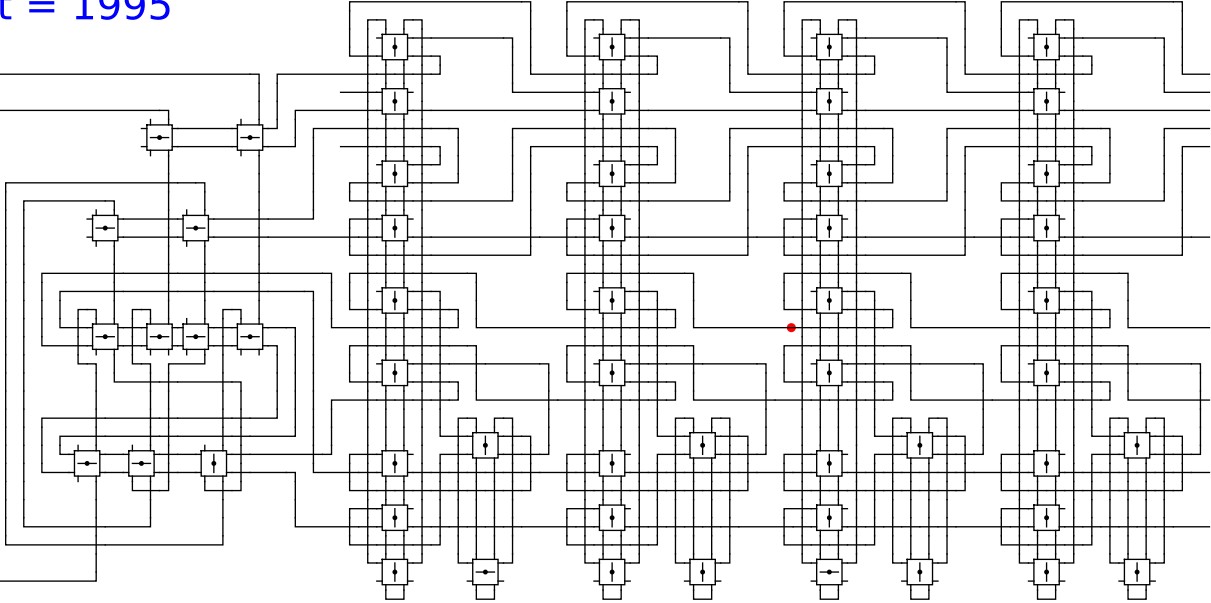
0

0

t = 1995

Reject
Accept

Begin



1

0

head

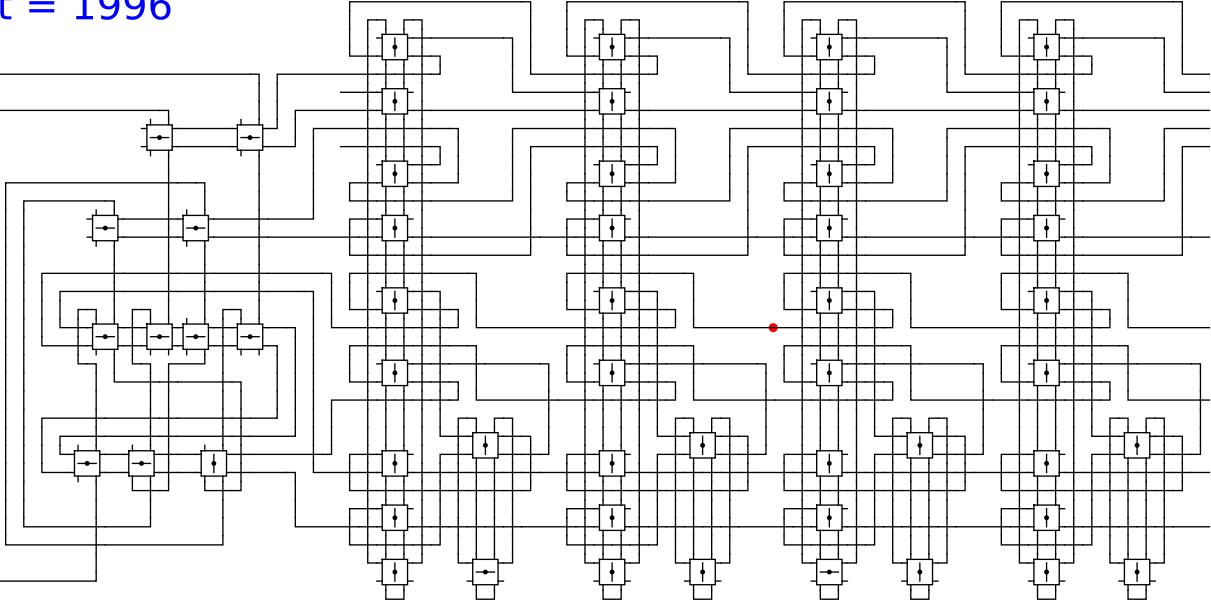
0

0

t = 1996

Reject
Accept

Begin

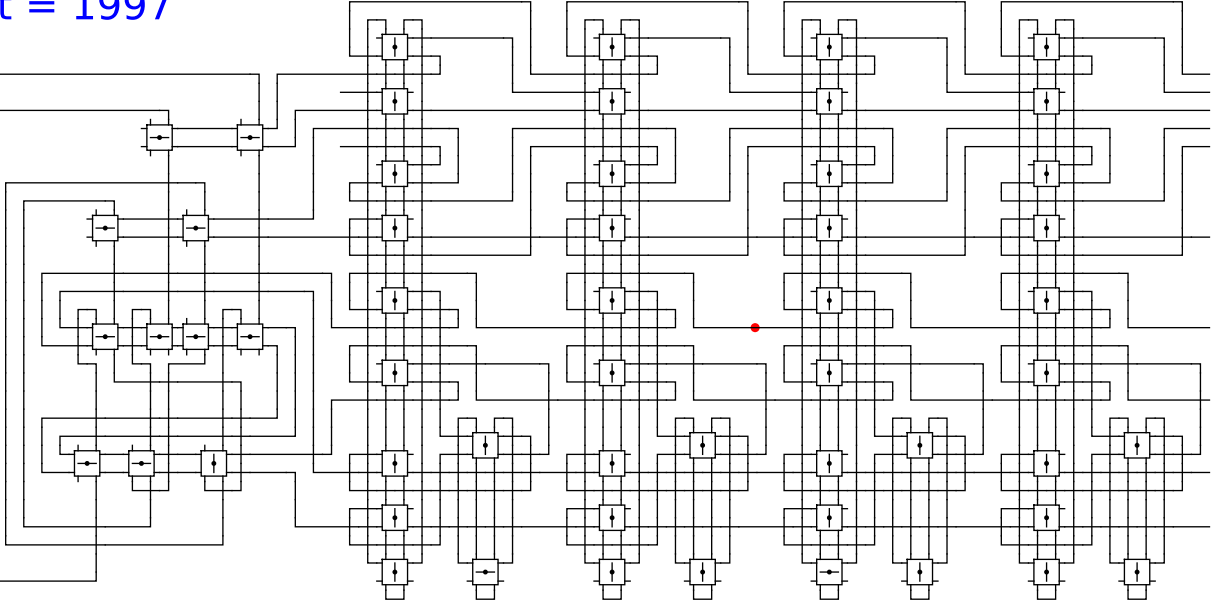


1 0 head 0 0

t = 1997

Reject
Accept

Begin

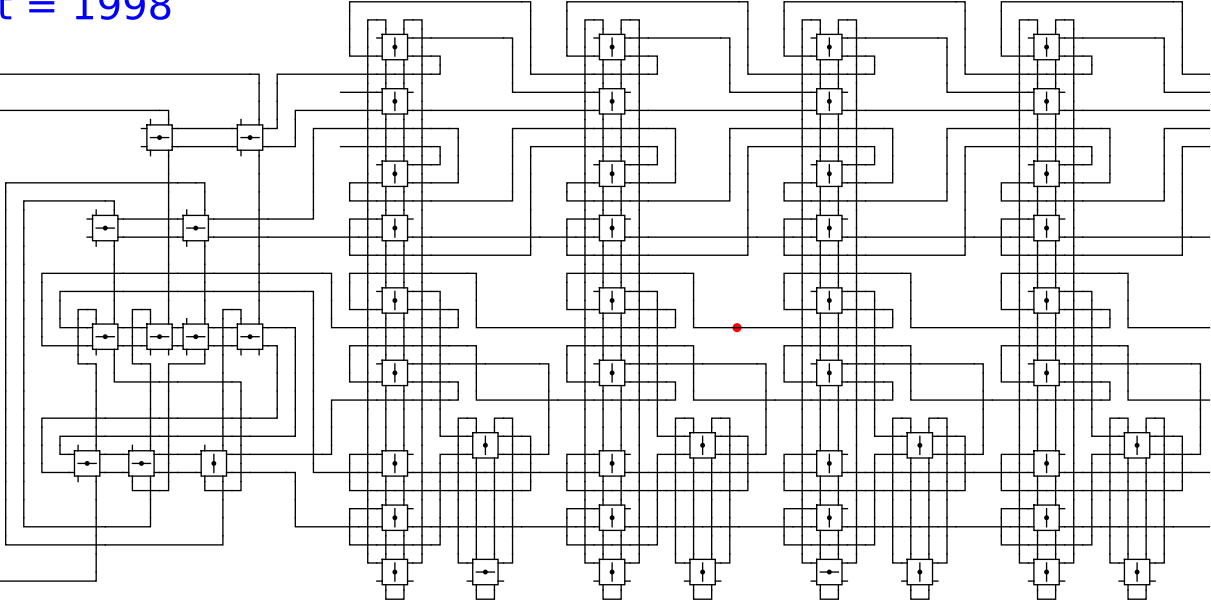


1 0 head 0 0

t = 1998

Reject
Accept

Begin



1

0

head

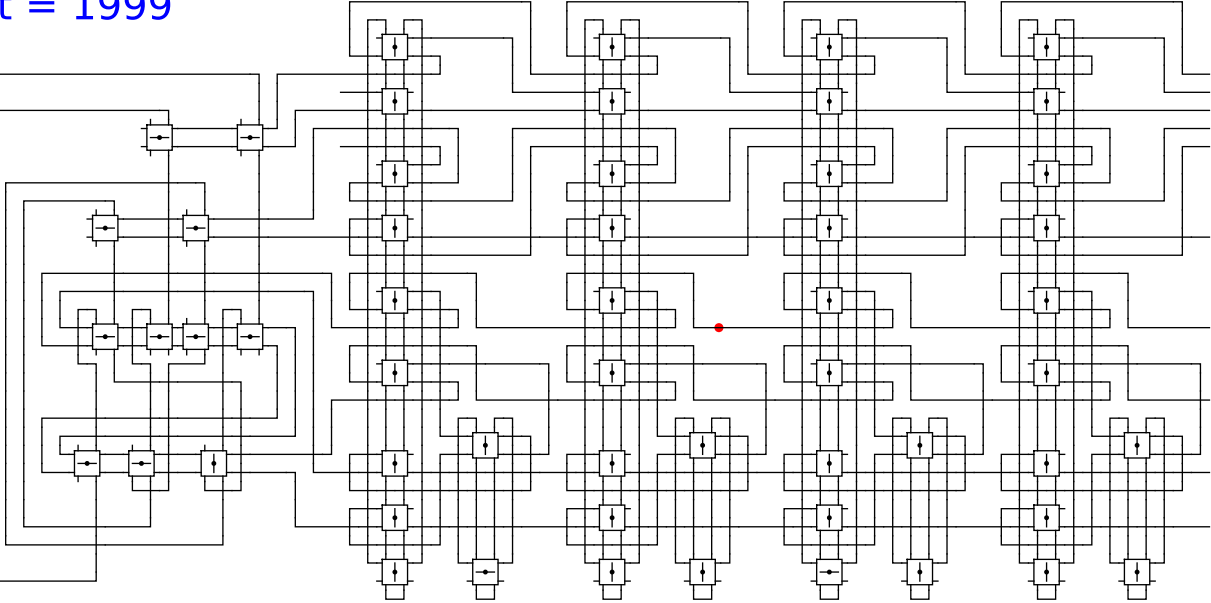
0

0

t = 1999

Reject
Accept

Begin



1

0

head

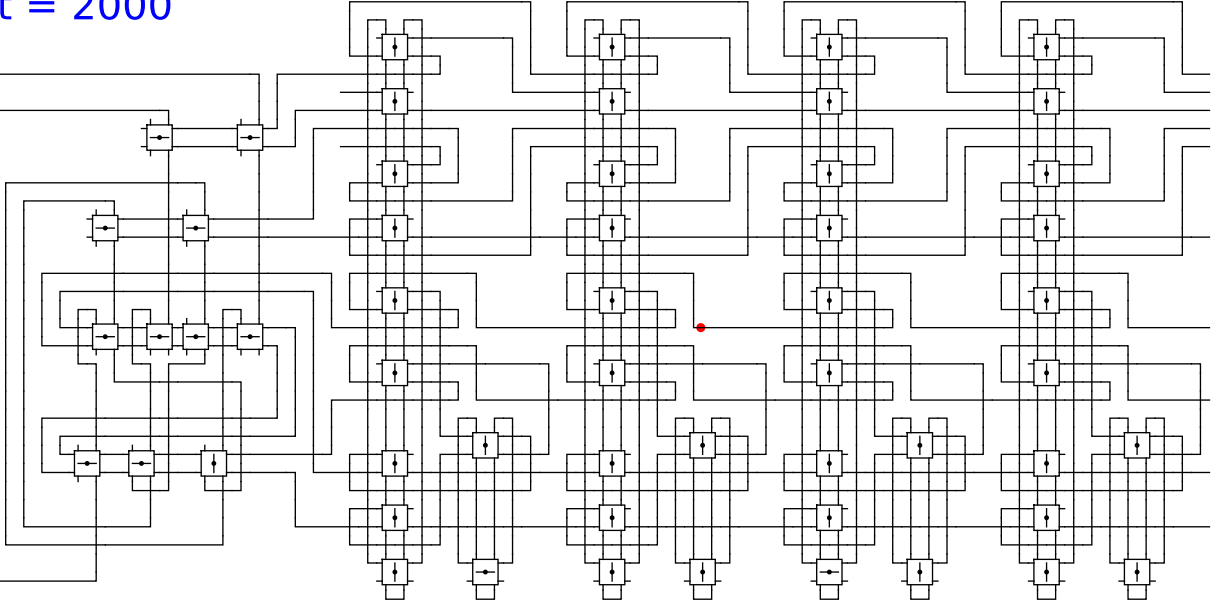
0

0

t = 2000

Reject
Accept

Begin



1

0

head

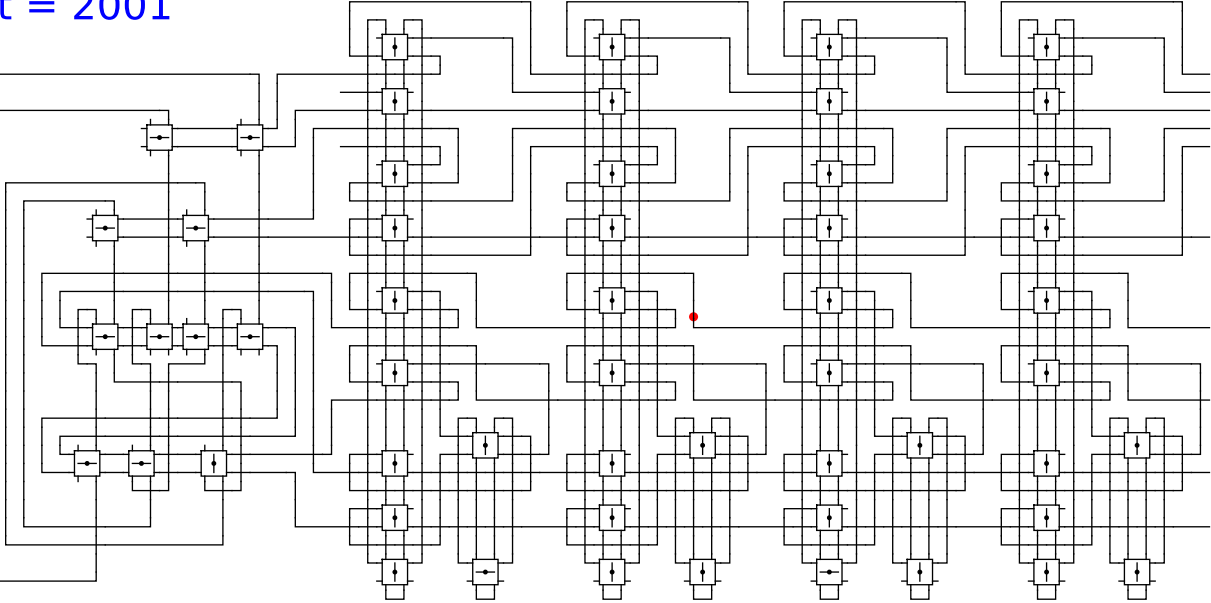
0

0

t = 2001

Reject
Accept

Begin



1

0

head

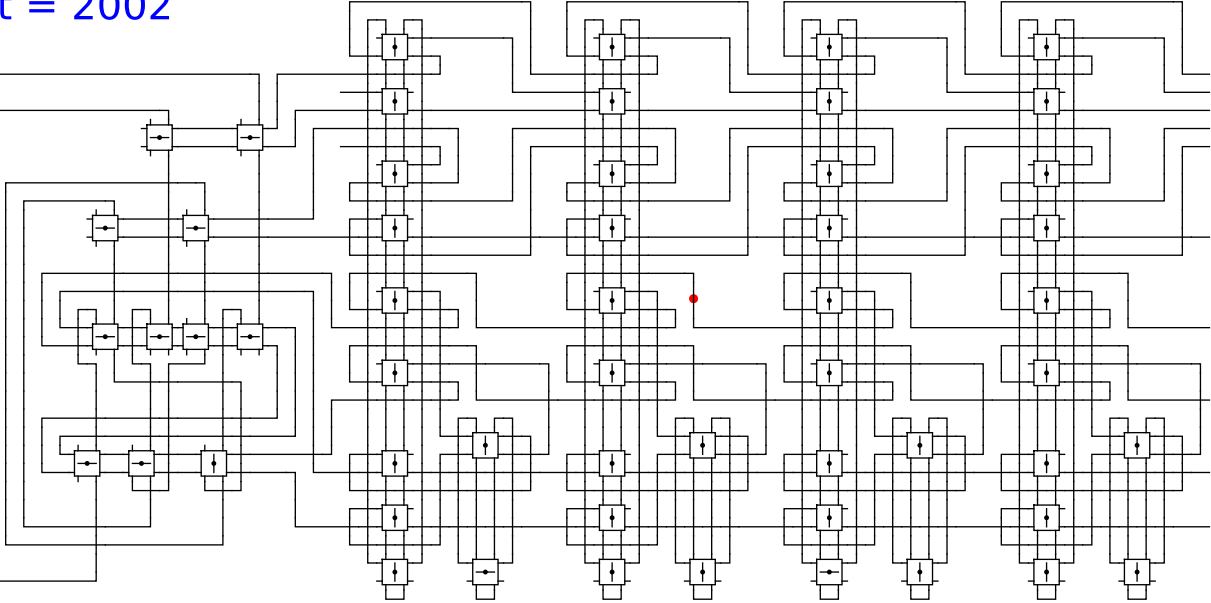
0

0

t = 2002

Reject
Accept

Begin



1

0

head

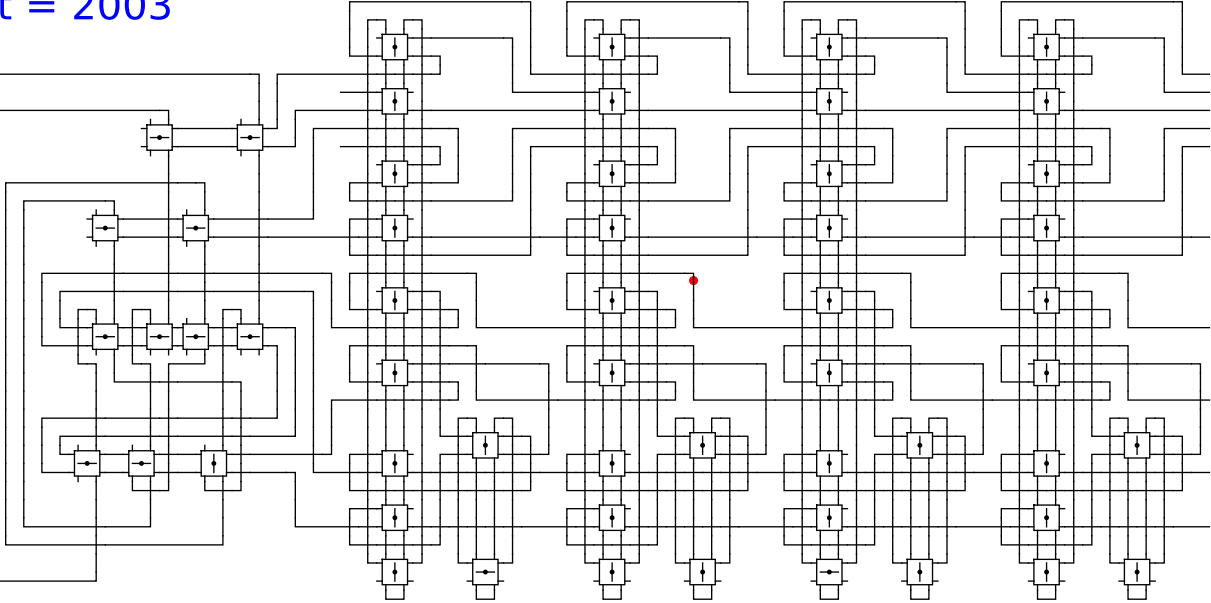
0

0

t = 2003

Reject
Accept

Begin

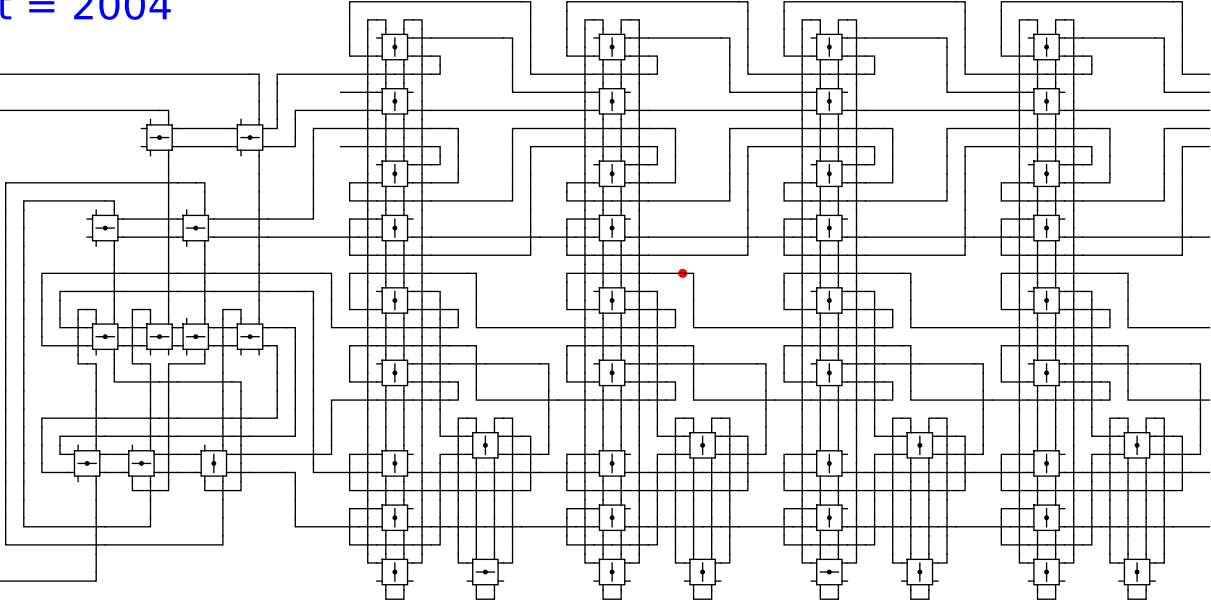


1 0 head 0 0

t = 2004

Reject
Accept

Begin



1

0

head

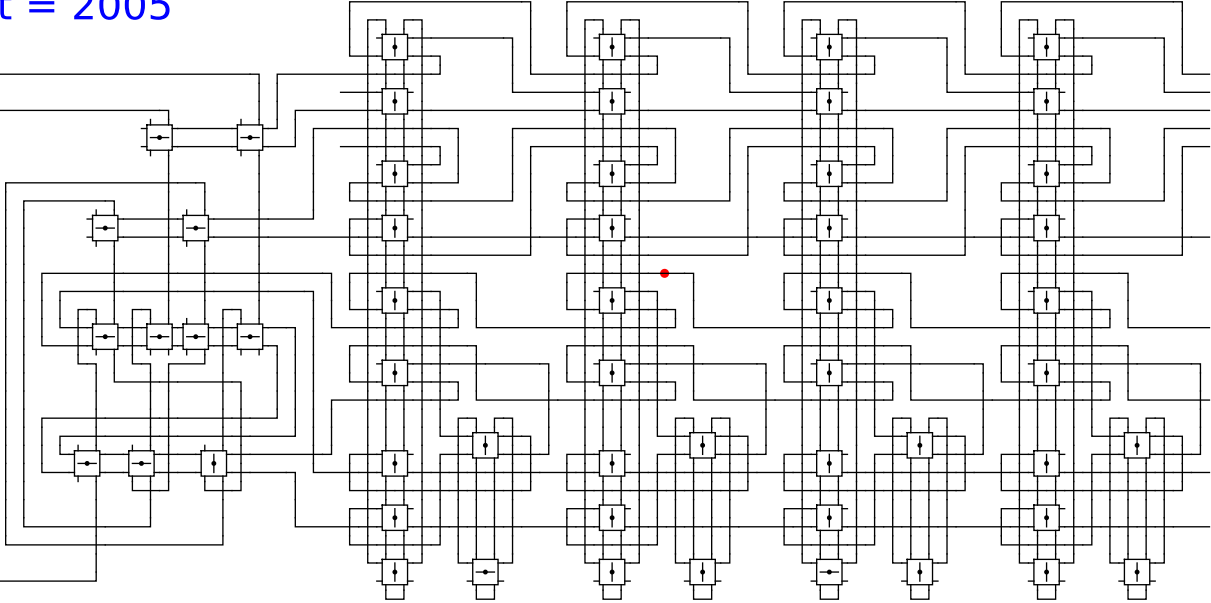
0

0

t = 2005

Reject
Accept

Begin



1

0

head

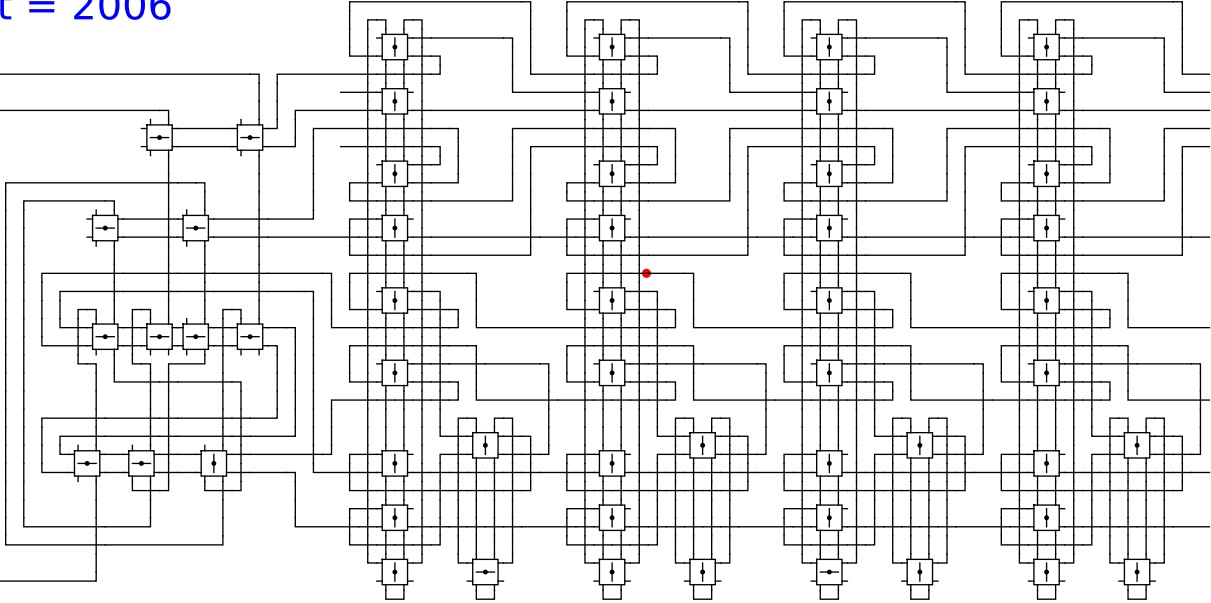
0

0

t = 2006

Reject
Accept

Begin



1

0

head

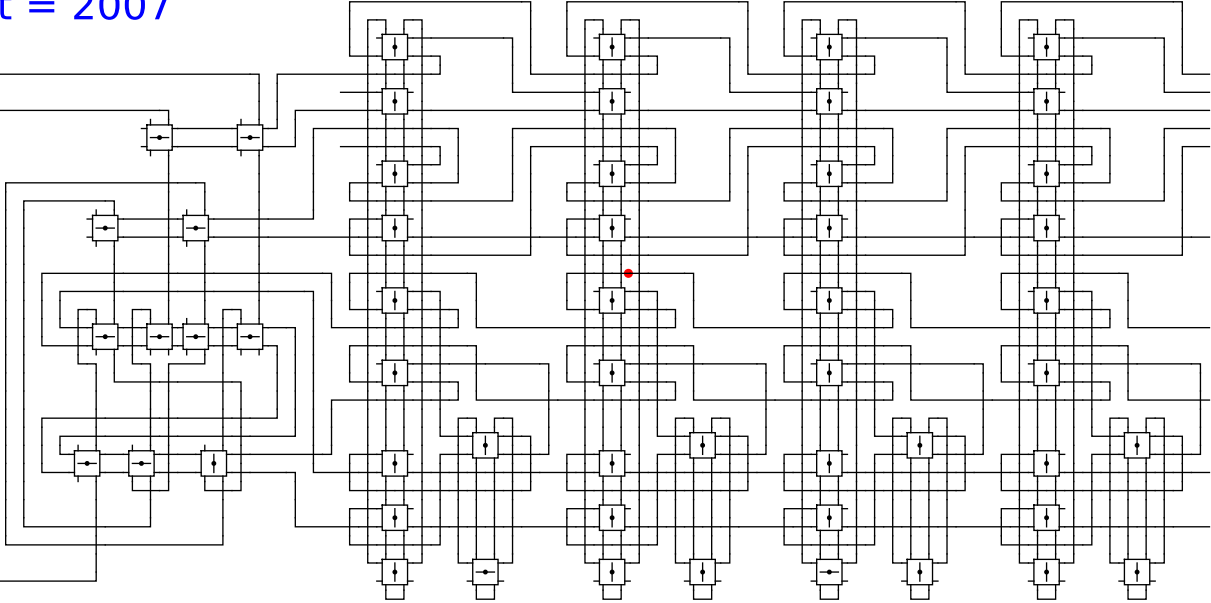
0

0

t = 2007

Reject
Accept

Begin

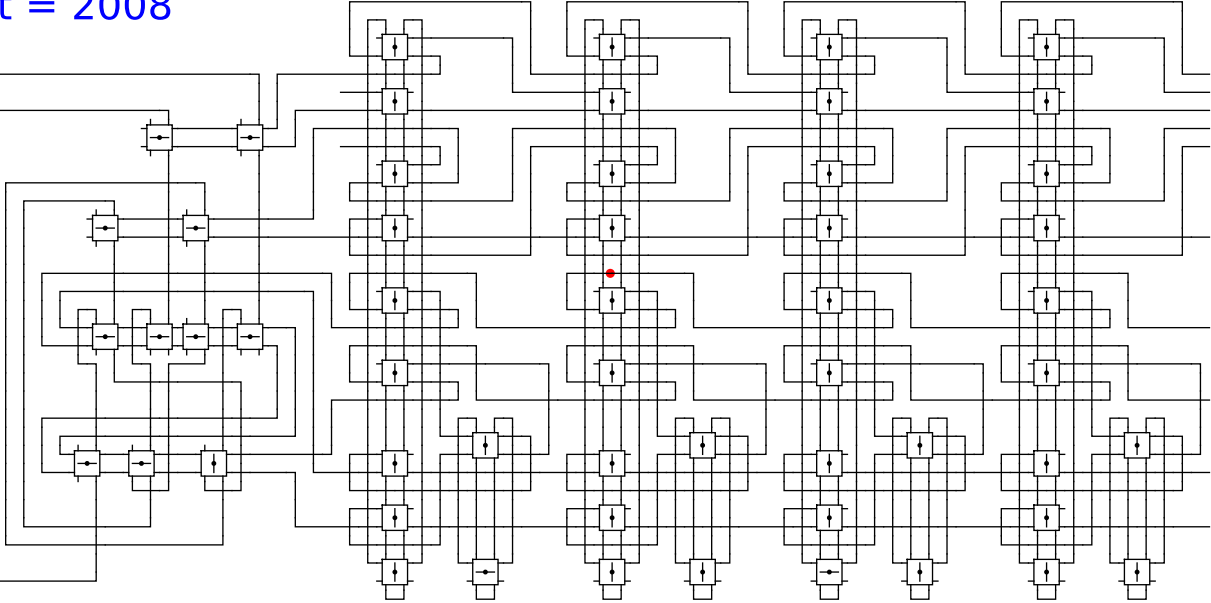


1 0 head 0 0

t = 2008

Reject
Accept

Begin



1

0

head

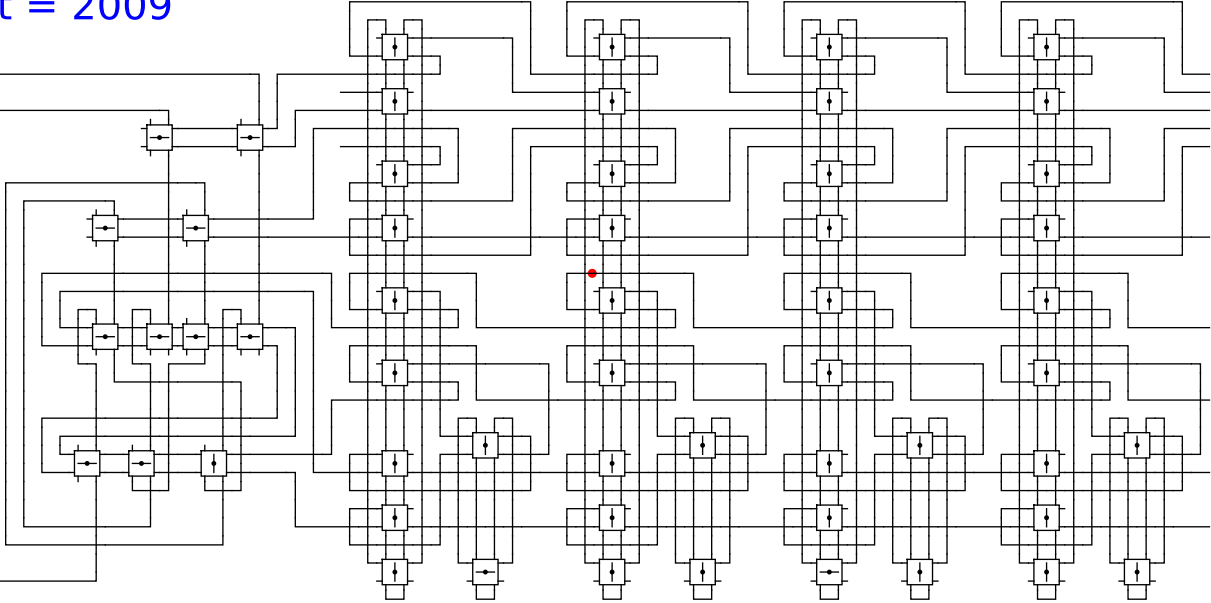
0

0

t = 2009

Reject
Accept

Begin

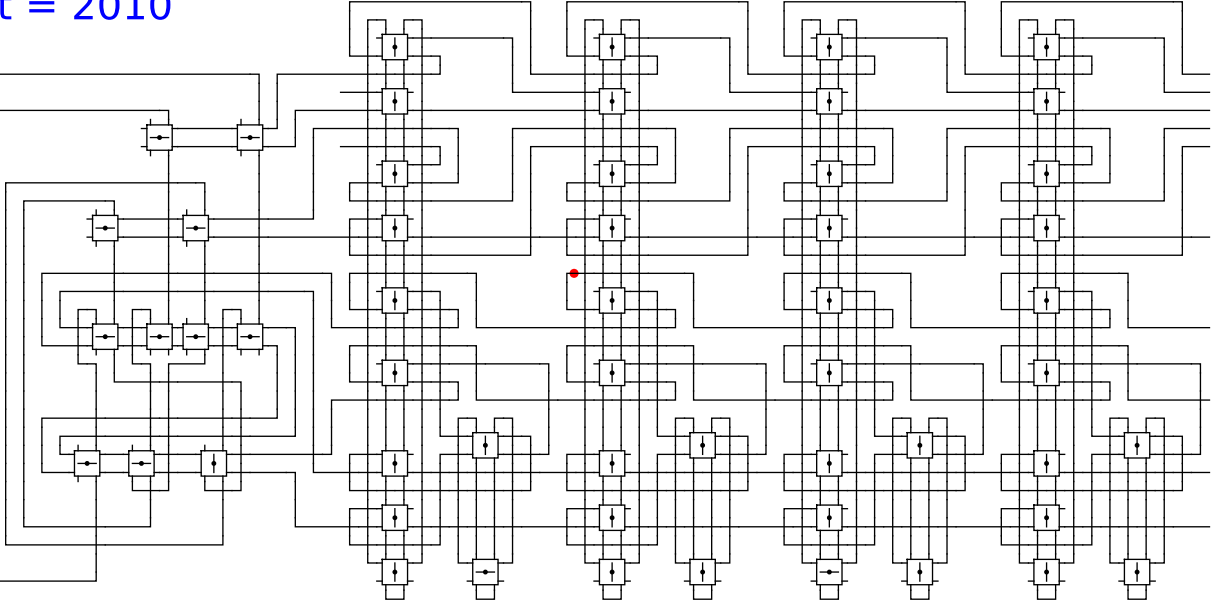


1 0 head 0 0

t = 2010

Reject
Accept

Begin



1

0

head

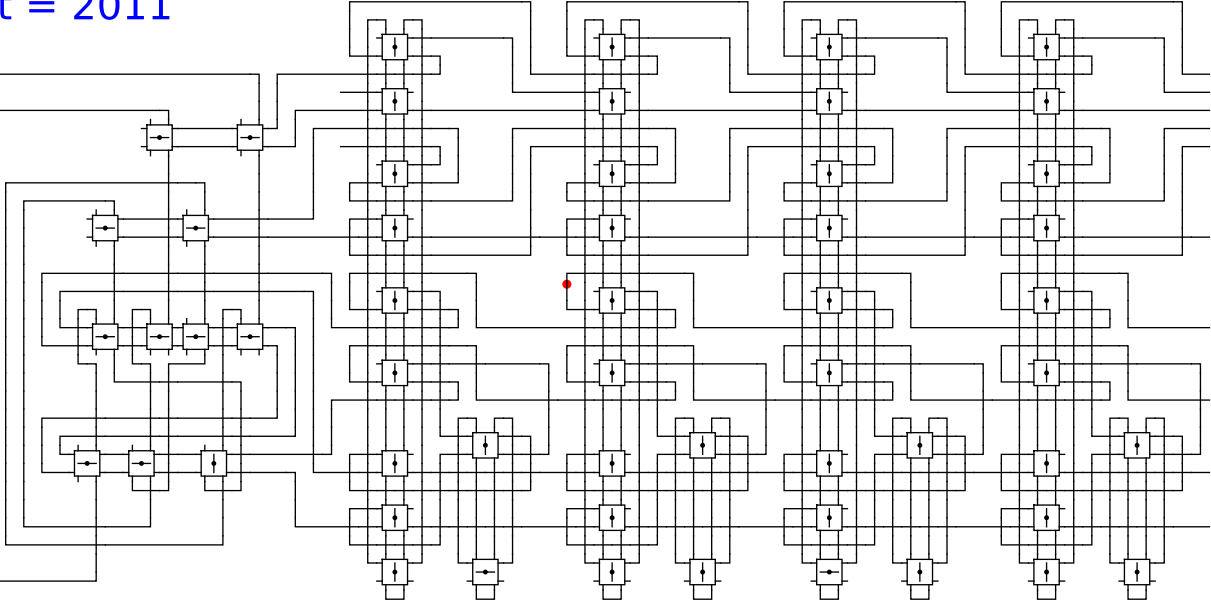
0

0

t = 2011

Reject
Accept

Begin



1

0

head

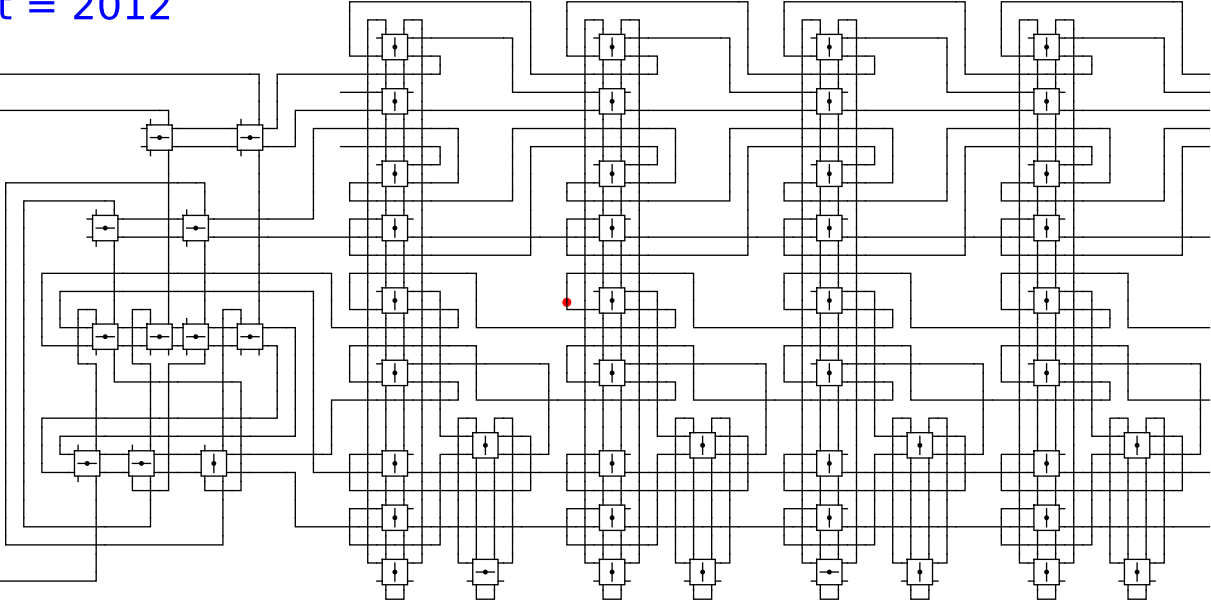
0

0

t = 2012

Reject
Accept

Begin



1

0

head

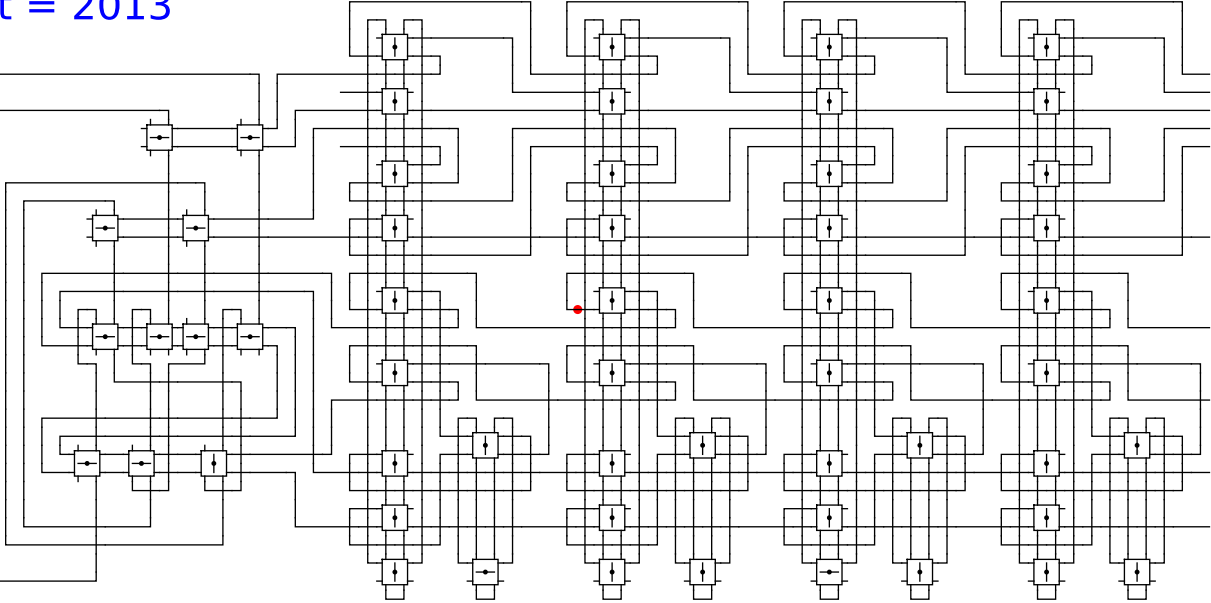
0

0

t = 2013

Reject
Accept

Begin



1

0

head

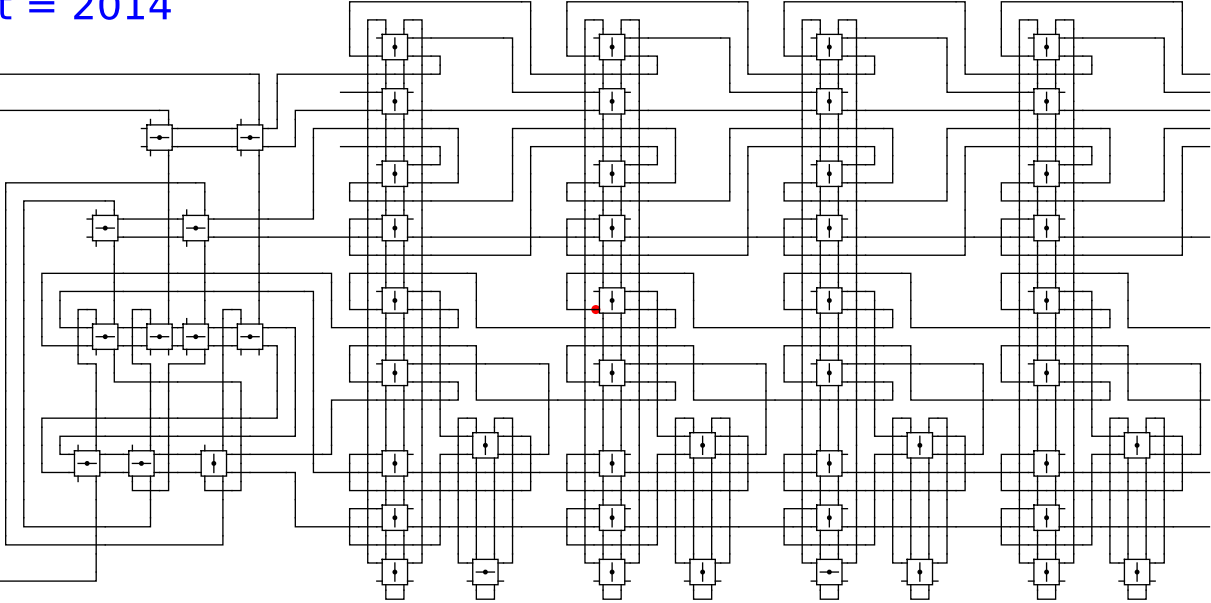
0

0

t = 2014

Reject
Accept

Begin



1

0

head

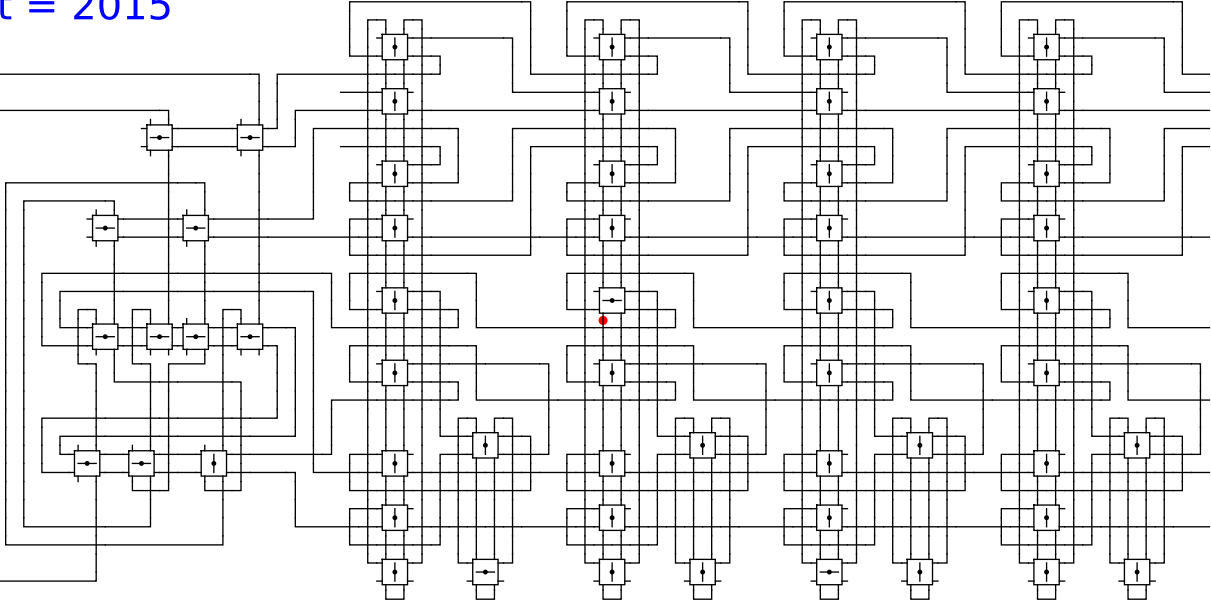
0

0

t = 2015

Reject
Accept

Begin



1

0

head

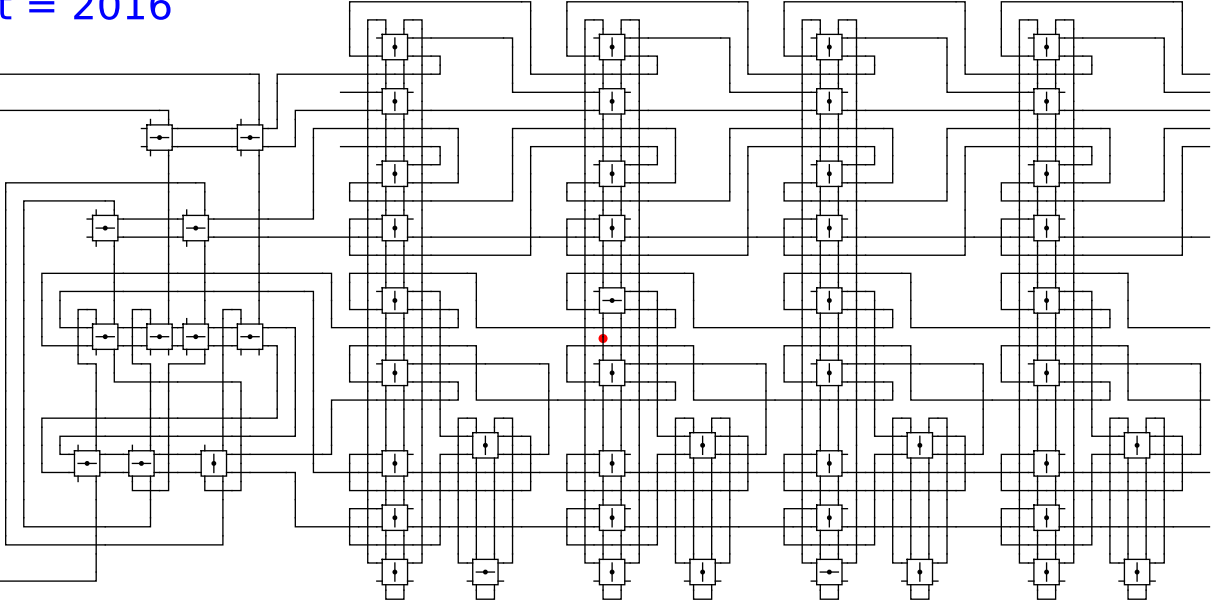
0

0

t = 2016

Reject
Accept

Begin



1

0

head

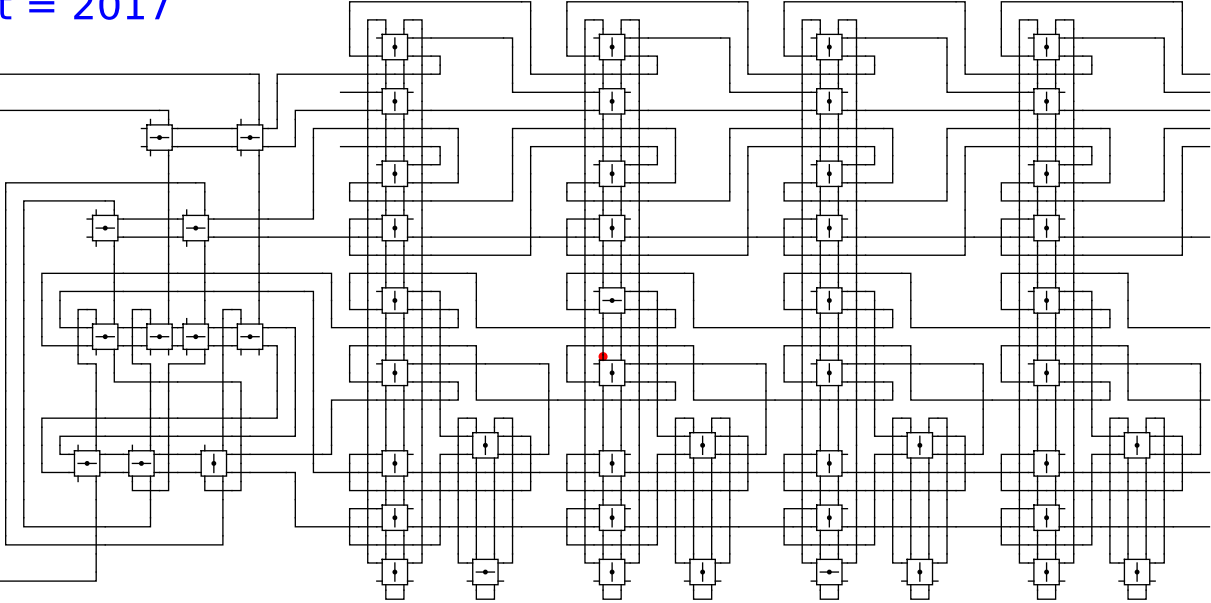
0

0

t = 2017

Reject
Accept

Begin

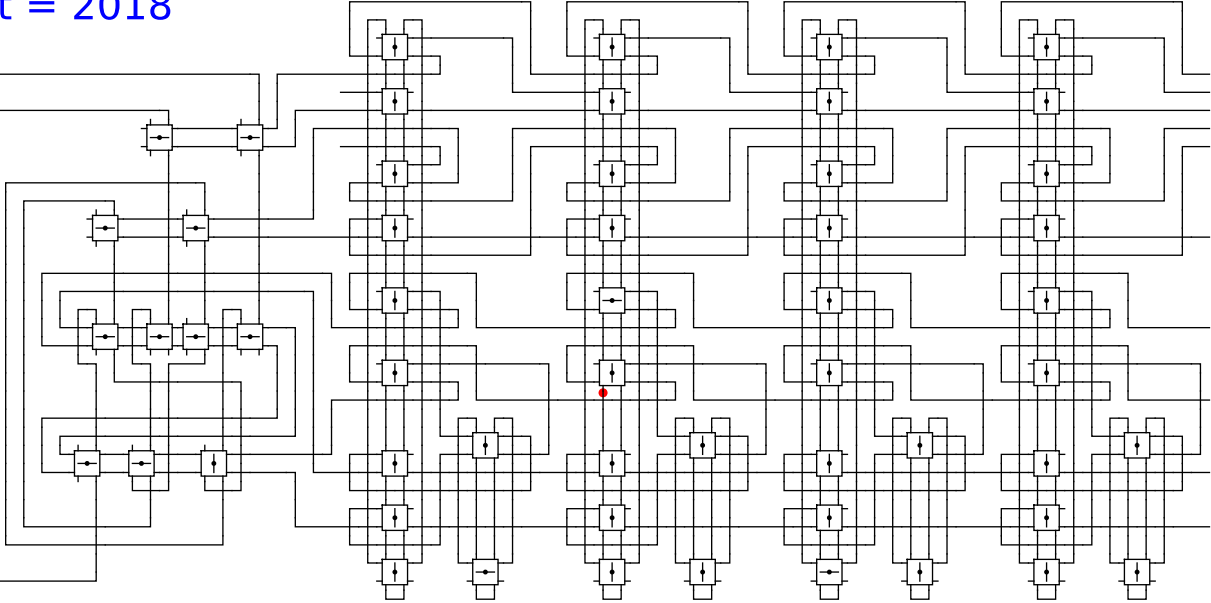


1 0 head 0 0

t = 2018

Reject
Accept

Begin



1

0

head

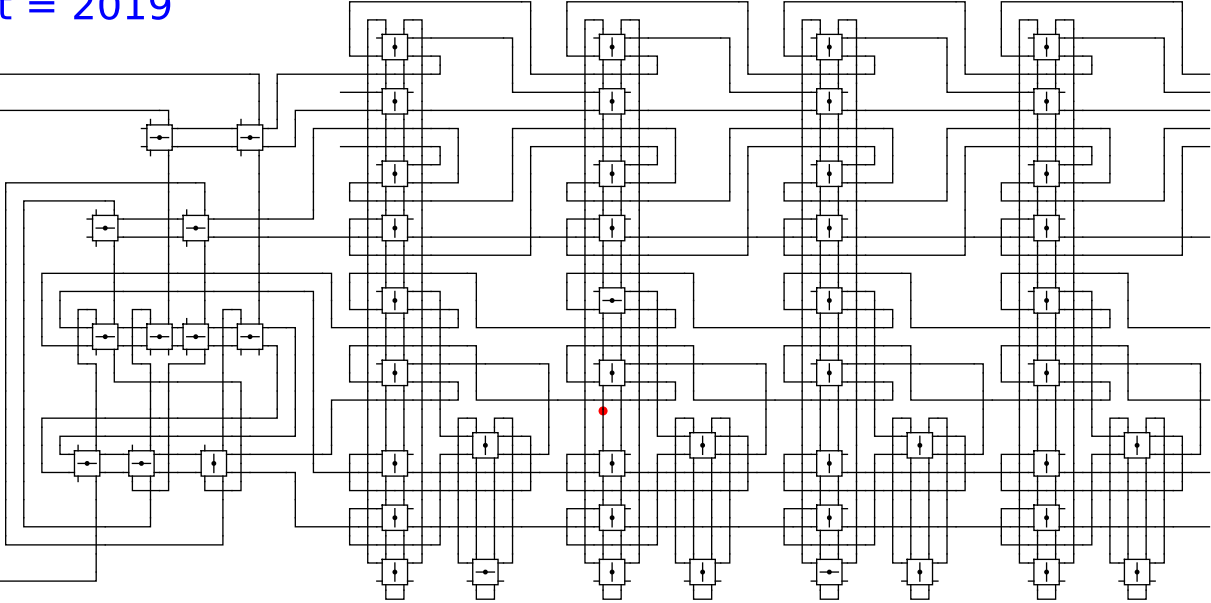
0

0

t = 2019

Reject
Accept

Begin



1

0

head

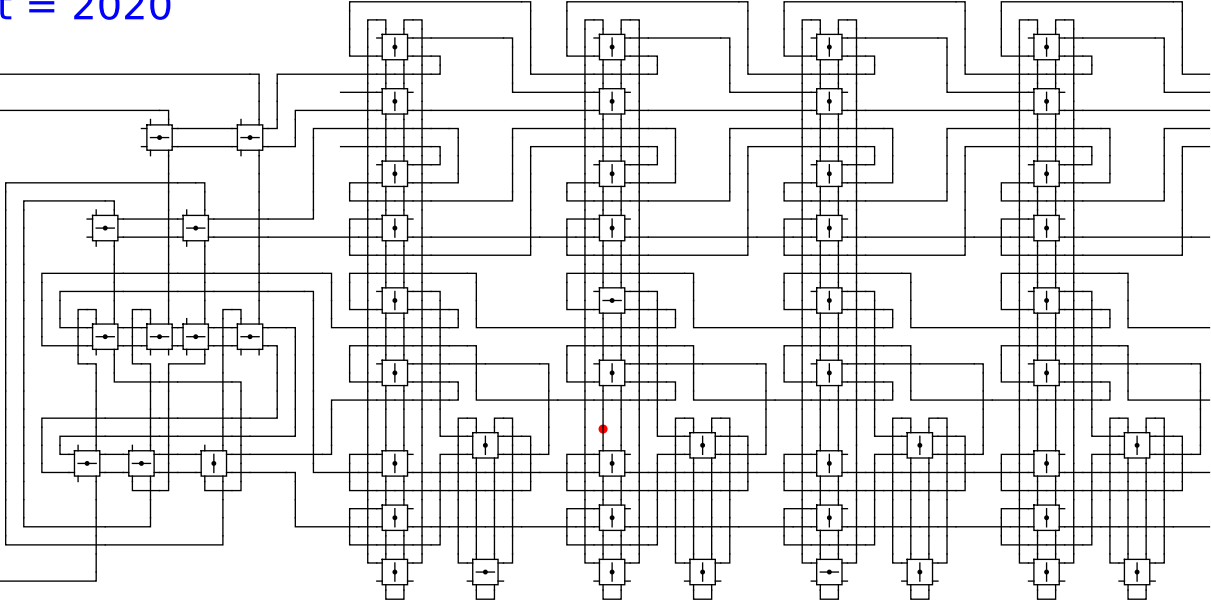
0

0

t = 2020

Reject
Accept

Begin



1

0

head

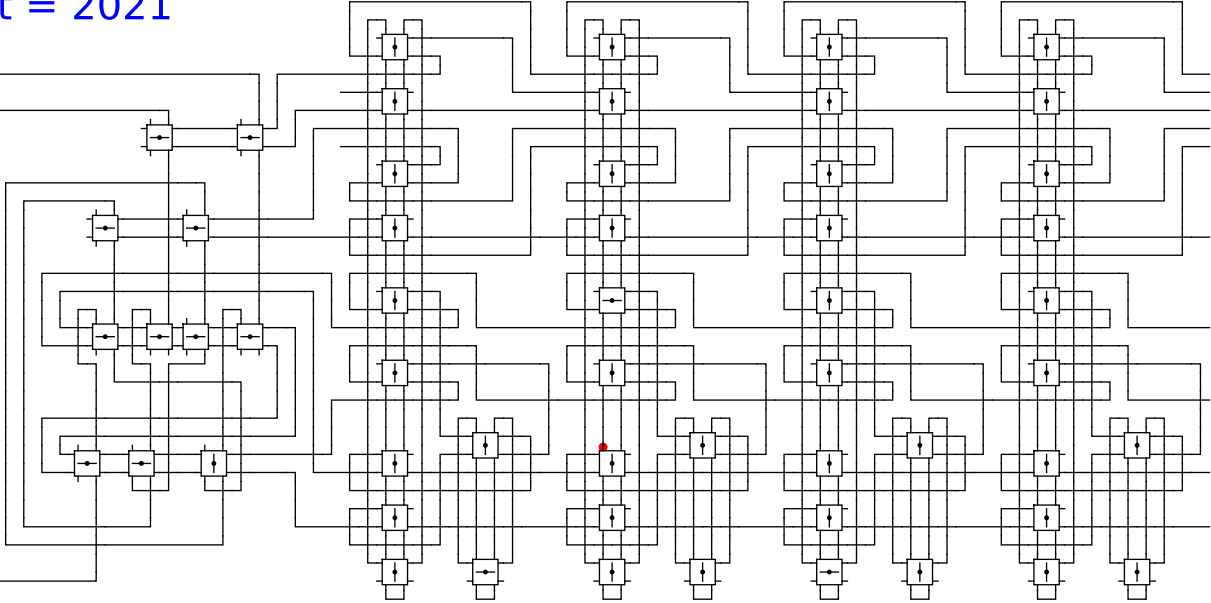
0

0

t = 2021

Reject
Accept

Begin

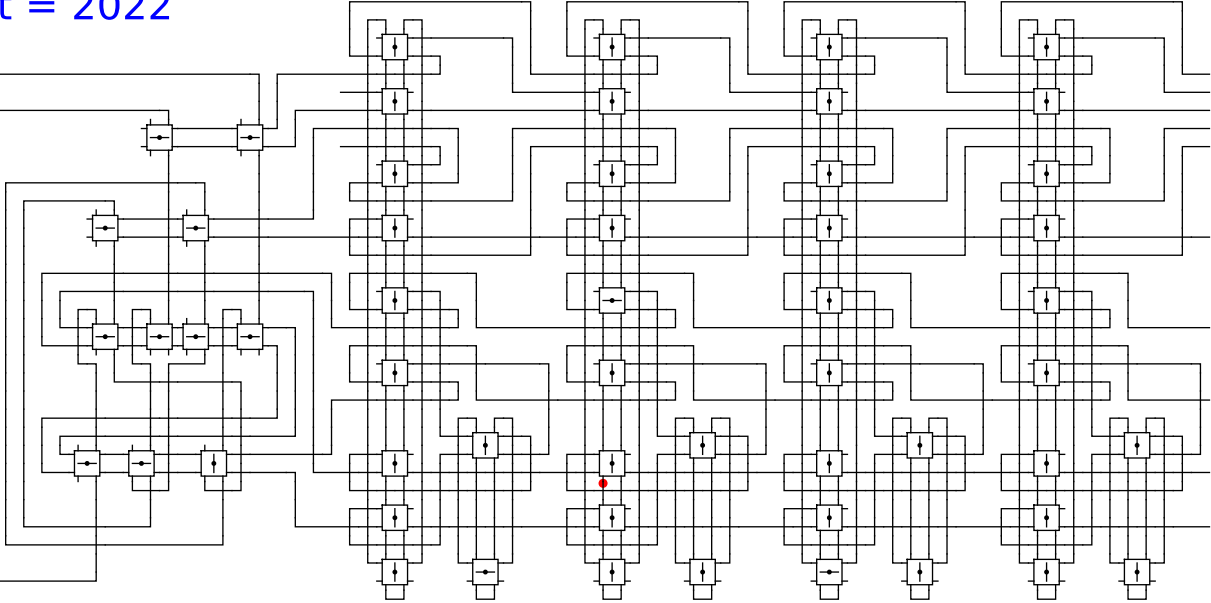


1 0 head 0 0

t = 2022

Reject
Accept

Begin

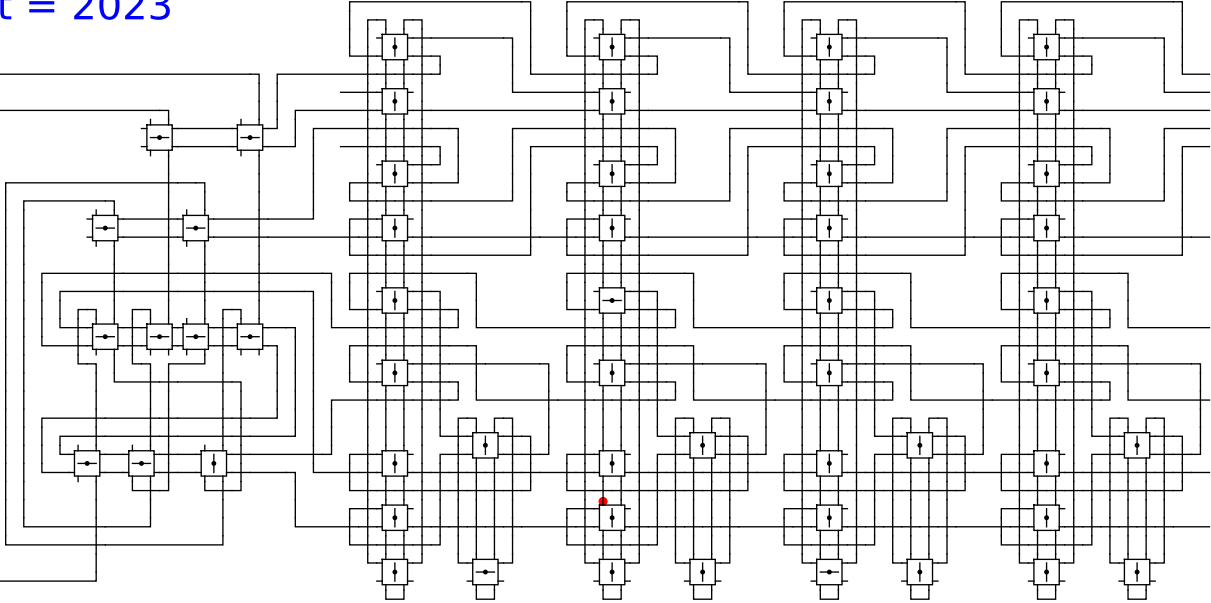


1 0 head 0 0

t = 2023

Reject
Accept

Begin

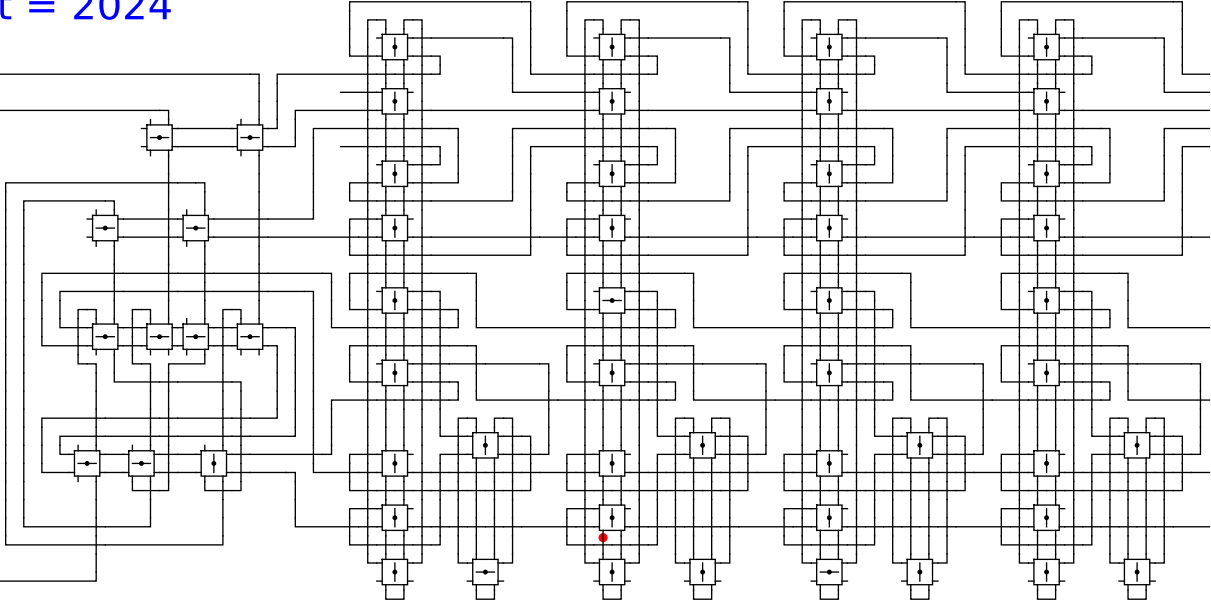


1 0 head 0 0

t = 2024

Reject
Accept

Begin



1

0

head

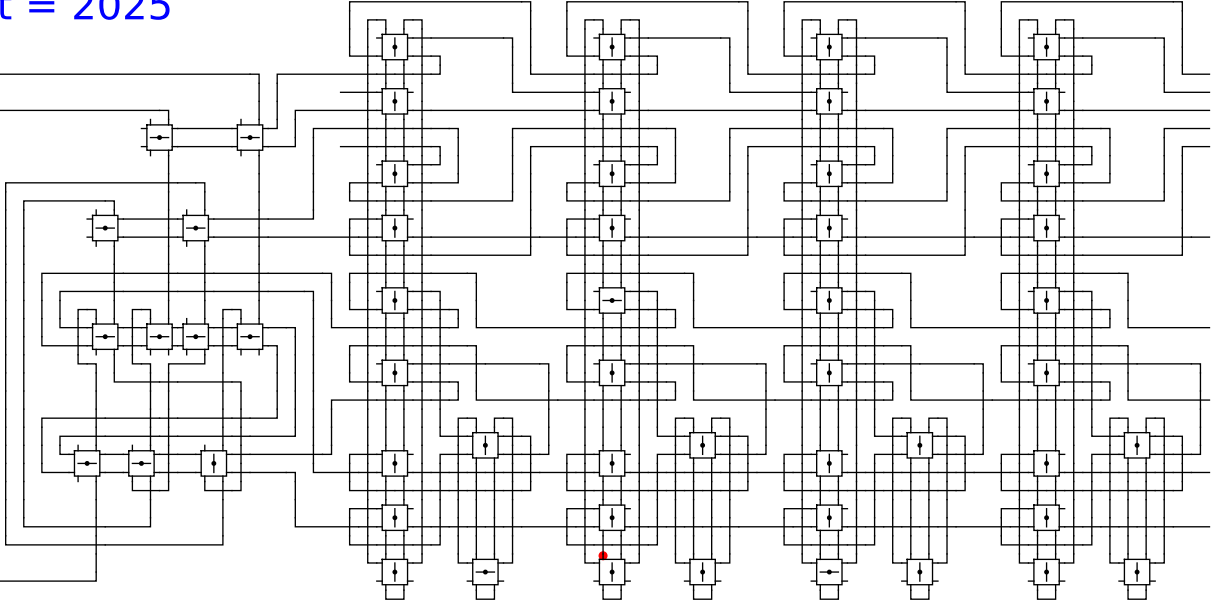
0

0

t = 2025

Reject
Accept

Begin



1

0

head

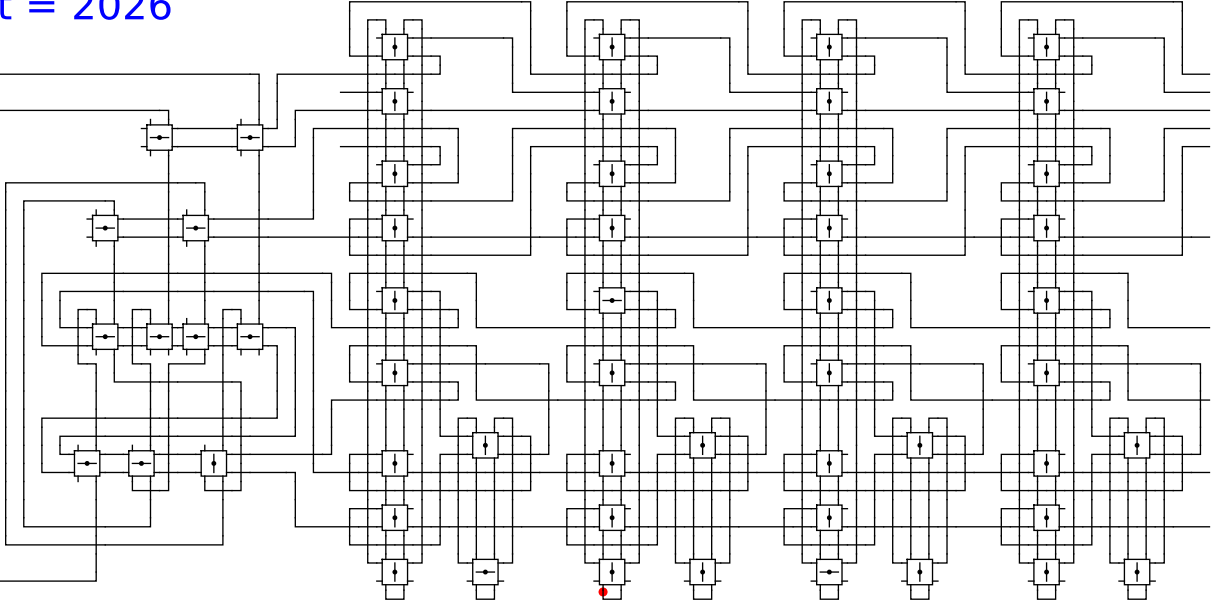
0

0

t = 2026

Reject
Accept

Begin

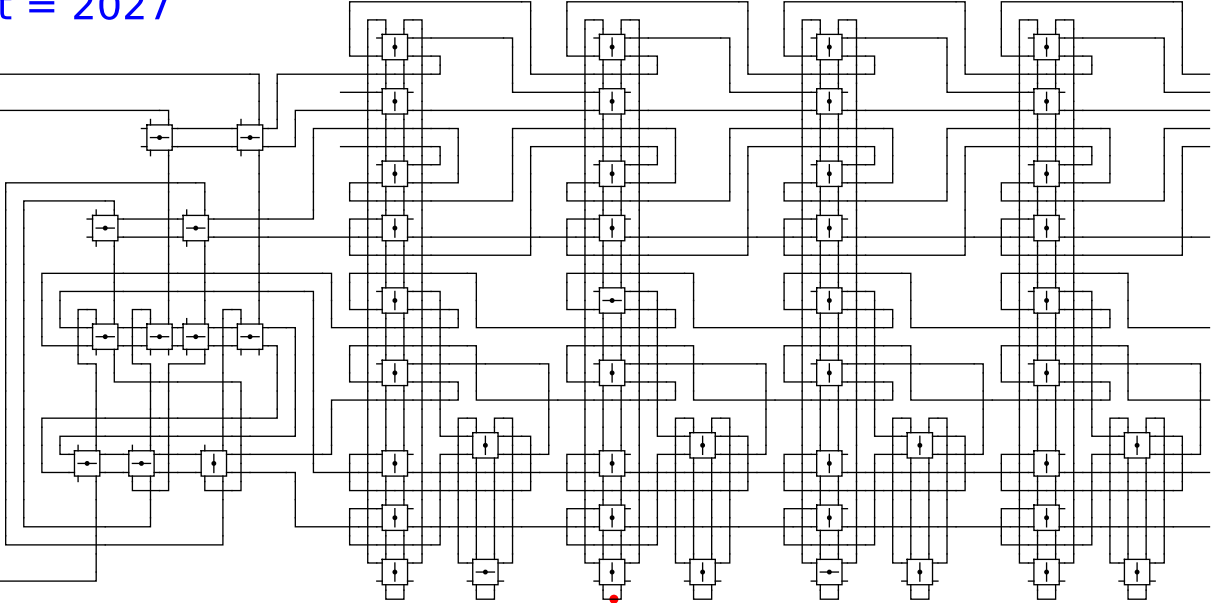


1 0 head 0 0

t = 2027

Reject
Accept

Begin

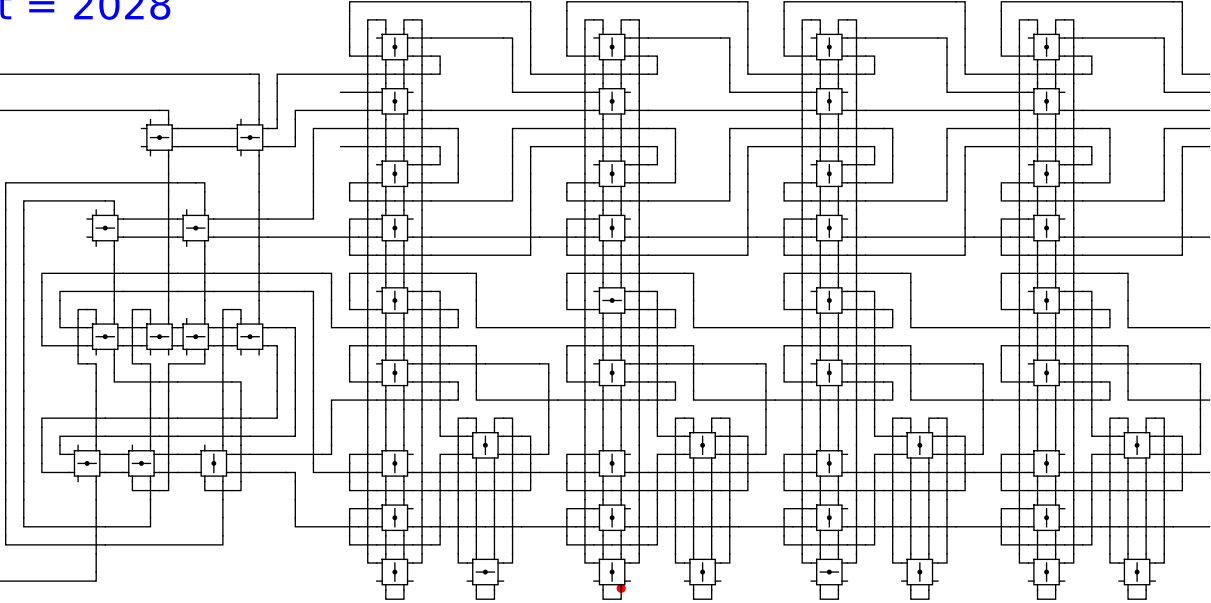


1 0 head 0 0

t = 2028

Reject
Accept

Begin



1

0

head

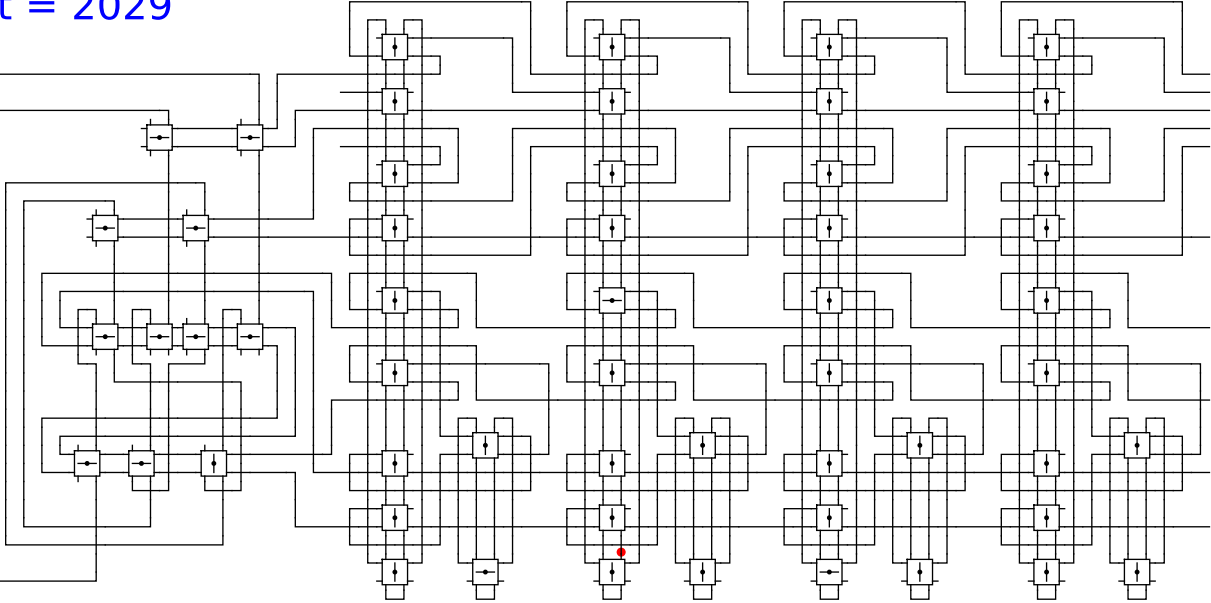
0

0

t = 2029

Reject
Accept

Begin



1

0

head

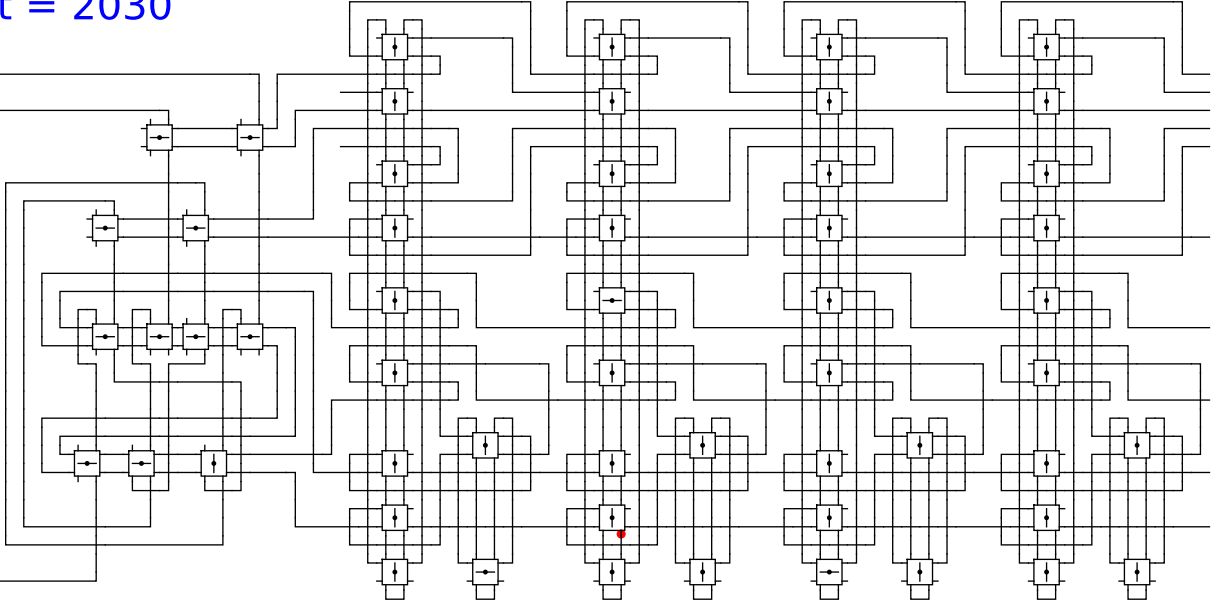
0

0

t = 2030

Reject
Accept

Begin



1

0

head

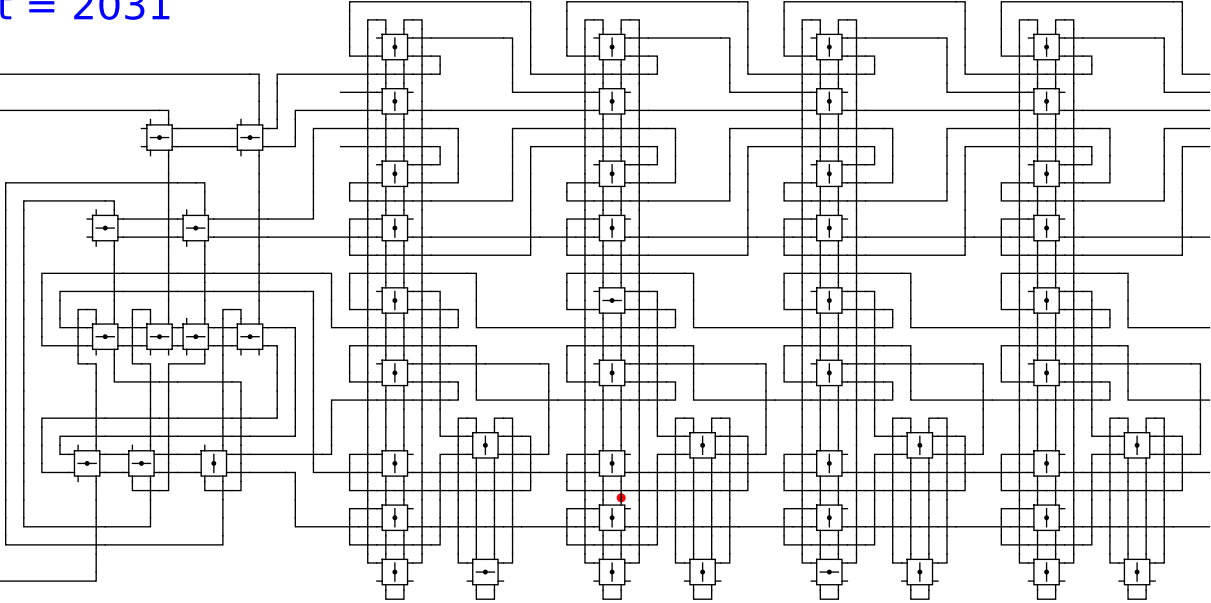
0

0

t = 2031

Reject
Accept

Begin



1

0

head

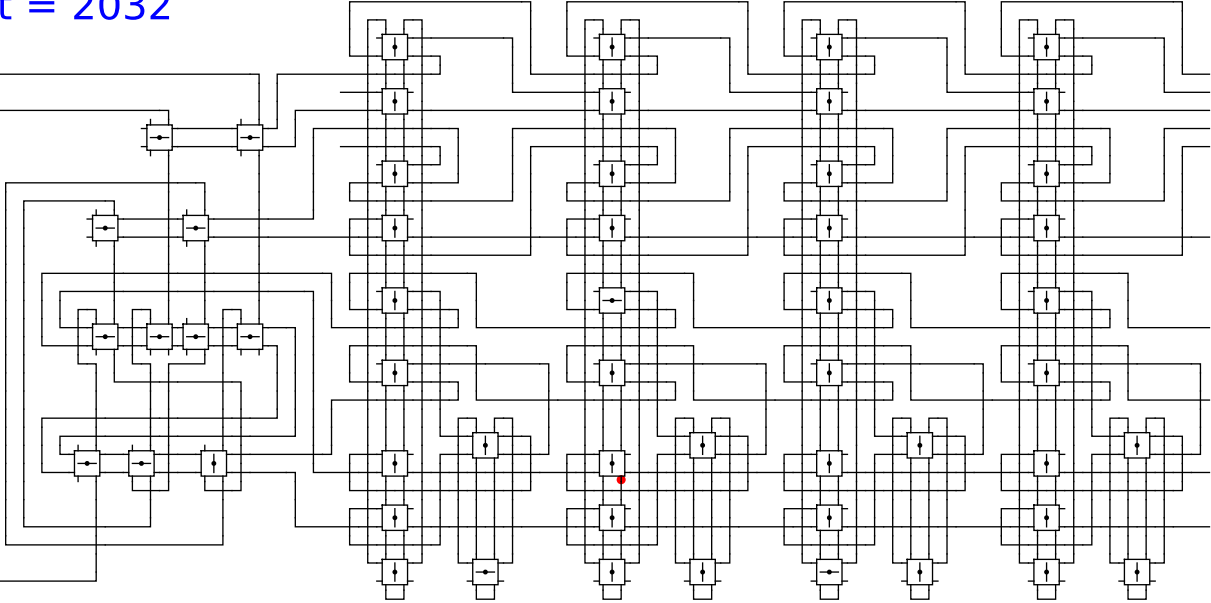
0

0

t = 2032

Reject
Accept

Begin

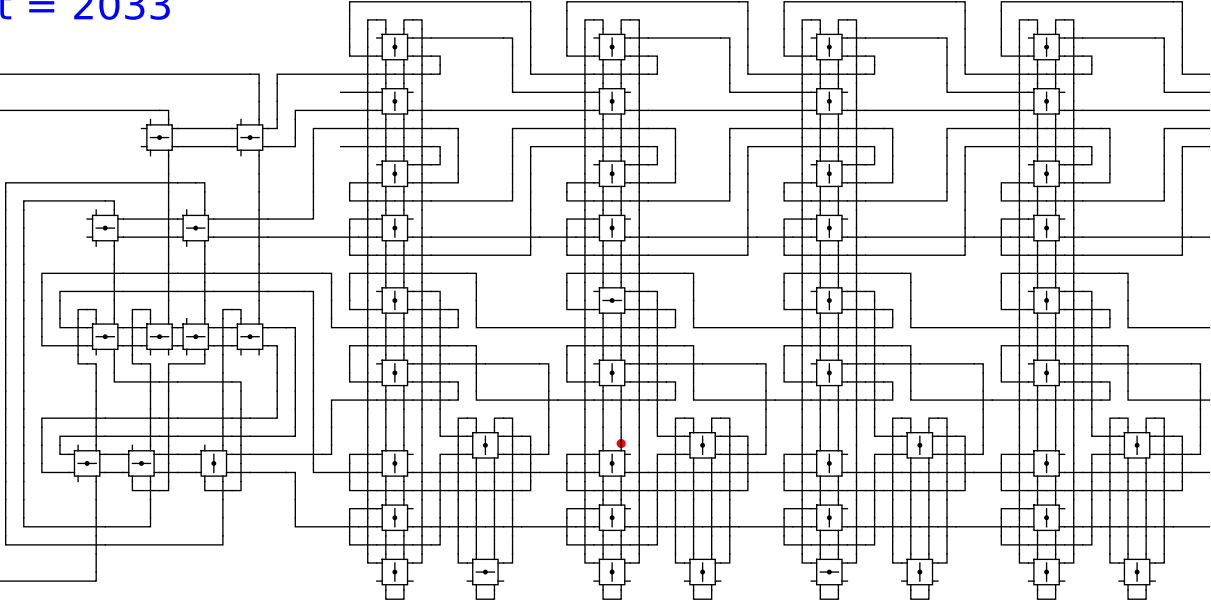


1 0 head 0 0

t = 2033

Reject
Accept

Begin



1

0

head

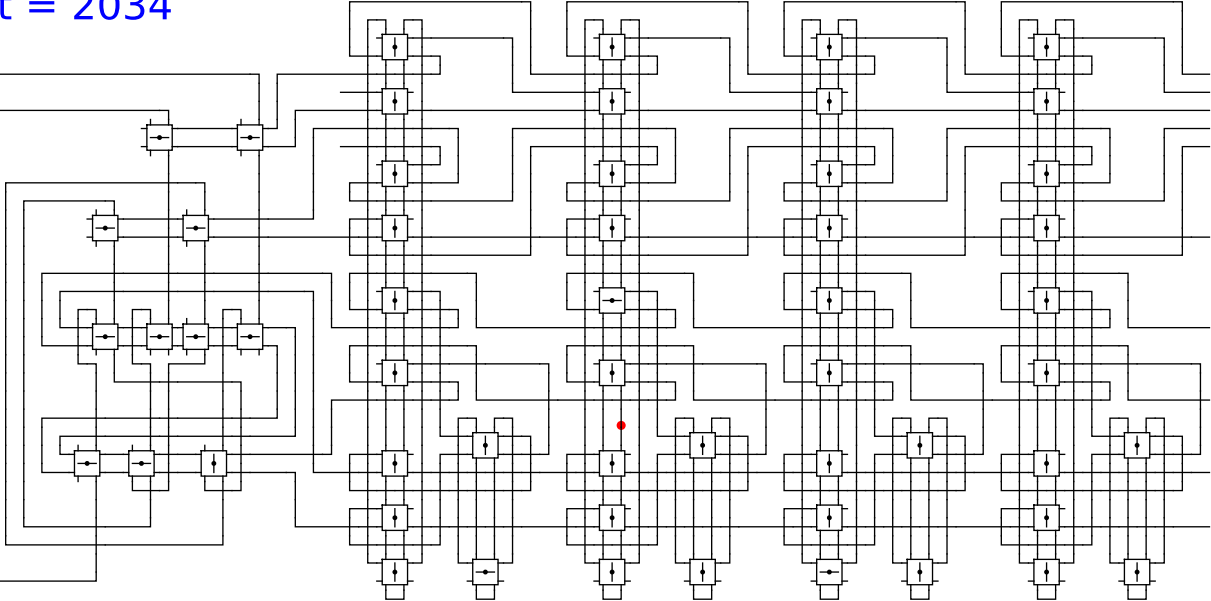
0

0

t = 2034

Reject
Accept

Begin



1

0

head

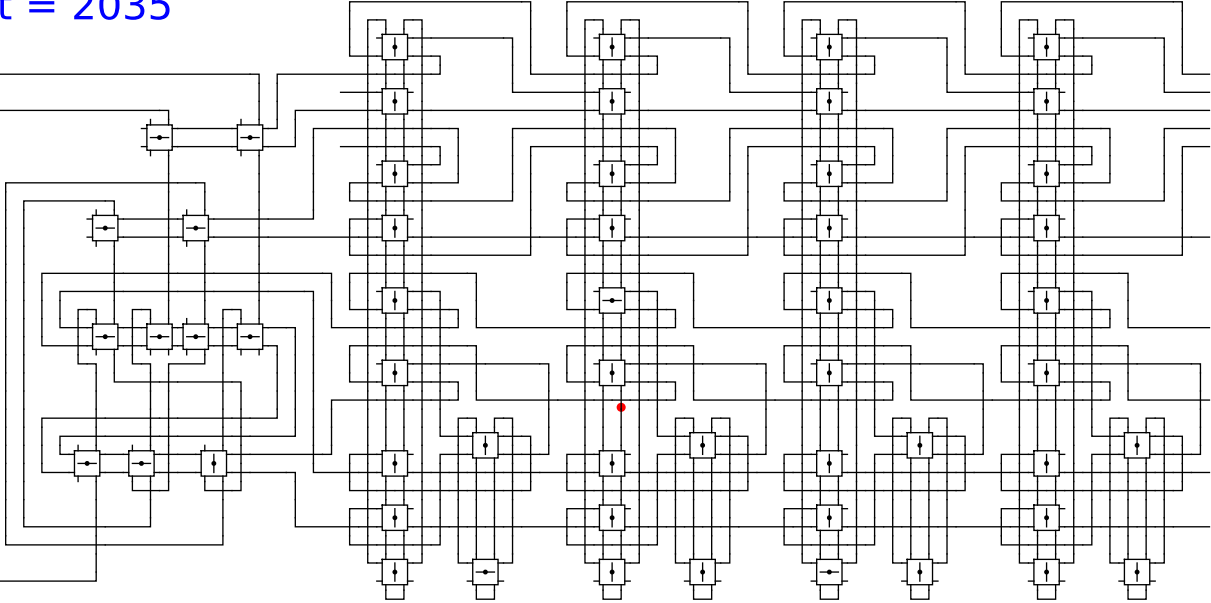
0

0

t = 2035

Reject
Accept

Begin

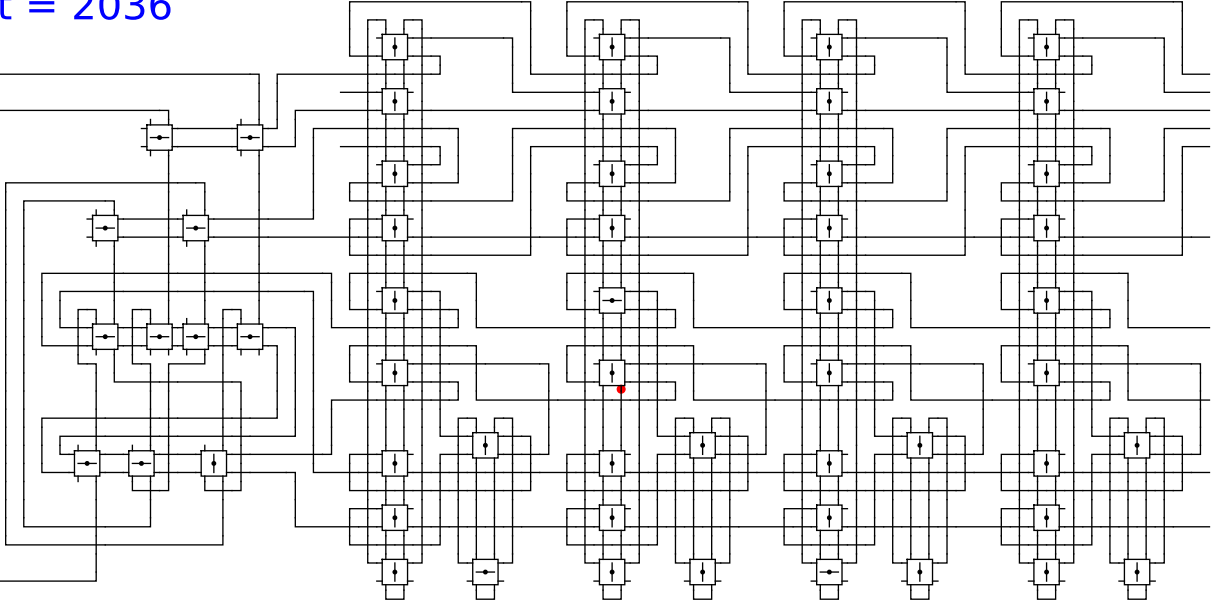


1 0 head 0 0

t = 2036

Reject
Accept

Begin



1

0

head

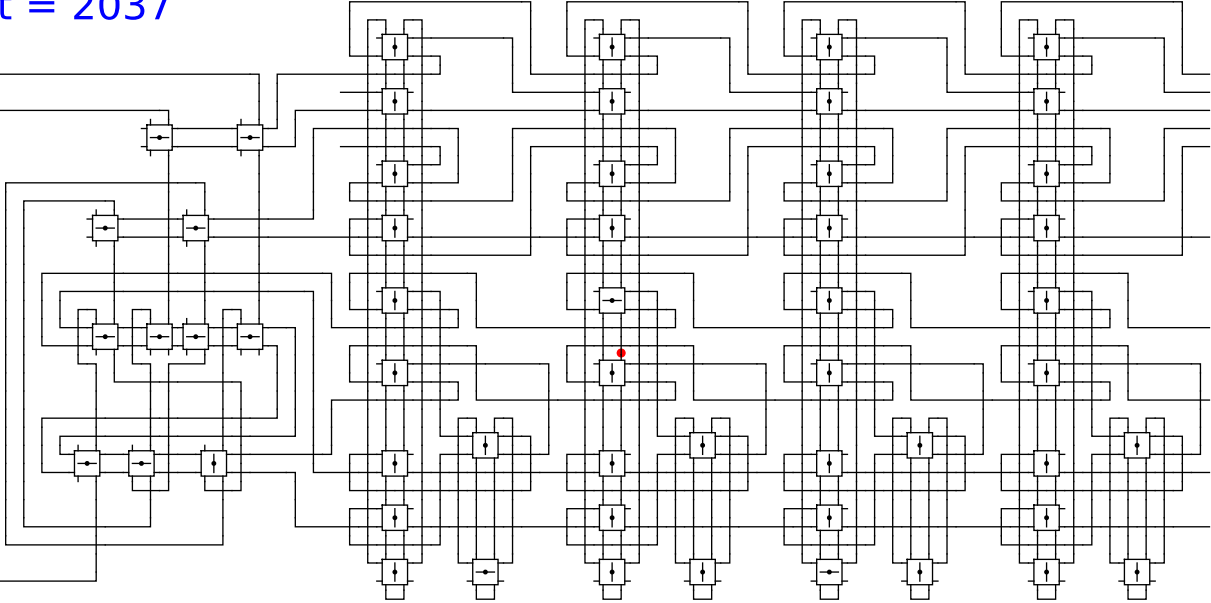
0

0

t = 2037

Reject
Accept

Begin



1

0

head

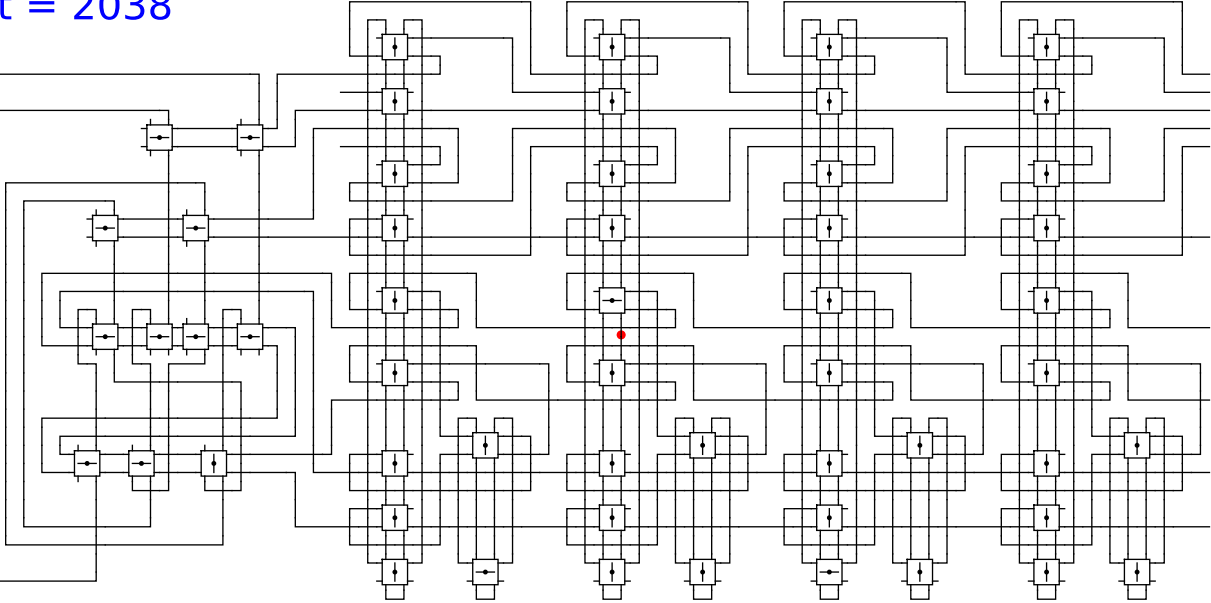
0

0

t = 2038

Reject
Accept

Begin

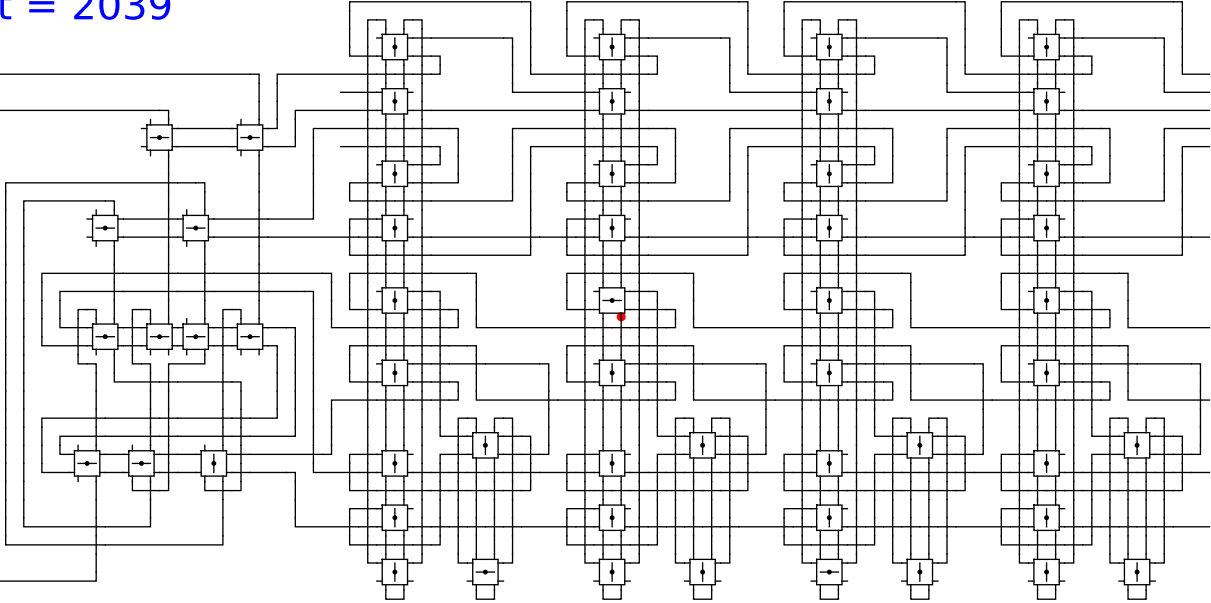


1 0 head 0 0

t = 2039

Reject
Accept

Begin



1

0

head

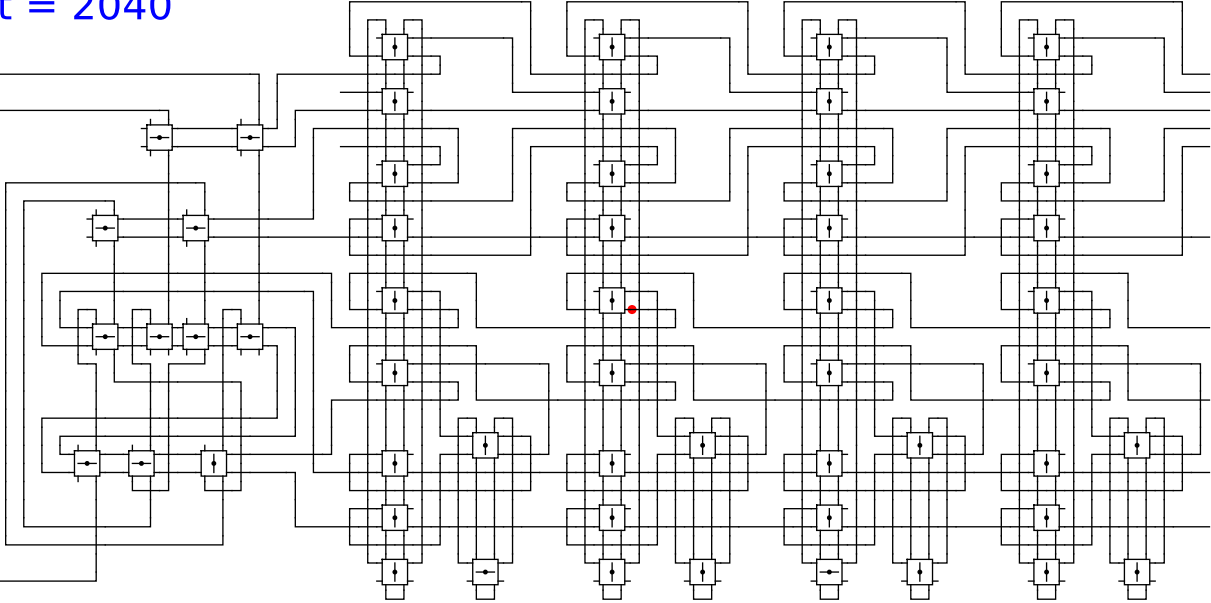
0

0

t = 2040

Reject
Accept

Begin

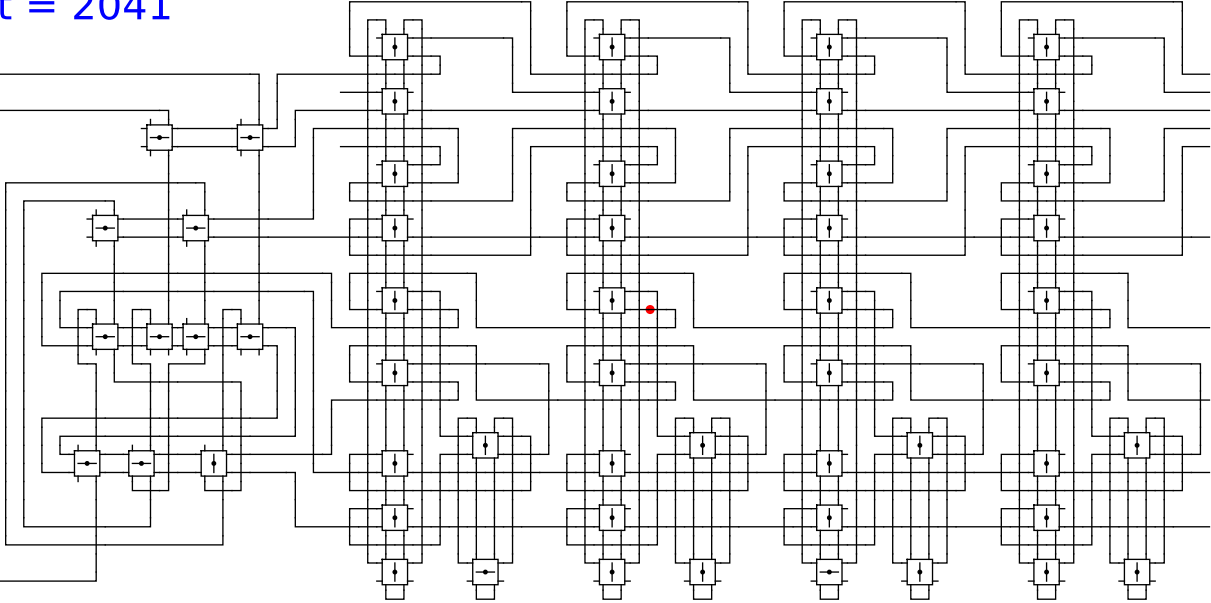


1 0 head 0 0

t = 2041

Reject
Accept

Begin

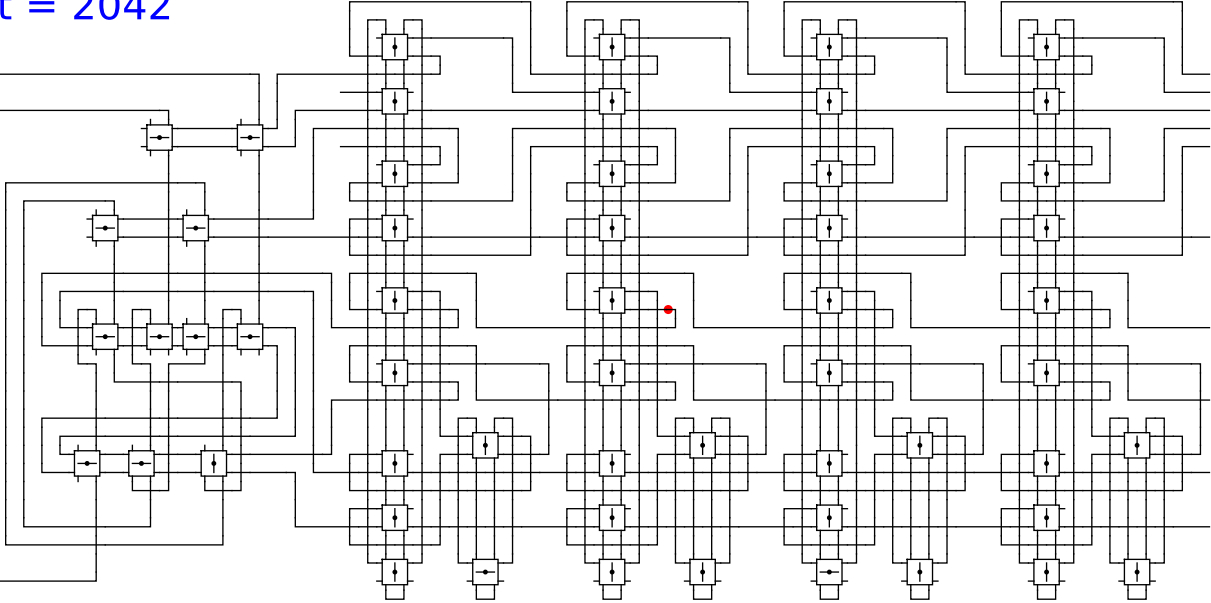


1 0 head 0 0

t = 2042

Reject
Accept

Begin



1

0

head

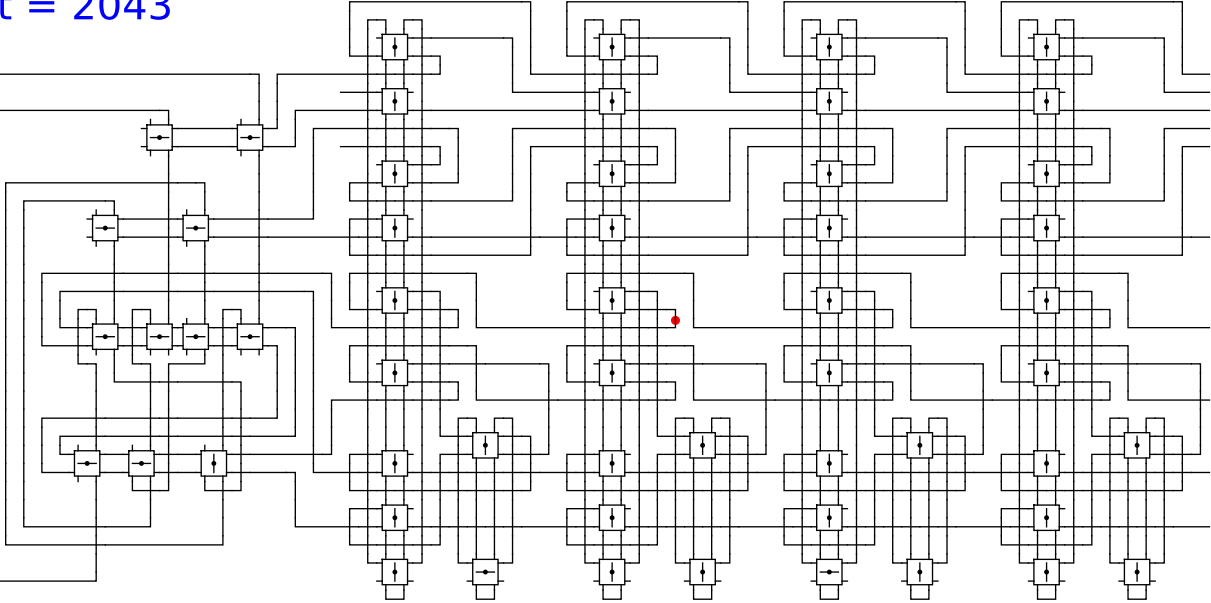
0

0

t = 2043

Reject
Accept

Begin

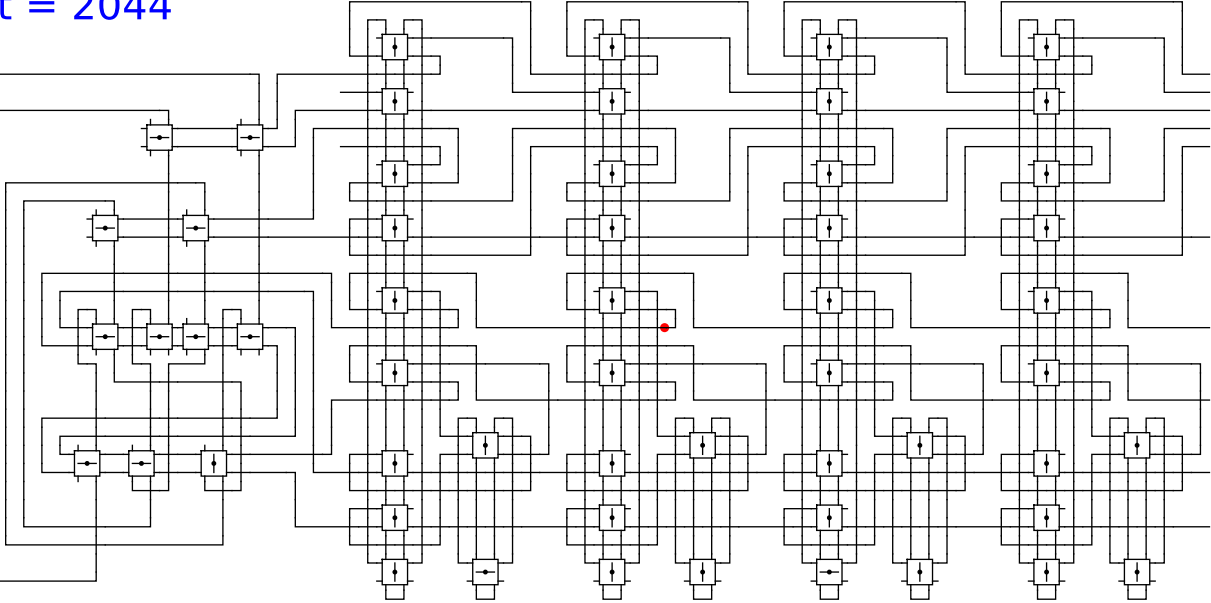


1 0 head 0 0

t = 2044

Reject
Accept

Begin

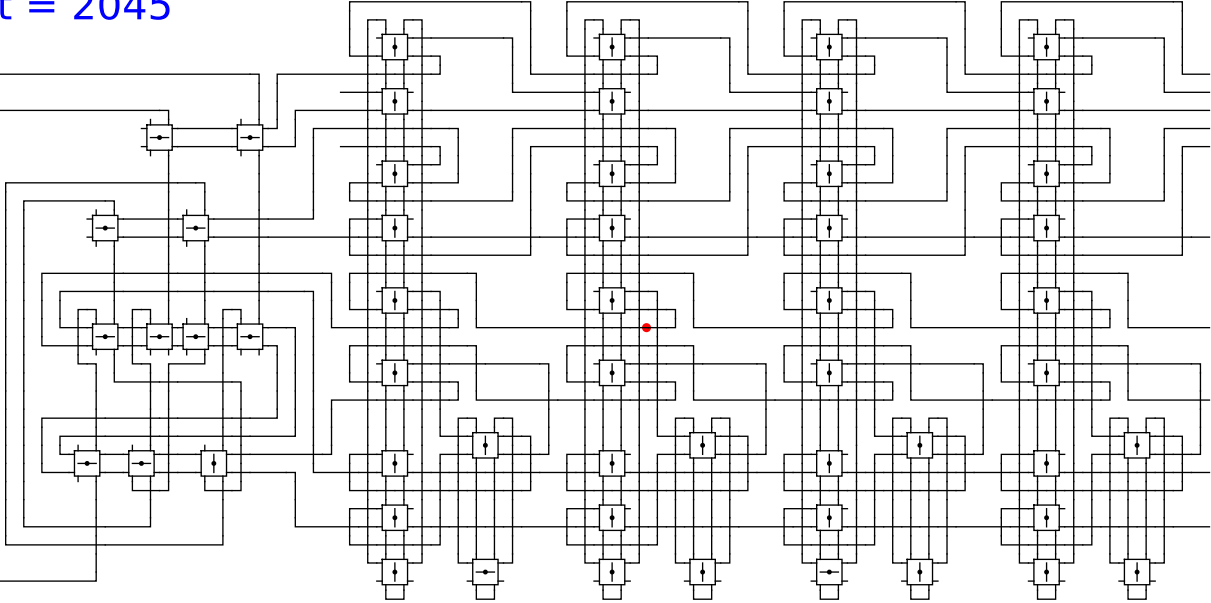


1 0 head 0 0

t = 2045

Reject
Accept

Begin



1

0

head

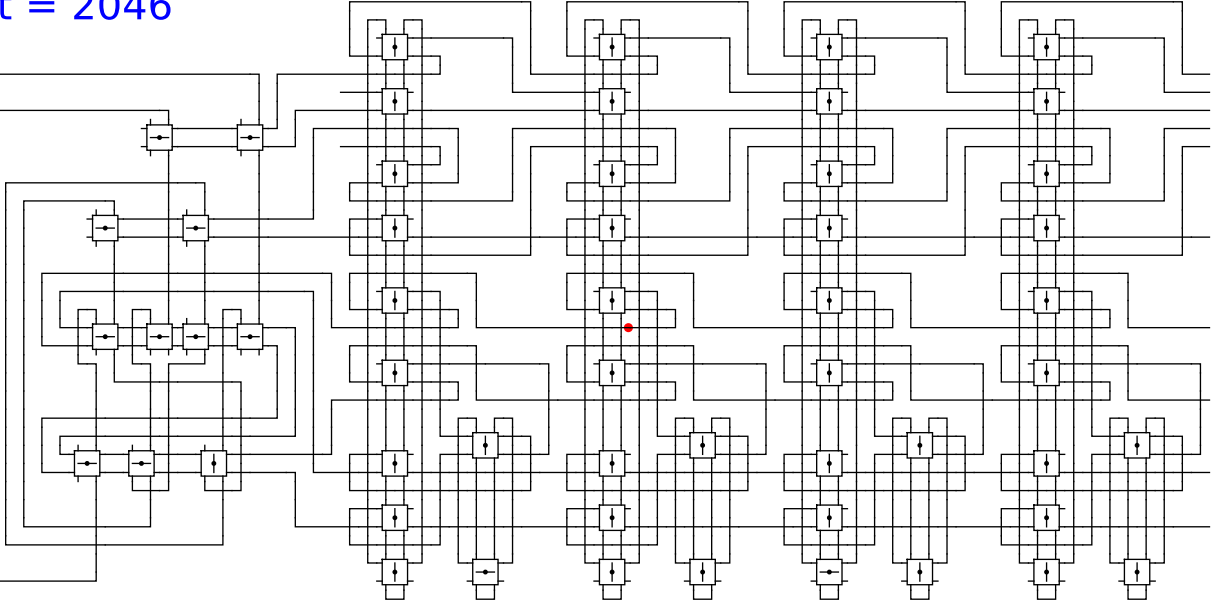
0

0

t = 2046

Reject
Accept

Begin

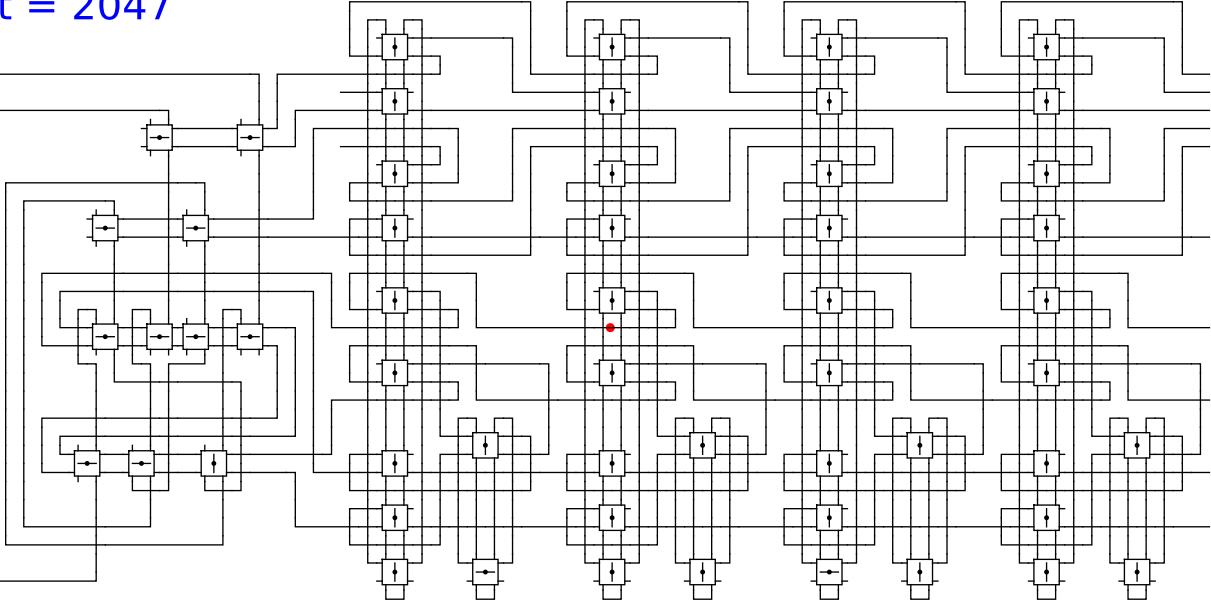


1 0 head 0 0

t = 2047

Reject
Accept

Begin



1

0

head

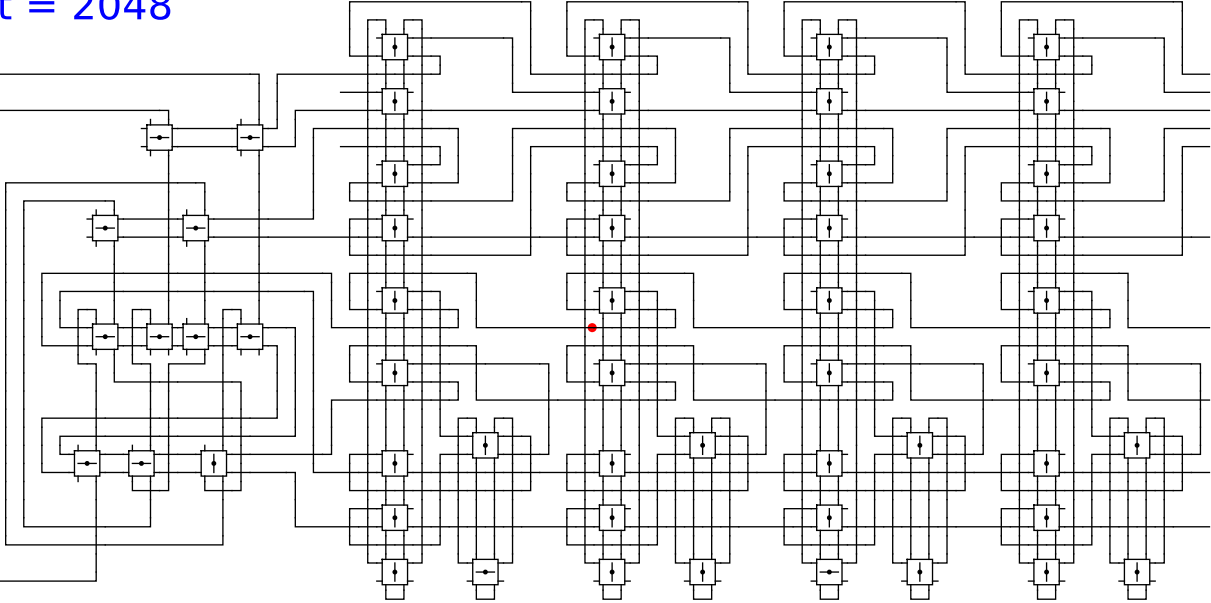
0

0

t = 2048

Reject
Accept

Begin



1

0

head

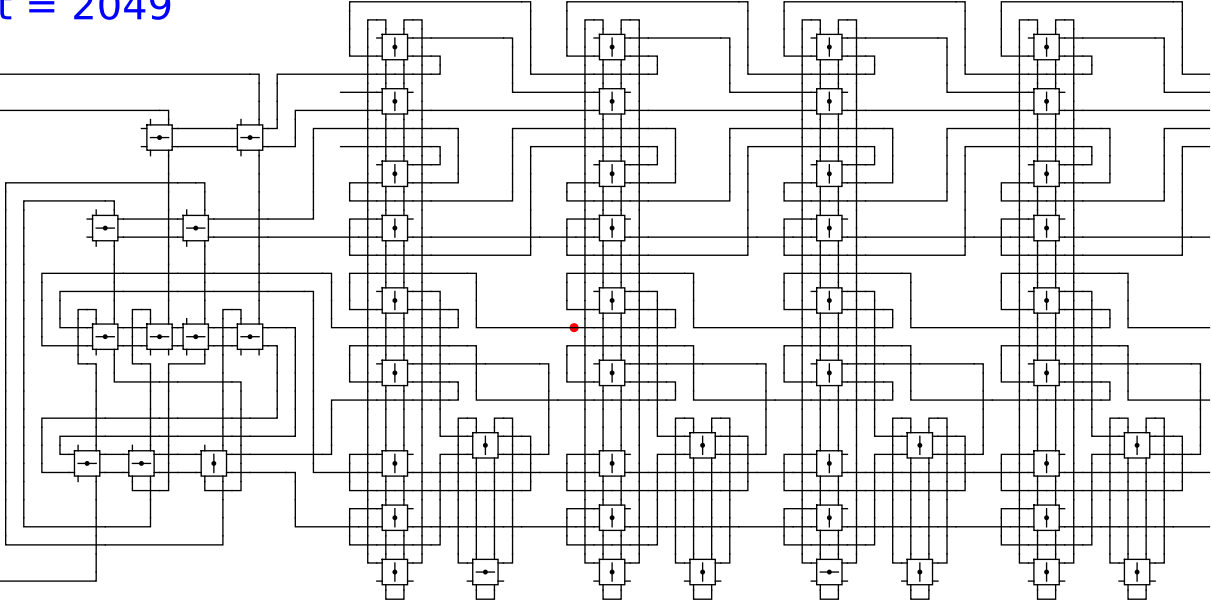
0

0

t = 2049

Reject
Accept

Begin



1

0

head

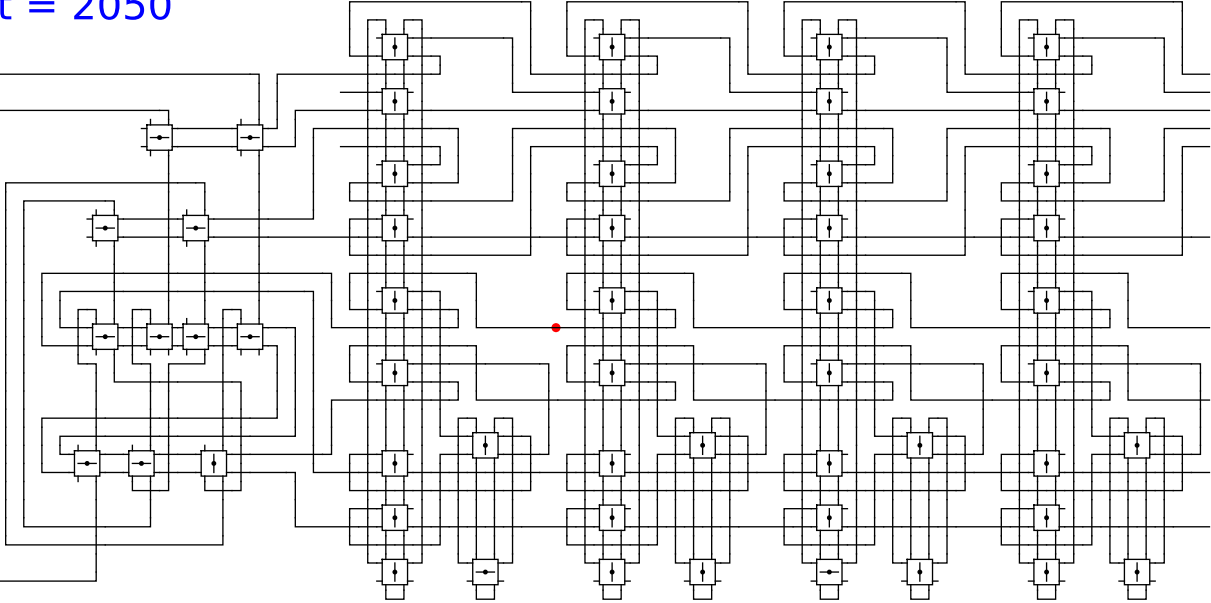
0

0

t = 2050

Reject
Accept

Begin

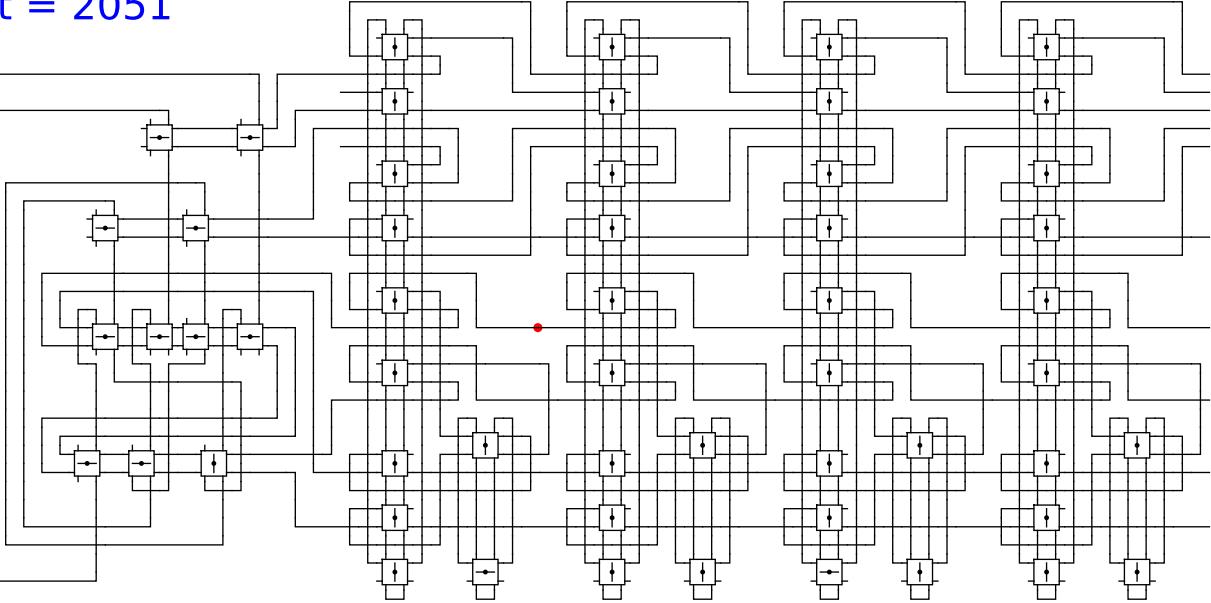


1 0 head 0 0

t = 2051

Reject
Accept

Begin

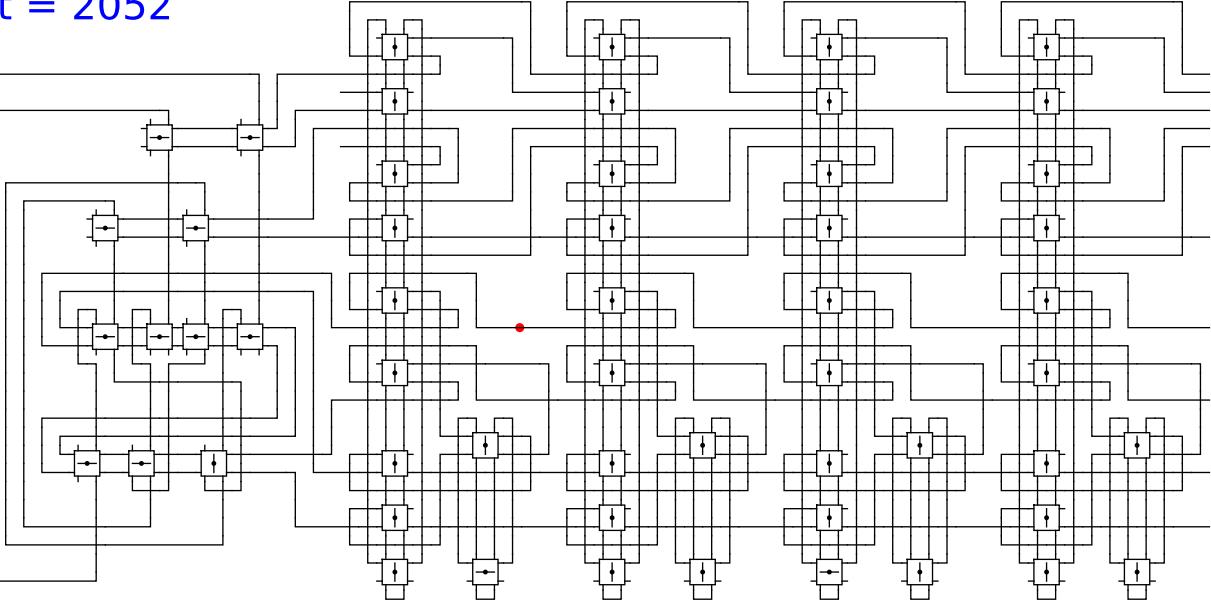


1 0 head 0 0

t = 2052

Reject
Accept

Begin

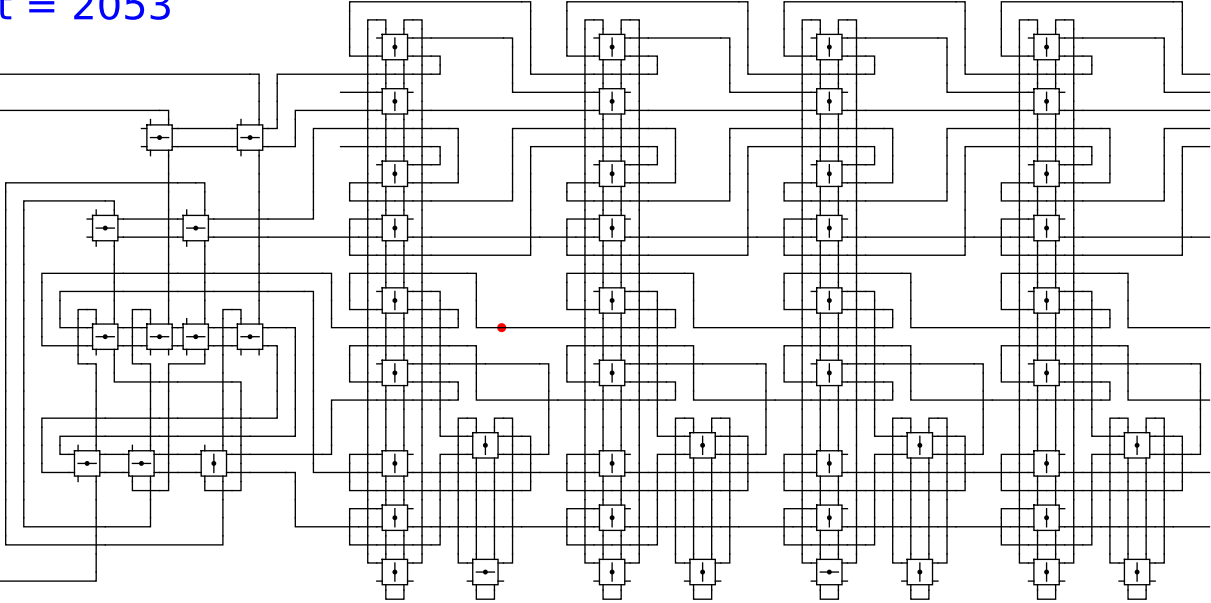


1 0 head 0 0

t = 2053

Reject
Accept

Begin

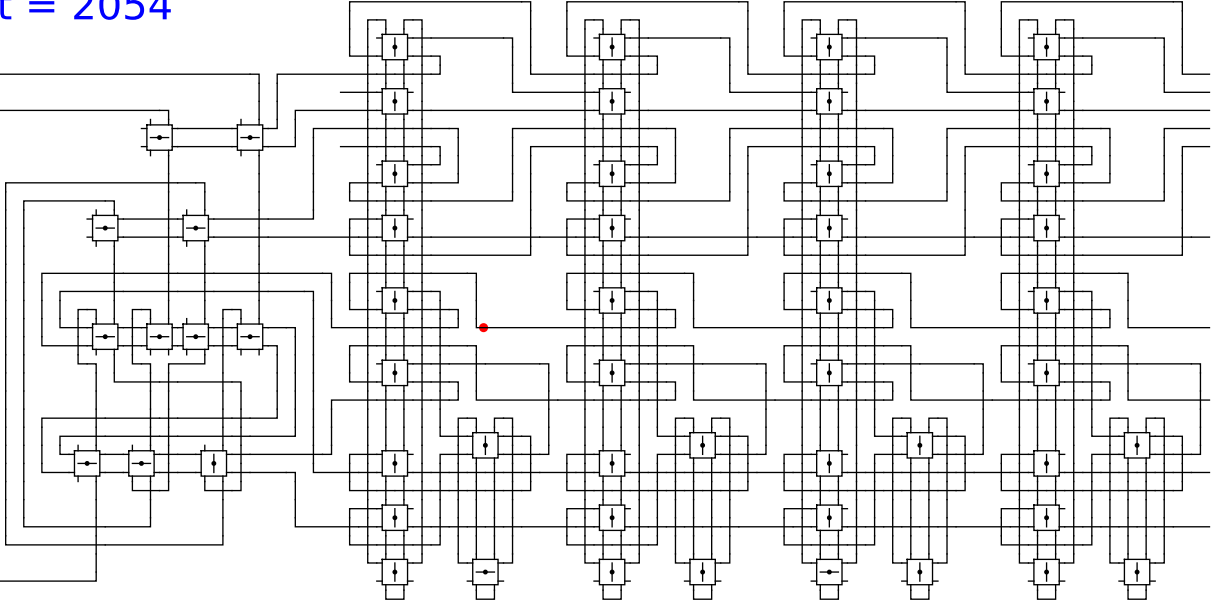


1 0 head 0 0

t = 2054

Reject
Accept

Begin

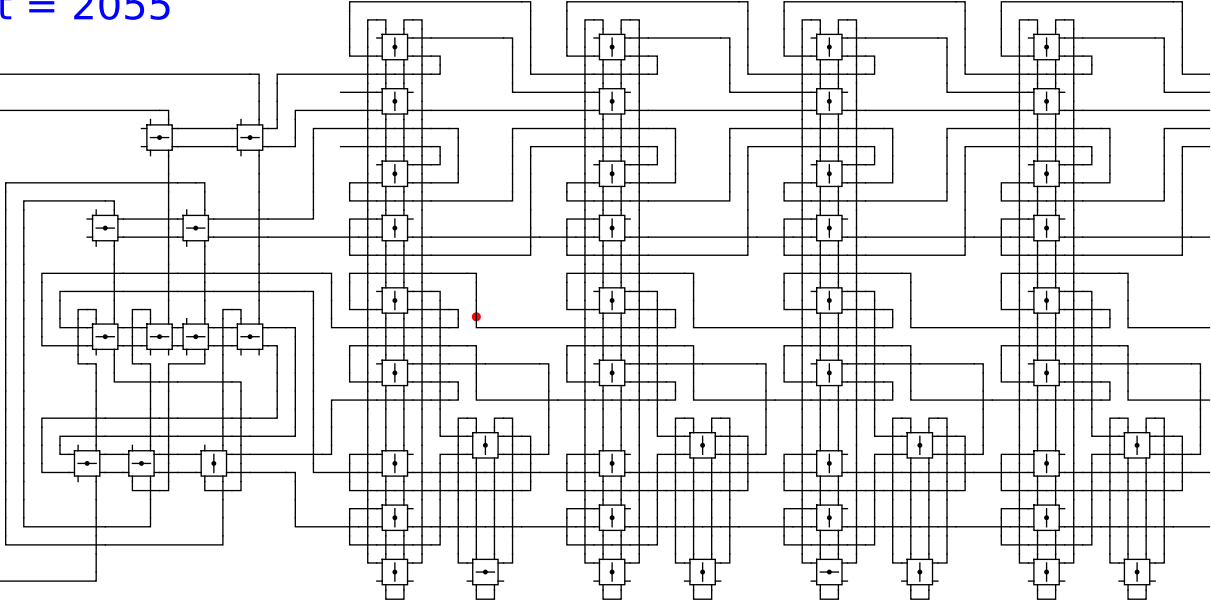


1 0 head 0 0

t = 2055

Reject
Accept

Begin



1

0

head

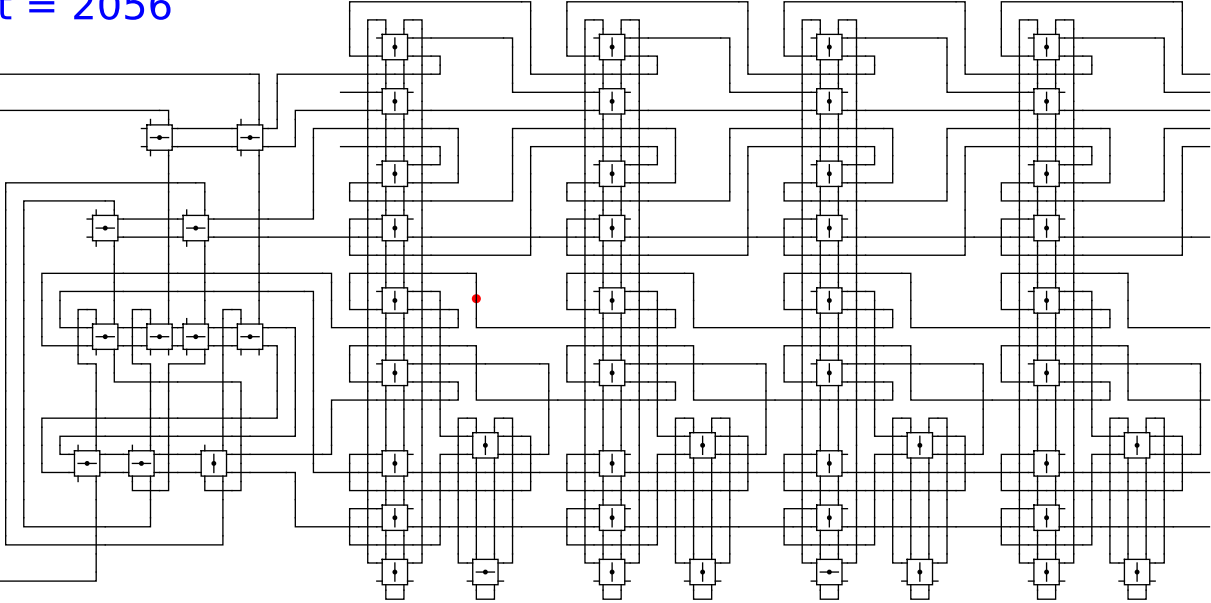
0

0

t = 2056

Reject
Accept

Begin



1

0

head

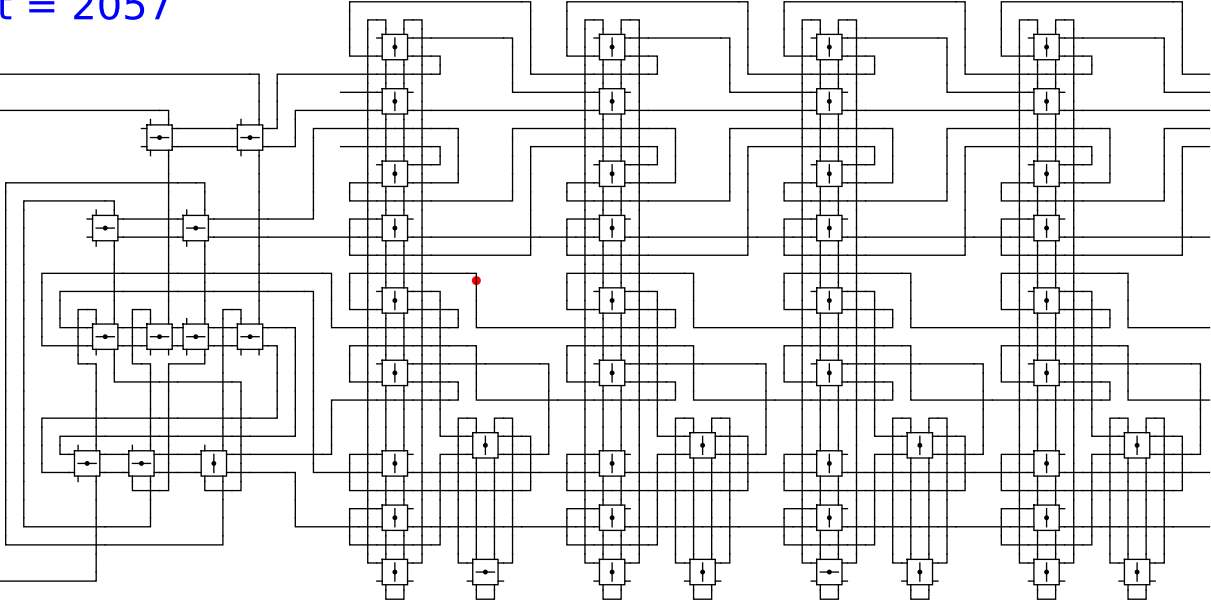
0

0

t = 2057

Reject
Accept

Begin

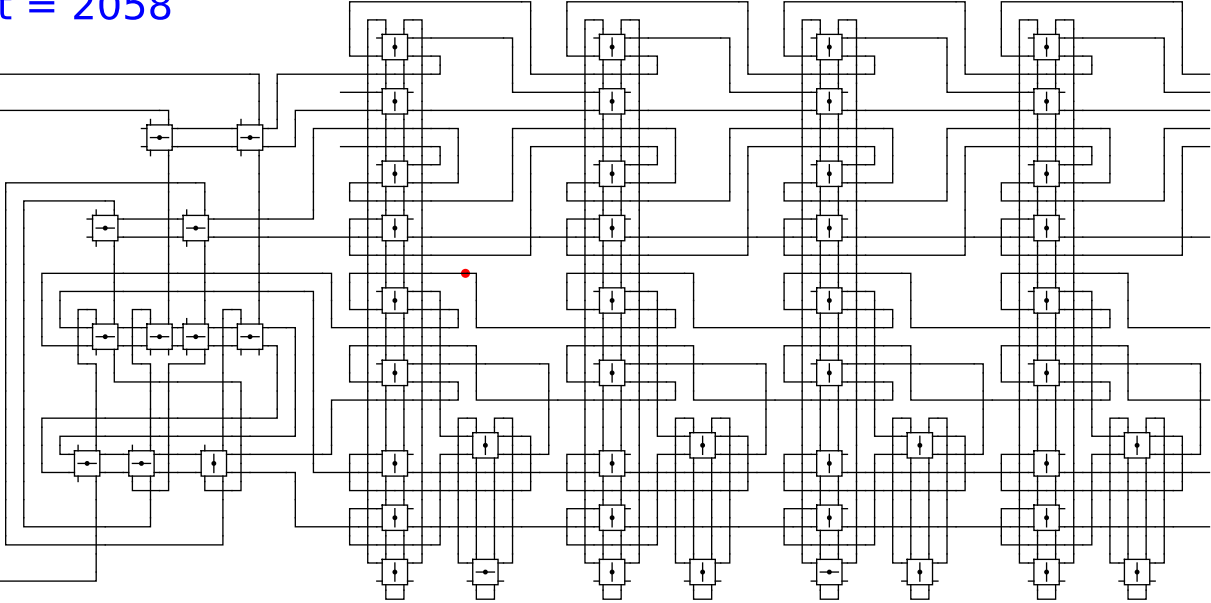


1 0 head 0 0

t = 2058

Reject
Accept

Begin

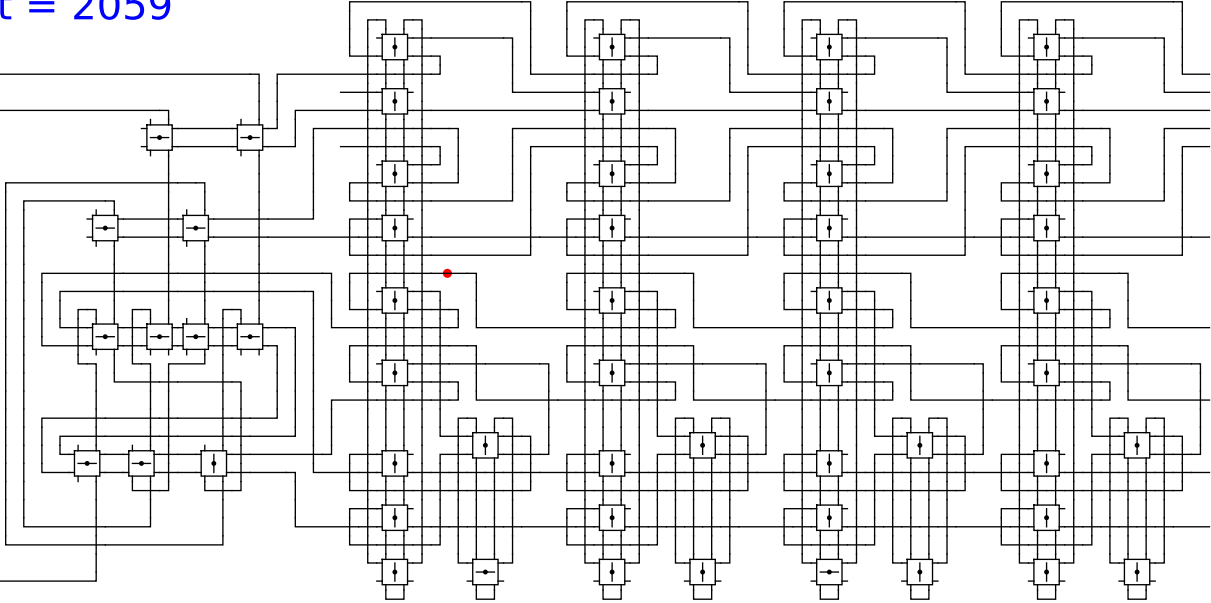


1 0 head 0 0

t = 2059

Reject
Accept

Begin



1

0

head

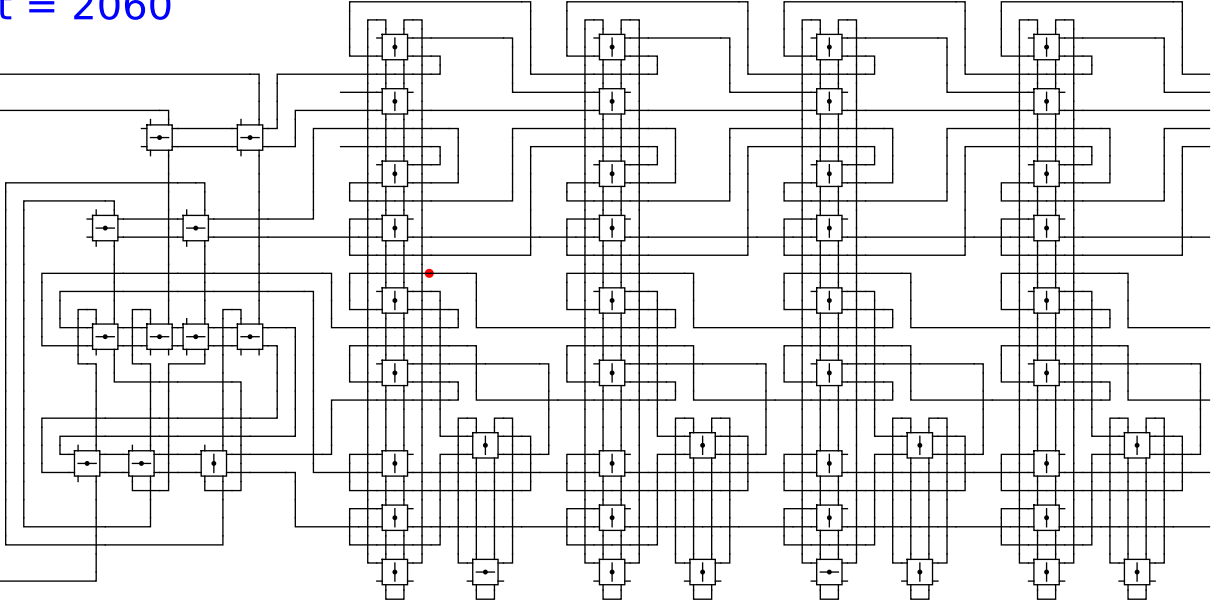
0

0

t = 2060

Reject
Accept

Begin



1

0

head

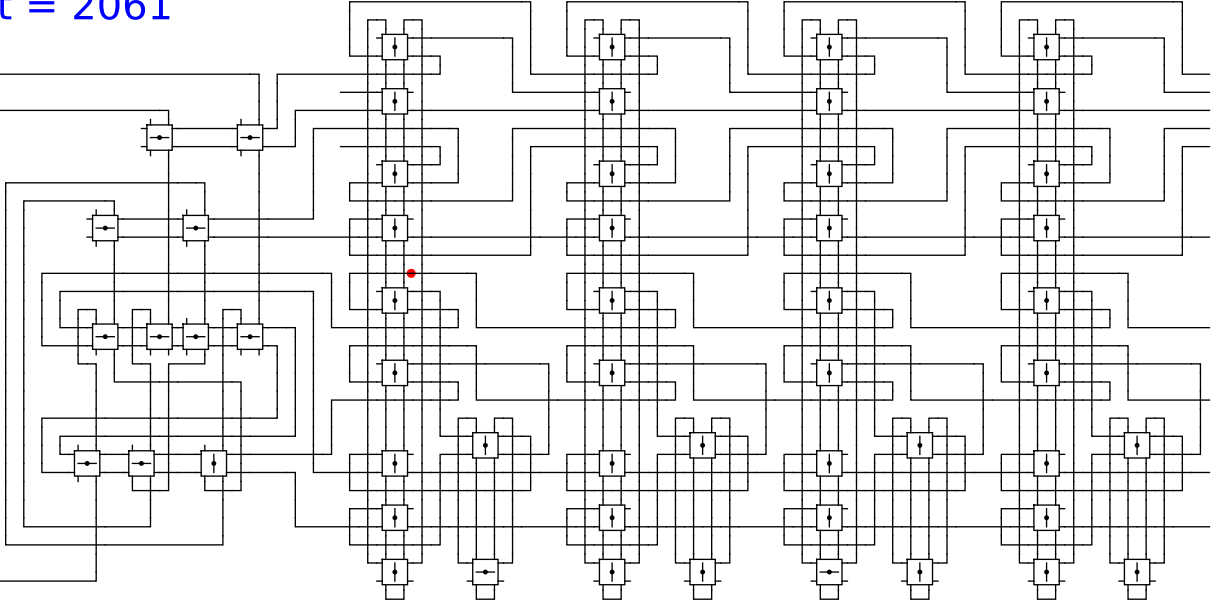
0

0

t = 2061

Reject
Accept

Begin

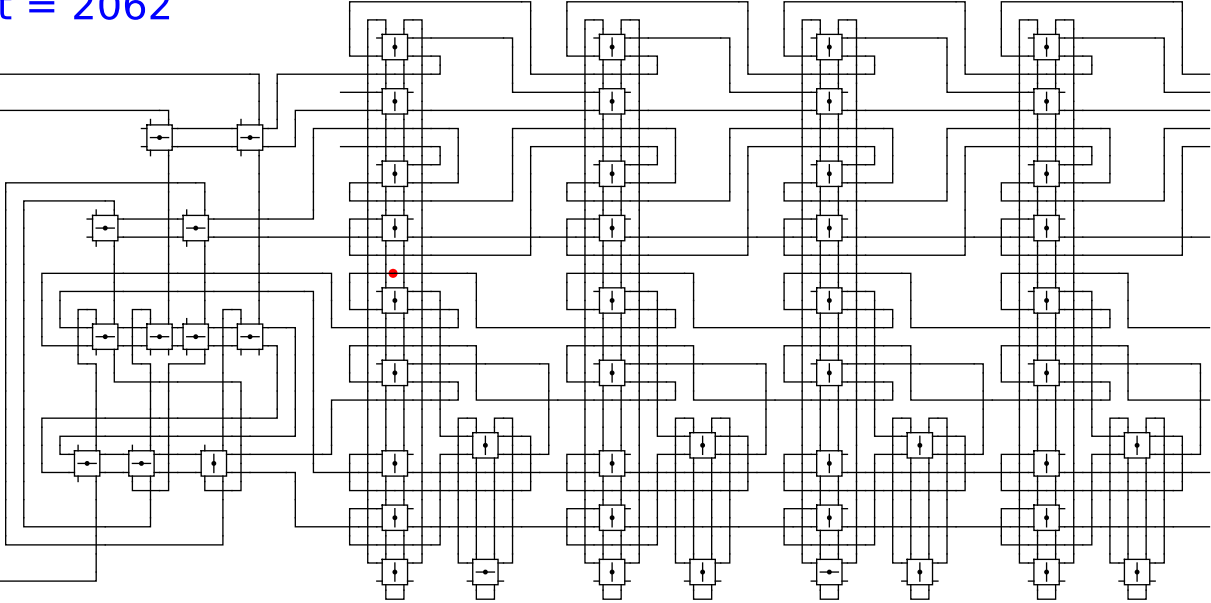


1 0 head 0 0

t = 2062

Reject
Accept

Begin

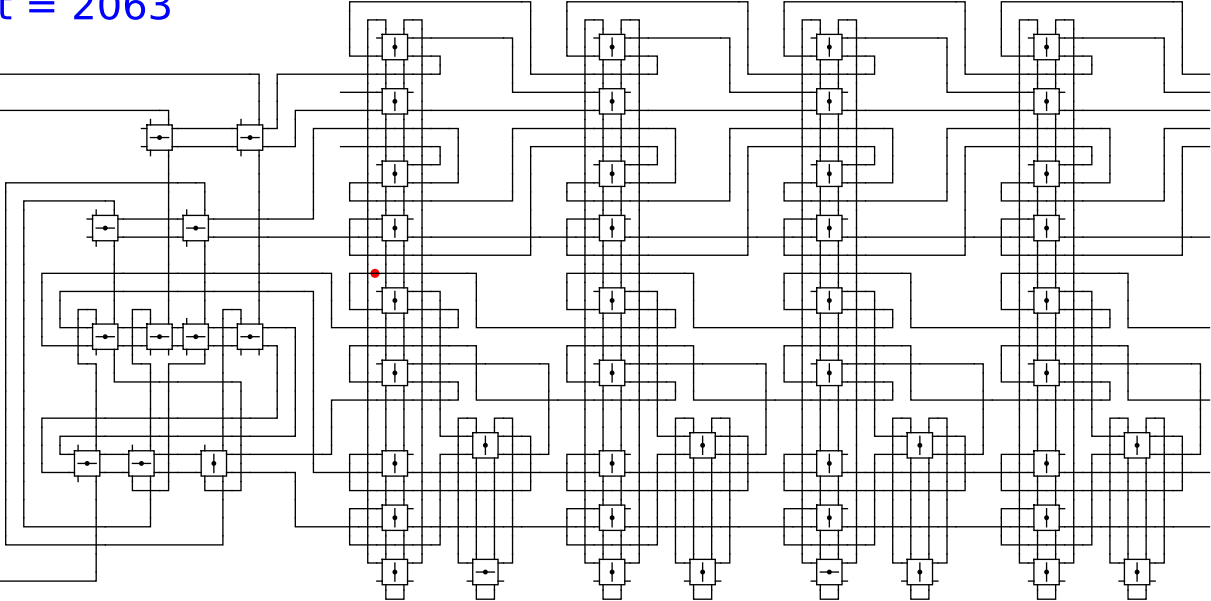


1 0 head 0 0

t = 2063

Reject
Accept

Begin



1

0

head

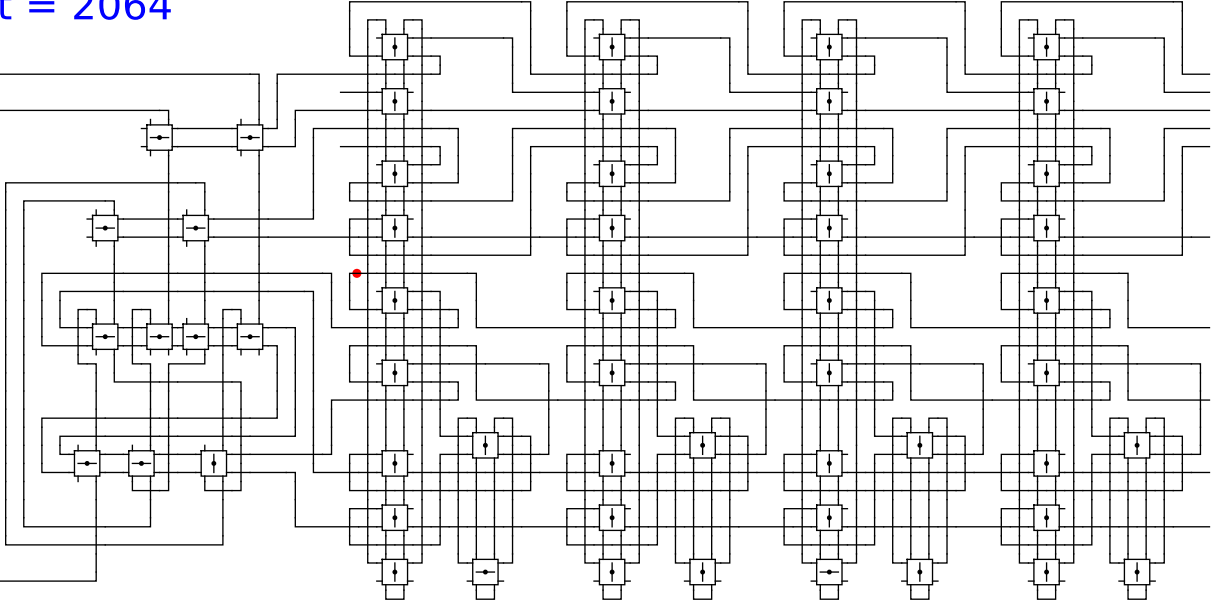
0

0

t = 2064

Reject
Accept

Begin



1

0

head

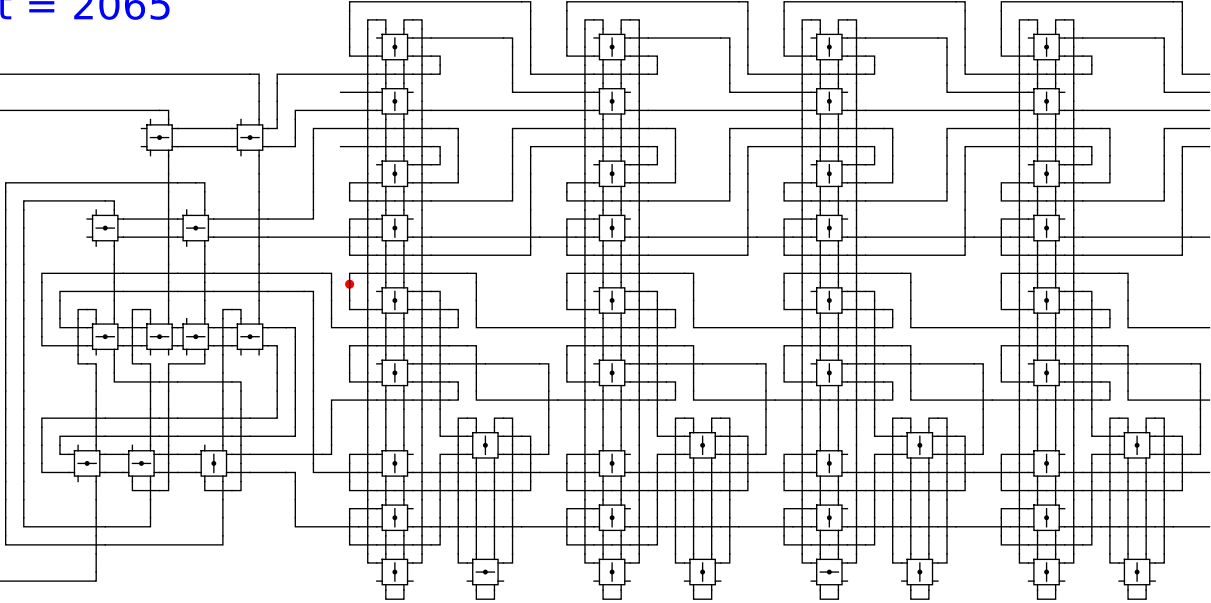
0

0

t = 2065

Reject
Accept

Begin

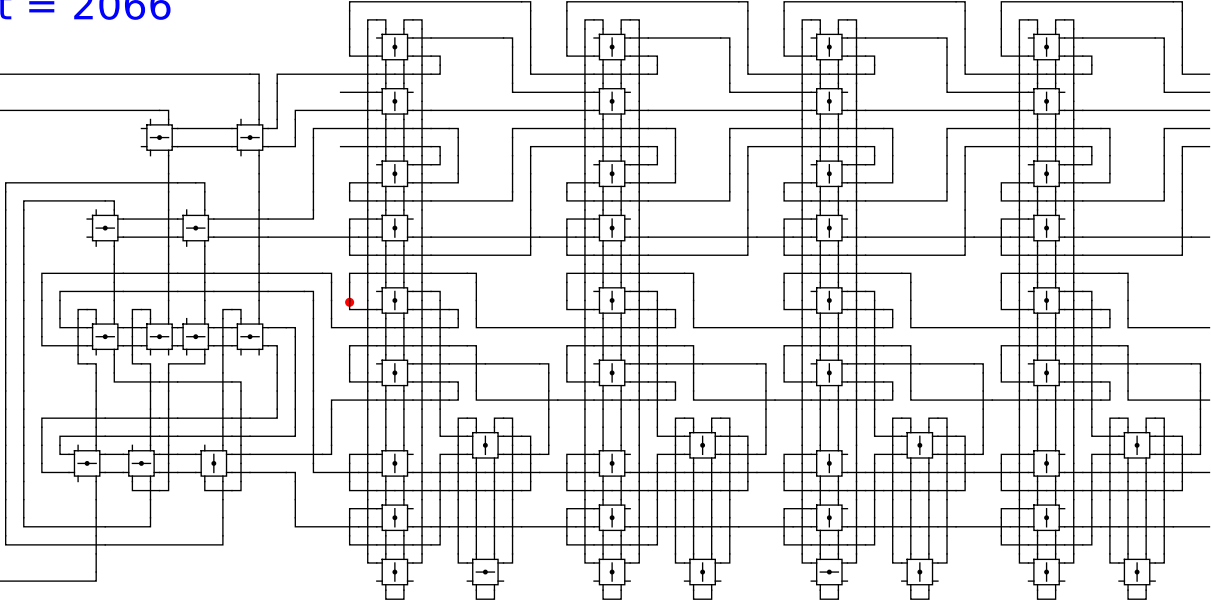


1 0 head 0 0

t = 2066

Reject
Accept

Begin



1

0

head

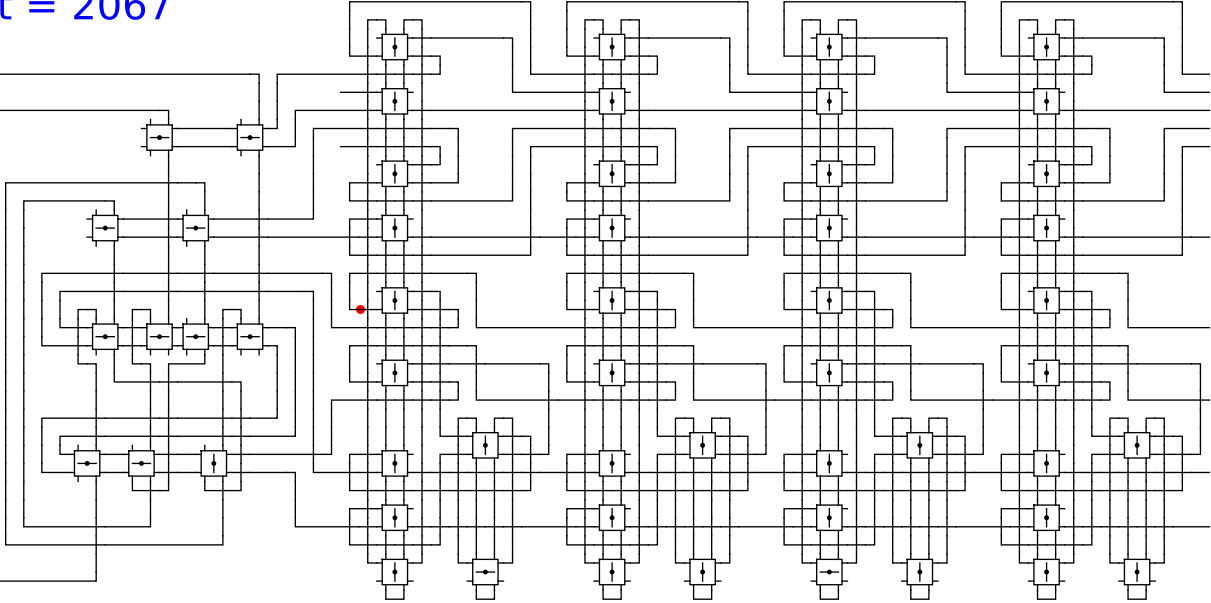
0

0

t = 2067

Reject
Accept

Begin



1

0

head

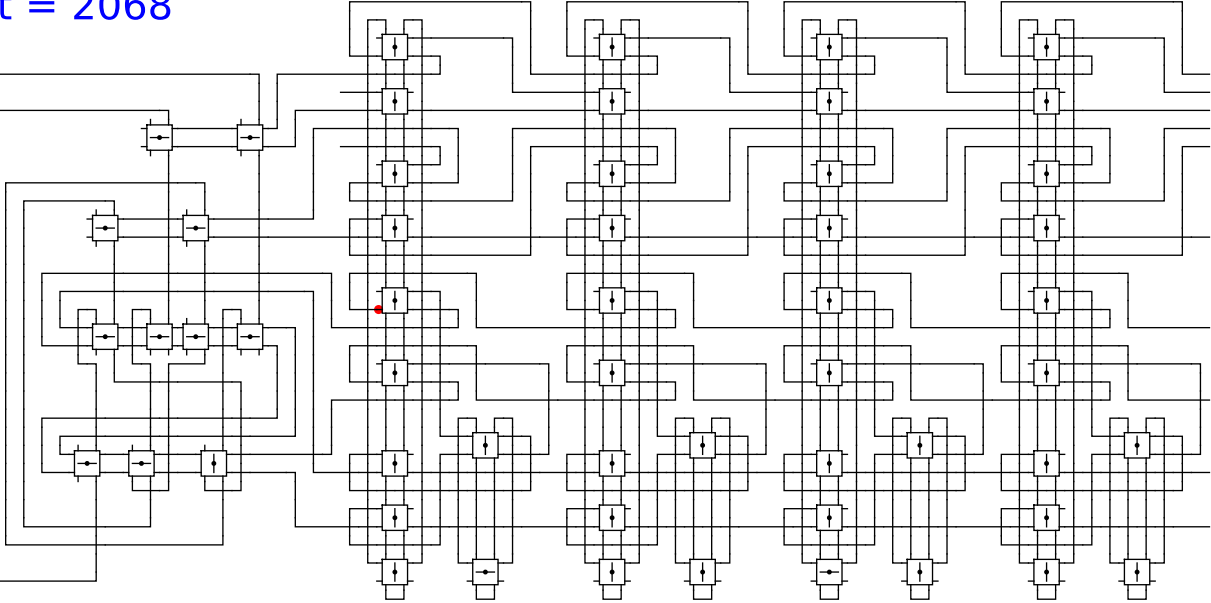
0

0

t = 2068

Reject
Accept

Begin

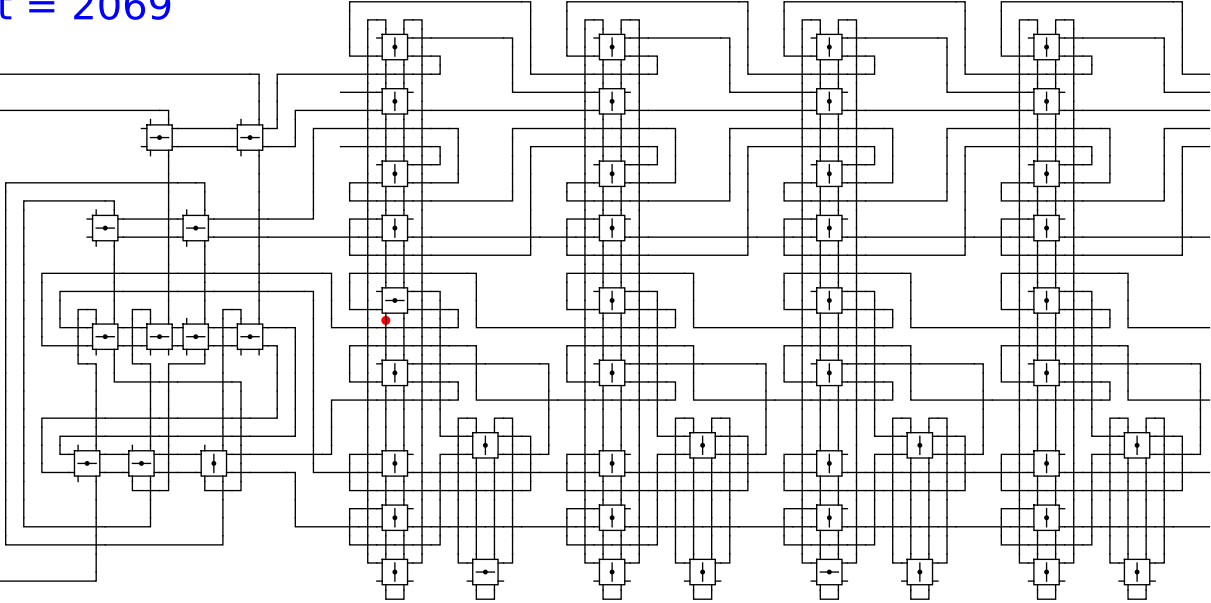


1 0 head 0 0

t = 2069

Reject
Accept

Begin



1

0

head

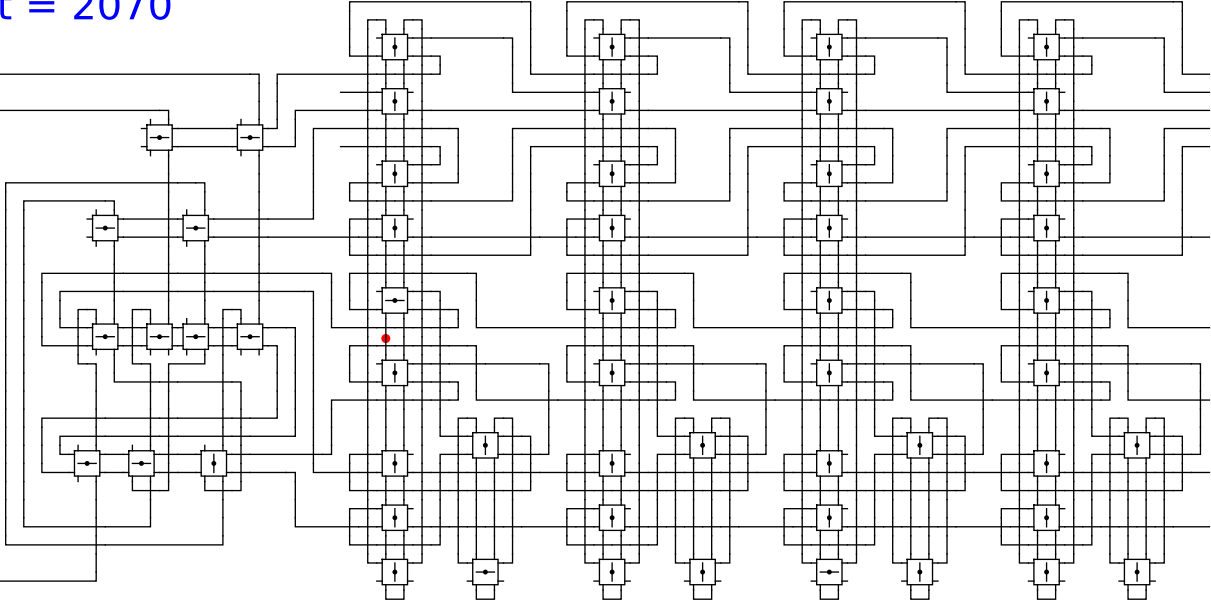
0

0

t = 2070

Reject
Accept

Begin



1

0

head

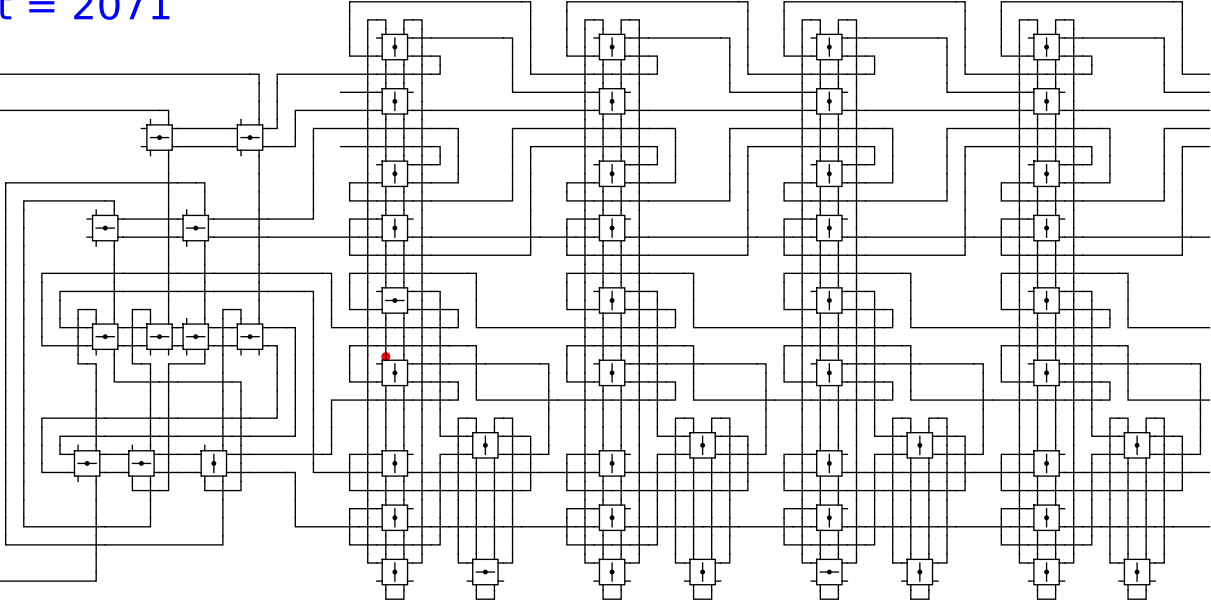
0

0

t = 2071

Reject
Accept

Begin

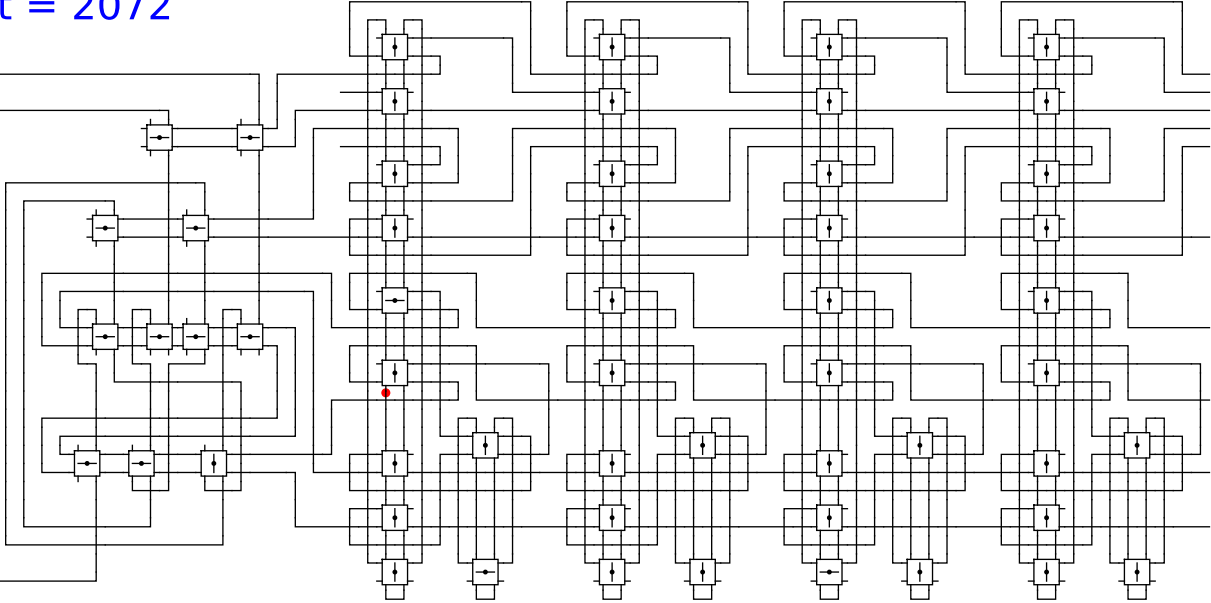


1 0 head 0 0

t = 2072

Reject
Accept

Begin

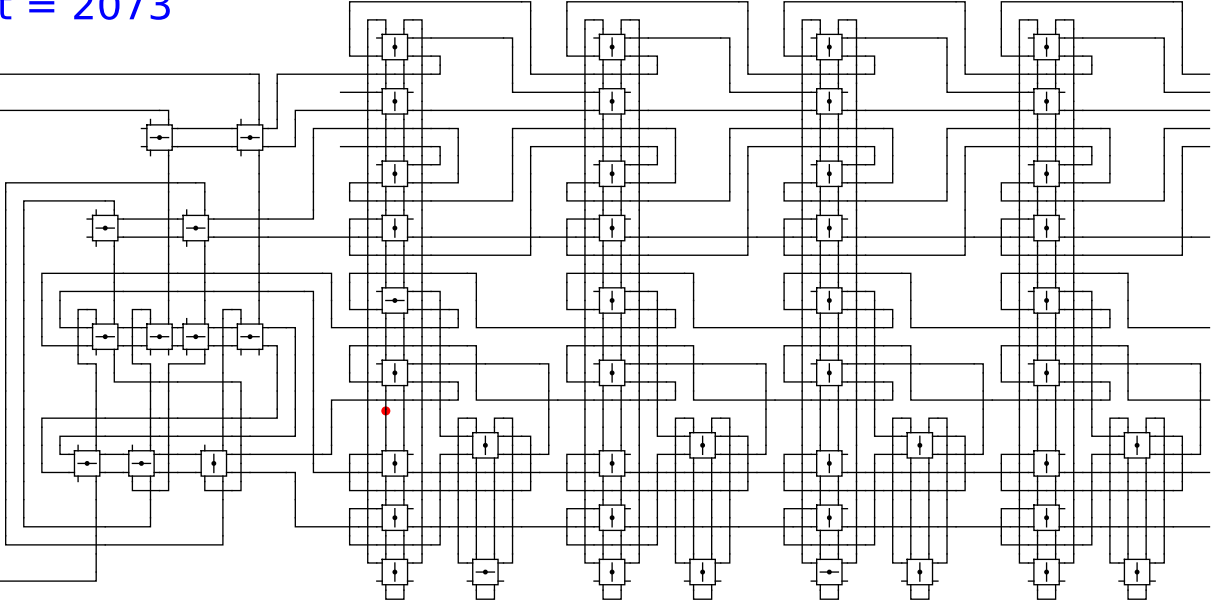


1 0 head 0 0

t = 2073

Reject
Accept

Begin



1

0

head

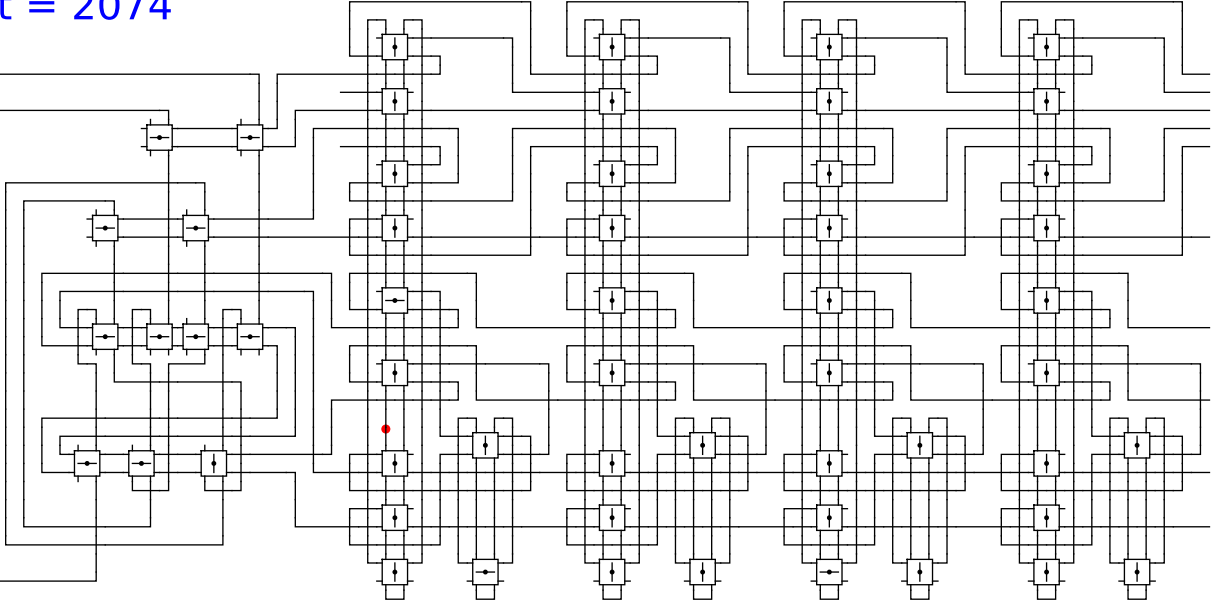
0

0

t = 2074

Reject
Accept

Begin

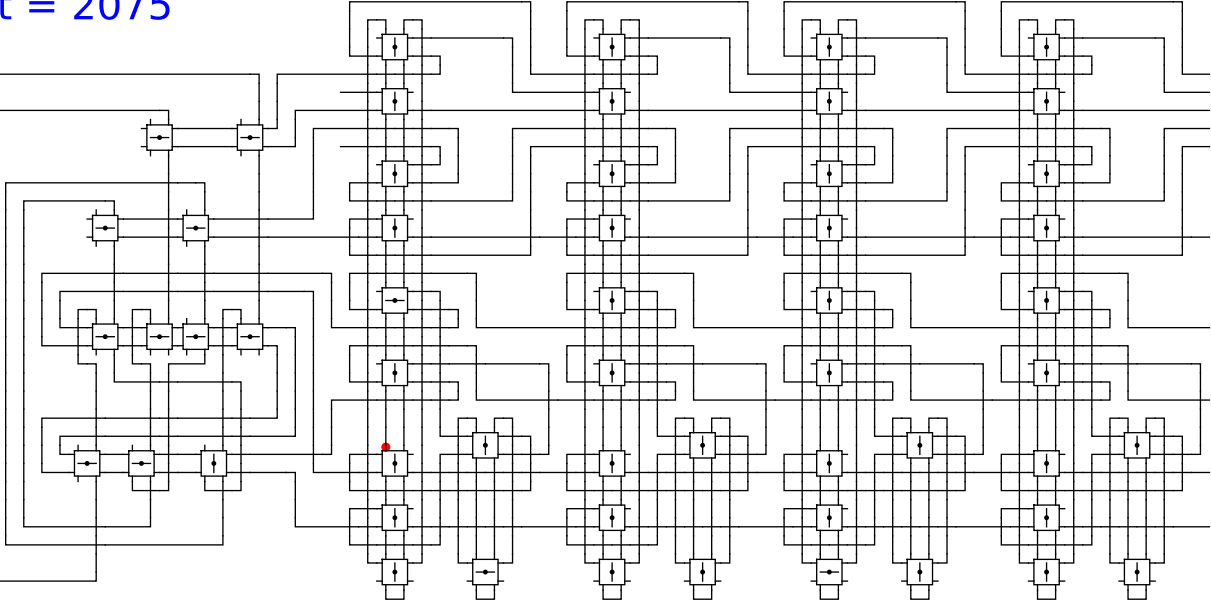


1 0 head 0 0

t = 2075

Reject
Accept

Begin



1

0

head

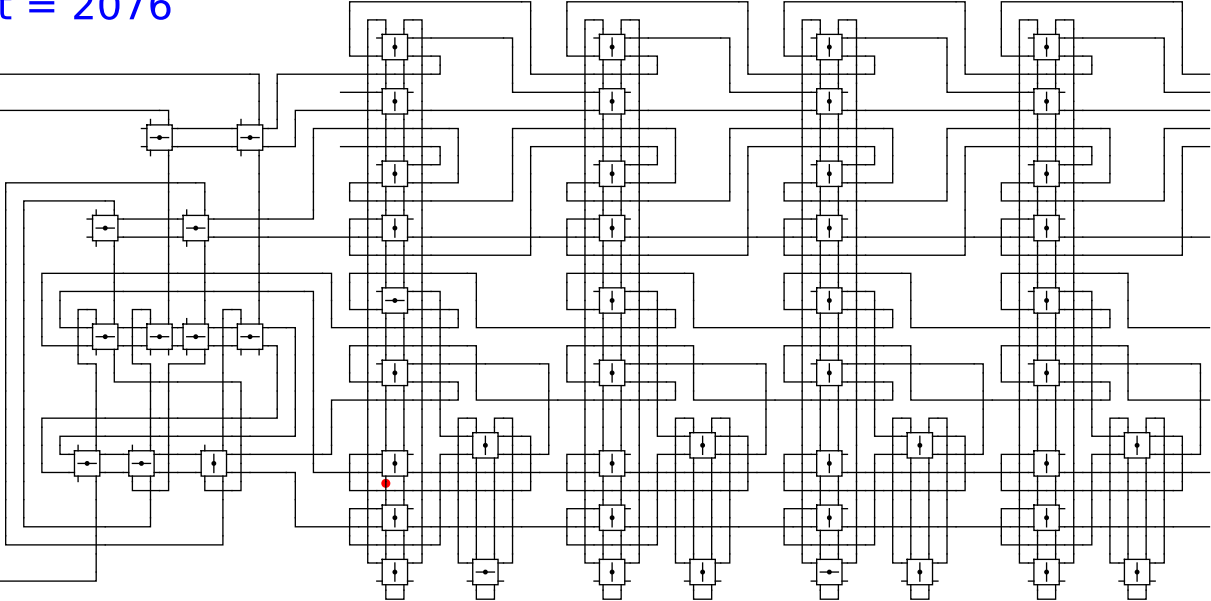
0

0

t = 2076

Reject
Accept

Begin



1

0

head

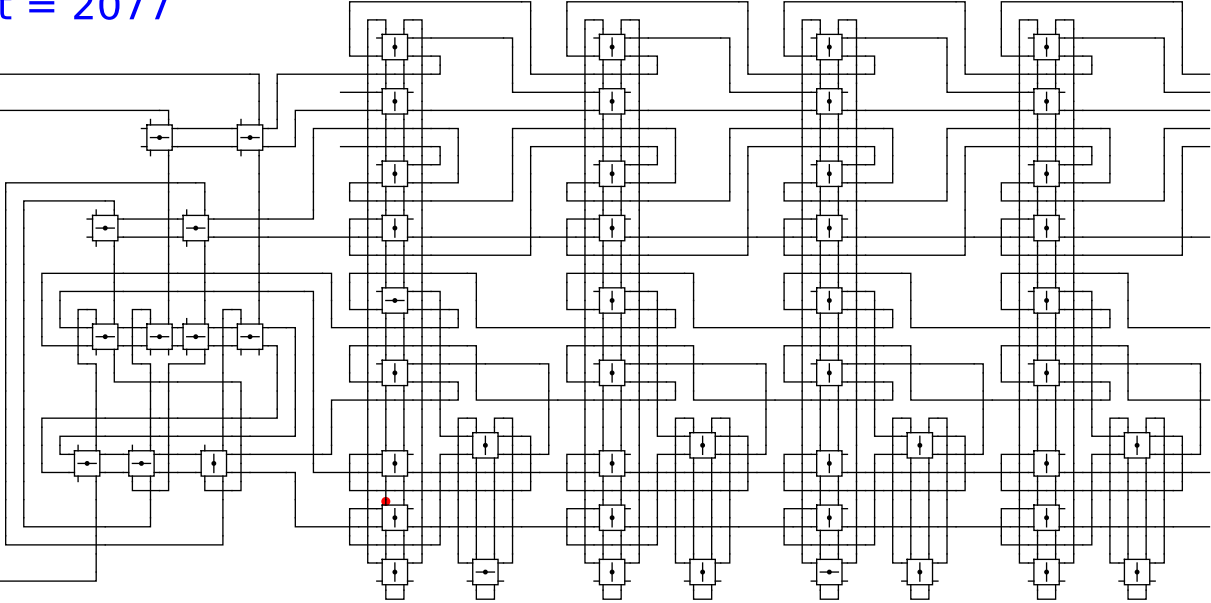
0

0

t = 2077

Reject
Accept

Begin

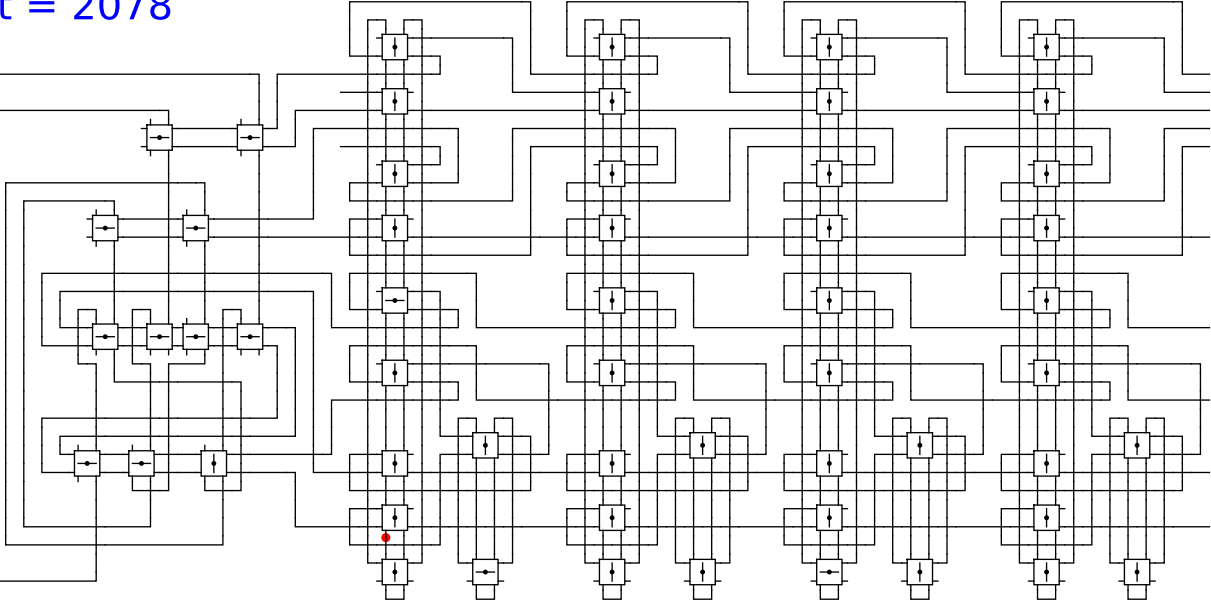


1 0 head 0 0

t = 2078

Reject
Accept

Begin

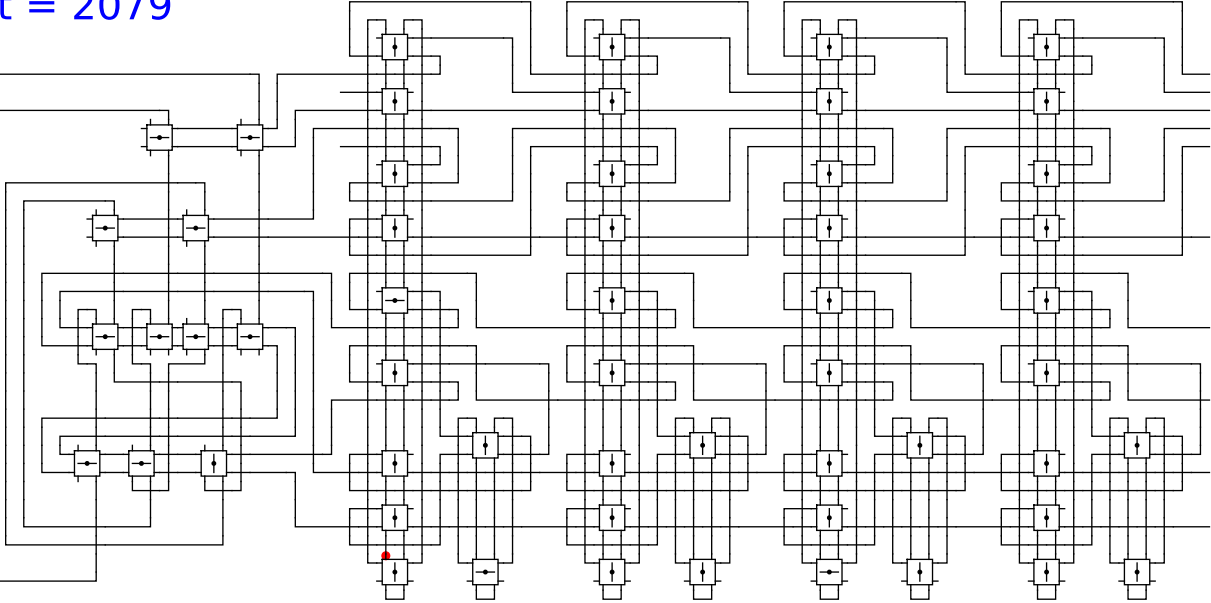


1 0 head 0 0

t = 2079

Reject
Accept

Begin



1

0

head

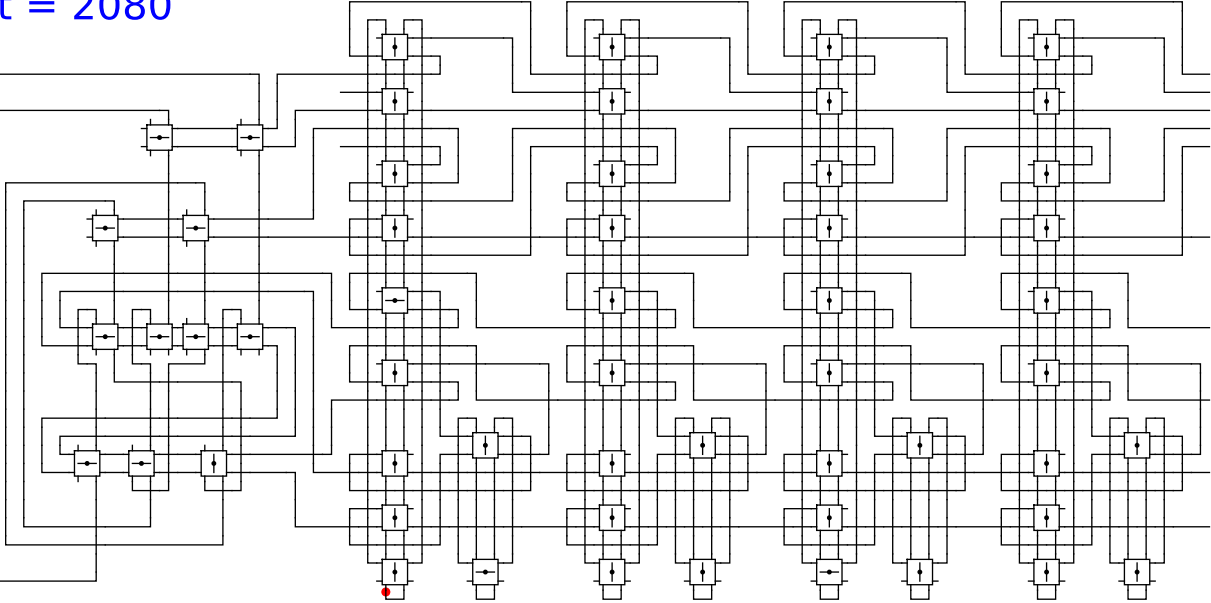
0

0

t = 2080

Reject
Accept

Begin



1

0

head

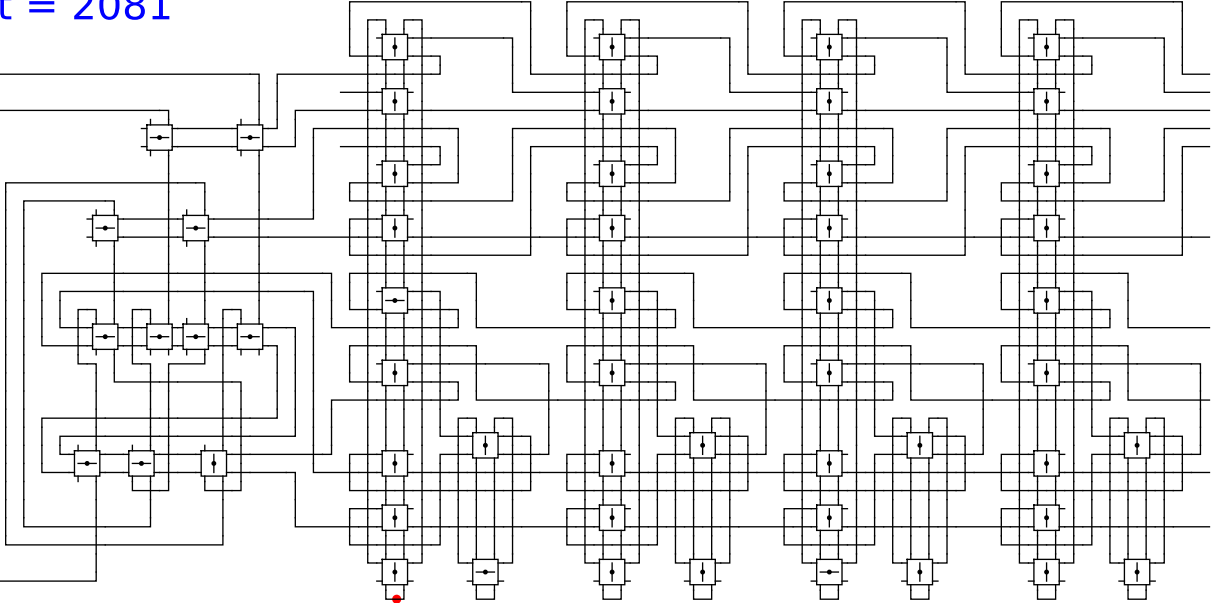
0

0

t = 2081

Reject
Accept

Begin



1

0

head

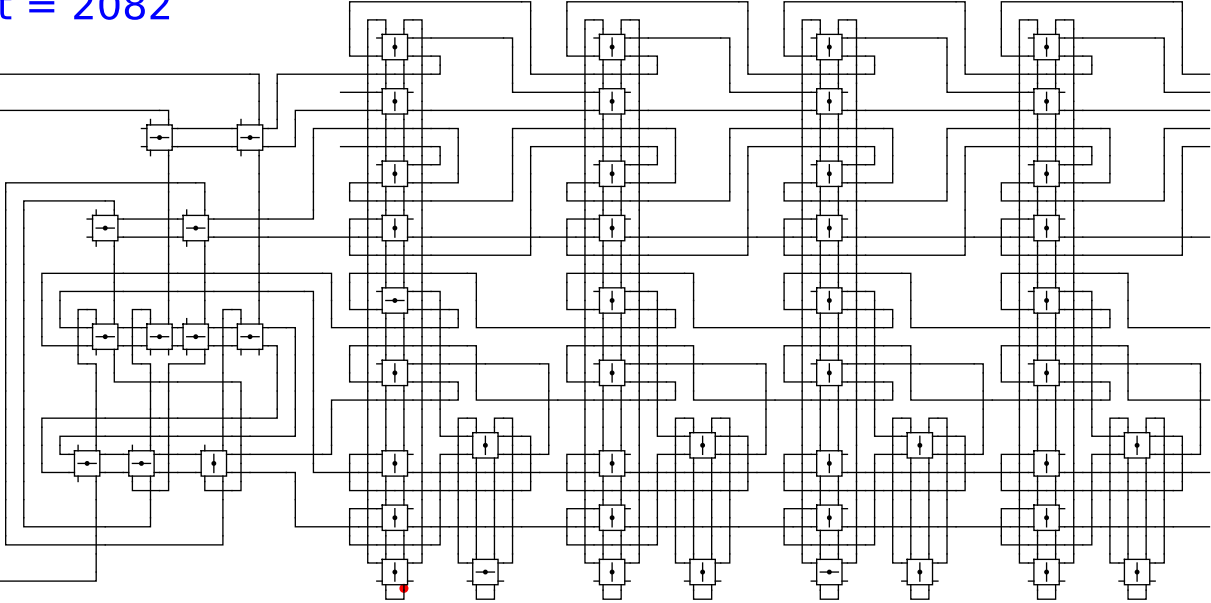
0

0

t = 2082

Reject
Accept

Begin



1

0

head

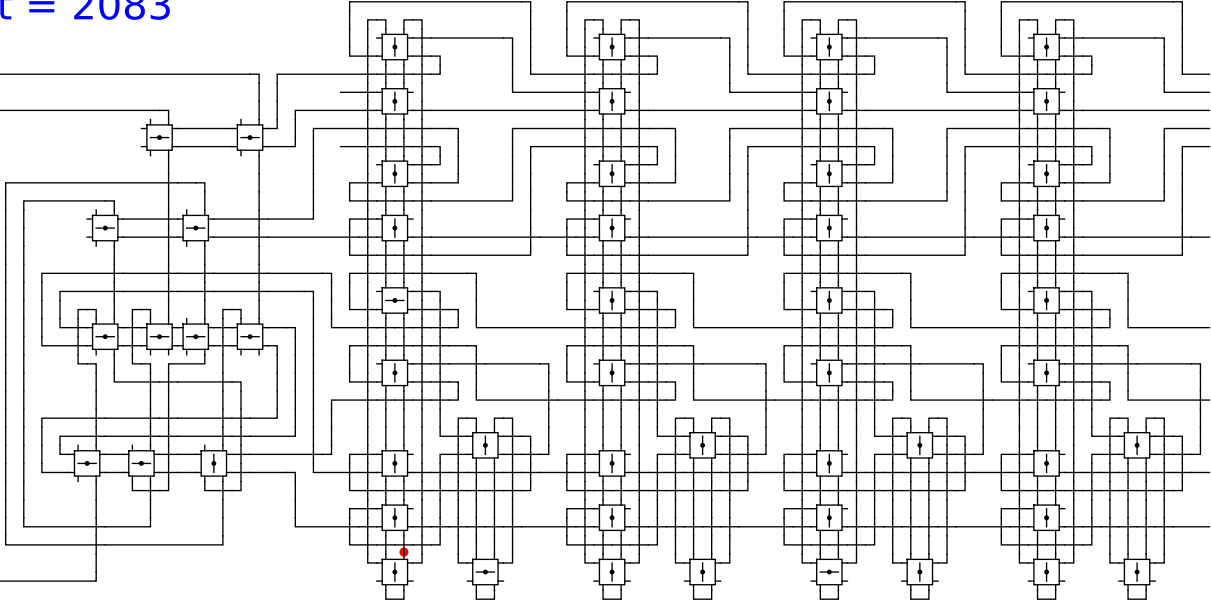
0

0

t = 2083

Reject
Accept

Begin

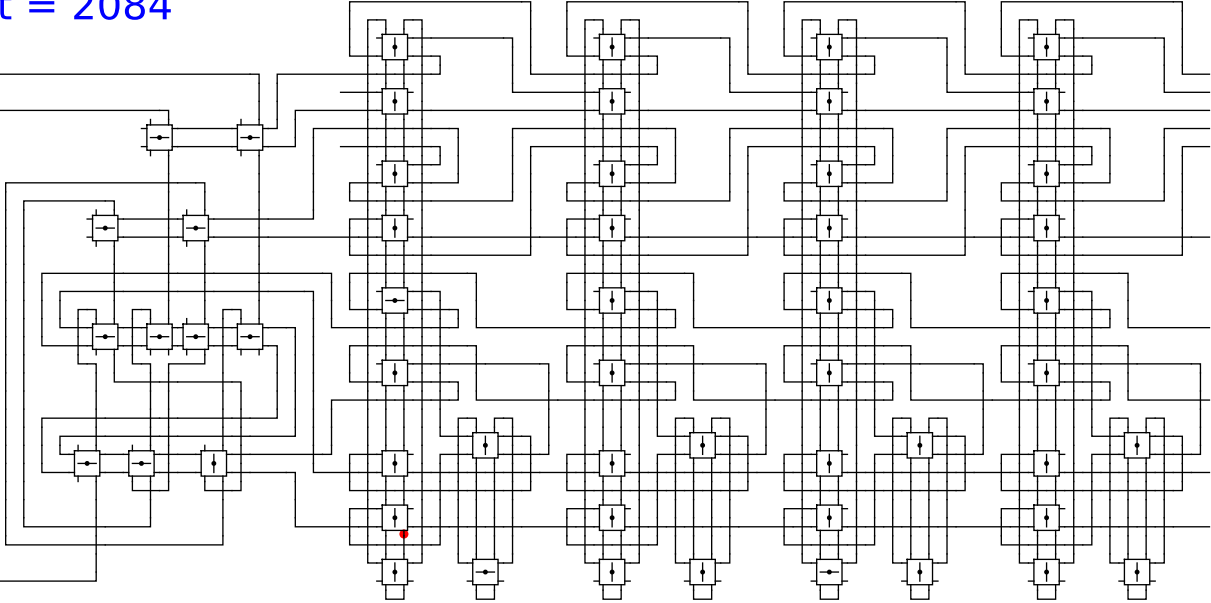


1 0 head 0 0

t = 2084

Reject
Accept

Begin



1

0

head

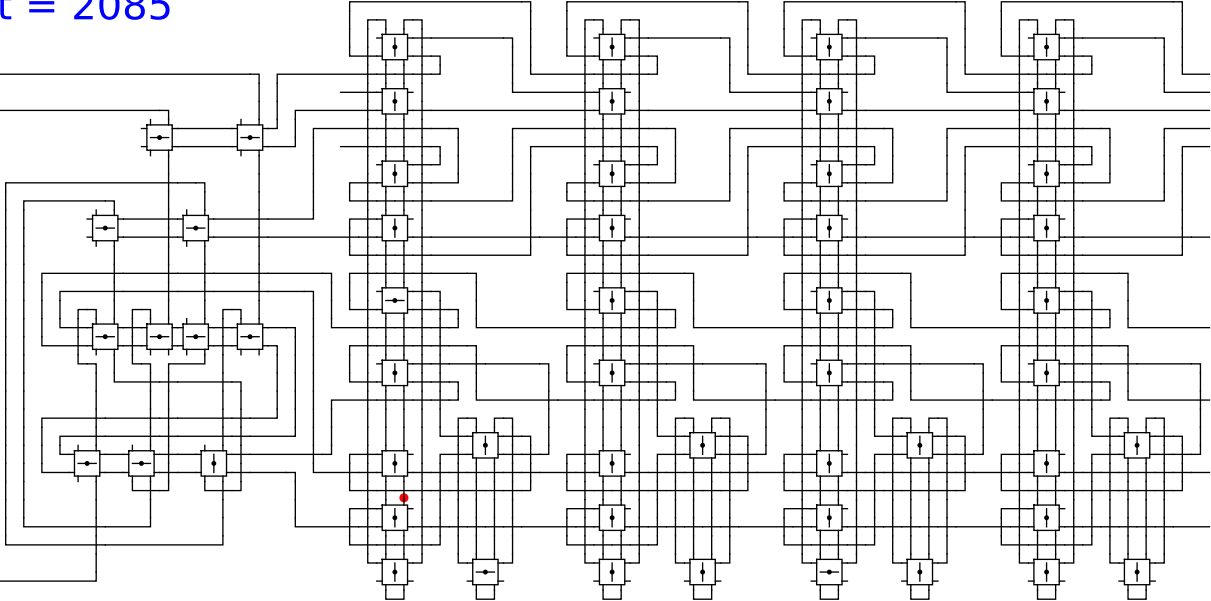
0

0

t = 2085

Reject
Accept

Begin



1

0

head

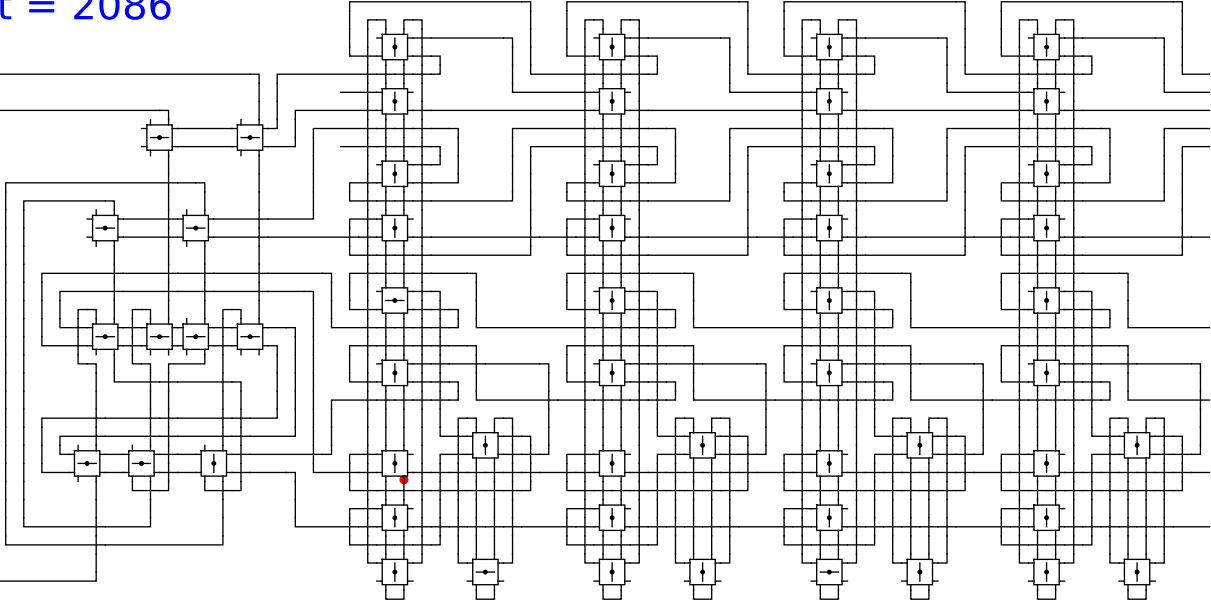
0

0

t = 2086

Reject
Accept

Begin

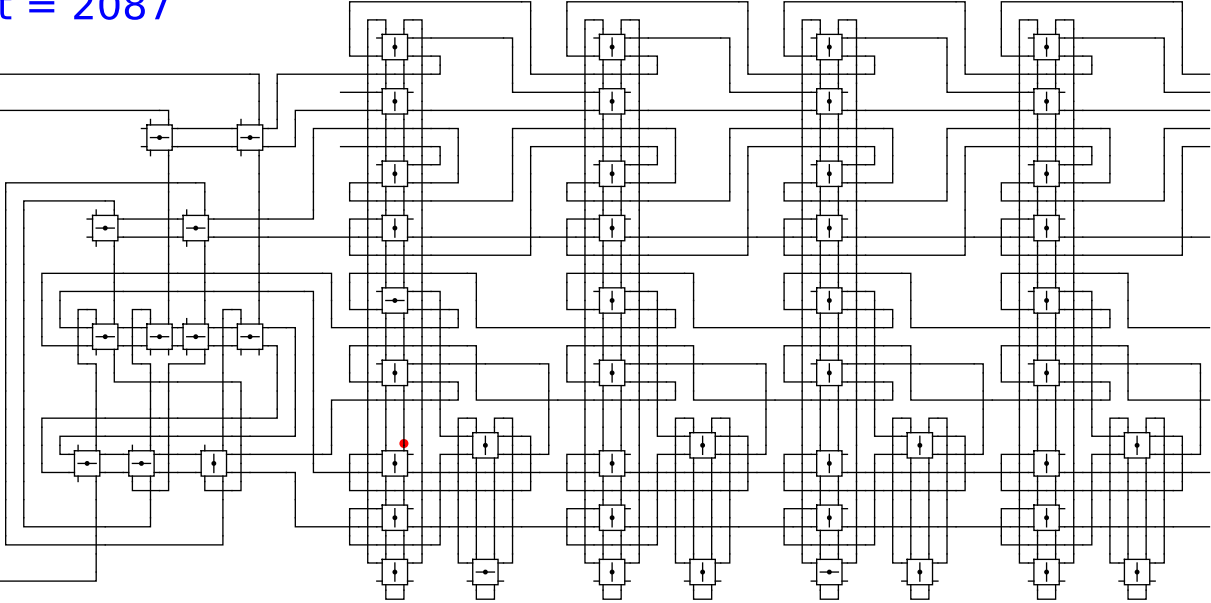


1 0 head 0 0

t = 2087

Reject
Accept

Begin



1

0

head

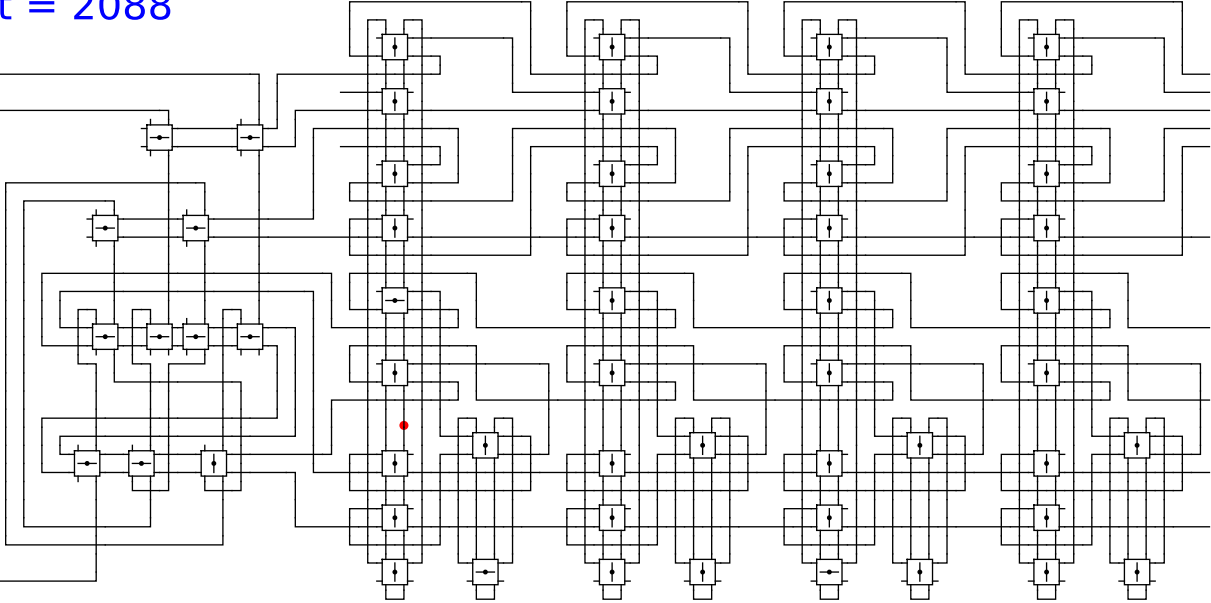
0

0

t = 2088

Reject
Accept

Begin

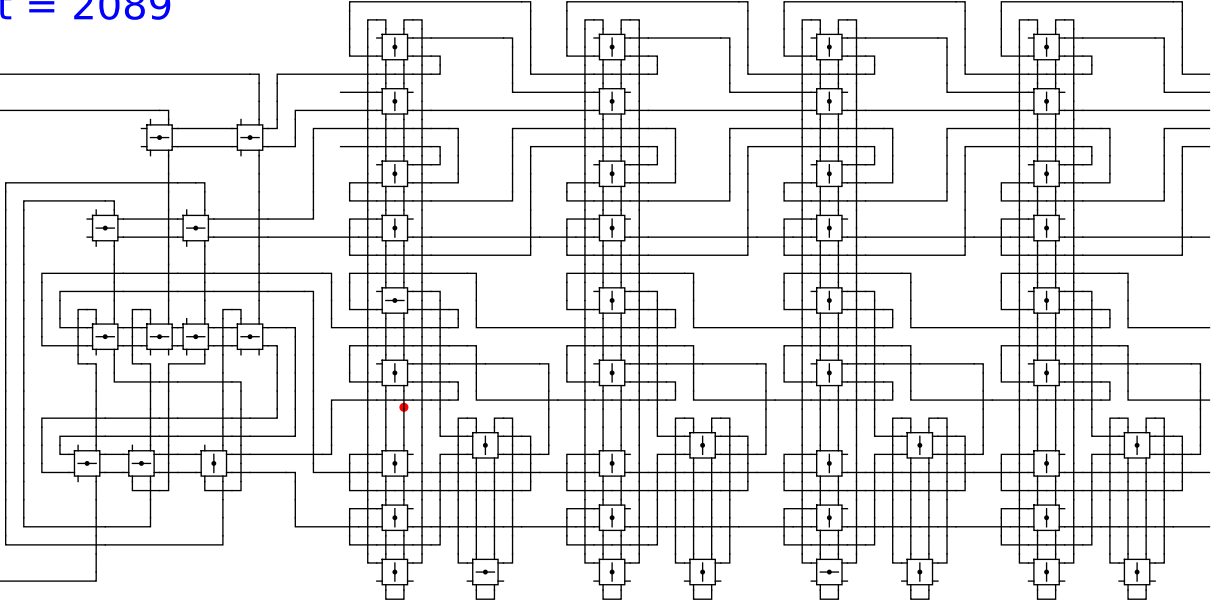


1 0 head 0 0

t = 2089

Reject
Accept

Begin



1

0

head

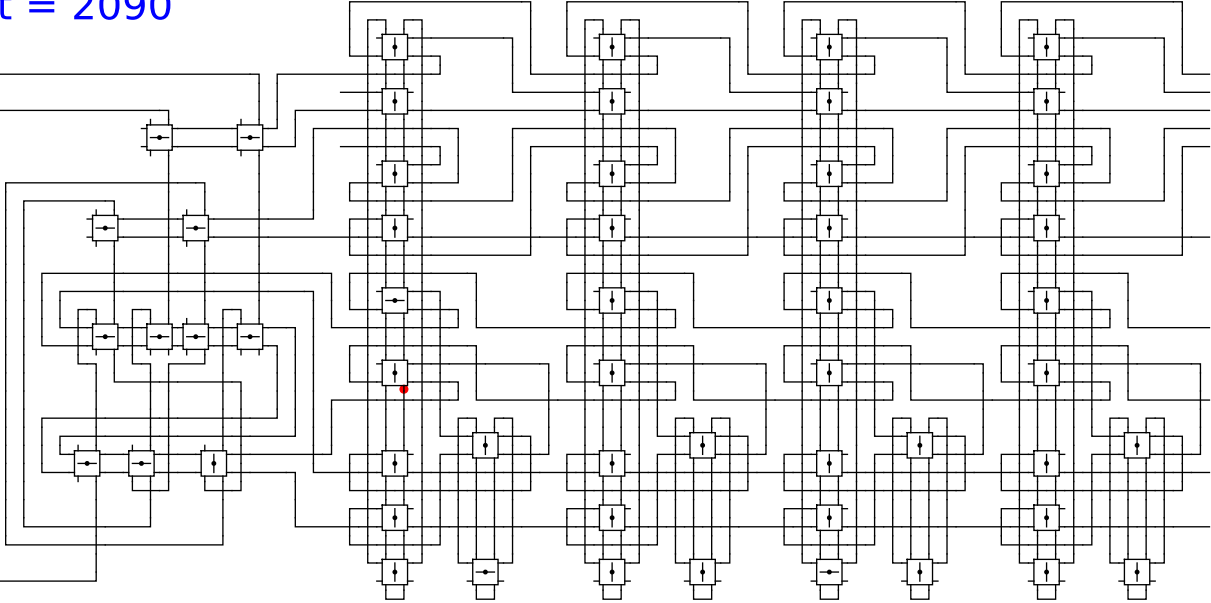
0

0

t = 2090

Reject
Accept

Begin



1

0

head

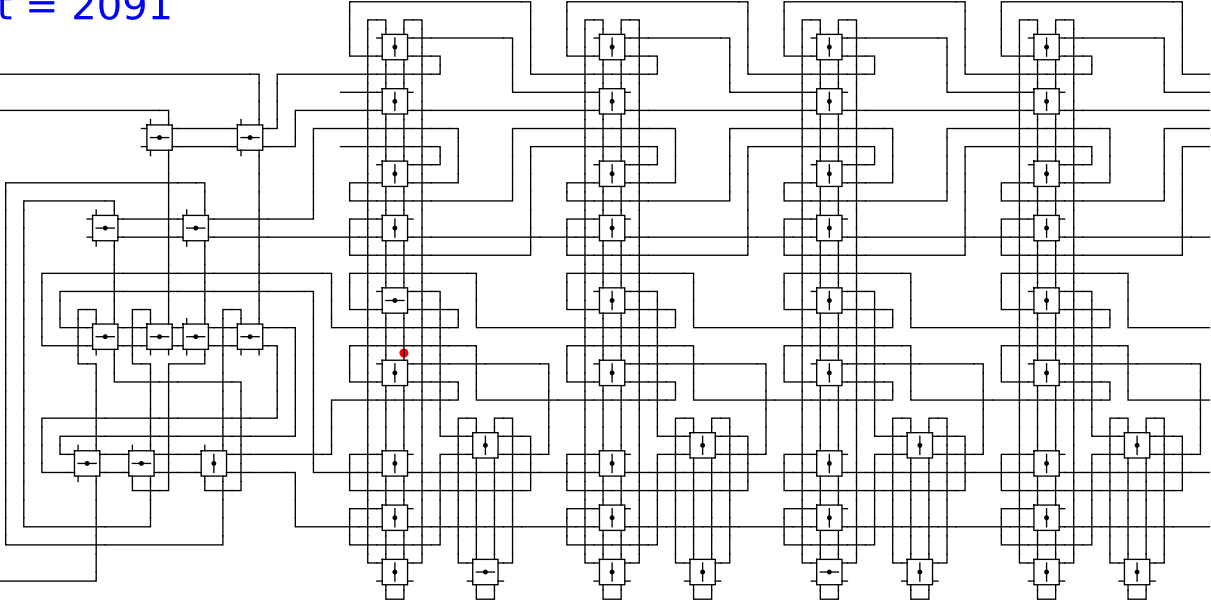
0

0

t = 2091

Reject
Accept

Begin

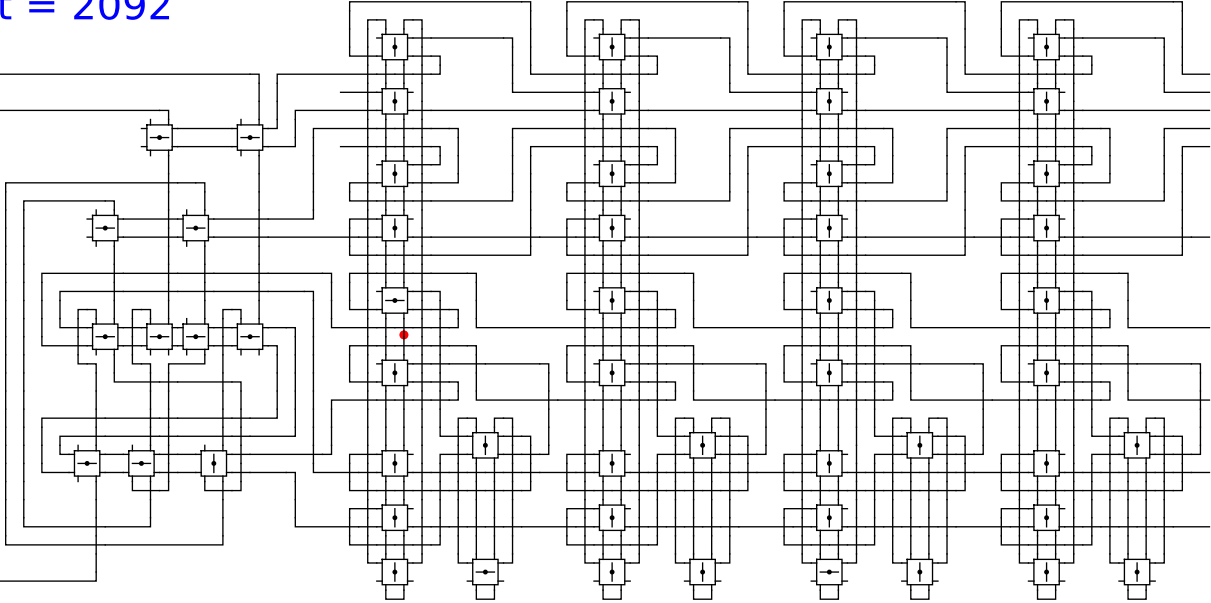


1 0 head 0 0

t = 2092

Reject
Accept

Begin

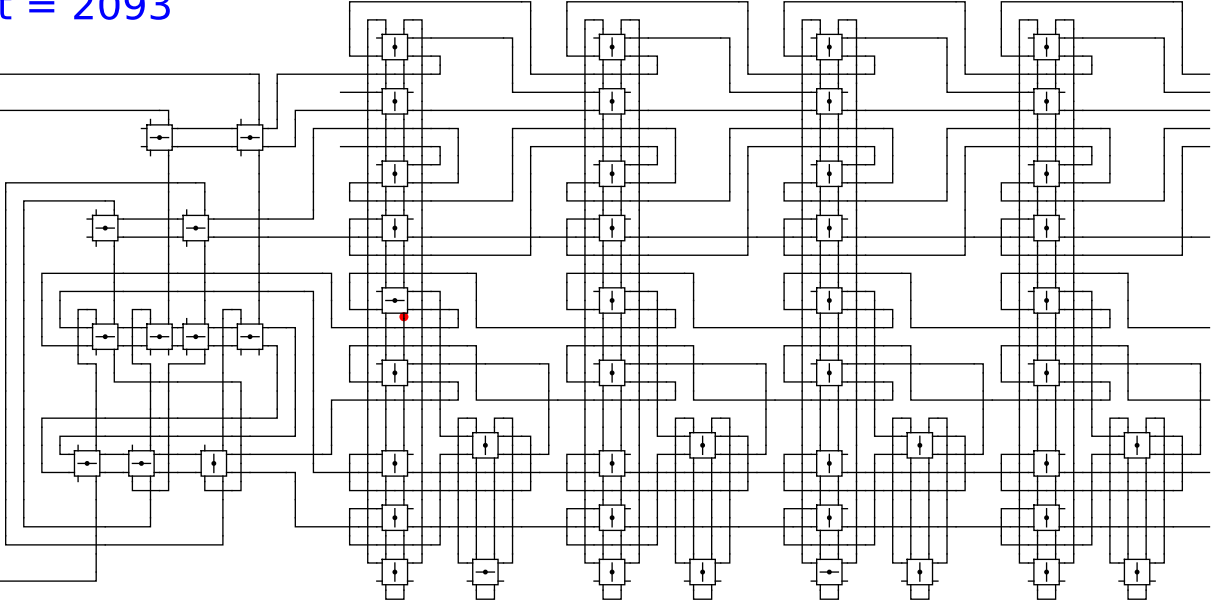


1 0 head 0 0

t = 2093

Reject
Accept

Begin



1

0

head

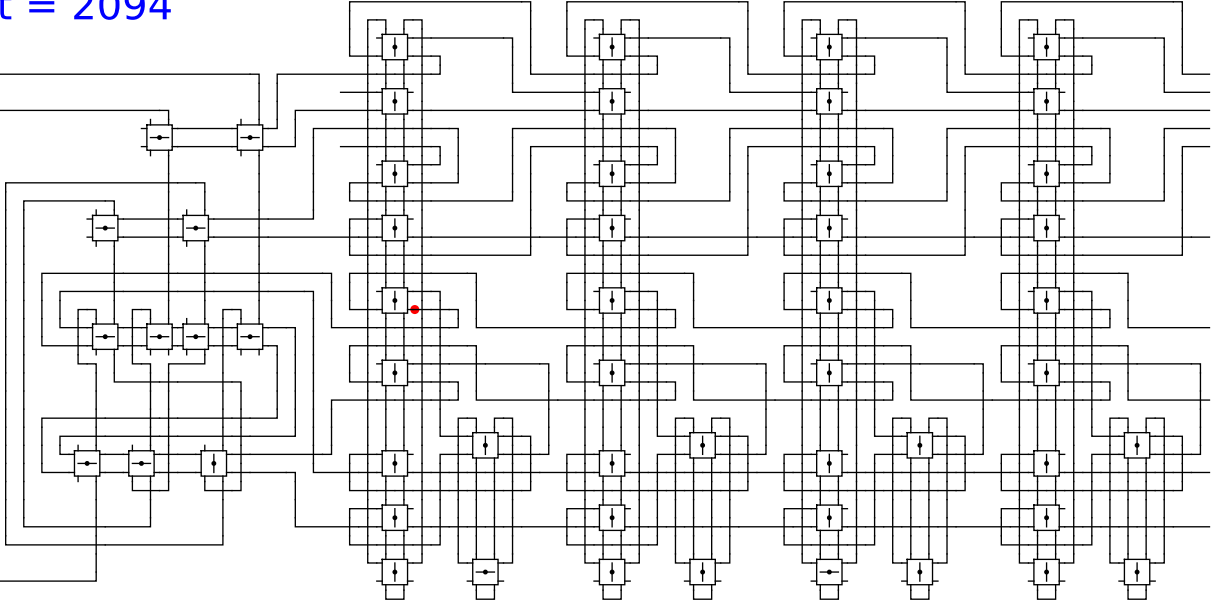
0

0

t = 2094

Reject
Accept

Begin

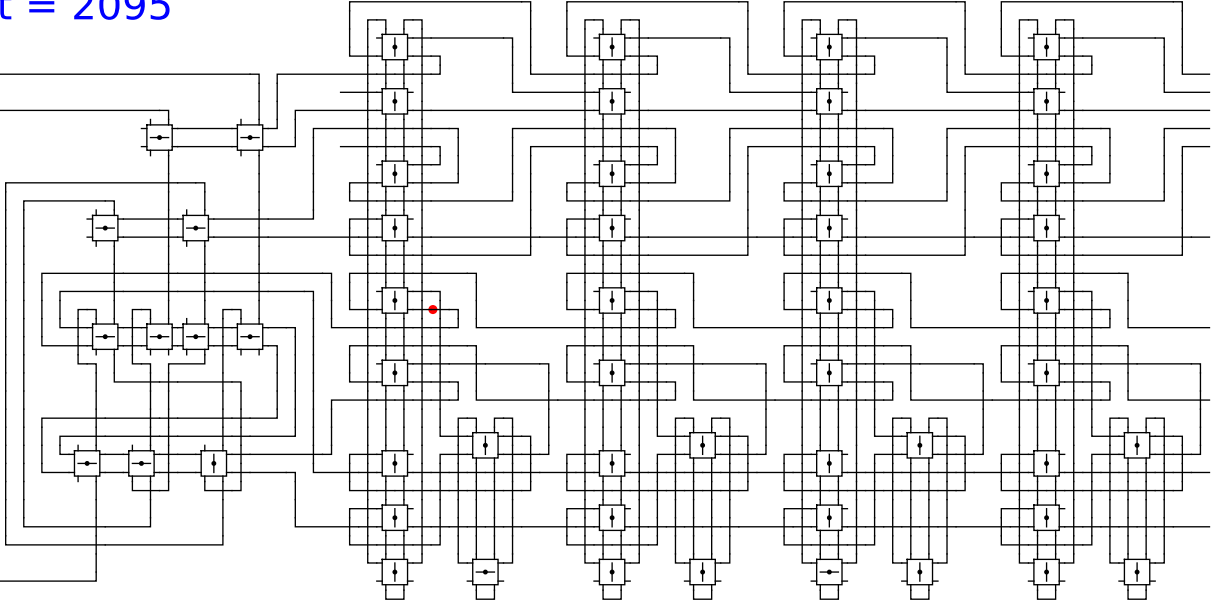


1 0 head 0 0

t = 2095

Reject
Accept

Begin

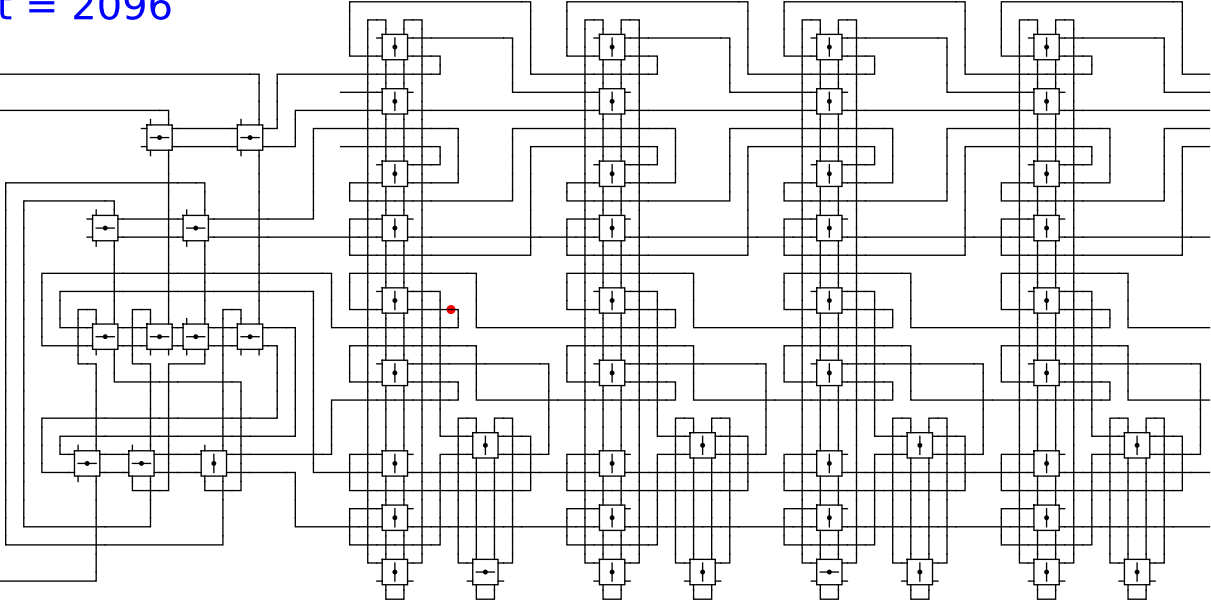


1 0 head 0 0

t = 2096

Reject
Accept

Begin

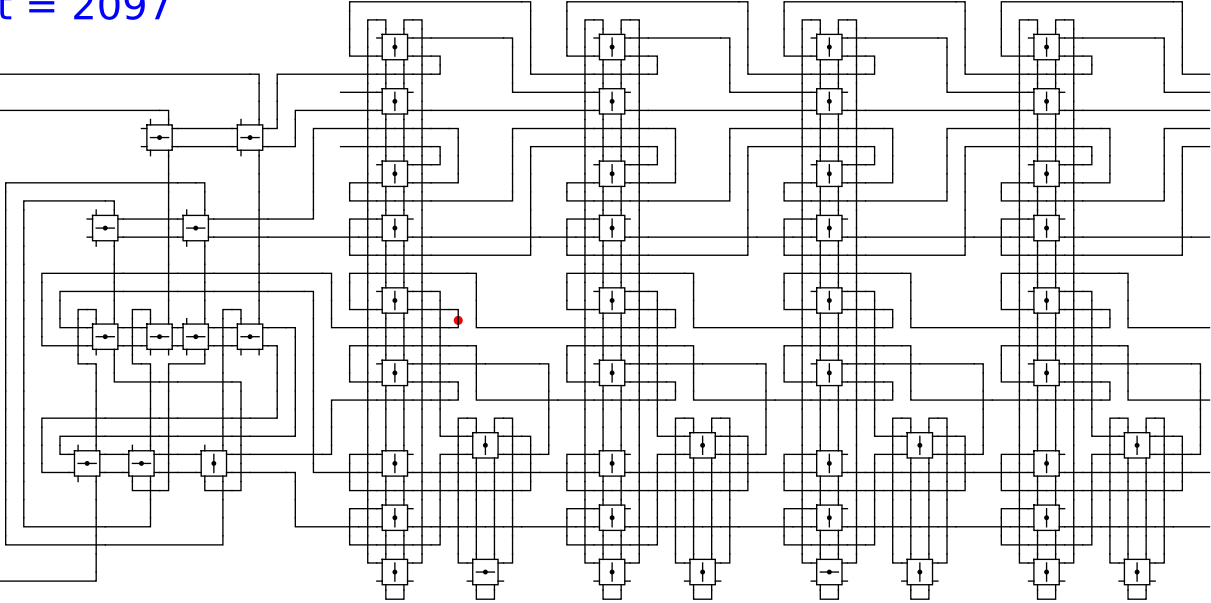


1 0 head 0 0

t = 2097

Reject
Accept

Begin

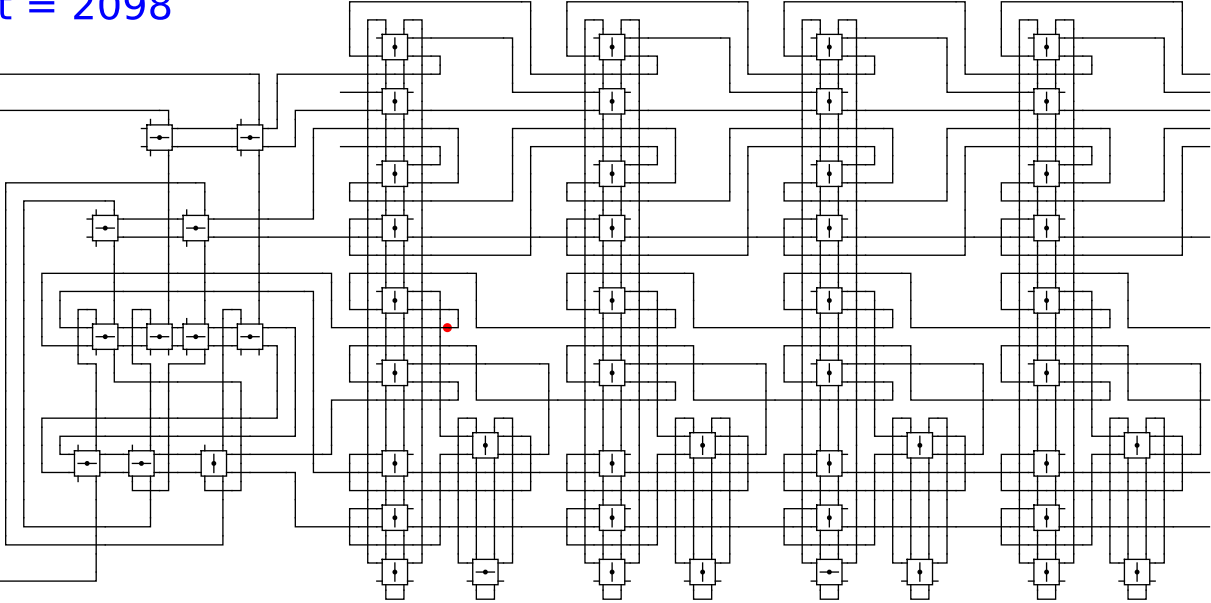


1 0 head 0 0

t = 2098

Reject
Accept

Begin

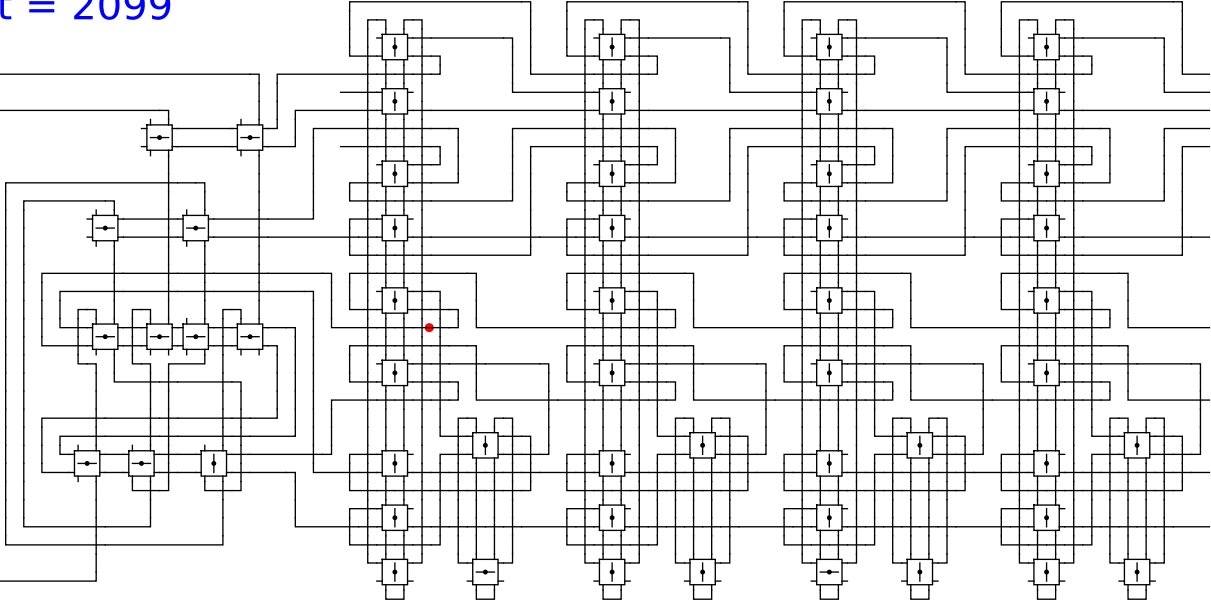


1 0 head 0 0

t = 2099

Reject
Accept

Begin

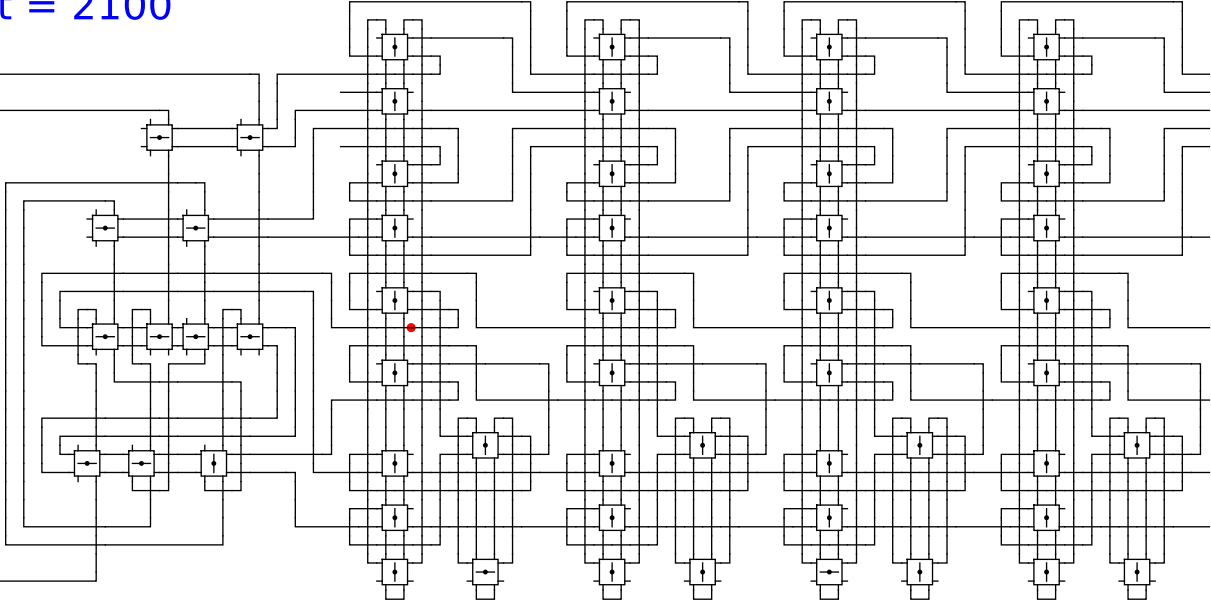


1 0 head 0 0

t = 2100

Reject
Accept

Begin

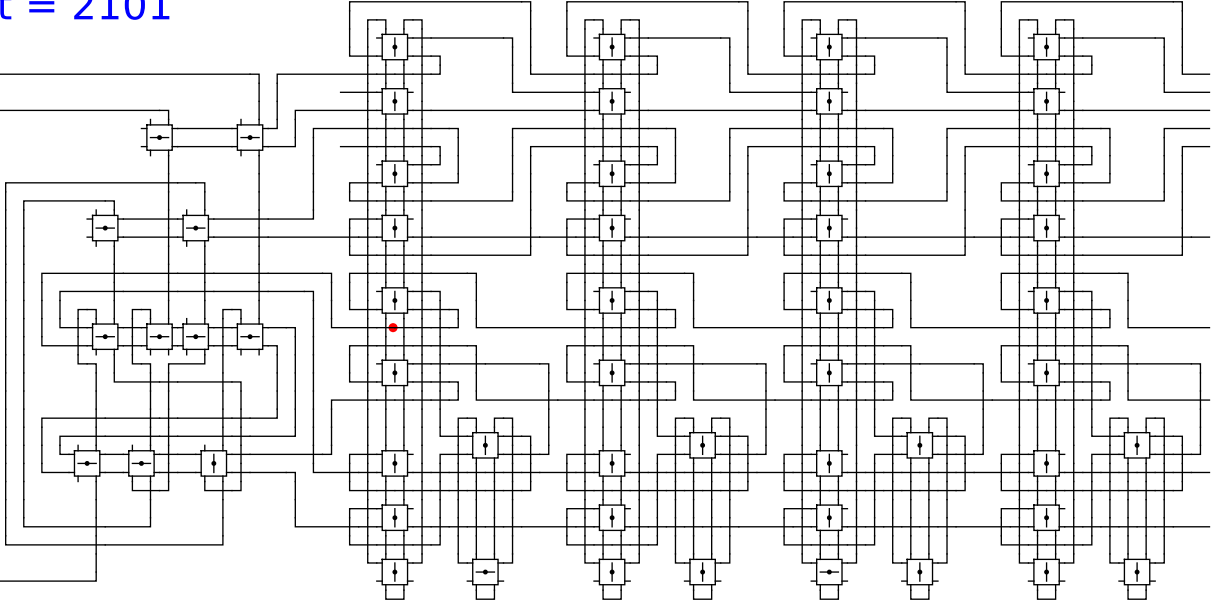


1 0 head 0 0

t = 2101

Reject
Accept

Begin



1

0

head

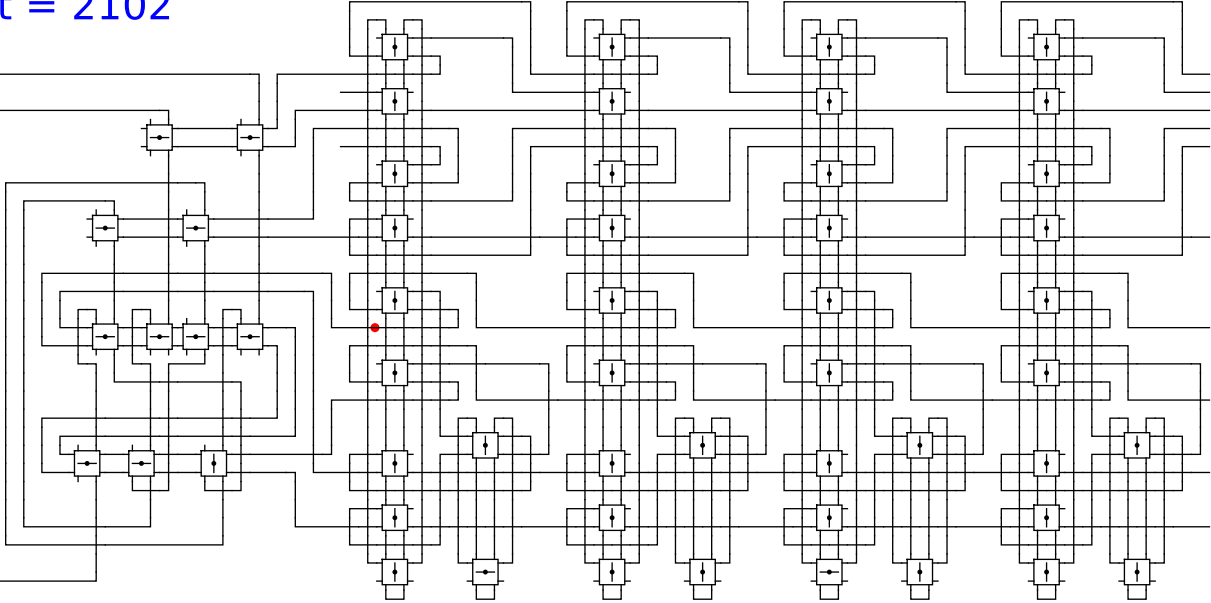
0

0

t = 2102

Reject
Accept

Begin



1

0

head

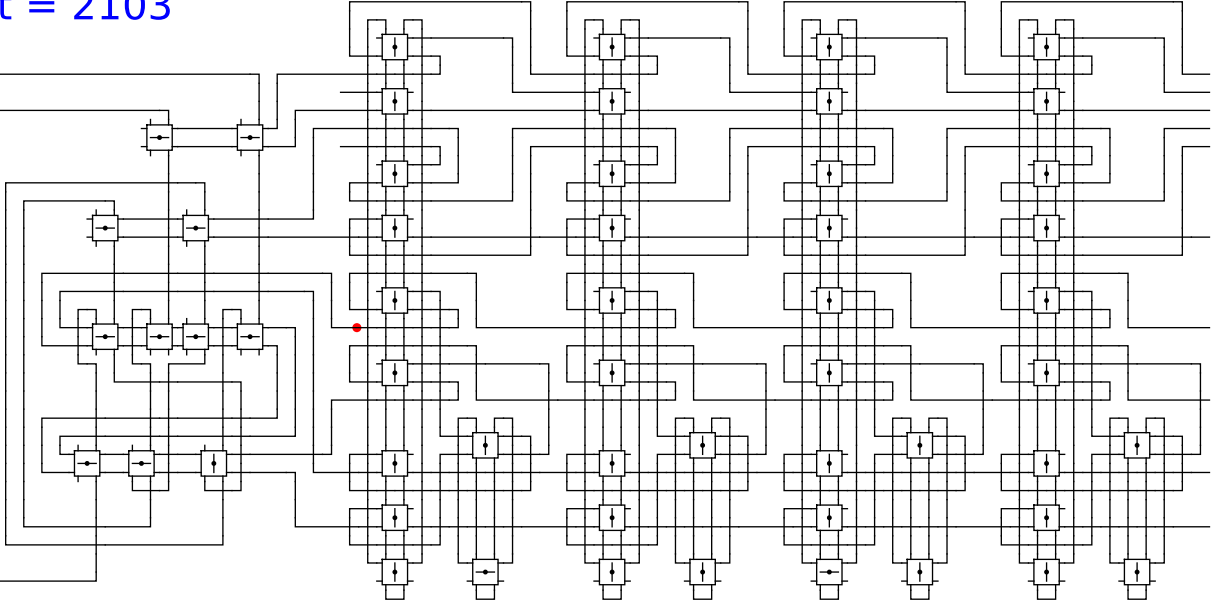
0

0

t = 2103

Reject
Accept

Begin



1

0

head

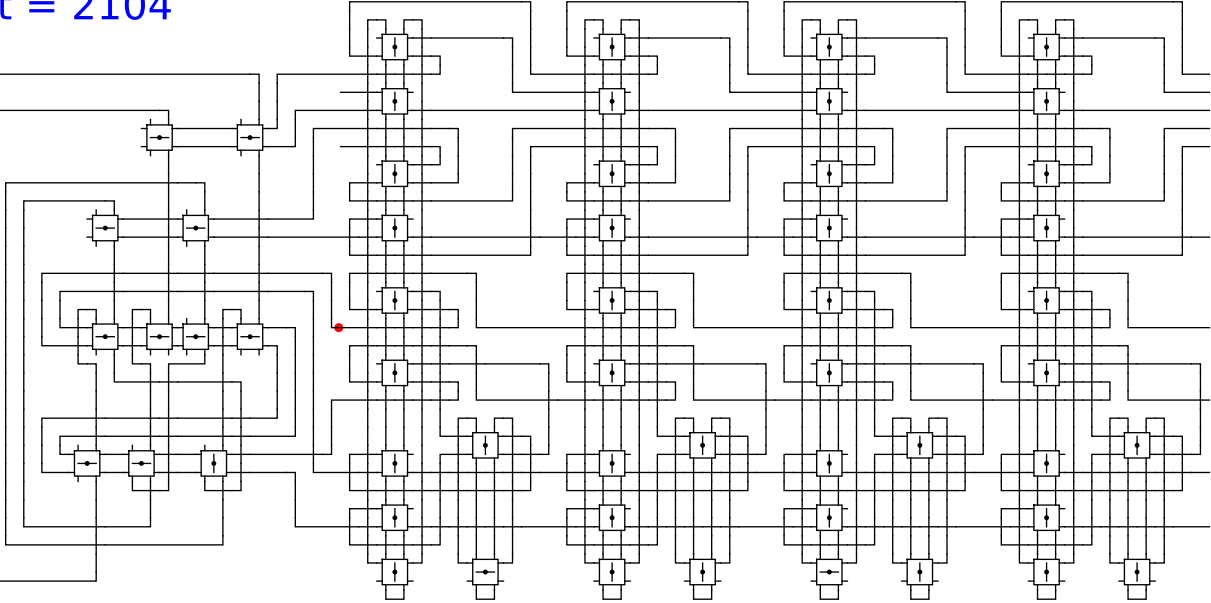
0

0

t = 2104

Reject
Accept

Begin

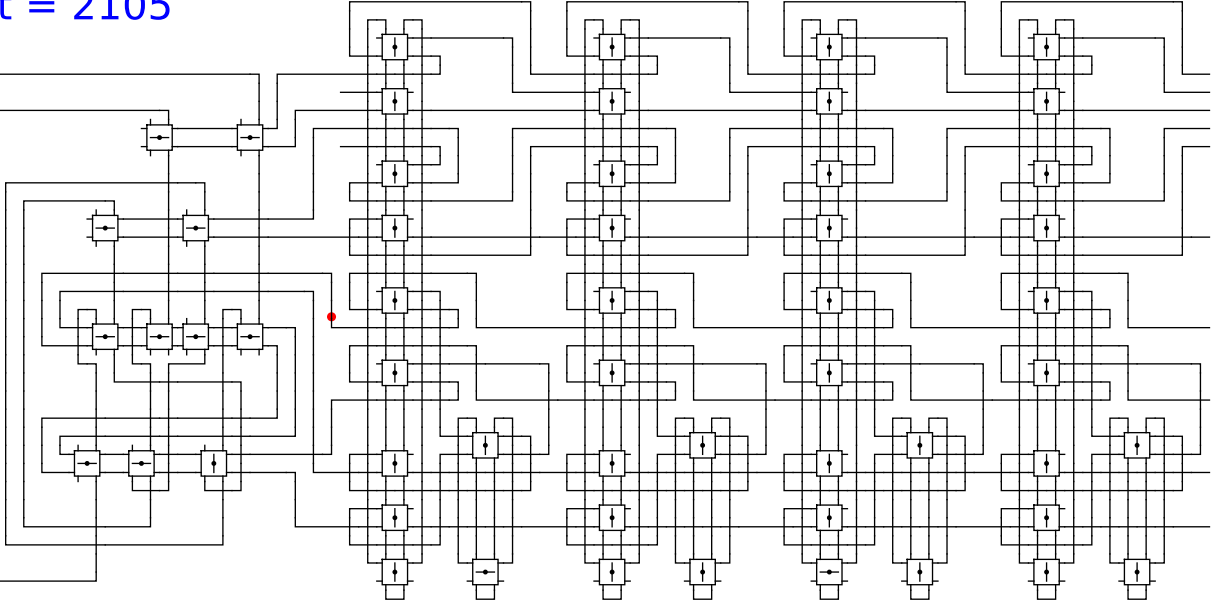


1 0 head 0 0

t = 2105

Reject
Accept

Begin

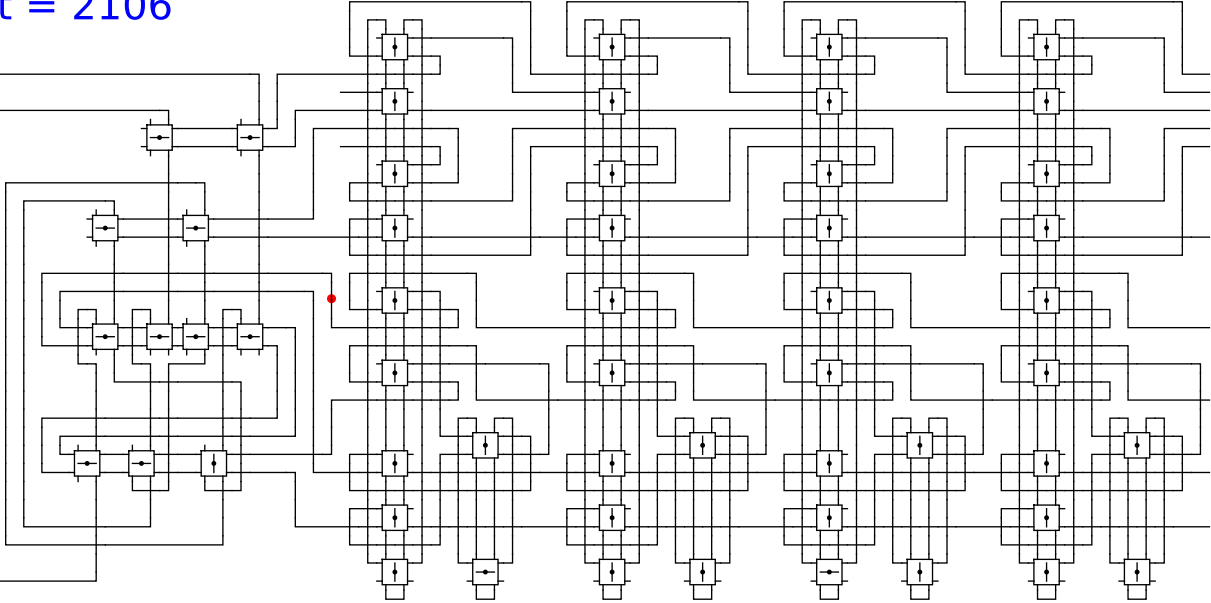


1 0 head 0 0

t = 2106

Reject
Accept

Begin

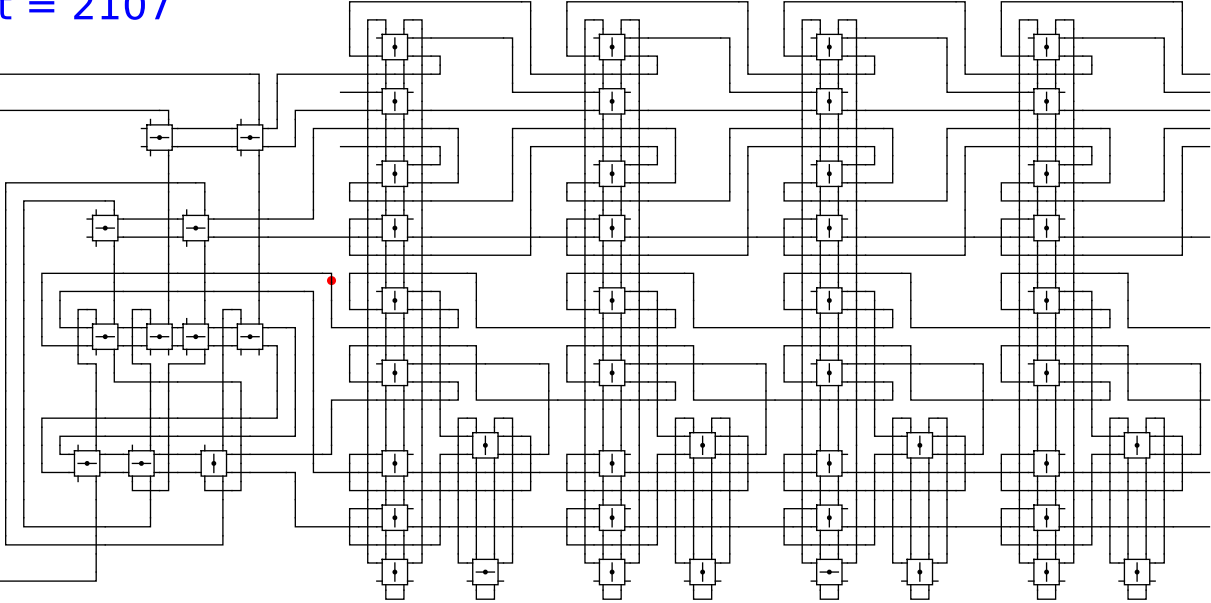


1 0 head 0 0

t = 2107

Reject
Accept

Begin



1

0

head

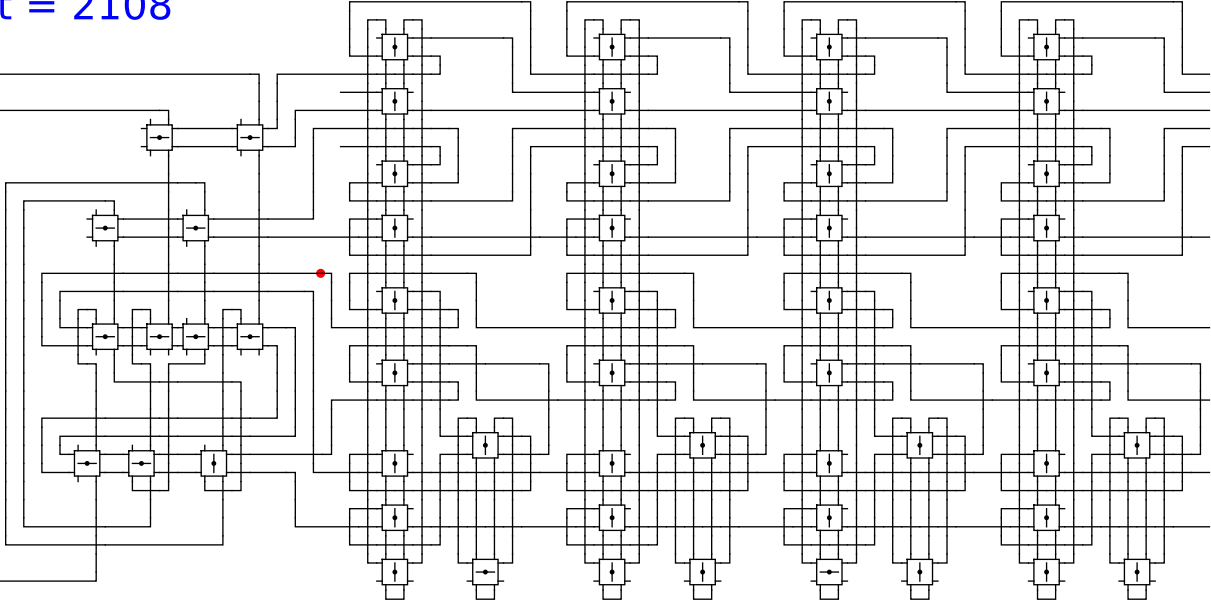
0

0

t = 2108

Reject
Accept

Begin

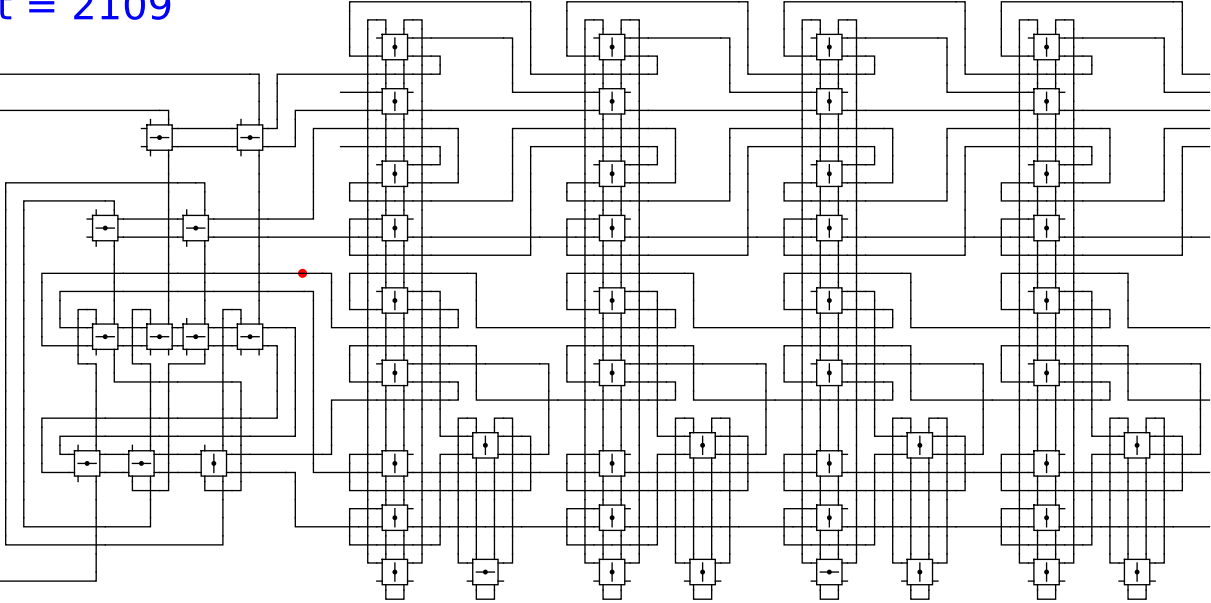


1 0 head 0 0

t = 2109

Reject
Accept

Begin

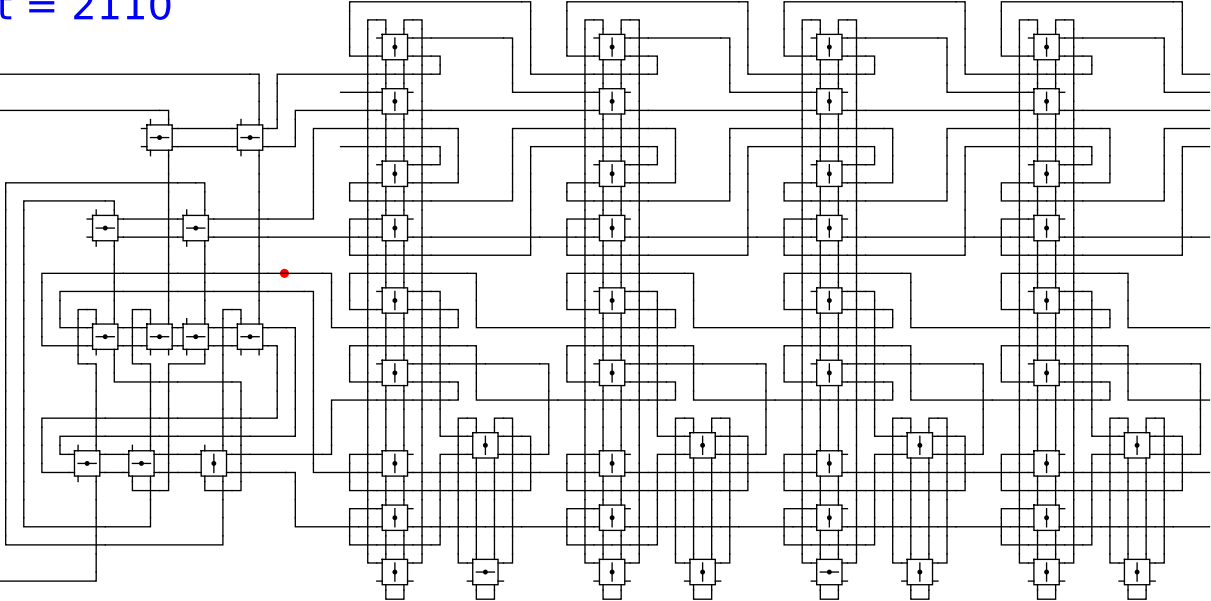


1 0 head 0 0

t = 2110

Reject
Accept

Begin

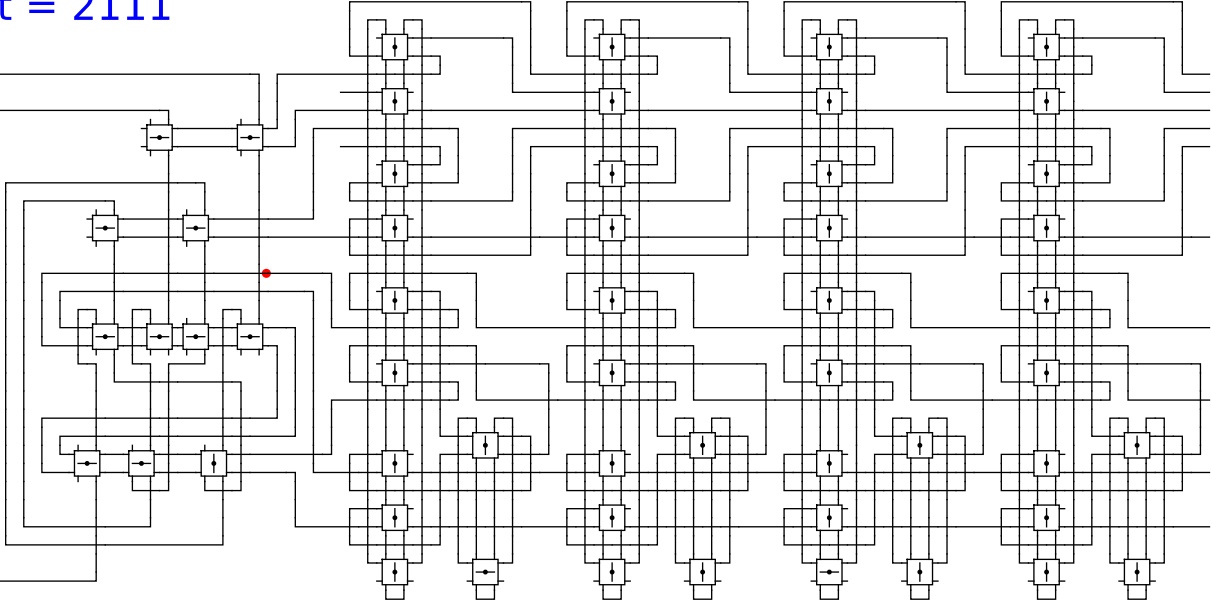


1 0 head 0 0

t = 2111

Reject
Accept

Begin

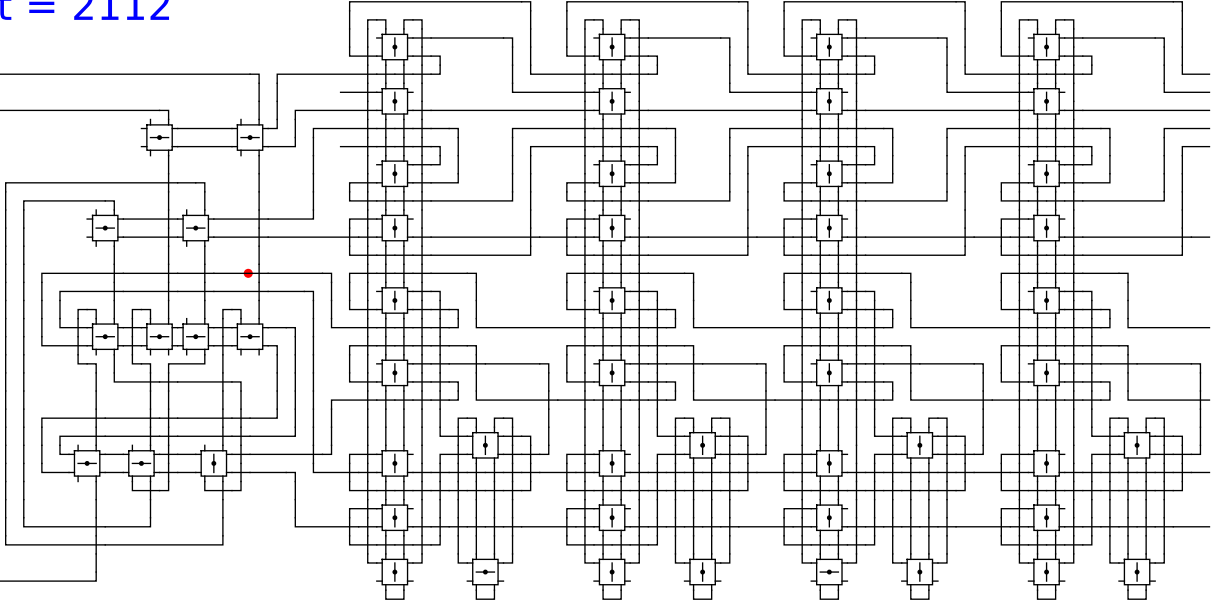


1 0 head 0 0

t = 2112

Reject
Accept

Begin

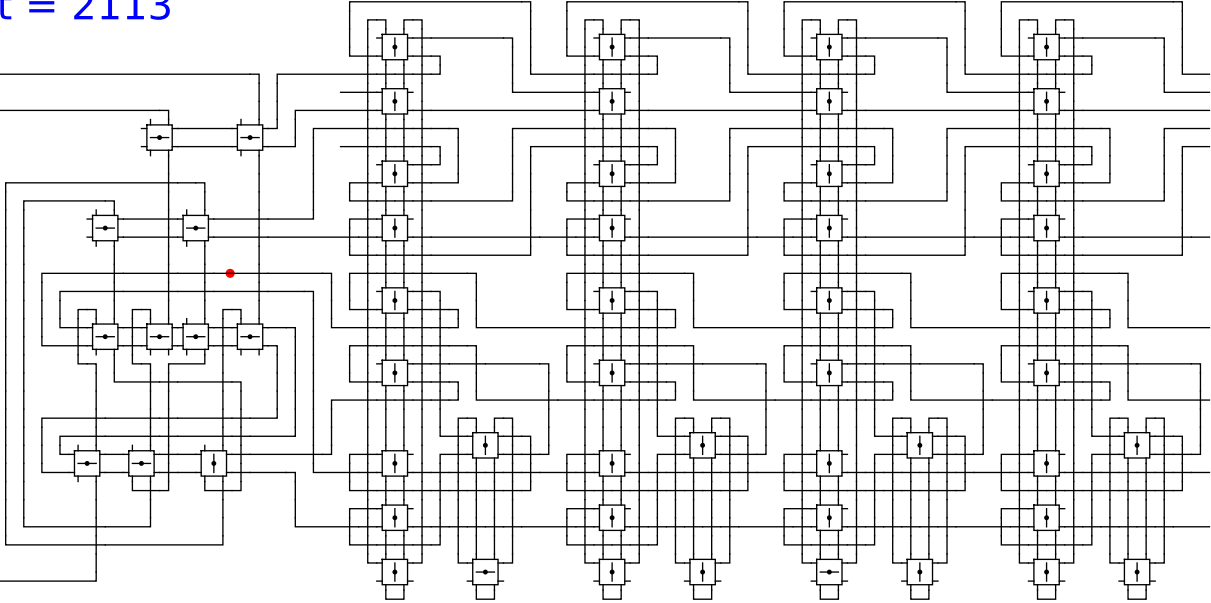


1 0 head 0 0

t = 2113

Reject
Accept

Begin

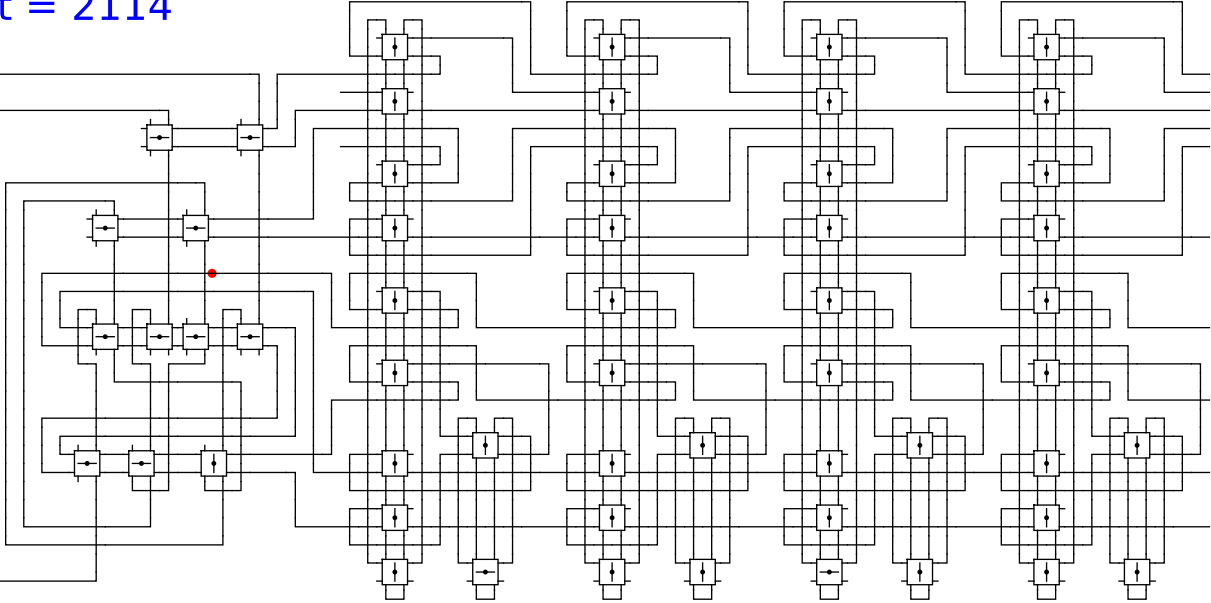


1 0 head 0 0

t = 2114

Reject
Accept

Begin

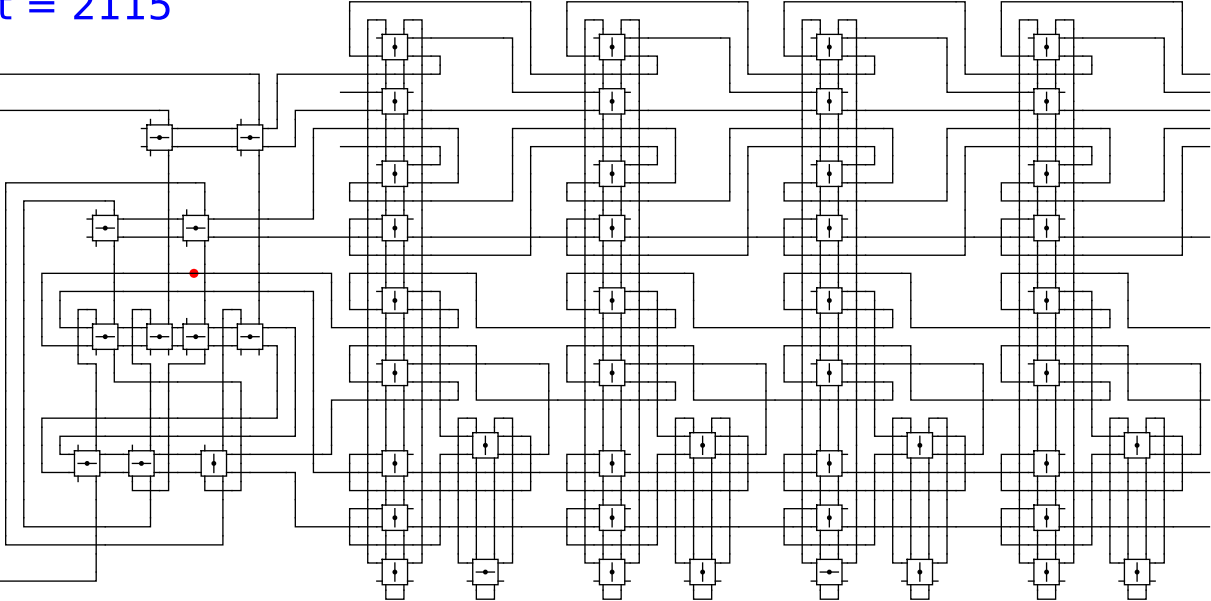


1 0 head 0 0

t = 2115

Reject
Accept

Begin

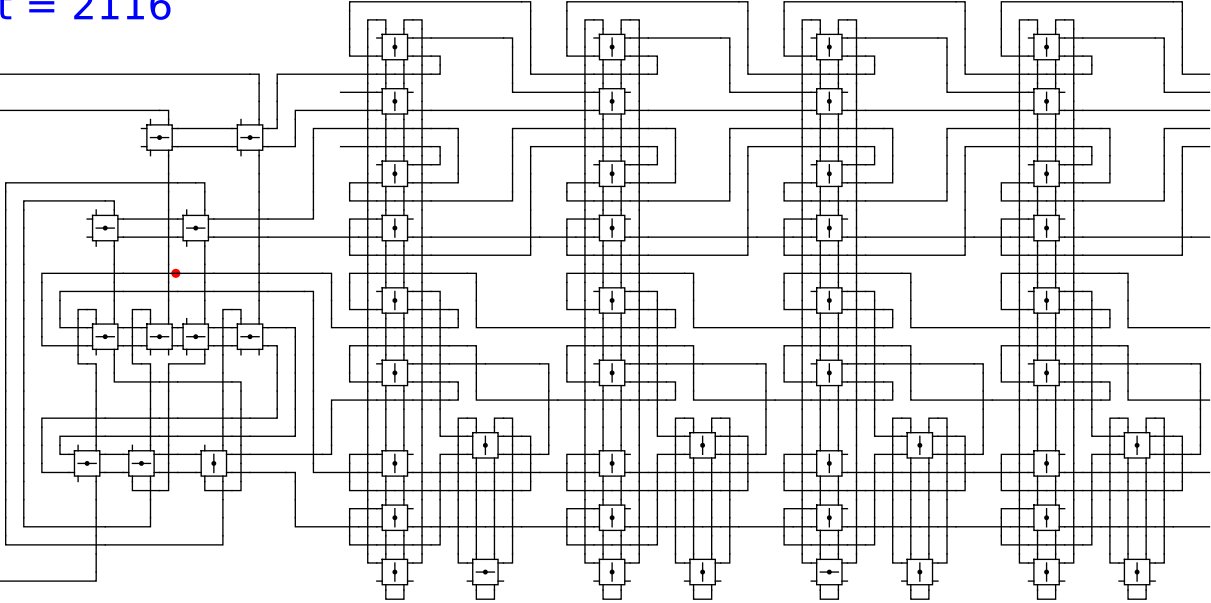


1 0 head 0 0

t = 2116

Reject
Accept

Begin

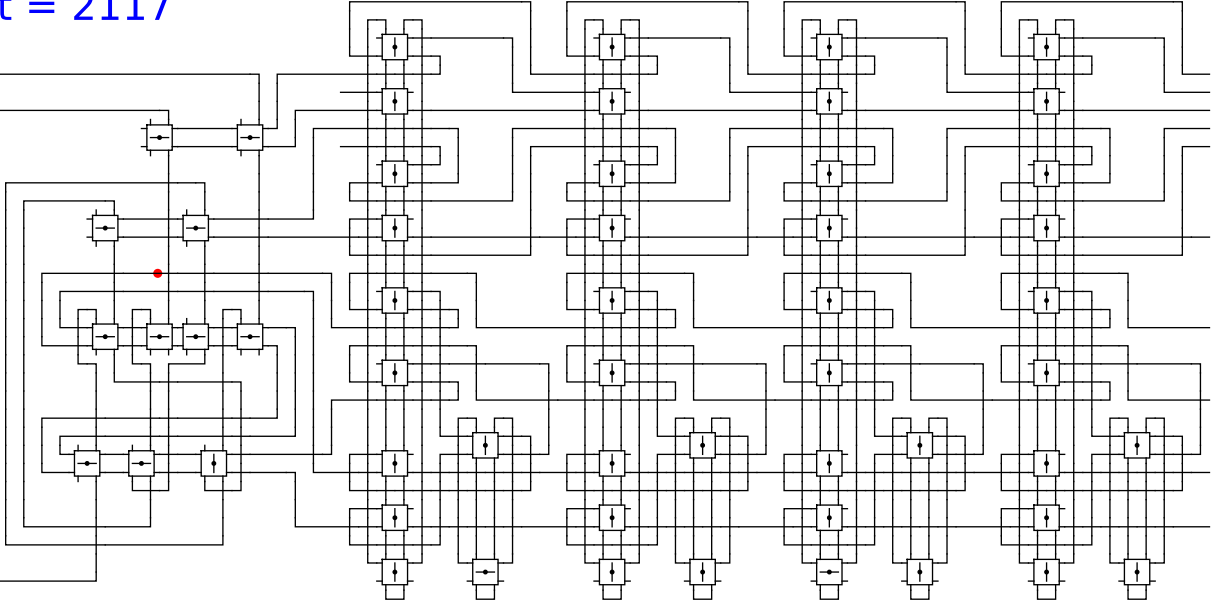


1 0 head 0 0

t = 2117

Reject
Accept

Begin

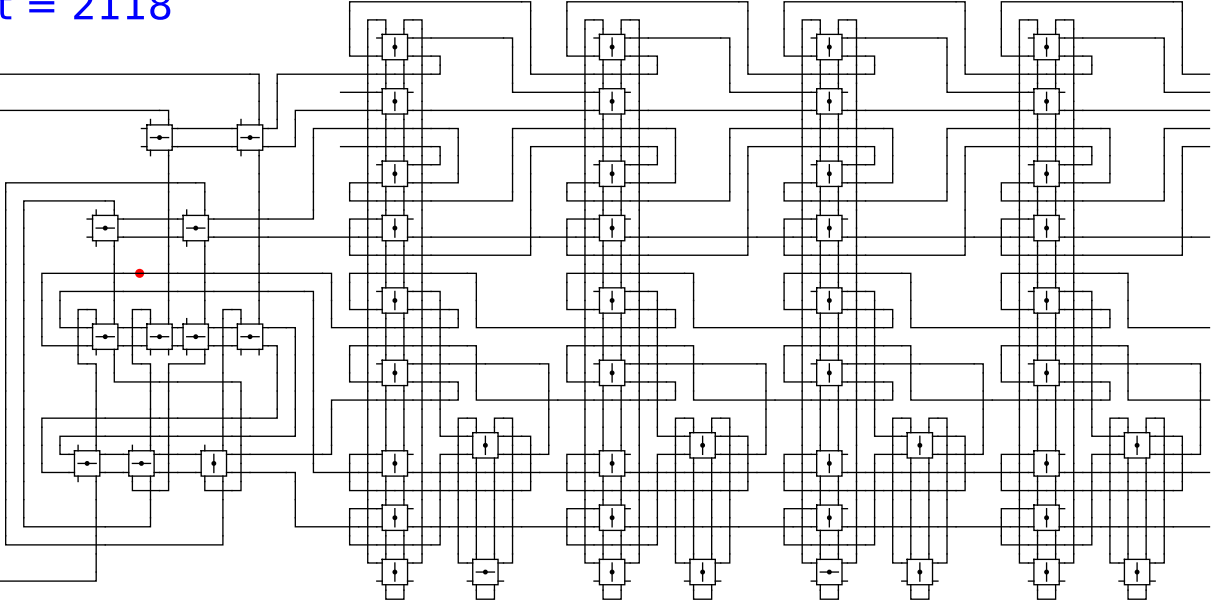


1 0 head 0 0

t = 2118

Reject
Accept

Begin

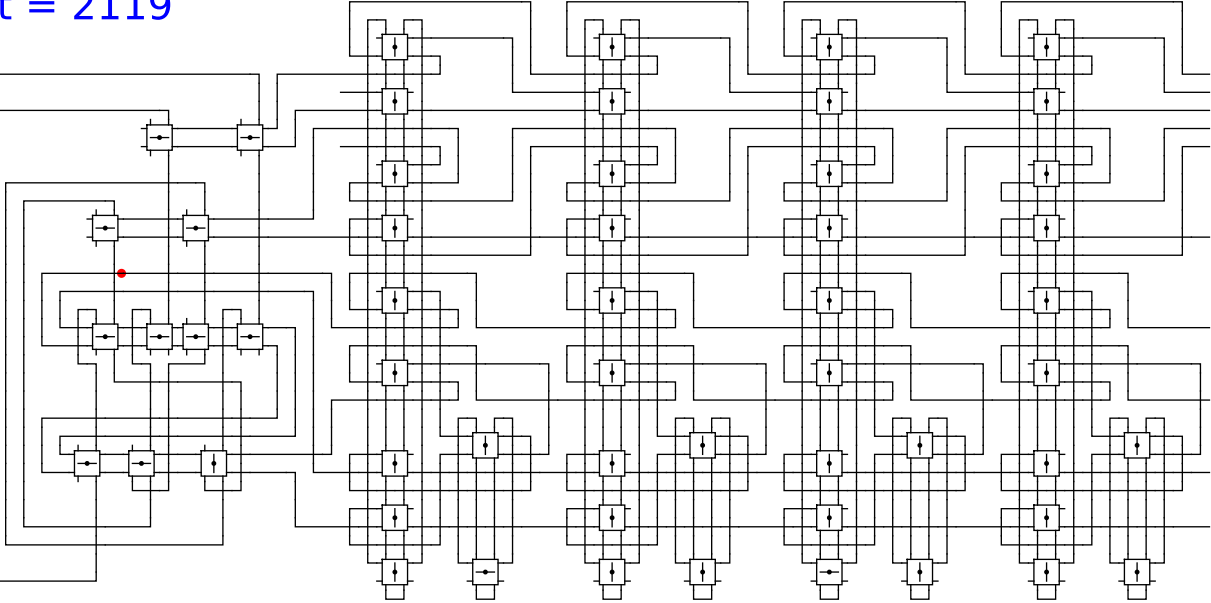


1 0 head 0 0

t = 2119

Reject
Accept

Begin



1

0

head

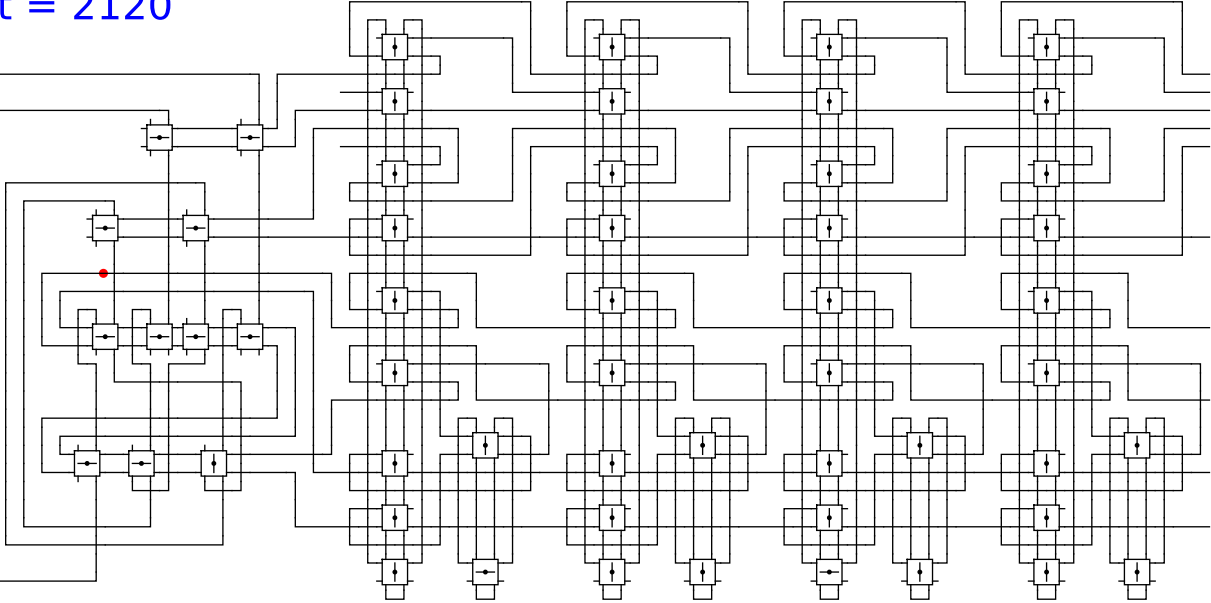
0

0

t = 2120

Reject
Accept

Begin

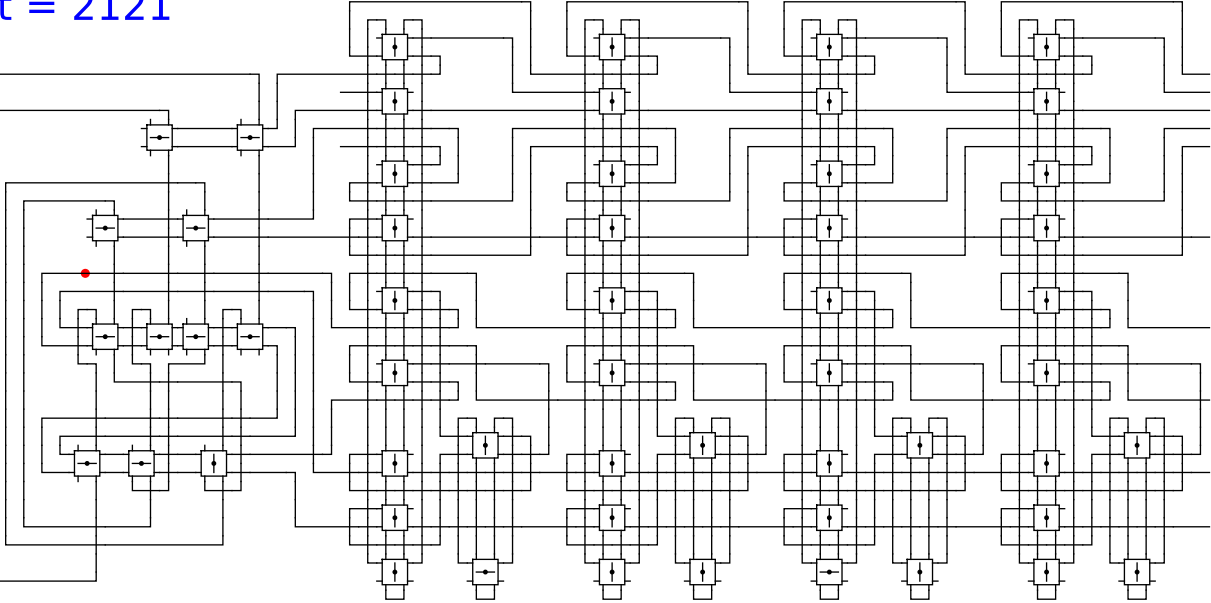


1 0 head 0 0

t = 2121

Reject
Accept

Begin

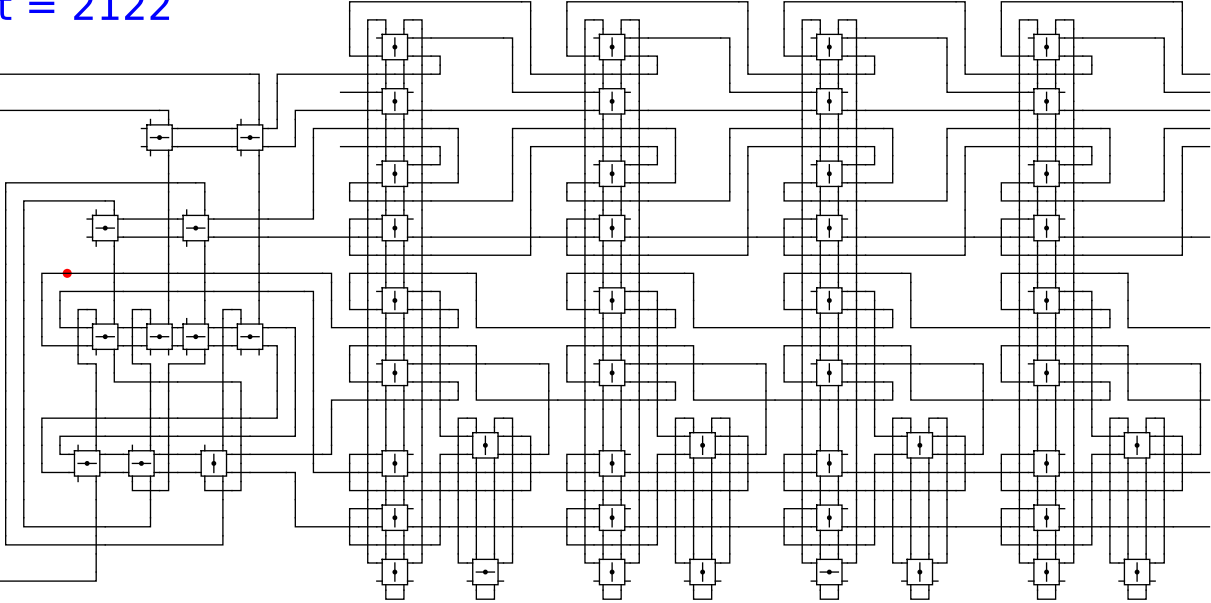


1 0 head 0 0

t = 2122

Reject
Accept

Begin

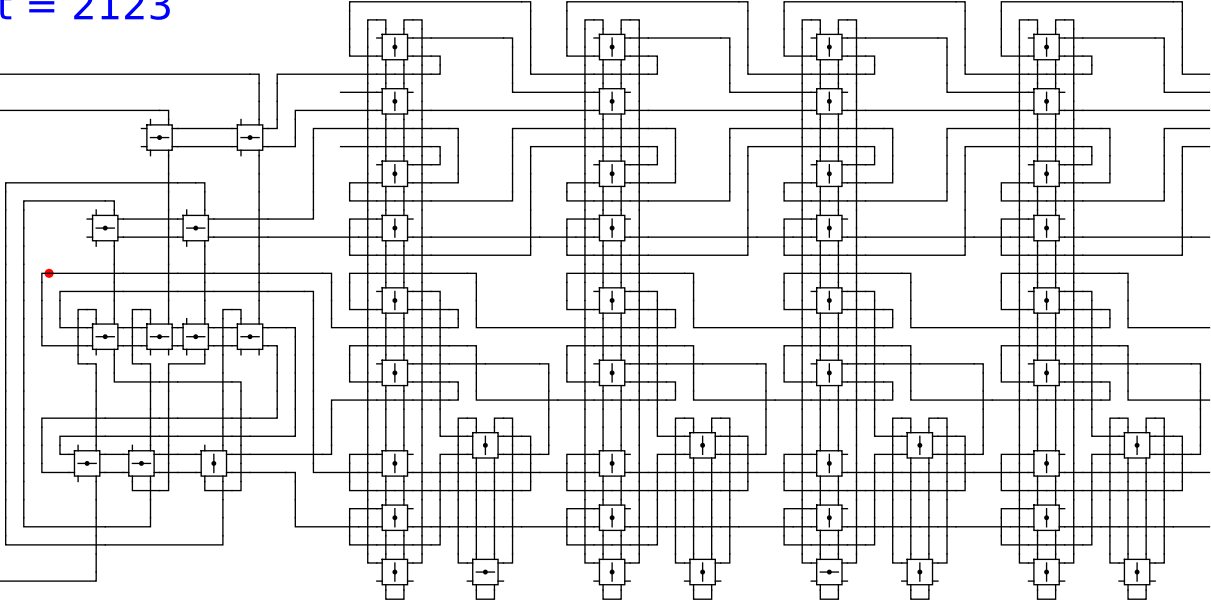


1 0 head 0 0

t = 2123

Reject
Accept

Begin

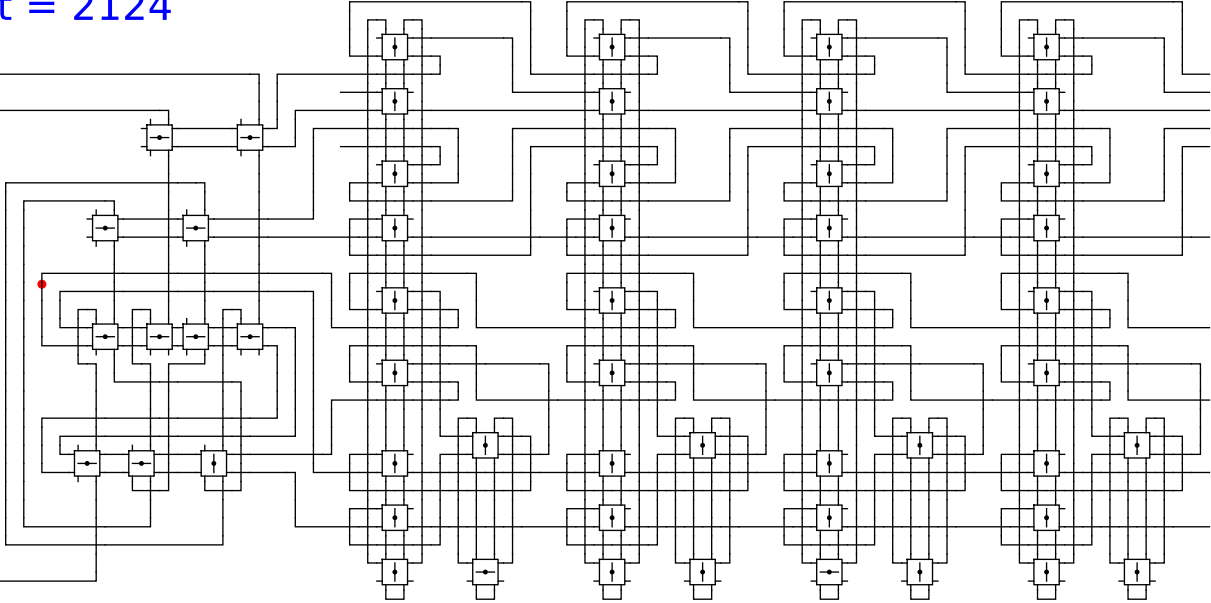


1 0 head 0 0

t = 2124

Reject
Accept

Begin

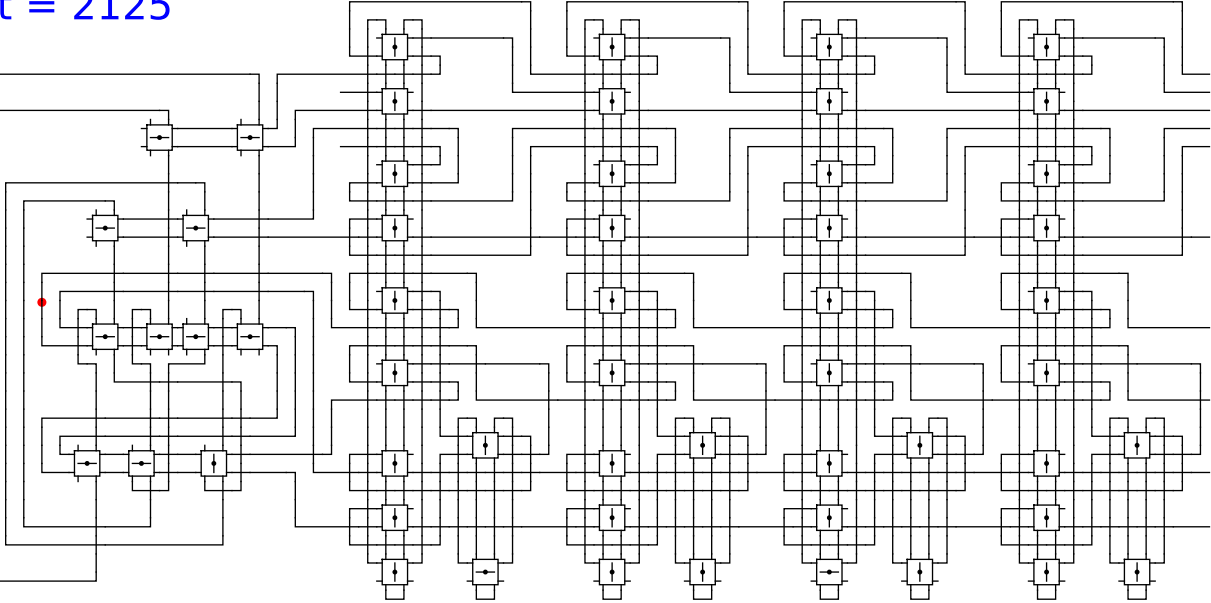


1 0 head 0 0

t = 2125

Reject
Accept

Begin

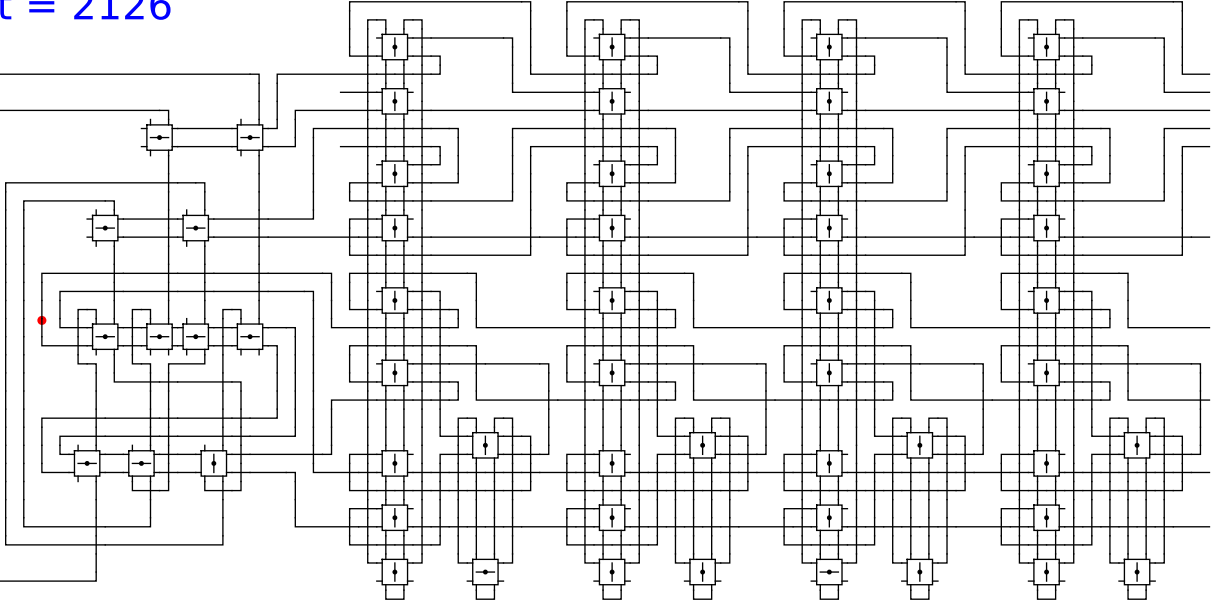


1 0 head 0 0

t = 2126

Reject
Accept

Begin



1

0

head

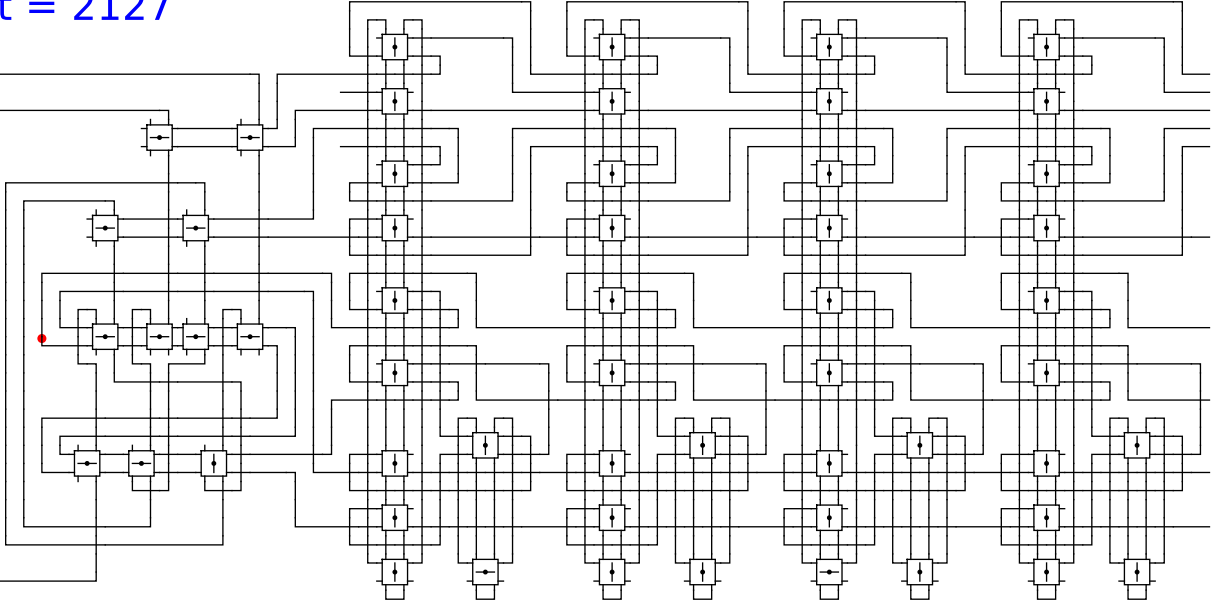
0

0

t = 2127

Reject
Accept

Begin

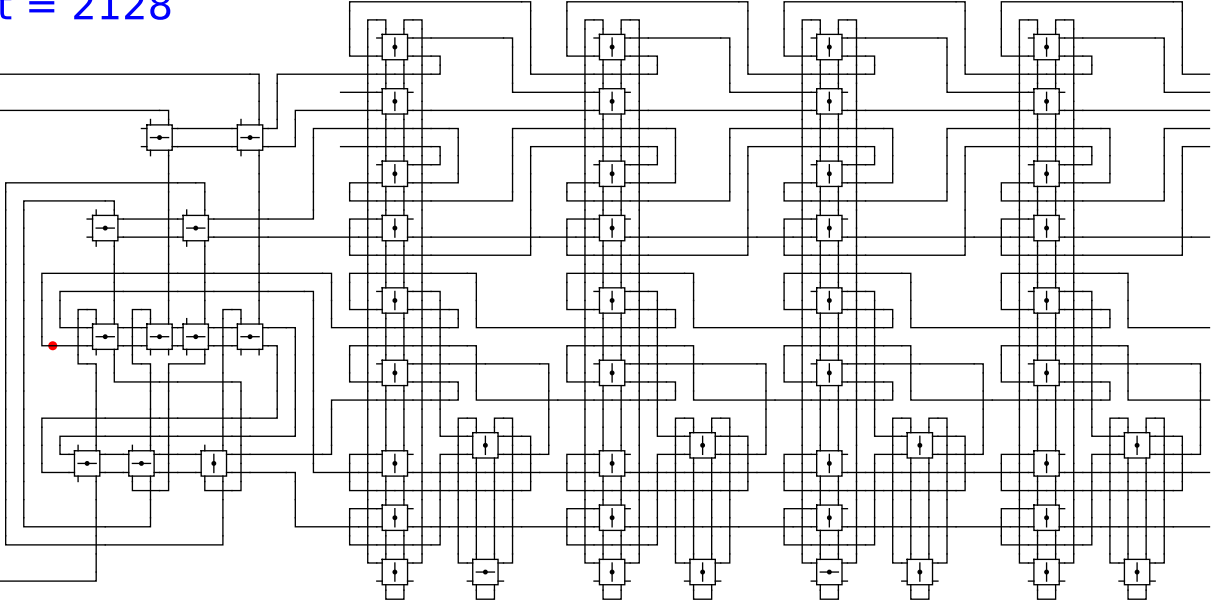


1 0 head 0 0

t = 2128

Reject
Accept

Begin

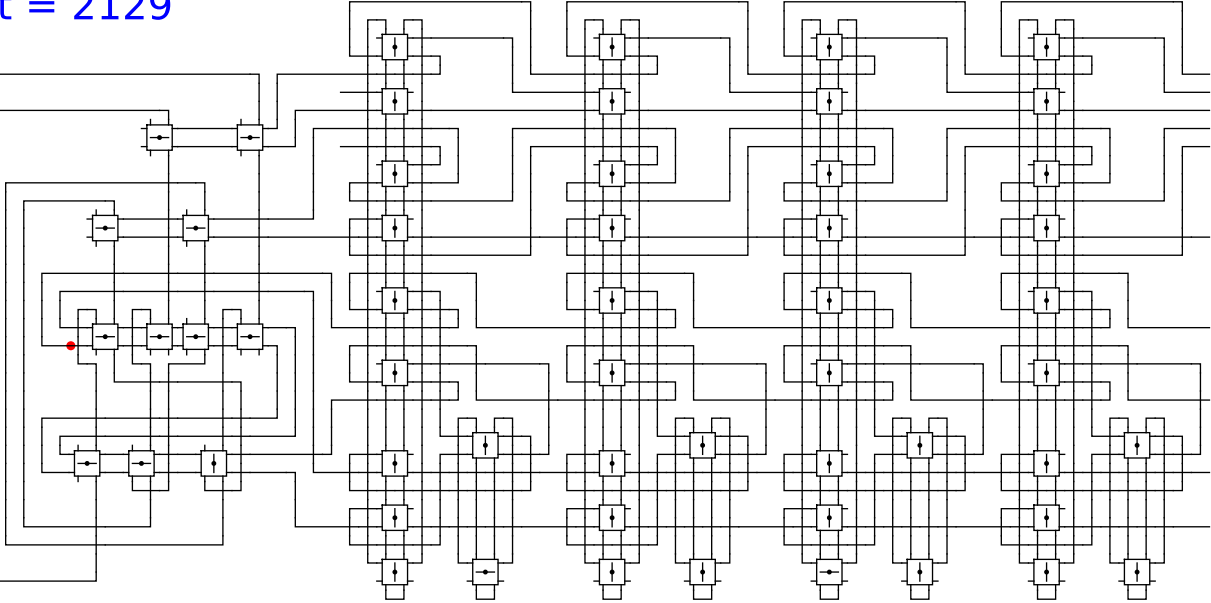


1 0 head 0 0

t = 2129

Reject
Accept

Begin

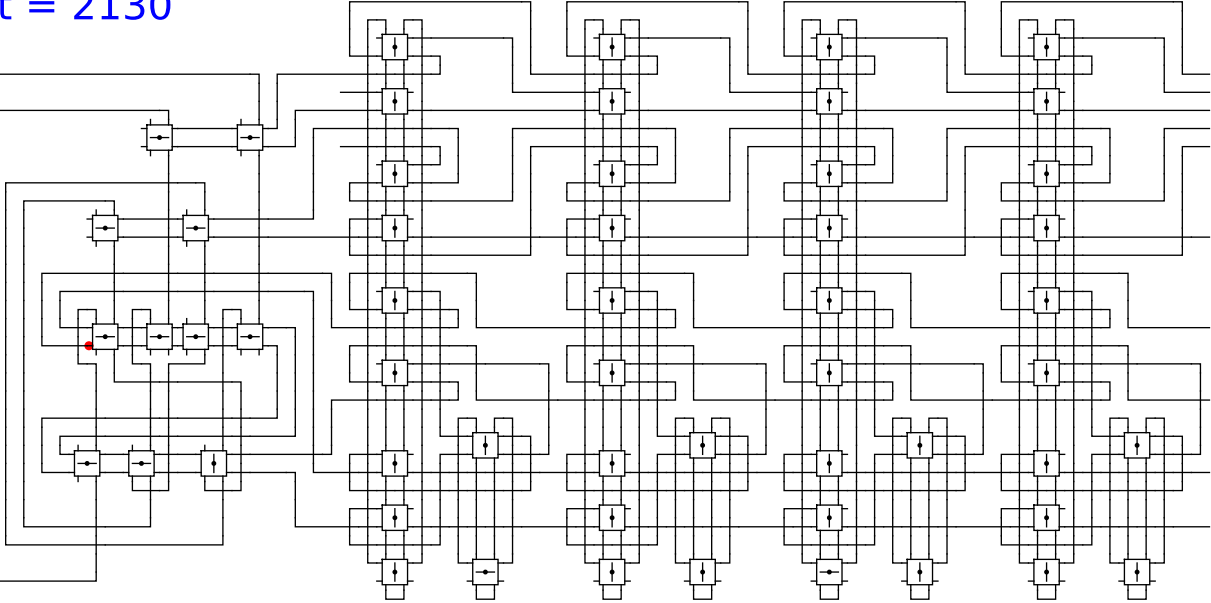


1 0 head 0 0

t = 2130

Reject
Accept

Begin

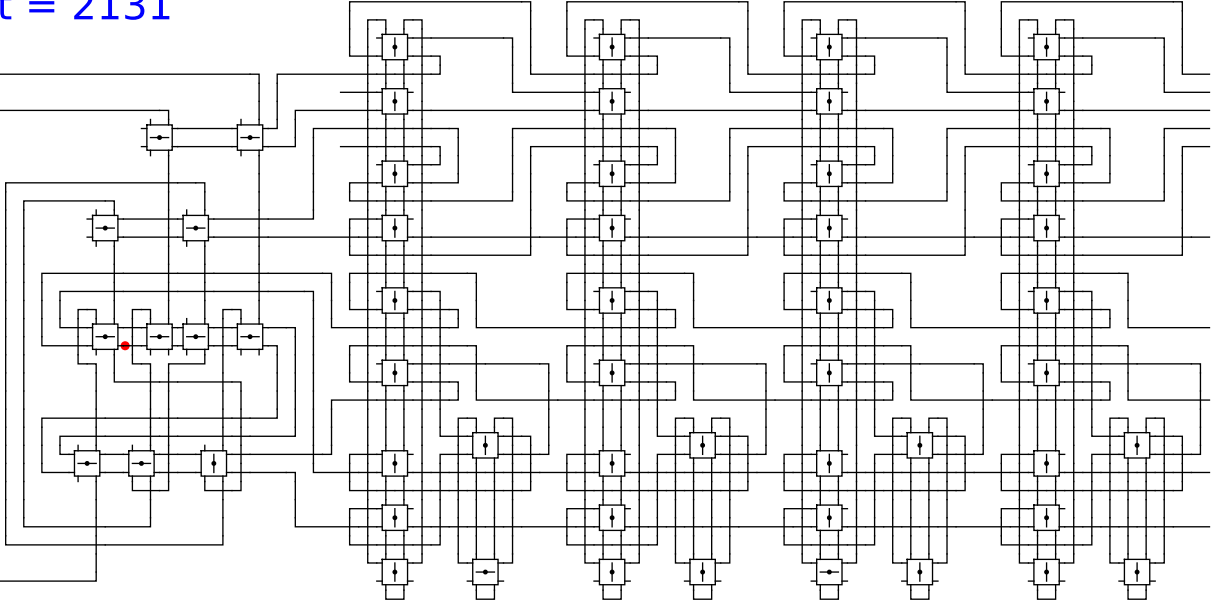


1 0 head 0 0

t = 2131

Reject
Accept

Begin

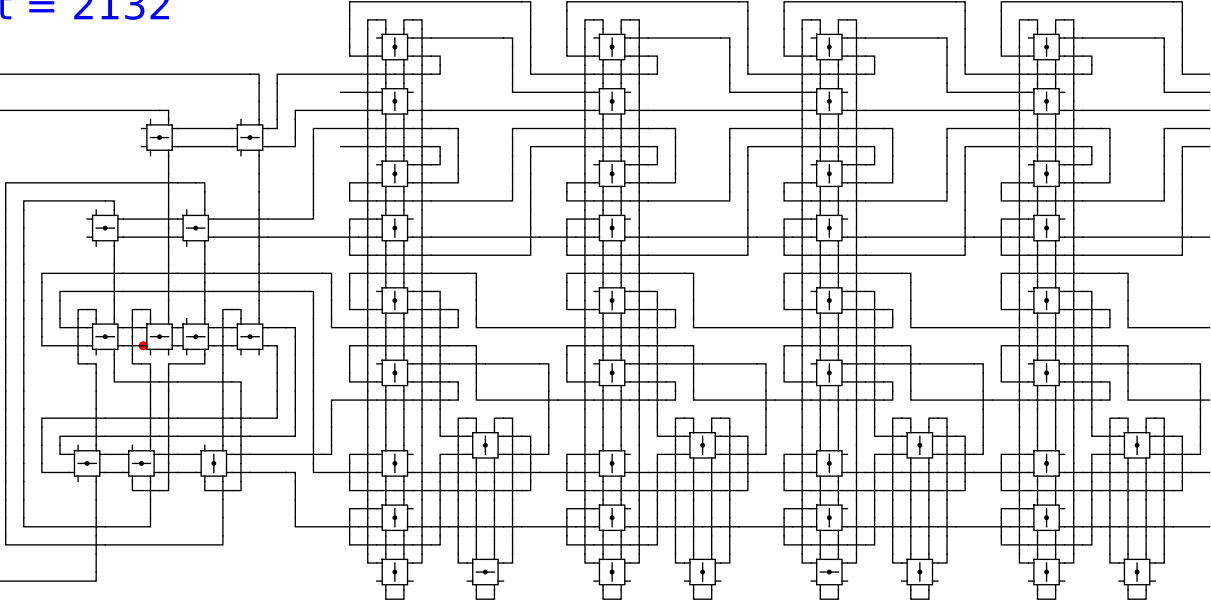


1 0 head 0 0

t = 2132

Reject
Accept

Begin



1

0

head

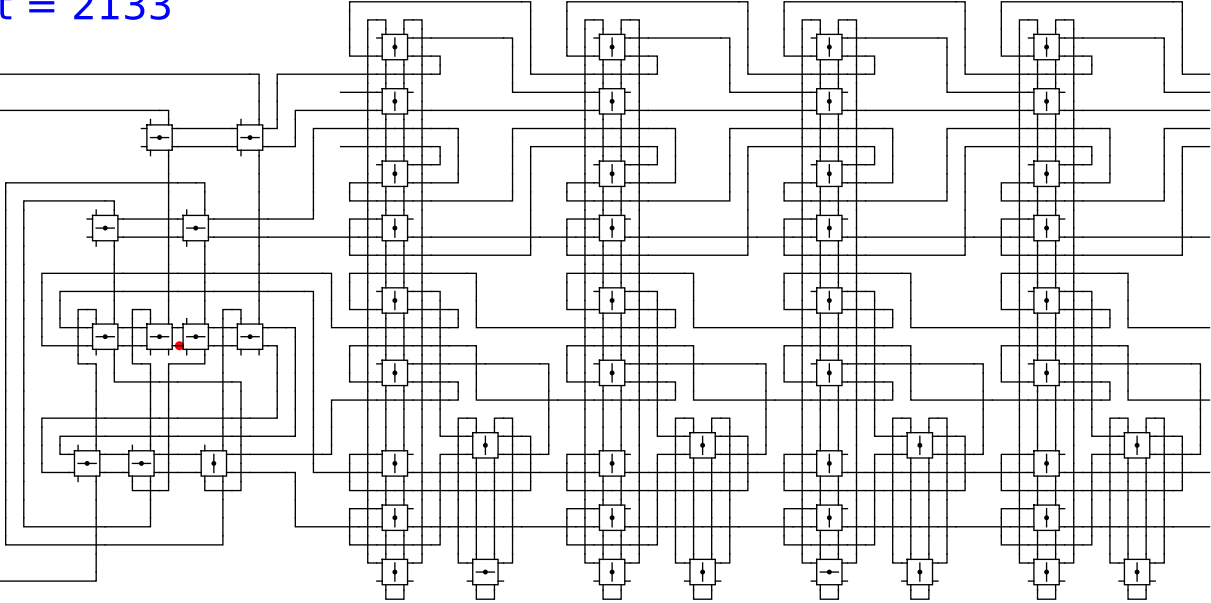
0

0

t = 2133

Reject
Accept

Begin

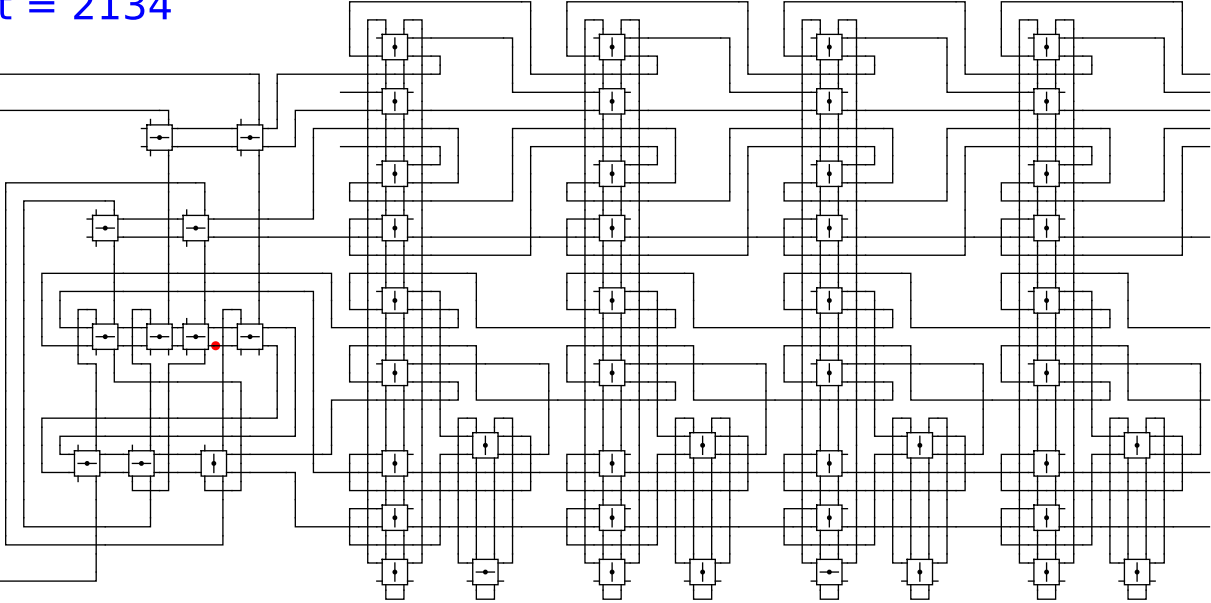


1 0 head 0 0

t = 2134

Reject
Accept

Begin

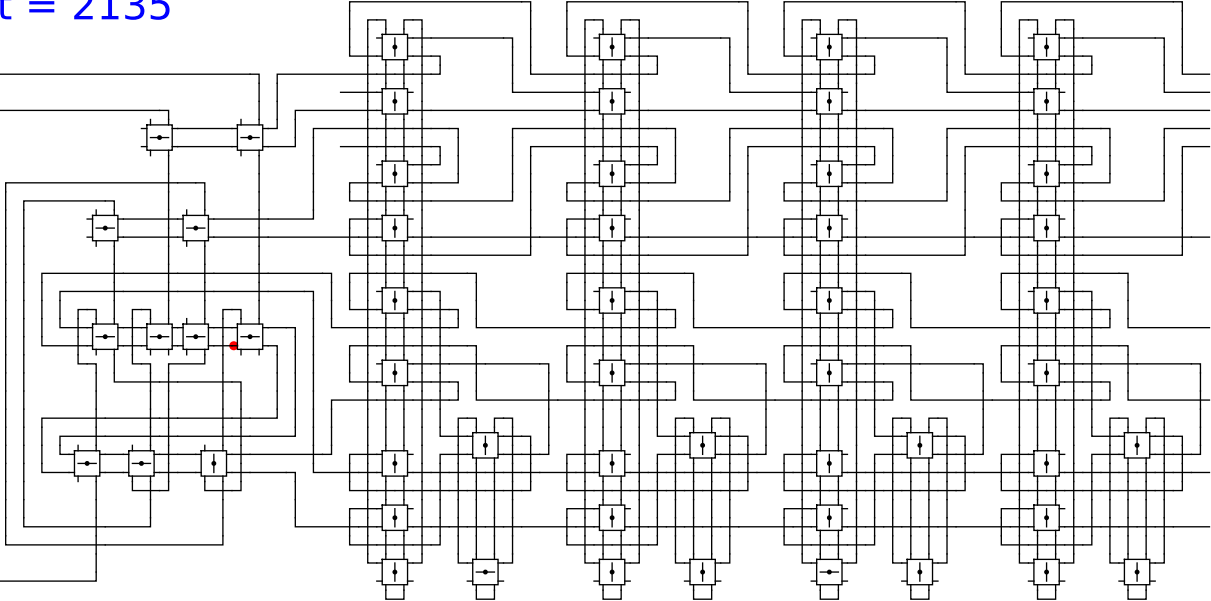


1 0 head 0 0

t = 2135

Reject
Accept

Begin

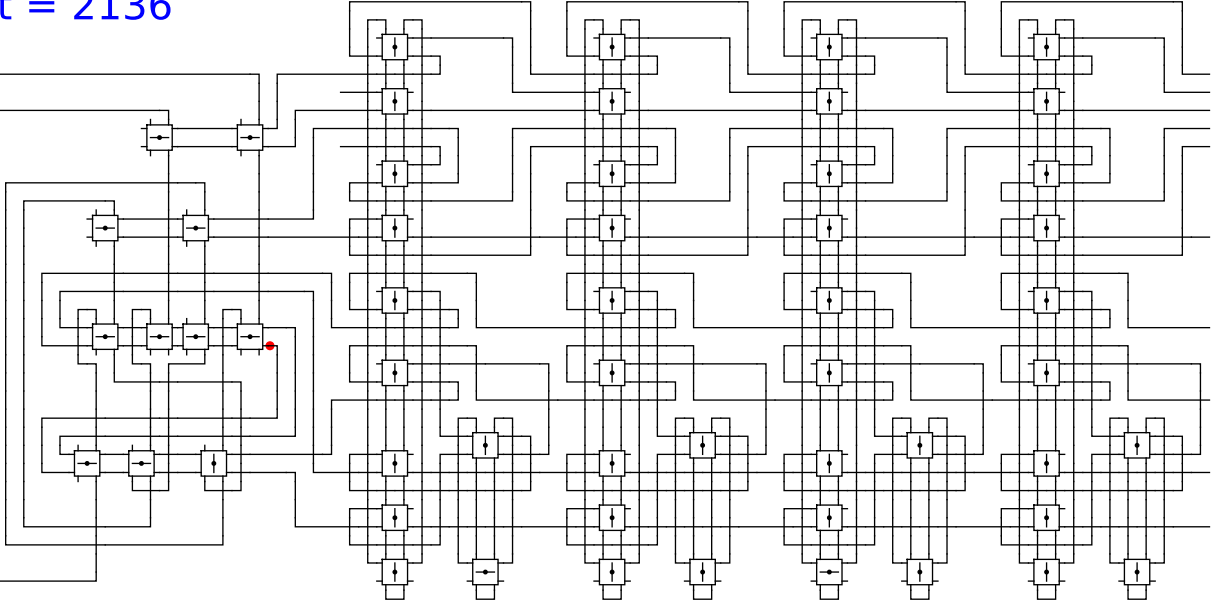


1 0 head 0 0

t = 2136

Reject
Accept

Begin

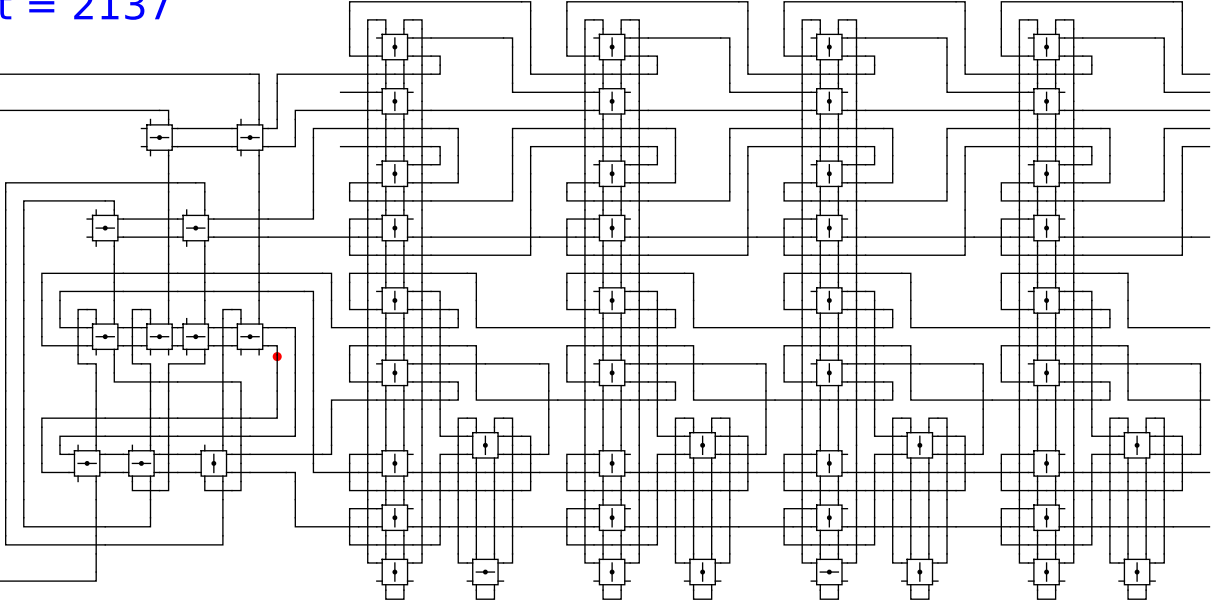


1 0 head 0 0

t = 2137

Reject
Accept

Begin

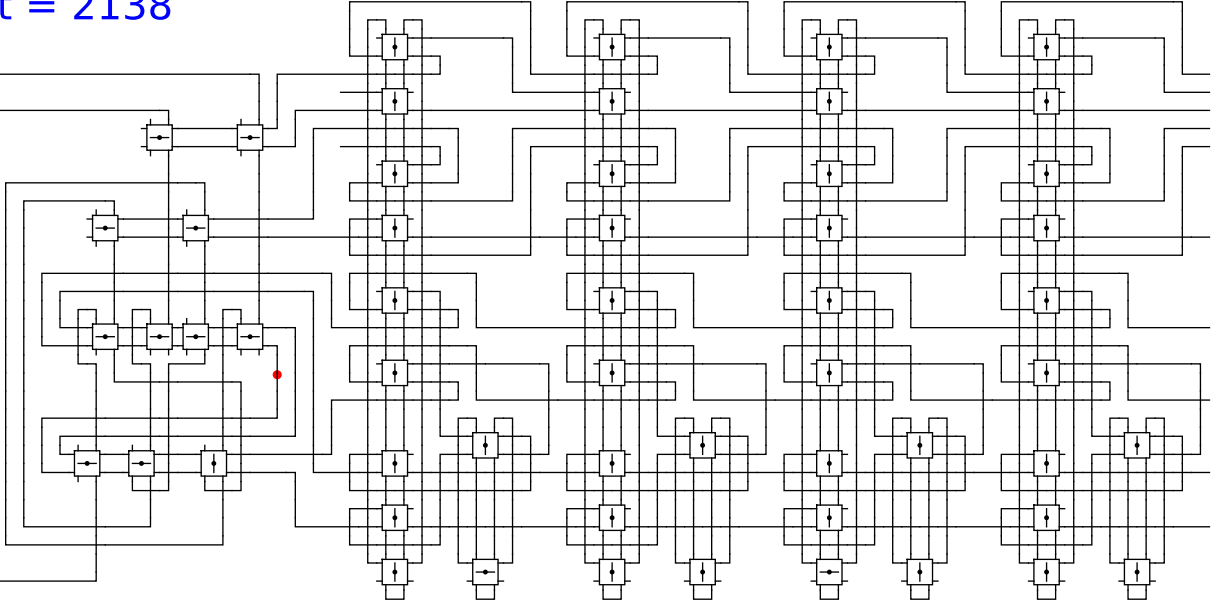


1 0 head 0 0

t = 2138

Reject
Accept

Begin

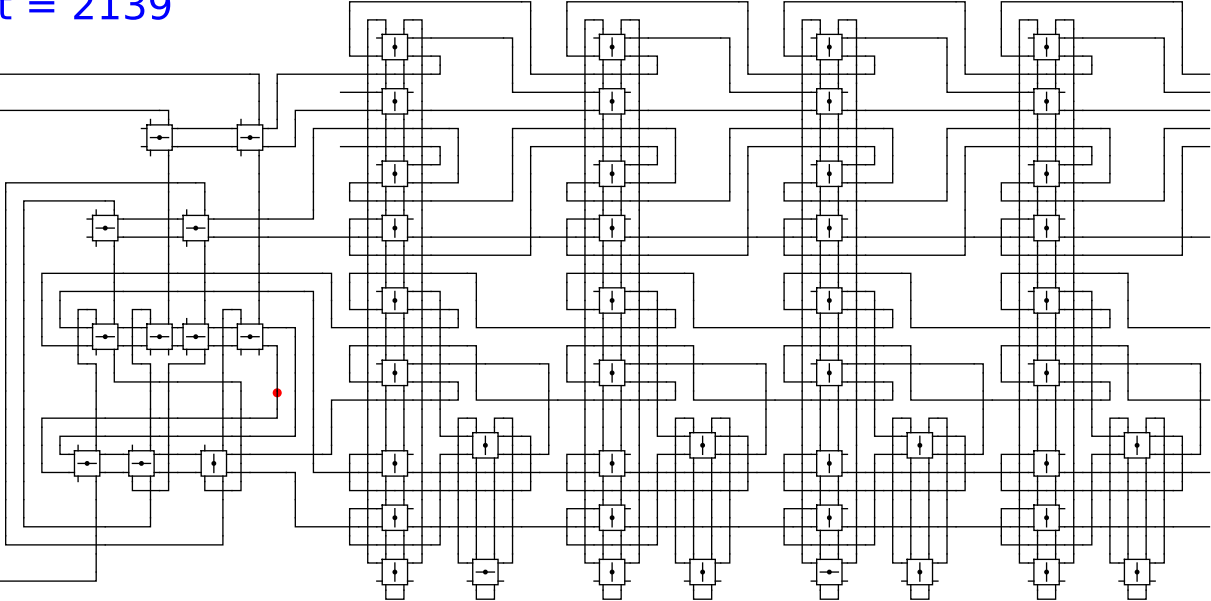


1 0 head 0 0

t = 2139

Reject
Accept

Begin

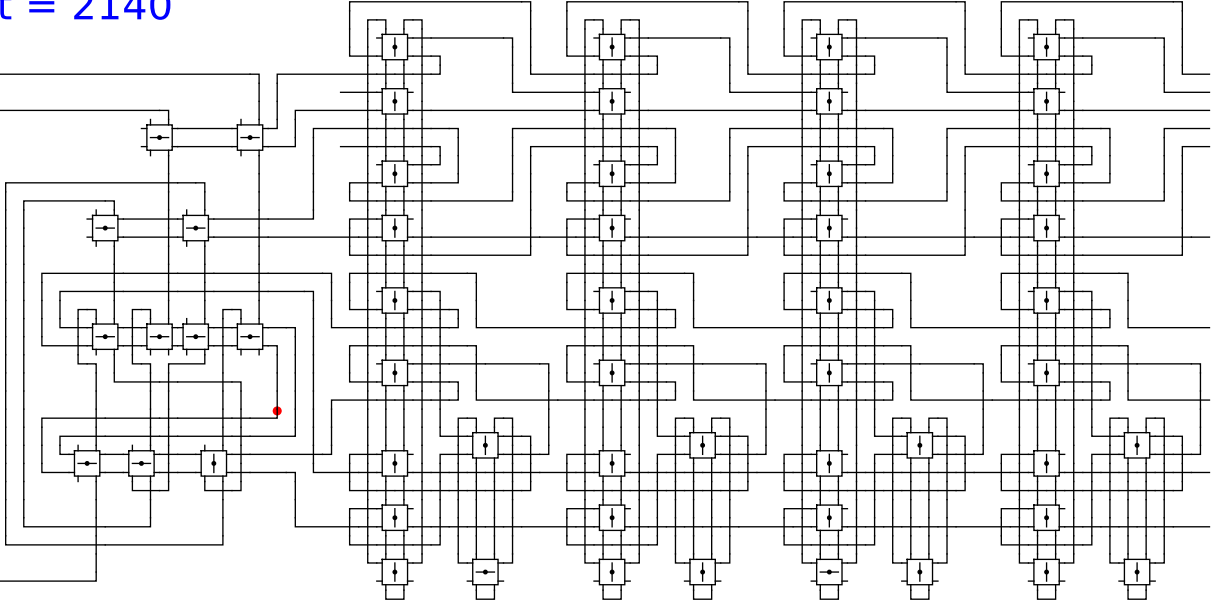


1 0 head 0 0

t = 2140

Reject
Accept

Begin



1

0

head

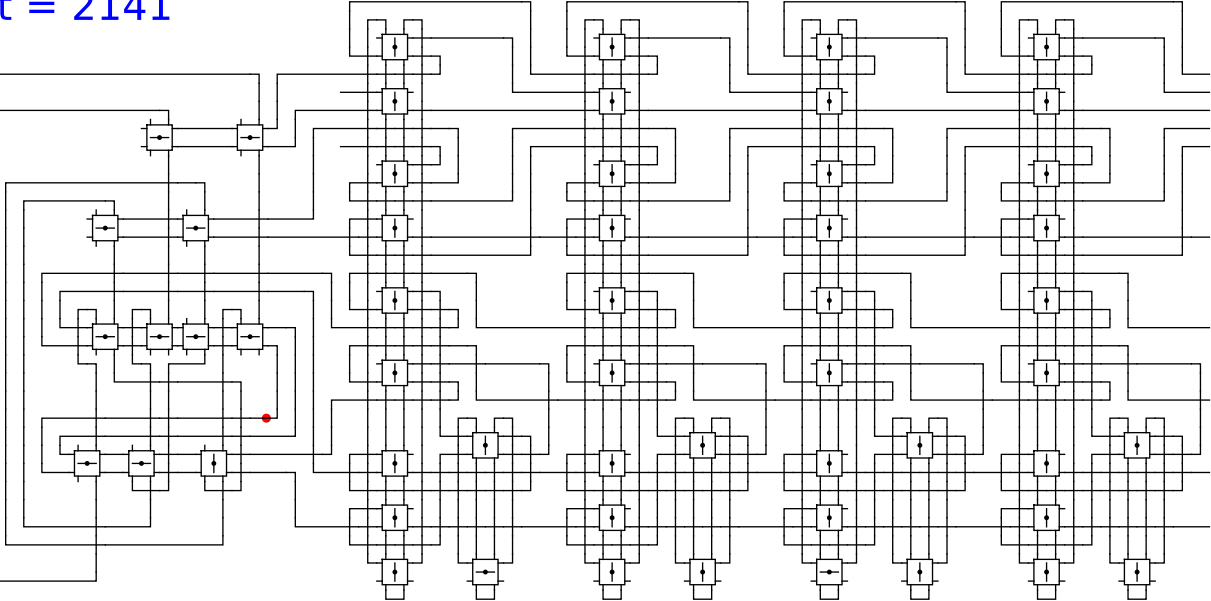
0

0

t = 2141

Reject
Accept

Begin

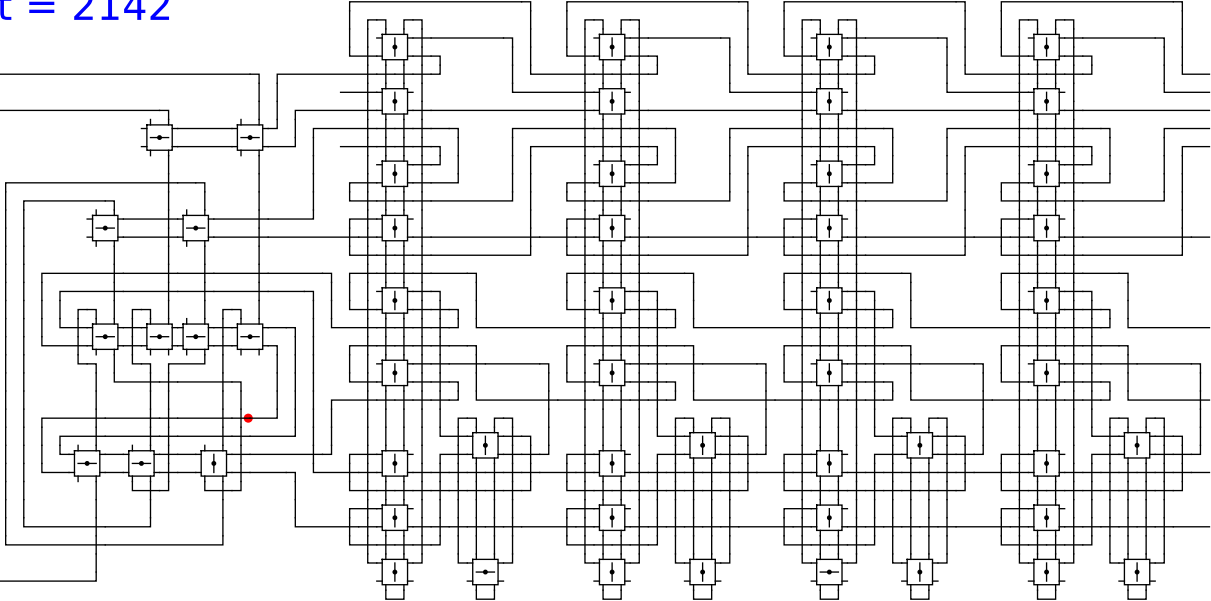


1 0 head 0 0

t = 2142

Reject
Accept

Begin

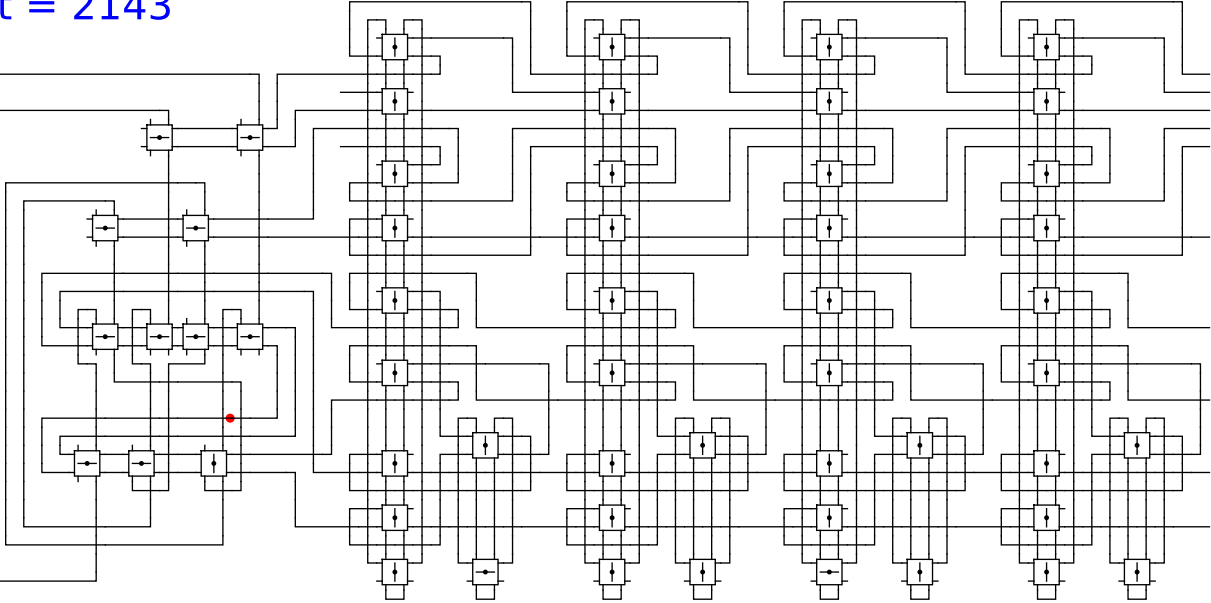


1 0 head 0 0

t = 2143

Reject
Accept

Begin

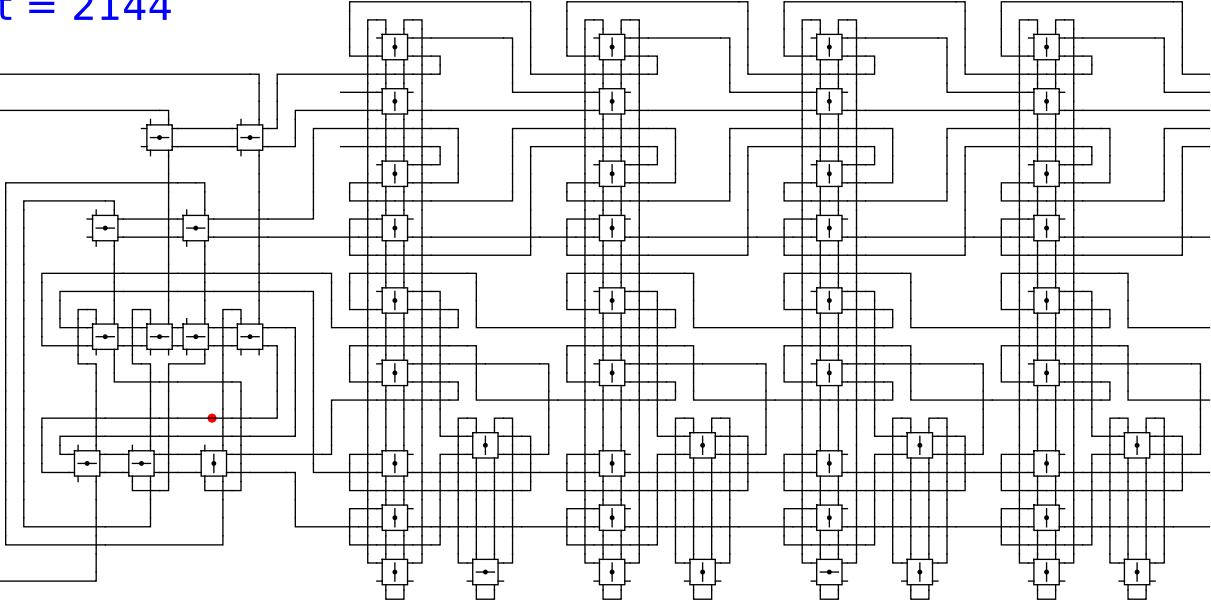


1 0 head 0 0

t = 2144

Reject
Accept

Begin

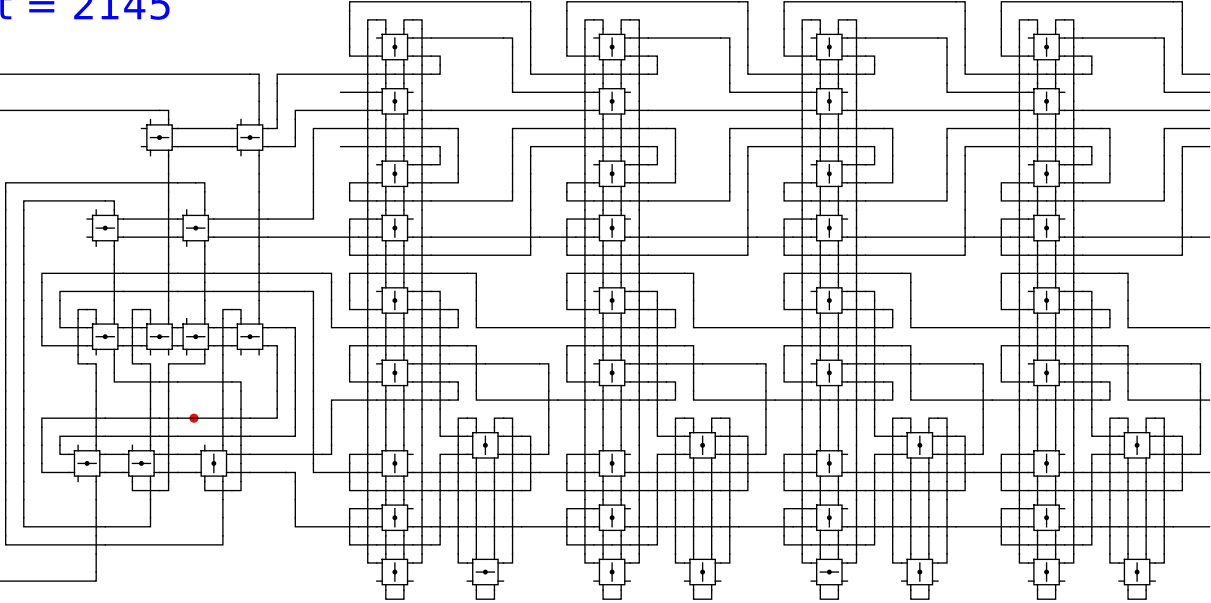


1 0 head 0 0

t = 2145

Reject
Accept

Begin



1

0

head

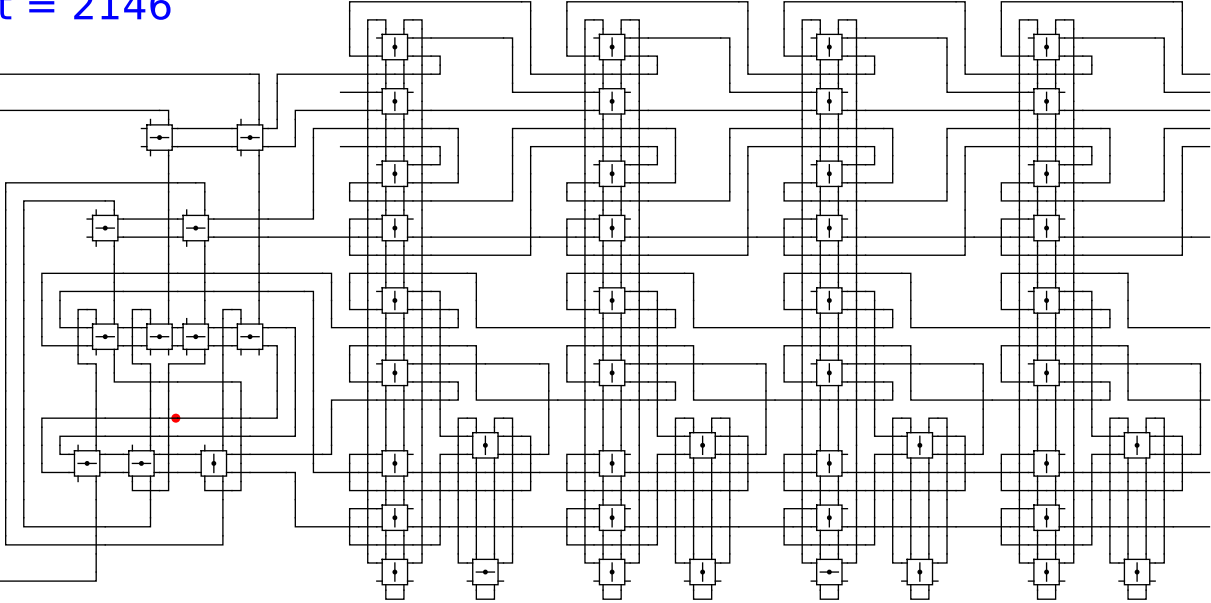
0

0

t = 2146

Reject
Accept

Begin



1

0

head

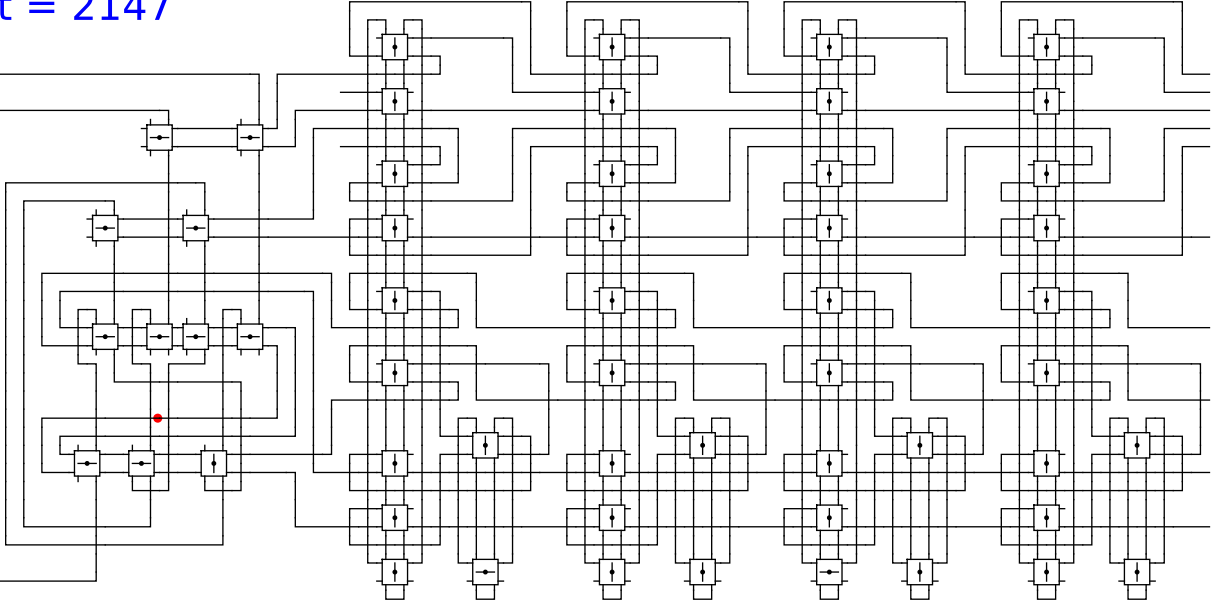
0

0

t = 2147

Reject
Accept

Begin

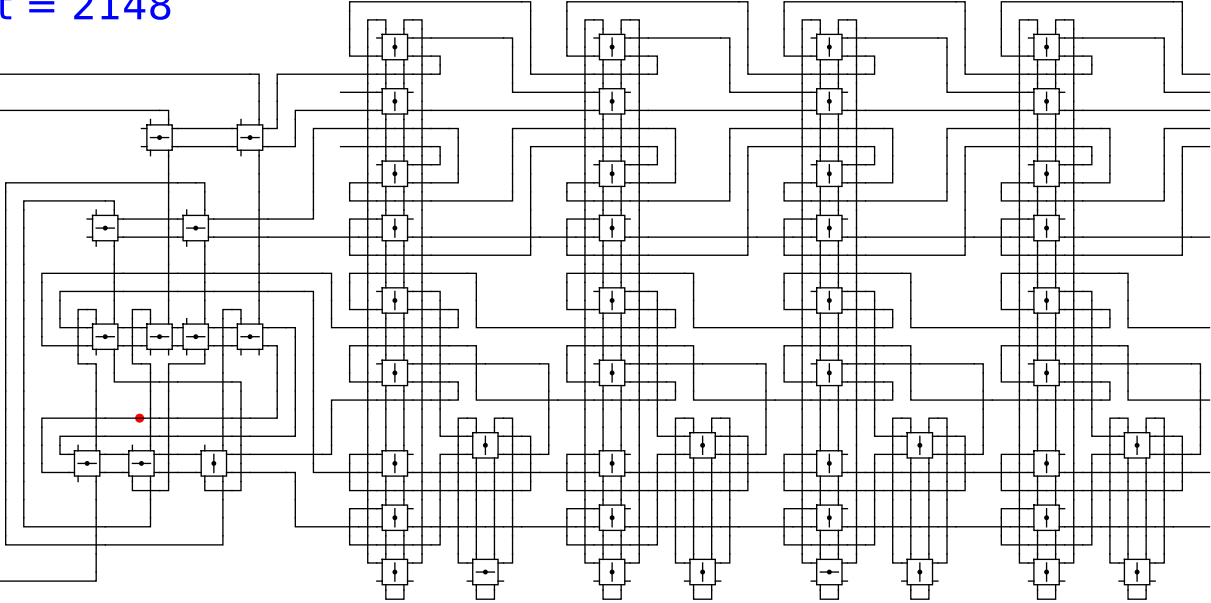


1 0 head 0 0

t = 2148

Reject
Accept

Begin

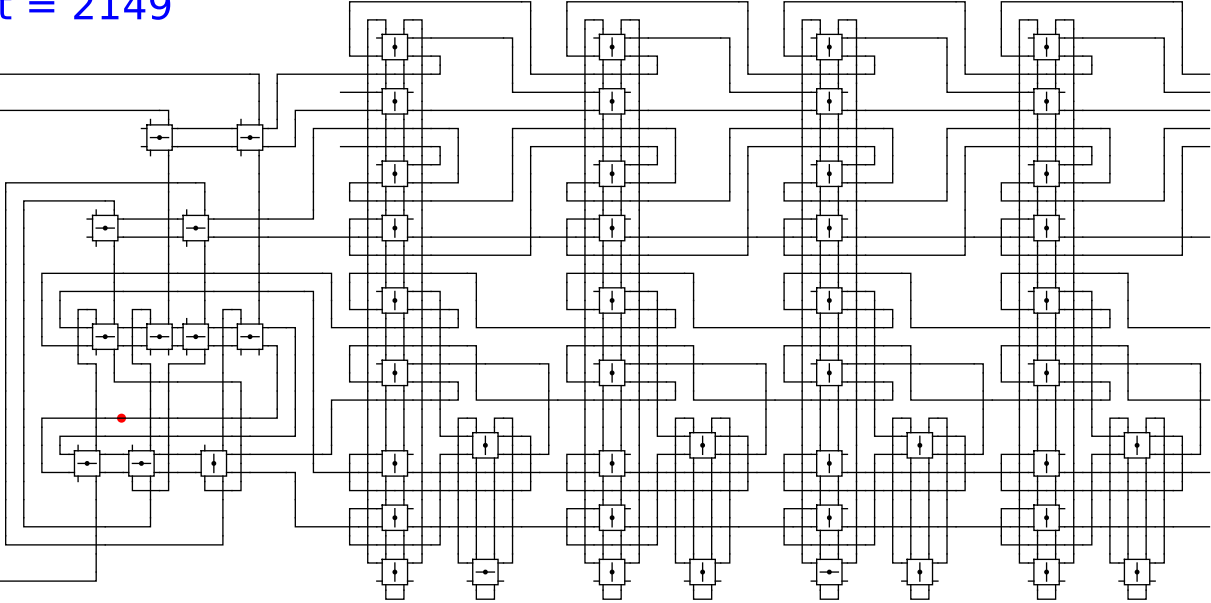


1 0 head 0 0

t = 2149

Reject
Accept

Begin

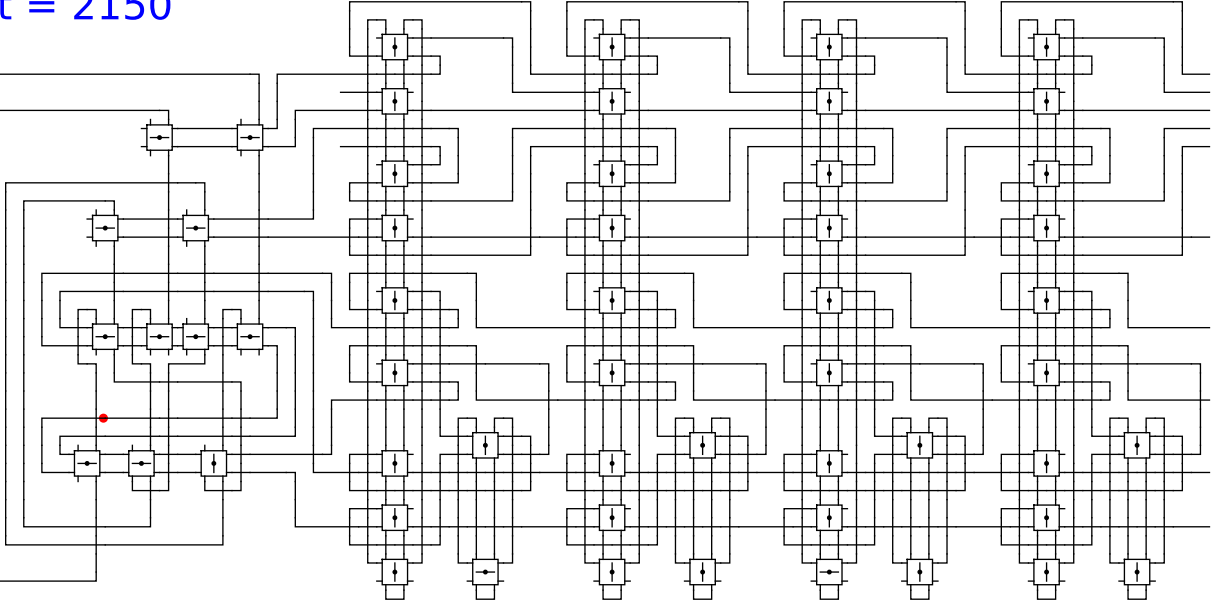


1 0 head 0 0

t = 2150

Reject
Accept

Begin

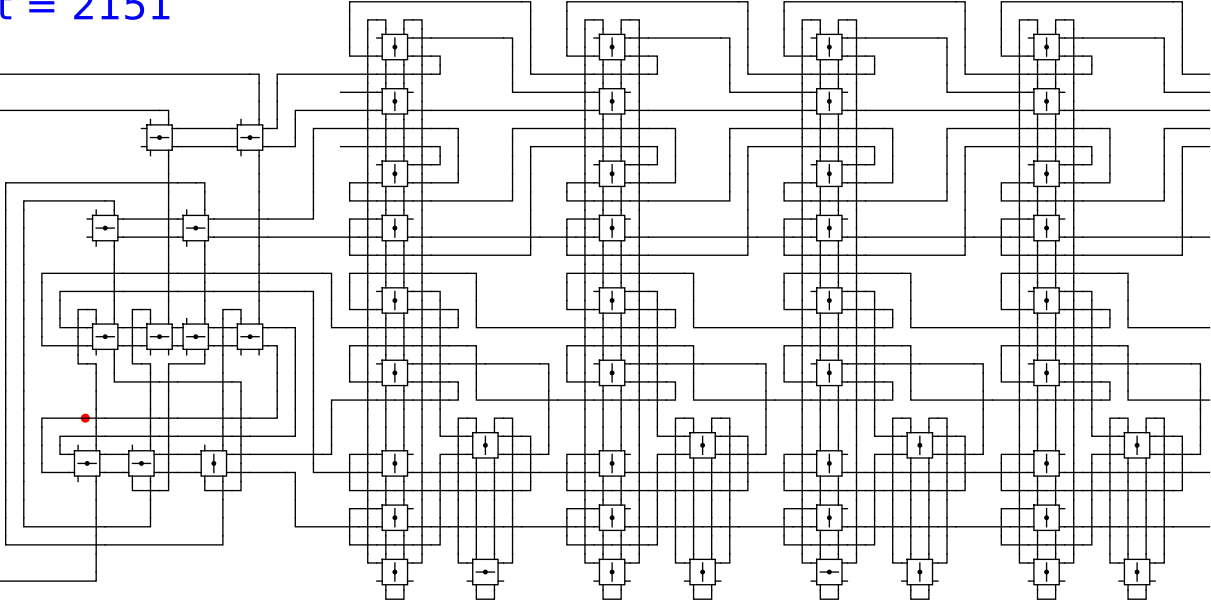


1 0 head 0 0

t = 2151

Reject
Accept

Begin



1

0

head

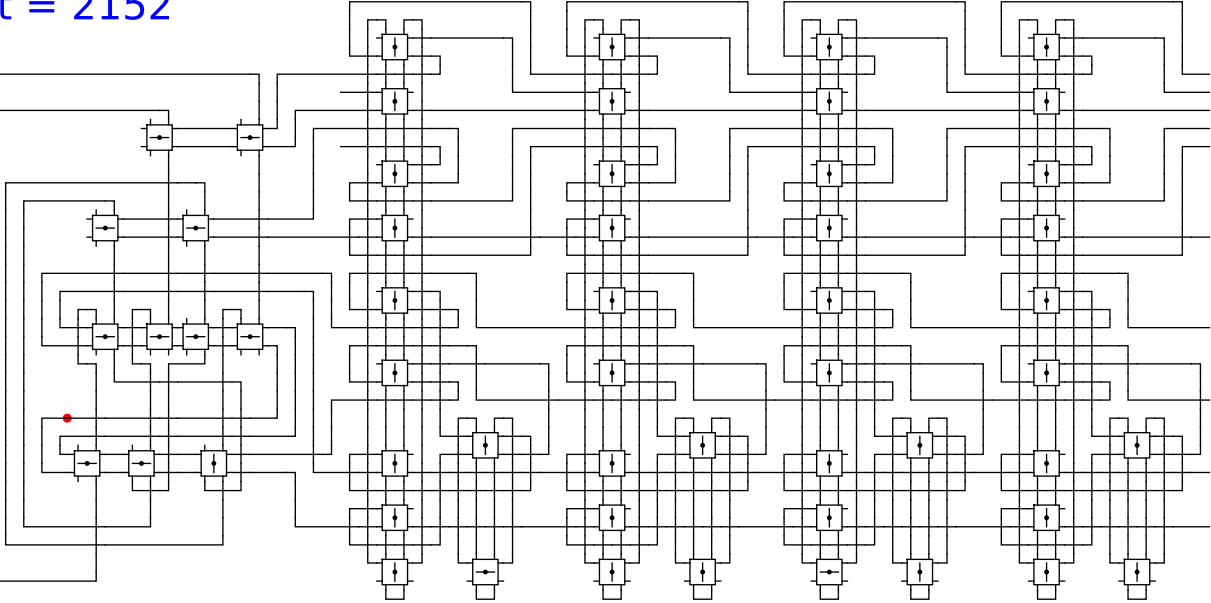
0

0

t = 2152

Reject
Accept

Begin

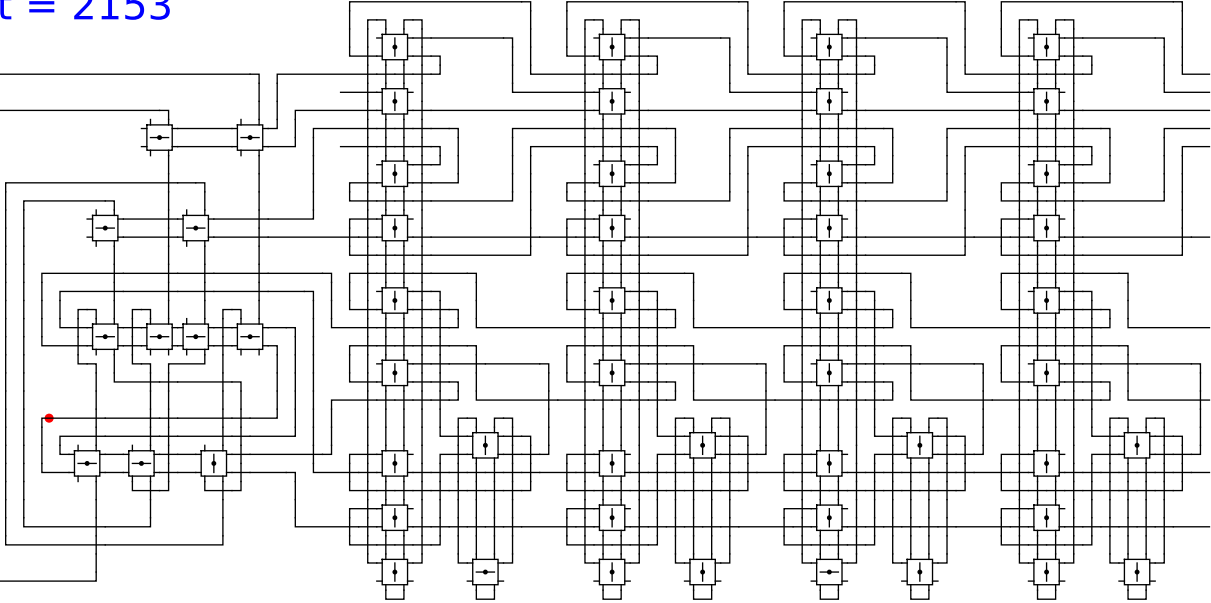


1 0 head 0 0

t = 2153

Reject
Accept

Begin

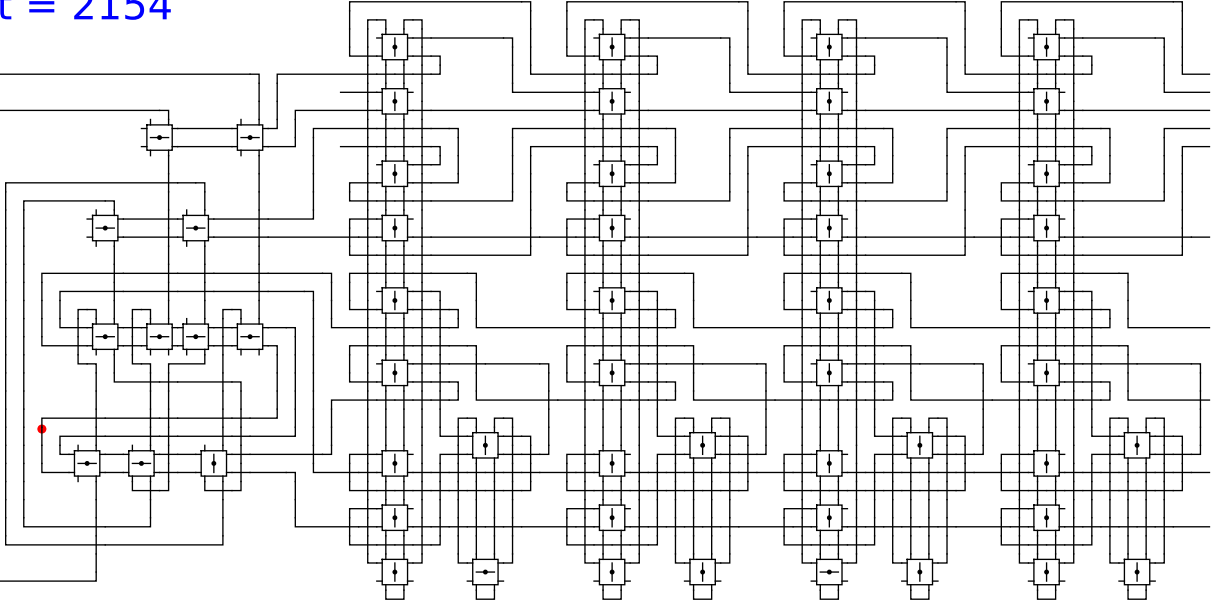


1 0 head 0 0

t = 2154

Reject
Accept

Begin



1

0

head

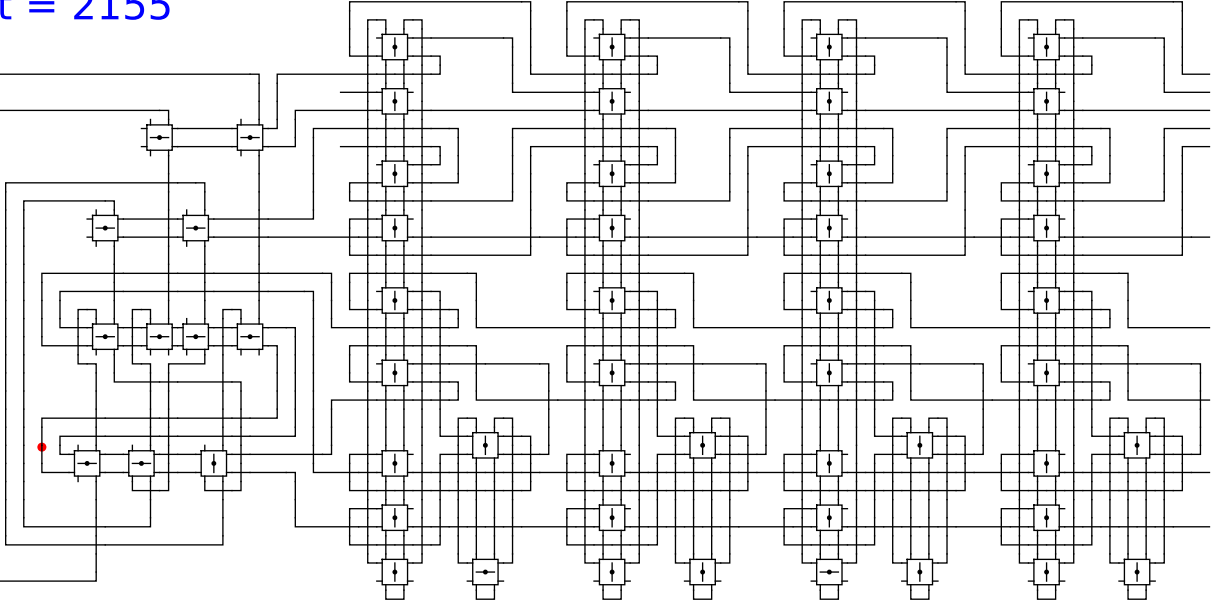
0

0

t = 2155

Reject
Accept

Begin



1

0

head

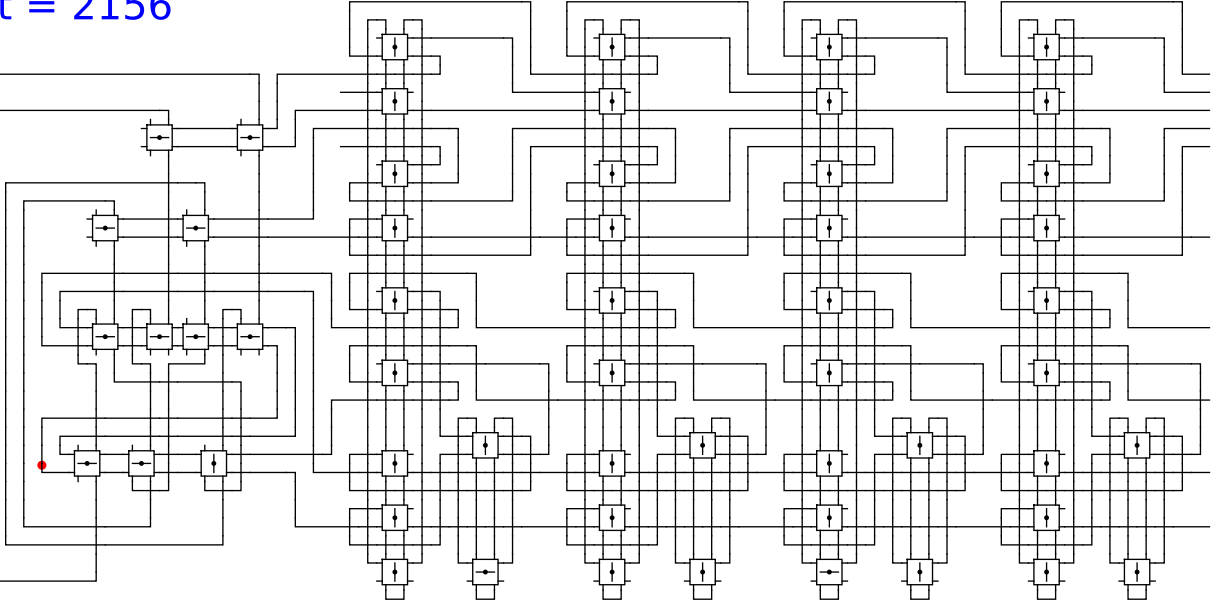
0

0

t = 2156

Reject
Accept

Begin

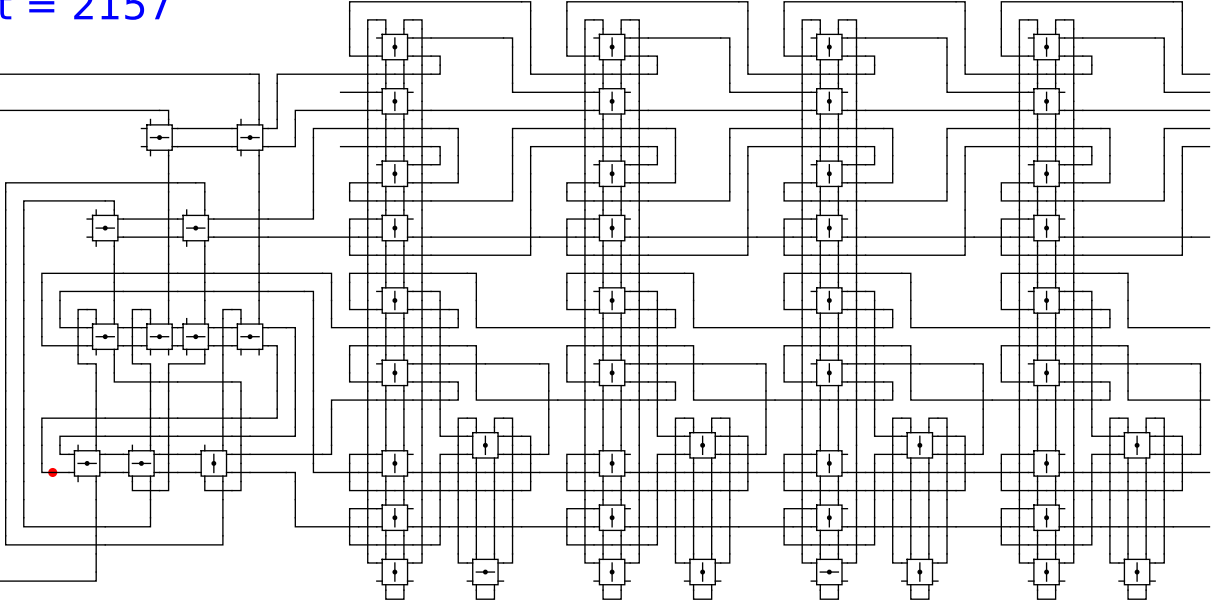


1 0 head 0 0

t = 2157

Reject
Accept

Begin



1

0

head

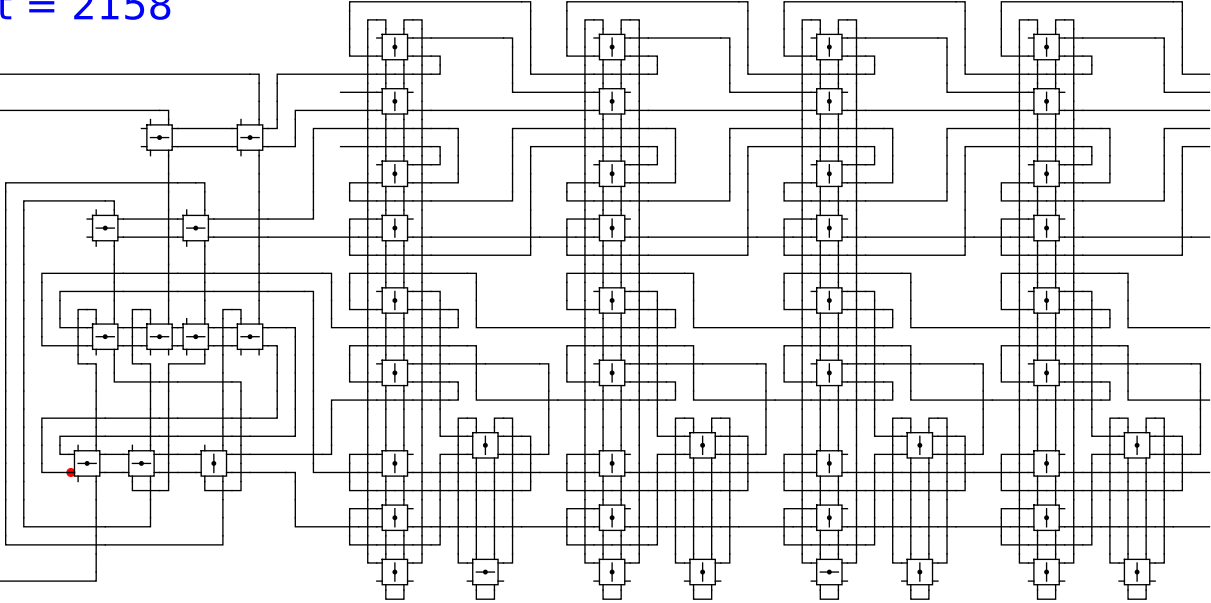
0

0

t = 2158

Reject
Accept

Begin

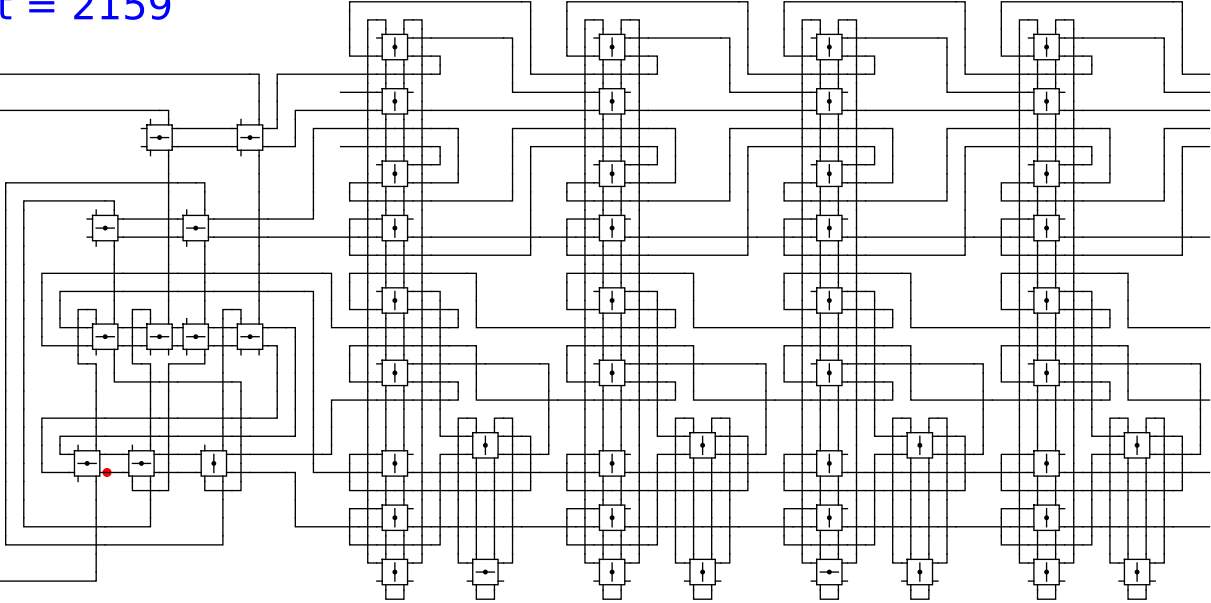


1 0 head 0 0

t = 2159

Reject
Accept

Begin



1

0

head

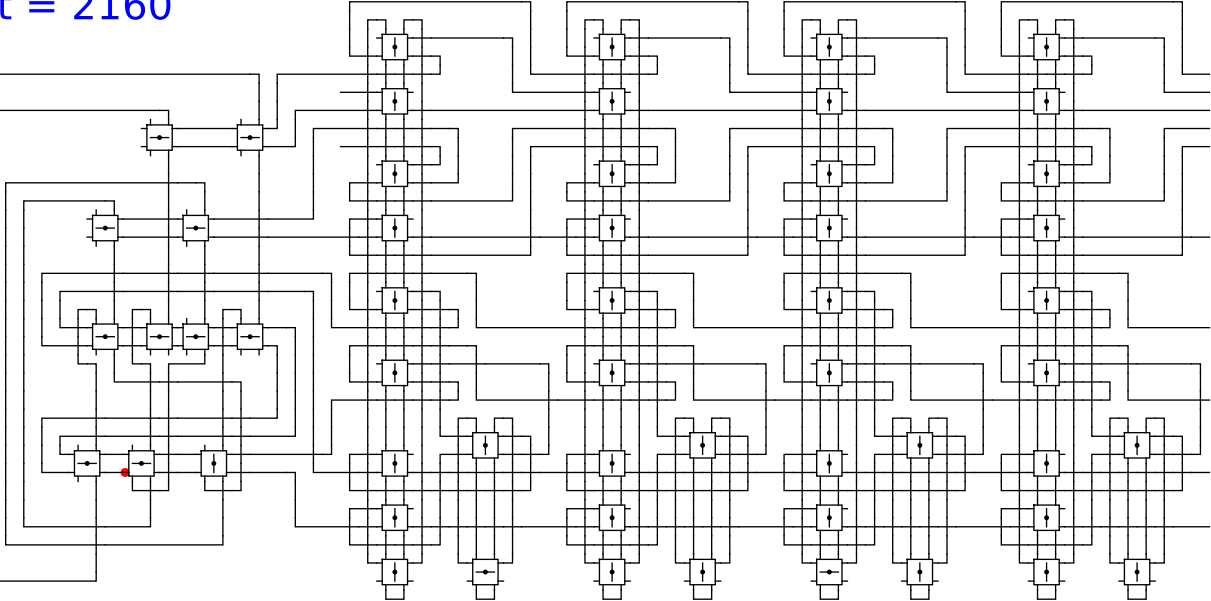
0

0

t = 2160

Reject
Accept

Begin

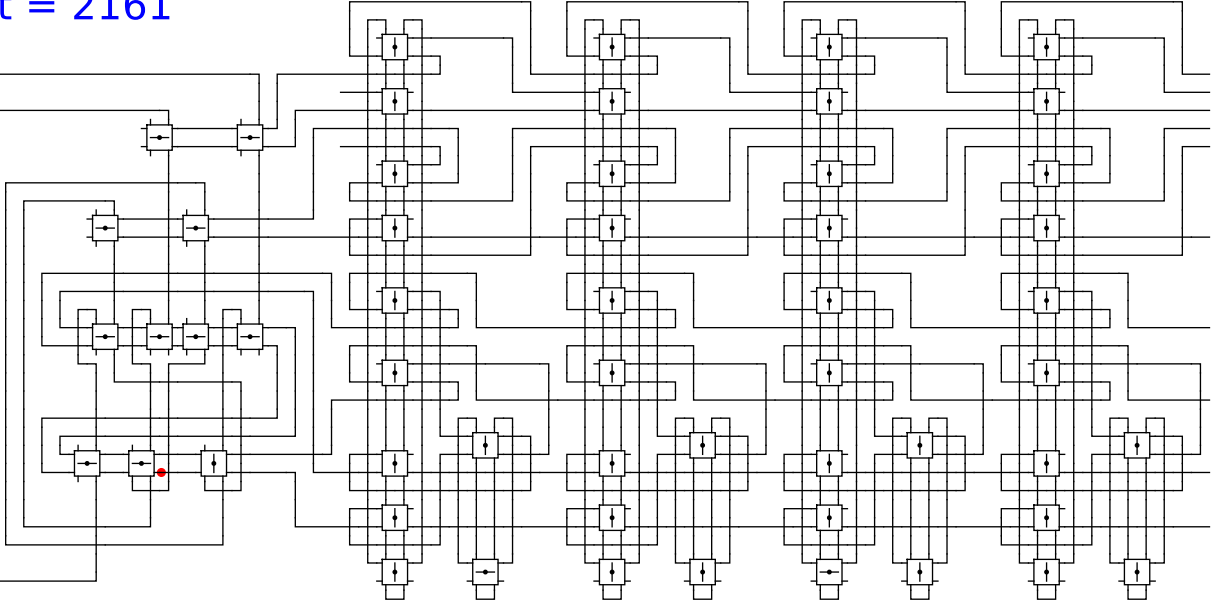


1 0 head 0 0

t = 2161

Reject
Accept

Begin

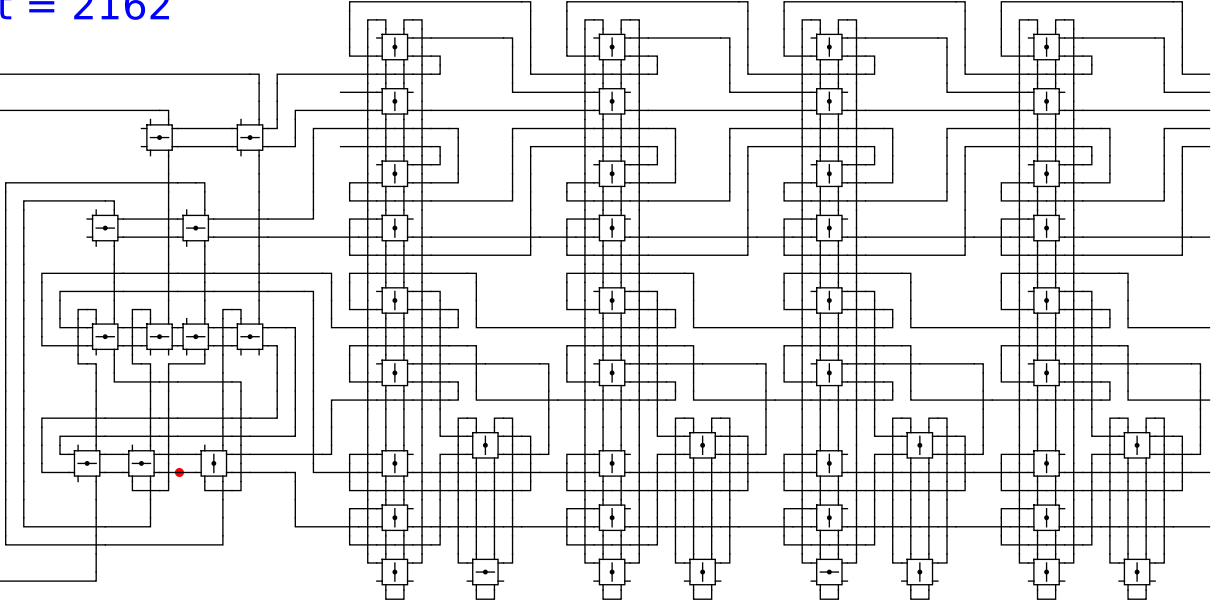


1 0 head 0 0

t = 2162

Reject
Accept

Begin

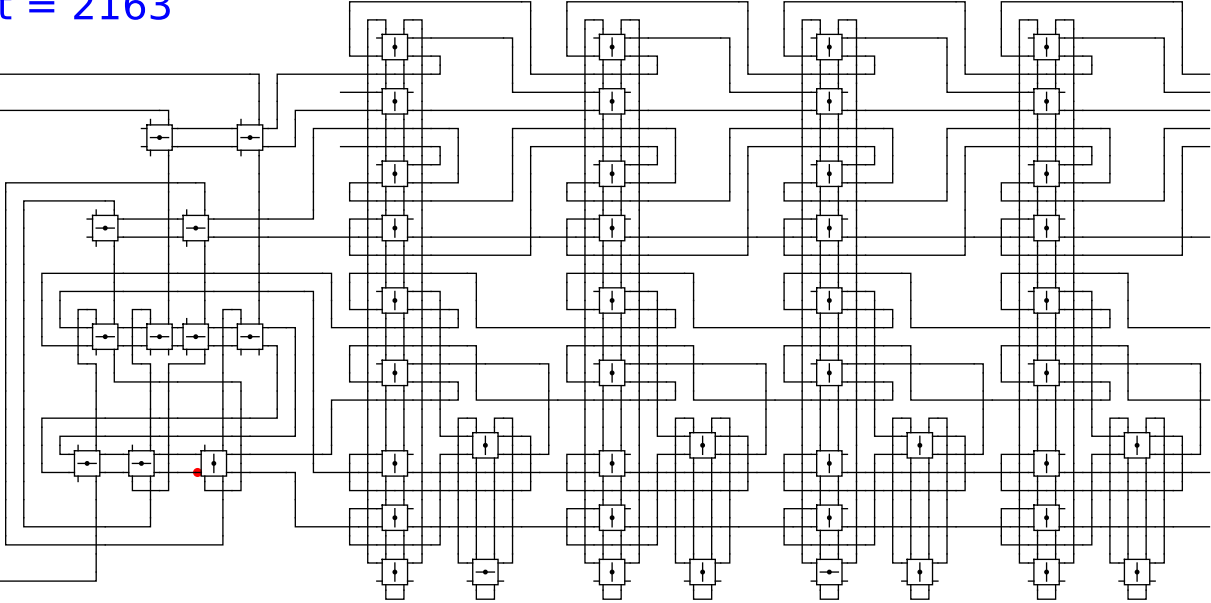


1 0 head 0 0

t = 2163

Reject
Accept

Begin

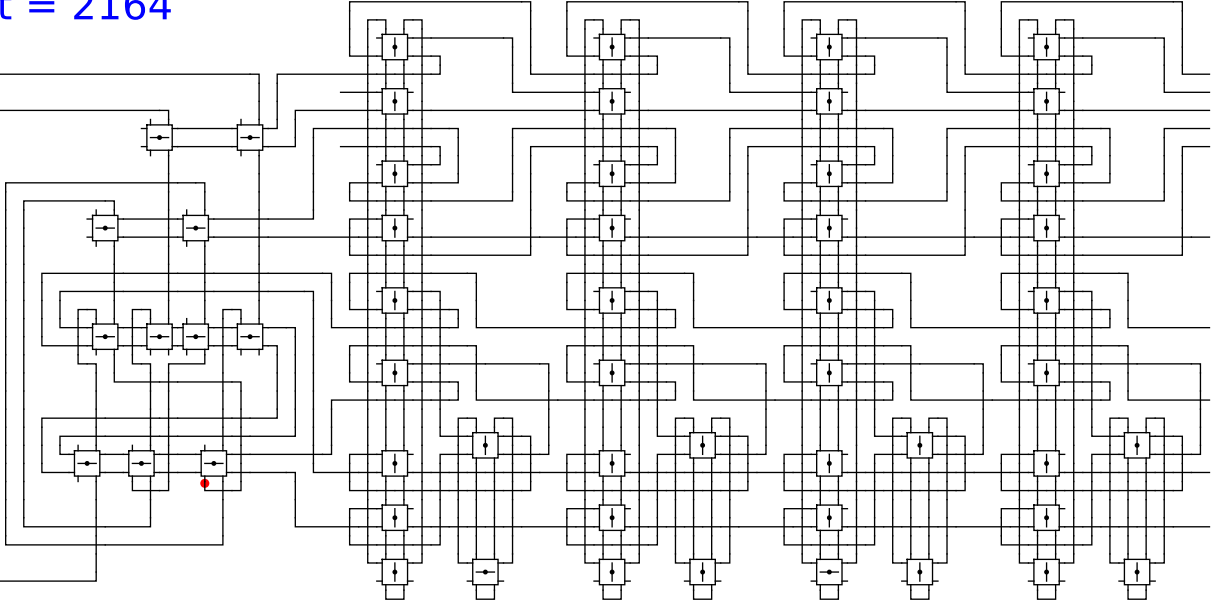


1 0 head 0 0

t = 2164

Reject
Accept

Begin

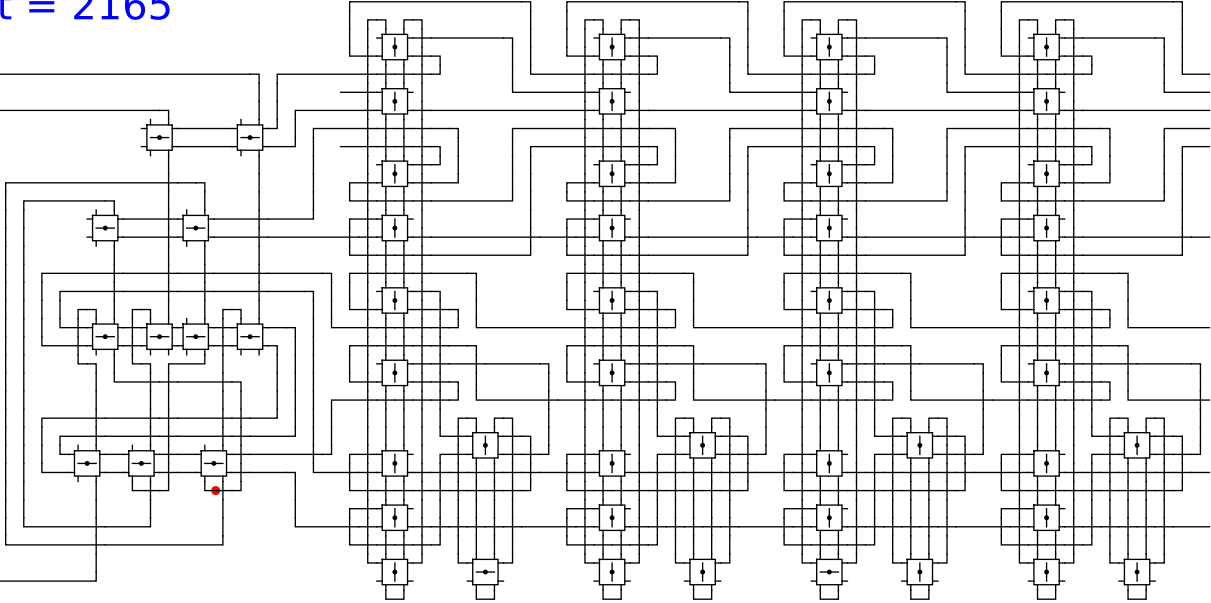


1 0 head 0 0

t = 2165

Reject
Accept

Begin

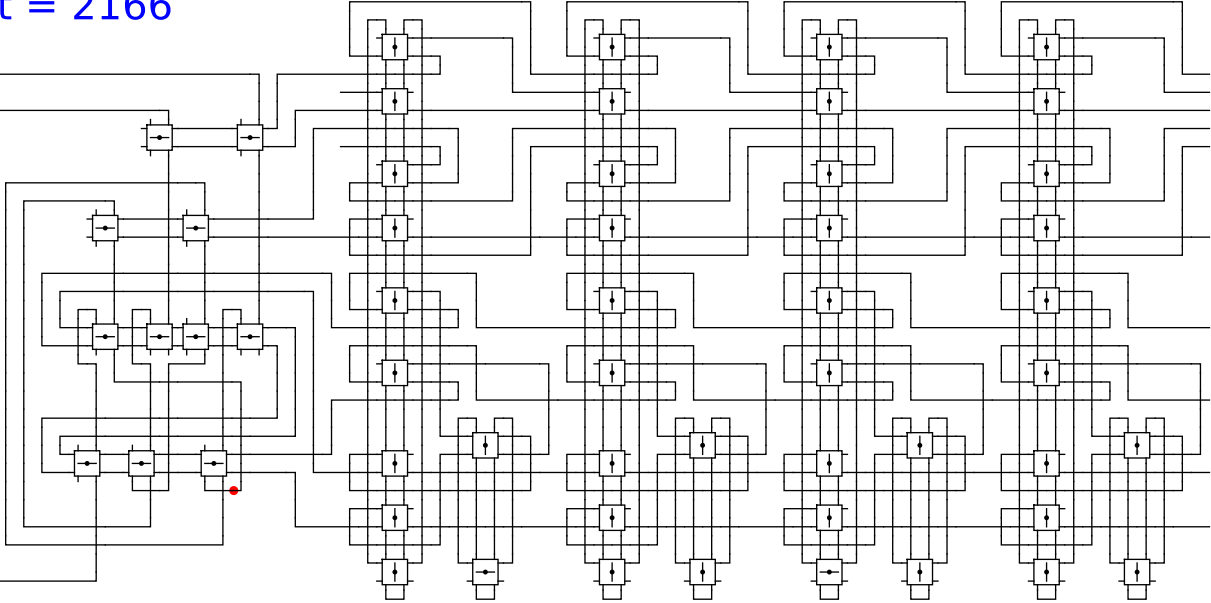


1 0 head 0 0

t = 2166

Reject
Accept

Begin

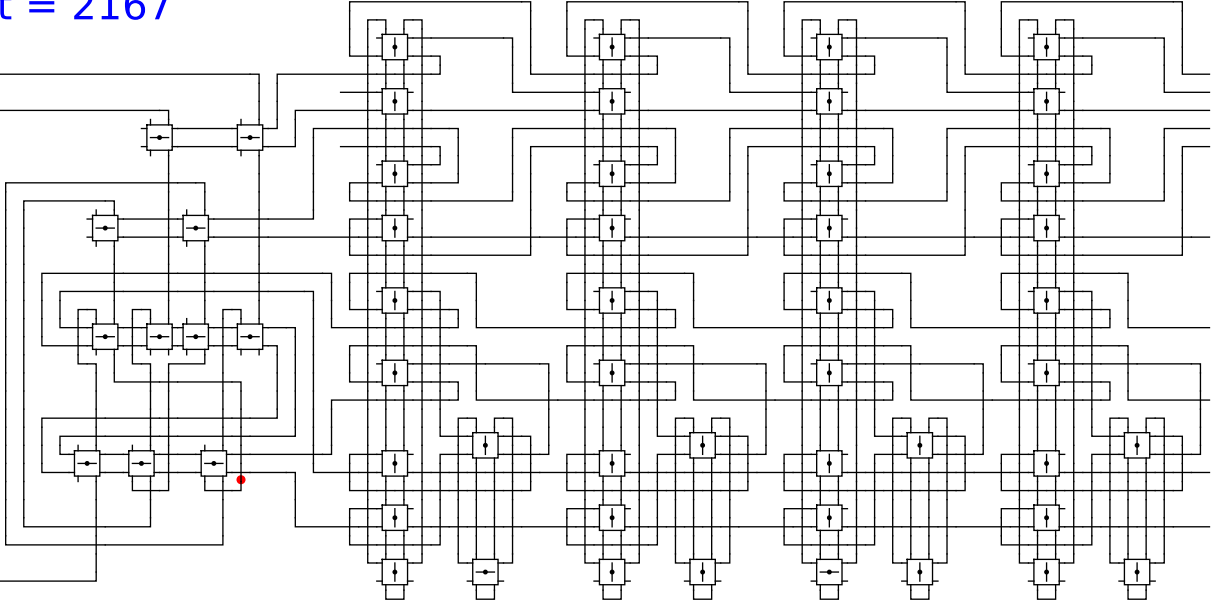


1 0 head 0 0

t = 2167

Reject
Accept

Begin

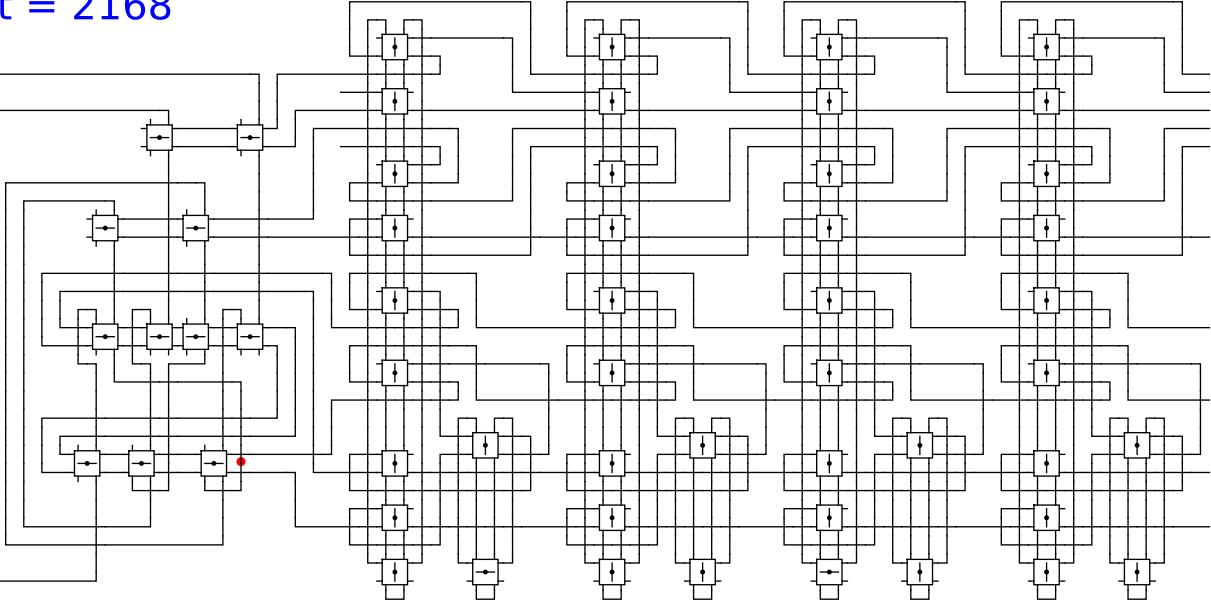


1 0 head 0 0

t = 2168

Reject
Accept

Begin

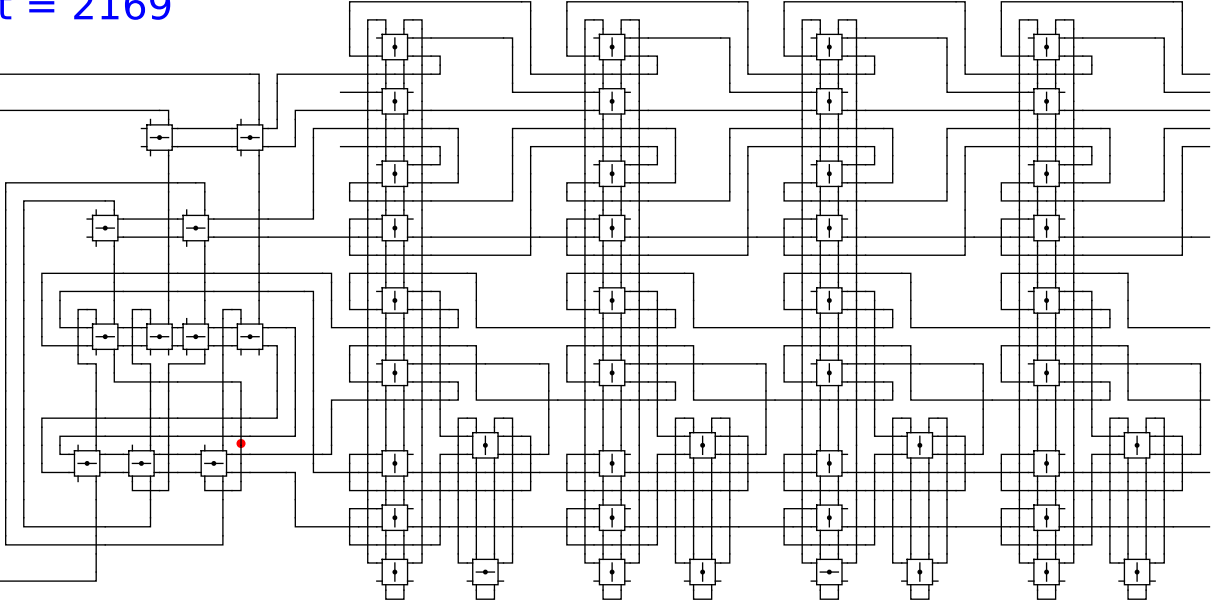


1 0 head 0 0

t = 2169

Reject
Accept

Begin

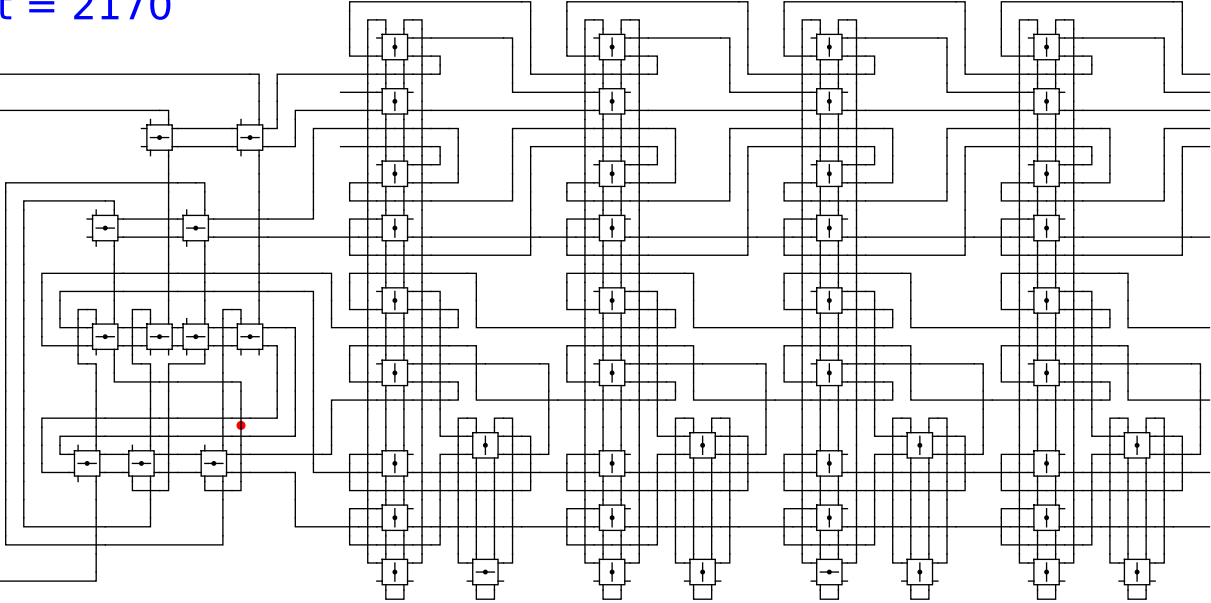


1 0 head 0 0

t = 2170

Reject
Accept

Begin

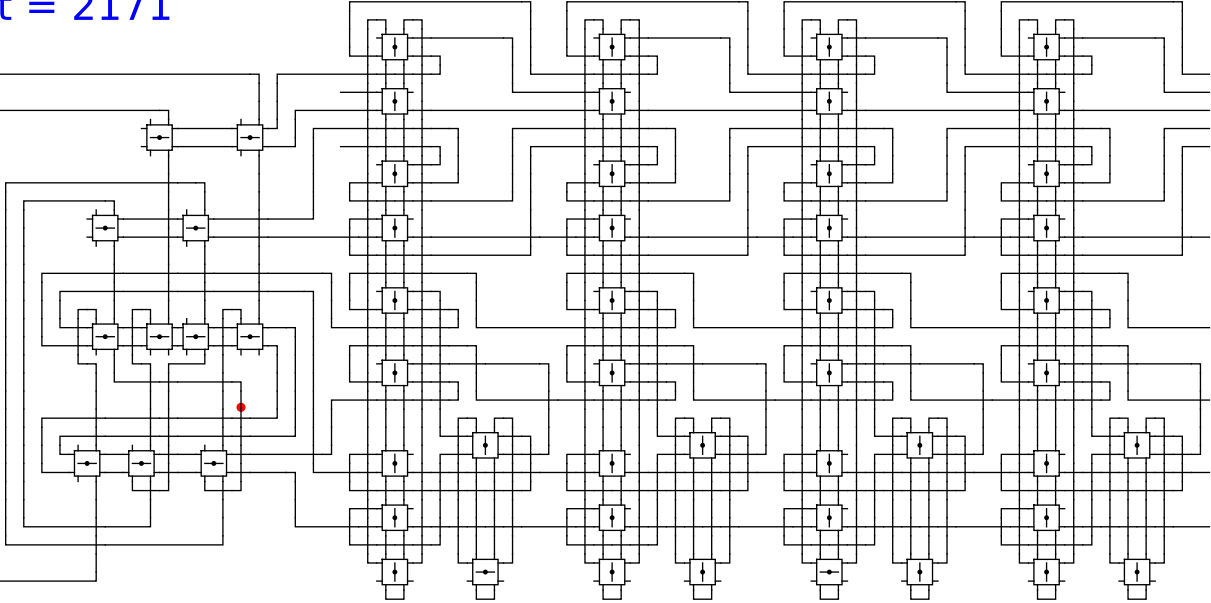


1 0 head 0 0

t = 2171

Reject
Accept

Begin



1

0

head

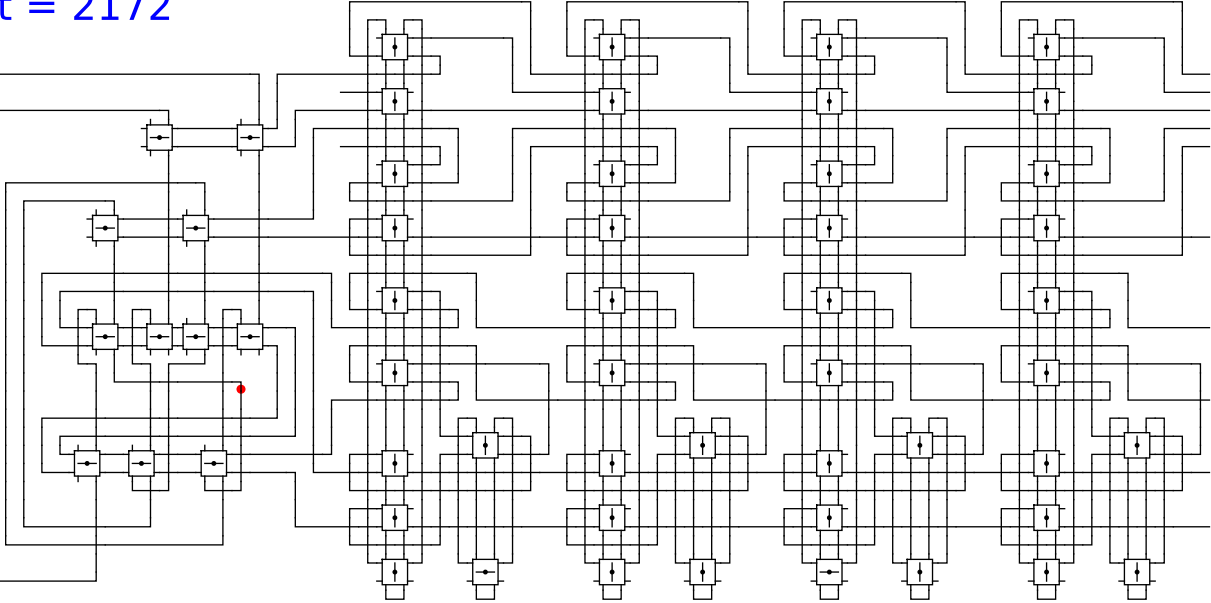
0

0

t = 2172

Reject
Accept

Begin

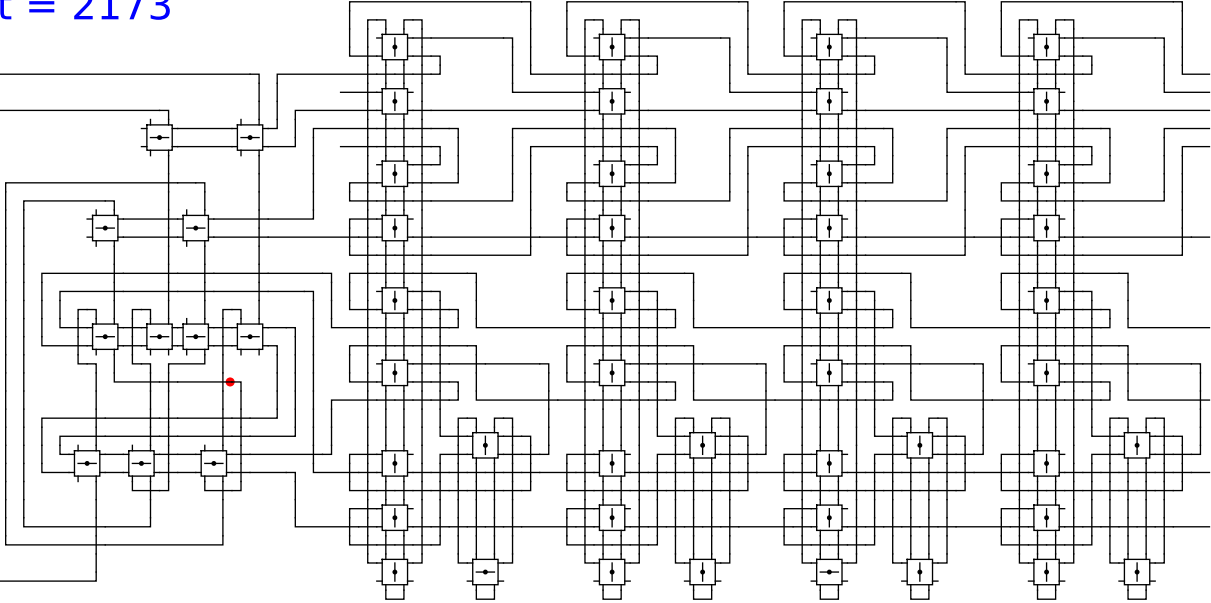


1 0 head 0 0

t = 2173

Reject
Accept

Begin

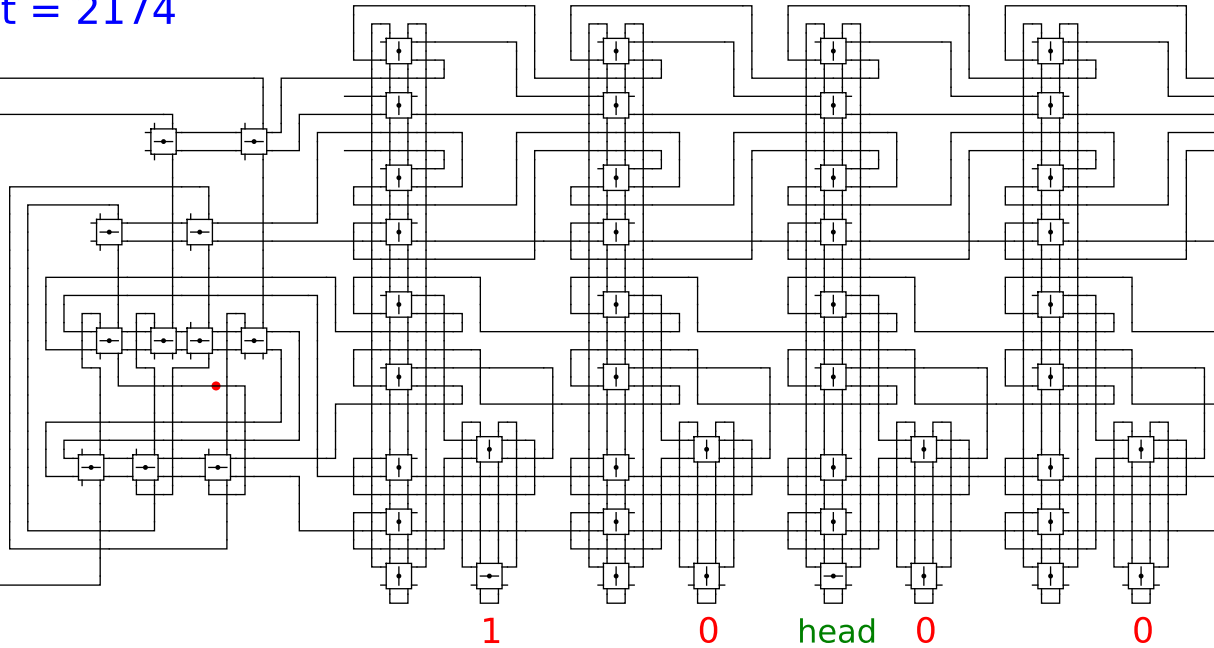


1 0 head 0 0

t = 2174

Reject
Accept

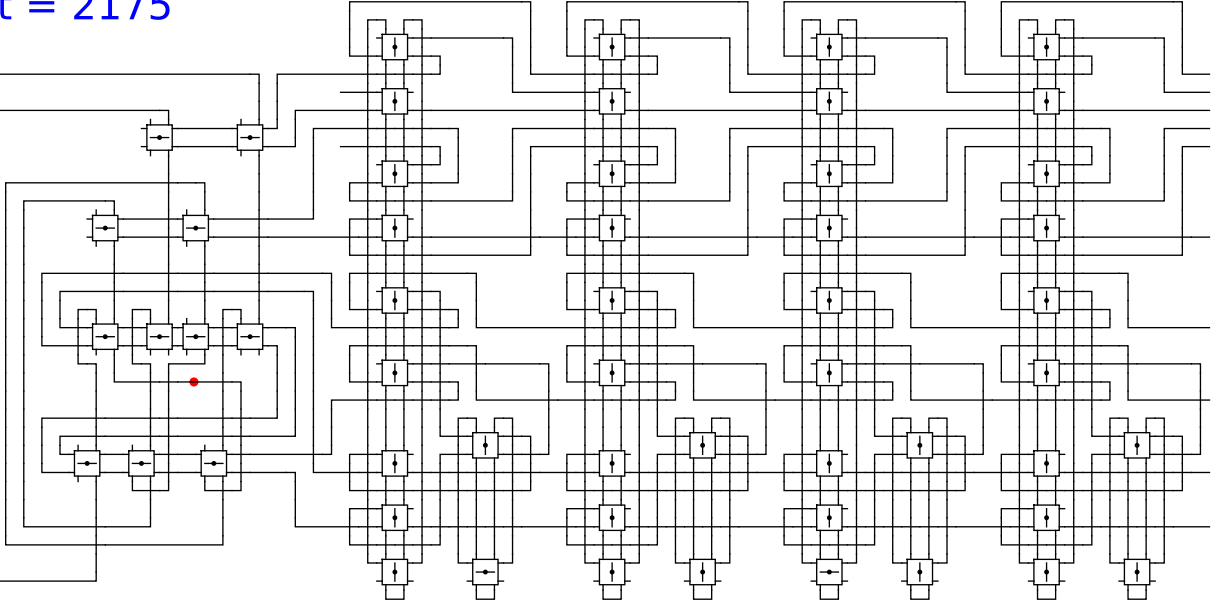
Begin



t = 2175

Reject
Accept

Begin



1

0

head

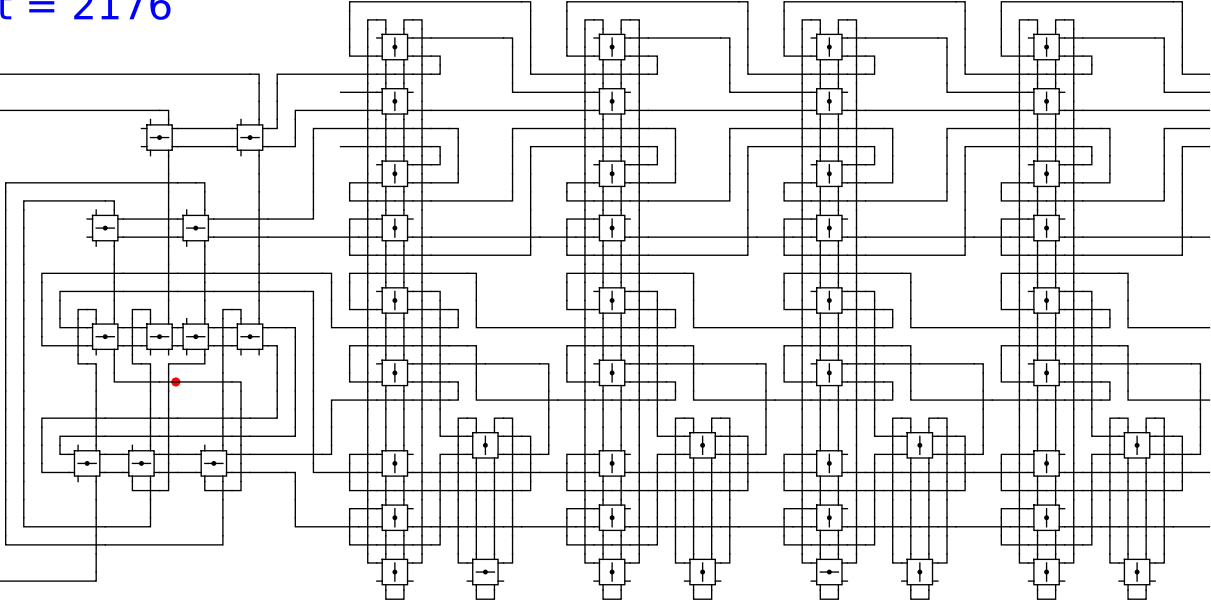
0

0

t = 2176

Reject
Accept

Begin

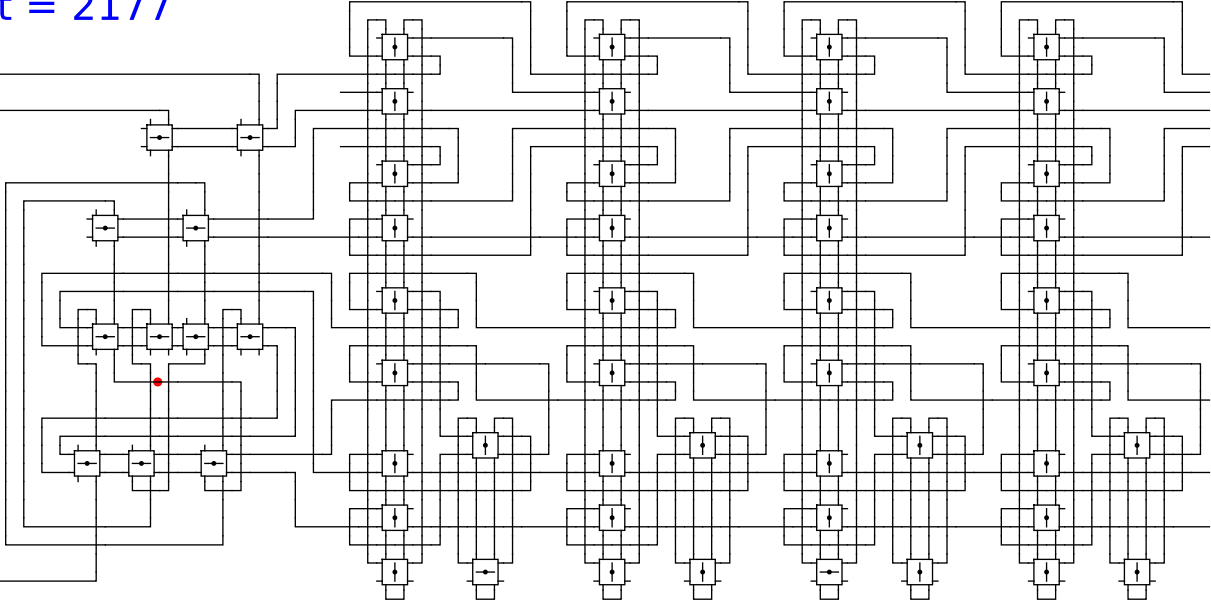


1 0 head 0 0

t = 2177

Reject
Accept

Begin

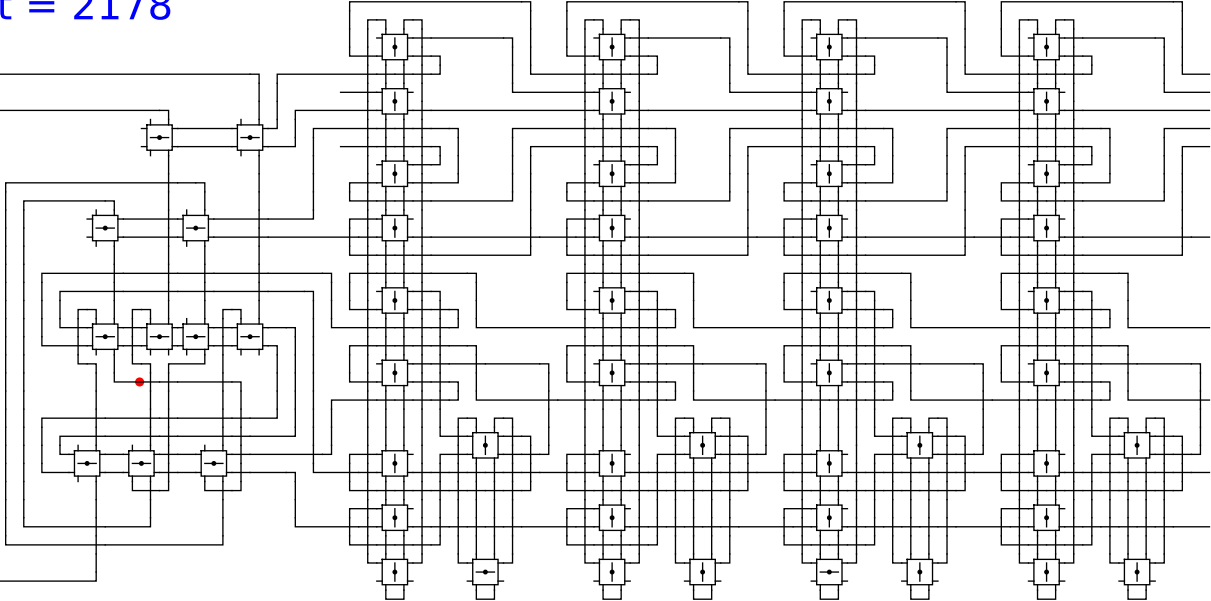


1 0 head 0 0

t = 2178

Reject
Accept

Begin

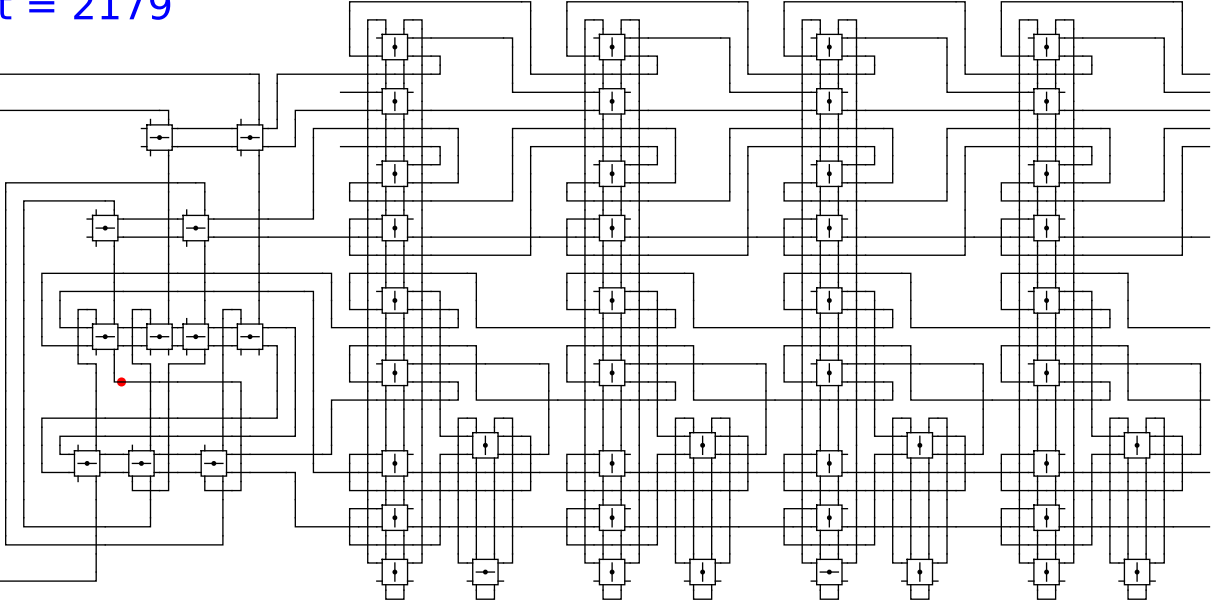


1 0 head 0 0

t = 2179

Reject
Accept

Begin

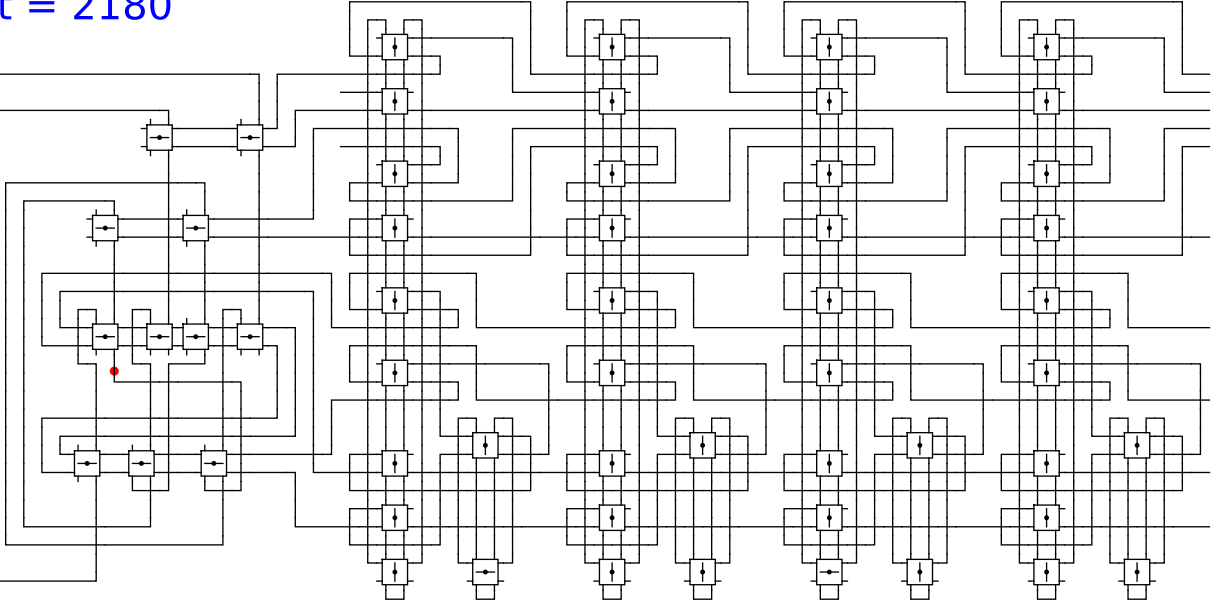


1 0 head 0 0

t = 2180

Reject
Accept

Begin



1

0

head

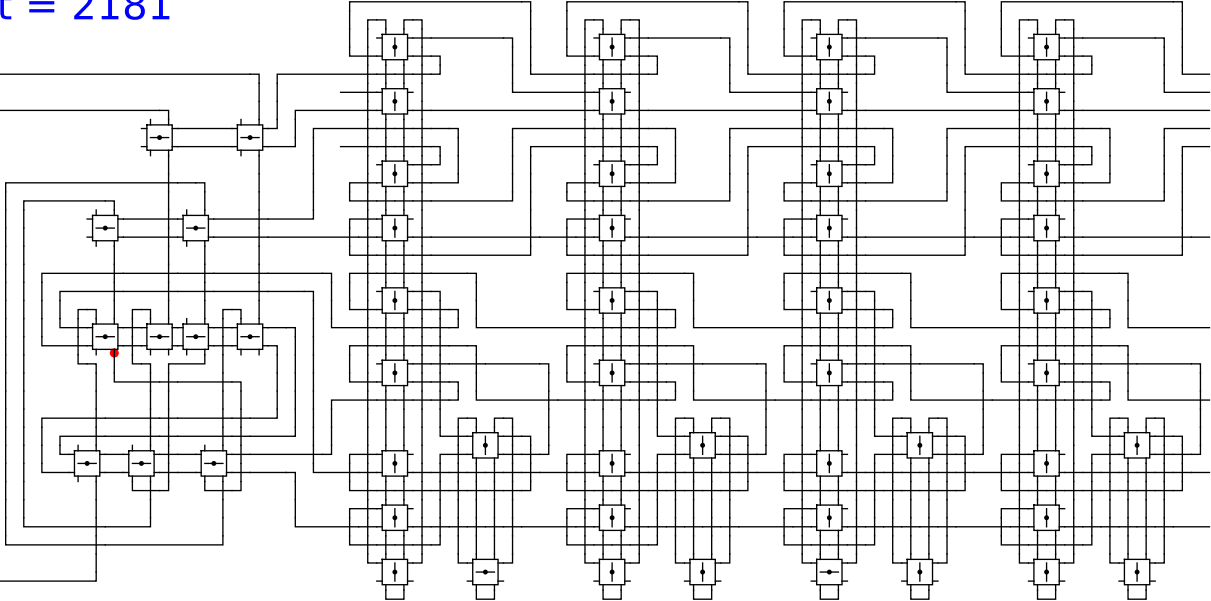
0

0

t = 2181

Reject
Accept

Begin



1

0

head

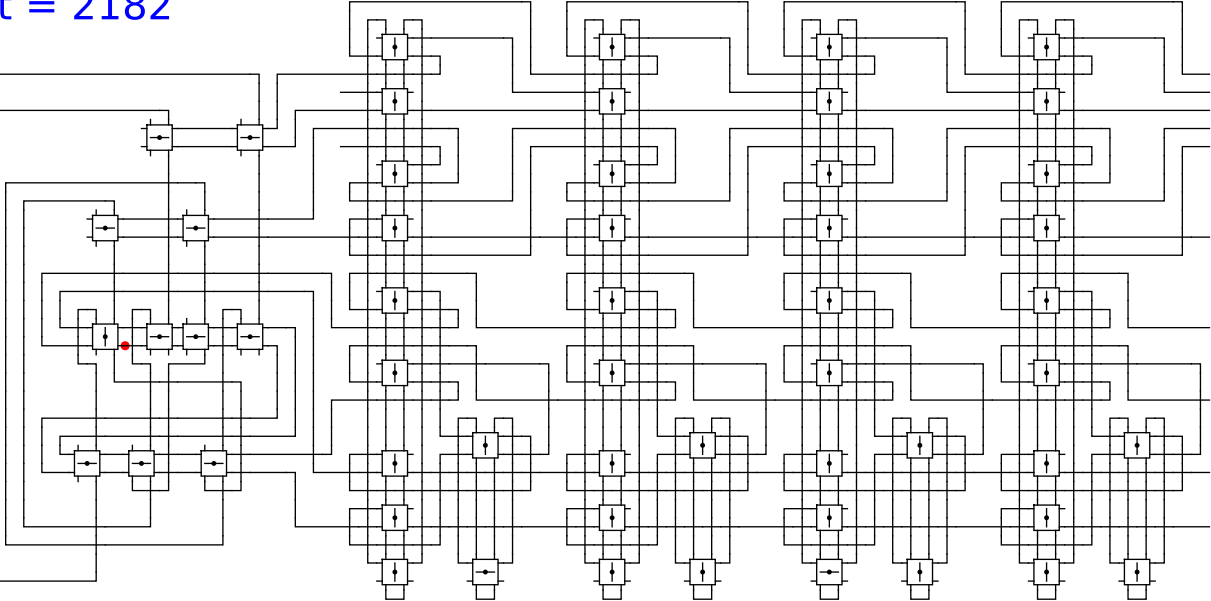
0

0

t = 2182

Reject
Accept

Begin

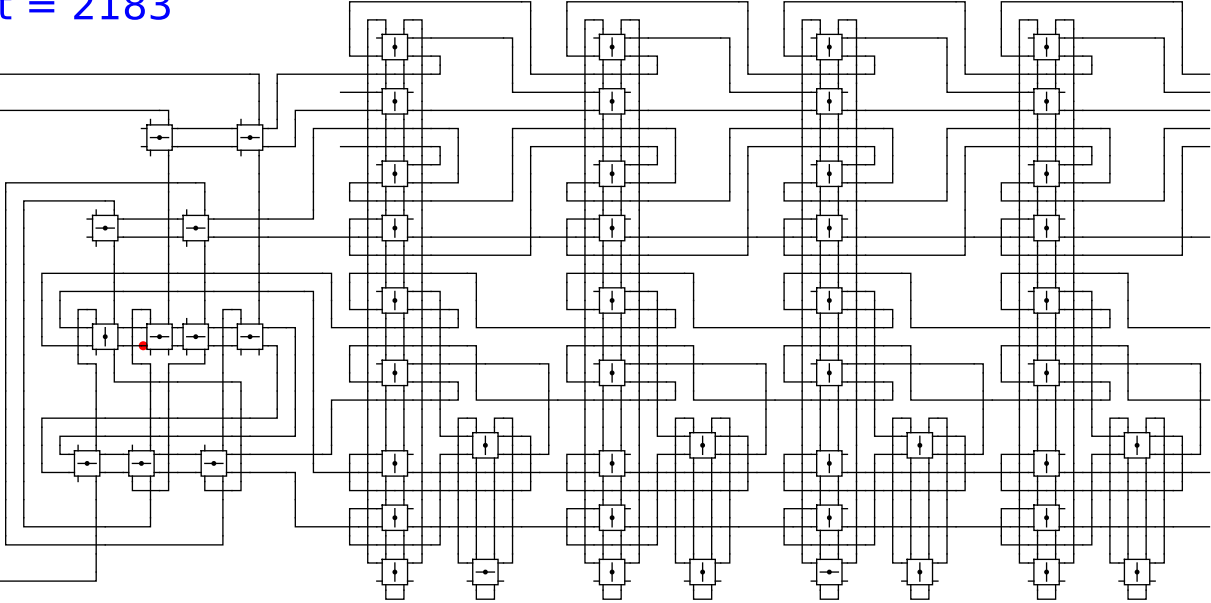


1 0 head 0 0

t = 2183

Reject
Accept

Begin



1

0

head

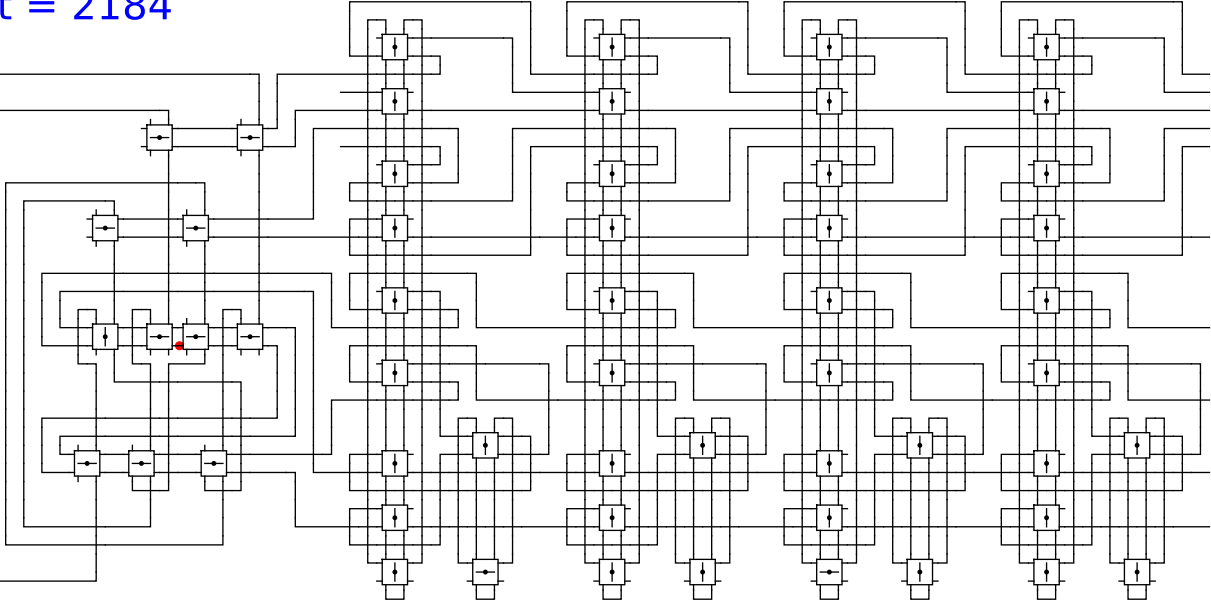
0

0

t = 2184

Reject
Accept

Begin

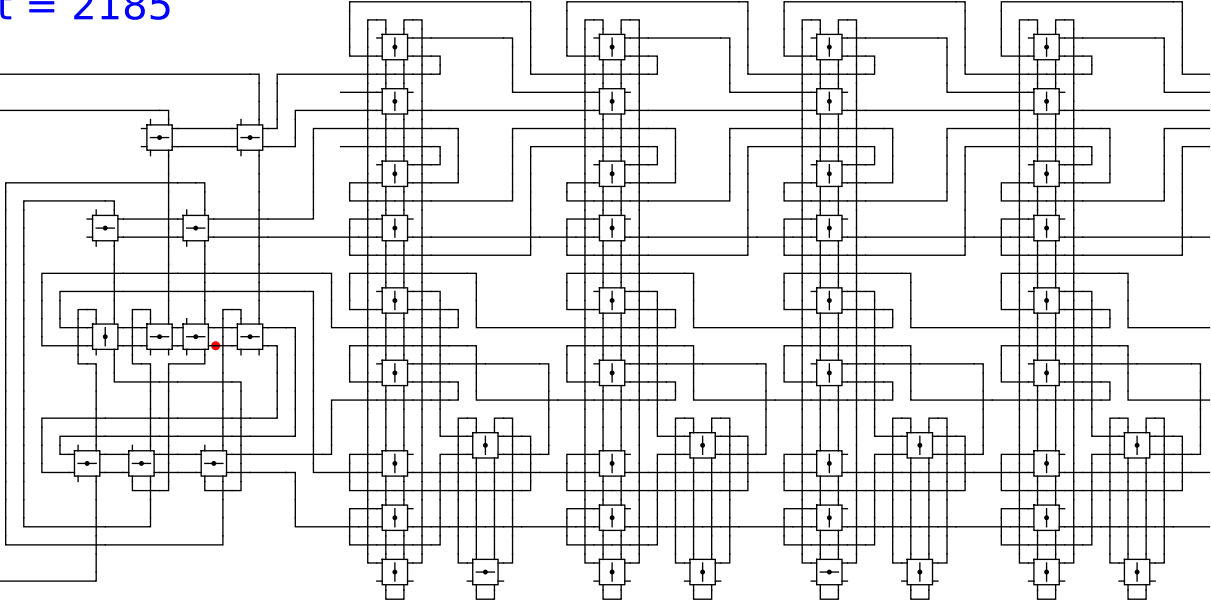


1 0 head 0 0

t = 2185

Reject
Accept

Begin

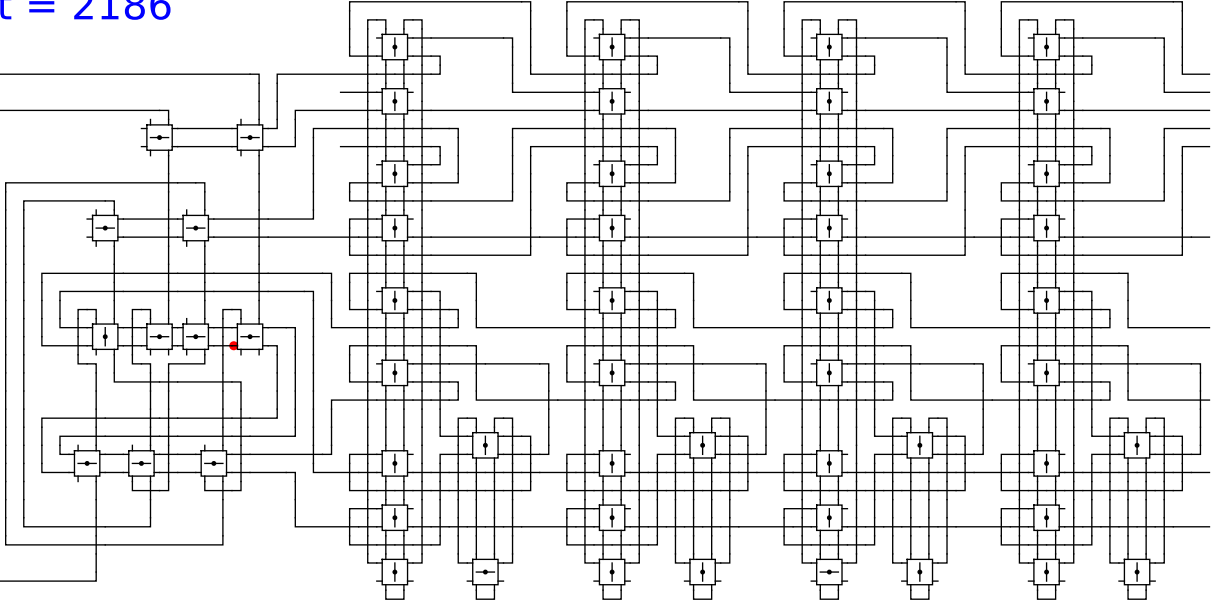


1 0 head 0 0

t = 2186

Reject
Accept

Begin

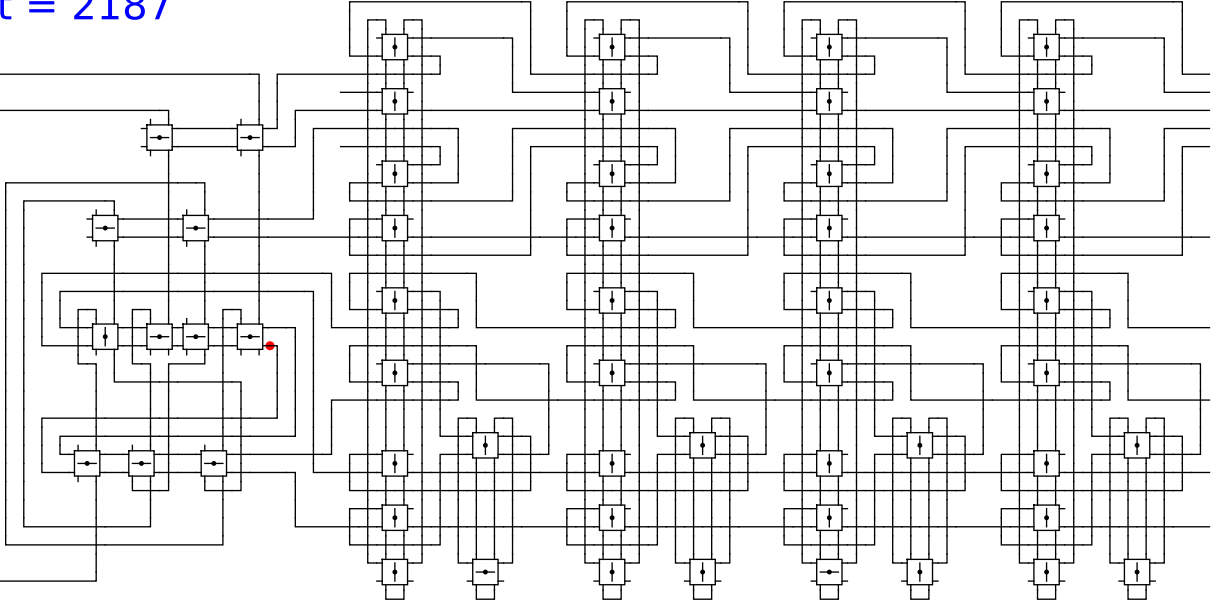


1 0 head 0 0

t = 2187

Reject
Accept

Begin

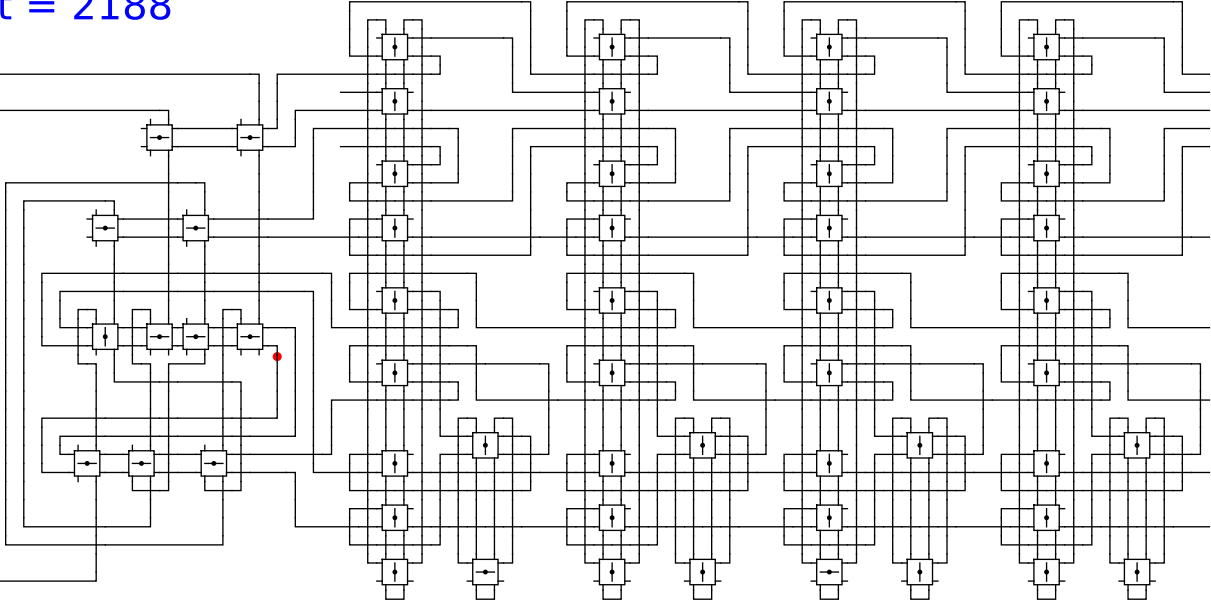


1 0 head 0 0

t = 2188

Reject
Accept

Begin



1

0

head

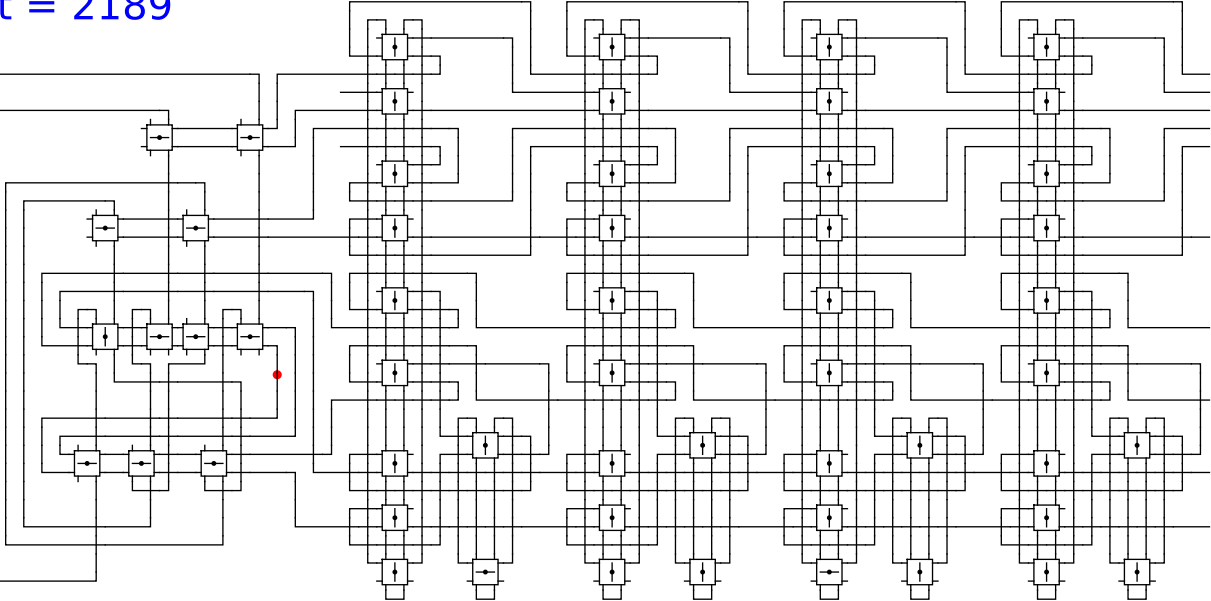
0

0

t = 2189

Reject
Accept

Begin



1

0

head

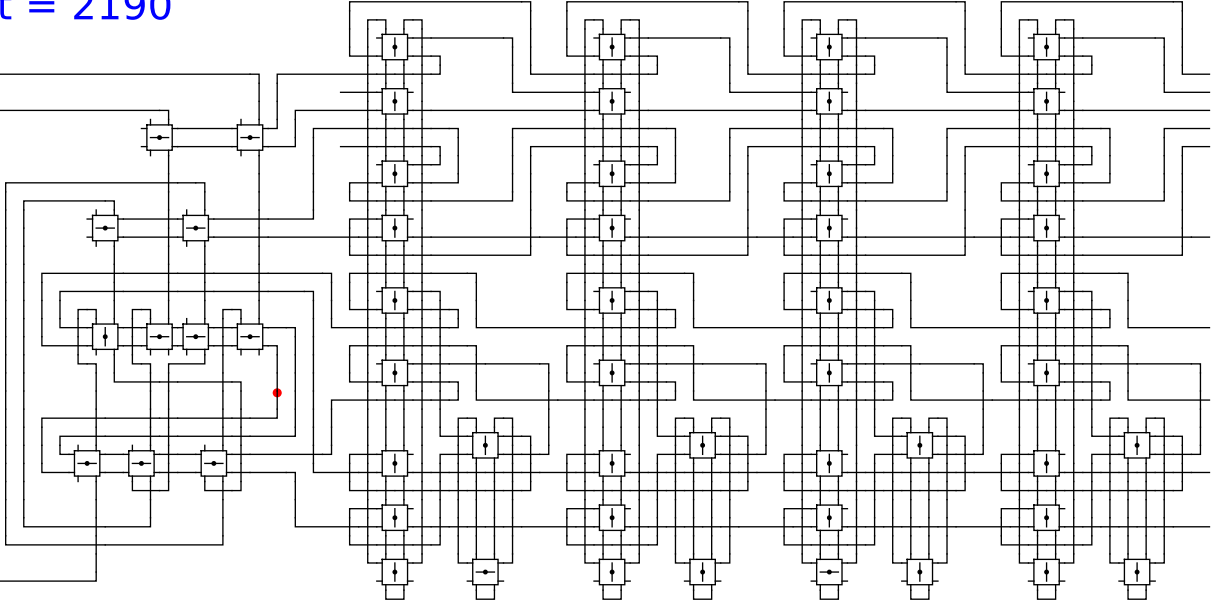
0

0

t = 2190

Reject
Accept

Begin

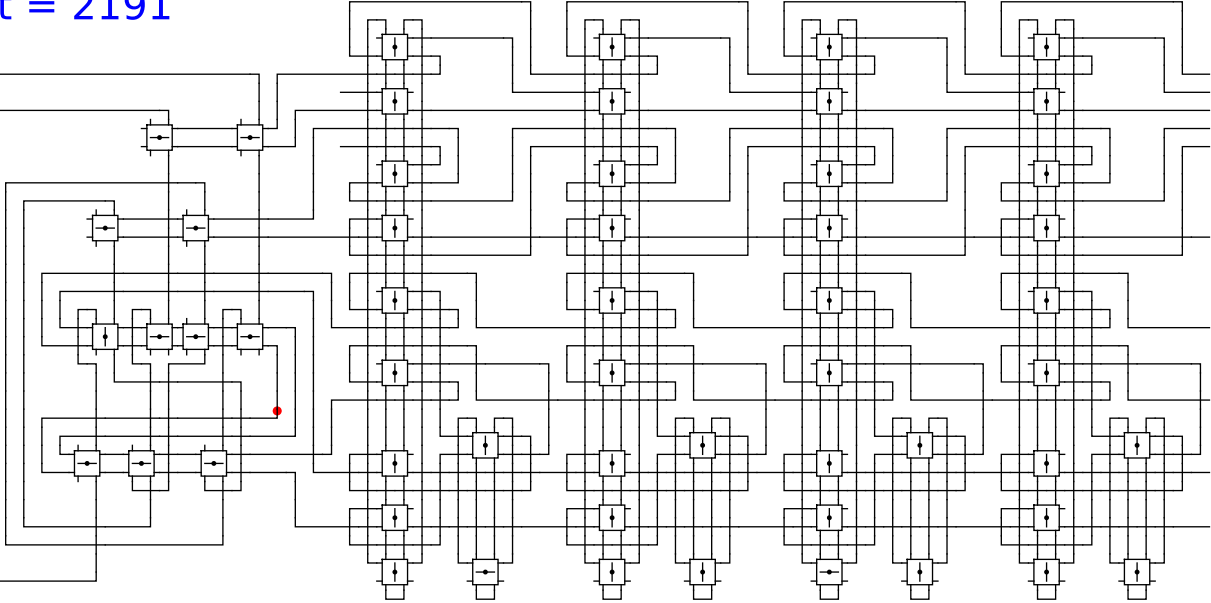


1 0 head 0 0

t = 2191

Reject
Accept

Begin

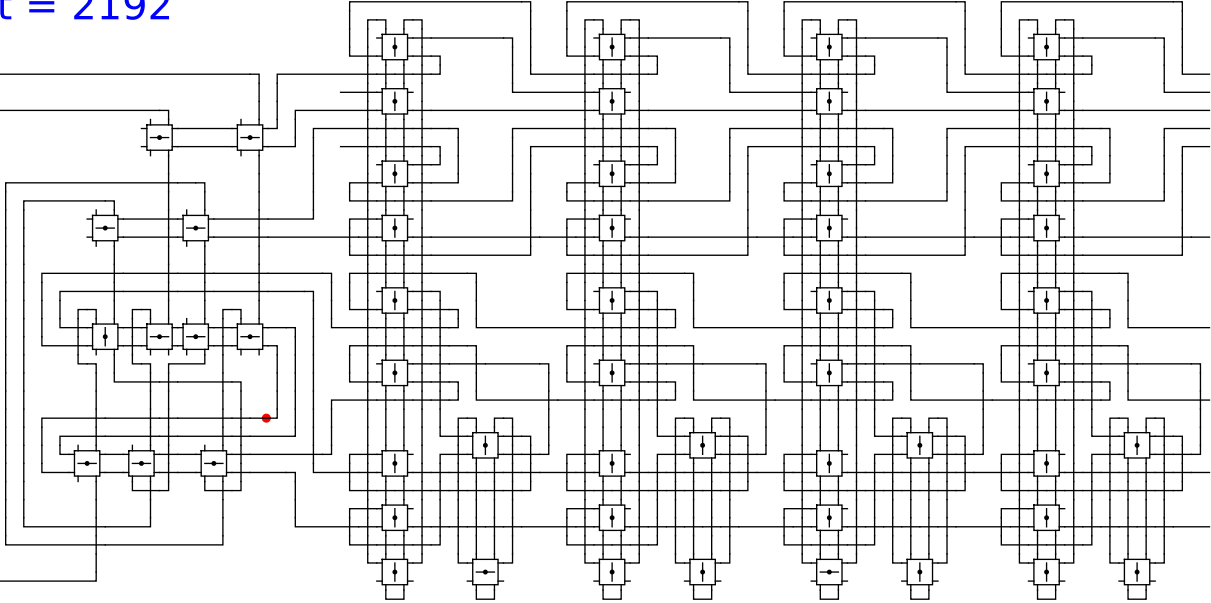


1 0 head 0 0

t = 2192

Reject
Accept

Begin



1

0

head

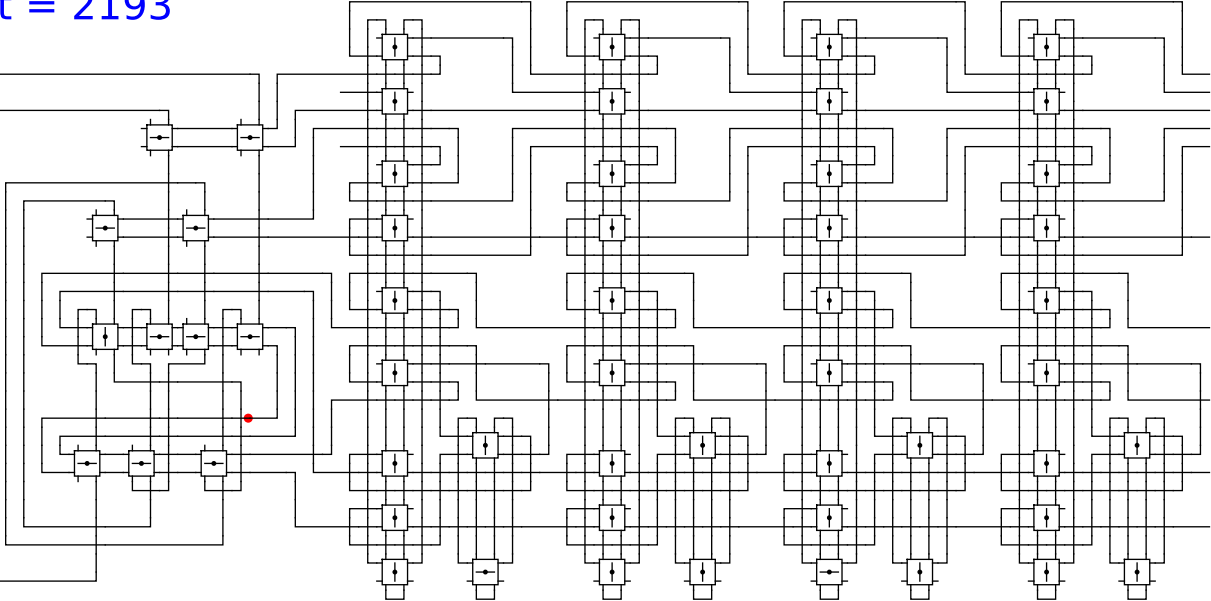
0

0

t = 2193

Reject
Accept

Begin

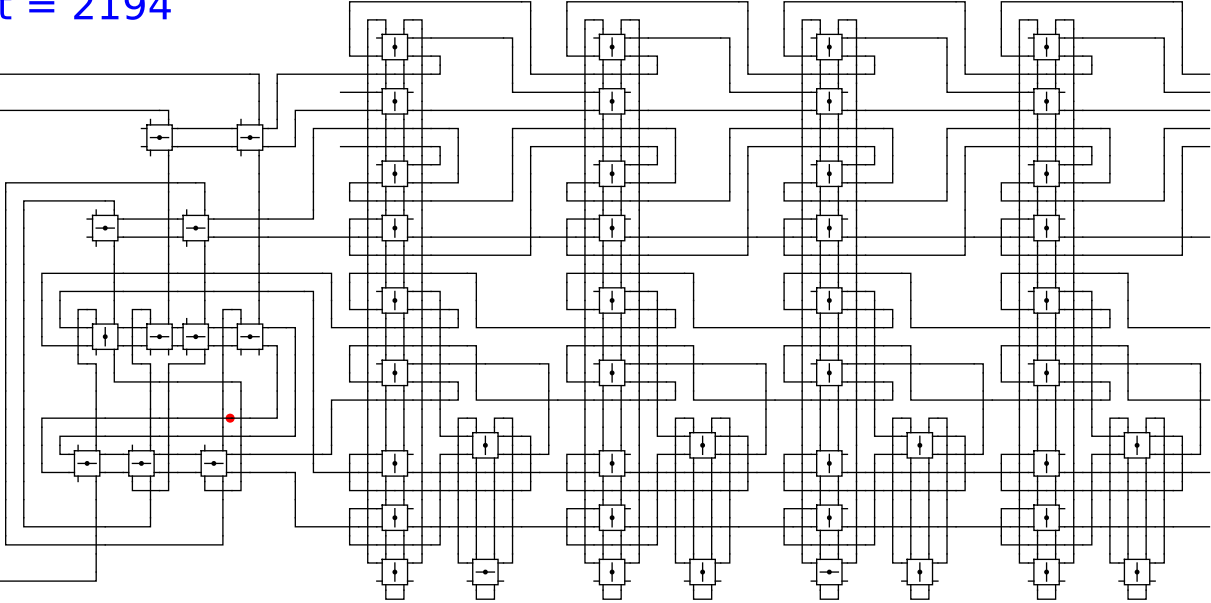


1 0 head 0 0

t = 2194

Reject
Accept

Begin

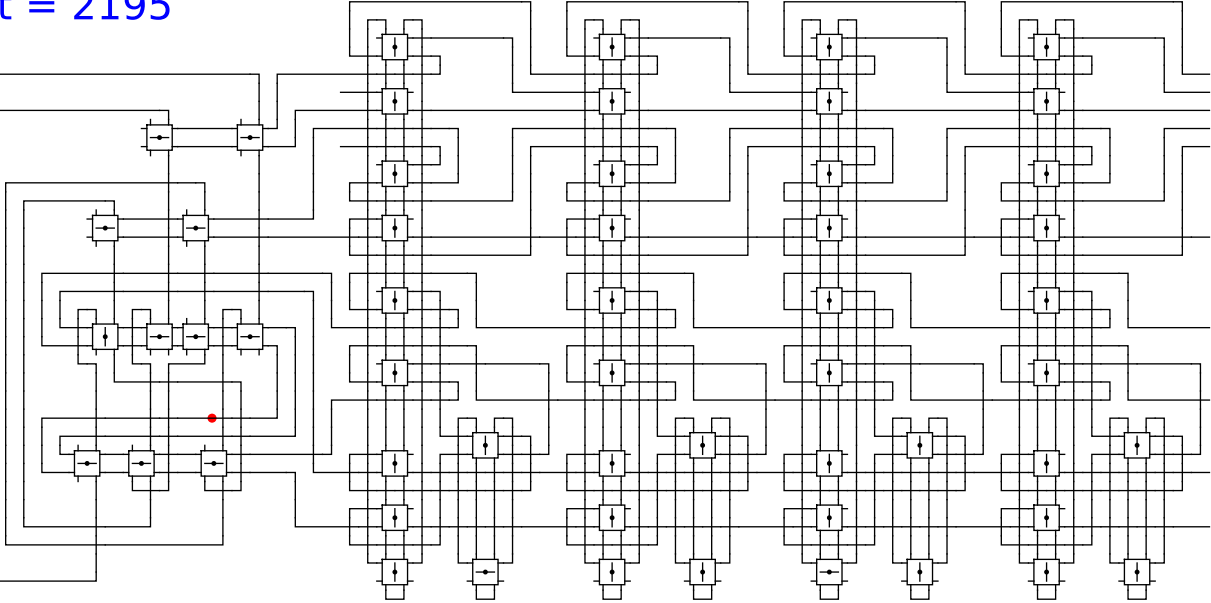


1 0 head 0 0

t = 2195

Reject
Accept

Begin

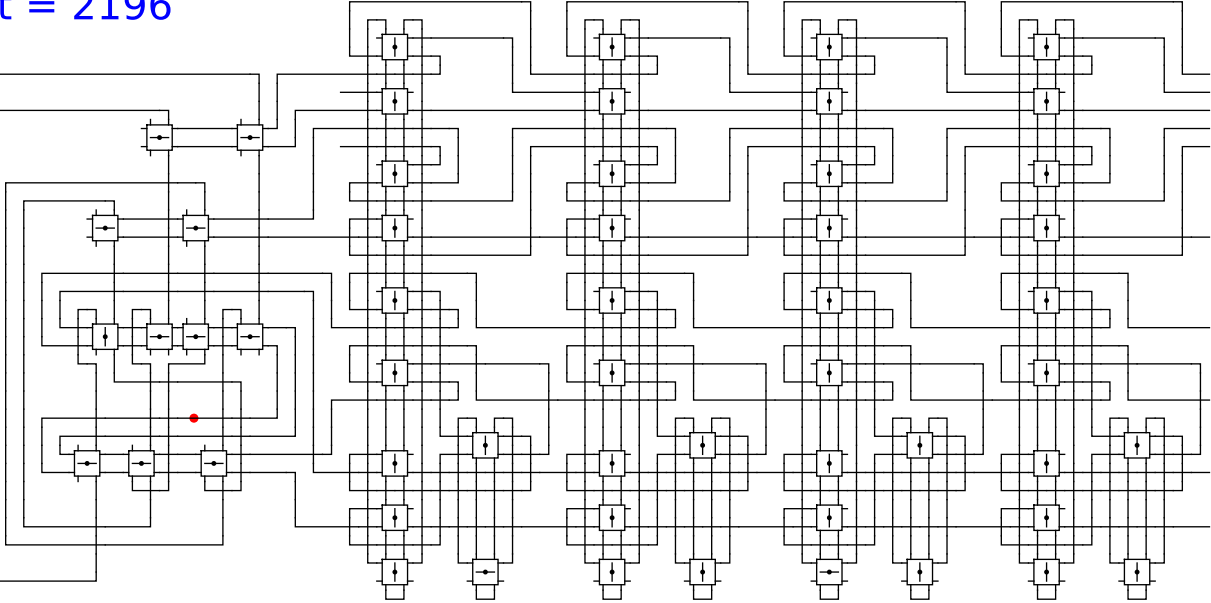


1 0 head 0 0

t = 2196

Reject
Accept

Begin

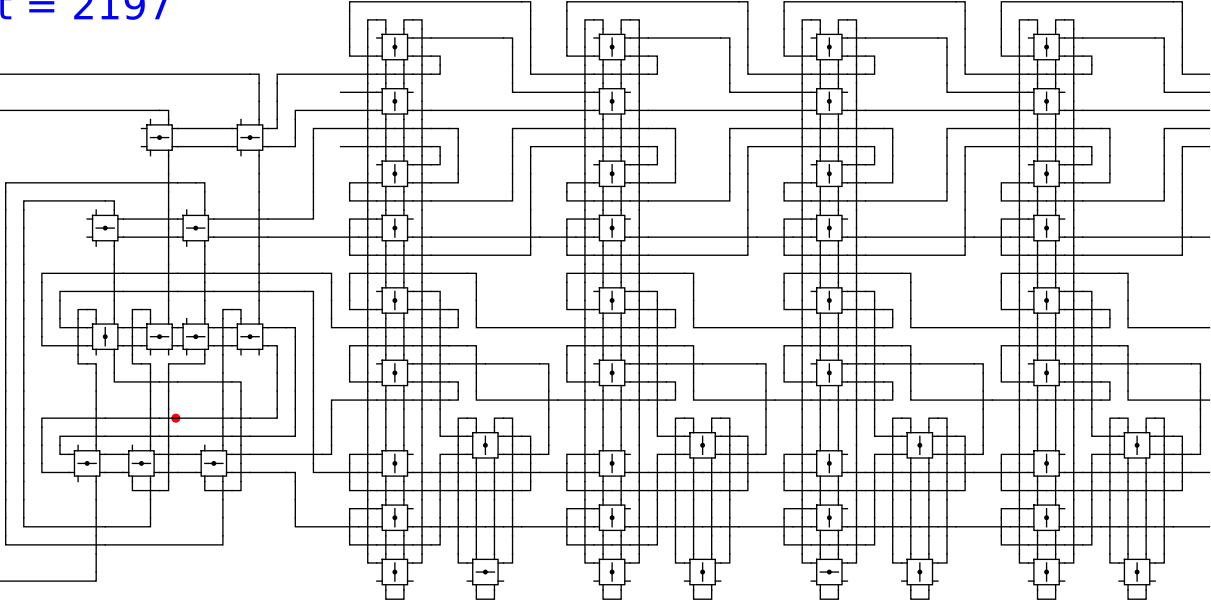


1 0 head 0 0

t = 2197

Reject
Accept

Begin



1

0

head

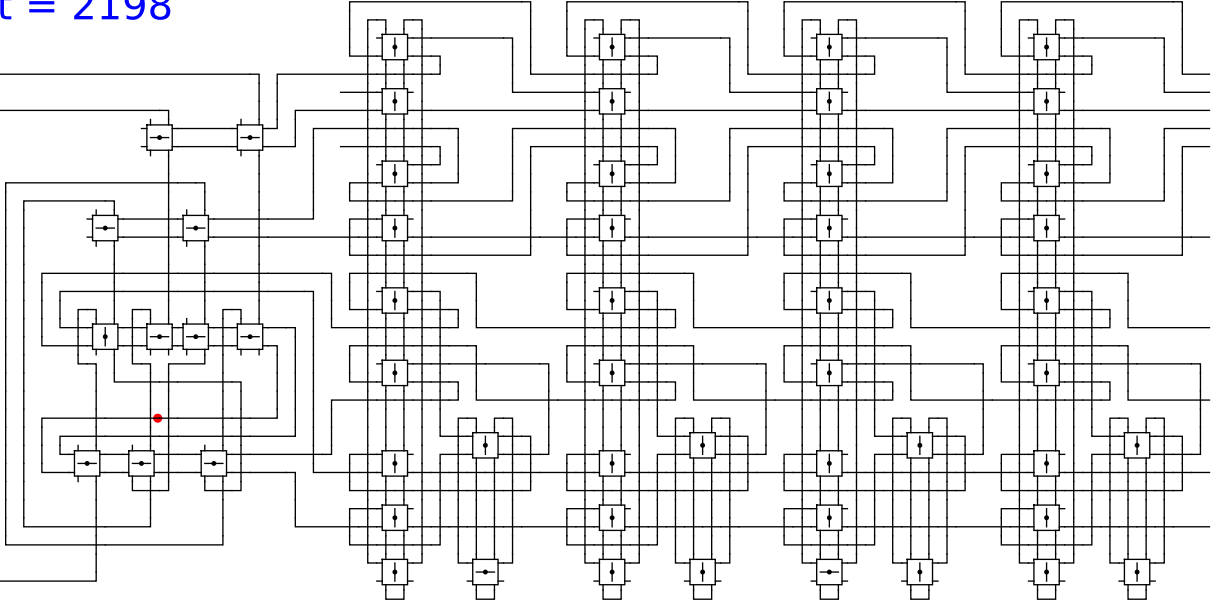
0

0

t = 2198

Reject
Accept

Begin

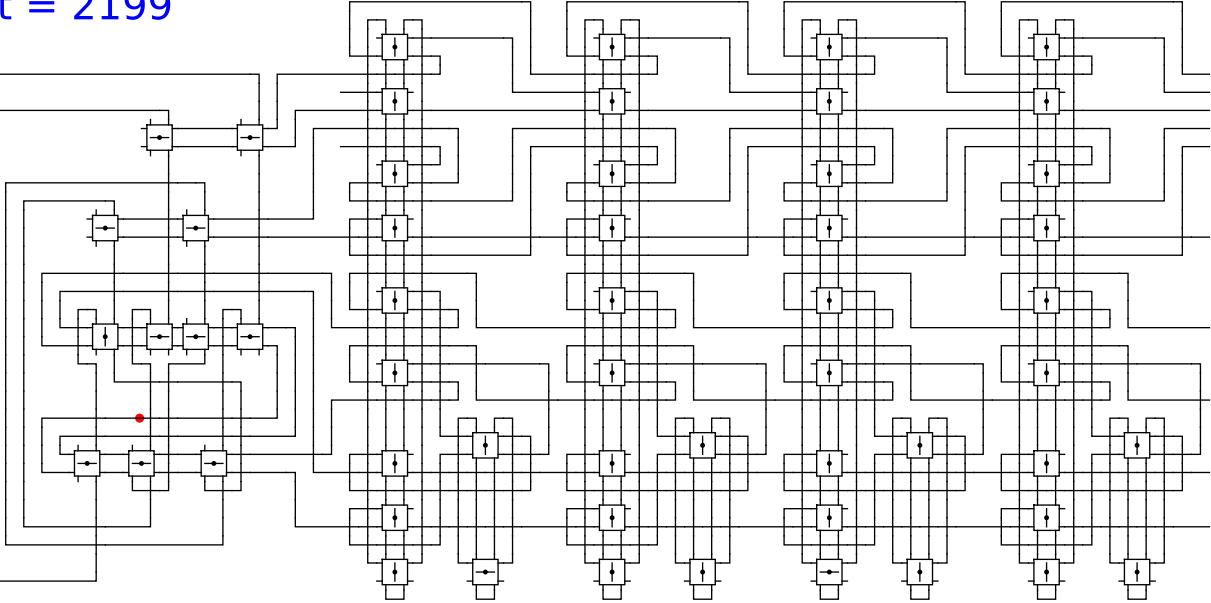


1 0 head 0 0

t = 2199

Reject
Accept

Begin

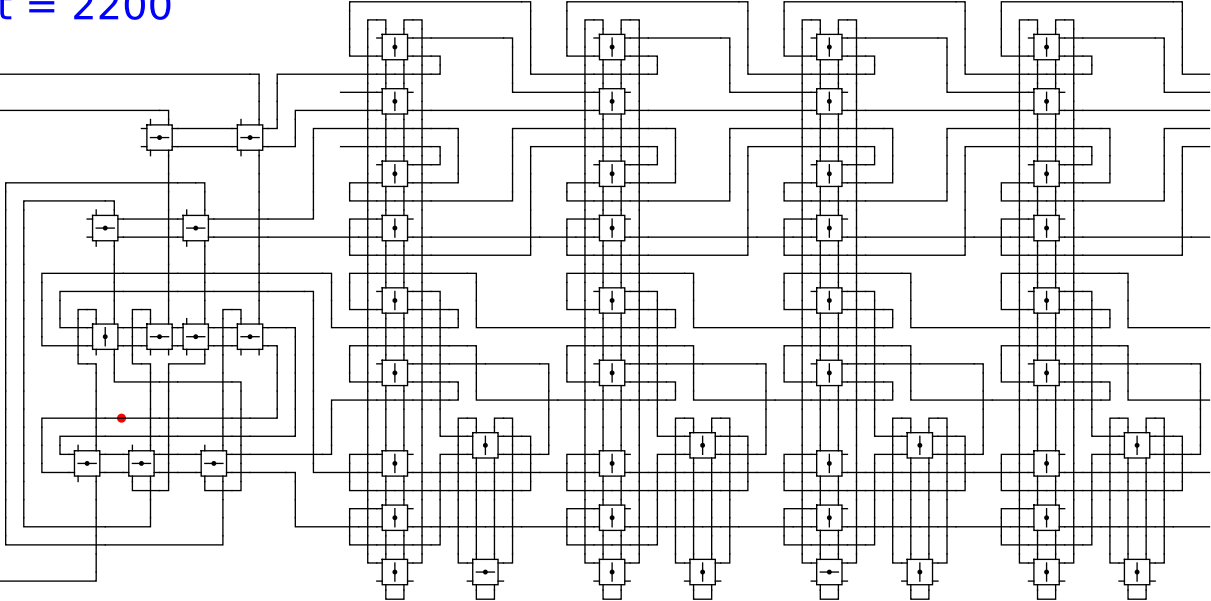


1 0 head 0 0

t = 2200

Reject
Accept

Begin



1

0

head

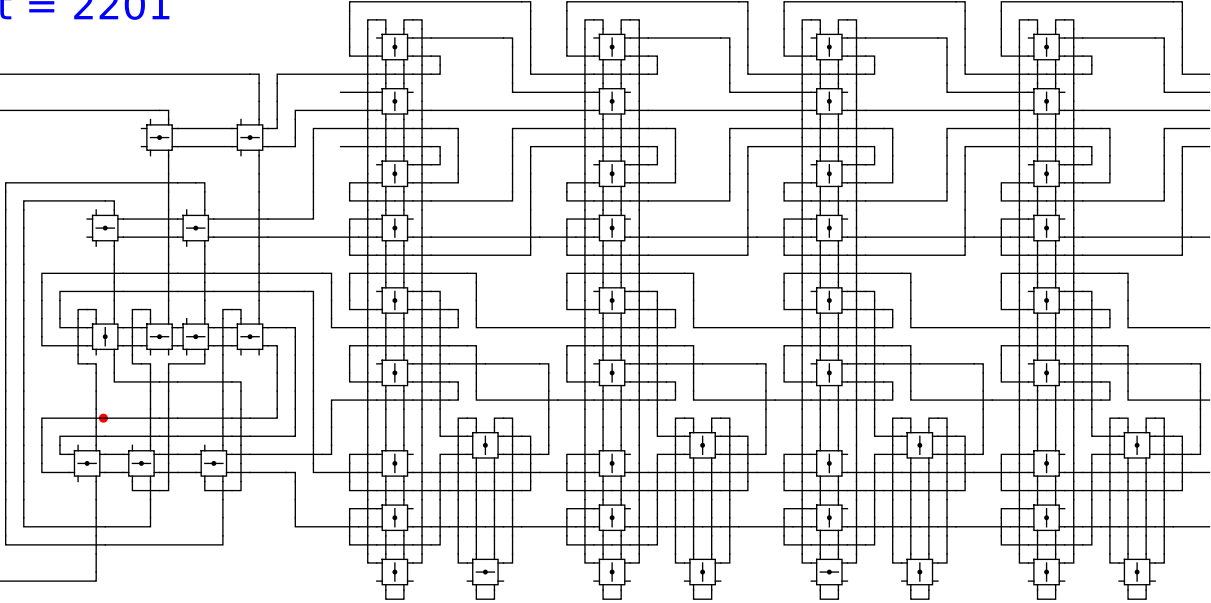
0

0

t = 2201

Reject
Accept

Begin

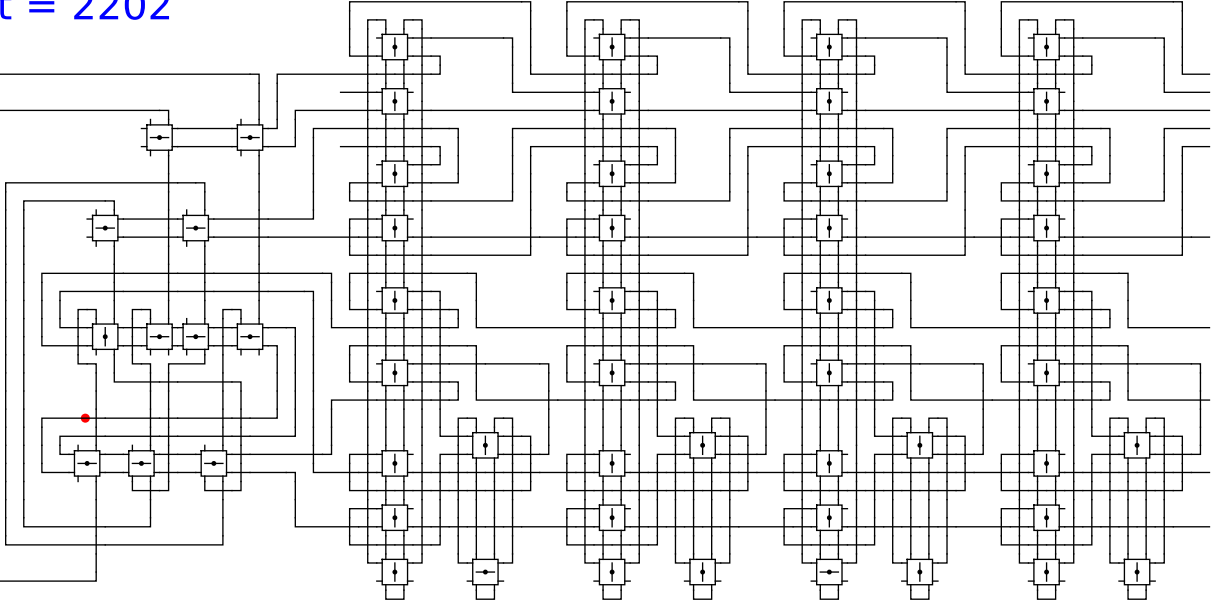


1 0 head 0 0

t = 2202

Reject
Accept

Begin

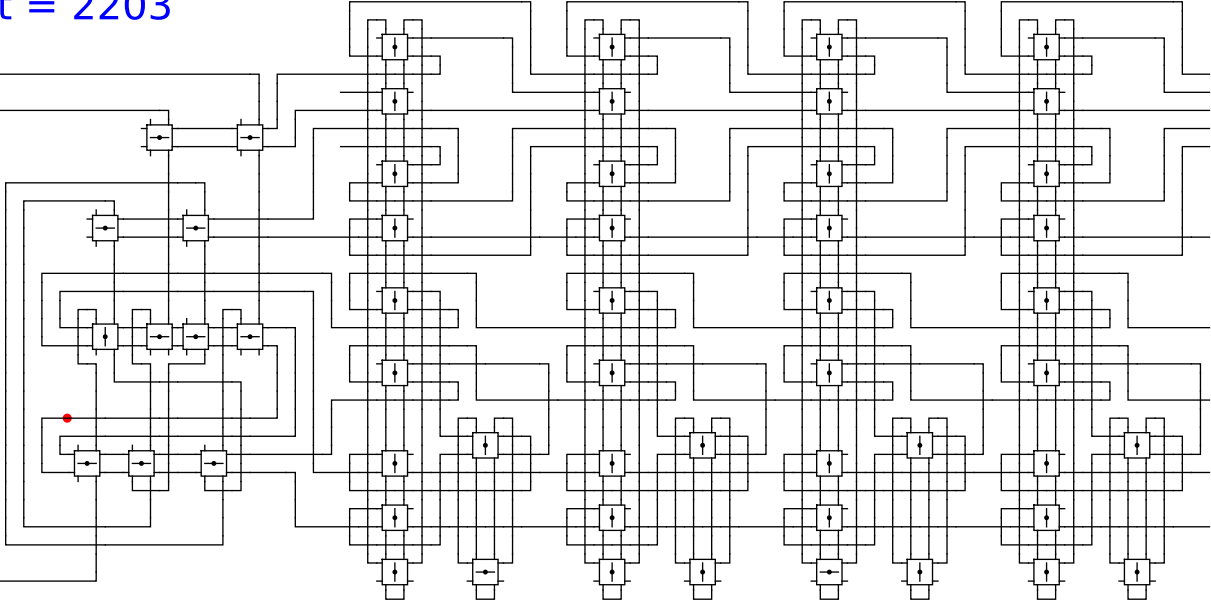


1 0 head 0 0

t = 2203

Reject
Accept

Begin

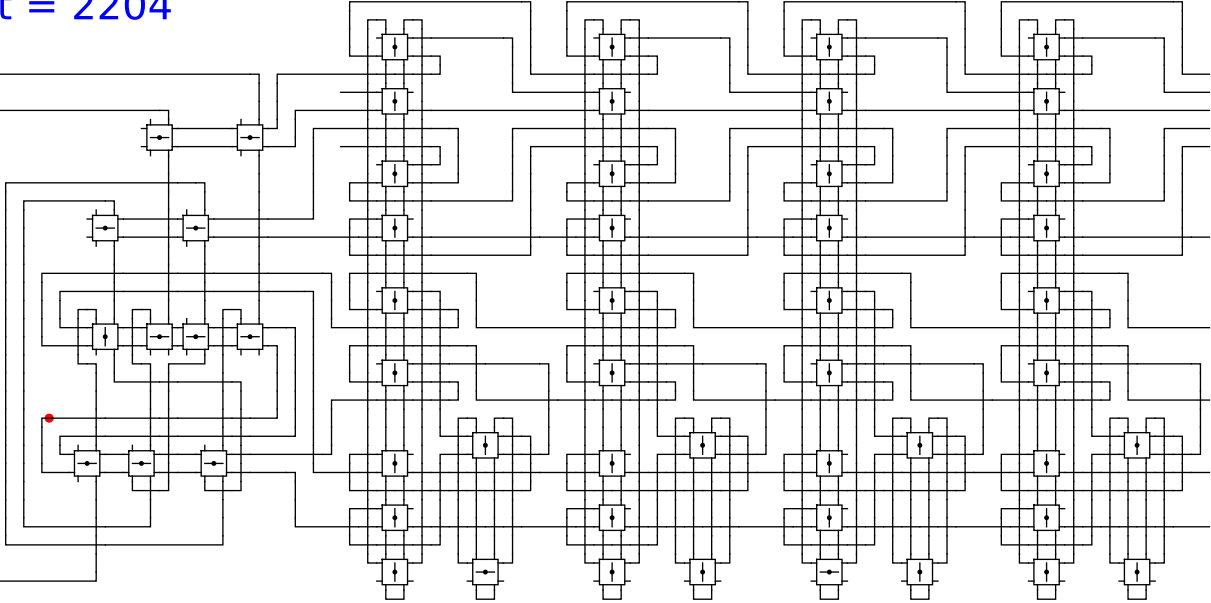


1 0 head 0 0

t = 2204

Reject
Accept

Begin

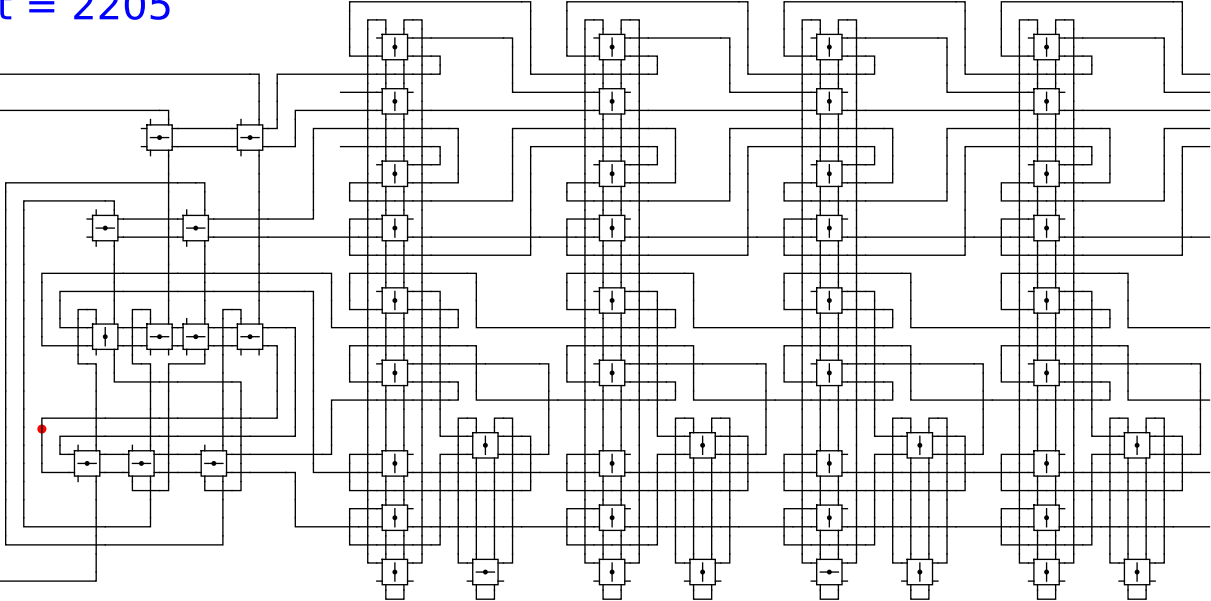


1 0 head 0 0

t = 2205

Reject
Accept

Begin

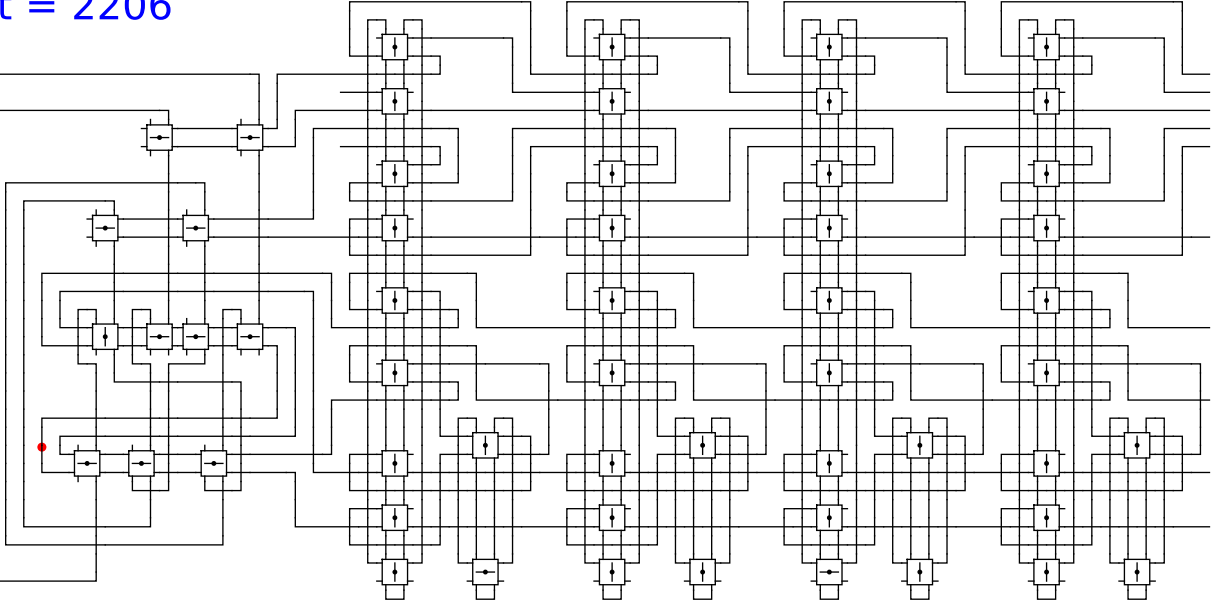


1 0 head 0 0

t = 2206

Reject
Accept

Begin

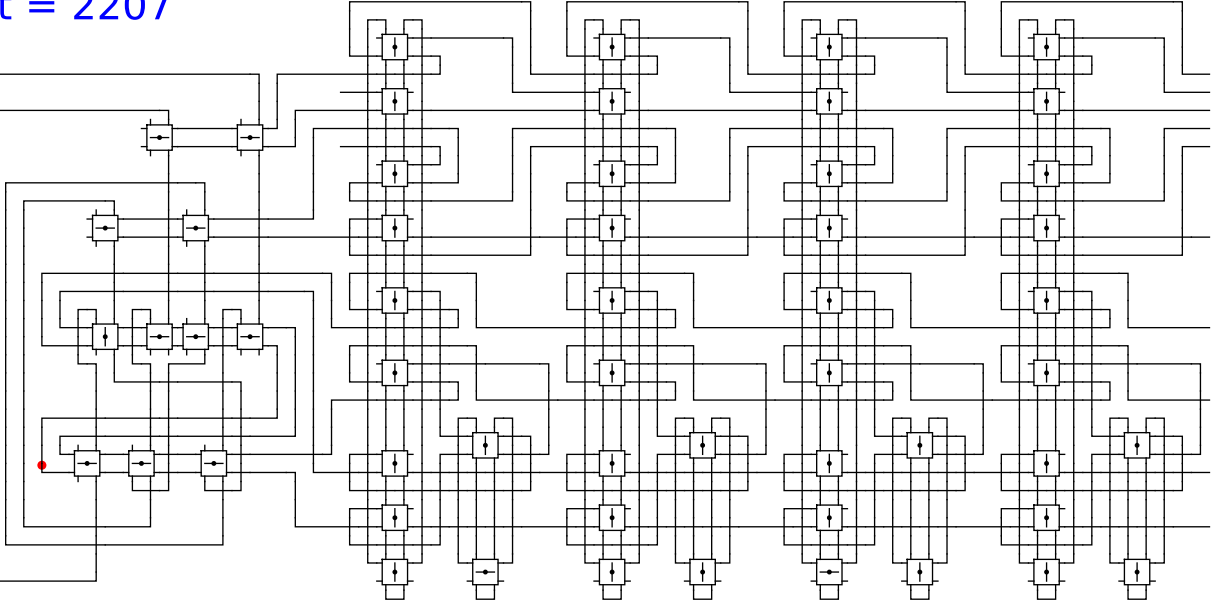


1 0 head 0 0

t = 2207

Reject
Accept

Begin

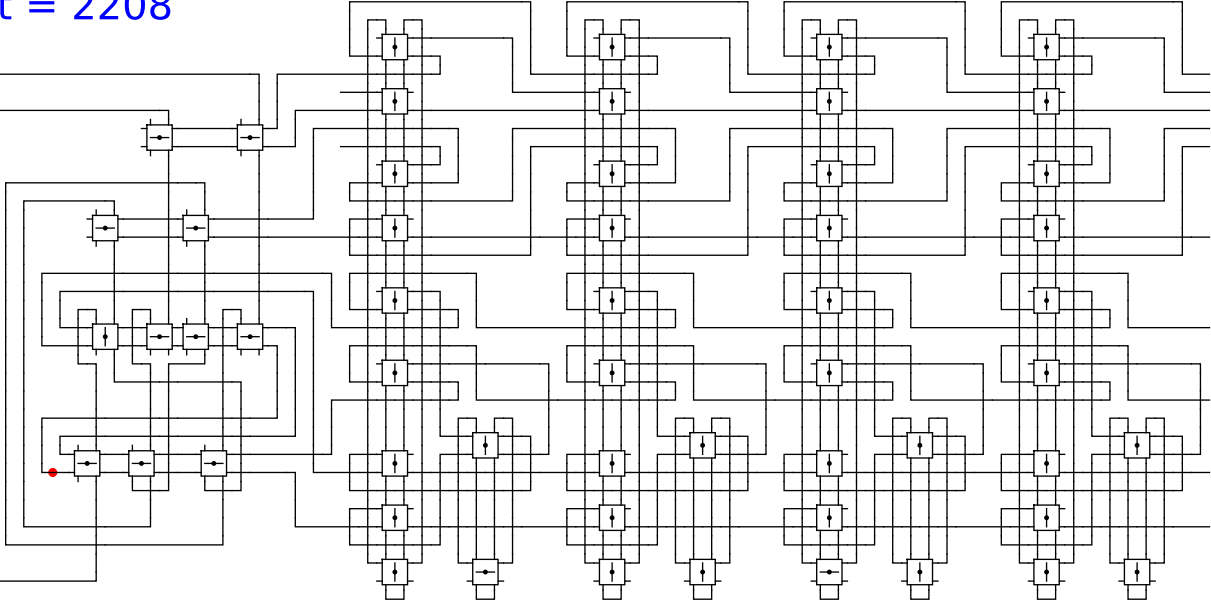


1 0 head 0 0

t = 2208

Reject
Accept

Begin

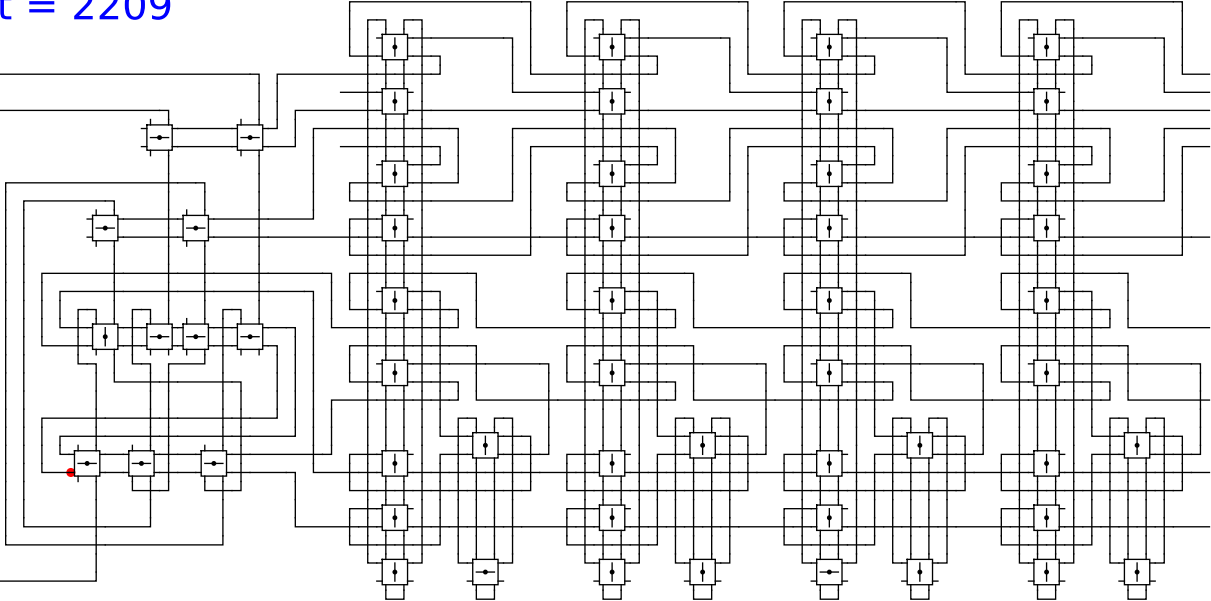


1 0 head 0 0

t = 2209

Reject
Accept

Begin

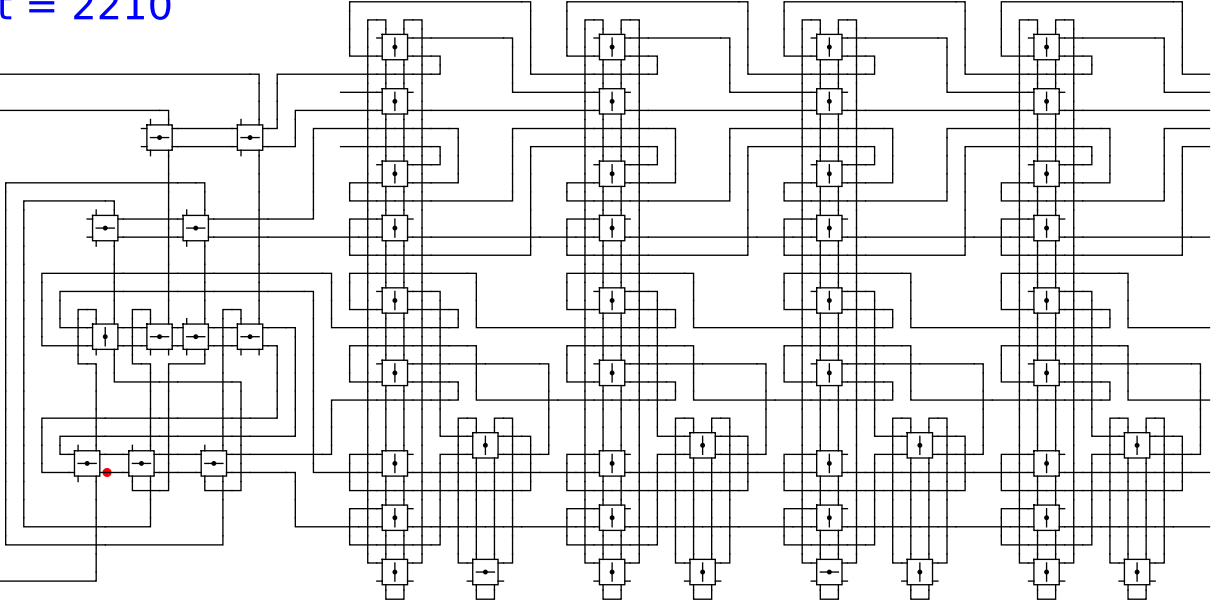


1 0 head 0 0

t = 2210

Reject
Accept

Begin



1

0

head

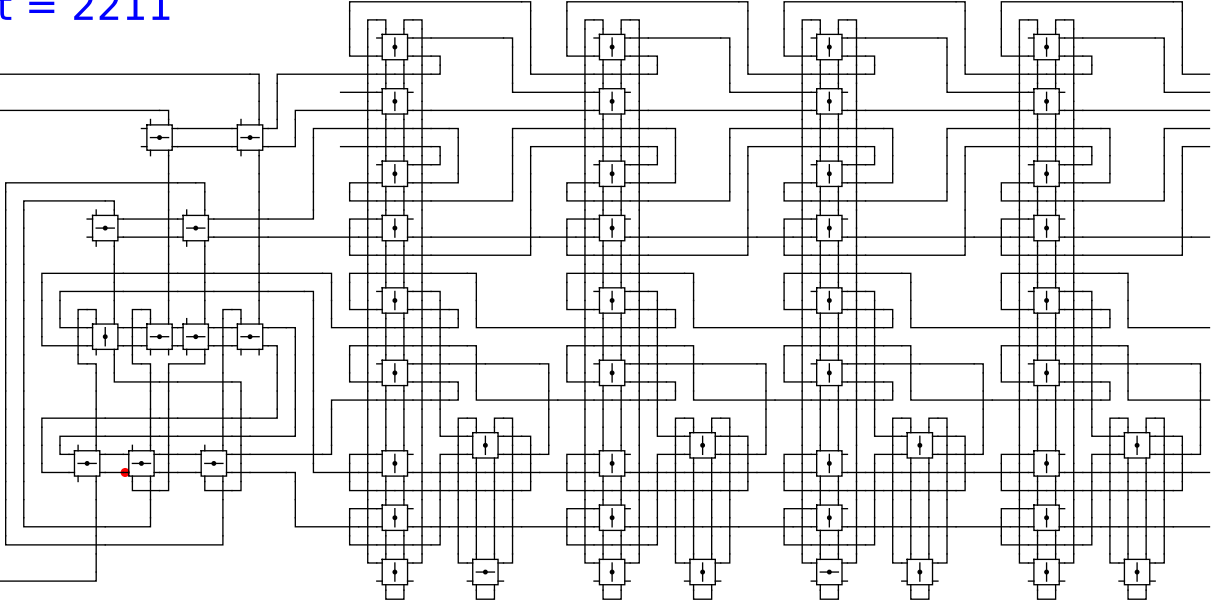
0

0

t = 2211

Reject
Accept

Begin

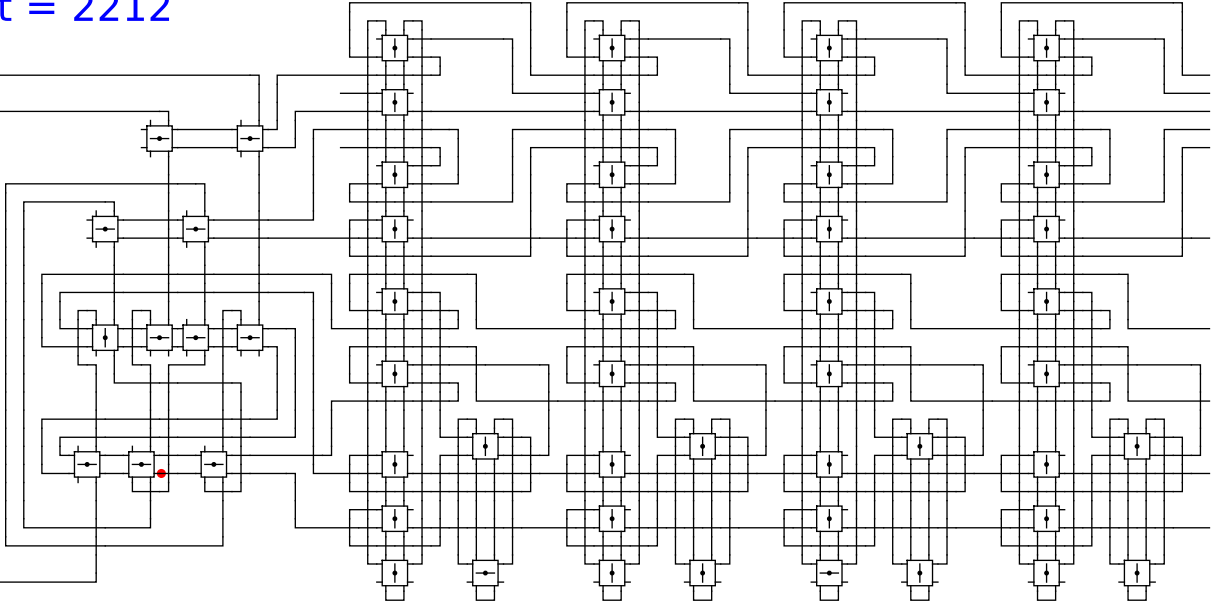


1 0 head 0 0

t = 2212

Reject
Accept

Begin



1

0

head

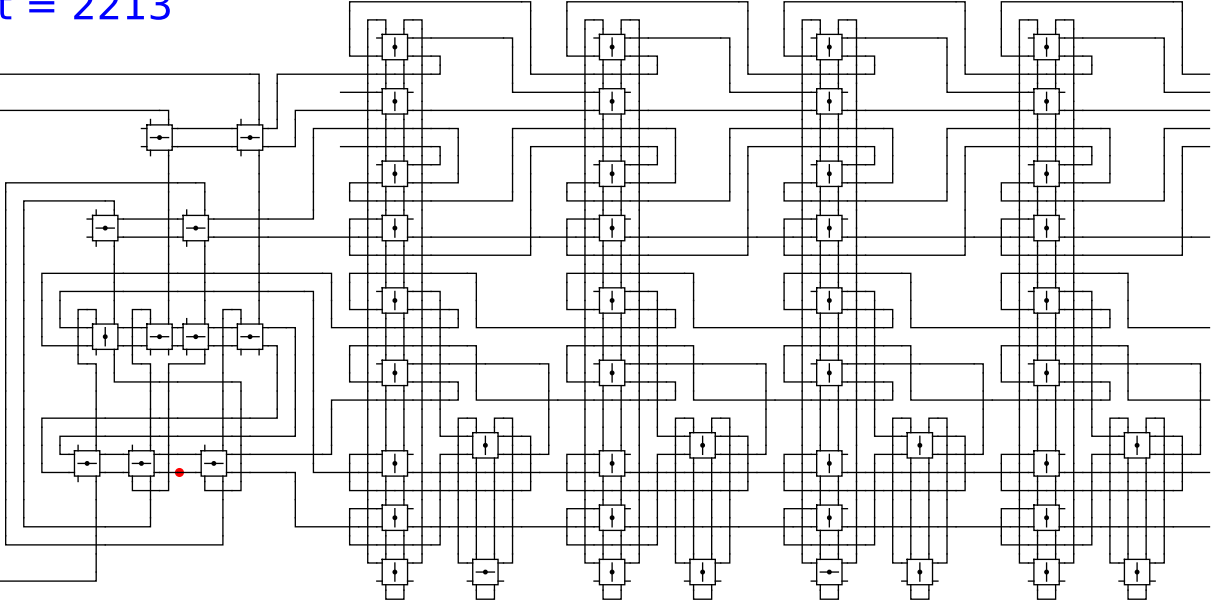
0

0

t = 2213

Reject
Accept

Begin

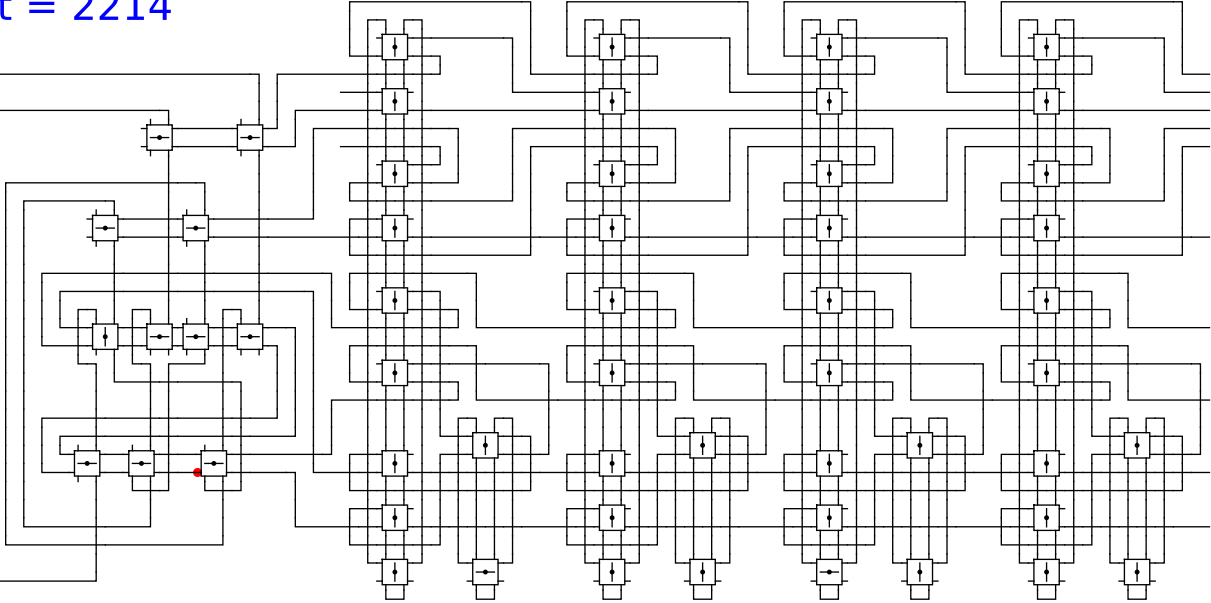


1 0 head 0 0

t = 2214

Reject
Accept

Begin

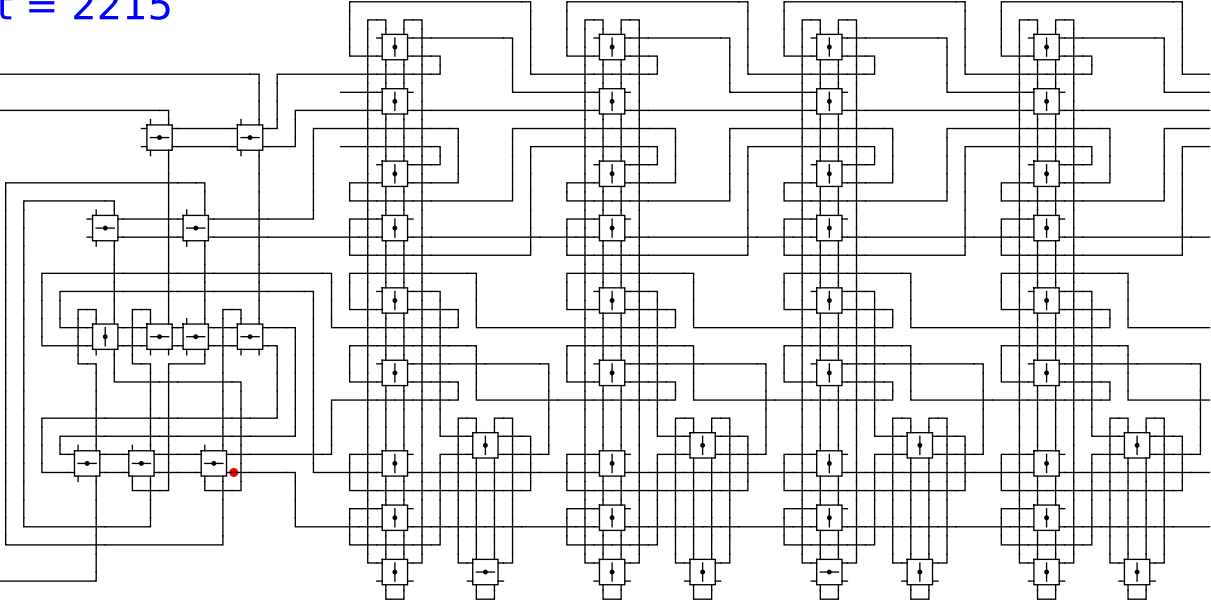


1 0 head 0 0

t = 2215

Reject
Accept

Begin

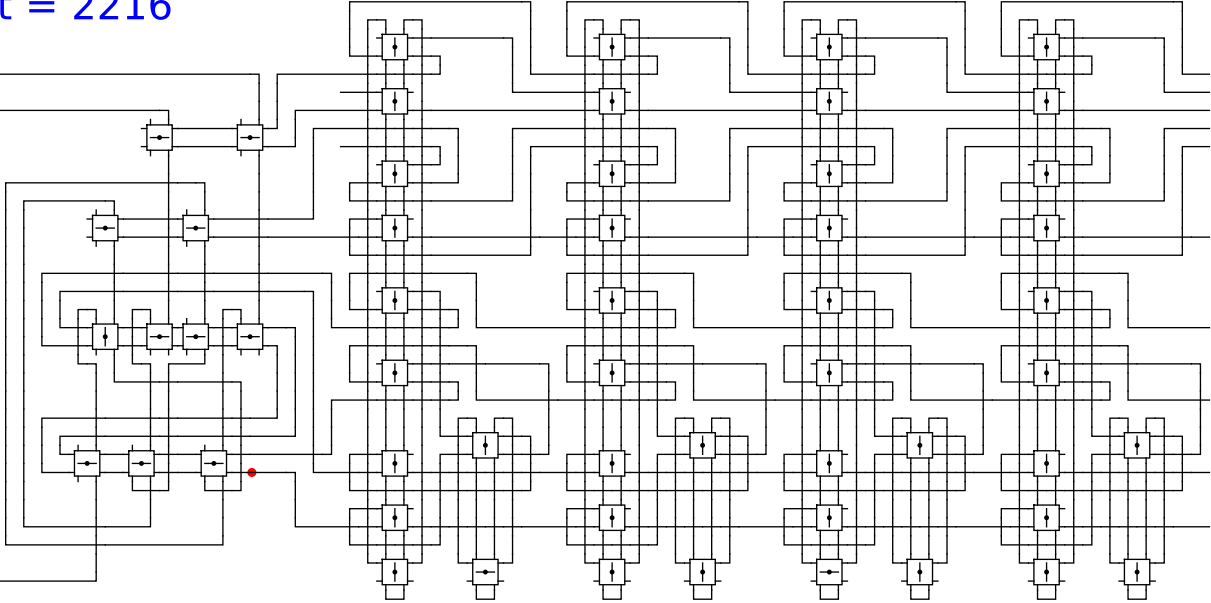


1 0 head 0 0

t = 2216

Reject
Accept

Begin



1

0

head

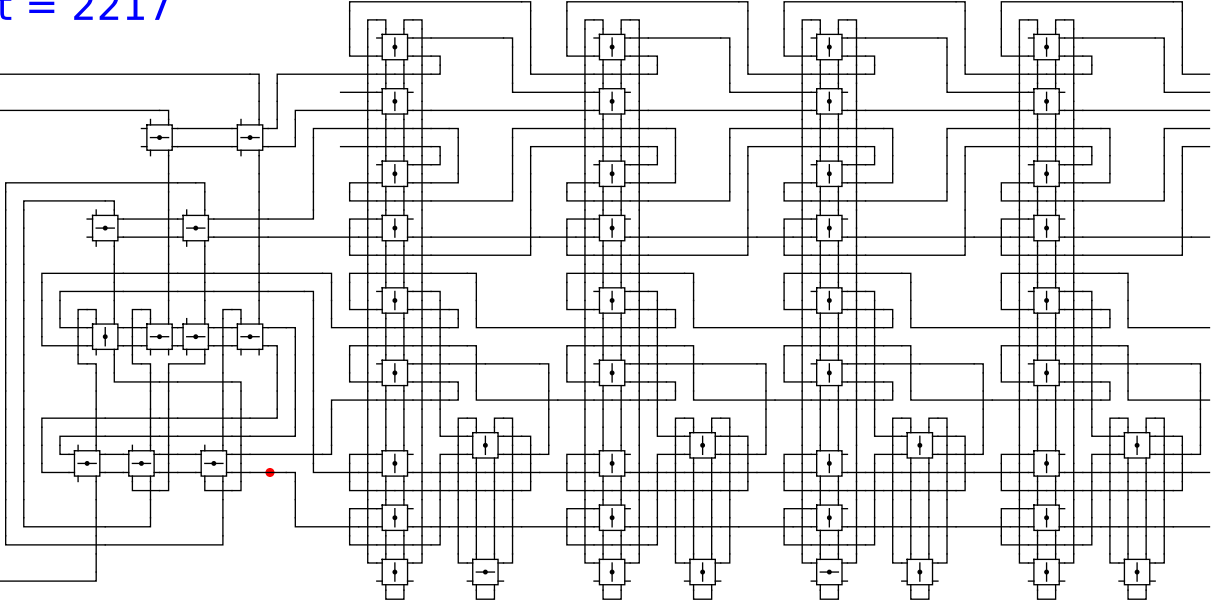
0

0

t = 2217

Reject
Accept

Begin

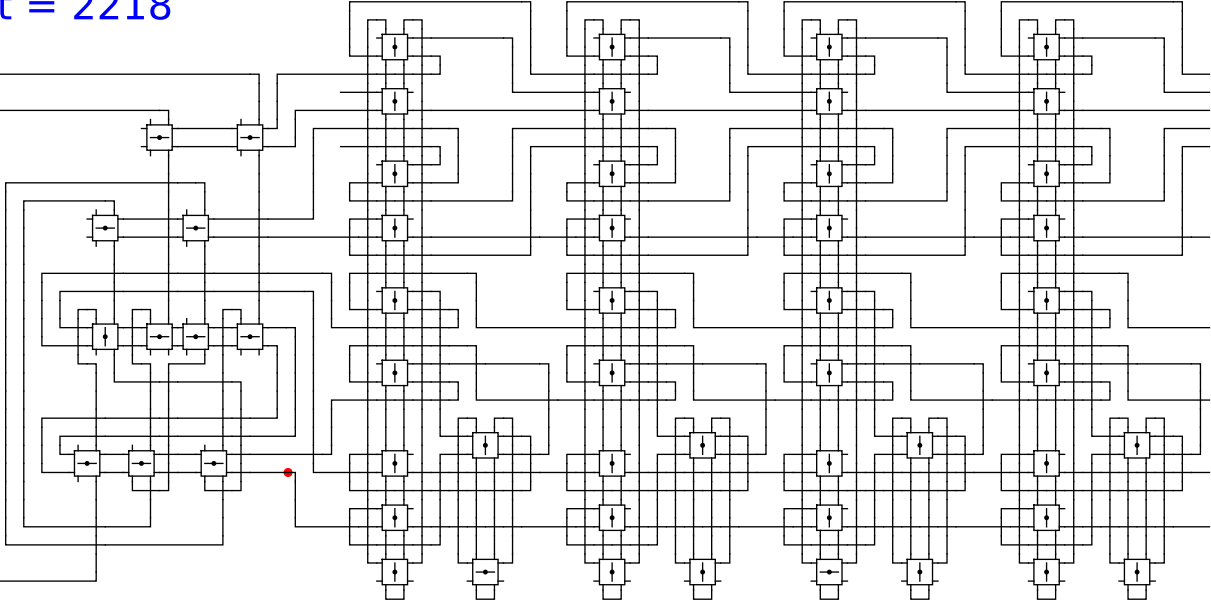


1 0 head 0 0

t = 2218

Reject
Accept

Begin

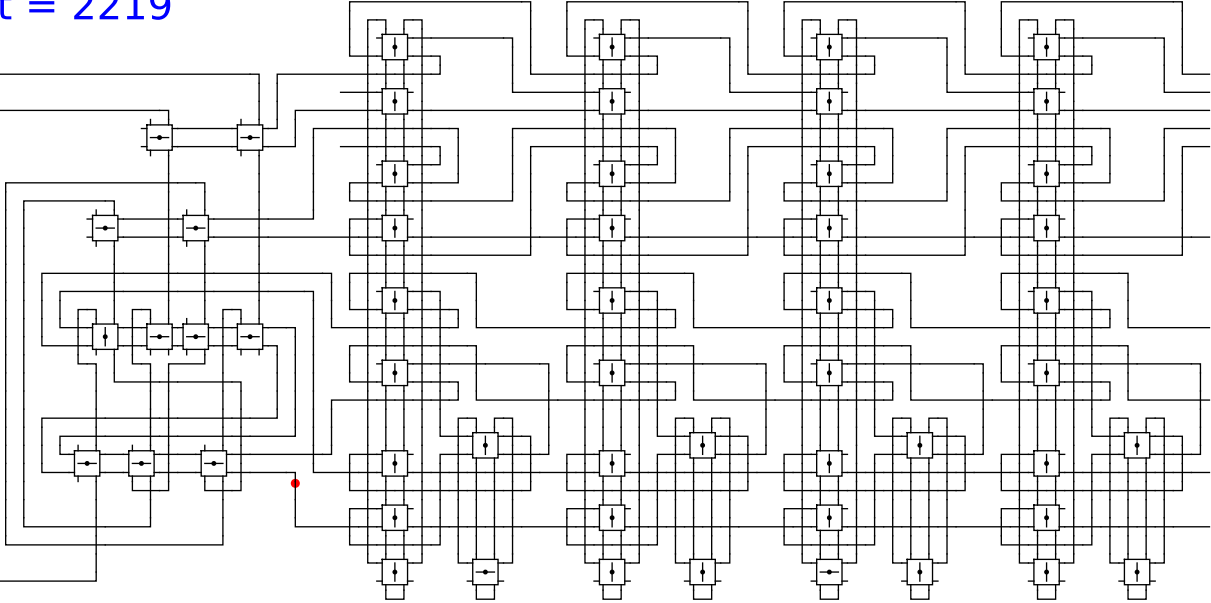


1 0 head 0 0

t = 2219

Reject
Accept

Begin

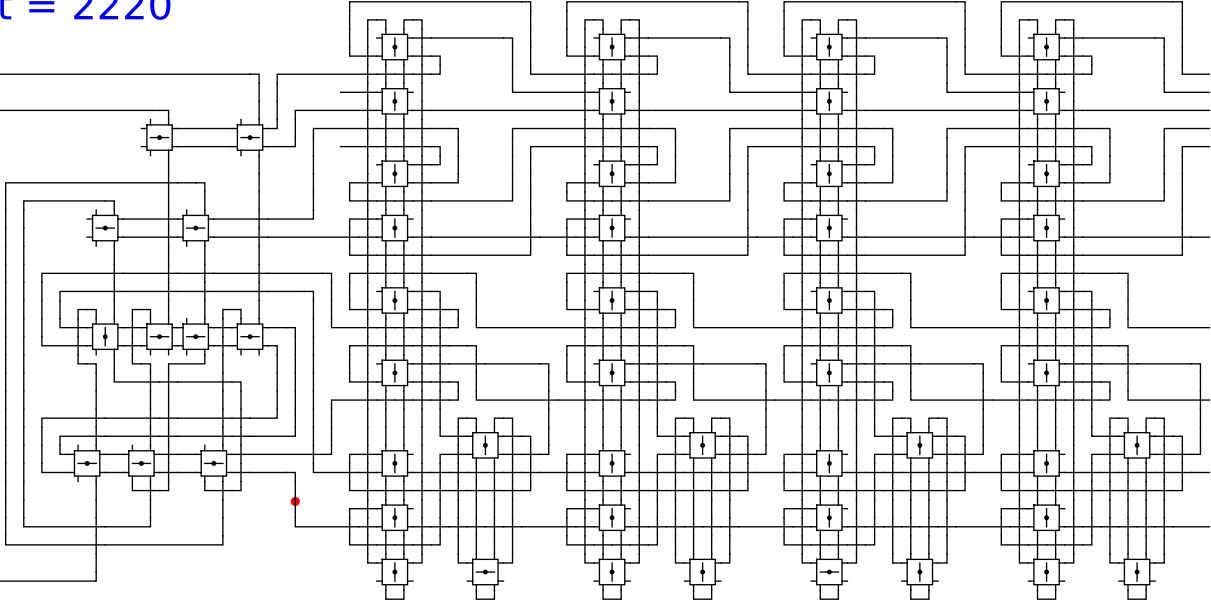


1 0 head 0 0

t = 2220

Reject
Accept

Begin

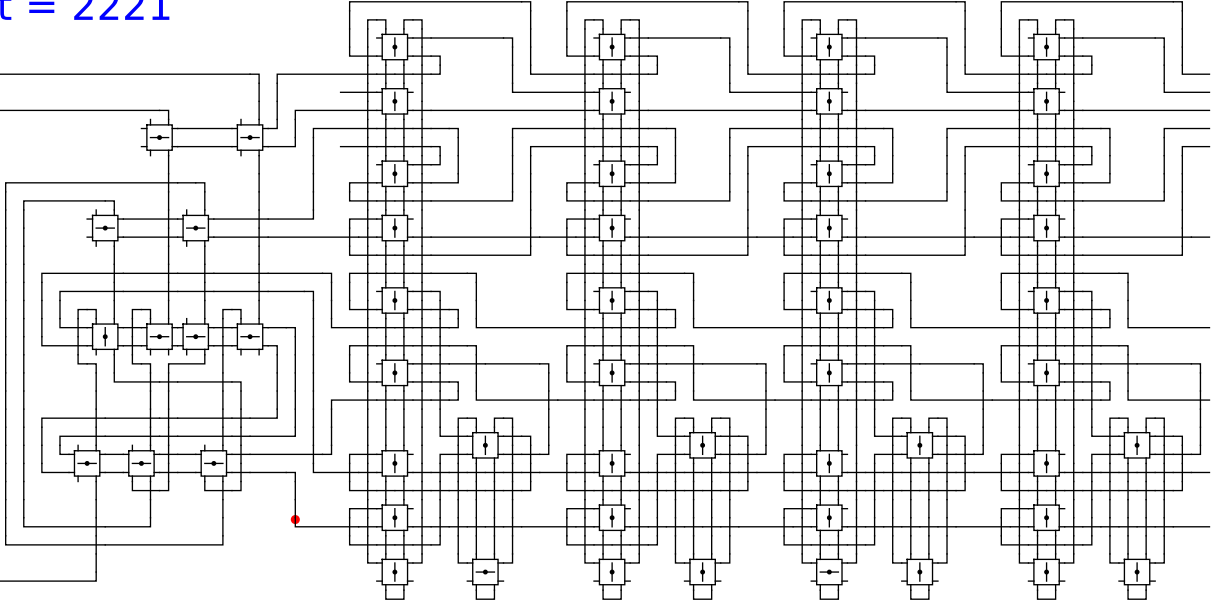


1 0 head 0 0

t = 2221

Reject
Accept

Begin

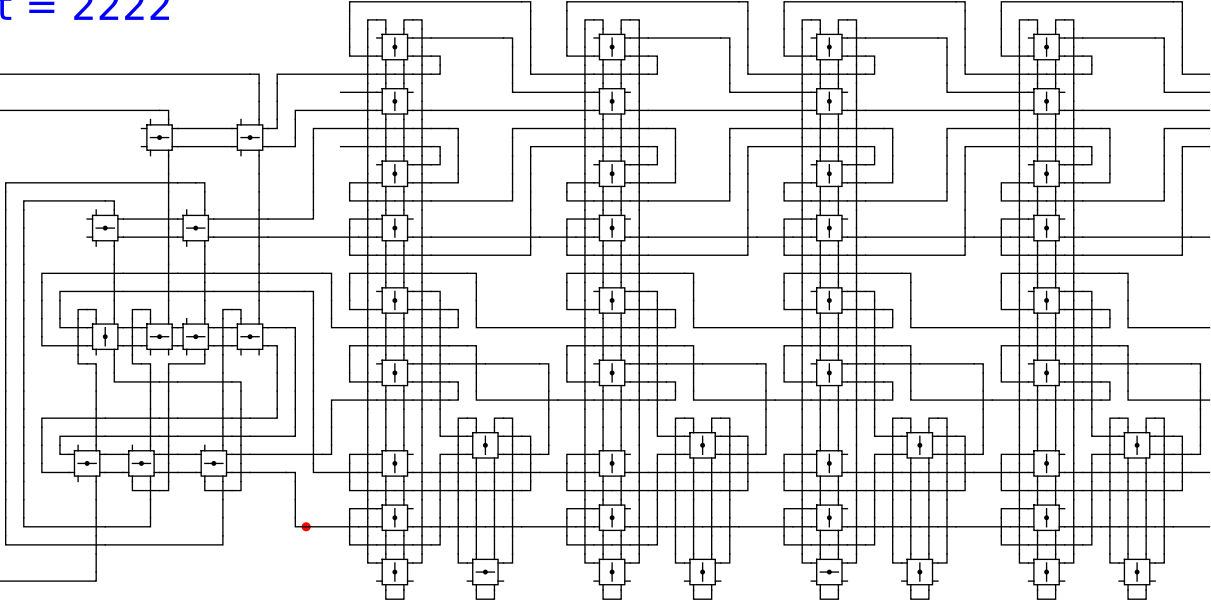


1 0 head 0 0

t = 2222

Reject
Accept

Begin



1

0

head

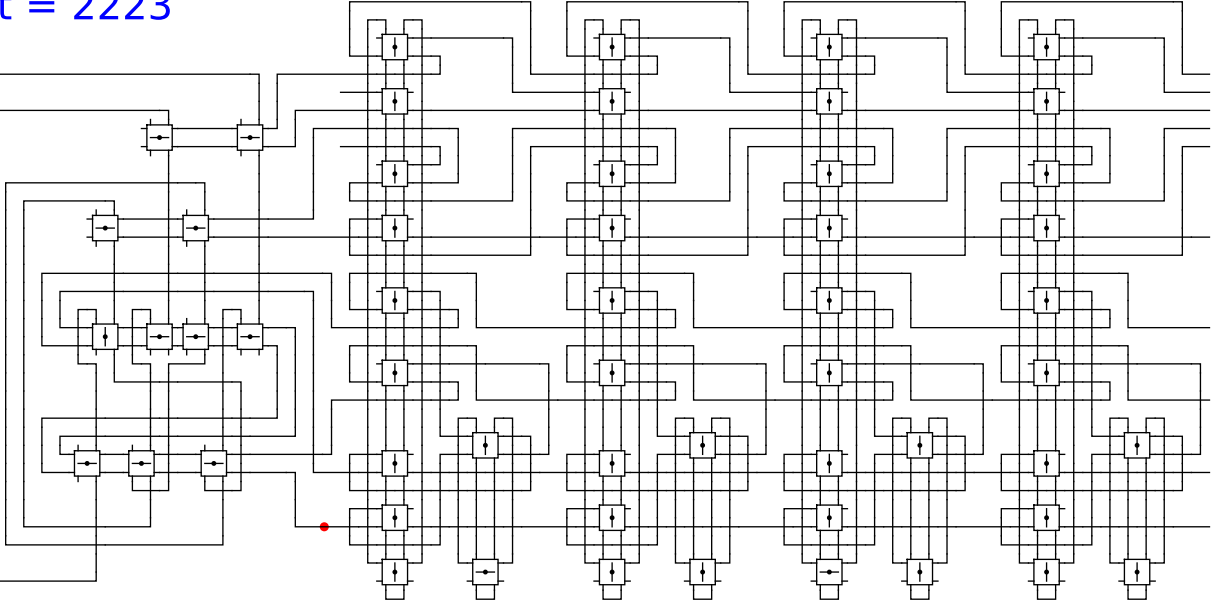
0

0

t = 2223

Reject
Accept

Begin

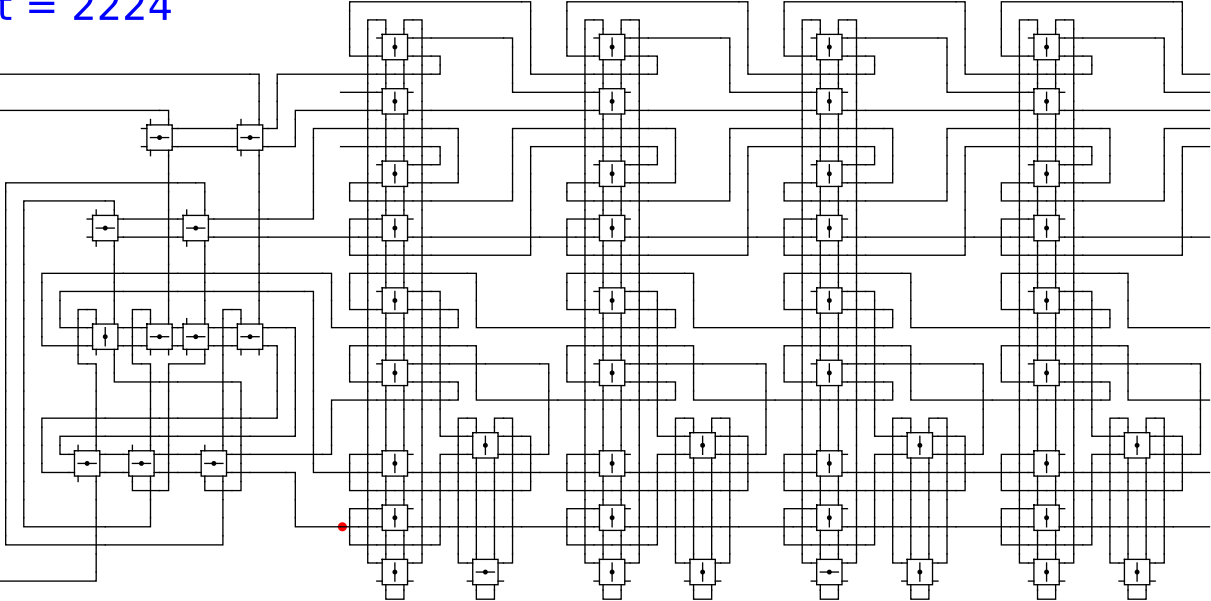


1 0 head 0 0

t = 2224

Reject
Accept

Begin



1

0

head

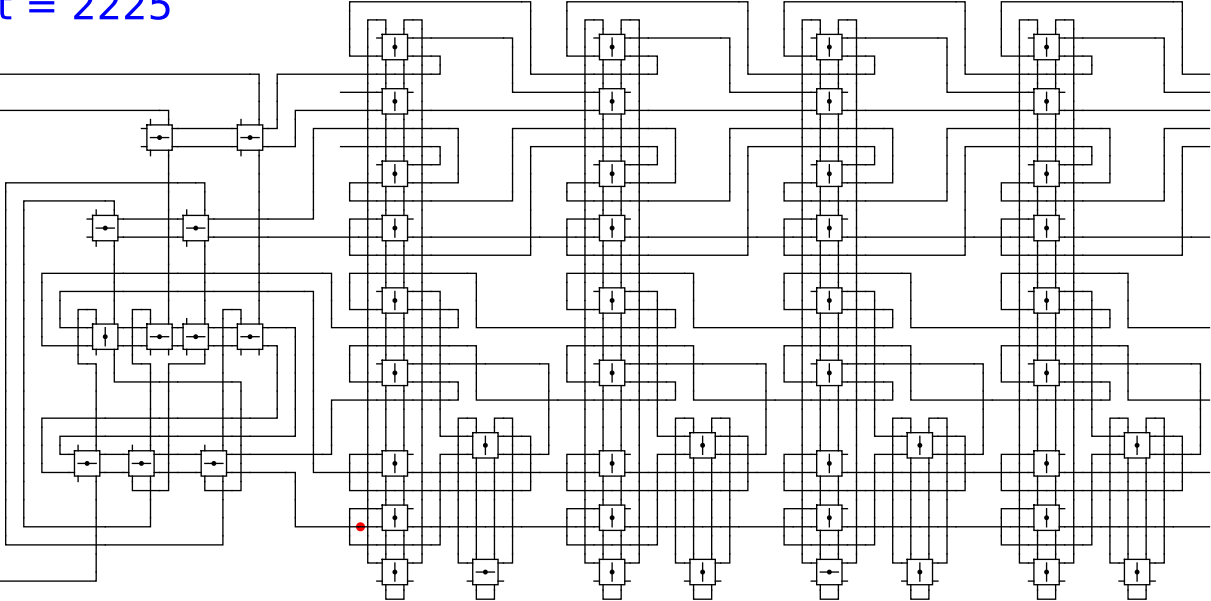
0

0

t = 2225

Reject
Accept

Begin



1

0

head

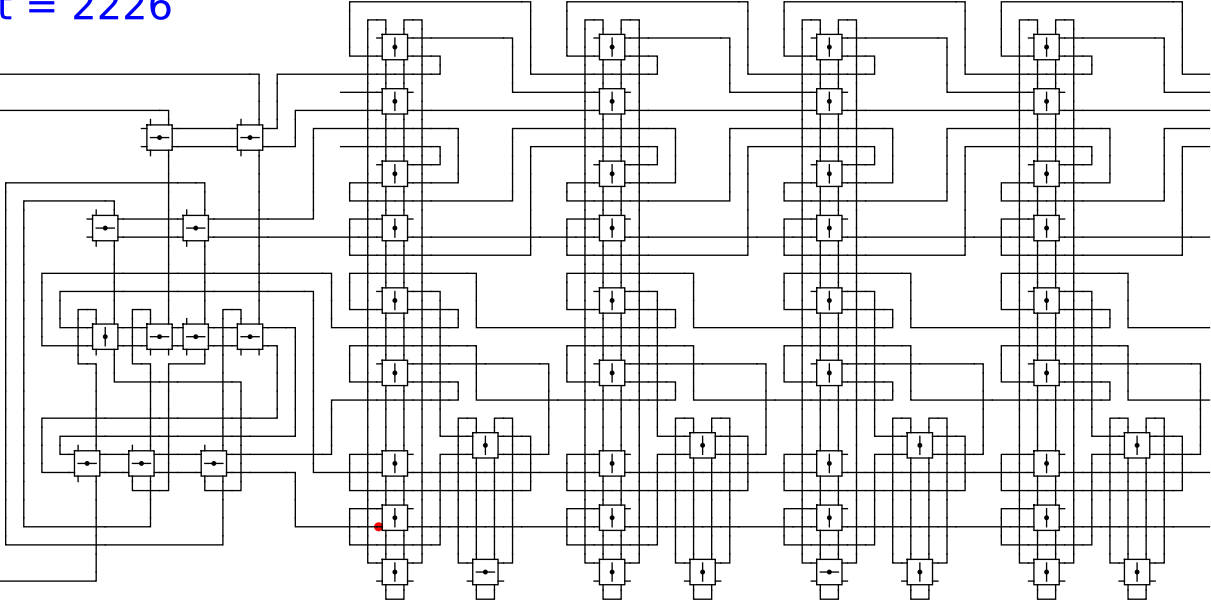
0

0

t = 2226

Reject
Accept

Begin

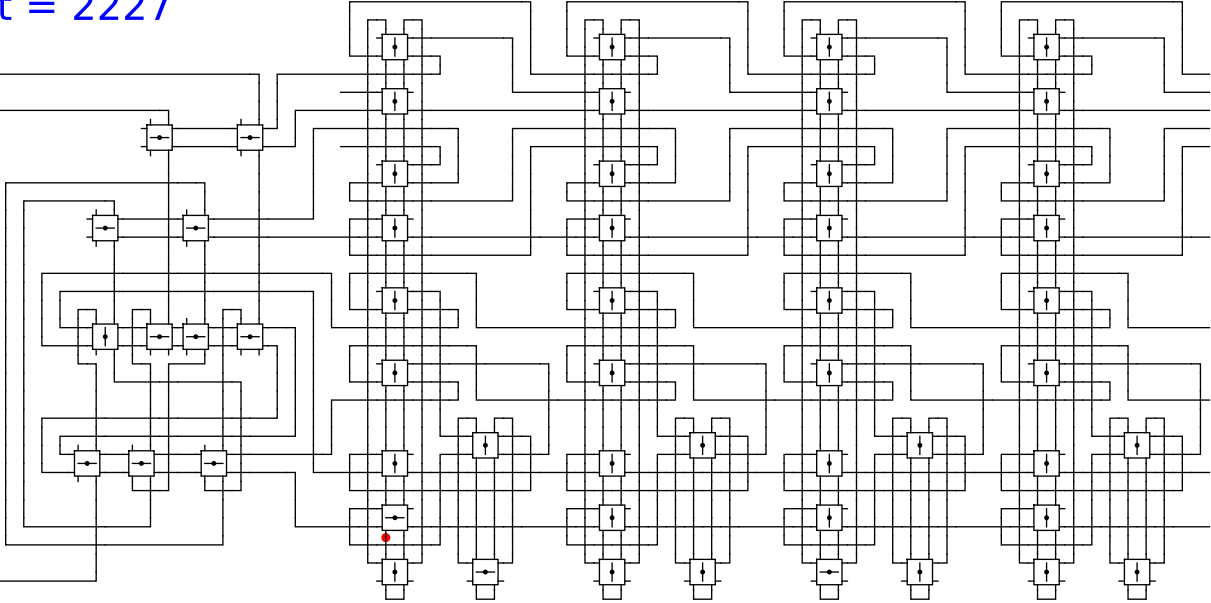


1 0 head 0 0

t = 2227

Reject
Accept

Begin

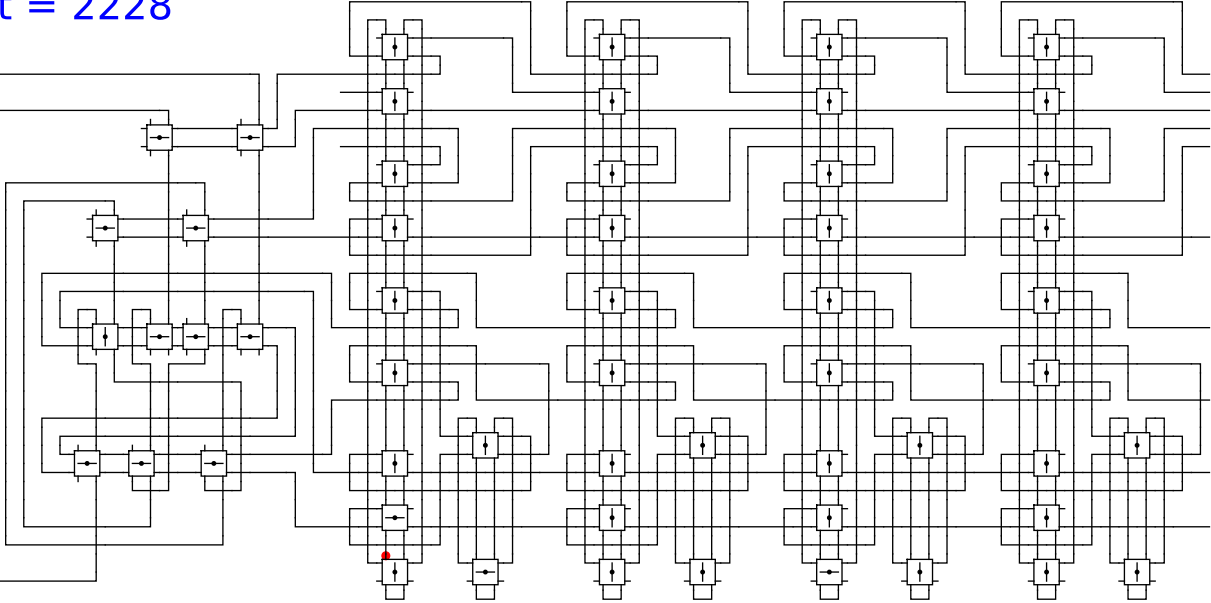


1 0 head 0 0

t = 2228

Reject
Accept

Begin

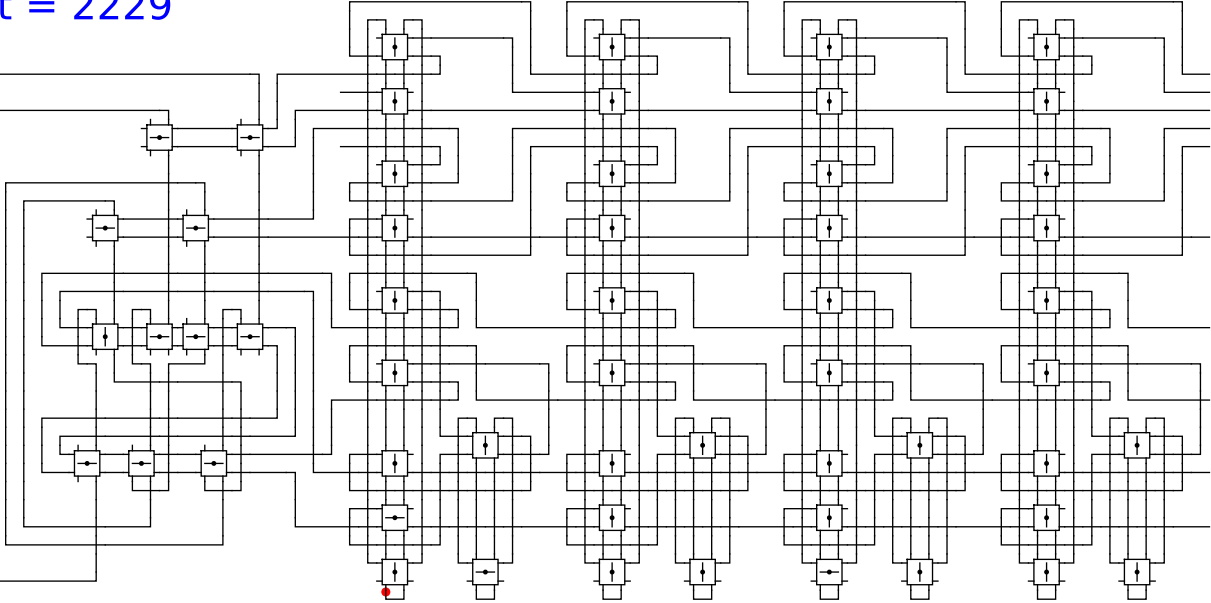


1 0 head 0 0

t = 2229

Reject
Accept

Begin



1

0

head

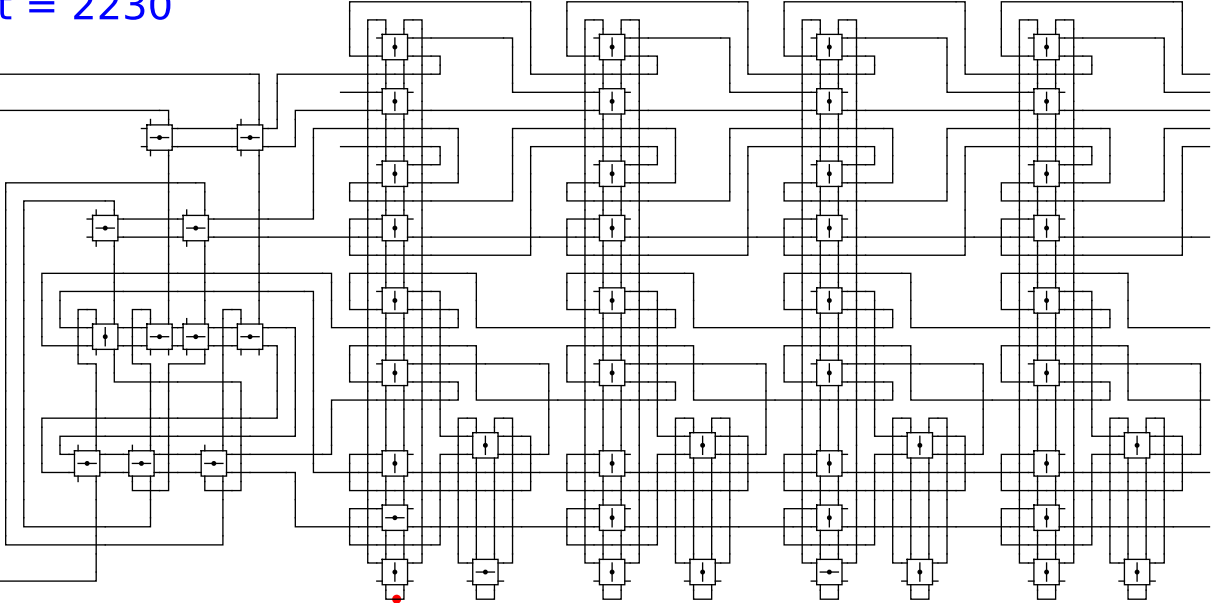
0

0

t = 2230

Reject
Accept

Begin



1

0

head

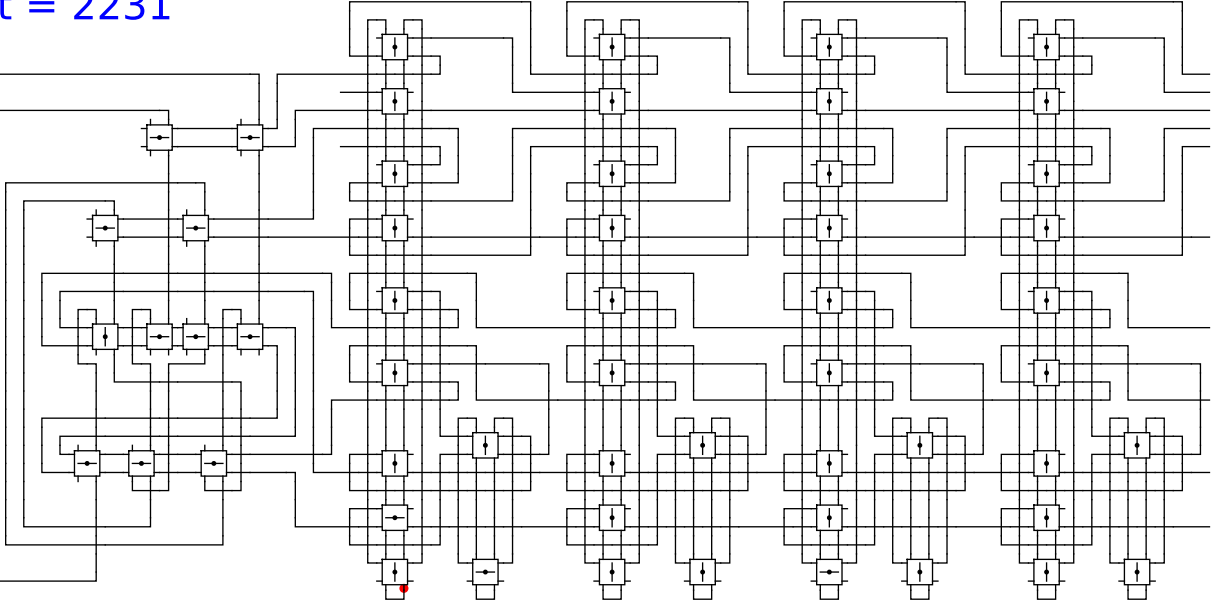
0

0

t = 2231

Reject
Accept

Begin

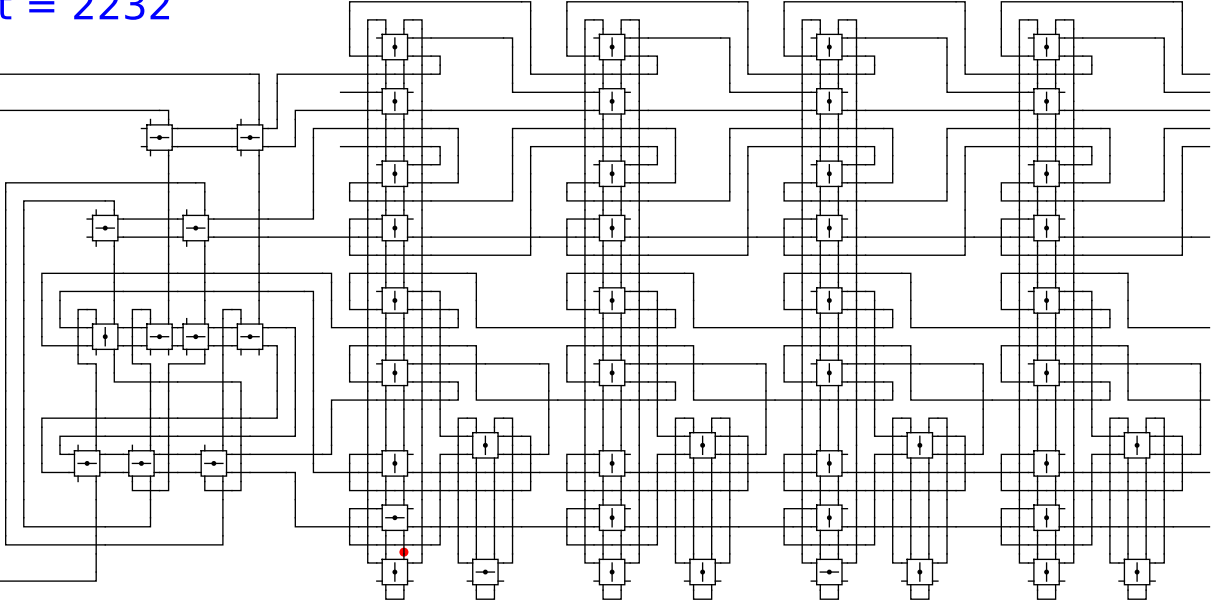


1 0 head 0 0

t = 2232

Reject
Accept

Begin



1

0

head

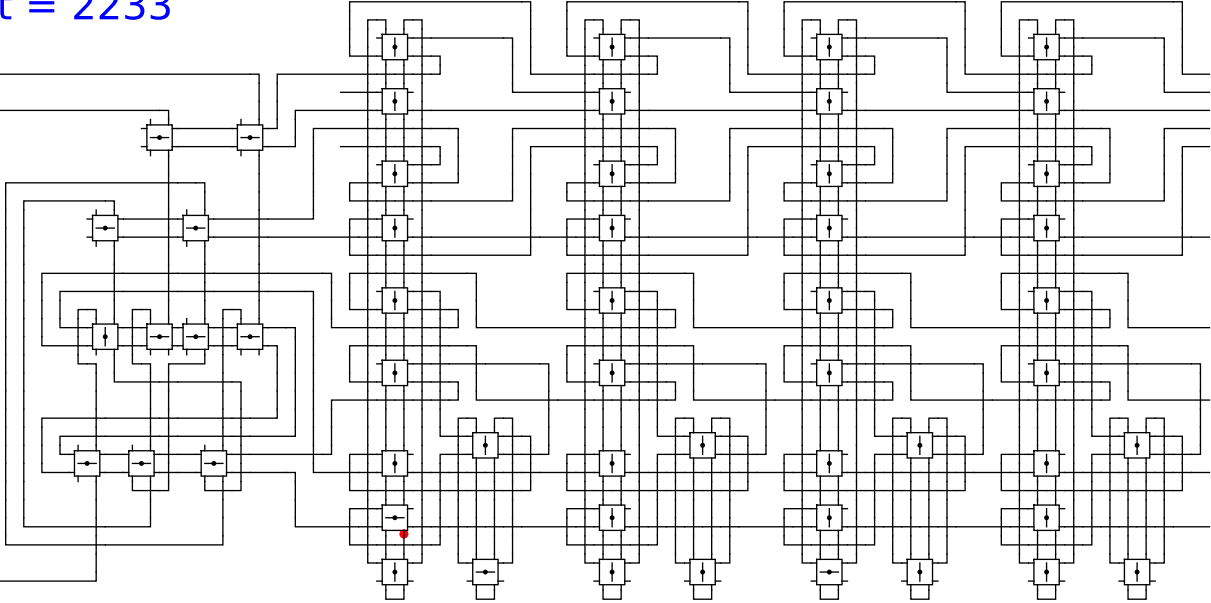
0

0

t = 2233

Reject
Accept

Begin

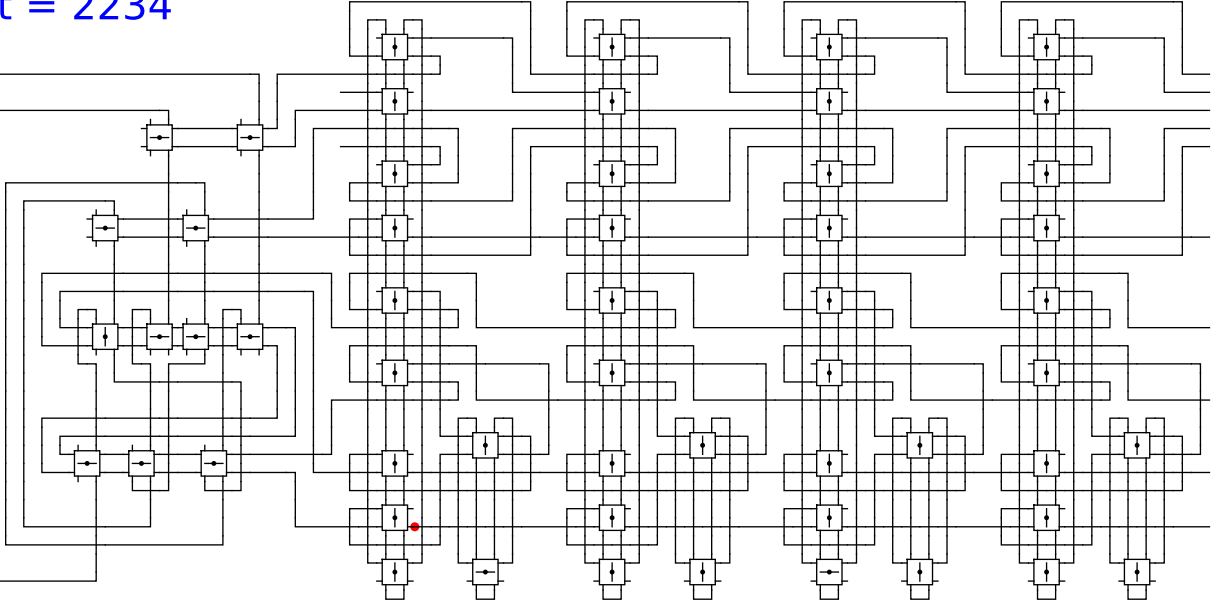


1 0 head 0 0

t = 2234

Reject
Accept

Begin

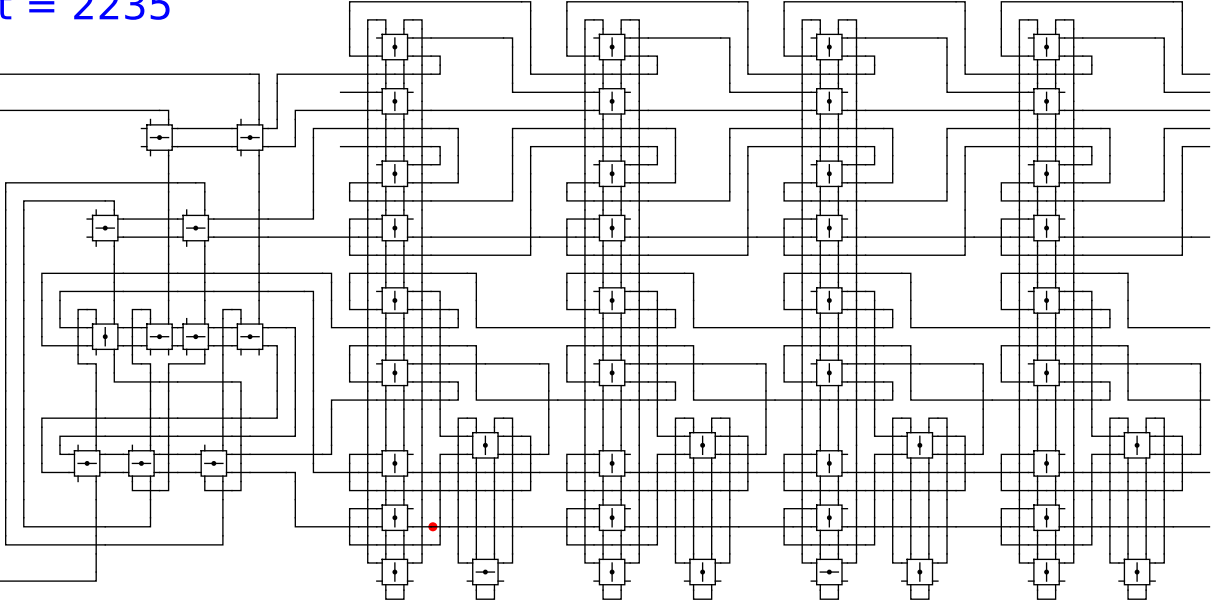


1 0 head 0 0

t = 2235

Reject
Accept

Begin



1

0

head

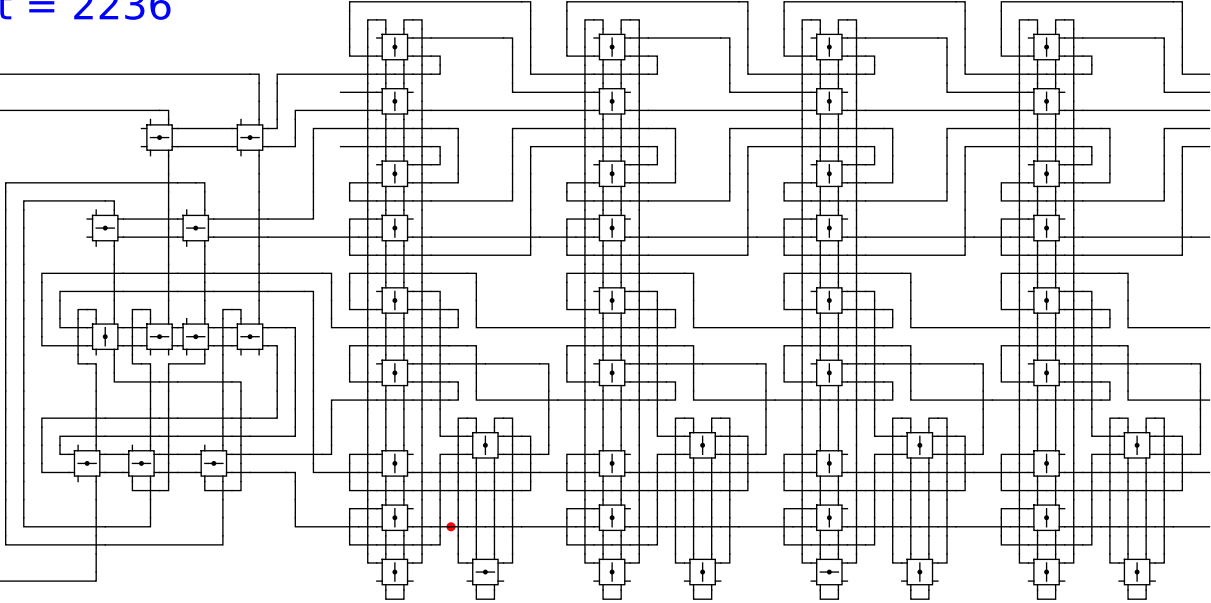
0

0

t = 2236

Reject
Accept

Begin



1

0

head

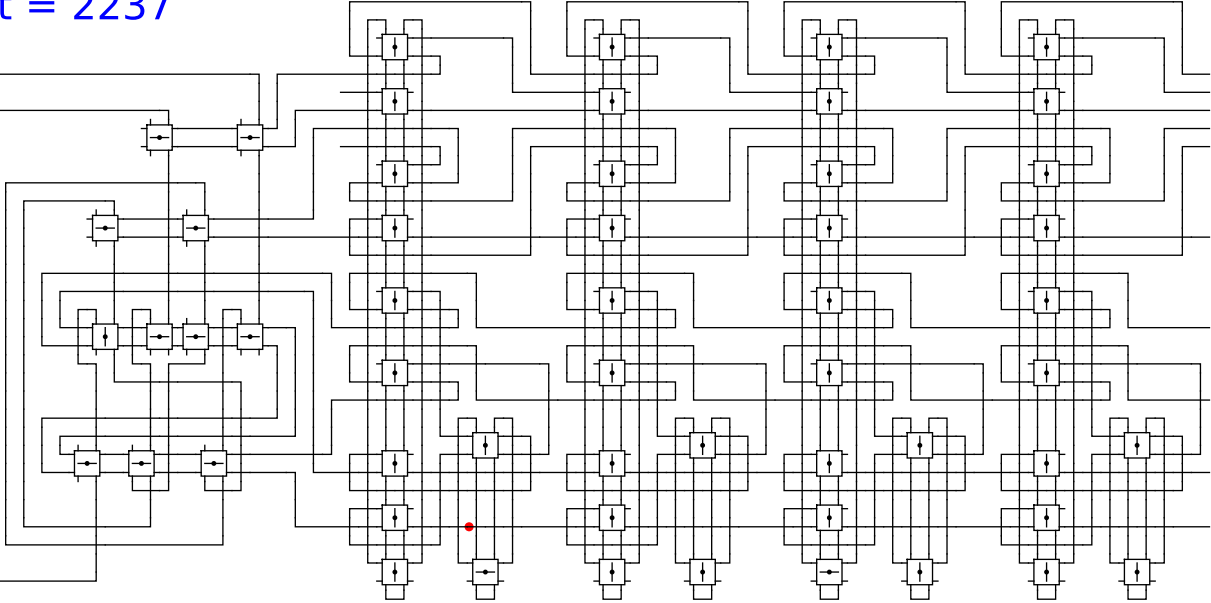
0

0

t = 2237

Reject
Accept

Begin

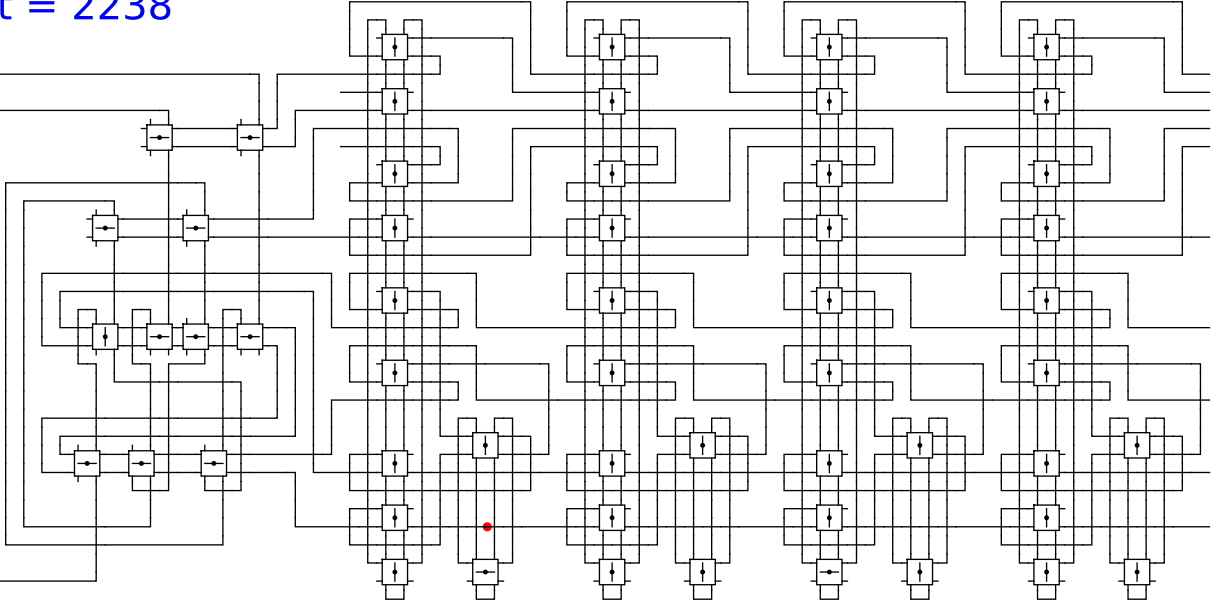


1 0 head 0 0

t = 2238

Reject
Accept

Begin



1

0

head

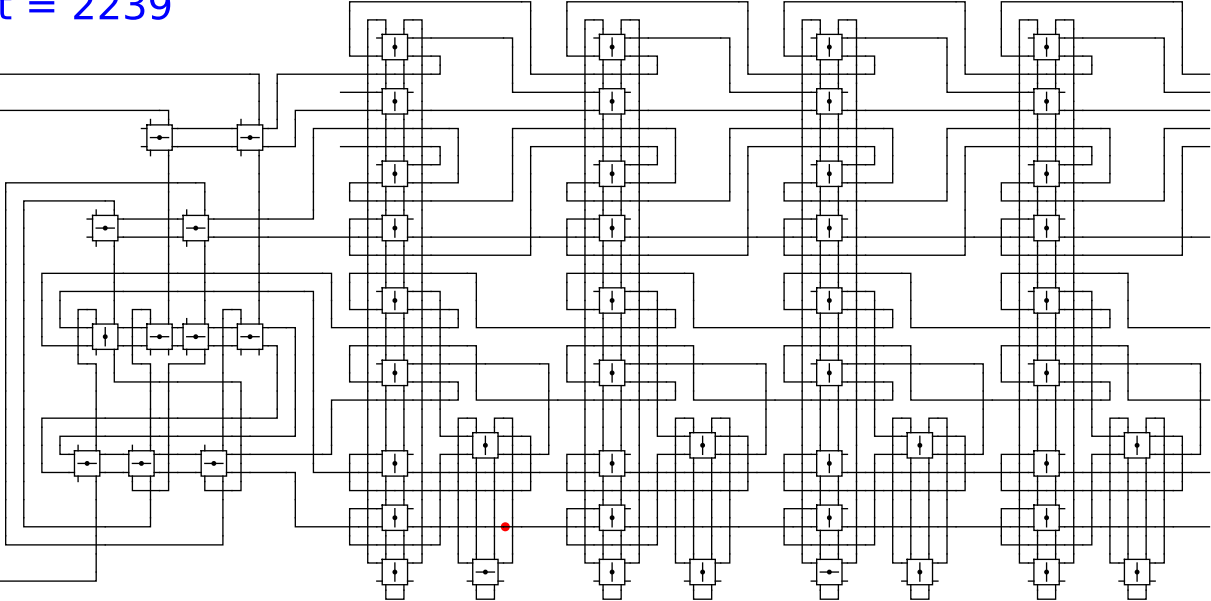
0

0

t = 2239

Reject
Accept

Begin

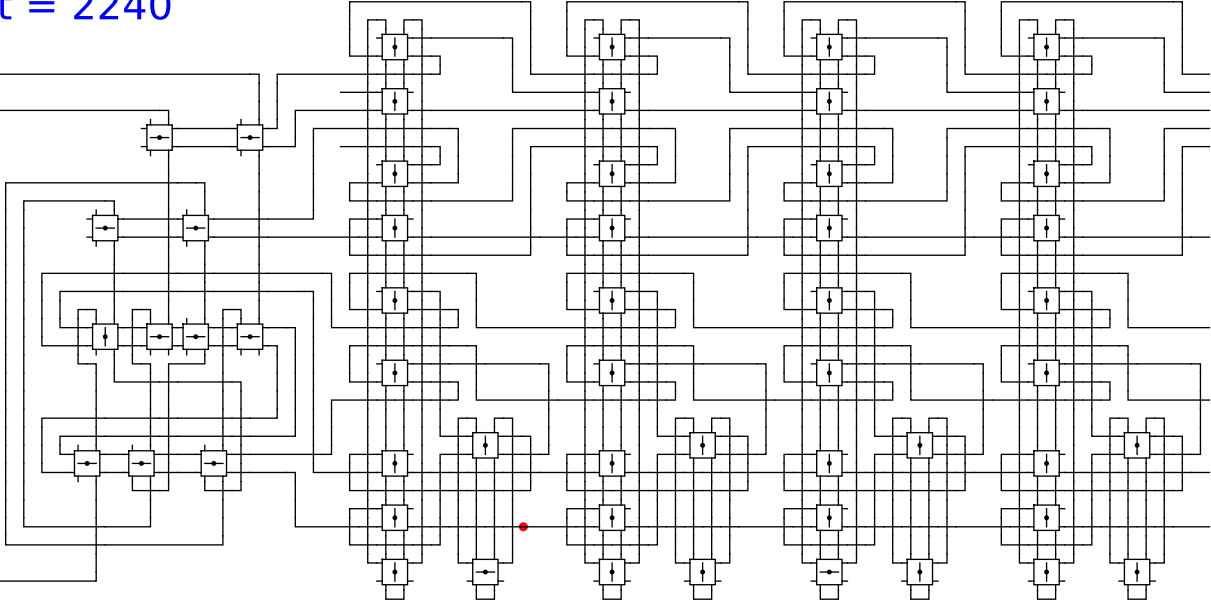


1 0 head 0 0

t = 2240

Reject
Accept

Begin



1

0

head

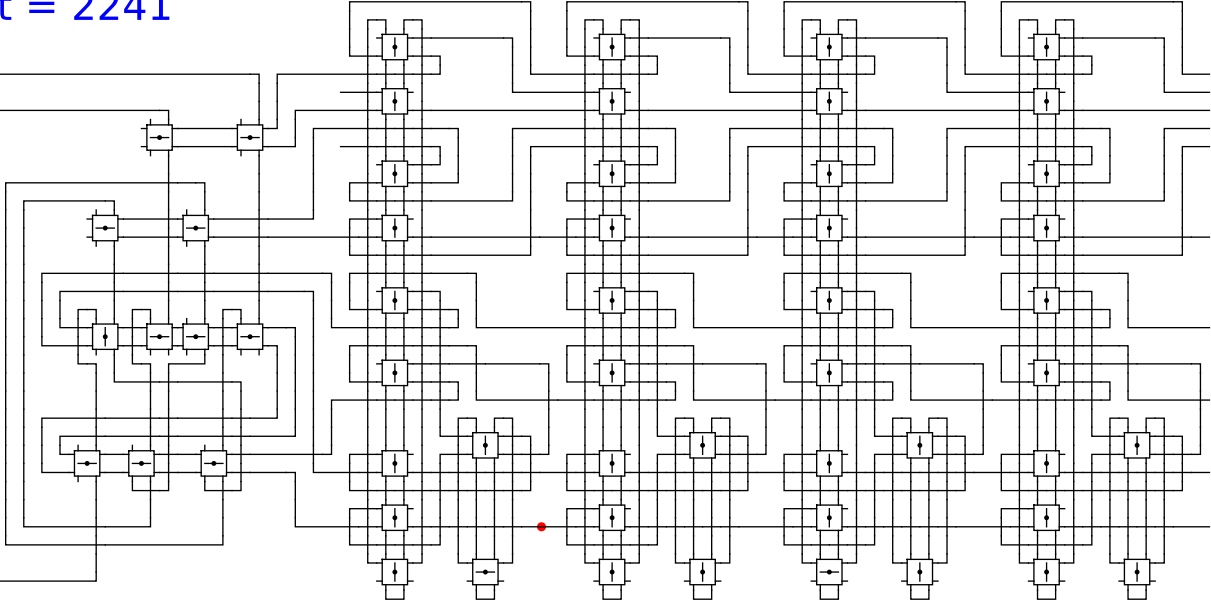
0

0

t = 2241

Reject
Accept

Begin

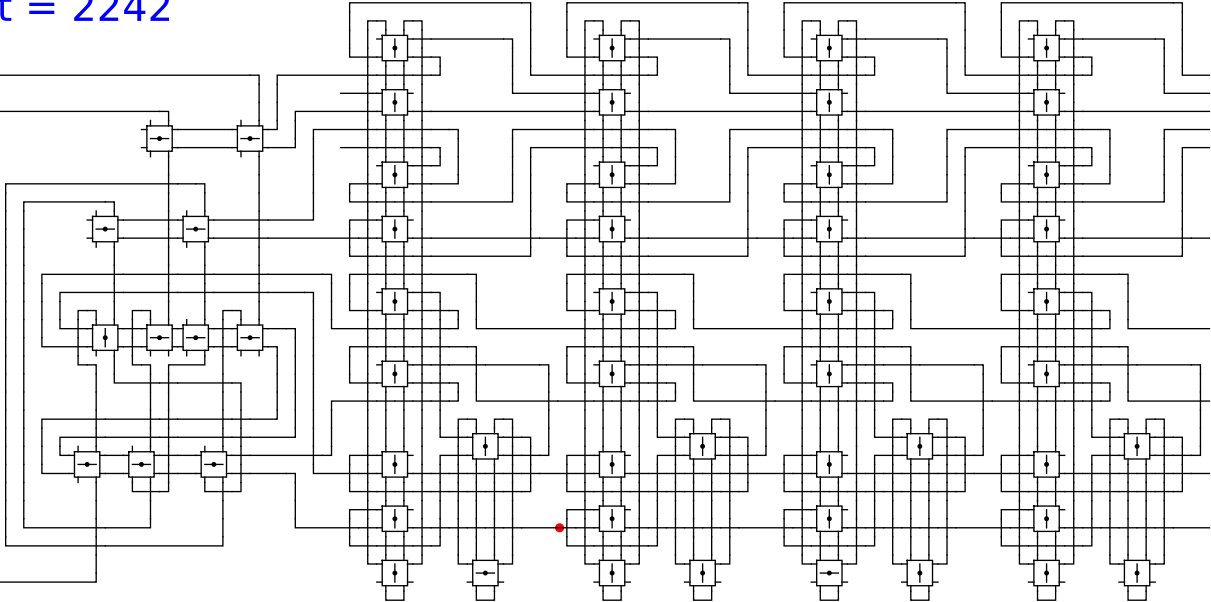


1 0 head 0 0

t = 2242

Reject
Accept

Begin



1

0

head

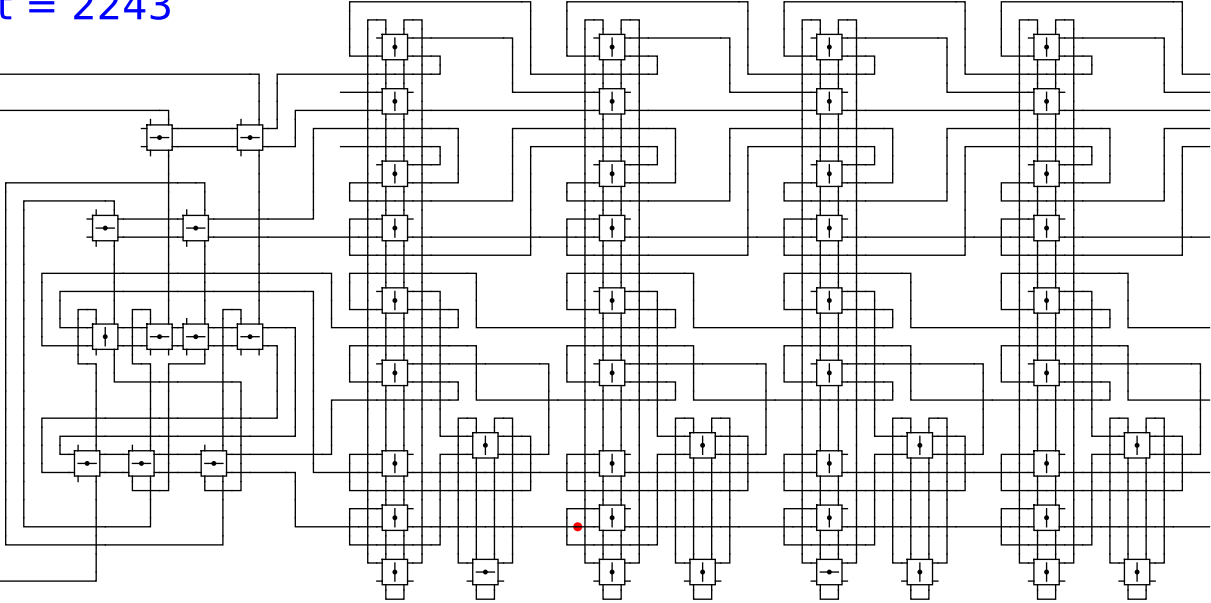
0

0

t = 2243

Reject
Accept

Begin

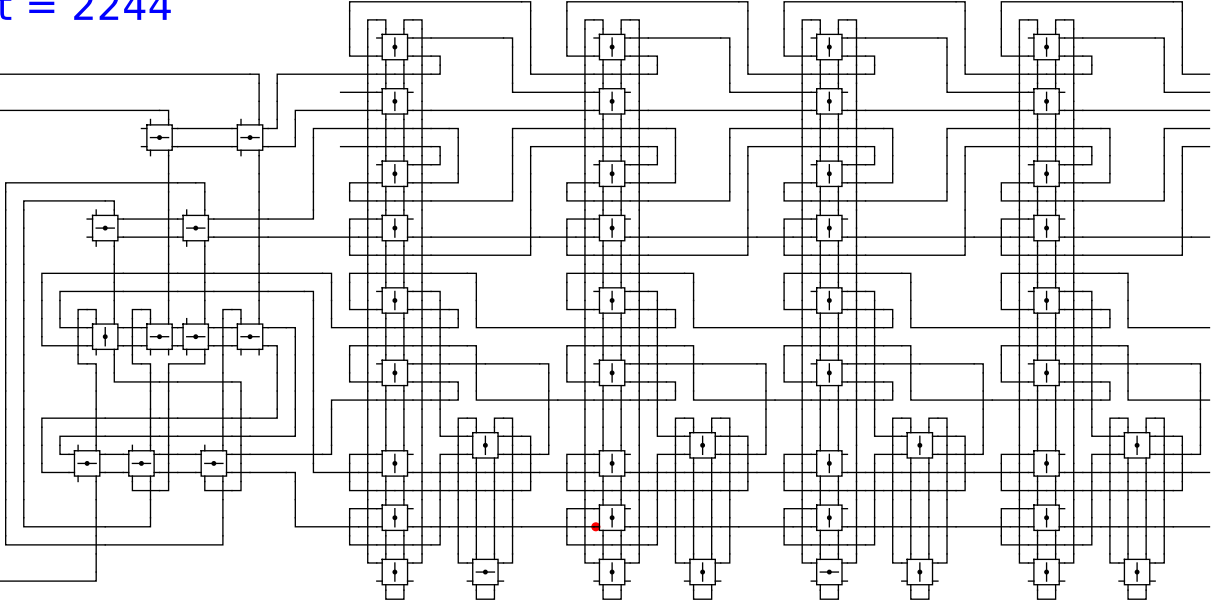


1 0 head 0 0

t = 2244

Reject
Accept

Begin

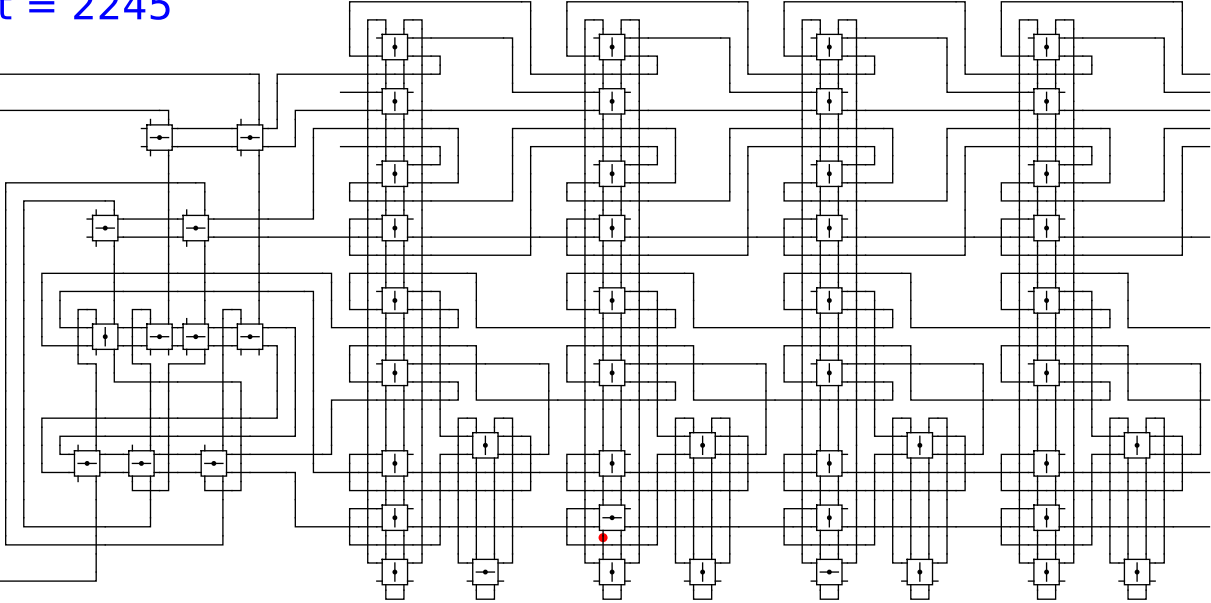


1 0 head 0 0

t = 2245

Reject
Accept

Begin

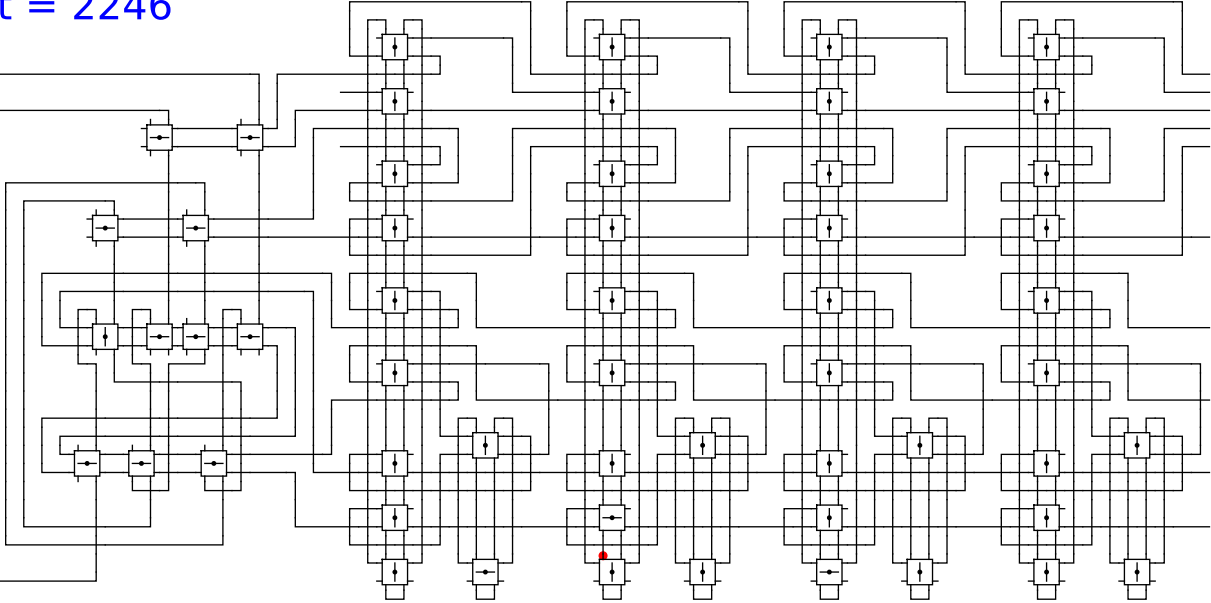


1 0 head 0 0

t = 2246

Reject
Accept

Begin

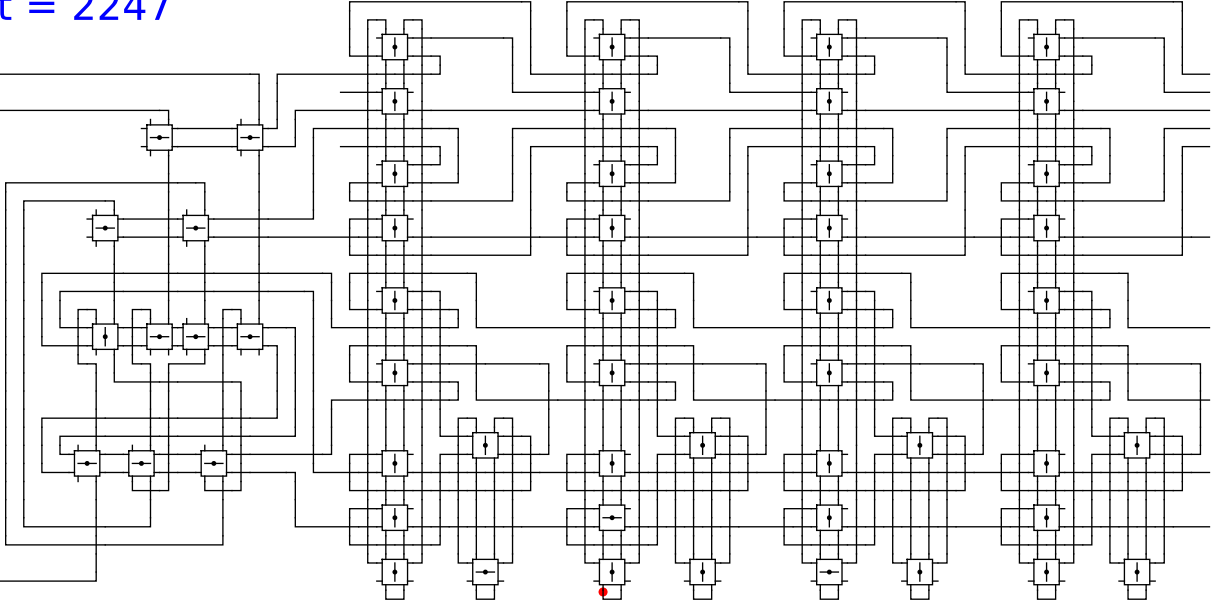


1 0 head 0 0

t = 2247

Reject
Accept

Begin



1

0

head

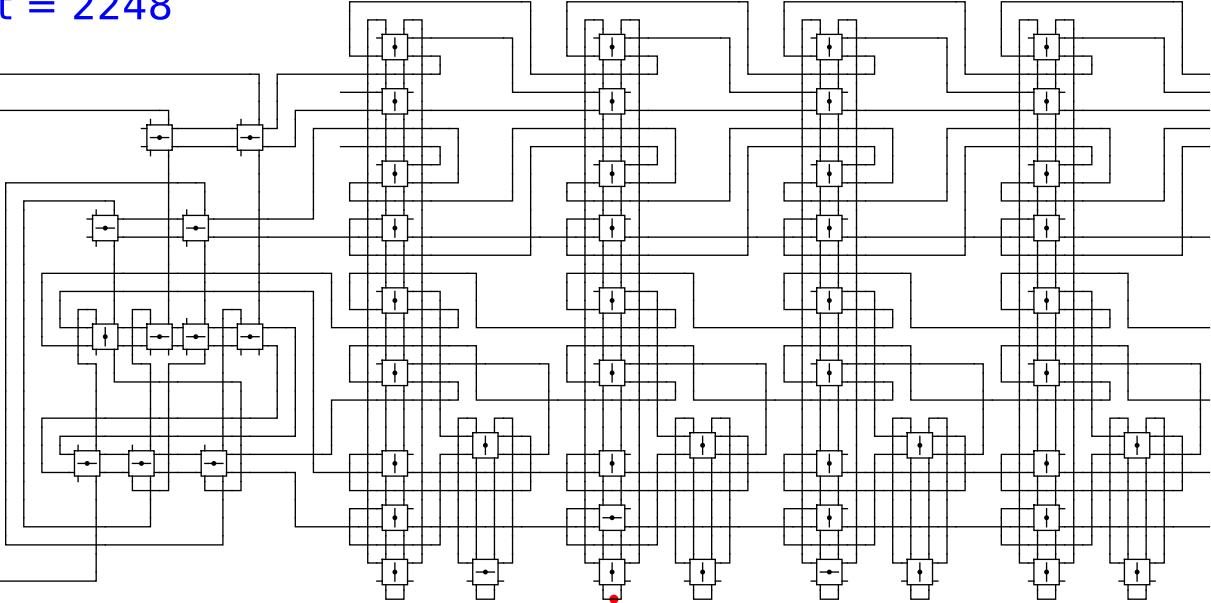
0

0

t = 2248

Reject
Accept

Begin

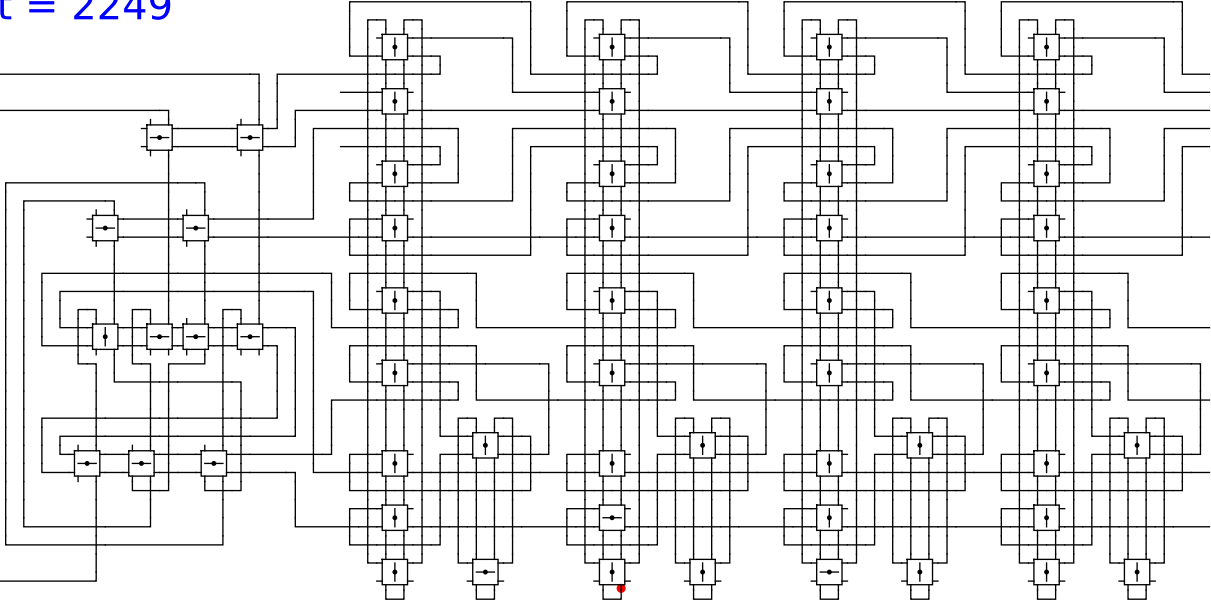


1 0 head 0 0

t = 2249

Reject
Accept

Begin

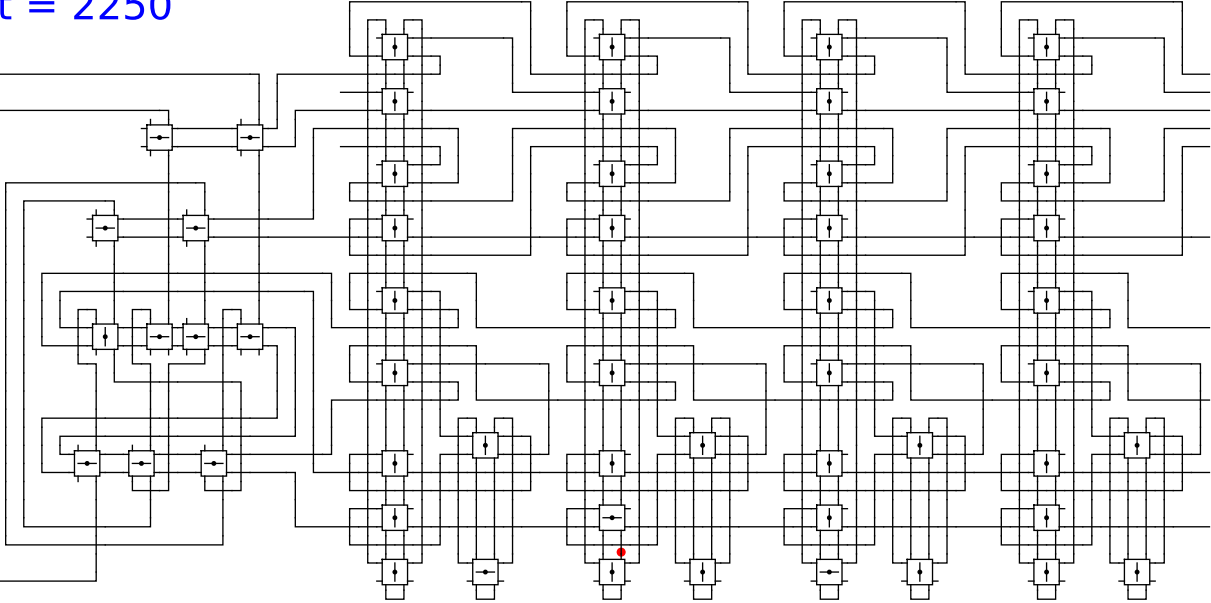


1 0 head 0 0

t = 2250

Reject
Accept

Begin



1

0

head

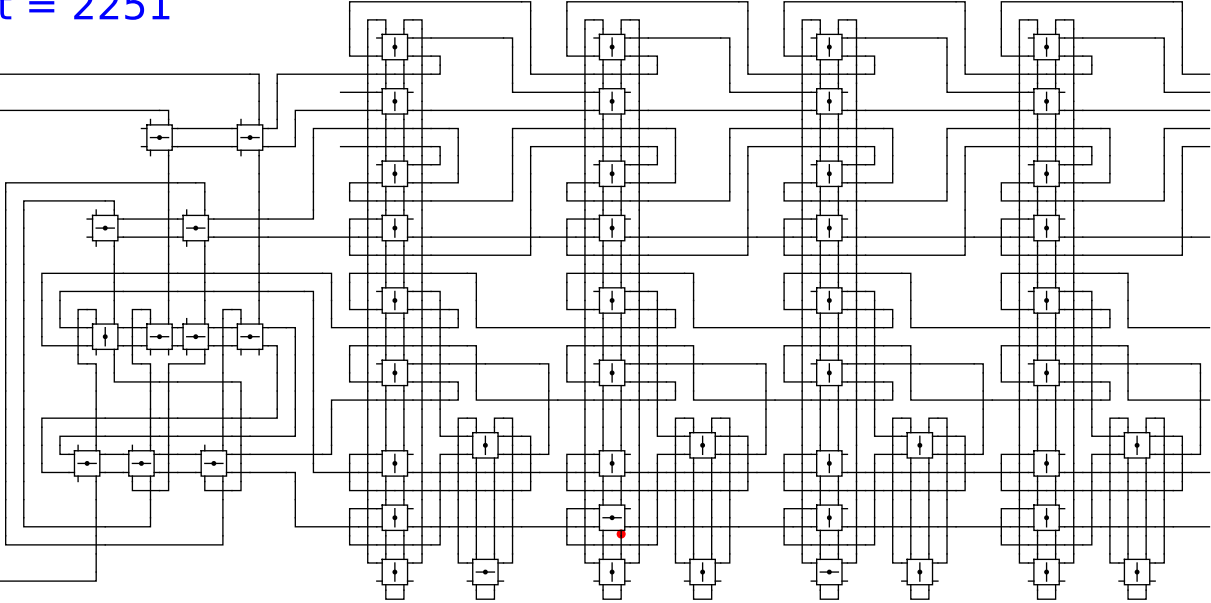
0

0

t = 2251

Reject
Accept

Begin

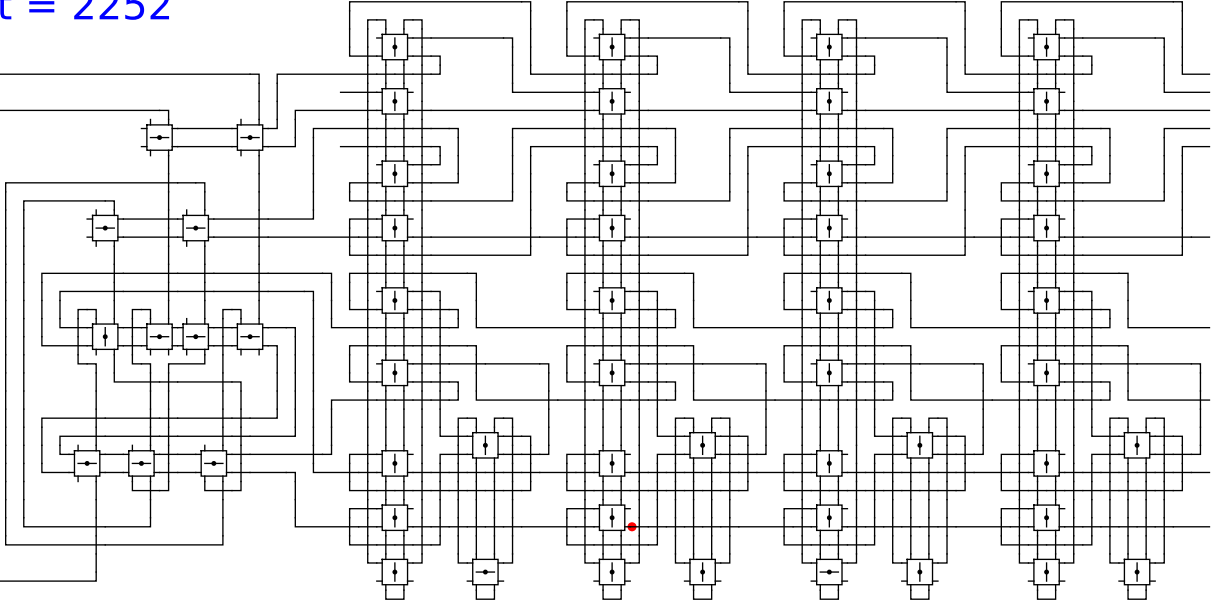


1 0 head 0 0

t = 2252

Reject
Accept

Begin



1

0

head

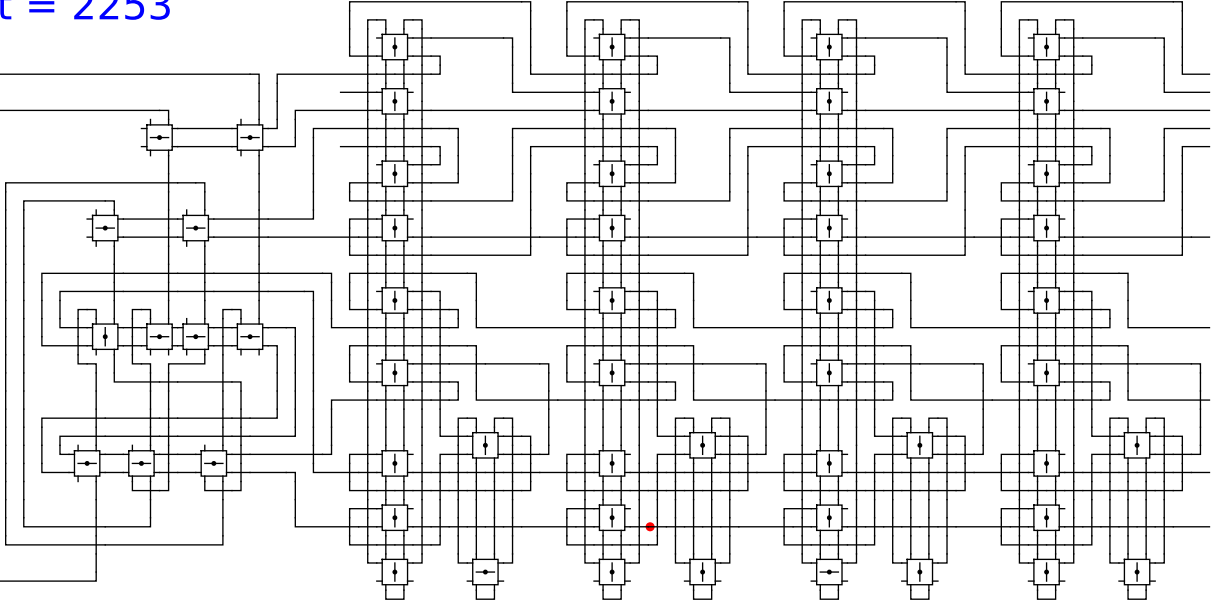
0

0

t = 2253

Reject
Accept

Begin

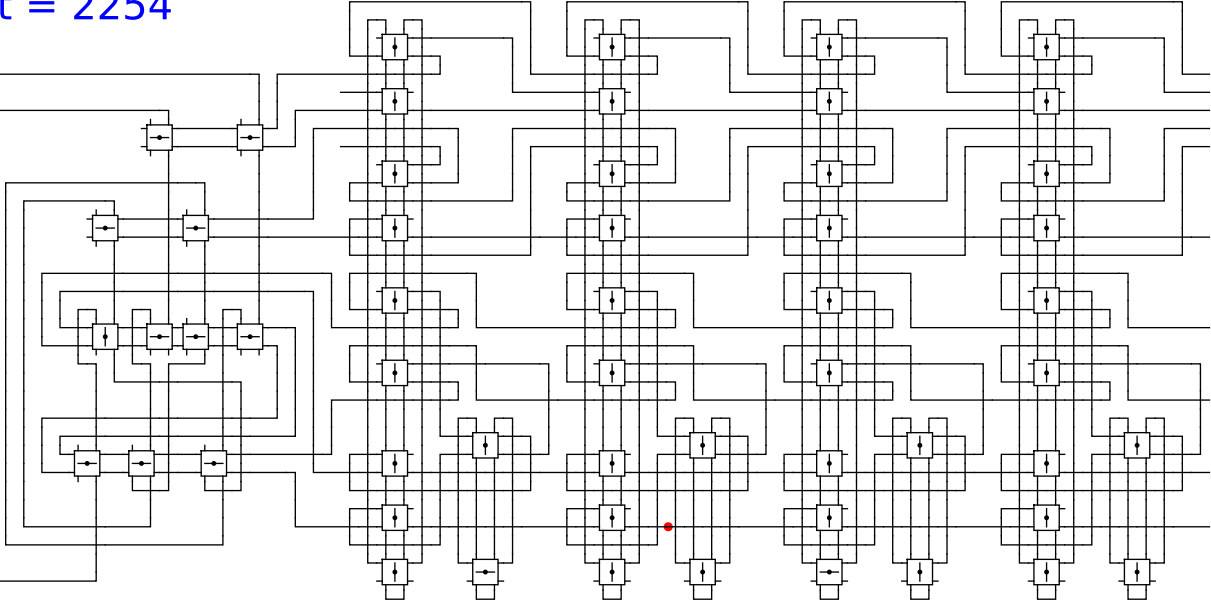


1 0 head 0 0

t = 2254

Reject
Accept

Begin

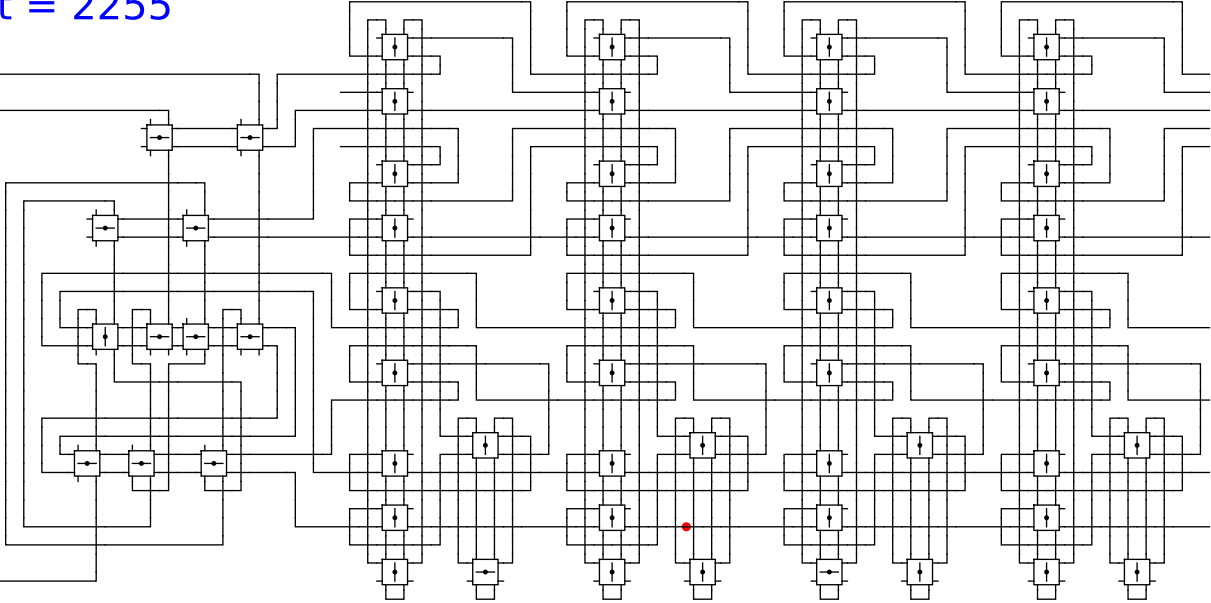


1 0 head 0 0

t = 2255

Reject
Accept

Begin



1

0

head

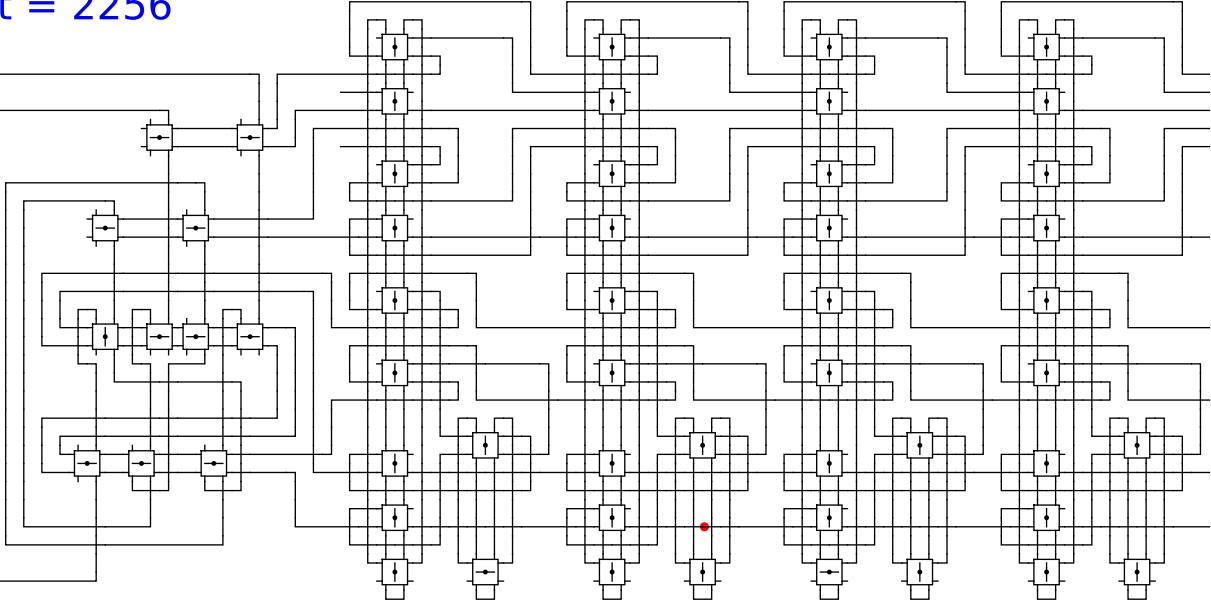
0

0

t = 2256

Reject
Accept

Begin

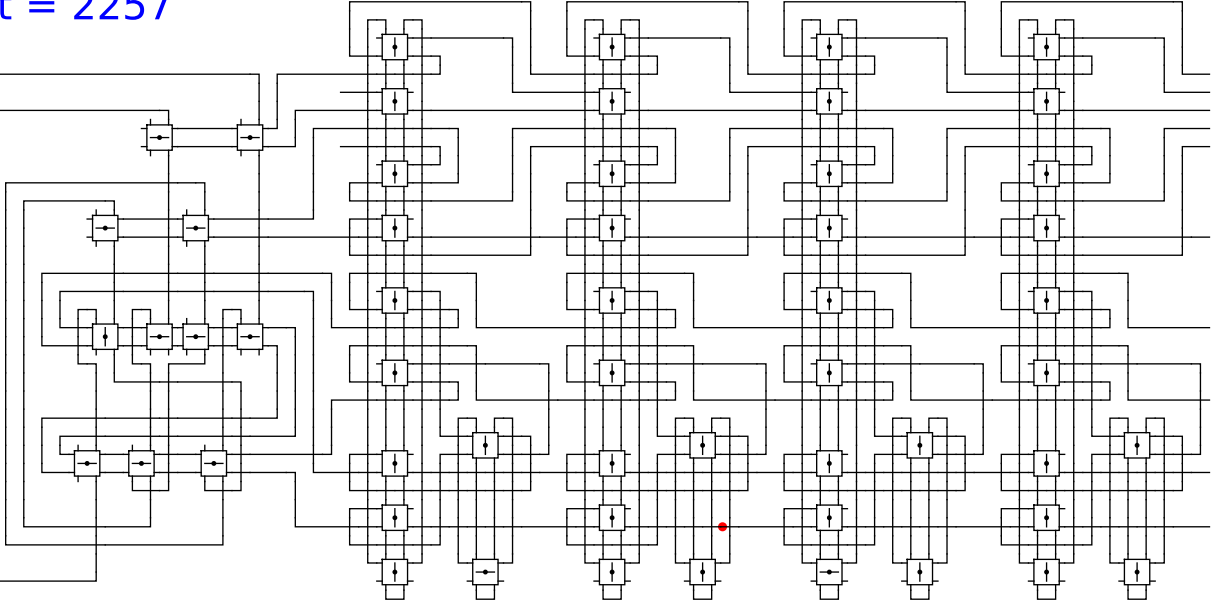


1 0 head 0 0

t = 2257

Reject
Accept

Begin

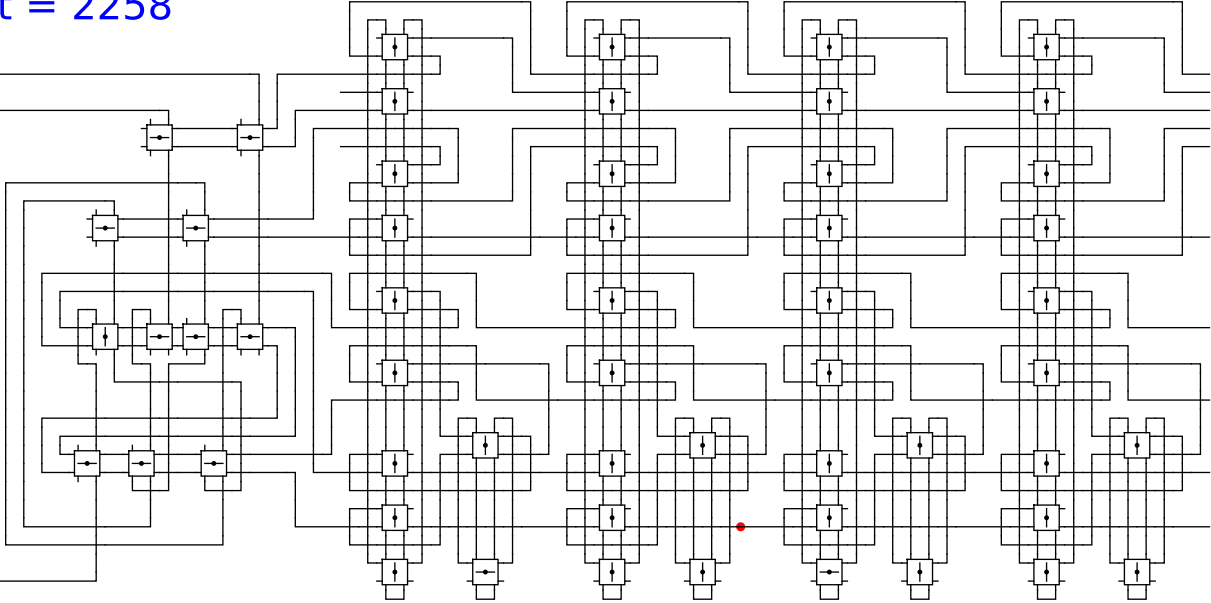


1 0 head 0 0

t = 2258

Reject
Accept

Begin

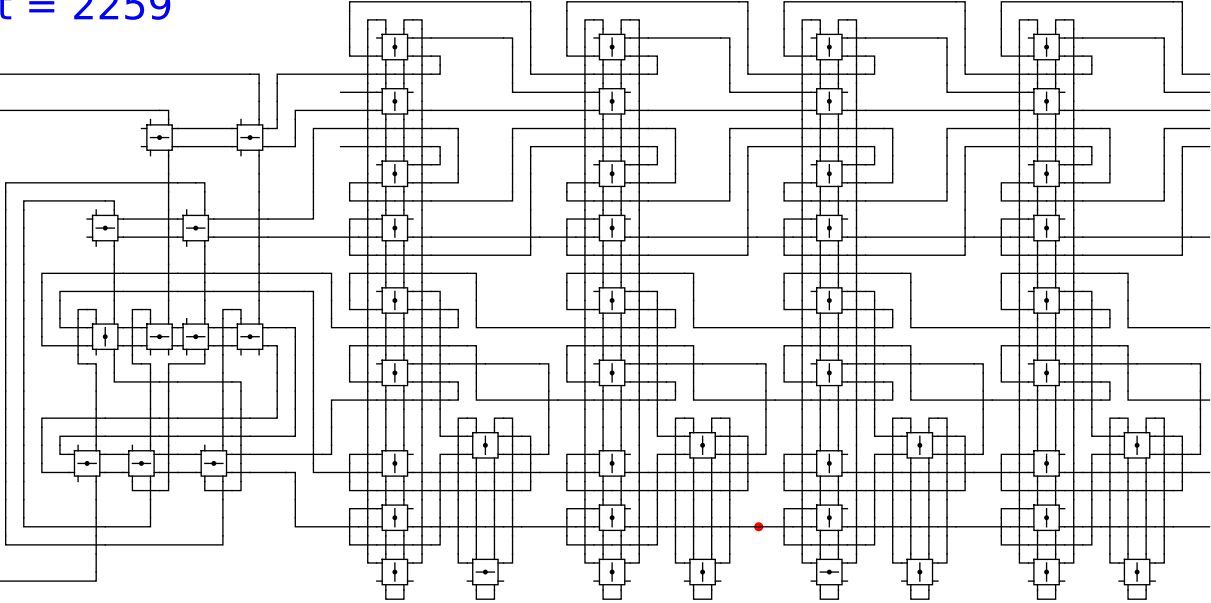


1 0 head 0 0

t = 2259

Reject
Accept

Begin

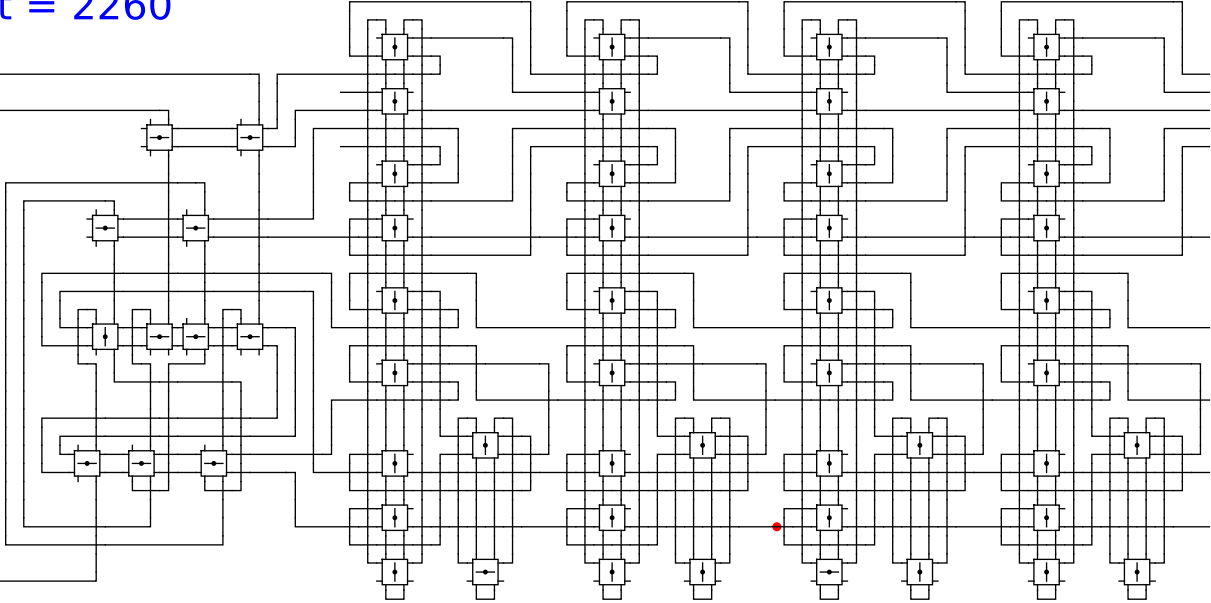


1 0 head 0 0

t = 2260

Reject
Accept

Begin

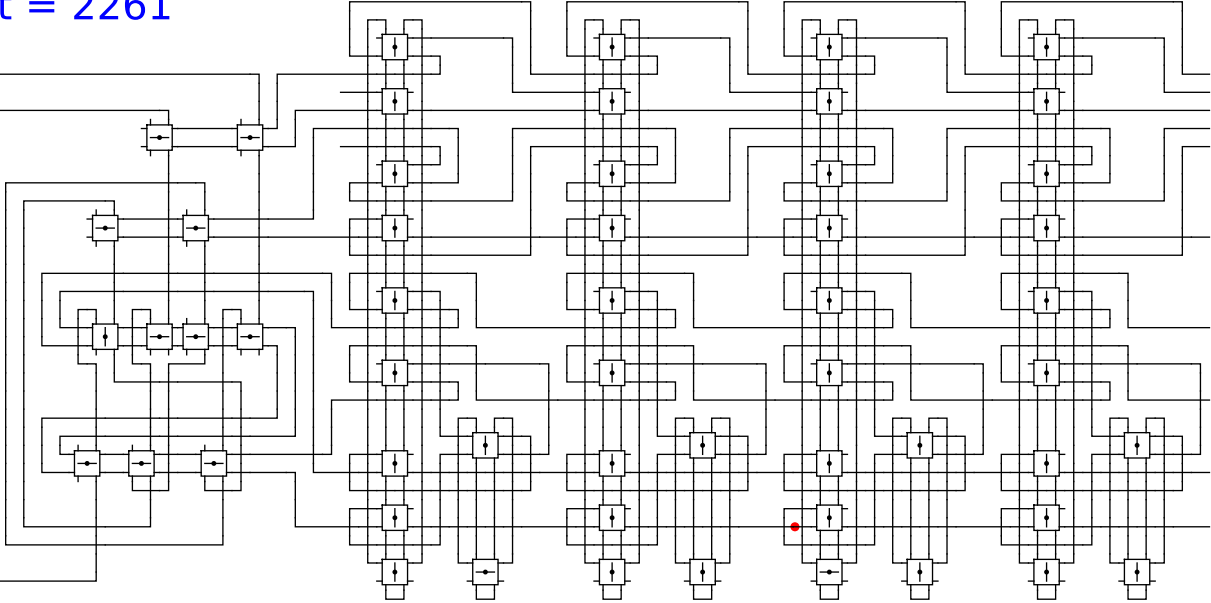


1 0 head 0 0

t = 2261

Reject
Accept

Begin

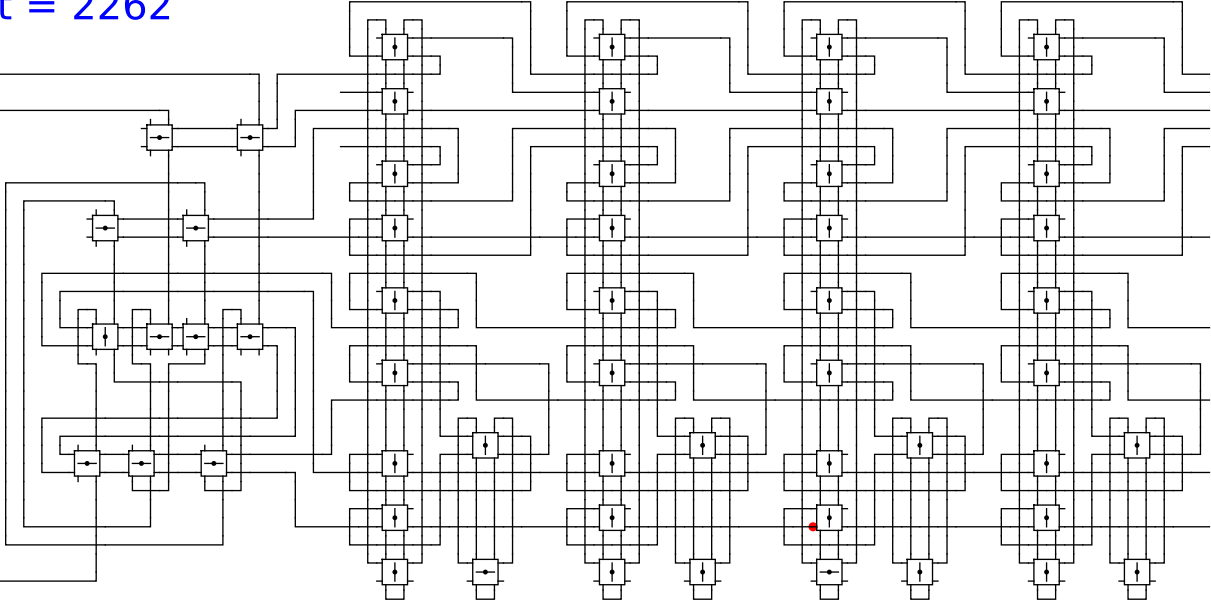


1 0 head 0 0

t = 2262

Reject
Accept

Begin

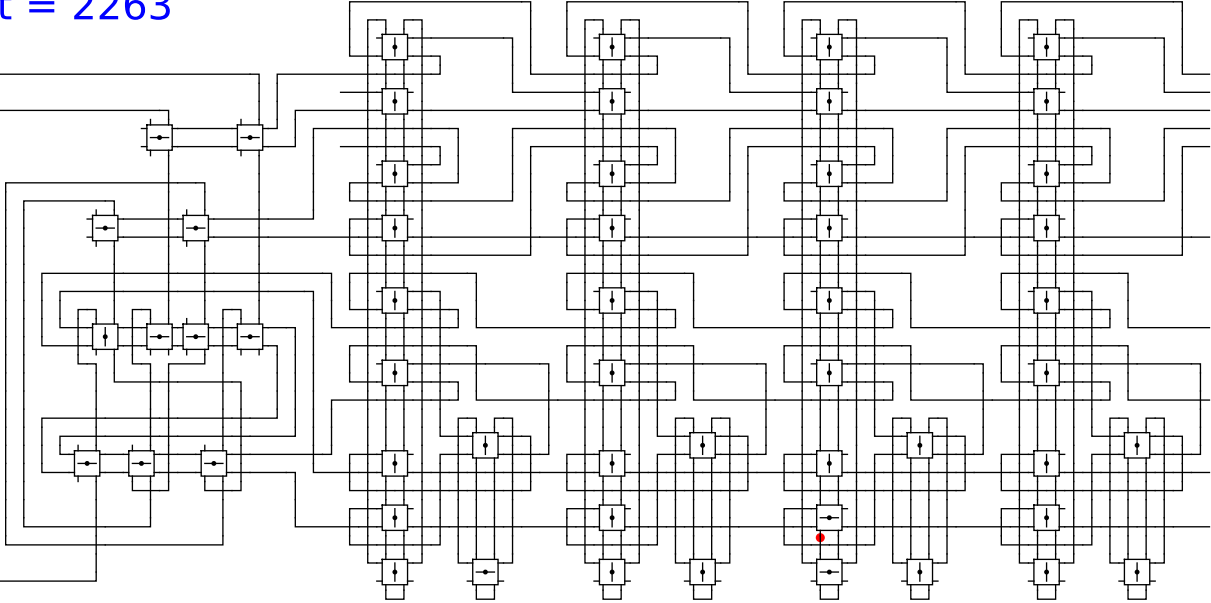


1 0 head 0 0

t = 2263

Reject
Accept

Begin

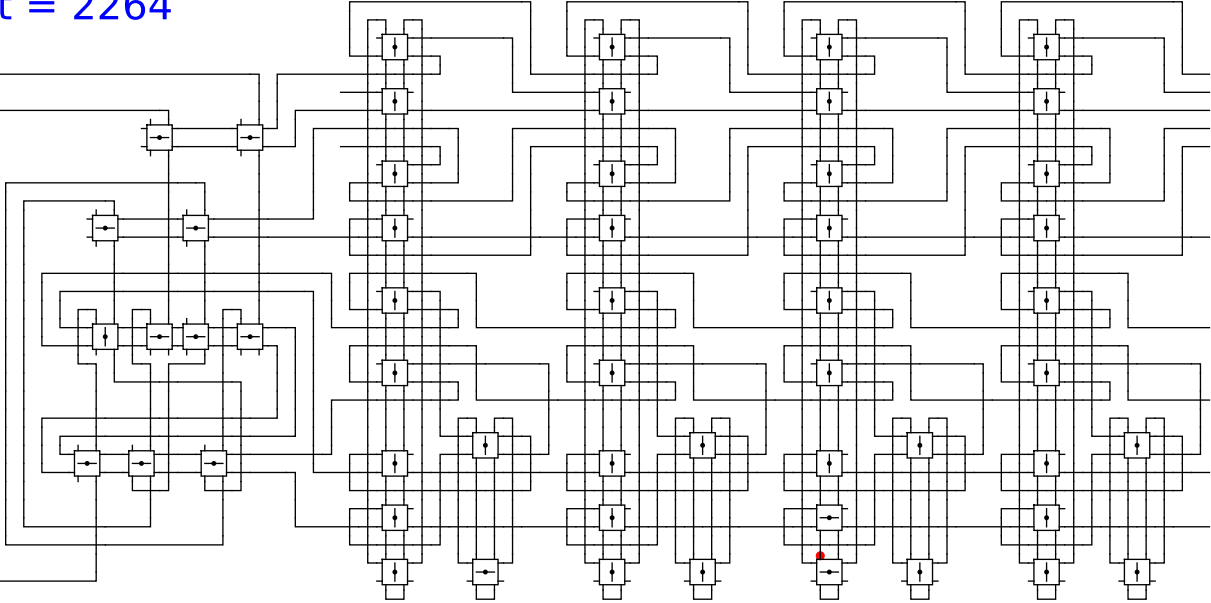


1 0 head 0 0

t = 2264

Reject
Accept

Begin

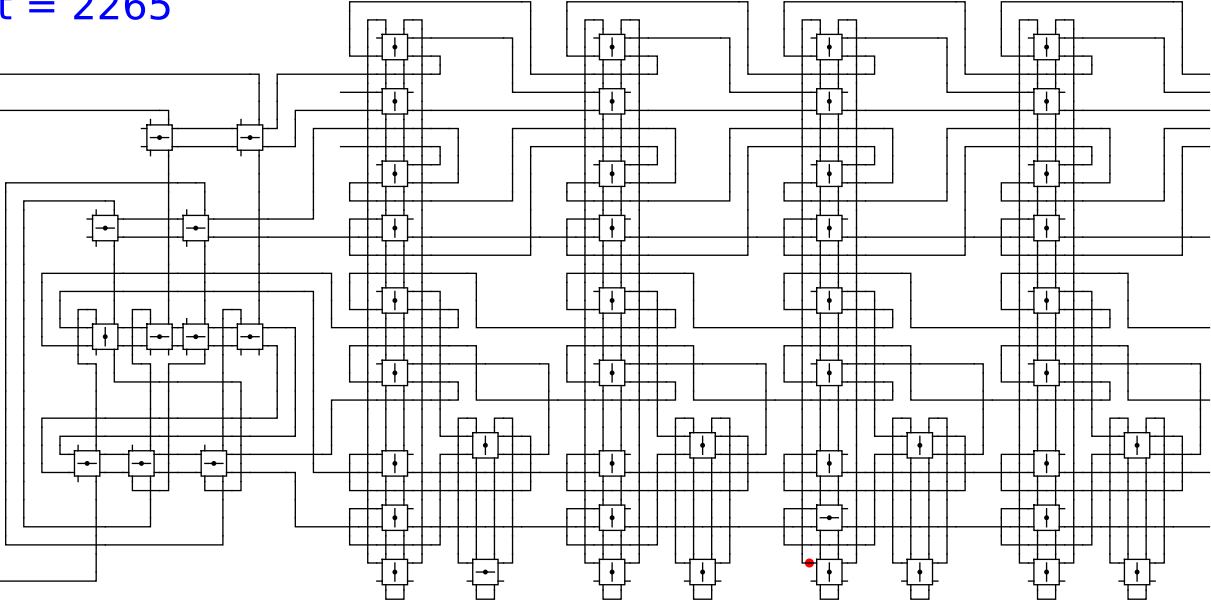


1 0 head 0 0

t = 2265

Reject
Accept

Begin



1

0

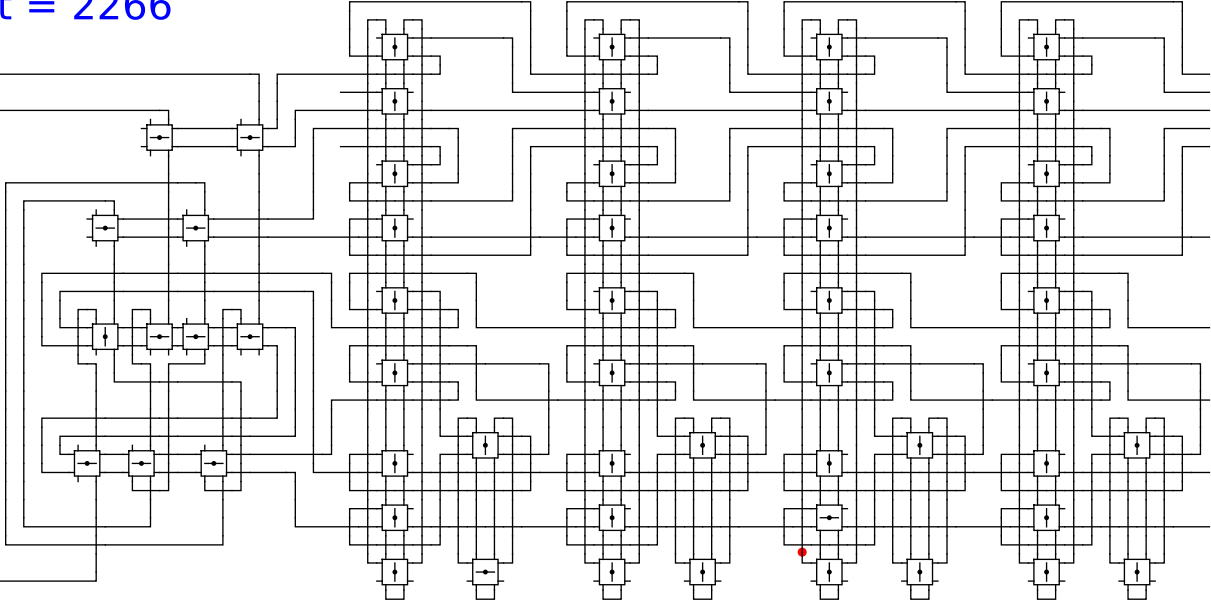
0

0

t = 2266

Reject
Accept

Begin



1

0

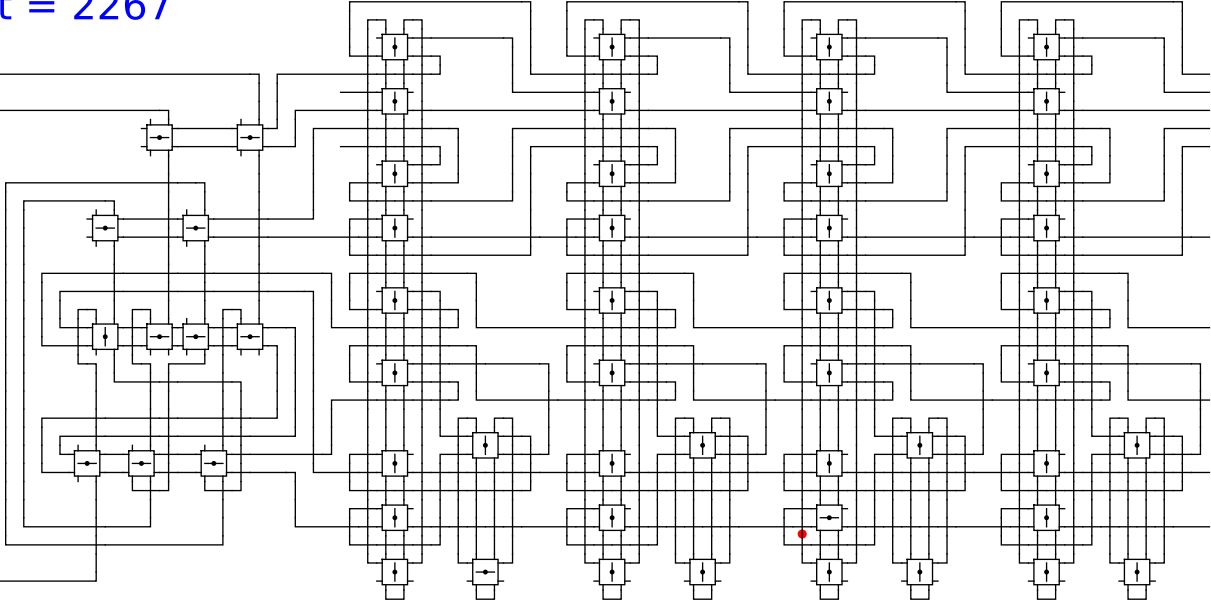
0

0

t = 2267

Reject
Accept

Begin



1

0

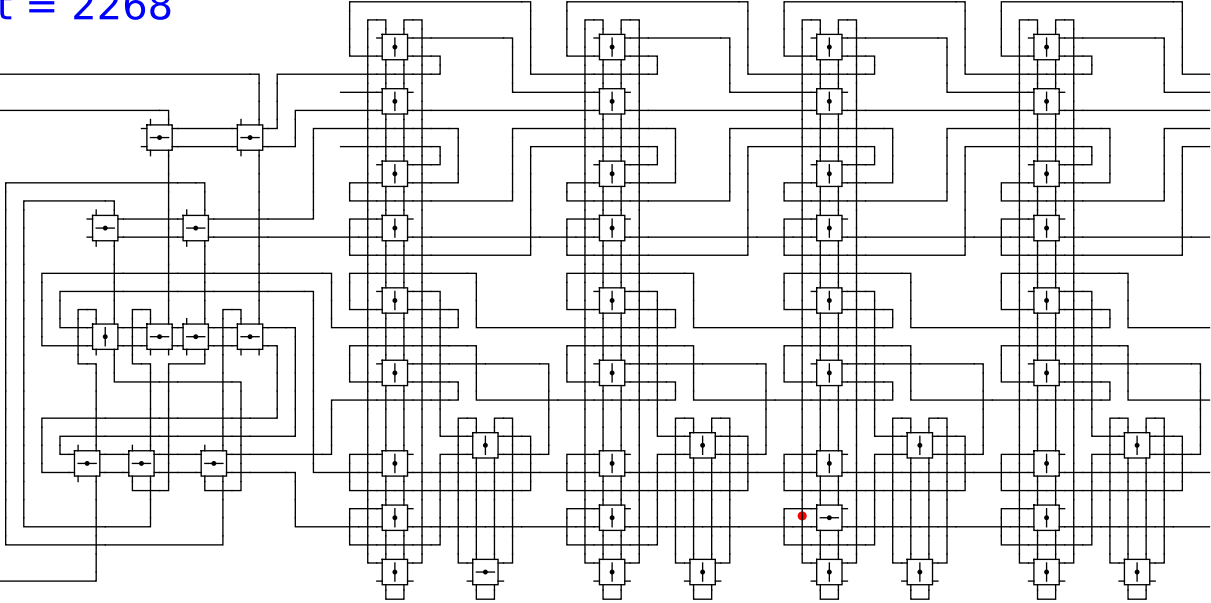
0

0

t = 2268

Reject
Accept

Begin



1

0

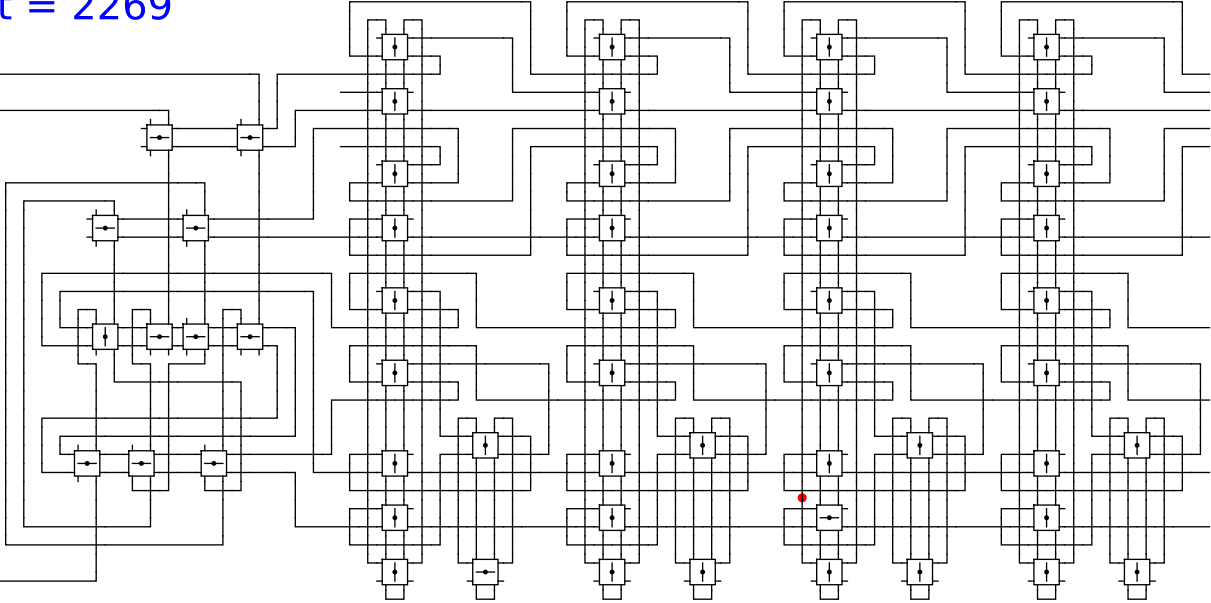
0

0

t = 2269

Reject
Accept

Begin



1

0

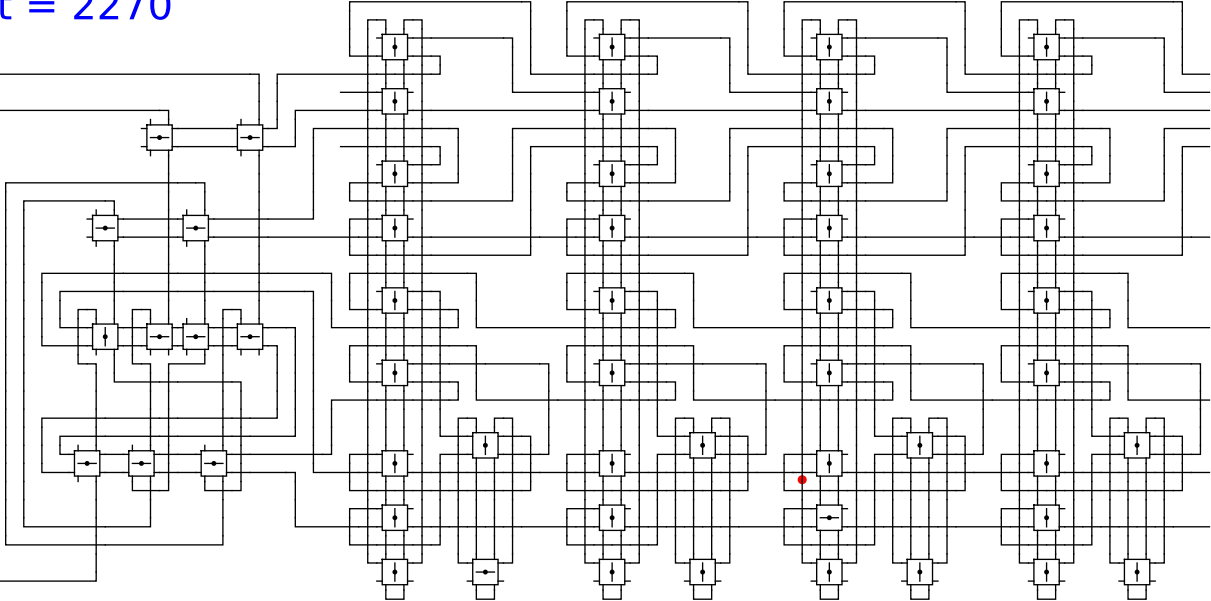
0

0

t = 2270

Reject
Accept

Begin



1

0

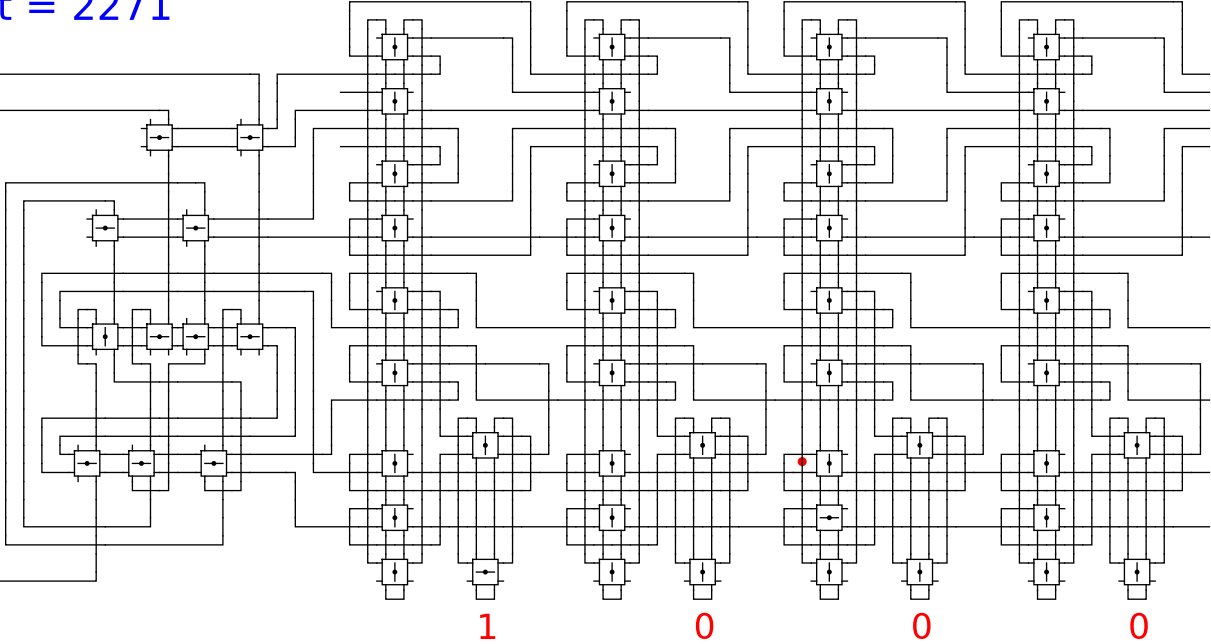
0

0

t = 2271

Reject
Accept

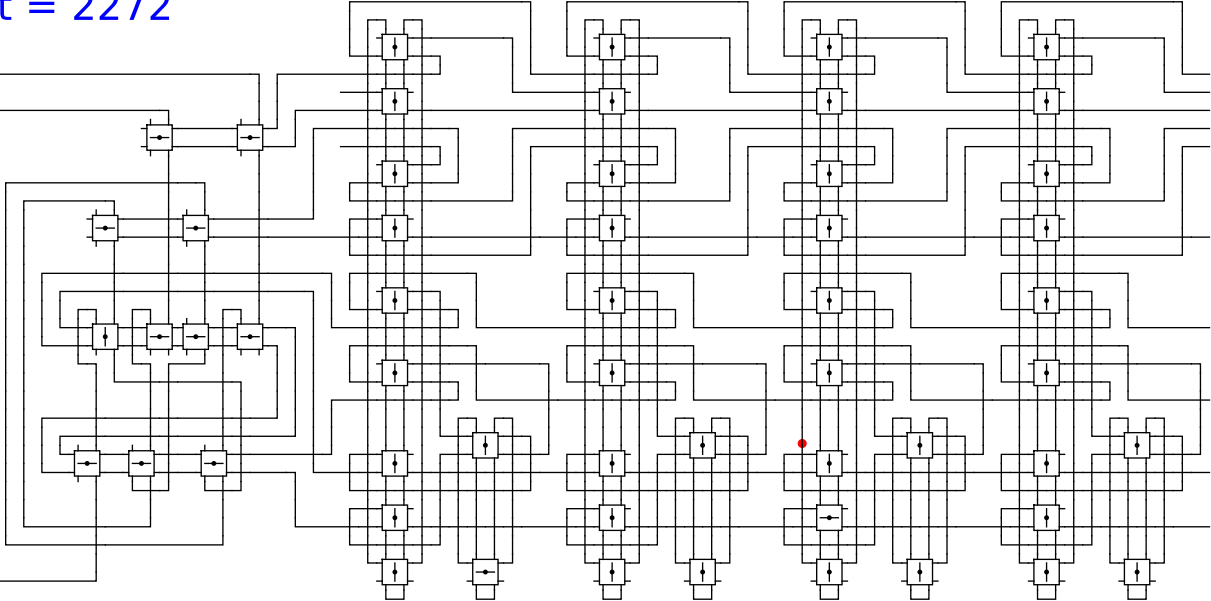
Begin



t = 2272

Reject
Accept

Begin



1

0

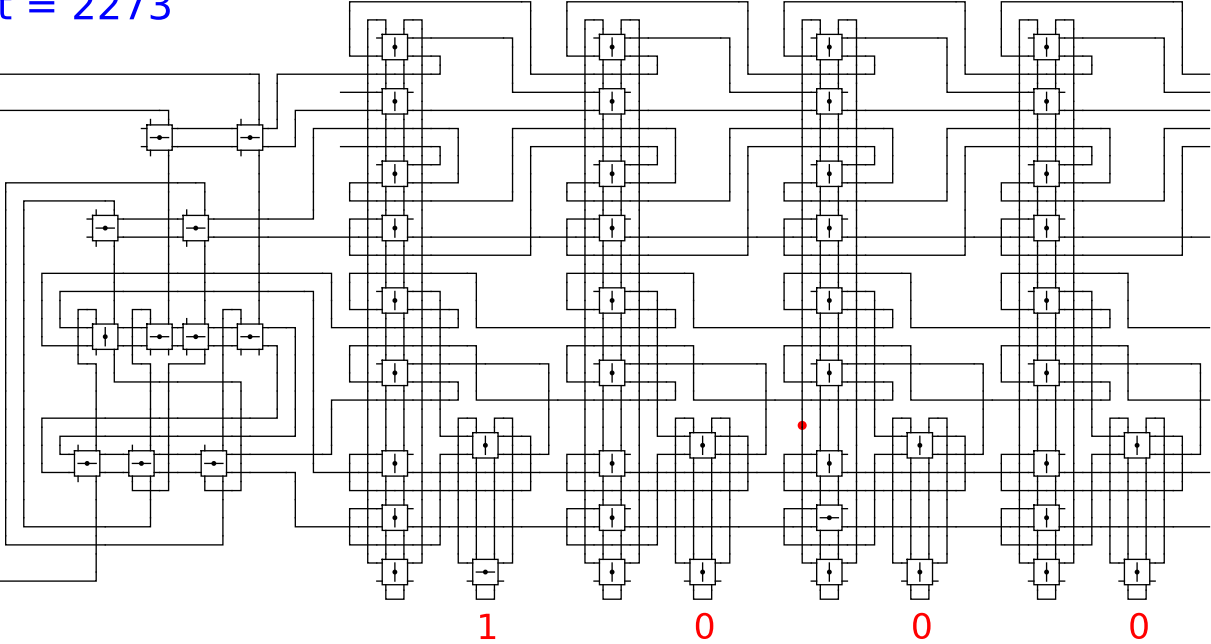
0

0

$t = 2273$

Reject
Accept

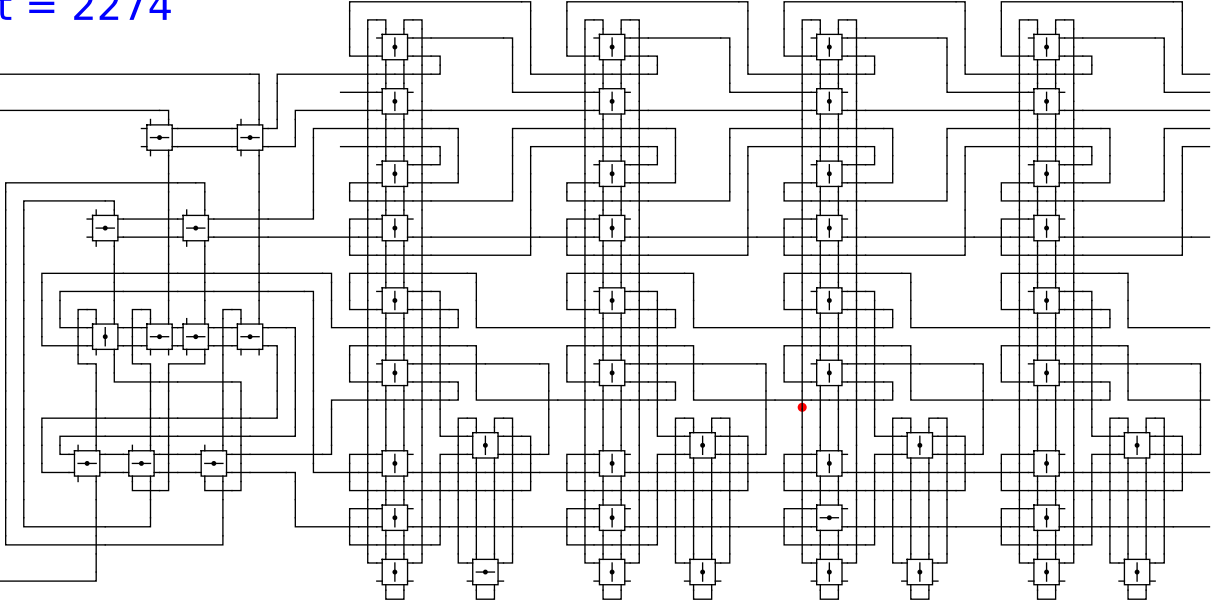
Begin



t = 2274

Reject
Accept

Begin



1

0

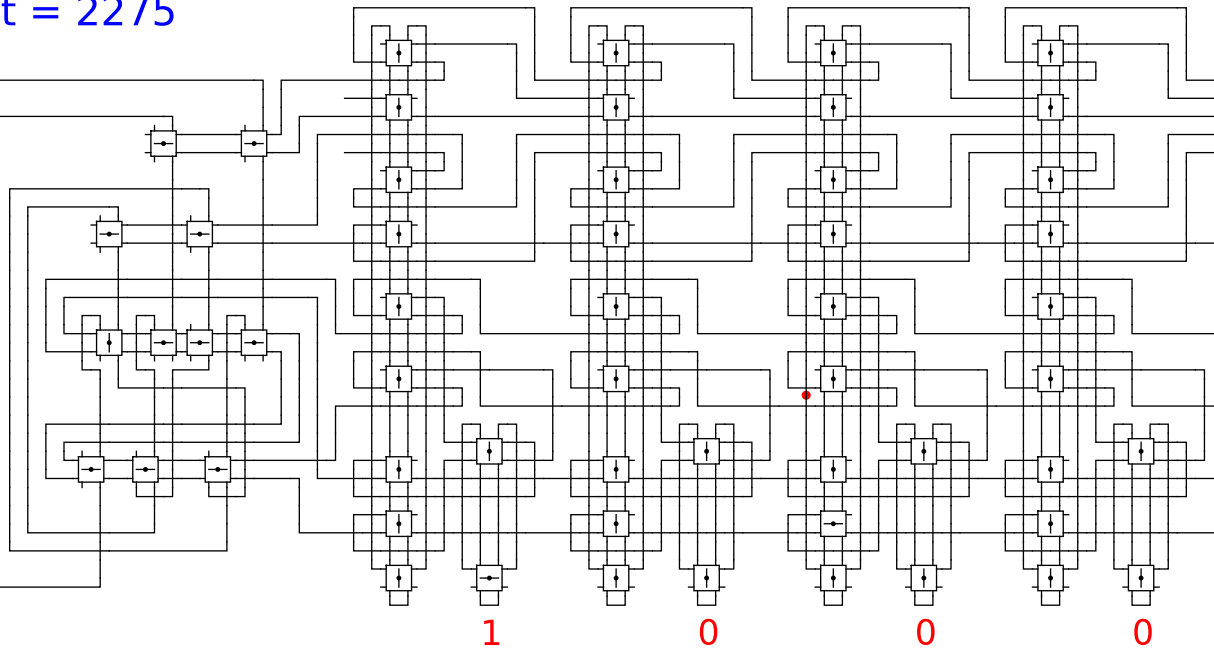
0

0

t = 2275

Reject
Accept

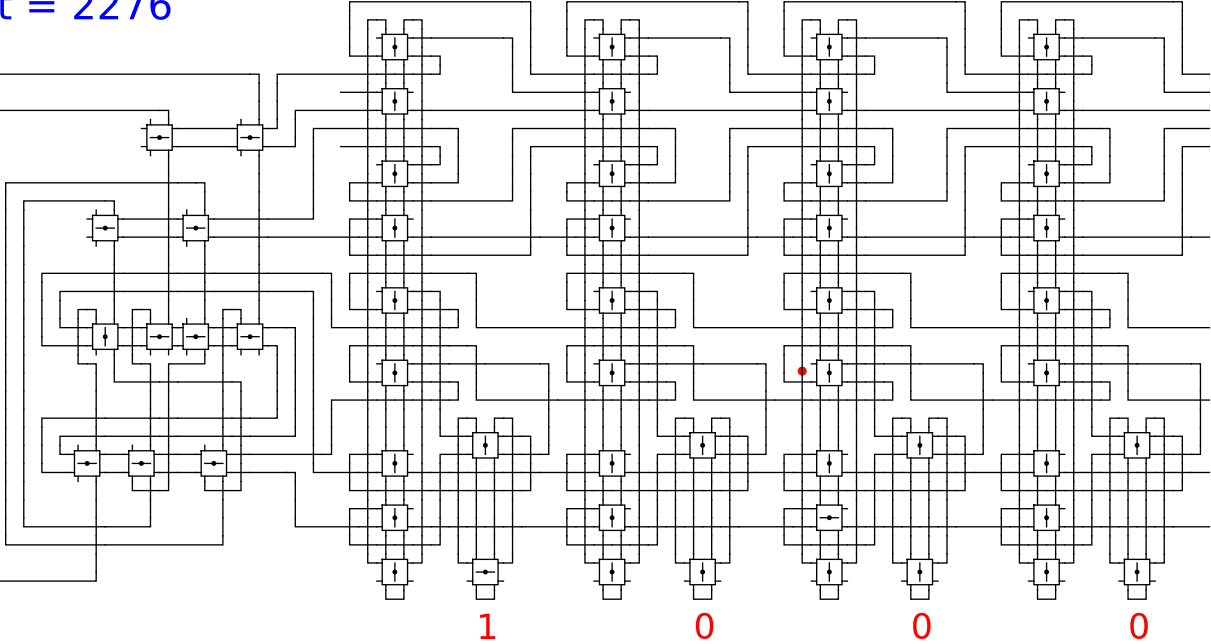
Begin



t = 2276

Reject
Accept

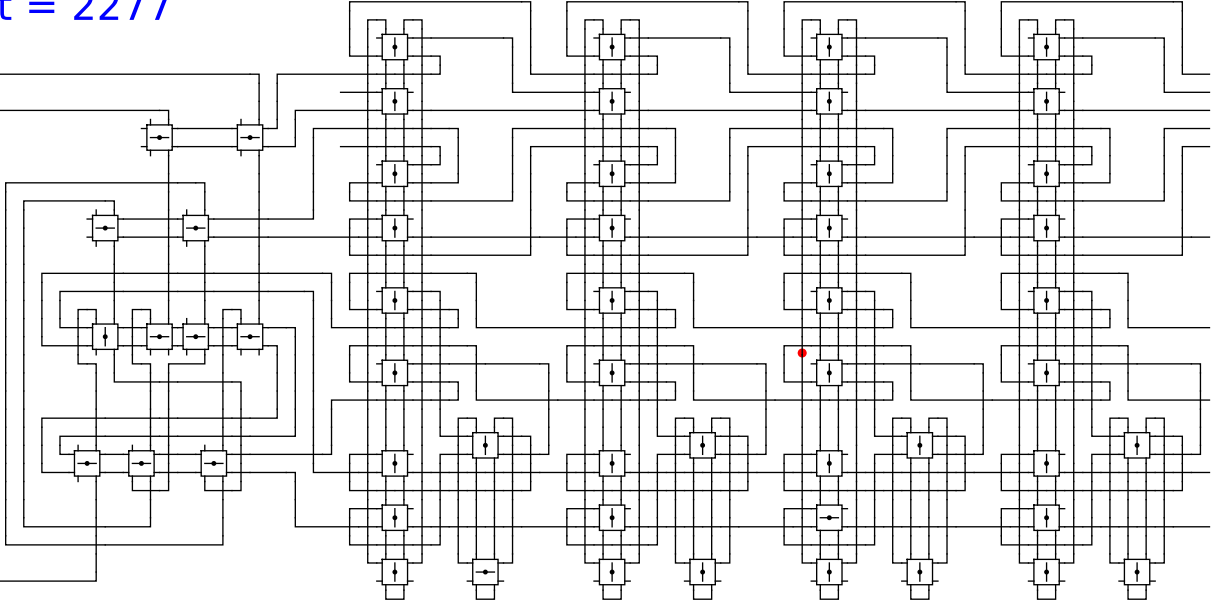
Begin



t = 2277

Reject
Accept

Begin



1

0

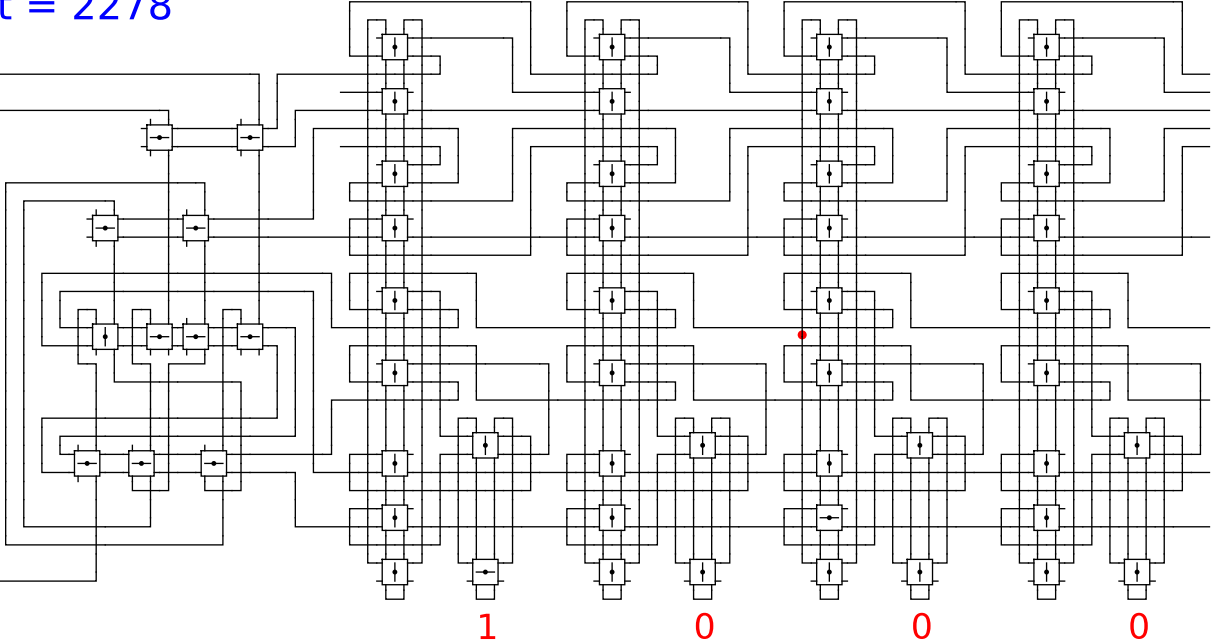
0

0

t = 2278

Reject
Accept

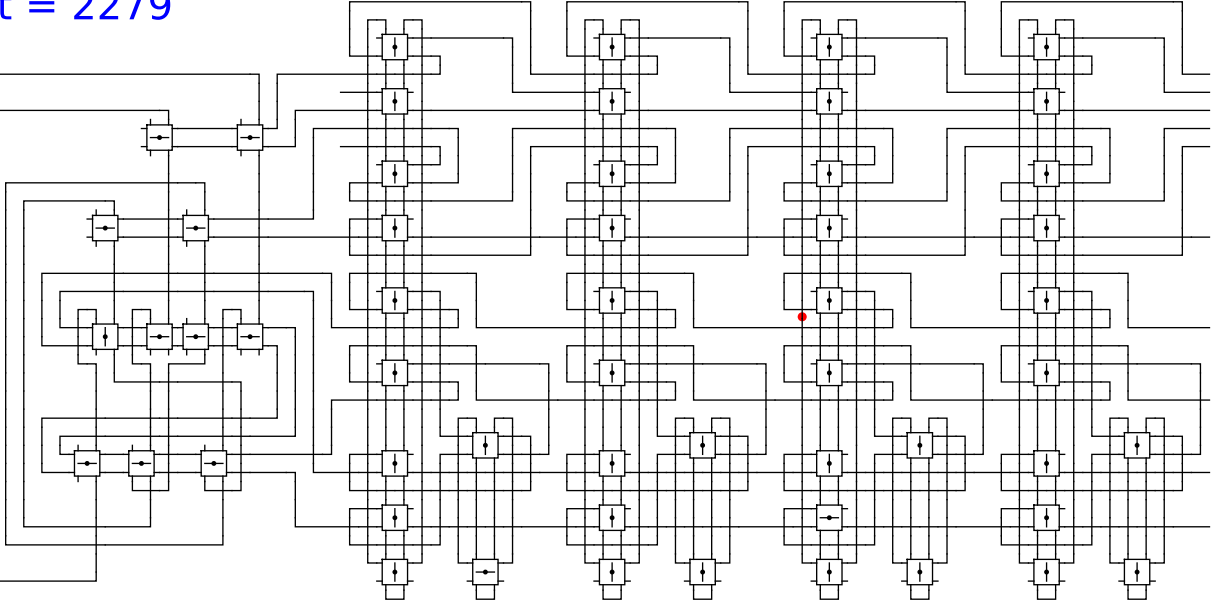
Begin



t = 2279

Reject
Accept

Begin



1

0

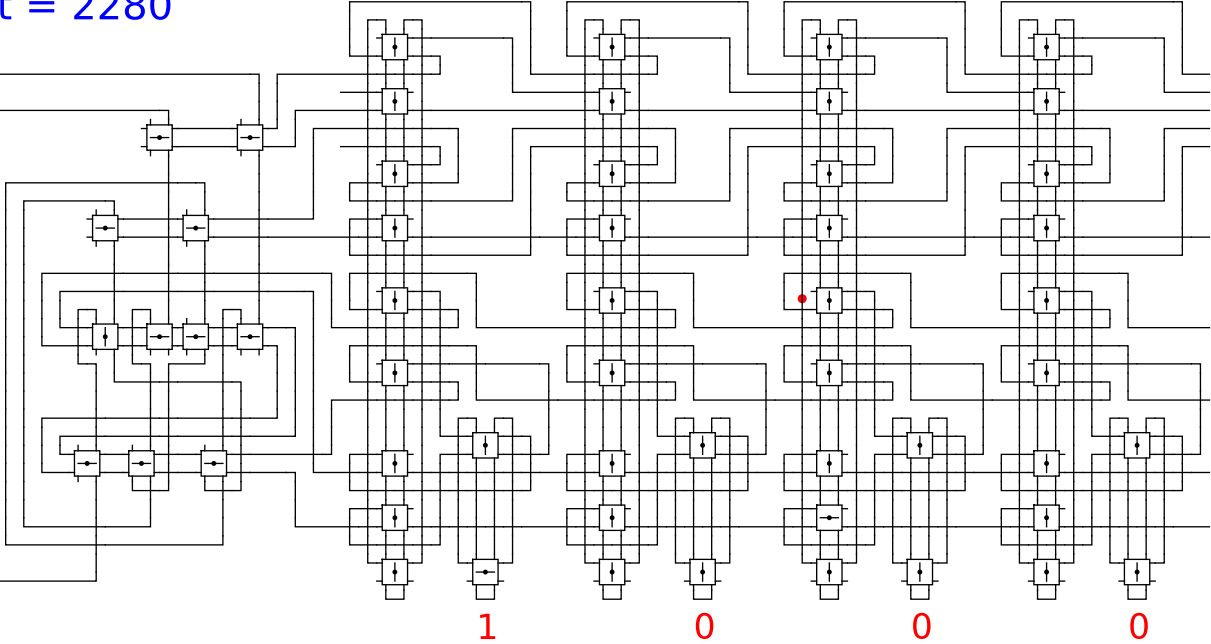
0

0

t = 2280

Reject
Accept

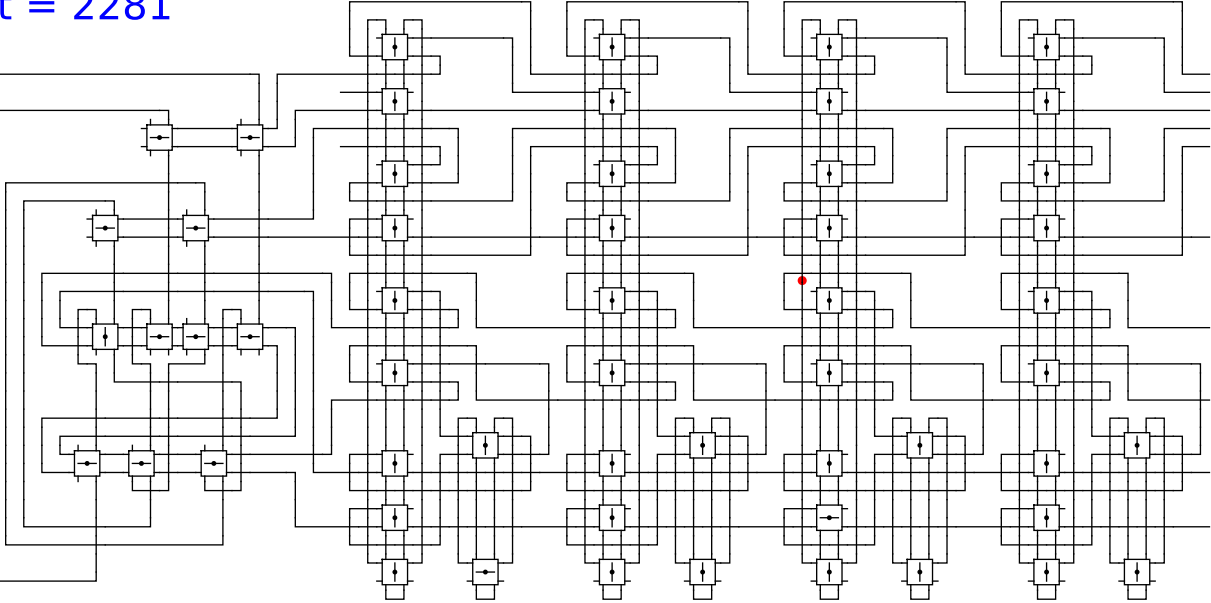
Begin



t = 2281

Reject
Accept

Begin



1

0

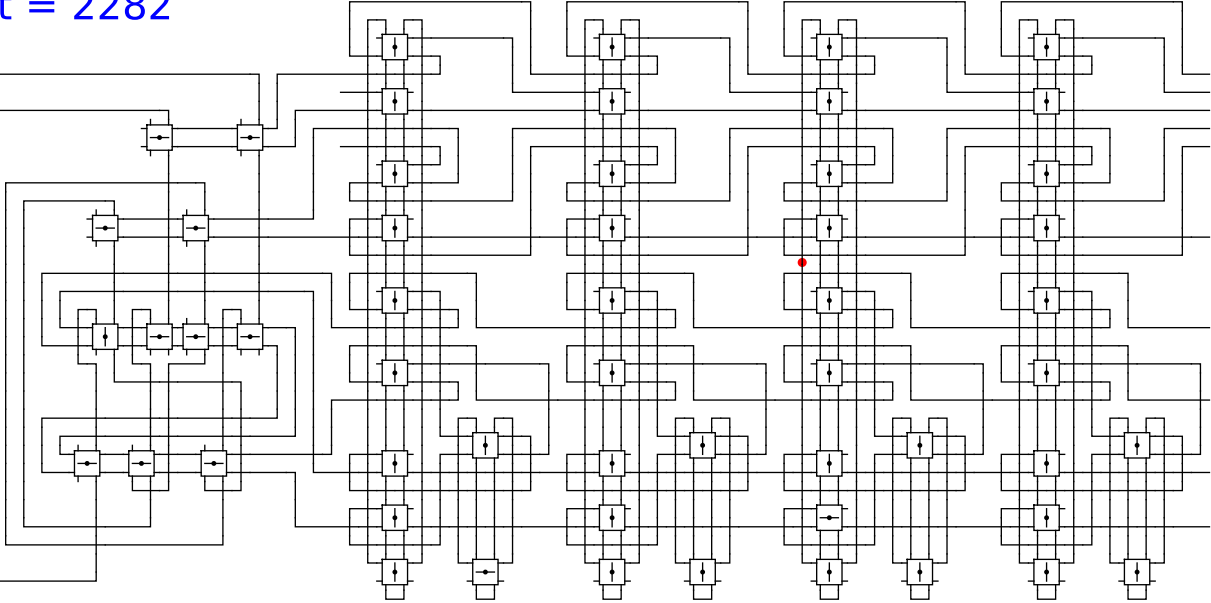
0

0

t = 2282

Reject
Accept

Begin



1

0

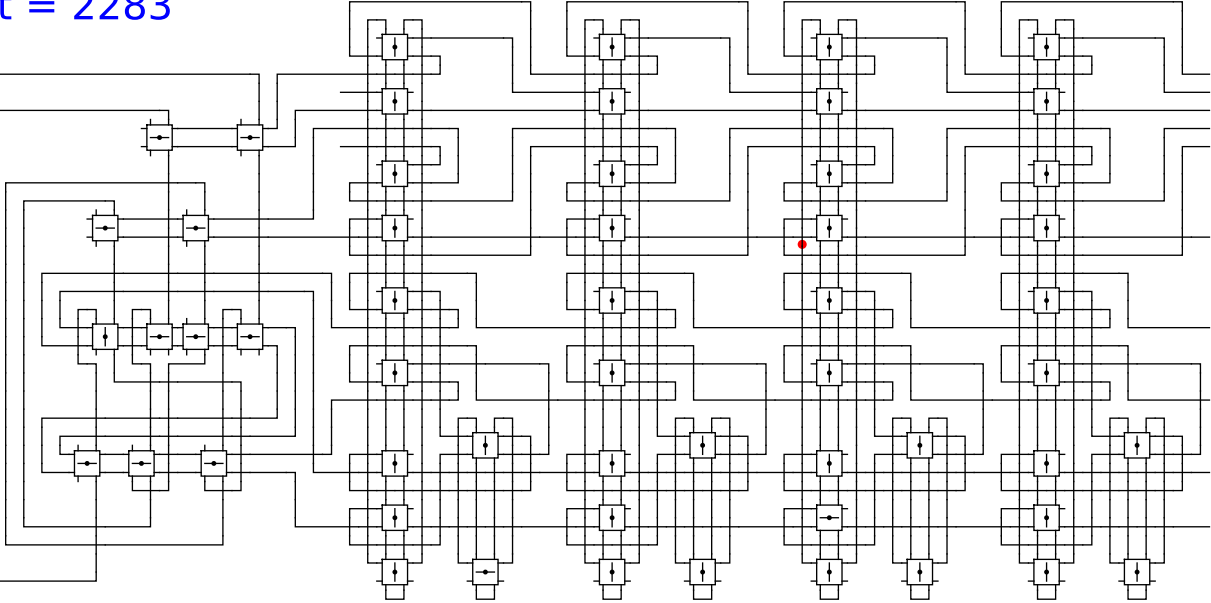
0

0

t = 2283

Reject
Accept

Begin



1

0

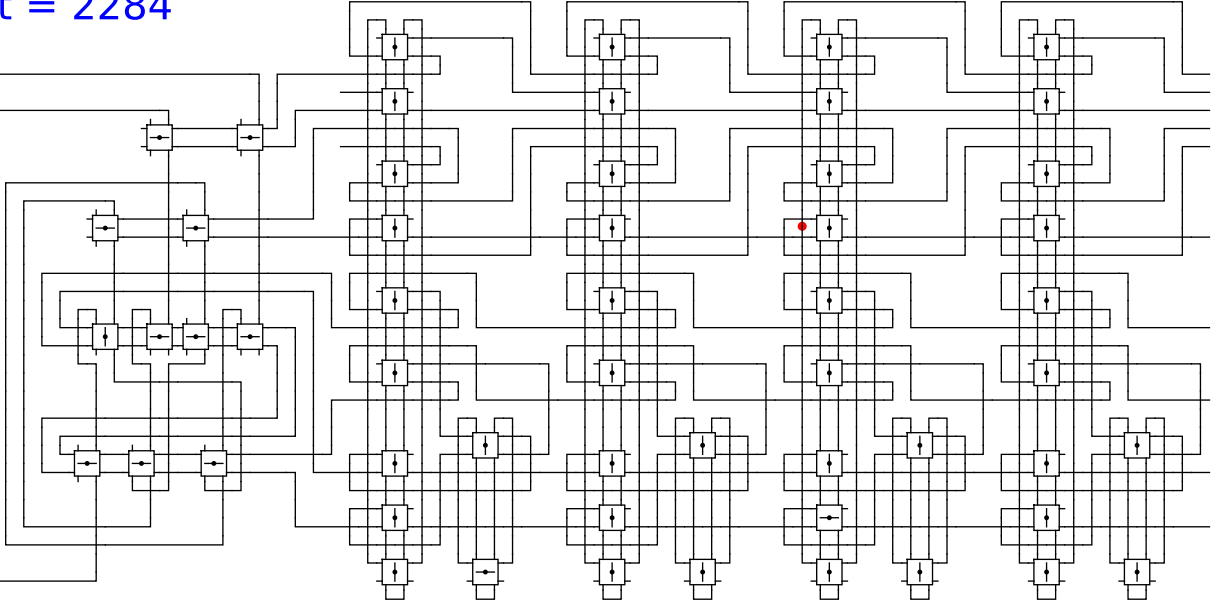
0

0

t = 2284

Reject
Accept

Begin



1

0

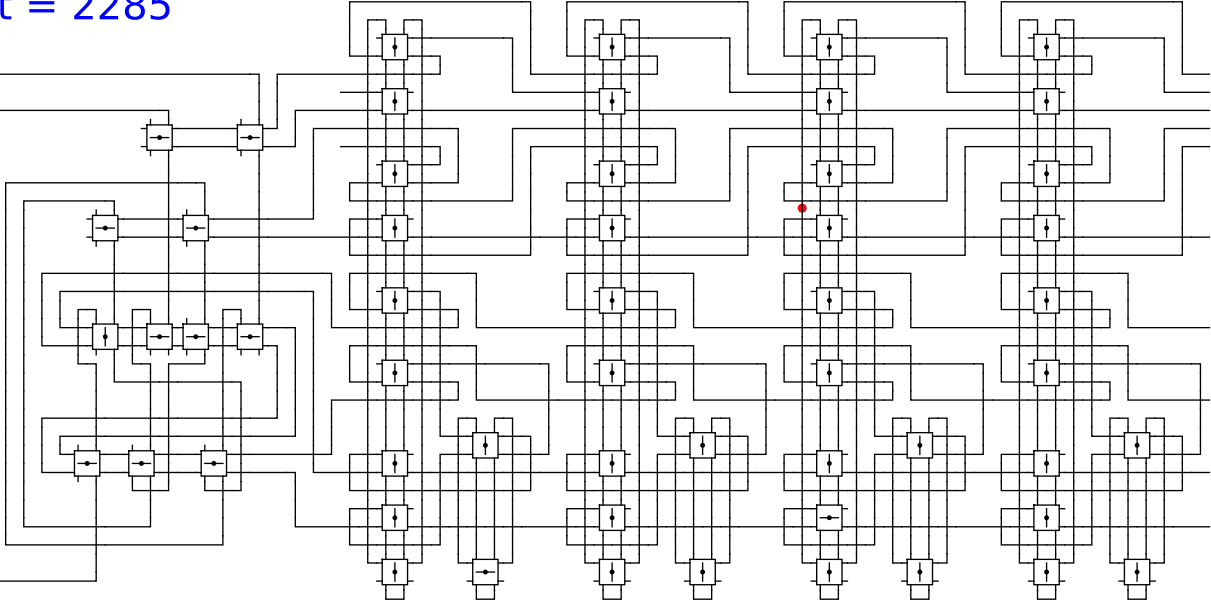
0

0

t = 2285

Reject
Accept

Begin



1

0

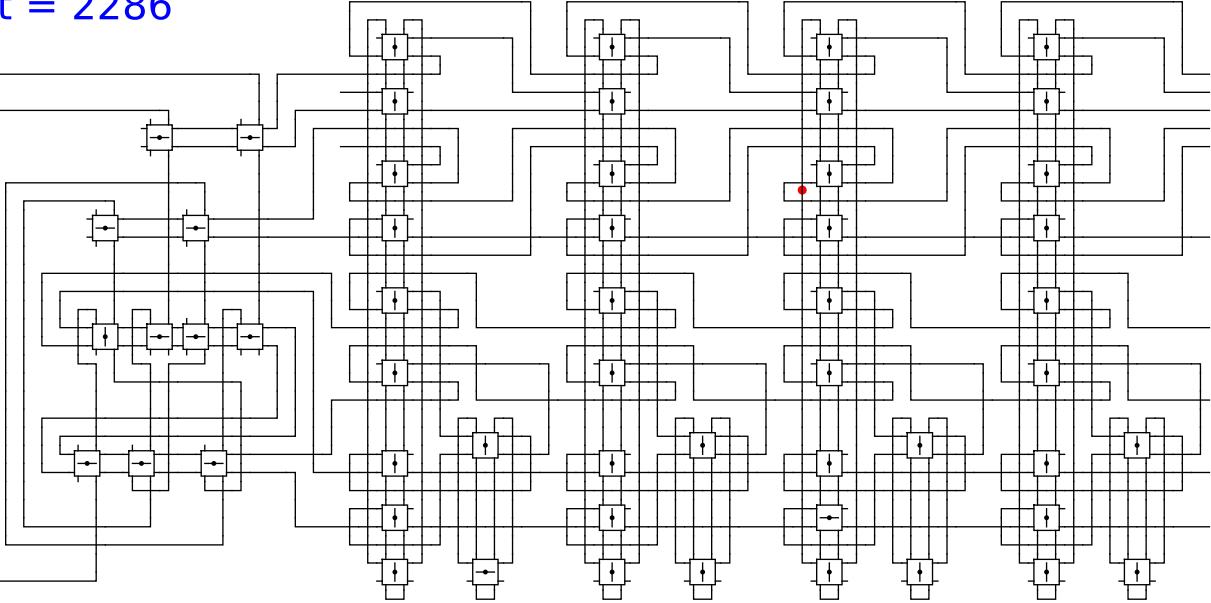
0

0

t = 2286

Reject
Accept

Begin



1

0

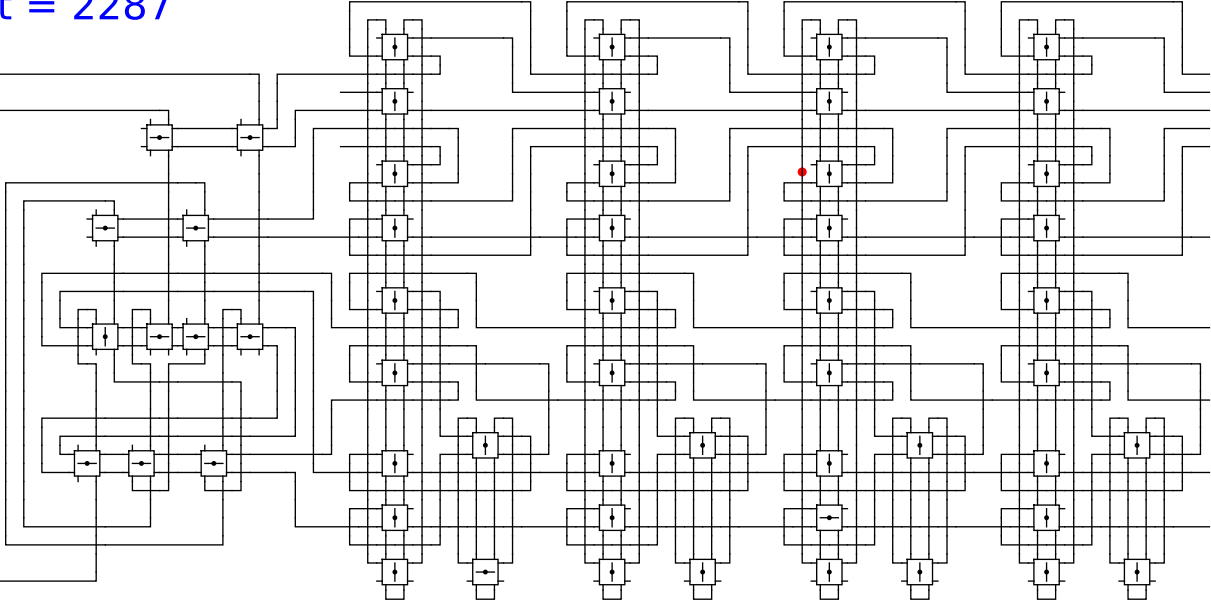
0

0

t = 2287

Reject
Accept

Begin



1

0

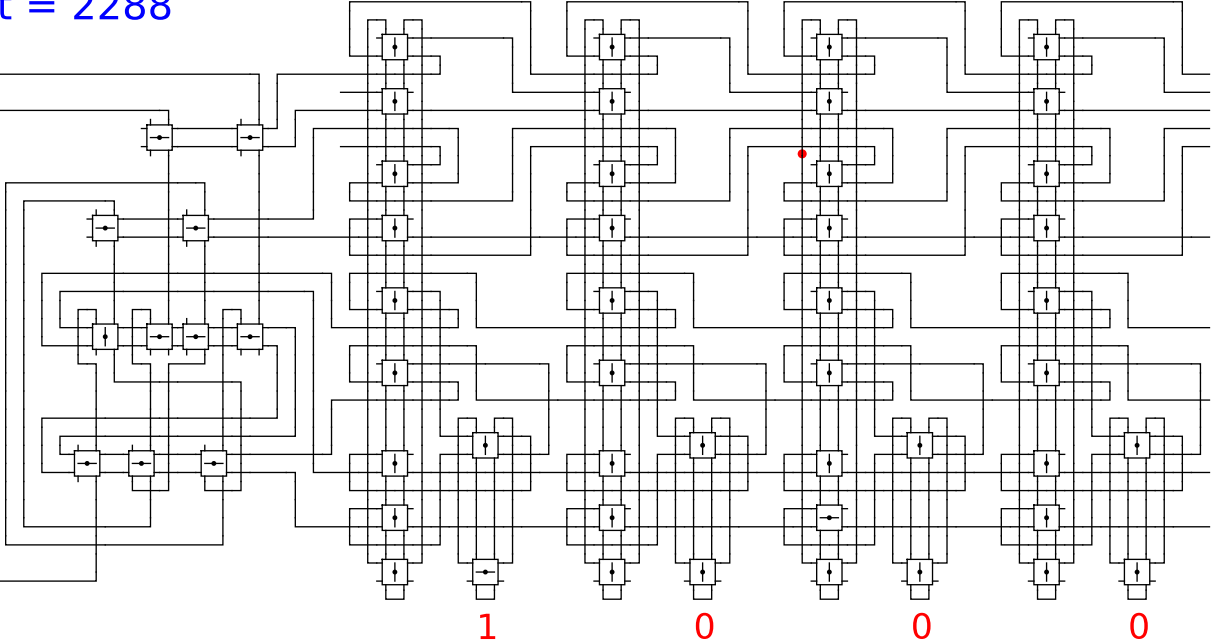
0

0

t = 2288

Reject
Accept

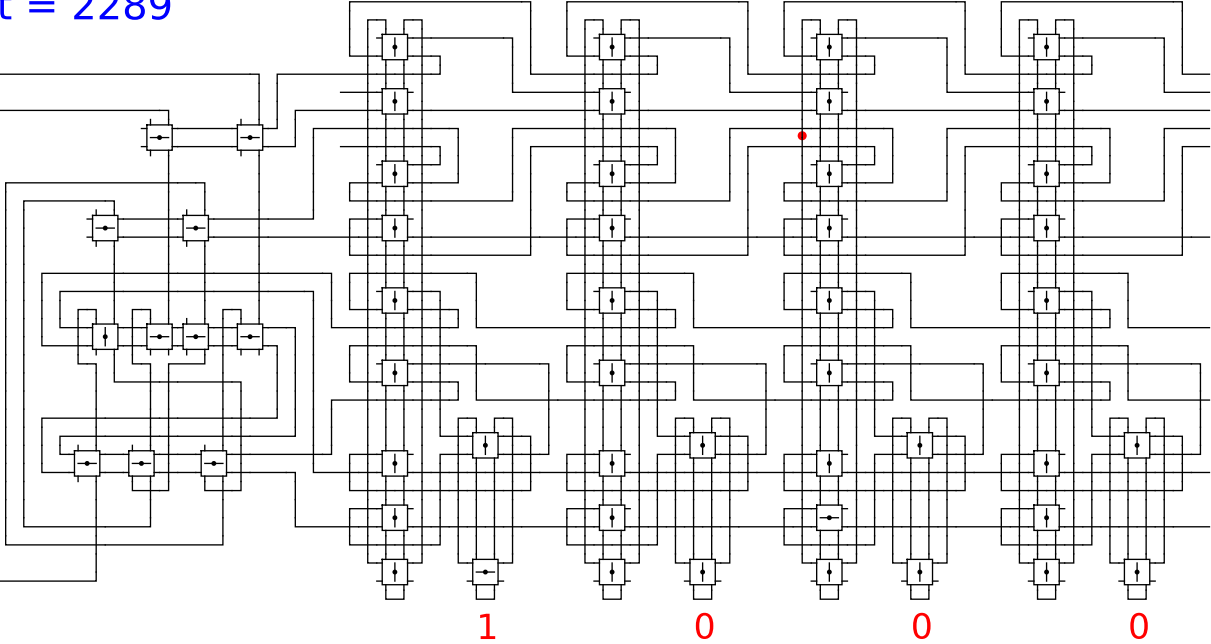
Begin



t = 2289

Reject
Accept

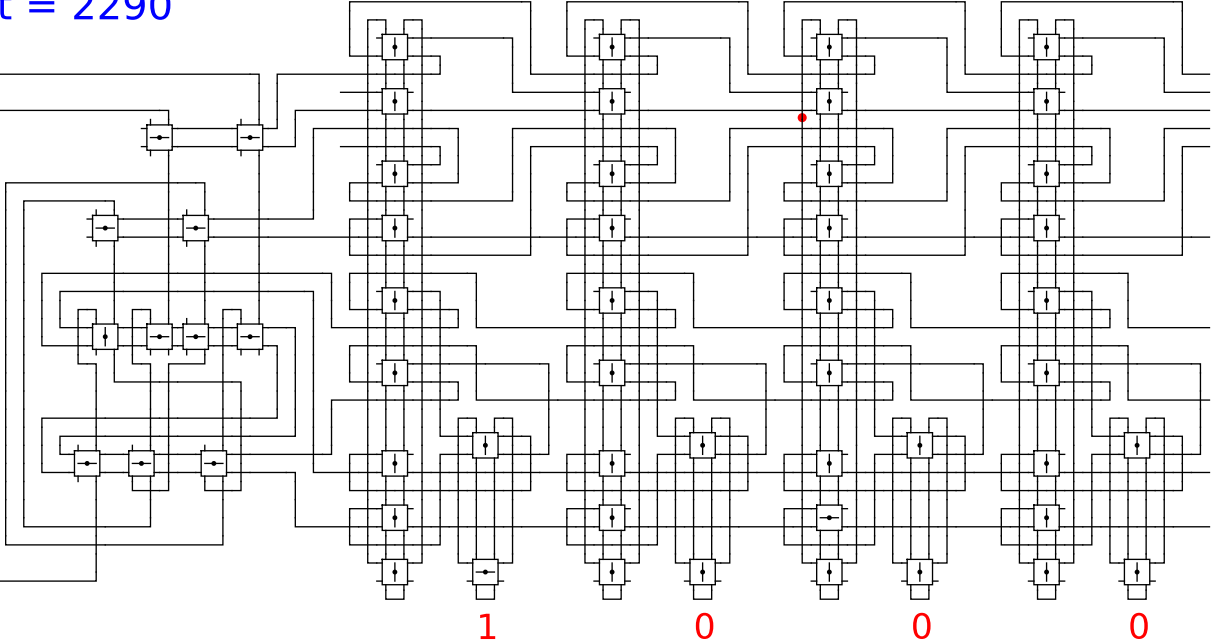
Begin



t = 2290

Reject
Accept

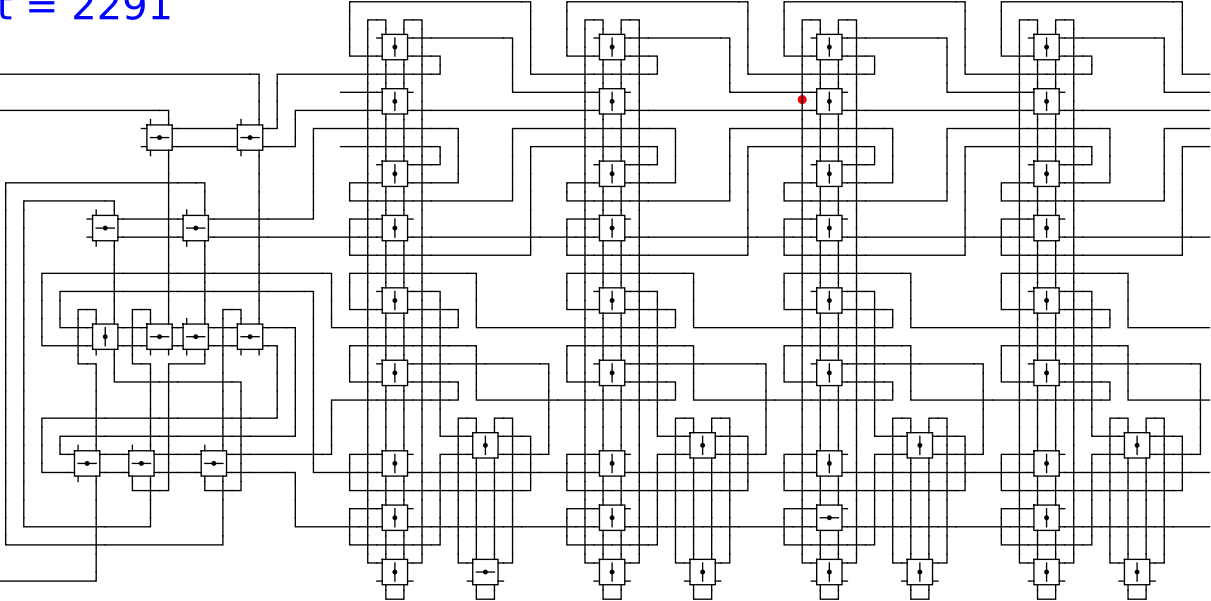
Begin



t = 2291

Reject
Accept

Begin



1

0

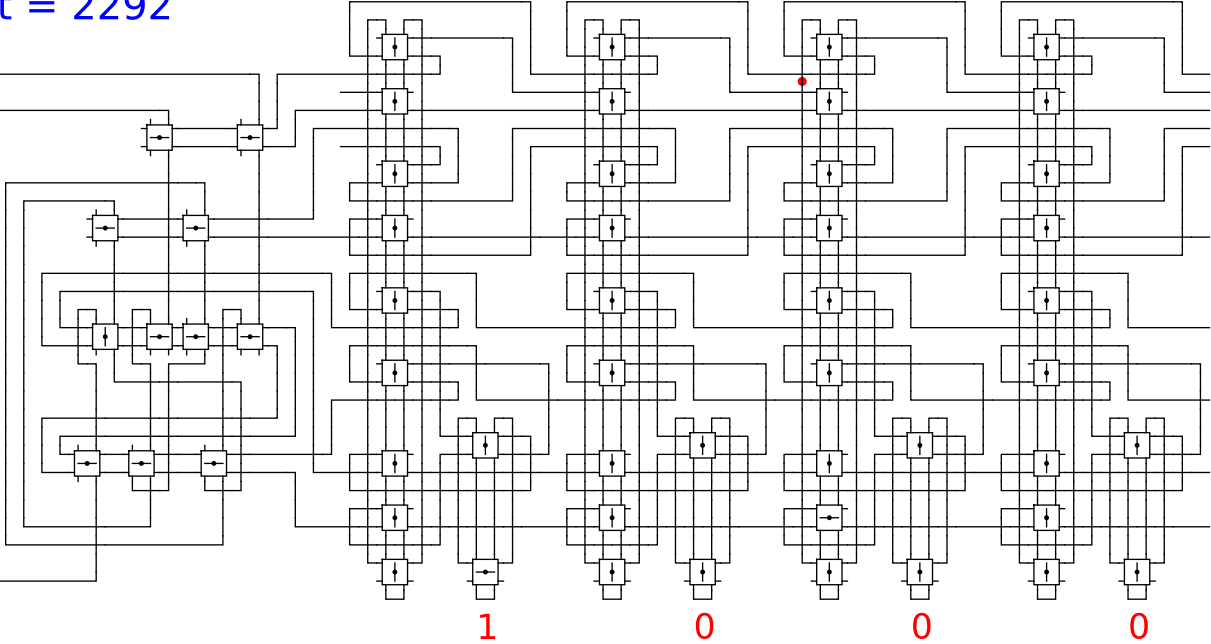
0

0

t = 2292

Reject
Accept

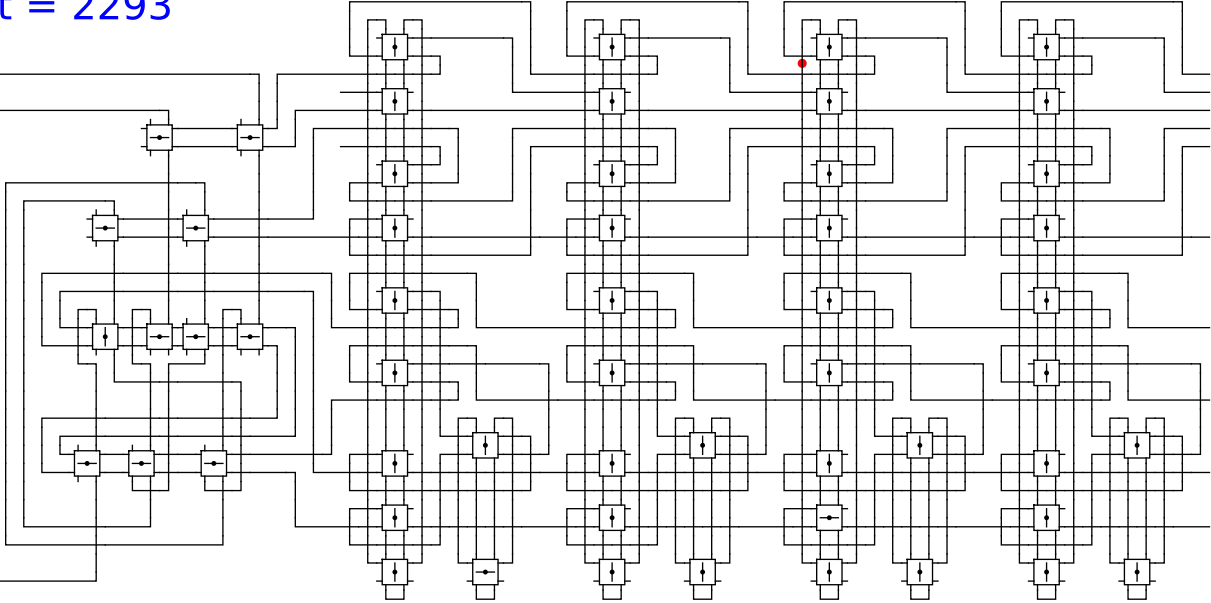
Begin



t = 2293

Reject
Accept

Begin



1

0

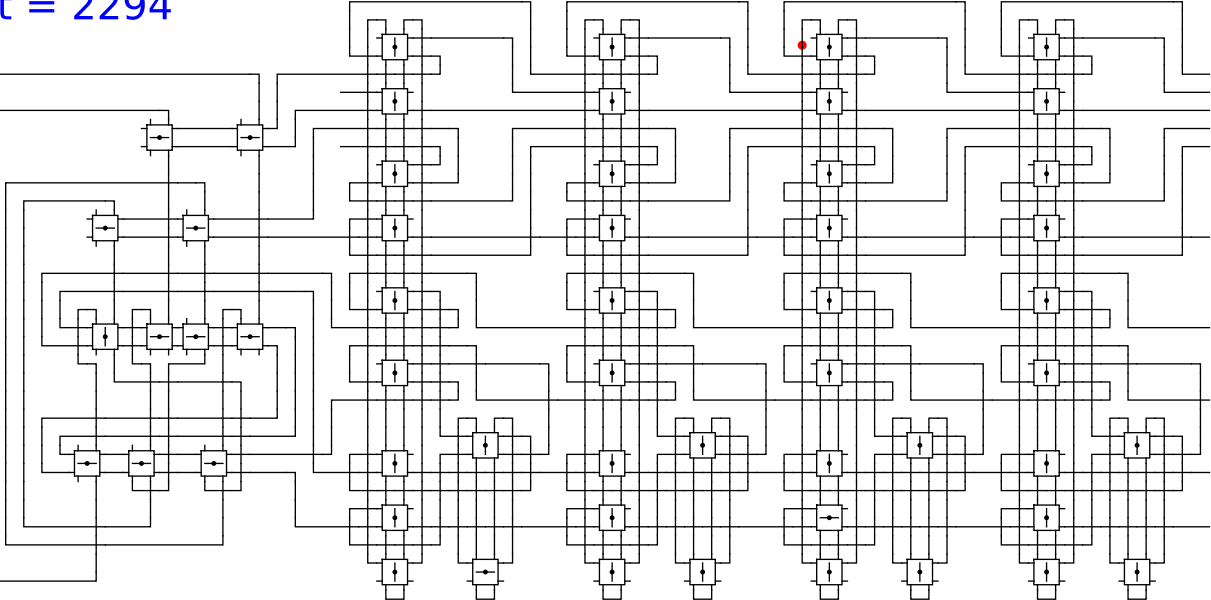
0

0

t = 2294

Reject
Accept

Begin



1

0

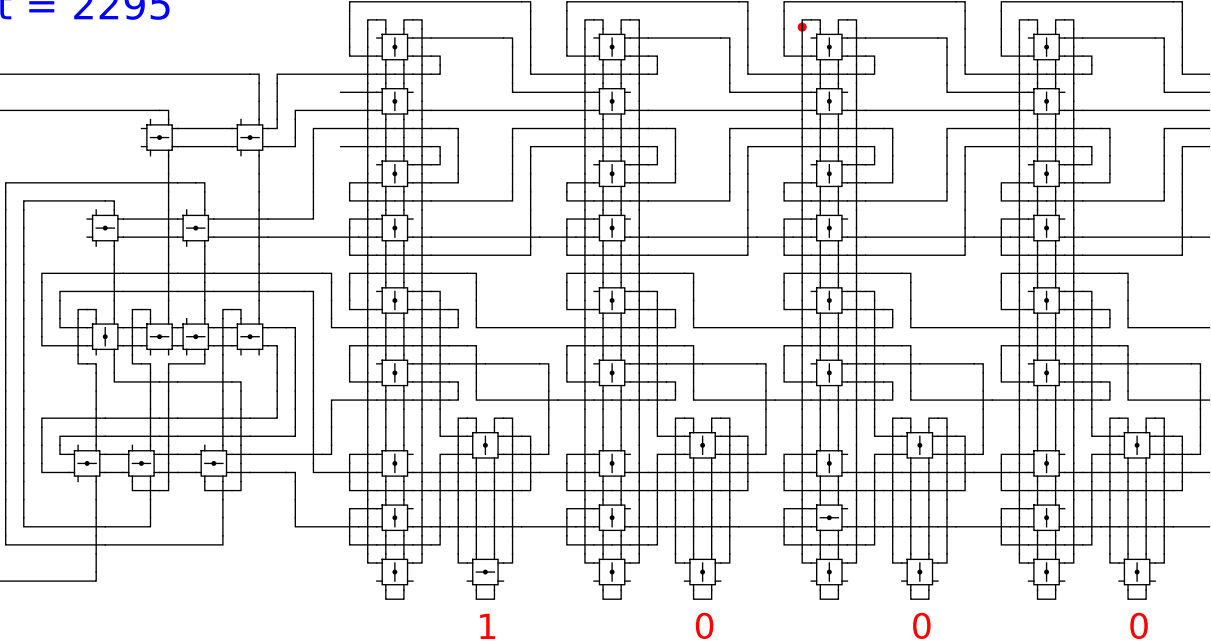
0

0

t = 2295

Reject
Accept

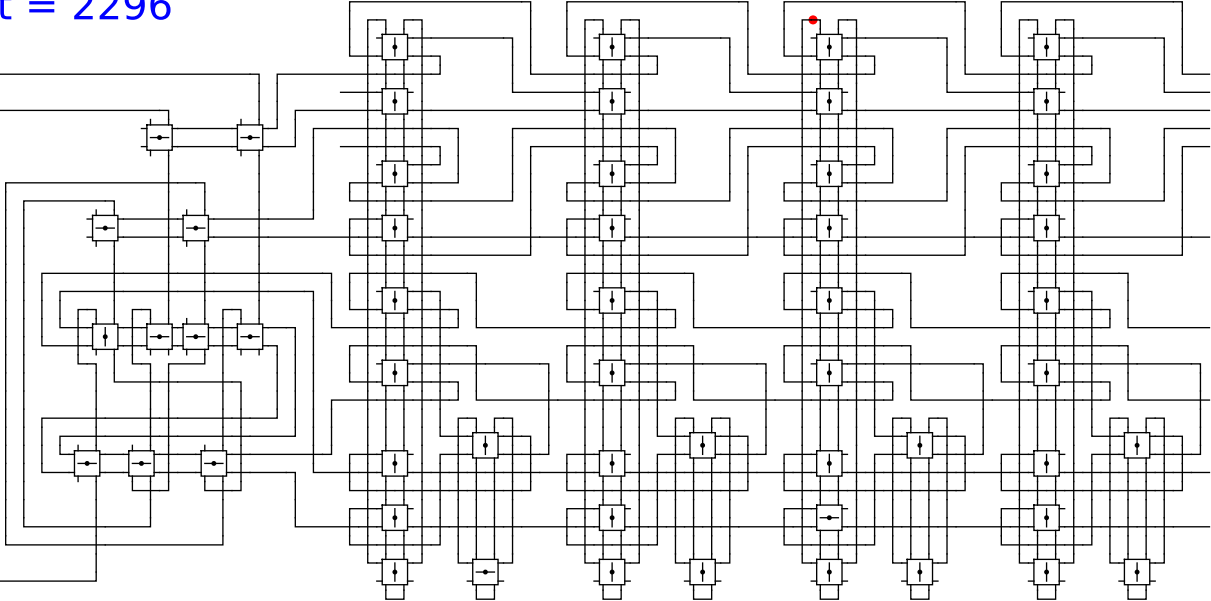
Begin



t = 2296

Reject
Accept

Begin



1

0

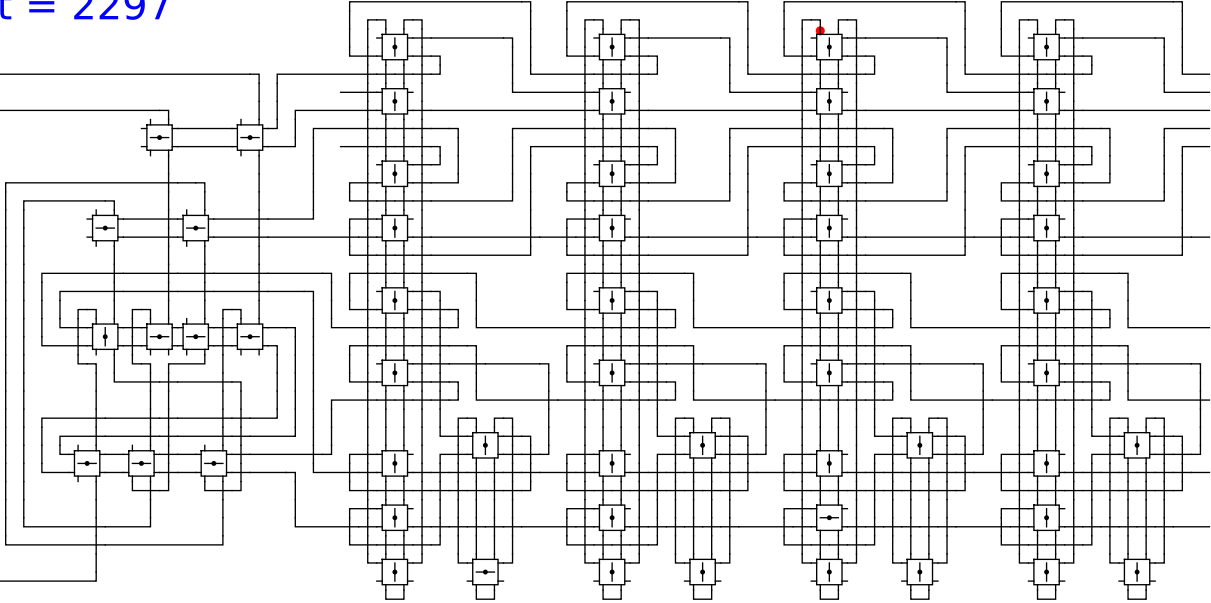
0

0

t = 2297

Reject
Accept

Begin



1

0

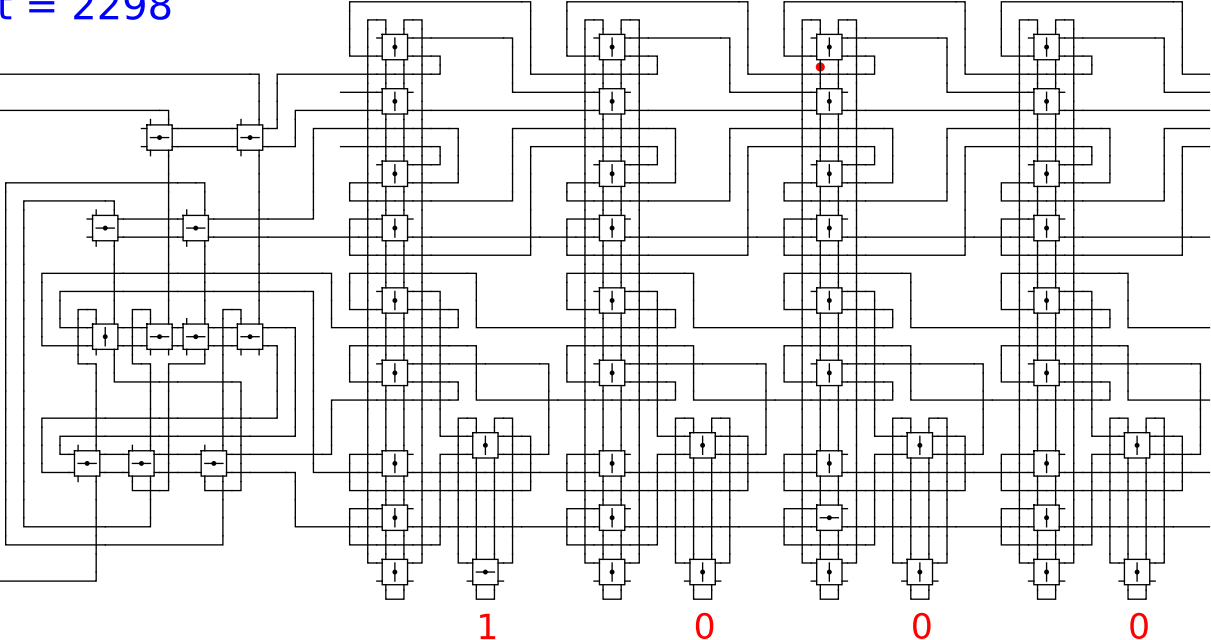
0

0

t = 2298

Reject
Accept

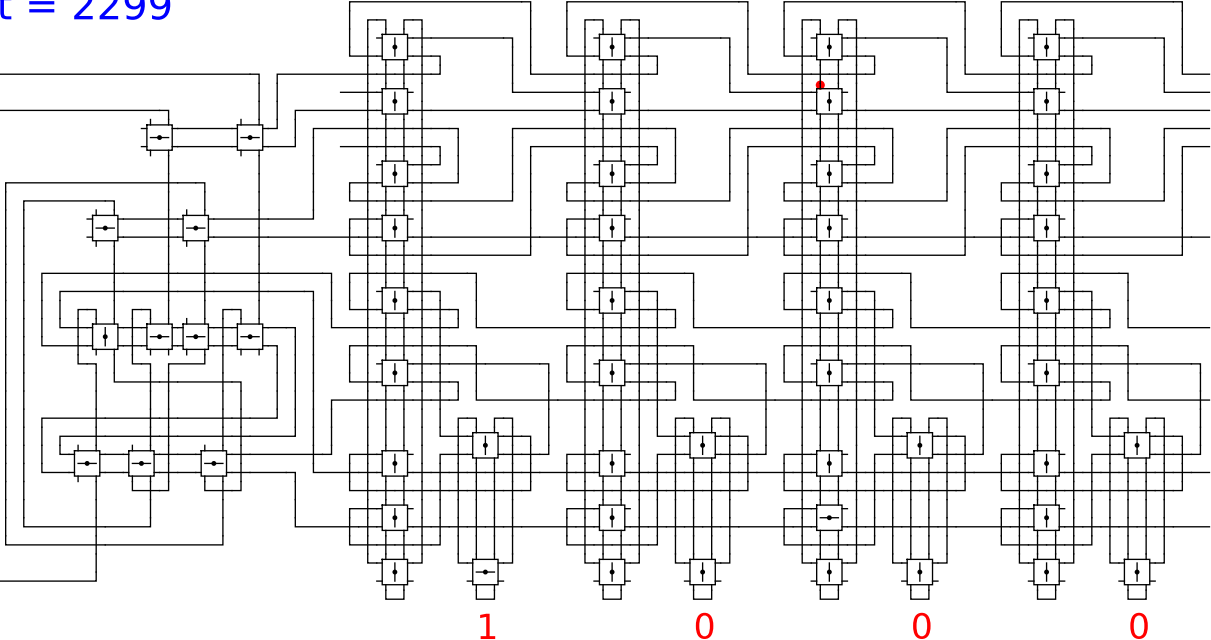
Begin



t = 2299

Reject
Accept

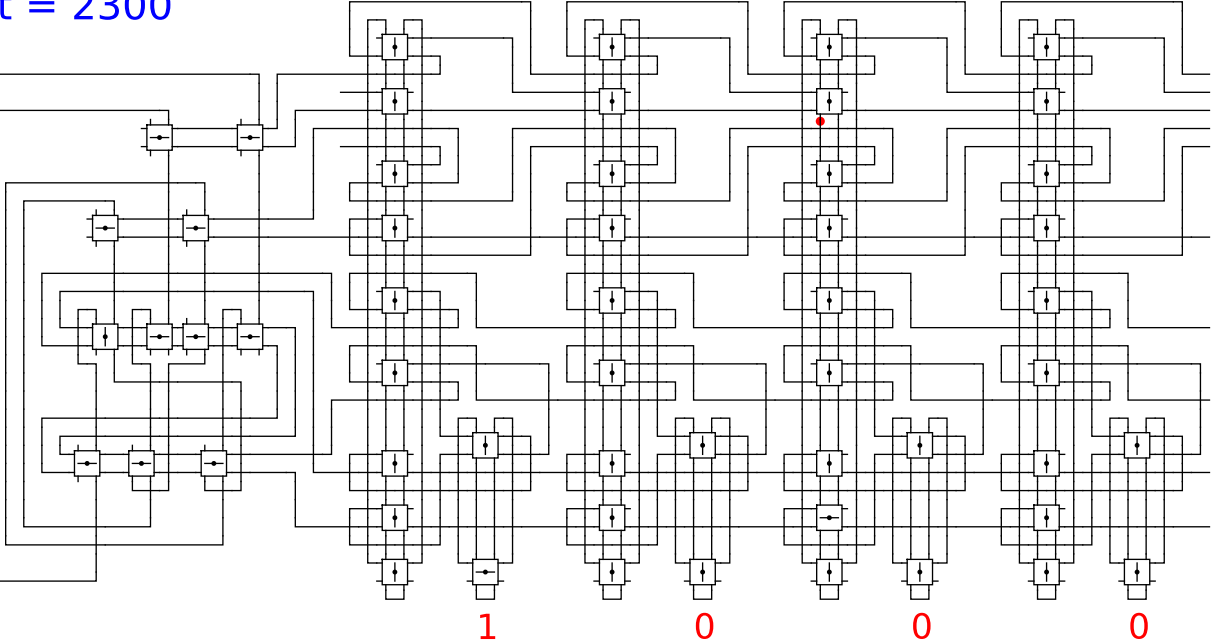
Begin



t = 2300

Reject
Accept

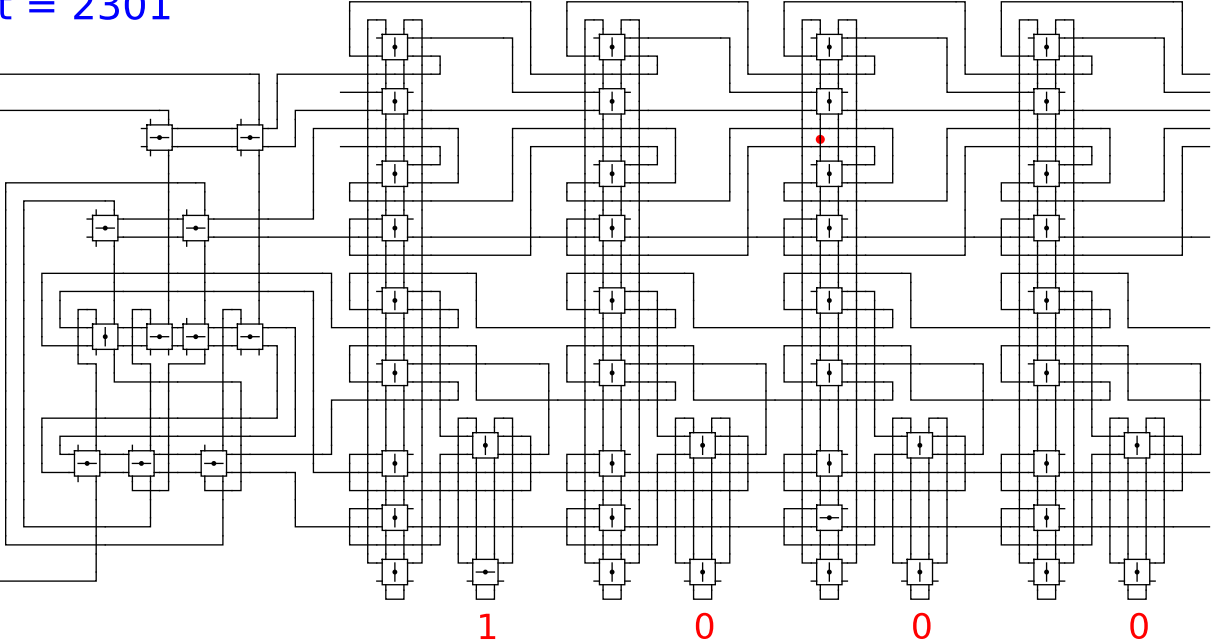
Begin



t = 2301

Reject
Accept

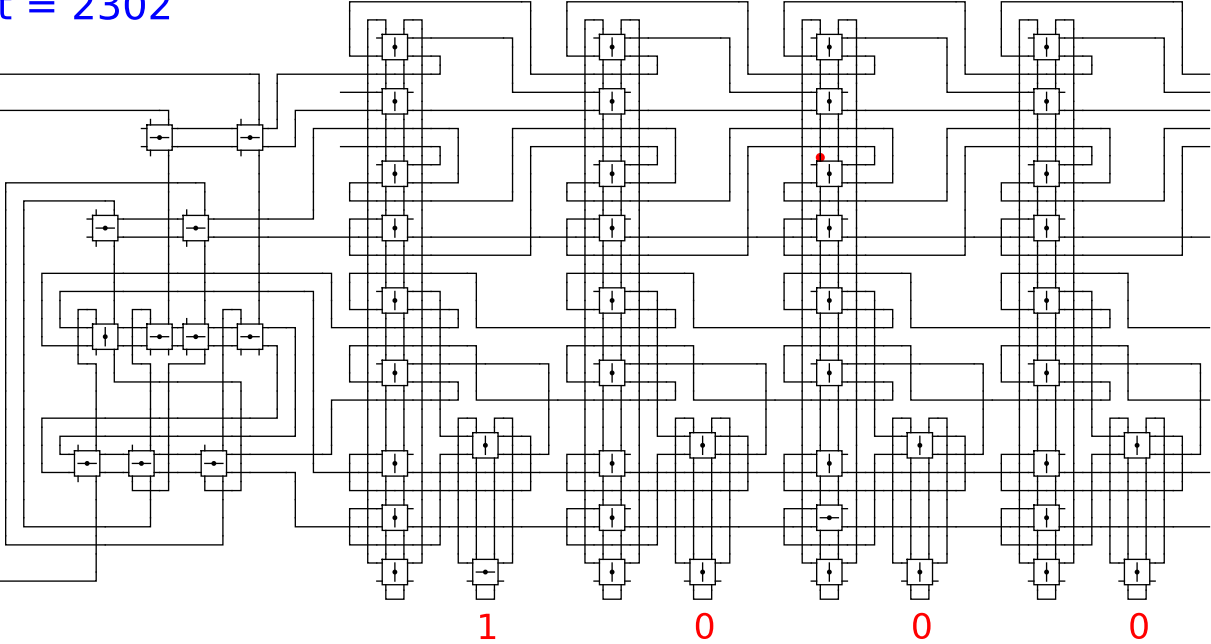
Begin



t = 2302

Reject
Accept

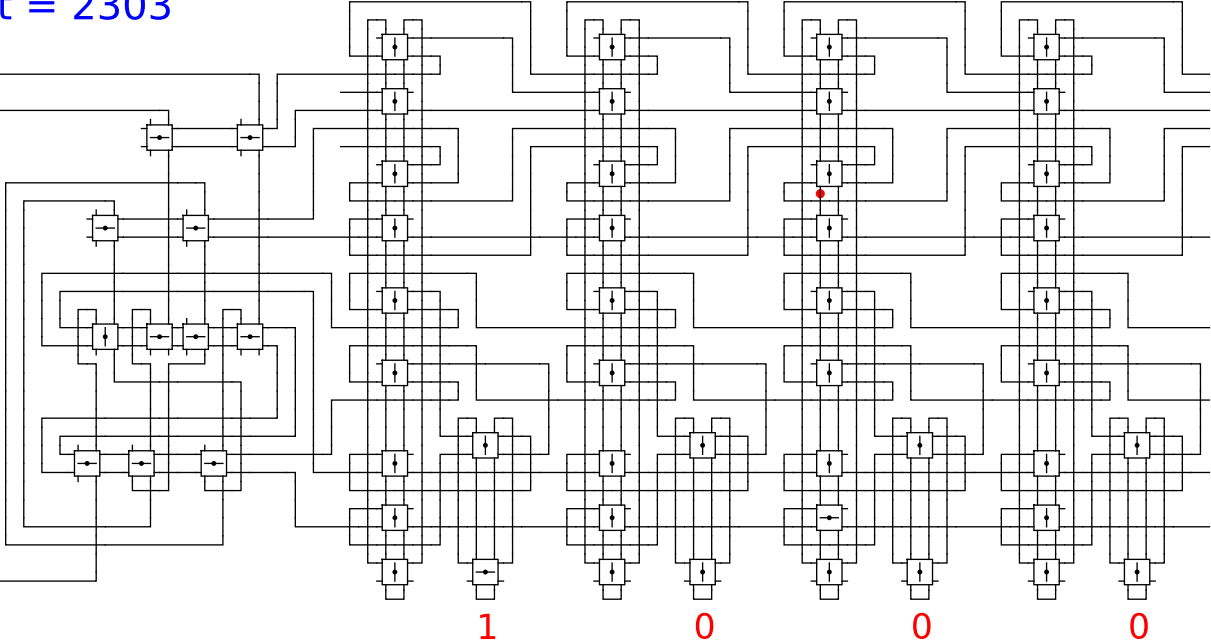
Begin



t = 2303

Reject
Accept

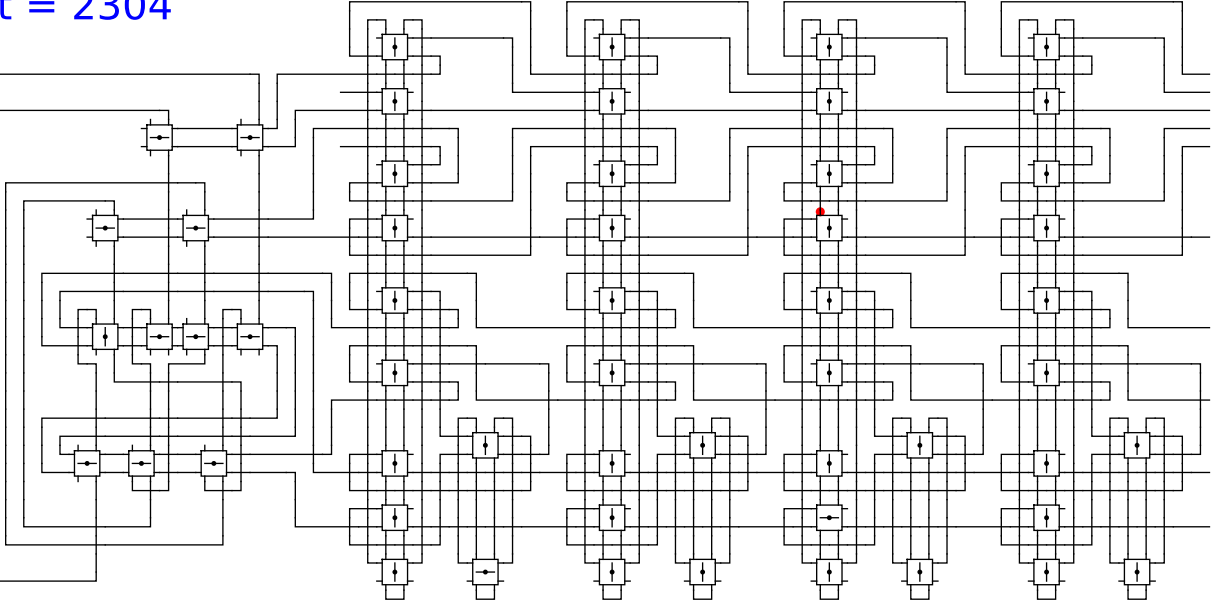
Begin



t = 2304

Reject
Accept

Begin



1

0

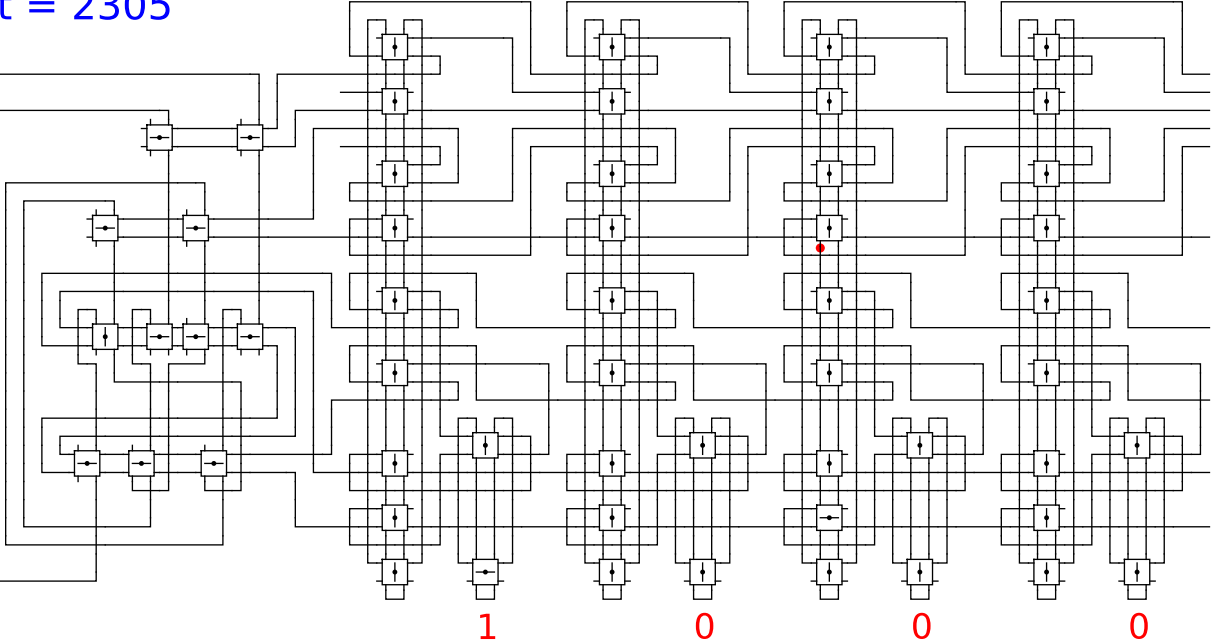
0

0

t = 2305

Reject
Accept

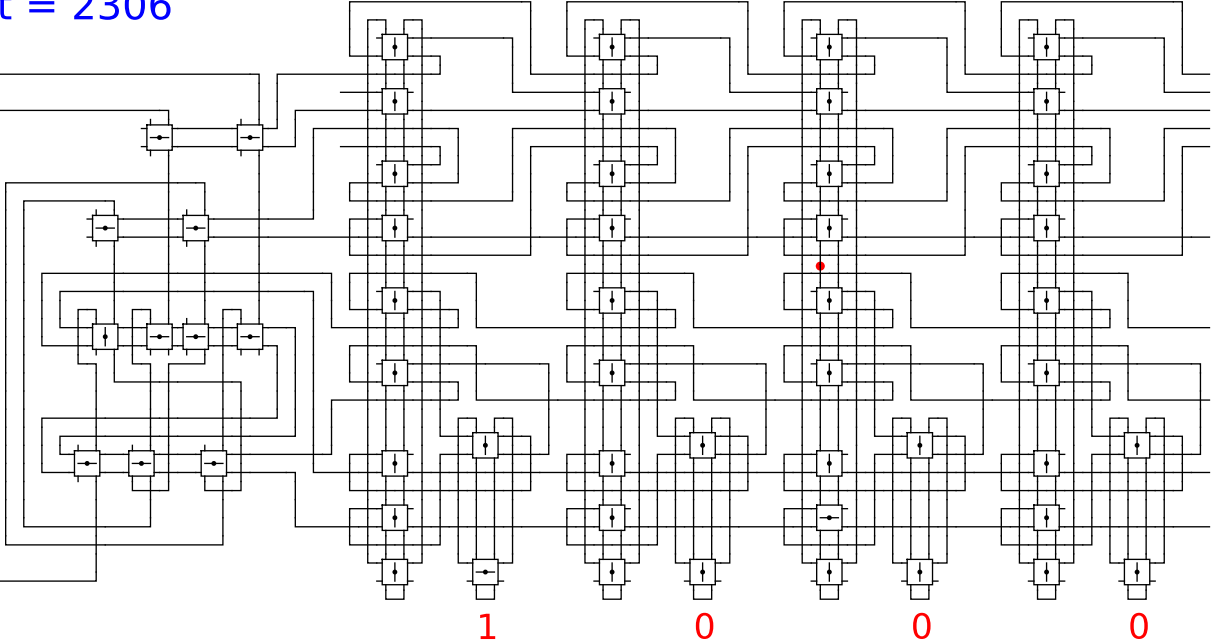
Begin



t = 2306

Reject
Accept

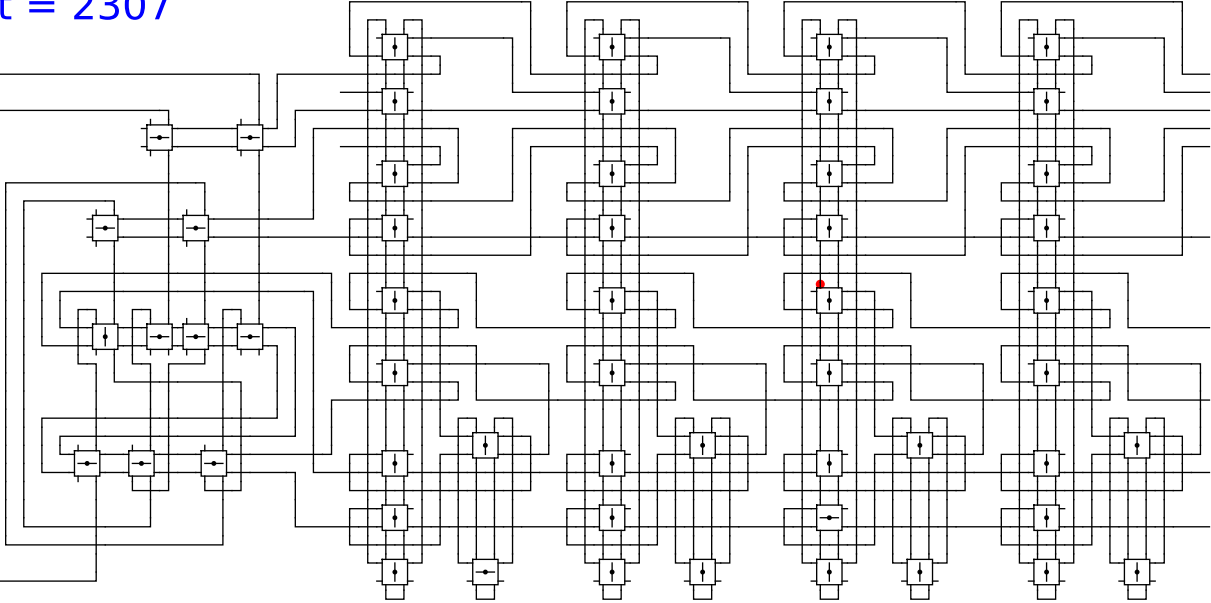
Begin



t = 2307

Reject
Accept

Begin



1

0

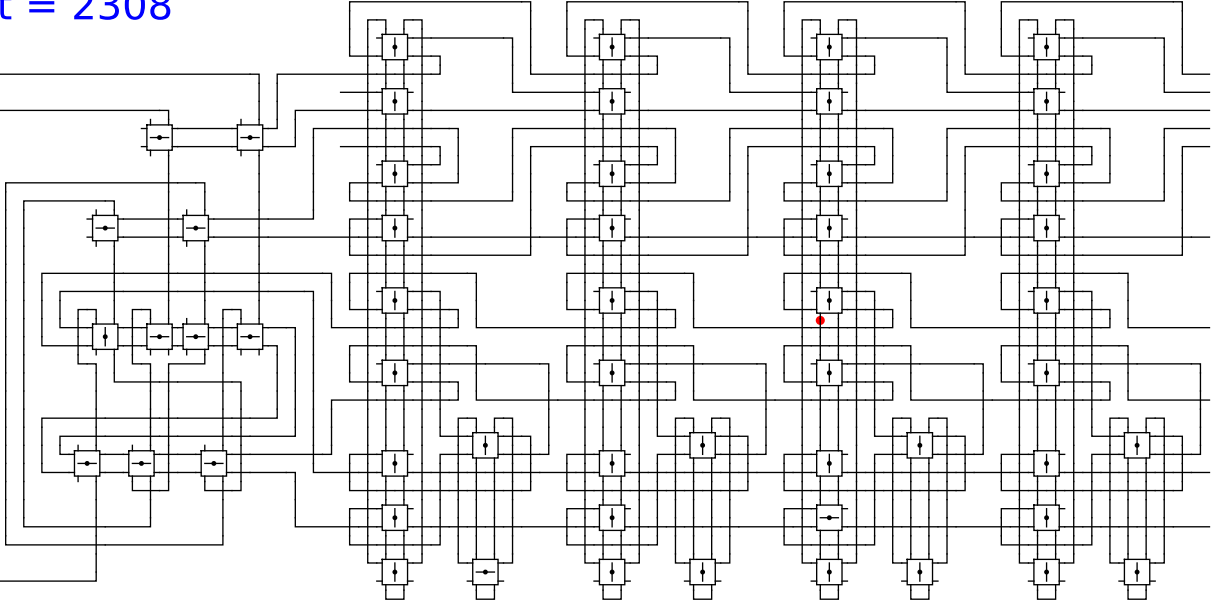
0

0

t = 2308

Reject
Accept

Begin



1

0

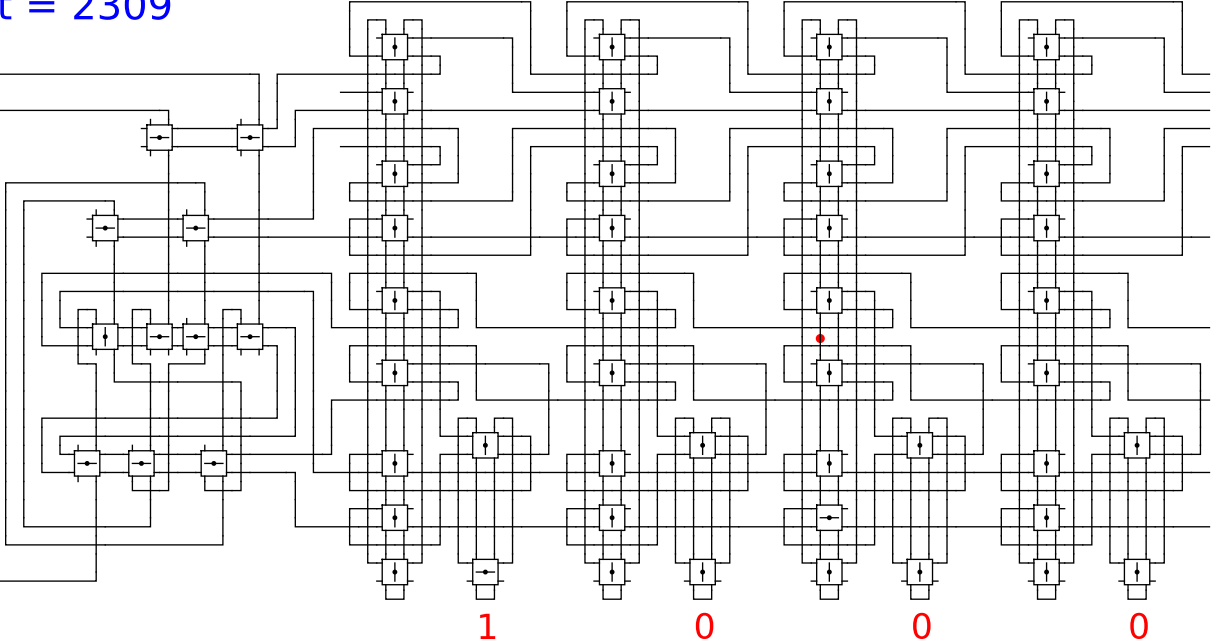
0

0

t = 2309

Reject
Accept

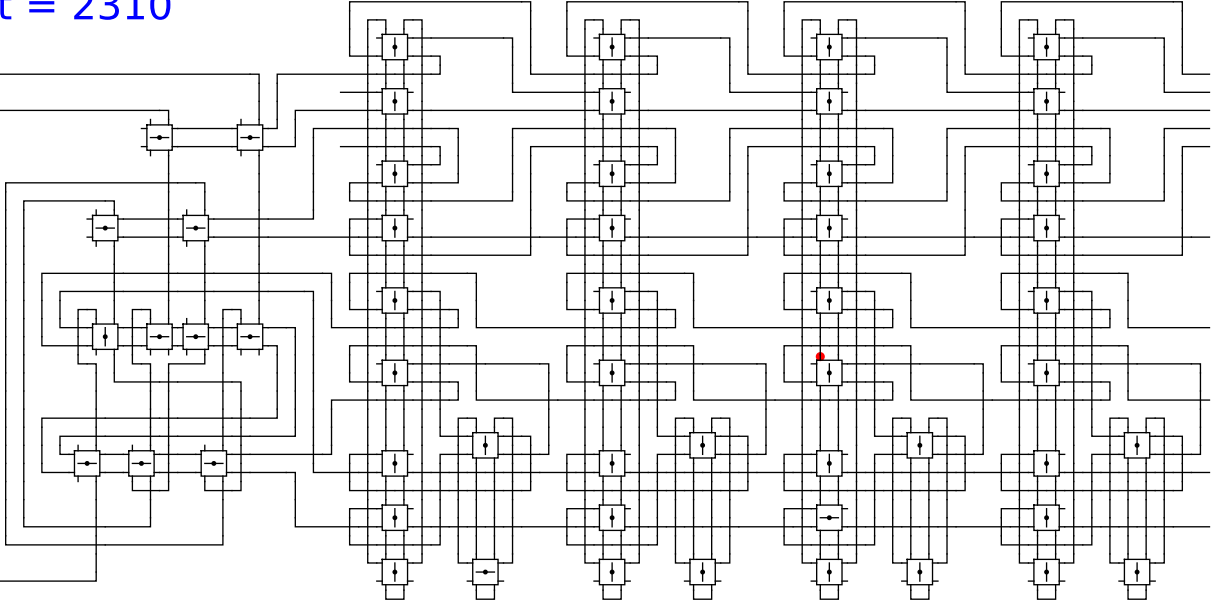
Begin



t = 2310

Reject
Accept

Begin



1

0

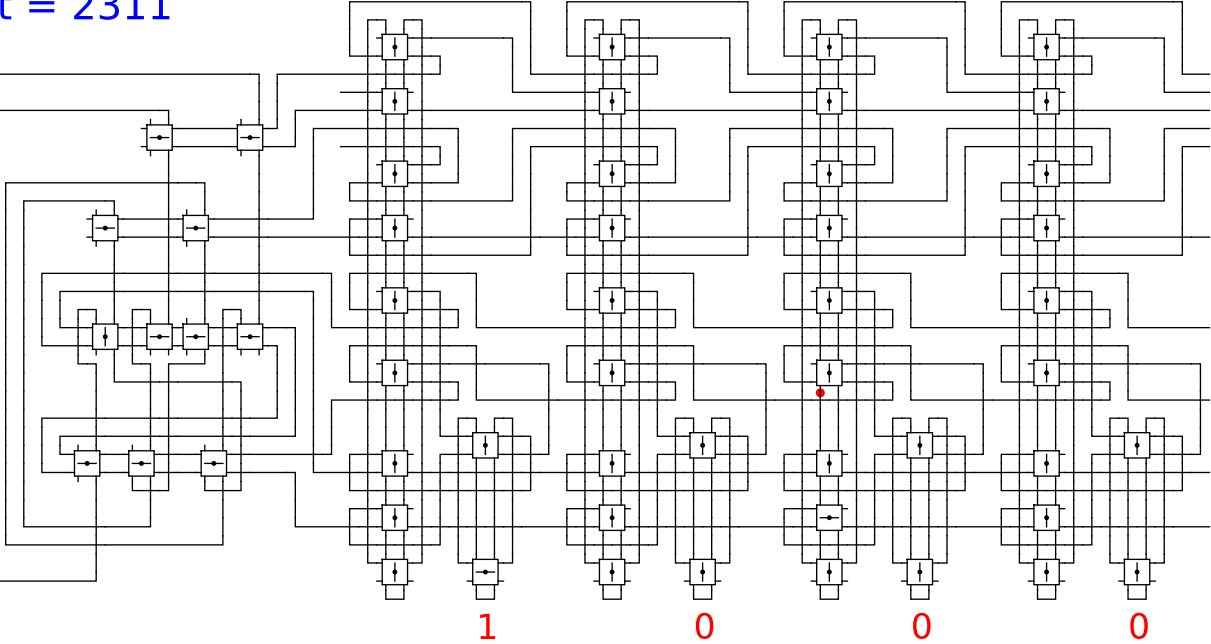
0

0

t = 2311

Reject
Accept

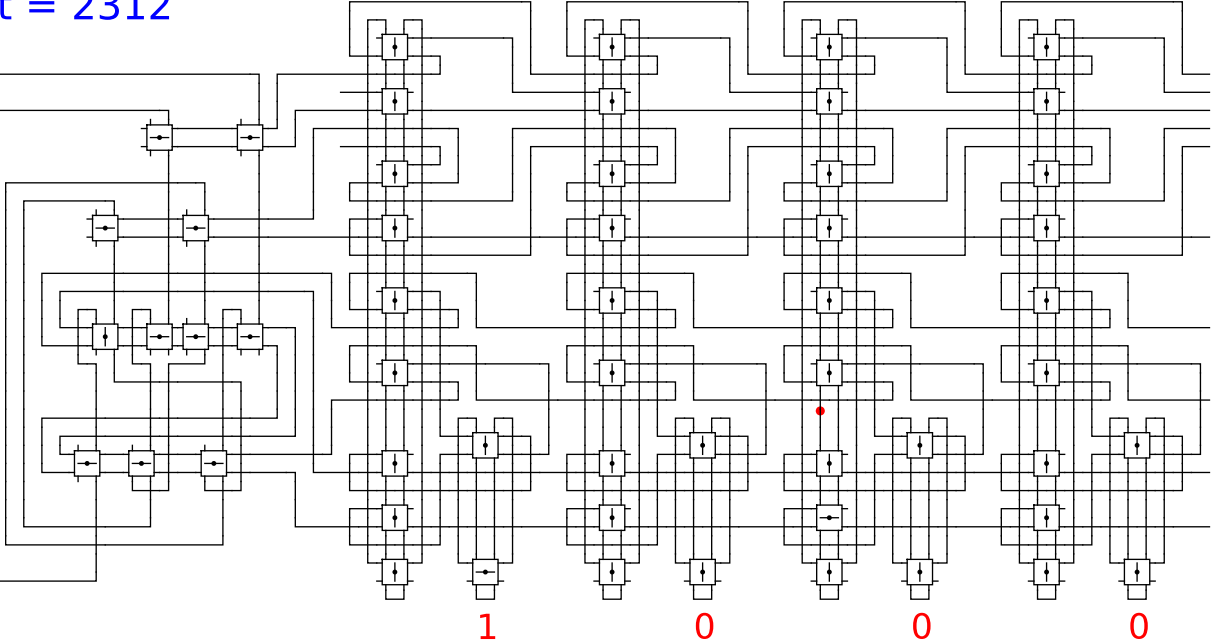
Begin



t = 2312

Reject
Accept

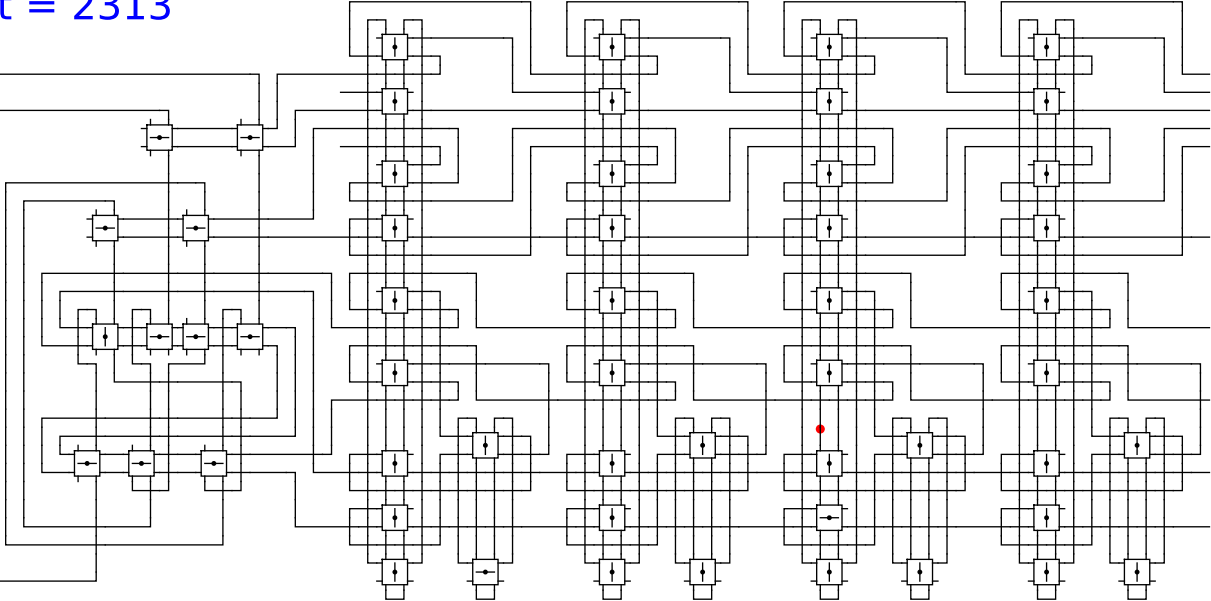
Begin



t = 2313

Reject
Accept

Begin



1

0

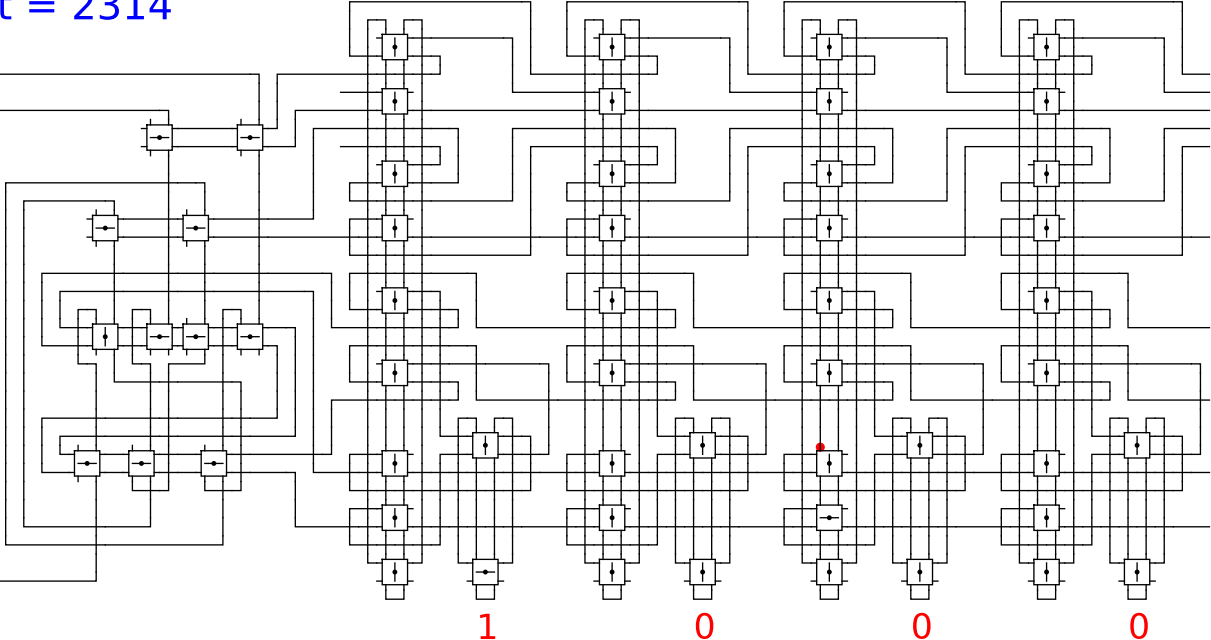
0

0

t = 2314

Reject
Accept

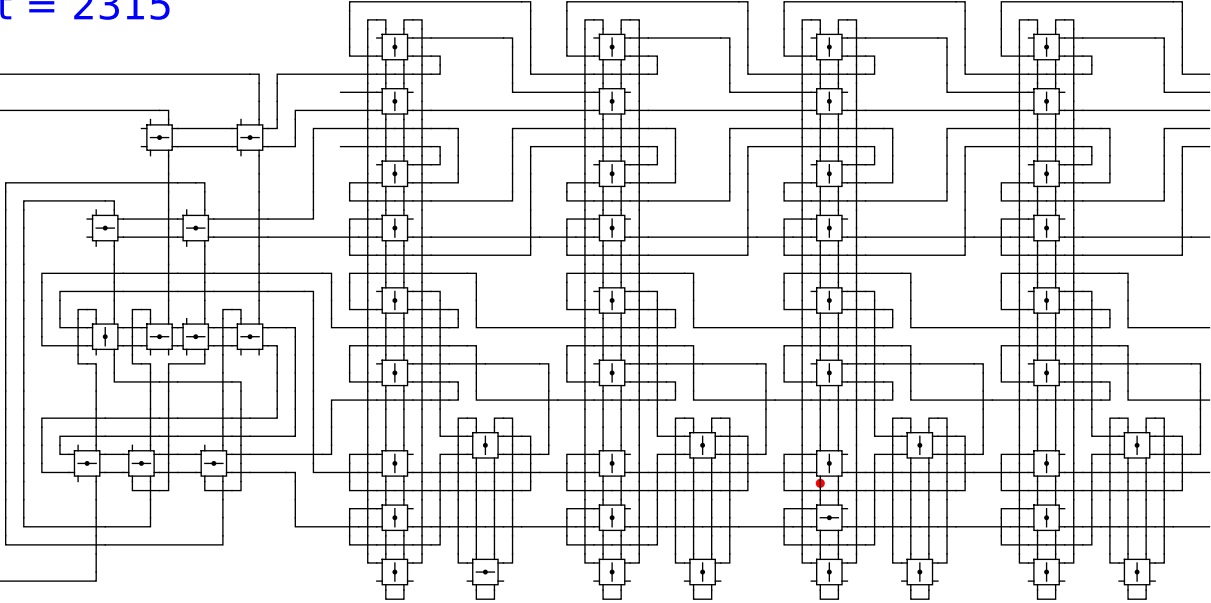
Begin



t = 2315

Reject
Accept

Begin



1

0

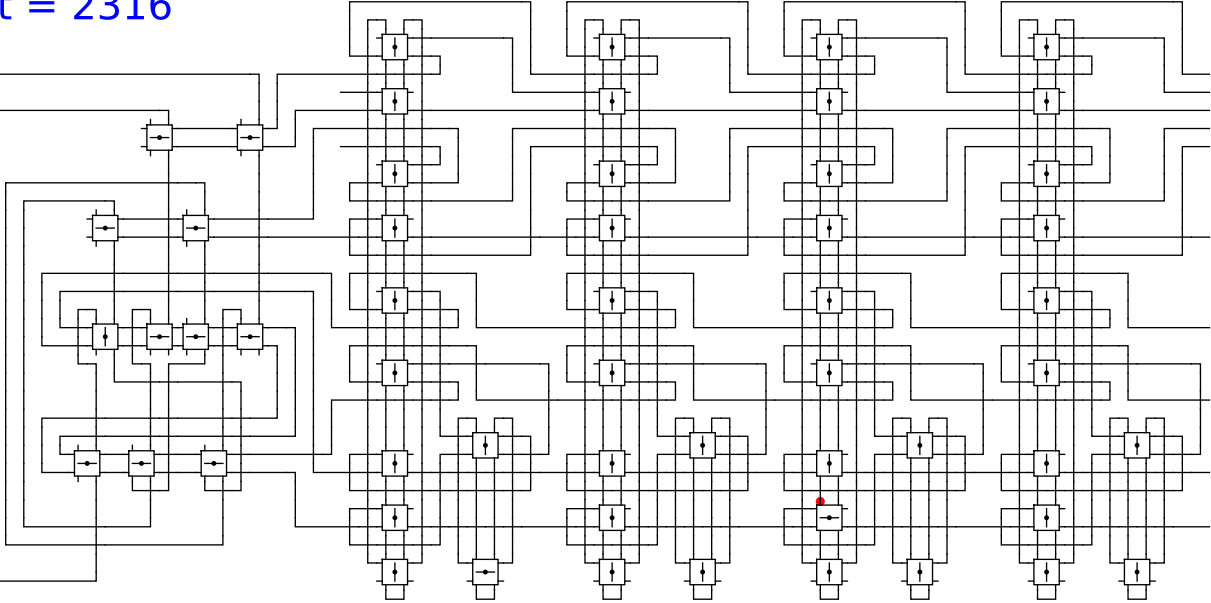
0

0

t = 2316

Reject
Accept

Begin



1

0

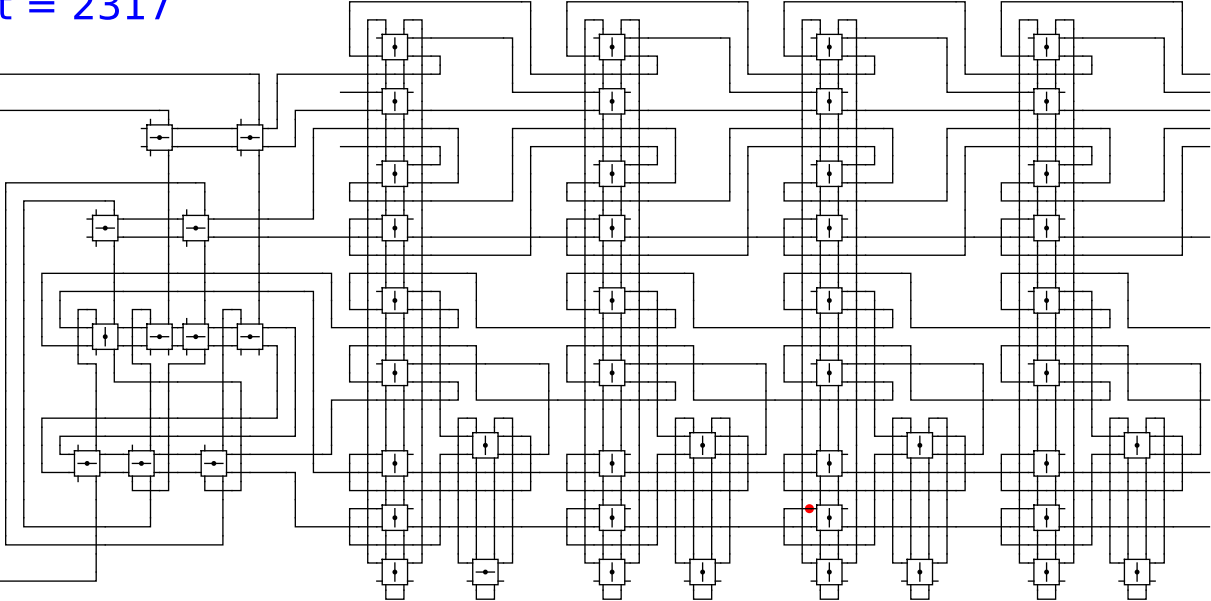
0

0

t = 2317

Reject
Accept

Begin



1

0

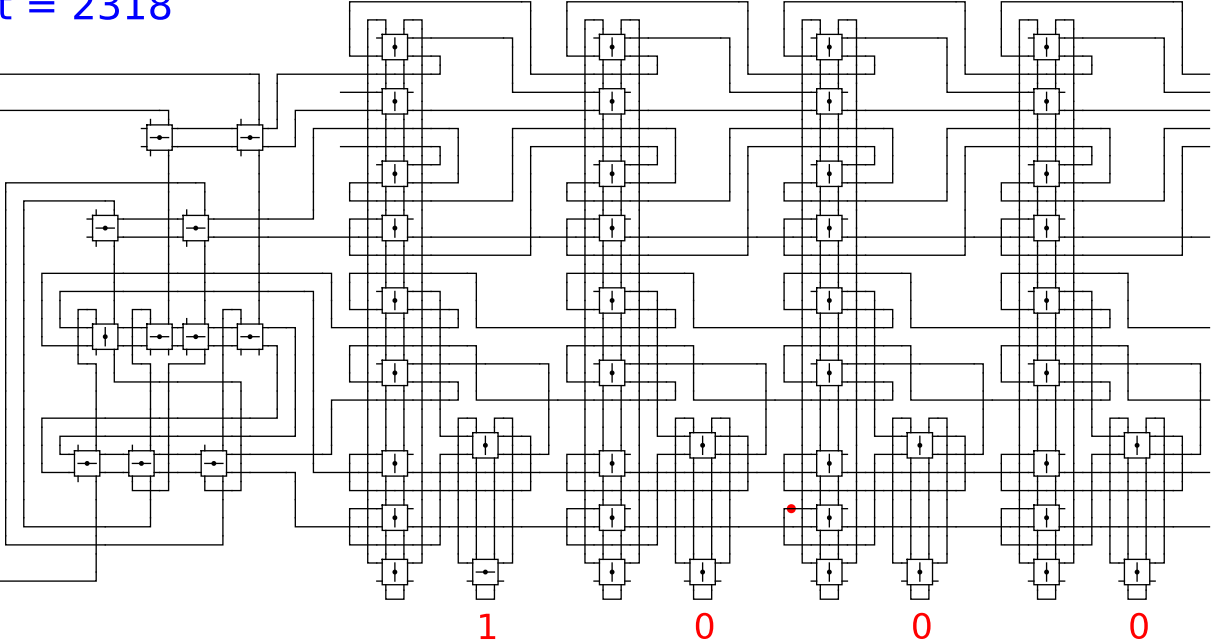
0

0

t = 2318

Reject
Accept

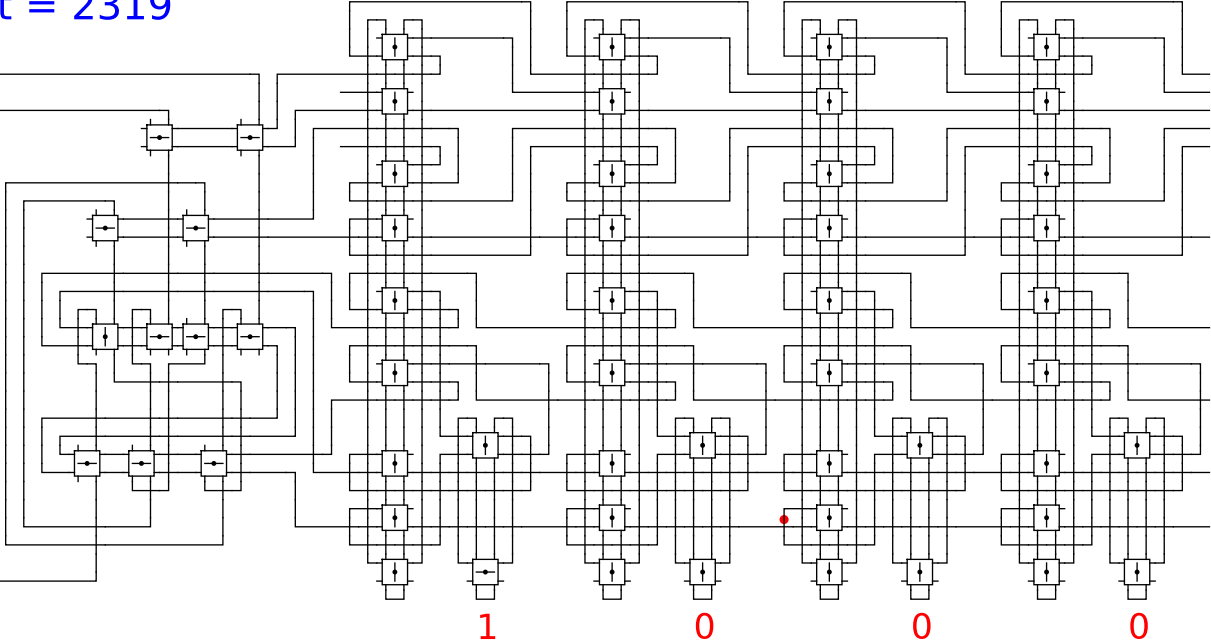
Begin



t = 2319

Reject
Accept

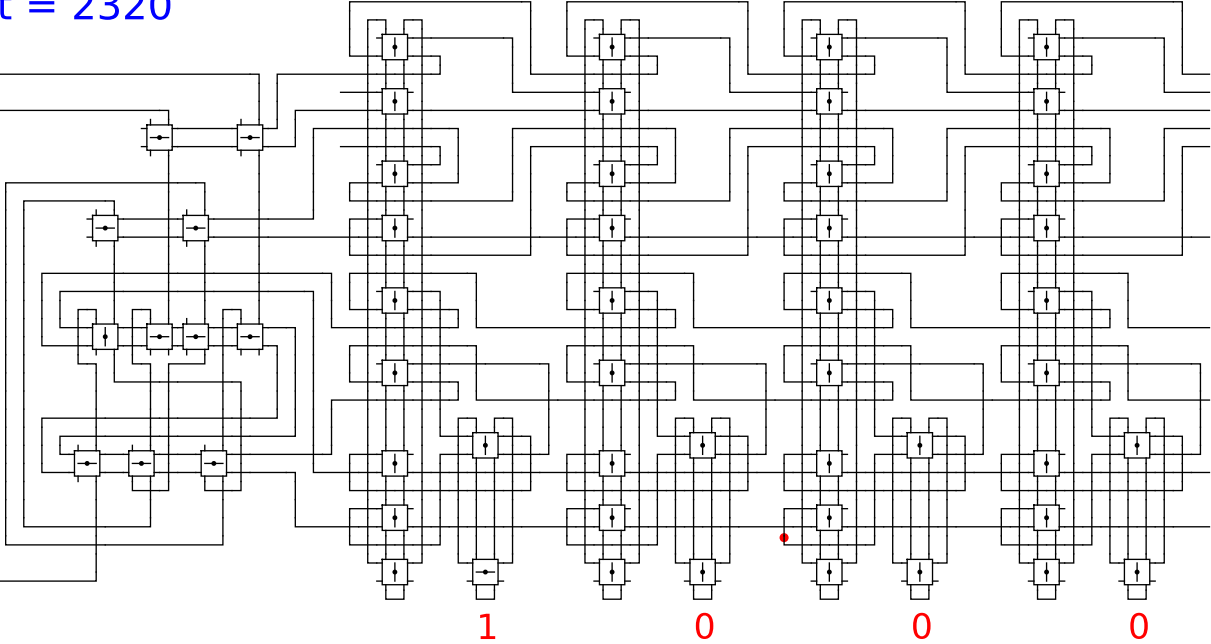
Begin



t = 2320

Reject
Accept

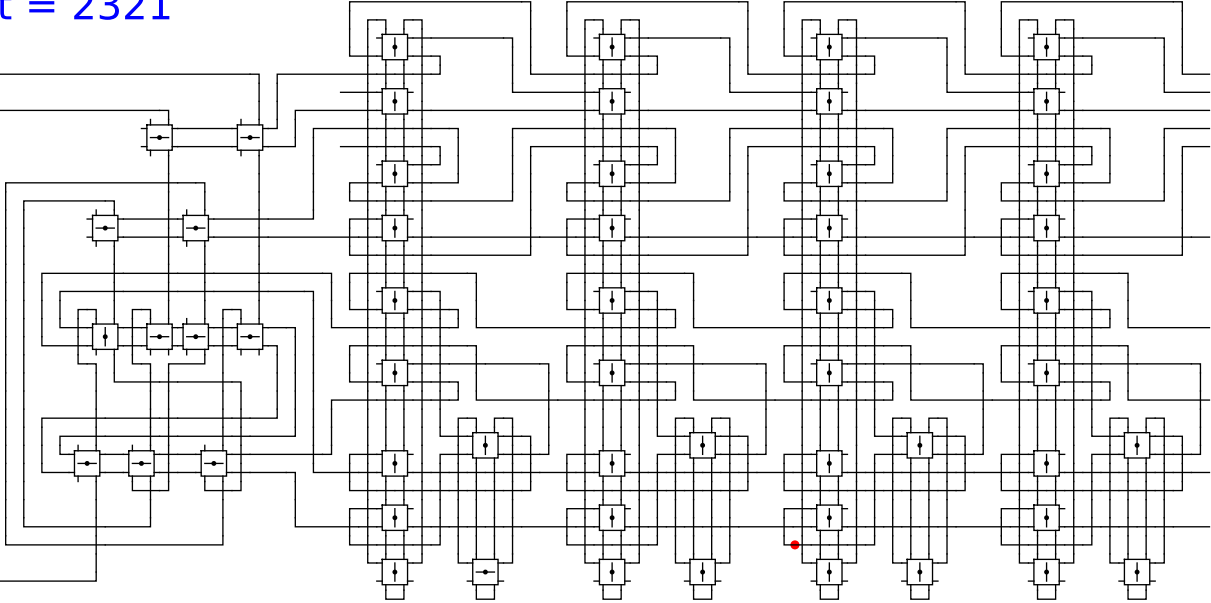
Begin



t = 2321

Reject
Accept

Begin



1

0

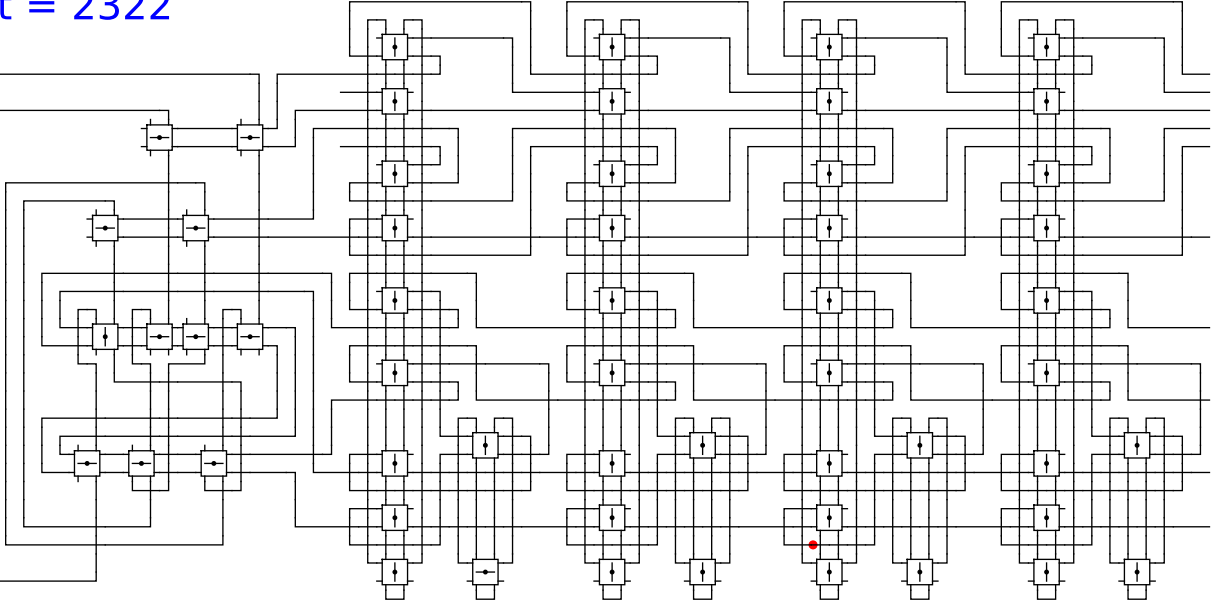
0

0

t = 2322

Reject
Accept

Begin



1

0

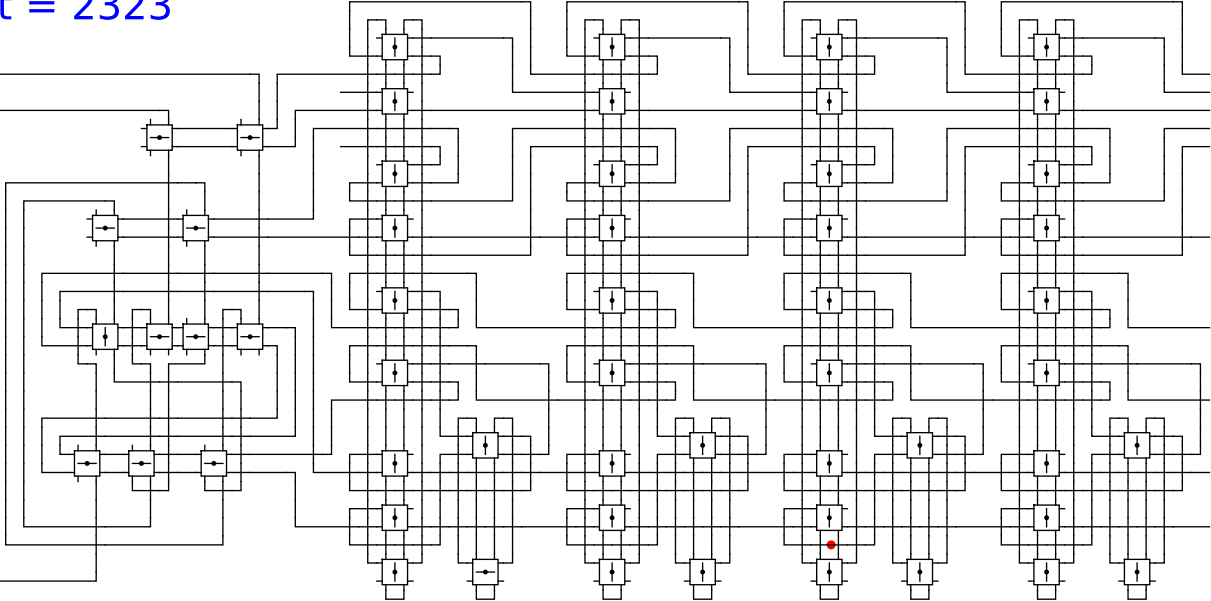
0

0

t = 2323

Reject
Accept

Begin



1

0

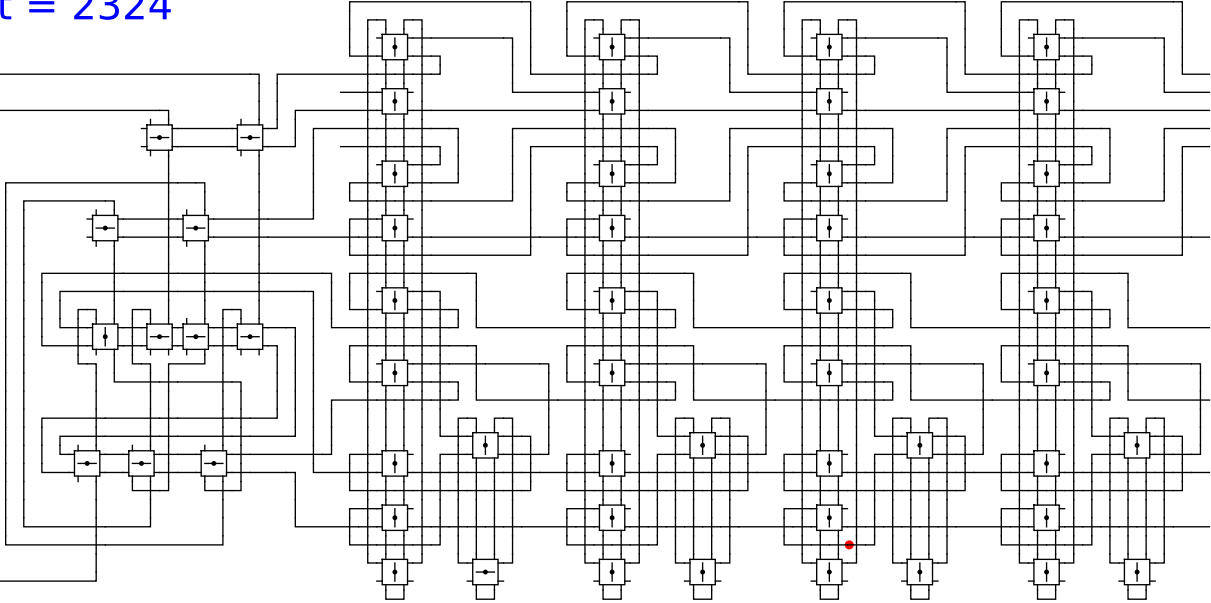
0

0

t = 2324

Reject
Accept

Begin



1

0

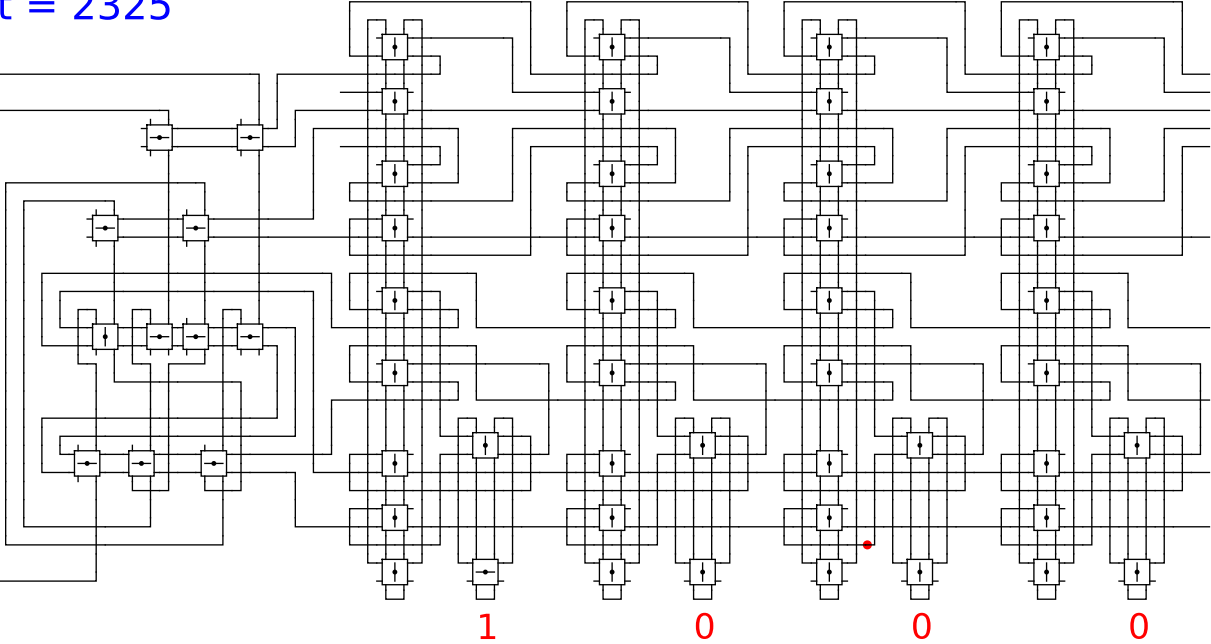
0

0

t = 2325

Reject
Accept

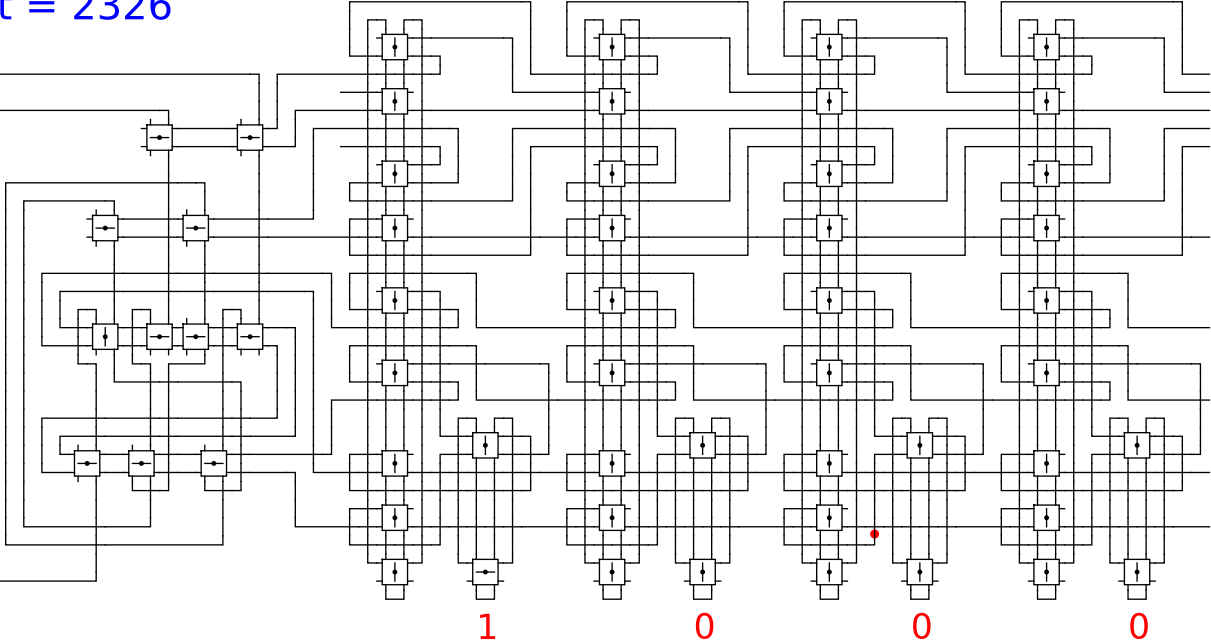
Begin



t = 2326

Reject
Accept

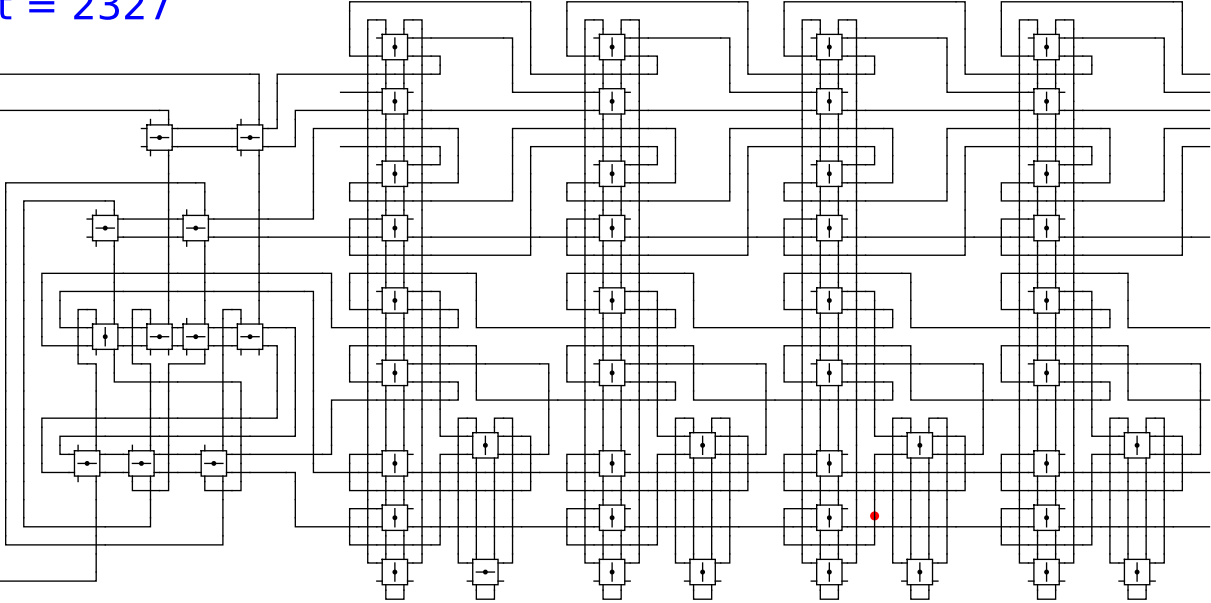
Begin



t = 2327

Reject
Accept

Begin



1

0

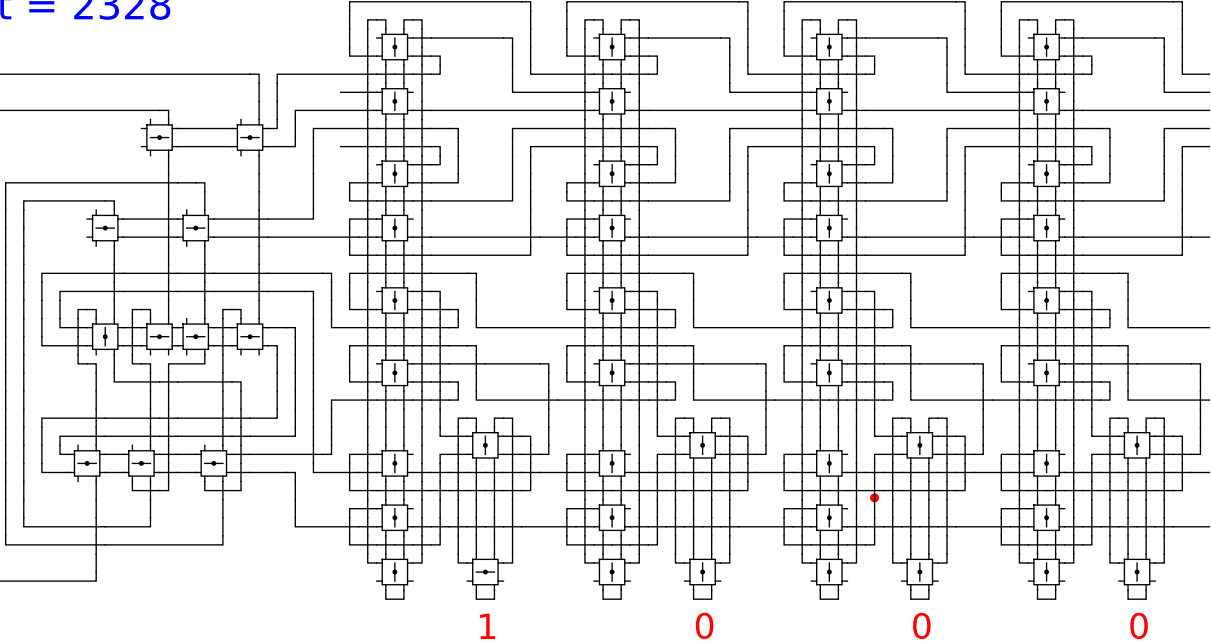
0

0

t = 2328

Reject
Accept

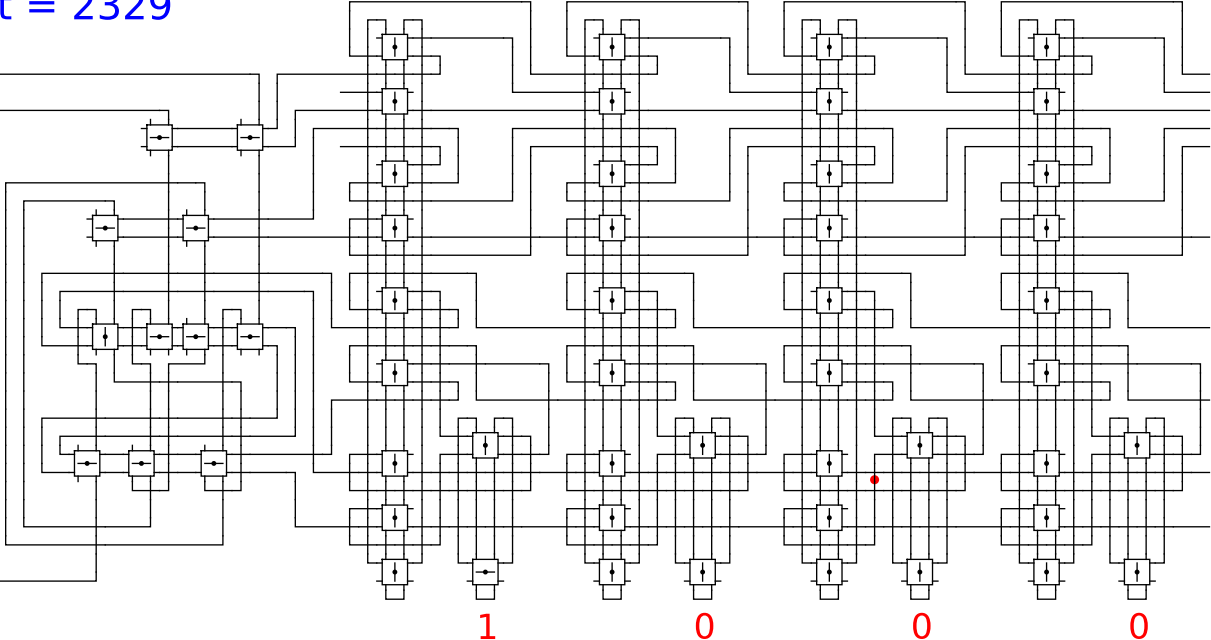
Begin



t = 2329

Reject
Accept

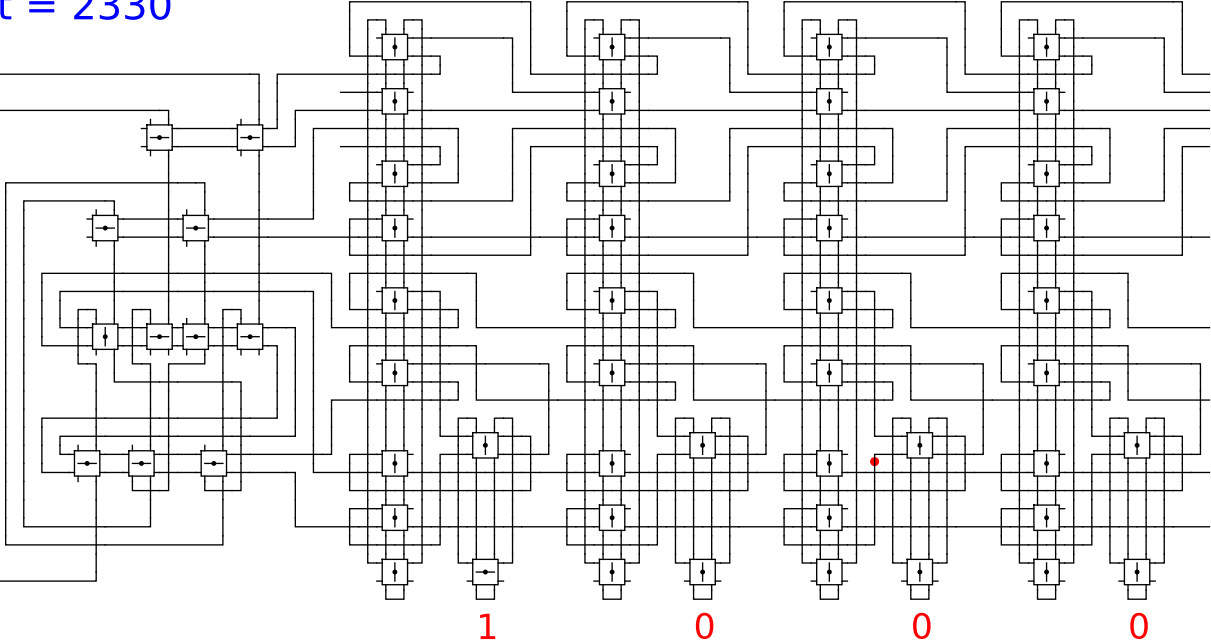
Begin



t = 2330

Reject
Accept

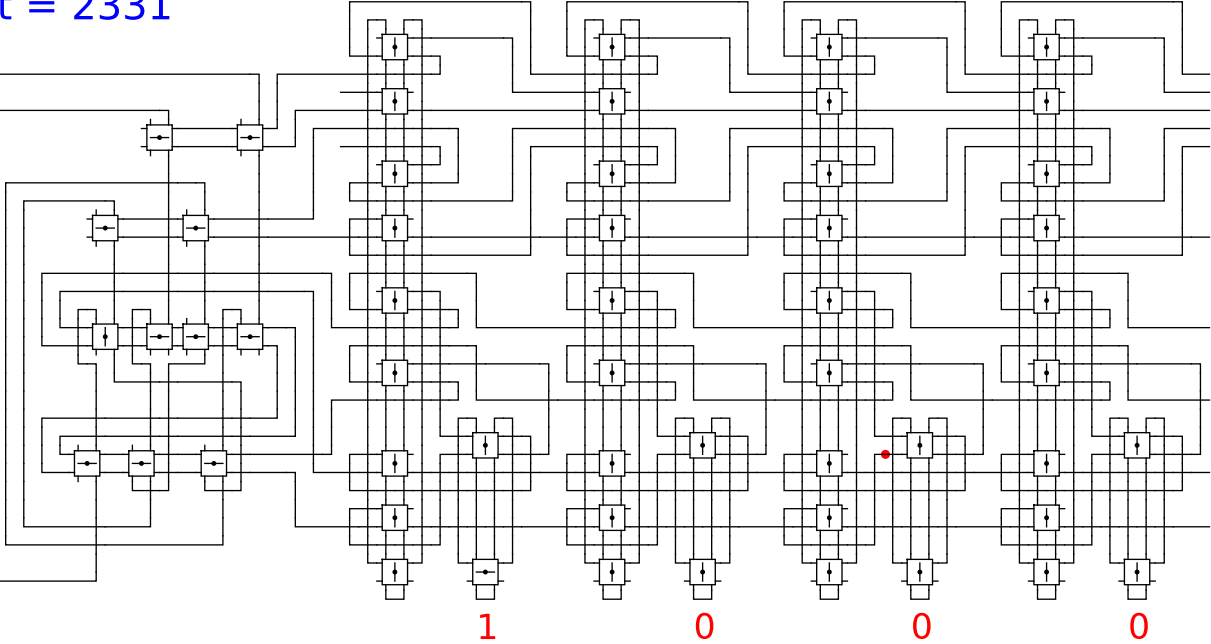
Begin



t = 2331

Reject
Accept

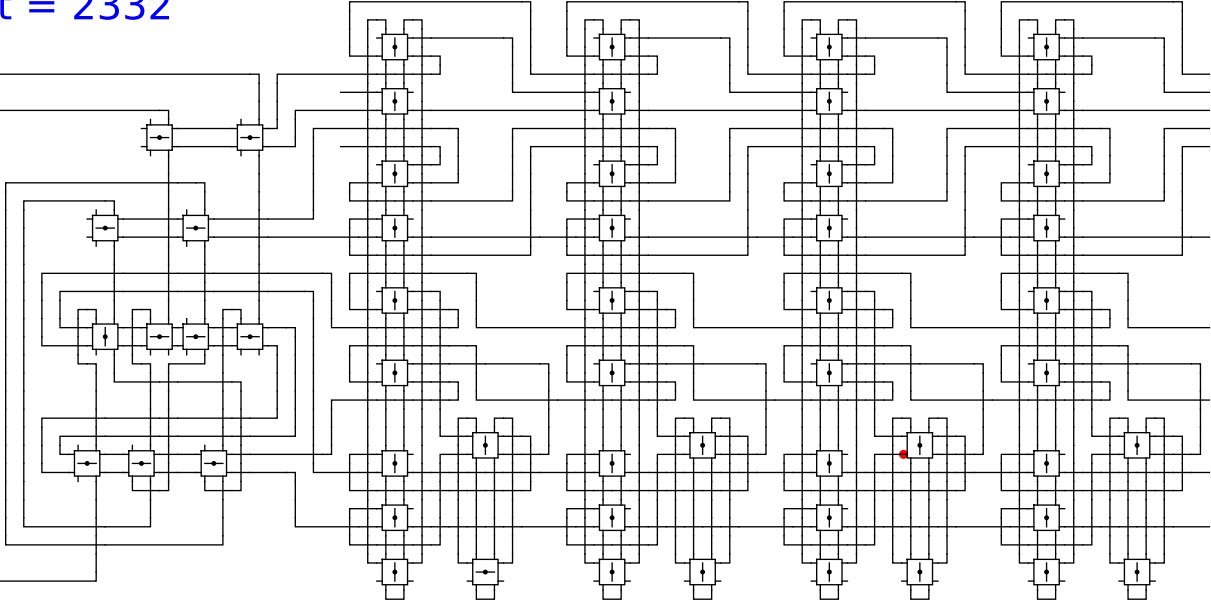
Begin



t = 2332

Reject
Accept

Begin



1

0

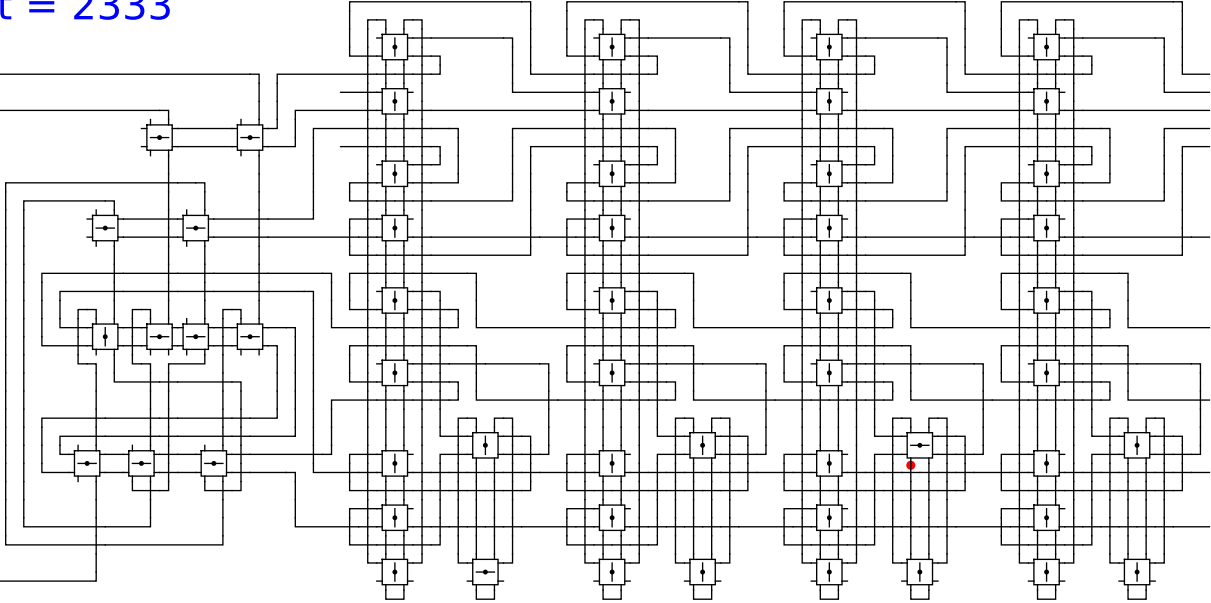
0

0

t = 2333

Reject
Accept

Begin



1

0

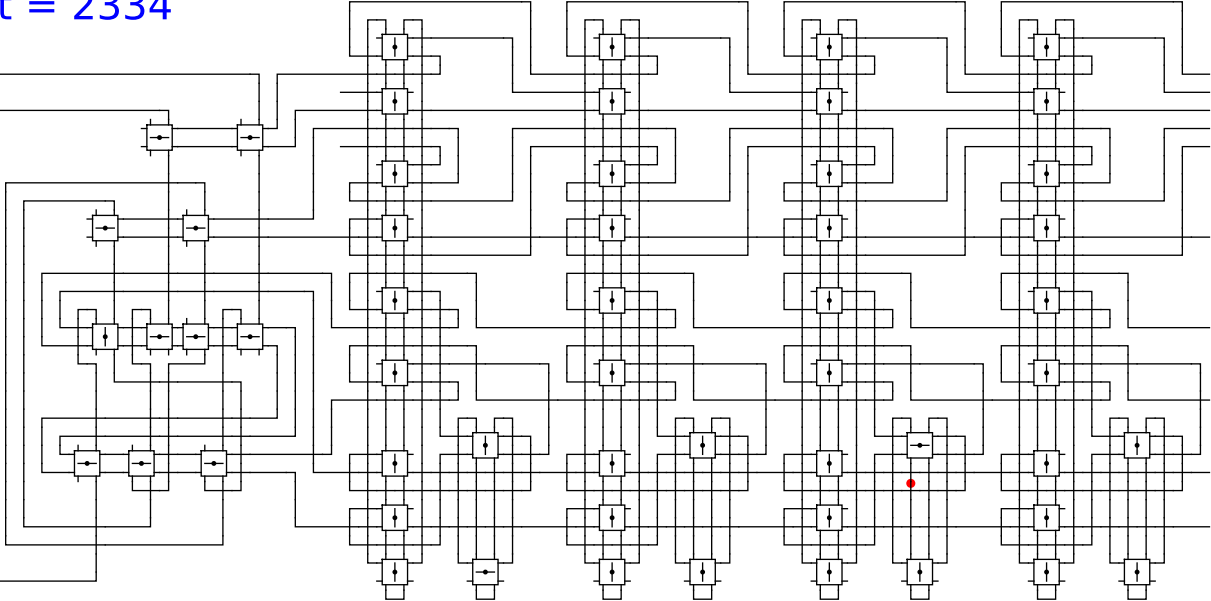
0

0

t = 2334

Reject
Accept

Begin



1

0

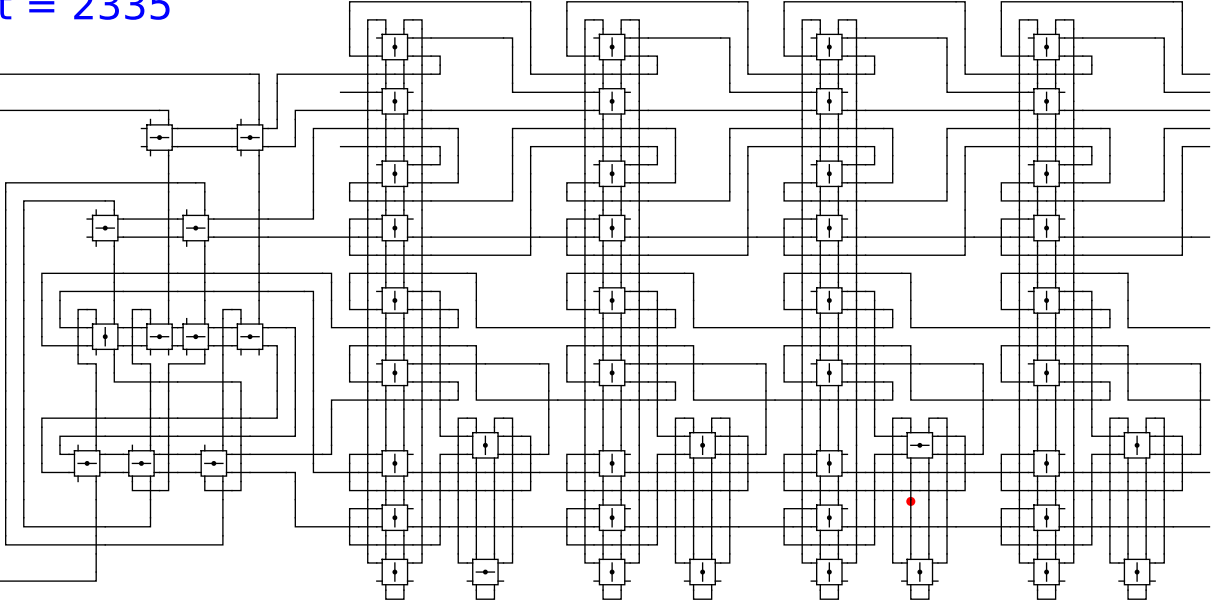
0

0

t = 2335

Reject
Accept

Begin



1

0

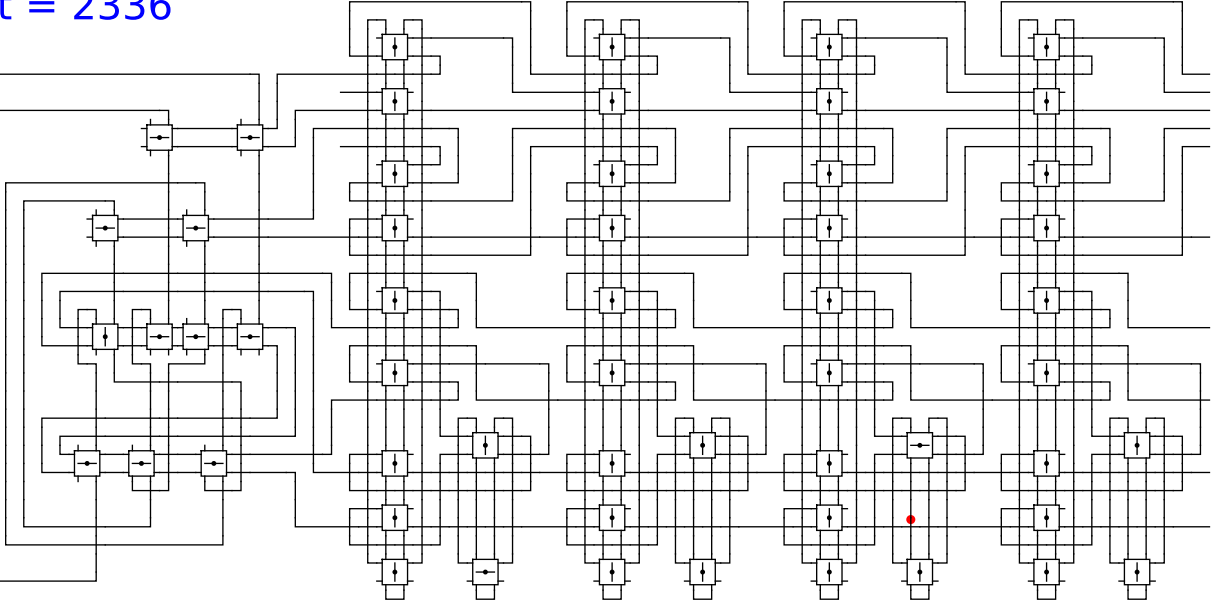
0

0

t = 2336

Reject
Accept

Begin



1

0

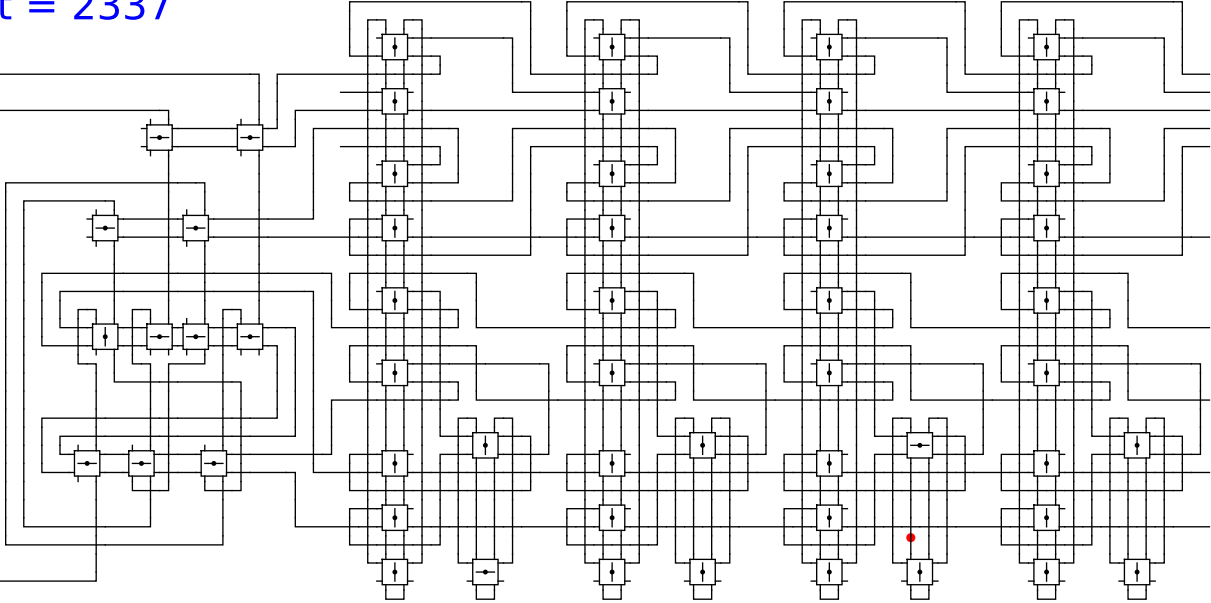
0

0

t = 2337

Reject
Accept

Begin



1

0

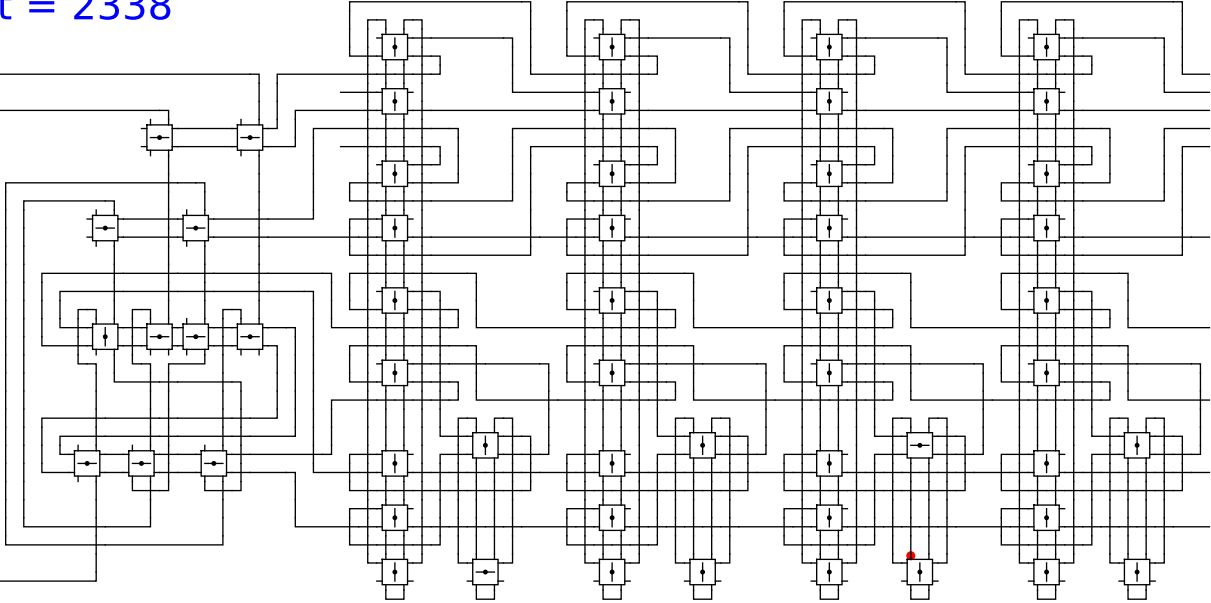
0

0

t = 2338

Reject
Accept

Begin



1

0

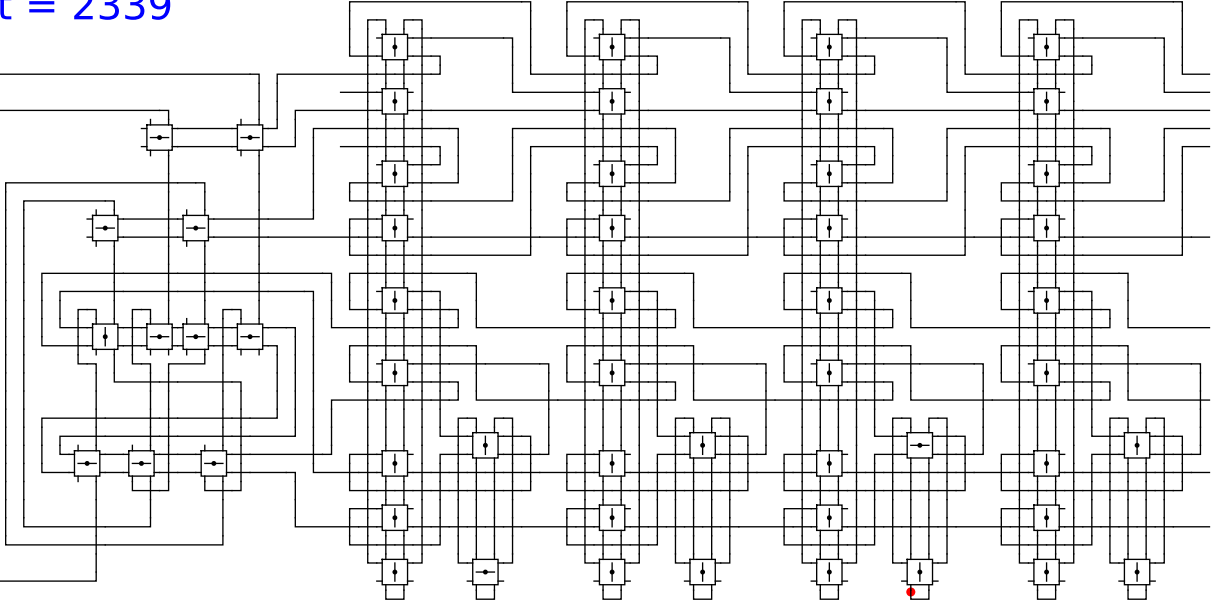
0

0

t = 2339

Reject
Accept

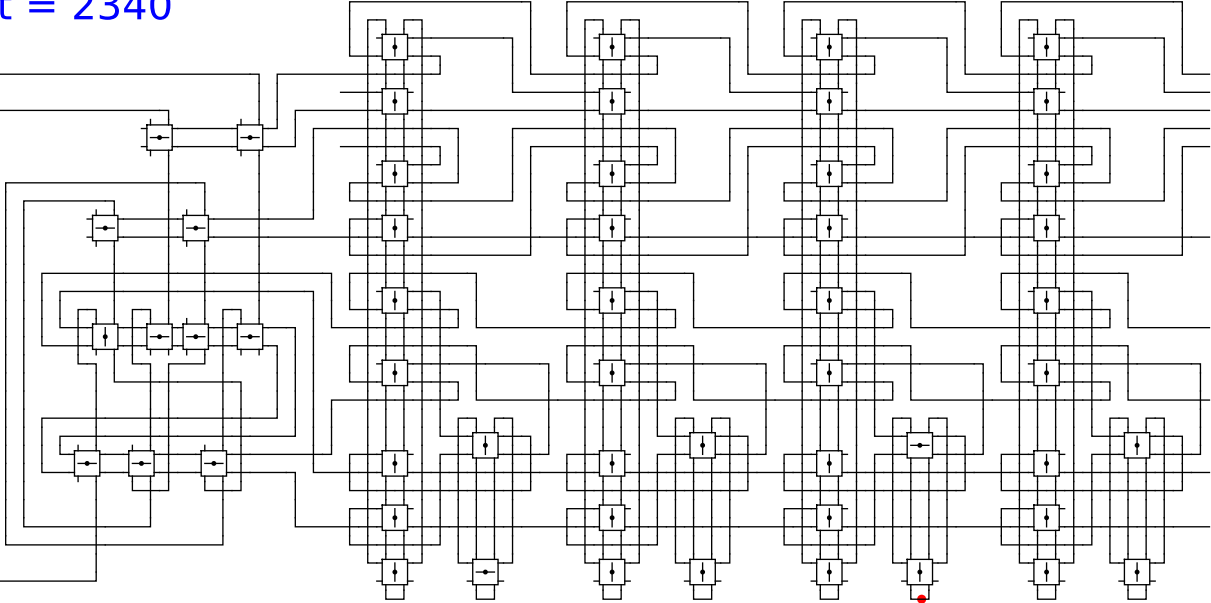
Begin



t = 2340

Reject
Accept

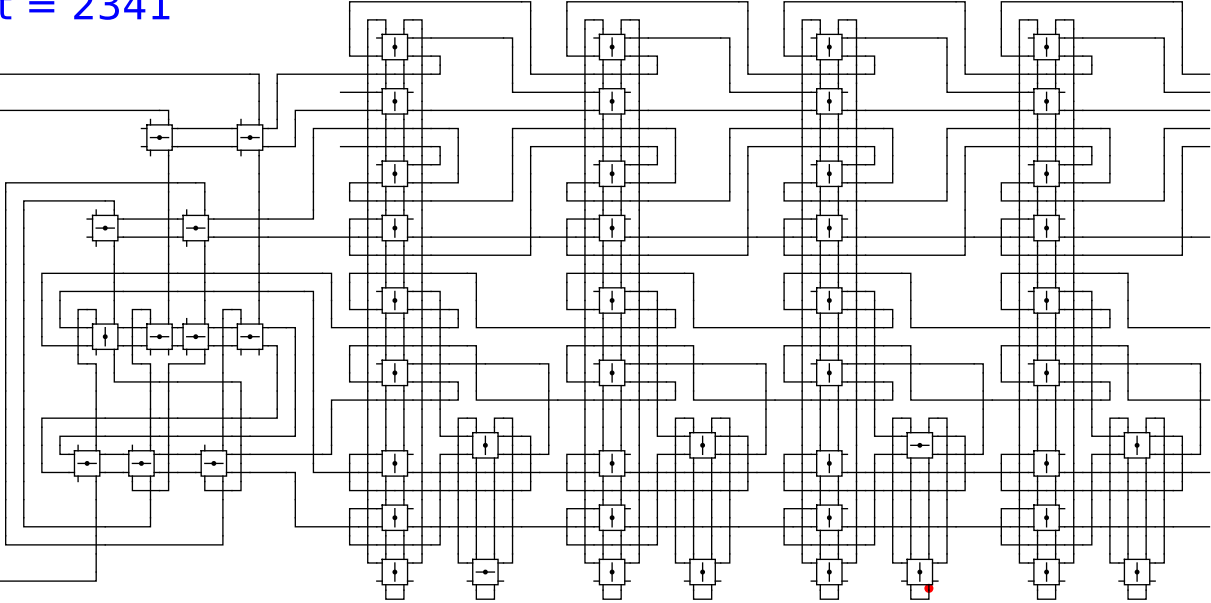
Begin



t = 2341

Reject
Accept

Begin



1

0

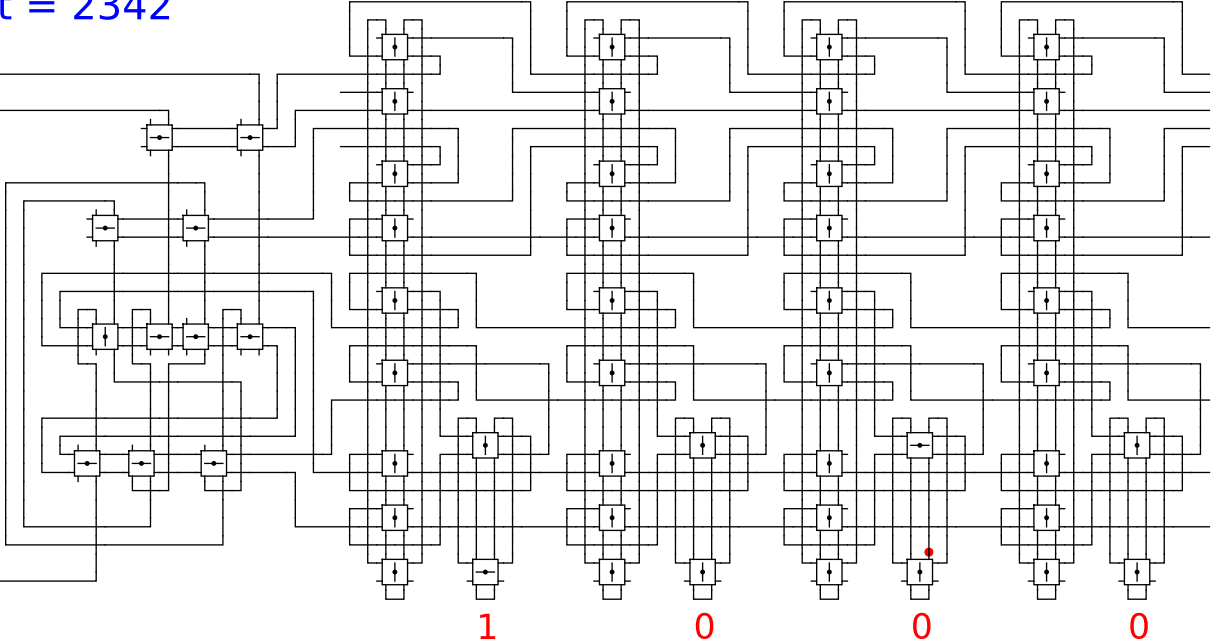
0

0

t = 2342

Reject
Accept

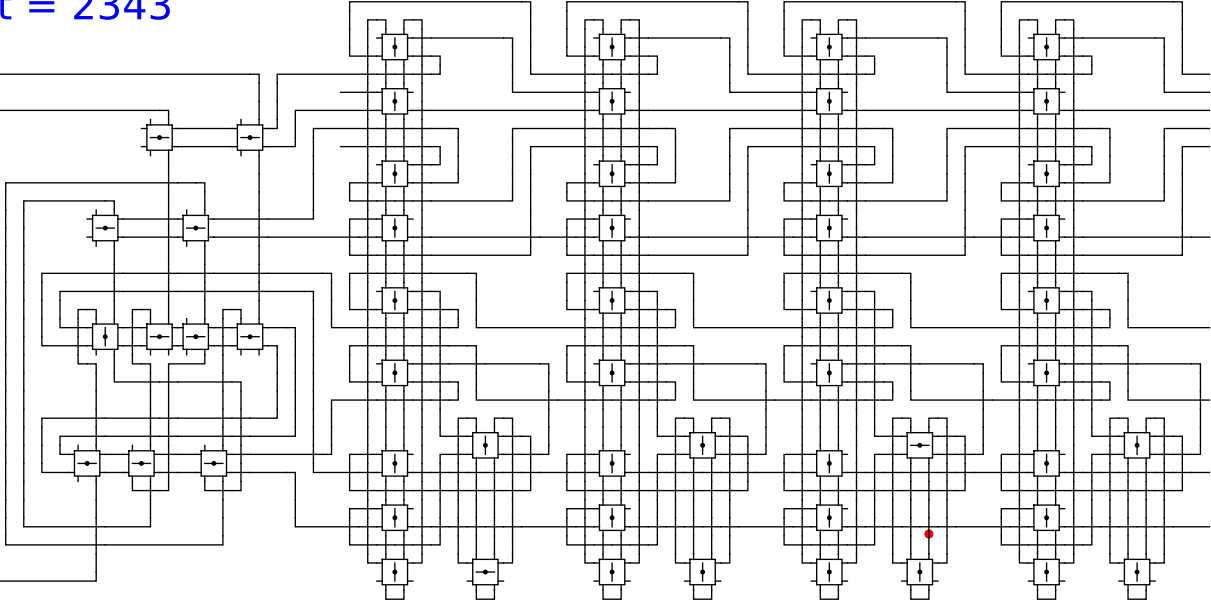
Begin



t = 2343

Reject
Accept

Begin



1

0

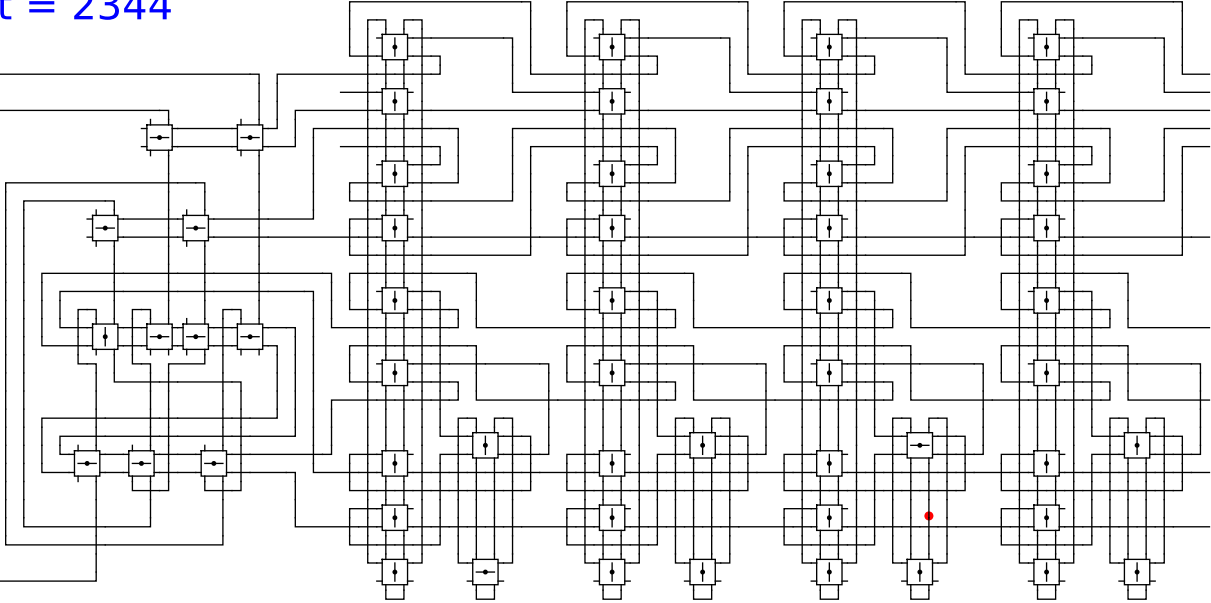
0

0

t = 2344

Reject
Accept

Begin



1

0

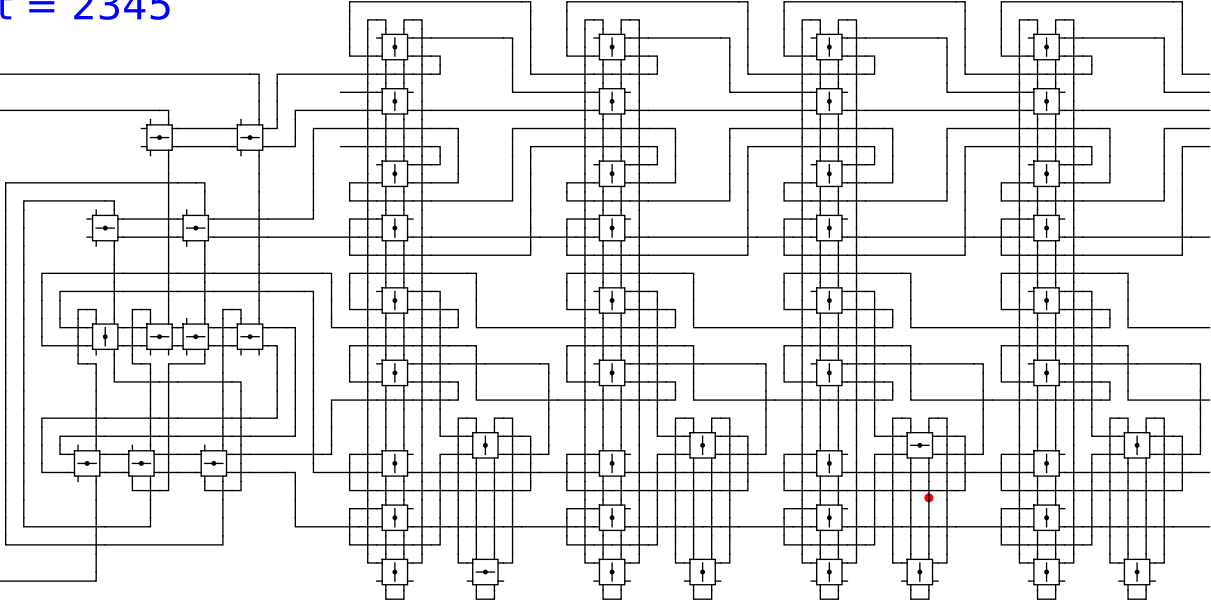
0

0

t = 2345

Reject
Accept

Begin

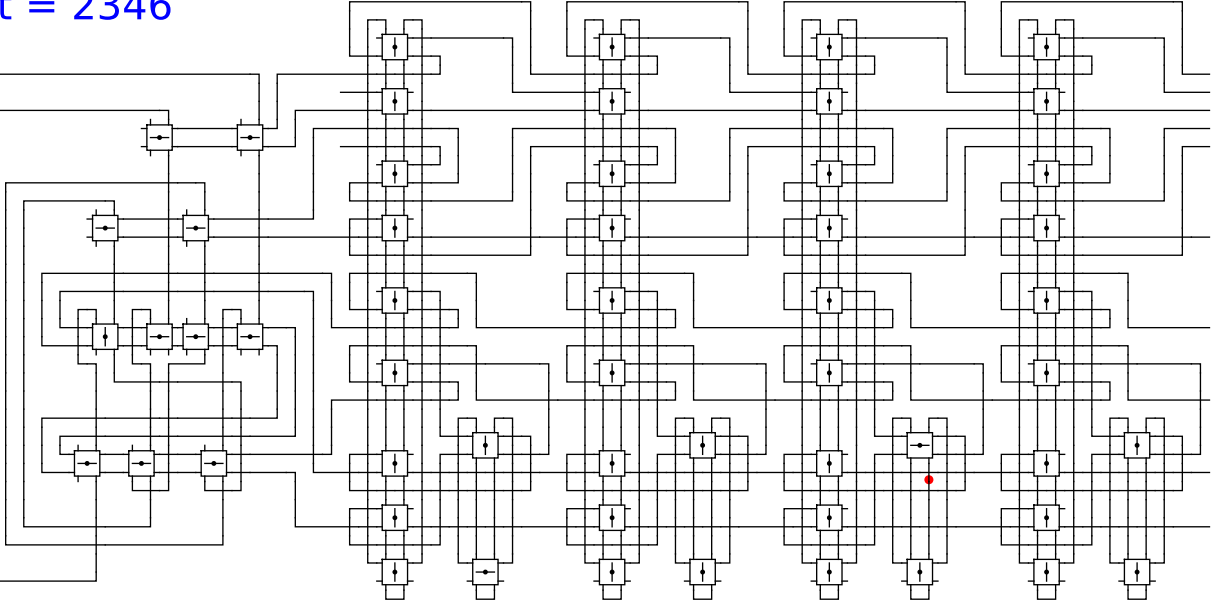


1 0 0 0

t = 2346

Reject
Accept

Begin



1

0

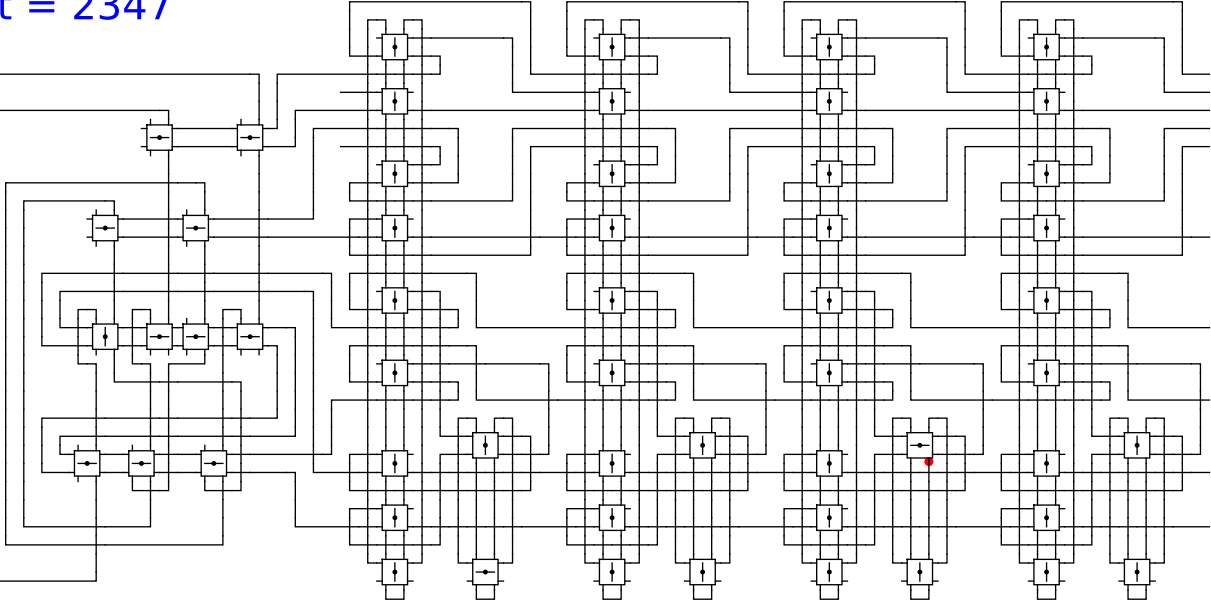
0

0

t = 2347

Reject
Accept

Begin



1

0

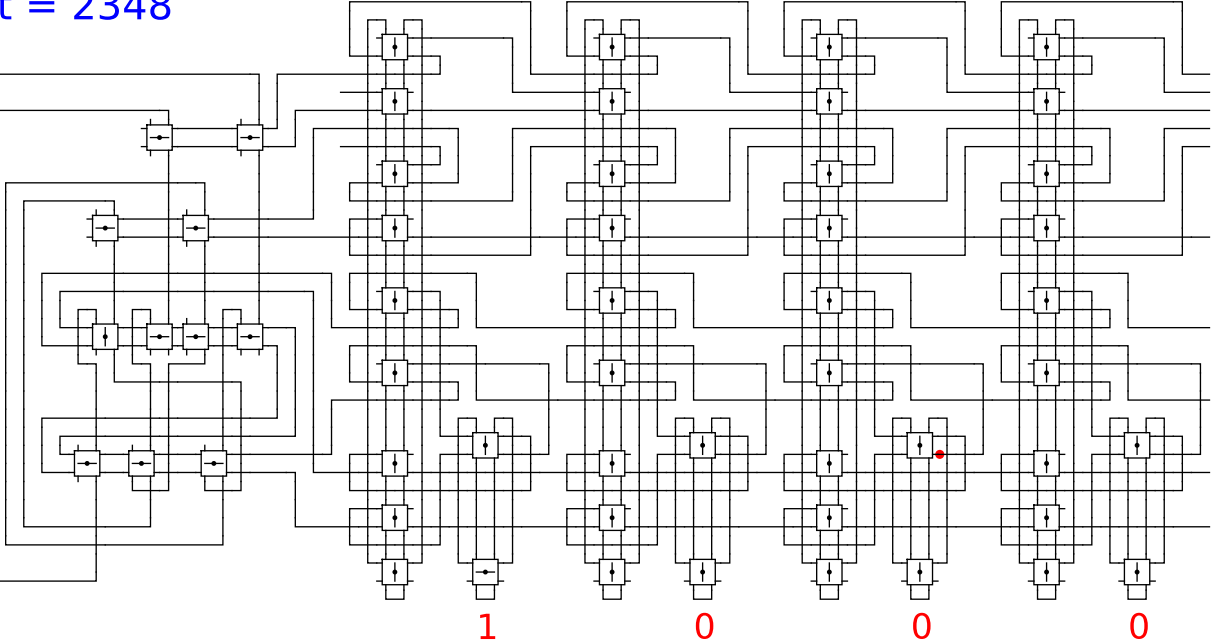
0

0

$t = 2348$

Reject
Accept

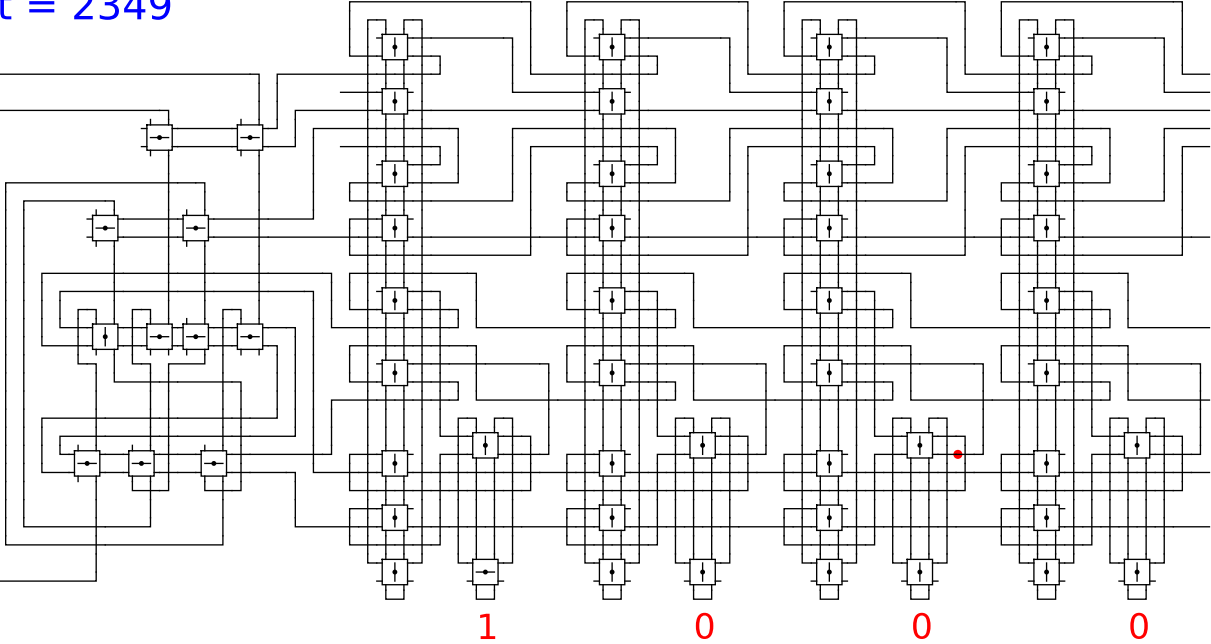
Begin



t = 2349

Reject
Accept

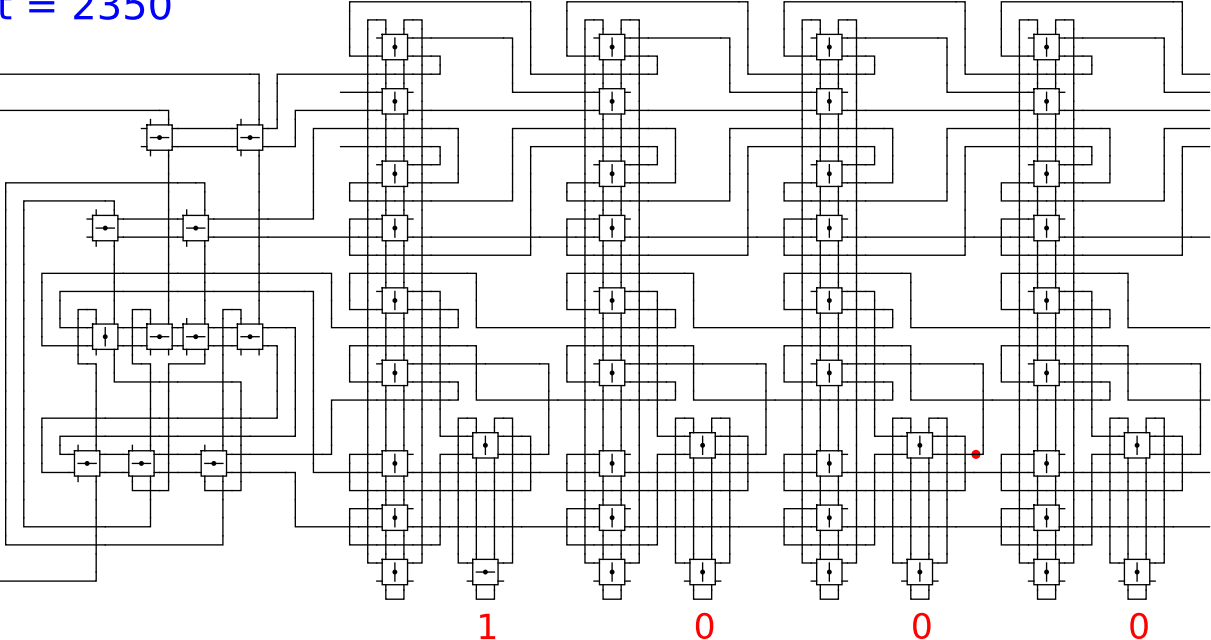
Begin



t = 2350

Reject
Accept

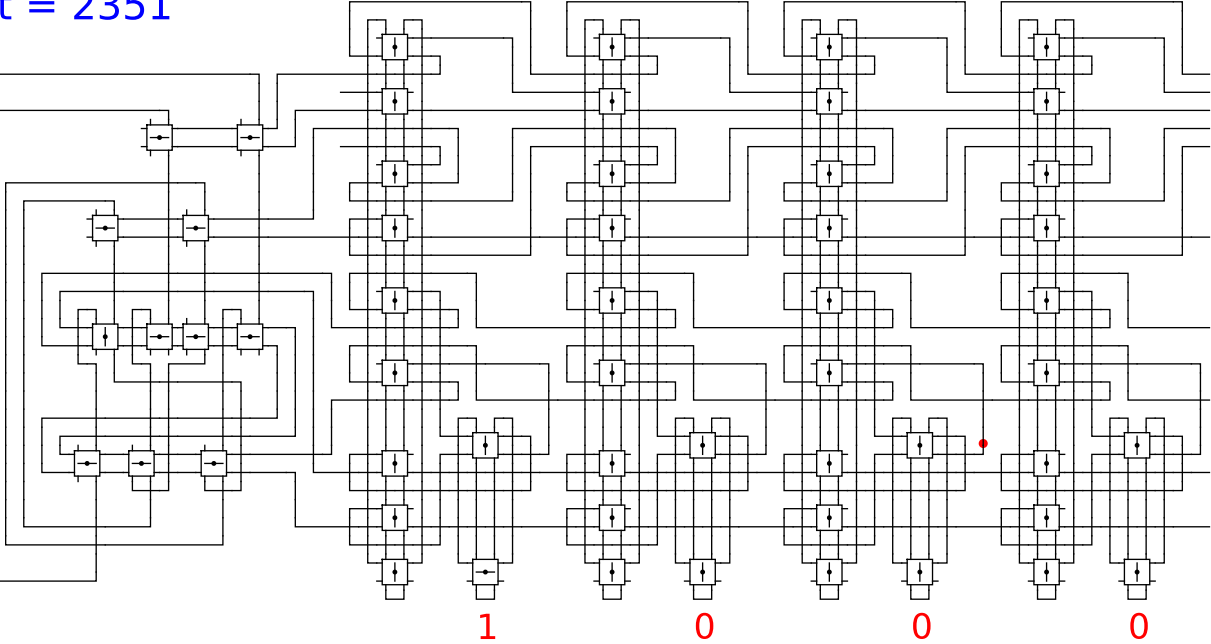
Begin



t = 2351

Reject
Accept

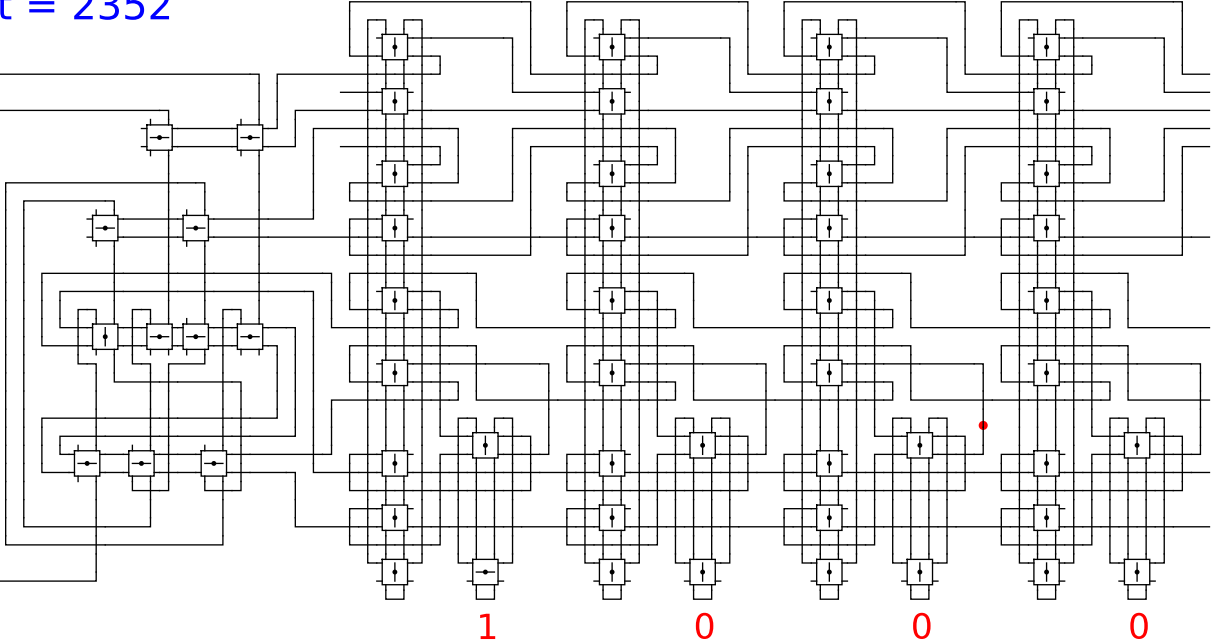
Begin



t = 2352

Reject
Accept

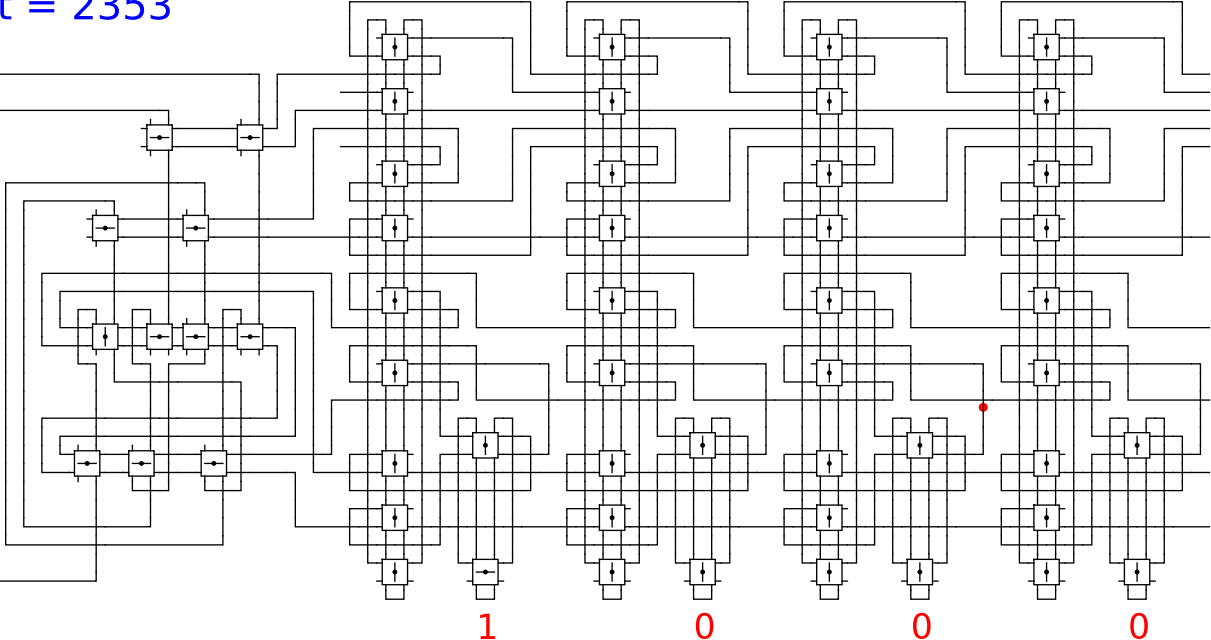
Begin



t = 2353

Reject
Accept

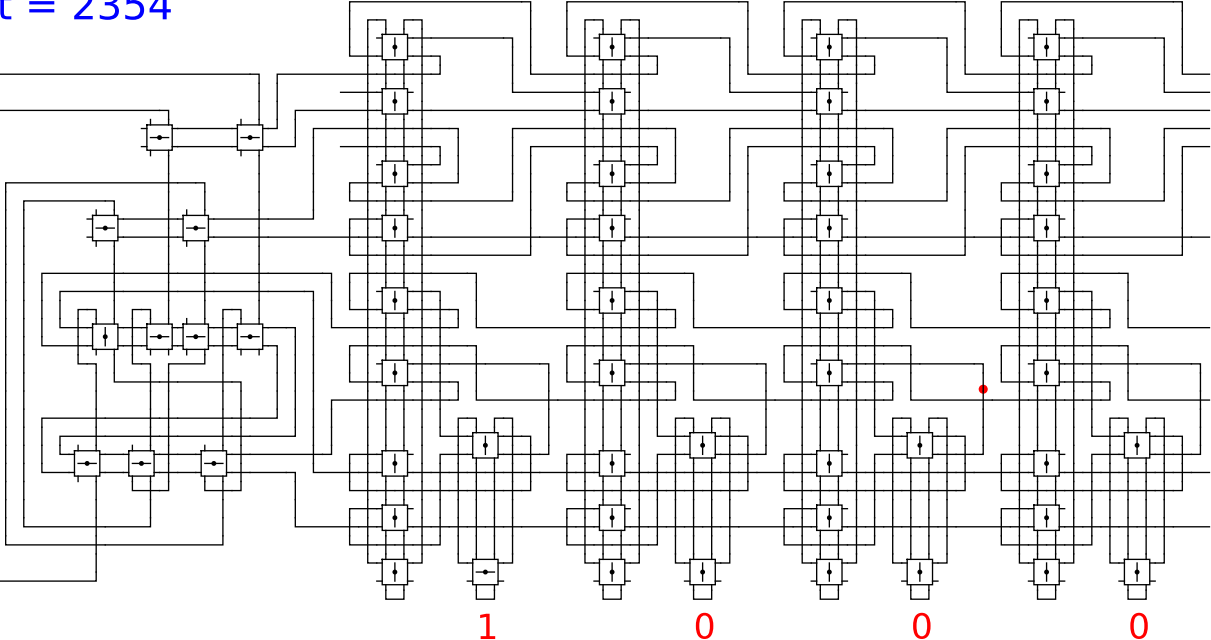
Begin



t = 2354

Reject
Accept

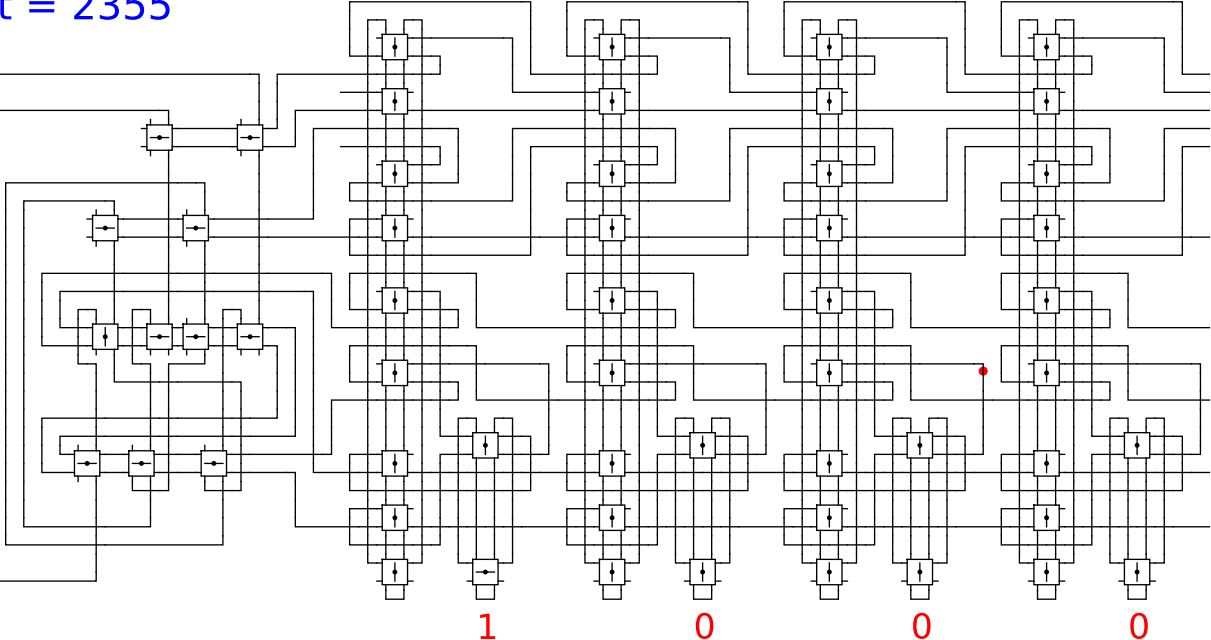
Begin



t = 2355

Reject
Accept

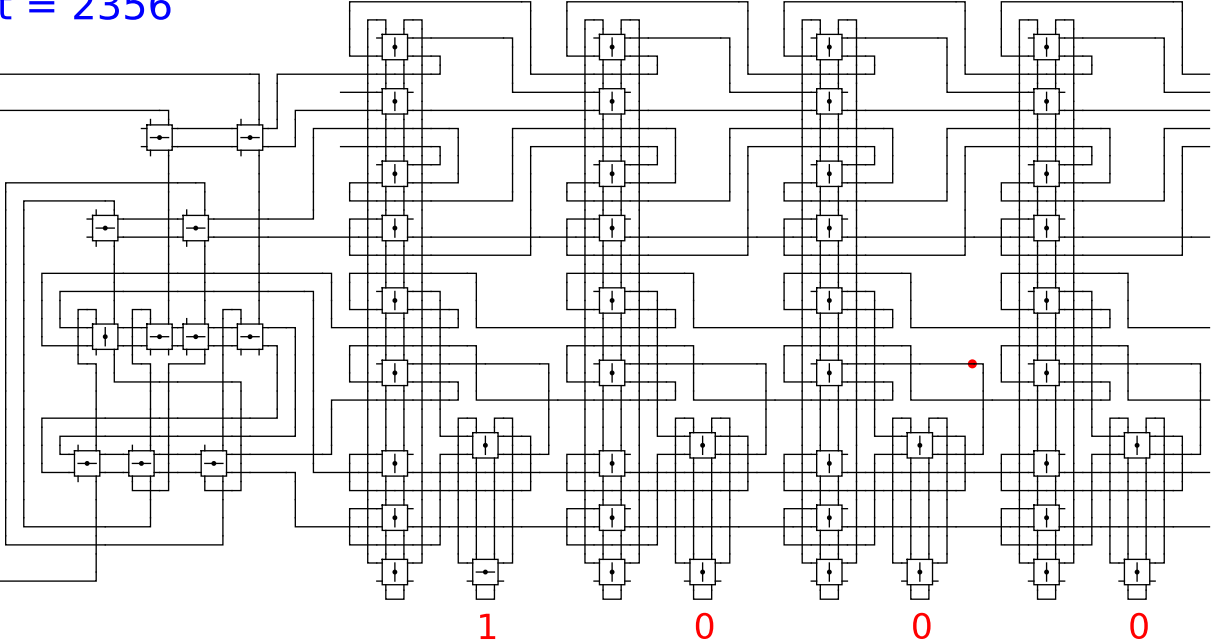
Begin



t = 2356

Reject
Accept

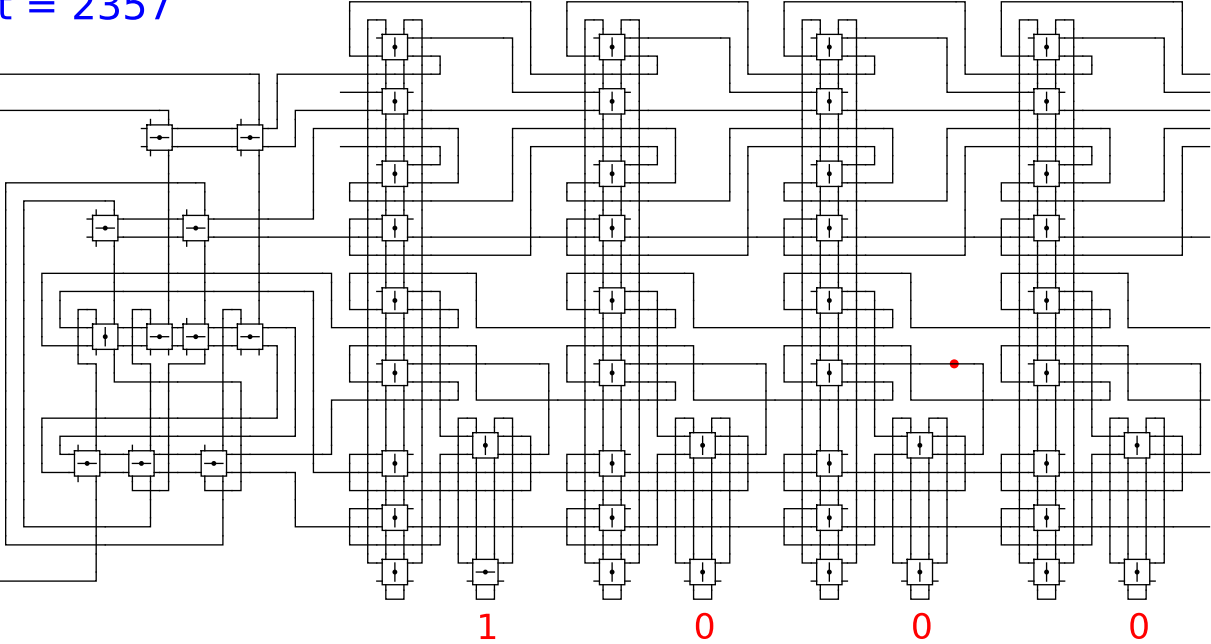
Begin



t = 2357

Reject
Accept

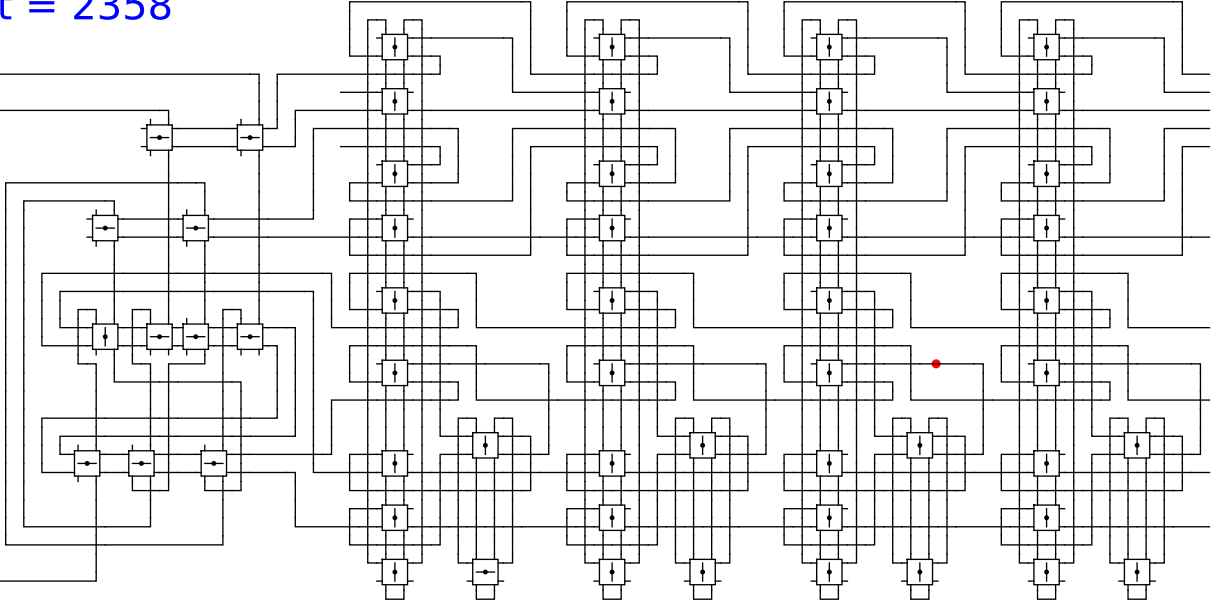
Begin



t = 2358

Reject
Accept

Begin



1

0

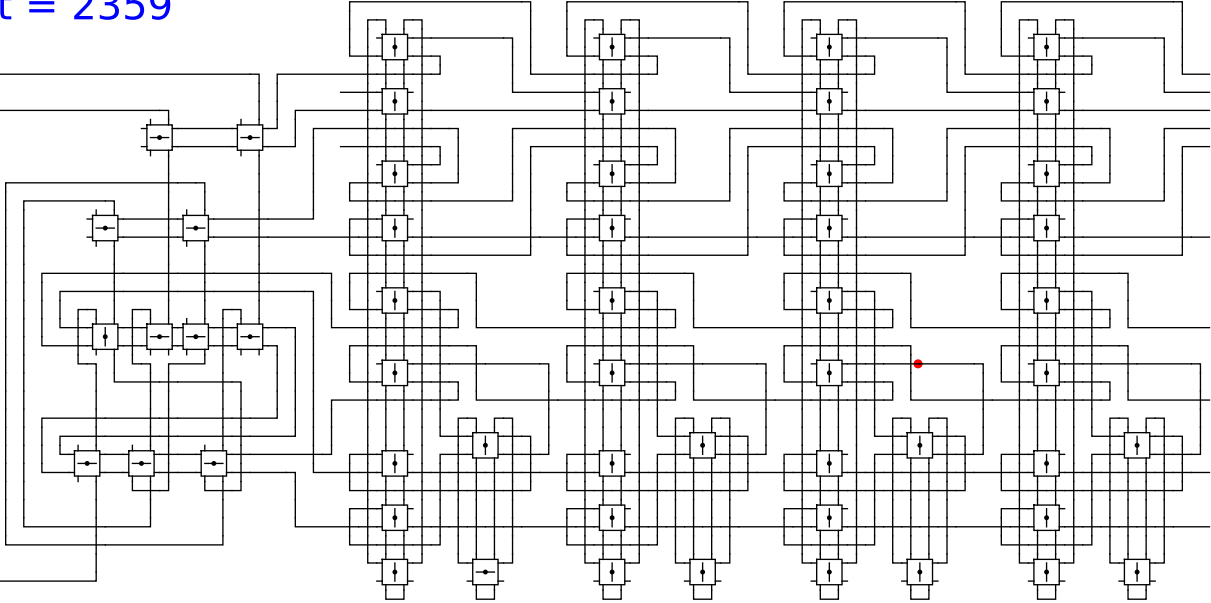
0

0

t = 2359

Reject
Accept

Begin



1

0

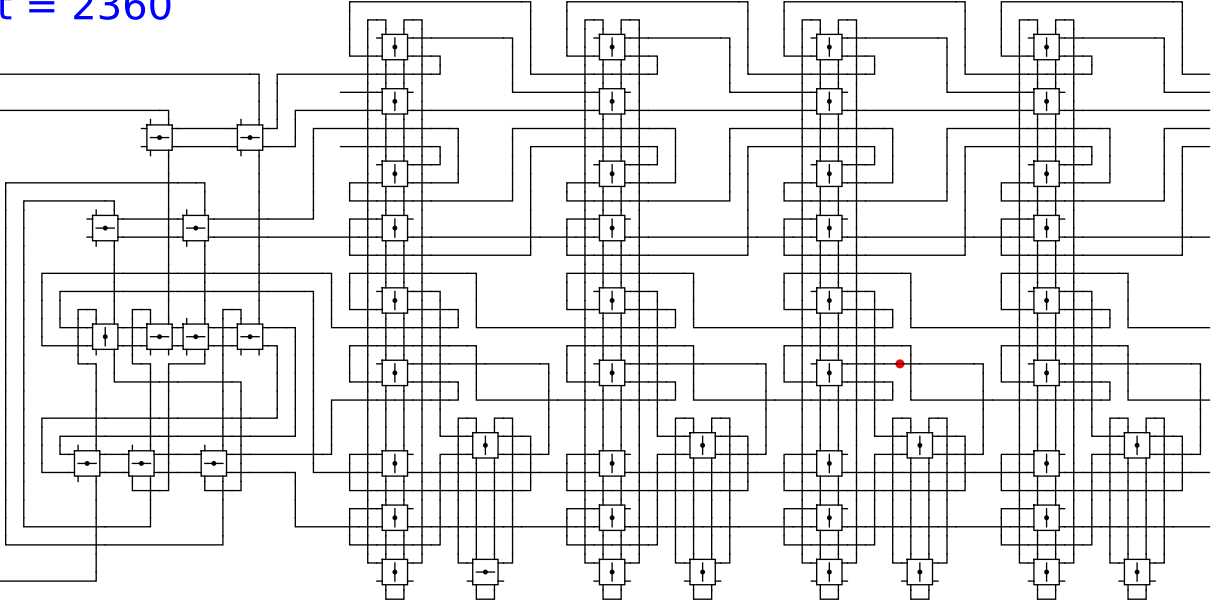
0

0

t = 2360

Reject
Accept

Begin



1

0

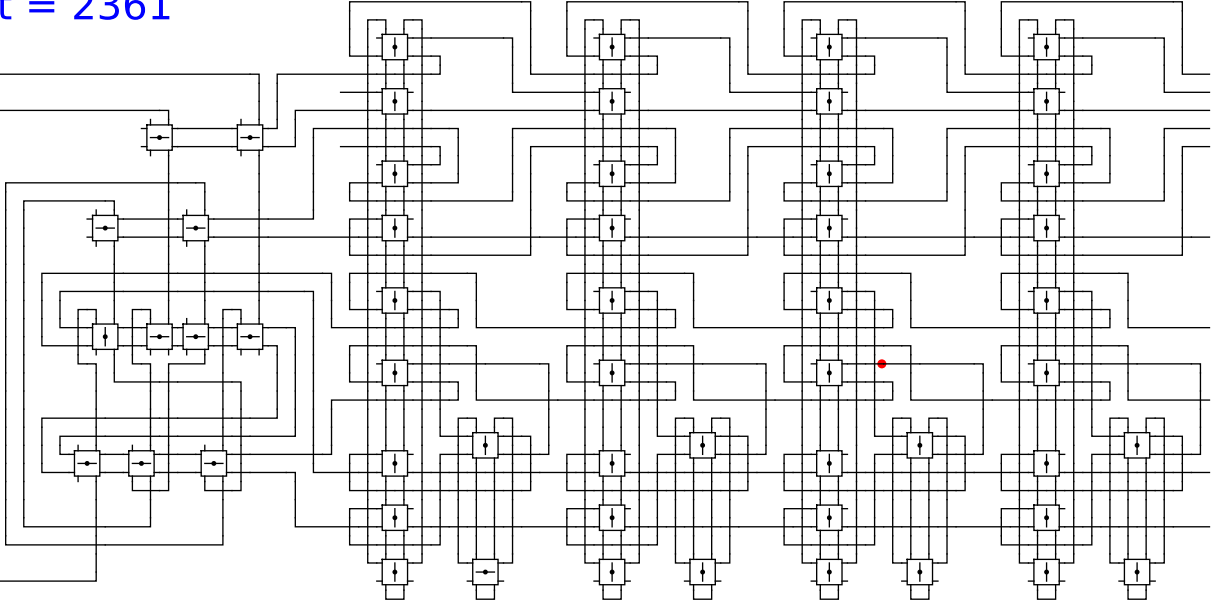
0

0

t = 2361

Reject
Accept

Begin



1

0

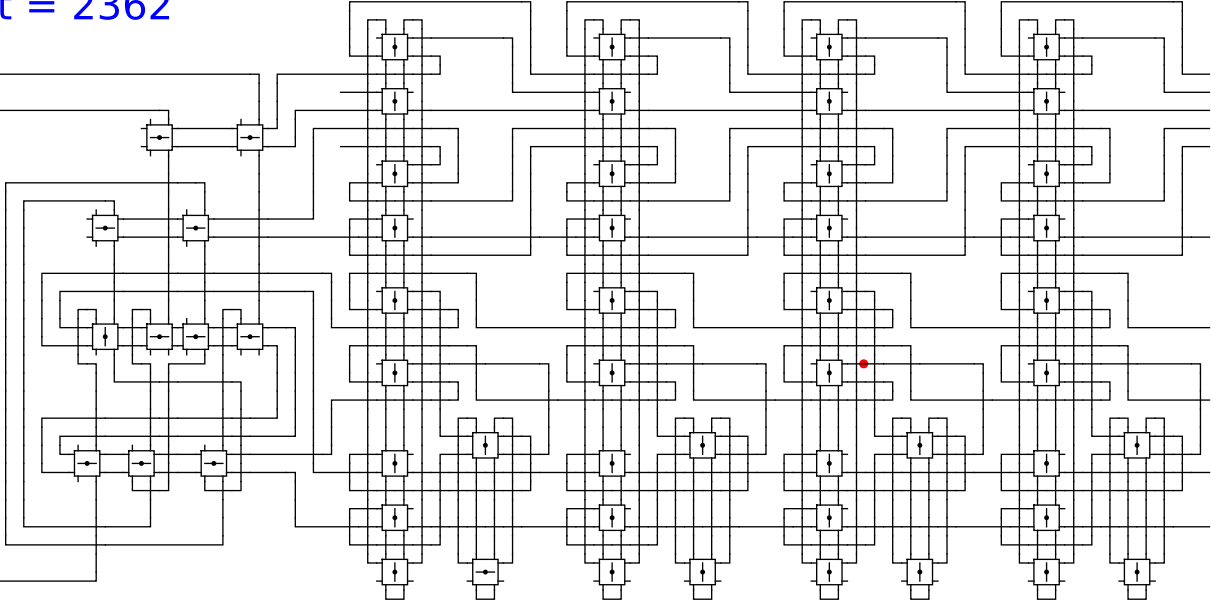
0

0

t = 2362

Reject
Accept

Begin



1

0

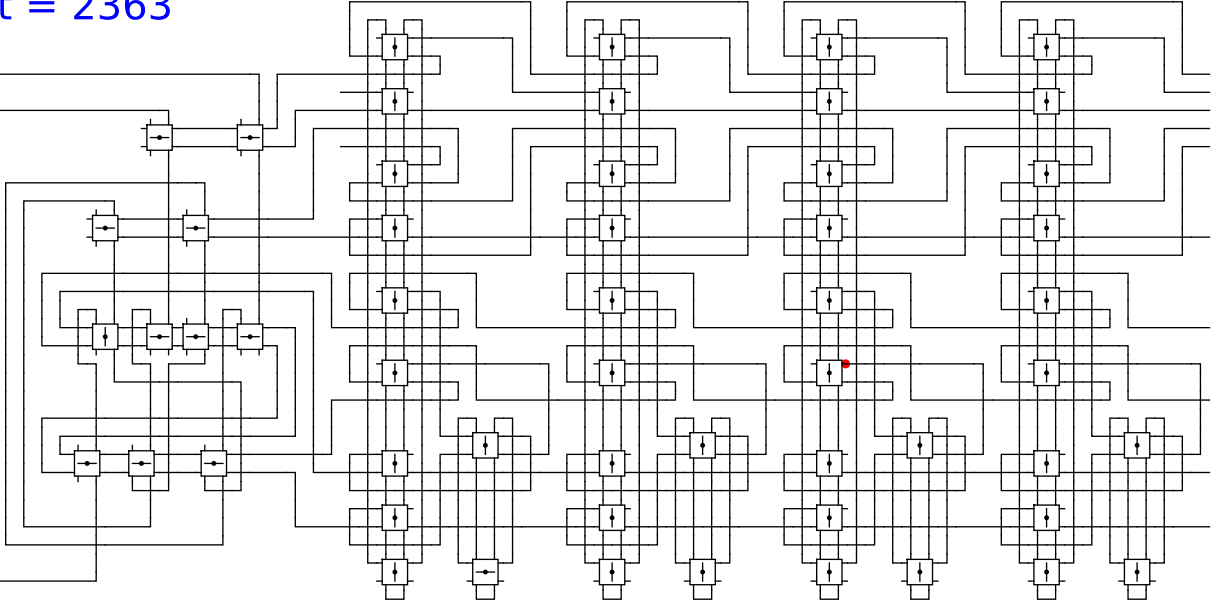
0

0

t = 2363

Reject
Accept

Begin



1

0

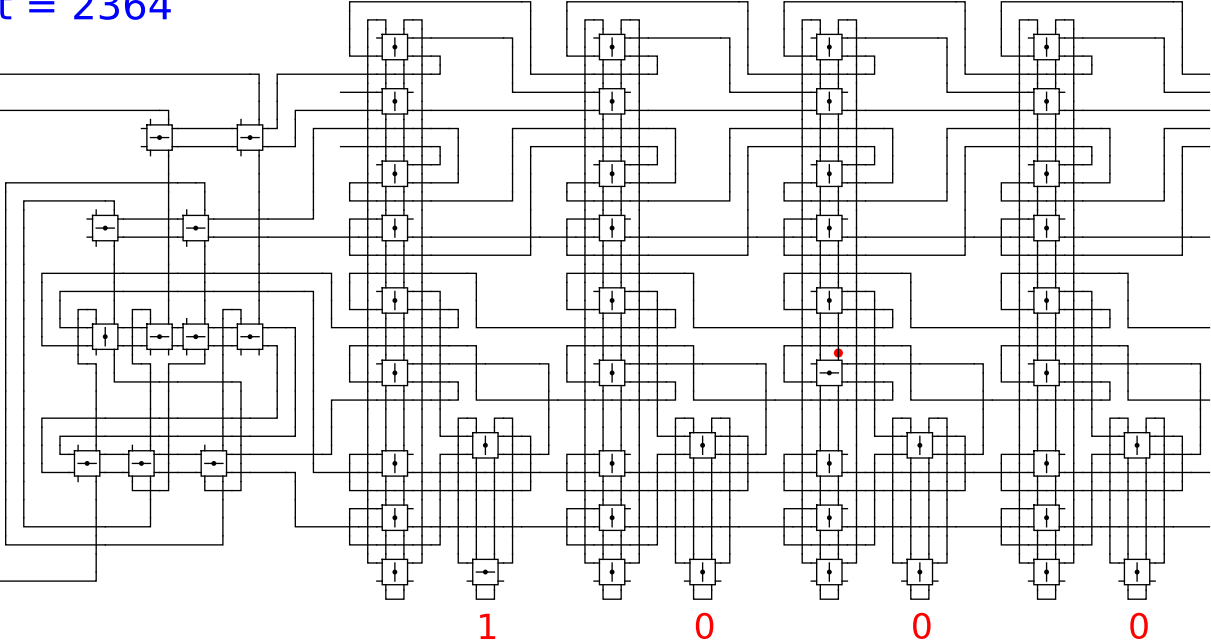
0

0

t = 2364

Reject
Accept

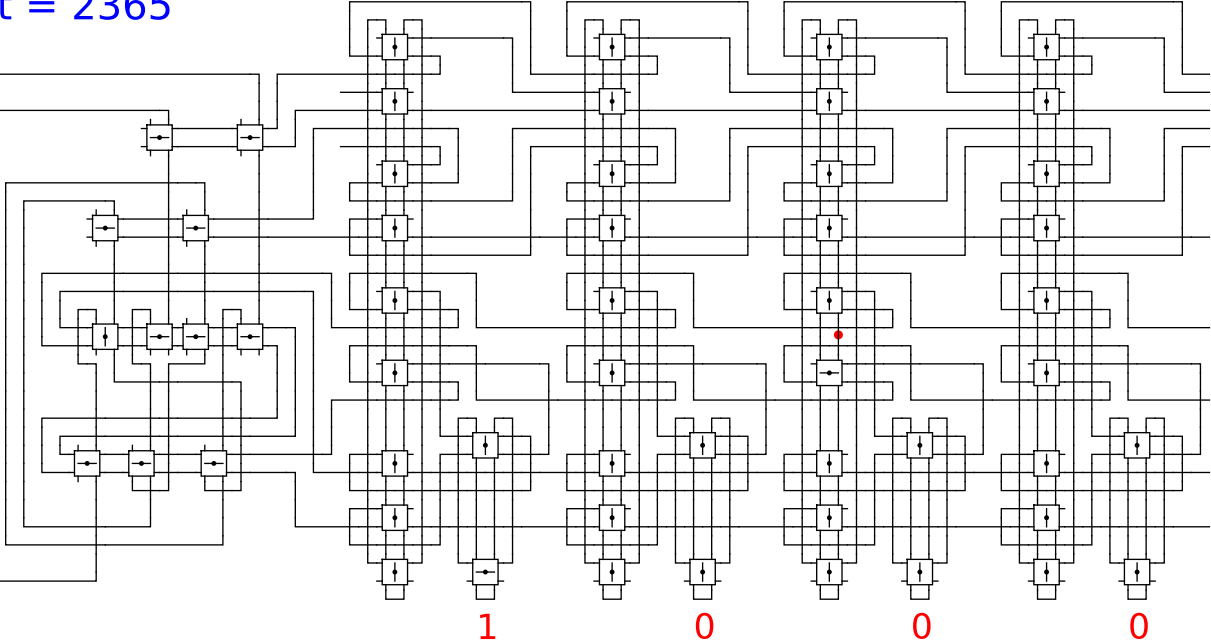
Begin



t = 2365

Reject
Accept

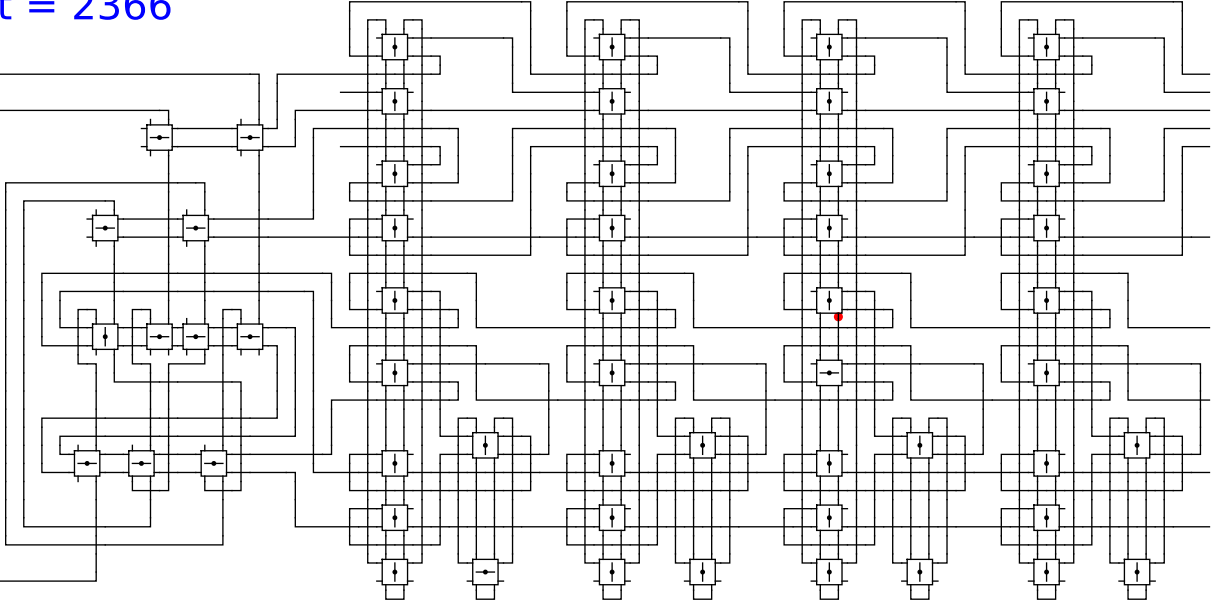
Begin



t = 2366

Reject
Accept

Begin



1

0

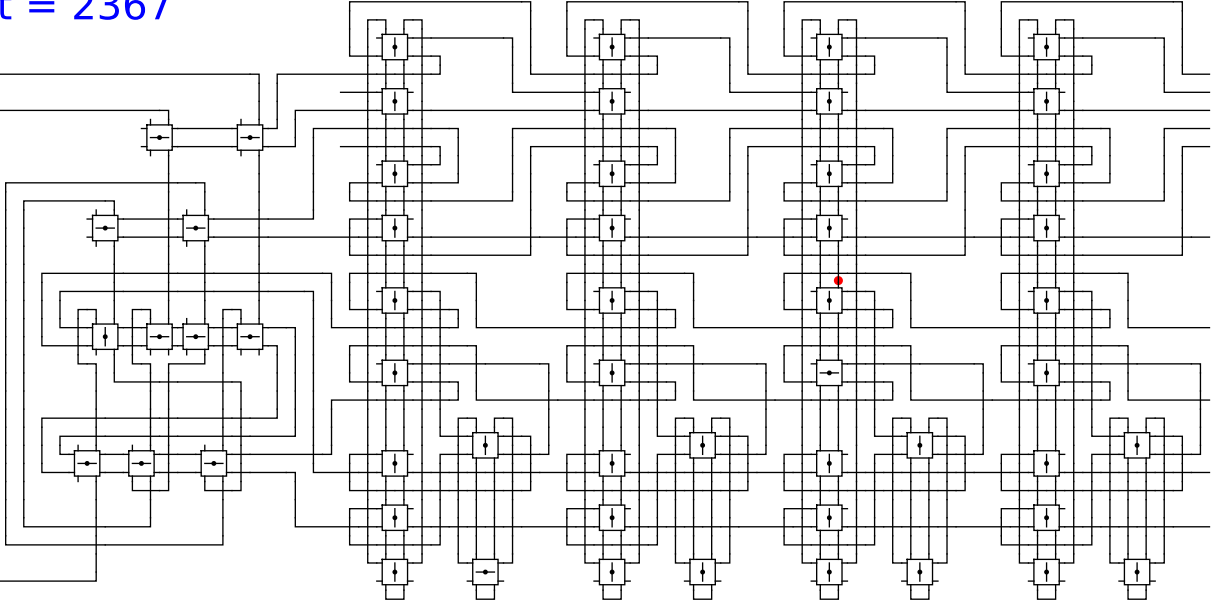
0

0

t = 2367

Reject
Accept

Begin



1

0

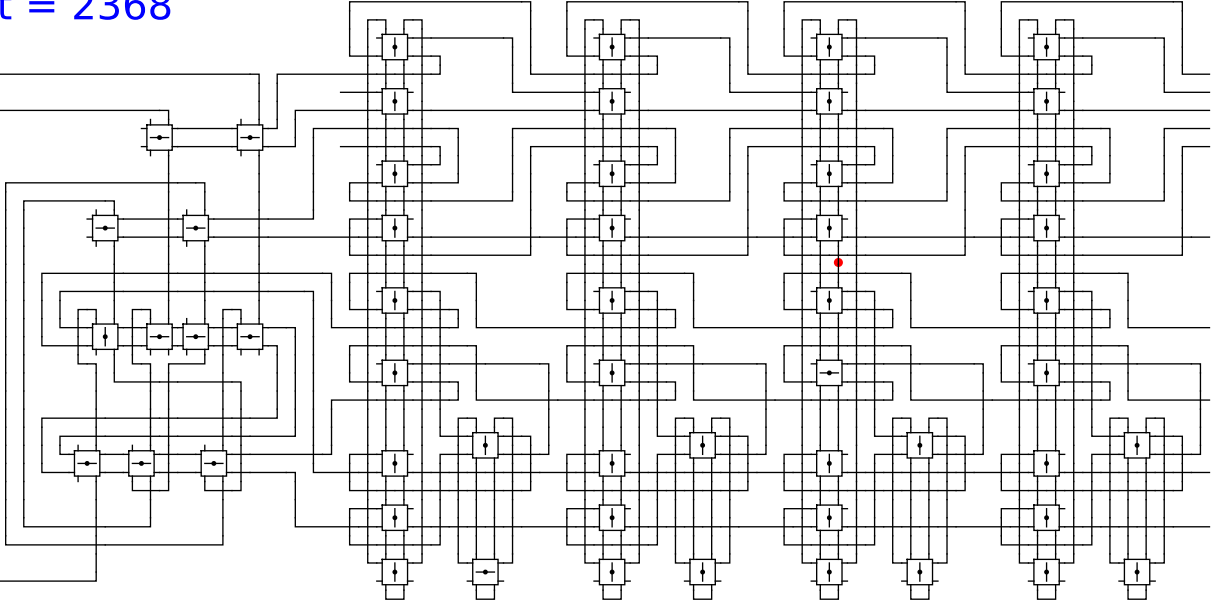
0

0

t = 2368

Reject
Accept

Begin



1

0

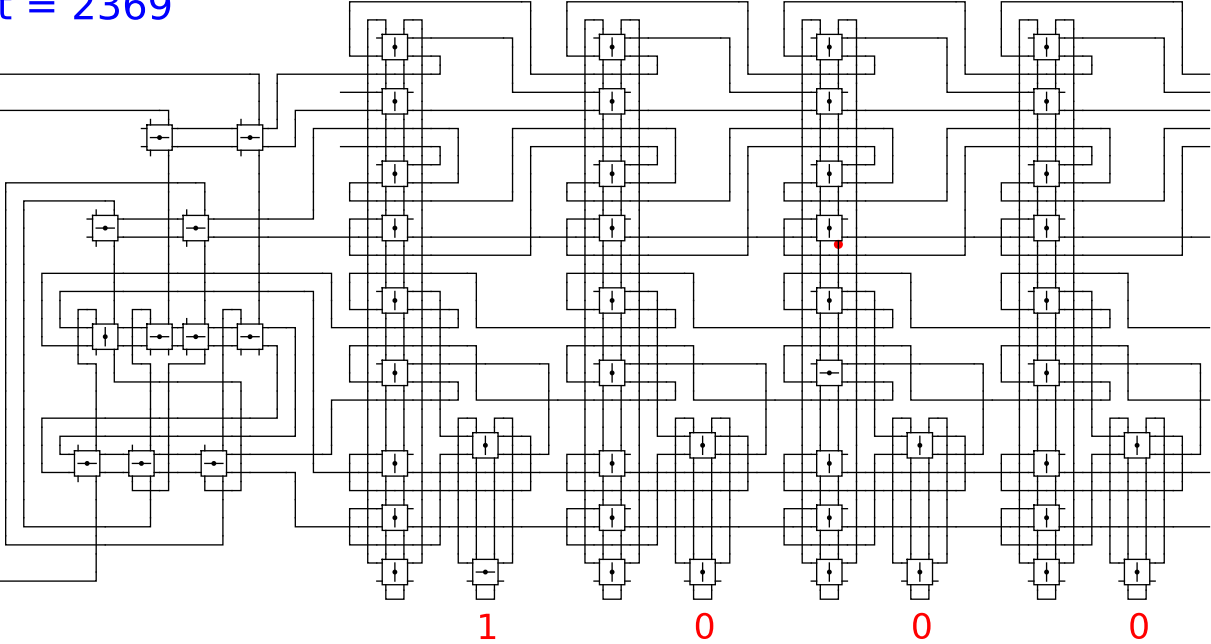
0

0

t = 2369

Reject
Accept

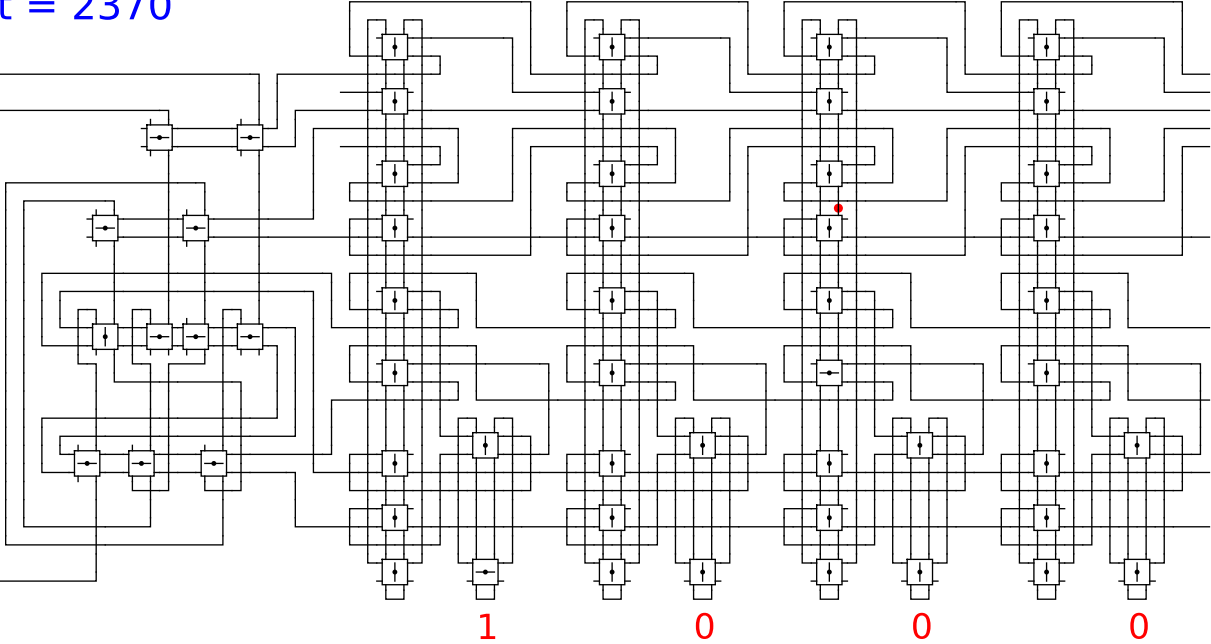
Begin



$t = 2370$

Reject
Accept

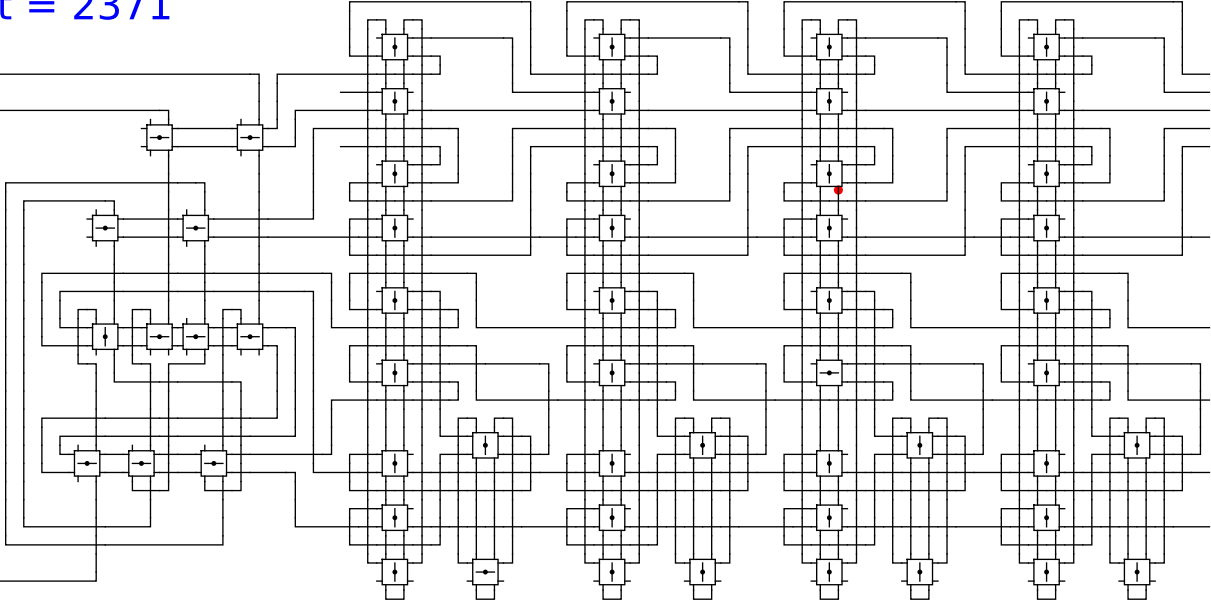
Begin



t = 2371

Reject
Accept

Begin



1

0

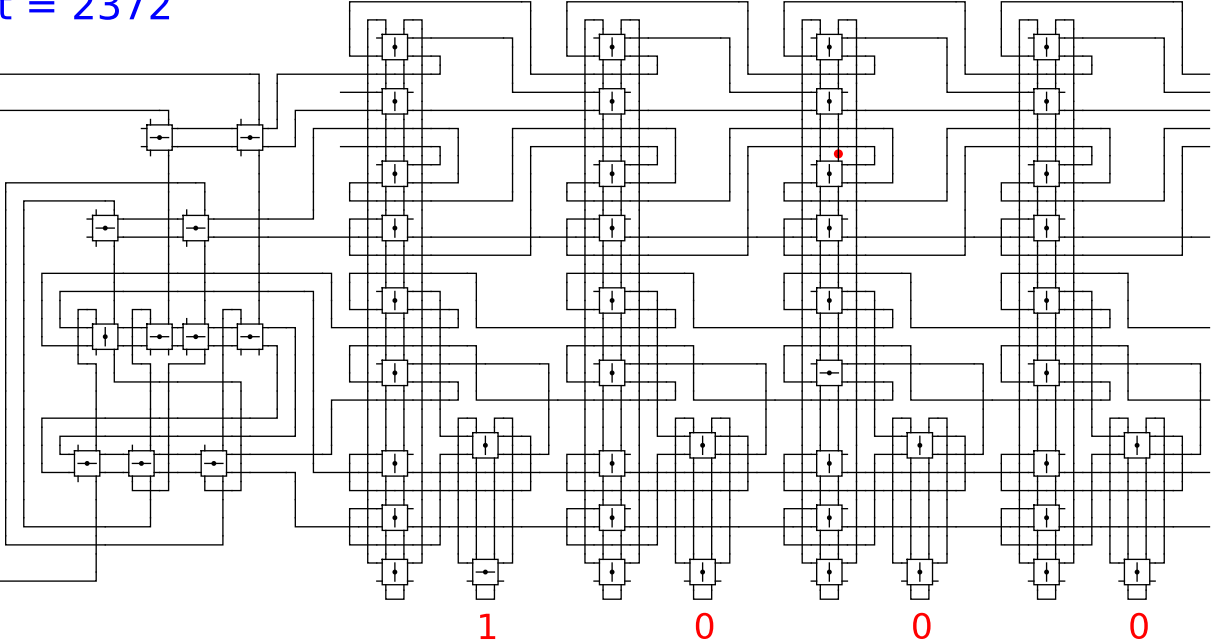
0

0

t = 2372

Reject
Accept

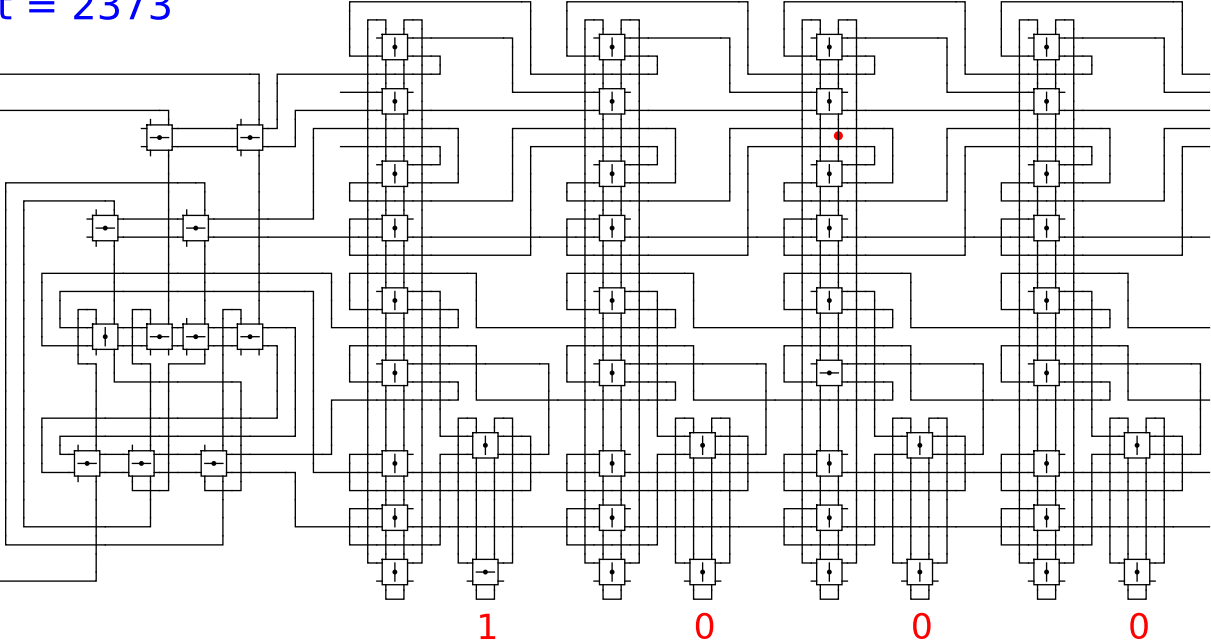
Begin



t = 2373

Reject
Accept

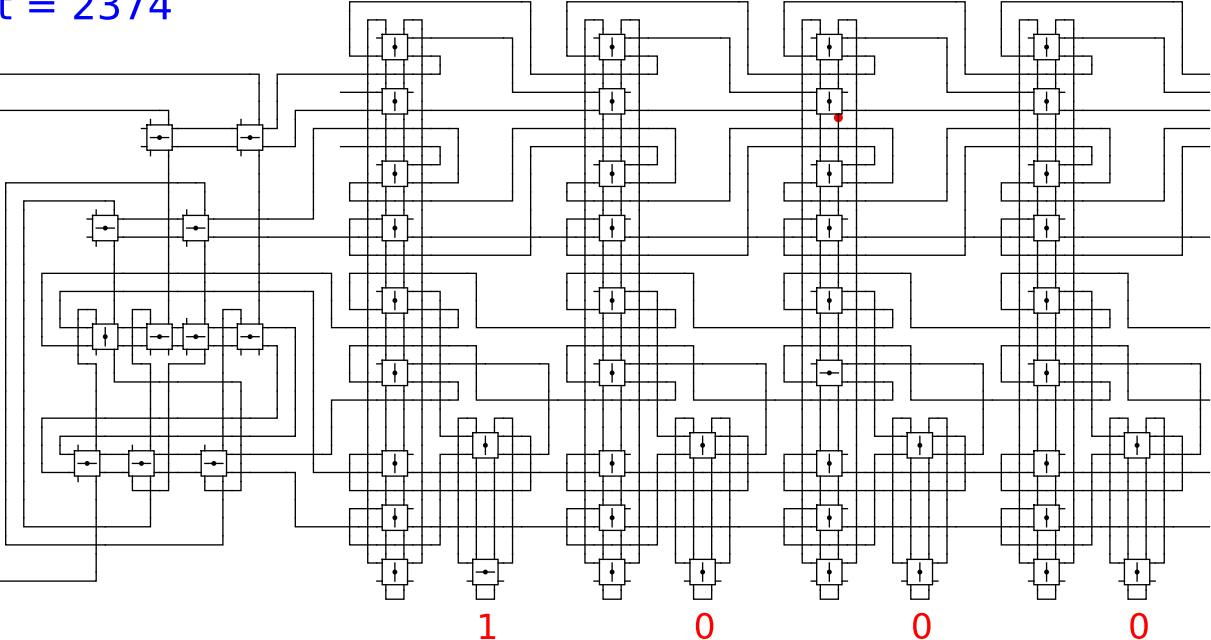
Begin



t = 2374

Reject
Accept

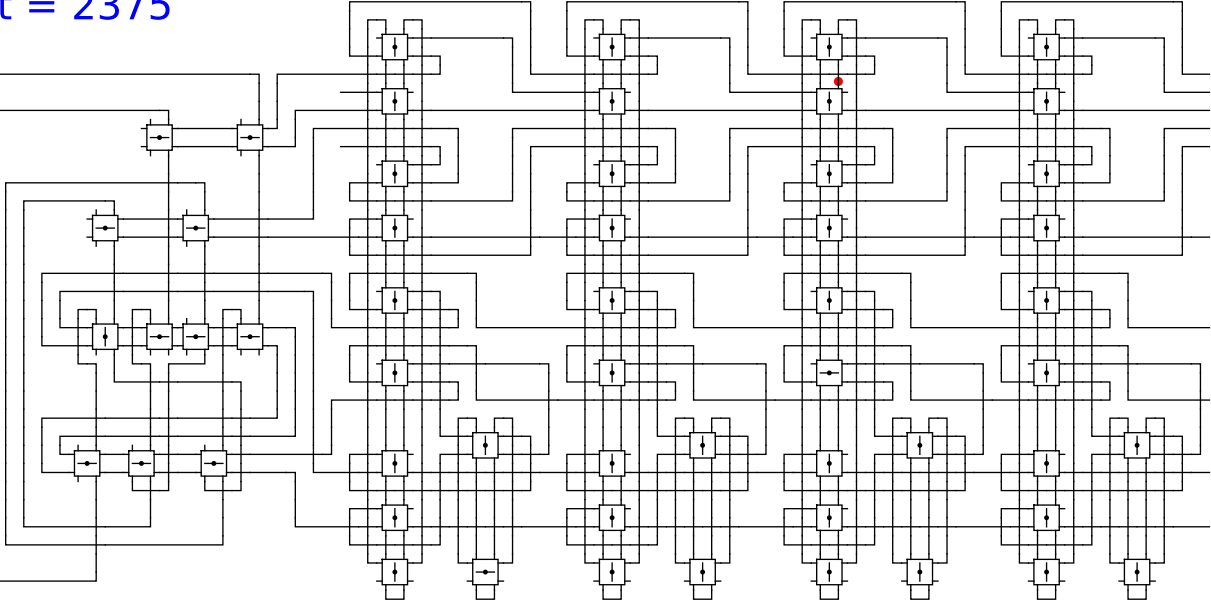
Begin



t = 2375

Reject
Accept

Begin



1

0

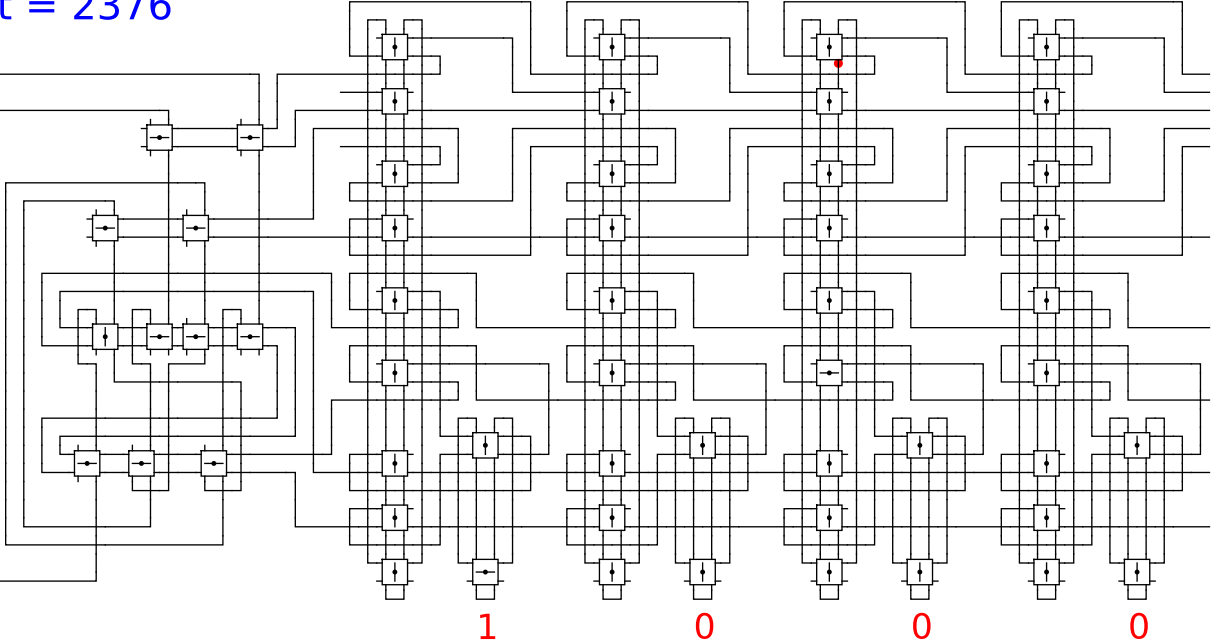
0

0

t = 2376

Reject
Accept

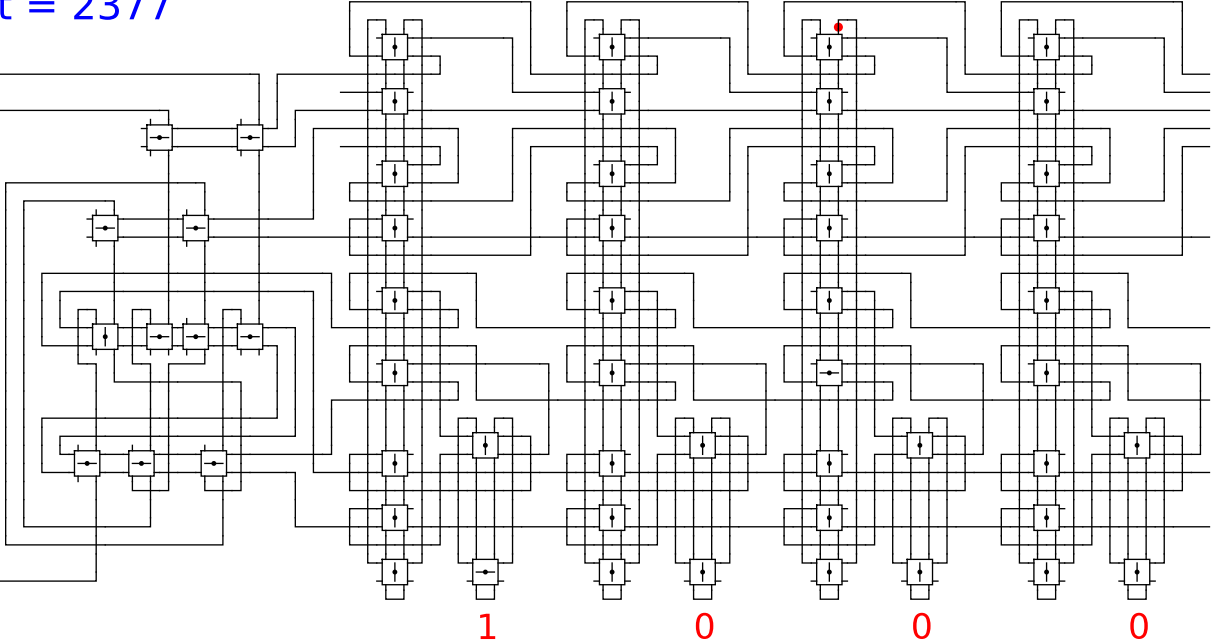
Begin



t = 2377

Reject
Accept

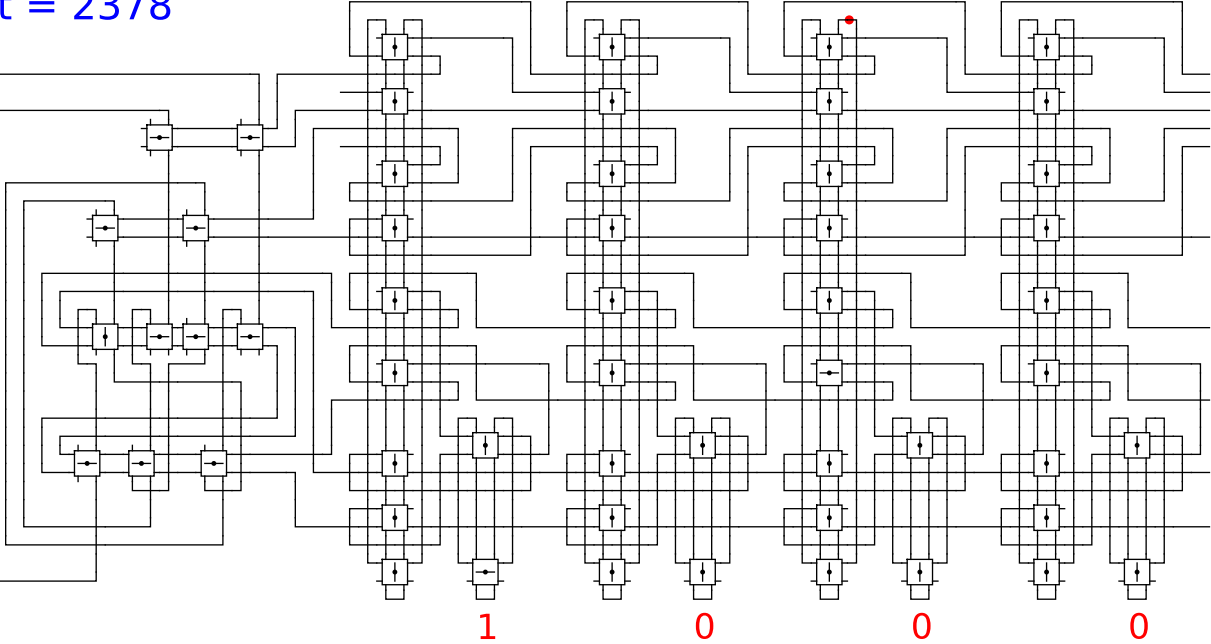
Begin



t = 2378

Reject
Accept

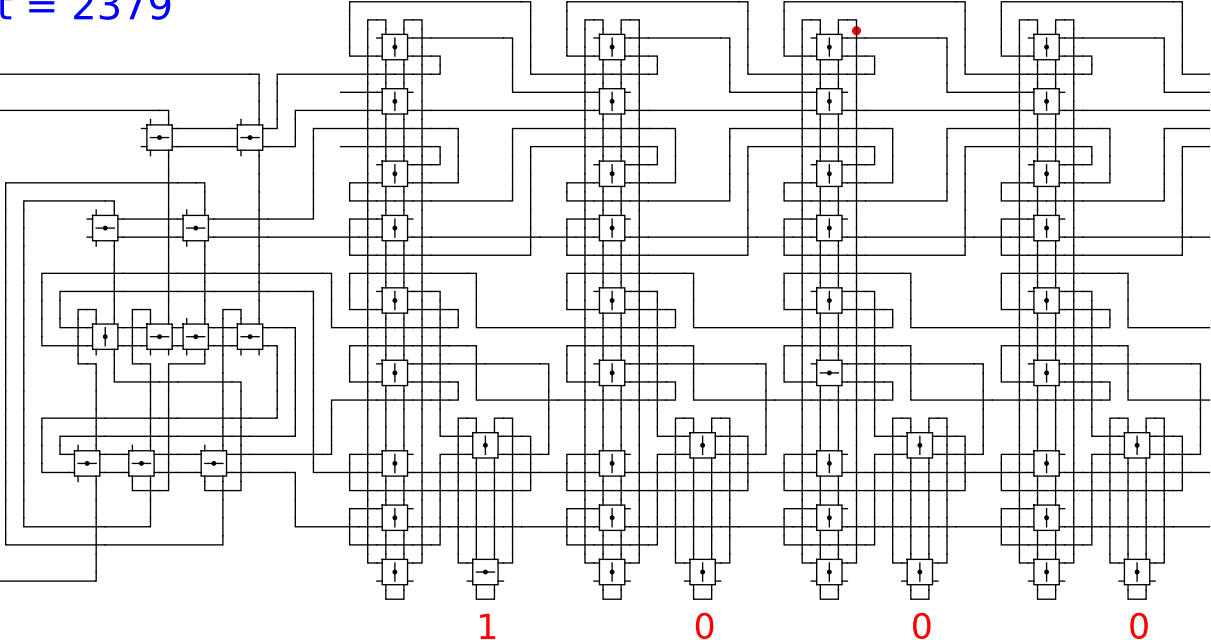
Begin



t = 2379

Reject
Accept

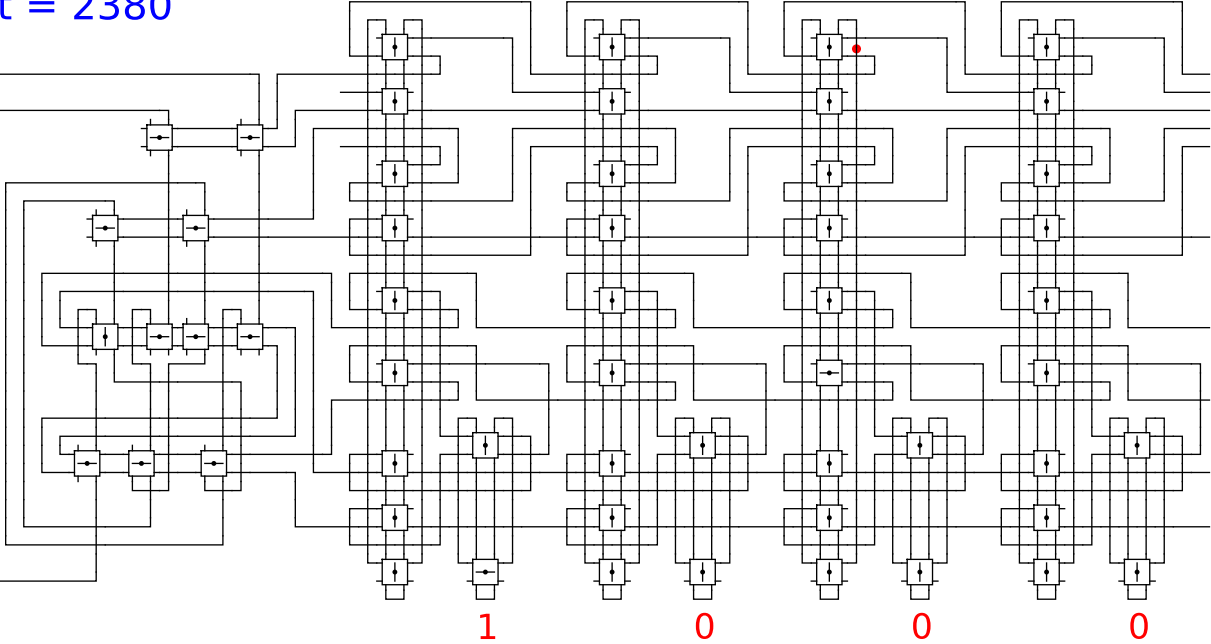
Begin



t = 2380

Reject
Accept

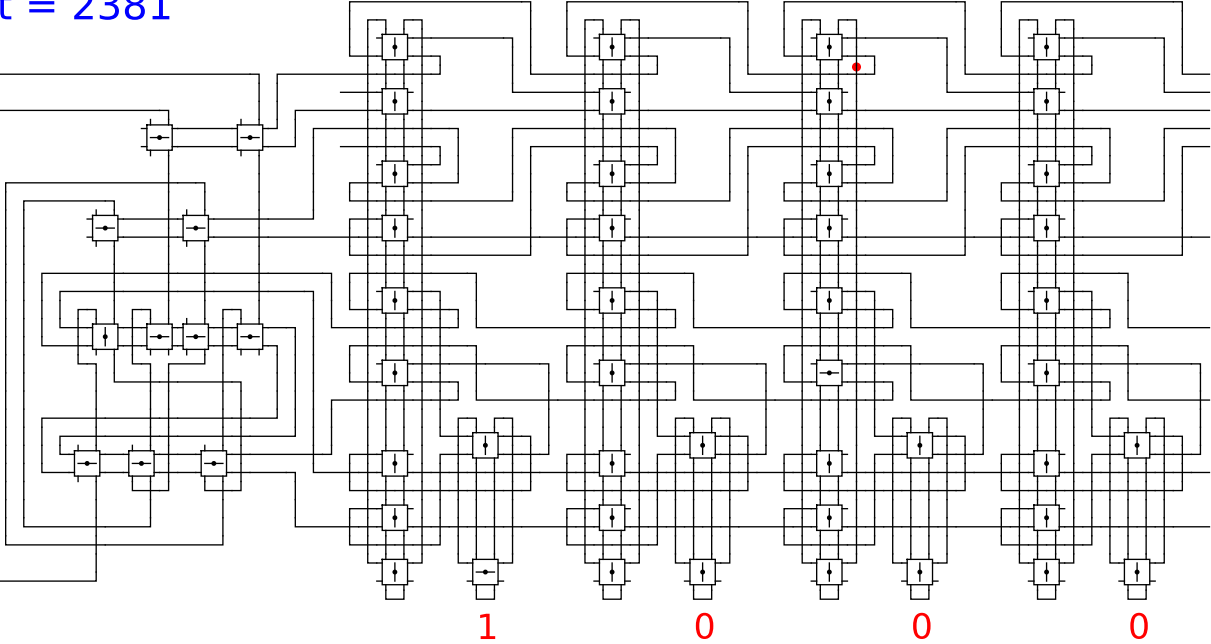
Begin



t = 2381

Reject
Accept

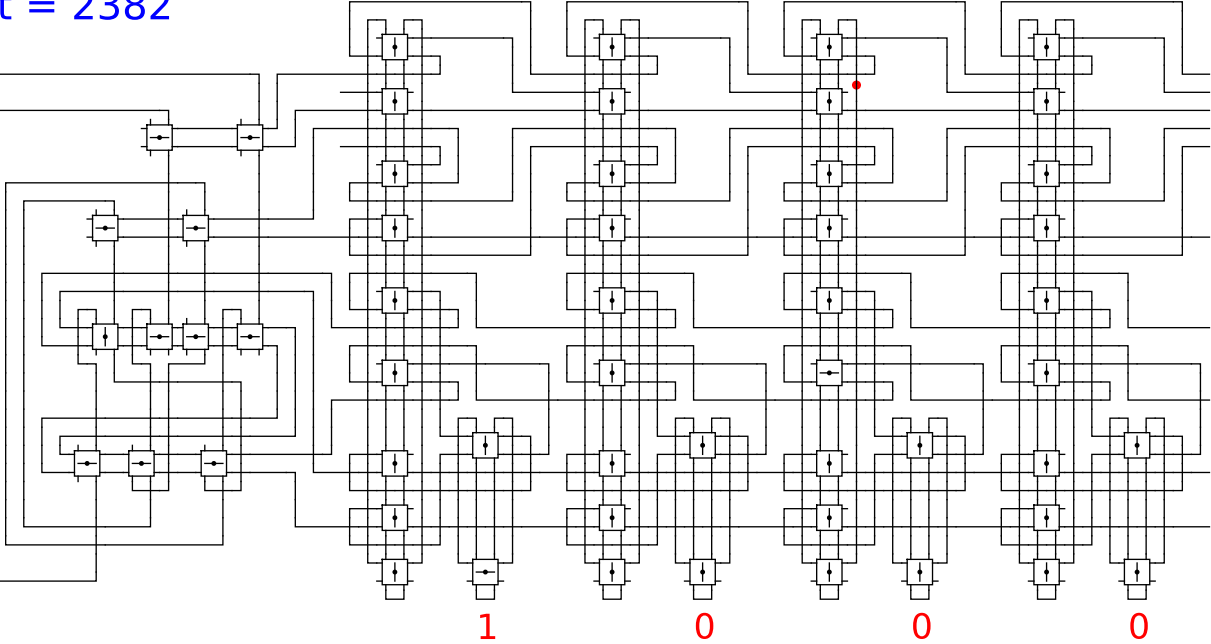
Begin



t = 2382

Reject
Accept

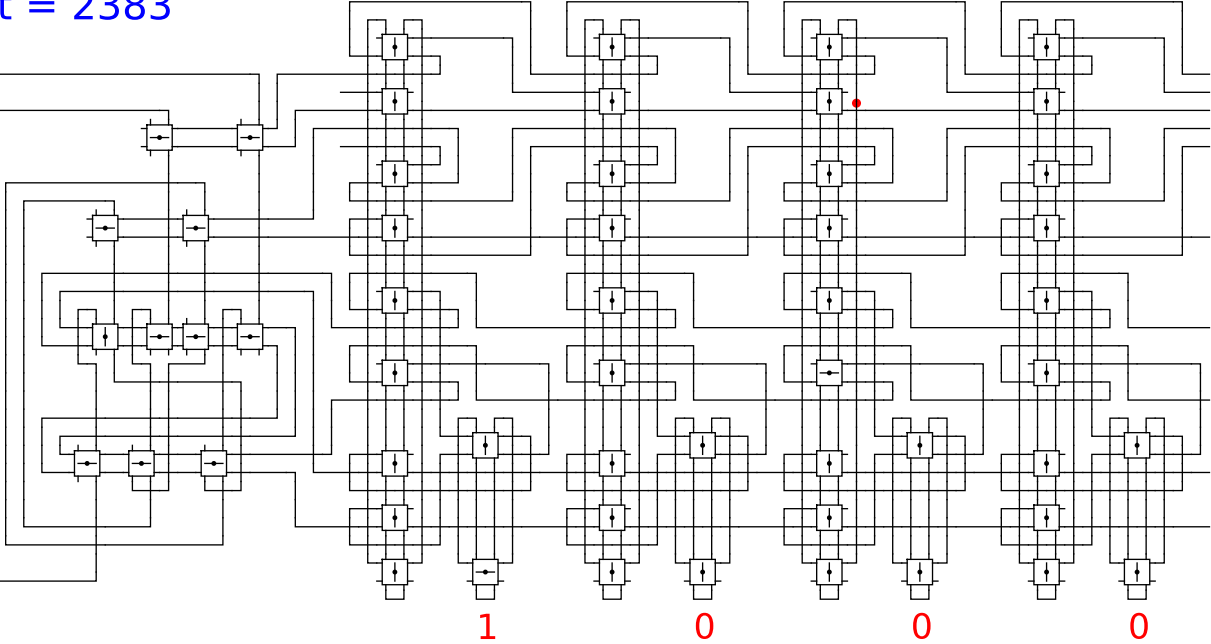
Begin



t = 2383

Reject
Accept

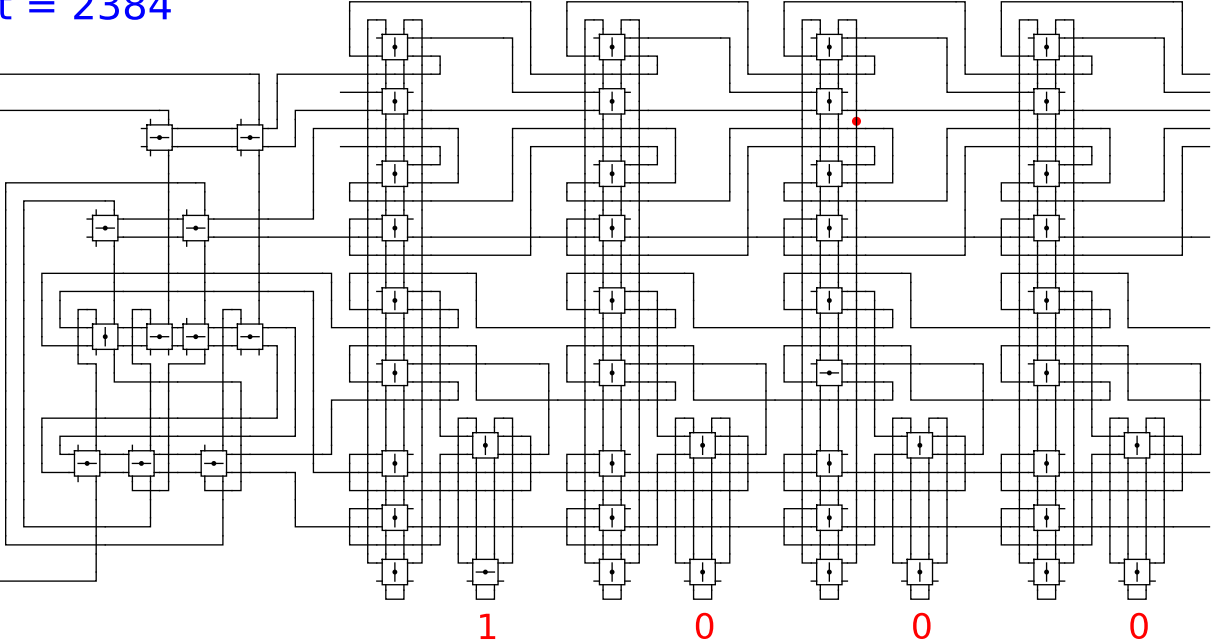
Begin



t = 2384

Reject
Accept

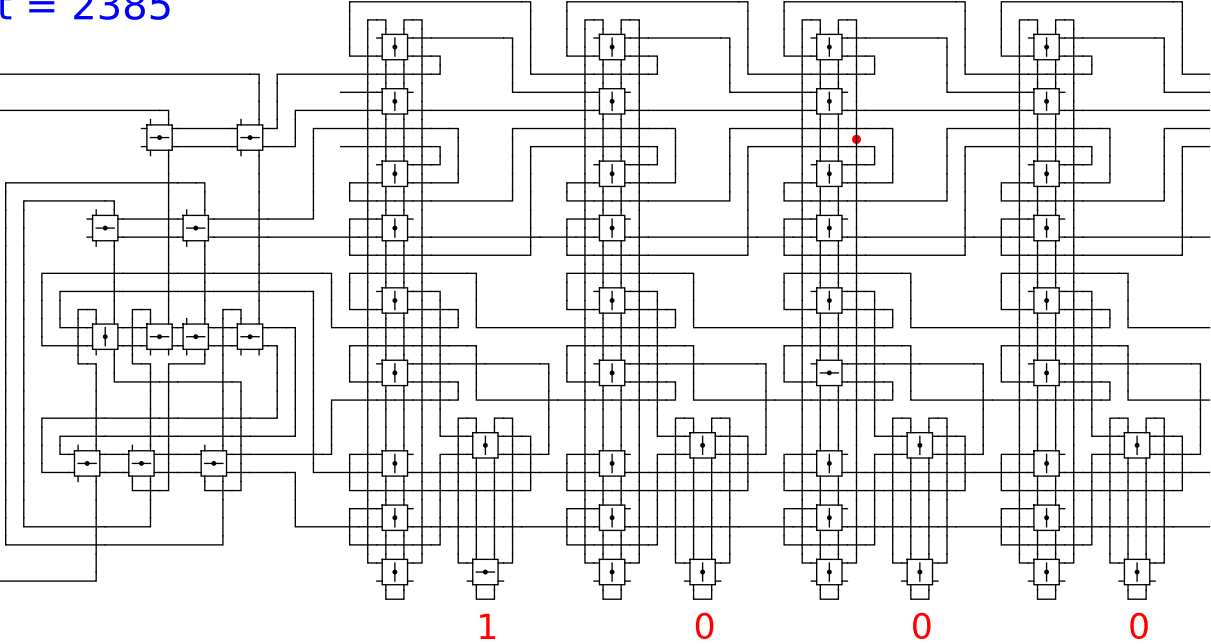
Begin



t = 2385

Reject
Accept

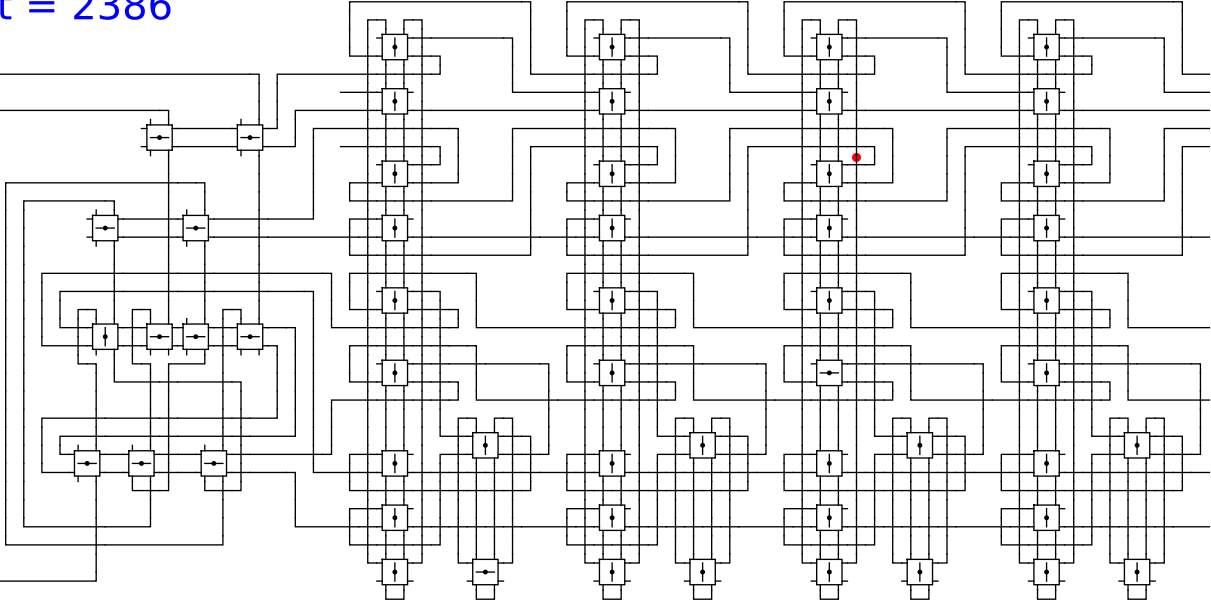
Begin



t = 2386

Reject
Accept

Begin



1

0

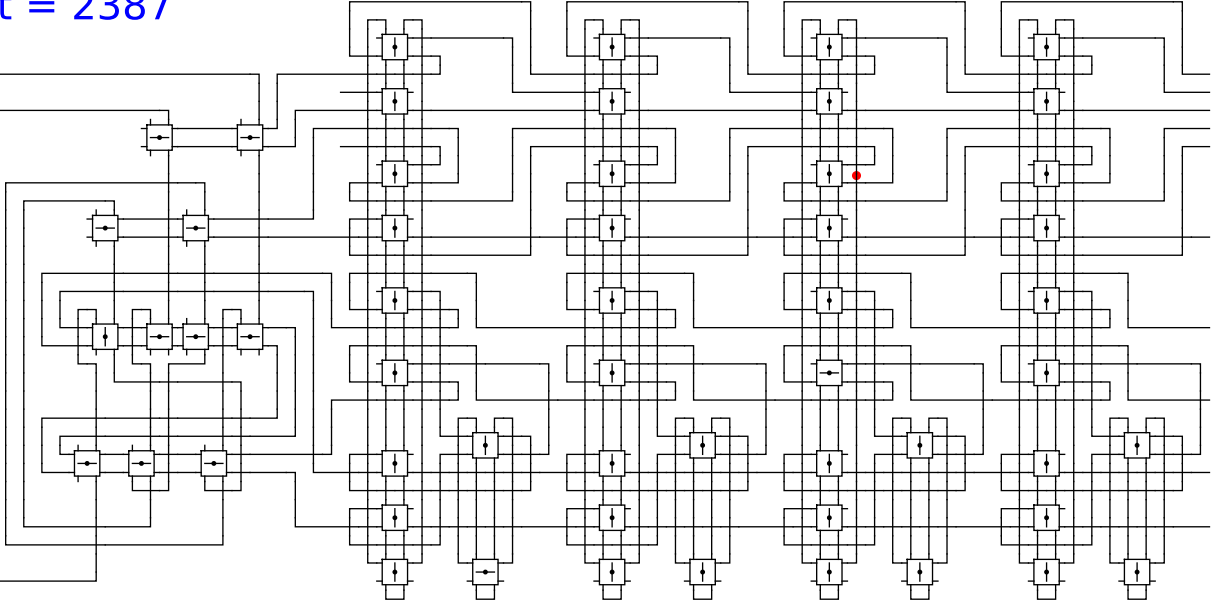
0

0

t = 2387

Reject
Accept

Begin



1

0

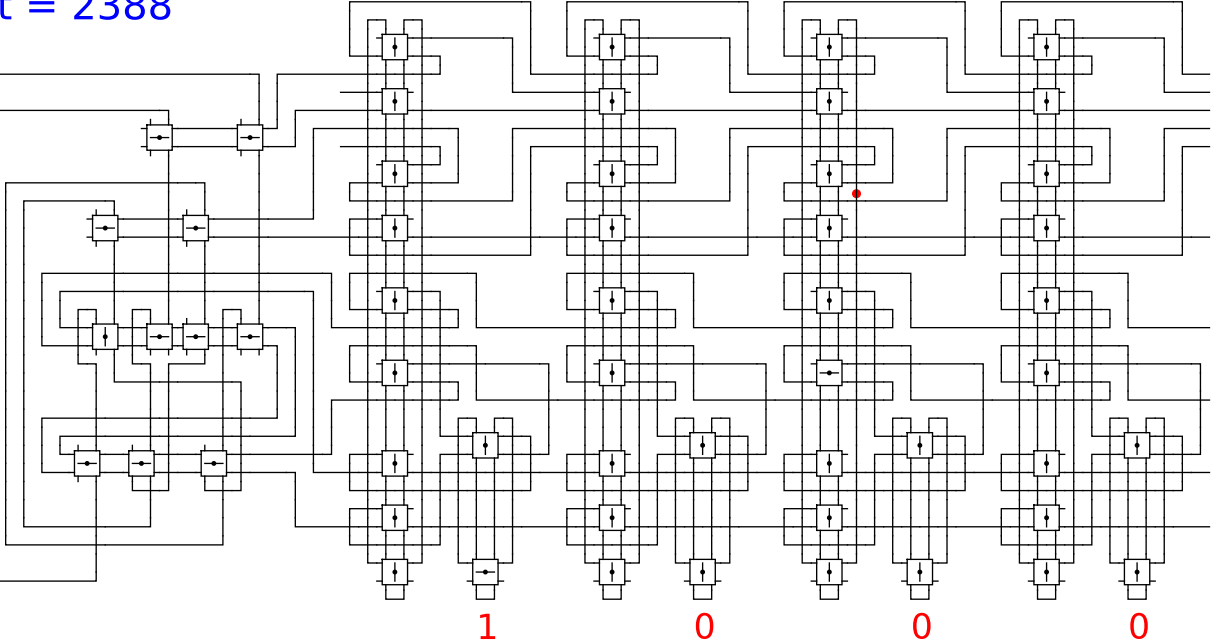
0

0

t = 2388

Reject
Accept

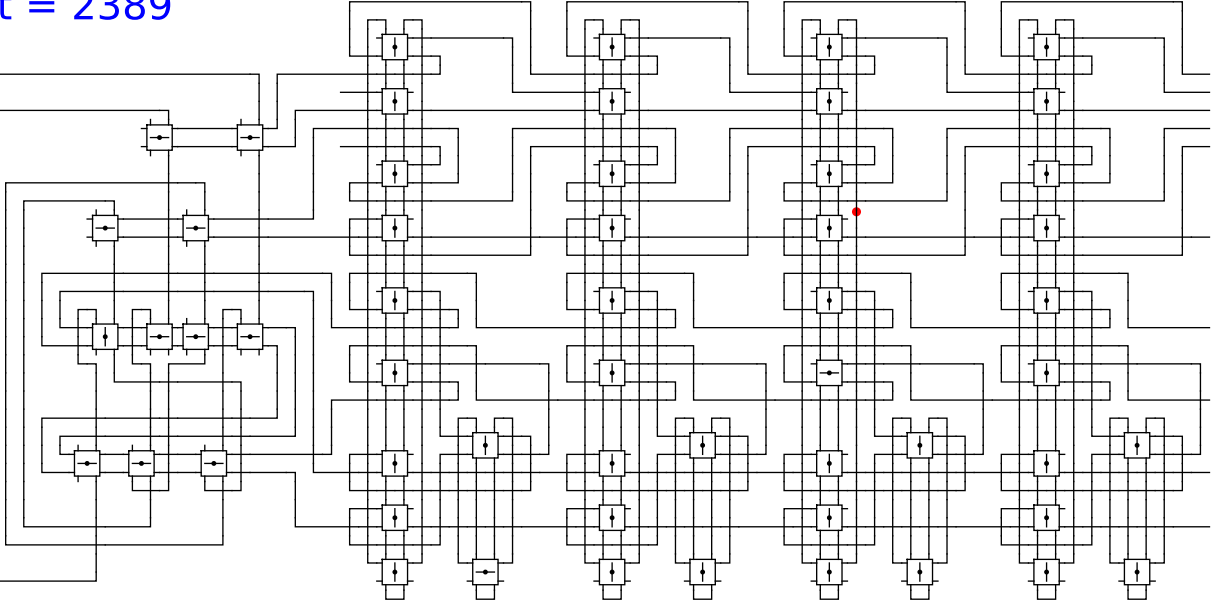
Begin



t = 2389

Reject
Accept

Begin



1

0

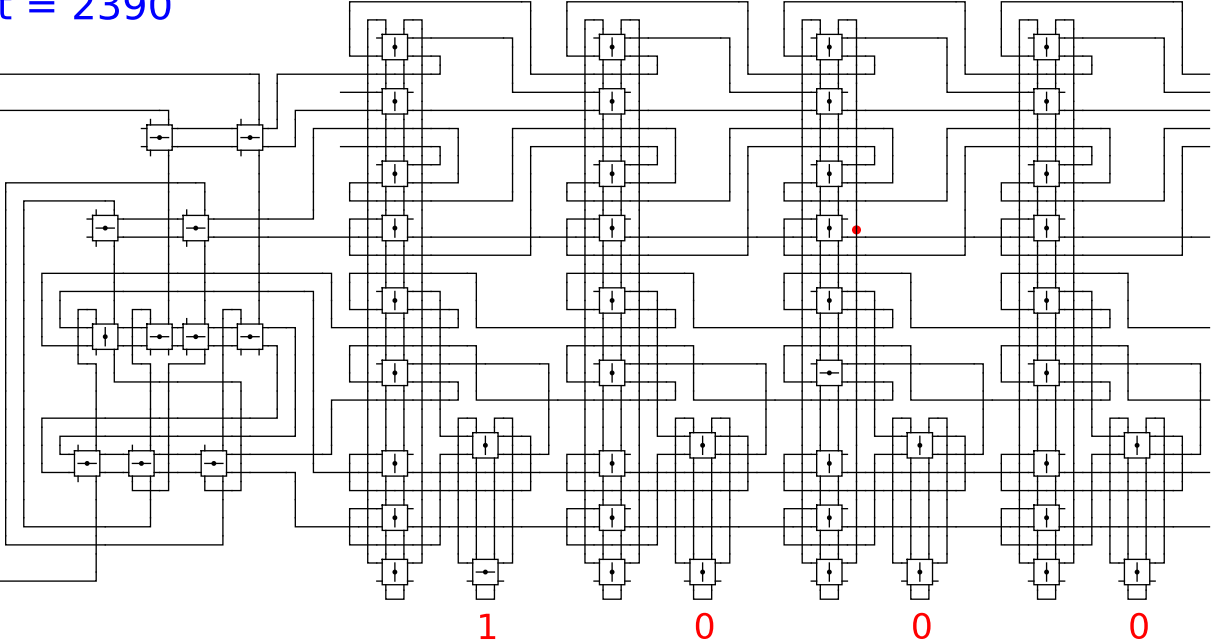
0

0

t = 2390

Reject
Accept

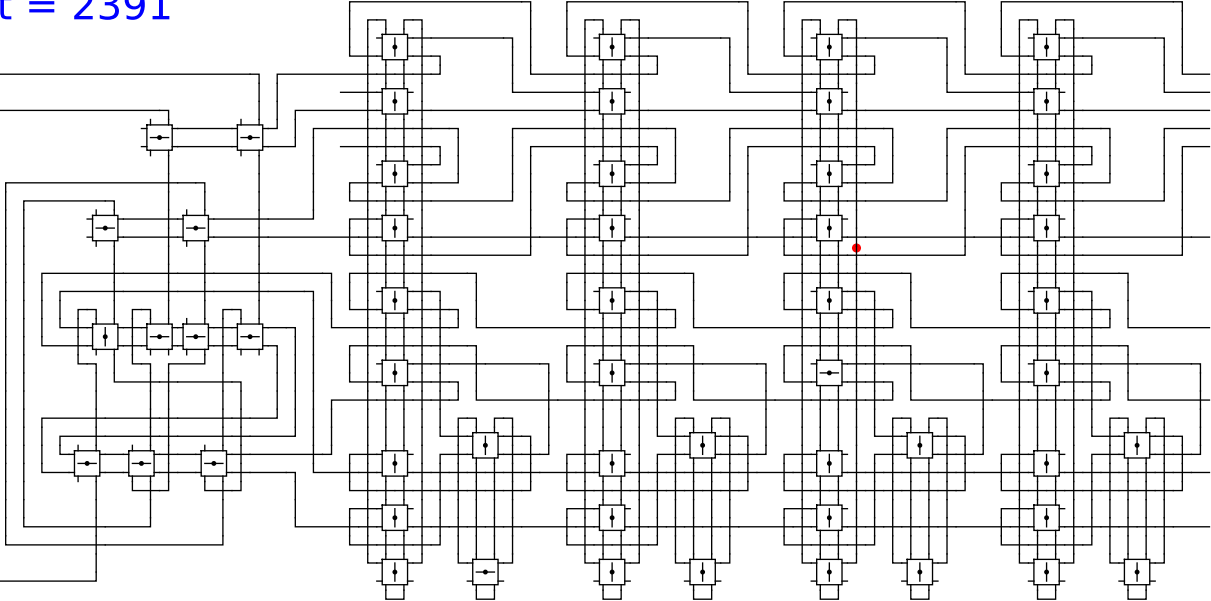
Begin



t = 2391

Reject
Accept

Begin



1

0

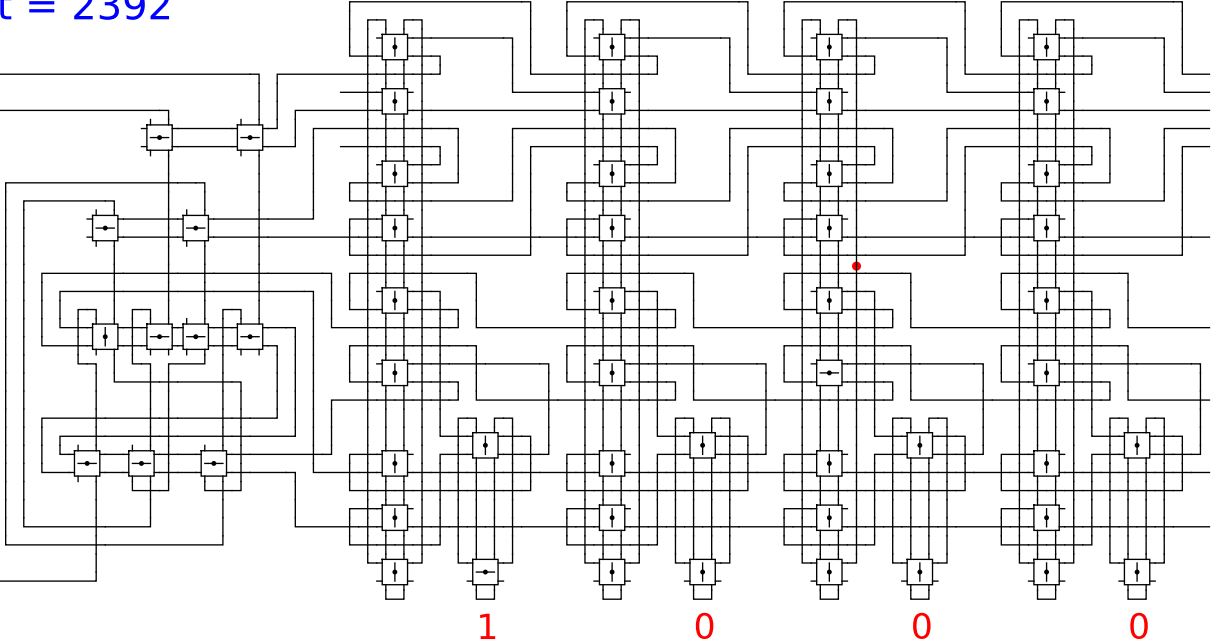
0

0

t = 2392

Reject
Accept

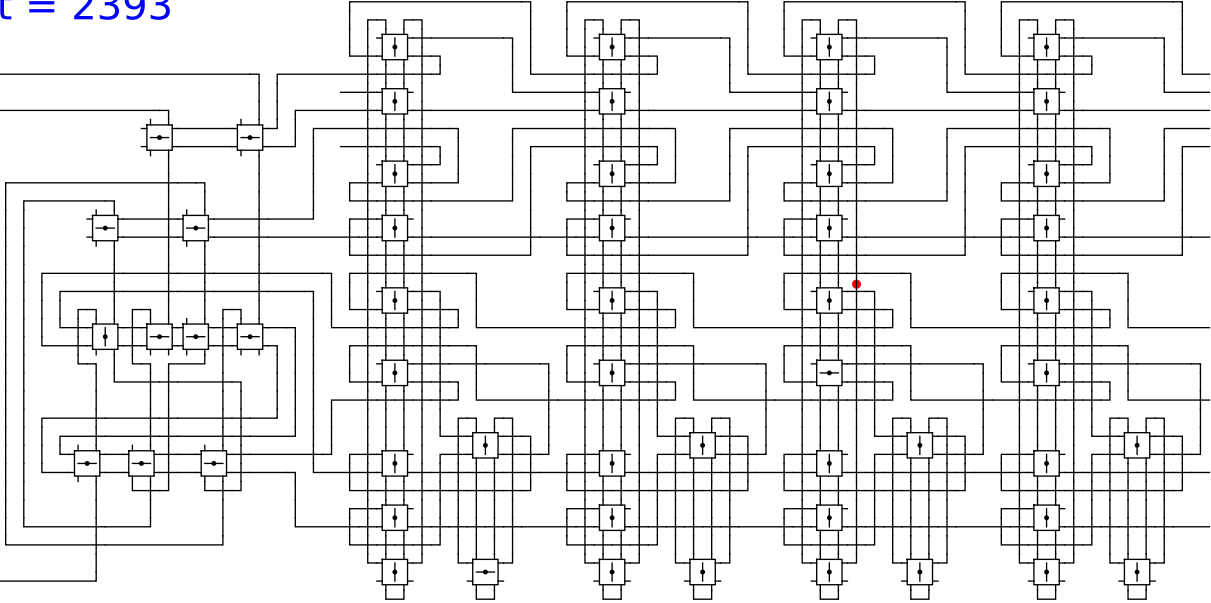
Begin



t = 2393

Reject
Accept

Begin



1

0

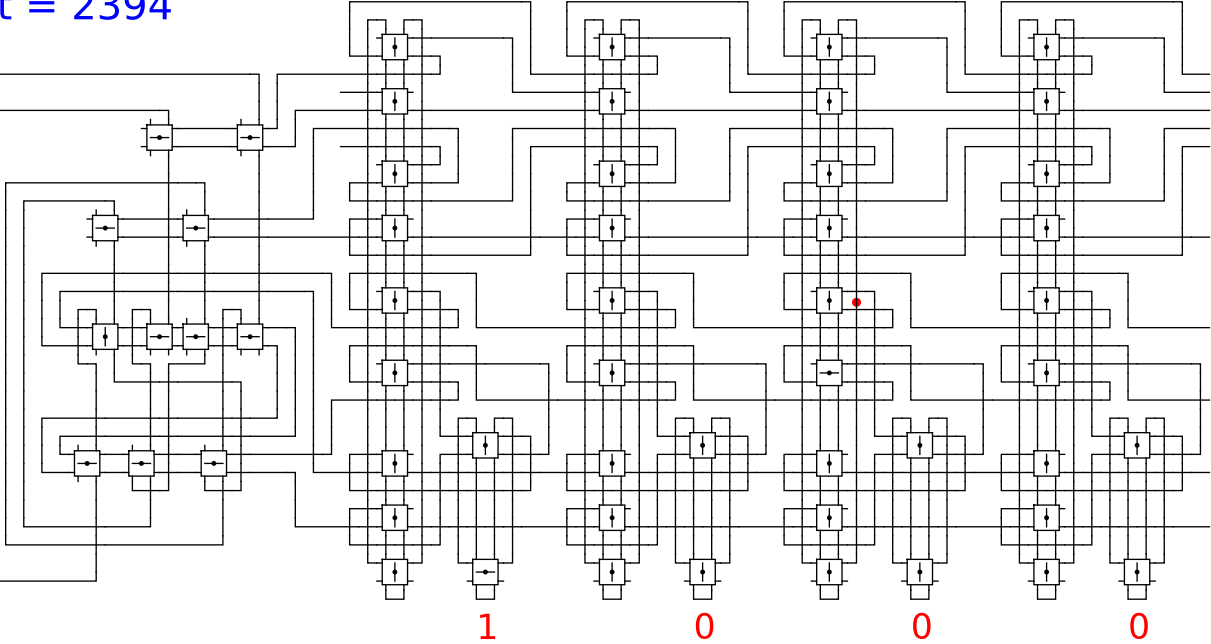
0

0

t = 2394

Reject
Accept

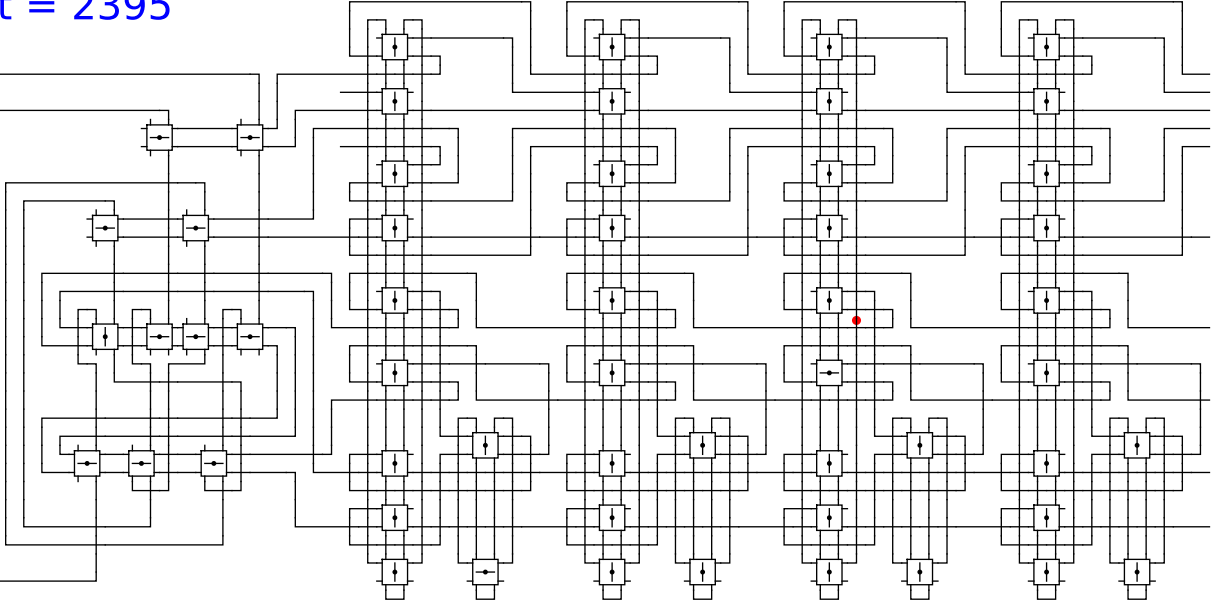
Begin



t = 2395

Reject
Accept

Begin



1

0

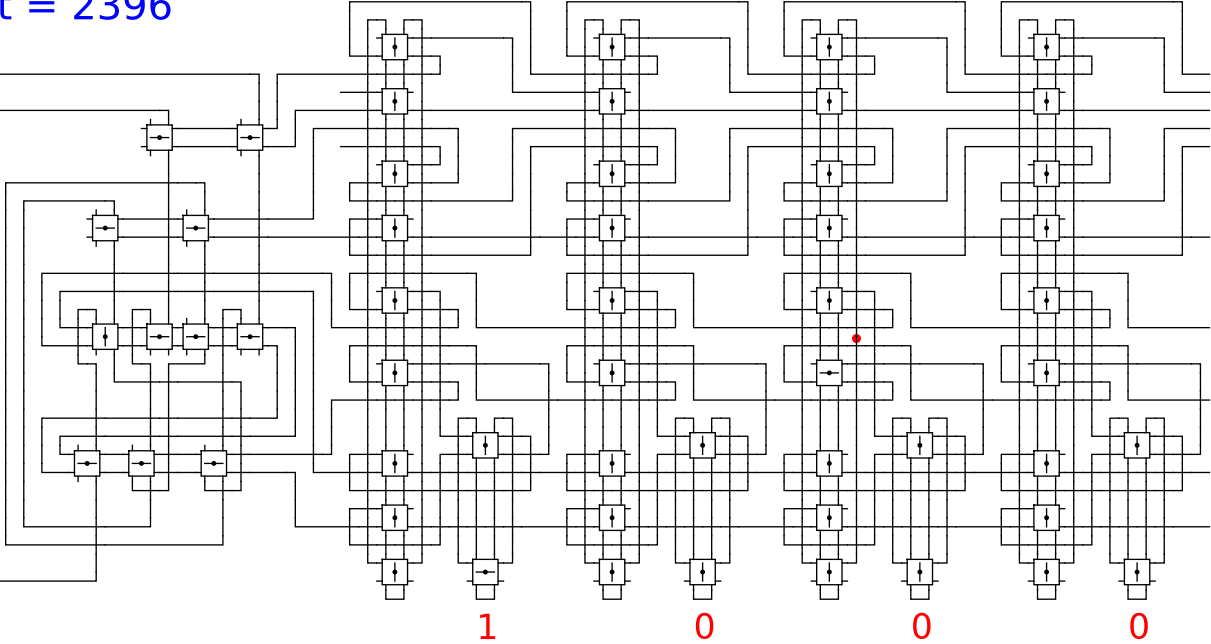
0

0

t = 2396

Reject
Accept

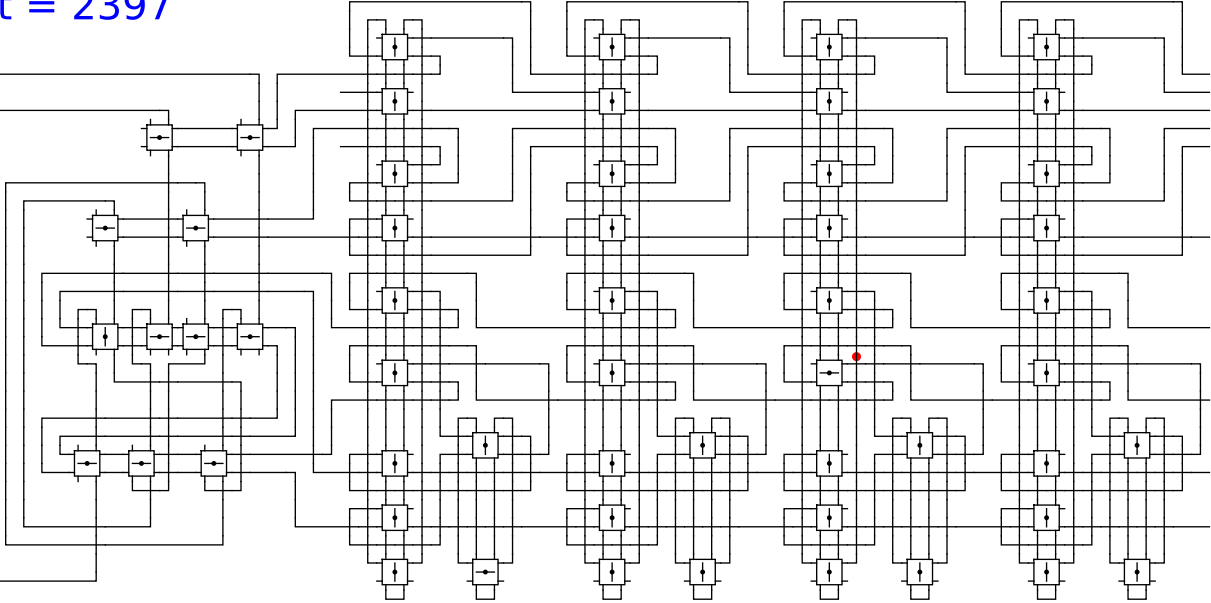
Begin



t = 2397

Reject
Accept

Begin



1

0

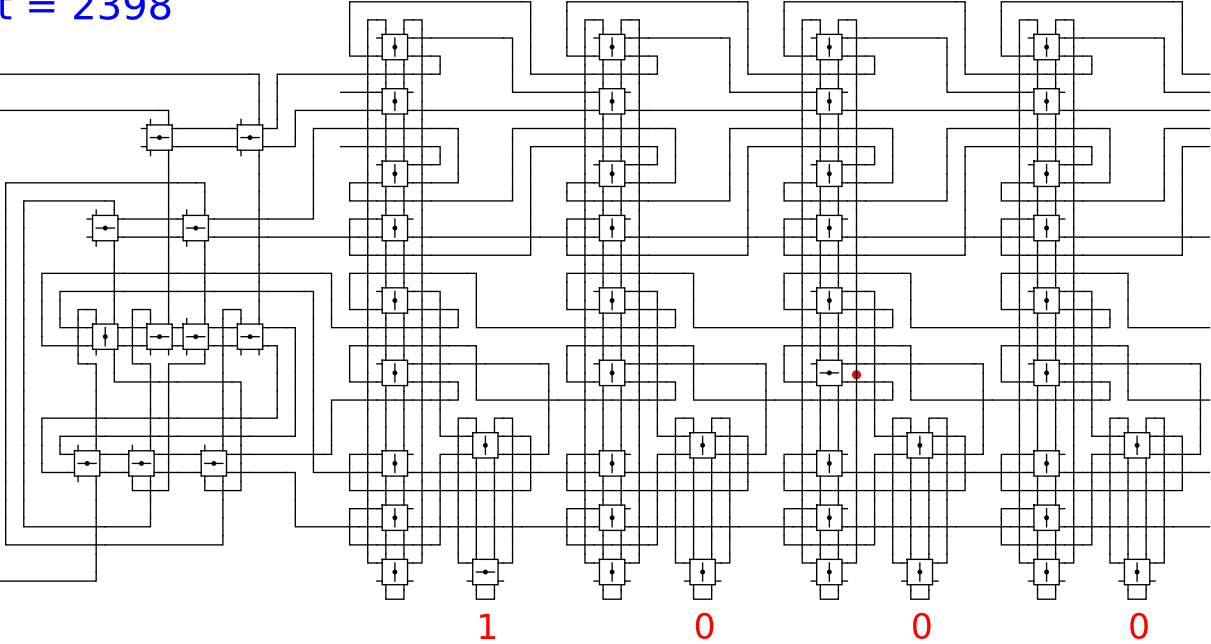
0

0

t = 2398

Reject
Accept

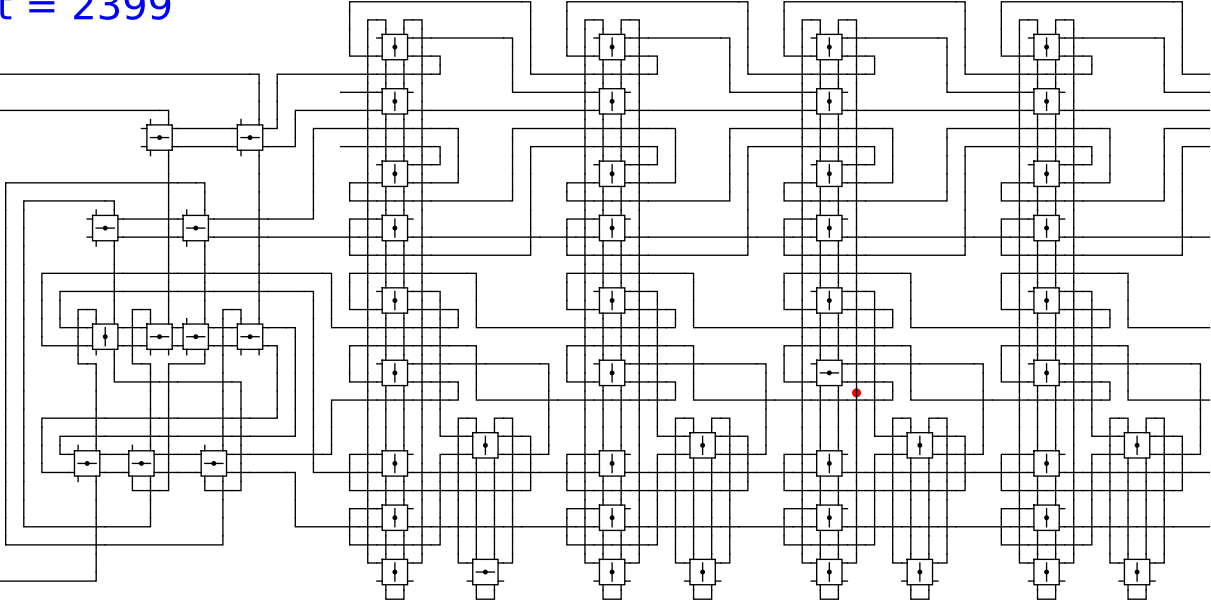
Begin



t = 2399

Reject
Accept

Begin



1

0

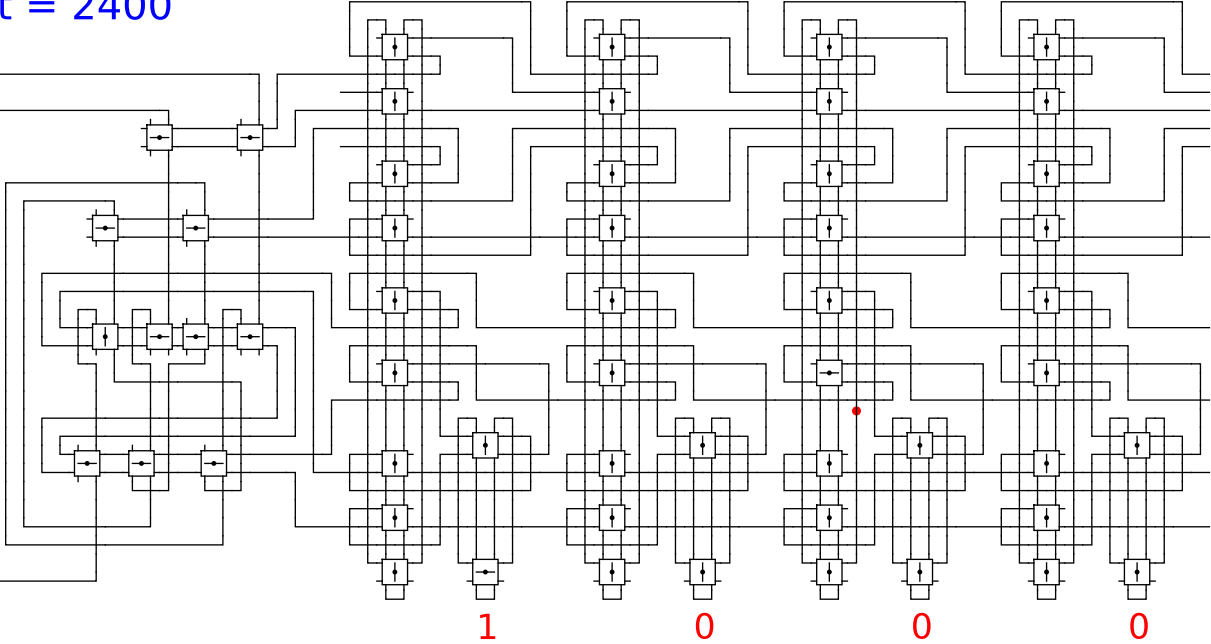
0

0

t = 2400

Reject
Accept

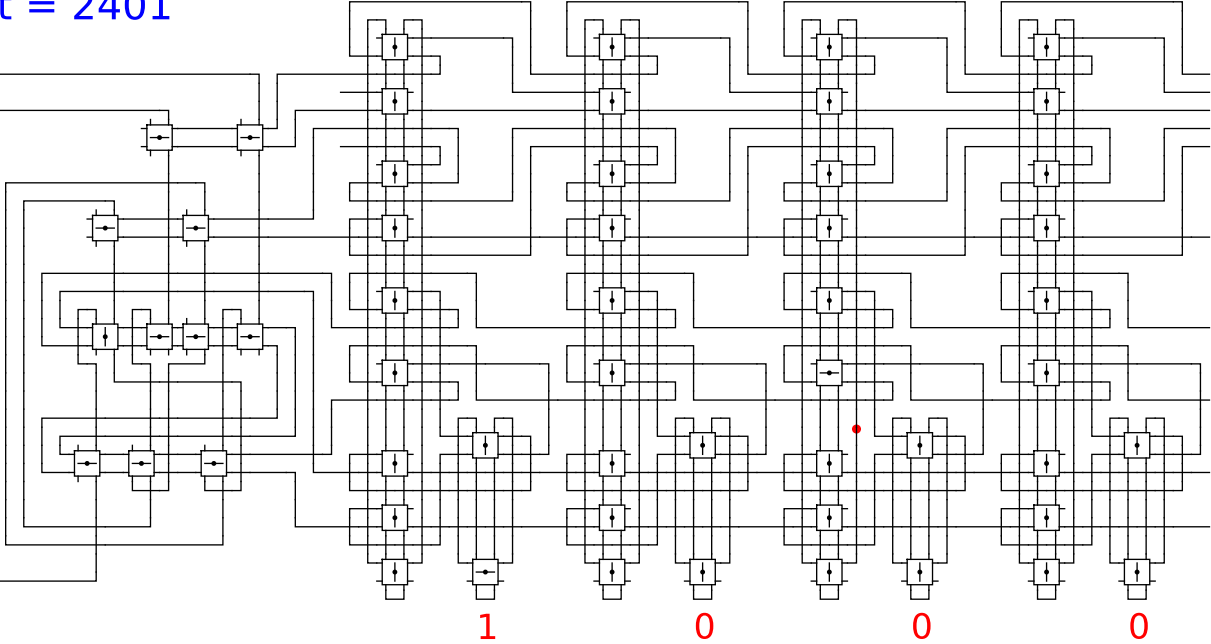
Begin



t = 2401

Reject
Accept

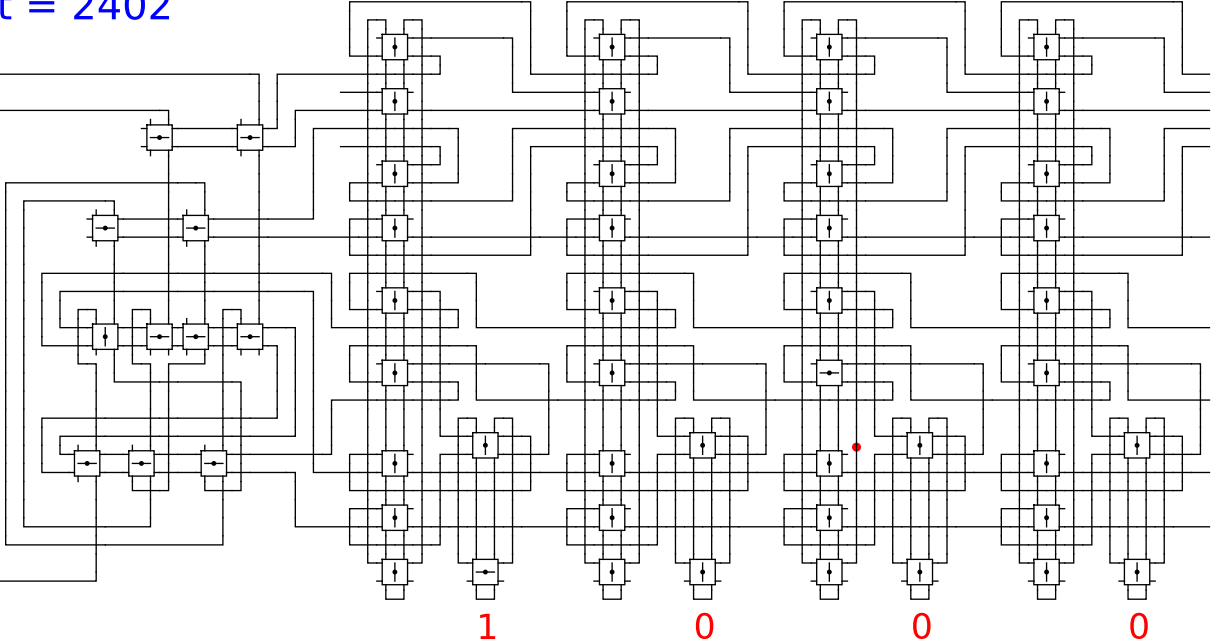
Begin



t = 2402

Reject
Accept

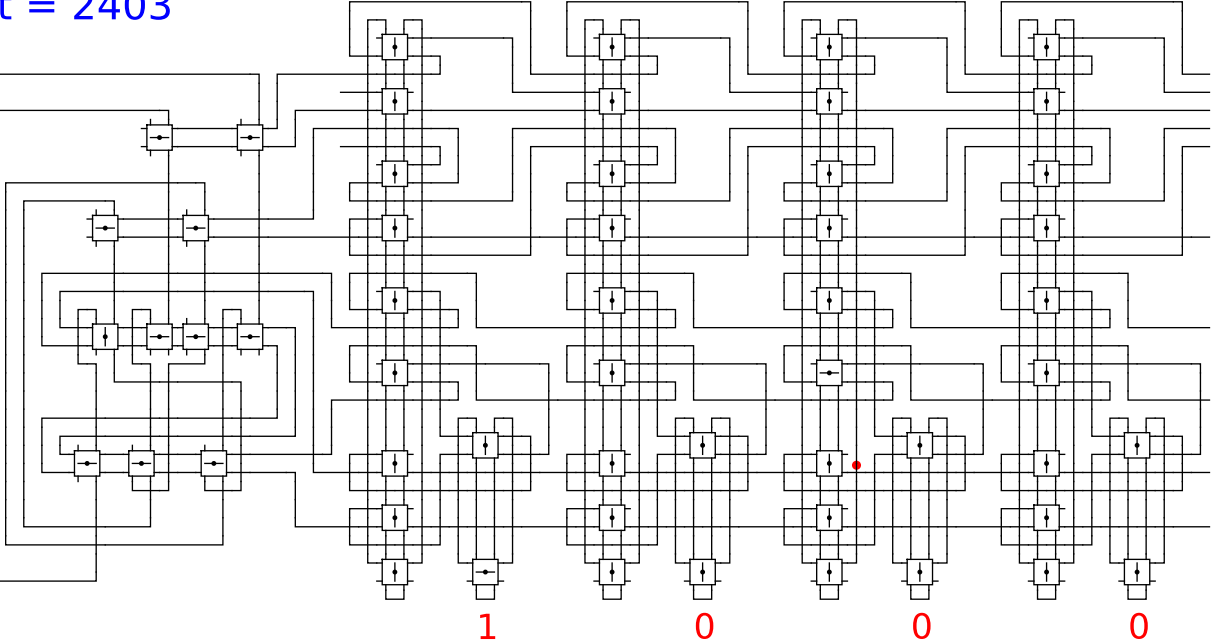
Begin



t = 2403

Reject
Accept

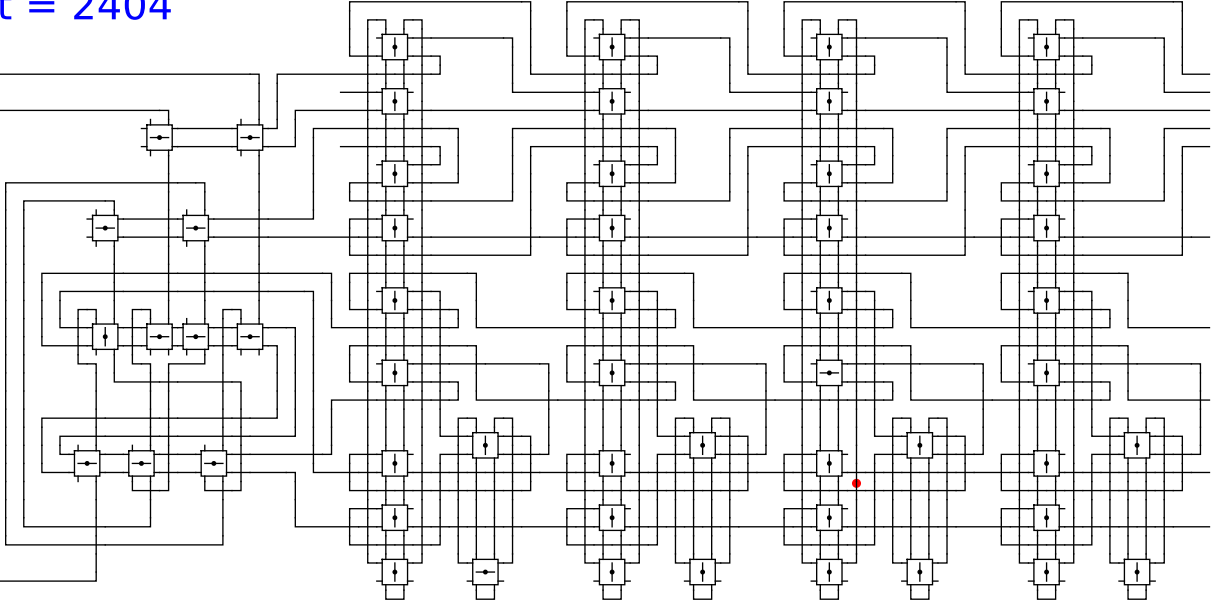
Begin



t = 2404

Reject
Accept

Begin



1

0

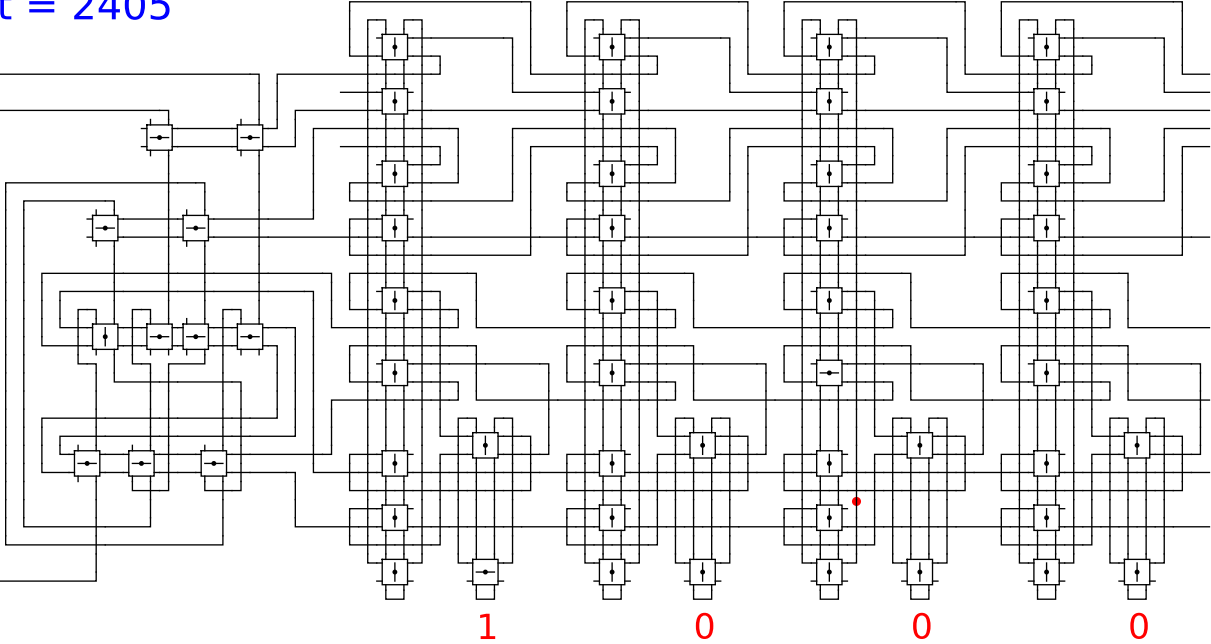
0

0

t = 2405

Reject
Accept

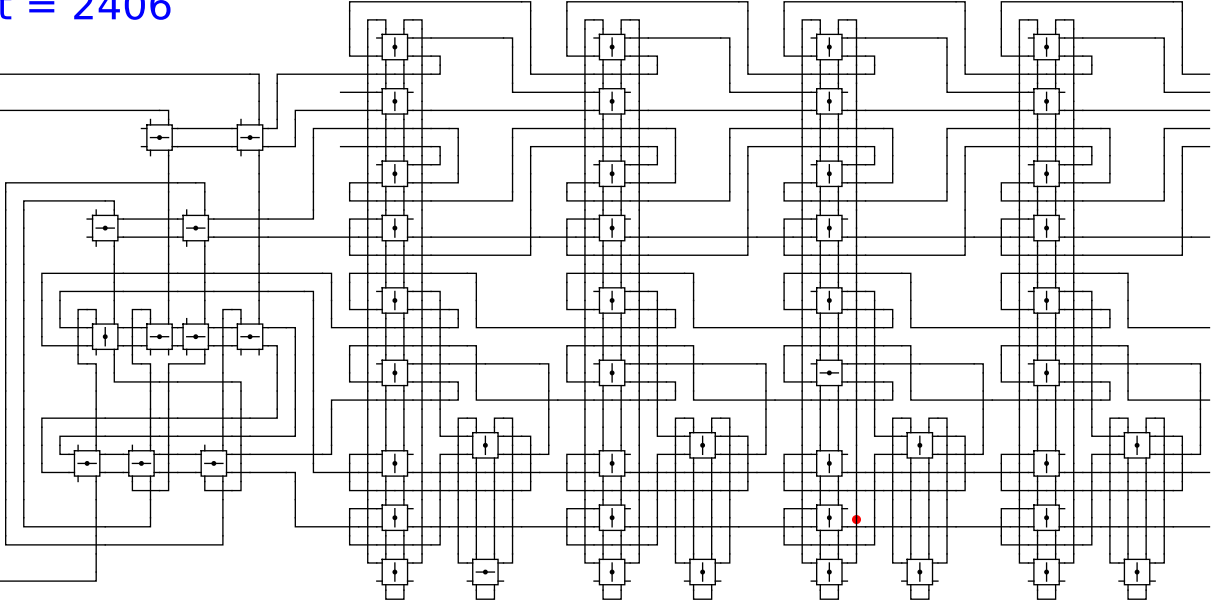
Begin



t = 2406

Reject
Accept

Begin



1

0

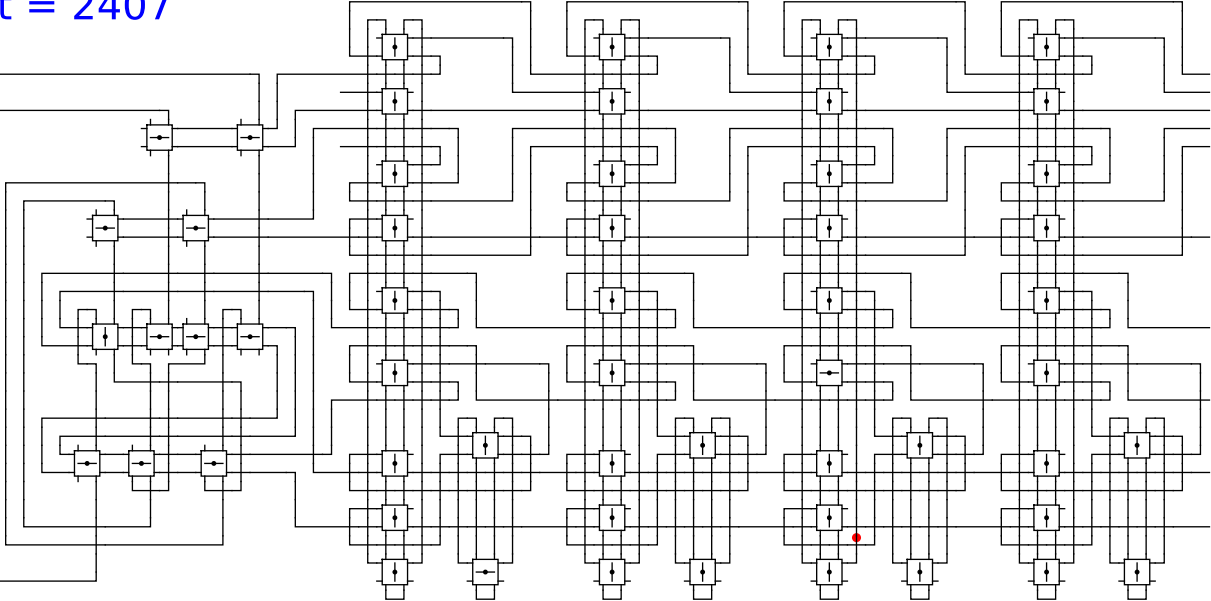
0

0

t = 2407

Reject
Accept

Begin



1

0

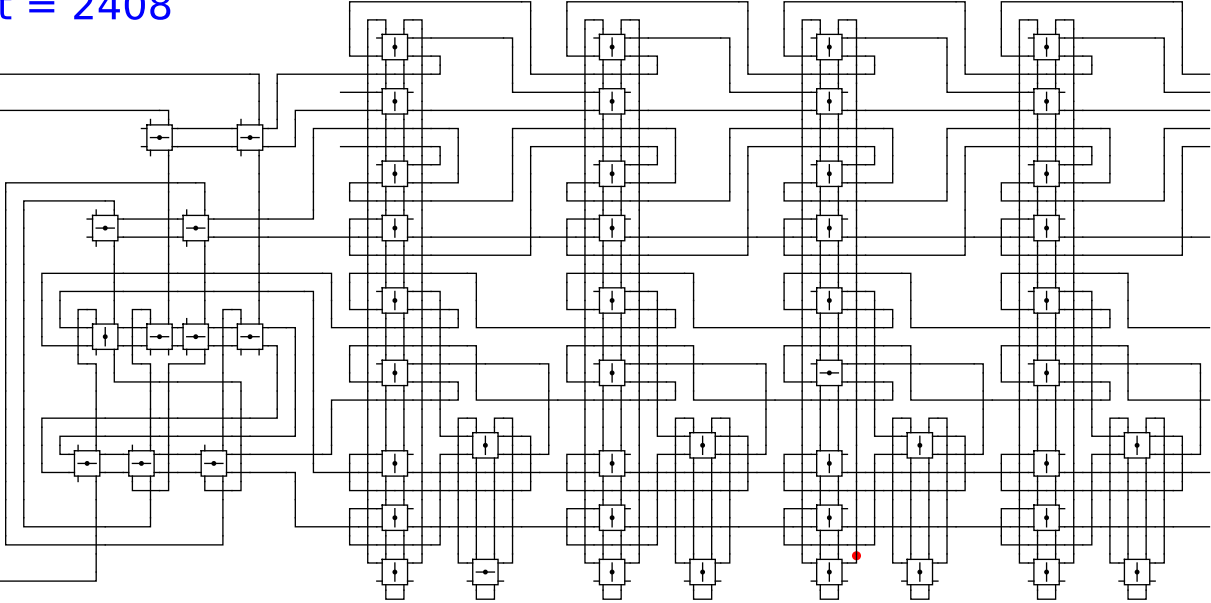
0

0

t = 2408

Reject
Accept

Begin



1

0

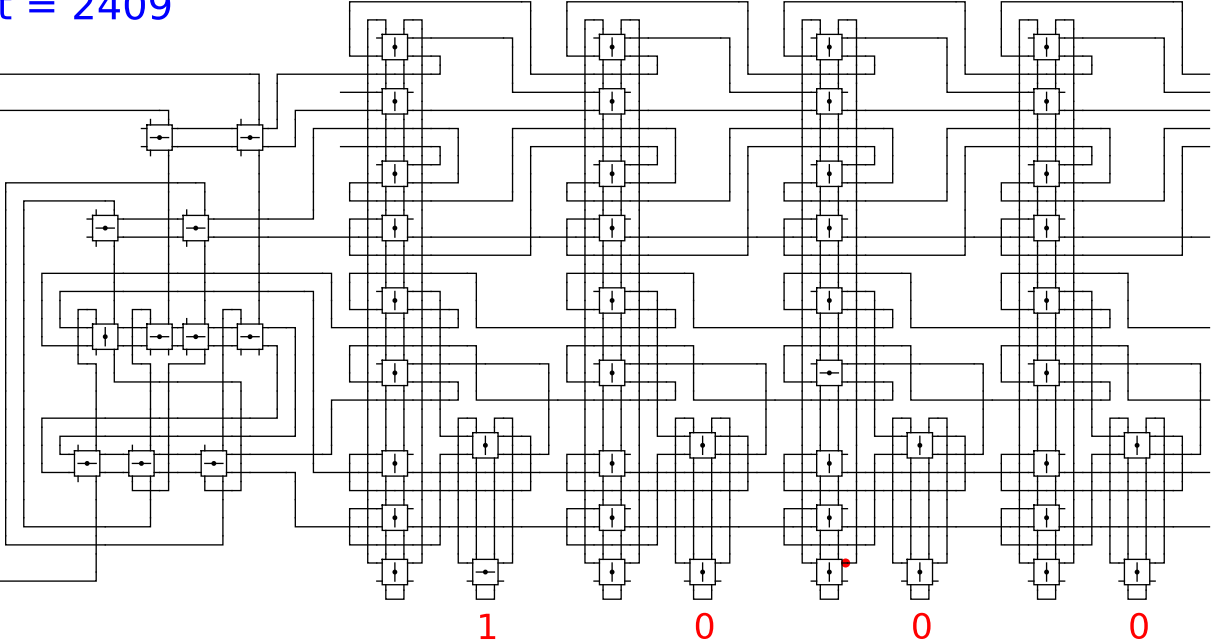
0

0

t = 2409

Reject
Accept

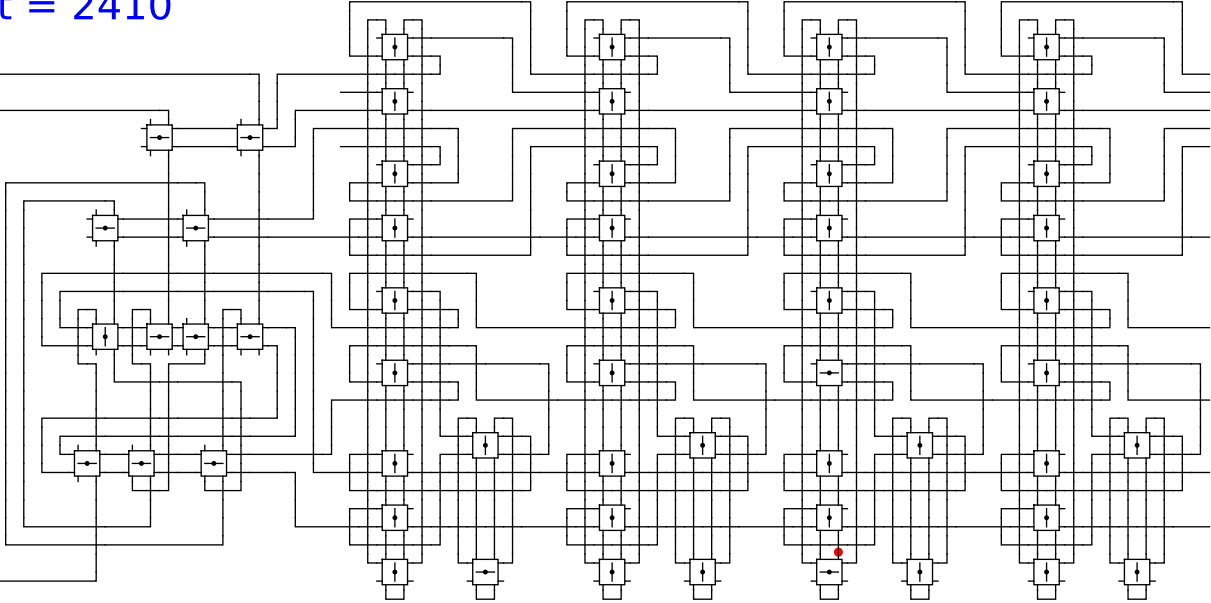
Begin



t = 2410

Reject
Accept

Begin

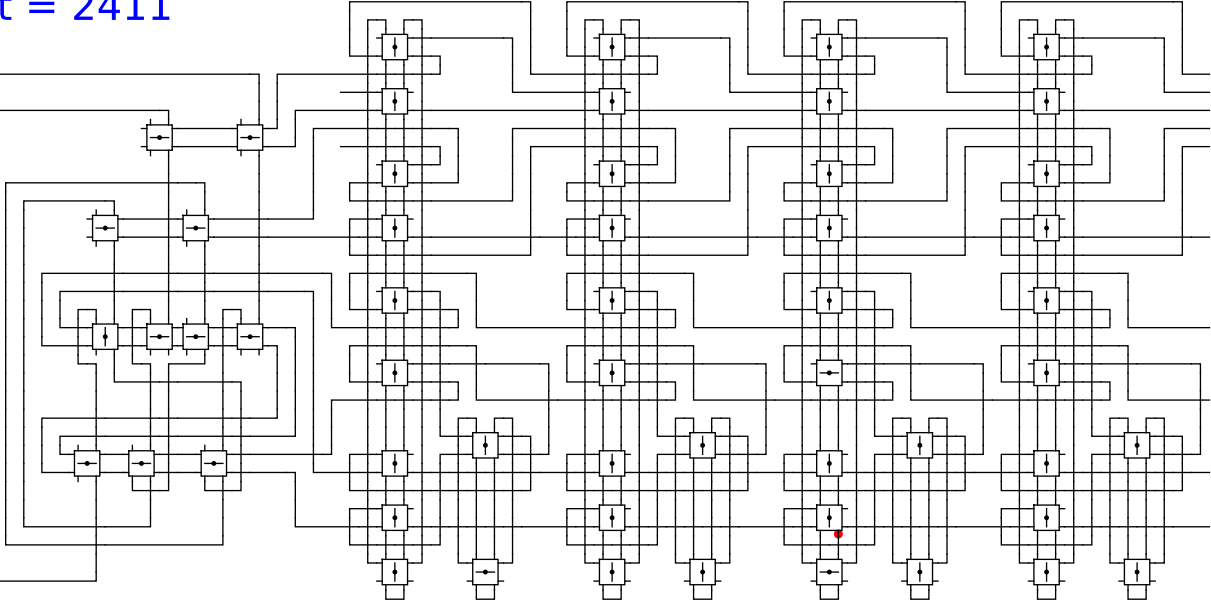


1 0 head 0 0

t = 2411

Reject
Accept

Begin

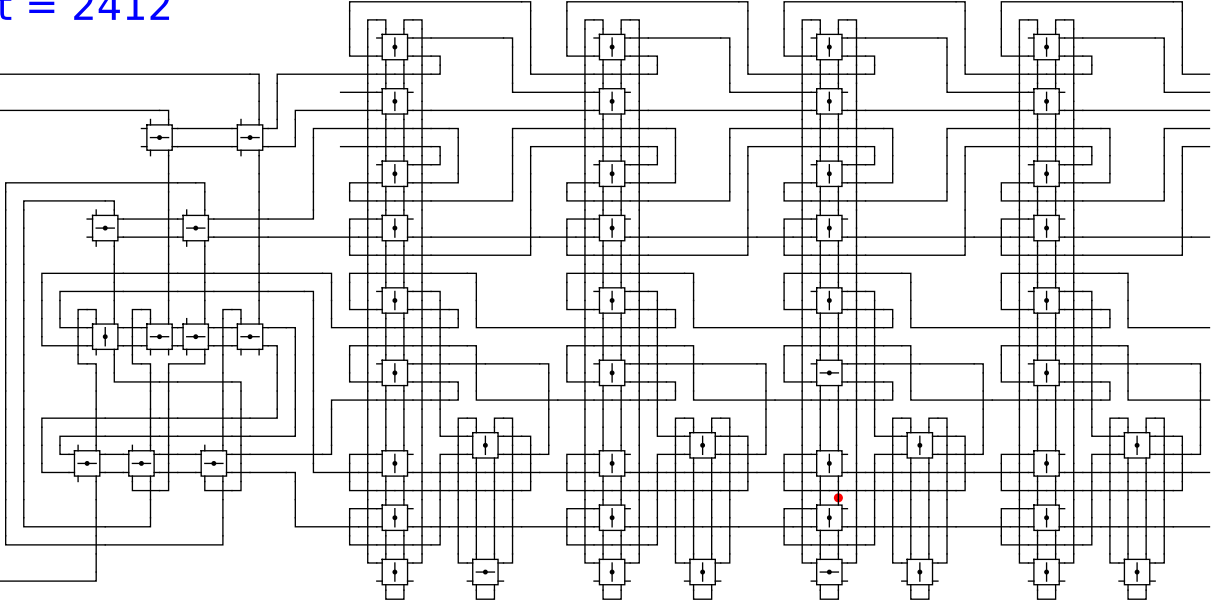


1 0 head 0 0

t = 2412

Reject
Accept

Begin

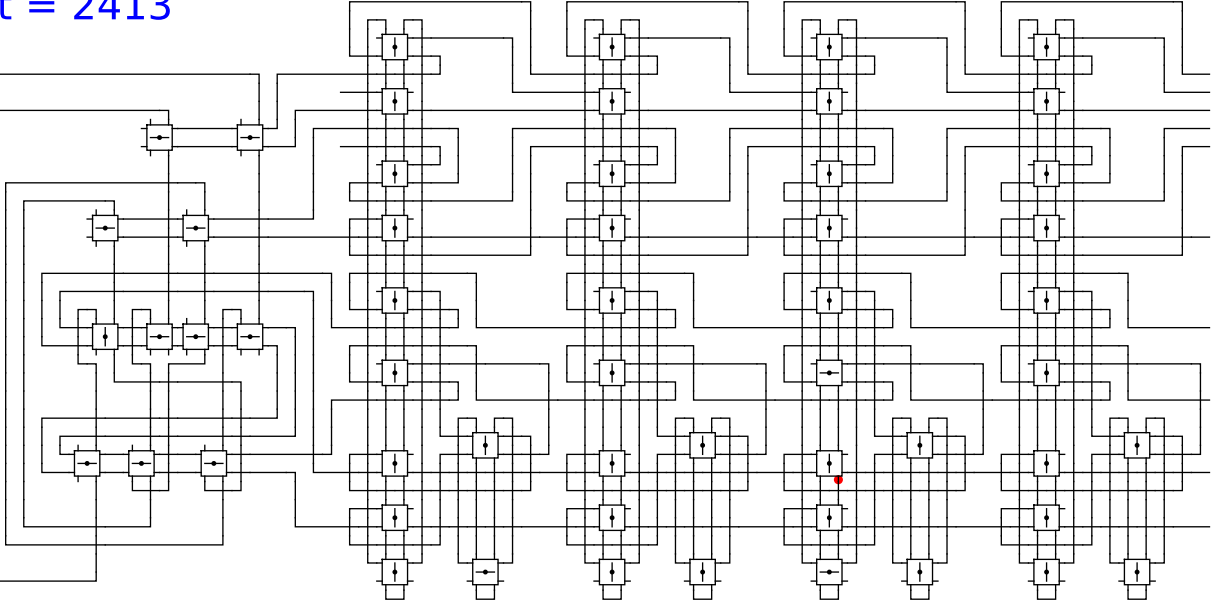


1 0 head 0 0

t = 2413

Reject
Accept

Begin

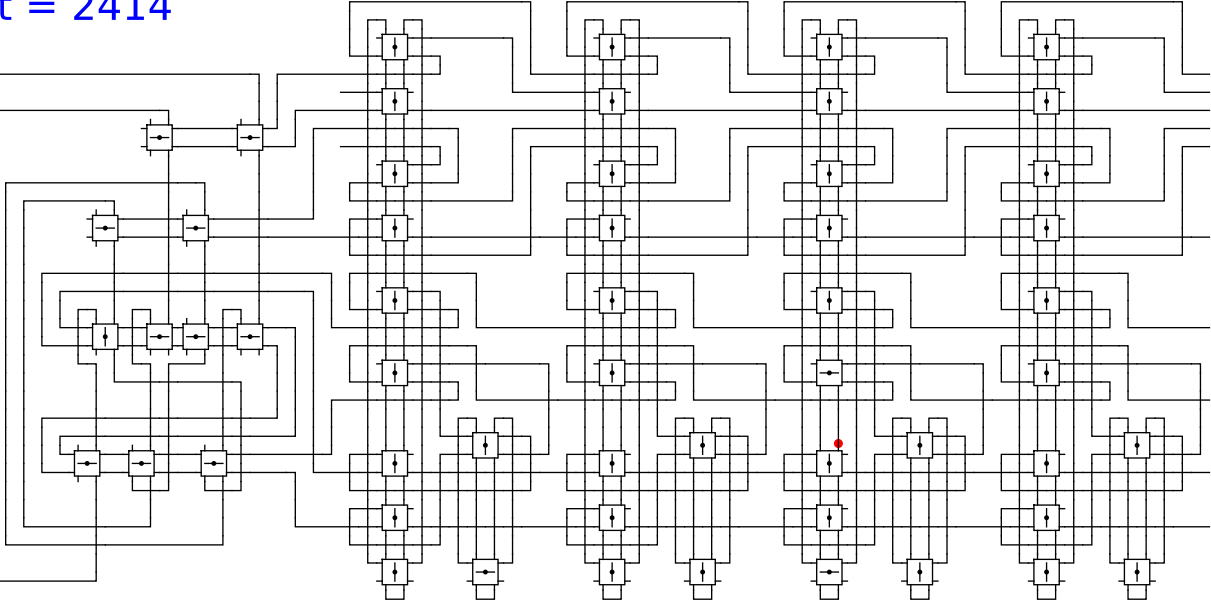


1 0 head 0 0

t = 2414

Reject
Accept

Begin

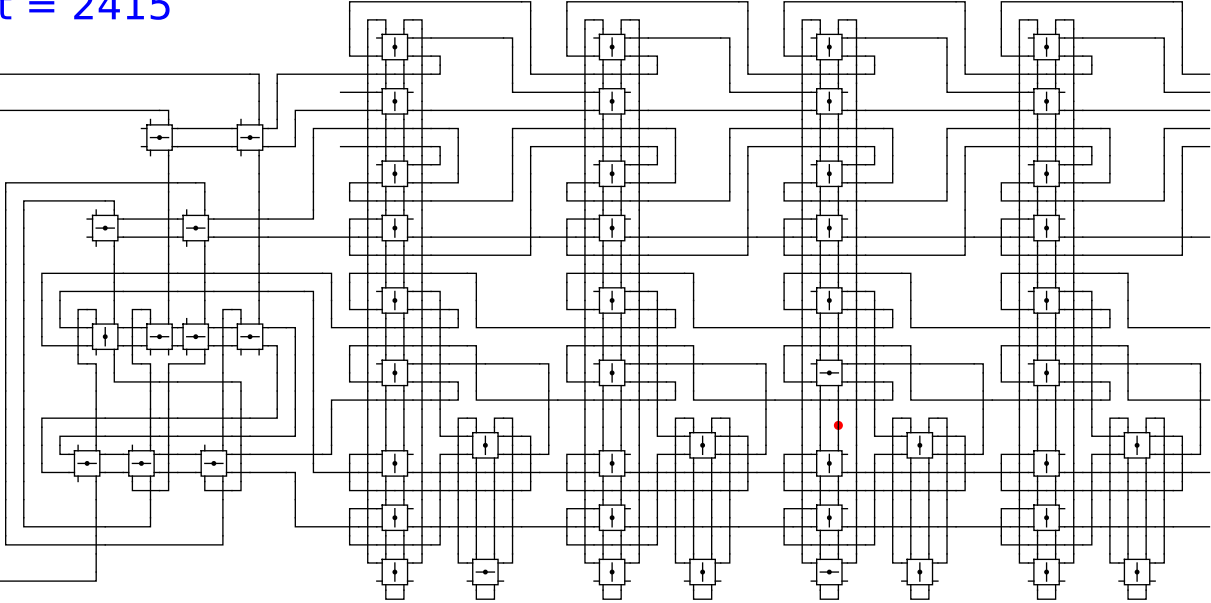


1 0 head 0 0

t = 2415

Reject
Accept

Begin

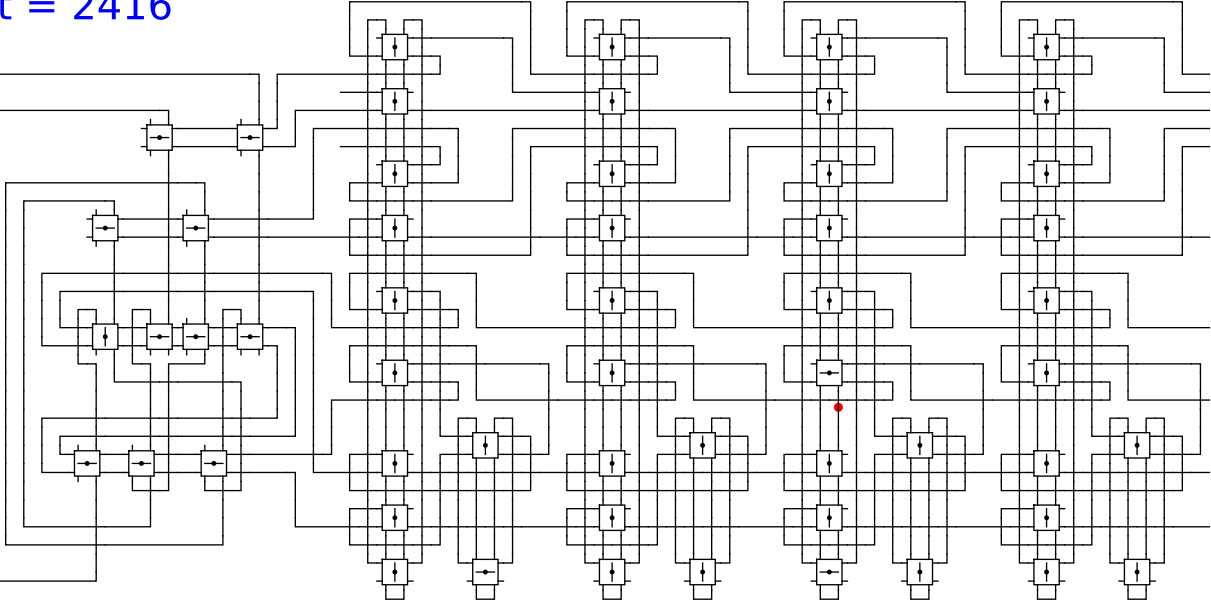


1 0 head 0 0

t = 2416

Reject
Accept

Begin

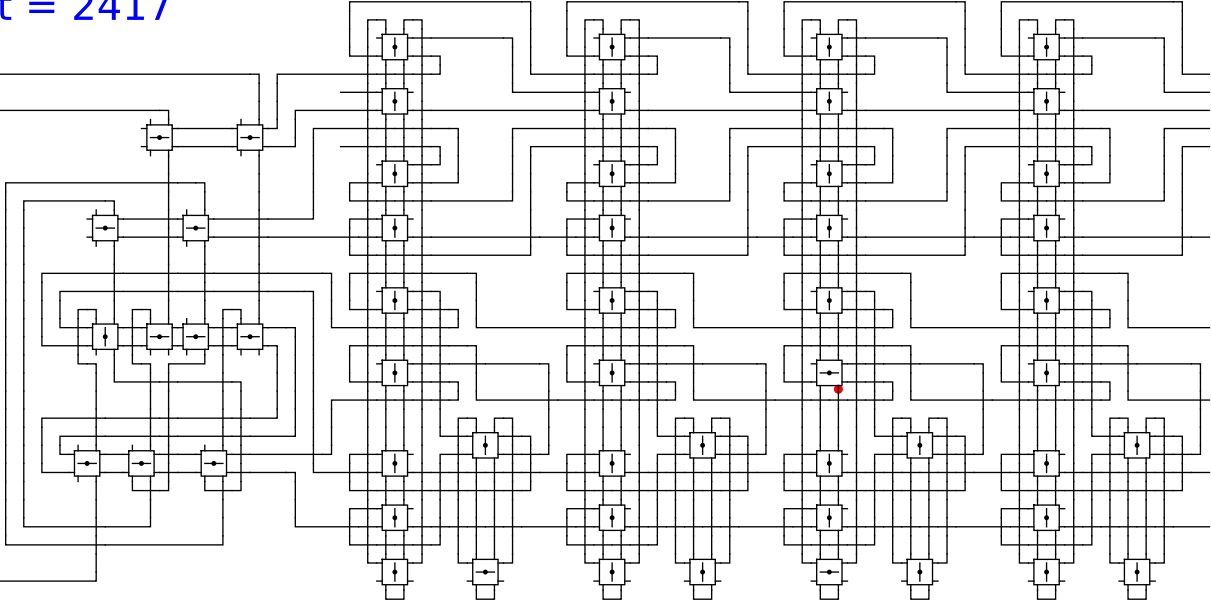


1 0 head 0 0

t = 2417

Reject
Accept

Begin



1

0

head

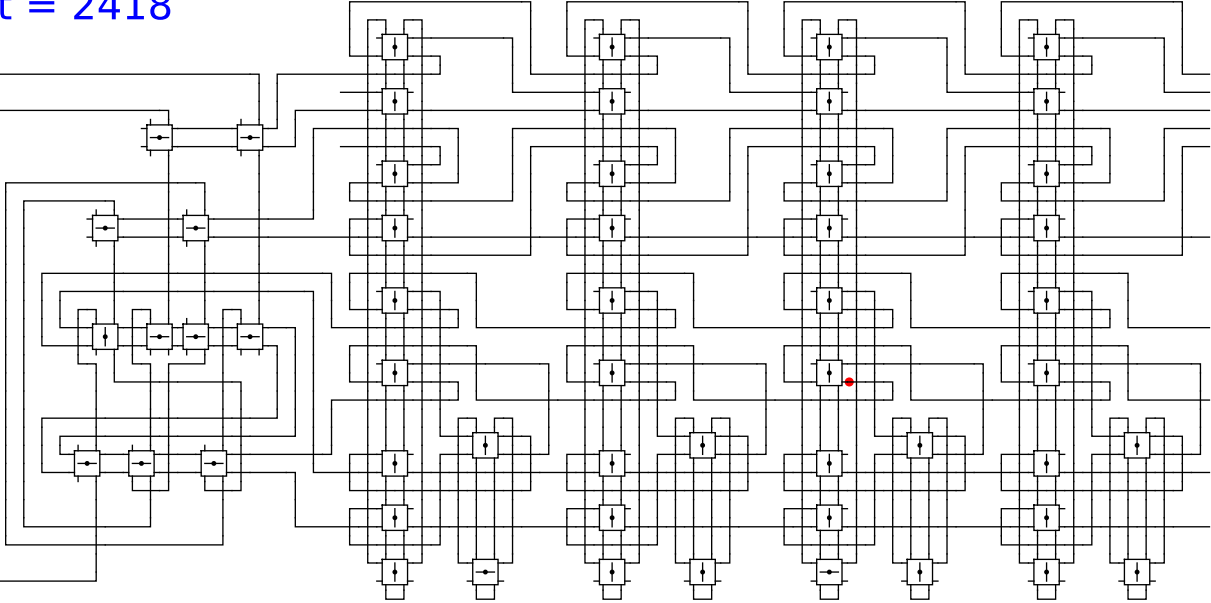
0

0

t = 2418

Reject
Accept

Begin

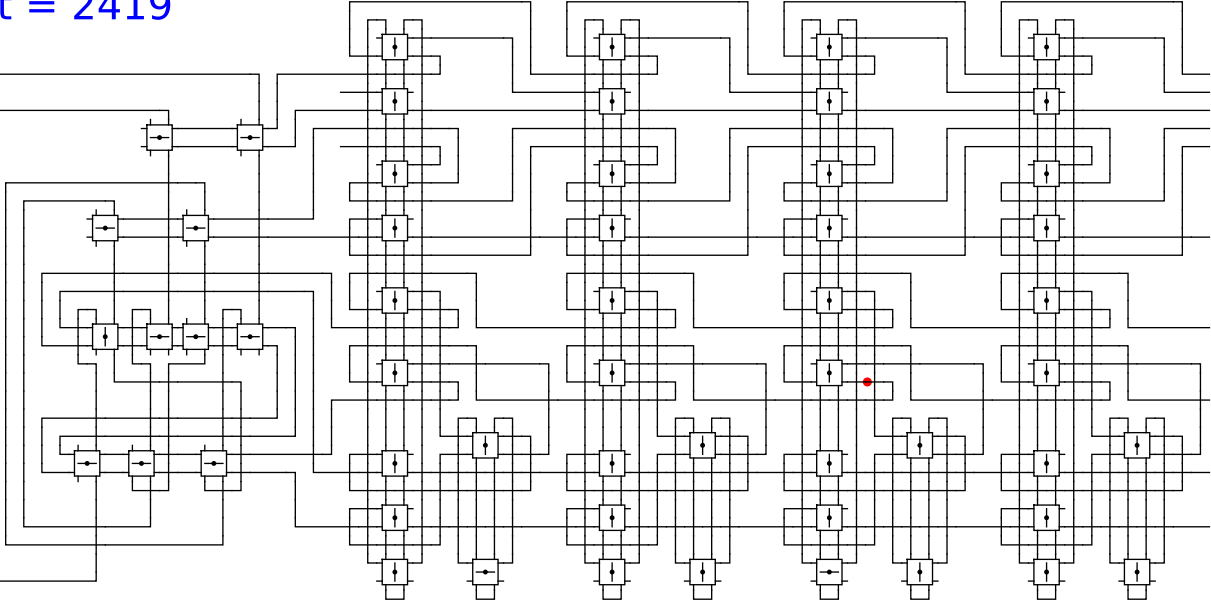


1 0 head 0 0

t = 2419

Reject
Accept

Begin

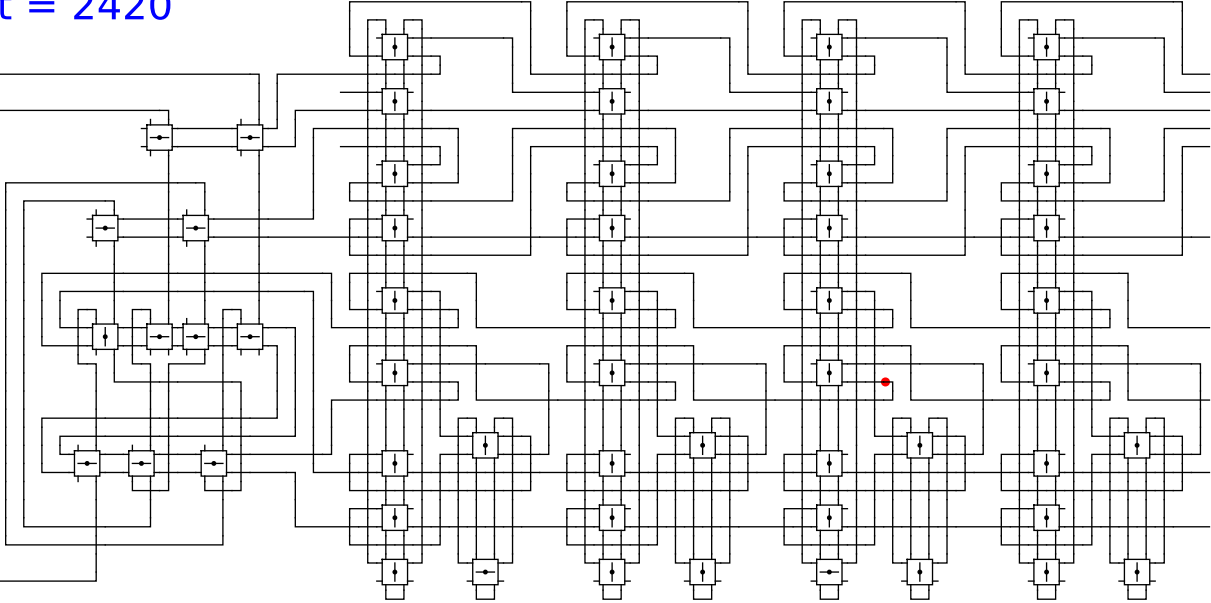


1 0 head 0 0

t = 2420

Reject
Accept

Begin



1

0

head

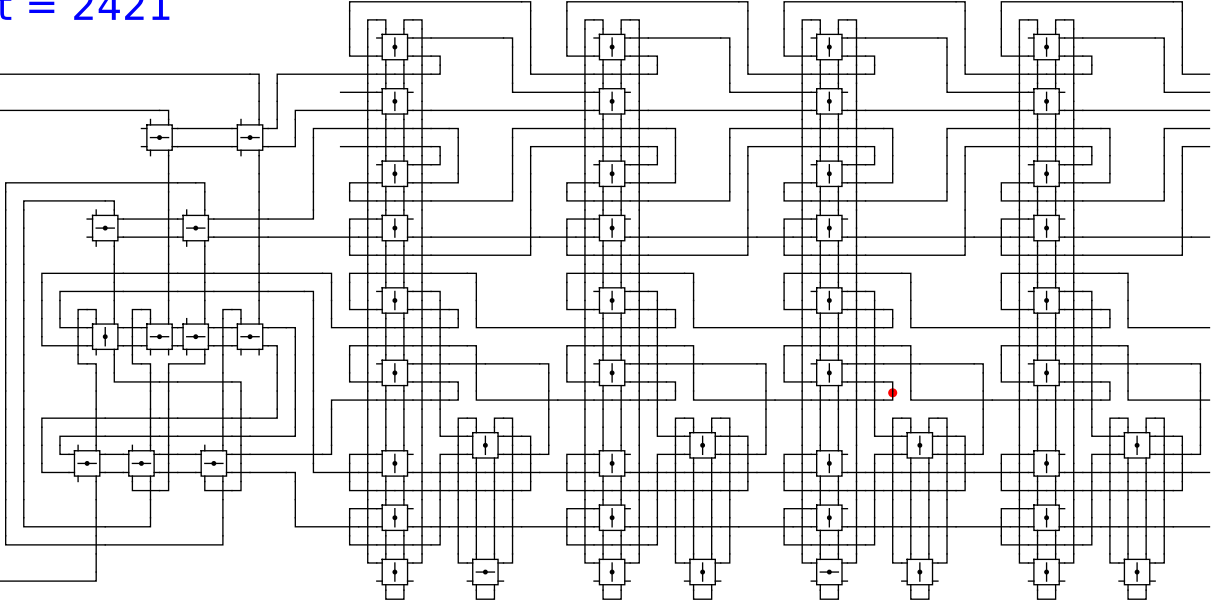
0

0

t = 2421

Reject
Accept

Begin

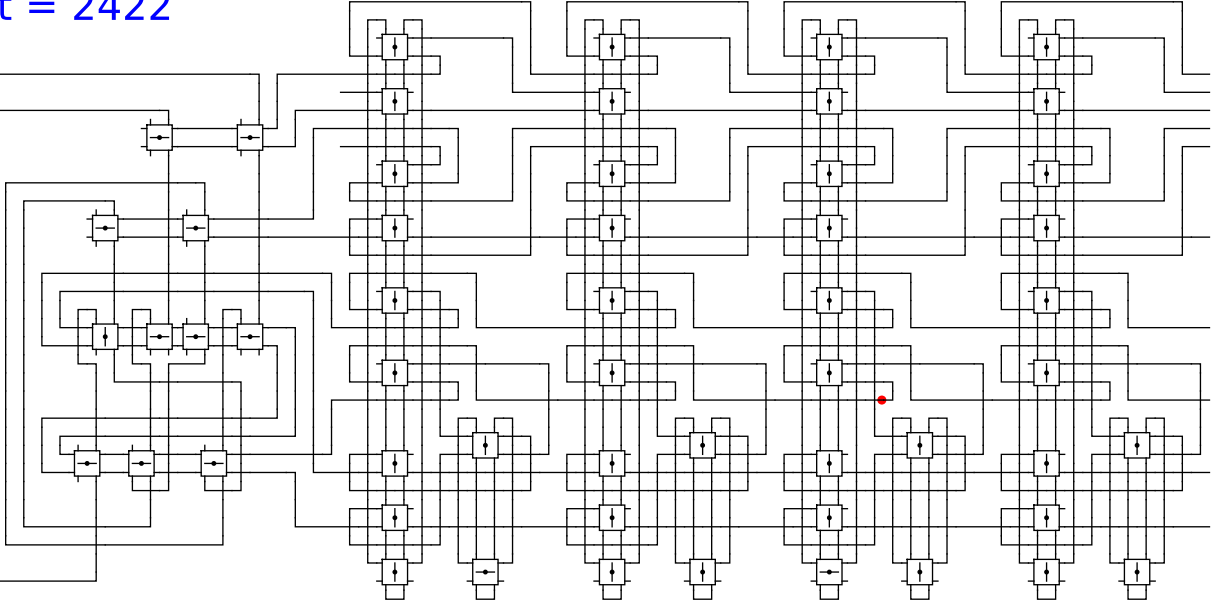


1 0 head 0 0

t = 2422

Reject
Accept

Begin

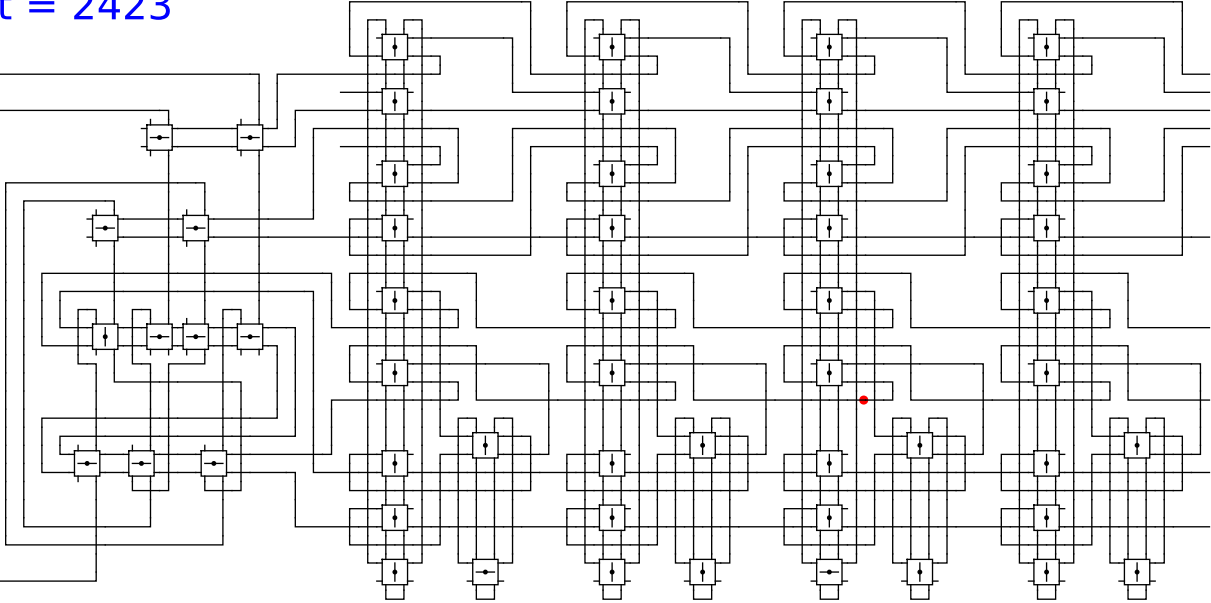


1 0 head 0 0

t = 2423

Reject
Accept

Begin

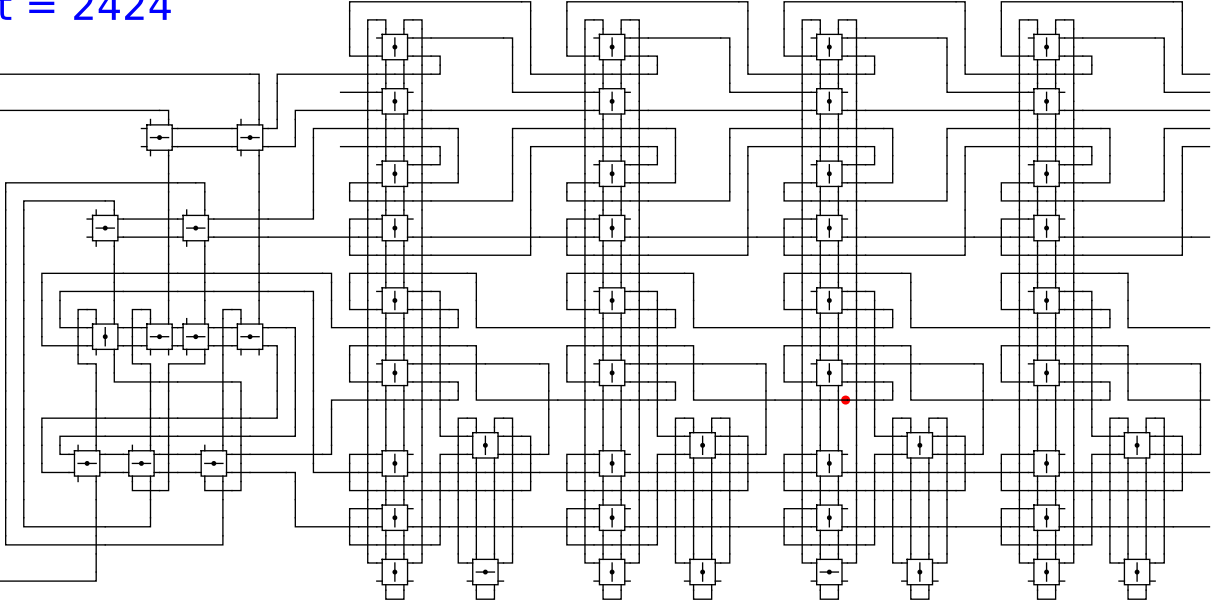


1 0 head 0 0

t = 2424

Reject
Accept

Begin

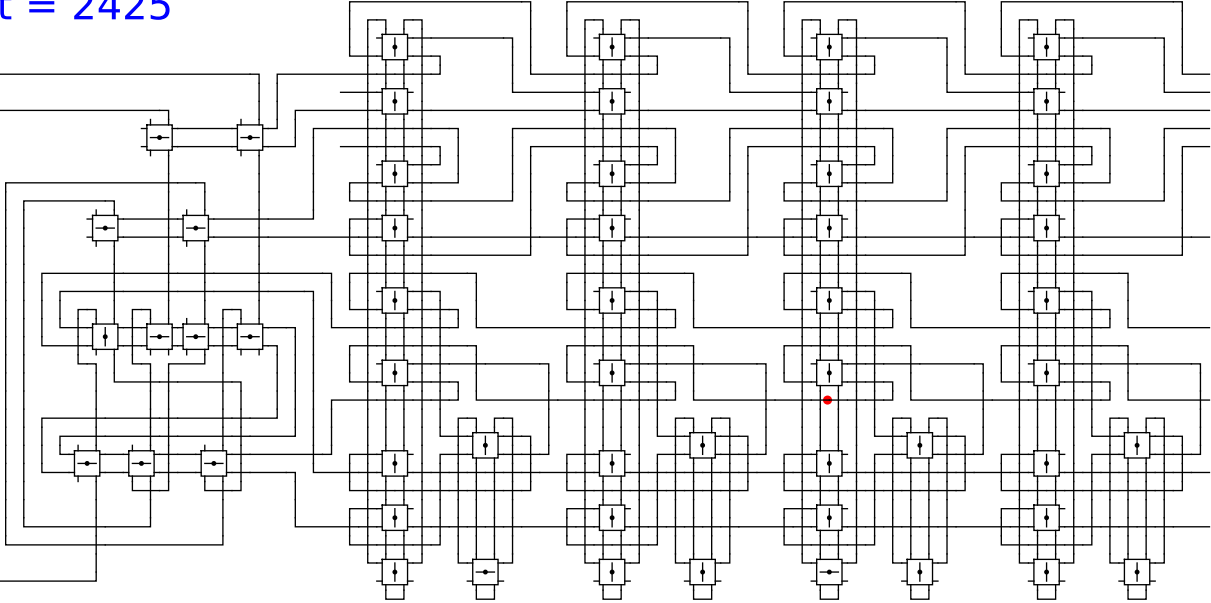


1 0 head 0 0

t = 2425

Reject
Accept

Begin



1

0

head

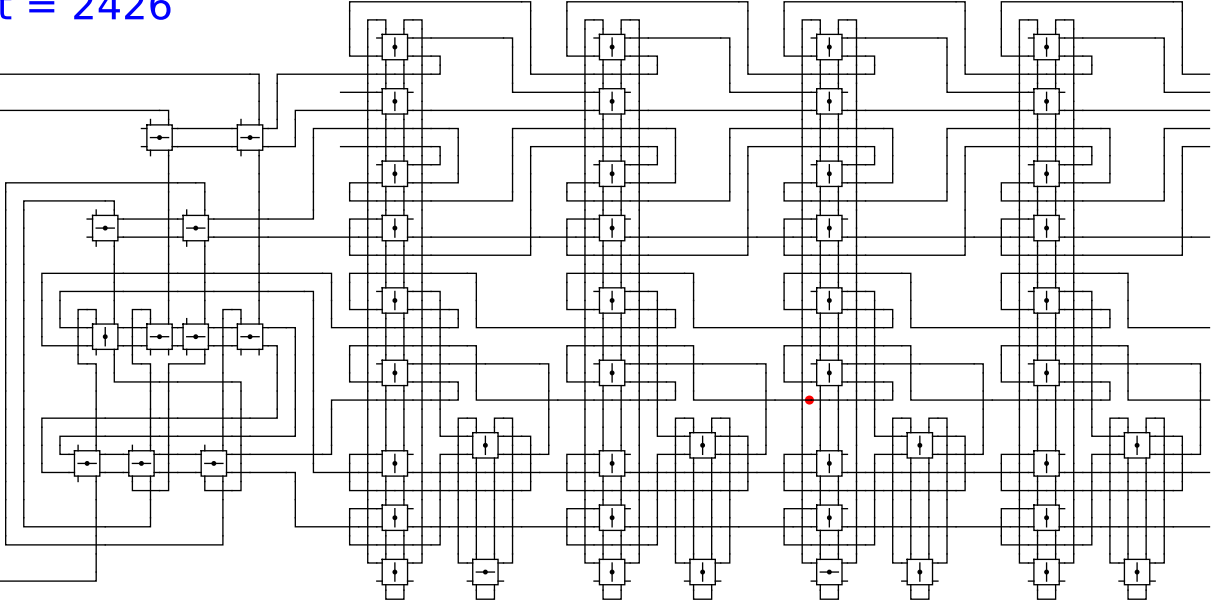
0

0

t = 2426

Reject
Accept

Begin

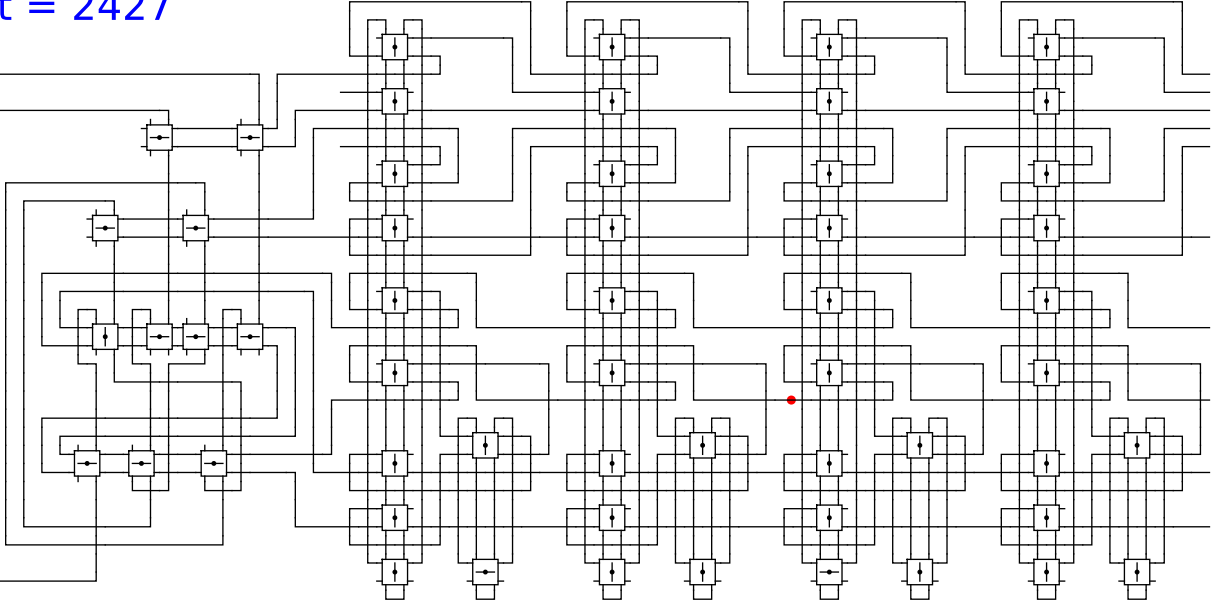


1 0 head 0 0

t = 2427

Reject
Accept

Begin

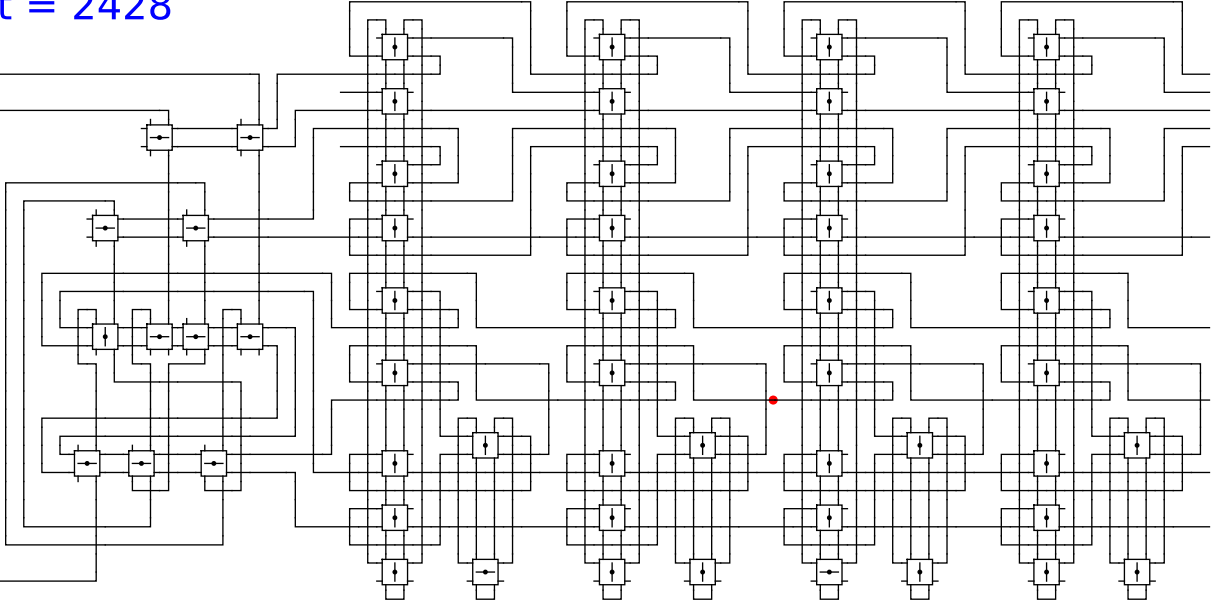


1 0 head 0 0

t = 2428

Reject
Accept

Begin

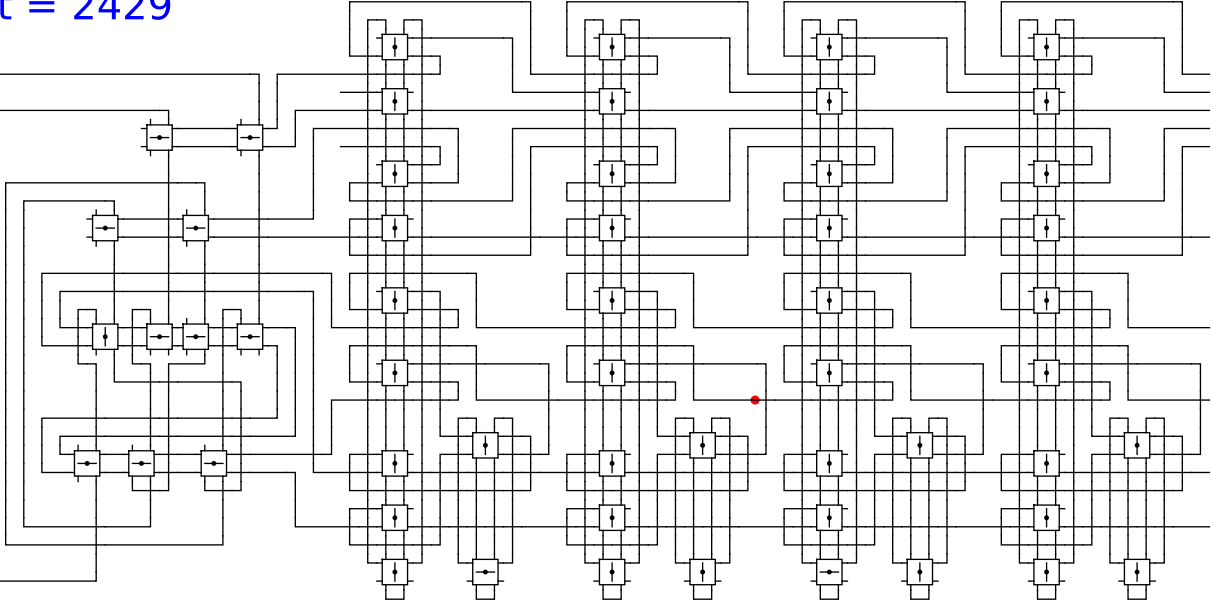


1 0 head 0 0

t = 2429

Reject
Accept

Begin

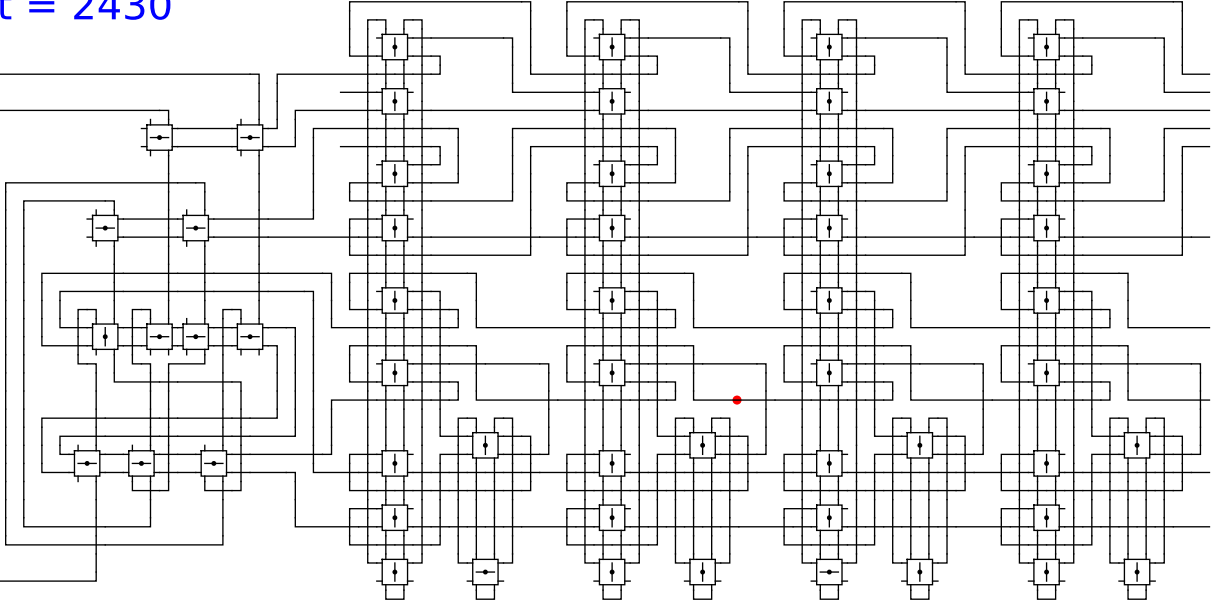


1 0 head 0 0

t = 2430

Reject
Accept

Begin

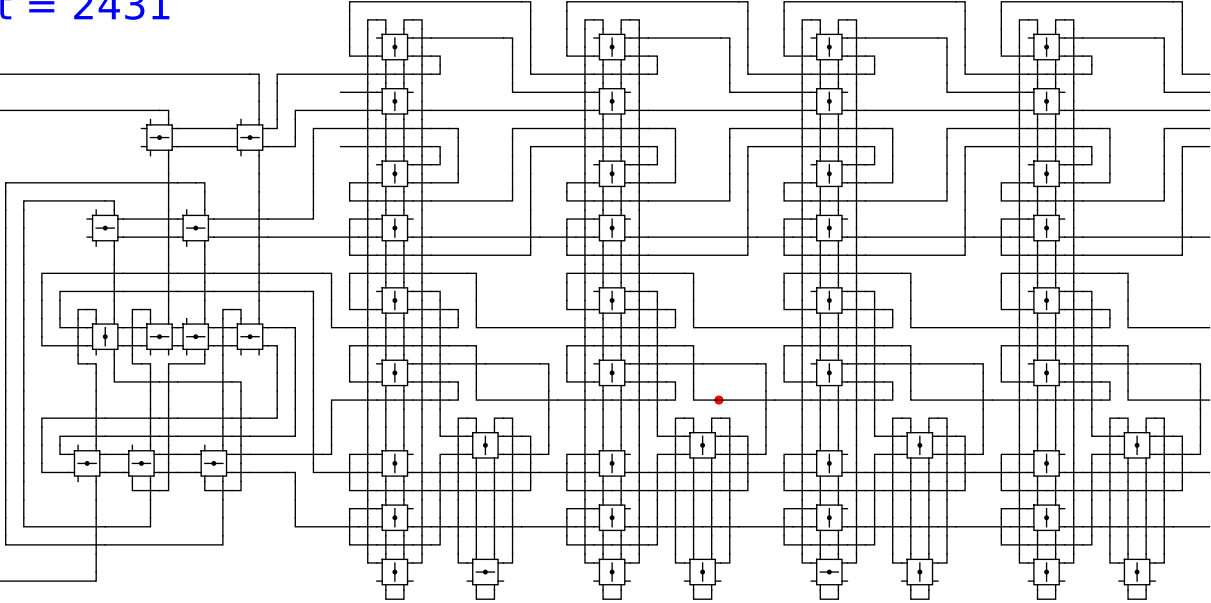


1 0 head 0 0

t = 2431

Reject
Accept

Begin

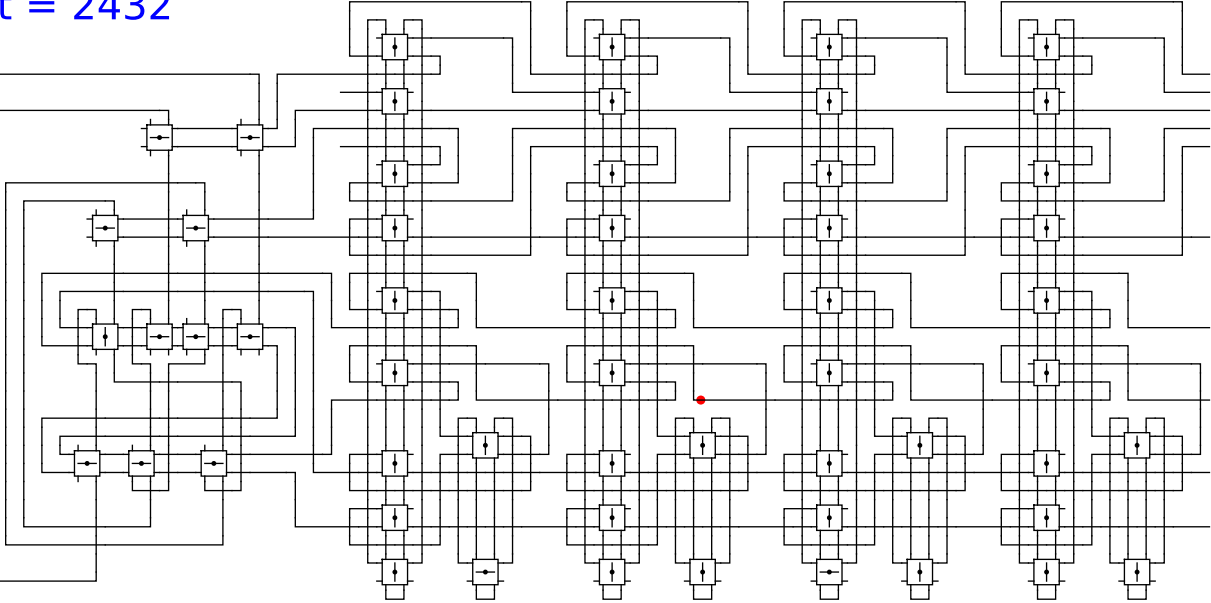


1 0 head 0 0

t = 2432

Reject
Accept

Begin

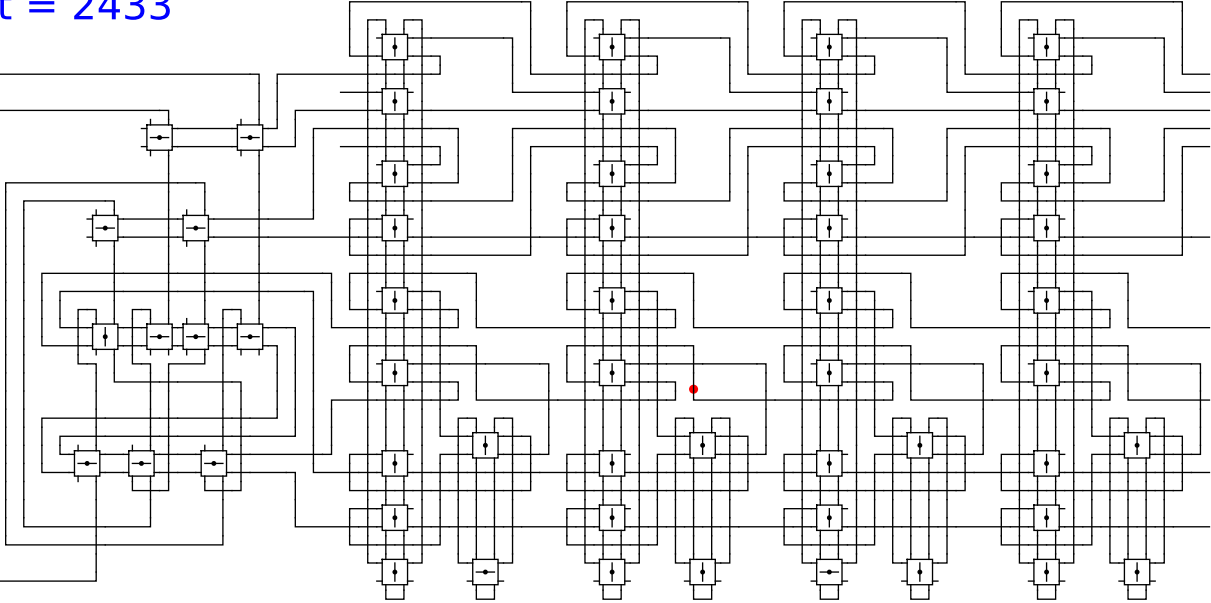


1 0 head 0 0

t = 2433

Reject
Accept

Begin



1

0

head

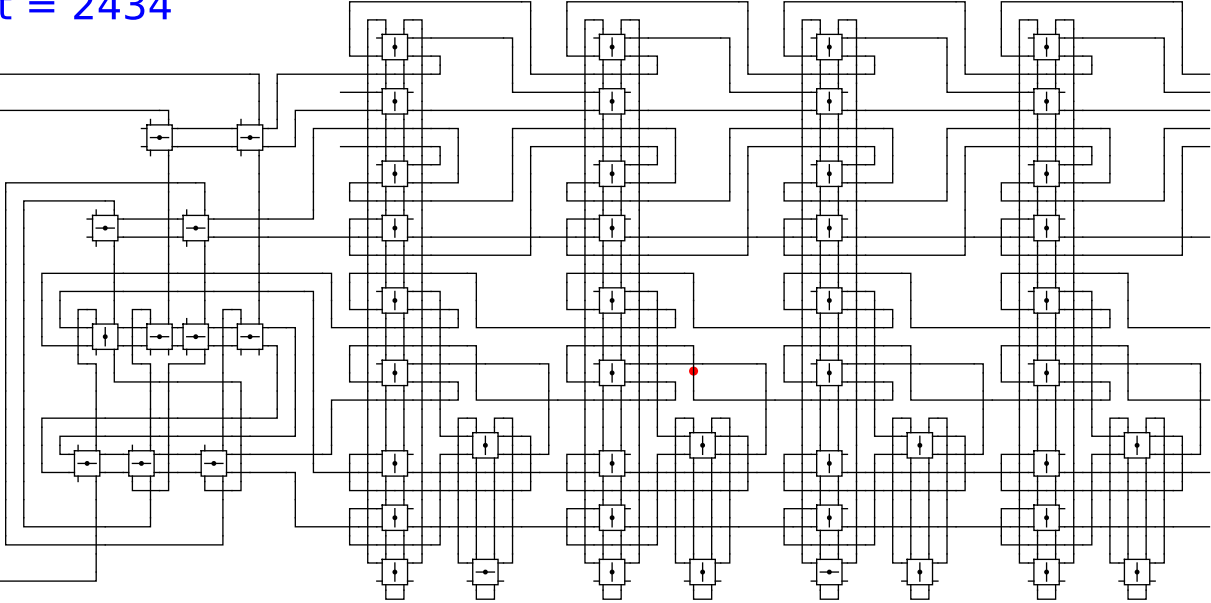
0

0

t = 2434

Reject
Accept

Begin

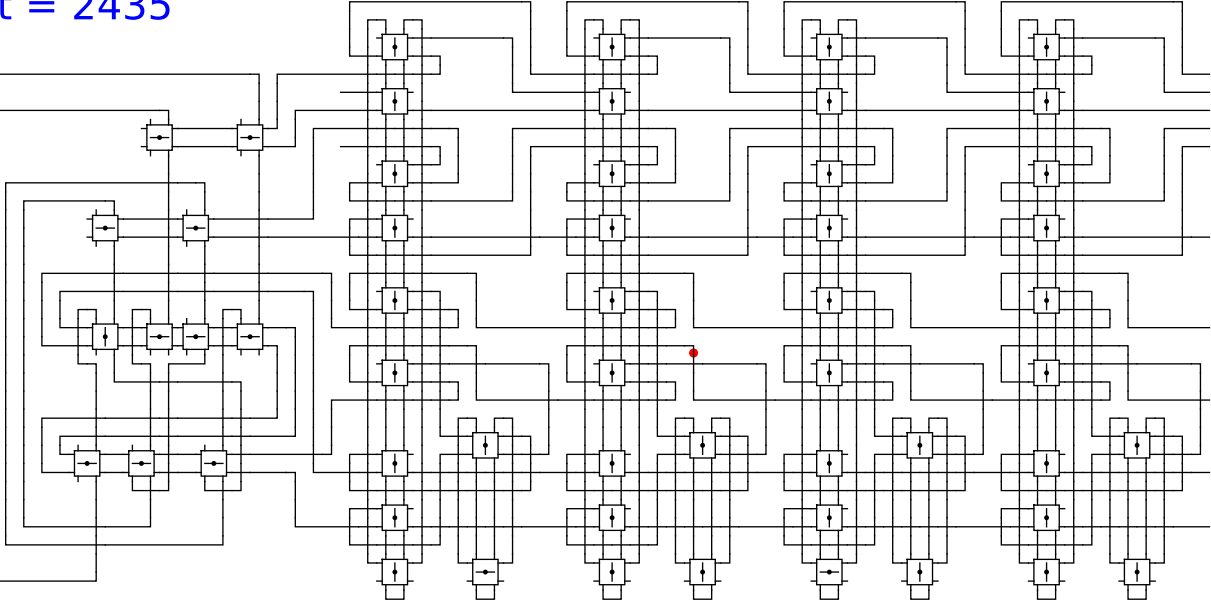


1 0 head 0 0

t = 2435

Reject
Accept

Begin

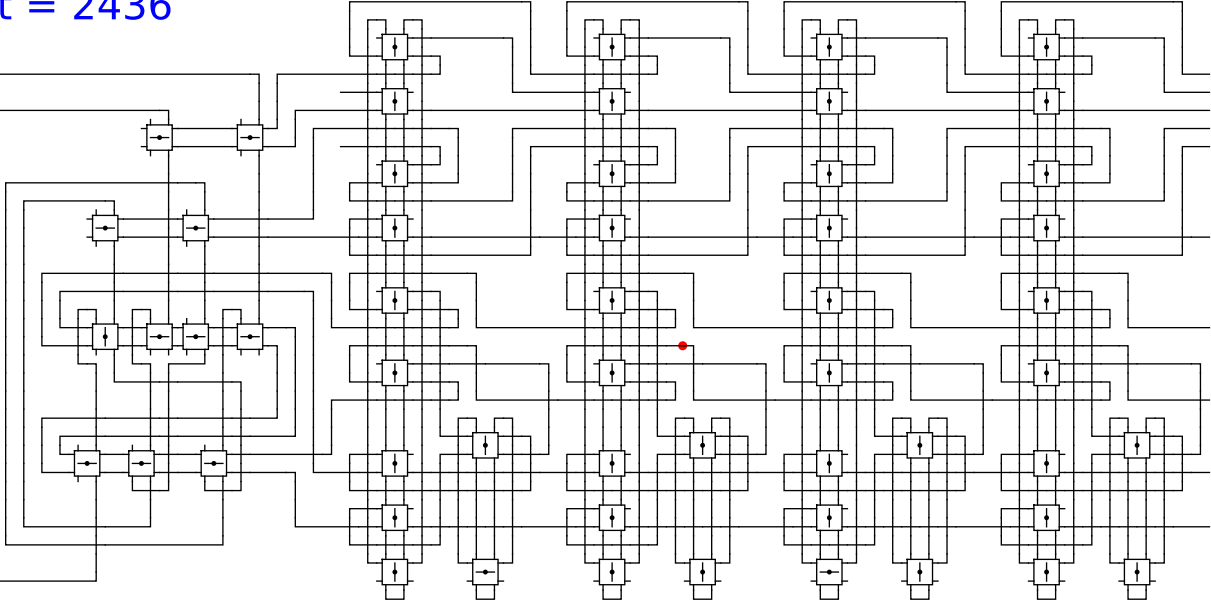


1 0 head 0 0

t = 2436

Reject
Accept

Begin

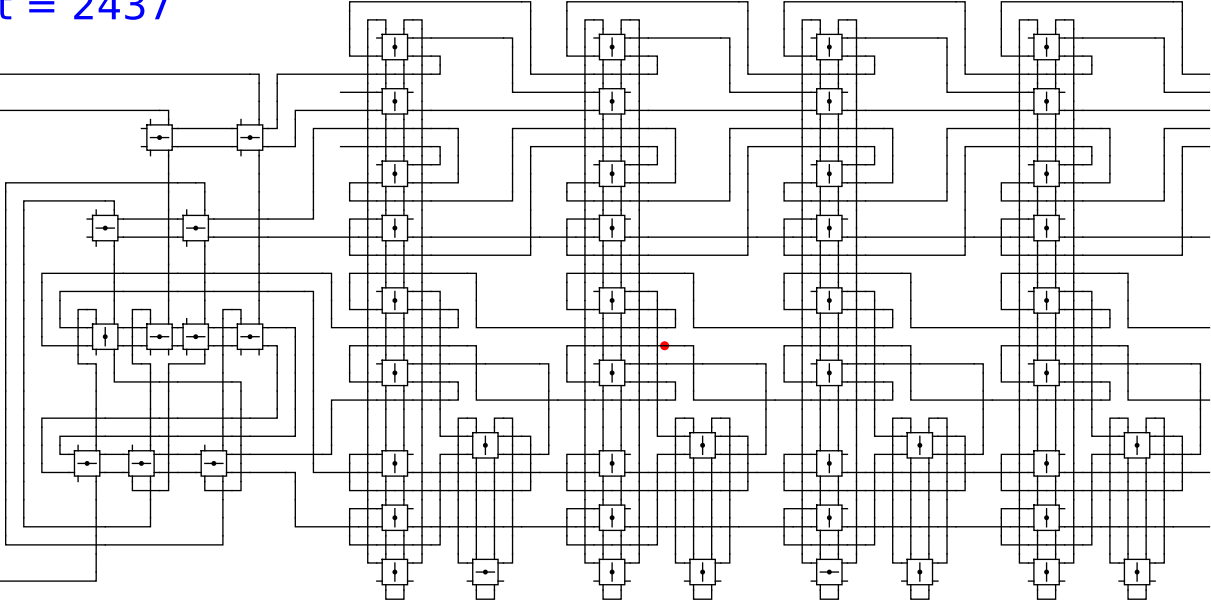


1 0 head 0 0

t = 2437

Reject
Accept

Begin

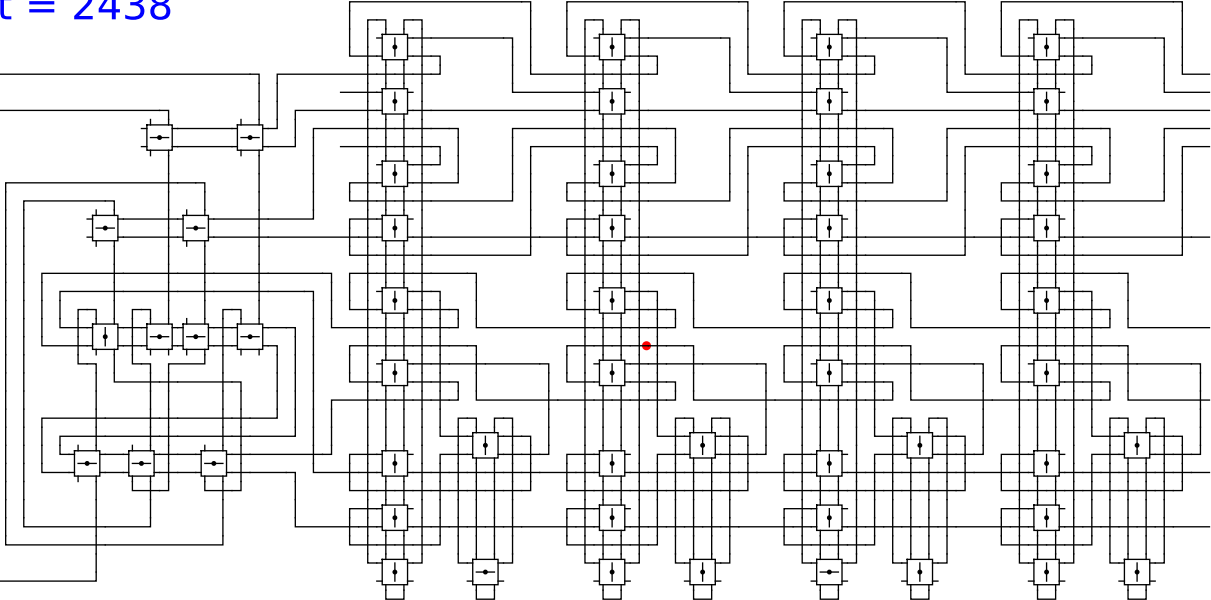


1 0 head 0 0

t = 2438

Reject
Accept

Begin



1

0

head

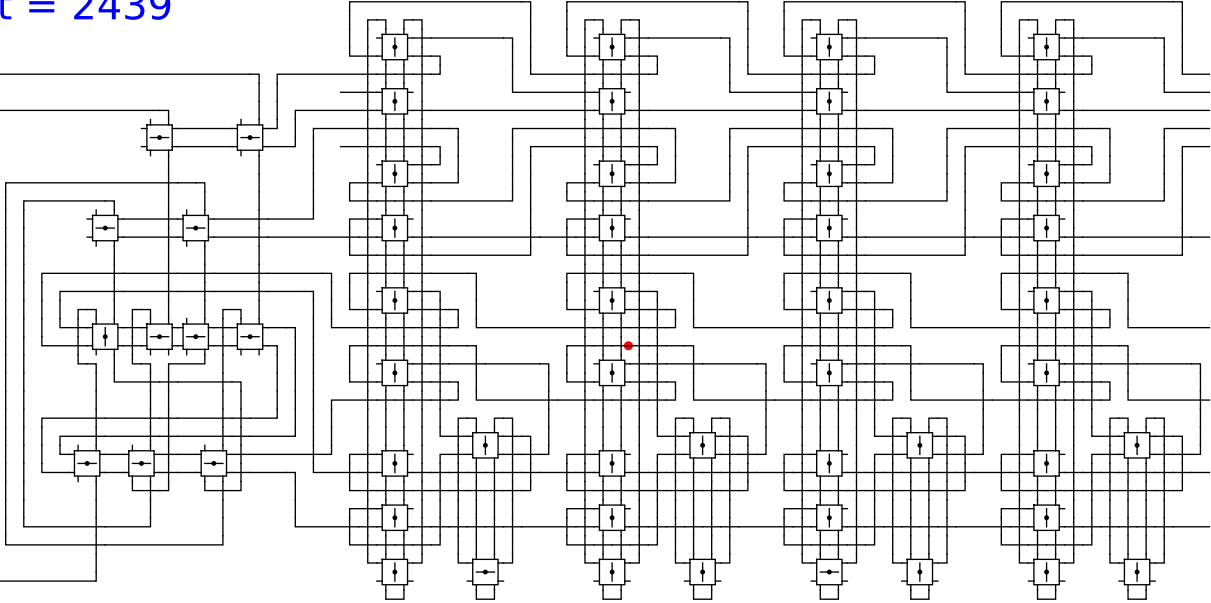
0

0

t = 2439

Reject
Accept

Begin

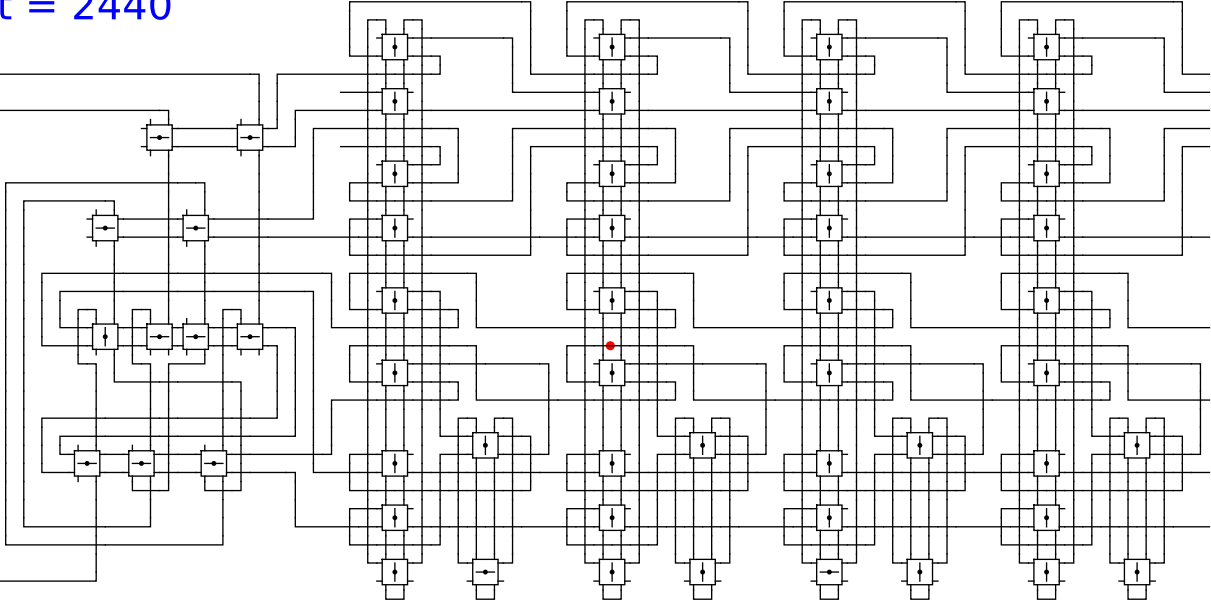


1 0 head 0 0

t = 2440

Reject
Accept

Begin



1

0

head

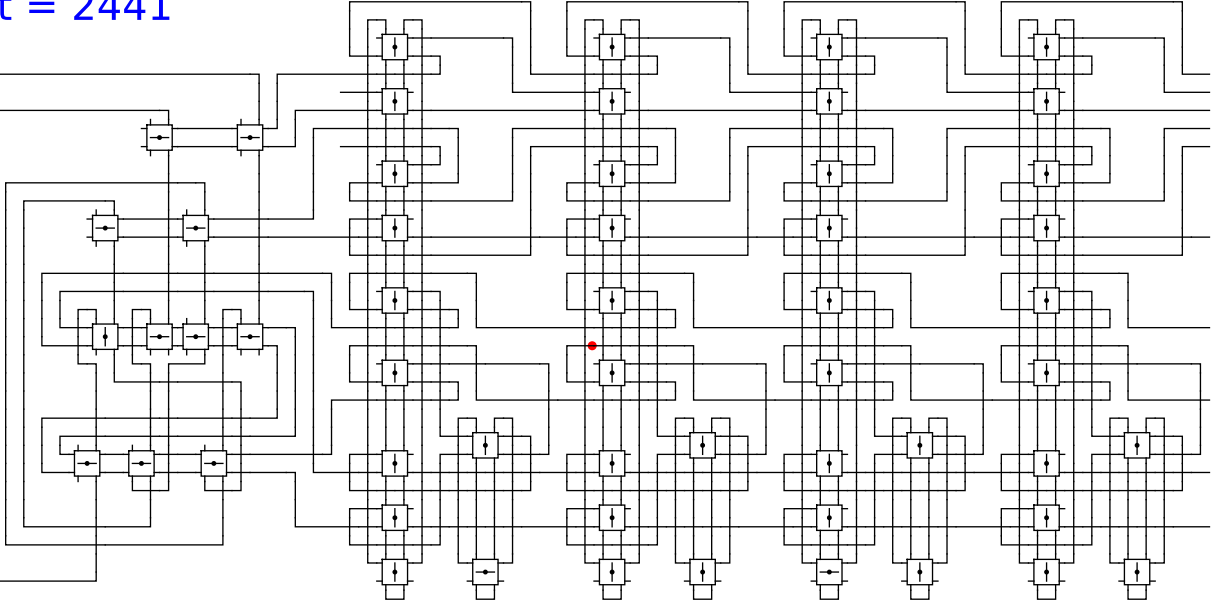
0

0

t = 2441

Reject
Accept

Begin



1

0

head

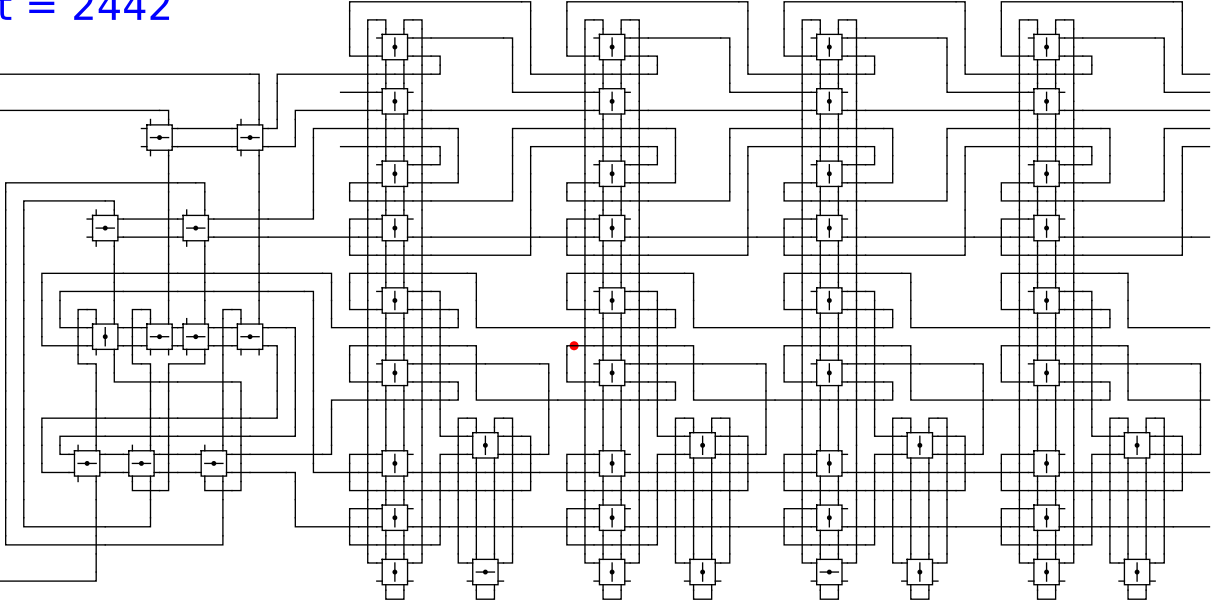
0

0

t = 2442

Reject
Accept

Begin

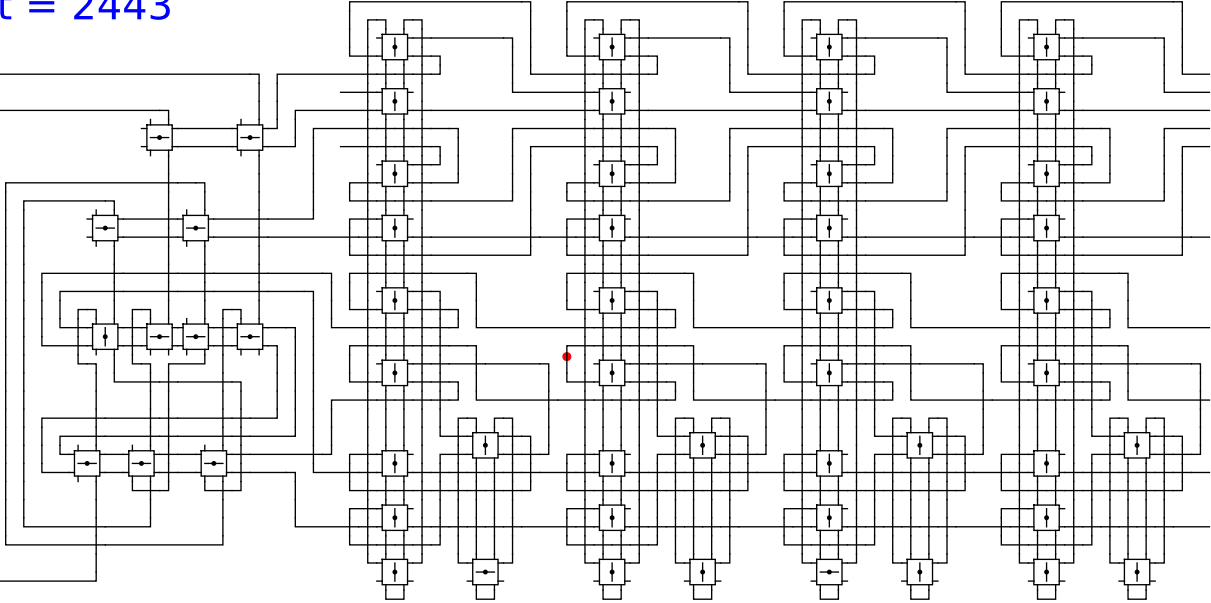


1 0 head 0 0

t = 2443

Reject
Accept

Begin

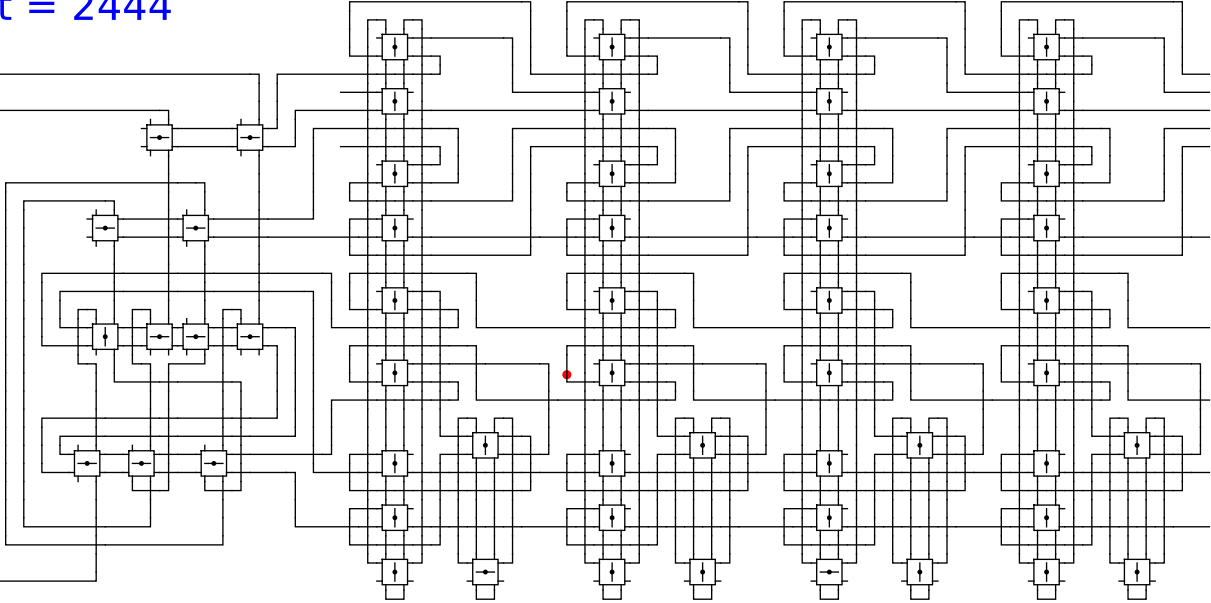


1 0 head 0 0

t = 2444

Reject
Accept

Begin

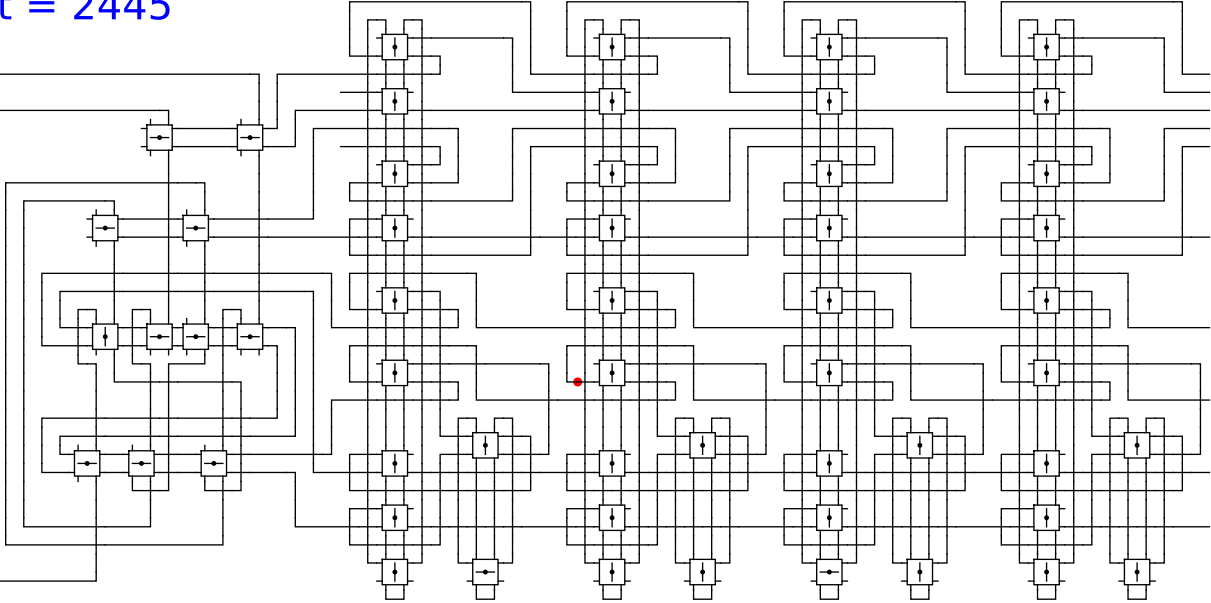


1 0 head 0 0

t = 2445

Reject
Accept

Begin



1

0

head

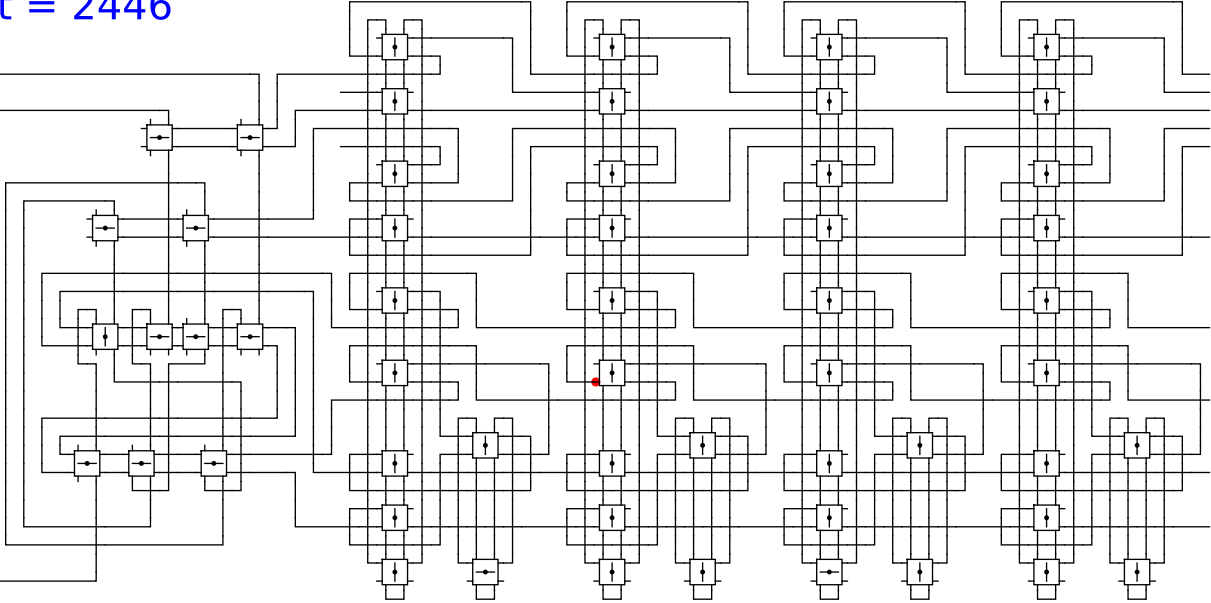
0

0

t = 2446

Reject
Accept

Begin



1

0

head

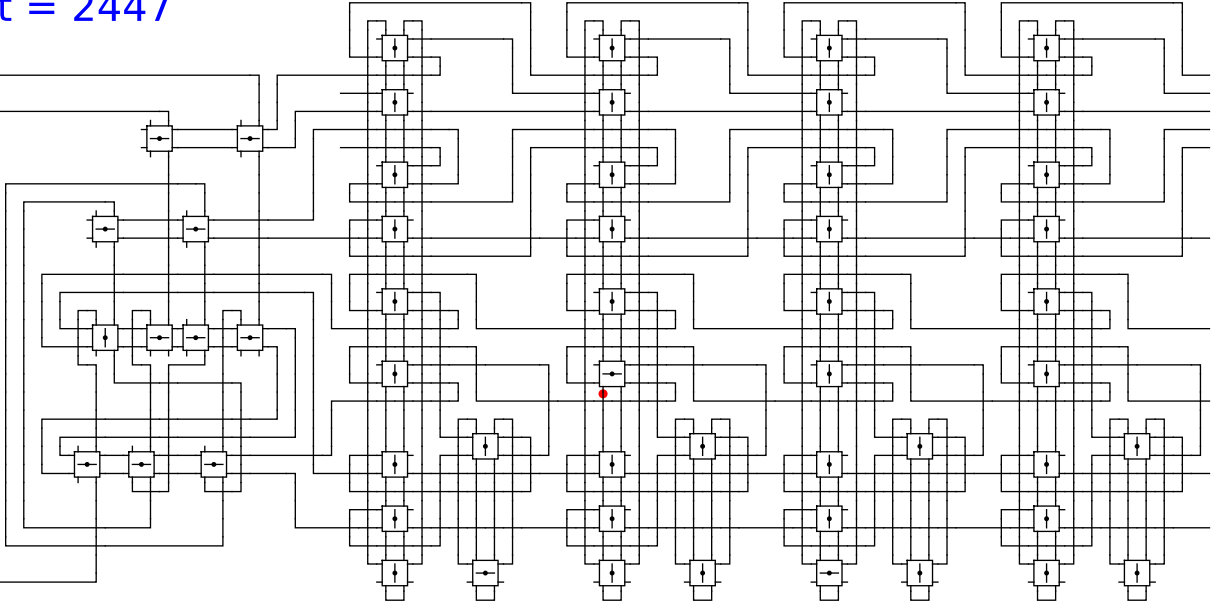
0

0

t = 2447

Reject
Accept

Begin



1

0

head

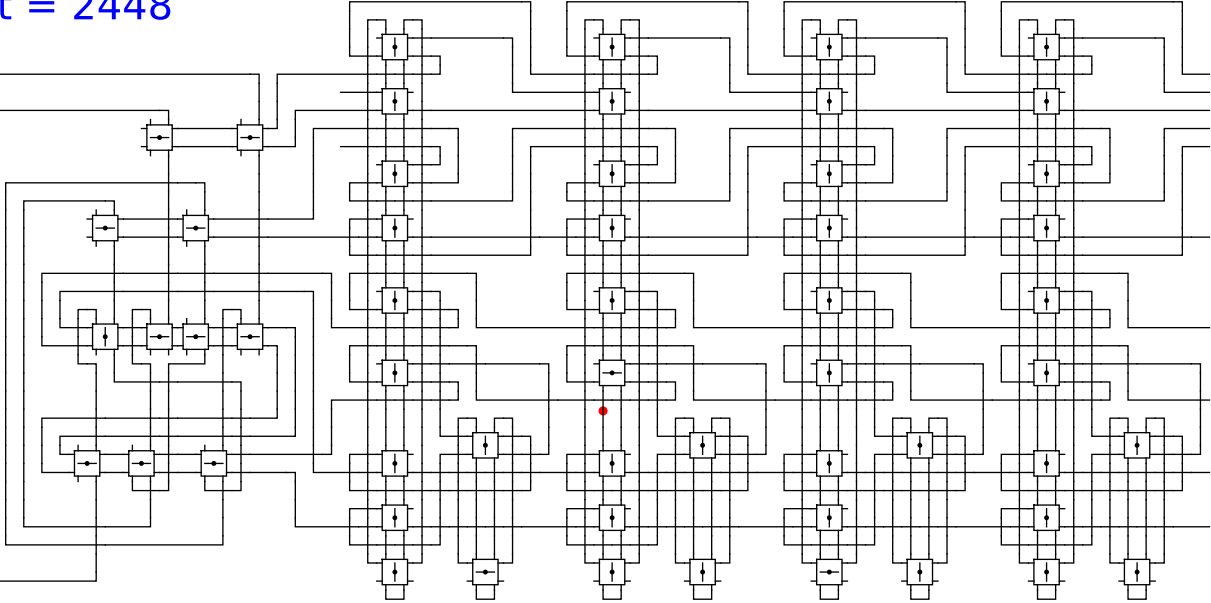
0

0

t = 2448

Reject
Accept

Begin

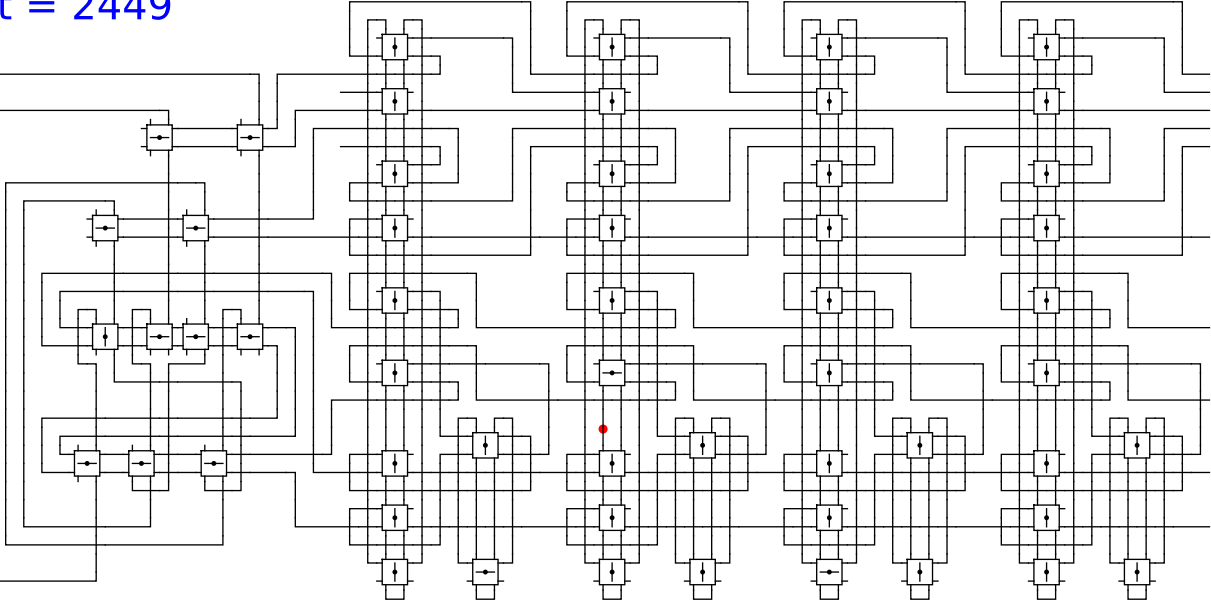


1 0 head 0 0

t = 2449

Reject
Accept

Begin



1

0

head

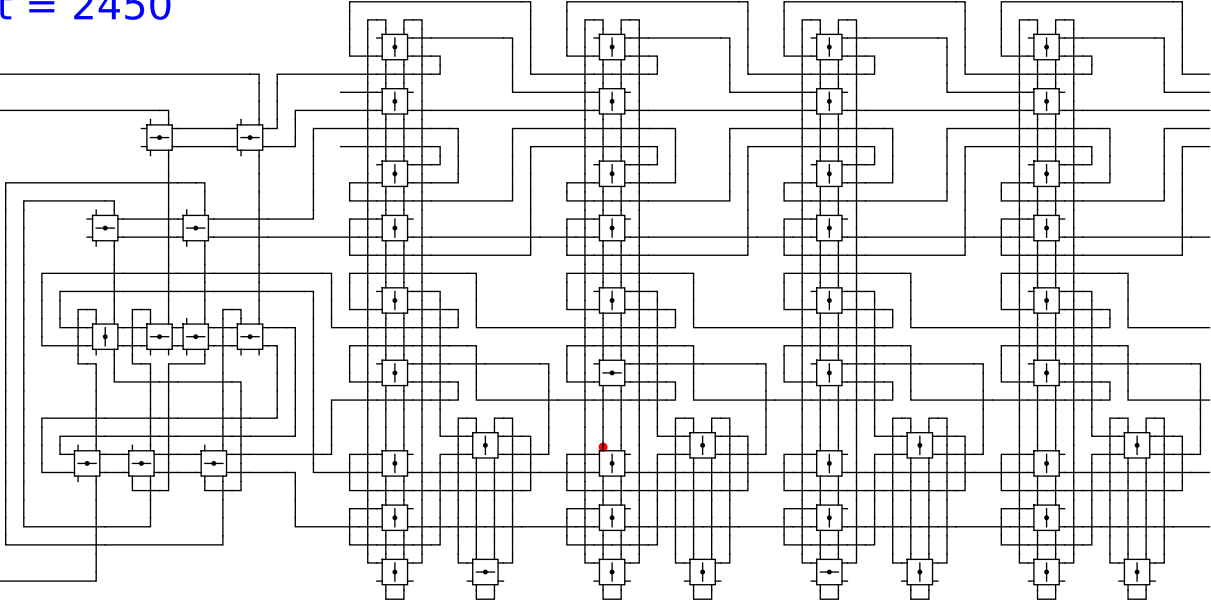
0

0

t = 2450

Reject
Accept

Begin



1

0

head

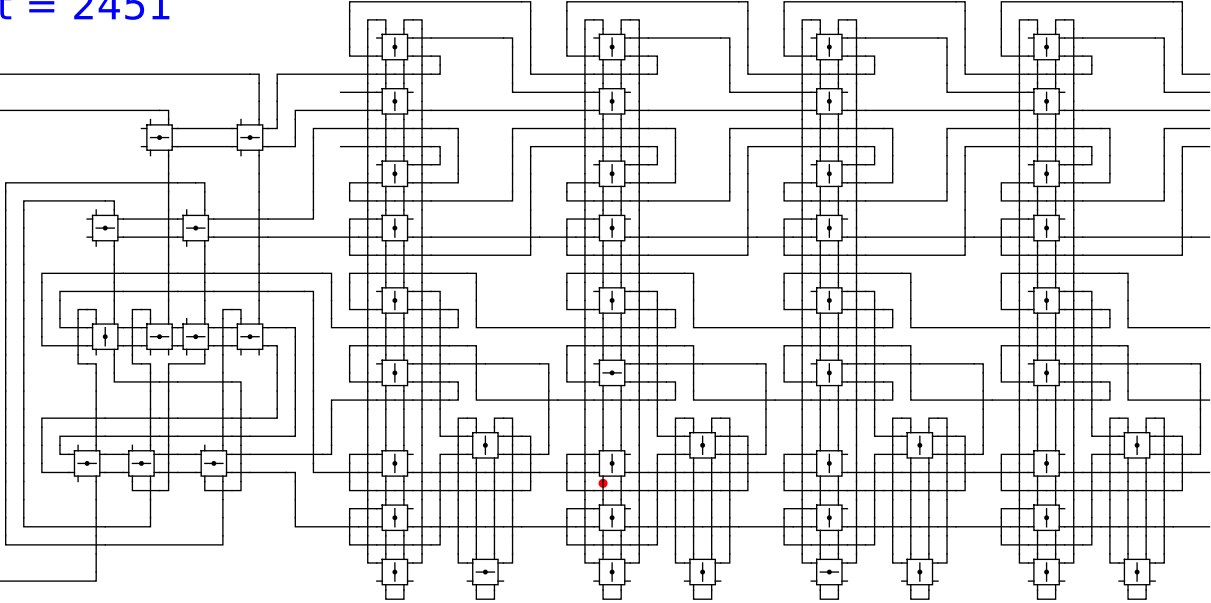
0

0

t = 2451

Reject
Accept

Begin



1

0

head

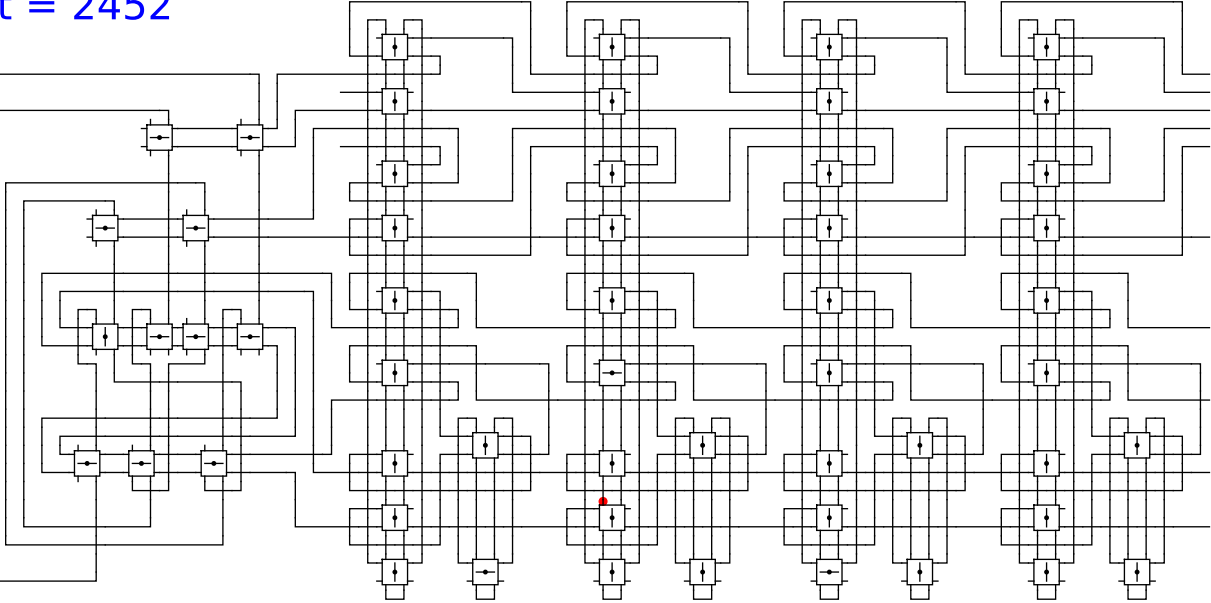
0

0

t = 2452

Reject
Accept

Begin



1

0

head

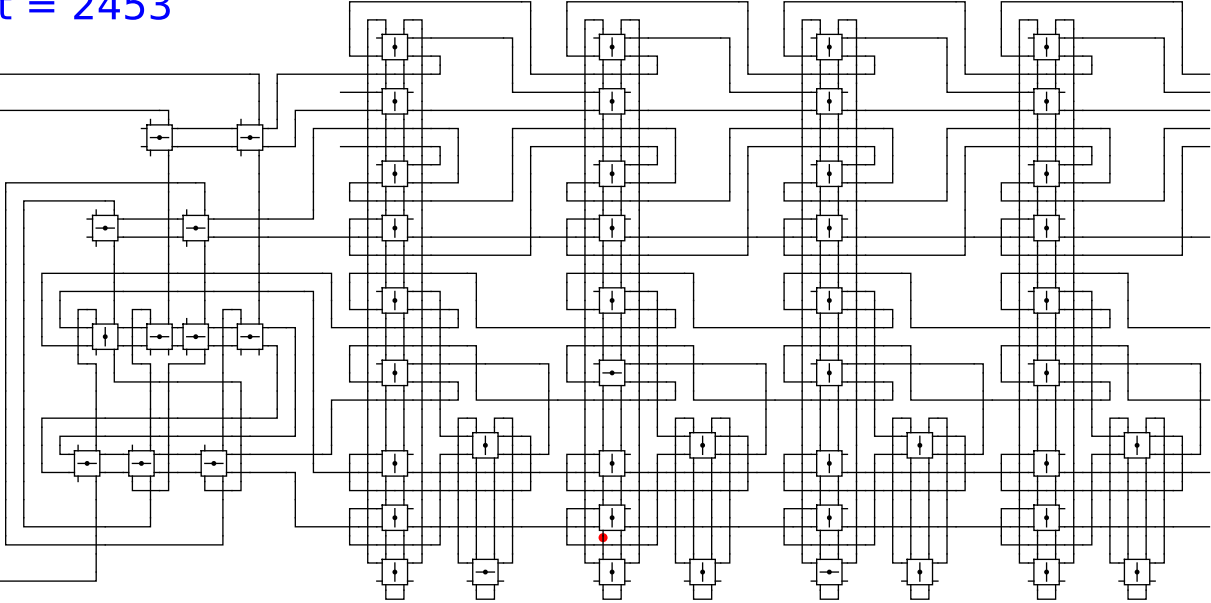
0

0

t = 2453

Reject
Accept

Begin

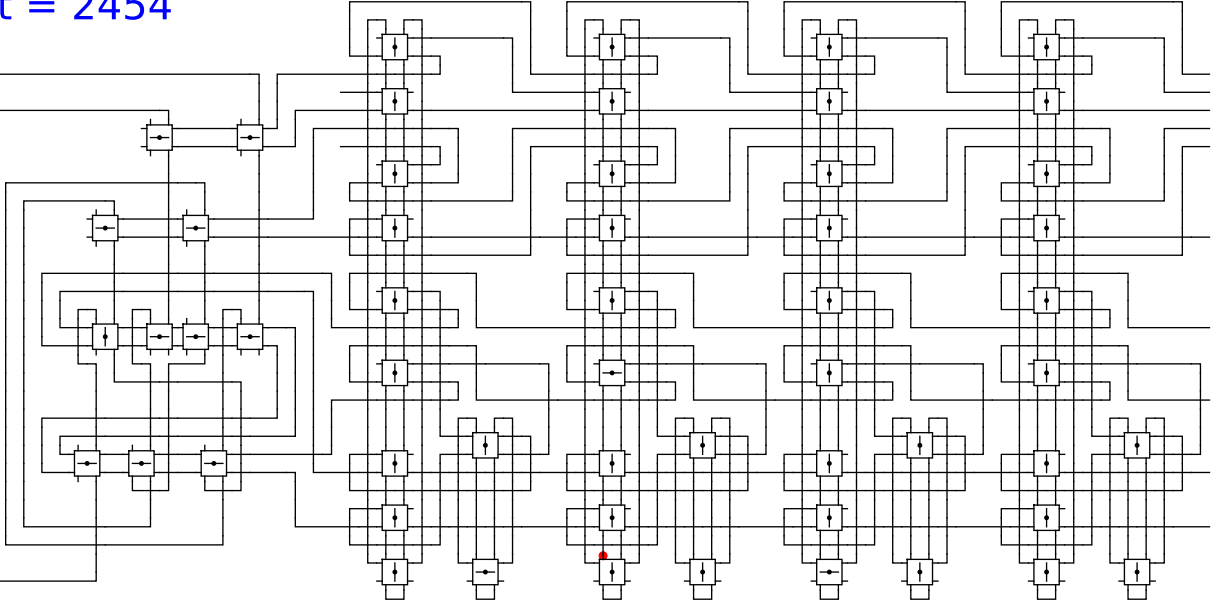


1 0 head 0 0

t = 2454

Reject
Accept

Begin



1

0

head

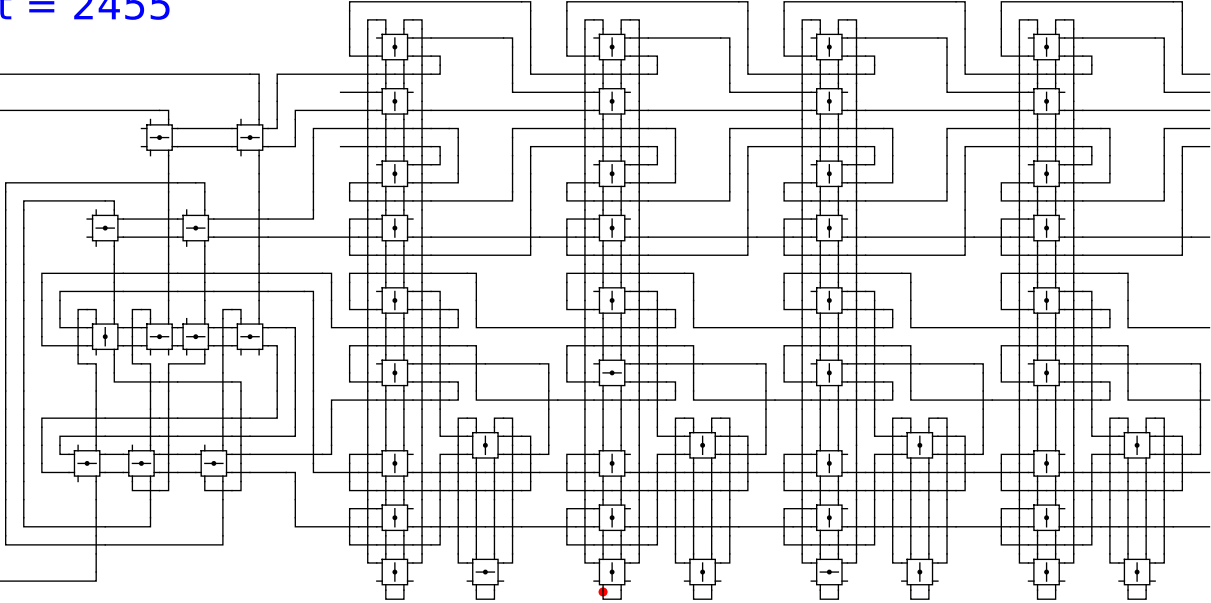
0

0

t = 2455

Reject
Accept

Begin

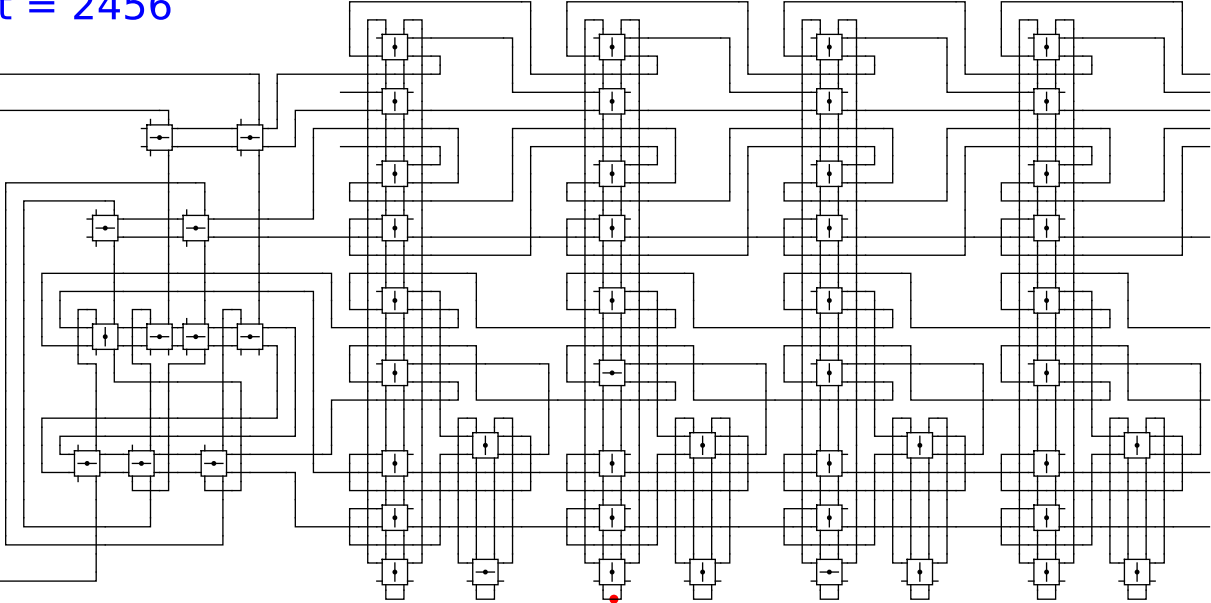


1 0 head 0 0

t = 2456

Reject
Accept

Begin

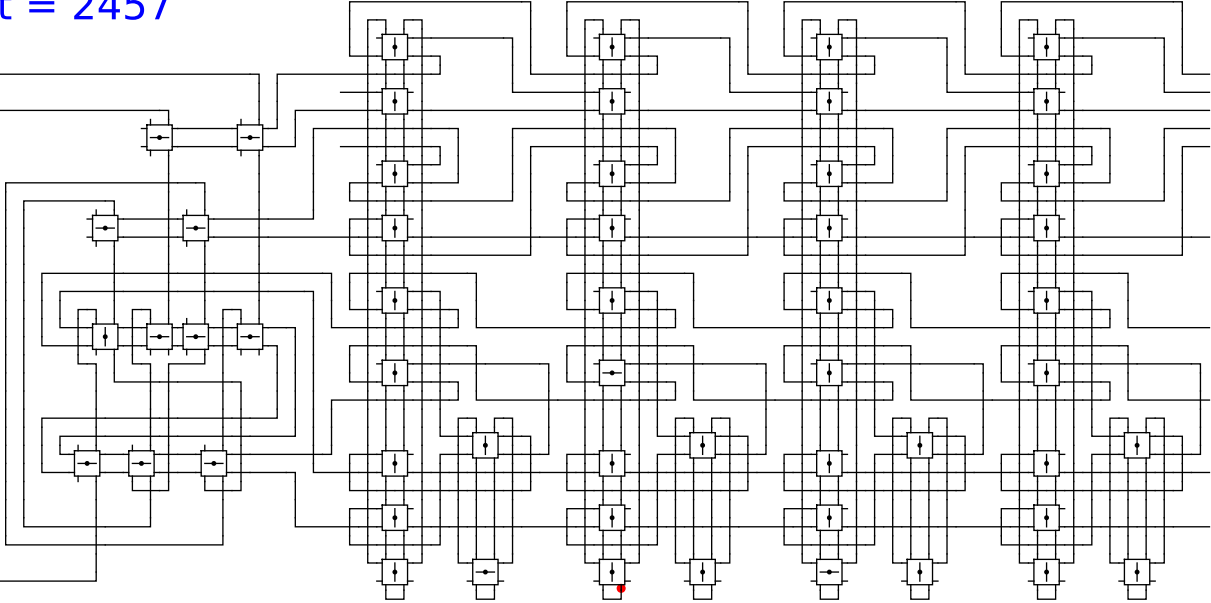


1 0 head 0 0

t = 2457

Reject
Accept

Begin

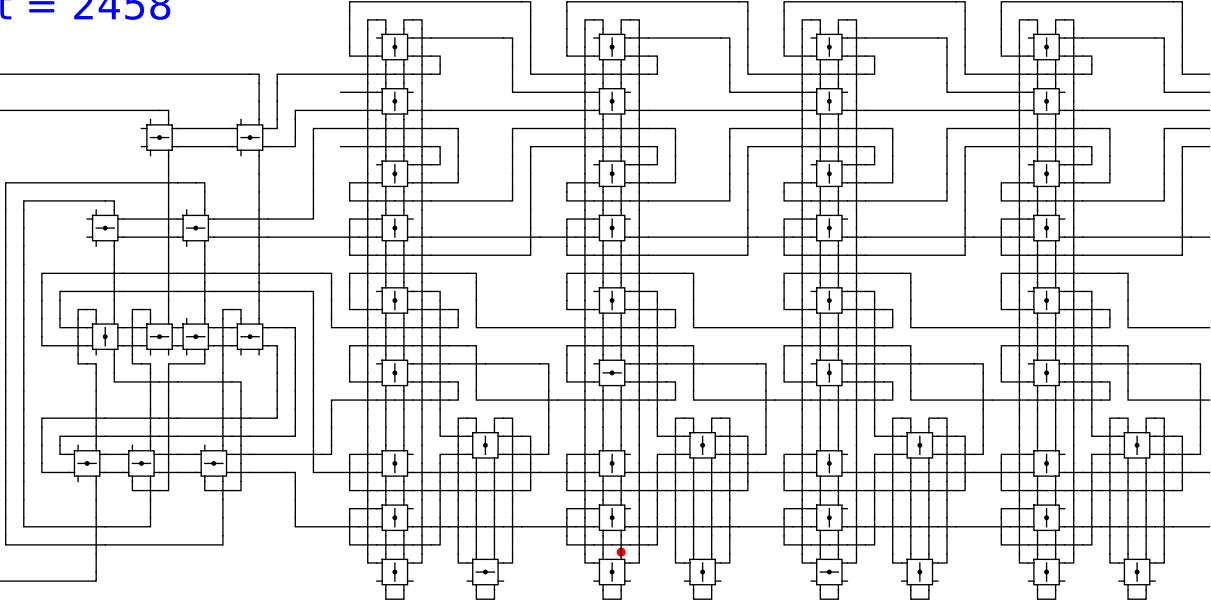


1 0 head 0 0

t = 2458

Reject
Accept

Begin

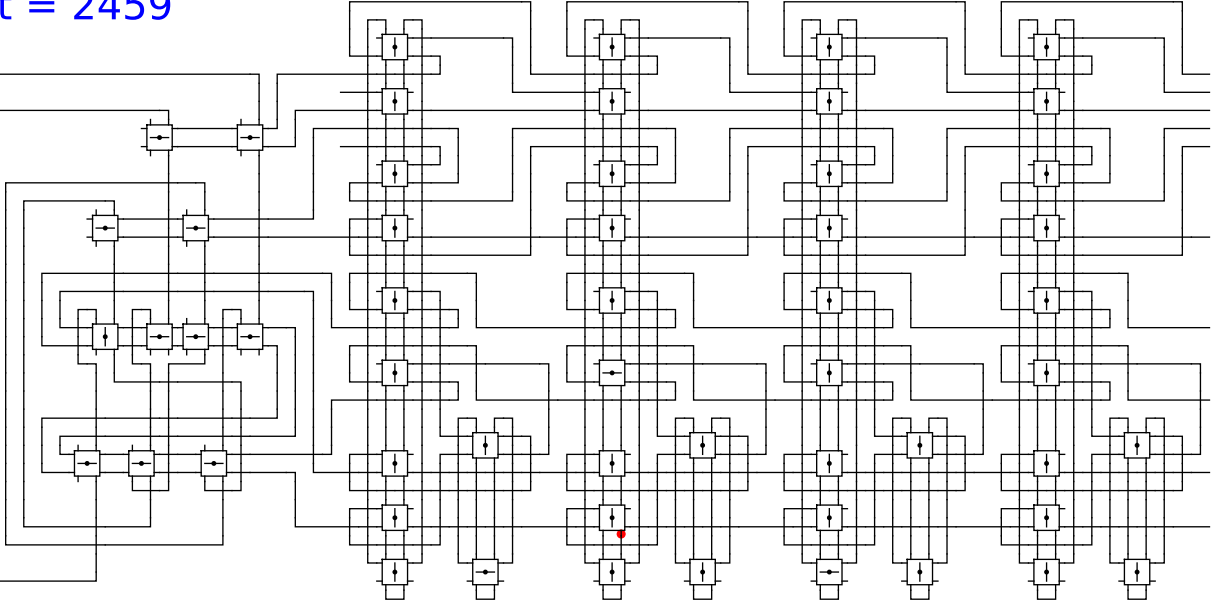


1 0 head 0 0

t = 2459

Reject
Accept

Begin



1

0

head

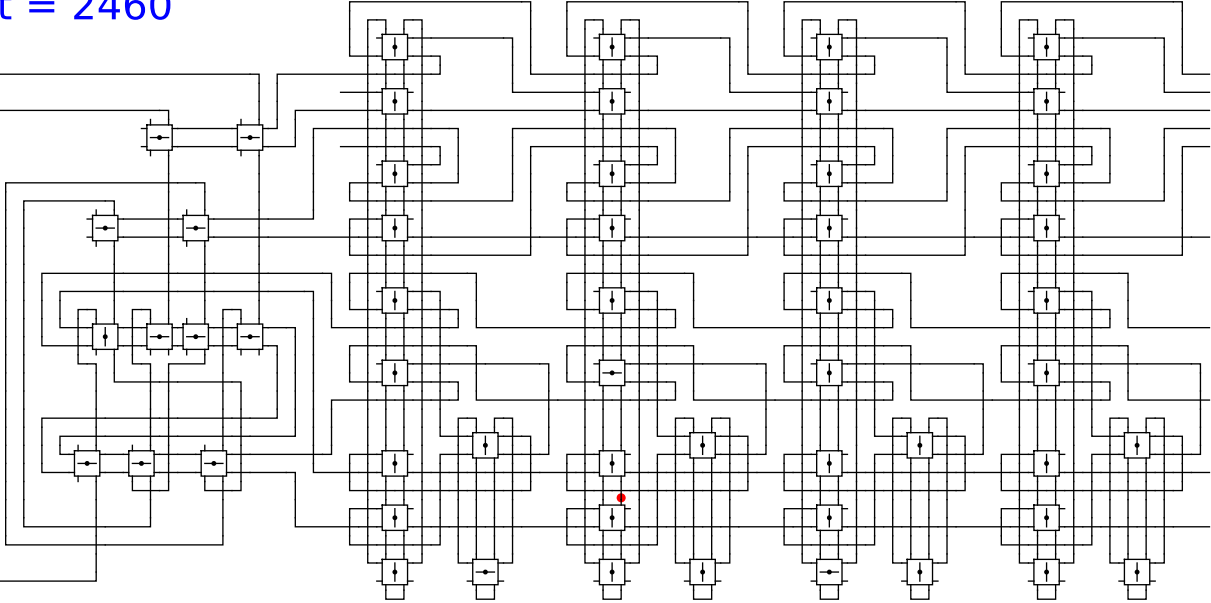
0

0

t = 2460

Reject
Accept

Begin

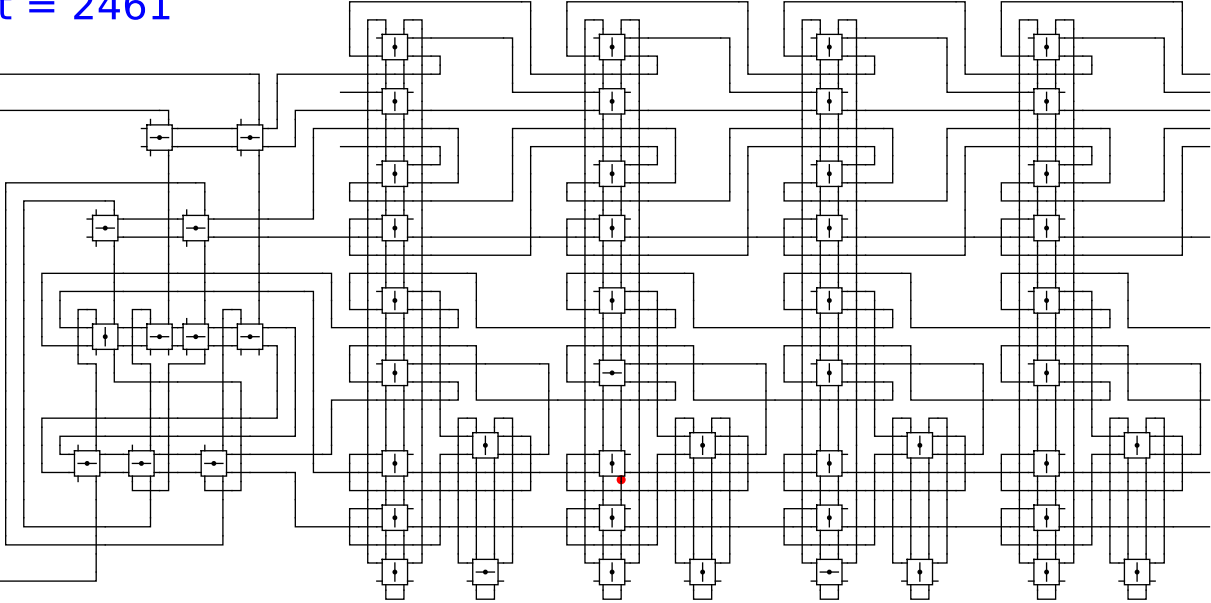


1 0 head 0 0

t = 2461

Reject
Accept

Begin



1

0

head

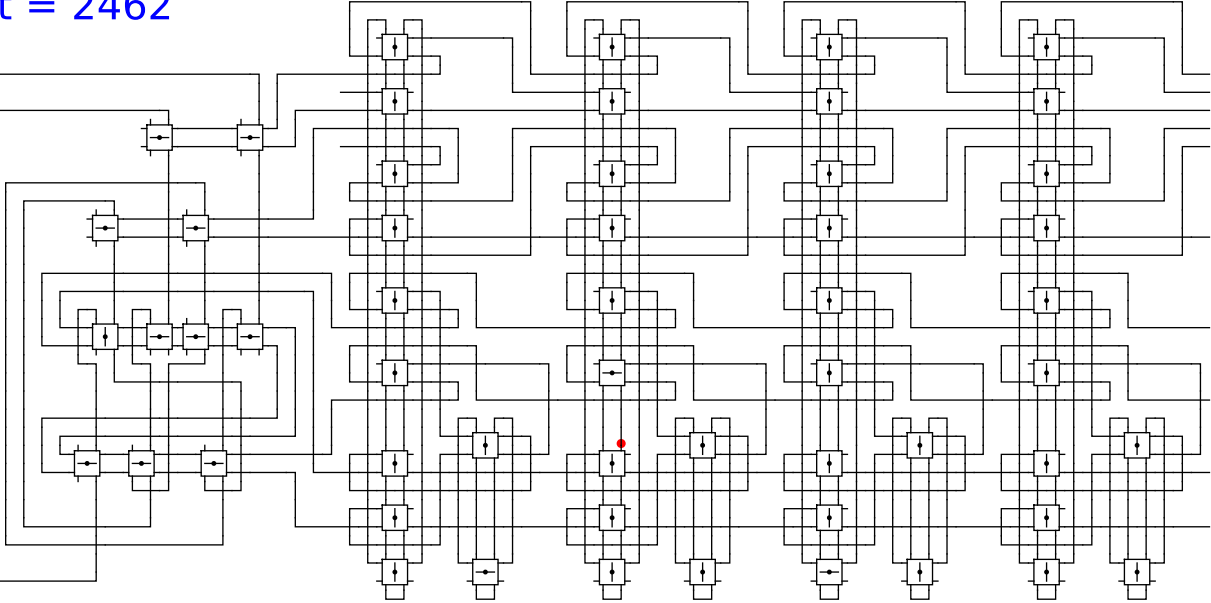
0

0

t = 2462

Reject
Accept

Begin



1

0

head

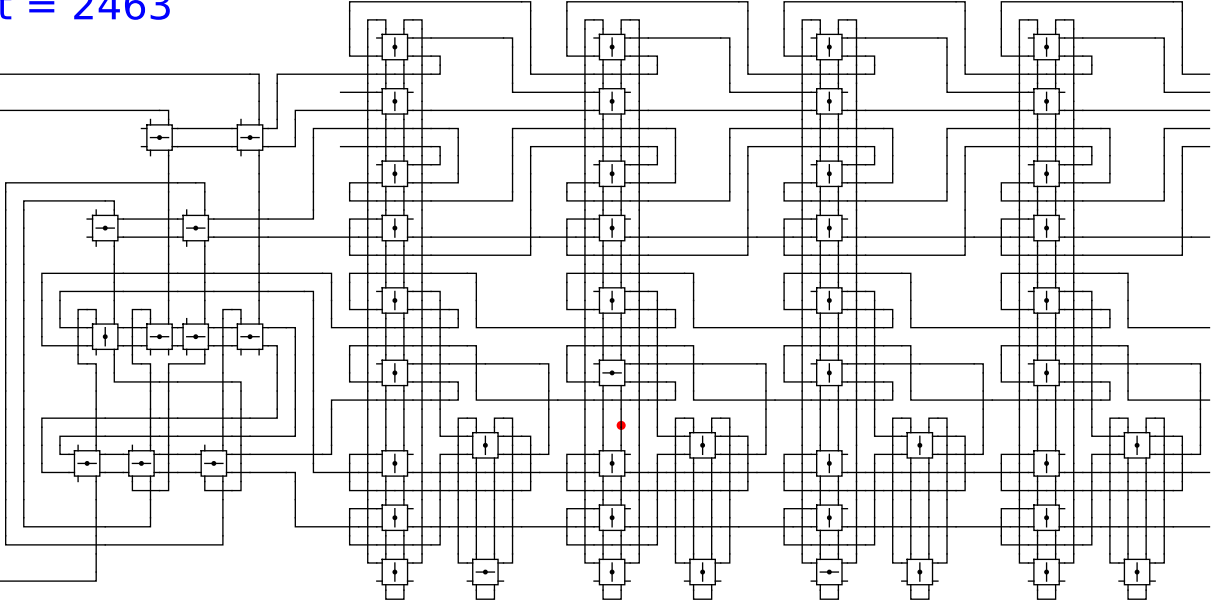
0

0

t = 2463

Reject
Accept

Begin



1

0

head

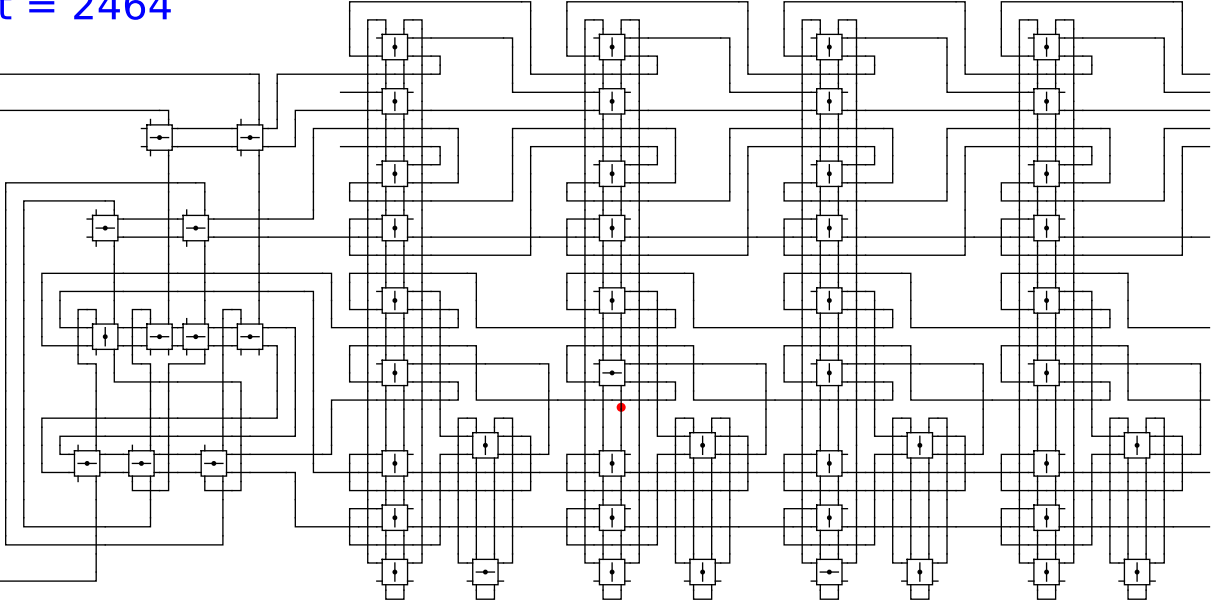
0

0

t = 2464

Reject
Accept

Begin



1

0

head

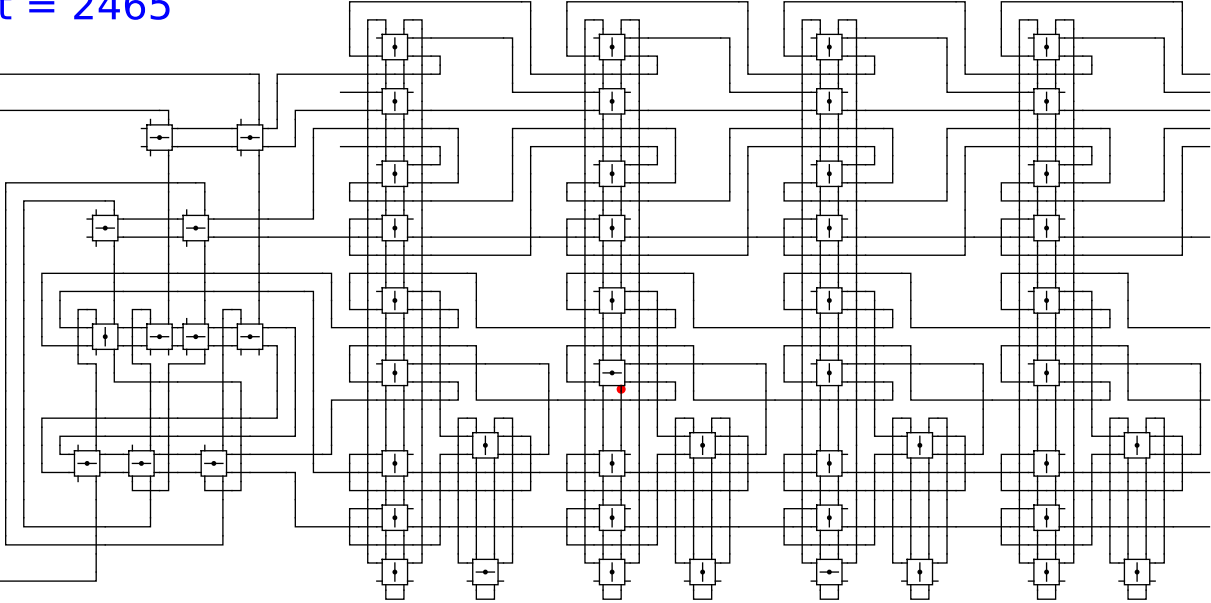
0

0

t = 2465

Reject
Accept

Begin

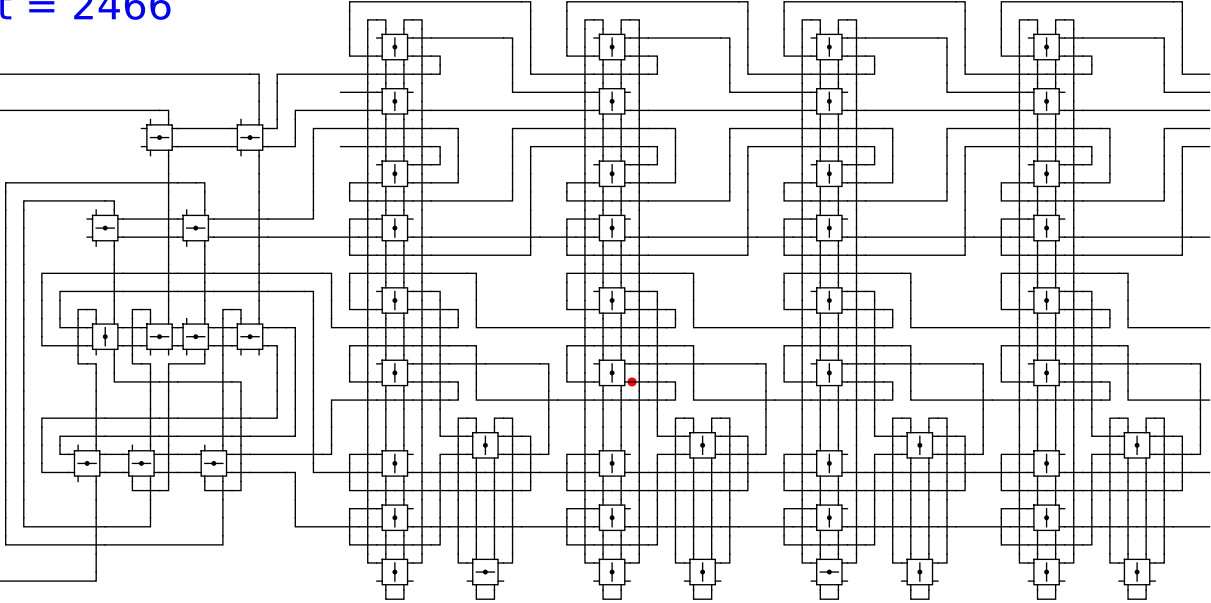


1 0 head 0 0

t = 2466

Reject
Accept

Begin

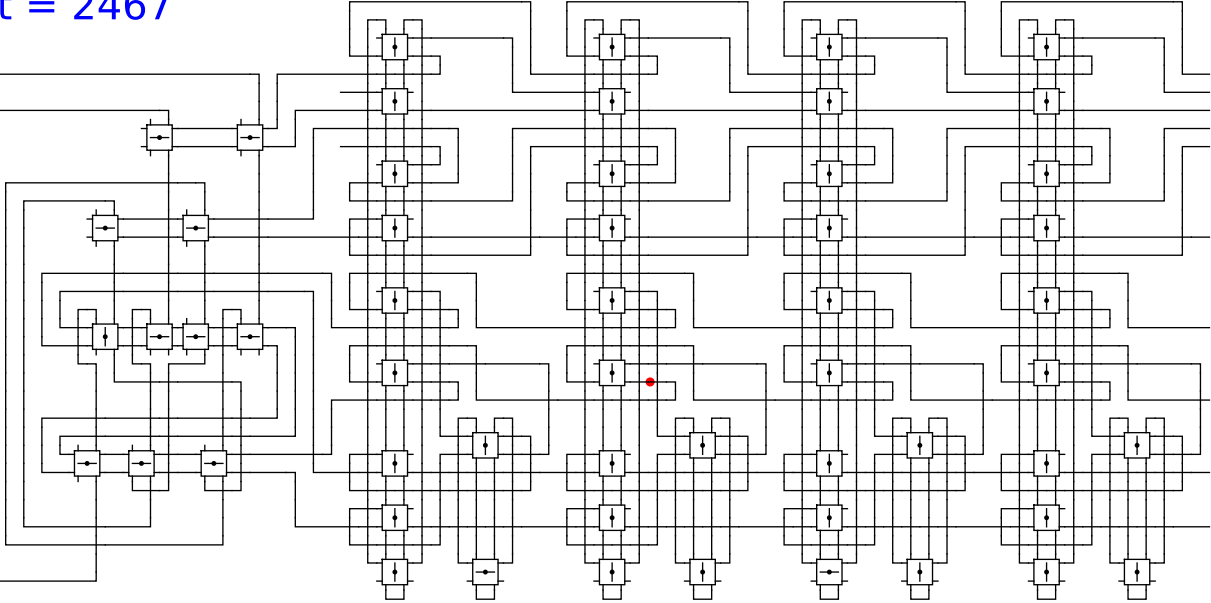


1 0 head 0 0

t = 2467

Reject
Accept

Begin



1

0

head

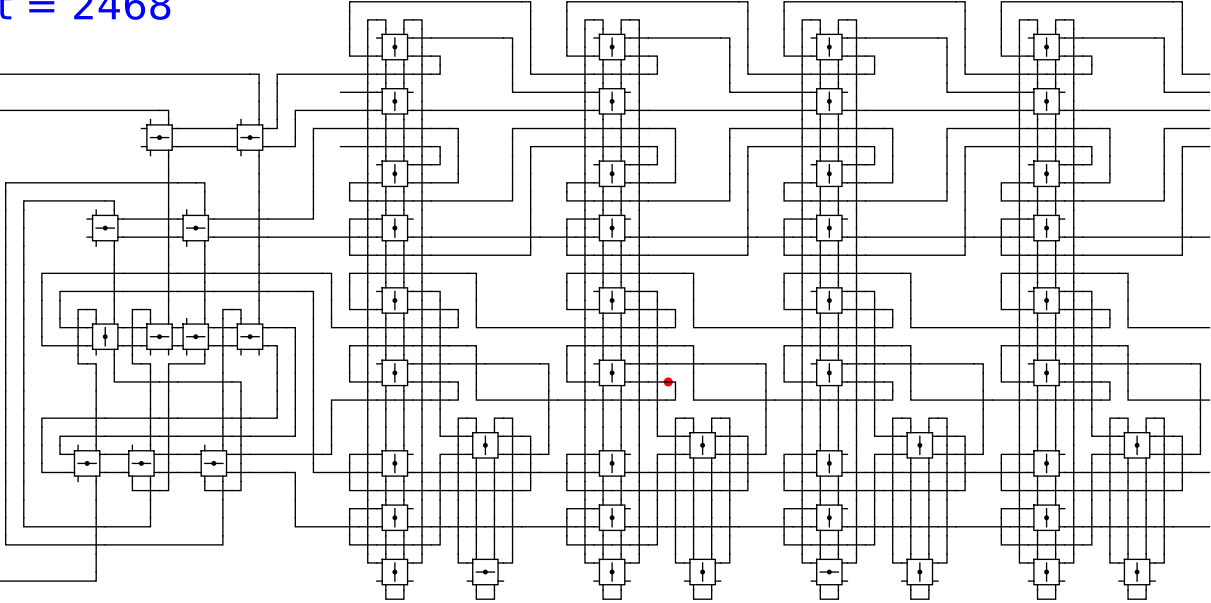
0

0

t = 2468

Reject
Accept

Begin

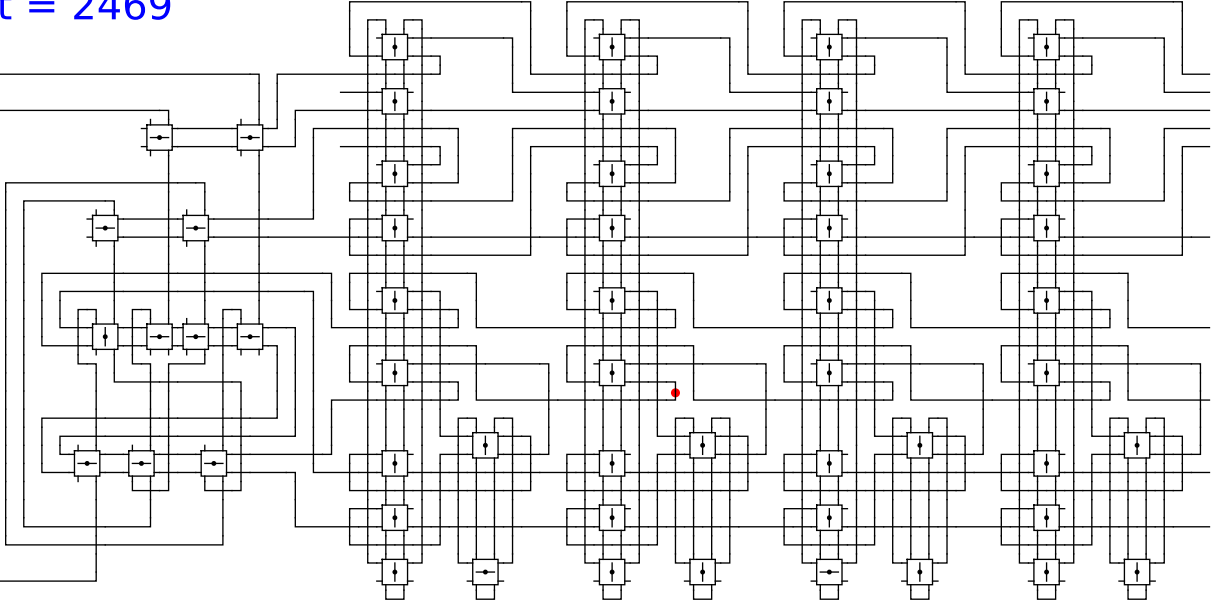


1 0 head 0 0

t = 2469

Reject
Accept

Begin



1

0

head

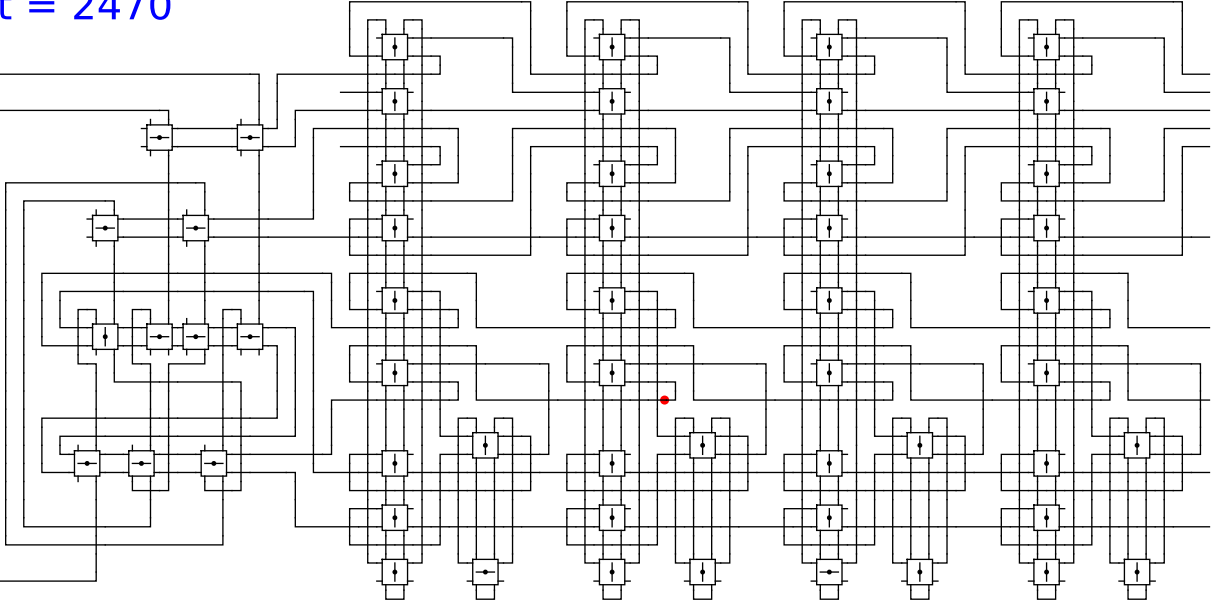
0

0

t = 2470

Reject
Accept

Begin



1

0

head

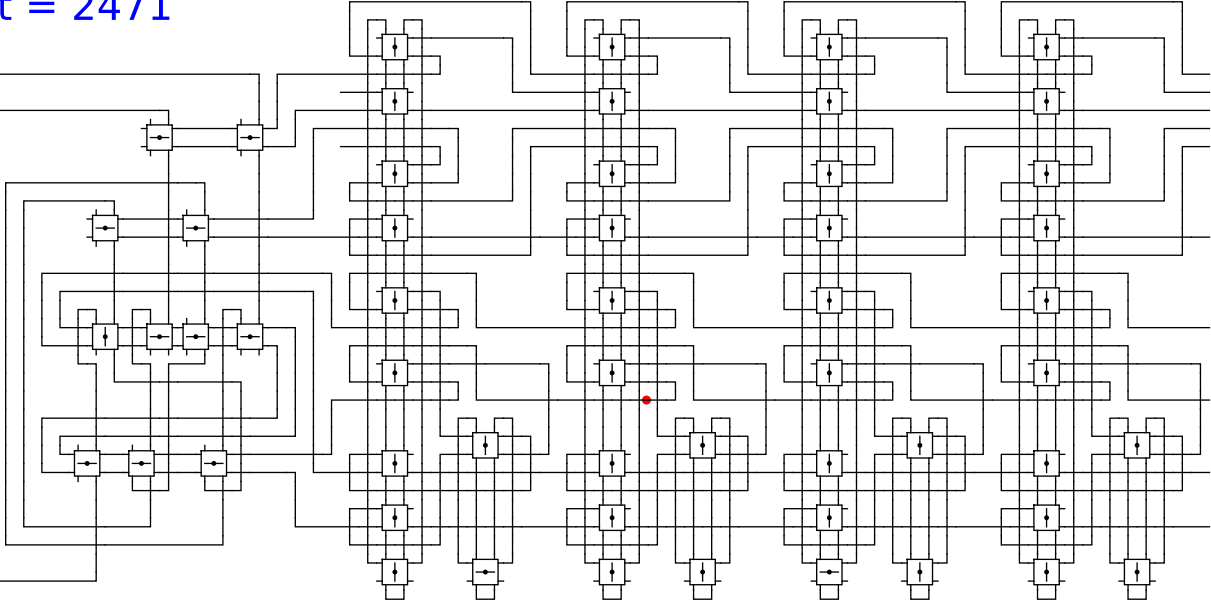
0

0

t = 2471

Reject
Accept

Begin



1

0

head

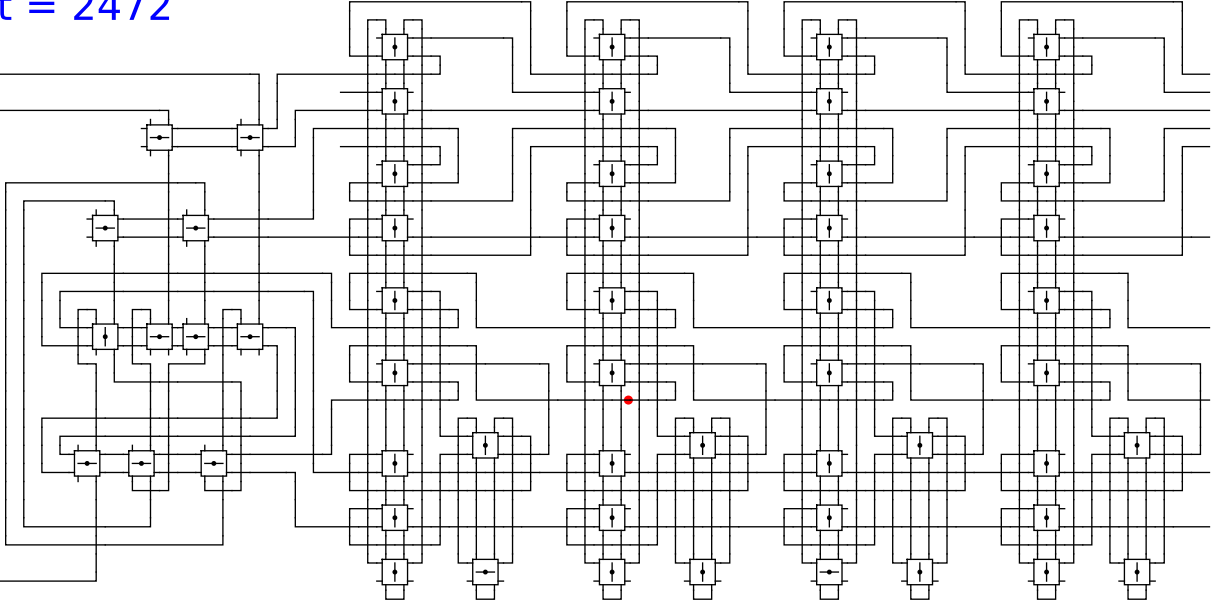
0

0

t = 2472

Reject
Accept

Begin



1

0

head

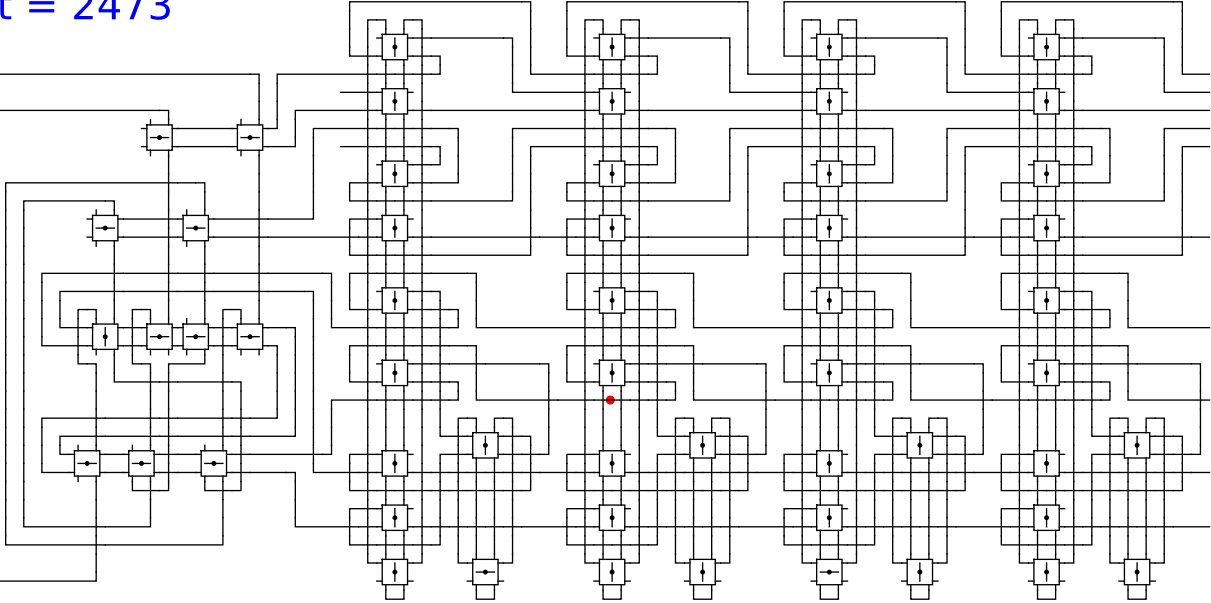
0

0

t = 2473

Reject
Accept

Begin



1

0

head

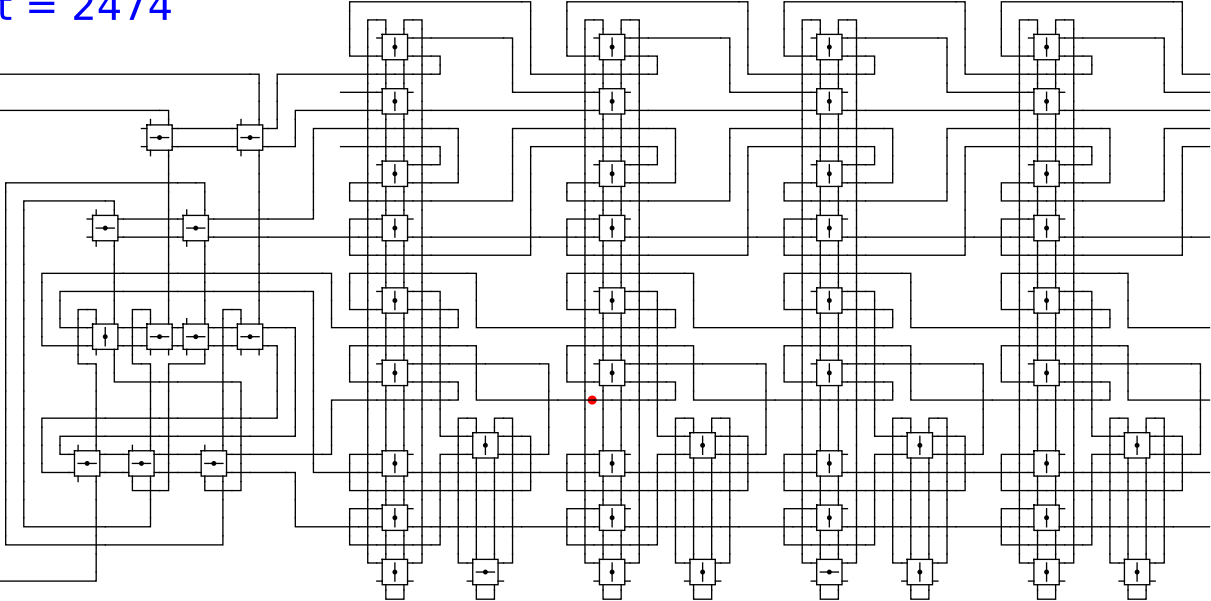
0

0

t = 2474

Reject
Accept

Begin



1

0

head

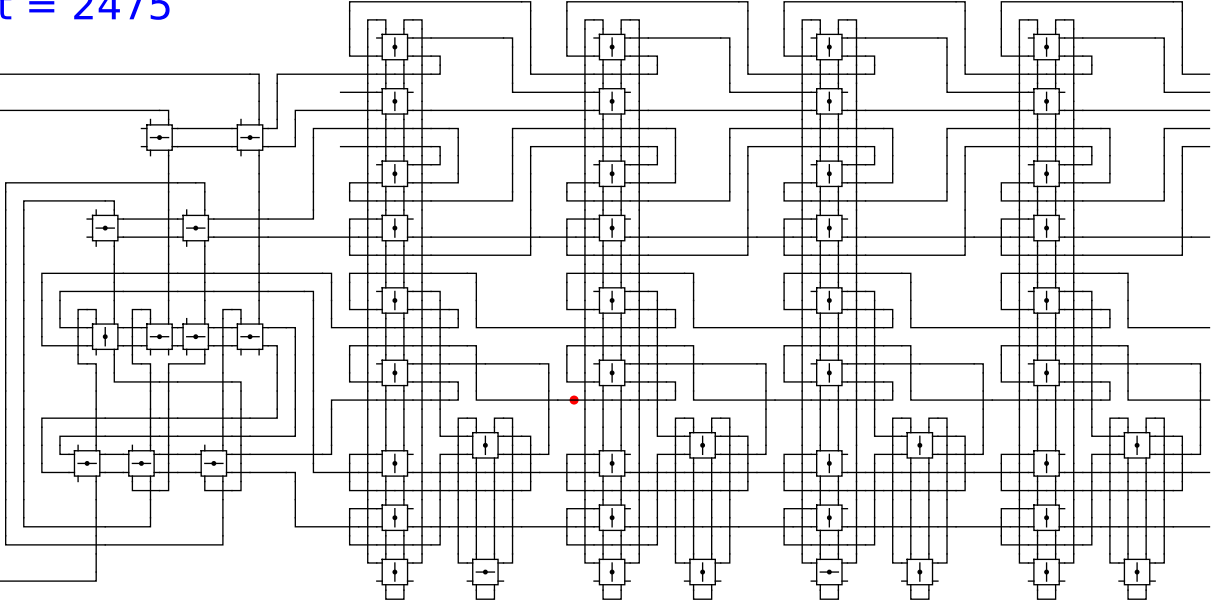
0

0

t = 2475

Reject
Accept

Begin



1

0

head

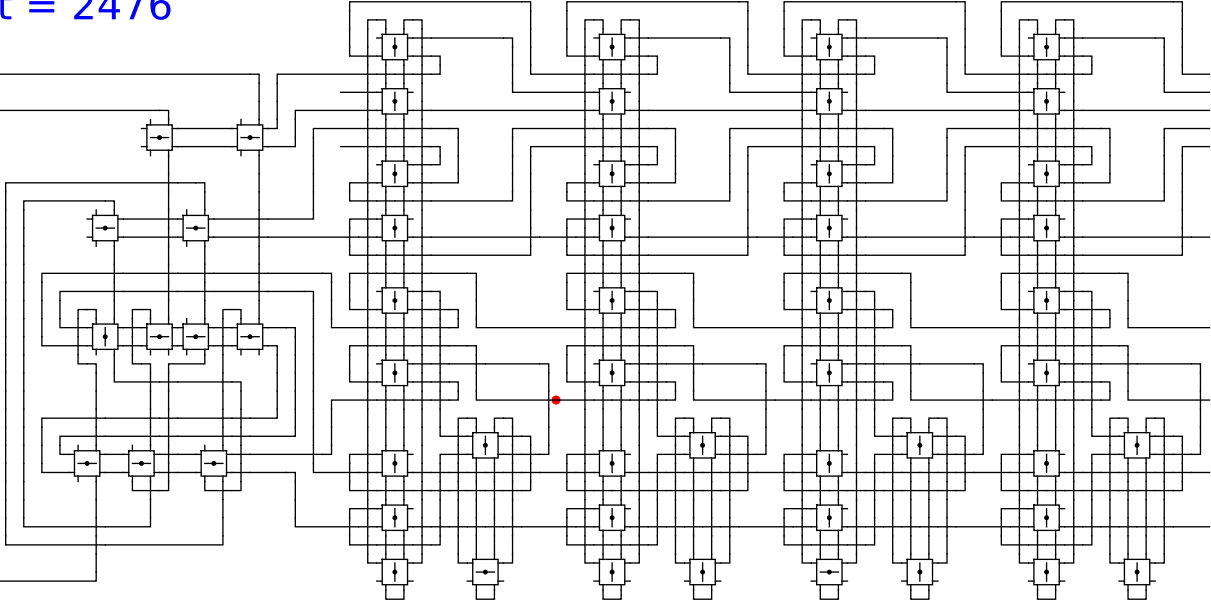
0

0

t = 2476

Reject
Accept

Begin

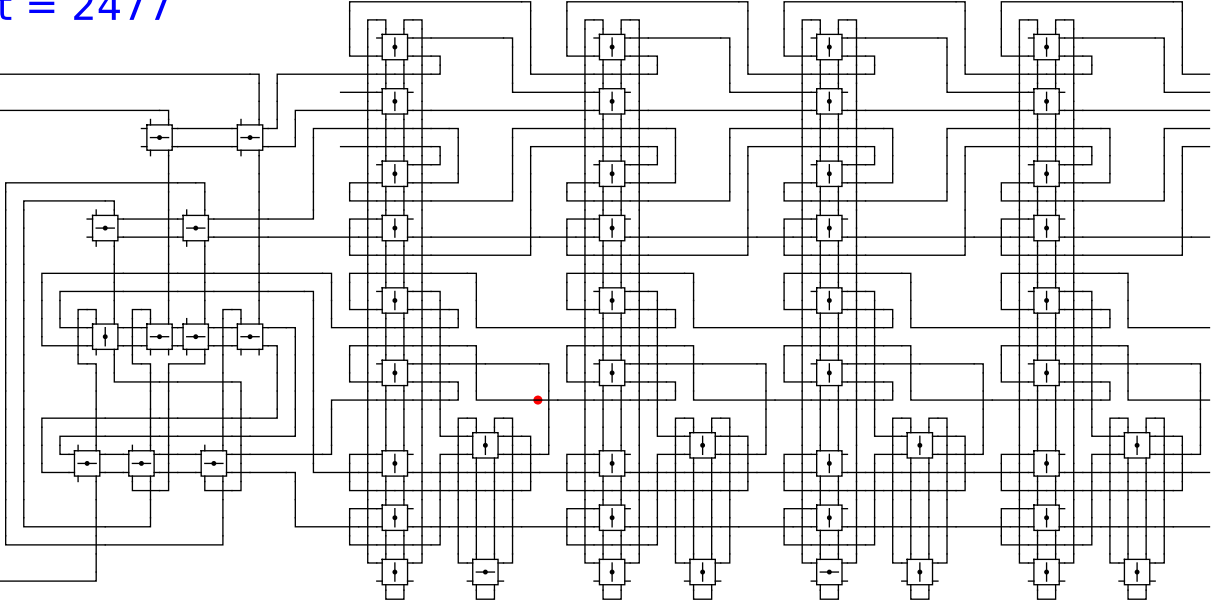


1 0 head 0 0

t = 2477

Reject
Accept

Begin



1

0

head

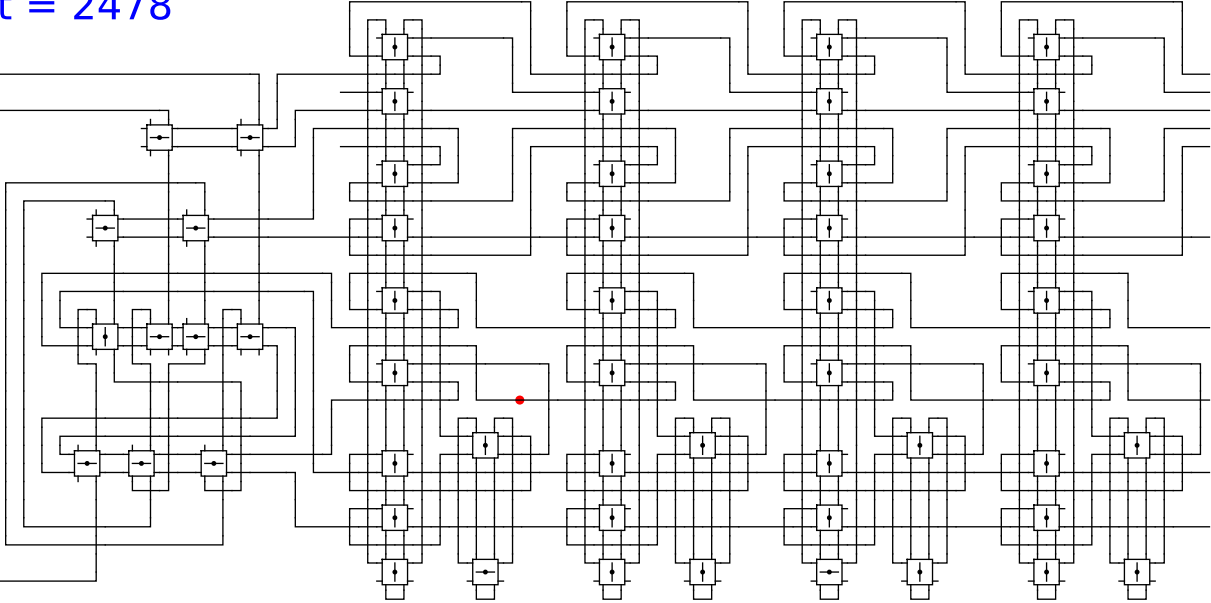
0

0

t = 2478

Reject
Accept

Begin

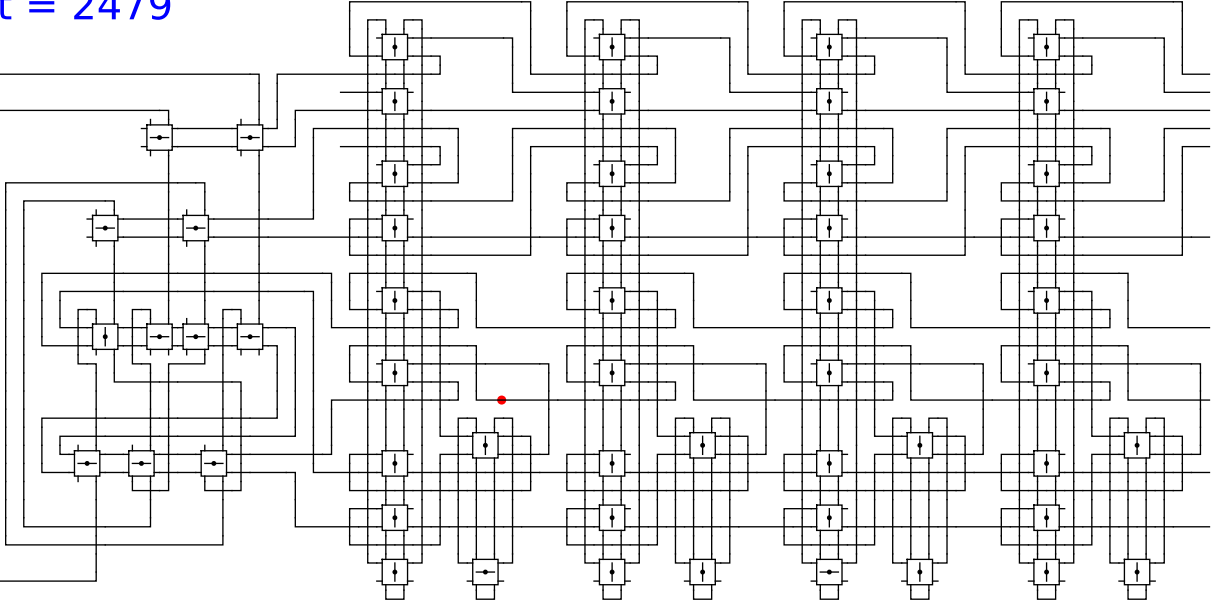


1 0 head 0 0

t = 2479

Reject
Accept

Begin



1

0

head

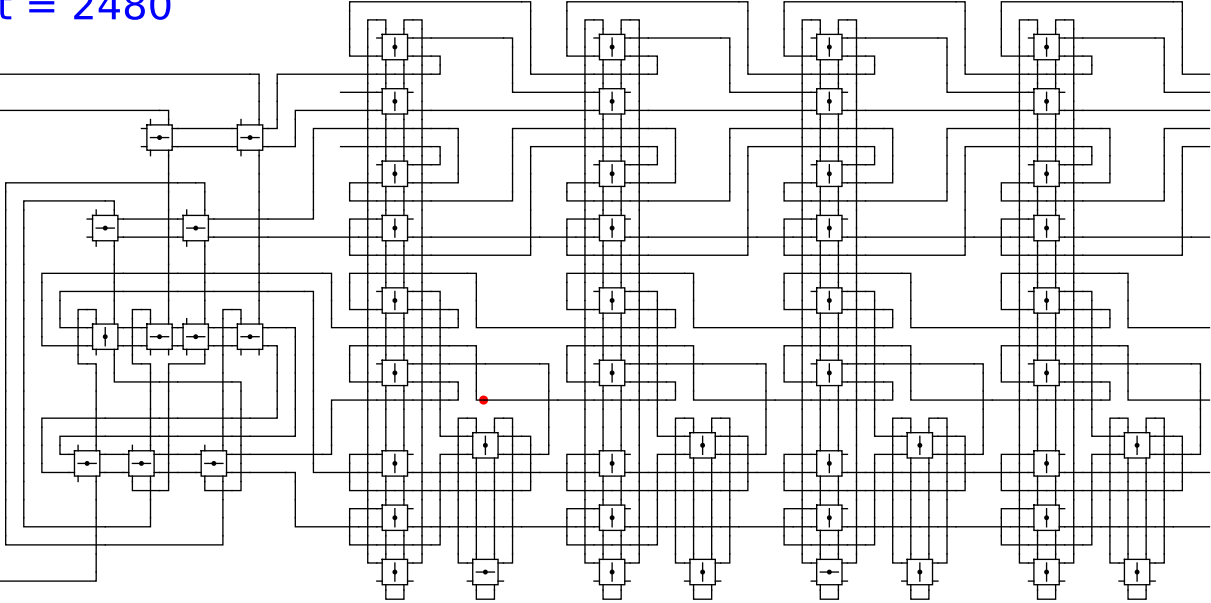
0

0

t = 2480

Reject
Accept

Begin

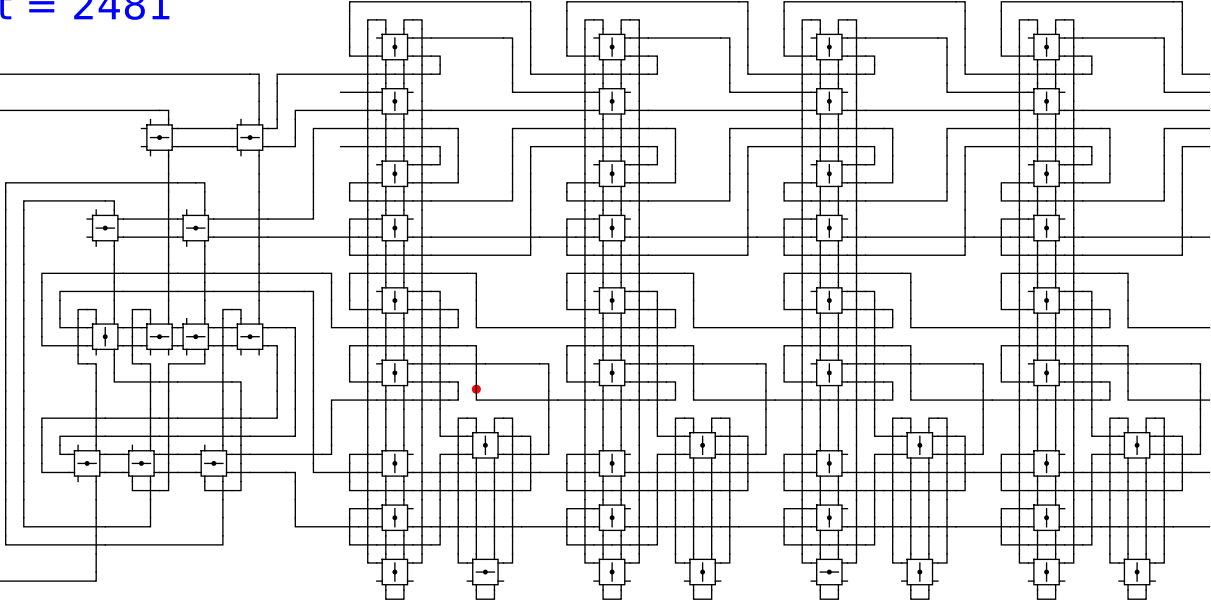


1 0 head 0 0

t = 2481

Reject
Accept

Begin



1

0

head

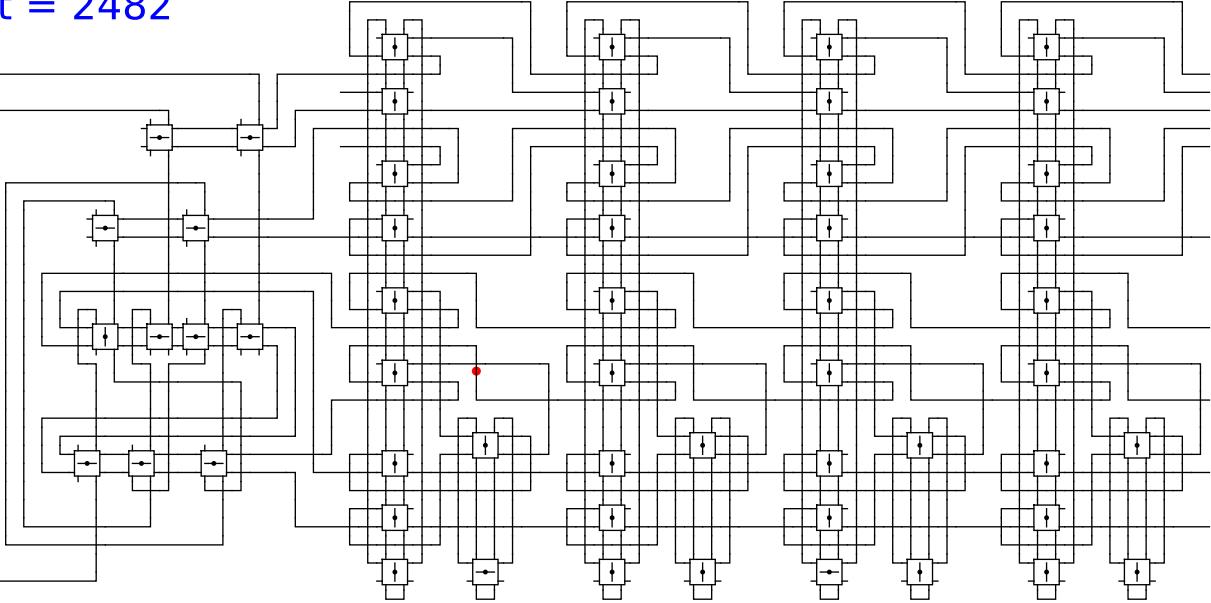
0

0

t = 2482

Reject
Accept

Begin

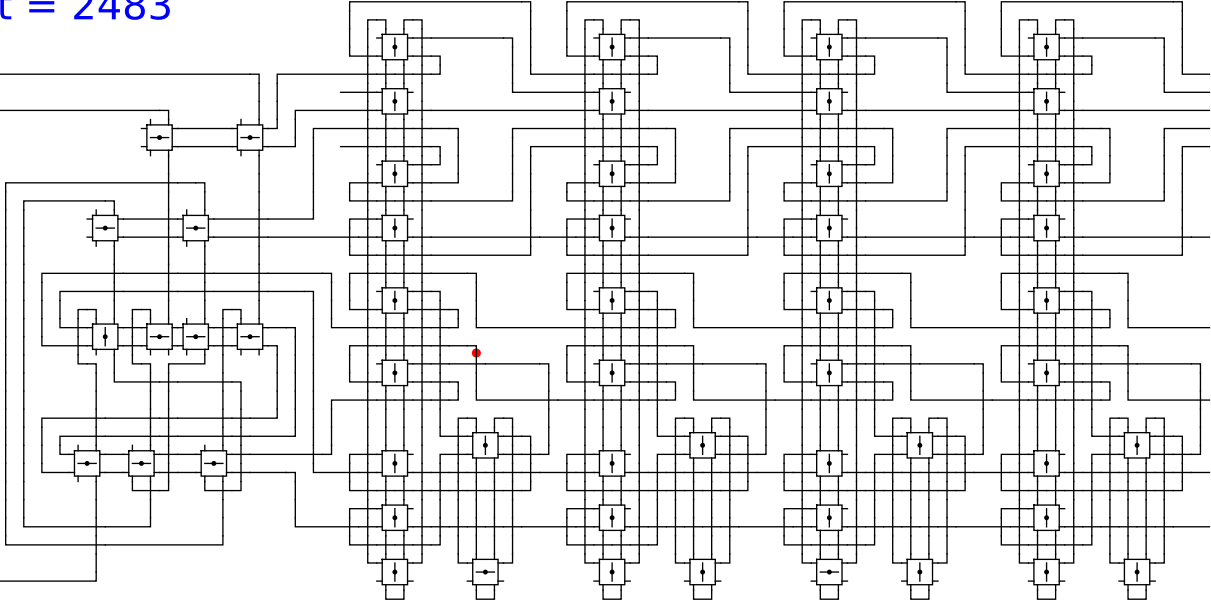


1 0 head 0 0

t = 2483

Reject
Accept

Begin



1

0

head

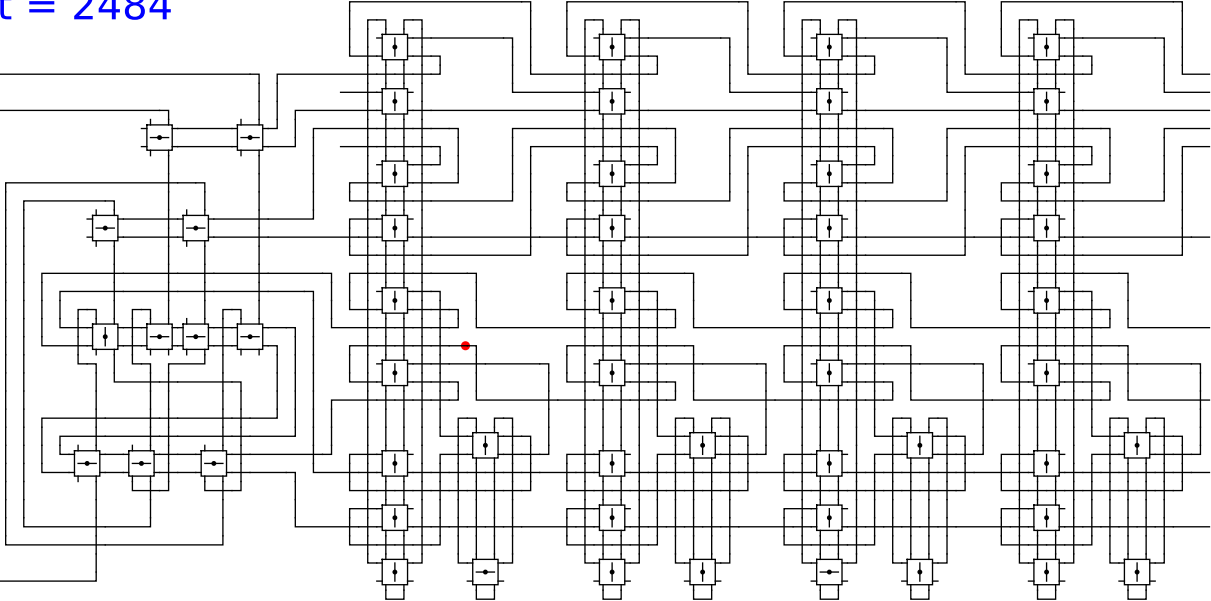
0

0

t = 2484

Reject
Accept

Begin



1

0

head

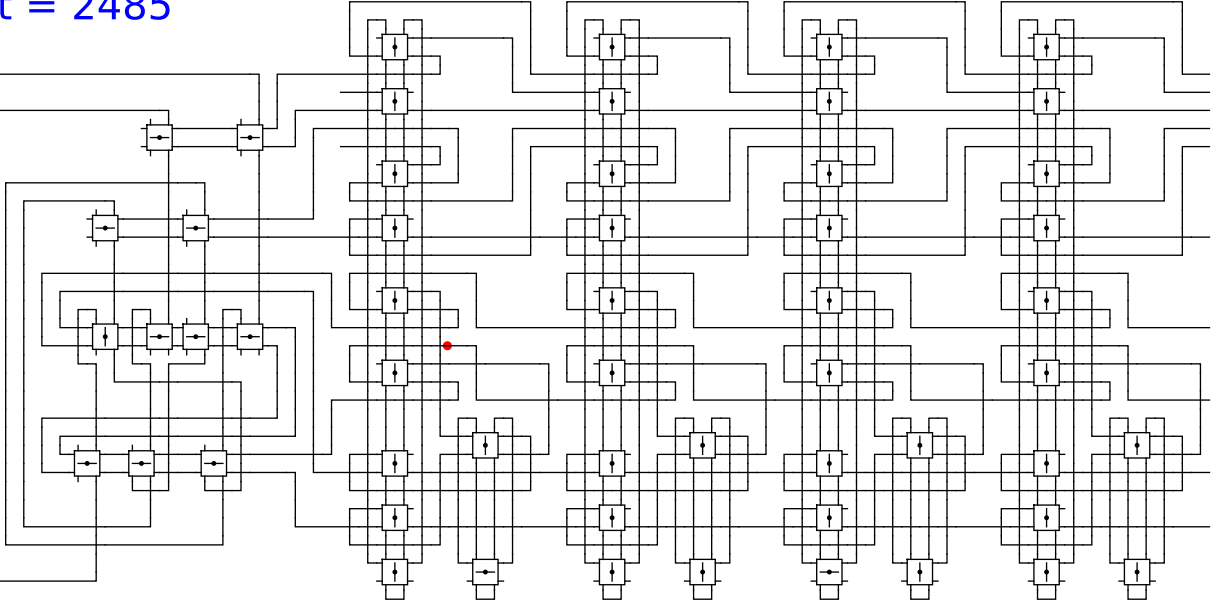
0

0

t = 2485

Reject
Accept

Begin



1

0

head

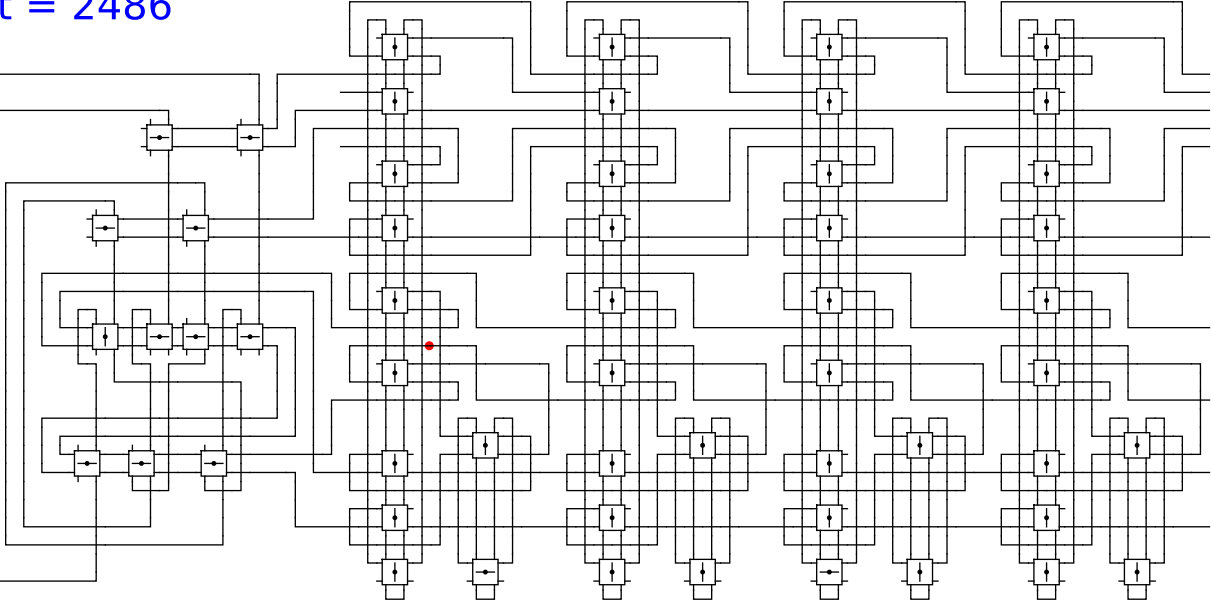
0

0

t = 2486

Reject
Accept

Begin



1

0

head

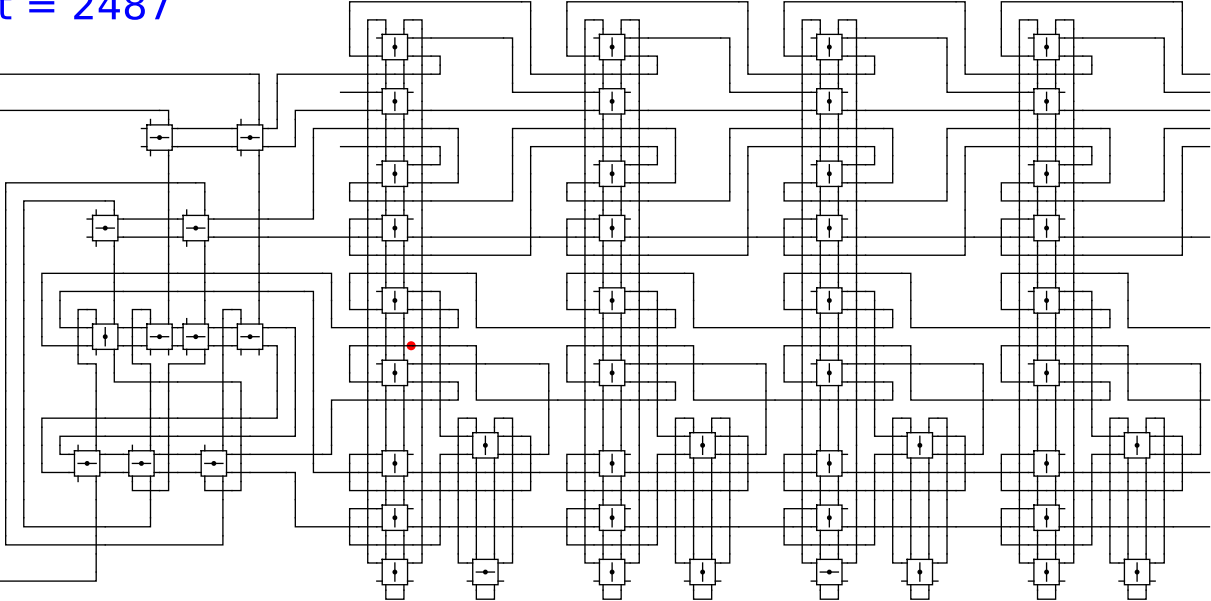
0

0

t = 2487

Reject
Accept

Begin

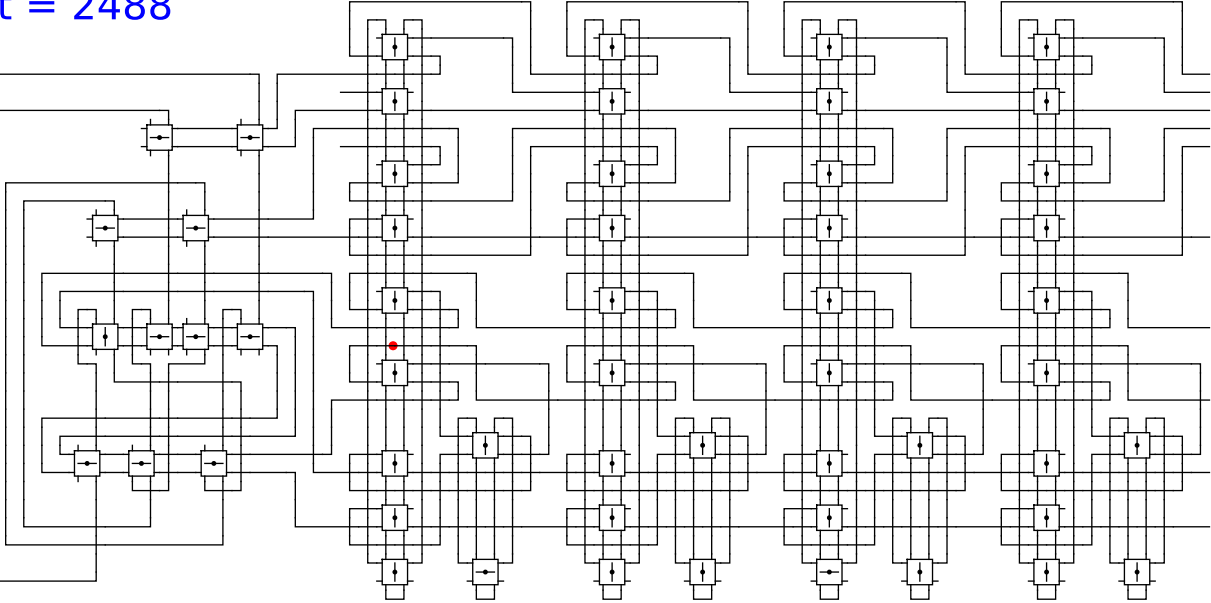


1 0 head 0 0

t = 2488

Reject
Accept

Begin

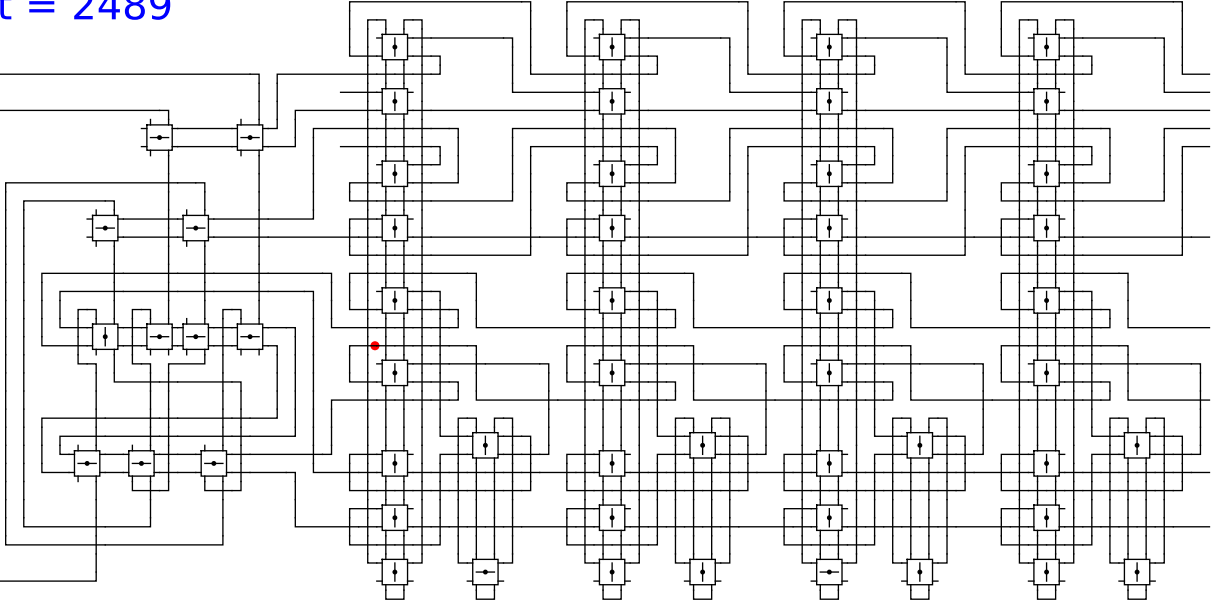


1 0 head 0 0

t = 2489

Reject
Accept

Begin

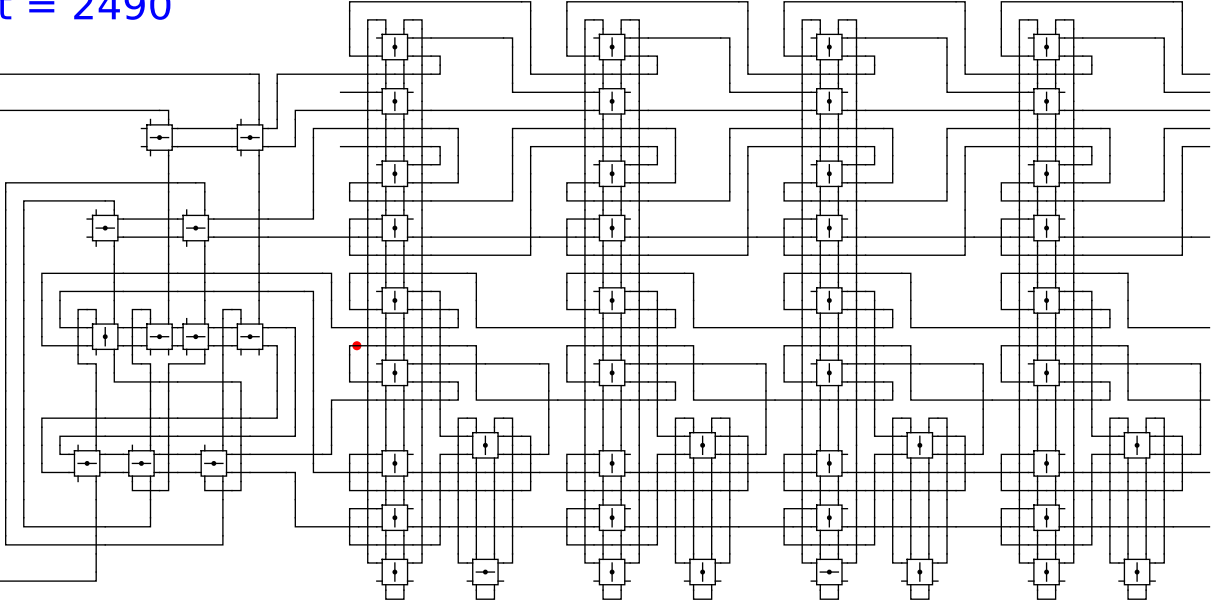


1 0 head 0 0

t = 2490

Reject
Accept

Begin

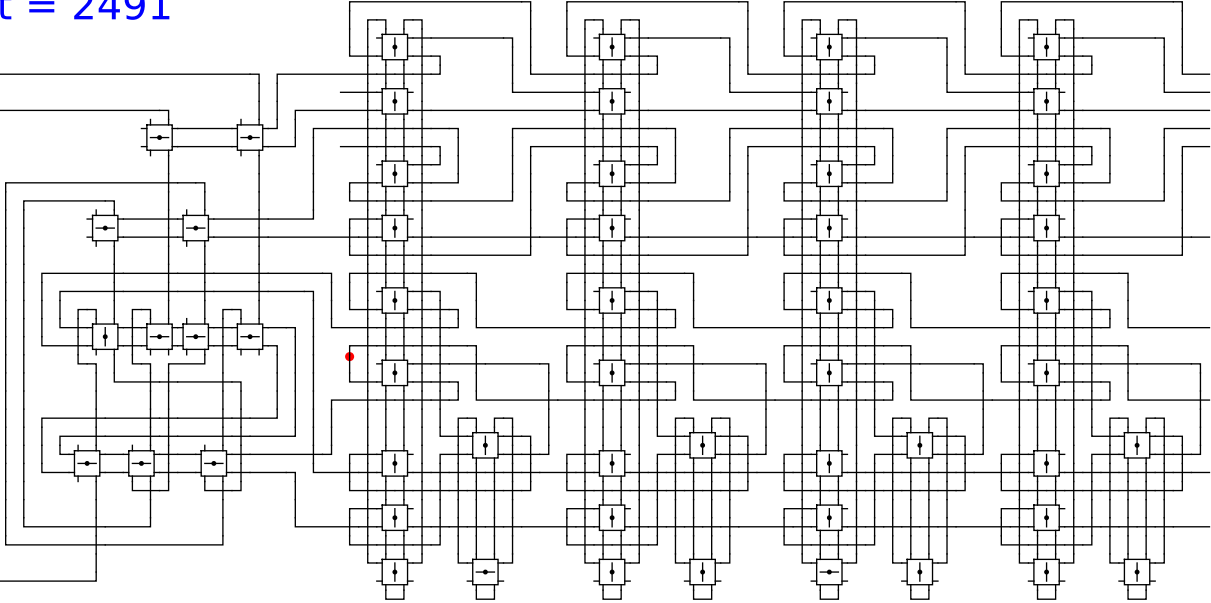


1 0 head 0 0

t = 2491

Reject
Accept

Begin



1

0

head

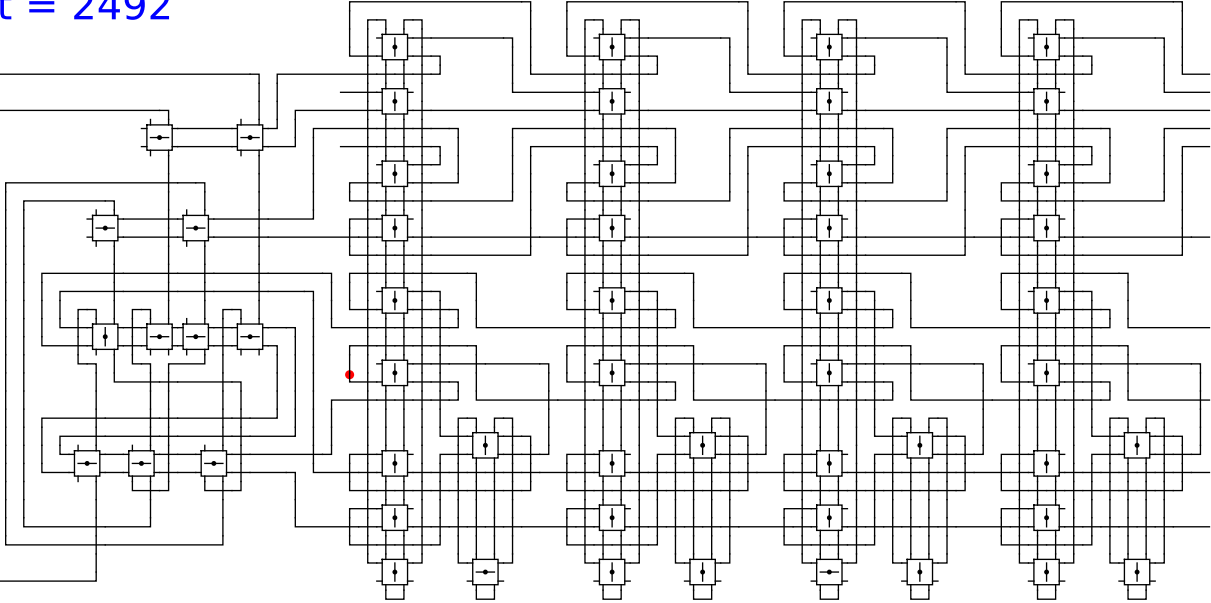
0

0

t = 2492

Reject
Accept

Begin

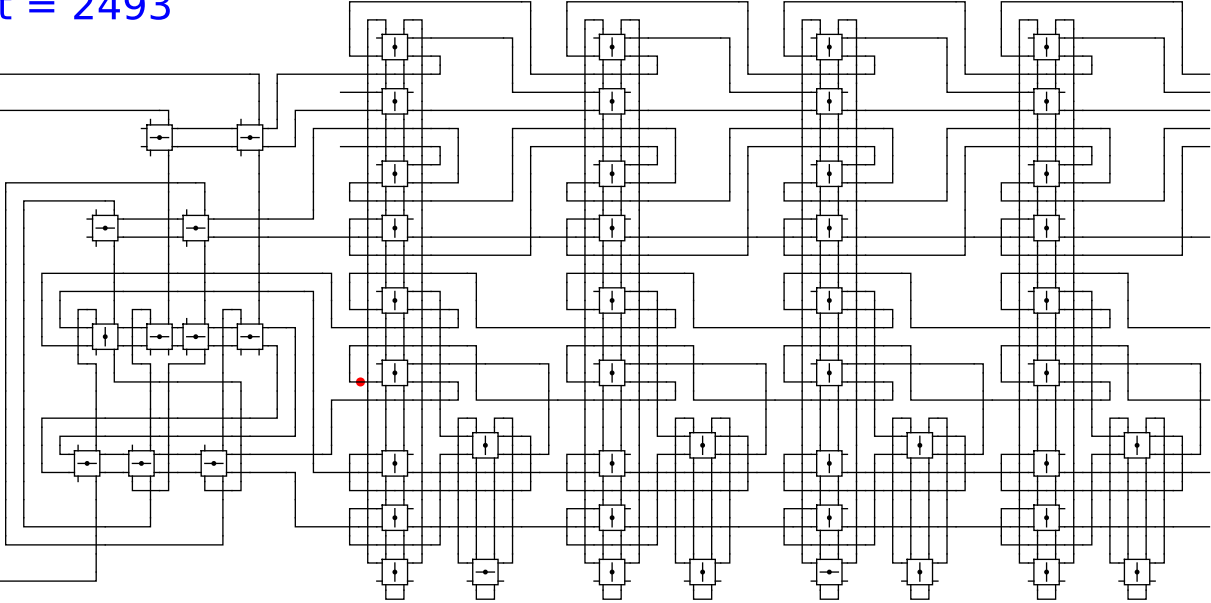


1 0 head 0 0

t = 2493

Reject
Accept

Begin

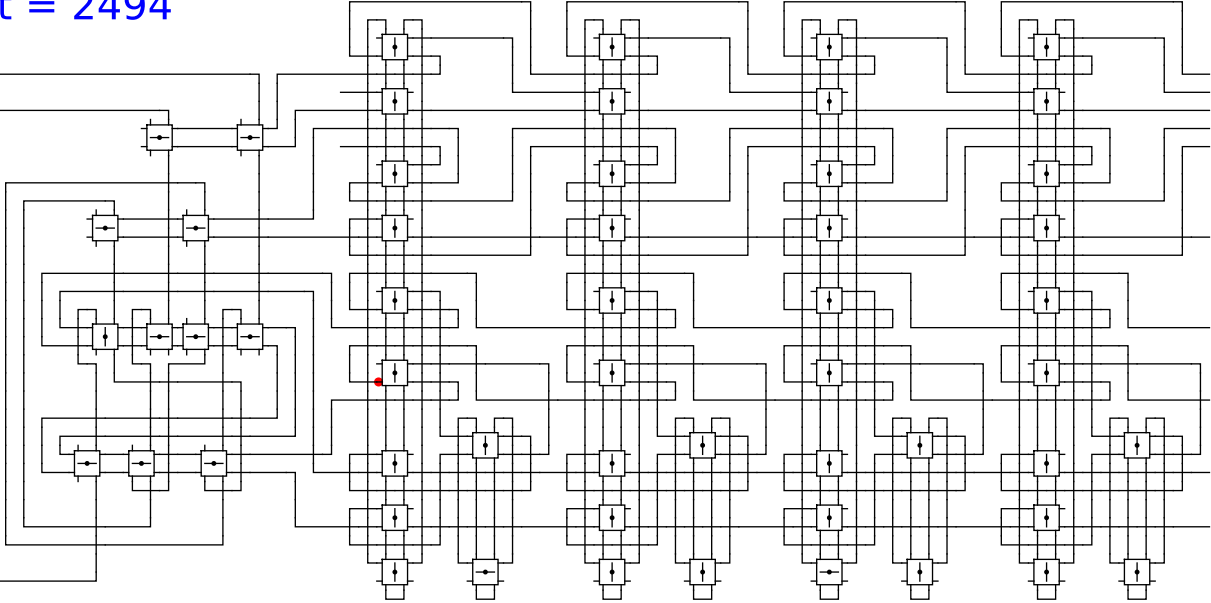


1 0 head 0 0

t = 2494

Reject
Accept

Begin



1

0

head

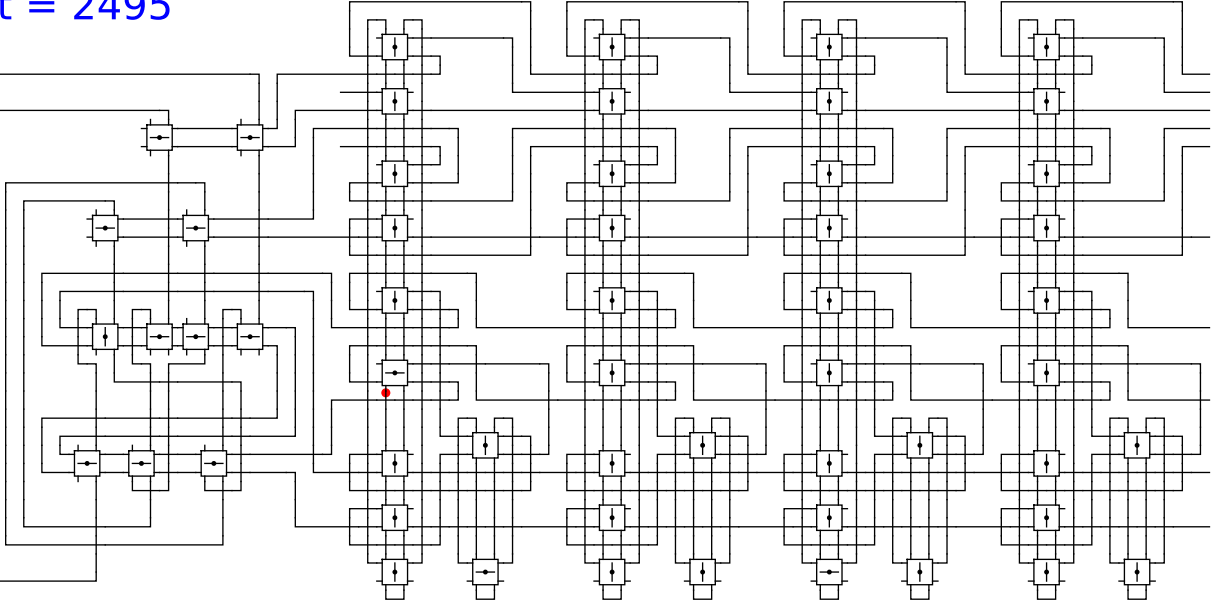
0

0

t = 2495

Reject
Accept

Begin

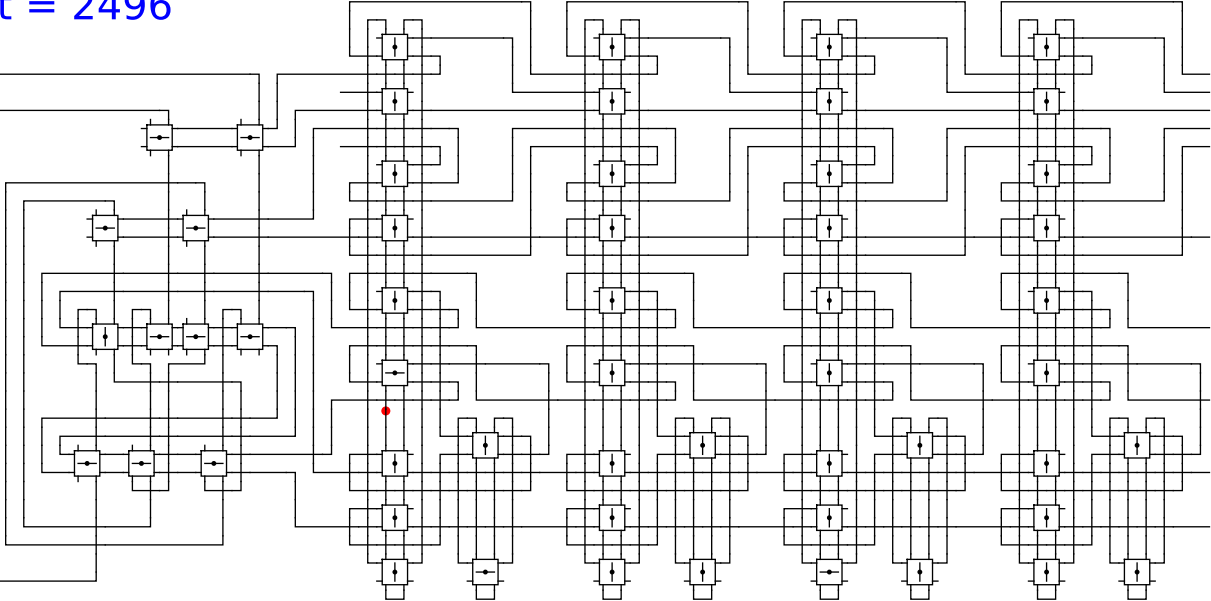


1 0 head 0 0

t = 2496

Reject
Accept

Begin



1

0

head

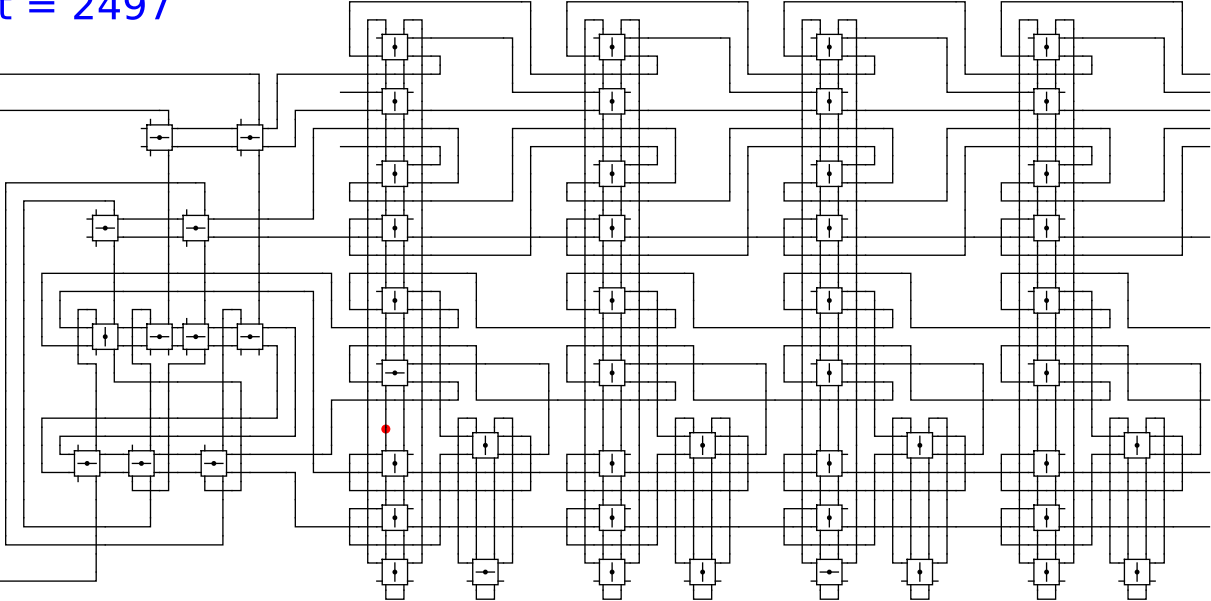
0

0

t = 2497

Reject
Accept

Begin



1

0

head

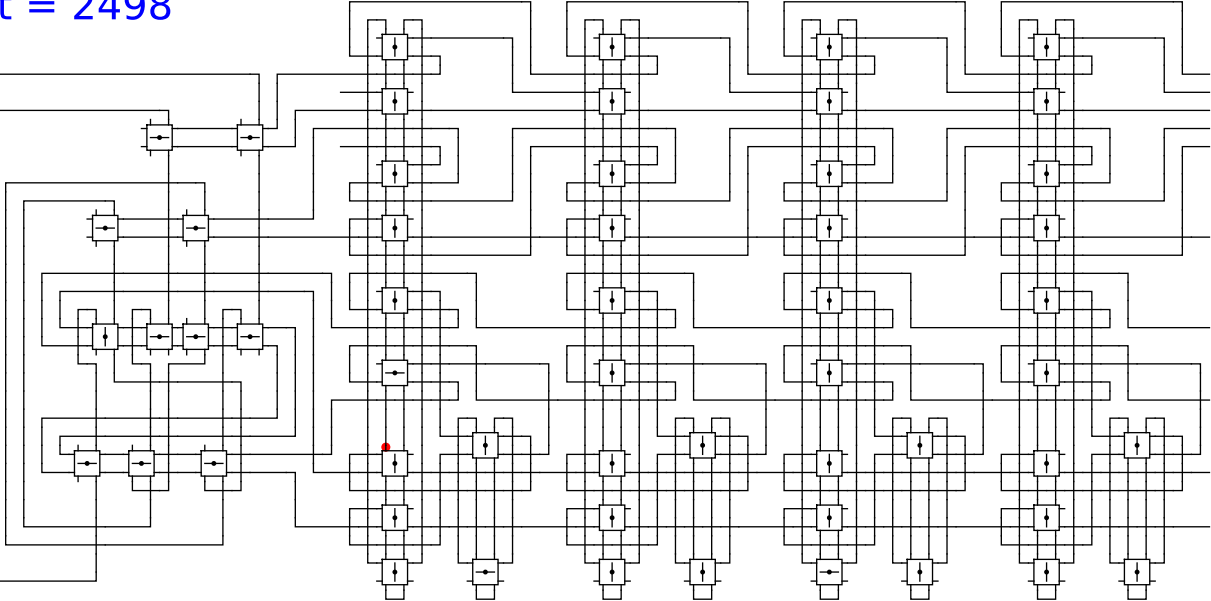
0

0

t = 2498

Reject
Accept

Begin



1

0

head

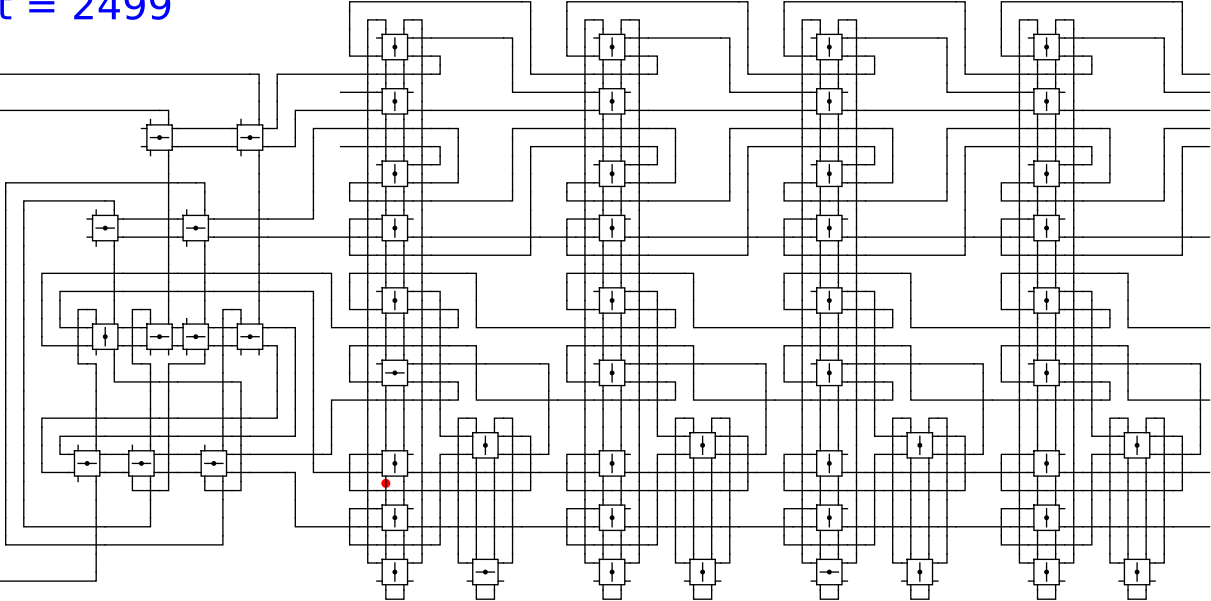
0

0

t = 2499

Reject
Accept

Begin



1

0

head

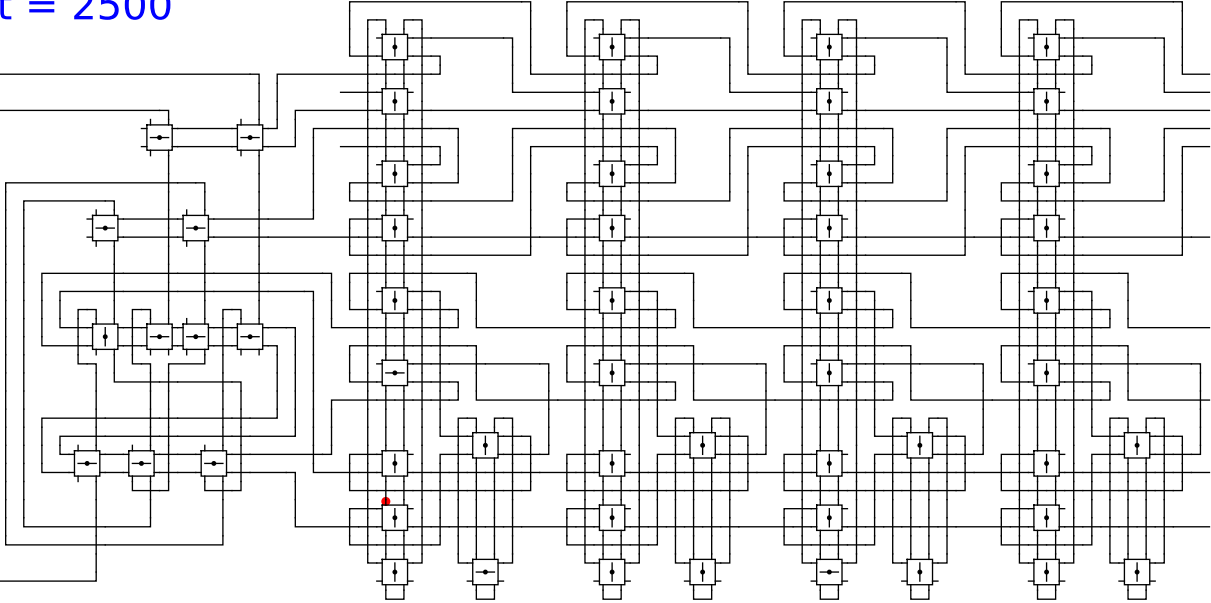
0

0

t = 2500

Reject
Accept

Begin

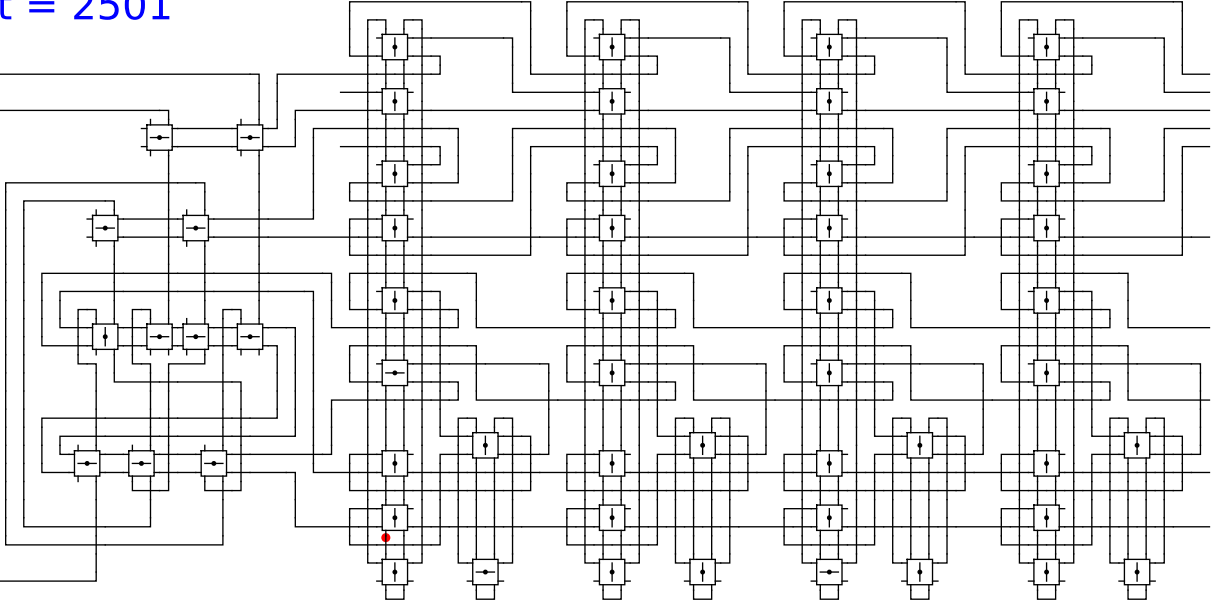


1 0 head 0 0

t = 2501

Reject
Accept

Begin

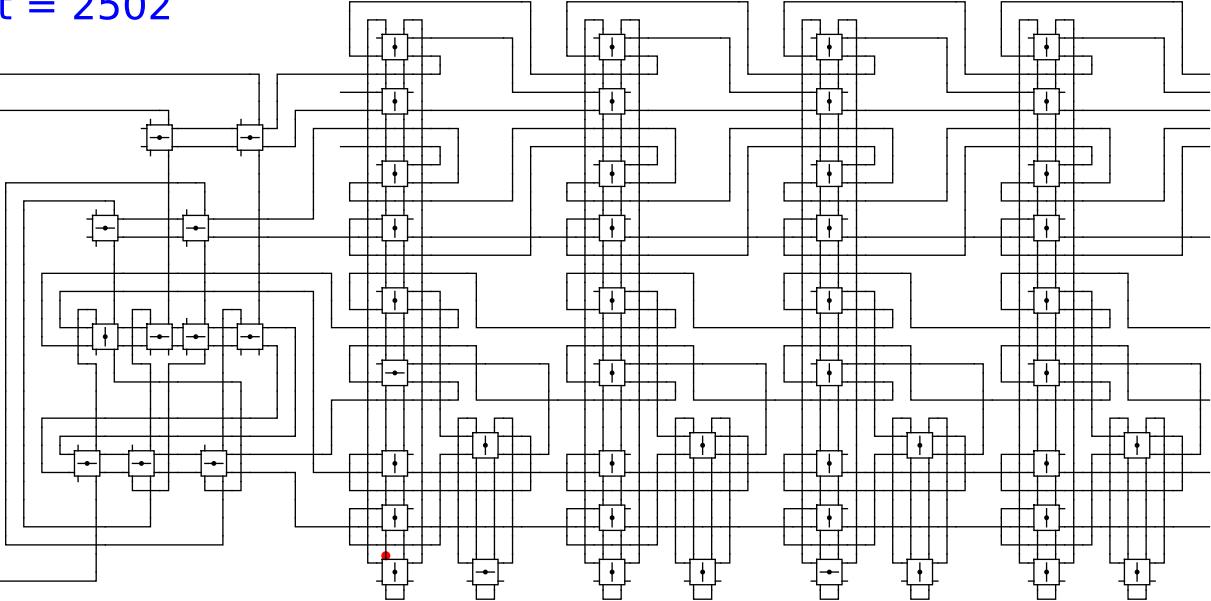


1 0 head 0 0

t = 2502

Reject
Accept

Begin

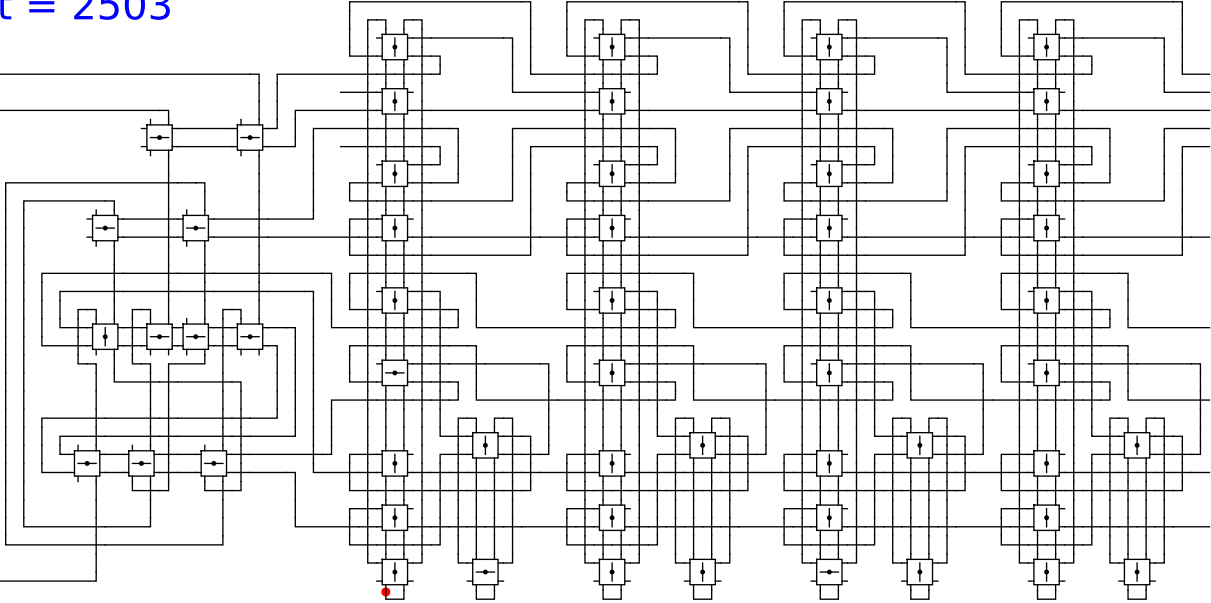


1 0 head 0 0

t = 2503

Reject
Accept

Begin

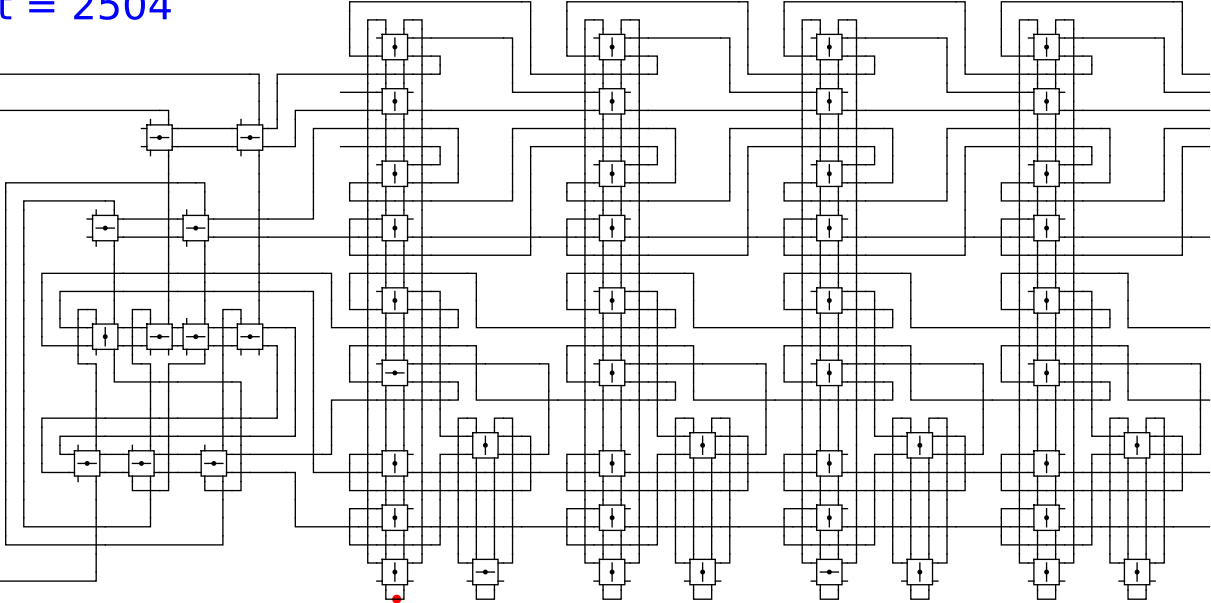


1 0 head 0 0

t = 2504

Reject
Accept

Begin



1

0

head

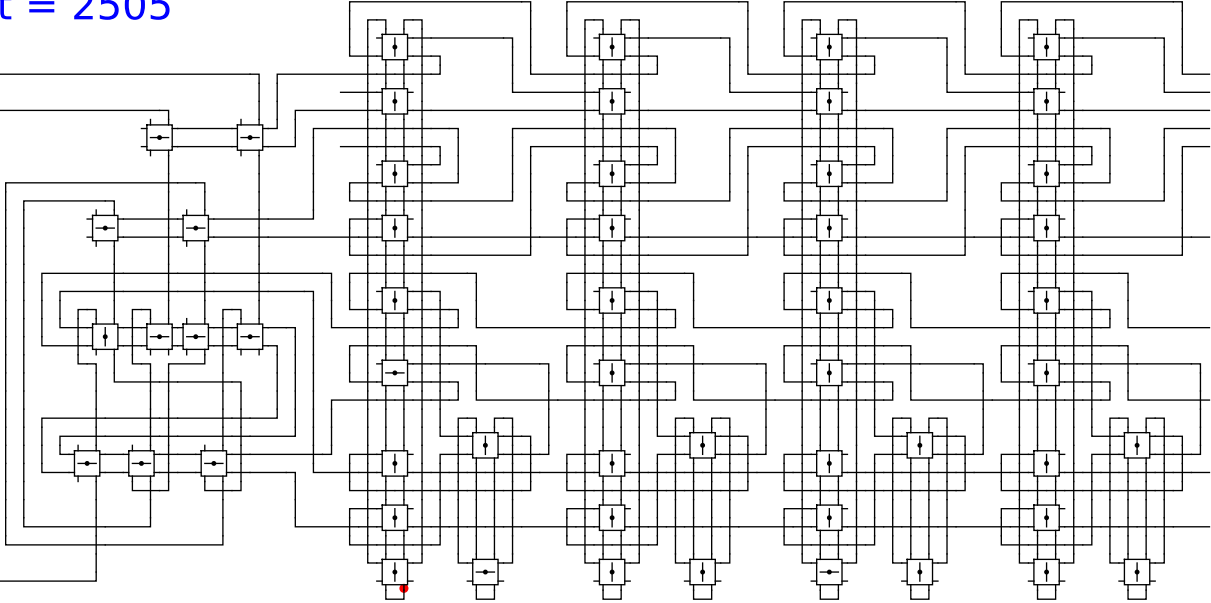
0

0

t = 2505

Reject
Accept

Begin



1

0

head

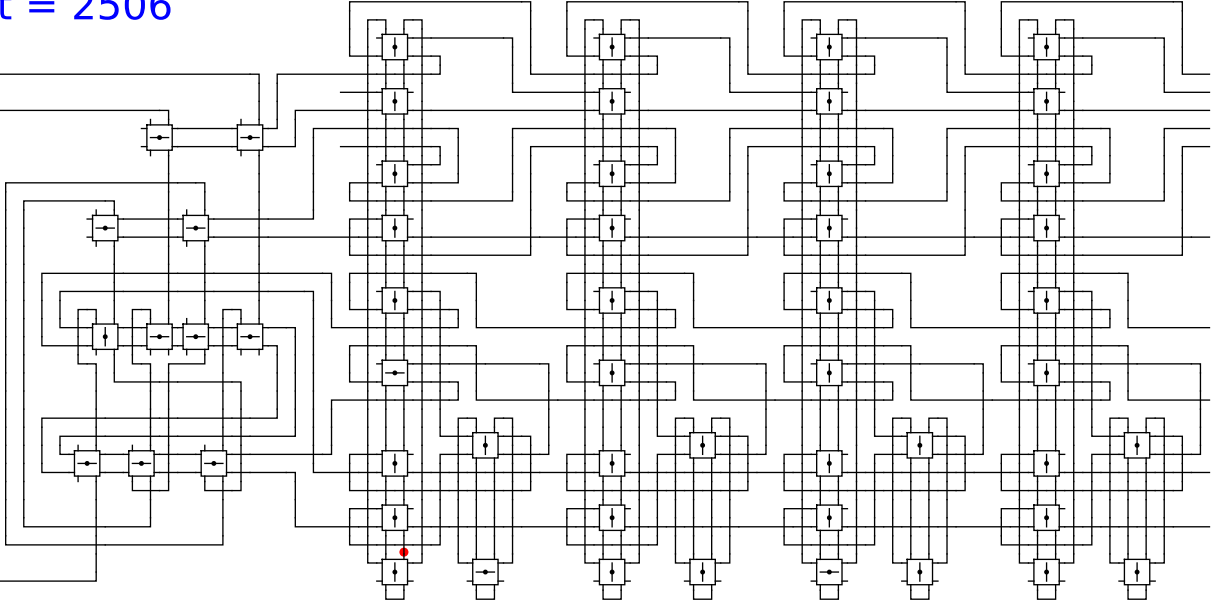
0

0

t = 2506

Reject
Accept

Begin

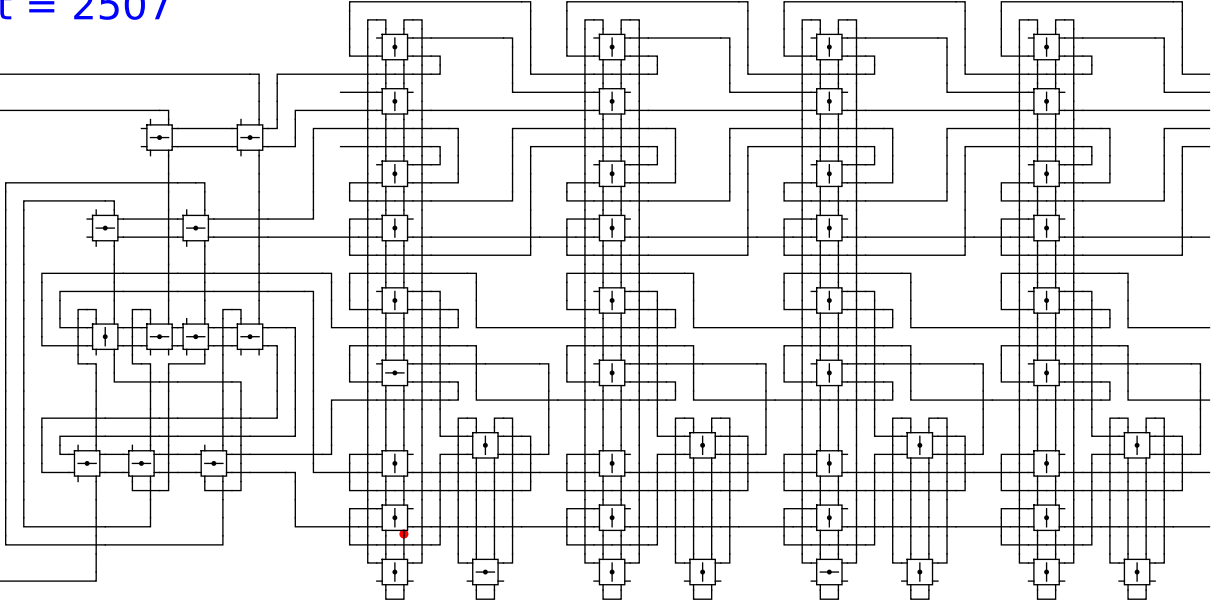


1 0 head 0 0

t = 2507

Reject
Accept

Begin

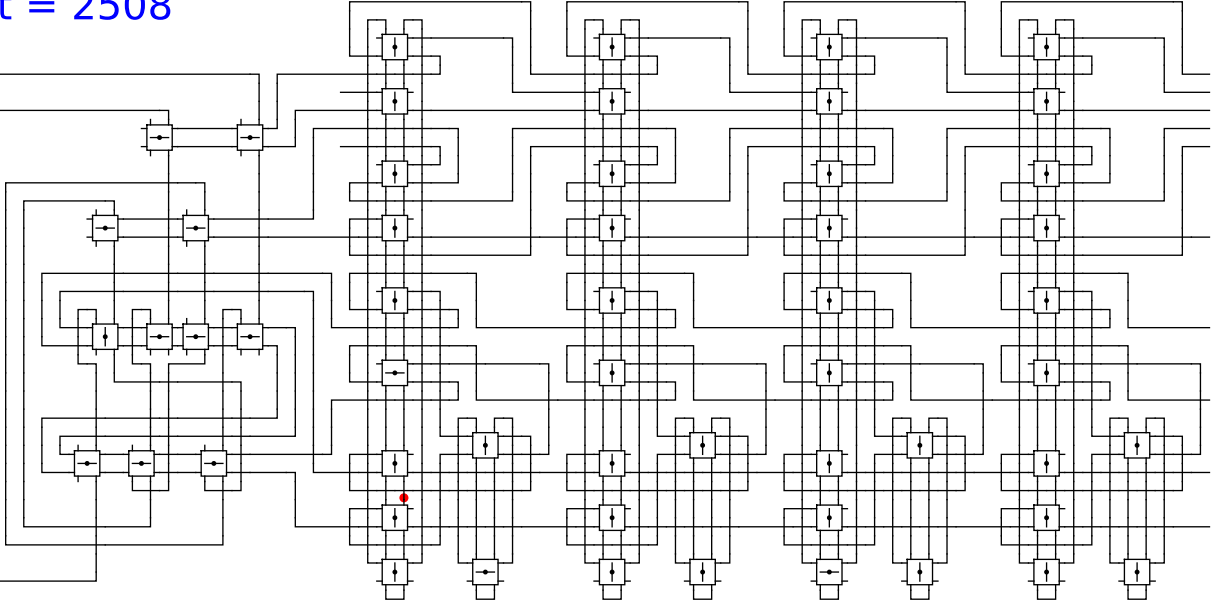


1 0 head 0 0

t = 2508

Reject
Accept

Begin

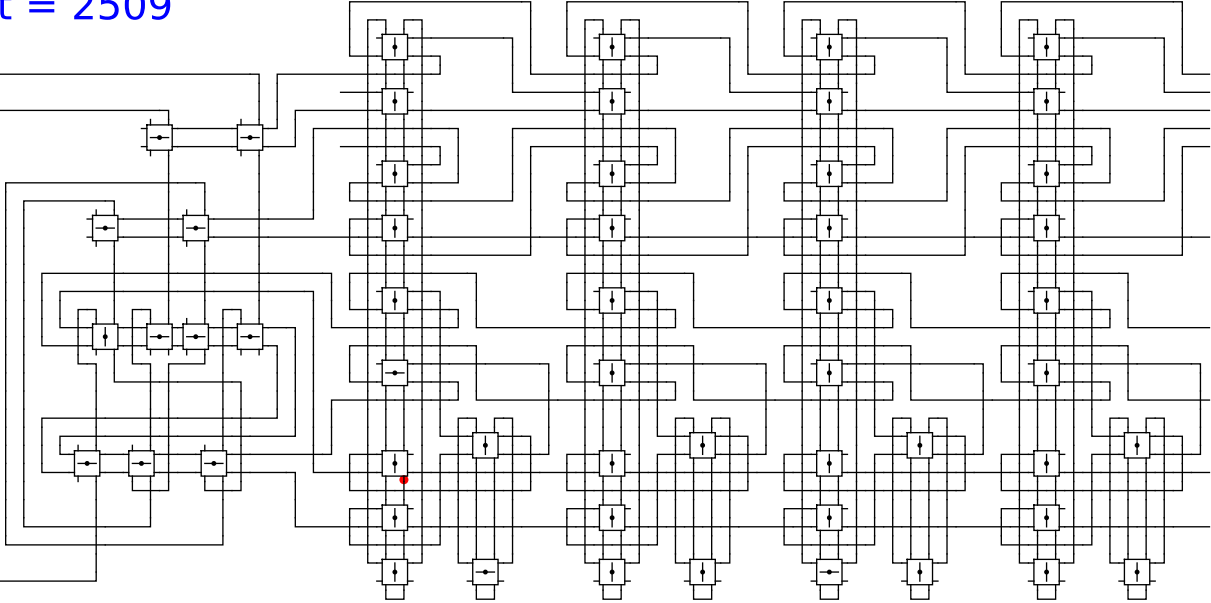


1 0 head 0 0

t = 2509

Reject
Accept

Begin



1

0

head

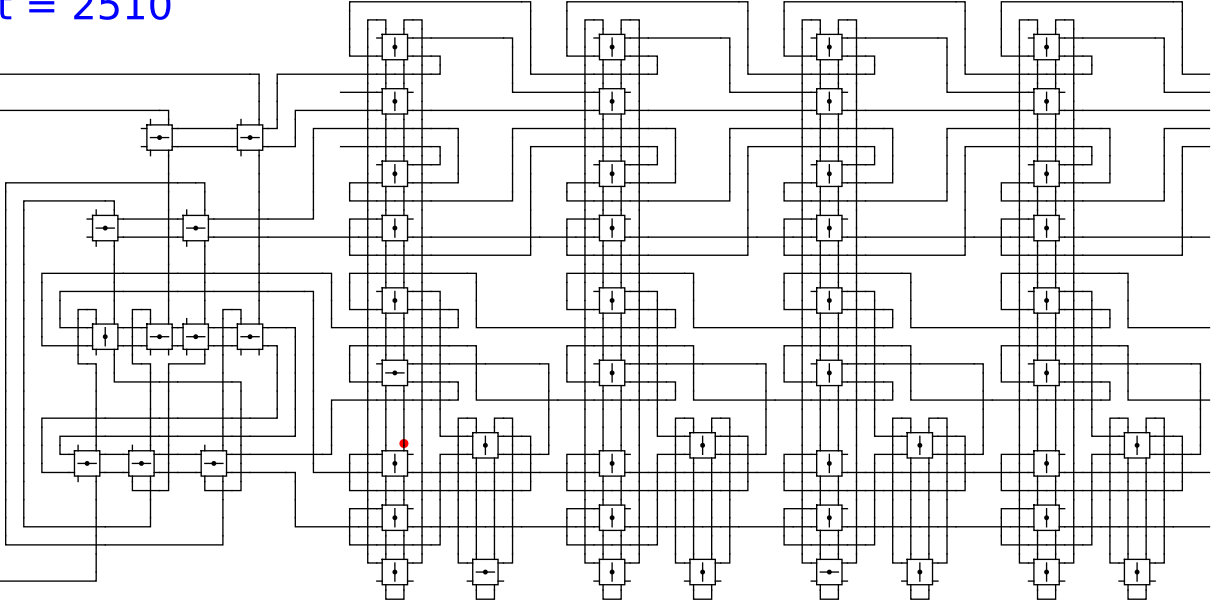
0

0

t = 2510

Reject
Accept

Begin

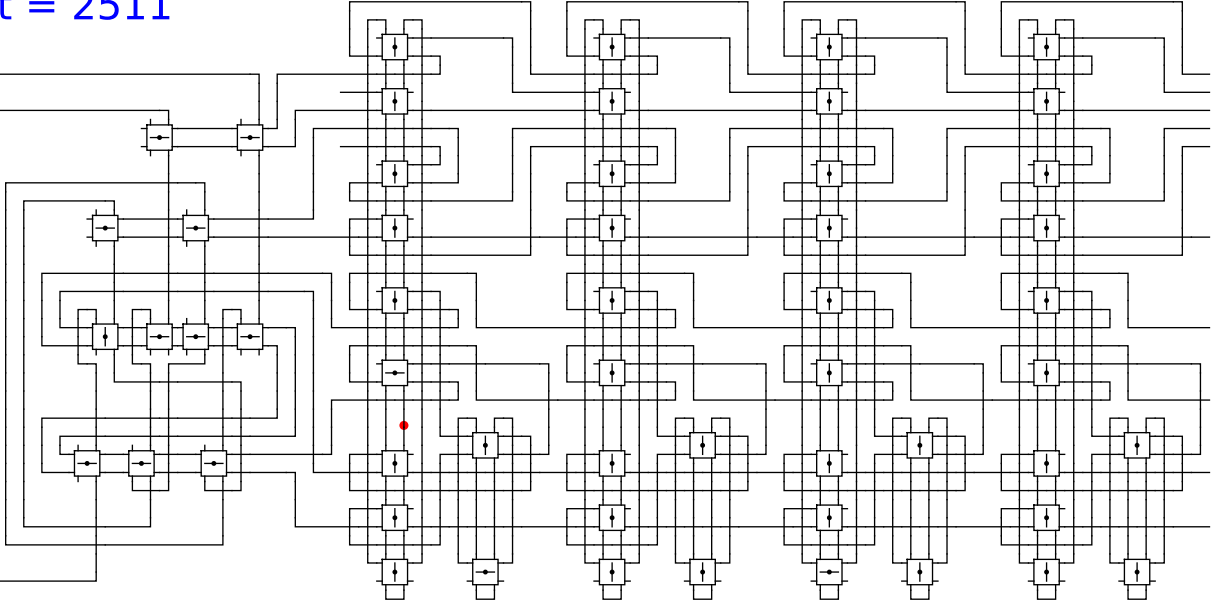


1 0 head 0 0

t = 2511

Reject
Accept

Begin

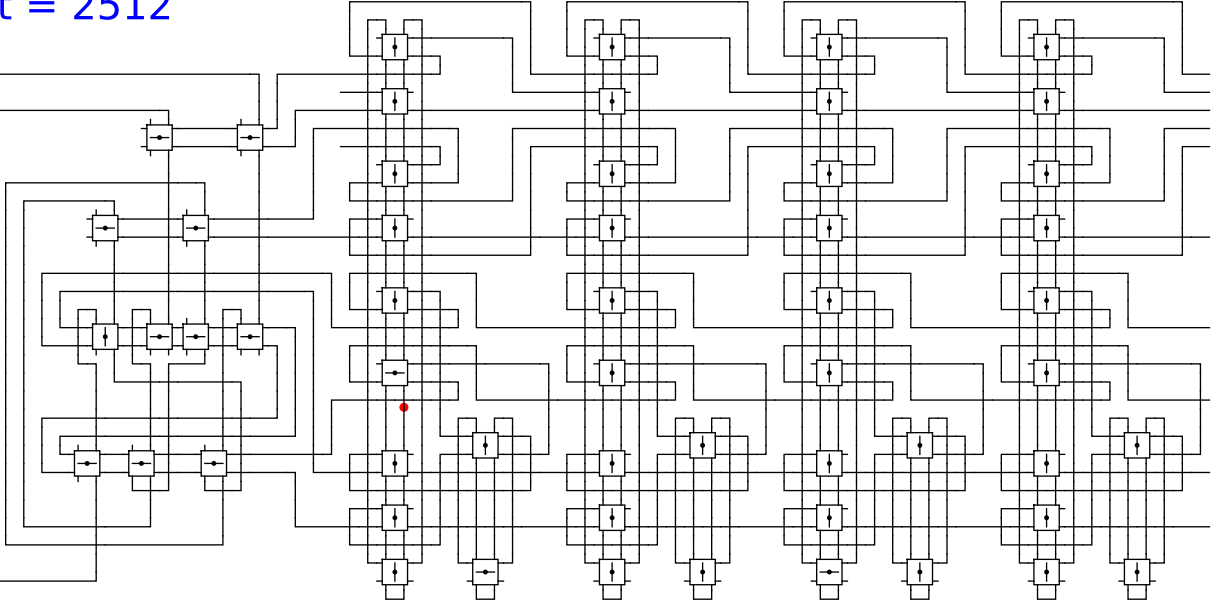


1 0 head 0 0

t = 2512

Reject
Accept

Begin

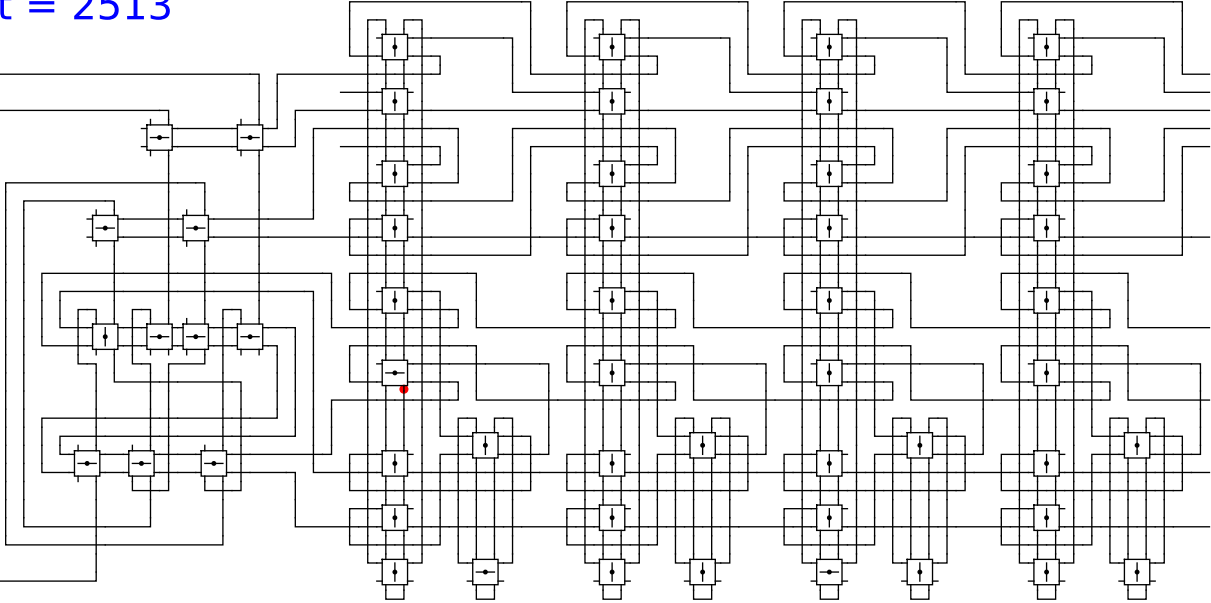


1 0 head 0 0

t = 2513

Reject
Accept

Begin



1

0

head

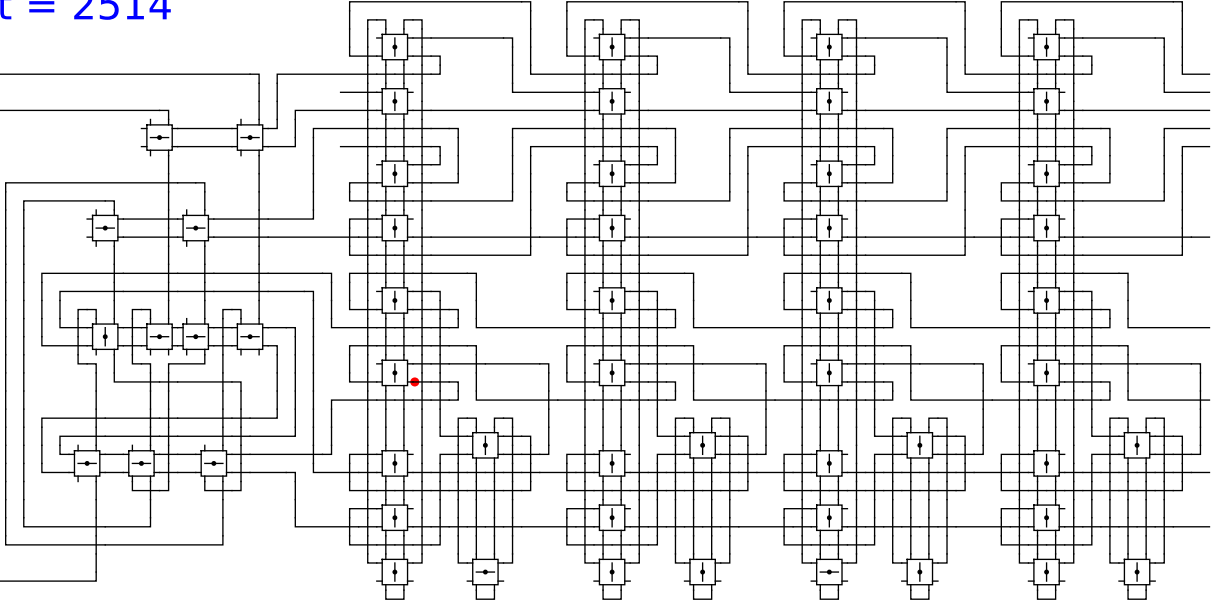
0

0

t = 2514

Reject
Accept

Begin



1

0

head

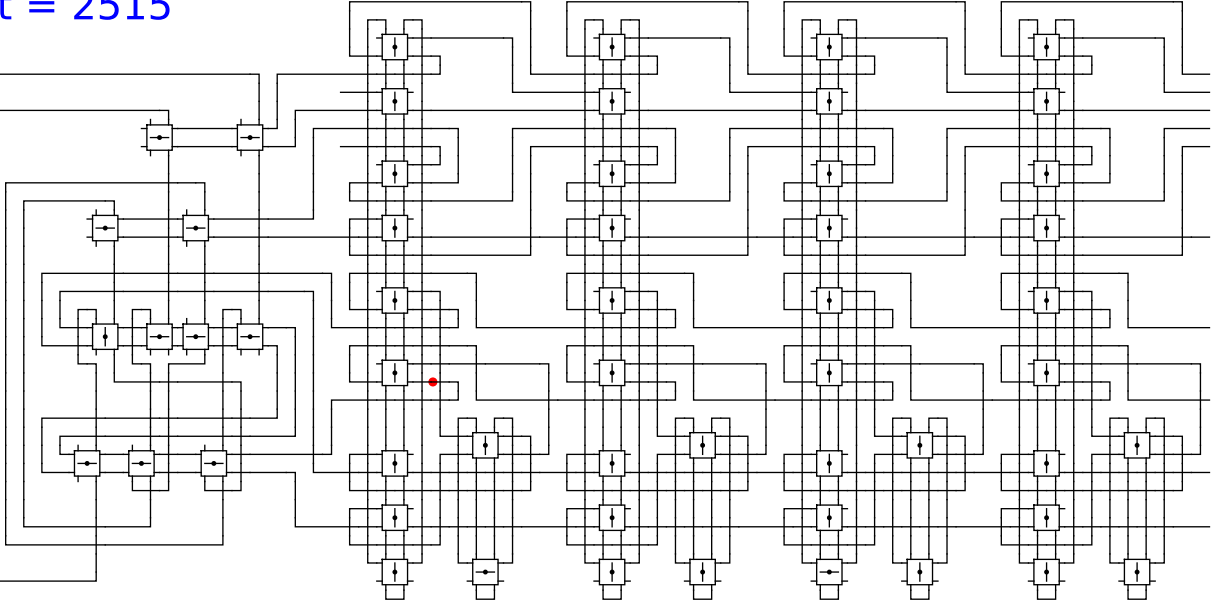
0

0

t = 2515

Reject
Accept

Begin

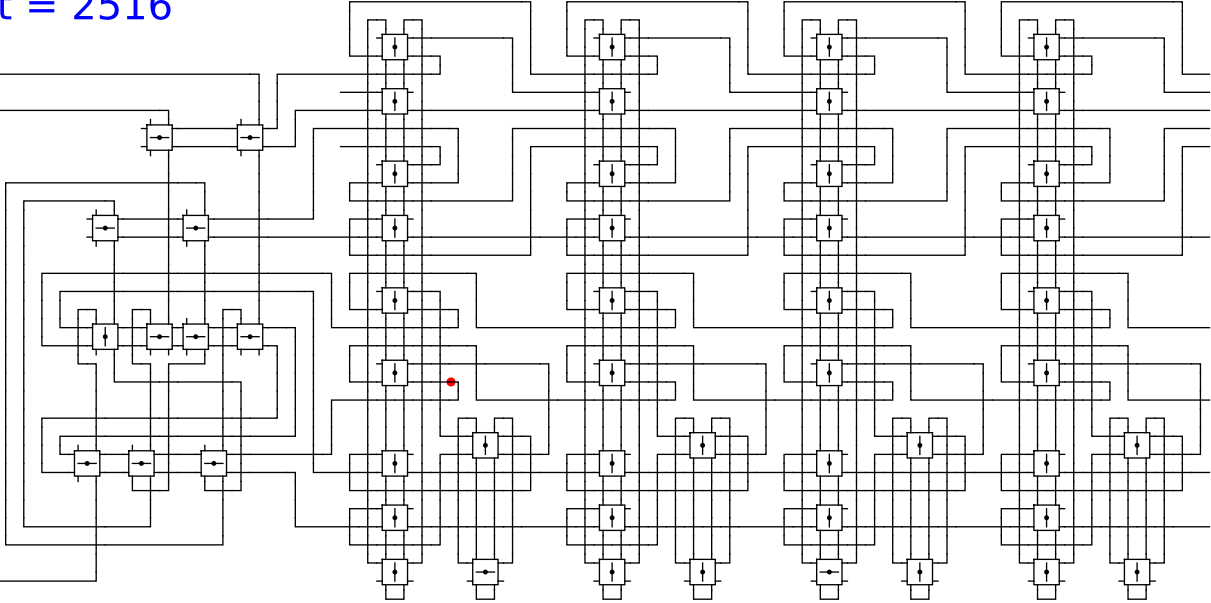


1 0 head 0 0

t = 2516

Reject
Accept

Begin

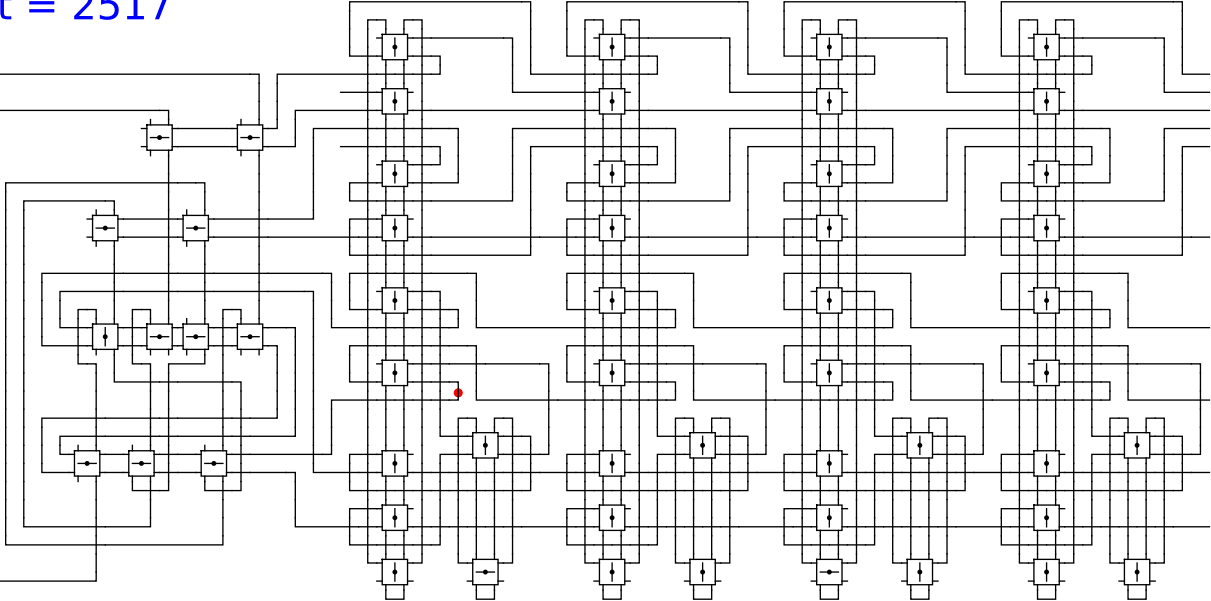


1 0 head 0 0

t = 2517

Reject
Accept

Begin



1

0

head

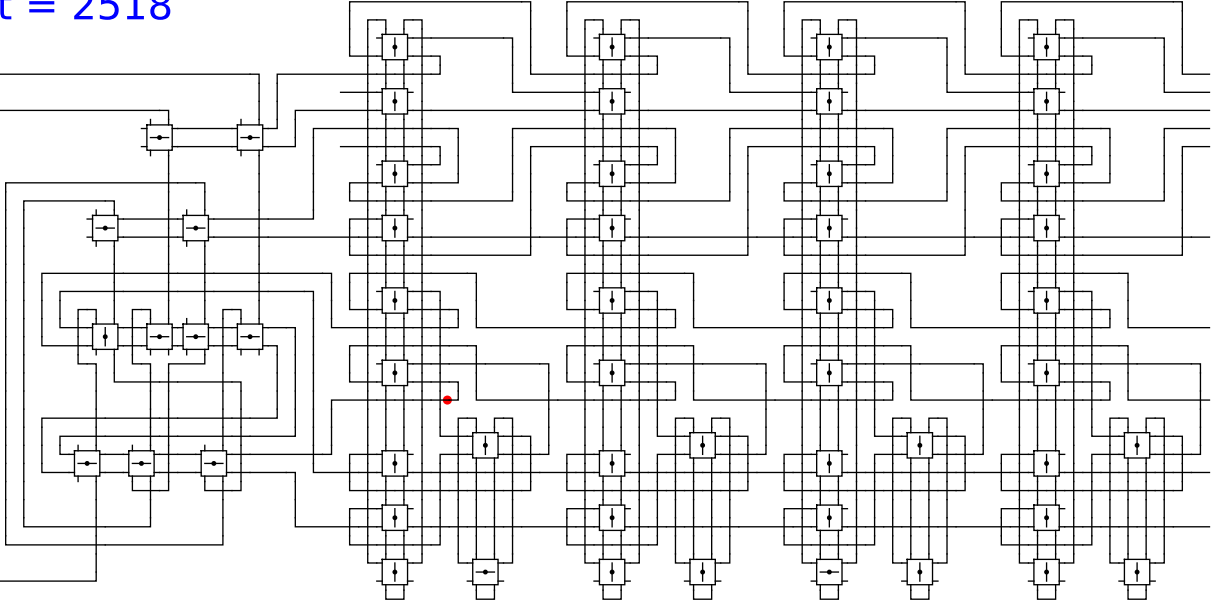
0

0

t = 2518

Reject
Accept

Begin



1

0

head

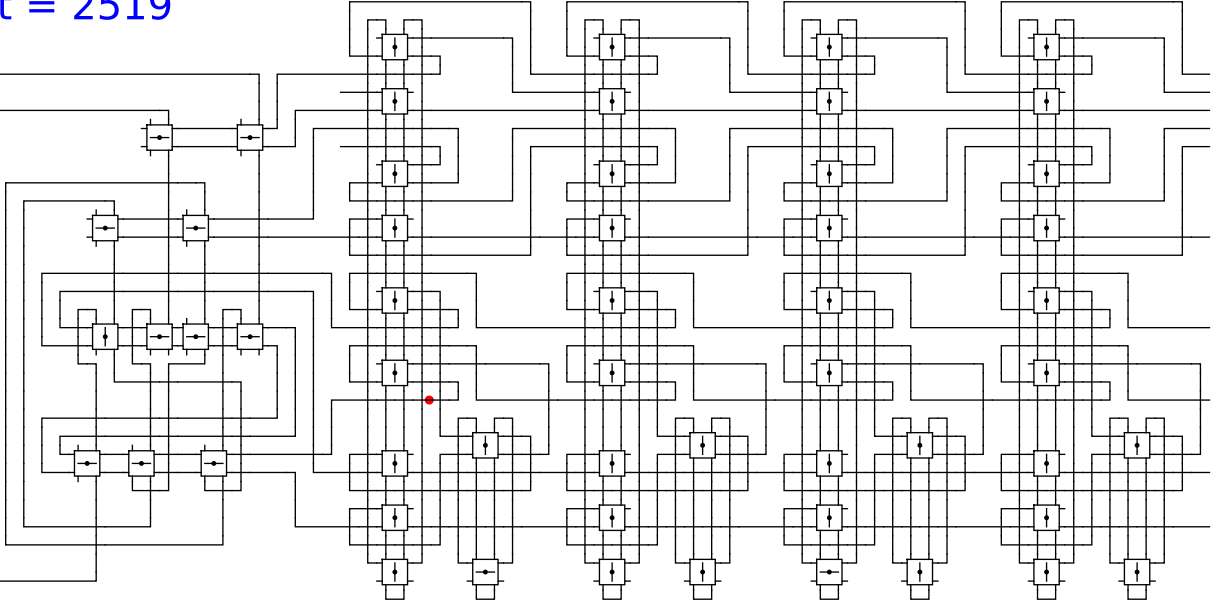
0

0

t = 2519

Reject
Accept

Begin

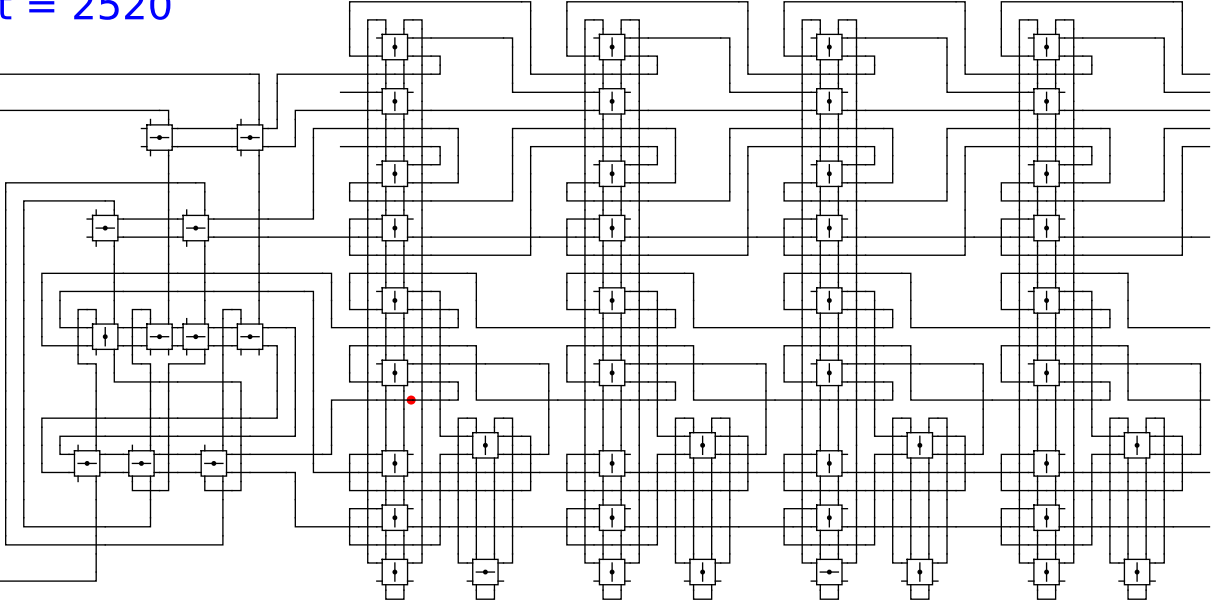


1 0 head 0 0

t = 2520

Reject
Accept

Begin



1

0

head

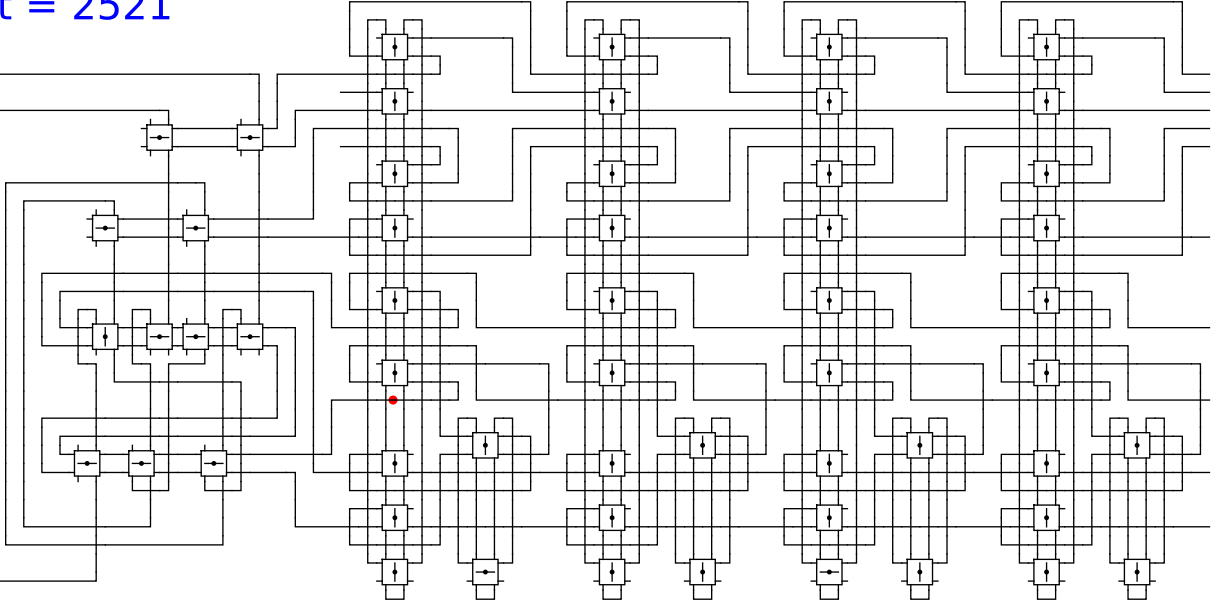
0

0

t = 2521

Reject
Accept

Begin

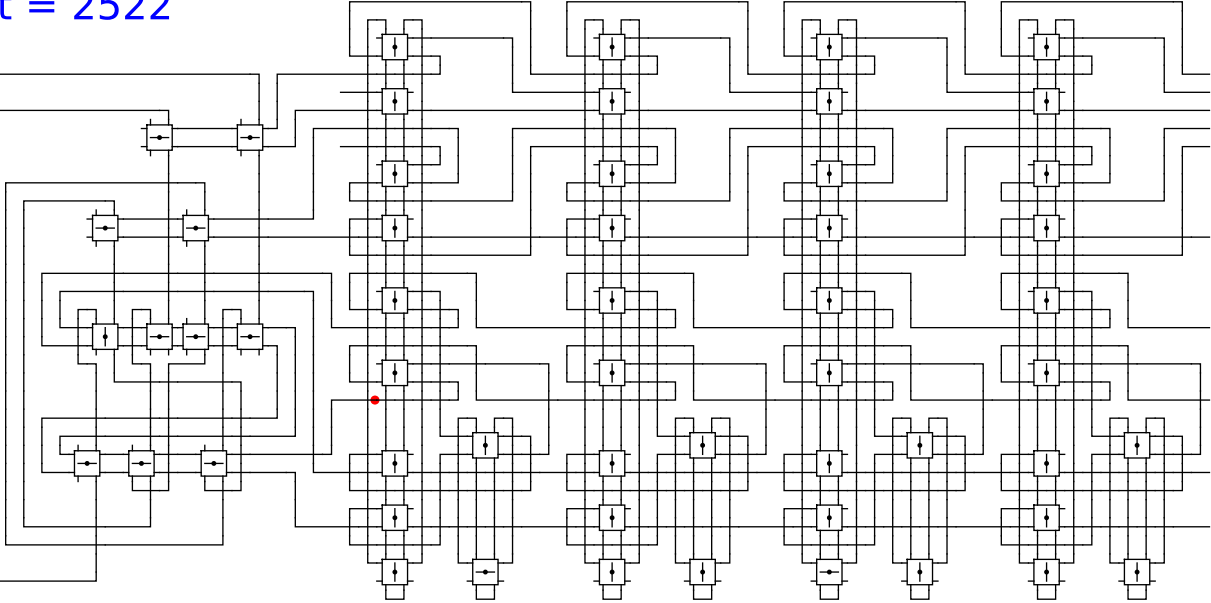


1 0 head 0 0

t = 2522

Reject
Accept

Begin

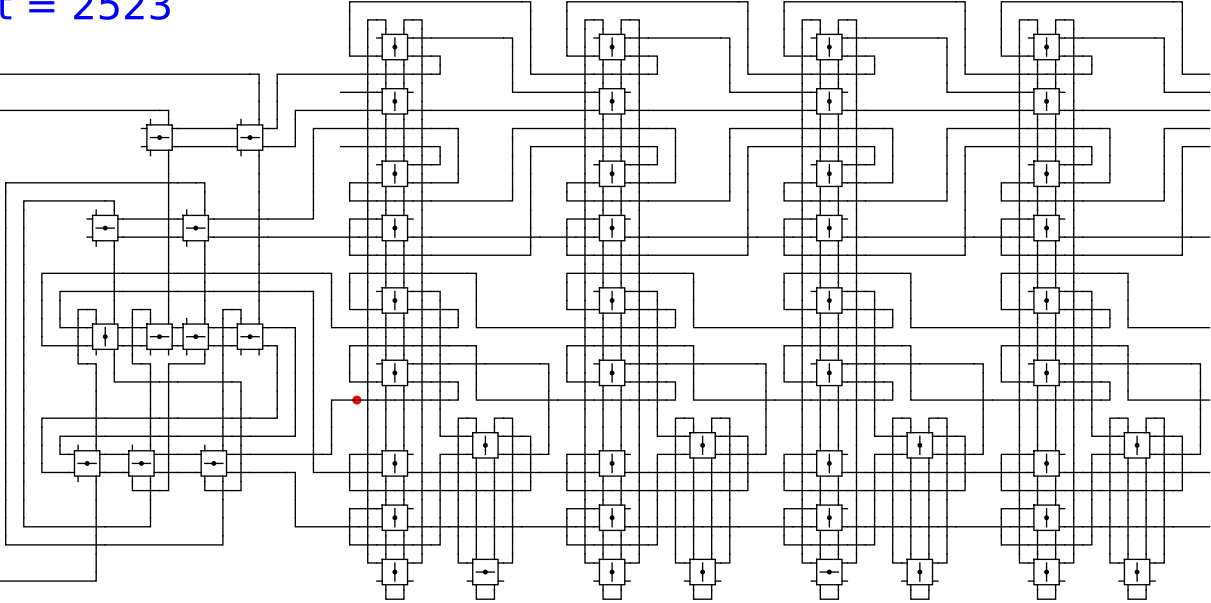


1 0 head 0 0

t = 2523

Reject
Accept

Begin



1

0

head

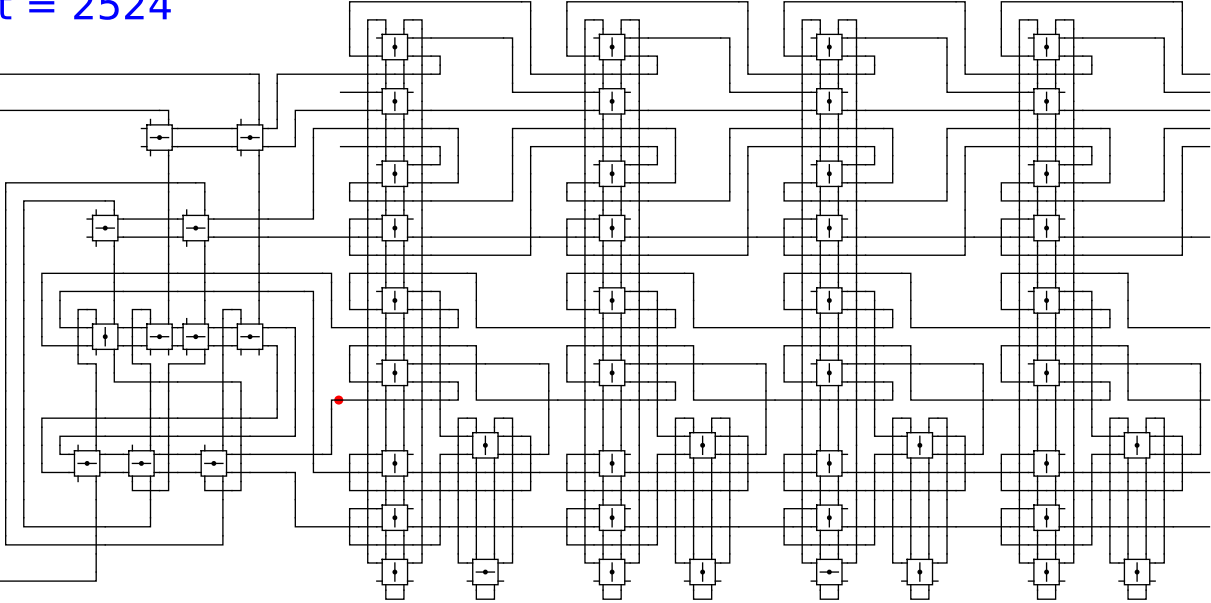
0

0

t = 2524

Reject
Accept

Begin



1

0

head

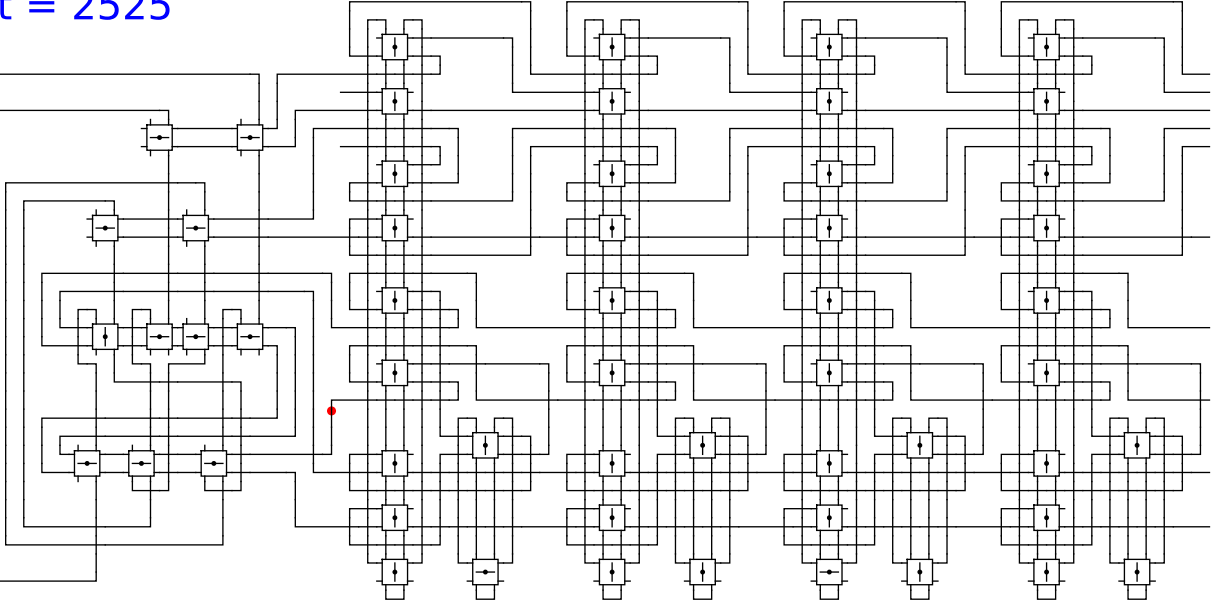
0

0

t = 2525

Reject
Accept

Begin



1

0

head

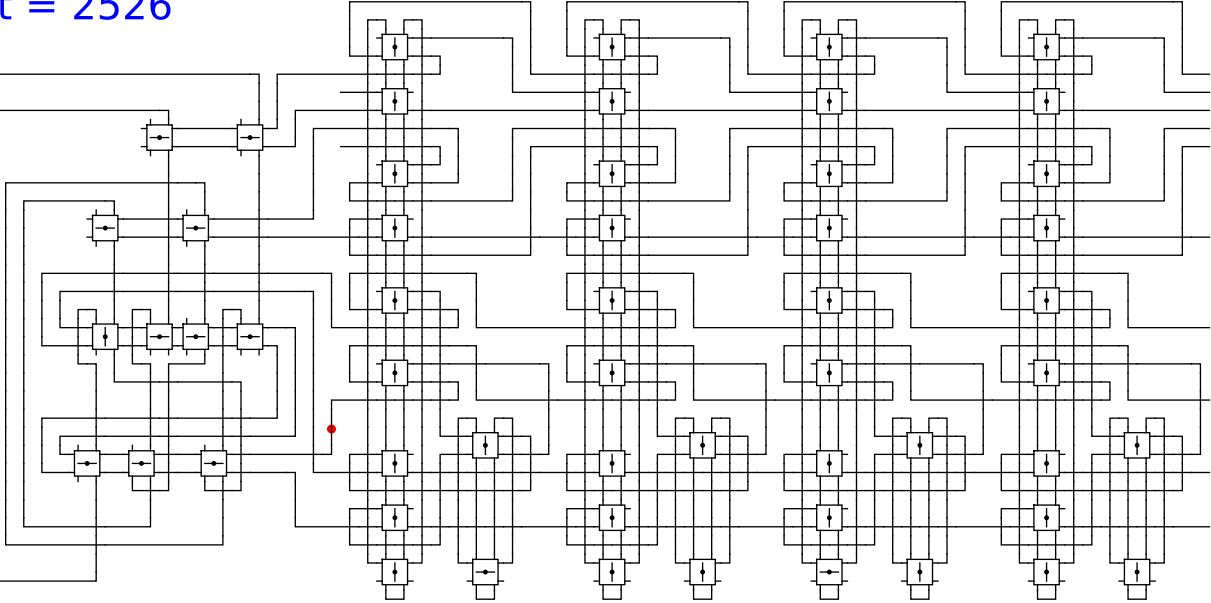
0

0

t = 2526

Reject
Accept

Begin

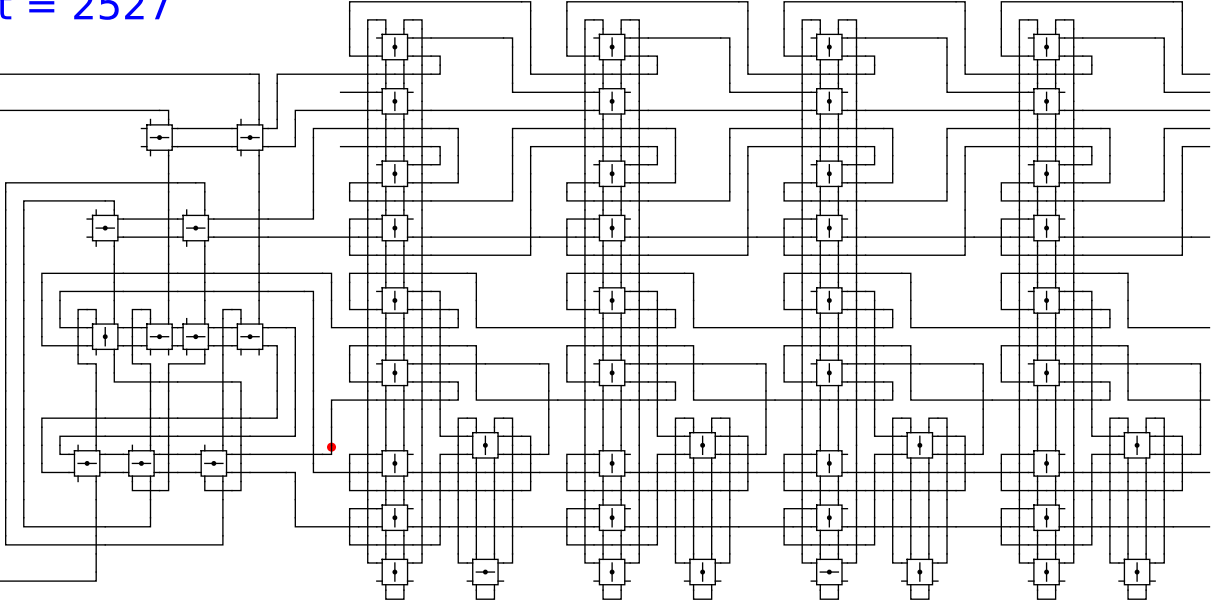


1 0 head 0 0

t = 2527

Reject
Accept

Begin



1

0

head

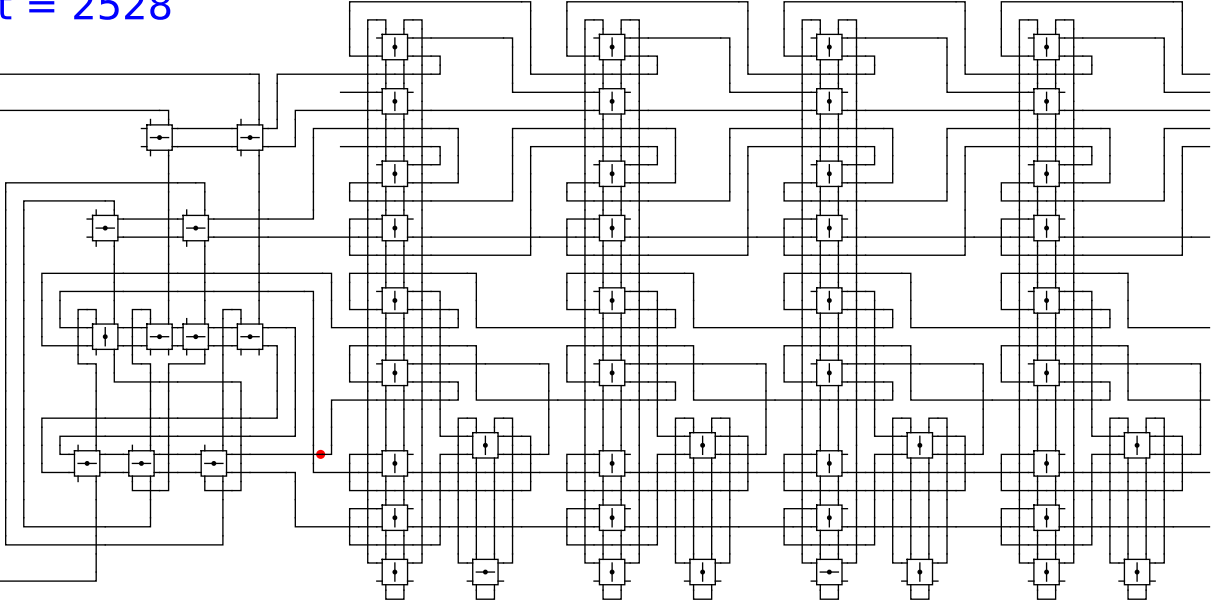
0

0

t = 2528

Reject
Accept

Begin

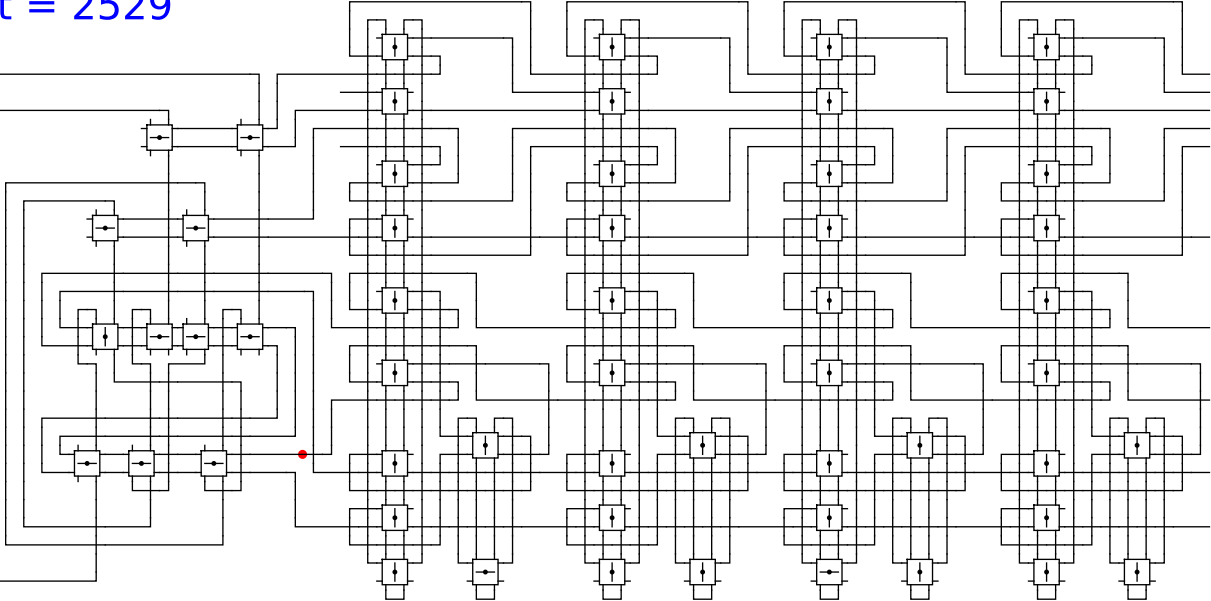


1 0 head 0 0

t = 2529

Reject
Accept

Begin



1

0

head

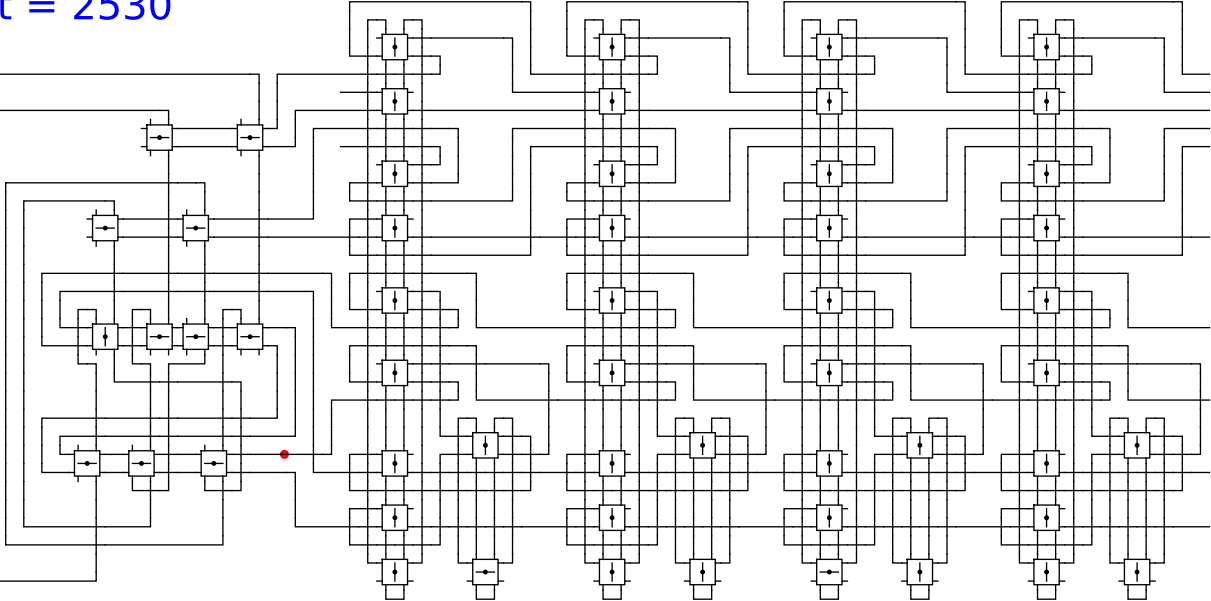
0

0

t = 2530

Reject
Accept

Begin



1

0

head

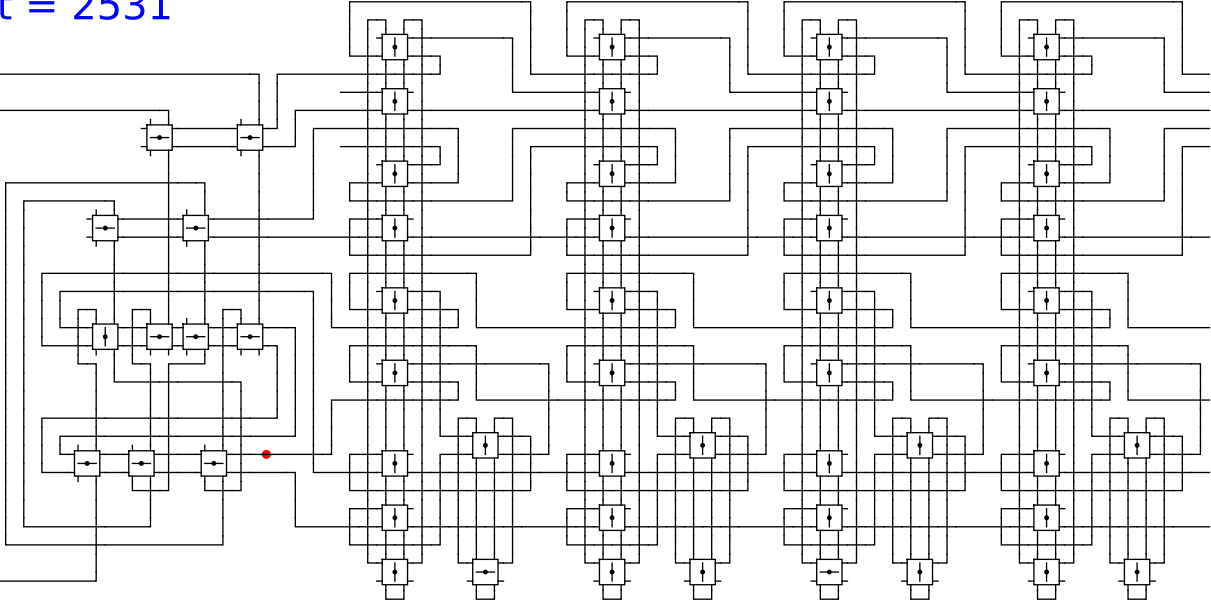
0

0

t = 2531

Reject
Accept

Begin

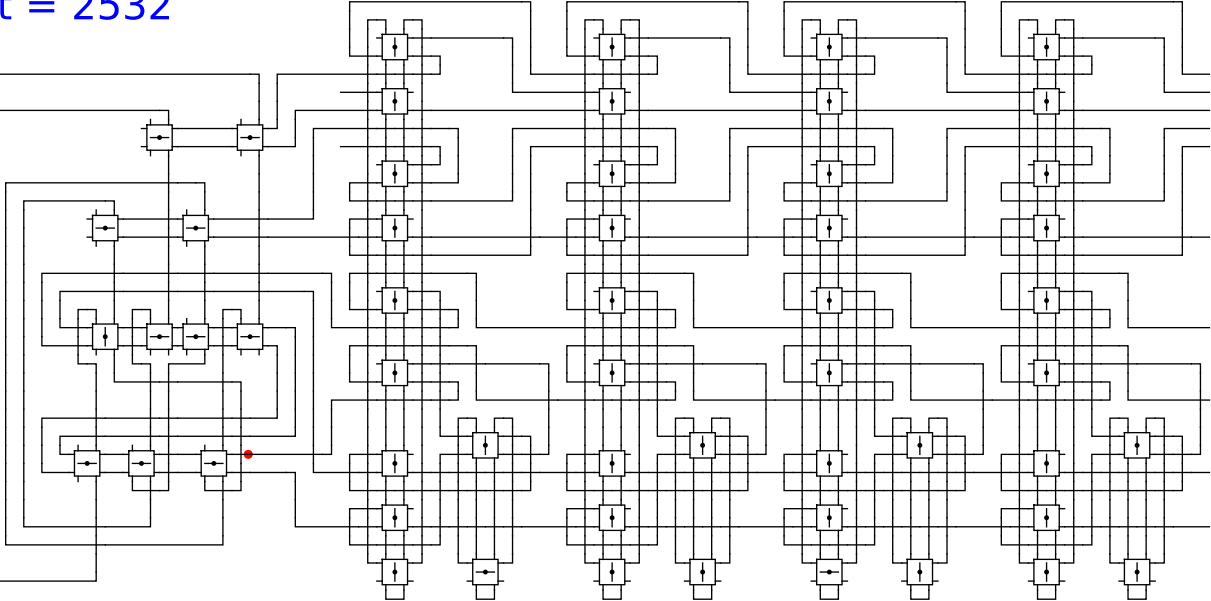


1 0 head 0 0

t = 2532

Reject
Accept

Begin



1

0

head

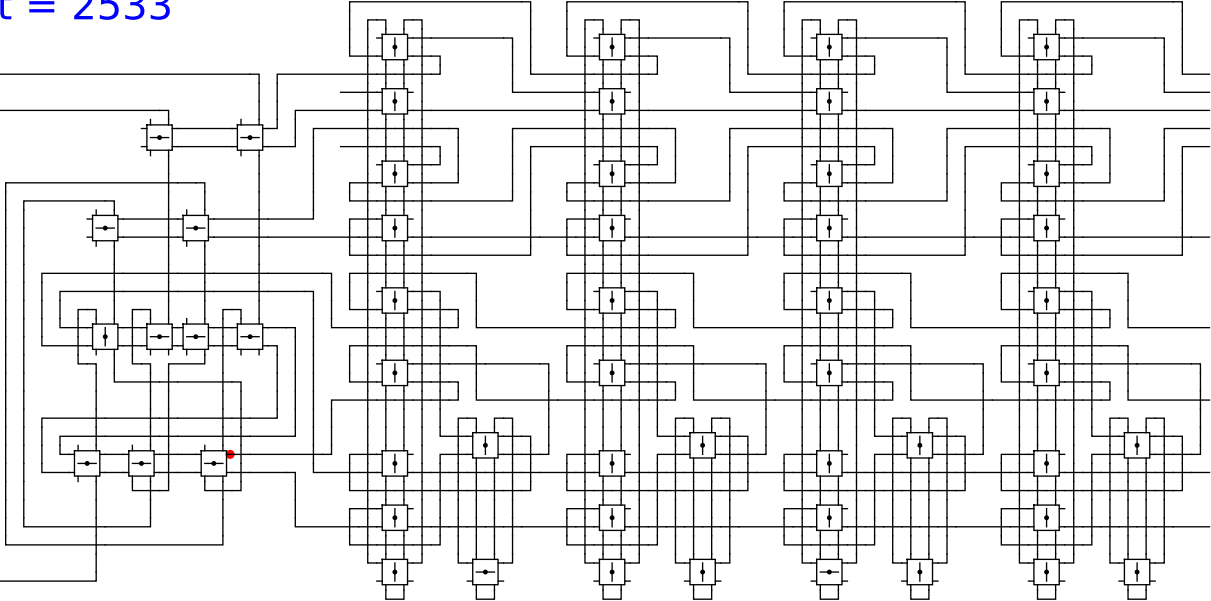
0

0

t = 2533

Reject
Accept

Begin

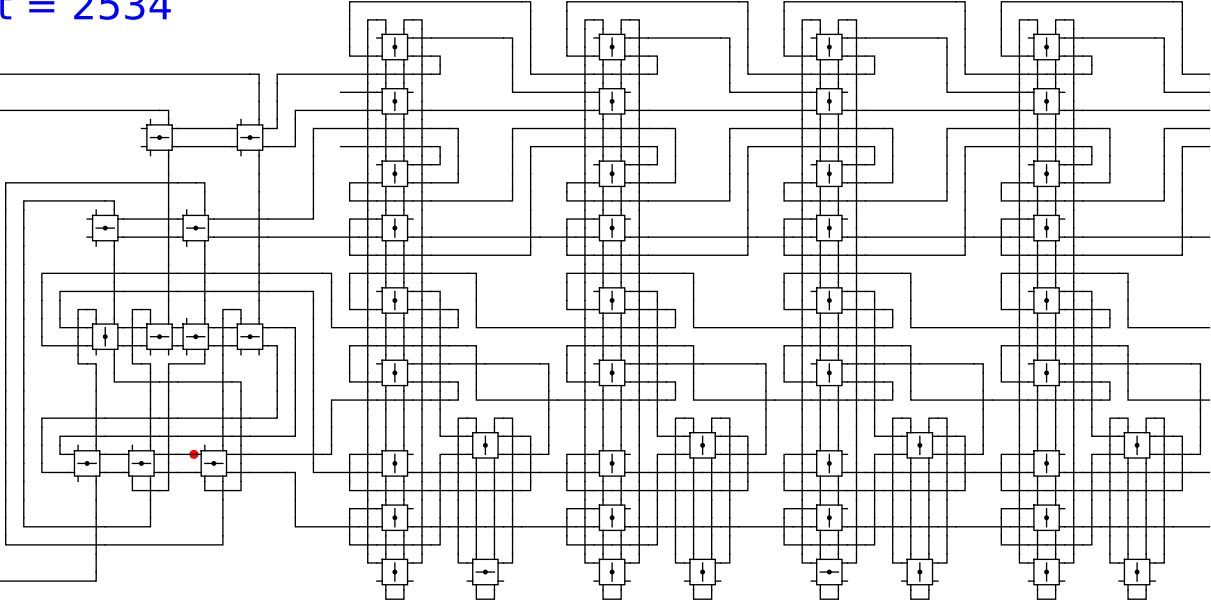


1 0 head 0 0

t = 2534

Reject
Accept

Begin

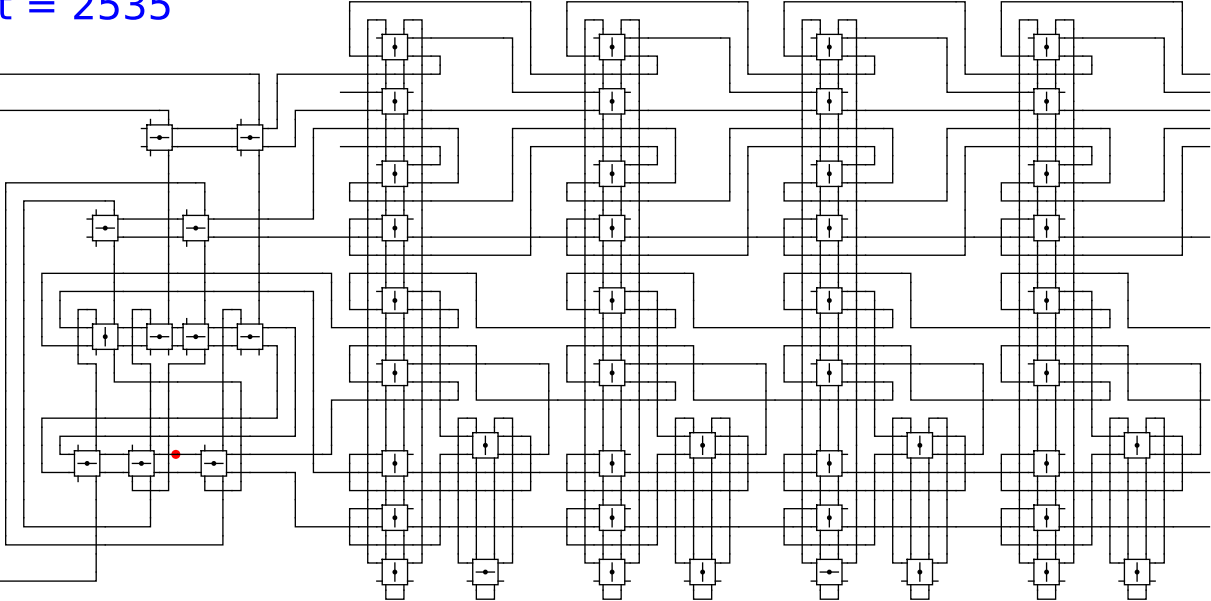


1 0 head 0 0

t = 2535

Reject
Accept

Begin



1

0

head

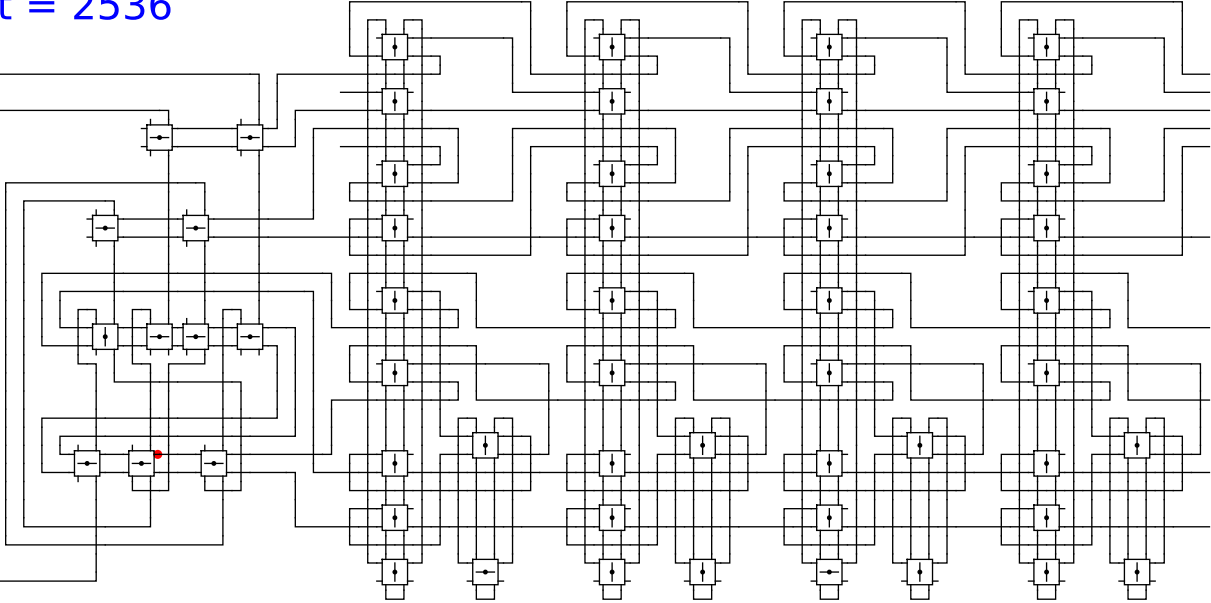
0

0

t = 2536

Reject
Accept

Begin

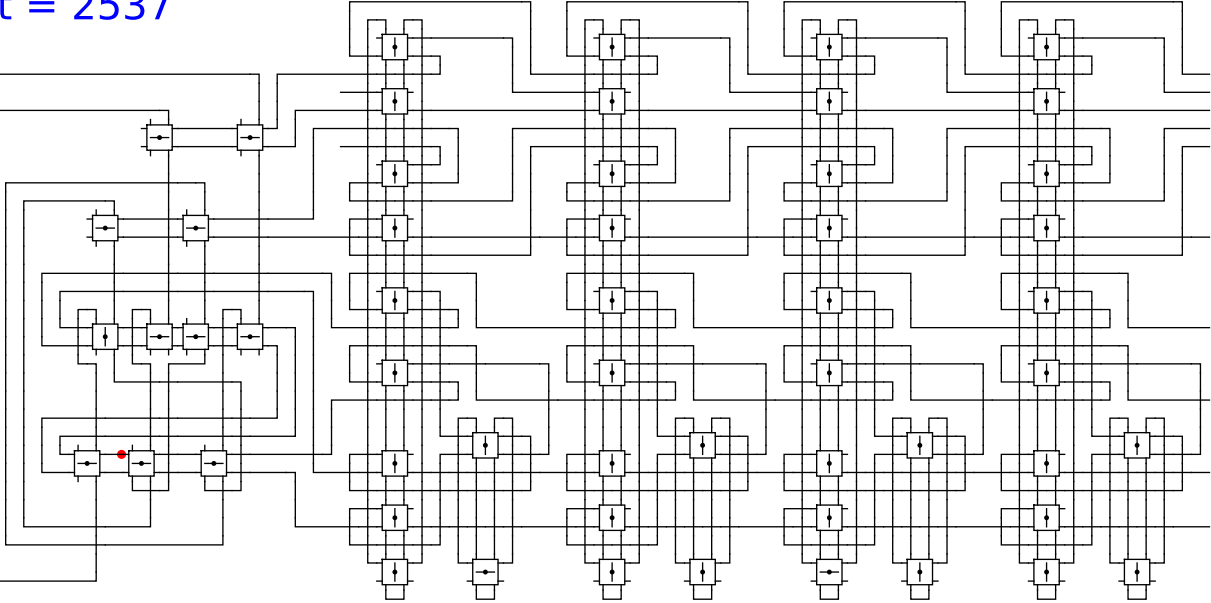


1 0 head 0 0

t = 2537

Reject
Accept

Begin

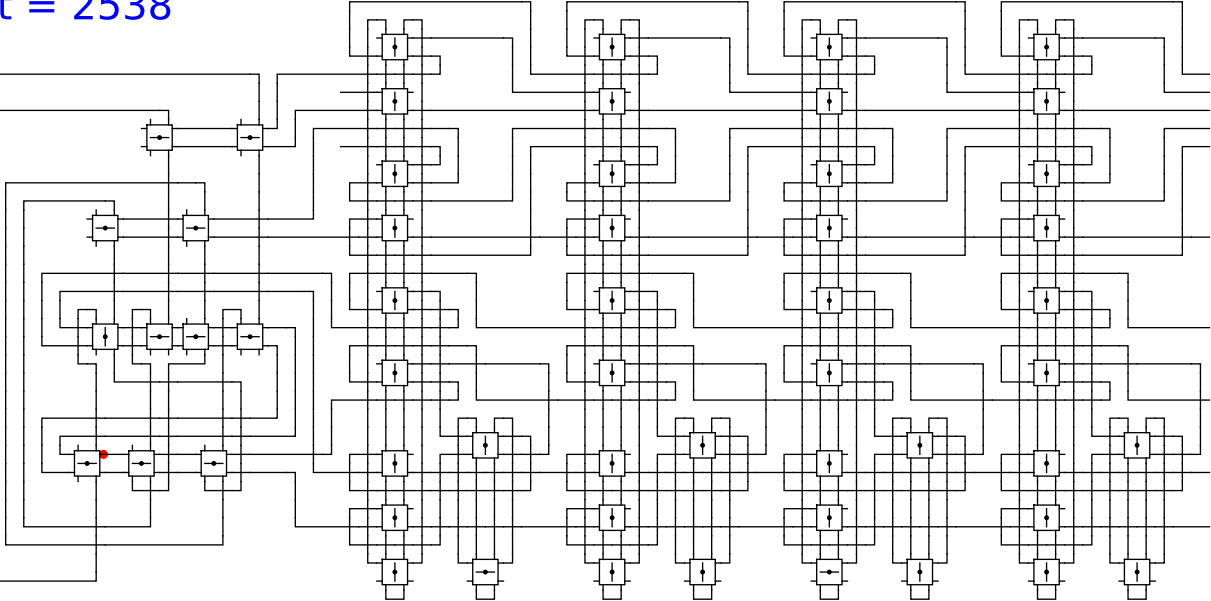


1 0 head 0 0

t = 2538

Reject
Accept

Begin

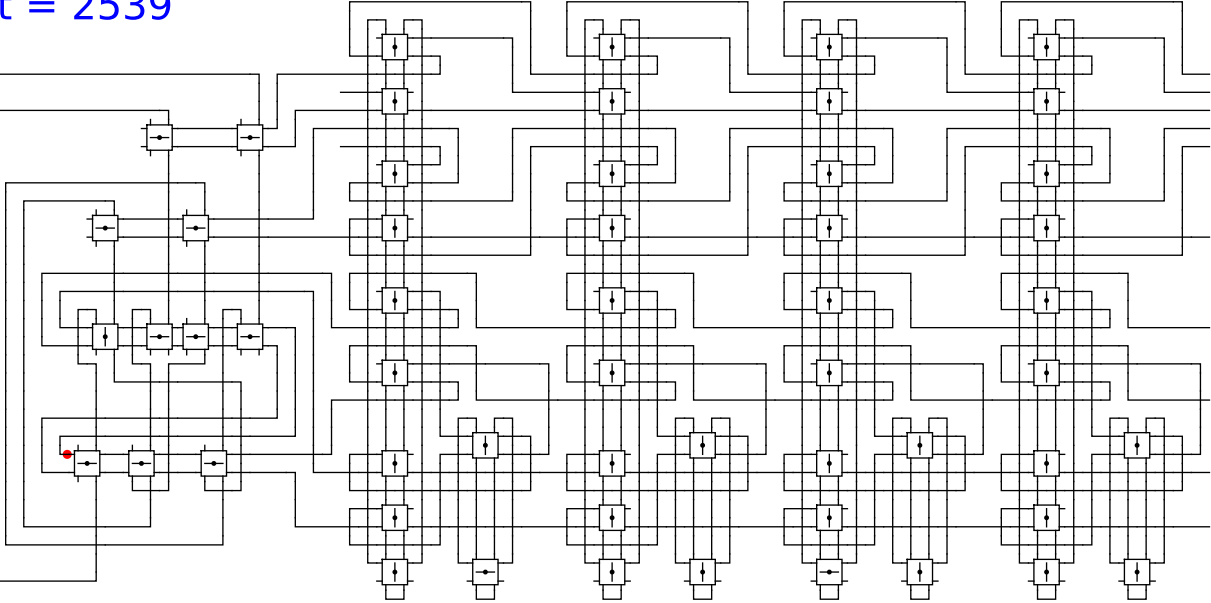


1 0 head 0 0

t = 2539

Reject
Accept

Begin

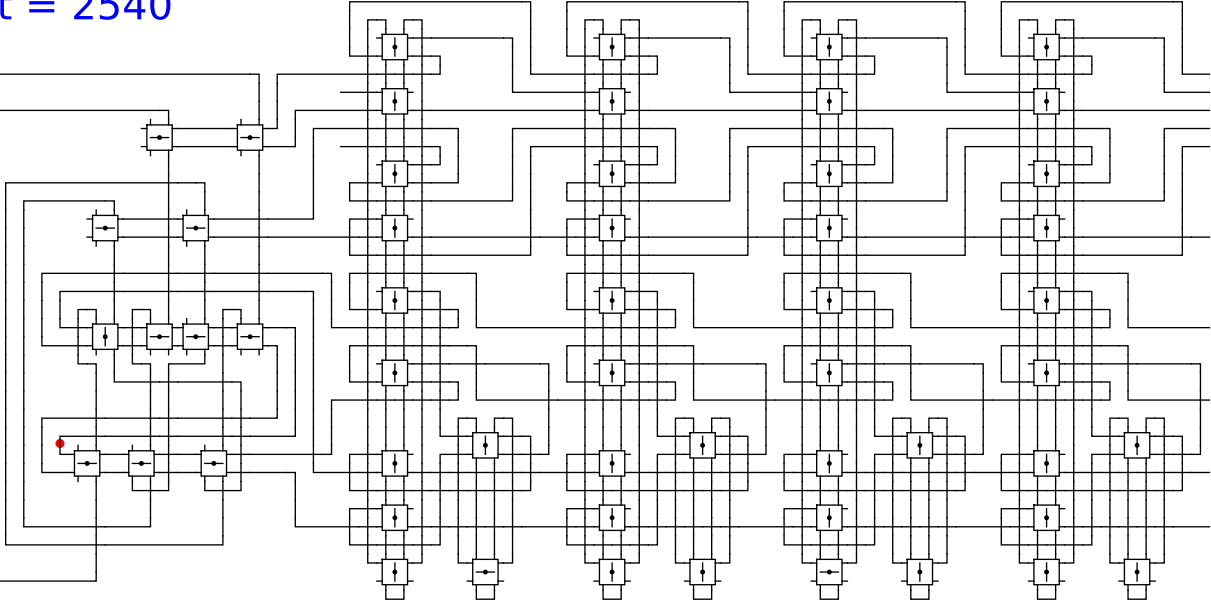


1 0 head 0 0

t = 2540

Reject
Accept

Begin

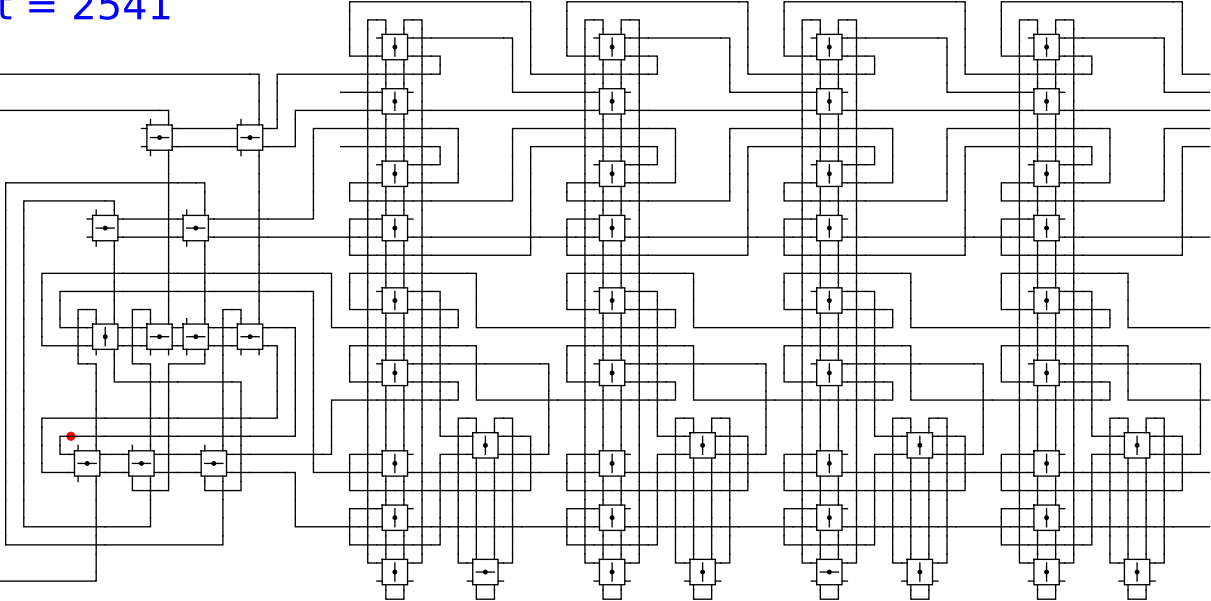


1 0 head 0 0

t = 2541

Reject
Accept

Begin

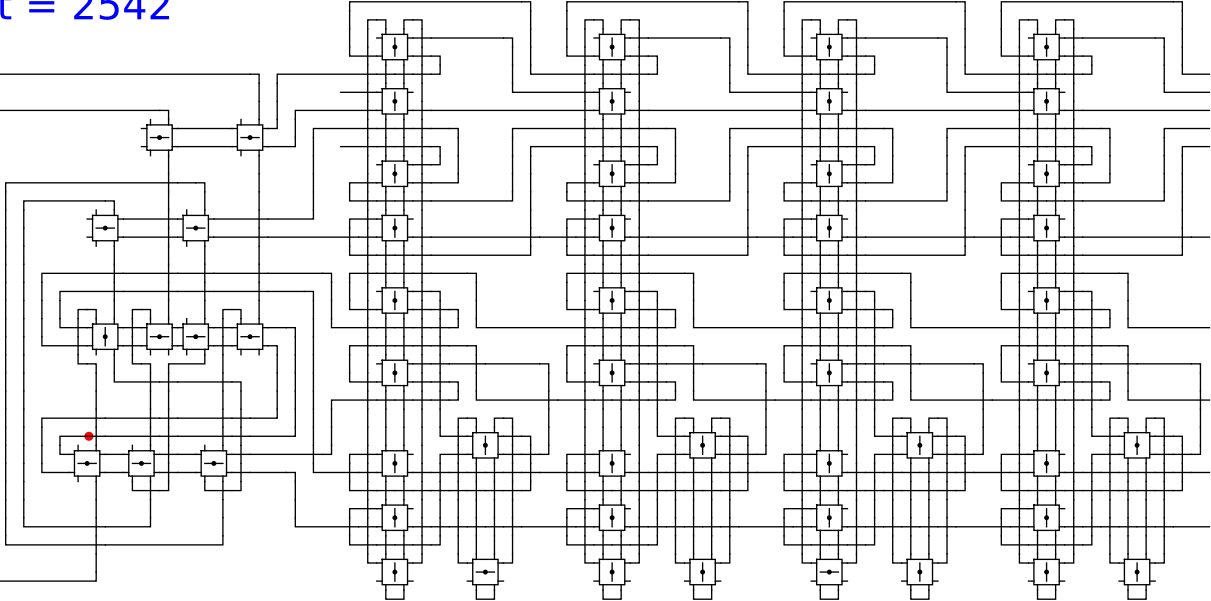


1 0 head 0 0

t = 2542

Reject
Accept

Begin

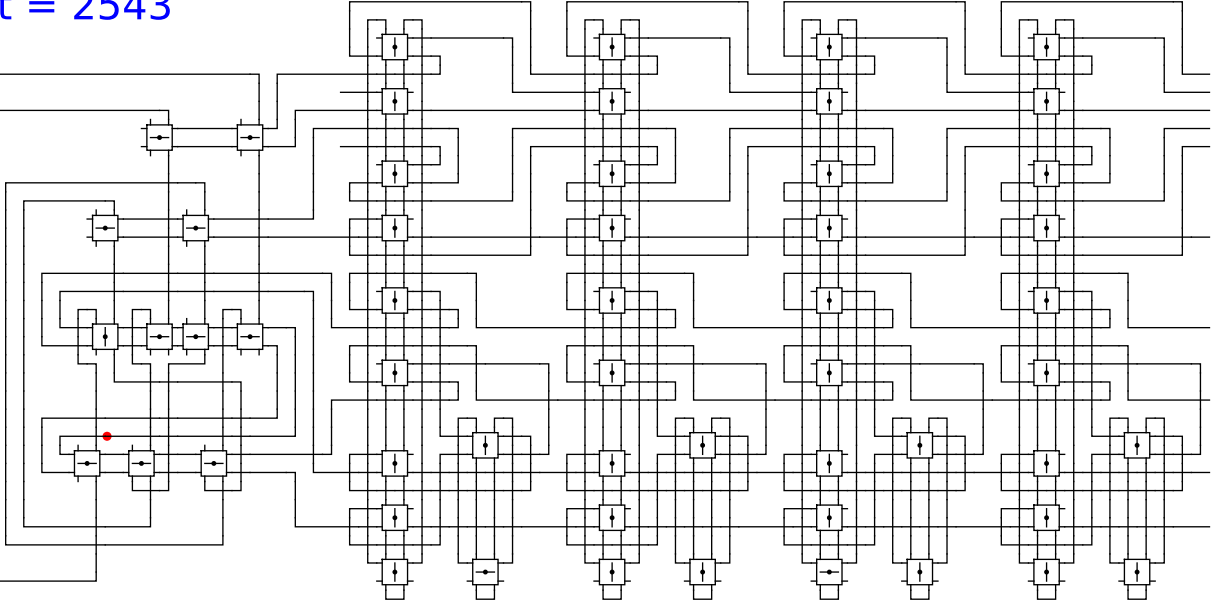


1 0 head 0 0

t = 2543

Reject
Accept

Begin



1

0

head

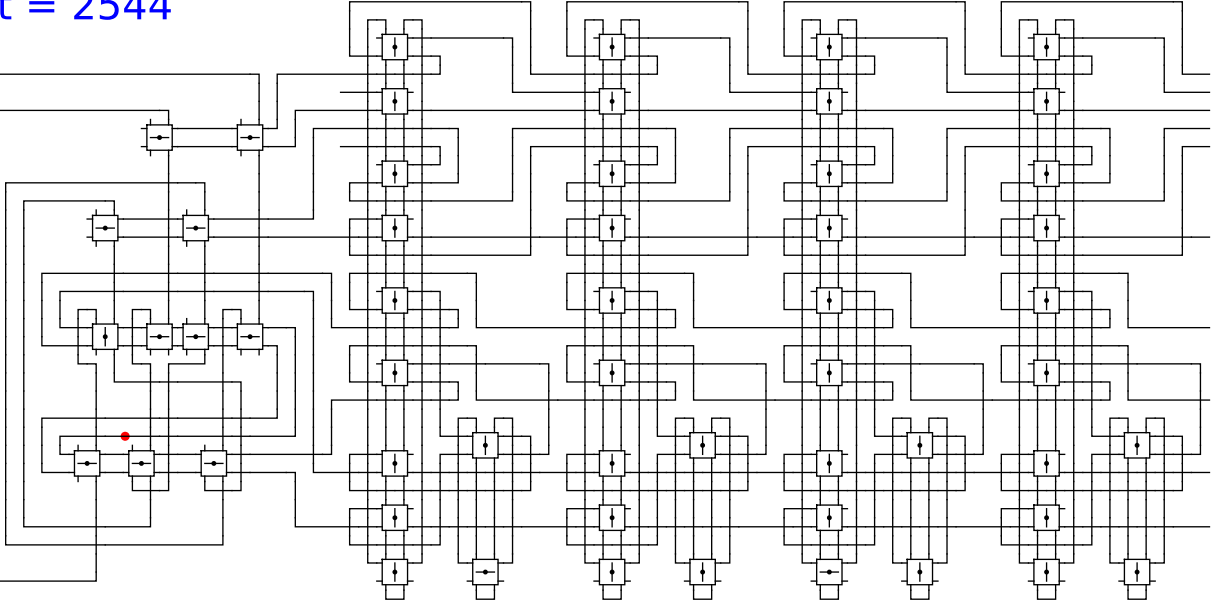
0

0

t = 2544

Reject
Accept

Begin

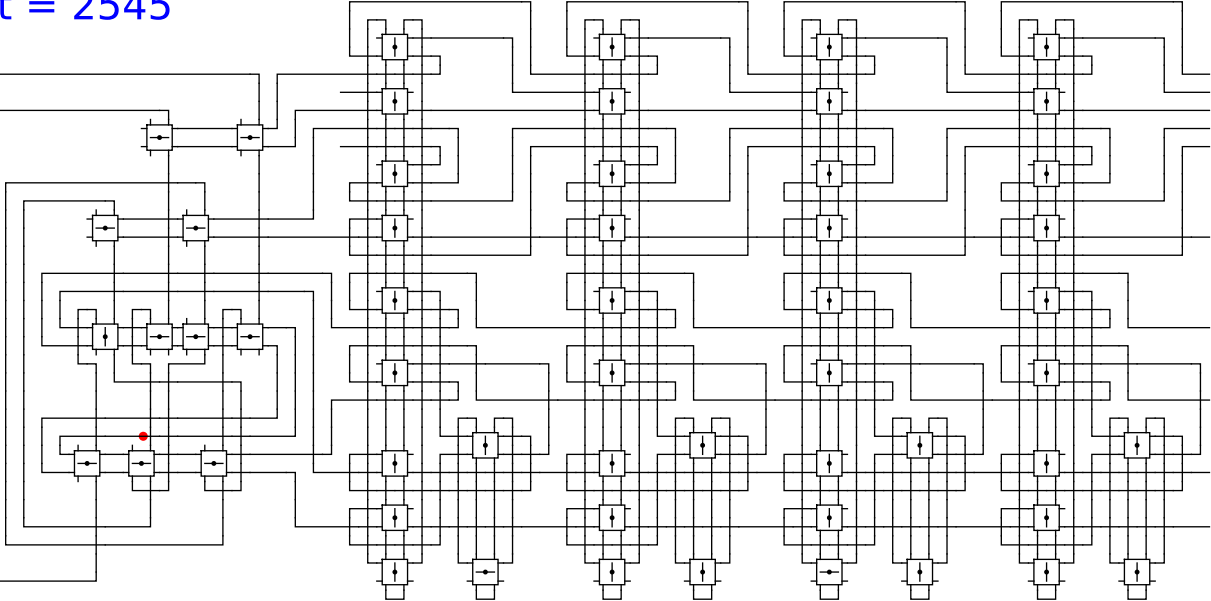


1 0 head 0 0

t = 2545

Reject
Accept

Begin

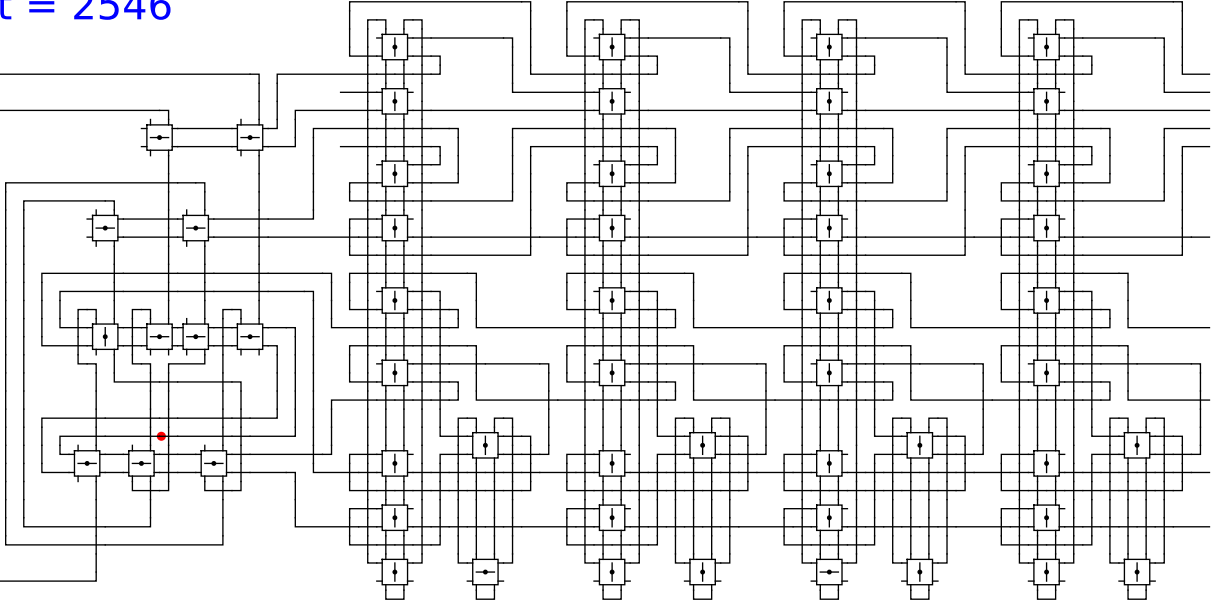


1 0 head 0 0

t = 2546

Reject
Accept

Begin

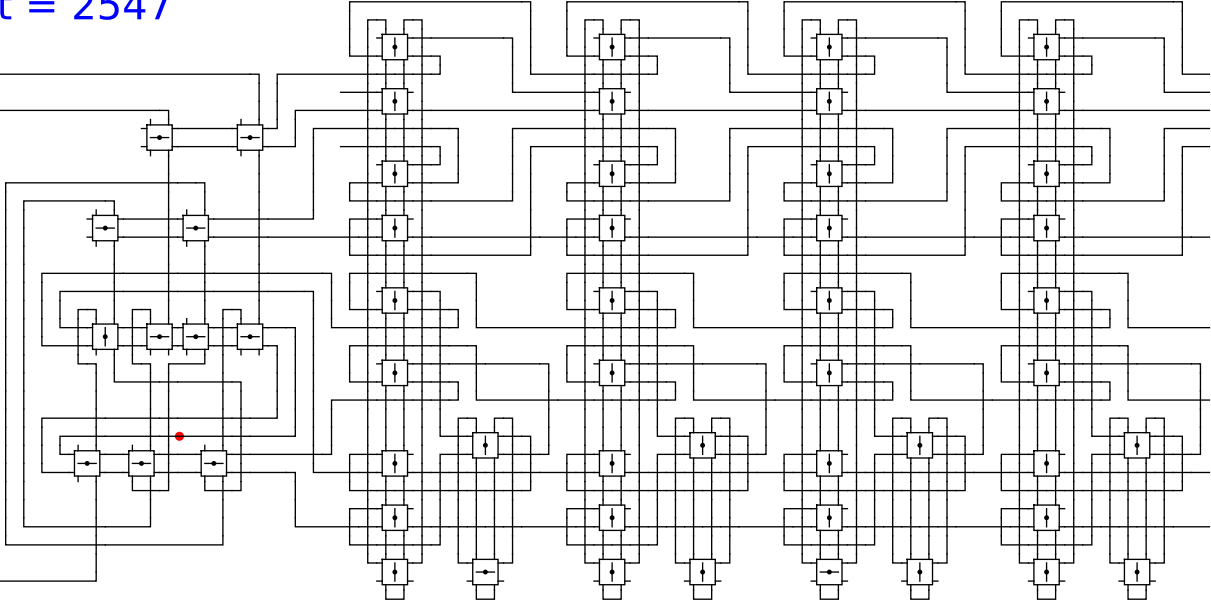


1 0 head 0 0

t = 2547

Reject
Accept

Begin



1

0

head

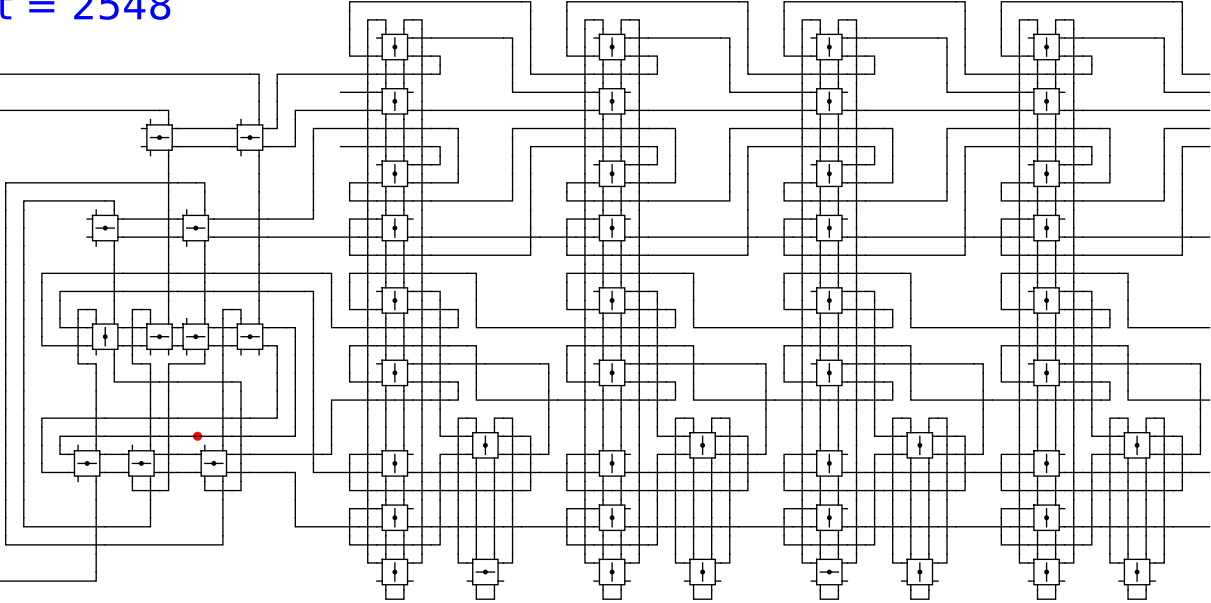
0

0

t = 2548

Reject
Accept

Begin

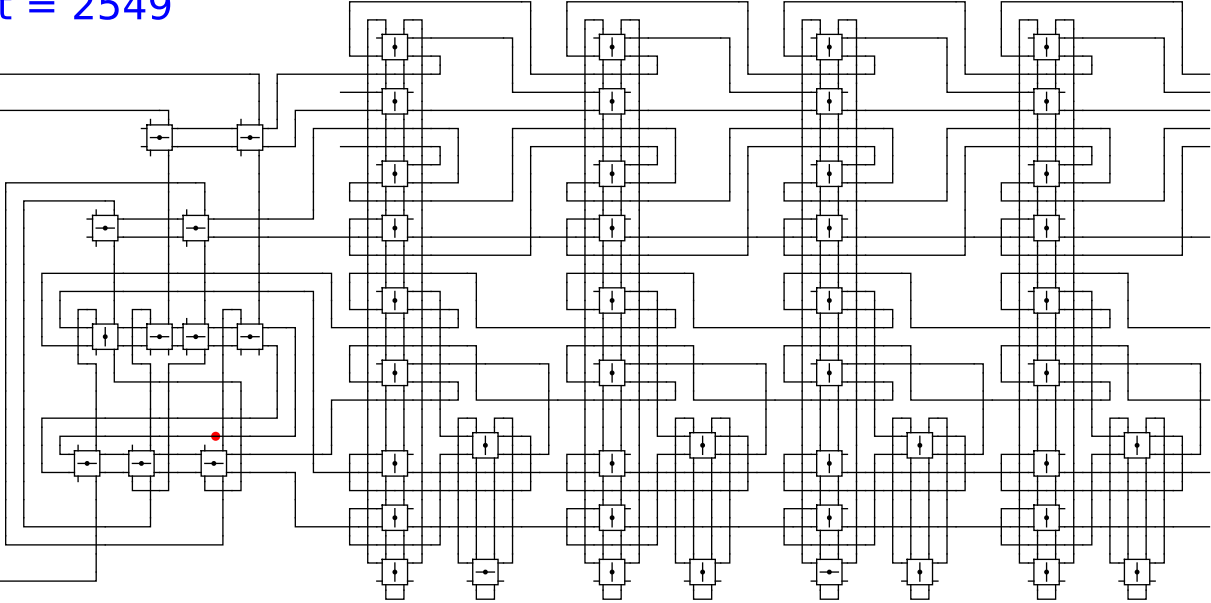


1 0 head 0 0

t = 2549

Reject
Accept

Begin

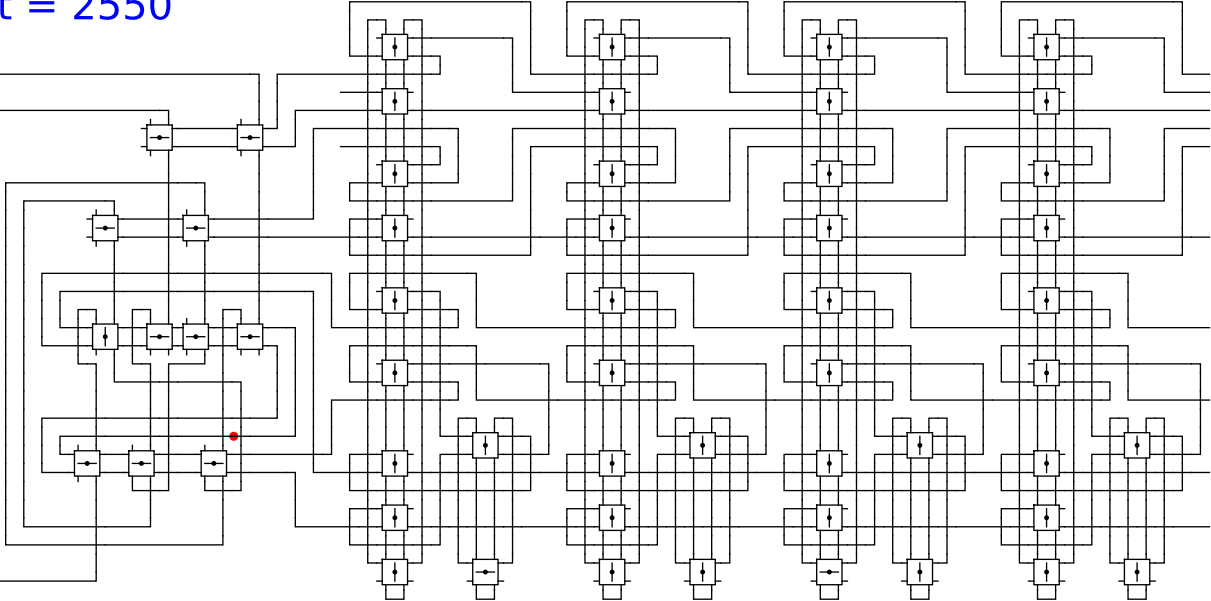


1 0 head 0 0

t = 2550

Reject
Accept

Begin

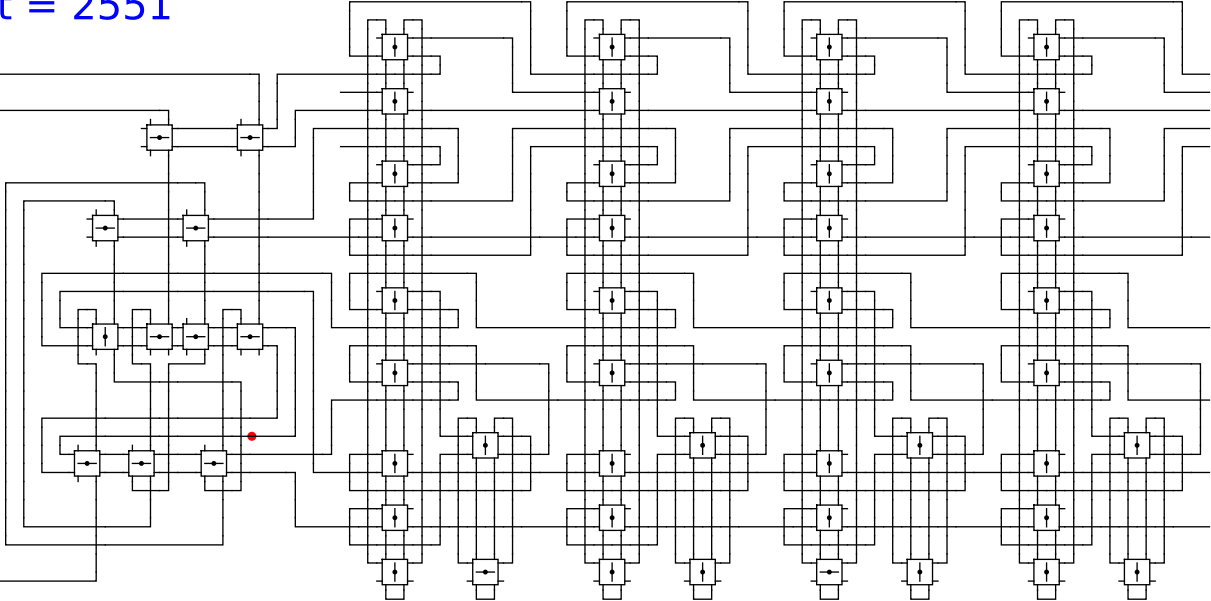


1 0 head 0 0

t = 2551

Reject
Accept

Begin

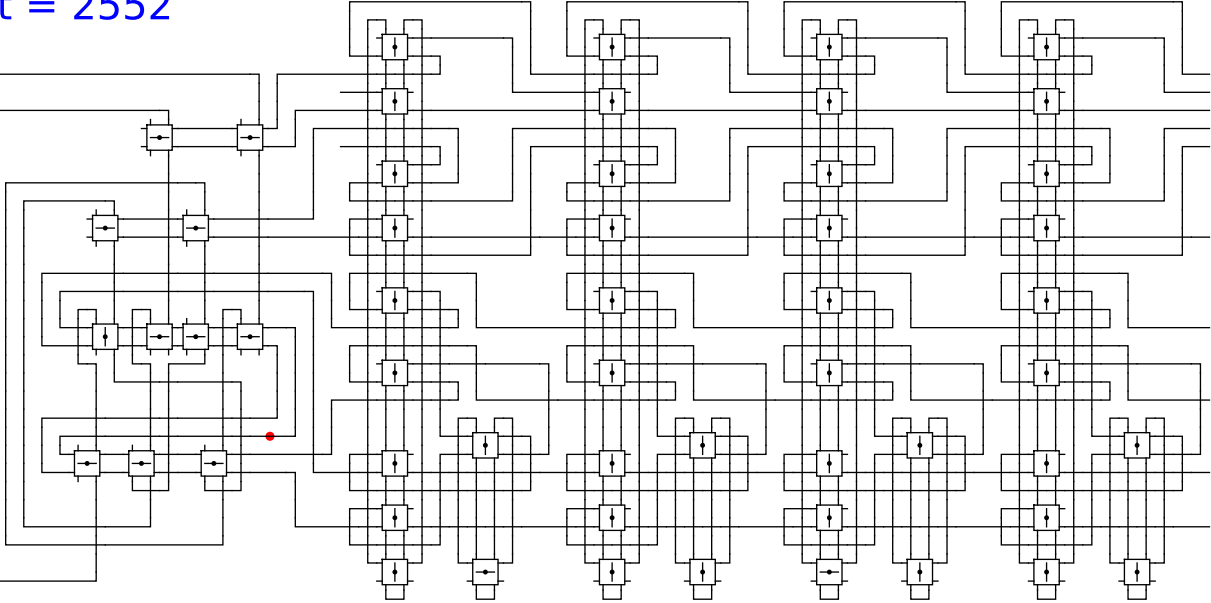


1 0 head 0 0

t = 2552

Reject
Accept

Begin

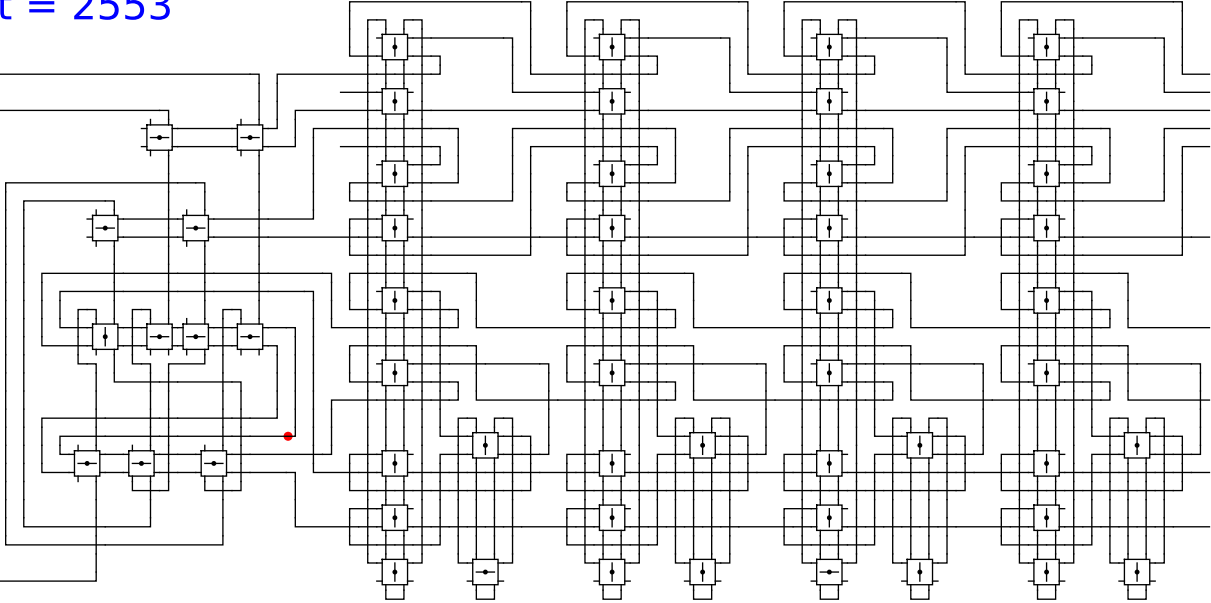


1 0 head 0 0

t = 2553

Reject
Accept

Begin

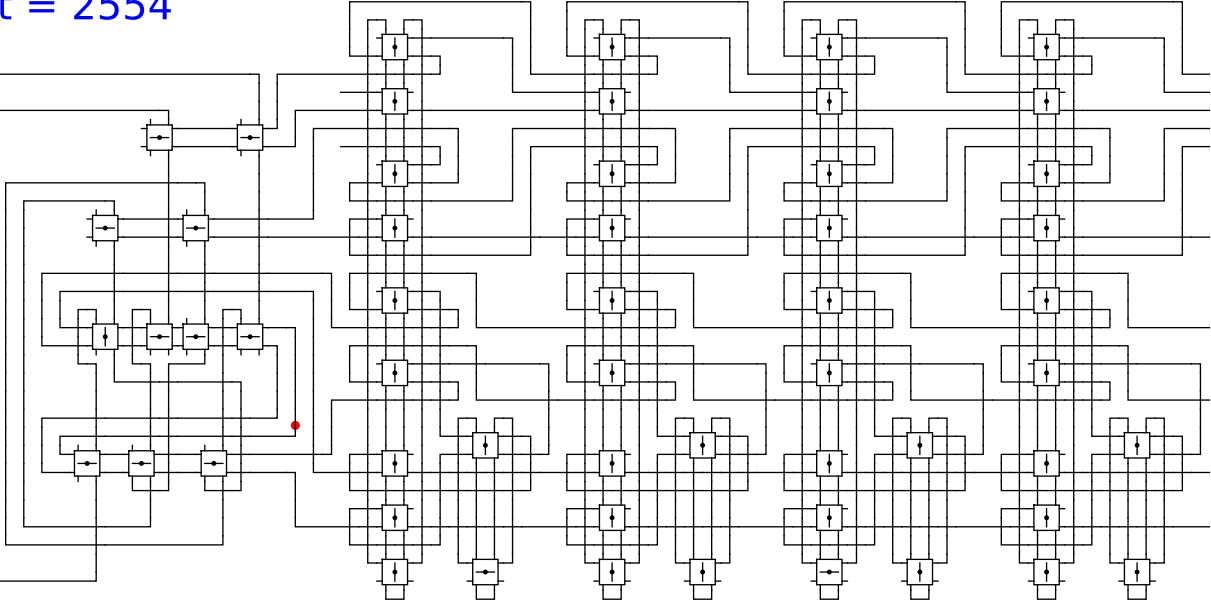


1 0 head 0 0

t = 2554

Reject
Accept

Begin

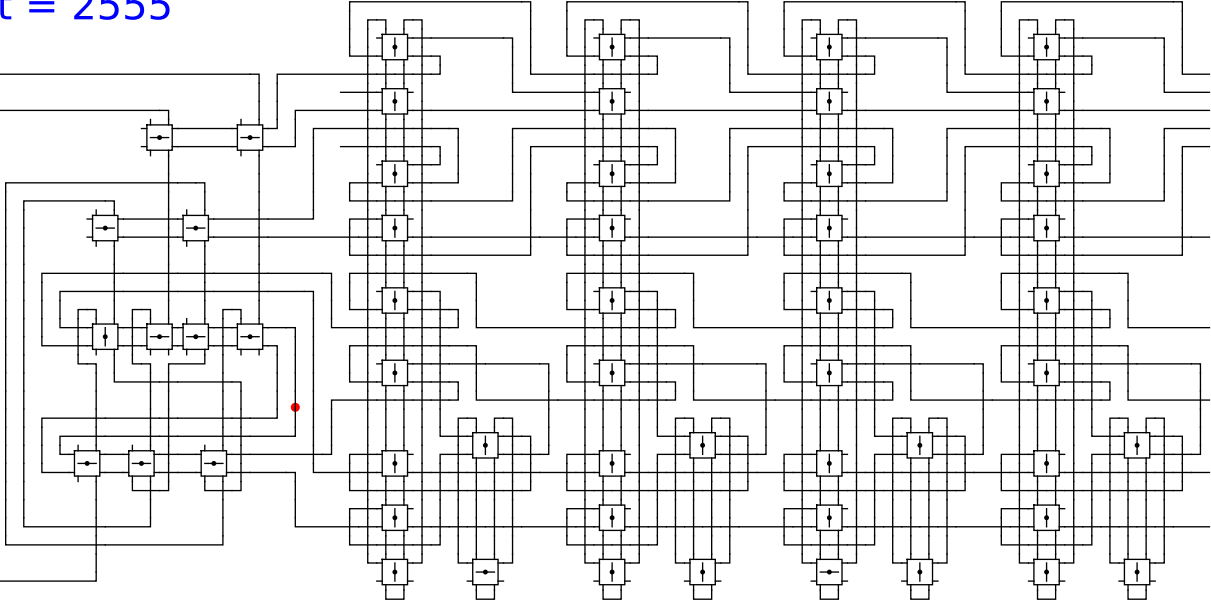


1 0 head 0 0

t = 2555

Reject
Accept

Begin



1

0

head

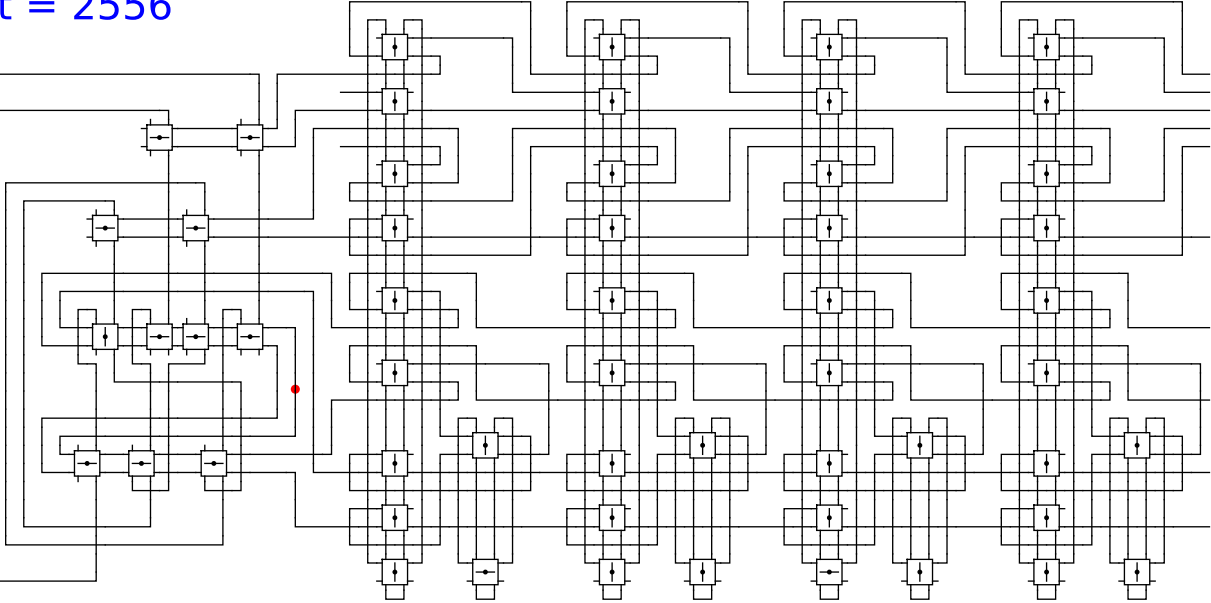
0

0

t = 2556

Reject
Accept

Begin

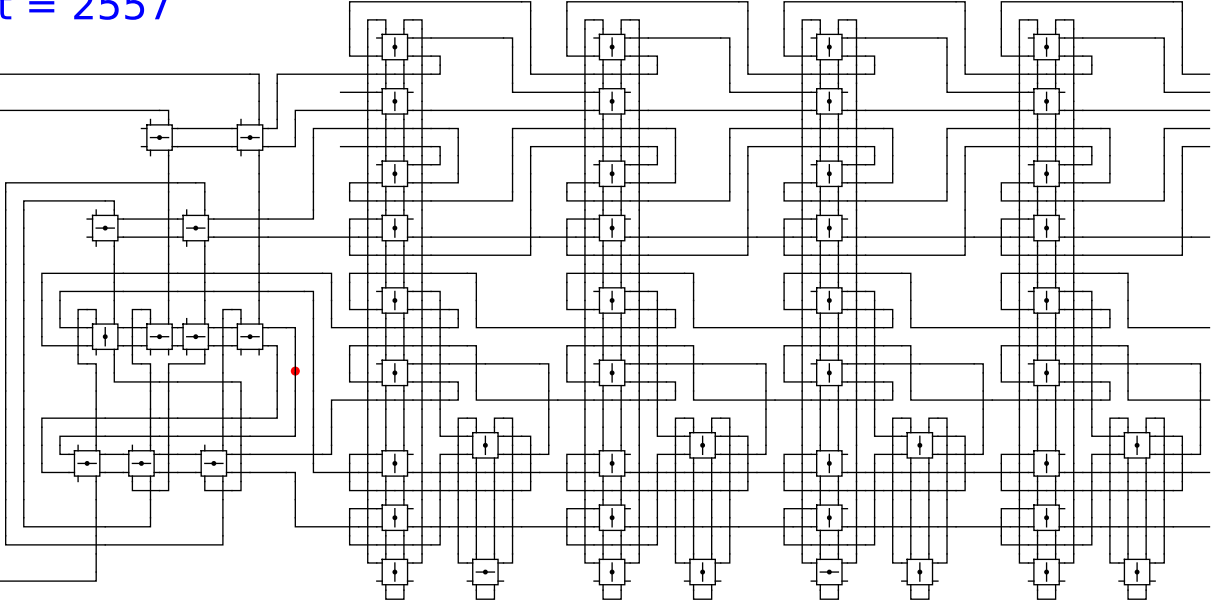


1 0 head 0 0

t = 2557

Reject
Accept

Begin

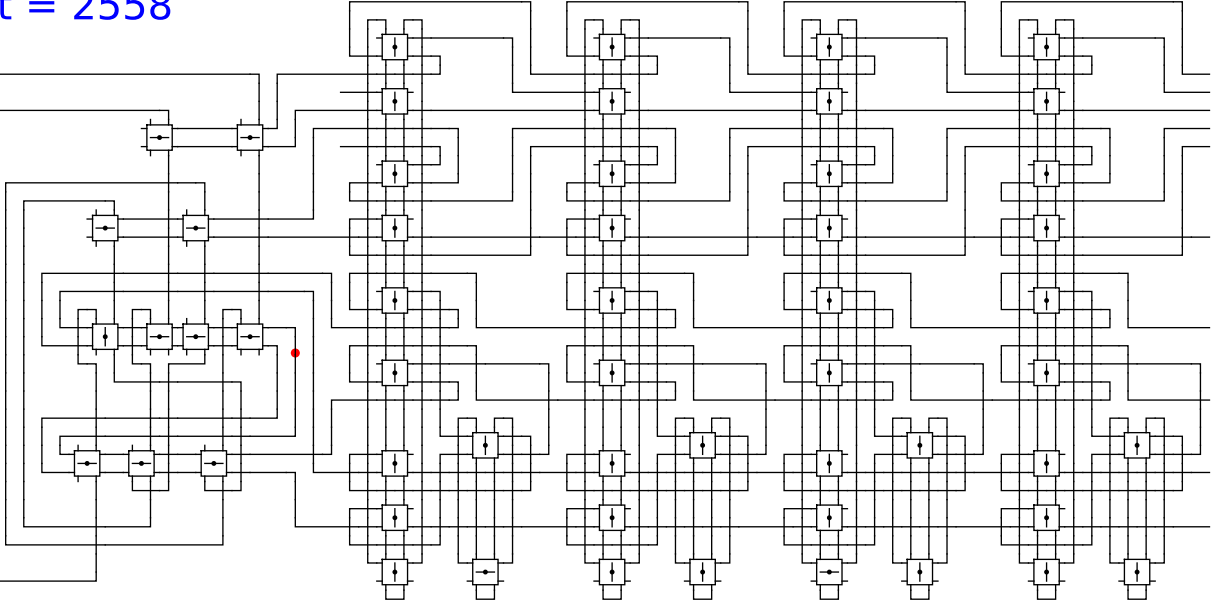


1 0 head 0 0

t = 2558

Reject
Accept

Begin

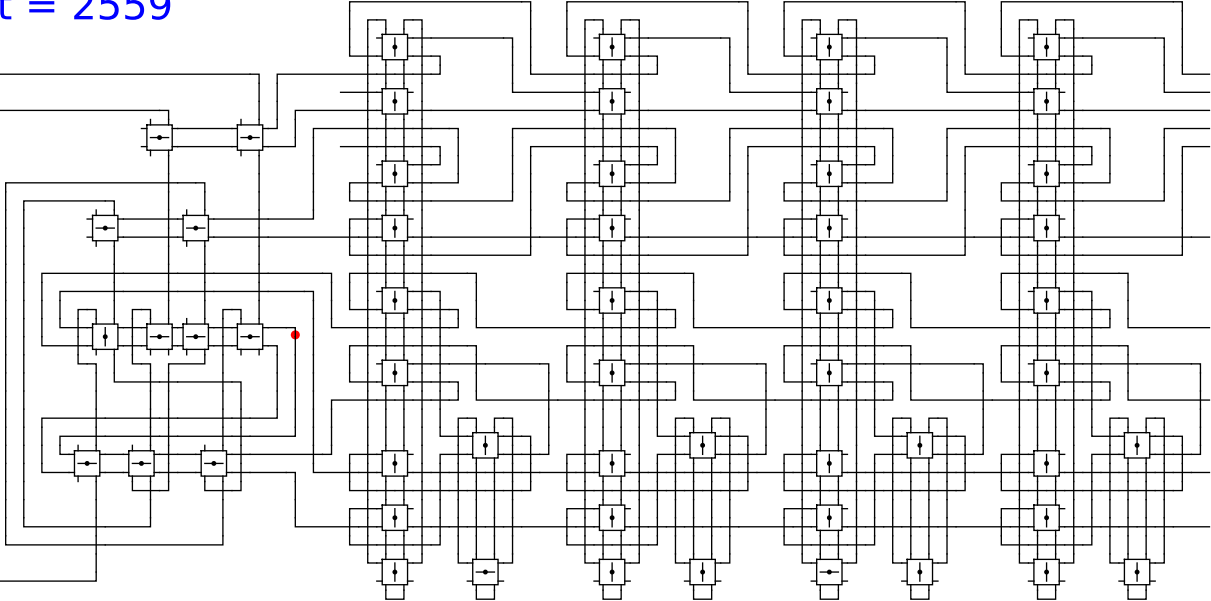


1 0 head 0 0

t = 2559

Reject
Accept

Begin

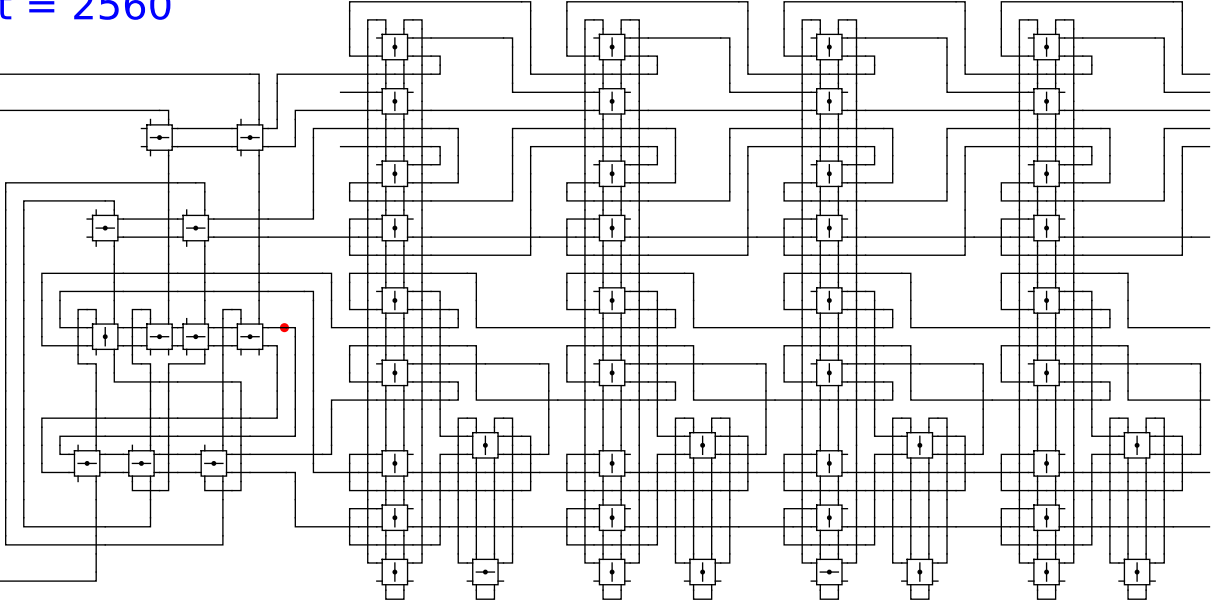


1 0 head 0 0

t = 2560

Reject
Accept

Begin

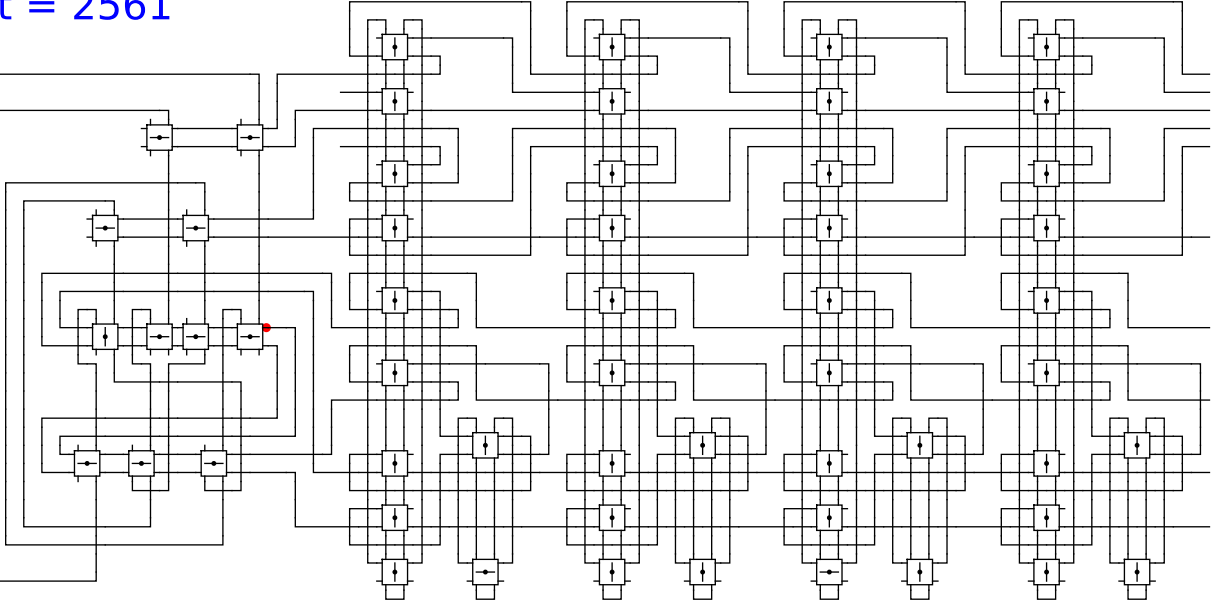


1 0 head 0 0

t = 2561

Reject
Accept

Begin



1

0

head

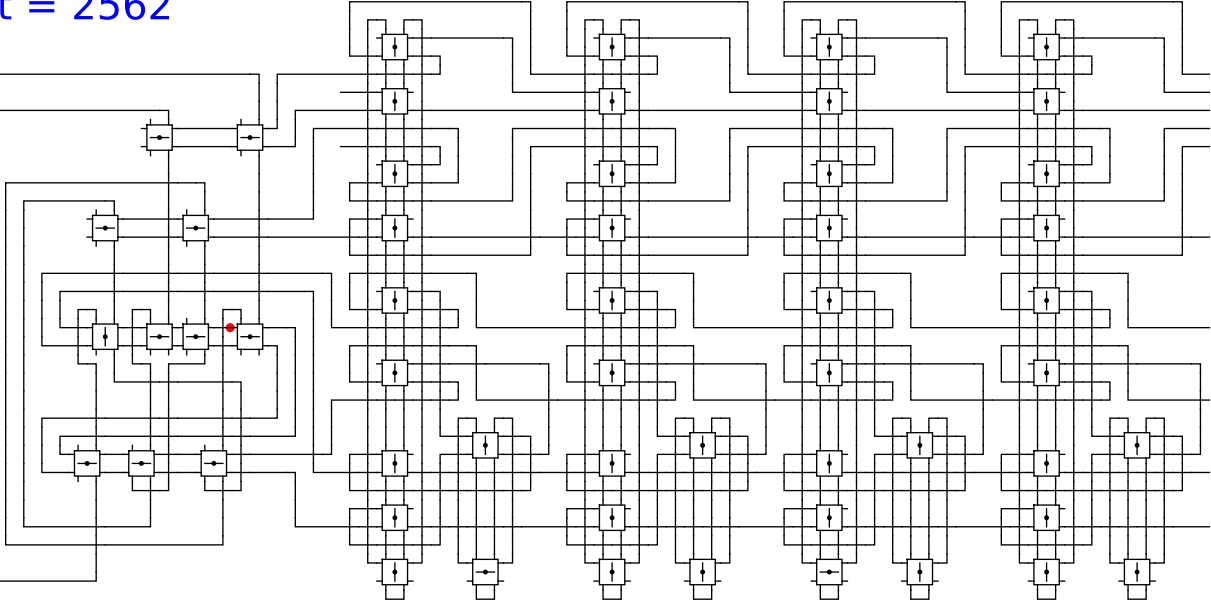
0

0

t = 2562

Reject
Accept

Begin

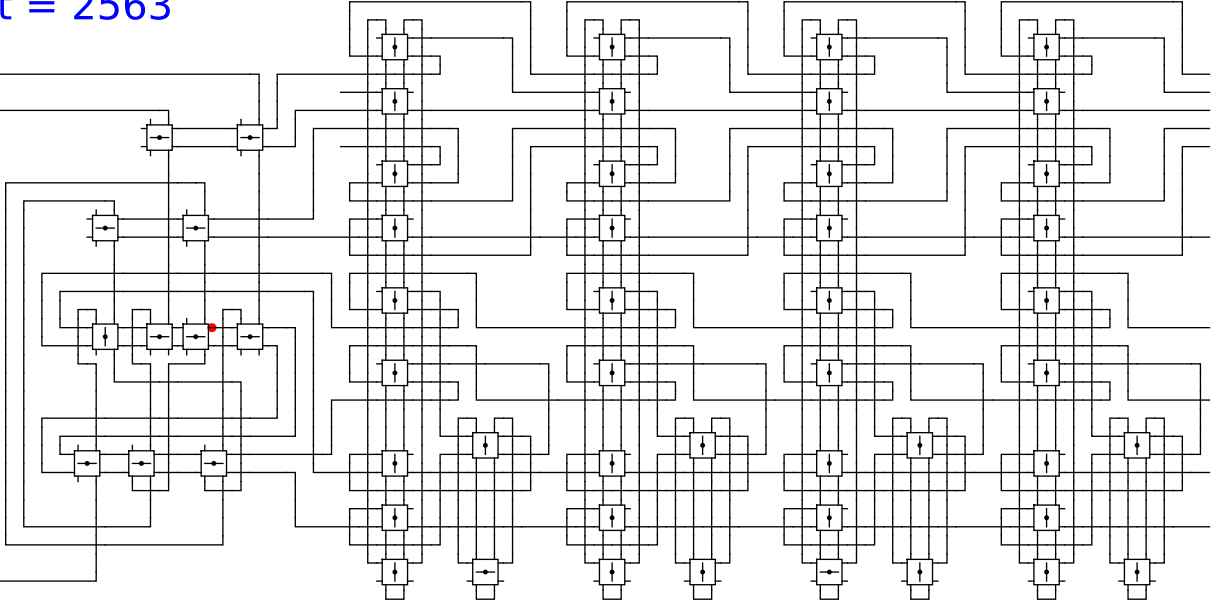


1 0 head 0 0

t = 2563

Reject
Accept

Begin

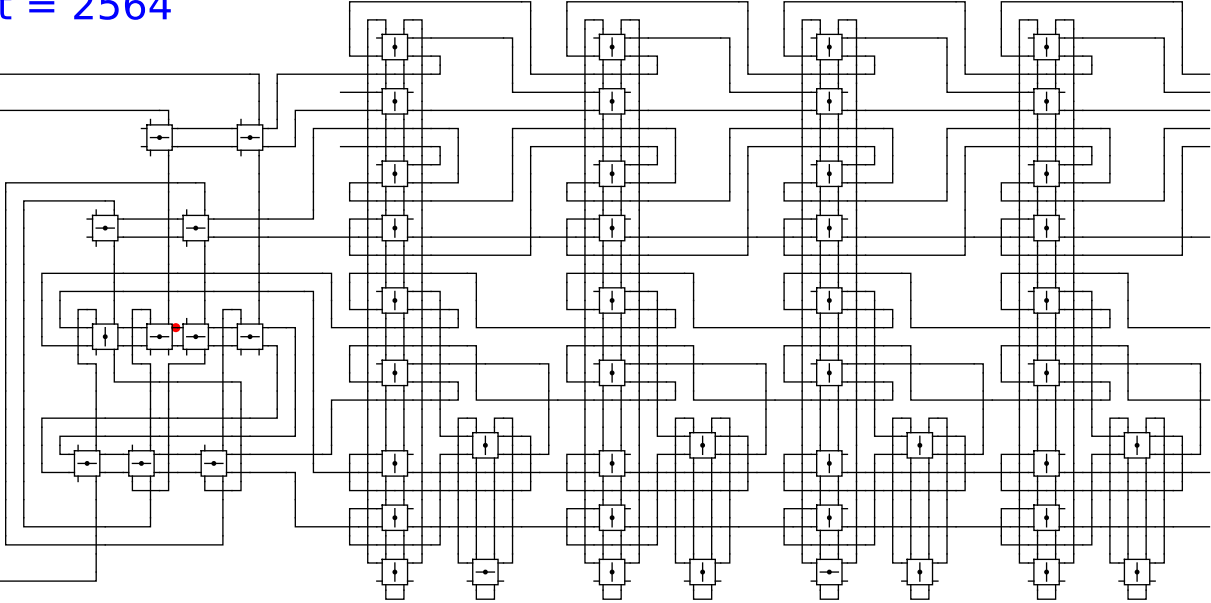


1 0 head 0 0

t = 2564

Reject
Accept

Begin

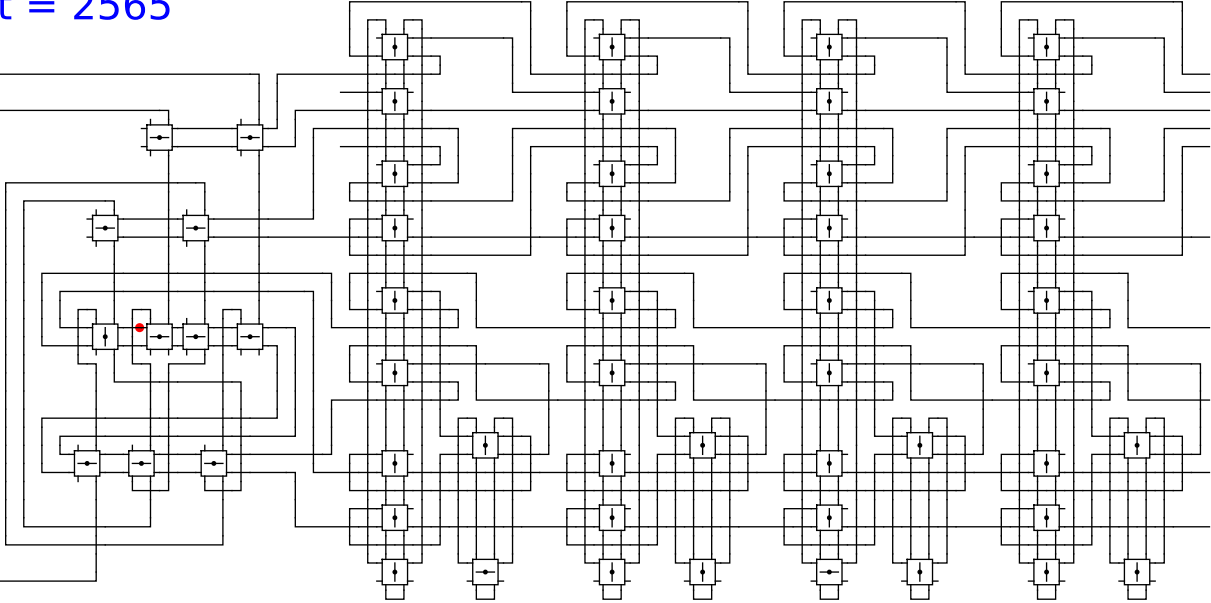


1 0 head 0 0

t = 2565

Reject
Accept

Begin

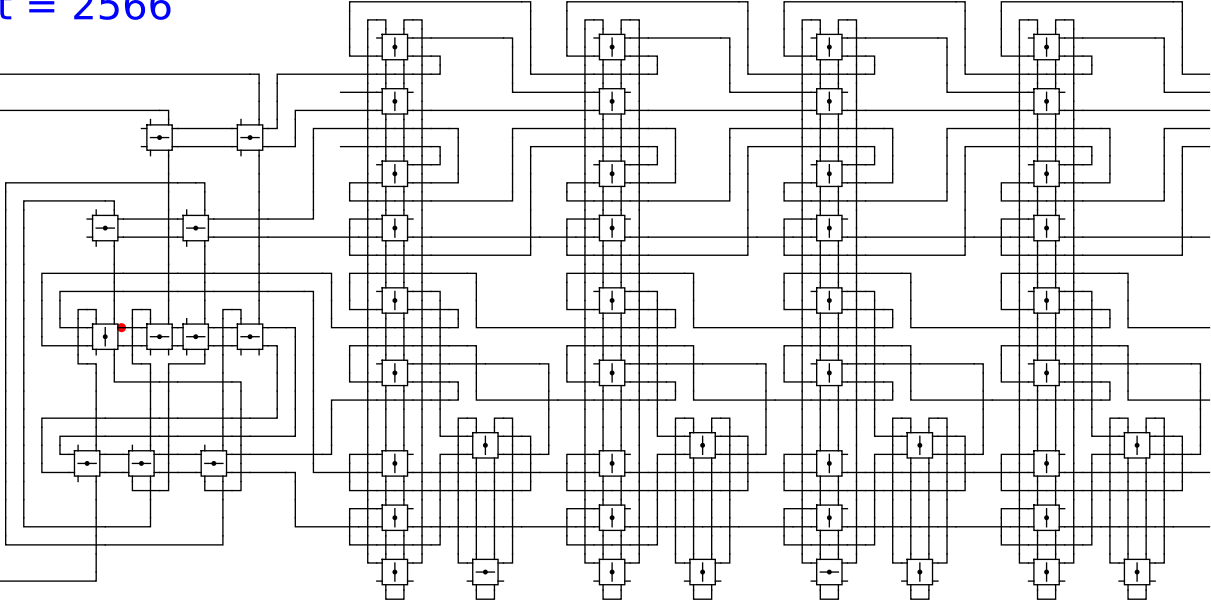


1 0 head 0 0

t = 2566

Reject
Accept

Begin



1

0

head

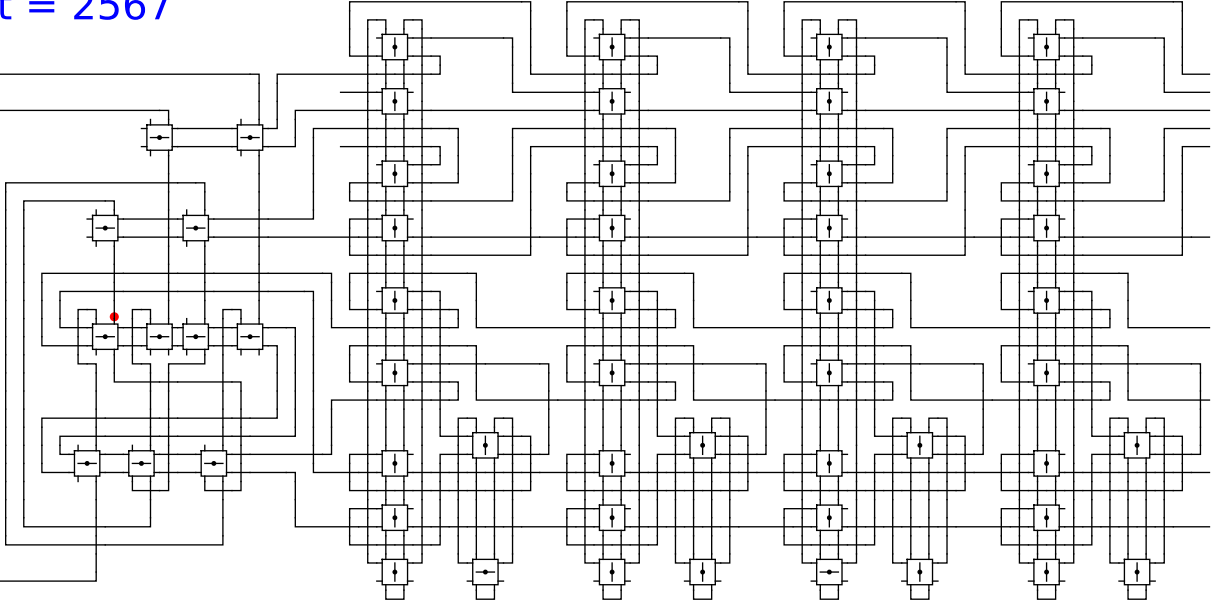
0

0

t = 2567

Reject
Accept

Begin

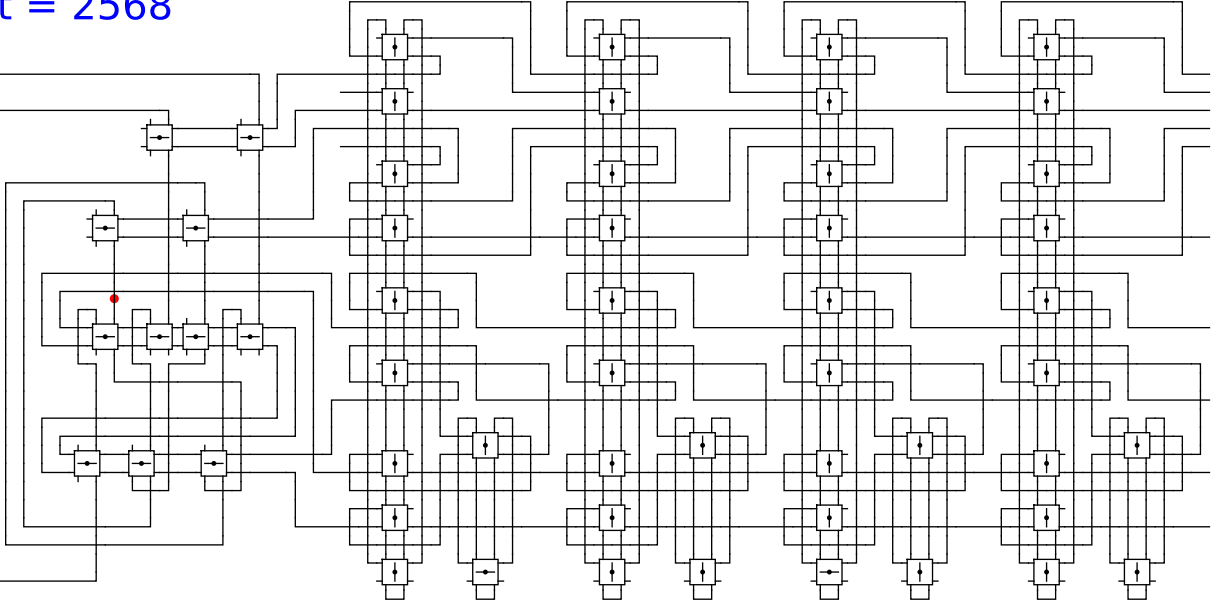


1 0 head 0 0

t = 2568

Reject
Accept

Begin

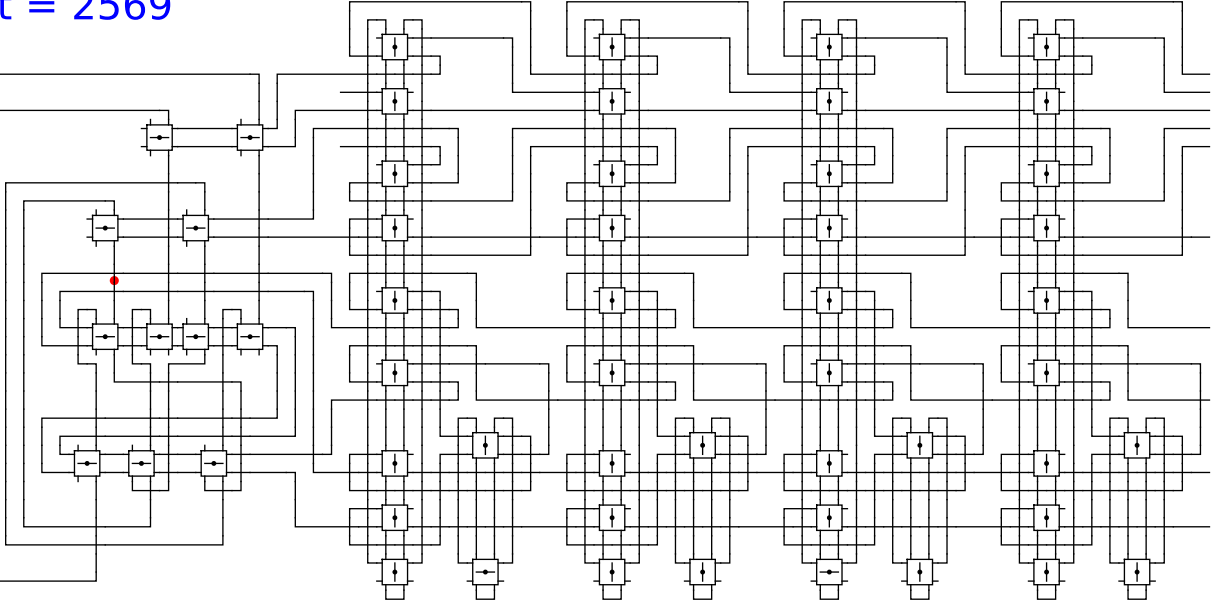


1 0 head 0 0

t = 2569

Reject
Accept

Begin

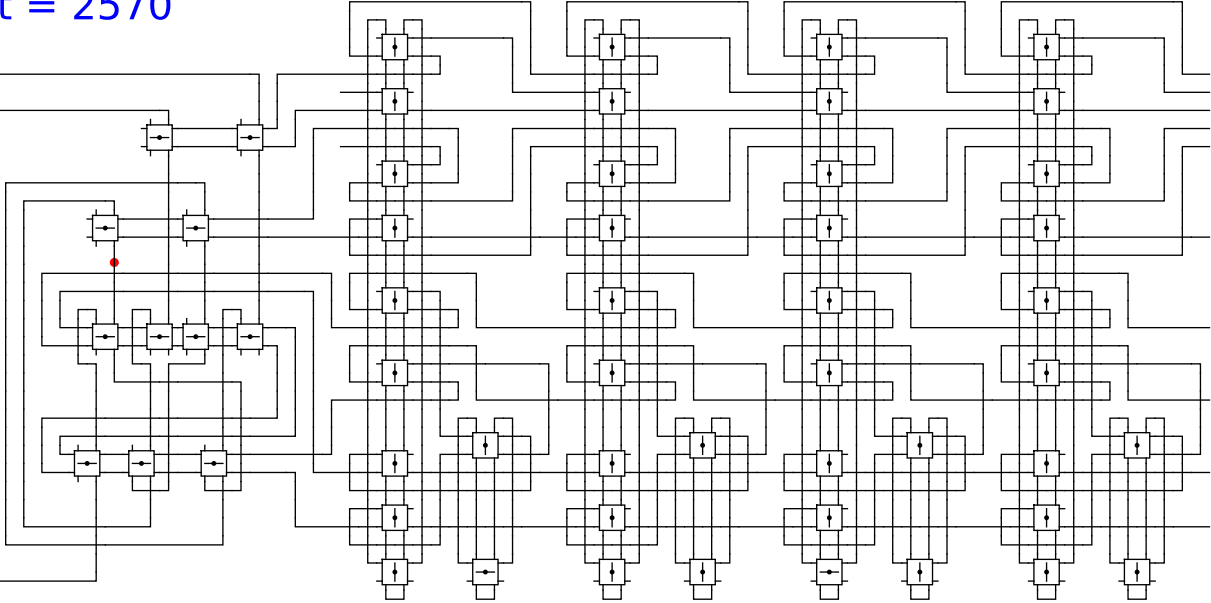


1 0 head 0 0

t = 2570

Reject
Accept

Begin

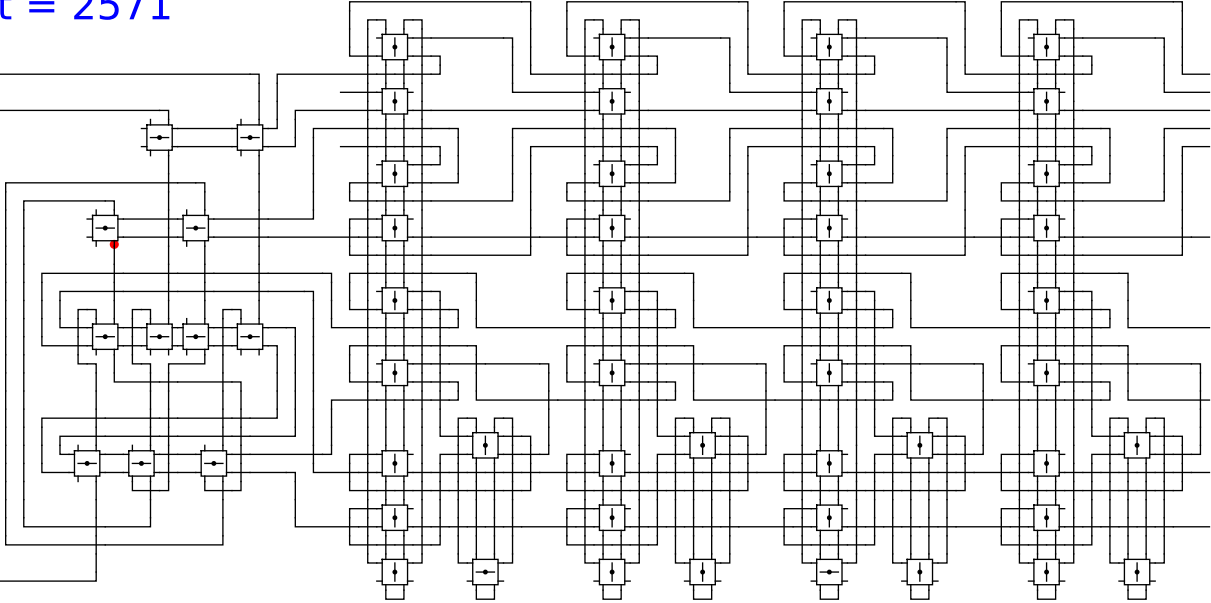


1 0 head 0 0

t = 2571

Reject
Accept

Begin

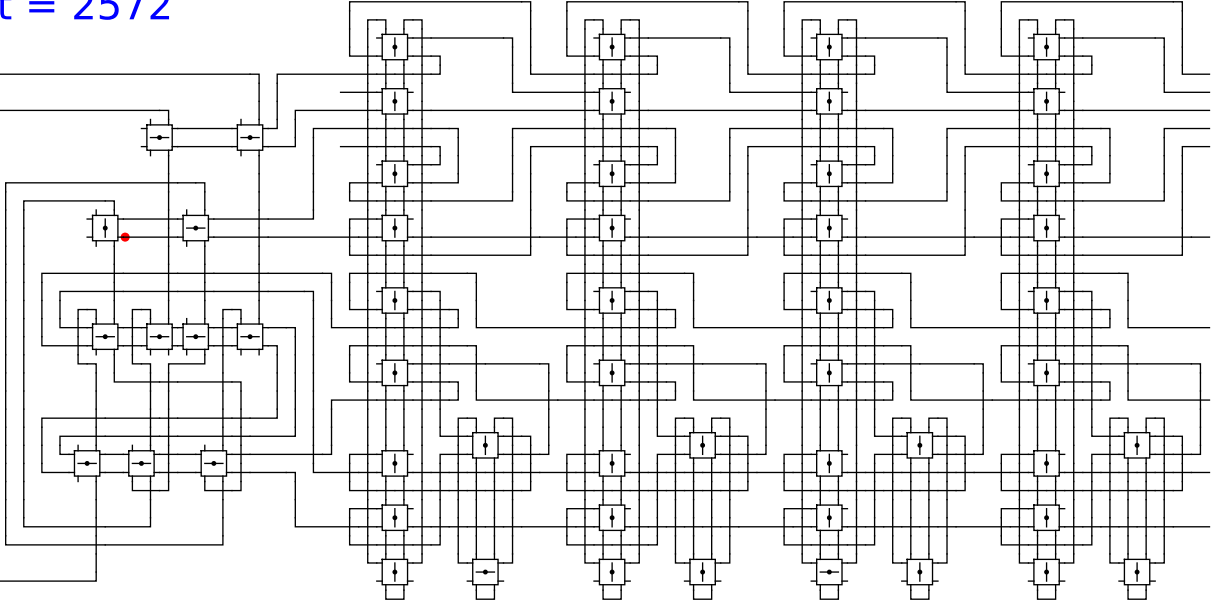


1 0 head 0 0

t = 2572

Reject
Accept

Begin

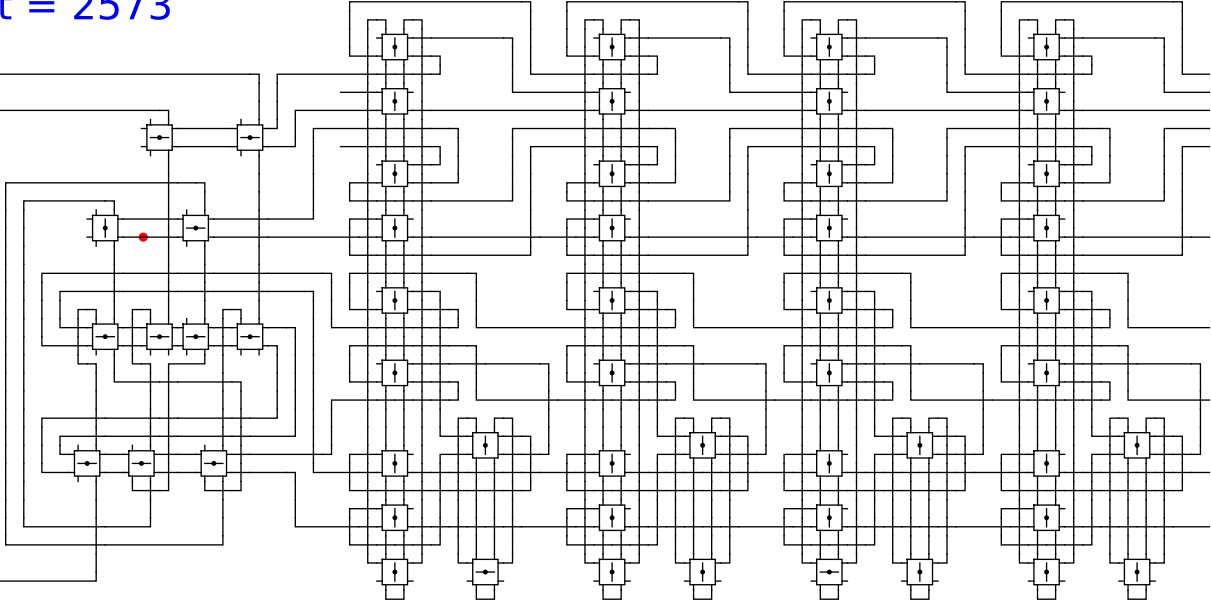


1 0 head 0 0

t = 2573

Reject
Accept

Begin

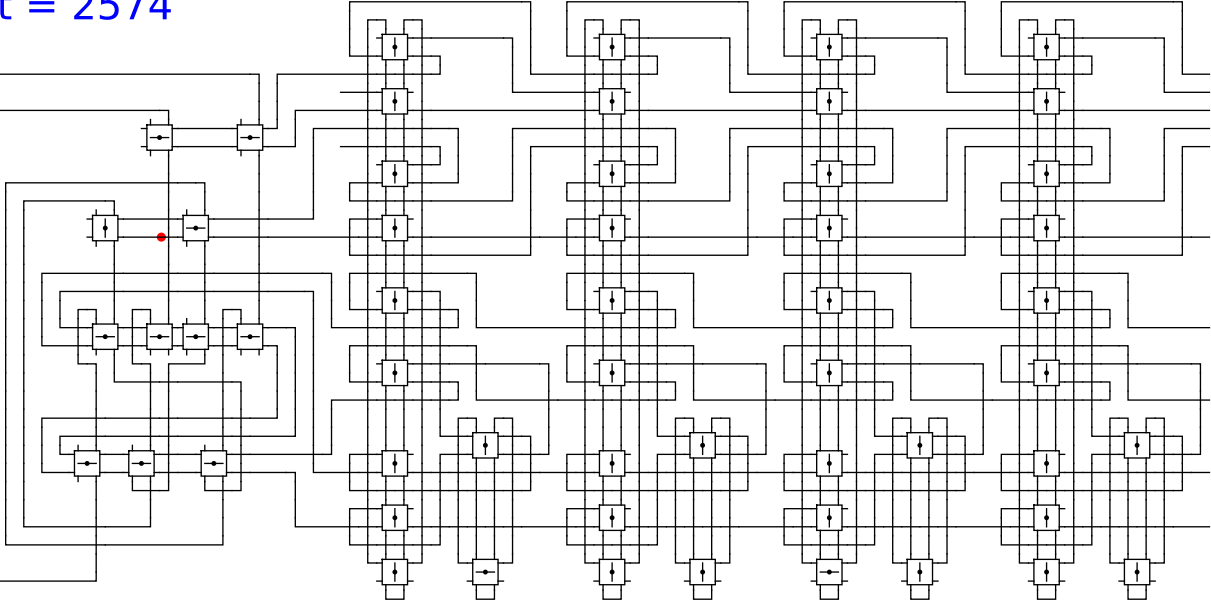


1 0 head 0 0

$t = 2574$

Reject
Accept

Begin

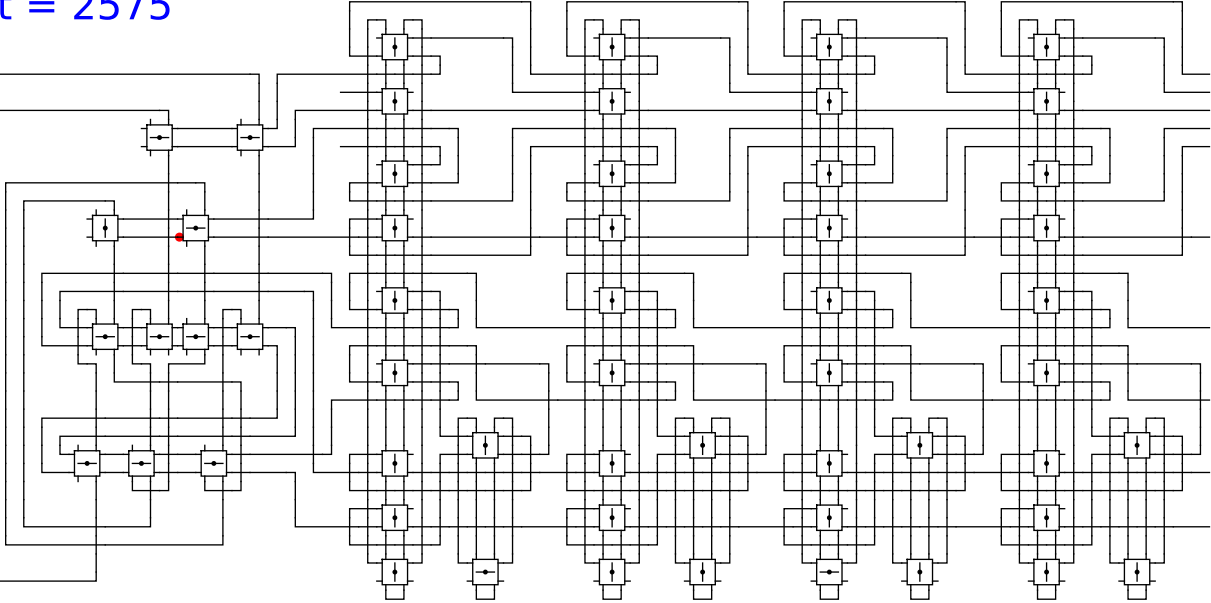


1 0 head 0 0

t = 2575

Reject
Accept

Begin

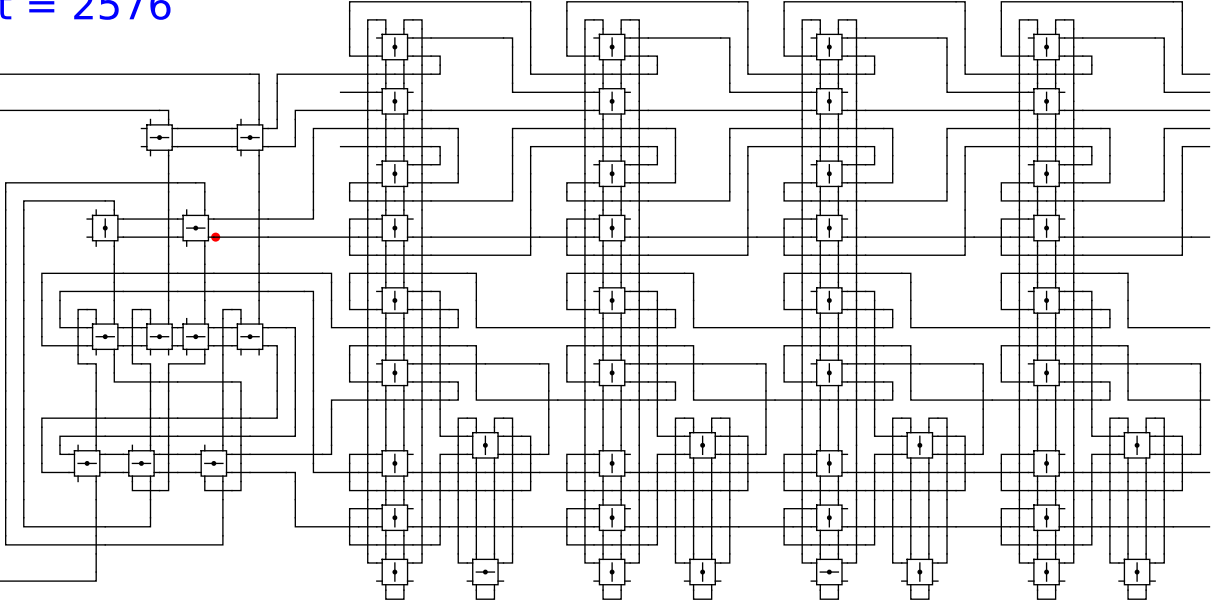


1 0 head 0 0

t = 2576

Reject
Accept

Begin

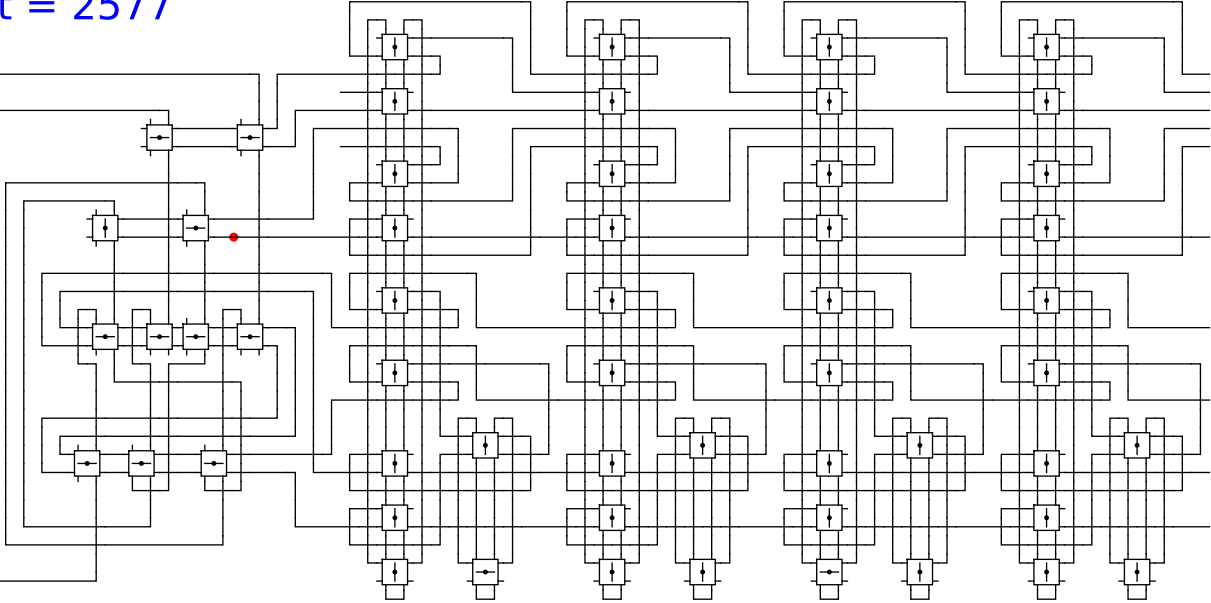


1 0 head 0 0

t = 2577

Reject
Accept

Begin

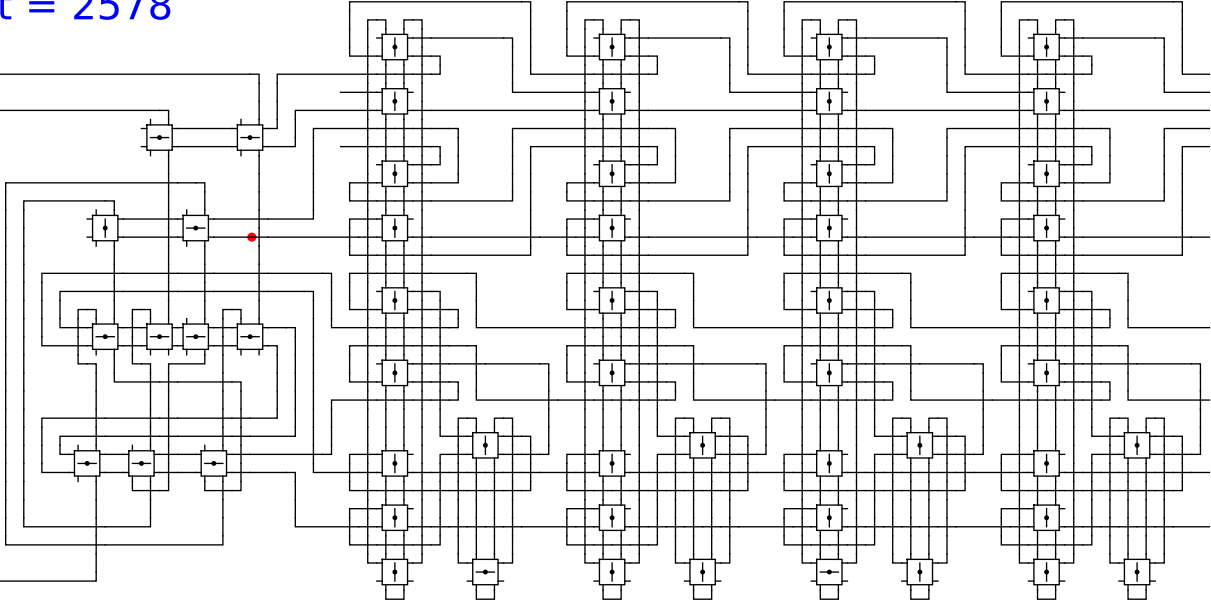


1 0 head 0 0

t = 2578

Reject
Accept

Begin



1

0

head

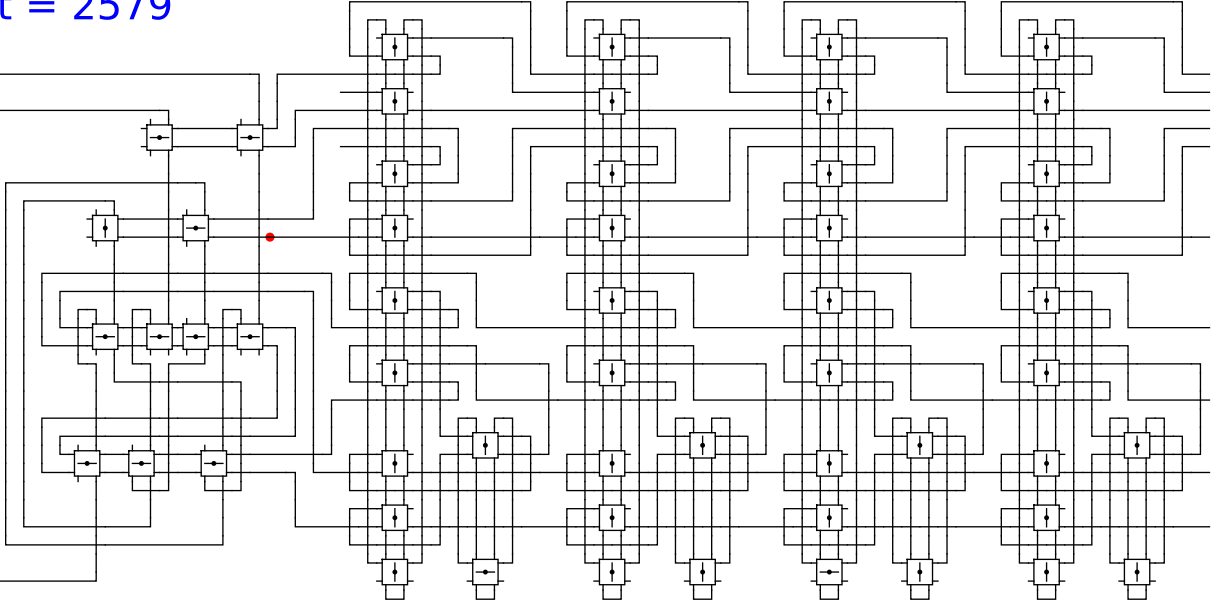
0

0

t = 2579

Reject
Accept

Begin

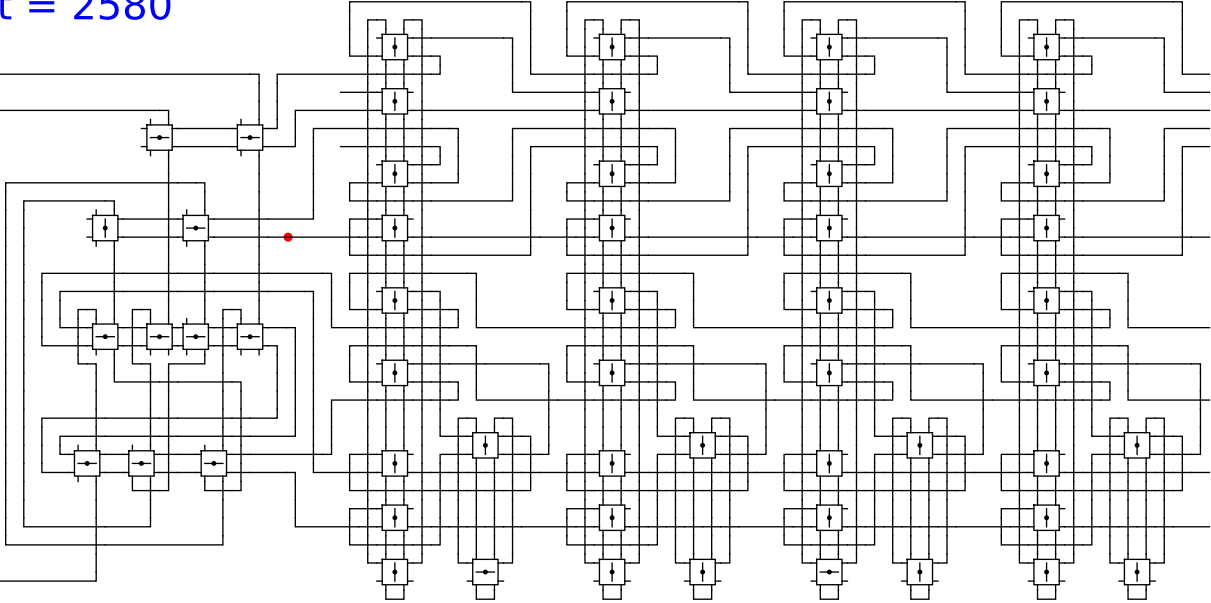


1 0 head 0 0

t = 2580

Reject
Accept

Begin



1

0

head

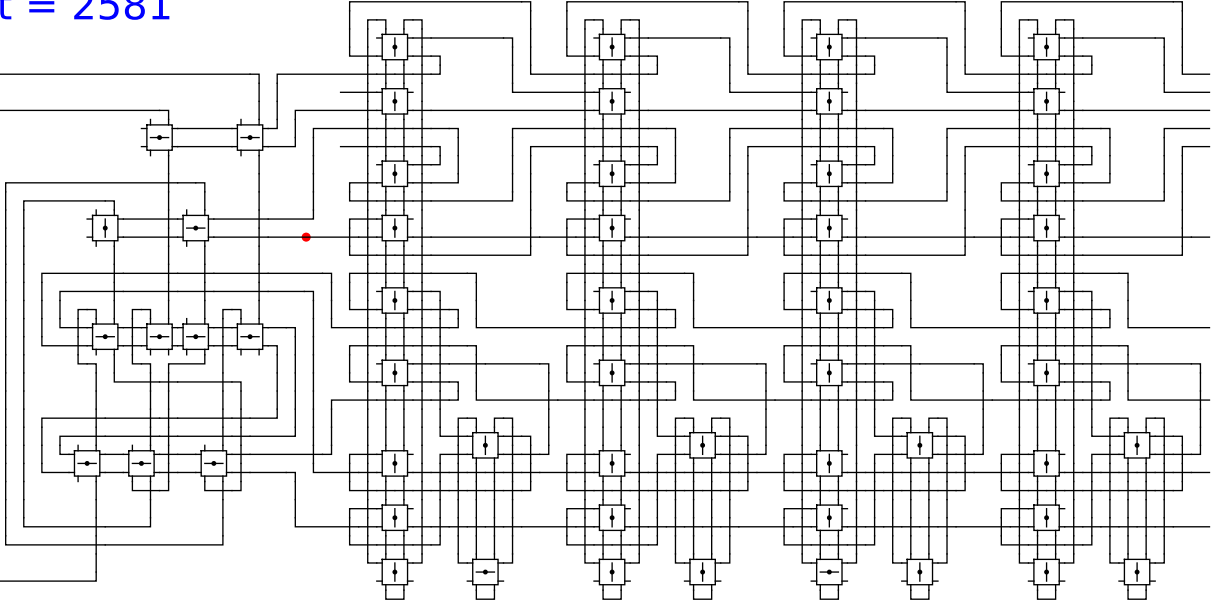
0

0

t = 2581

Reject
Accept

Begin

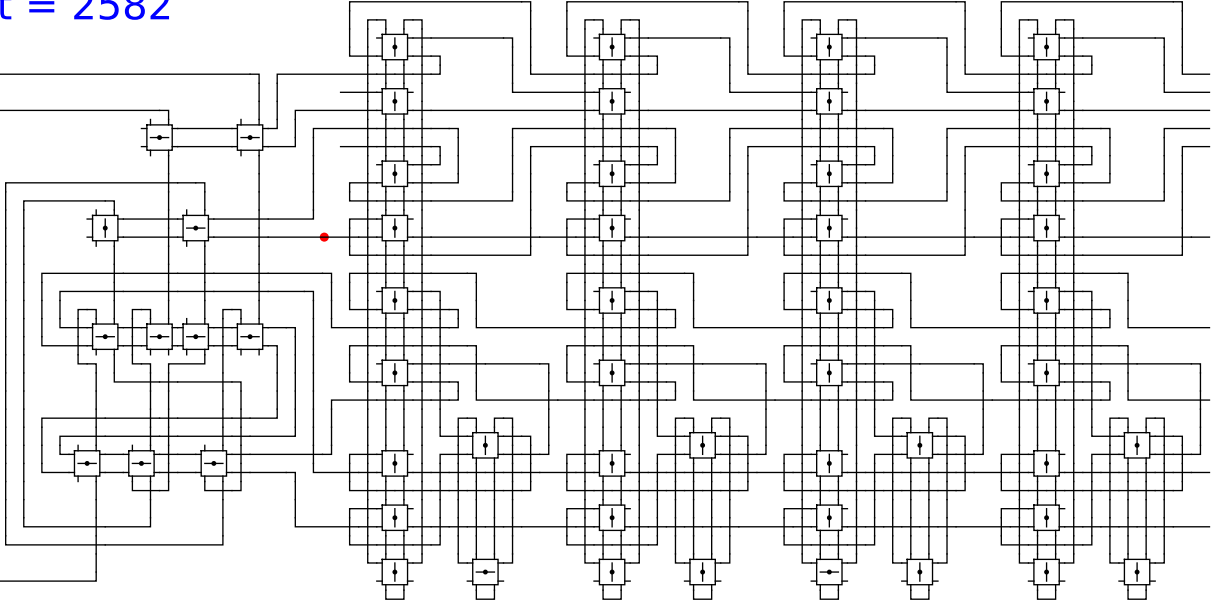


1 0 head 0 0

t = 2582

Reject
Accept

Begin



1

0

head

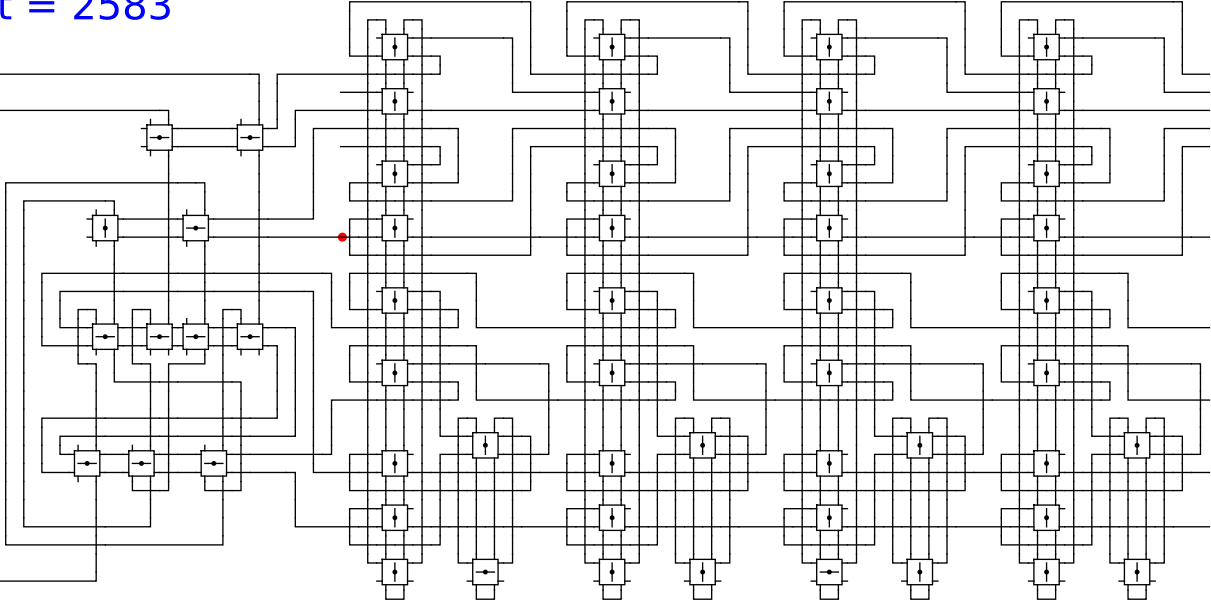
0

0

t = 2583

Reject
Accept

Begin



1

0

head

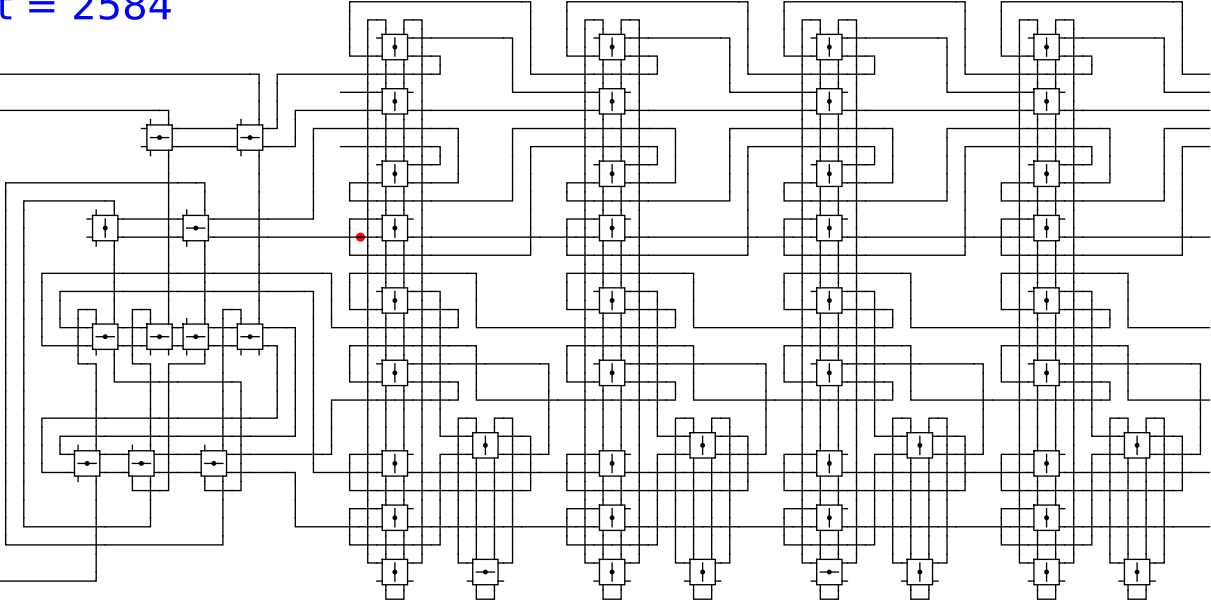
0

0

t = 2584

Reject
Accept

Begin

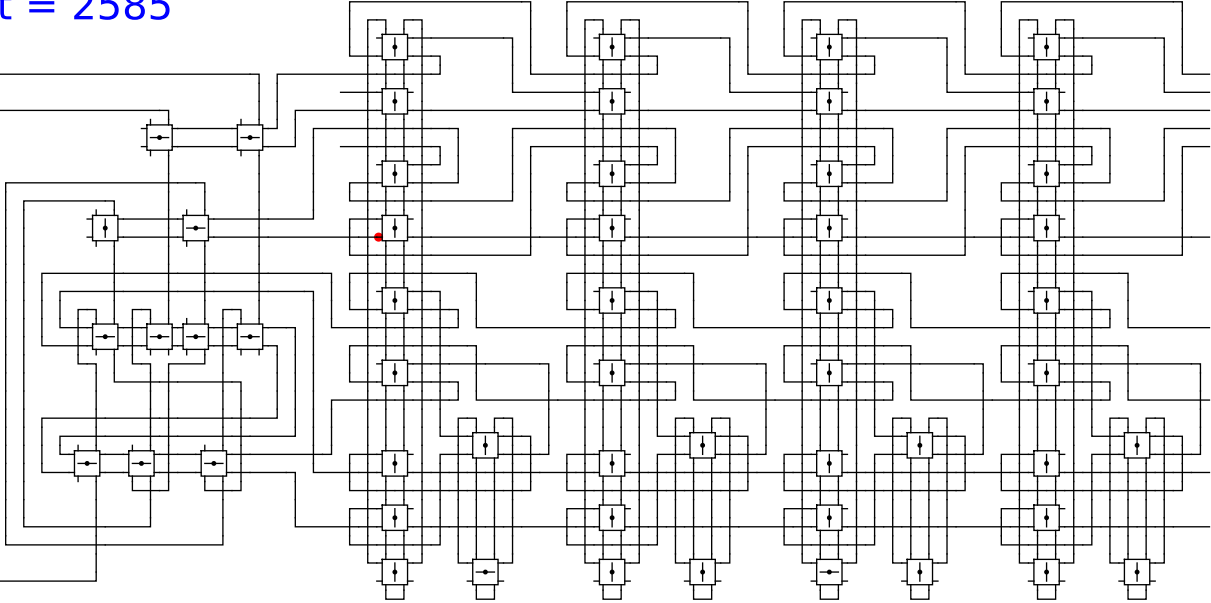


1 0 head 0 0

t = 2585

Reject
Accept

Begin



1

0

head

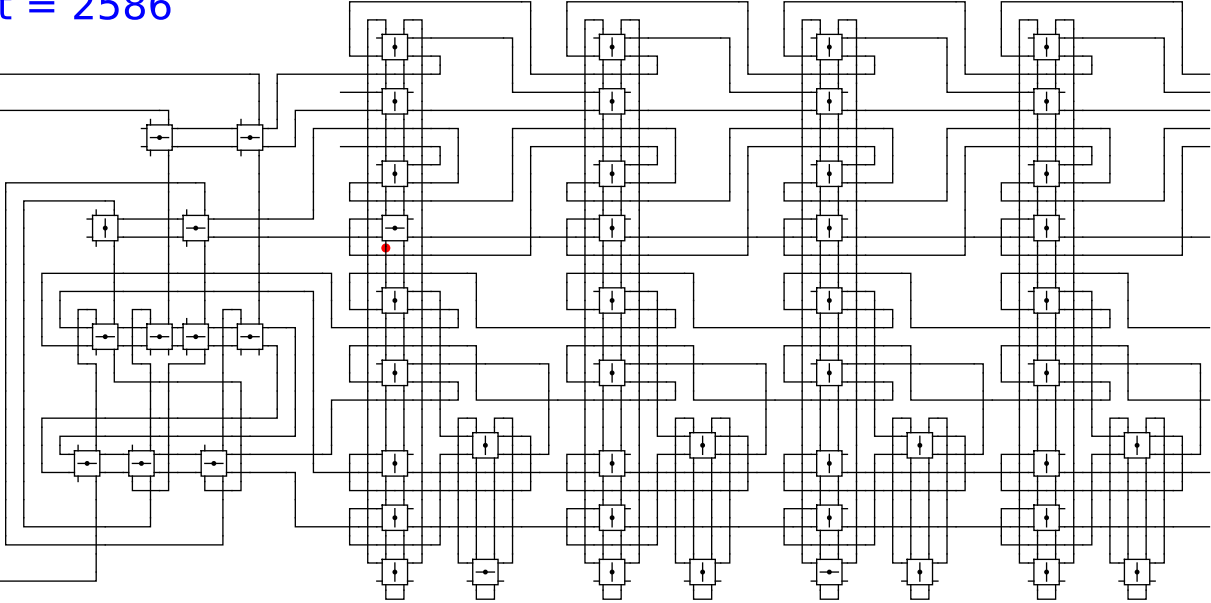
0

0

t = 2586

Reject
Accept

Begin



1

0

head

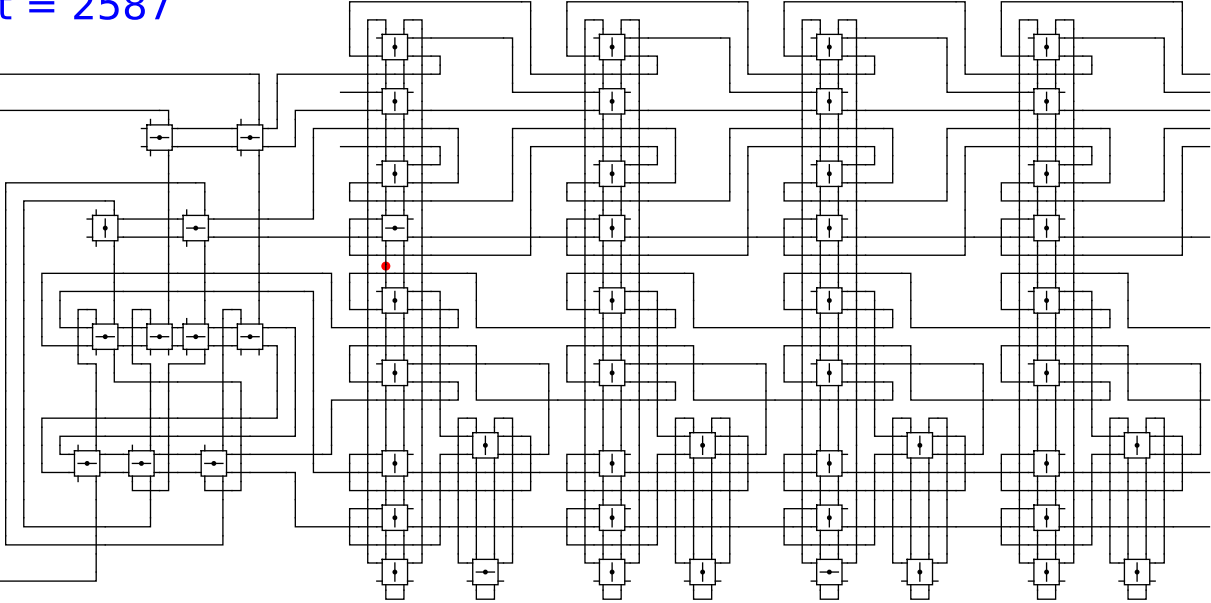
0

0

t = 2587

Reject
Accept

Begin

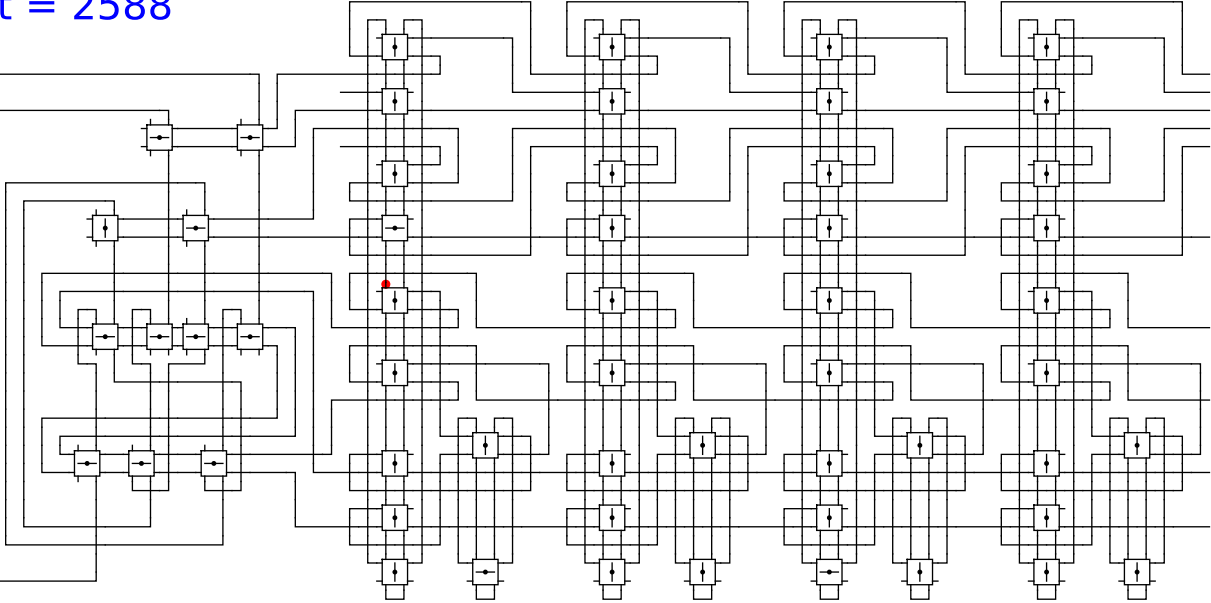


1 0 head 0 0

t = 2588

Reject
Accept

Begin

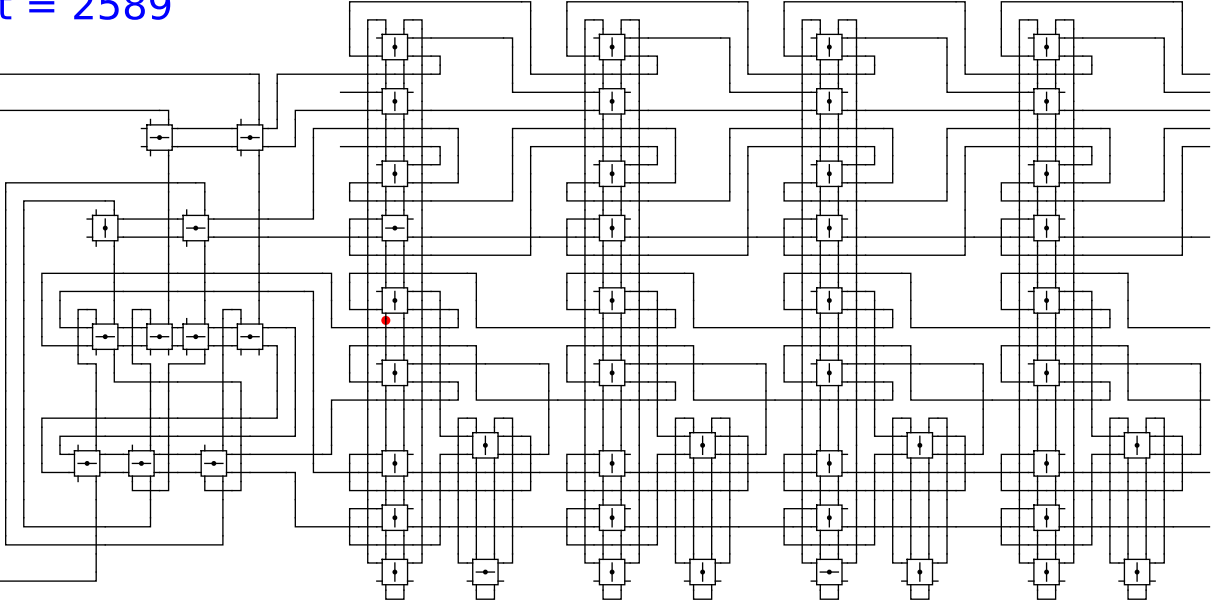


1 0 head 0 0

t = 2589

Reject
Accept

Begin



1

0

head

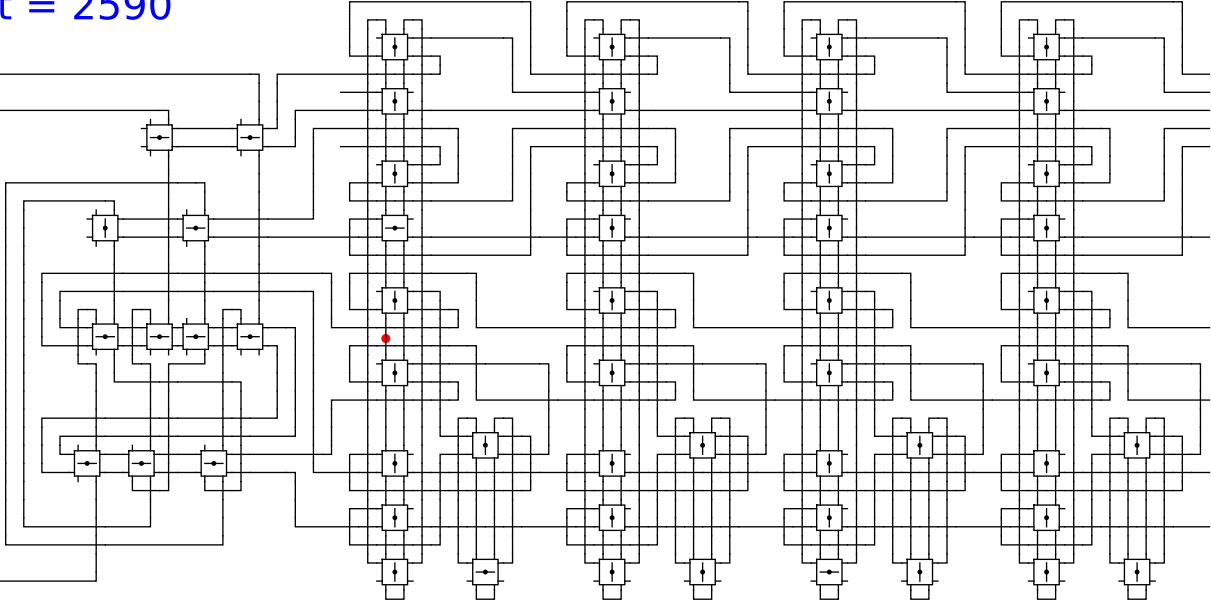
0

0

t = 2590

Reject
Accept

Begin



1

0

head

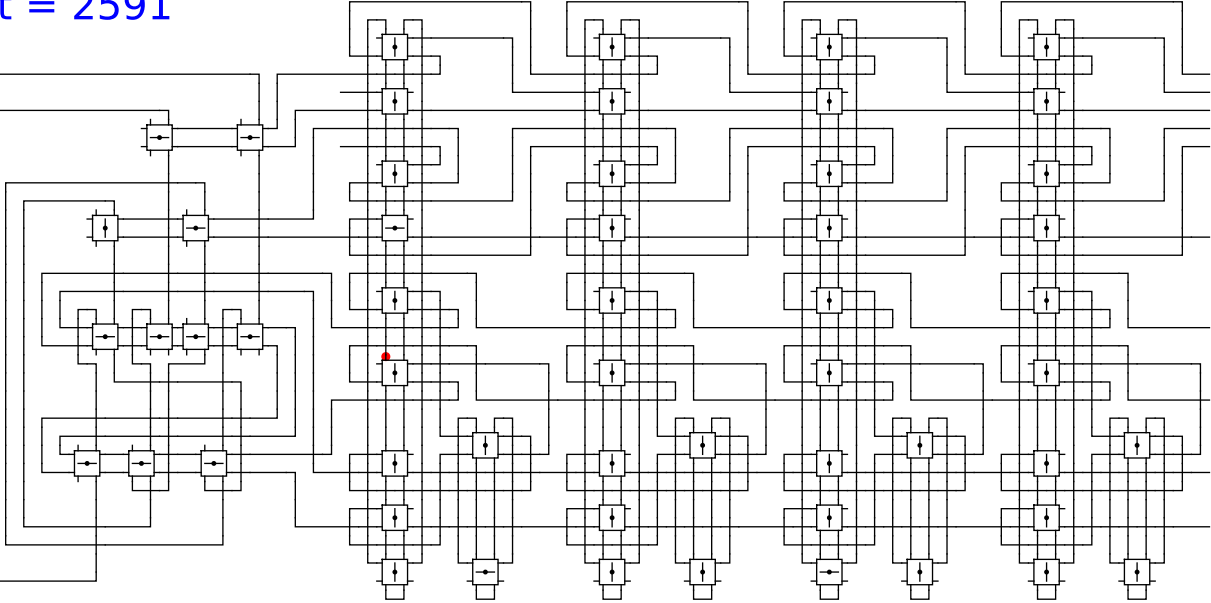
0

0

t = 2591

Reject
Accept

Begin



1

0

head

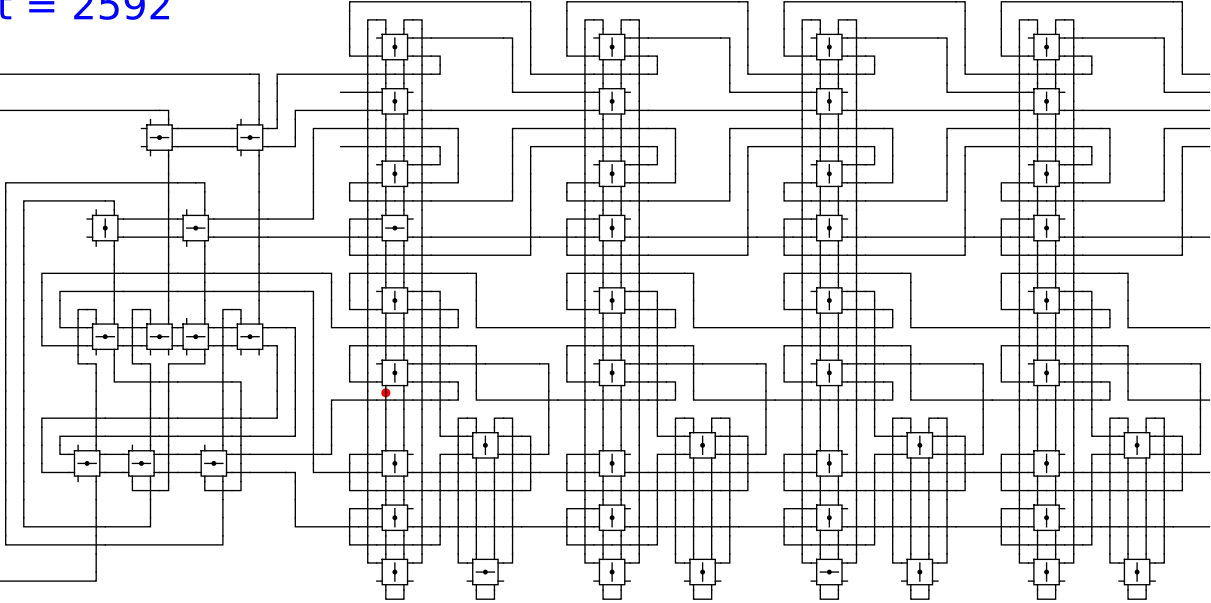
0

0

t = 2592

Reject
Accept

Begin

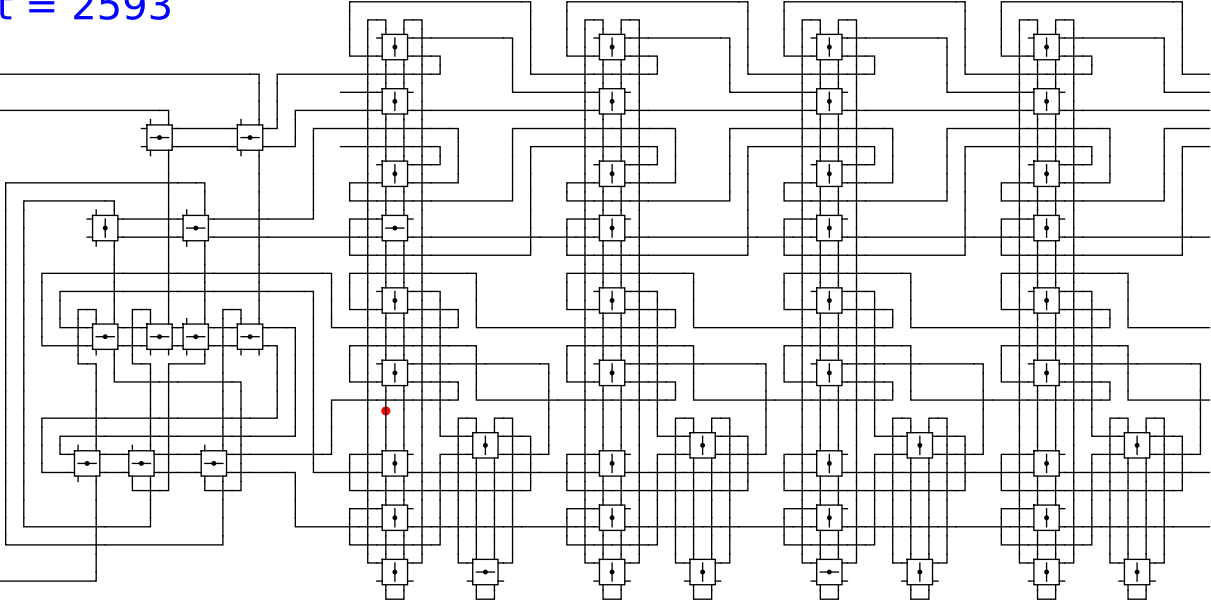


1 0 head 0 0

t = 2593

Reject
Accept

Begin

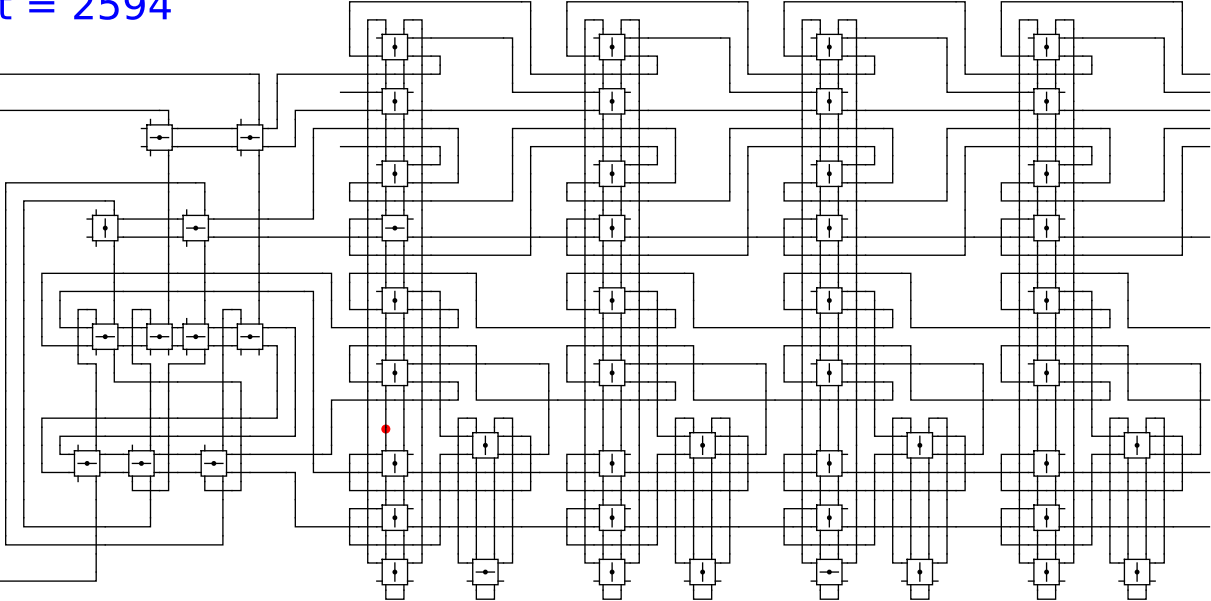


1 0 head 0 0

t = 2594

Reject
Accept

Begin



1

0

head

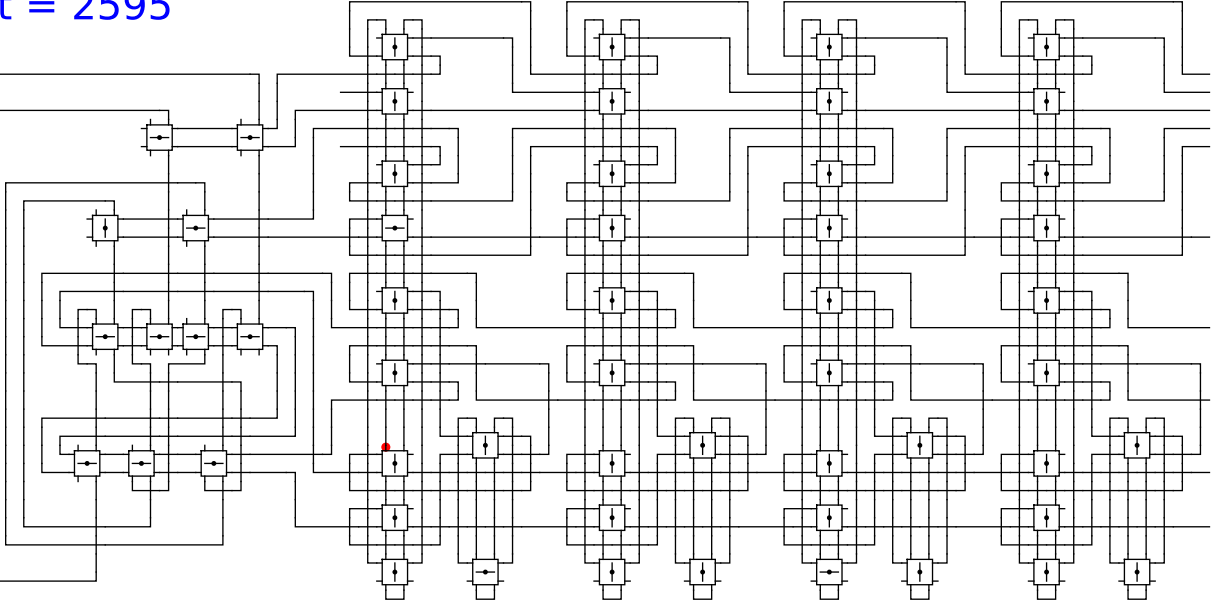
0

0

t = 2595

Reject
Accept

Begin

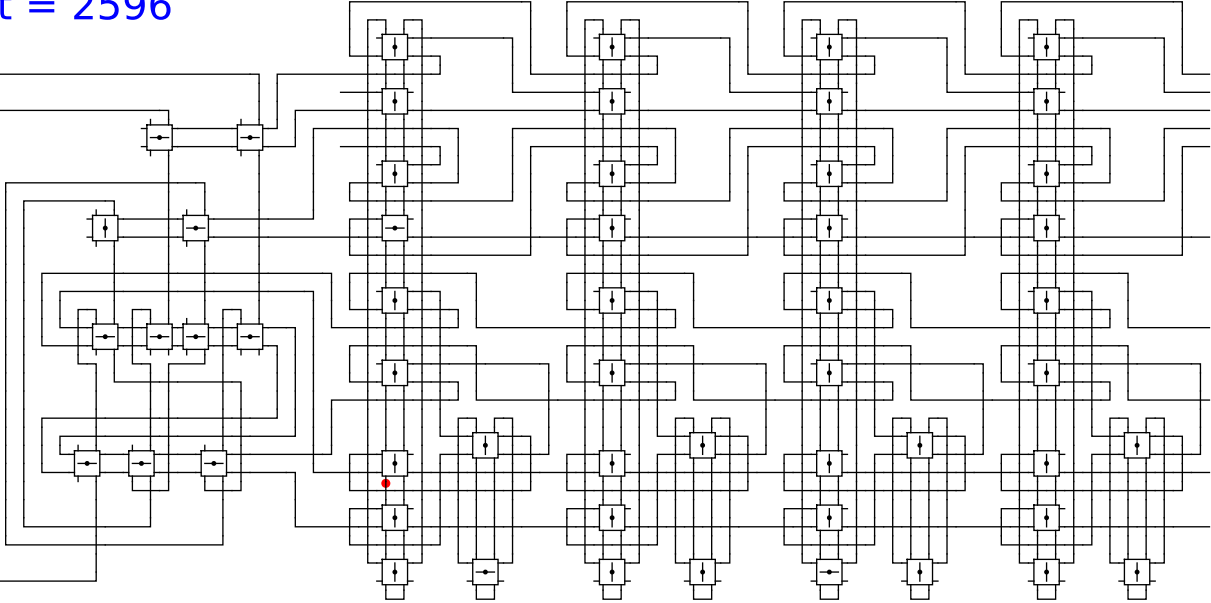


1 0 head 0 0

t = 2596

Reject
Accept

Begin



1

0

head

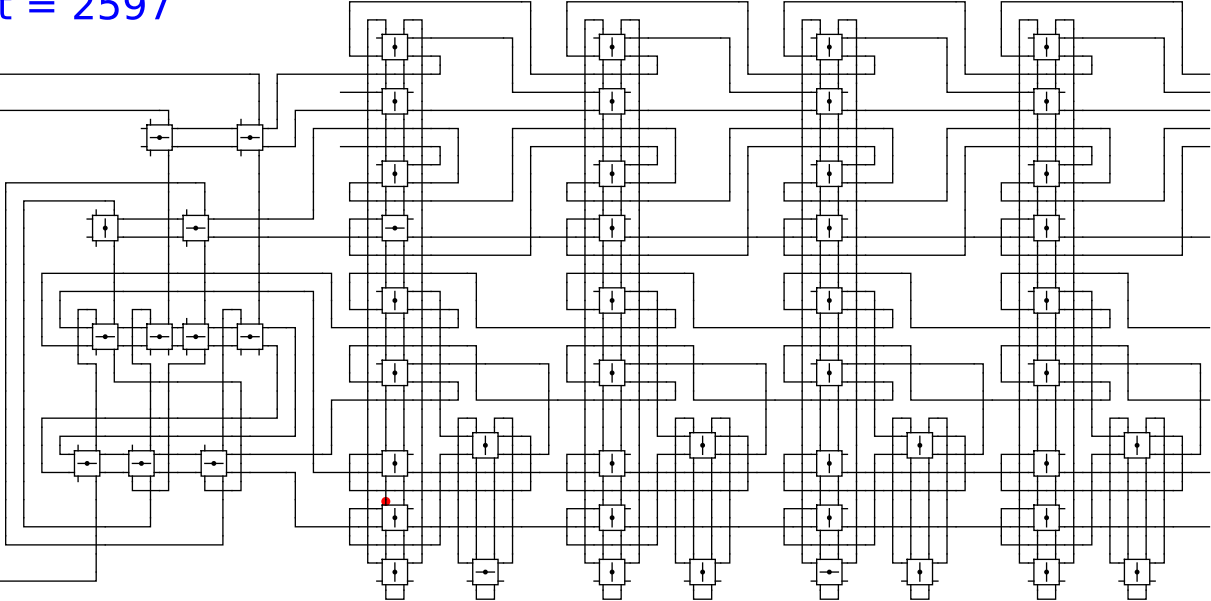
0

0

t = 2597

Reject
Accept

Begin

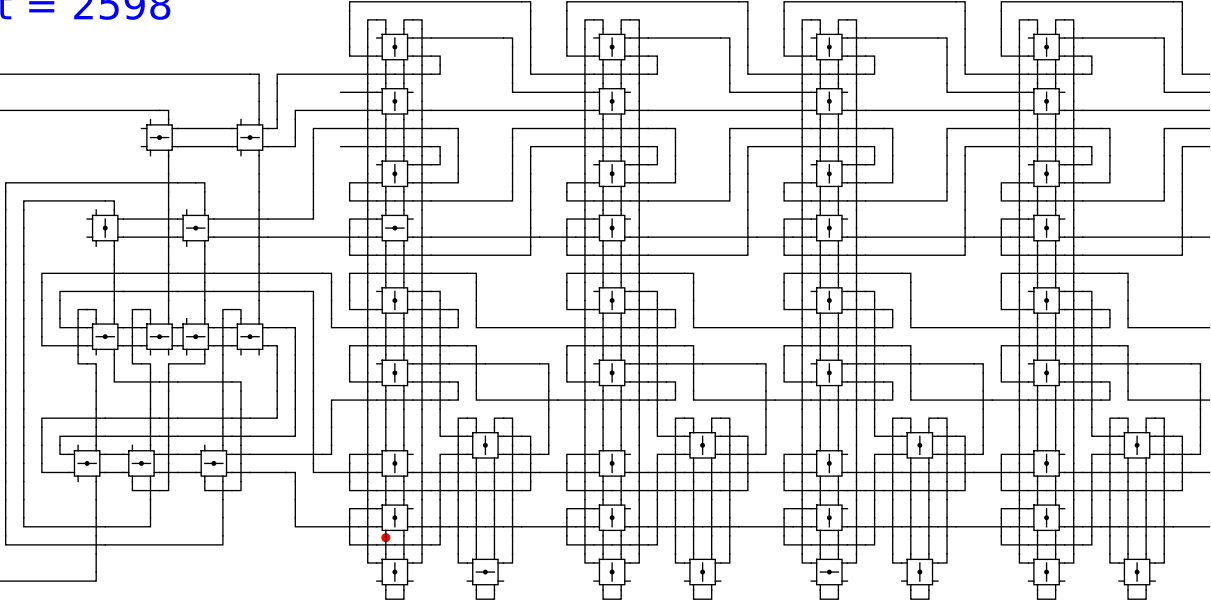


1 0 head 0 0

t = 2598

Reject
Accept

Begin



1

0

head

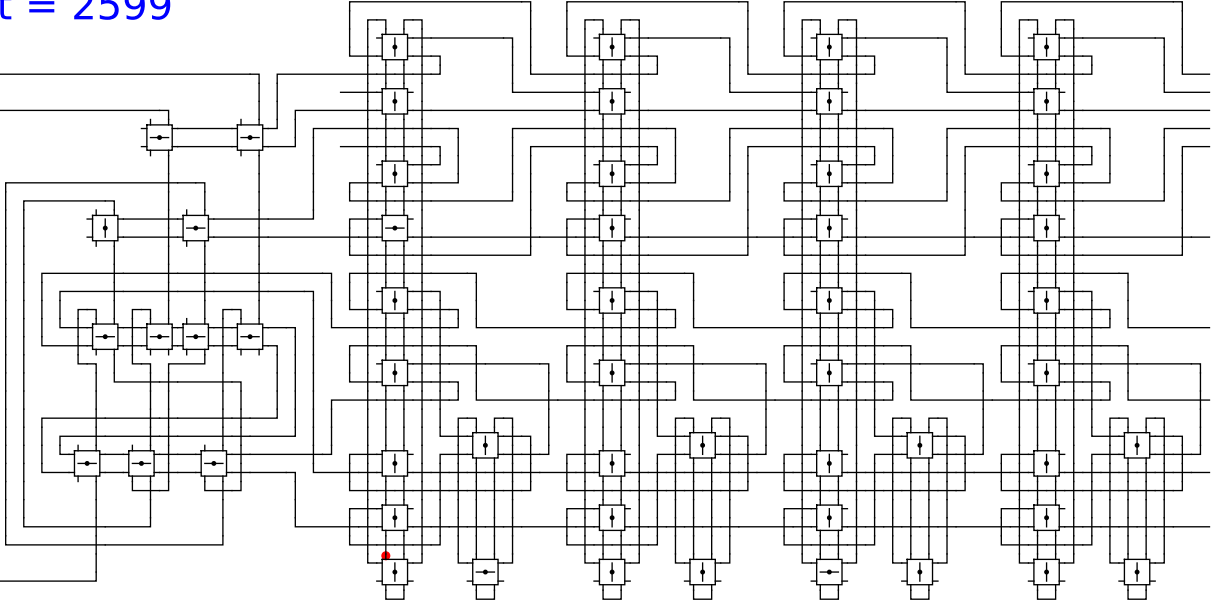
0

0

t = 2599

Reject
Accept

Begin



1

0

head

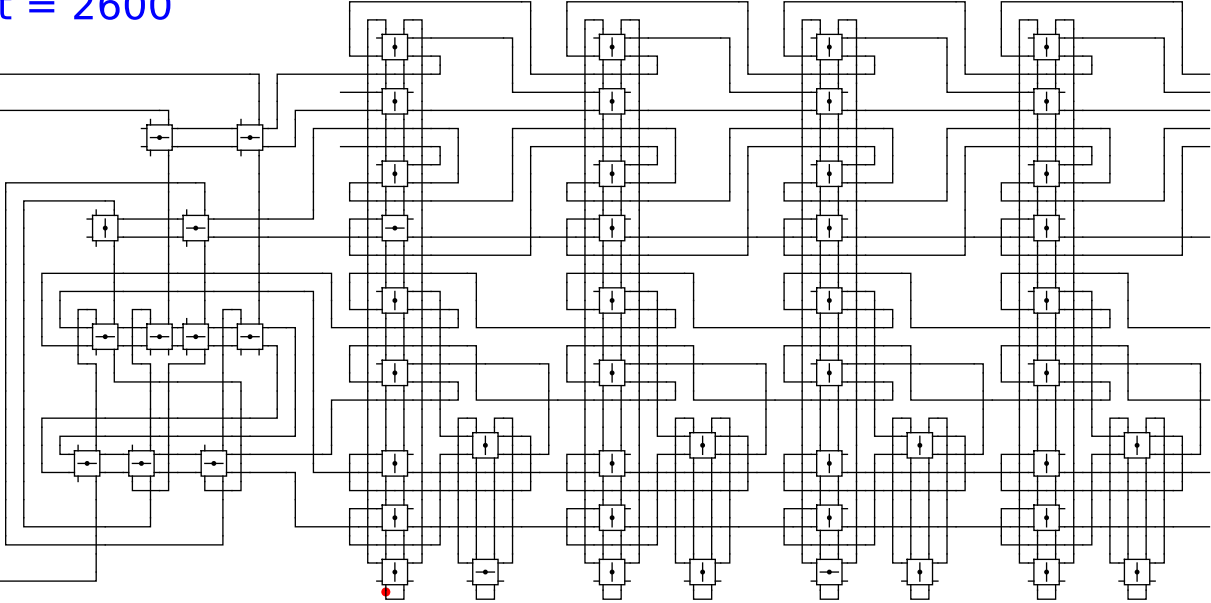
0

0

t = 2600

Reject
Accept

Begin



1

0

head

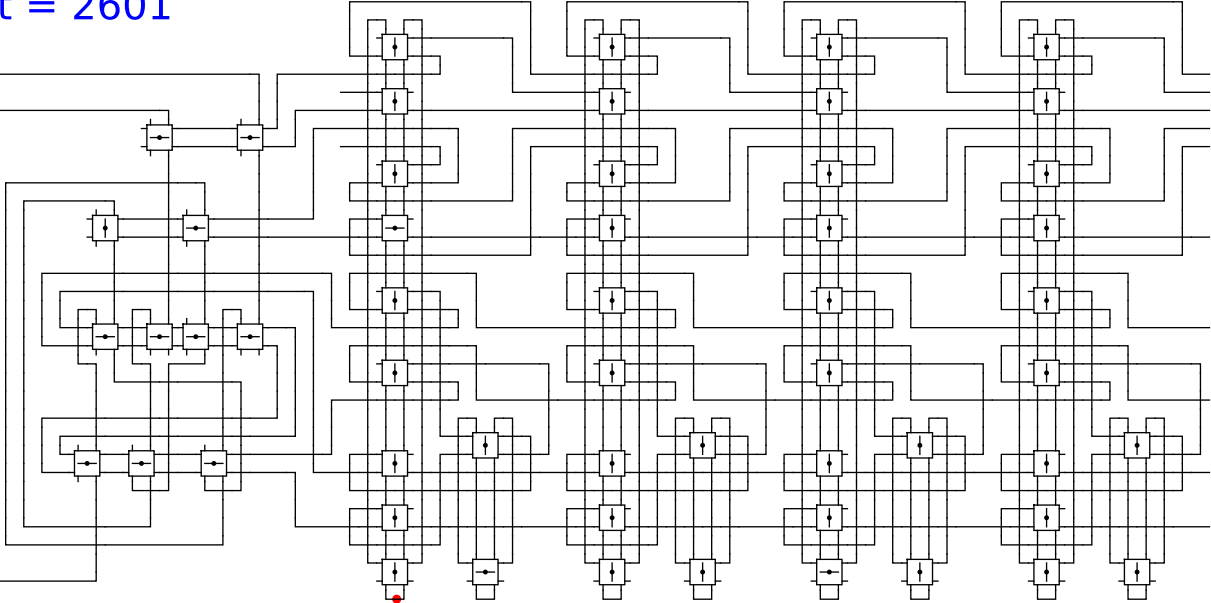
0

0

t = 2601

Reject
Accept

Begin

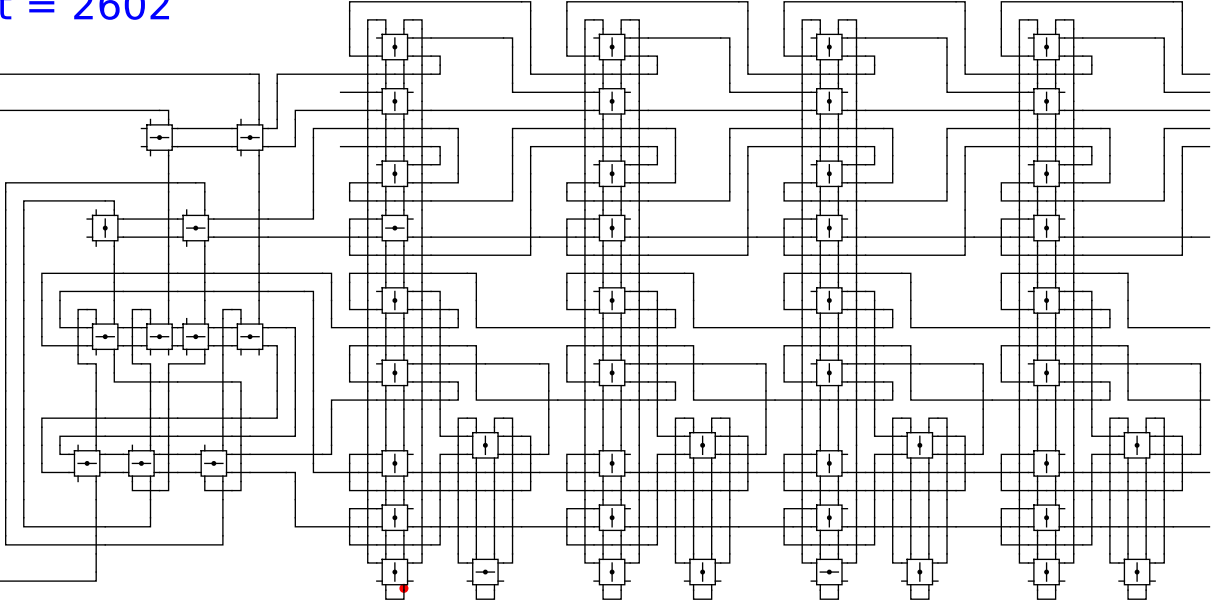


1 0 head 0 0

t = 2602

Reject
Accept

Begin



1

0

head

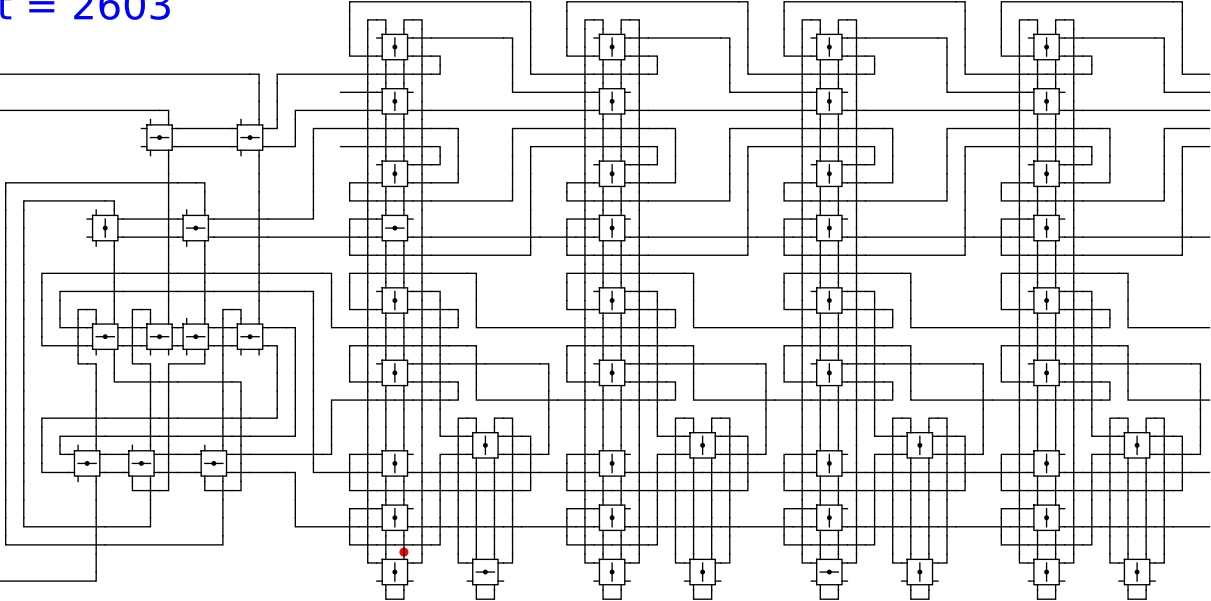
0

0

t = 2603

Reject
Accept

Begin



1

0

head

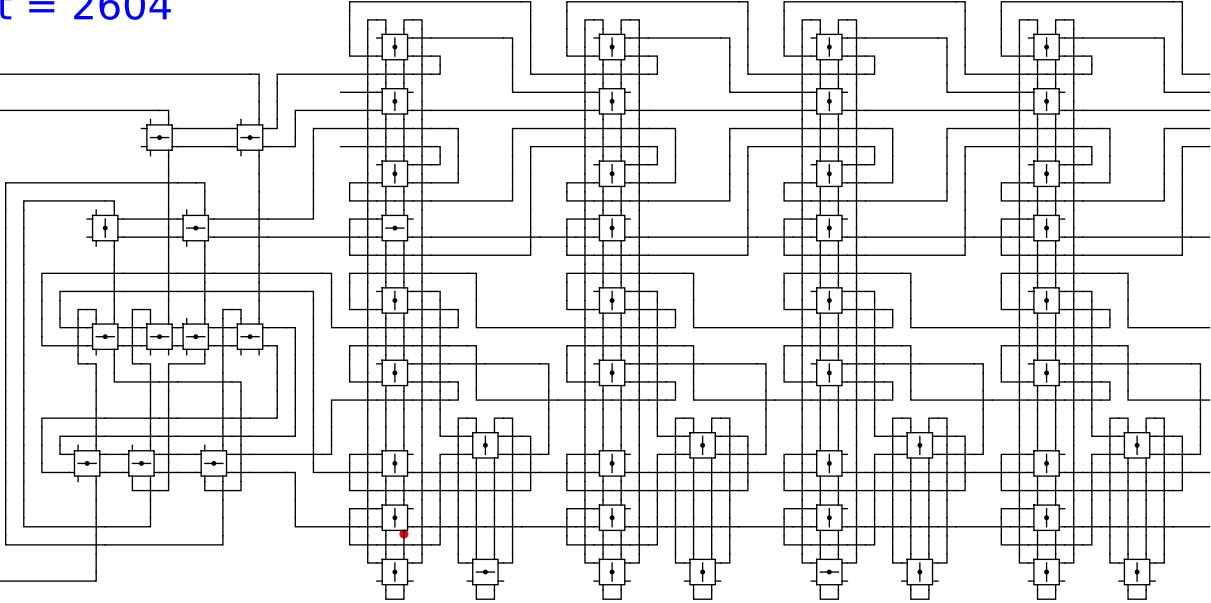
0

0

t = 2604

Reject
Accept

Begin

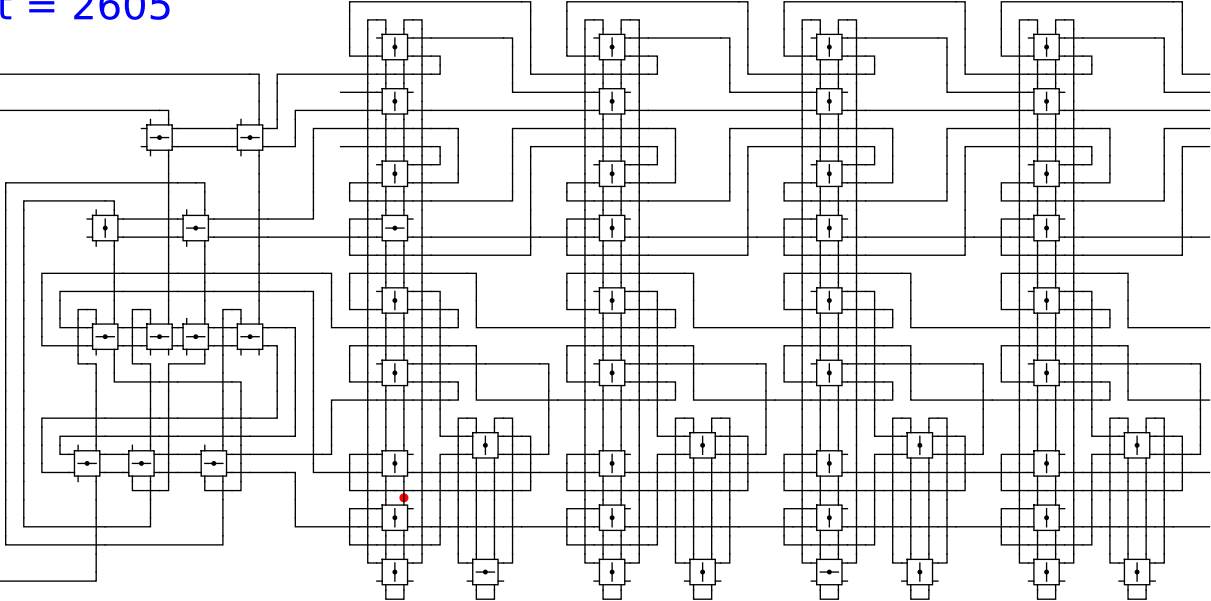


1 0 head 0 0

t = 2605

Reject
Accept

Begin

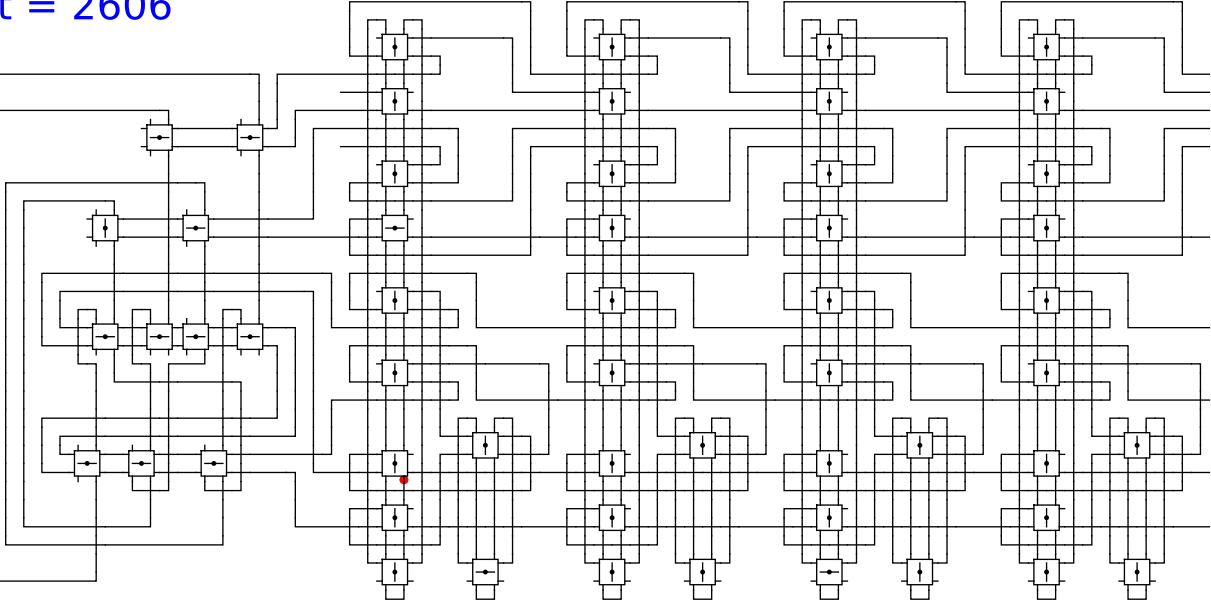


1 0 head 0 0

t = 2606

Reject
Accept

Begin

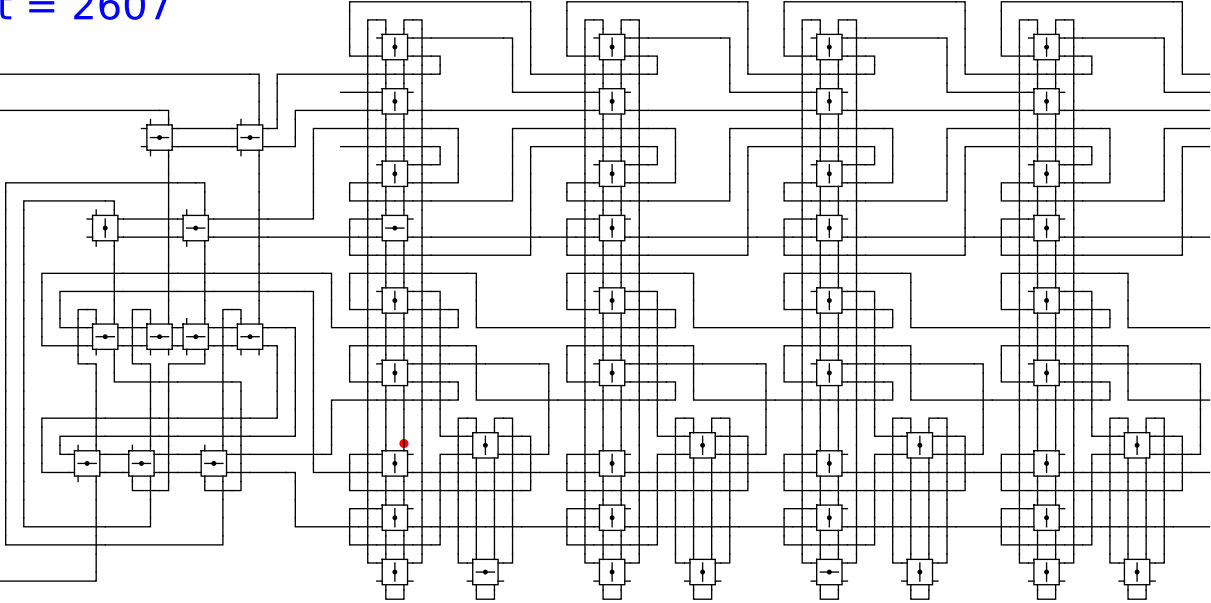


1 0 head 0 0

t = 2607

Reject
Accept

Begin

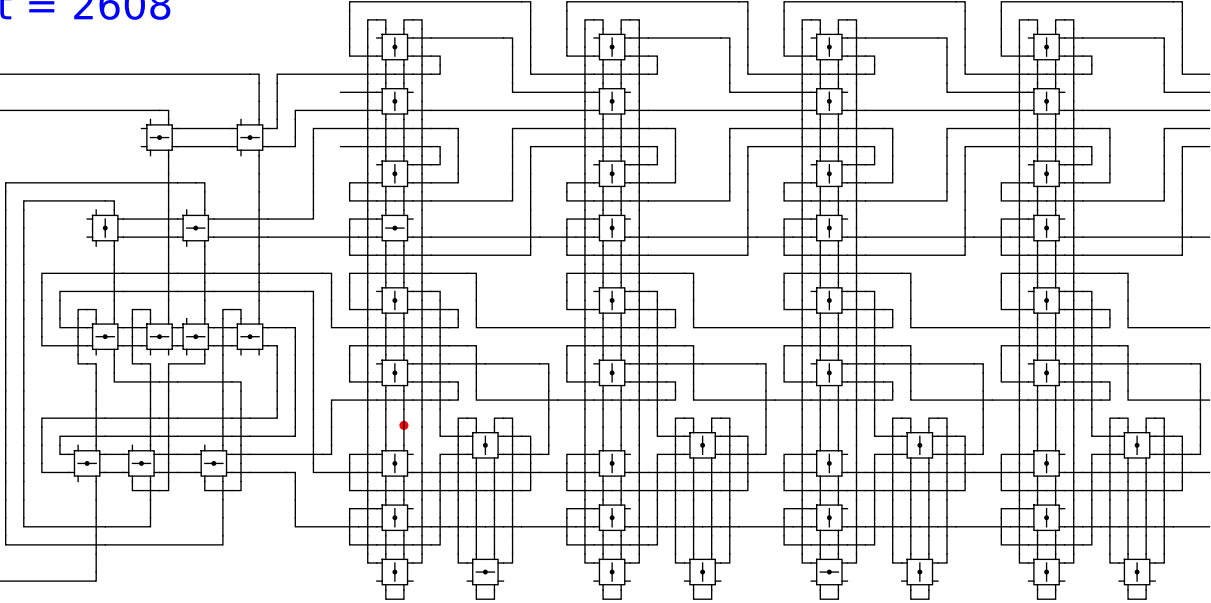


1 0 head 0 0

t = 2608

Reject
Accept

Begin

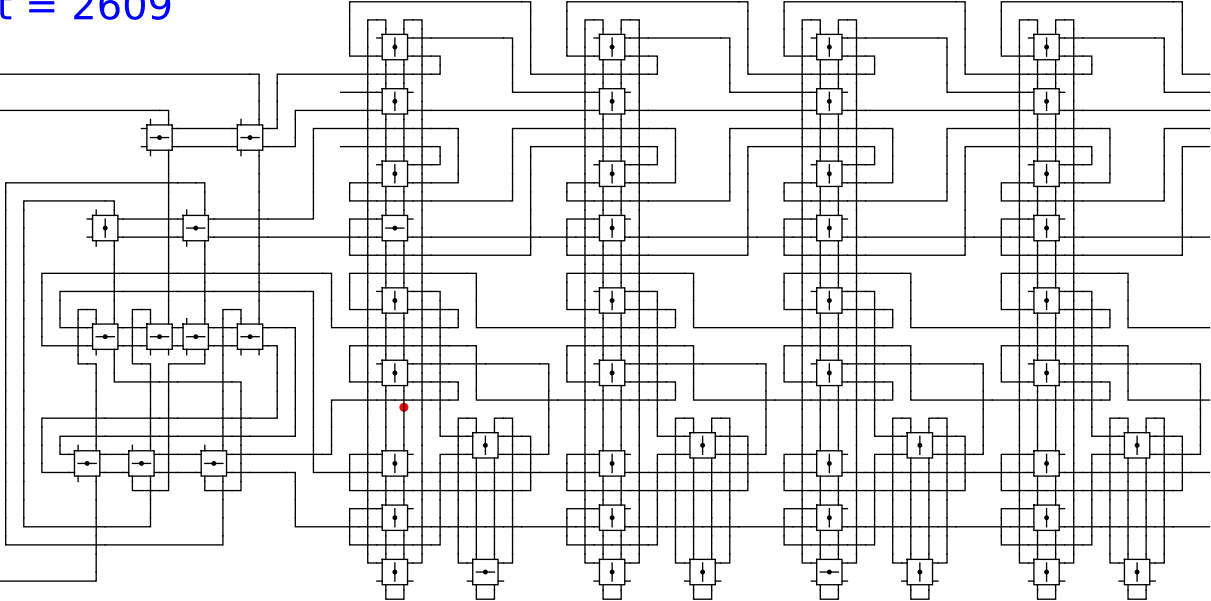


1 0 head 0 0

t = 2609

Reject
Accept

Begin

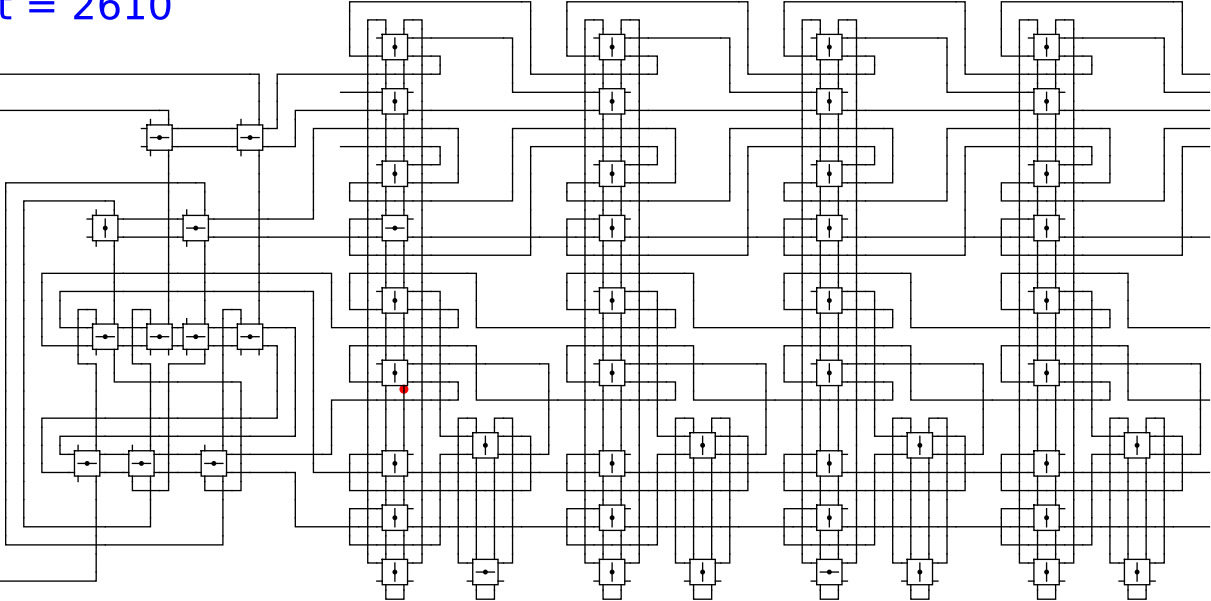


1 0 head 0 0

t = 2610

Reject
Accept

Begin

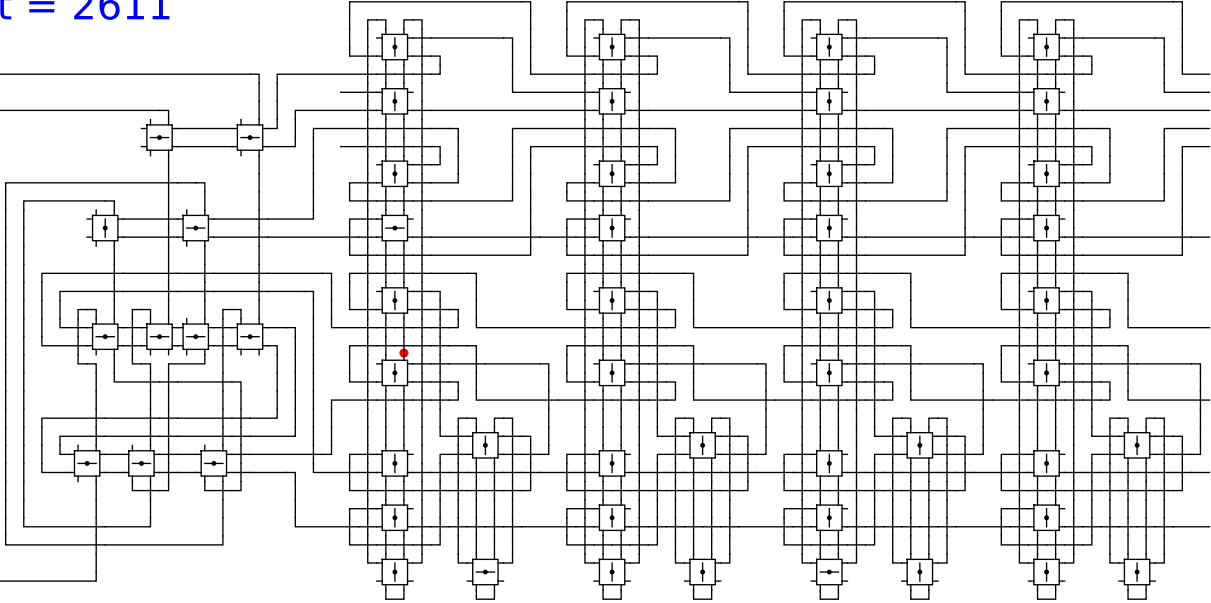


1 0 head 0 0

t = 2611

Reject
Accept

Begin

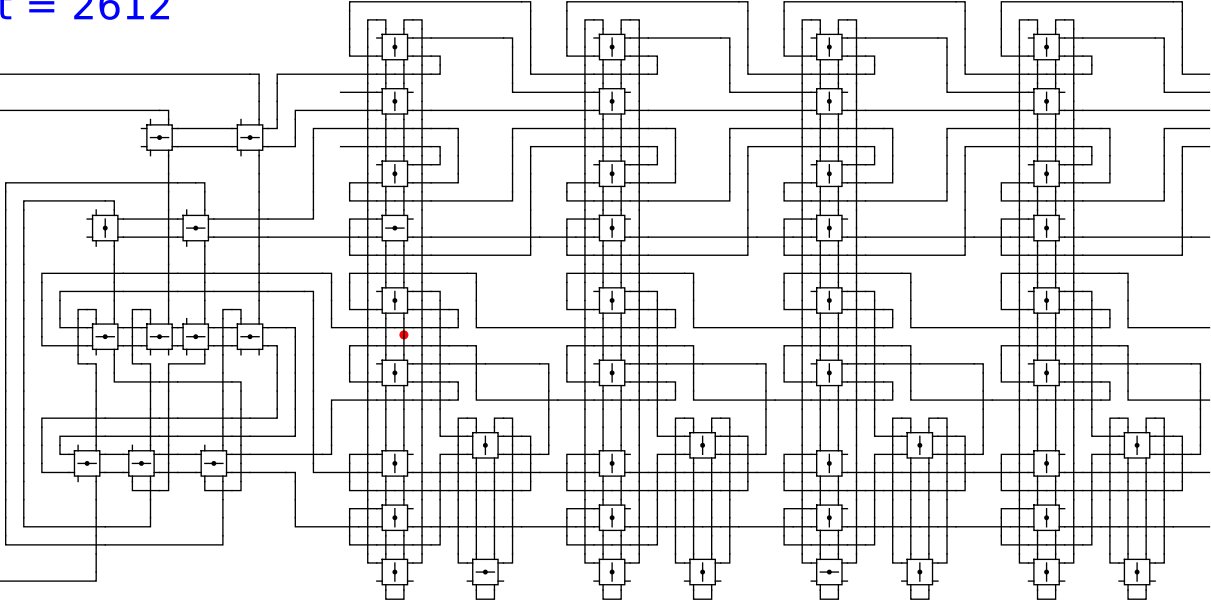


1 0 head 0 0

t = 2612

Reject
Accept

Begin

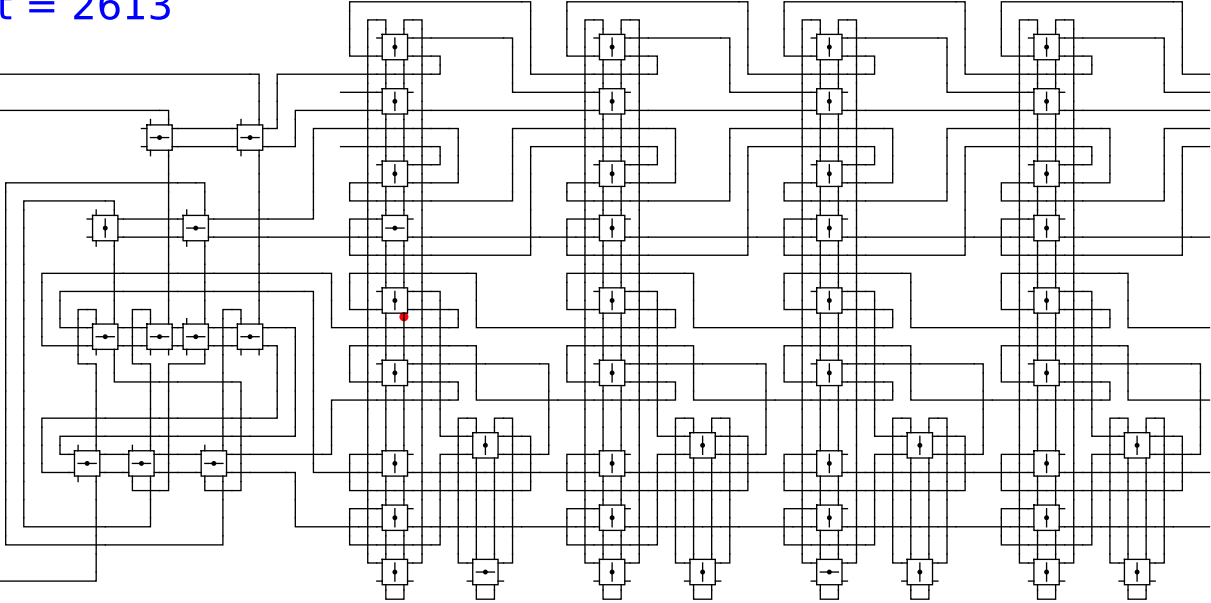


1 0 head 0 0

t = 2613

Reject
Accept

Begin

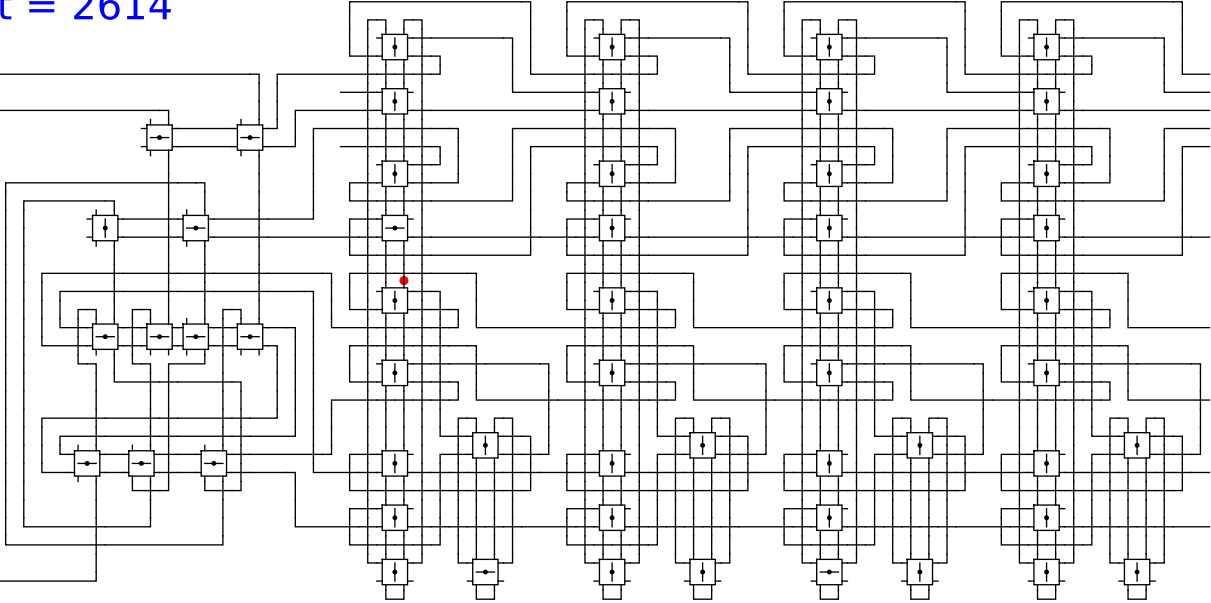


1 0 head 0 0

t = 2614

Reject
Accept

Begin



1

0

head

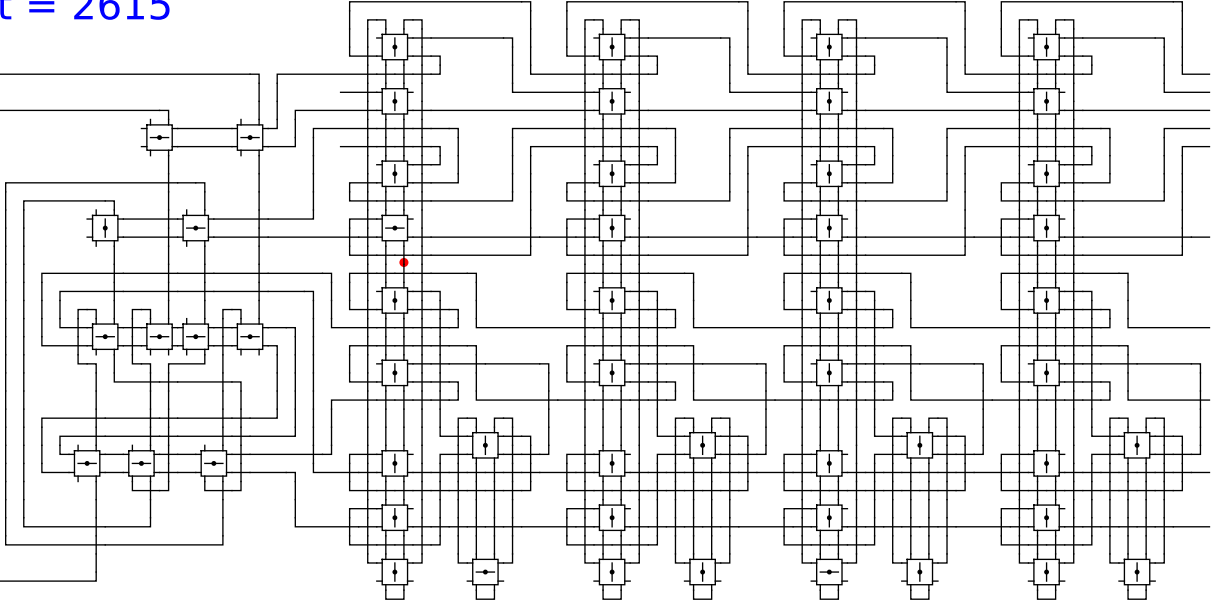
0

0

t = 2615

Reject
Accept

Begin

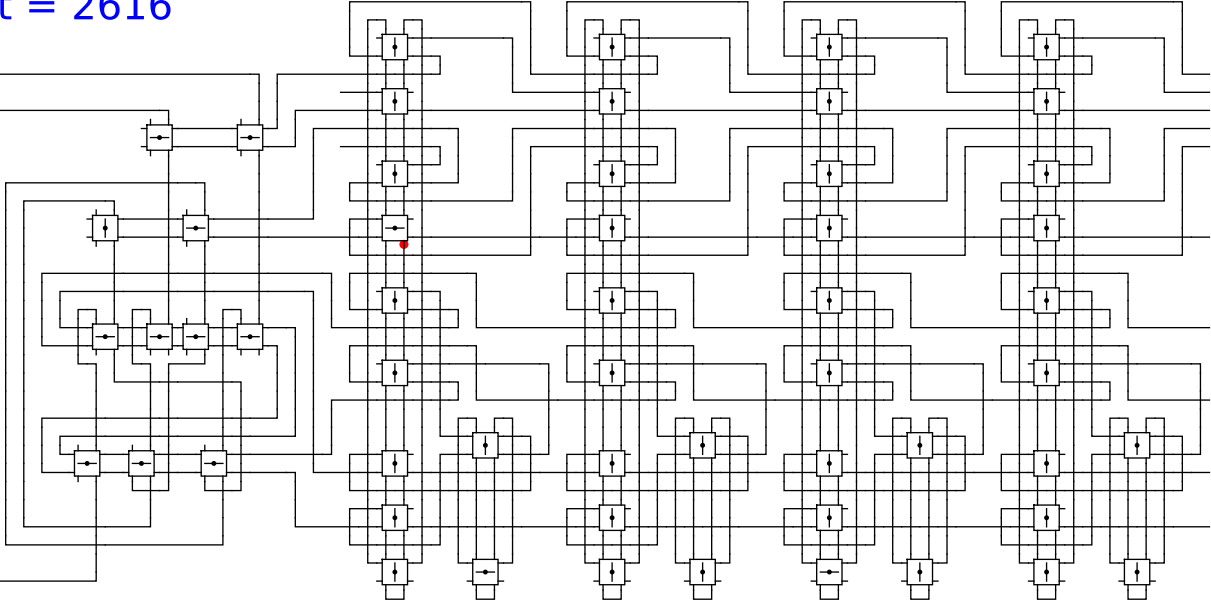


1 0 head 0 0

t = 2616

Reject
Accept

Begin

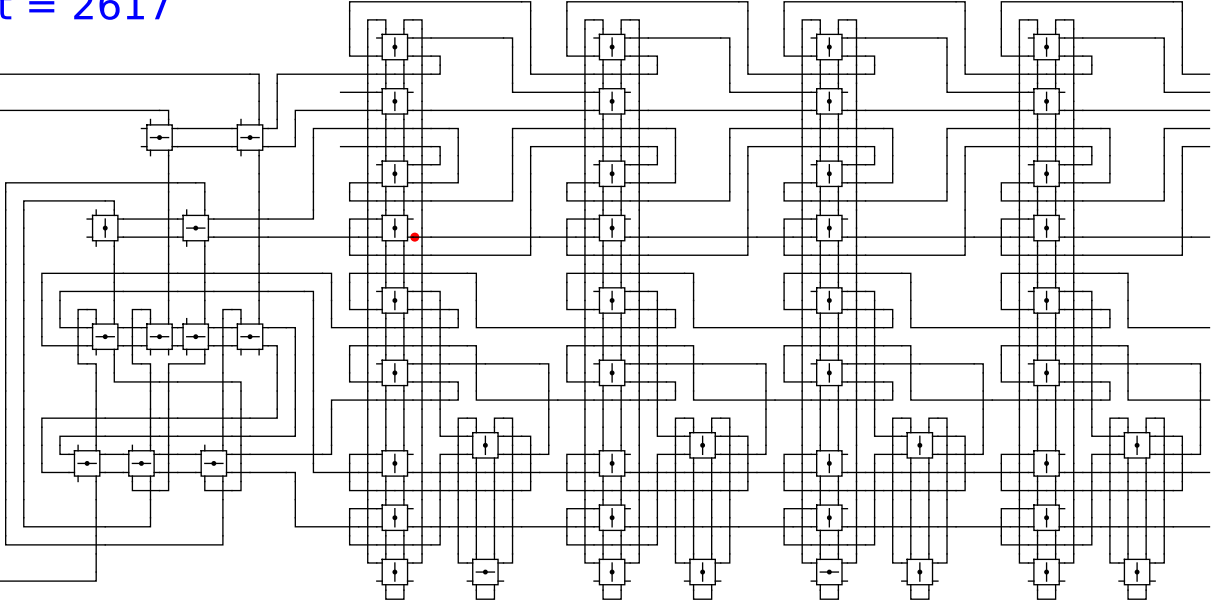


1 0 head 0 0

t = 2617

Reject
Accept

Begin



1

0

head

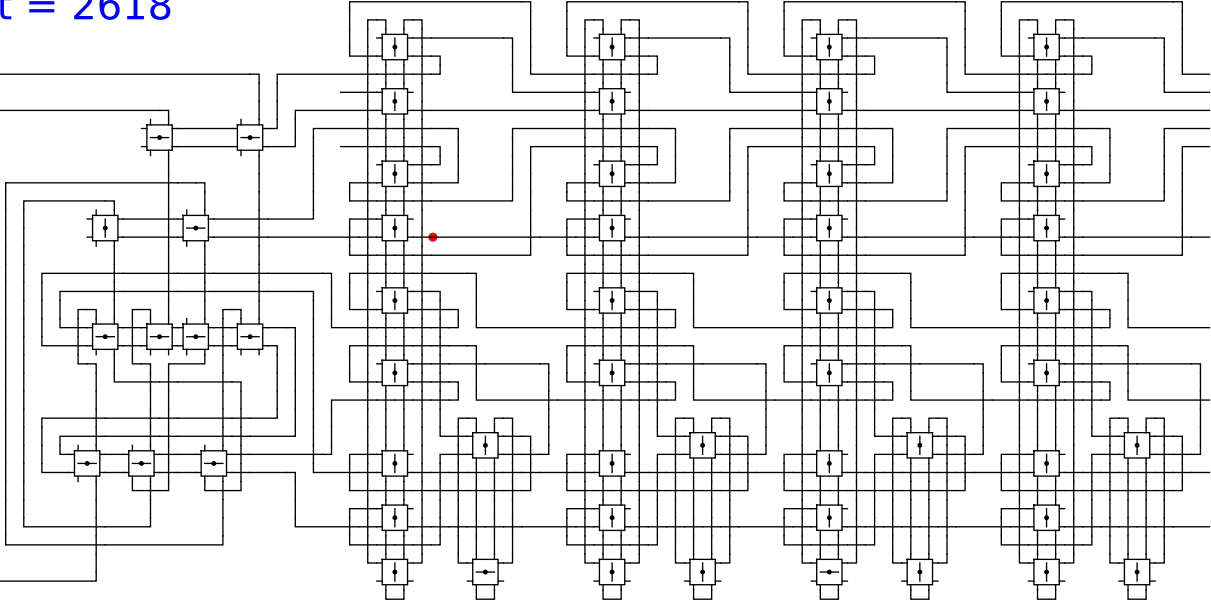
0

0

t = 2618

Reject
Accept

Begin



1

0

head

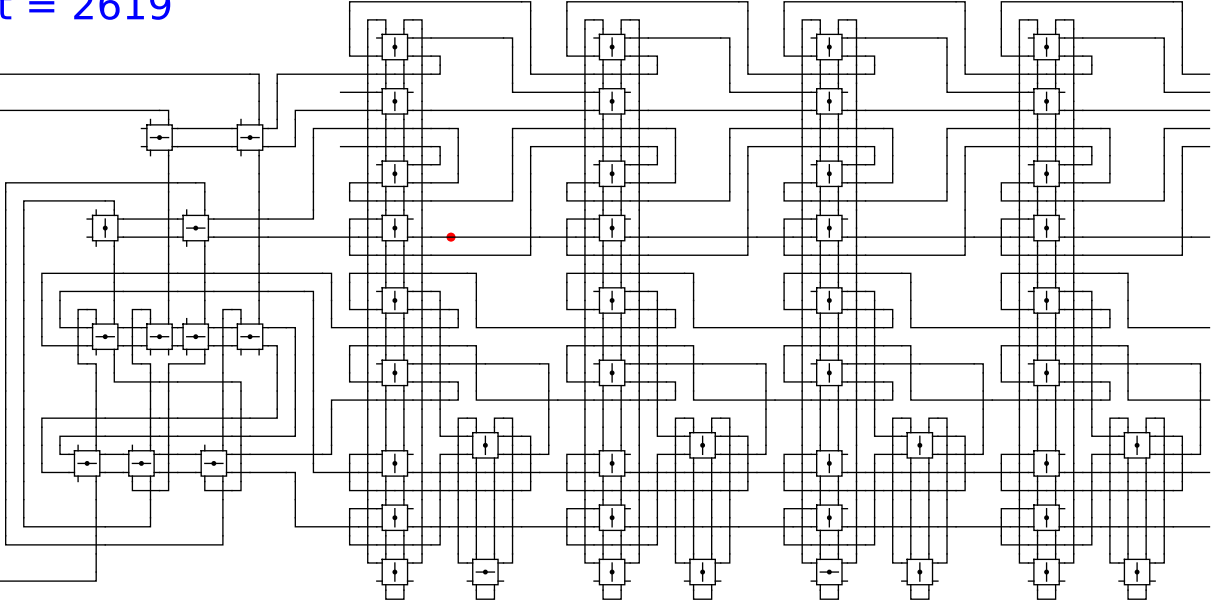
0

0

t = 2619

Reject
Accept

Begin



1

0

head

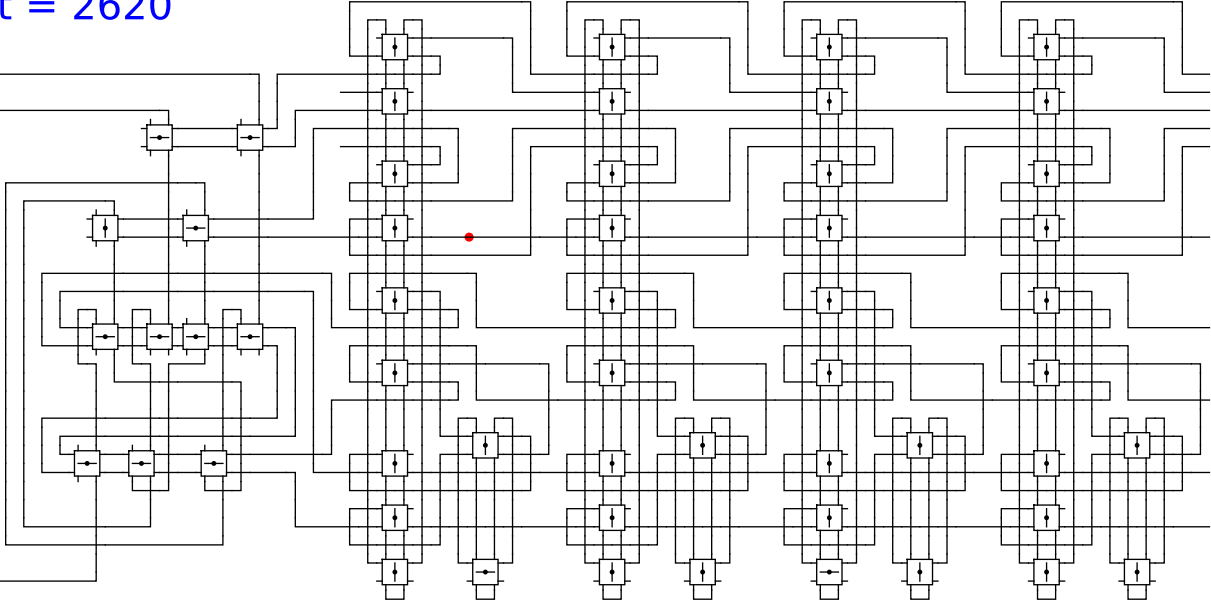
0

0

t = 2620

Reject
Accept

Begin



1

0

head

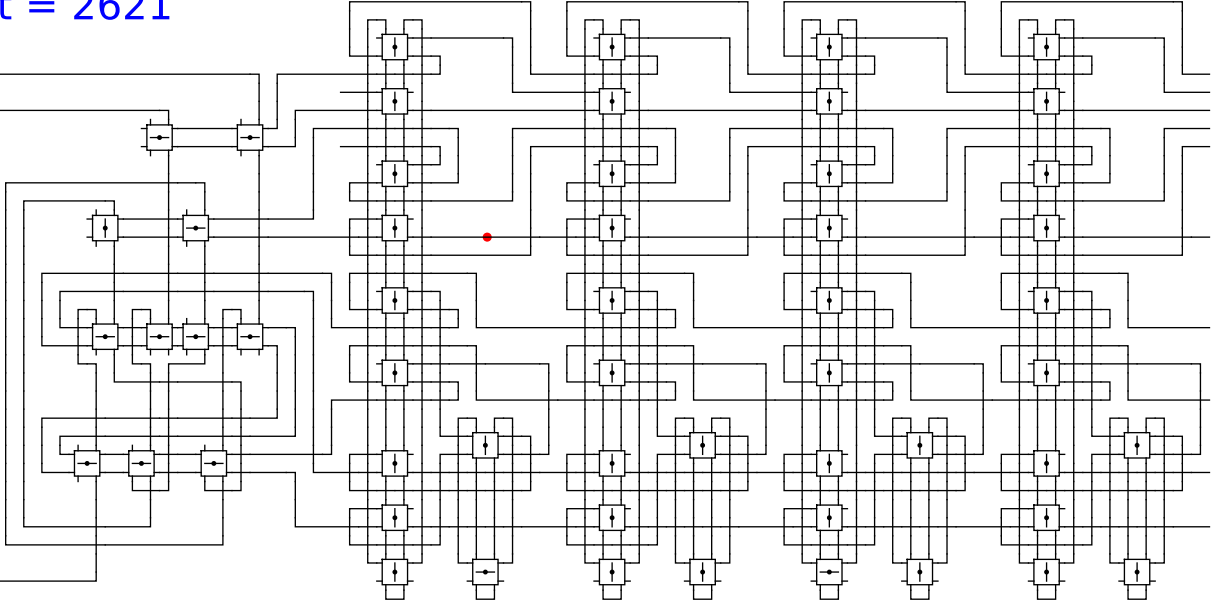
0

0

t = 2621

Reject
Accept

Begin

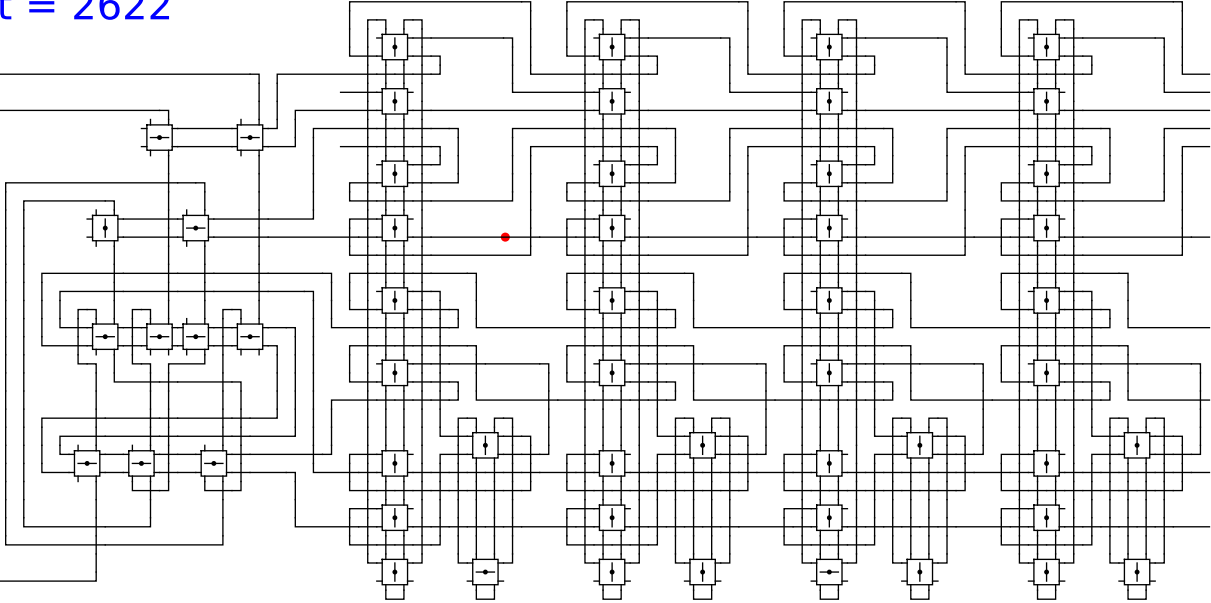


1 0 head 0 0

t = 2622

Reject
Accept

Begin



1

0

head

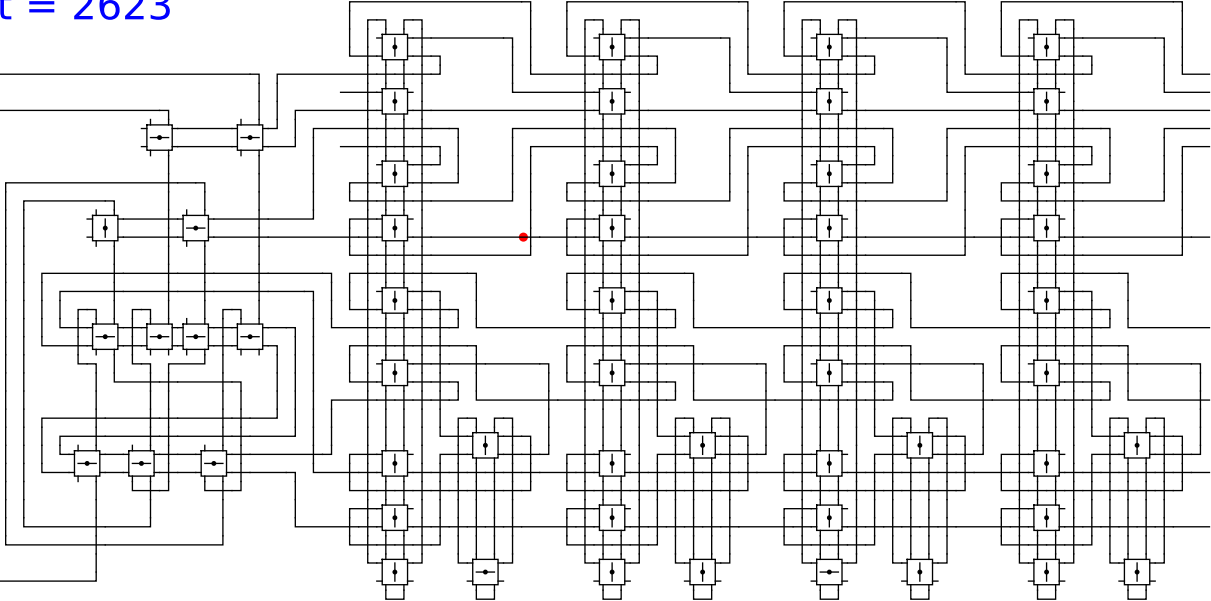
0

0

t = 2623

Reject
Accept

Begin



1

0

head

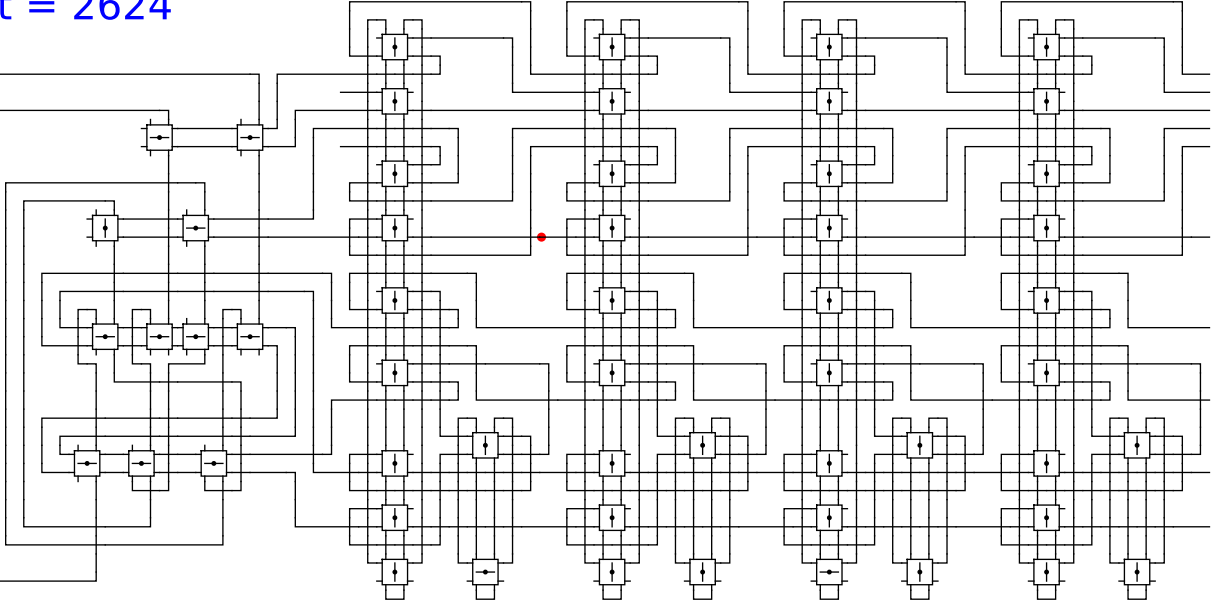
0

0

t = 2624

Reject
Accept

Begin

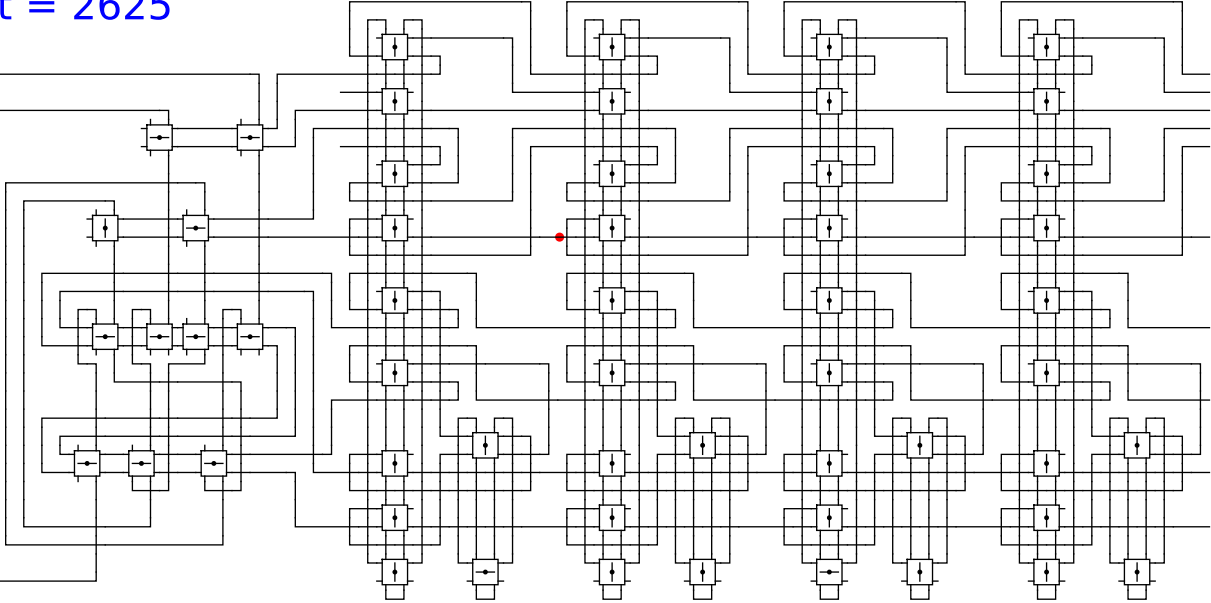


1 0 head 0 0

t = 2625

Reject
Accept

Begin

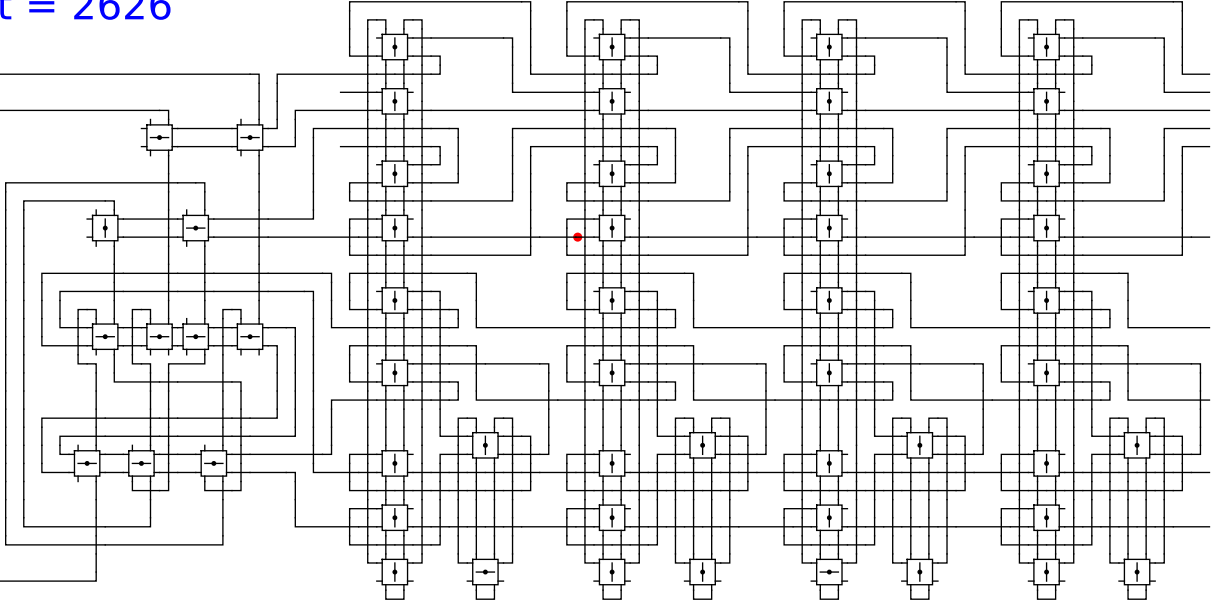


1 0 head 0 0

t = 2626

Reject
Accept

Begin



1

0

head

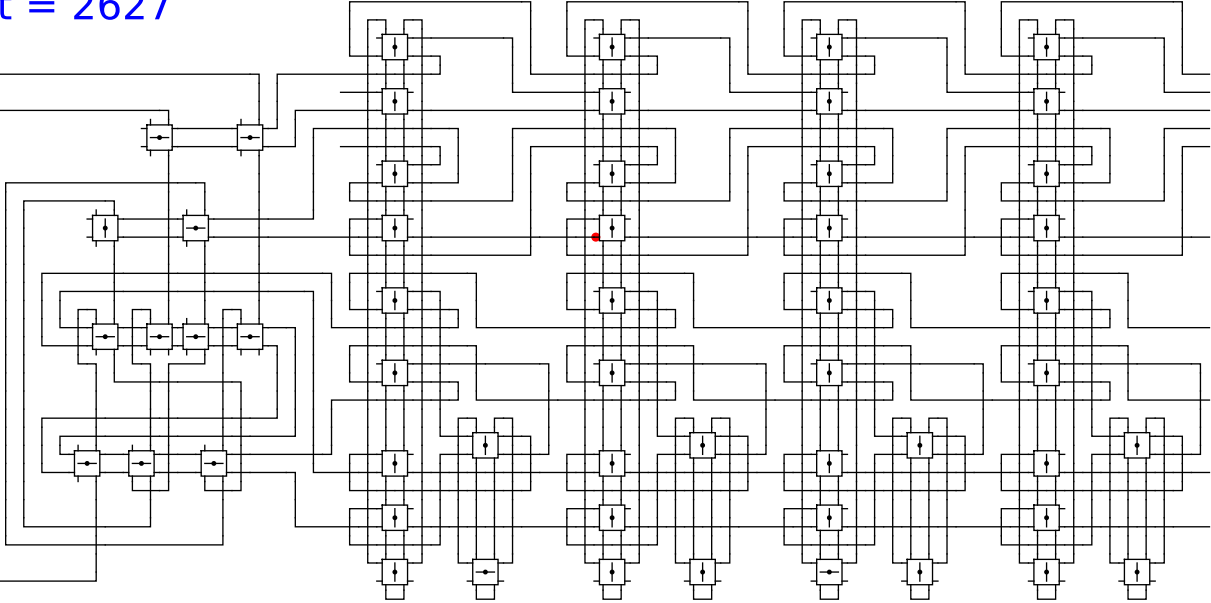
0

0

t = 2627

Reject
Accept

Begin



1

0

head

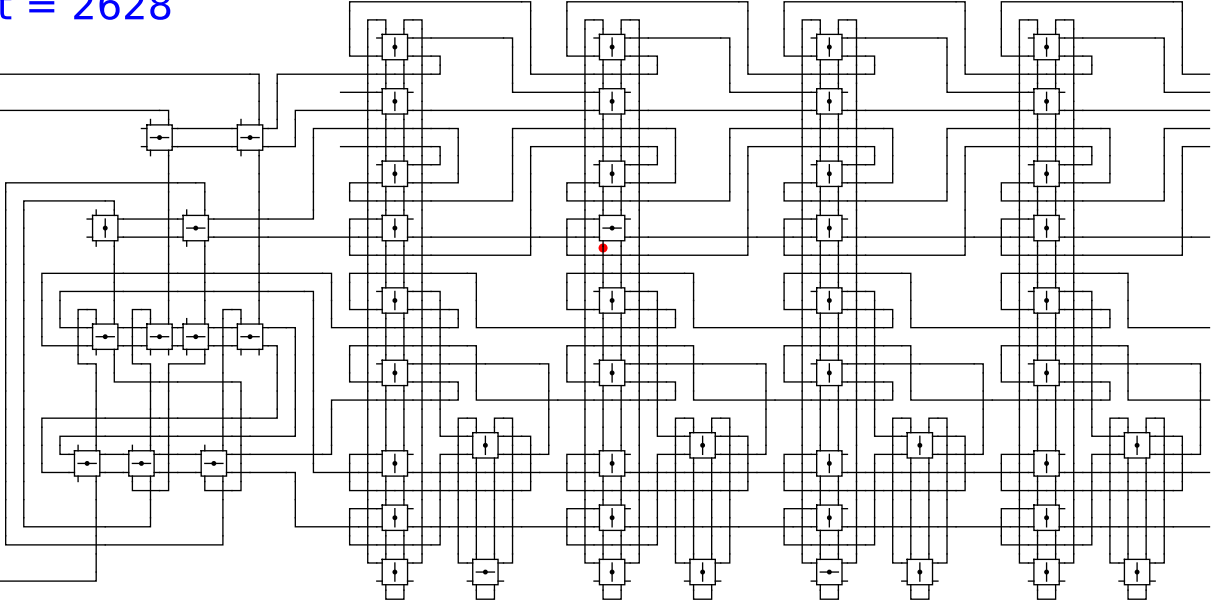
0

0

t = 2628

Reject
Accept

Begin



1

0

head

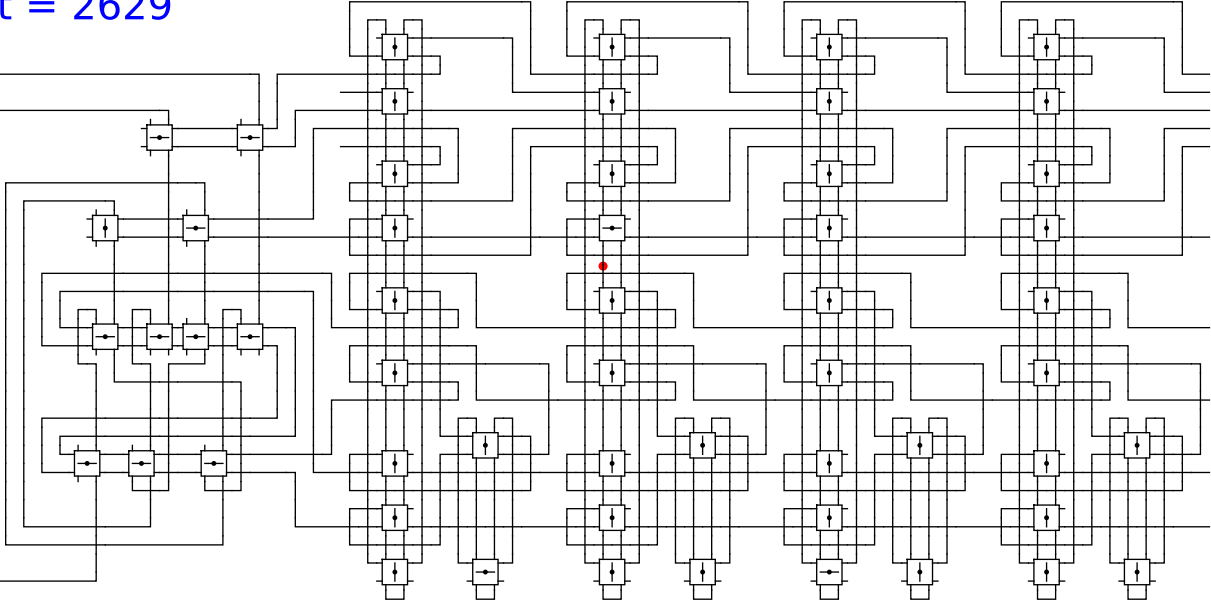
0

0

t = 2629

Reject
Accept

Begin

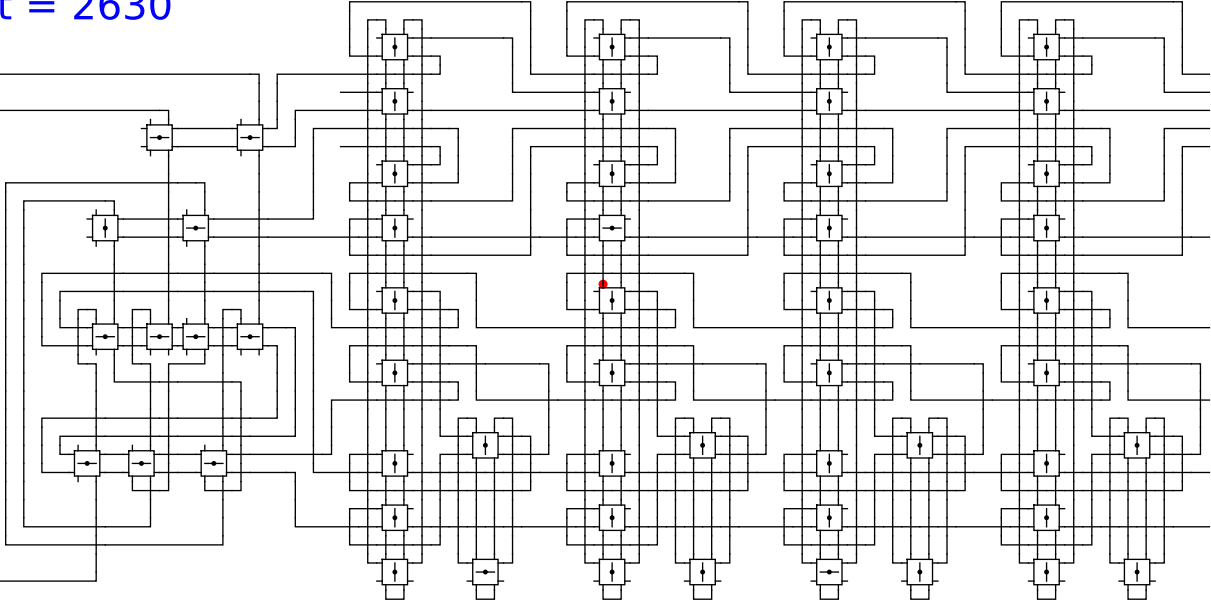


1 0 head 0 0

t = 2630

Reject
Accept

Begin

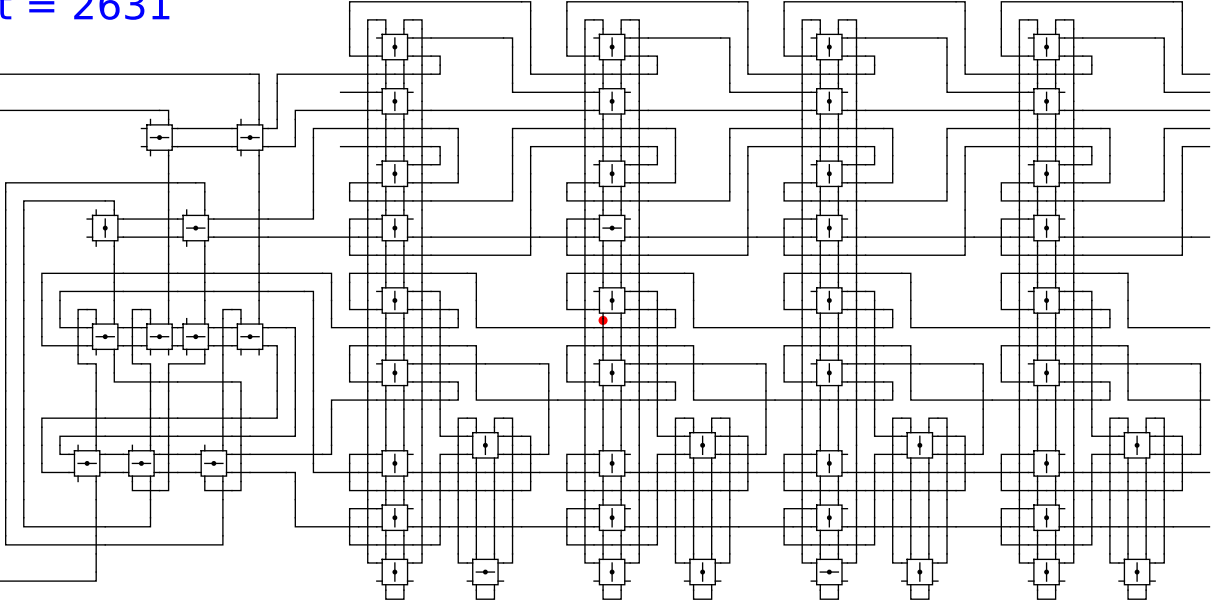


1 0 head 0 0

t = 2631

Reject
Accept

Begin



1

0

head

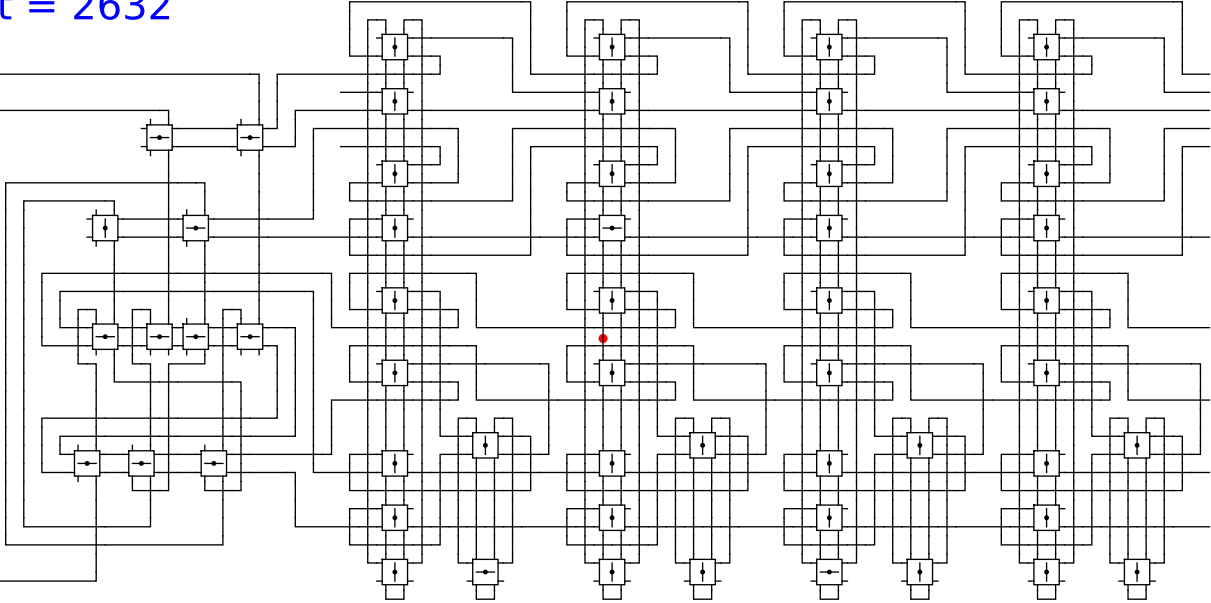
0

0

t = 2632

Reject
Accept

Begin



1

0

head

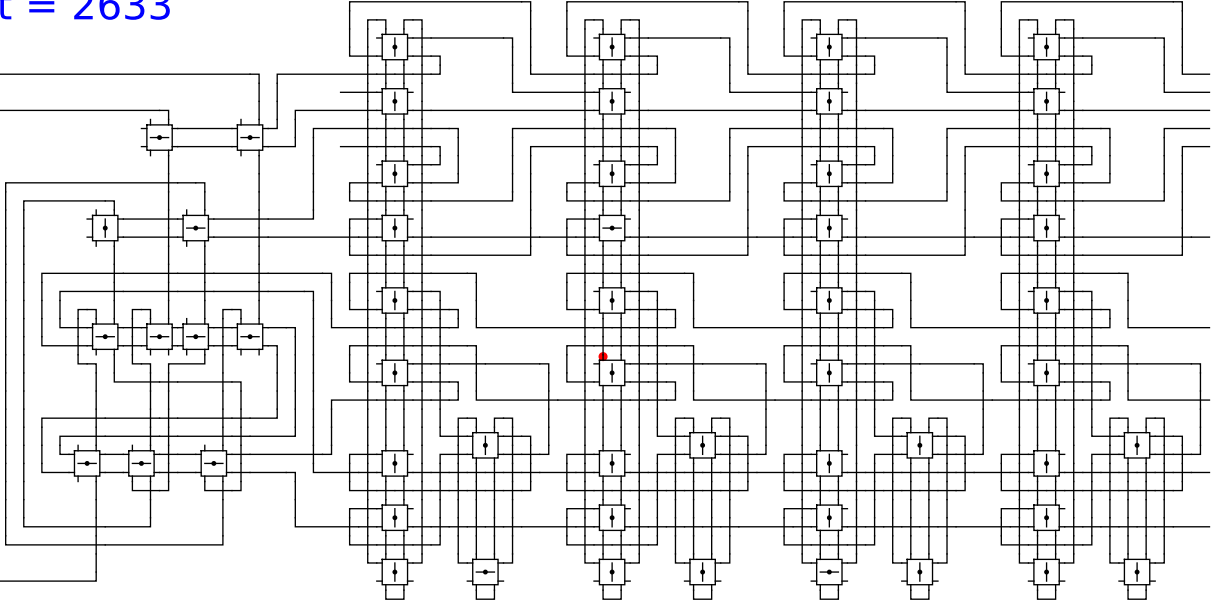
0

0

t = 2633

Reject
Accept

Begin



1

0

head

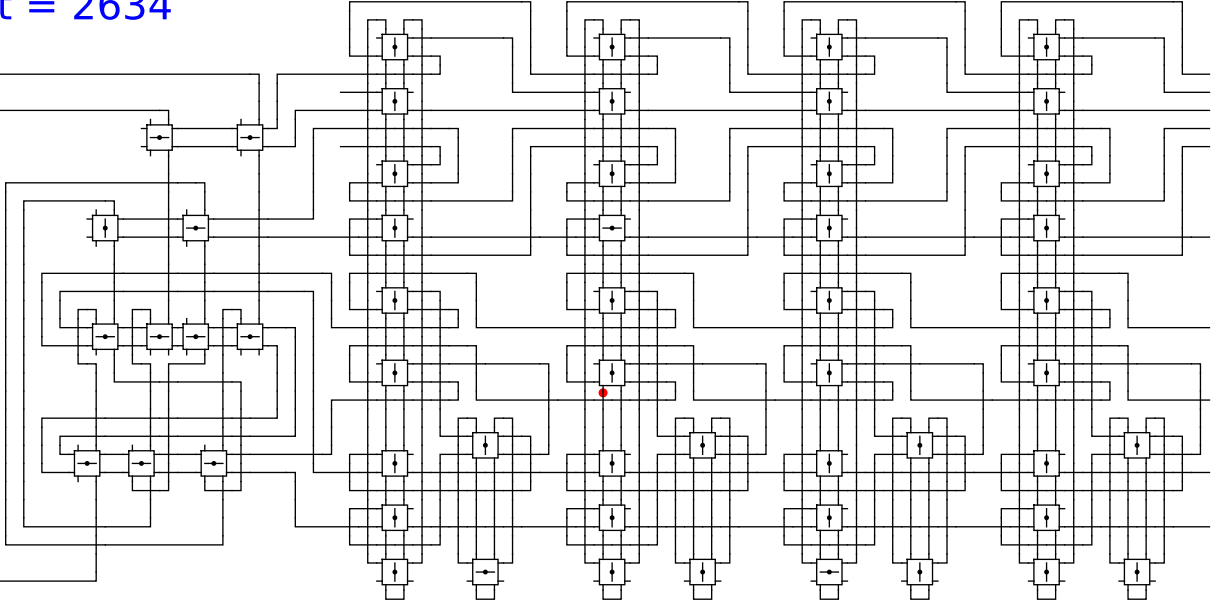
0

0

t = 2634

Reject
Accept

Begin



1

0

head

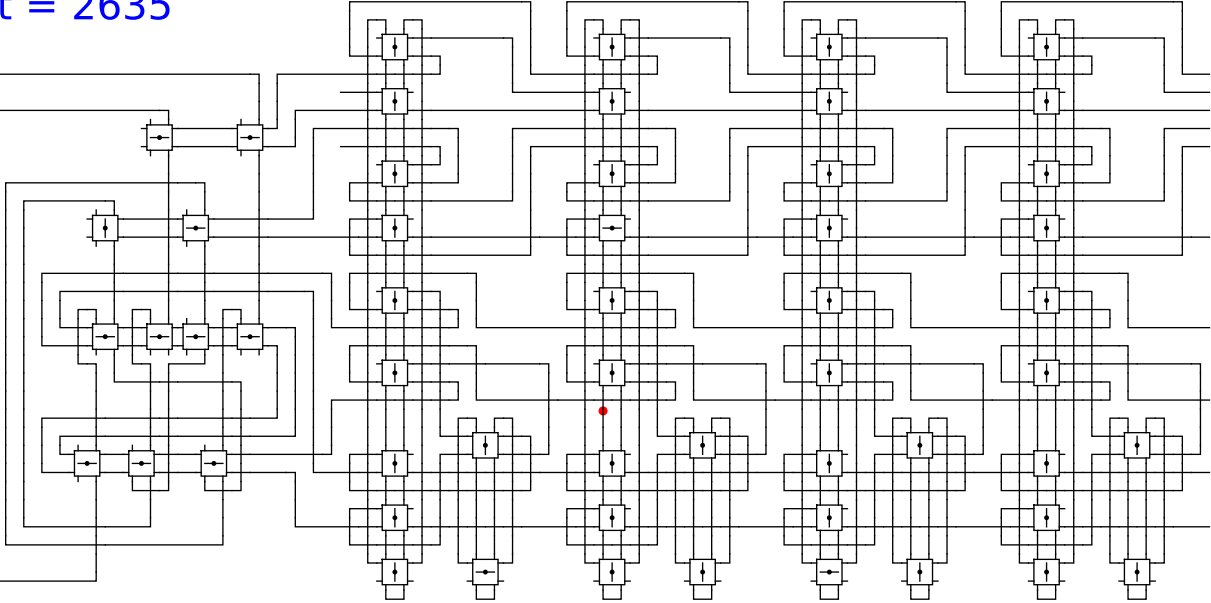
0

0

t = 2635

Reject
Accept

Begin

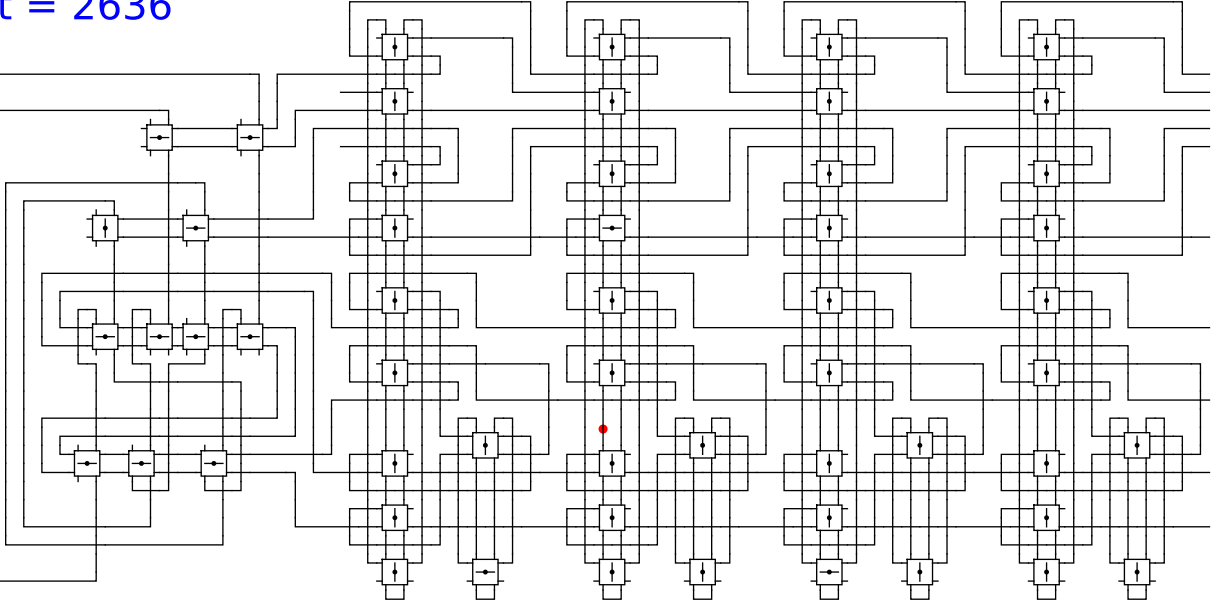


1 0 head 0 0

t = 2636

Reject
Accept

Begin



1

0

head

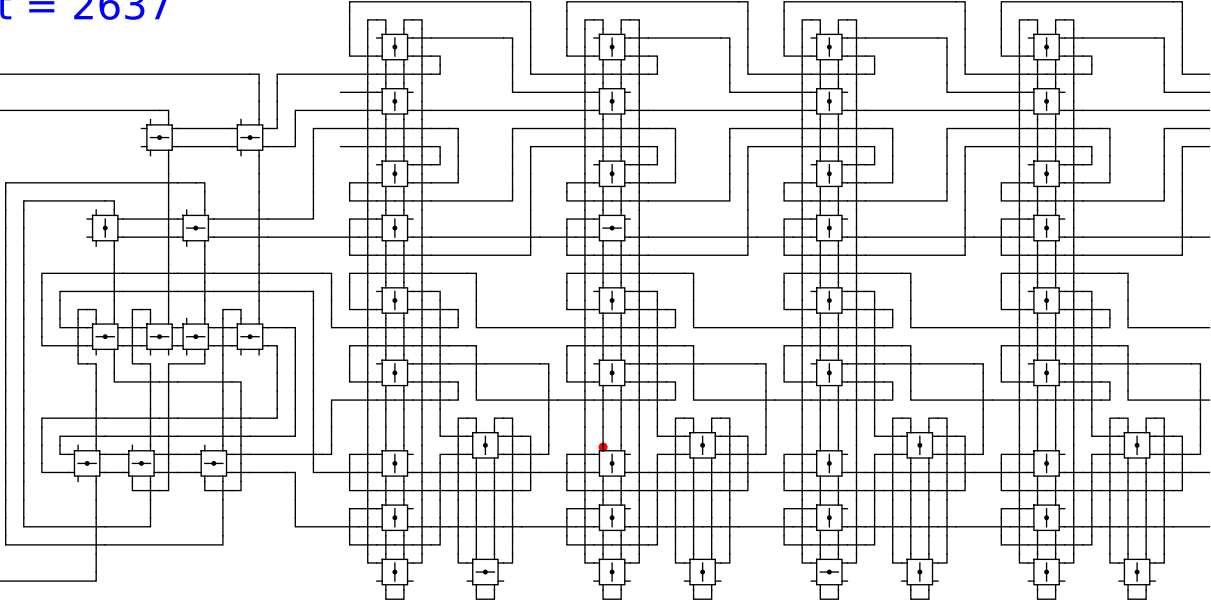
0

0

t = 2637

Reject
Accept

Begin



1

0

head

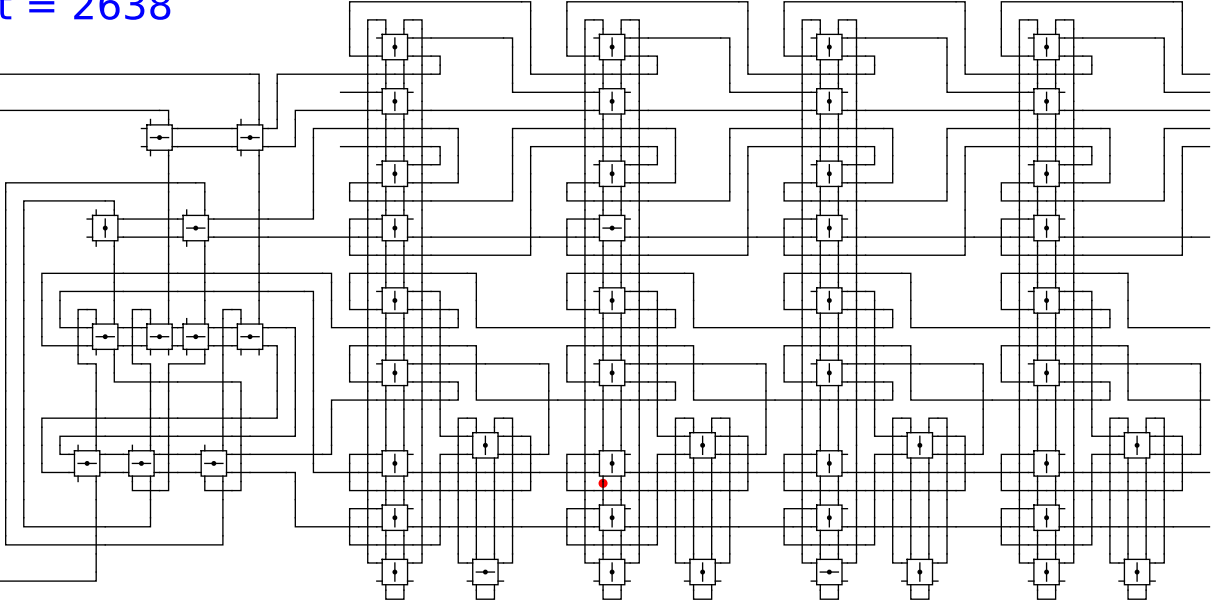
0

0

t = 2638

Reject
Accept

Begin

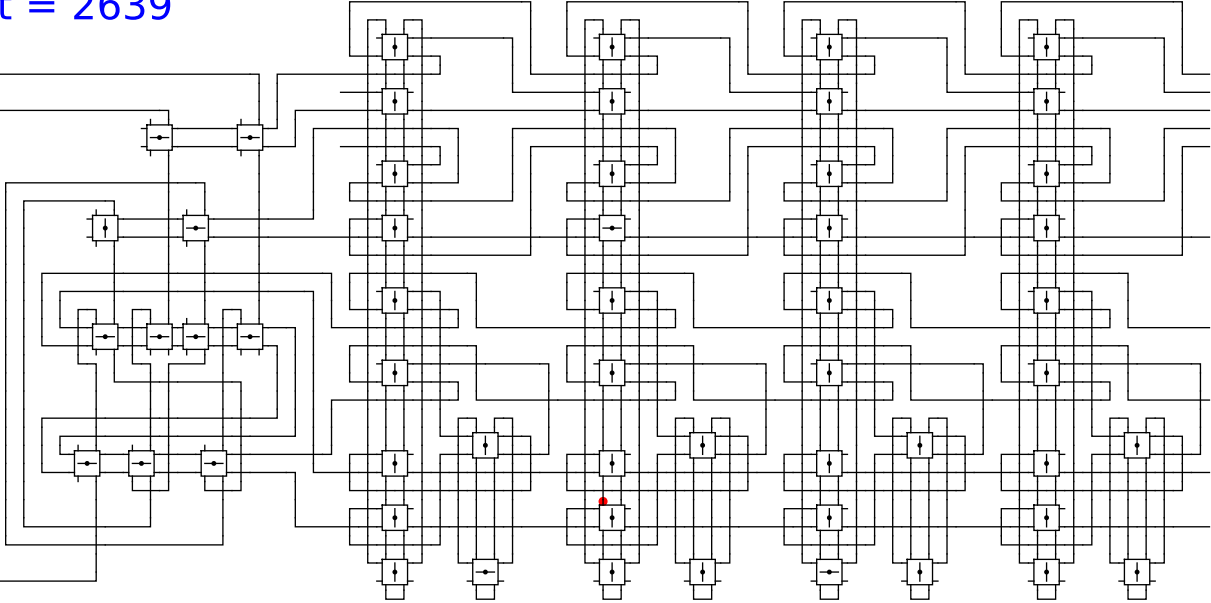


1 0 head 0 0

t = 2639

Reject
Accept

Begin

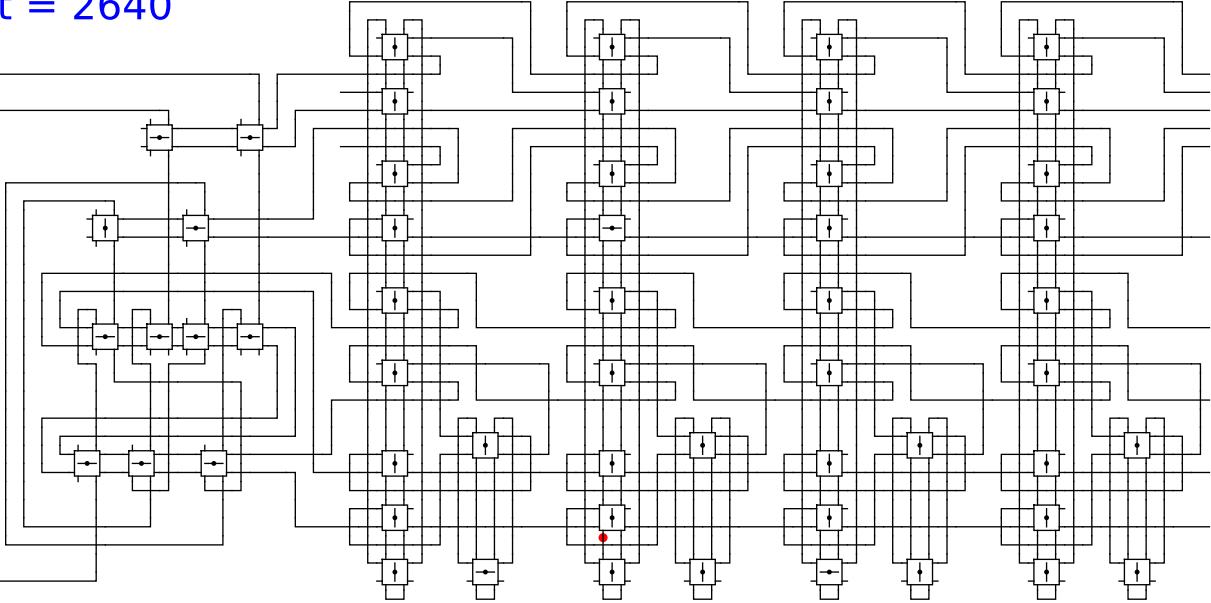


1 0 head 0 0

t = 2640

Reject
Accept

Begin



1

0

head

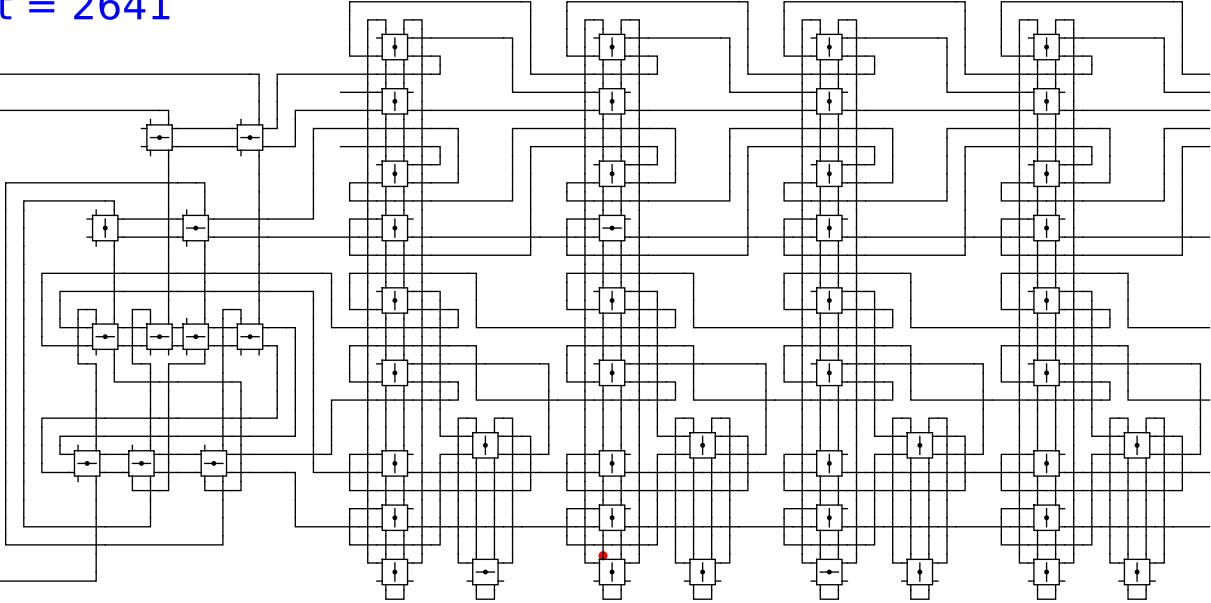
0

0

t = 2641

Reject
Accept

Begin

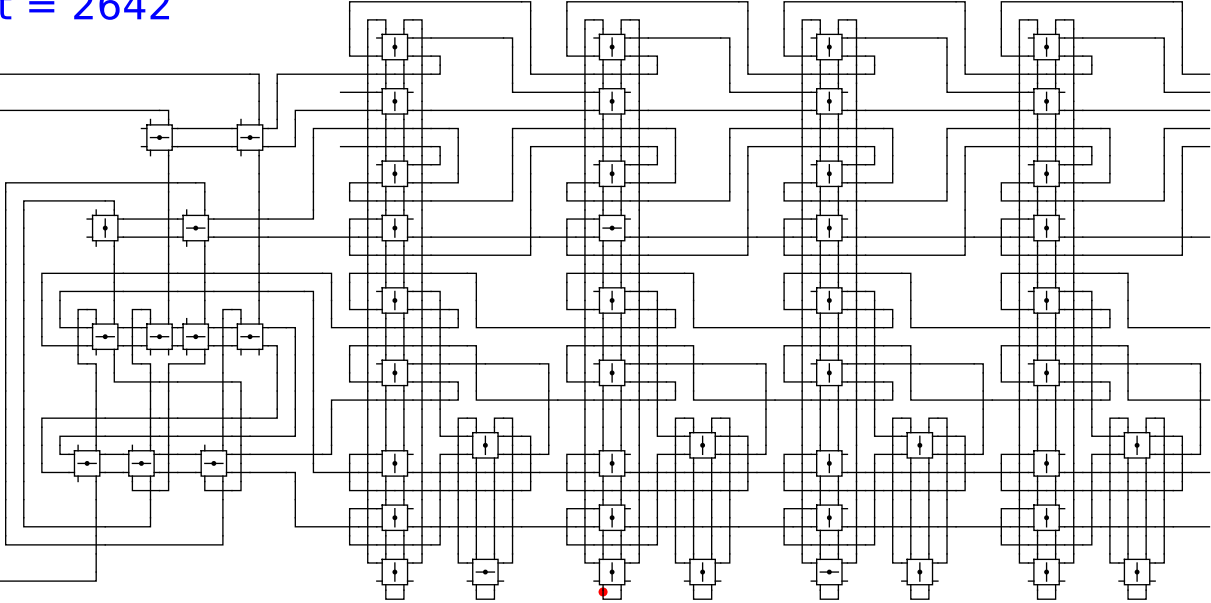


1 0 head 0 0

t = 2642

Reject
Accept

Begin



1

0

head

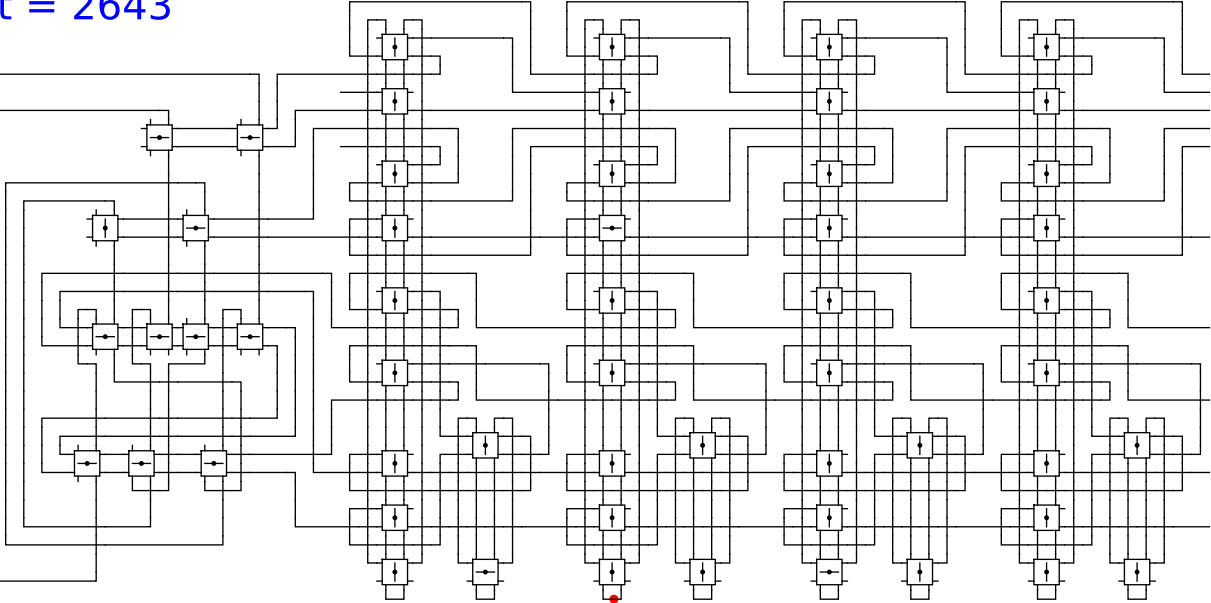
0

0

t = 2643

Reject
Accept

Begin

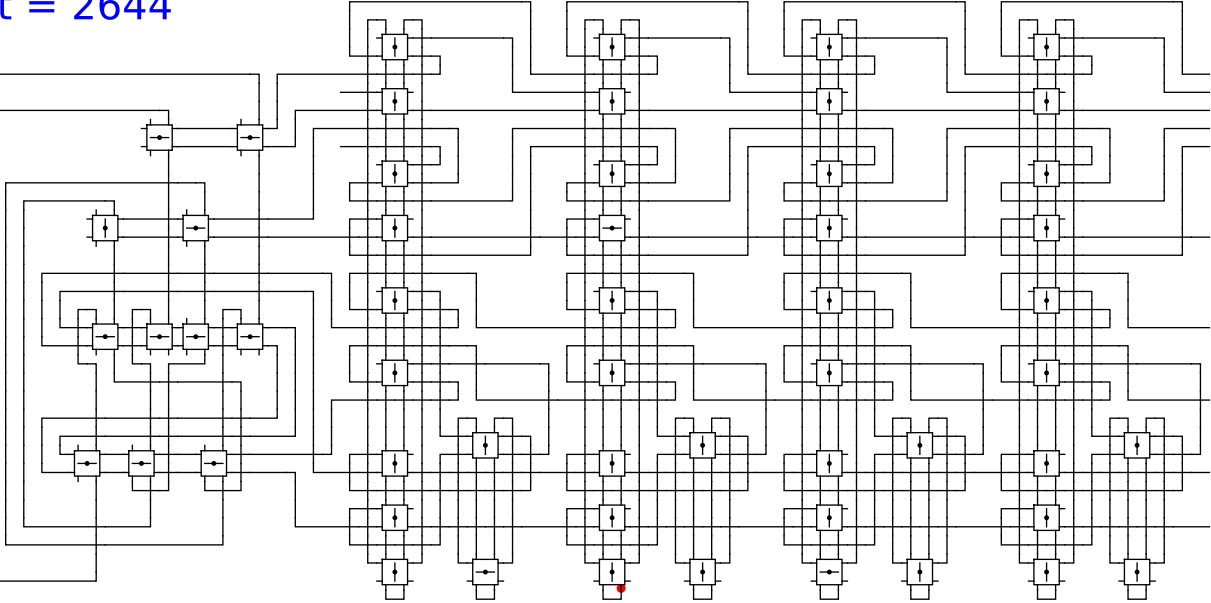


1 0 head 0 0

t = 2644

Reject
Accept

Begin



1

0

head

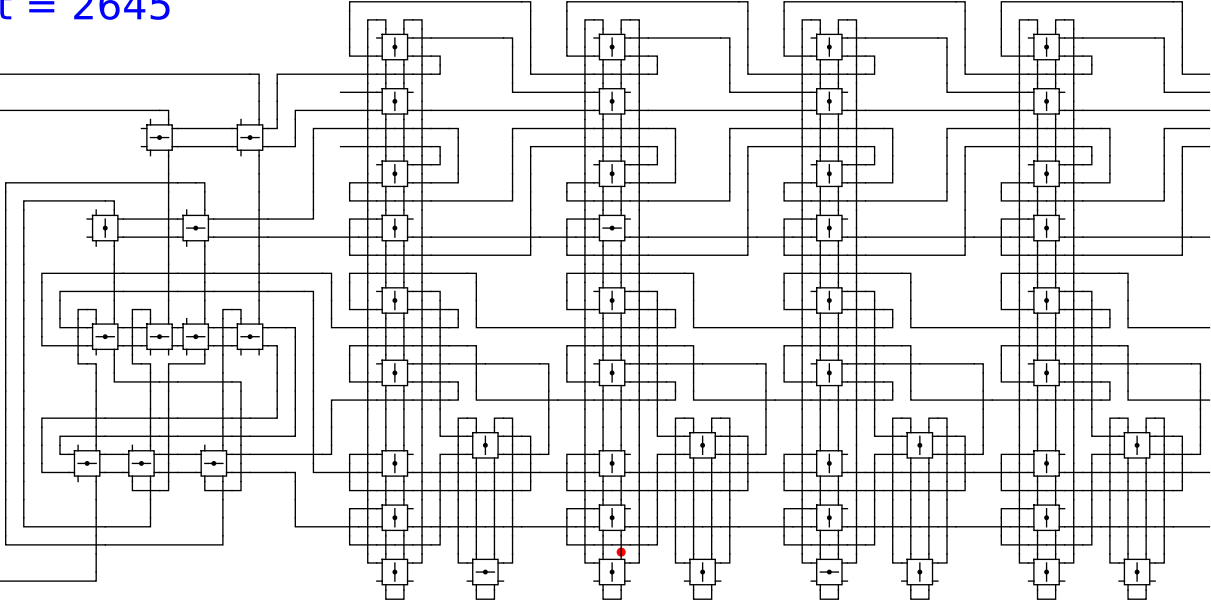
0

0

t = 2645

Reject
Accept

Begin



1

0

head

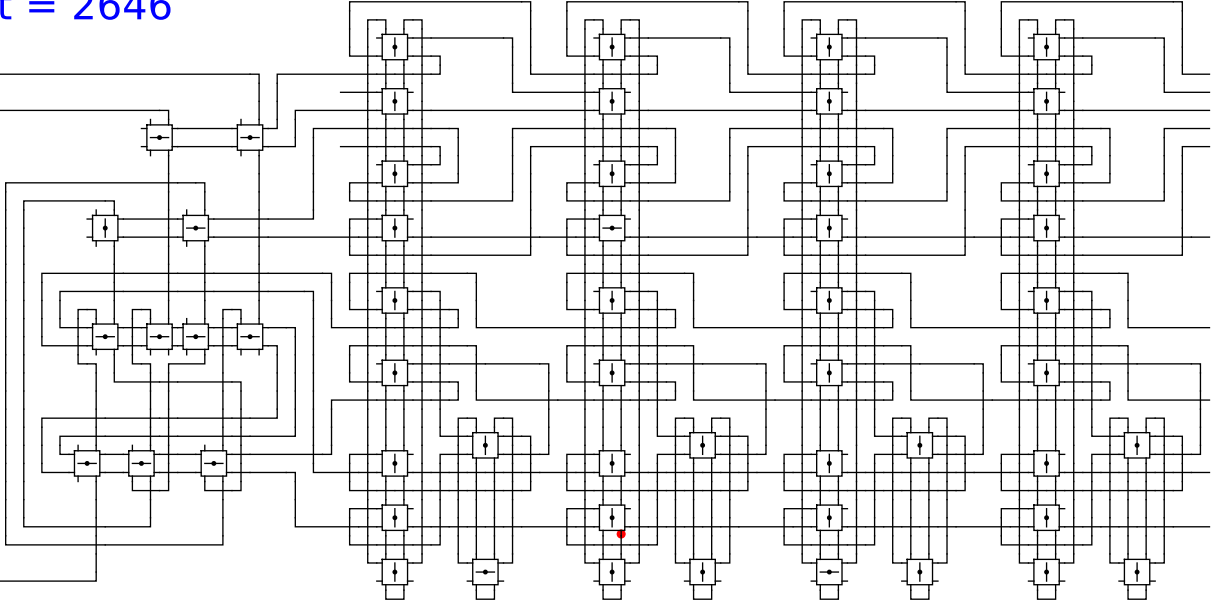
0

0

t = 2646

Reject
Accept

Begin

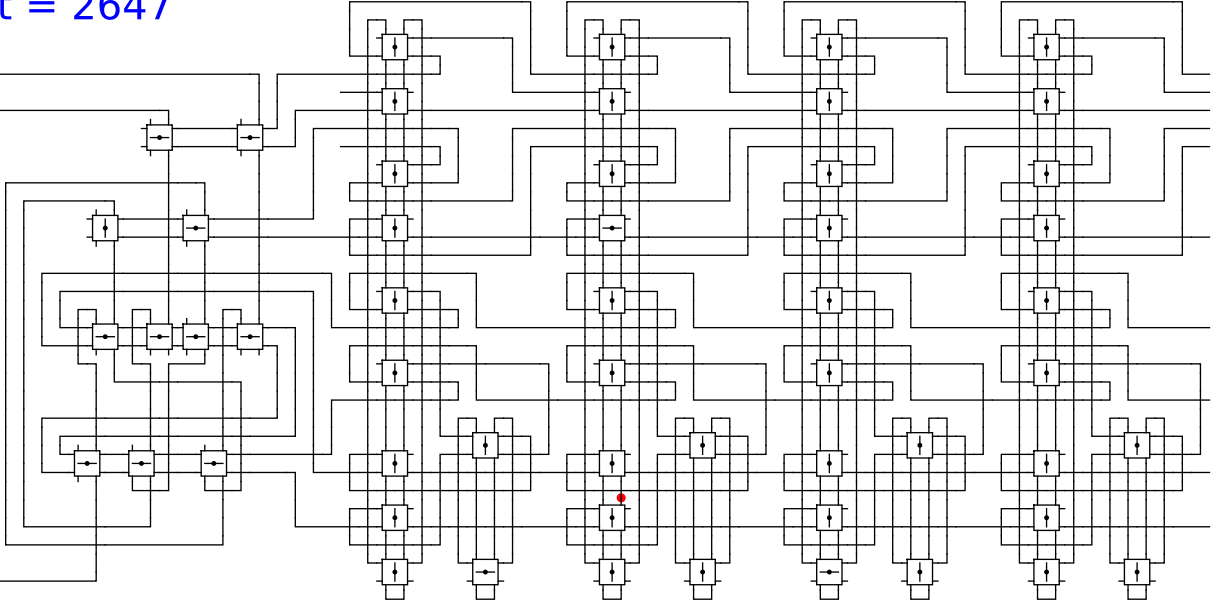


1 0 head 0 0

t = 2647

Reject
Accept

Begin



1

0

head

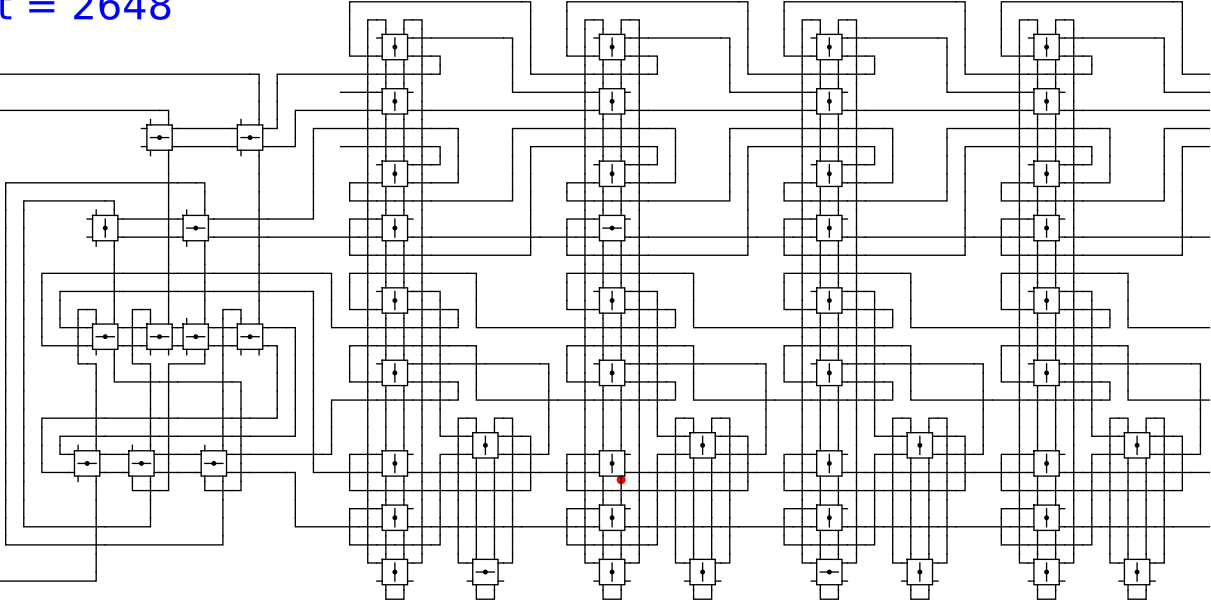
0

0

t = 2648

Reject
Accept

Begin



1

0

head

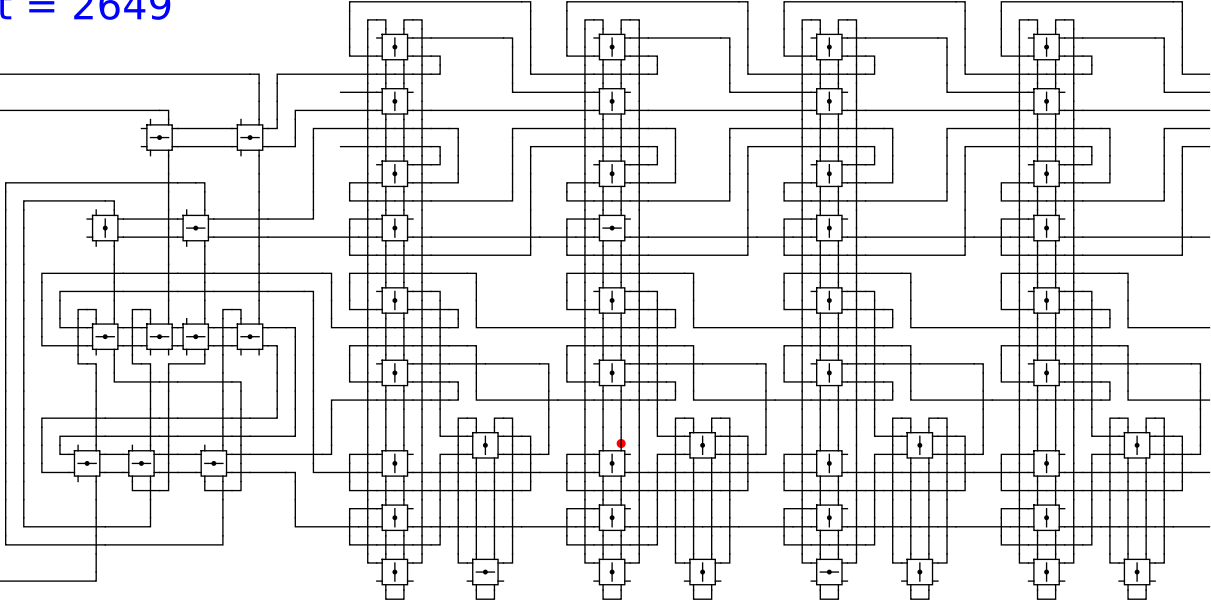
0

0

t = 2649

Reject
Accept

Begin

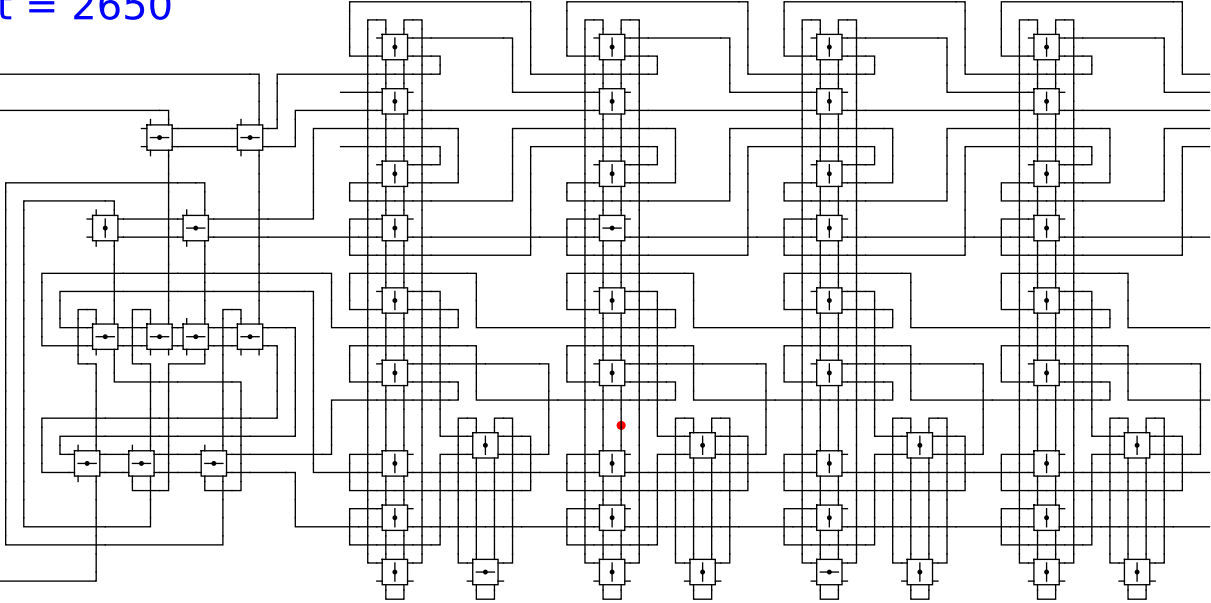


1 0 head 0 0

t = 2650

Reject
Accept

Begin

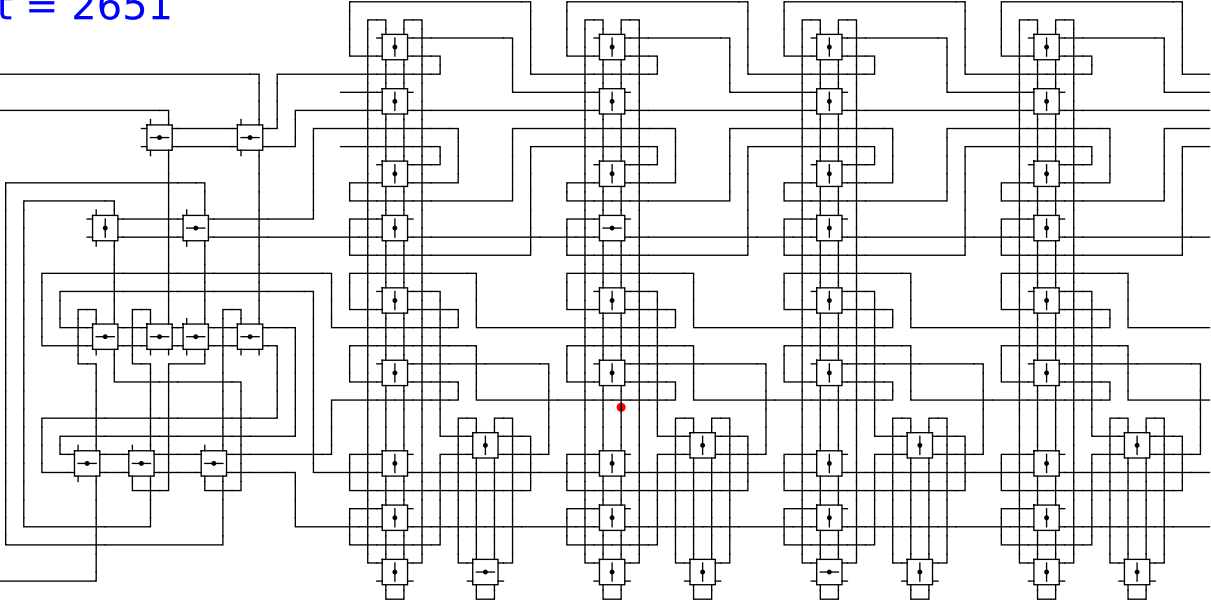


1 0 head 0 0

t = 2651

Reject
Accept

Begin

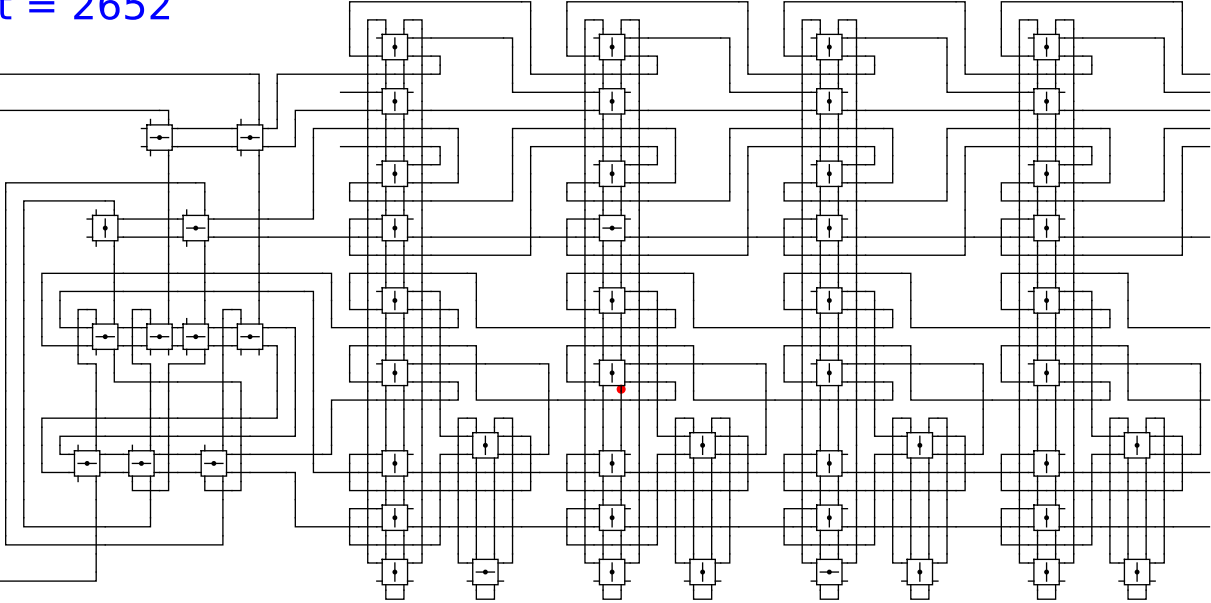


1 0 head 0 0

t = 2652

Reject
Accept

Begin



1

0

head

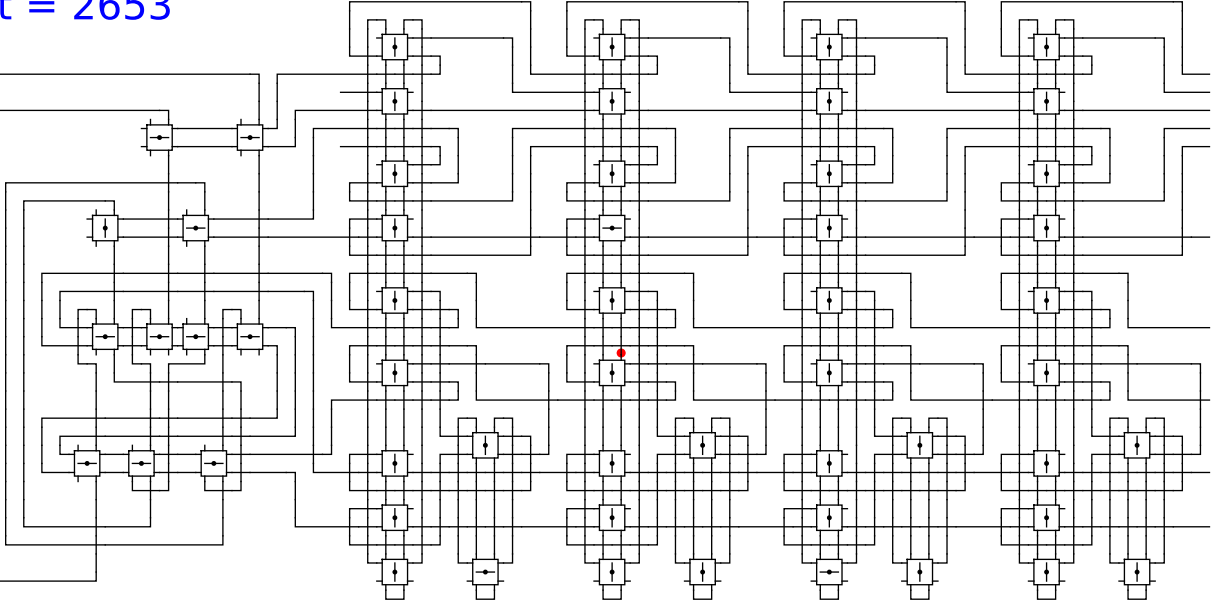
0

0

t = 2653

Reject
Accept

Begin

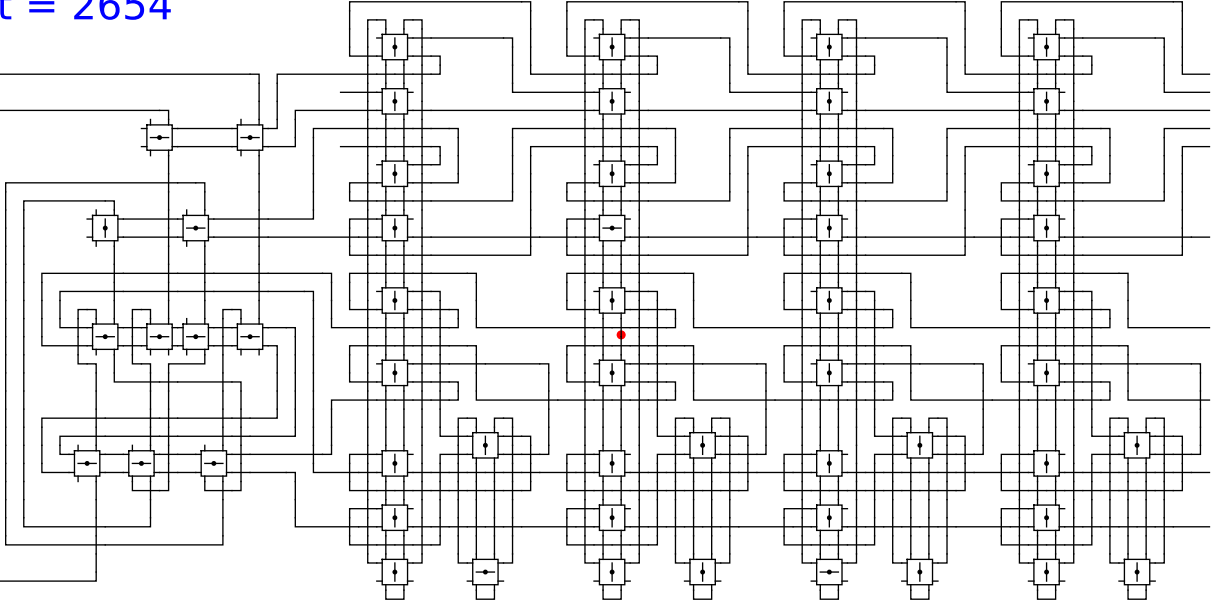


1 0 head 0 0

t = 2654

Reject
Accept

Begin

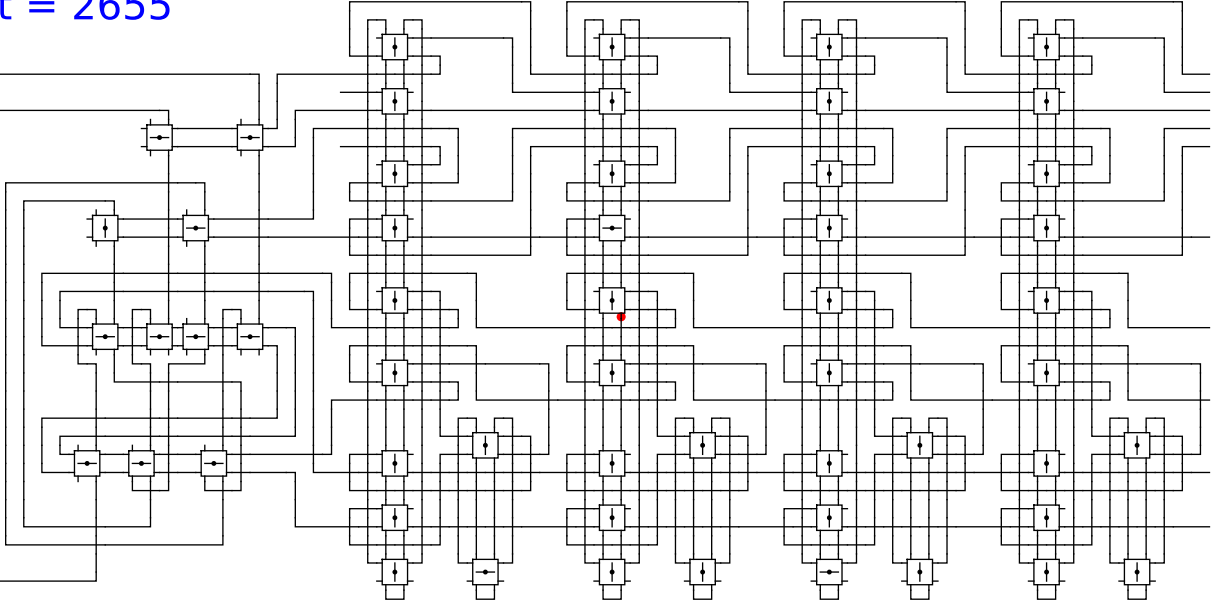


1 0 head 0 0

t = 2655

Reject
Accept

Begin



1

0

head

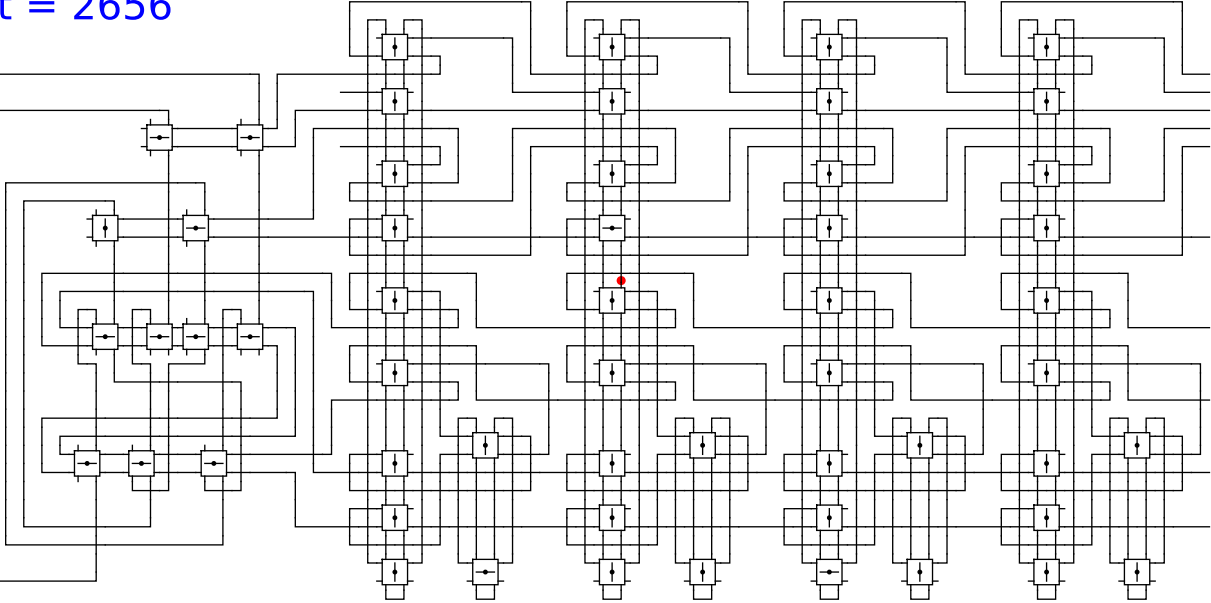
0

0

t = 2656

Reject
Accept

Begin



1

0

head

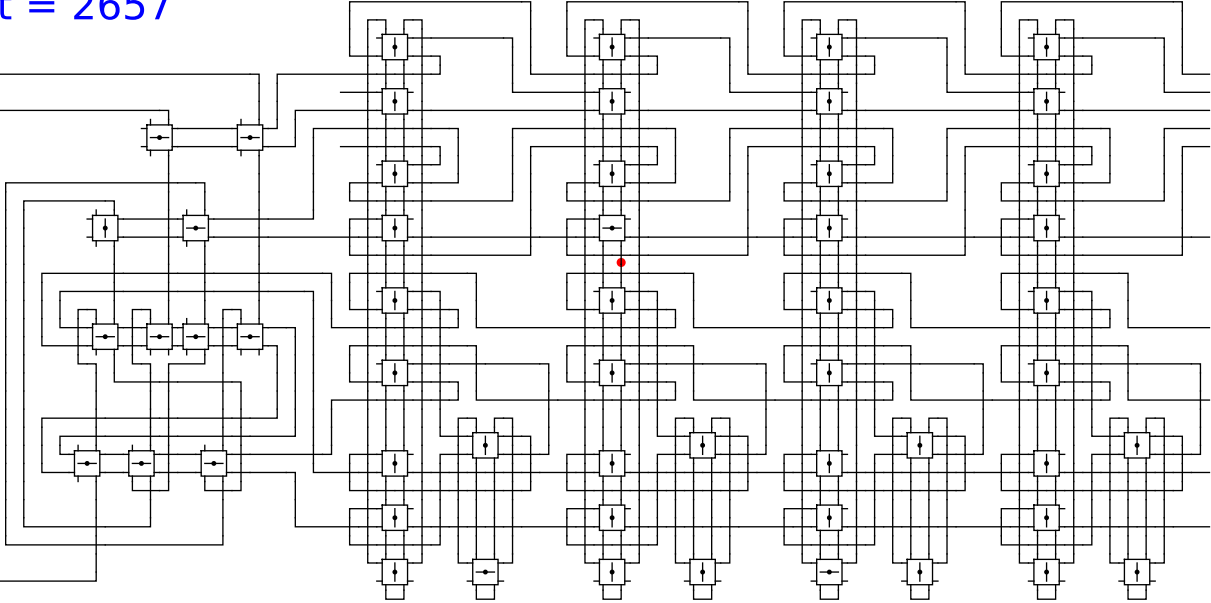
0

0

t = 2657

Reject
Accept

Begin



1

0

head

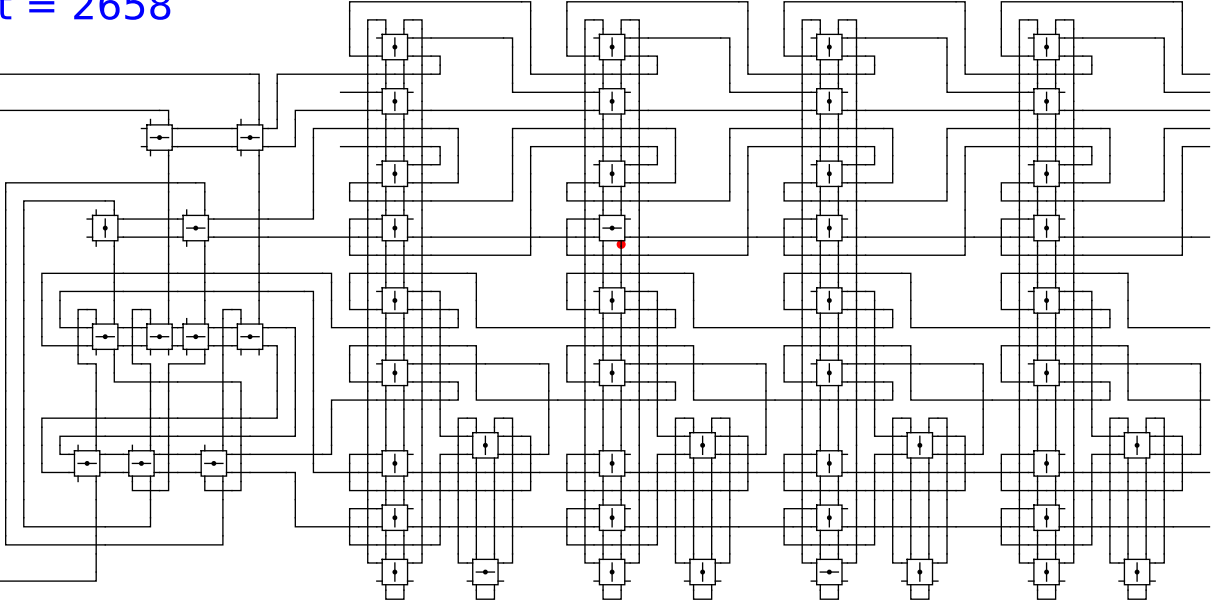
0

0

t = 2658

Reject
Accept

Begin



1

0

head

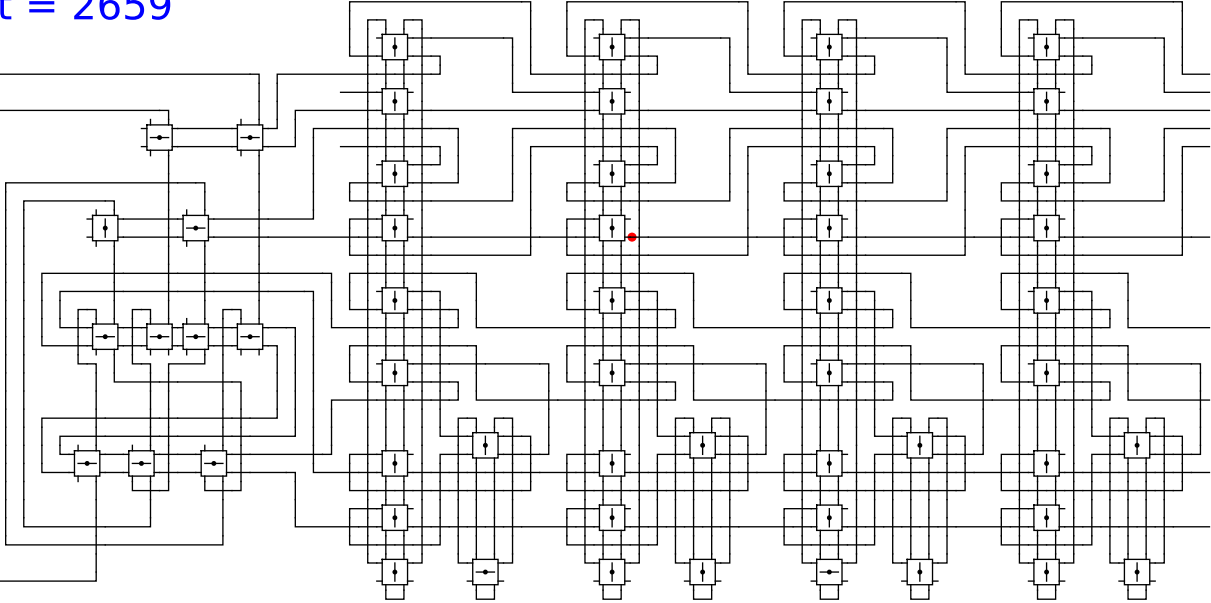
0

0

t = 2659

Reject
Accept

Begin

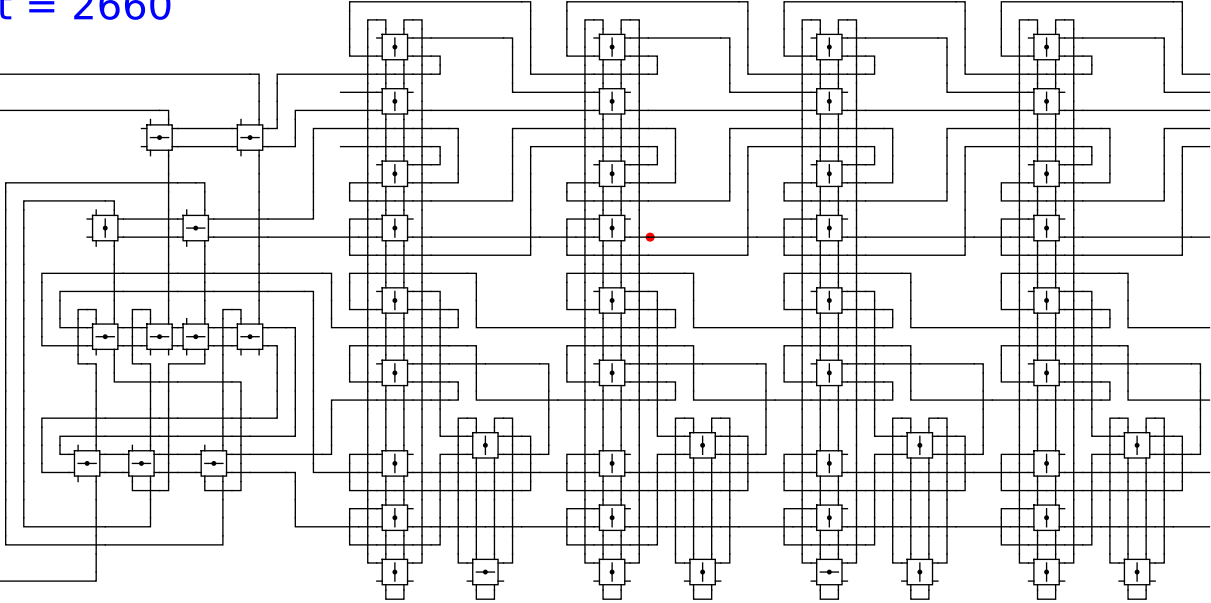


1 0 head 0 0

t = 2660

Reject
Accept

Begin



1

0

head

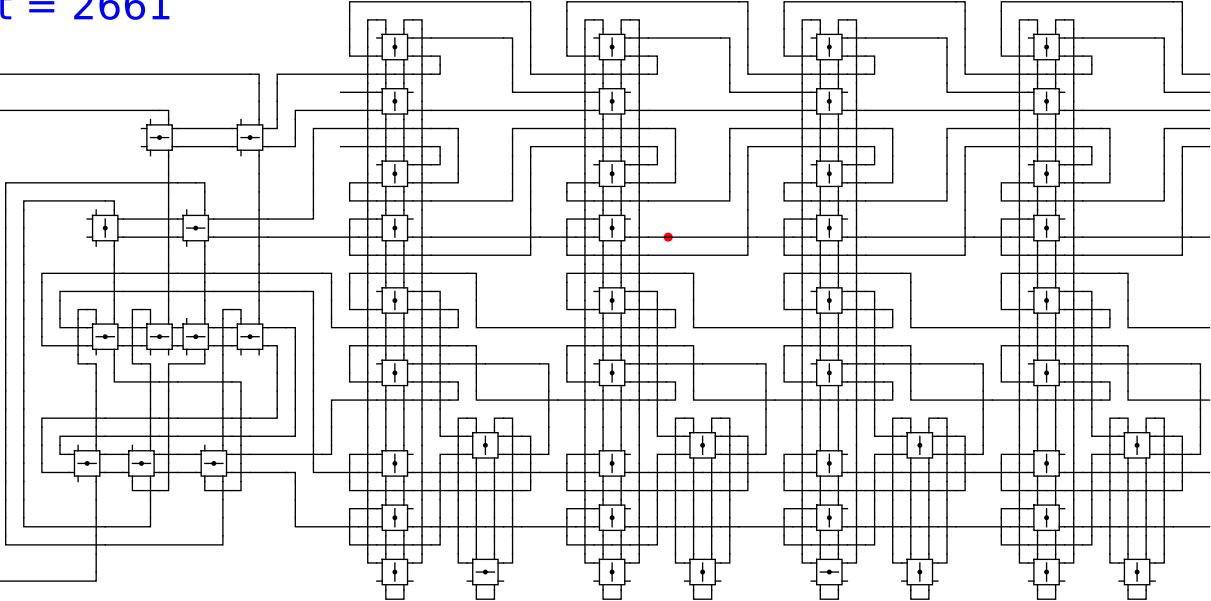
0

0

t = 2661

Reject
Accept

Begin

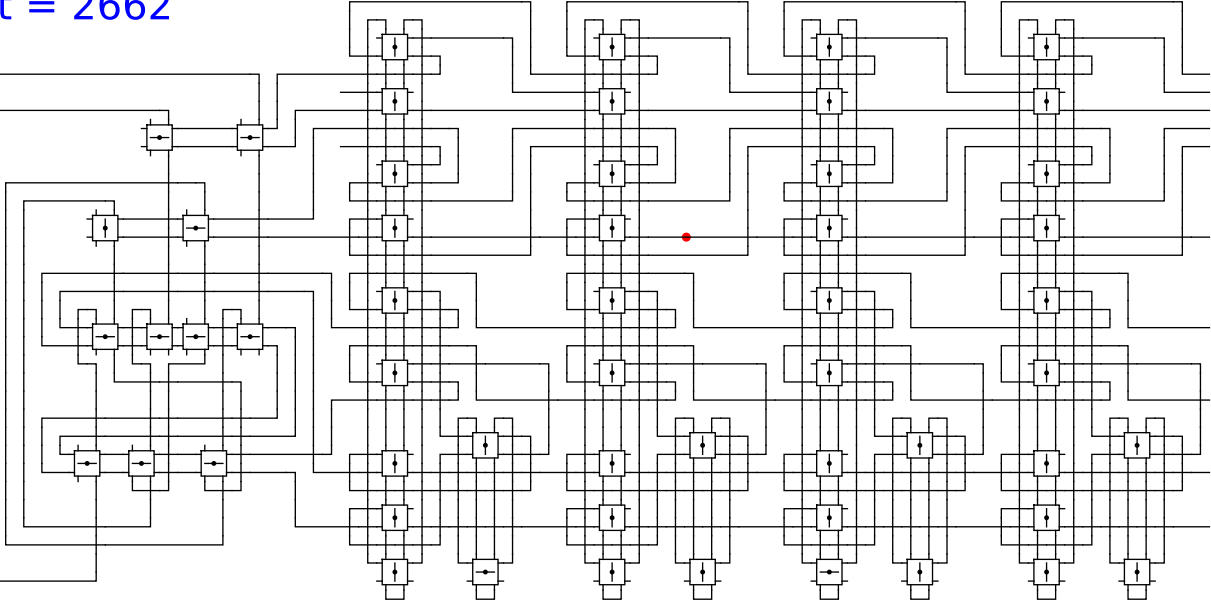


1 0 head 0 0

t = 2662

Reject
Accept

Begin

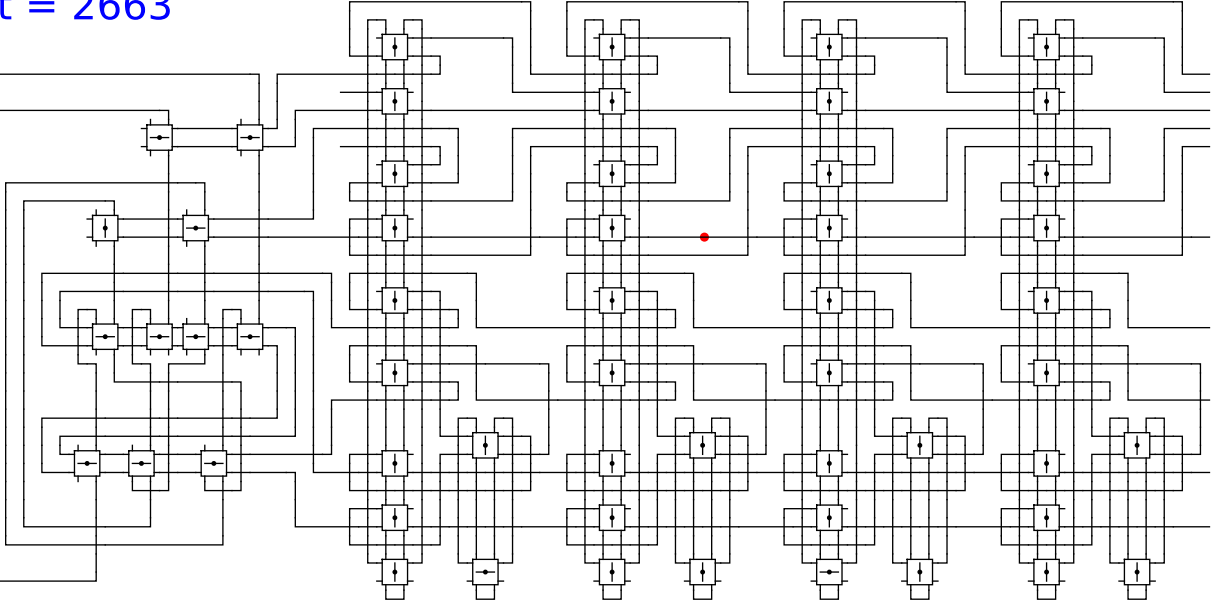


1 0 head 0 0

t = 2663

Reject
Accept

Begin

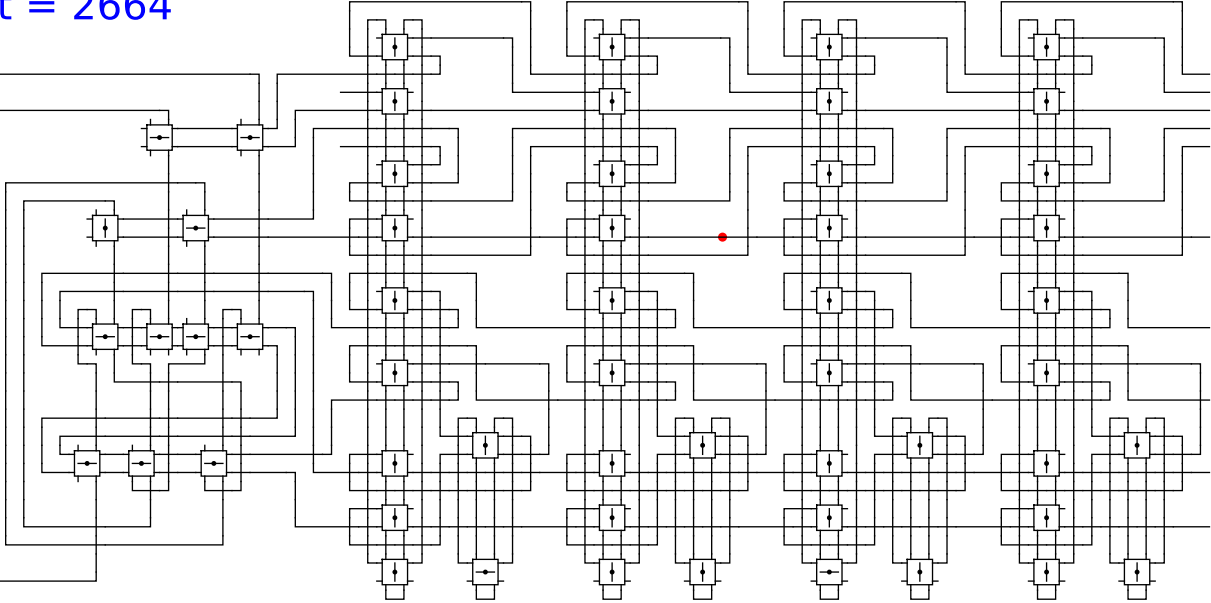


1 0 head 0 0

t = 2664

Reject
Accept

Begin

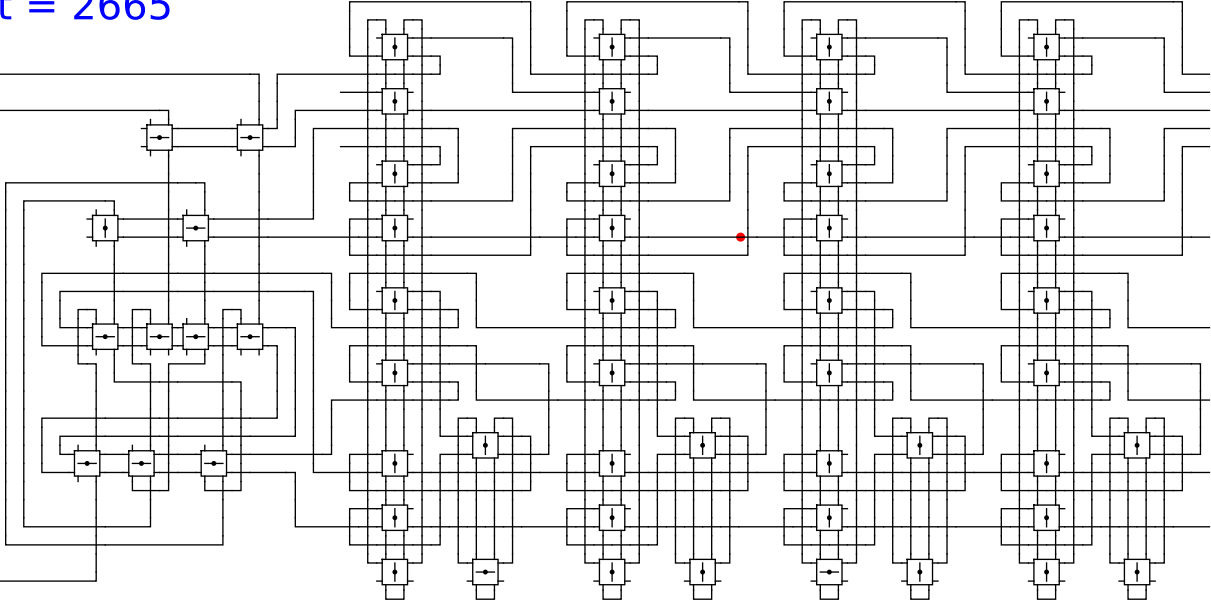


1 0 head 0 0

t = 2665

Reject
Accept

Begin

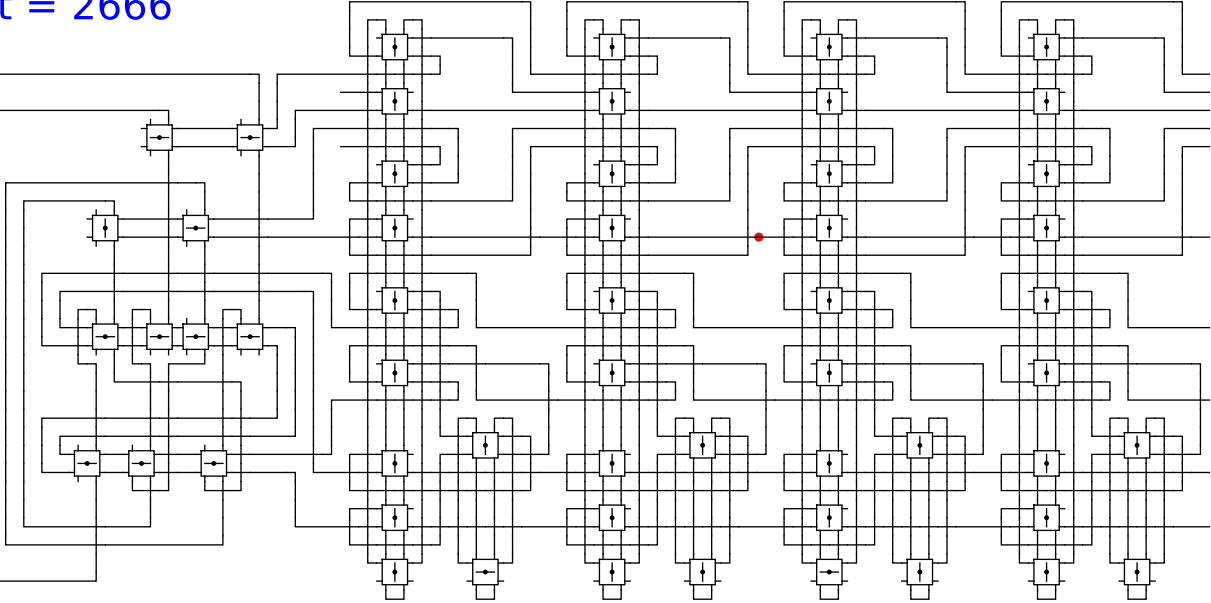


1 0 head 0 0

t = 2666

Reject
Accept

Begin

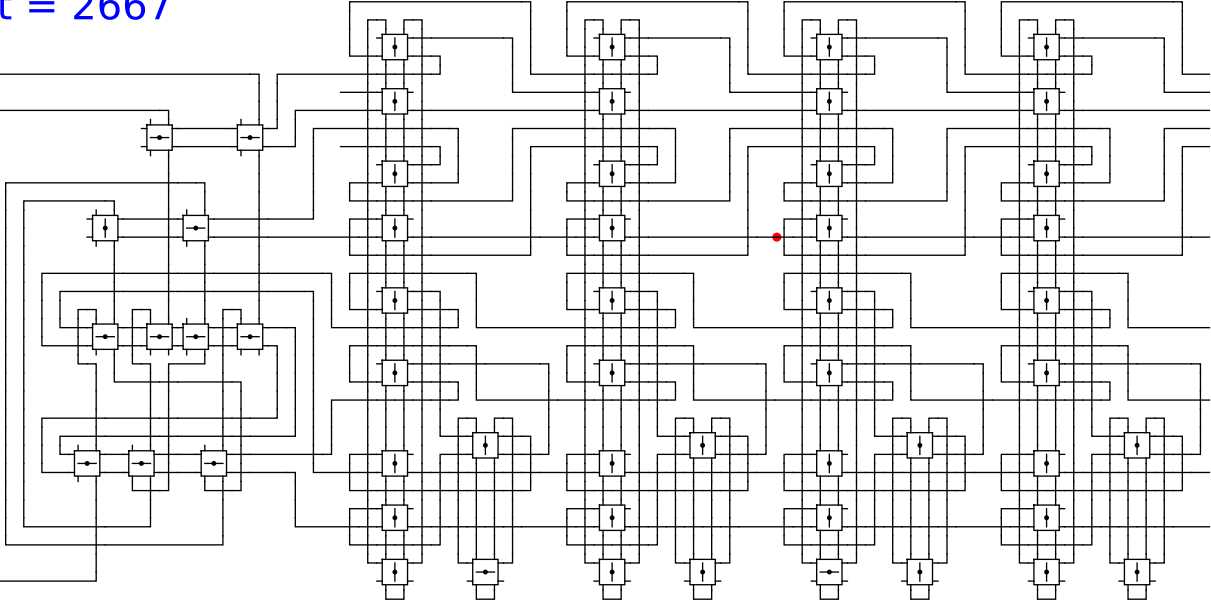


1 0 head 0 0

t = 2667

Reject
Accept

Begin



1

0

head

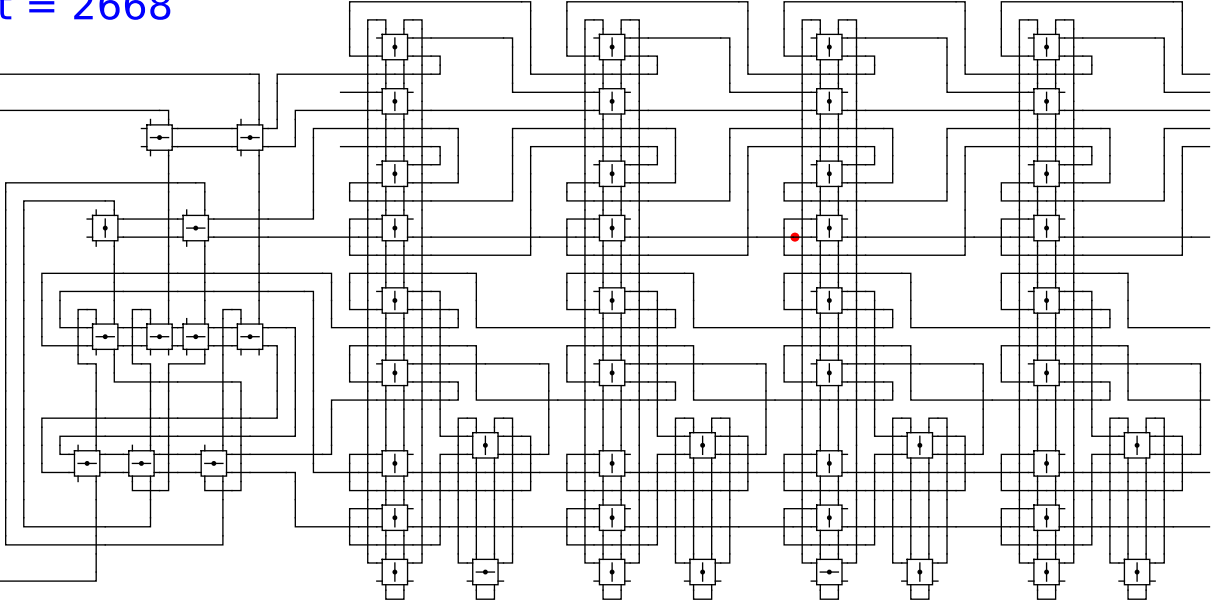
0

0

t = 2668

Reject
Accept

Begin

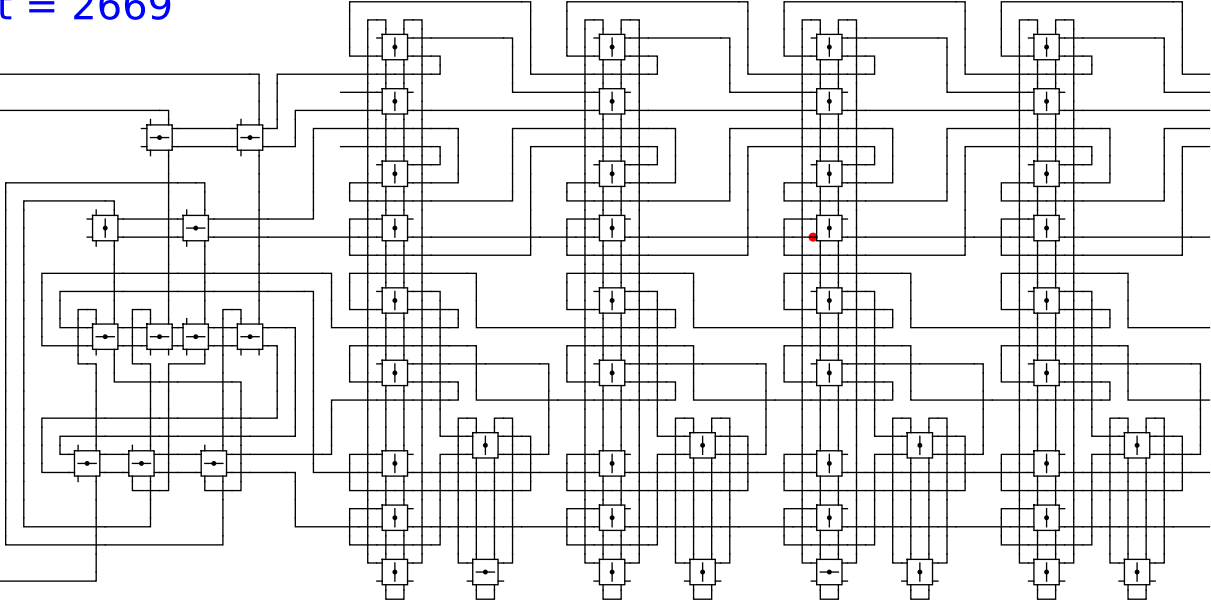


1 0 head 0 0

t = 2669

Reject
Accept

Begin

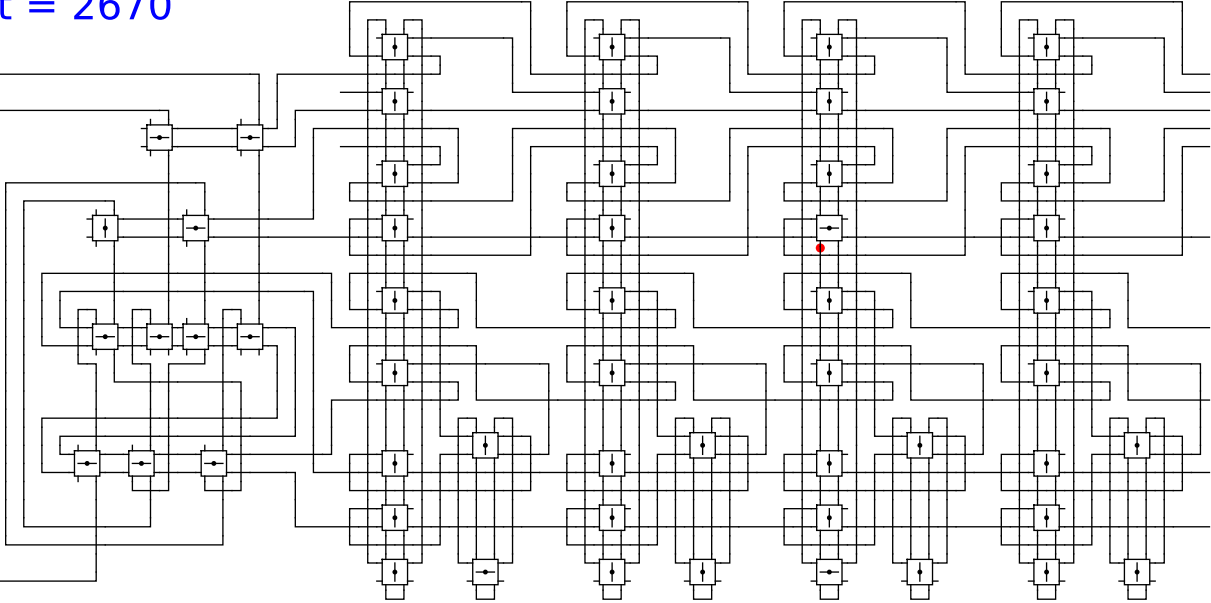


1 0 head 0 0

t = 2670

Reject
Accept

Begin

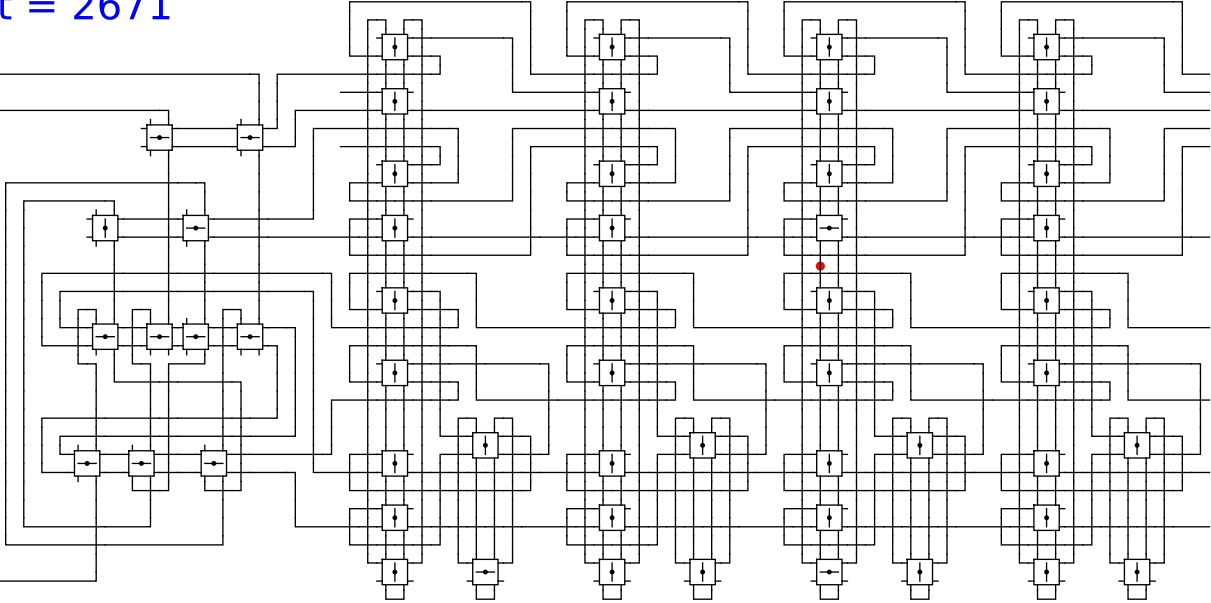


1 0 head 0 0

t = 2671

Reject
Accept

Begin

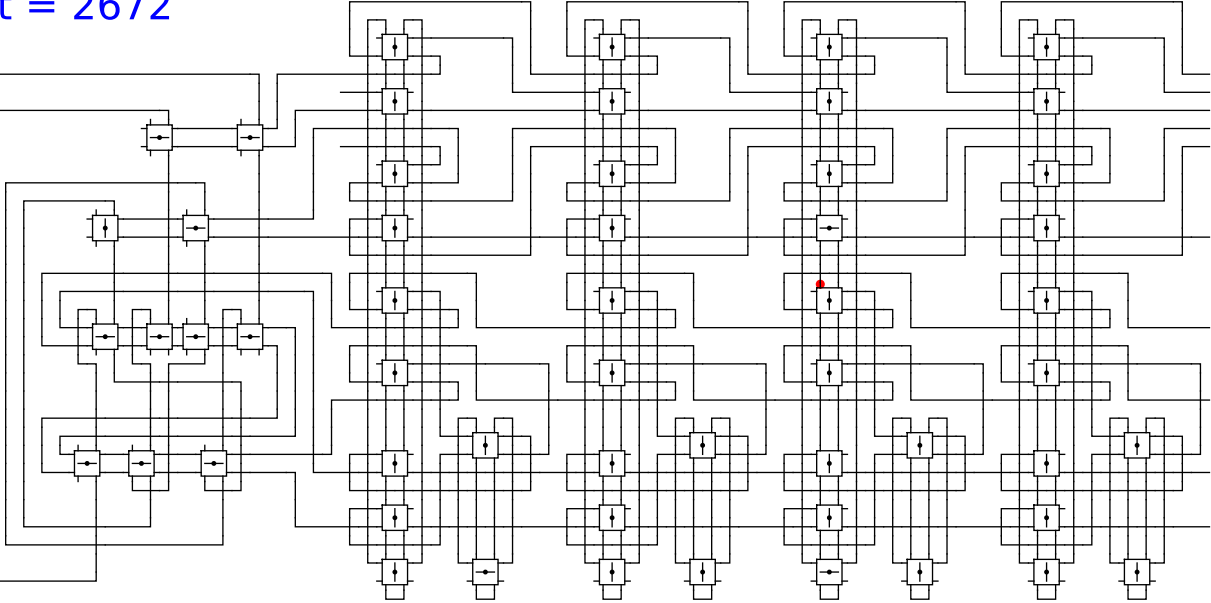


1 0 head 0 0

t = 2672

Reject
Accept

Begin

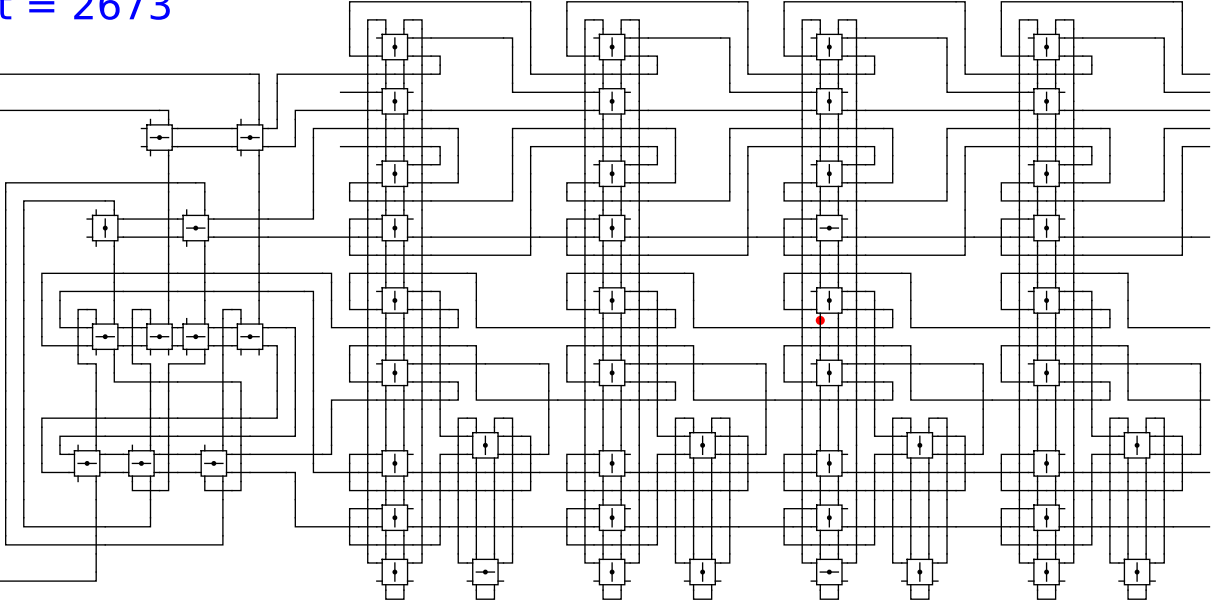


1 0 head 0 0

t = 2673

Reject
Accept

Begin

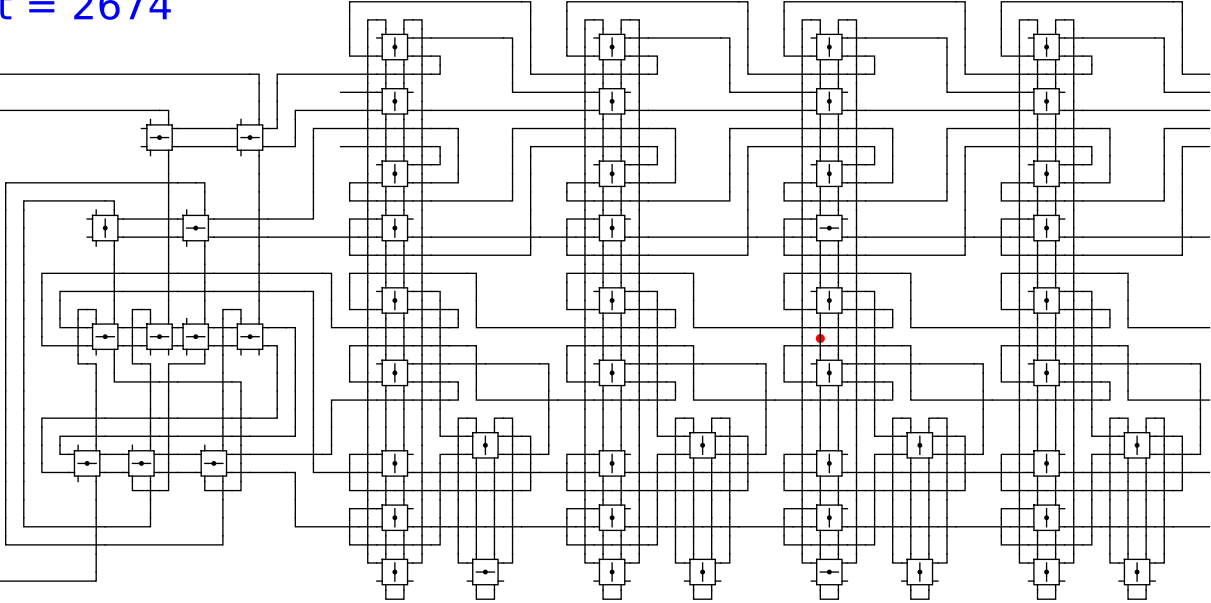


1 0 head 0 0

t = 2674

Reject
Accept

Begin



1

0

head

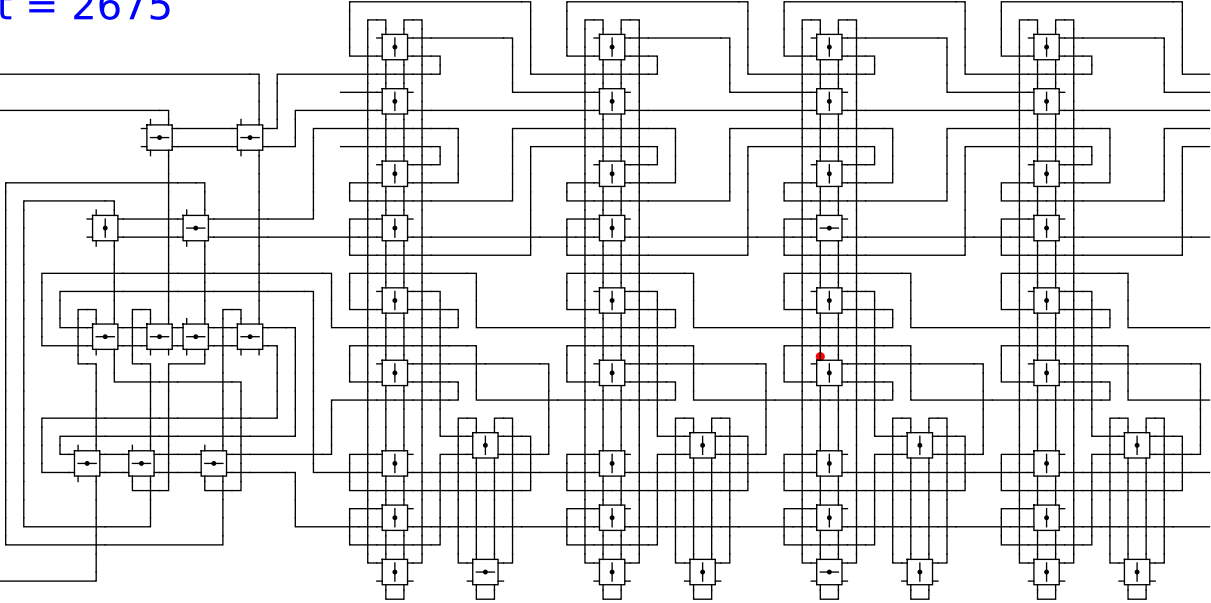
0

0

t = 2675

Reject
Accept

Begin

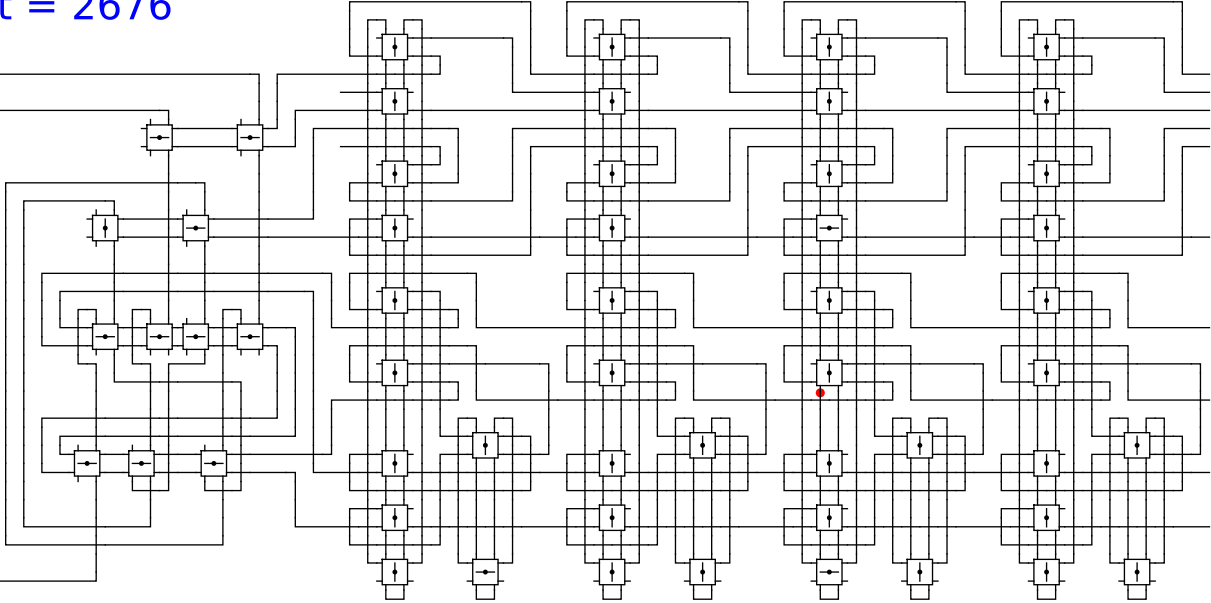


1 0 head 0 0

t = 2676

Reject
Accept

Begin

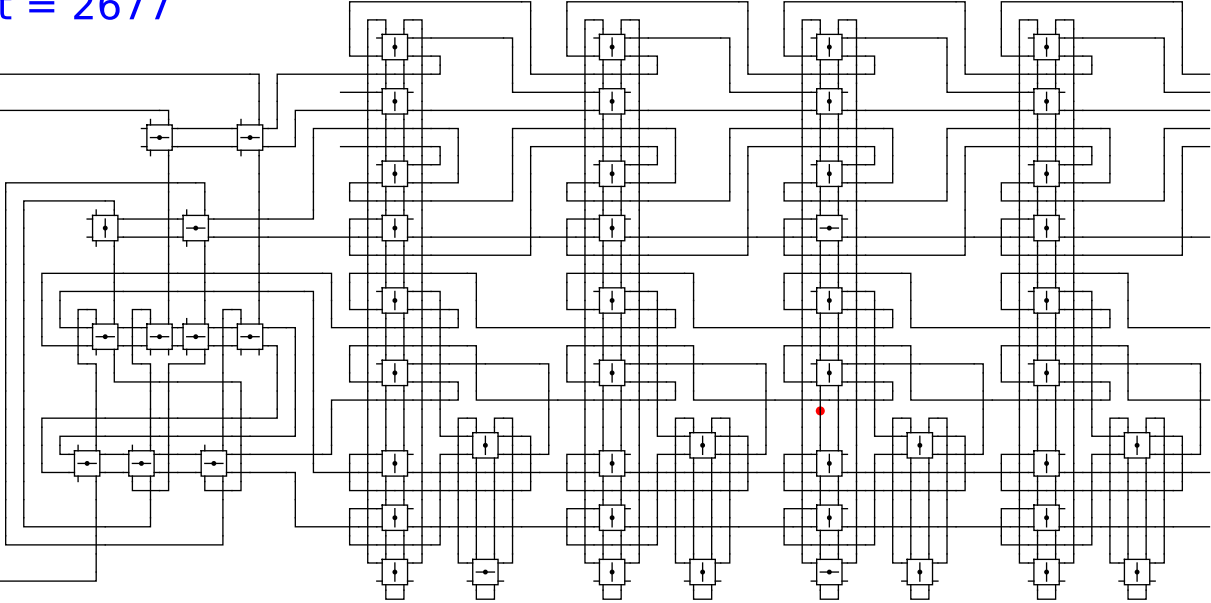


1 0 head 0 0

t = 2677

Reject
Accept

Begin

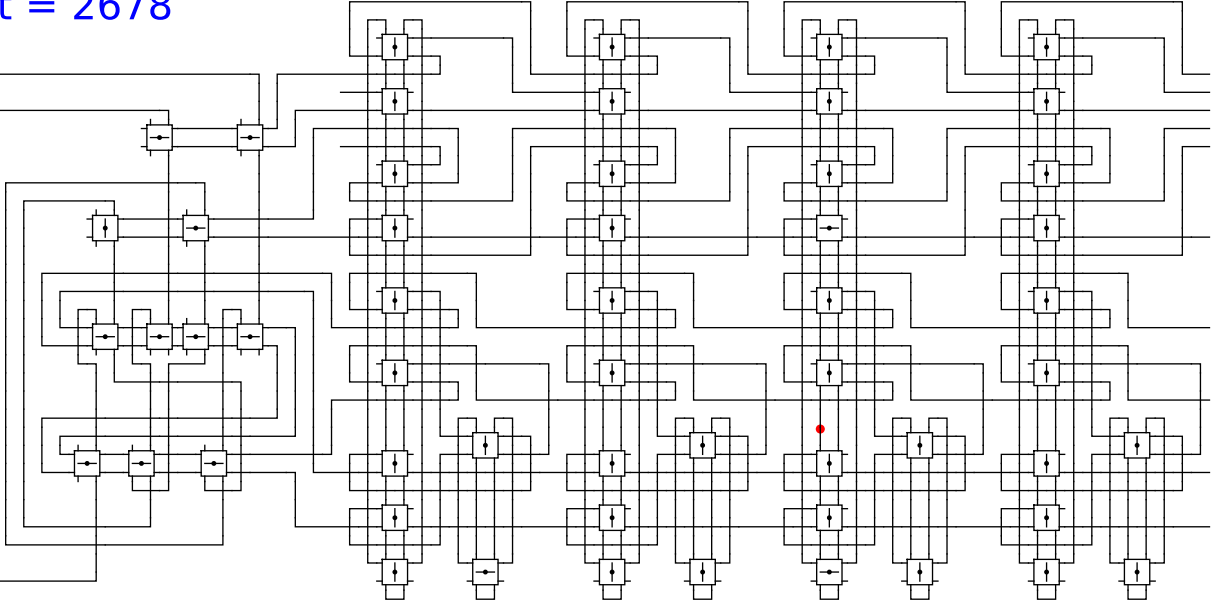


1 0 head 0 0

t = 2678

Reject
Accept

Begin

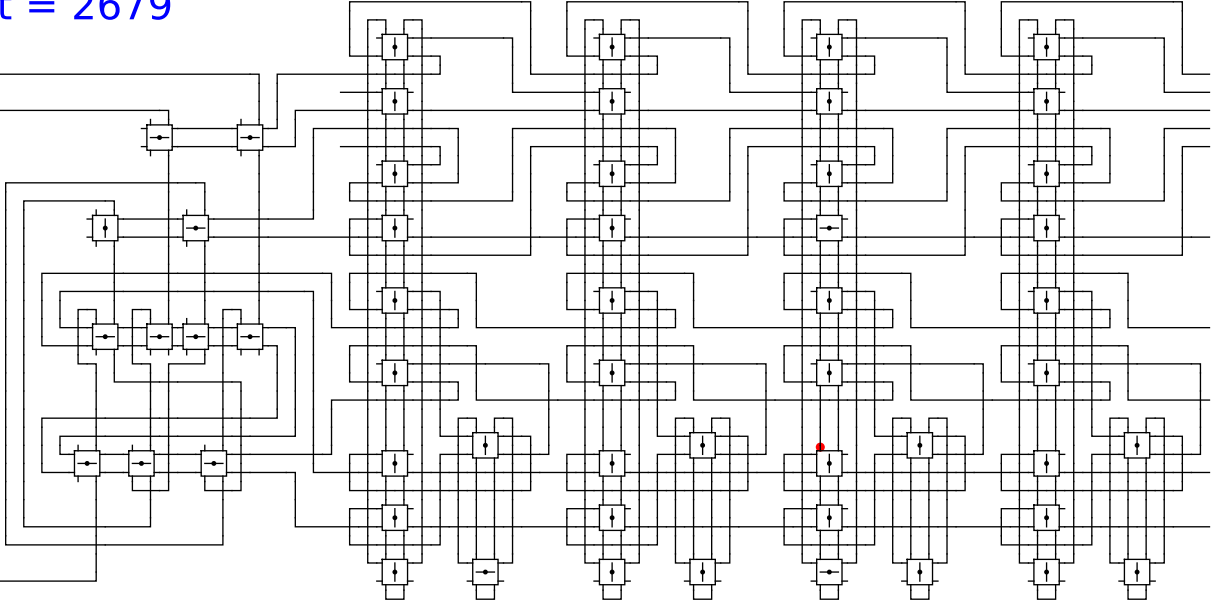


1 0 head 0 0

t = 2679

Reject
Accept

Begin

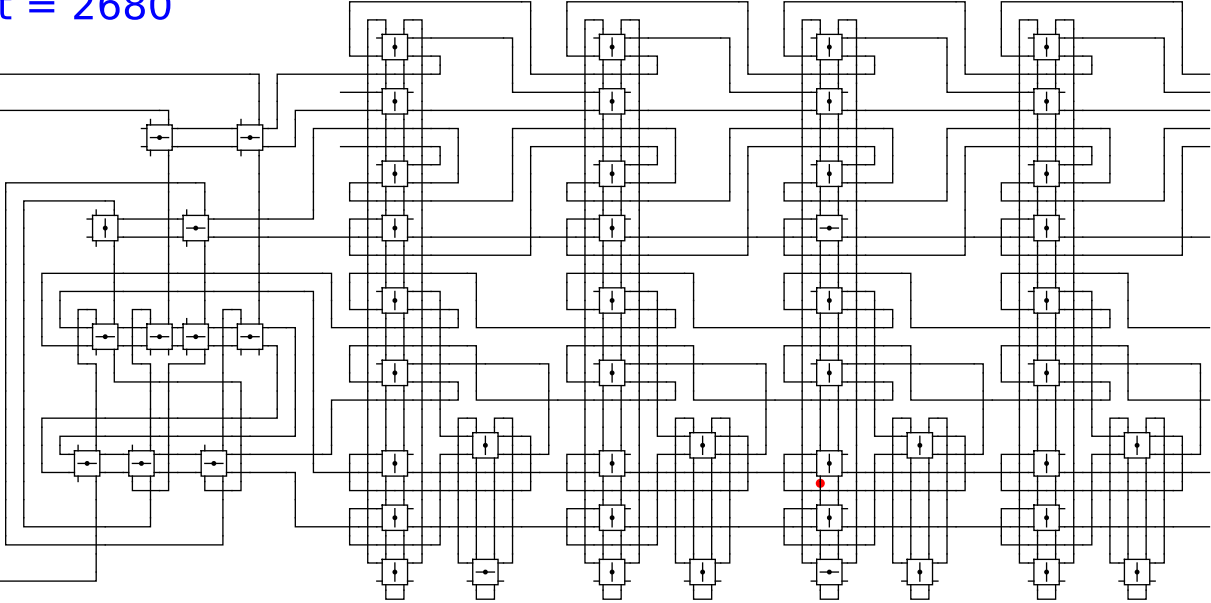


1 0 head 0 0

t = 2680

Reject
Accept

Begin

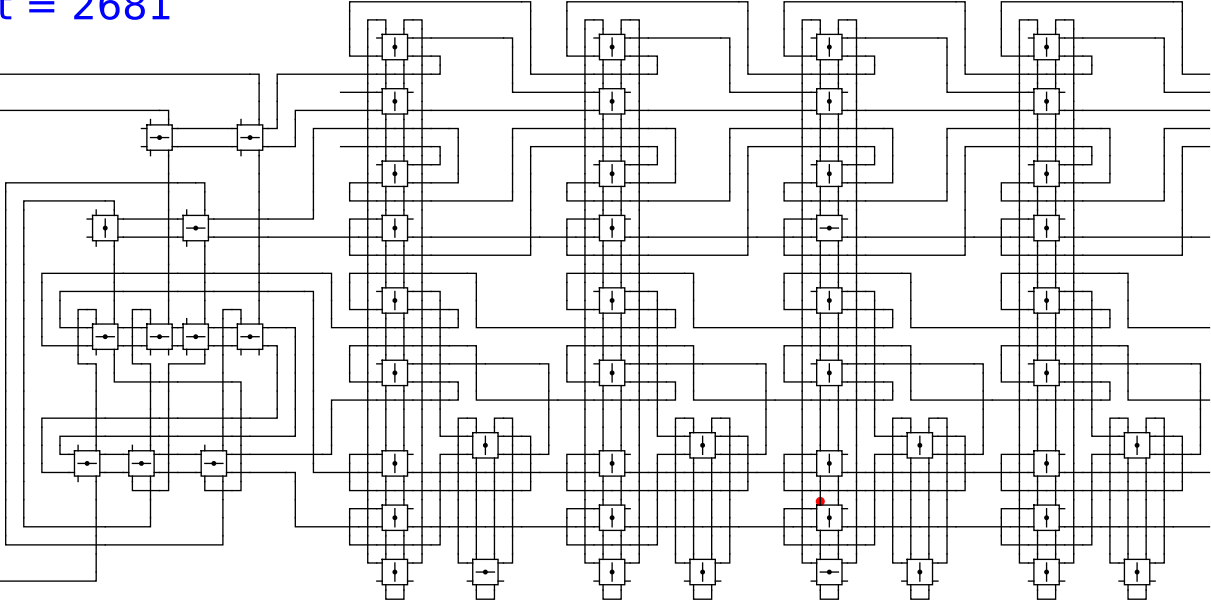


1 0 head 0 0

t = 2681

Reject
Accept

Begin

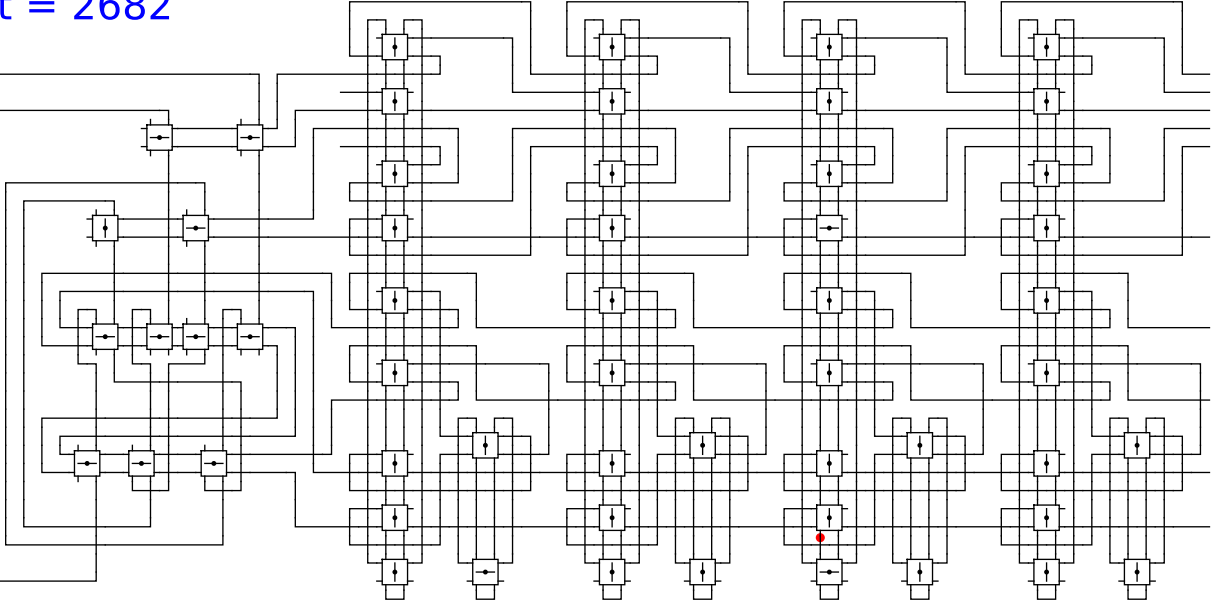


1 0 head 0 0

t = 2682

Reject
Accept

Begin

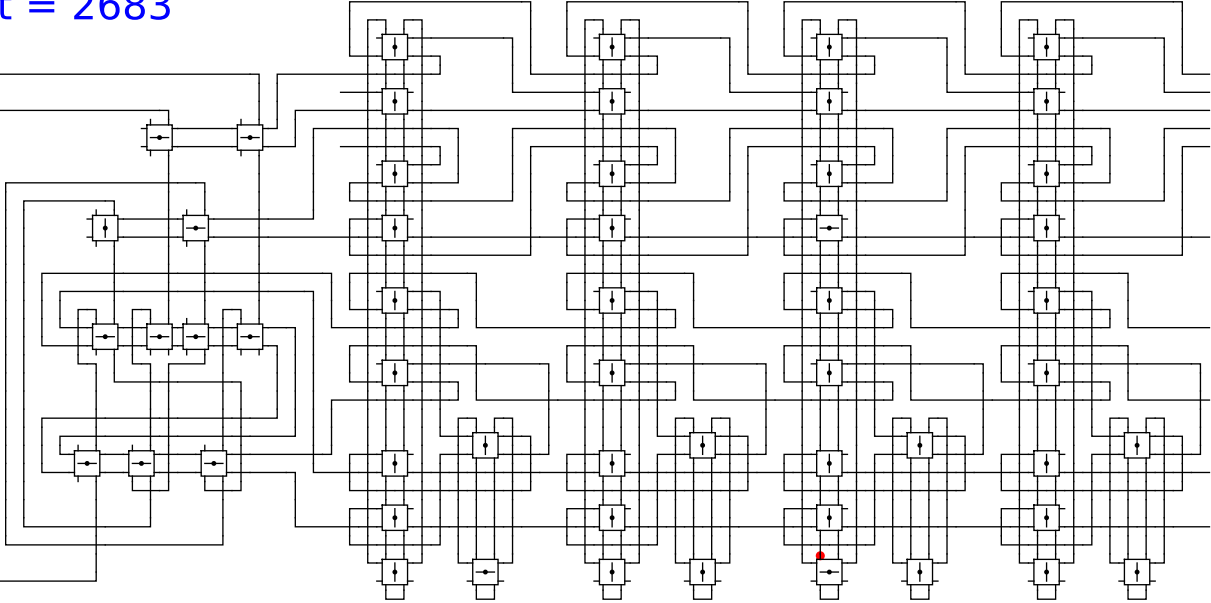


1 0 head 0 0

t = 2683

Reject
Accept

Begin

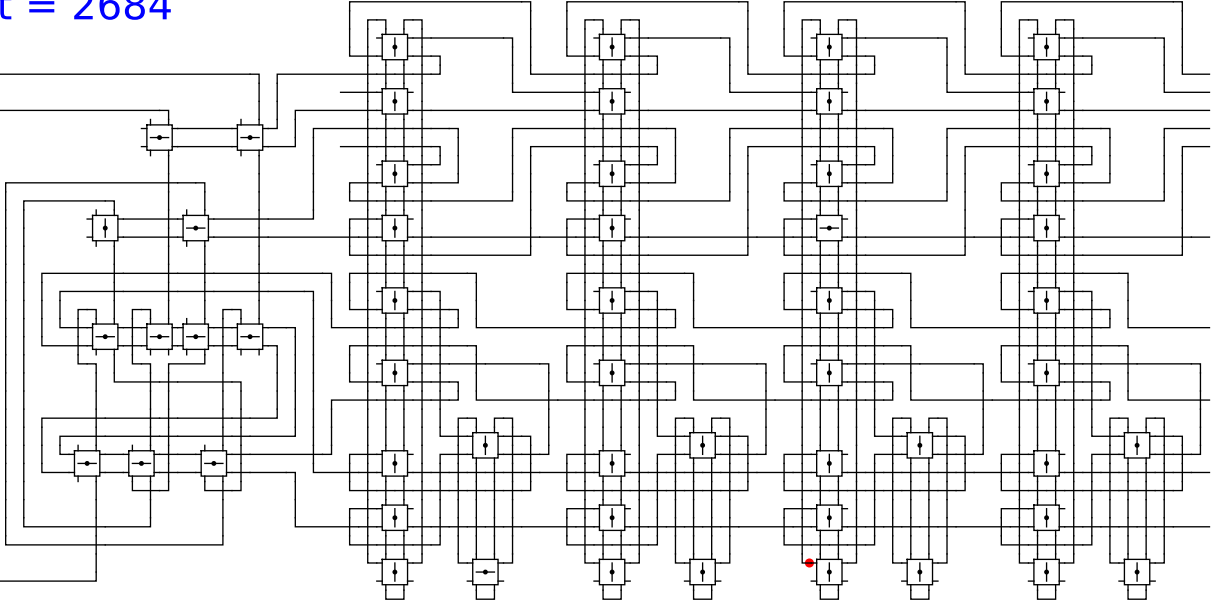


1 0 head 0 0

t = 2684

Reject
Accept

Begin



1

0

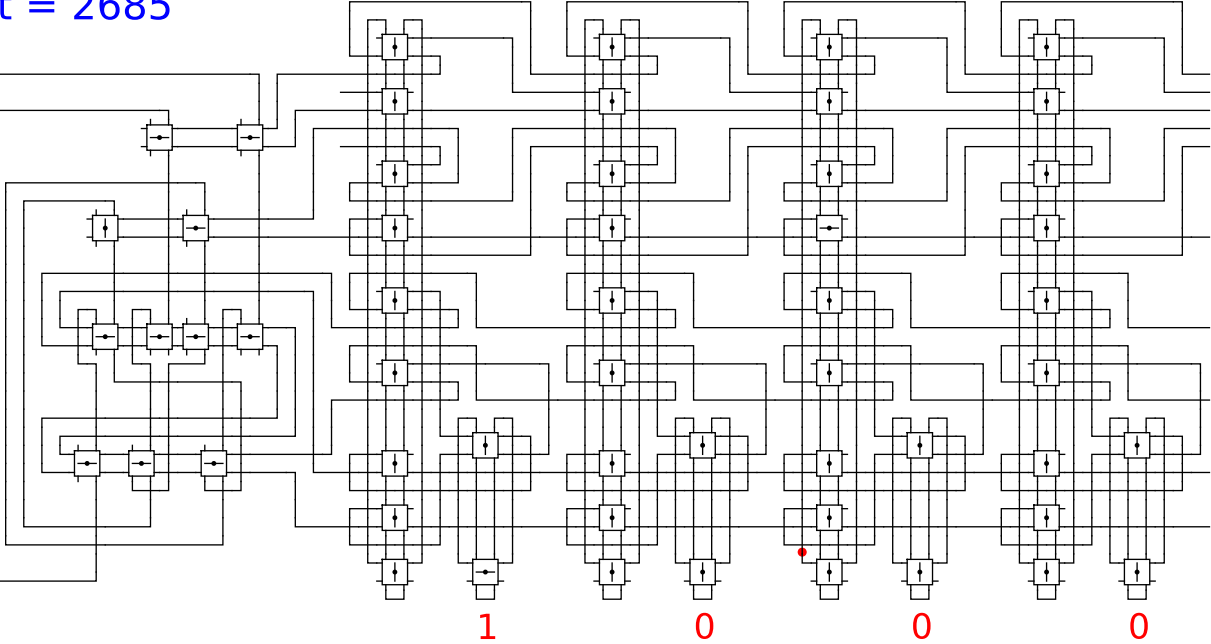
0

0

t = 2685

Reject
Accept

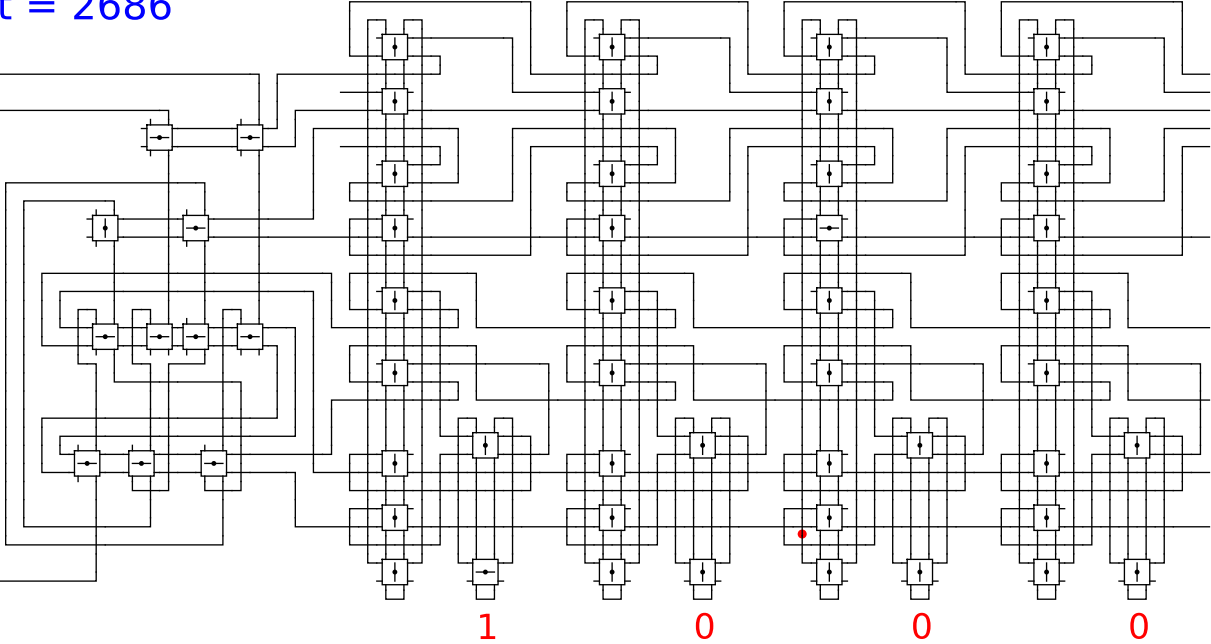
Begin



t = 2686

Reject
Accept

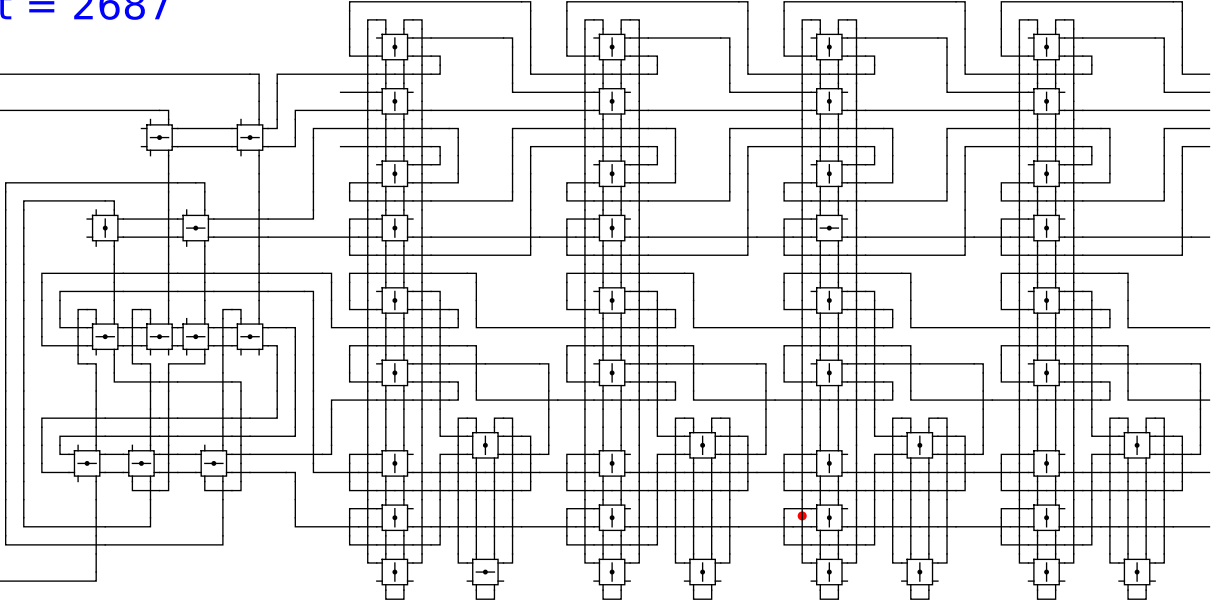
Begin



t = 2687

Reject
Accept

Begin



1

0

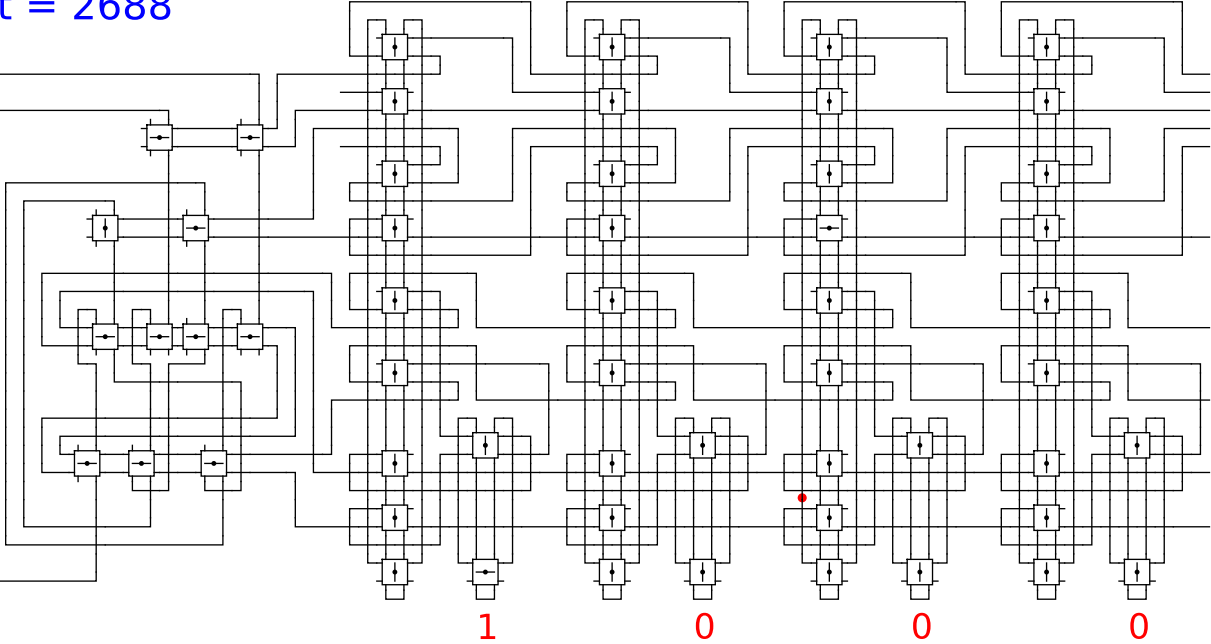
0

0

t = 2688

Reject
Accept

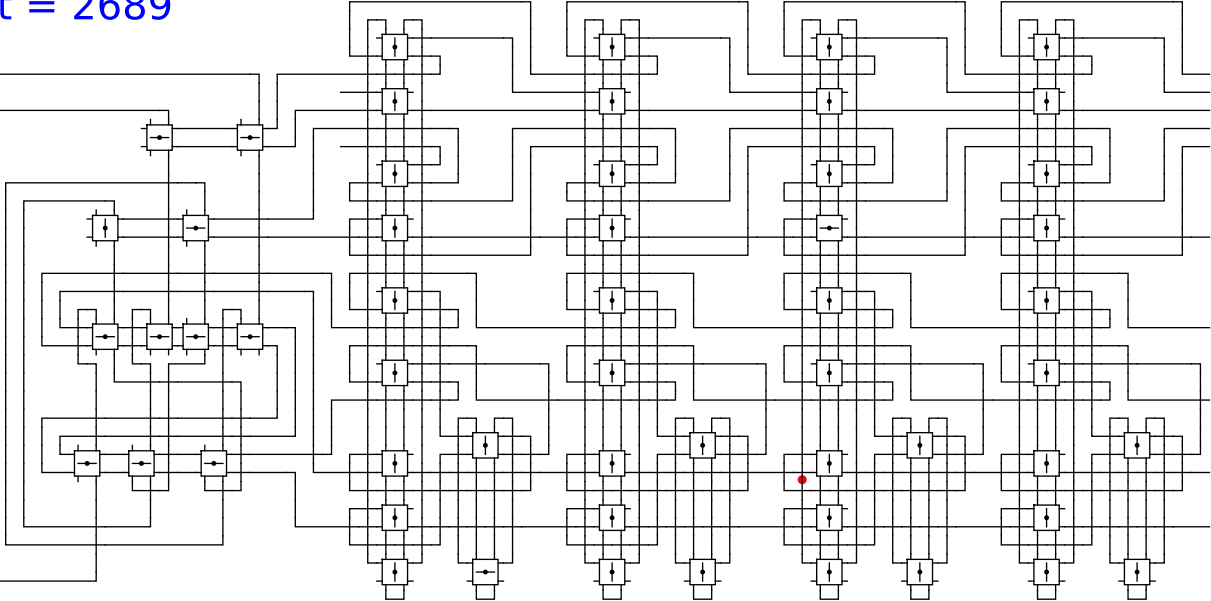
Begin



t = 2689

Reject
Accept

Begin



1

0

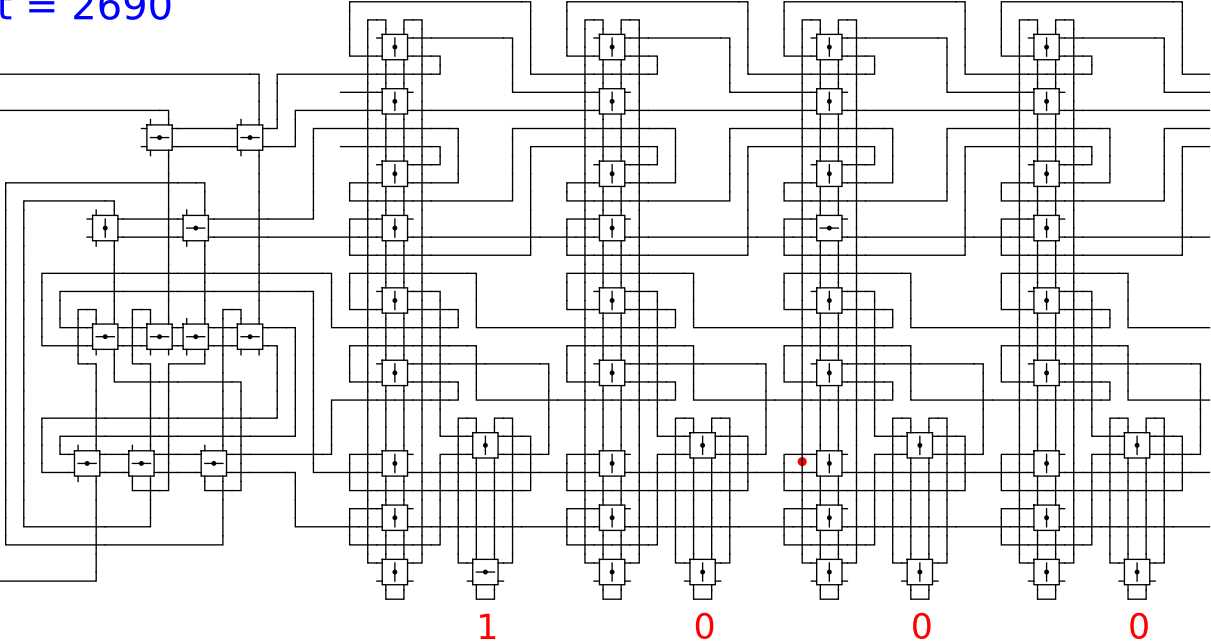
0

0

t = 2690

Reject
Accept

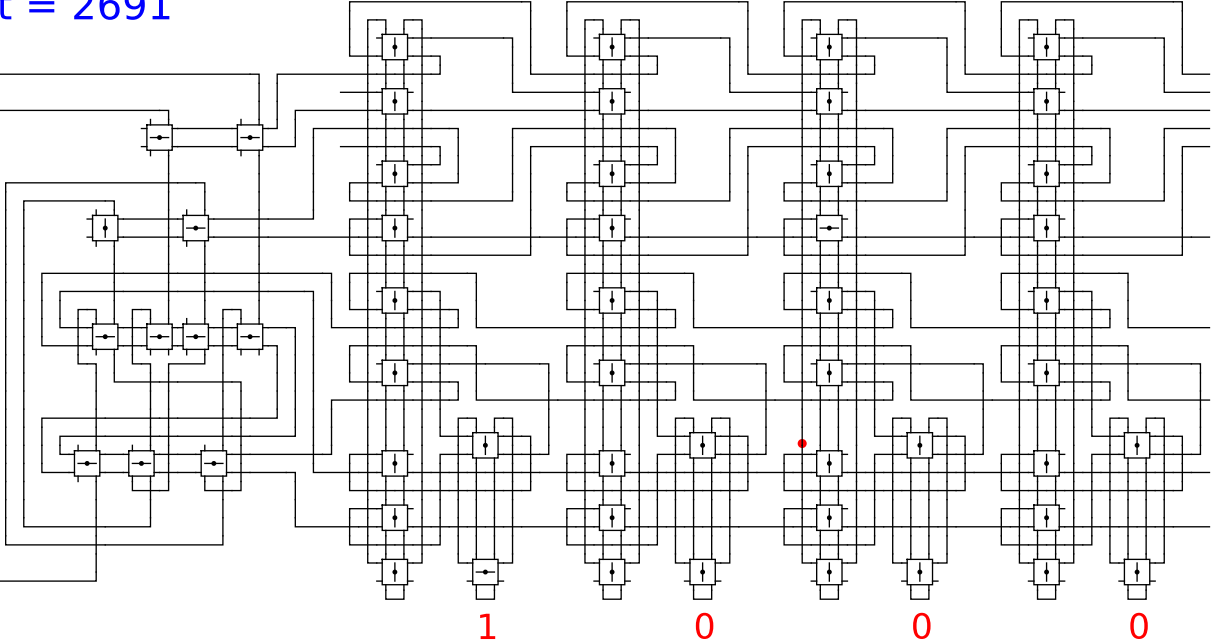
Begin



t = 2691

Reject
Accept

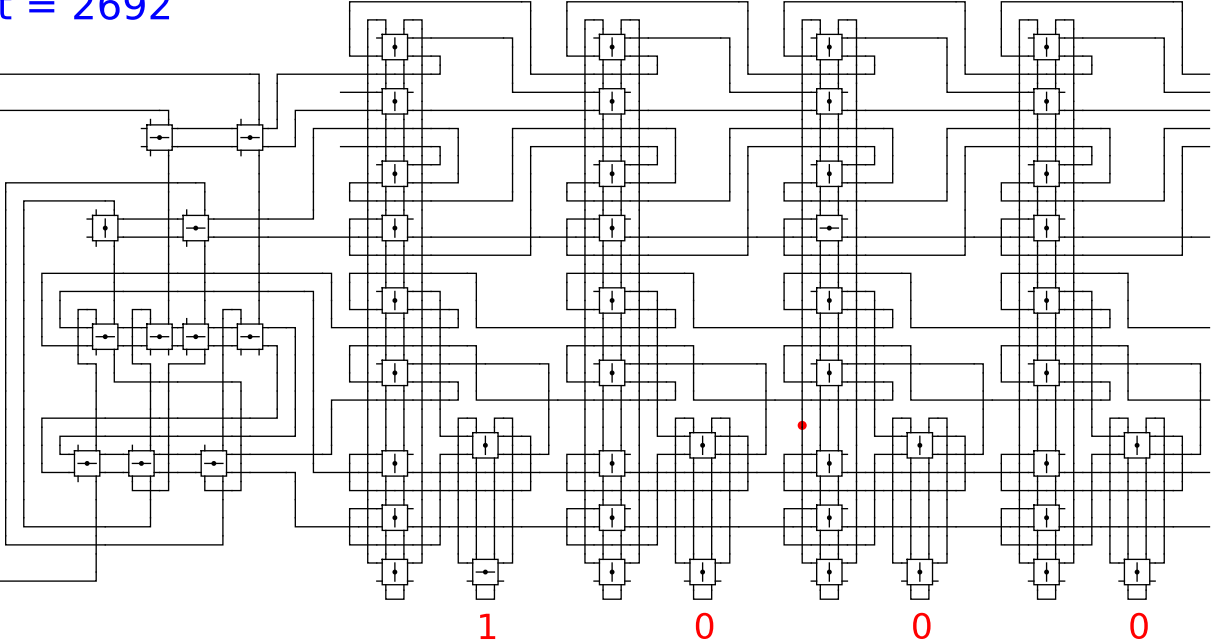
Begin



t = 2692

Reject
Accept

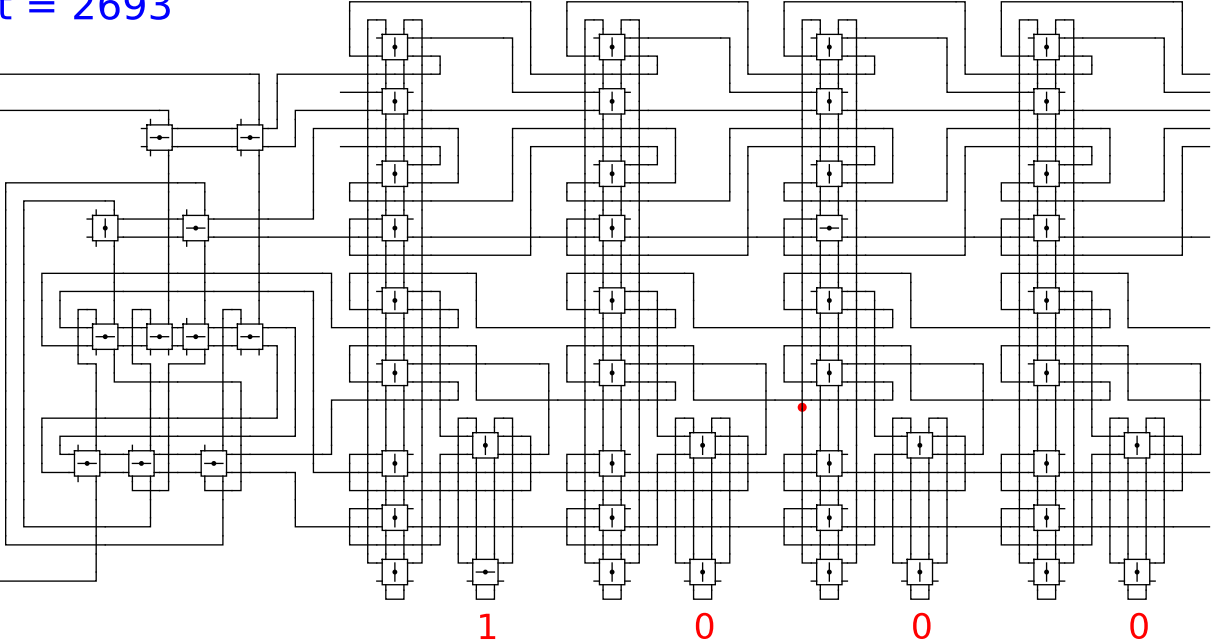
Begin



t = 2693

Reject
Accept

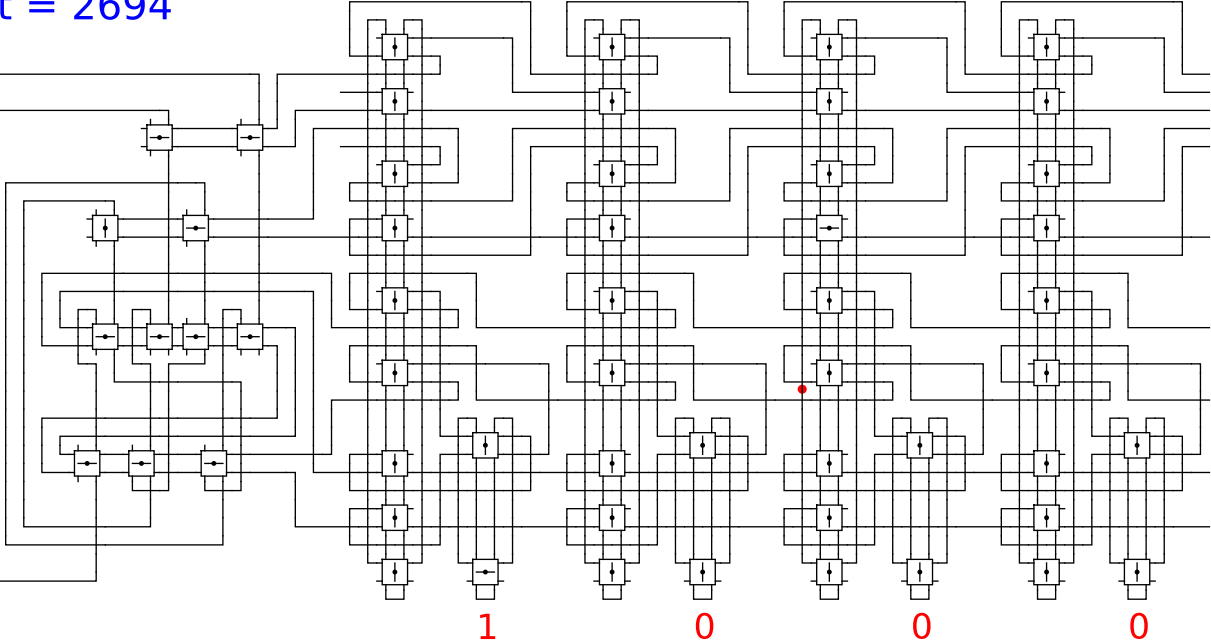
Begin



t = 2694

Reject
Accept

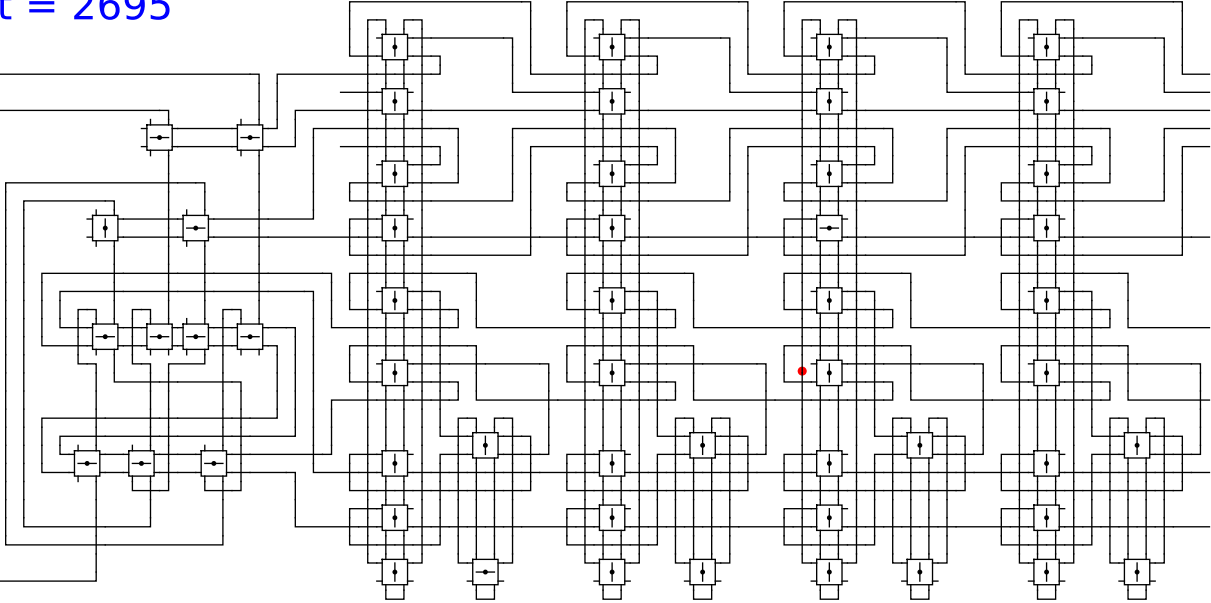
Begin



t = 2695

Reject
Accept

Begin



1

0

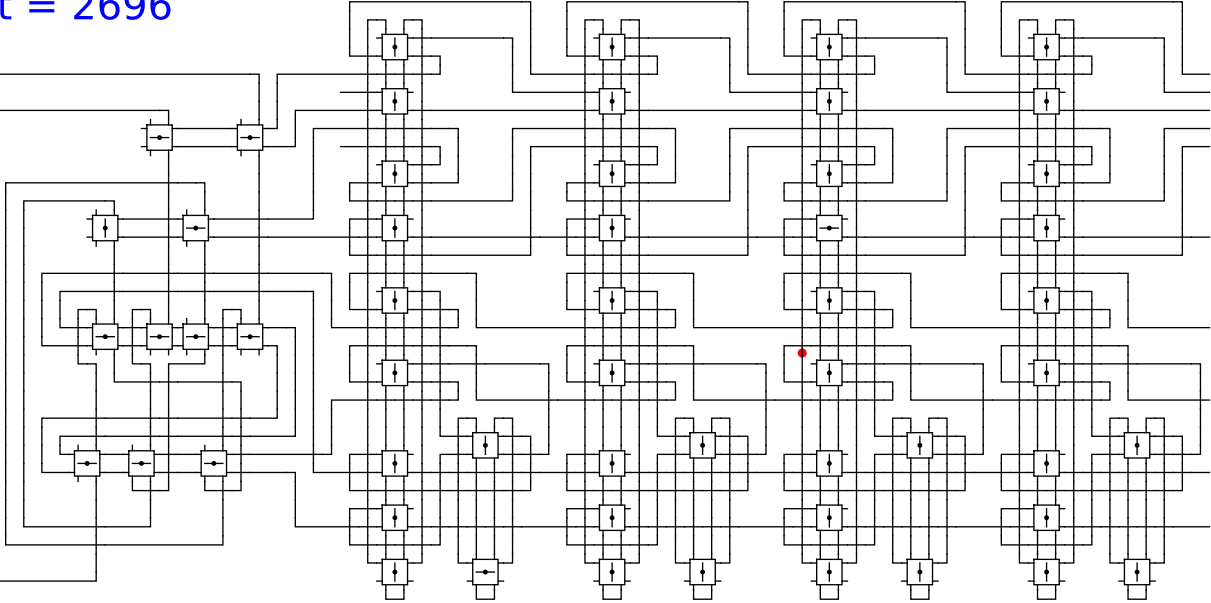
0

0

t = 2696

Reject
Accept

Begin



1

0

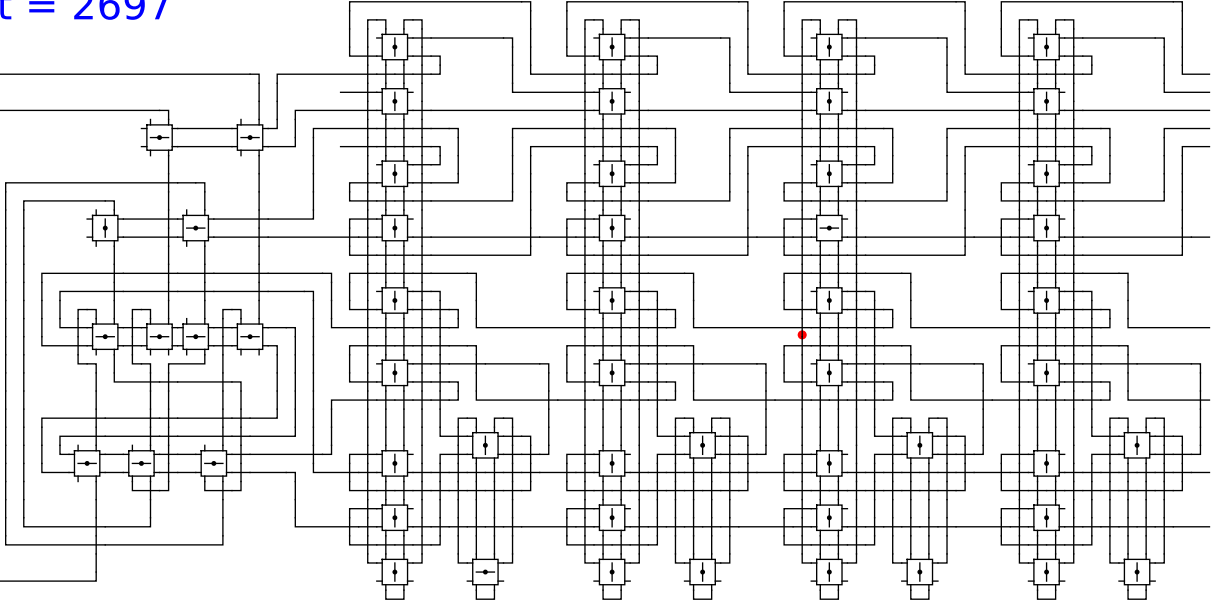
0

0

t = 2697

Reject
Accept

Begin



1

0

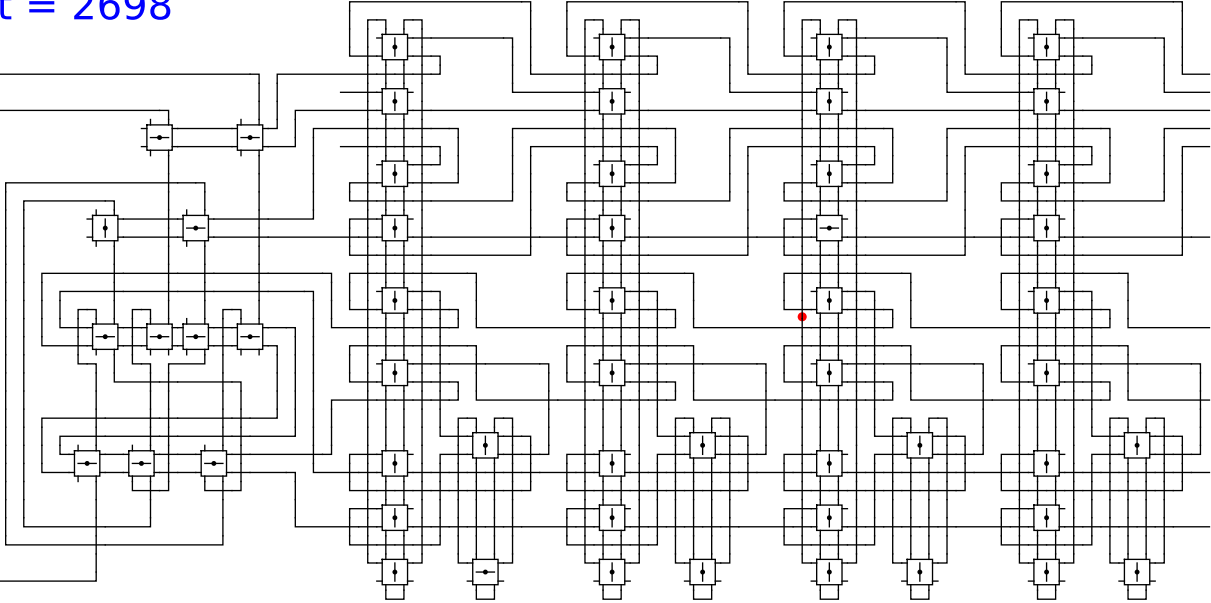
0

0

t = 2698

Reject
Accept

Begin



1

0

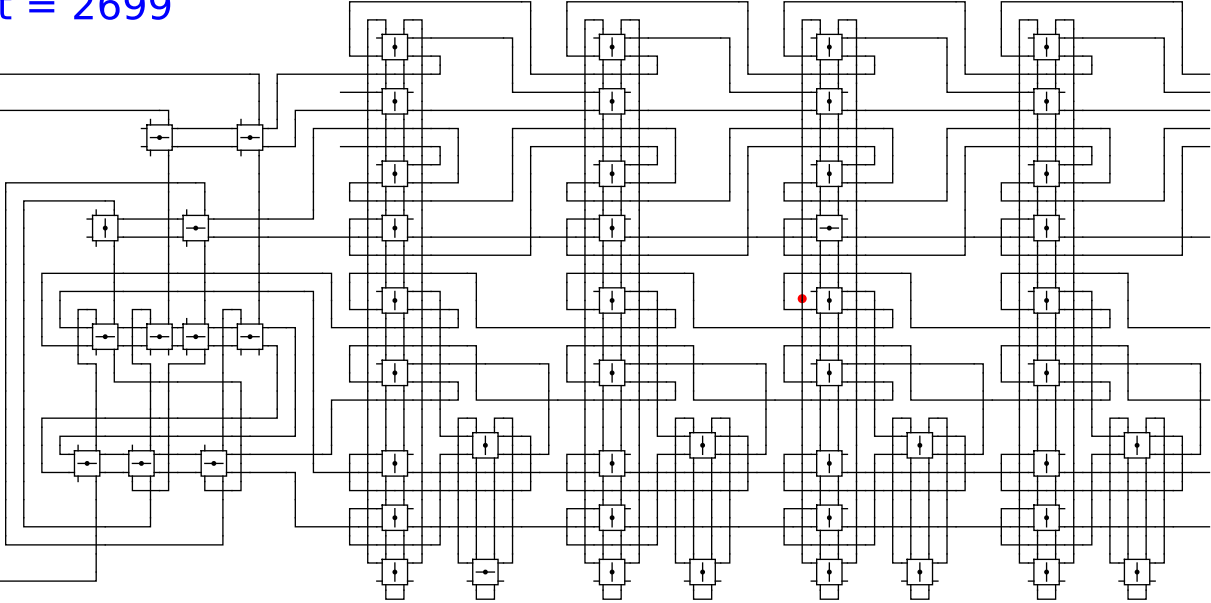
0

0

t = 2699

Reject
Accept

Begin



1

0

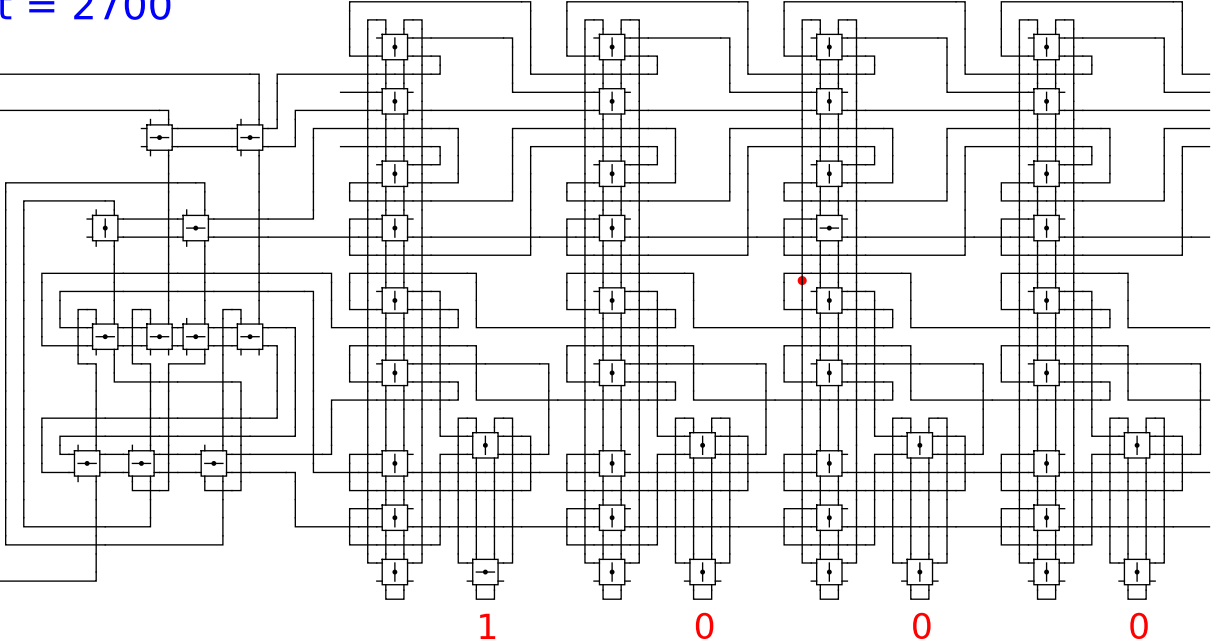
0

0

t = 2700

Reject
Accept

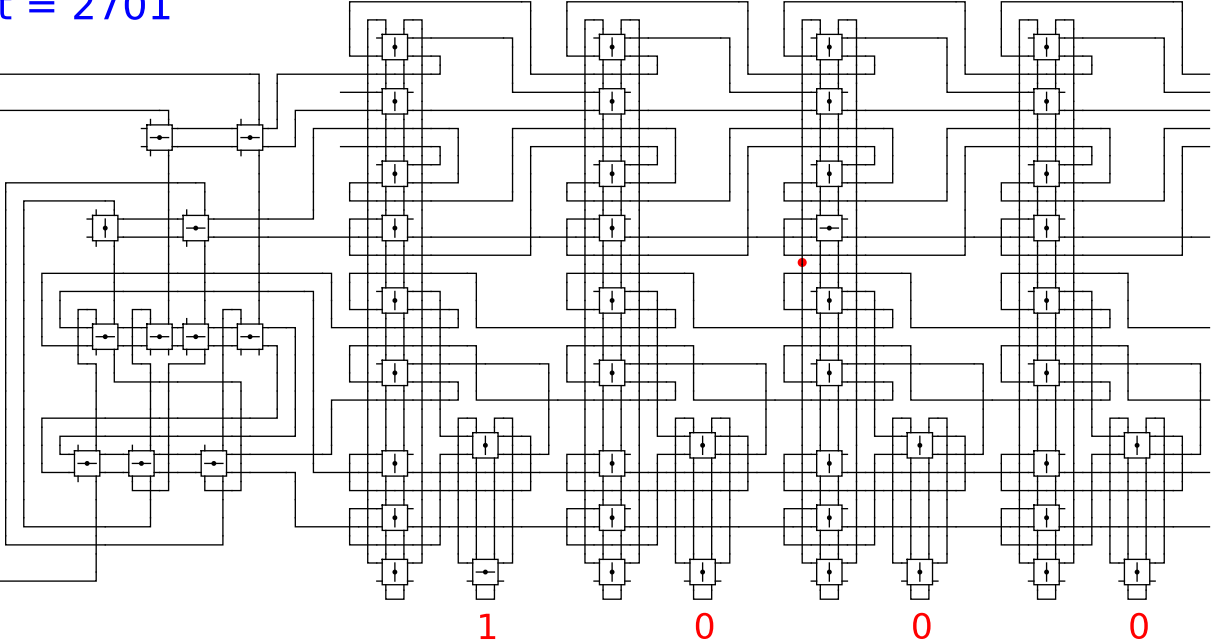
Begin



t = 2701

Reject
Accept

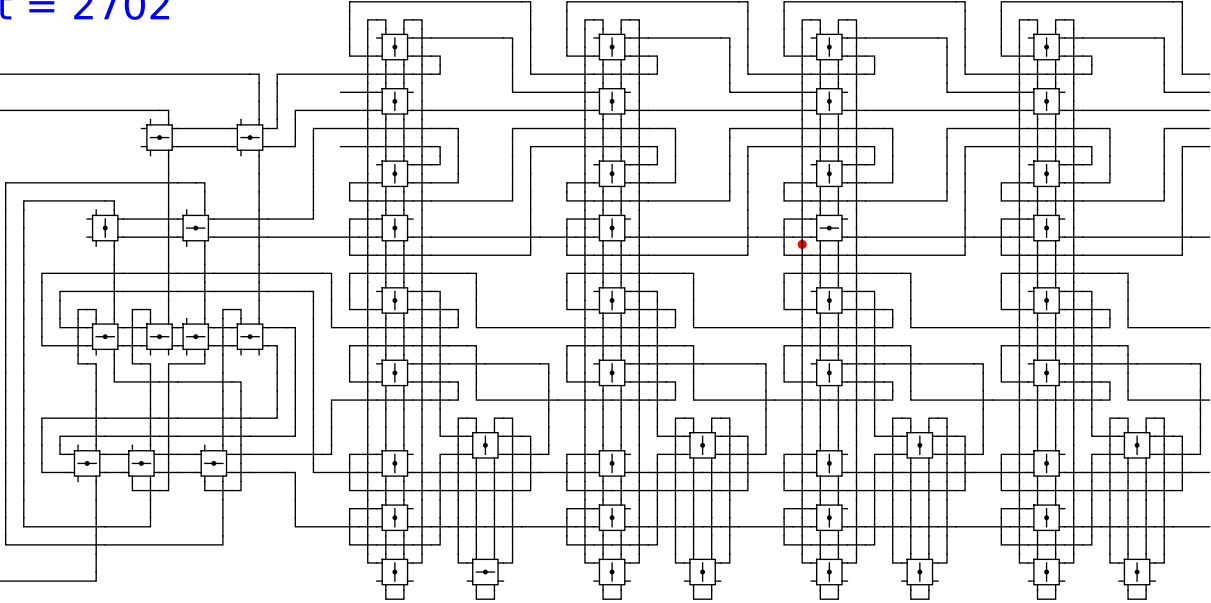
Begin



t = 2702

Reject
Accept

Begin



1

0

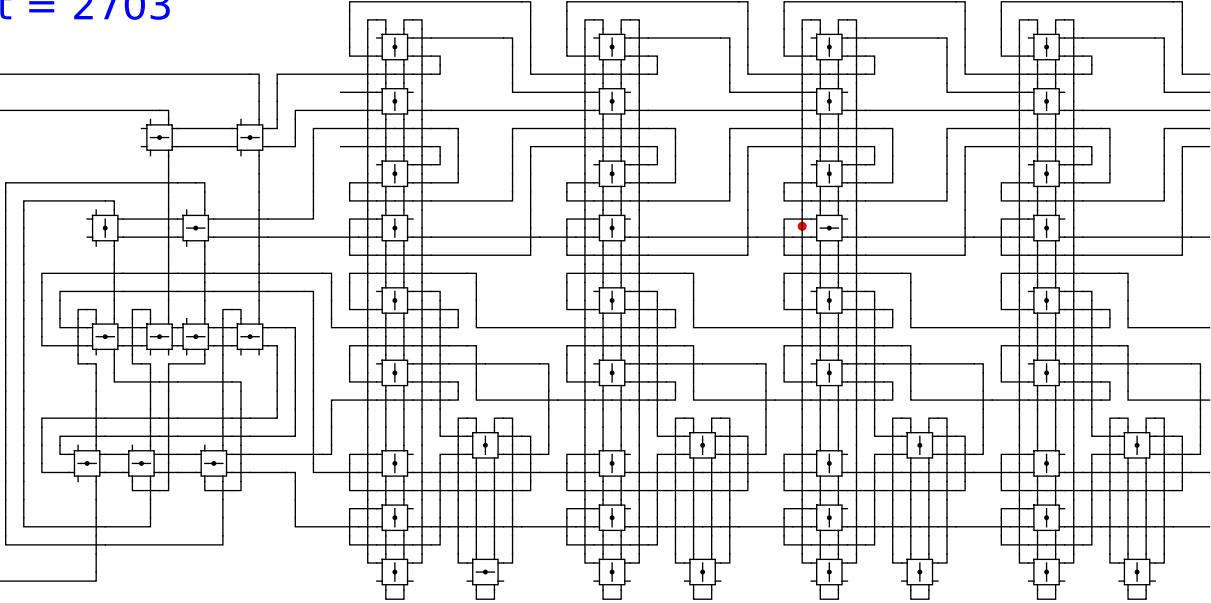
0

0

t = 2703

Reject
Accept

Begin



1

0

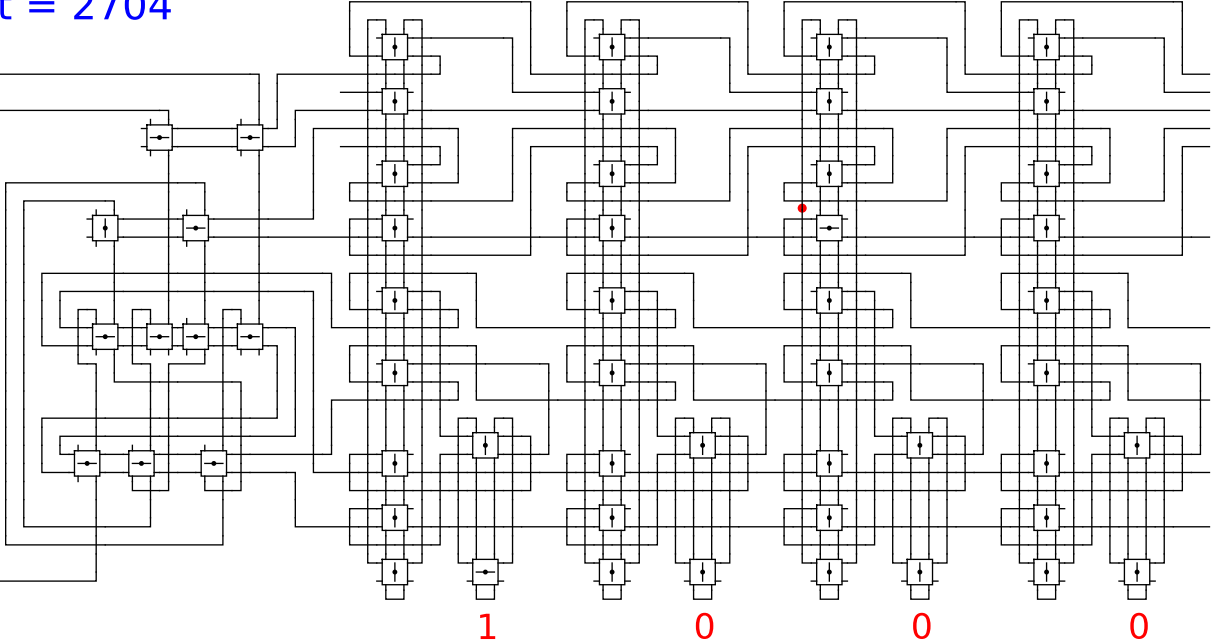
0

0

t = 2704

Reject
Accept

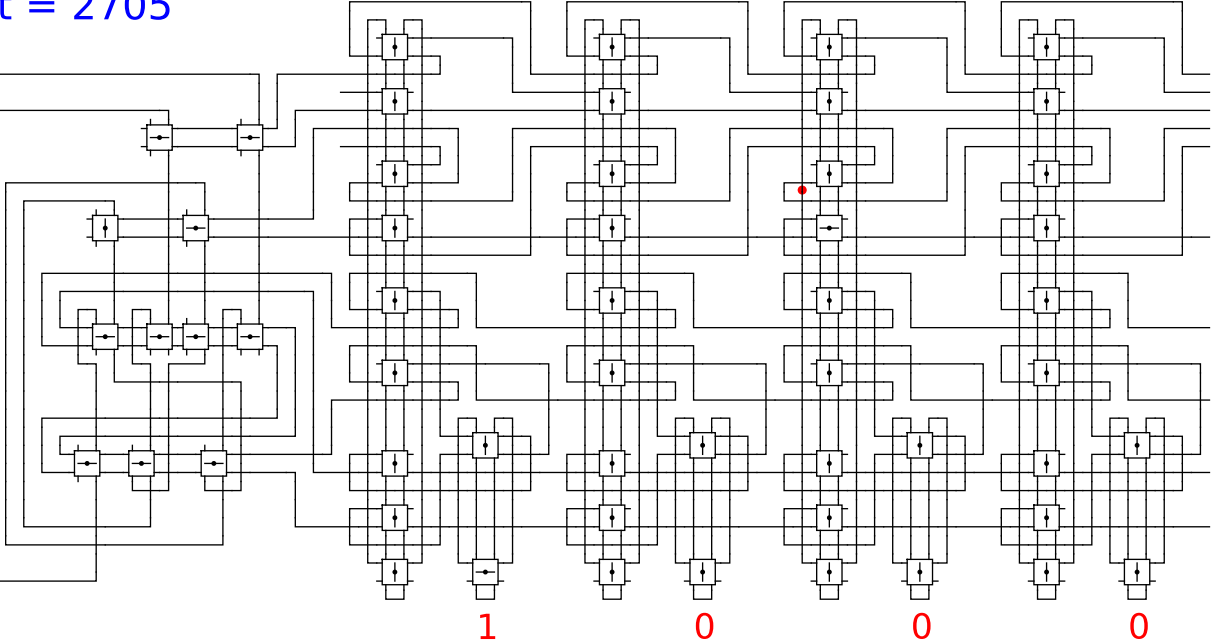
Begin



t = 2705

Reject
Accept

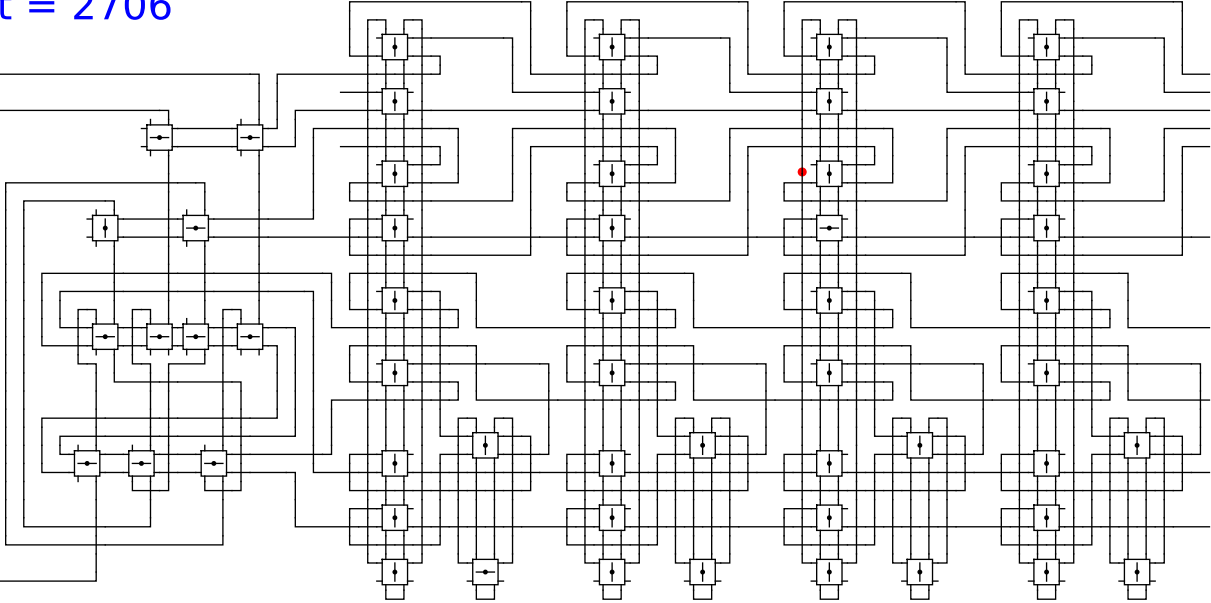
Begin



t = 2706

Reject
Accept

Begin



1

0

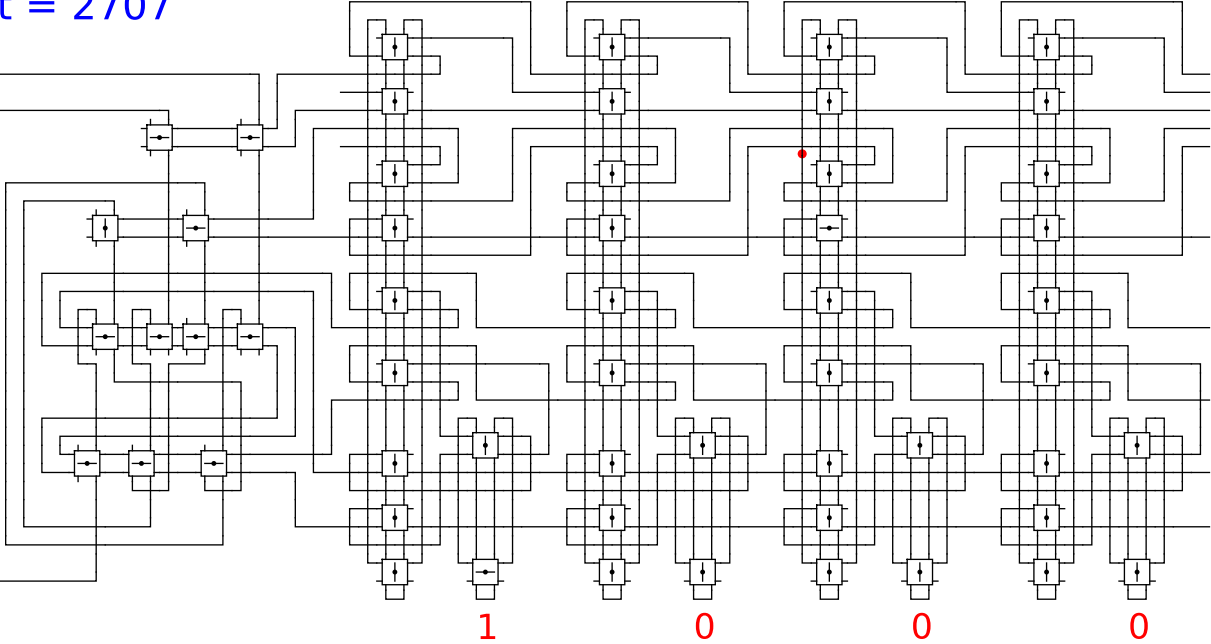
0

0

t = 2707

Reject
Accept

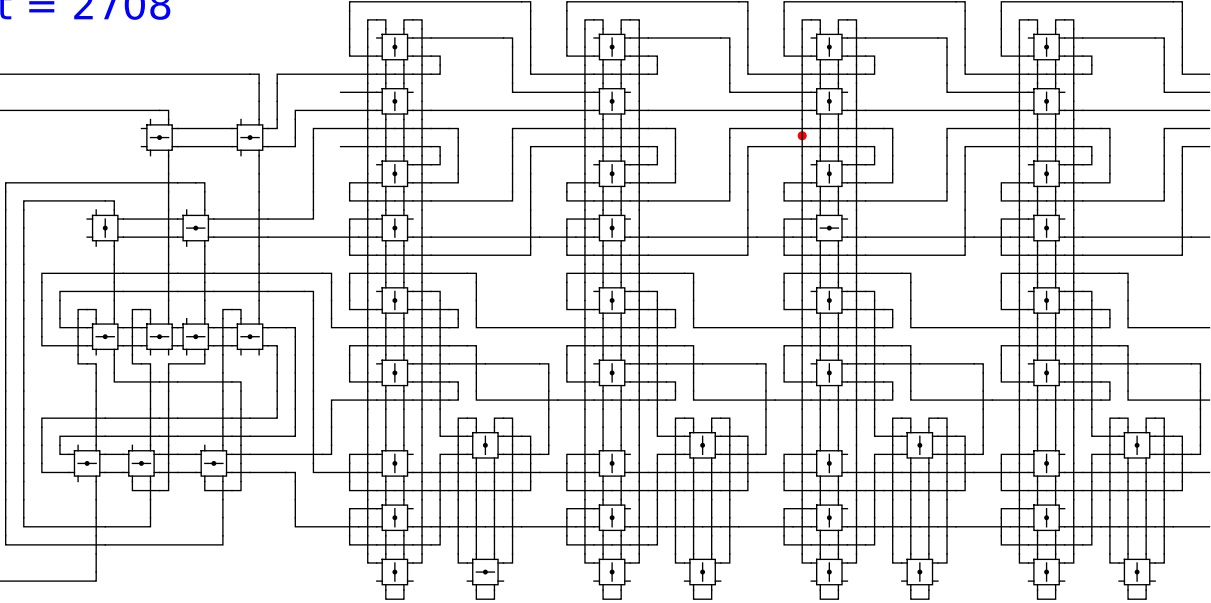
Begin



t = 2708

Reject
Accept

Begin



1

0

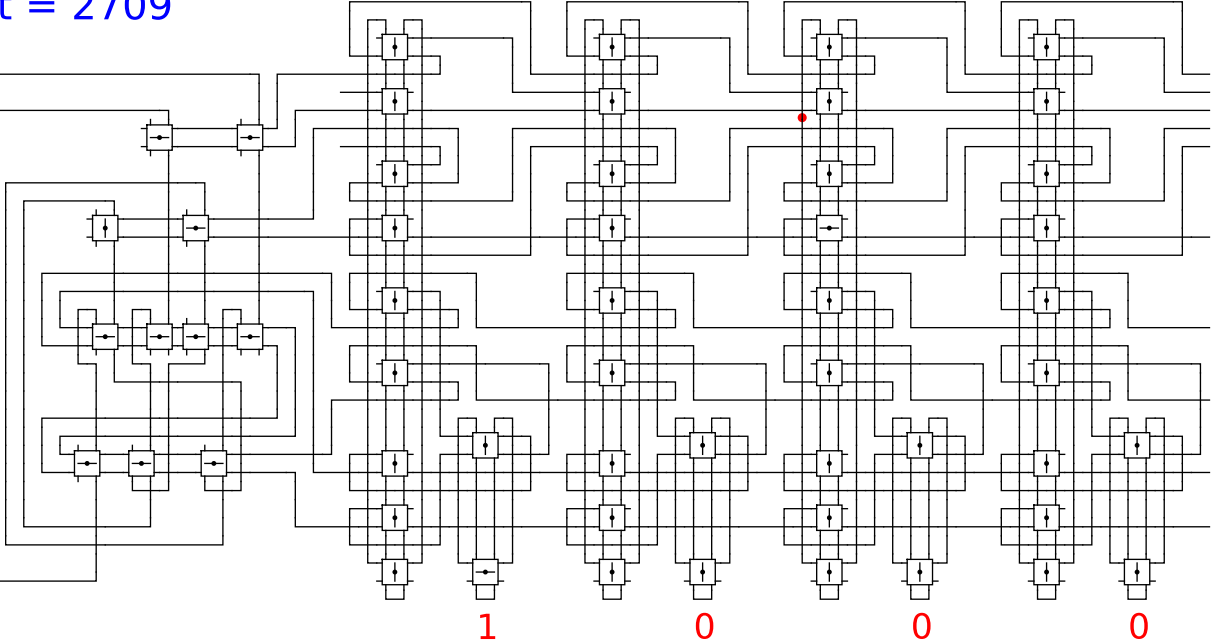
0

0

t = 2709

Reject
Accept

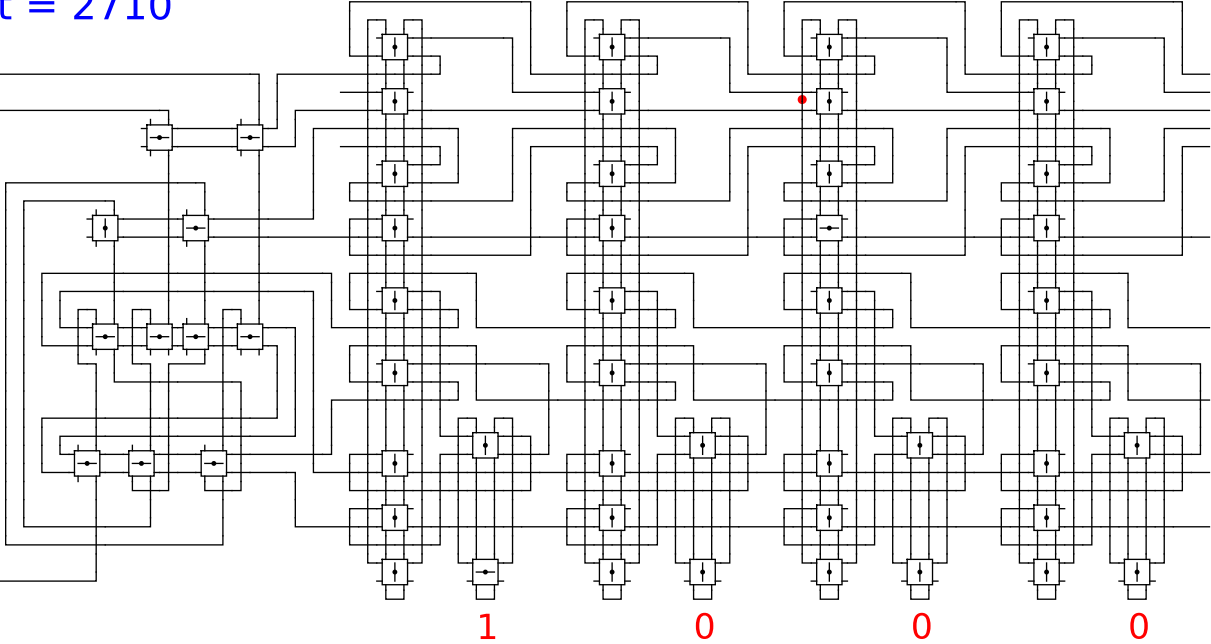
Begin



t = 2710

Reject
Accept

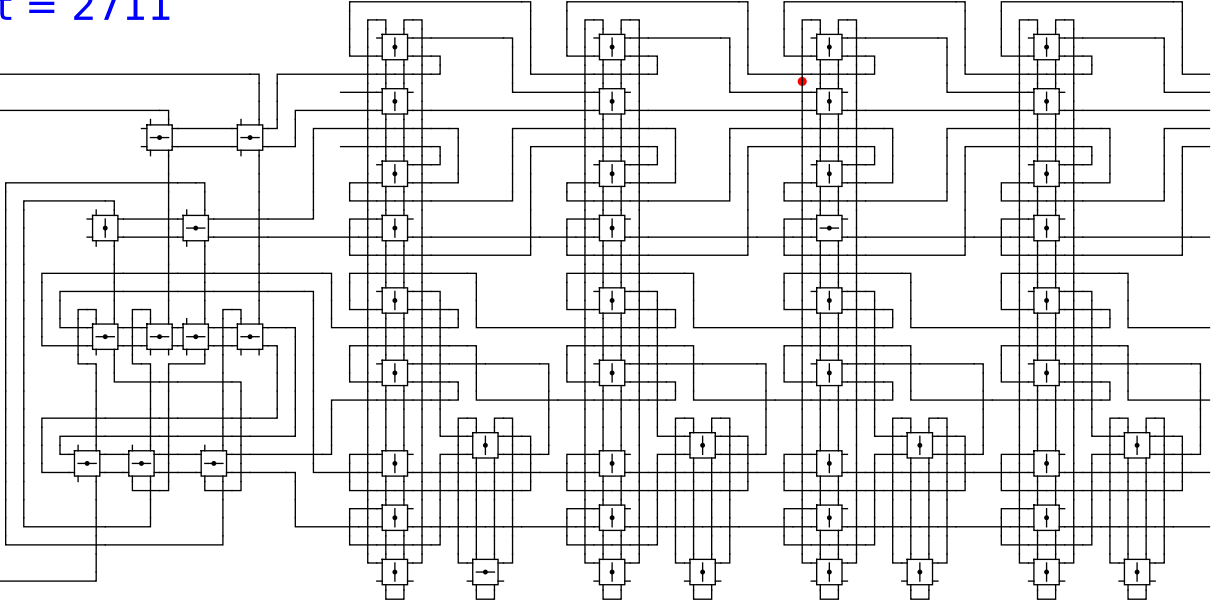
Begin



t = 2711

Reject
Accept

Begin



1

0

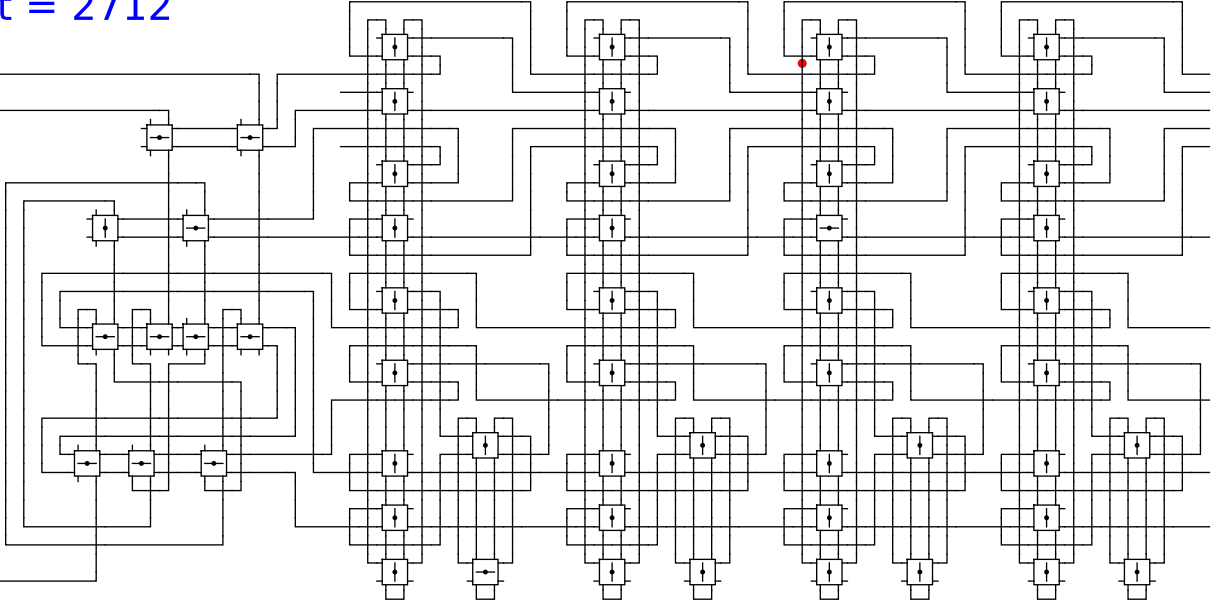
0

0

t = 2712

Reject
Accept

Begin



1

0

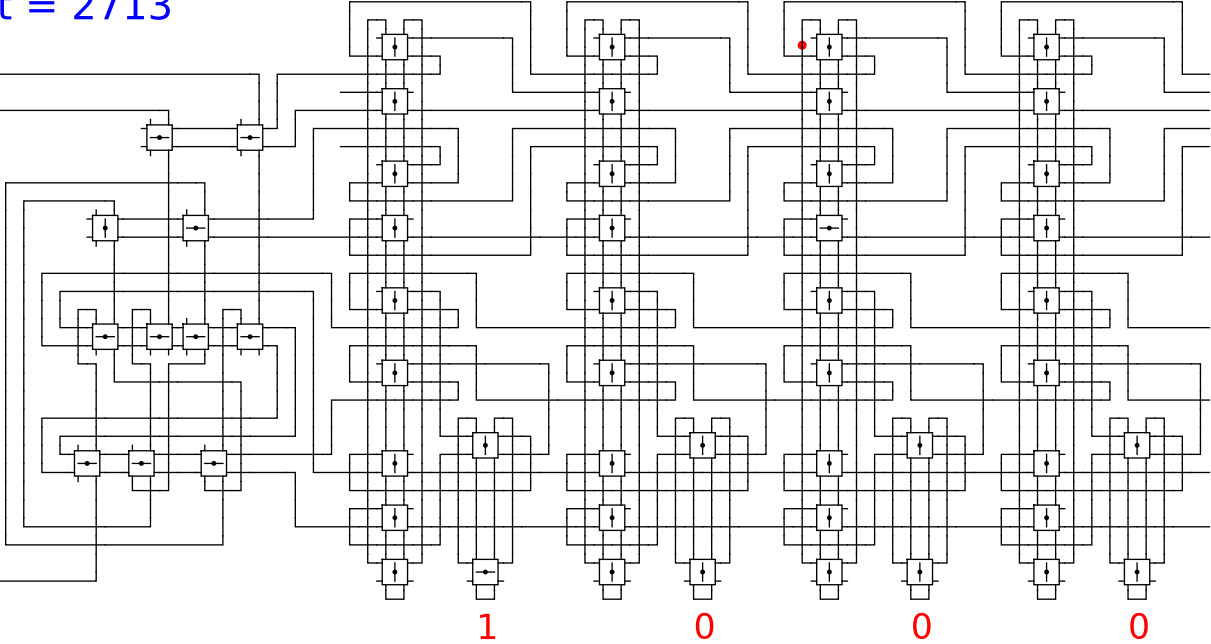
0

0

t = 2713

Reject
Accept

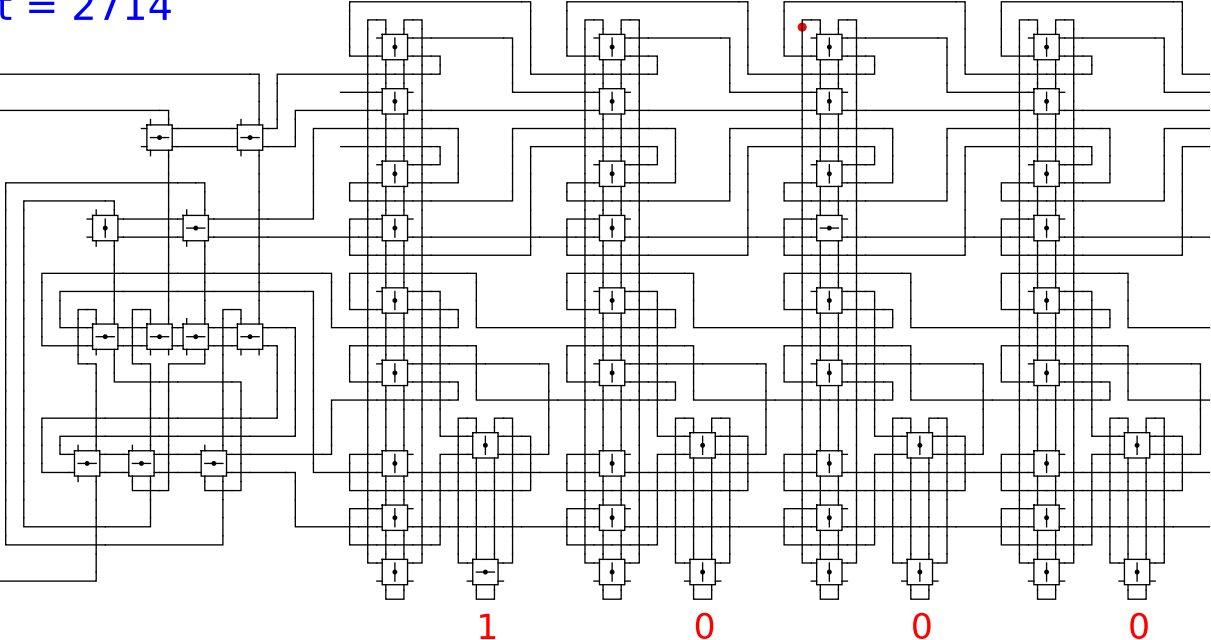
Begin



t = 2714

Reject
Accept

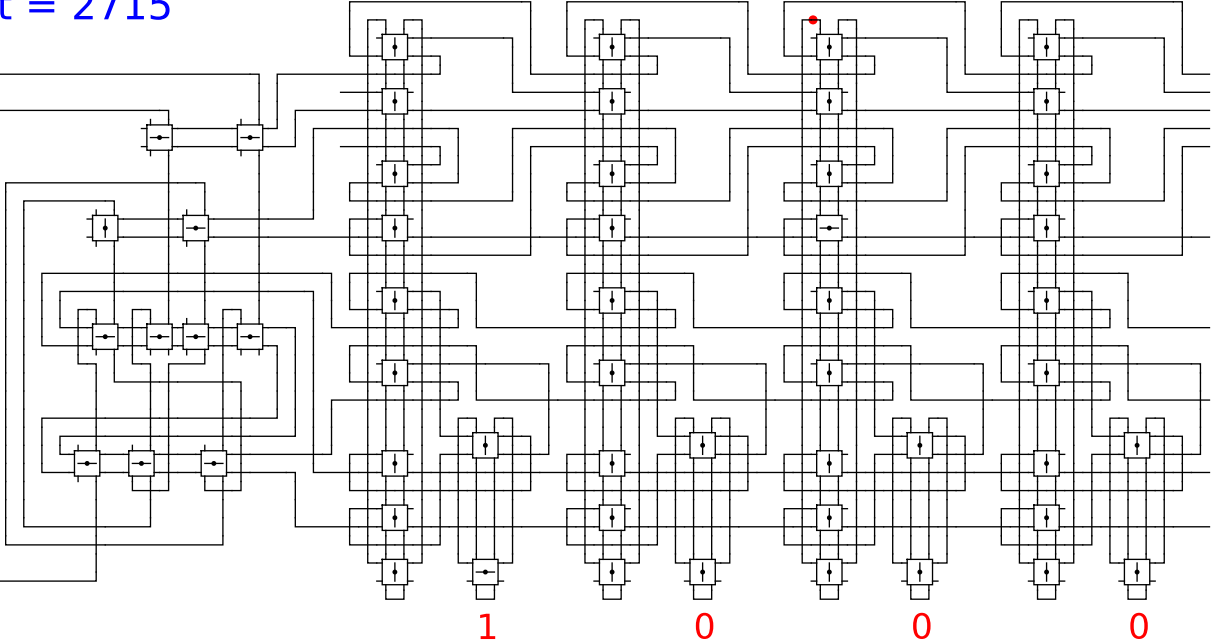
Begin



t = 2715

Reject
Accept

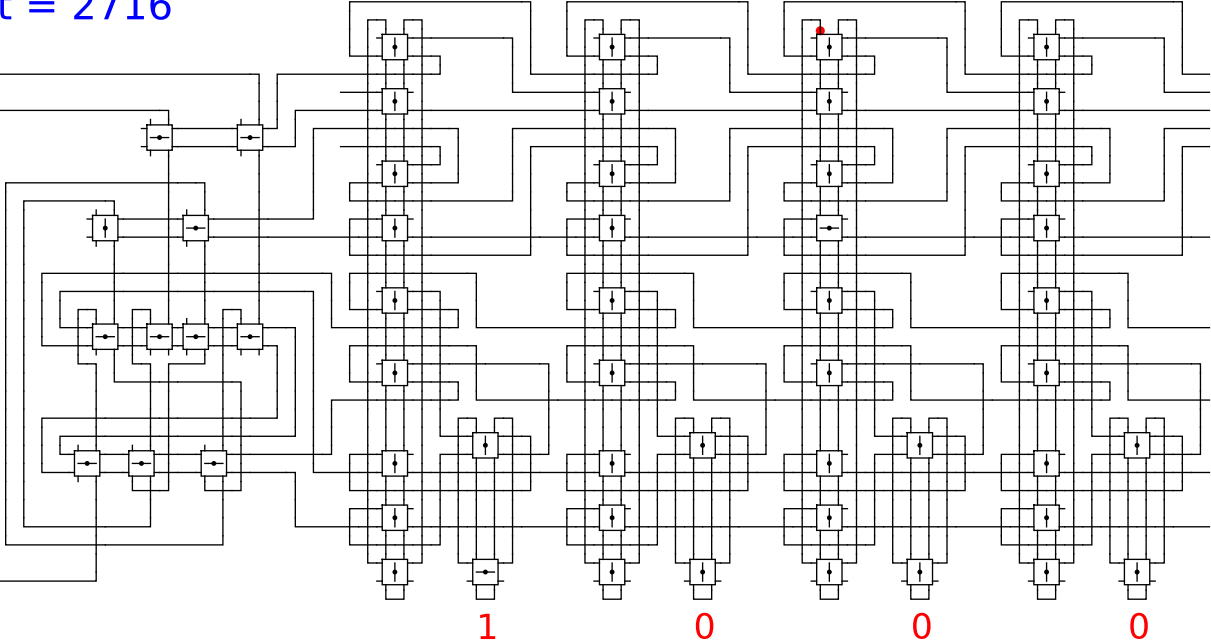
Begin



t = 2716

Reject
Accept

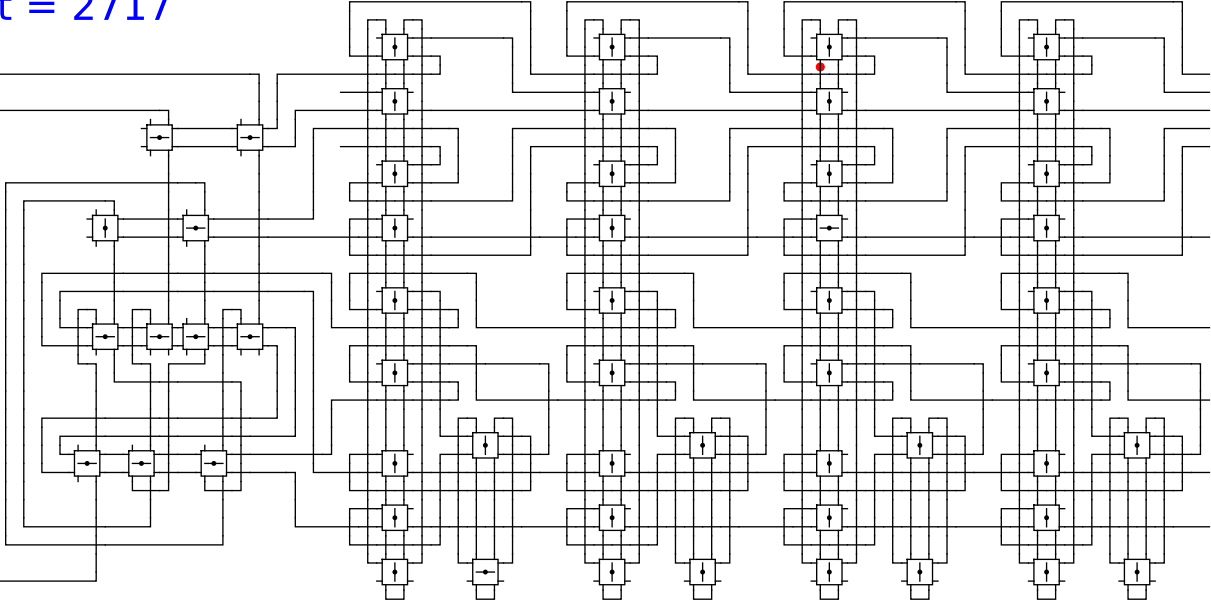
Begin



t = 2717

Reject
Accept

Begin



1

0

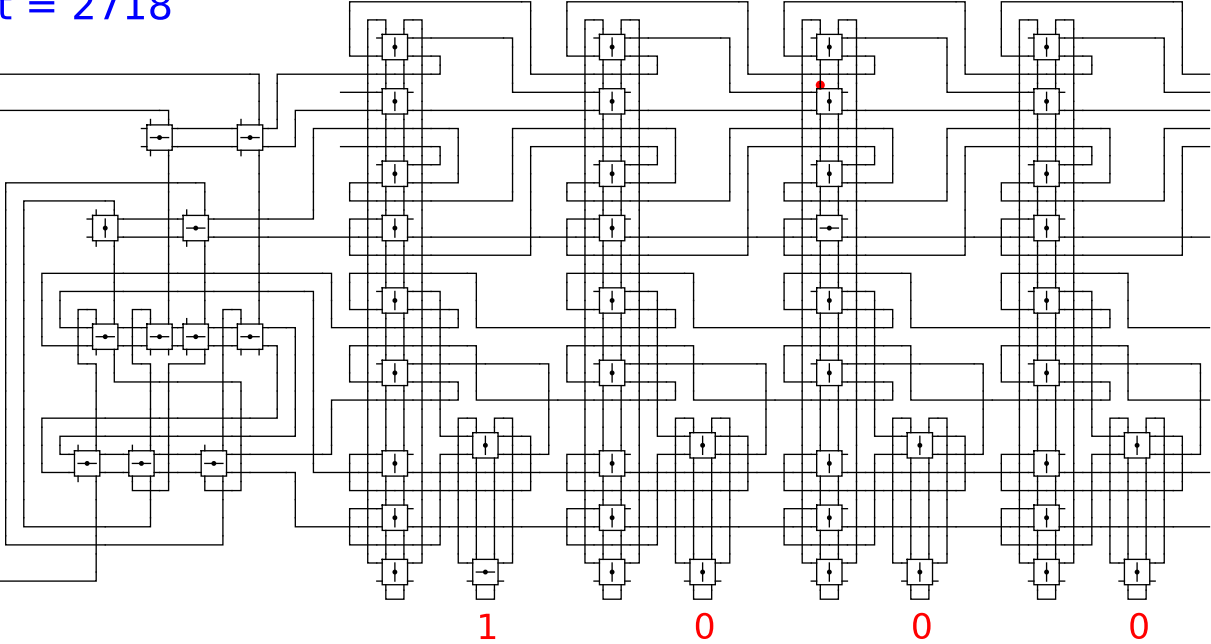
0

0

t = 2718

Reject
Accept

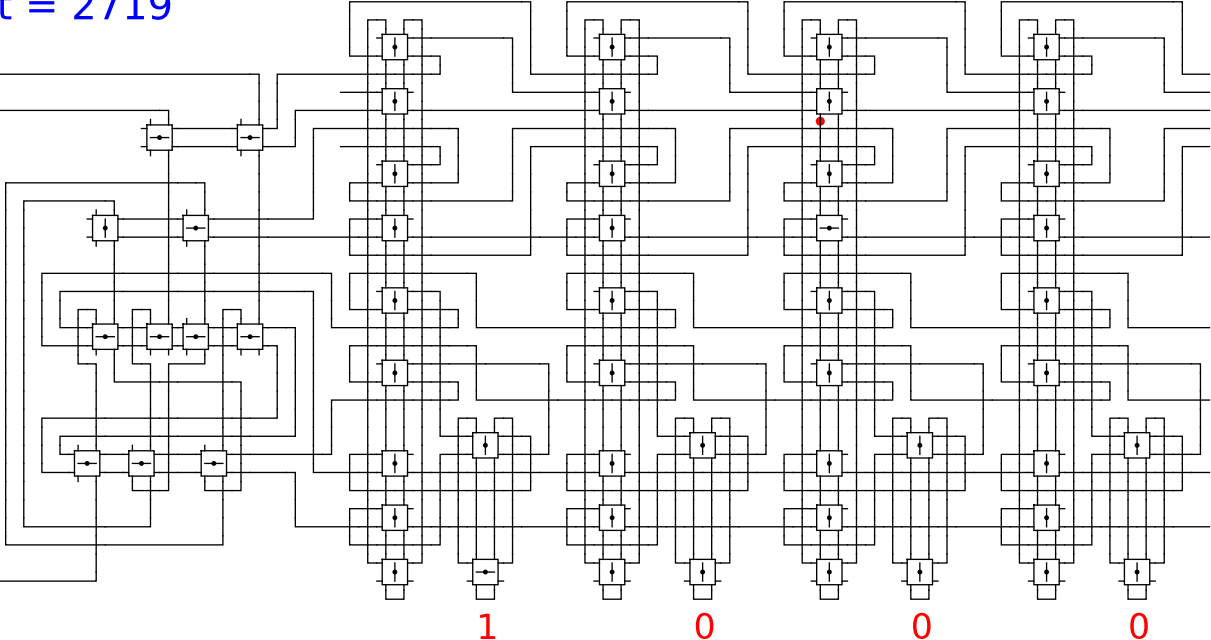
Begin



t = 2719

Reject
Accept

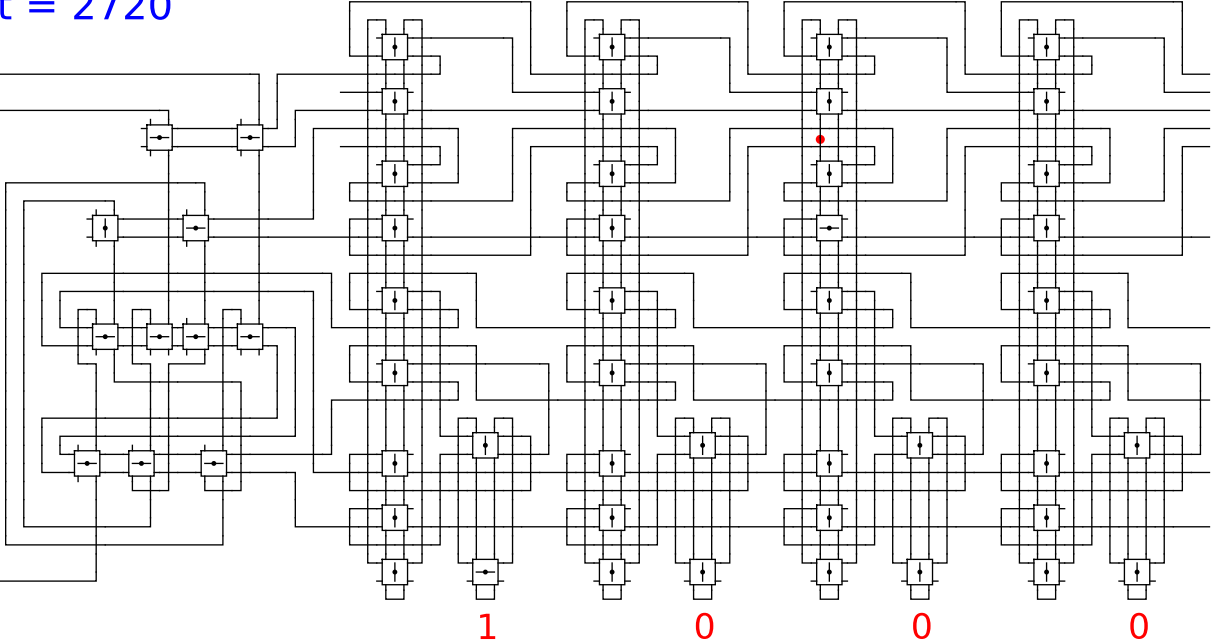
Begin



t = 2720

Reject
Accept

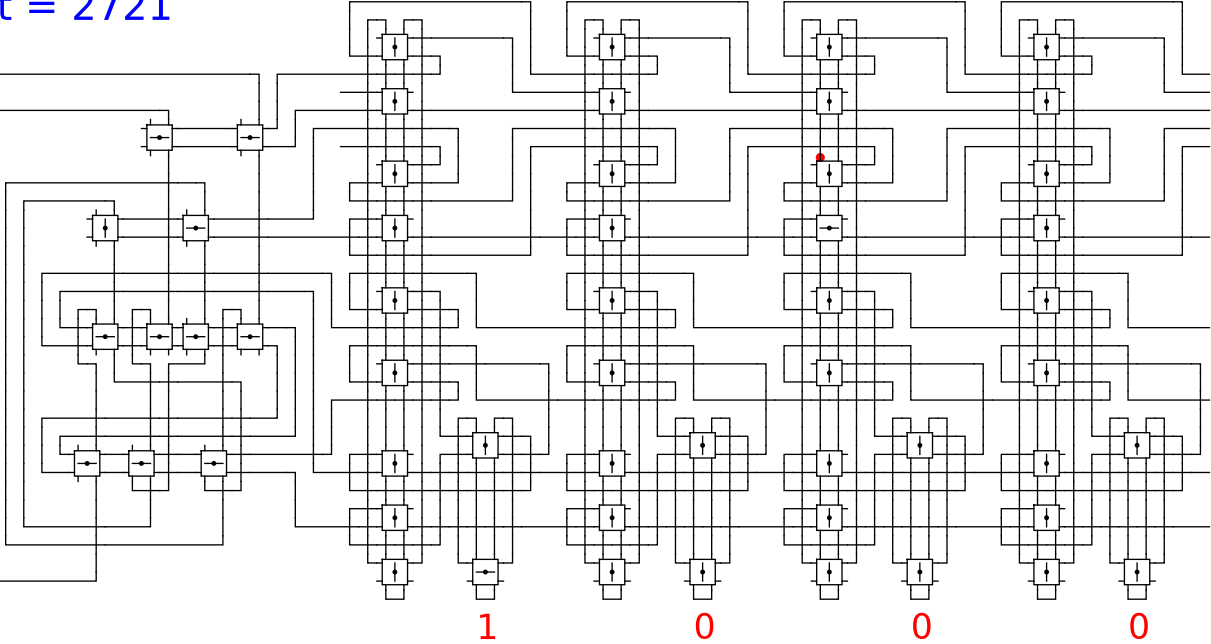
Begin



t = 2721

Reject
Accept

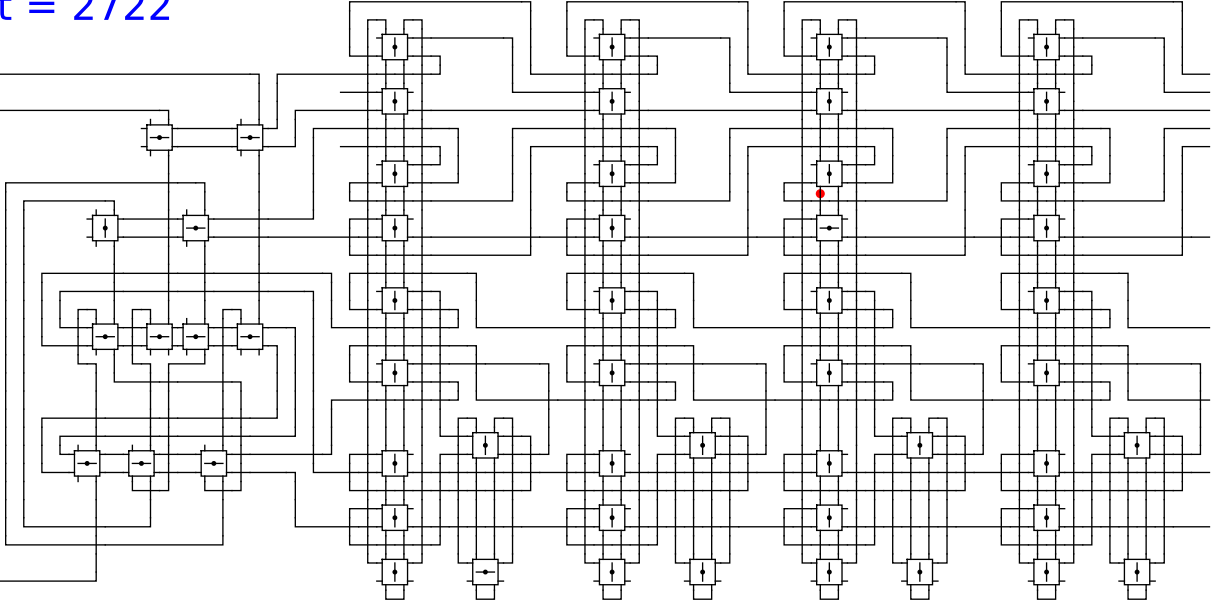
Begin



t = 2722

Reject
Accept

Begin



1

0

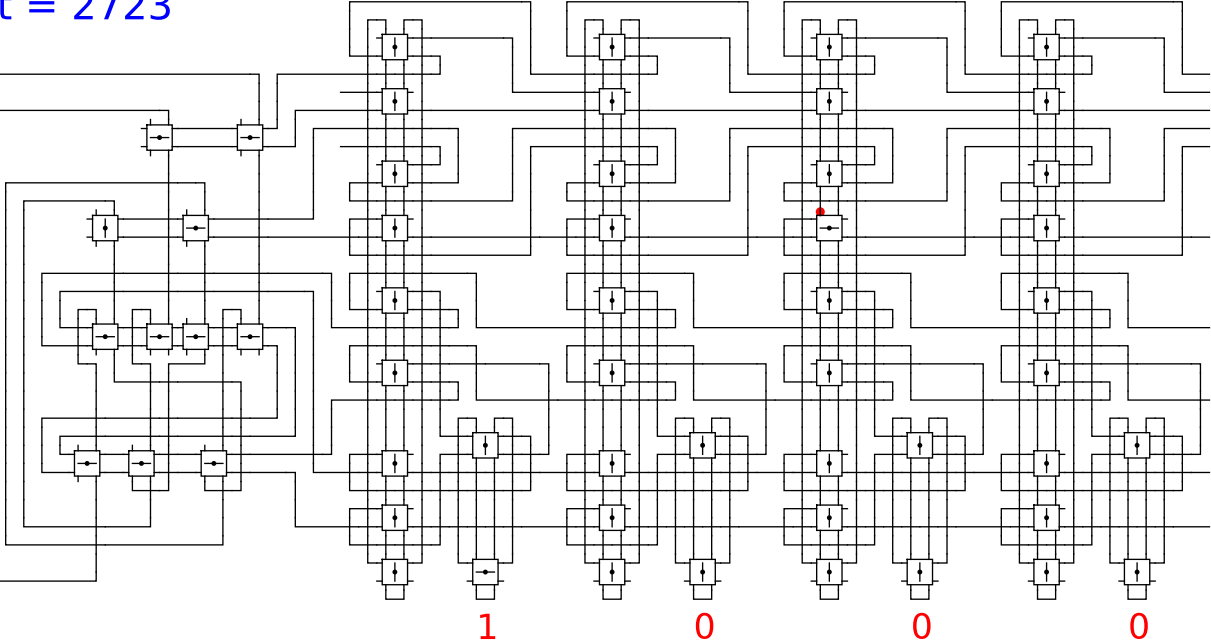
0

0

t = 2723

Reject
Accept

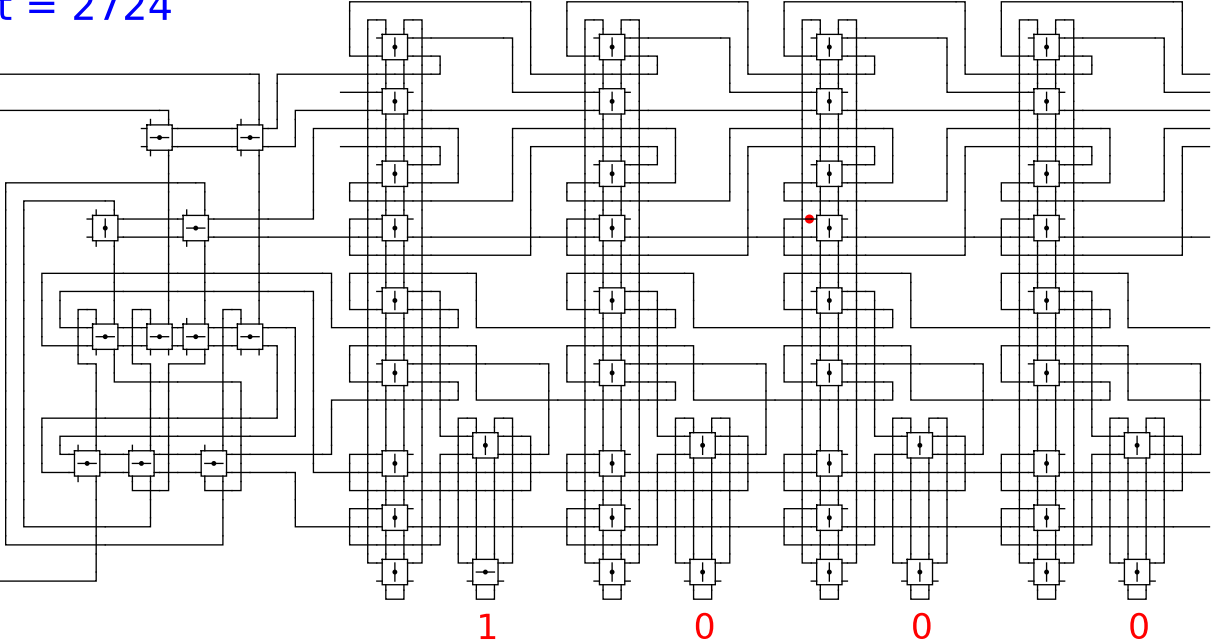
Begin



t = 2724

Reject
Accept

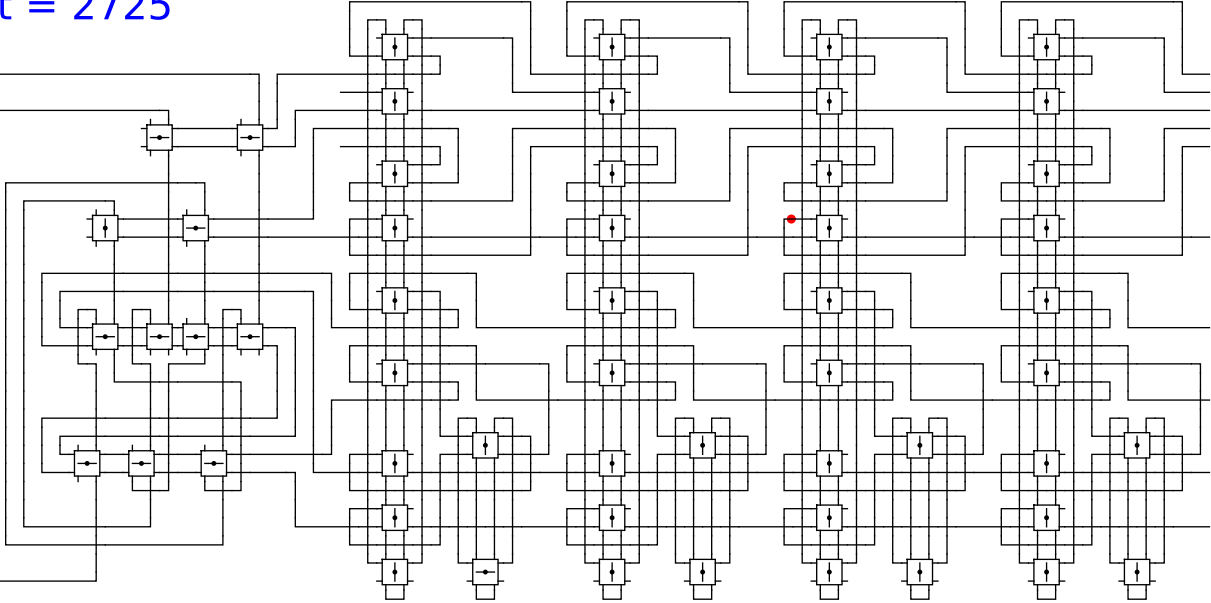
Begin



t = 2725

Reject
Accept

Begin



1

0

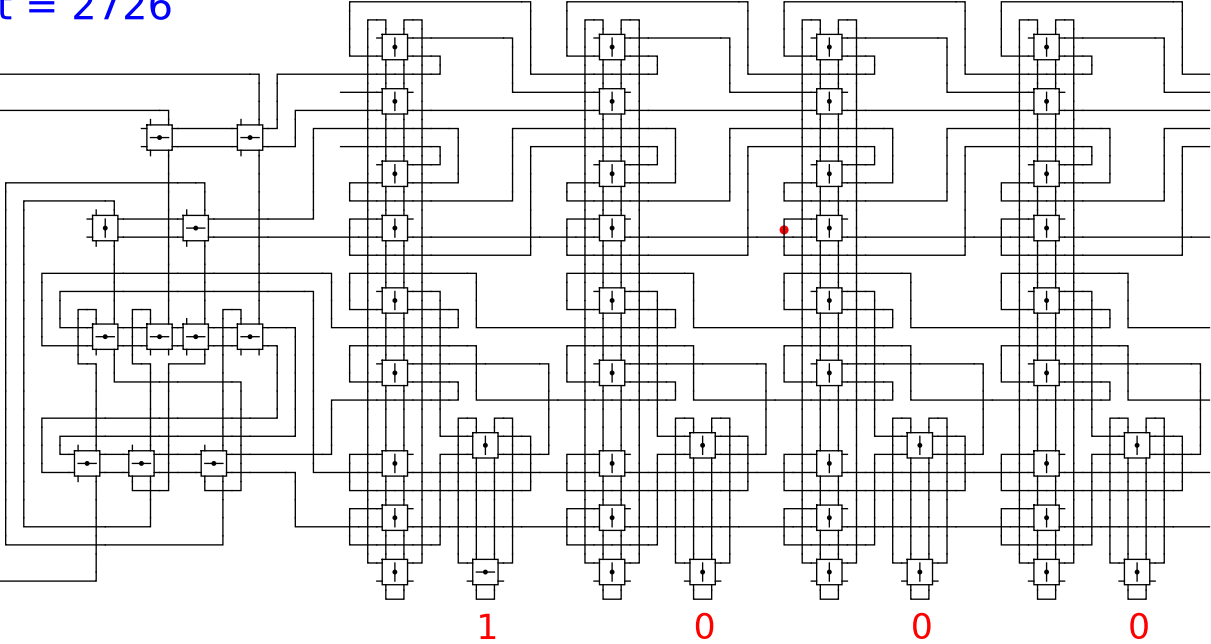
0

0

t = 2726

Reject
Accept

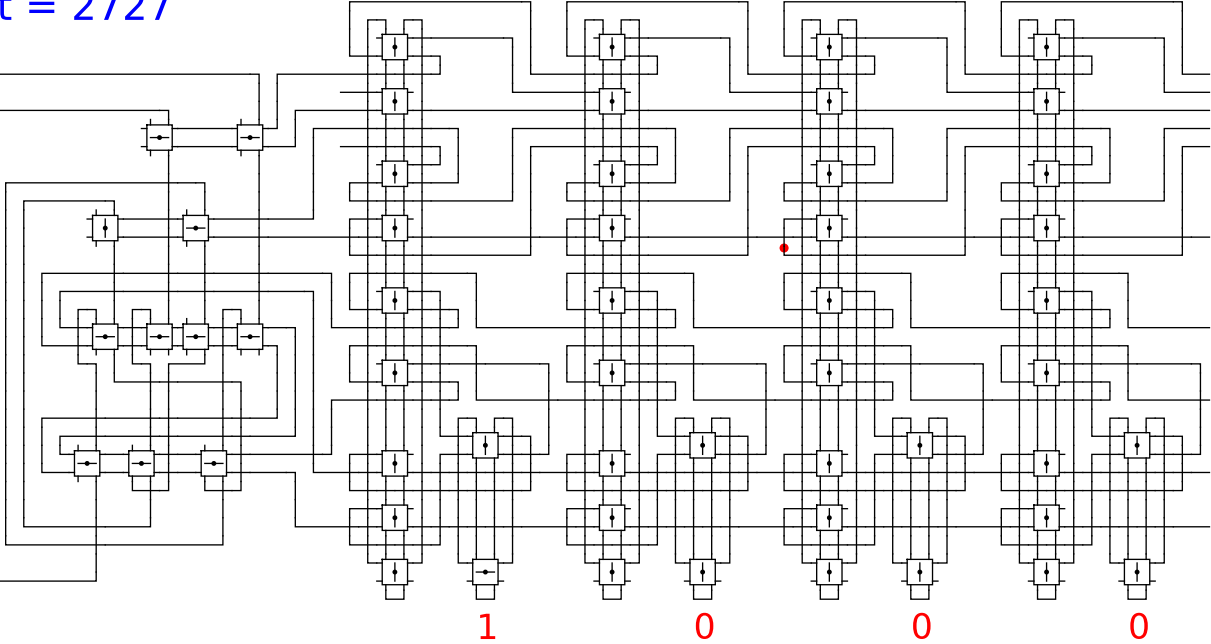
Begin



t = 2727

Reject
Accept

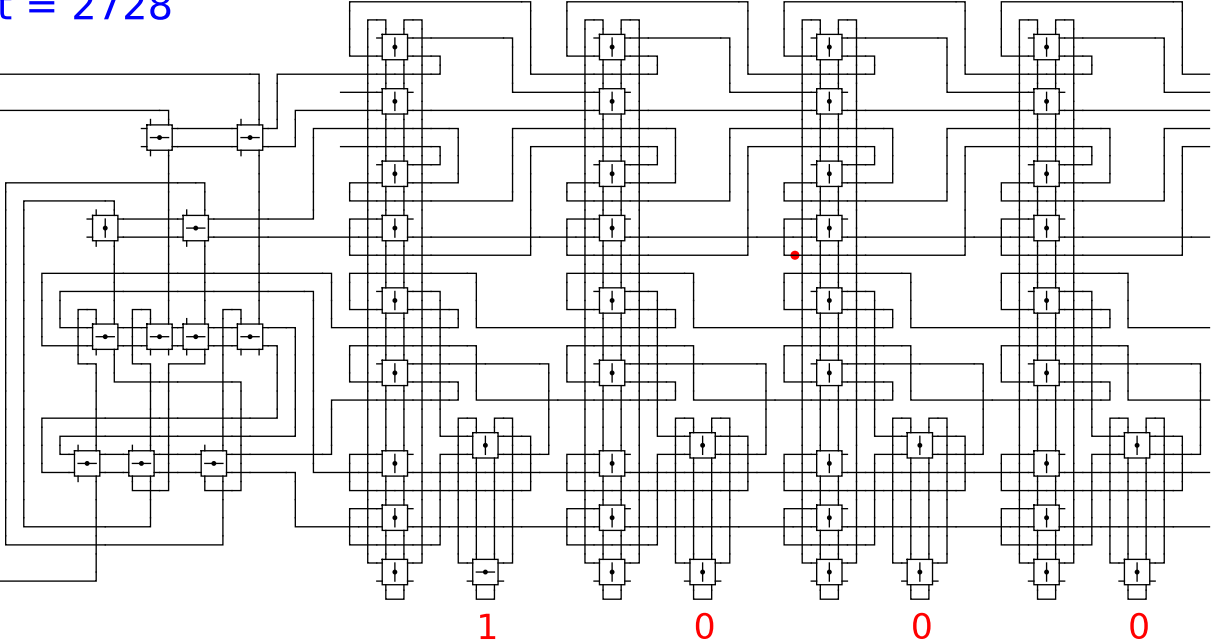
Begin



t = 2728

Reject
Accept

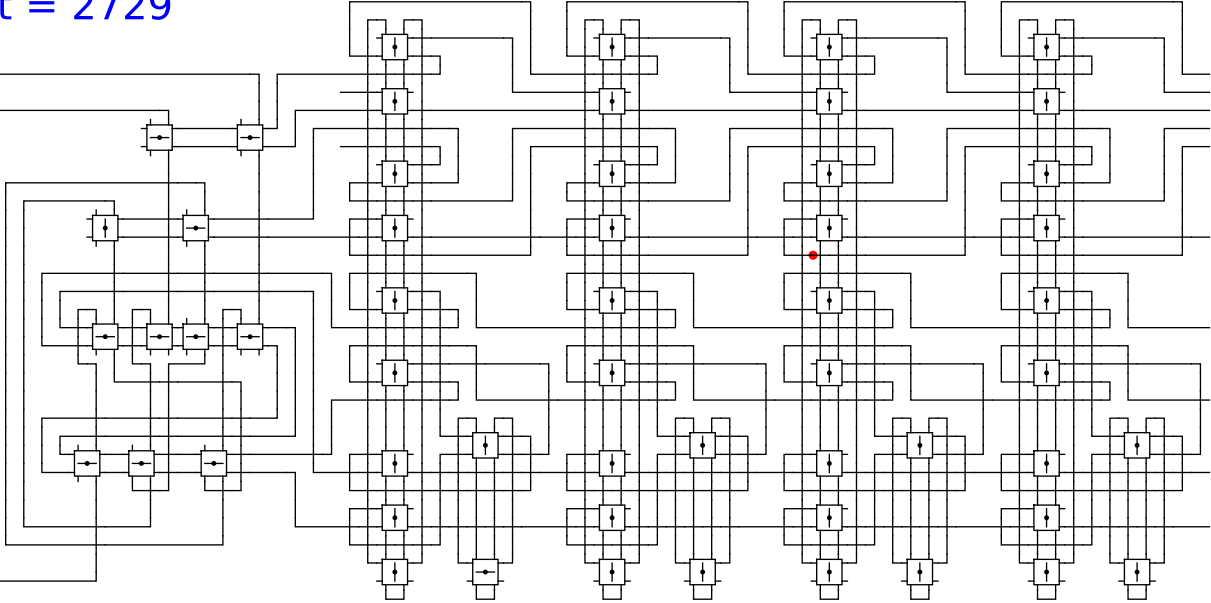
Begin



t = 2729

Reject
Accept

Begin



1

0

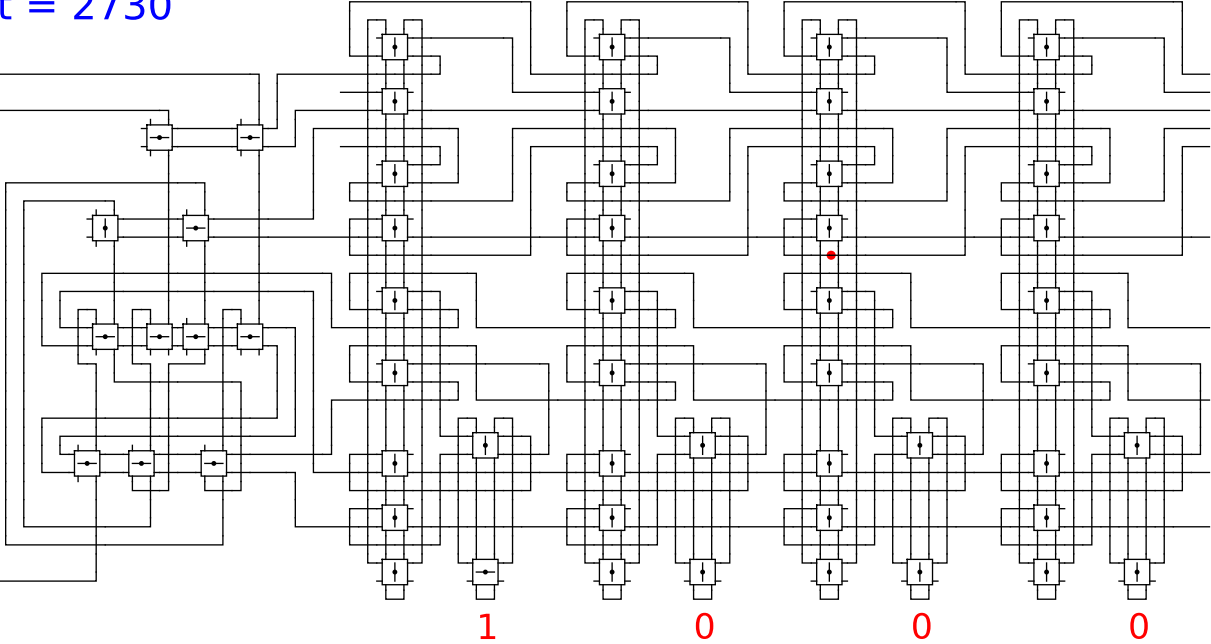
0

0

t = 2730

Reject
Accept

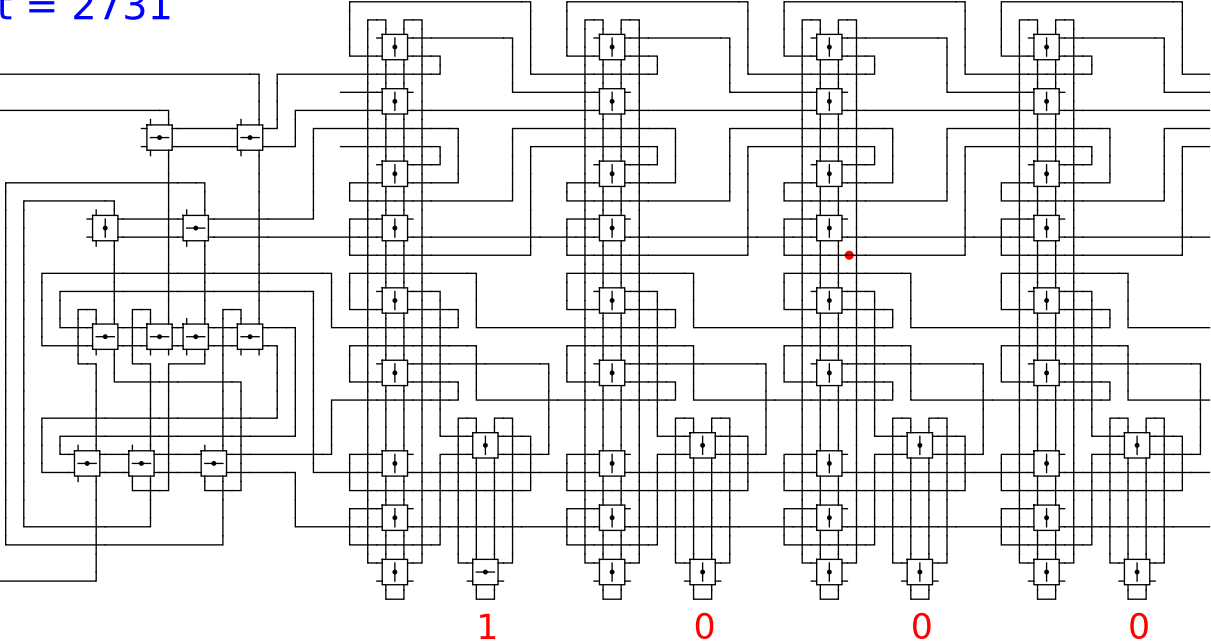
Begin



t = 2731

Reject
Accept

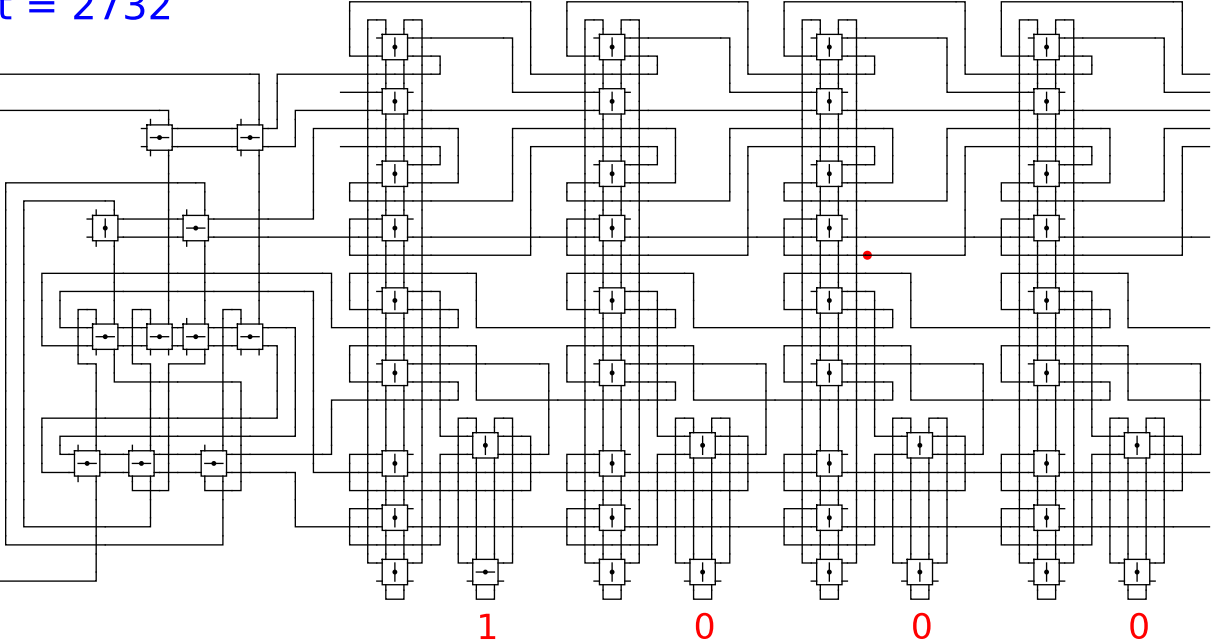
Begin



t = 2732

Reject
Accept

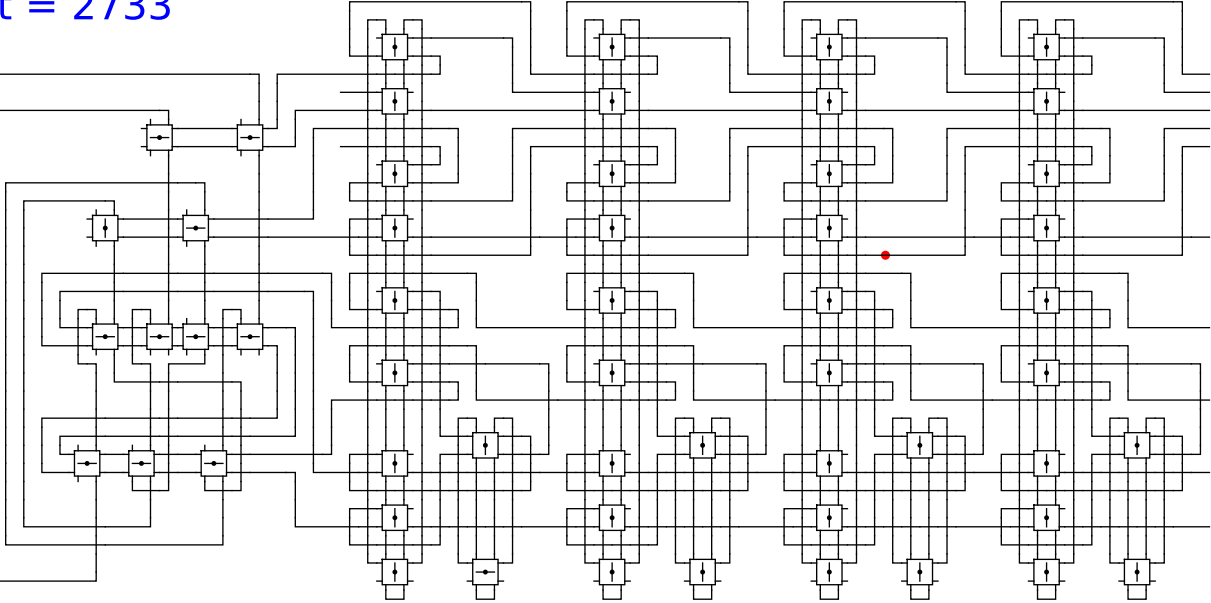
Begin



t = 2733

Reject
Accept

Begin

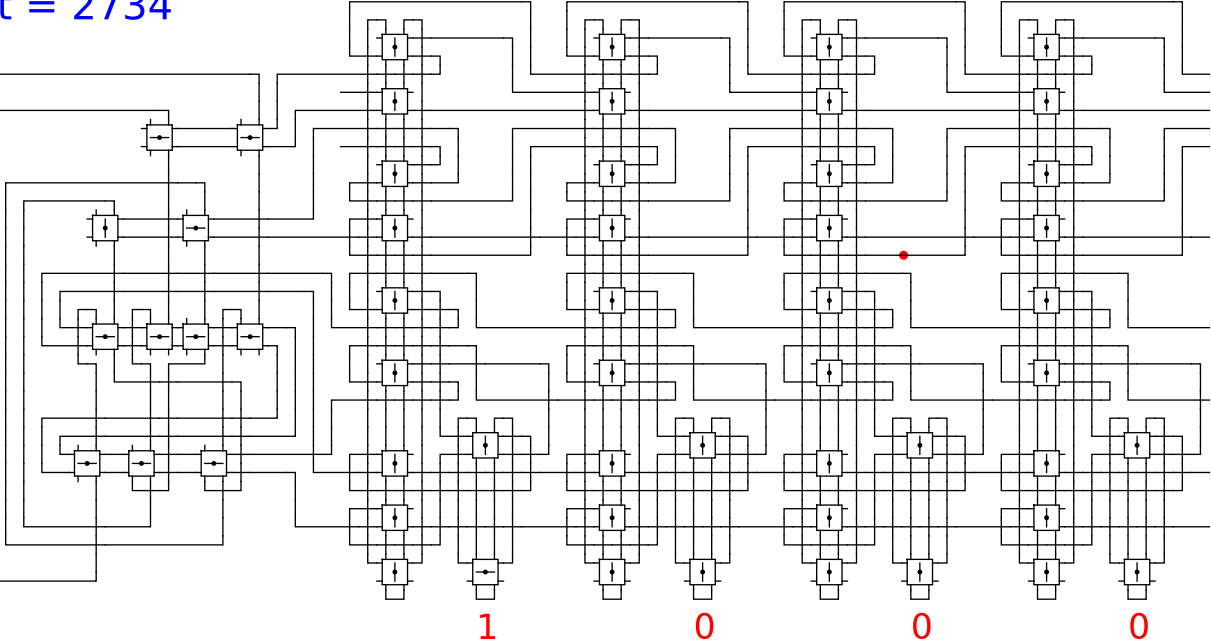


1 0 0 0

t = 2734

Reject
Accept

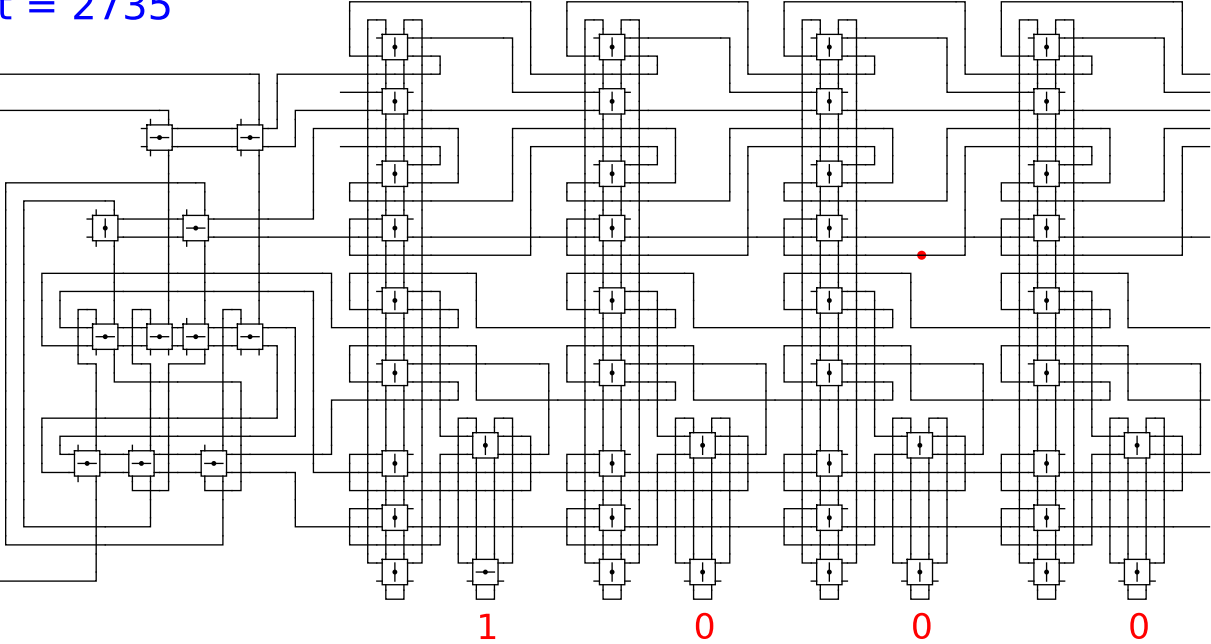
Begin



t = 2735

Reject
Accept

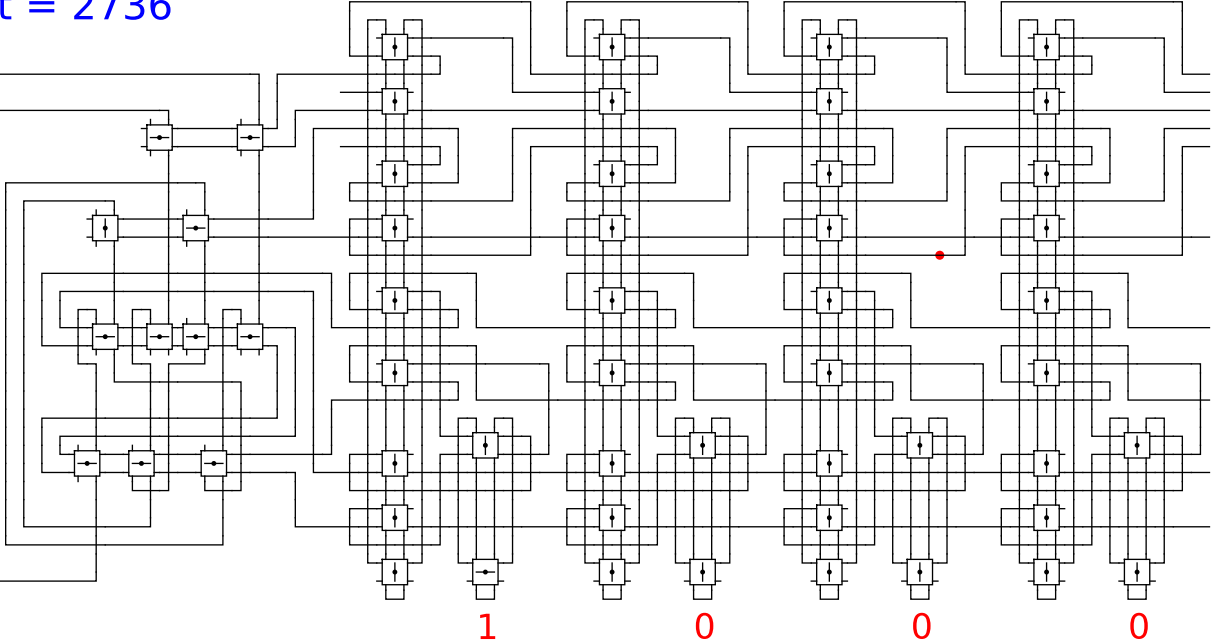
Begin



t = 2736

Reject
Accept

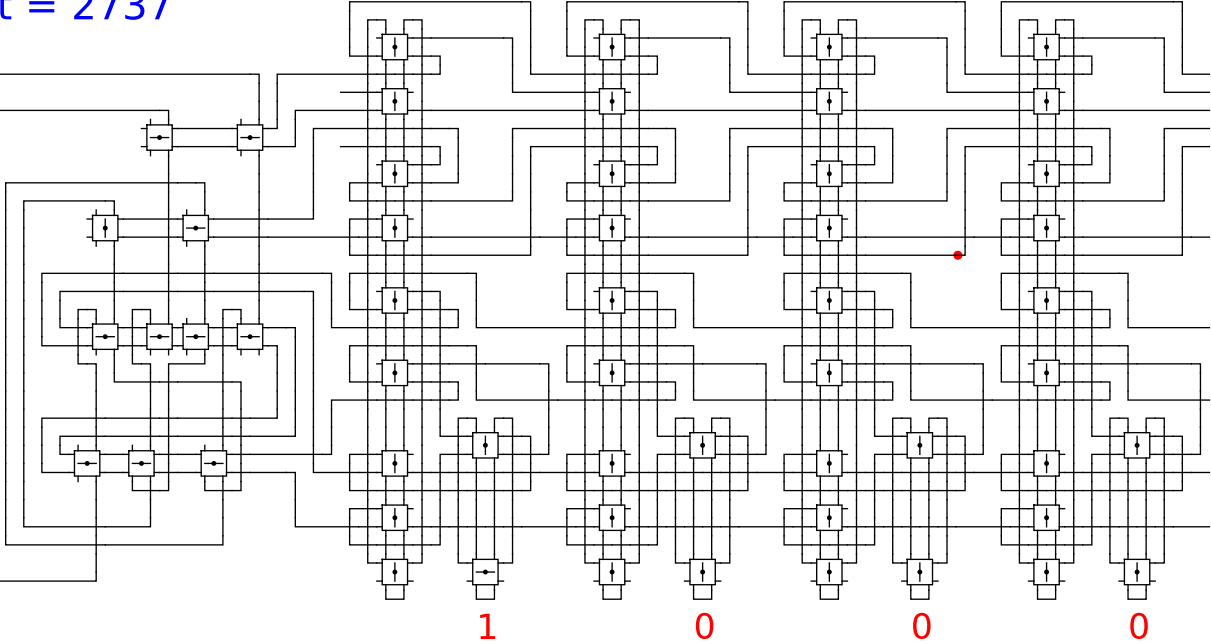
Begin



t = 2737

Reject
Accept

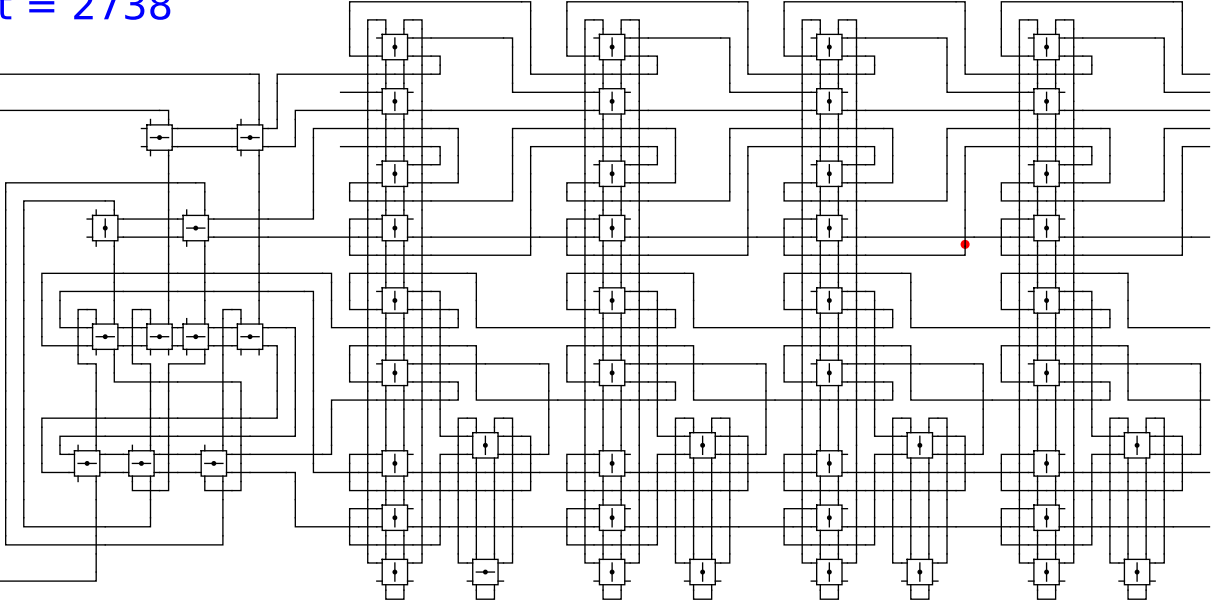
Begin



t = 2738

Reject
Accept

Begin



1

0

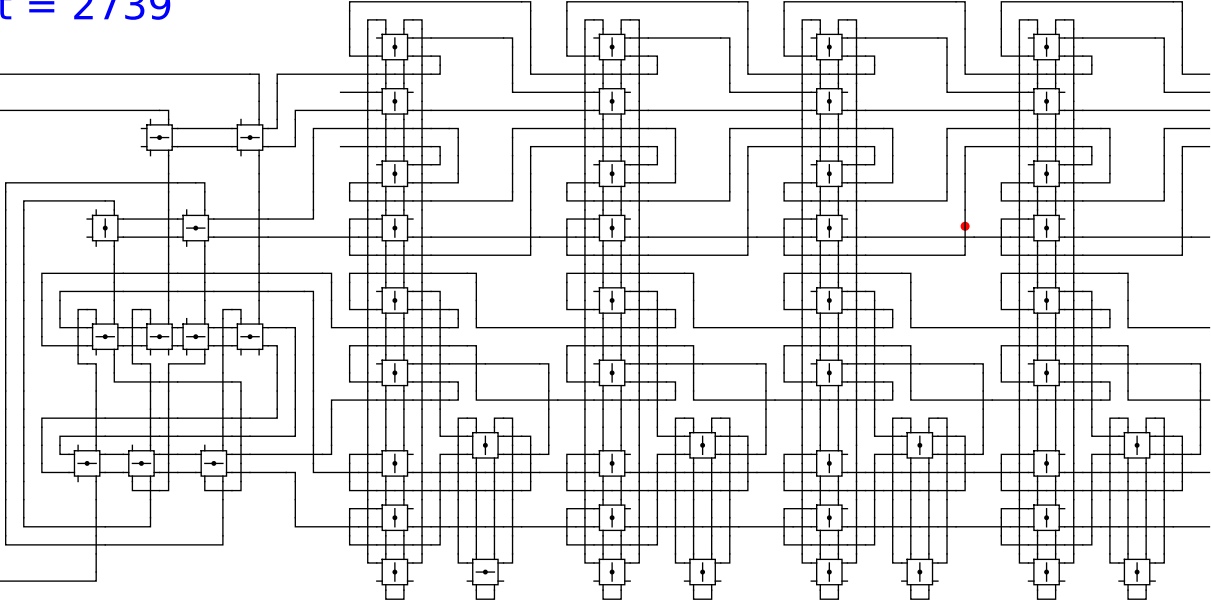
0

0

t = 2739

Reject
Accept

Begin



1

0

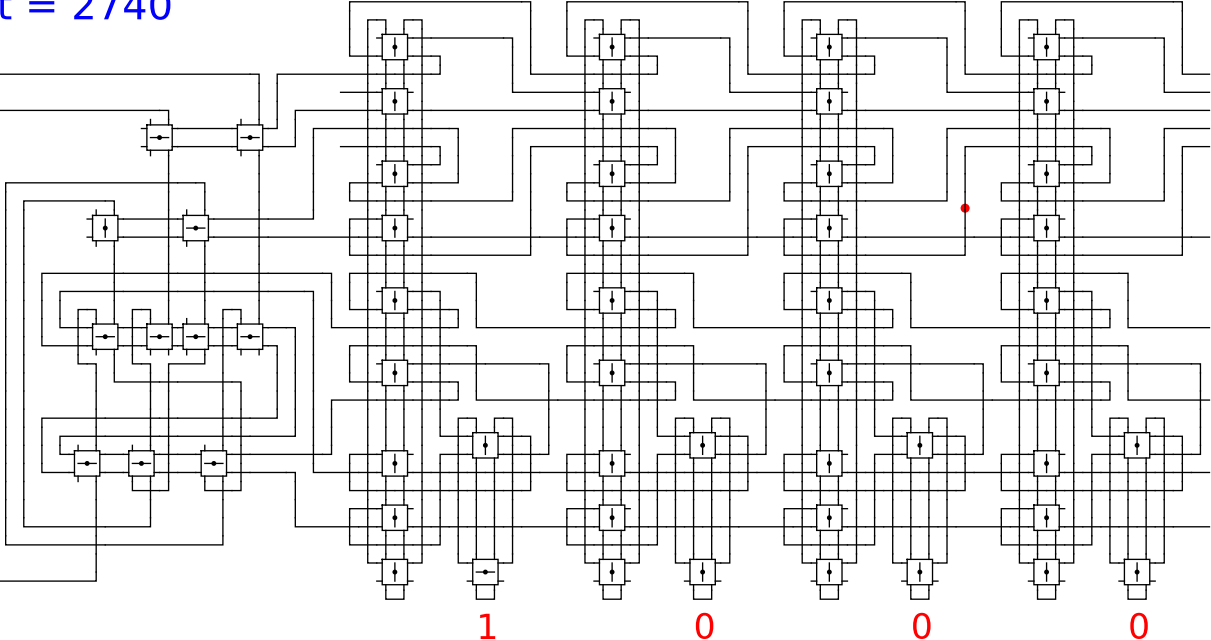
0

0

t = 2740

Reject
Accept

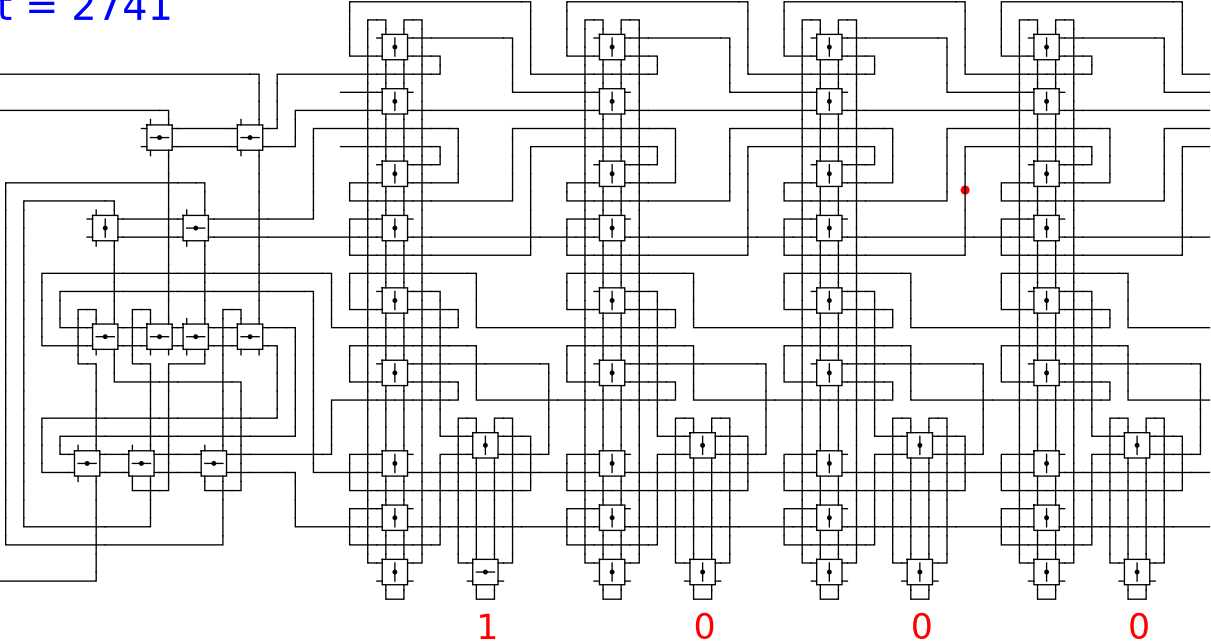
Begin



t = 2741

Reject
Accept

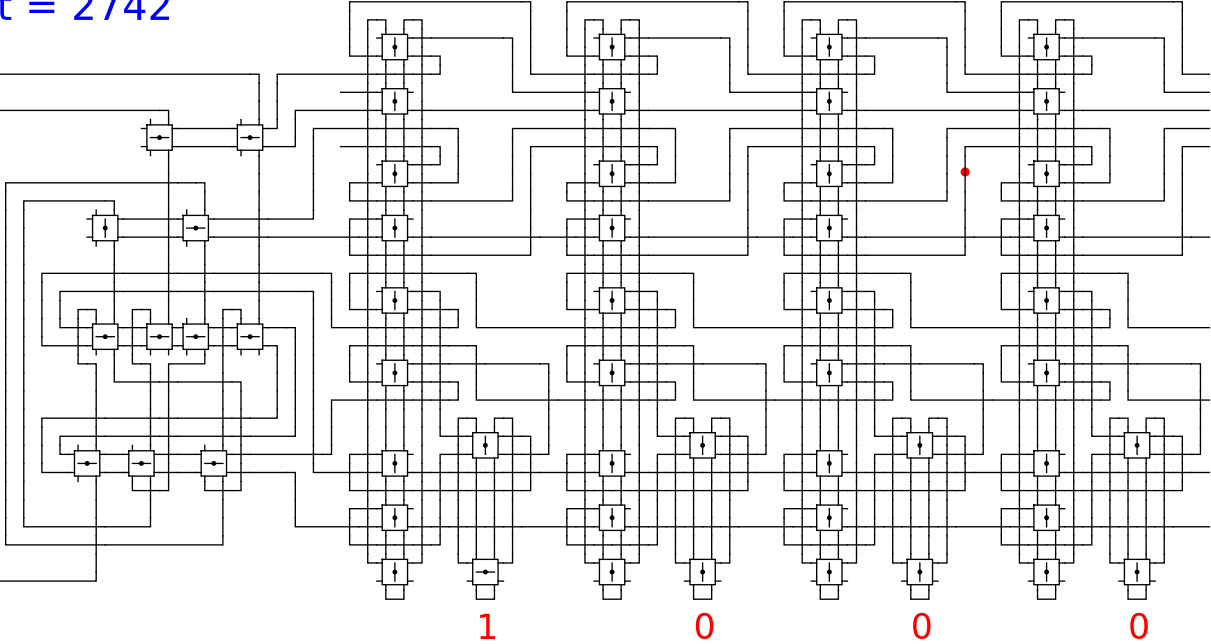
Begin



t = 2742

Reject
Accept

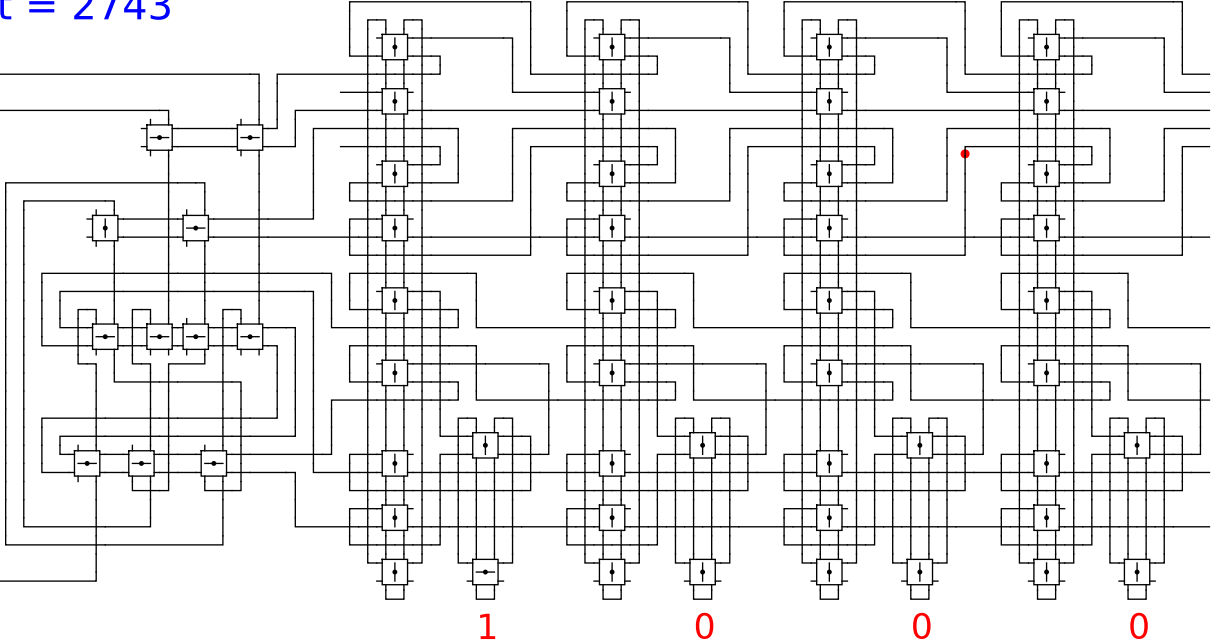
Begin



t = 2743

Reject
Accept

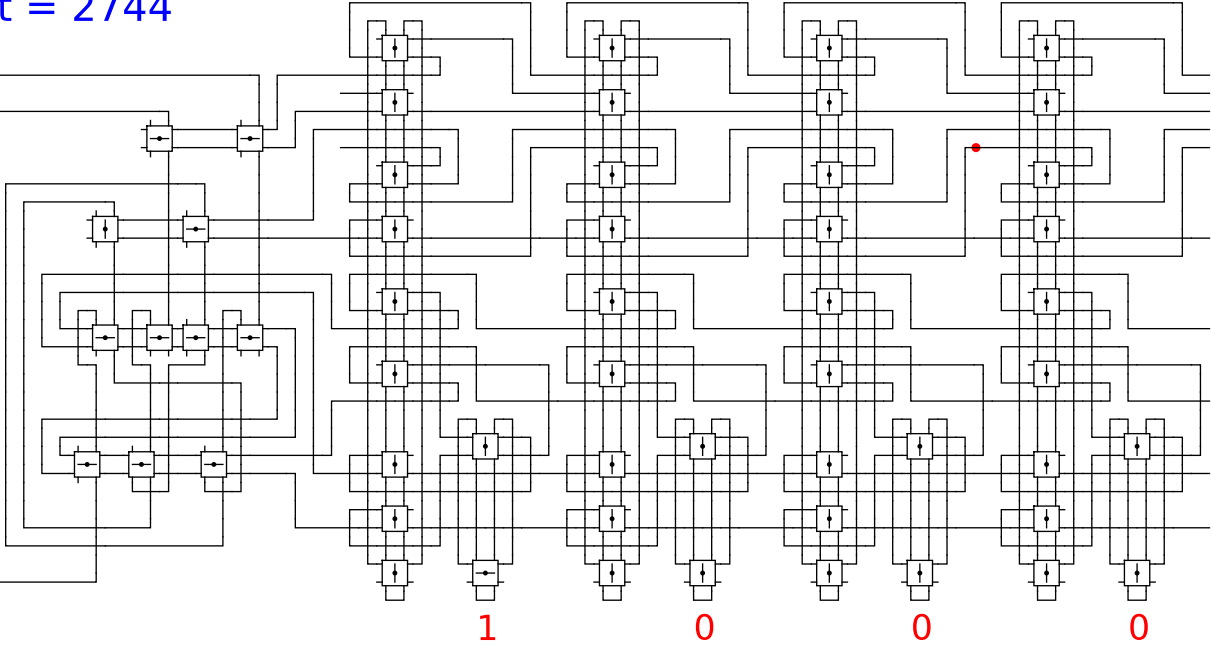
Begin



t = 2744

Reject
Accept

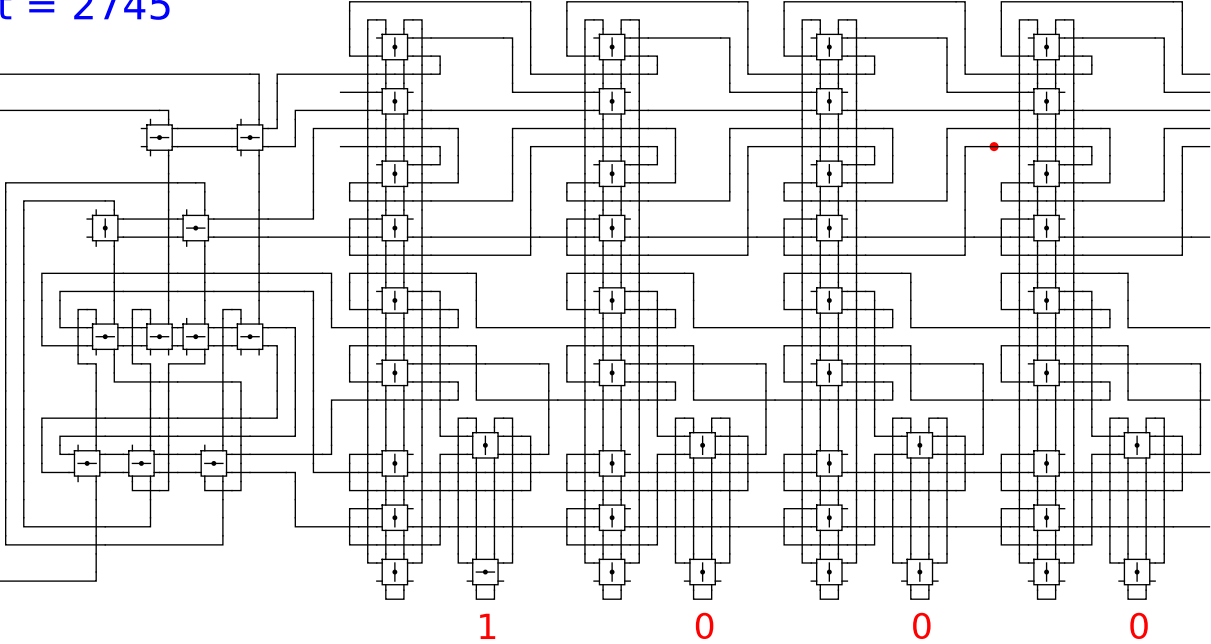
Begin



t = 2745

Reject
Accept

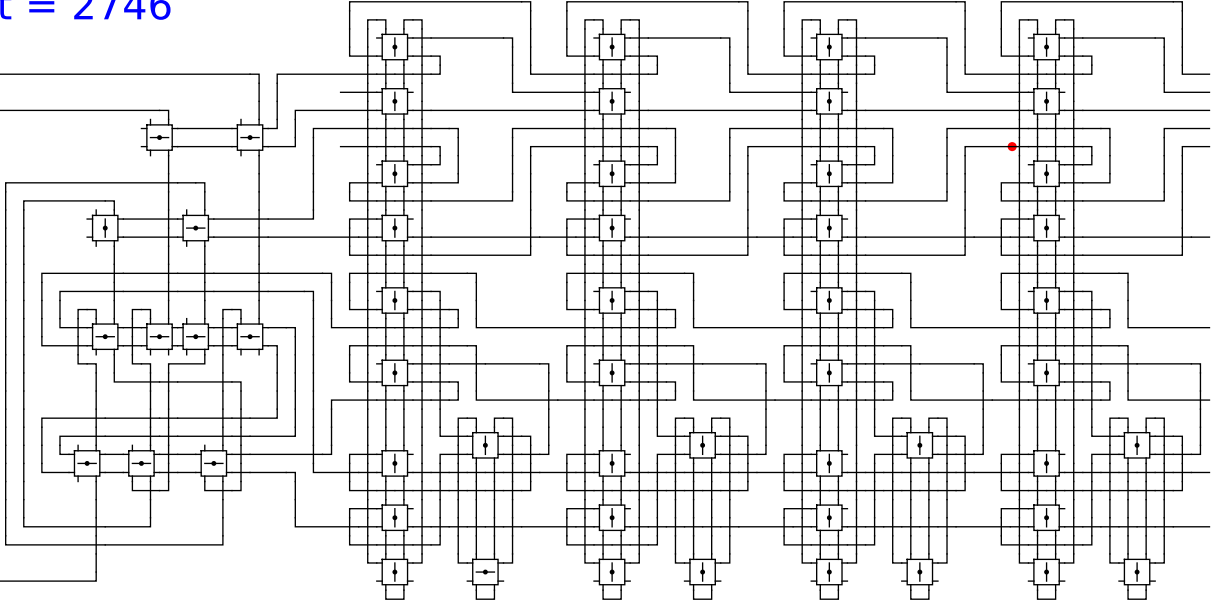
Begin



t = 2746

Reject
Accept

Begin



1

0

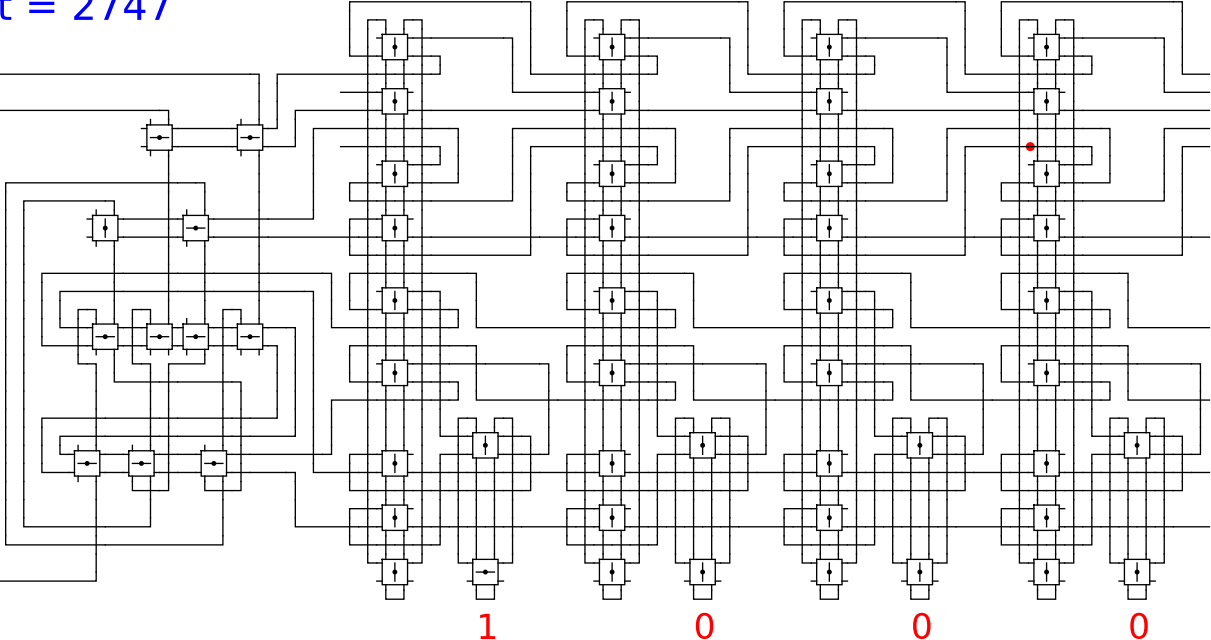
0

0

t = 2747

Reject
Accept

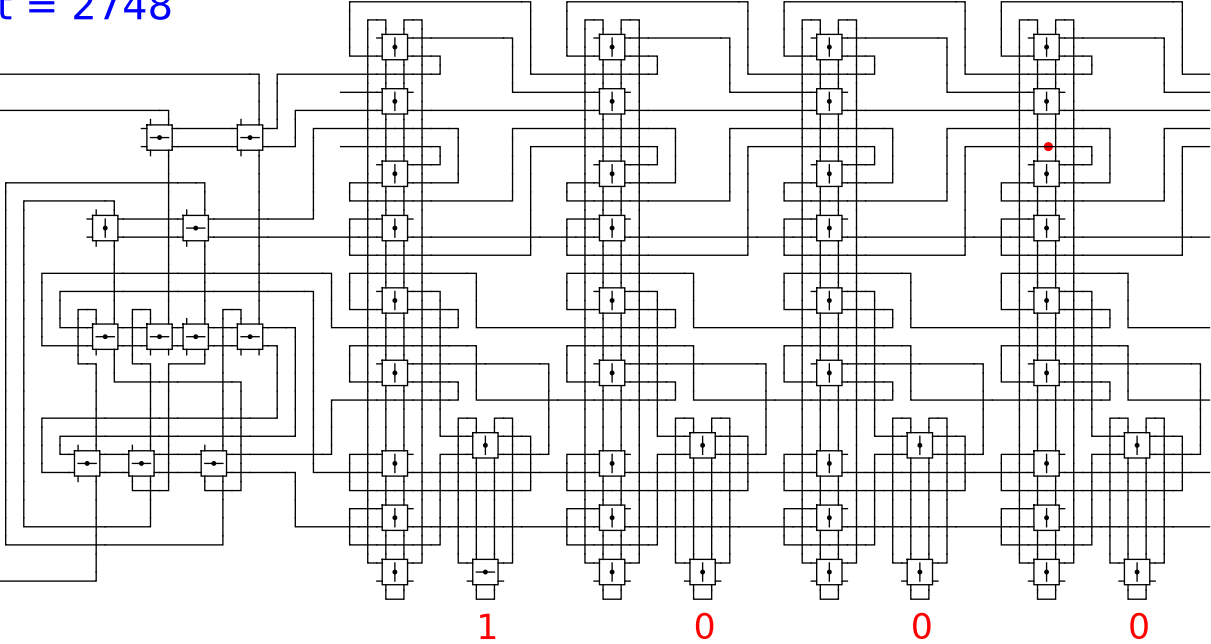
Begin



t = 2748

Reject
Accept

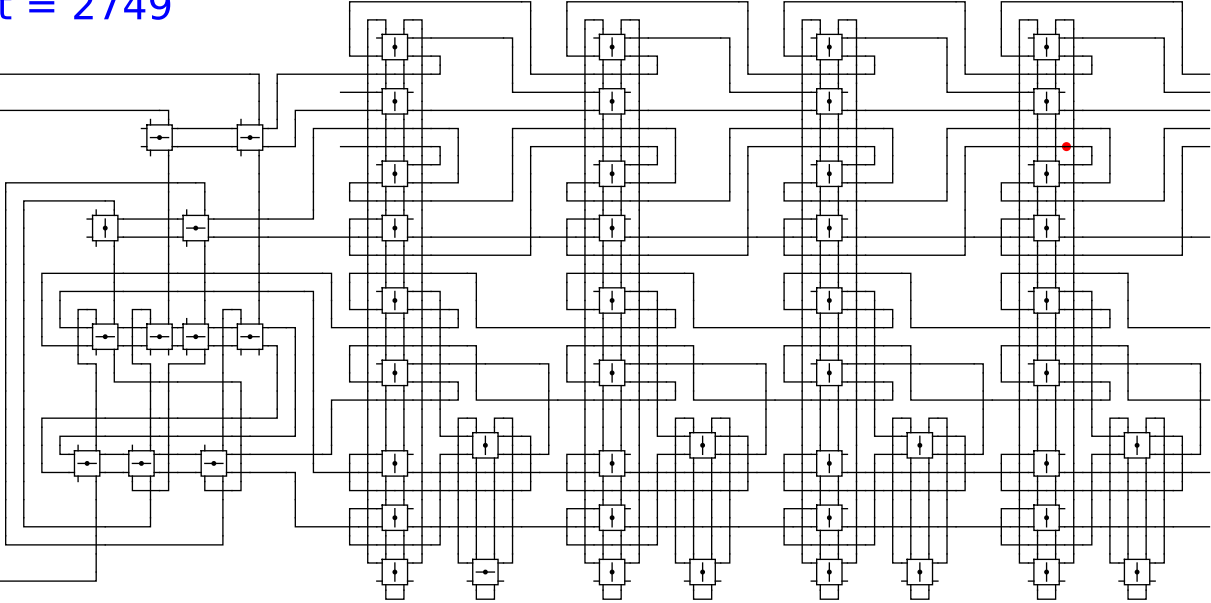
Begin



t = 2749

Reject
Accept

Begin



1

0

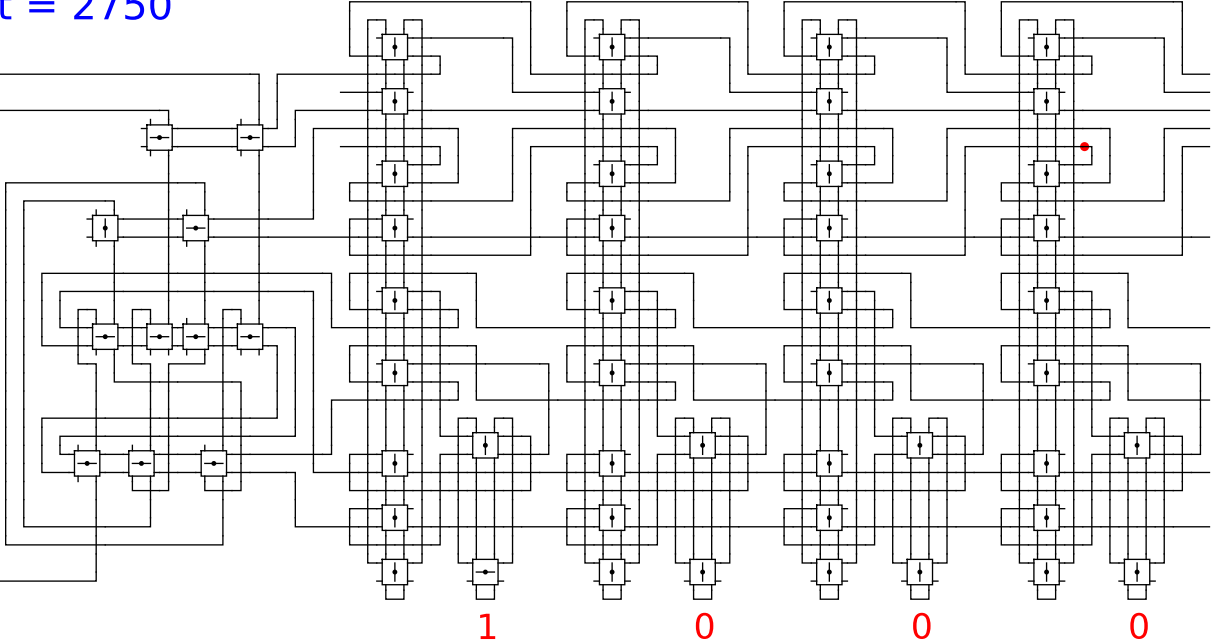
0

0

t = 2750

Reject
Accept

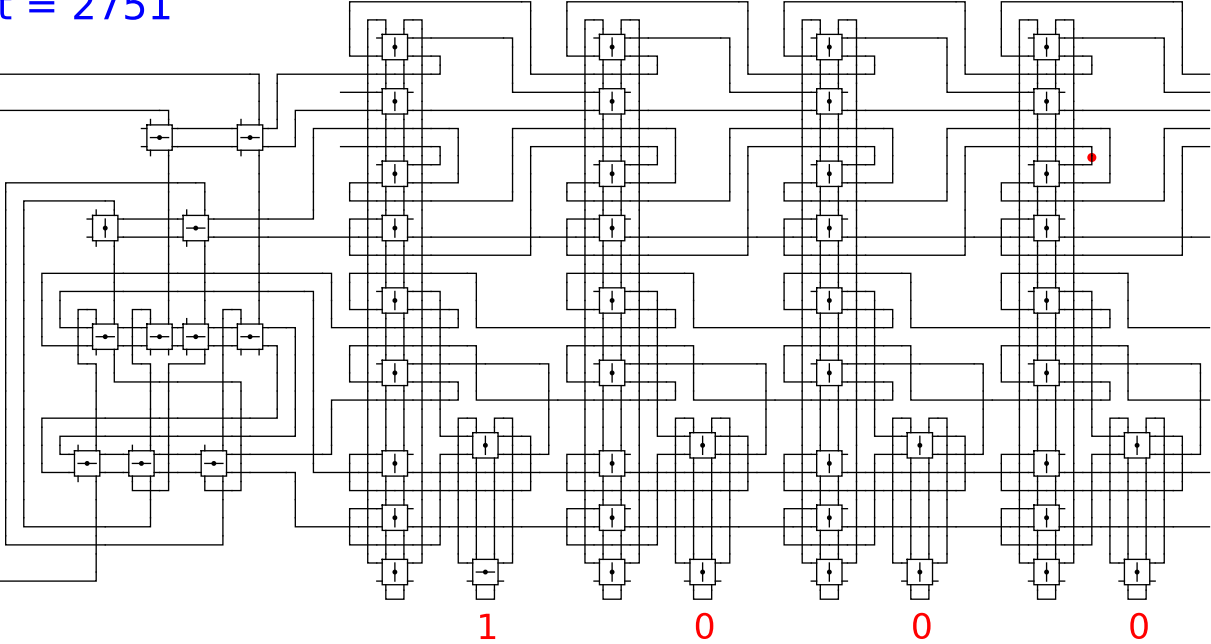
Begin



t = 2751

Reject
Accept

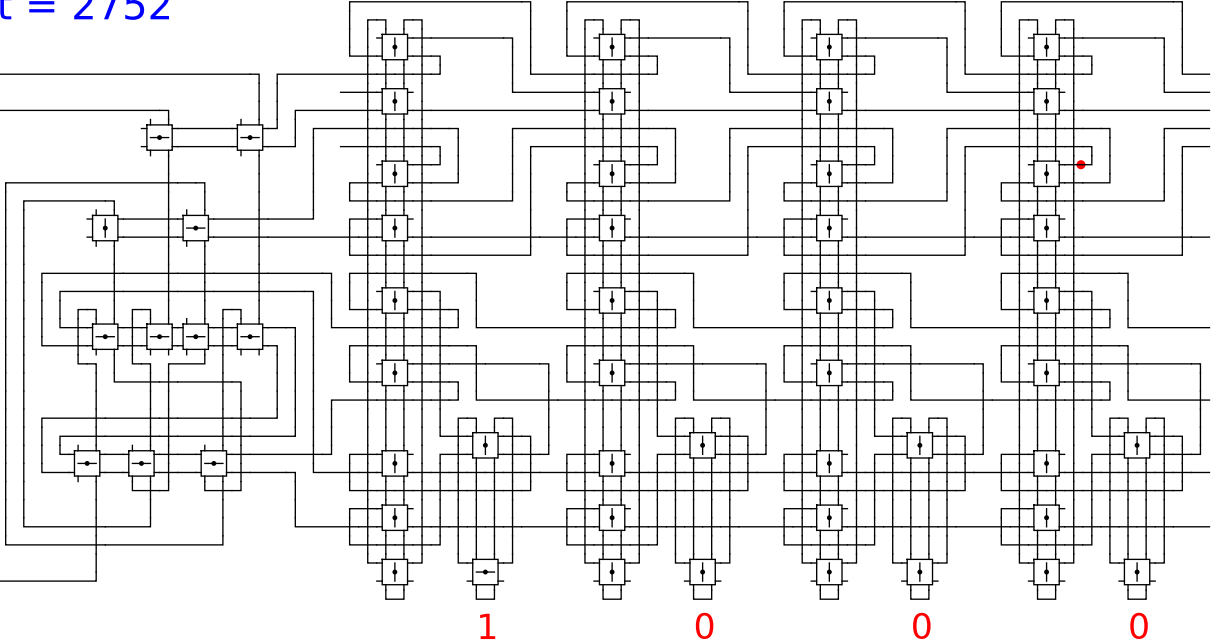
Begin



t = 2752

Reject
Accept

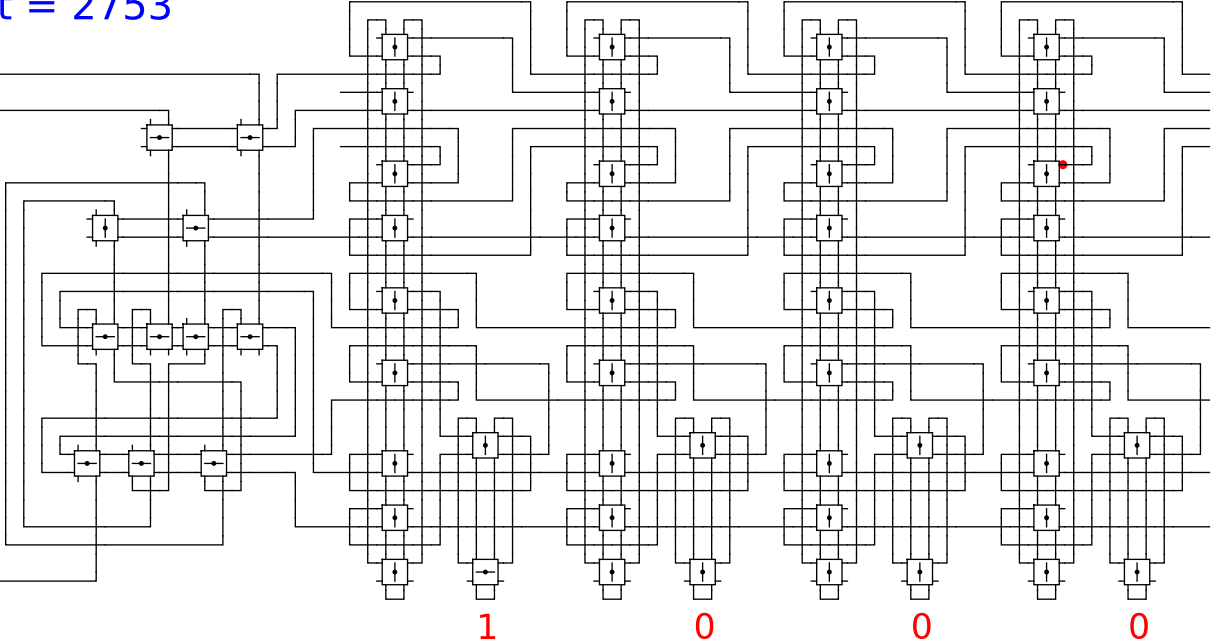
Begin



$t = 2753$

Reject
Accept

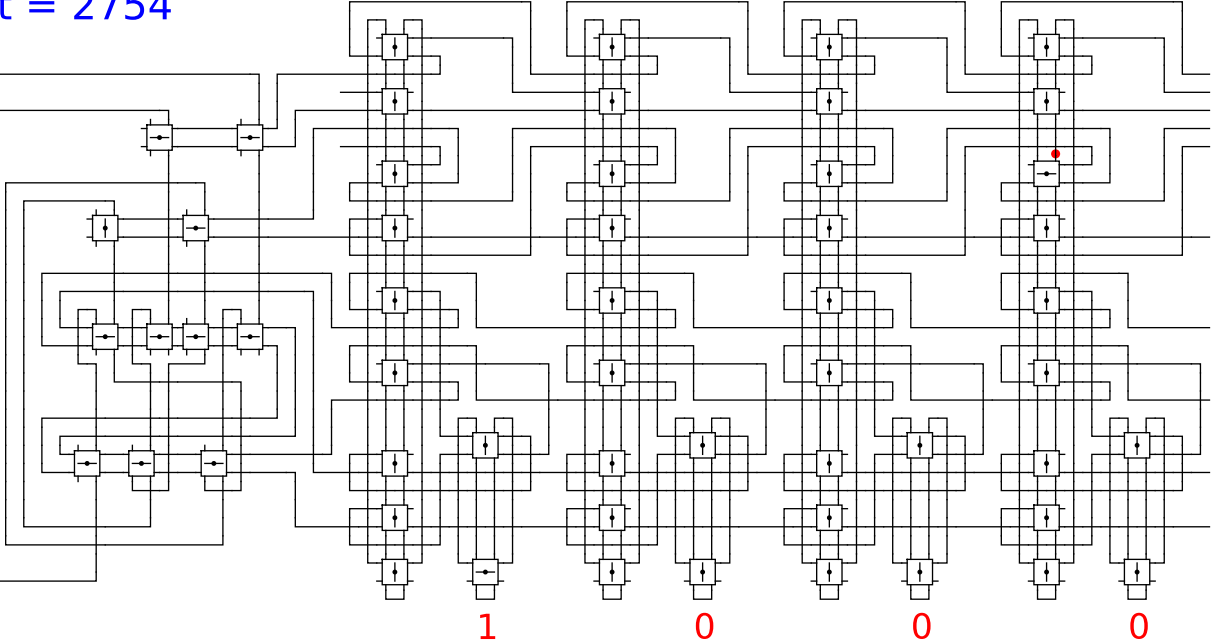
Begin



t = 2754

Reject
Accept

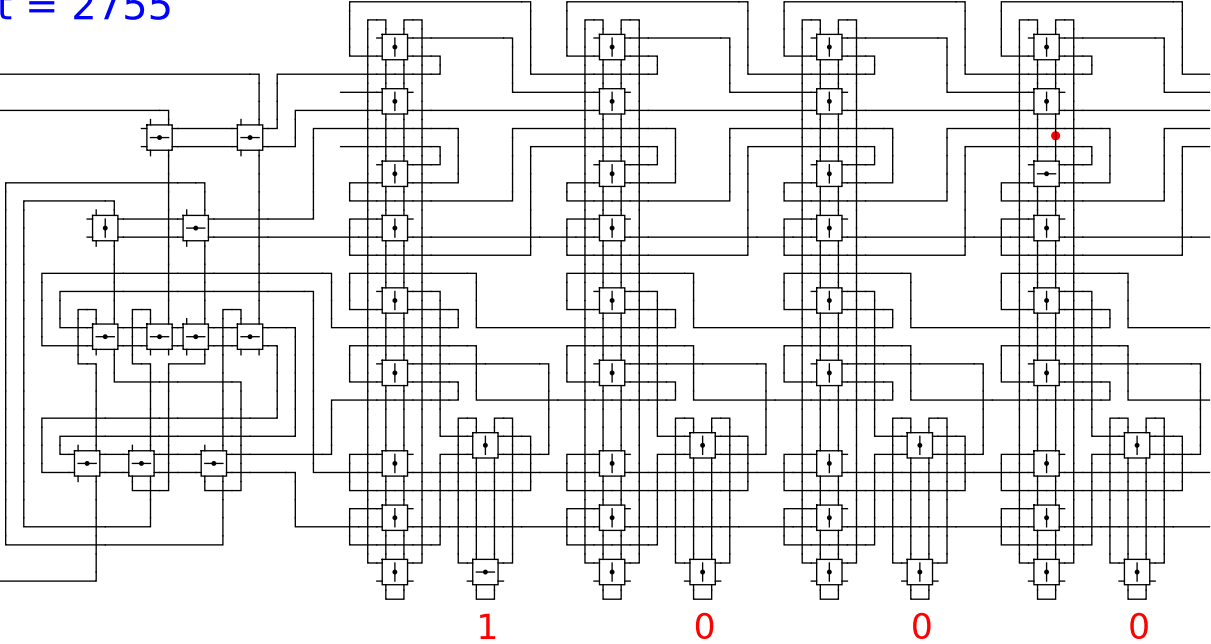
Begin



$t = 2755$

Reject
Accept

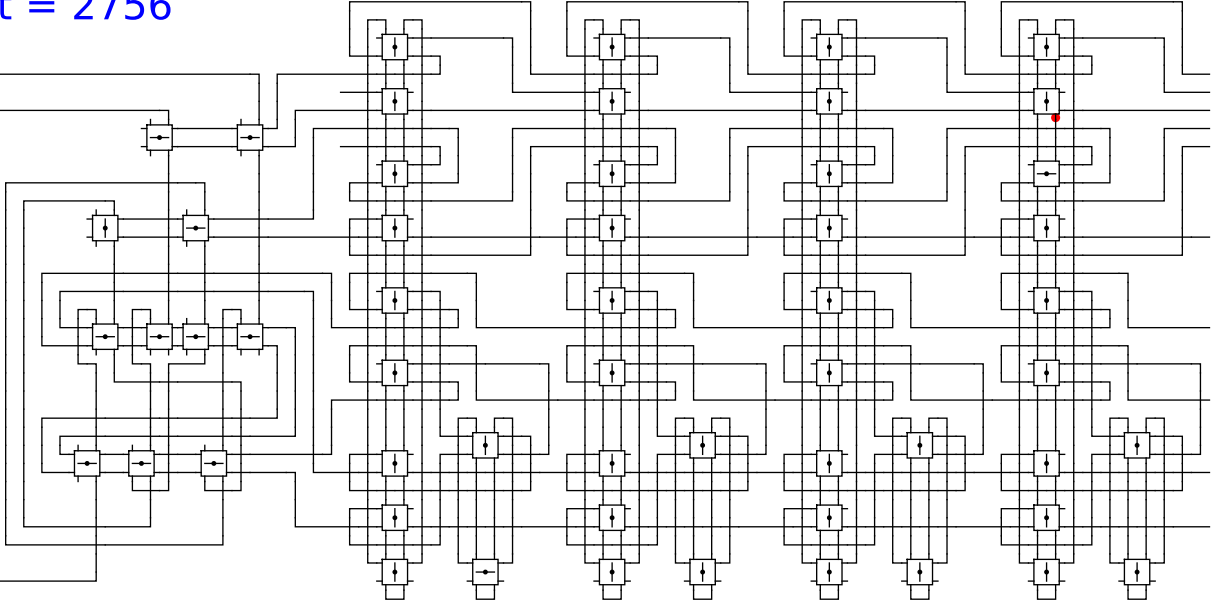
Begin



t = 2756

Reject
Accept

Begin



1

0

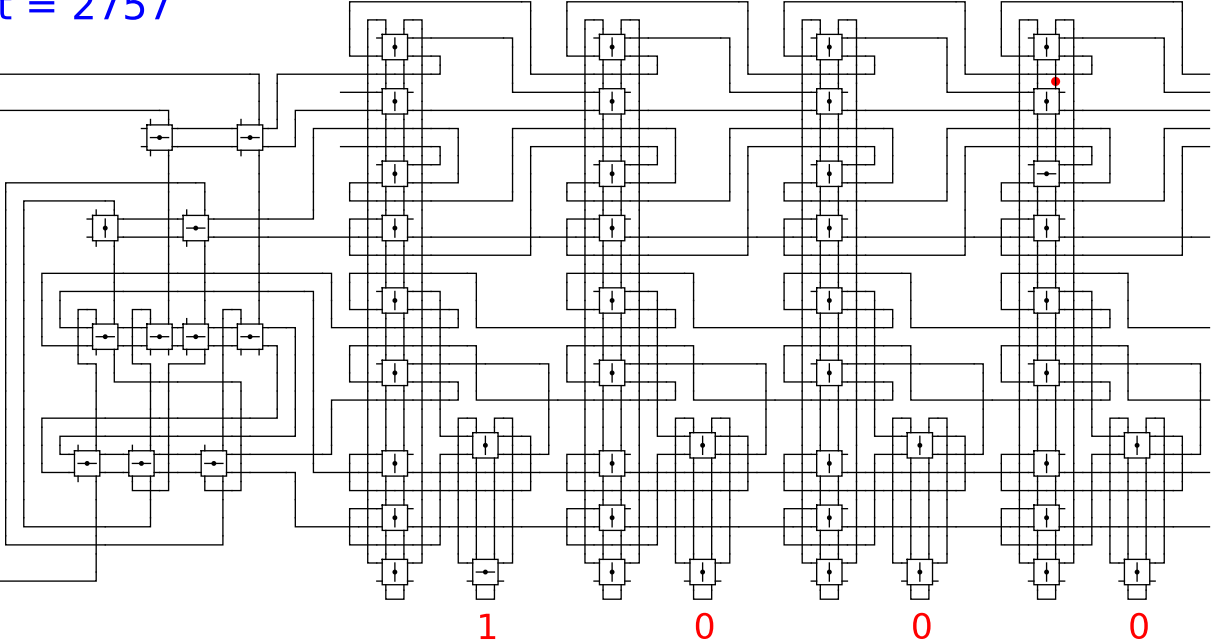
0

0

t = 2757

Reject
Accept

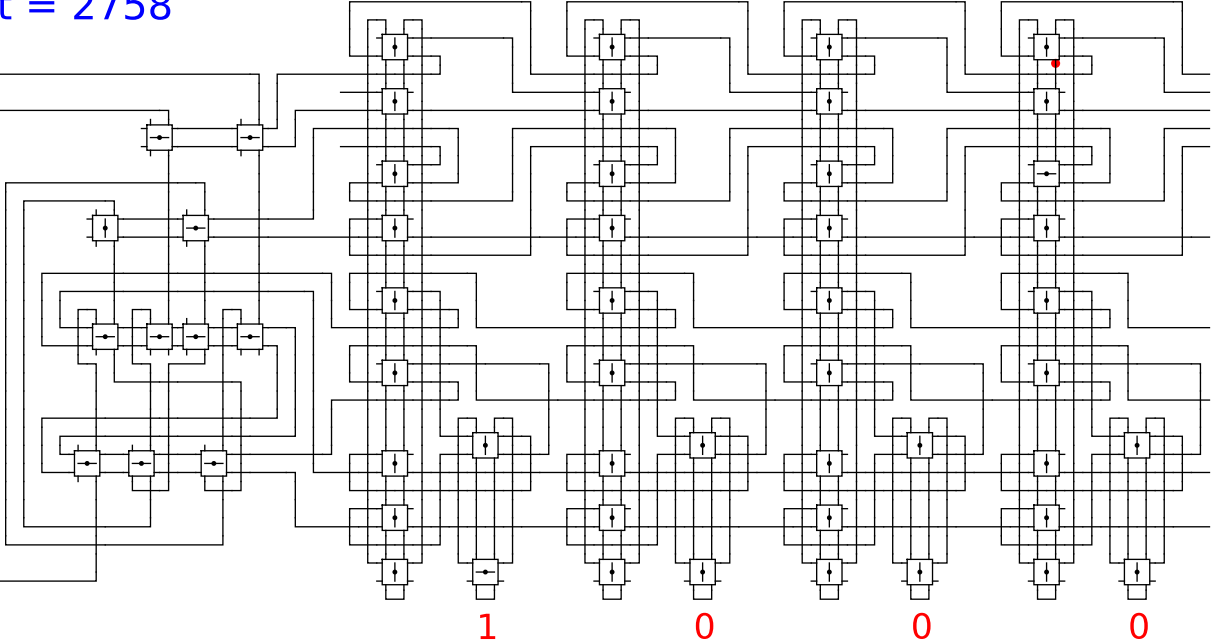
Begin



t = 2758

Reject
Accept

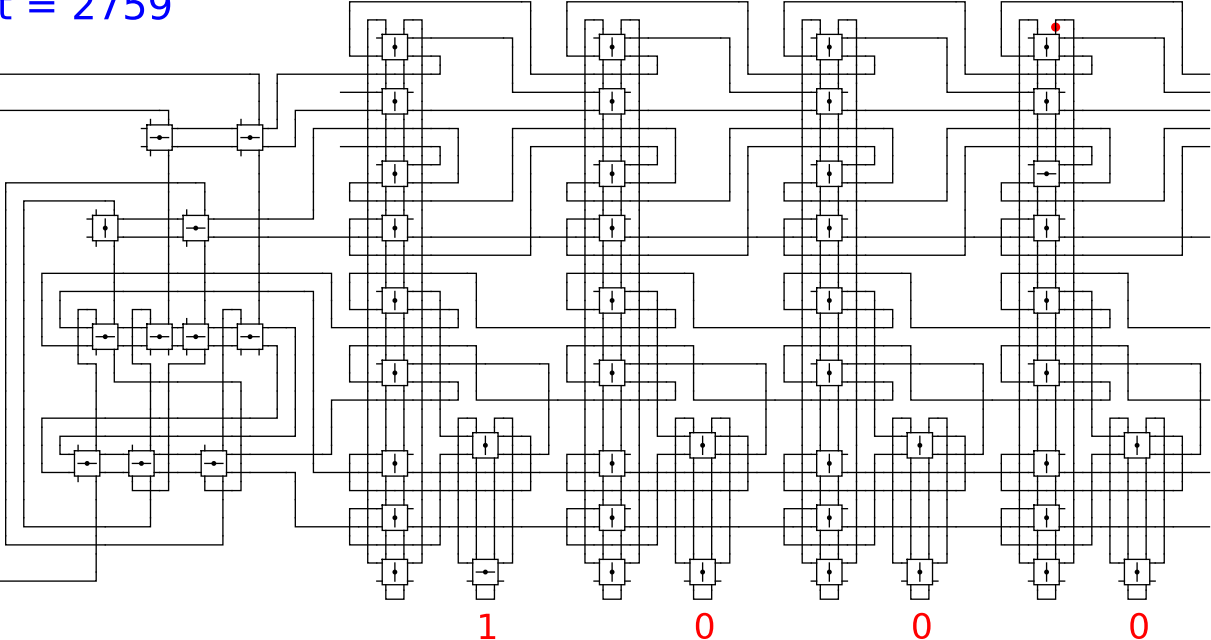
Begin



t = 2759

Reject
Accept

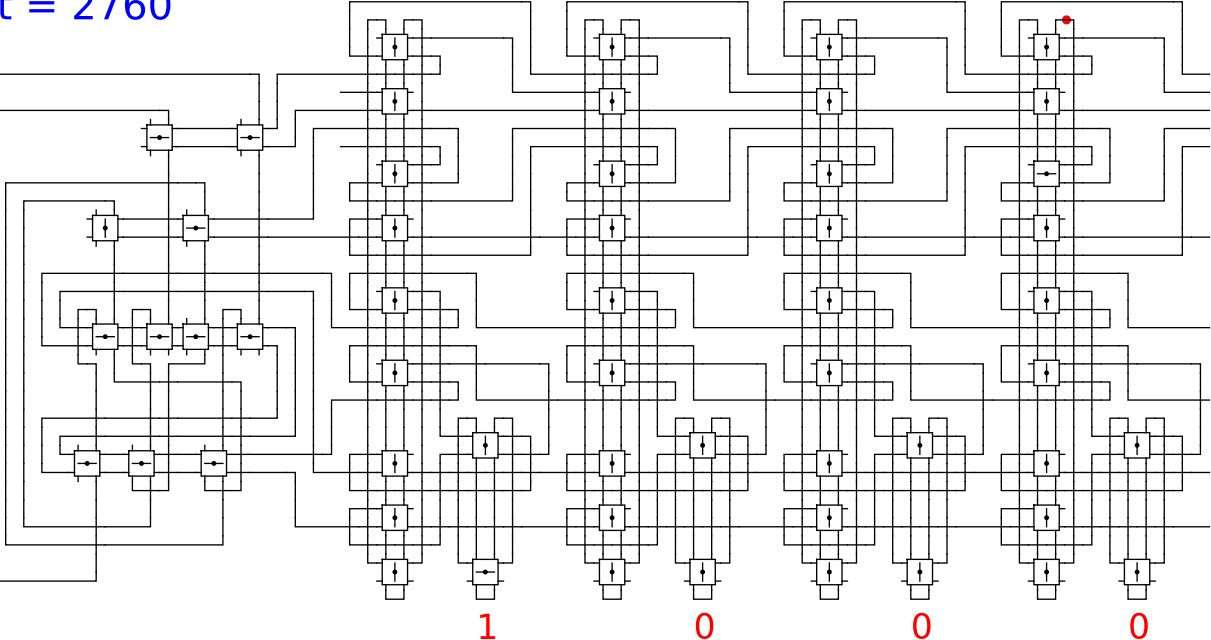
Begin



t = 2760

Reject
Accept

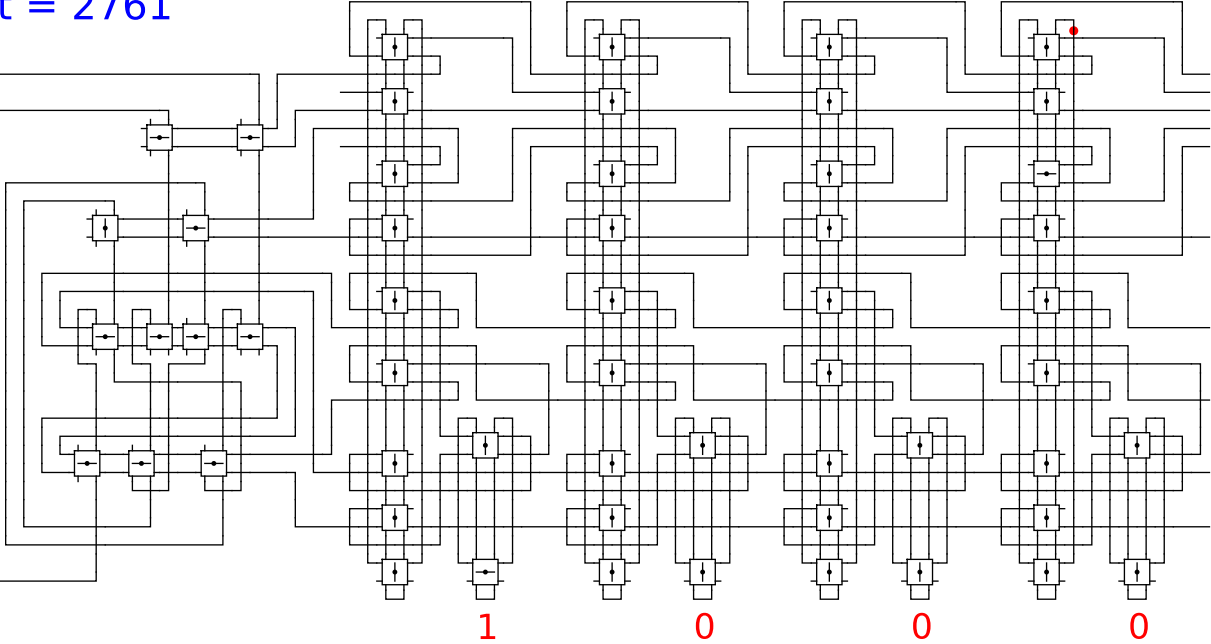
Begin



t = 2761

Reject
Accept

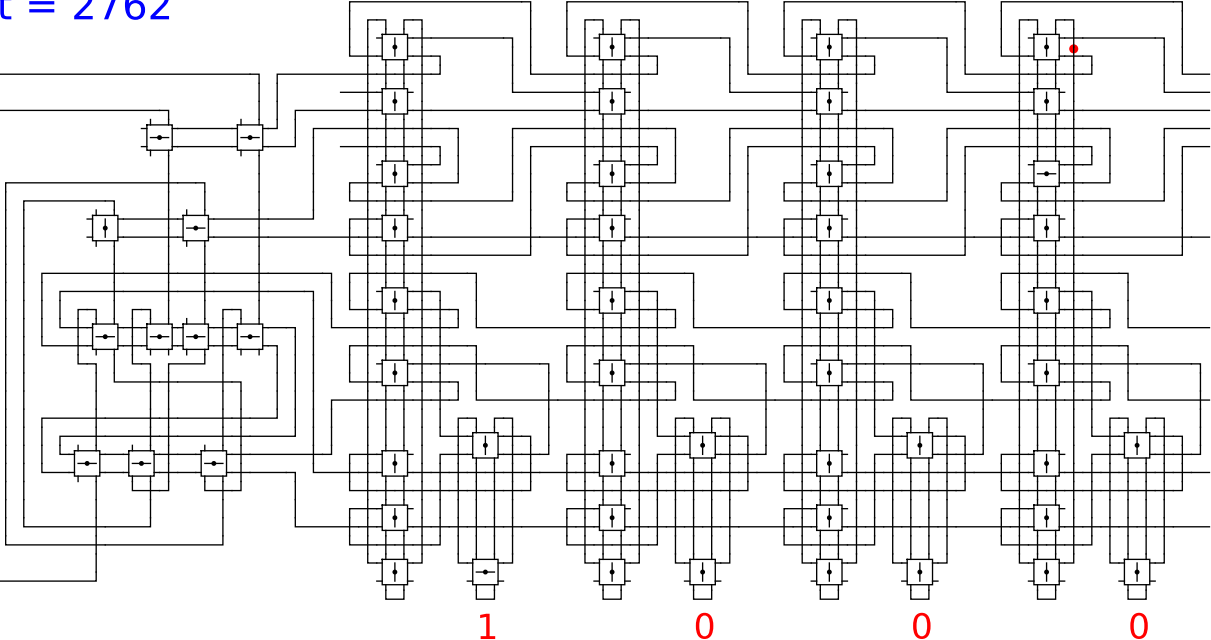
Begin



t = 2762

Reject
Accept

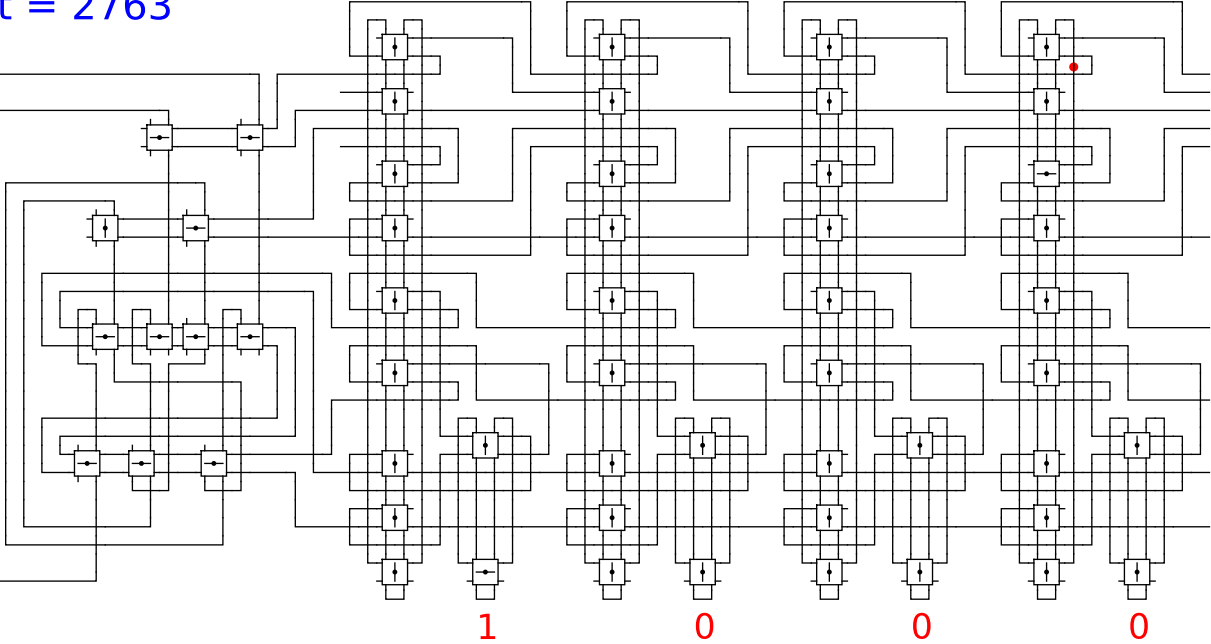
Begin



t = 2763

Reject
Accept

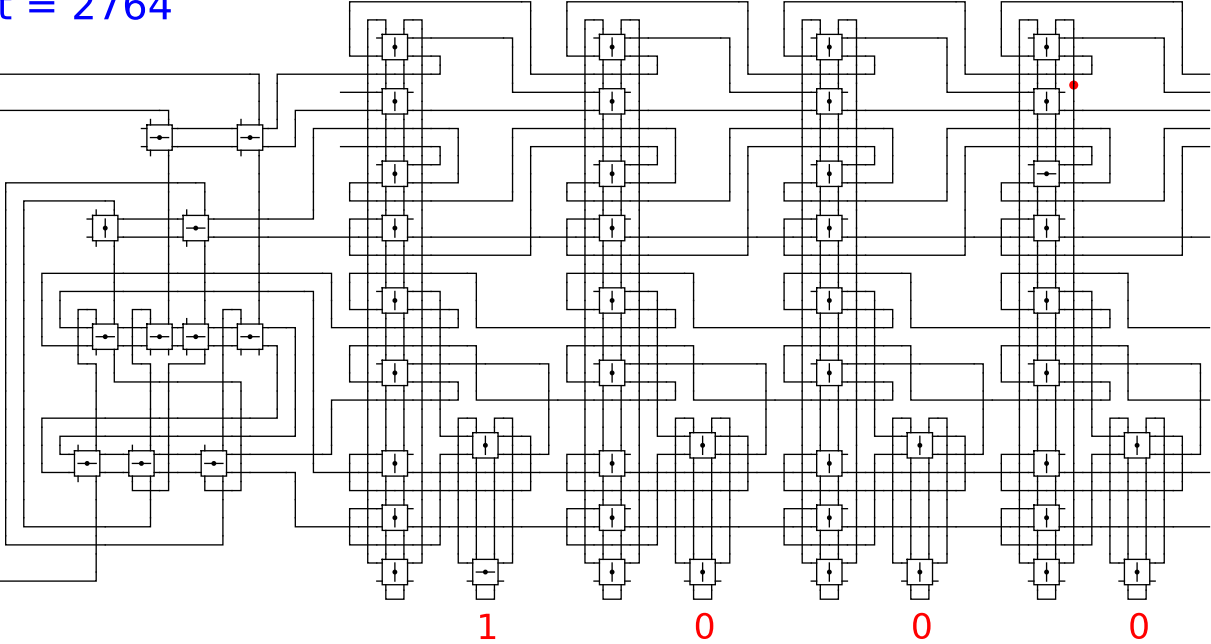
Begin



t = 2764

Reject
Accept

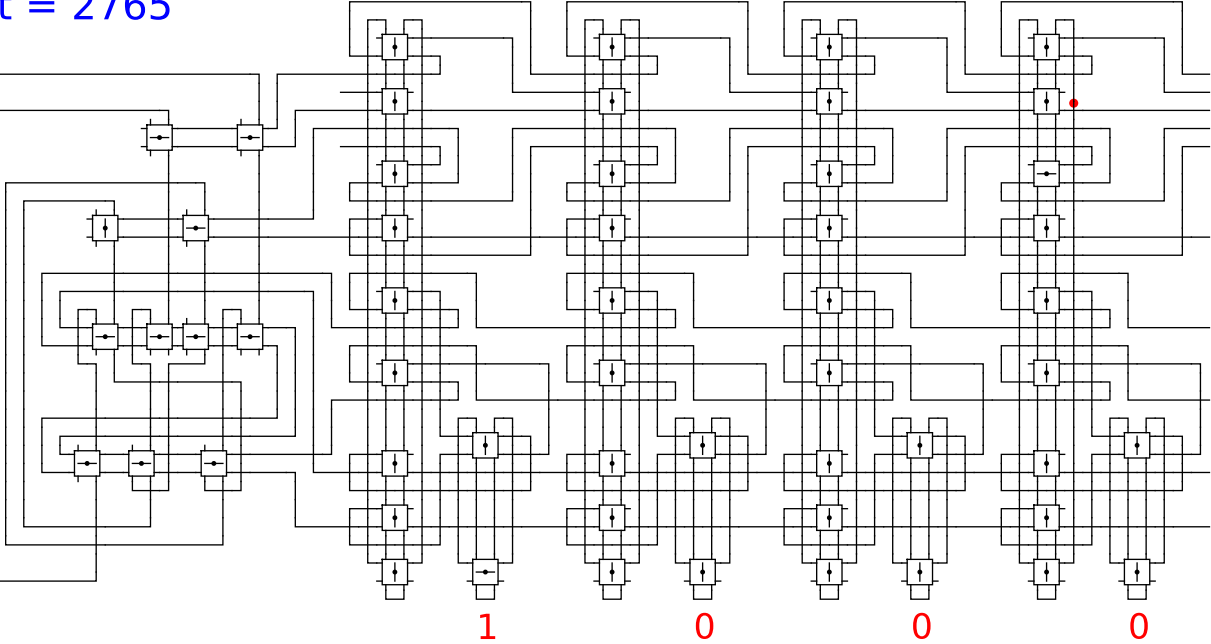
Begin



t = 2765

Reject
Accept

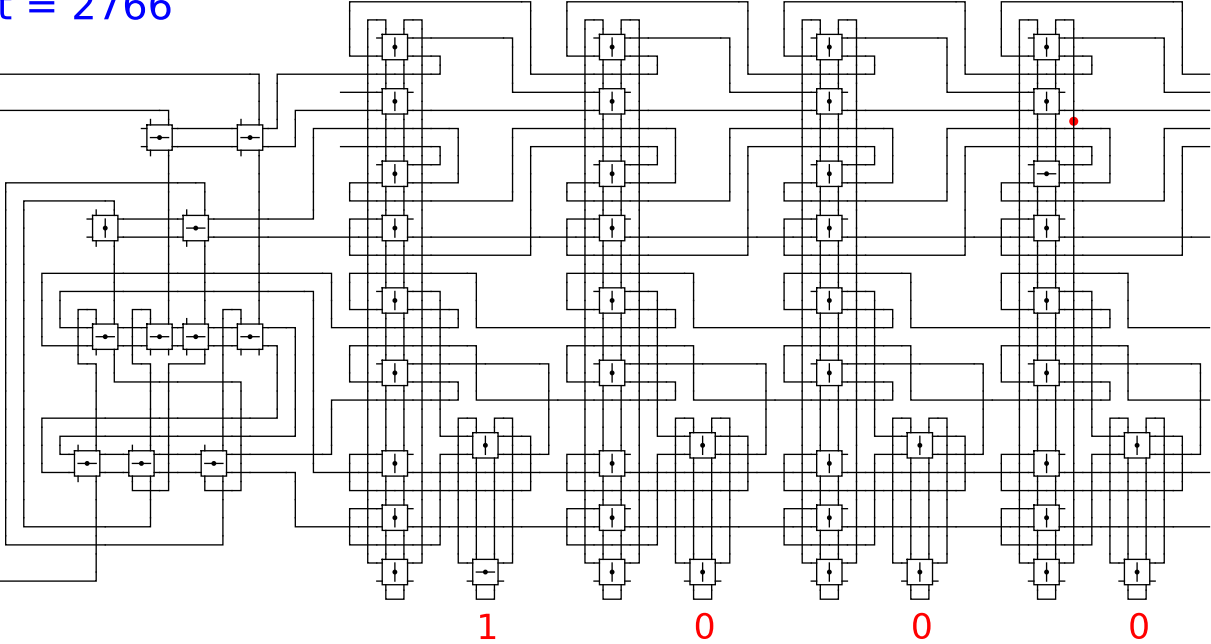
Begin



t = 2766

Reject
Accept

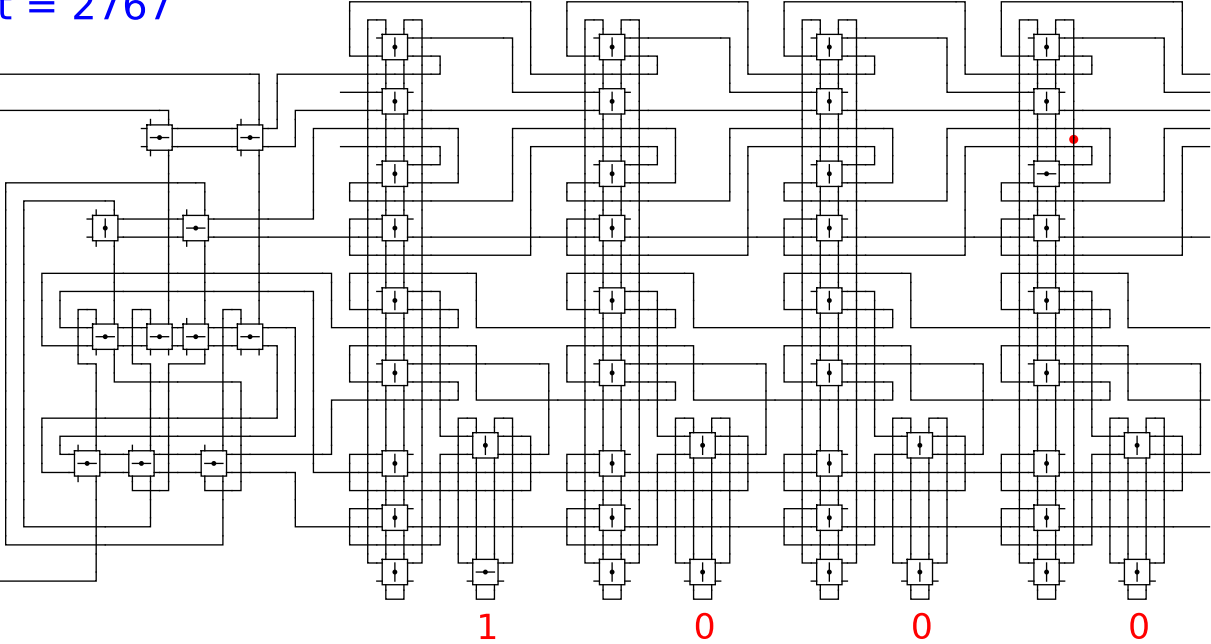
Begin



t = 2767

Reject
Accept

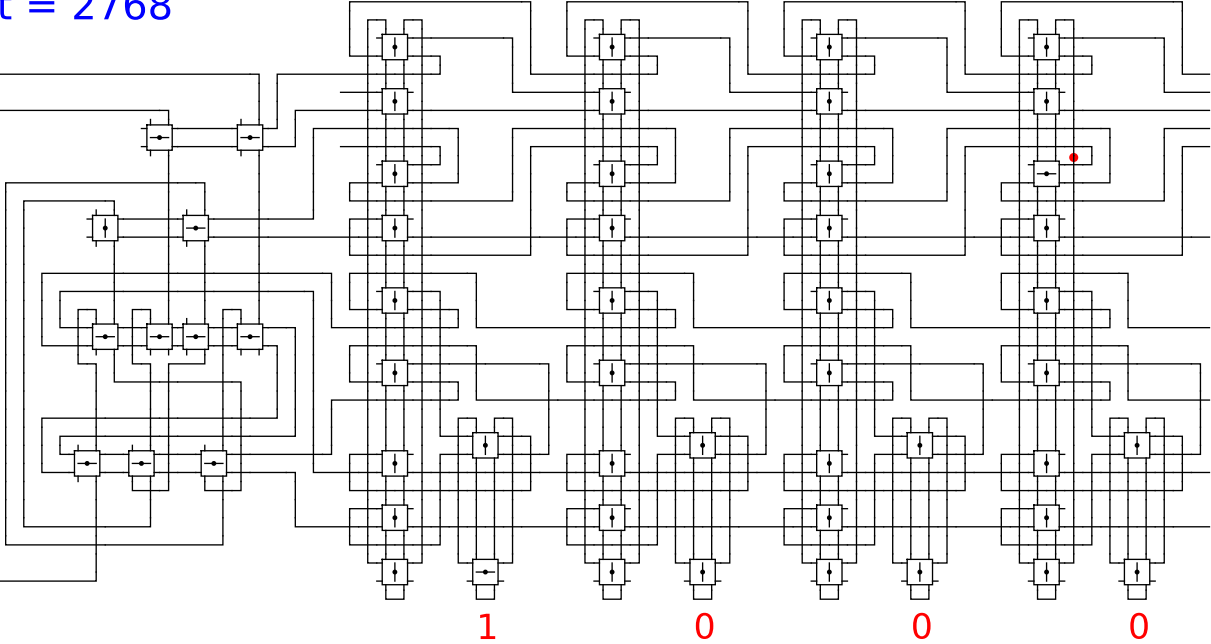
Begin



t = 2768

Reject
Accept

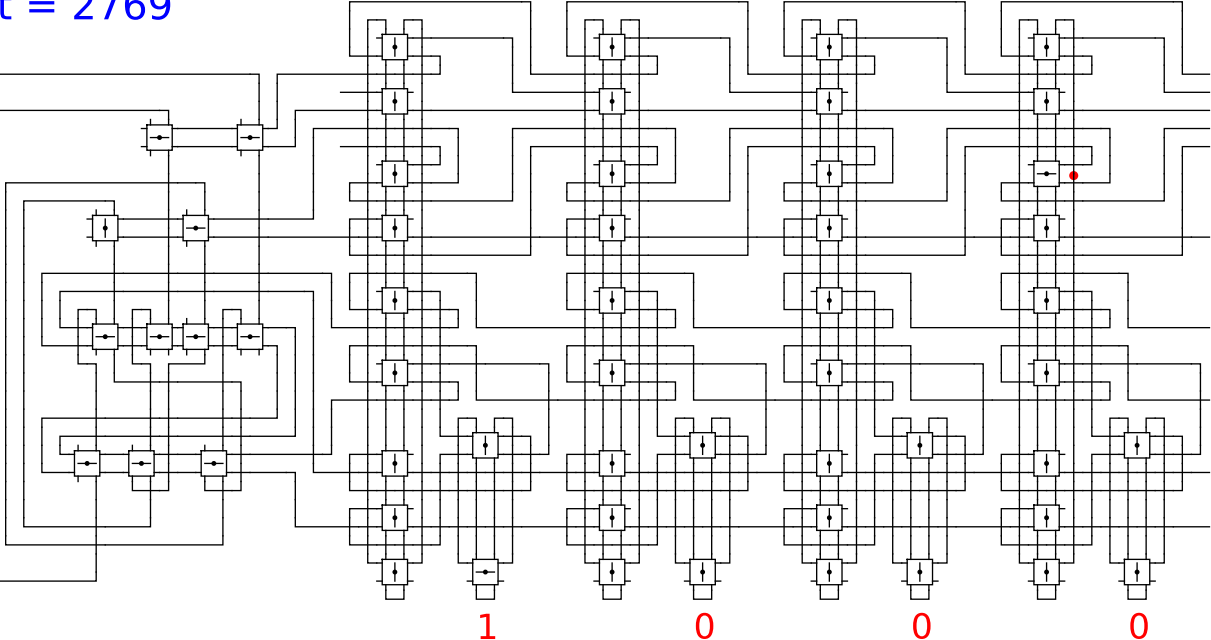
Begin



t = 2769

Reject
Accept

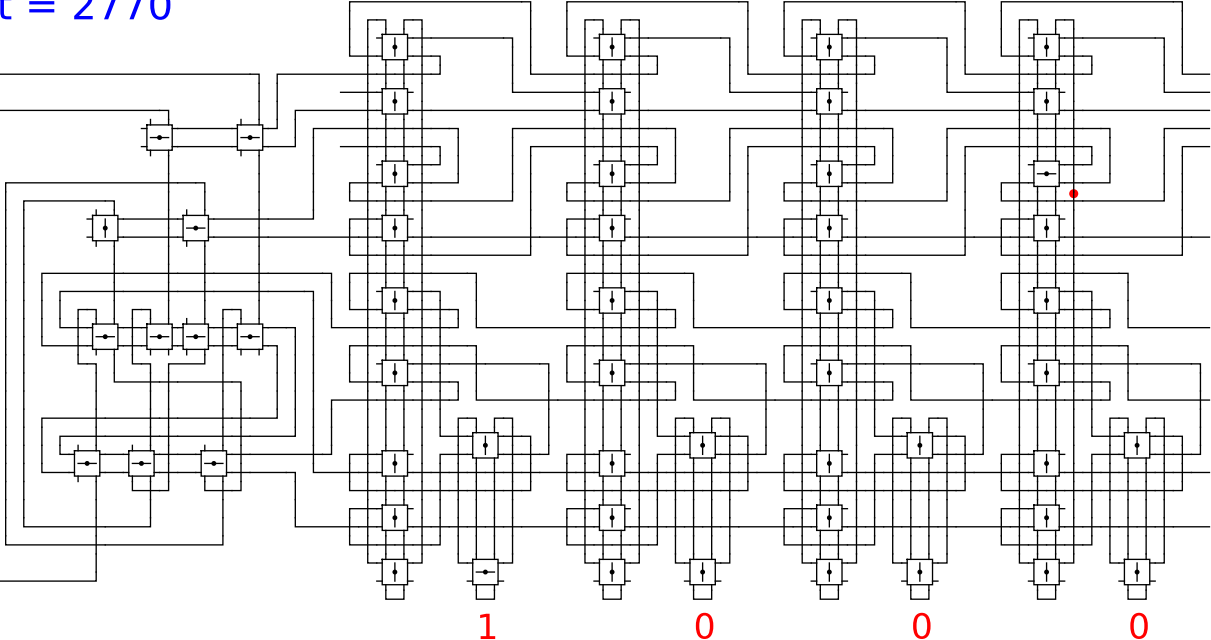
Begin



t = 2770

Reject
Accept

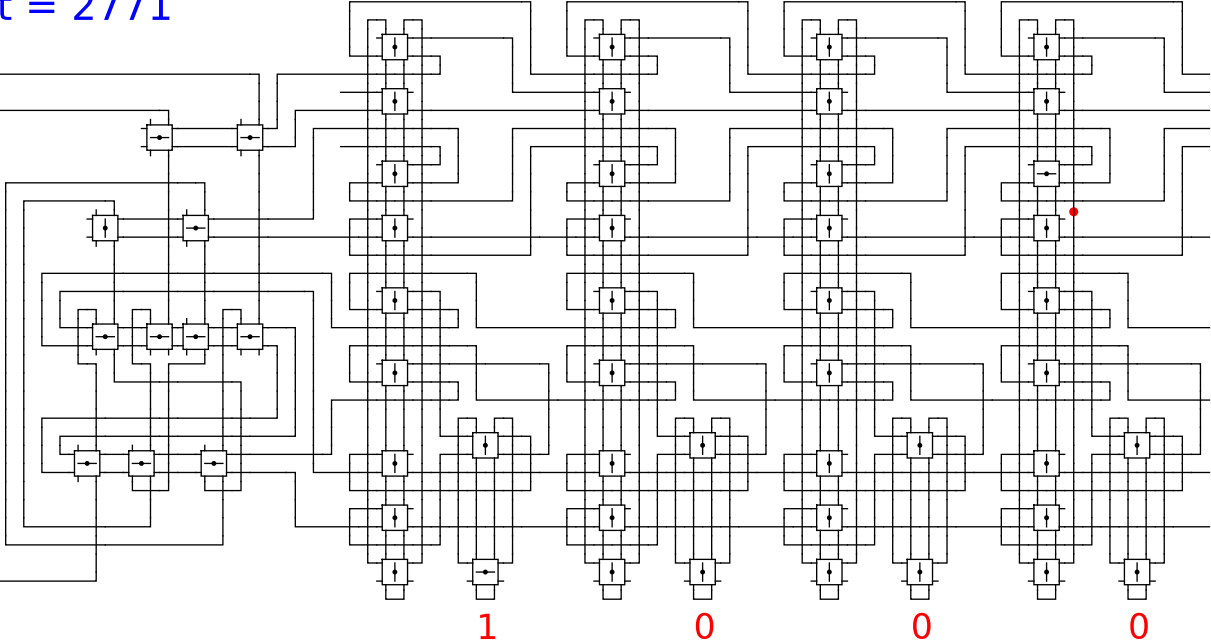
Begin



t = 2771

Reject
Accept

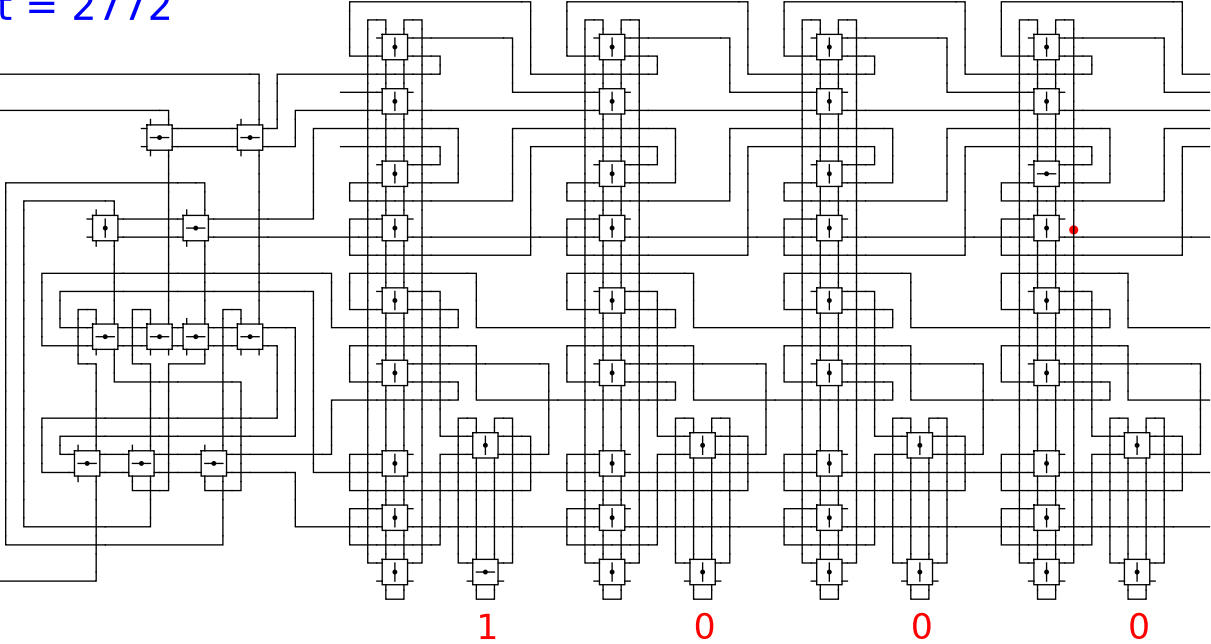
Begin



t = 2772

Reject
Accept

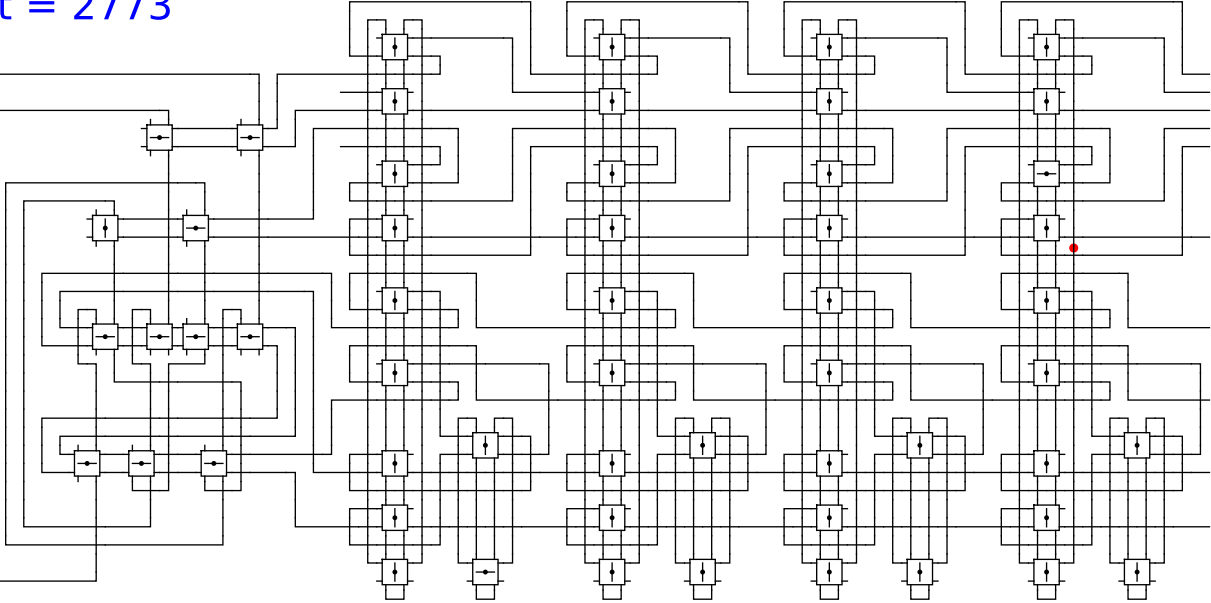
Begin



$t = 2773$

Reject
Accept

Begin



1

0

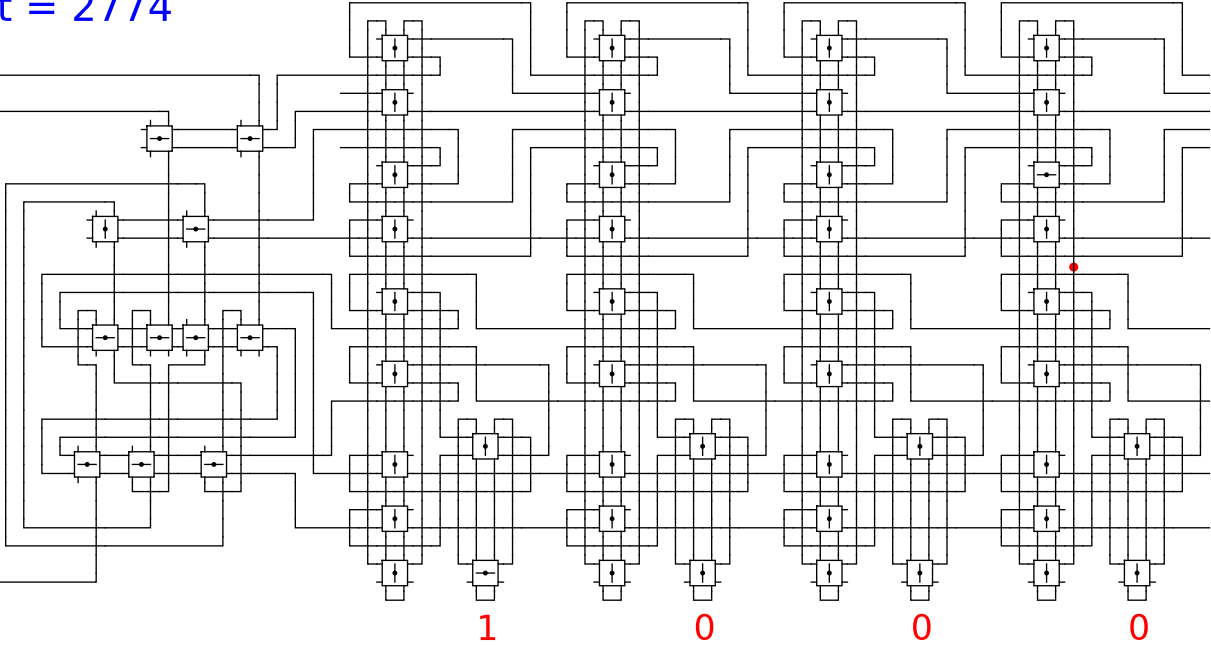
0

0

t = 2774

Reject
Accept

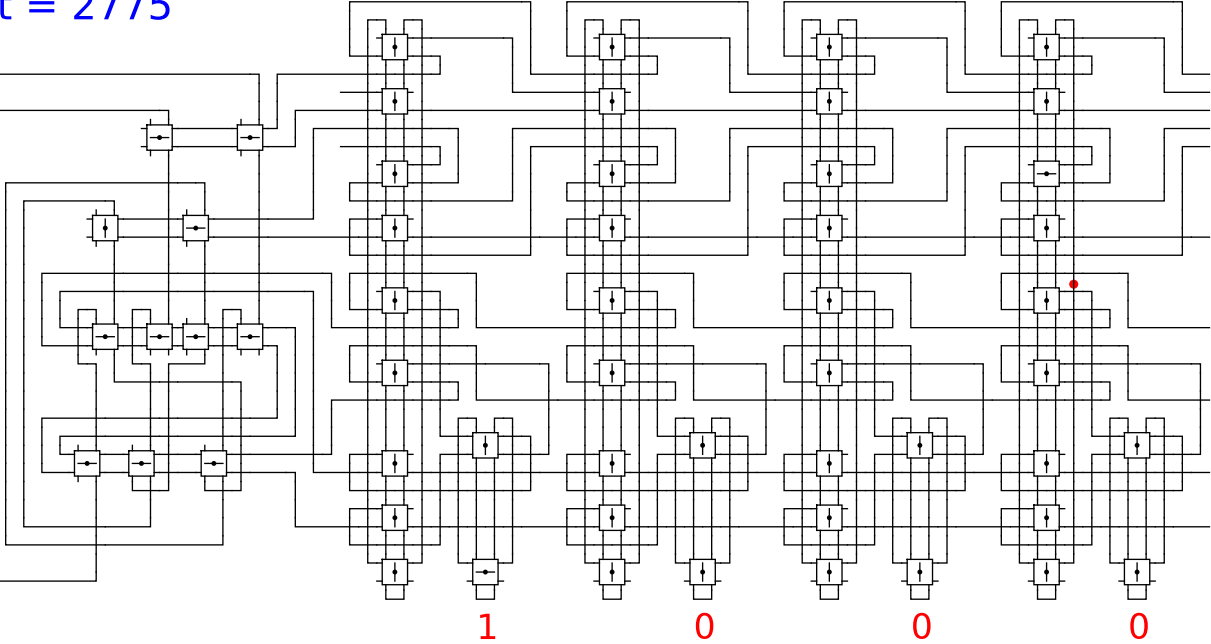
Begin



t = 2775

Reject
Accept

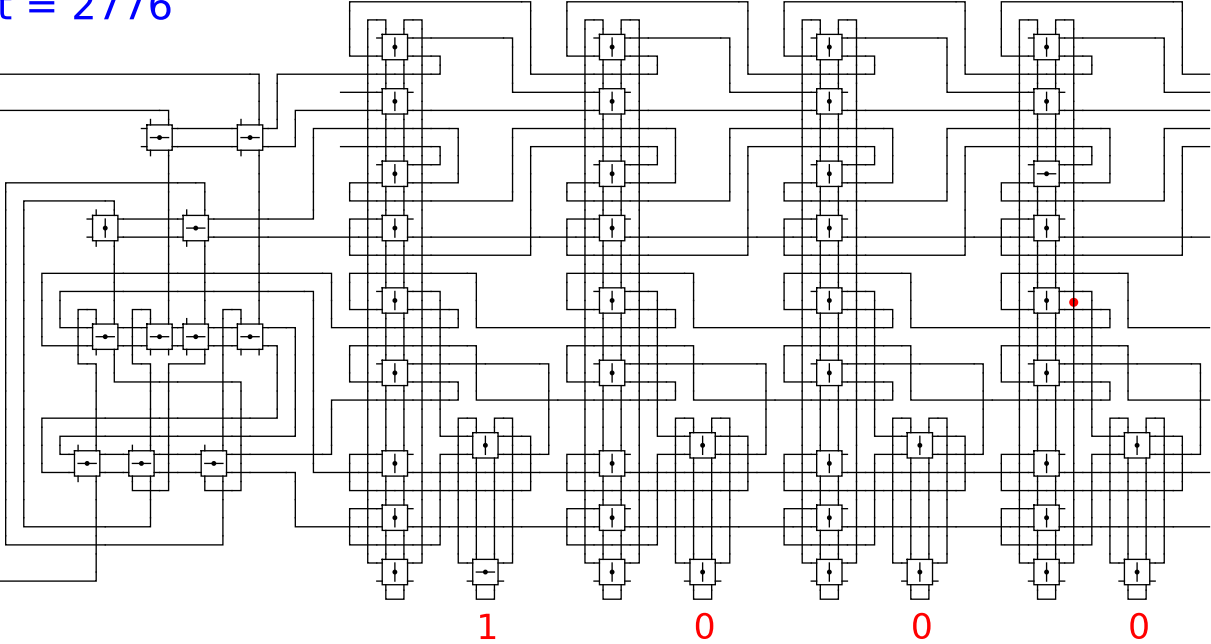
Begin



t = 2776

Reject
Accept

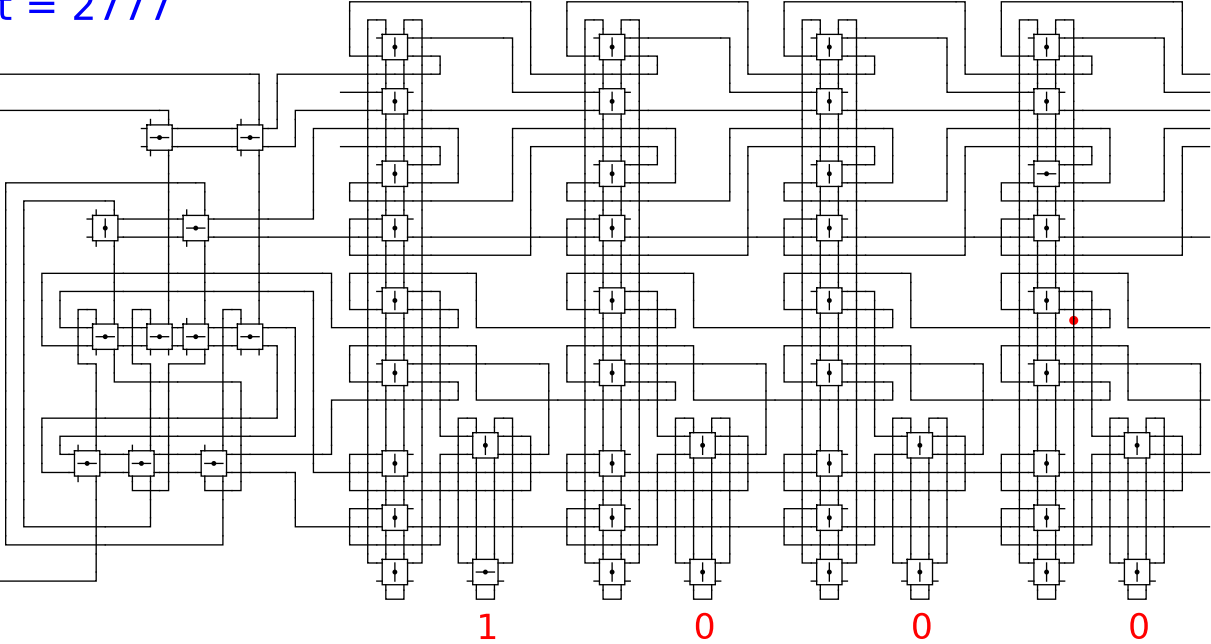
Begin



$t = 2777$

Reject
Accept

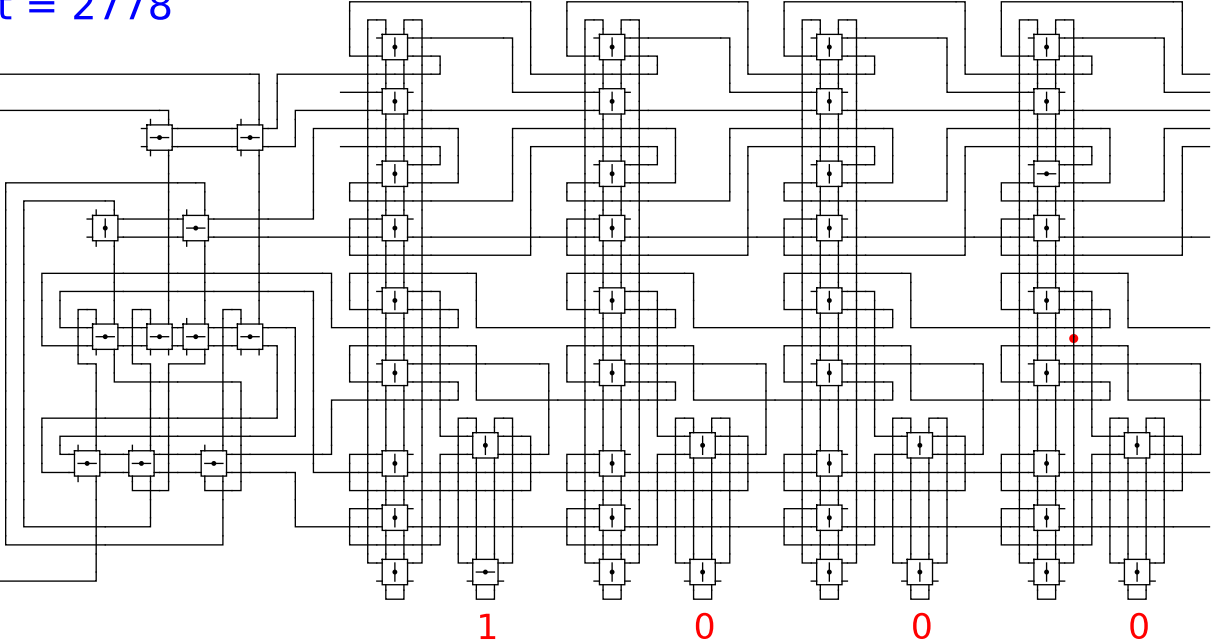
Begin



t = 2778

Reject
Accept

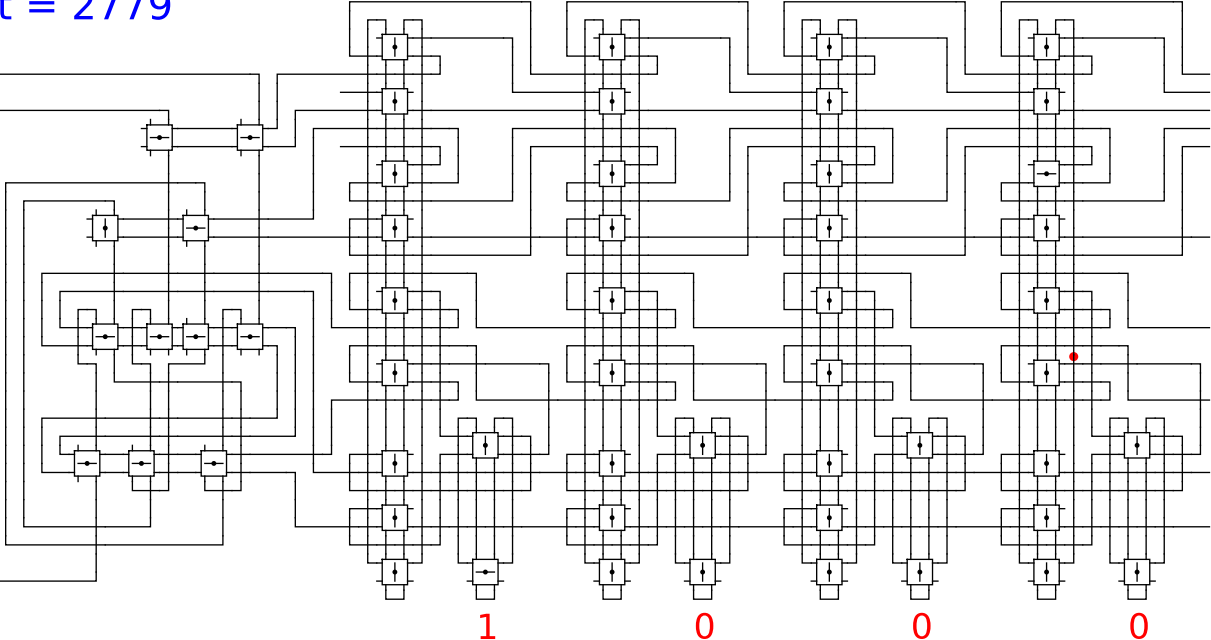
Begin



t = 2779

Reject
Accept

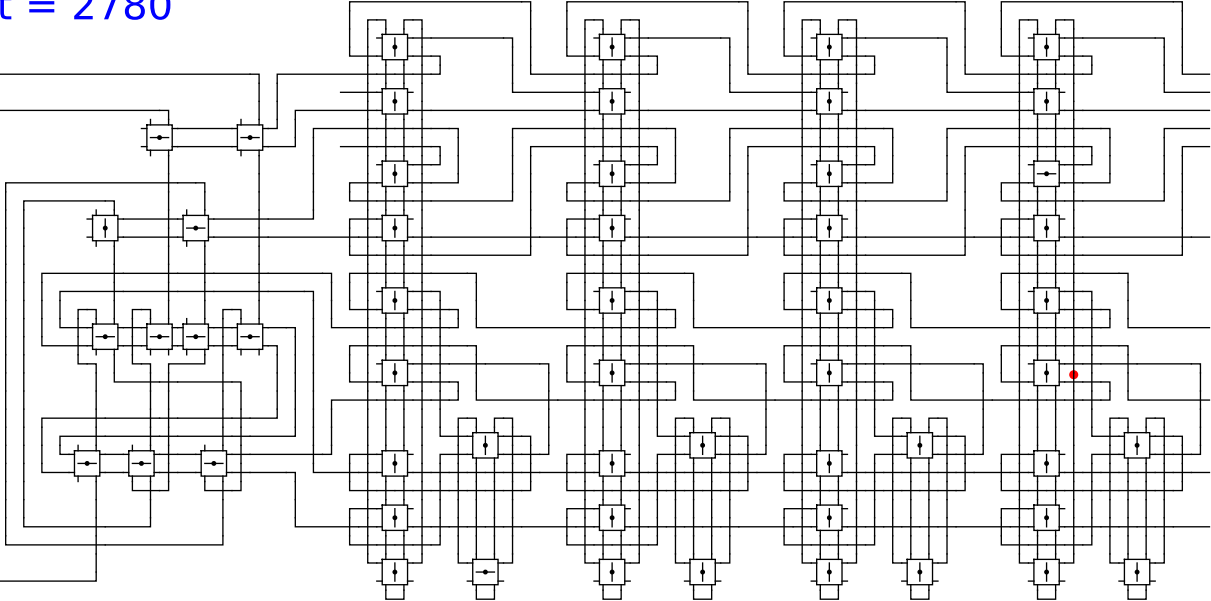
Begin



t = 2780

Reject
Accept

Begin



1

0

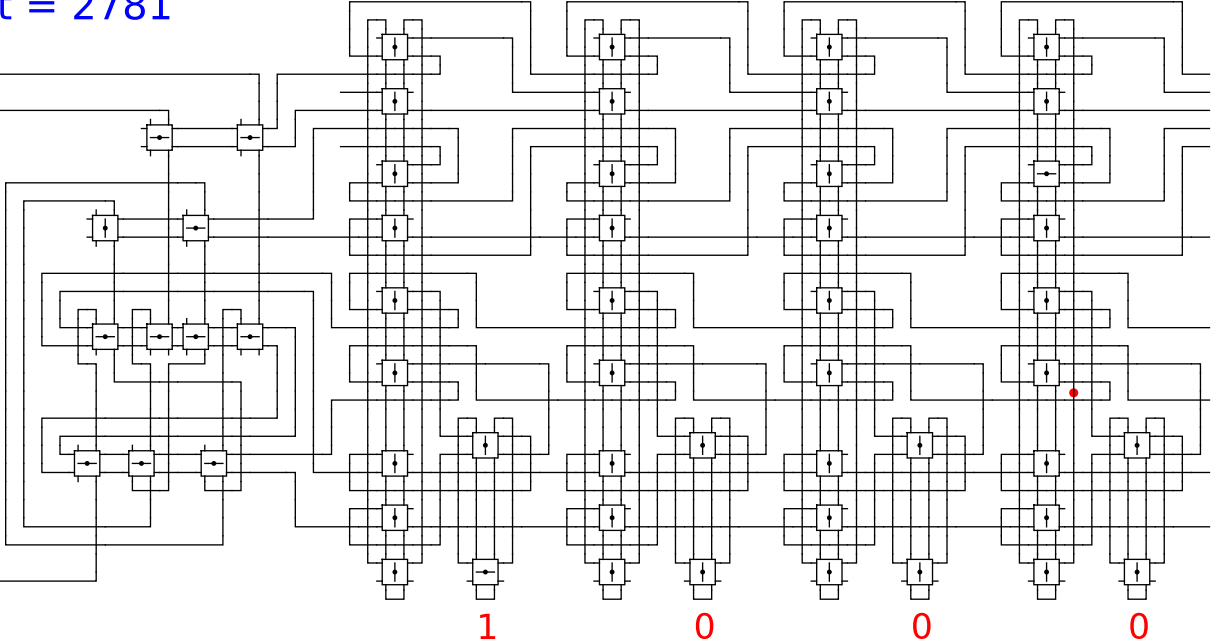
0

0

t = 2781

Reject
Accept

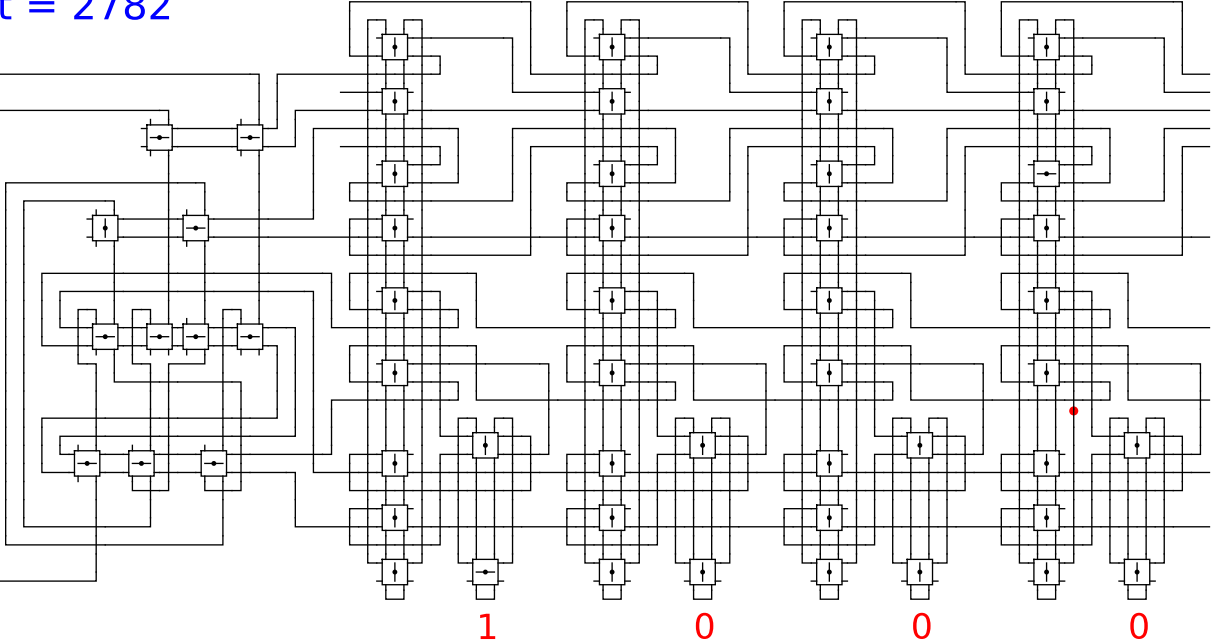
Begin



t = 2782

Reject
Accept

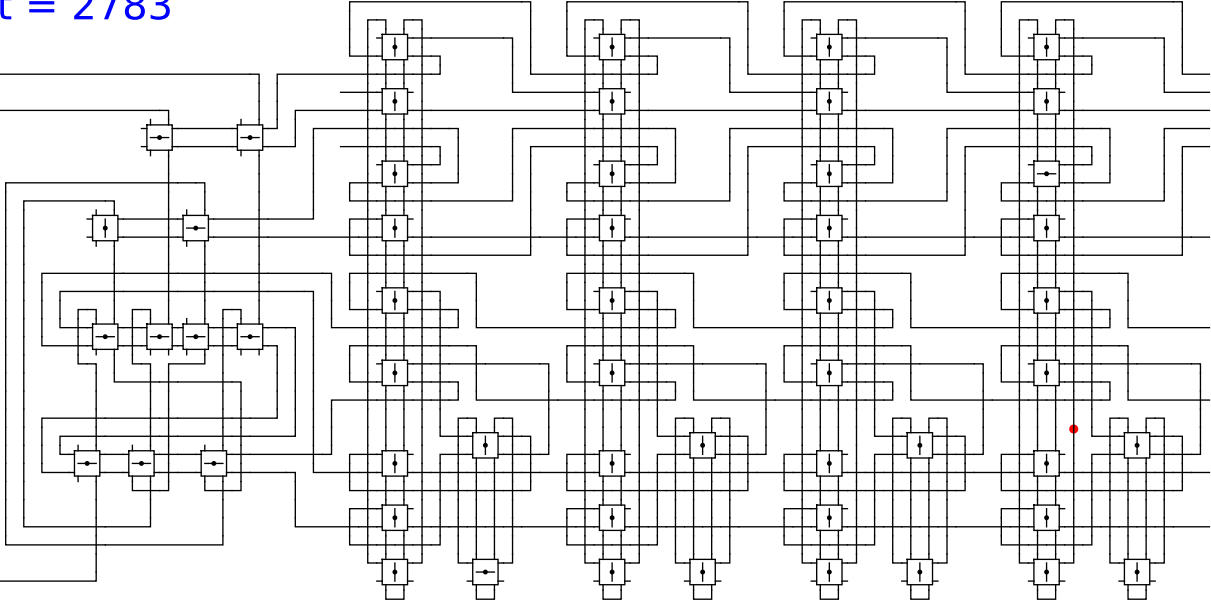
Begin



t = 2783

Reject
Accept

Begin



1

0

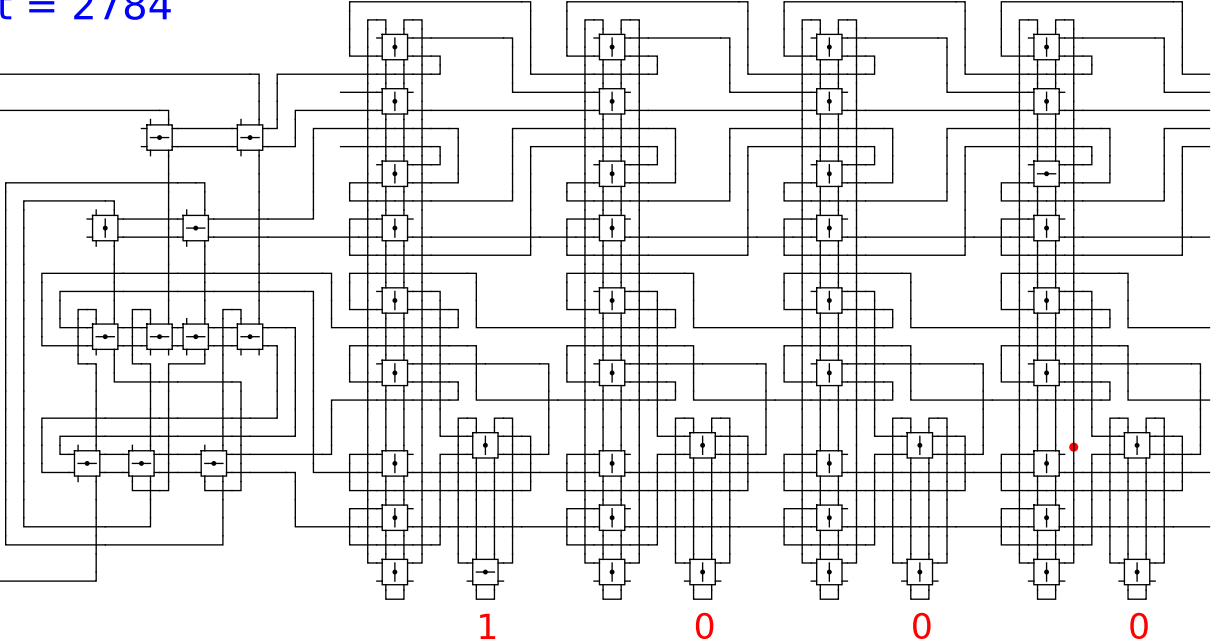
0

0

t = 2784

Reject
Accept

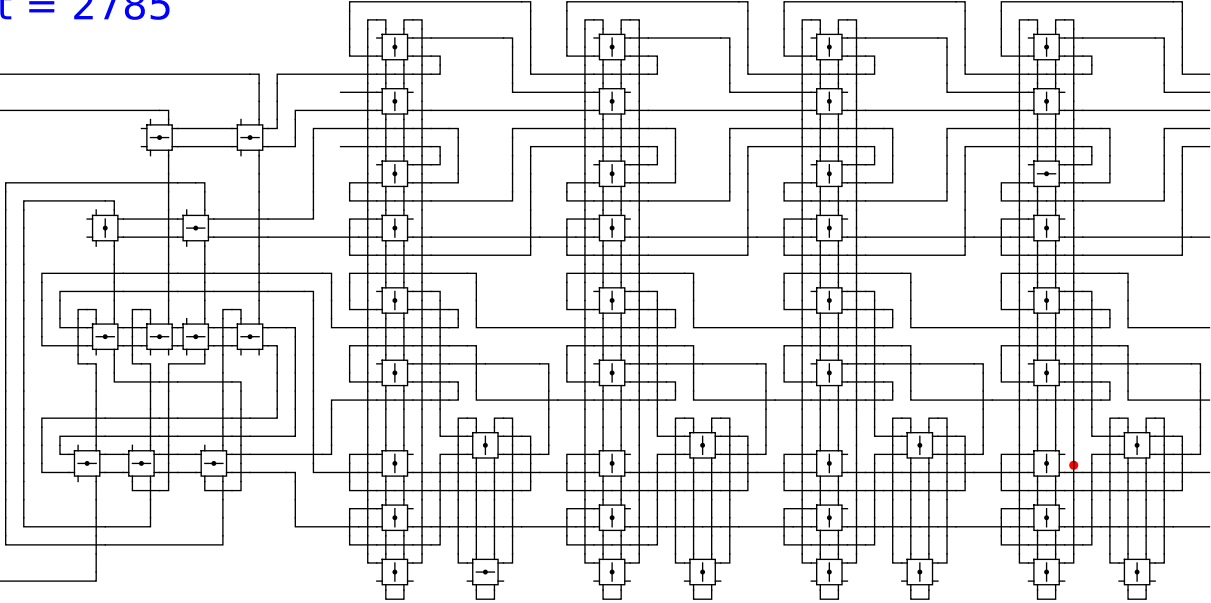
Begin



t = 2785

Reject
Accept

Begin



1

0

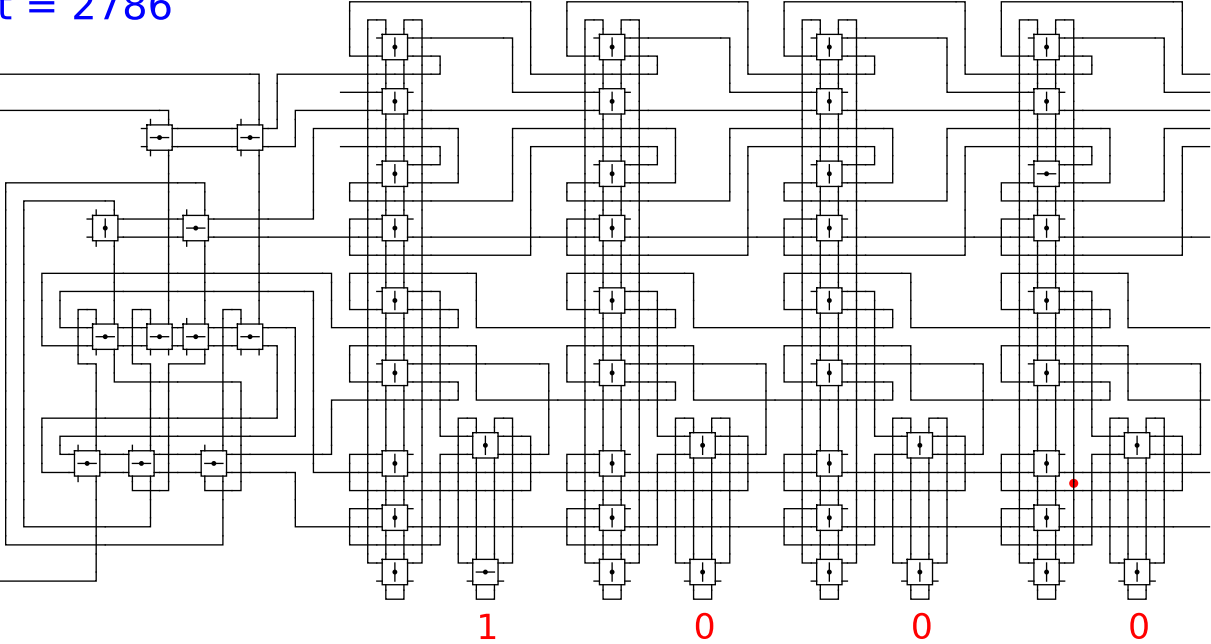
0

0

t = 2786

Reject
Accept

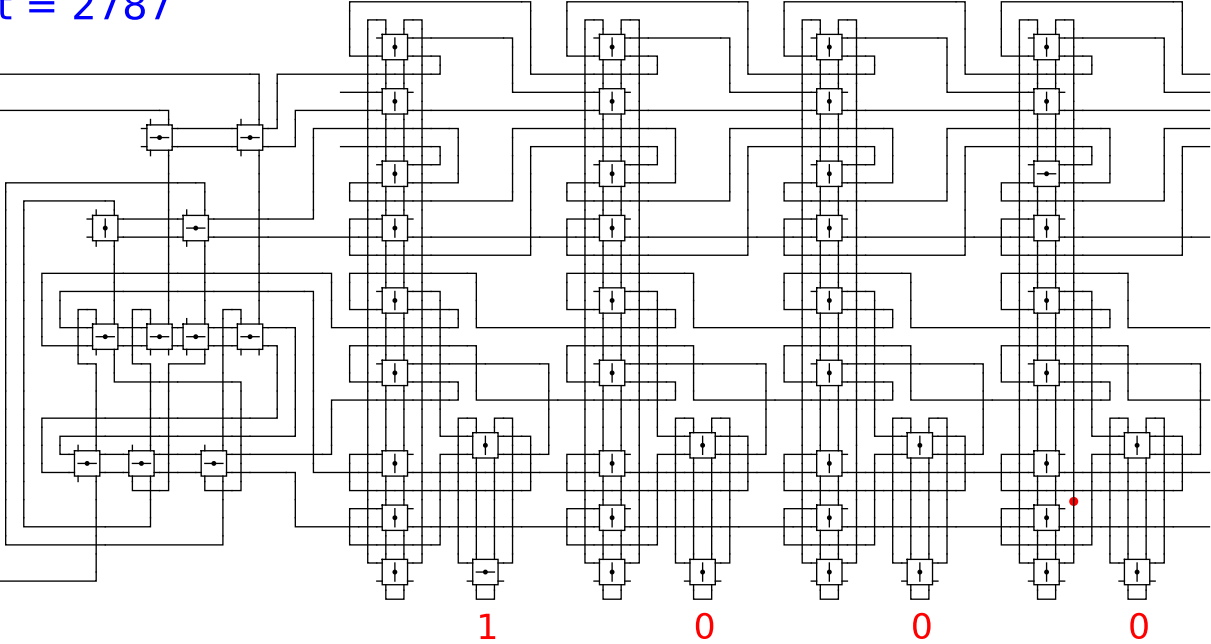
Begin



t = 2787

Reject
Accept

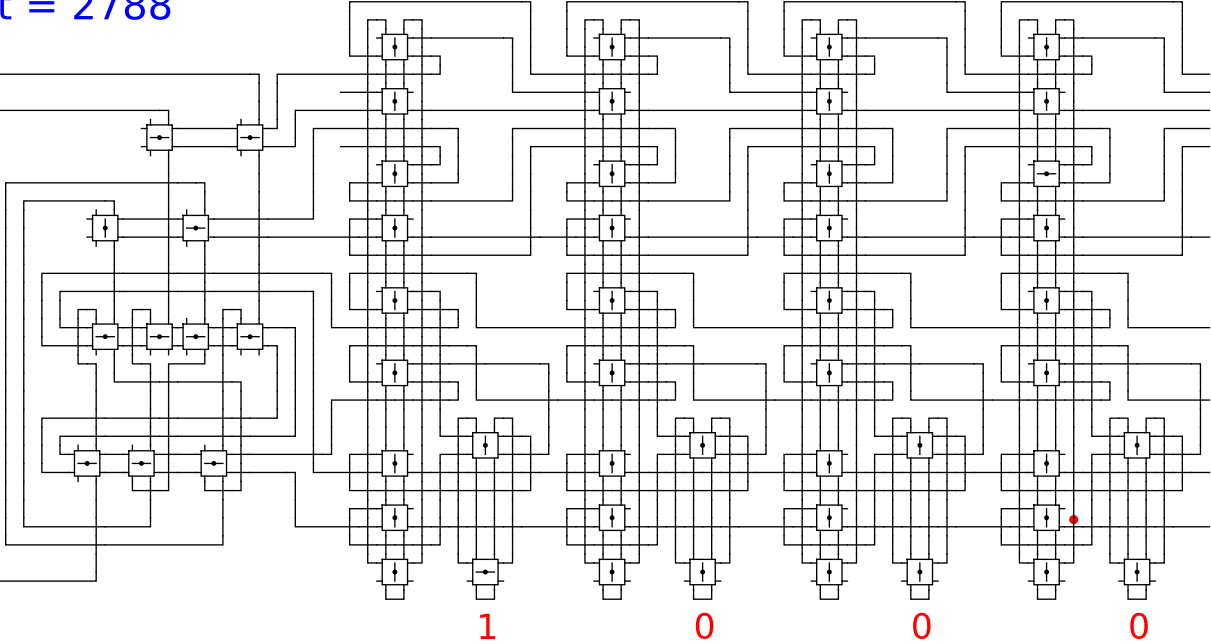
Begin



t = 2788

Reject
Accept

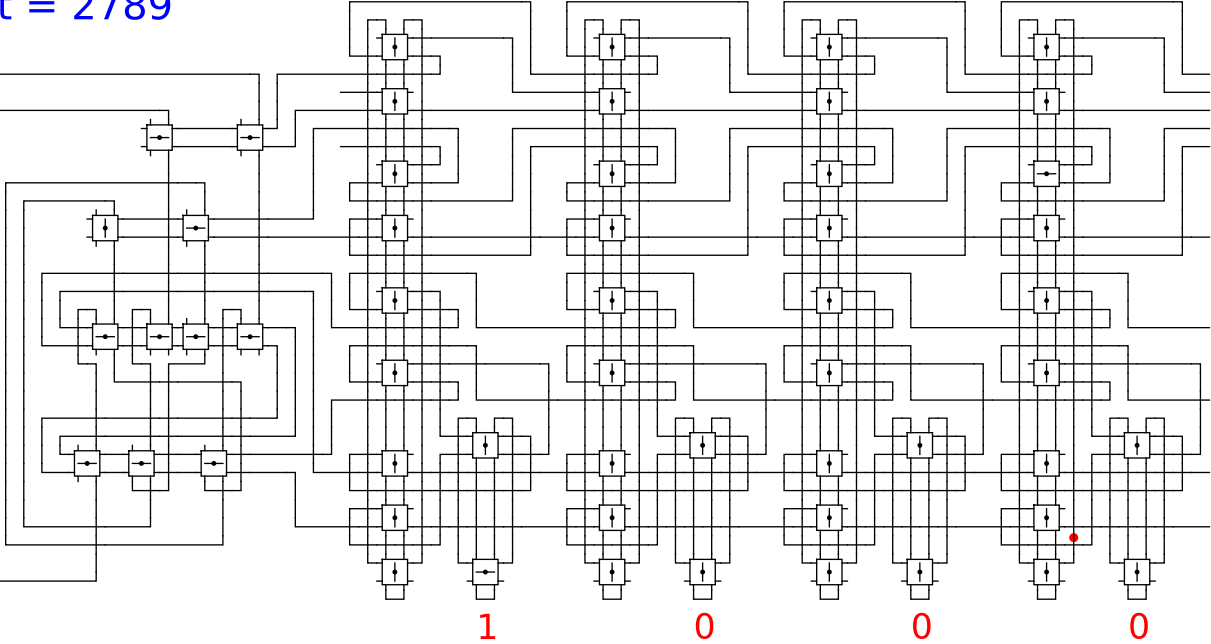
Begin



t = 2789

Reject
Accept

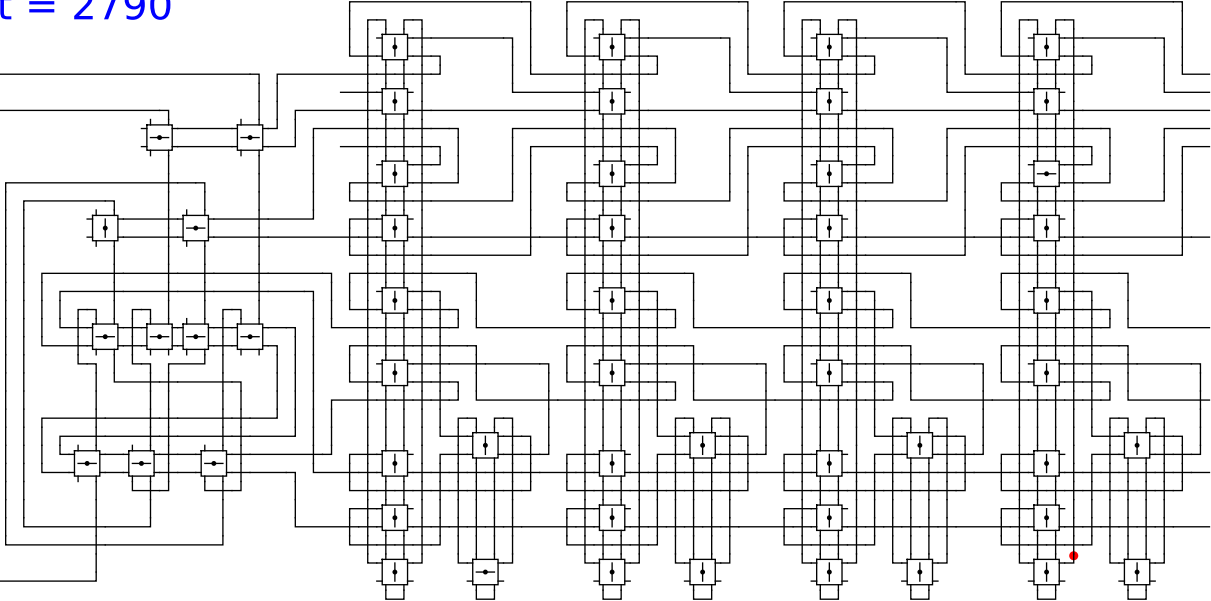
Begin



t = 2790

Reject
Accept

Begin



1

0

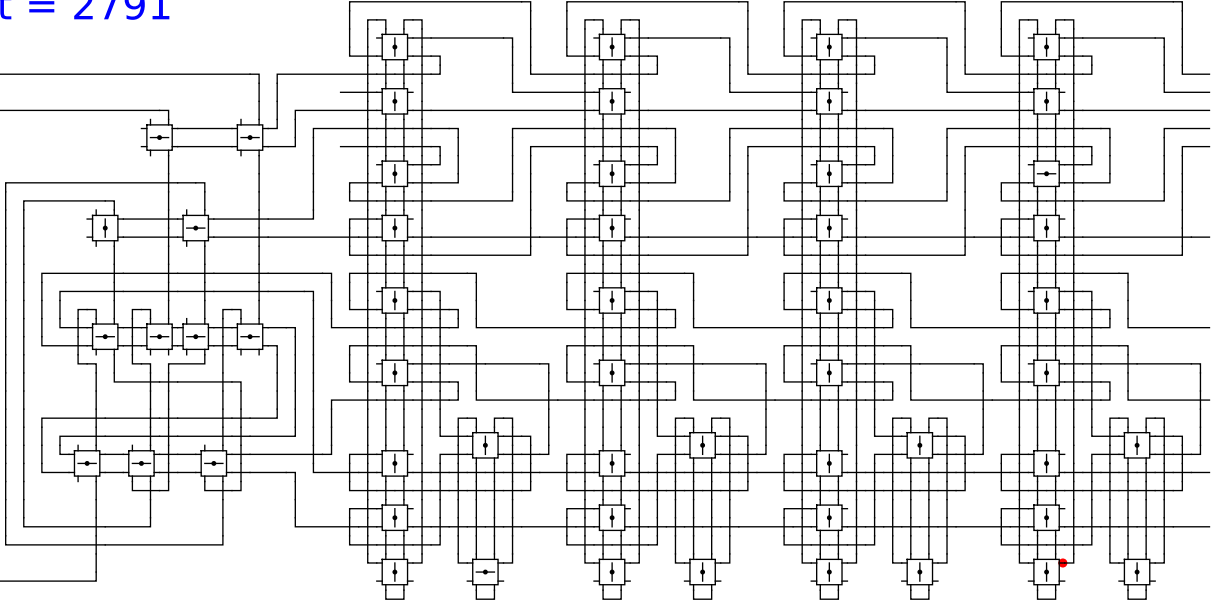
0

0

t = 2791

Reject
Accept

Begin



1

0

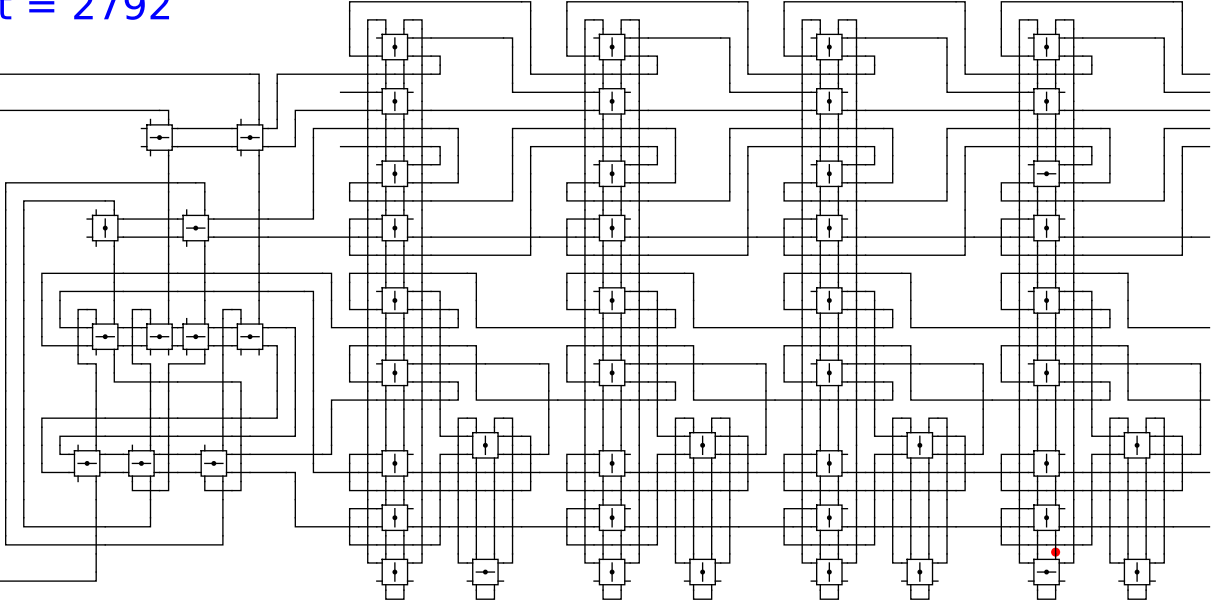
0

0

t = 2792

Reject
Accept

Begin



1

0

0

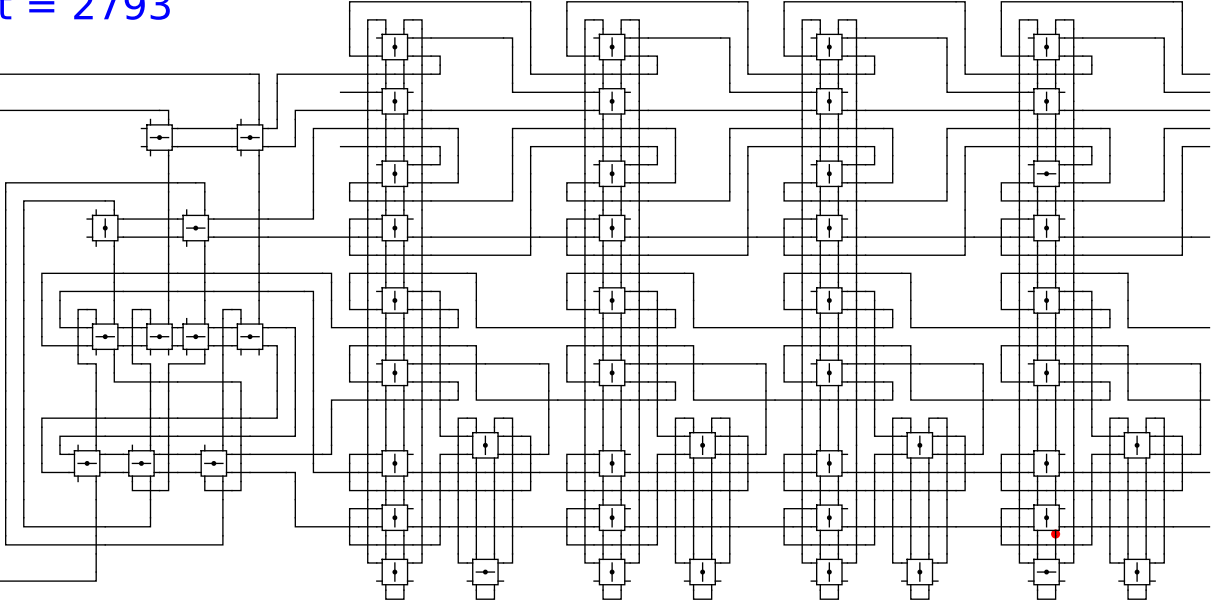
head

0

t = 2793

Reject
Accept

Begin



1

0

0

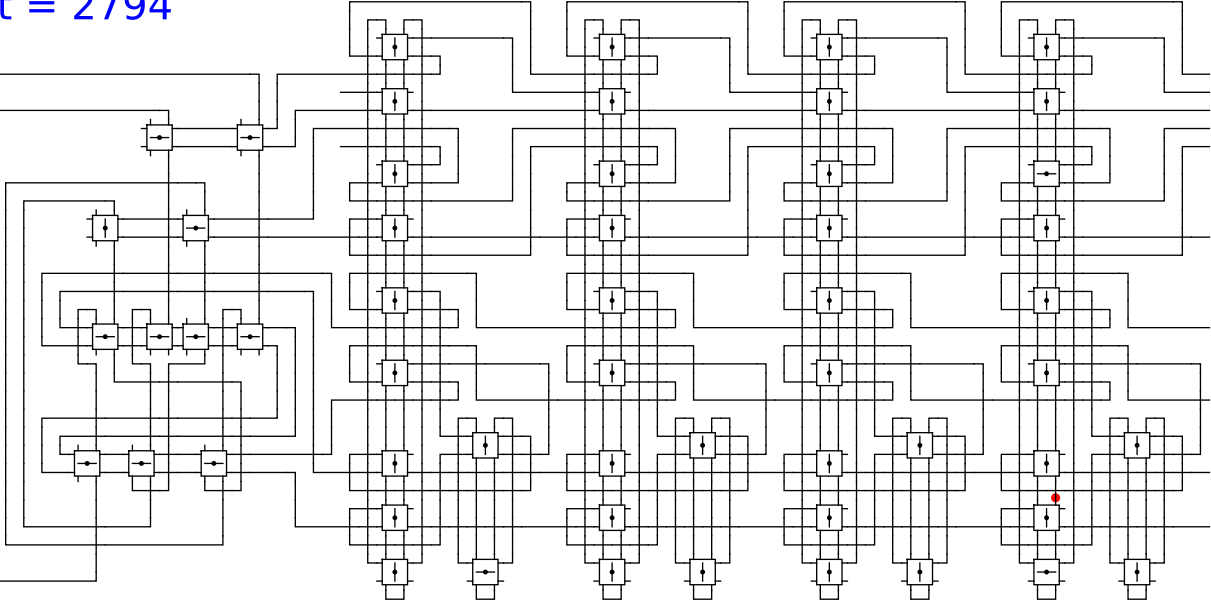
head

0

t = 2794

Reject
Accept

Begin

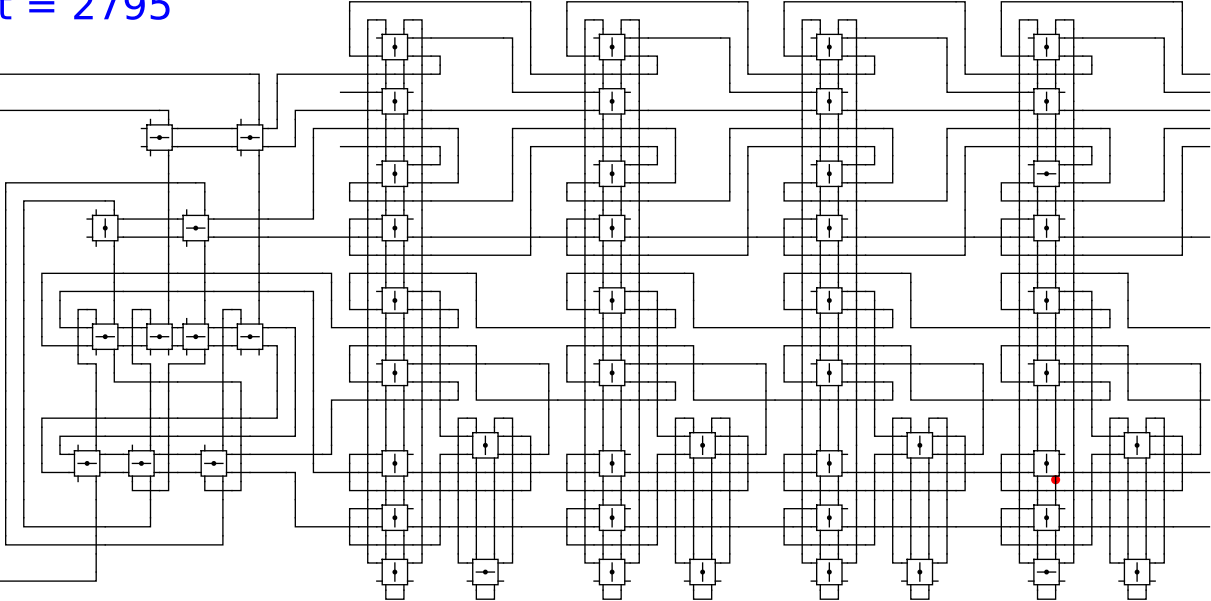


1 0 0 head 0

t = 2795

Reject
Accept

Begin



1

0

0

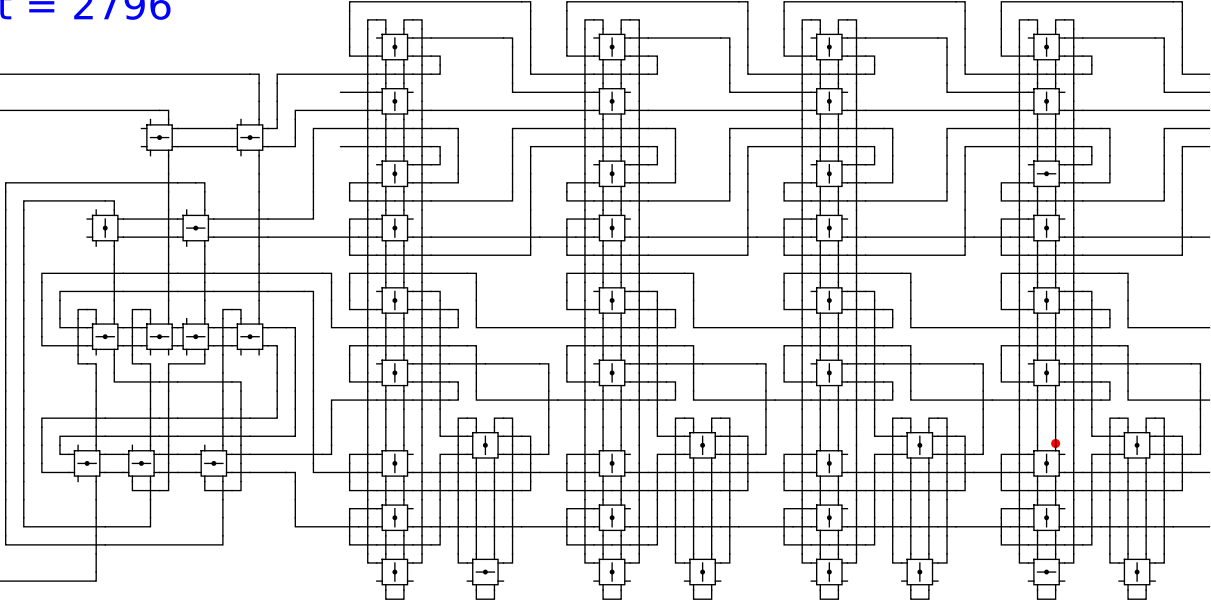
head

0

t = 2796

Reject
Accept

Begin



1

0

0

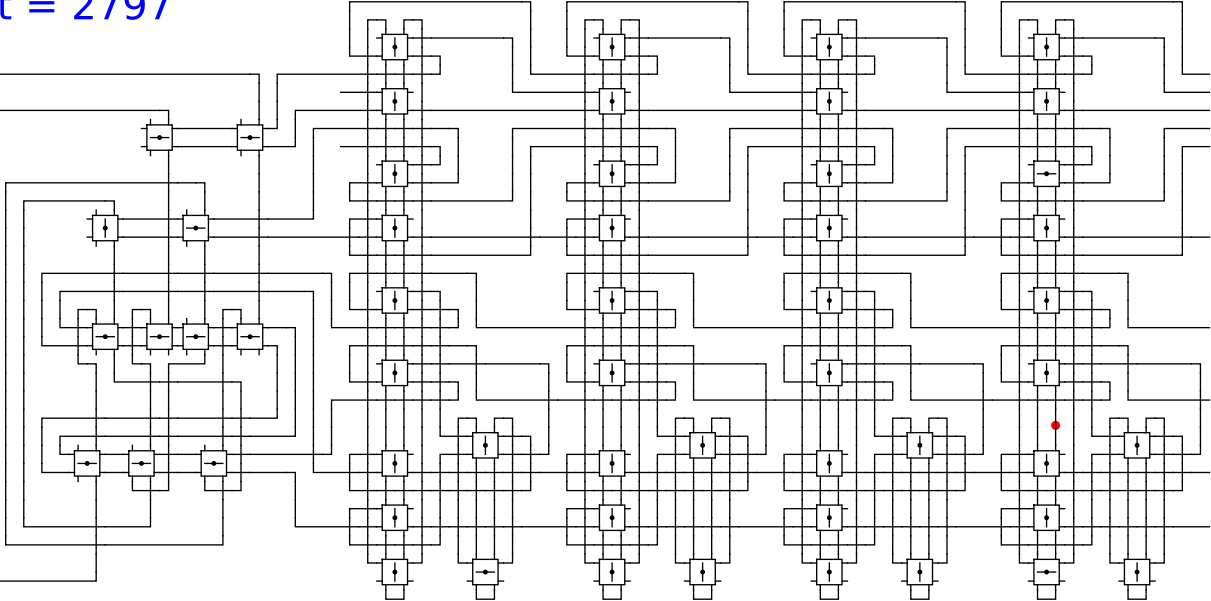
head

0

t = 2797

Reject
Accept

Begin



1

0

0

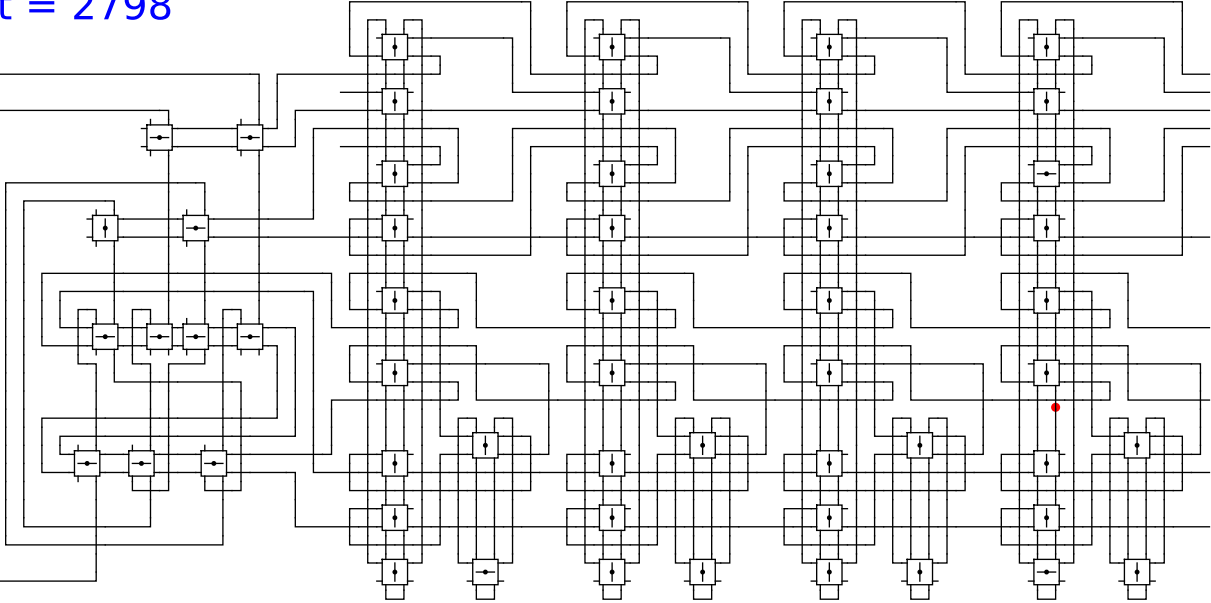
head

0

t = 2798

Reject
Accept

Begin



1

0

0

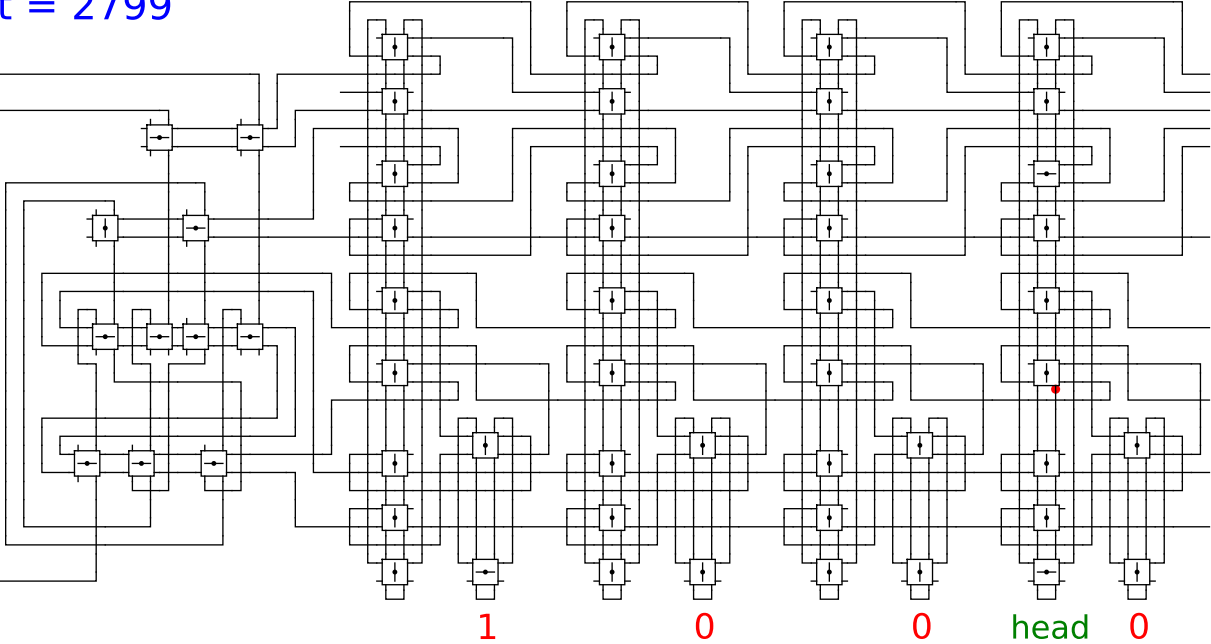
head

0

t = 2799

Reject
Accept

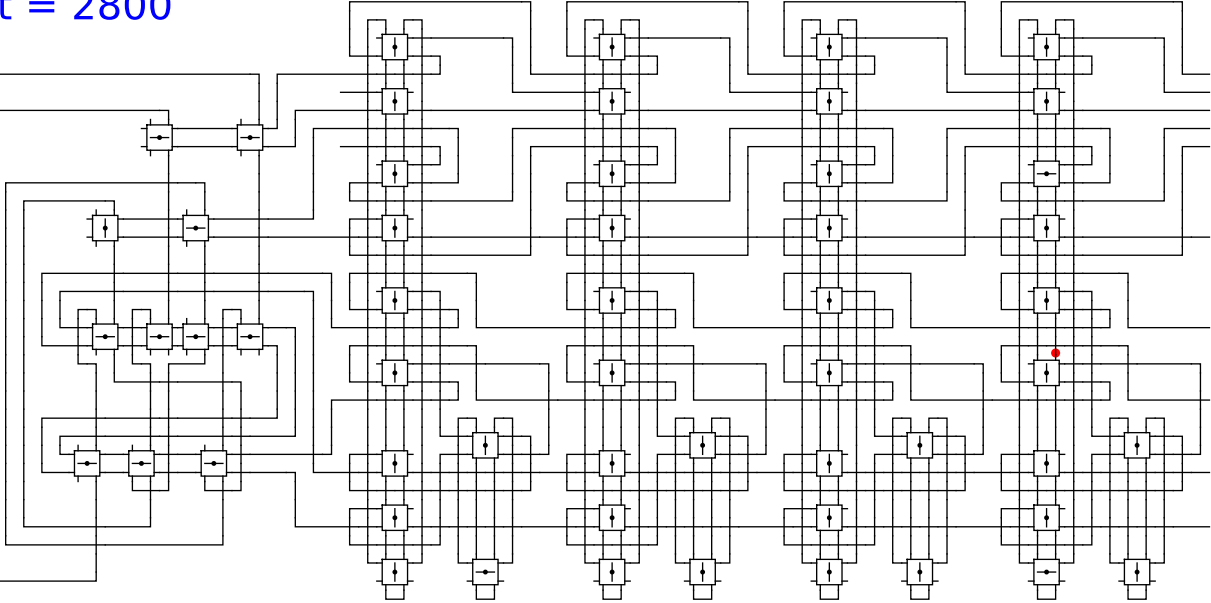
Begin



t = 2800

Reject
Accept

Begin



1

0

0

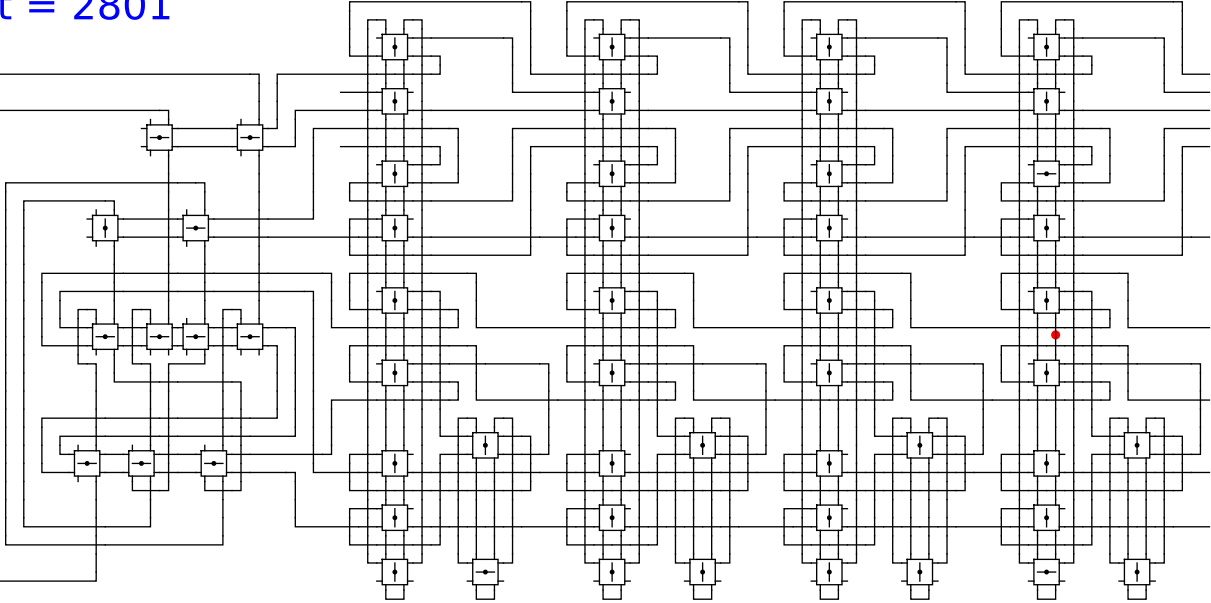
head

0

t = 2801

Reject
Accept

Begin



1

0

0

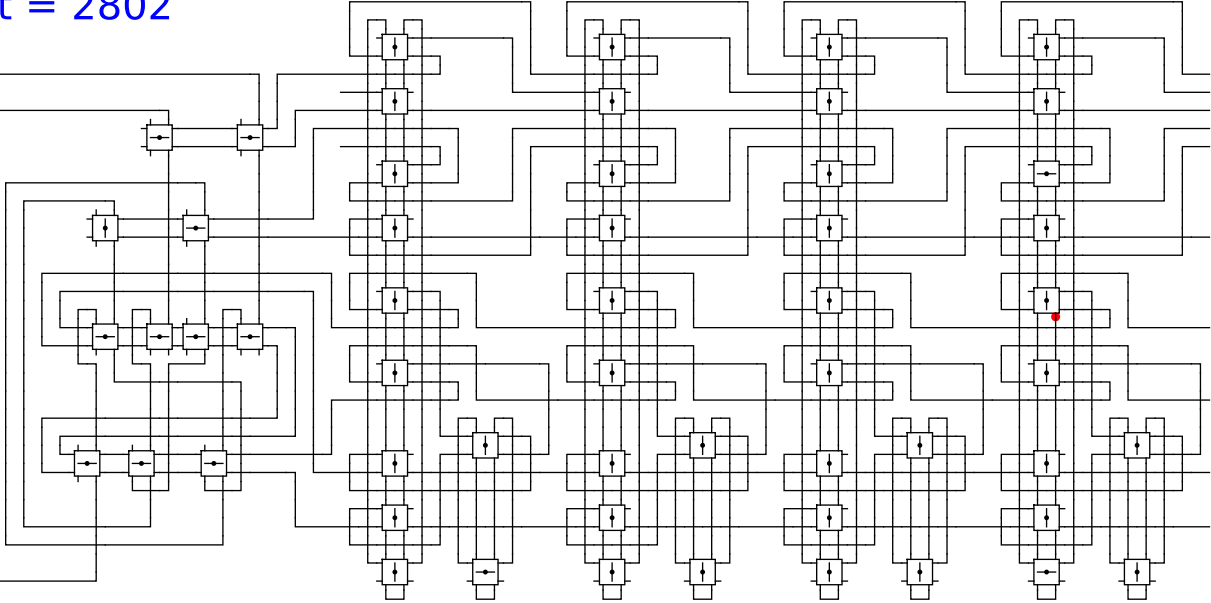
head

0

t = 2802

Reject
Accept

Begin



1

0

0

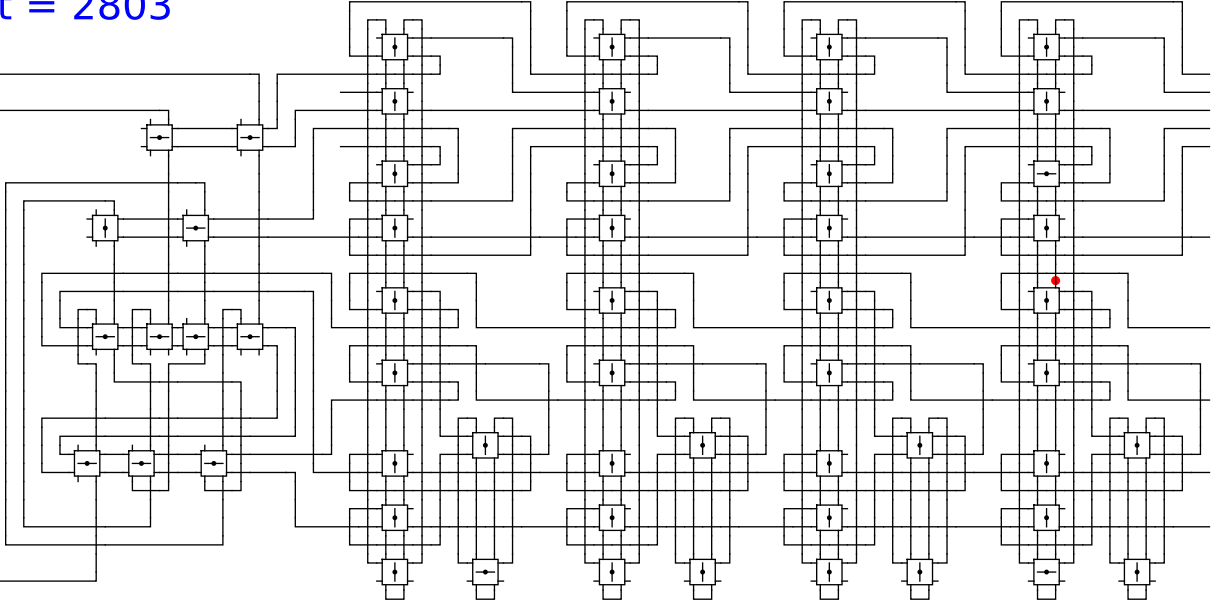
head

0

t = 2803

Reject
Accept

Begin

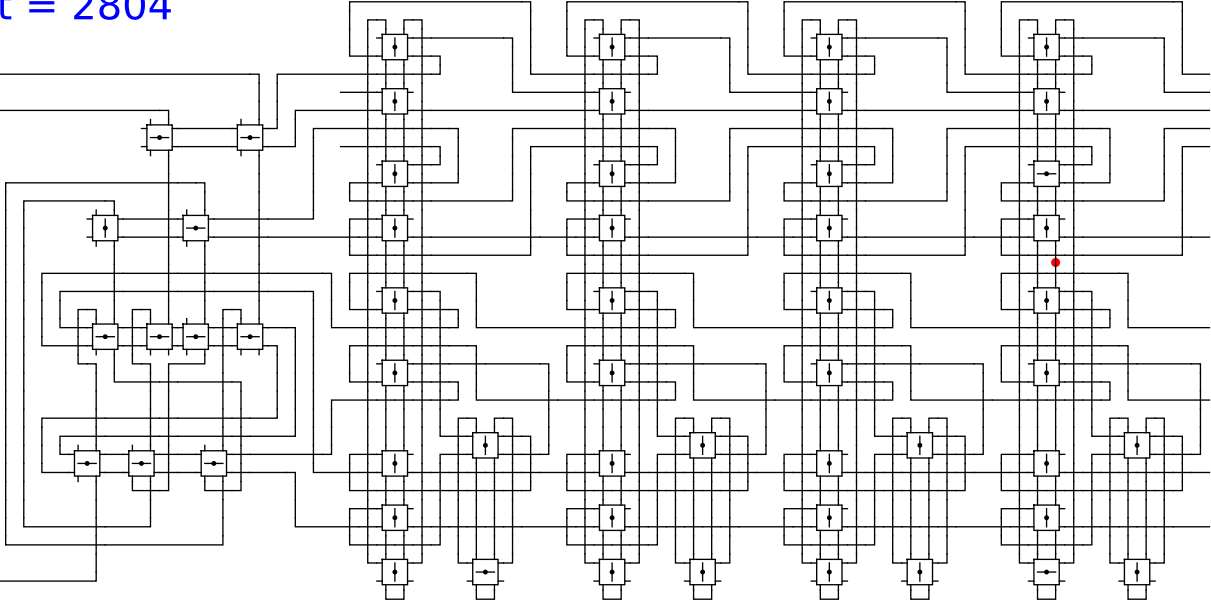


1 0 0 head 0

t = 2804

Reject
Accept

Begin

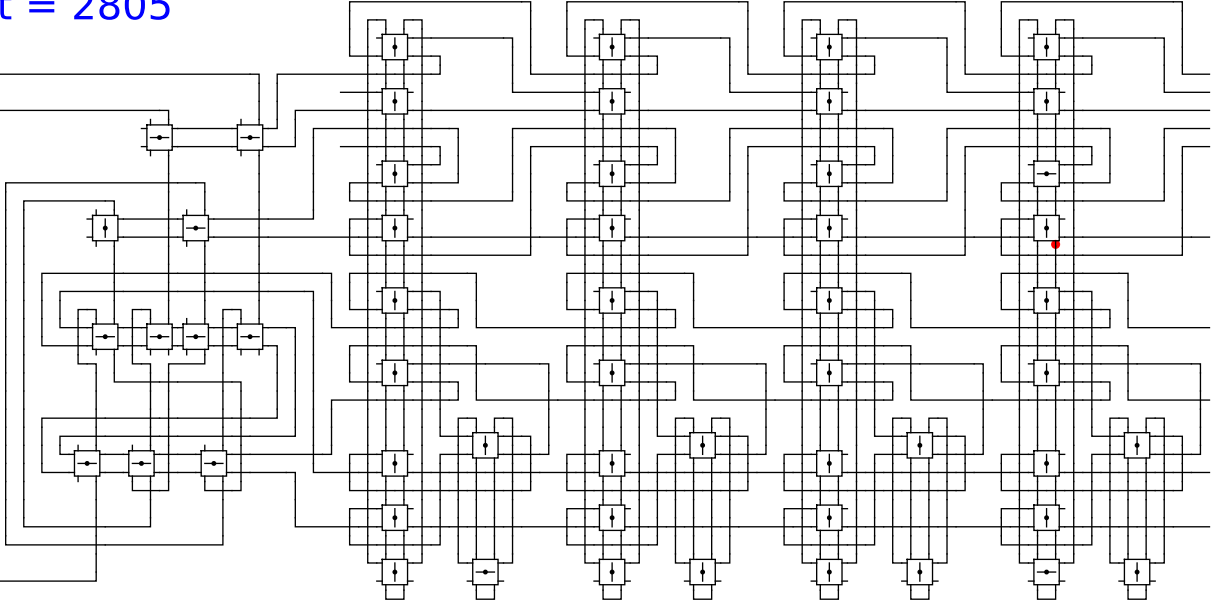


1 0 0 head 0

t = 2805

Reject
Accept

Begin



1

0

0

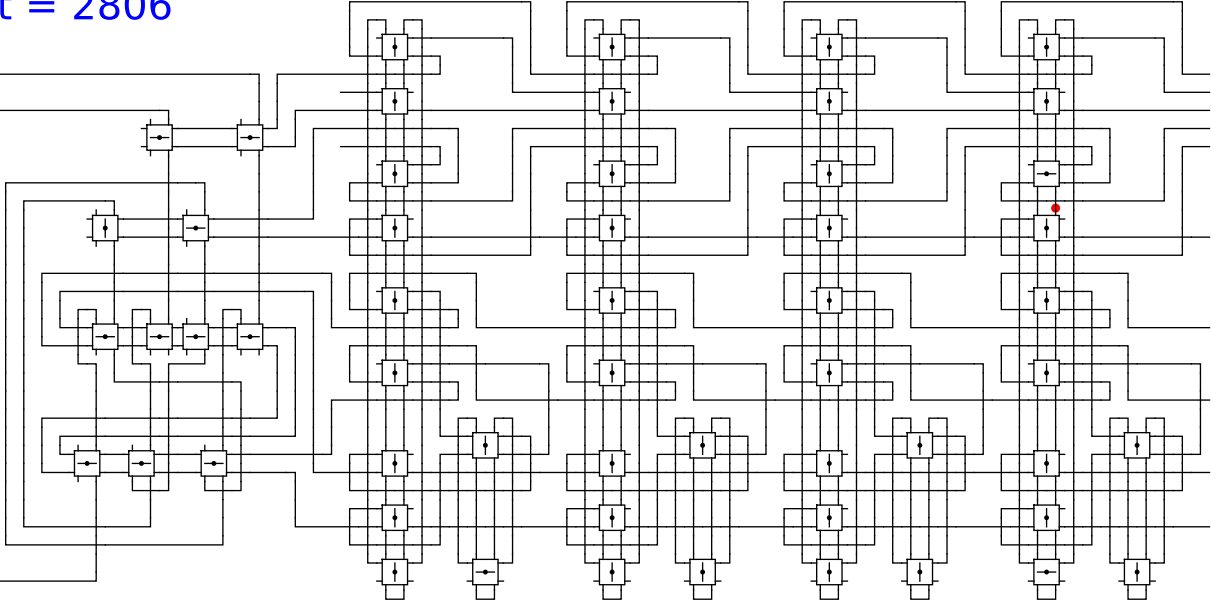
head

0

t = 2806

Reject
Accept

Begin



1

0

0

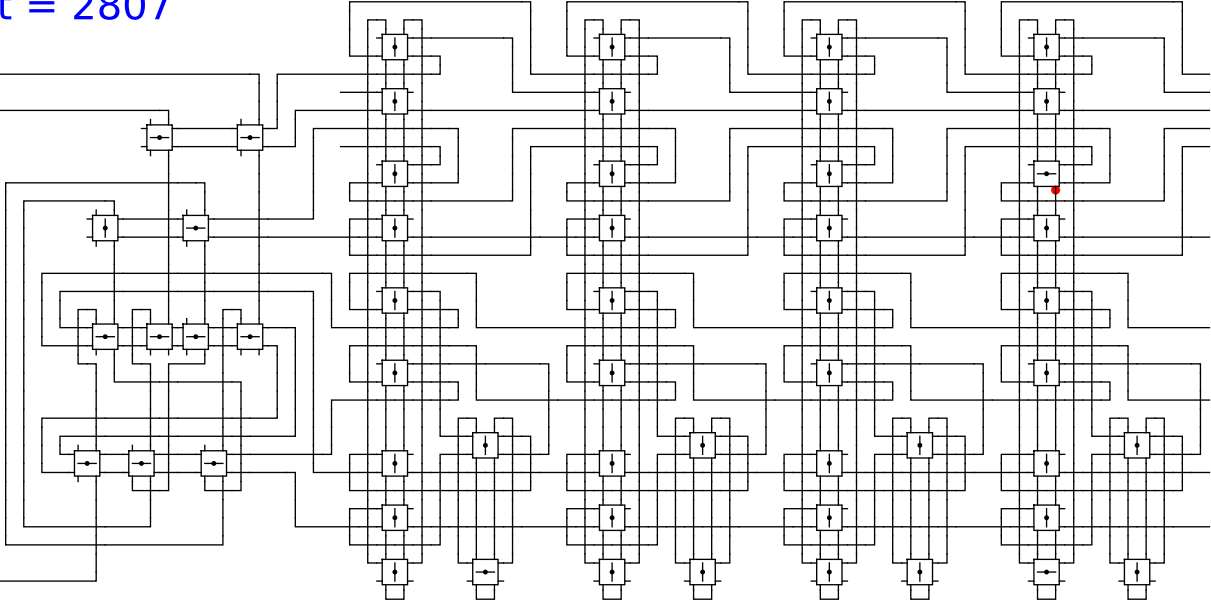
head

0

t = 2807

Reject
Accept

Begin



1

0

0

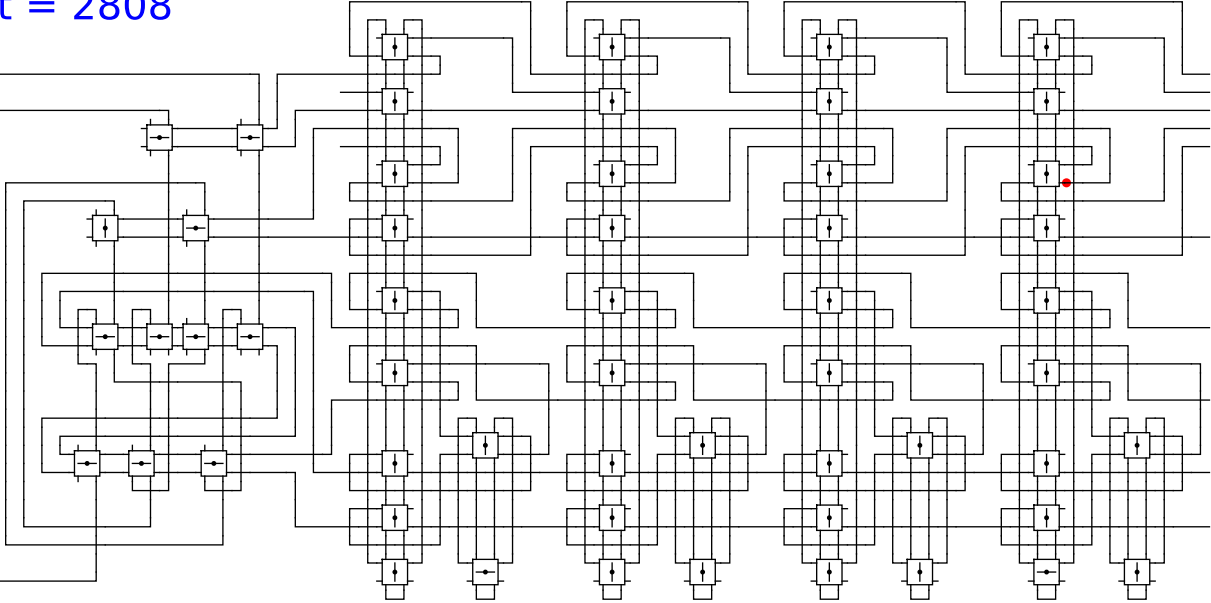
head

0

t = 2808

Reject
Accept

Begin



1

0

0

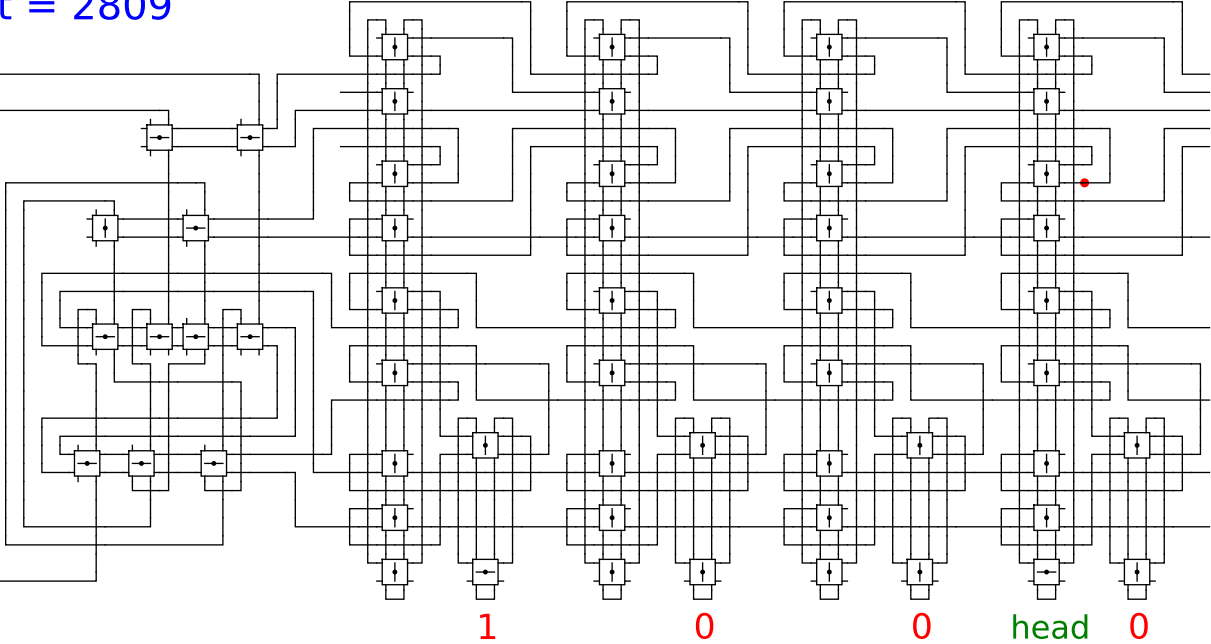
head

0

t = 2809

Reject
Accept

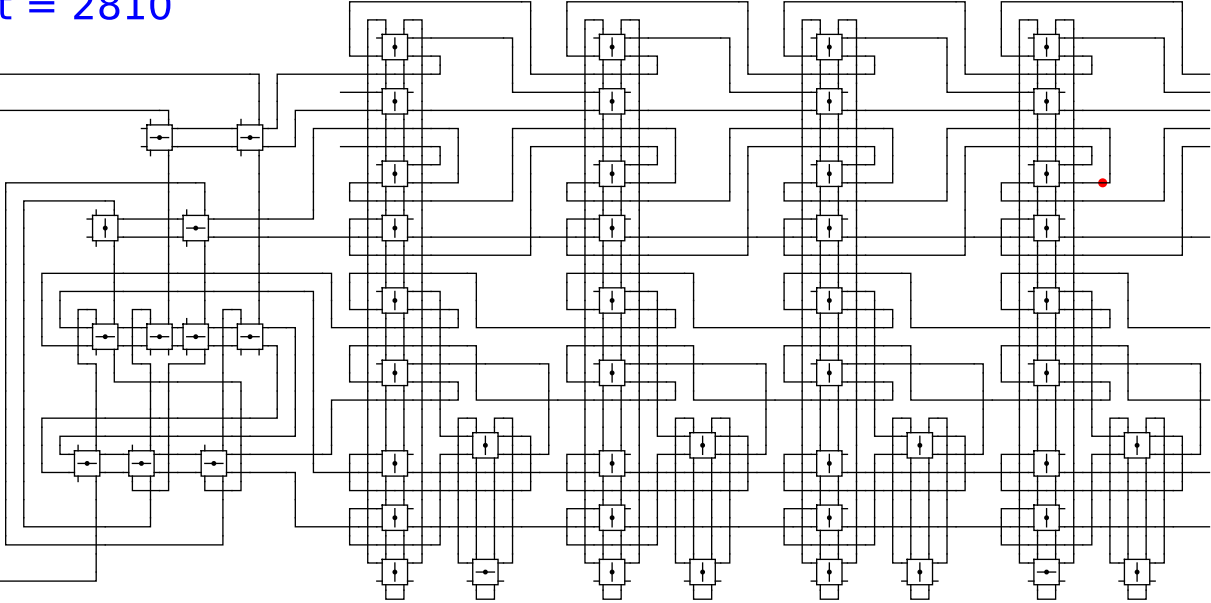
Begin



t = 2810

Reject
Accept

Begin



1

0

0

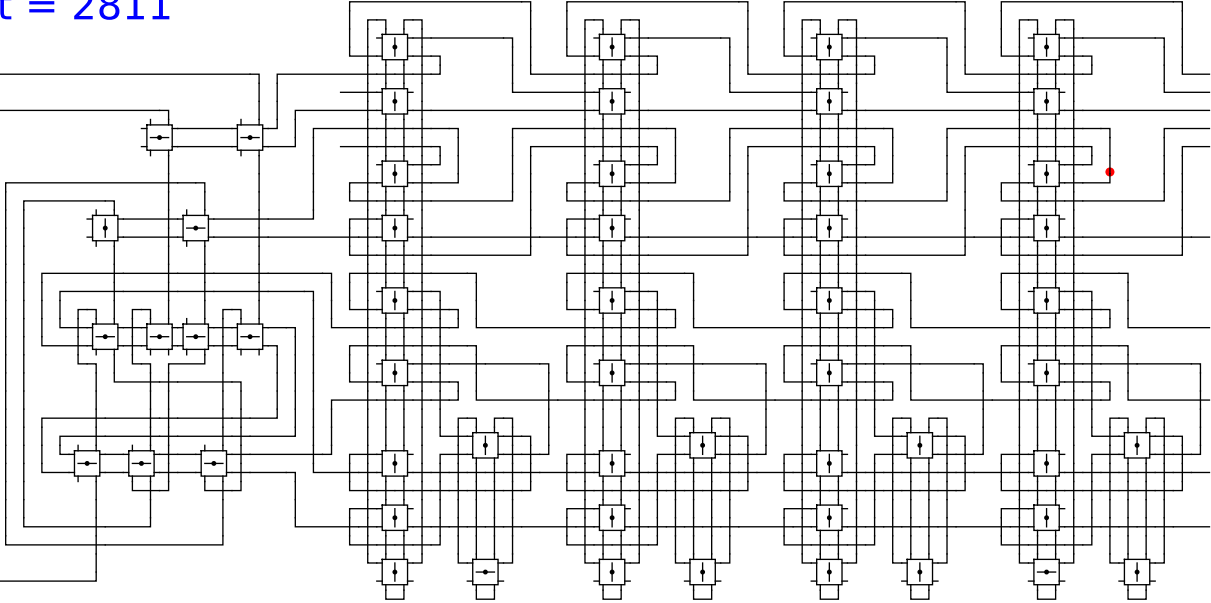
head

0

t = 2811

Reject
Accept

Begin

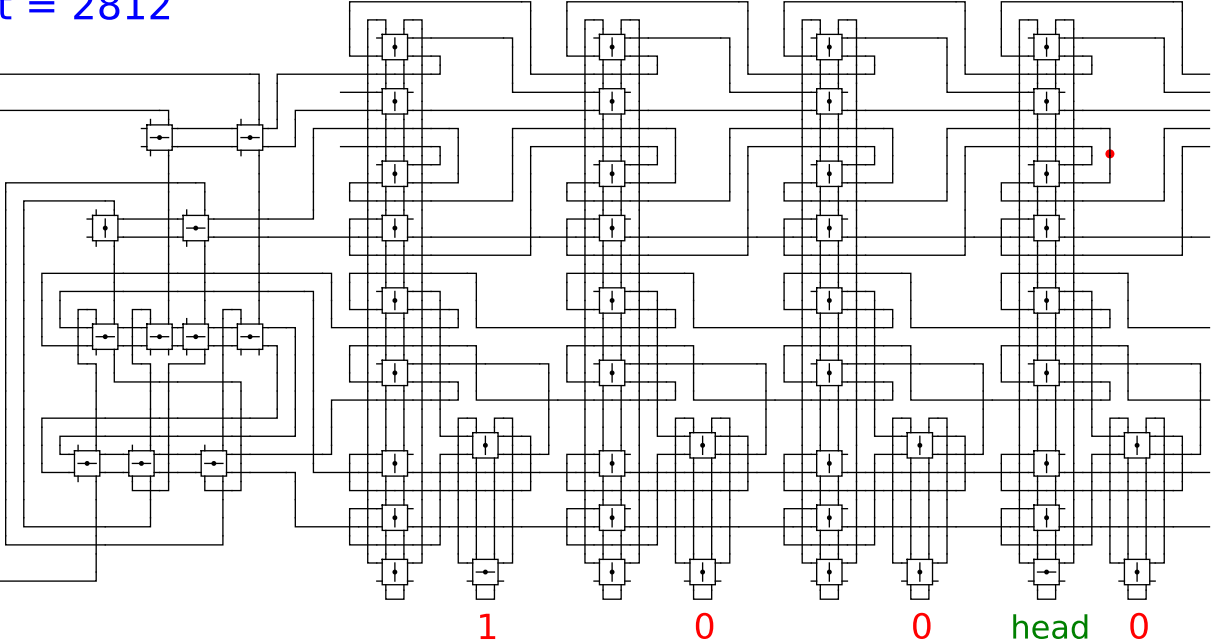


1 0 0 head 0

t = 2812

Reject
Accept

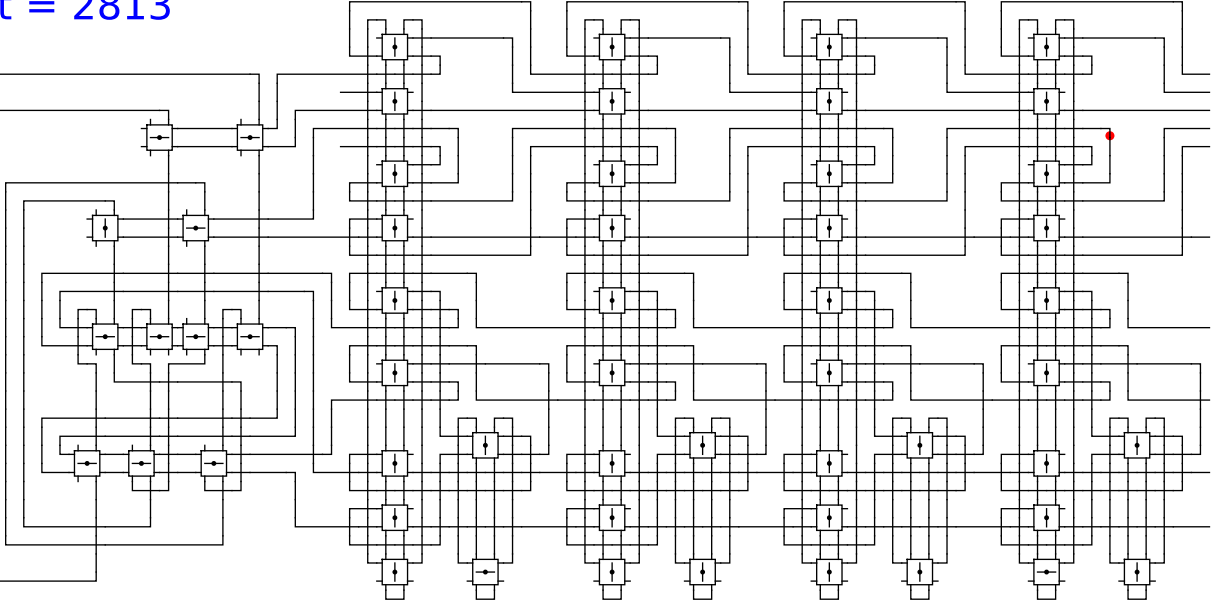
Begin



t = 2813

Reject
Accept

Begin

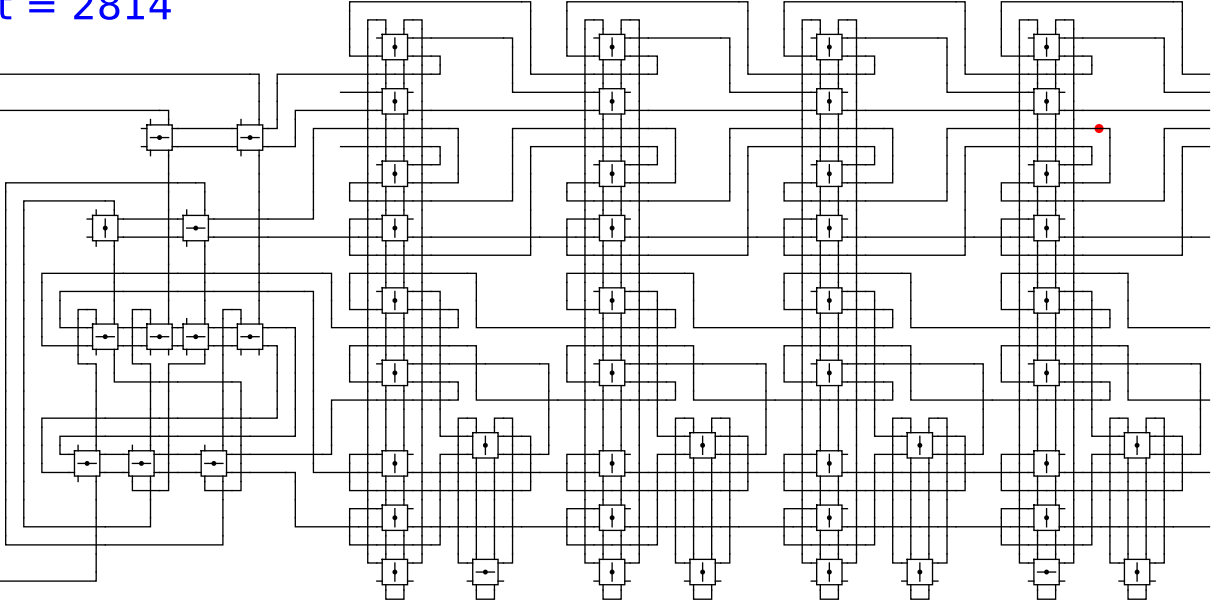


1 0 0 head 0

t = 2814

Reject
Accept

Begin

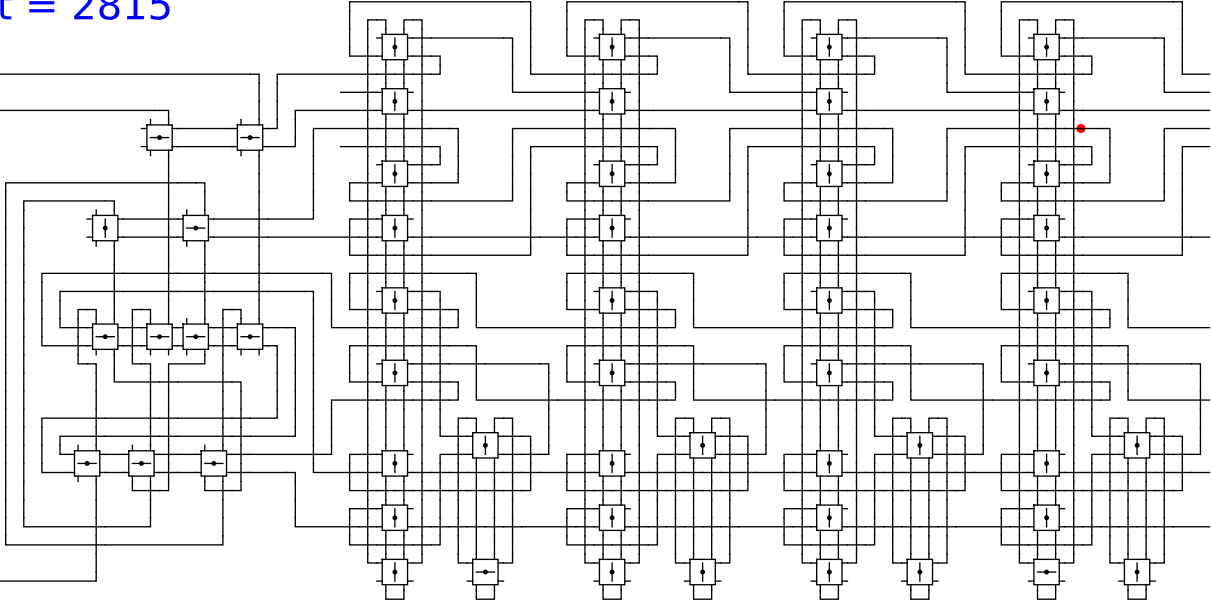


1 0 0 head 0

t = 2815

Reject
Accept

Begin

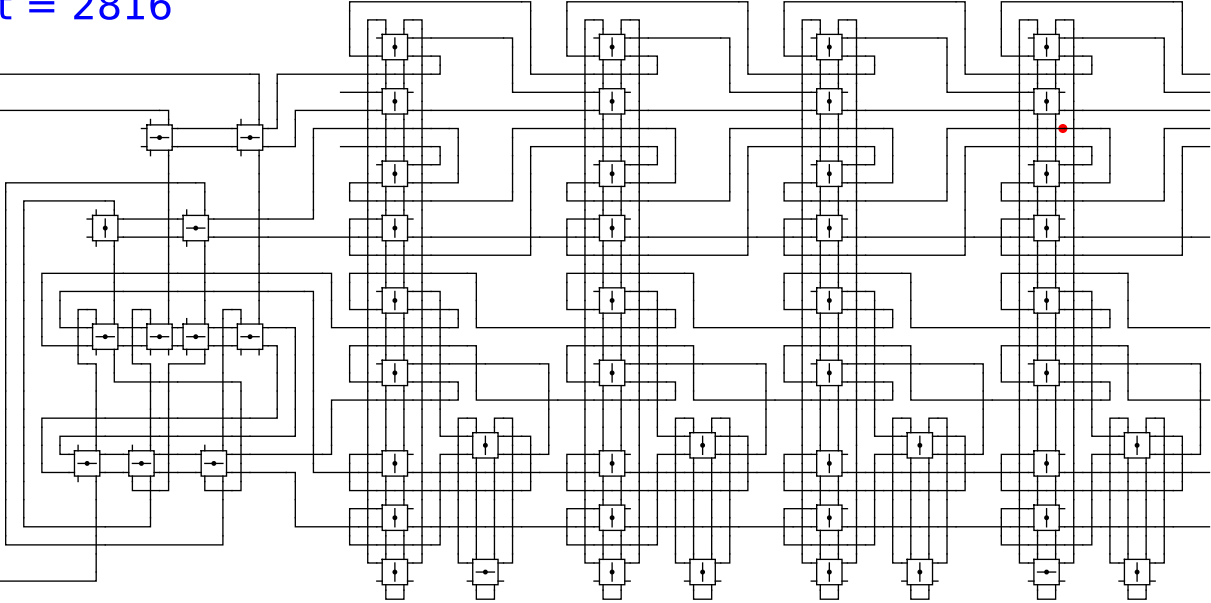


1 0 0 head 0

t = 2816

Reject
Accept

Begin



1

0

0

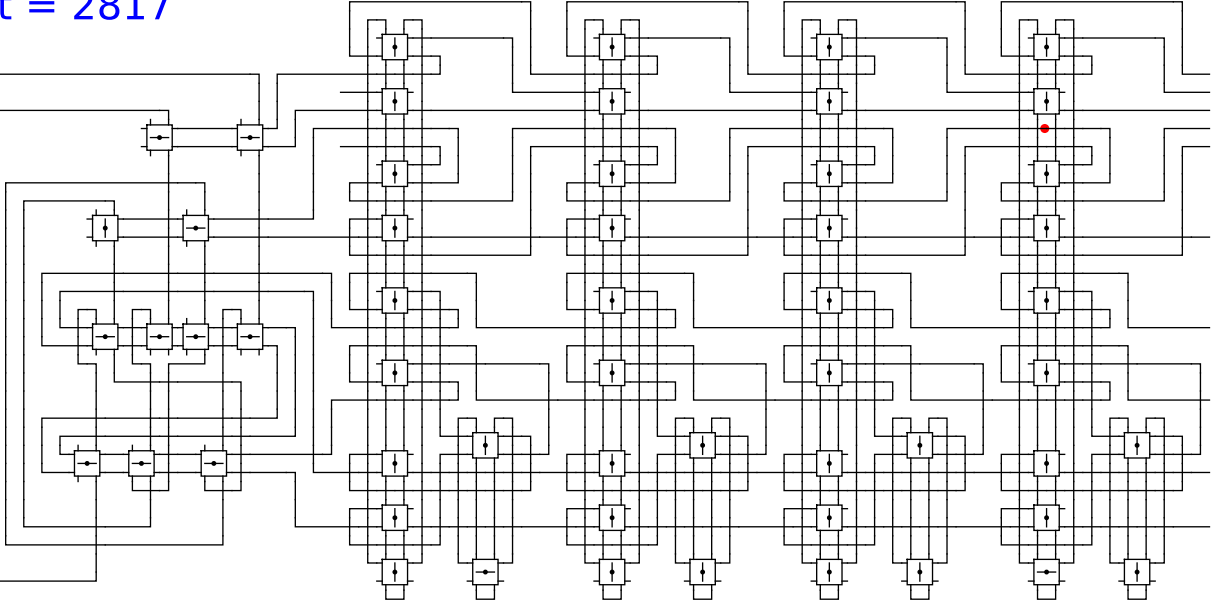
head

0

t = 2817

Reject
Accept

Begin

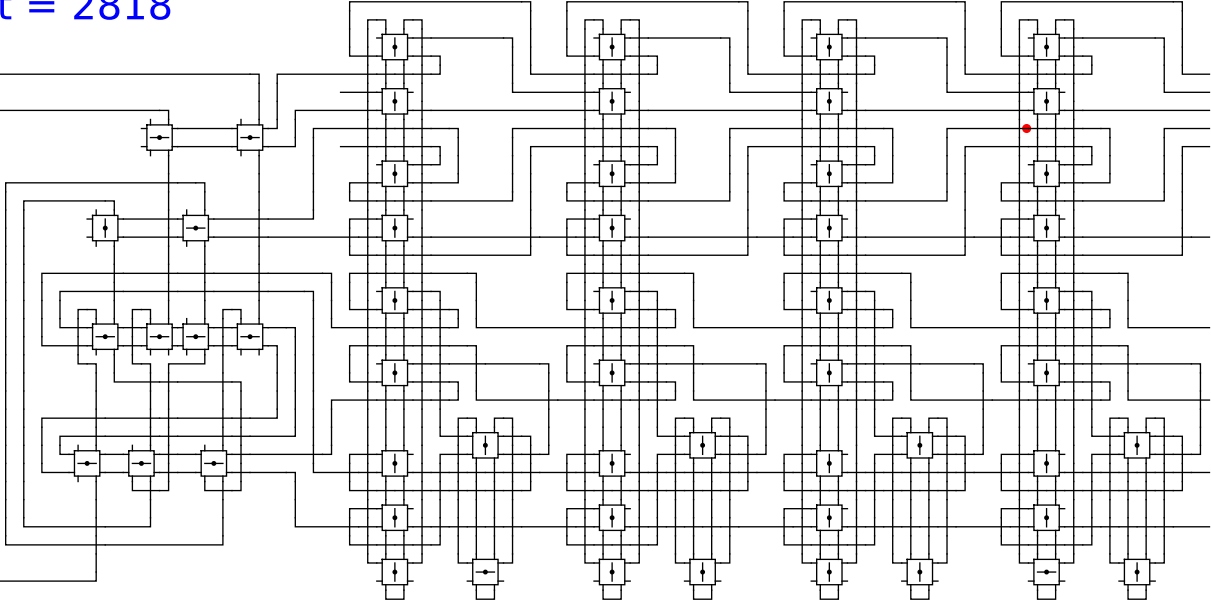


1 0 0 head 0

t = 2818

Reject
Accept

Begin



1

0

0

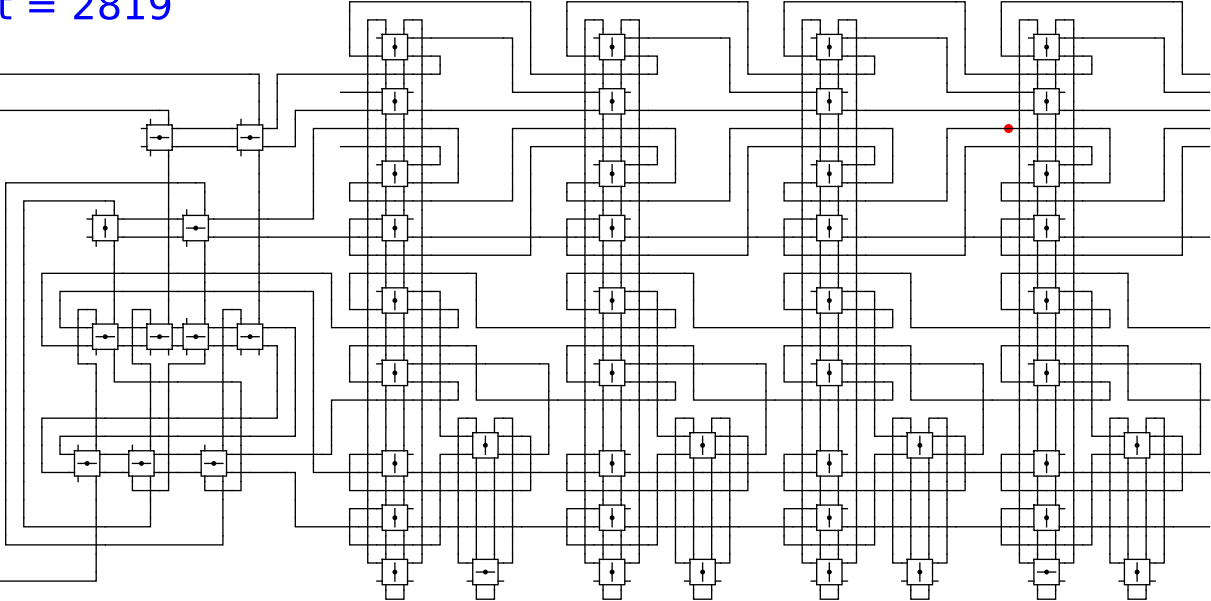
head

0

t = 2819

Reject
Accept

Begin



1

0

0

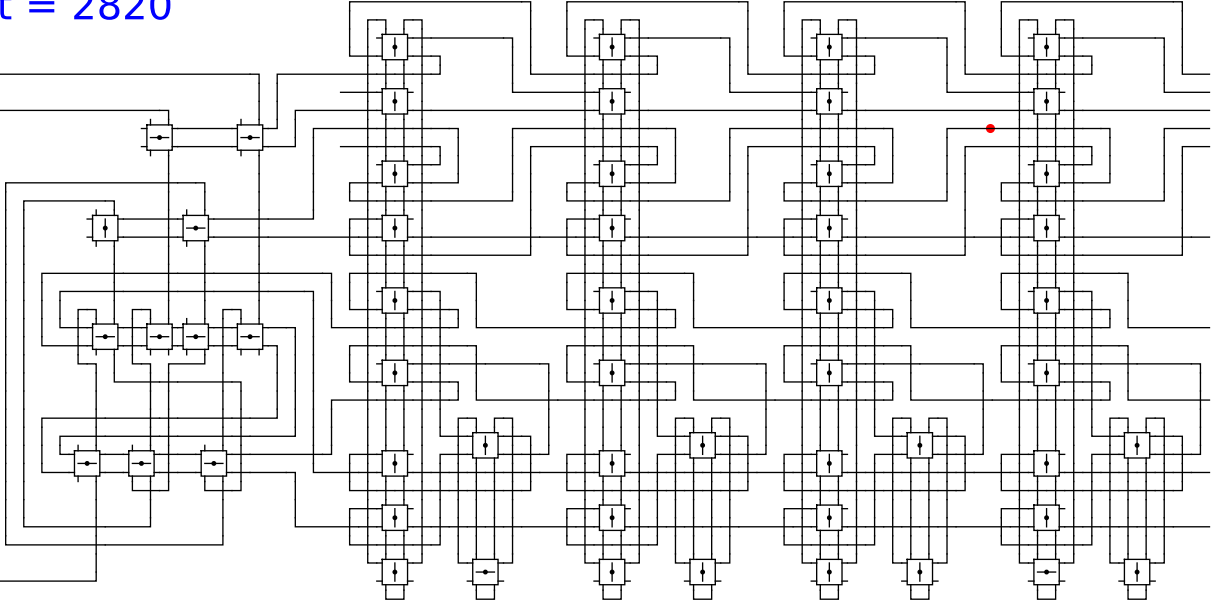
head

0

t = 2820

Reject
Accept

Begin



1

0

0

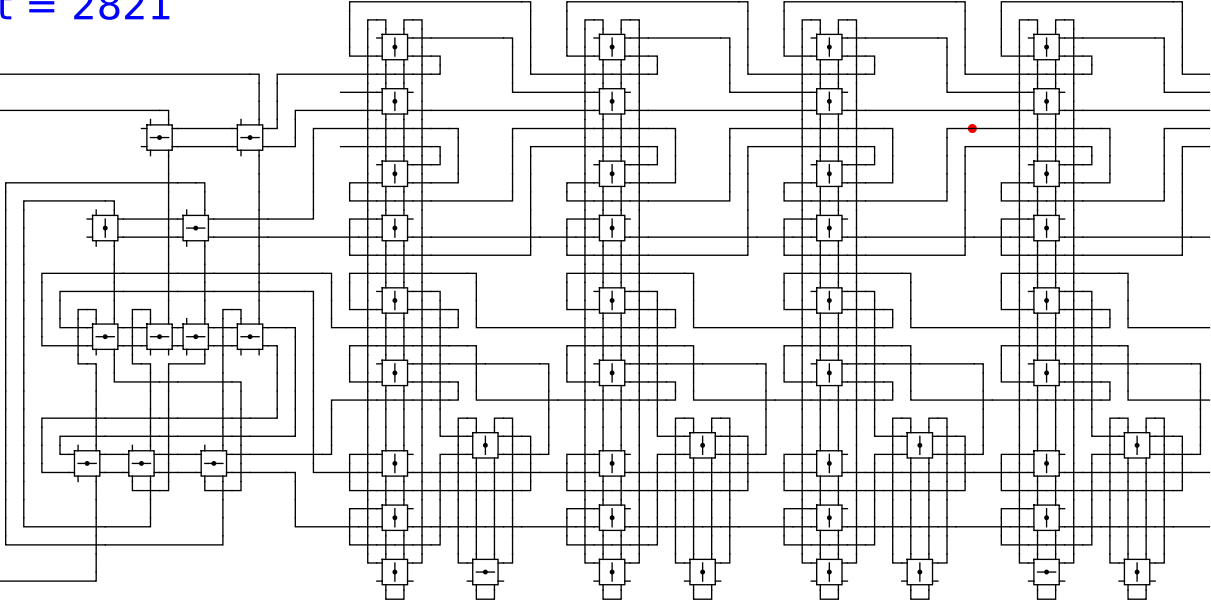
head

0

t = 2821

Reject
Accept

Begin

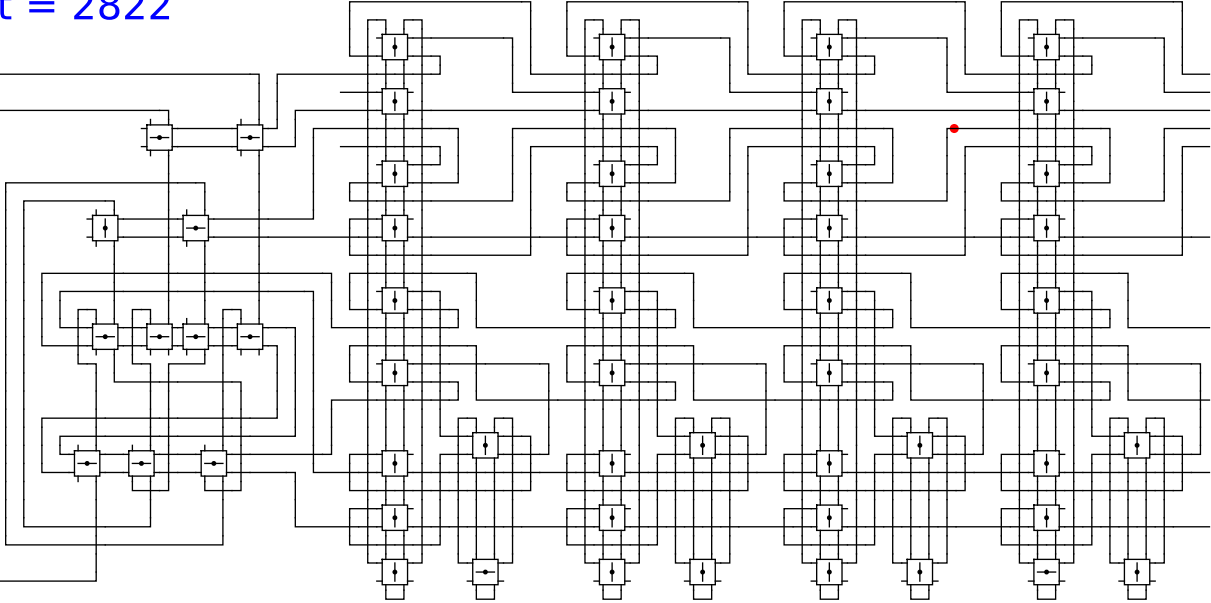


1 0 0 head 0

t = 2822

Reject
Accept

Begin

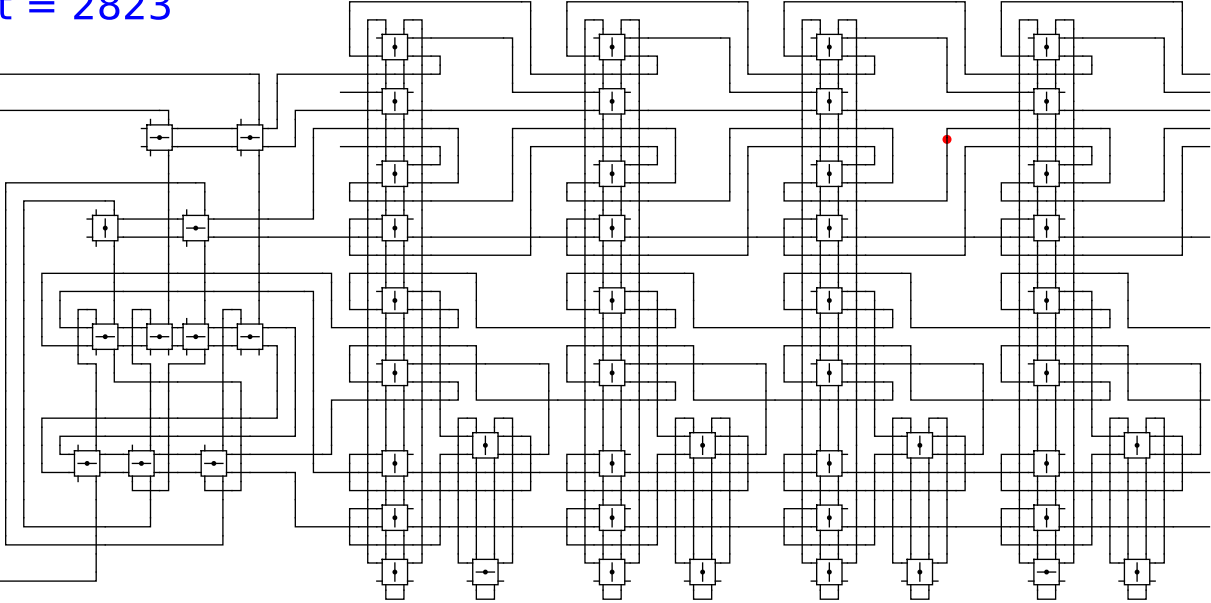


1 0 0 head 0

t = 2823

Reject
Accept

Begin



1

0

0

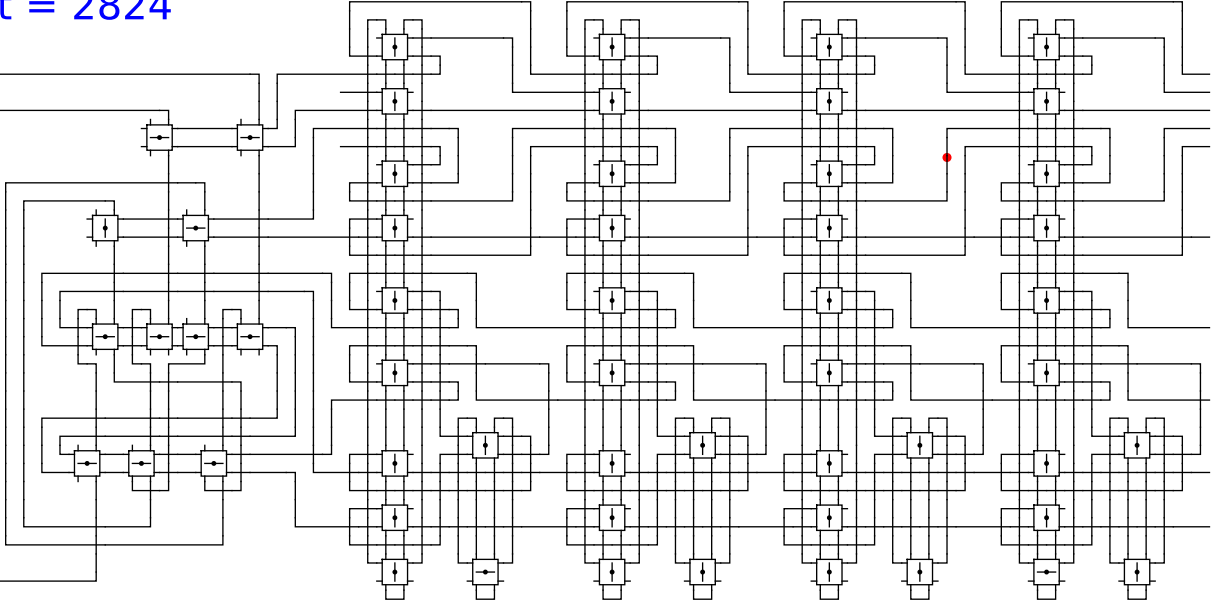
head

0

t = 2824

Reject
Accept

Begin



1

0

0

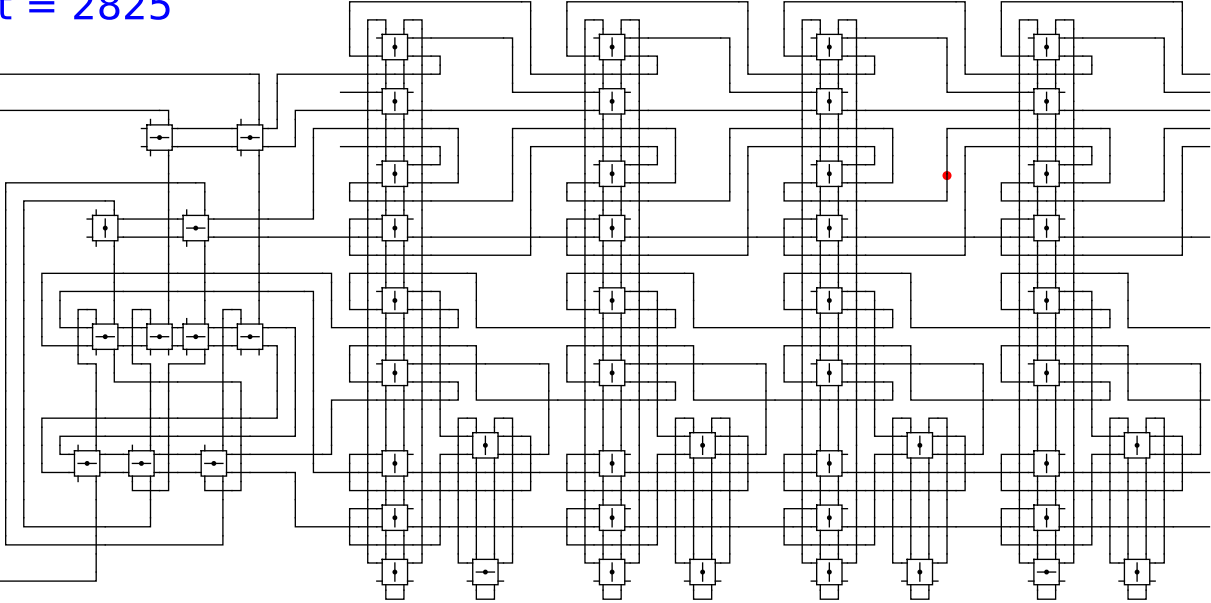
head

0

t = 2825

Reject
Accept

Begin

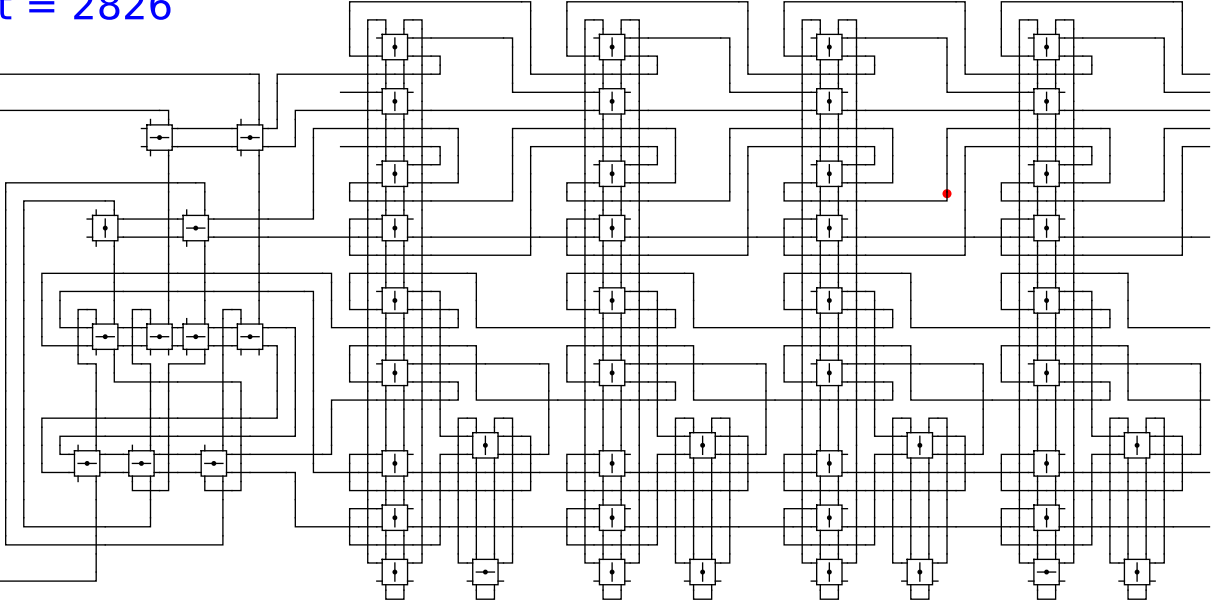


1 0 0 head 0

t = 2826

Reject
Accept

Begin

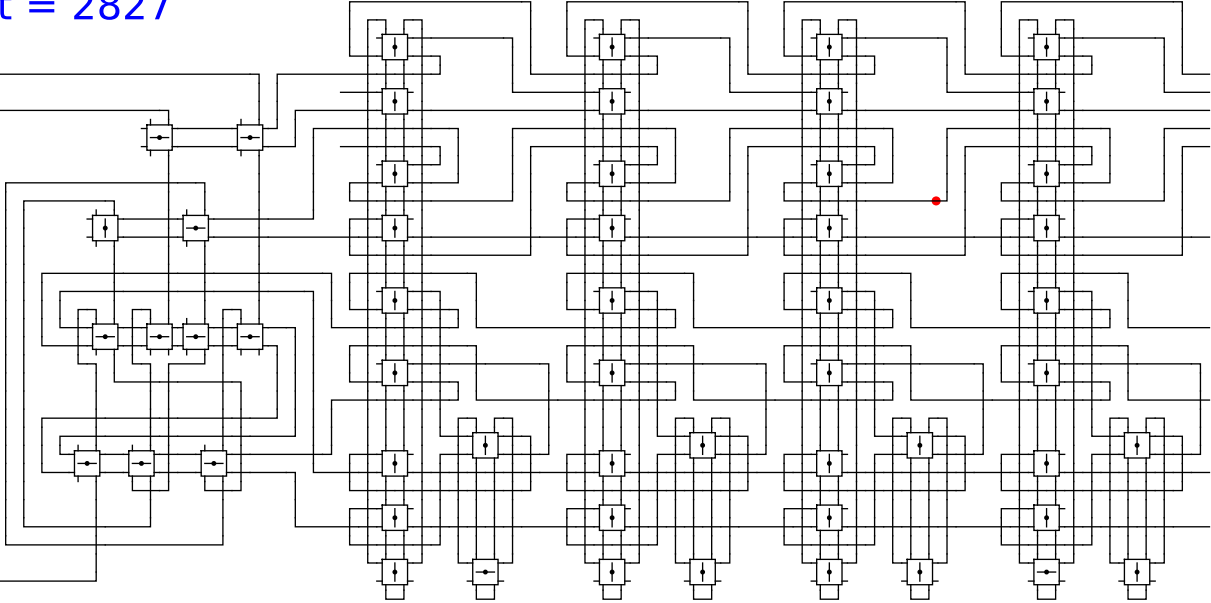


1 0 0 head 0

t = 2827

Reject
Accept

Begin



1

0

0

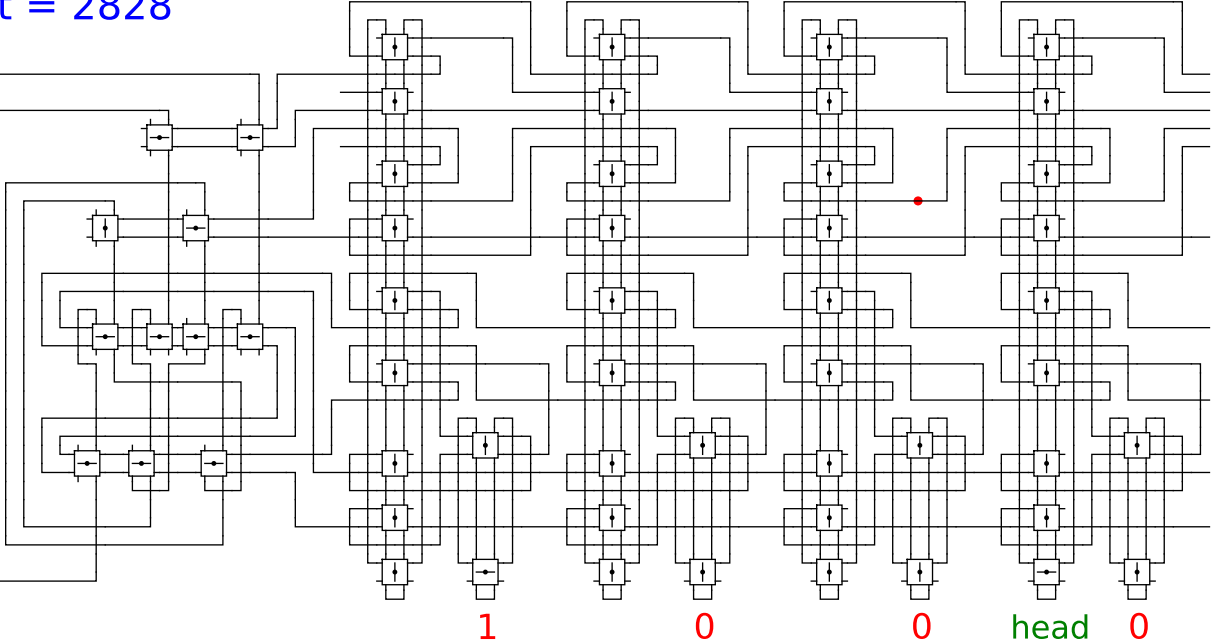
head

0

t = 2828

Reject
Accept

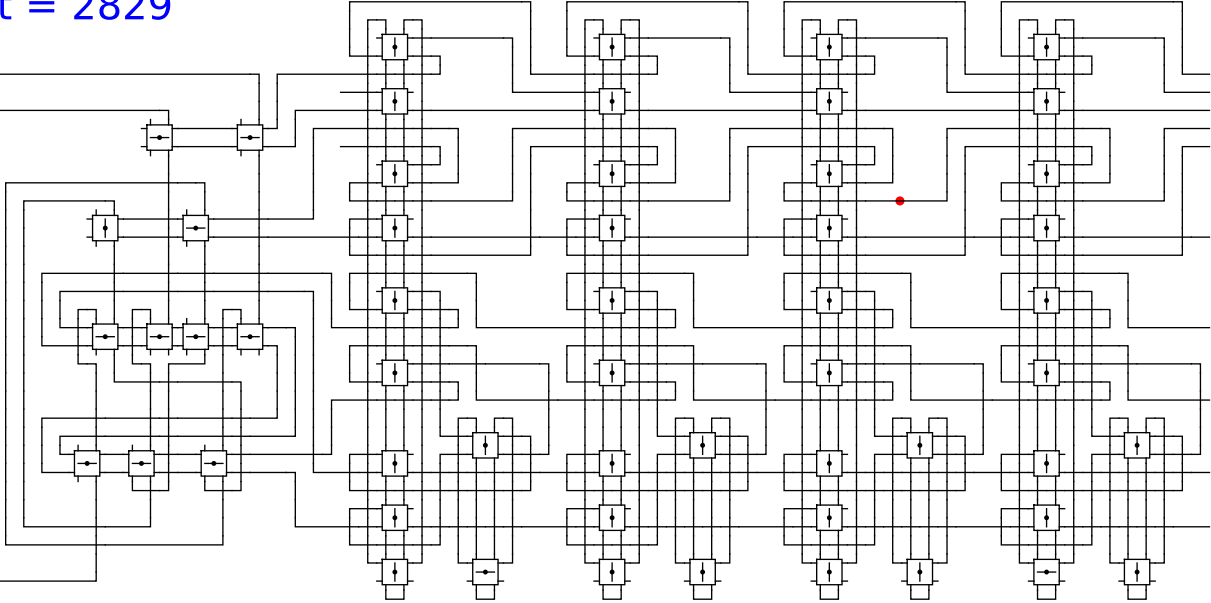
Begin



t = 2829

Reject
Accept

Begin



1

0

0

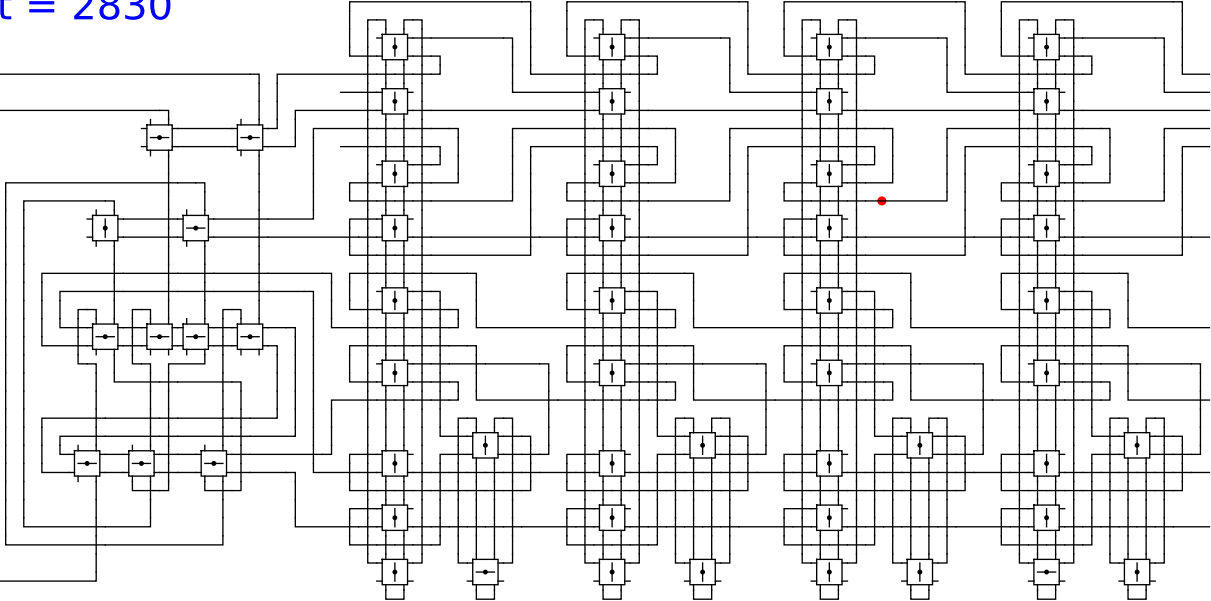
head

0

t = 2830

Reject
Accept

Begin



1

0

0

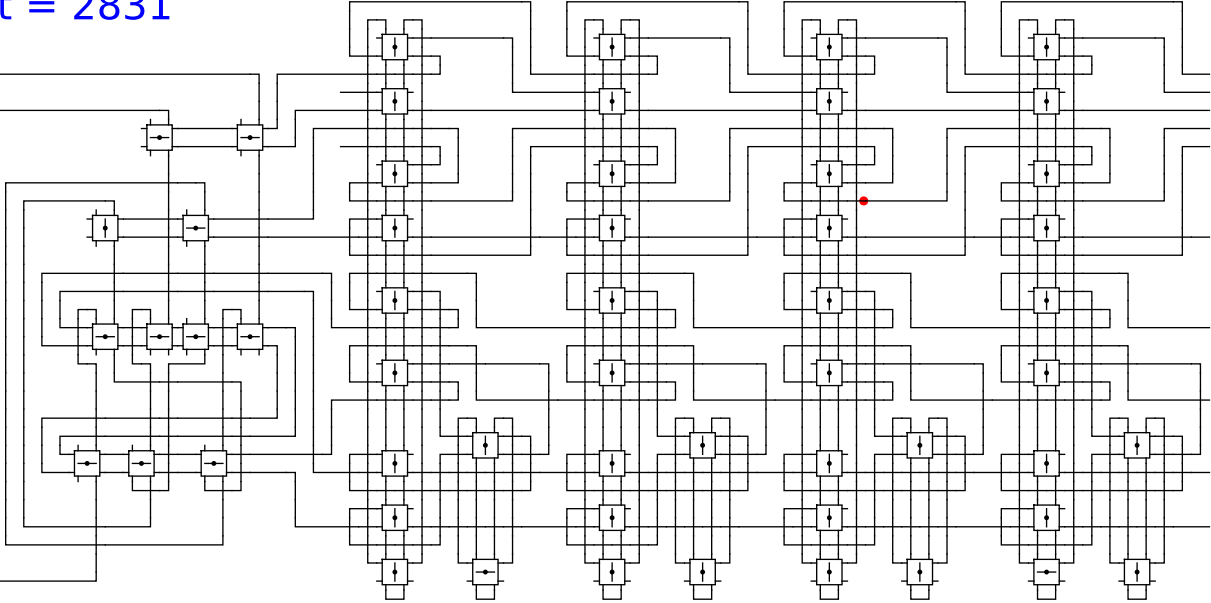
head

0

t = 2831

Reject
Accept

Begin

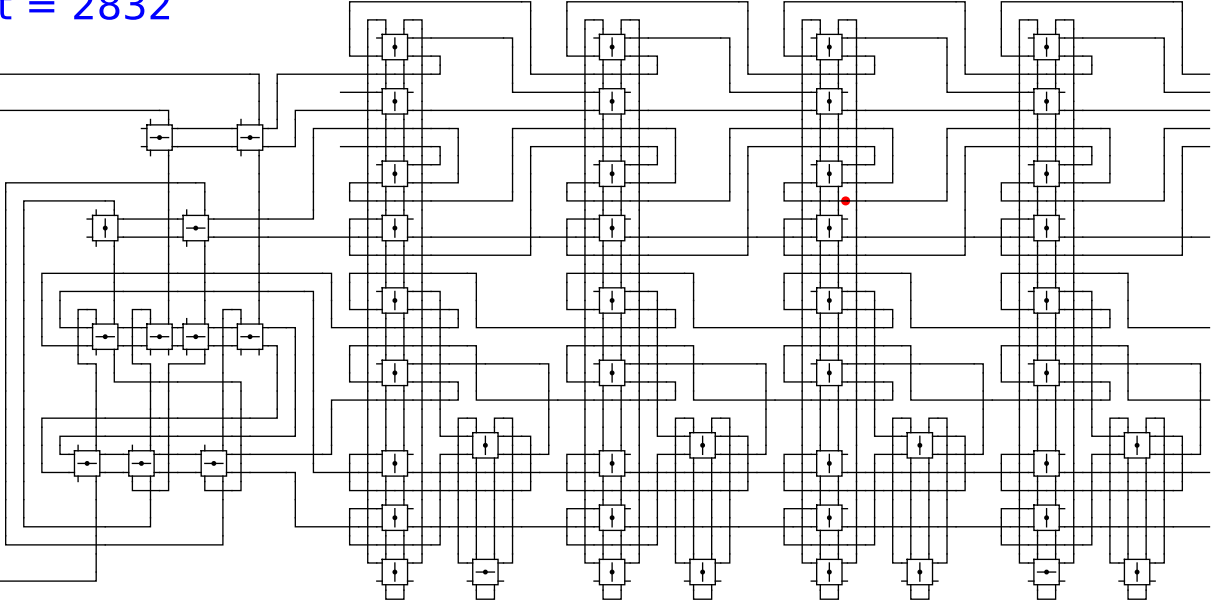


1 0 0 head 0

t = 2832

Reject
Accept

Begin



1

0

0

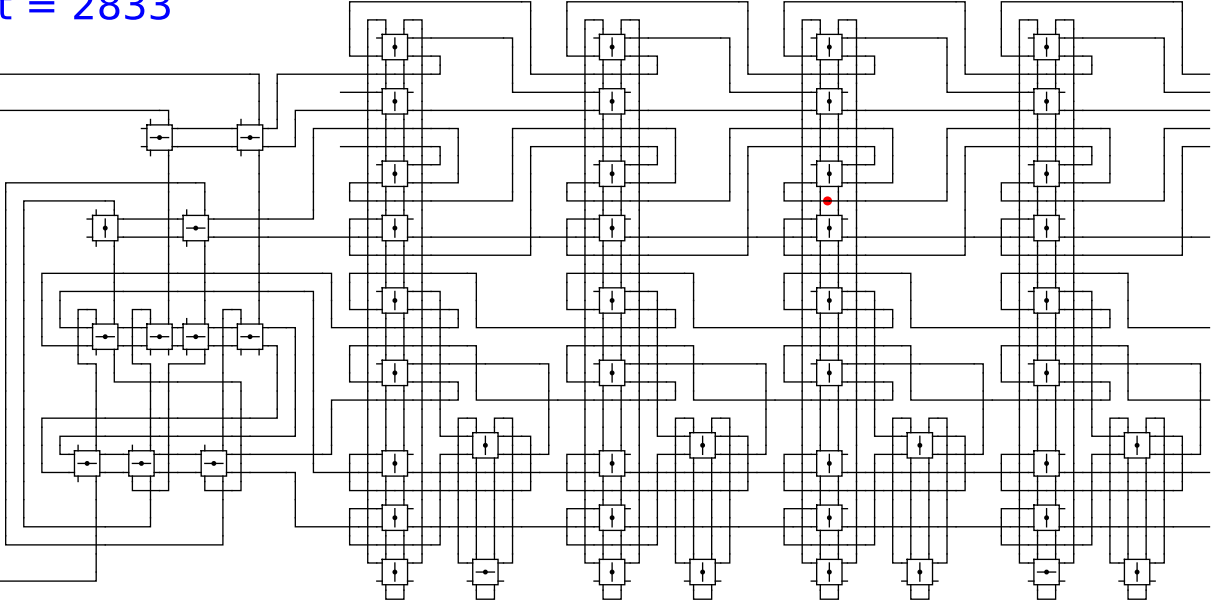
head

0

t = 2833

Reject
Accept

Begin



1

0

0

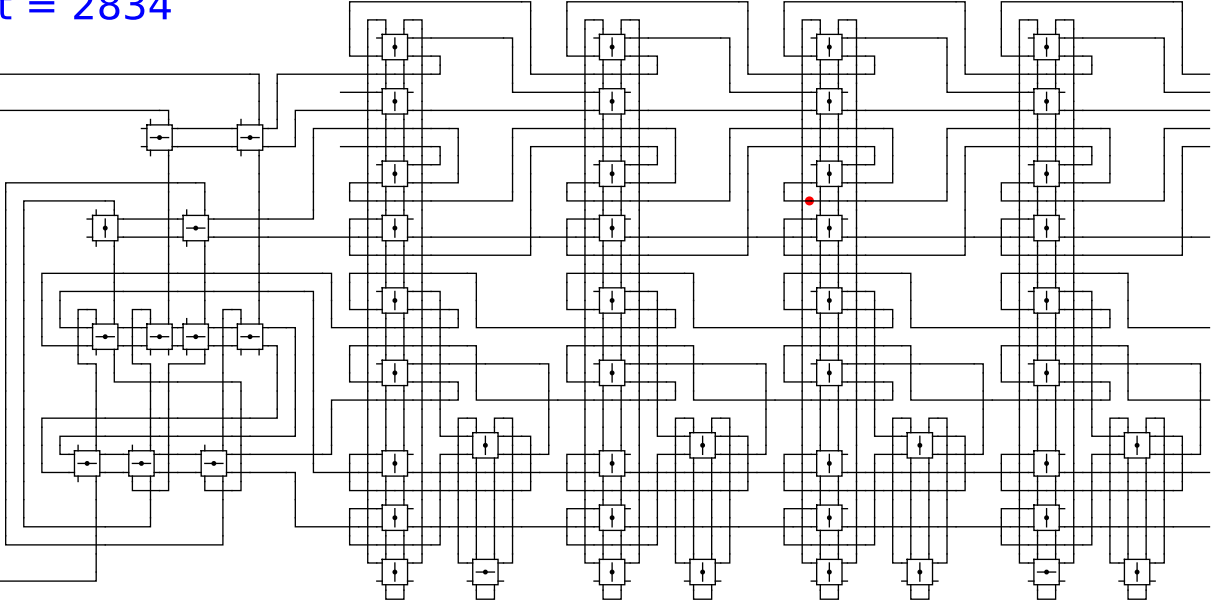
head

0

t = 2834

Reject
Accept

Begin

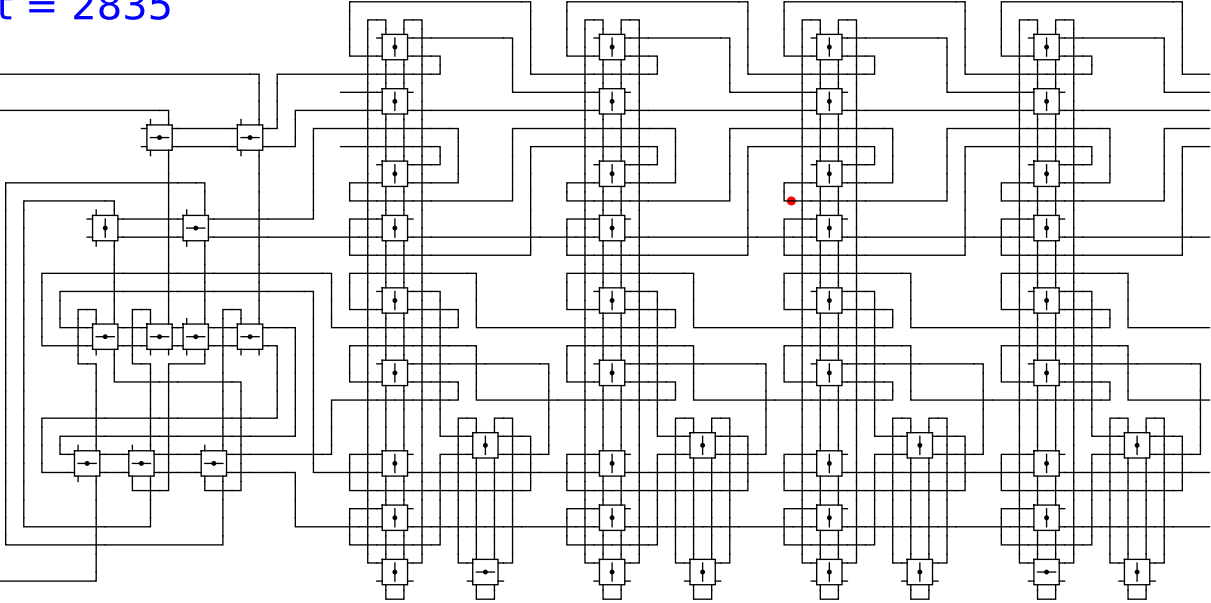


1 0 0 head 0

t = 2835

Reject
Accept

Begin

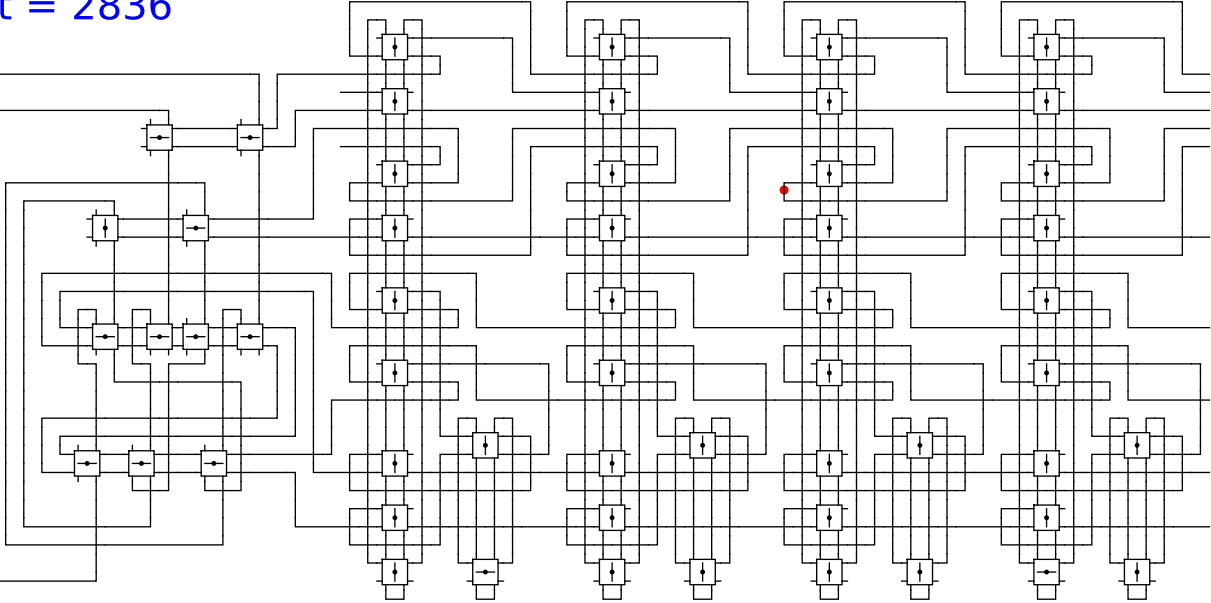


1 0 0 head 0

t = 2836

Reject
Accept

Begin

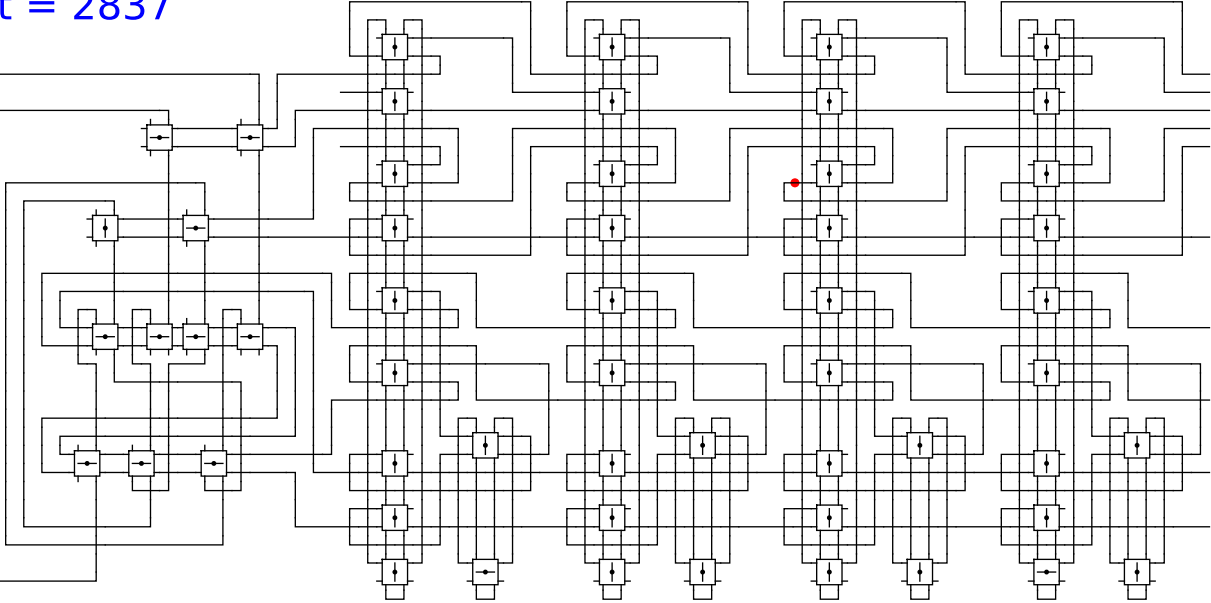


1 0 0 head 0

t = 2837

Reject
Accept

Begin



1

0

0

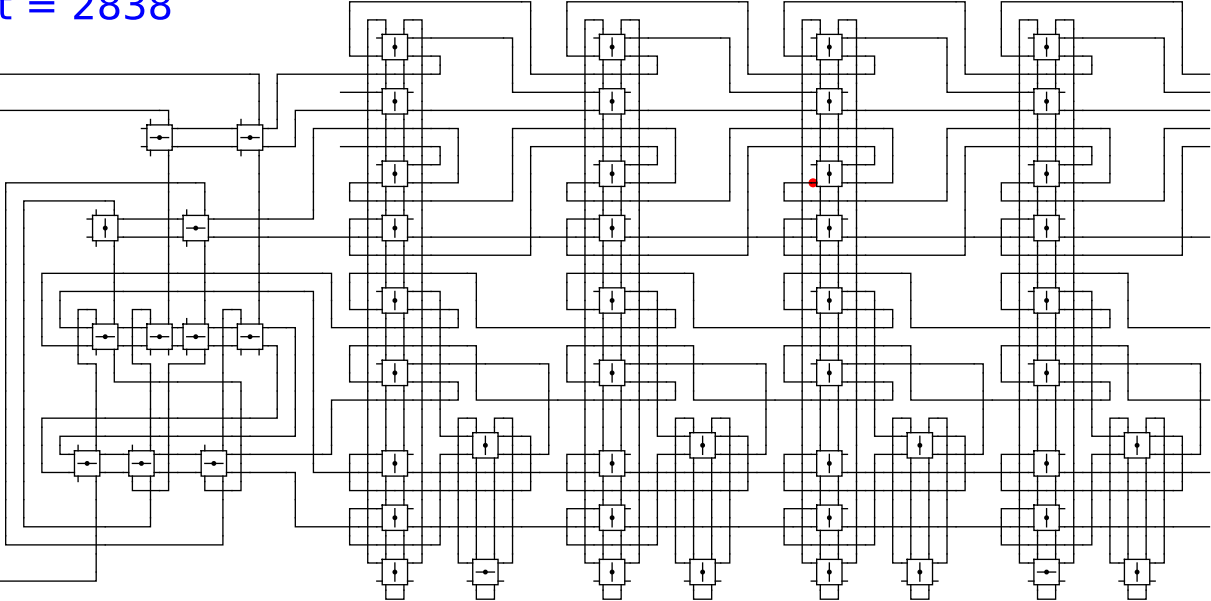
head

0

t = 2838

Reject
Accept

Begin



1

0

0

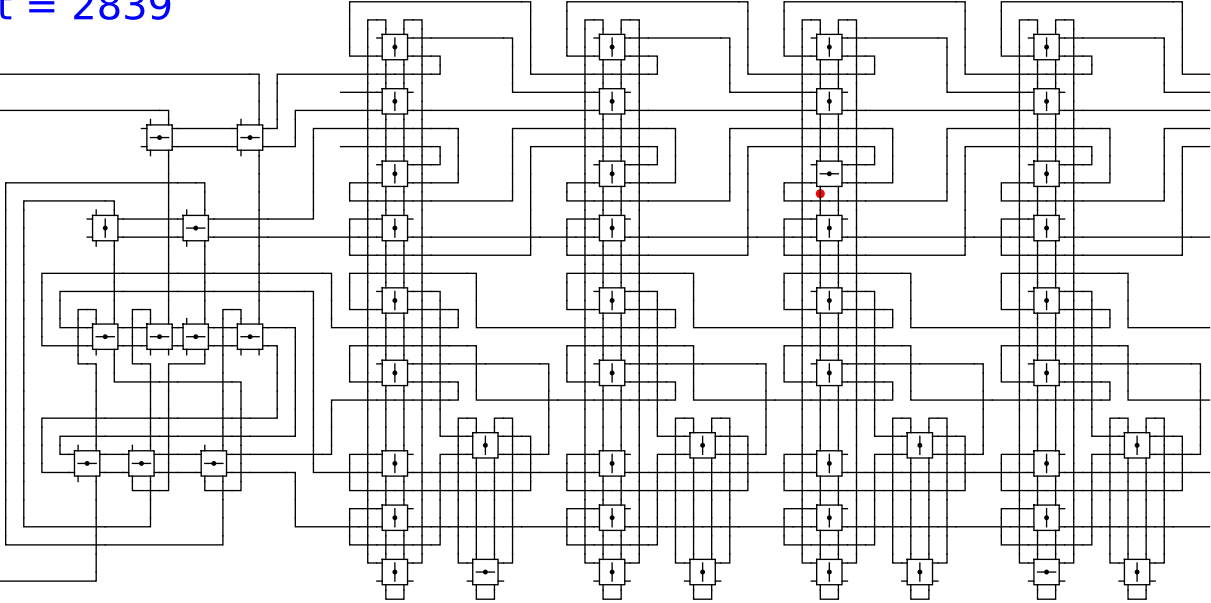
head

0

t = 2839

Reject
Accept

Begin

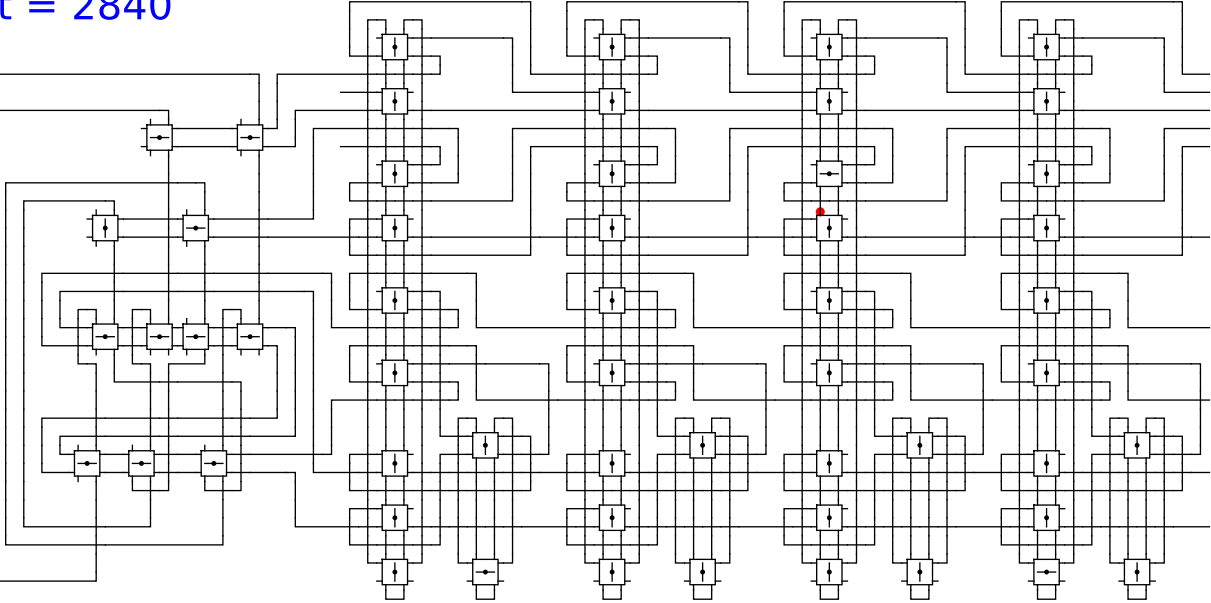


1 0 0 head 0

t = 2840

Reject
Accept

Begin



1

0

0

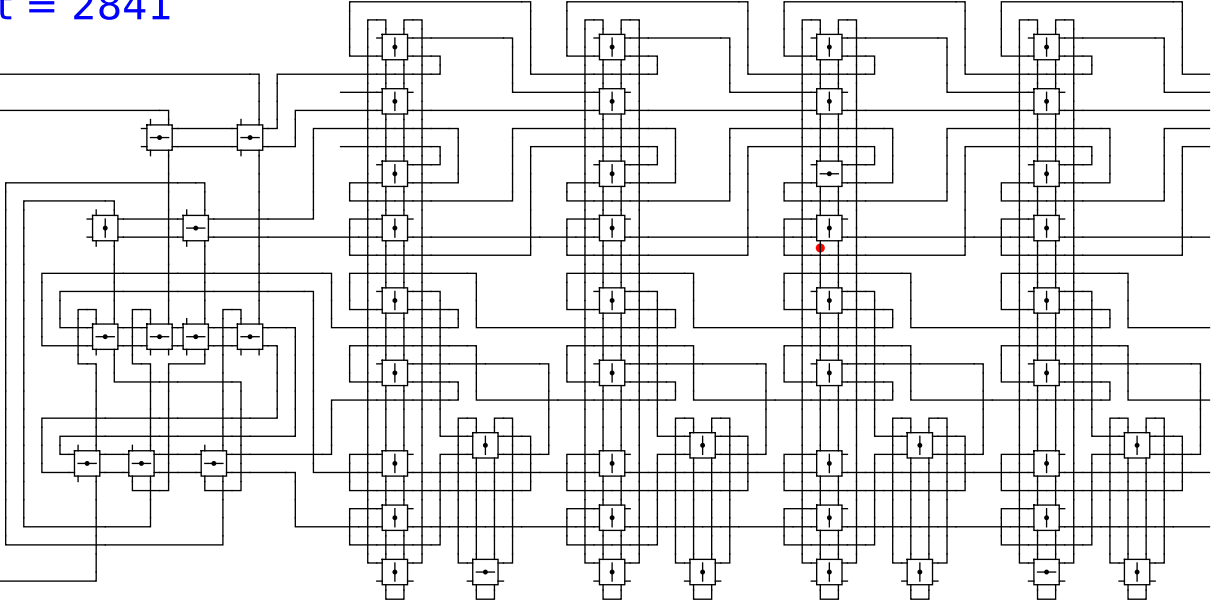
head

0

t = 2841

Reject
Accept

Begin

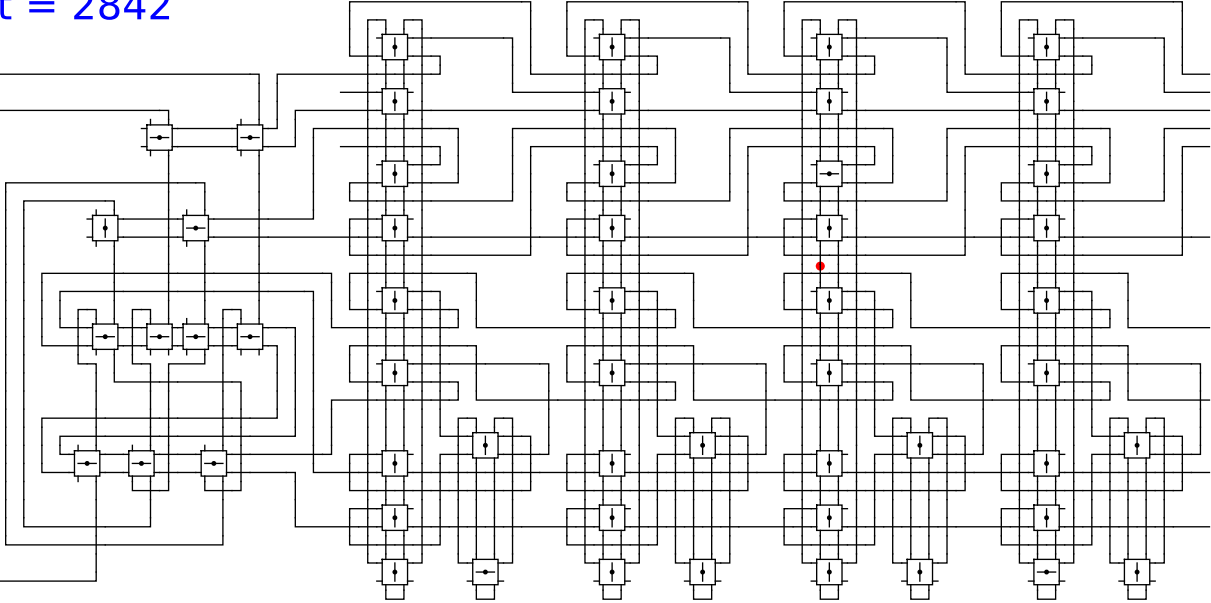


1 0 0 head 0

t = 2842

Reject
Accept

Begin



1

0

0

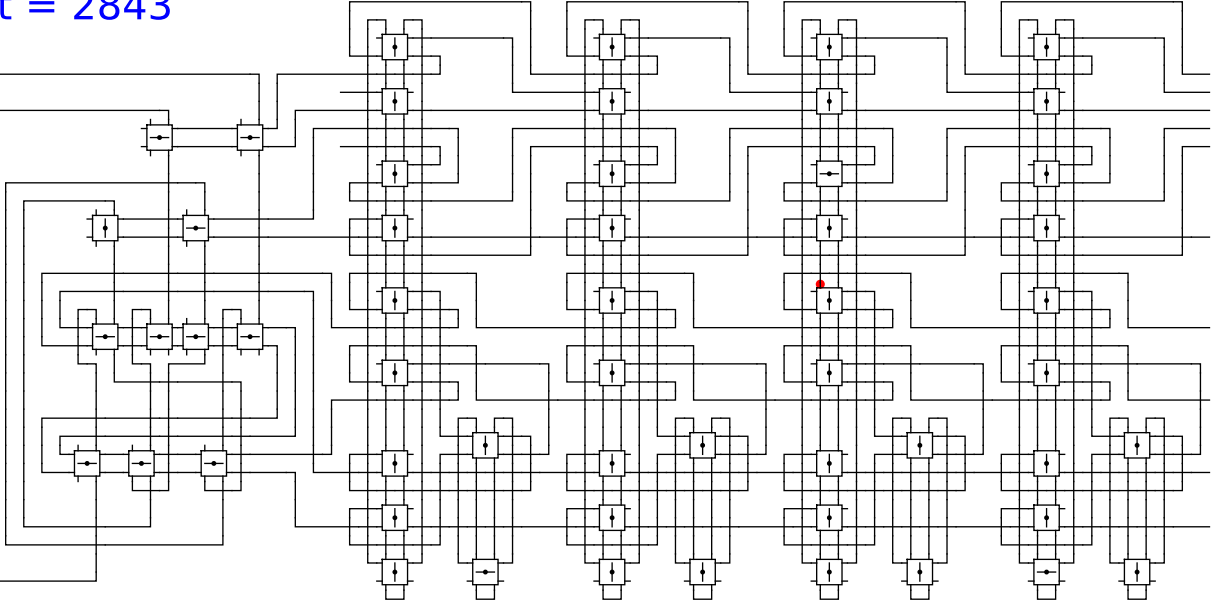
head

0

t = 2843

Reject
Accept

Begin

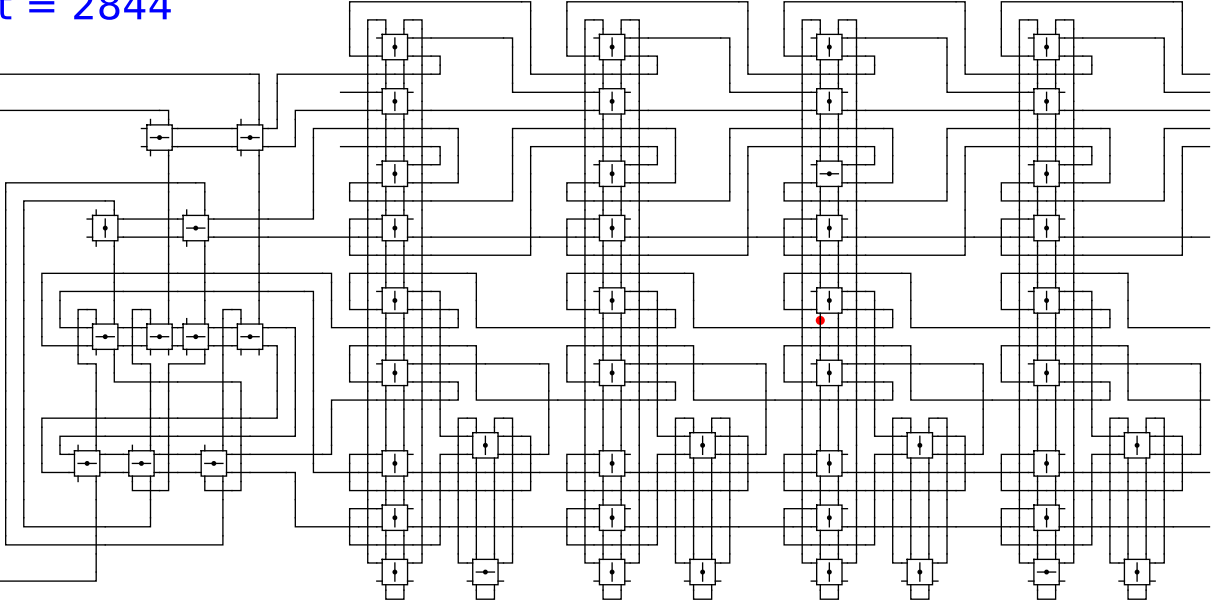


1 0 0 head 0

t = 2844

Reject
Accept

Begin



1

0

0

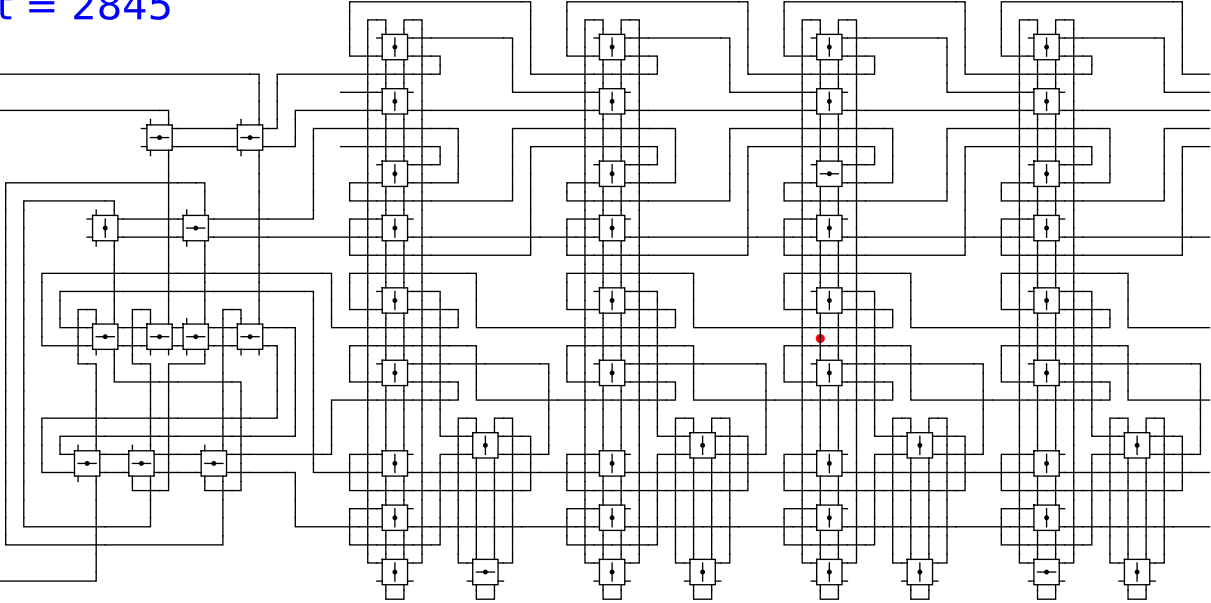
head

0

t = 2845

Reject
Accept

Begin



1

0

0

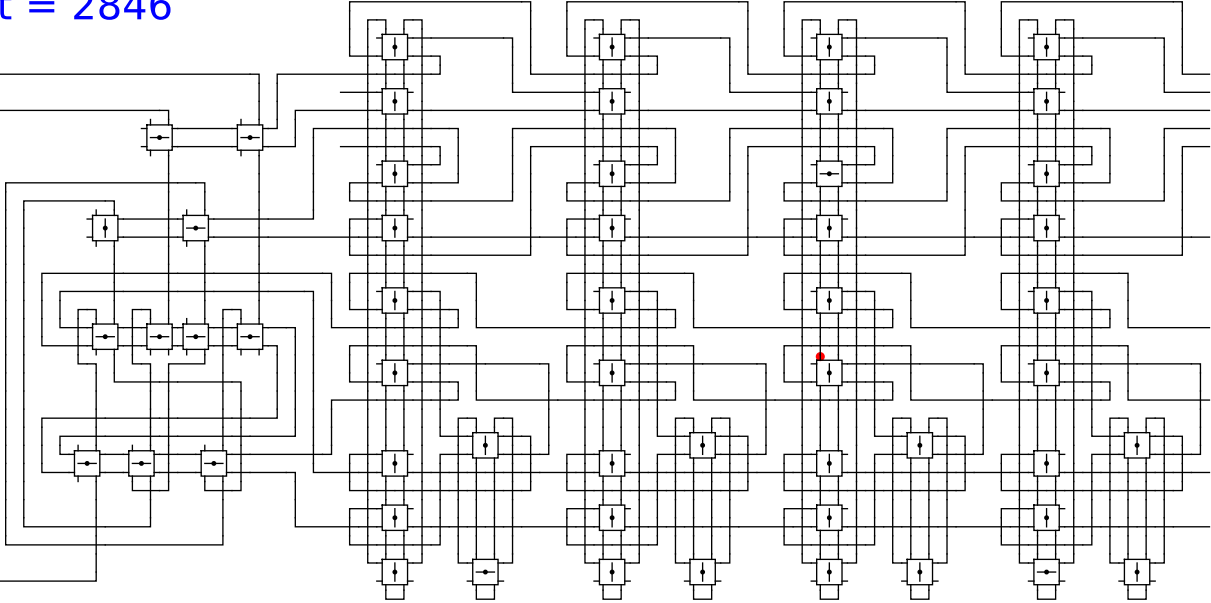
head

0

t = 2846

Reject
Accept

Begin



1

0

0

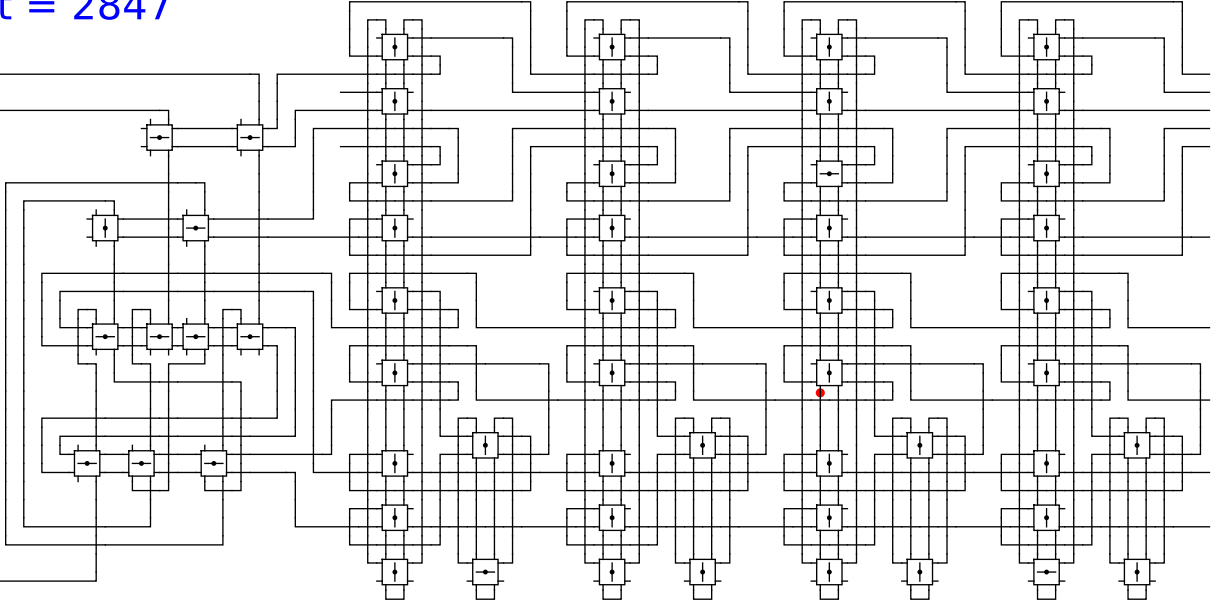
head

0

t = 2847

Reject
Accept

Begin

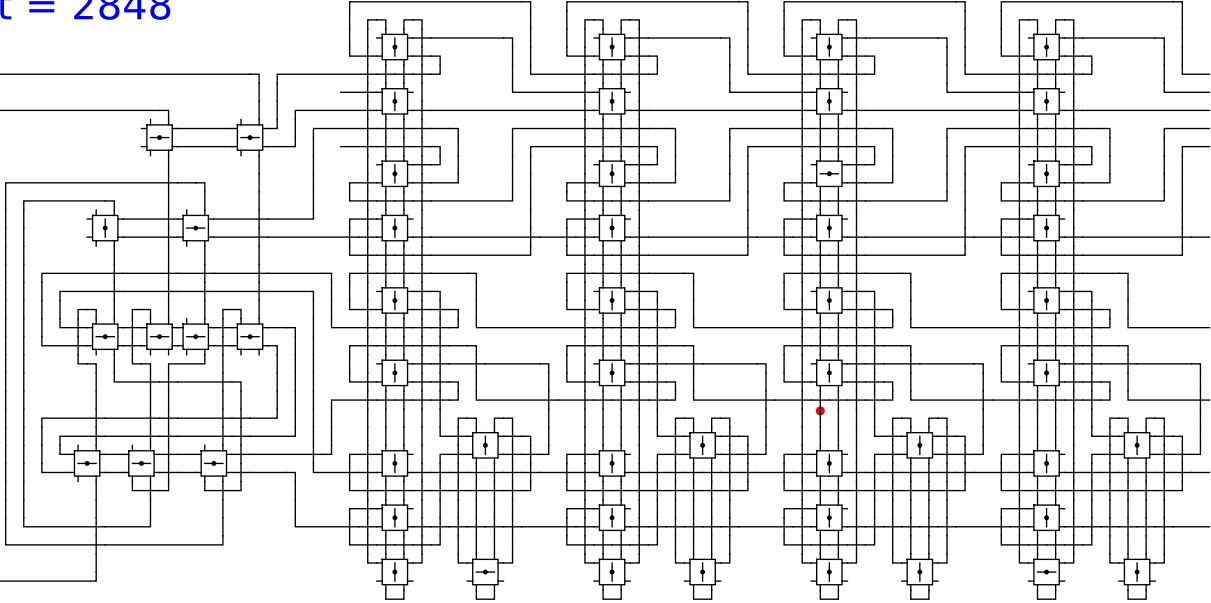


1 0 0 head 0

t = 2848

Reject
Accept

Begin



1

0

0

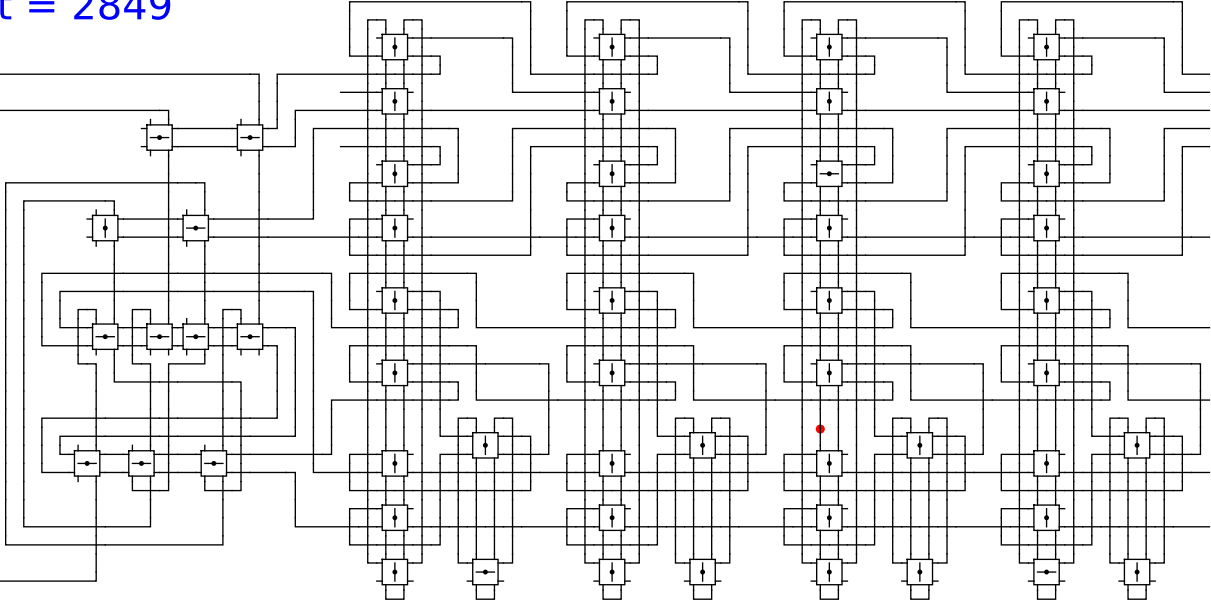
head

0

t = 2849

Reject
Accept

Begin

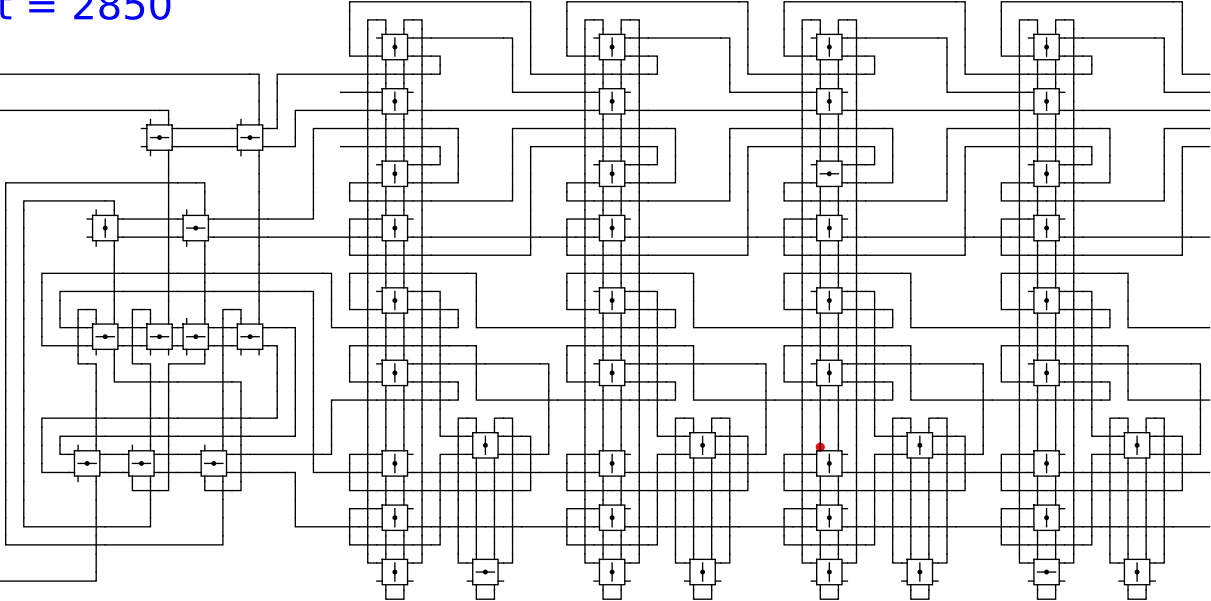


1 0 0 head 0

t = 2850

Reject
Accept

Begin



1

0

0

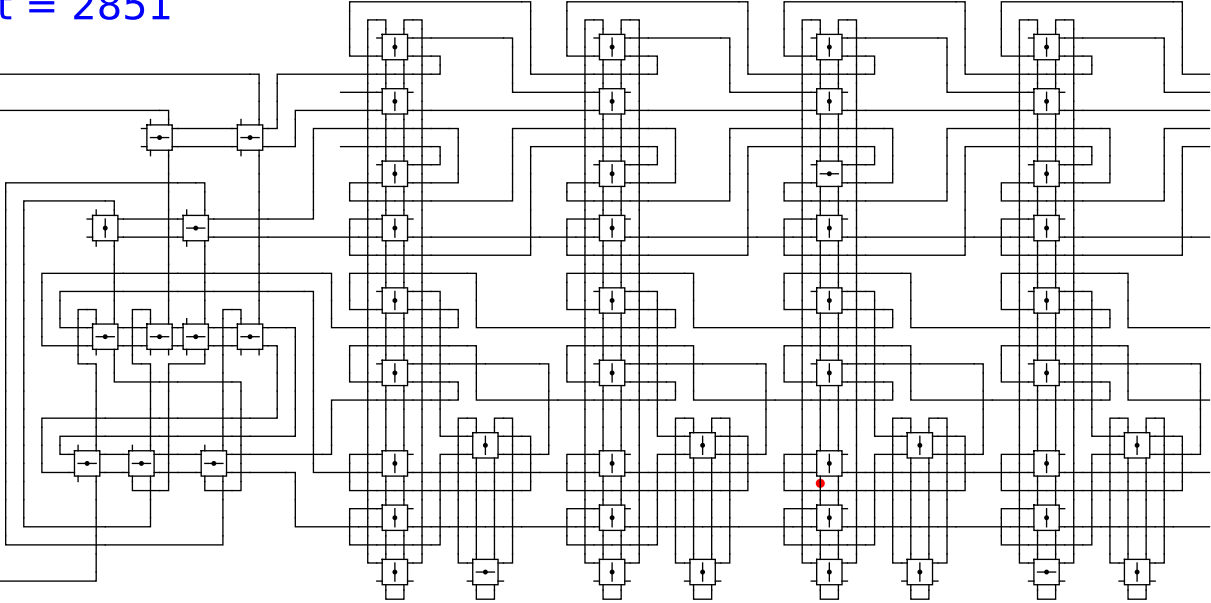
head

0

t = 2851

Reject
Accept

Begin



1

0

0

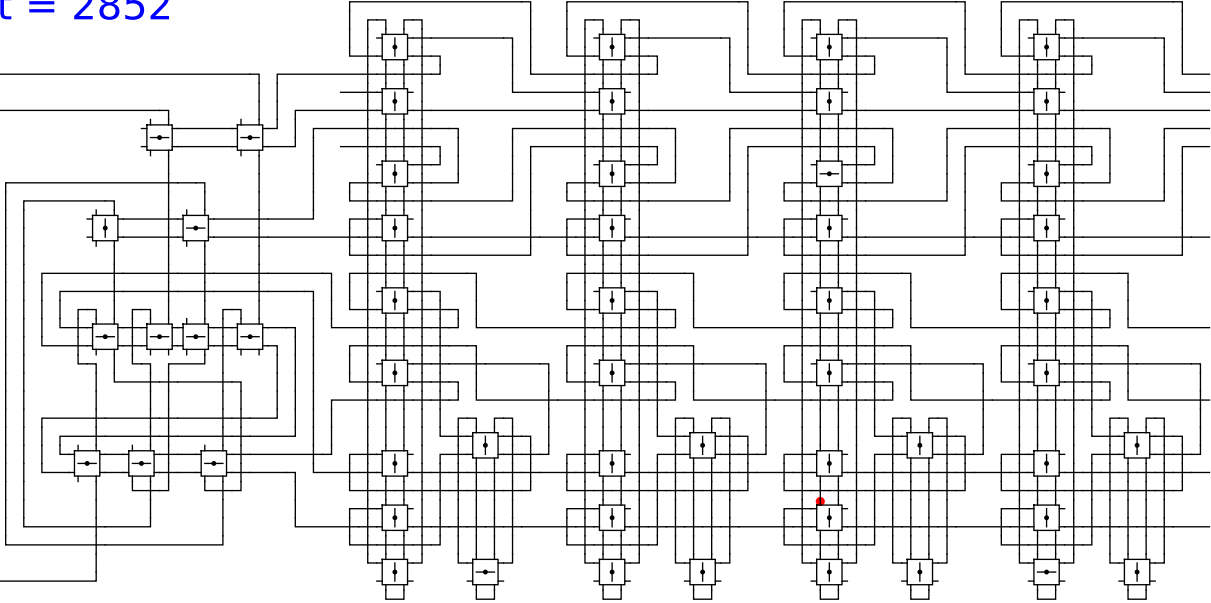
head

0

t = 2852

Reject
Accept

Begin



1

0

0

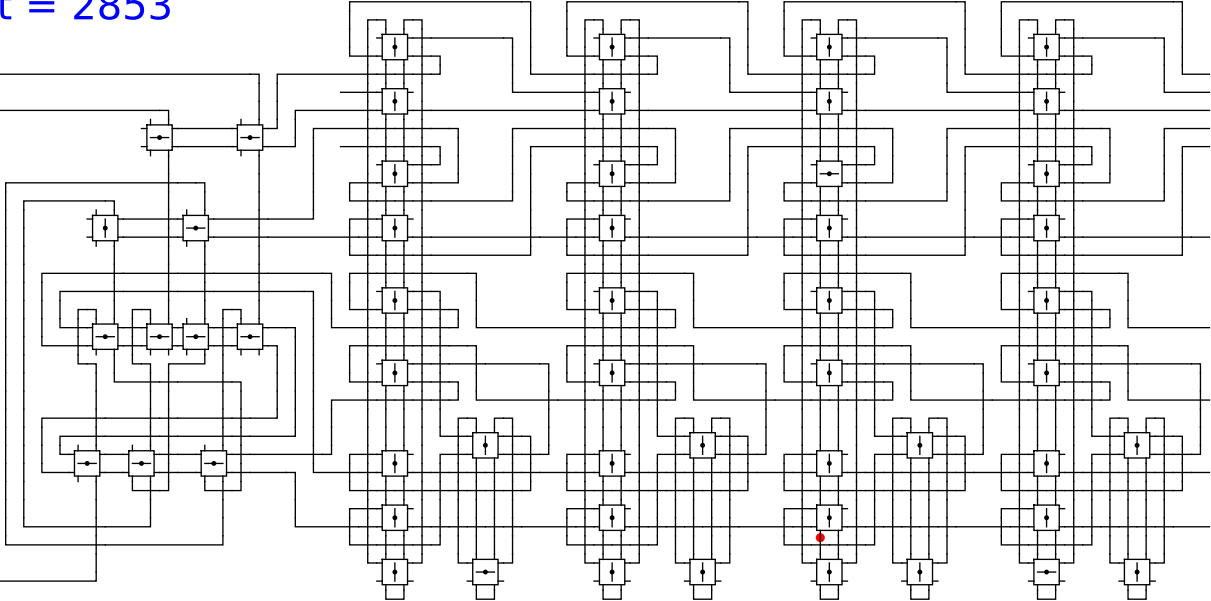
head

0

t = 2853

Reject
Accept

Begin



1

0

0

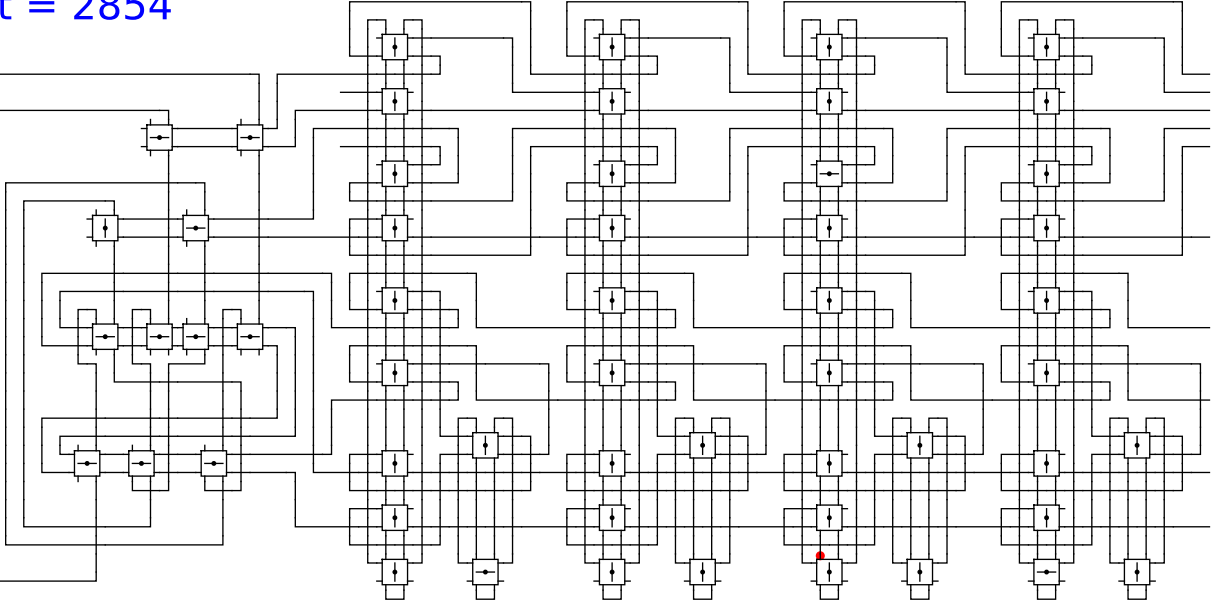
head

0

t = 2854

Reject
Accept

Begin



1

0

0

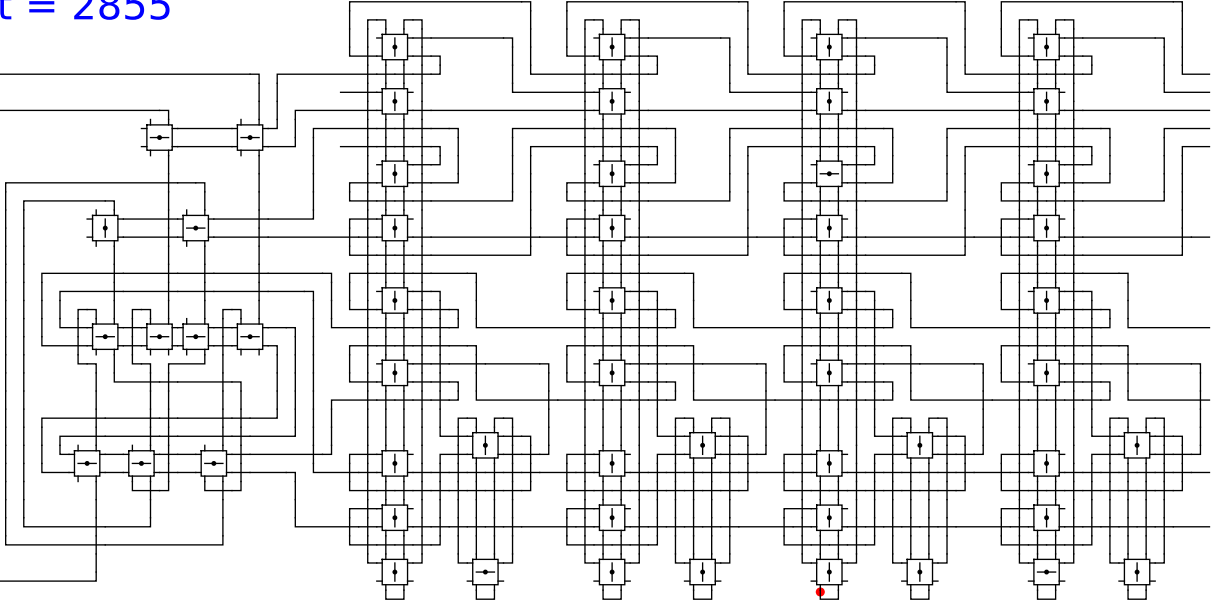
head

0

t = 2855

Reject
Accept

Begin

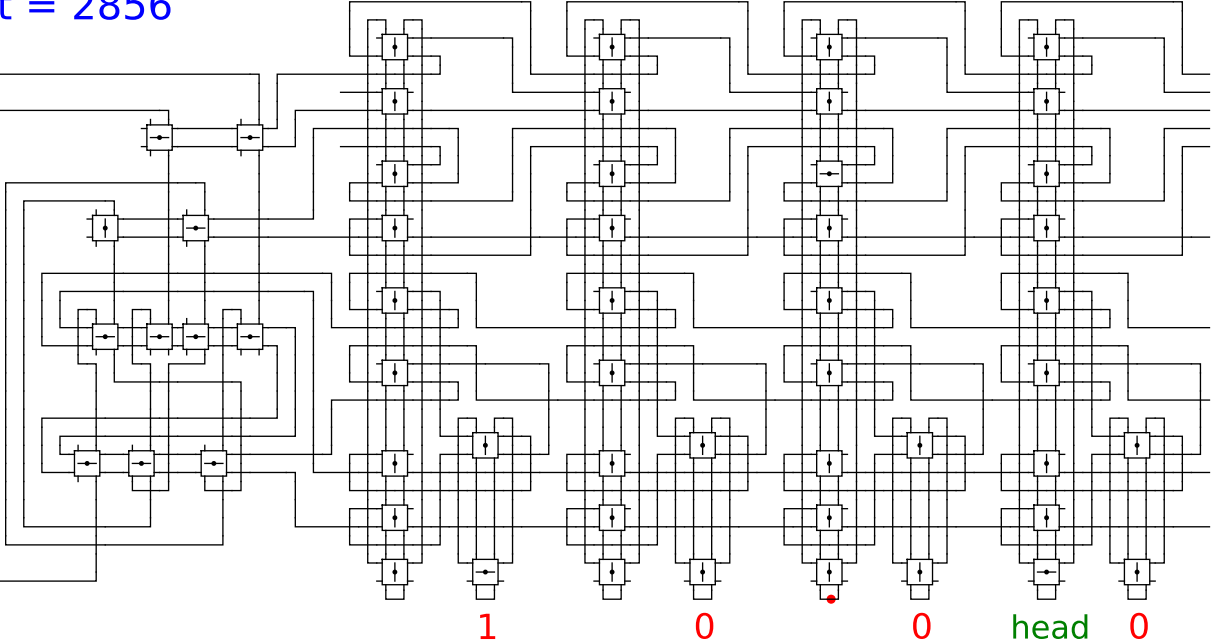


1 0 0 head 0

t = 2856

Reject
Accept

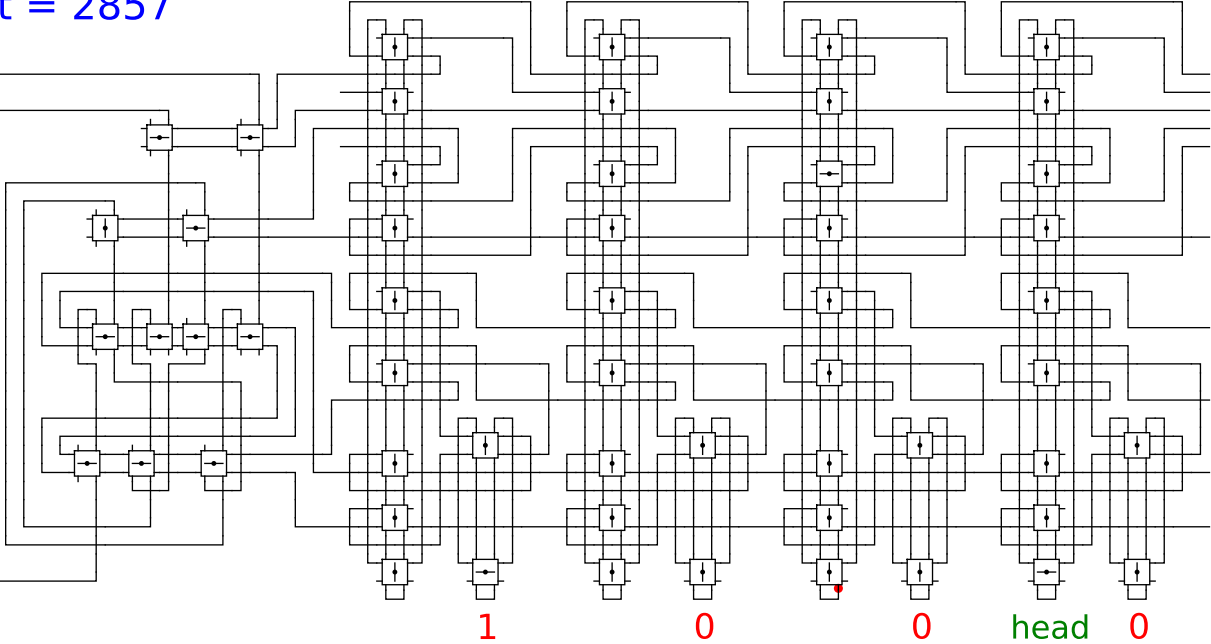
Begin



t = 2857

Reject
Accept

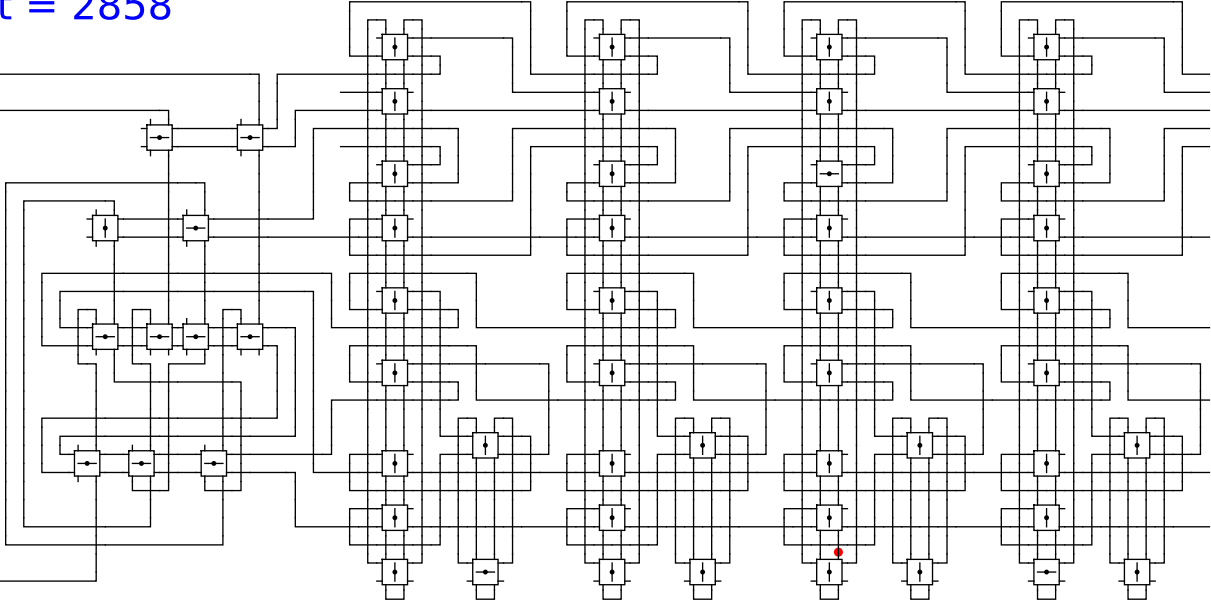
Begin



t = 2858

Reject
Accept

Begin



1

0

0

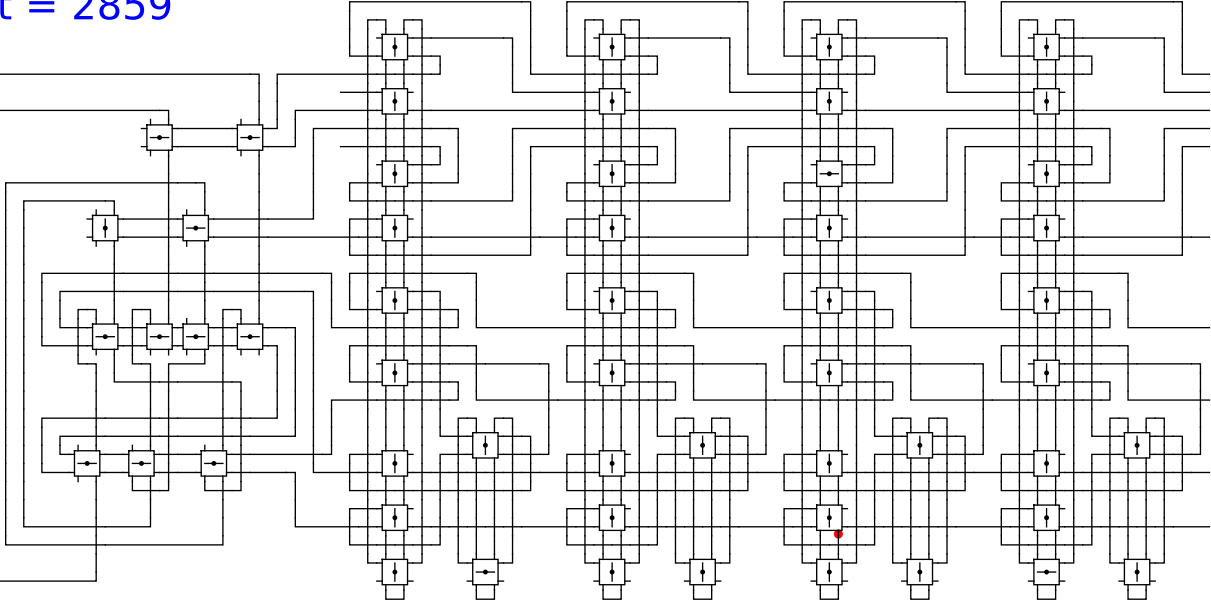
head

0

t = 2859

Reject
Accept

Begin



1

0

0

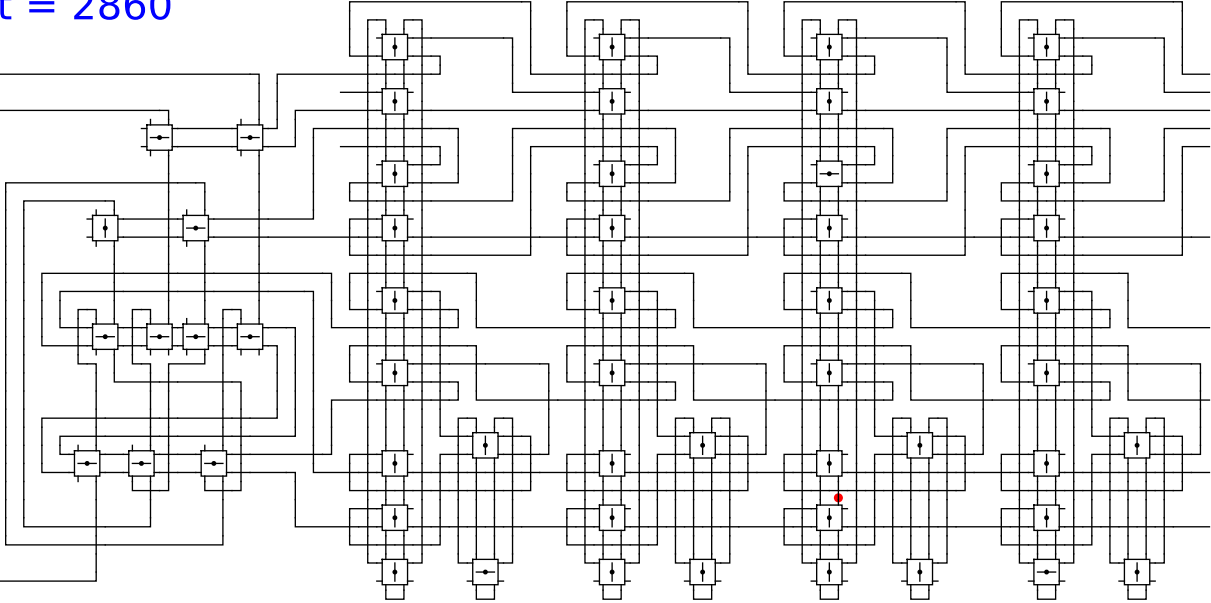
head

0

t = 2860

Reject
Accept

Begin

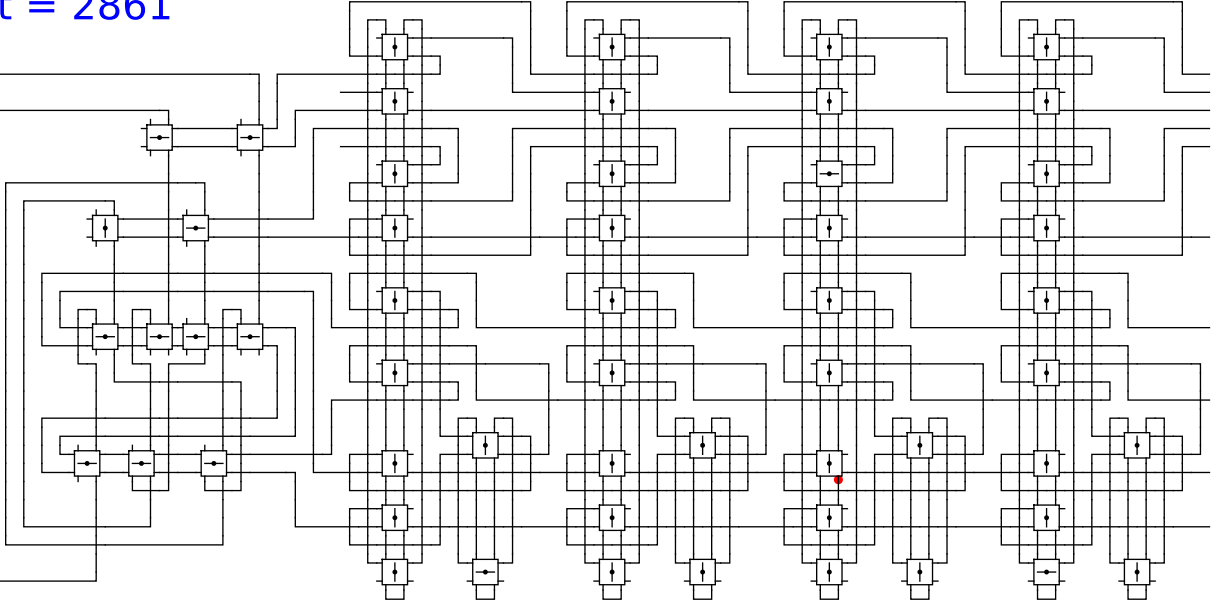


1 0 0 head 0

t = 2861

Reject
Accept

Begin



1

0

0

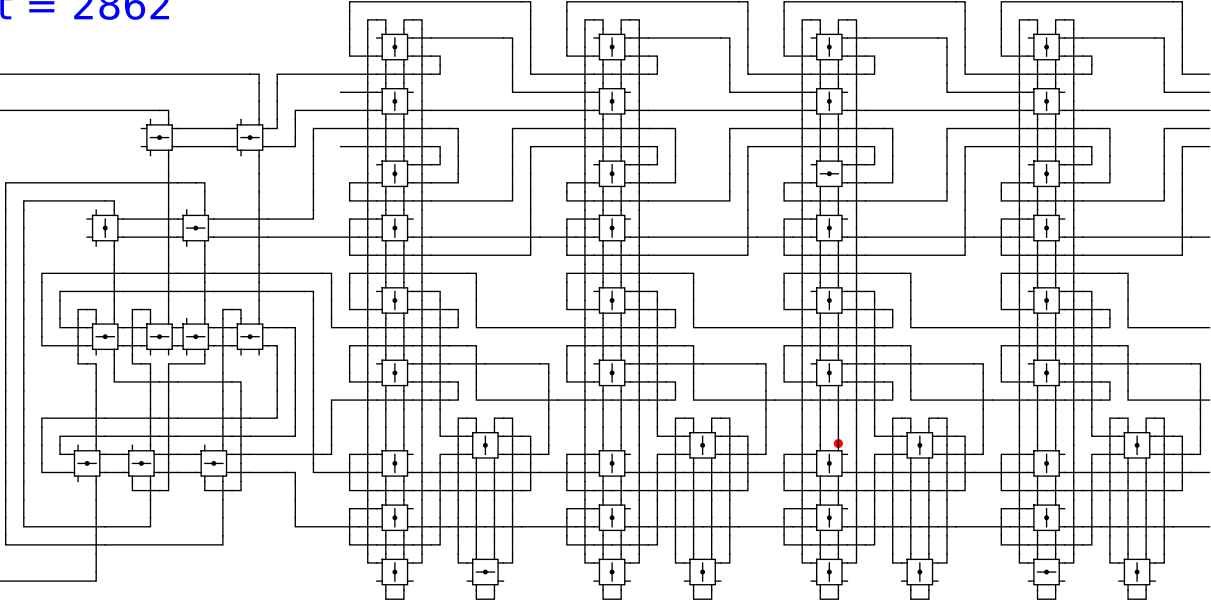
head

0

t = 2862

Reject
Accept

Begin



1

0

0

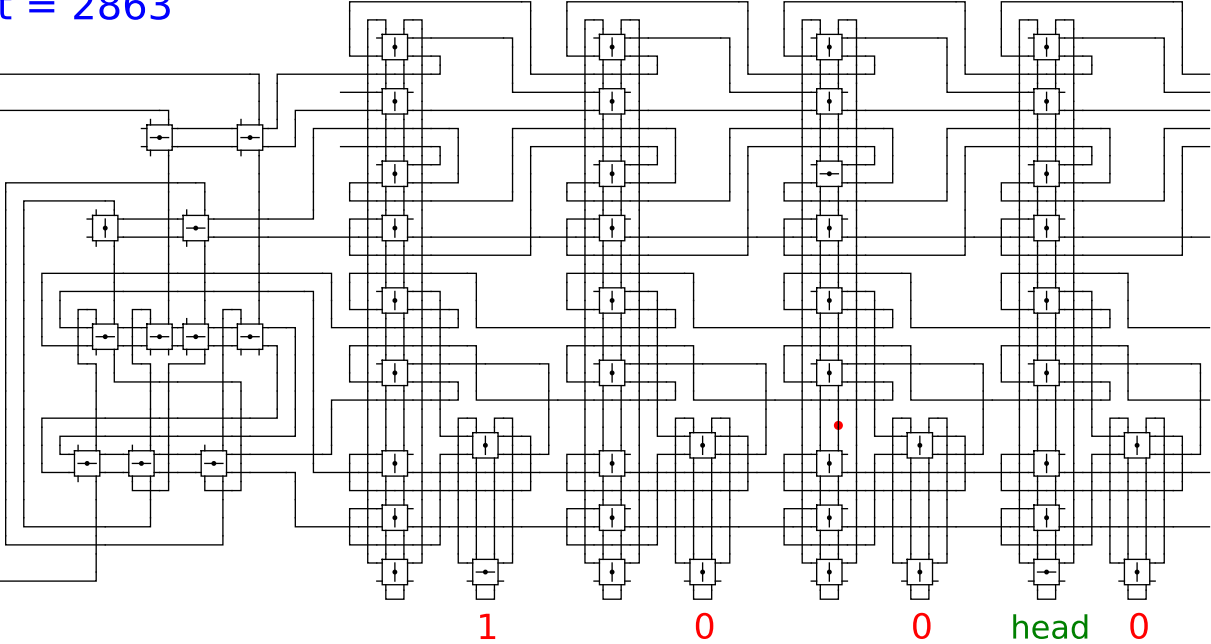
head

0

t = 2863

Reject
Accept

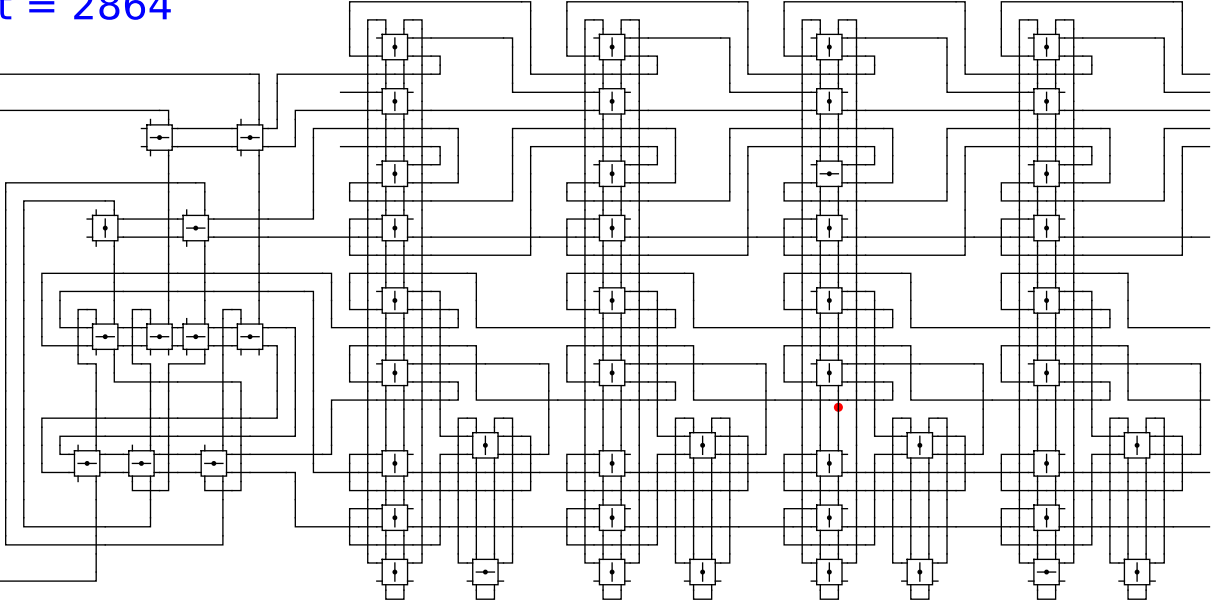
Begin



t = 2864

Reject
Accept

Begin



1

0

0

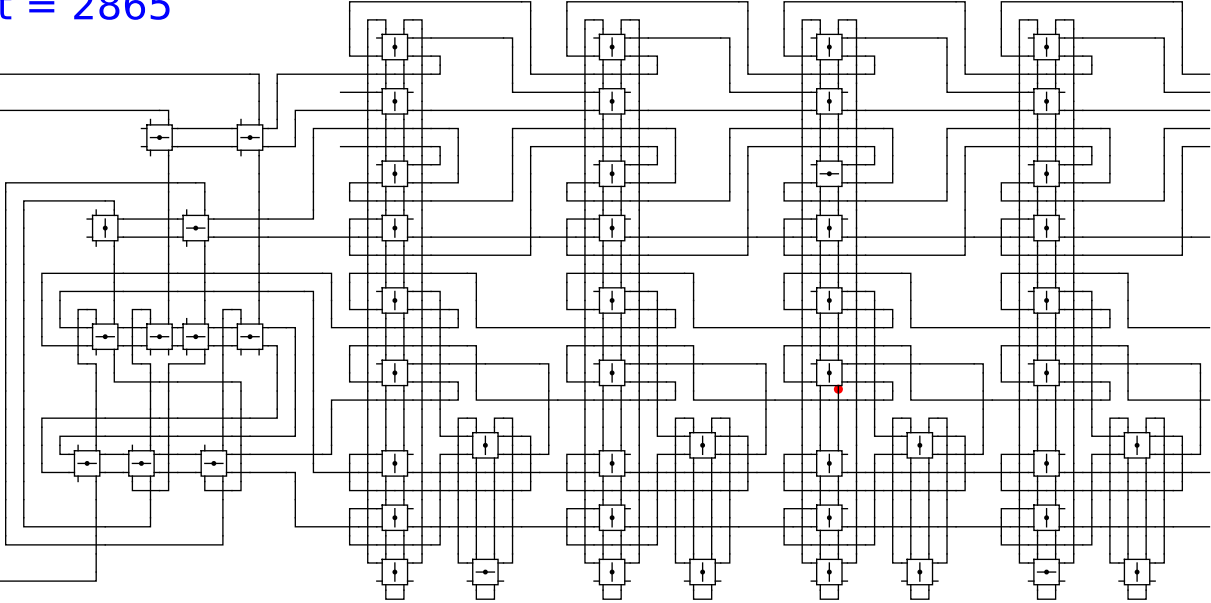
head

0

t = 2865

Reject
Accept

Begin



1

0

0

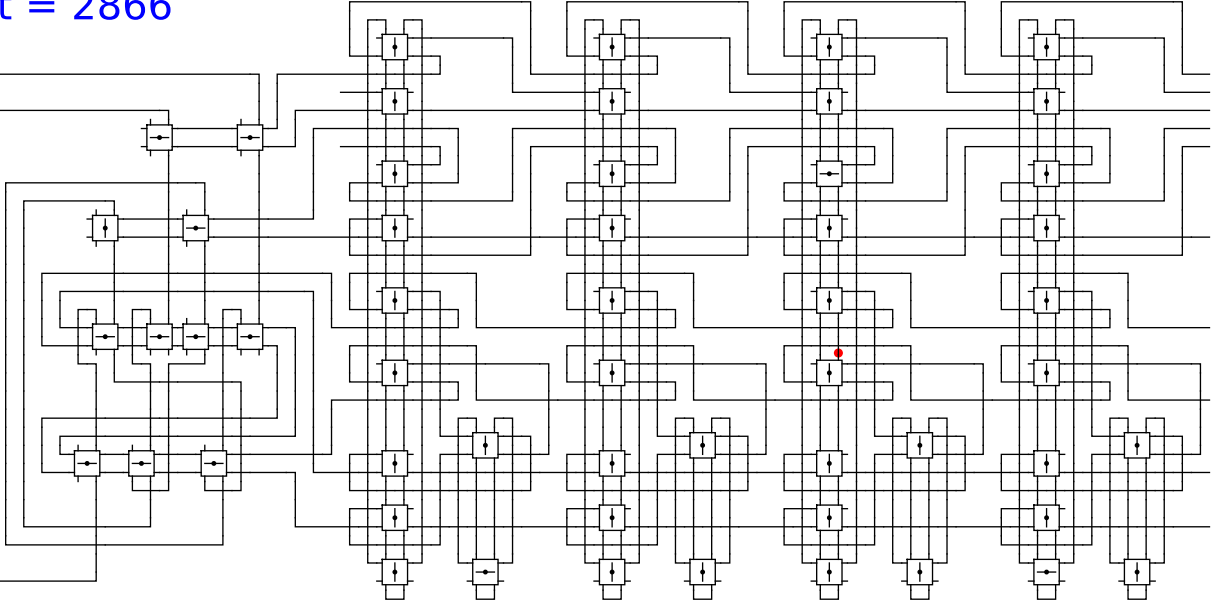
head

0

t = 2866

Reject
Accept

Begin

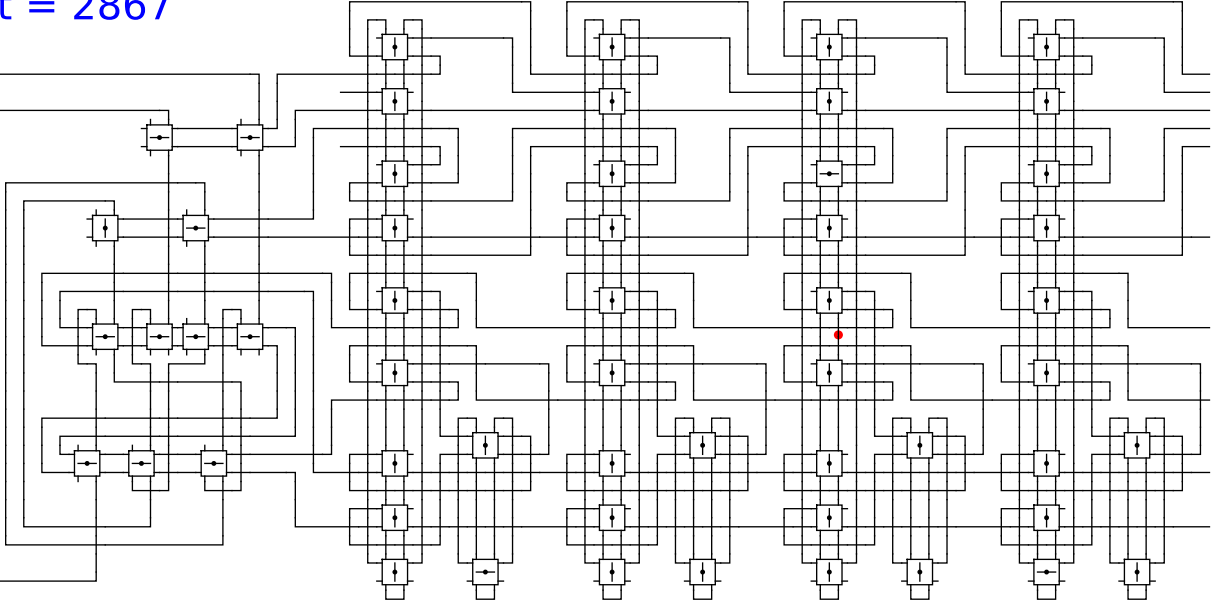


1 0 0 head 0

t = 2867

Reject
Accept

Begin



1

0

0

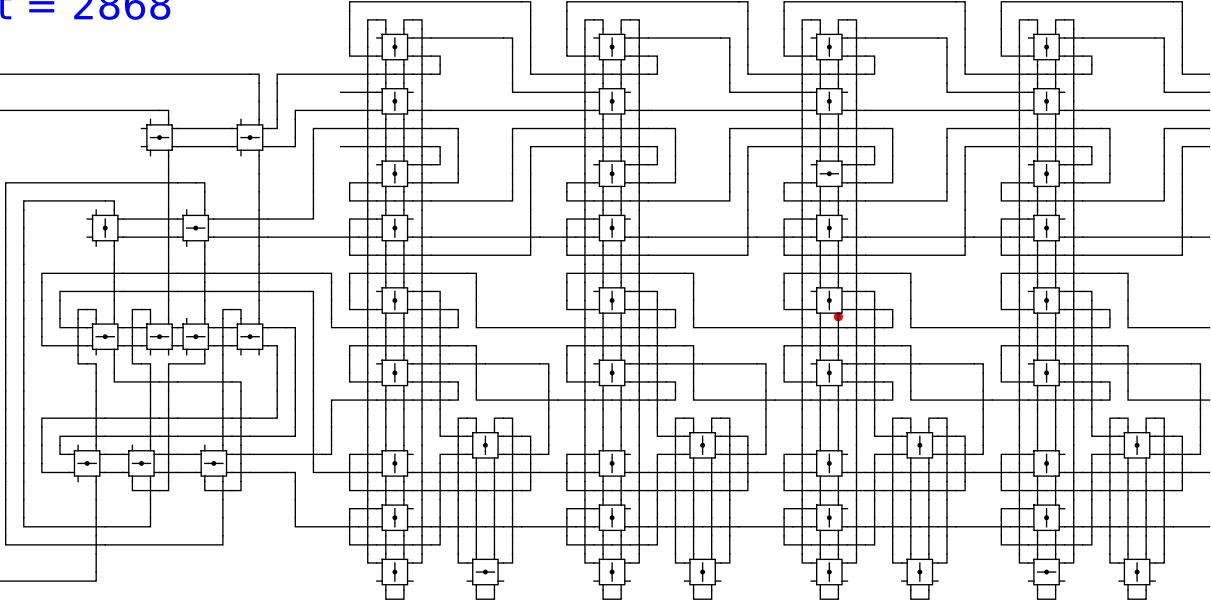
head

0

t = 2868

Reject
Accept

Begin

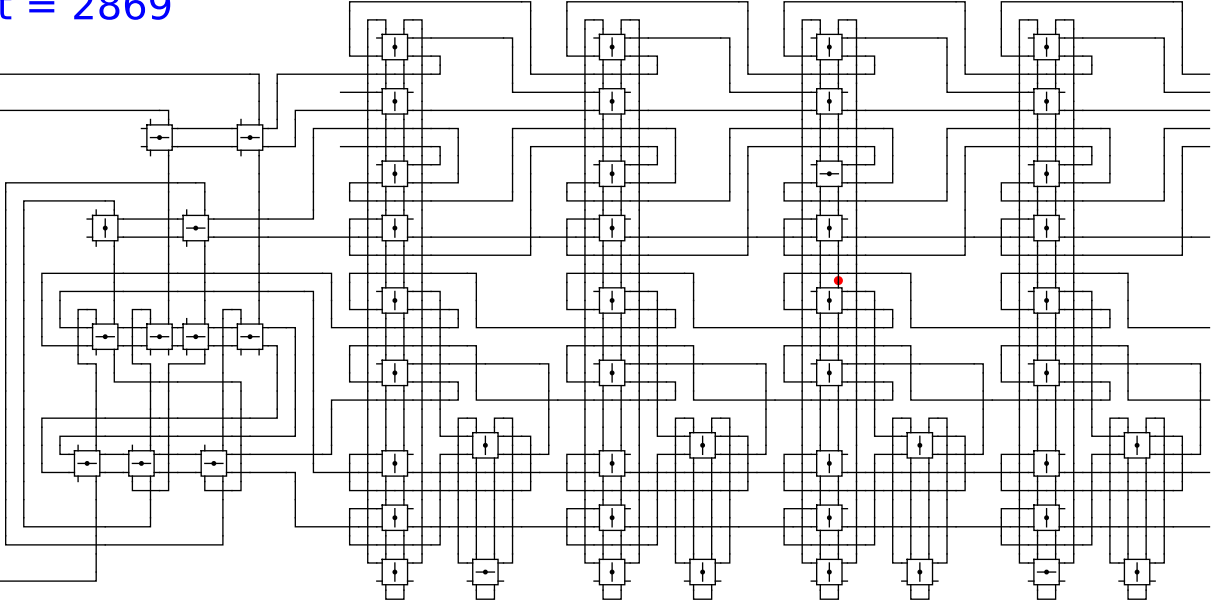


1 0 0 head 0

t = 2869

Reject
Accept

Begin

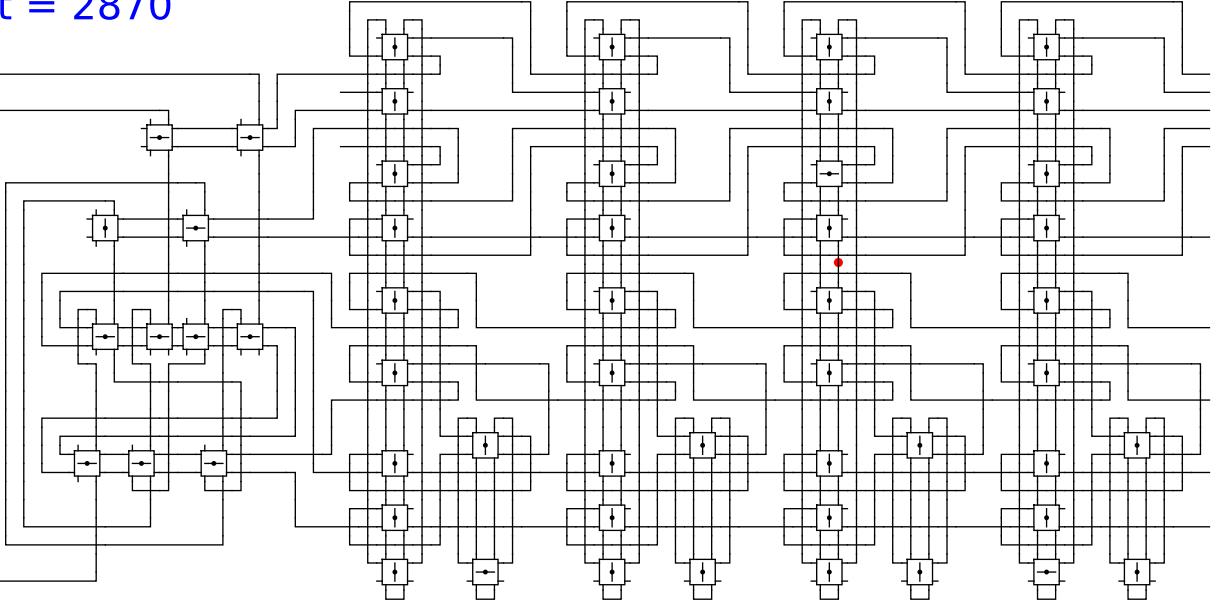


1 0 0 head 0

t = 2870

Reject
Accept

Begin



1

0

0

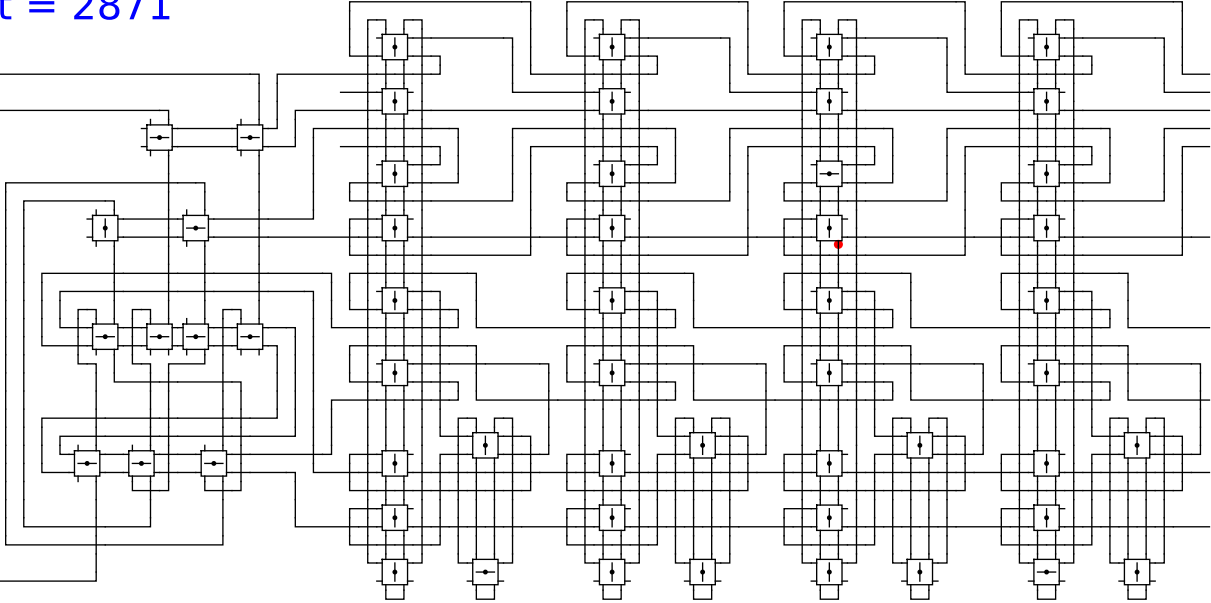
head

0

t = 2871

Reject
Accept

Begin

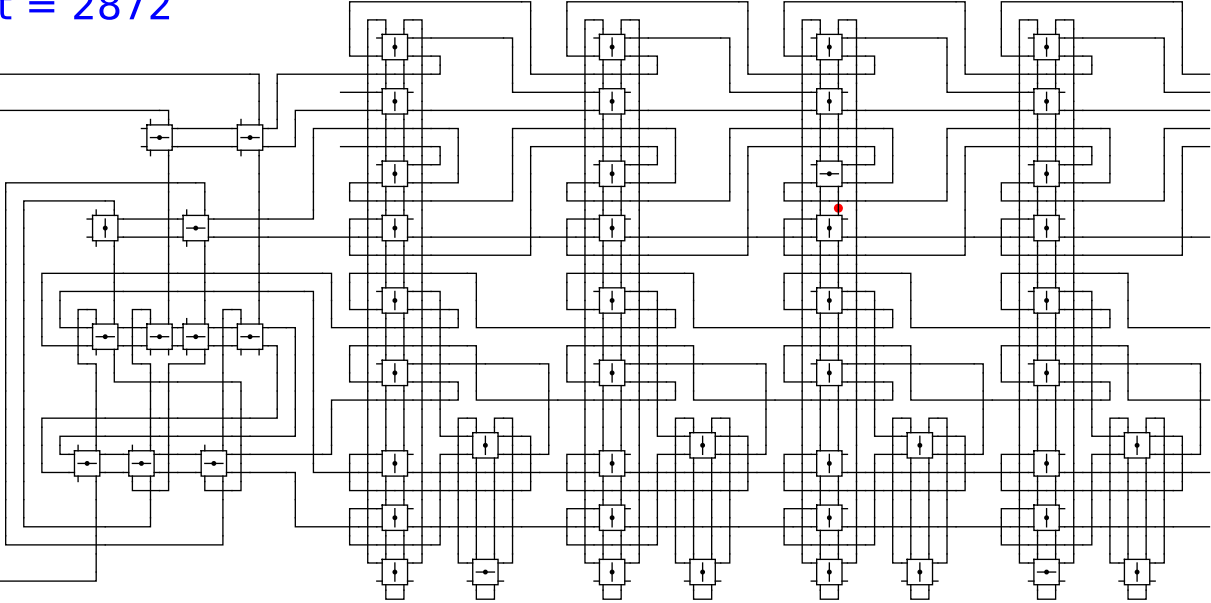


1 0 0 head 0

t = 2872

Reject
Accept

Begin



1

0

0

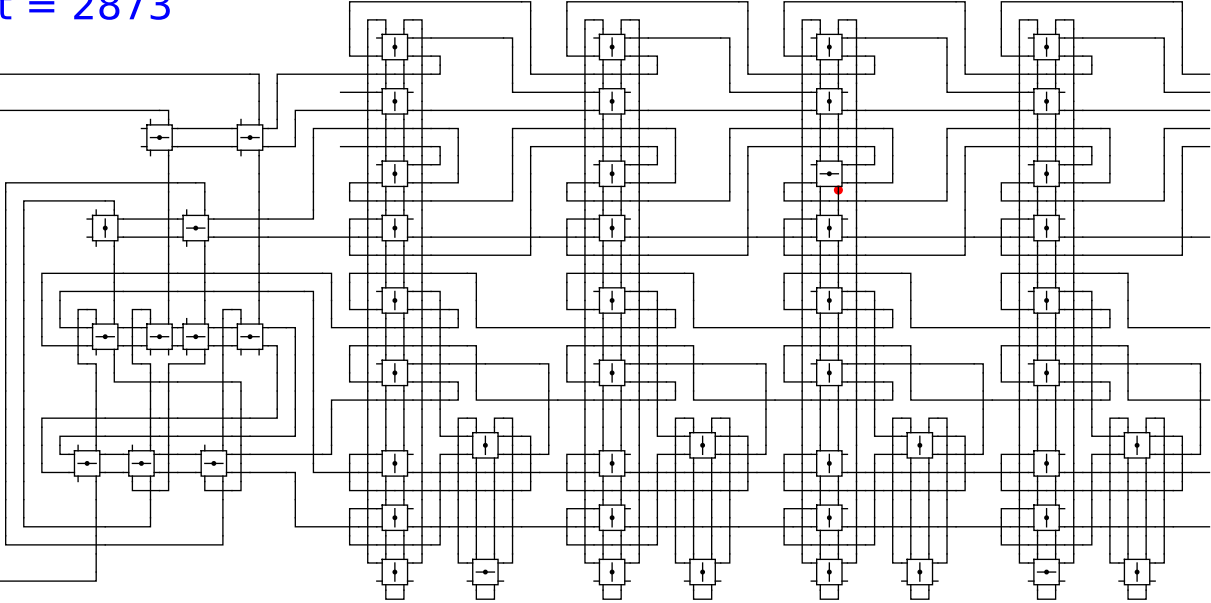
head

0

t = 2873

Reject
Accept

Begin



1

0

0

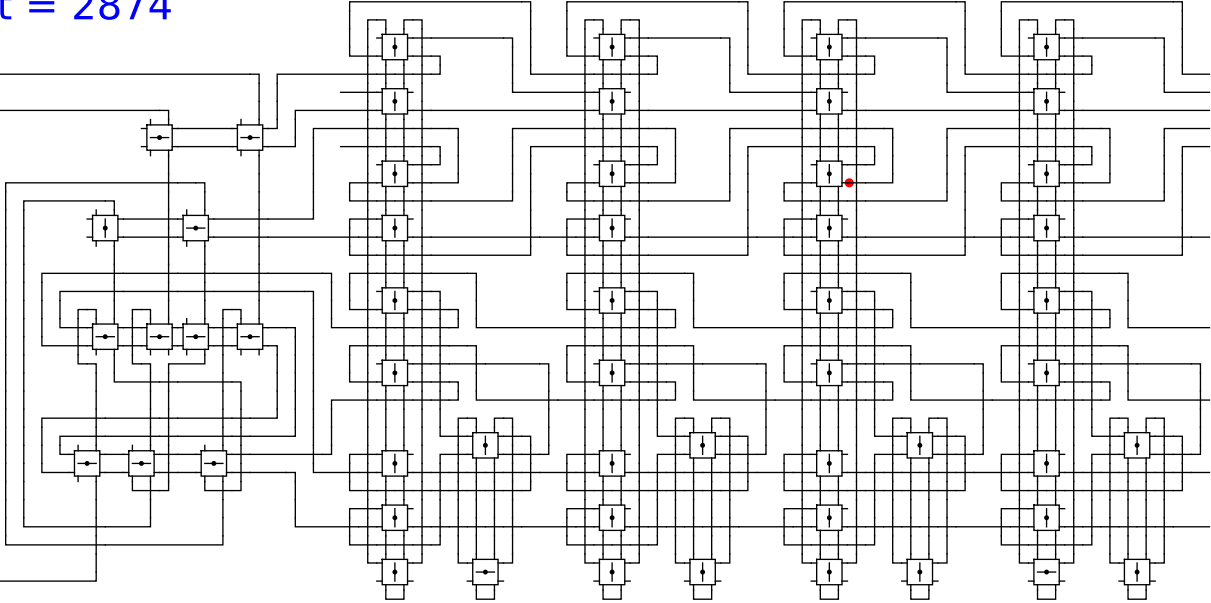
head

0

t = 2874

Reject
Accept

Begin

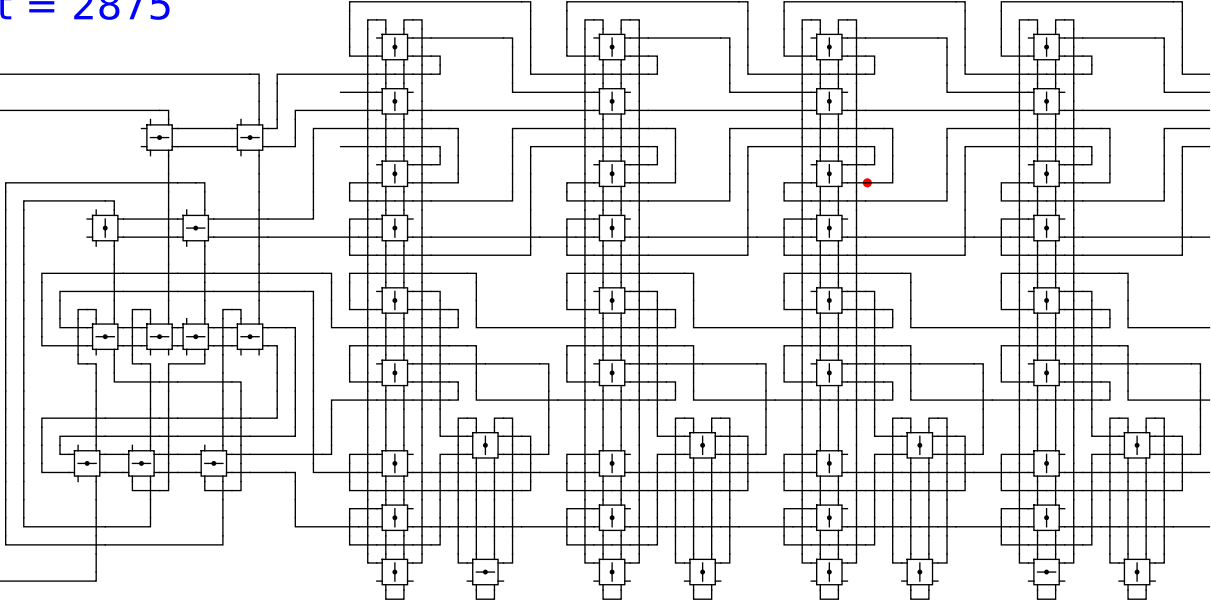


1 0 0 head 0

t = 2875

Reject
Accept

Begin



1

0

0

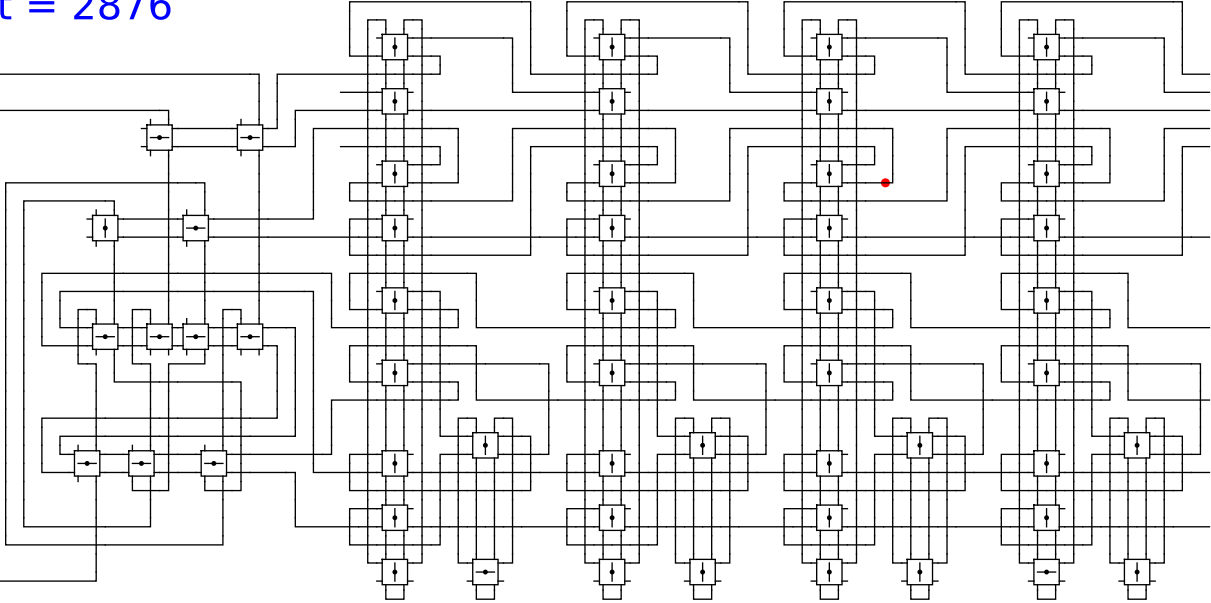
head

0

t = 2876

Reject
Accept

Begin

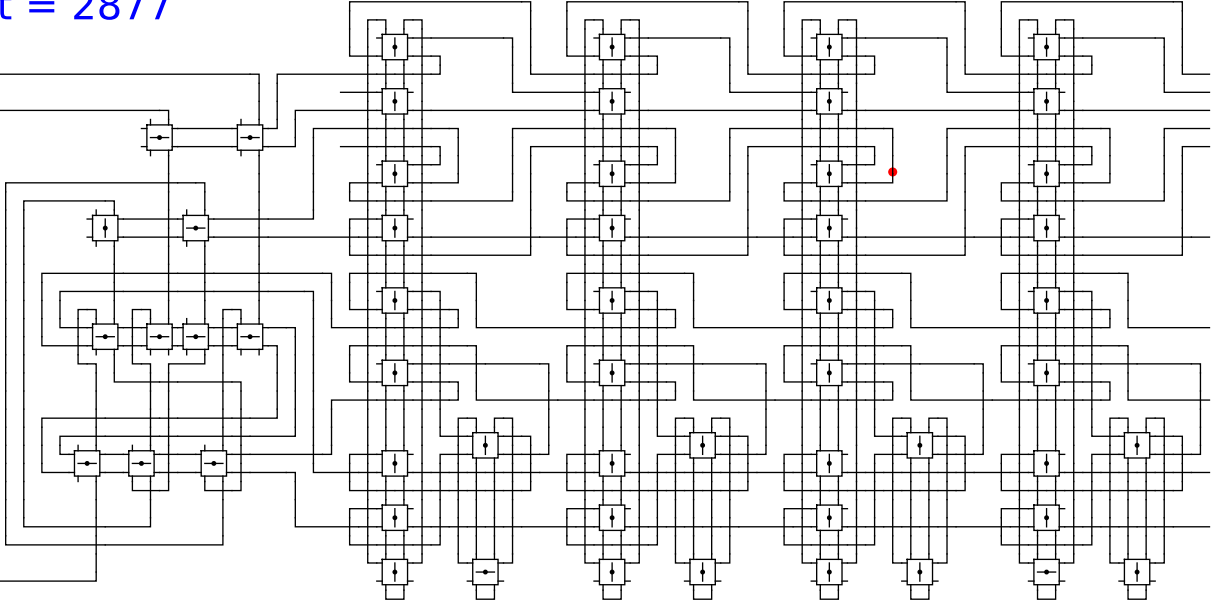


1 0 0 head 0

t = 2877

Reject
Accept

Begin

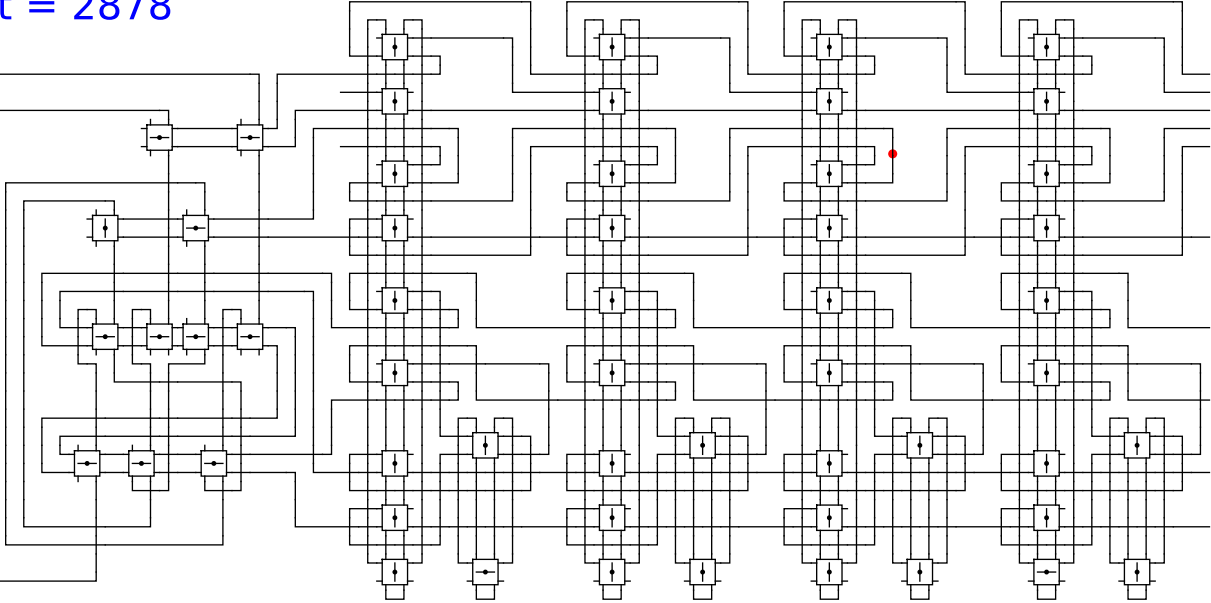


1 0 0 head 0

t = 2878

Reject
Accept

Begin



1

0

0

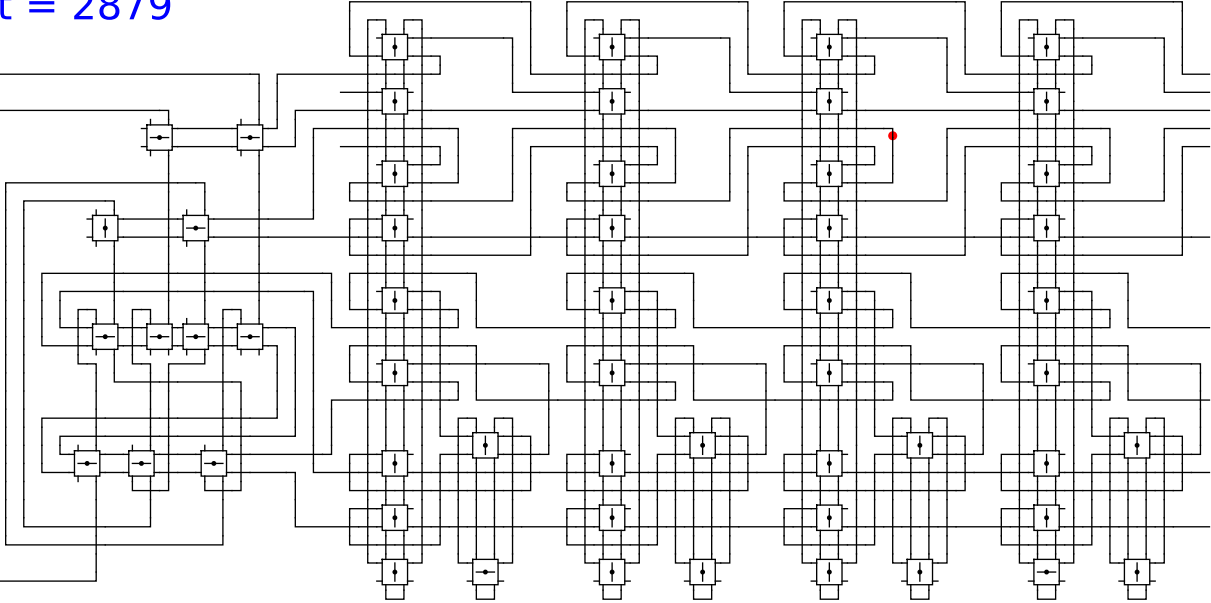
head

0

t = 2879

Reject
Accept

Begin

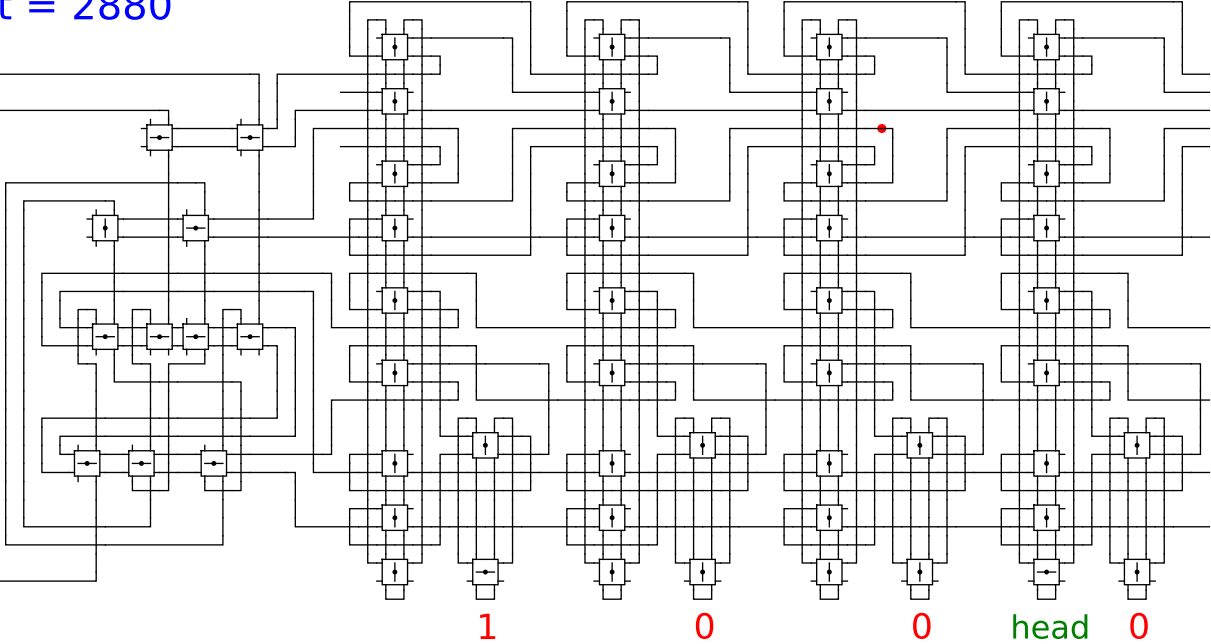


1 0 0 head 0

t = 2880

Reject
Accept

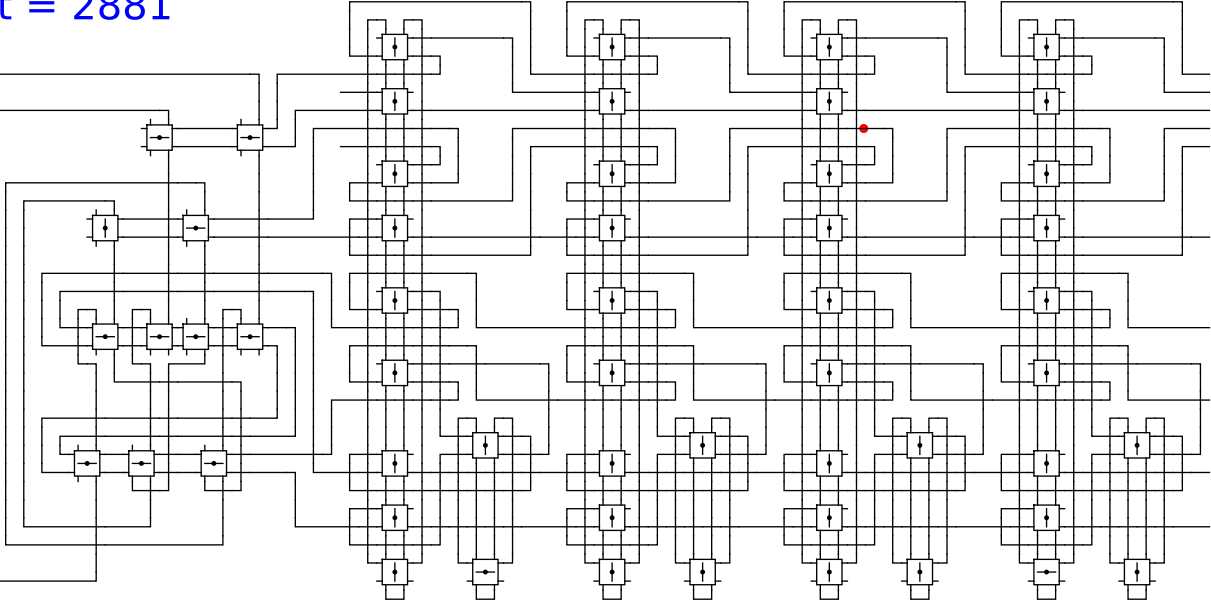
Begin



t = 2881

Reject
Accept

Begin



1

0

0

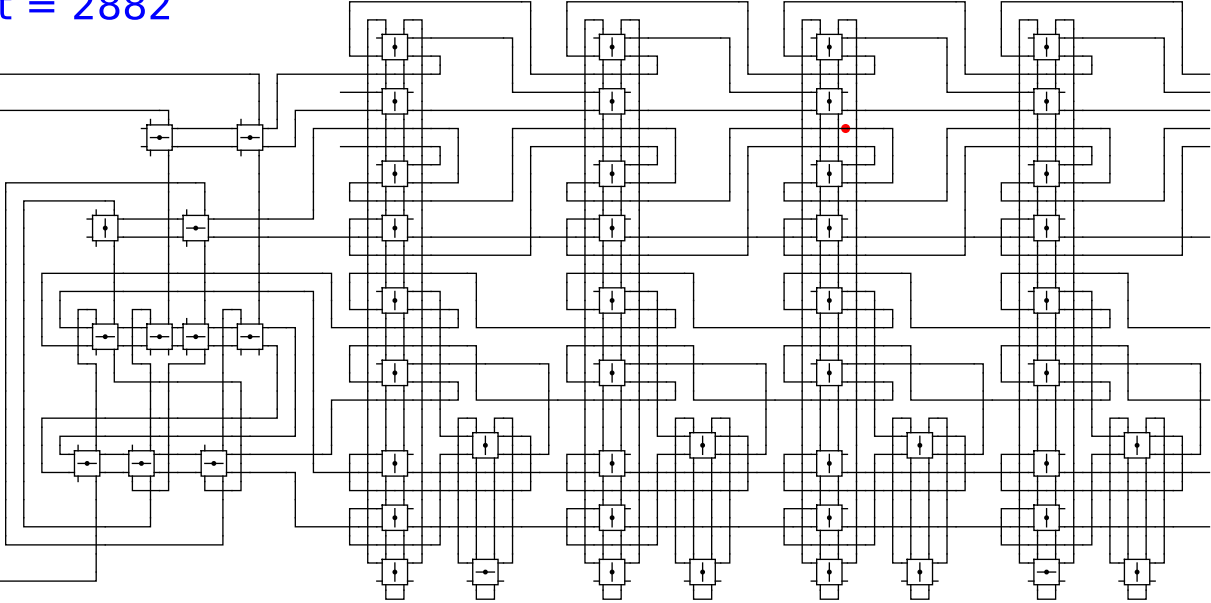
head

0

t = 2882

Reject
Accept

Begin

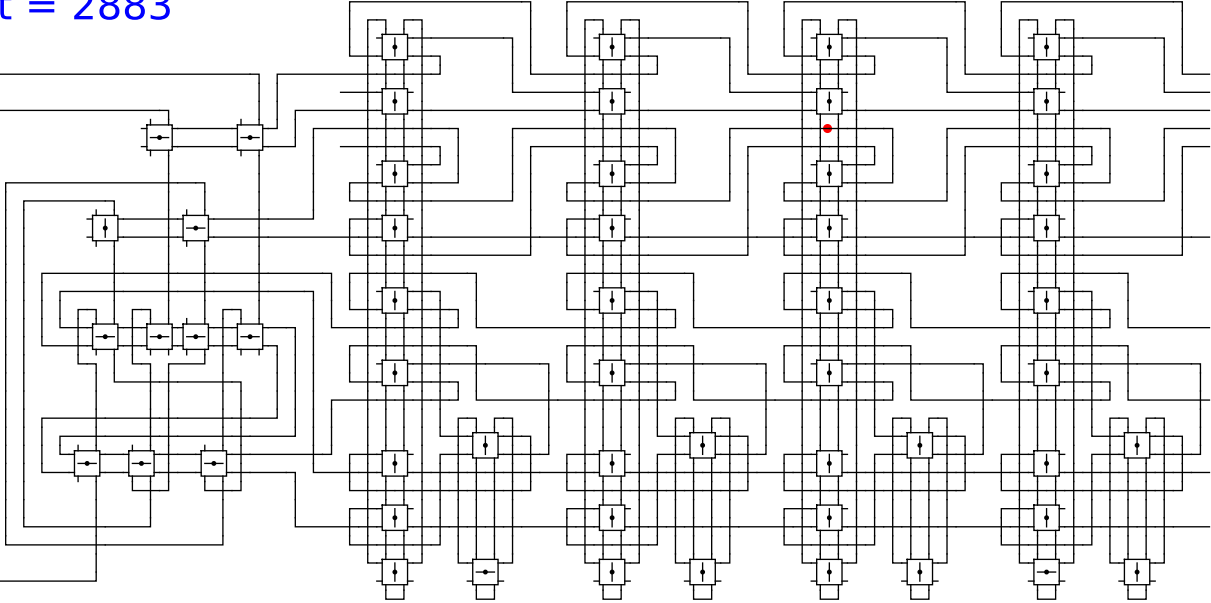


1 0 0 head 0

t = 2883

Reject
Accept

Begin



1

0

0

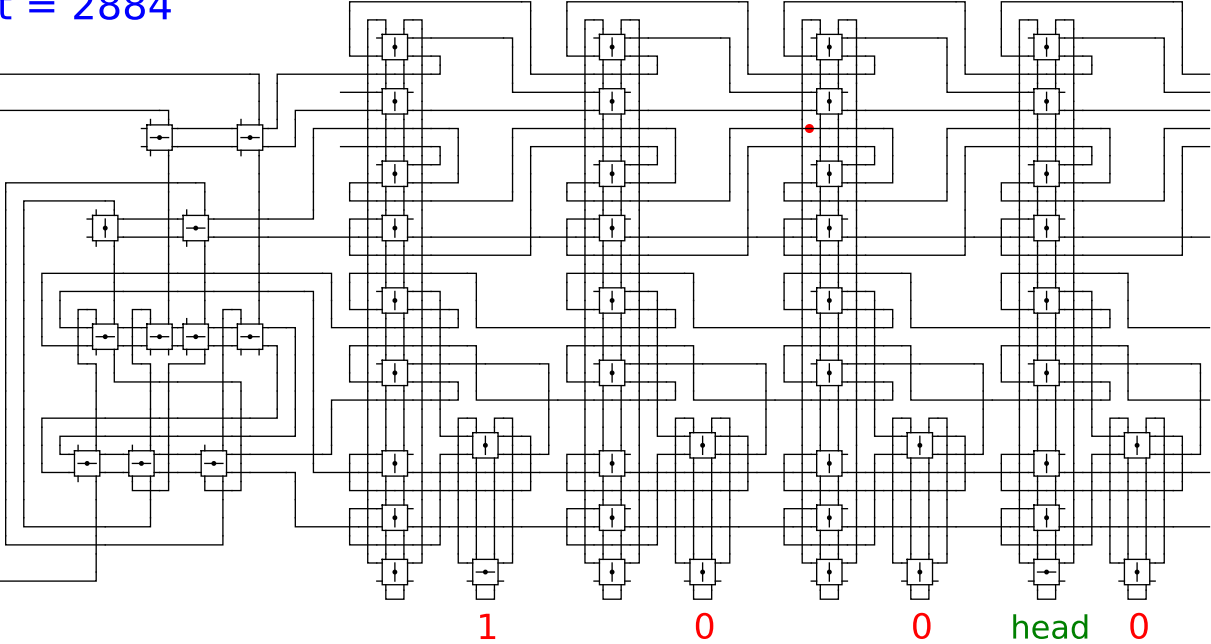
head

0

t = 2884

Reject
Accept

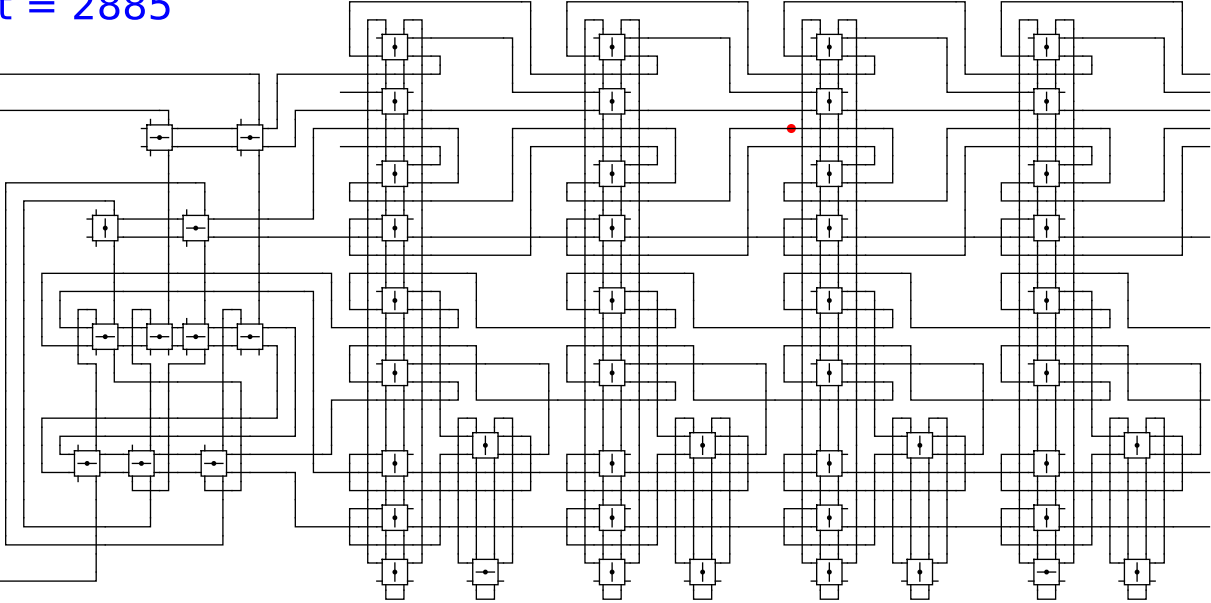
Begin



t = 2885

Reject
Accept

Begin

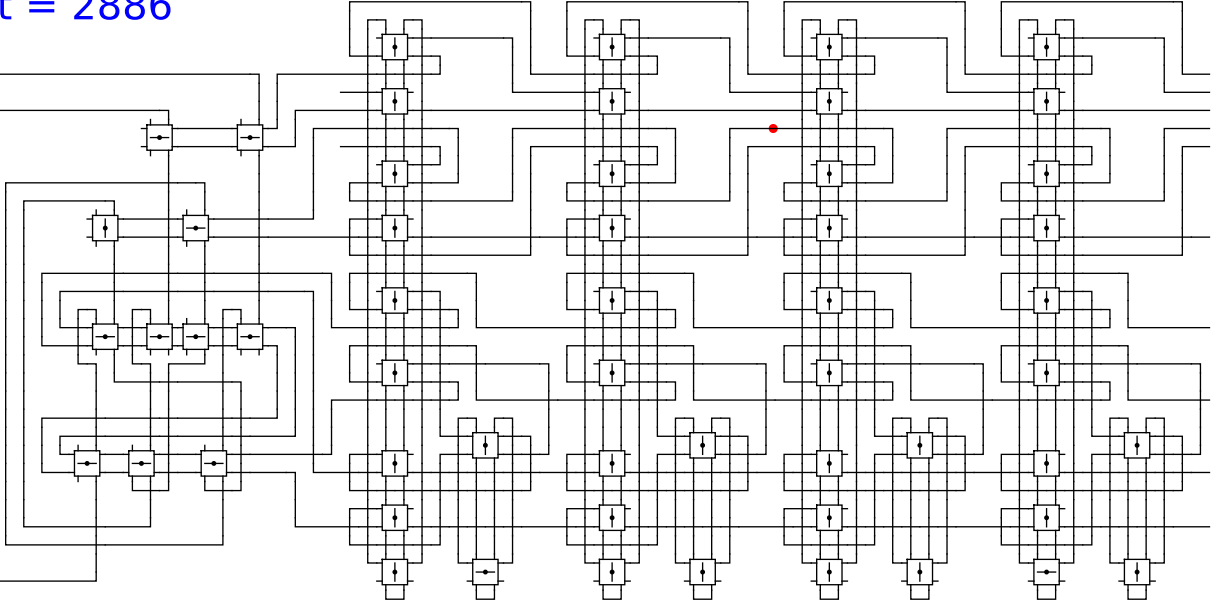


1 0 0 head 0

t = 2886

Reject
Accept

Begin

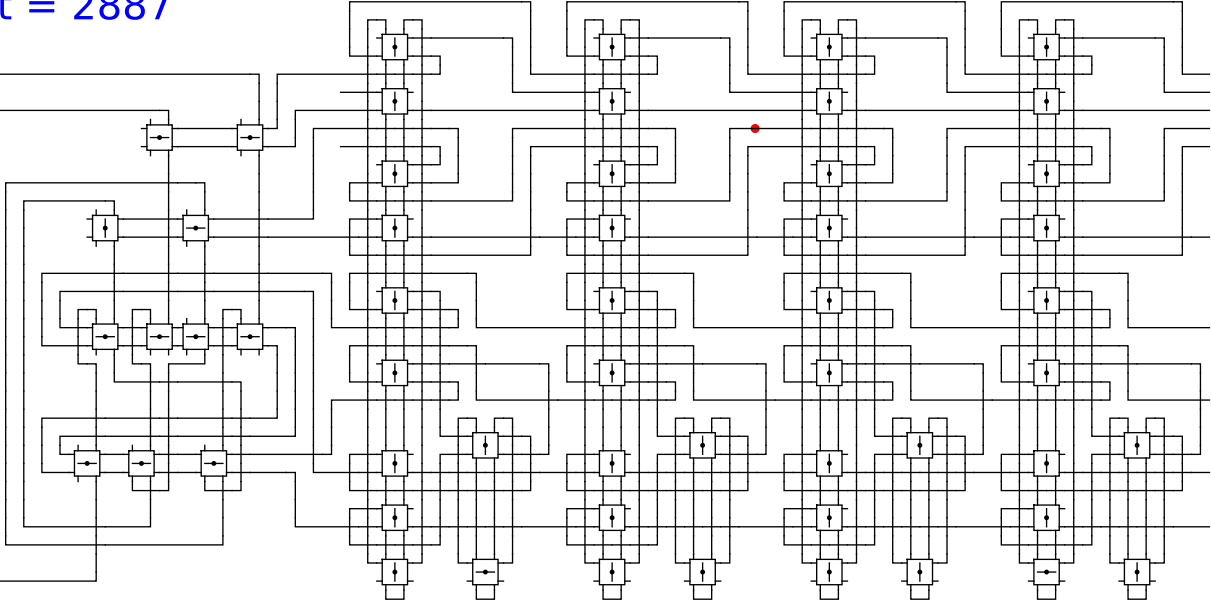


1 0 0 head 0

t = 2887

Reject
Accept

Begin



1

0

0

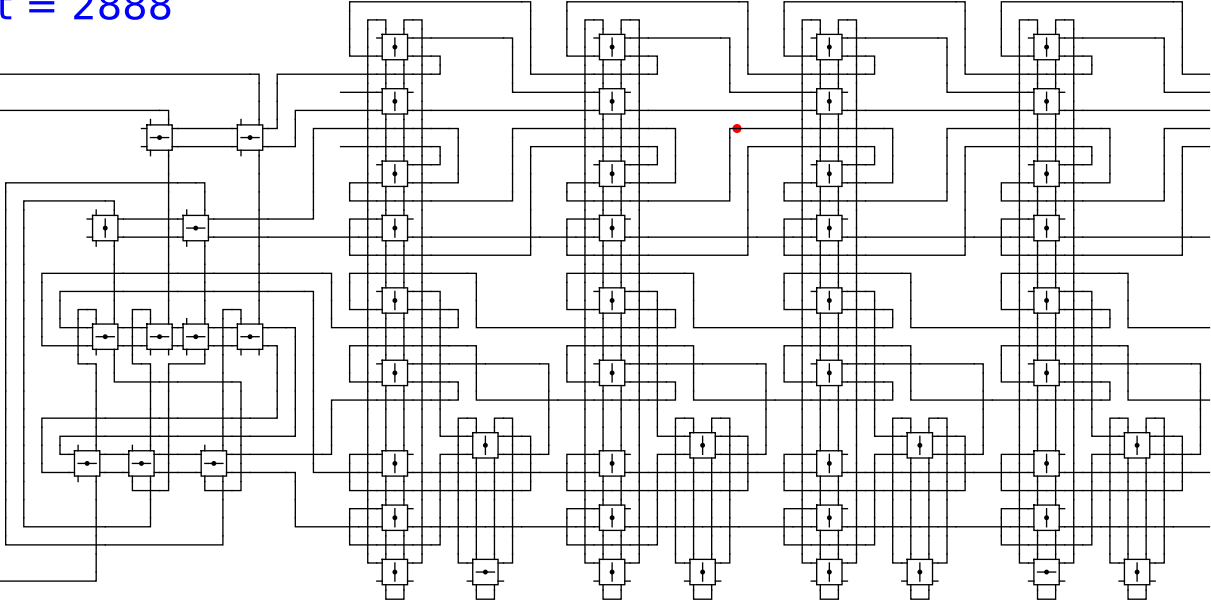
head

0

t = 2888

Reject
Accept

Begin

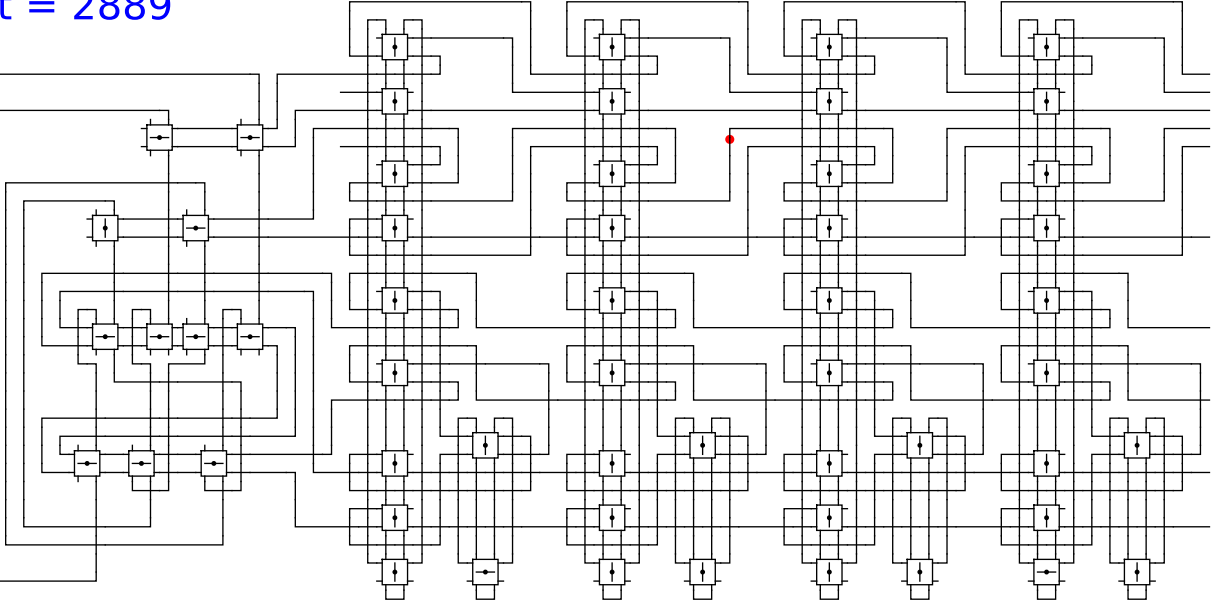


1 0 0 head 0

t = 2889

Reject
Accept

Begin

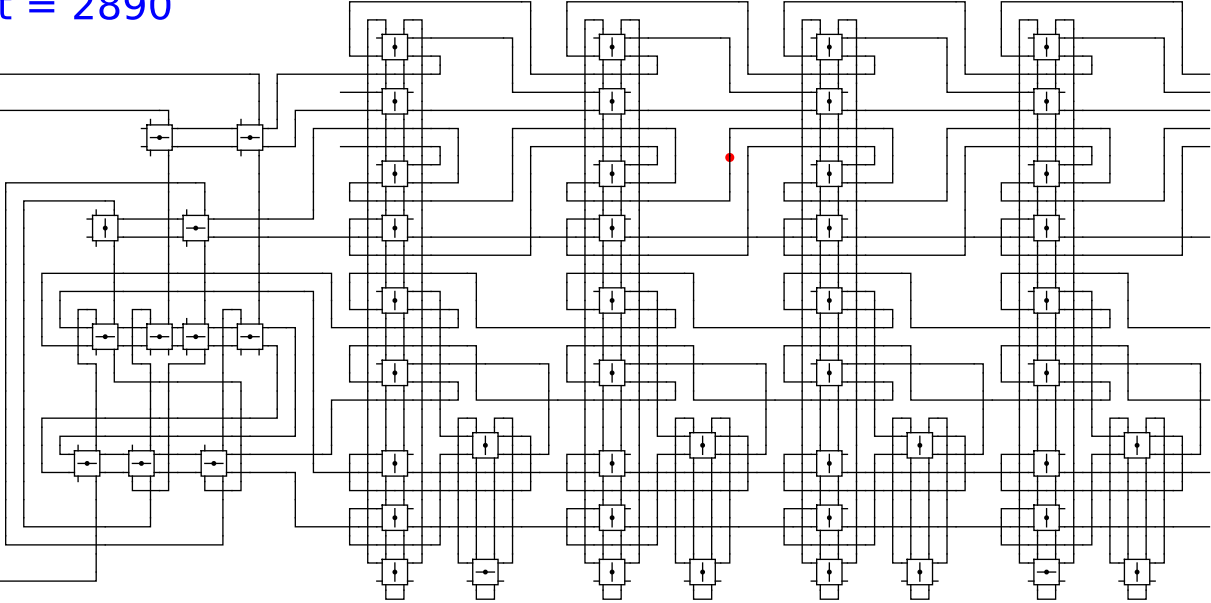


1 0 0 head 0

t = 2890

Reject
Accept

Begin

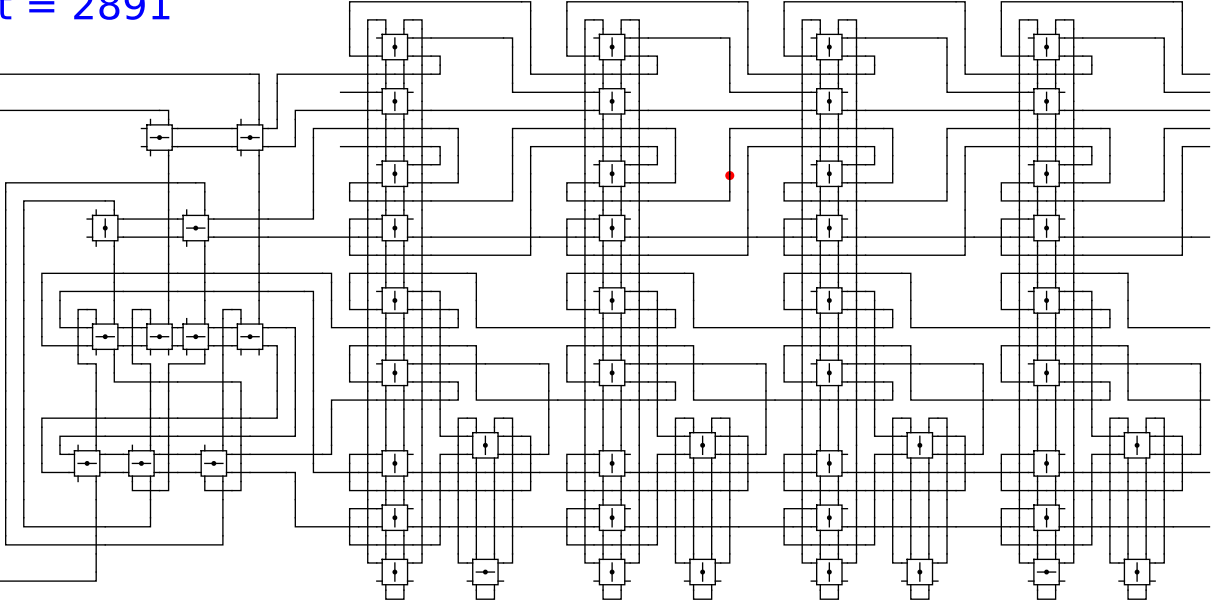


1 0 0 head 0

t = 2891

Reject
Accept

Begin



1

0

0

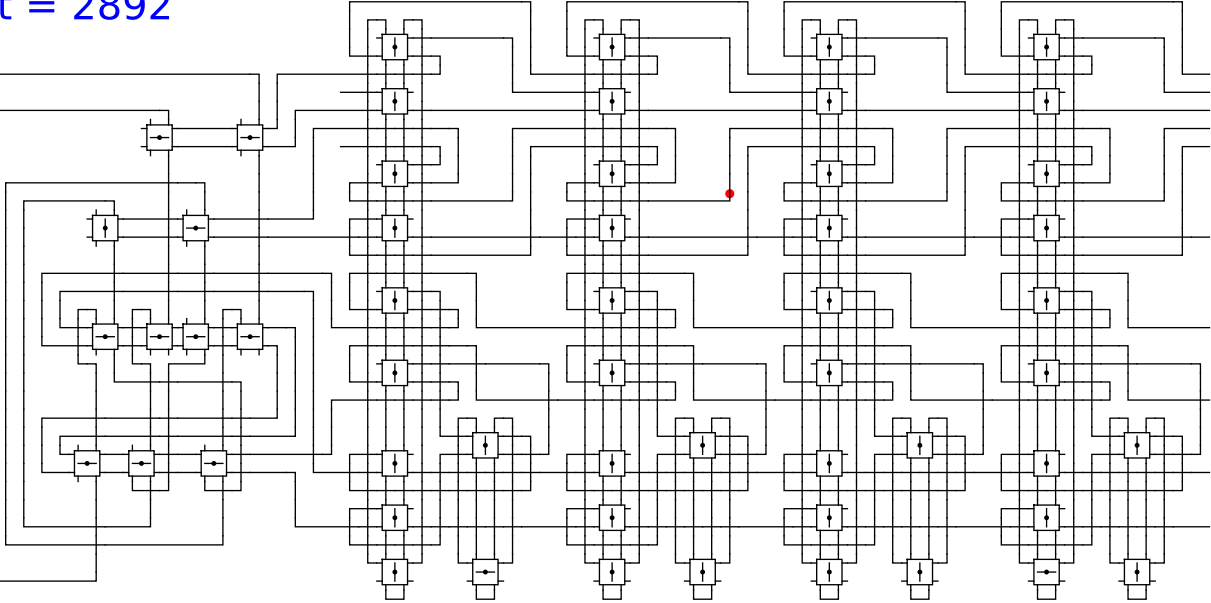
head

0

t = 2892

Reject
Accept

Begin



1

0

0

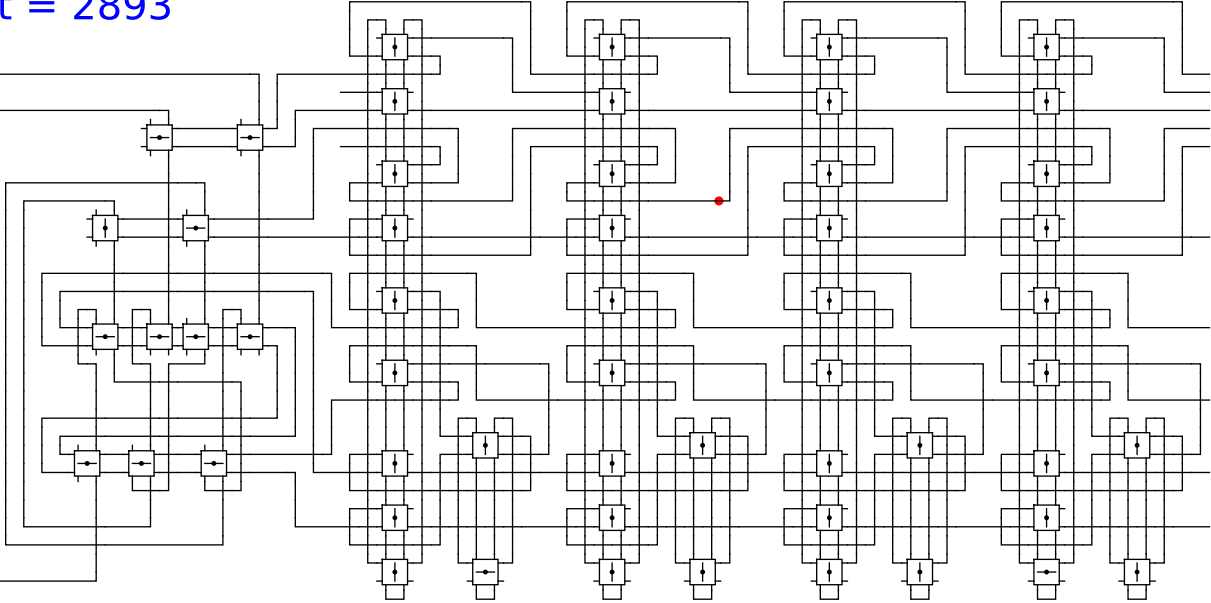
head

0

t = 2893

Reject
Accept

Begin



1

0

0

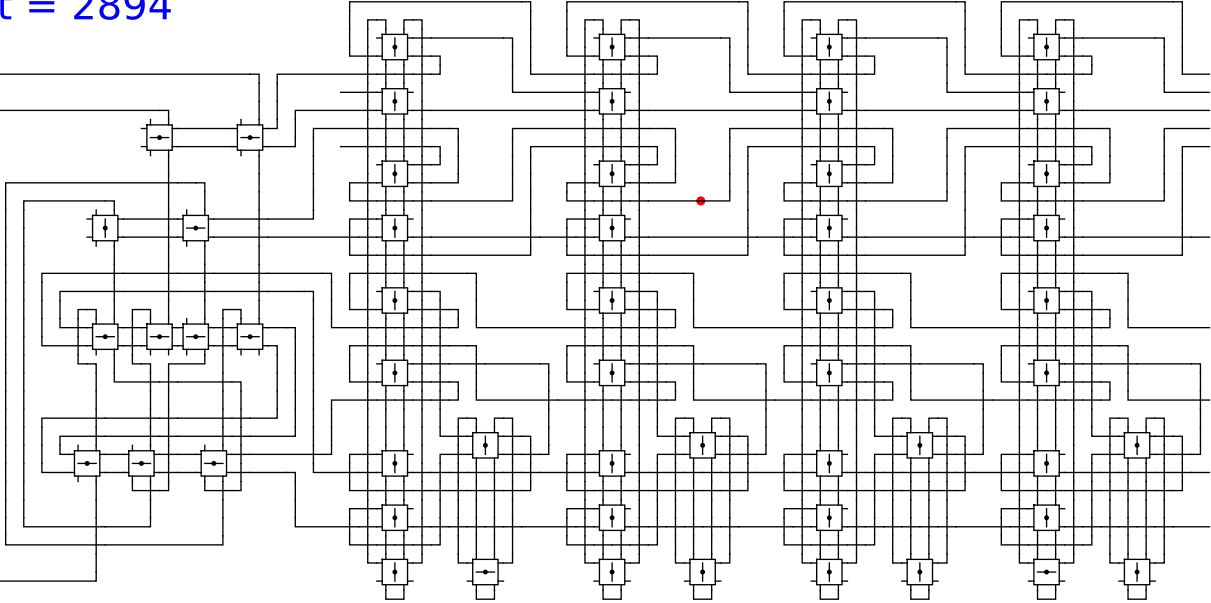
head

0

t = 2894

Reject
Accept

Begin

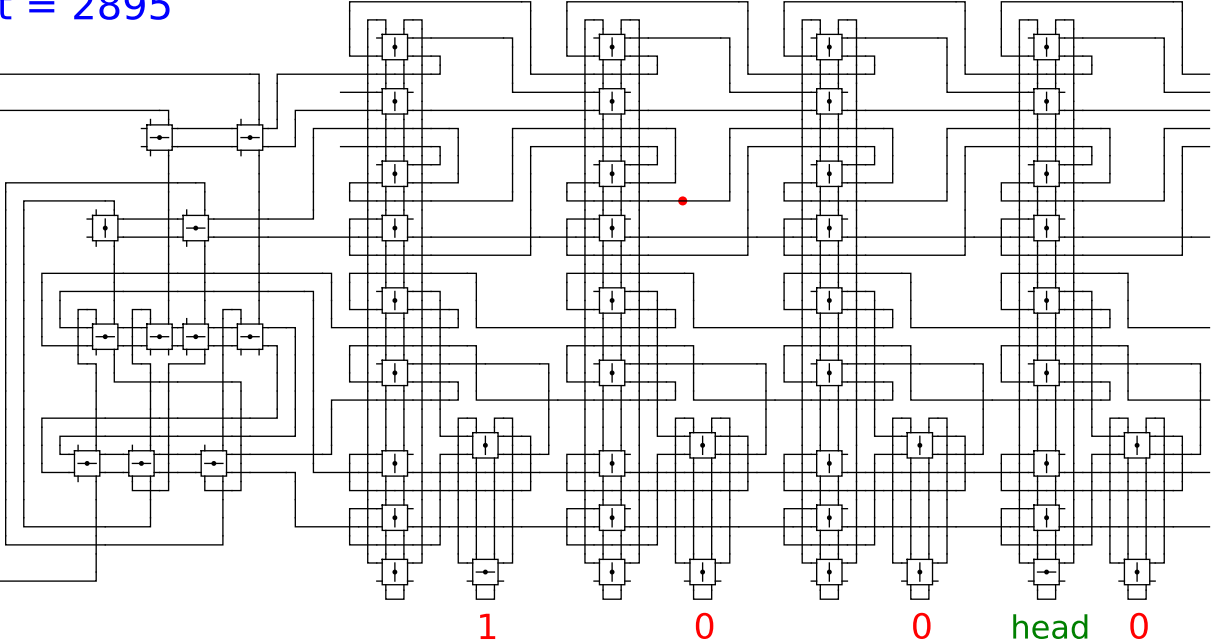


1 0 0 head 0

t = 2895

Reject
Accept

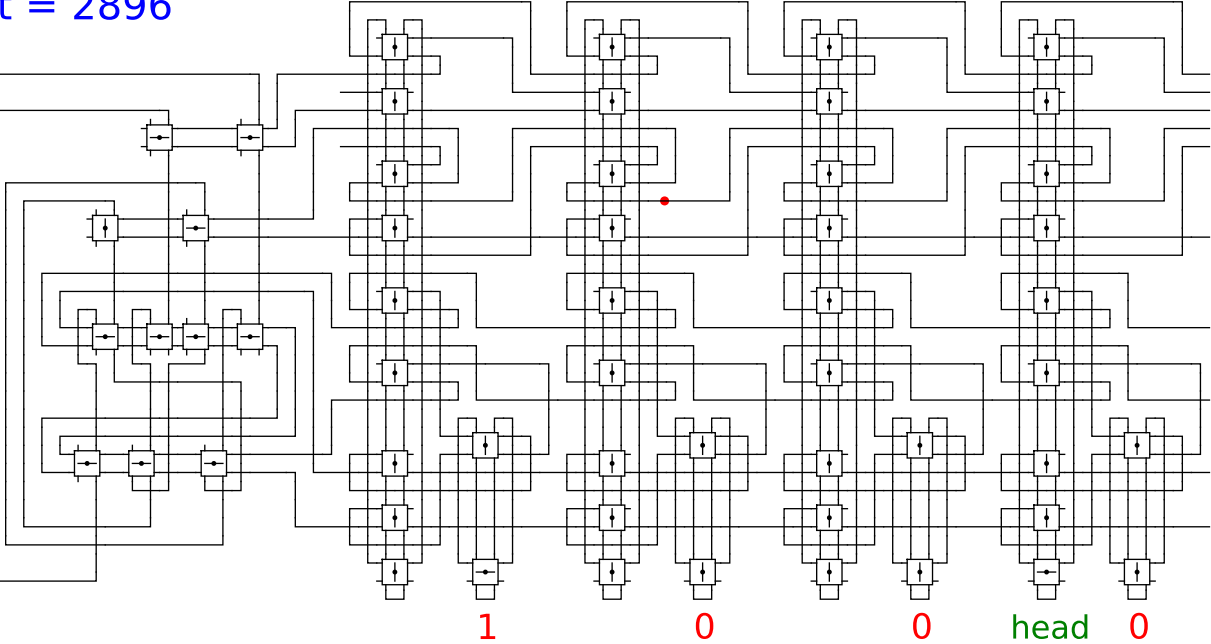
Begin



t = 2896

Reject
Accept

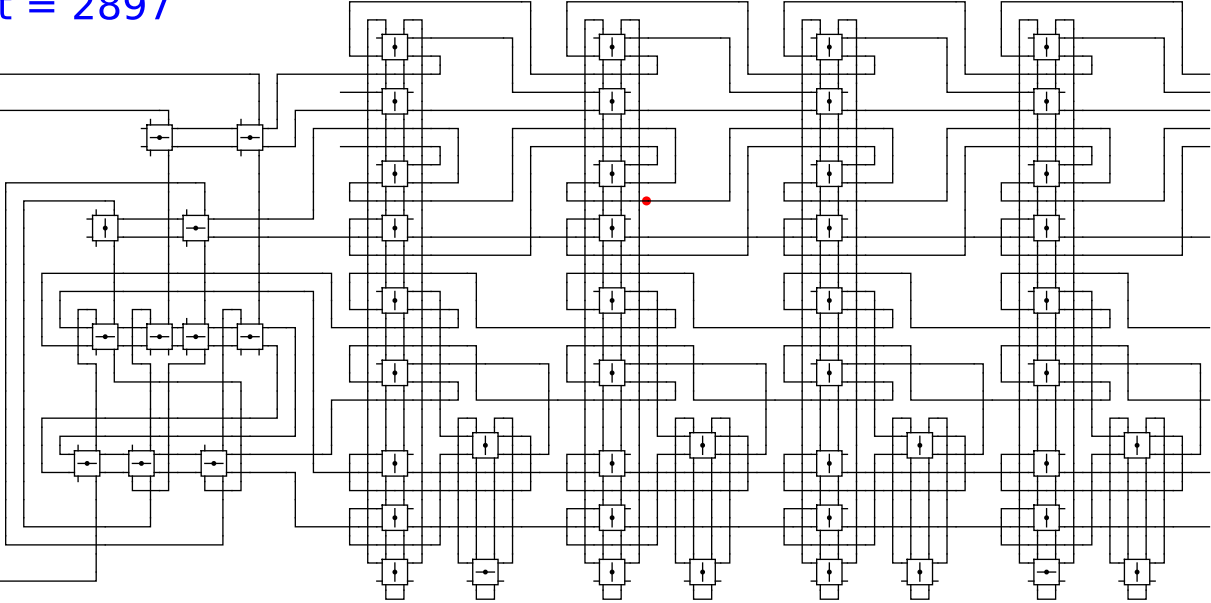
Begin



t = 2897

Reject
Accept

Begin



1

0

0

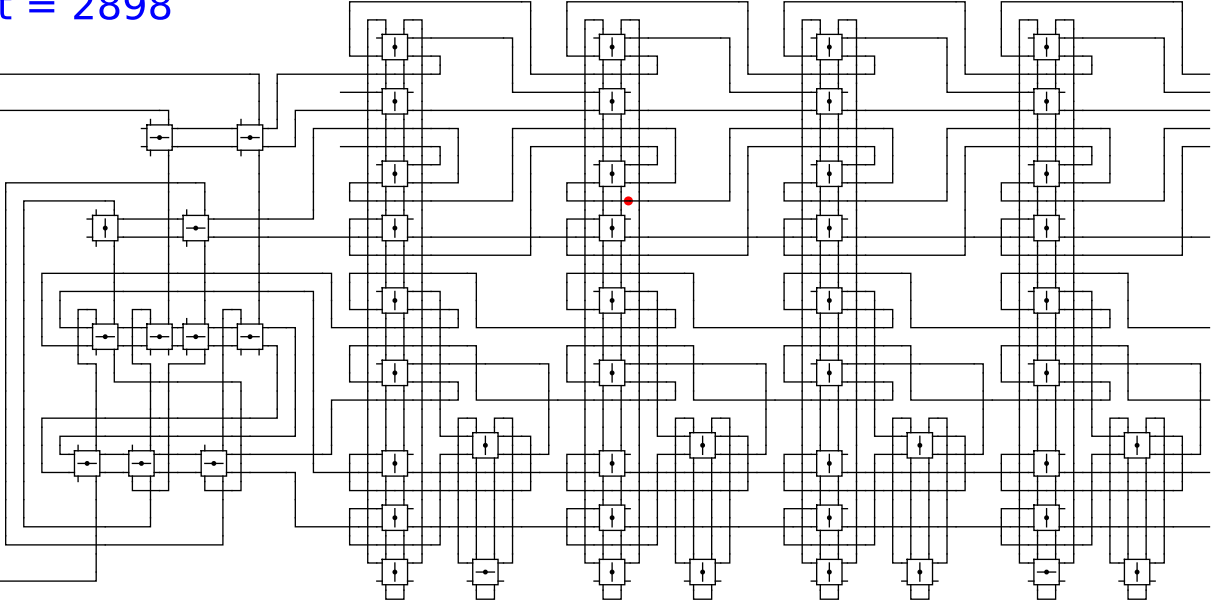
head

0

t = 2898

Reject
Accept

Begin

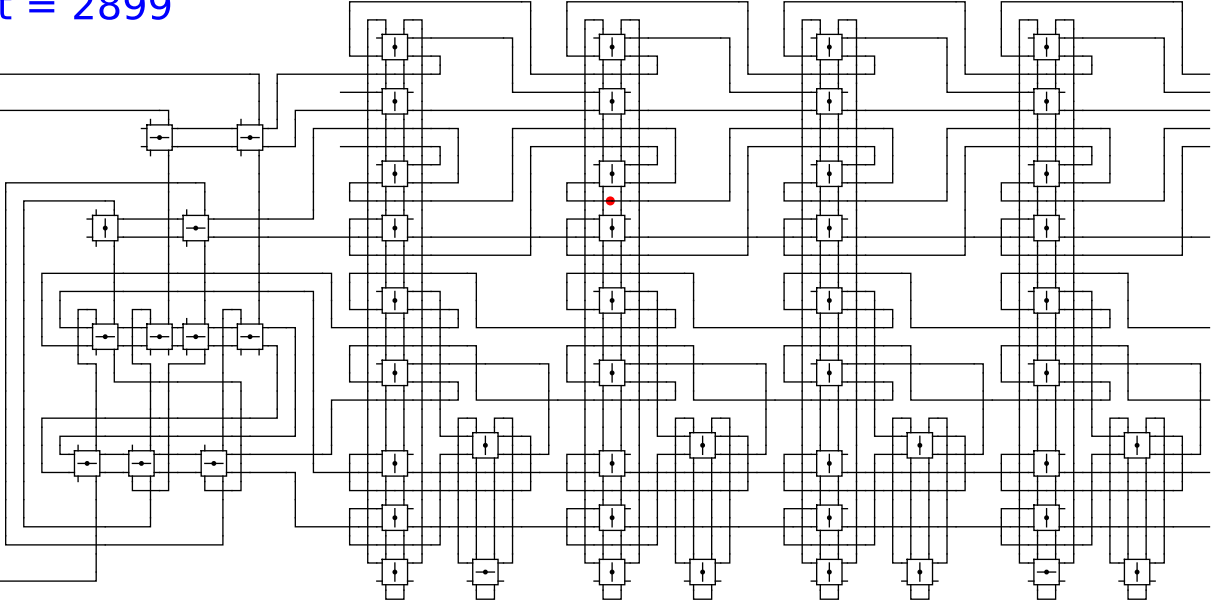


1 0 0 head 0

t = 2899

Reject
Accept

Begin



1

0

0

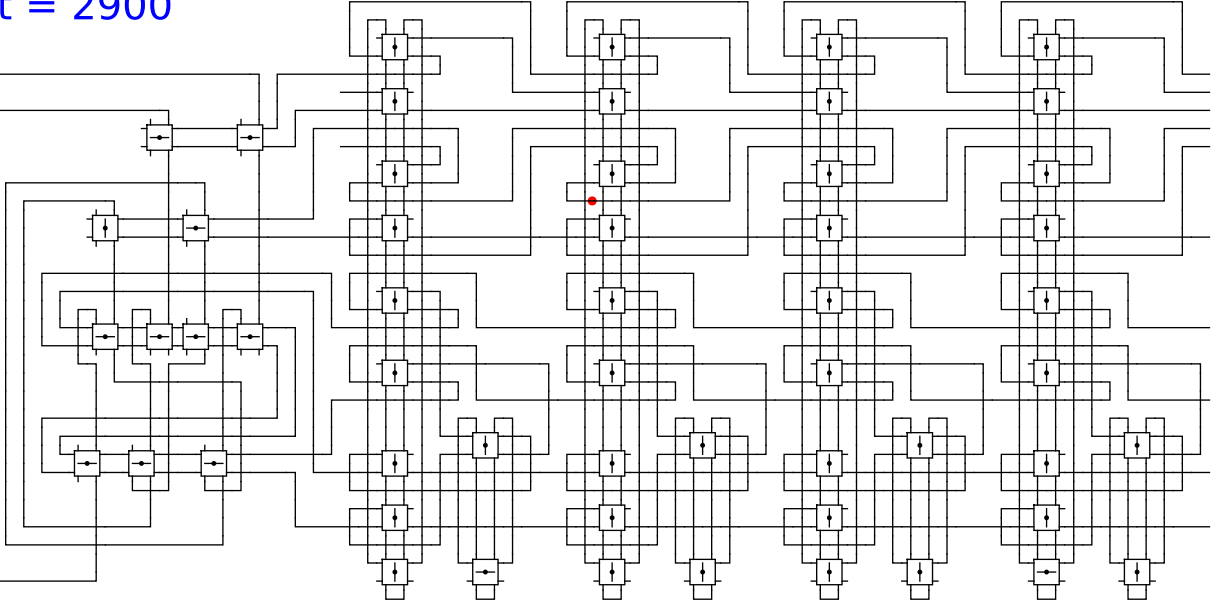
head

0

t = 2900

Reject
Accept

Begin



1

0

0

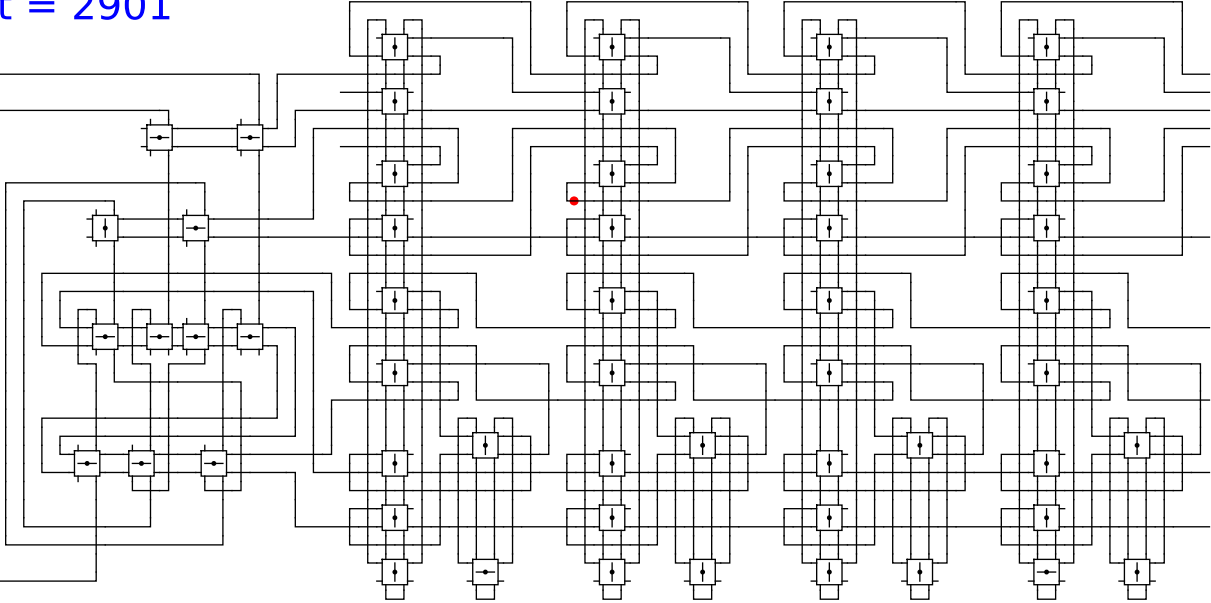
head

0

t = 2901

Reject
Accept

Begin



1

0

0

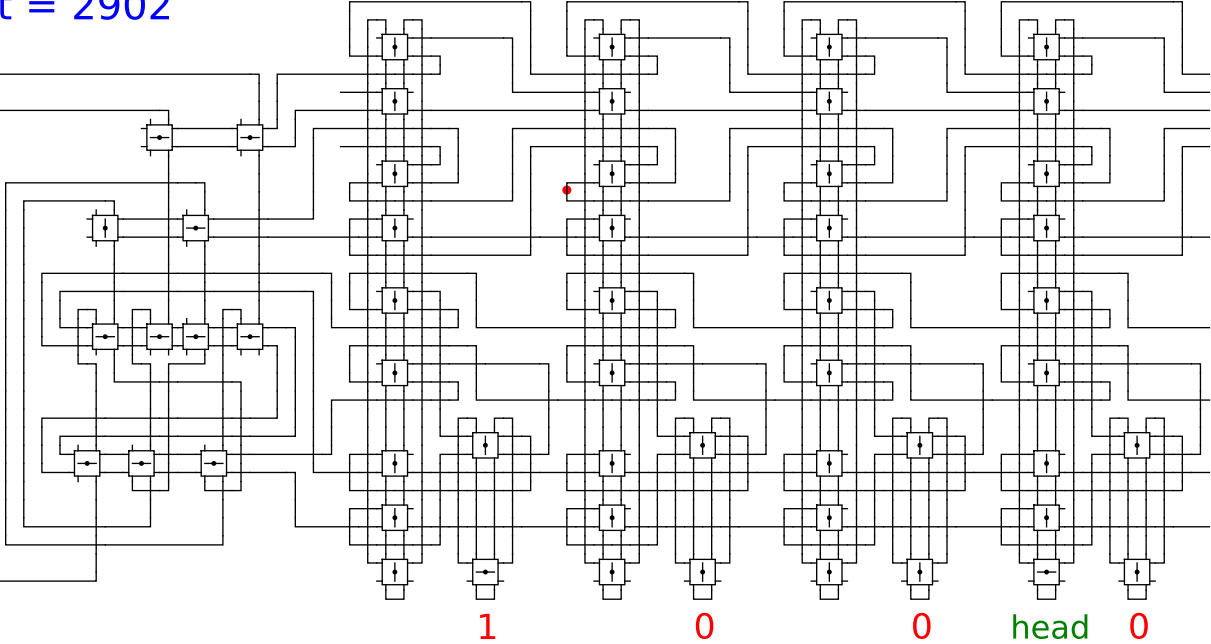
head

0

t = 2902

Reject
Accept

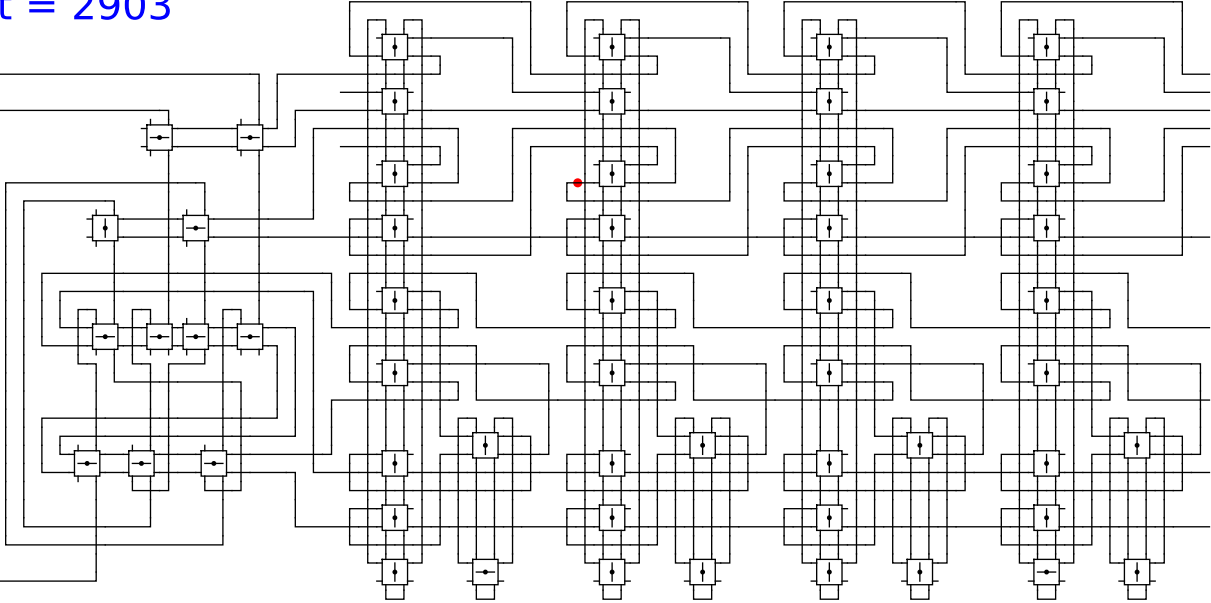
Begin



t = 2903

Reject
Accept

Begin

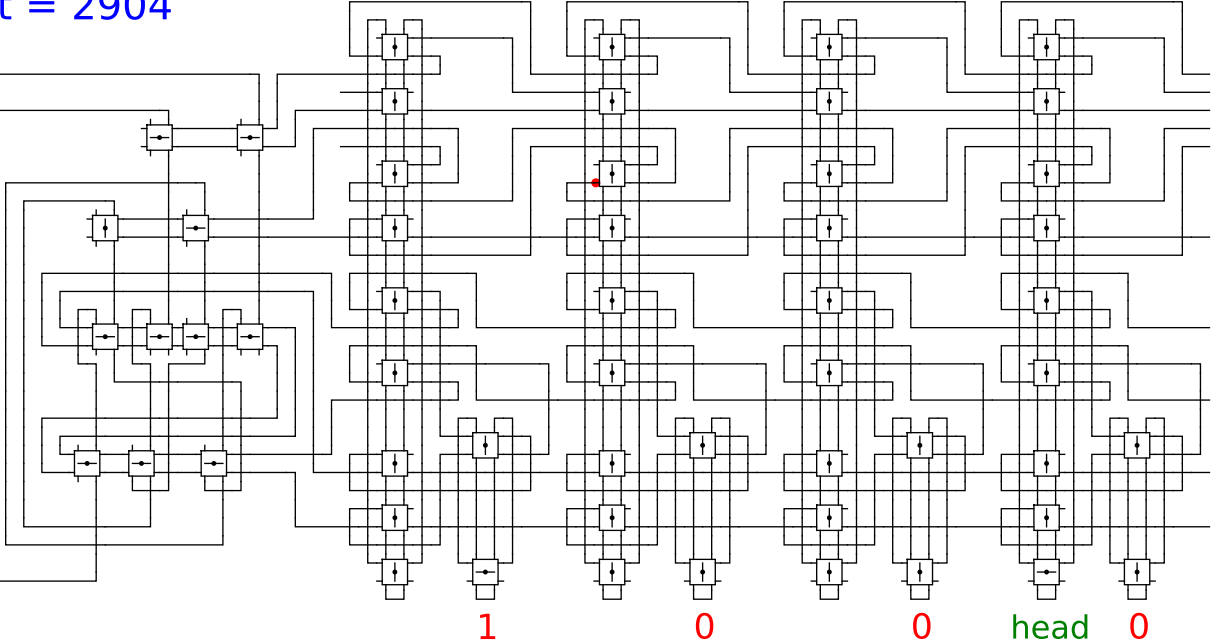


1 0 0 head 0

t = 2904

Reject
Accept

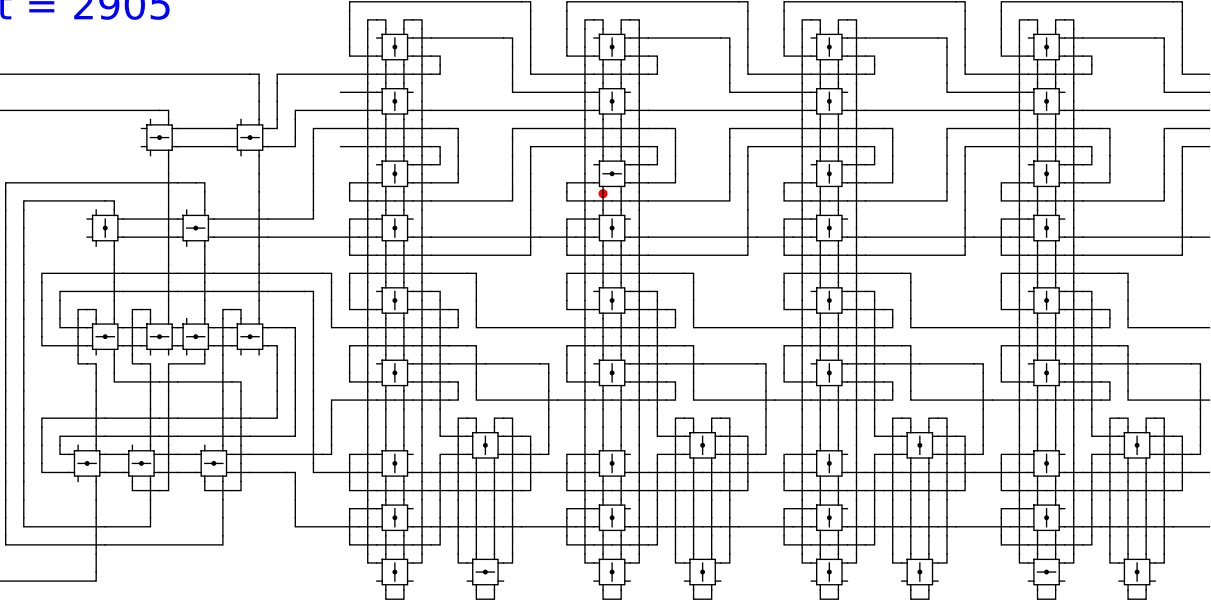
Begin



t = 2905

Reject
Accept

Begin

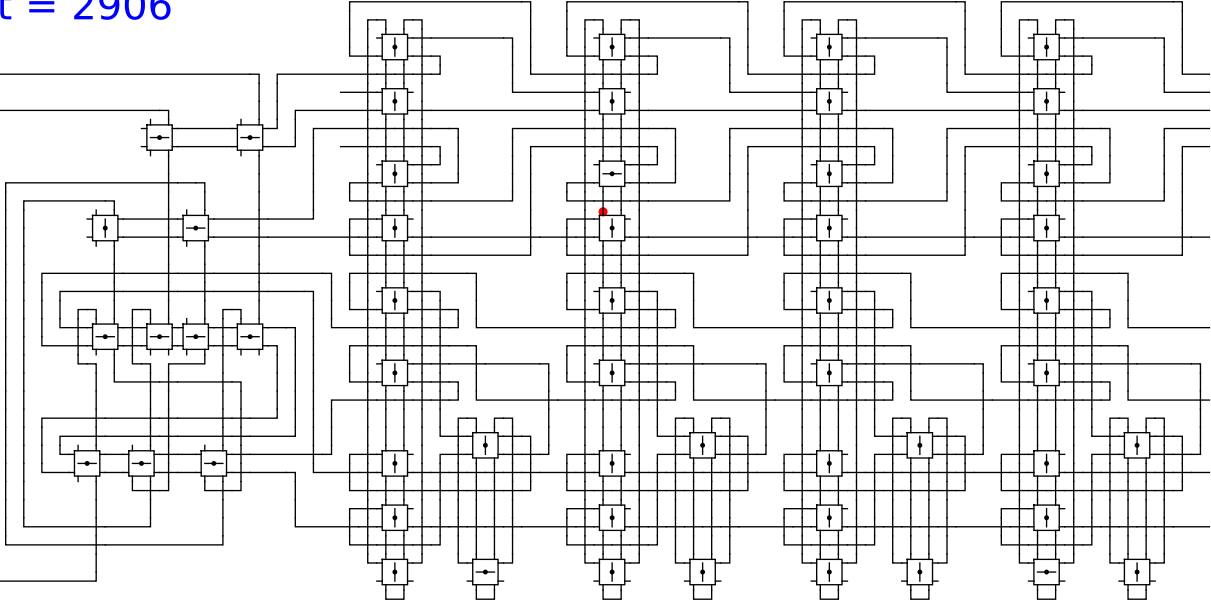


1 0 0 head 0

t = 2906

Reject
Accept

Begin

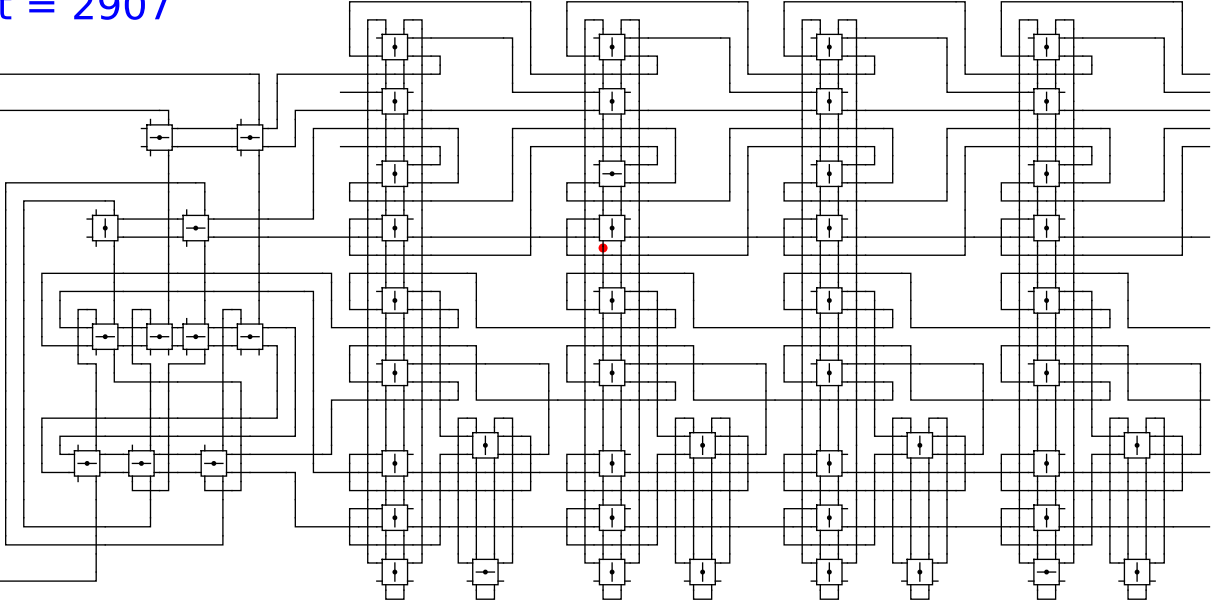


1 0 0 head 0

t = 2907

Reject
Accept

Begin

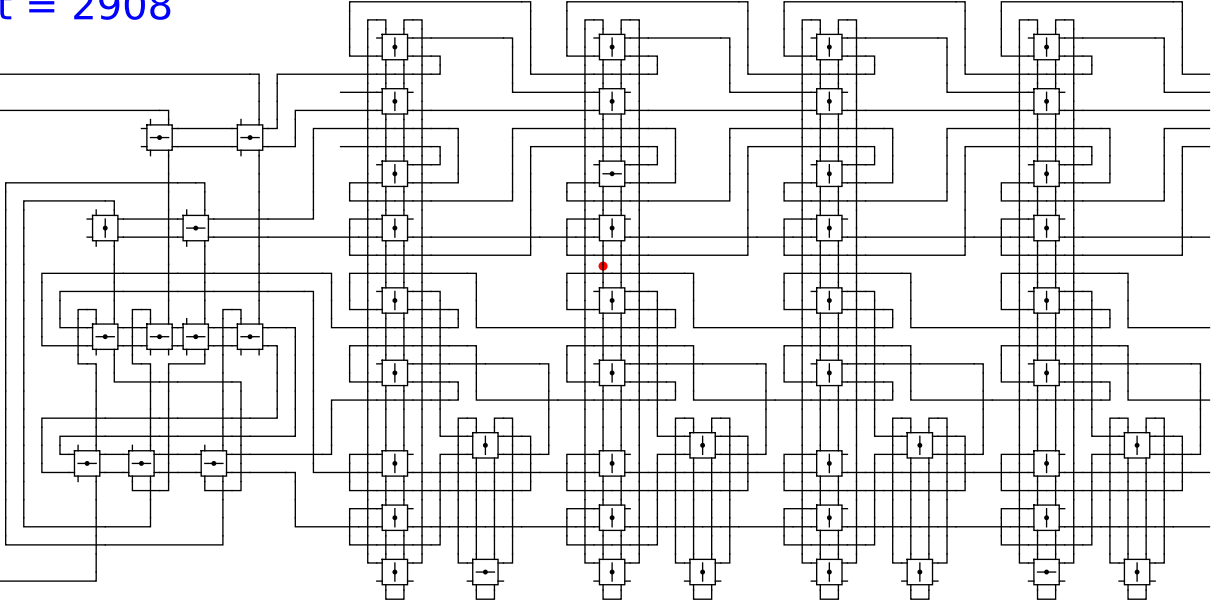


1 0 0 head 0

t = 2908

Reject
Accept

Begin



1

0

0

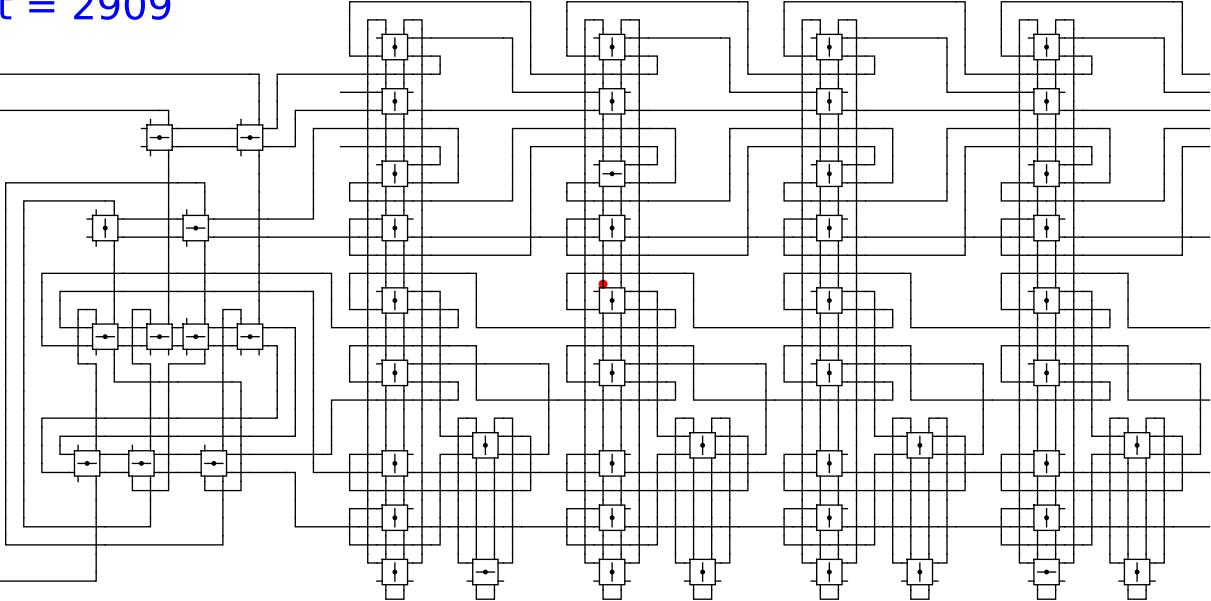
head

0

t = 2909

Reject
Accept

Begin

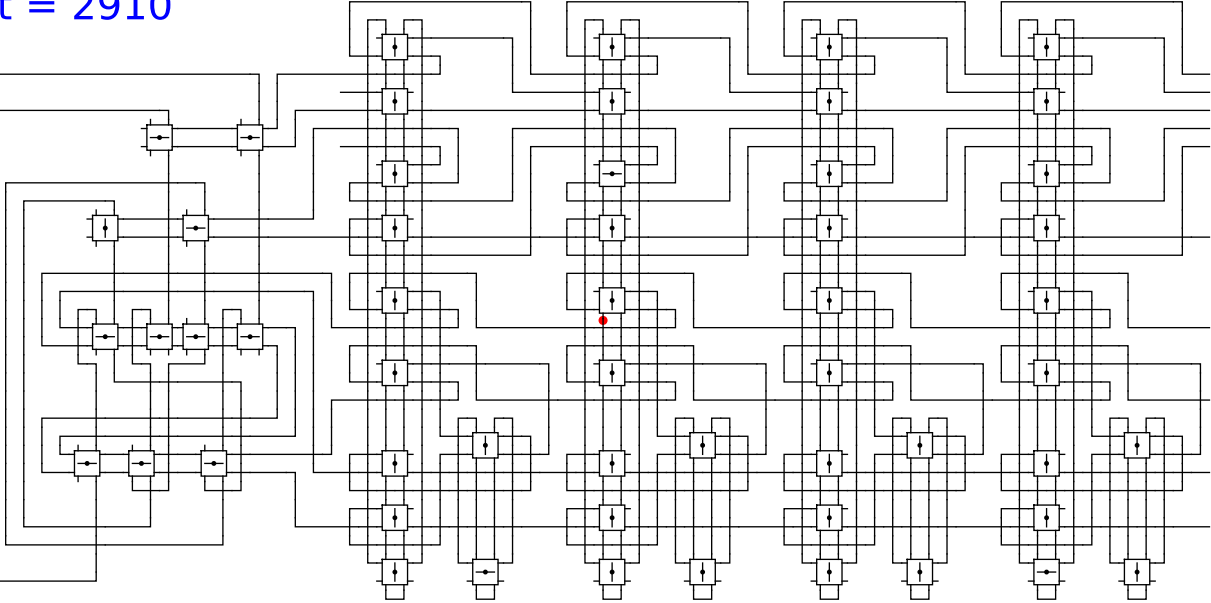


1 0 0 head 0

t = 2910

Reject
Accept

Begin



1

0

0

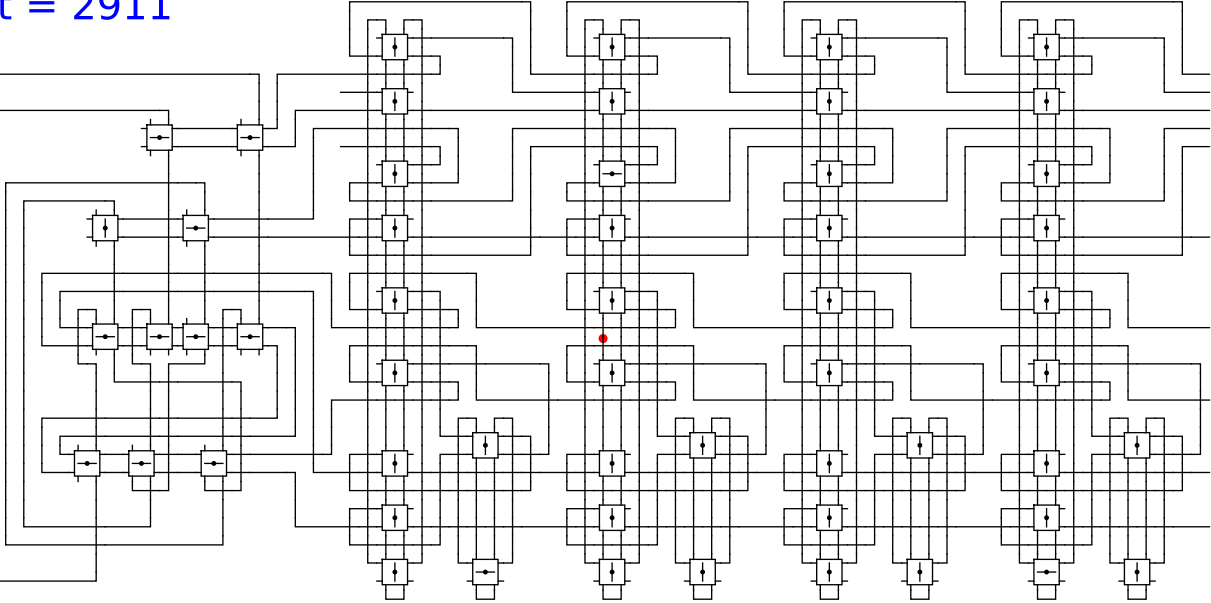
head

0

t = 2911

Reject
Accept

Begin

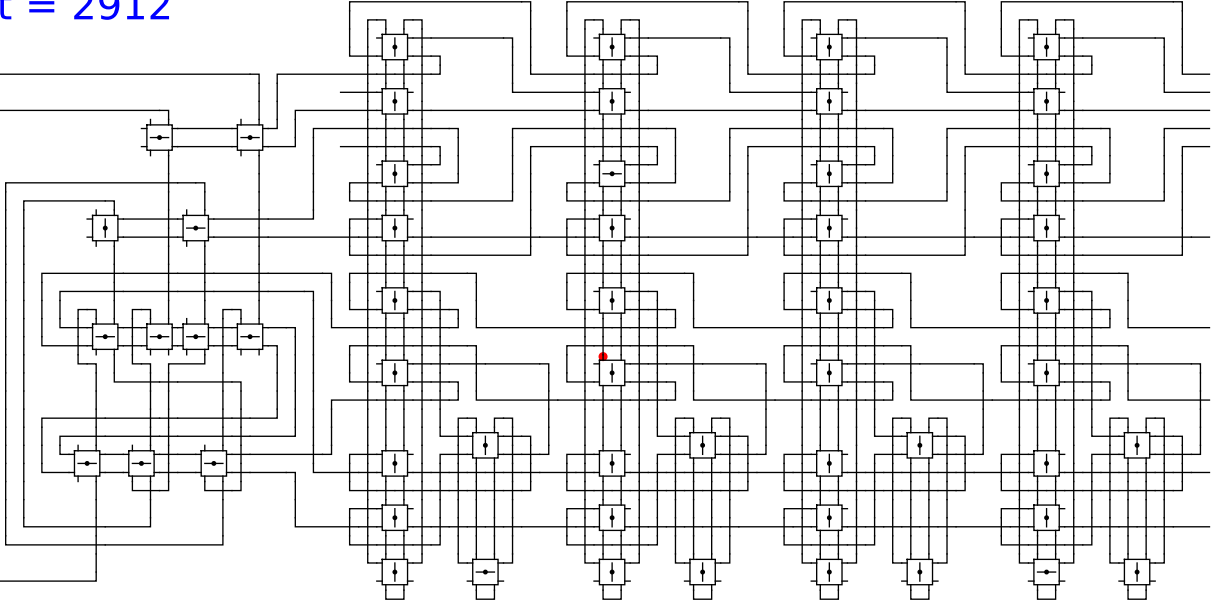


1 0 0 head 0

t = 2912

Reject
Accept

Begin



1

0

0

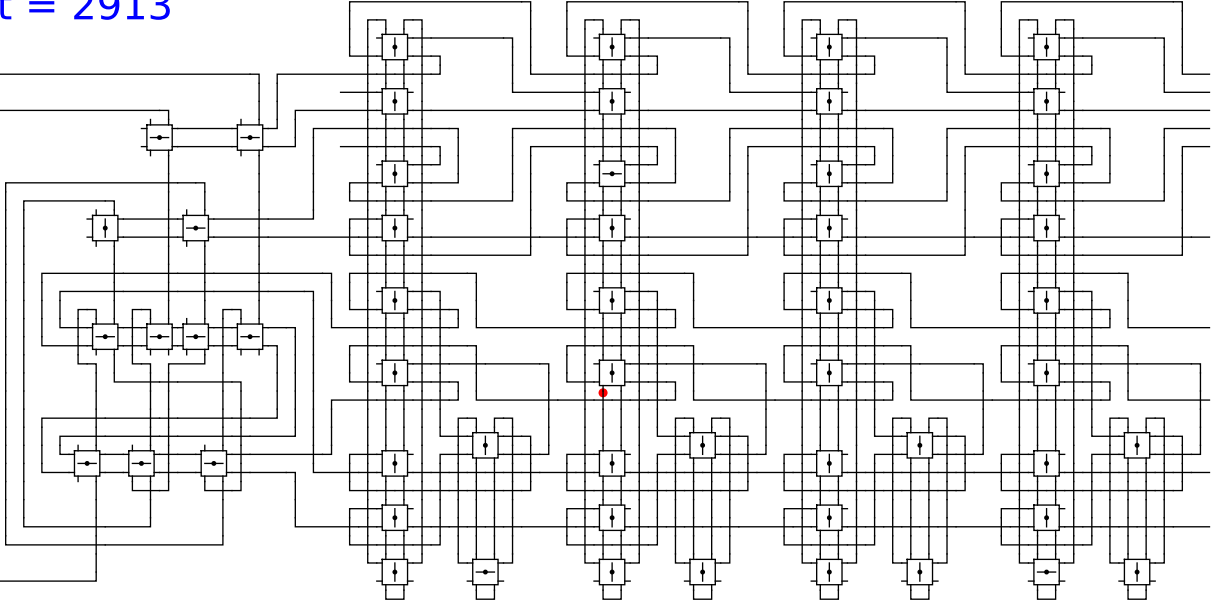
head

0

t = 2913

Reject
Accept

Begin



1

0

0

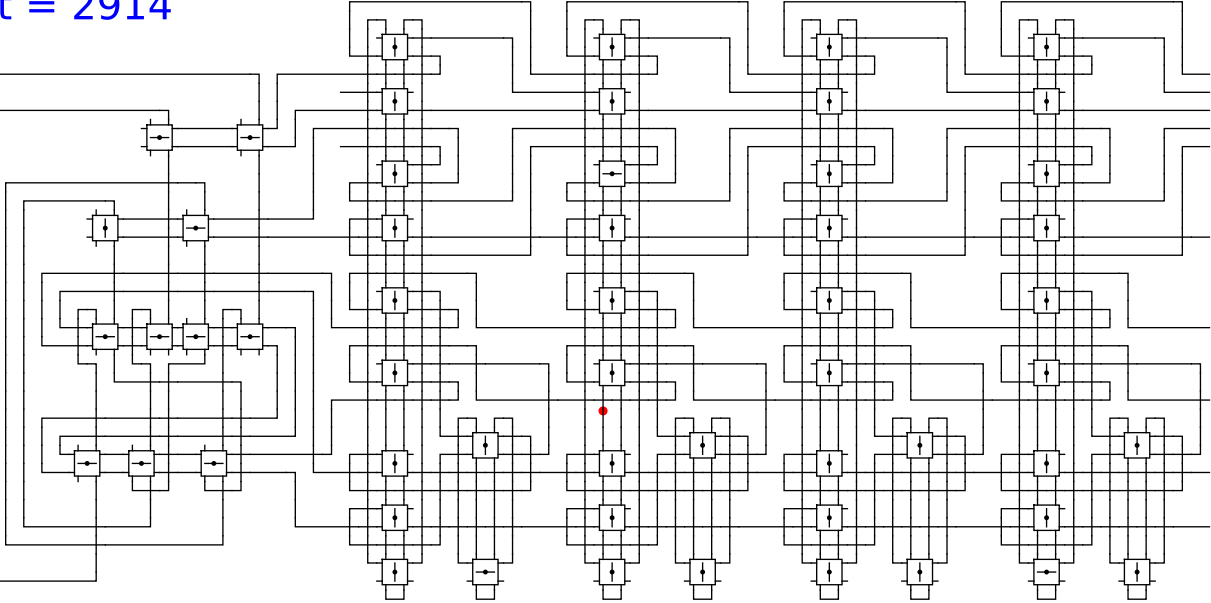
head

0

t = 2914

Reject
Accept

Begin



1

0

0

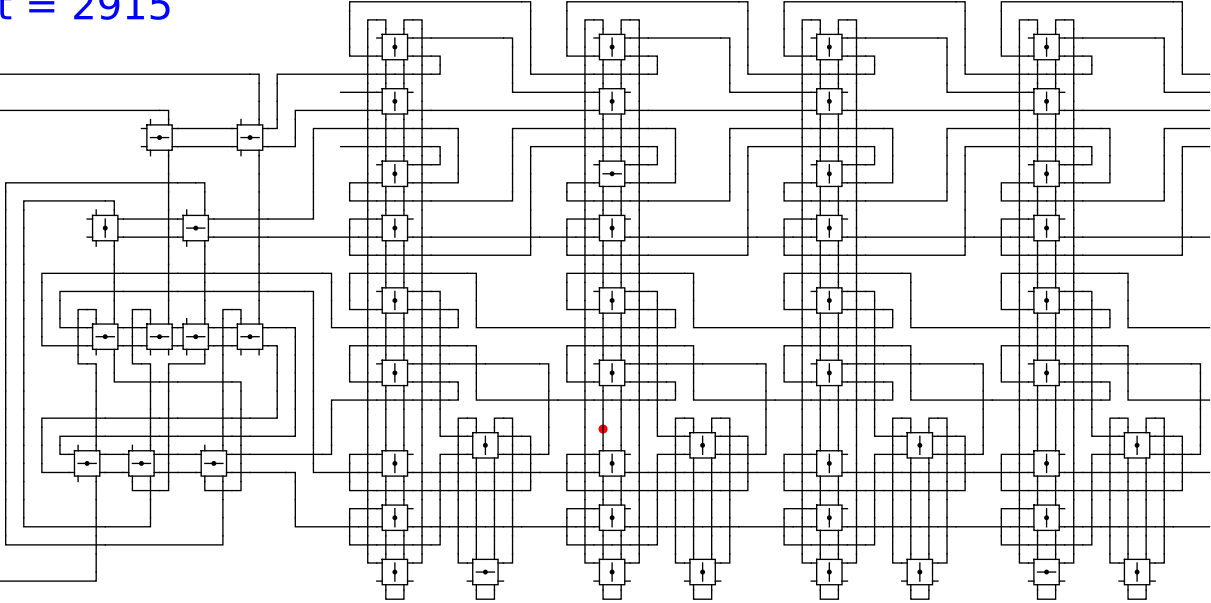
head

0

t = 2915

Reject
Accept

Begin



1

0

0

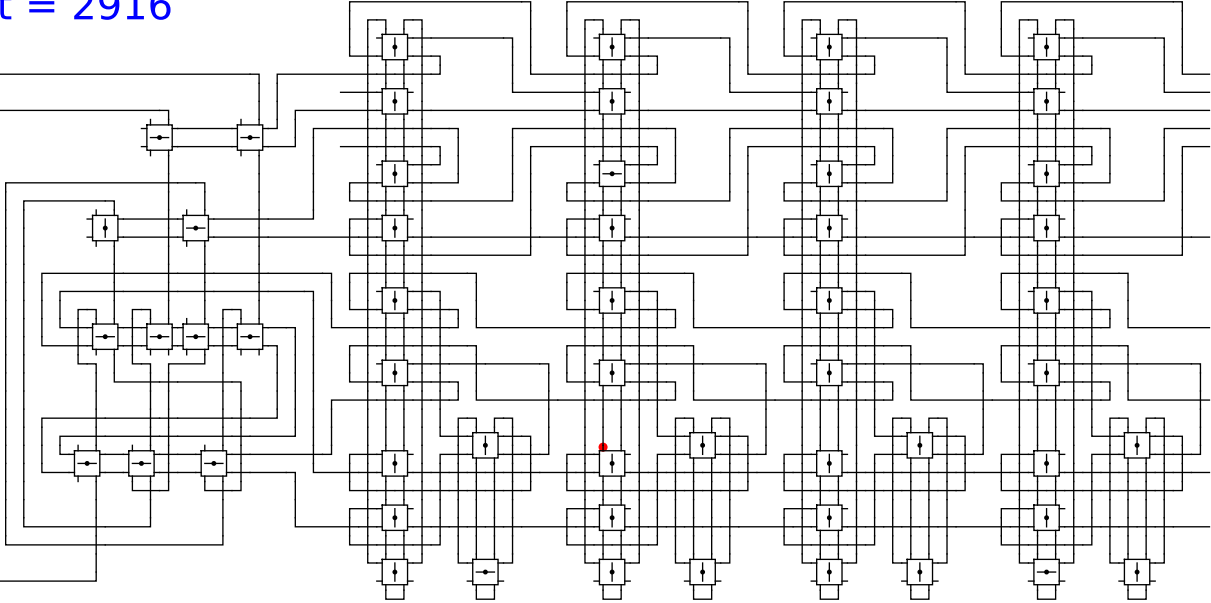
head

0

t = 2916

Reject
Accept

Begin



1

0

0

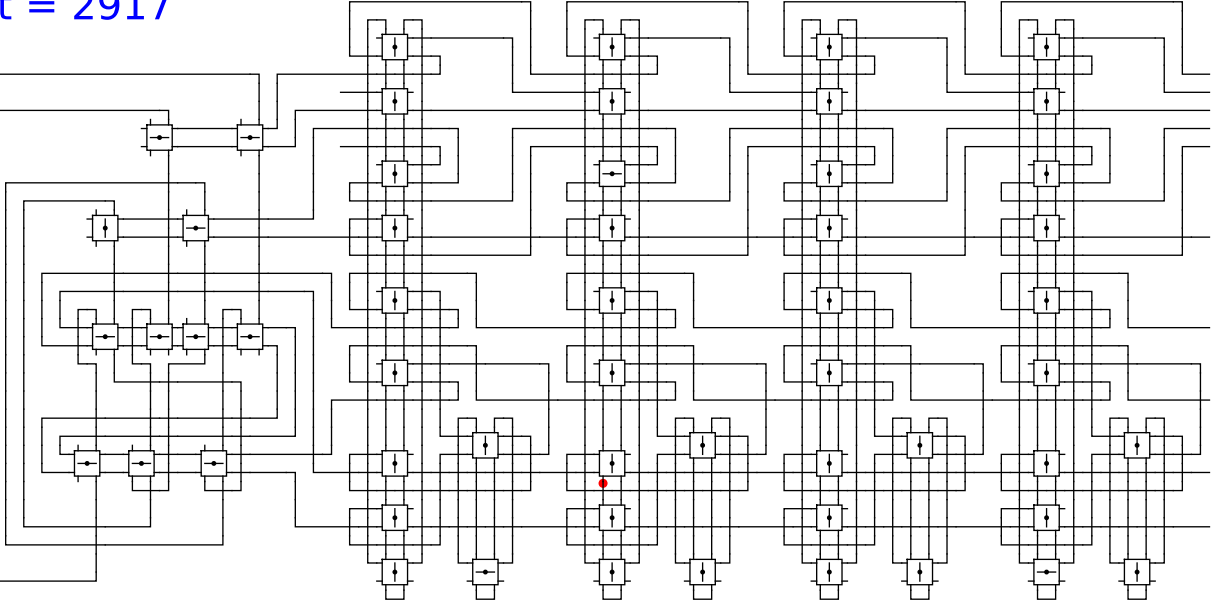
head

0

t = 2917

Reject
Accept

Begin



1

0

0

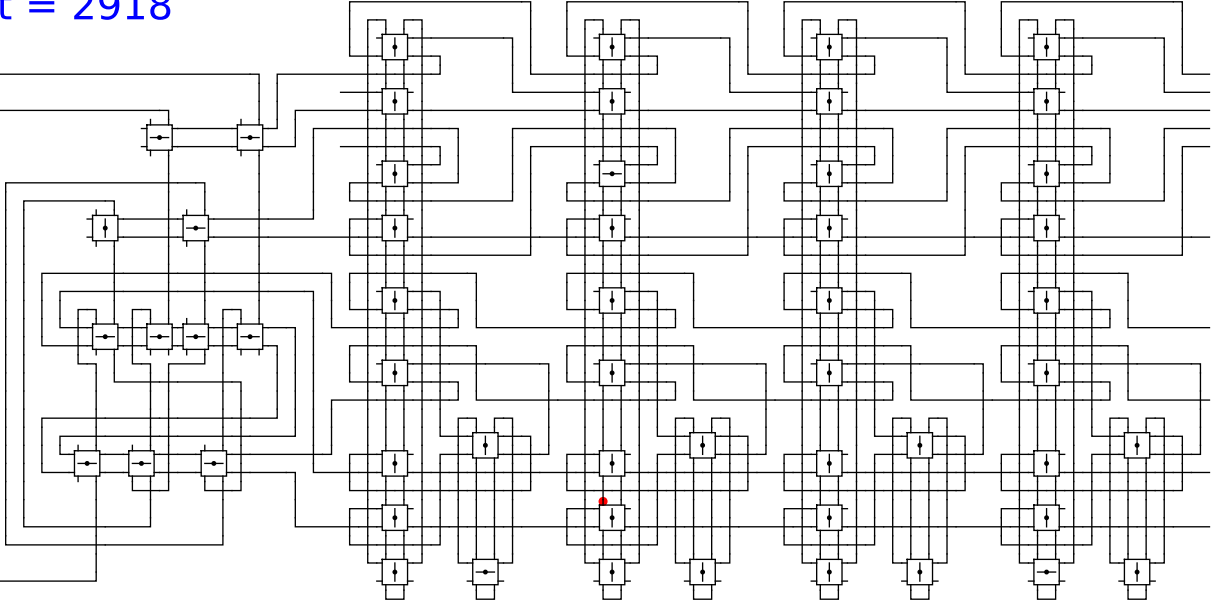
head

0

t = 2918

Reject
Accept

Begin



1

0

0

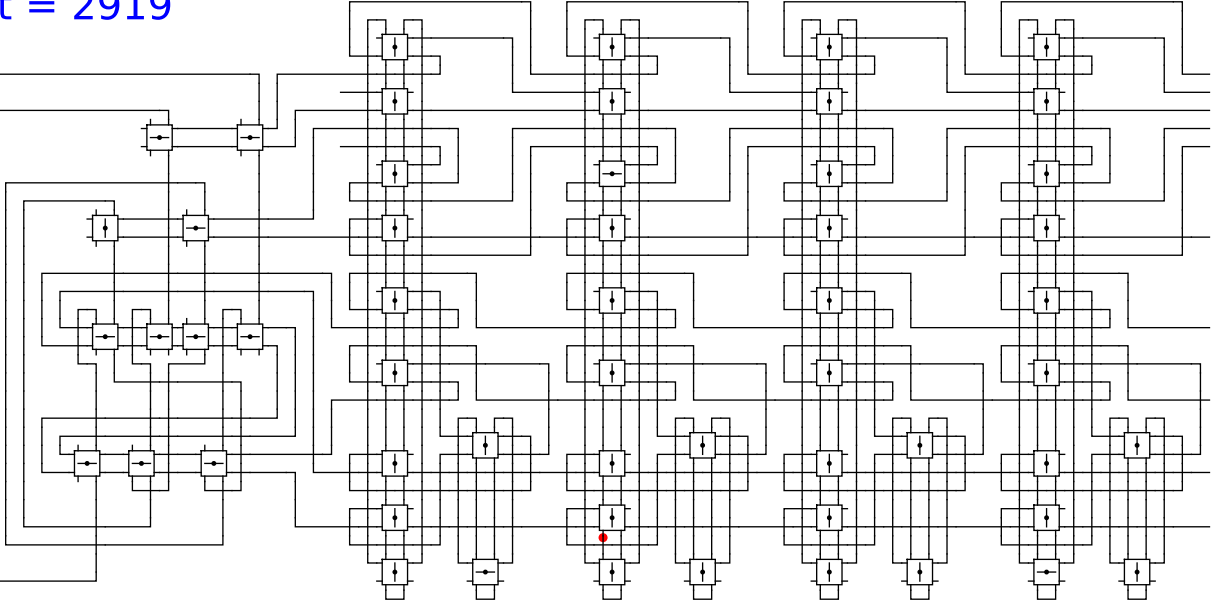
head

0

t = 2919

Reject
Accept

Begin



1

0

0

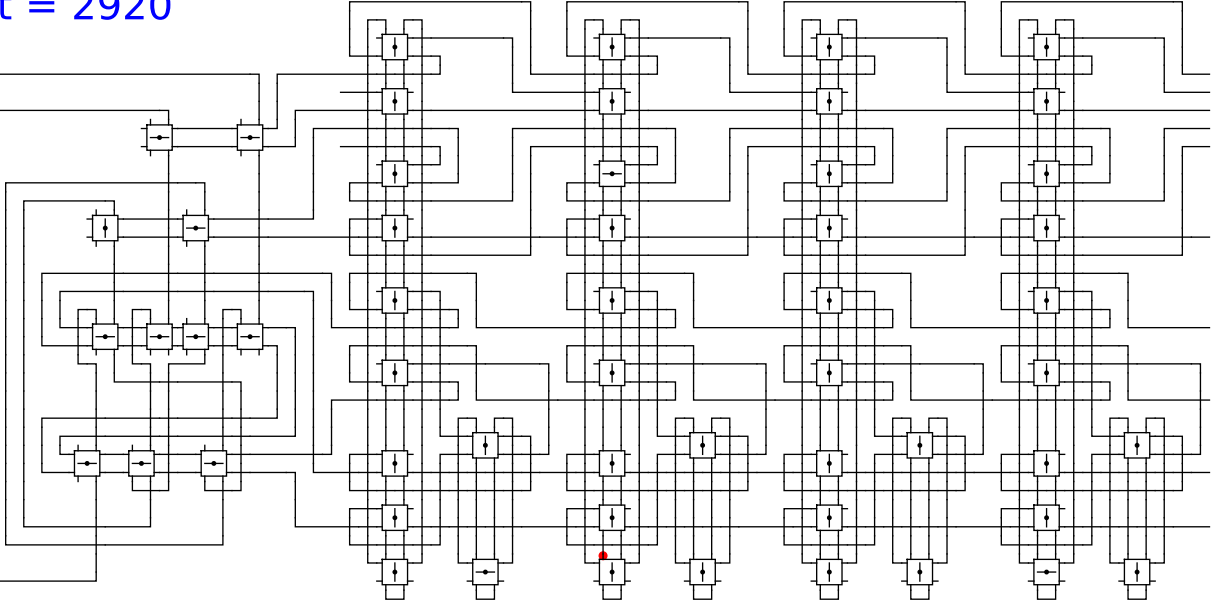
head

0

t = 2920

Reject
Accept

Begin



1

0

0

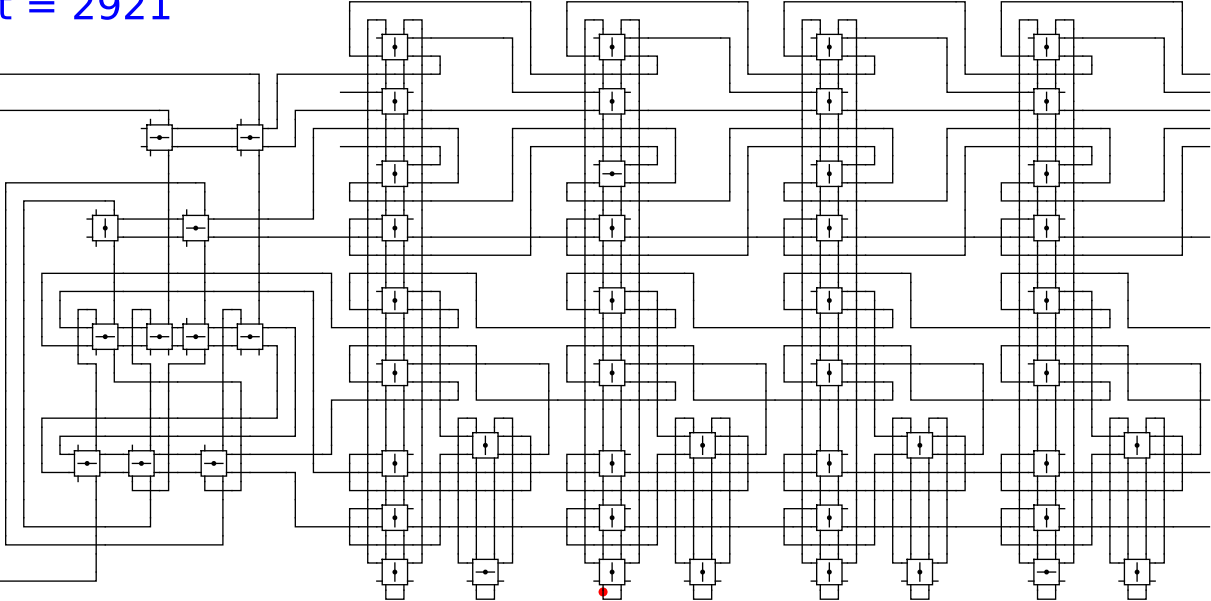
head

0

t = 2921

Reject
Accept

Begin

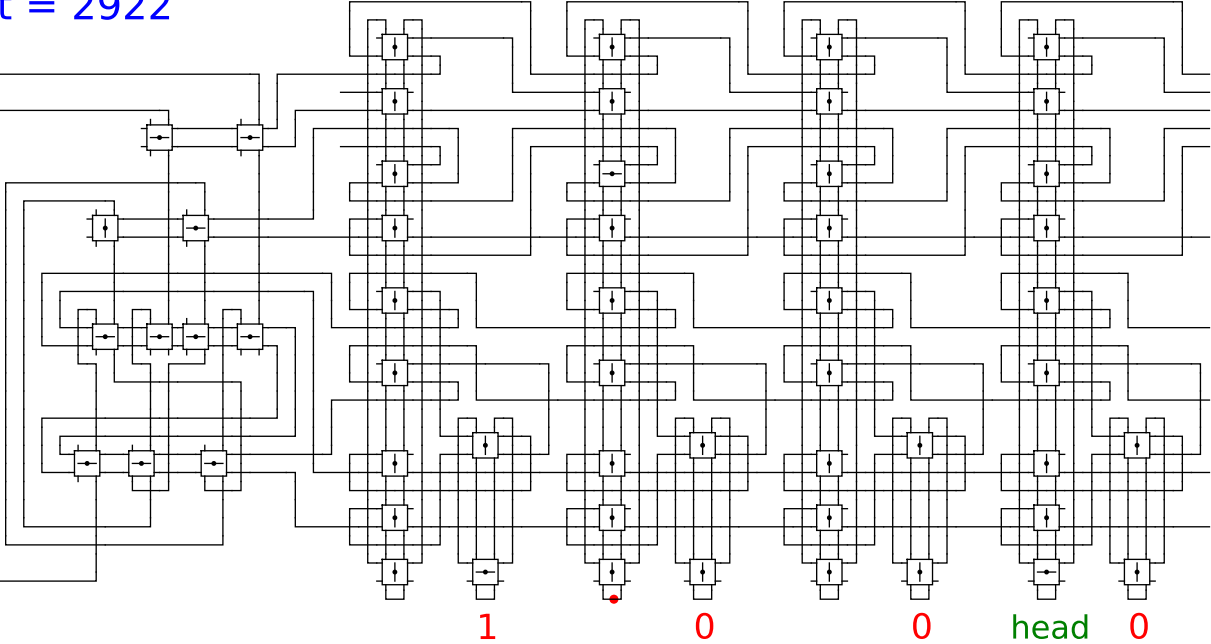


1 0 0 head 0

t = 2922

Reject
Accept

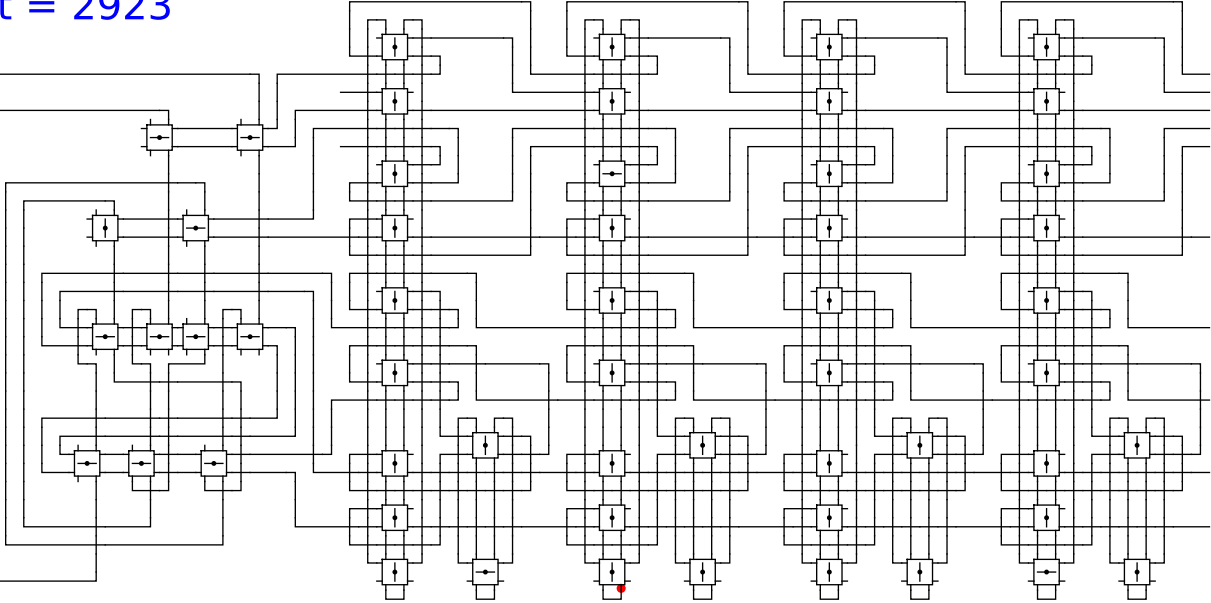
Begin



t = 2923

Reject
Accept

Begin



1

0

0

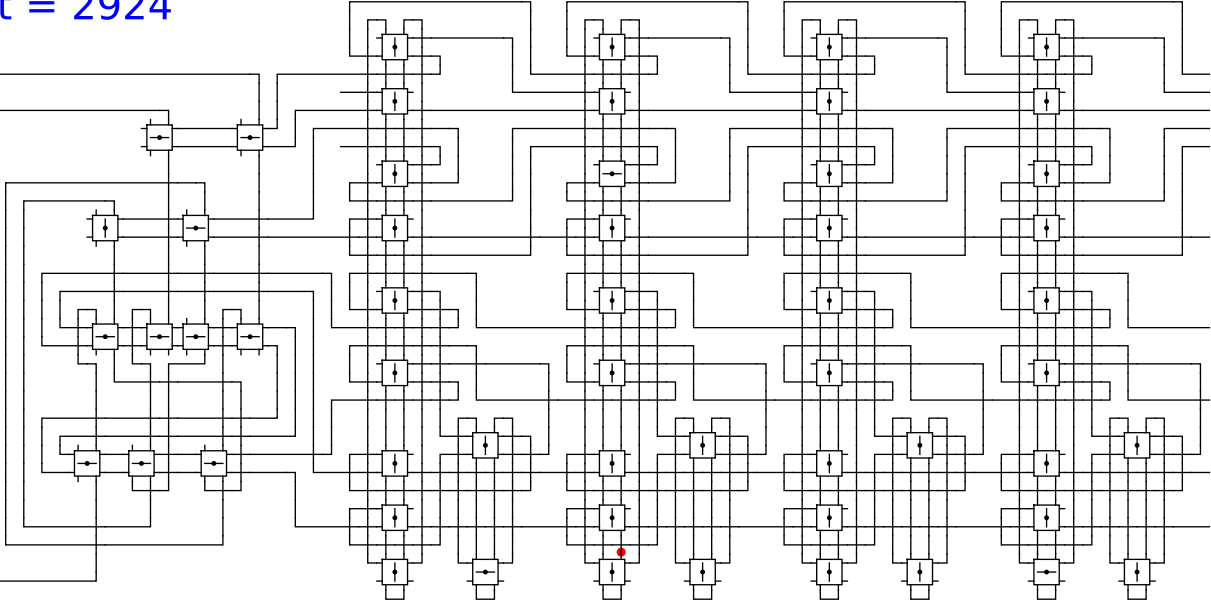
head

0

t = 2924

Reject
Accept

Begin



1

0

0

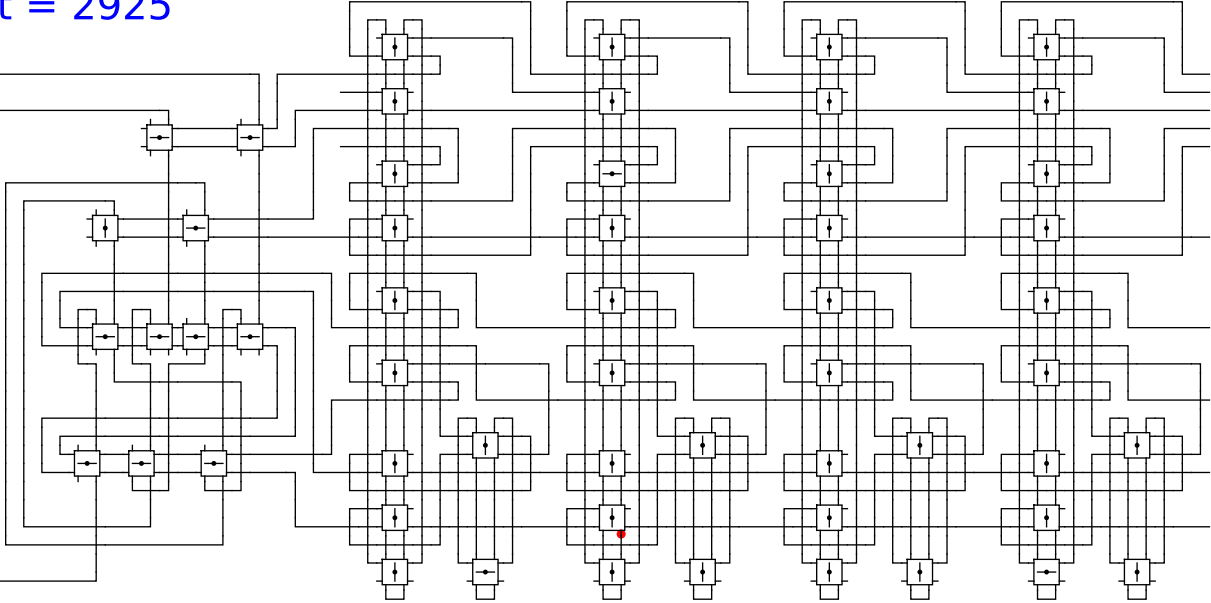
head

0

t = 2925

Reject
Accept

Begin



1

0

0

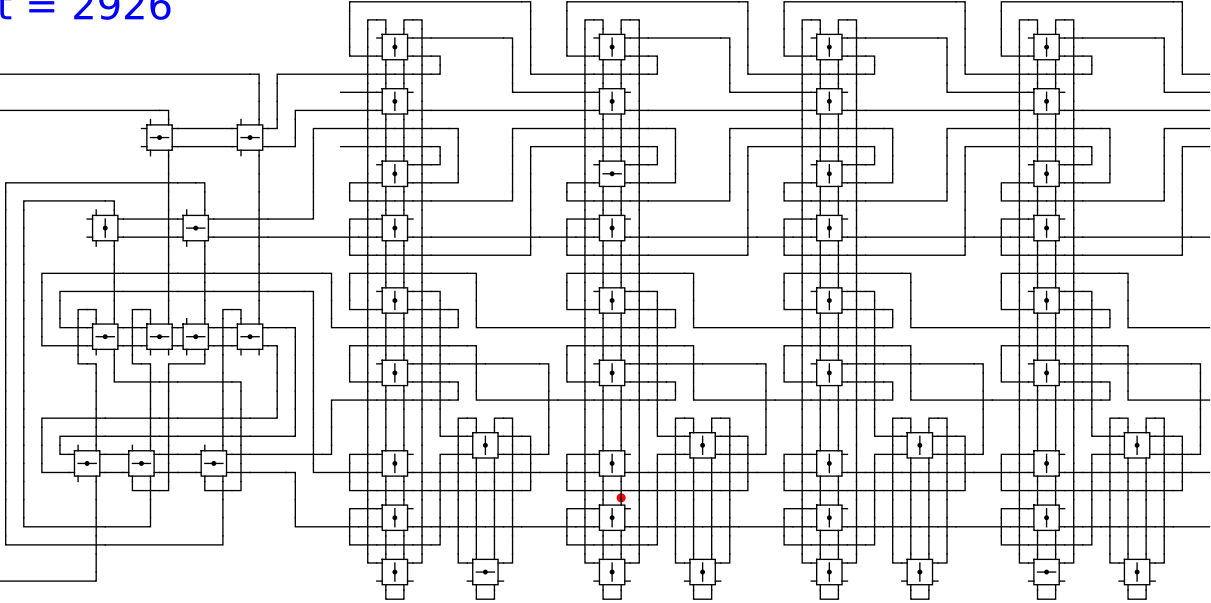
head

0

t = 2926

Reject
Accept

Begin



1

0

0

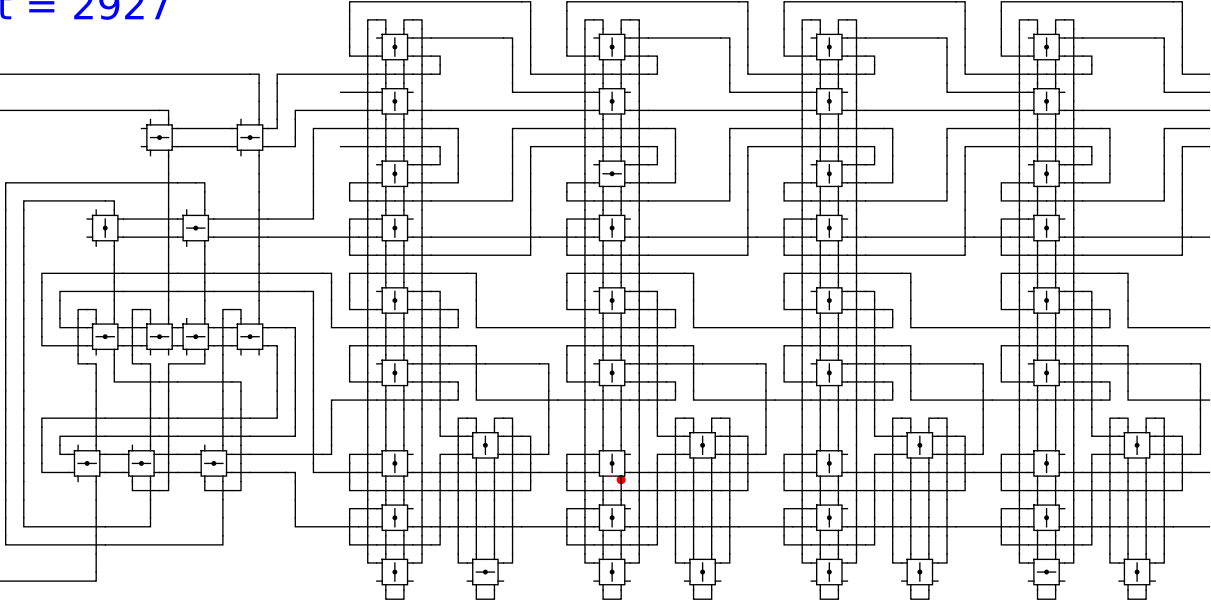
head

0

t = 2927

Reject
Accept

Begin



1

0

0

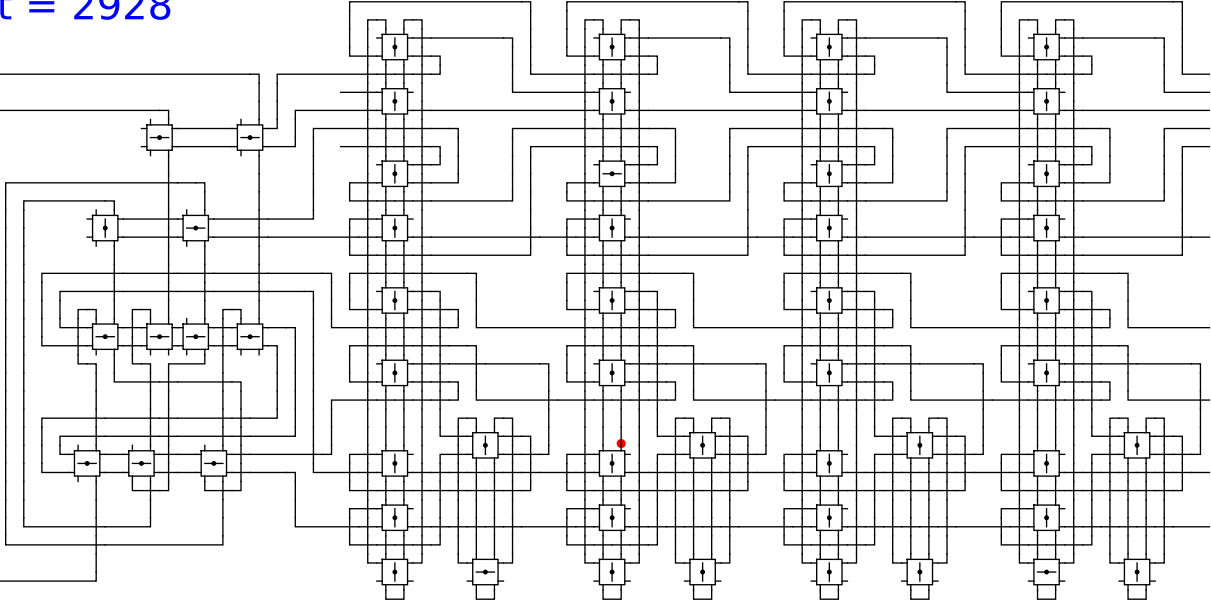
head

0

t = 2928

Reject
Accept

Begin

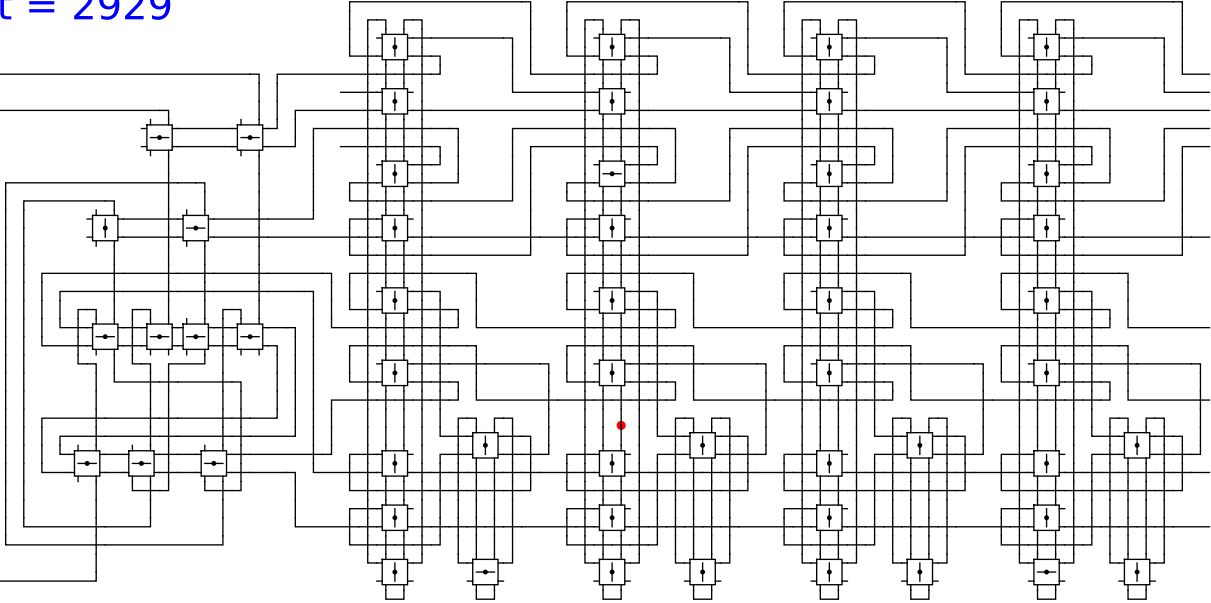


1 0 0 head 0

t = 2929

Reject
Accept

Begin



1

0

0

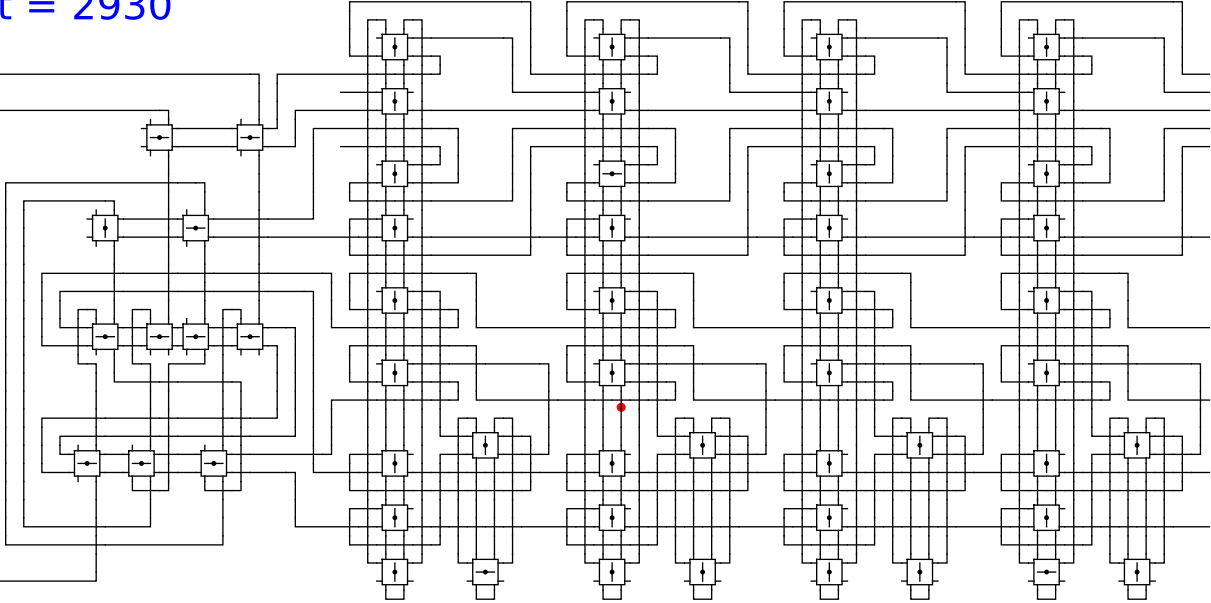
head

0

t = 2930

Reject
Accept

Begin



1

0

0

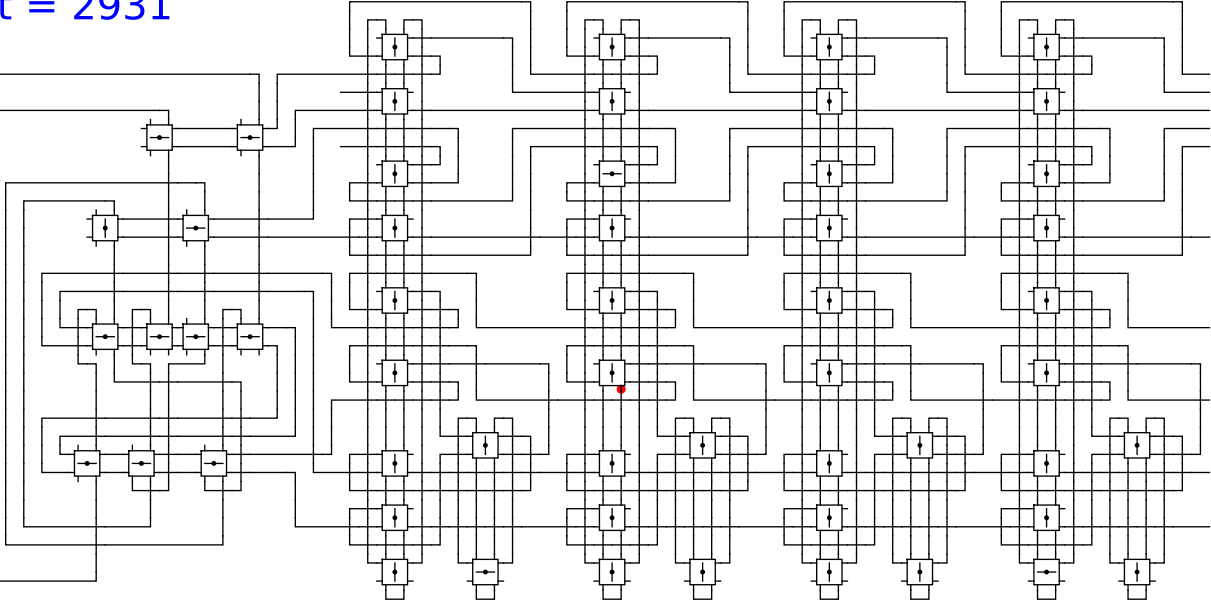
head

0

t = 2931

Reject
Accept

Begin

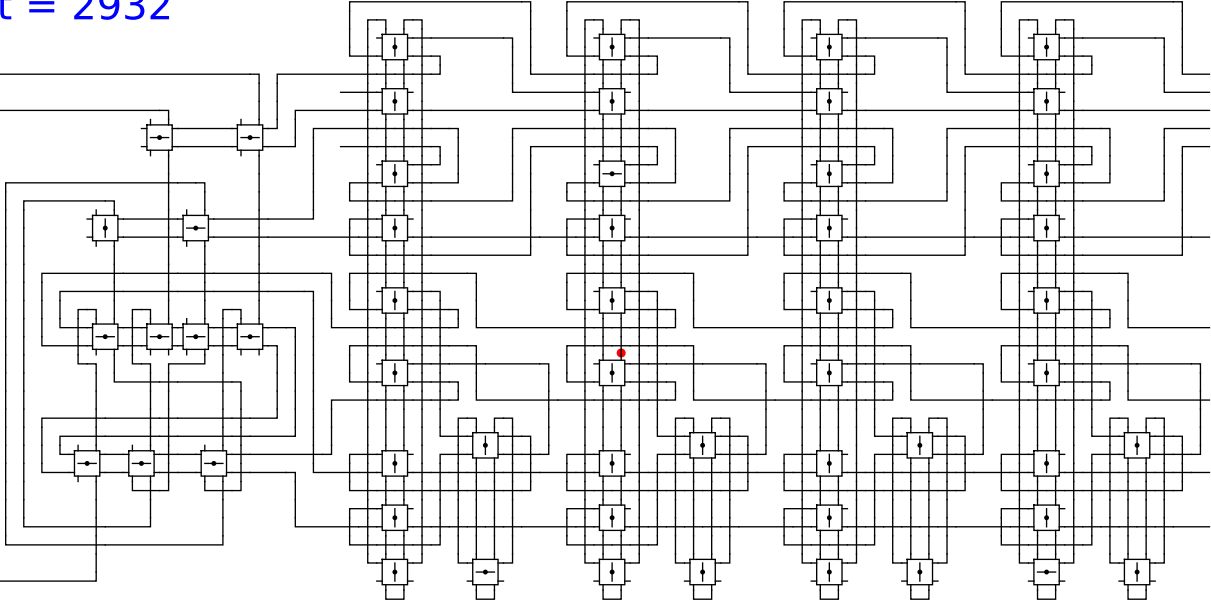


1 0 0 head 0

t = 2932

Reject
Accept

Begin



1

0

0

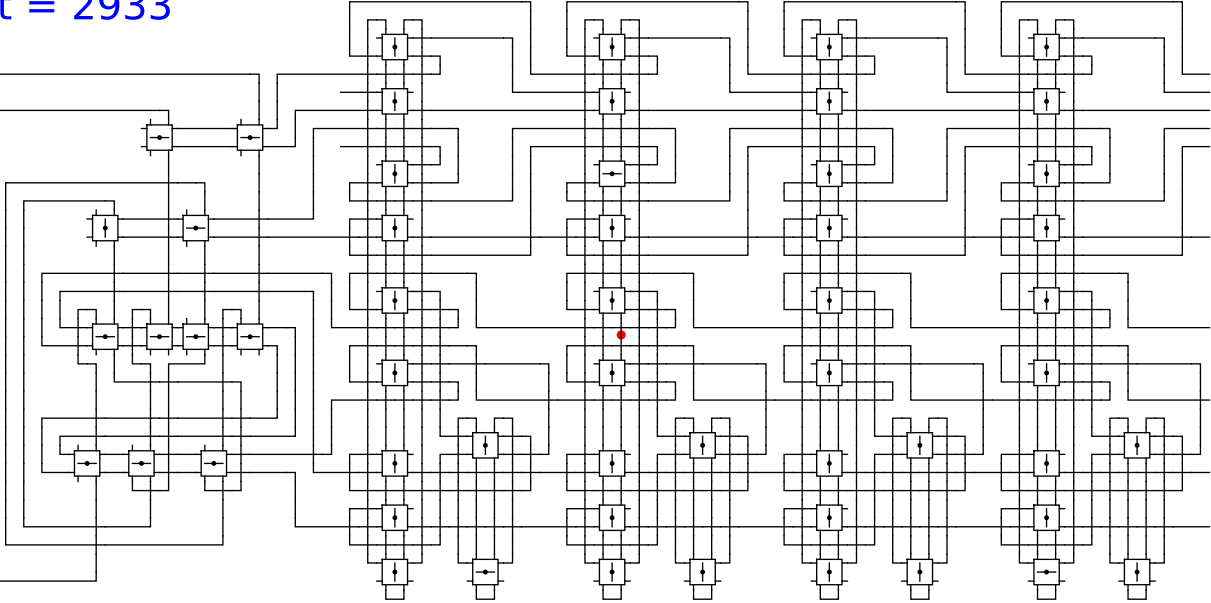
head

0

t = 2933

Reject
Accept

Begin

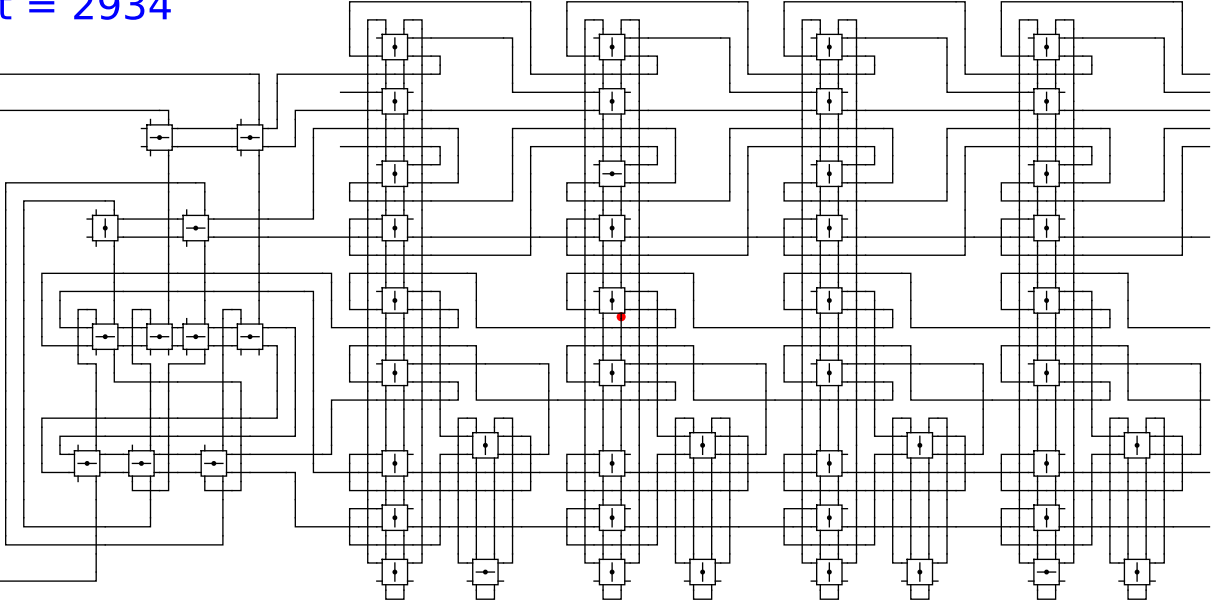


1 0 0 head 0

t = 2934

Reject
Accept

Begin

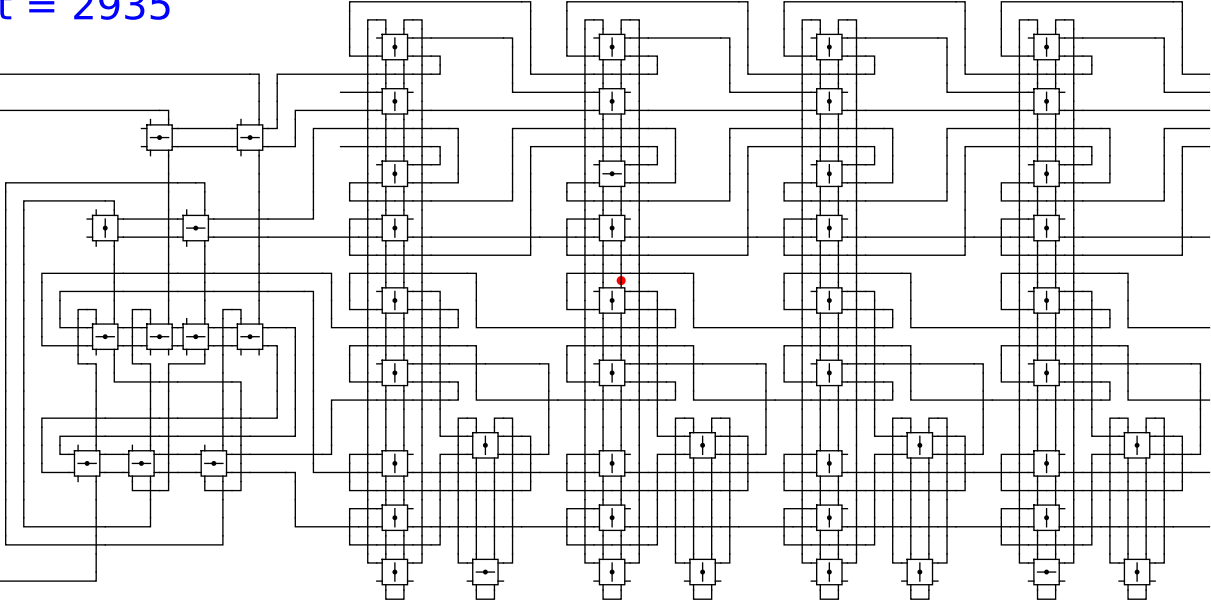


1 0 0 head 0

t = 2935

Reject
Accept

Begin

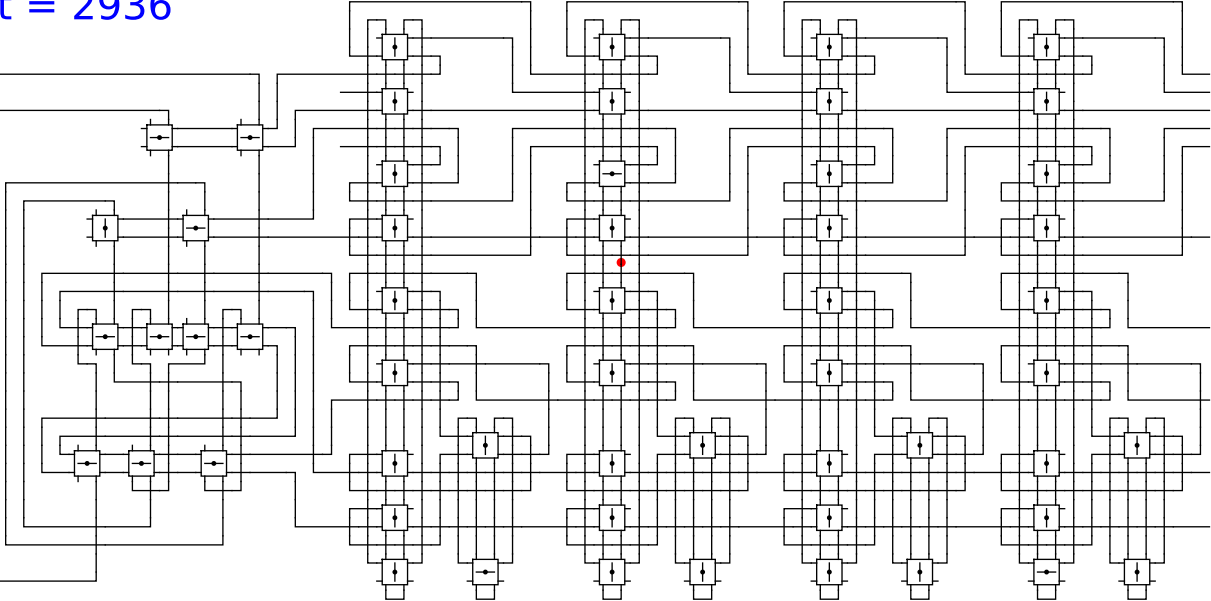


1 0 0 head 0

t = 2936

Reject
Accept

Begin



1

0

0

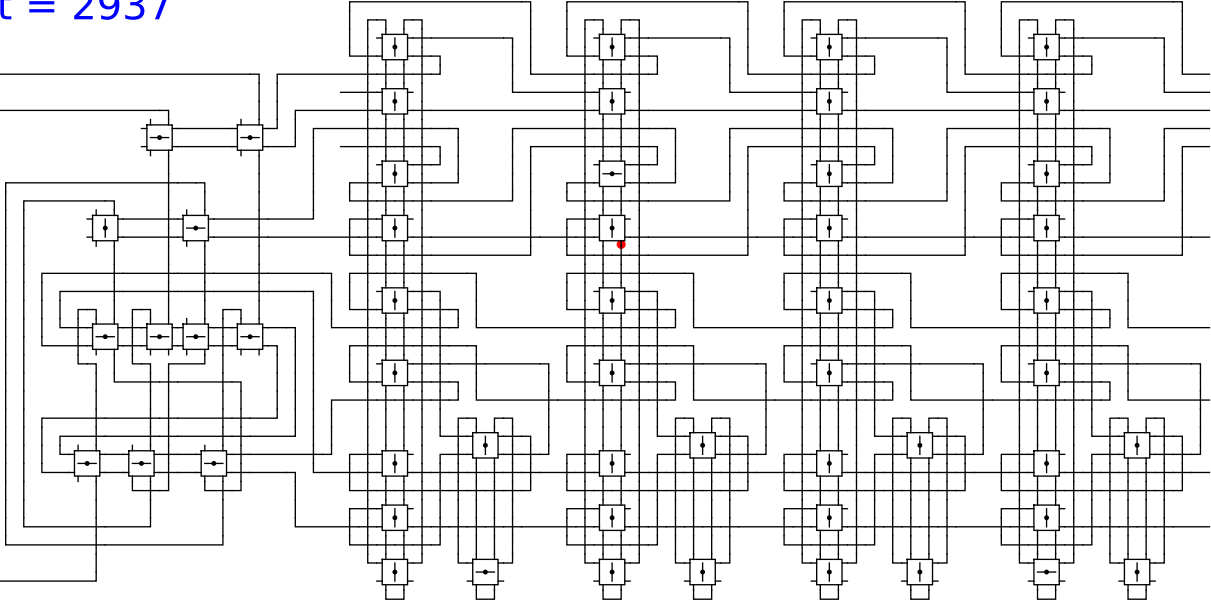
head

0

t = 2937

Reject
Accept

Begin



1

0

0

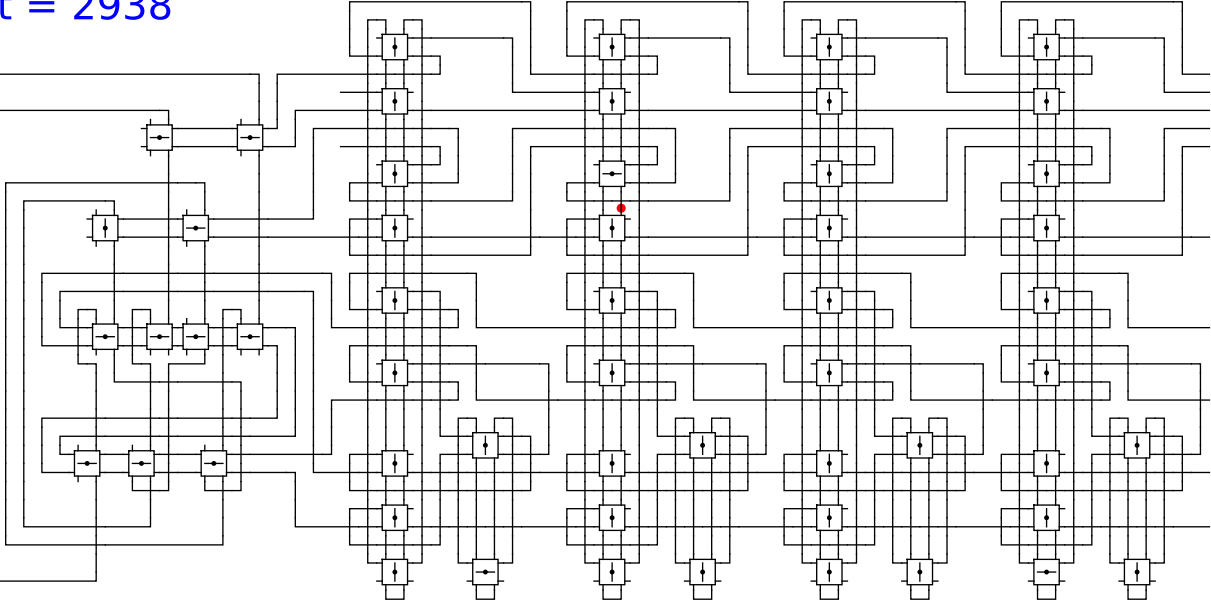
head

0

t = 2938

Reject
Accept

Begin



1

0

0

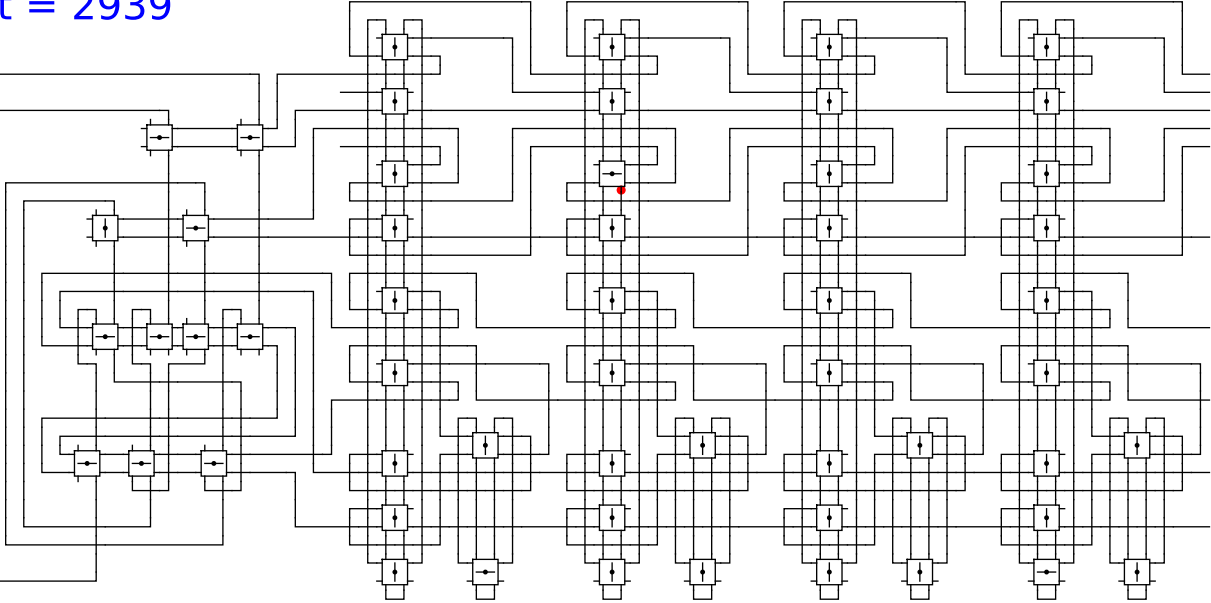
head

0

t = 2939

Reject
Accept

Begin



1

0

0

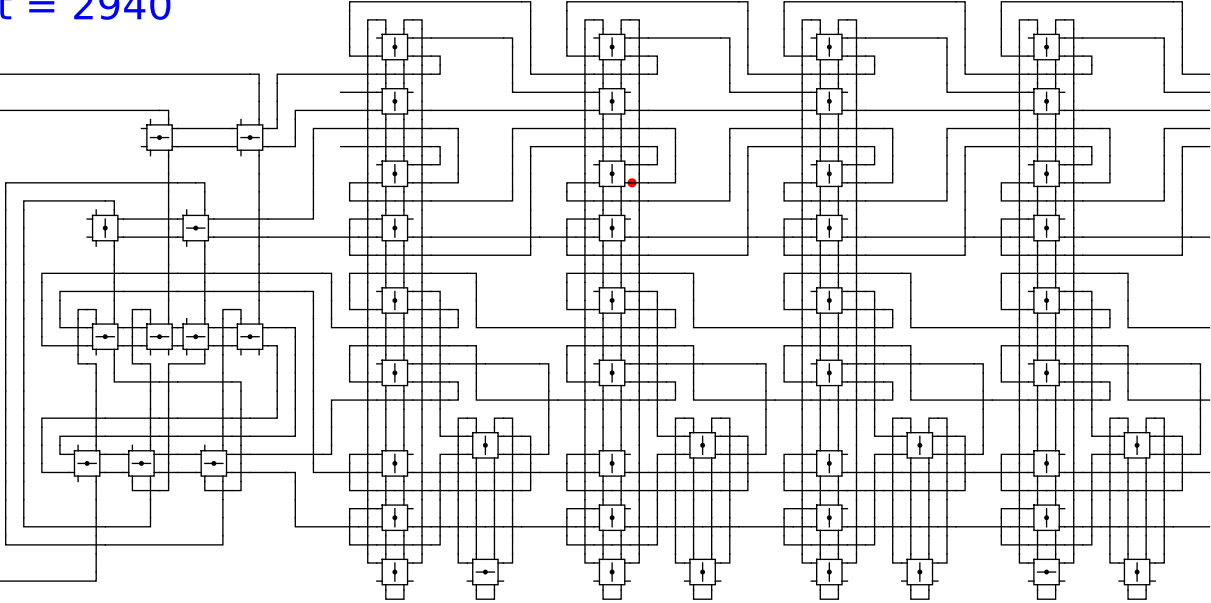
head

0

t = 2940

Reject
Accept

Begin

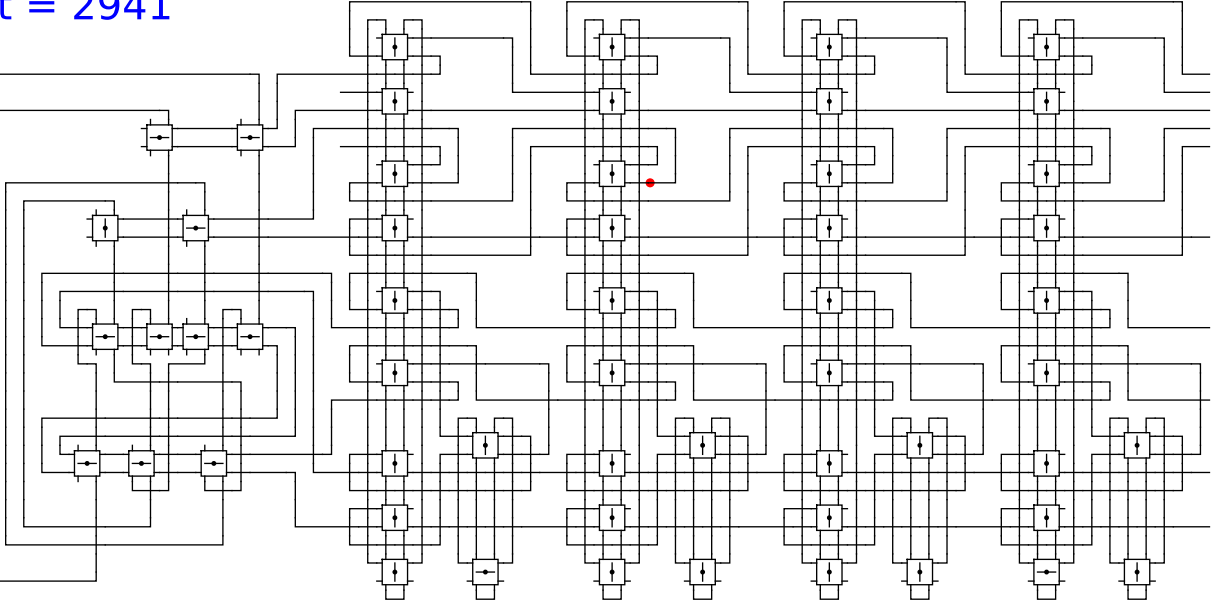


1 0 0 head 0

t = 2941

Reject
Accept

Begin

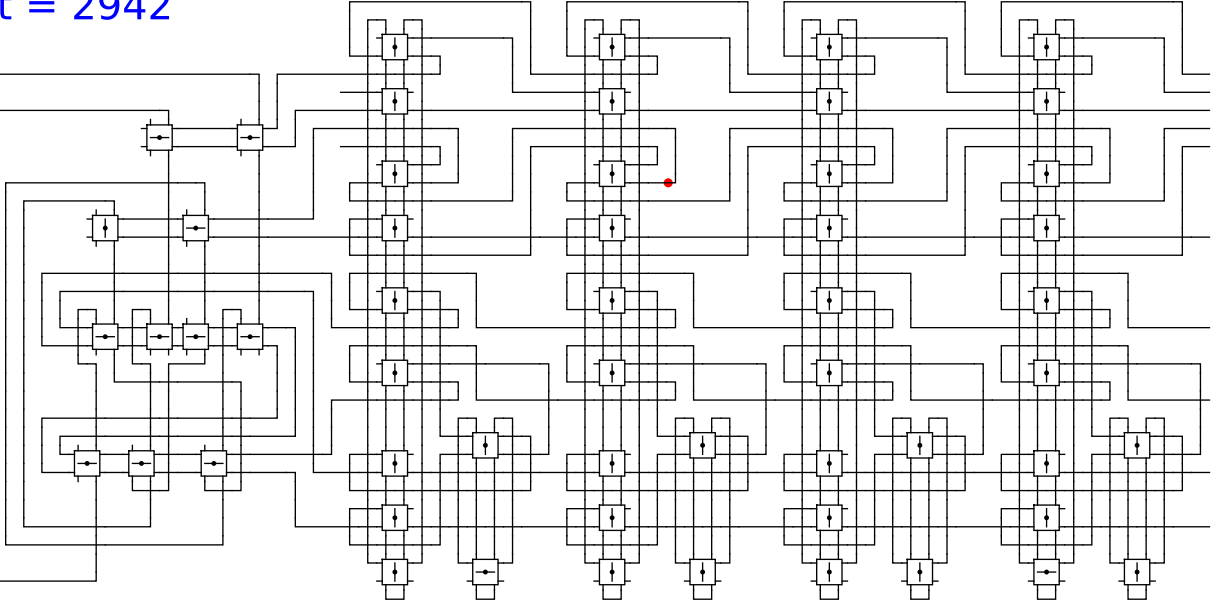


1 0 0 head 0

t = 2942

Reject
Accept

Begin

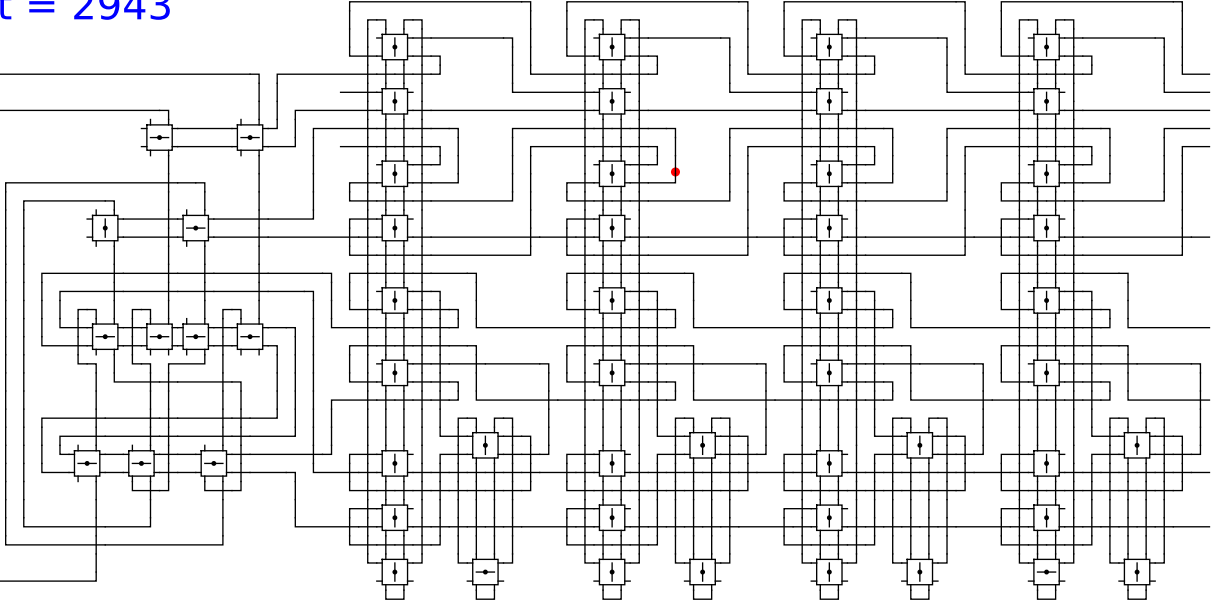


1 0 0 head 0

t = 2943

Reject
Accept

Begin



1

0

0

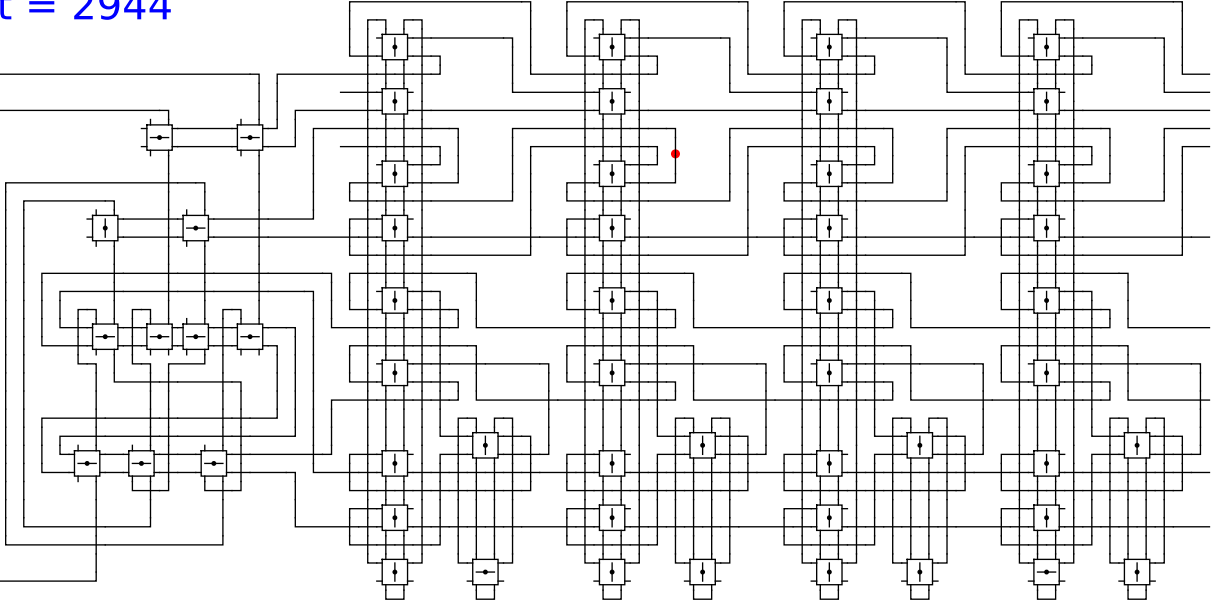
head

0

t = 2944

Reject
Accept

Begin

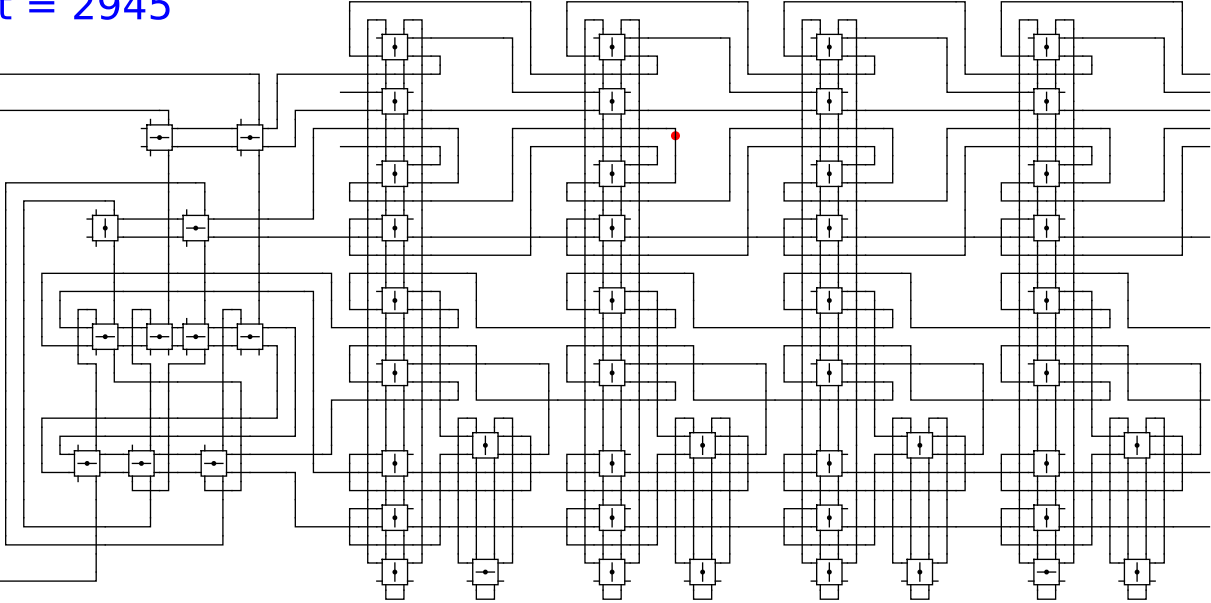


1 0 0 head 0

t = 2945

Reject
Accept

Begin

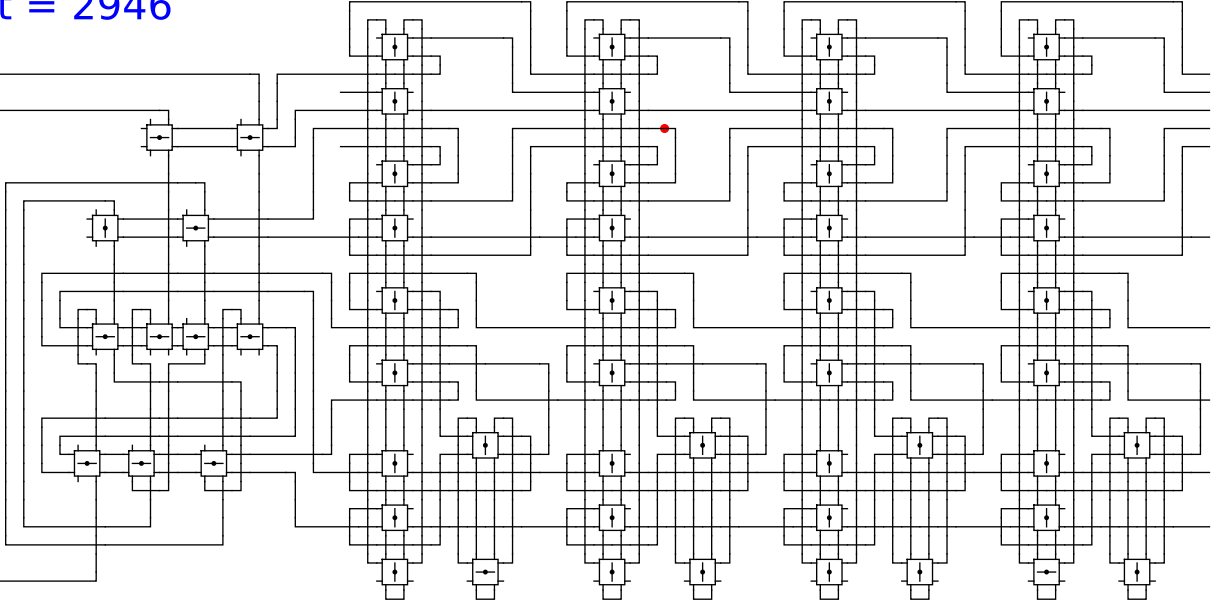


1 0 0 head 0

t = 2946

Reject
Accept

Begin

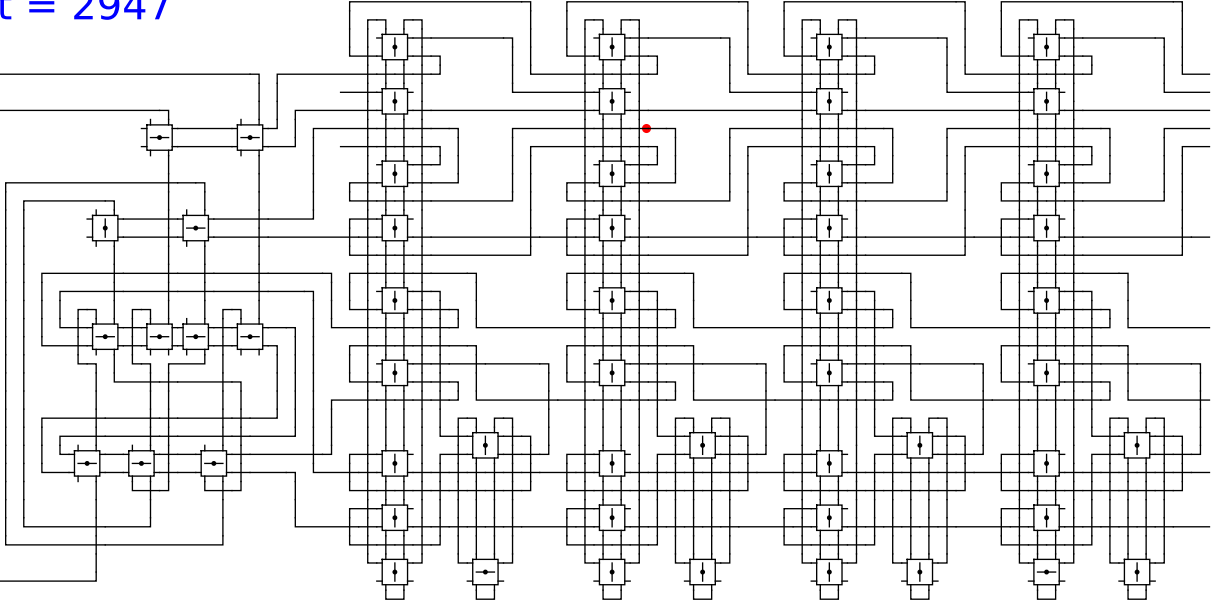


1 0 0 head 0

t = 2947

Reject
Accept

Begin

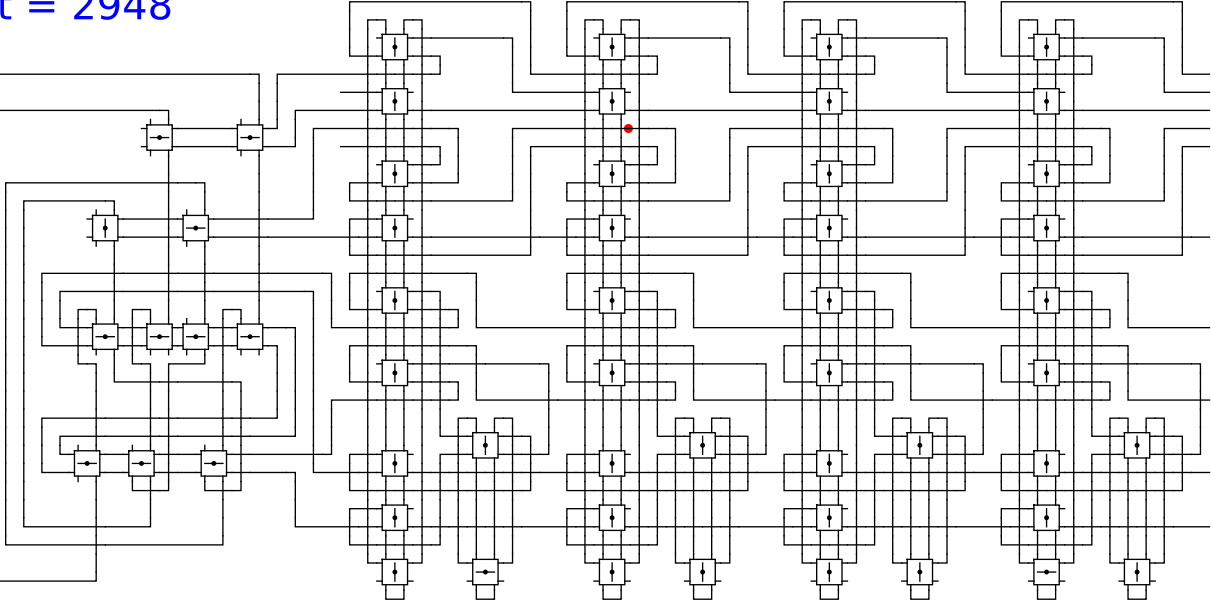


1 0 0 head 0

t = 2948

Reject
Accept

Begin

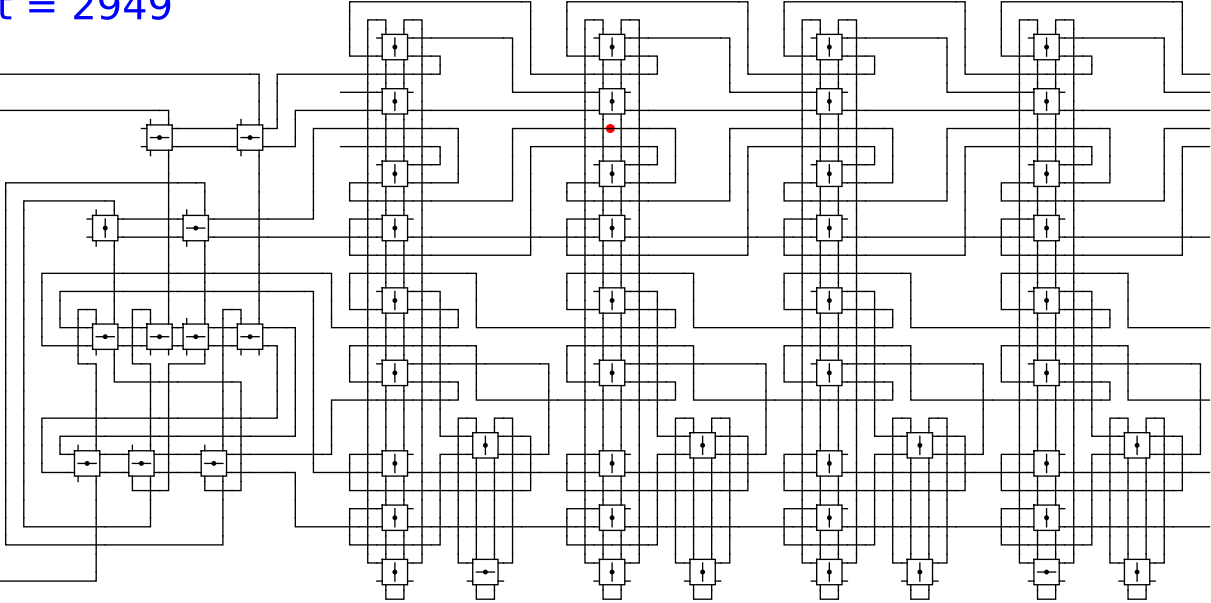


1 0 0 head 0

t = 2949

Reject
Accept

Begin



1

0

0

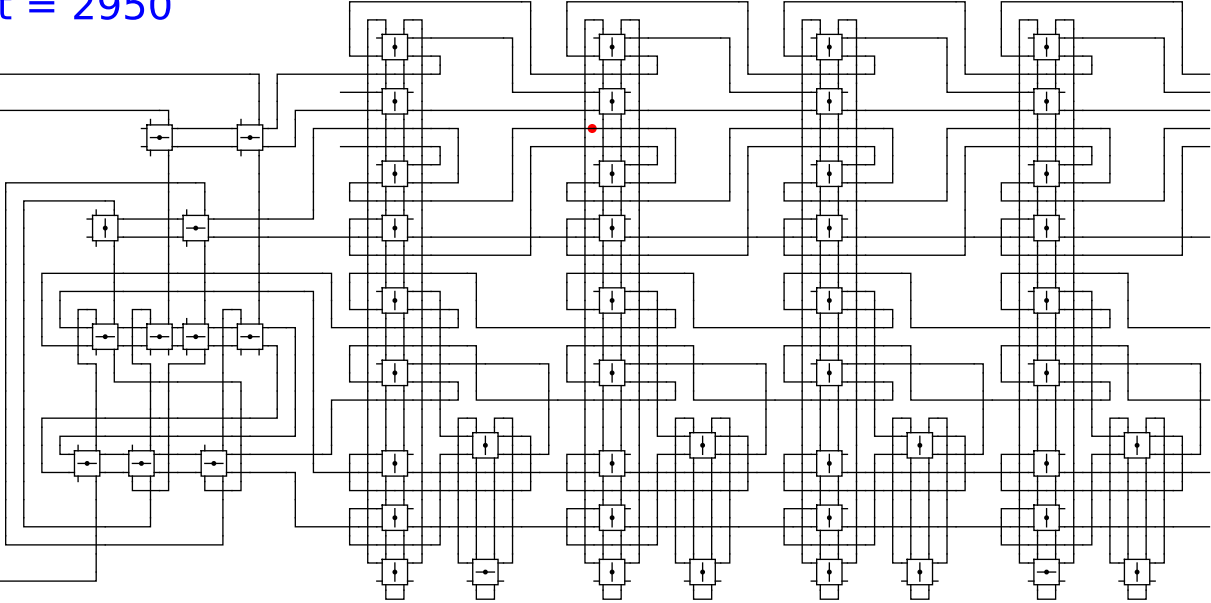
head

0

t = 2950

Reject
Accept

Begin

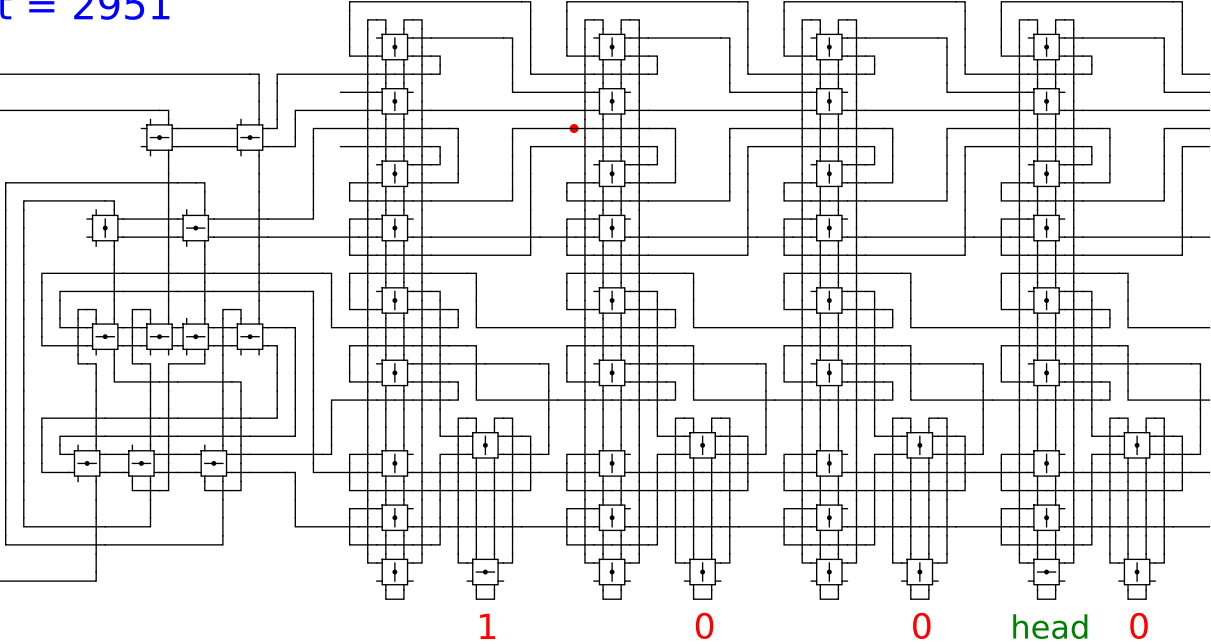


1 0 0 head 0

t = 2951

Reject
Accept

Begin



1

0

0

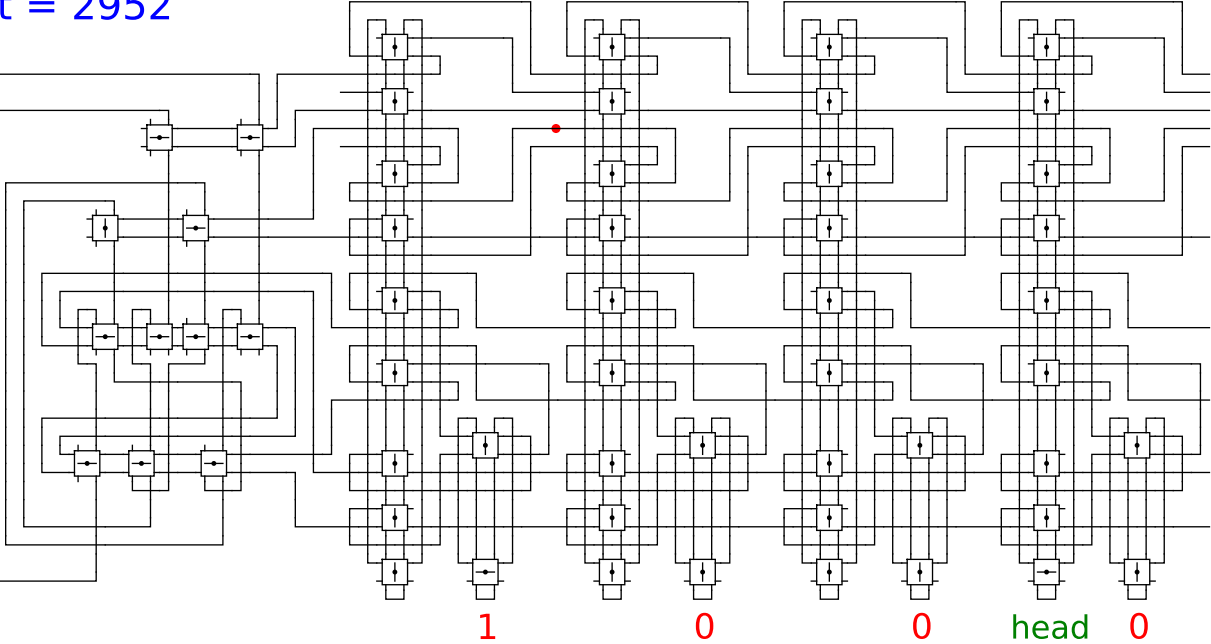
head

0

t = 2952

Reject
Accept

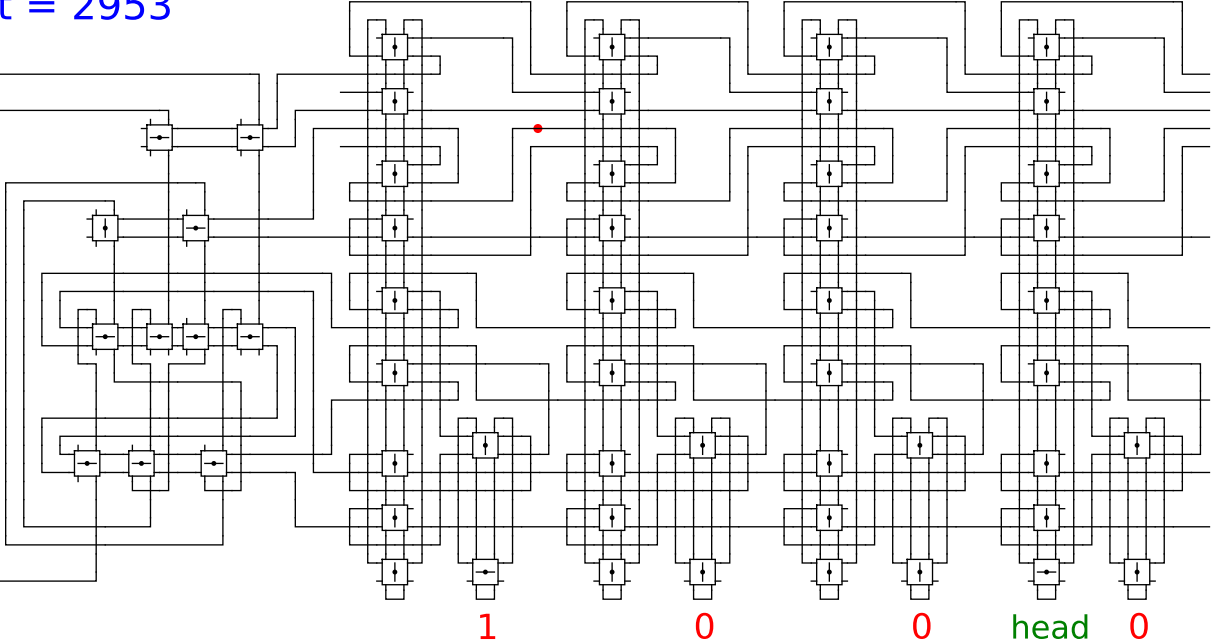
Begin



t = 2953

Reject
Accept

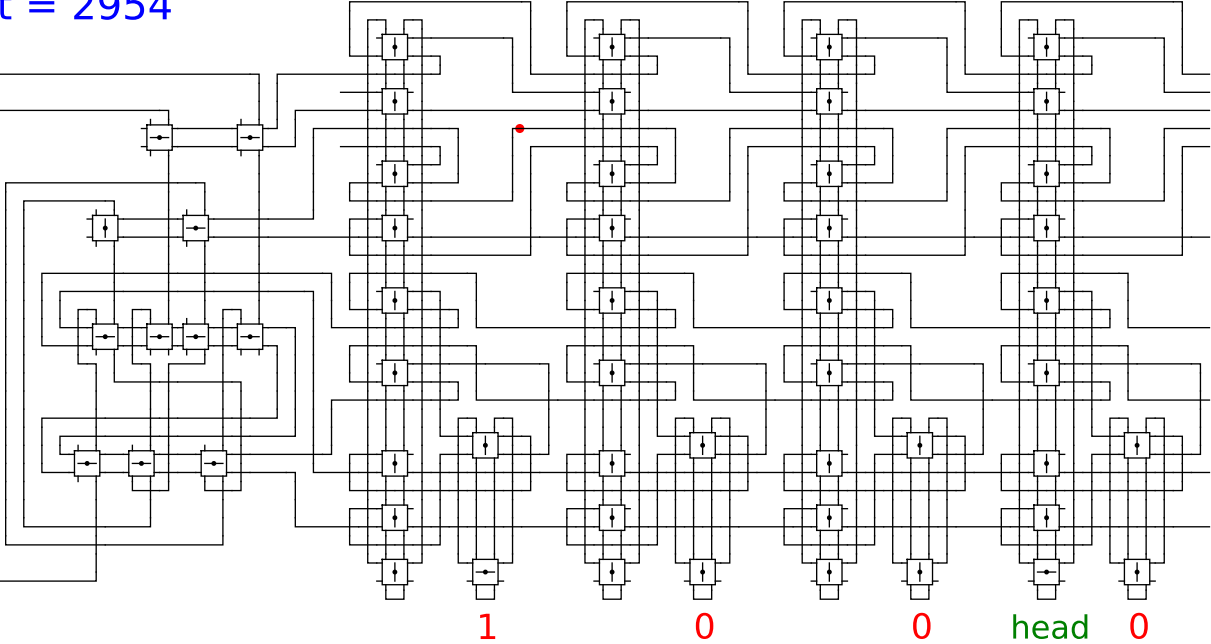
Begin



t = 2954

Reject
Accept

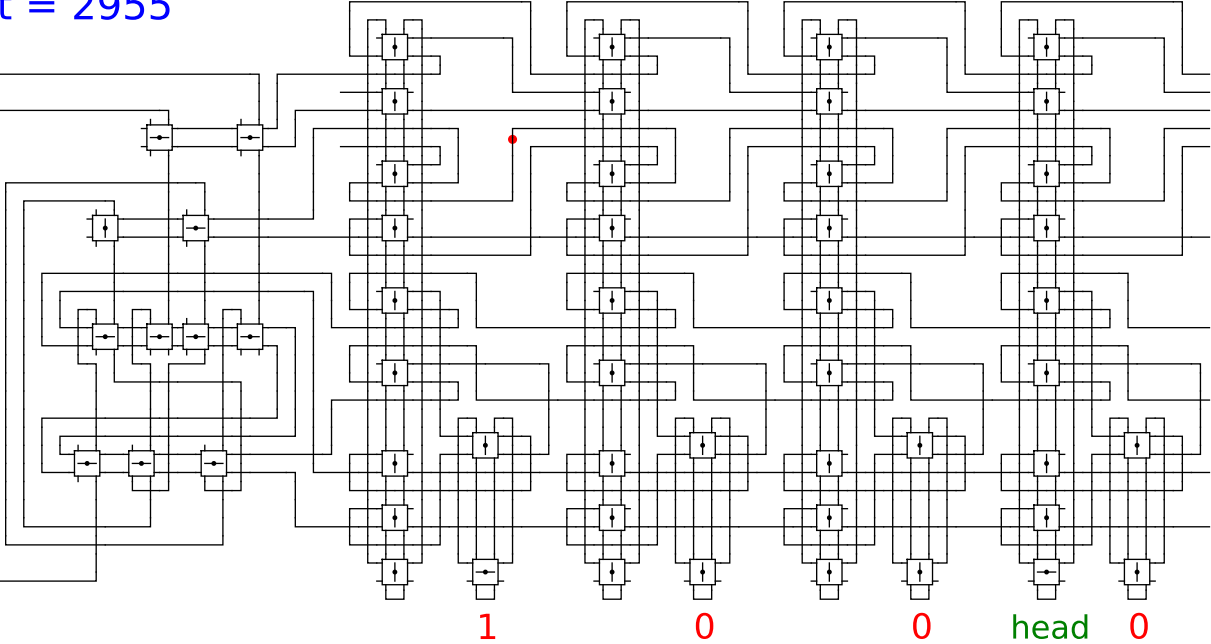
Begin



t = 2955

Reject
Accept

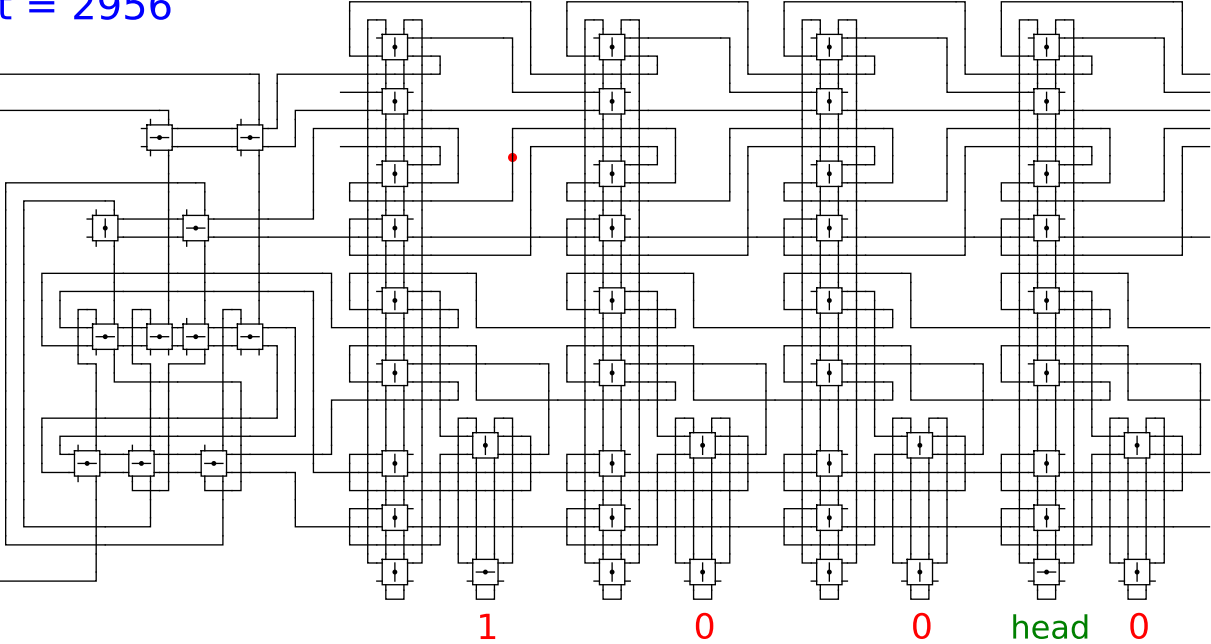
Begin



t = 2956

Reject
Accept

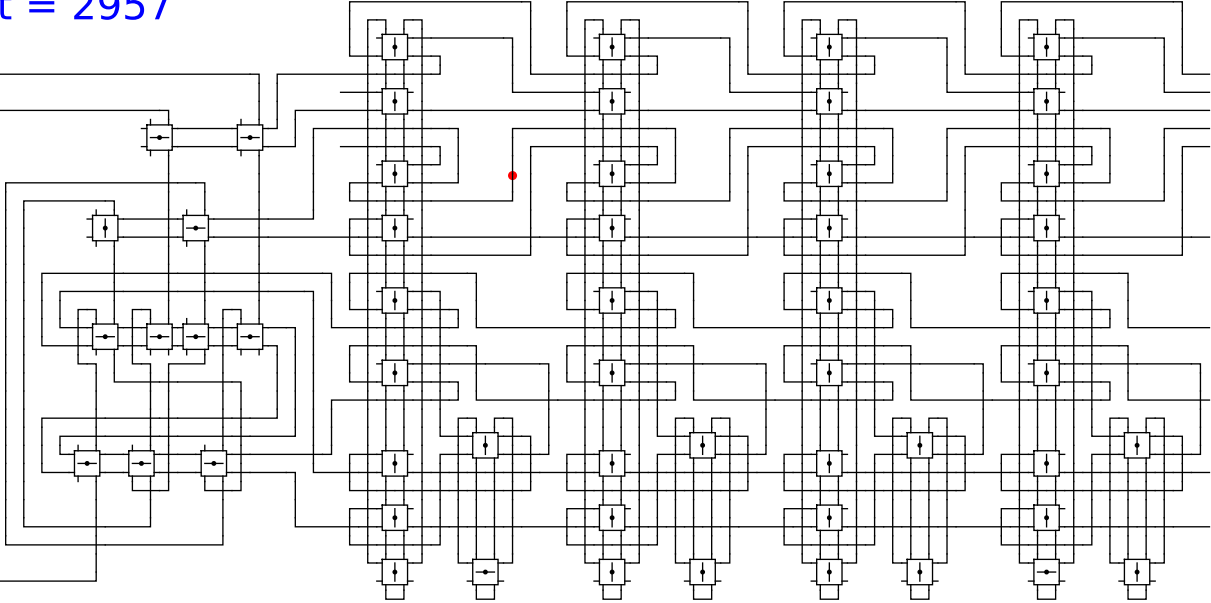
Begin



t = 2957

Reject
Accept

Begin



1

0

0

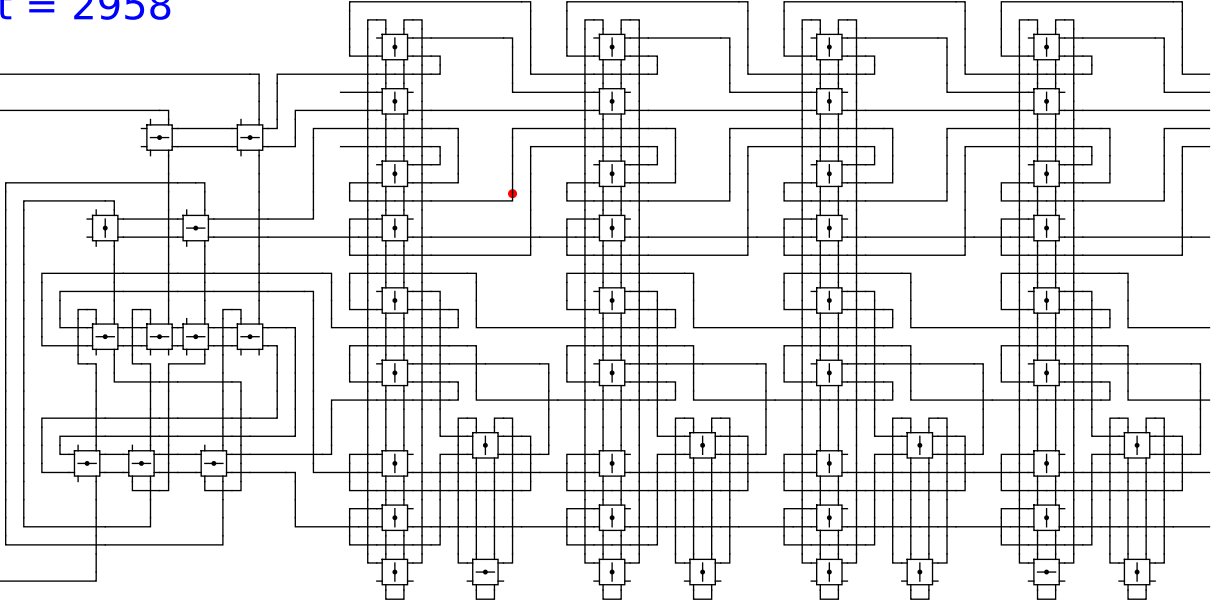
head

0

t = 2958

Reject
Accept

Begin



1

0

0

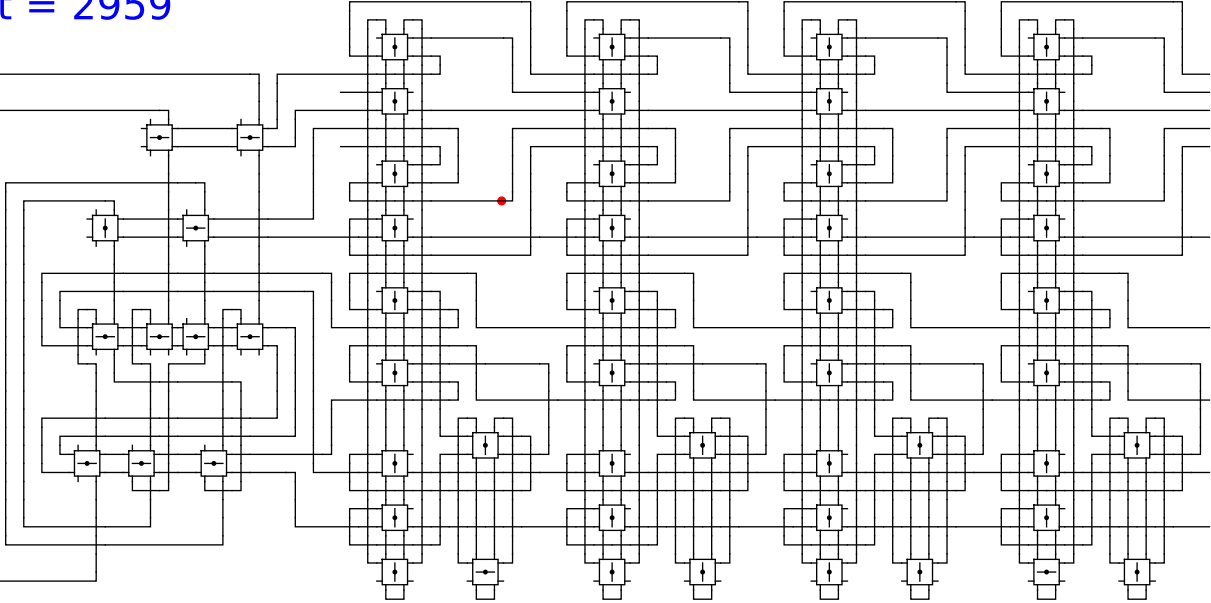
head

0

t = 2959

Reject
Accept

Begin

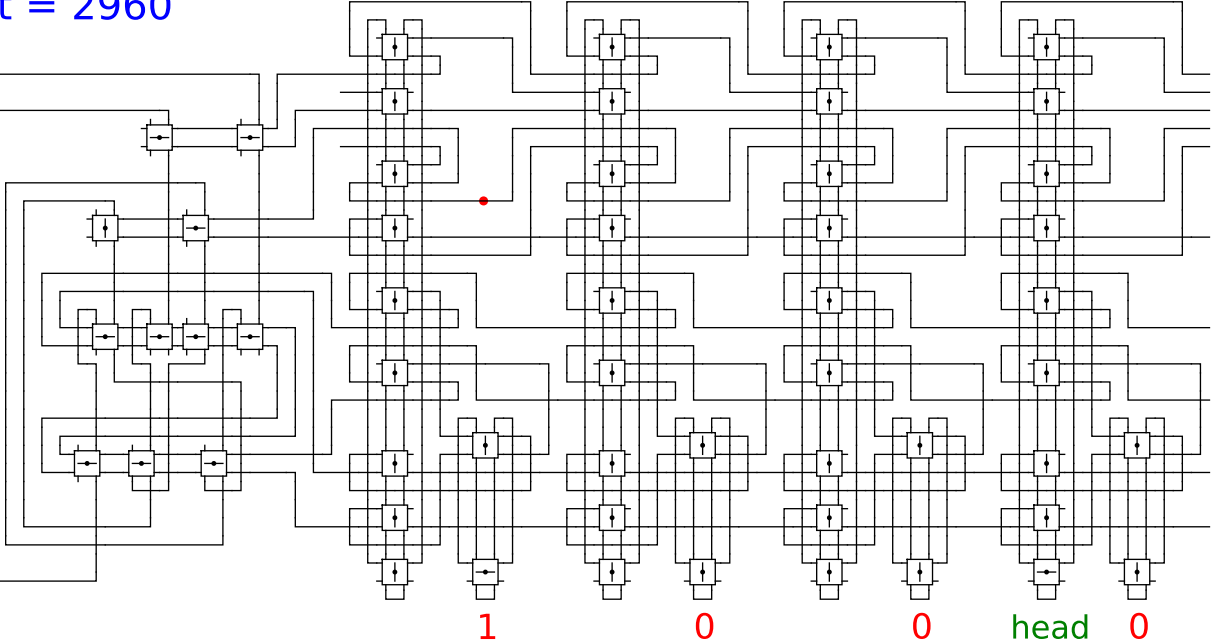


1 0 0 head 0

t = 2960

Reject
Accept

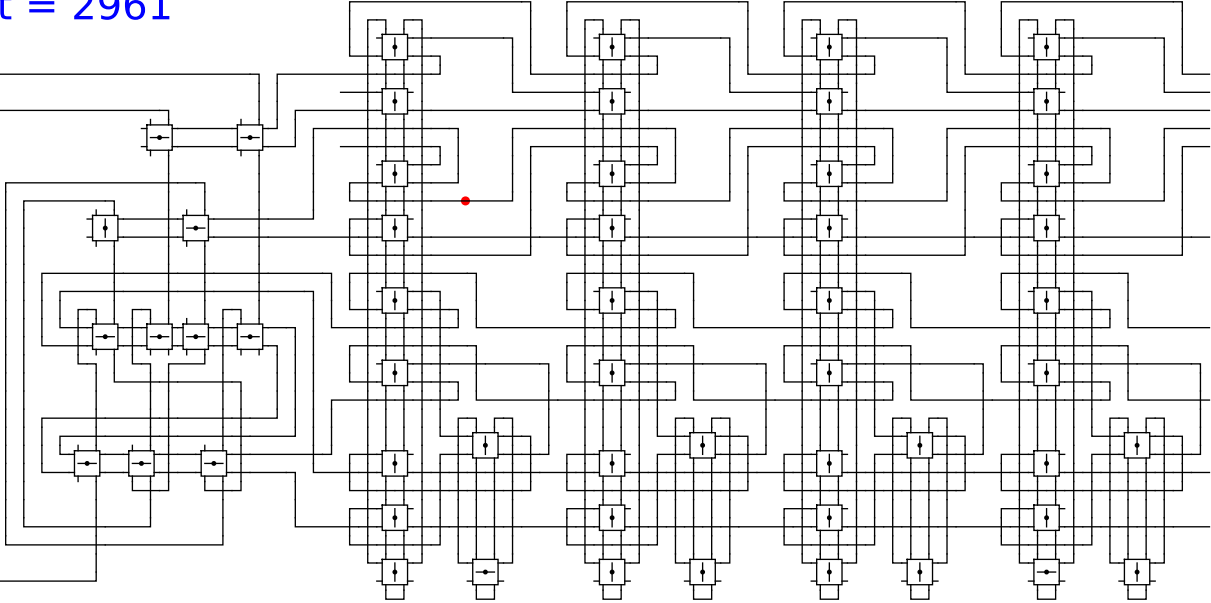
Begin



t = 2961

Reject
Accept

Begin

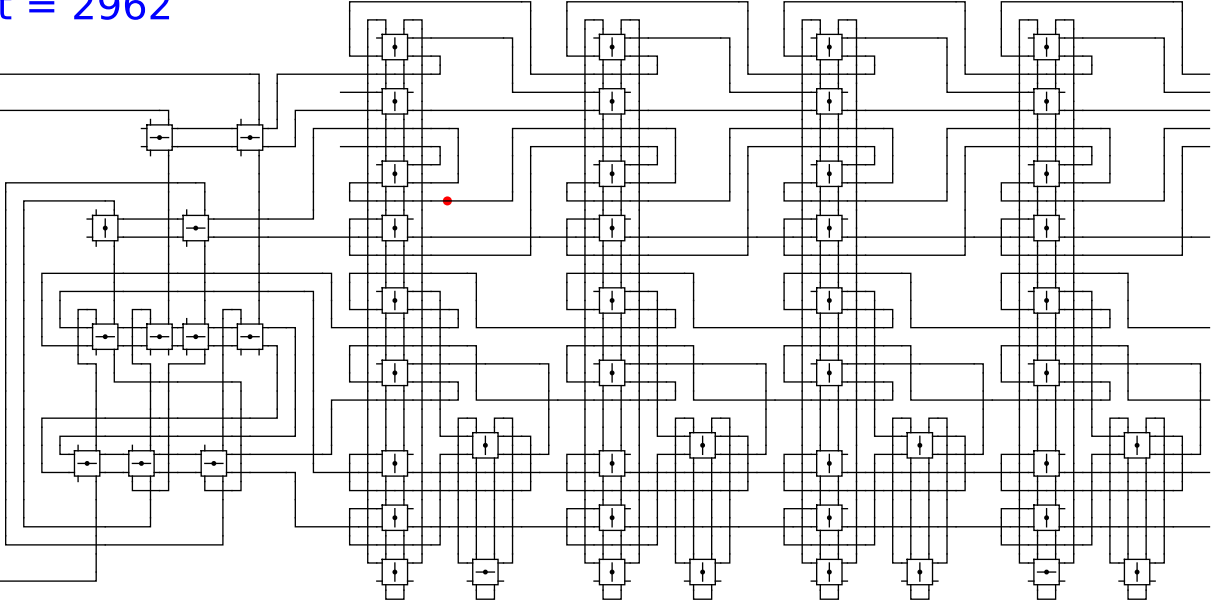


1 0 0 head 0

t = 2962

Reject
Accept

Begin



1

0

0

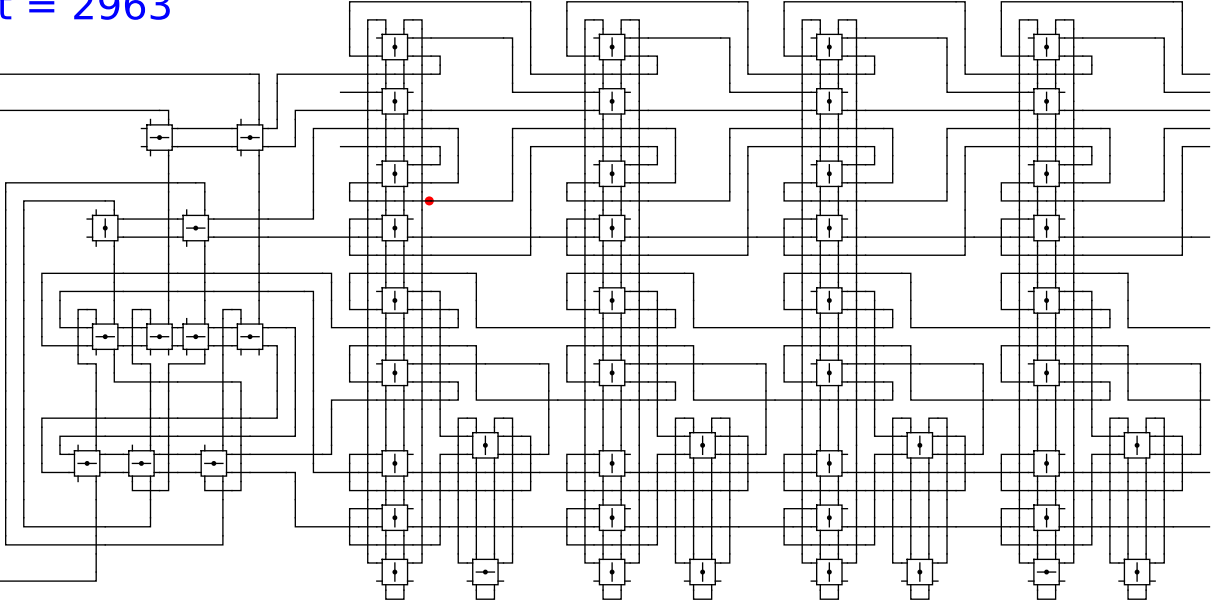
head

0

t = 2963

Reject
Accept

Begin

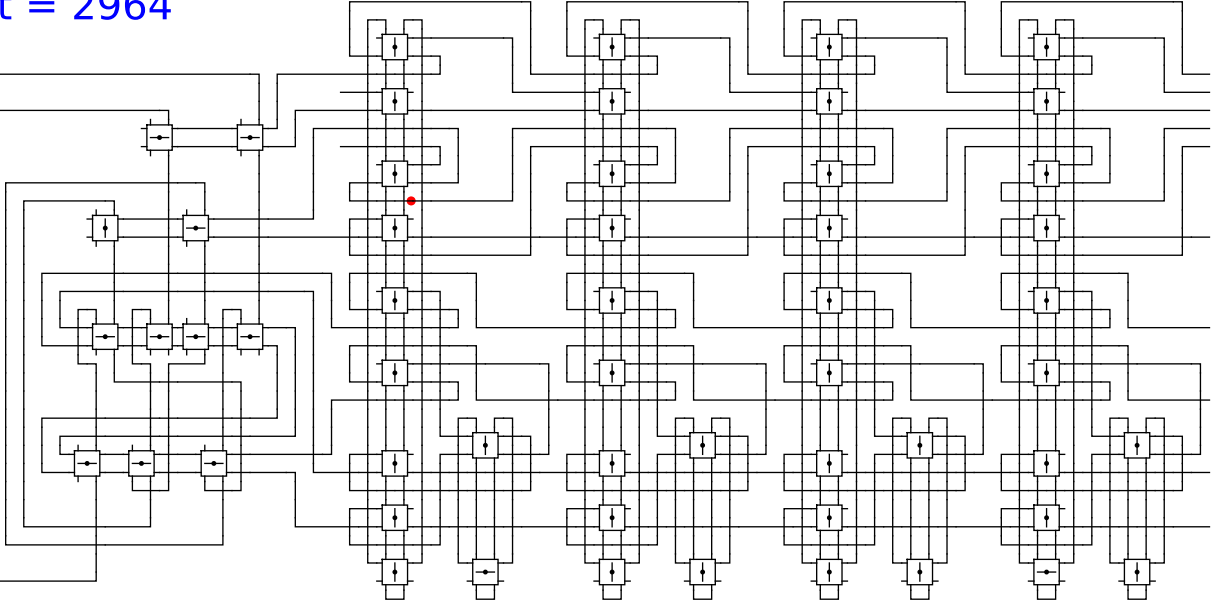


1 0 0 head 0

t = 2964

Reject
Accept

Begin

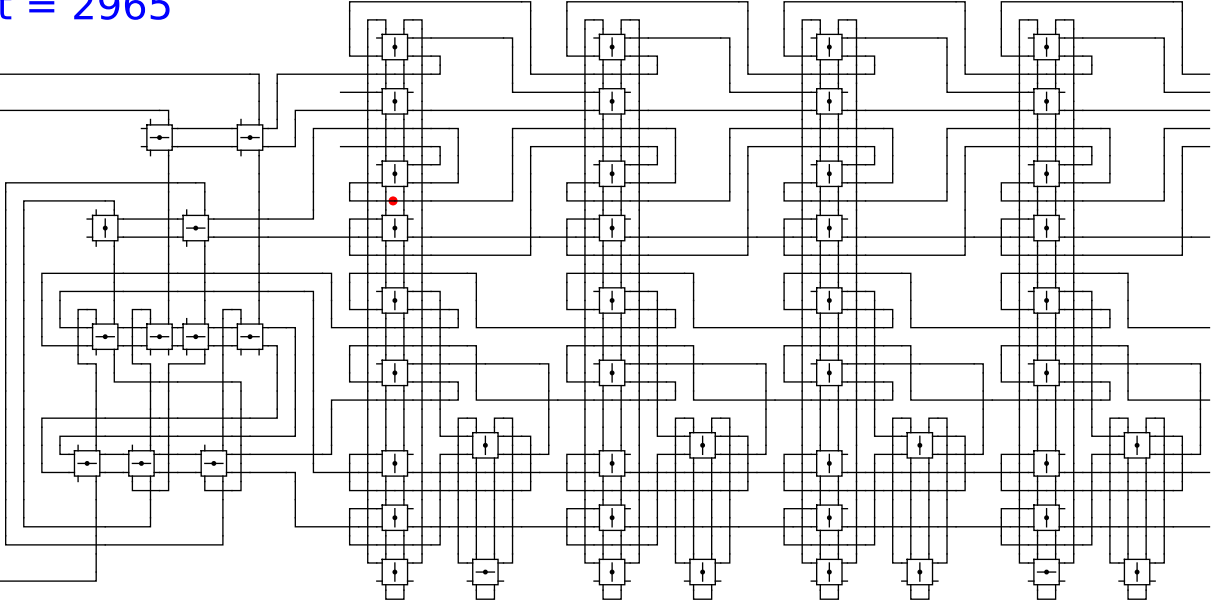


1 0 0 head 0

t = 2965

Reject
Accept

Begin



1

0

0

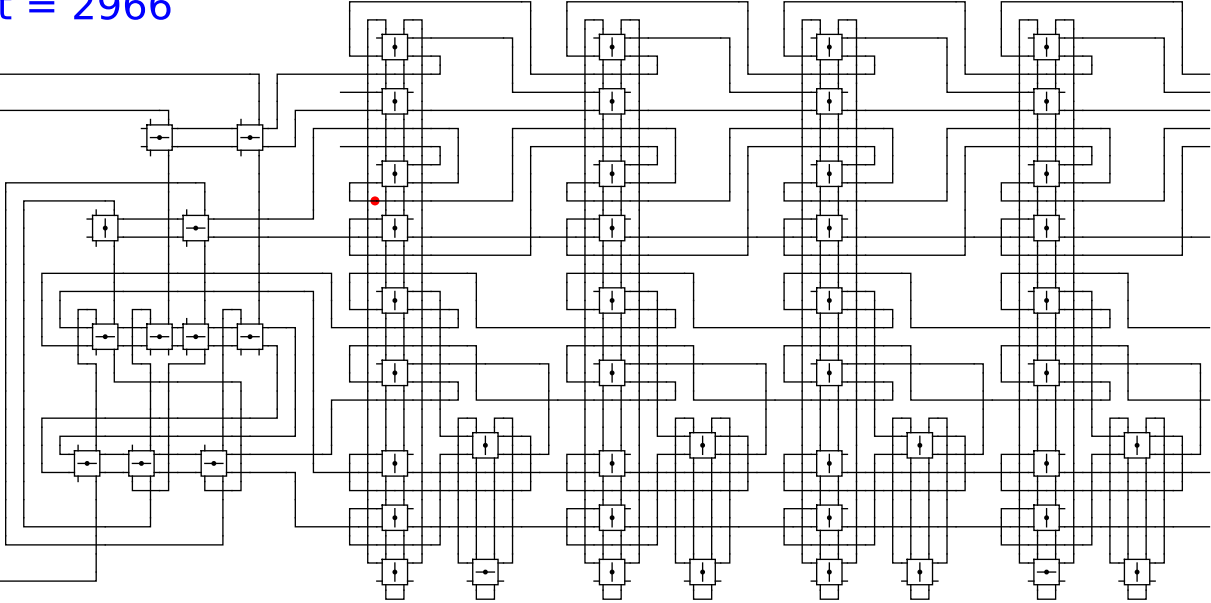
head

0

t = 2966

Reject
Accept

Begin



1

0

0

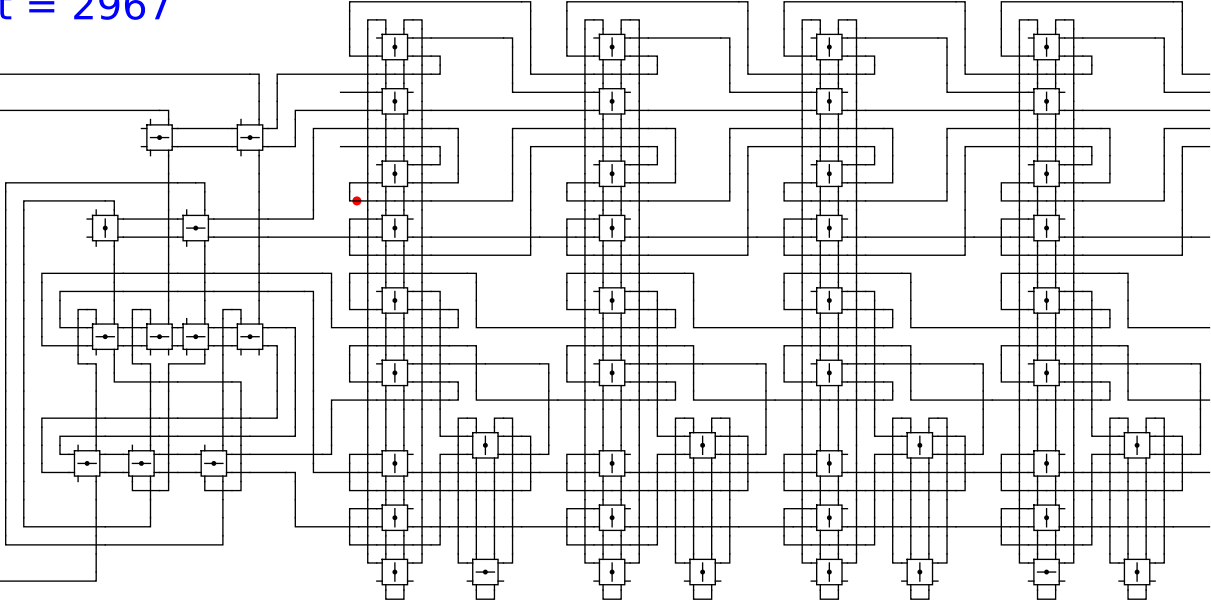
head

0

t = 2967

Reject
Accept

Begin



1

0

0

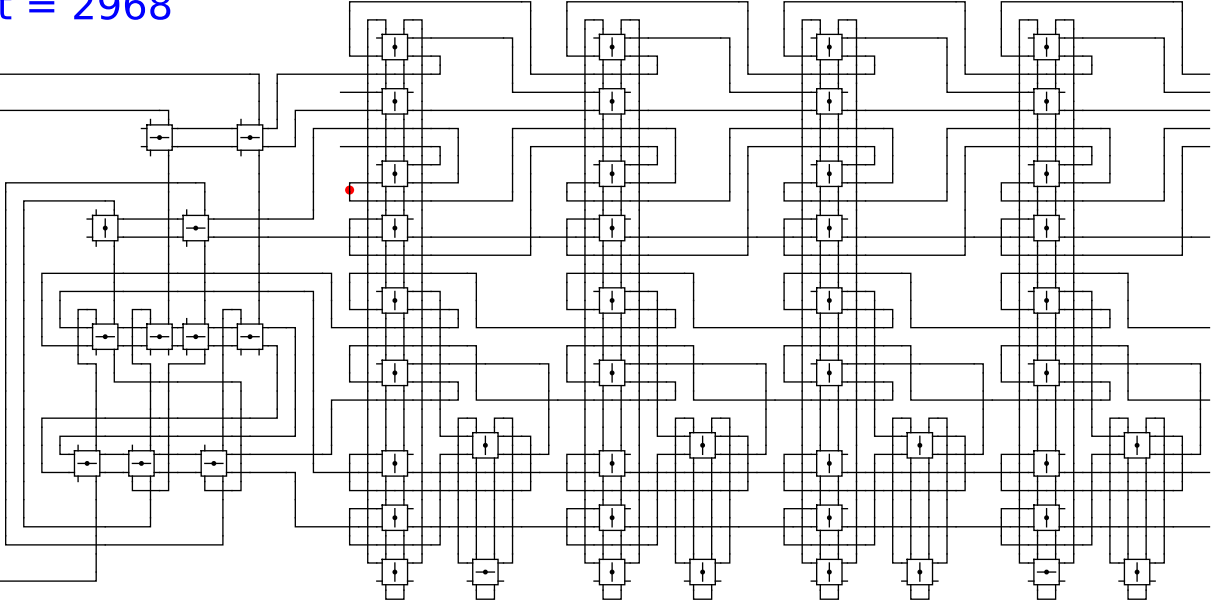
head

0

t = 2968

Reject
Accept

Begin



1

0

0

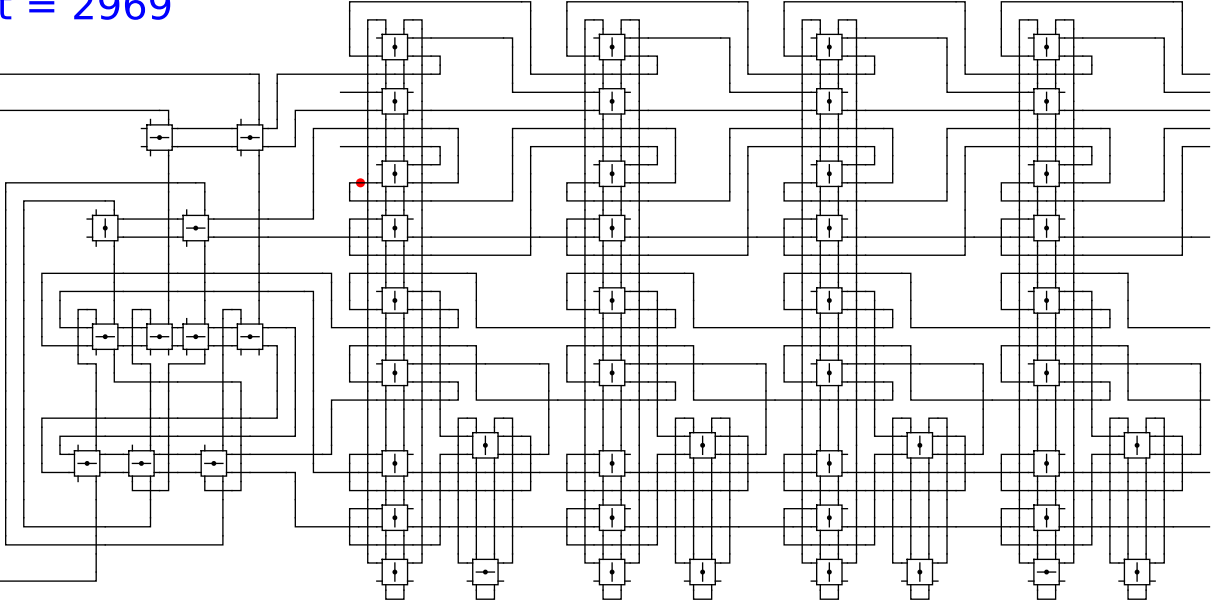
head

0

t = 2969

Reject
Accept

Begin

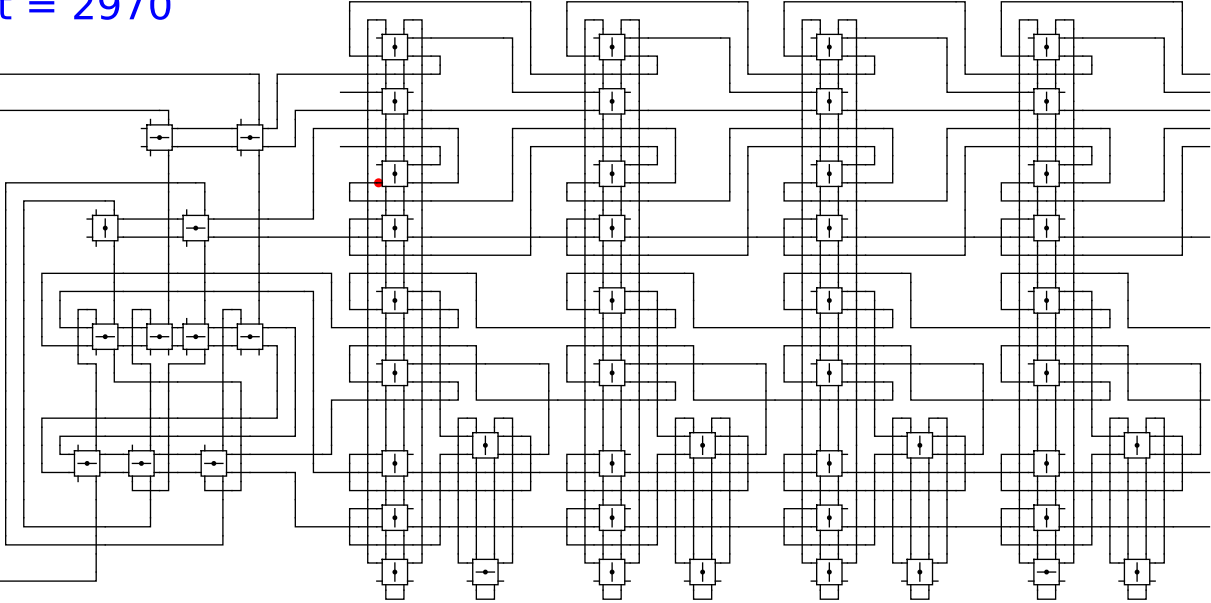


1 0 0 head 0

t = 2970

Reject
Accept

Begin



1

0

0

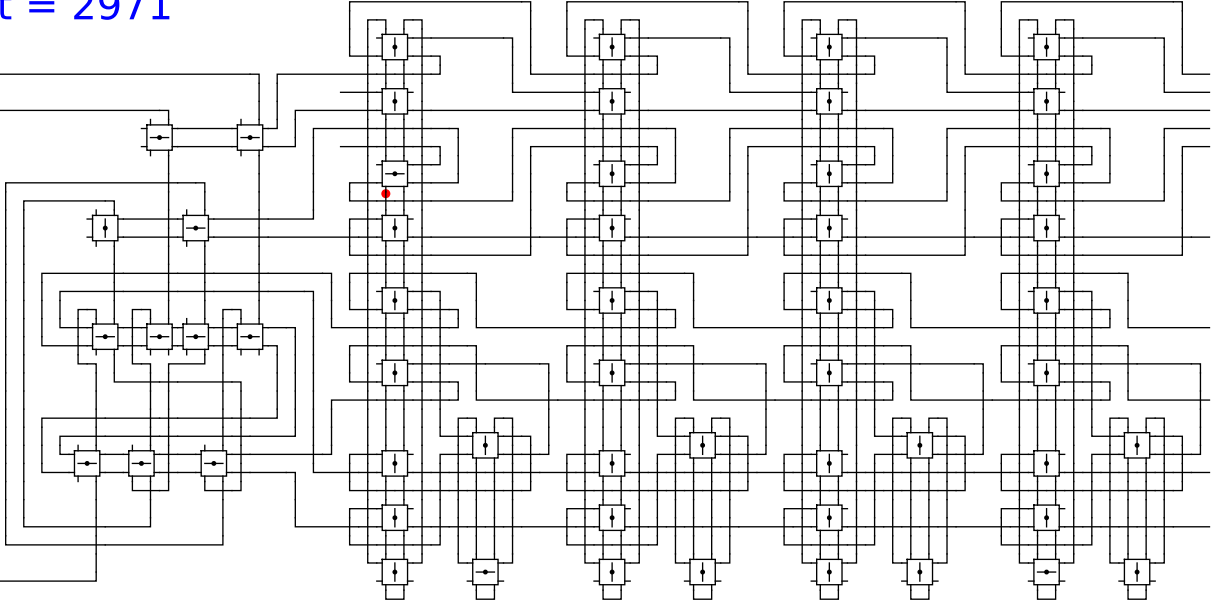
head

0

t = 2971

Reject
Accept

Begin



1

0

0

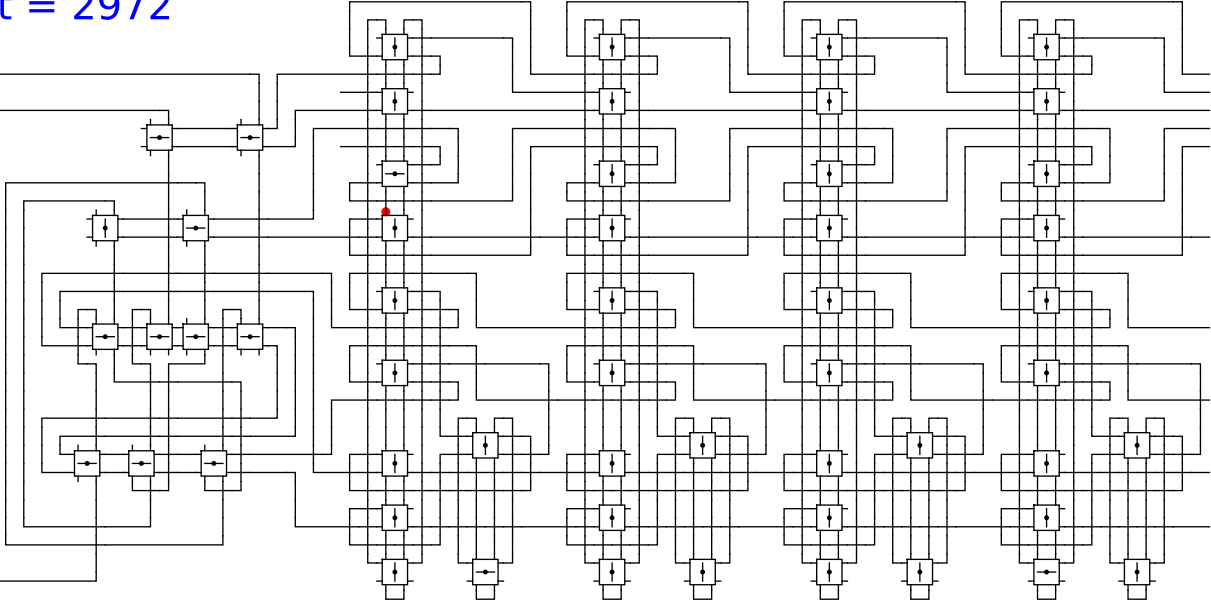
head

0

t = 2972

Reject
Accept

Begin



1

0

0

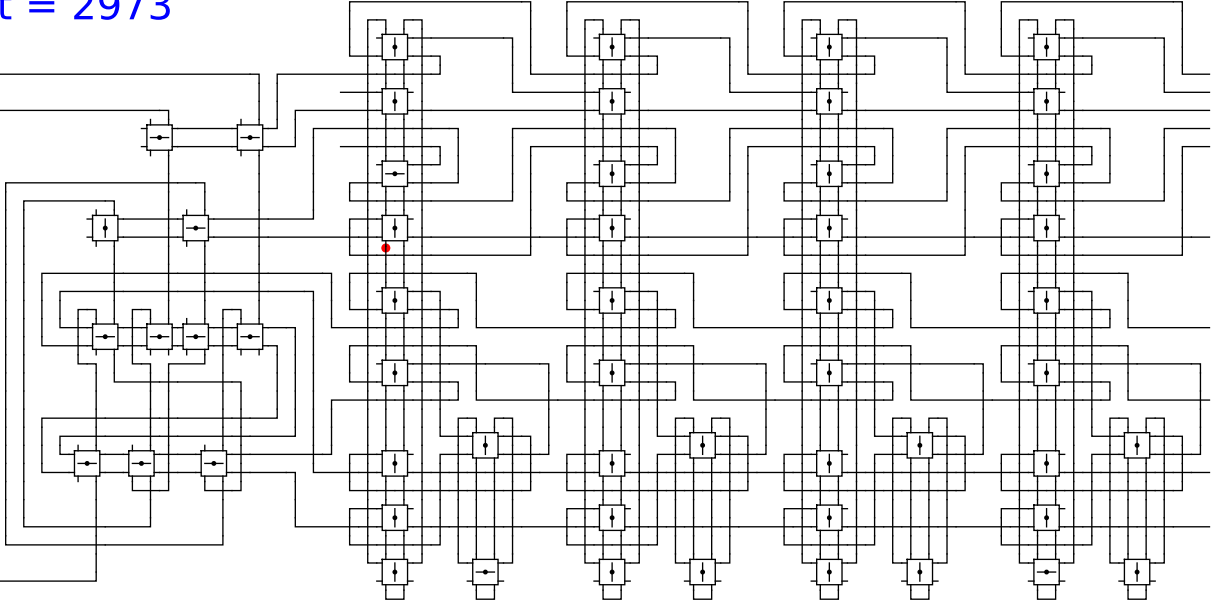
head

0

t = 2973

Reject
Accept

Begin

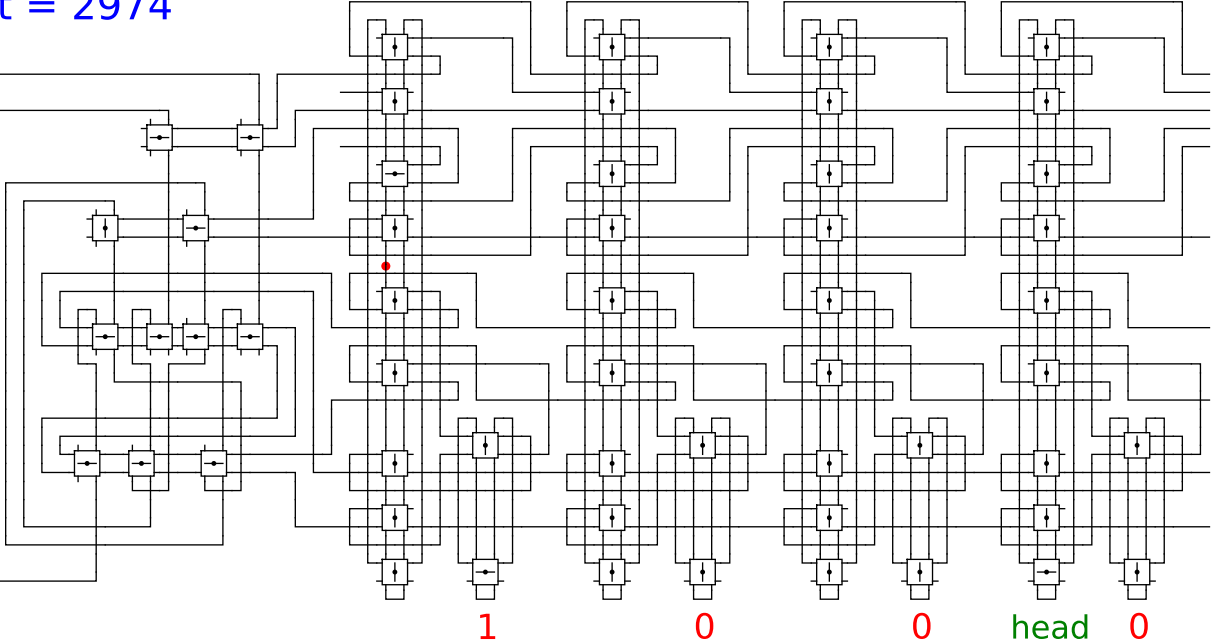


1 0 0 head 0

t = 2974

Reject
Accept

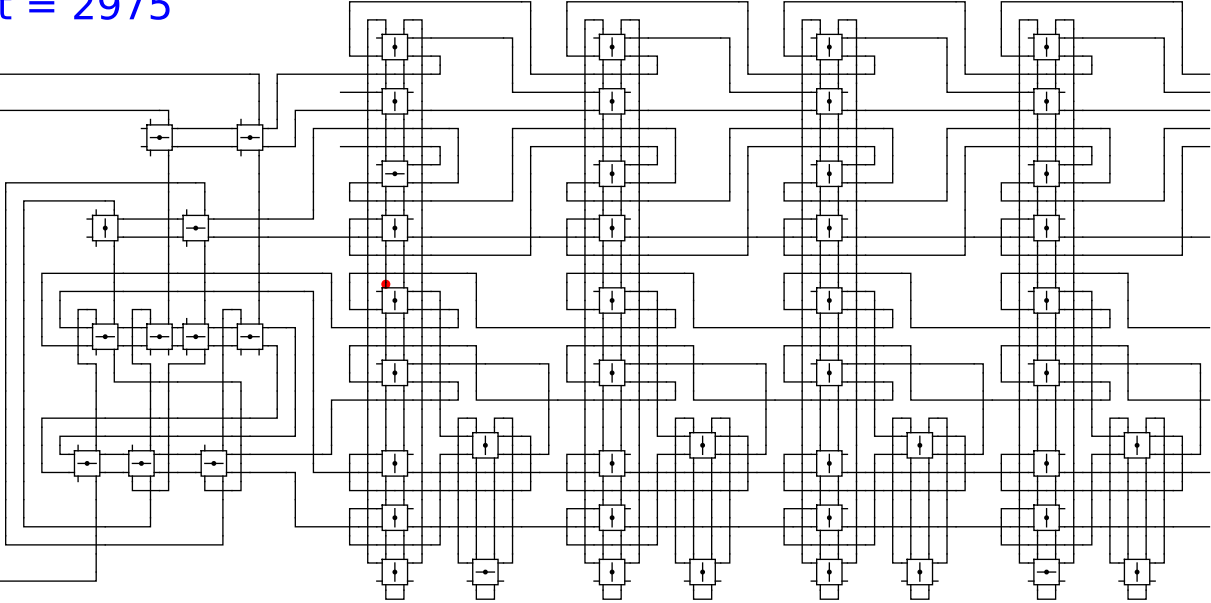
Begin



t = 2975

Reject
Accept

Begin



1

0

0

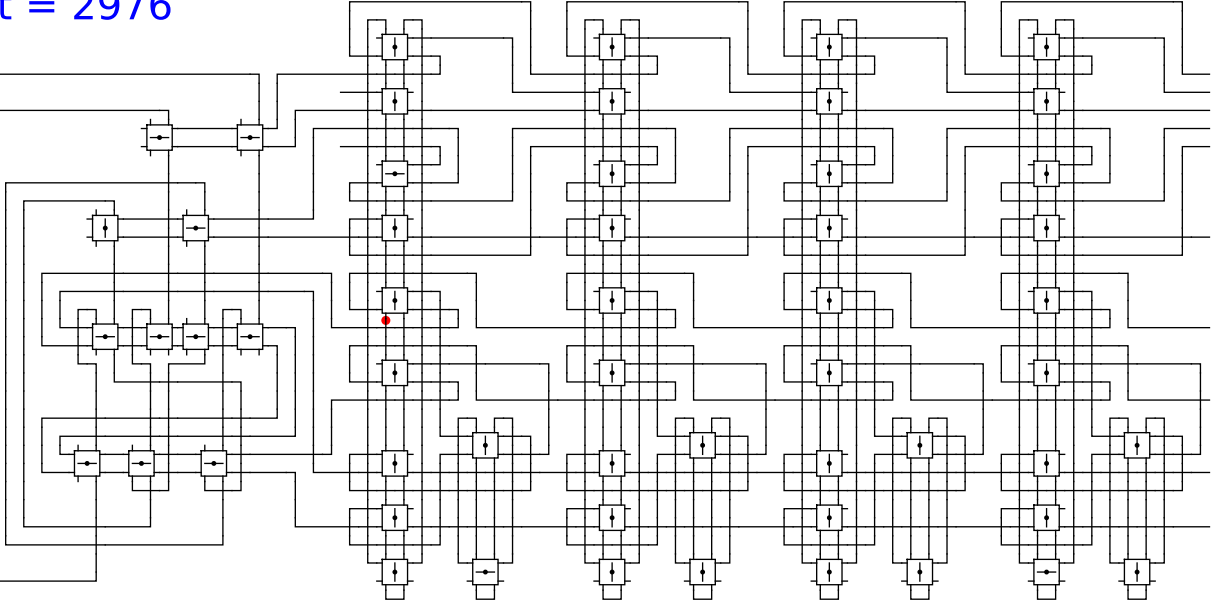
head

0

t = 2976

Reject
Accept

Begin



1

0

0

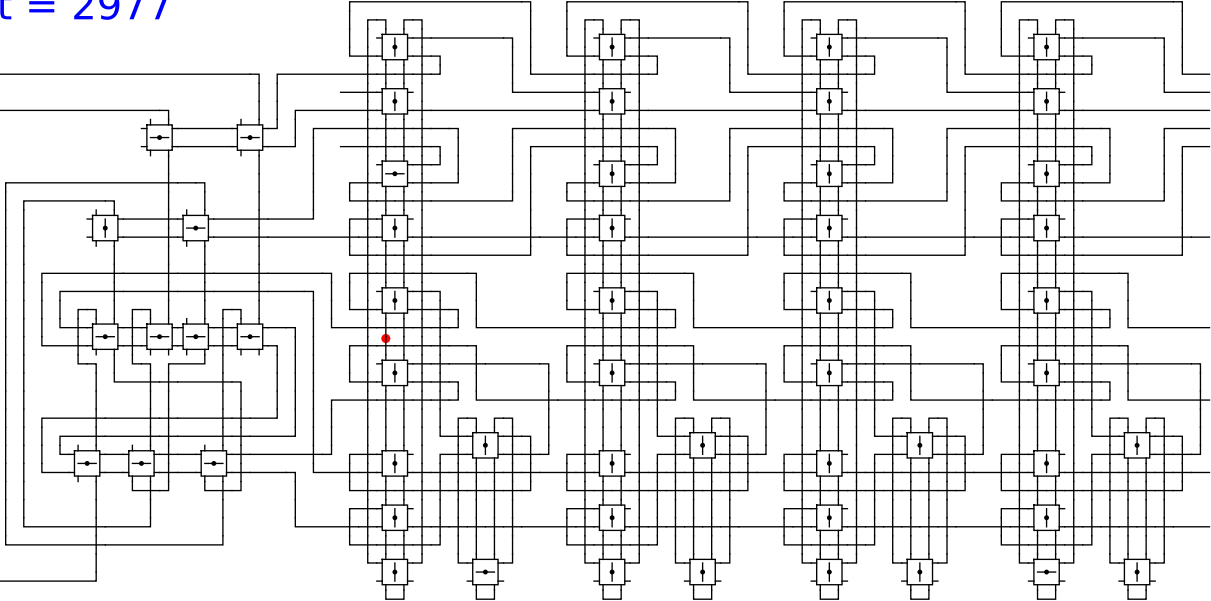
head

0

t = 2977

Reject
Accept

Begin

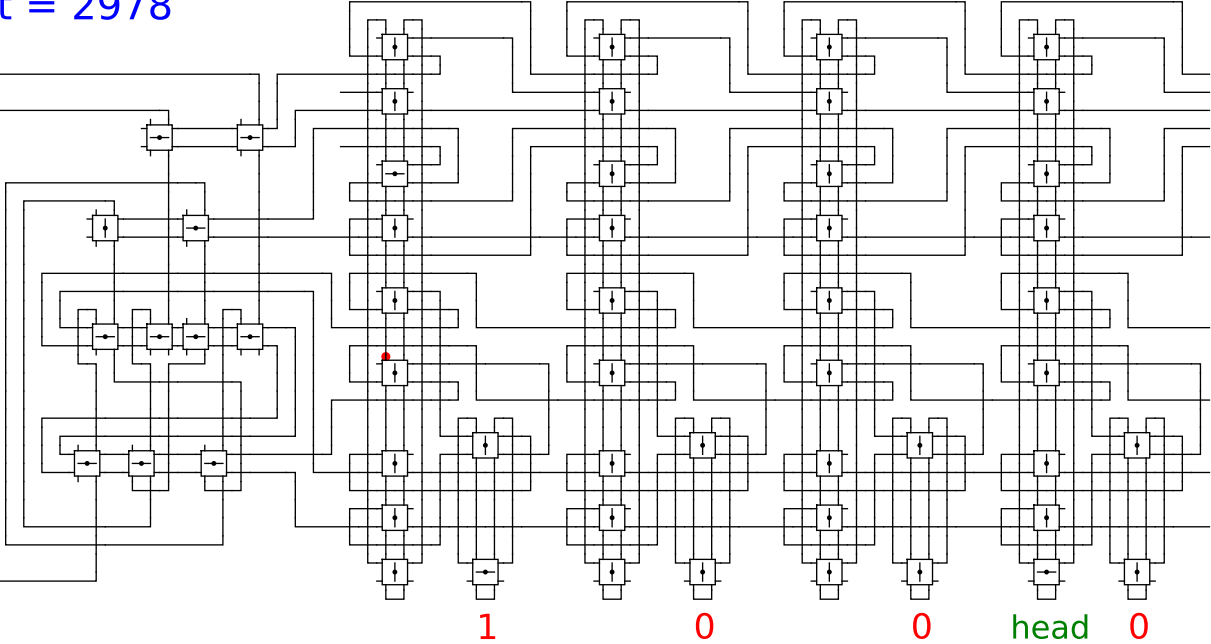


1 0 0 head 0

t = 2978

Reject
Accept

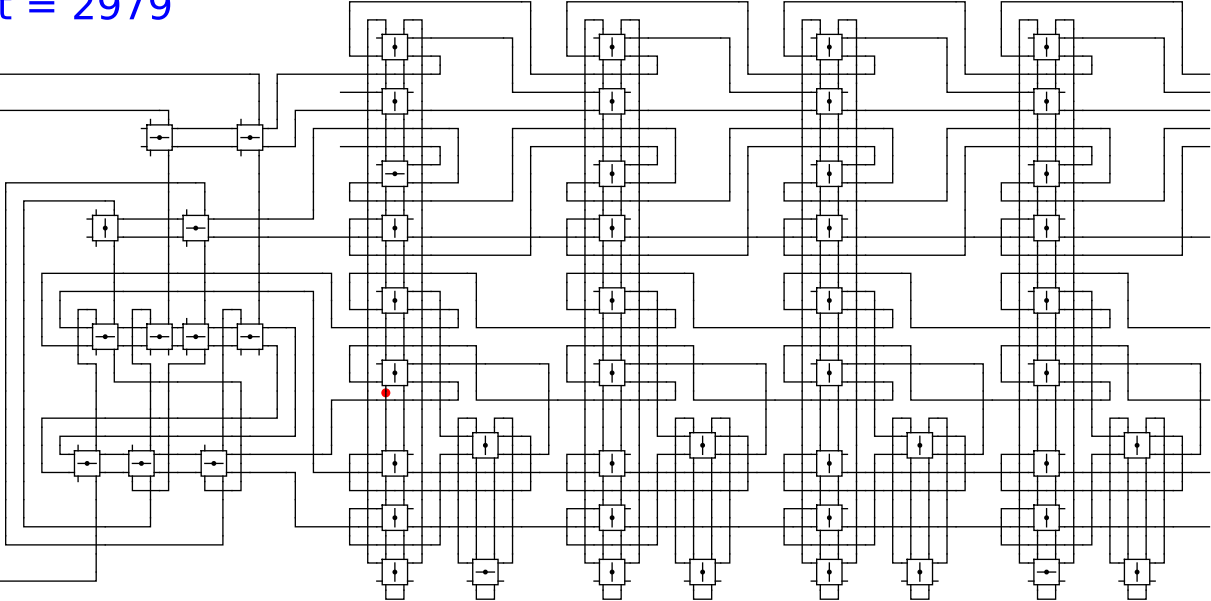
Begin



t = 2979

Reject
Accept

Begin



1

0

0

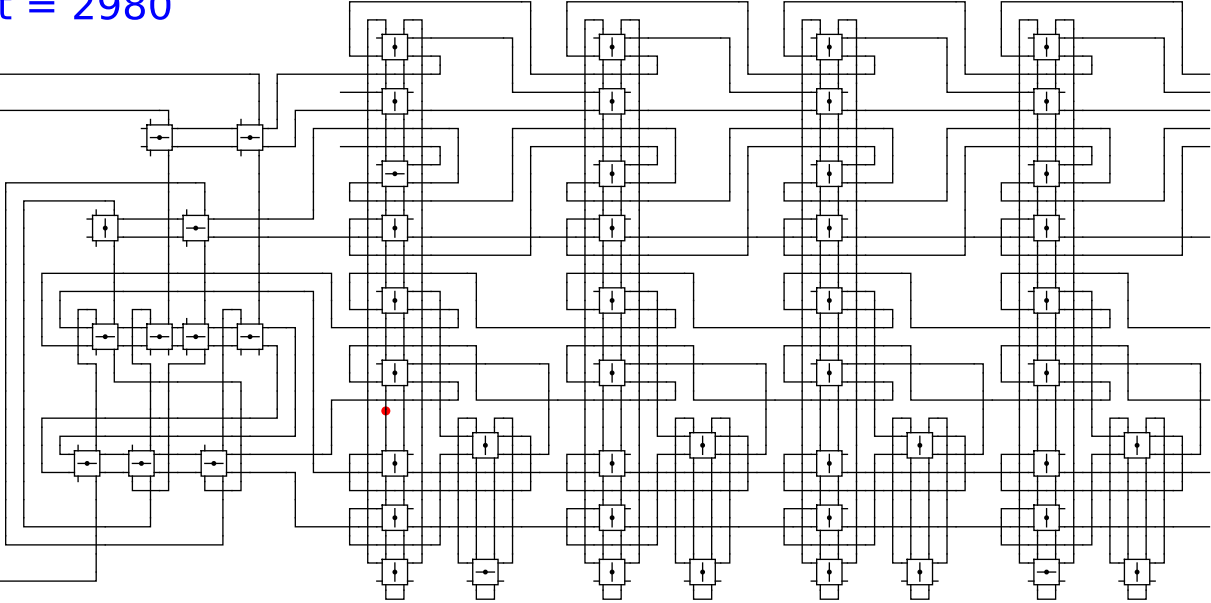
head

0

t = 2980

Reject
Accept

Begin



1

0

0

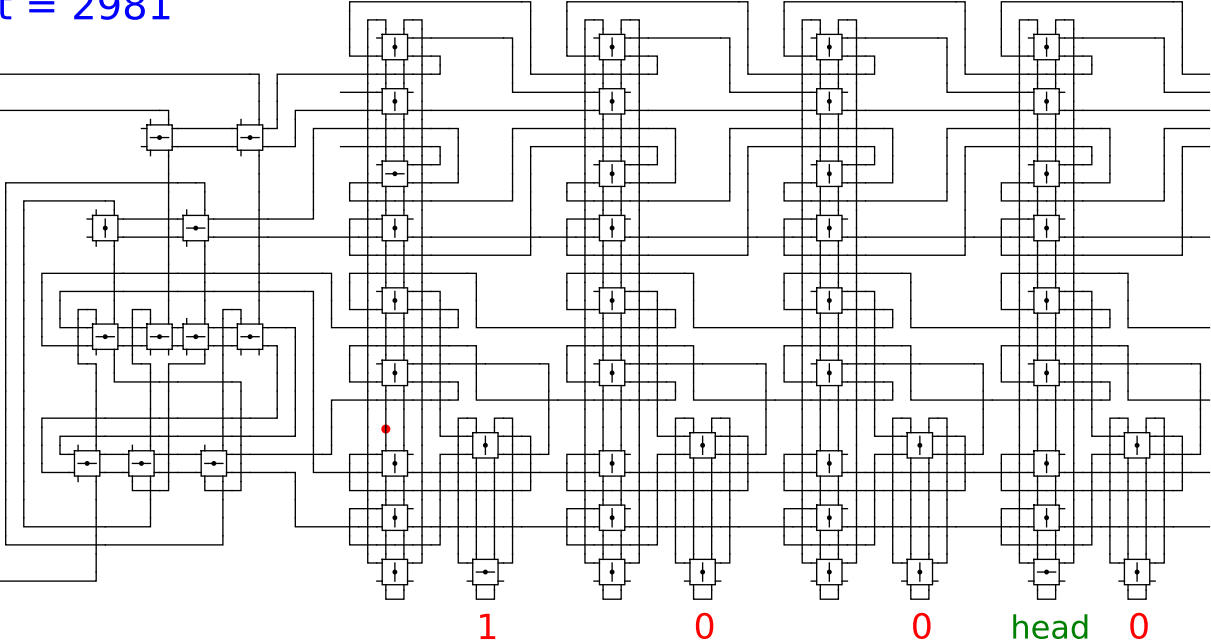
head

0

t = 2981

Reject
Accept

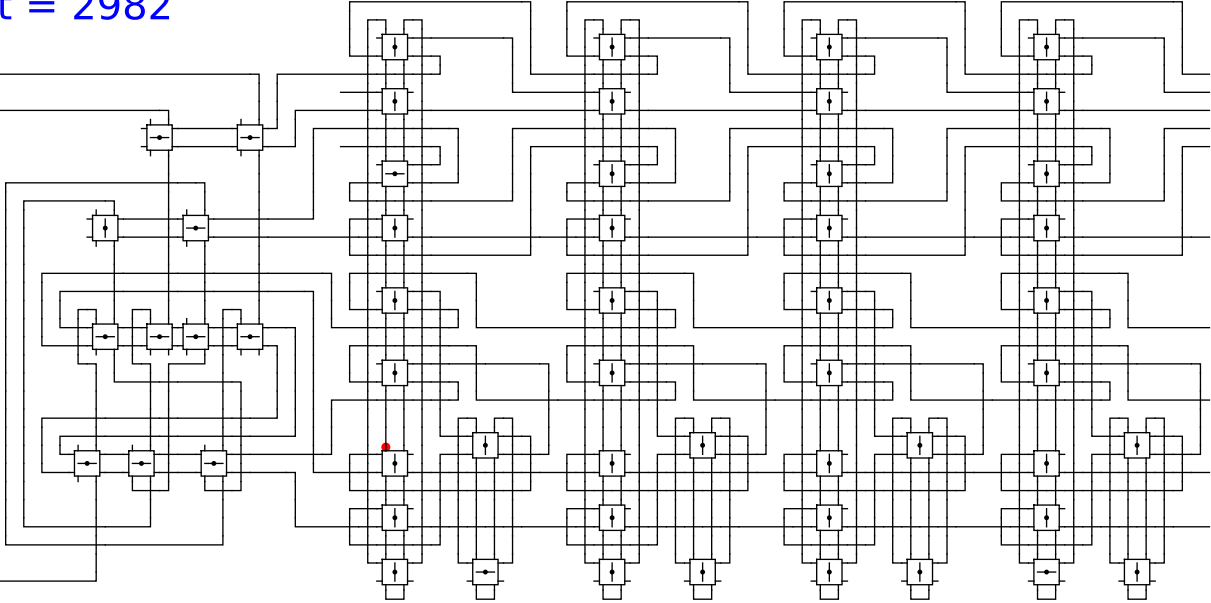
Begin



t = 2982

Reject
Accept

Begin

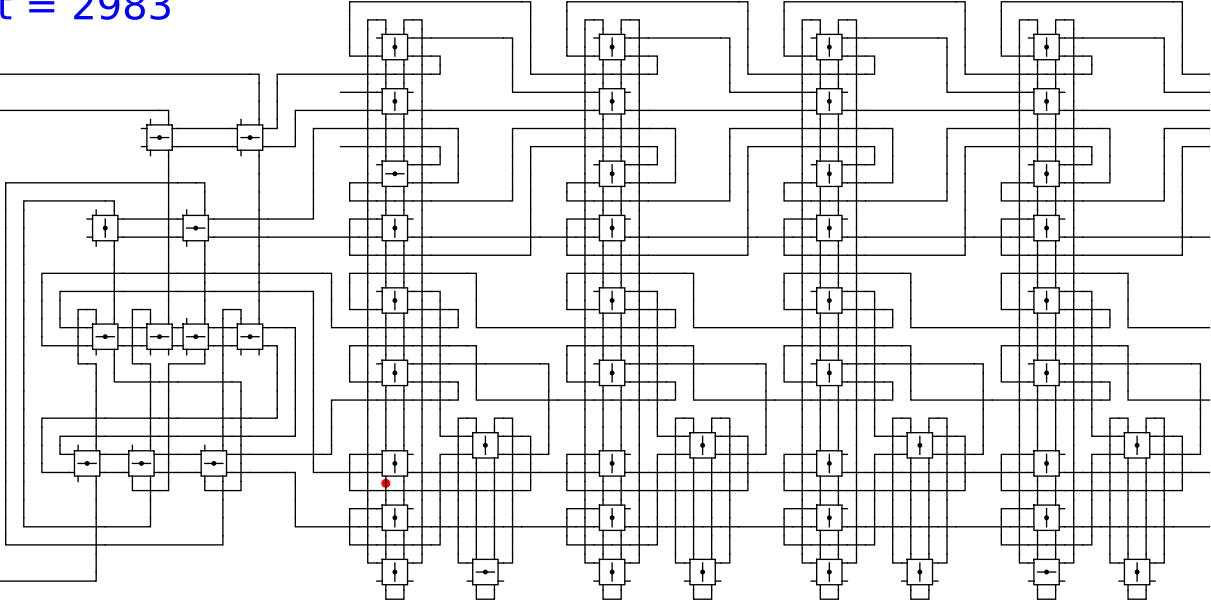


1 0 0 head 0

t = 2983

Reject
Accept

Begin



1

0

0

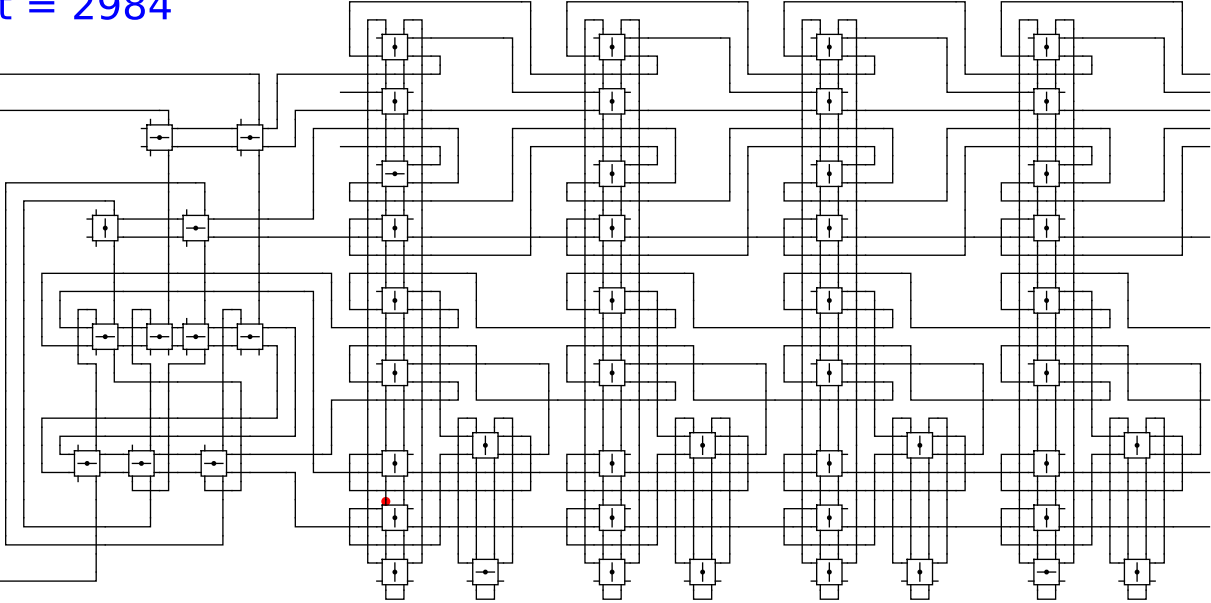
head

0

t = 2984

Reject
Accept

Begin

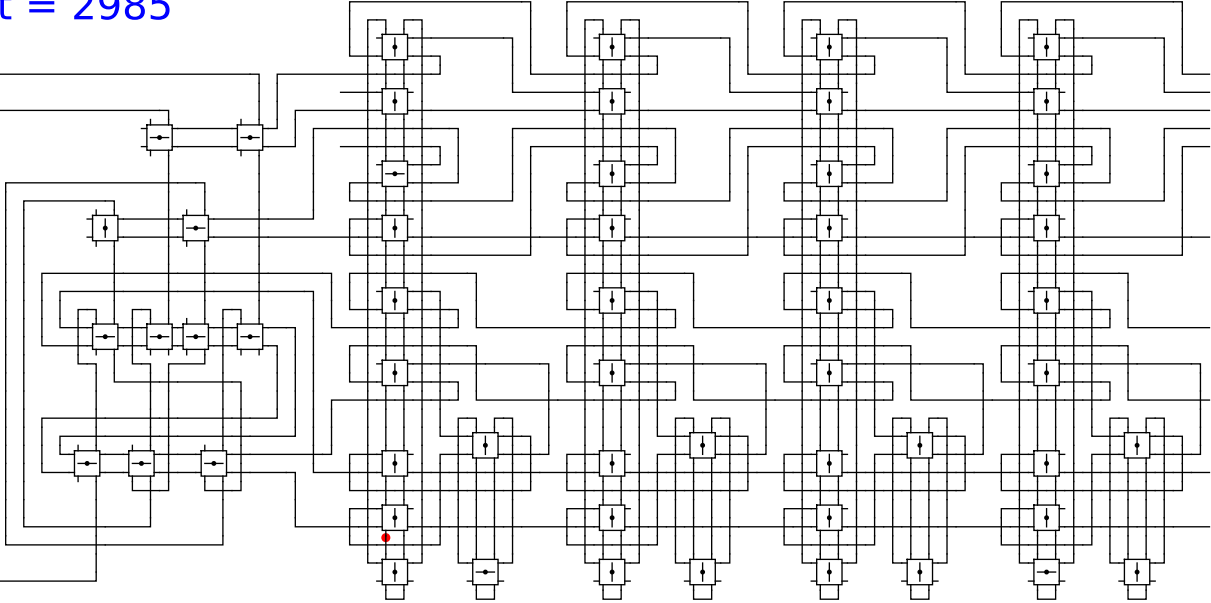


1 0 0 head 0

t = 2985

Reject
Accept

Begin



1

0

0

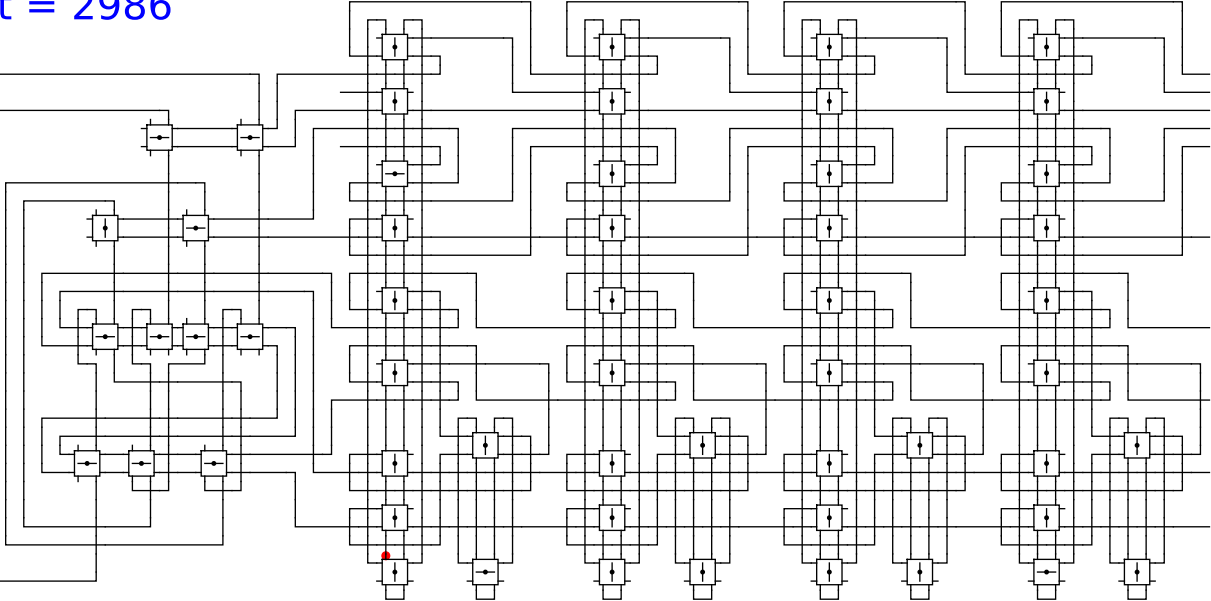
head

0

t = 2986

Reject
Accept

Begin



1

0

0

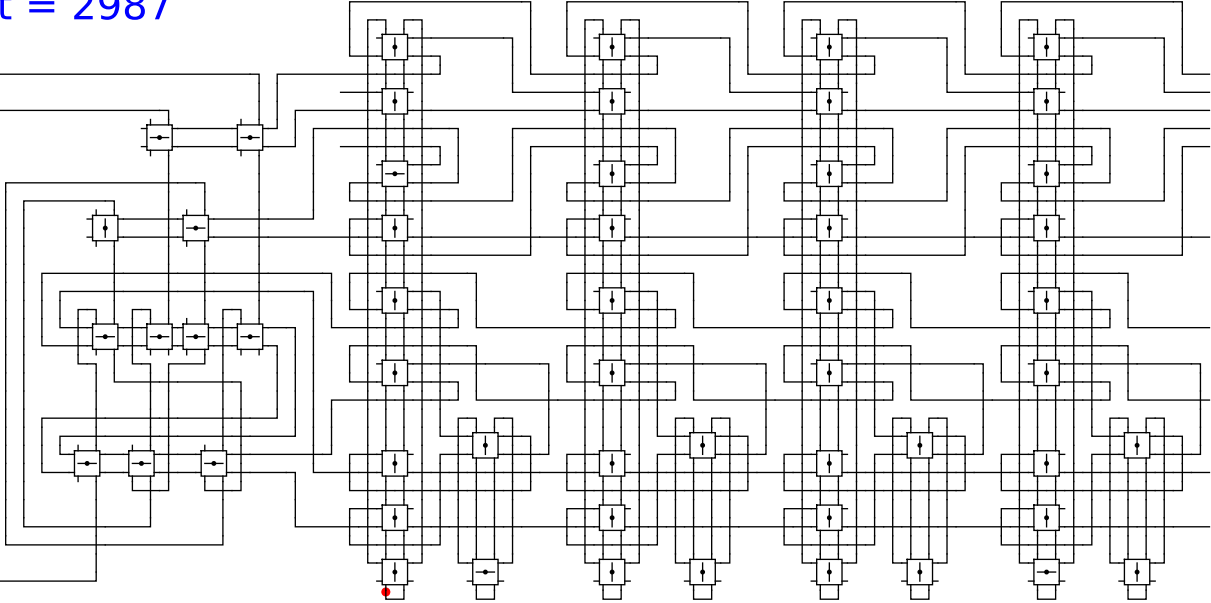
head

0

t = 2987

Reject
Accept

Begin



1

0

0

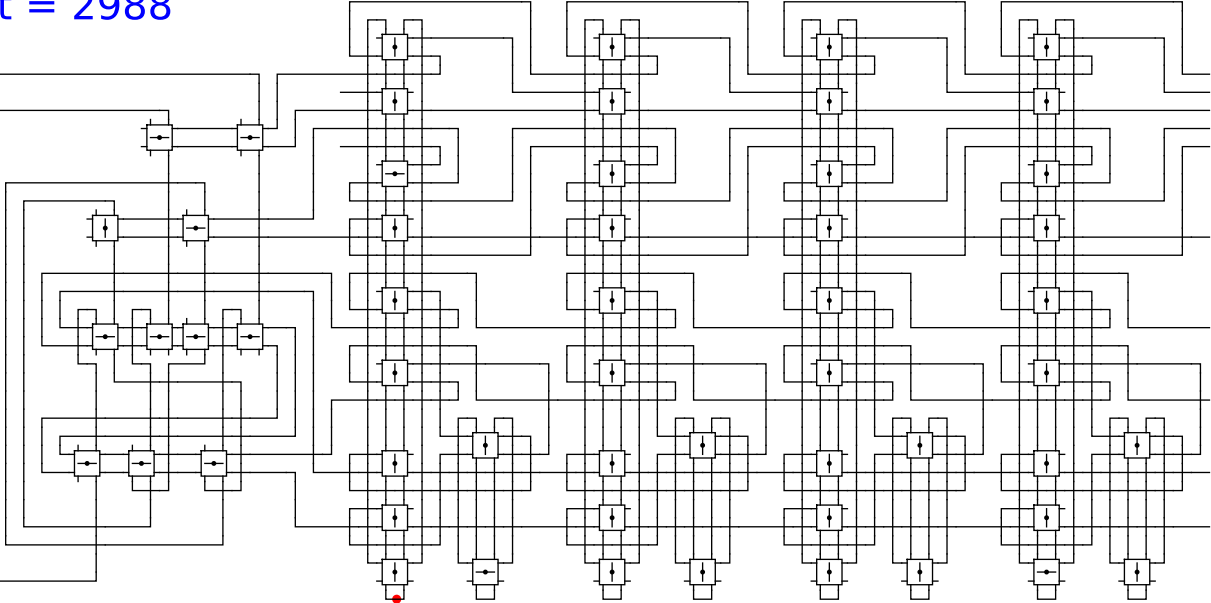
head

0

t = 2988

Reject
Accept

Begin



1

0

0

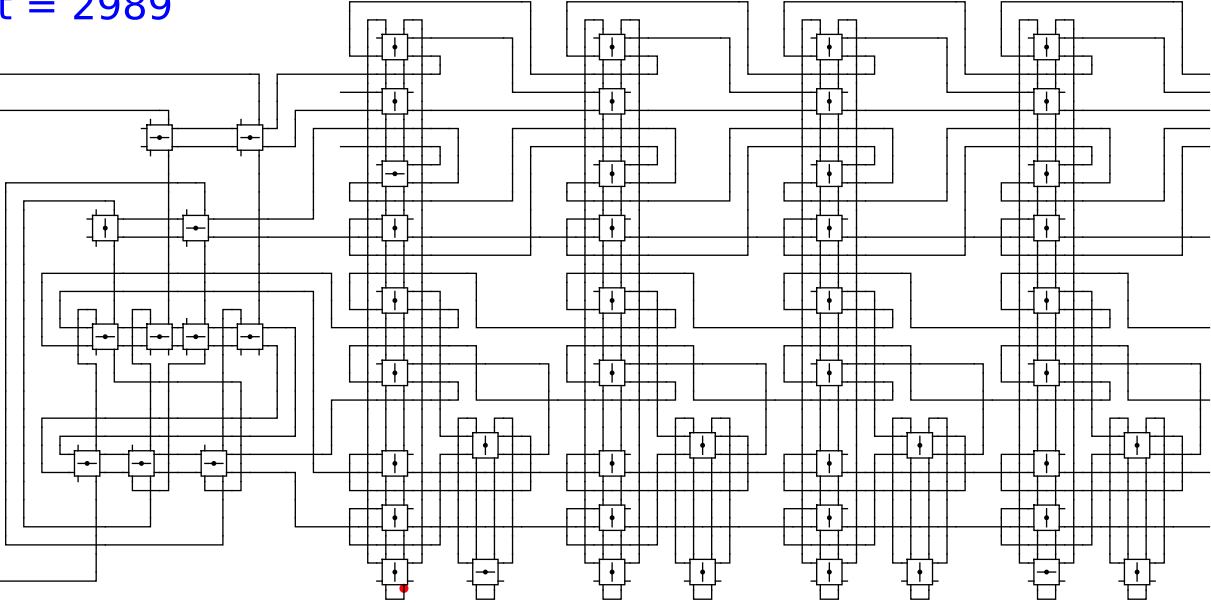
head

0

t = 2989

Reject
Accept

Begin

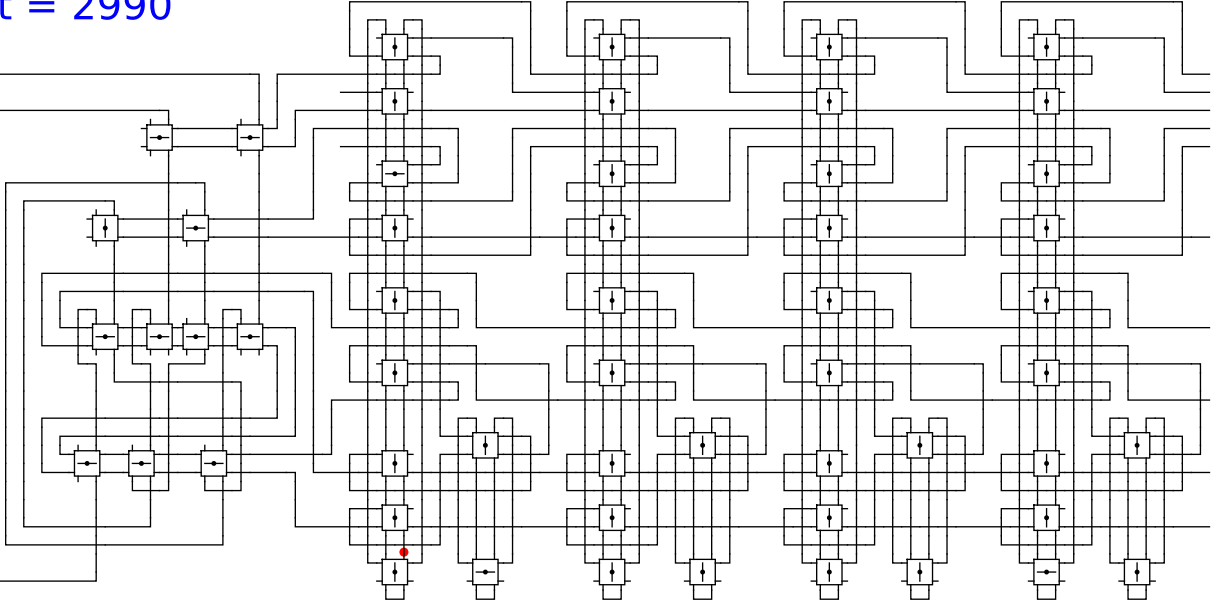


1 0 0 head 0

t = 2990

Reject
Accept

Begin



1

0

0

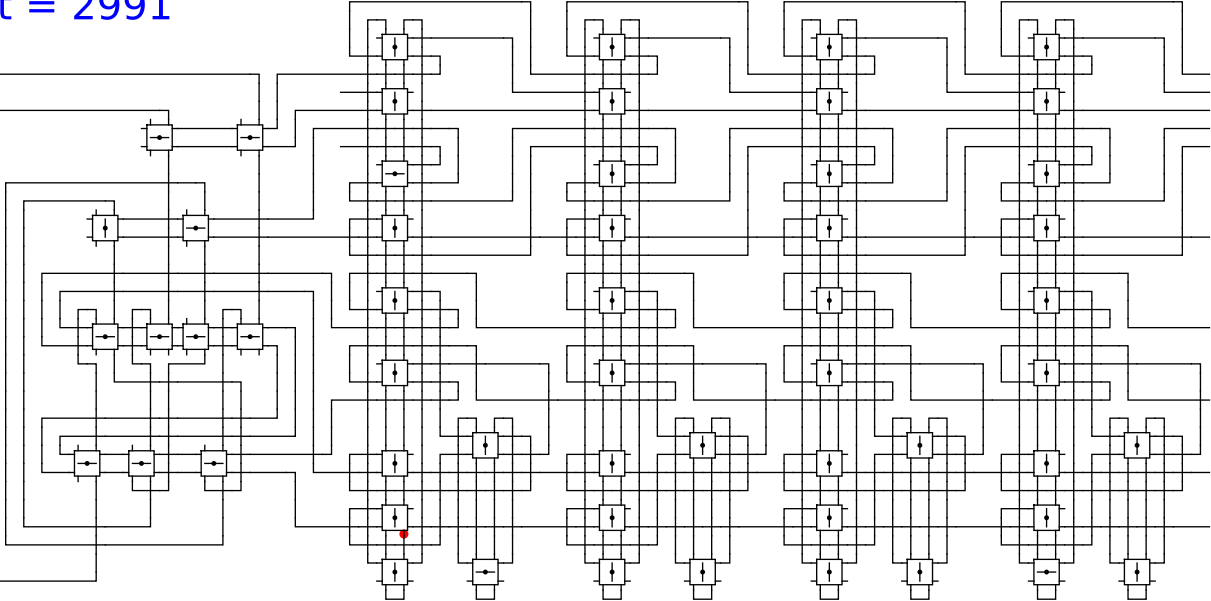
head

0

t = 2991

Reject
Accept

Begin



1

0

0

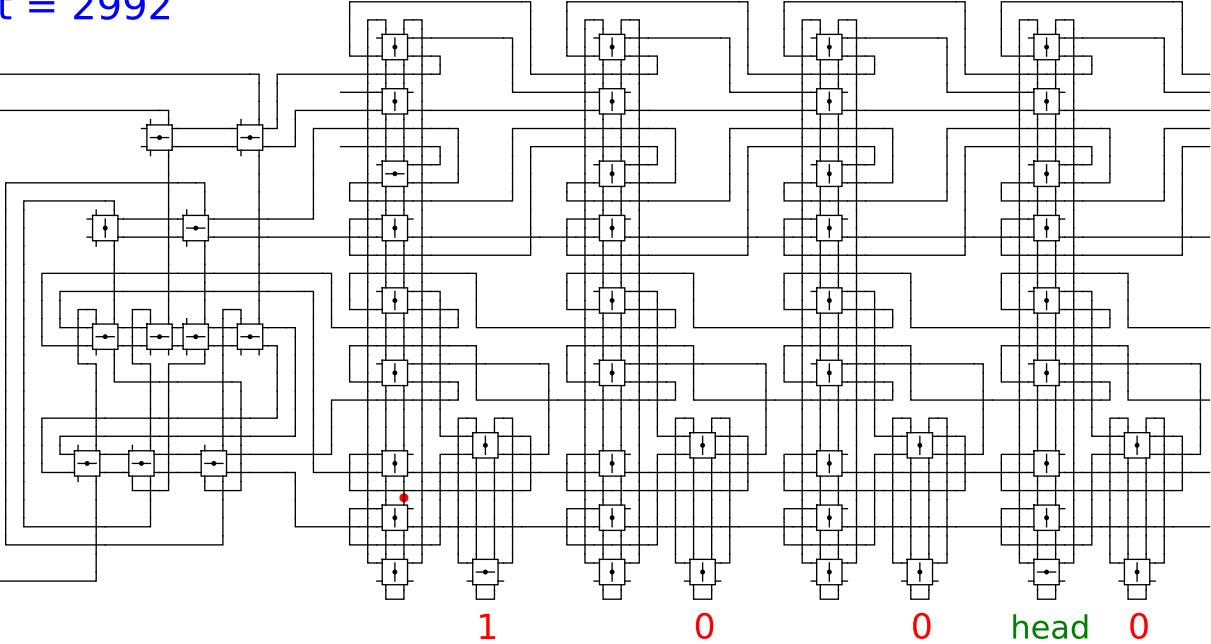
head

0

t = 2992

Reject
Accept

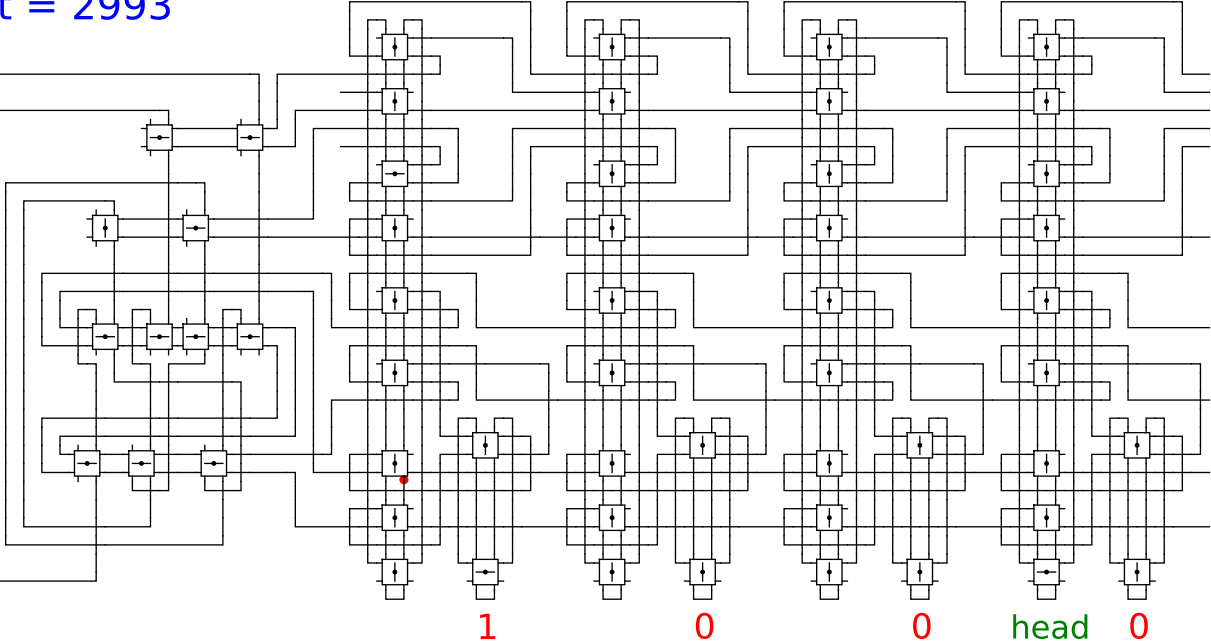
Begin



t = 2993

Reject
Accept

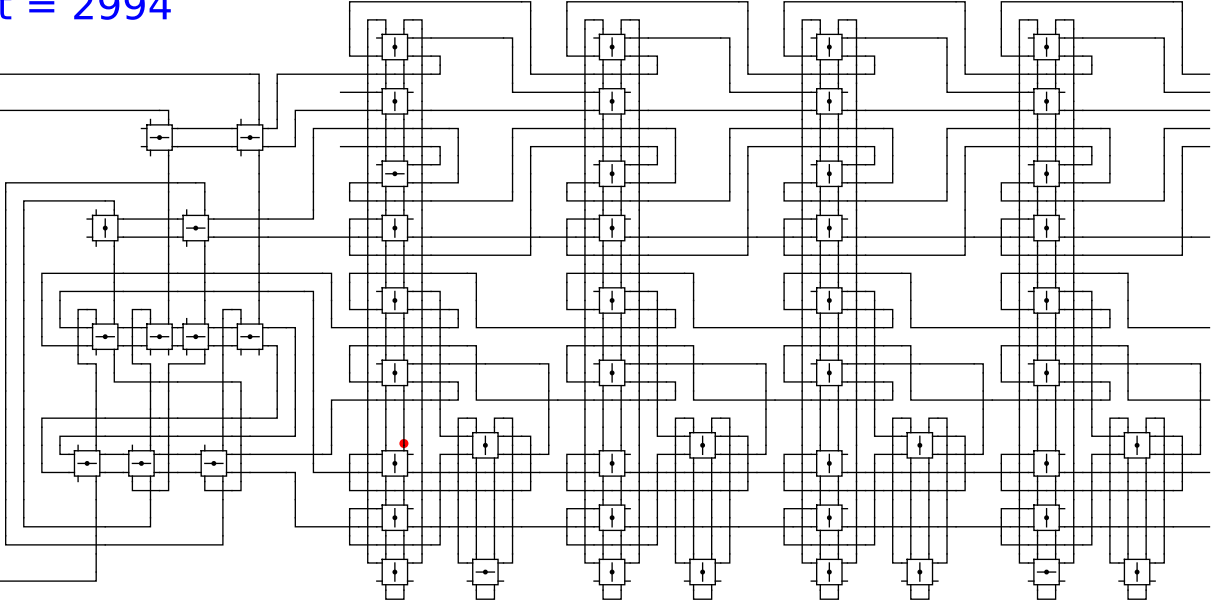
Begin



t = 2994

Reject
Accept

Begin

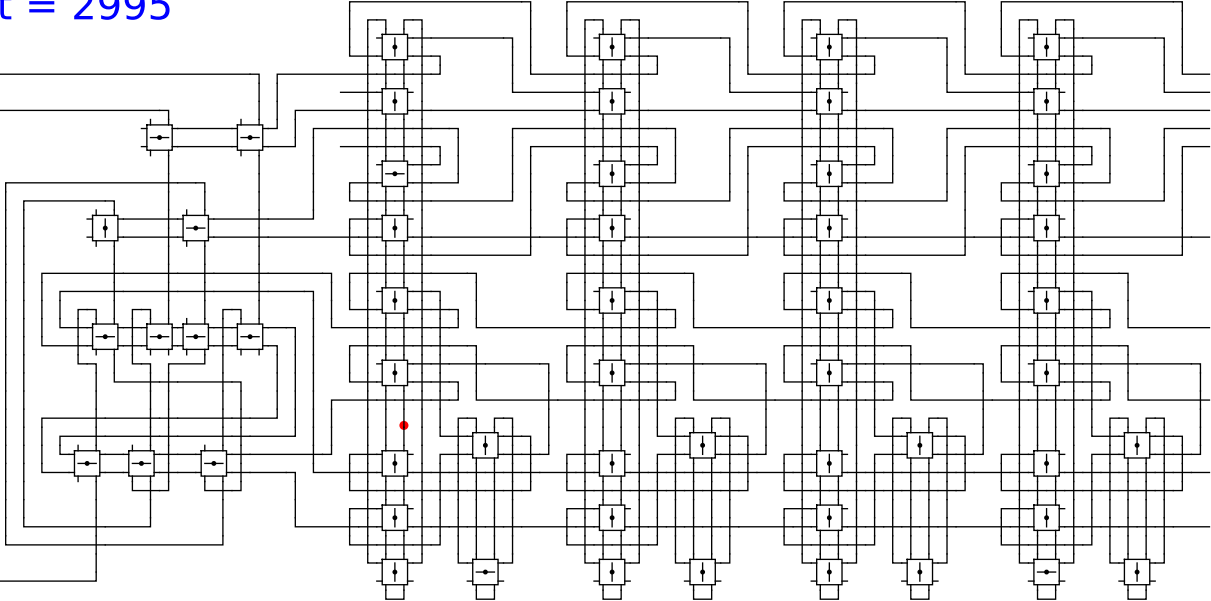


1 0 0 head 0

t = 2995

Reject
Accept

Begin



1

0

0

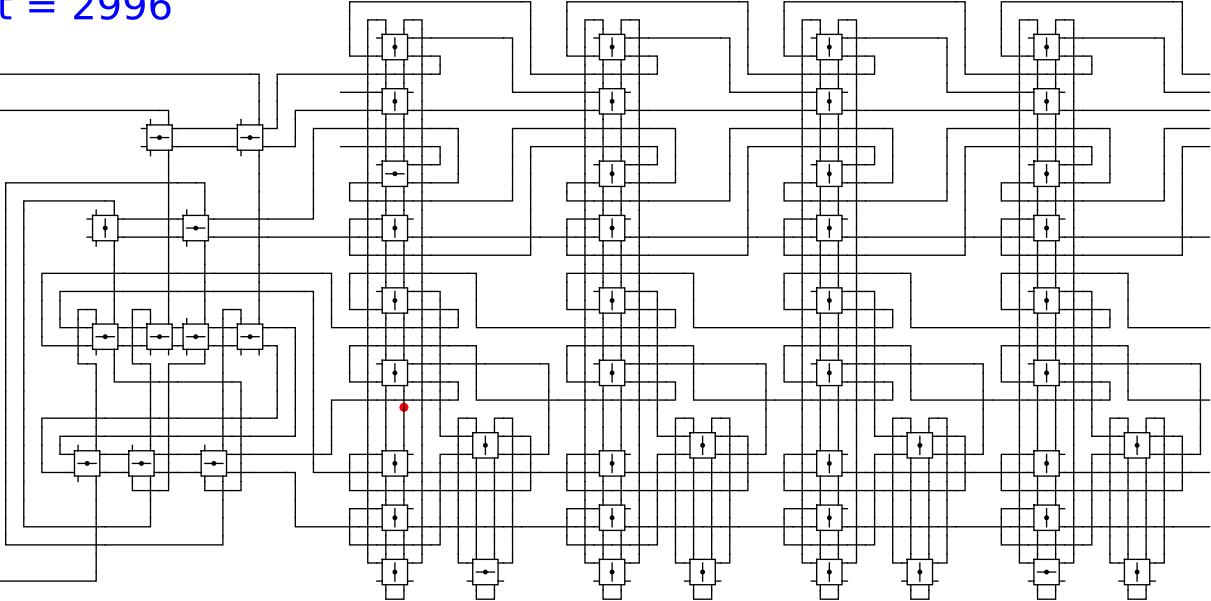
head

0

t = 2996

Reject
Accept

Begin



1

0

0

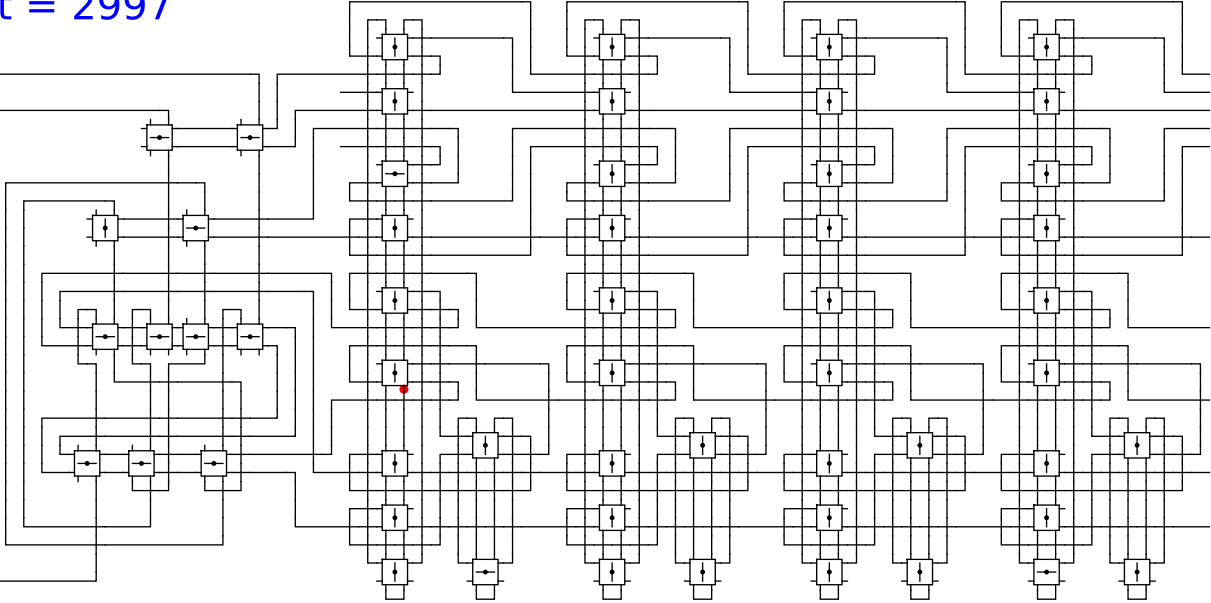
head

0

t = 2997

Reject
Accept

Begin

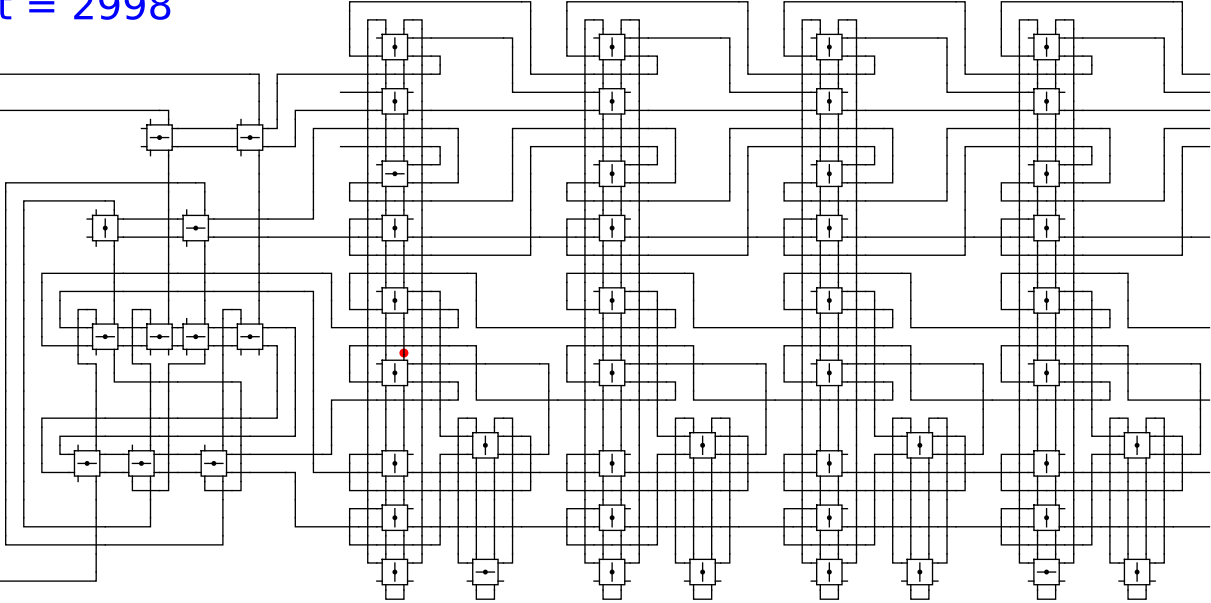


1 0 0 head 0

t = 2998

Reject
Accept

Begin



1

0

0

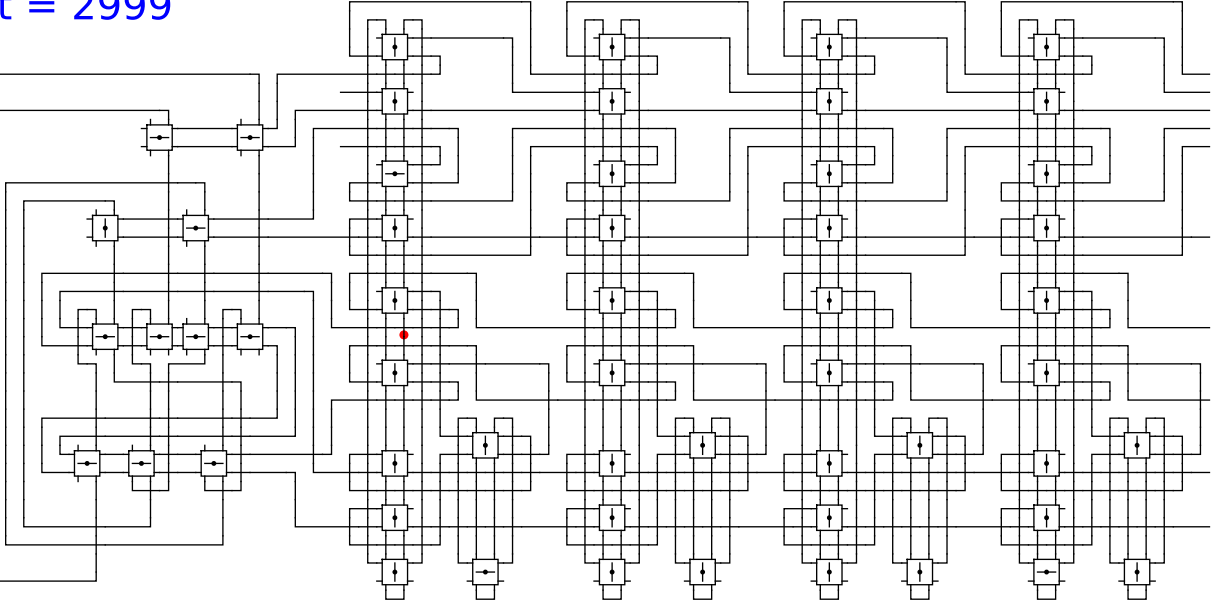
head

0

t = 2999

Reject
Accept

Begin



1

0

0

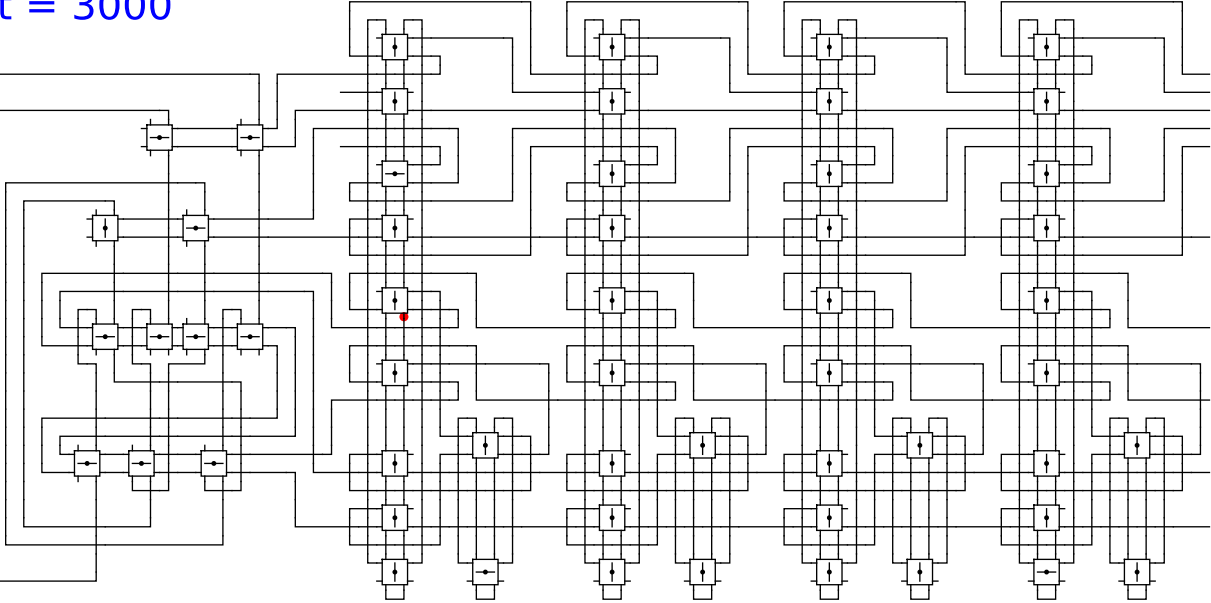
head

0

t = 3000

Reject
Accept

Begin



1

0

0

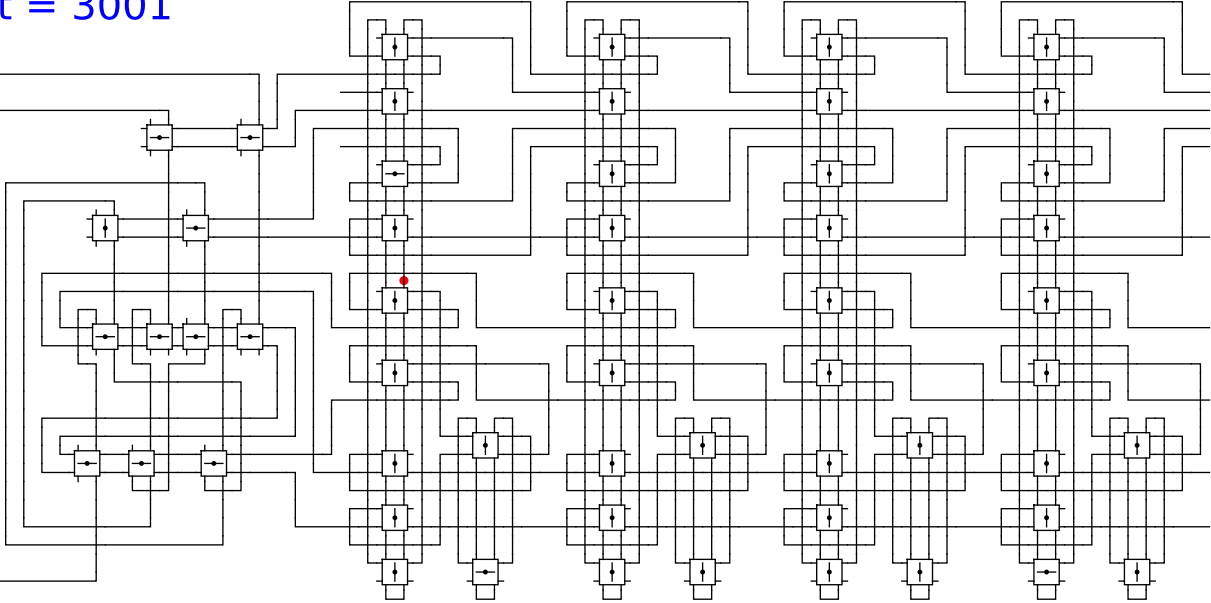
head

0

t = 3001

Reject
Accept

Begin



1

0

0

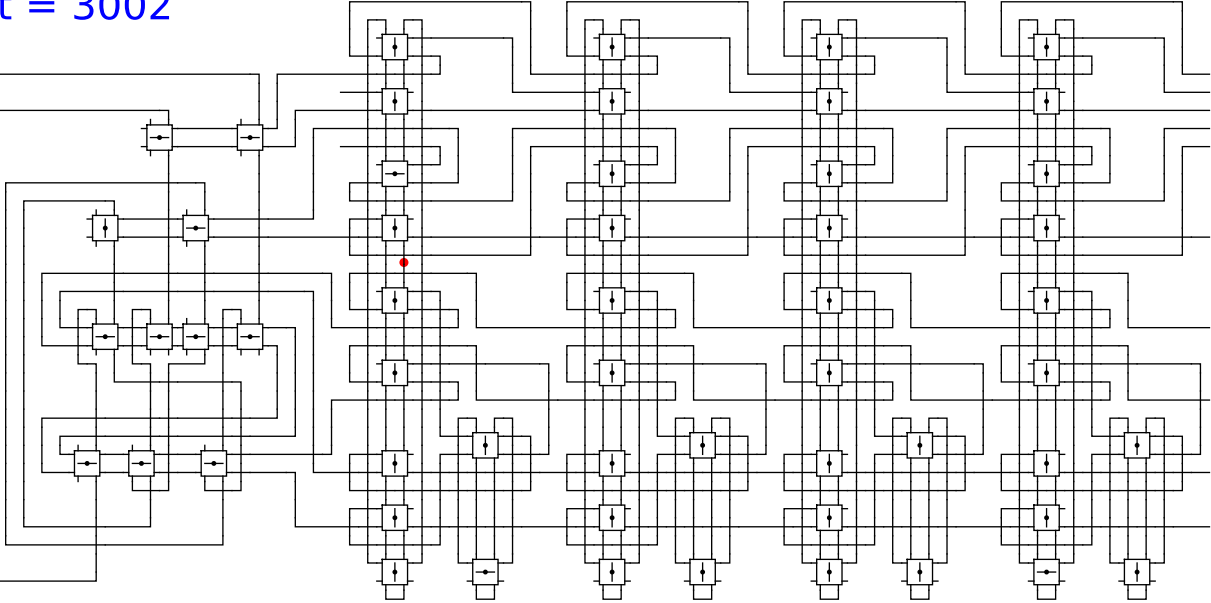
head

0

t = 3002

Reject
Accept

Begin

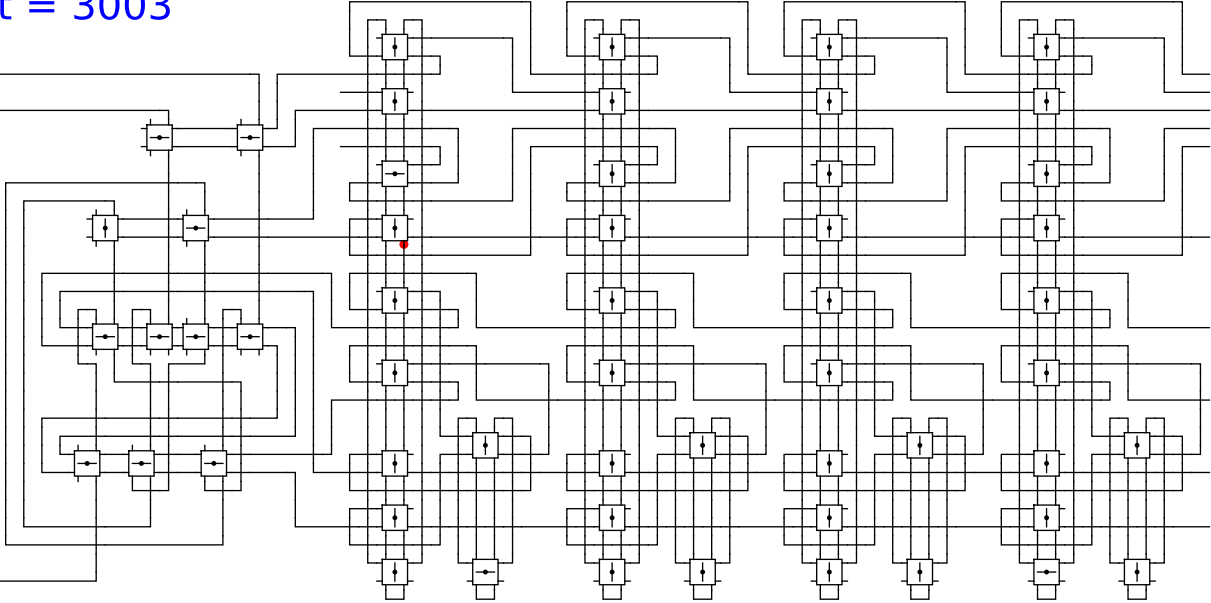


1 0 0 head 0

t = 3003

Reject
Accept

Begin



1

0

0

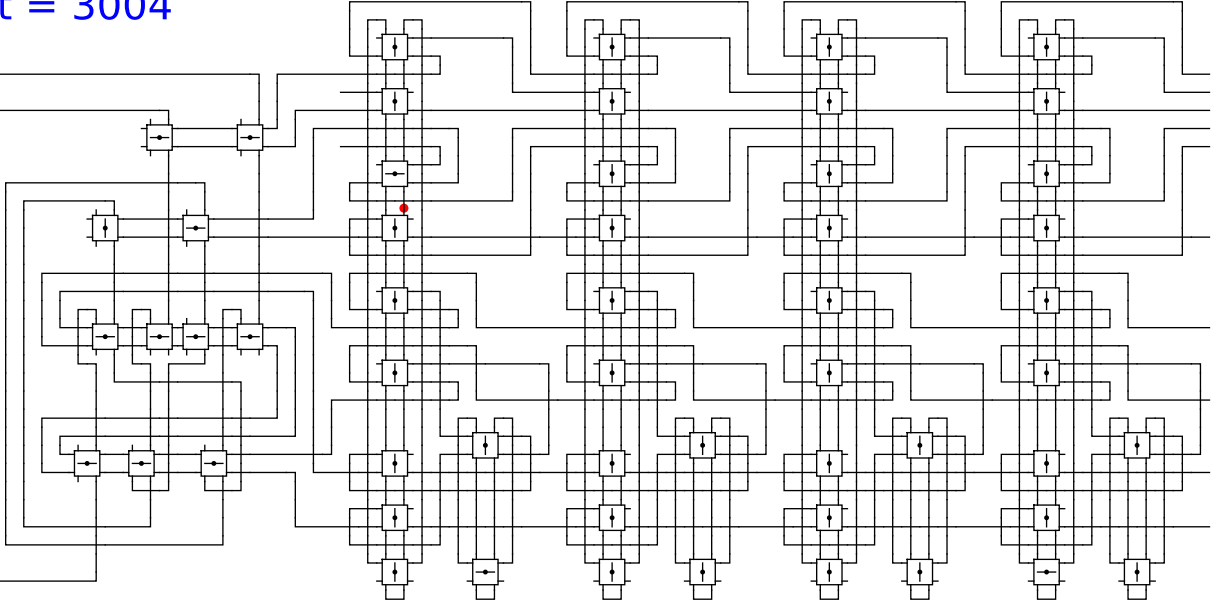
head

0

t = 3004

Reject
Accept

Begin



1

0

0

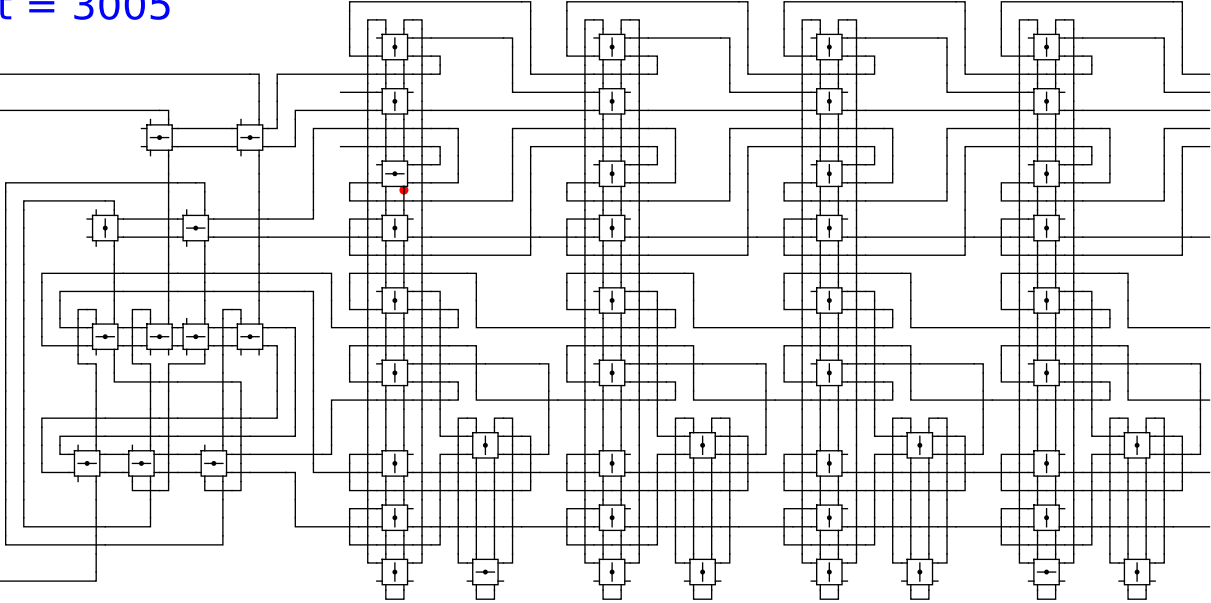
head

0

t = 3005

Reject
Accept

Begin

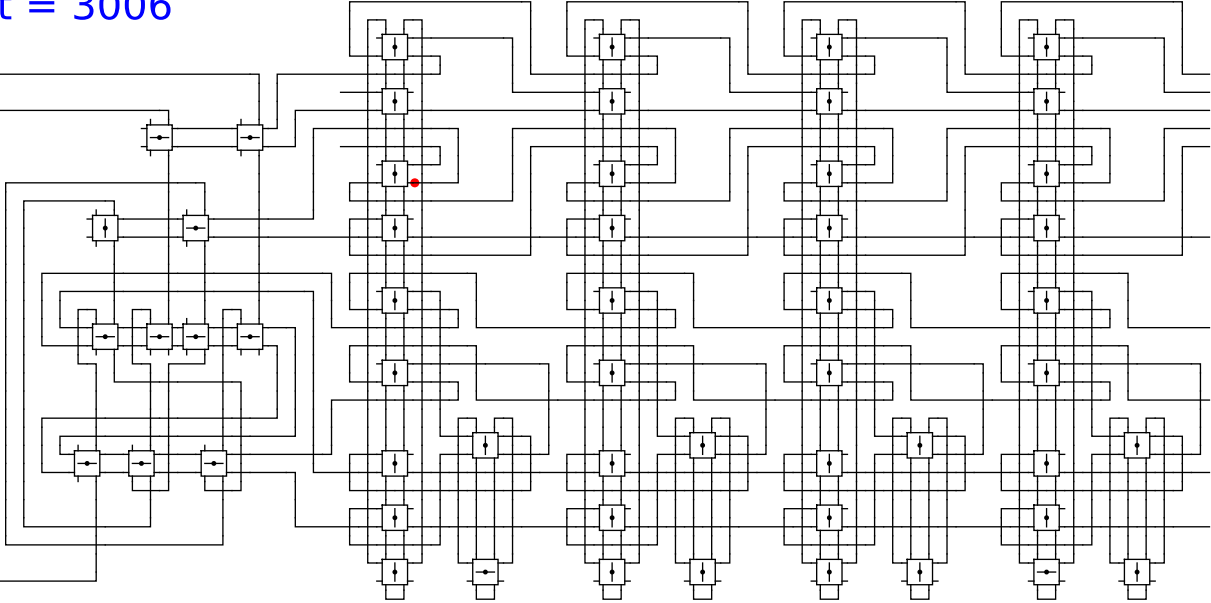


1 0 0 head 0

t = 3006

Reject
Accept

Begin

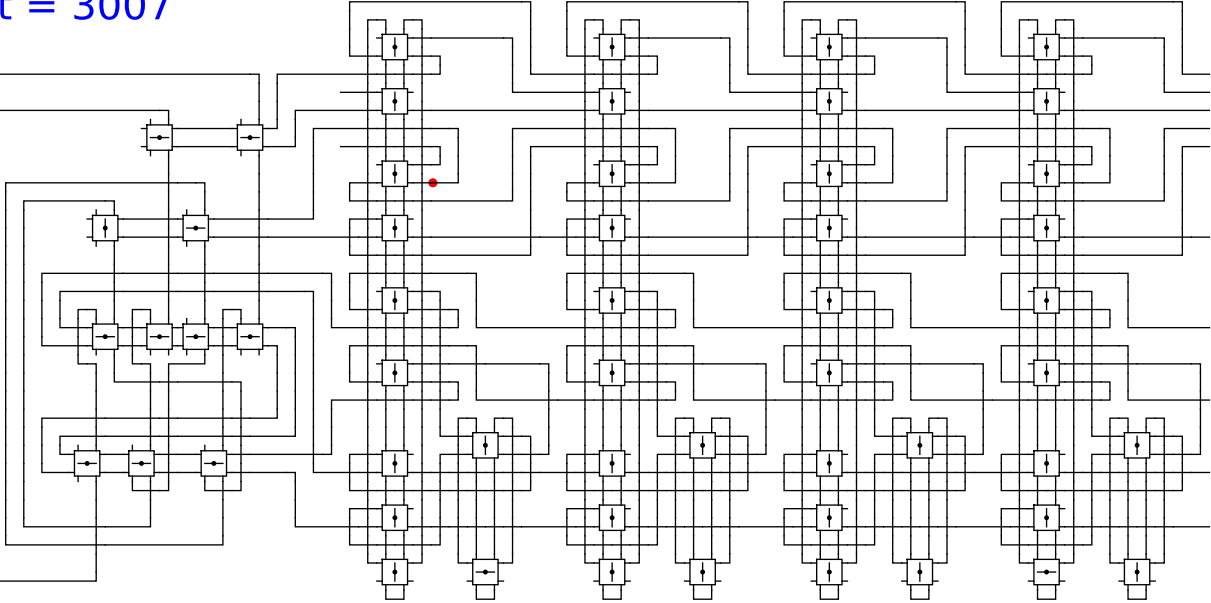


1 0 0 head 0

t = 3007

Reject
Accept

Begin



1

0

0

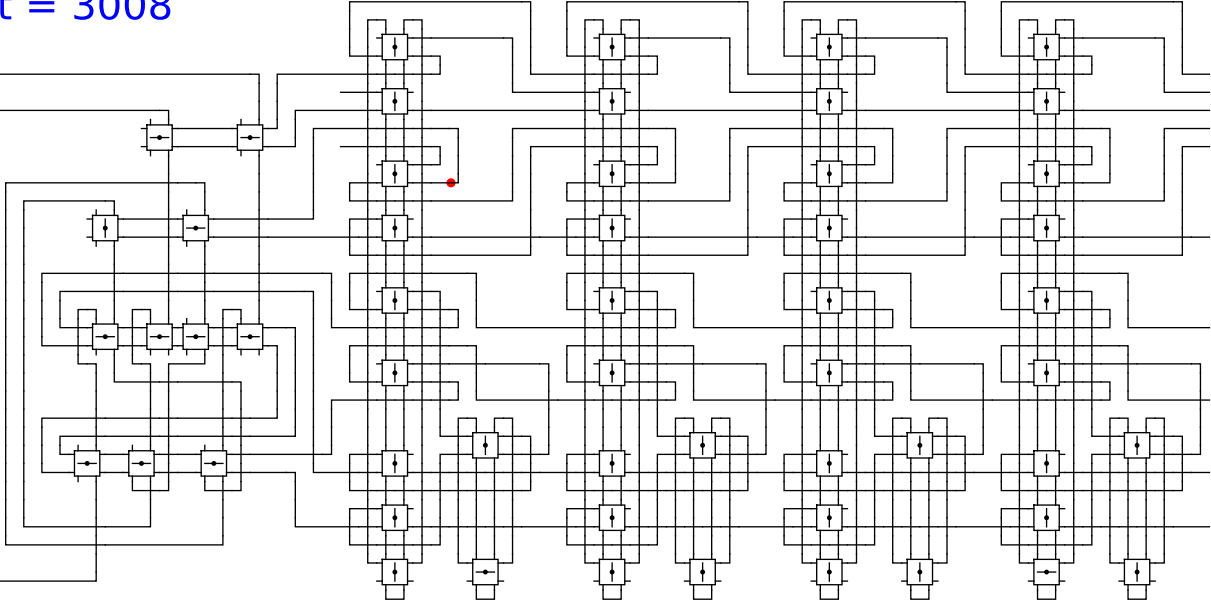
head

0

t = 3008

Reject
Accept

Begin



1

0

0

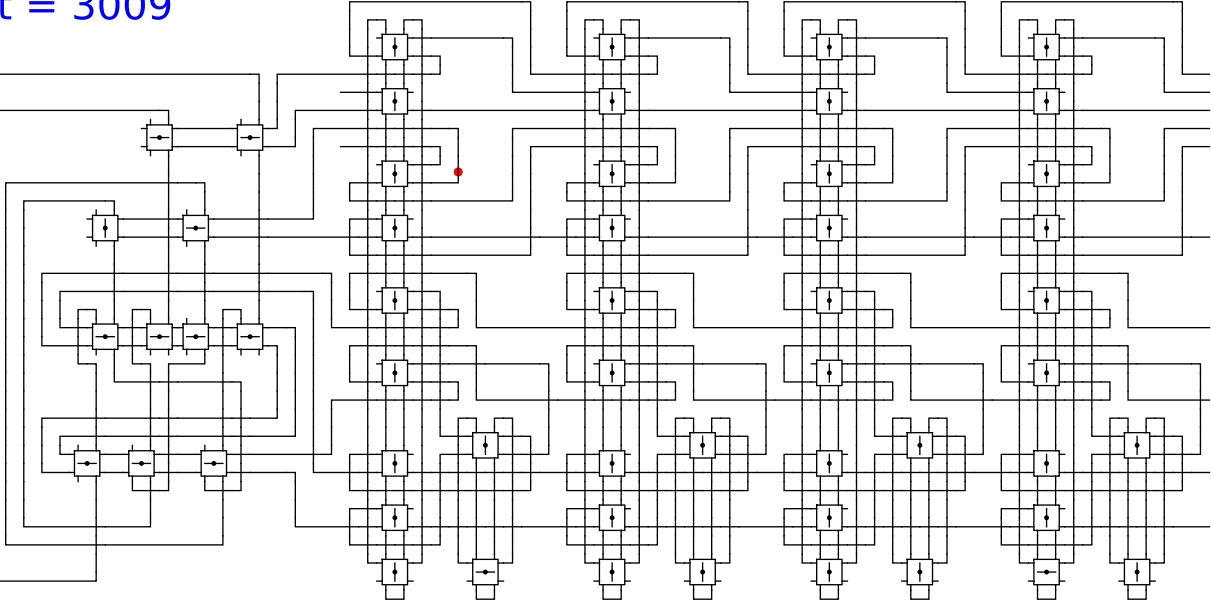
head

0

t = 3009

Reject
Accept

Begin



1

0

0

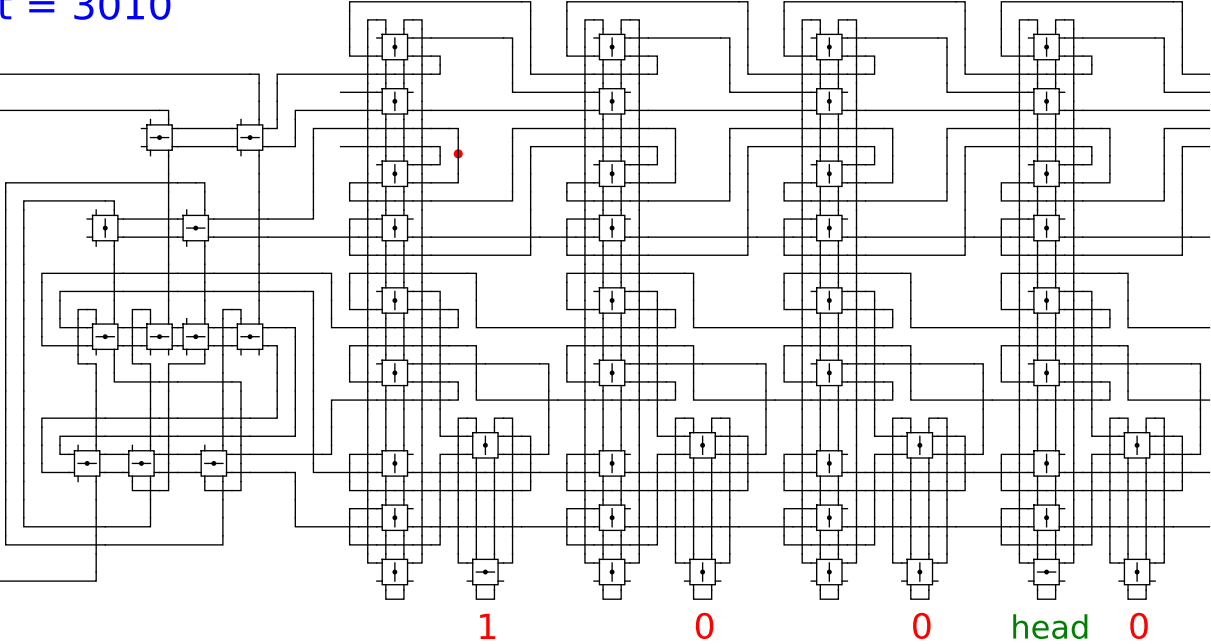
head

0

t = 3010

Reject
Accept

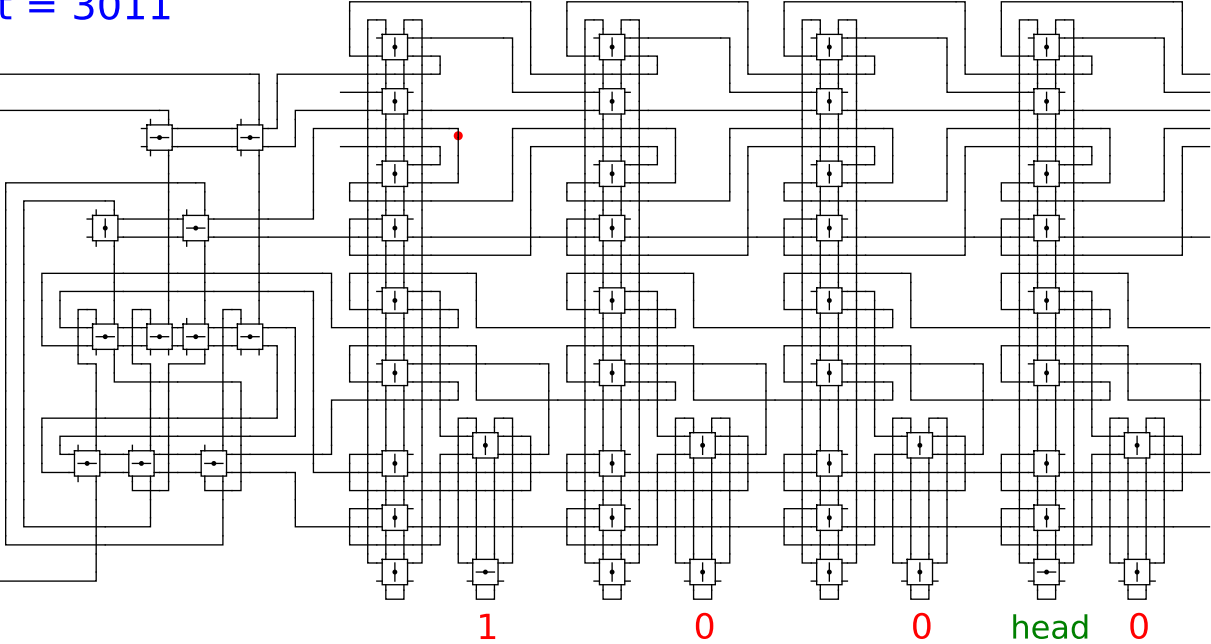
Begin



t = 3011

Reject
Accept

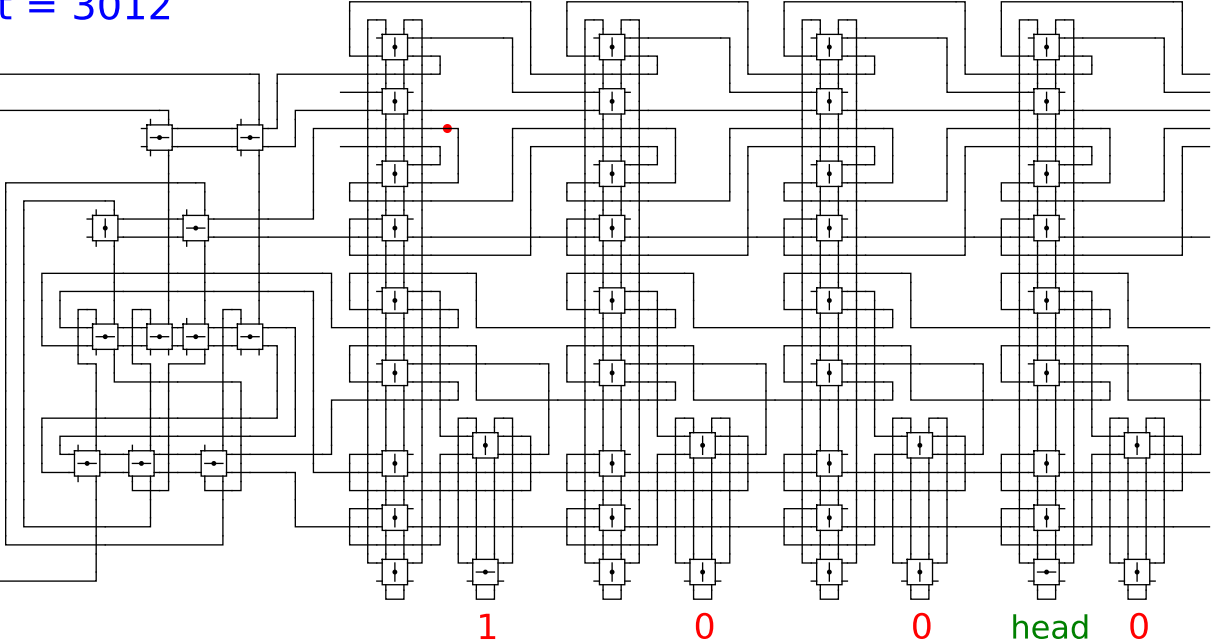
Begin



t = 3012

Reject
Accept

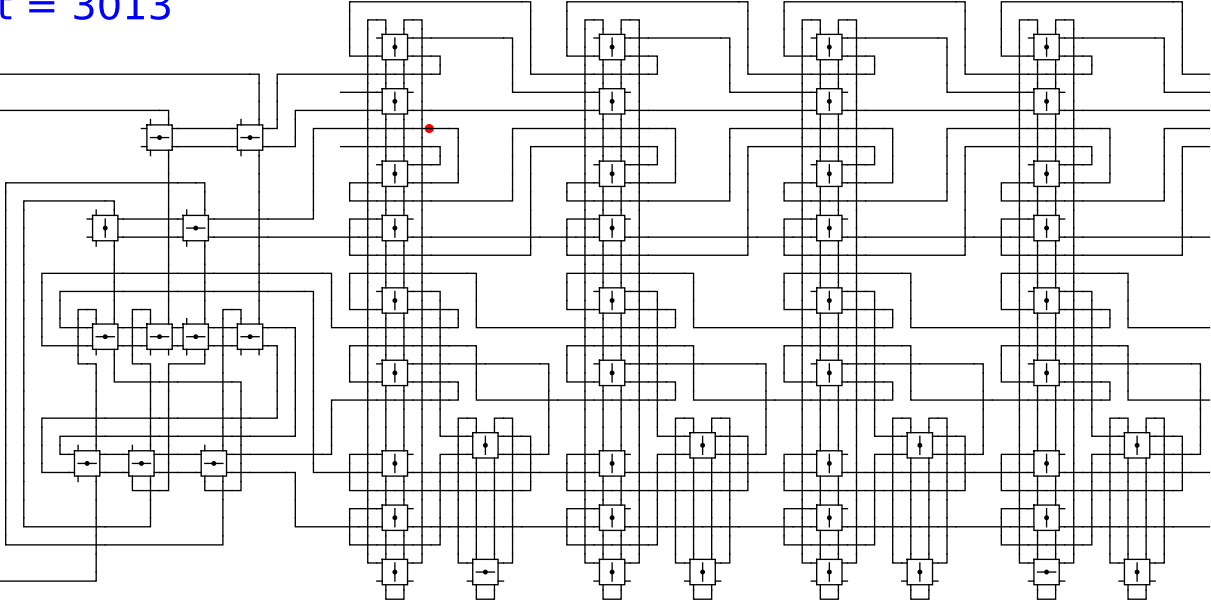
Begin



t = 3013

Reject
Accept

Begin

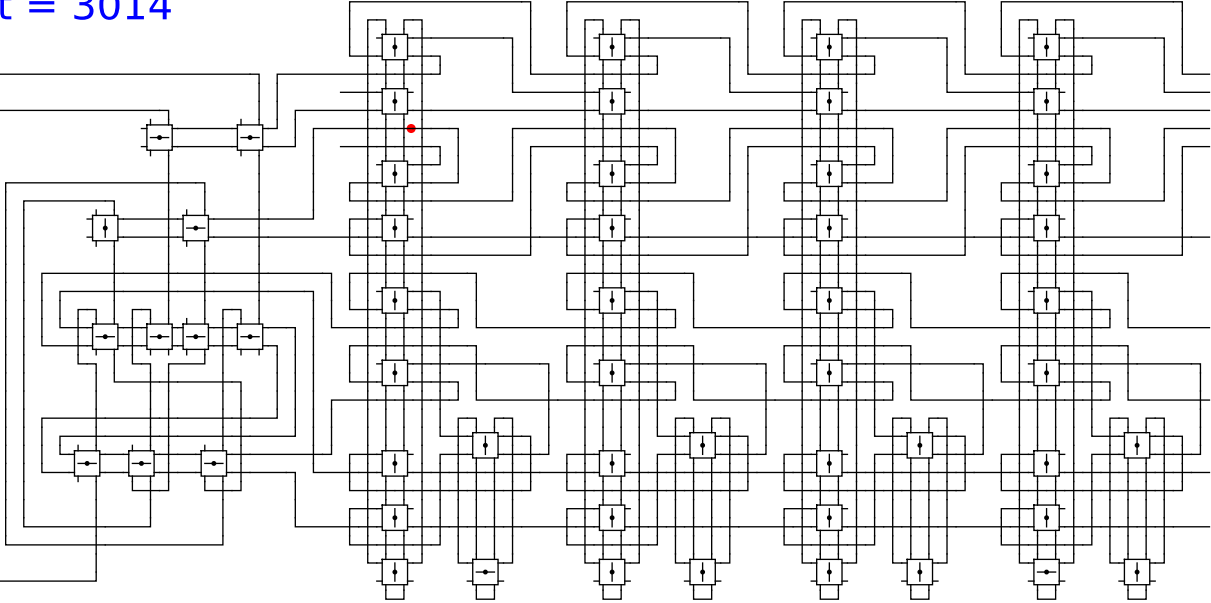


1 0 0 head 0

t = 3014

Reject
Accept

Begin

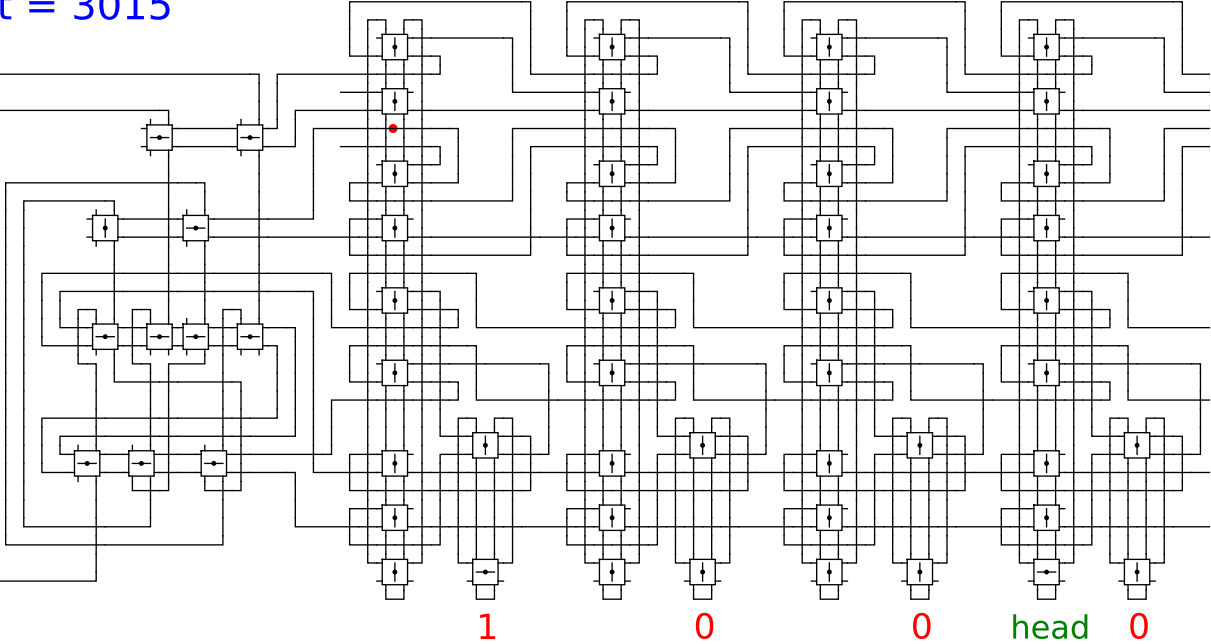


1 0 0 head 0

t = 3015

Reject
Accept

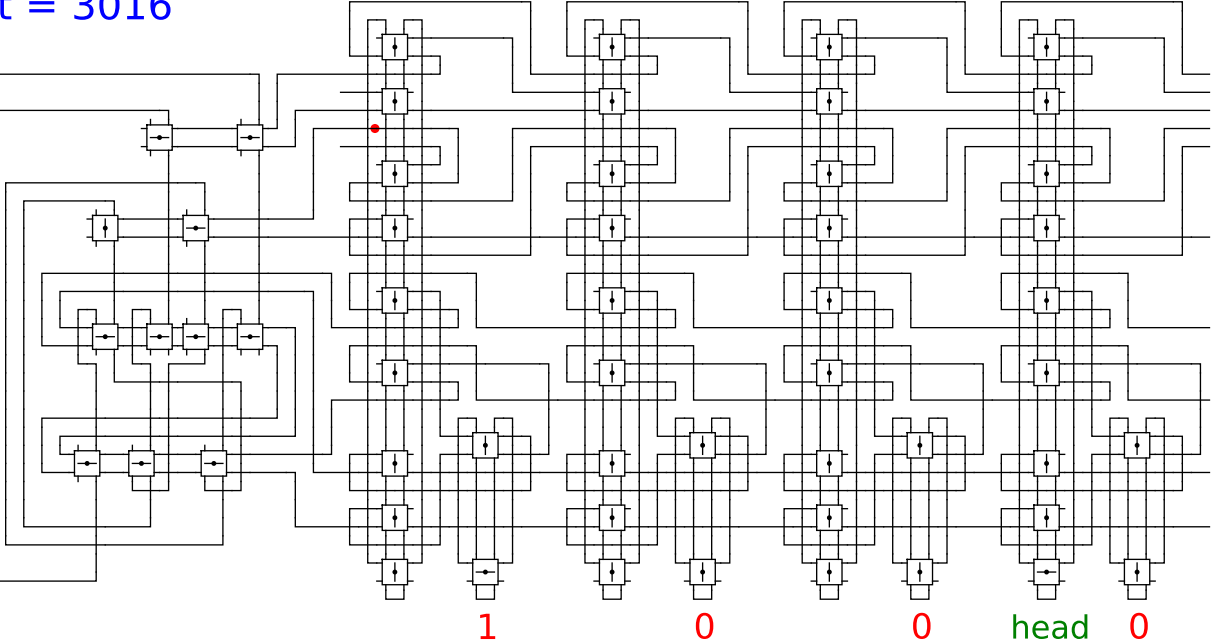
Begin



t = 3016

Reject
Accept

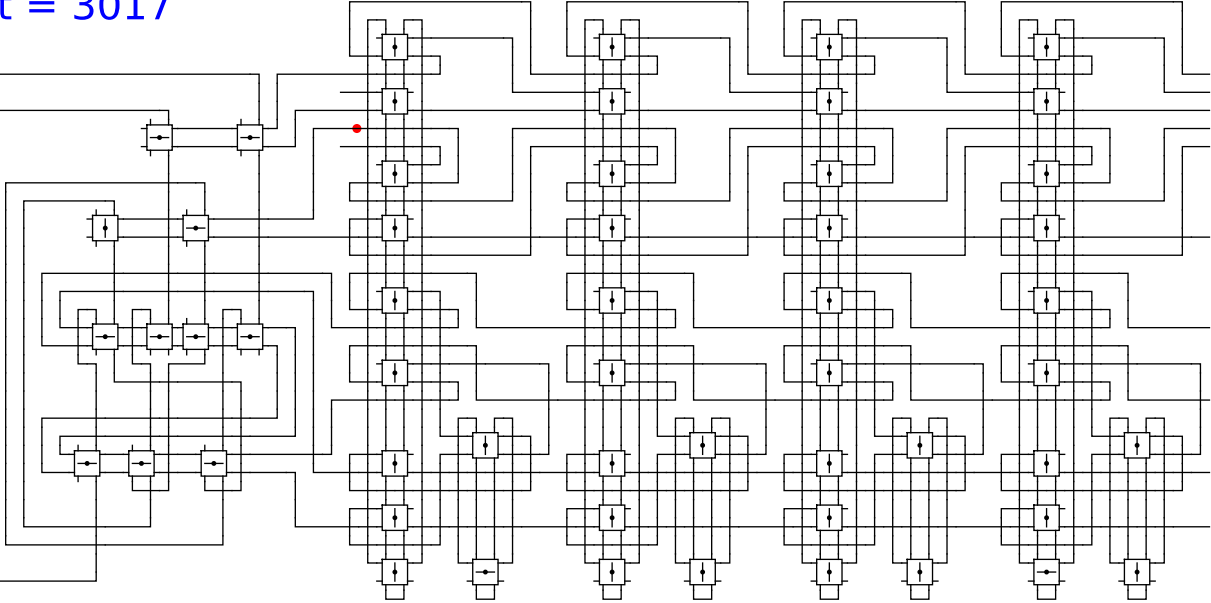
Begin



t = 3017

Reject
Accept

Begin



1

0

0

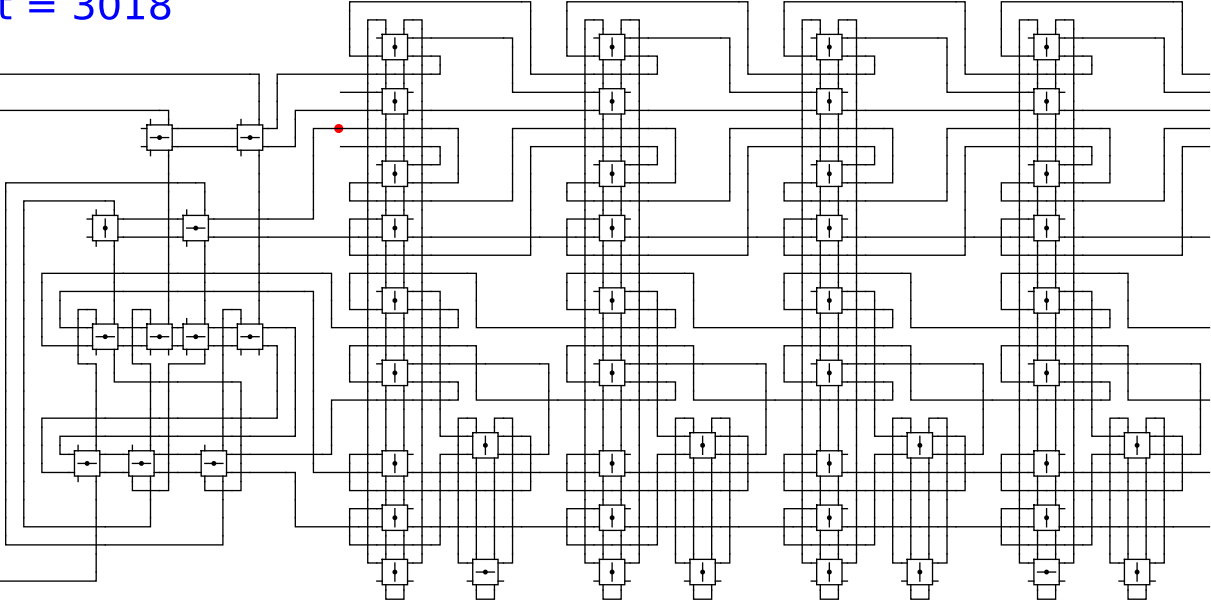
head

0

t = 3018

Reject
Accept

Begin



1

0

0

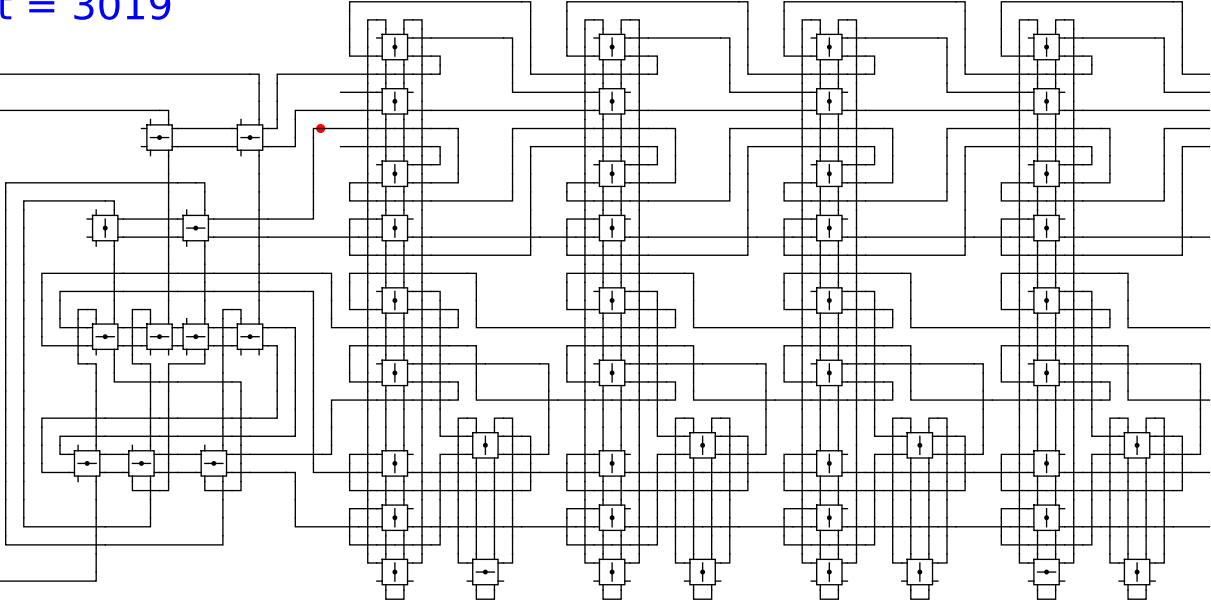
head

0

t = 3019

Reject
Accept

Begin



1

0

0

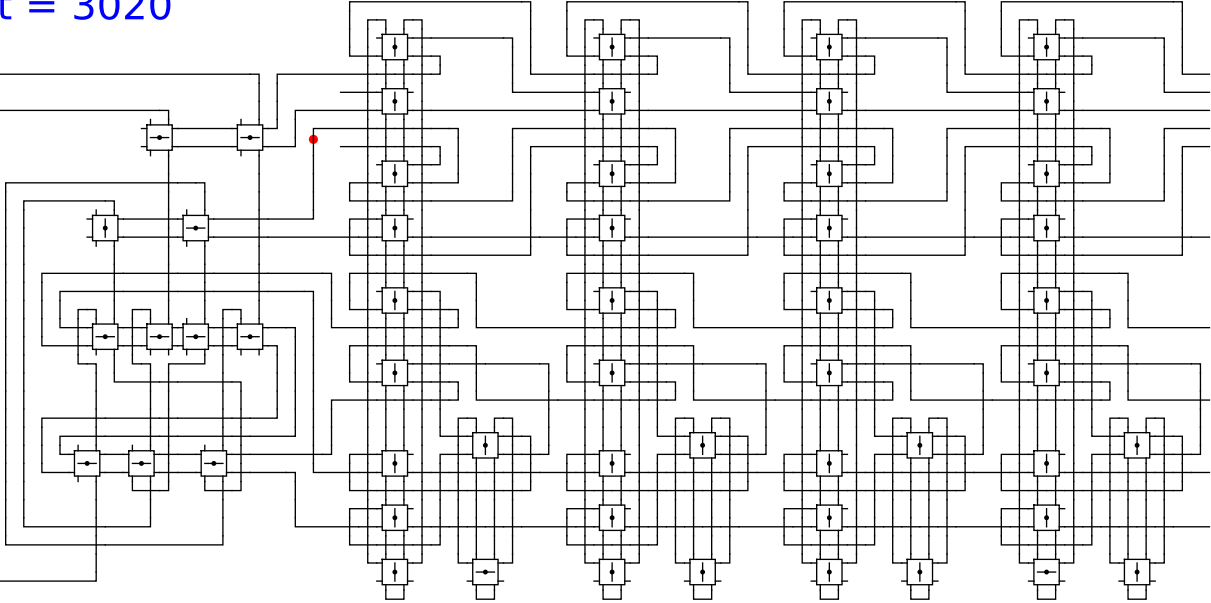
head

0

t = 3020

Reject
Accept

Begin



1

0

0

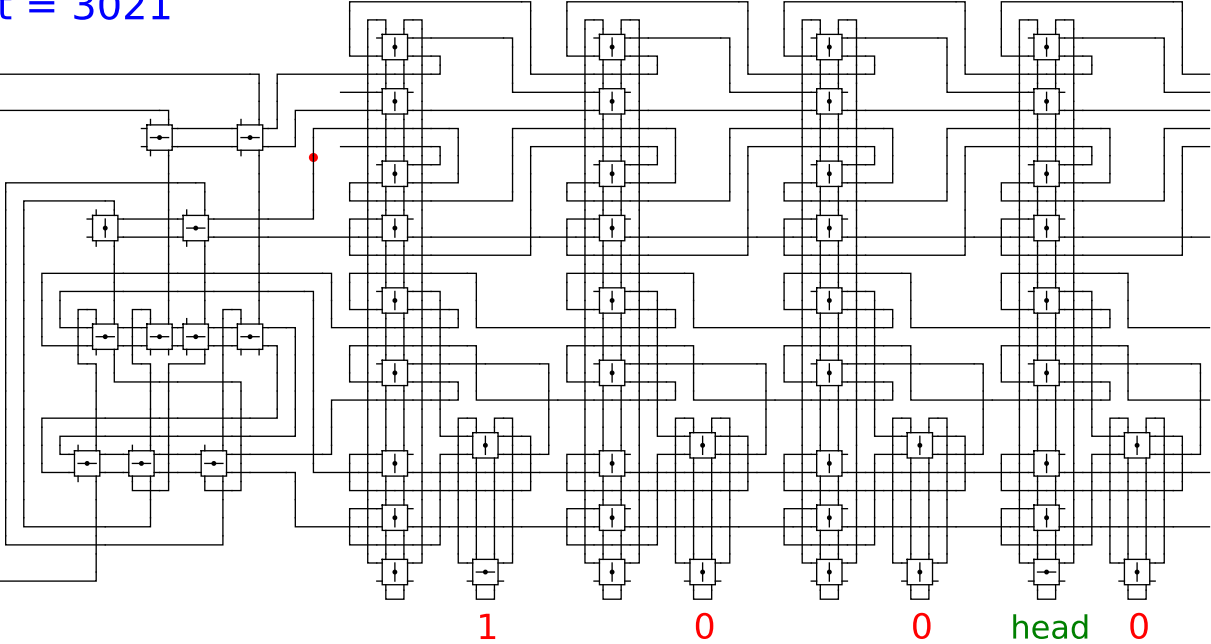
head

0

t = 3021

Reject
Accept

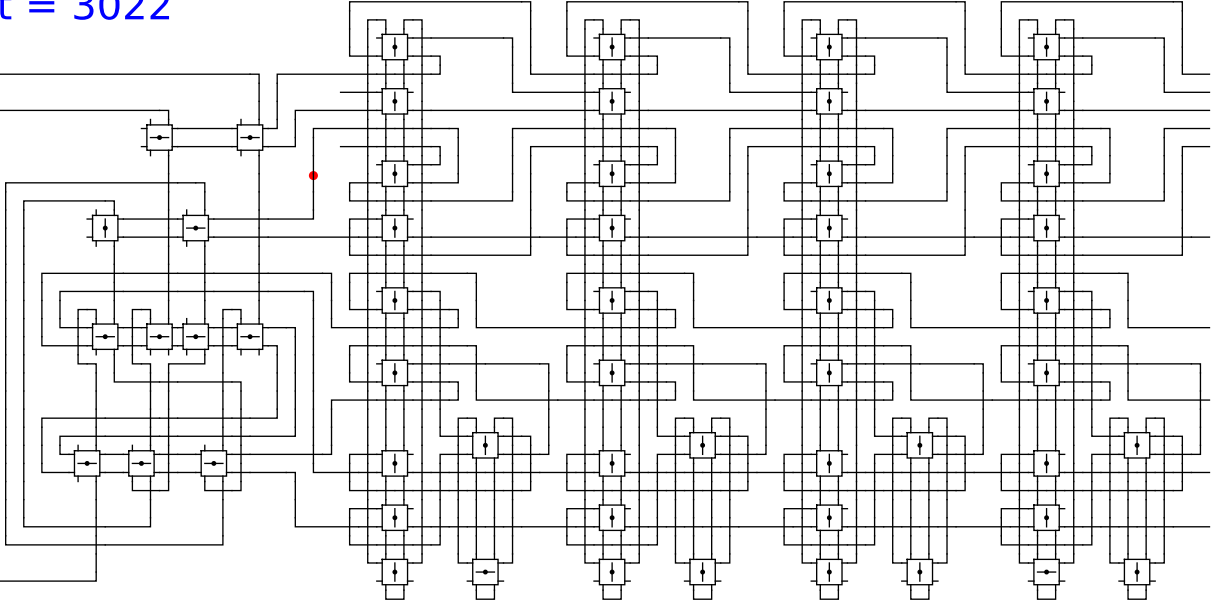
Begin



t = 3022

Reject
Accept

Begin

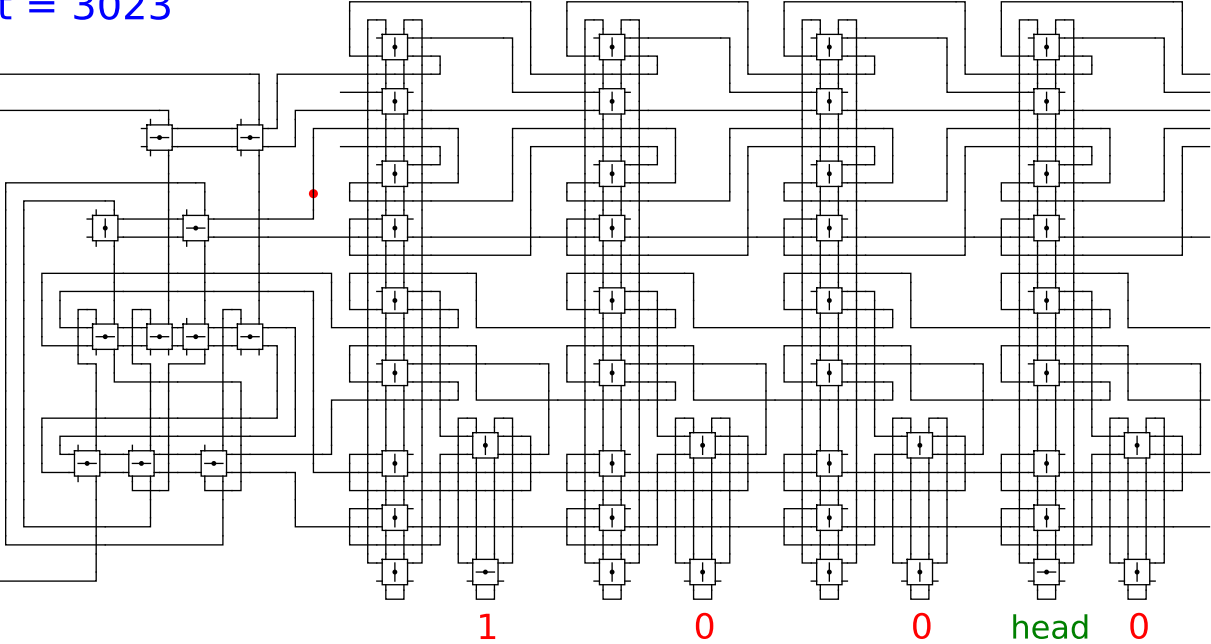


1 0 0 head 0

t = 3023

Reject
Accept

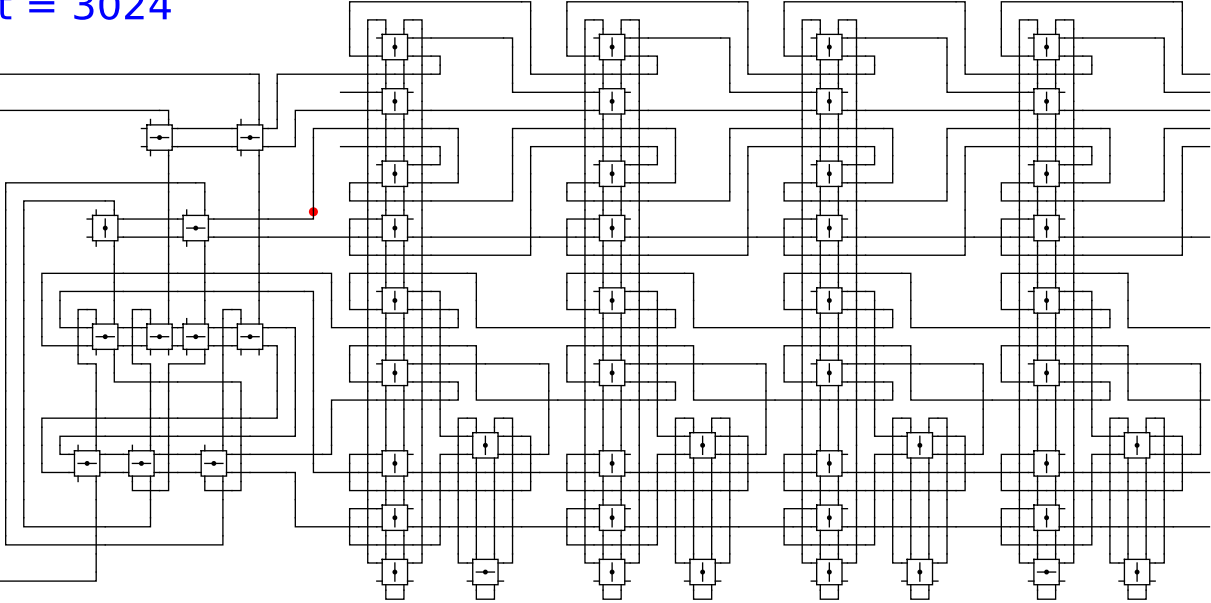
Begin



t = 3024

Reject
Accept

Begin

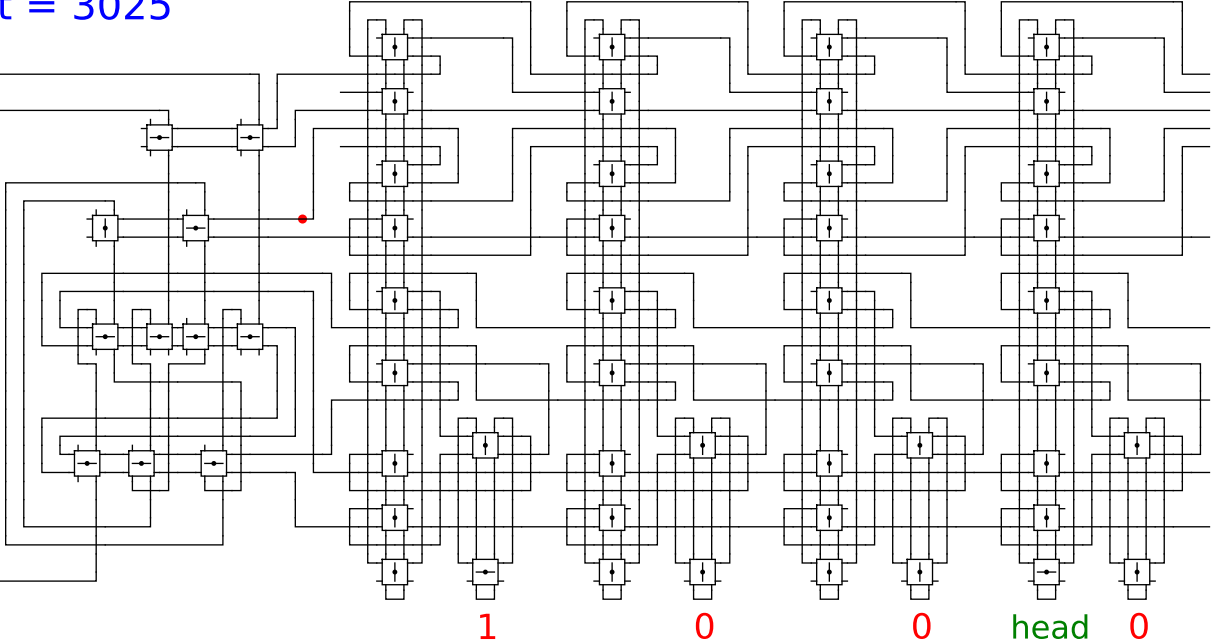


1 0 0 head 0

t = 3025

Reject
Accept

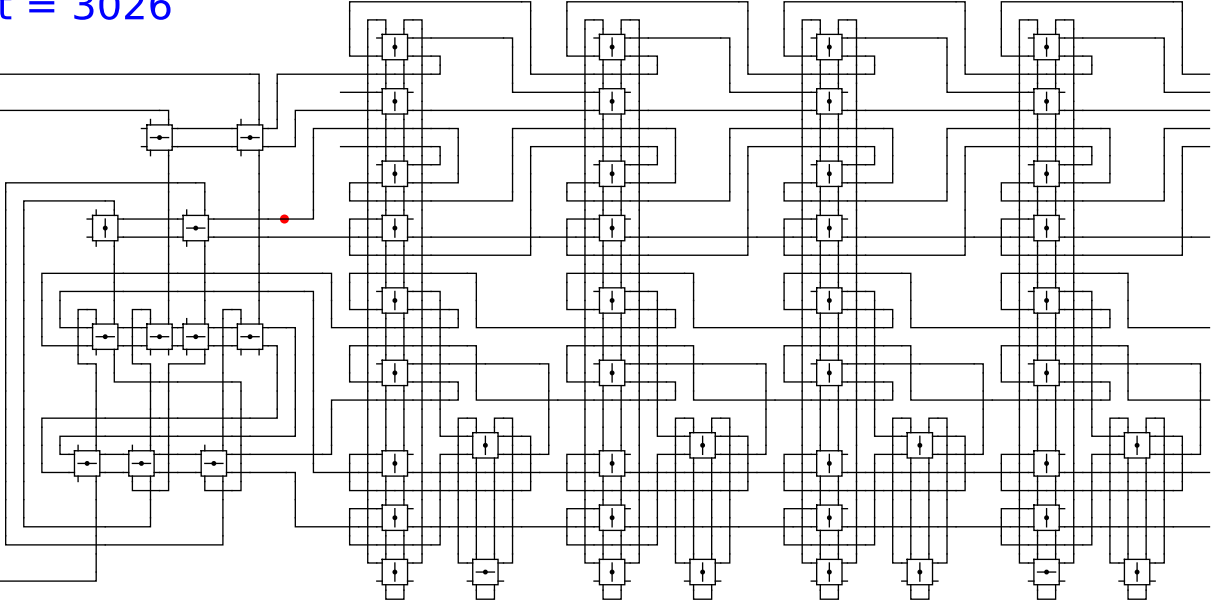
Begin



t = 3026

Reject
Accept

Begin

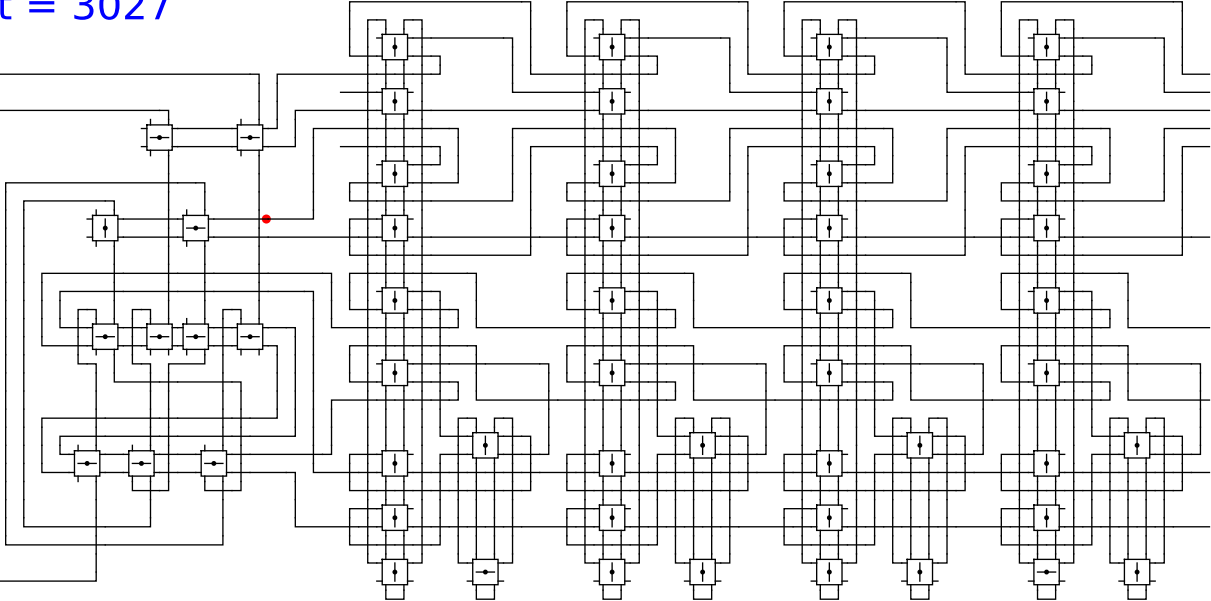


1 0 0 head 0

t = 3027

Reject
Accept

Begin

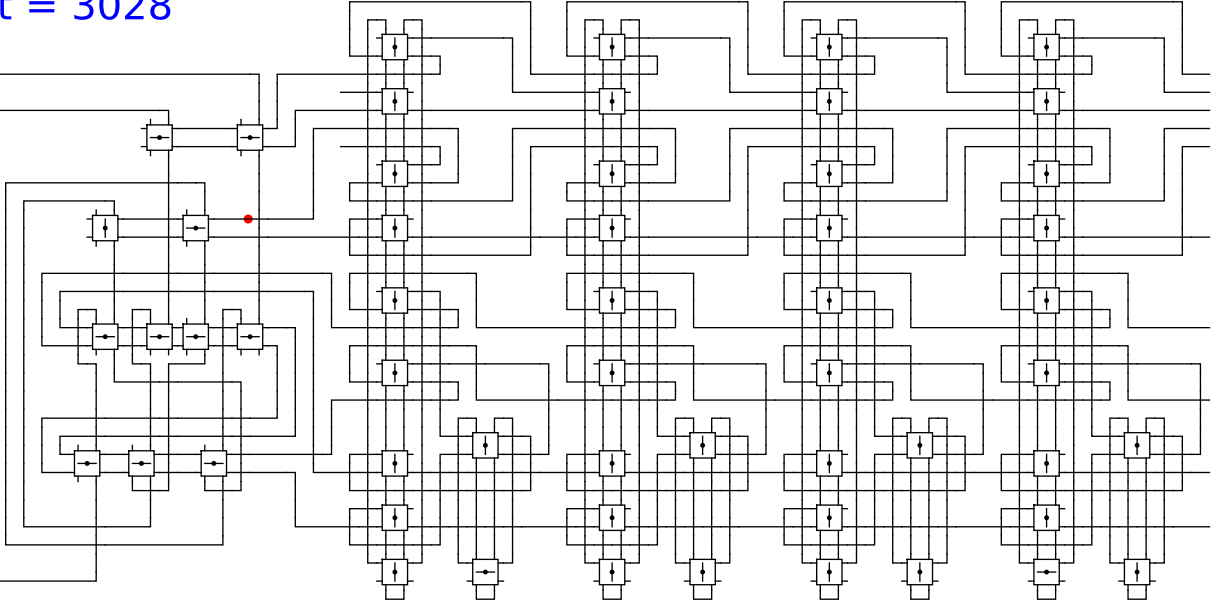


1 0 0 head 0

t = 3028

Reject
Accept

Begin

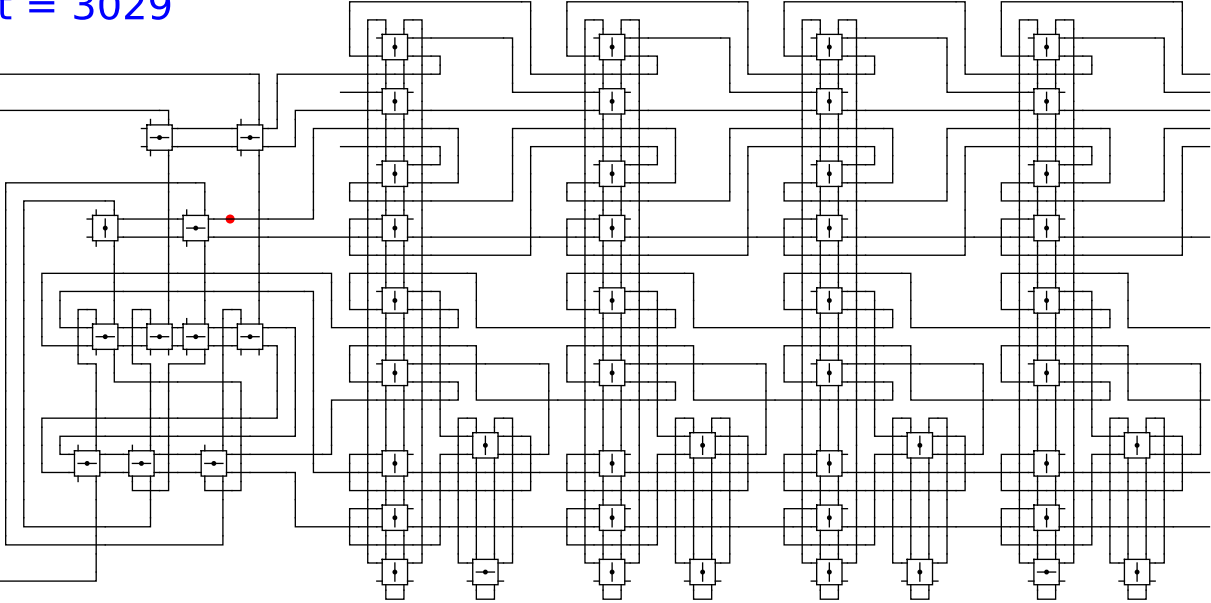


1 0 0 head 0

t = 3029

Reject
Accept

Begin

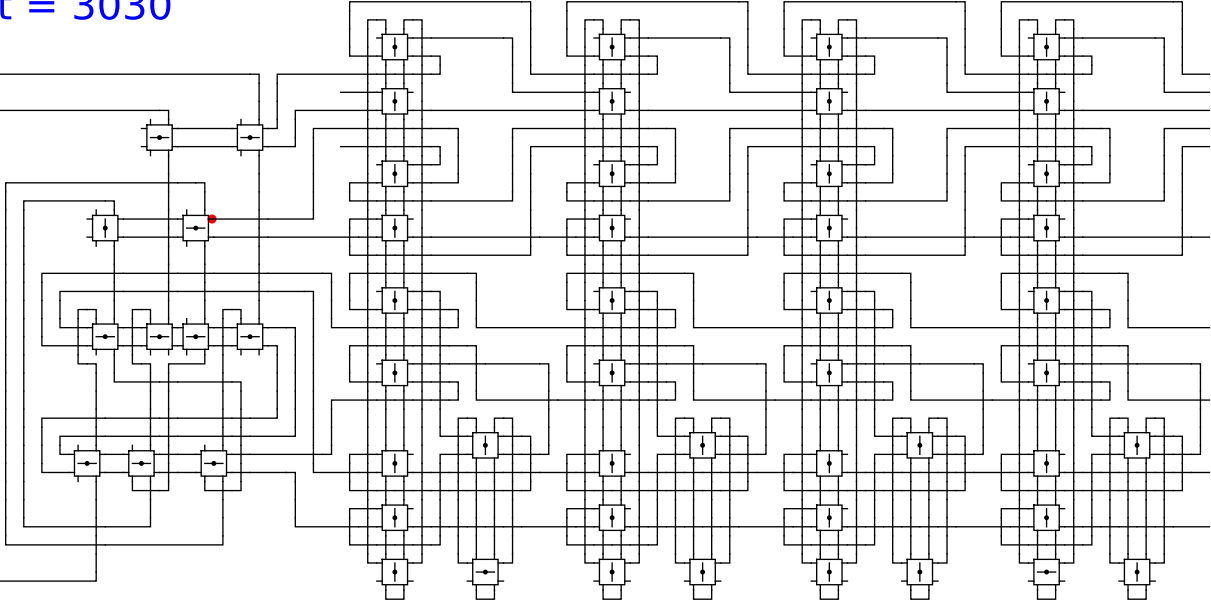


1 0 0 head 0

t = 3030

Reject
Accept

Begin



1

0

0

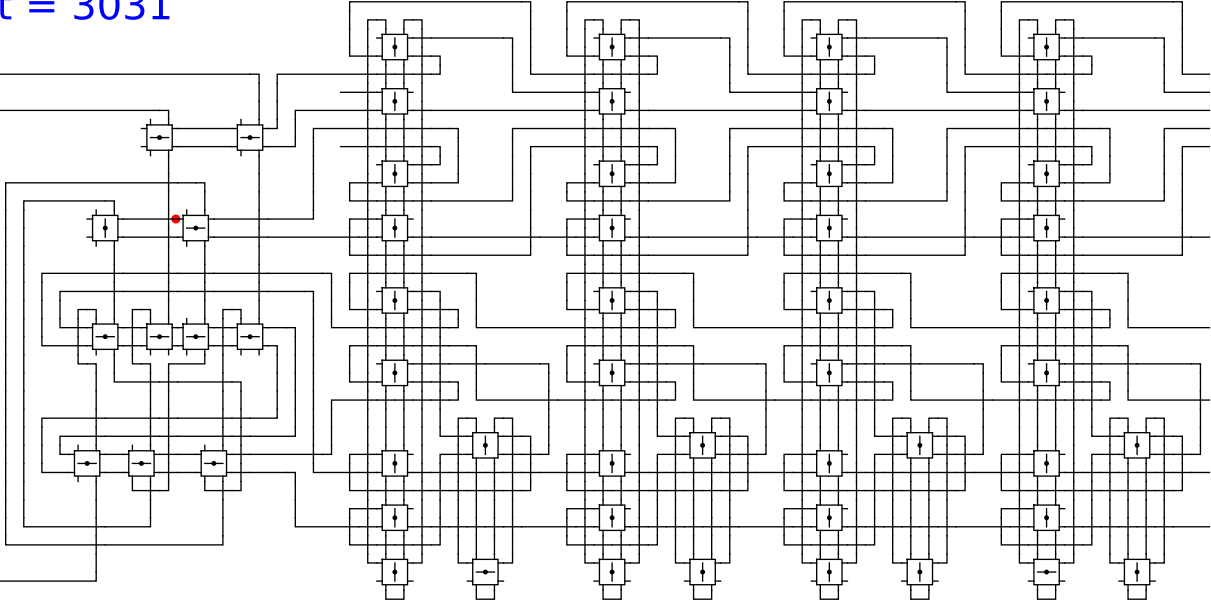
head

0

t = 3031

Reject
Accept

Begin

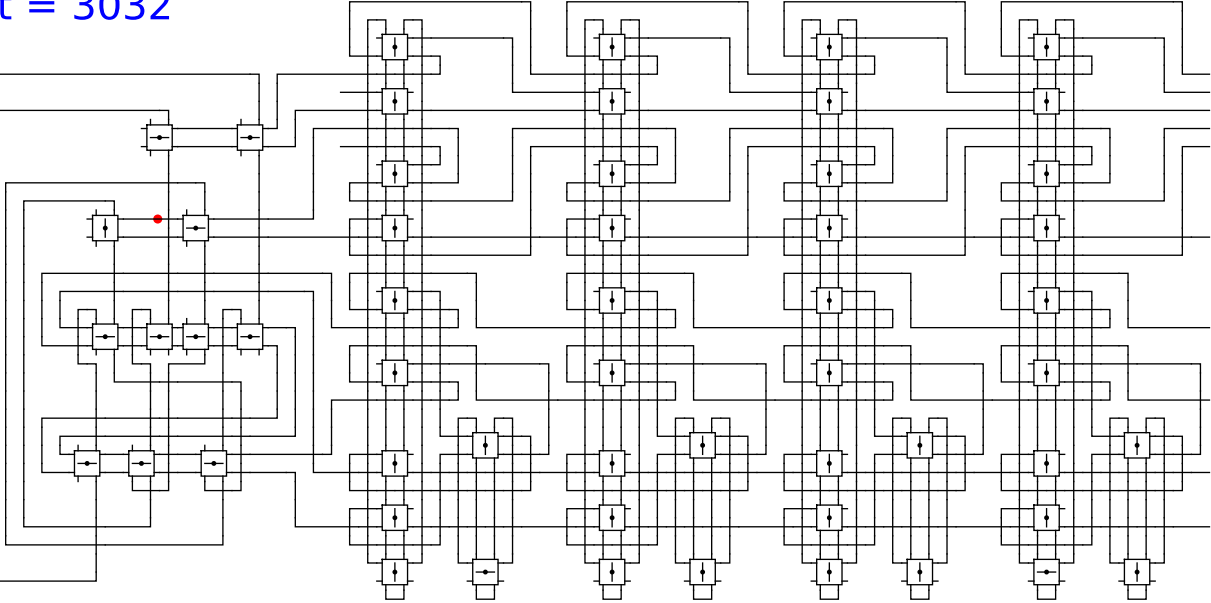


1 0 0 head 0

t = 3032

Reject
Accept

Begin

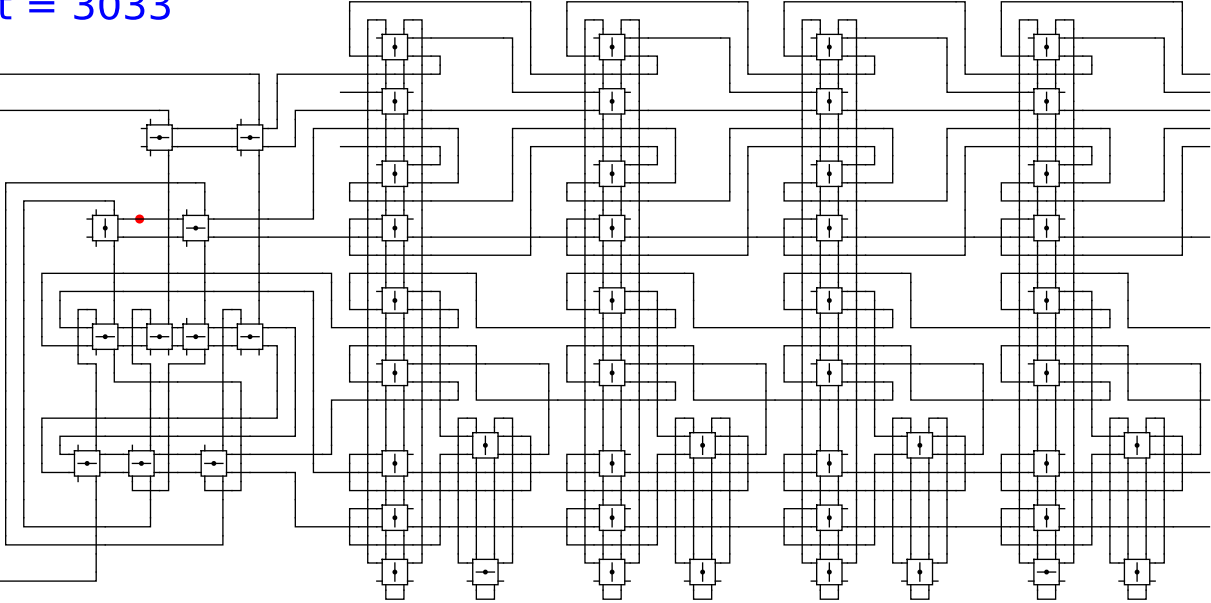


1 0 0 head 0

t = 3033

Reject
Accept

Begin

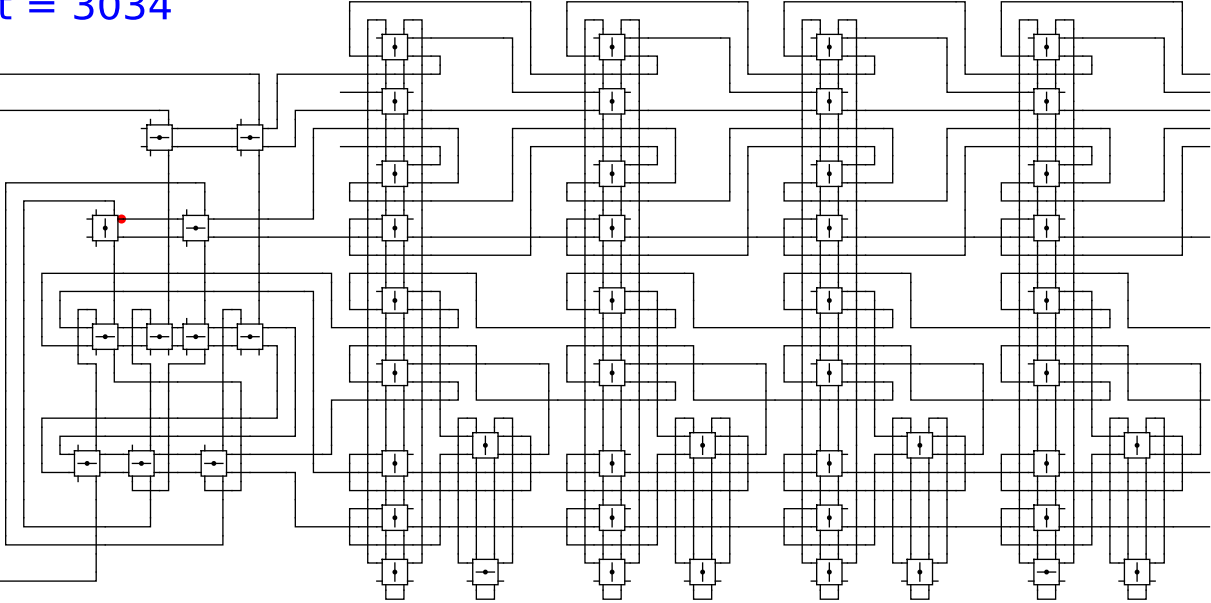


1 0 0 head 0

t = 3034

Reject
Accept

Begin

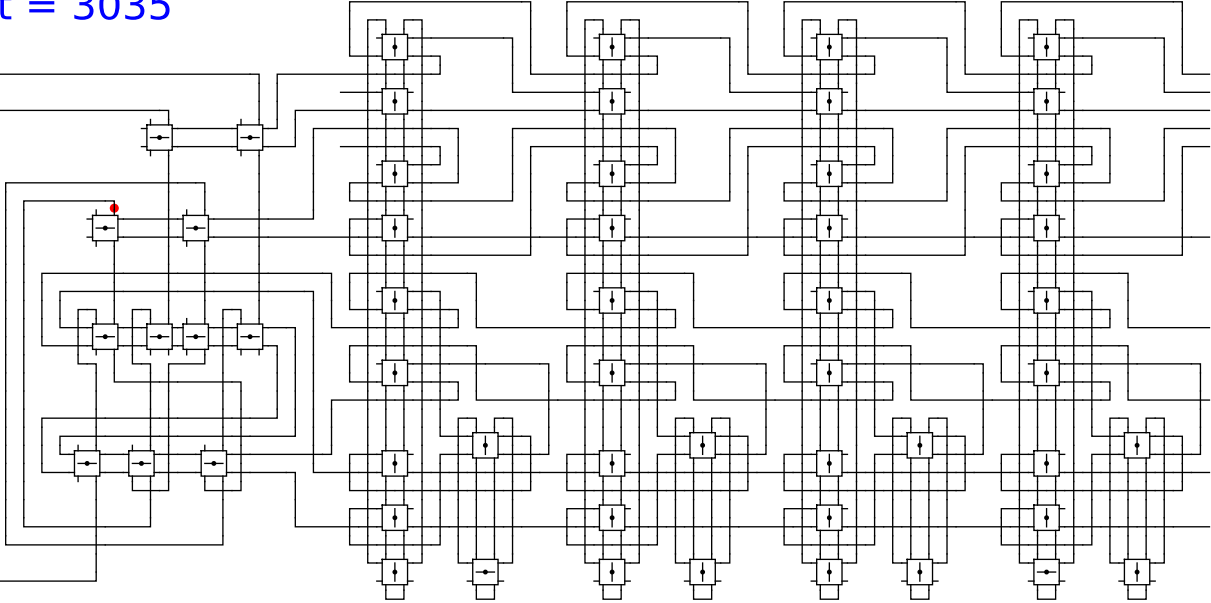


1 0 0 head 0

t = 3035

Reject
Accept

Begin



1

0

0

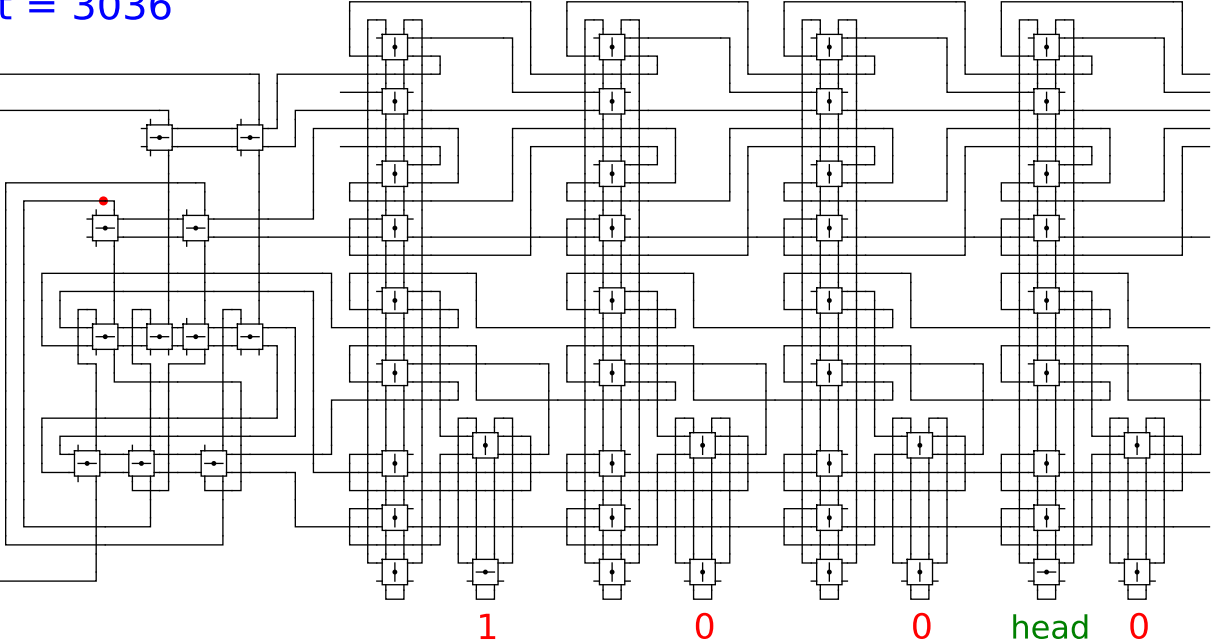
head

0

t = 3036

Reject
Accept

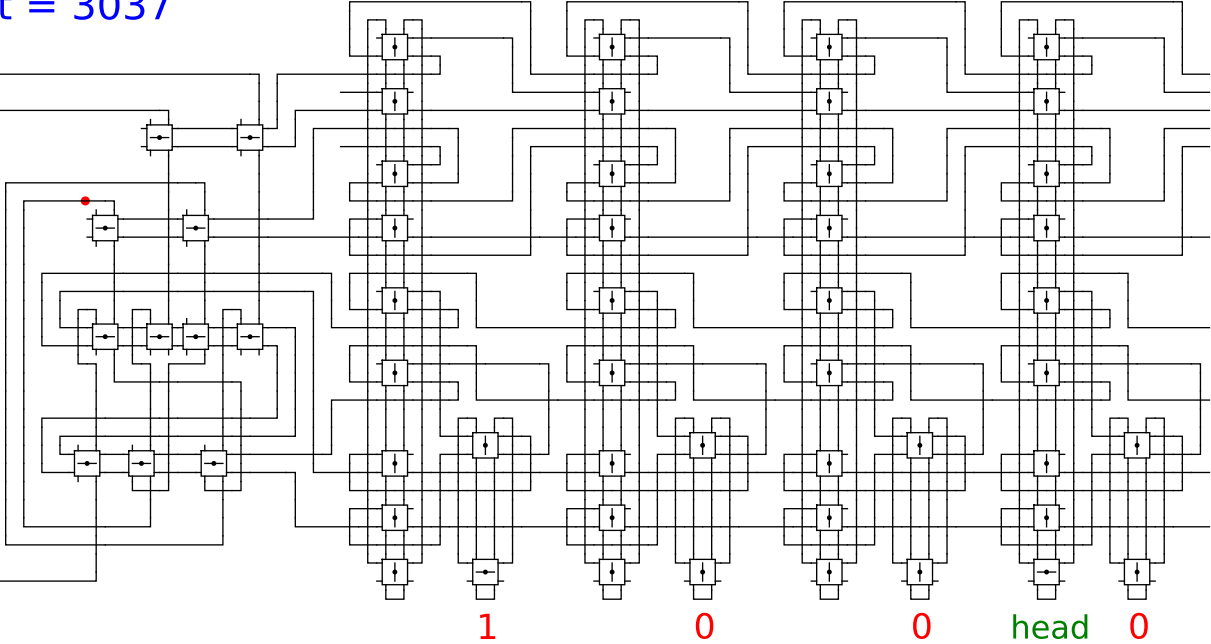
Begin



t = 3037

Reject
Accept

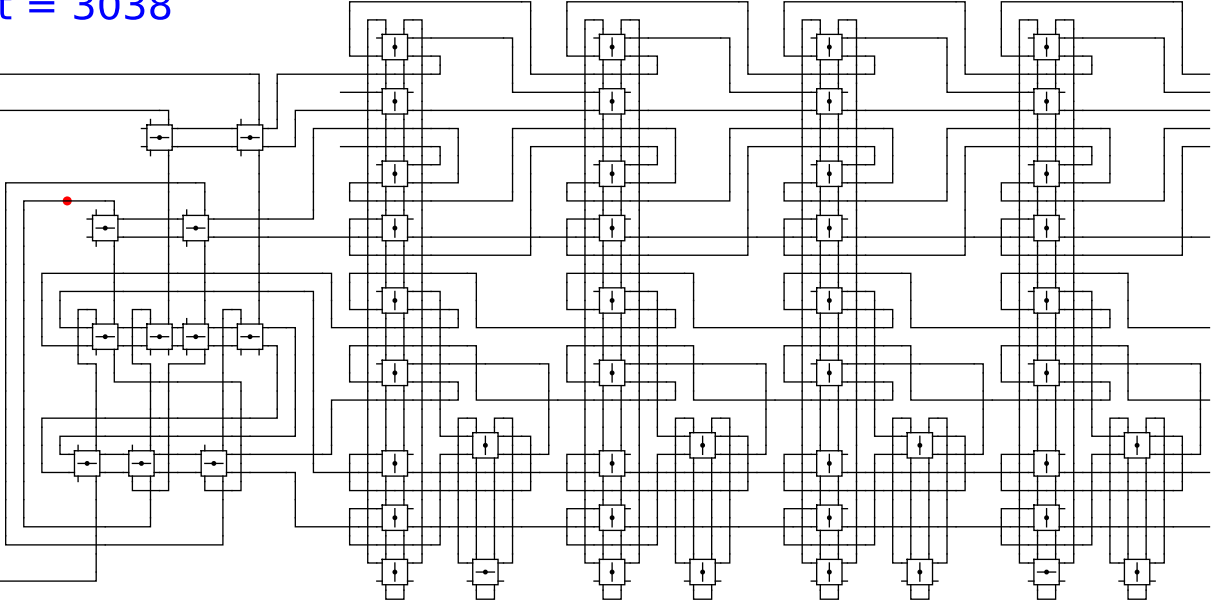
Begin



t = 3038

Reject
Accept

Begin



1

0

0

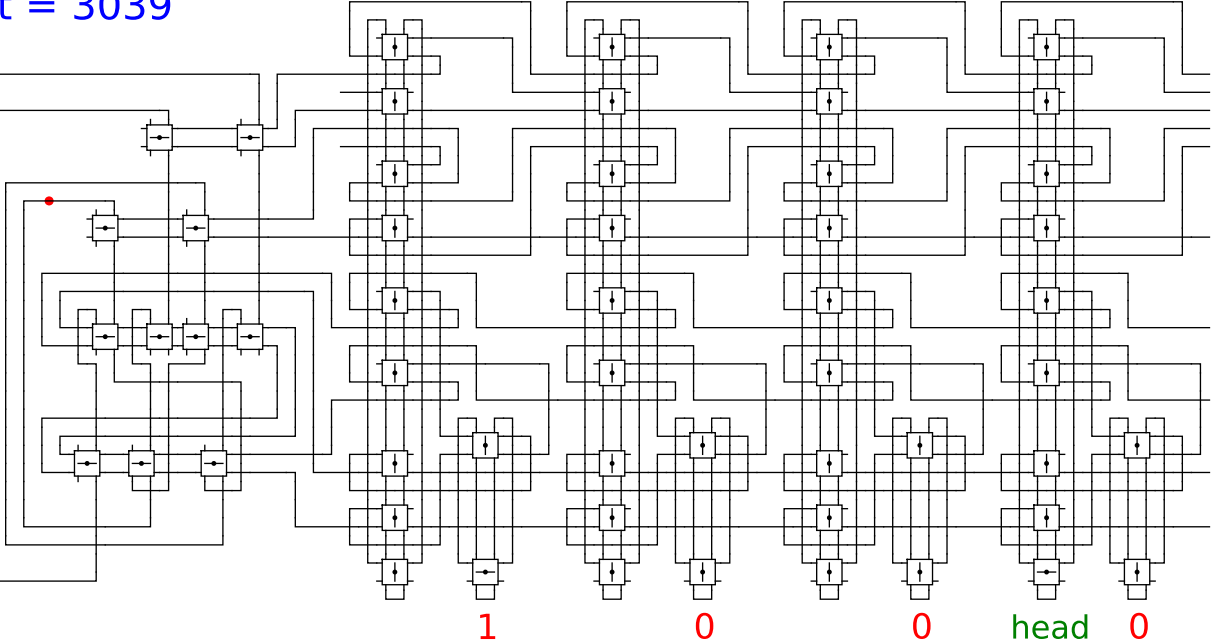
head

0

t = 3039

Reject
Accept

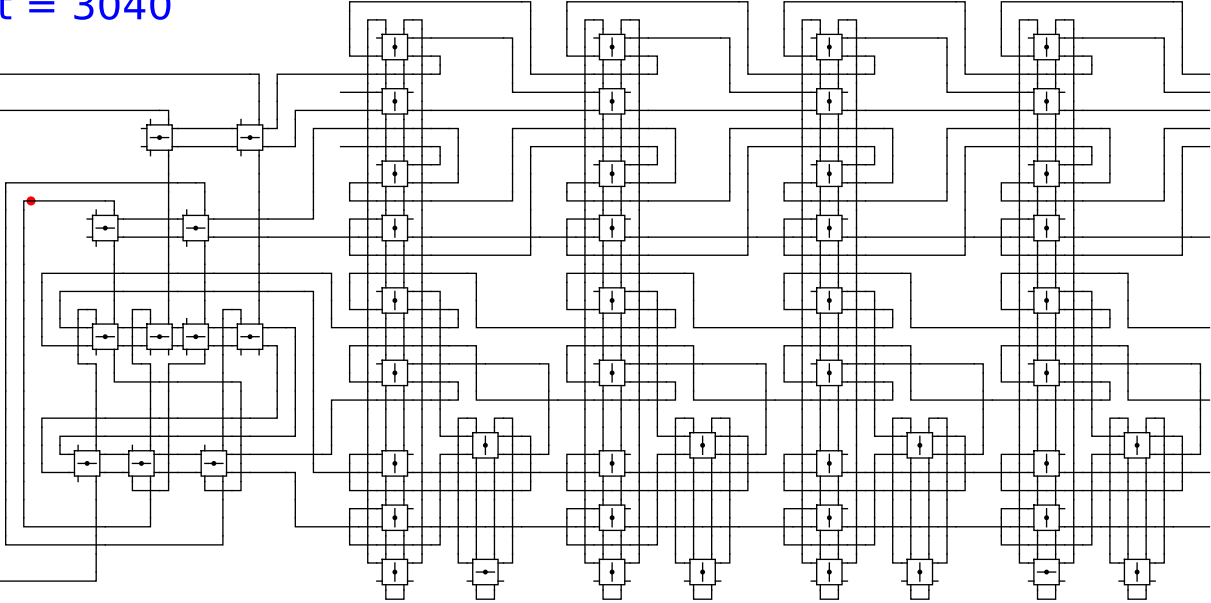
Begin



t = 3040

Reject
Accept

Begin

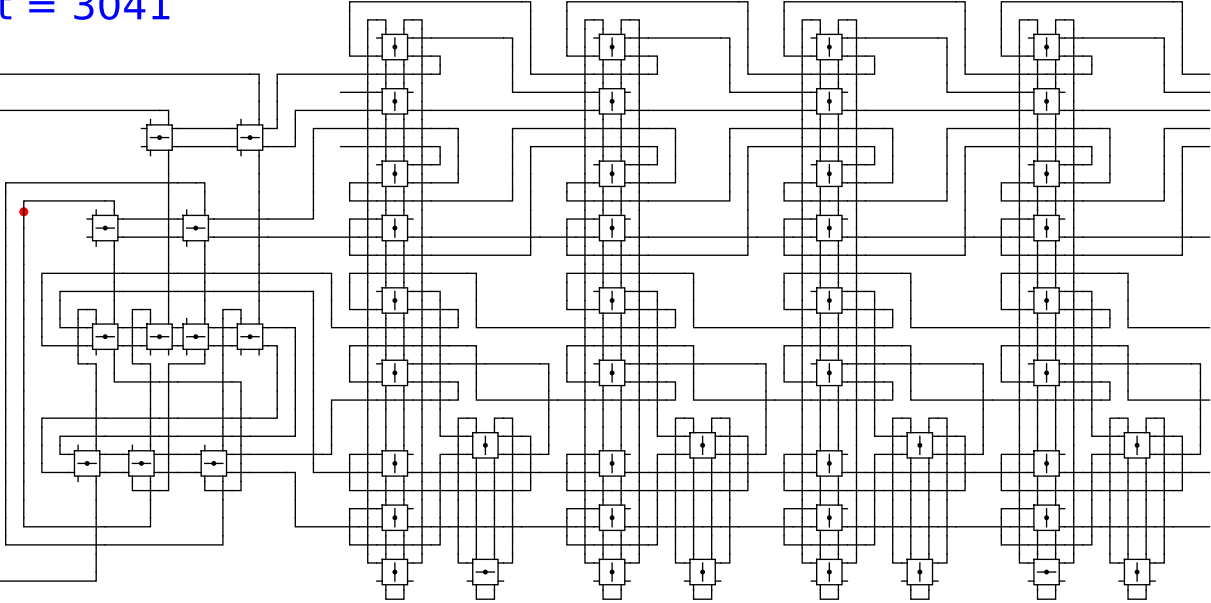


1 0 0 head 0

t = 3041

Reject
Accept

Begin

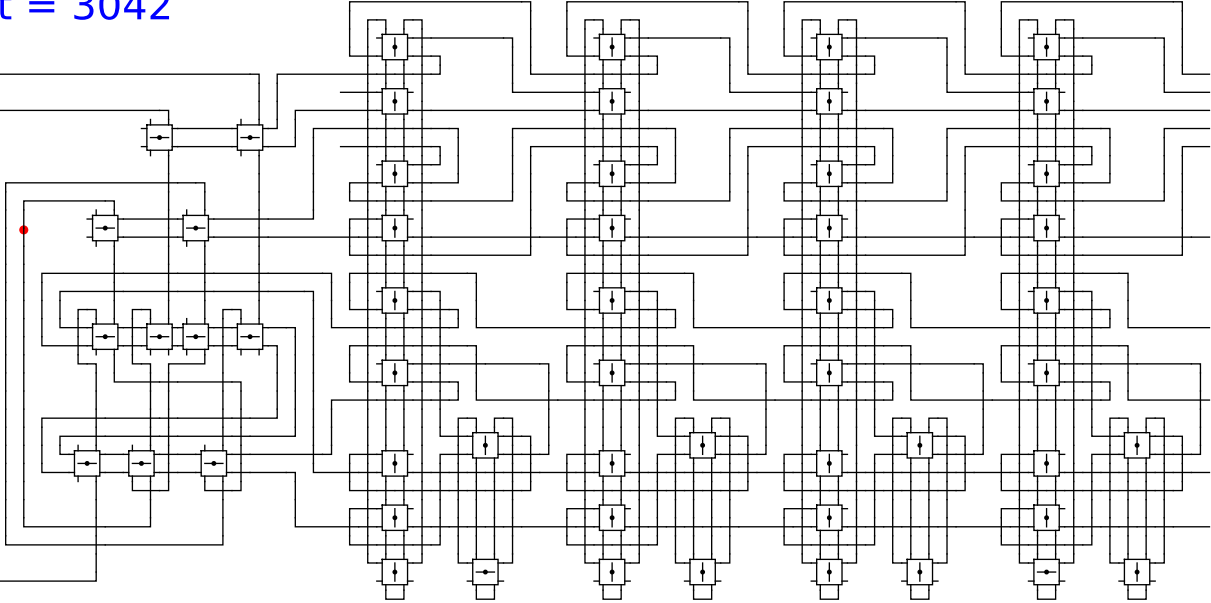


1 0 0 head 0

t = 3042

Reject
Accept

Begin

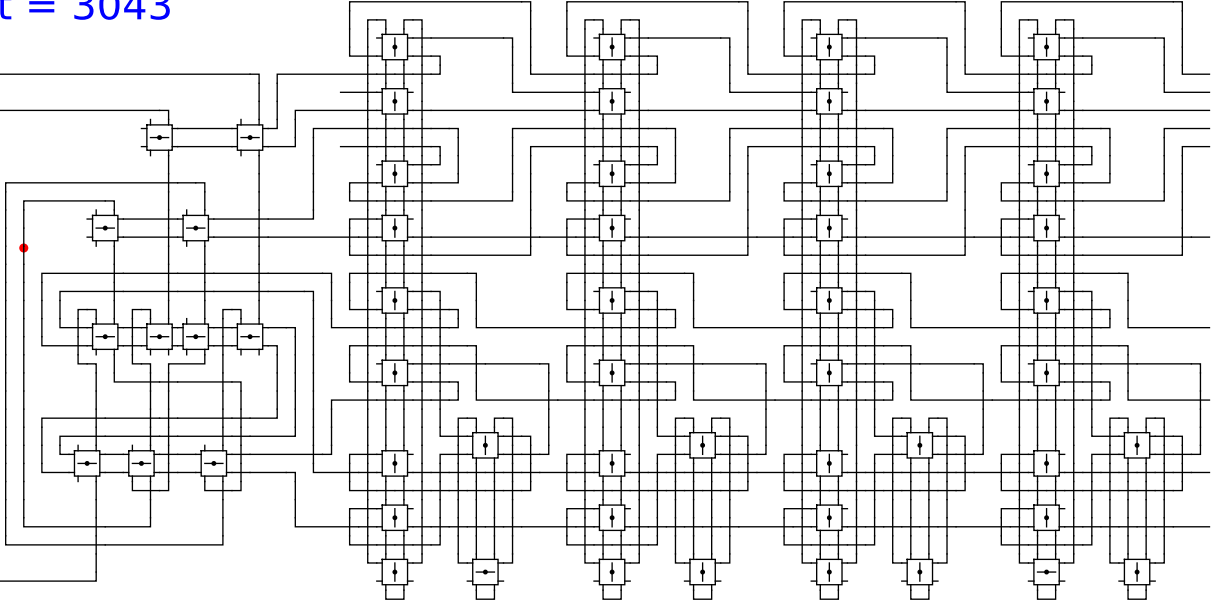


1 0 0 head 0

t = 3043

Reject
Accept

Begin



1

0

0

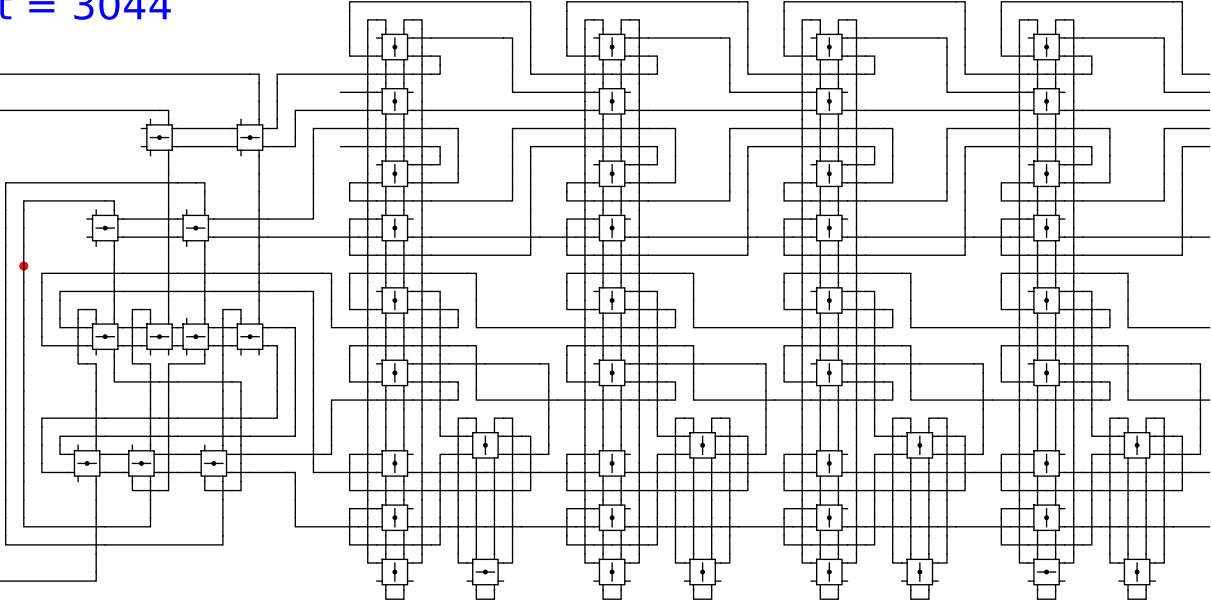
head

0

t = 3044

Reject
Accept

Begin

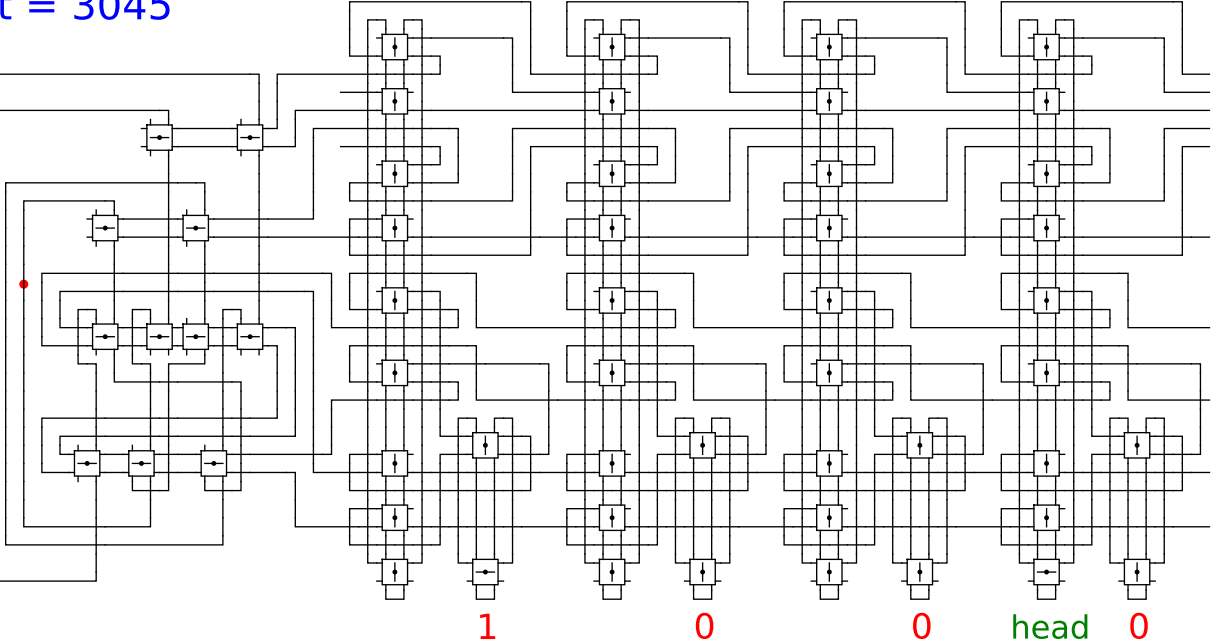


1 0 0 head 0

t = 3045

Reject
Accept

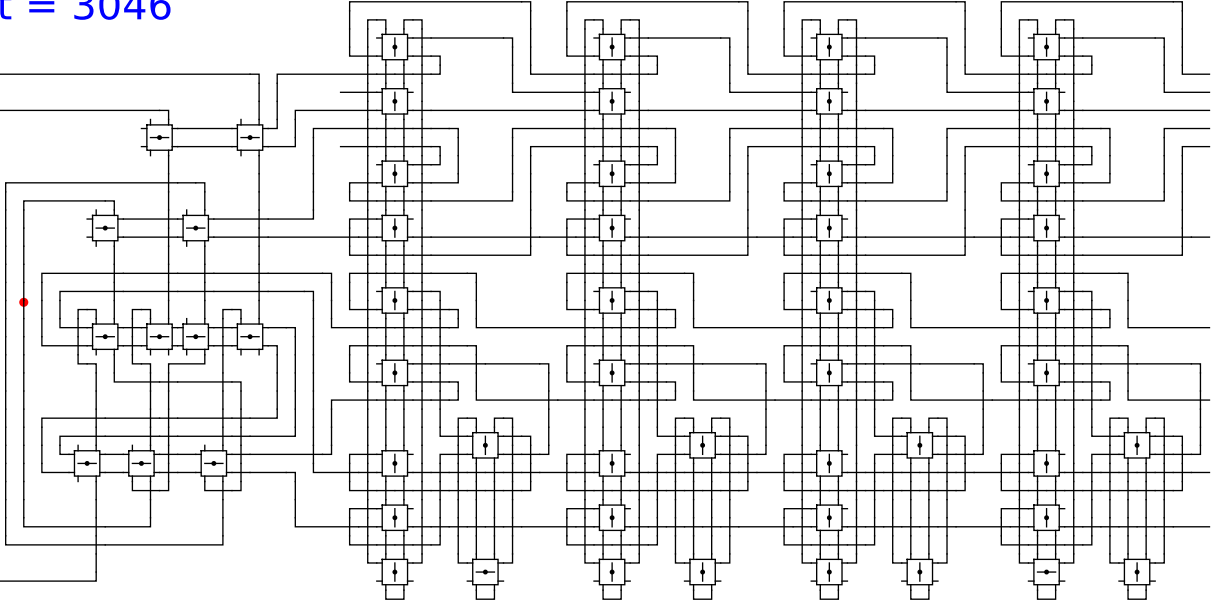
Begin



t = 3046

Reject
Accept

Begin

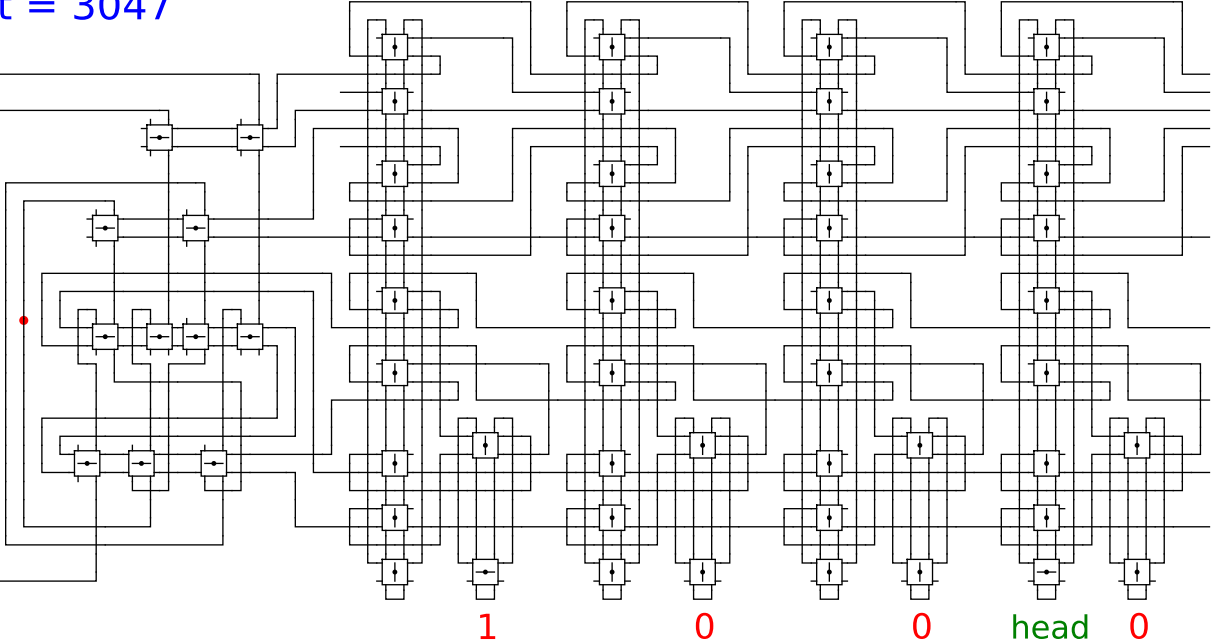


1 0 0 head 0

t = 3047

Reject
Accept

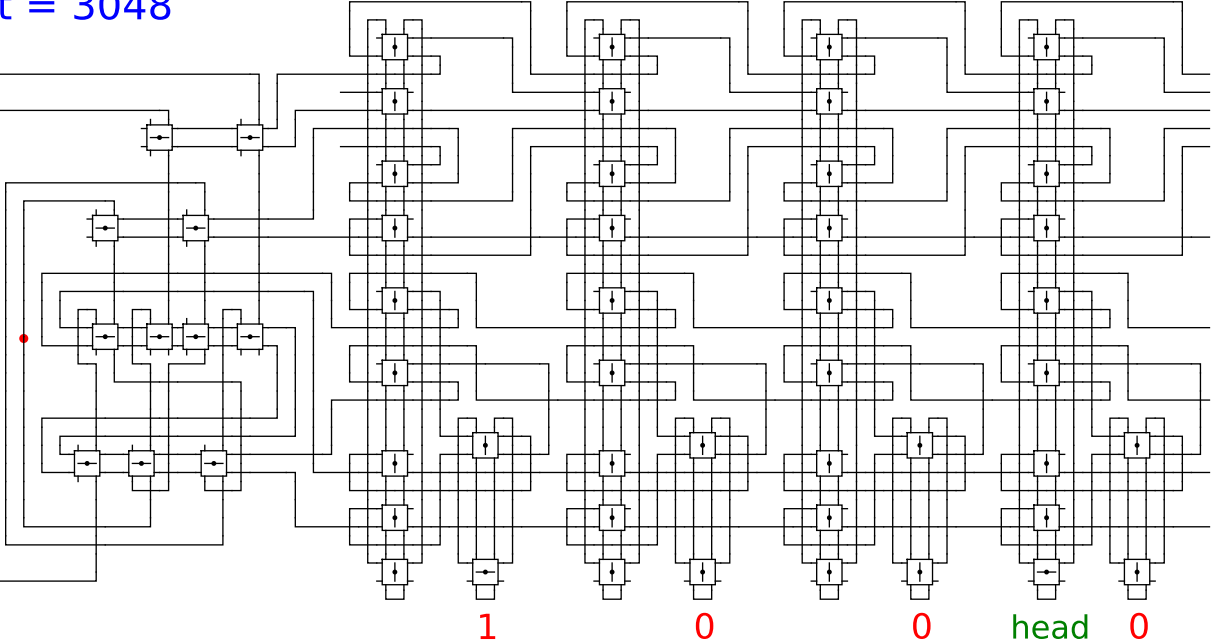
Begin



t = 3048

Reject
Accept

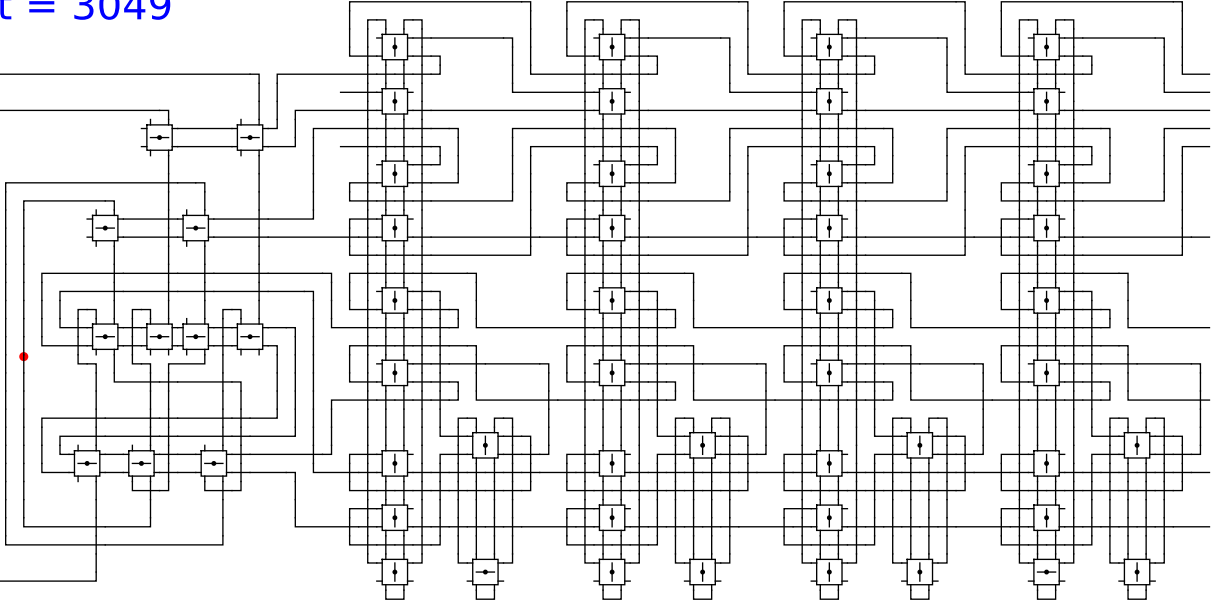
Begin



t = 3049

Reject
Accept

Begin

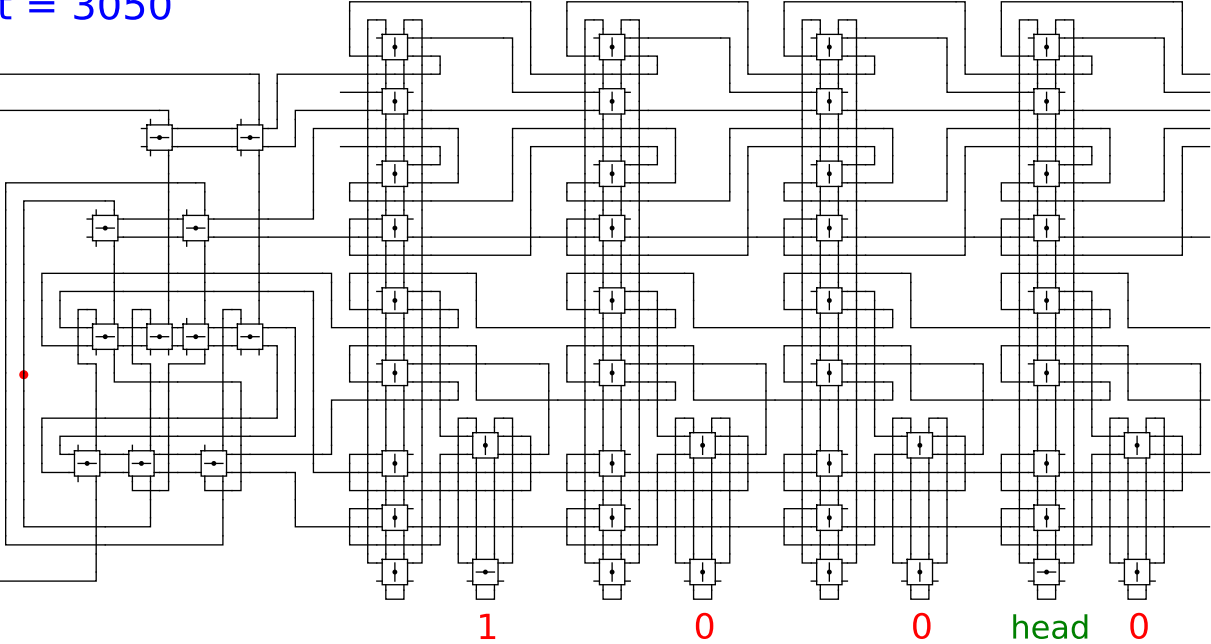


1 0 0 head 0

t = 3050

Reject
Accept

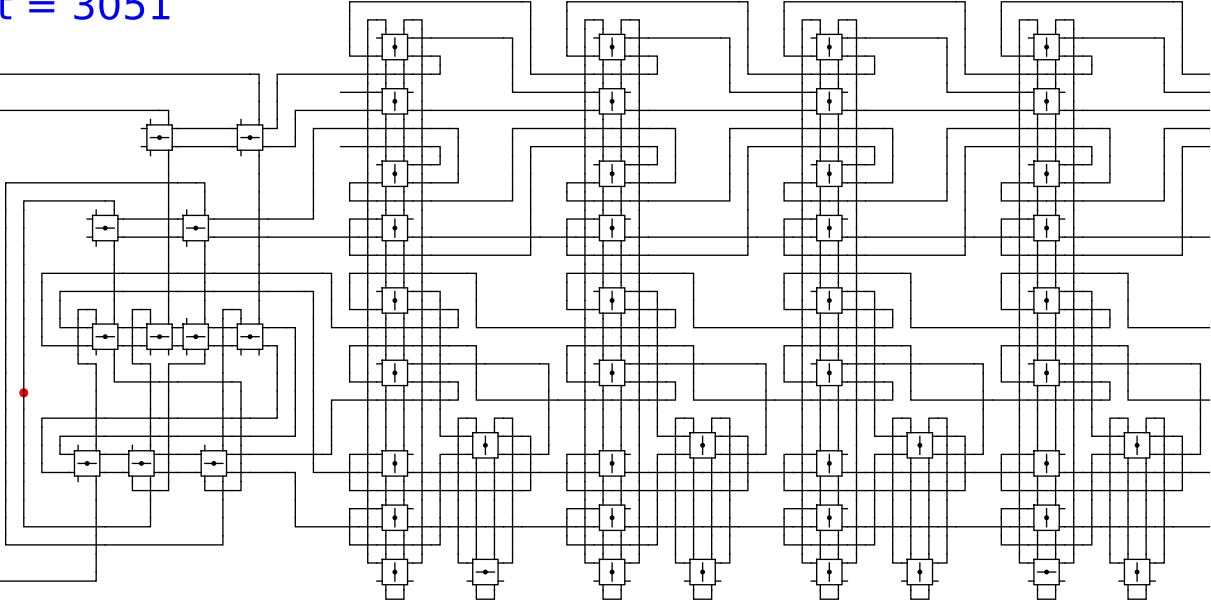
Begin



t = 3051

Reject
Accept

Begin



1

0

0

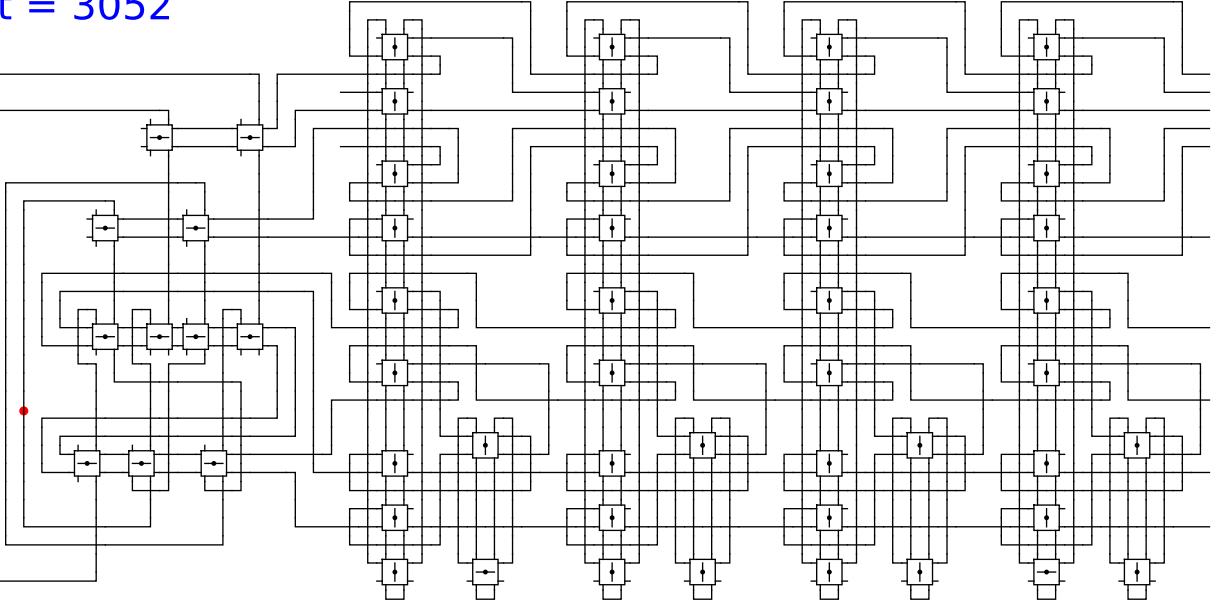
head

0

t = 3052

Reject
Accept

Begin



1

0

0

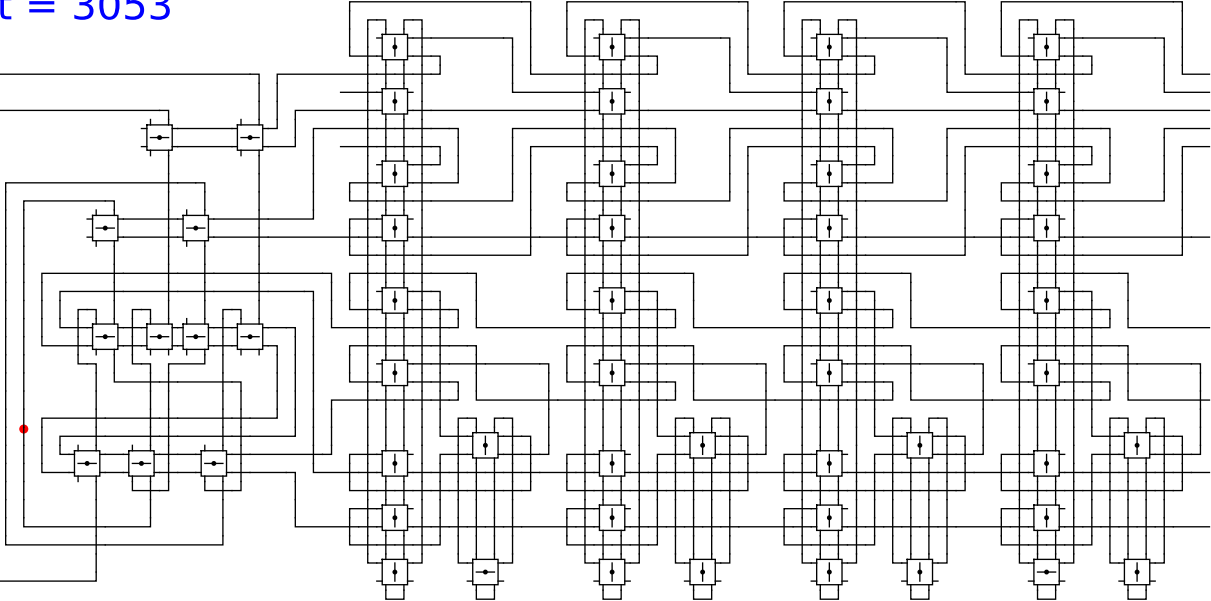
head

0

t = 3053

Reject
Accept

Begin

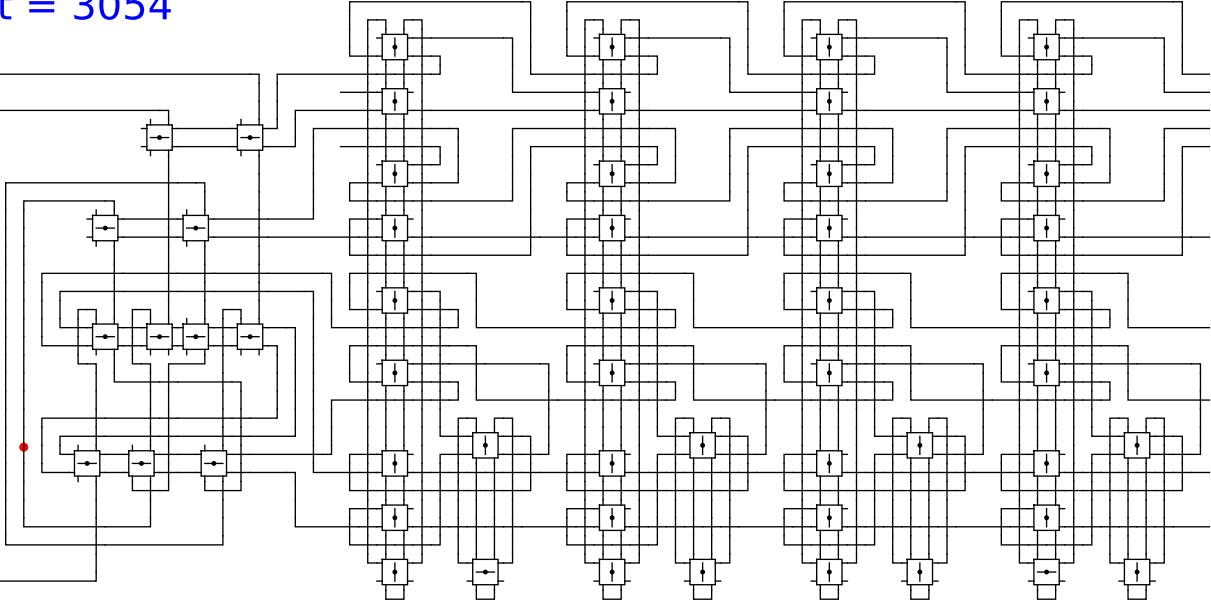


1 0 0 head 0

t = 3054

Reject
Accept

Begin

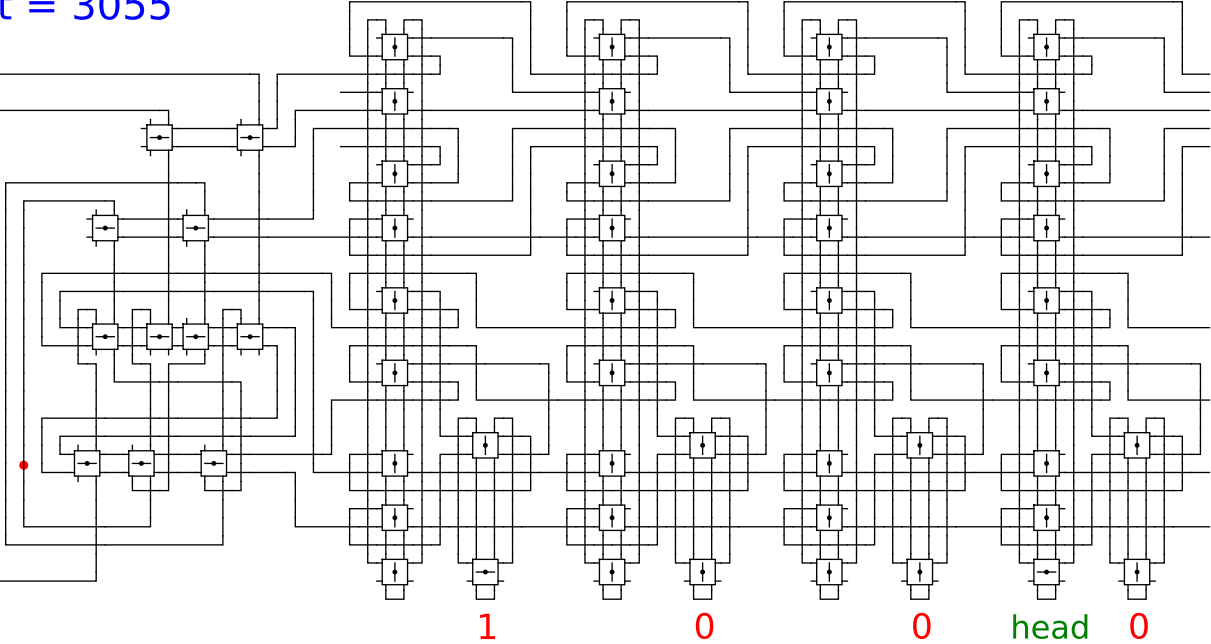


1 0 0 head 0

t = 3055

Reject
Accept

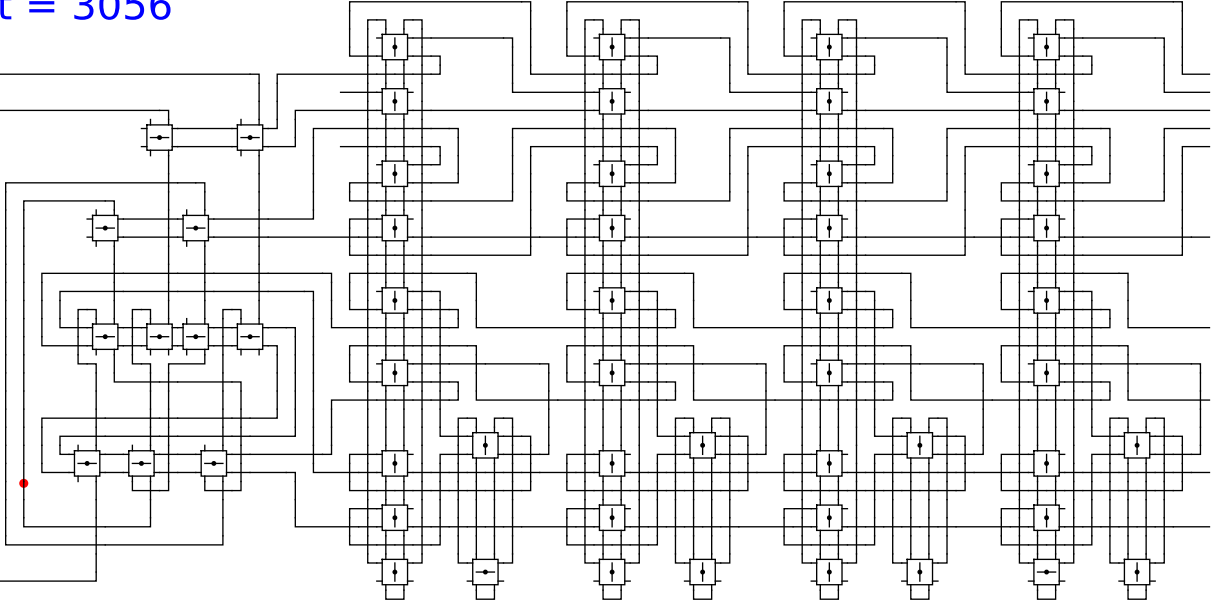
Begin



t = 3056

Reject
Accept

Begin



1

0

0

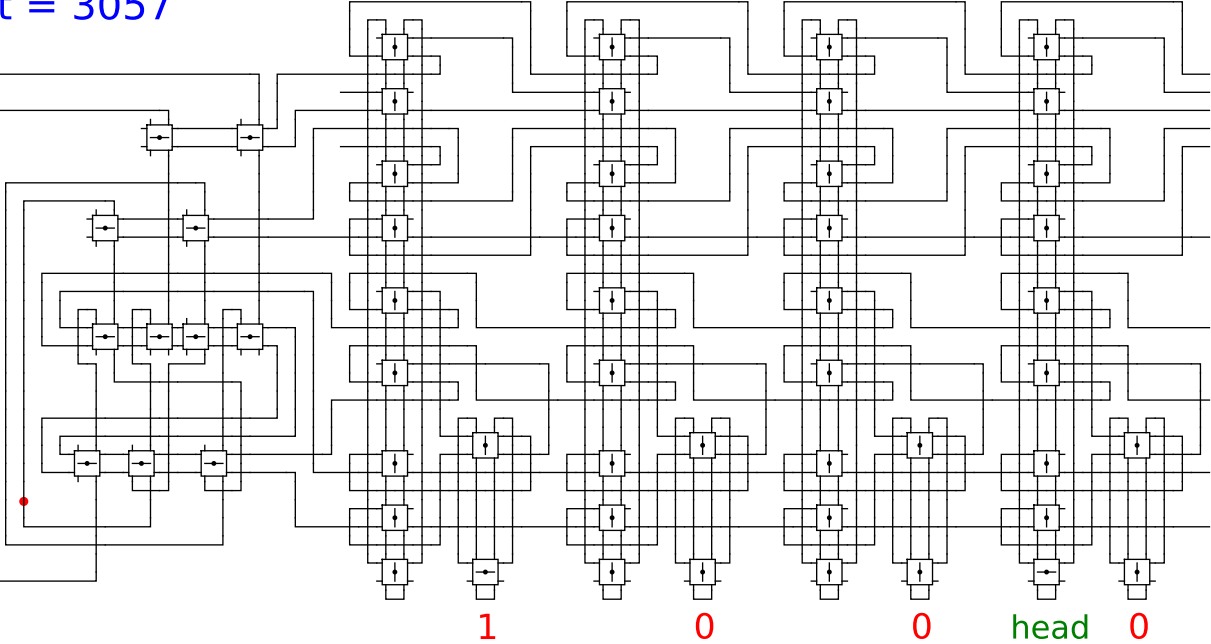
head

0

t = 3057

Reject
Accept

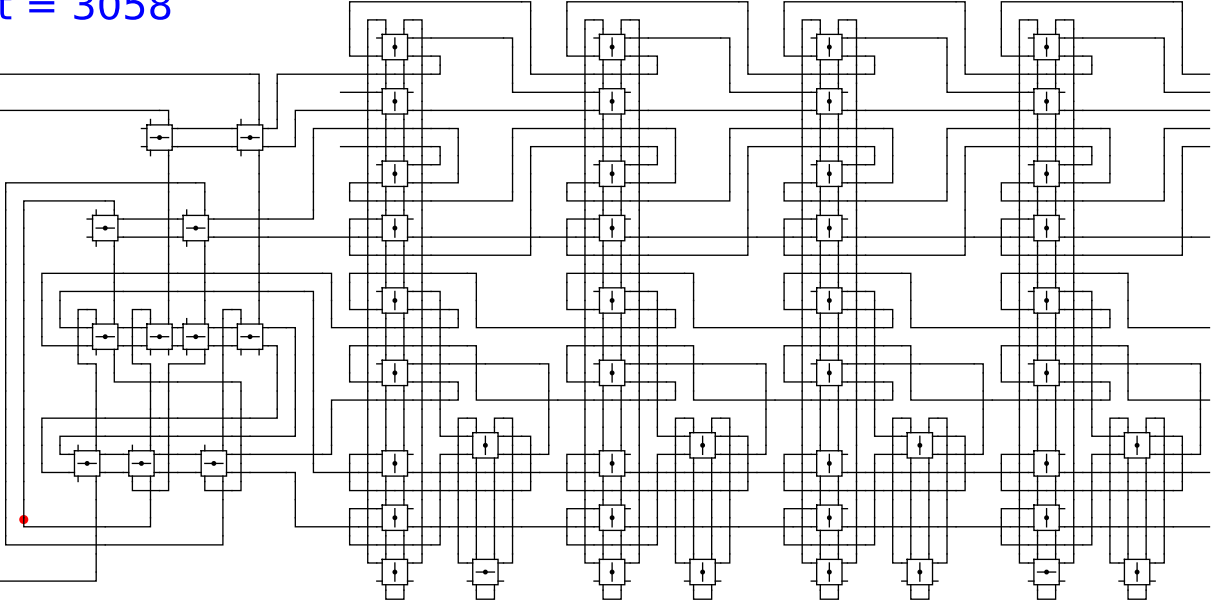
Begin



t = 3058

Reject
Accept

Begin



1

0

0

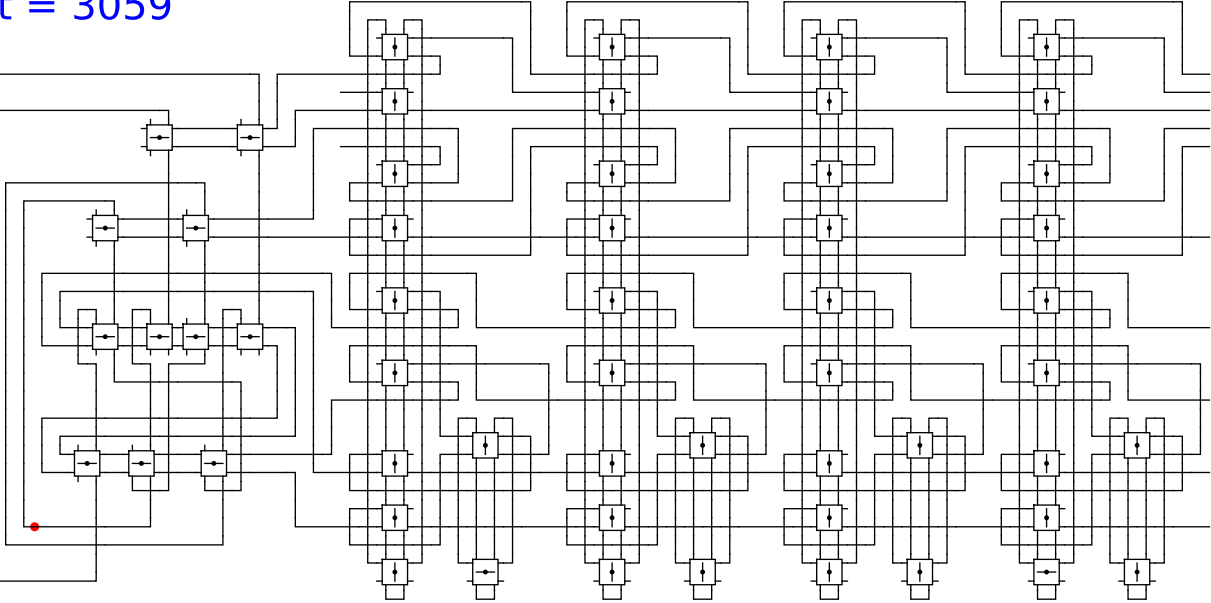
head

0

t = 3059

Reject
Accept

Begin



1

0

0

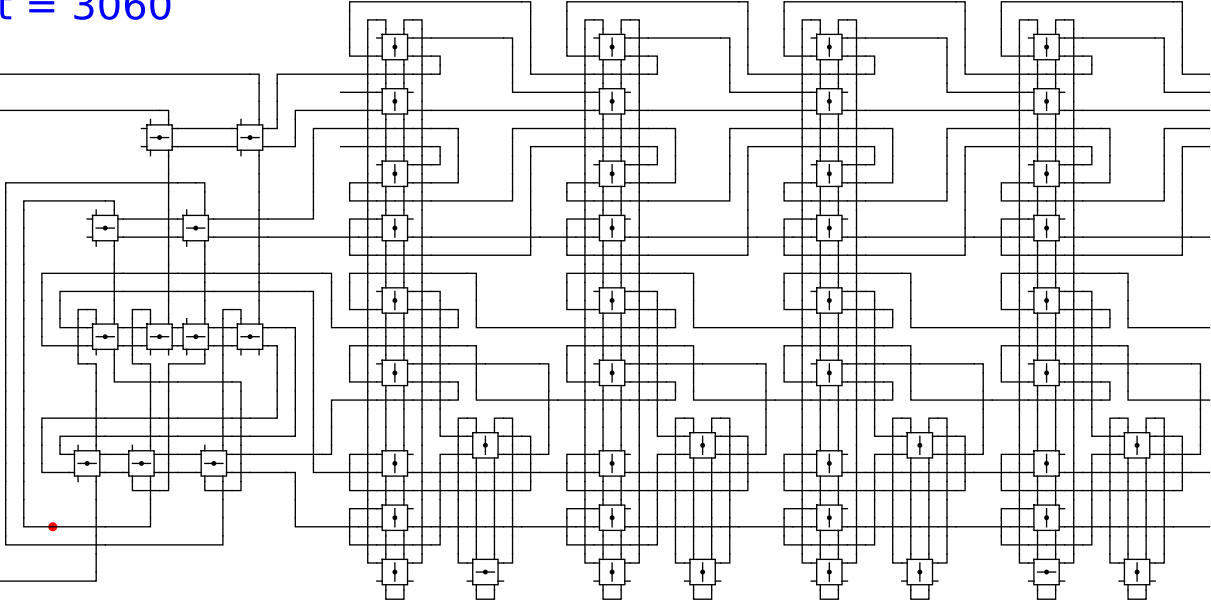
head

0

t = 3060

Reject
Accept

Begin



1

0

0

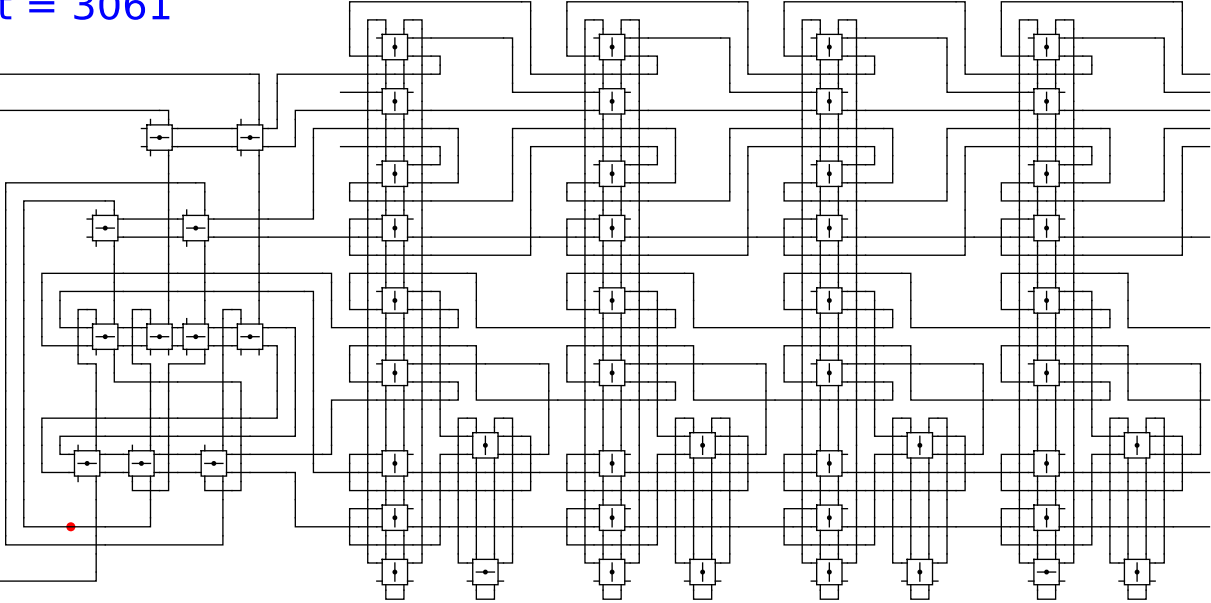
head

0

t = 3061

Reject
Accept

Begin



1

0

0

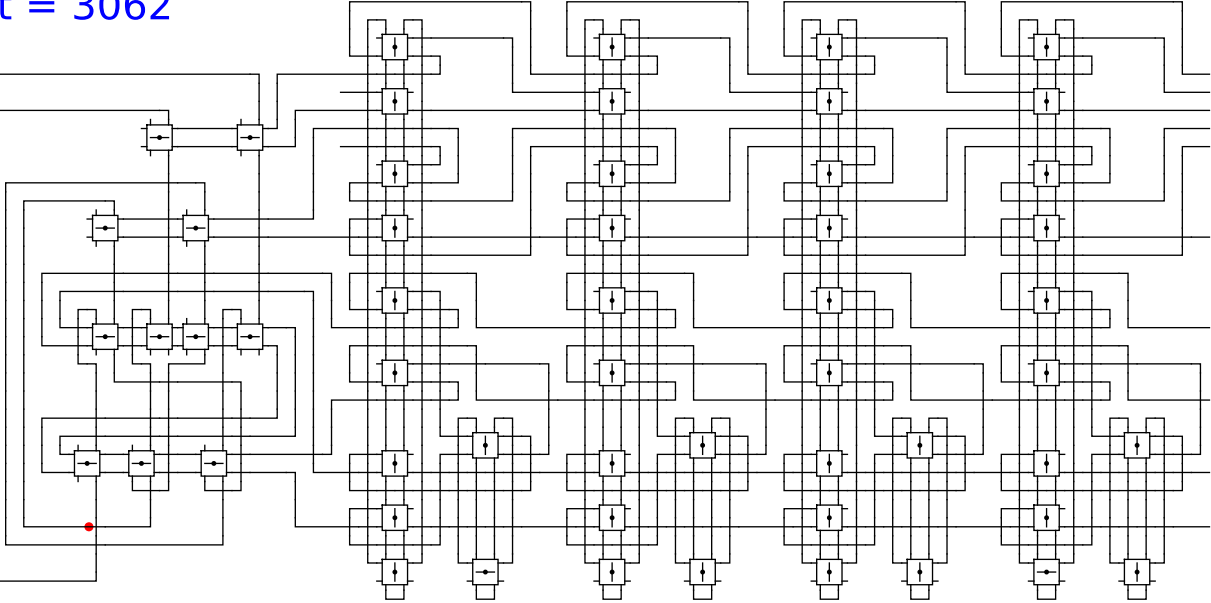
head

0

t = 3062

Reject
Accept

Begin

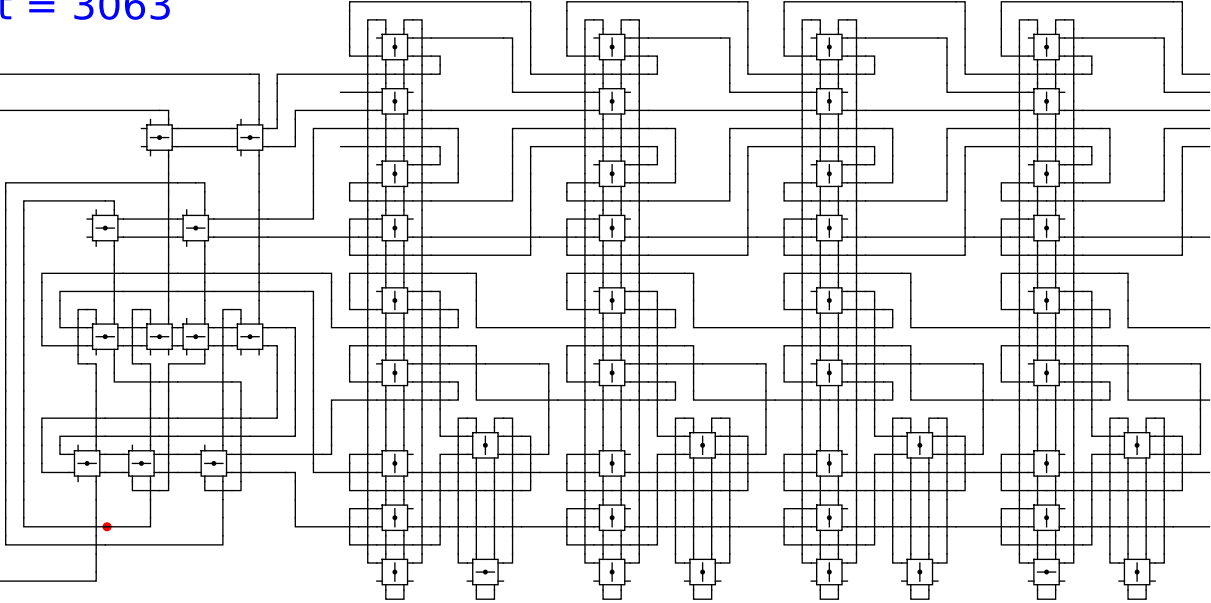


1 0 0 head 0

t = 3063

Reject
Accept

Begin



1

0

0

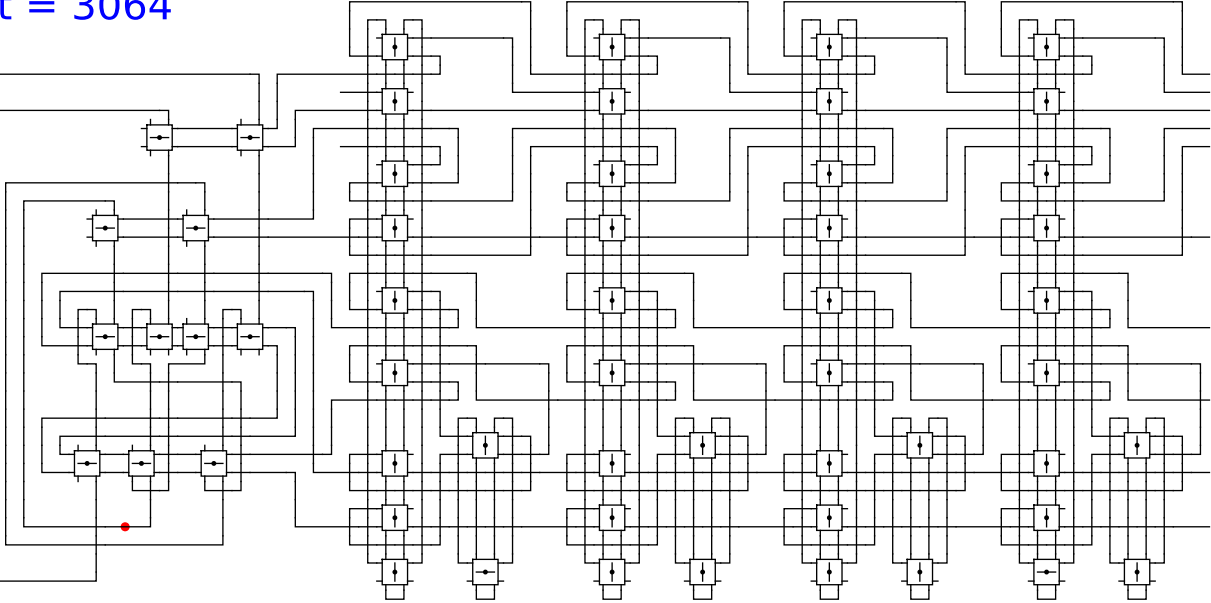
head

0

t = 3064

Reject
Accept

Begin

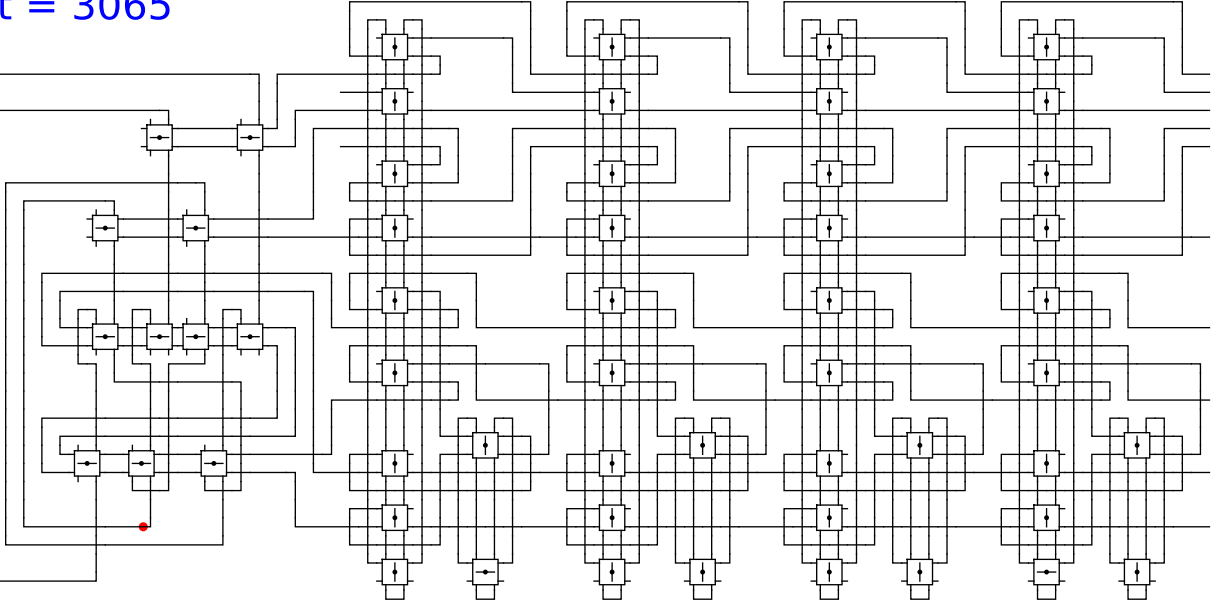


1 0 0 head 0

t = 3065

Reject
Accept

Begin

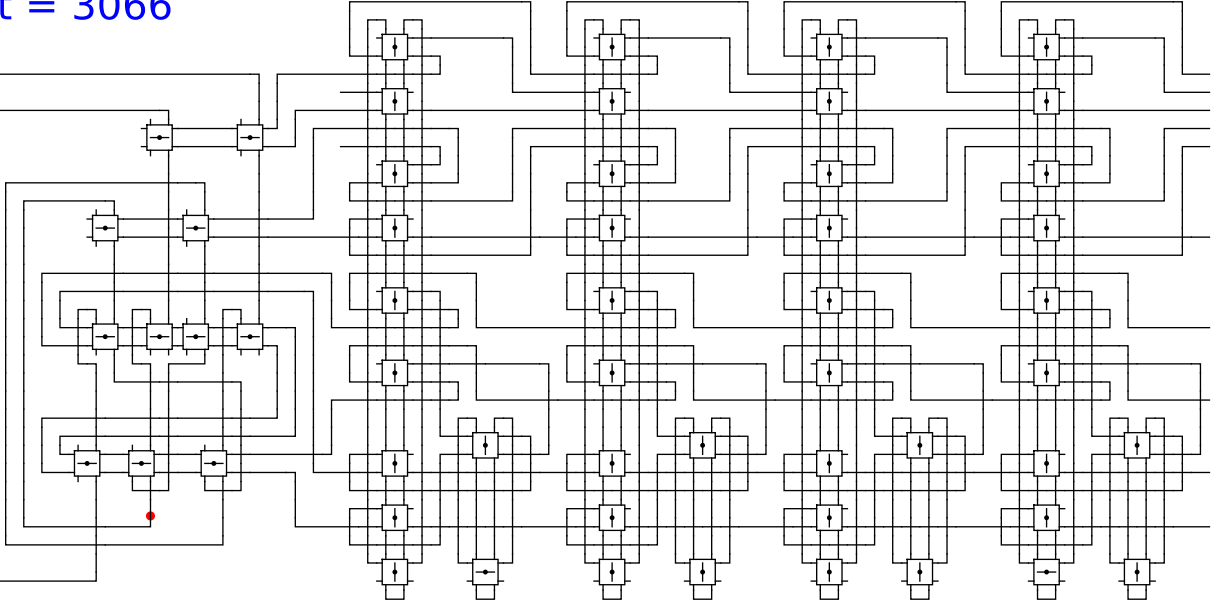


1 0 0 head 0

t = 3066

Reject
Accept

Begin



1

0

0

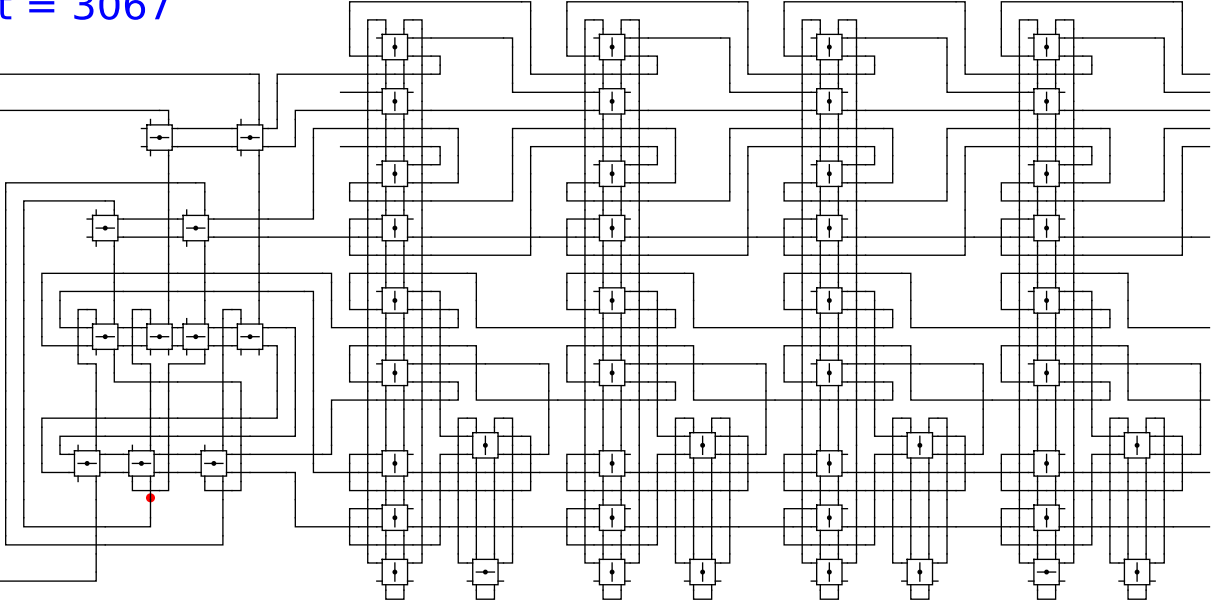
head

0

t = 3067

Reject
Accept

Begin

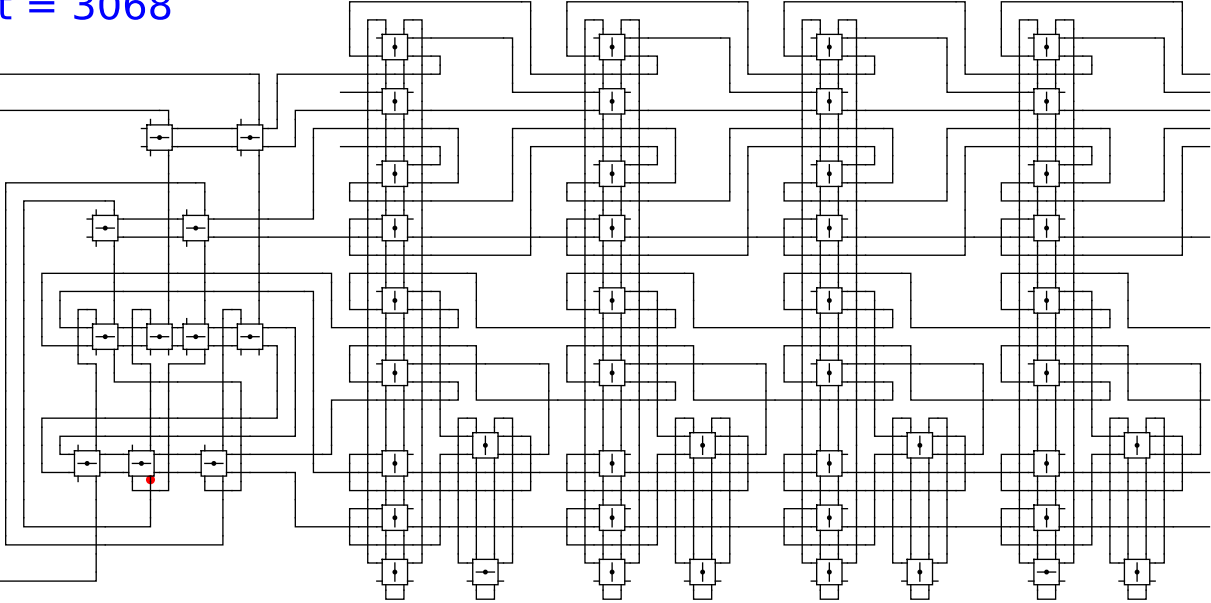


1 0 0 head 0

t = 3068

Reject
Accept

Begin

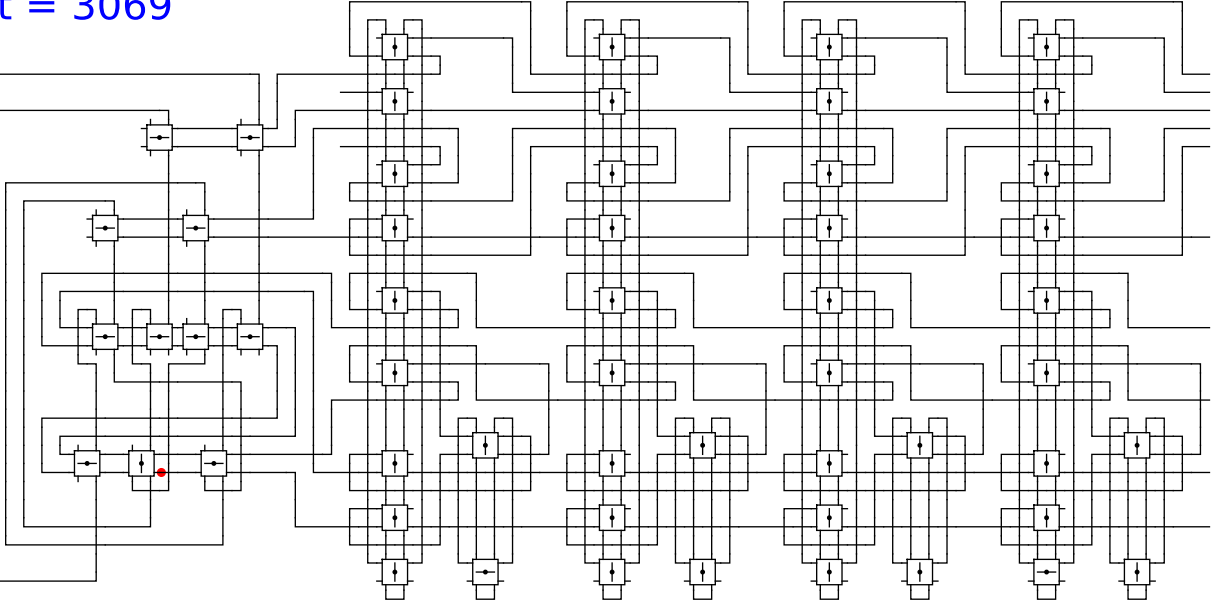


1 0 0 head 0

t = 3069

Reject
Accept

Begin

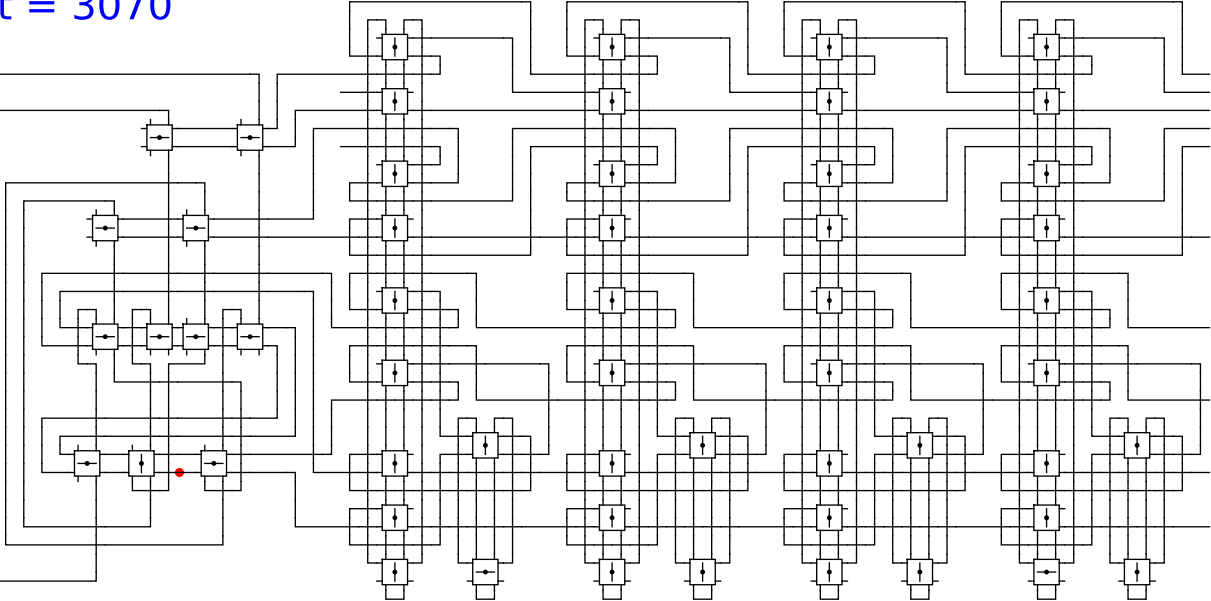


1 0 0 head 0

t = 3070

Reject
Accept

Begin



1

0

0

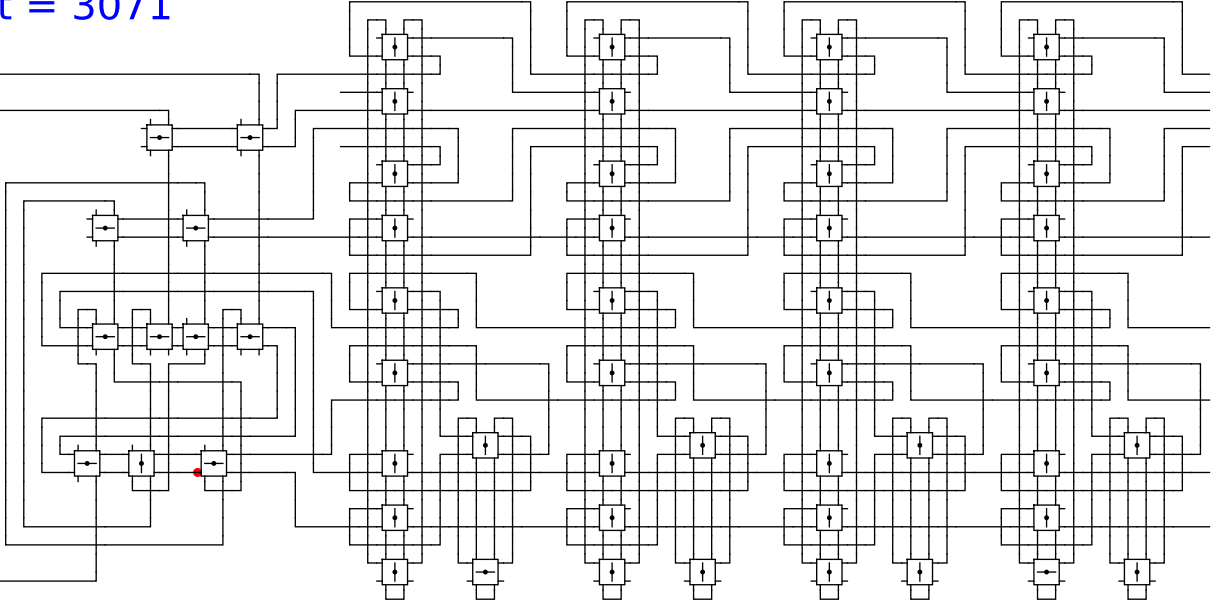
head

0

t = 3071

Reject
Accept

Begin

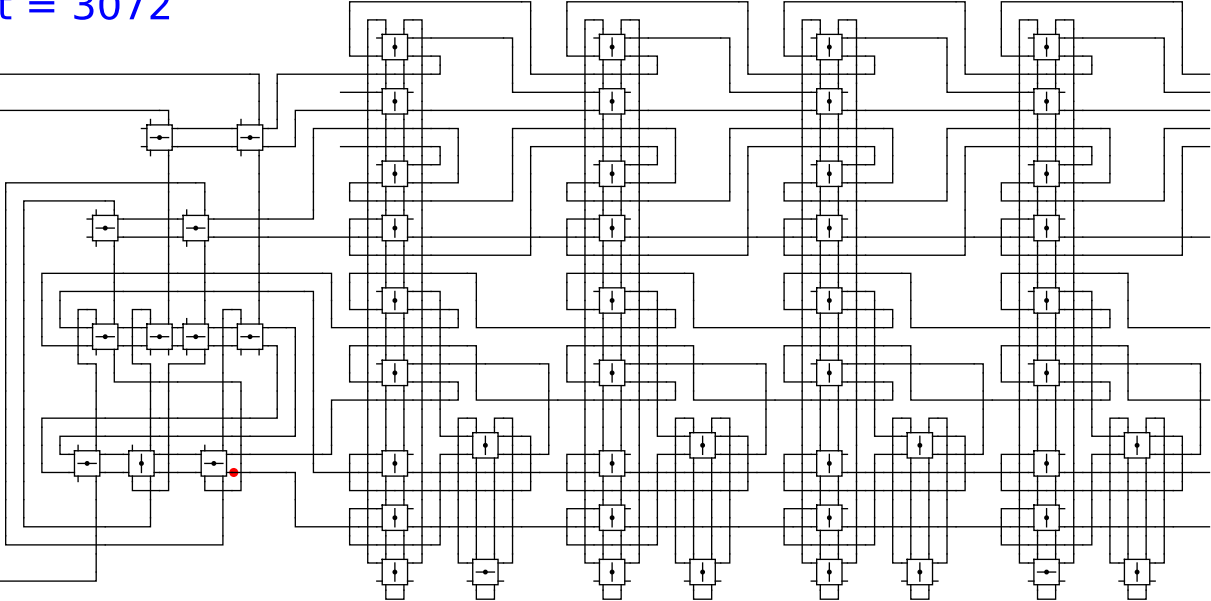


1 0 0 head 0

t = 3072

Reject
Accept

Begin

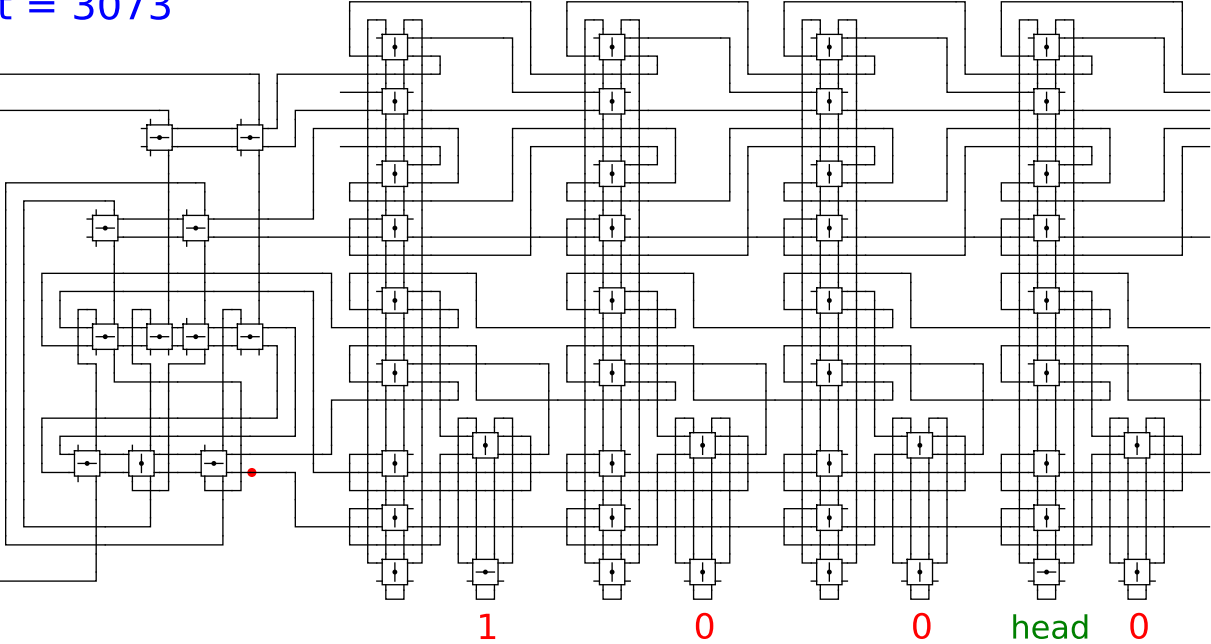


1 0 0 head 0

t = 3073

Reject
Accept

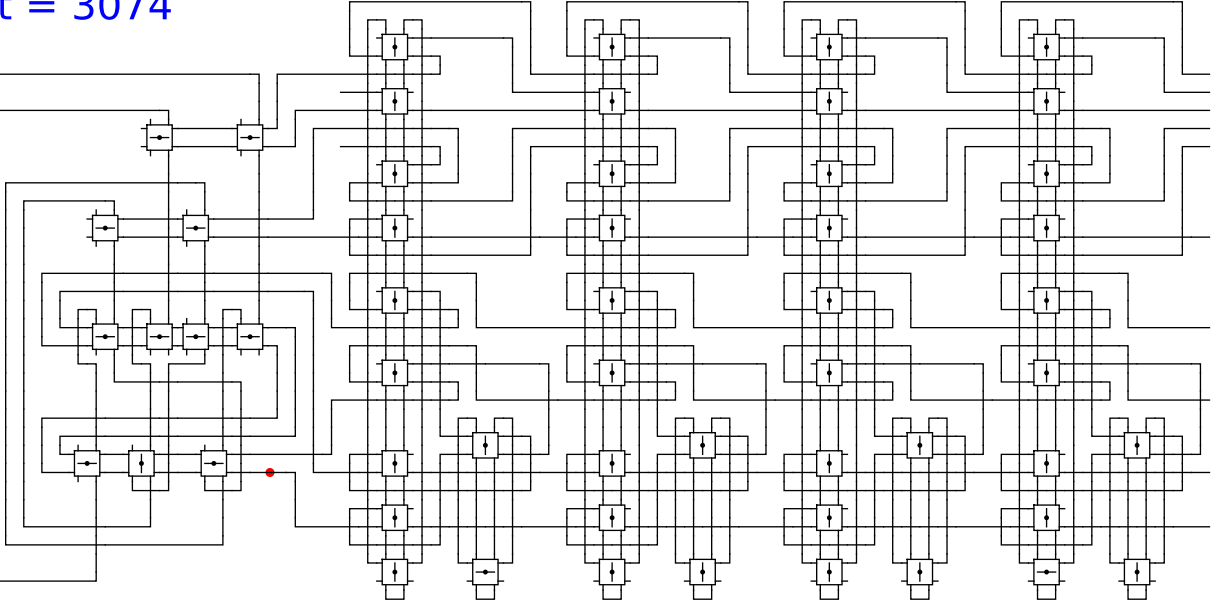
Begin



t = 3074

Reject
Accept

Begin

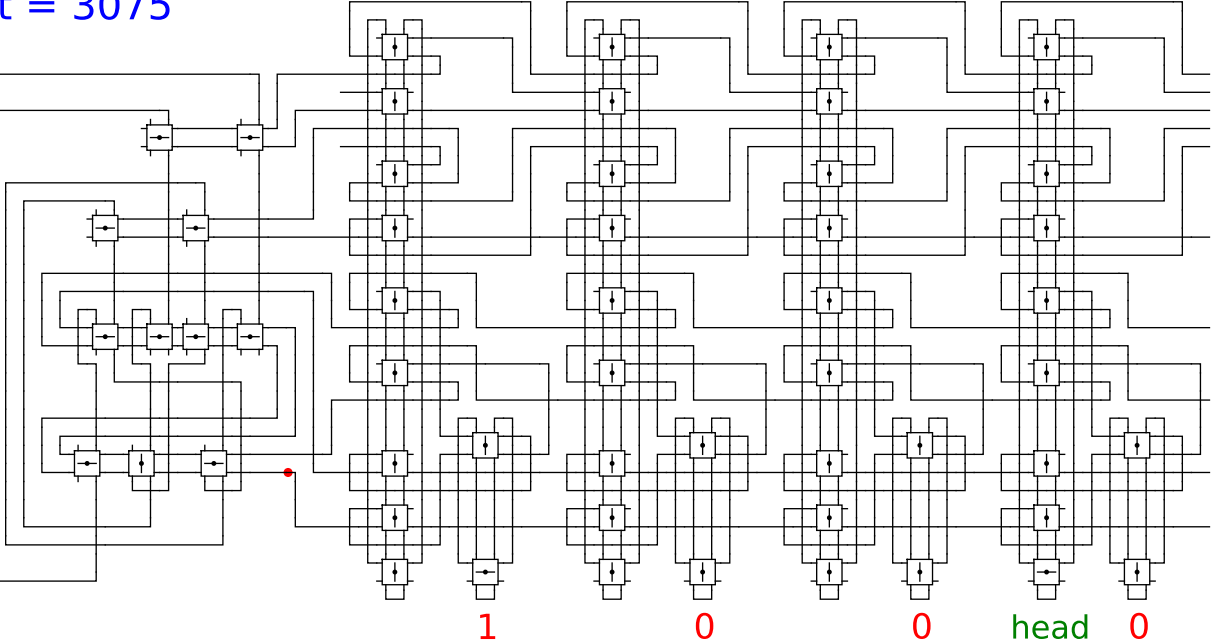


1 0 0 head 0

t = 3075

Reject
Accept

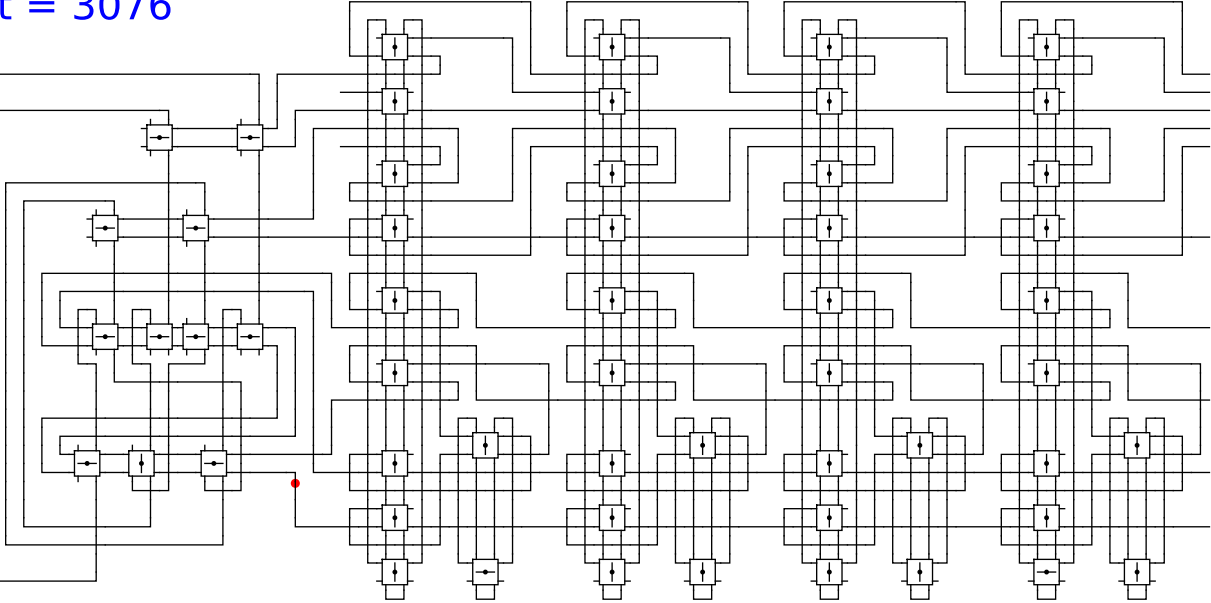
Begin



t = 3076

Reject
Accept

Begin

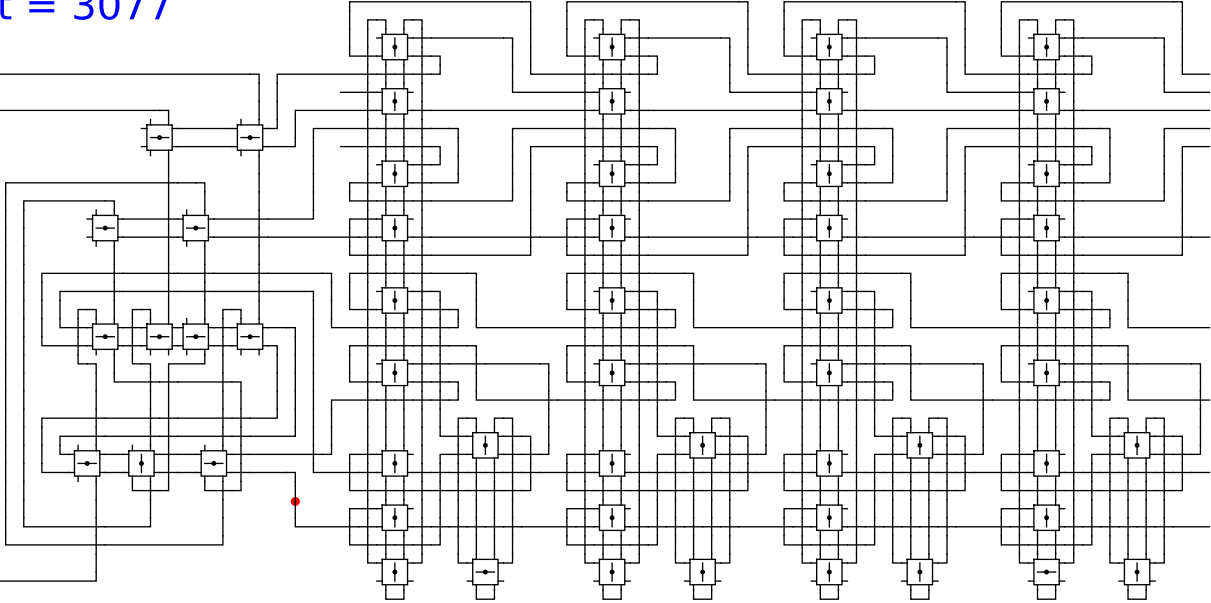


1 0 0 head 0

t = 3077

Reject
Accept

Begin



1

0

0

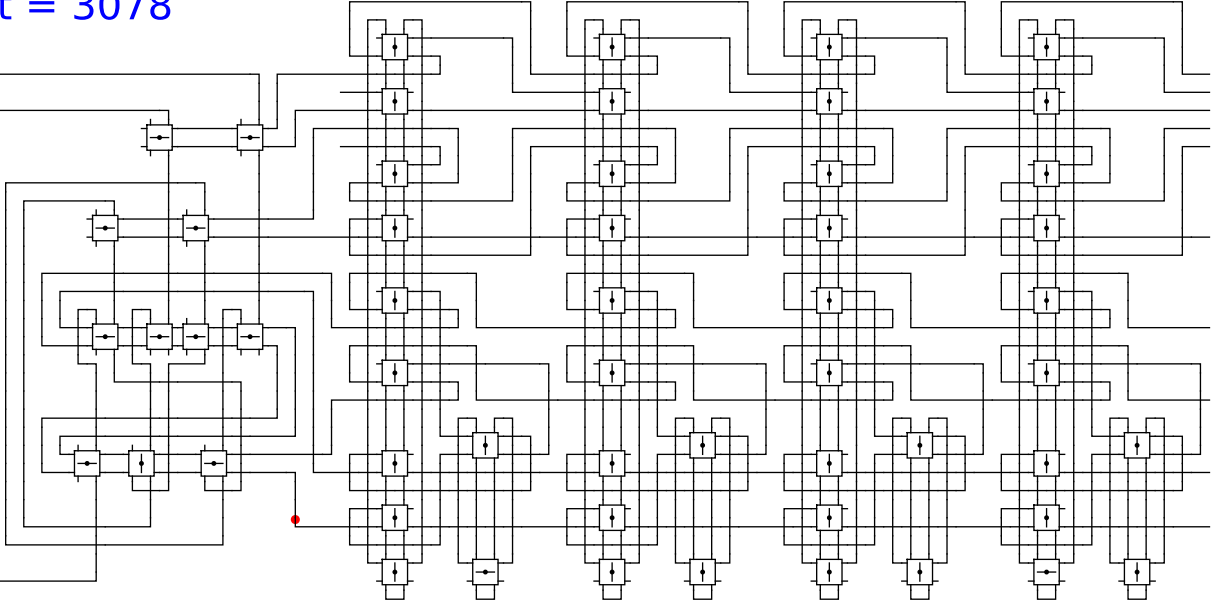
head

0

t = 3078

Reject
Accept

Begin



1

0

0

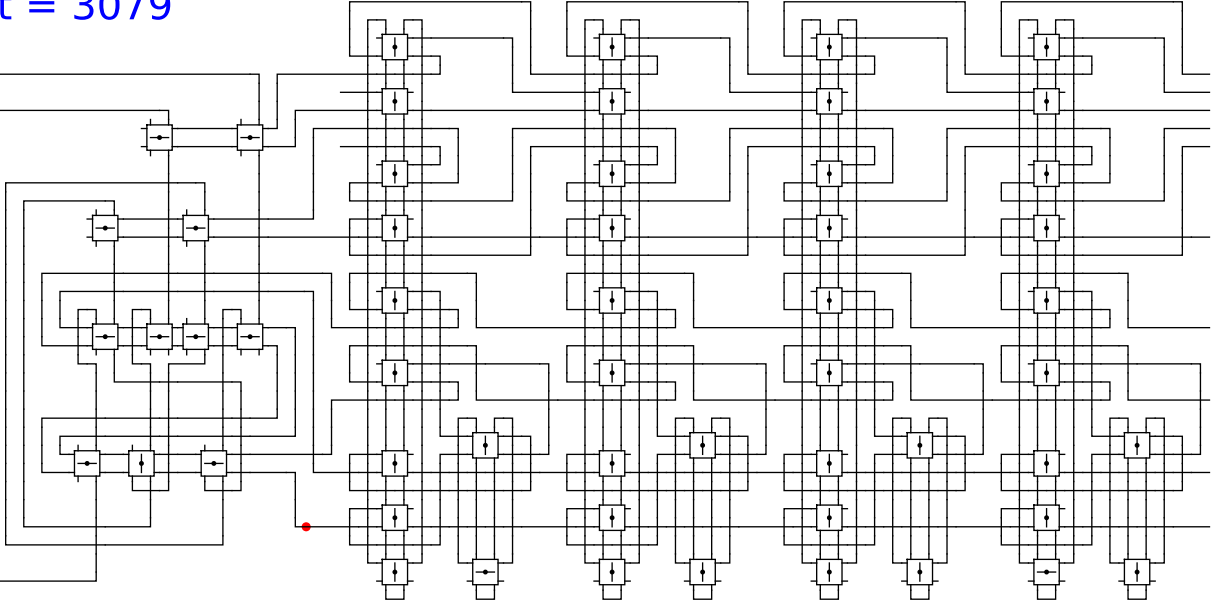
head

0

t = 3079

Reject
Accept

Begin



1

0

0

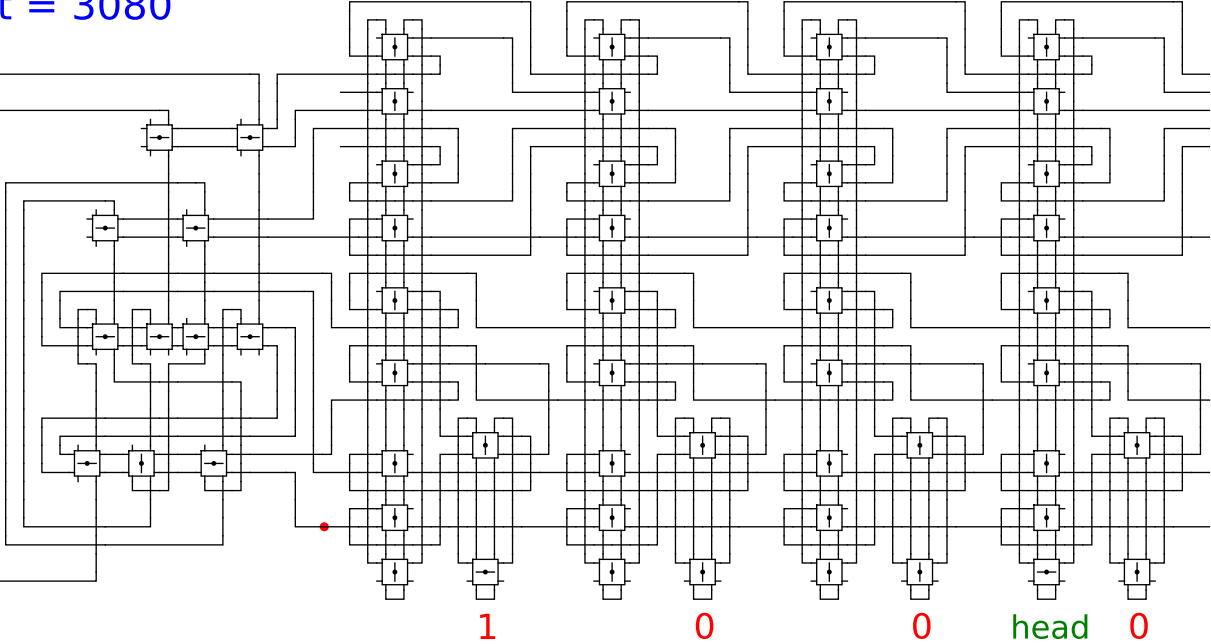
head

0

t = 3080

Reject
Accept

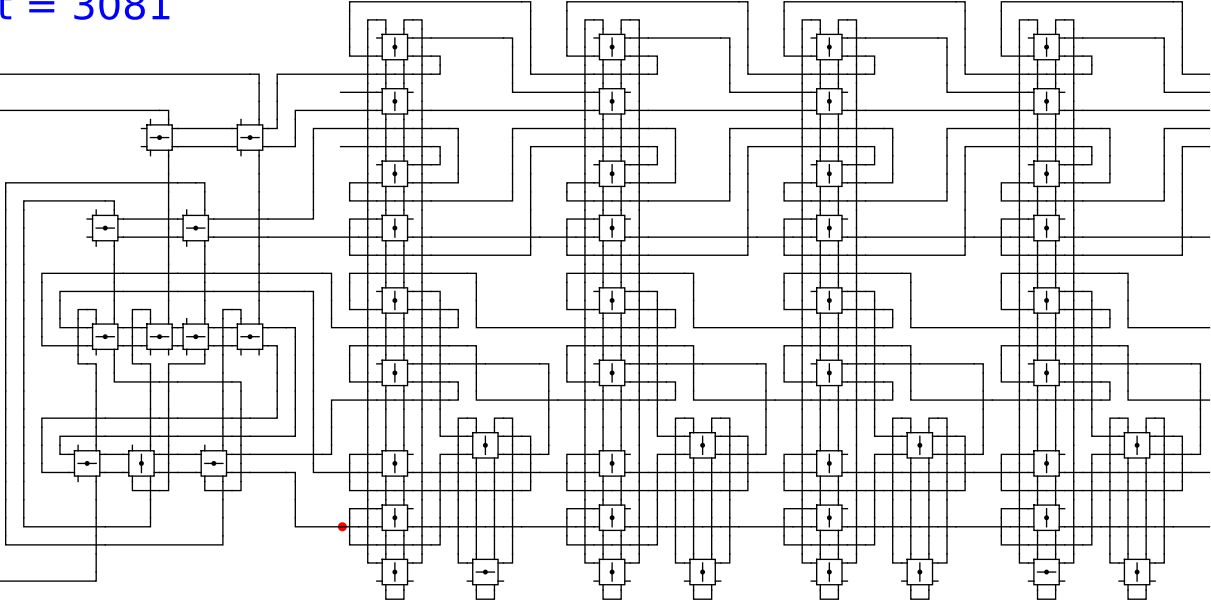
Begin



t = 3081

Reject
Accept

Begin

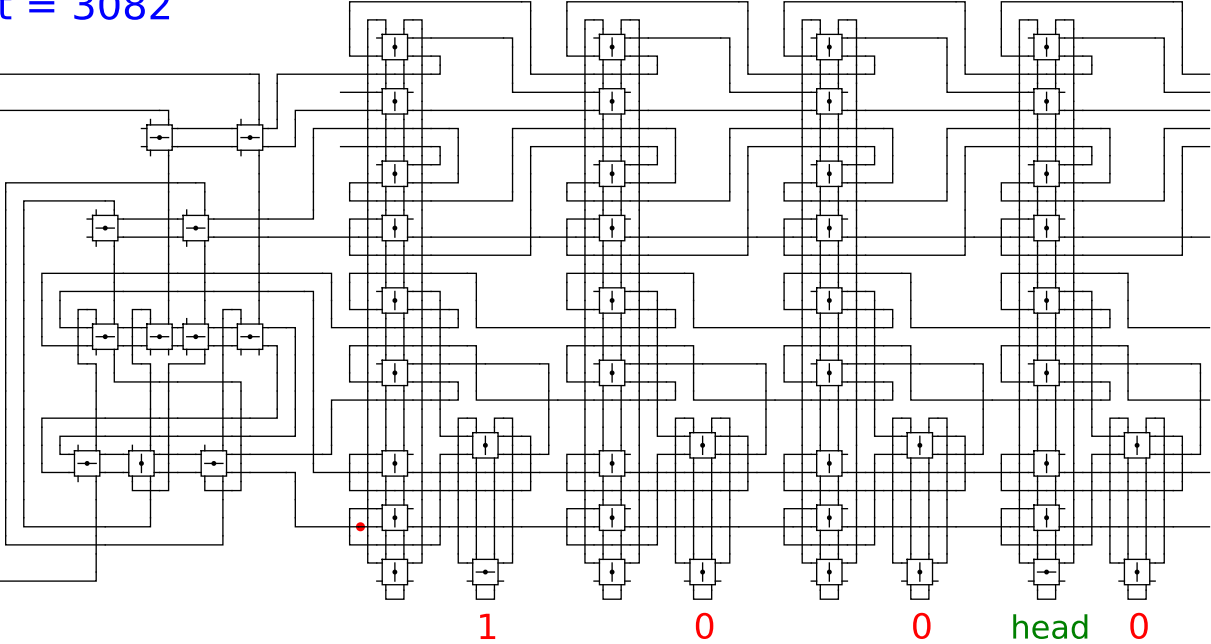


1 0 0 head 0

t = 3082

Reject
Accept

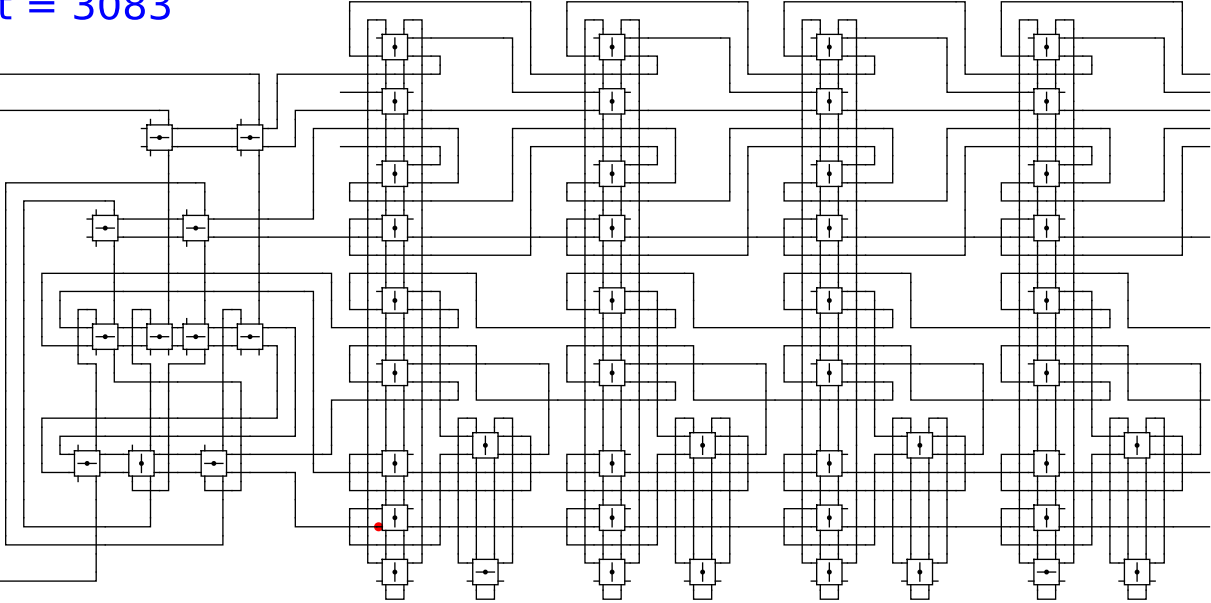
Begin



t = 3083

Reject
Accept

Begin

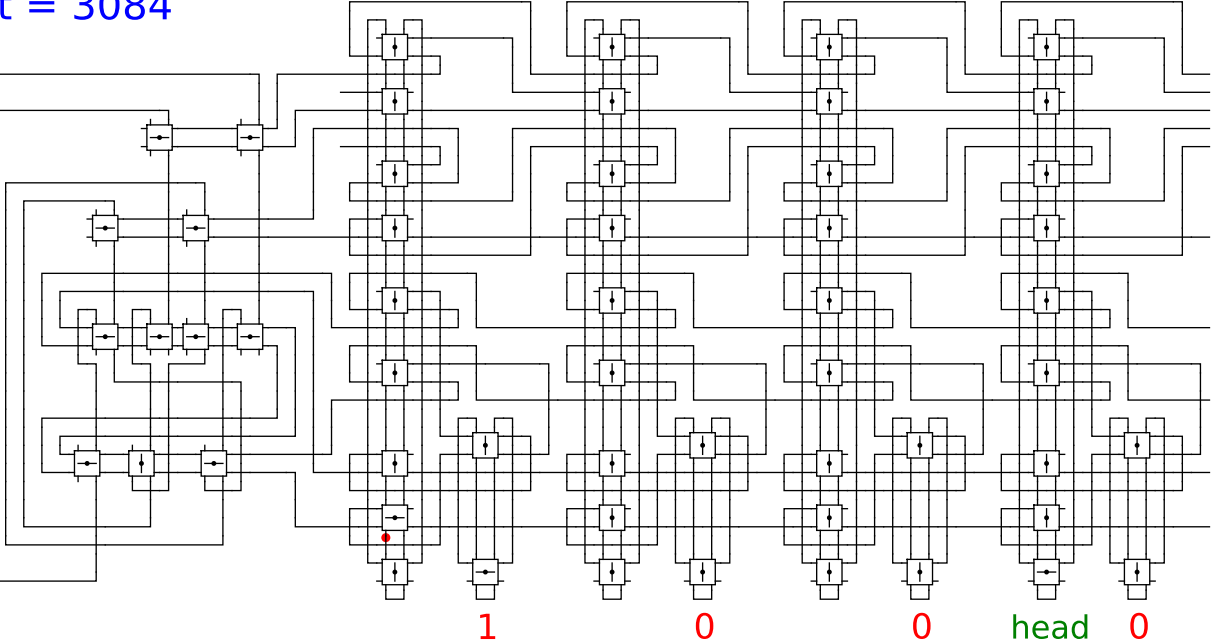


1 0 0 head 0

t = 3084

Reject
Accept

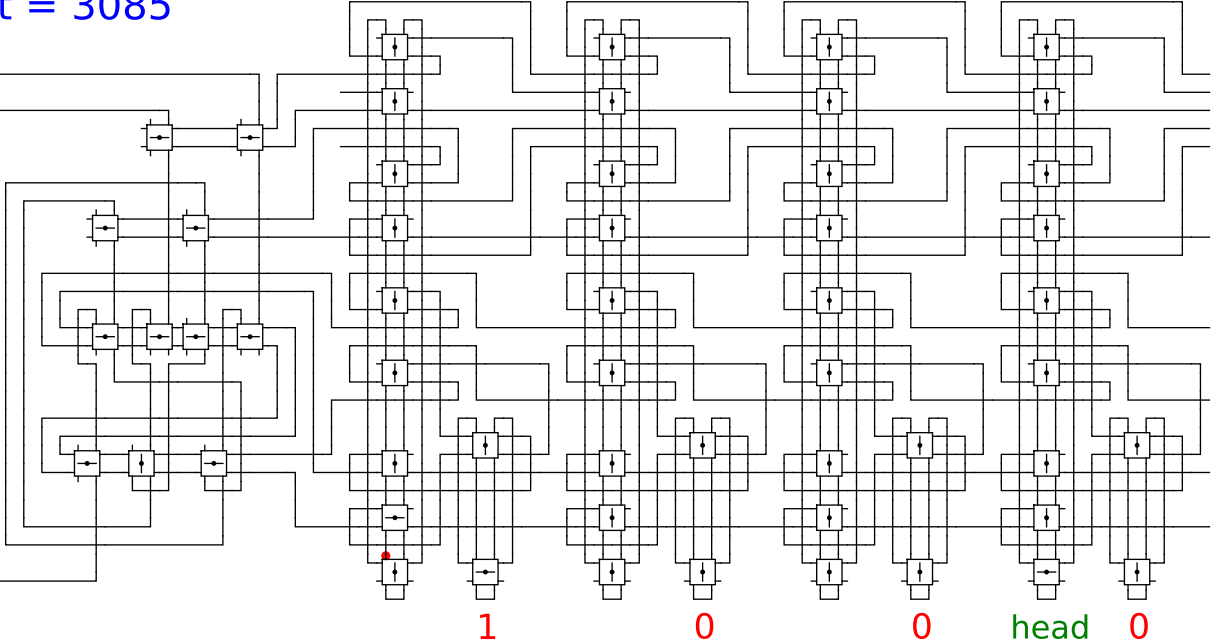
Begin



t = 3085

Reject
Accept

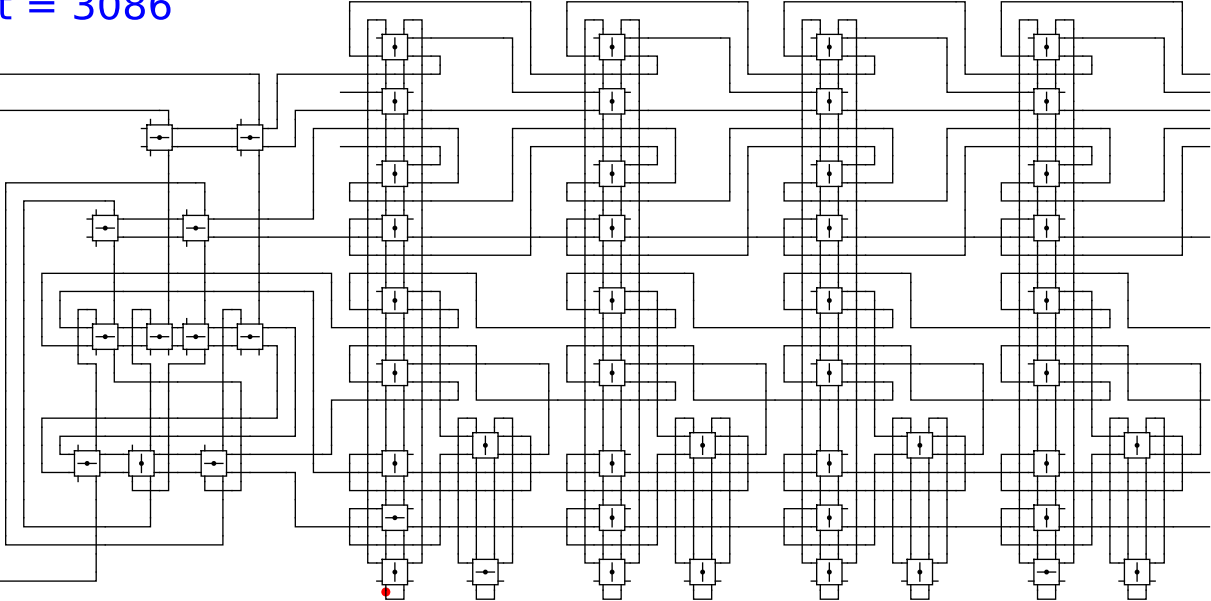
Begin



t = 3086

Reject
Accept

Begin



1

0

0

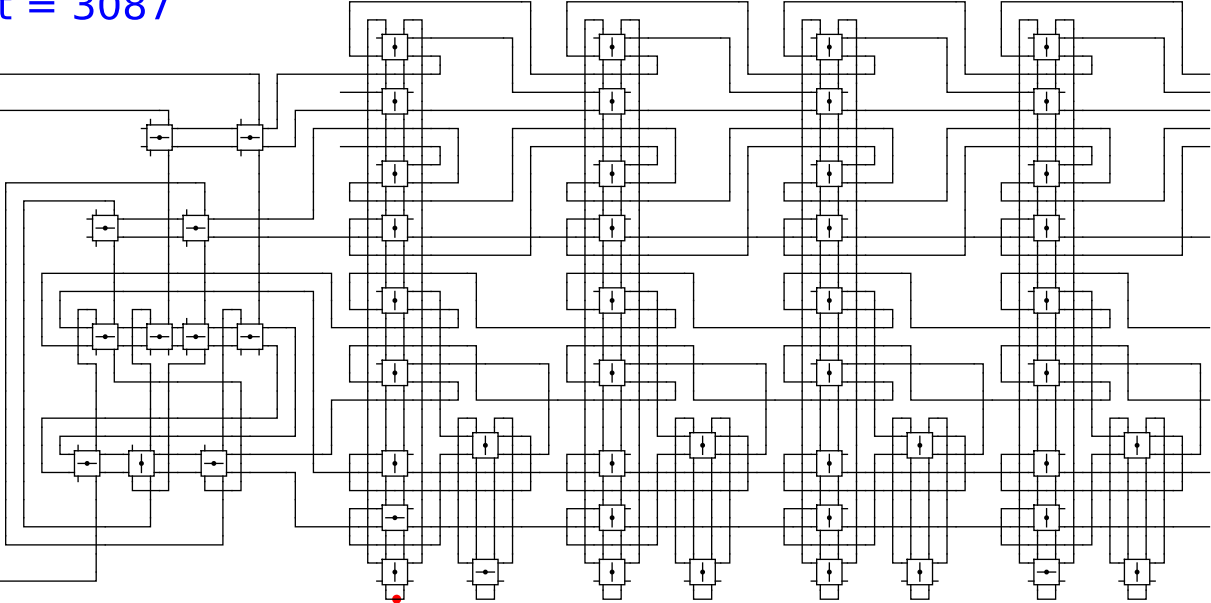
head

0

t = 3087

Reject
Accept

Begin



1

0

0

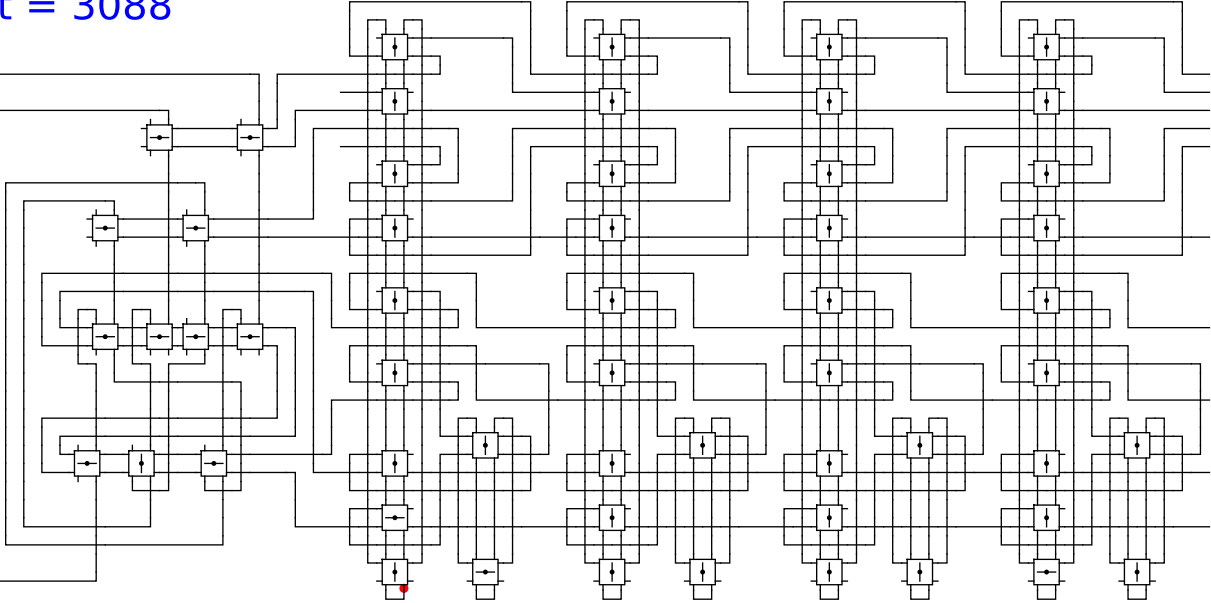
head

0

t = 3088

Reject
Accept

Begin



1

0

0

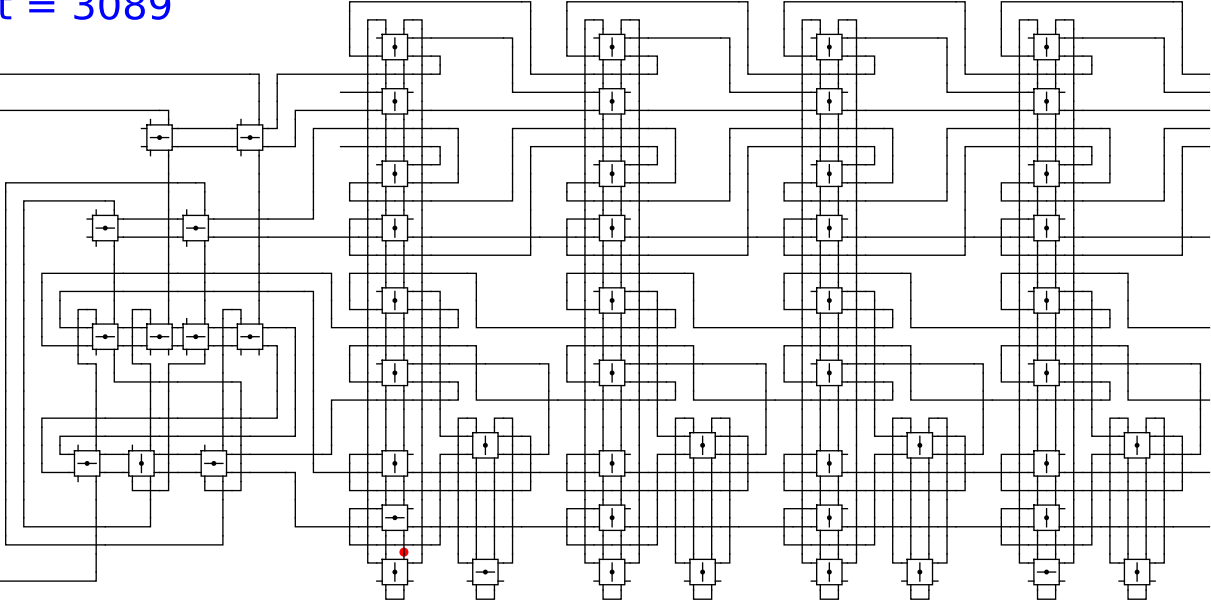
head

0

t = 3089

Reject
Accept

Begin



1

0

0

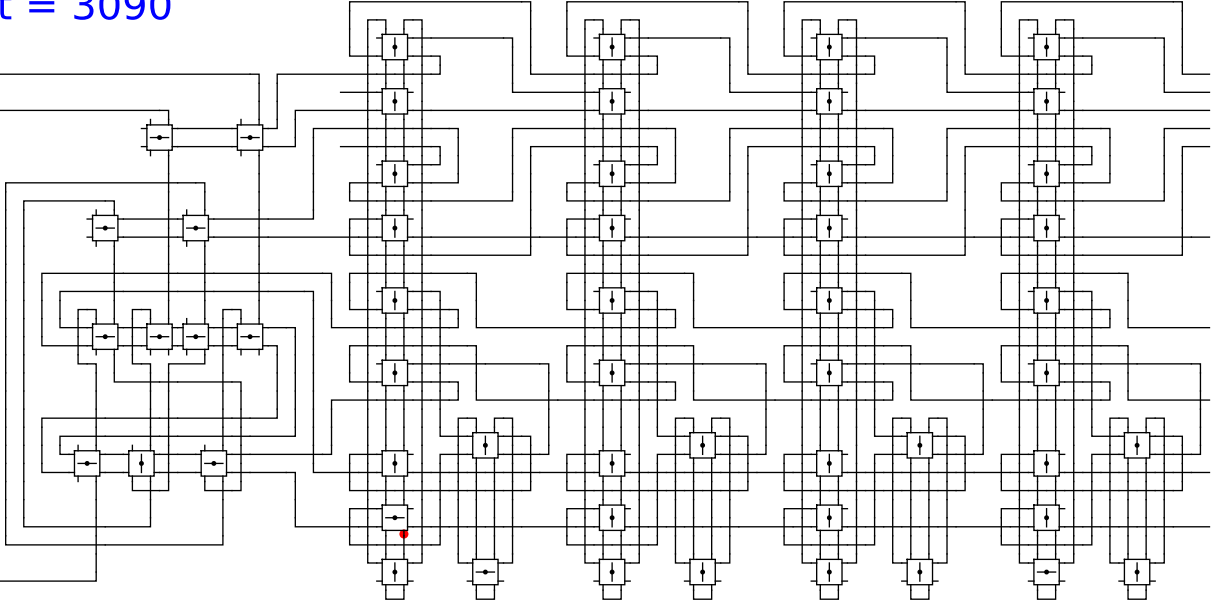
head

0

t = 3090

Reject
Accept

Begin



1

0

0

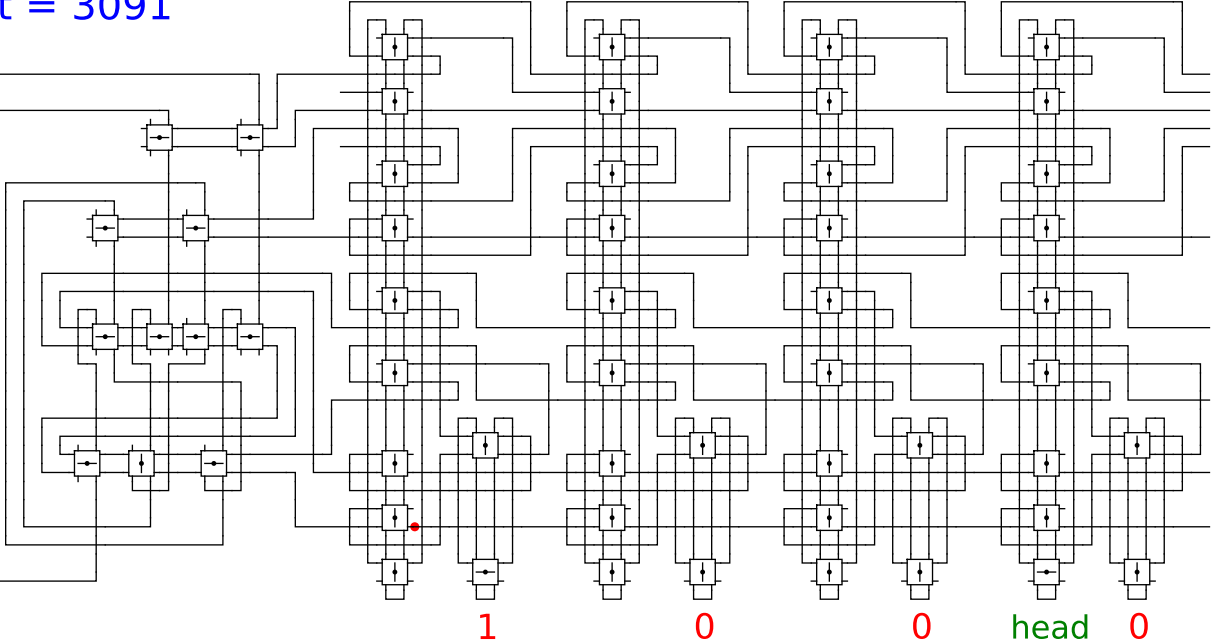
head

0

t = 3091

Reject
Accept

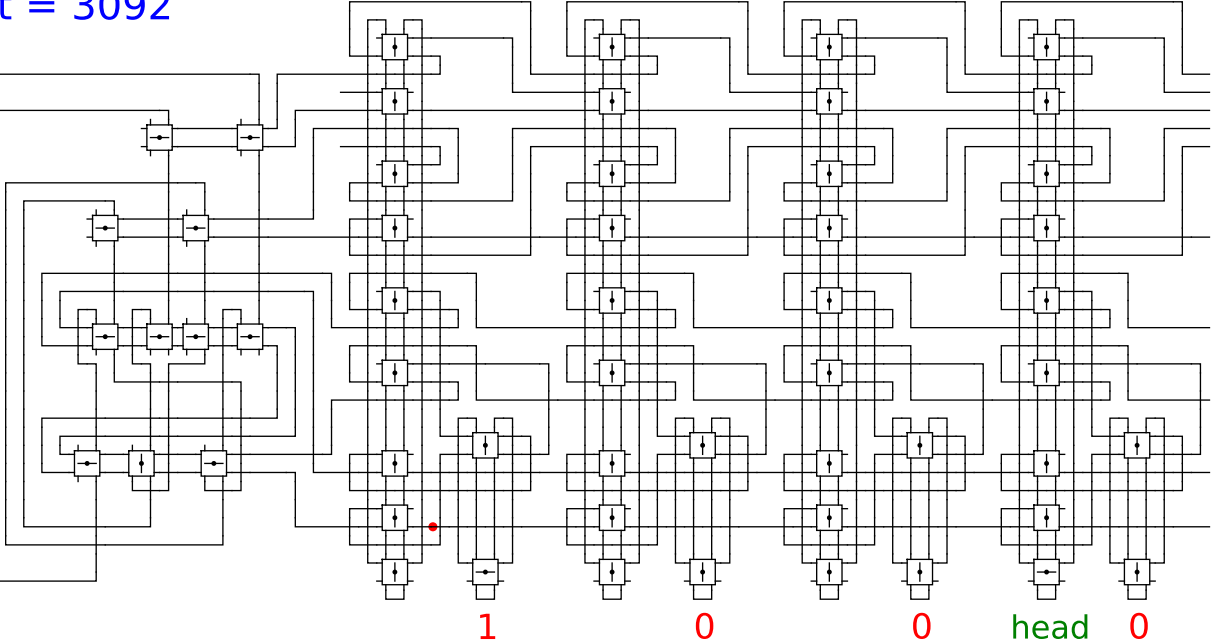
Begin



t = 3092

Reject
Accept

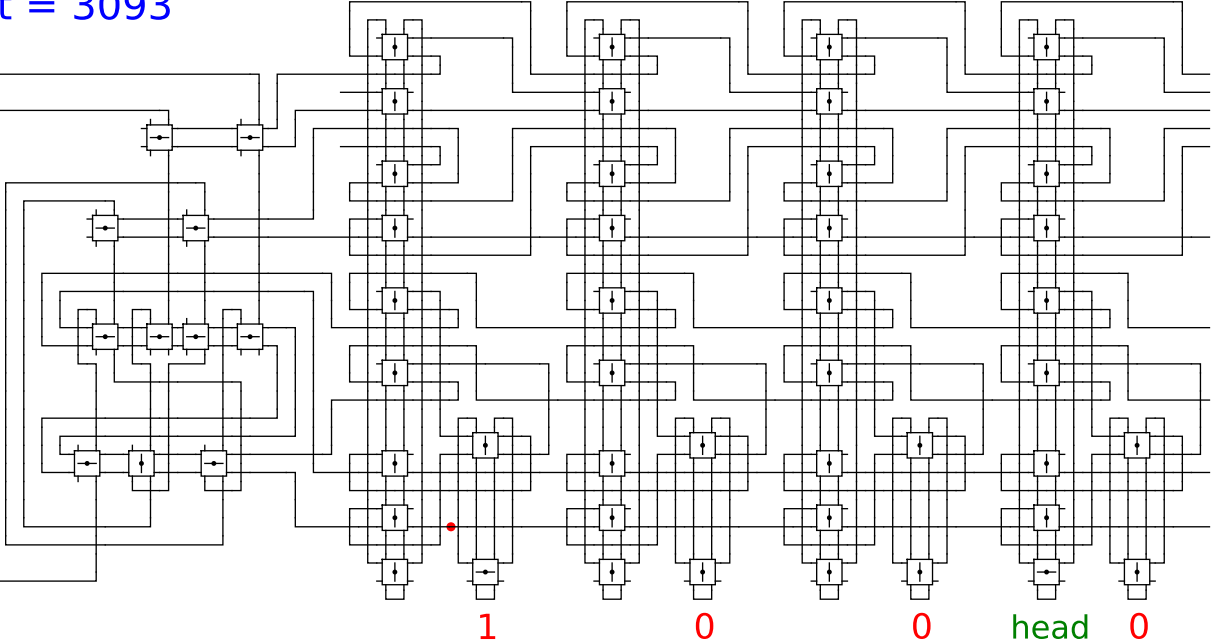
Begin



t = 3093

Reject
Accept

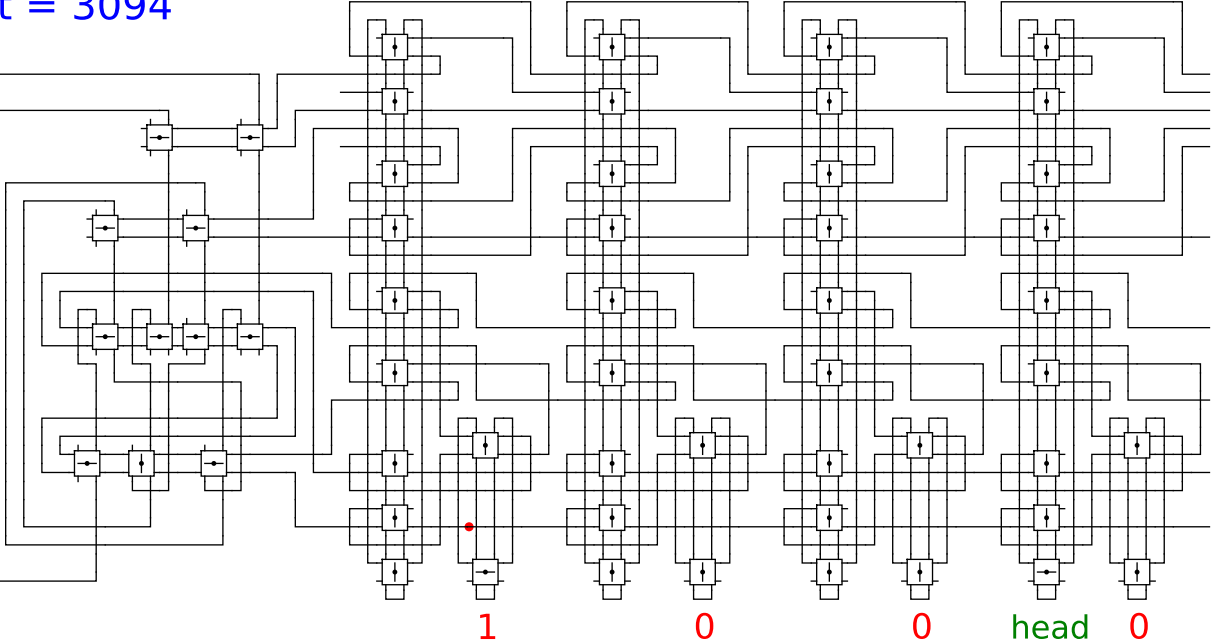
Begin



t = 3094

Reject
Accept

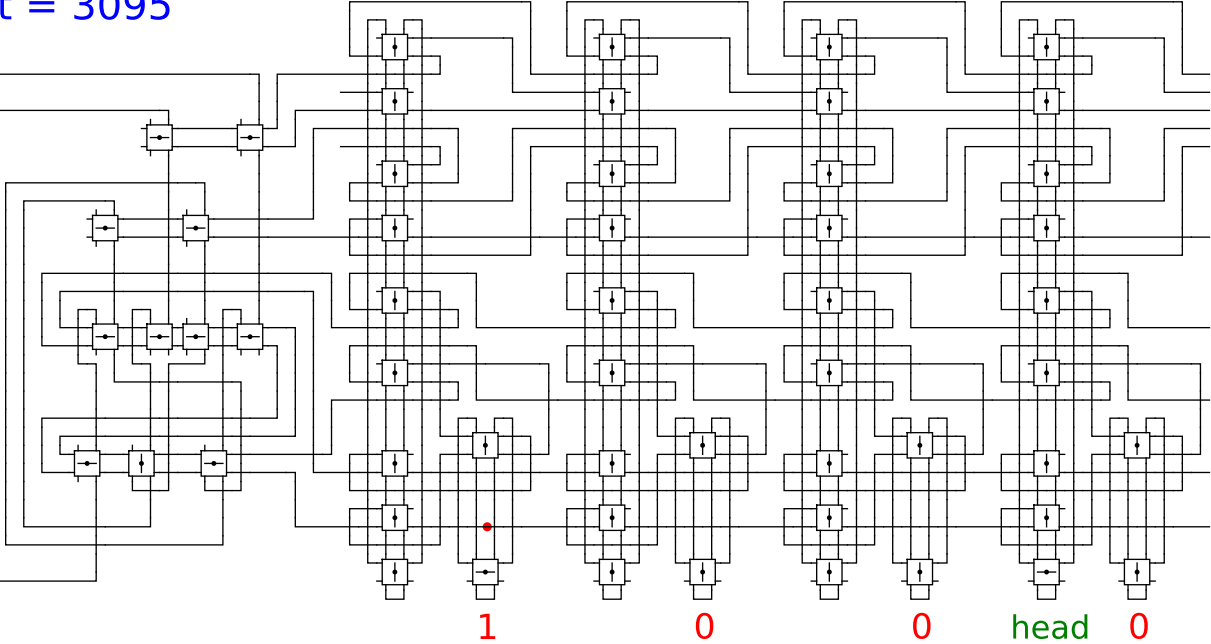
Begin



t = 3095

Reject
Accept

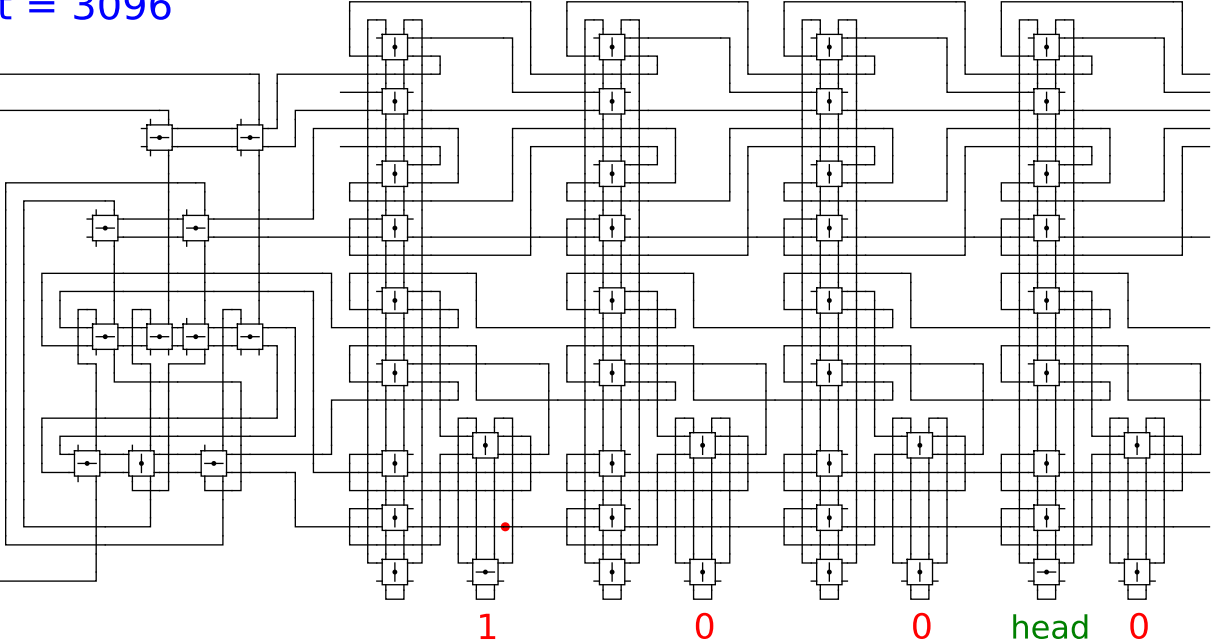
Begin



t = 3096

Reject
Accept

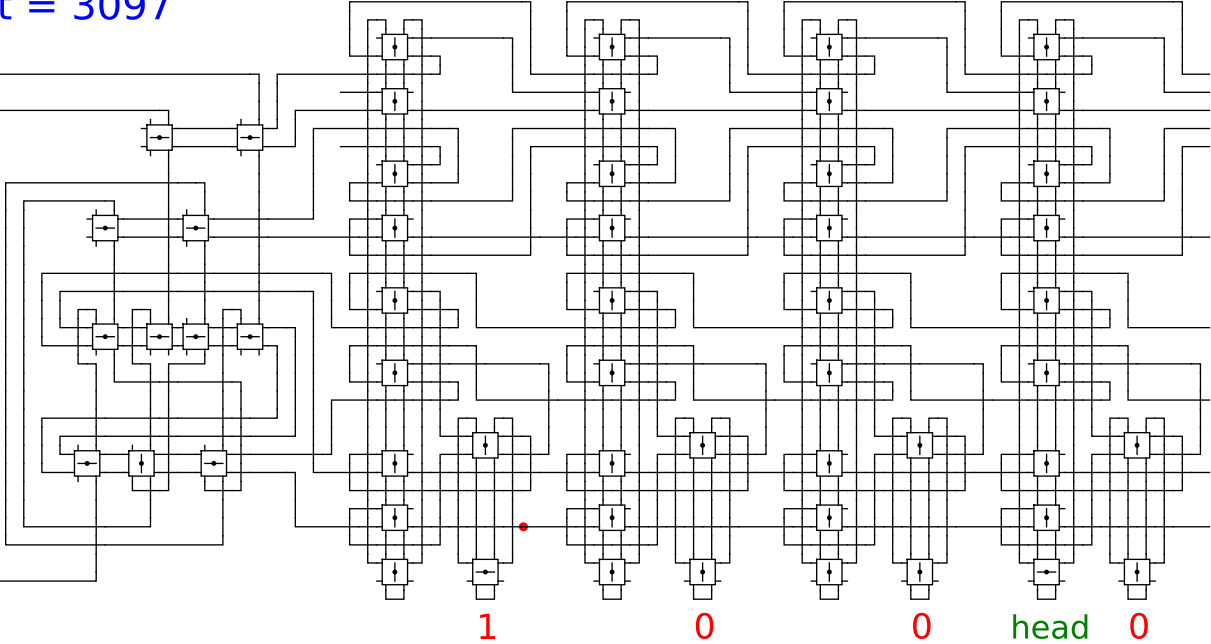
Begin



t = 3097

Reject
Accept

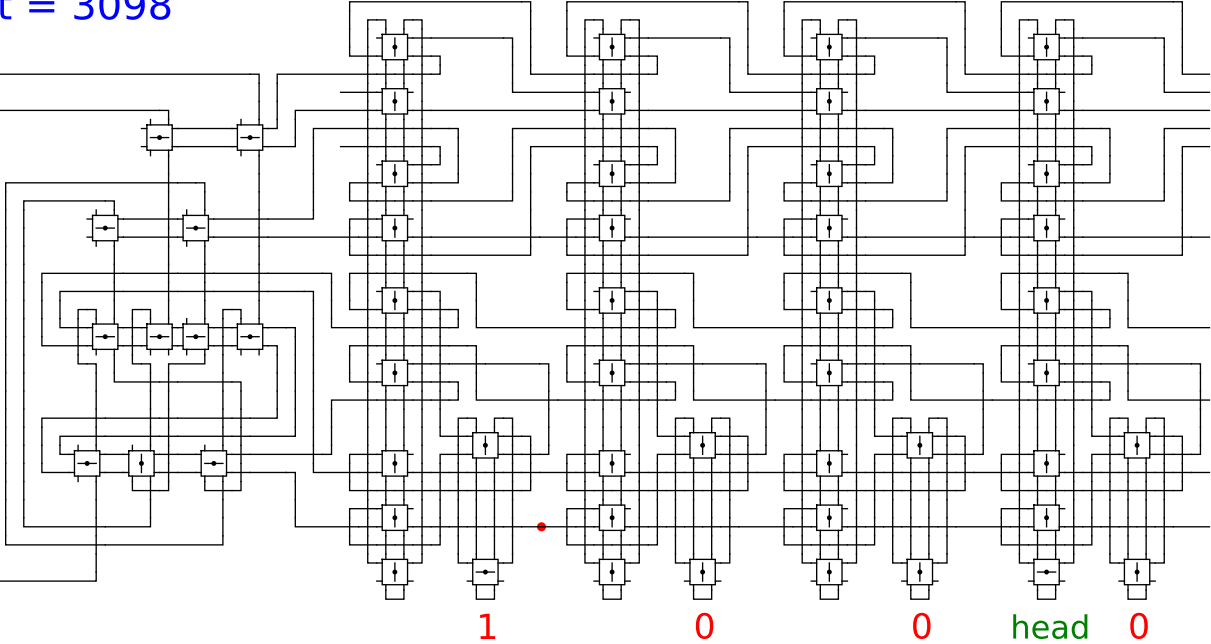
Begin



t = 3098

Reject
Accept

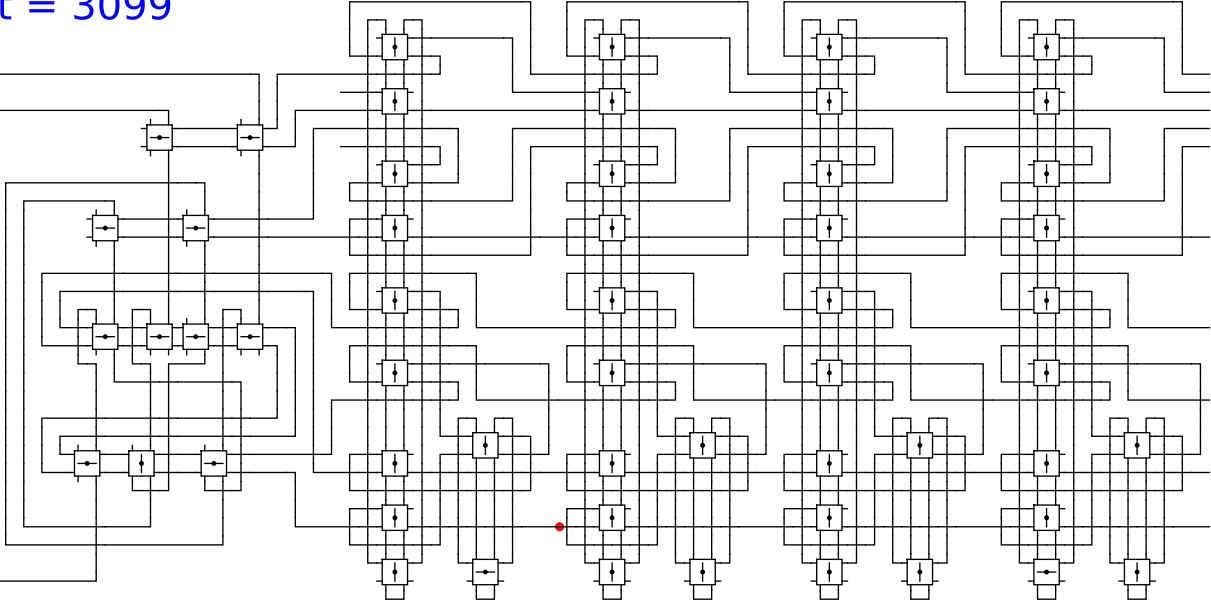
Begin



t = 3099

Reject
Accept

Begin



1

0

0

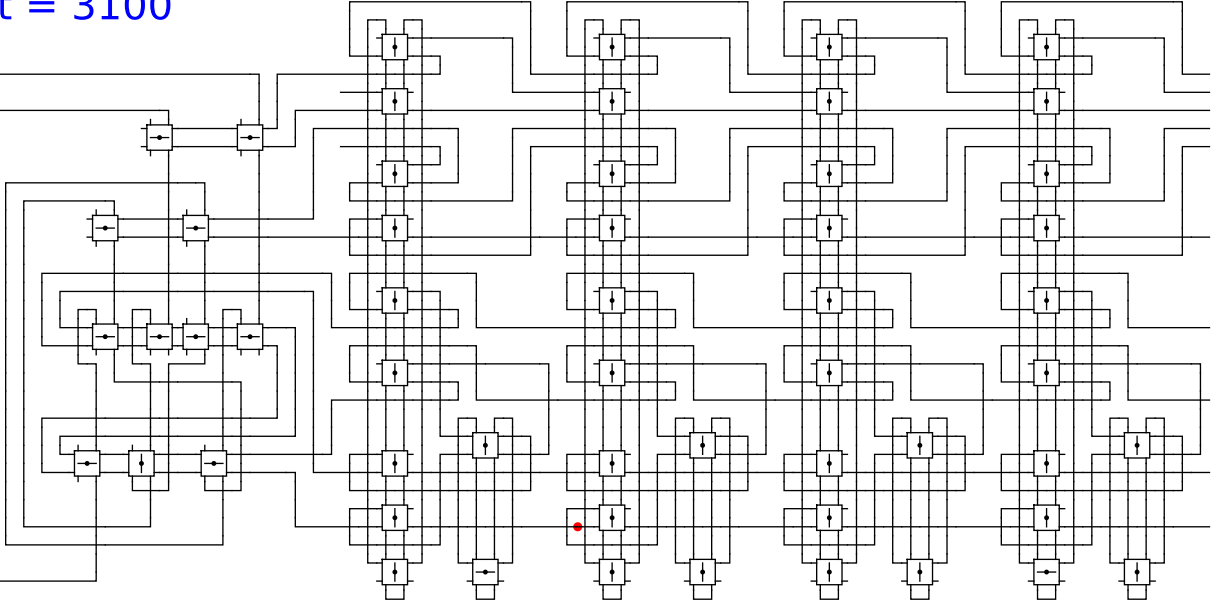
head

0

t = 3100

Reject
Accept

Begin



1

0

0

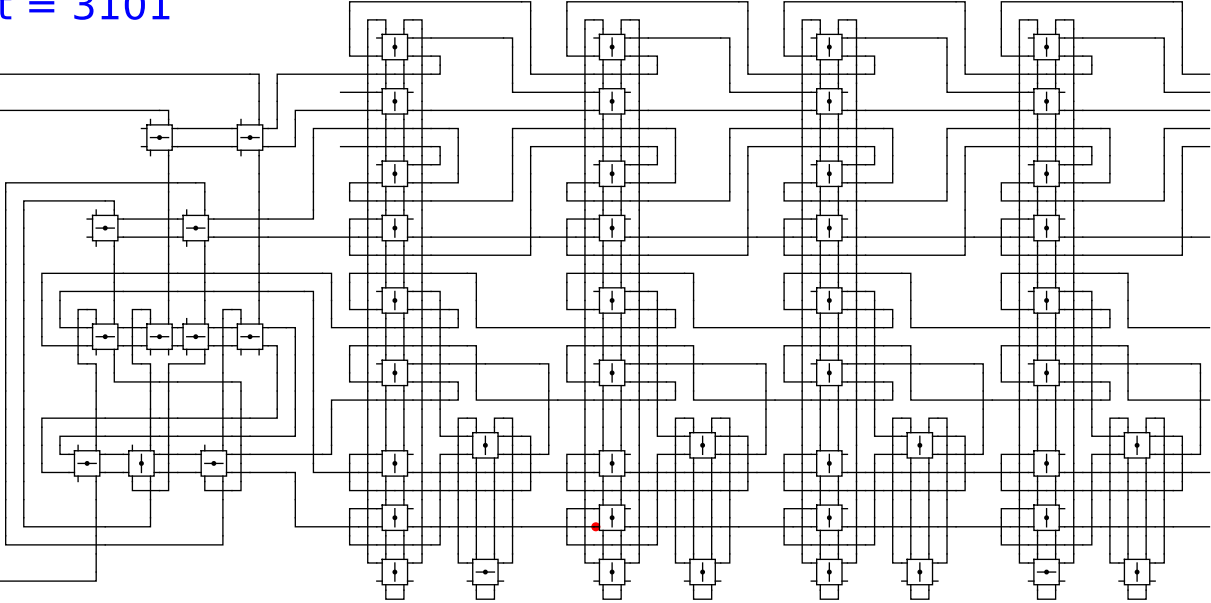
head

0

t = 3101

Reject
Accept

Begin



1

0

0

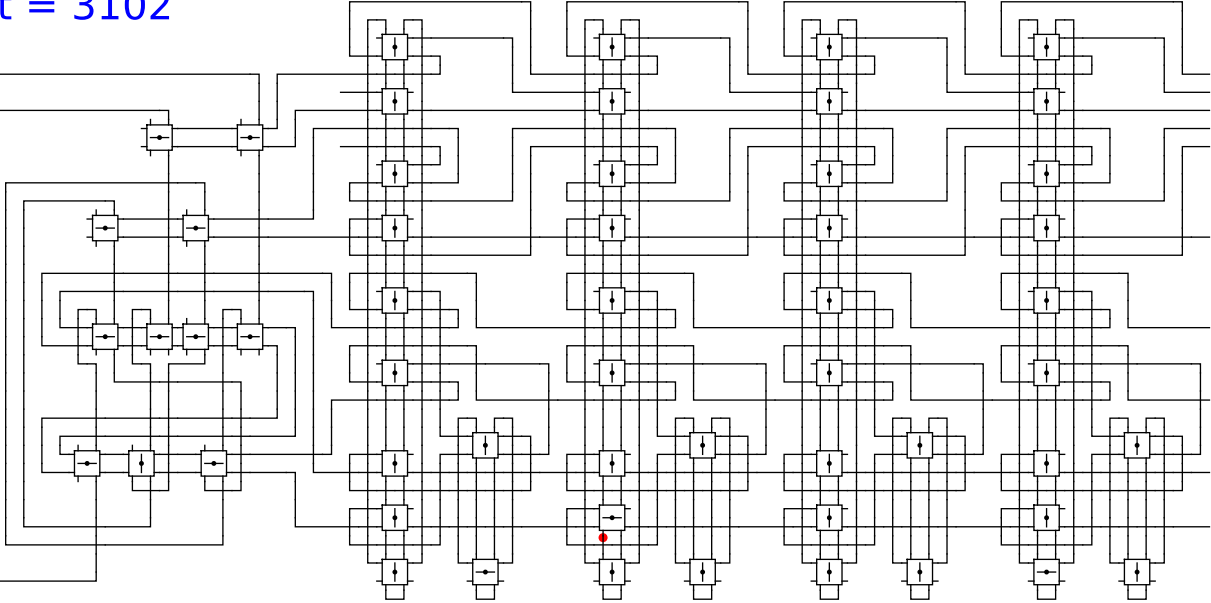
head

0

t = 3102

Reject
Accept

Begin



1

0

0

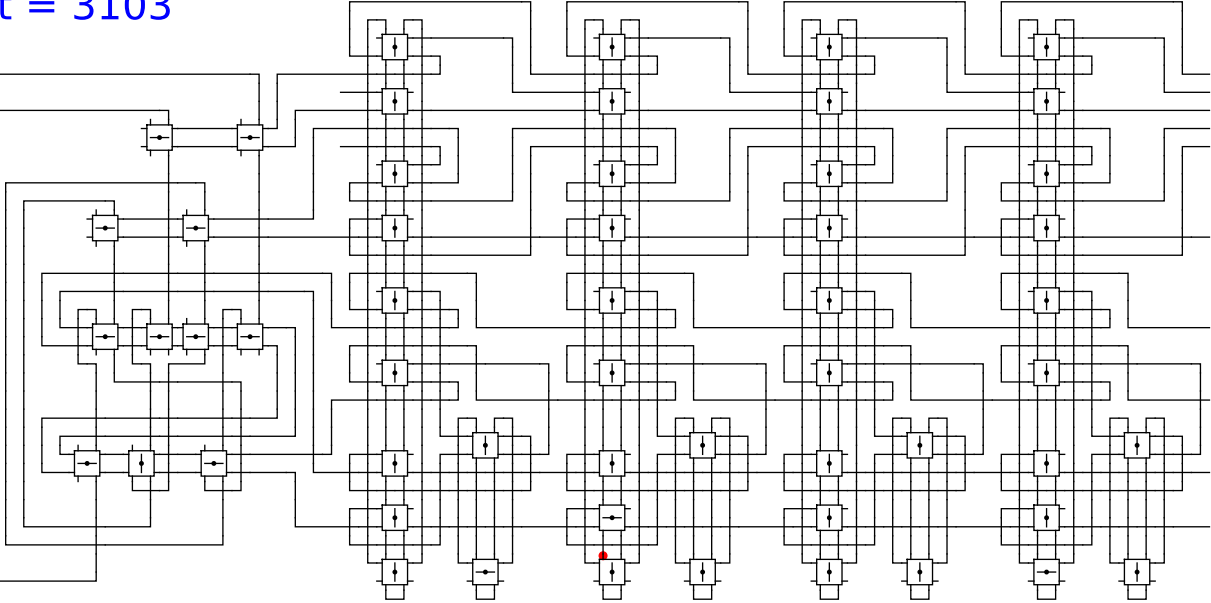
head

0

t = 3103

Reject
Accept

Begin



1

0

0

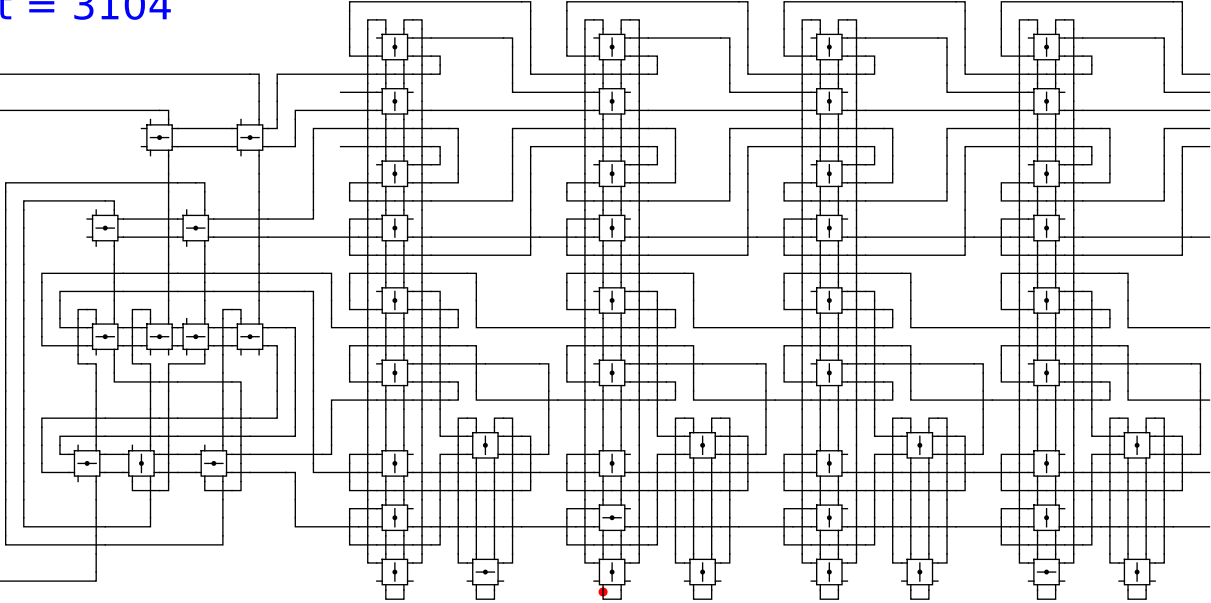
head

0

t = 3104

Reject
Accept

Begin



1

0

0

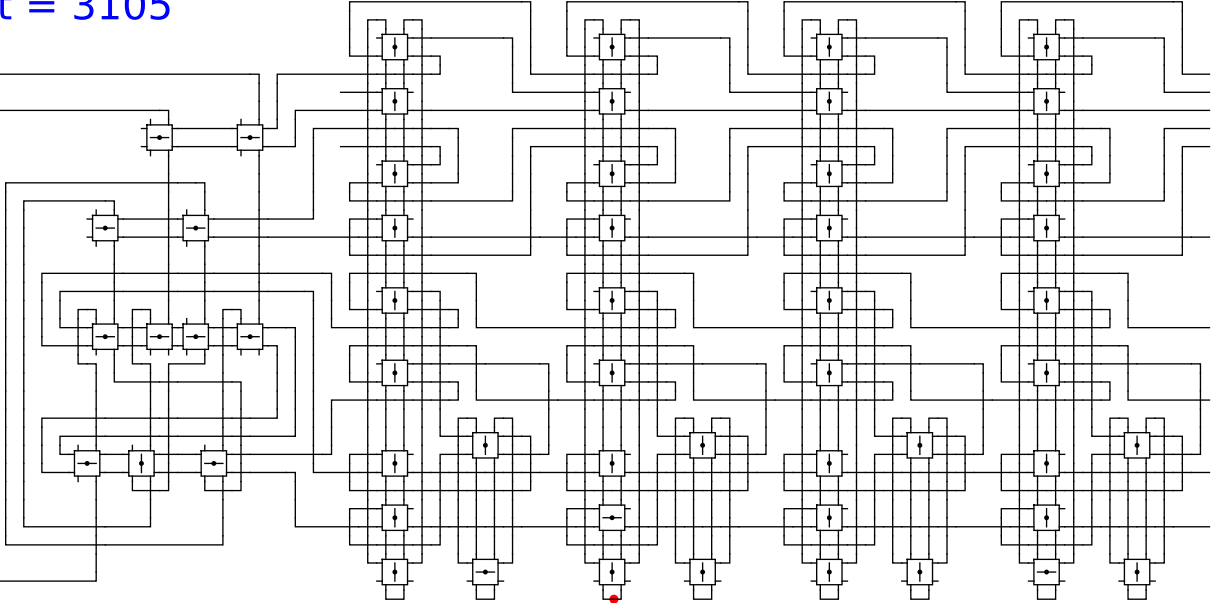
head

0

t = 3105

Reject
Accept

Begin



1

0

0

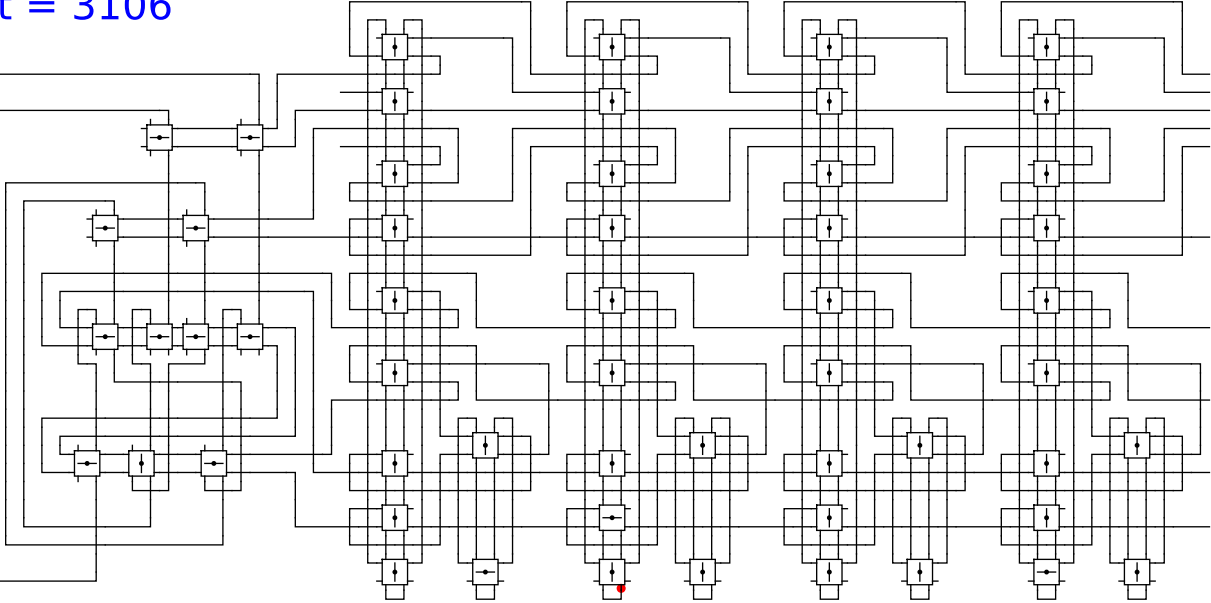
head

0

t = 3106

Reject
Accept

Begin

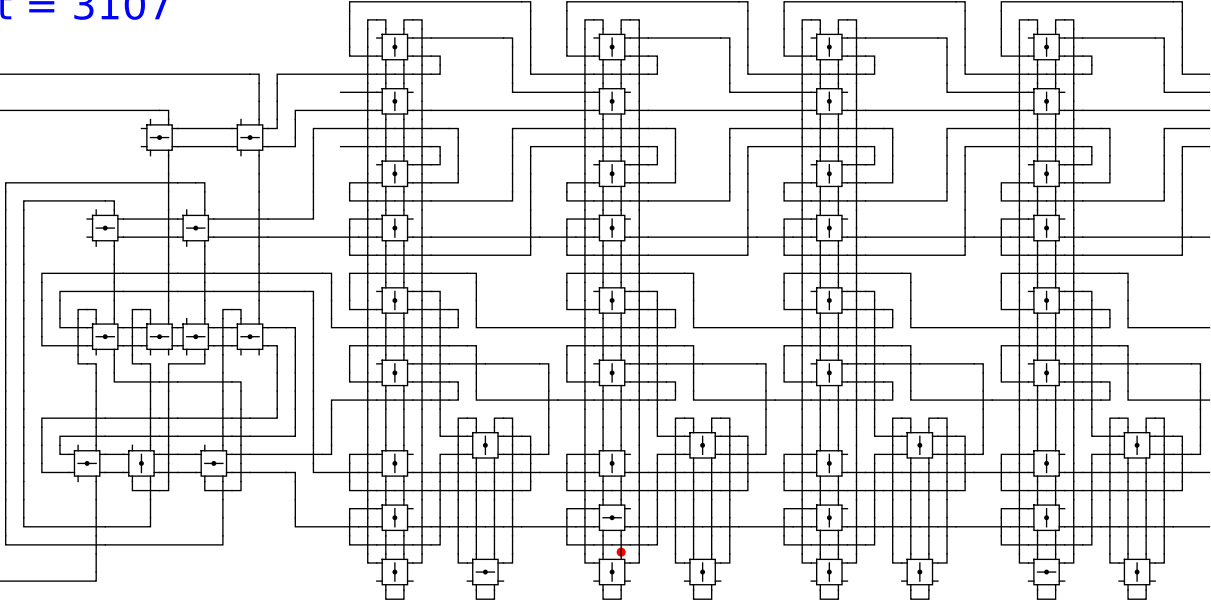


1 0 0 head 0

t = 3107

Reject
Accept

Begin



1

0

0

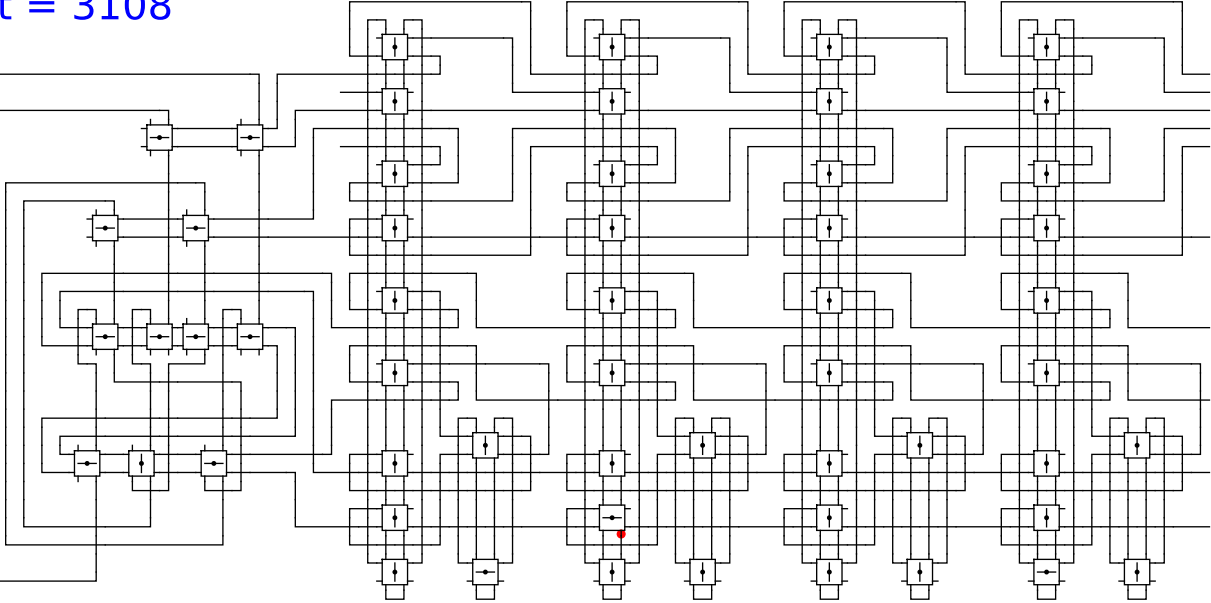
head

0

t = 3108

Reject
Accept

Begin

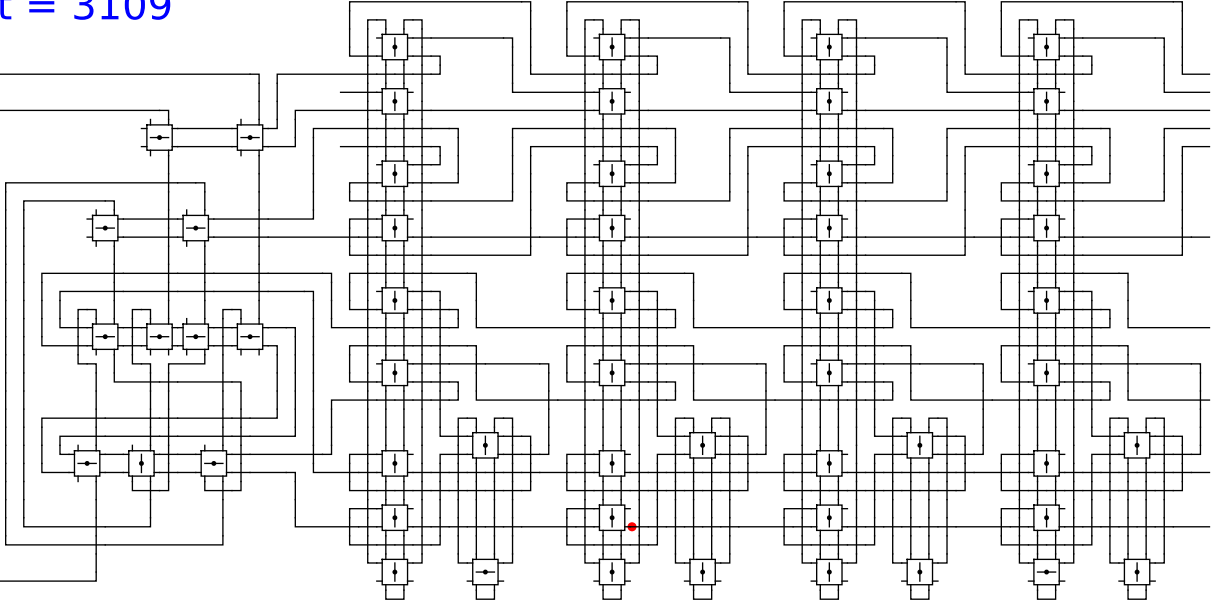


1 0 0 head 0

t = 3109

Reject
Accept

Begin



1

0

0

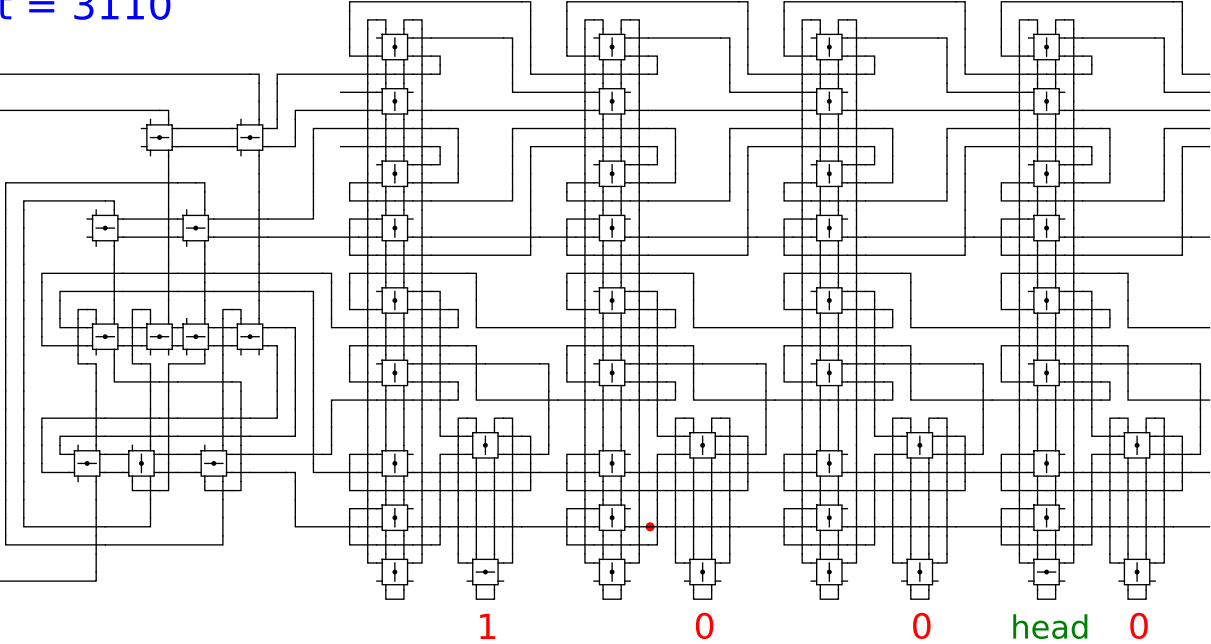
head

0

t = 3110

Reject
Accept

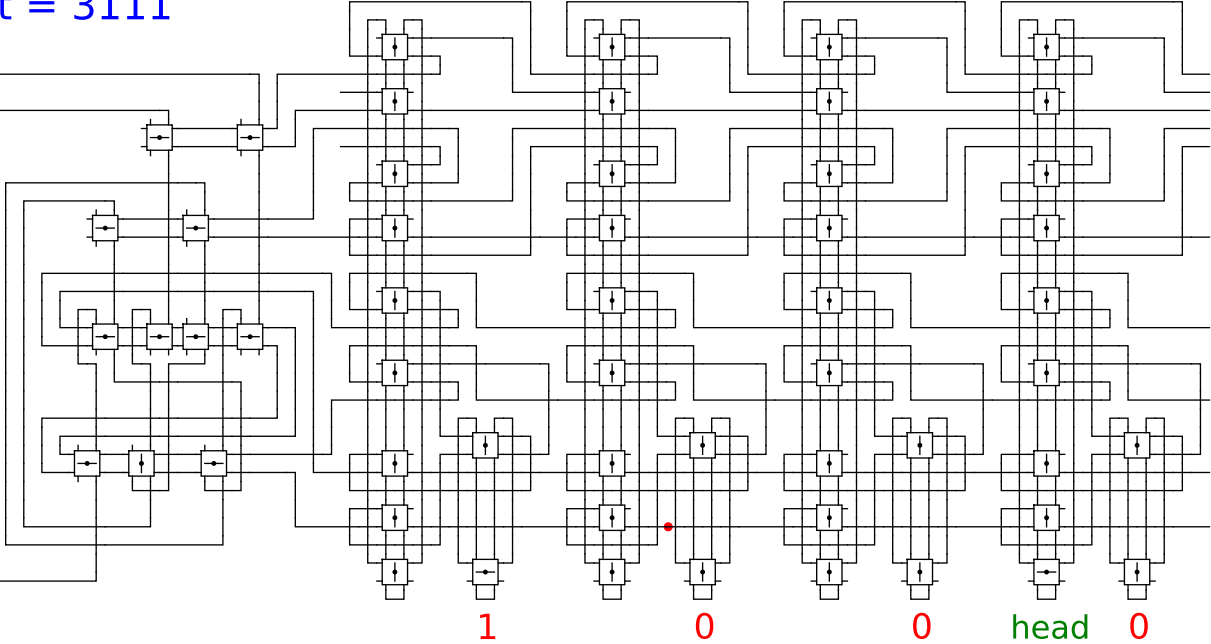
Begin



t = 3111

Reject
Accept

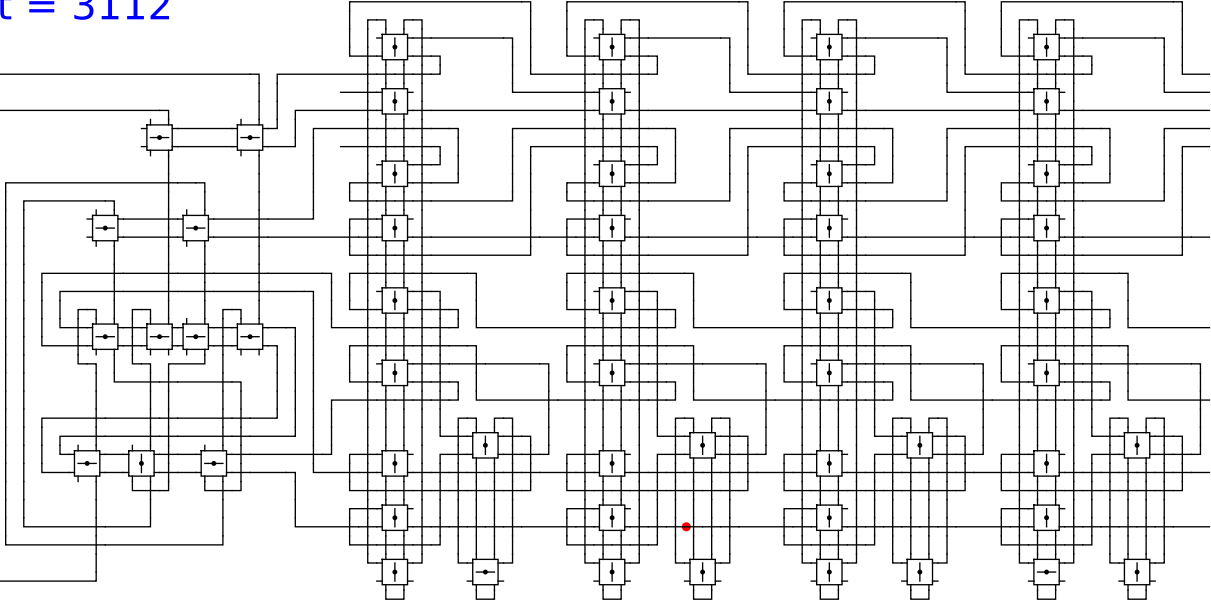
Begin



t = 3112

Reject
Accept

Begin



1

0

0

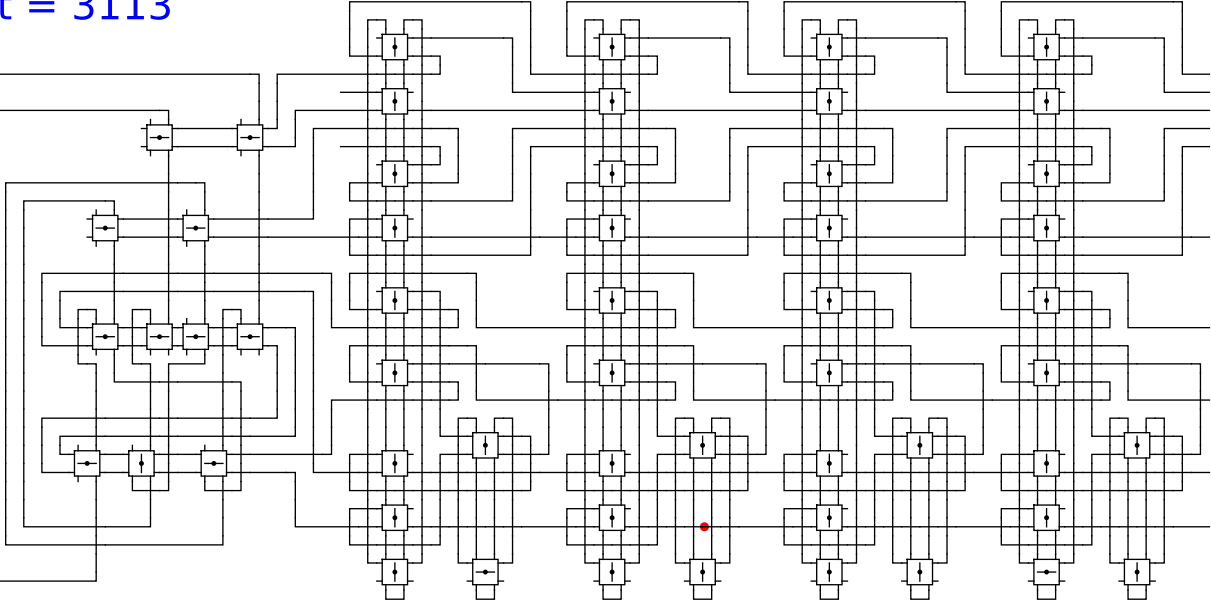
head

0

t = 3113

Reject
Accept

Begin



1

0

0

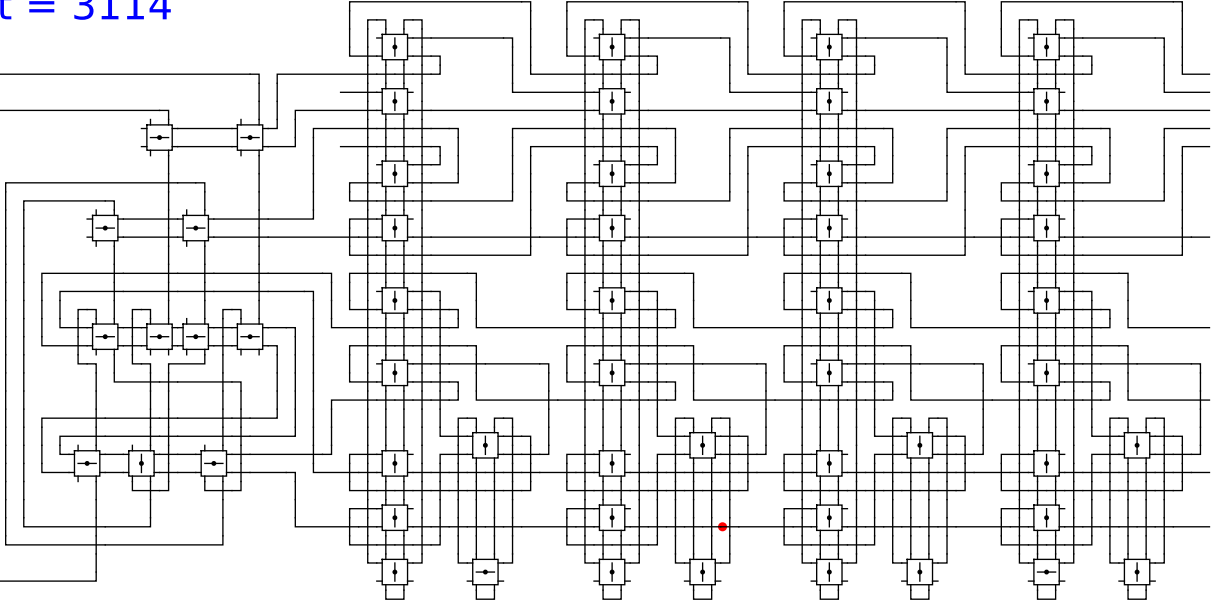
head

0

t = 3114

Reject
Accept

Begin



1

0

0

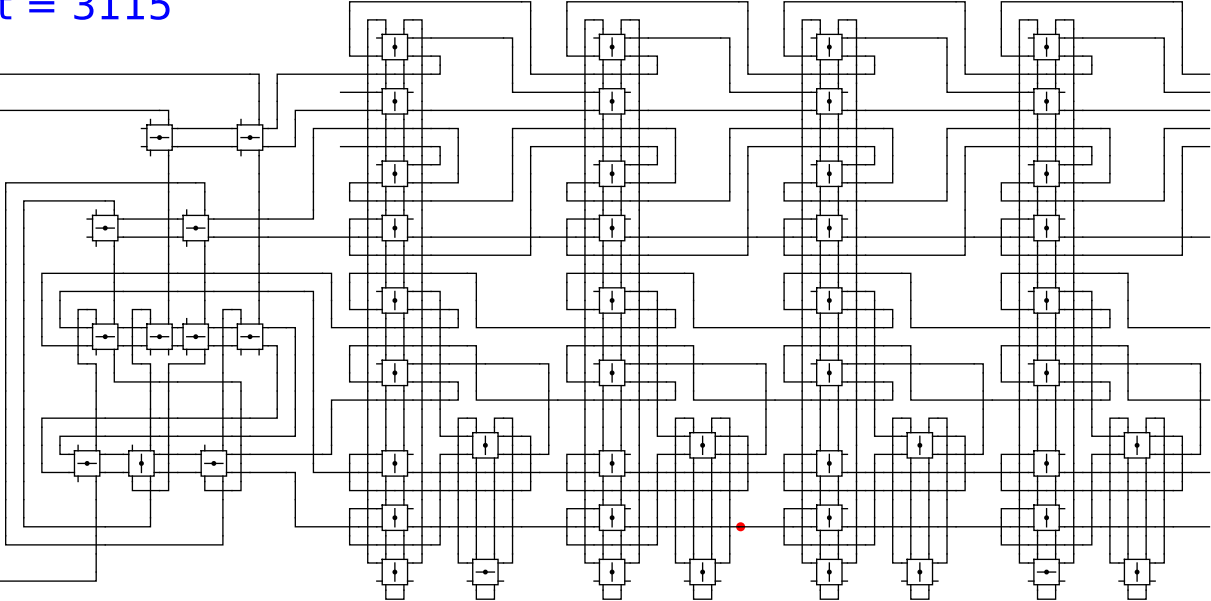
head

0

t = 3115

Reject
Accept

Begin



1

0

0

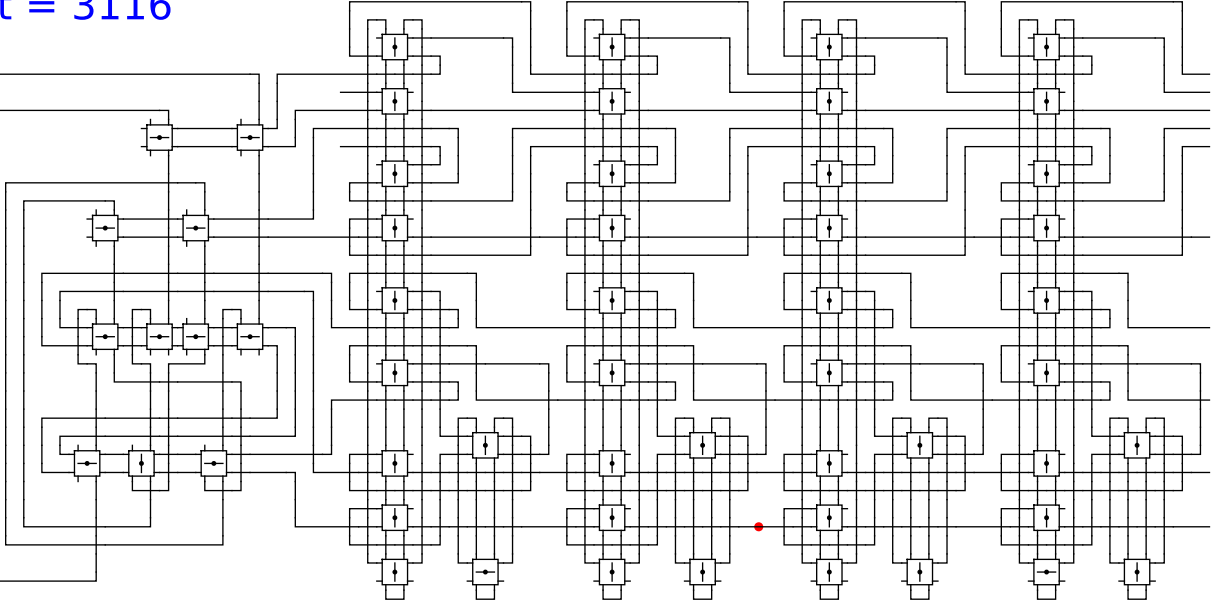
head

0

t = 3116

Reject
Accept

Begin



1

0

0

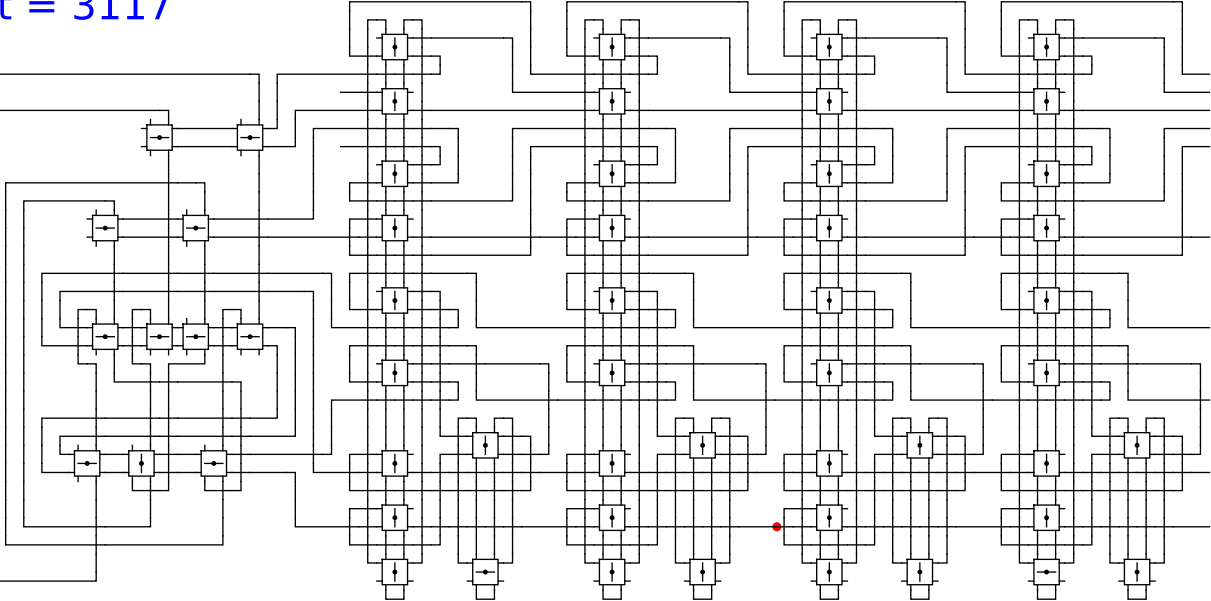
head

0

t = 3117

Reject
Accept

Begin



1

0

0

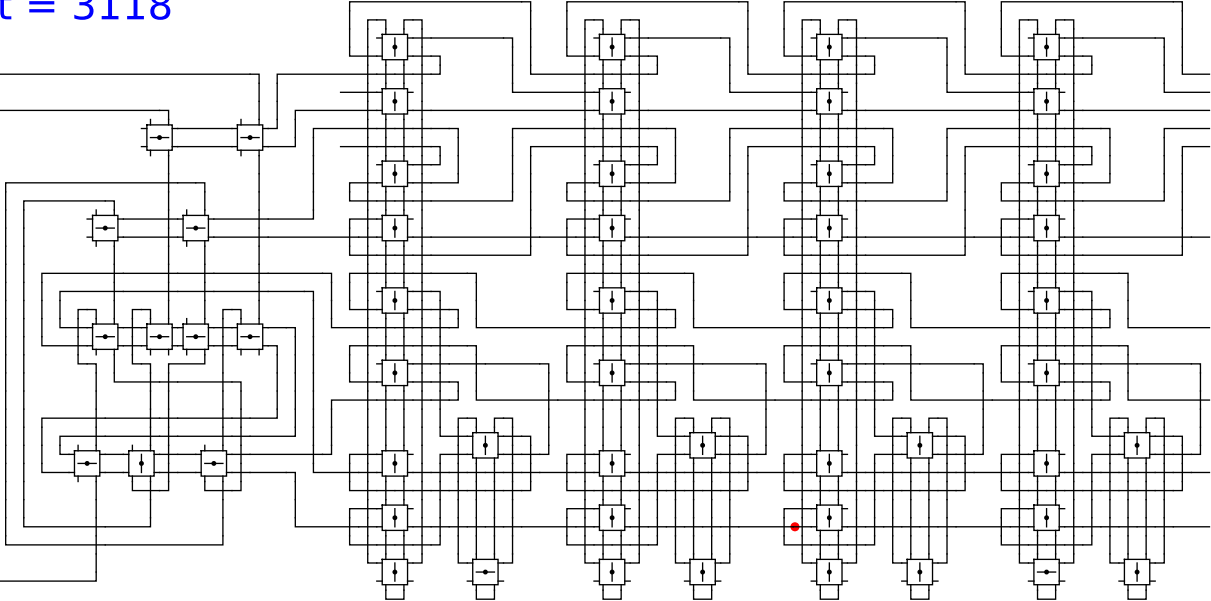
head

0

t = 3118

Reject
Accept

Begin



1

0

0

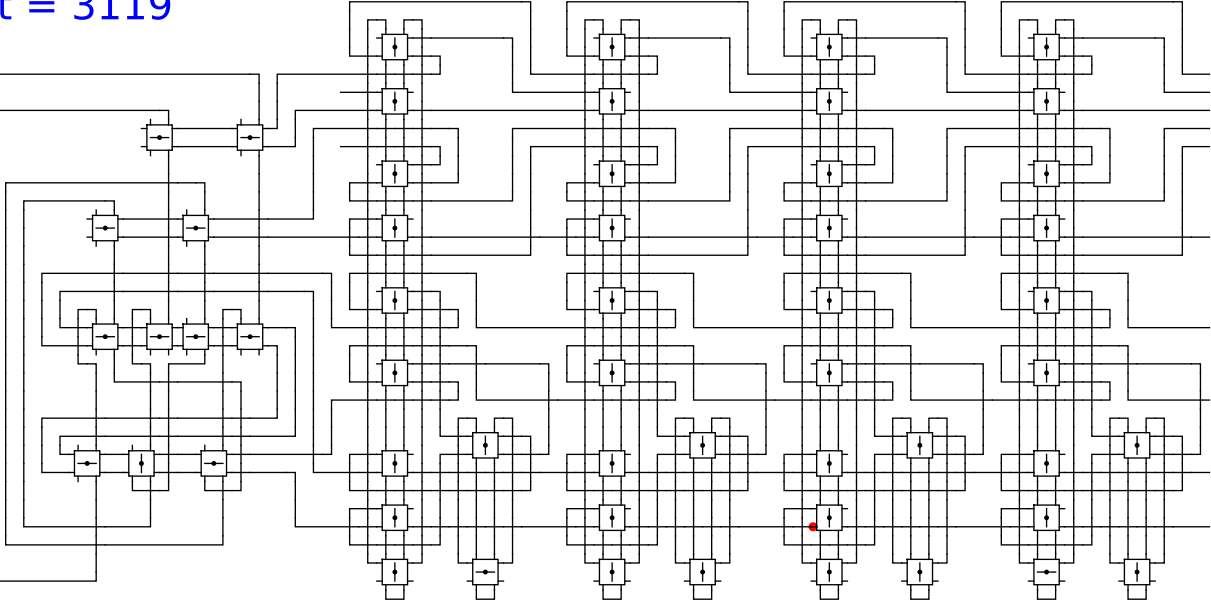
head

0

t = 3119

Reject
Accept

Begin



1

0

0

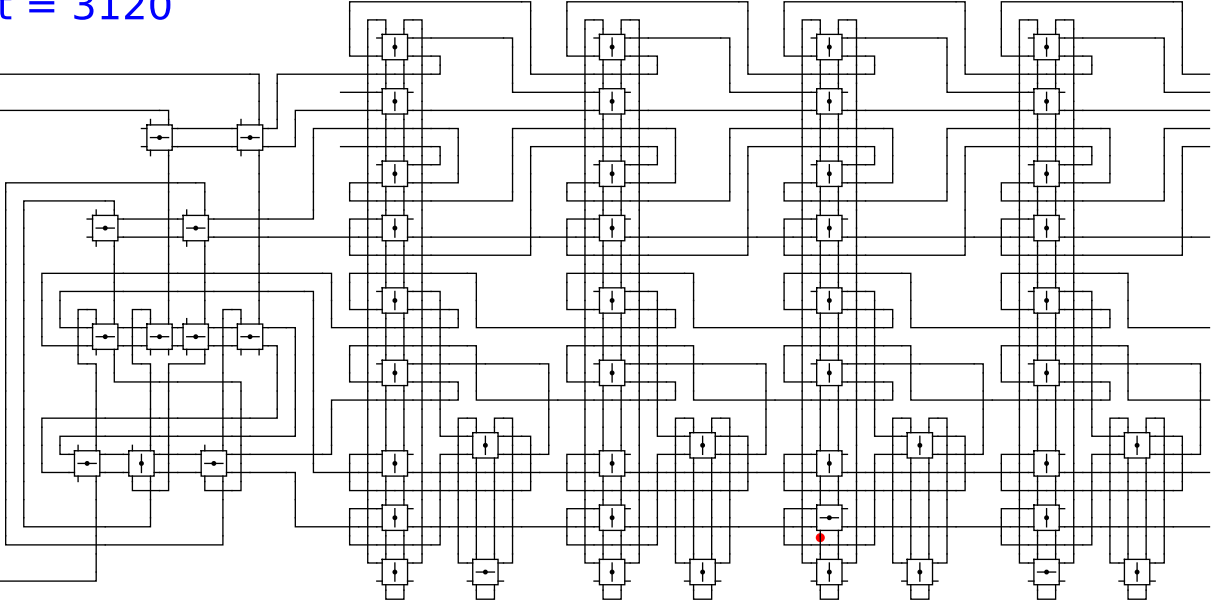
head

0

t = 3120

Reject
Accept

Begin



1

0

0

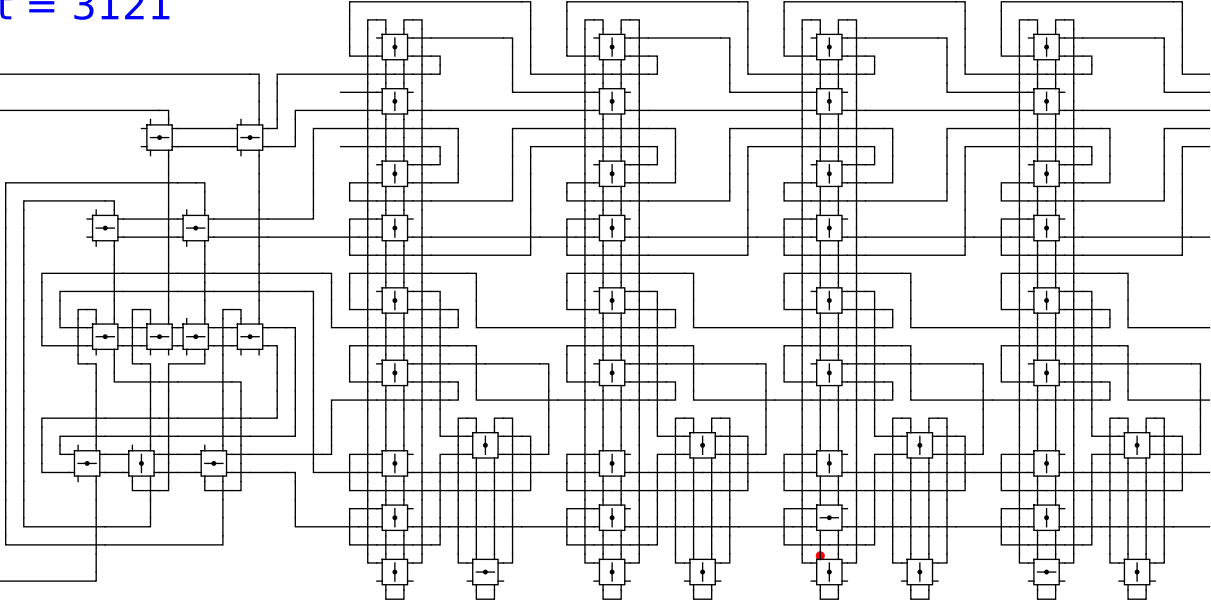
head

0

t = 3121

Reject
Accept

Begin



1

0

0

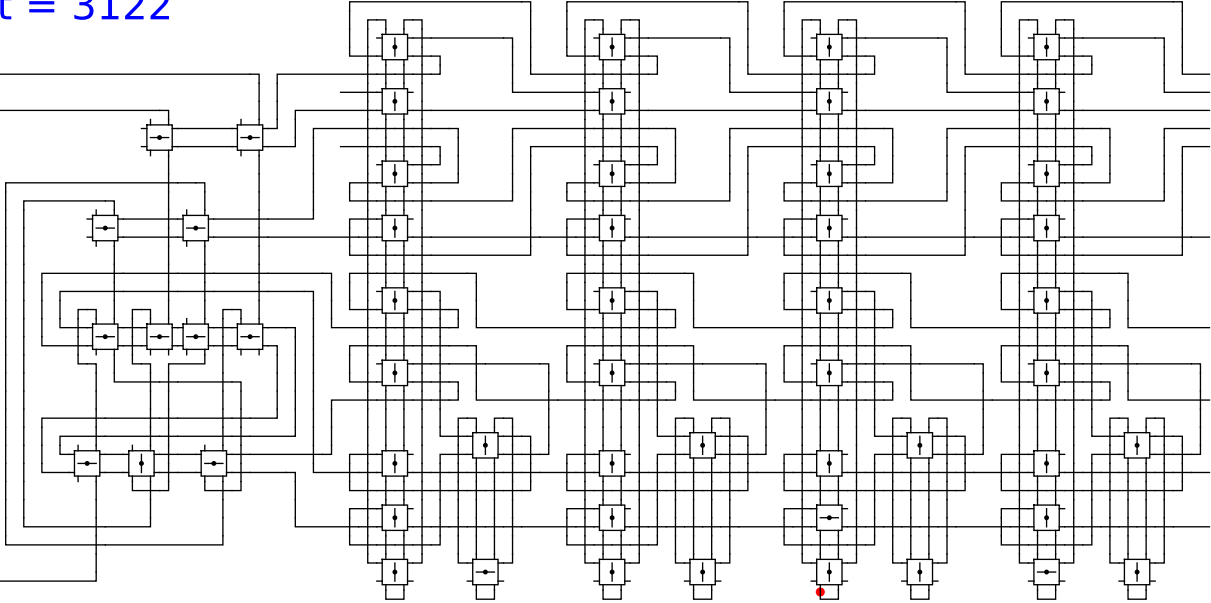
head

0

t = 3122

Reject
Accept

Begin



1

0

0

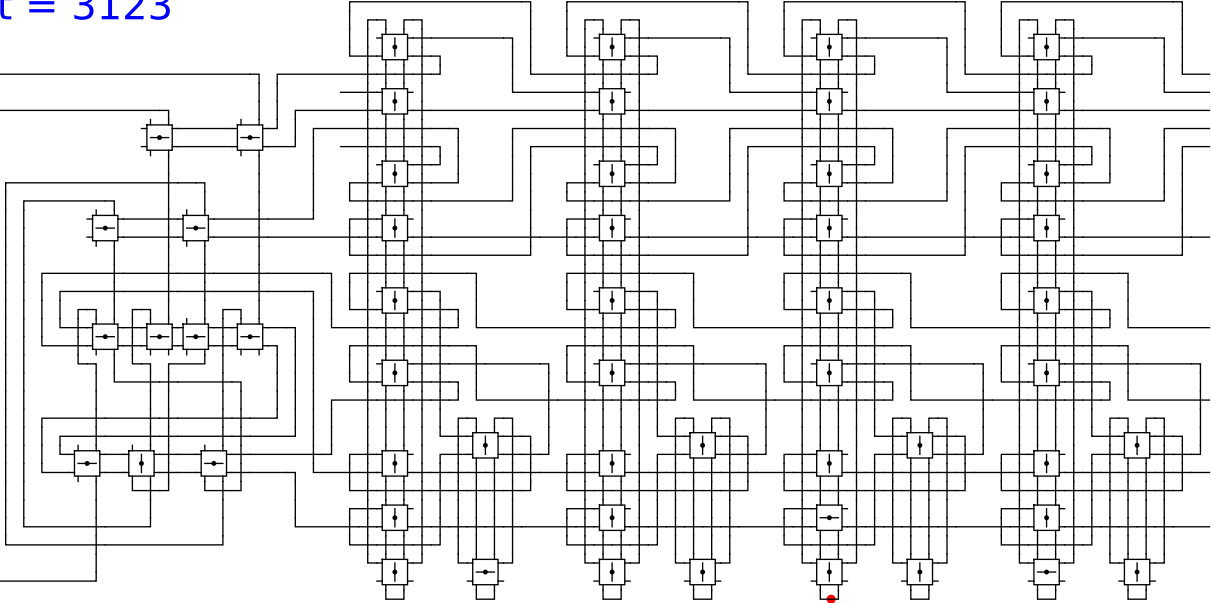
head

0

t = 3123

Reject
Accept

Begin

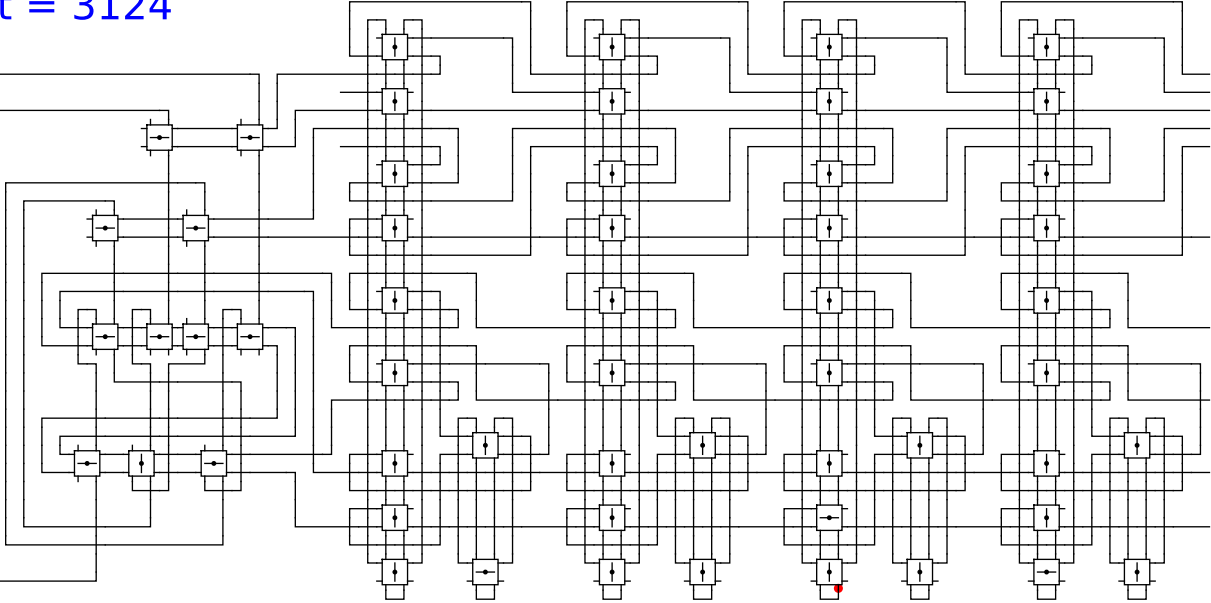


1 0 0 head 0

t = 3124

Reject
Accept

Begin



1

0

0

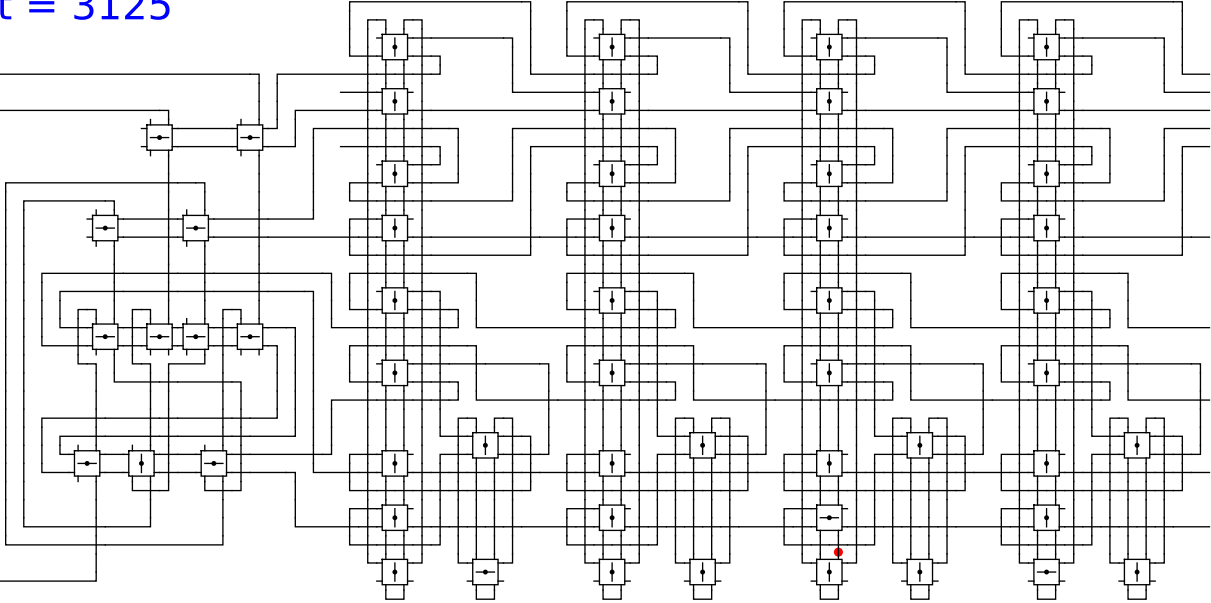
head

0

t = 3125

Reject
Accept

Begin

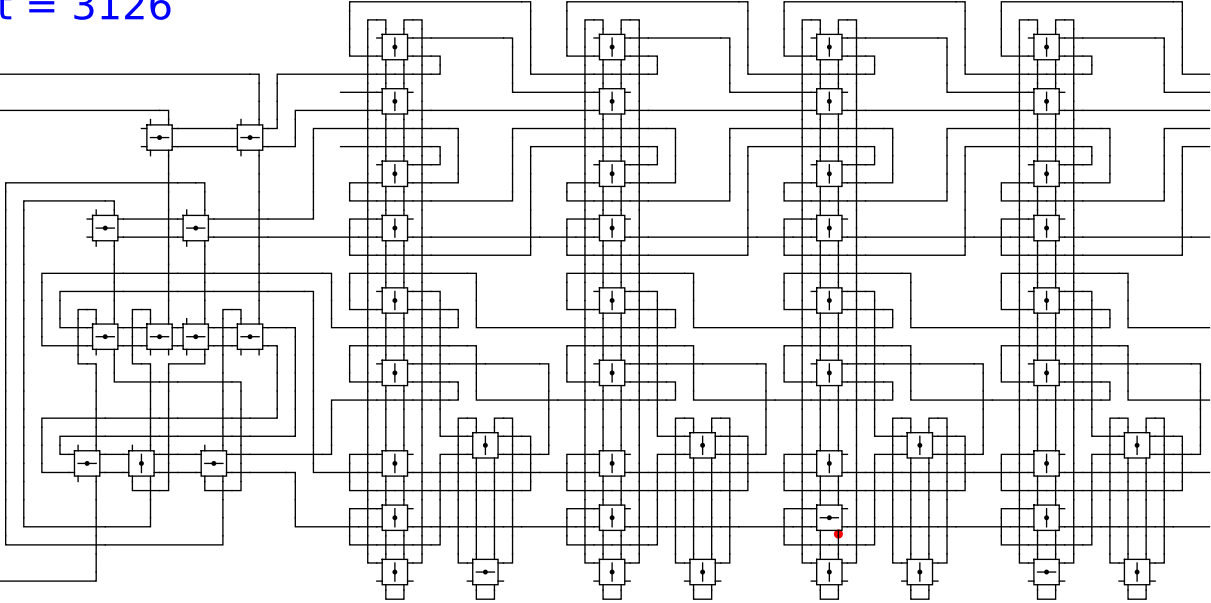


1 0 0 head 0

t = 3126

Reject
Accept

Begin

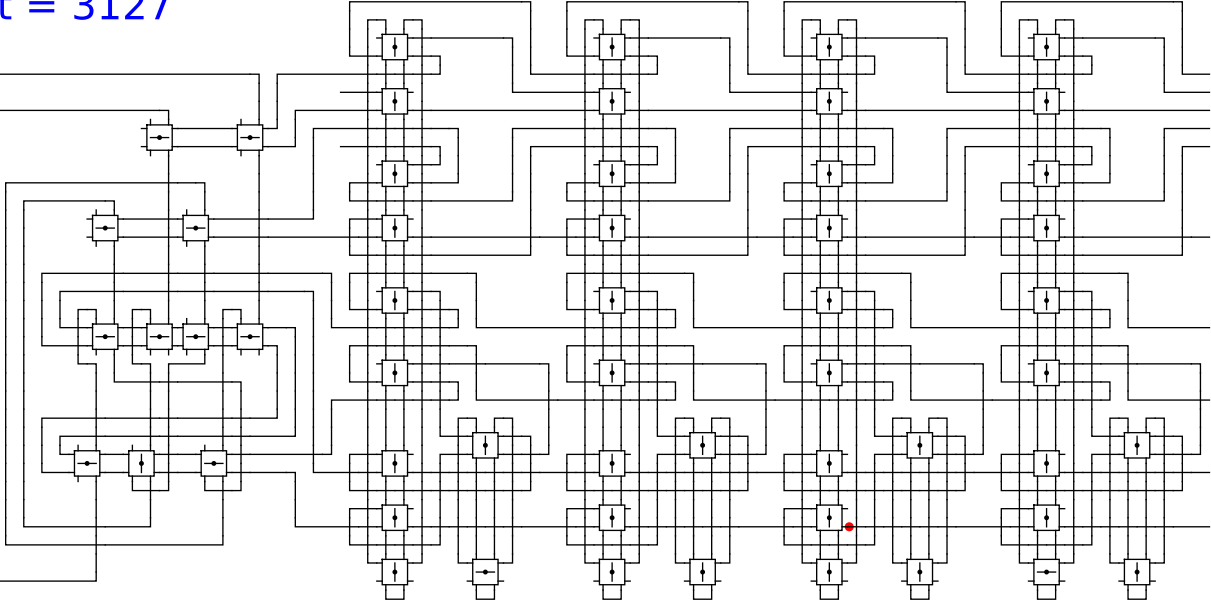


1 0 0 head 0

t = 3127

Reject
Accept

Begin



1

0

0

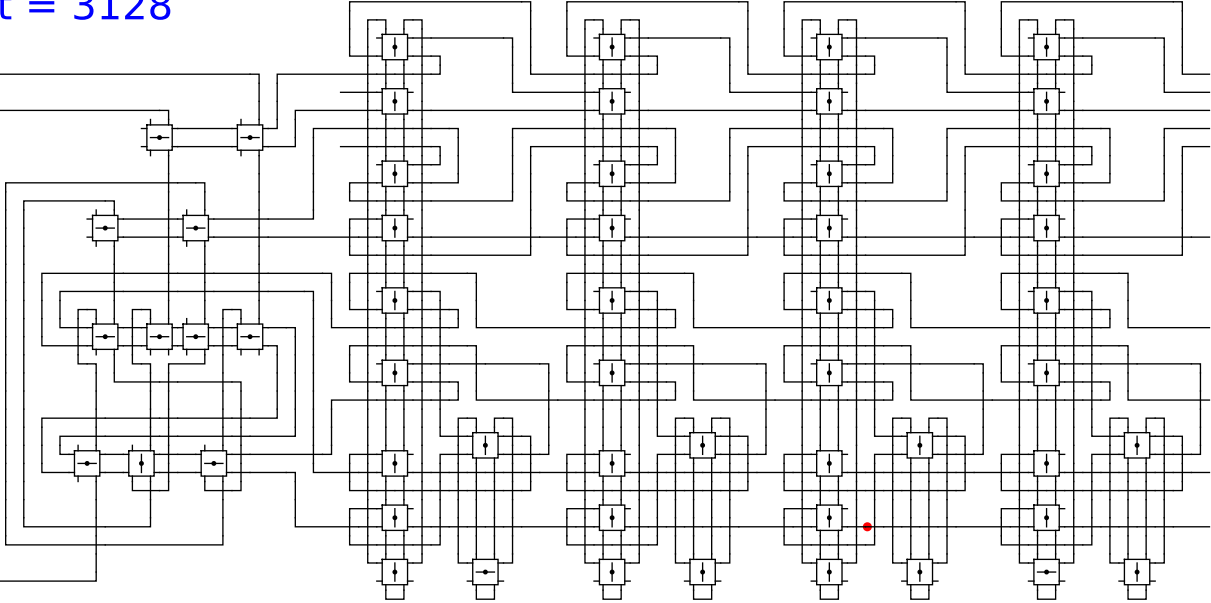
head

0

t = 3128

Reject
Accept

Begin



1

0

0

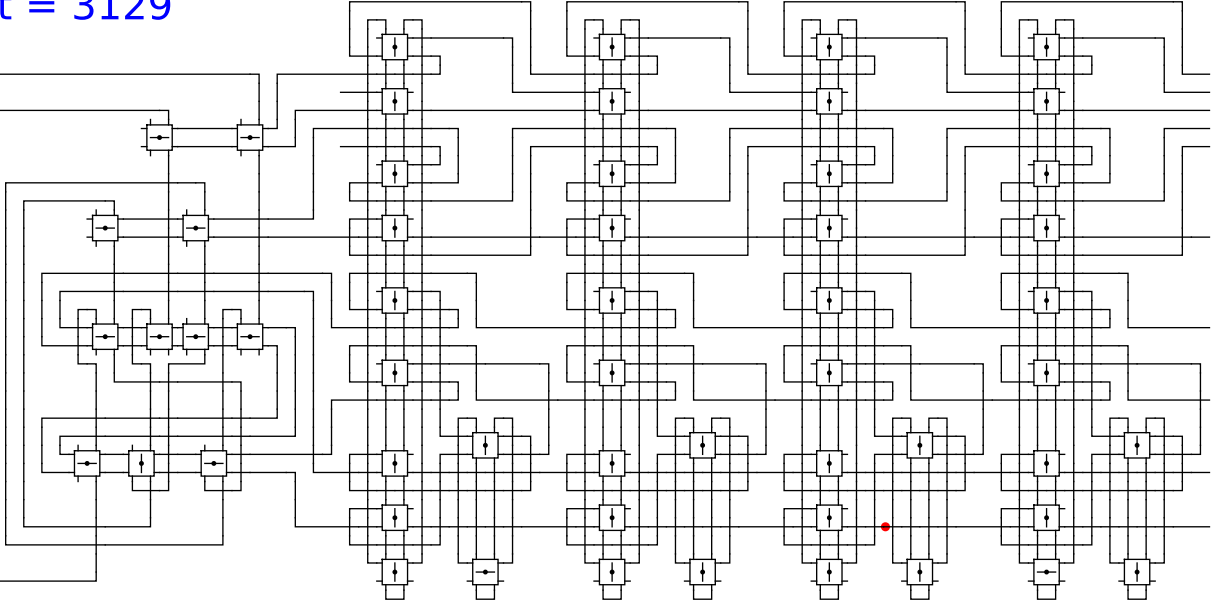
head

0

t = 3129

Reject
Accept

Begin



1

0

0

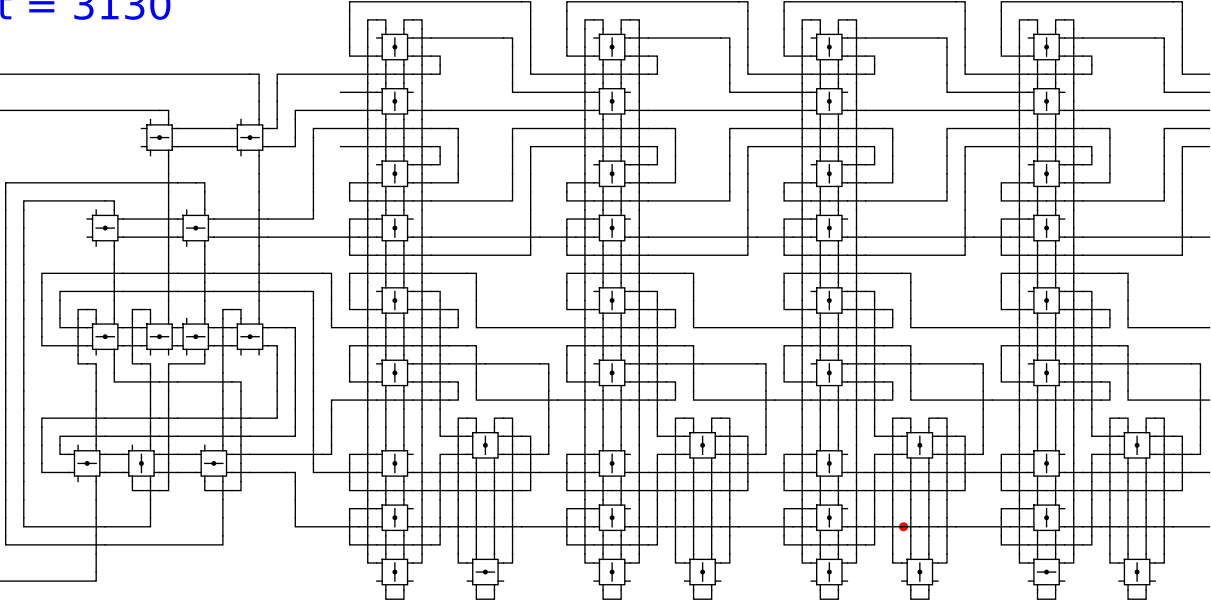
head

0

t = 3130

Reject
Accept

Begin

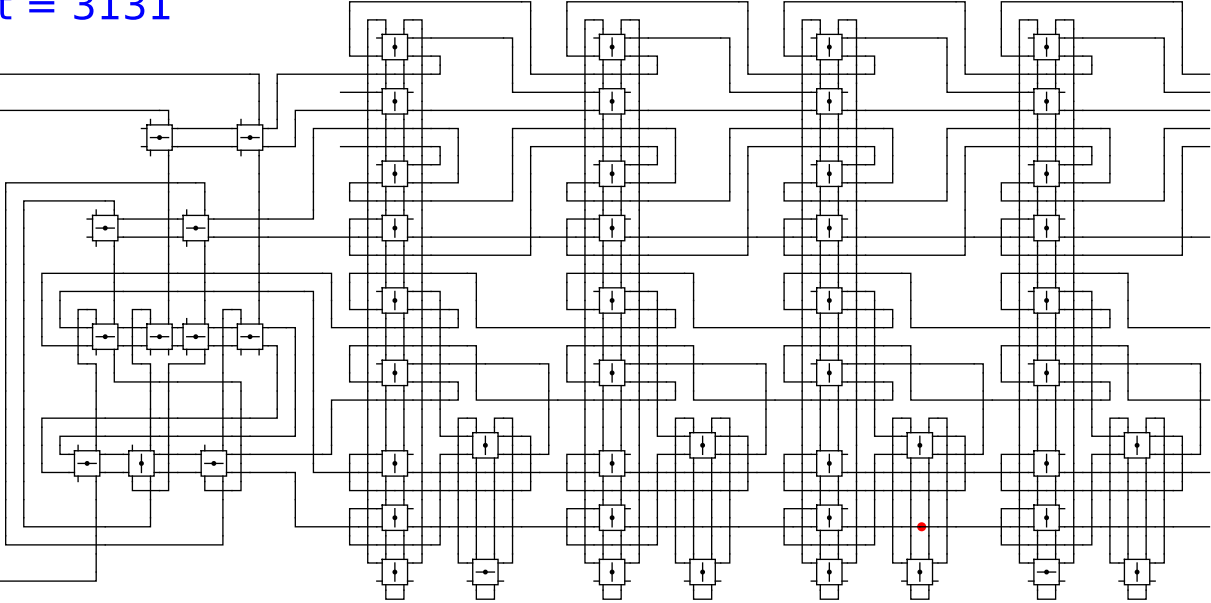


1 0 0 head 0

t = 3131

Reject
Accept

Begin



1

0

0

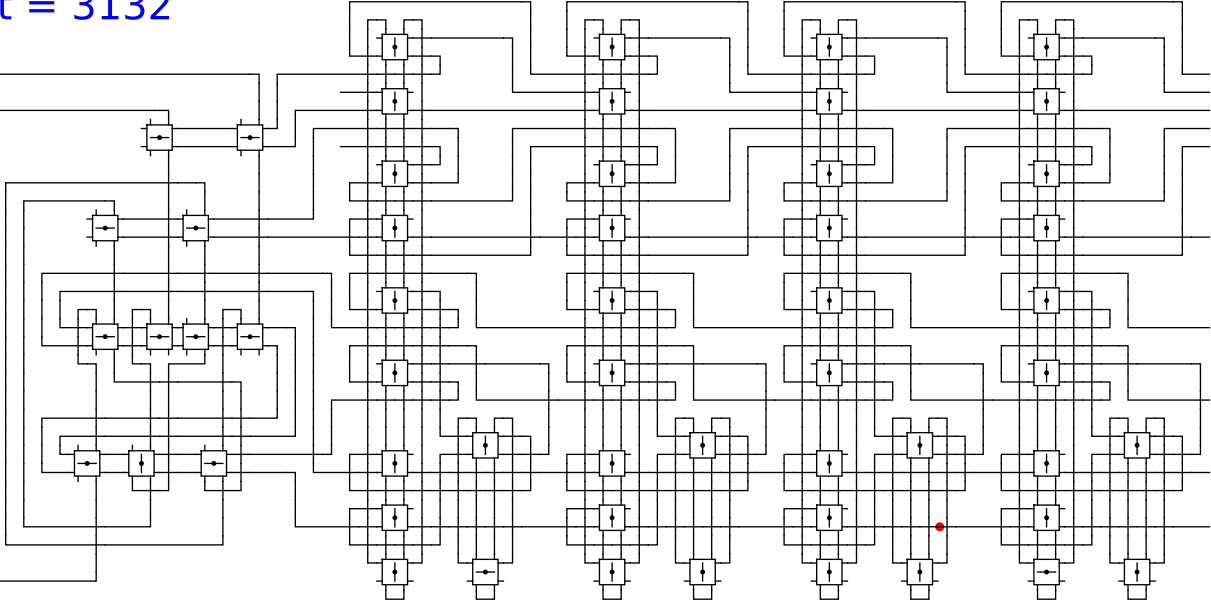
head

0

t = 3132

Reject
Accept

Begin



1

0

0

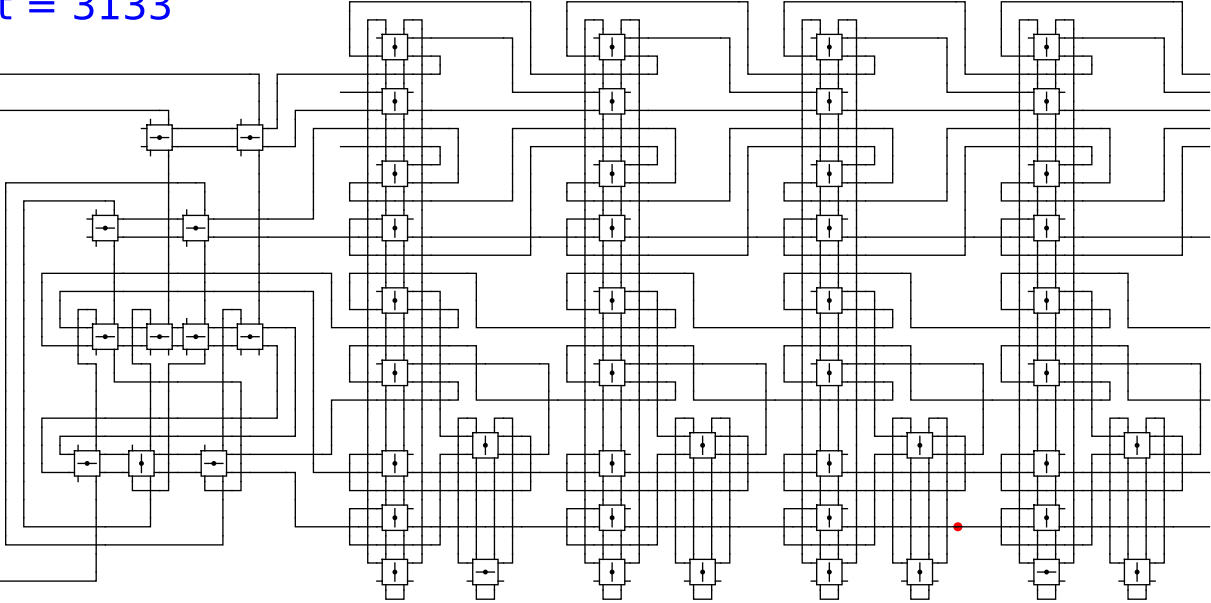
head

0

t = 3133

Reject
Accept

Begin



1

0

0

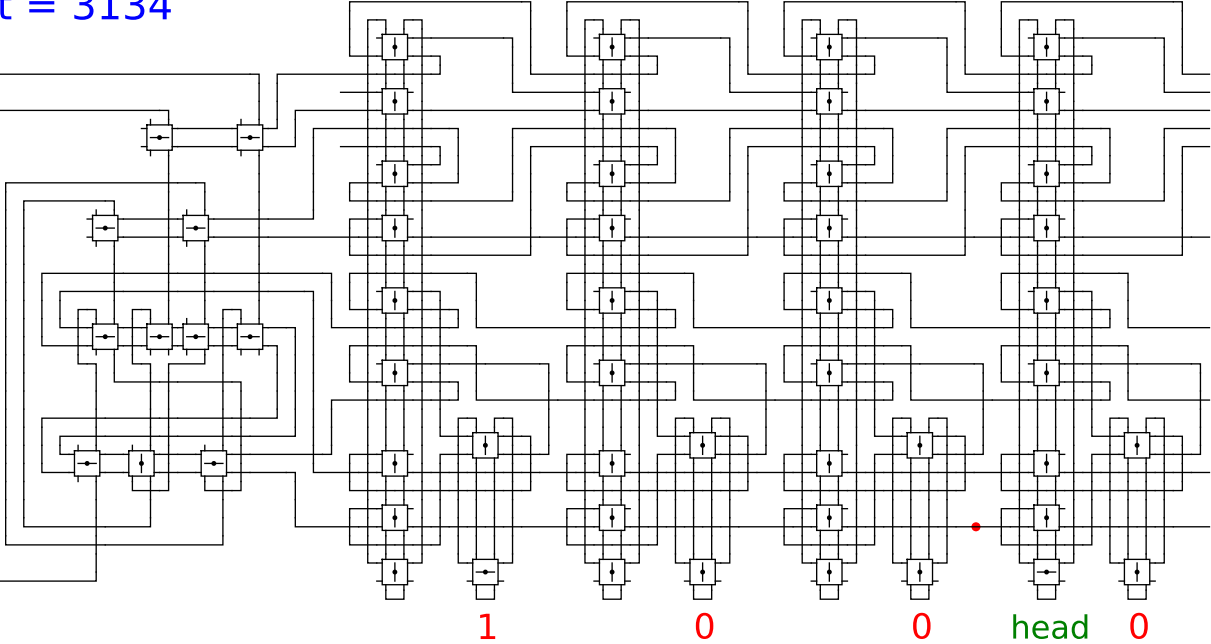
head

0

t = 3134

Reject
Accept

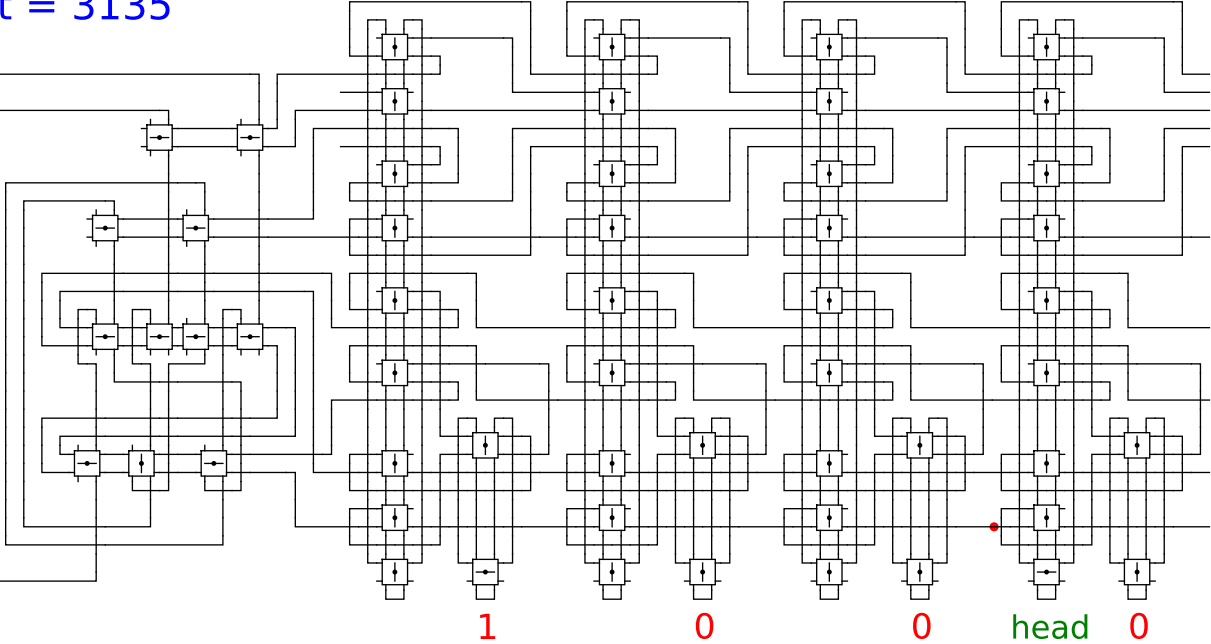
Begin



t = 3135

Reject
Accept

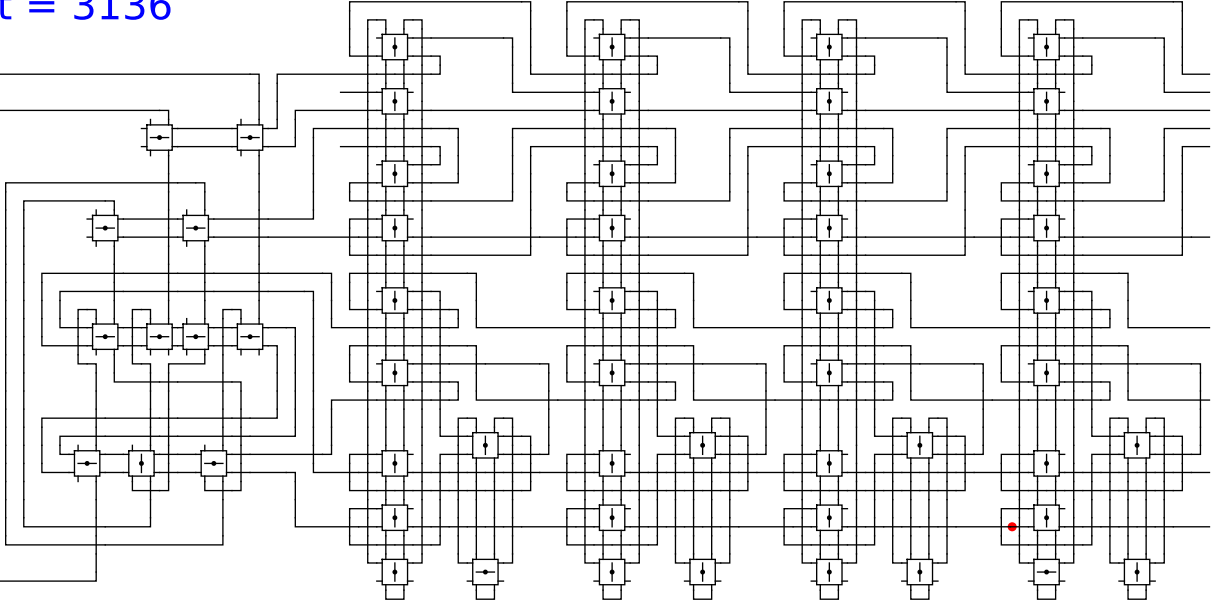
Begin



t = 3136

Reject
Accept

Begin



1

0

0

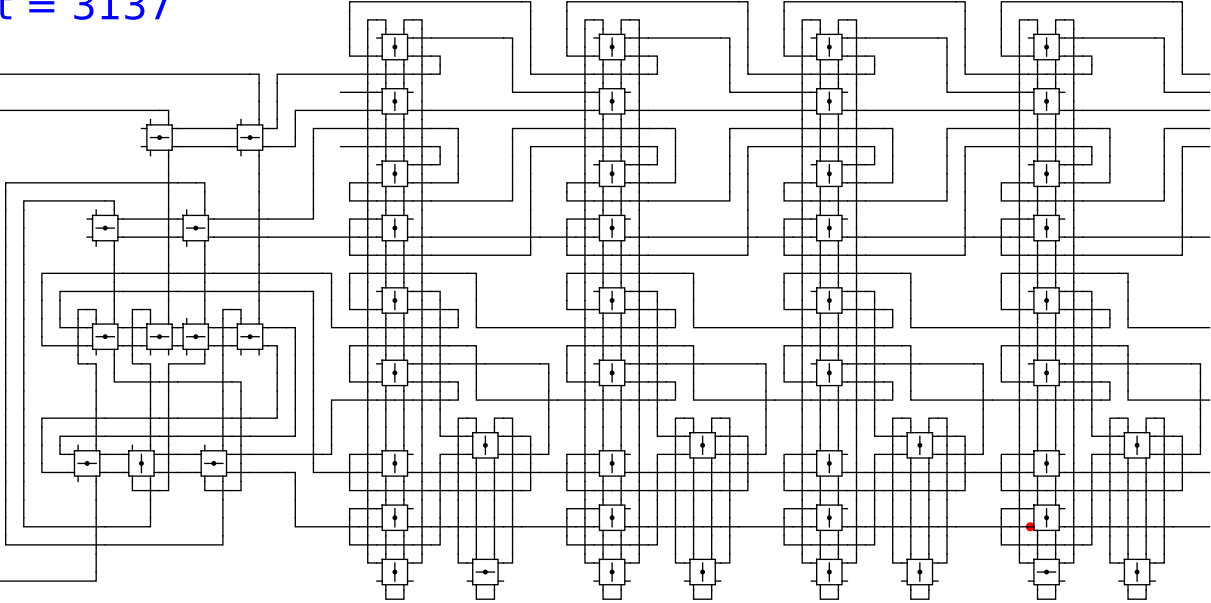
head

0

t = 3137

Reject
Accept

Begin



1

0

0

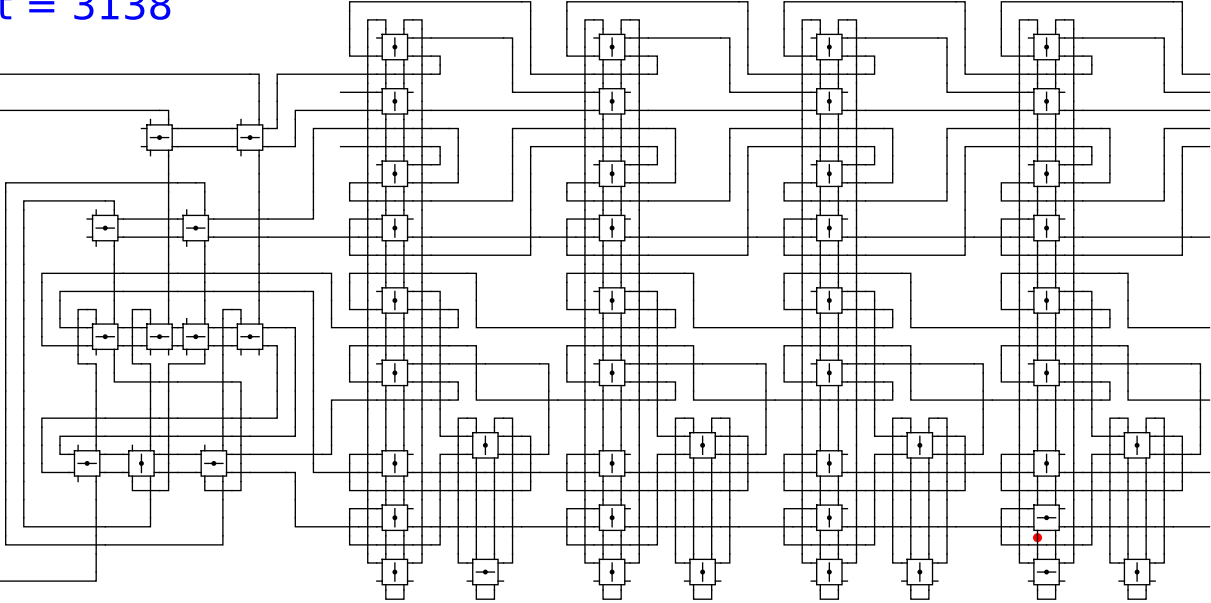
head

0

t = 3138

Reject
Accept

Begin

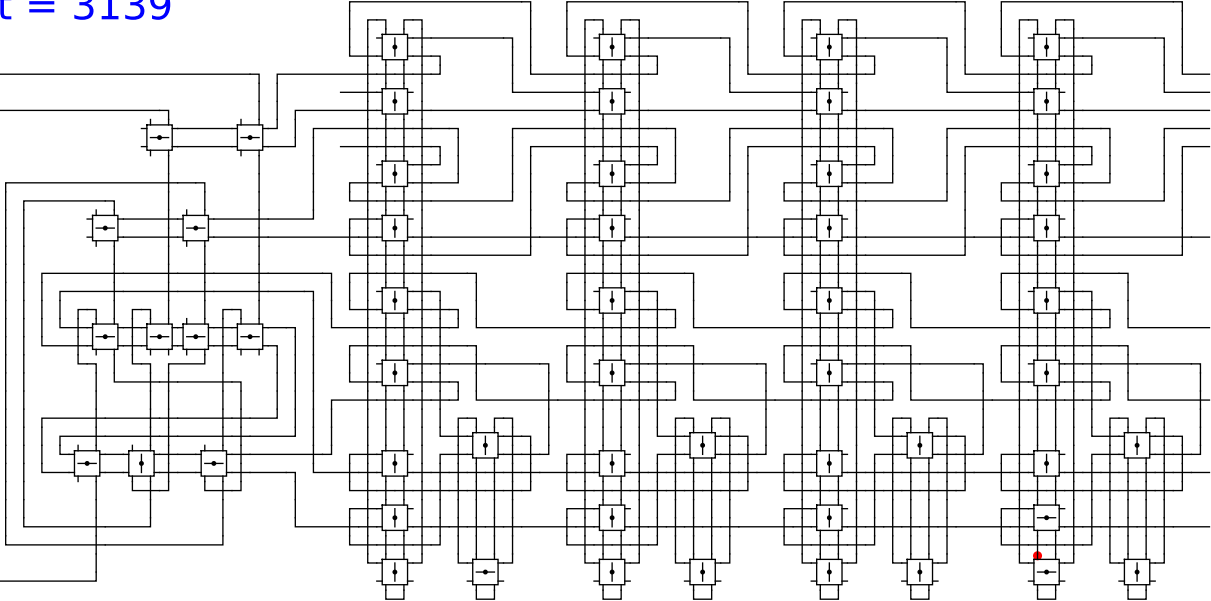


1 0 0 head 0

t = 3139

Reject
Accept

Begin



1

0

0

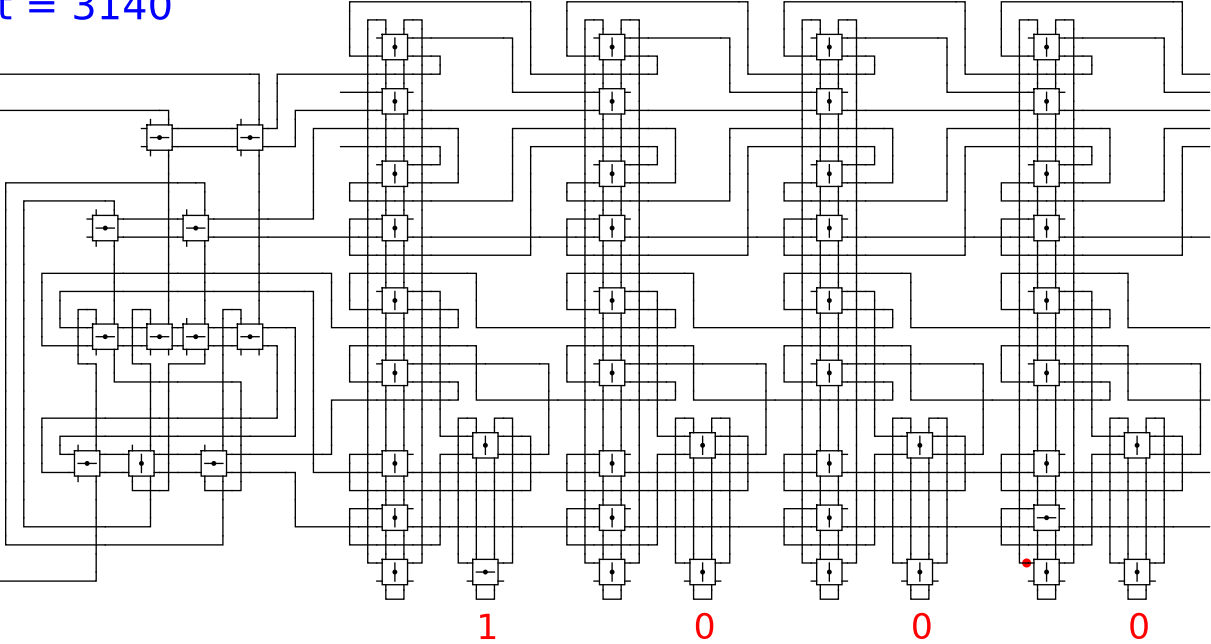
head

0

t = 3140

Reject
Accept

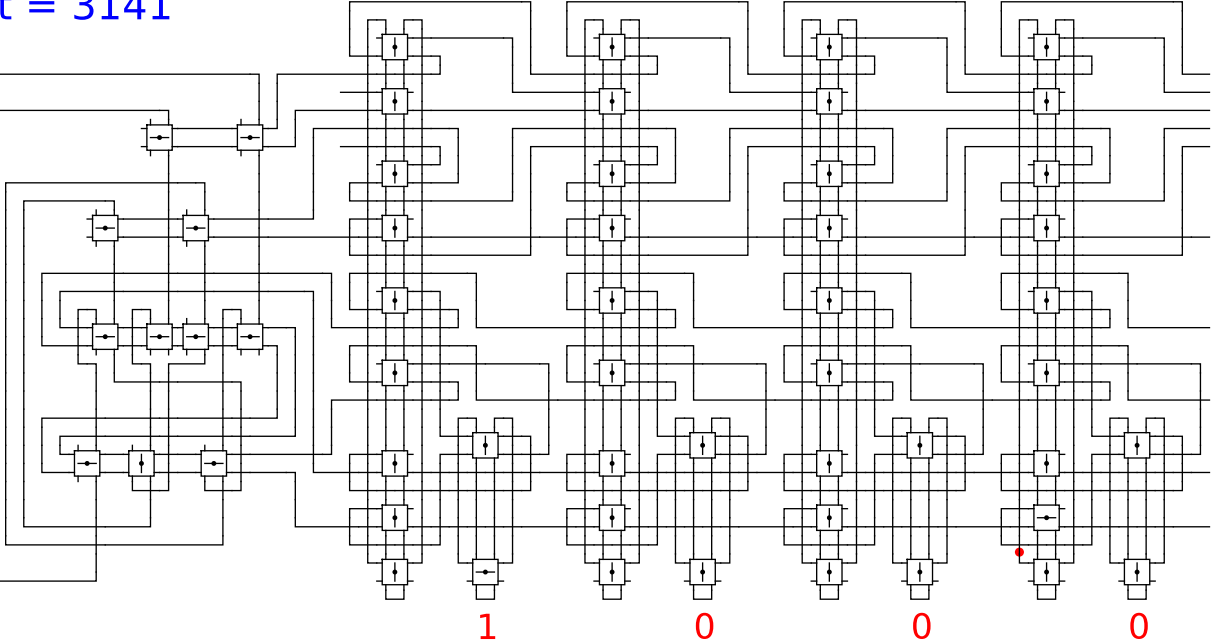
Begin



t = 3141

Reject
Accept

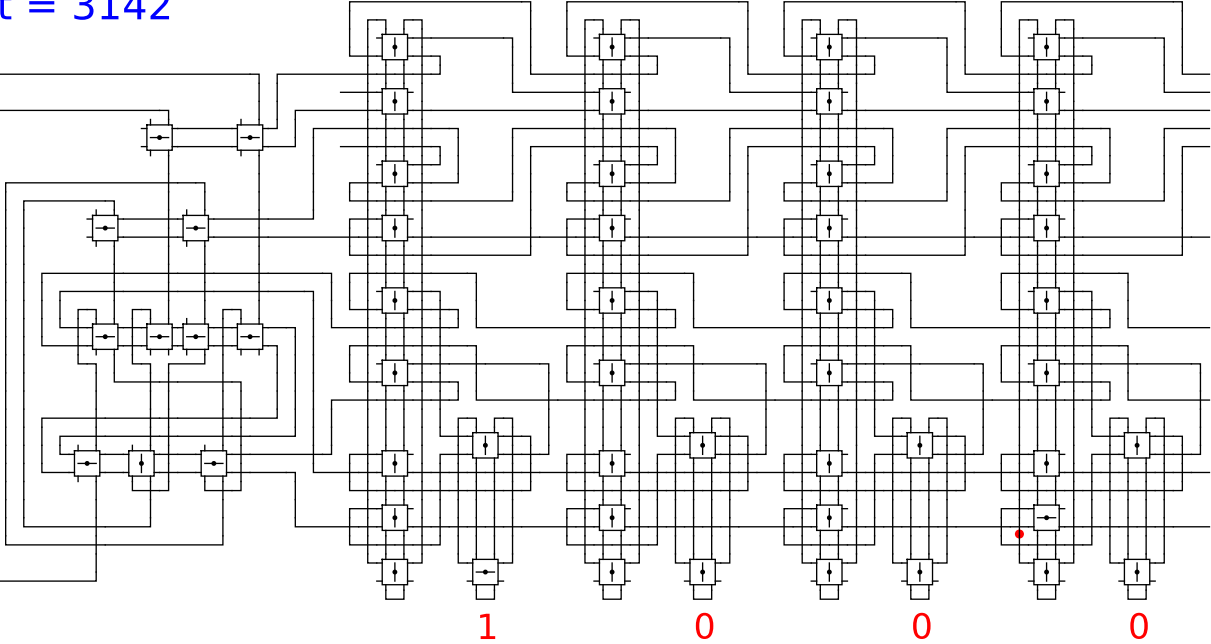
Begin



t = 3142

Reject
Accept

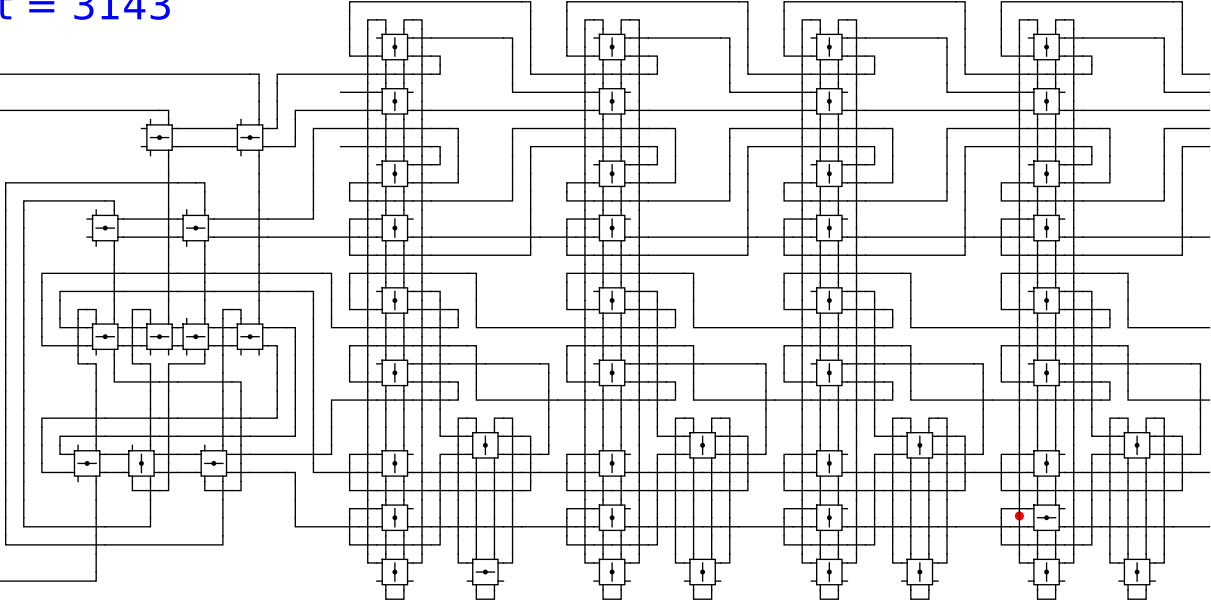
Begin



t = 3143

Reject
Accept

Begin



1

0

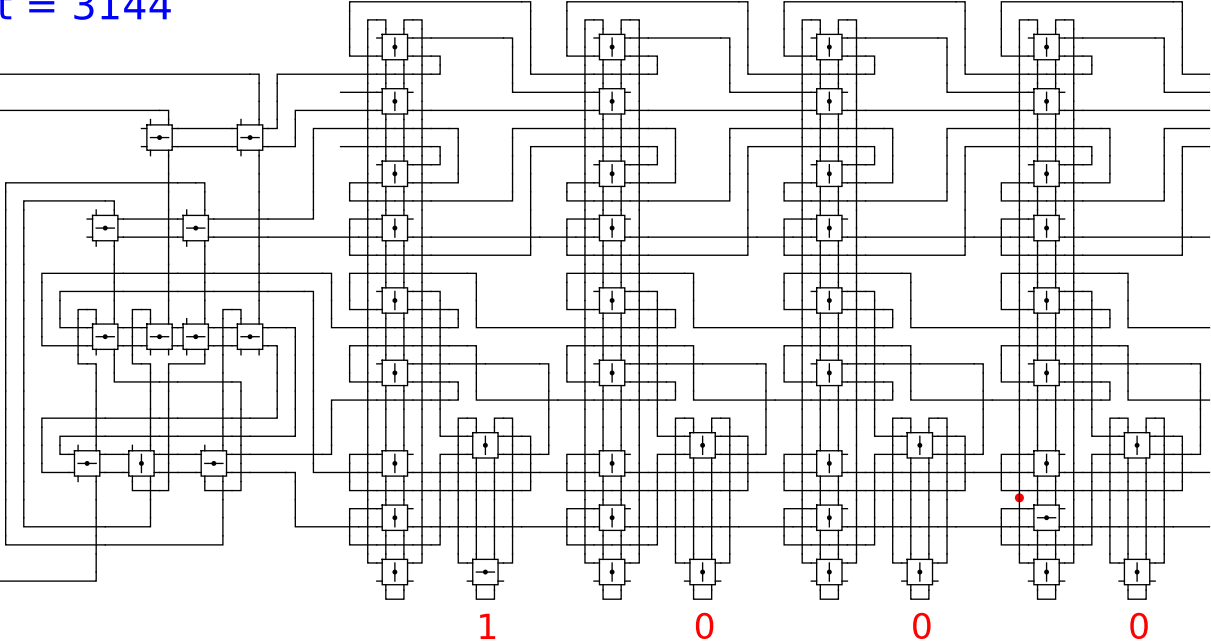
0

0

t = 3144

Reject
Accept

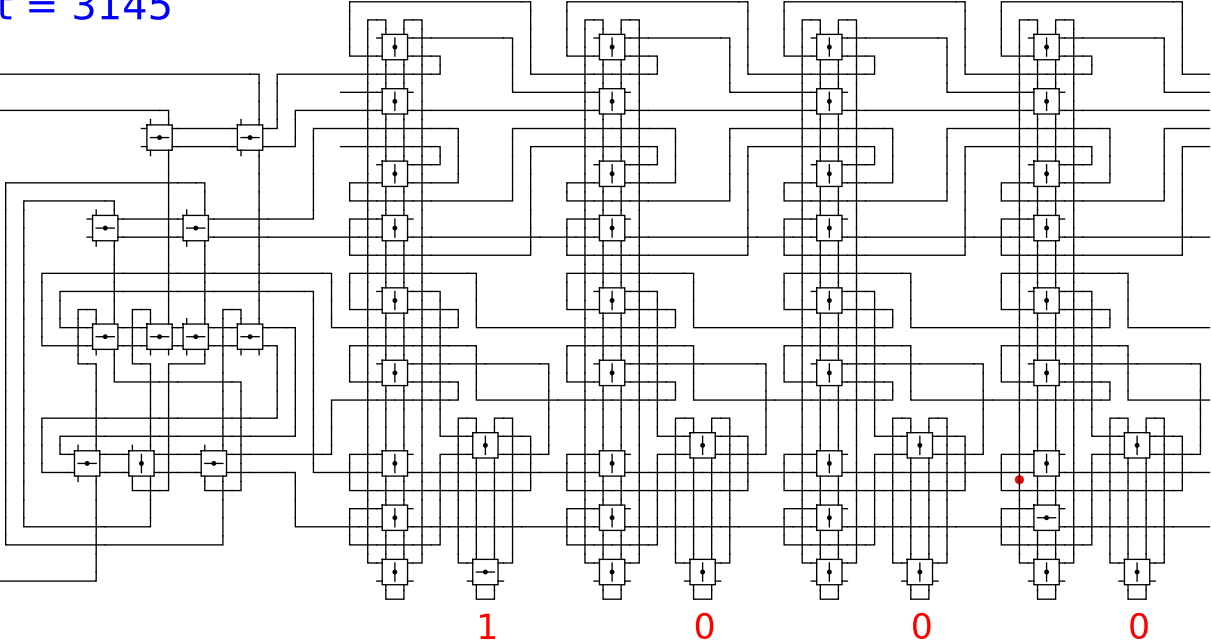
Begin



t = 3145

Reject
Accept

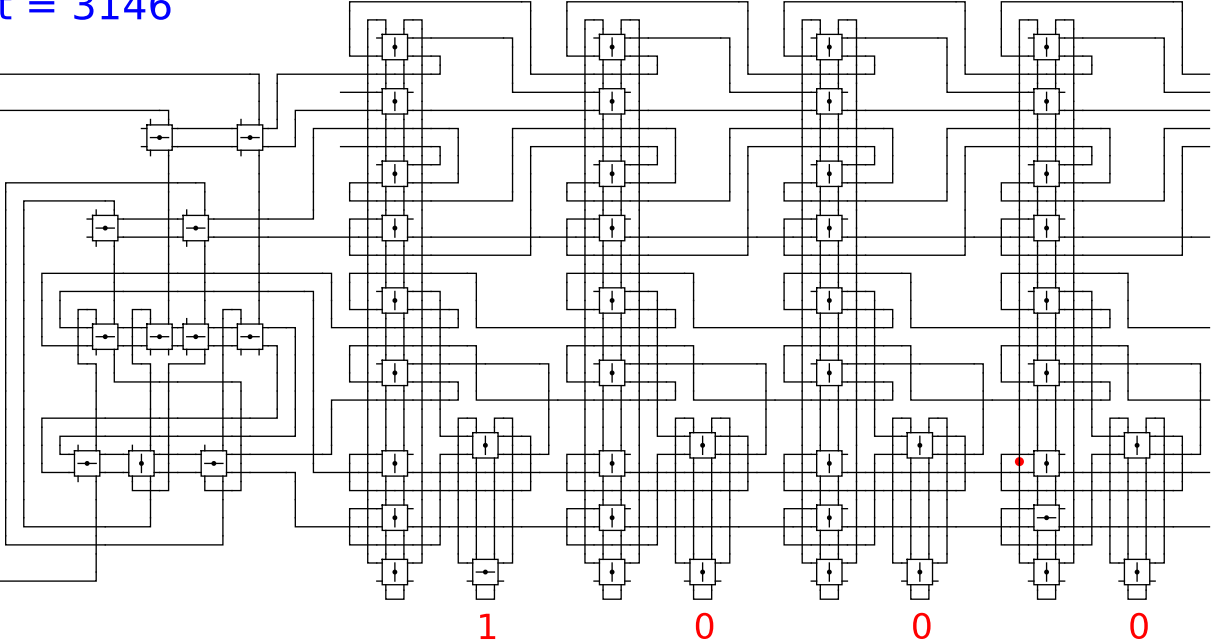
Begin



t = 3146

Reject
Accept

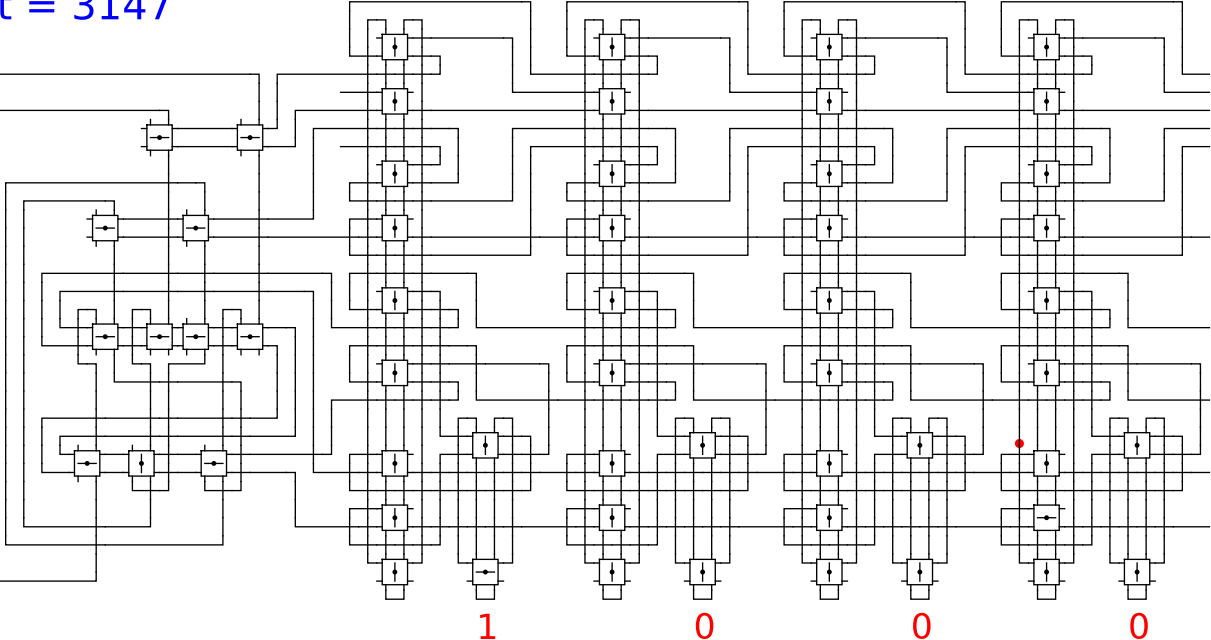
Begin



t = 3147

Reject
Accept

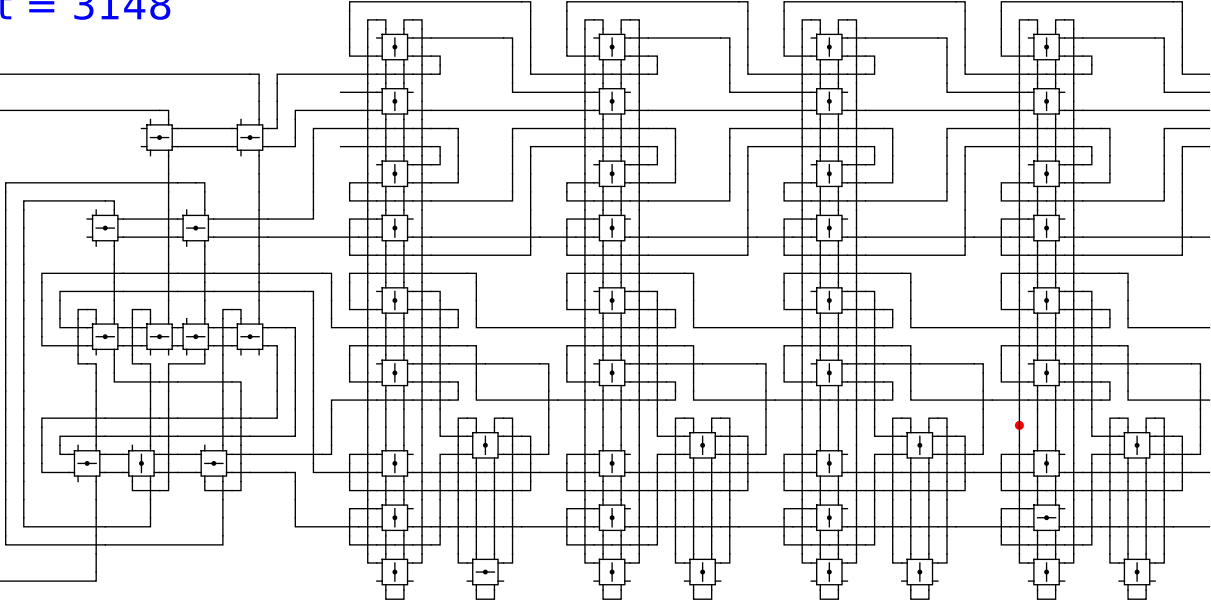
Begin



t = 3148

Reject
Accept

Begin



1

0

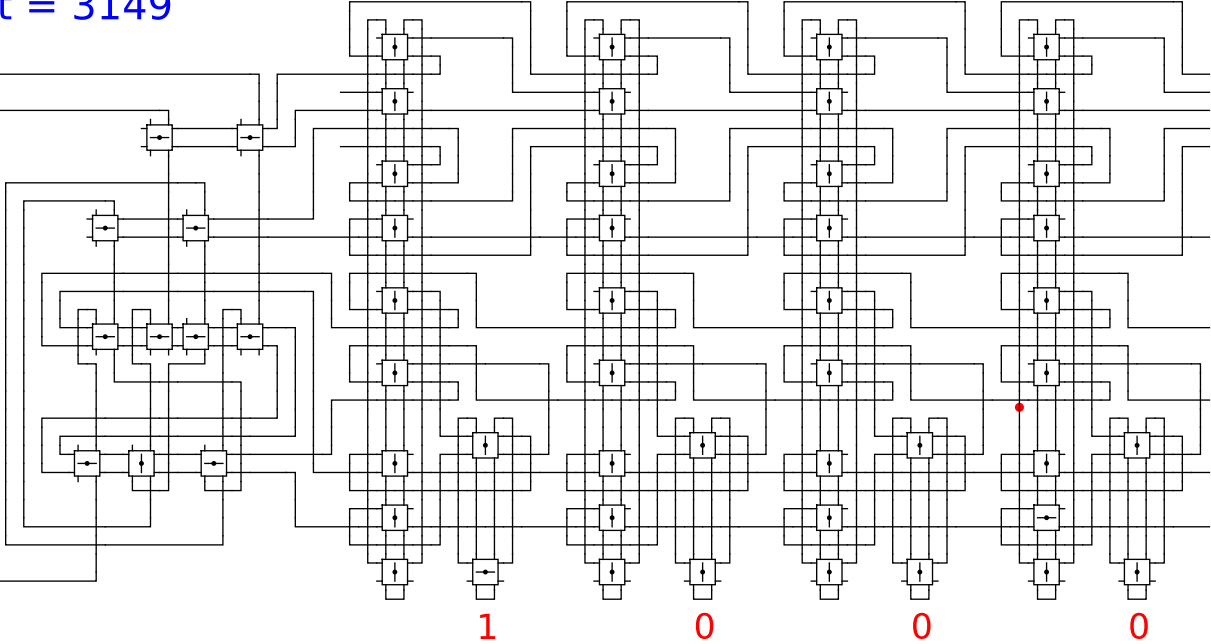
0

0

t = 3149

Reject
Accept

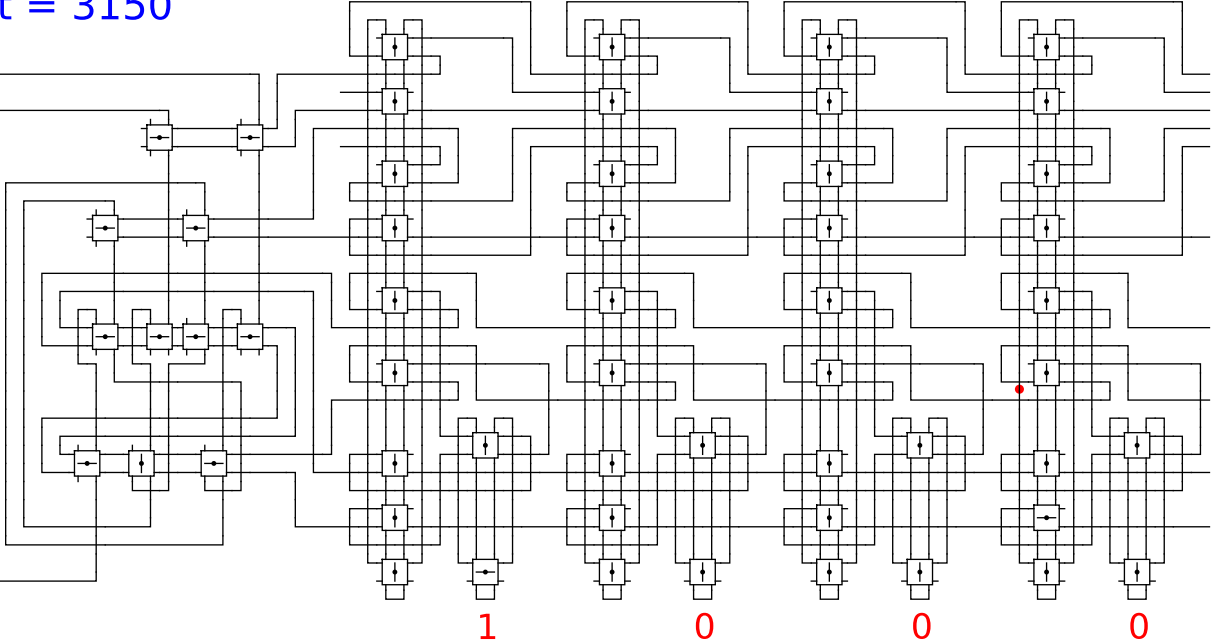
Begin



t = 3150

Reject
Accept

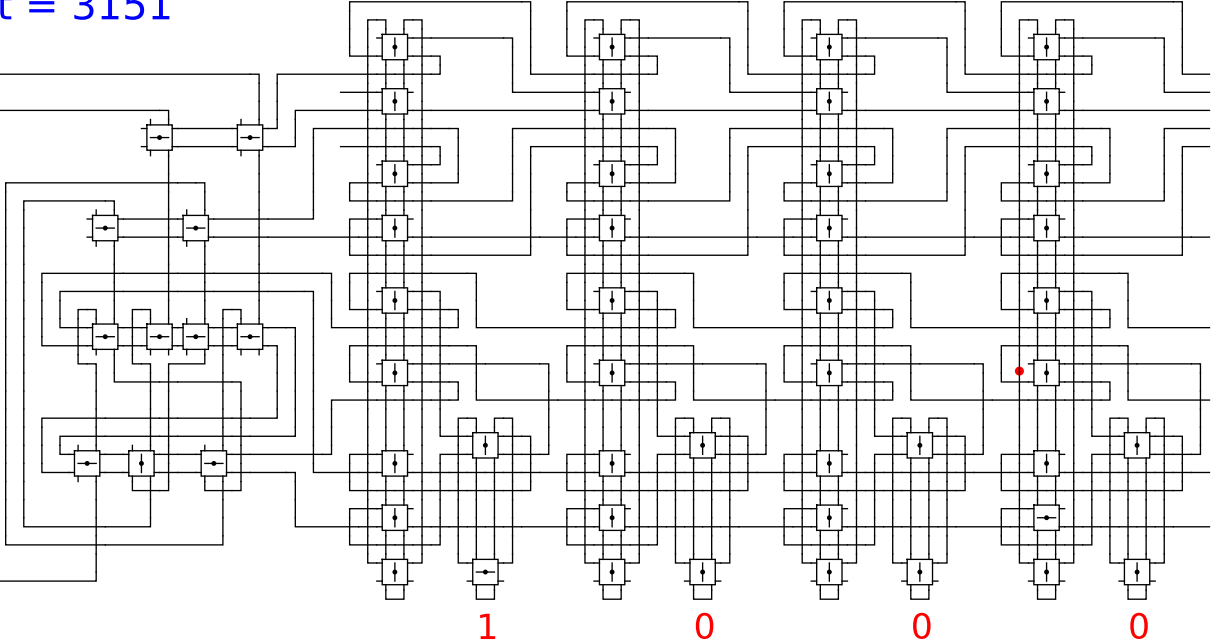
Begin



t = 3151

Reject
Accept

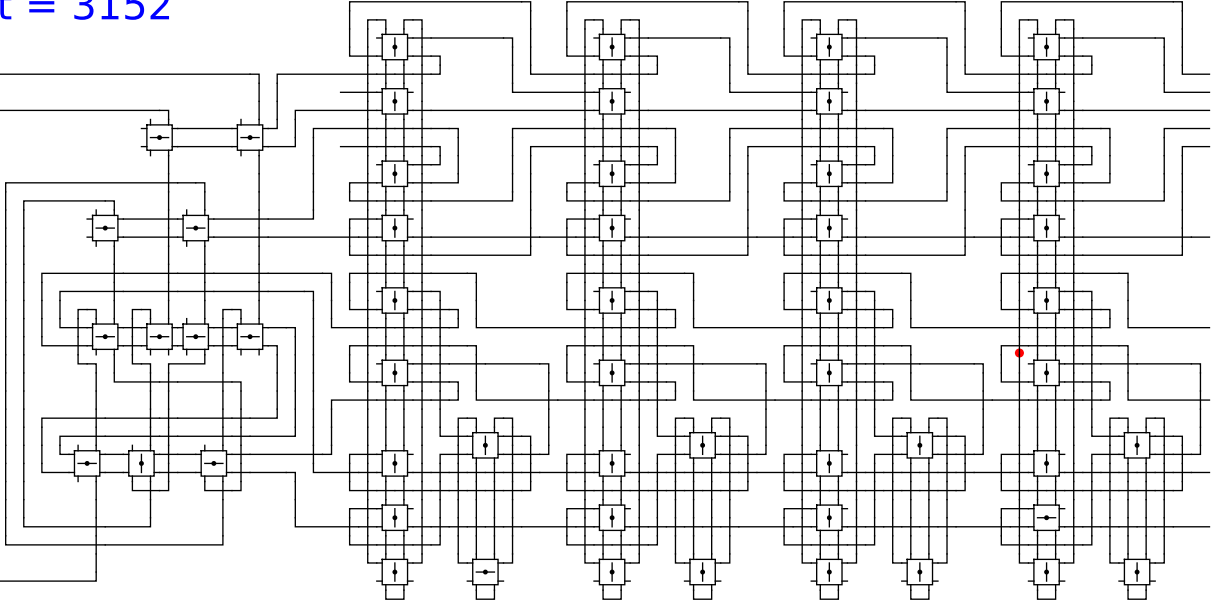
Begin



t = 3152

Reject
Accept

Begin



1

0

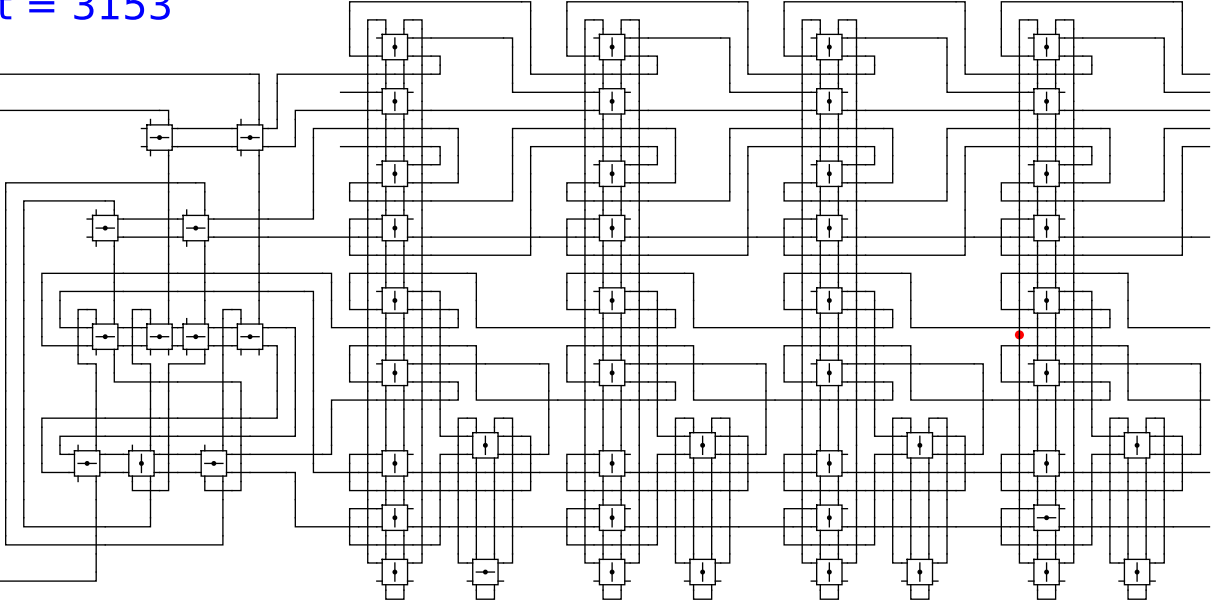
0

0

t = 3153

Reject
Accept

Begin



1

0

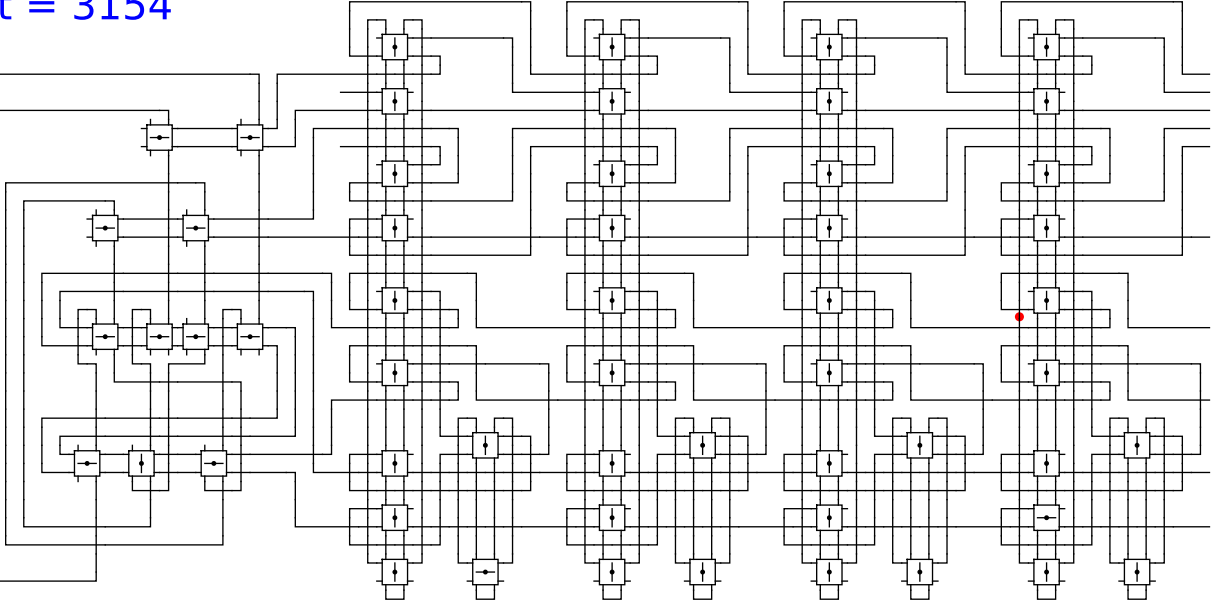
0

0

t = 3154

Reject
Accept

Begin



1

0

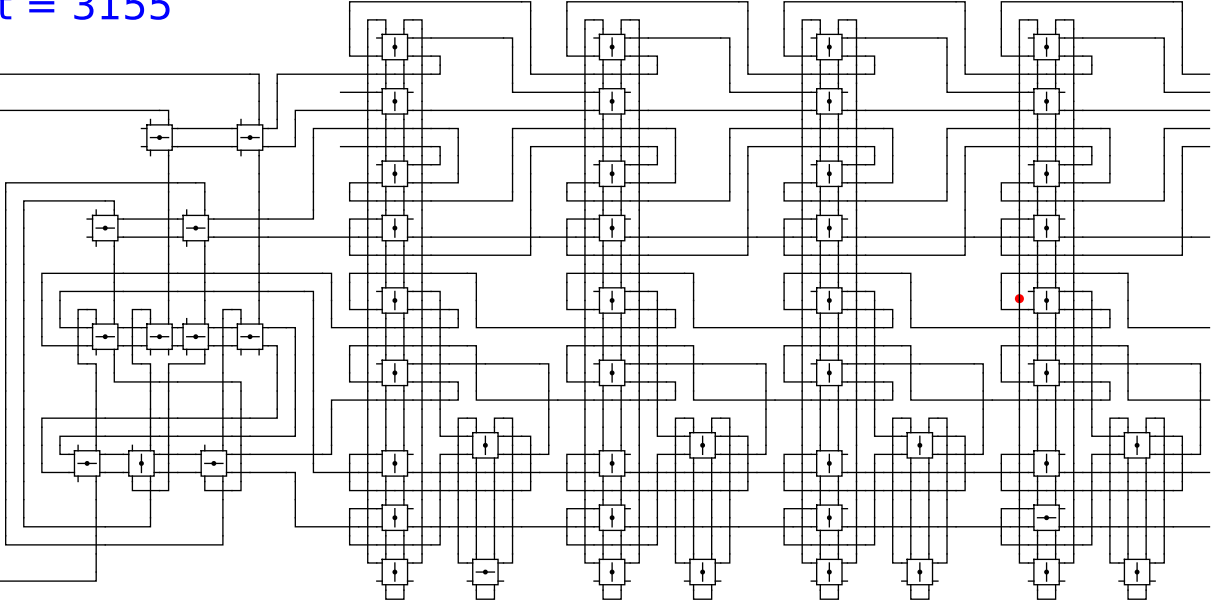
0

0

t = 3155

Reject
Accept

Begin



1

0

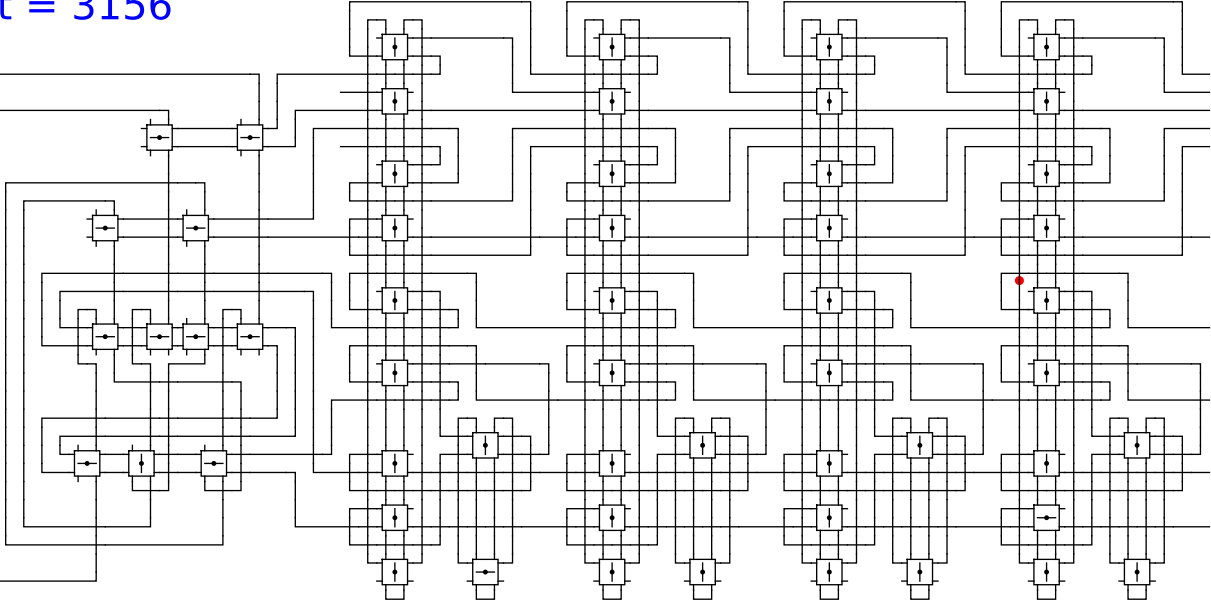
0

0

t = 3156

Reject
Accept

Begin



1

0

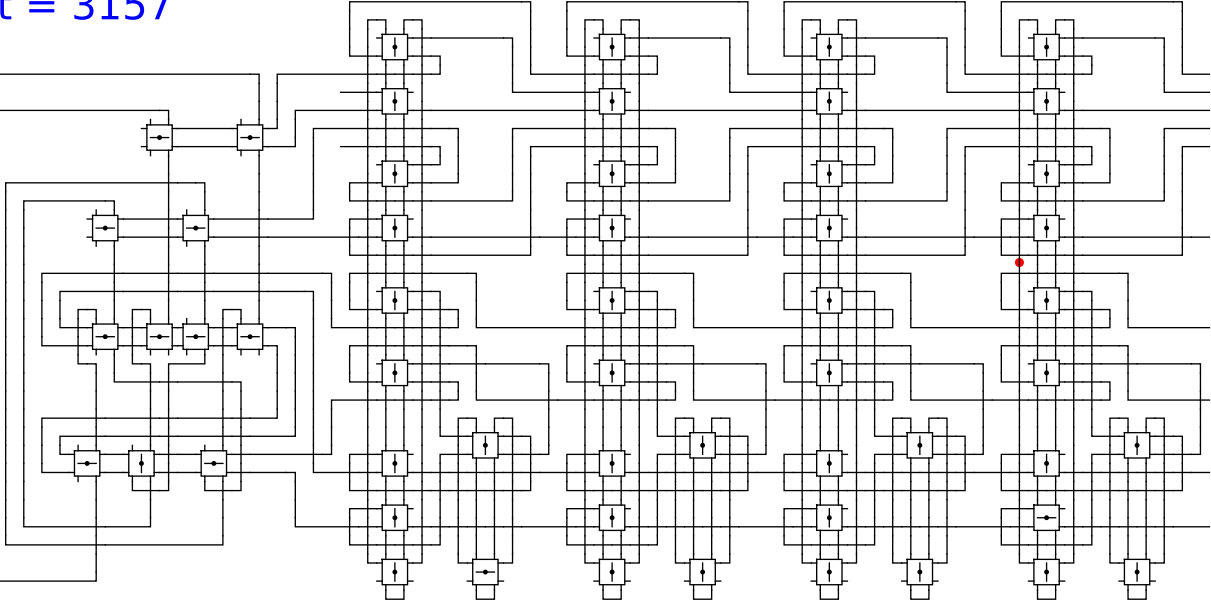
0

0

t = 3157

Reject
Accept

Begin



1

0

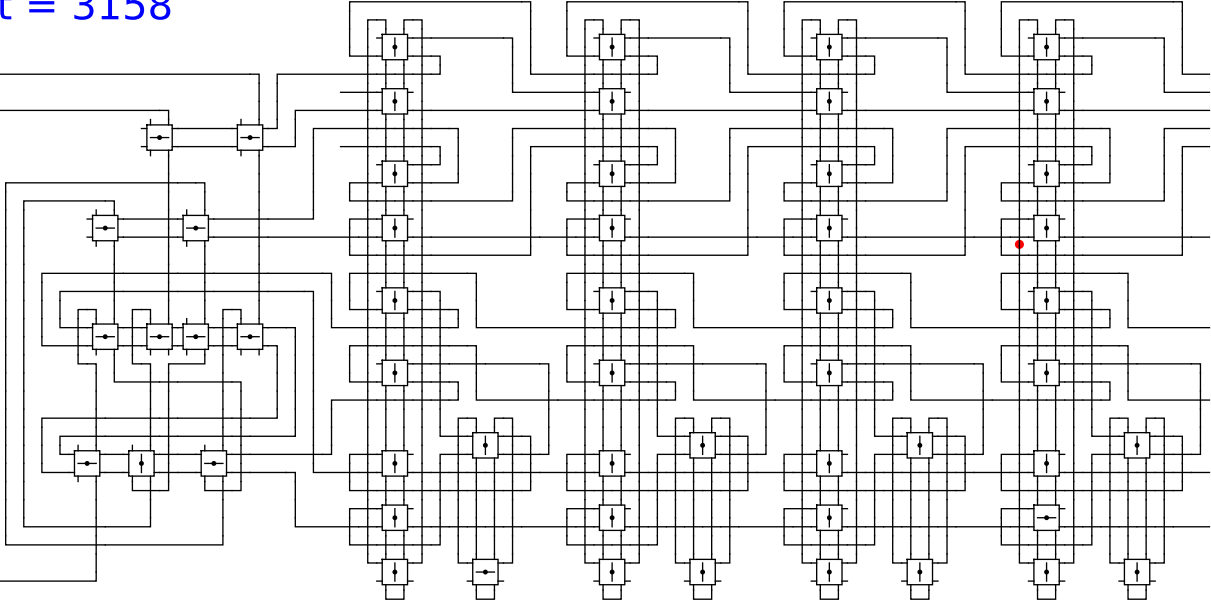
0

0

t = 3158

Reject
Accept

Begin



1

0

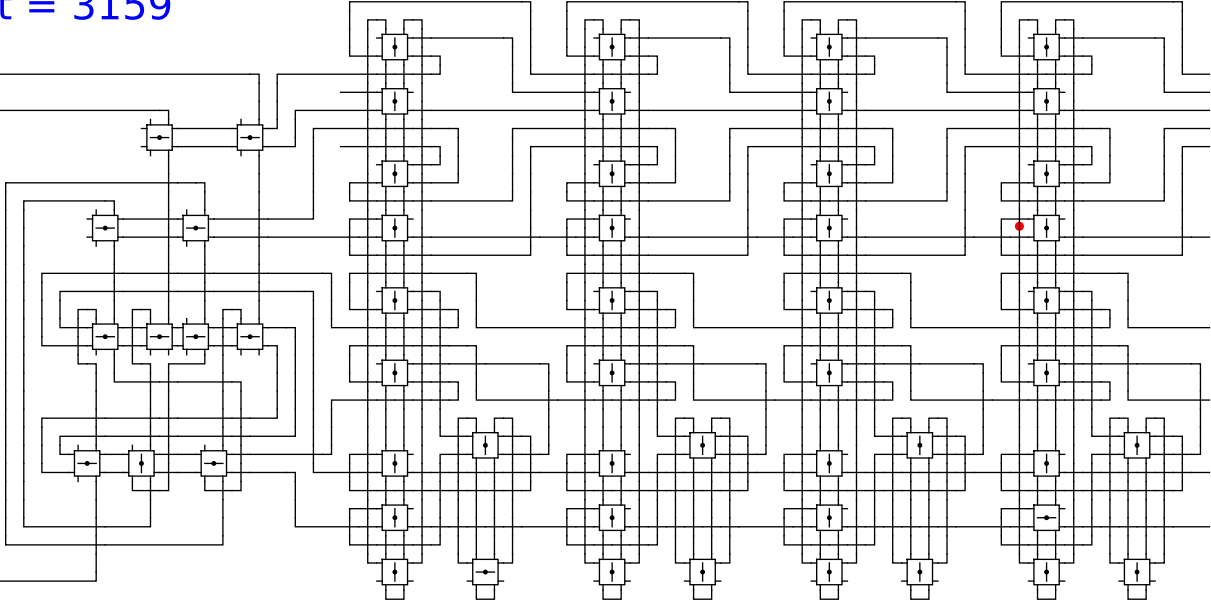
0

0

t = 3159

Reject
Accept

Begin



1

0

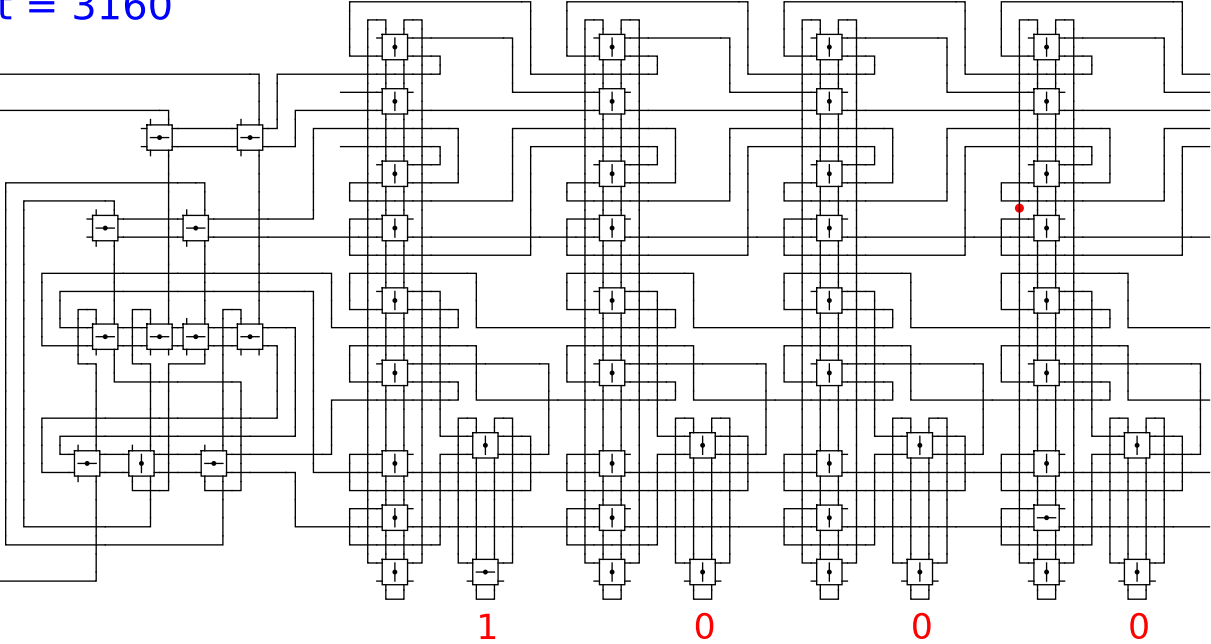
0

0

t = 3160

Reject
Accept

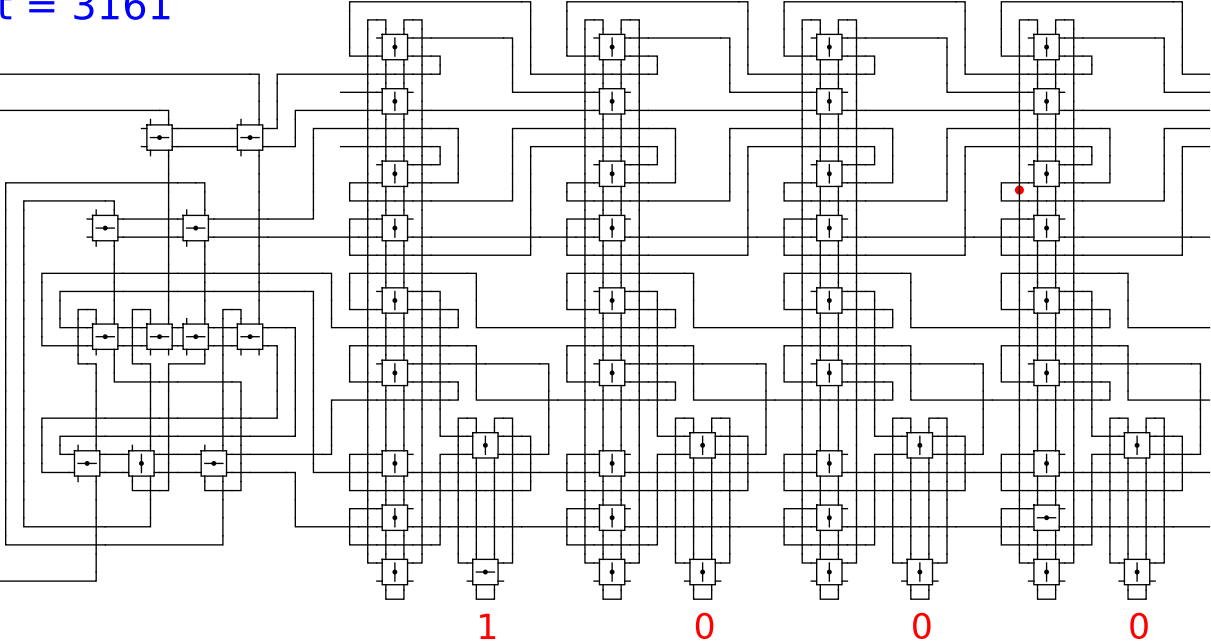
Begin



t = 3161

Reject
Accept

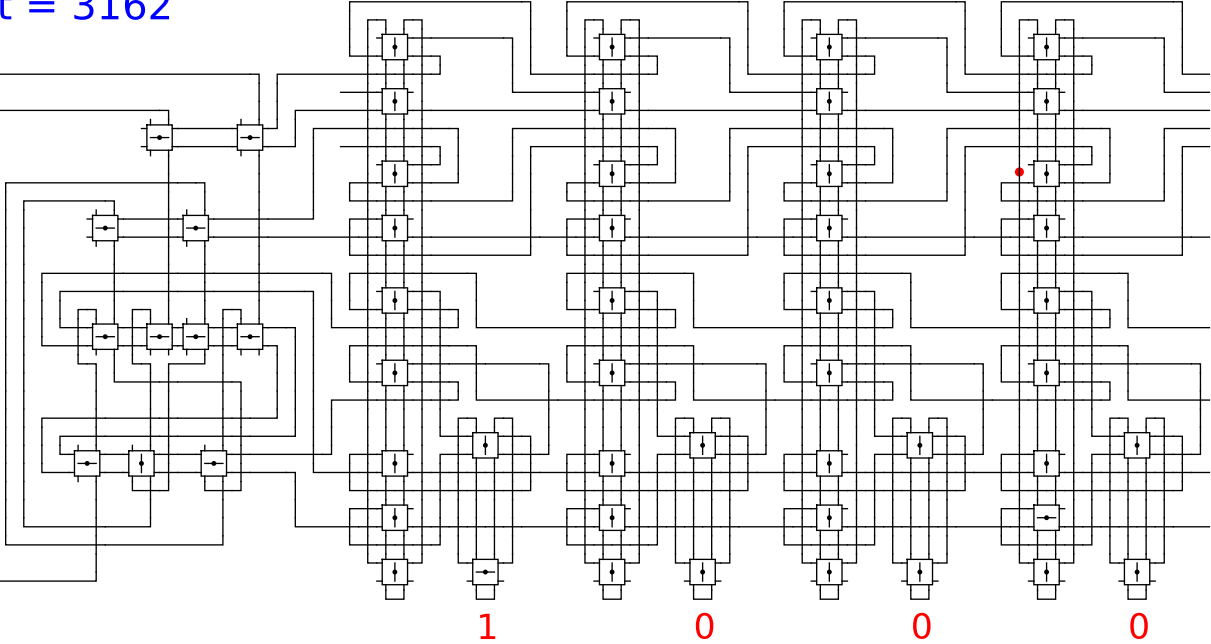
Begin



t = 3162

Reject
Accept

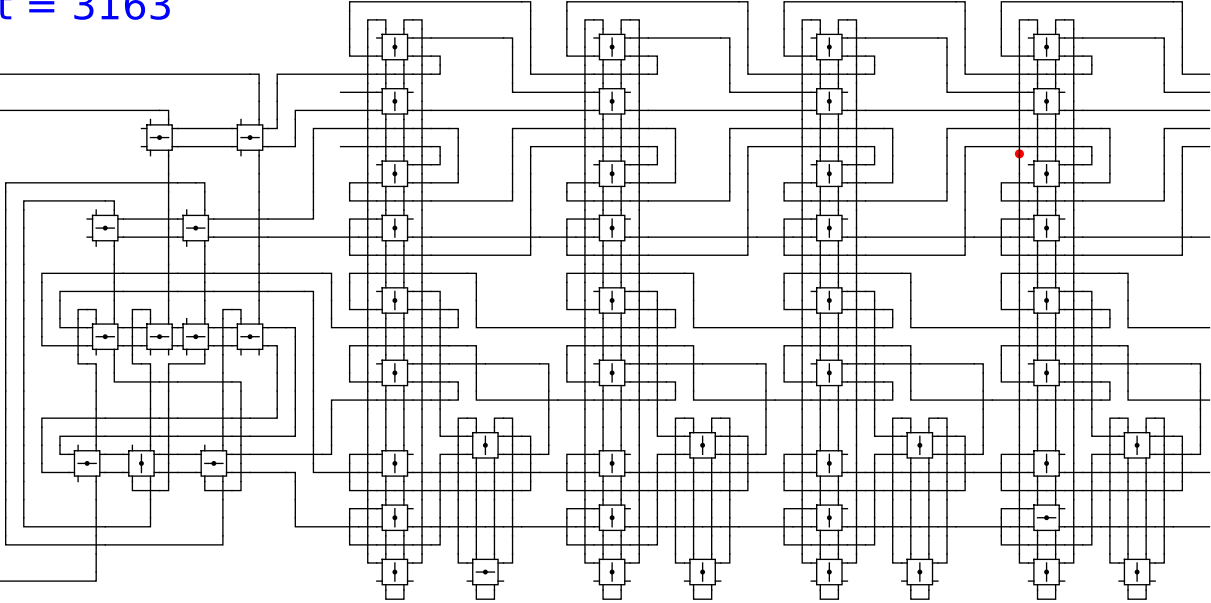
Begin



t = 3163

Reject
Accept

Begin



1

0

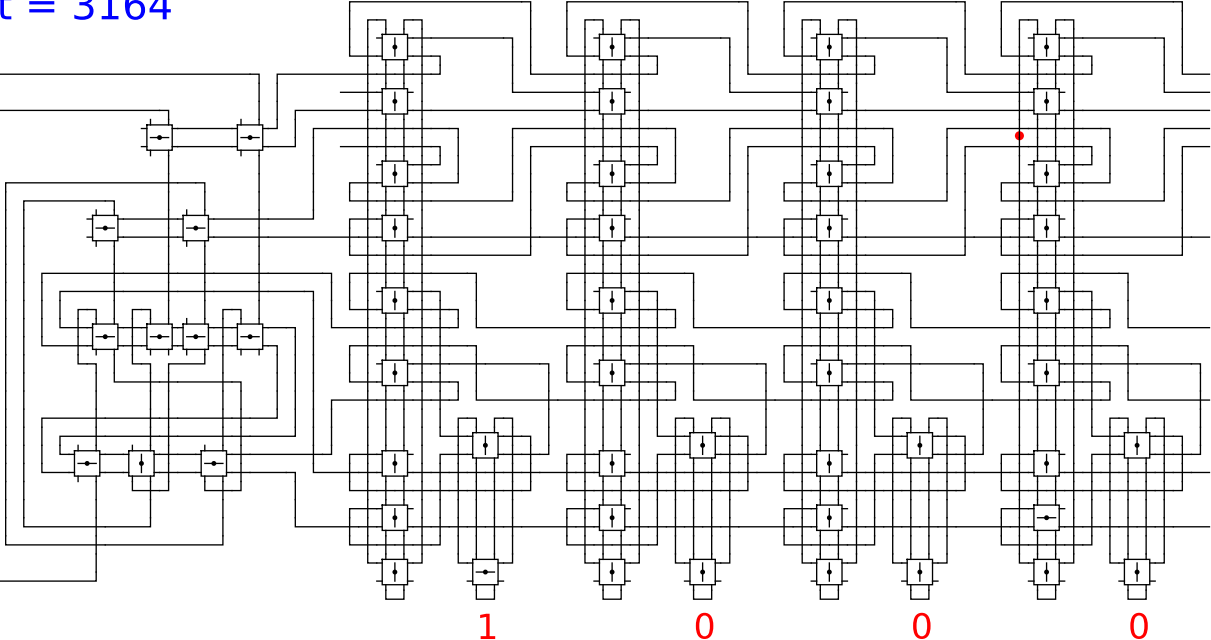
0

0

t = 3164

Reject
Accept

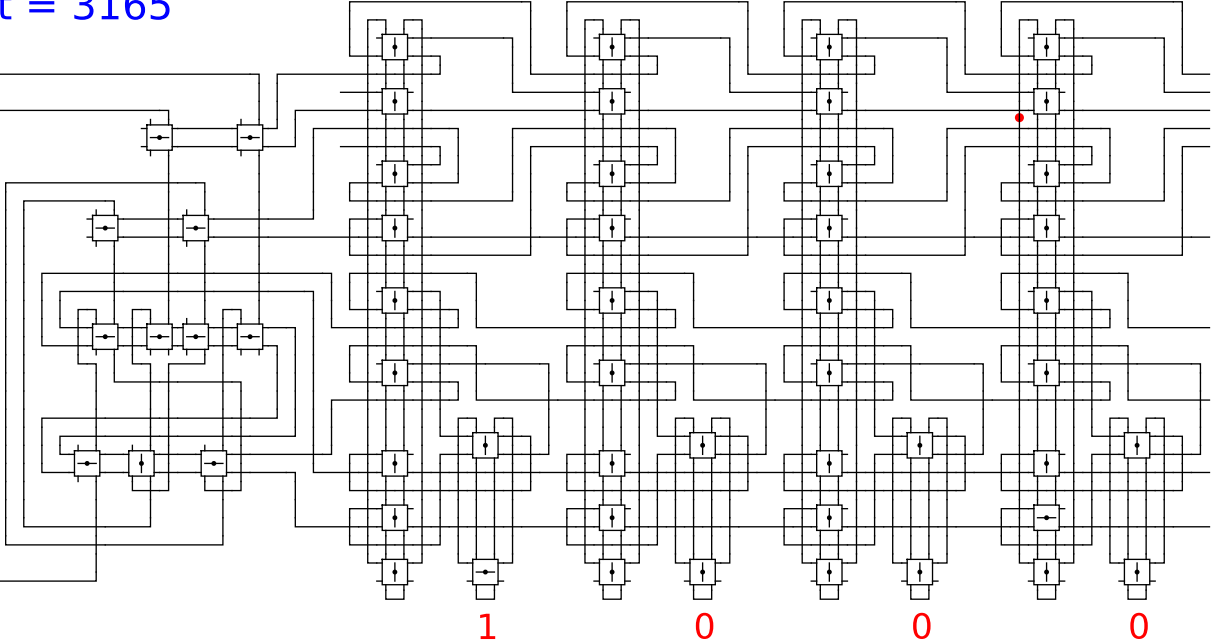
Begin



t = 3165

Reject
Accept

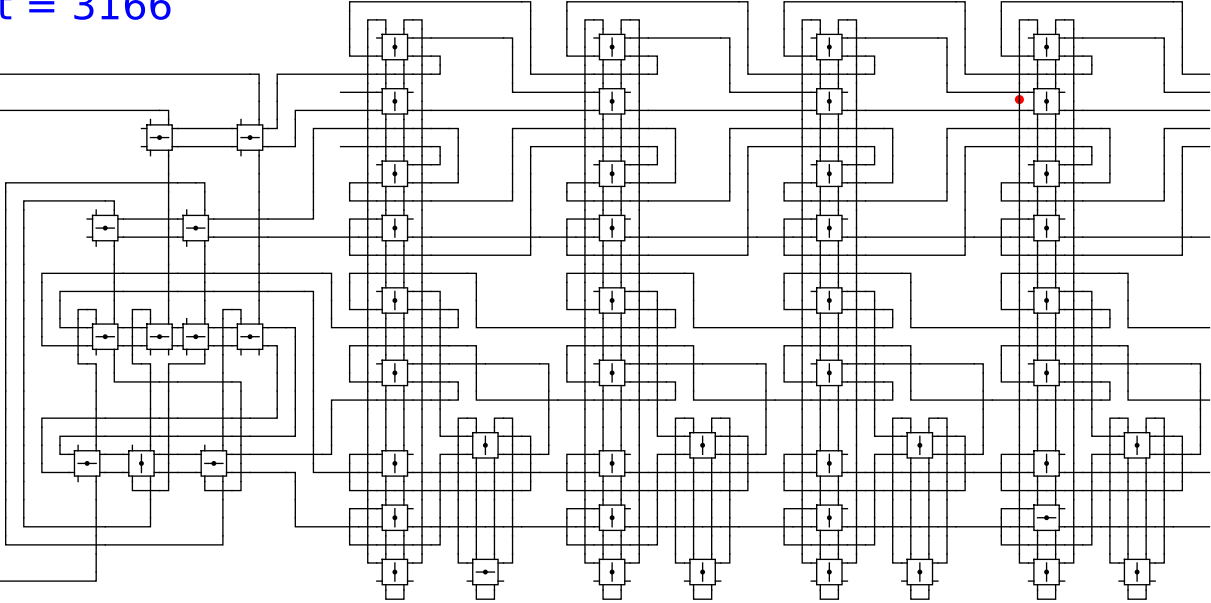
Begin



t = 3166

Reject
Accept

Begin



1

0

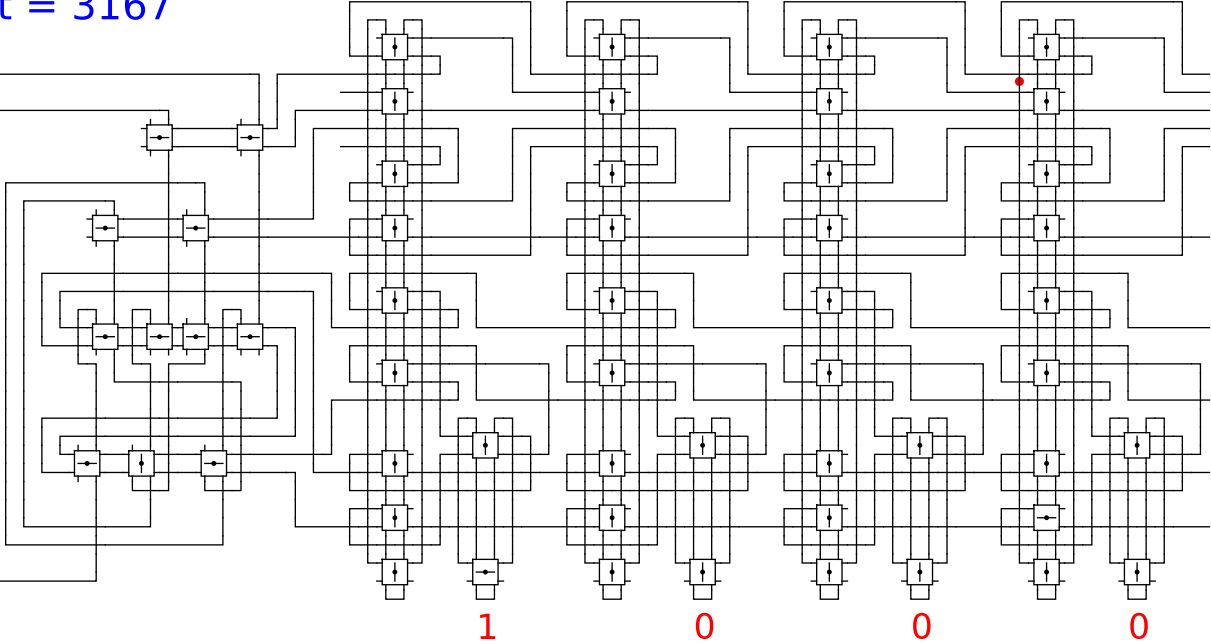
0

0

t = 3167

Reject
Accept

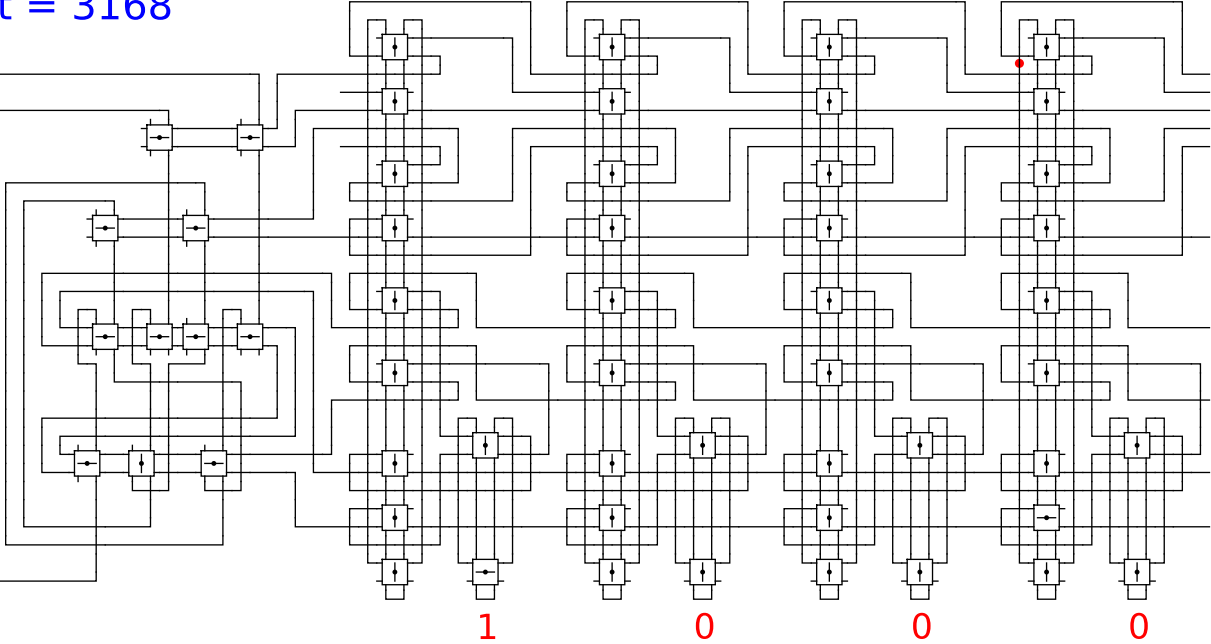
Begin



t = 3168

Reject
Accept

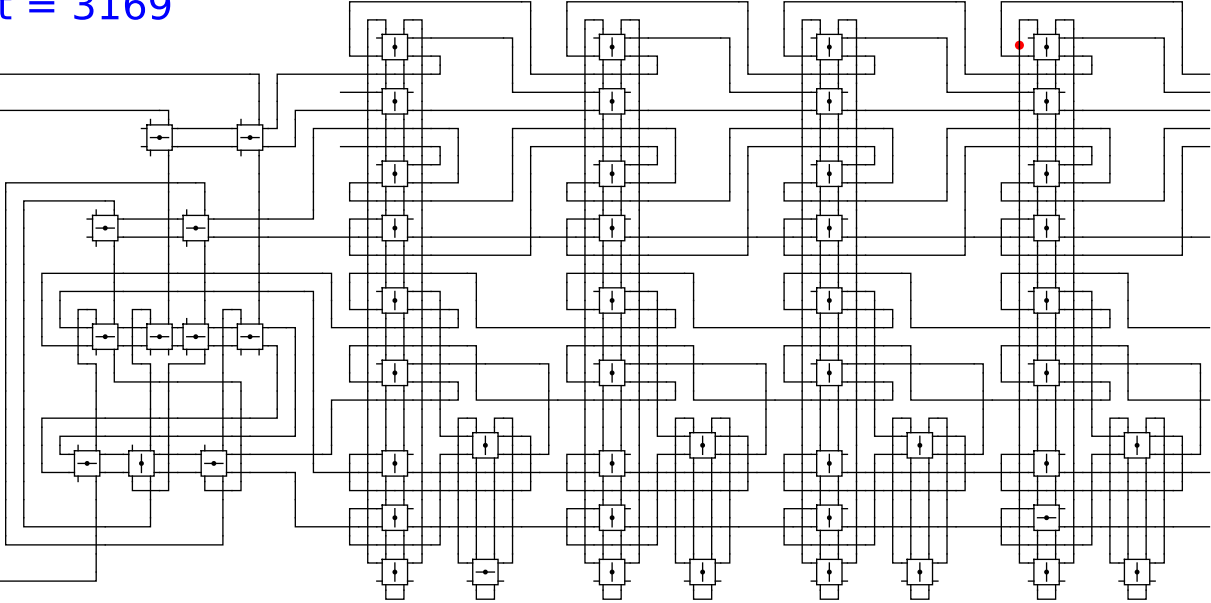
Begin



t = 3169

Reject
Accept

Begin



1

0

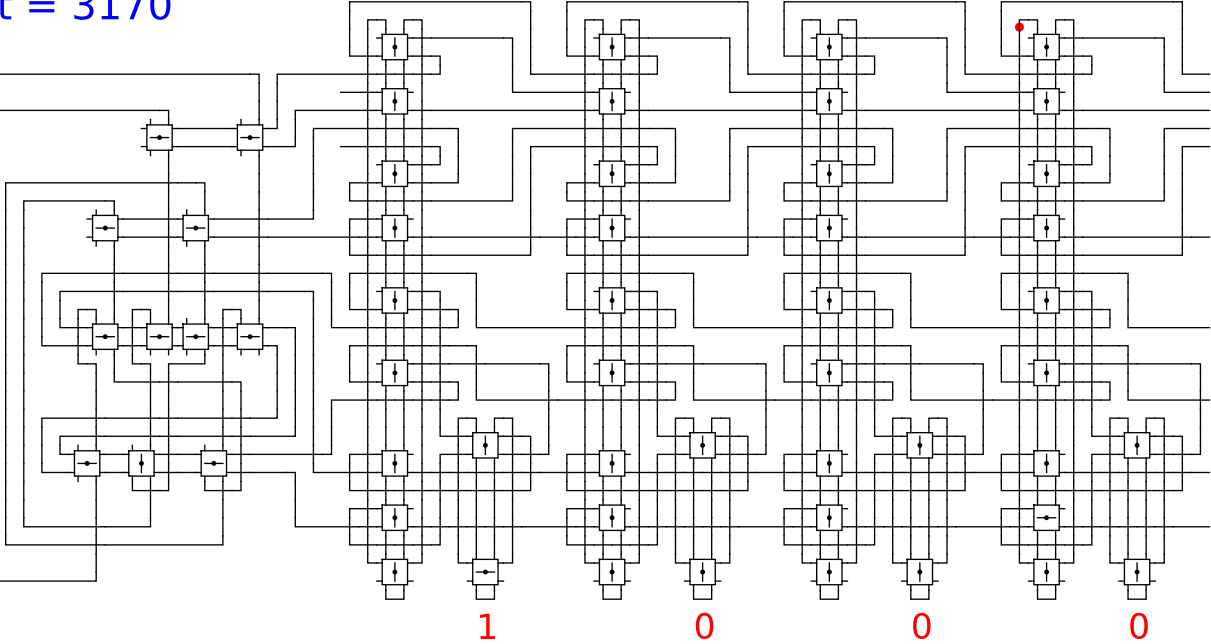
0

0

t = 3170

Reject
Accept

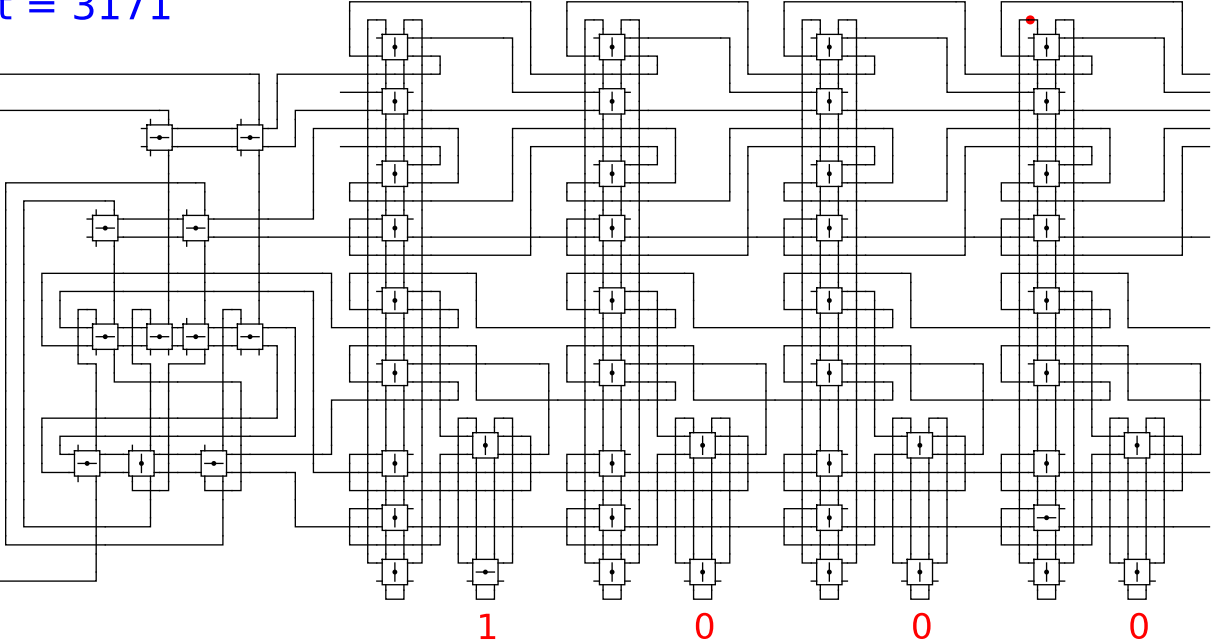
Begin



t = 3171

Reject
Accept

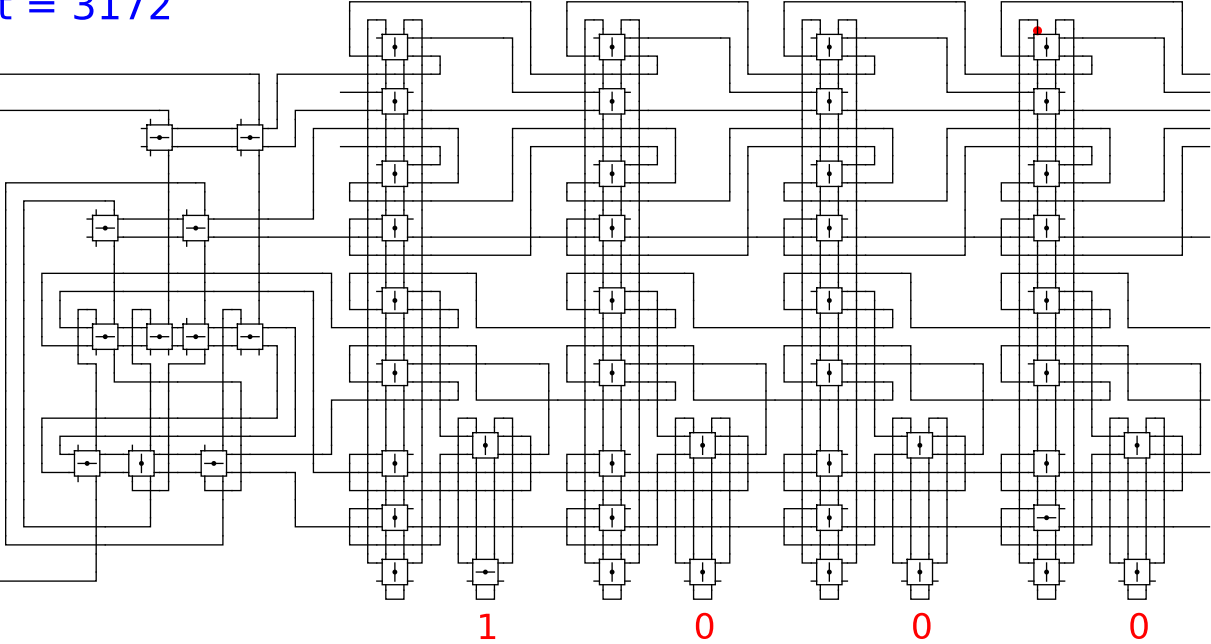
Begin



t = 3172

Reject
Accept

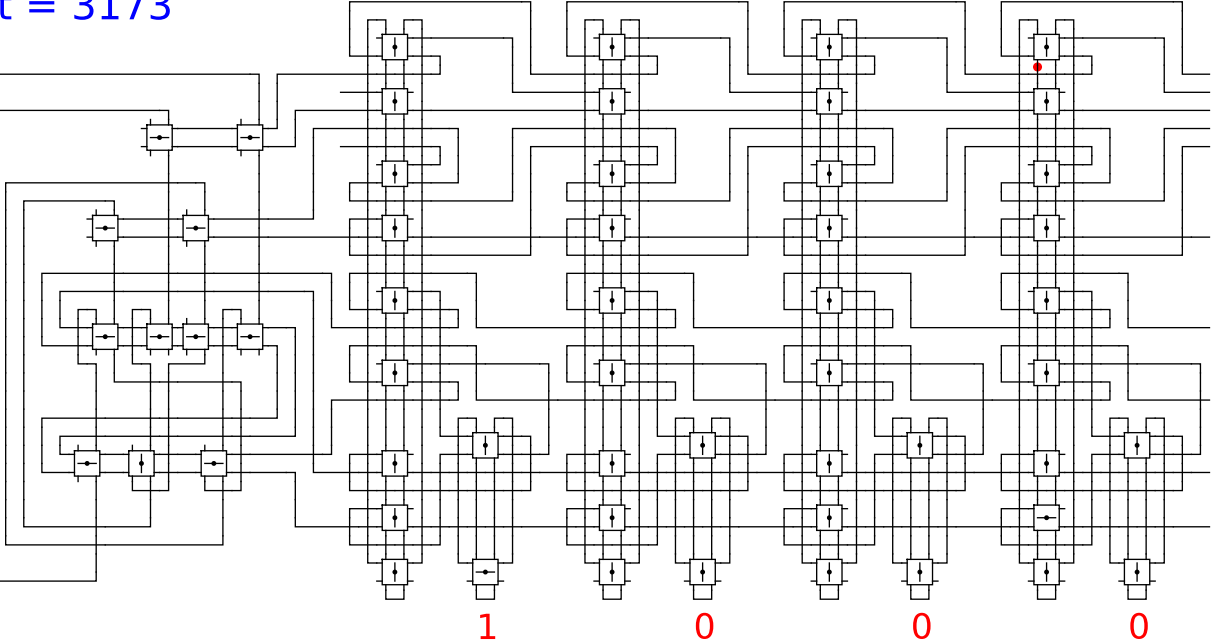
Begin



t = 3173

Reject
Accept

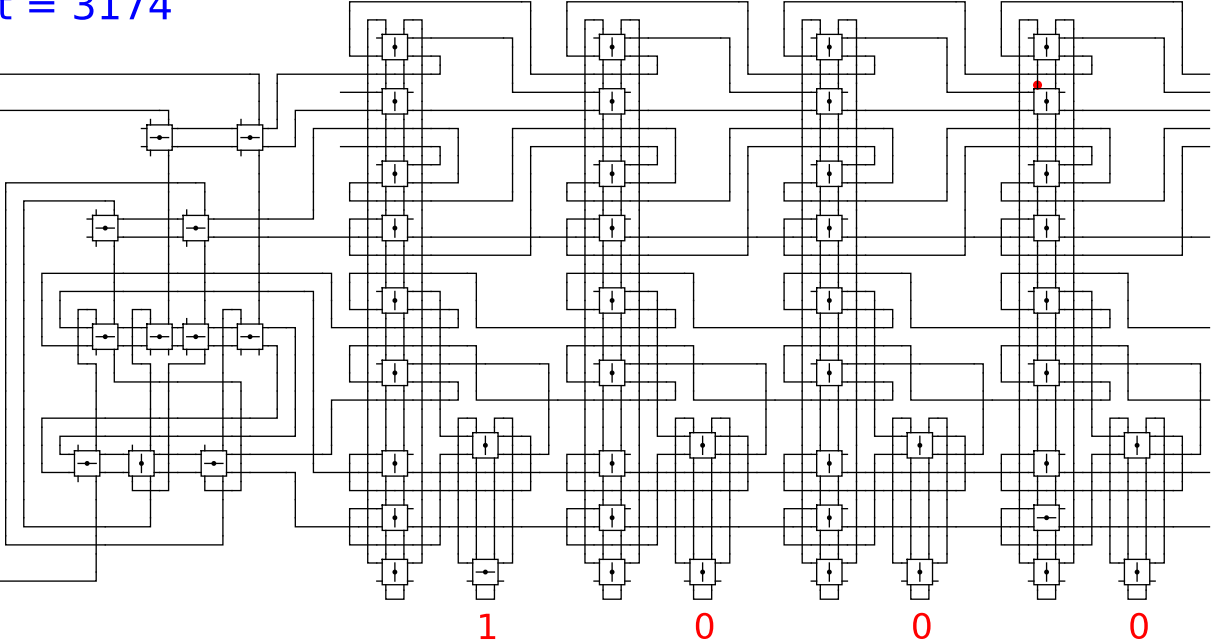
Begin



t = 3174

Reject
Accept

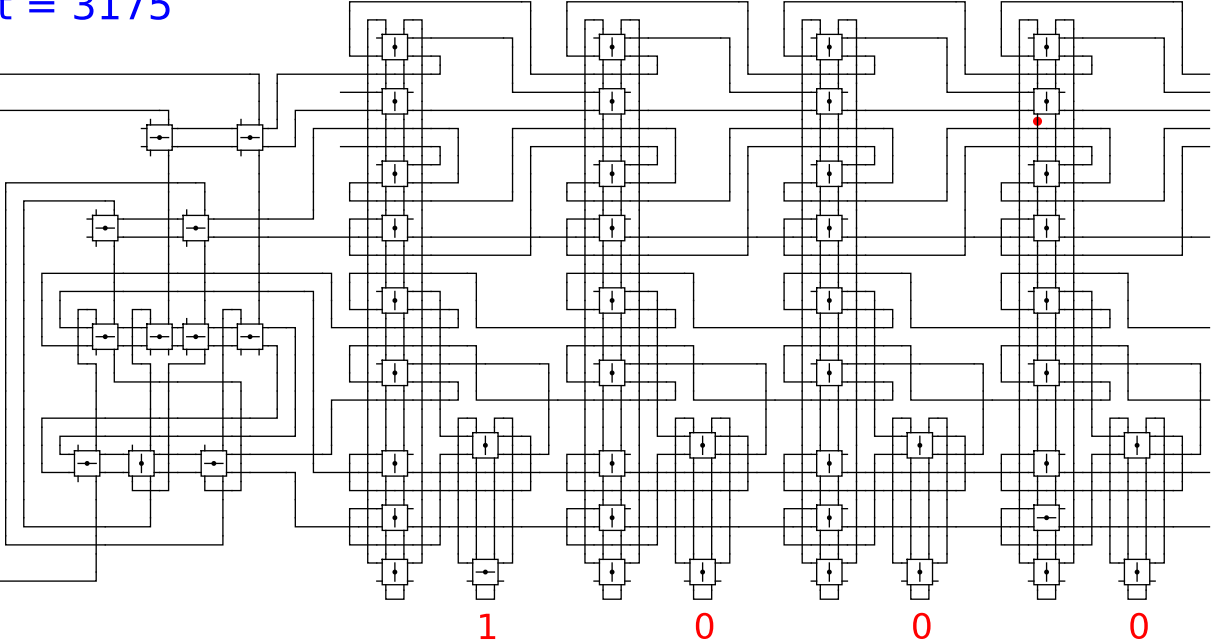
Begin



t = 3175

Reject
Accept

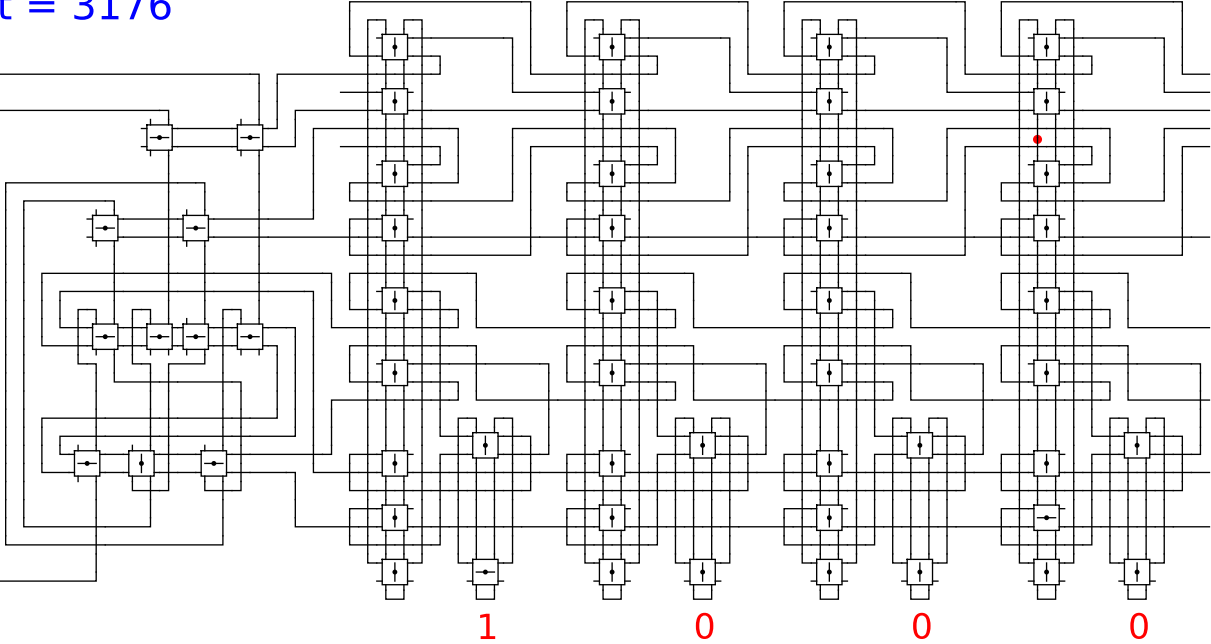
Begin



t = 3176

Reject
Accept

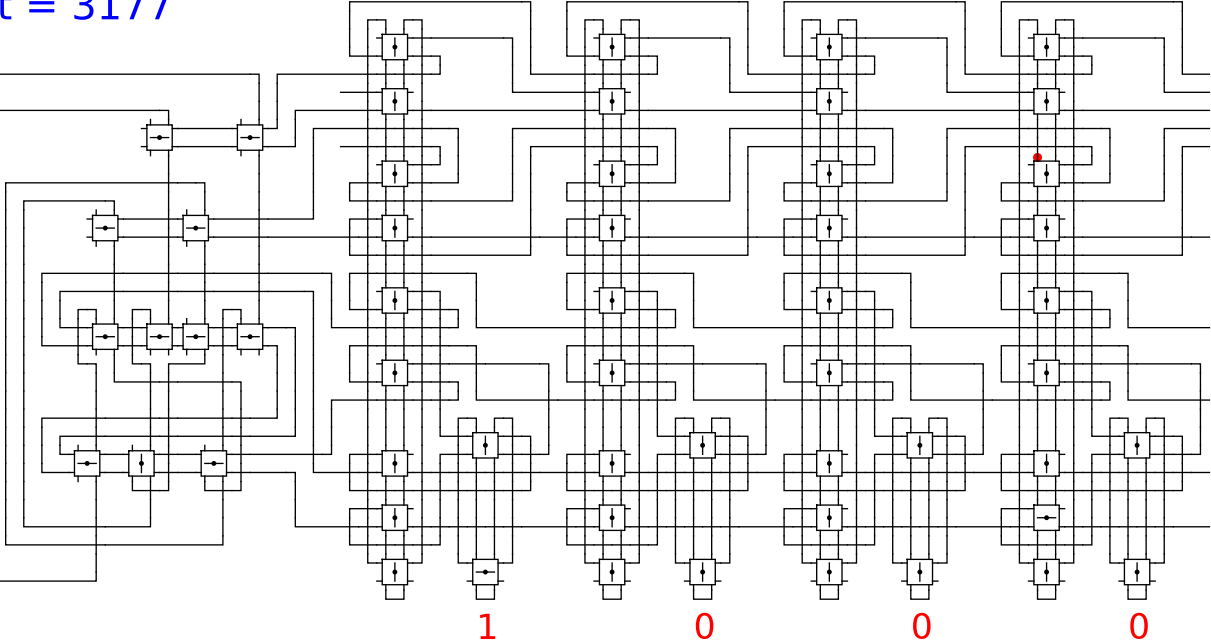
Begin



t = 3177

Reject
Accept

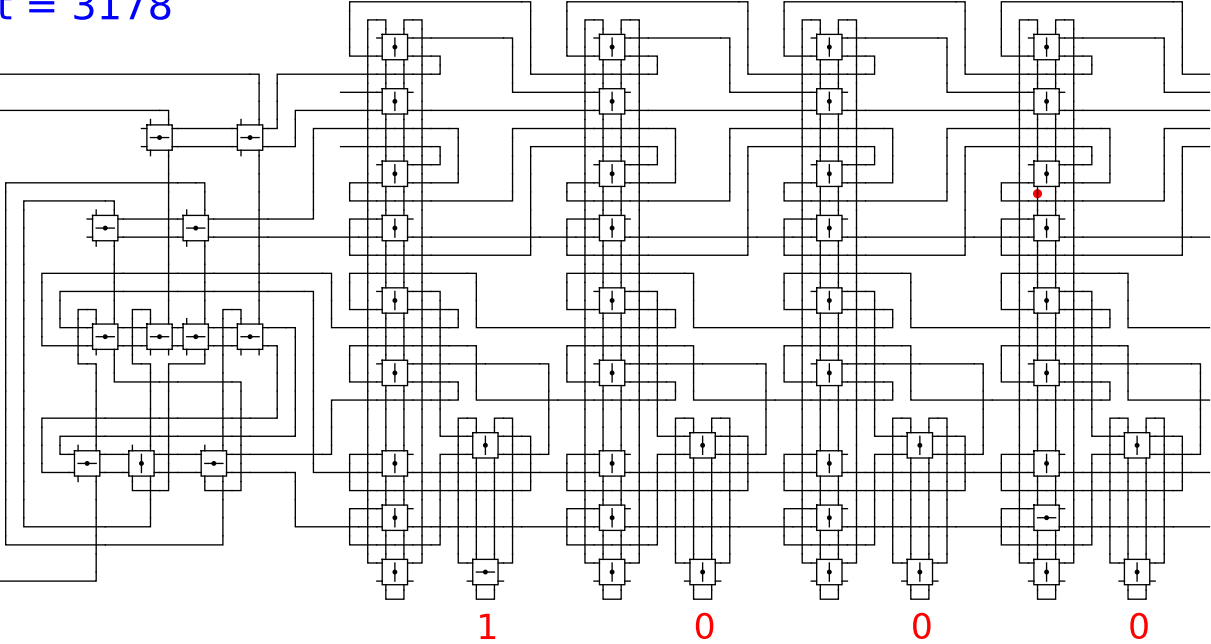
Begin



t = 3178

Reject
Accept

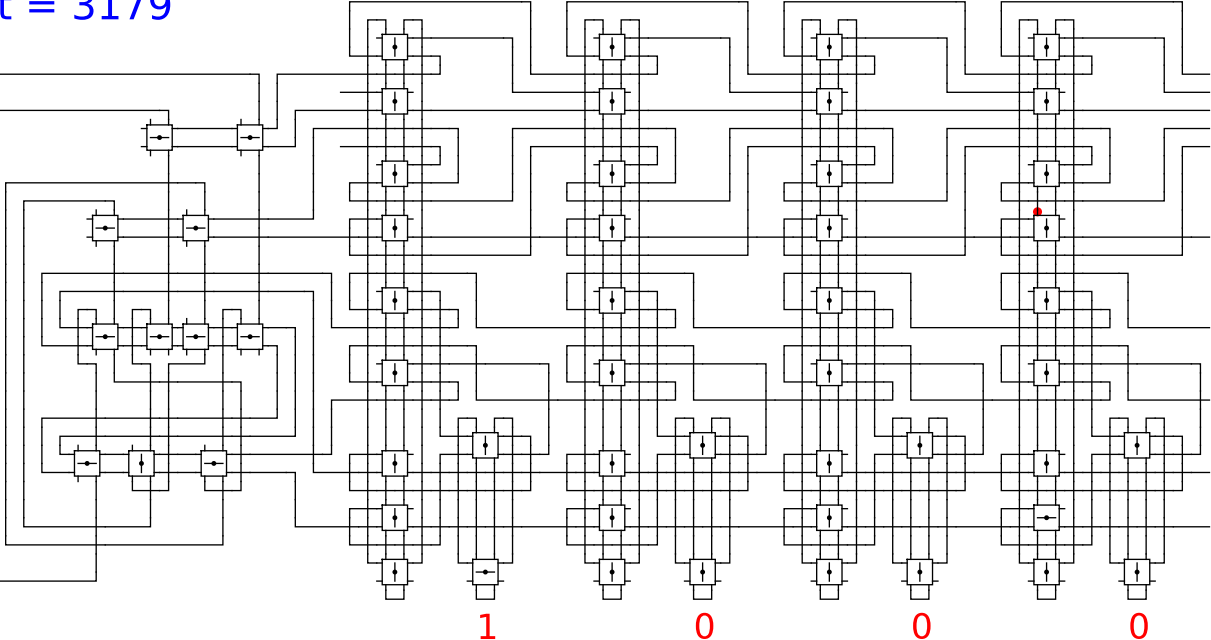
Begin



t = 3179

Reject
Accept

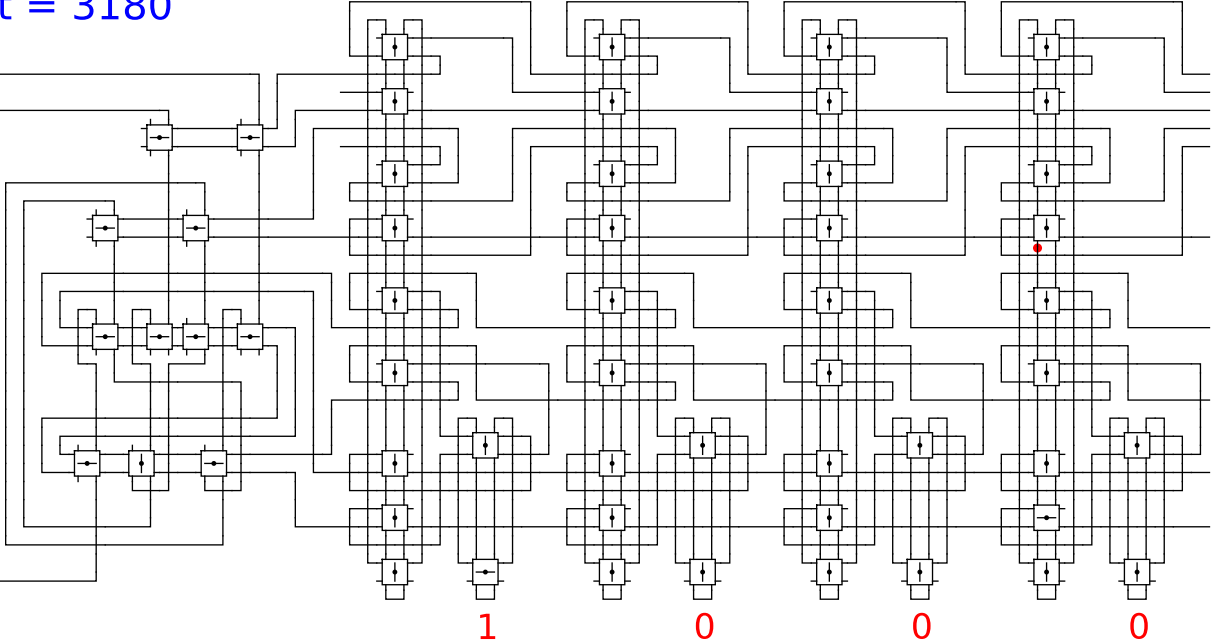
Begin



t = 3180

Reject
Accept

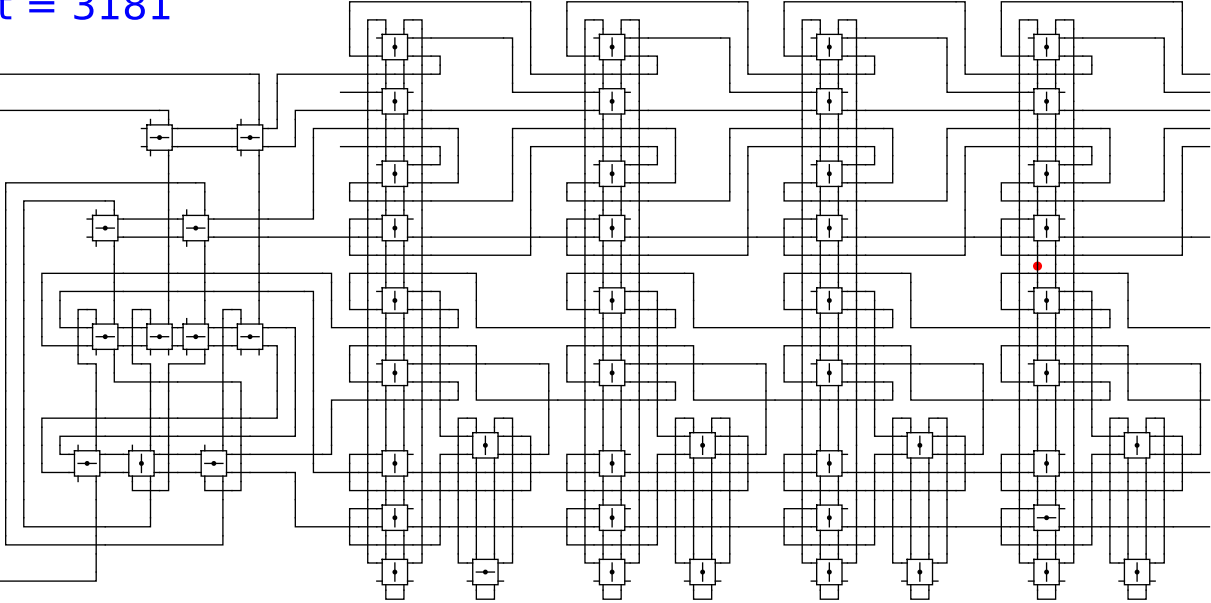
Begin



t = 3181

Reject
Accept

Begin



1

0

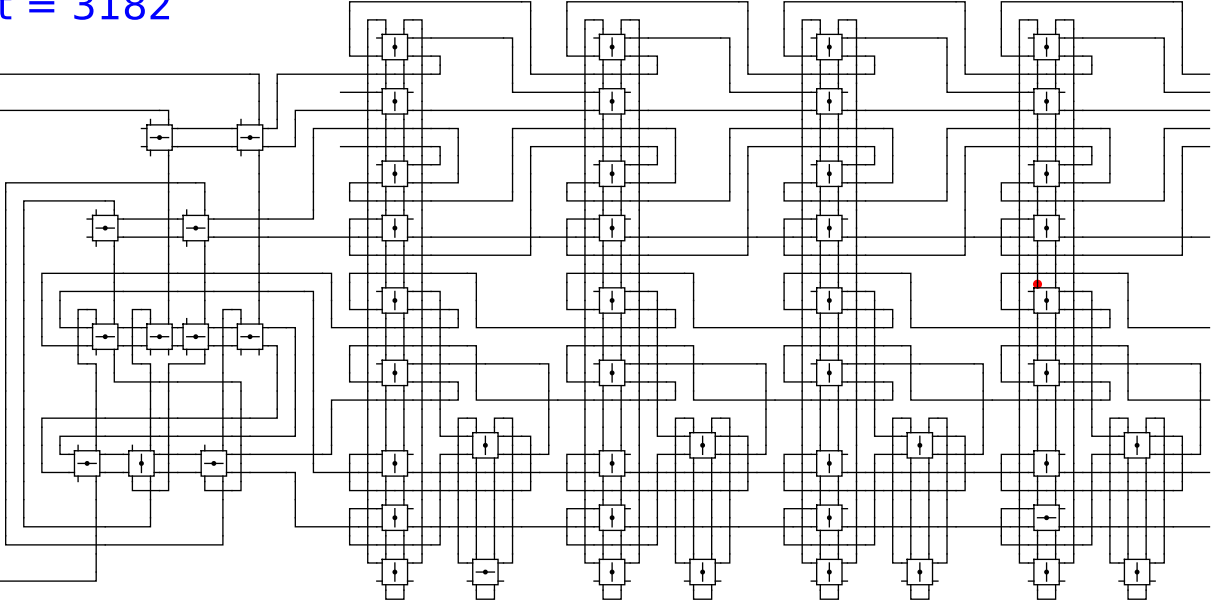
0

0

t = 3182

Reject
Accept

Begin



1

0

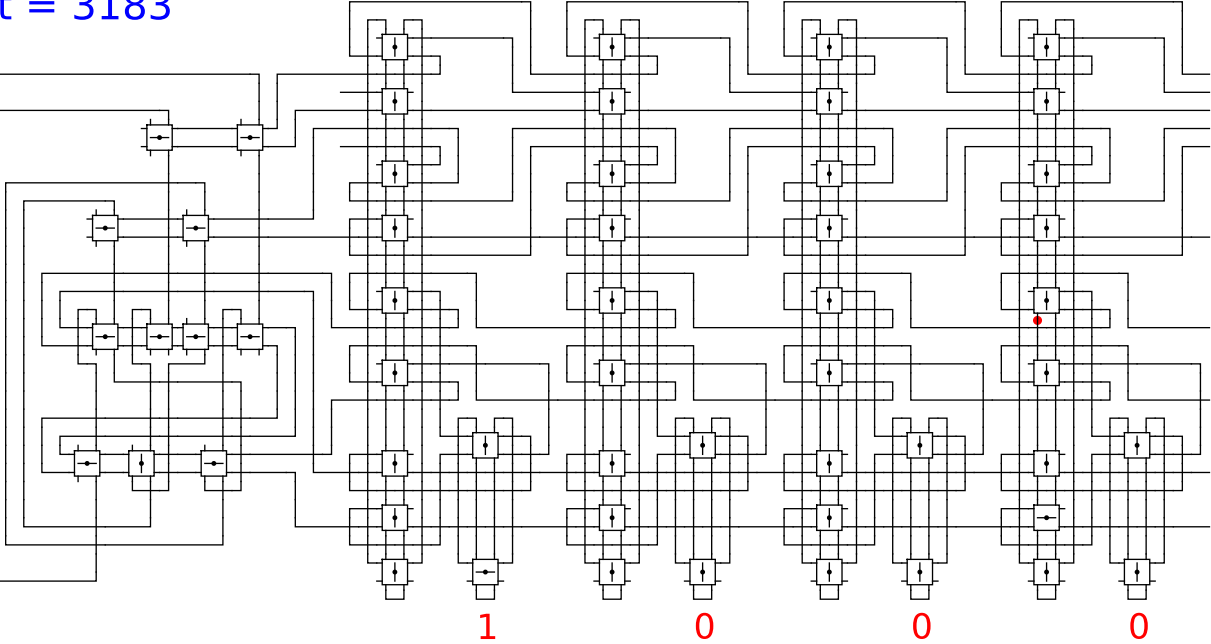
0

0

t = 3183

Reject
Accept

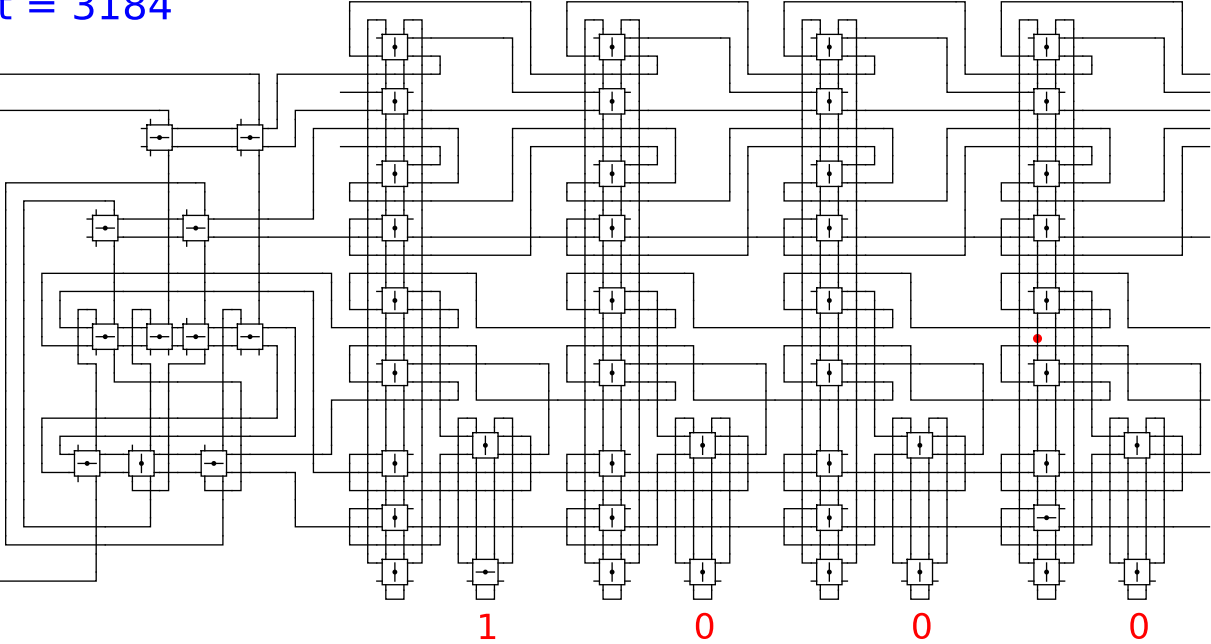
Begin



t = 3184

Reject
Accept

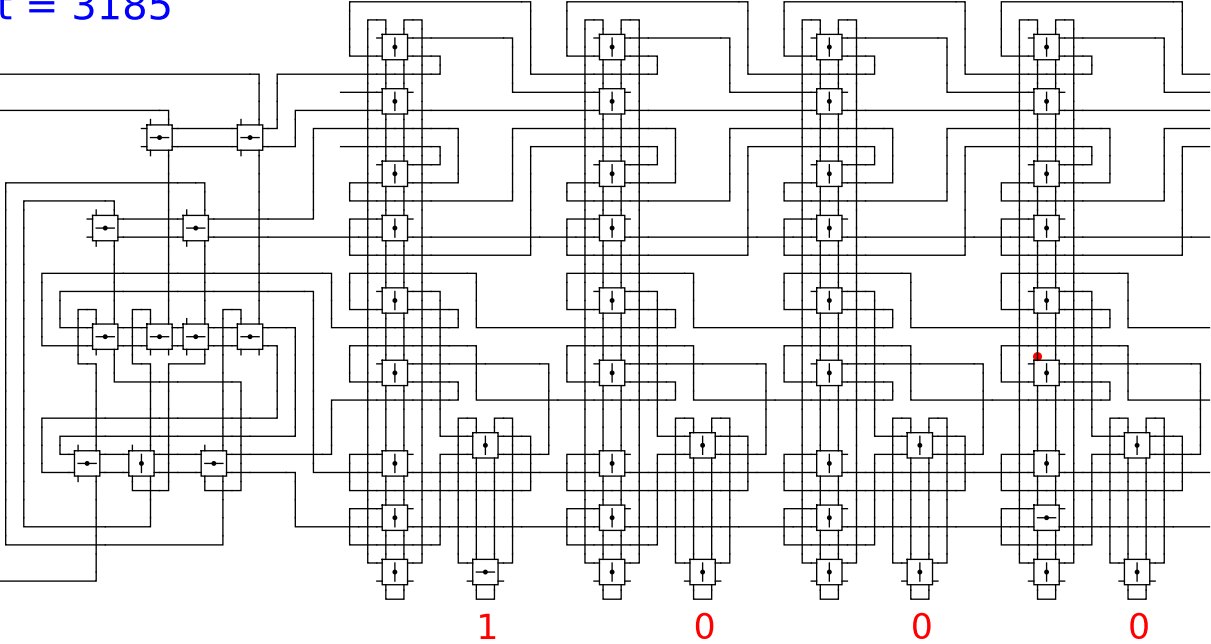
Begin



t = 3185

Reject
Accept

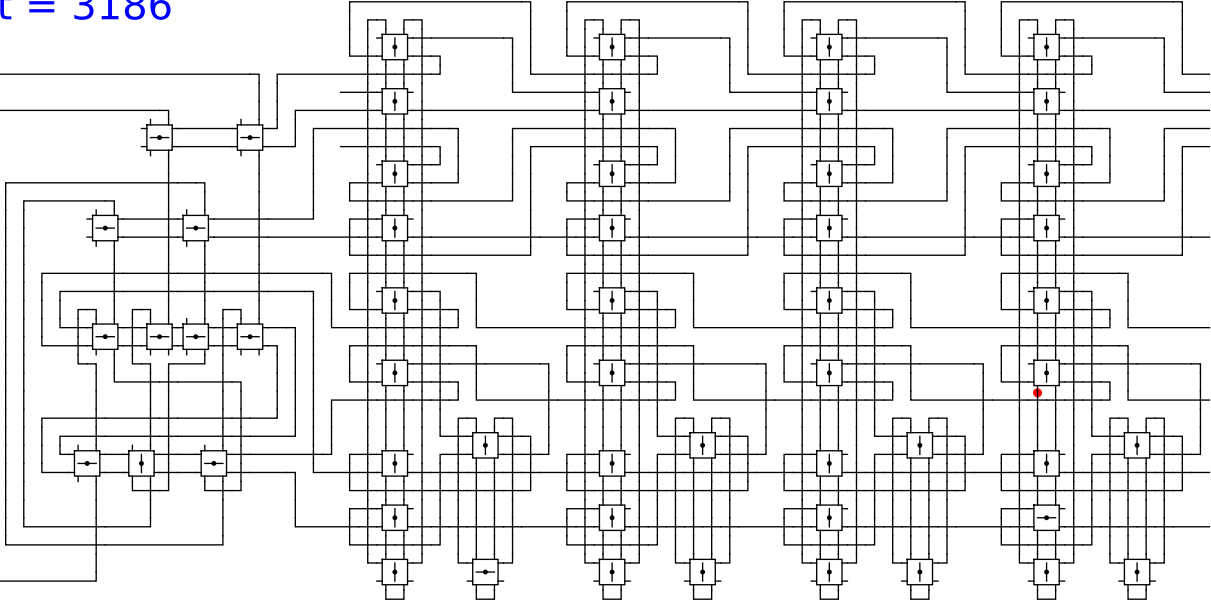
Begin



t = 3186

Reject
Accept

Begin



1

0

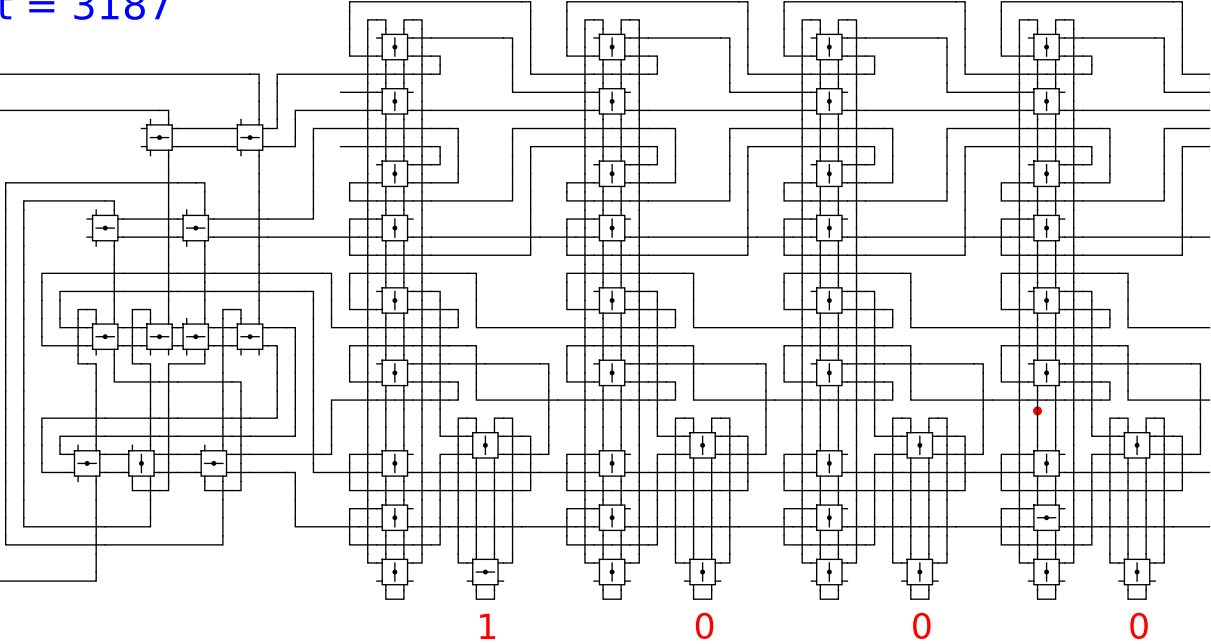
0

0

t = 3187

Reject
Accept

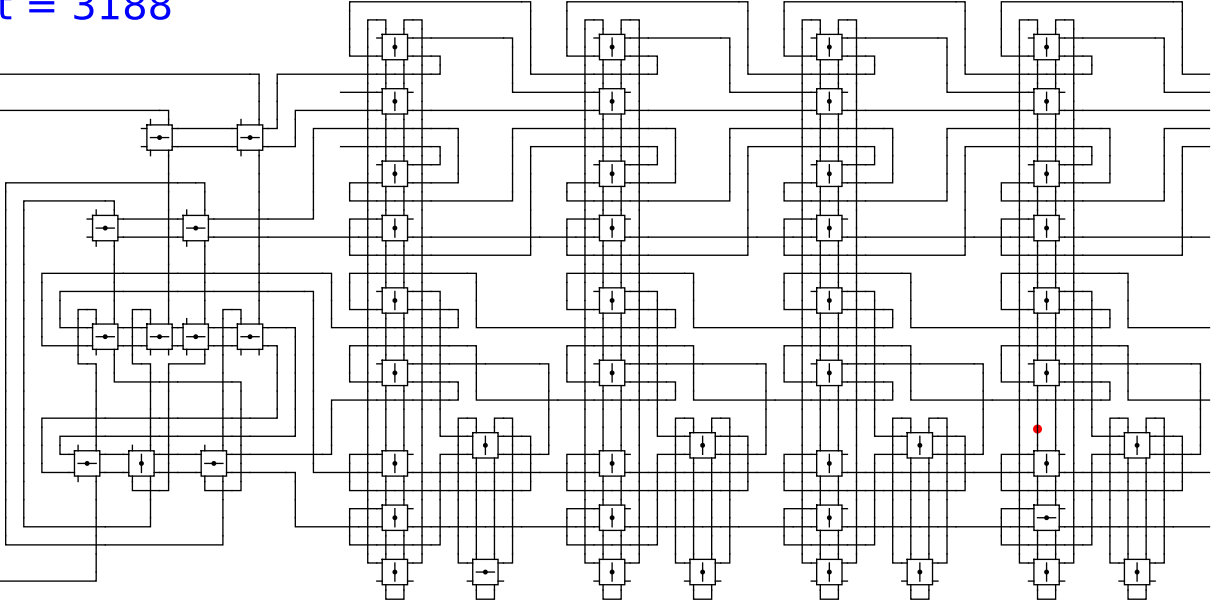
Begin



t = 3188

Reject
Accept

Begin



1

0

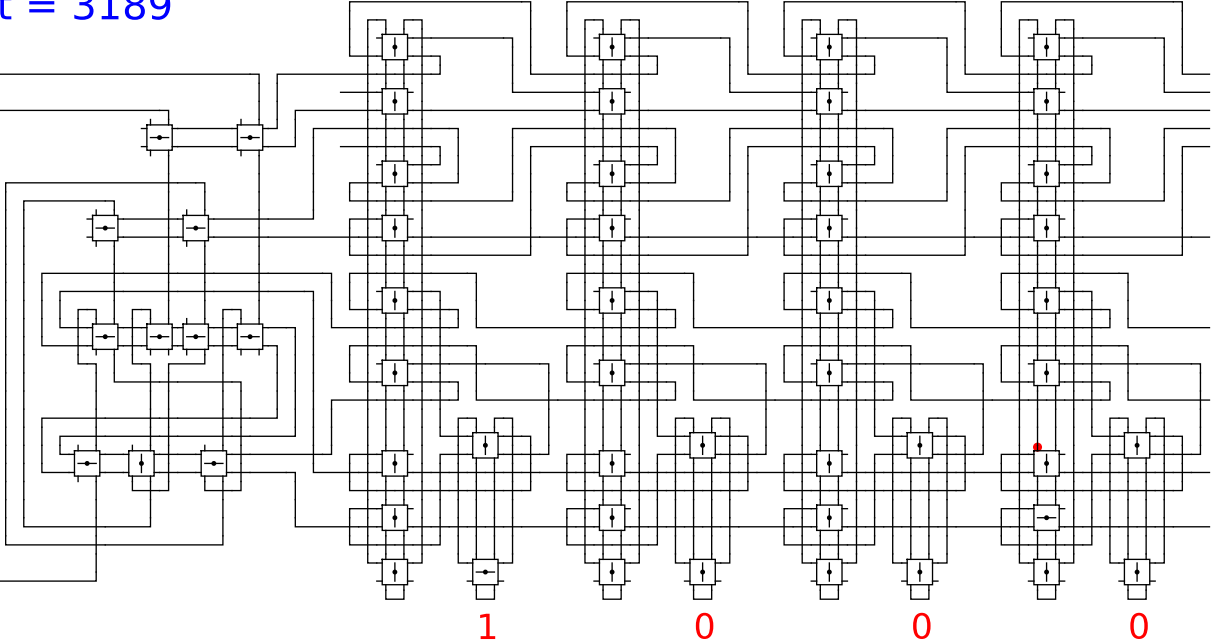
0

0

t = 3189

Reject
Accept

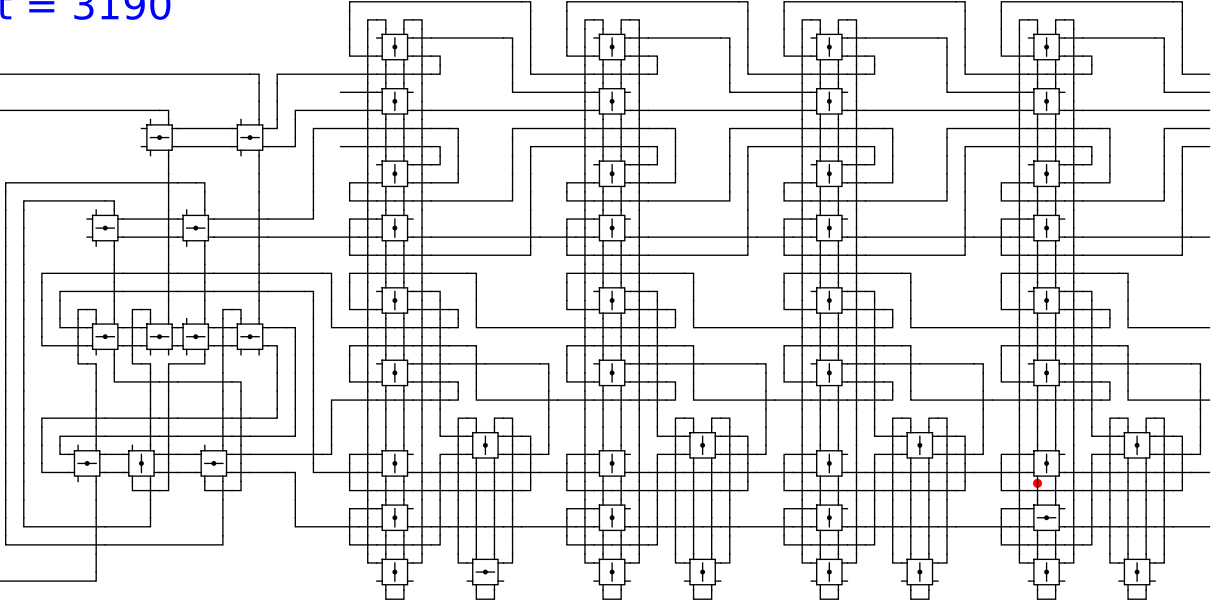
Begin



t = 3190

Reject
Accept

Begin



1

0

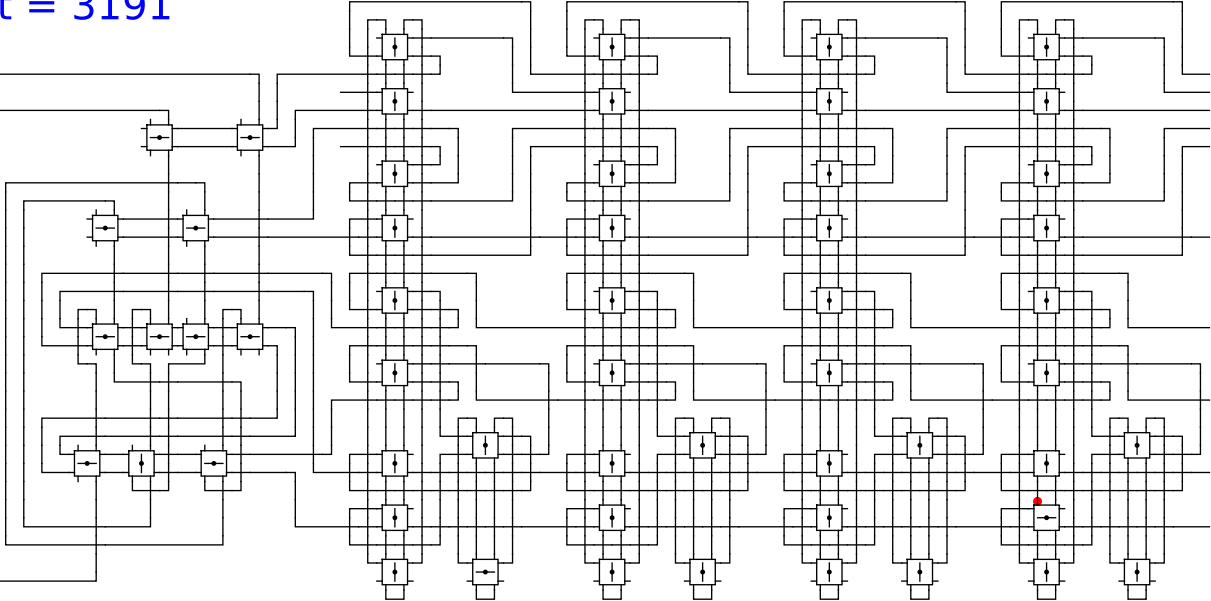
0

0

t = 3191

Reject
Accept

Begin



1

0

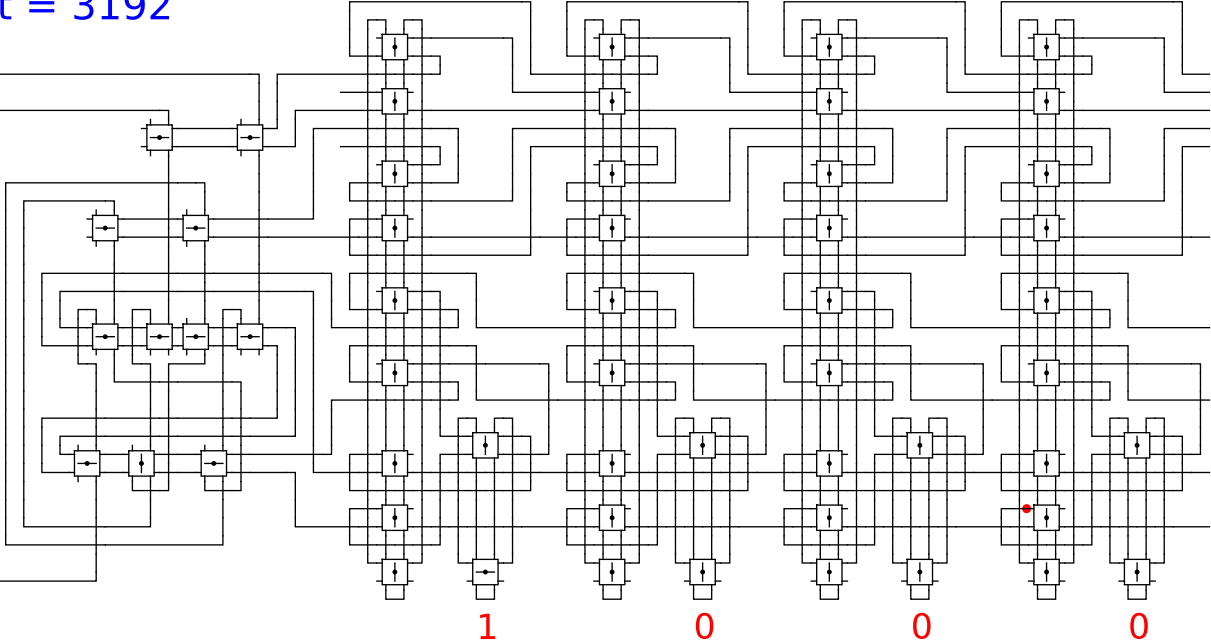
0

0

t = 3192

Reject
Accept

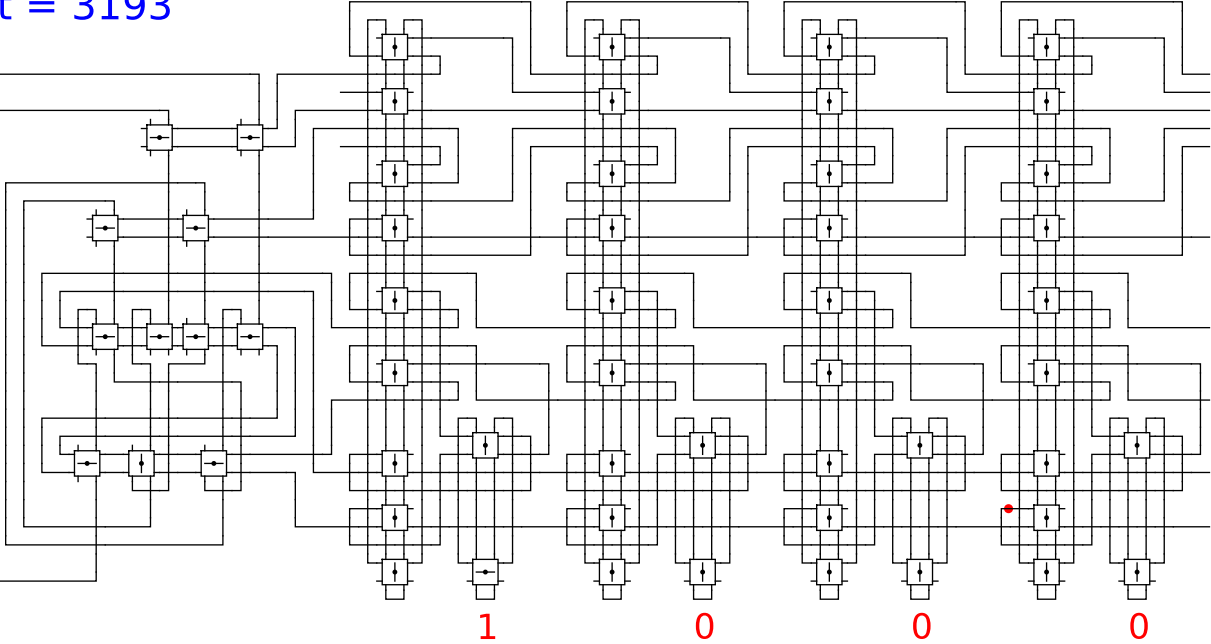
Begin



t = 3193

Reject
Accept

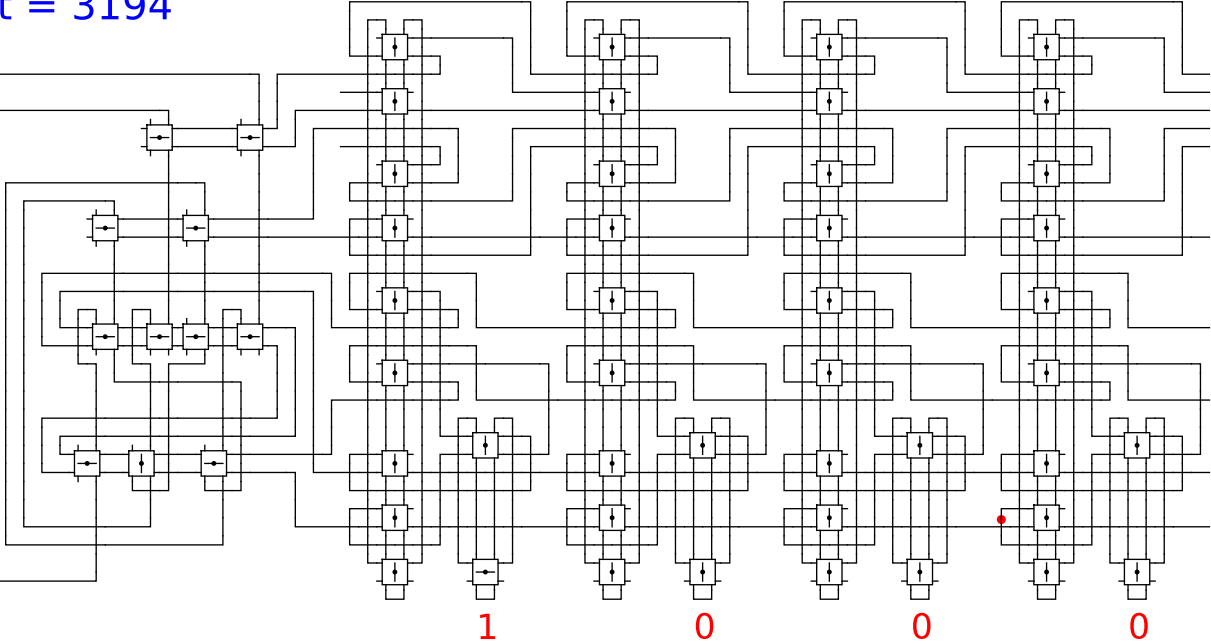
Begin



t = 3194

Reject
Accept

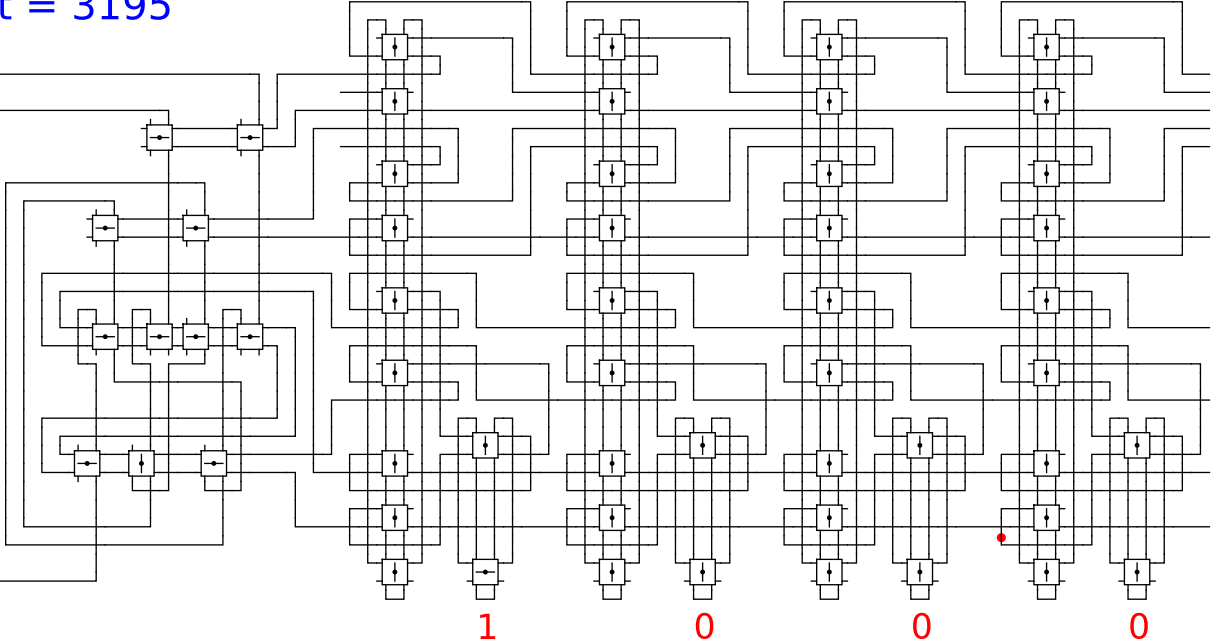
Begin



t = 3195

Reject
Accept

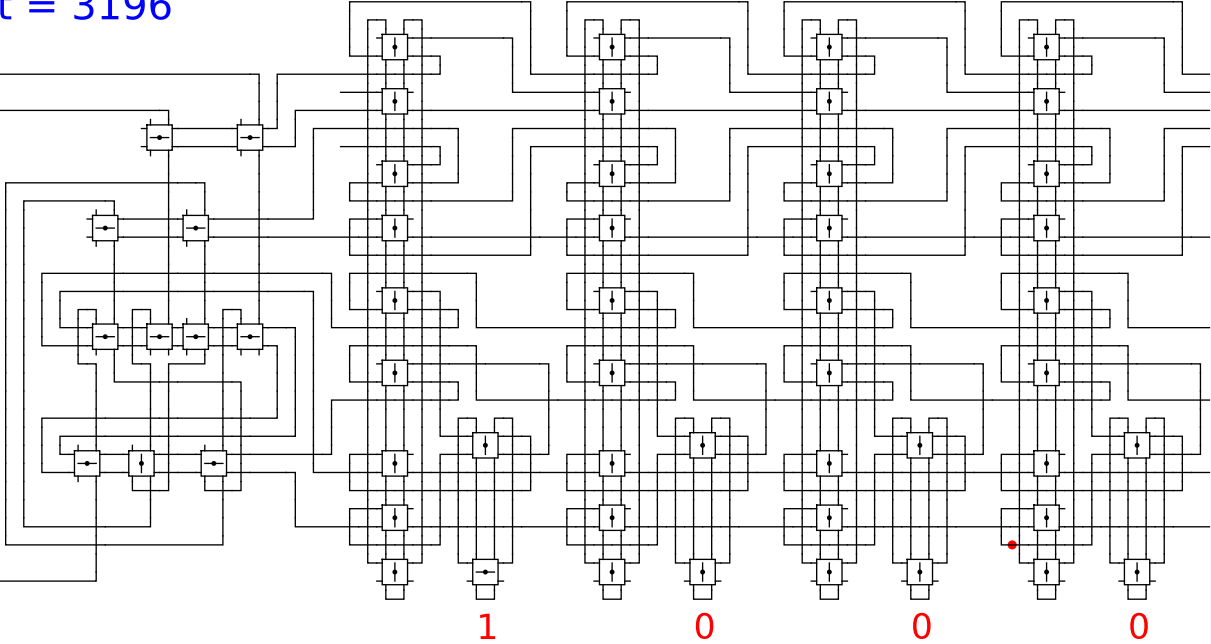
Begin



t = 3196

Reject
Accept

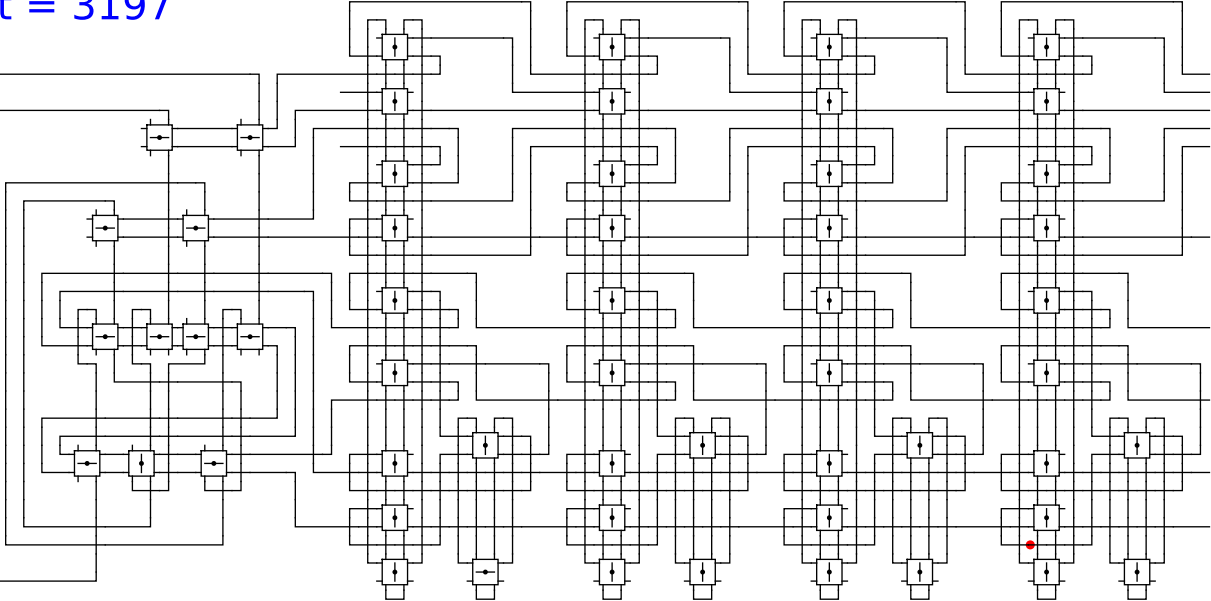
Begin



t = 3197

Reject
Accept

Begin



1

0

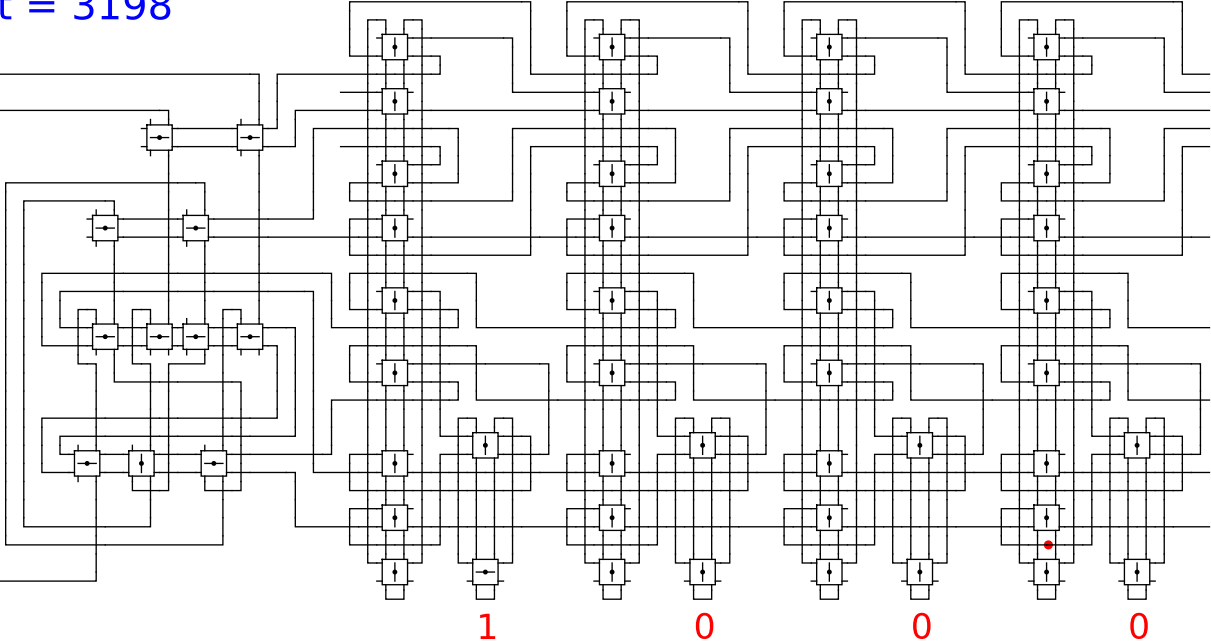
0

0

t = 3198

Reject
Accept

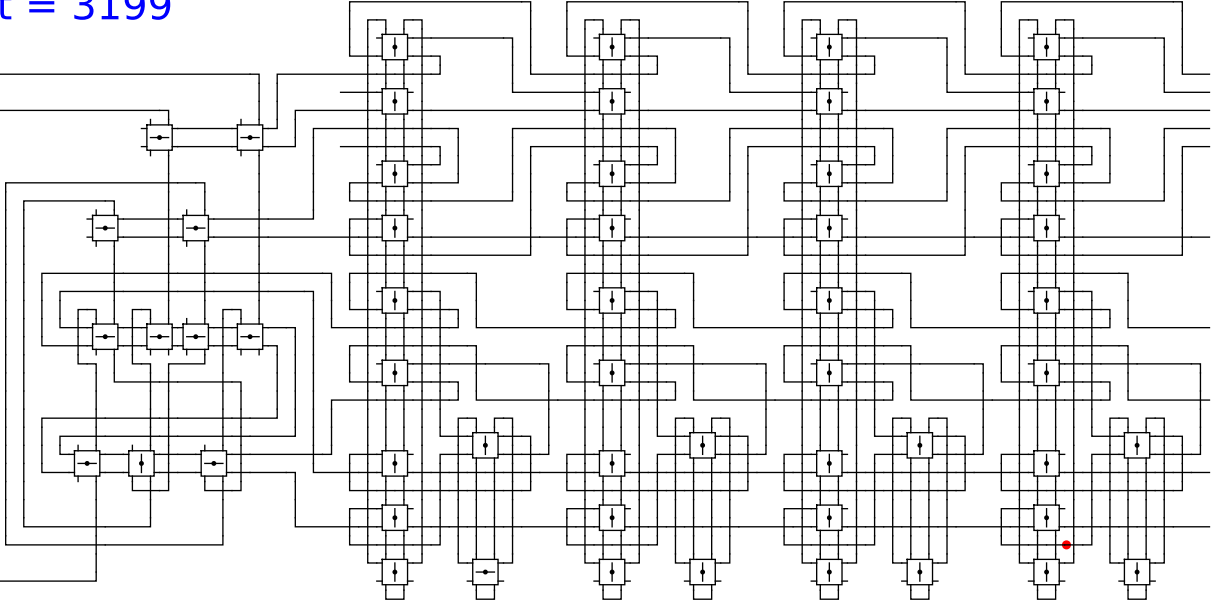
Begin



t = 3199

Reject
Accept

Begin



1

0

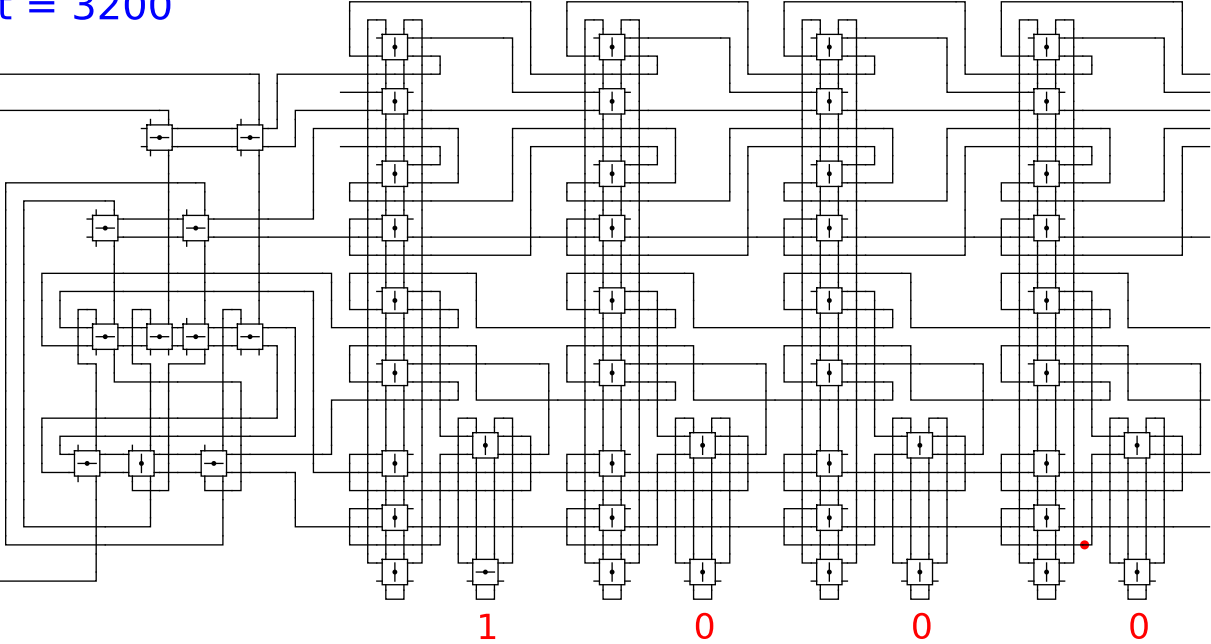
0

0

t = 3200

Reject
Accept

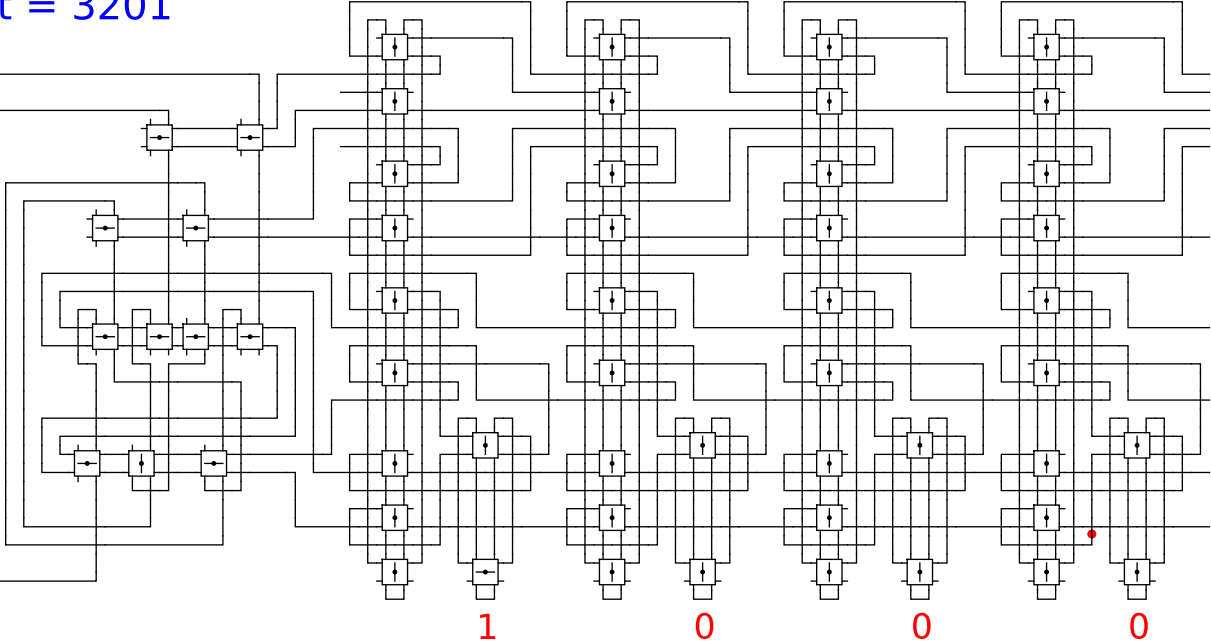
Begin



t = 3201

Reject
Accept

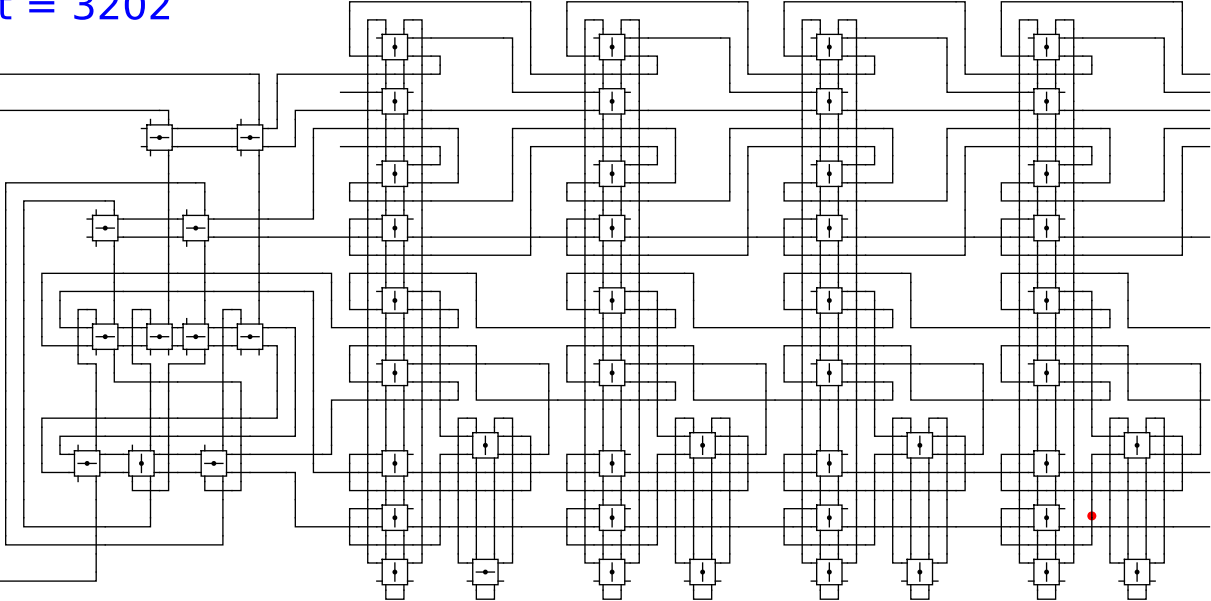
Begin



t = 3202

Reject
Accept

Begin



1

0

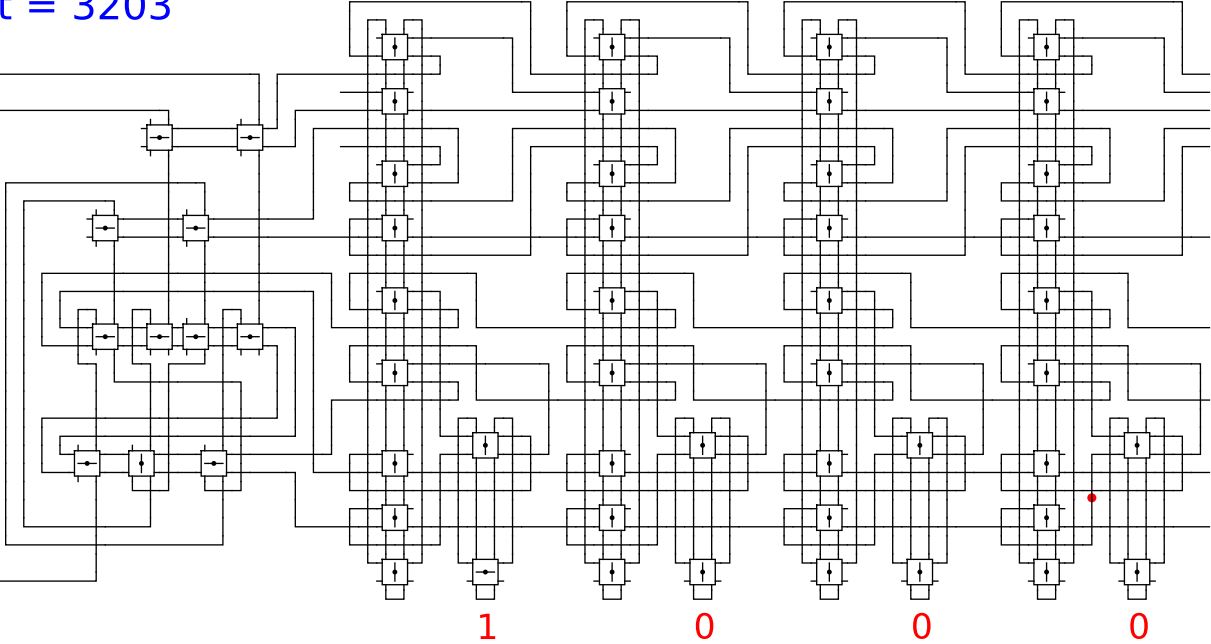
0

0

t = 3203

Reject
Accept

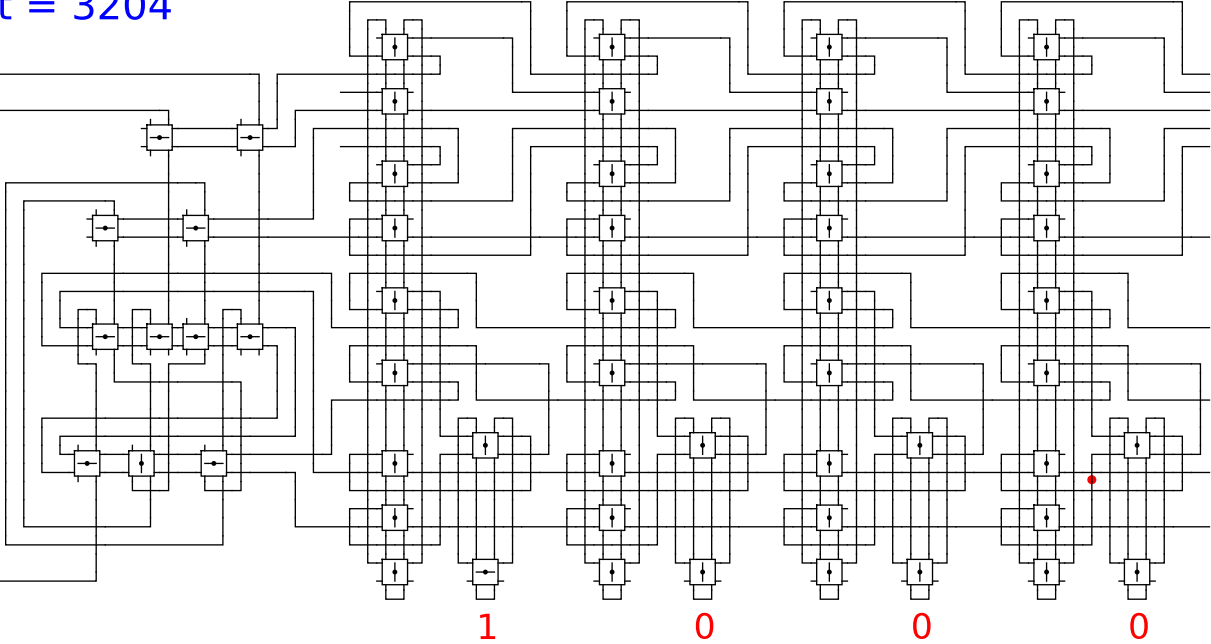
Begin



t = 3204

Reject
Accept

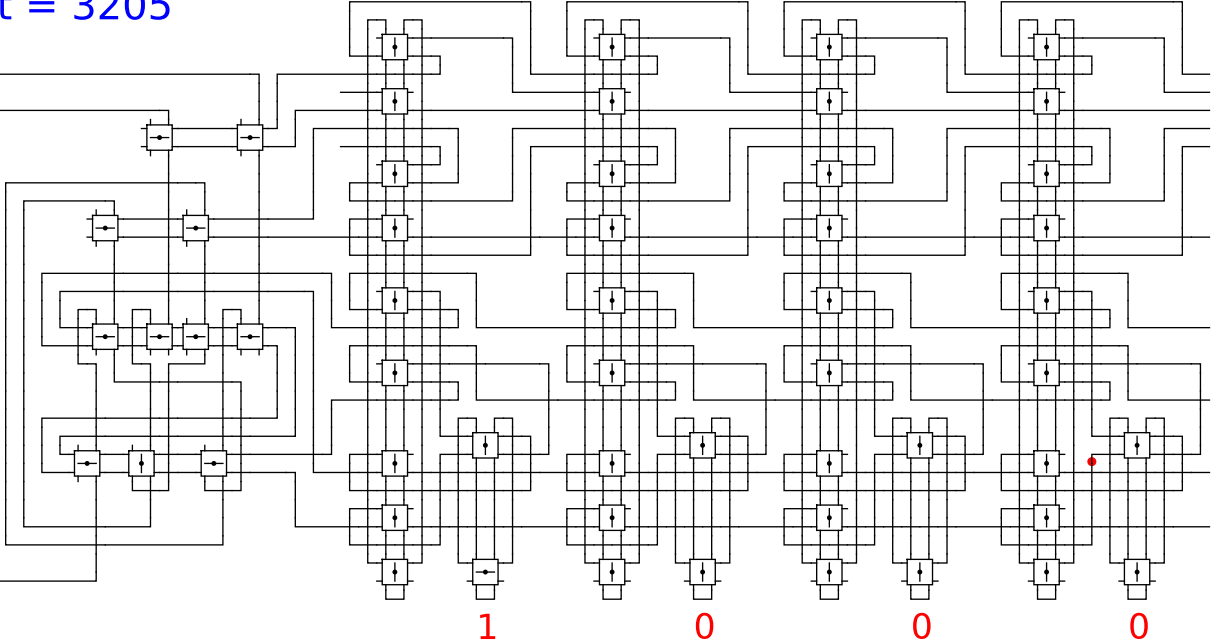
Begin



t = 3205

Reject
Accept

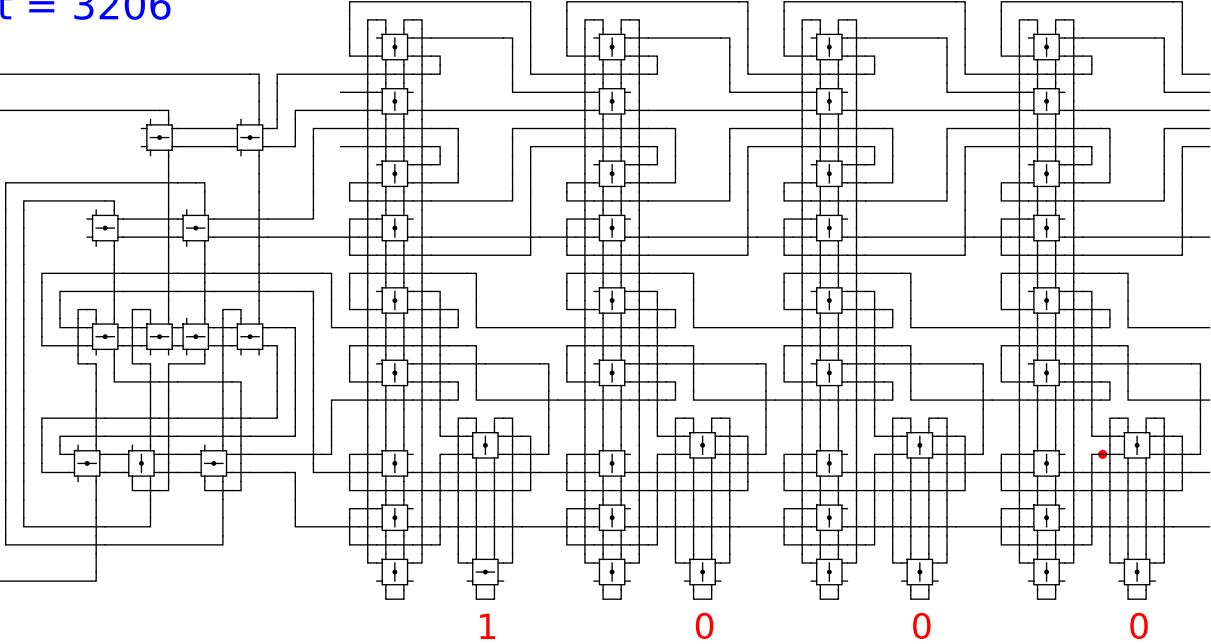
Begin



t = 3206

Reject
Accept

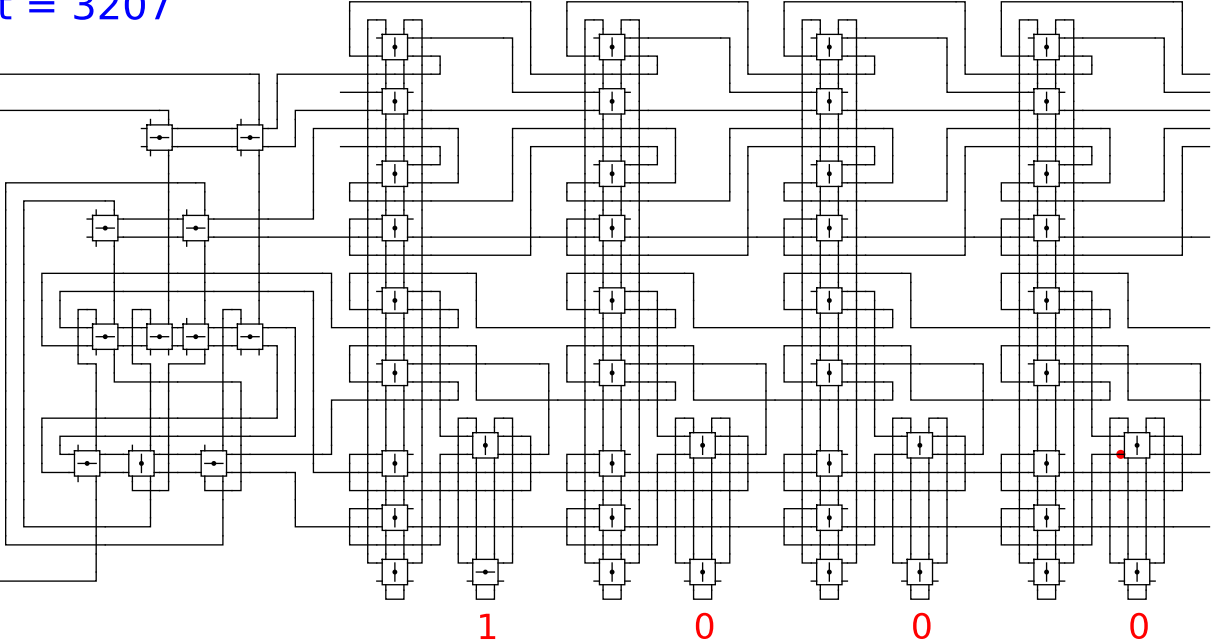
Begin



t = 3207

Reject
Accept

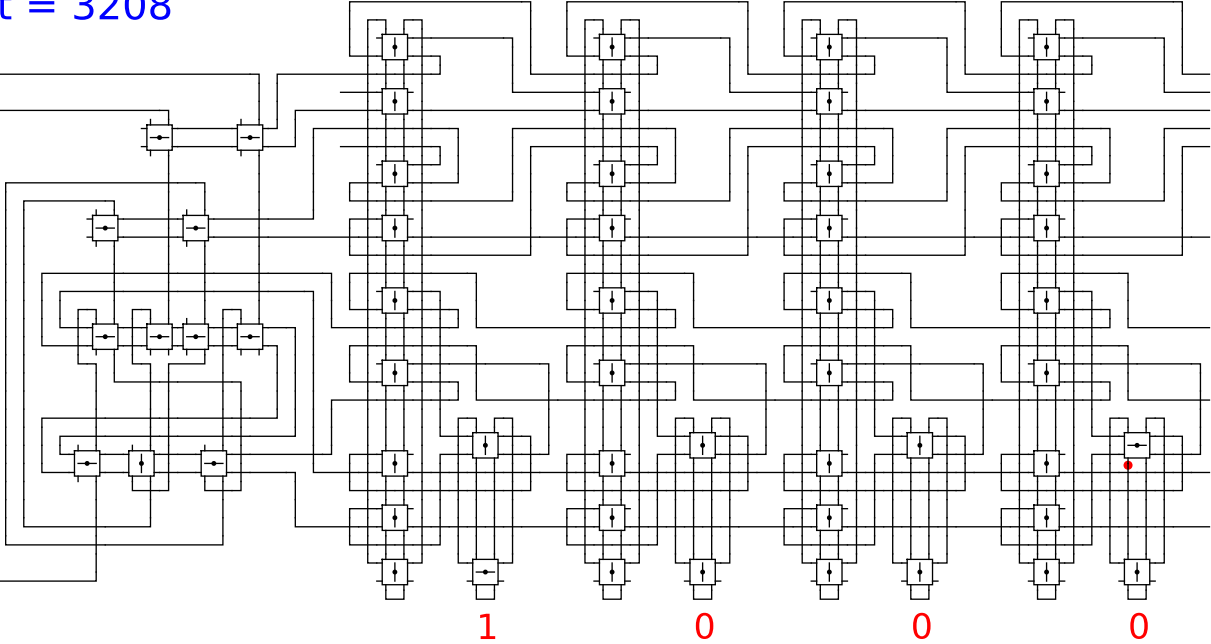
Begin



t = 3208

Reject
Accept

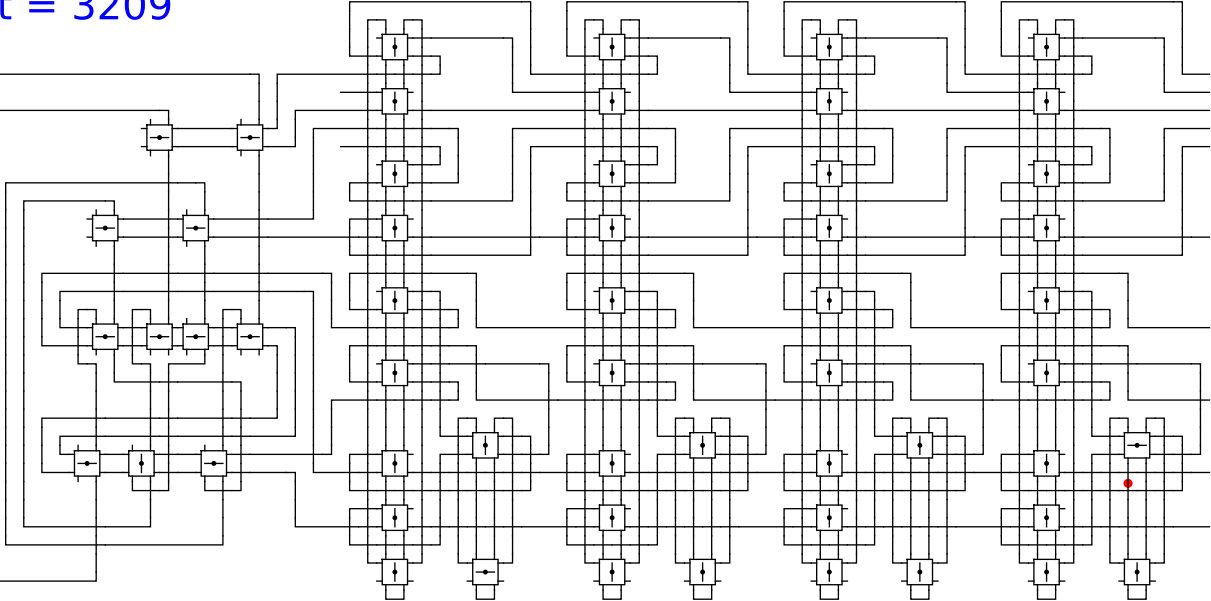
Begin



t = 3209

Reject
Accept

Begin



1

0

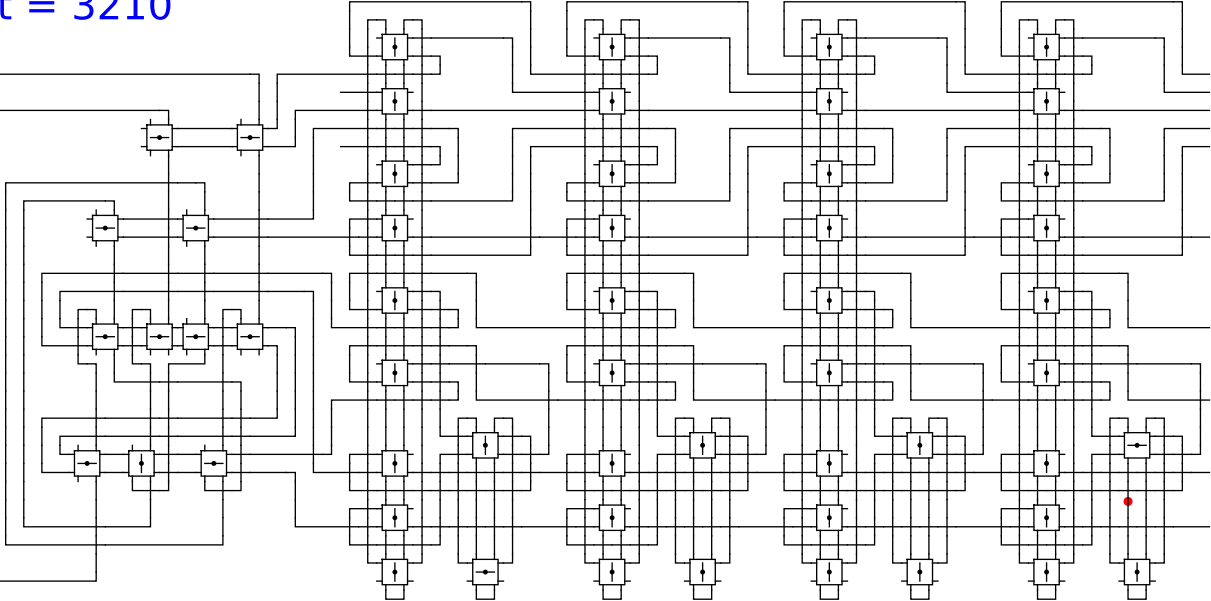
0

0

t = 3210

Reject
Accept

Begin



1

0

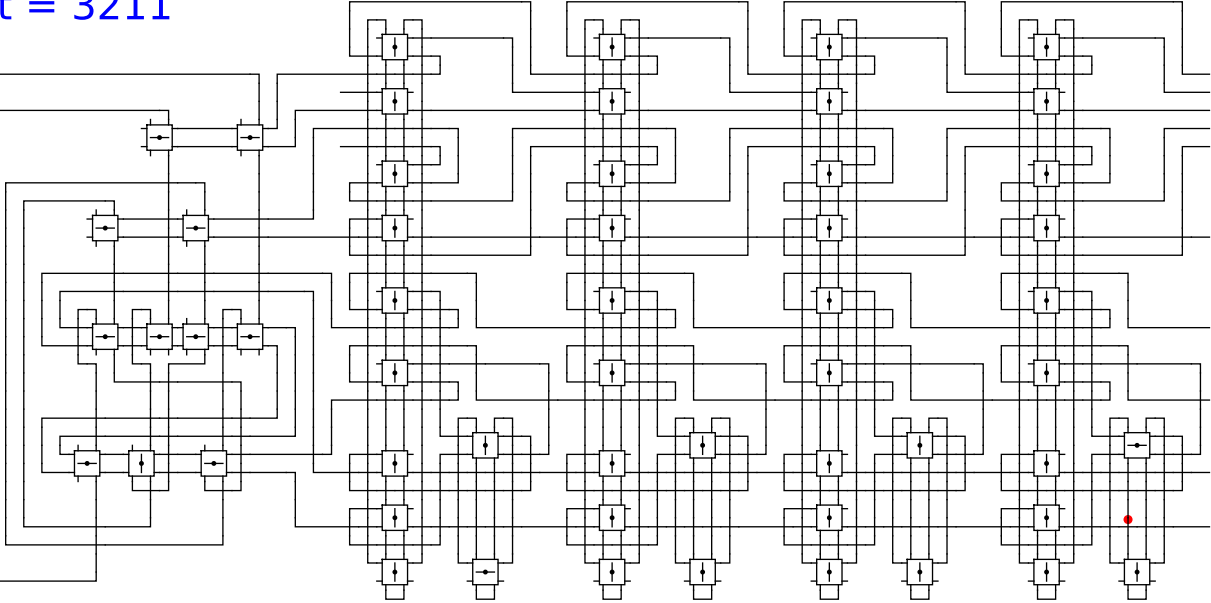
0

0

t = 3211

Reject
Accept

Begin



1

0

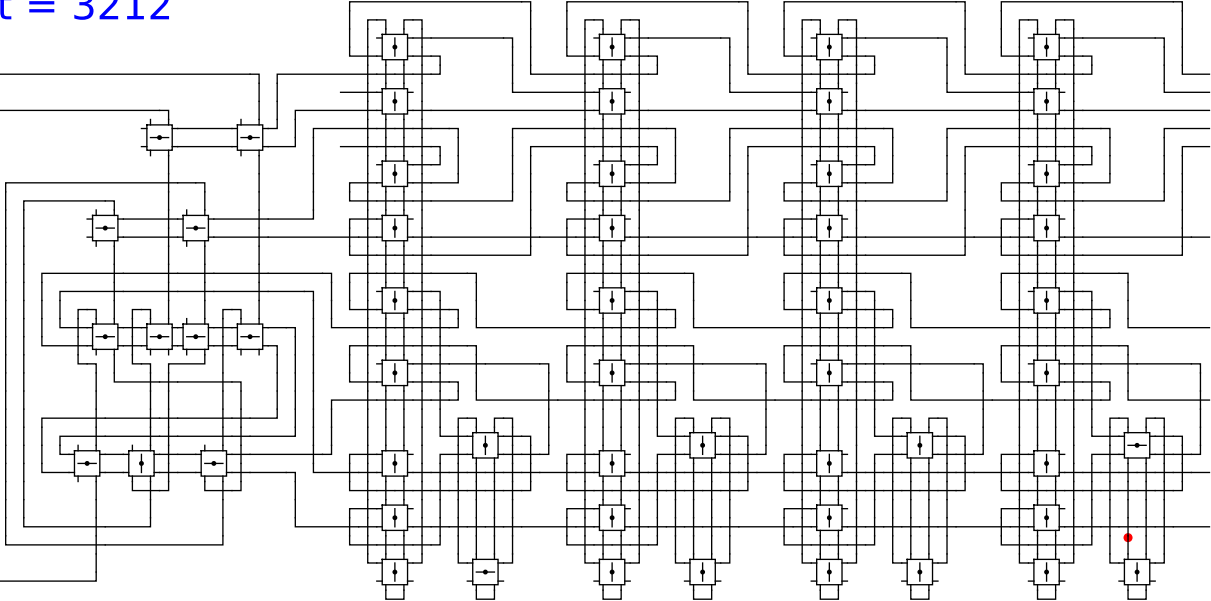
0

0

t = 3212

Reject
Accept

Begin

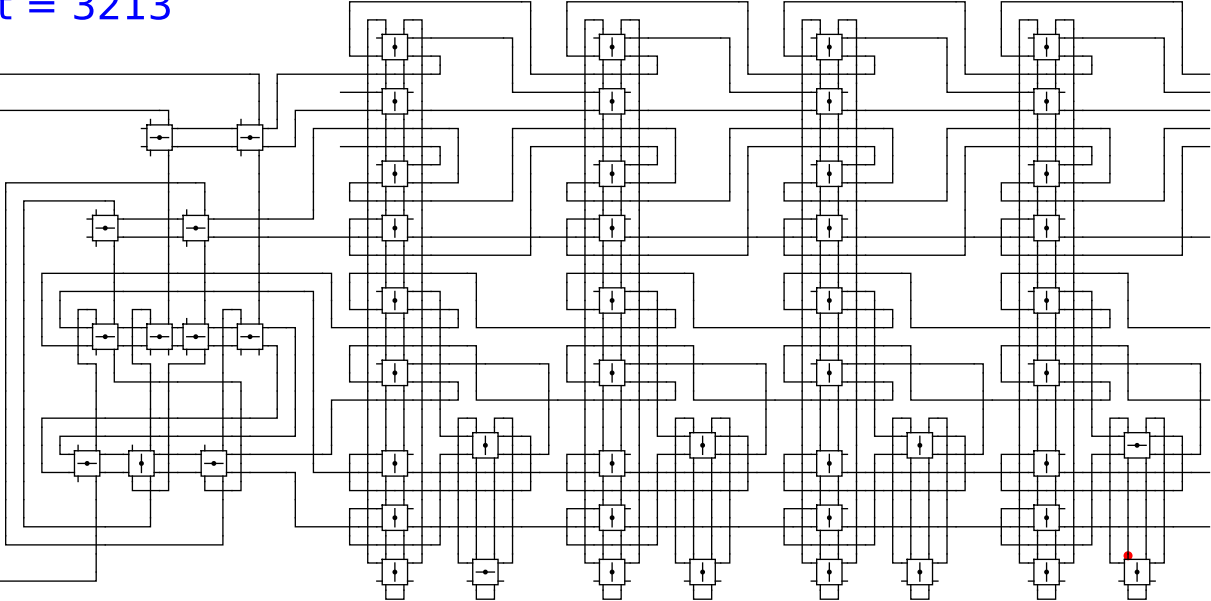


1 0 0 0

t = 3213

Reject
Accept

Begin



1

0

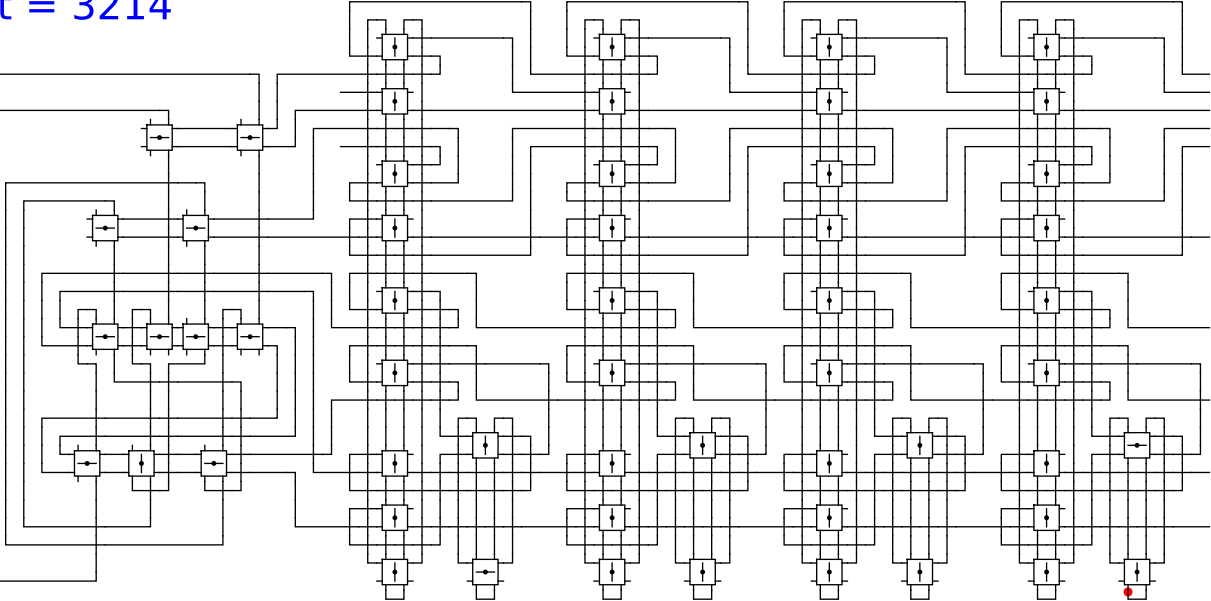
0

0

t = 3214

Reject
Accept

Begin



1

0

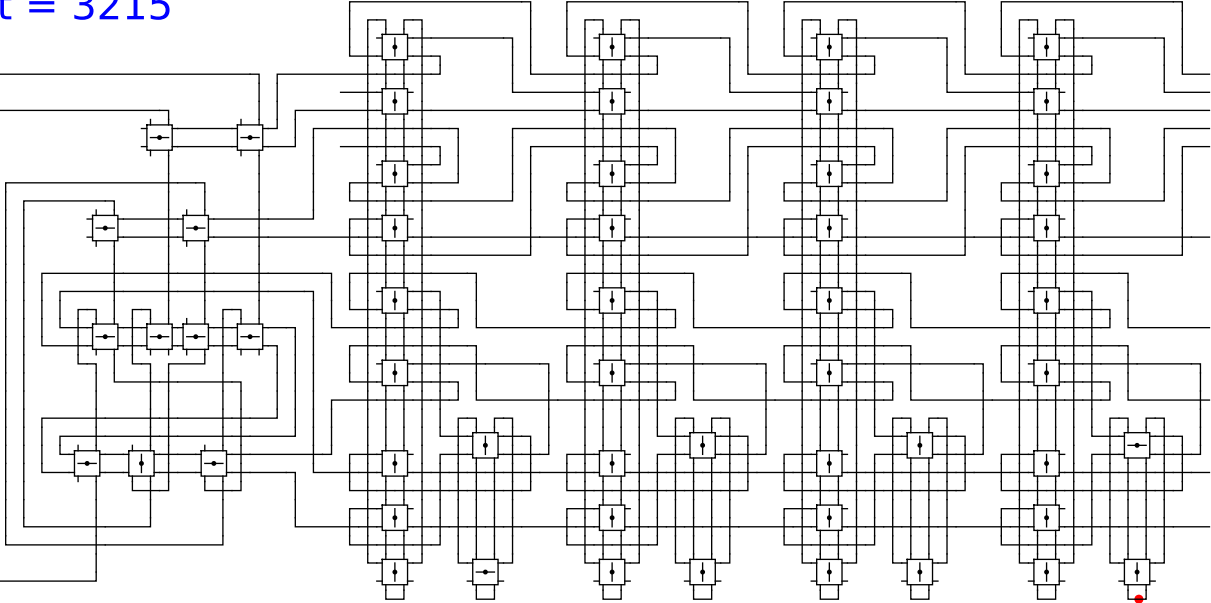
0

0

t = 3215

Reject
Accept

Begin



1

0

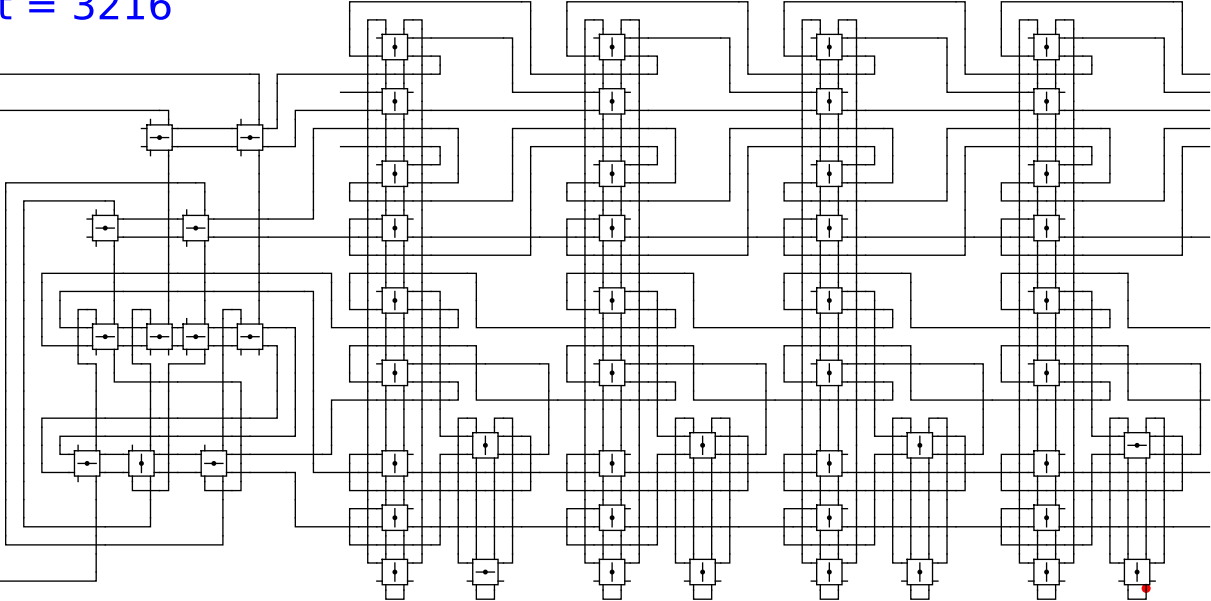
0

0

t = 3216

Reject
Accept

Begin



1

0

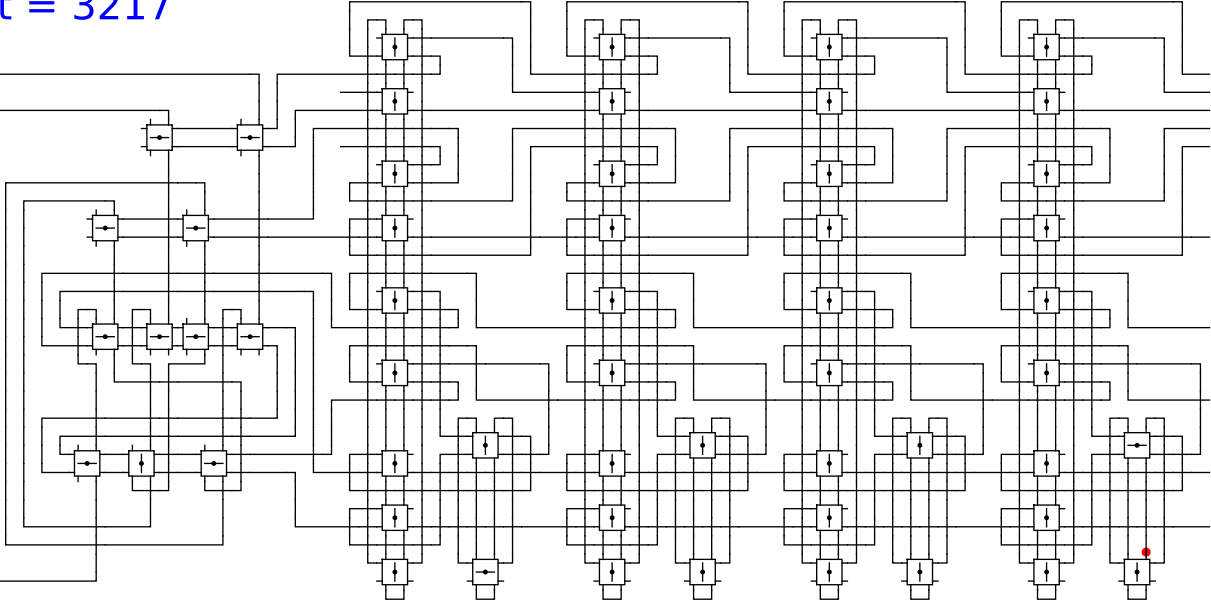
0

0

t = 3217

Reject
Accept

Begin



1

0

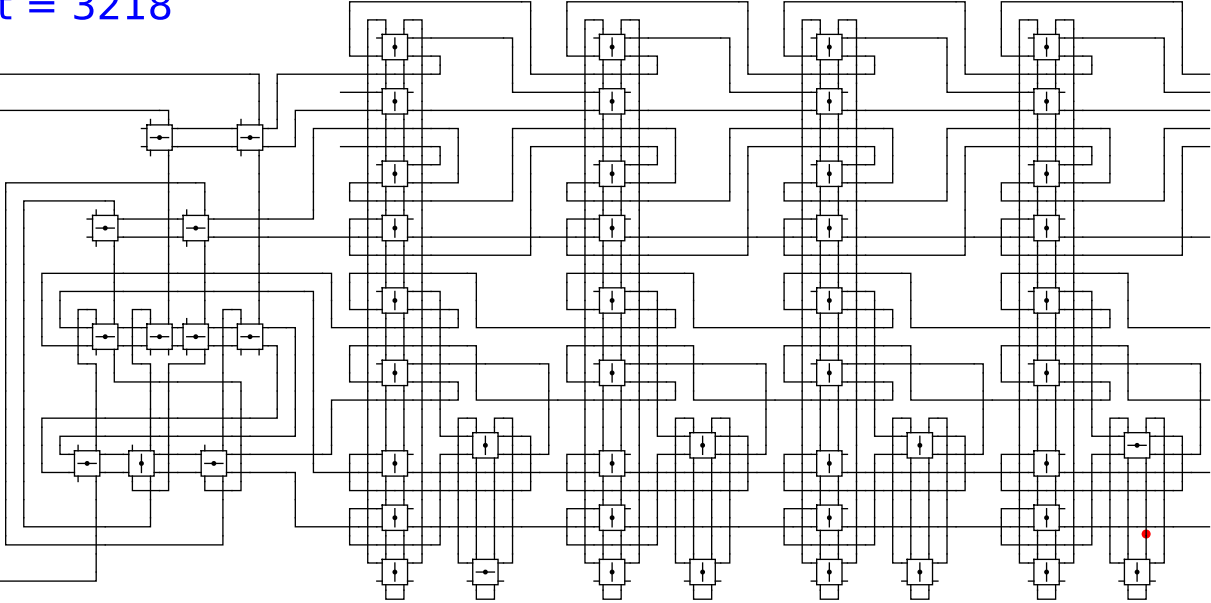
0

0

t = 3218

Reject
Accept

Begin



1

0

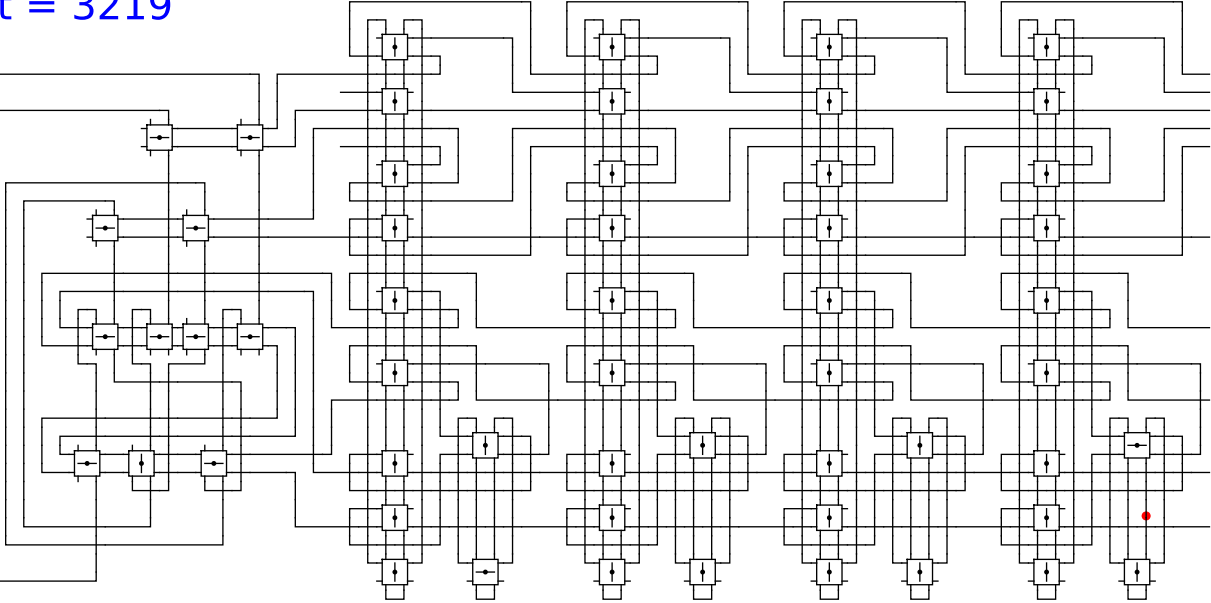
0

0

t = 3219

Reject
Accept

Begin



1

0

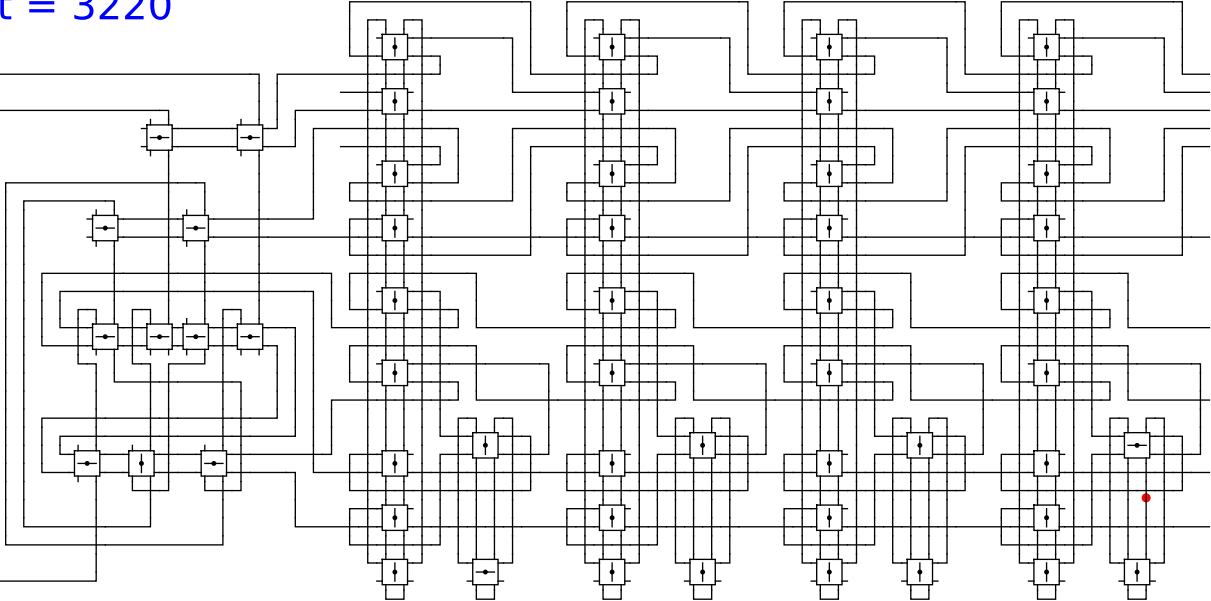
0

0

t = 3220

Reject
Accept

Begin



1

0

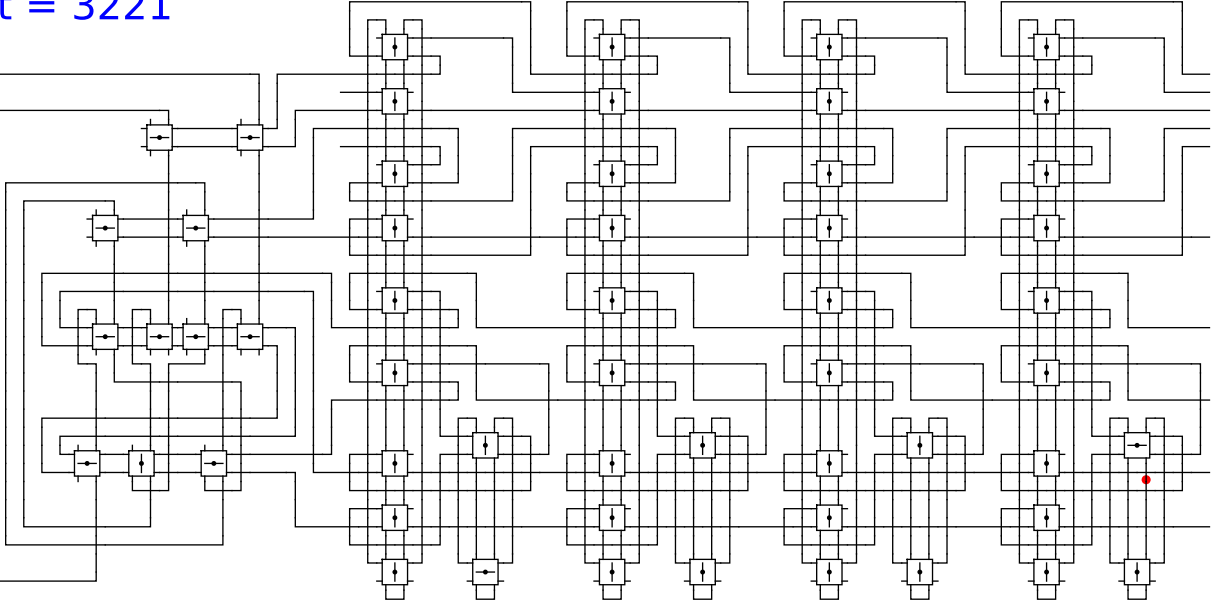
0

0

t = 3221

Reject
Accept

Begin



1

0

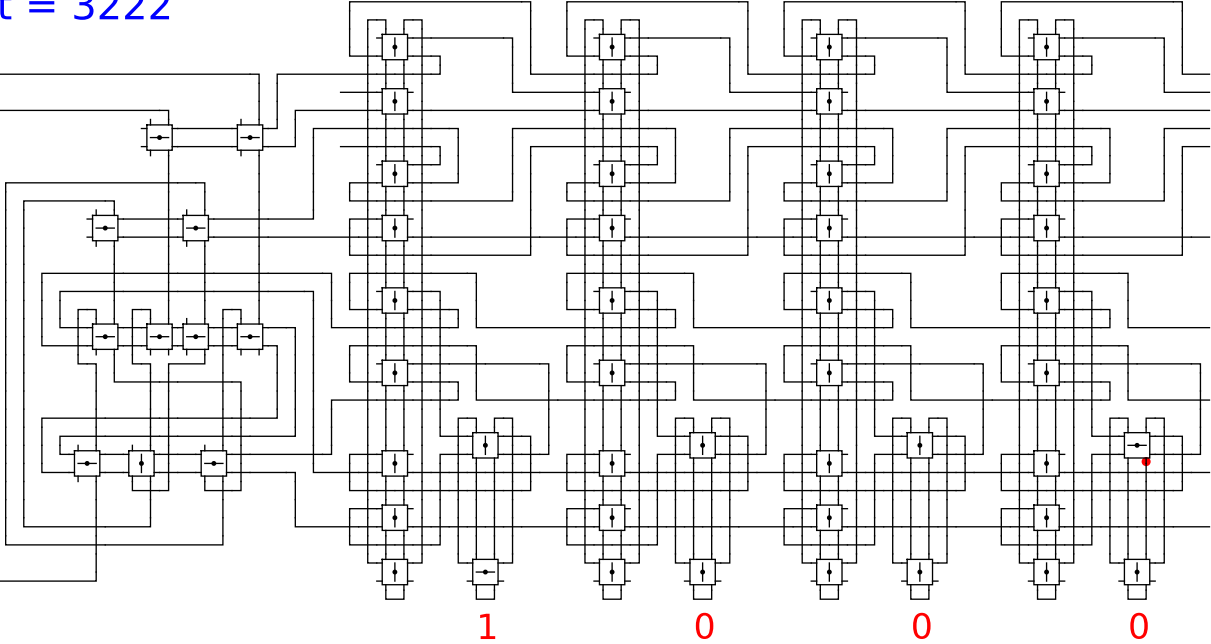
0

0

t = 3222

Reject
Accept

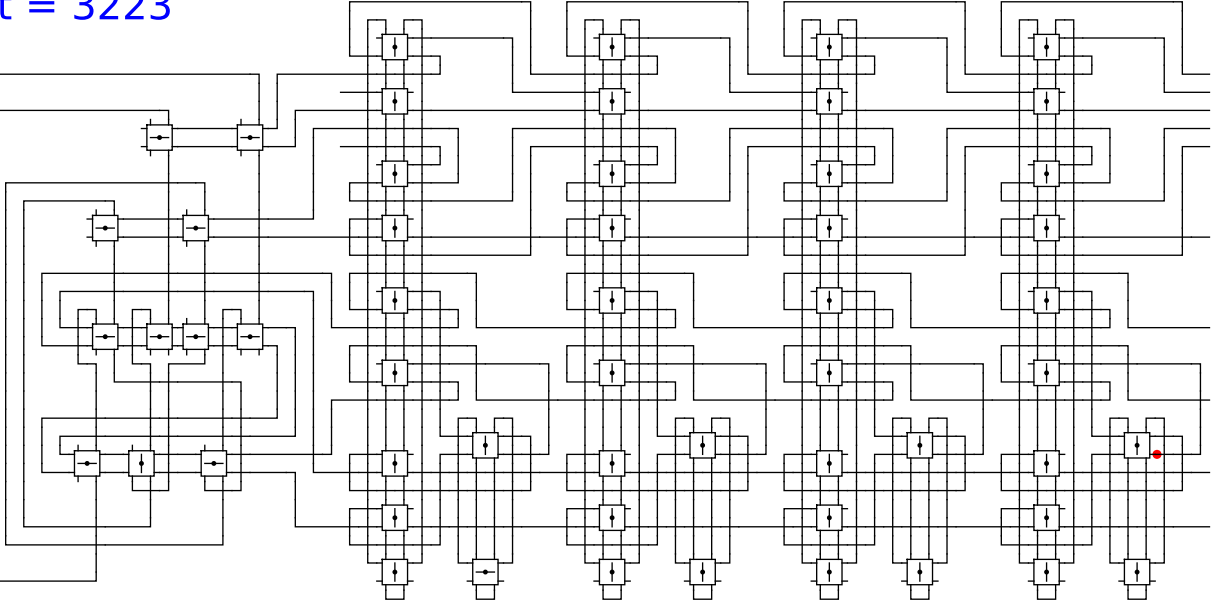
Begin



t = 3223

Reject
Accept

Begin



1

0

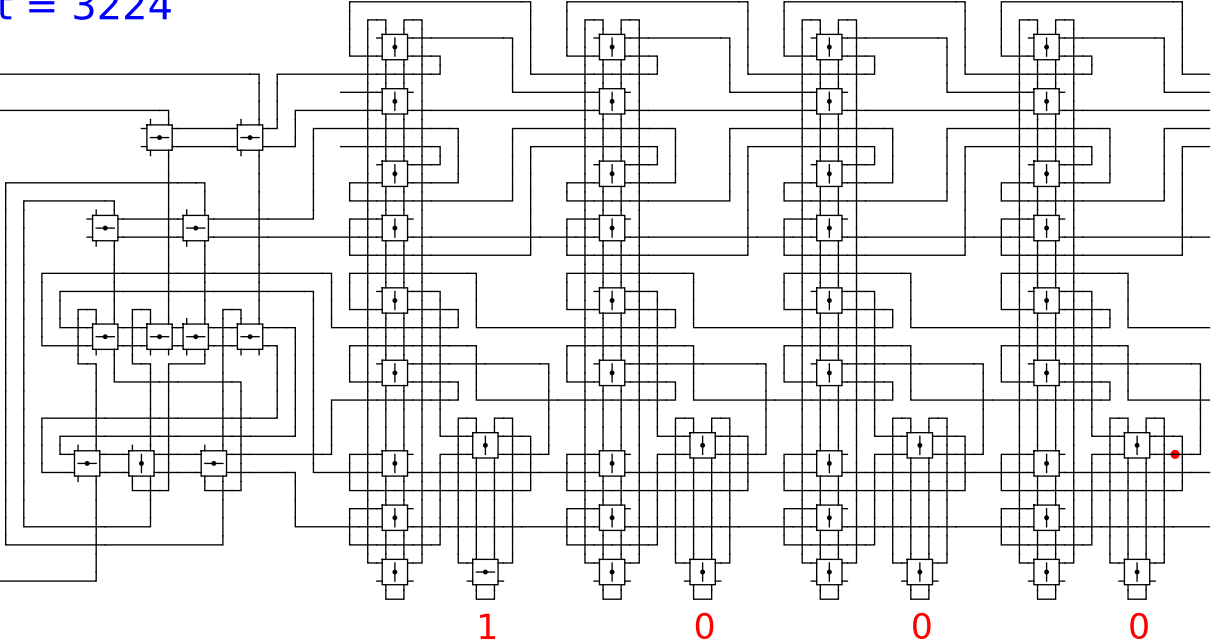
0

0

t = 3224

Reject
Accept

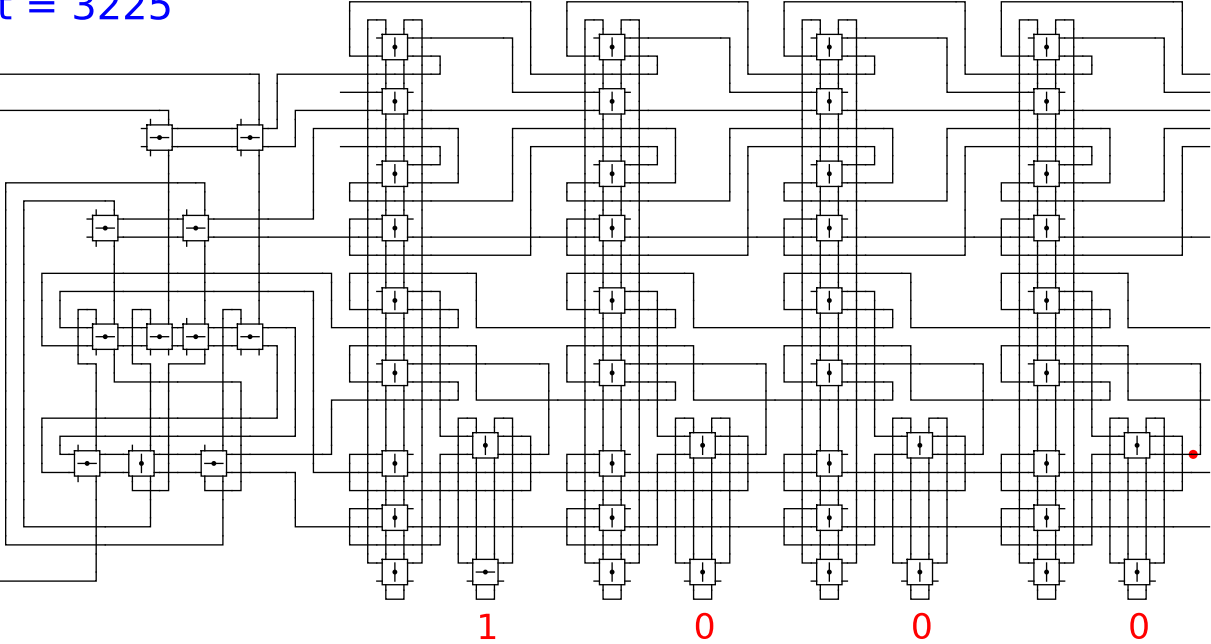
Begin



t = 3225

Reject
Accept

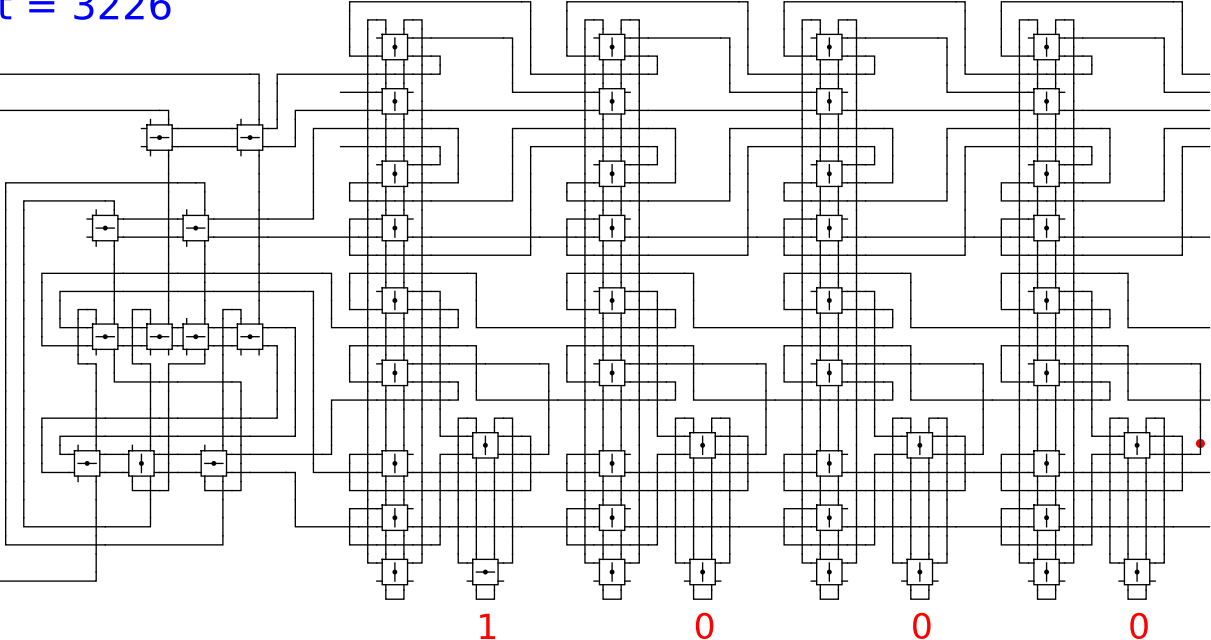
Begin



t = 3226

Reject
Accept

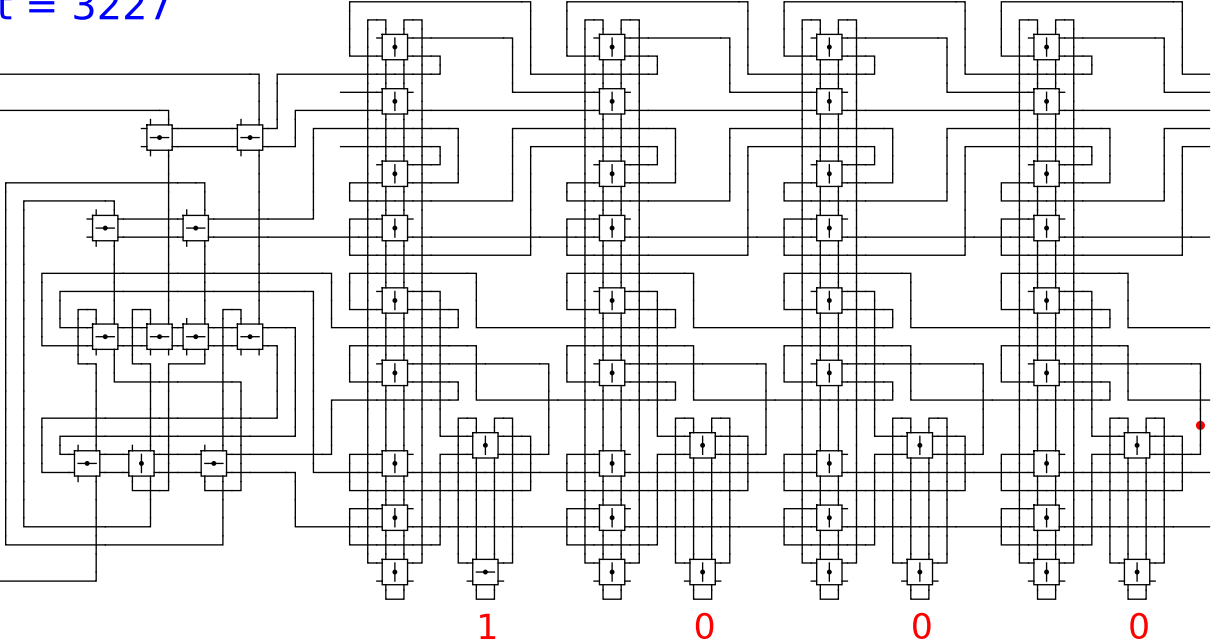
Begin



$t = 3227$

Reject
Accept

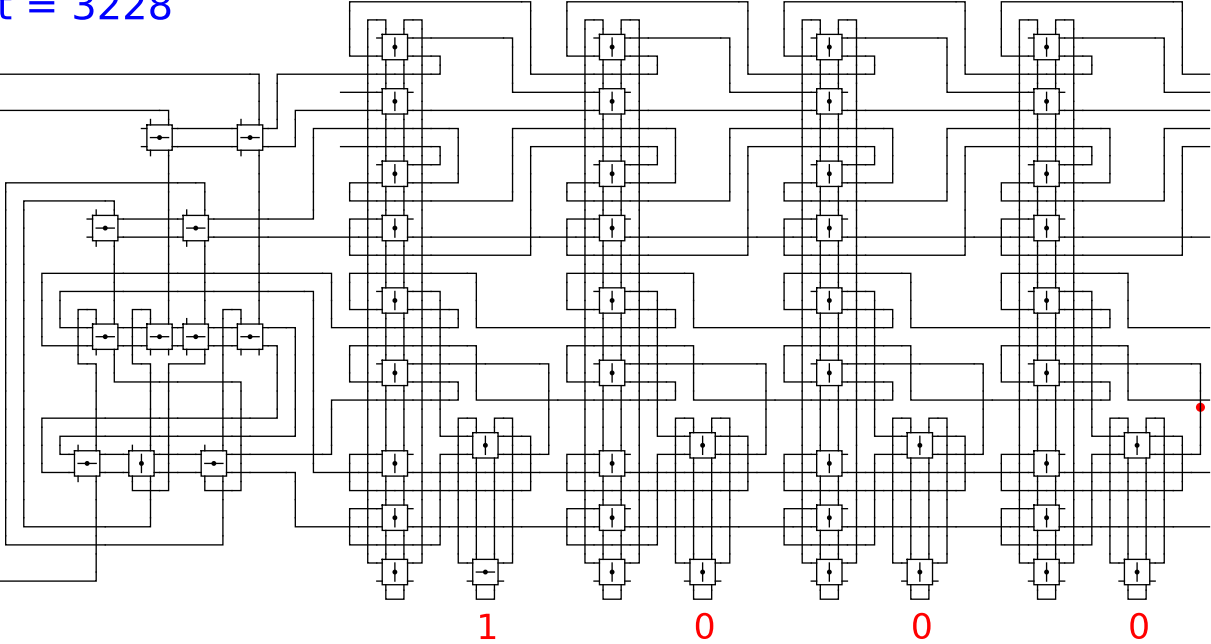
Begin



t = 3228

Reject
Accept

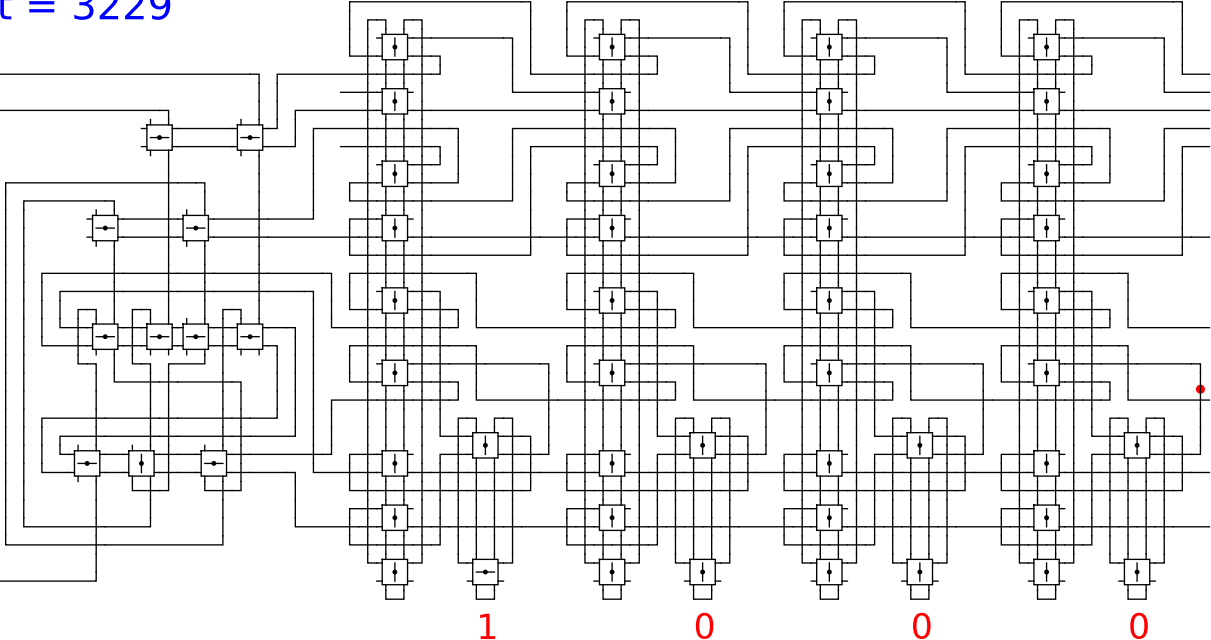
Begin



t = 3229

Reject
Accept

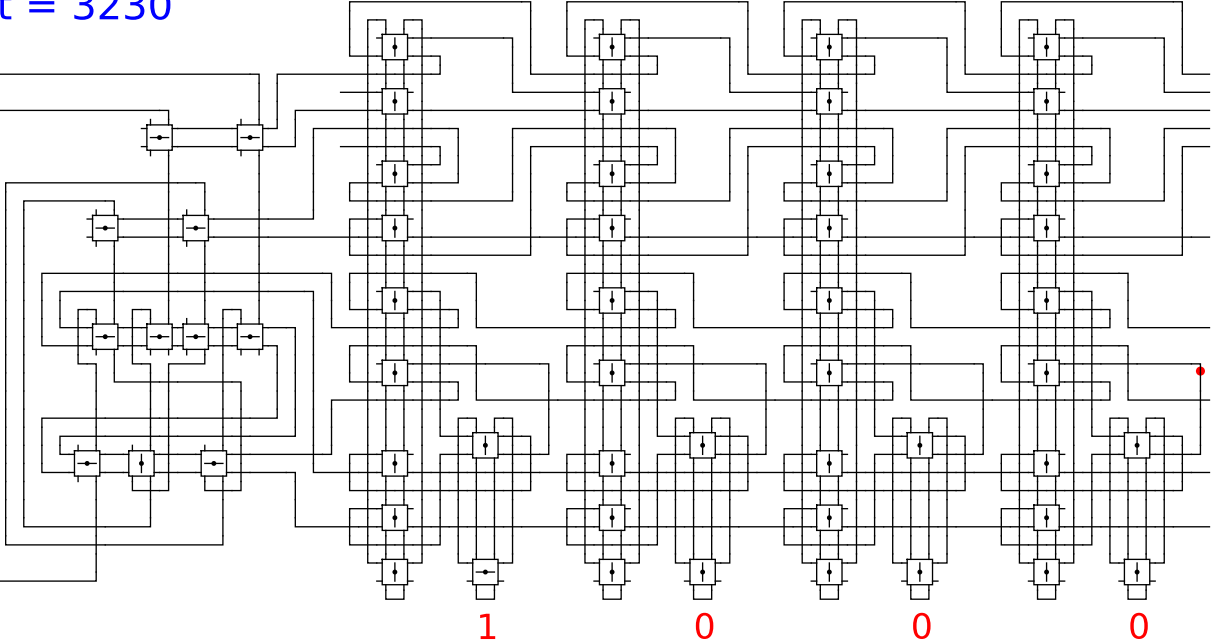
Begin



t = 3230

Reject
Accept

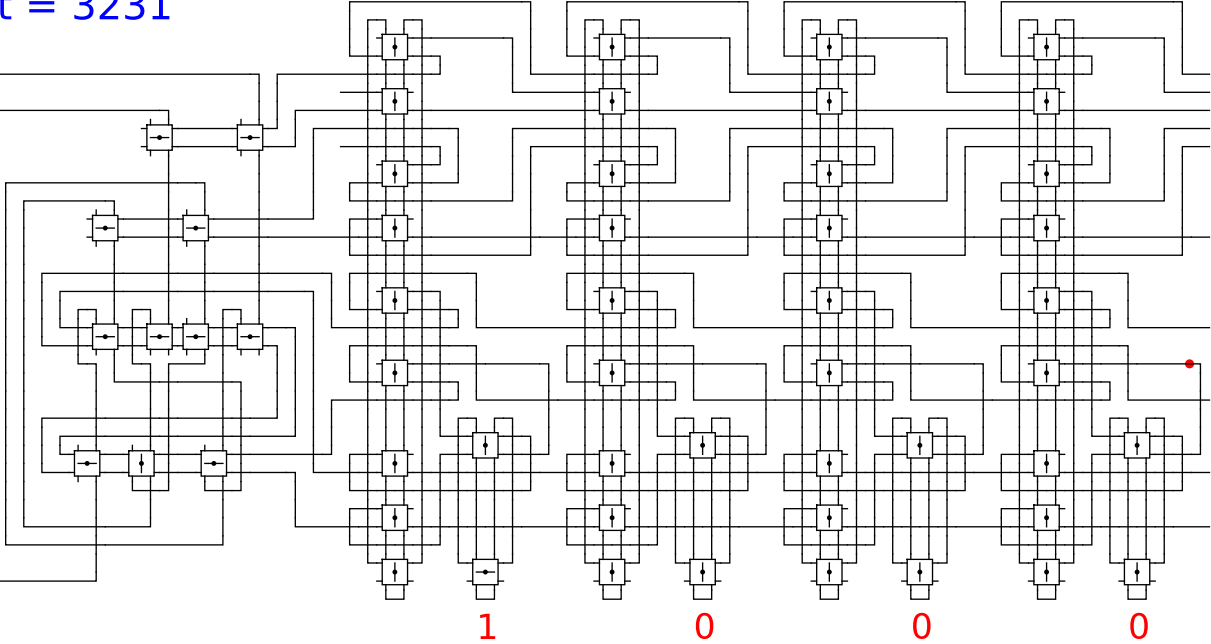
Begin



t = 3231

Reject
Accept

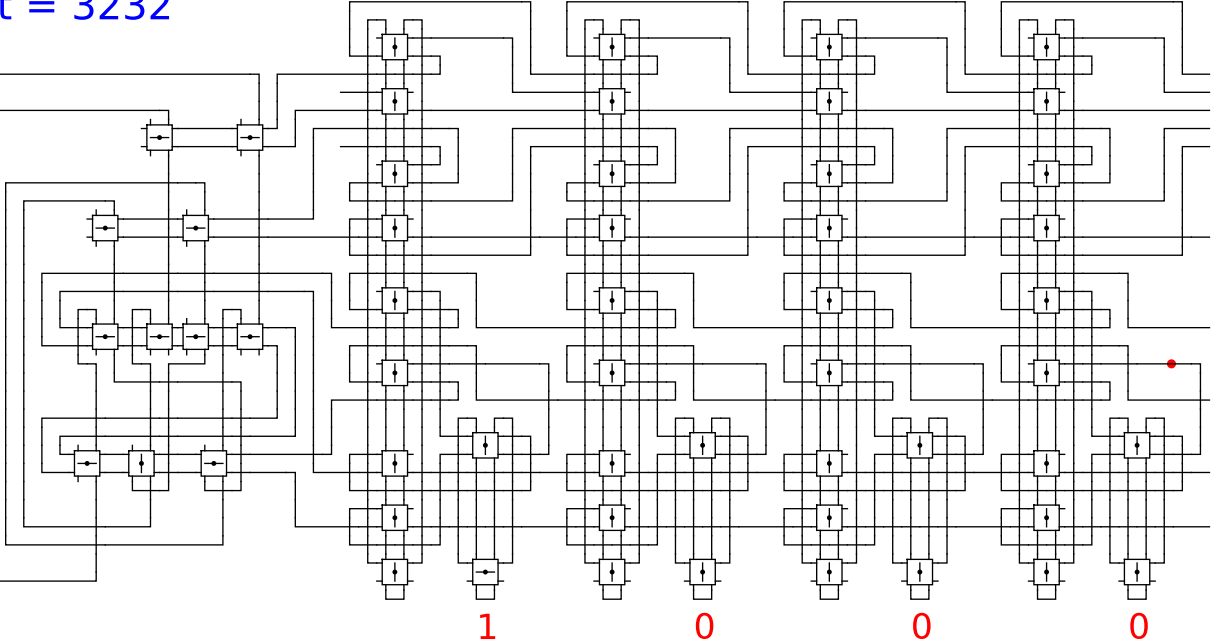
Begin



t = 3232

Reject
Accept

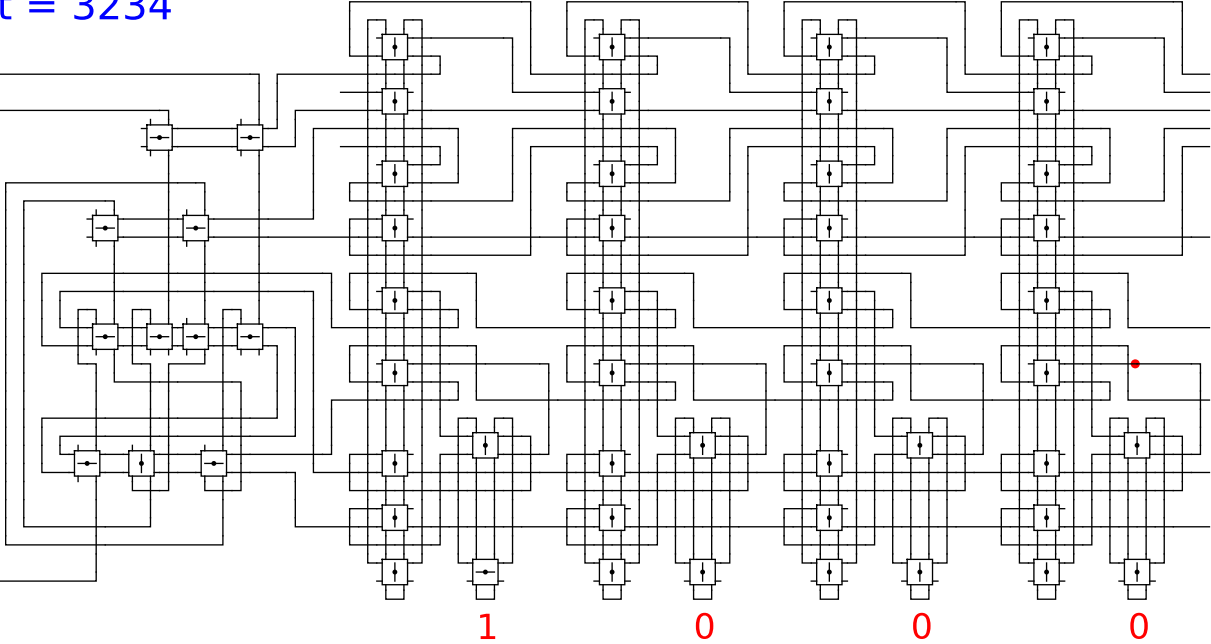
Begin



t = 3234

Reject
Accept

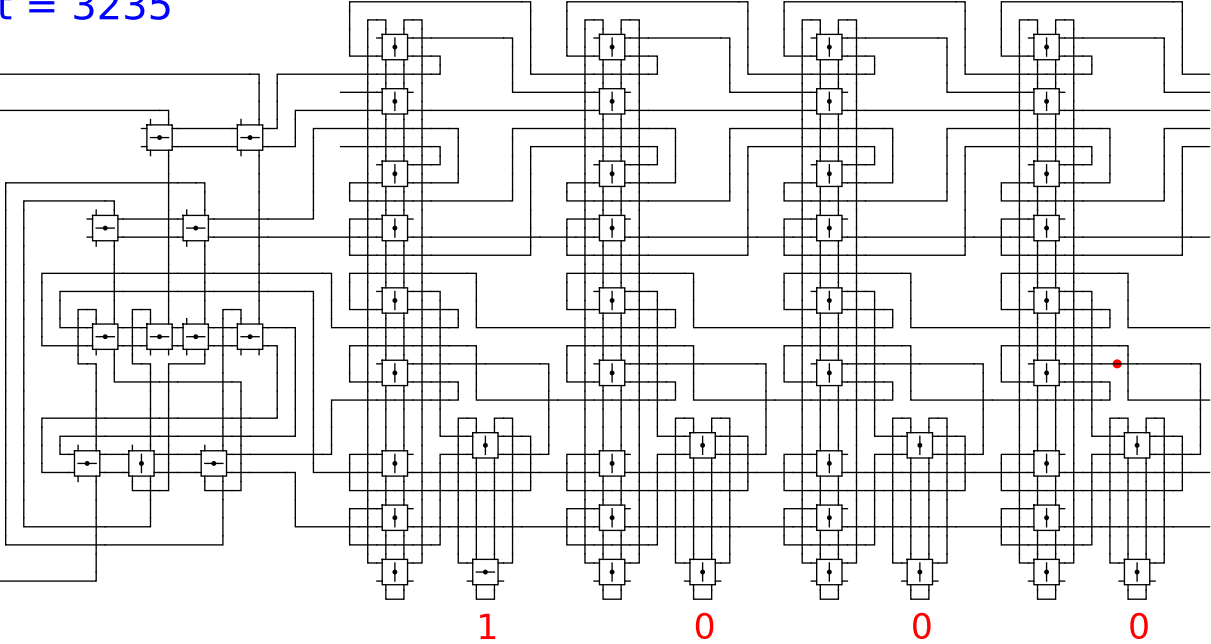
Begin



t = 3235

Reject
Accept

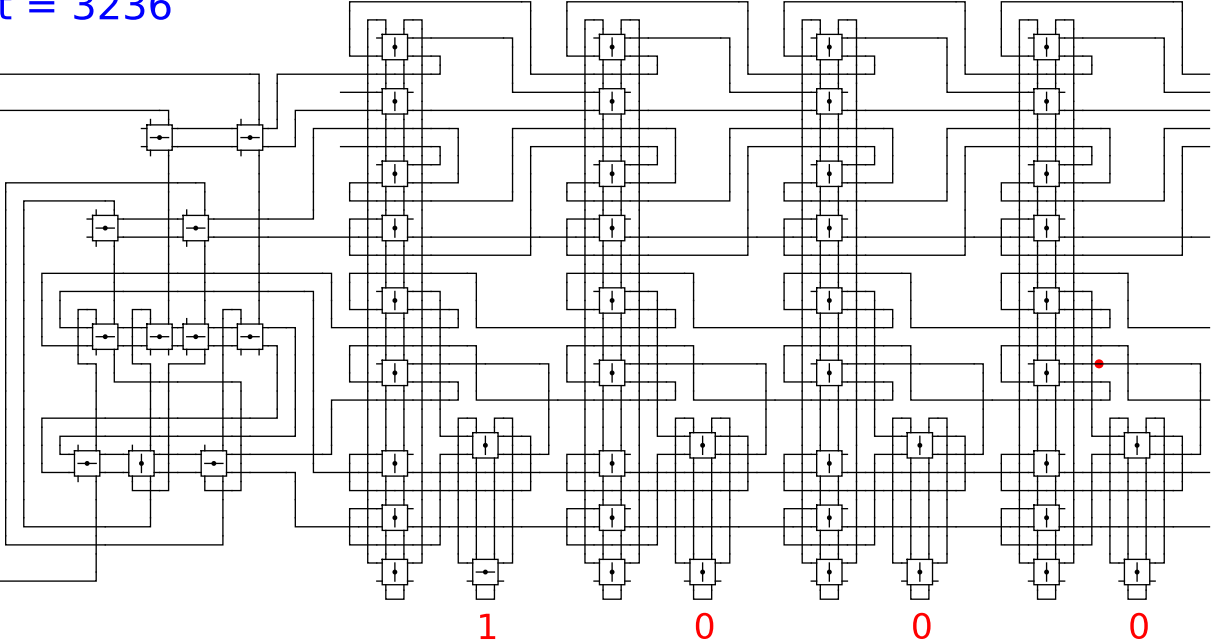
Begin



t = 3236

Reject
Accept

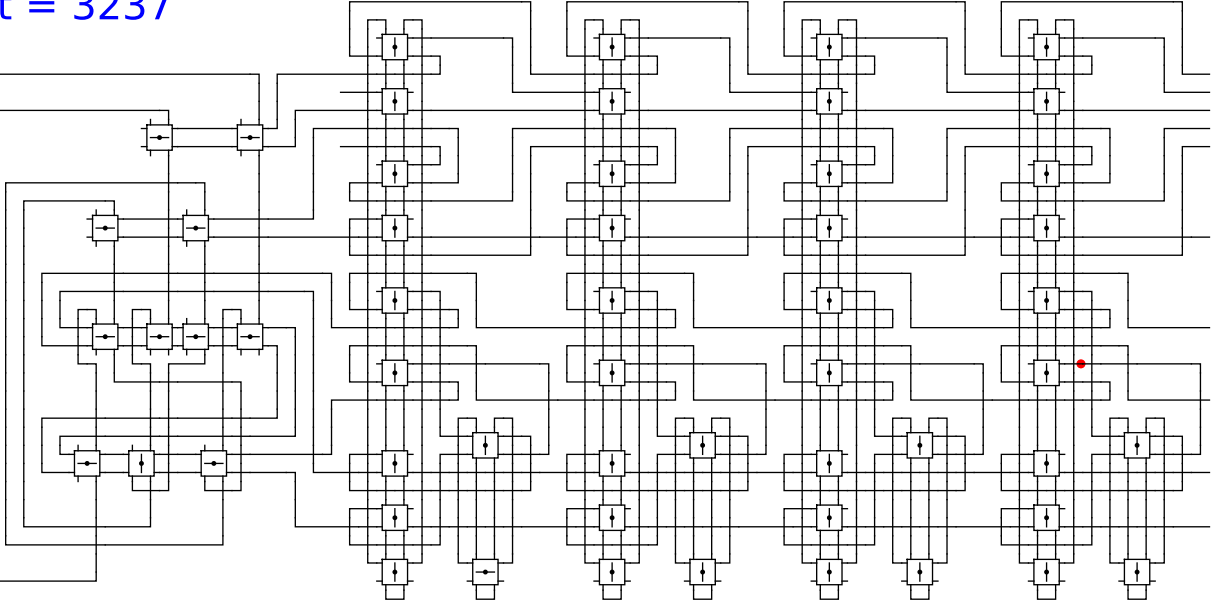
Begin



t = 3237

Reject
Accept

Begin



1

0

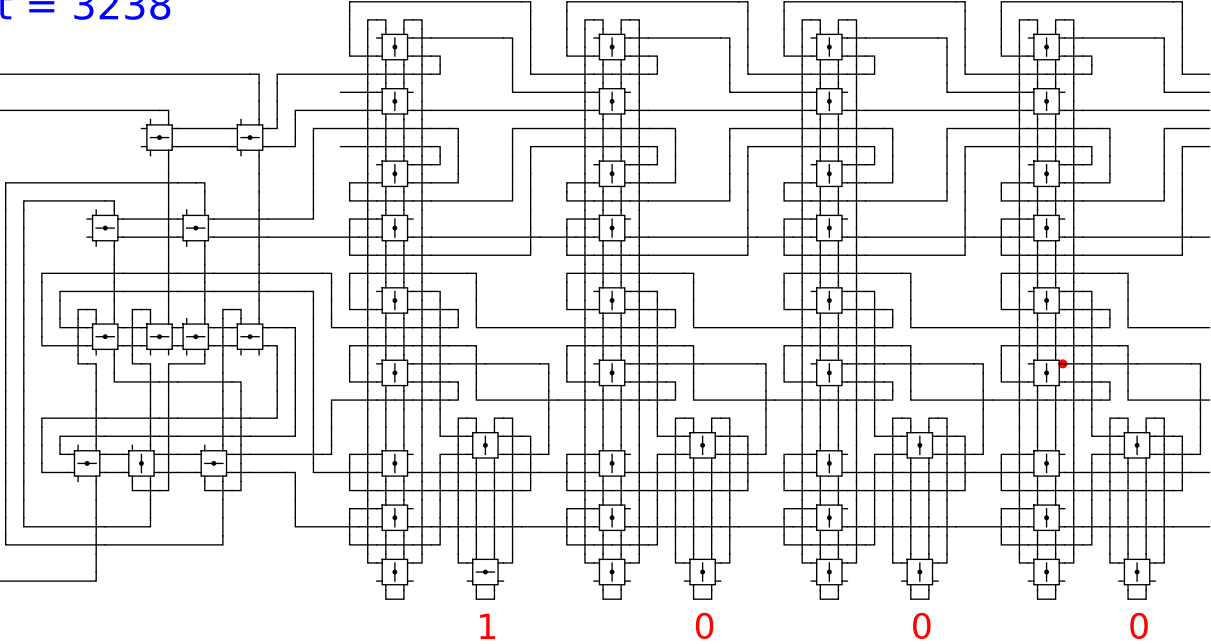
0

0

t = 3238

Reject
Accept

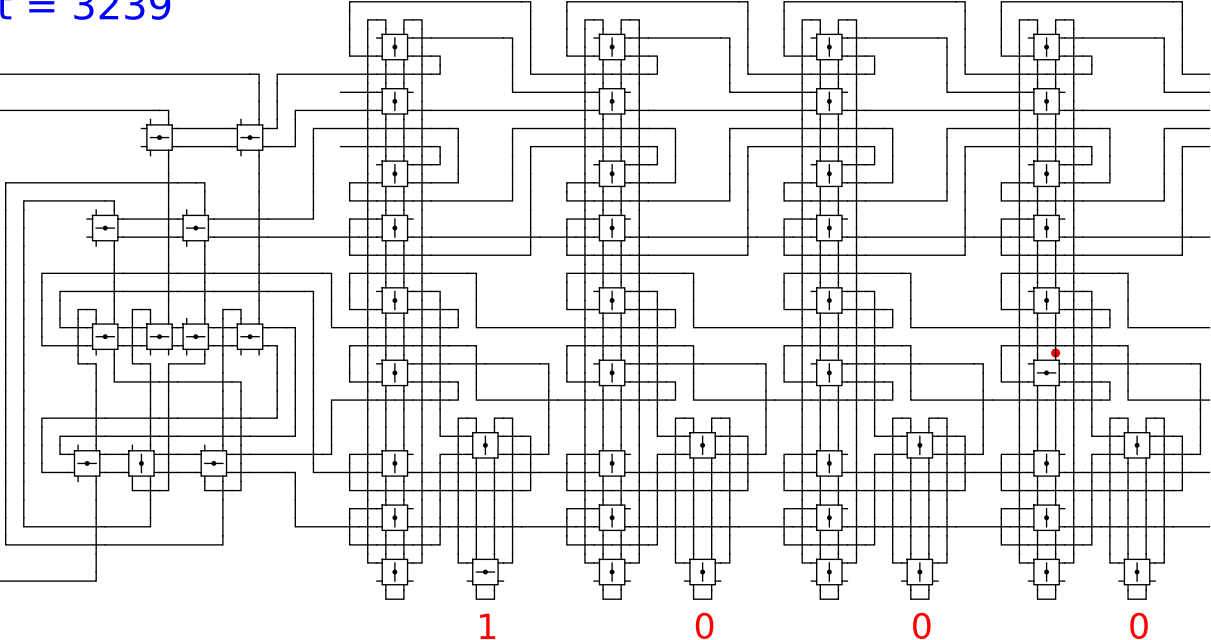
Begin



t = 3239

Reject
Accept

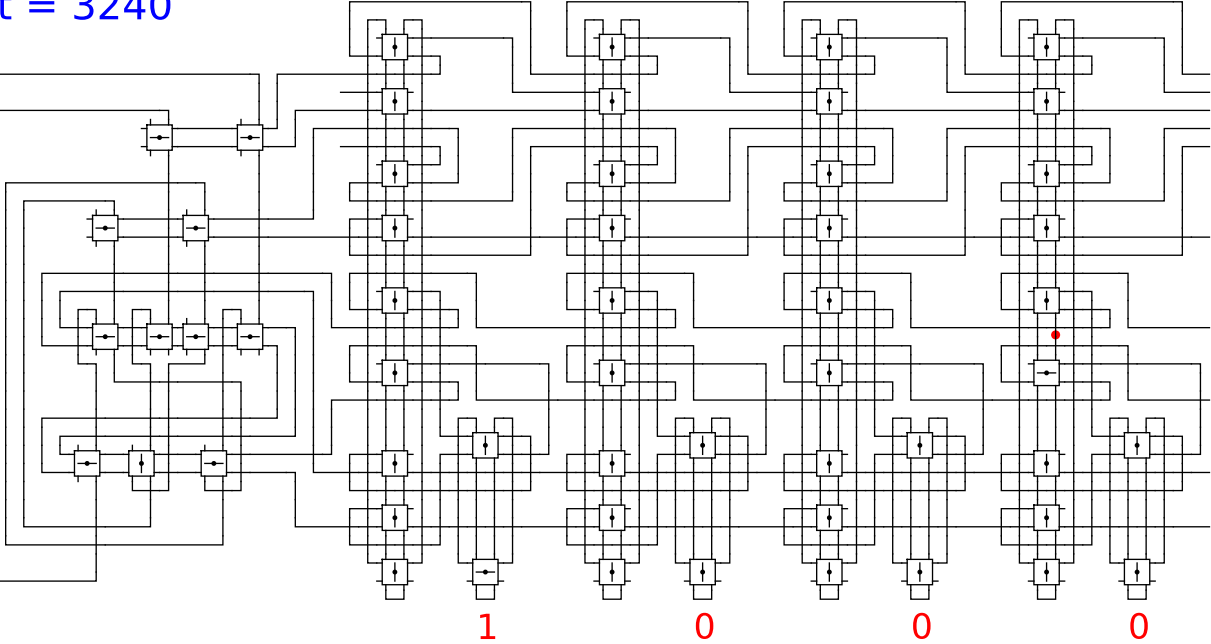
Begin



t = 3240

Reject
Accept

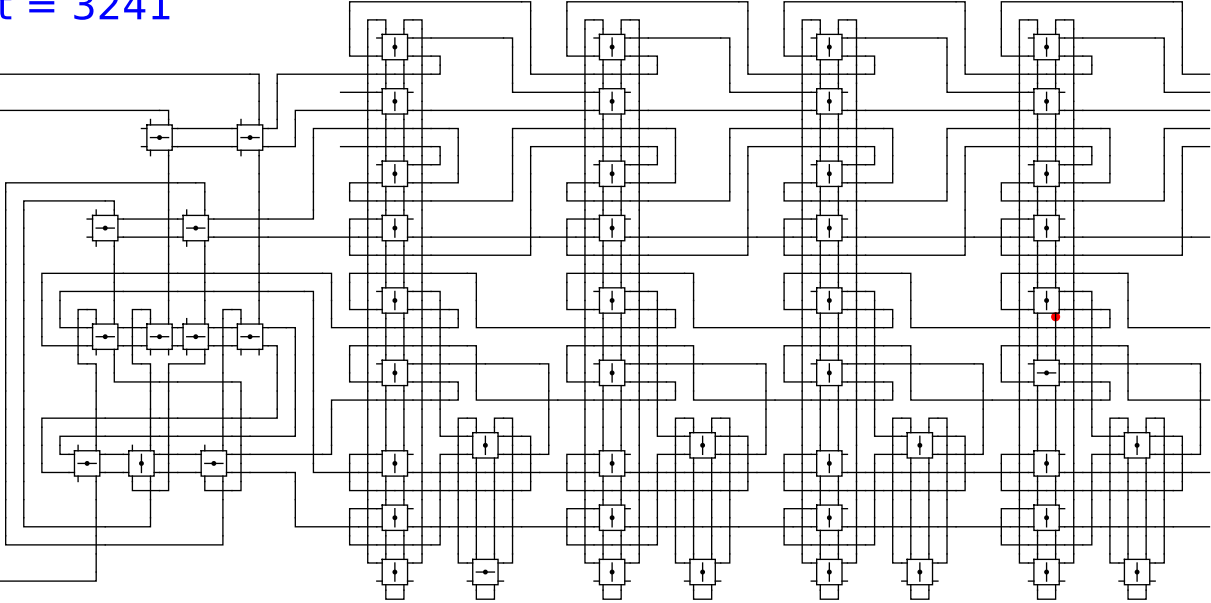
Begin



t = 3241

Reject
Accept

Begin



1

0

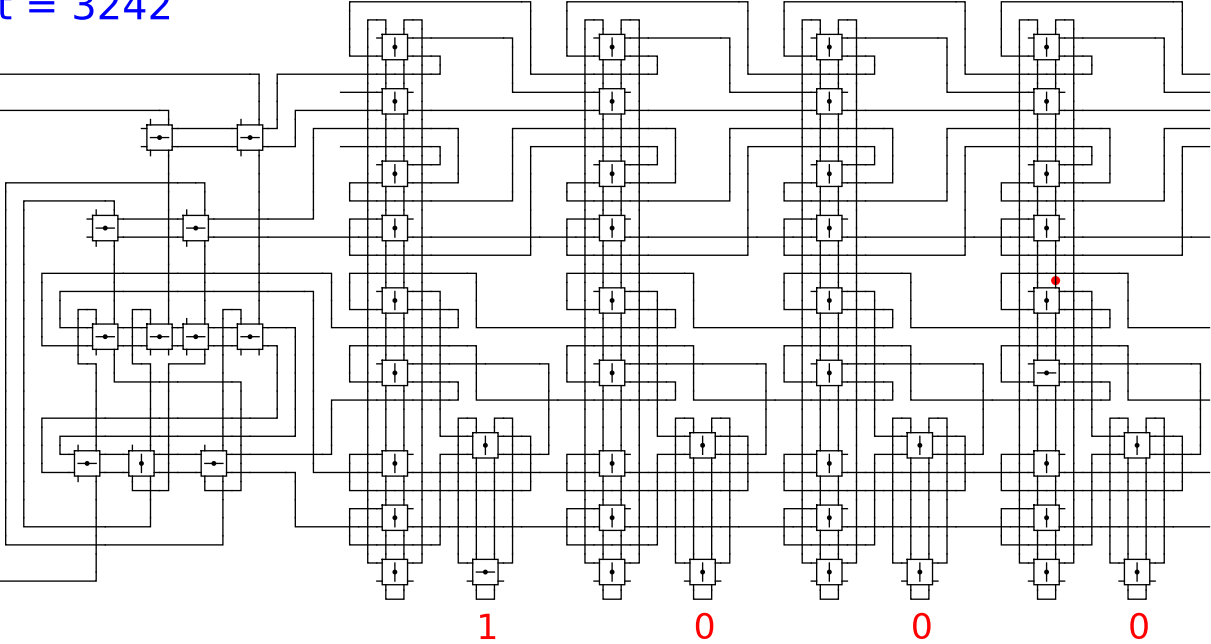
0

0

t = 3242

Reject
Accept

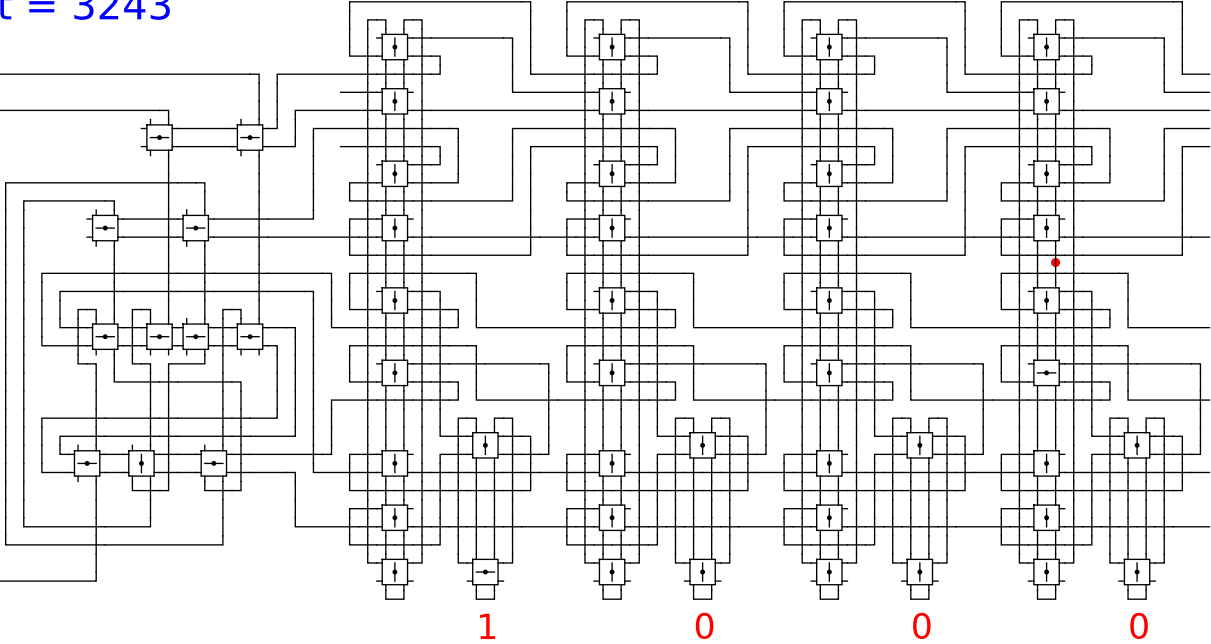
Begin



t = 3243

Reject
Accept

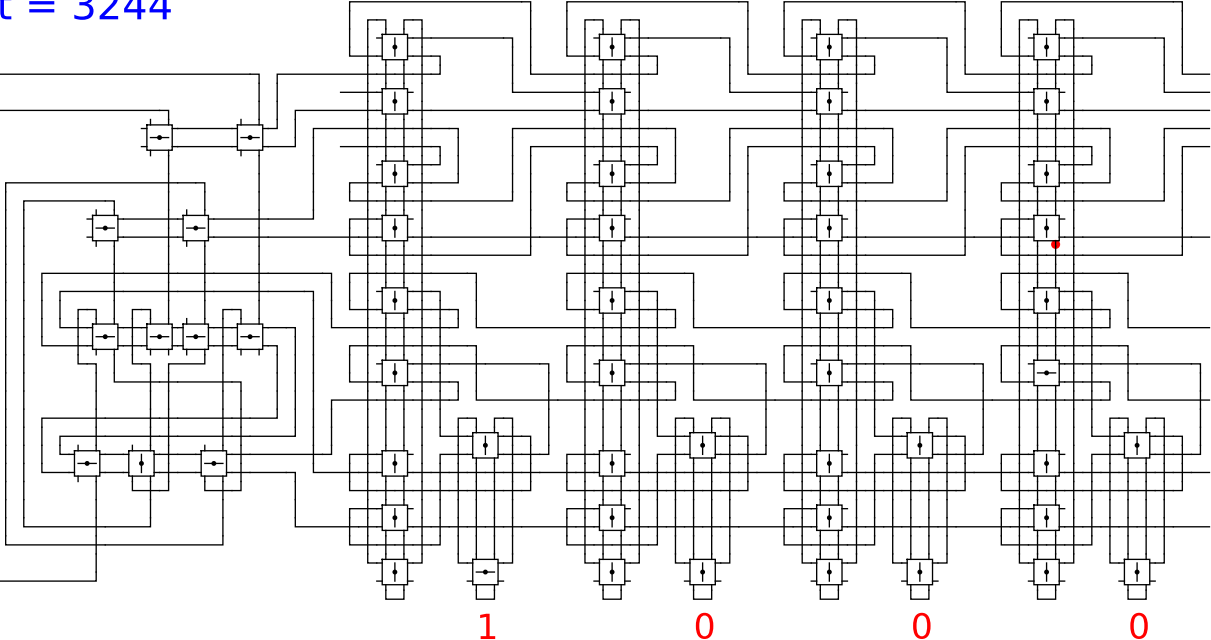
Begin



t = 3244

Reject
Accept

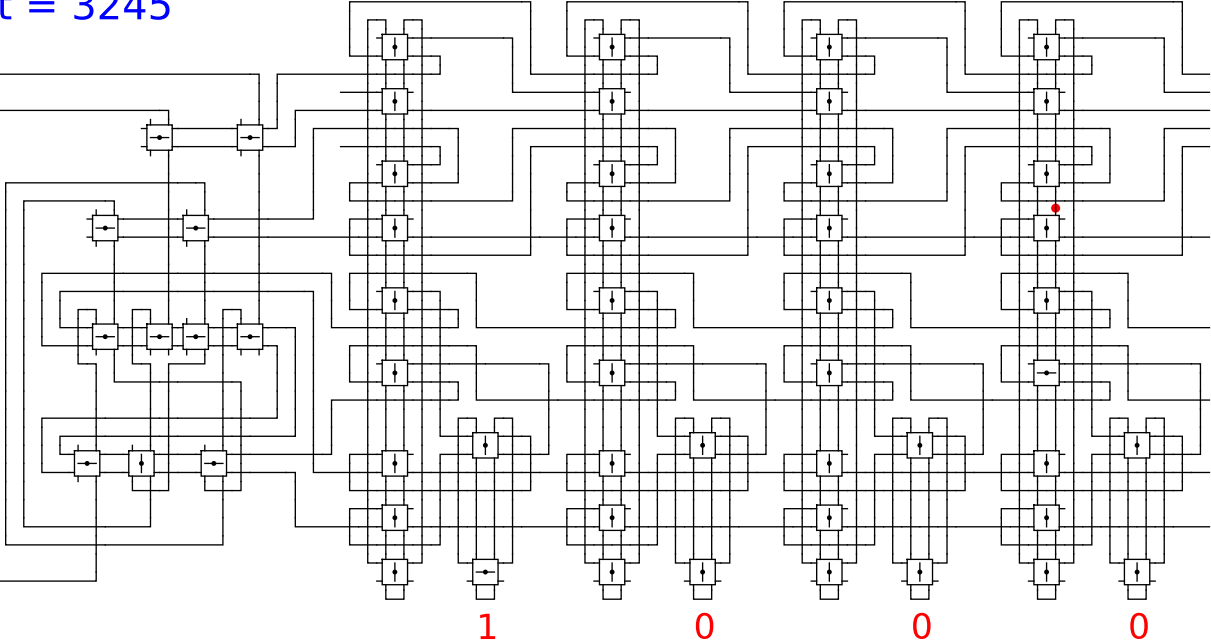
Begin



t = 3245

Reject
Accept

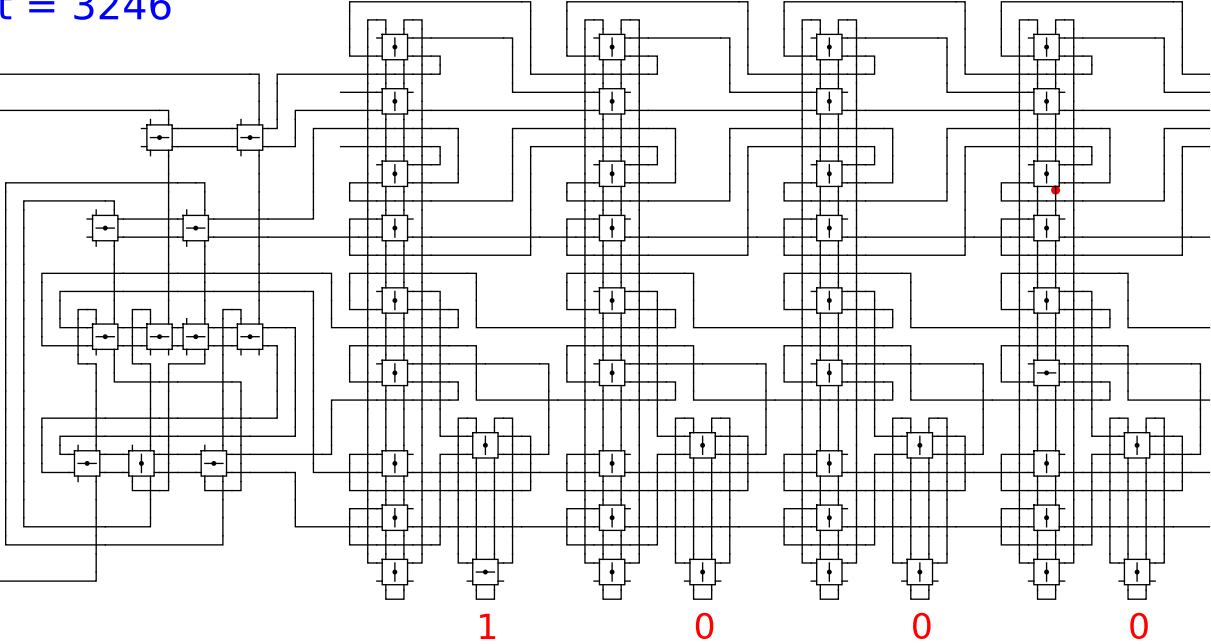
Begin



t = 3246

Reject
Accept

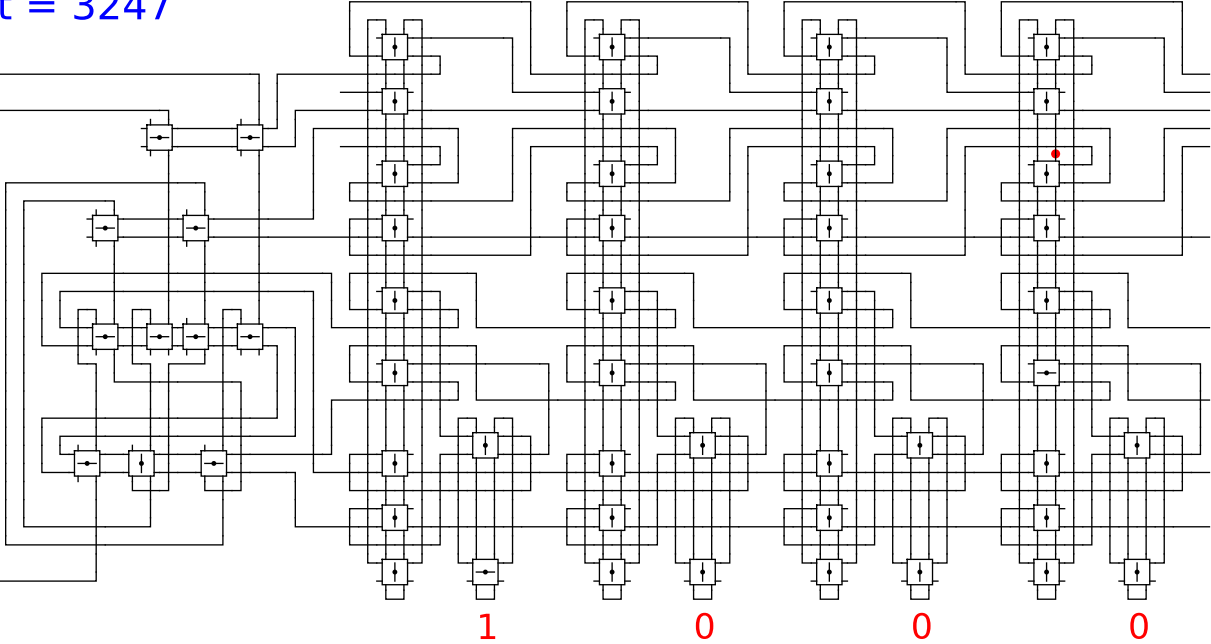
Begin



t = 3247

Reject
Accept

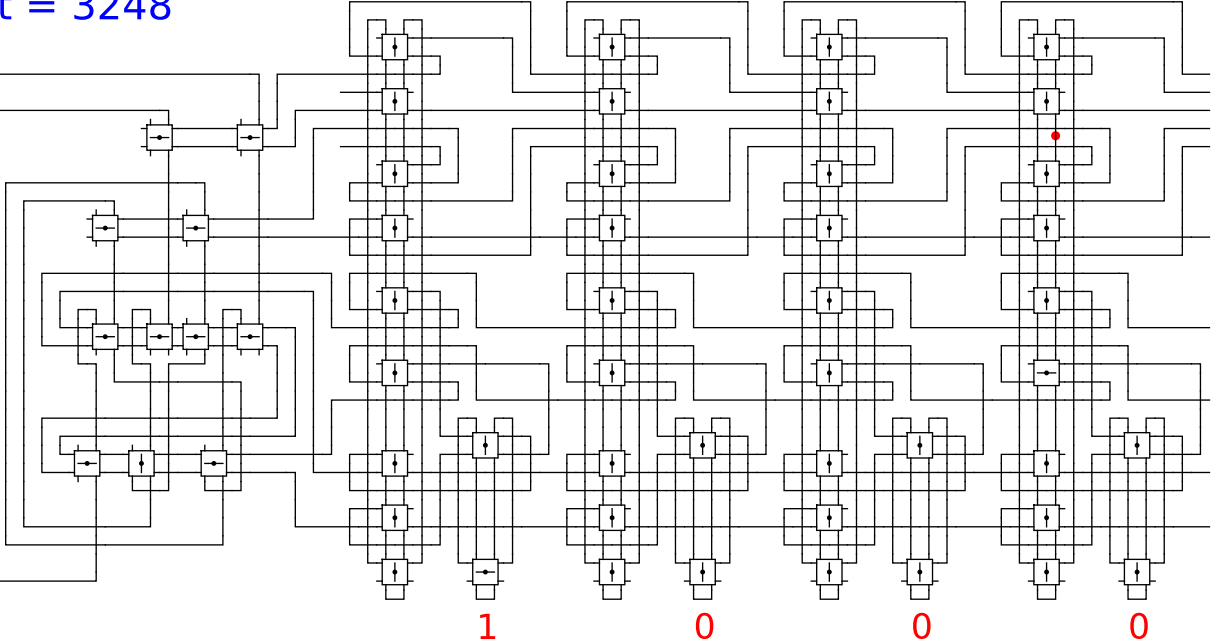
Begin



t = 3248

Reject
Accept

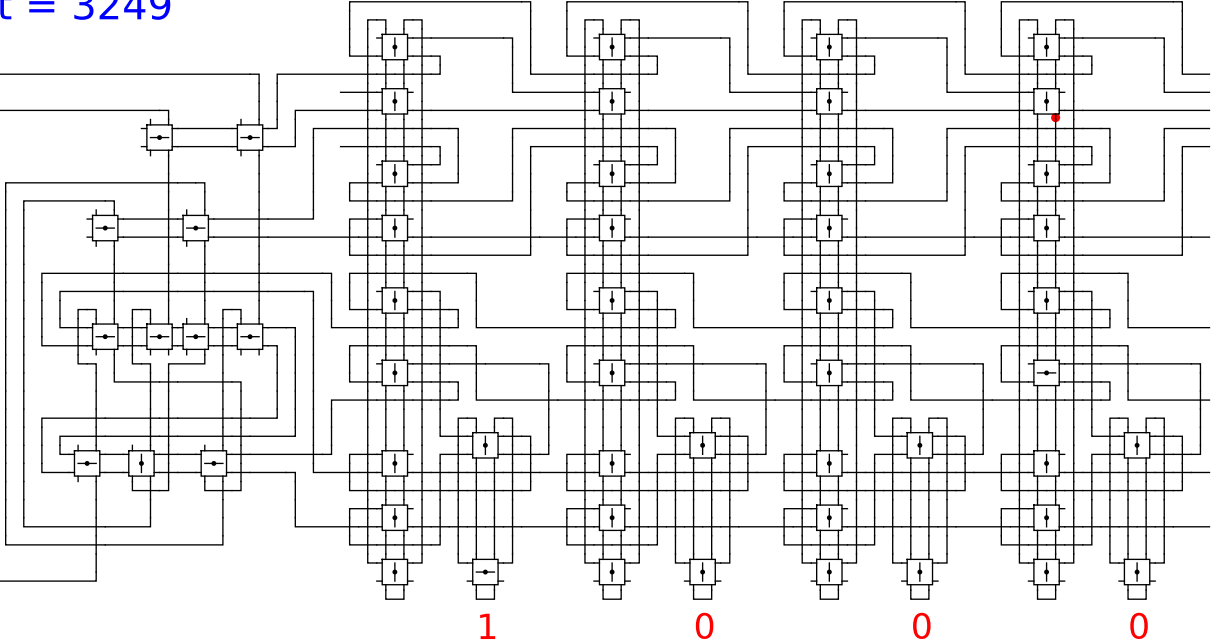
Begin



t = 3249

Reject
Accept

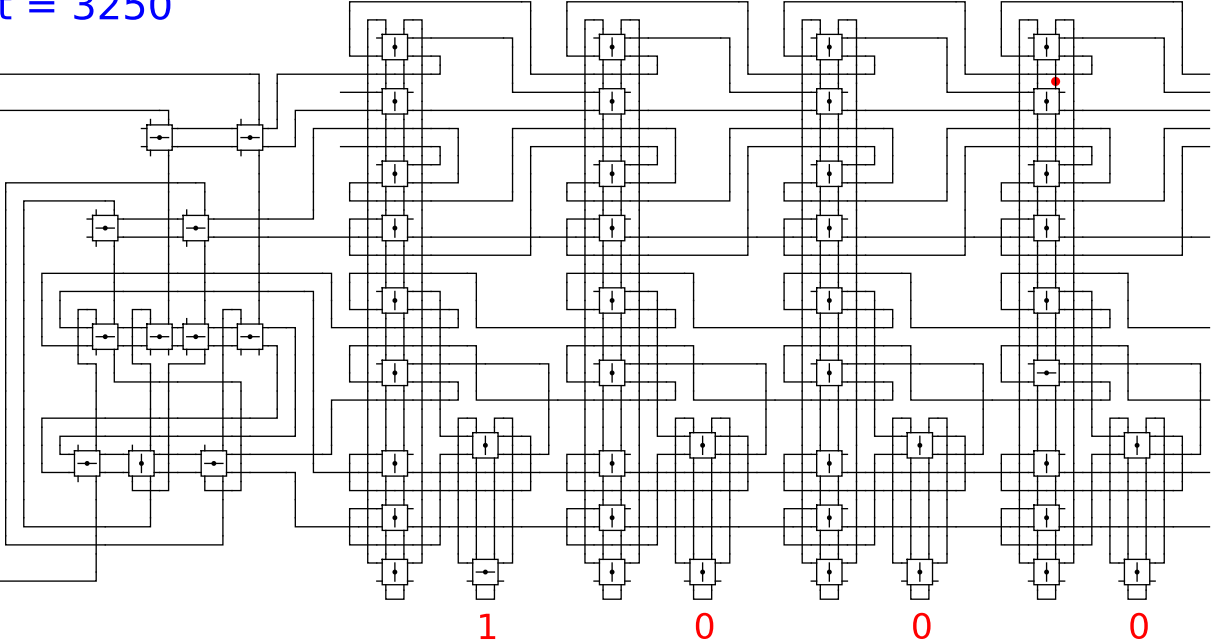
Begin



t = 3250

Reject
Accept

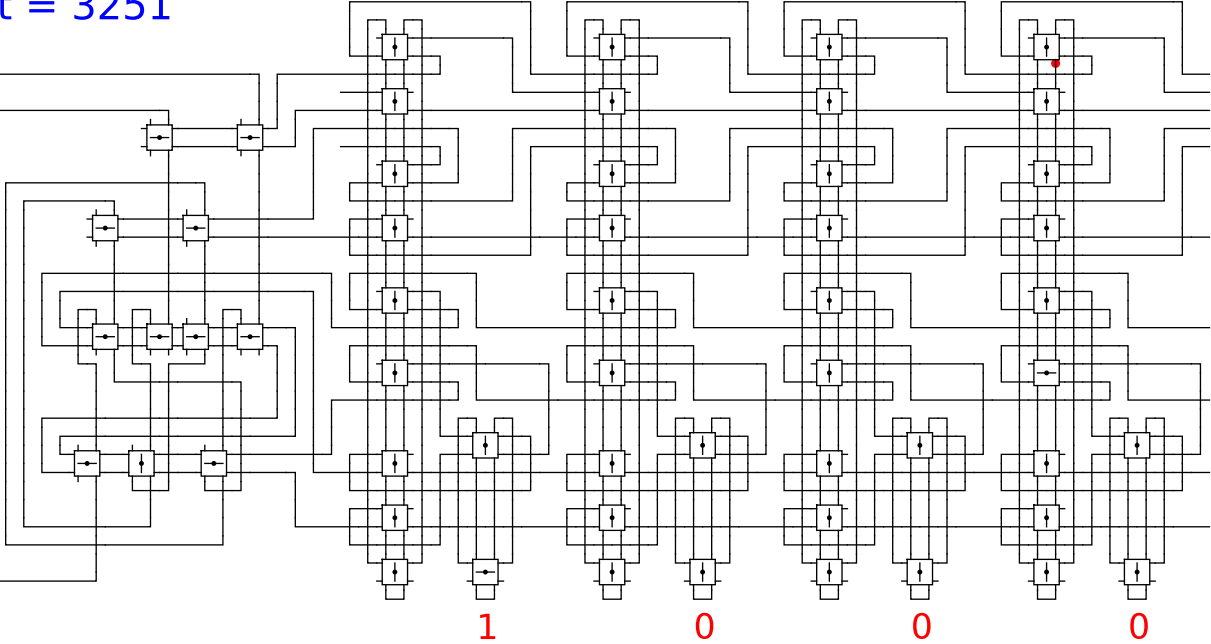
Begin



t = 3251

Reject
Accept

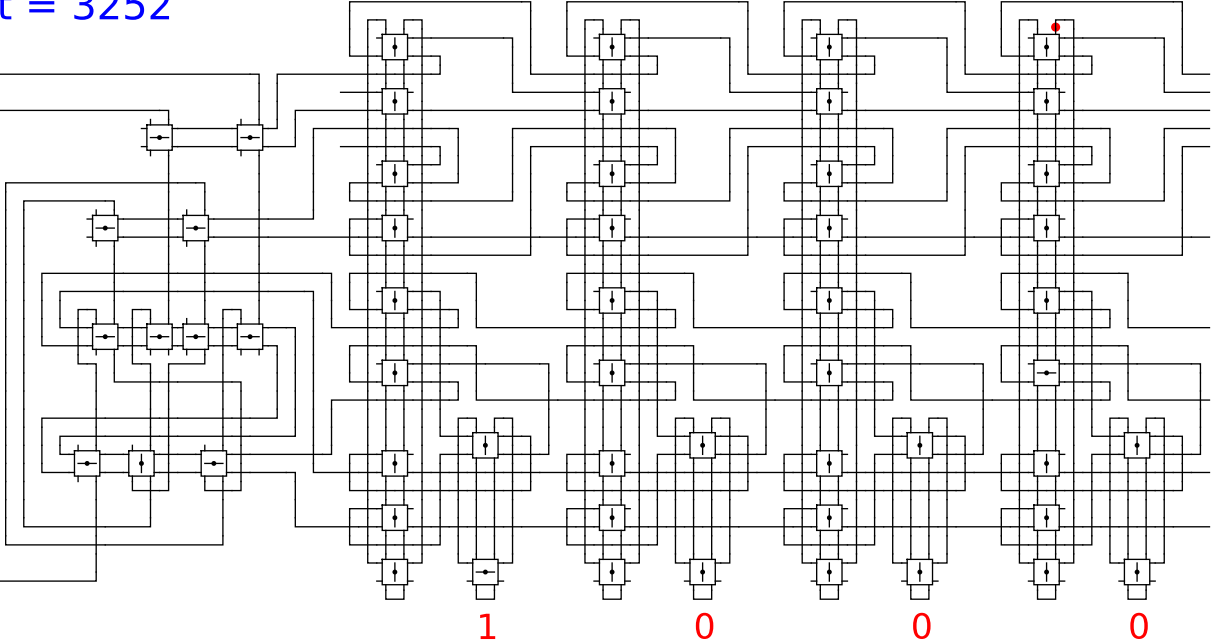
Begin



t = 3252

Reject
Accept

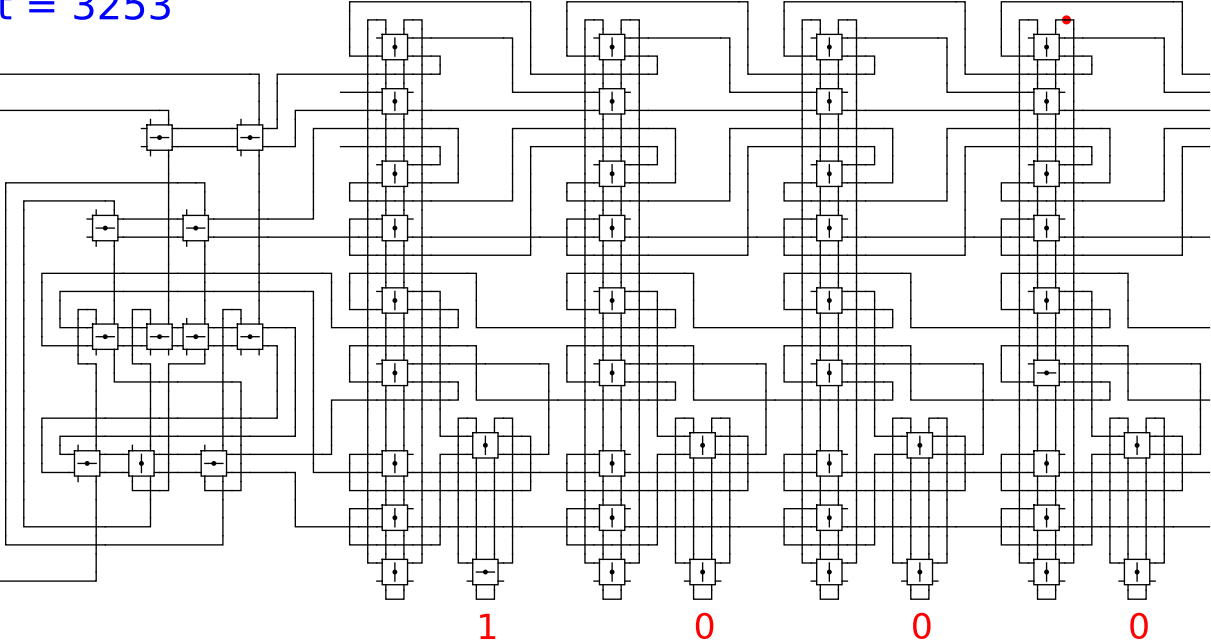
Begin



t = 3253

Reject
Accept

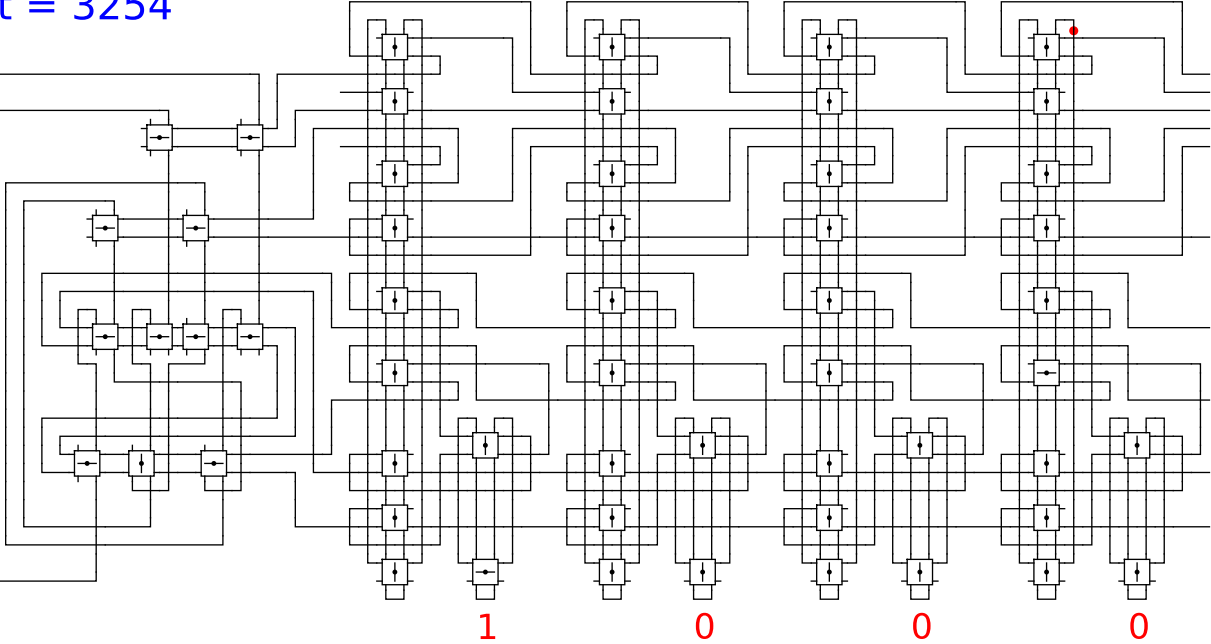
Begin



t = 3254

Reject
Accept

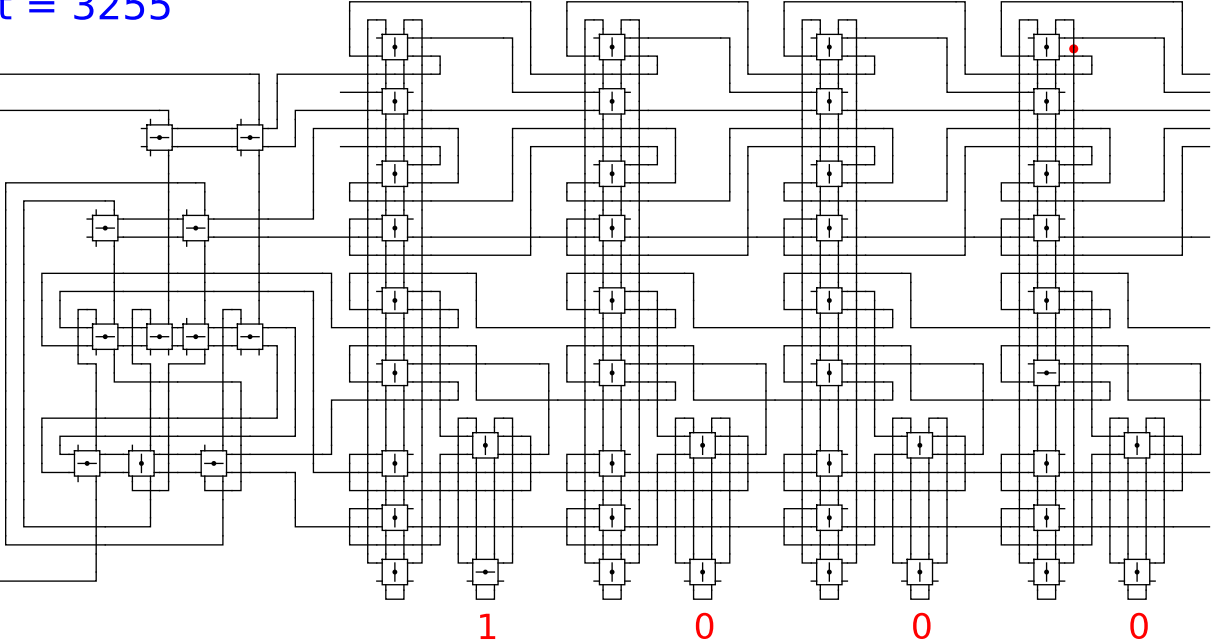
Begin



t = 3255

Reject
Accept

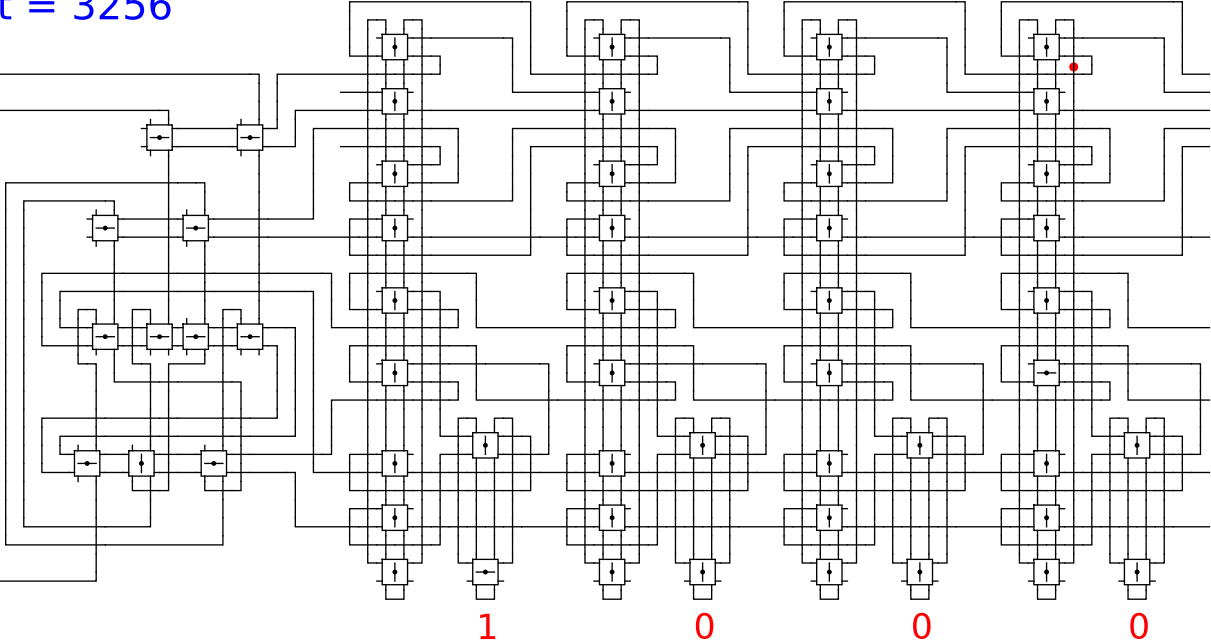
Begin



t = 3256

Reject
Accept

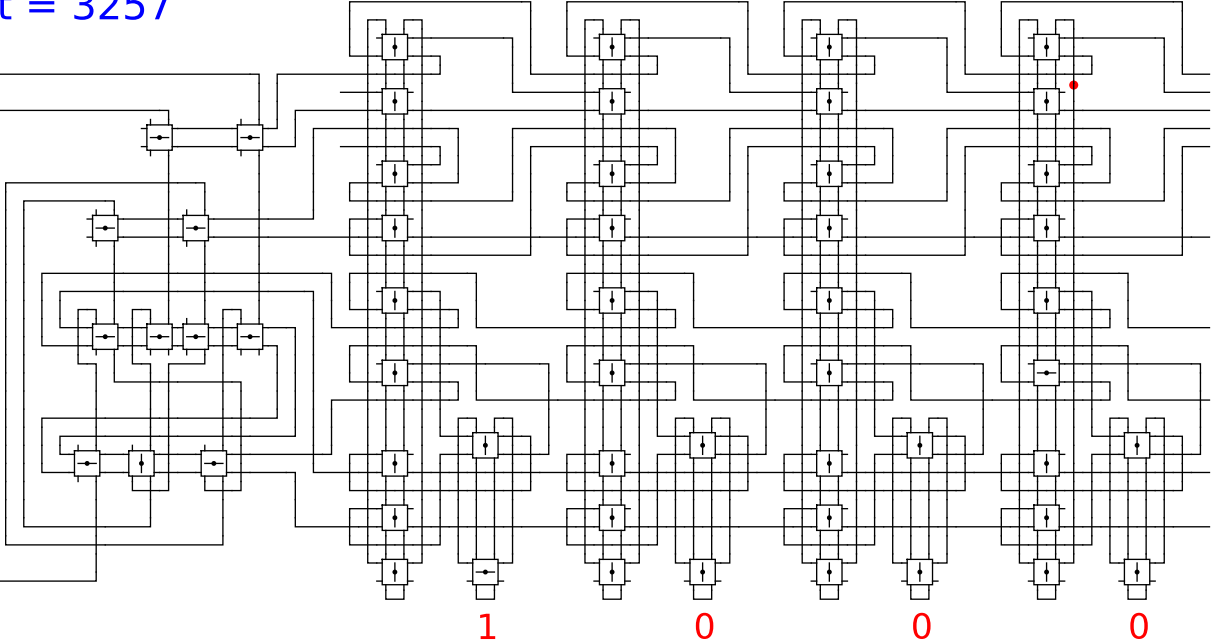
Begin



t = 3257

Reject
Accept

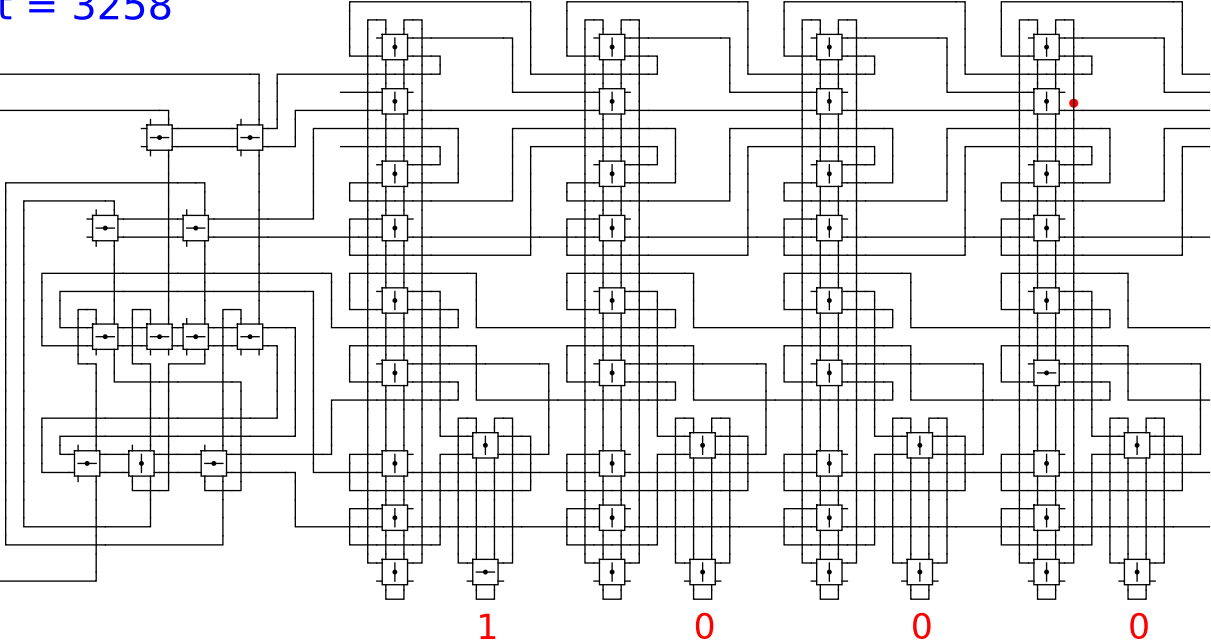
Begin



t = 3258

Reject
Accept

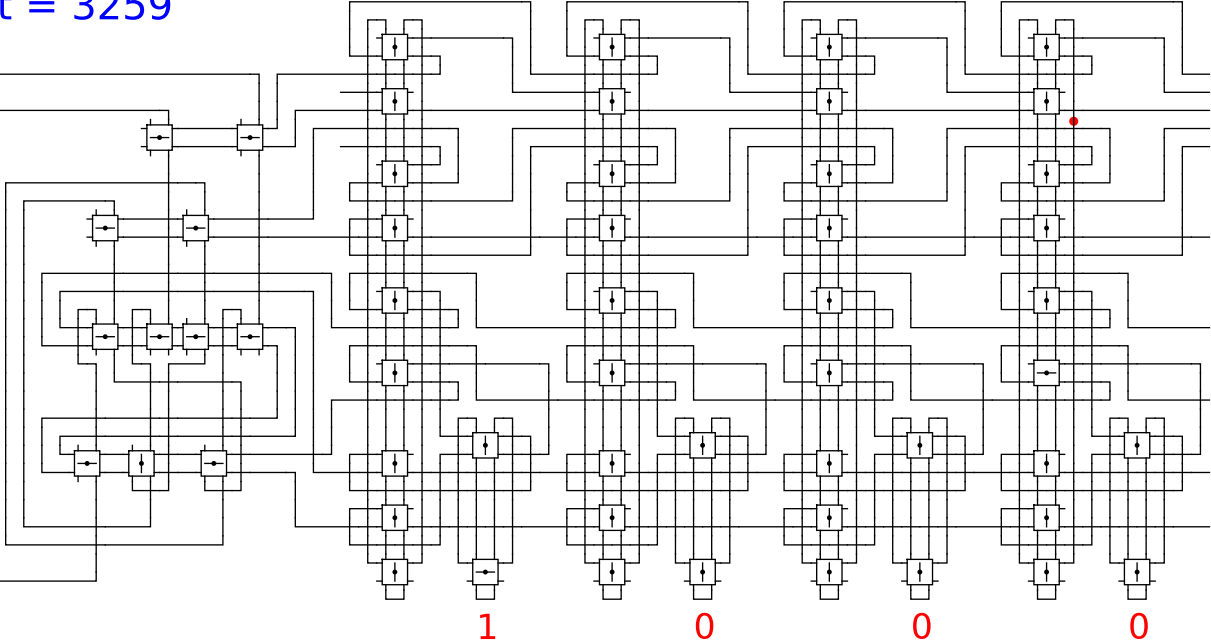
Begin



t = 3259

Reject
Accept

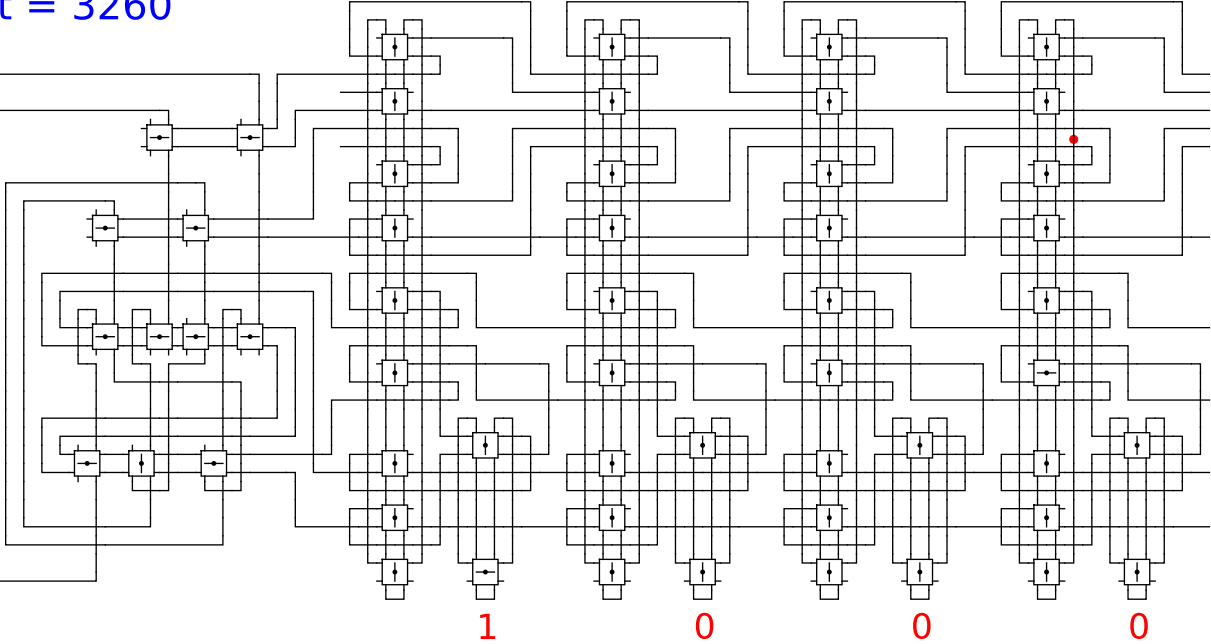
Begin



t = 3260

Reject
Accept

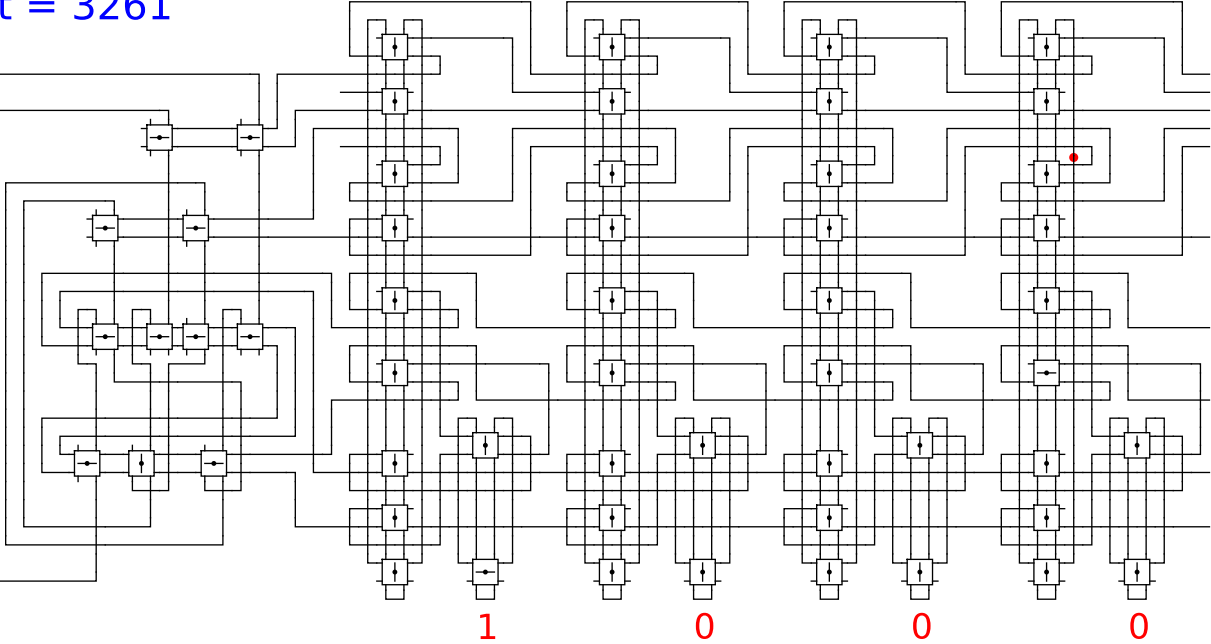
Begin



t = 3261

Reject
Accept

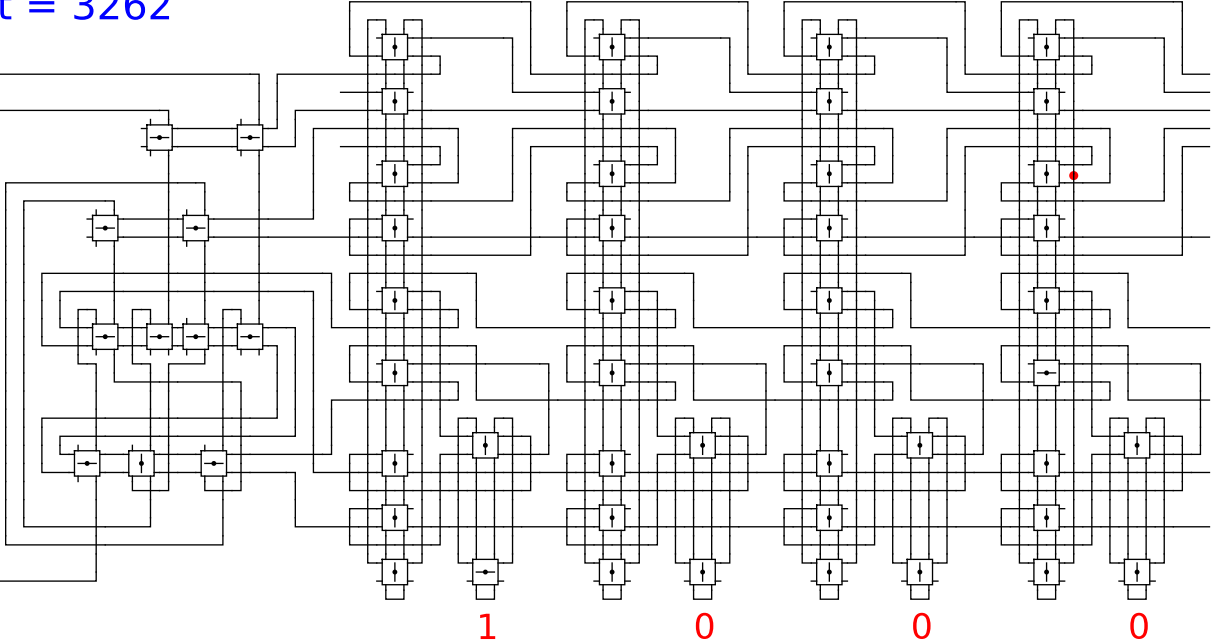
Begin



t = 3262

Reject
Accept

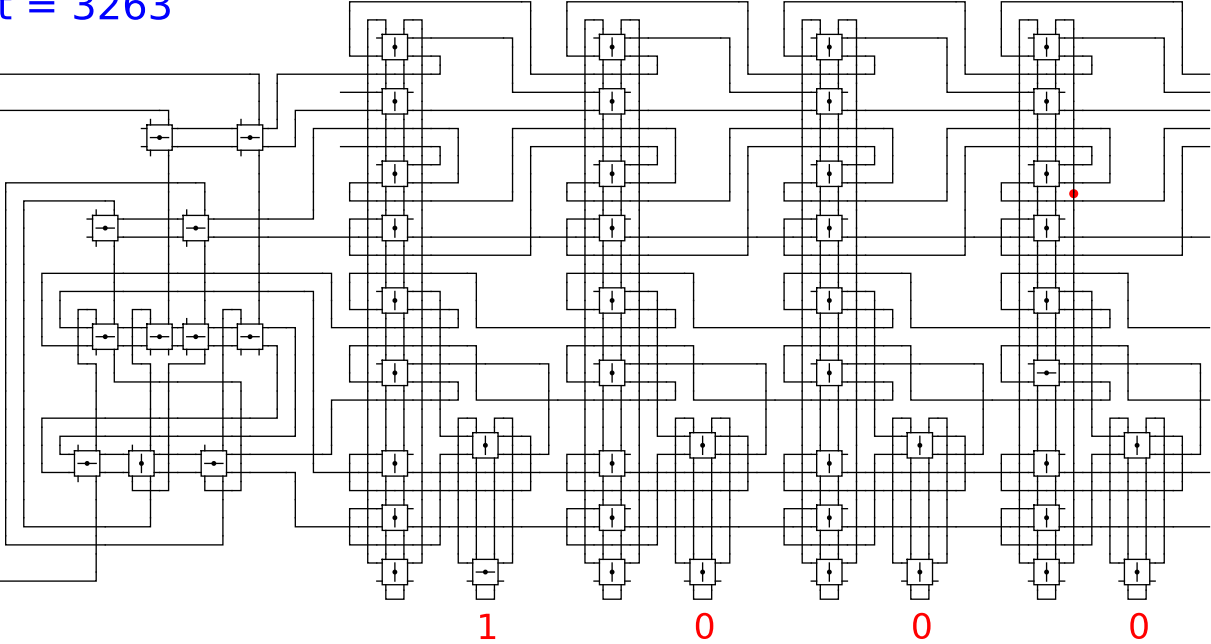
Begin



t = 3263

Reject
Accept

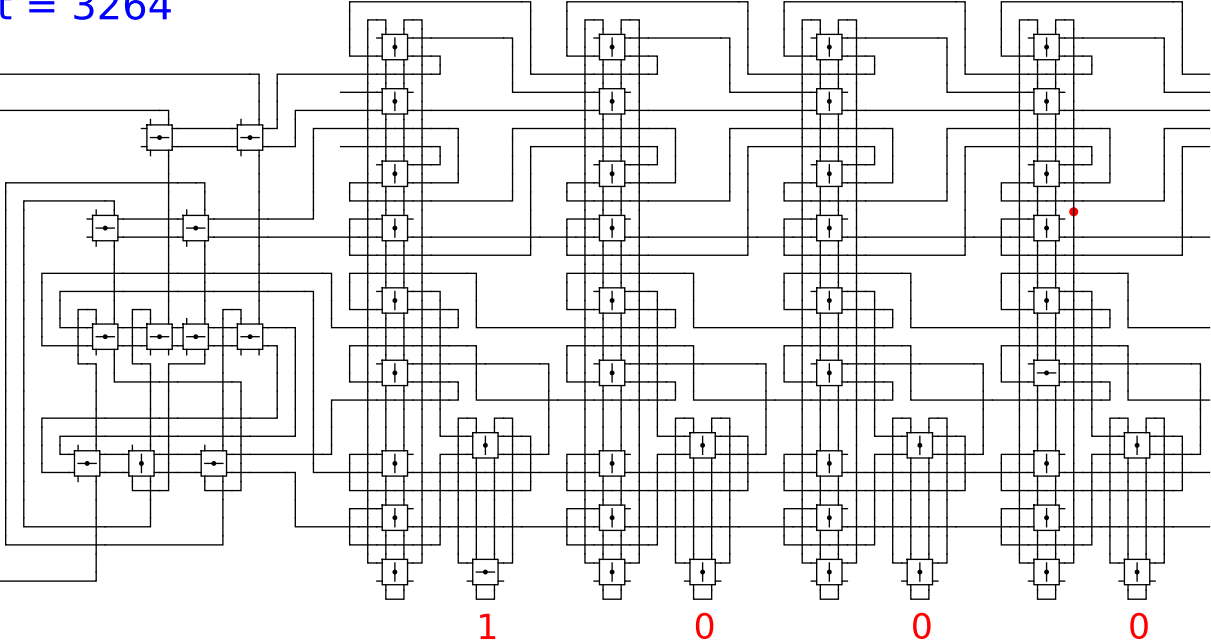
Begin



t = 3264

Reject
Accept

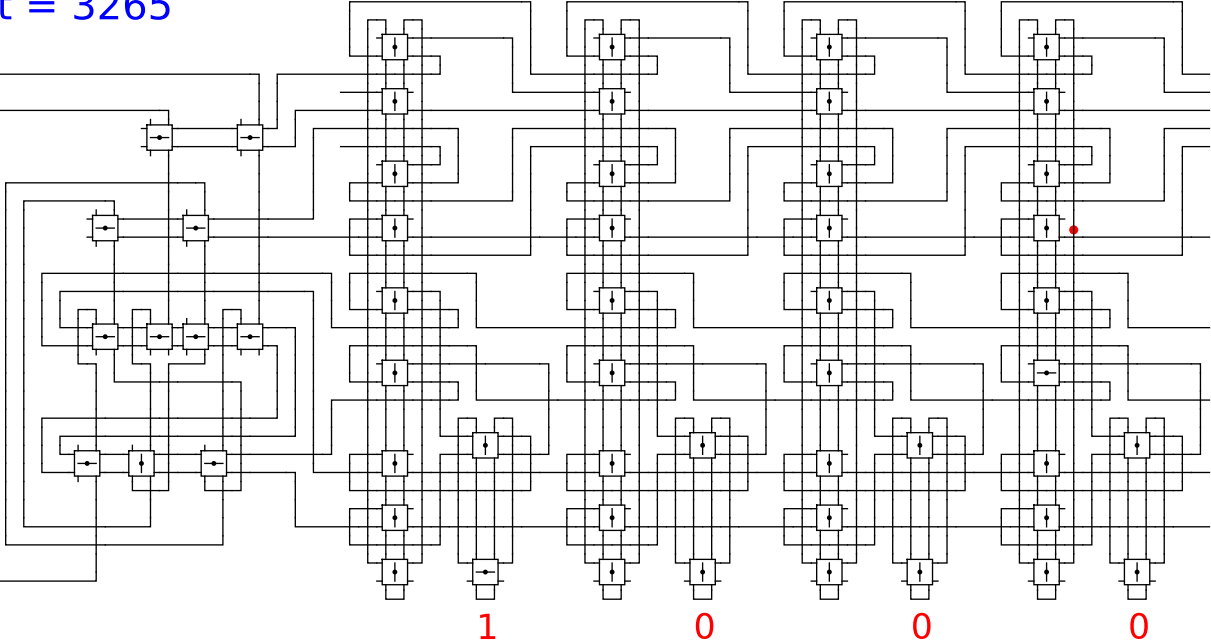
Begin



t = 3265

Reject
Accept

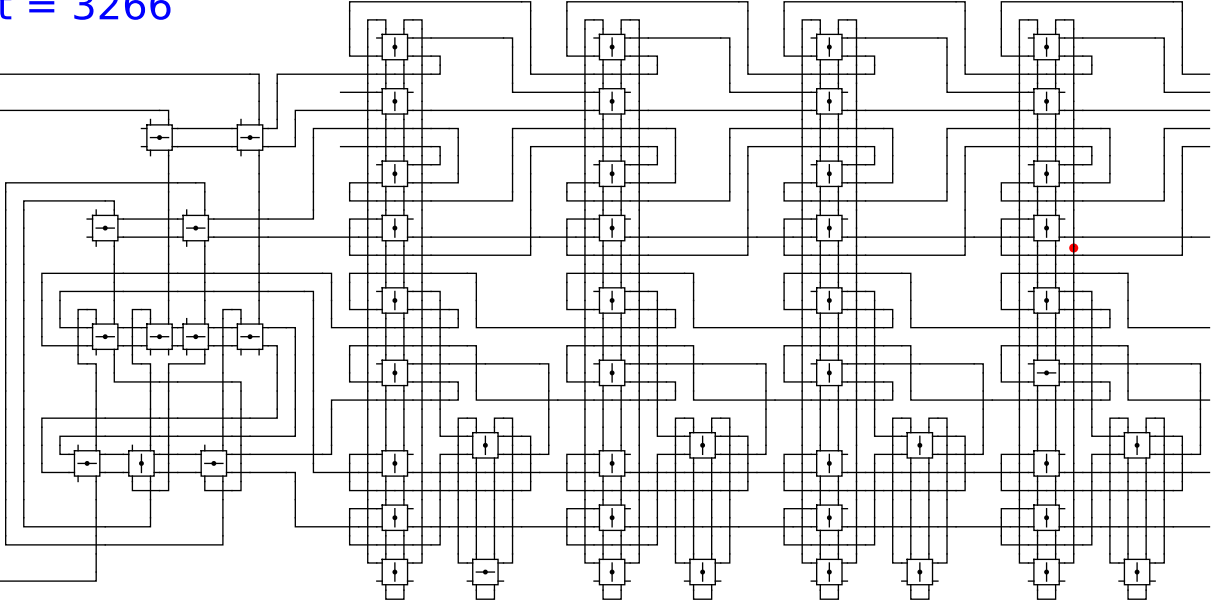
Begin



t = 3266

Reject
Accept

Begin



1

0

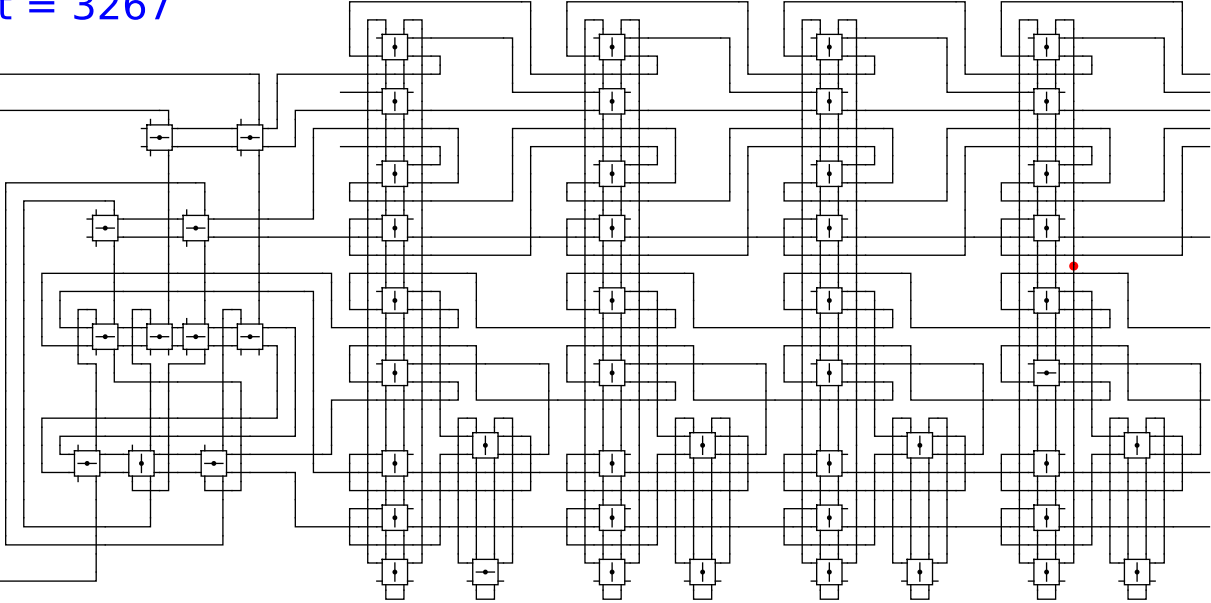
0

0

t = 3267

Reject
Accept

Begin



1

0

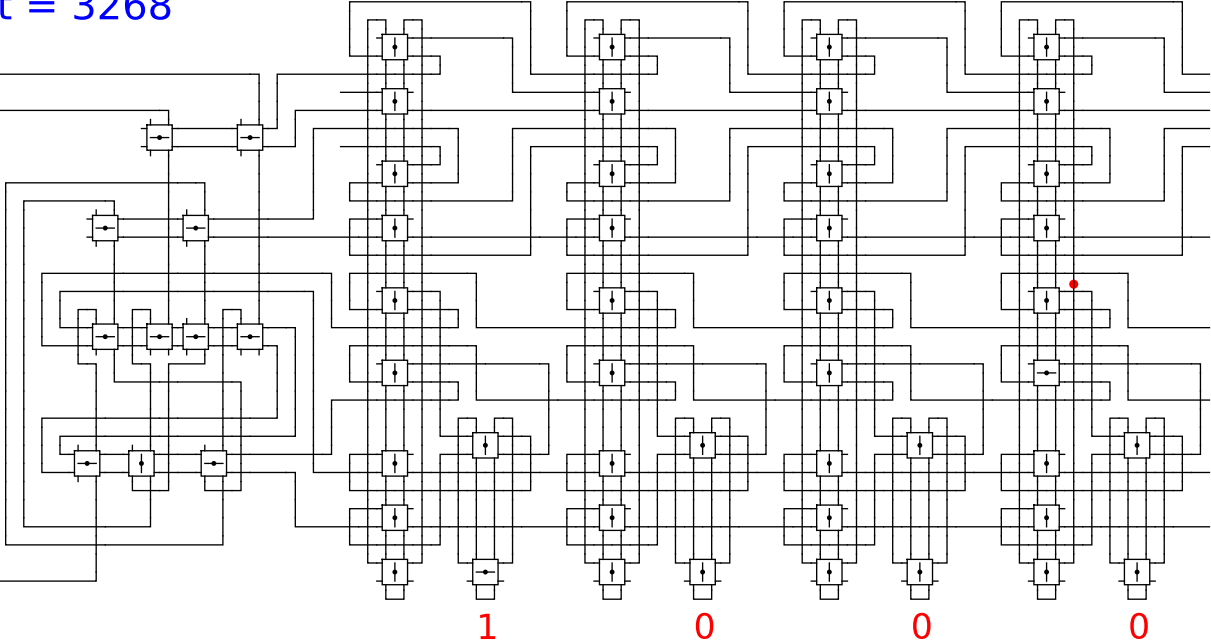
0

0

t = 3268

Reject
Accept

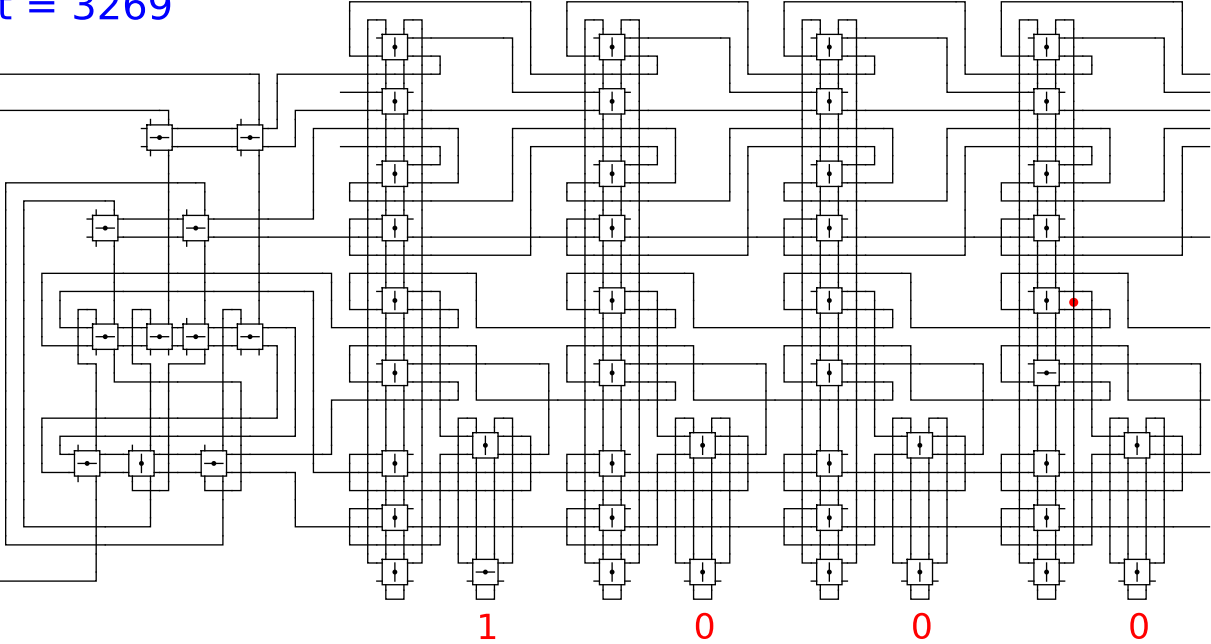
Begin



t = 3269

Reject
Accept

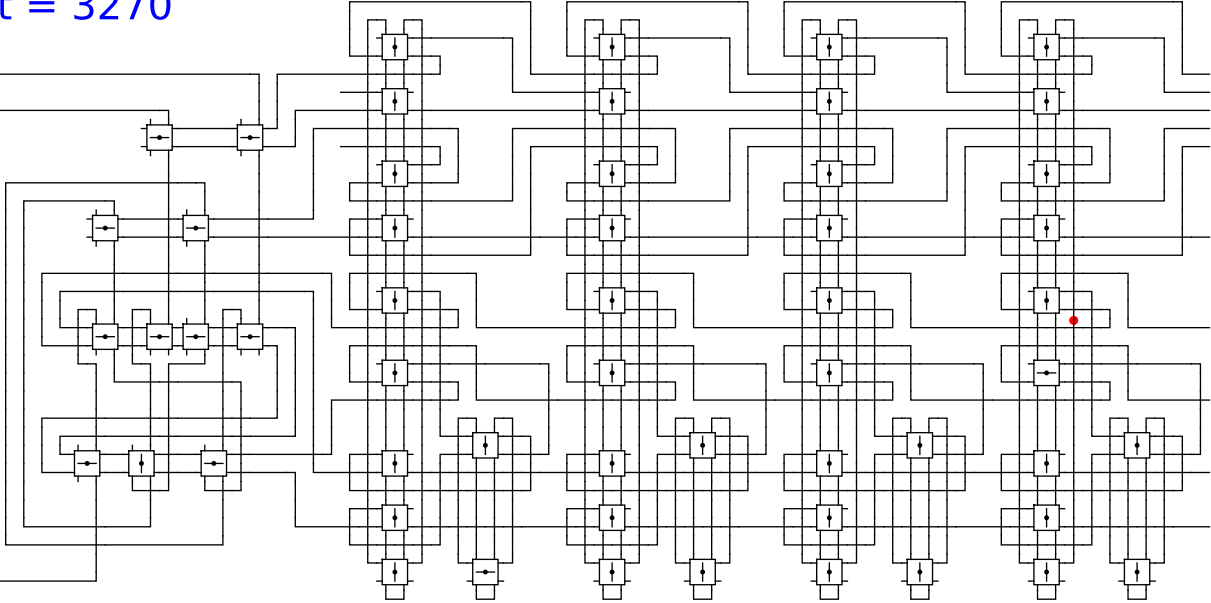
Begin



t = 3270

Reject
Accept

Begin



1

0

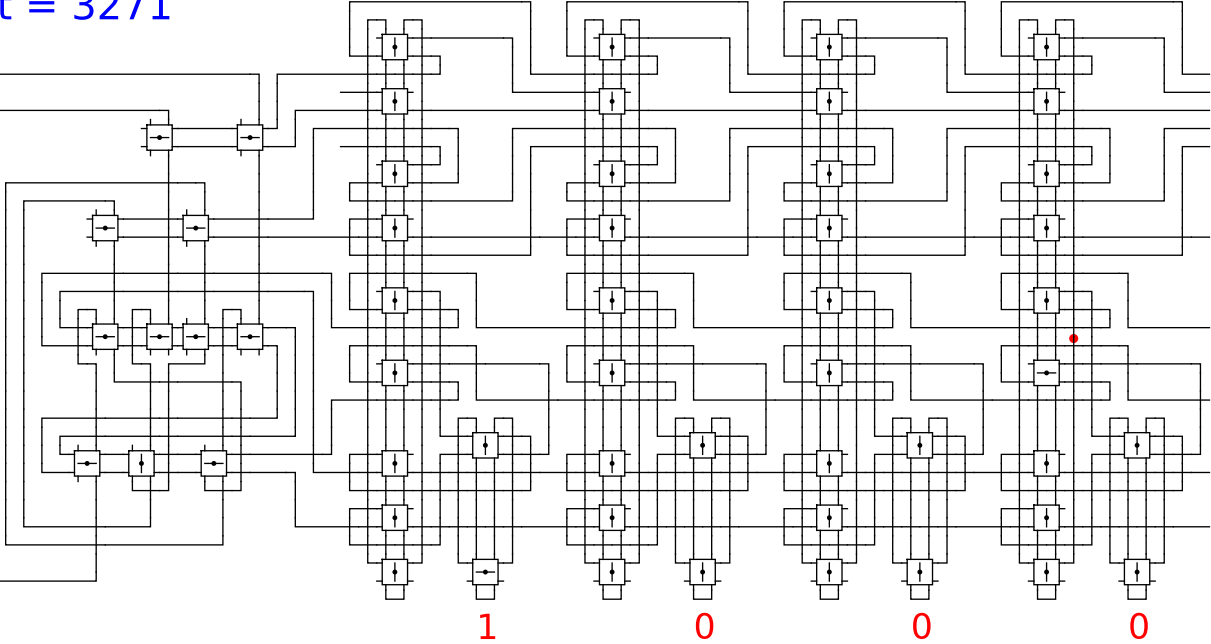
0

0

t = 3271

Reject
Accept

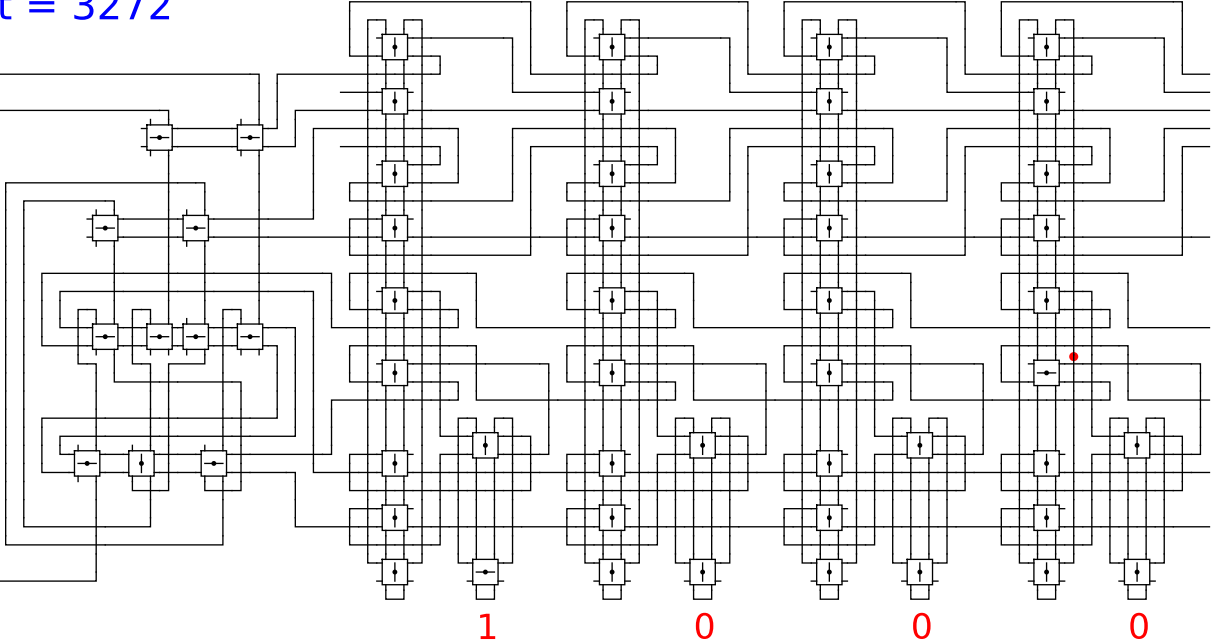
Begin



t = 3272

Reject
Accept

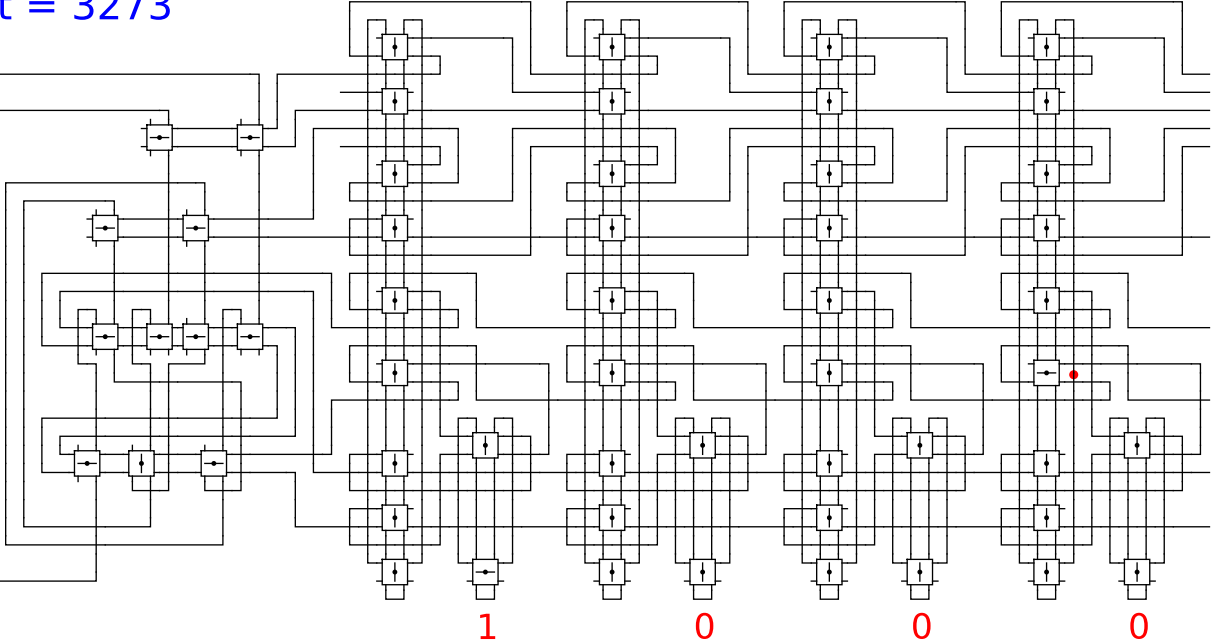
Begin



$t = 3273$

Reject
Accept

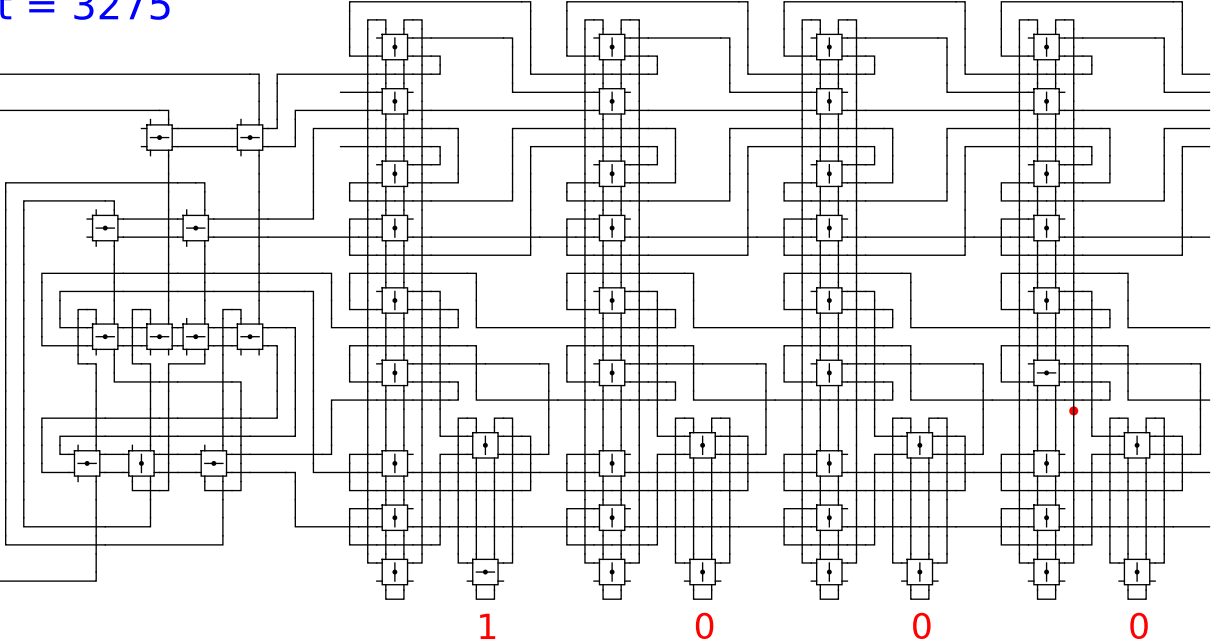
Begin



$t = 3275$

Reject
Accept

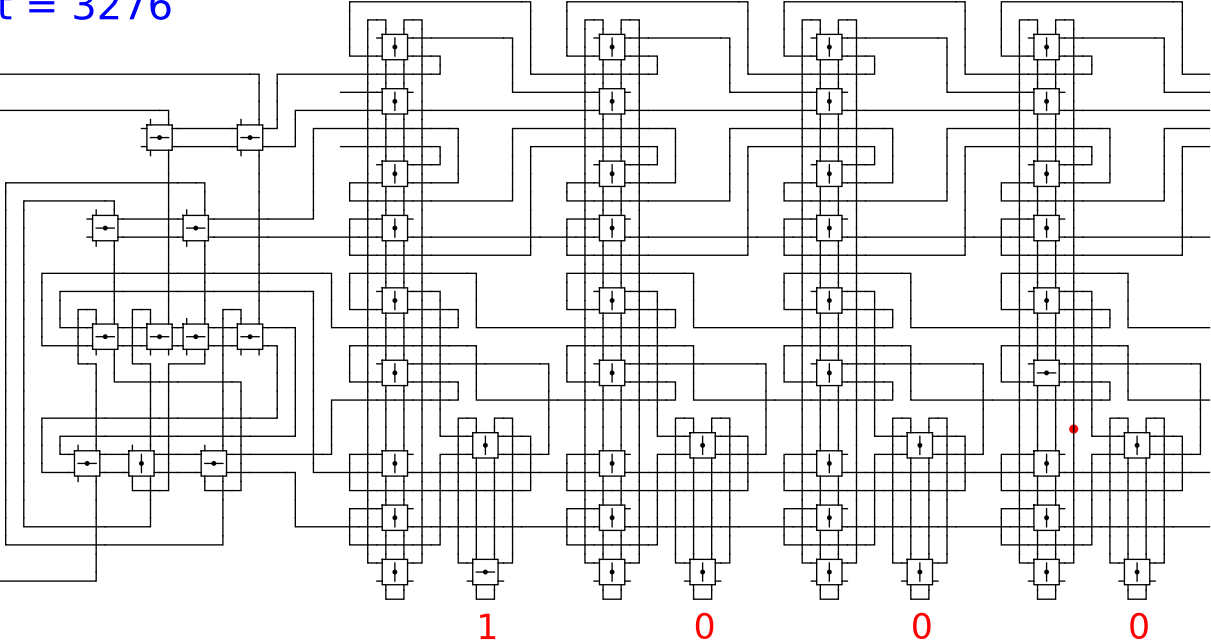
Begin



t = 3276

Reject
Accept

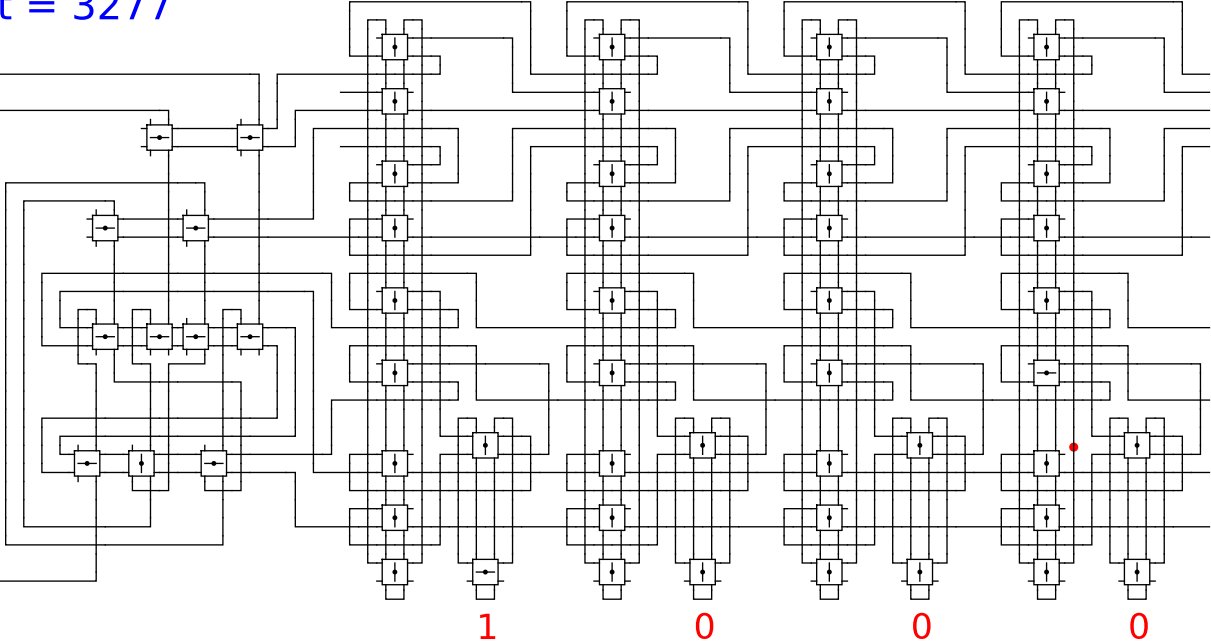
Begin



$t = 3277$

Reject
Accept

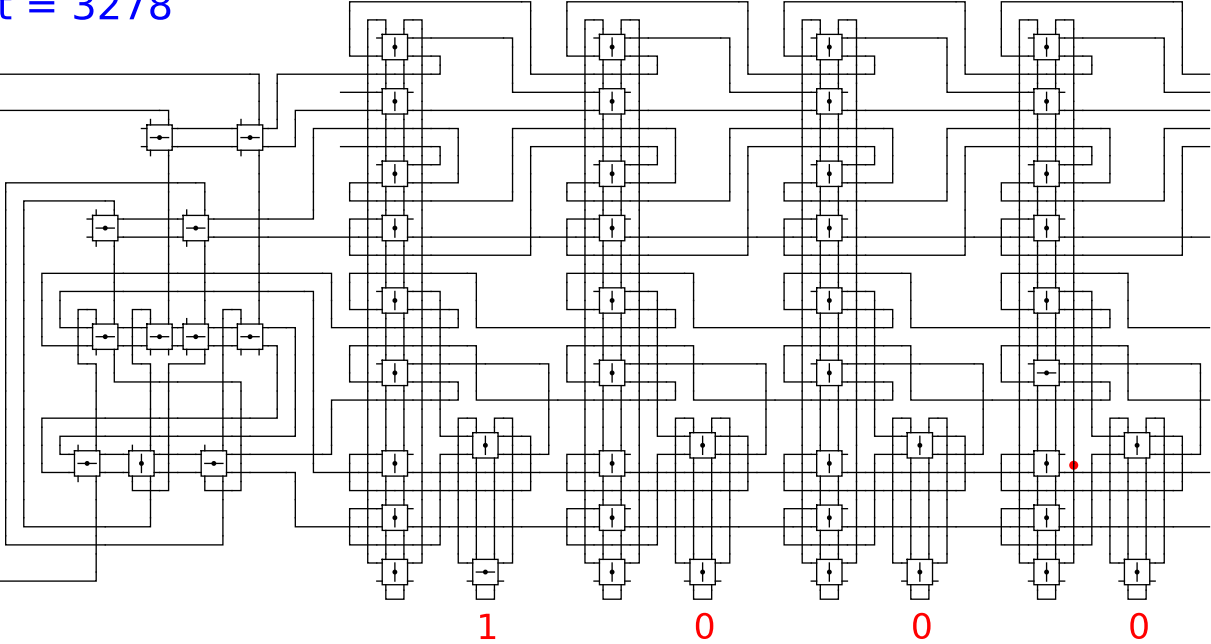
Begin



t = 3278

Reject
Accept

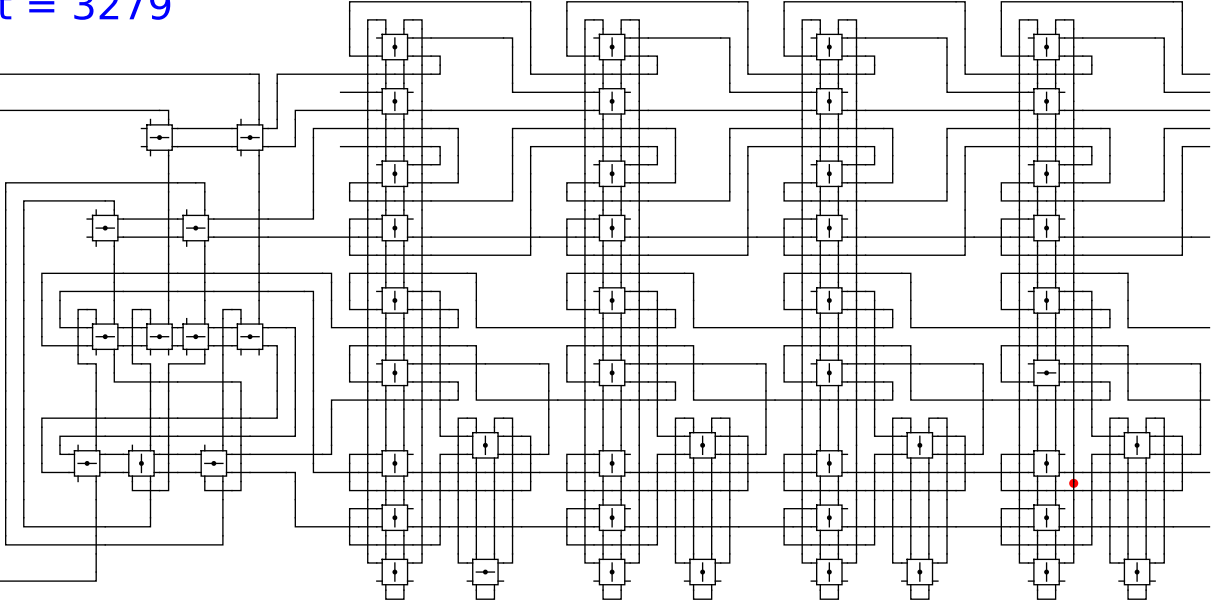
Begin



t = 3279

Reject
Accept

Begin



1

0

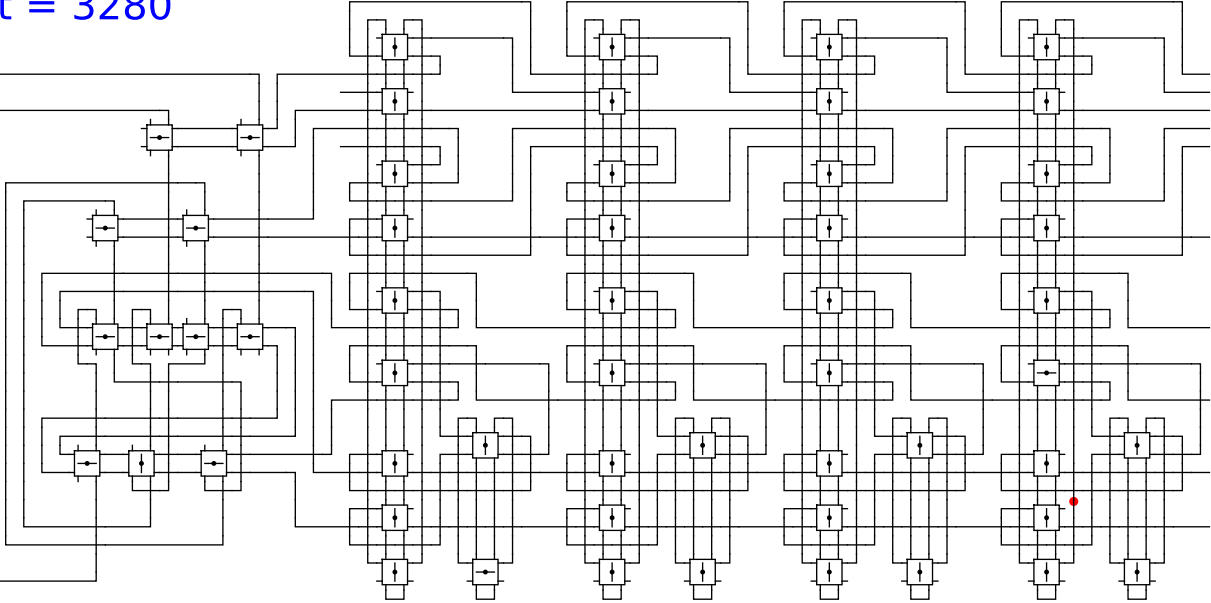
0

0

t = 3280

Reject
Accept

Begin



1

0

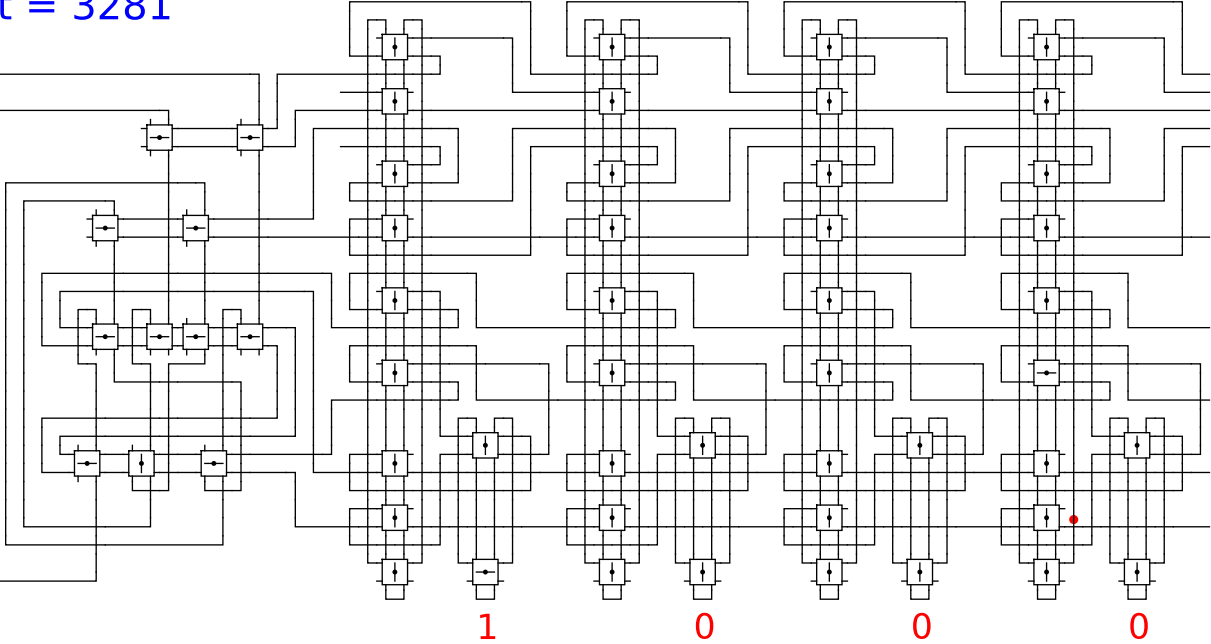
0

0

t = 3281

Reject
Accept

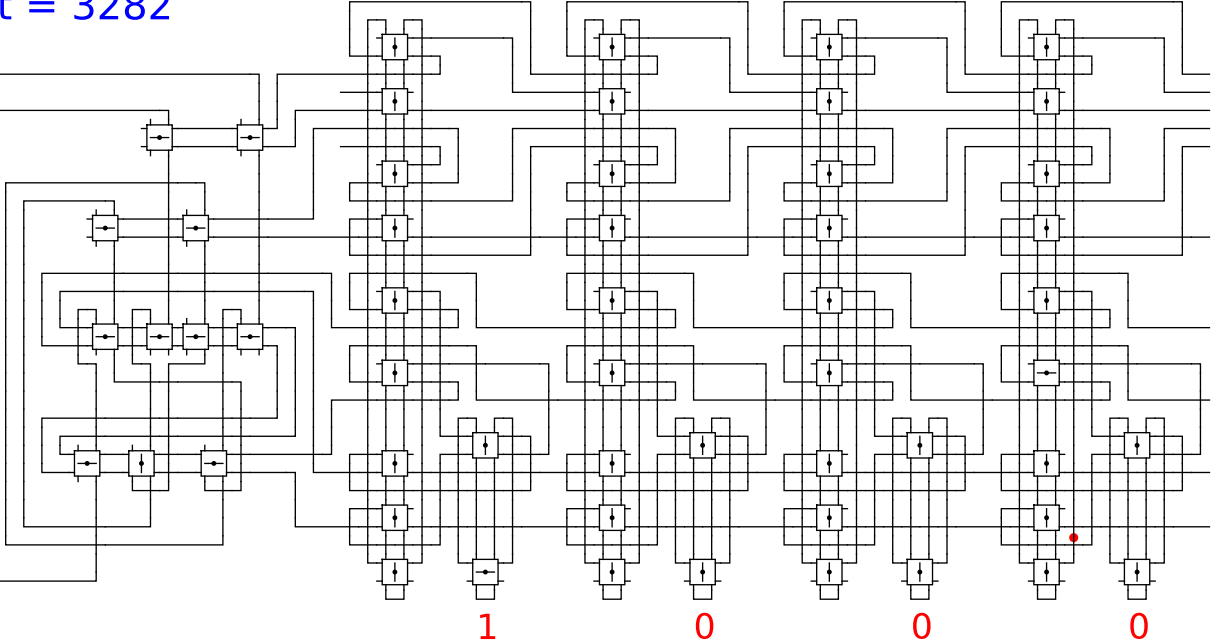
Begin



t = 3282

Reject
Accept

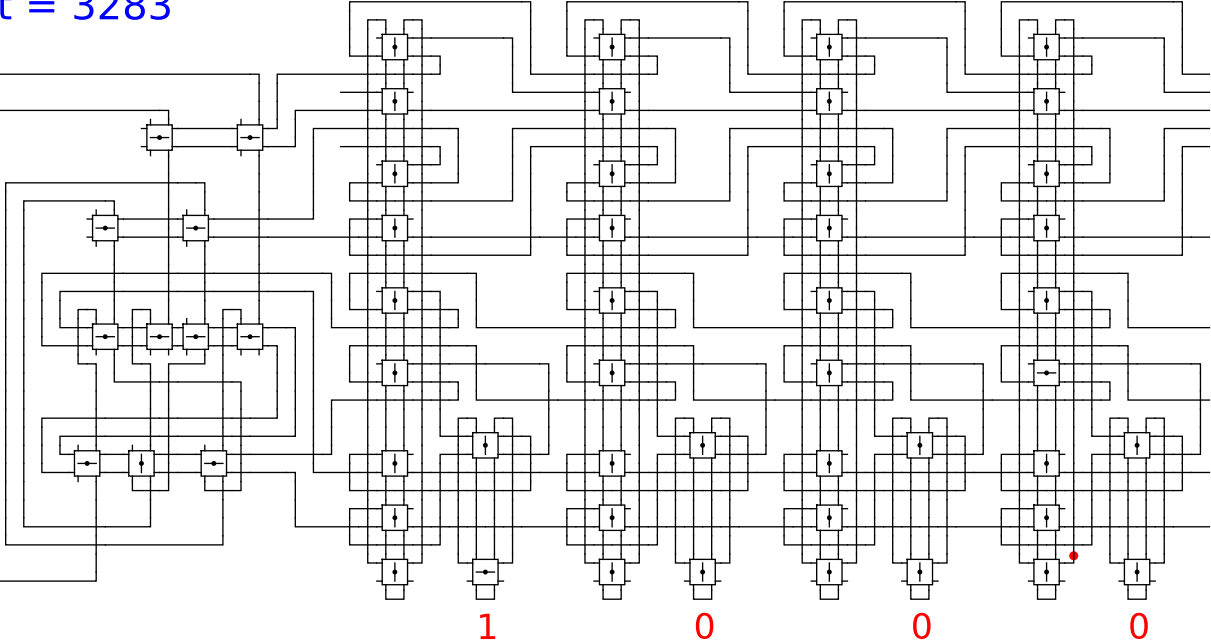
Begin



t = 3283

Reject
Accept

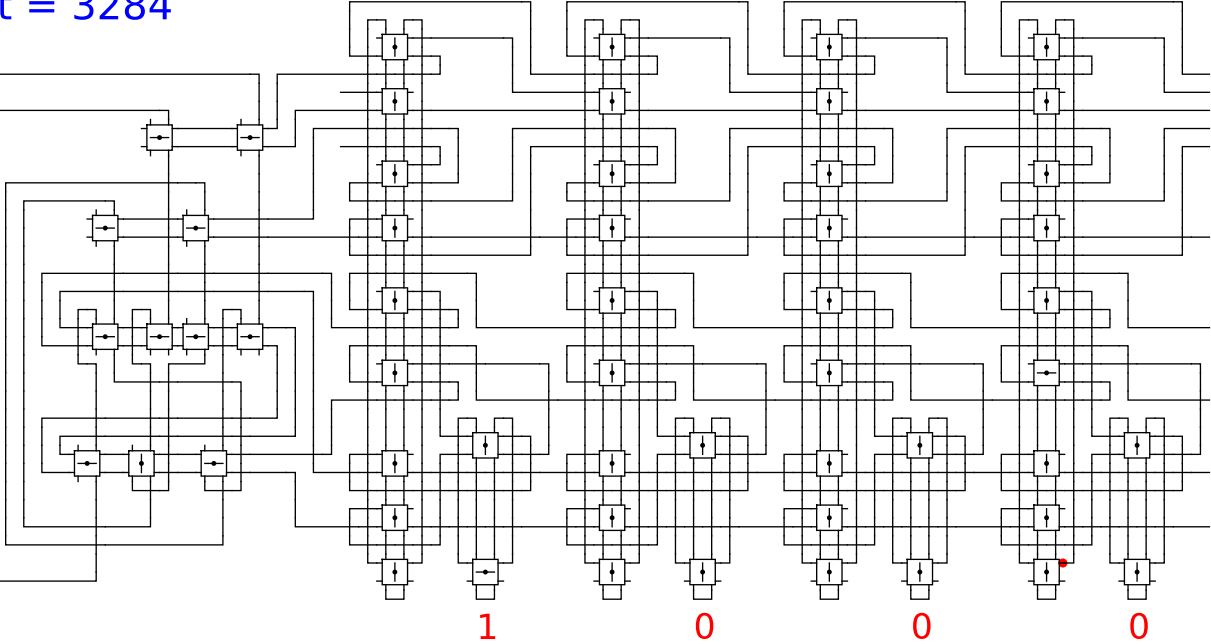
Begin



t = 3284

Reject
Accept

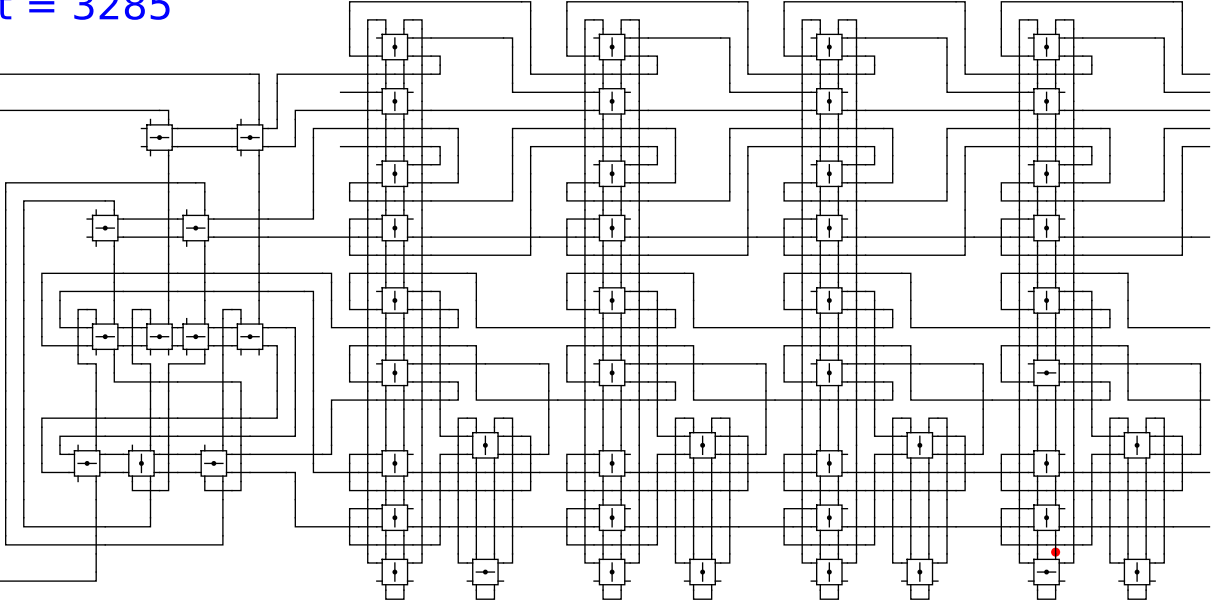
Begin



t = 3285

Reject
Accept

Begin



1

0

0

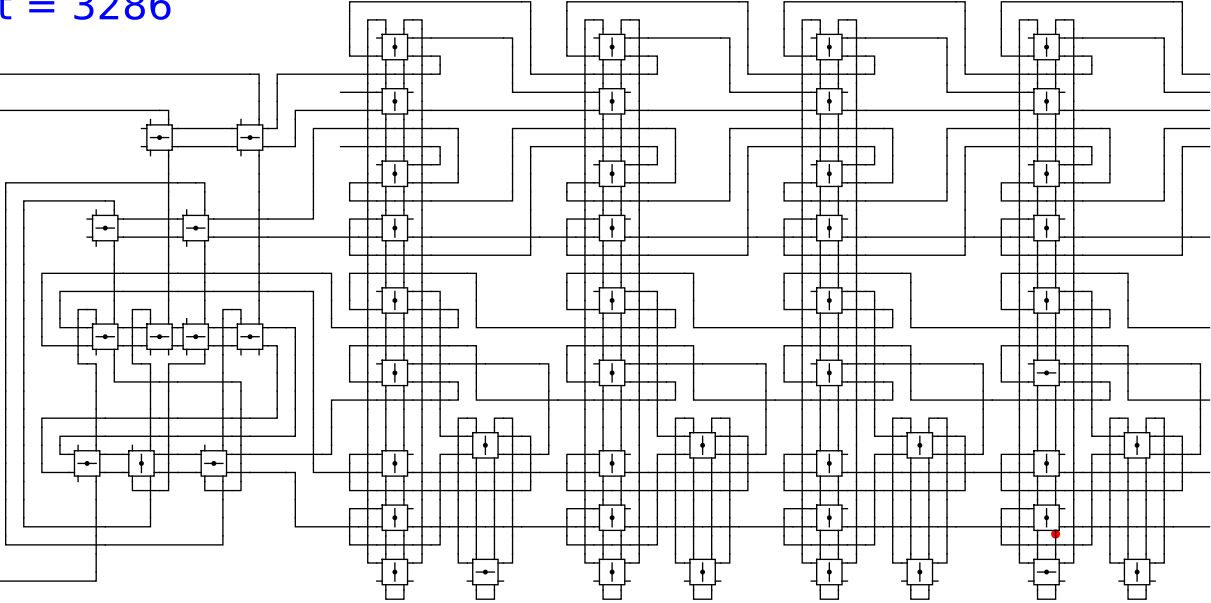
head

0

t = 3286

Reject
Accept

Begin



1

0

0

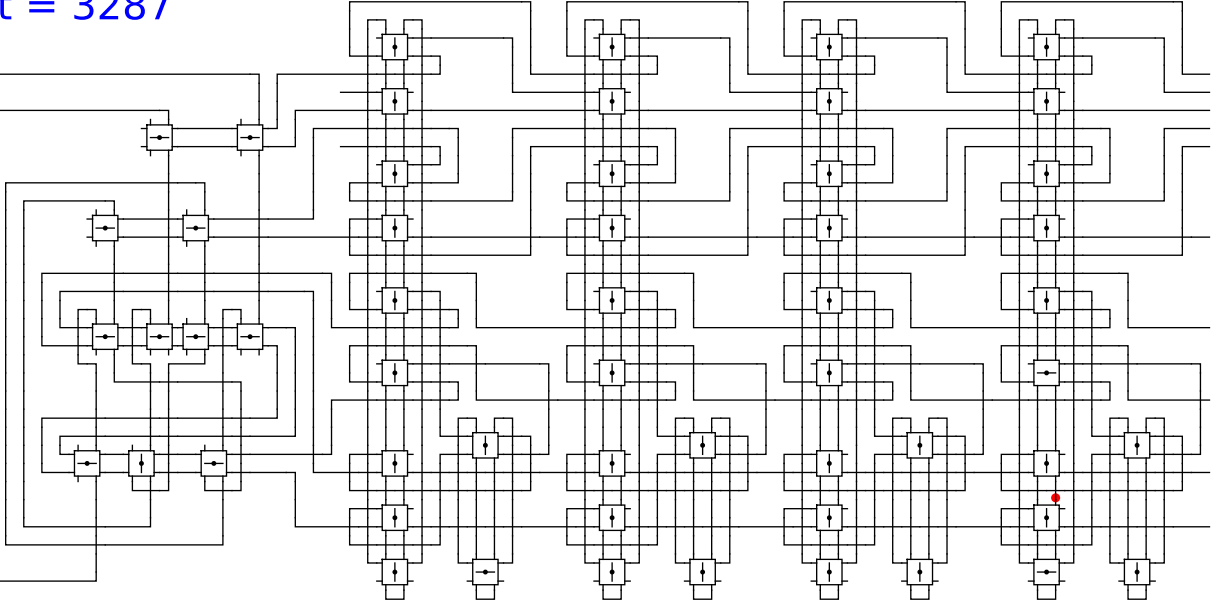
head

0

t = 3287

Reject
Accept

Begin

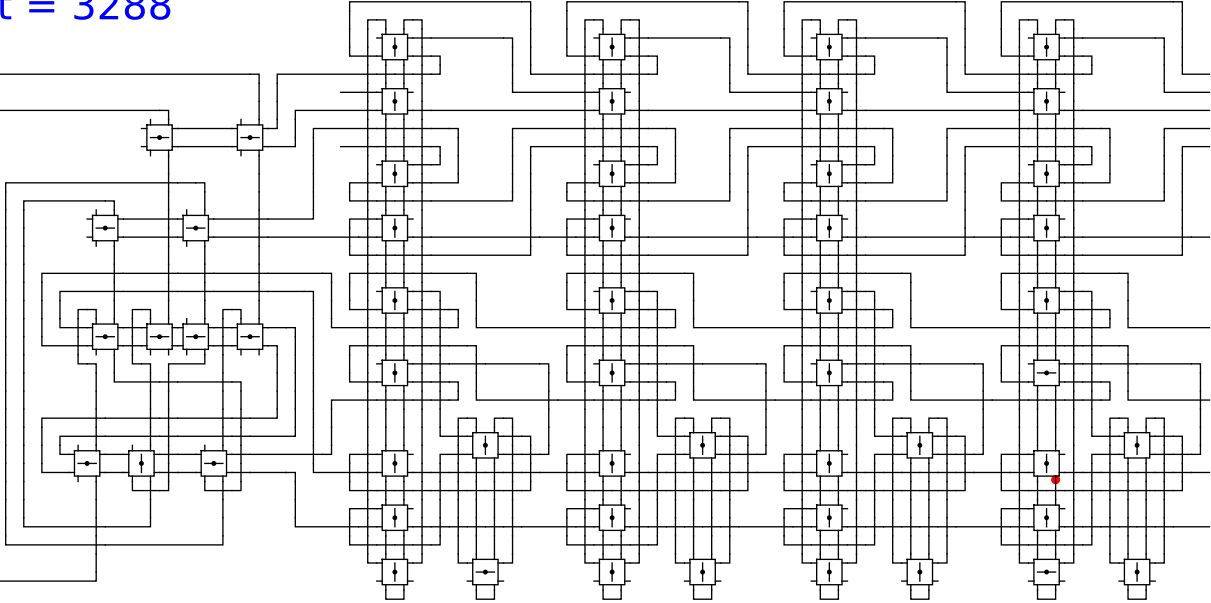


1 0 0 head 0

t = 3288

Reject
Accept

Begin



1

0

0

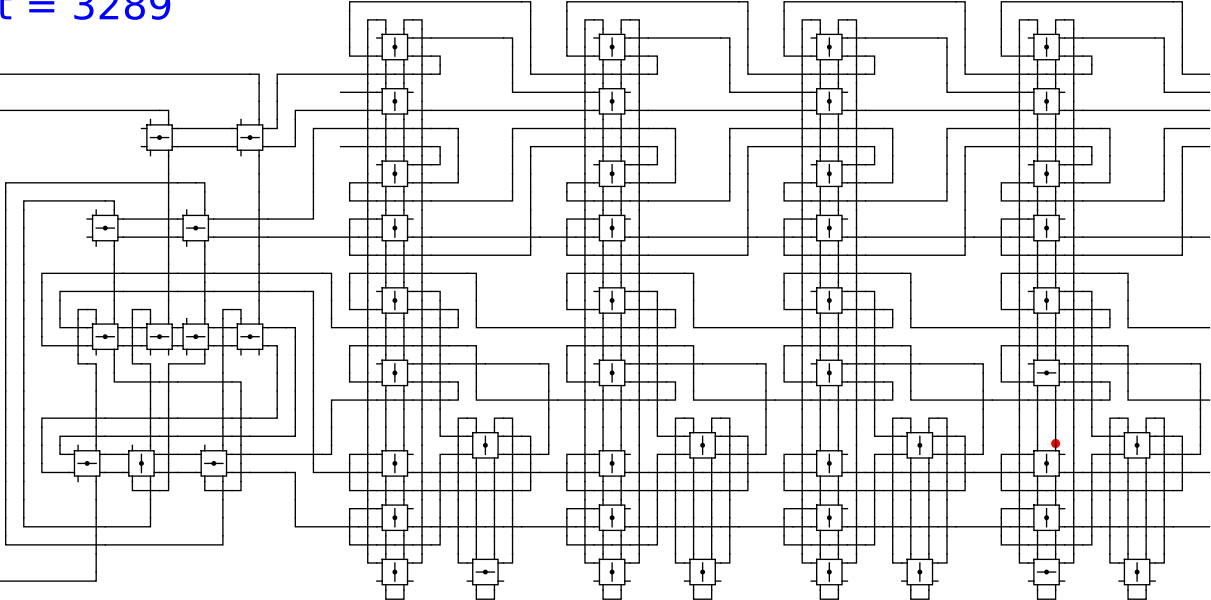
head

0

t = 3289

Reject
Accept

Begin



1

0

0

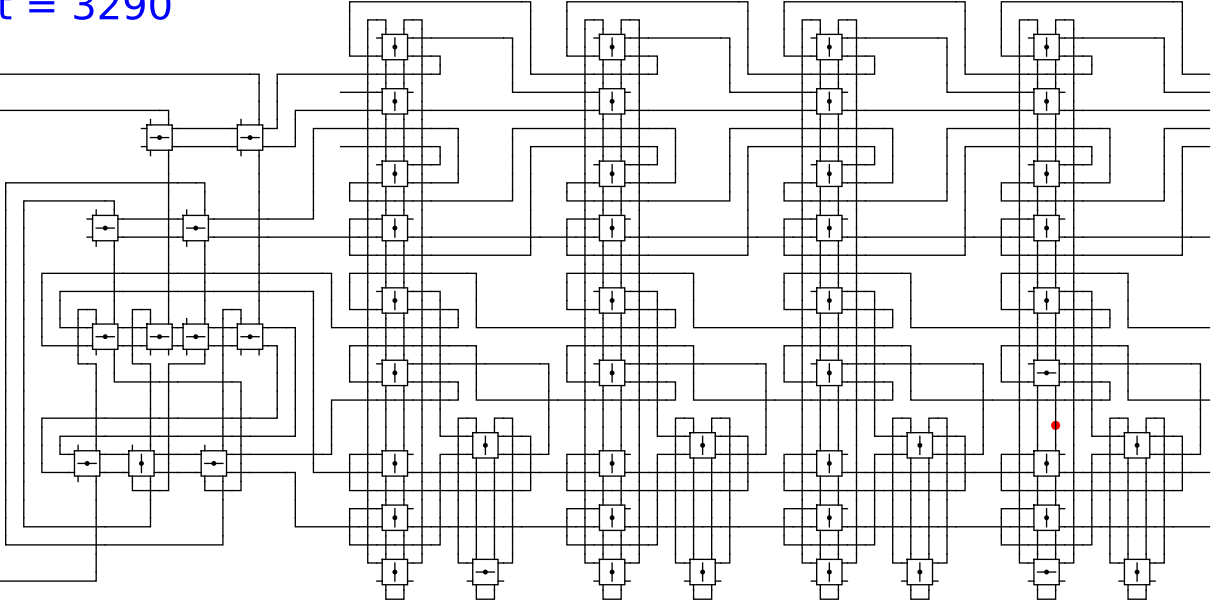
head

0

t = 3290

Reject
Accept

Begin



1

0

0

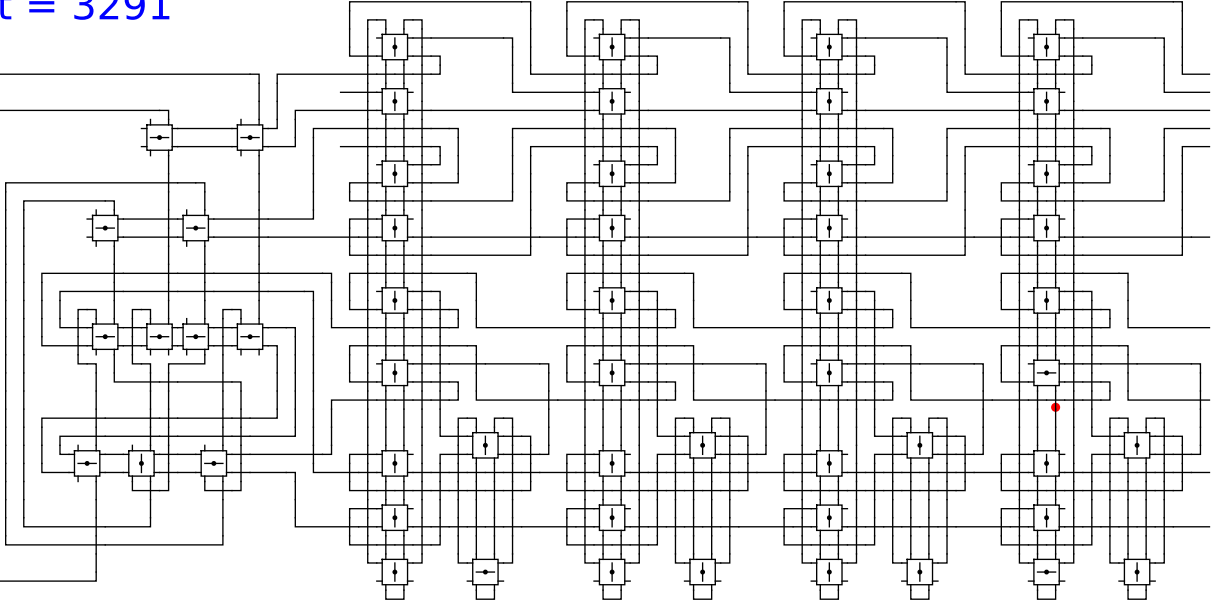
head

0

t = 3291

Reject
Accept

Begin

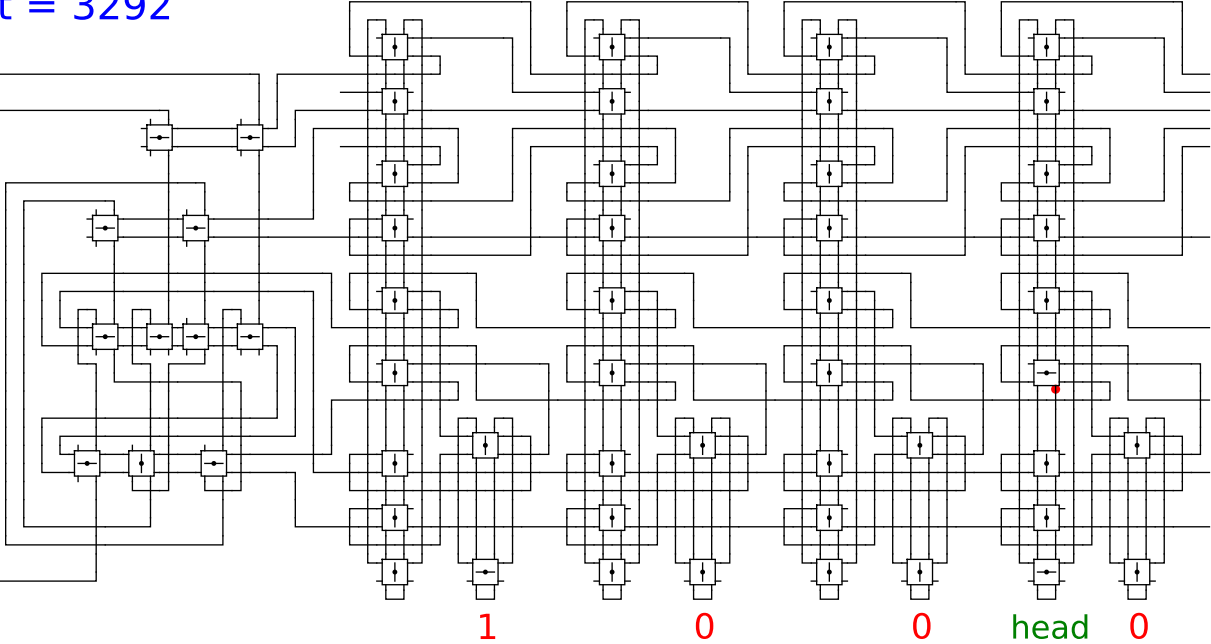


1 0 0 head 0

t = 3292

Reject
Accept

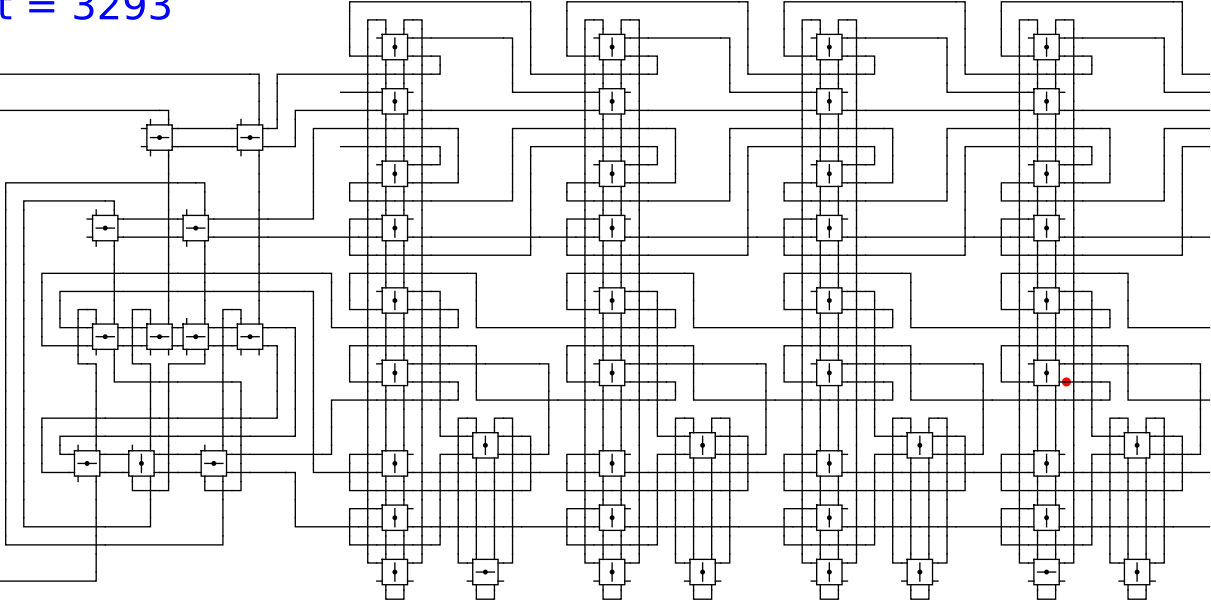
Begin



t = 3293

Reject
Accept

Begin



1

0

0

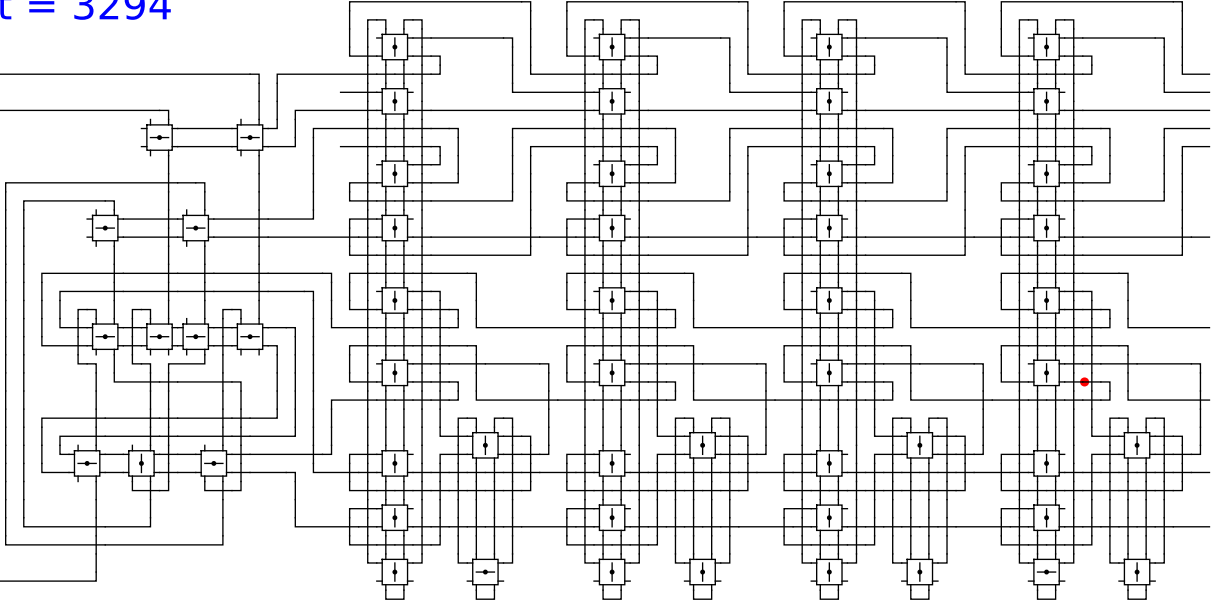
head

0

t = 3294

Reject
Accept

Begin



1

0

0

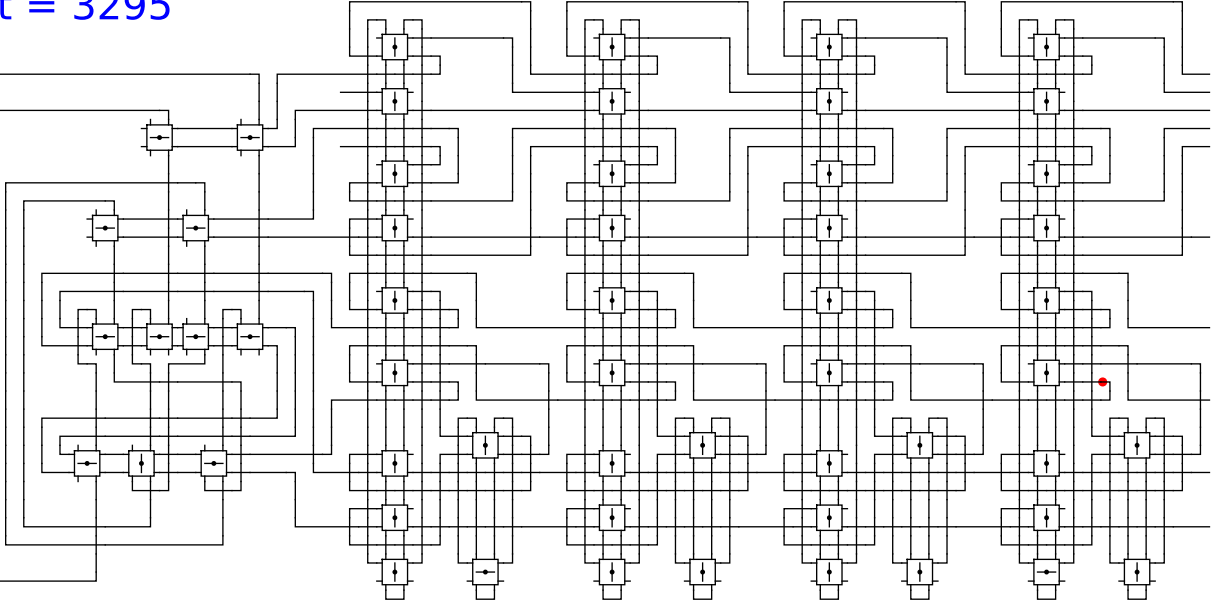
head

0

t = 3295

Reject
Accept

Begin



1

0

0

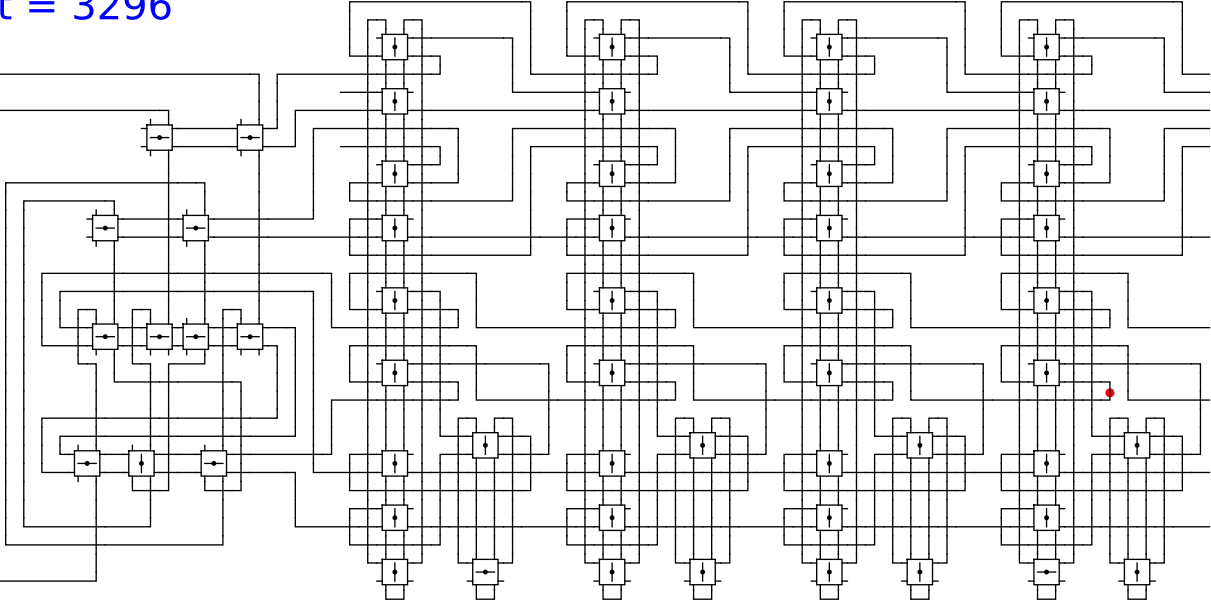
head

0

t = 3296

Reject
Accept

Begin



1

0

0

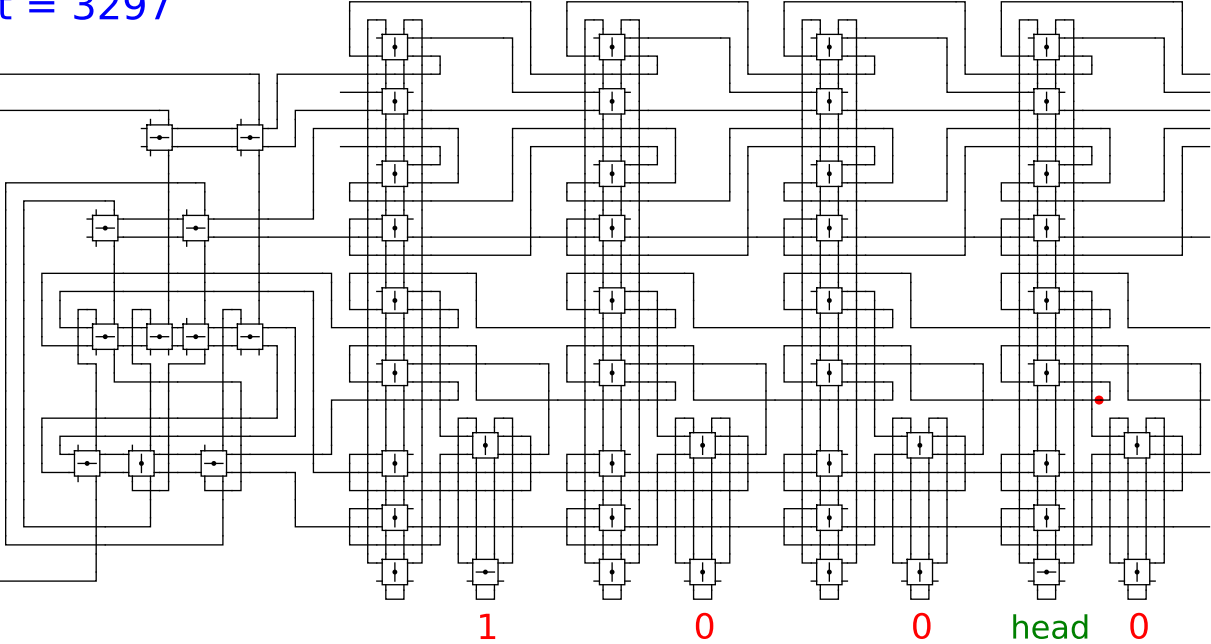
head

0

t = 3297

Reject
Accept

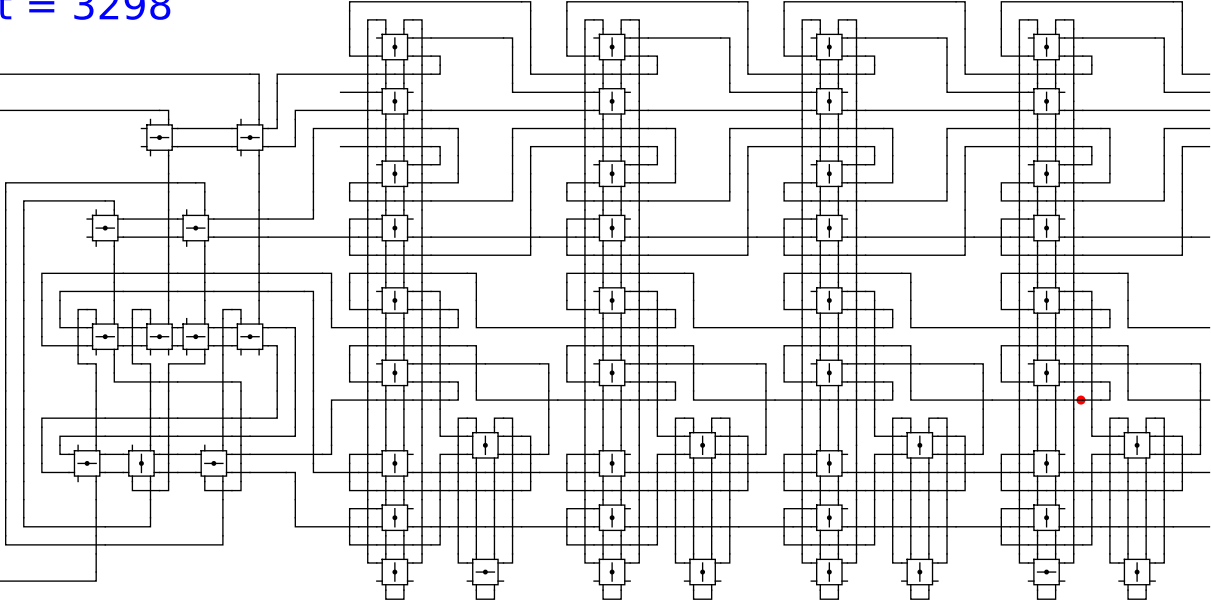
Begin



t = 3298

Reject
Accept

Begin



1

0

0

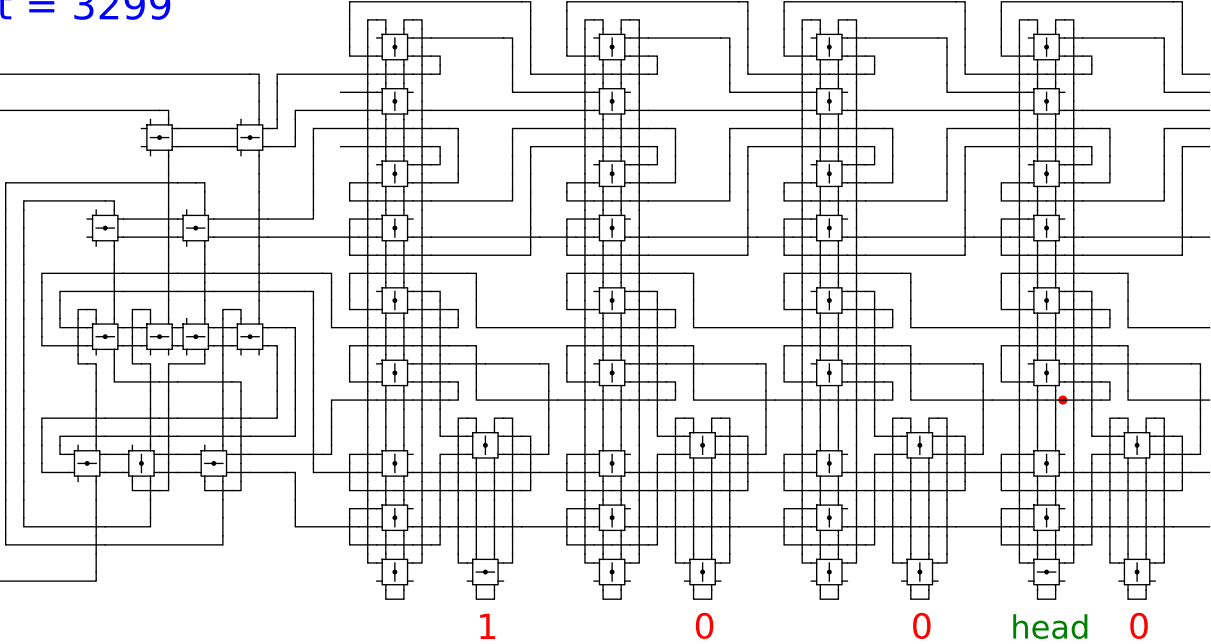
head

0

t = 3299

Reject
Accept

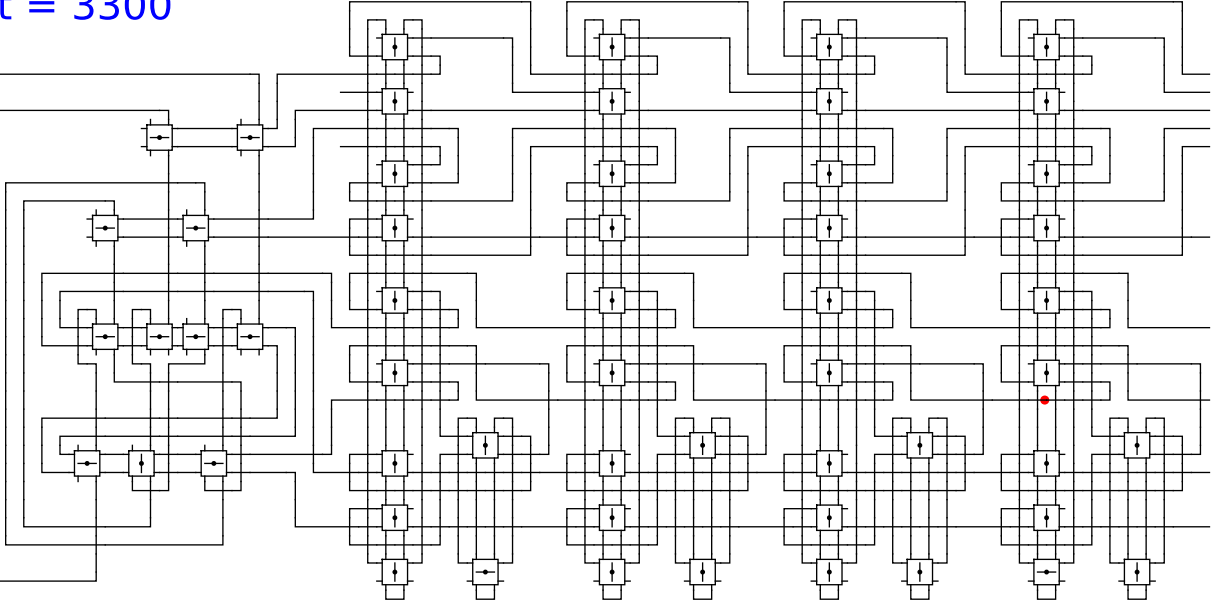
Begin



t = 3300

Reject
Accept

Begin



1

0

0

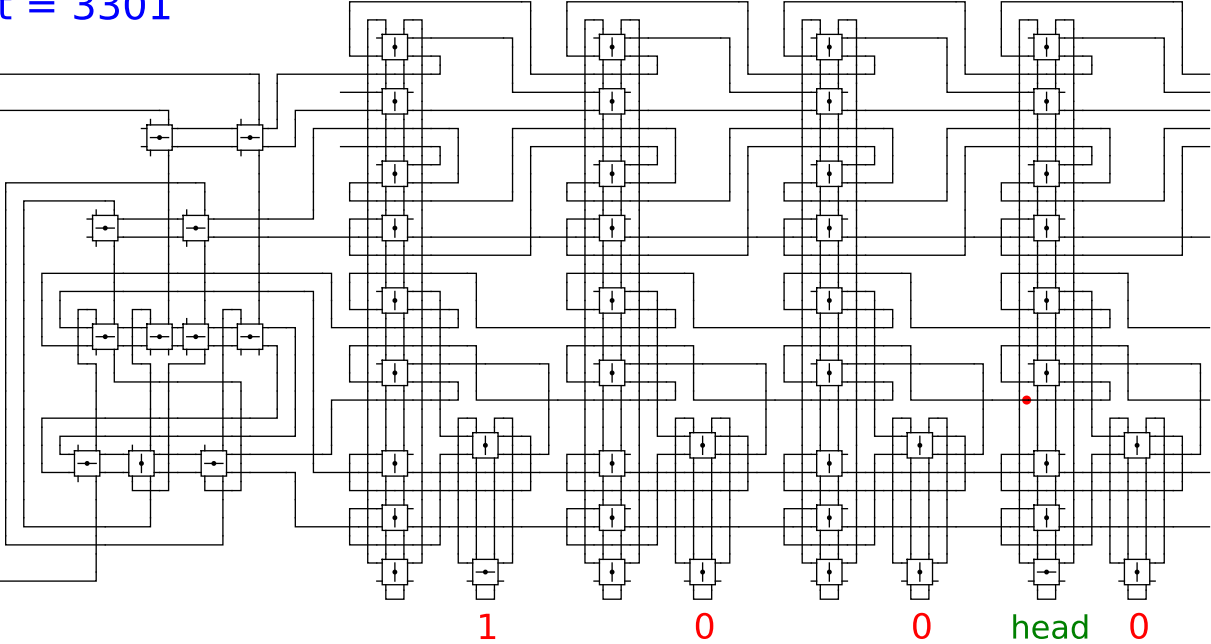
head

0

t = 3301

Reject
Accept

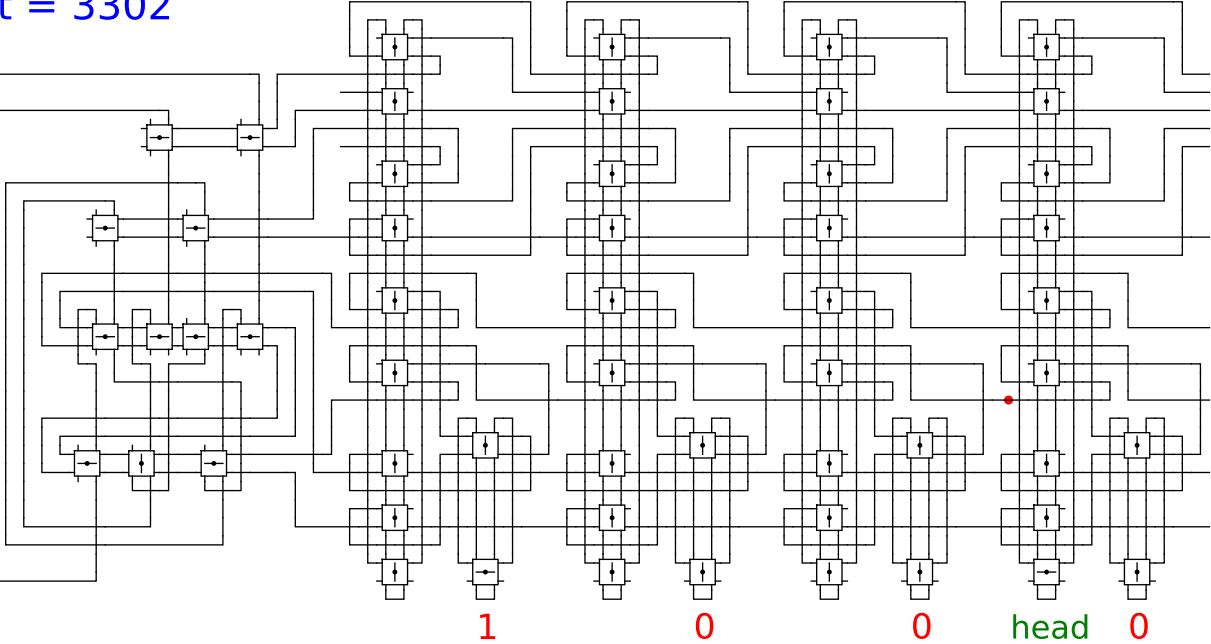
Begin



t = 3302

Reject
Accept

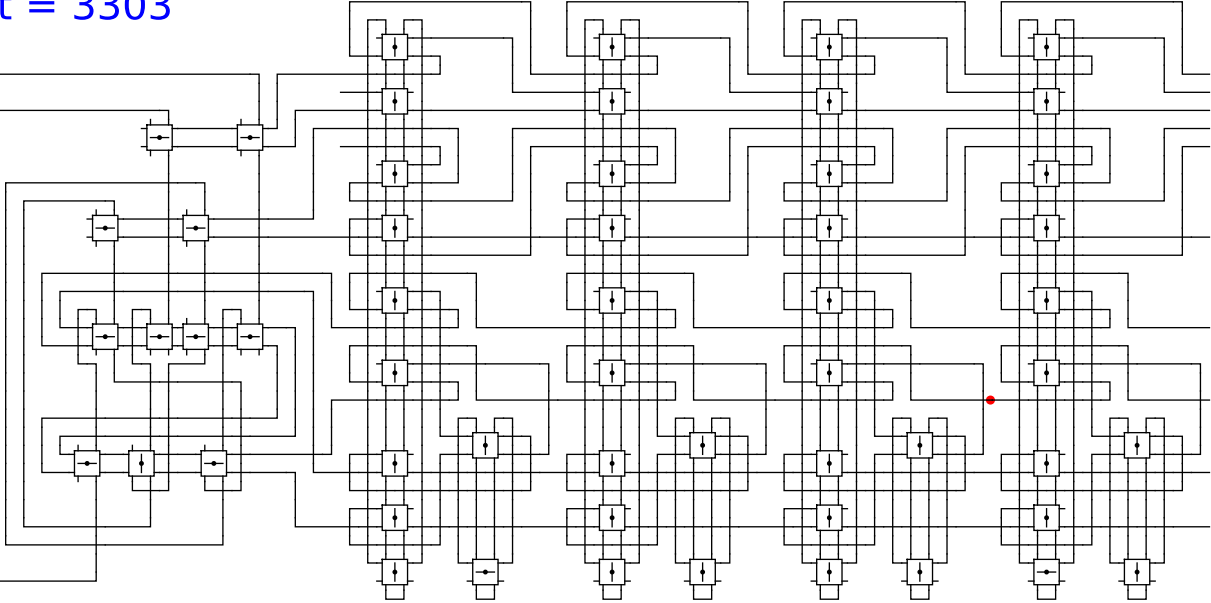
Begin



t = 3303

Reject
Accept

Begin

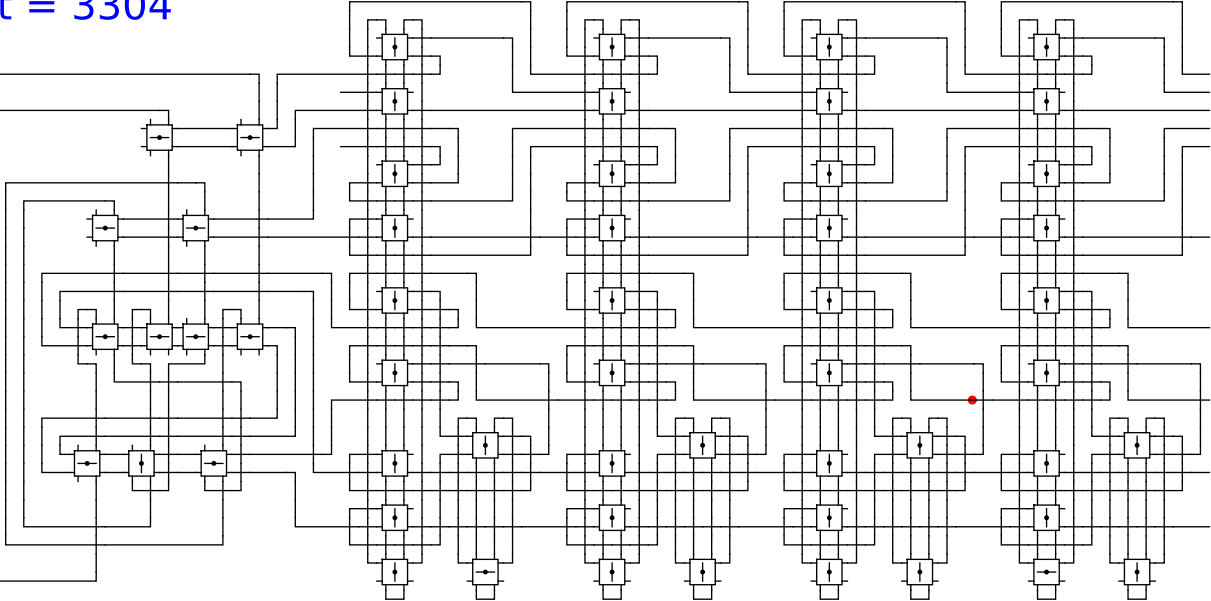


1 0 0 head 0

t = 3304

Reject
Accept

Begin



1

0

0

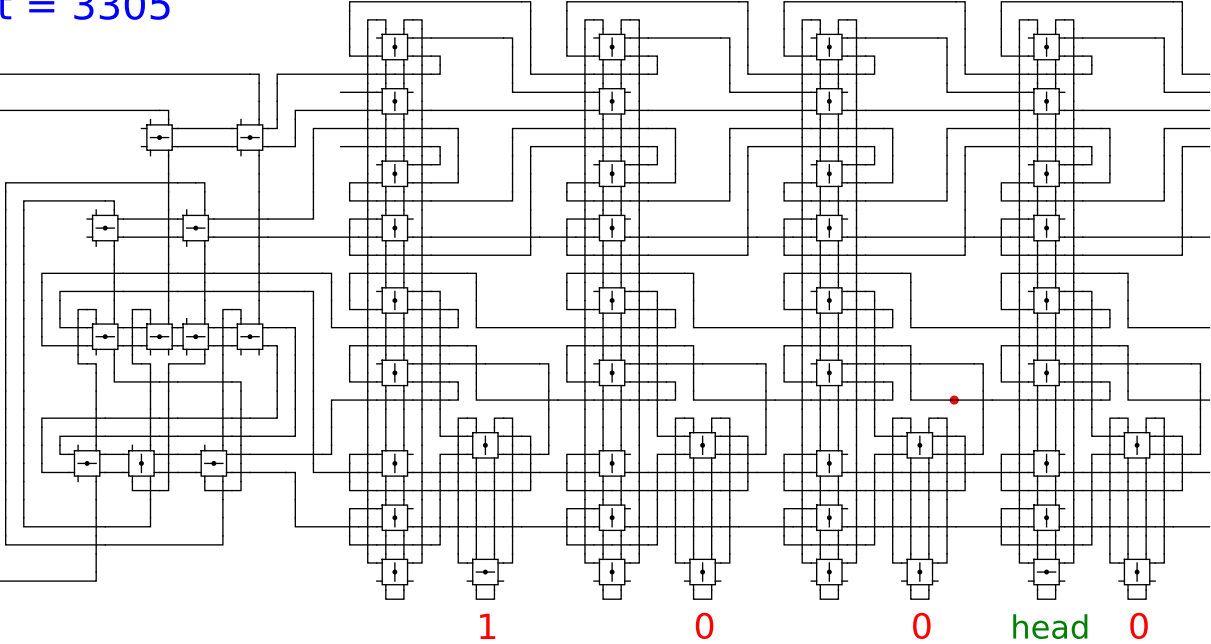
head

0

t = 3305

Reject
Accept

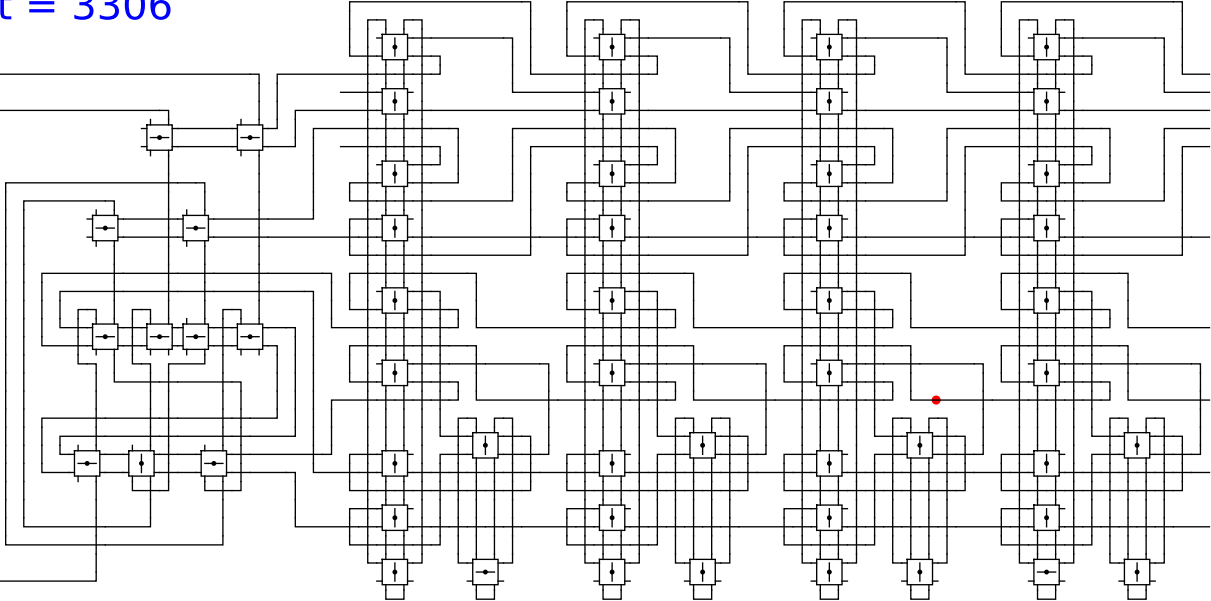
Begin



t = 3306

Reject
Accept

Begin



1

0

0

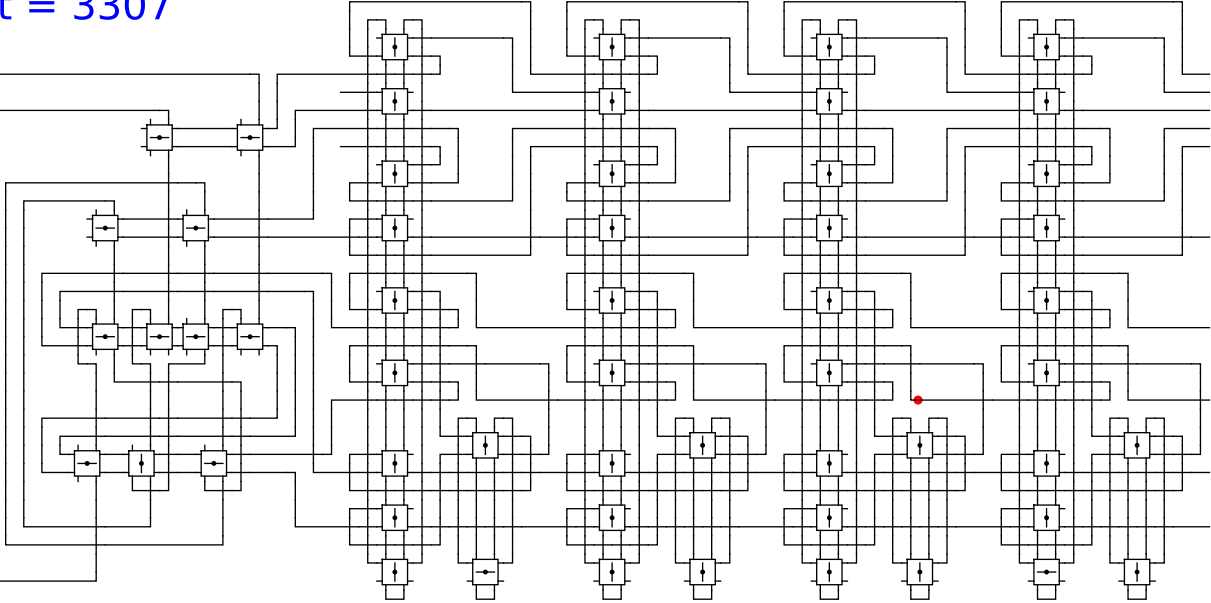
head

0

t = 3307

Reject
Accept

Begin



1

0

0

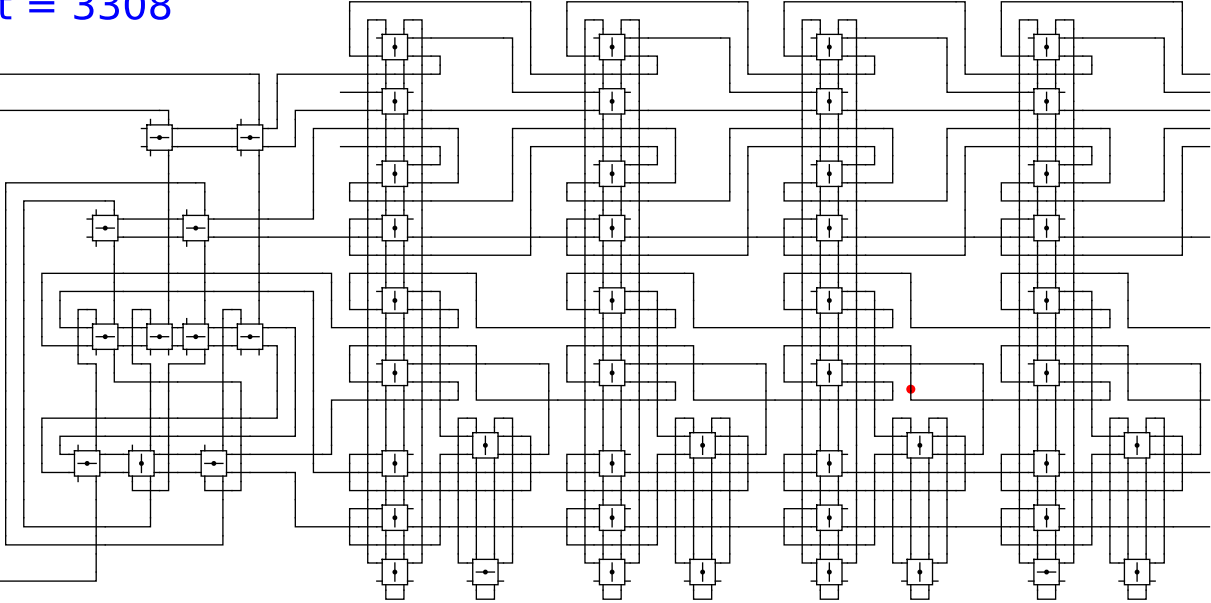
head

0

t = 3308

Reject
Accept

Begin



1

0

0

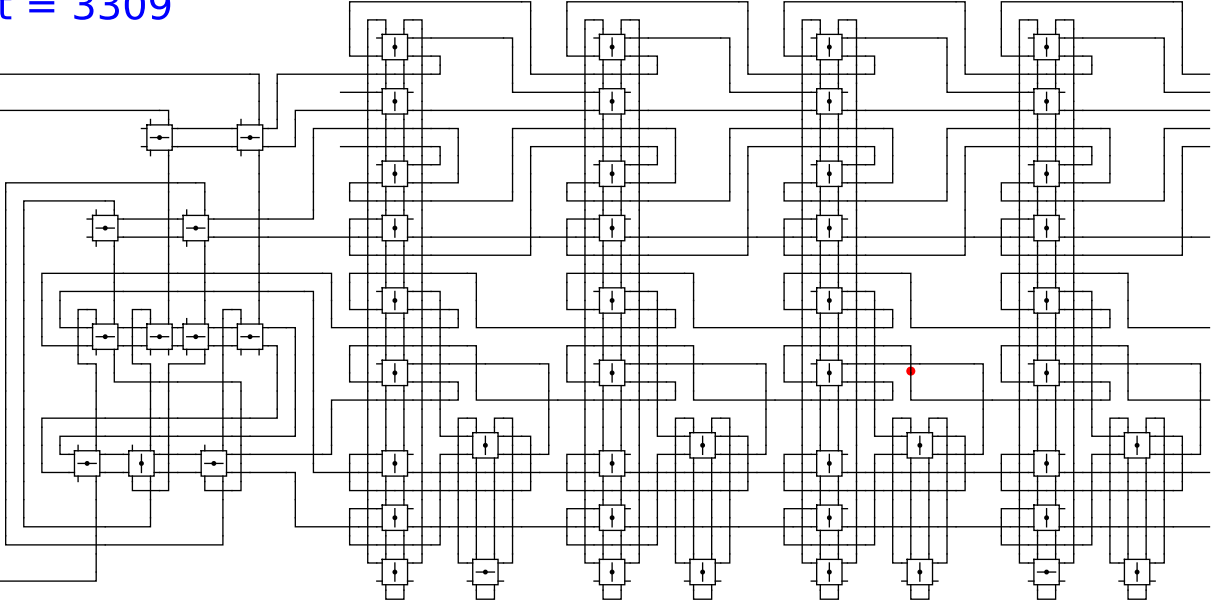
head

0

t = 3309

Reject
Accept

Begin



1

0

0

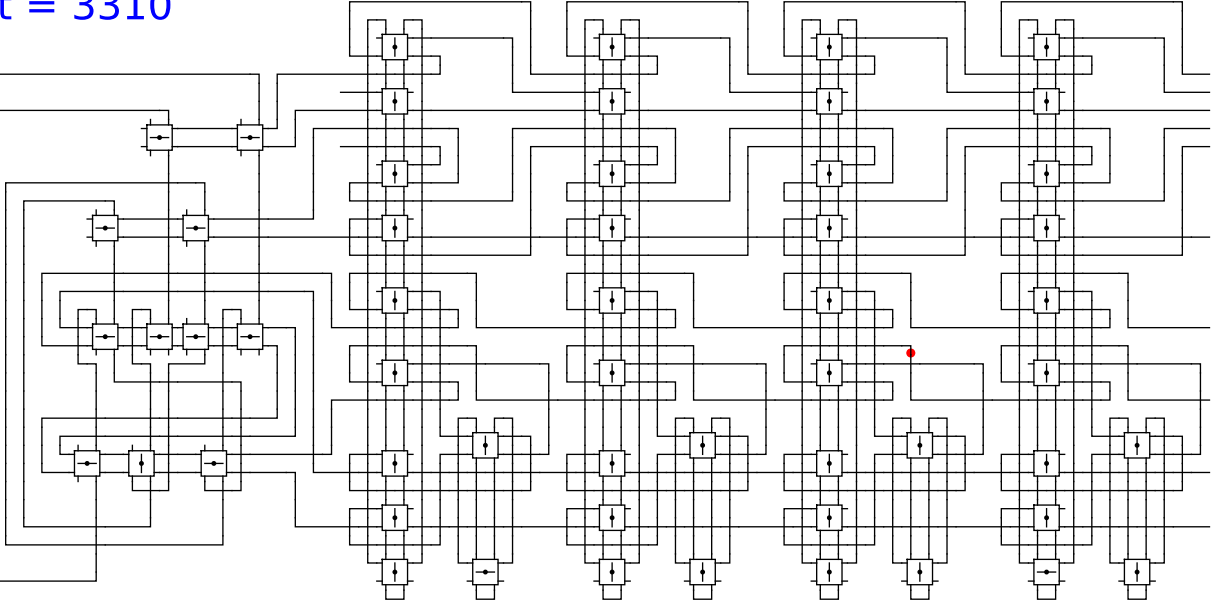
head

0

t = 3310

Reject
Accept

Begin

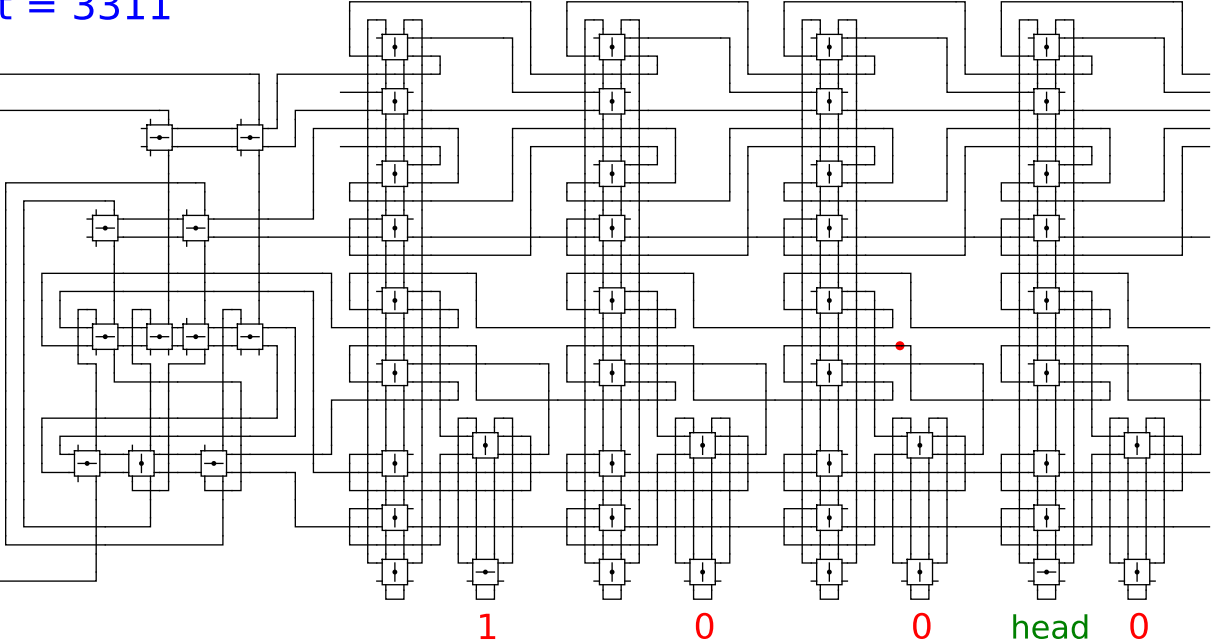


1 0 0 head 0

t = 3311

Reject
Accept

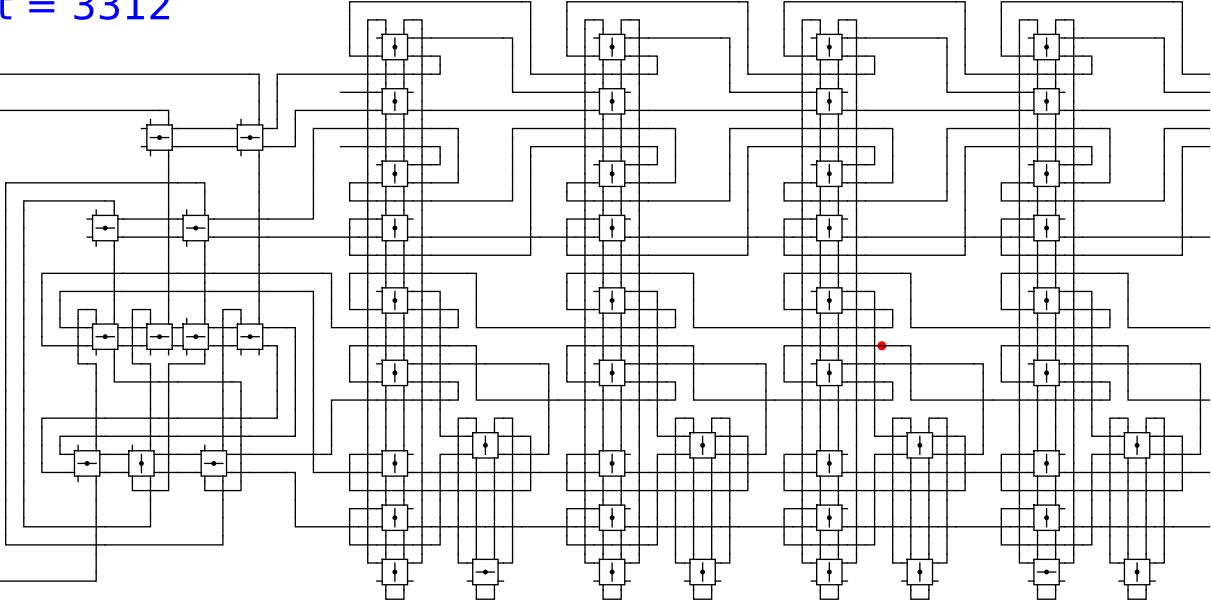
Begin



t = 3312

Reject
Accept

Begin



1

0

0

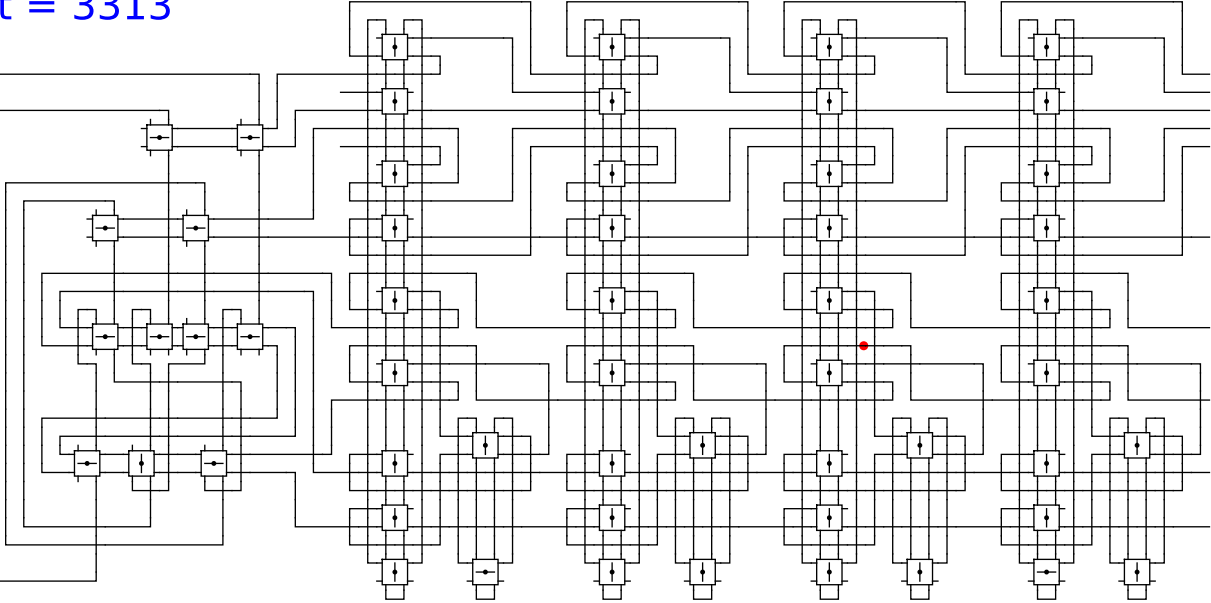
head

0

t = 3313

Reject
Accept

Begin

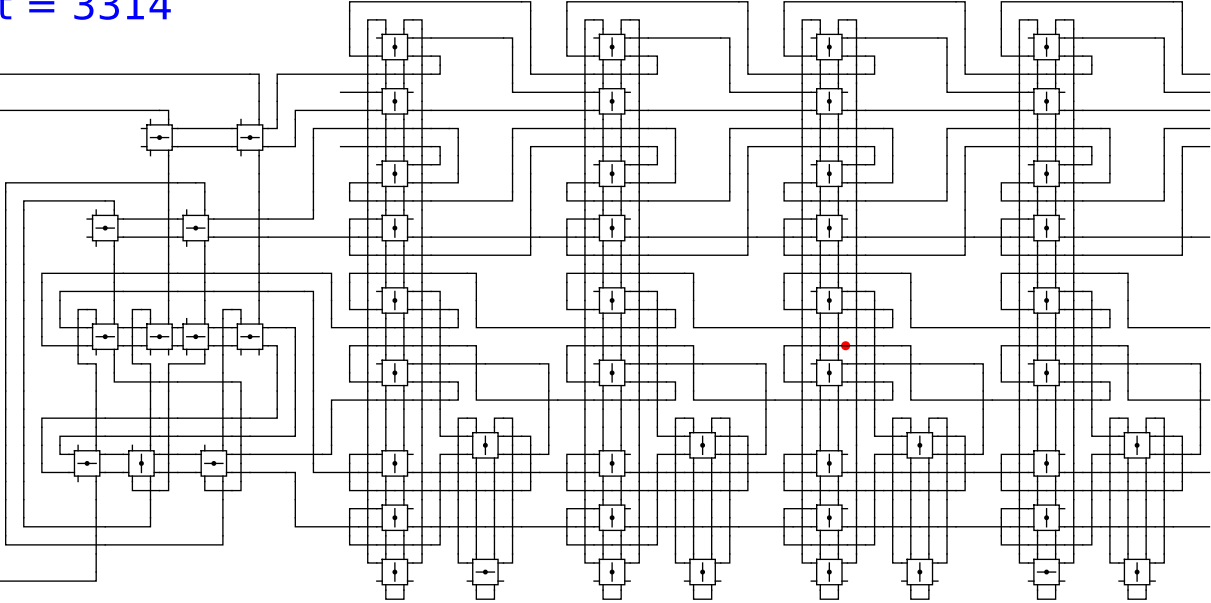


1 0 0 head 0

t = 3314

Reject
Accept

Begin



1

0

0

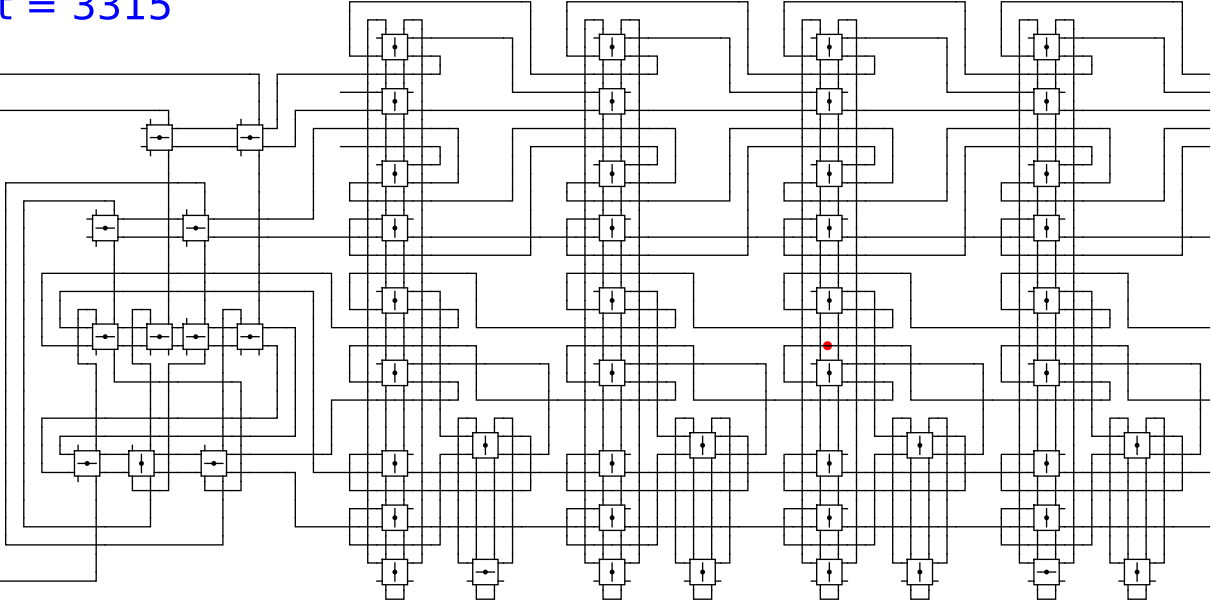
head

0

t = 3315

Reject
Accept

Begin

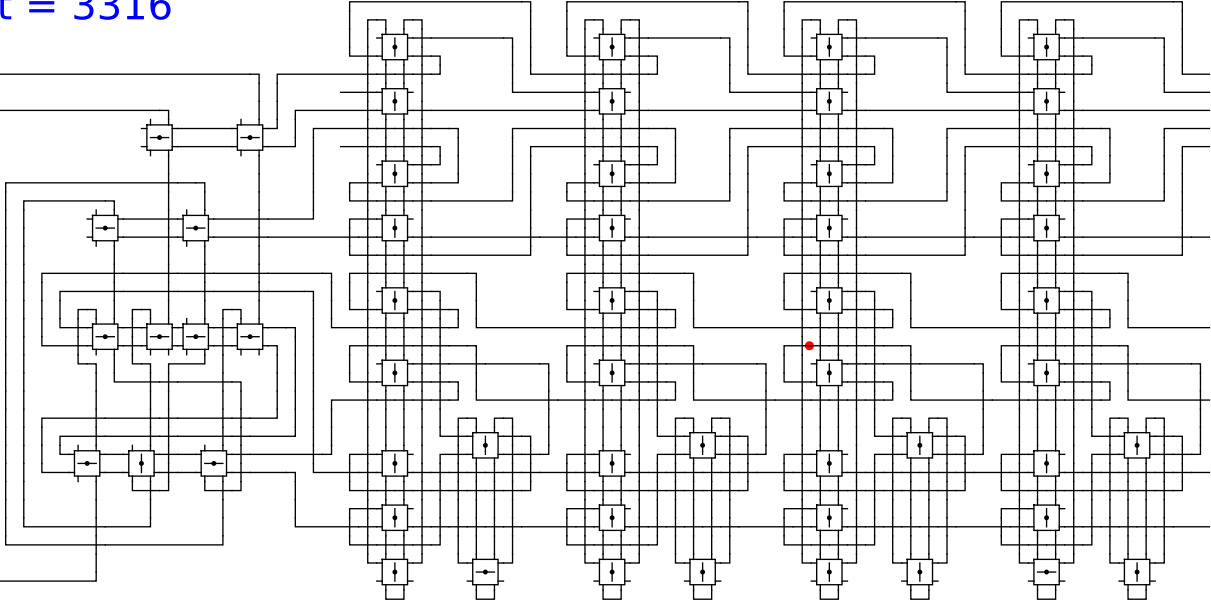


1 0 0 head 0

t = 3316

Reject
Accept

Begin



1

0

0

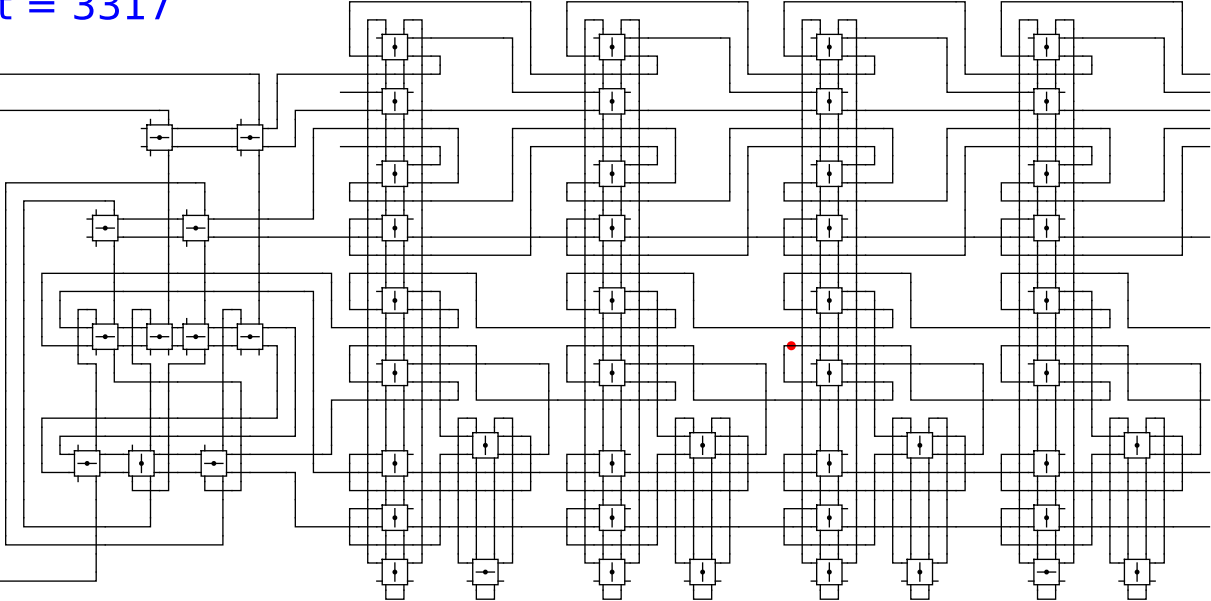
head

0

t = 3317

Reject
Accept

Begin

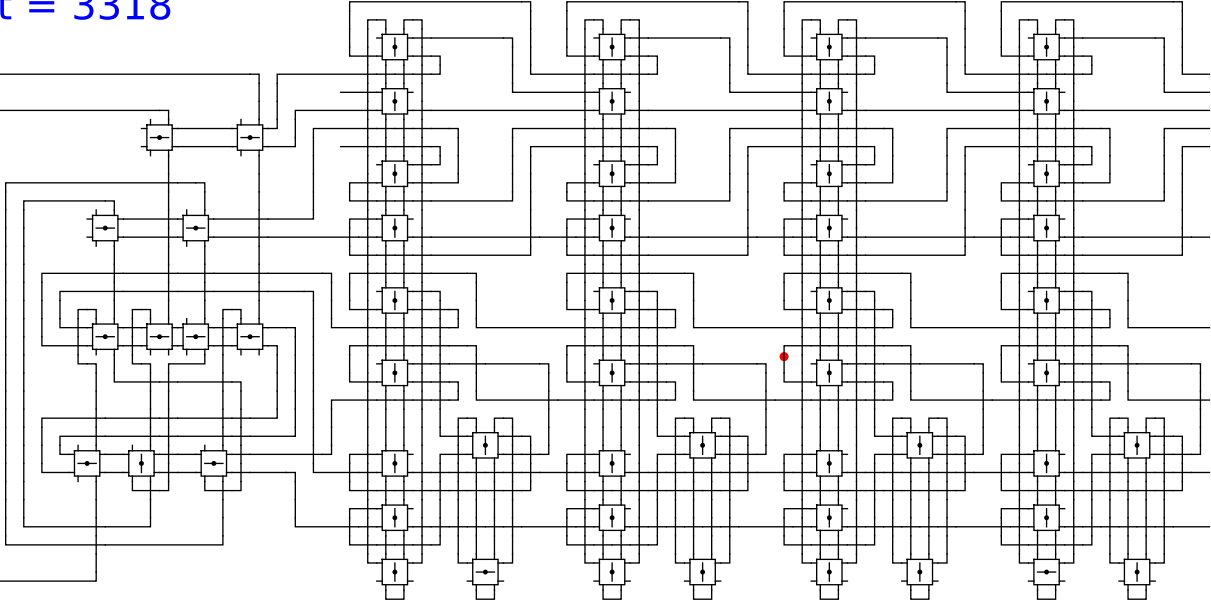


1 0 0 head 0

t = 3318

Reject
Accept

Begin



1

0

0

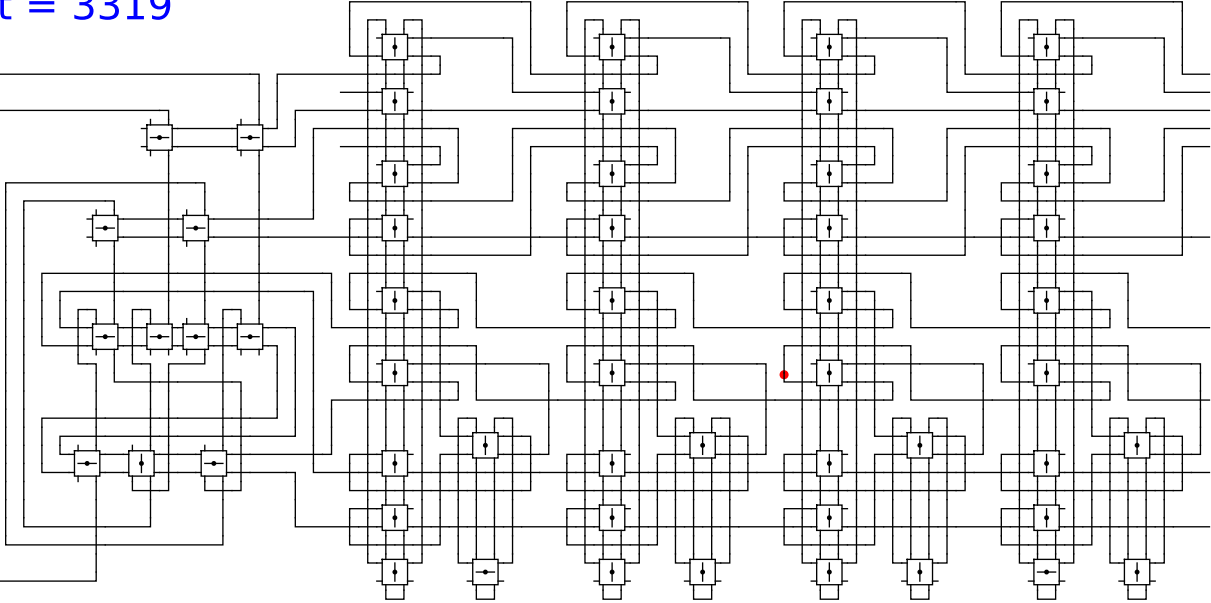
head

0

t = 3319

Reject
Accept

Begin

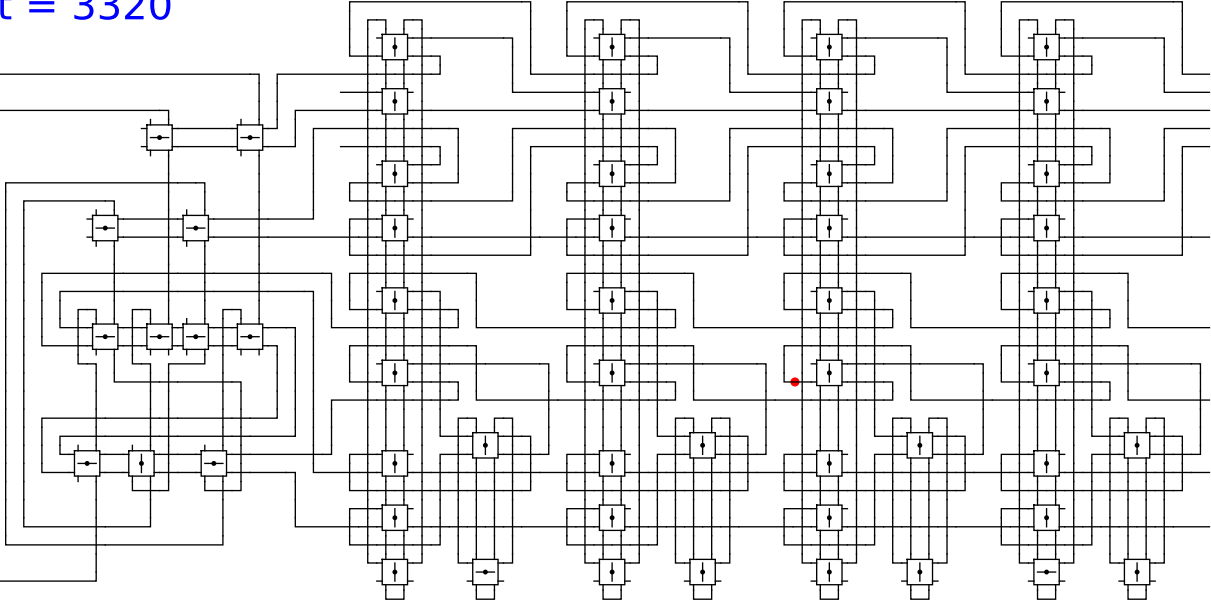


1 0 0 head 0

t = 3320

Reject
Accept

Begin



1

0

0

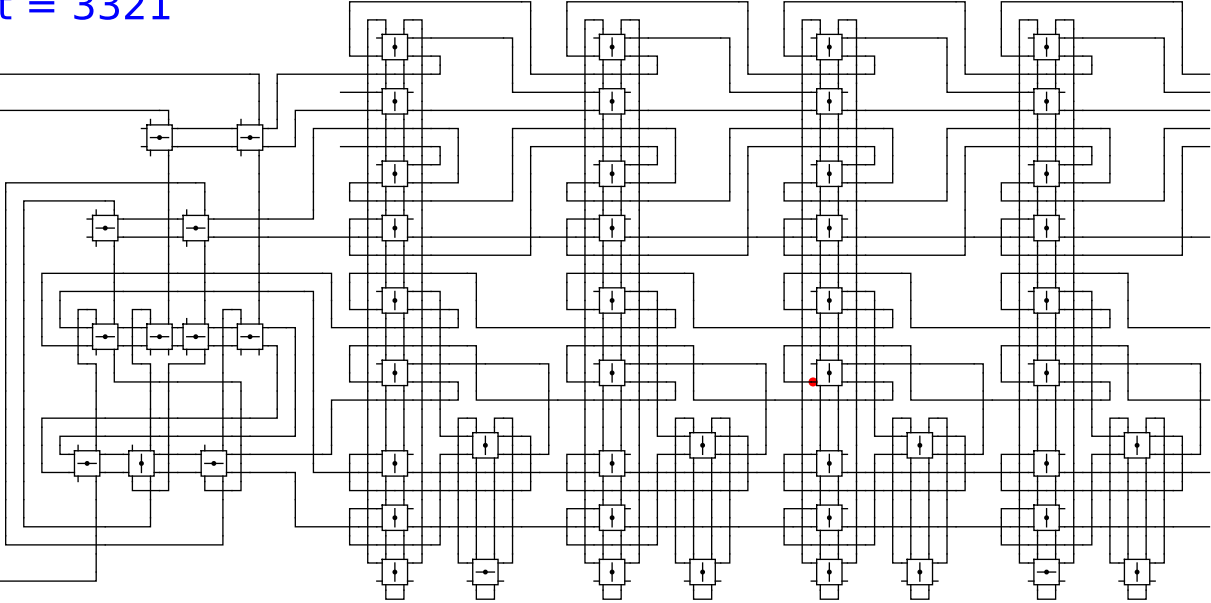
head

0

t = 3321

Reject
Accept

Begin

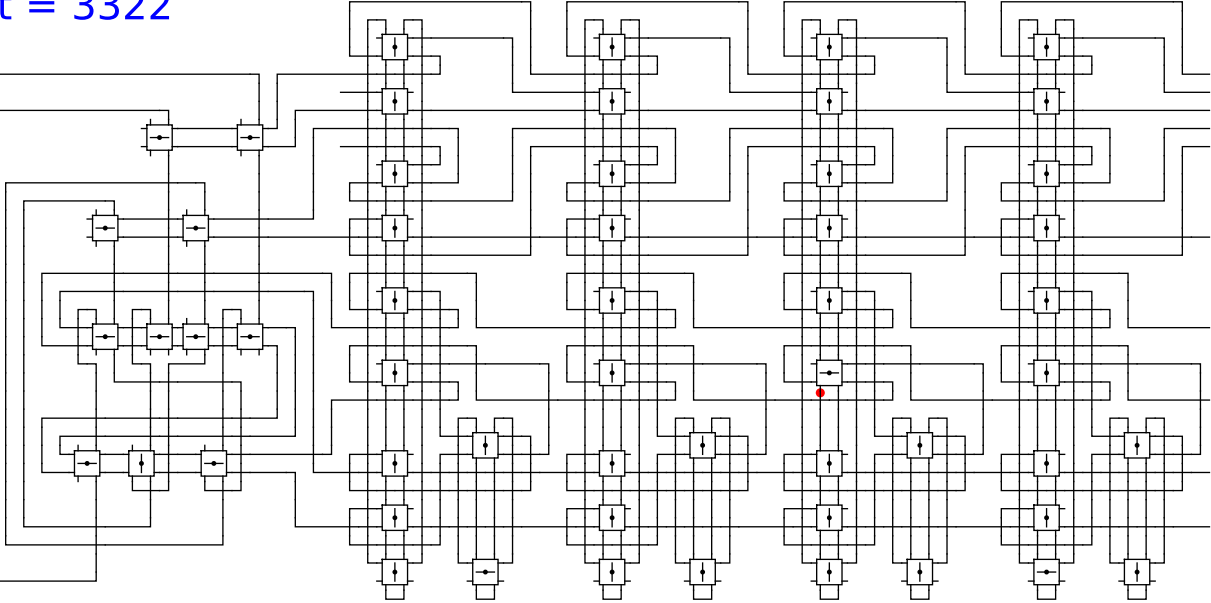


1 0 0 head 0

t = 3322

Reject
Accept

Begin



1

0

0

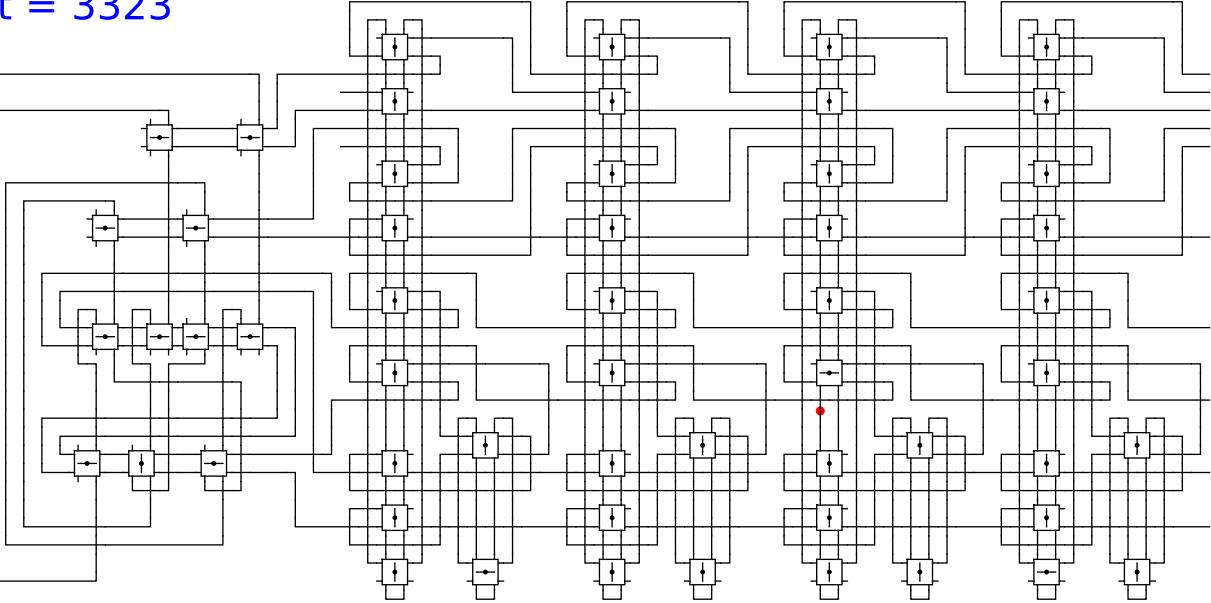
head

0

t = 3323

Reject
Accept

Begin



1

0

0

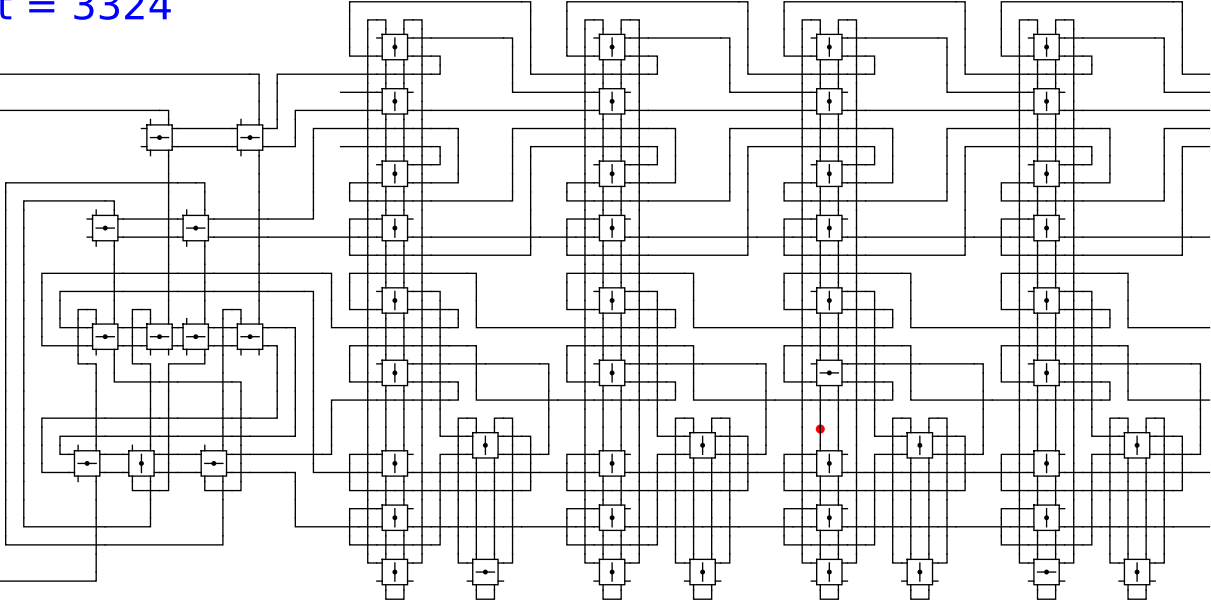
head

0

t = 3324

Reject
Accept

Begin



1

0

0

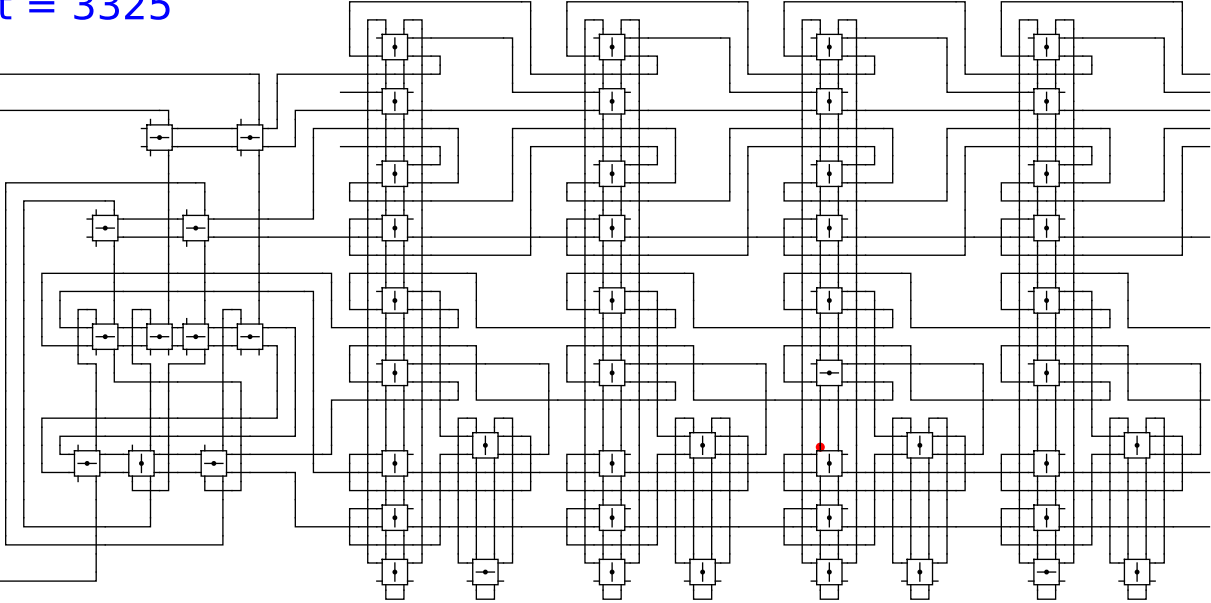
head

0

t = 3325

Reject
Accept

Begin



1

0

0

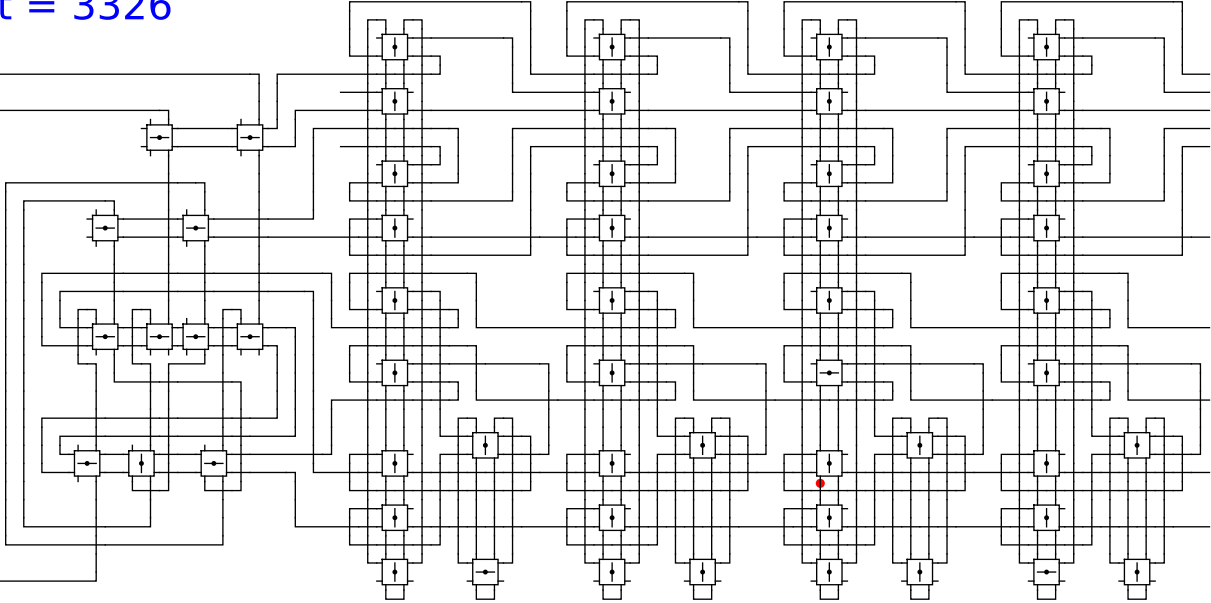
head

0

t = 3326

Reject
Accept

Begin



1

0

0

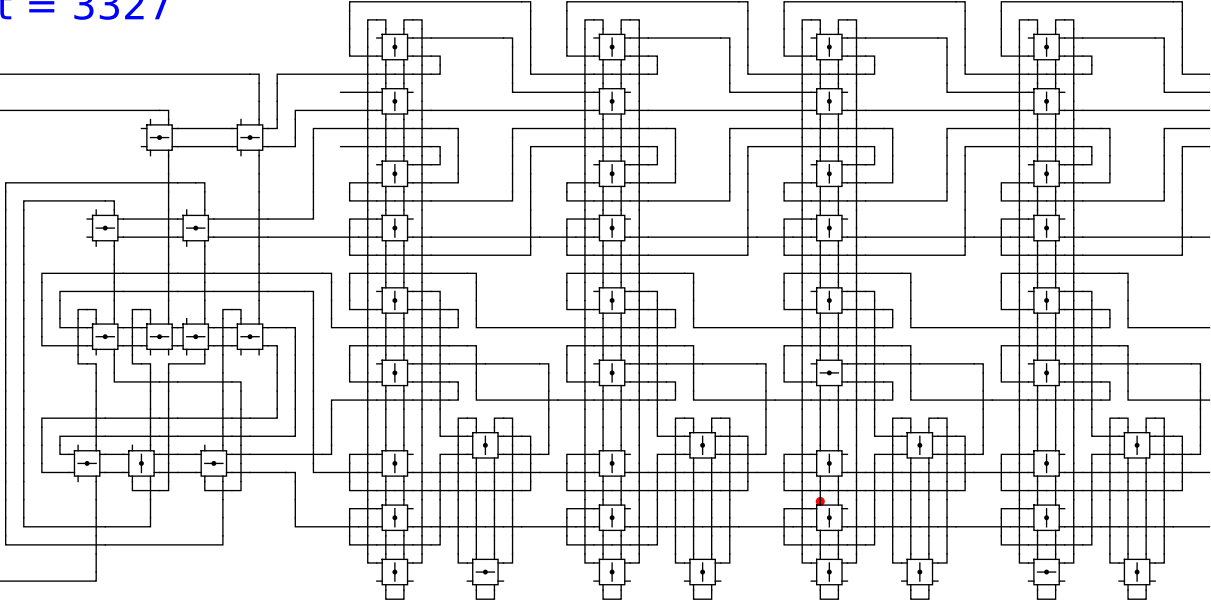
head

0

t = 3327

Reject
Accept

Begin



1

0

0

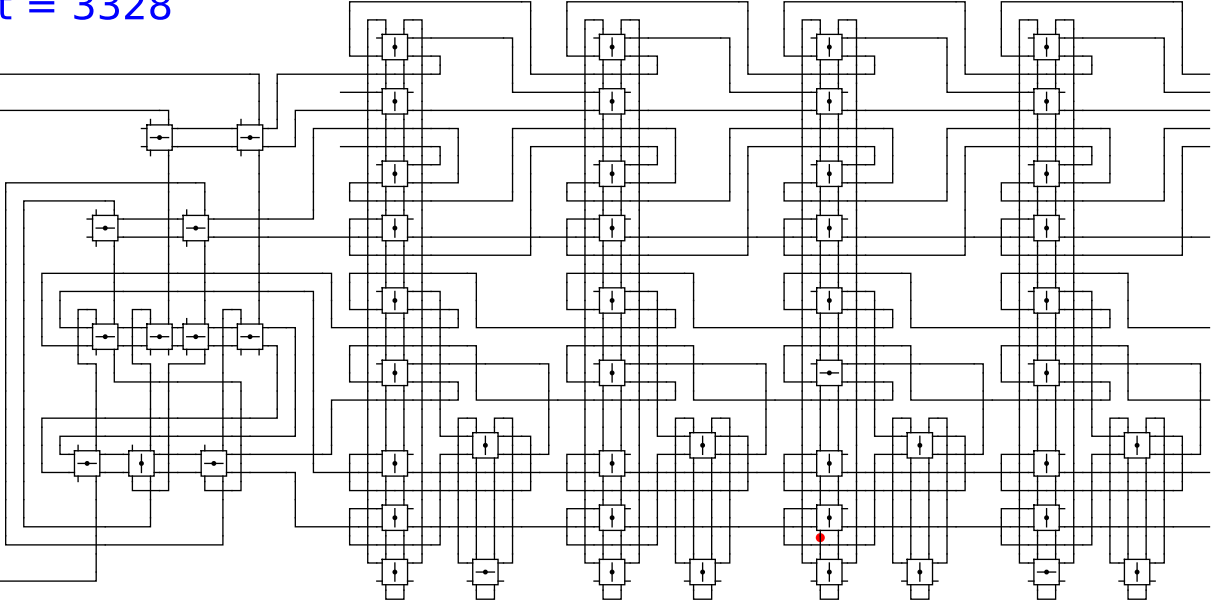
head

0

t = 3328

Reject
Accept

Begin



1

0

0

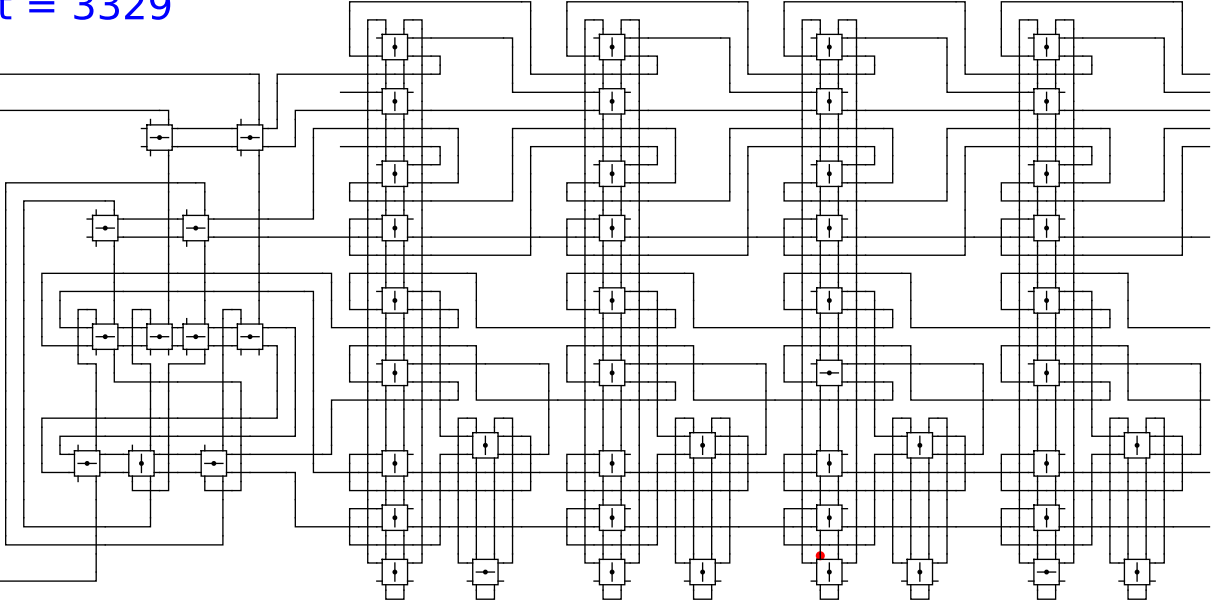
head

0

t = 3329

Reject
Accept

Begin



1

0

0

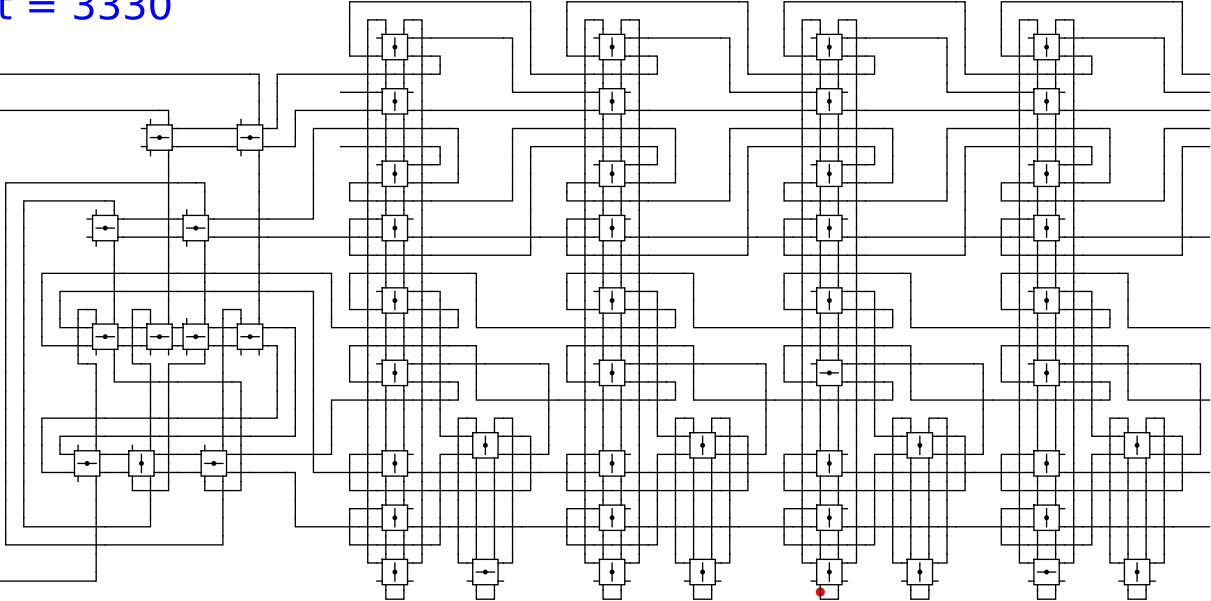
head

0

t = 3330

Reject
Accept

Begin



1

0

0

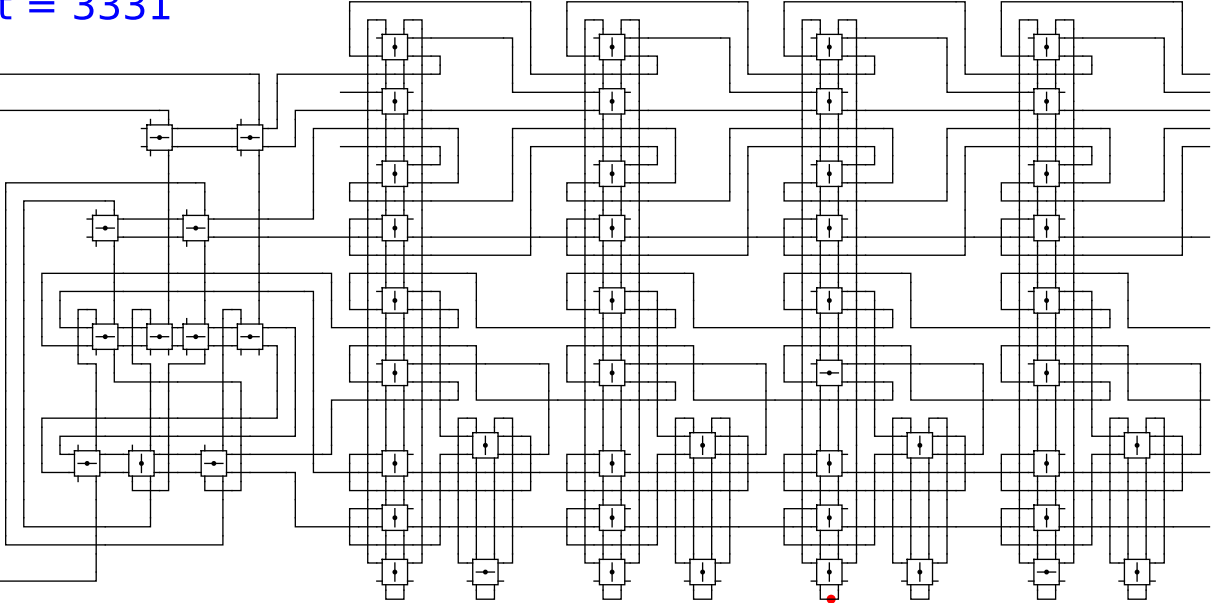
head

0

t = 3331

Reject
Accept

Begin

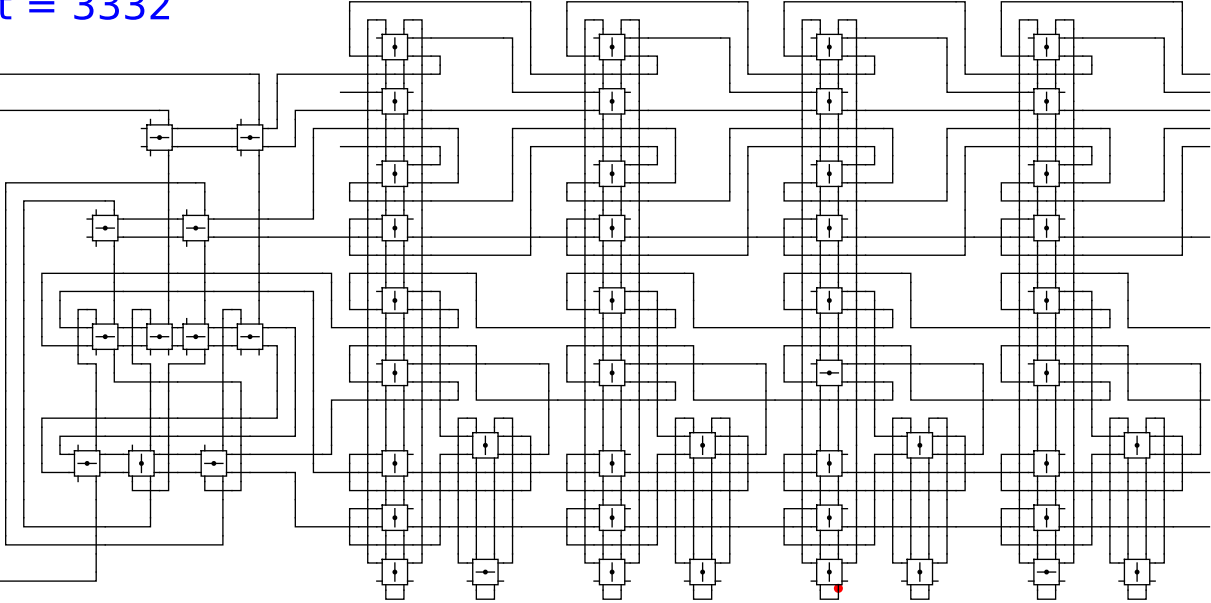


1 0 0 head 0

t = 3332

Reject
Accept

Begin



1

0

0

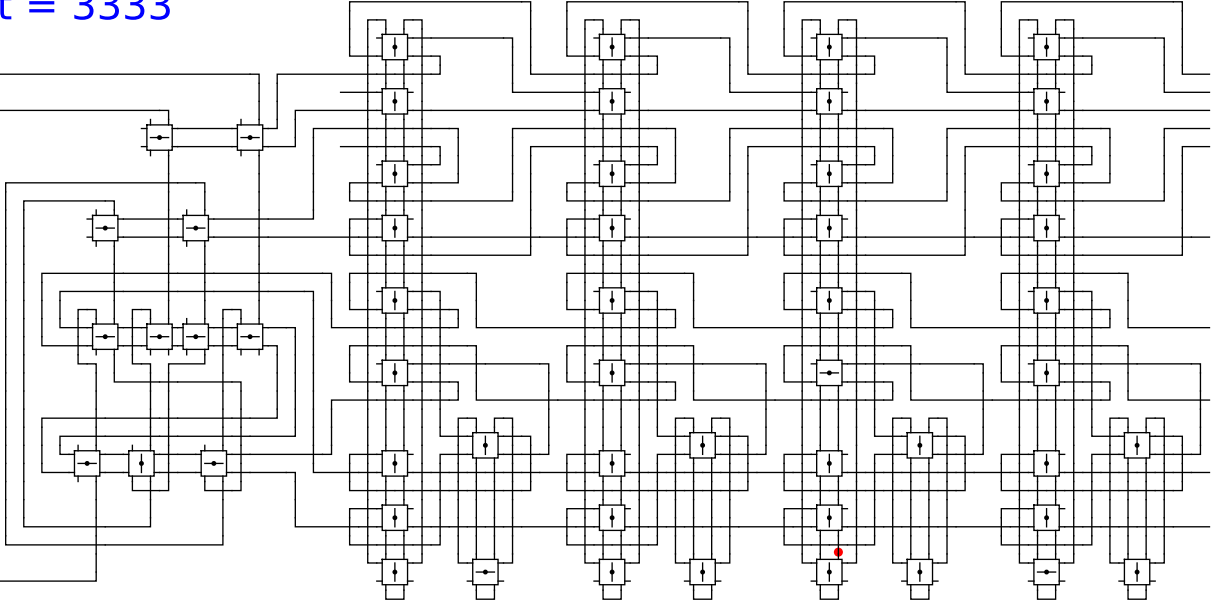
head

0

t = 3333

Reject
Accept

Begin



1

0

0

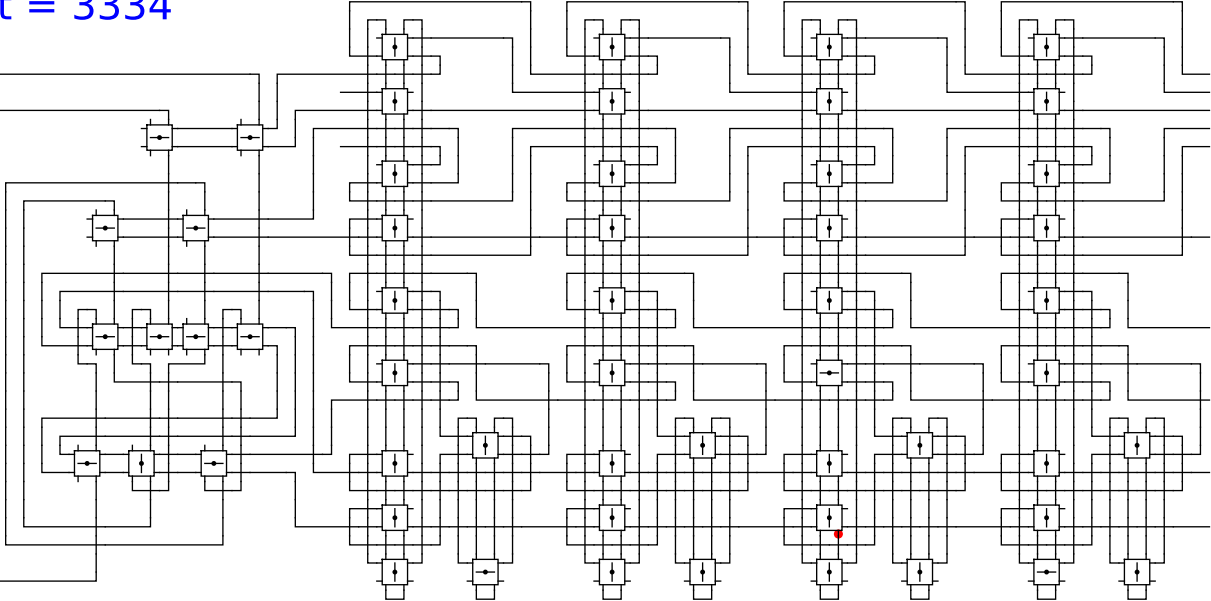
head

0

t = 3334

Reject
Accept

Begin



1

0

0

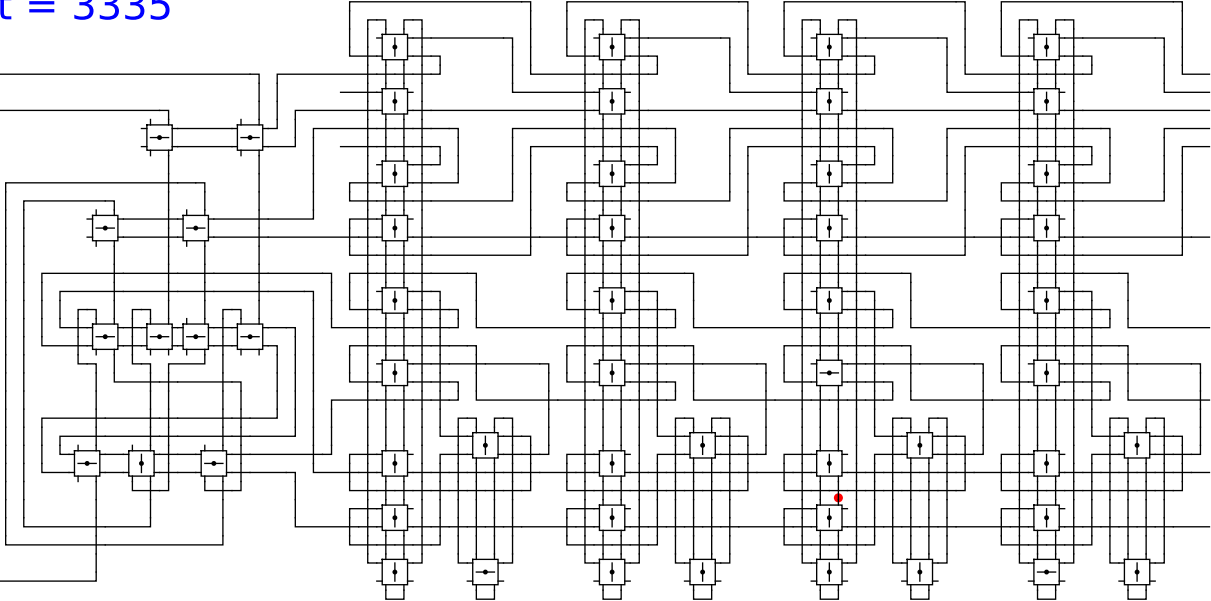
head

0

t = 3335

Reject
Accept

Begin



1

0

0

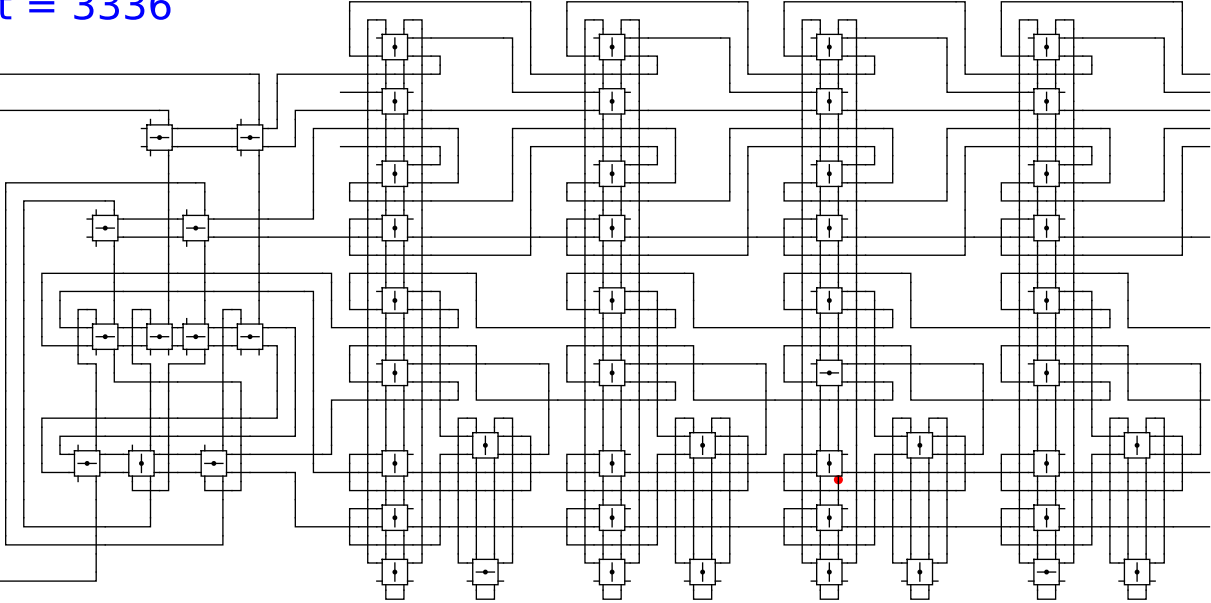
head

0

t = 3336

Reject
Accept

Begin



1

0

0

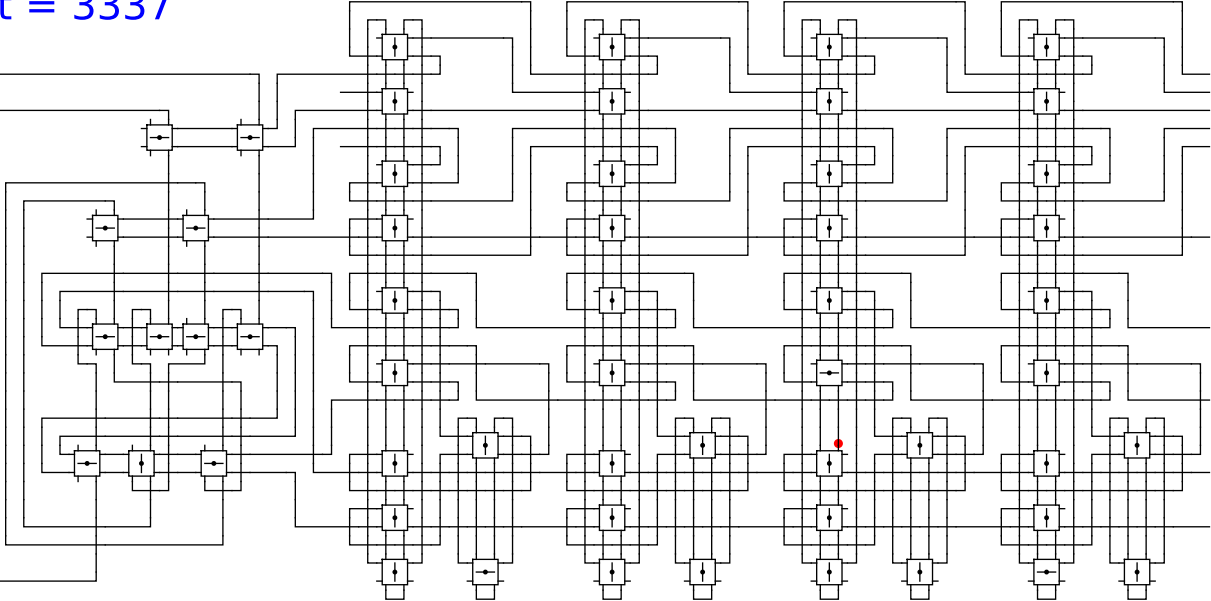
head

0

t = 3337

Reject
Accept

Begin



1

0

0

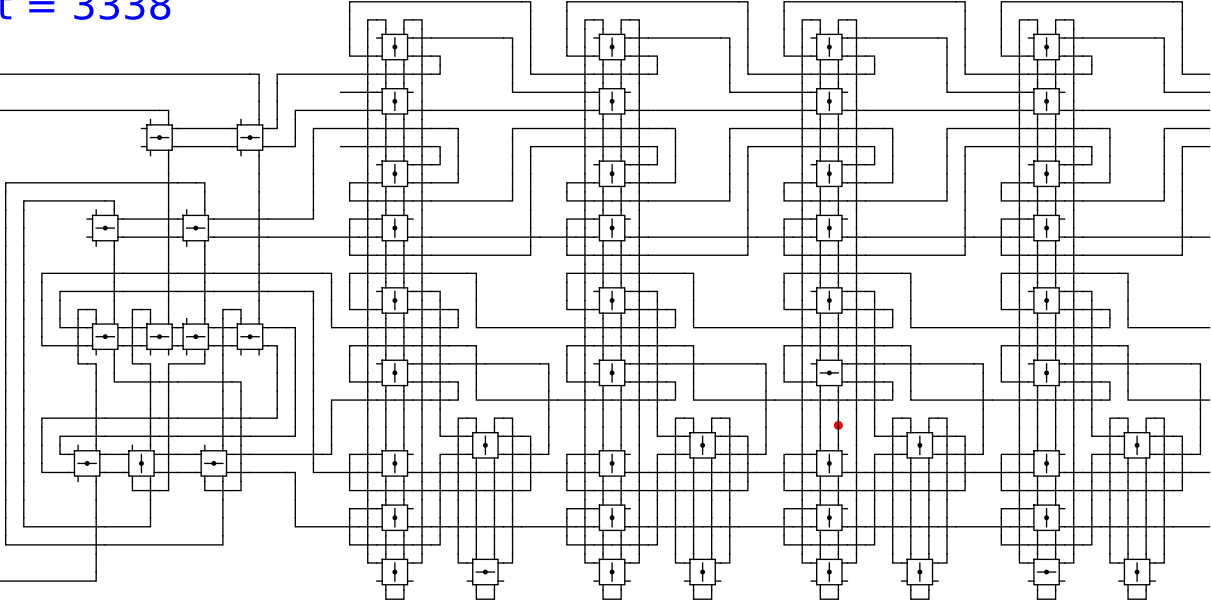
head

0

t = 3338

Reject
Accept

Begin



1

0

0

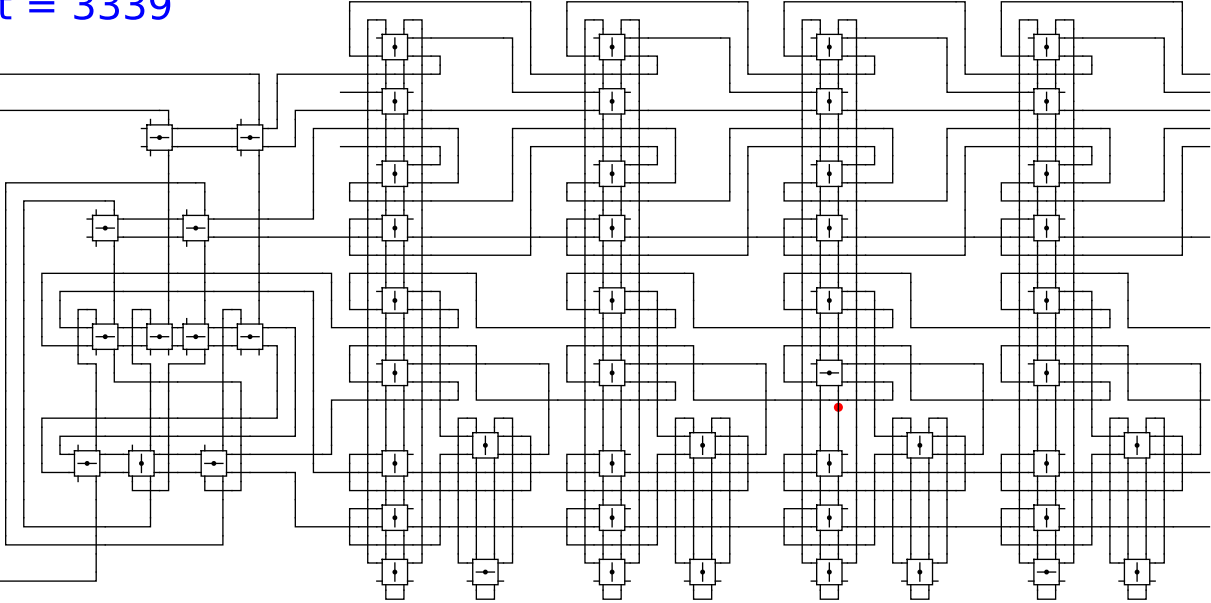
head

0

t = 3339

Reject
Accept

Begin



1

0

0

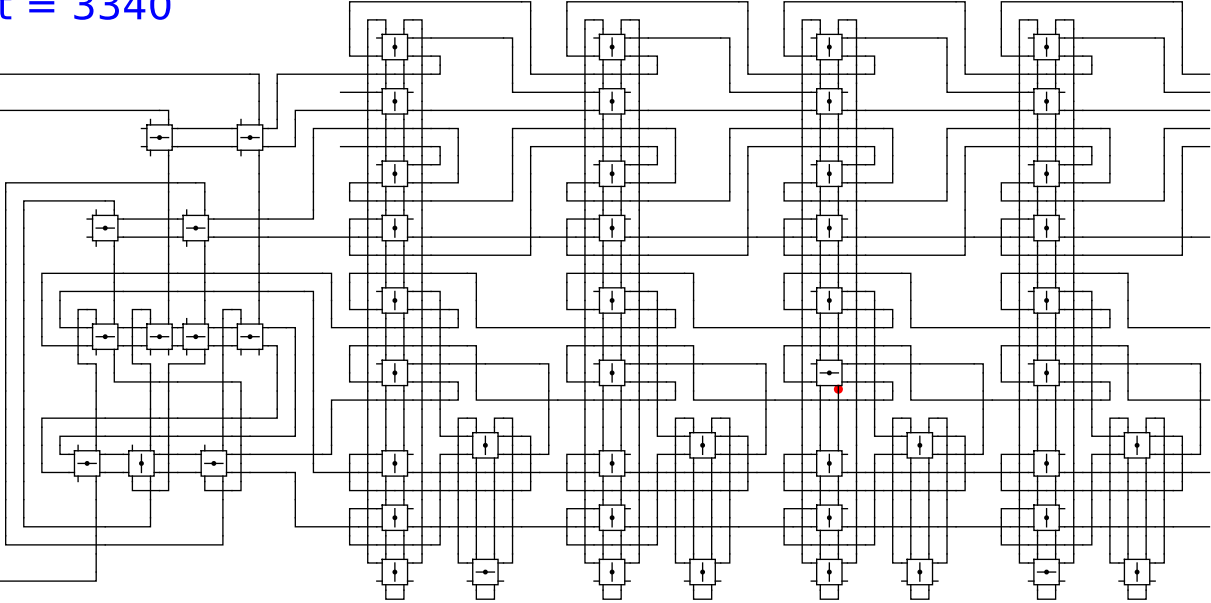
head

0

t = 3340

Reject
Accept

Begin



1

0

0

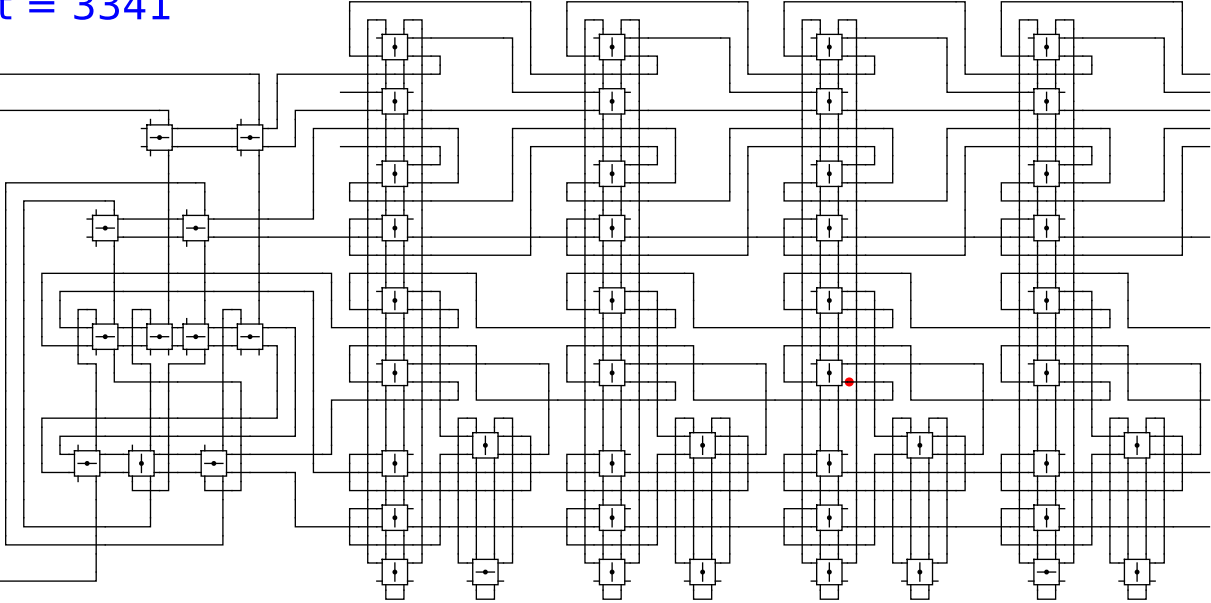
head

0

t = 3341

Reject
Accept

Begin

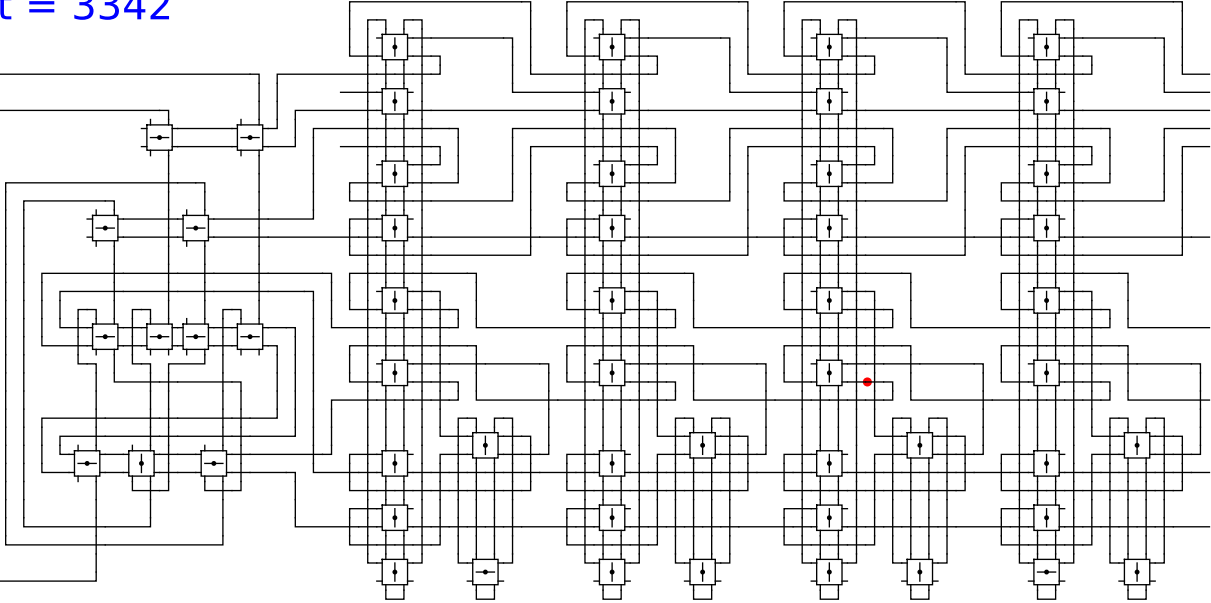


1 0 0 head 0

t = 3342

Reject
Accept

Begin



1

0

0

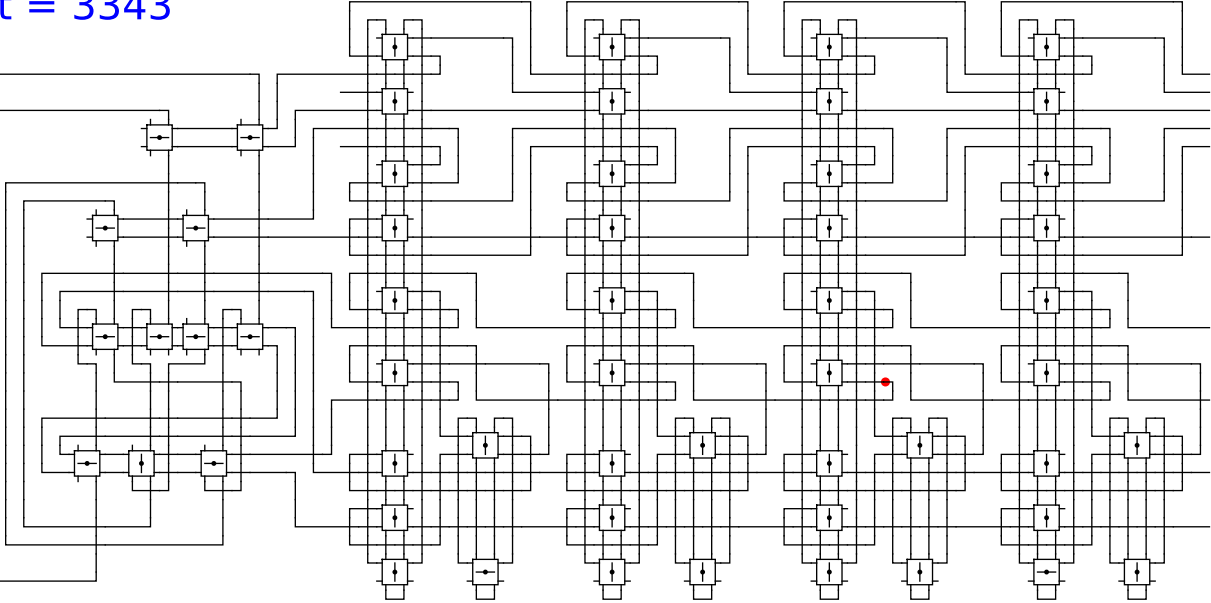
head

0

t = 3343

Reject
Accept

Begin



1

0

0

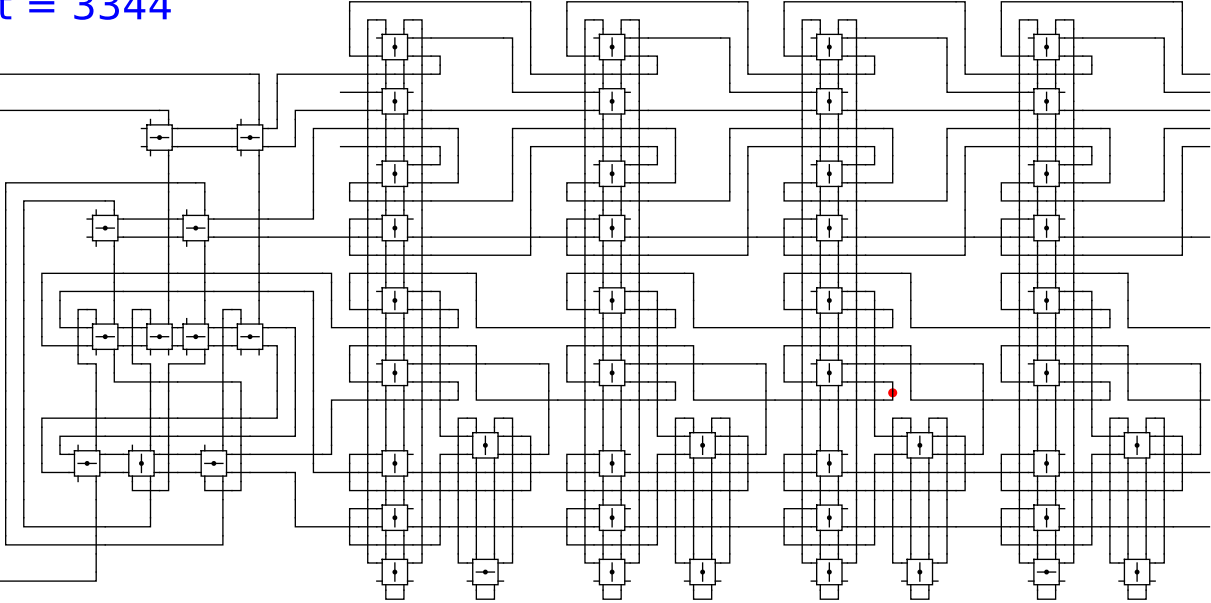
head

0

t = 3344

Reject
Accept

Begin



1

0

0

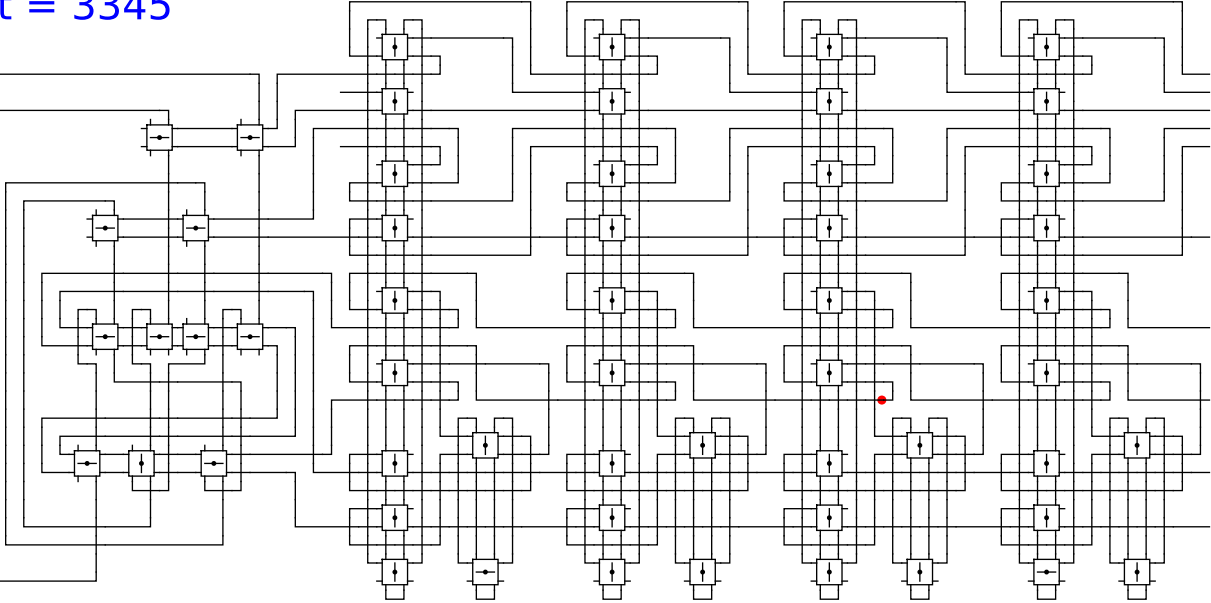
head

0

t = 3345

Reject
Accept

Begin



1

0

0

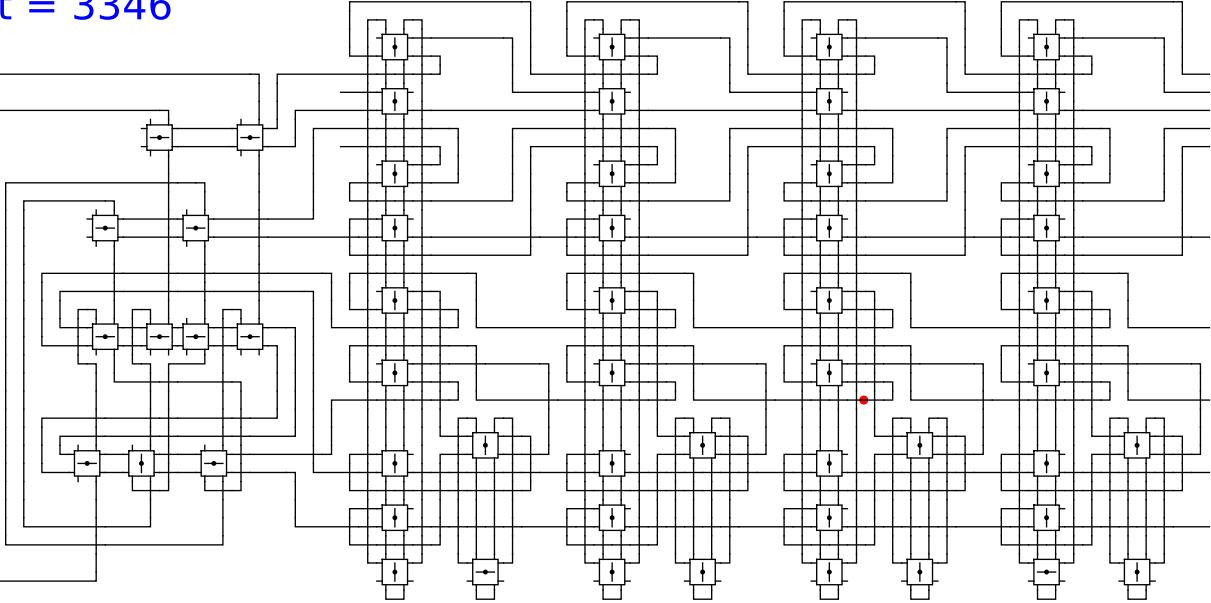
head

0

t = 3346

Reject
Accept

Begin



1

0

0

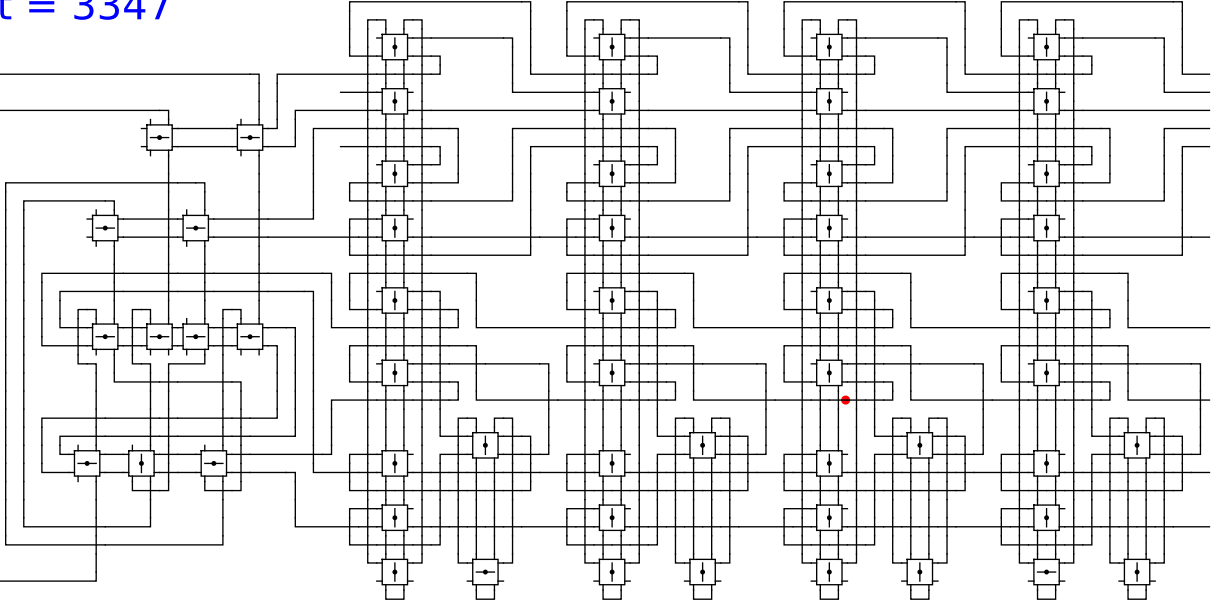
head

0

t = 3347

Reject
Accept

Begin



1

0

0

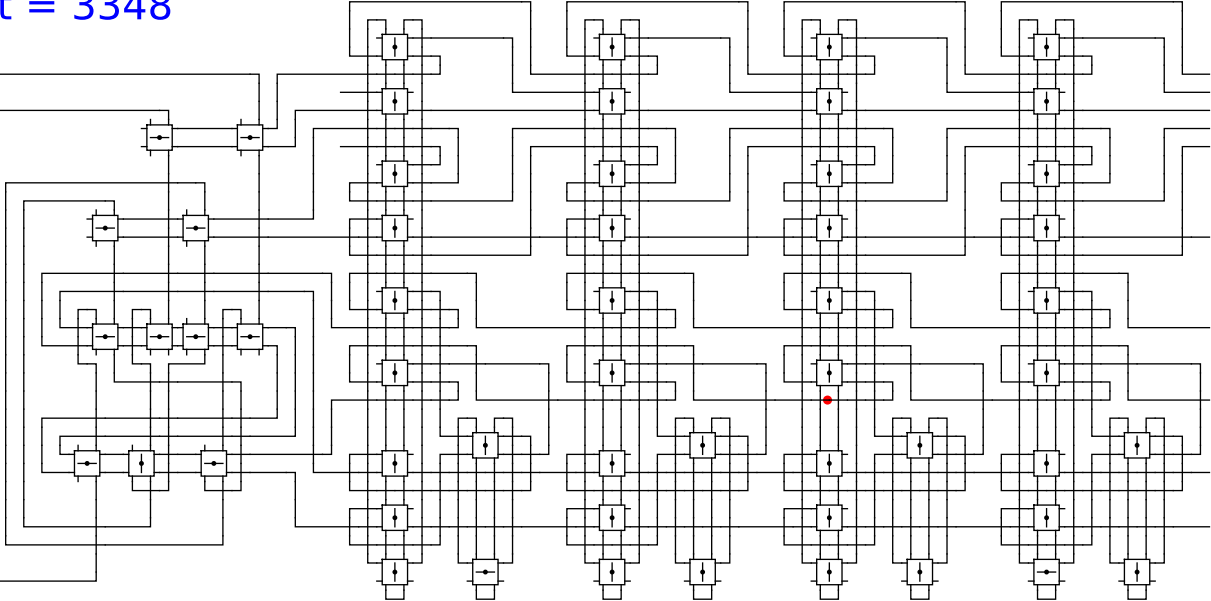
head

0

t = 3348

Reject
Accept

Begin



1

0

0

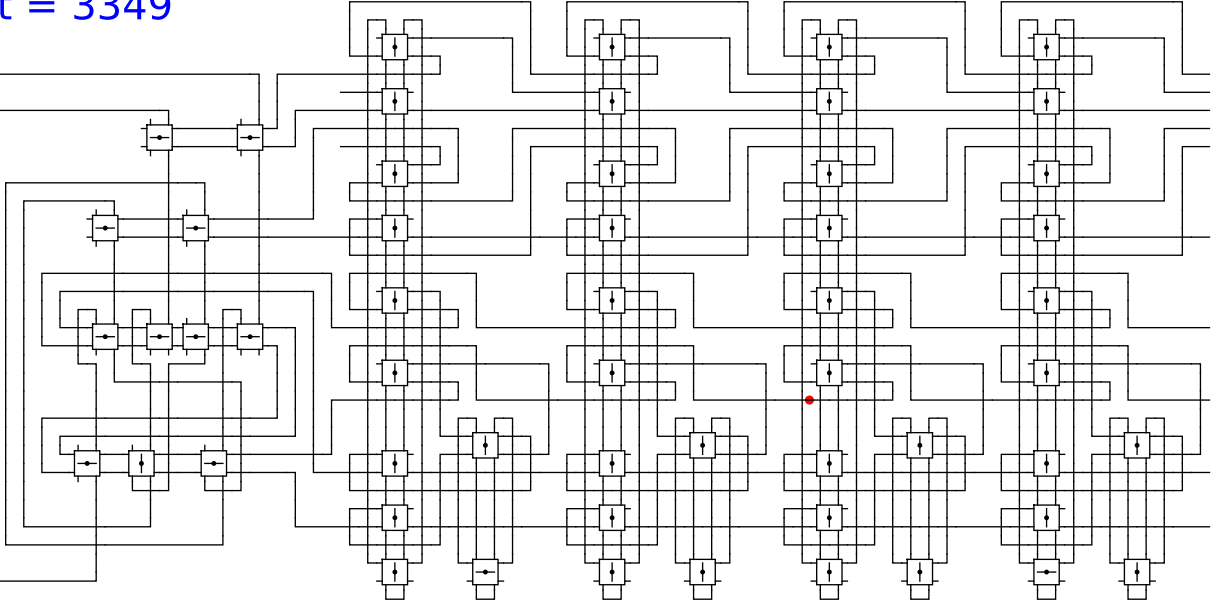
head

0

t = 3349

Reject
Accept

Begin



1

0

0

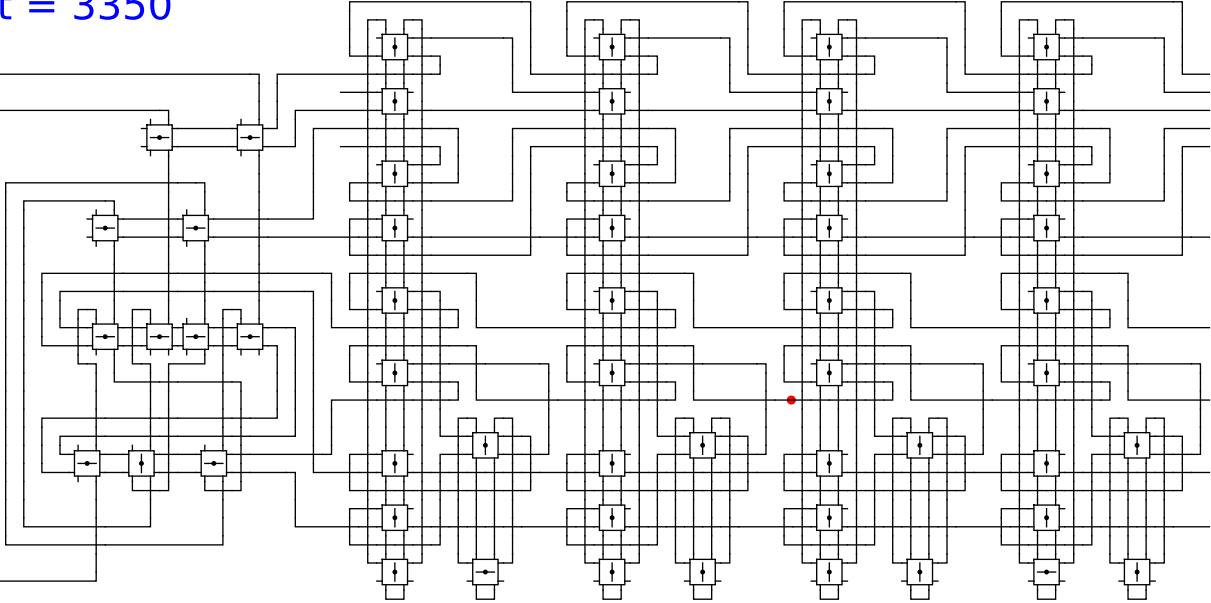
head

0

t = 3350

Reject
Accept

Begin



1

0

0

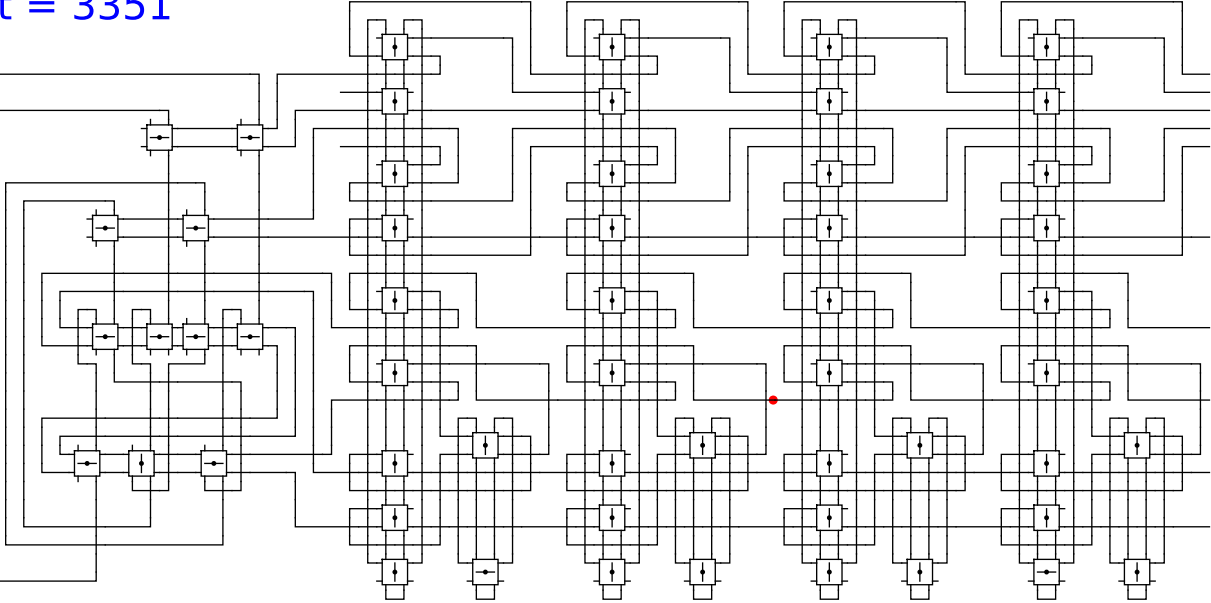
head

0

t = 3351

Reject
Accept

Begin

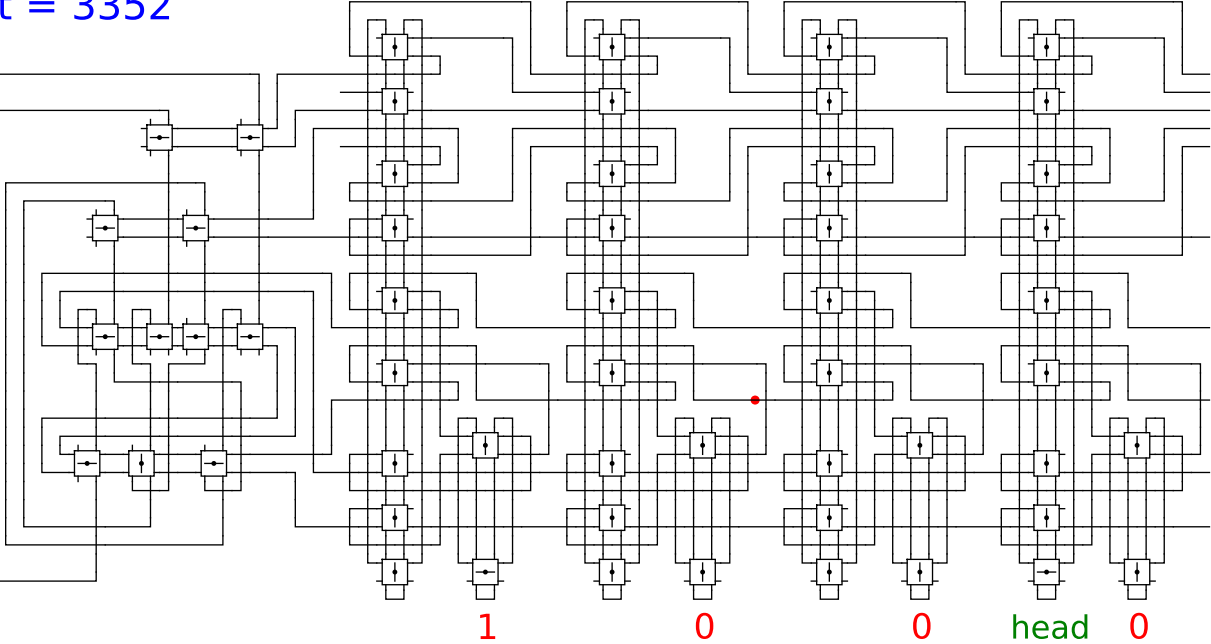


1 0 0 head 0

t = 3352

Reject
Accept

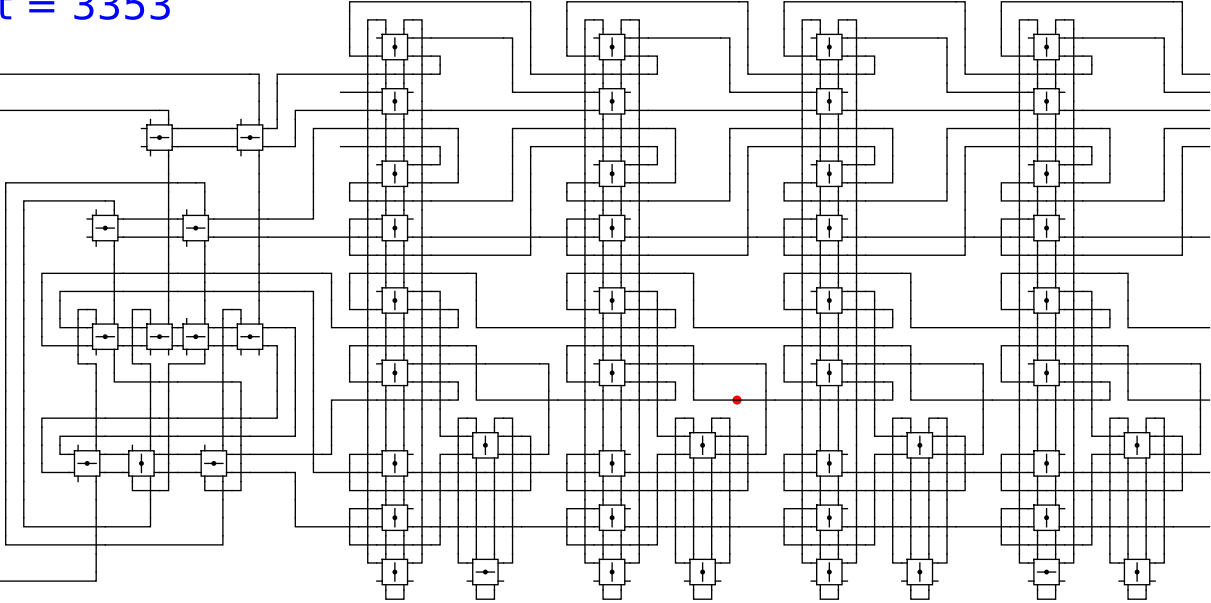
Begin



t = 3353

Reject
Accept

Begin



1

0

0

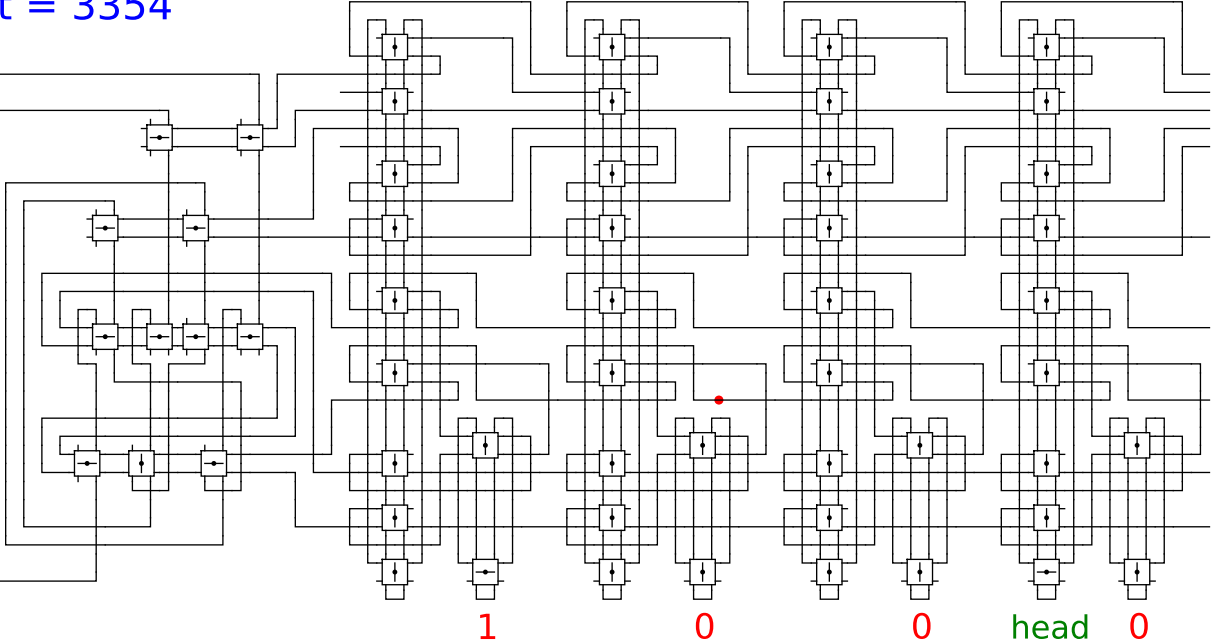
head

0

t = 3354

Reject
Accept

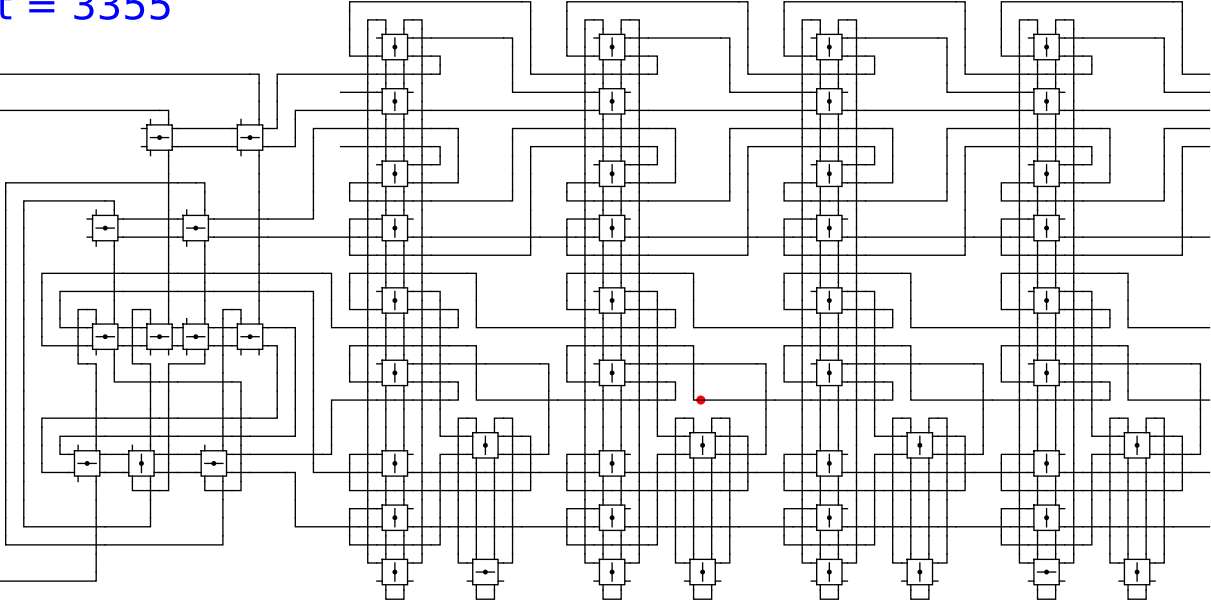
Begin



t = 3355

Reject
Accept

Begin



1

0

0

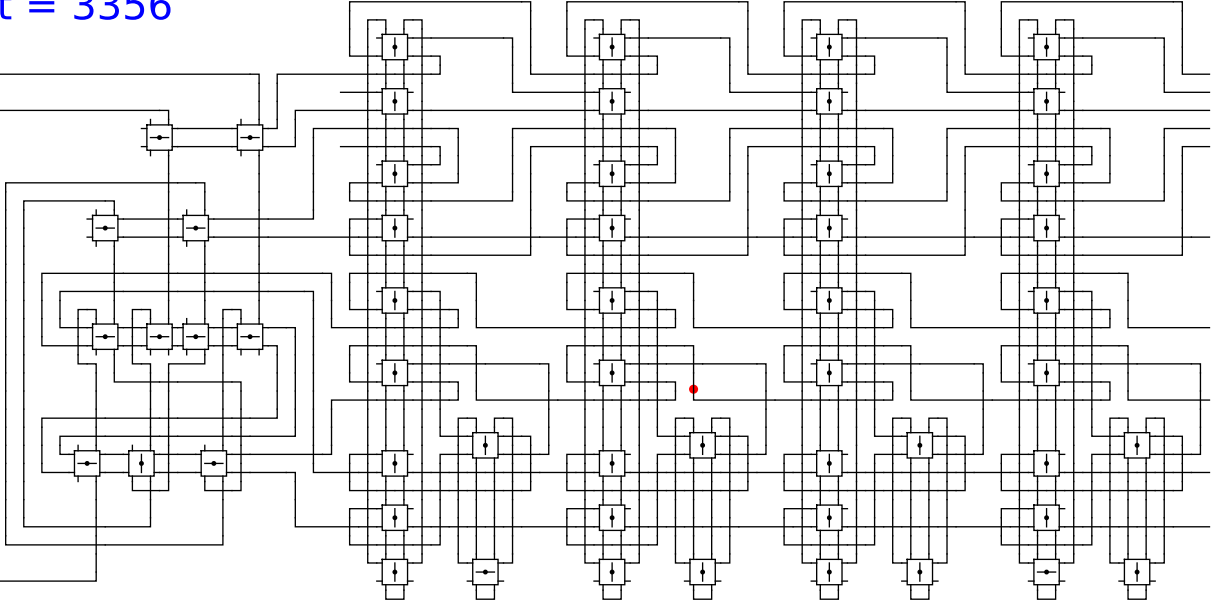
head

0

t = 3356

Reject
Accept

Begin

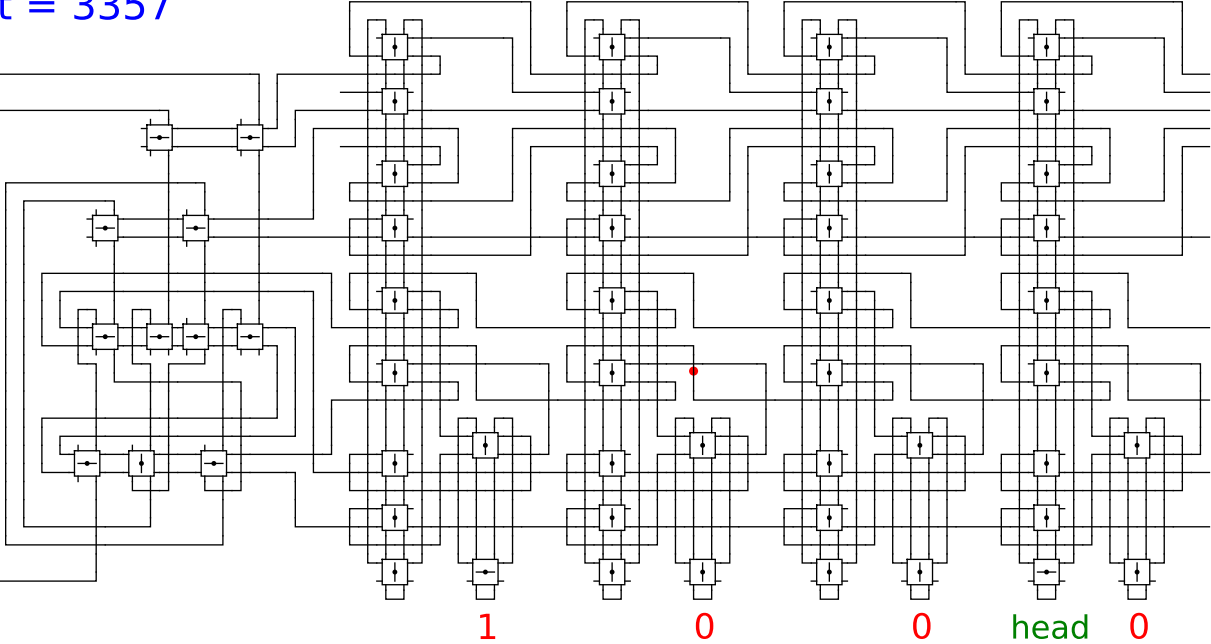


1 0 0 head 0

t = 3357

Reject
Accept

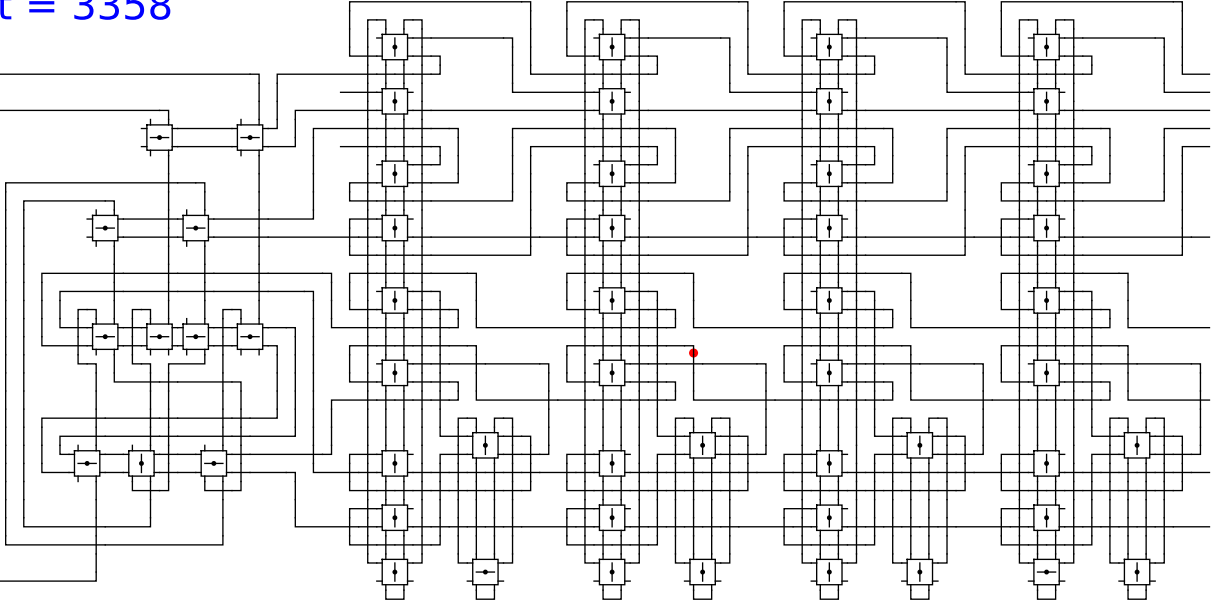
Begin



t = 3358

Reject
Accept

Begin



1

0

0

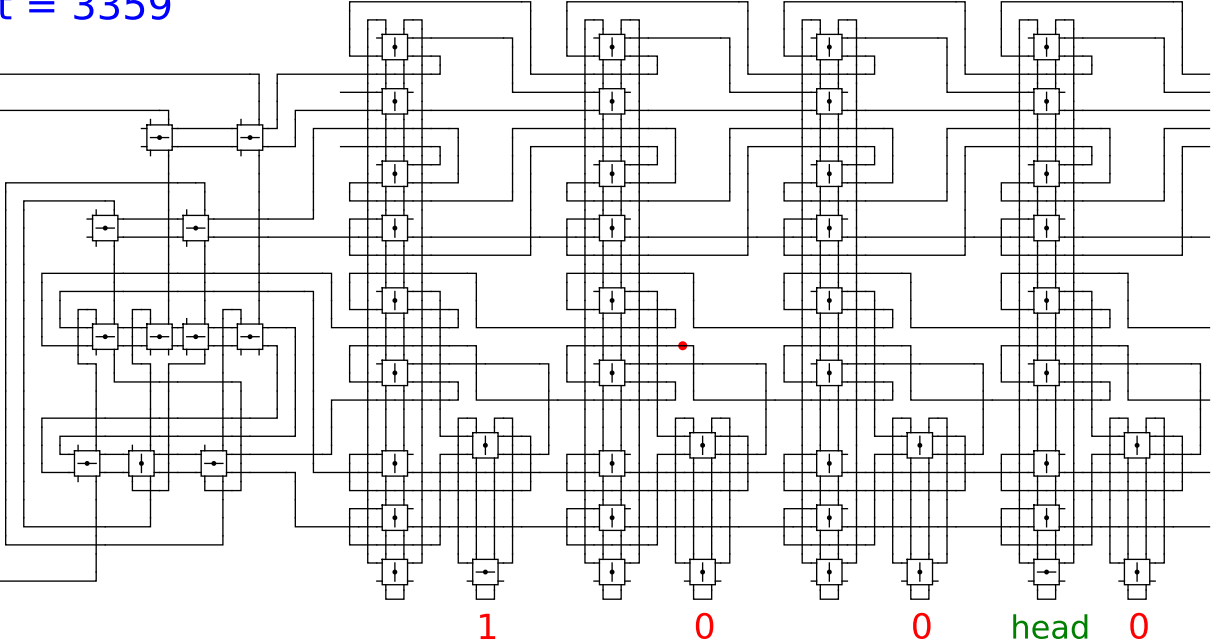
head

0

t = 3359

Reject
Accept

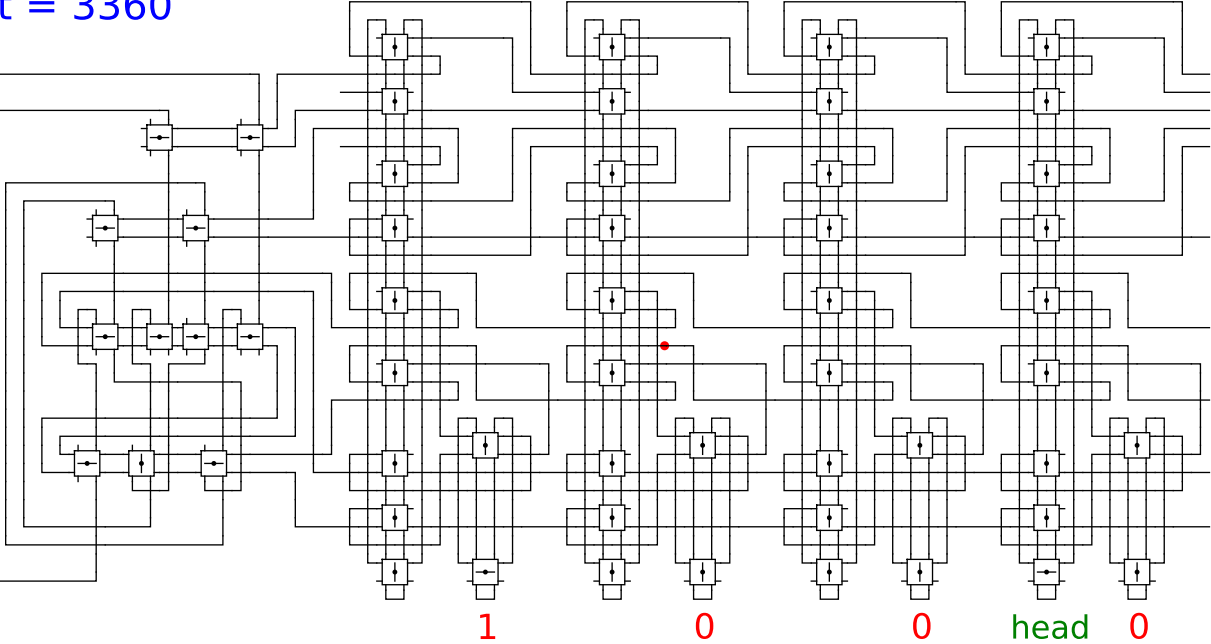
Begin



t = 3360

Reject
Accept

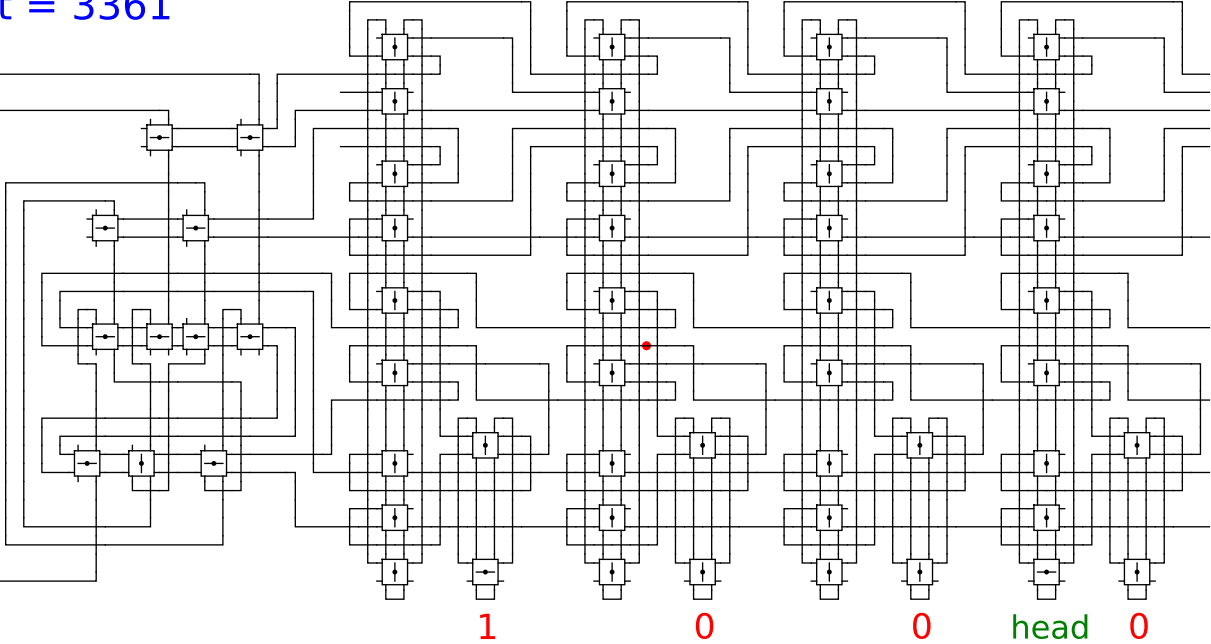
Begin



t = 3361

Reject
Accept

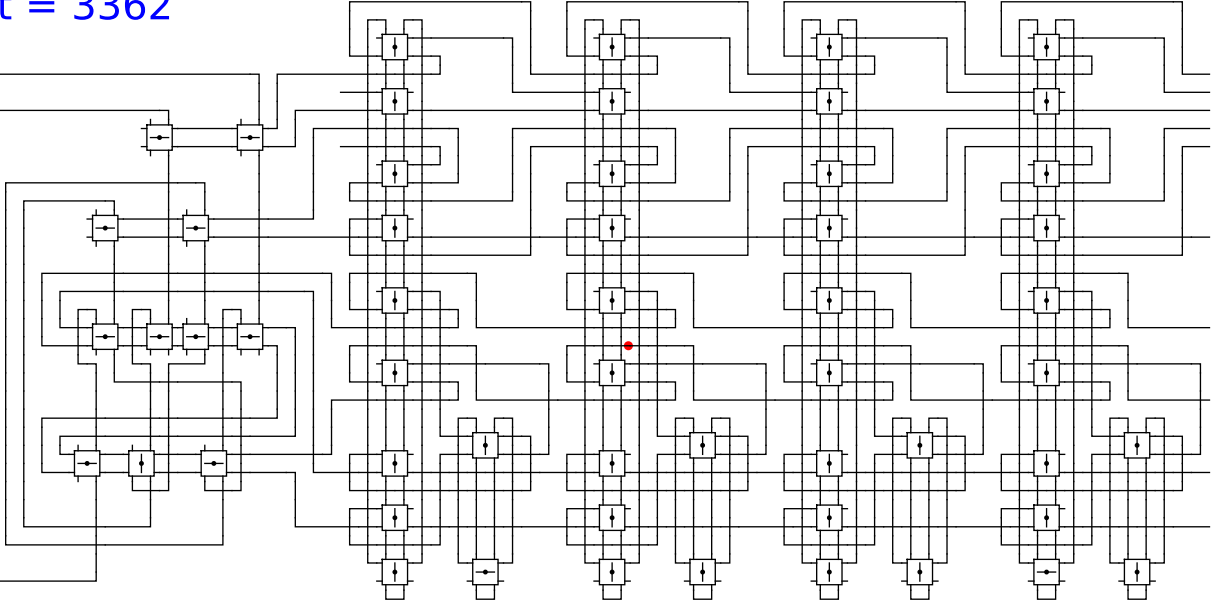
Begin



t = 3362

Reject
Accept

Begin



1

0

0

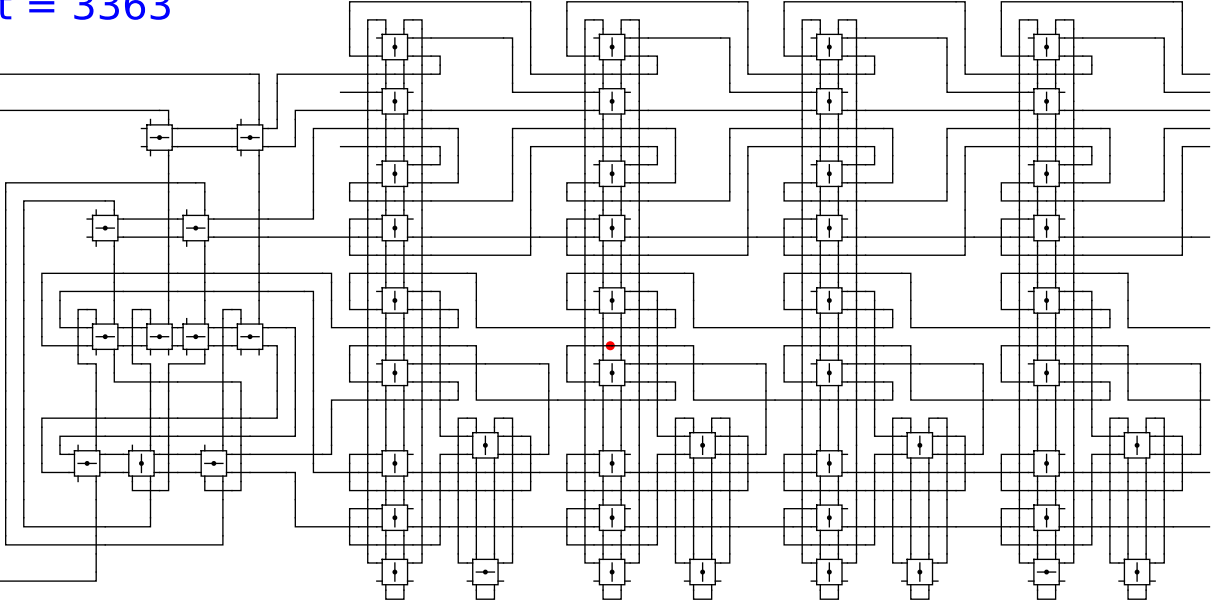
head

0

t = 3363

Reject
Accept

Begin

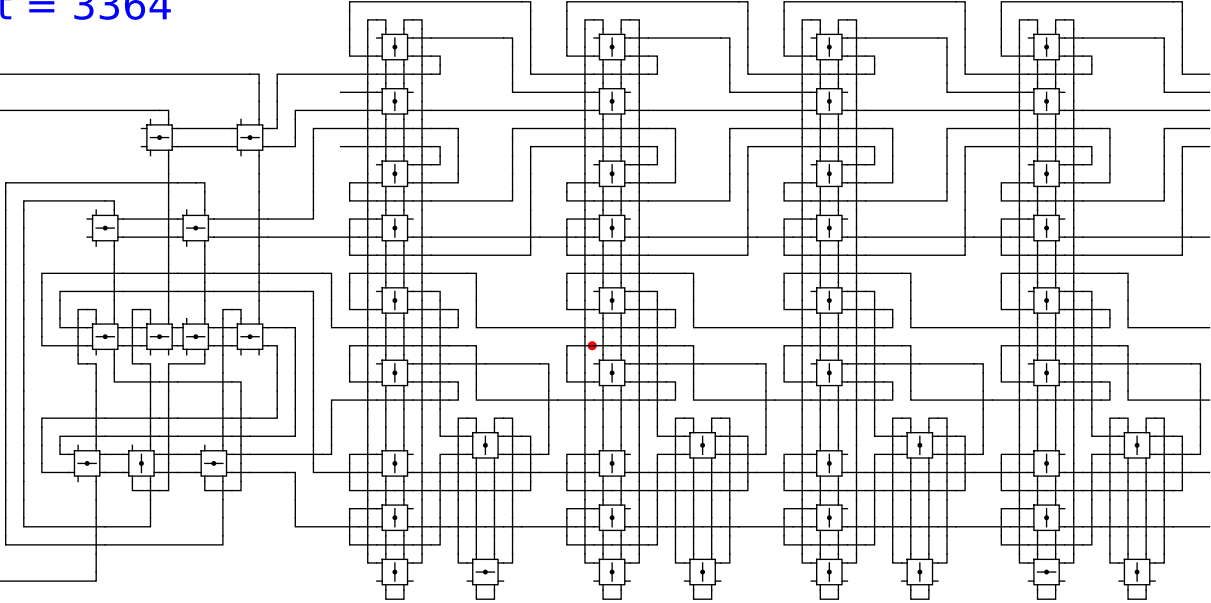


1 0 0 head 0

t = 3364

Reject
Accept

Begin



1

0

0

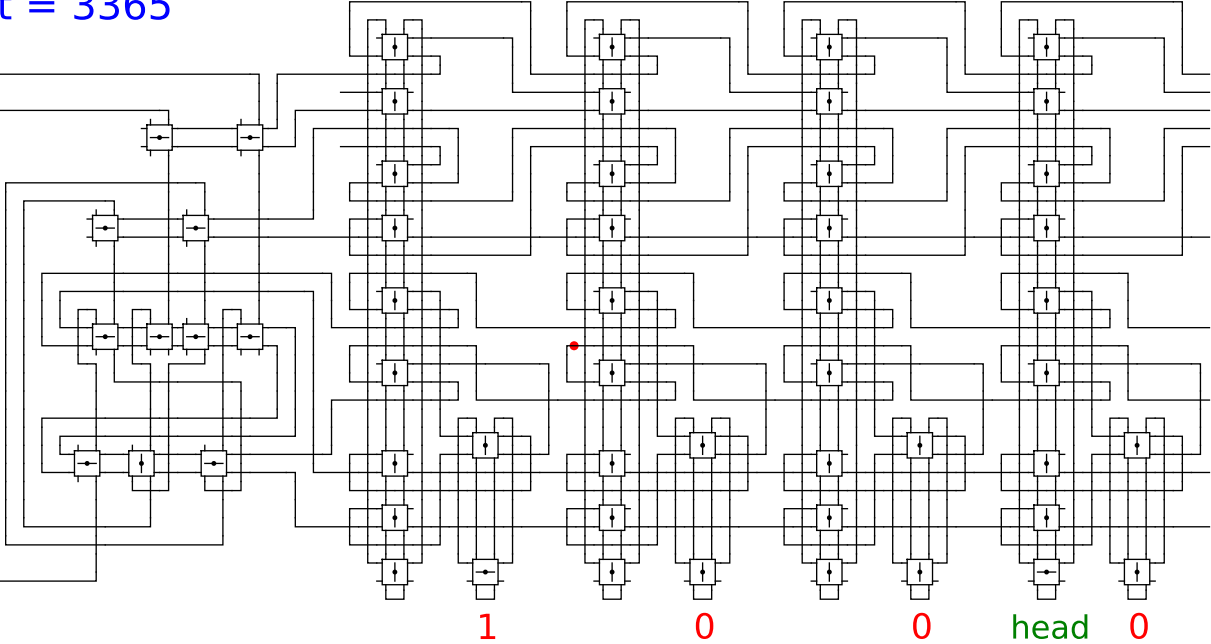
head

0

t = 3365

Reject
Accept

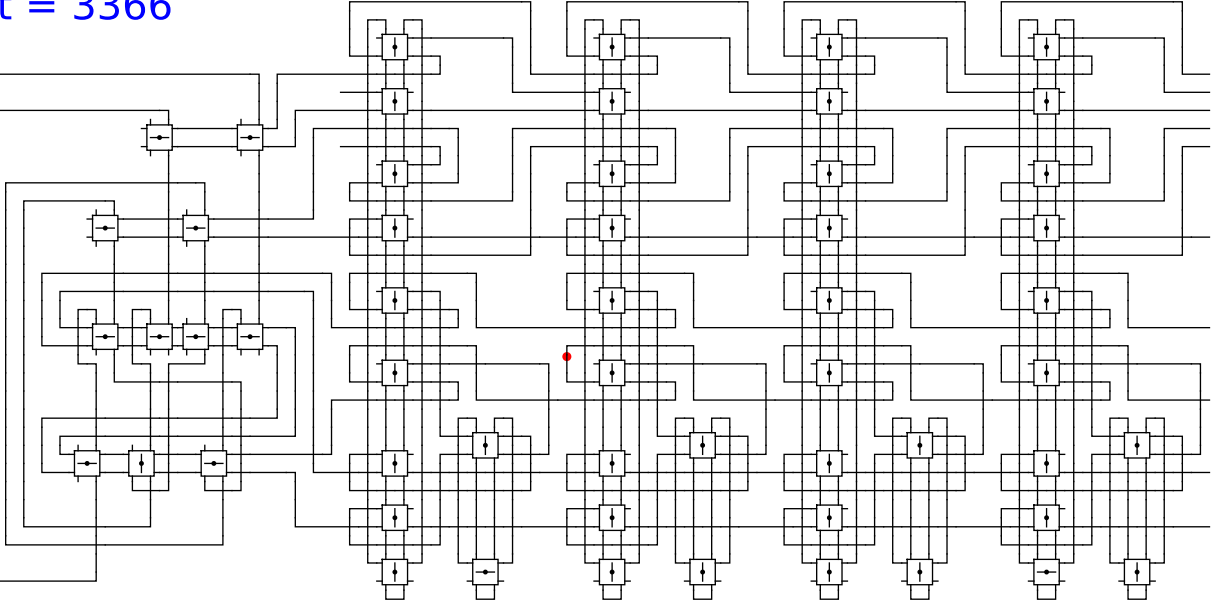
Begin



t = 3366

Reject
Accept

Begin

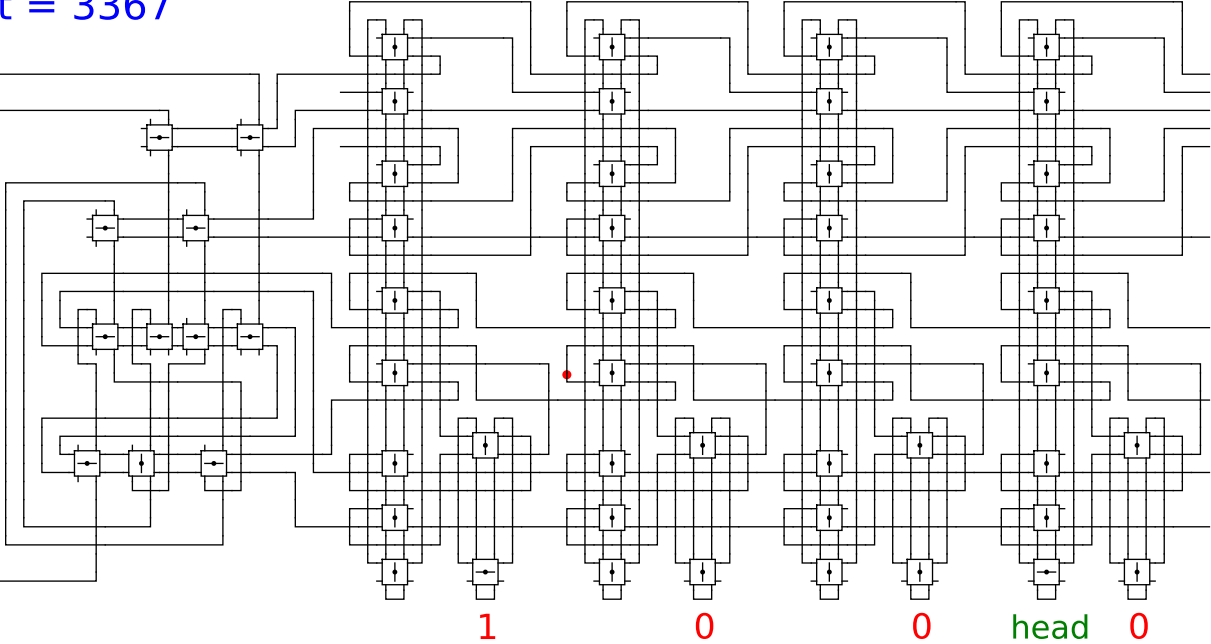


1 0 0 head 0

t = 3367

Reject
Accept

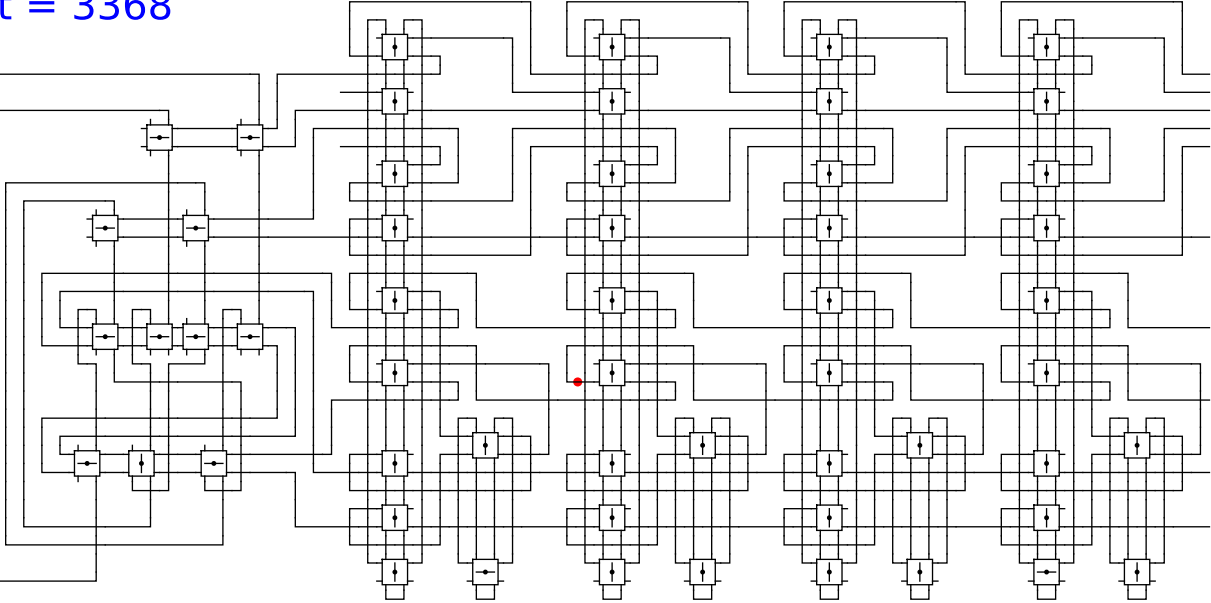
Begin



t = 3368

Reject
Accept

Begin



1

0

0

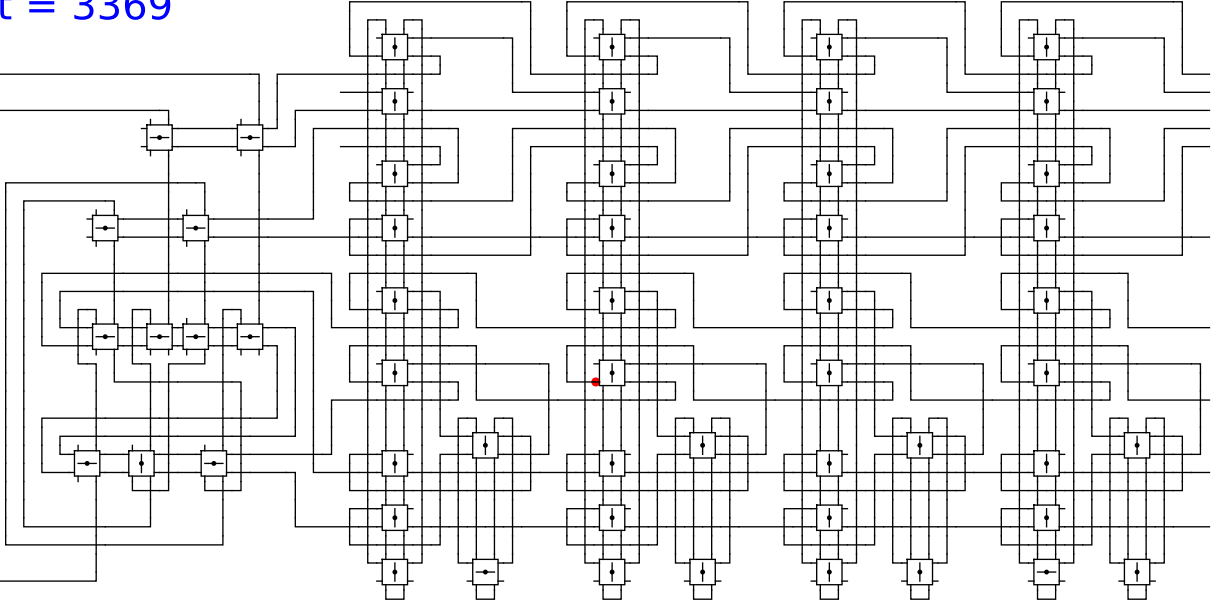
head

0

t = 3369

Reject
Accept

Begin



1

0

0

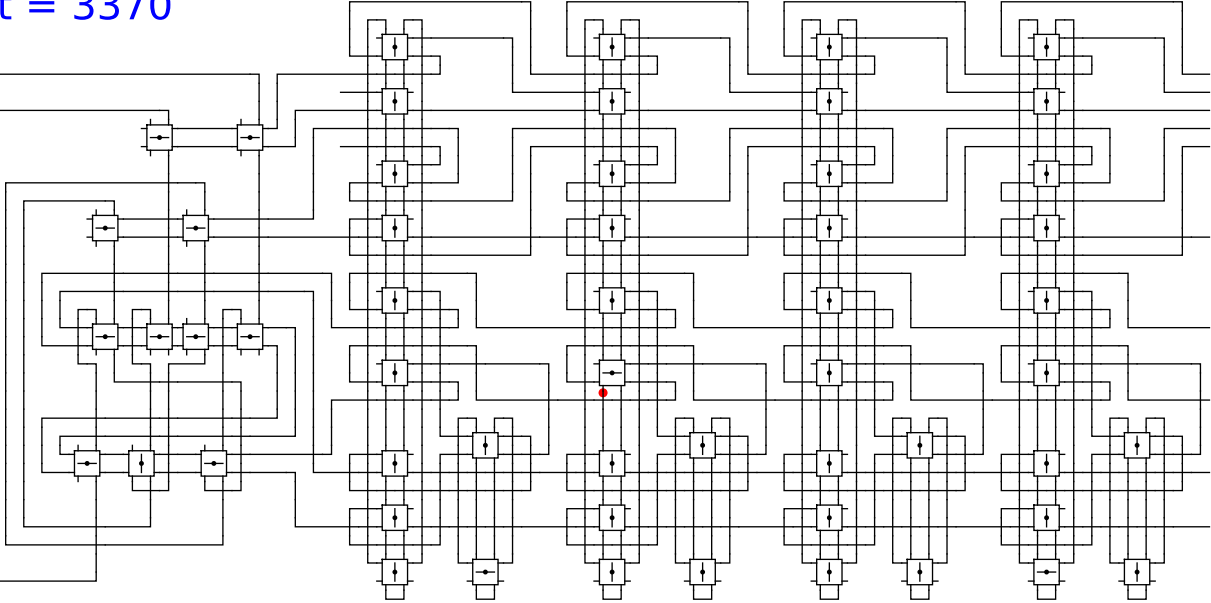
head

0

t = 3370

Reject
Accept

Begin



1

0

0

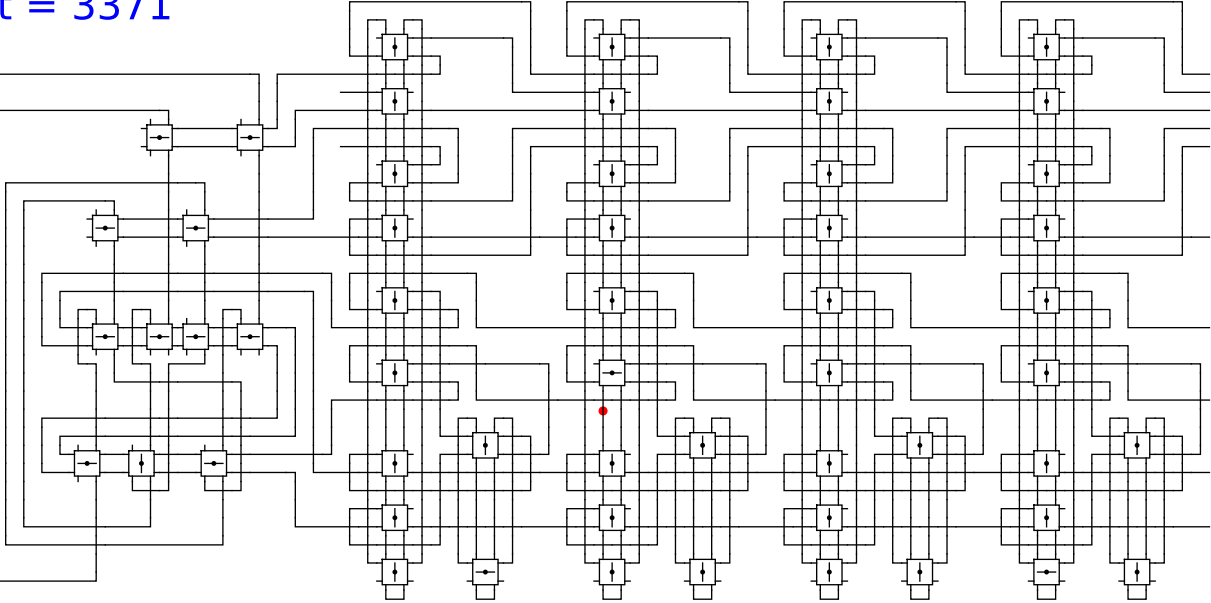
head

0

t = 3371

Reject
Accept

Begin

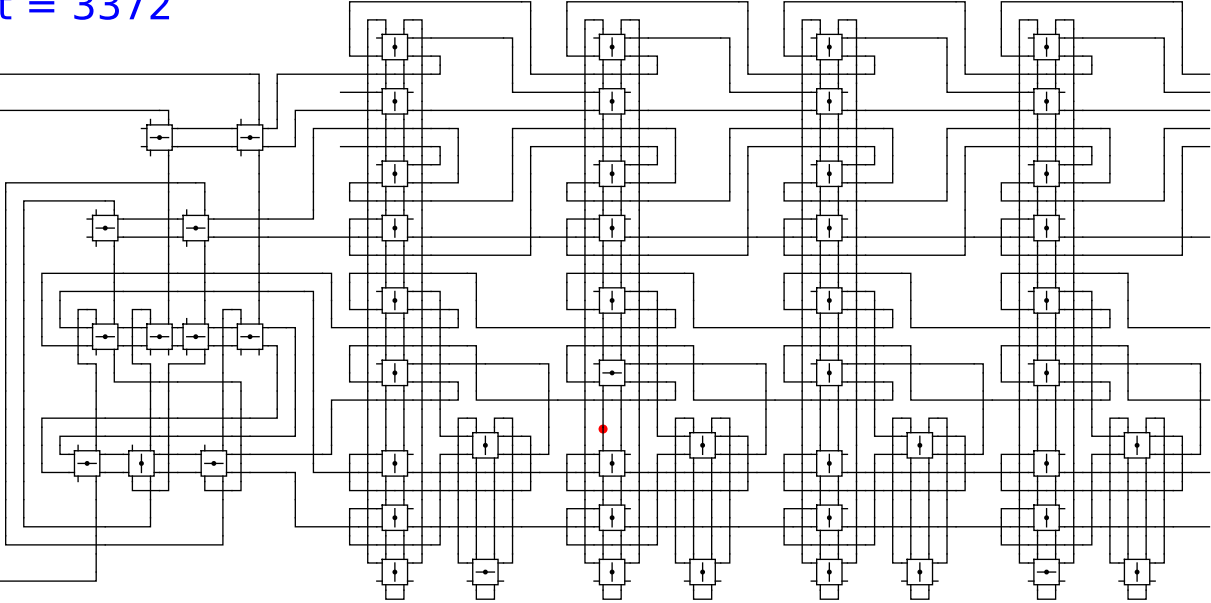


1 0 0 head 0

t = 3372

Reject
Accept

Begin

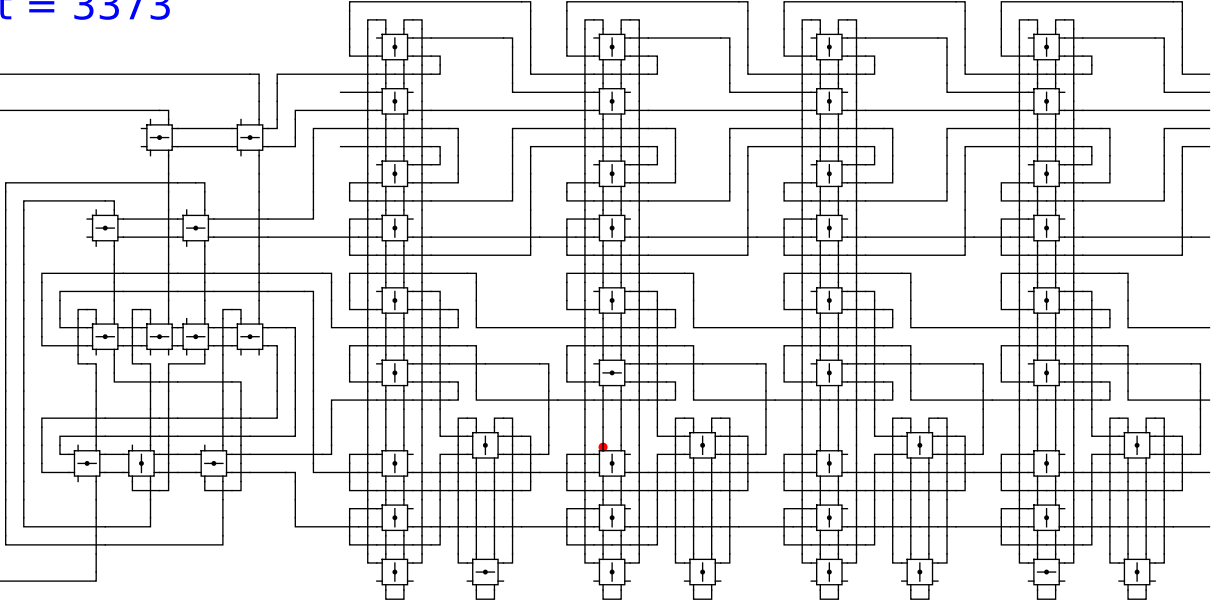


1 0 0 head 0

t = 3373

Reject
Accept

Begin

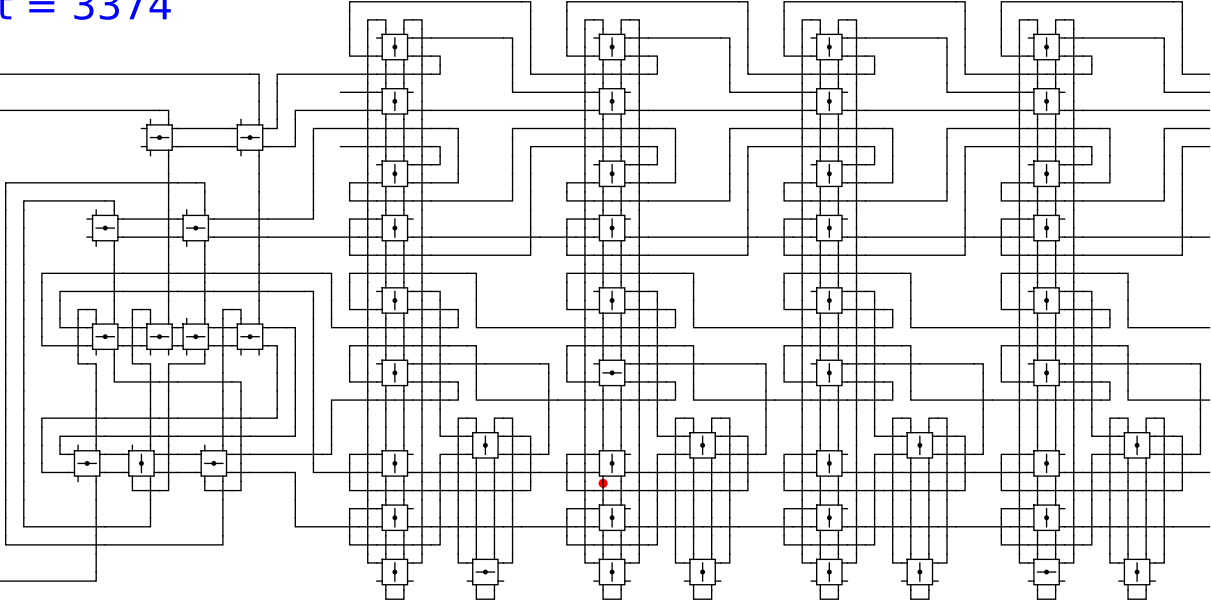


1 0 0 head 0

t = 3374

Reject
Accept

Begin



1

0

0

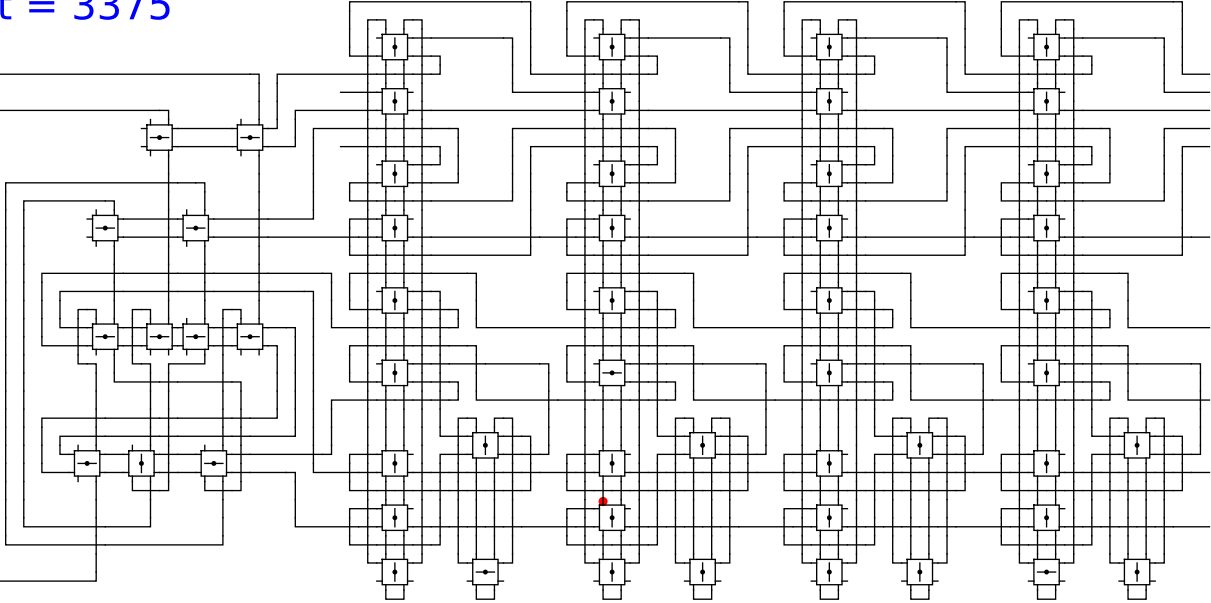
head

0

t = 3375

Reject
Accept

Begin



1

0

0

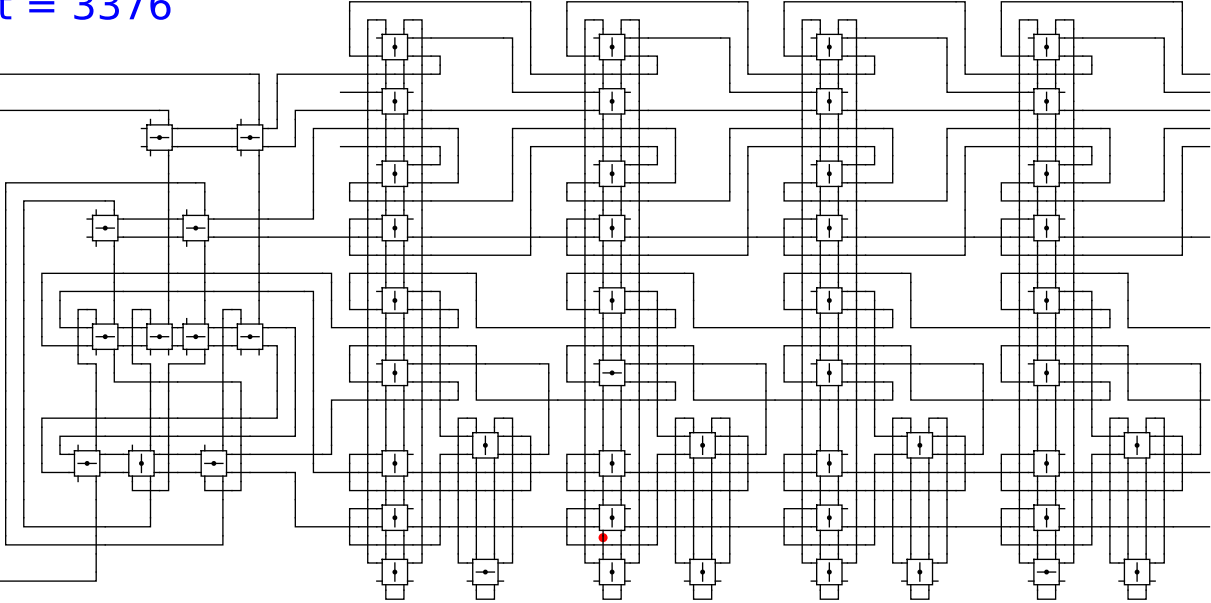
head

0

t = 3376

Reject
Accept

Begin



1

0

0

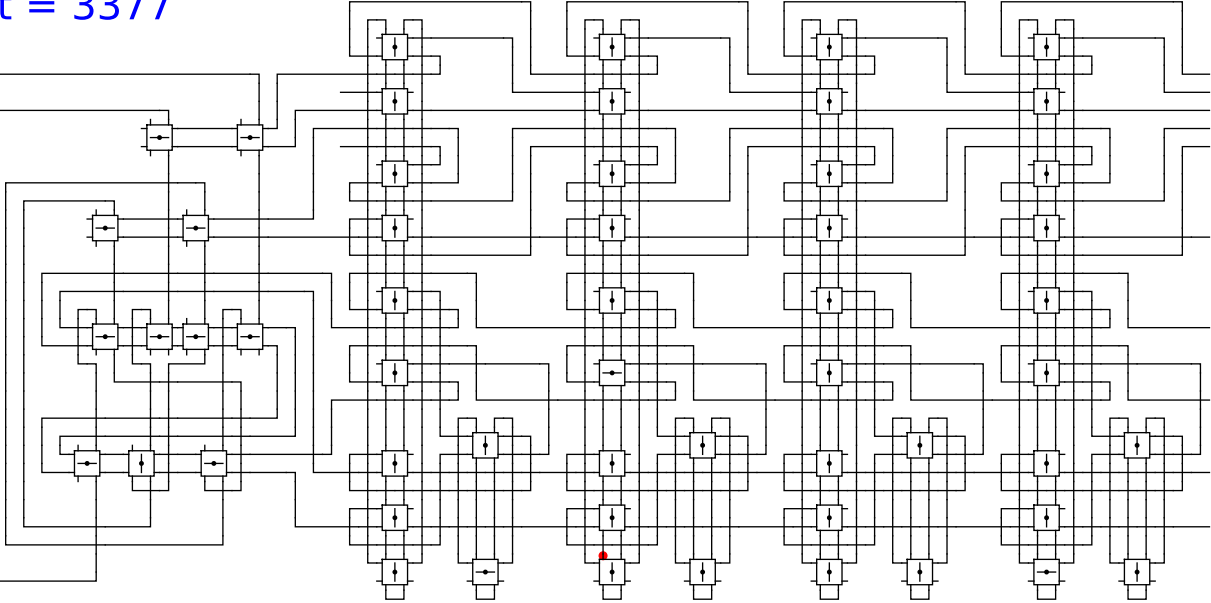
head

0

t = 3377

Reject
Accept

Begin



1

0

0

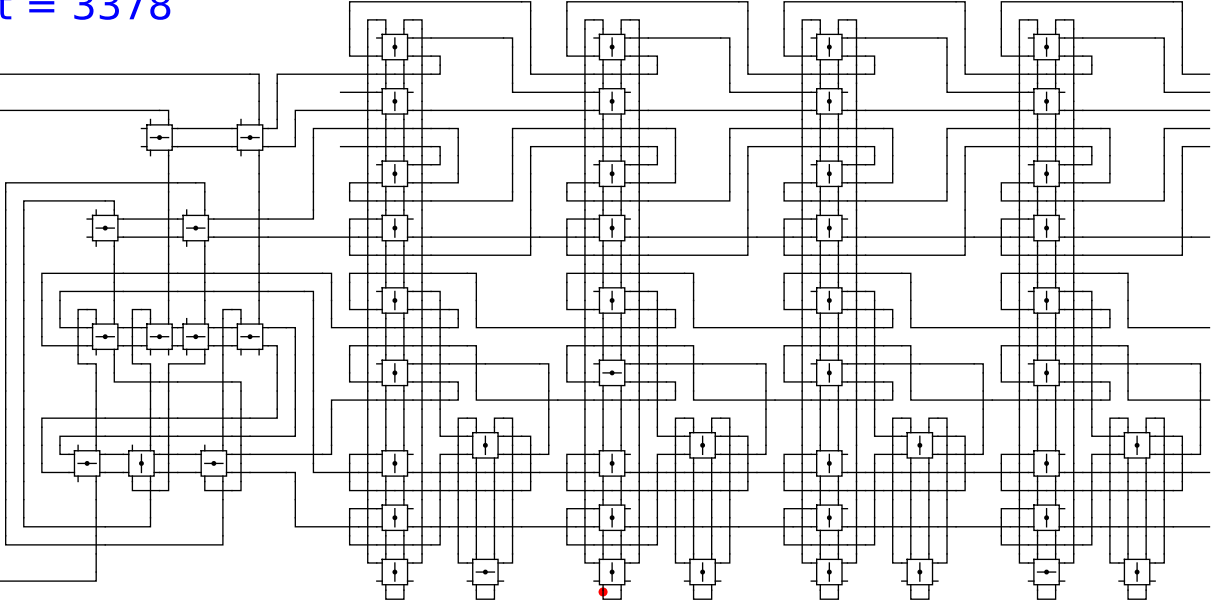
head

0

t = 3378

Reject
Accept

Begin



1

0

0

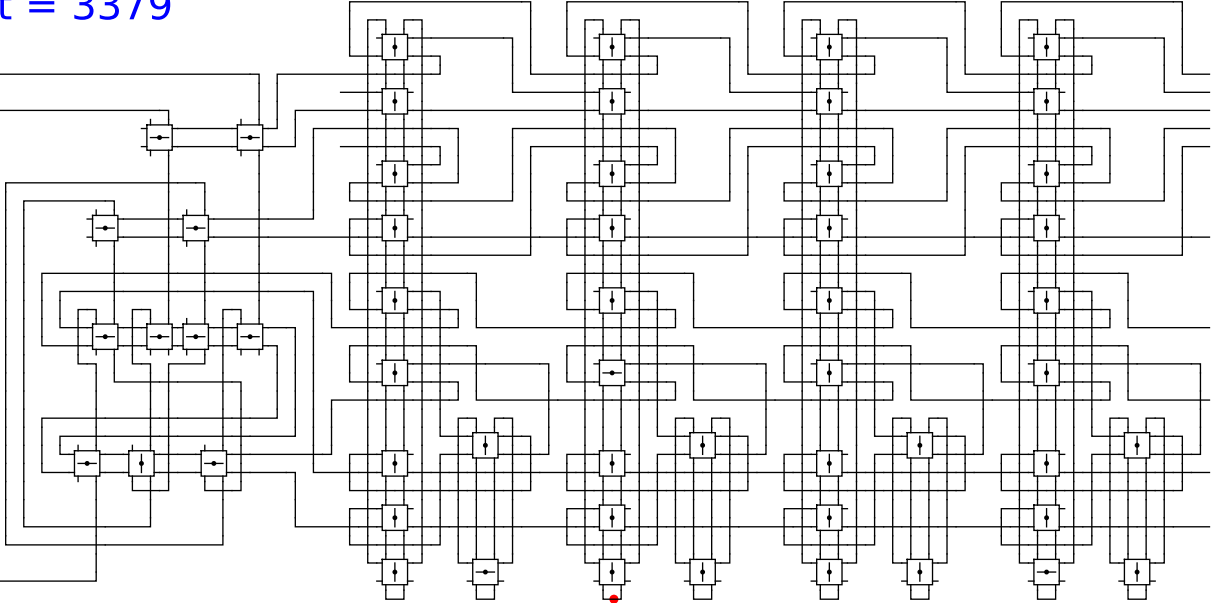
head

0

t = 3379

Reject
Accept

Begin



1

0

0

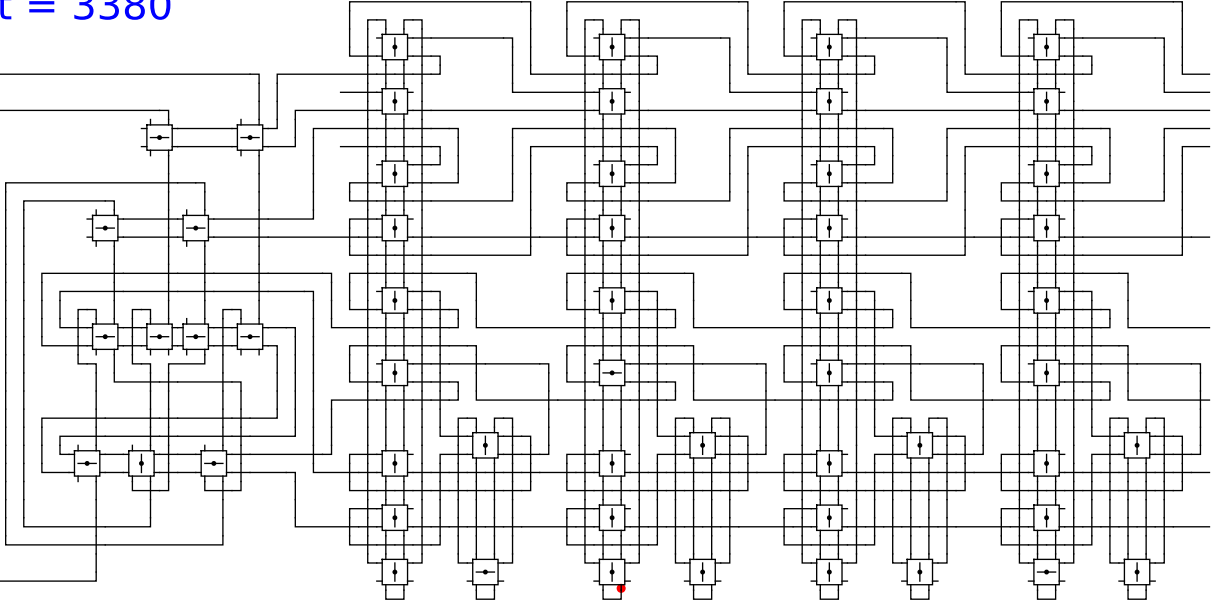
head

0

t = 3380

Reject
Accept

Begin



1

0

0

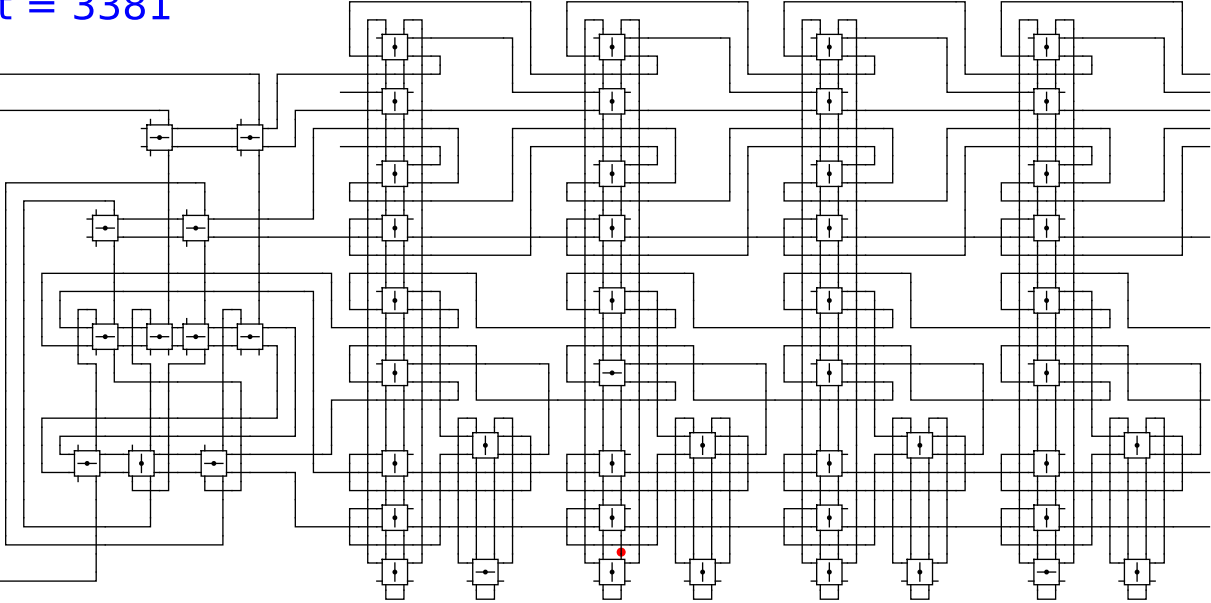
head

0

t = 3381

Reject
Accept

Begin



1

0

0

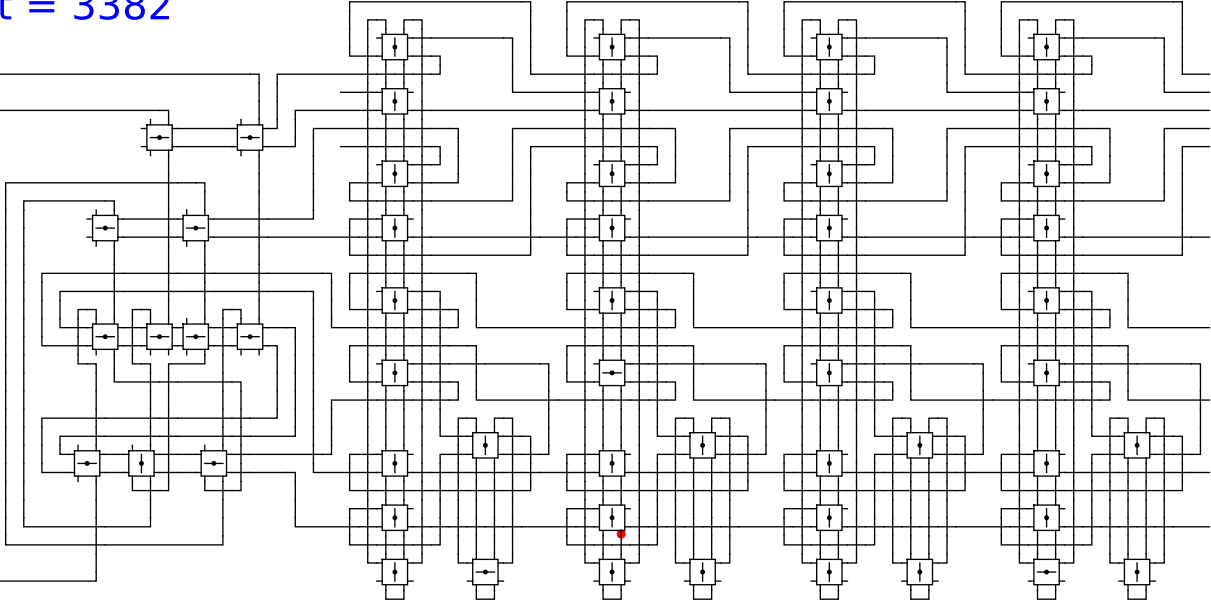
head

0

t = 3382

Reject
Accept

Begin

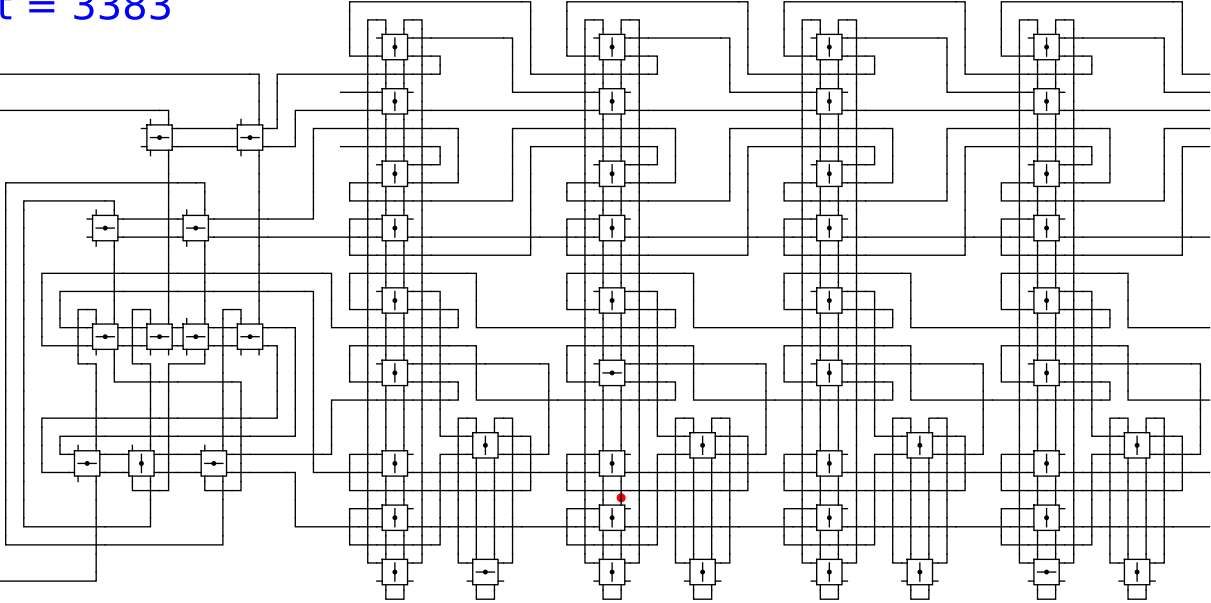


1 0 0 head 0

t = 3383

Reject
Accept

Begin



1

0

0

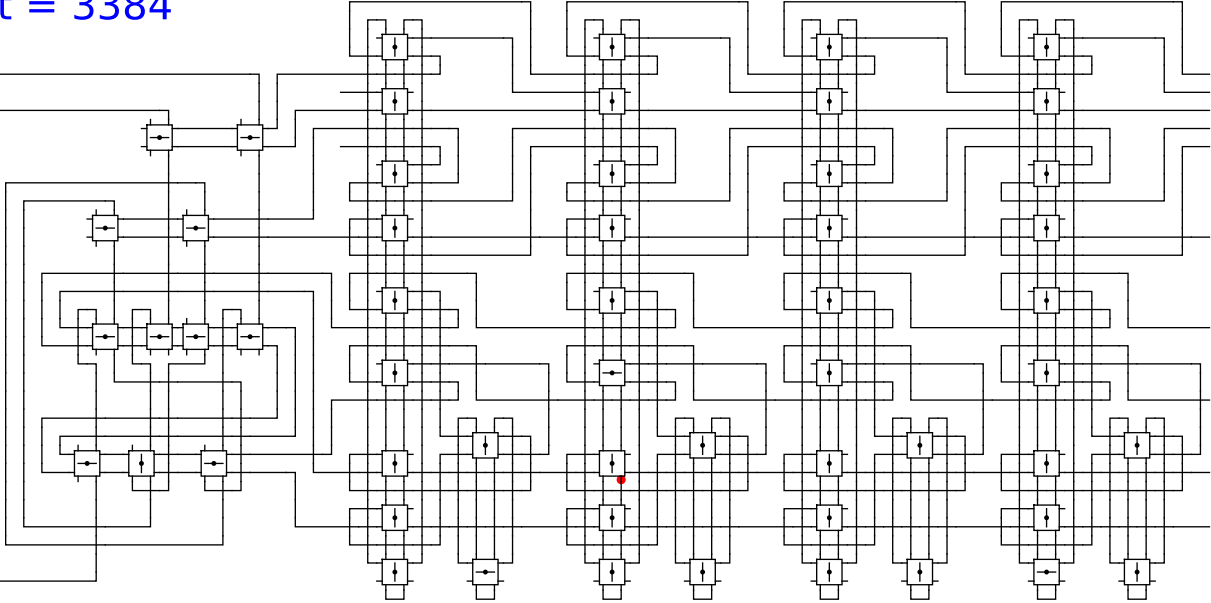
head

0

t = 3384

Reject
Accept

Begin

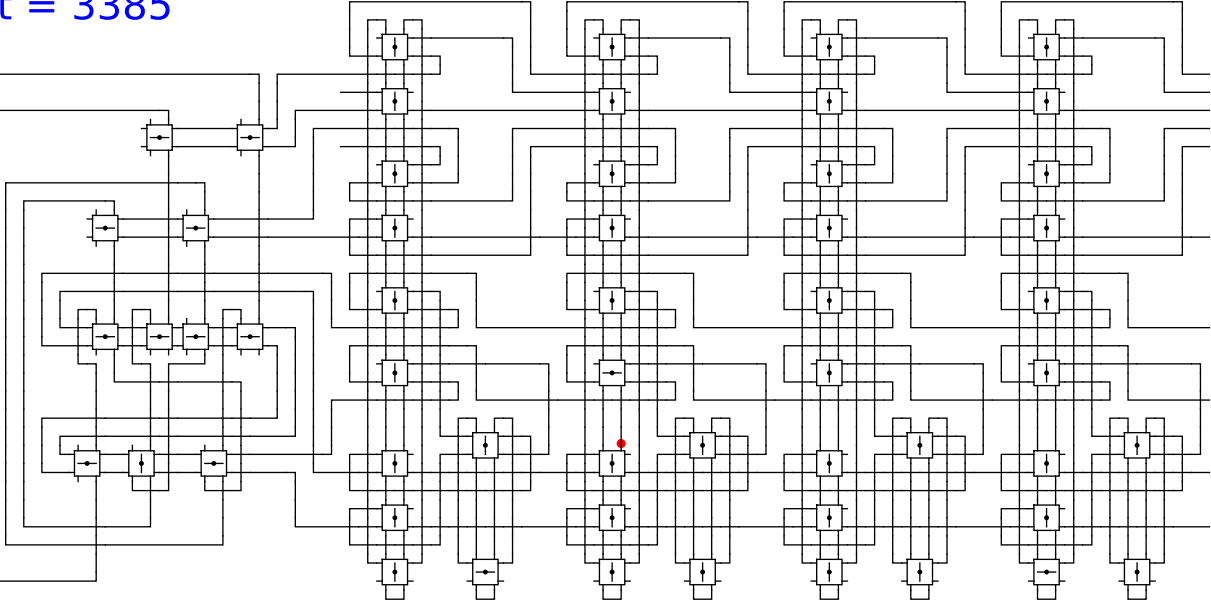


1 0 0 head 0

t = 3385

Reject
Accept

Begin



1

0

0

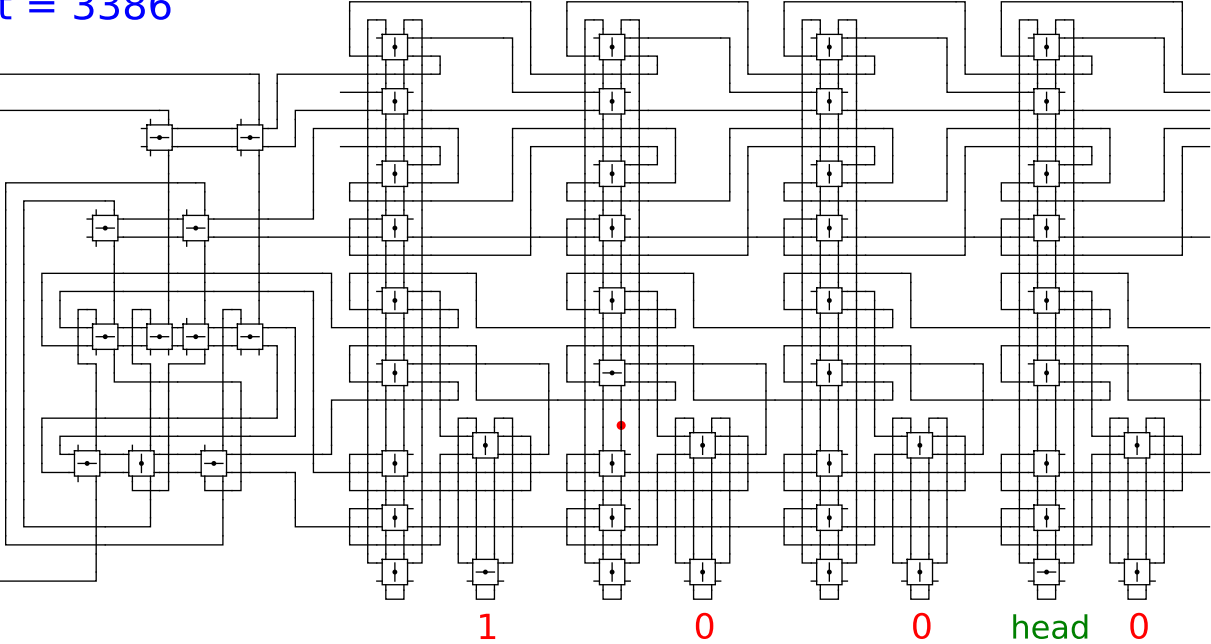
head

0

t = 3386

Reject
Accept

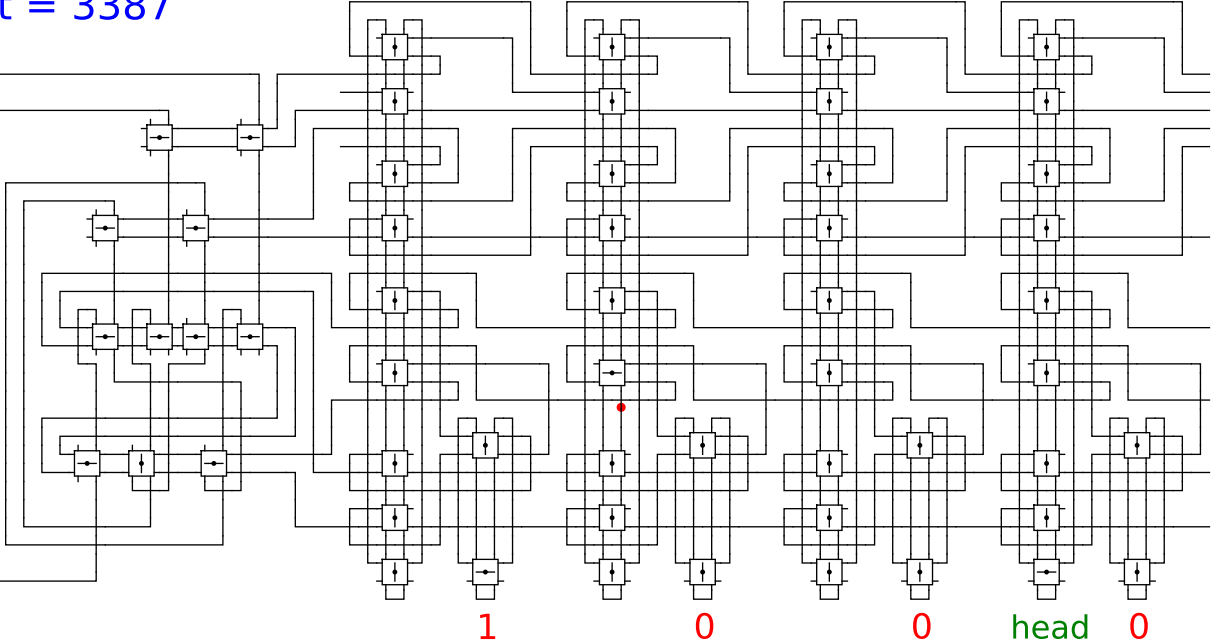
Begin



t = 3387

Reject
Accept

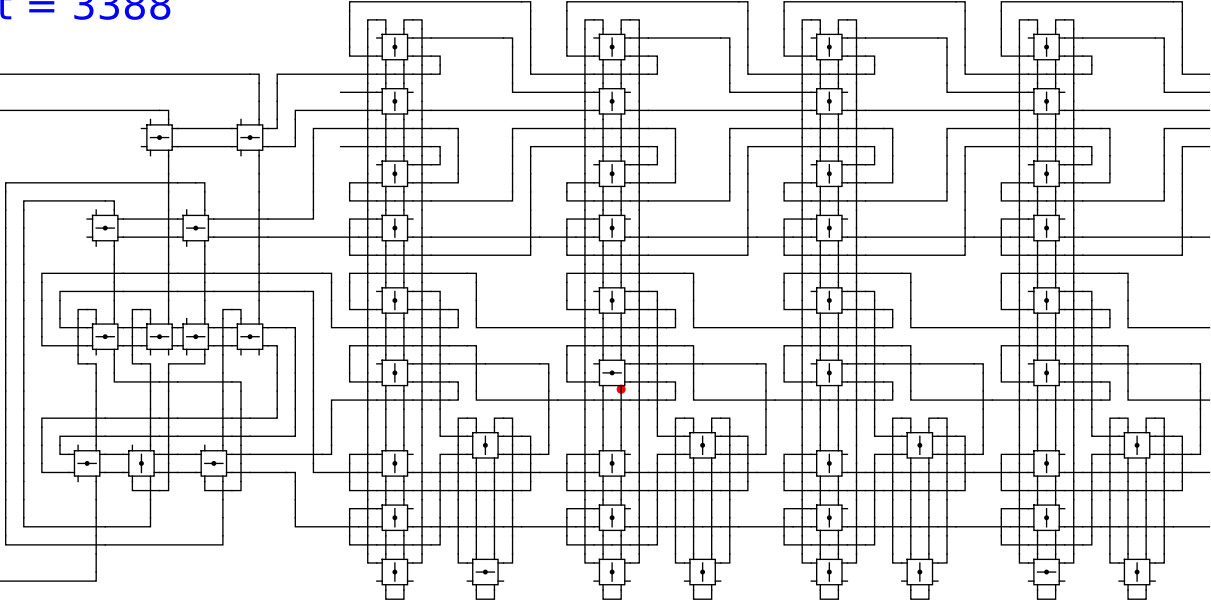
Begin



t = 3388

Reject
Accept

Begin



1

0

0

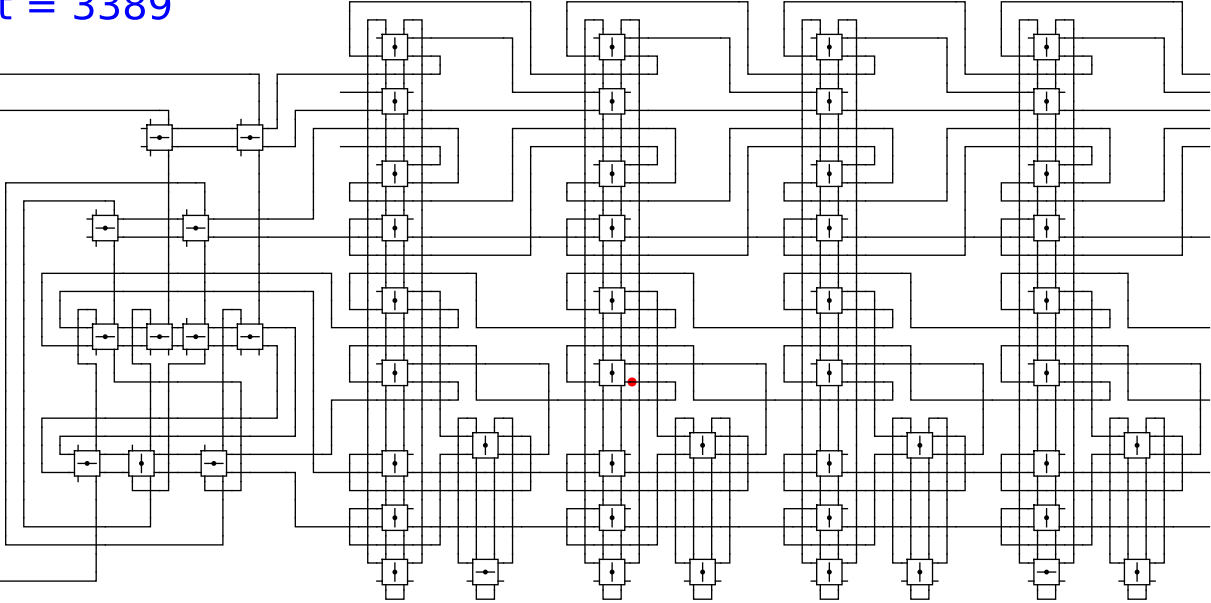
head

0

t = 3389

Reject
Accept

Begin

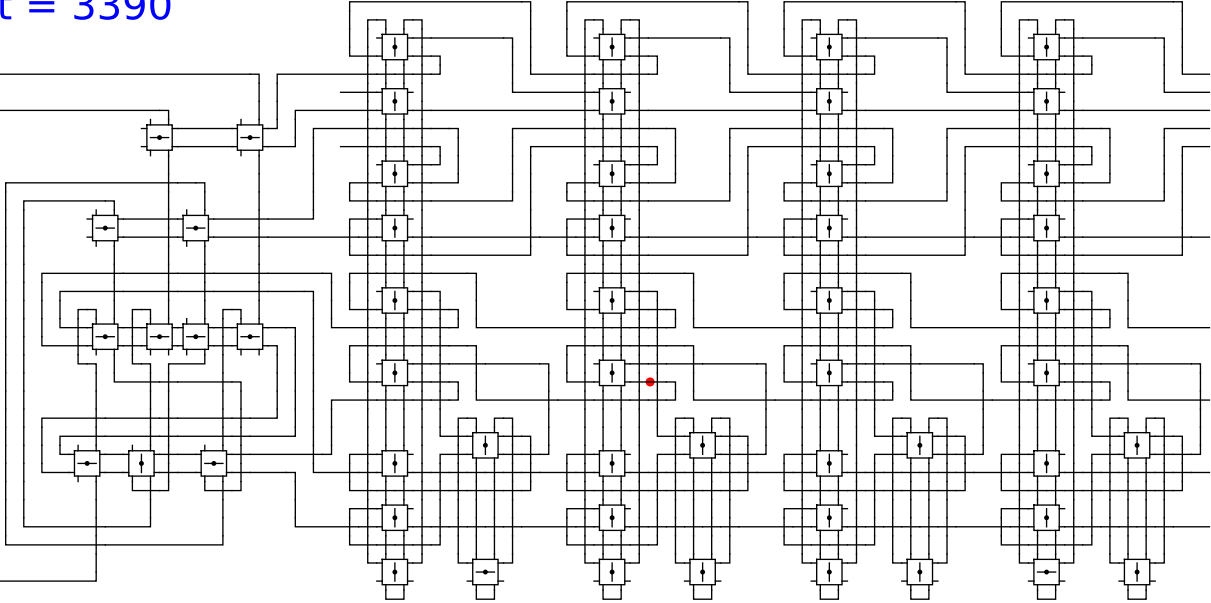


1 0 0 head 0

t = 3390

Reject
Accept

Begin



1

0

0

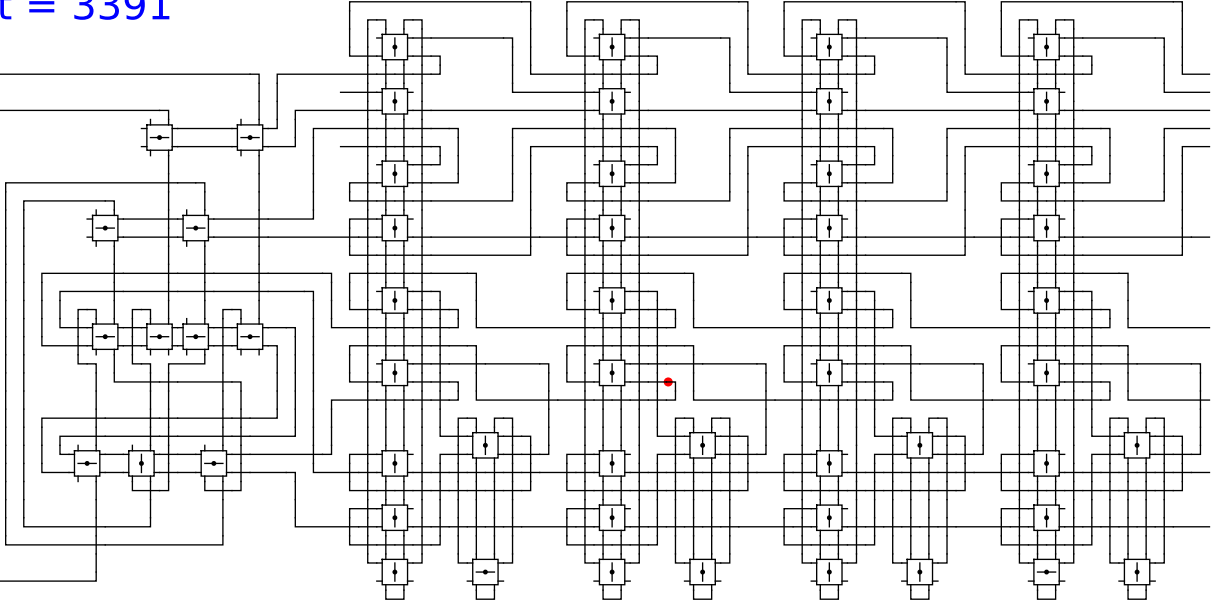
head

0

t = 3391

Reject
Accept

Begin



1

0

0

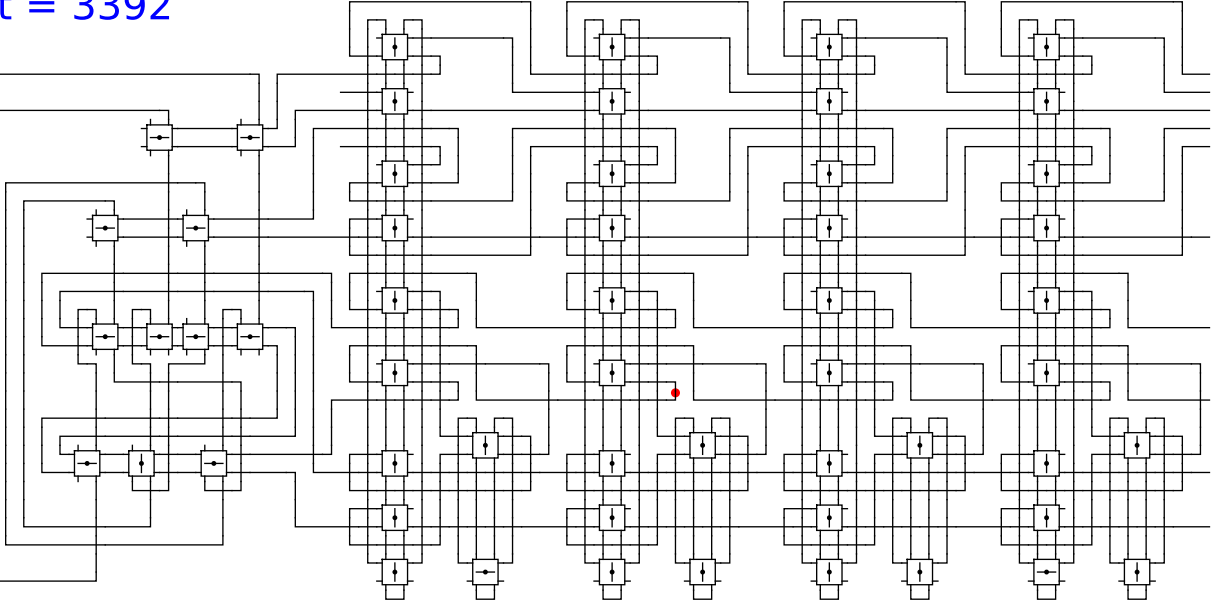
head

0

t = 3392

Reject
Accept

Begin

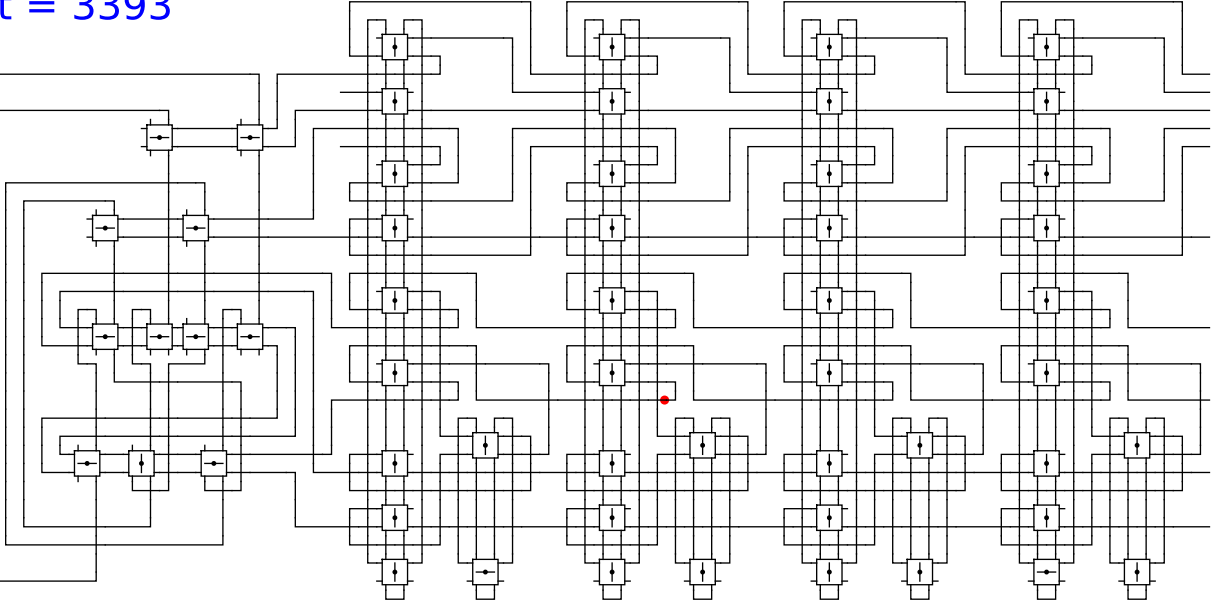


1 0 0 head 0

t = 3393

Reject
Accept

Begin



1

0

0

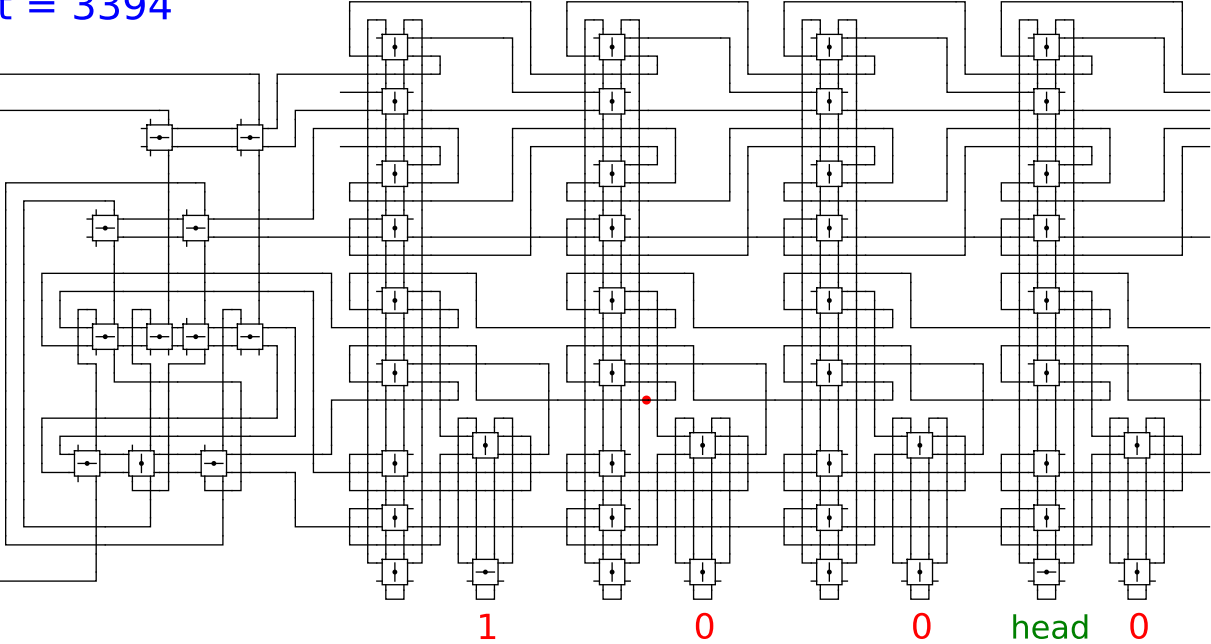
head

0

t = 3394

Reject
Accept

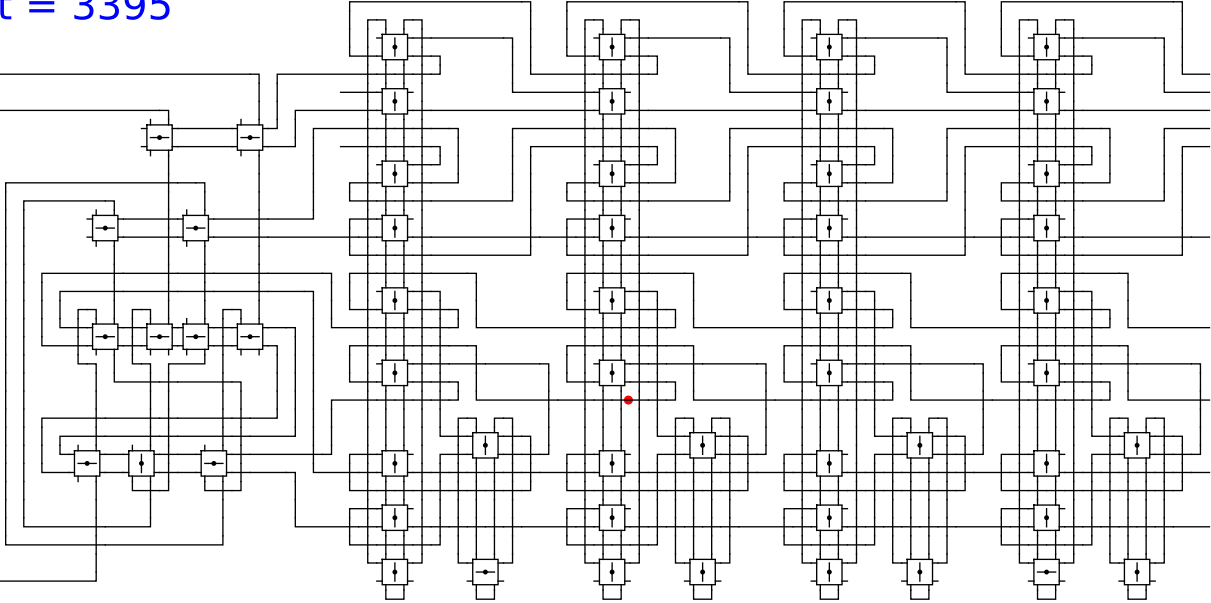
Begin



t = 3395

Reject
Accept

Begin

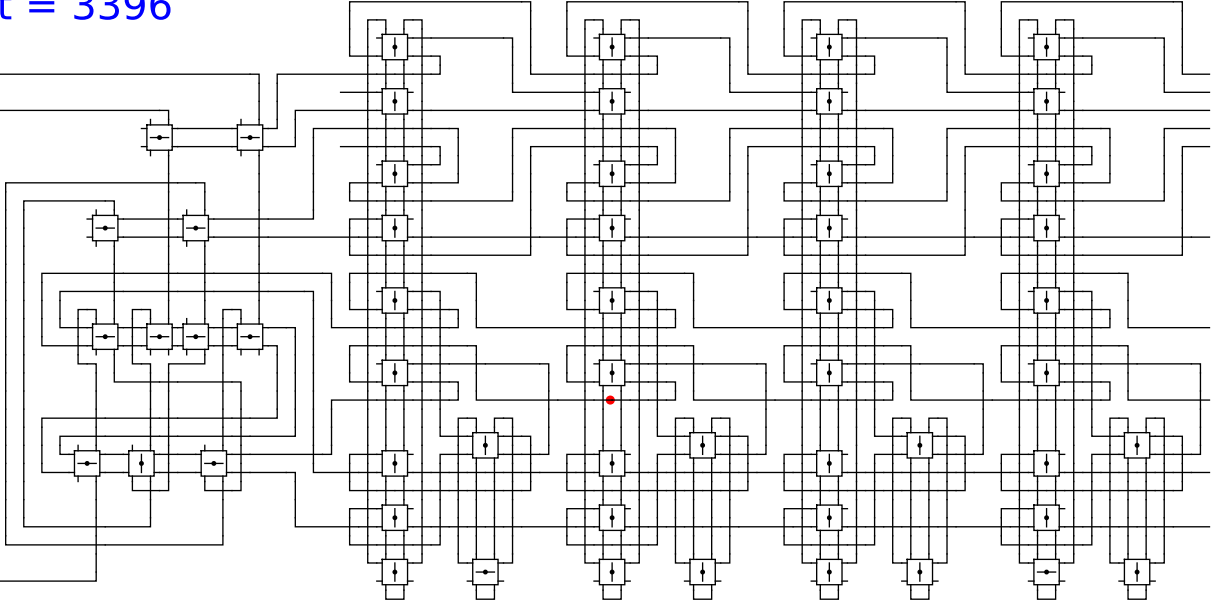


1 0 0 head 0

t = 3396

Reject
Accept

Begin

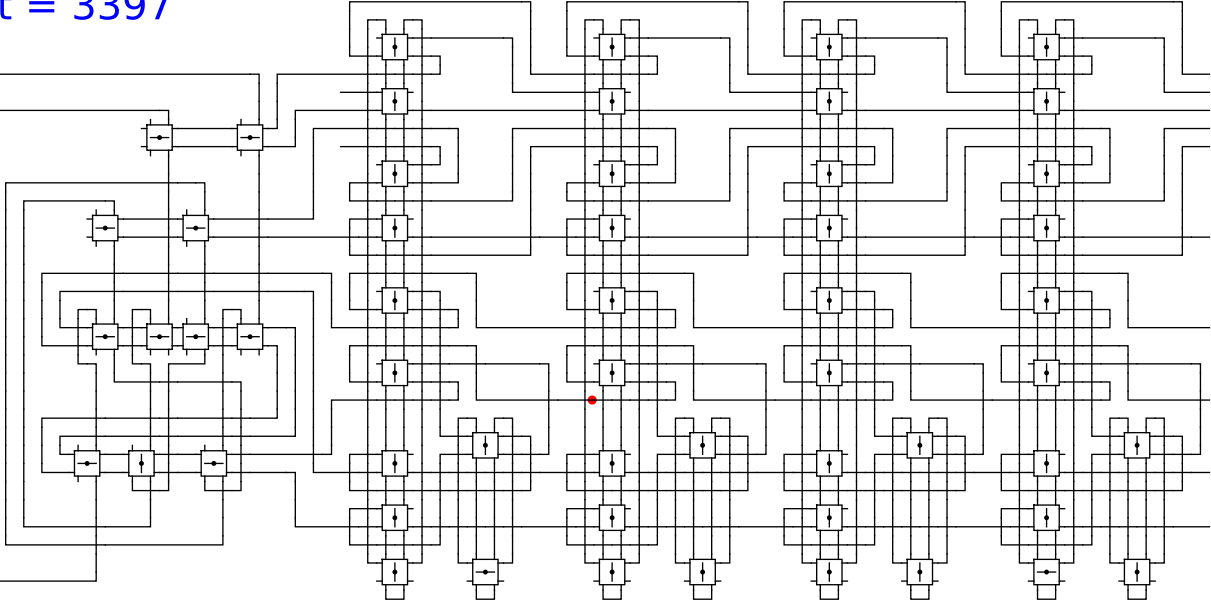


1 0 0 head 0

t = 3397

Reject
Accept

Begin



1

0

0

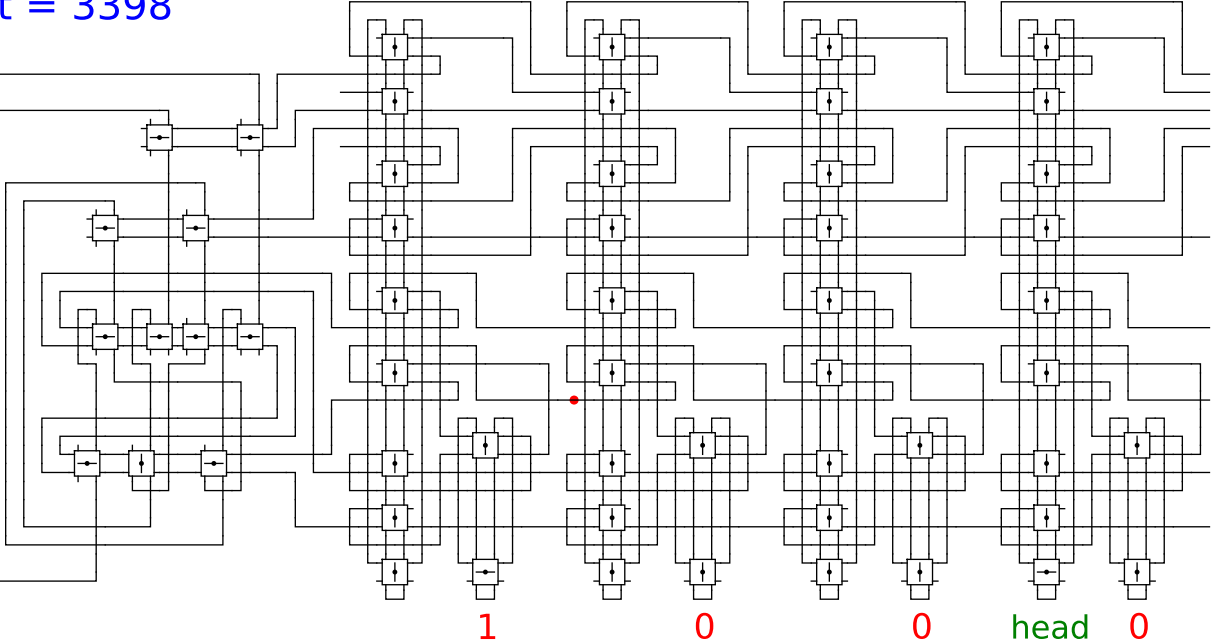
head

0

t = 3398

Reject
Accept

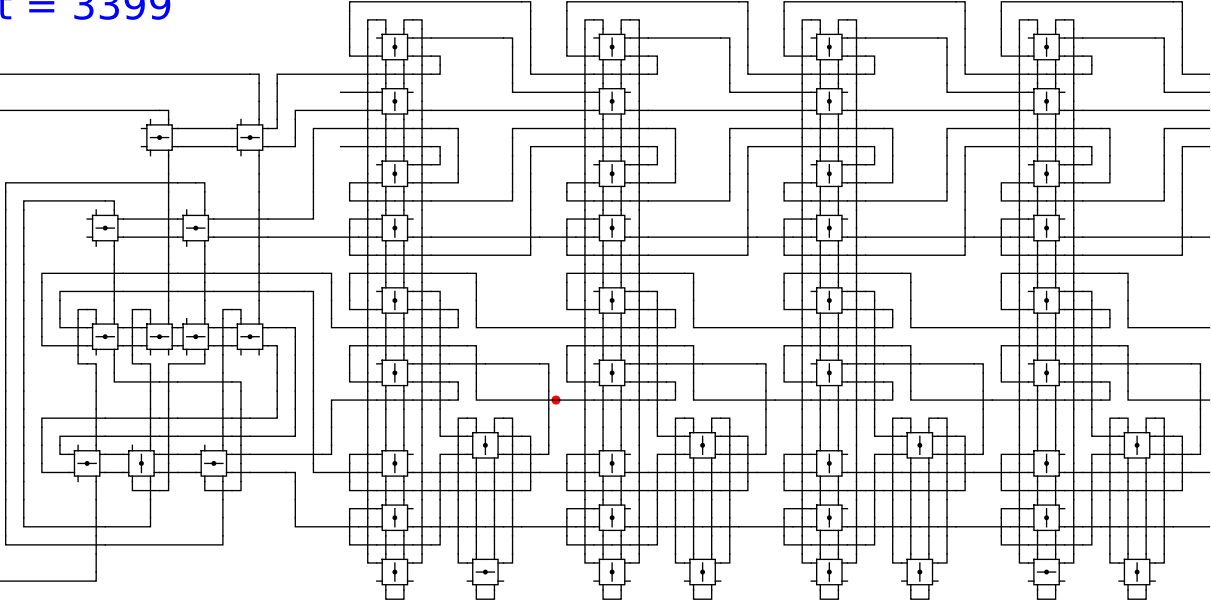
Begin



t = 3399

Reject
Accept

Begin



1

0

0

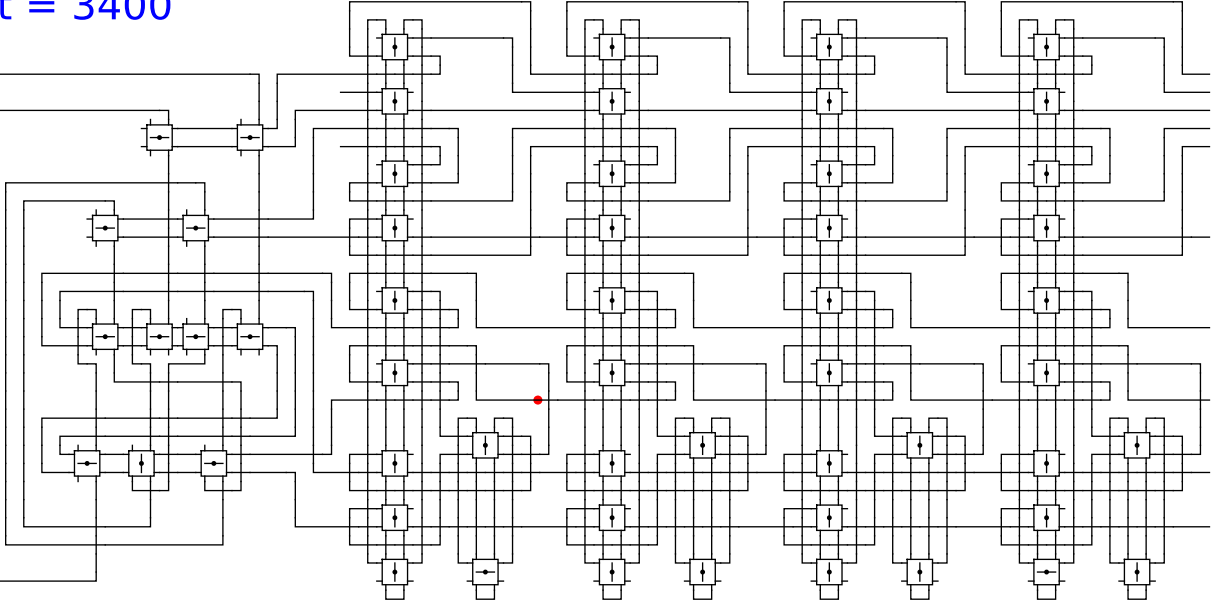
head

0

t = 3400

Reject
Accept

Begin

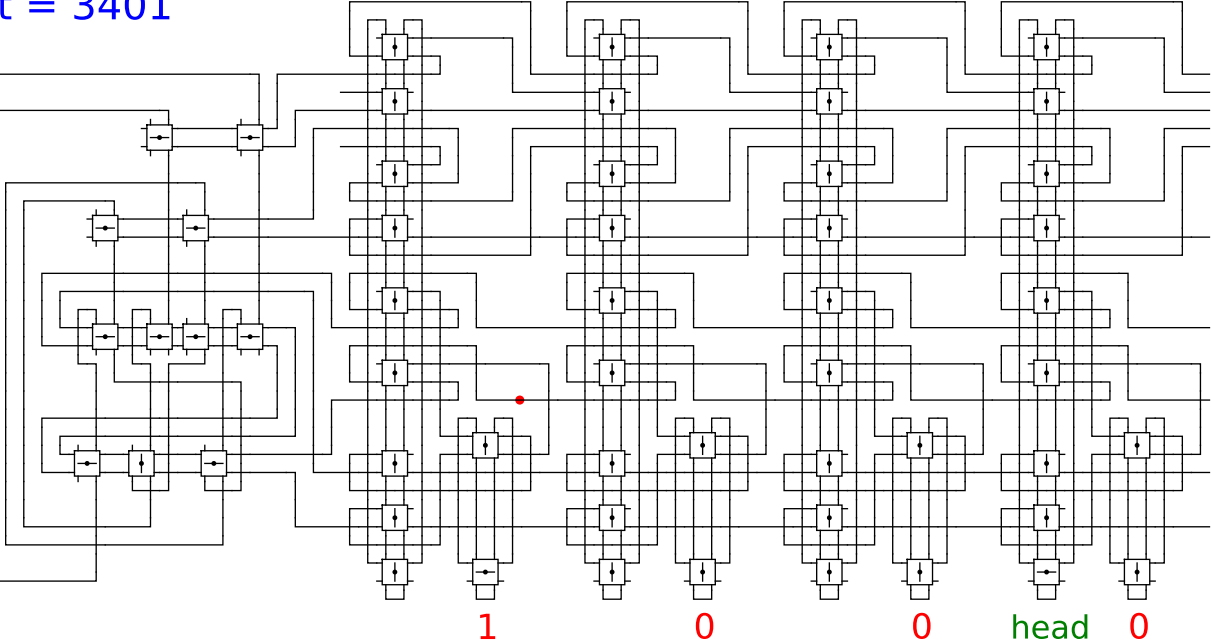


1 0 0 head 0

t = 3401

Reject
Accept

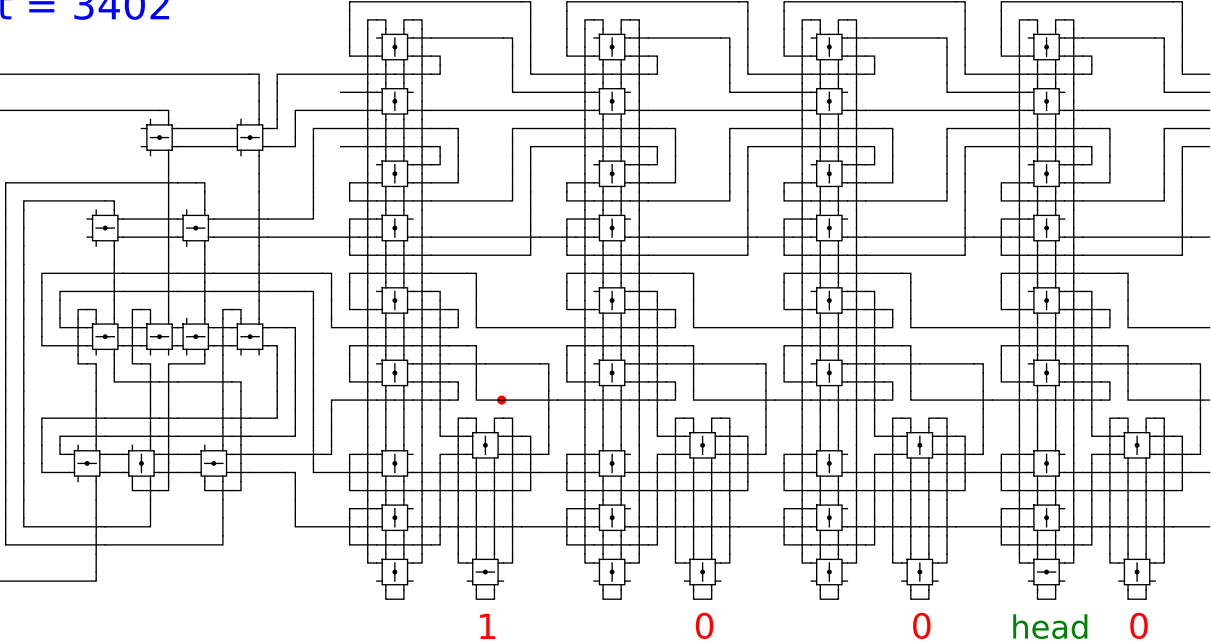
Begin



t = 3402

Reject
Accept

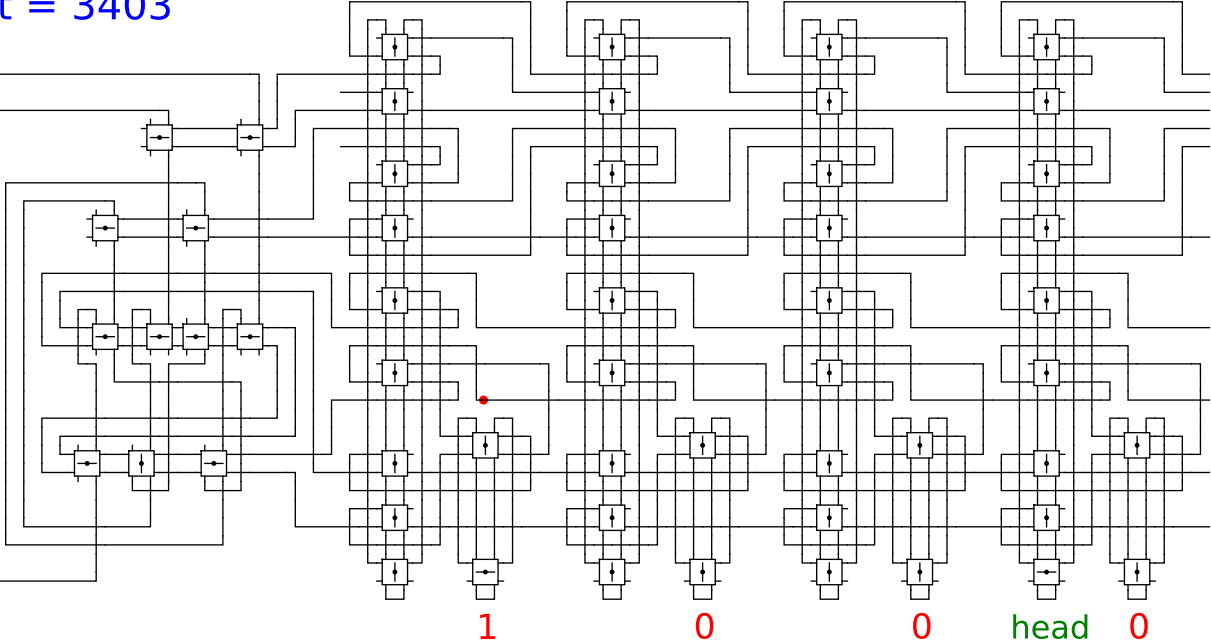
Begin



t = 3403

Reject
Accept

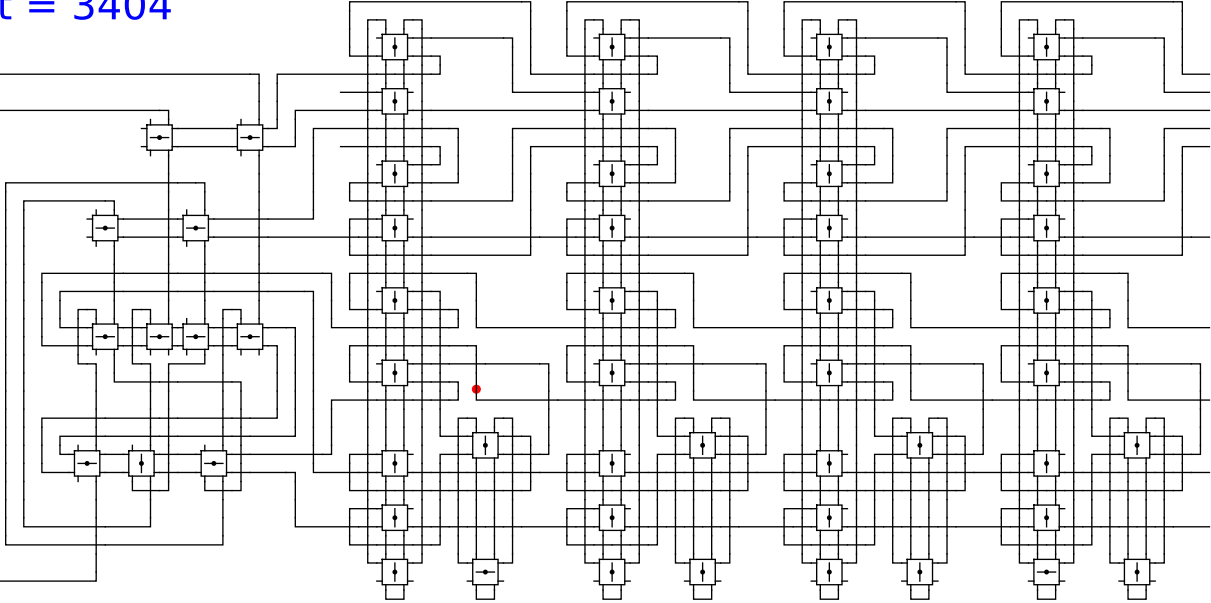
Begin



t = 3404

Reject
Accept

Begin

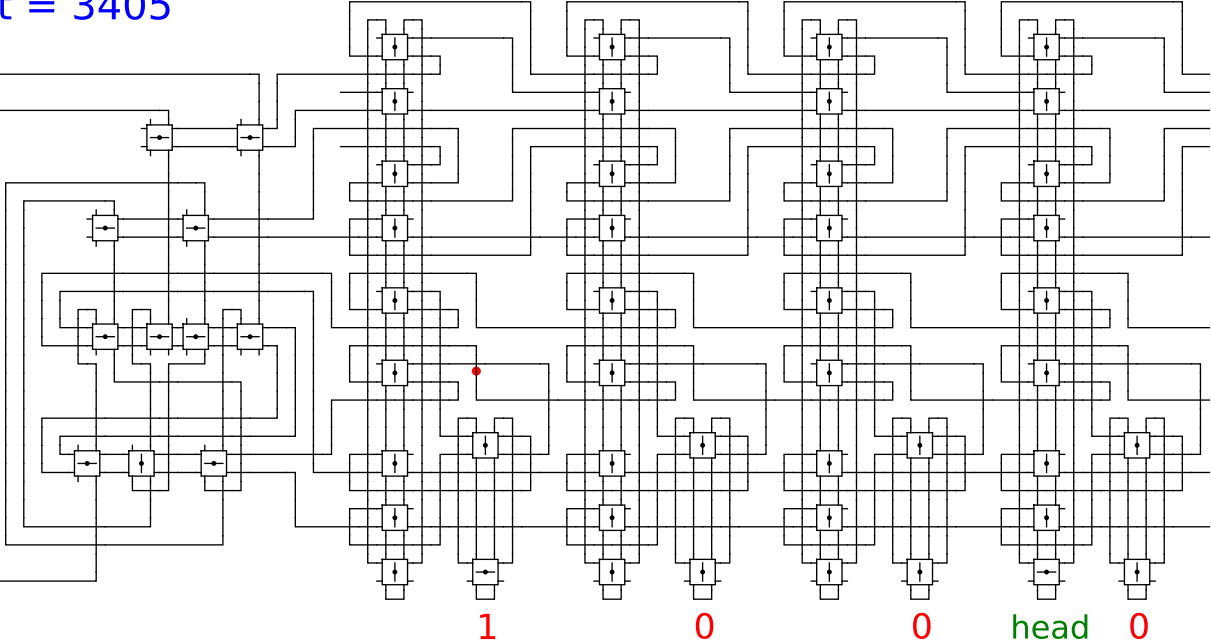


1 0 0 head 0

t = 3405

Reject
Accept

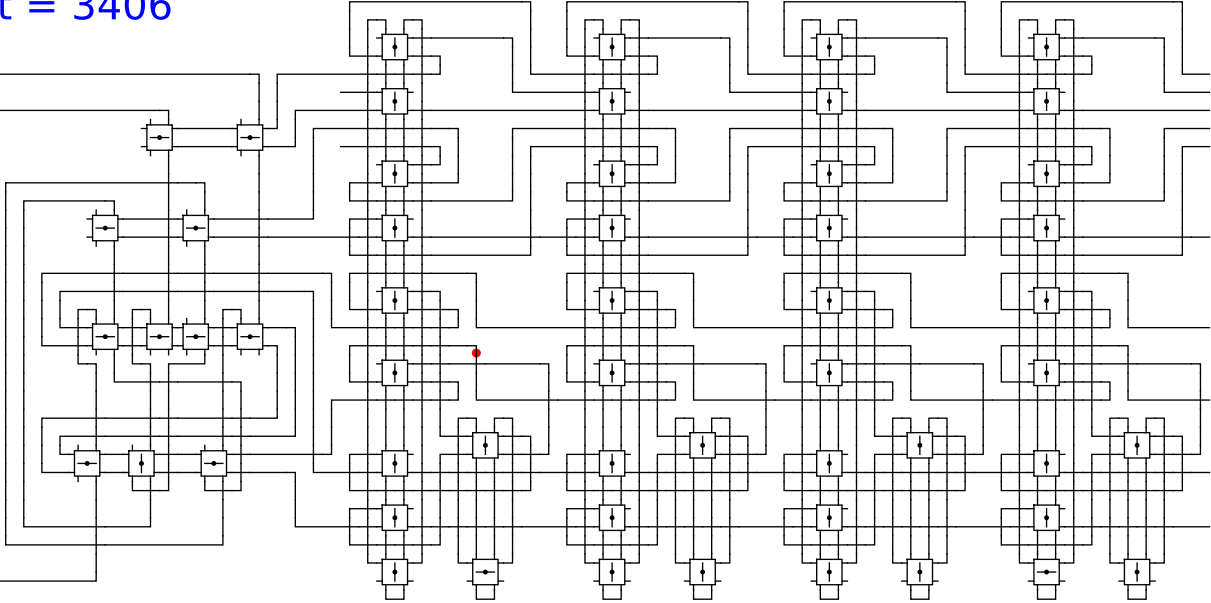
Begin



t = 3406

Reject
Accept

Begin



1

0

0

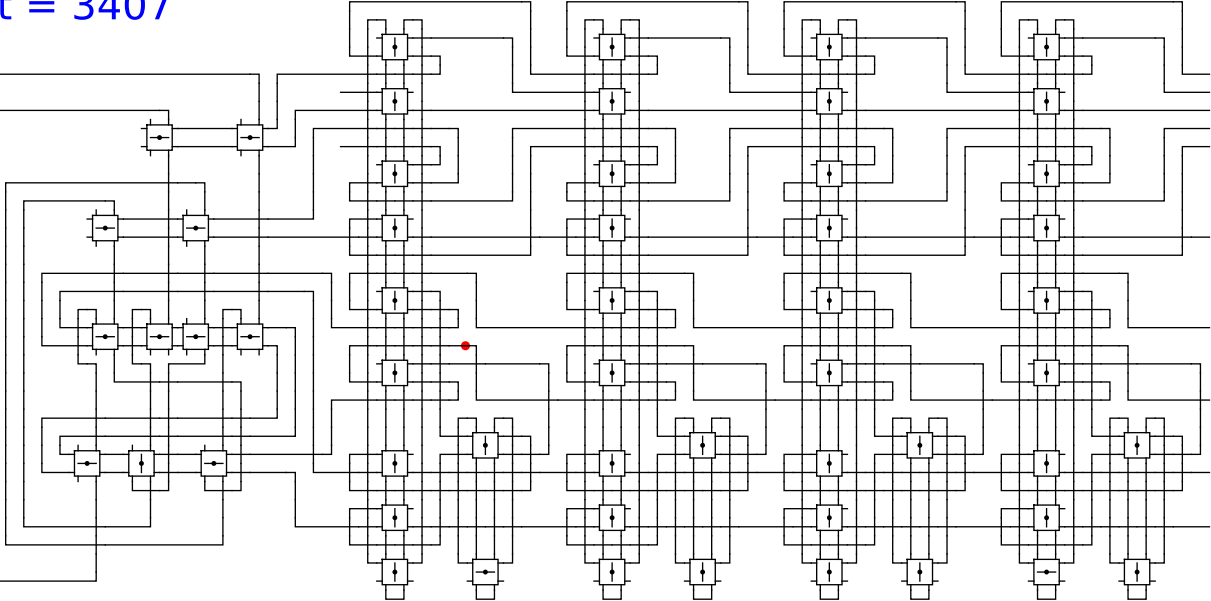
head

0

t = 3407

Reject
Accept

Begin



1

0

0

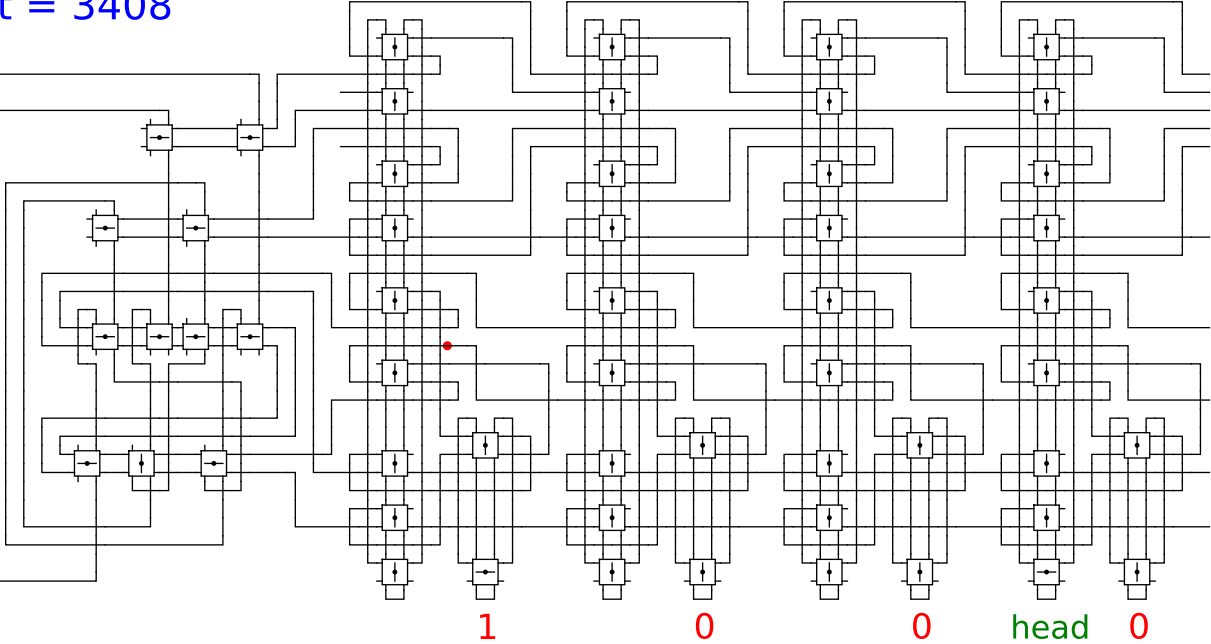
head

0

t = 3408

Reject
Accept

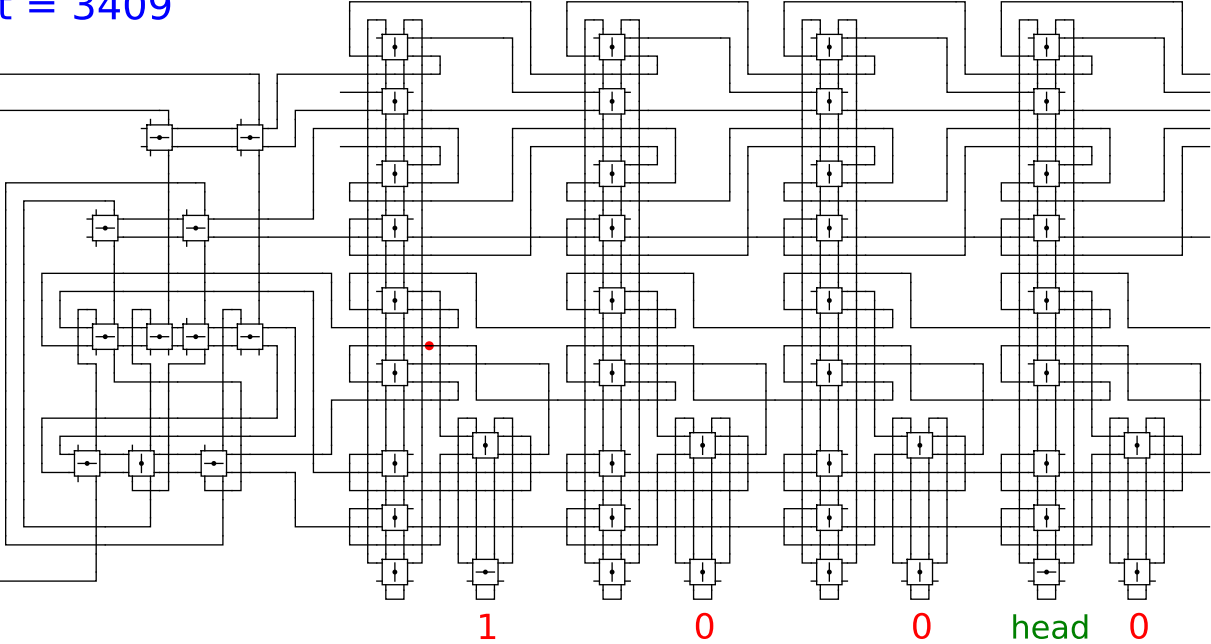
Begin



t = 3409

Reject
Accept

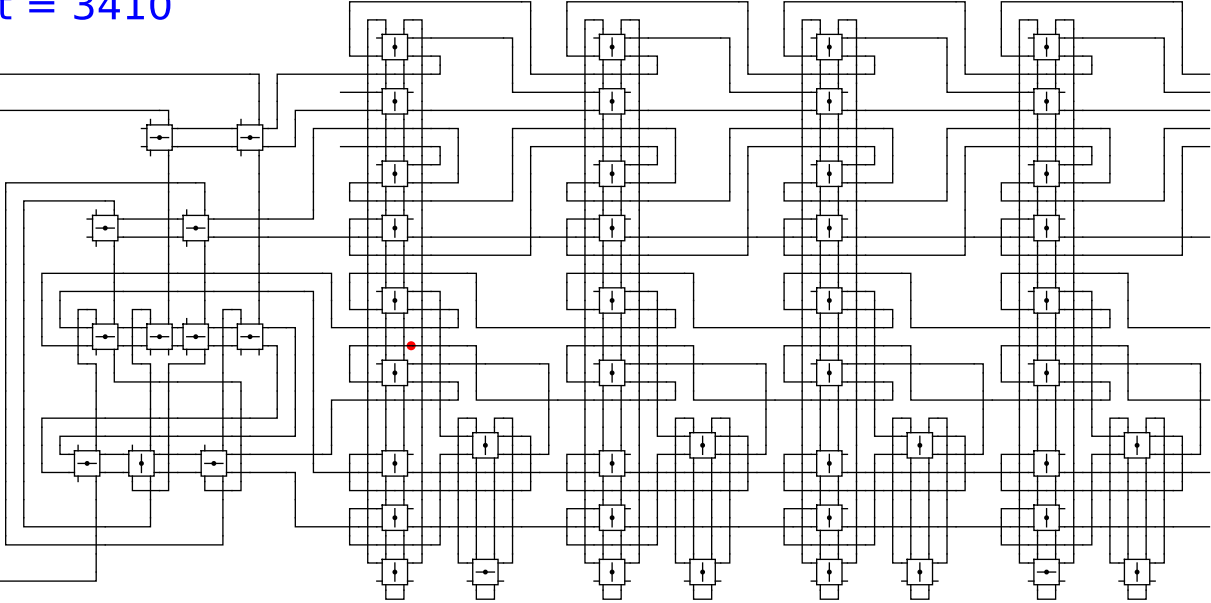
Begin



t = 3410

Reject
Accept

Begin



1

0

0

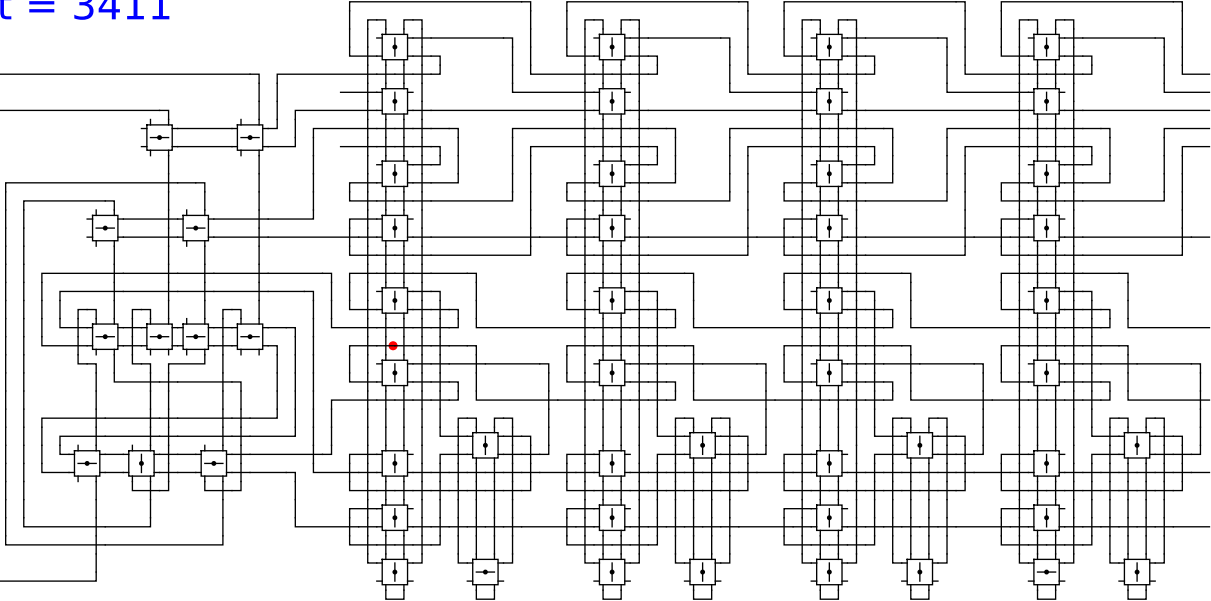
head

0

t = 3411

Reject
Accept

Begin



1

0

0

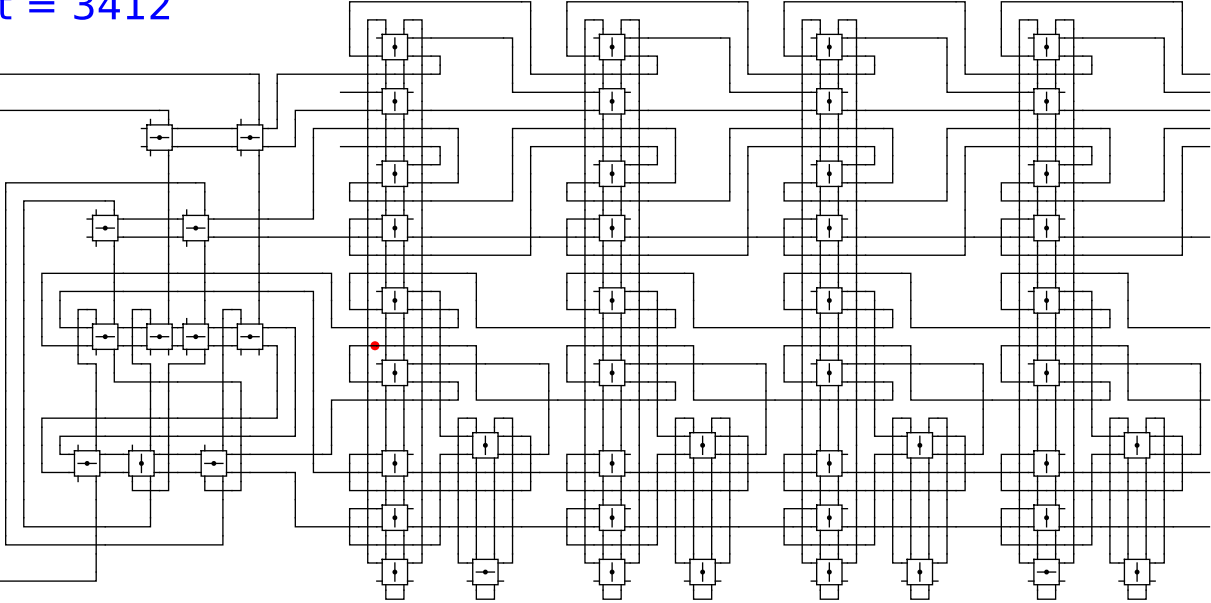
head

0

t = 3412

Reject
Accept

Begin

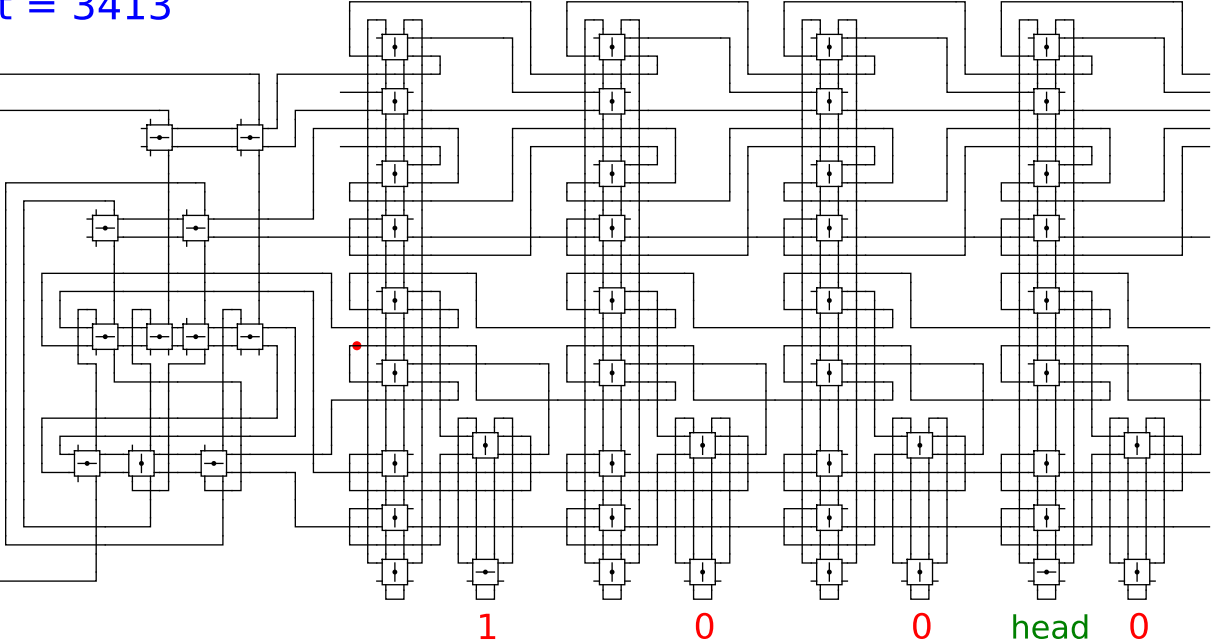


1 0 0 head 0

t = 3413

Reject
Accept

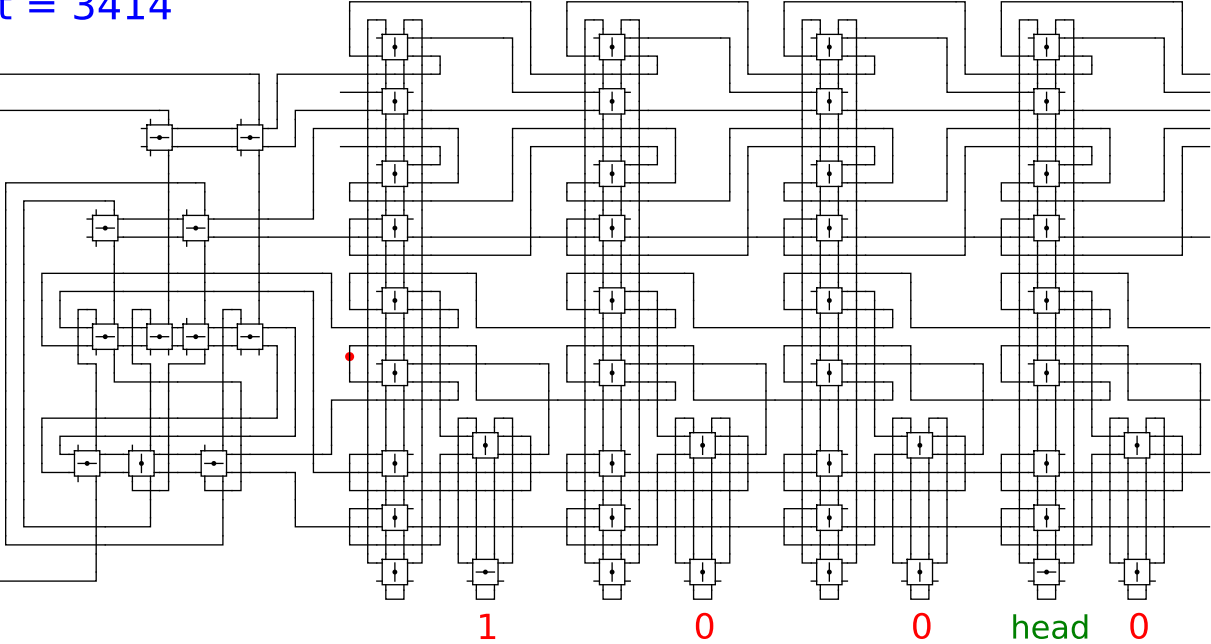
Begin



t = 3414

Reject
Accept

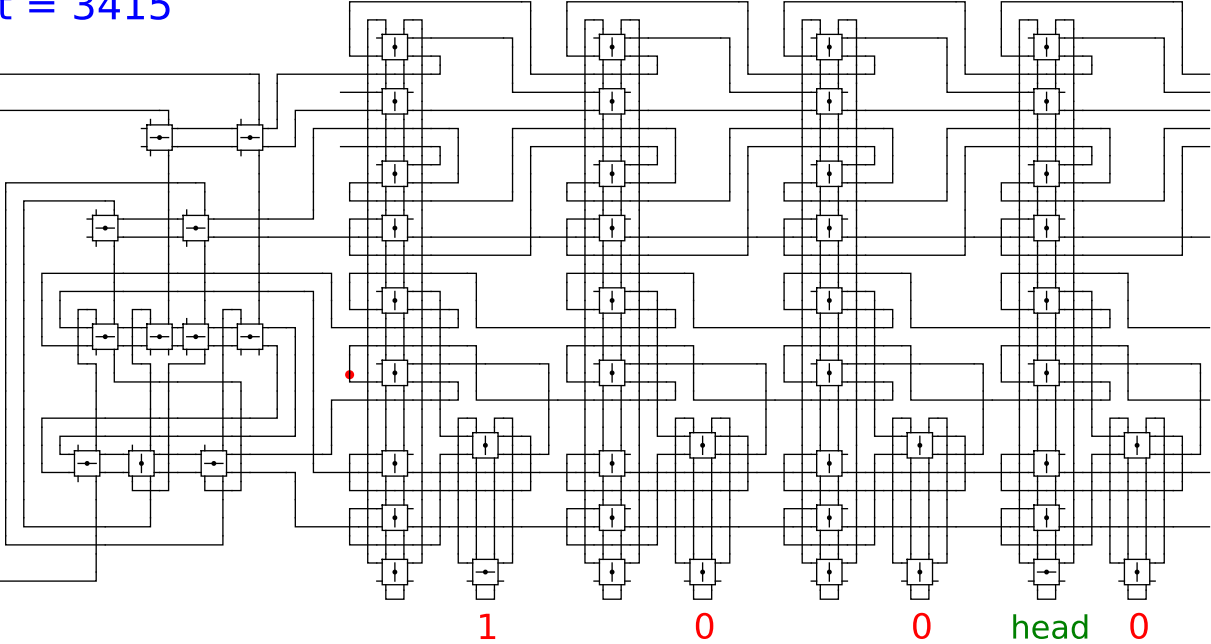
Begin



t = 3415

Reject
Accept

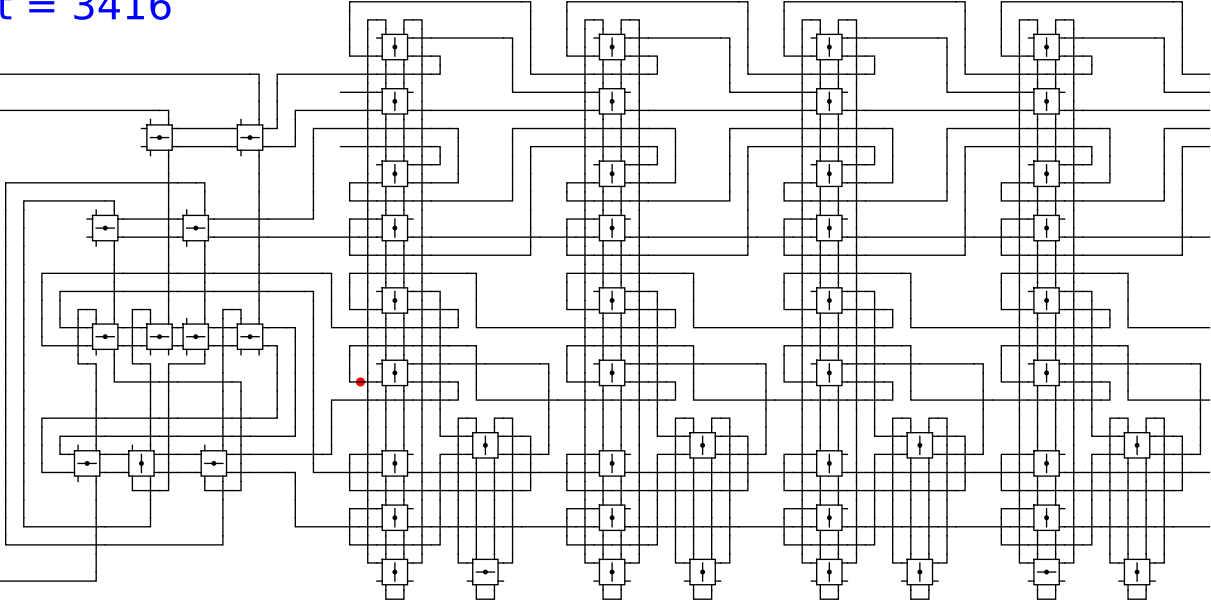
Begin



t = 3416

Reject
Accept

Begin



1

0

0

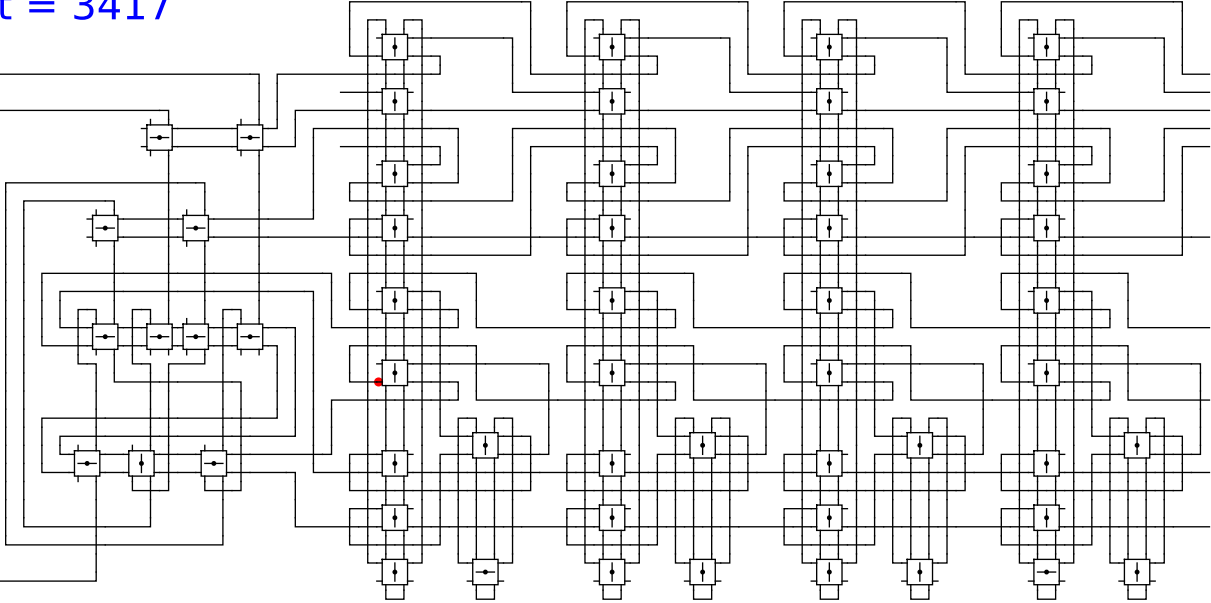
head

0

t = 3417

Reject
Accept

Begin



1

0

0

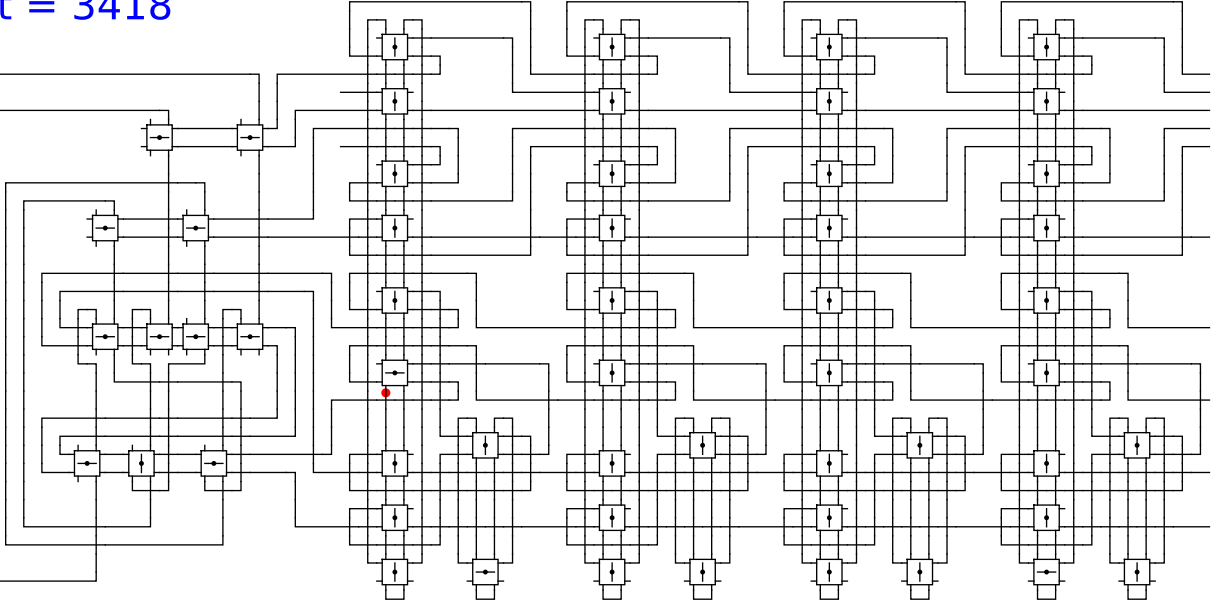
head

0

t = 3418

Reject
Accept

Begin

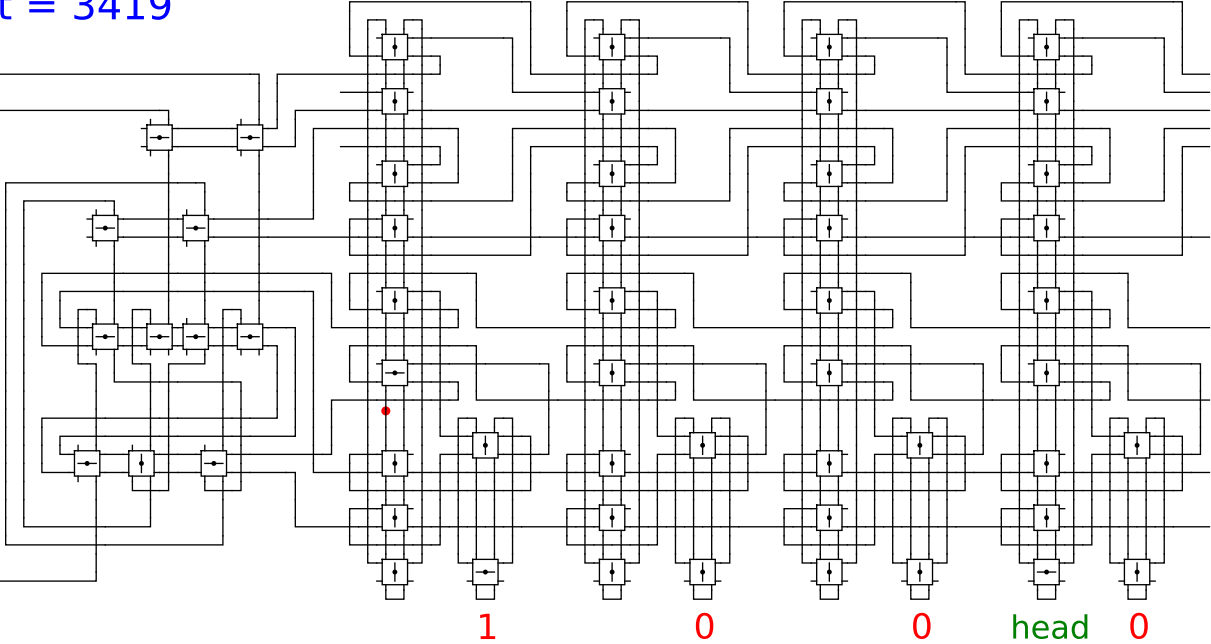


1 0 0 head 0

t = 3419

Reject
Accept

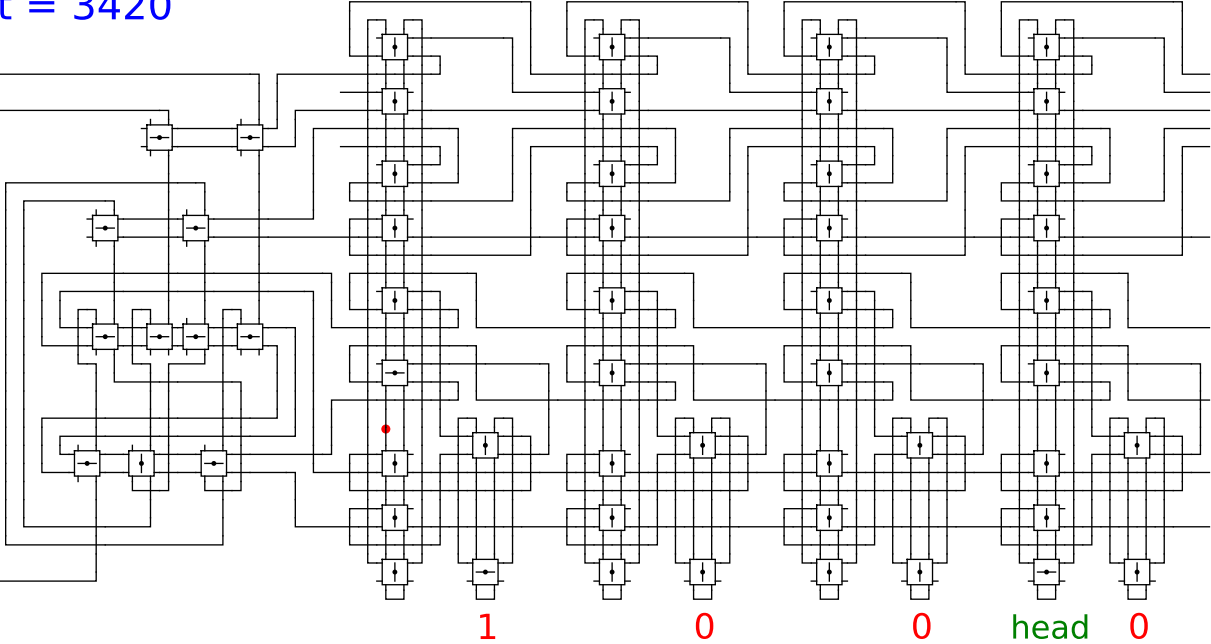
Begin



t = 3420

Reject
Accept

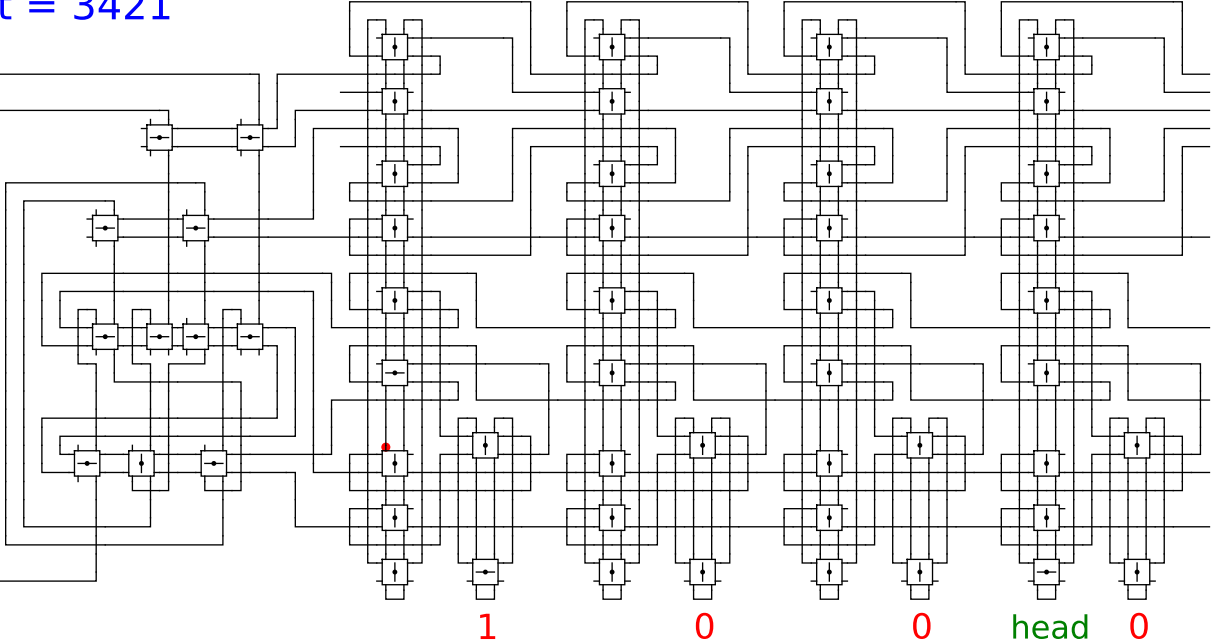
Begin



t = 3421

Reject
Accept

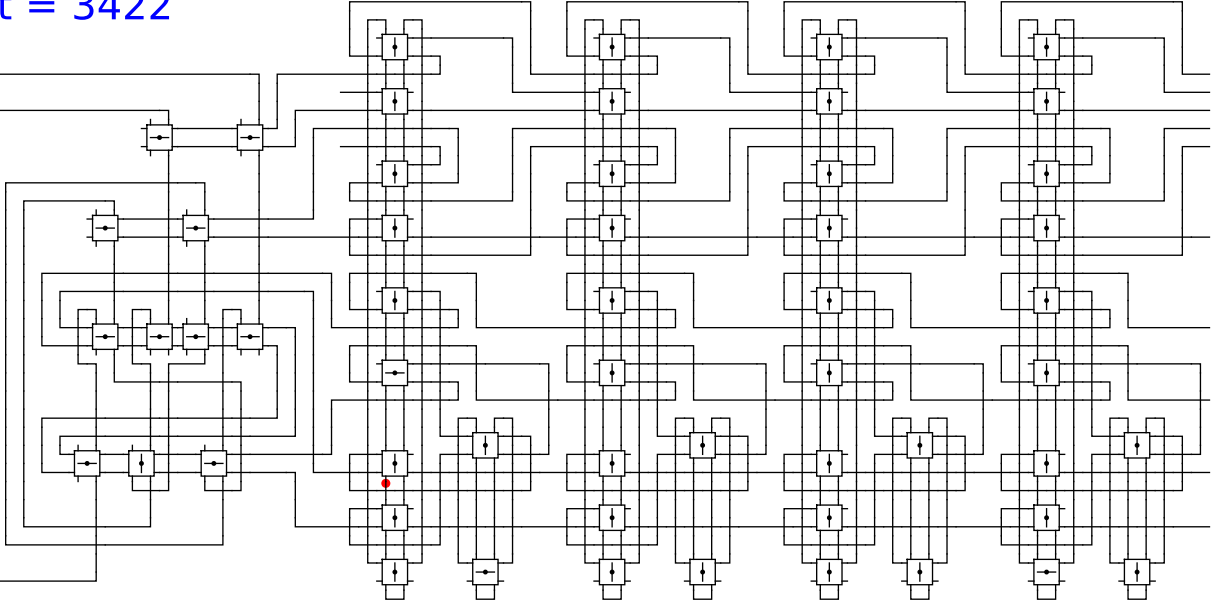
Begin



t = 3422

Reject
Accept

Begin



1

0

0

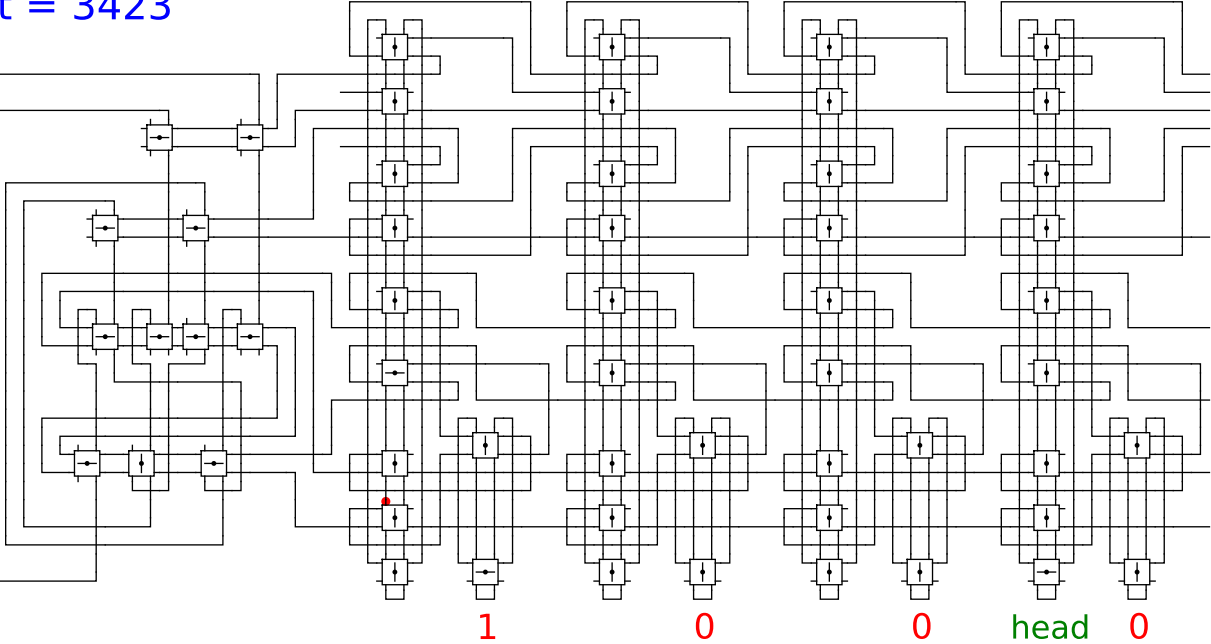
head

0

t = 3423

Reject
Accept

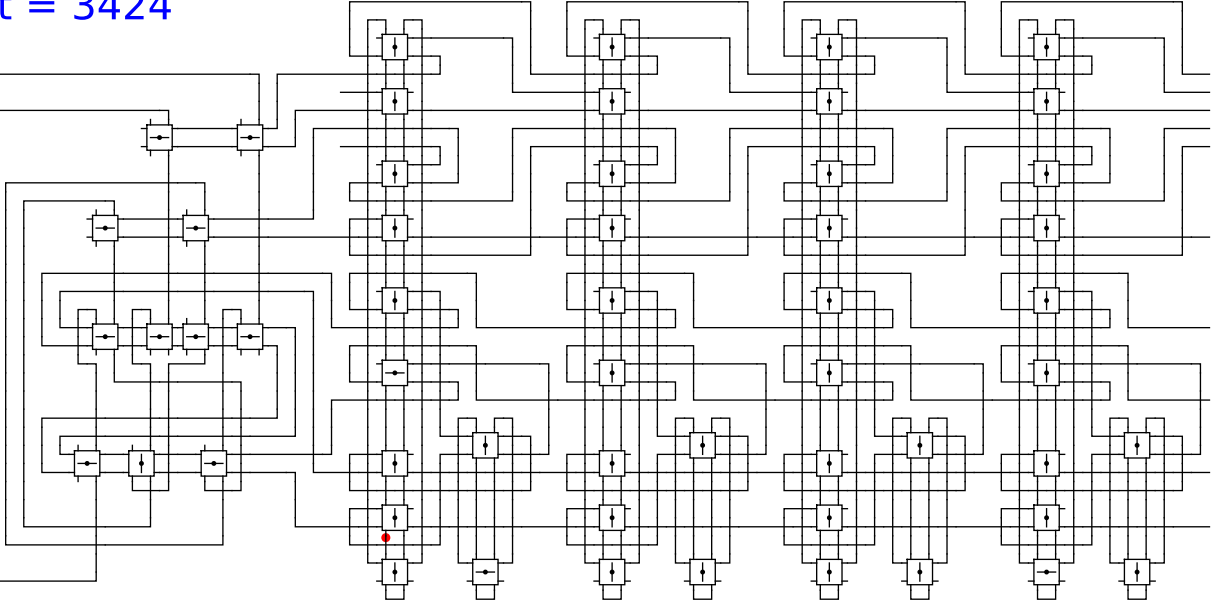
Begin



t = 3424

Reject
Accept

Begin



1

0

0

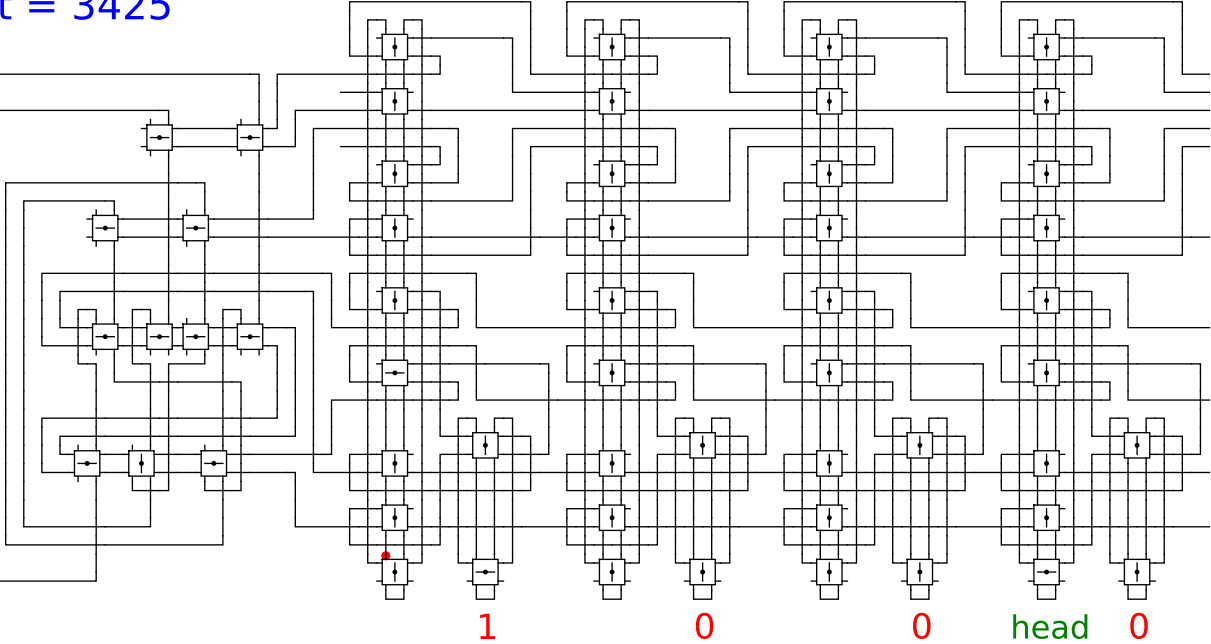
head

0

t = 3425

Reject
Accept

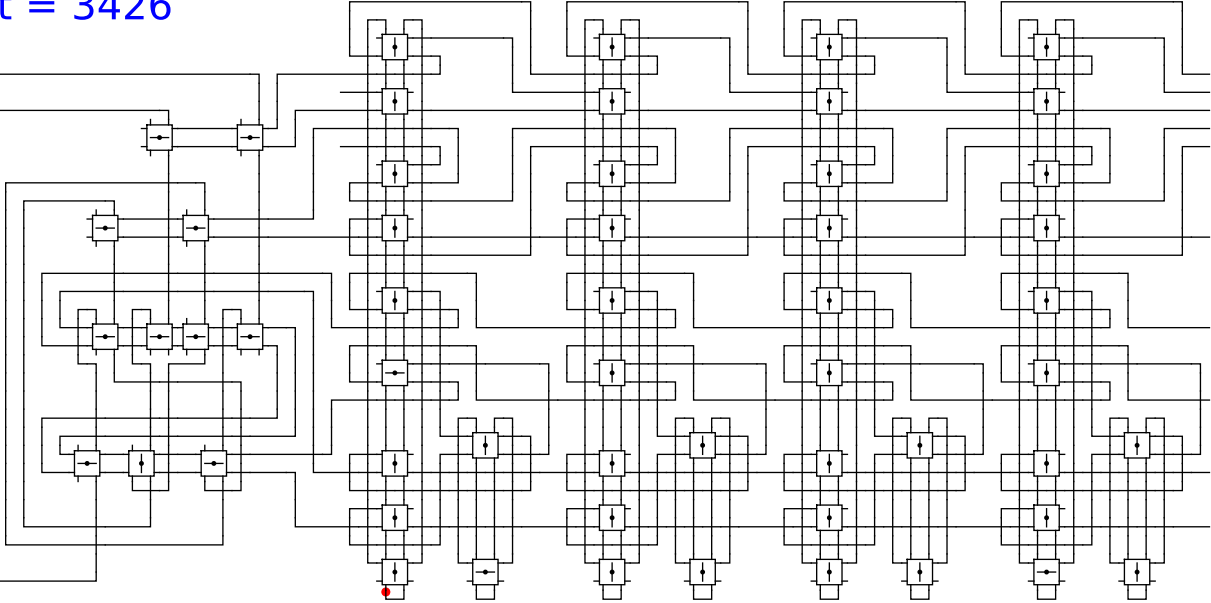
Begin



t = 3426

Reject
Accept

Begin

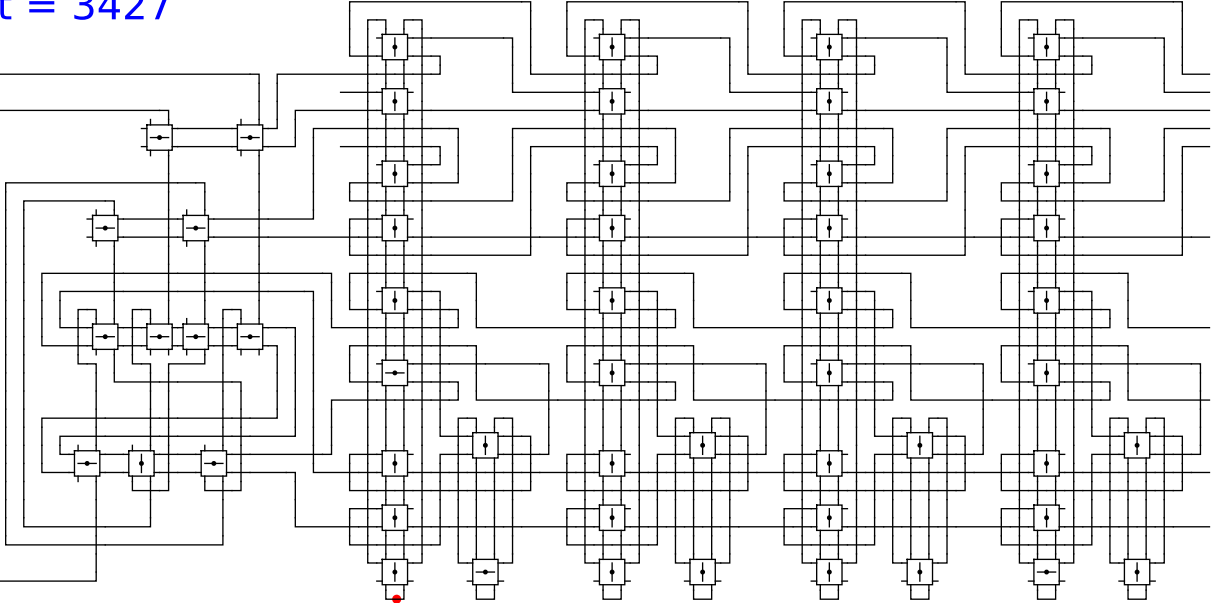


1 0 0 head 0

t = 3427

Reject
Accept

Begin



1

0

0

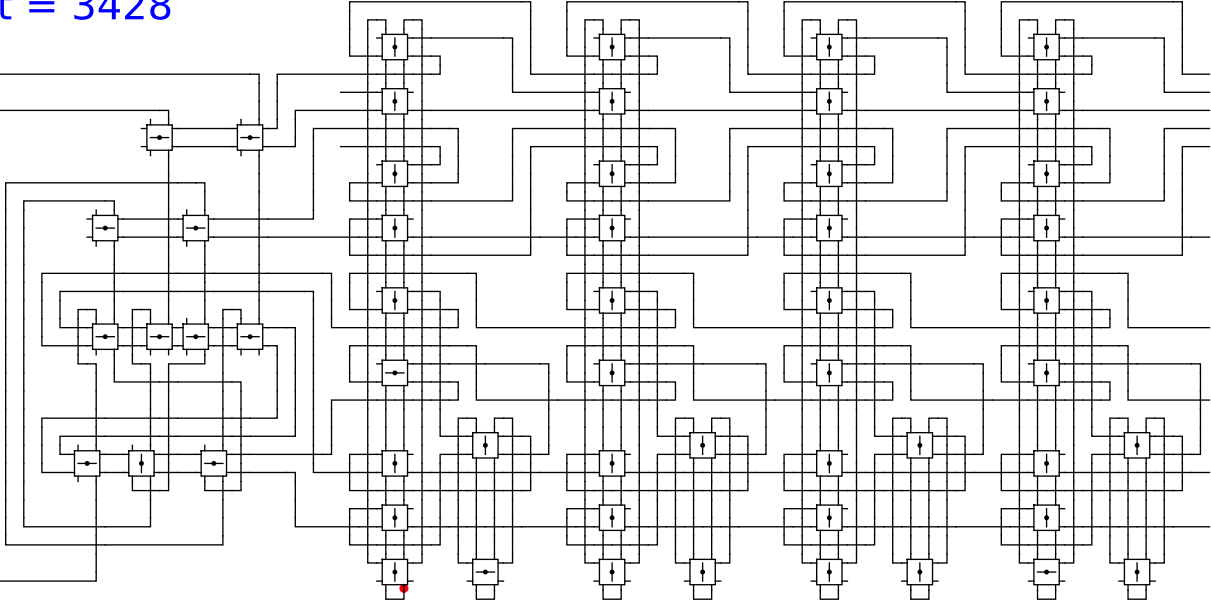
head

0

t = 3428

Reject
Accept

Begin



1

0

0

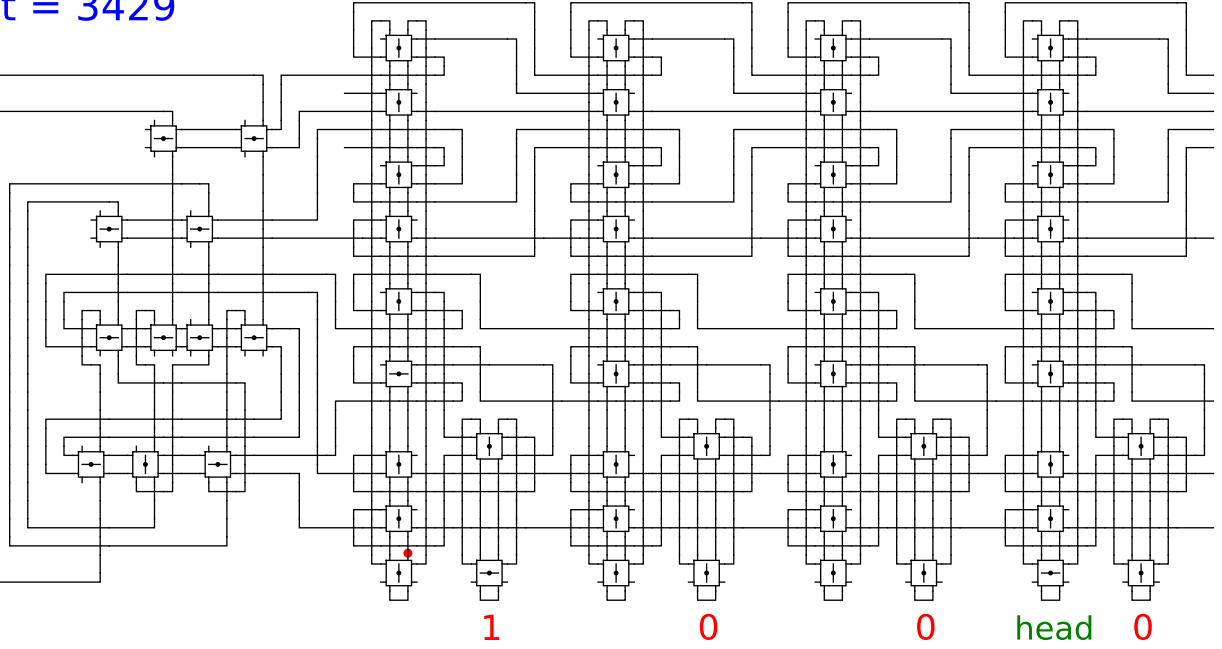
head

0

t = 3429

Reject
Accept

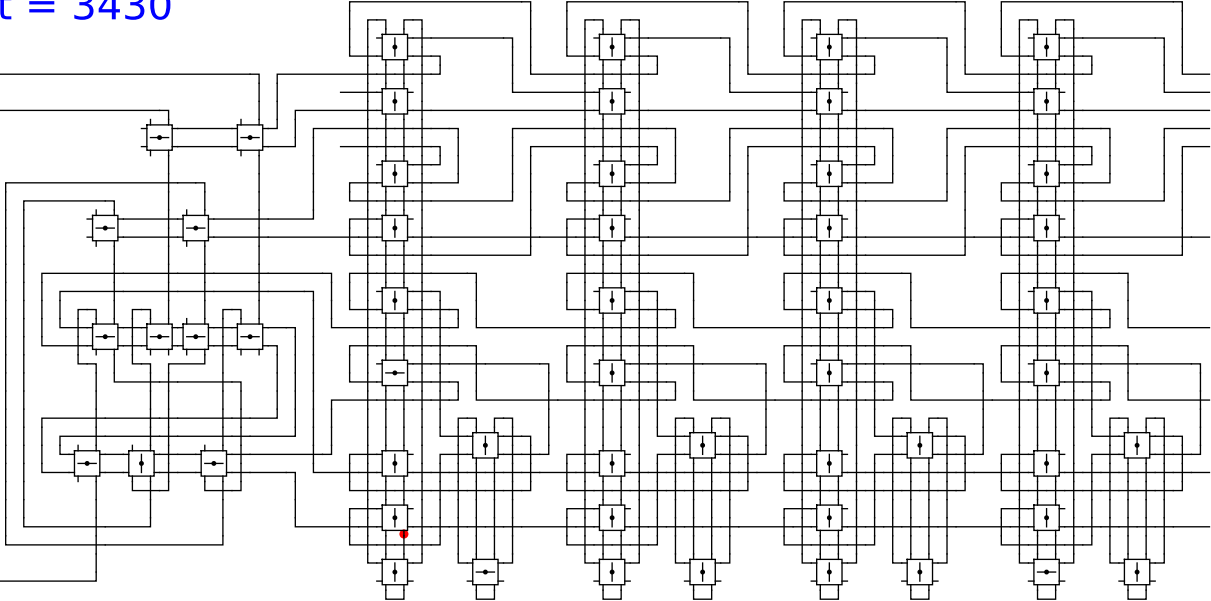
Begin



t = 3430

Reject
Accept

Begin



1

0

0

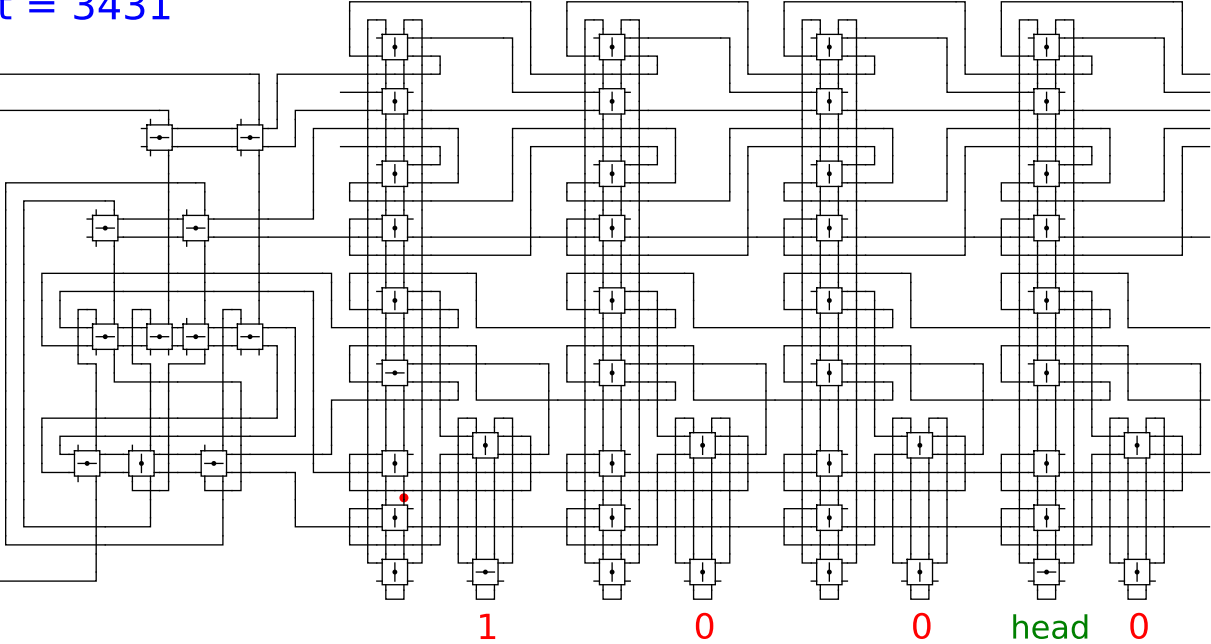
head

0

t = 3431

Reject
Accept

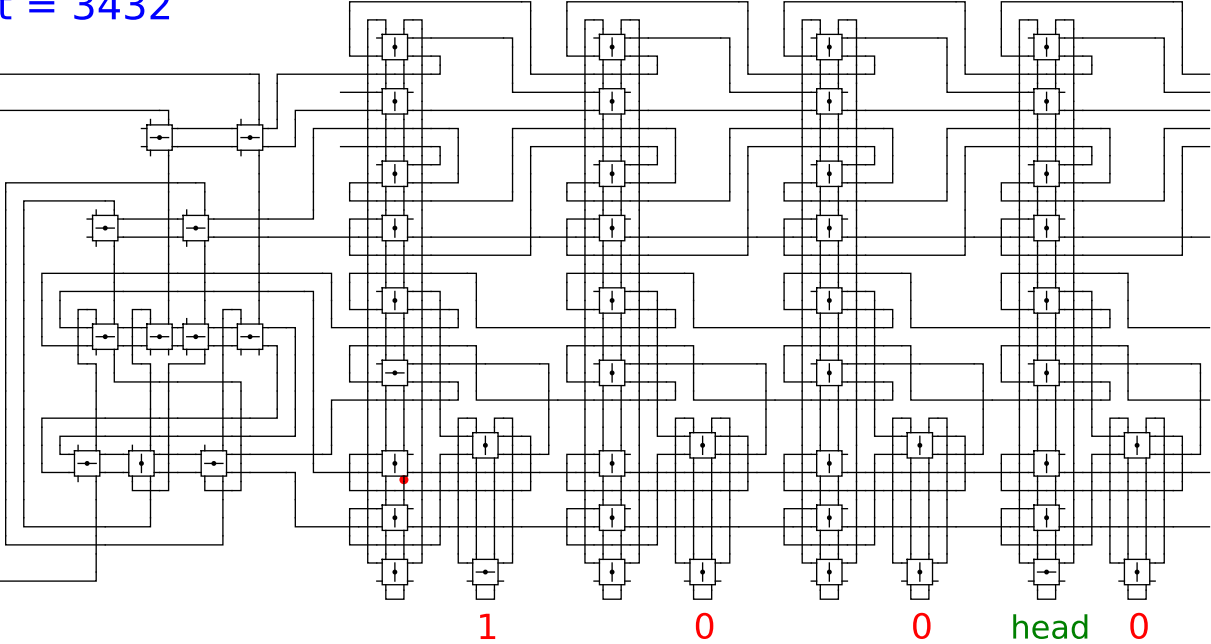
Begin



t = 3432

Reject
Accept

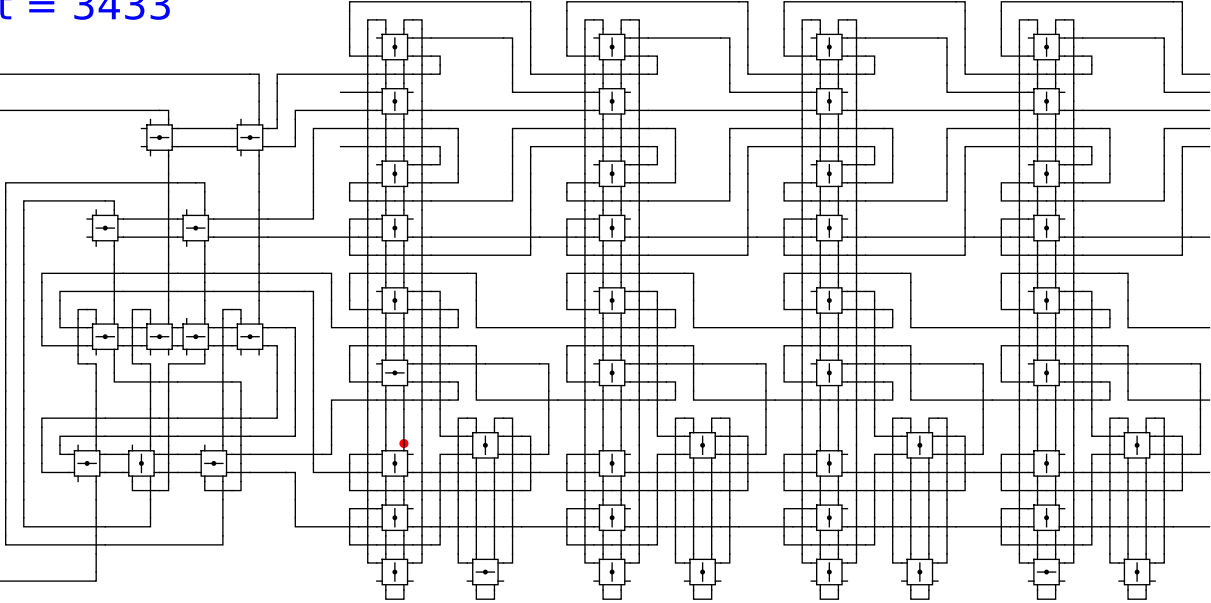
Begin



t = 3433

Reject
Accept

Begin

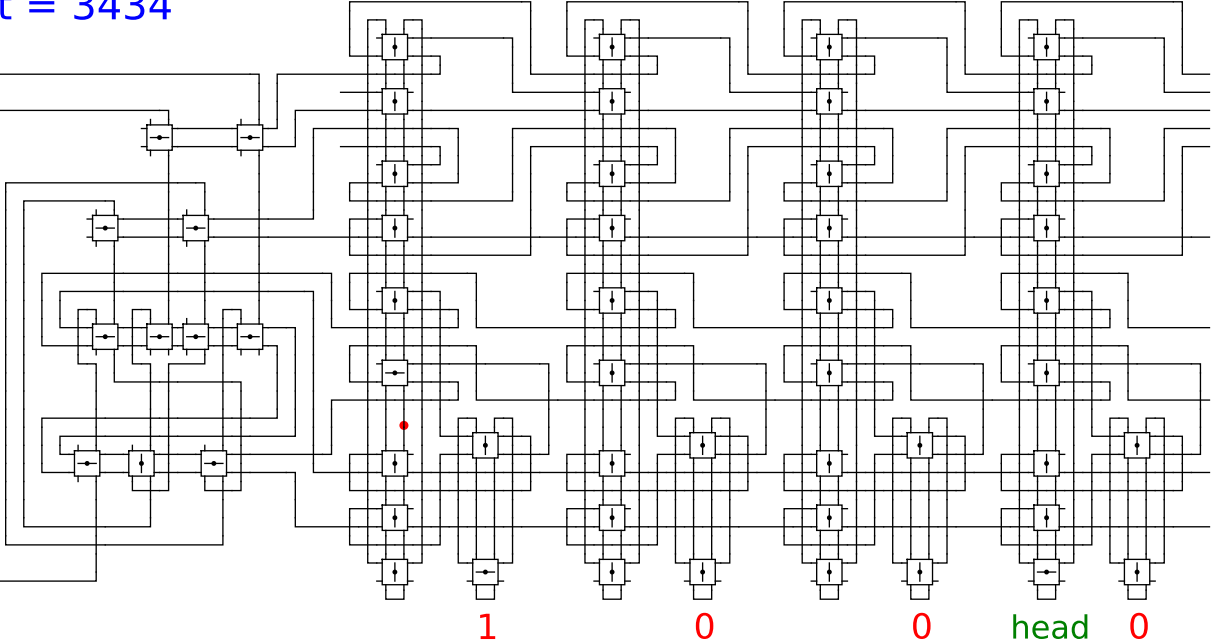


1 0 0 head 0

t = 3434

Reject
Accept

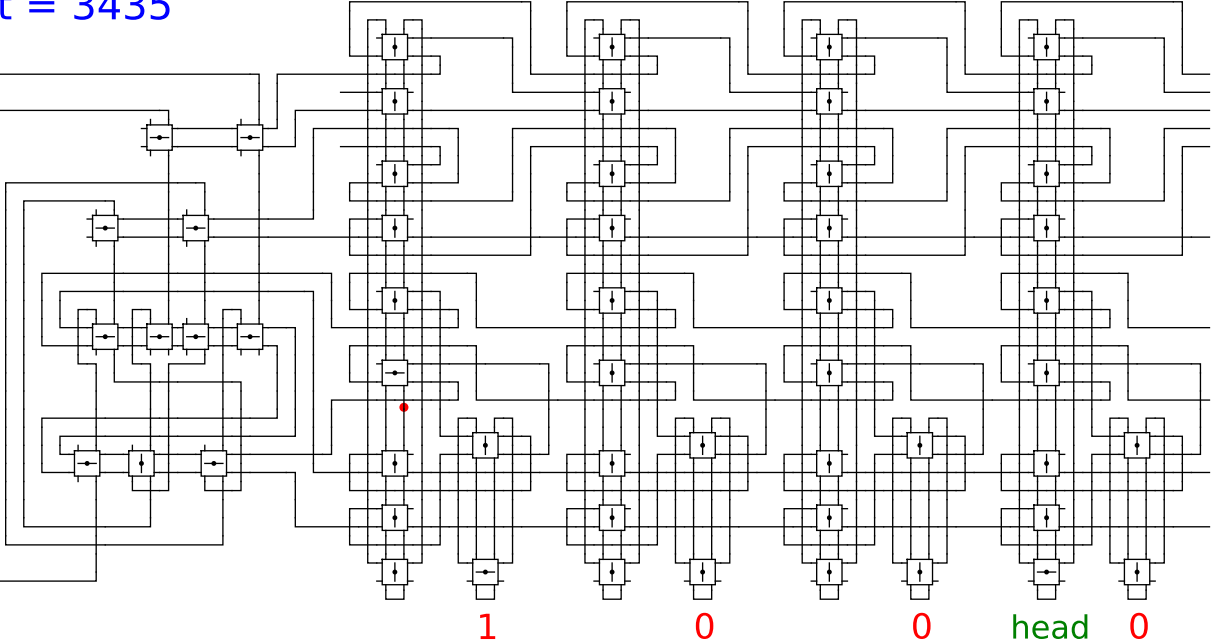
Begin



t = 3435

Reject
Accept

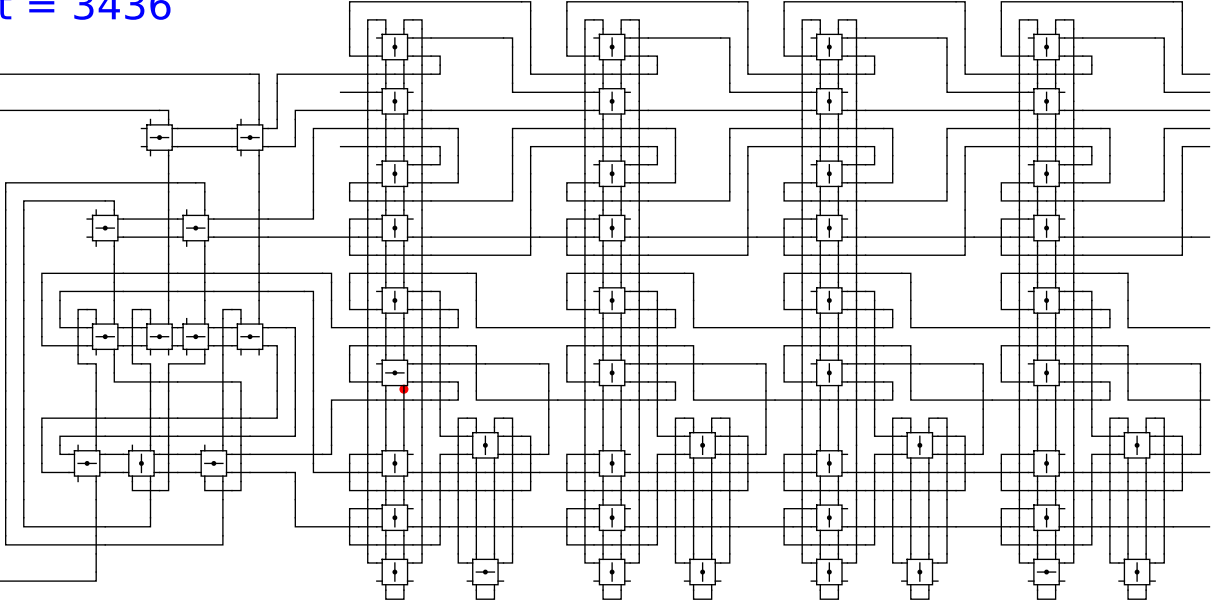
Begin



t = 3436

Reject
Accept

Begin

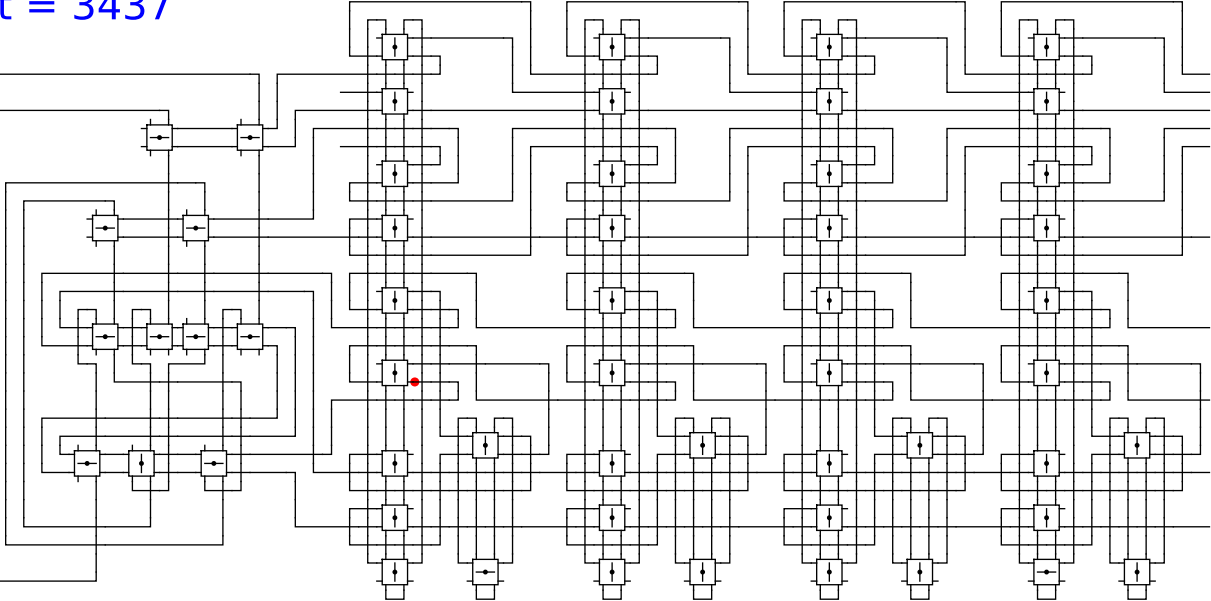


1 0 0 head 0

t = 3437

Reject
Accept

Begin



1

0

0

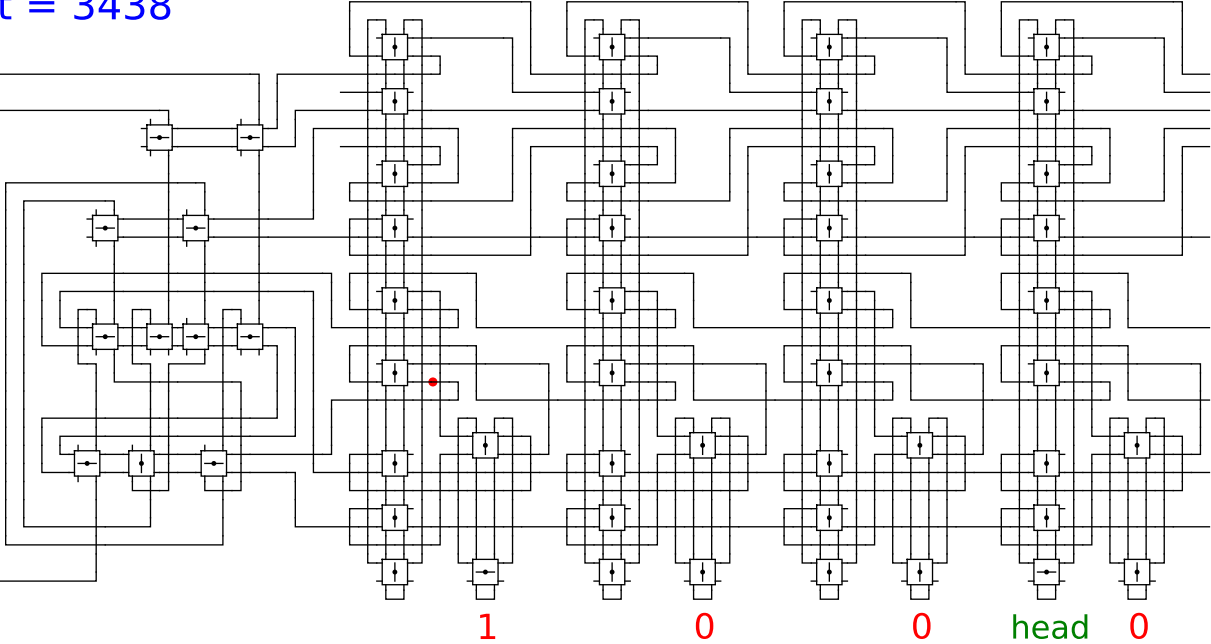
head

0

t = 3438

Reject
Accept

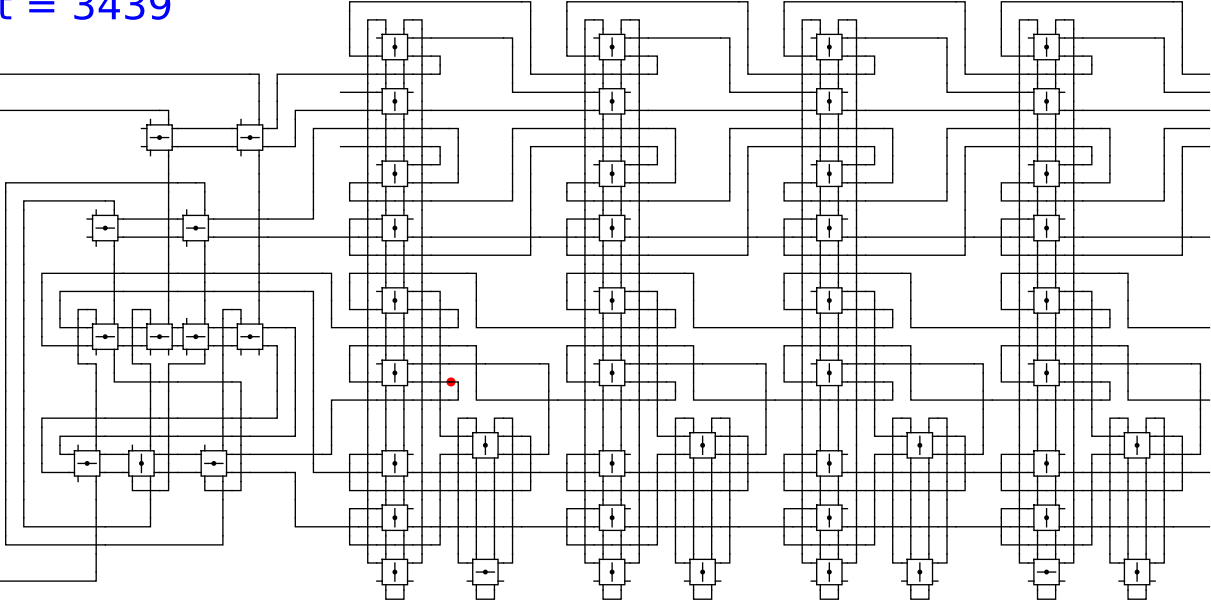
Begin



t = 3439

Reject
Accept

Begin



1

0

0

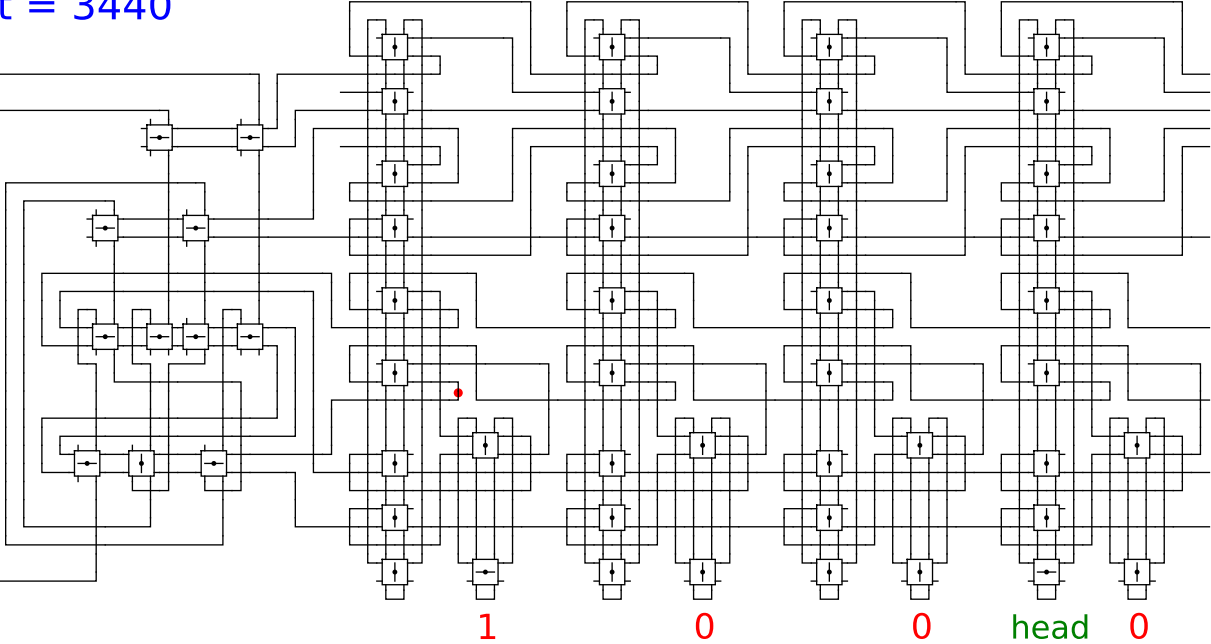
head

0

t = 3440

Reject
Accept

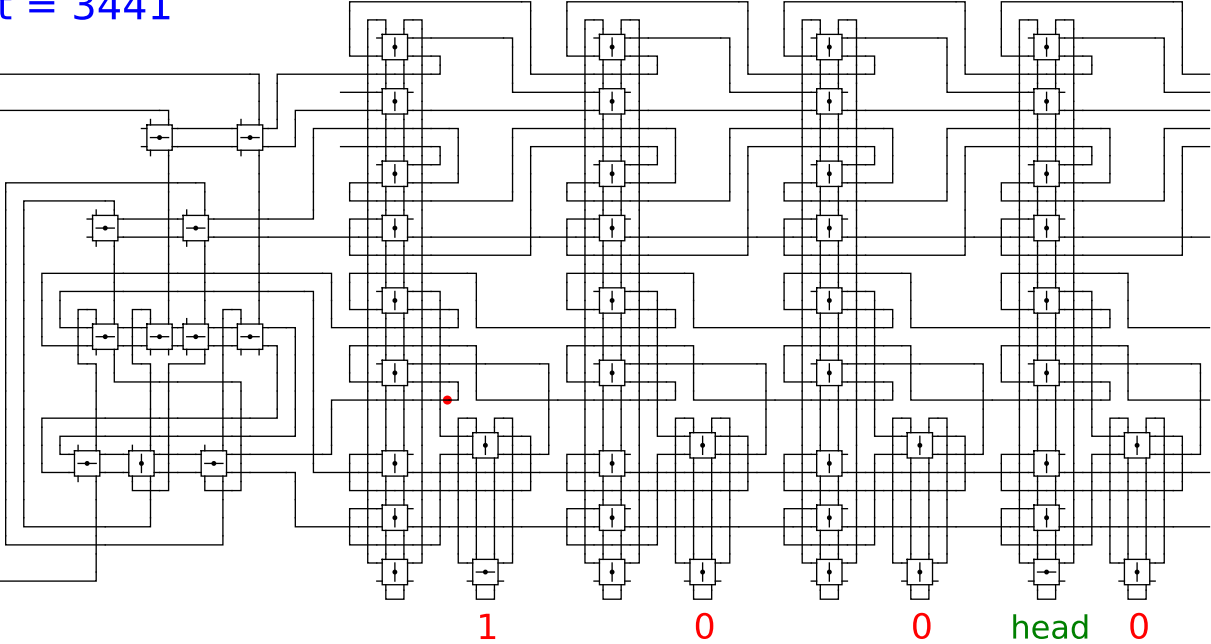
Begin



t = 3441

Reject
Accept

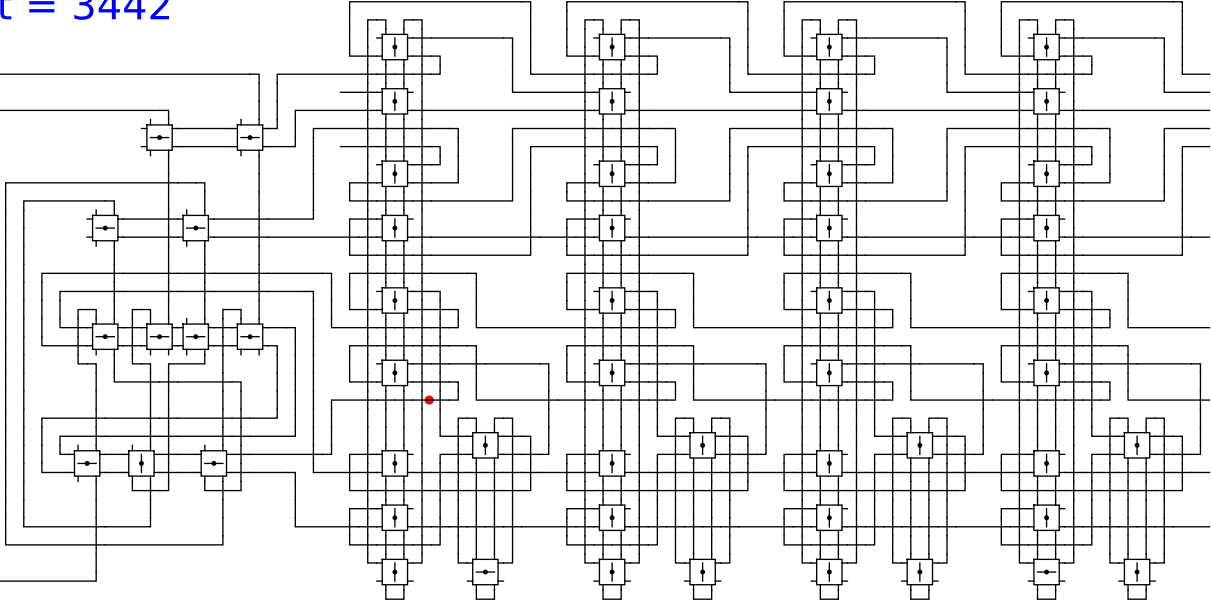
Begin



t = 3442

Reject
Accept

Begin

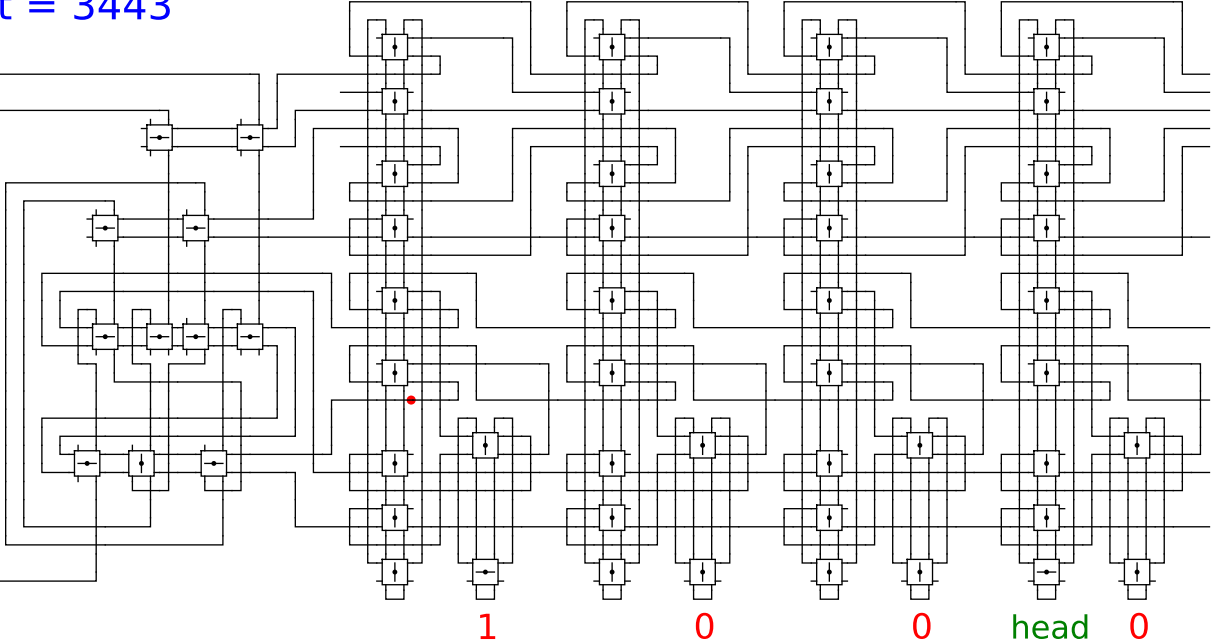


1 0 0 head 0

t = 3443

Reject
Accept

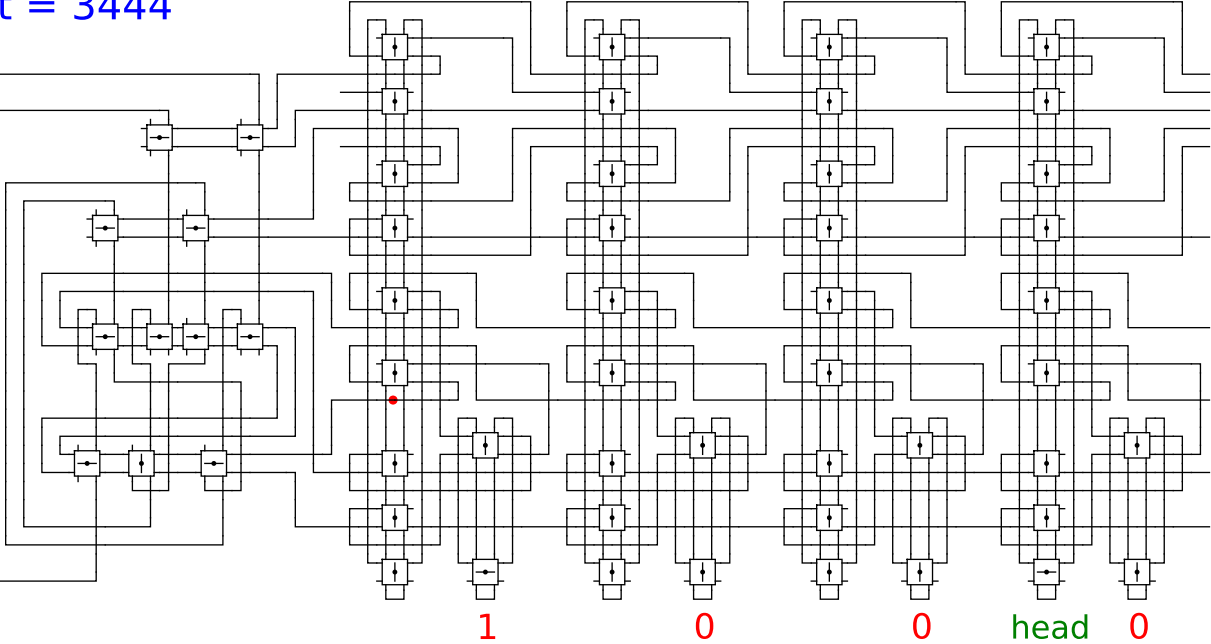
Begin



t = 3444

Reject
Accept

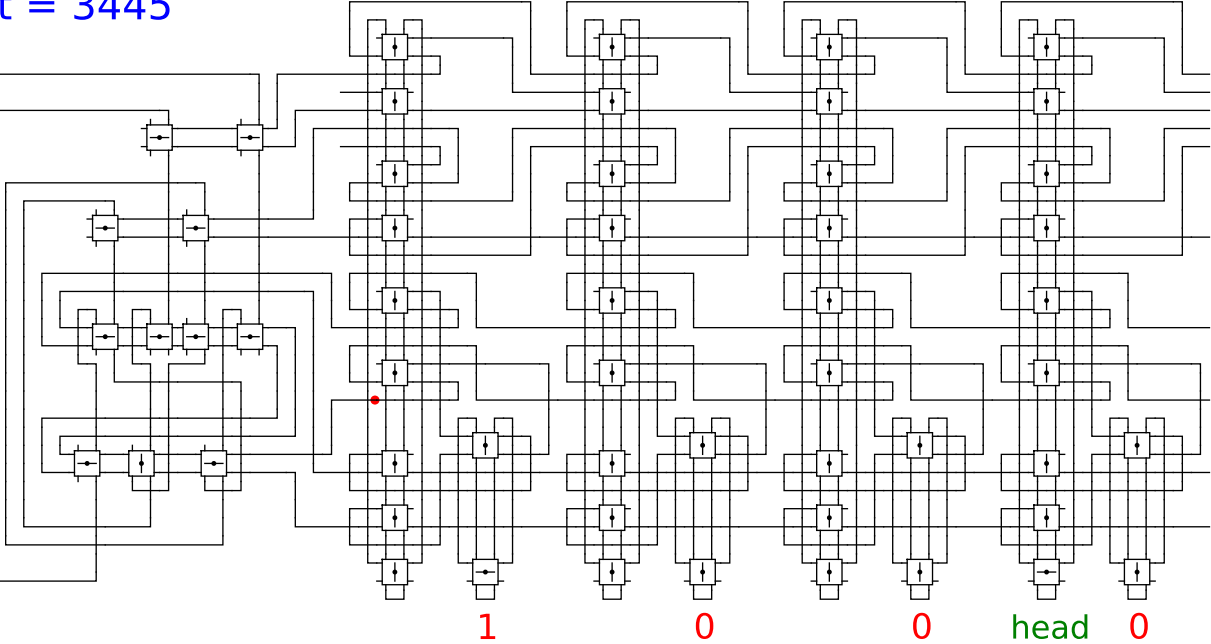
Begin



t = 3445

Reject
Accept

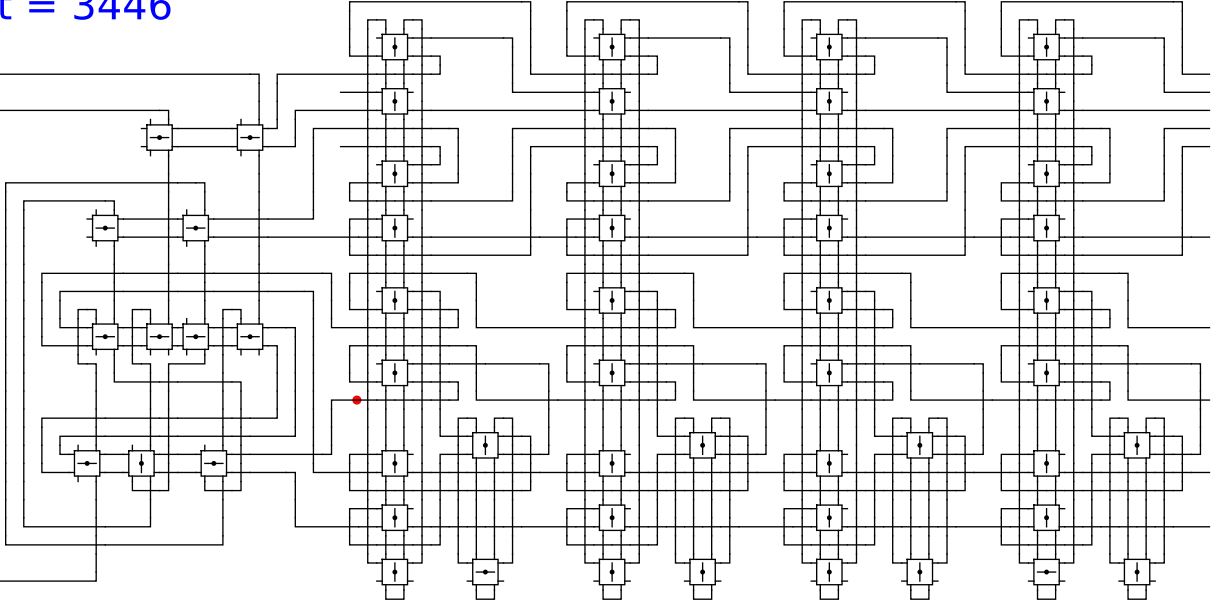
Begin



t = 3446

Reject
Accept

Begin



1

0

0

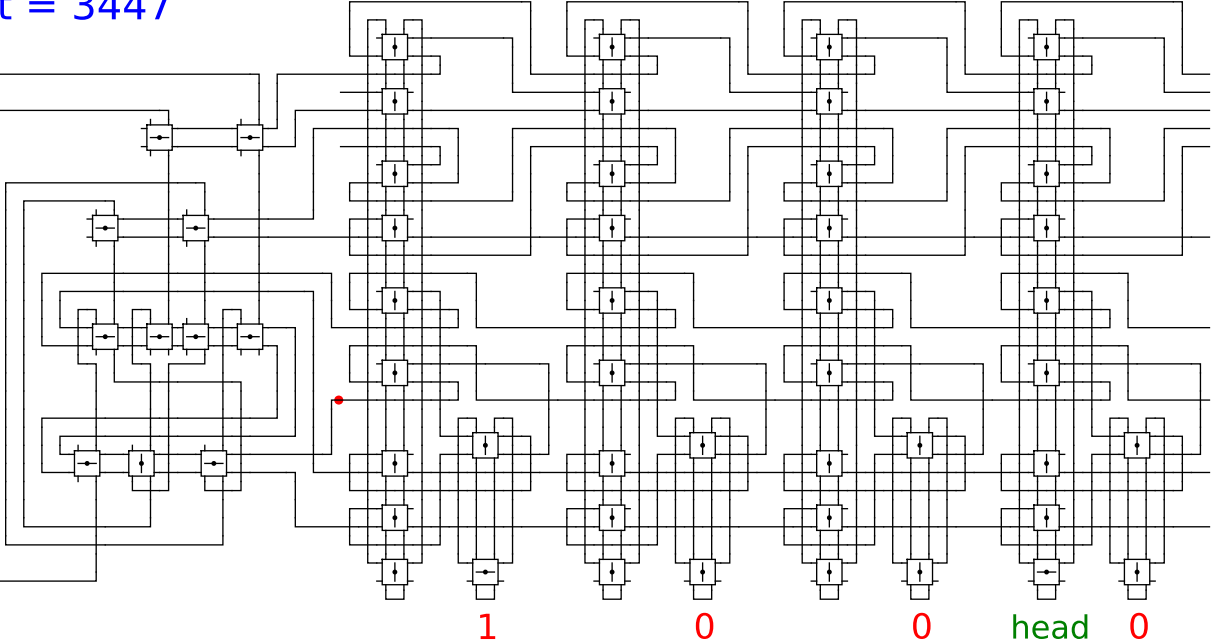
head

0

t = 3447

Reject
Accept

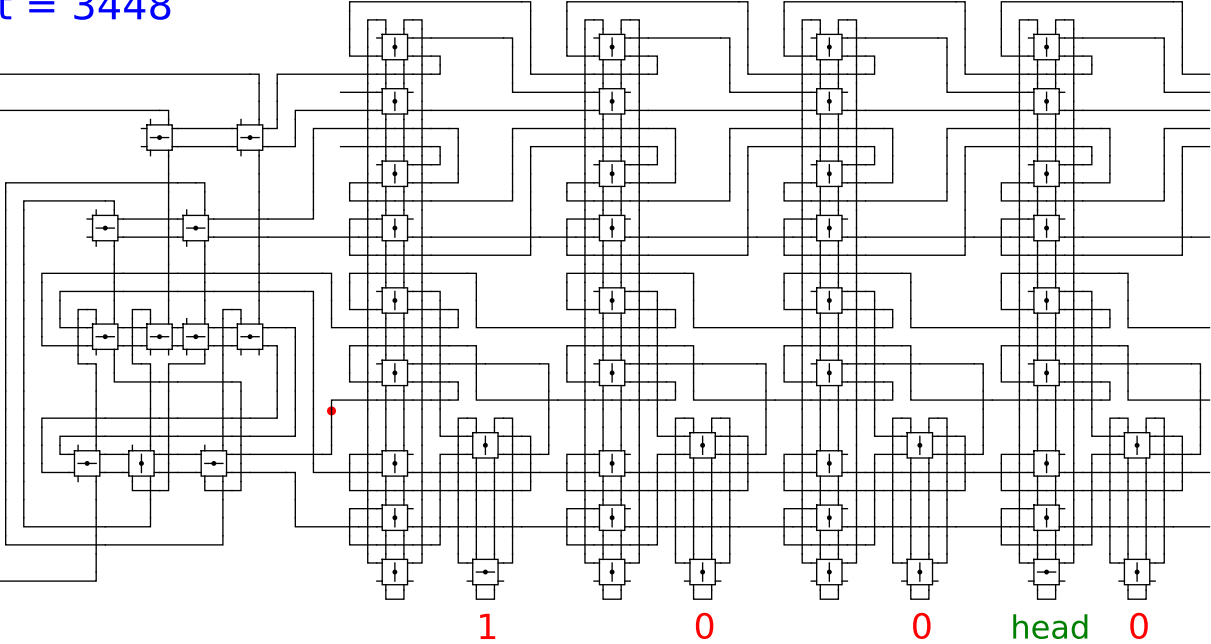
Begin



t = 3448

Reject
Accept

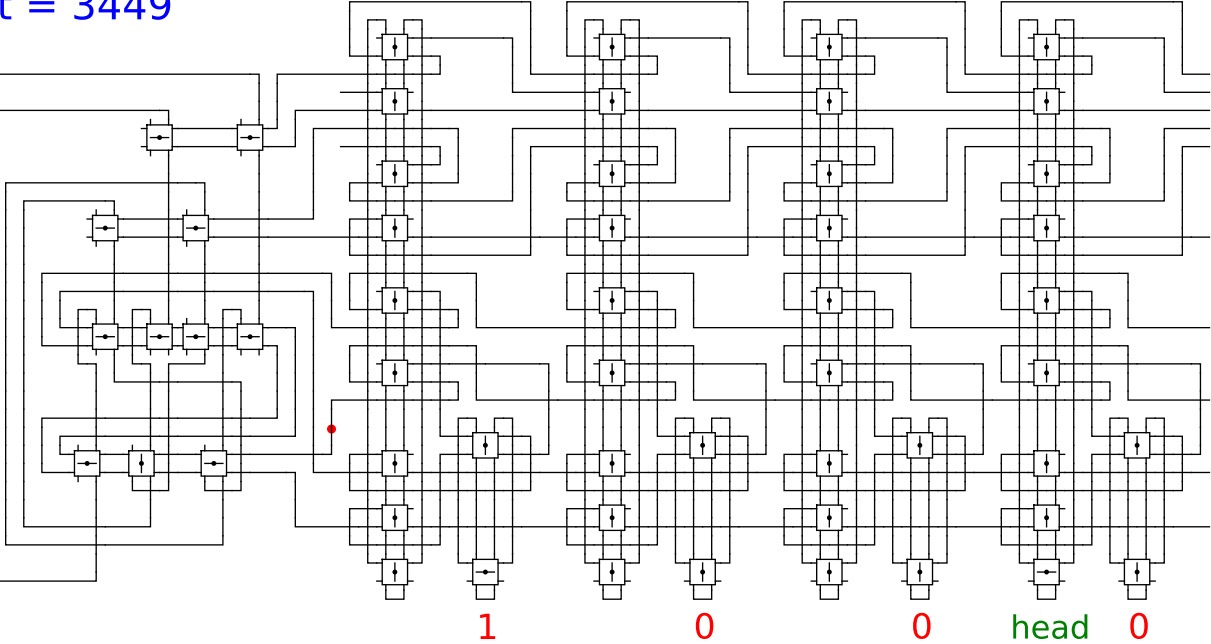
Begin



t = 3449

Reject
Accept

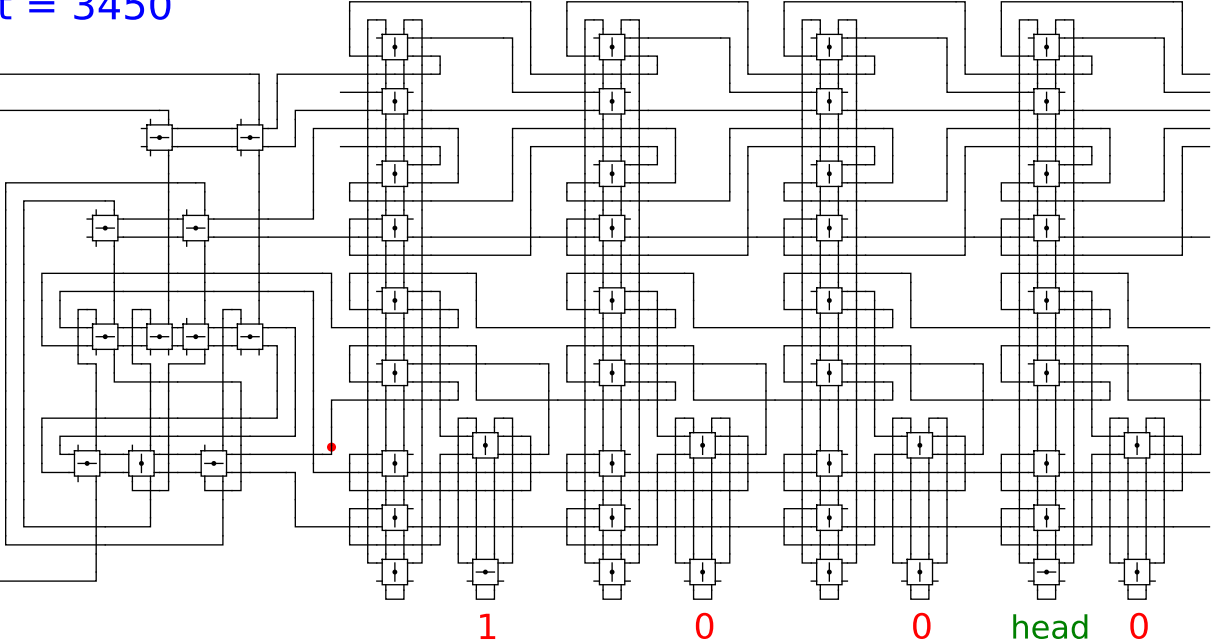
Begin



t = 3450

Reject
Accept

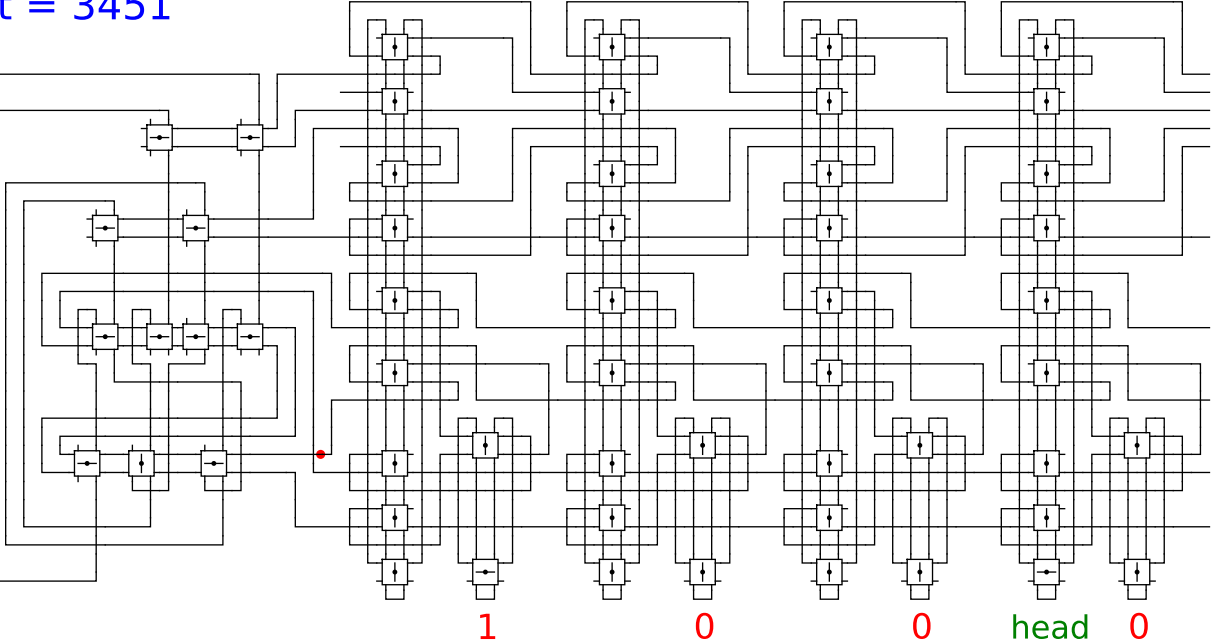
Begin



t = 3451

Reject
Accept

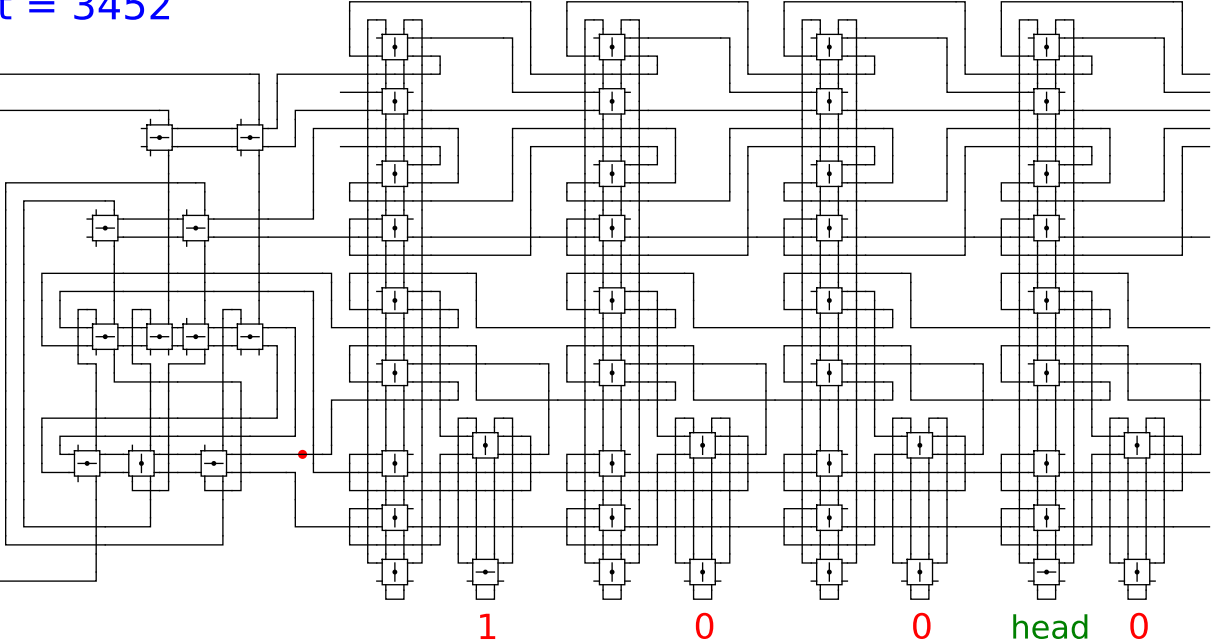
Begin



t = 3452

Reject
Accept

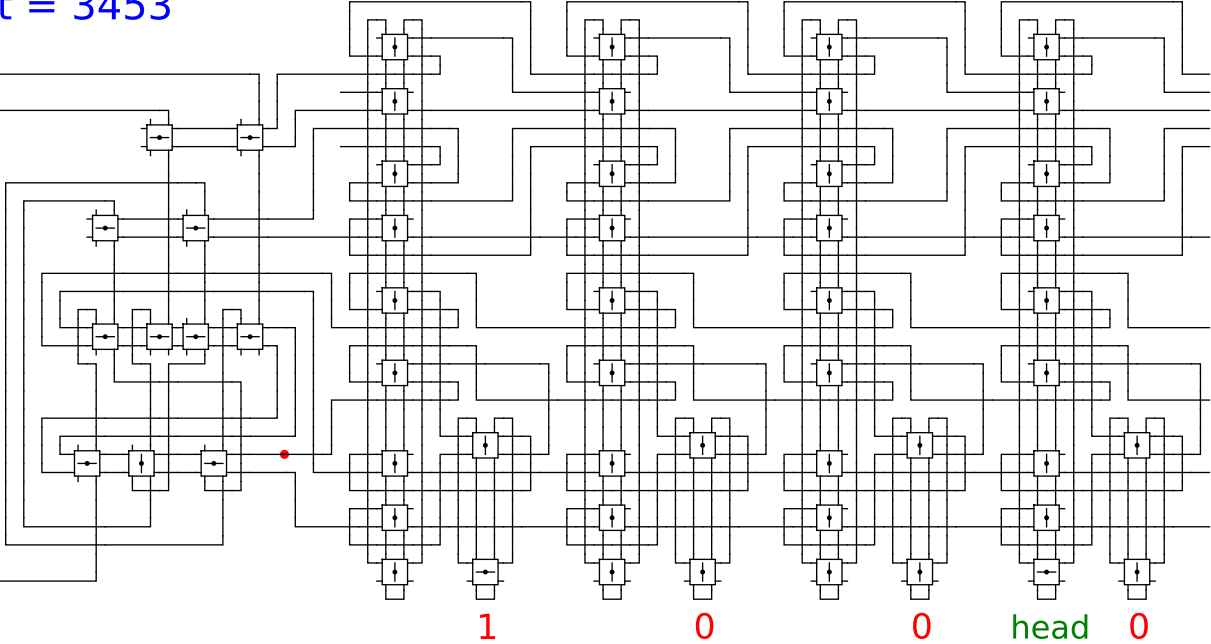
Begin



t = 3453

Reject
Accept

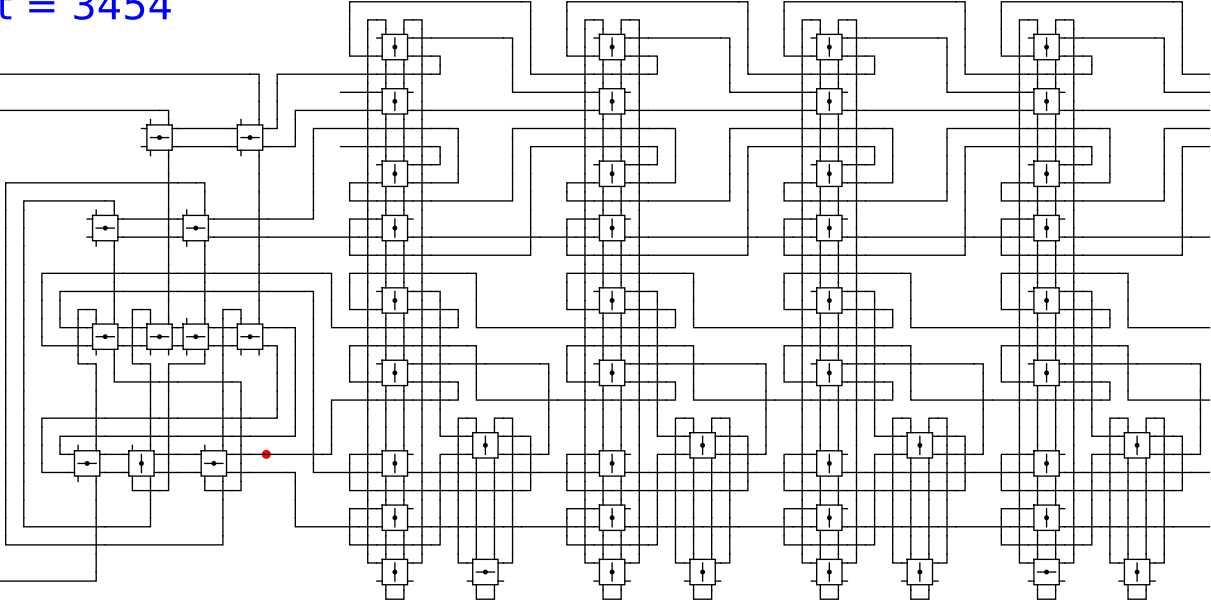
Begin



t = 3454

Reject
Accept

Begin

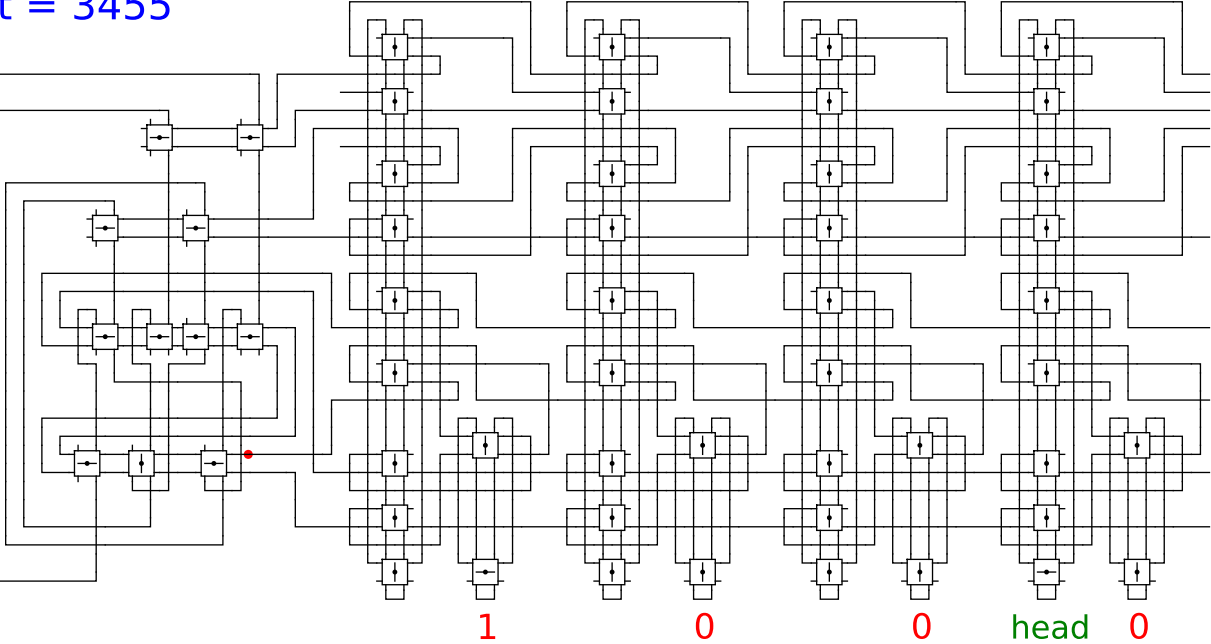


1 0 0 head 0

t = 3455

Reject
Accept

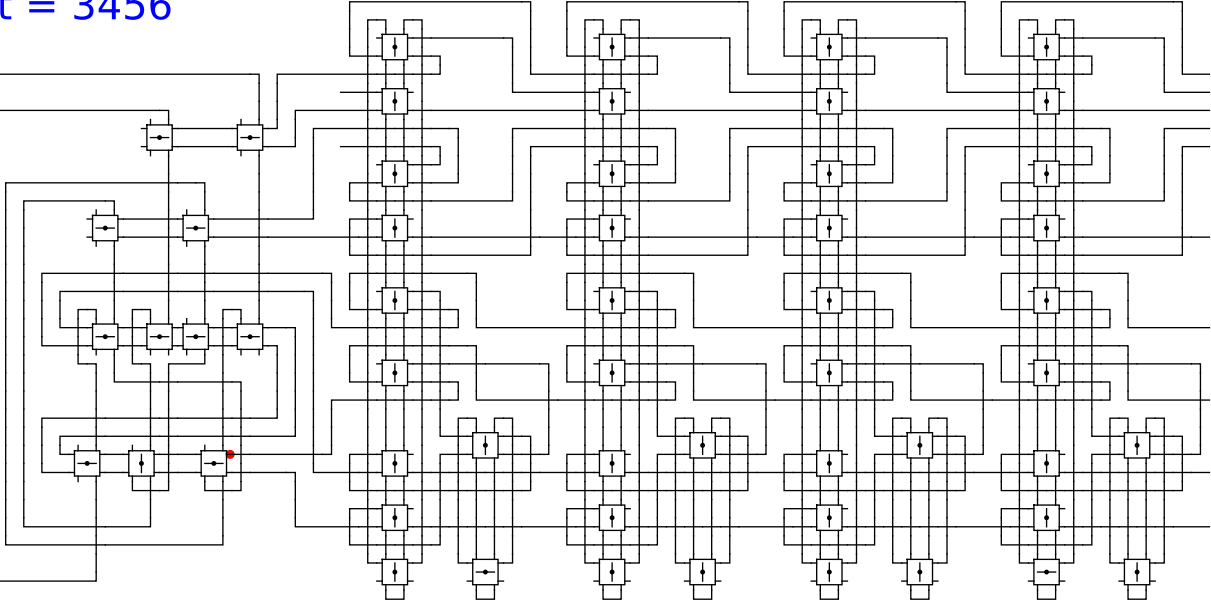
Begin



t = 3456

Reject
Accept

Begin

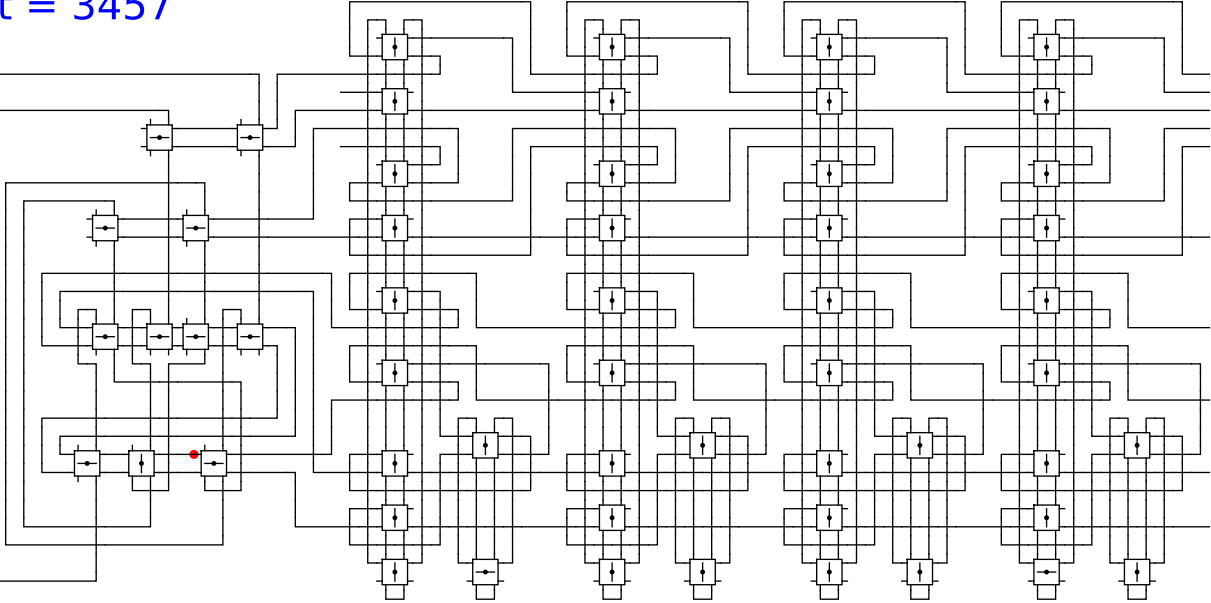


1 0 0 head 0

t = 3457

Reject
Accept

Begin



1

0

0

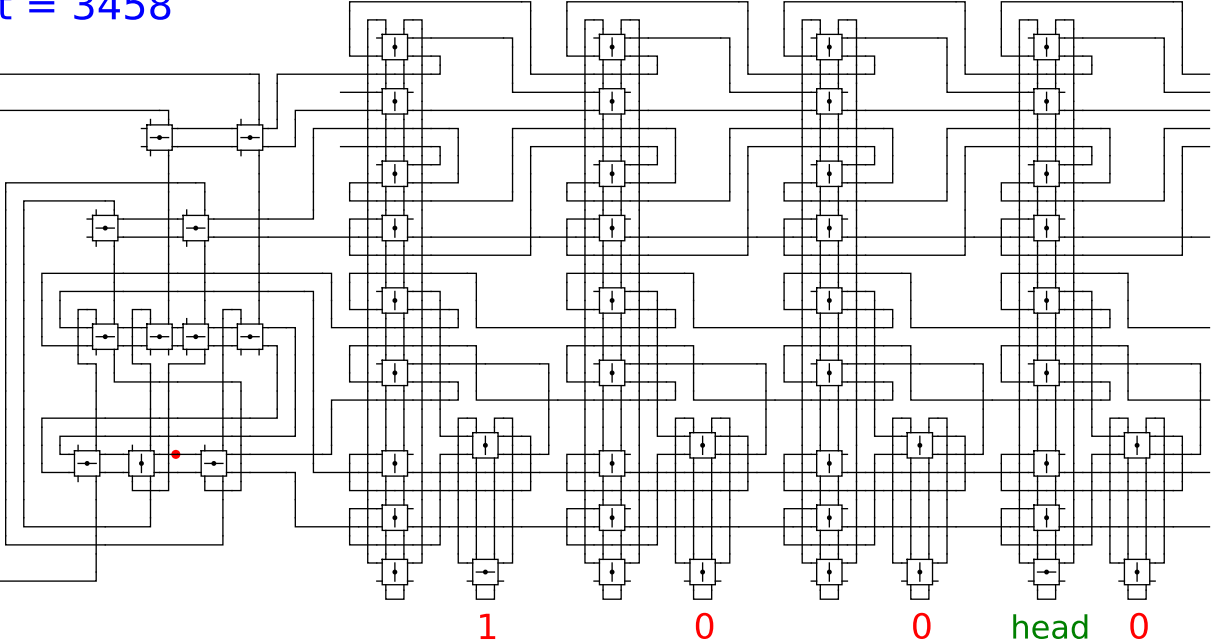
head

0

t = 3458

Reject
Accept

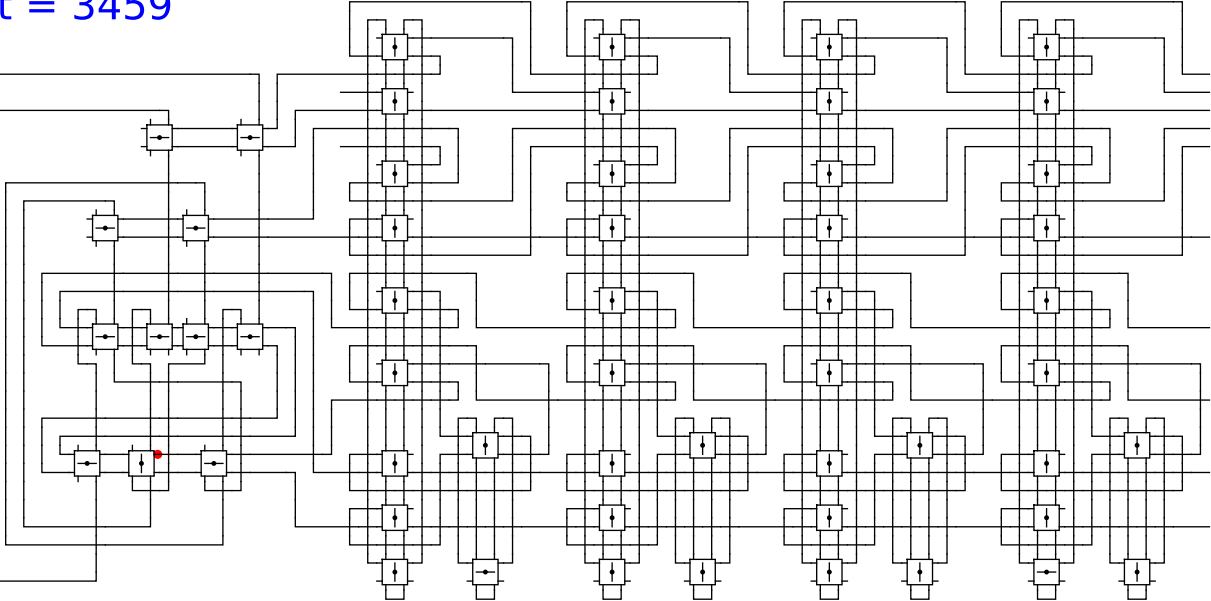
Begin



t = 3459

Reject
Accept

Begin



1

0

0

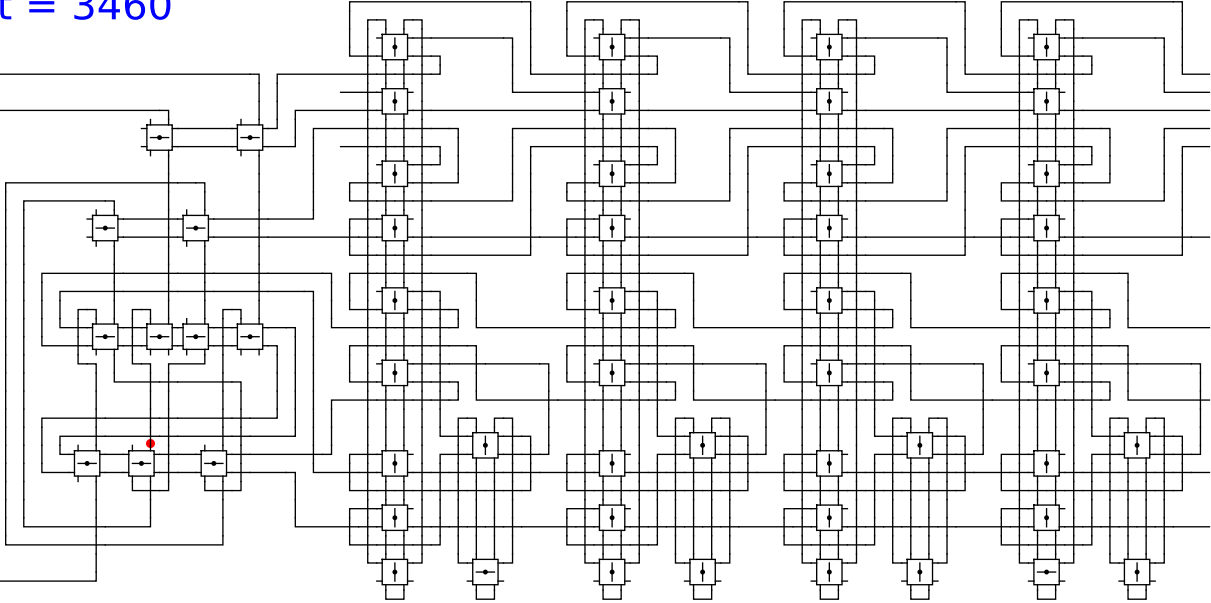
head

0

t = 3460

Reject
Accept

Begin



1

0

0

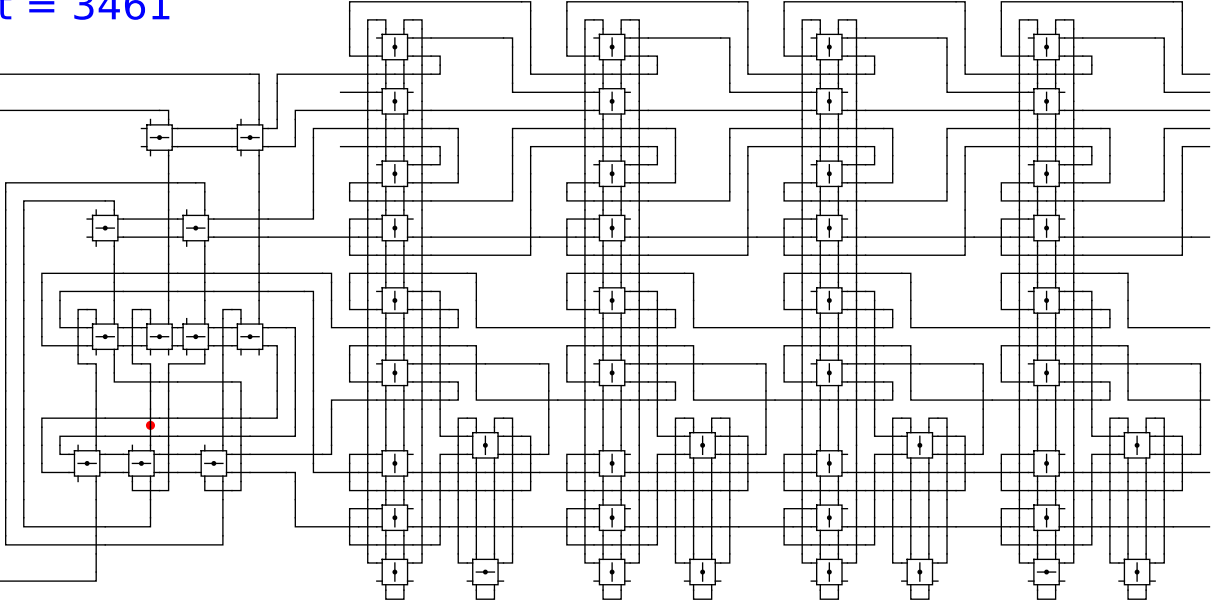
head

0

t = 3461

Reject
Accept

Begin



1

0

0

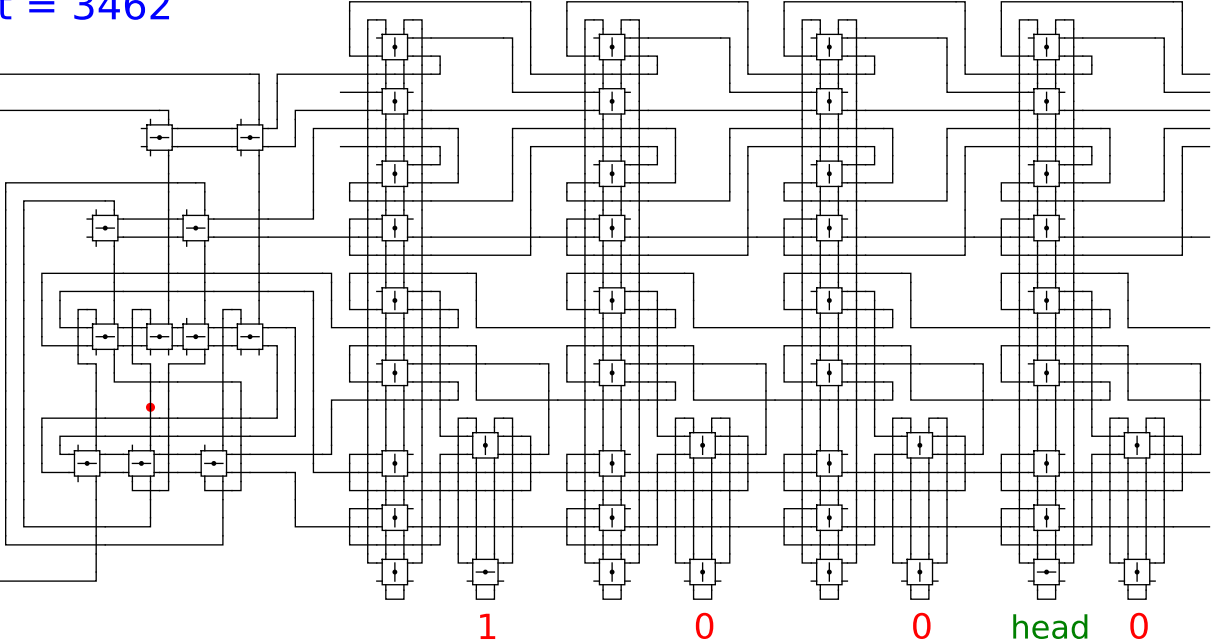
head

0

t = 3462

Reject
Accept

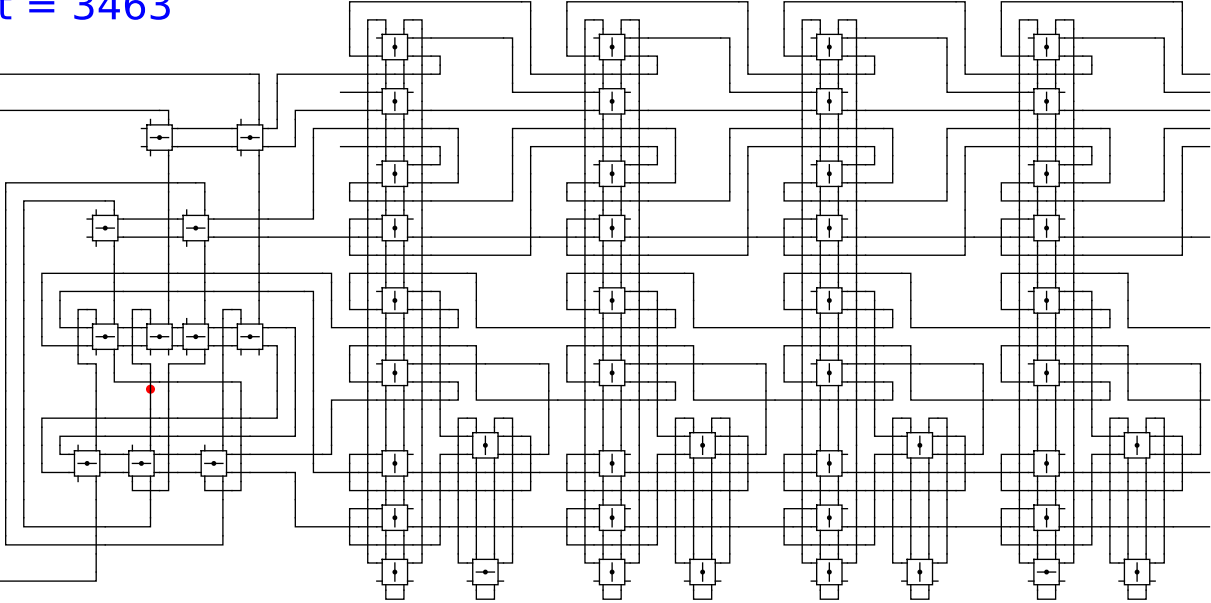
Begin



t = 3463

Reject
Accept

Begin

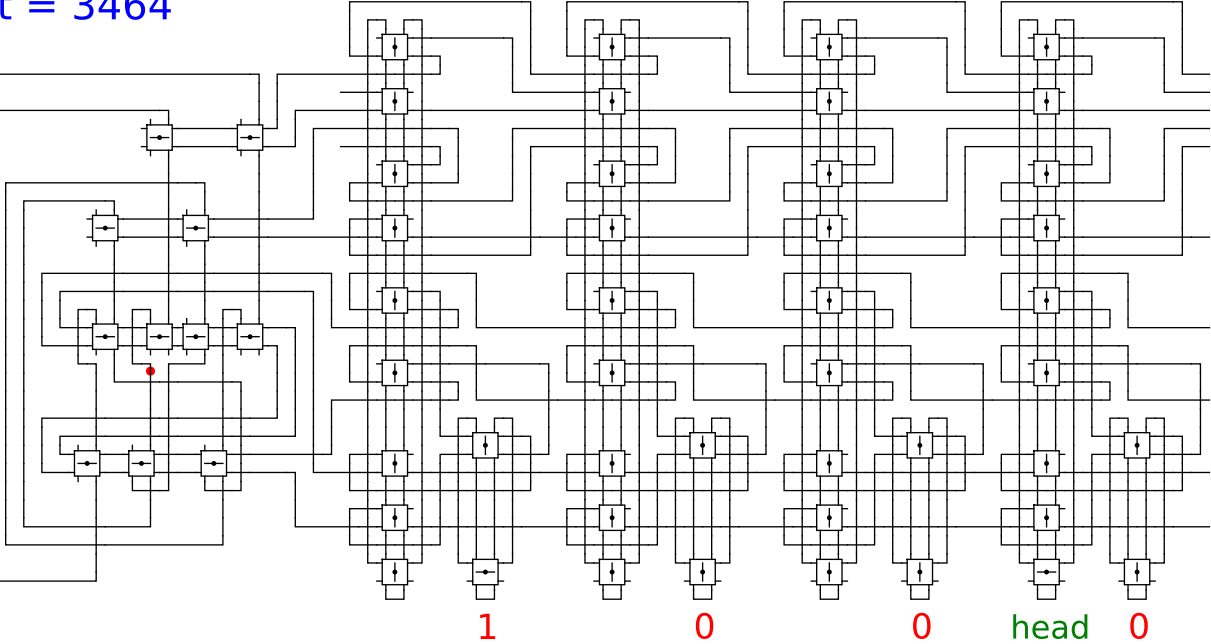


1 0 0 head 0

t = 3464

Reject
Accept

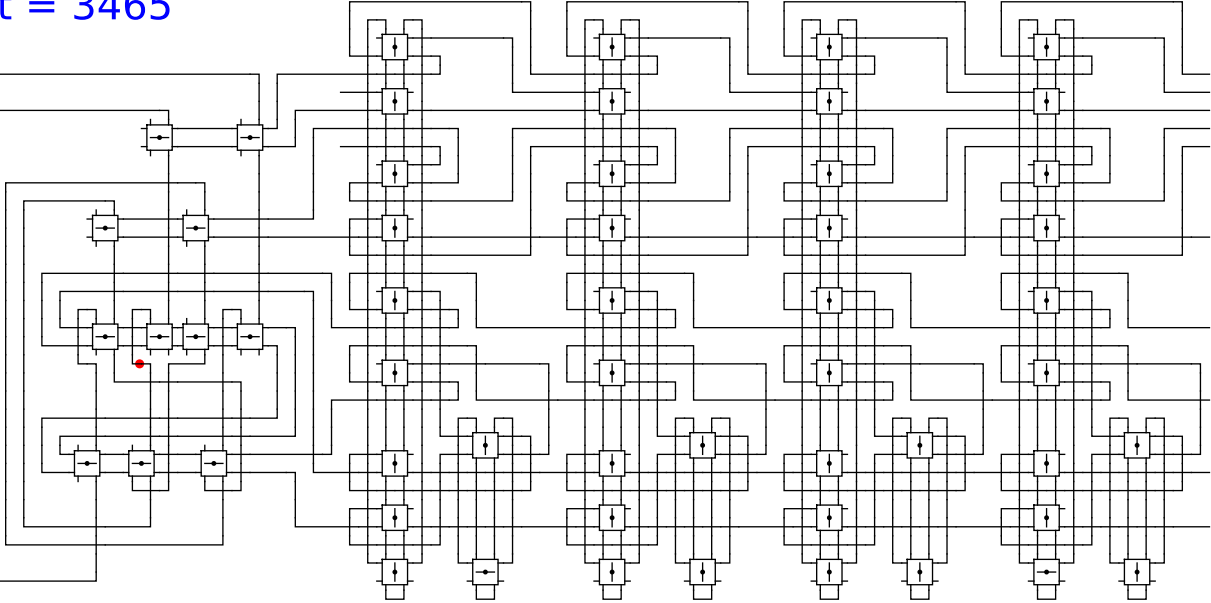
Begin



t = 3465

Reject
Accept

Begin



1

0

0

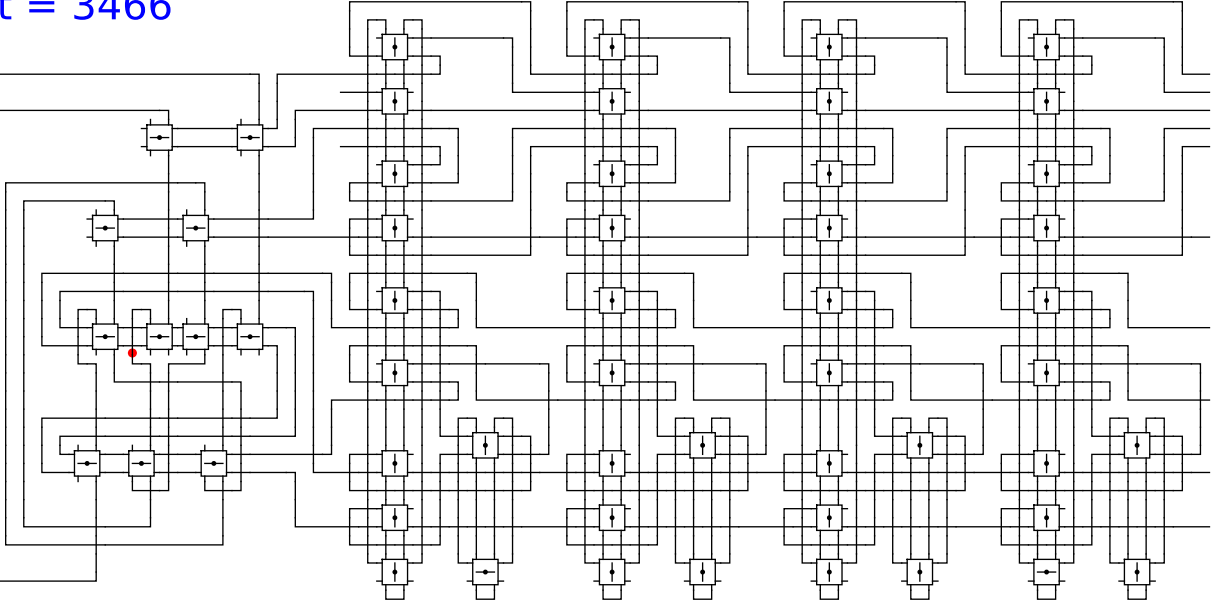
head

0

t = 3466

Reject
Accept

Begin

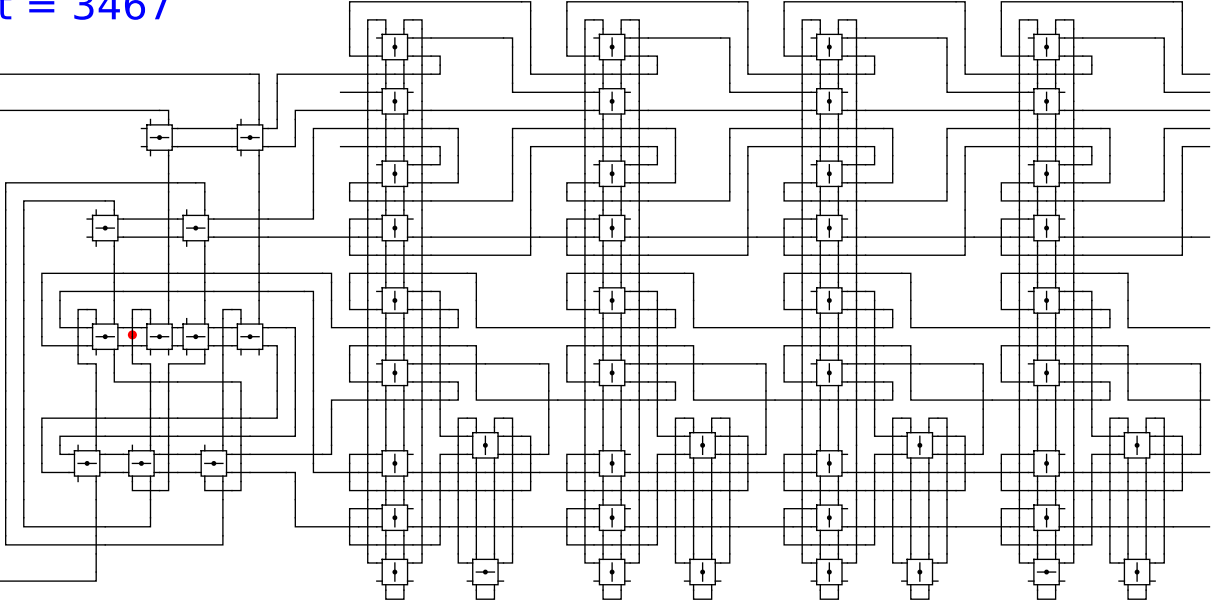


1 0 0 head 0

t = 3467

Reject
Accept

Begin



1

0

0

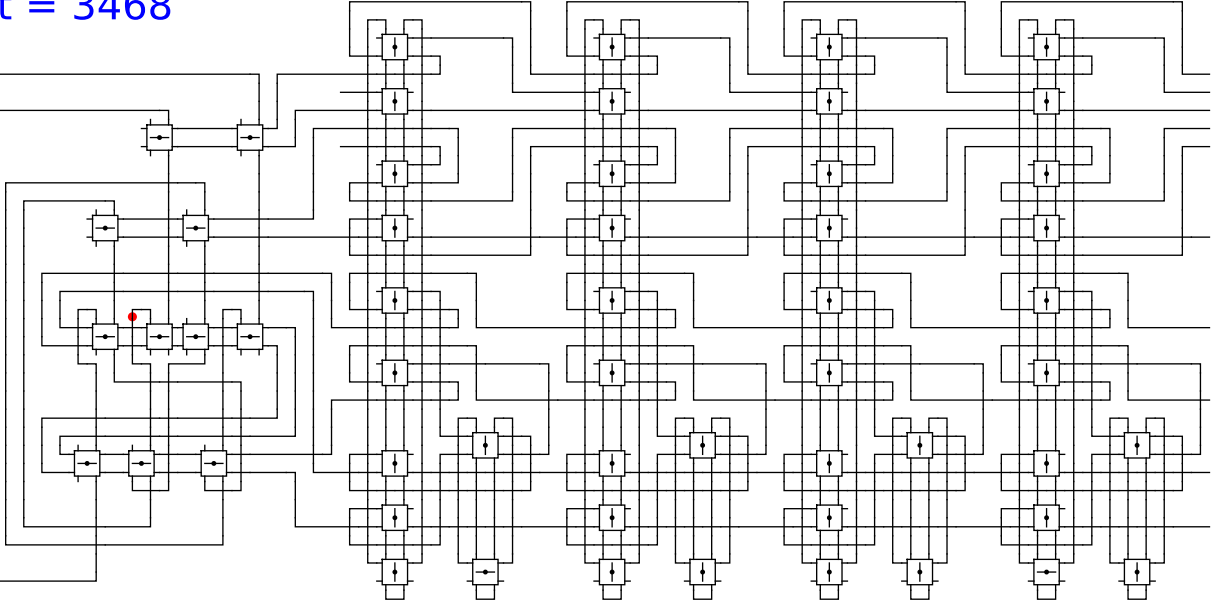
head

0

t = 3468

Reject
Accept

Begin

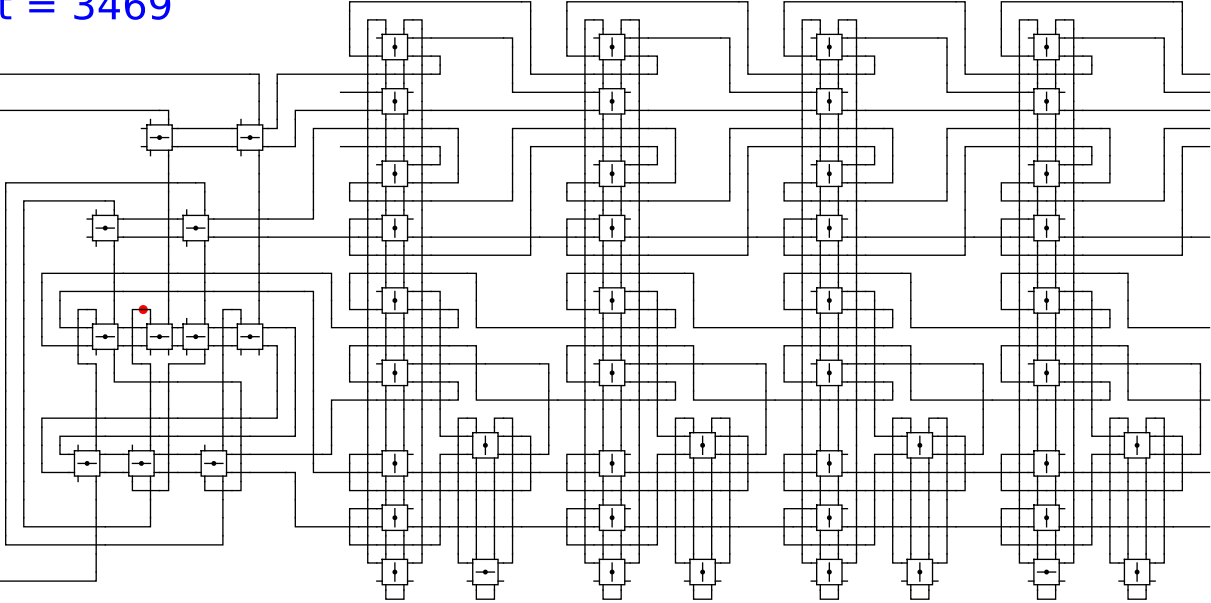


1 0 0 head 0

t = 3469

Reject
Accept

Begin

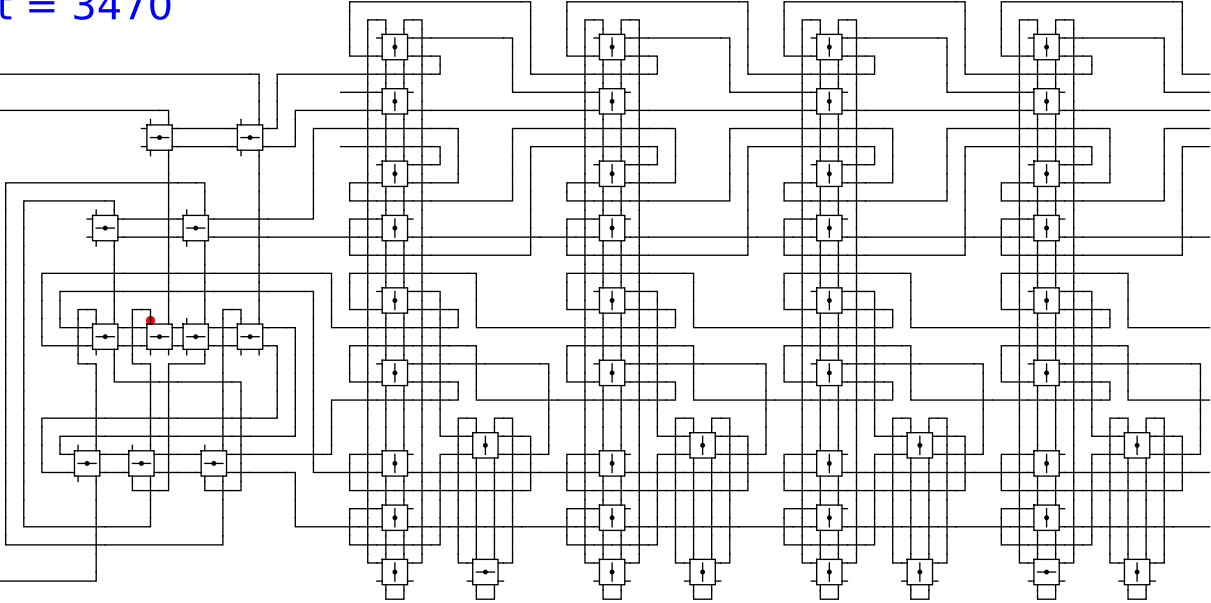


1 0 0 head 0

t = 3470

Reject
Accept

Begin



1

0

0

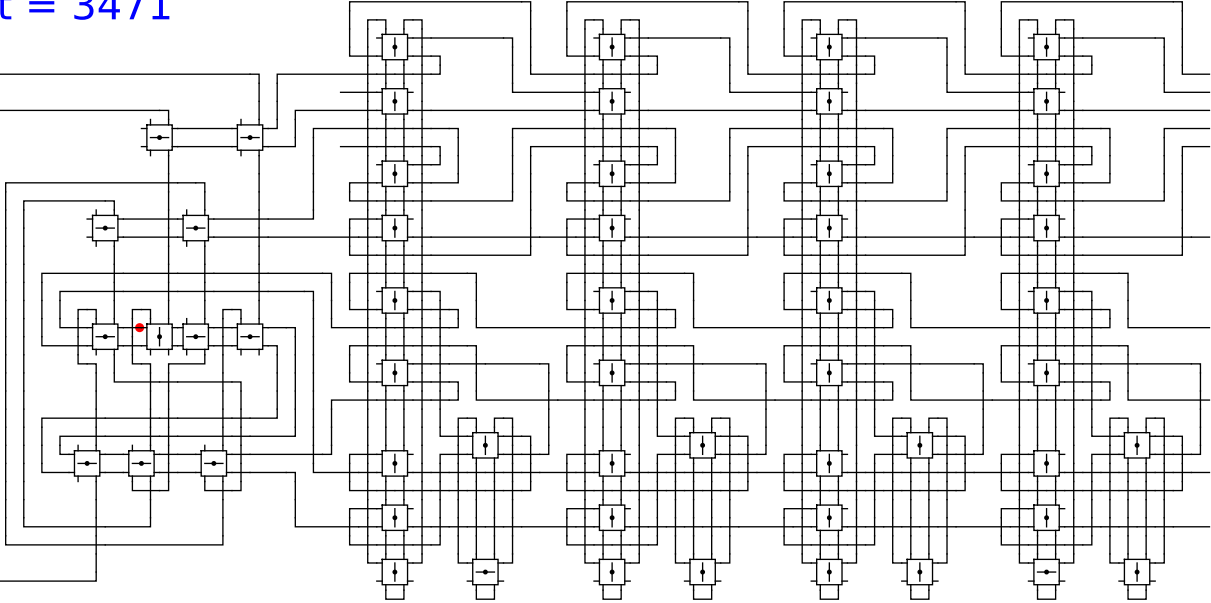
head

0

t = 3471

Reject
Accept

Begin

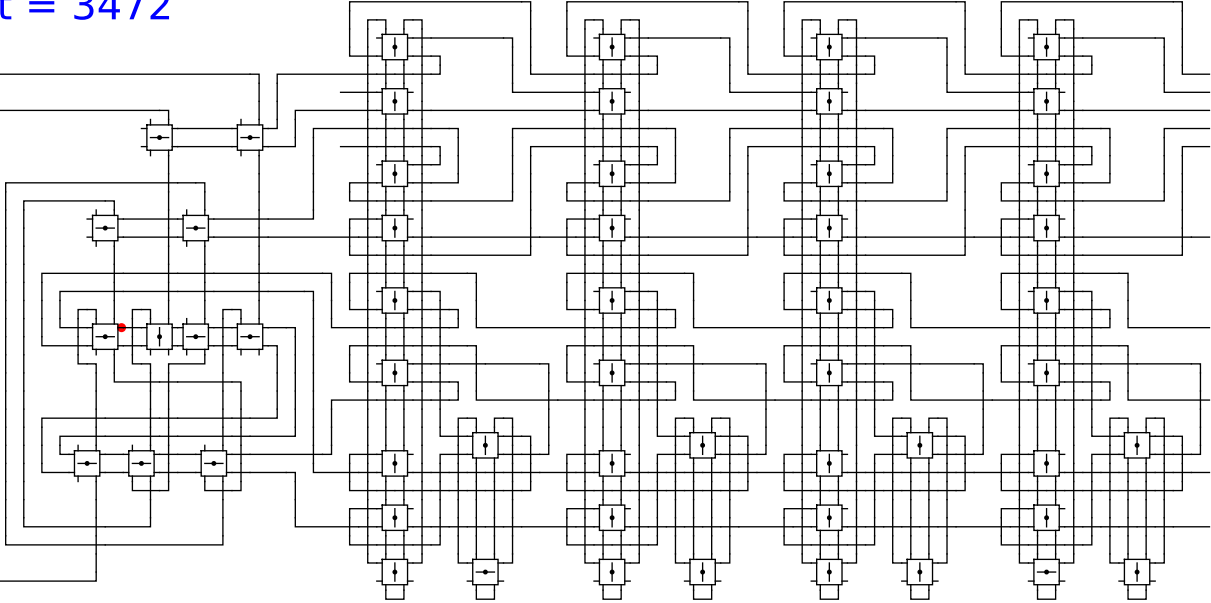


1 0 0 head 0

t = 3472

Reject
Accept

Begin

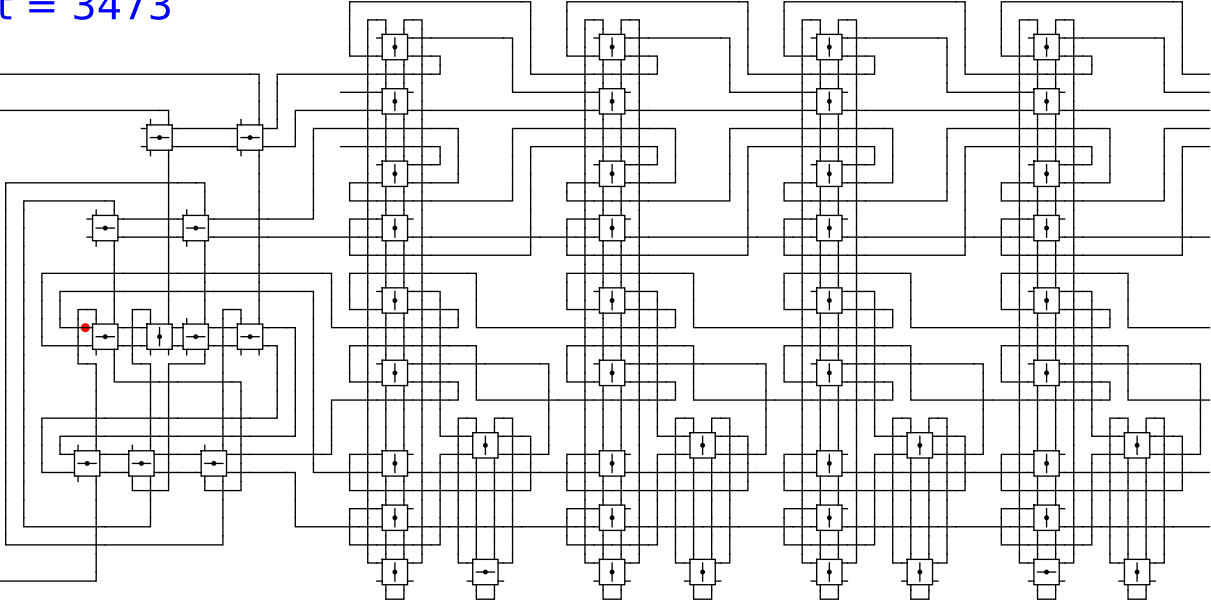


1 0 0 head 0

t = 3473

Reject
Accept

Begin

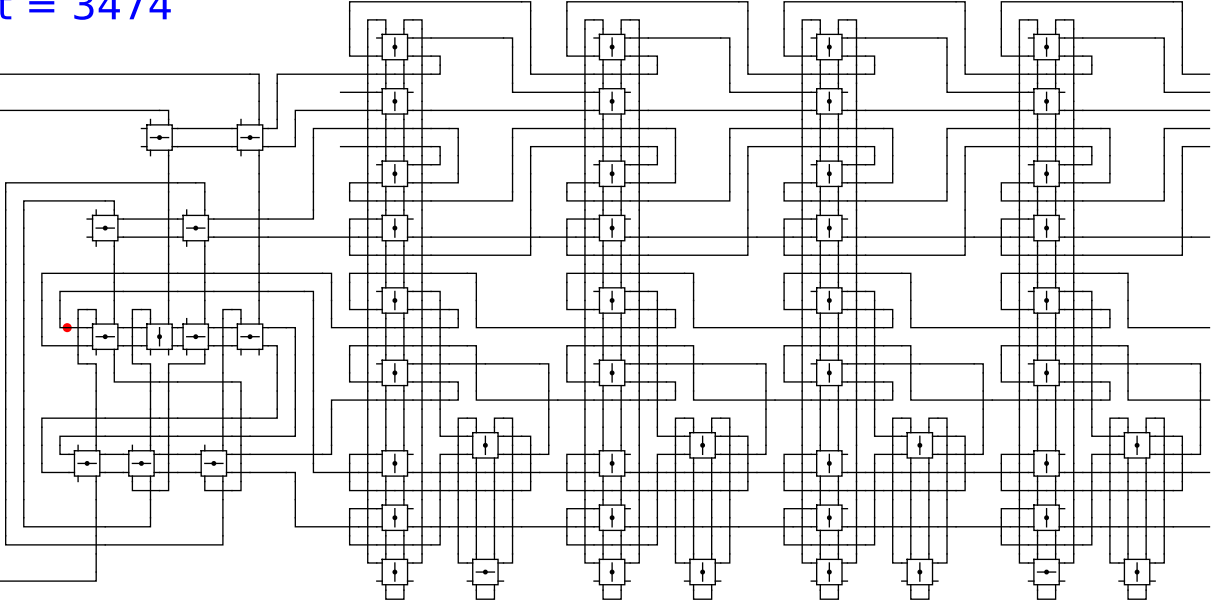


1 0 0 head 0

t = 3474

Reject
Accept

Begin

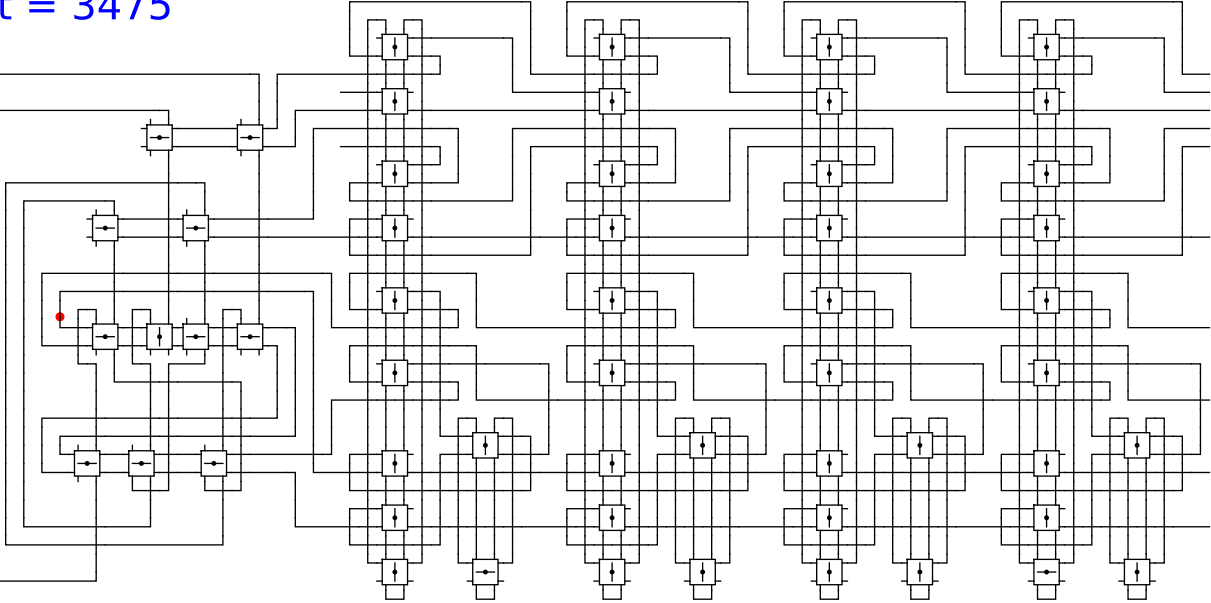


1 0 0 head 0

t = 3475

Reject
Accept

Begin

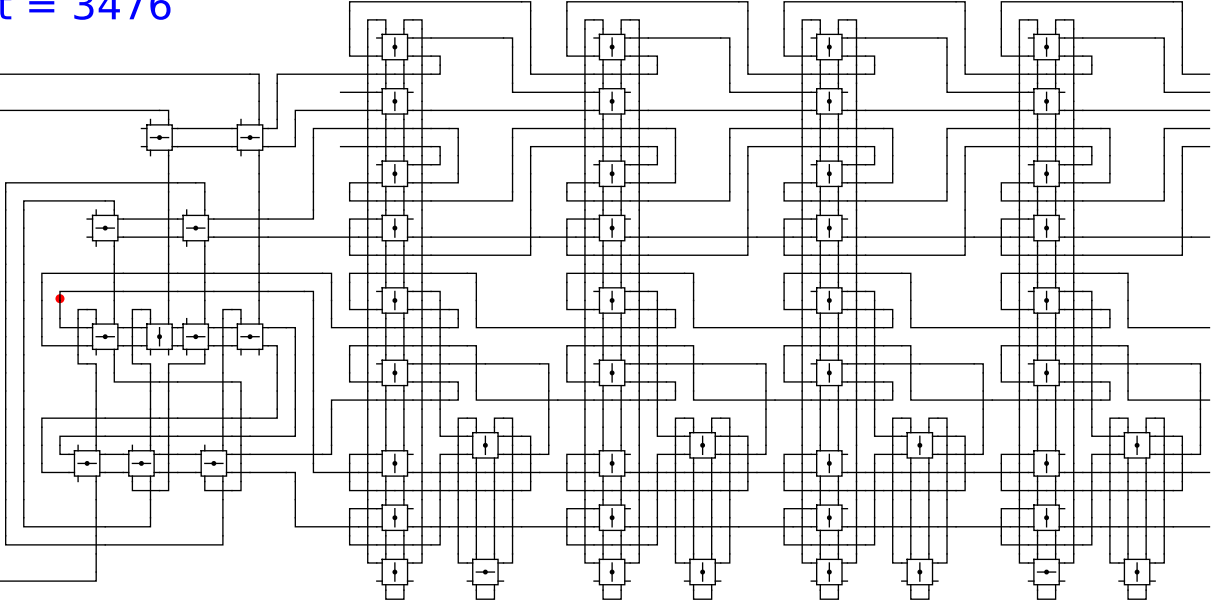


1 0 0 head 0

t = 3476

Reject
Accept

Begin

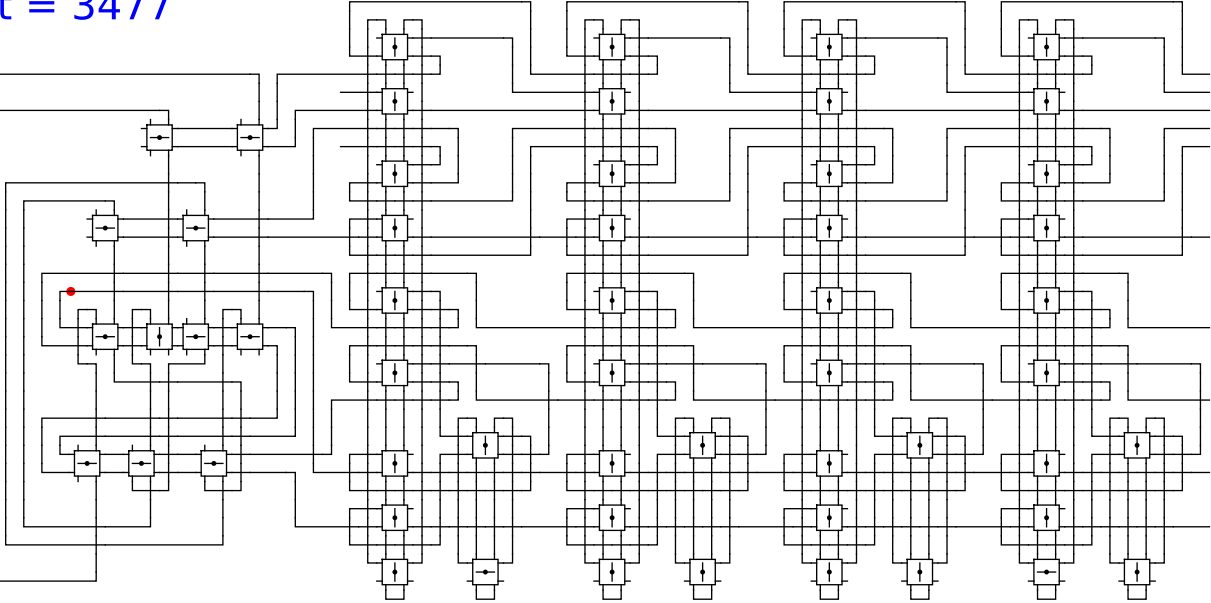


1 0 0 head 0

t = 3477

Reject
Accept

Begin



1

0

0

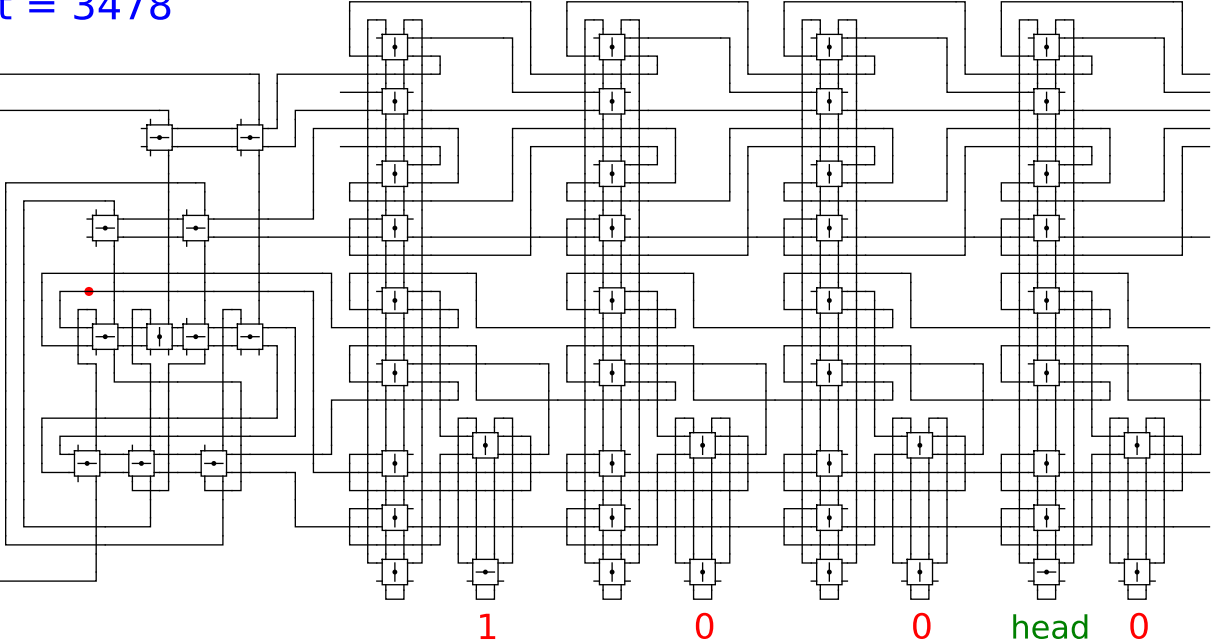
head

0

t = 3478

Reject
Accept

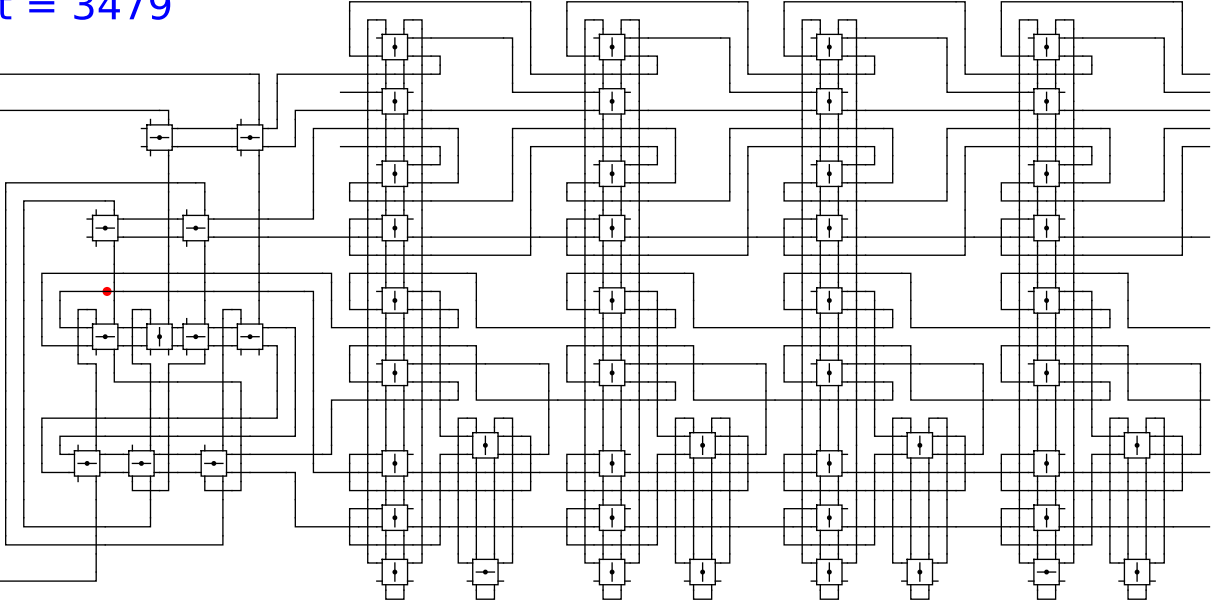
Begin



t = 3479

Reject
Accept

Begin



1

0

0

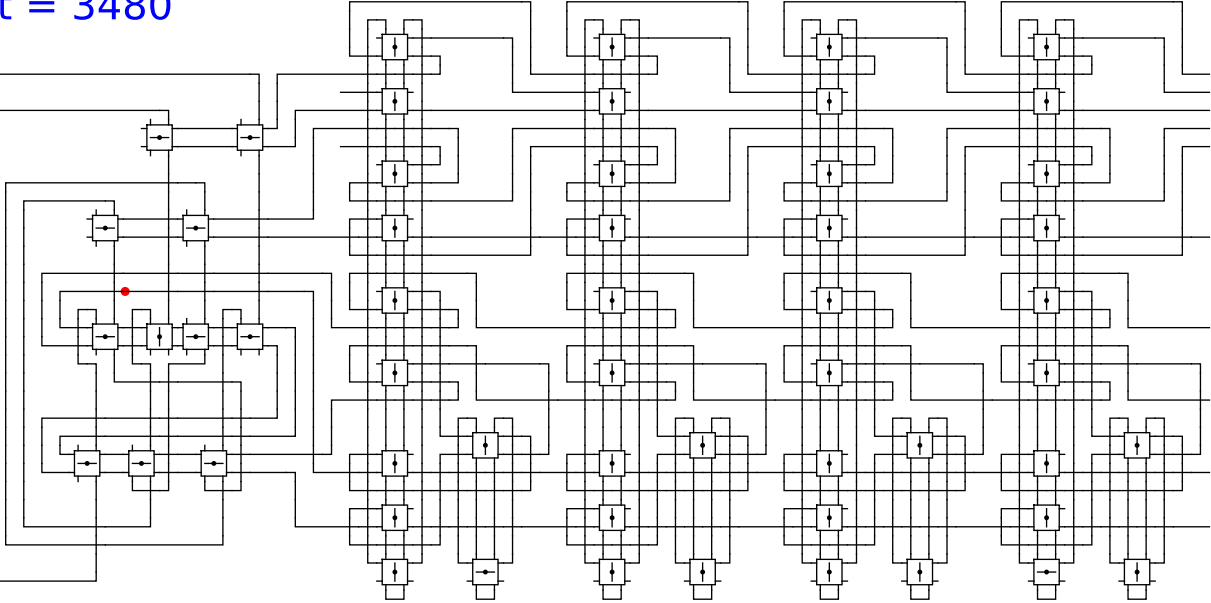
head

0

t = 3480

Reject
Accept

Begin



1

0

0

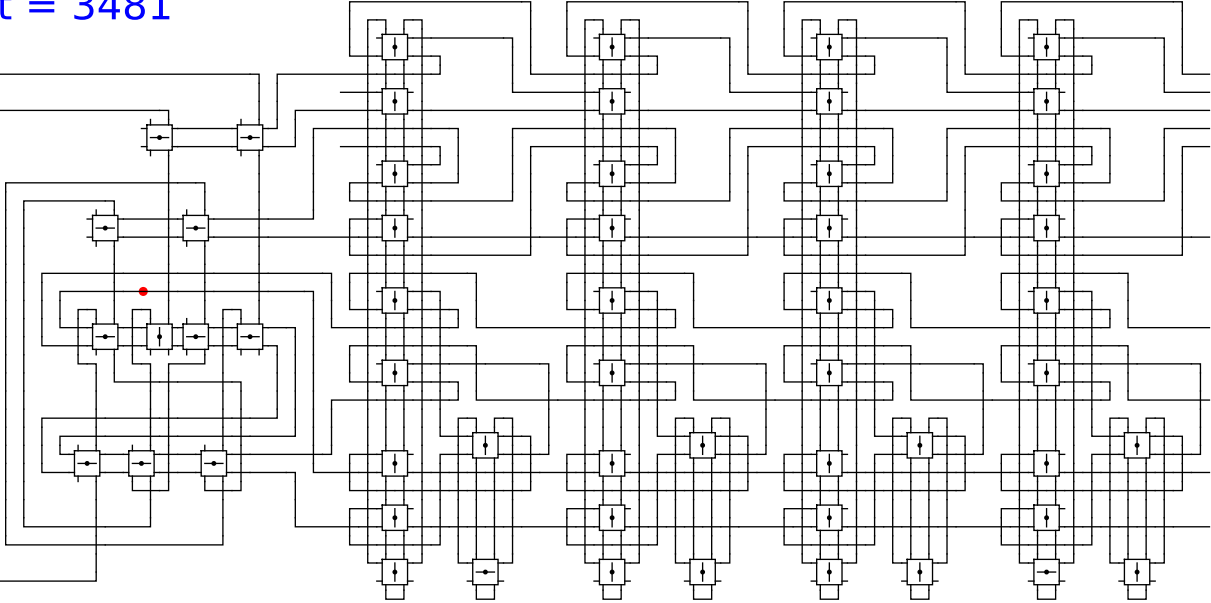
head

0

t = 3481

Reject
Accept

Begin

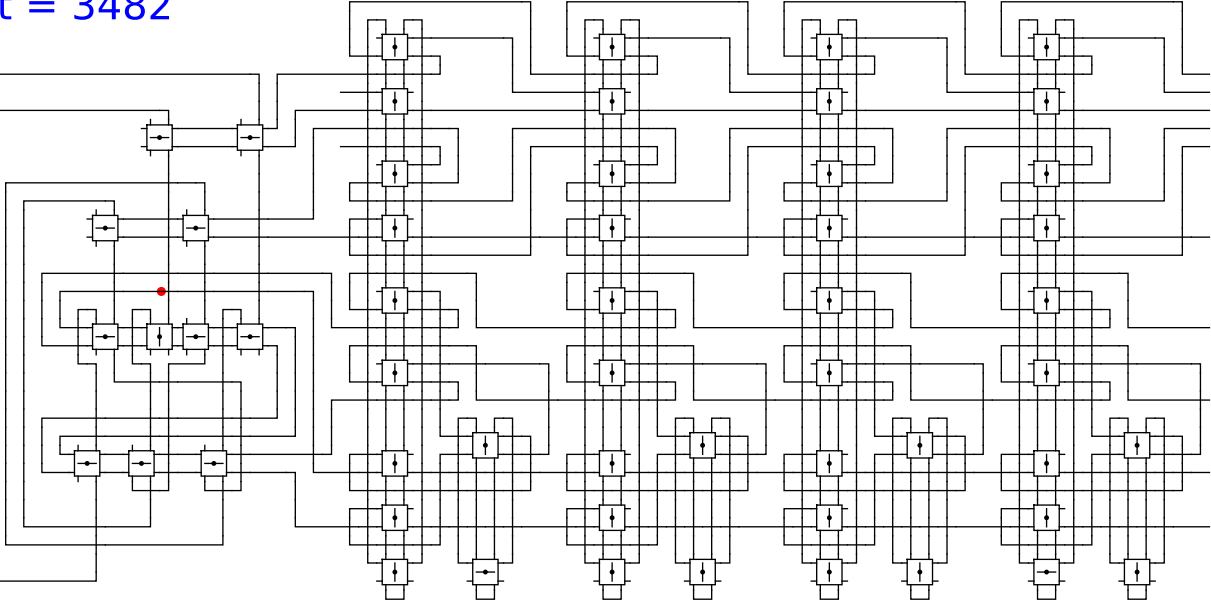


1 0 0 head 0

t = 3482

Reject
Accept

Begin

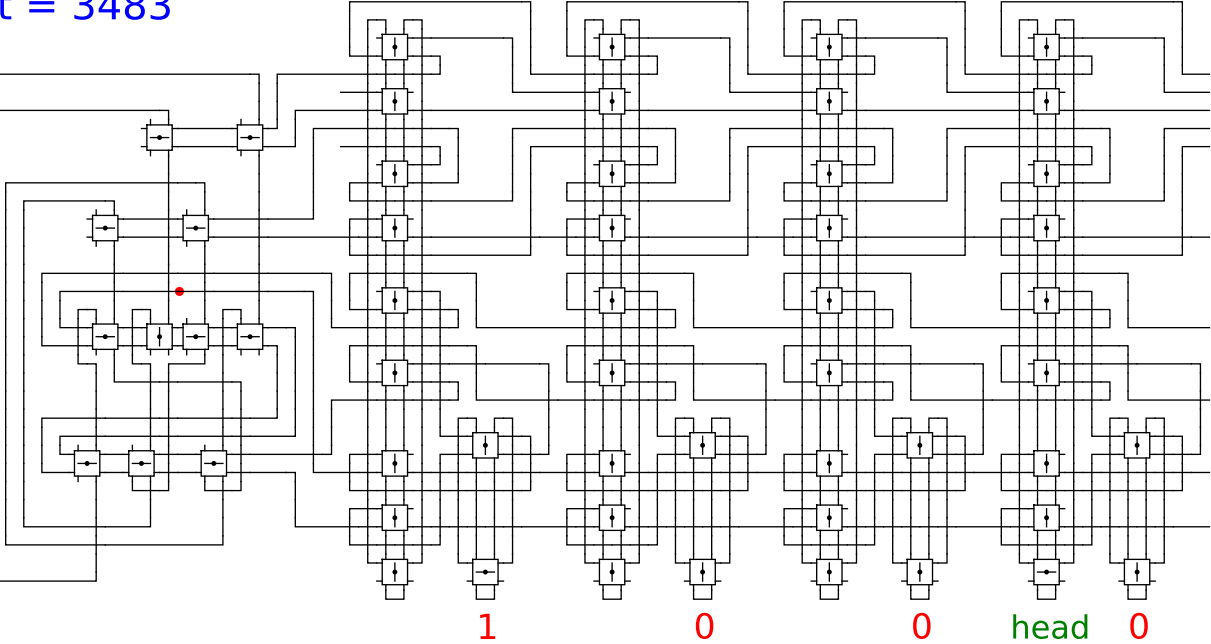


1 0 0 head 0

t = 3483

Reject
Accept

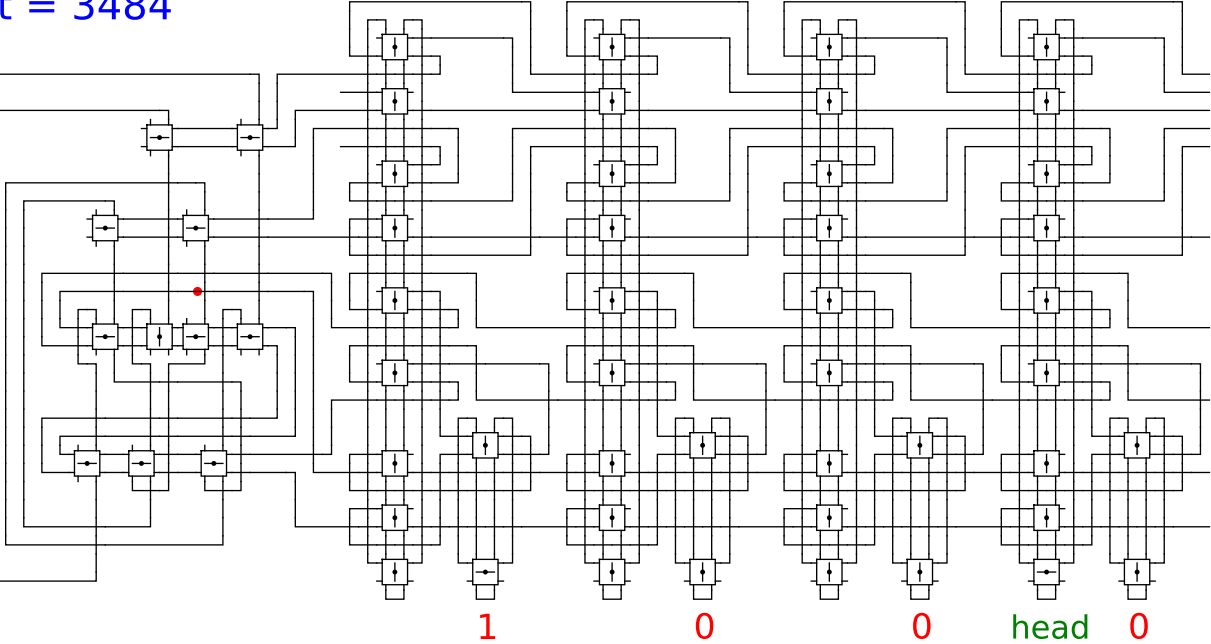
Begin



t = 3484

Reject
Accept

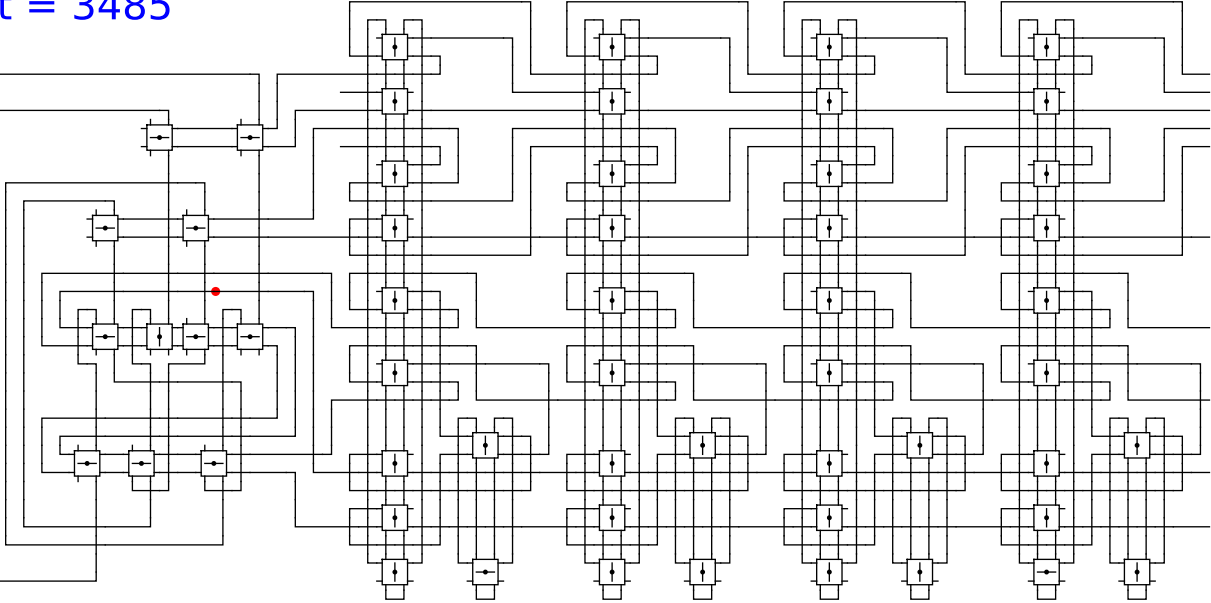
Begin



t = 3485

Reject
Accept

Begin

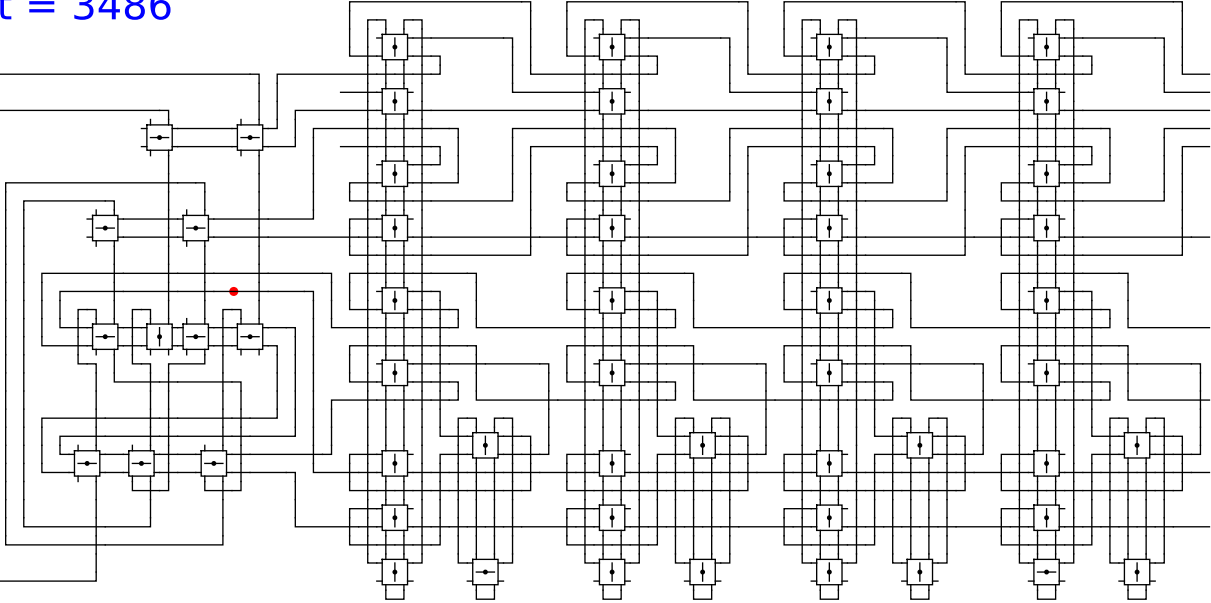


1 0 0 head 0

t = 3486

Reject
Accept

Begin

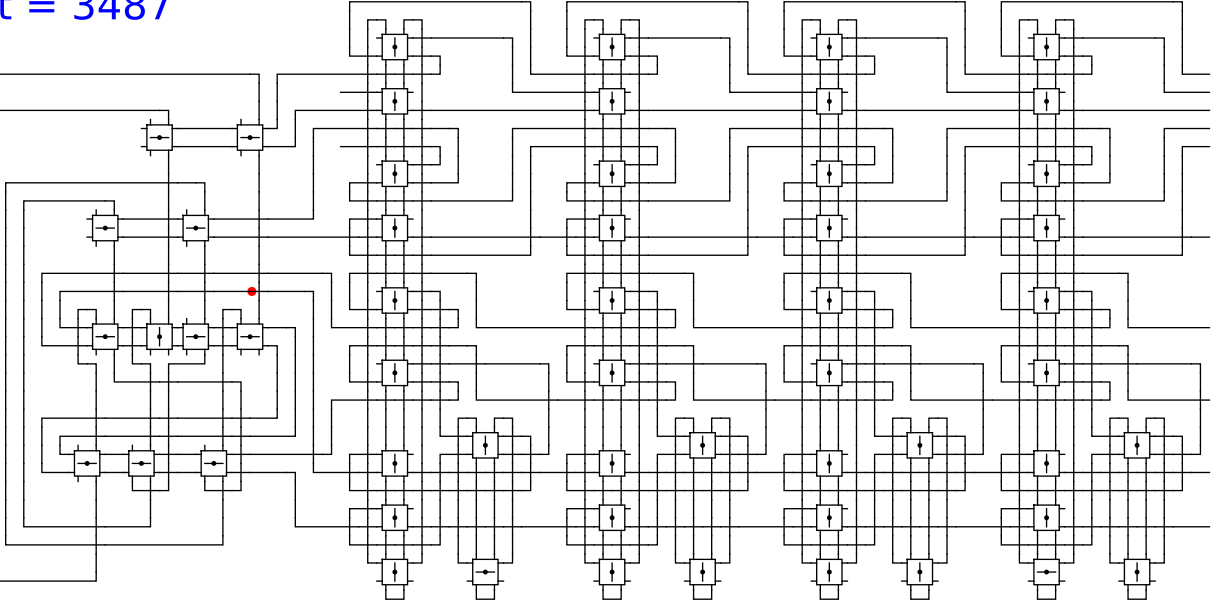


1 0 0 head 0

t = 3487

Reject
Accept

Begin

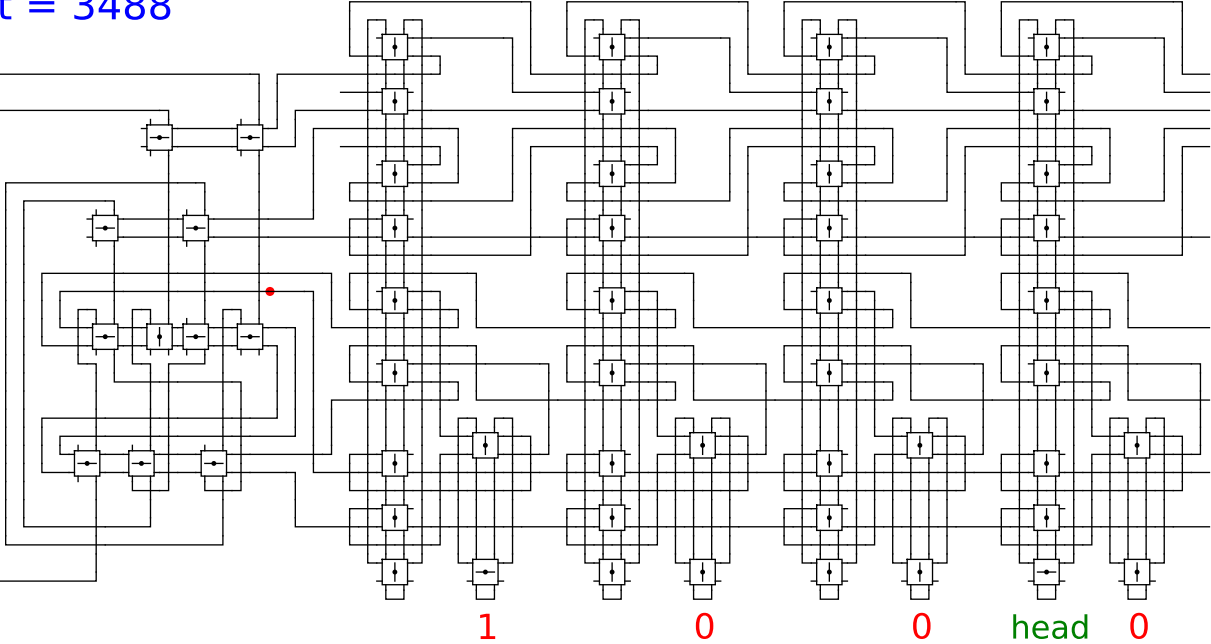


1 0 0 head 0

t = 3488

Reject
Accept

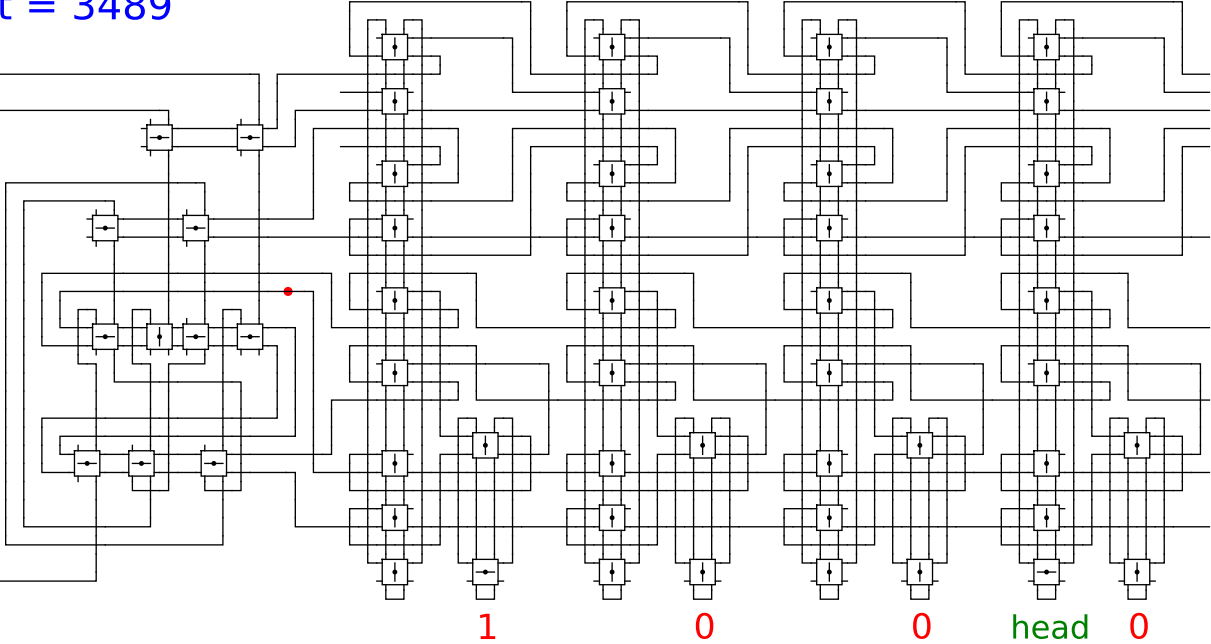
Begin



t = 3489

Reject
Accept

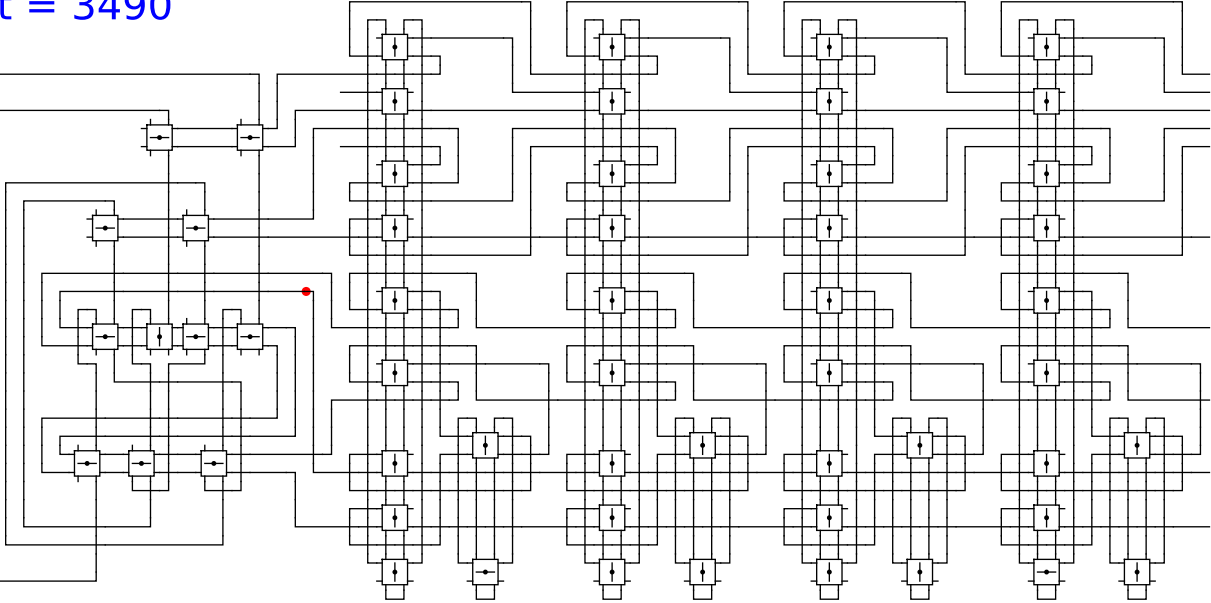
Begin



t = 3490

Reject
Accept

Begin



1

0

0

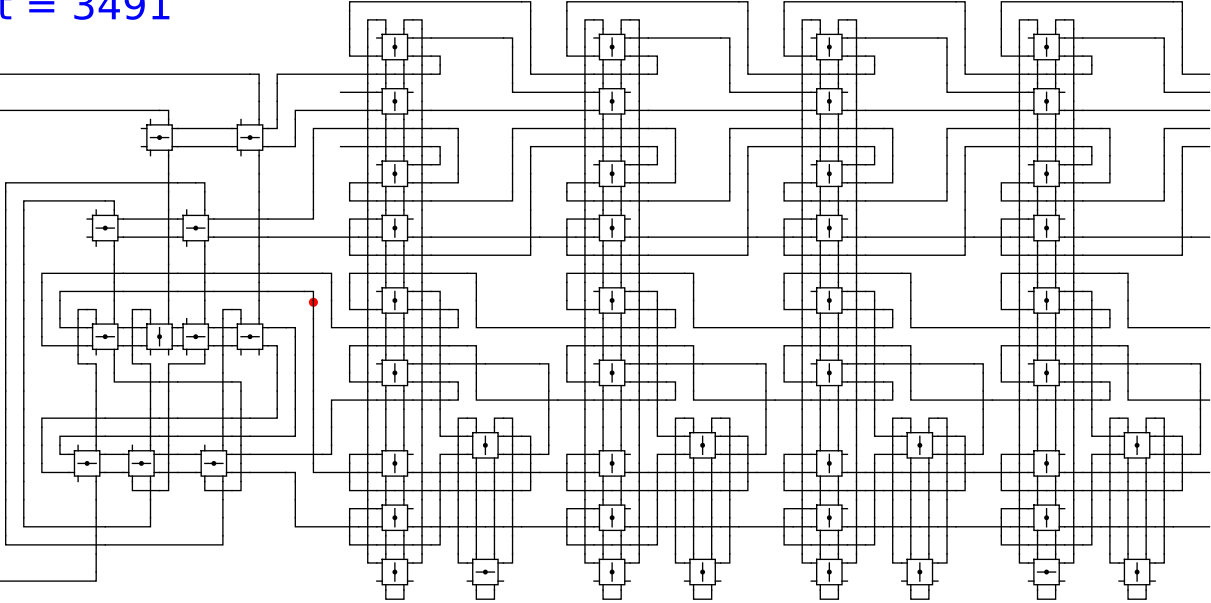
head

0

t = 3491

Reject
Accept

Begin

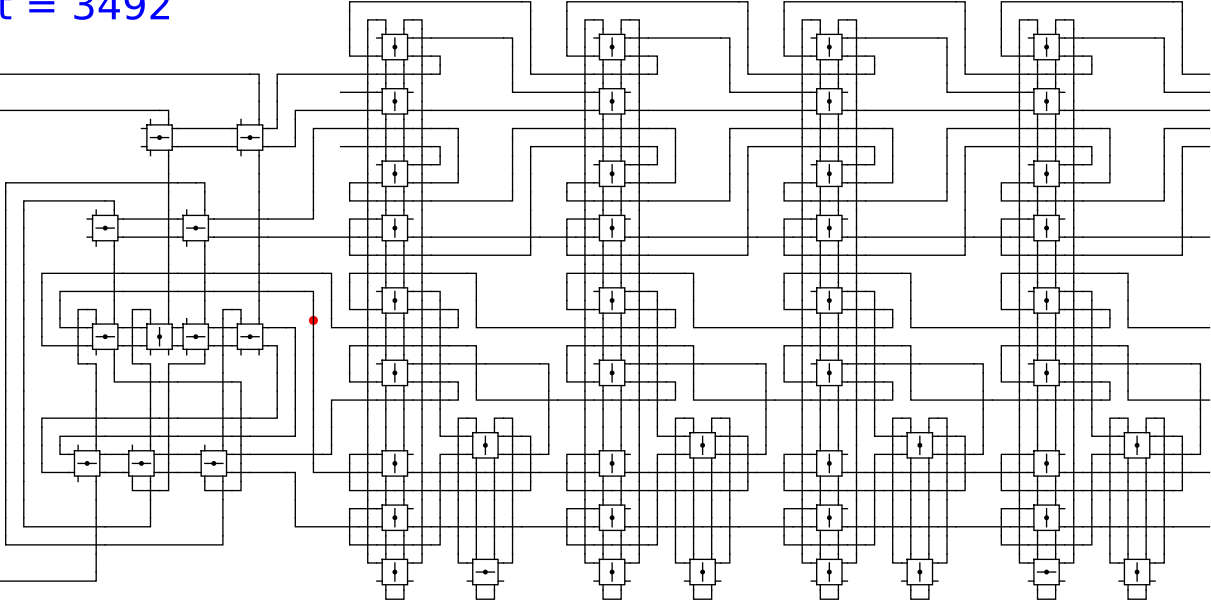


1 0 0 head 0

t = 3492

Reject
Accept

Begin



1

0

0

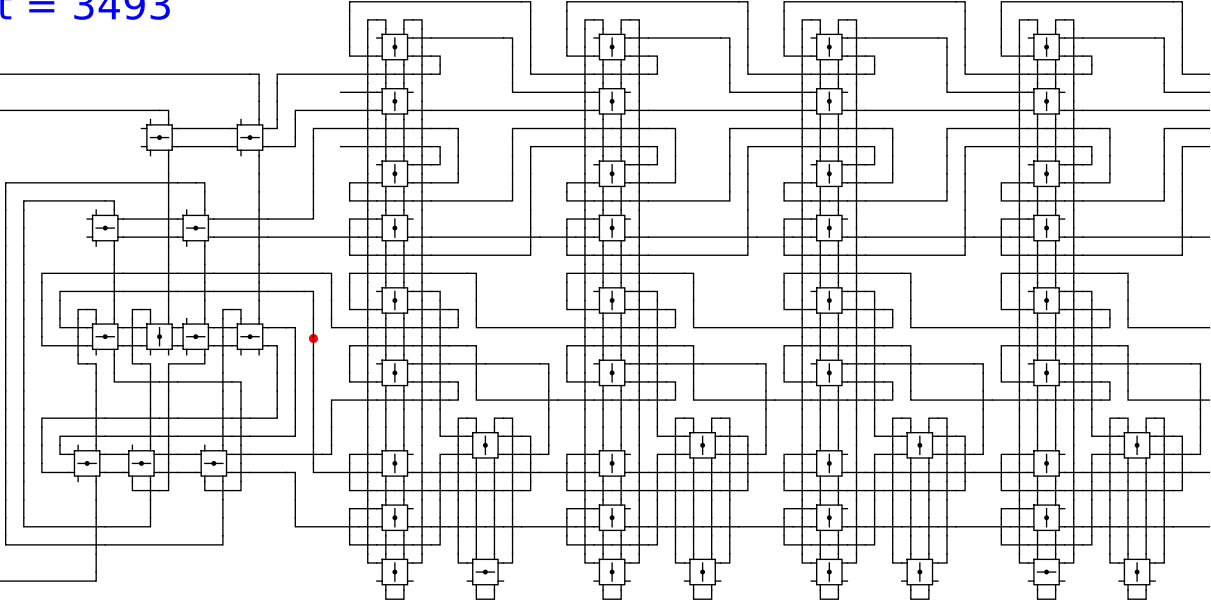
head

0

t = 3493

Reject
Accept

Begin



1

0

0

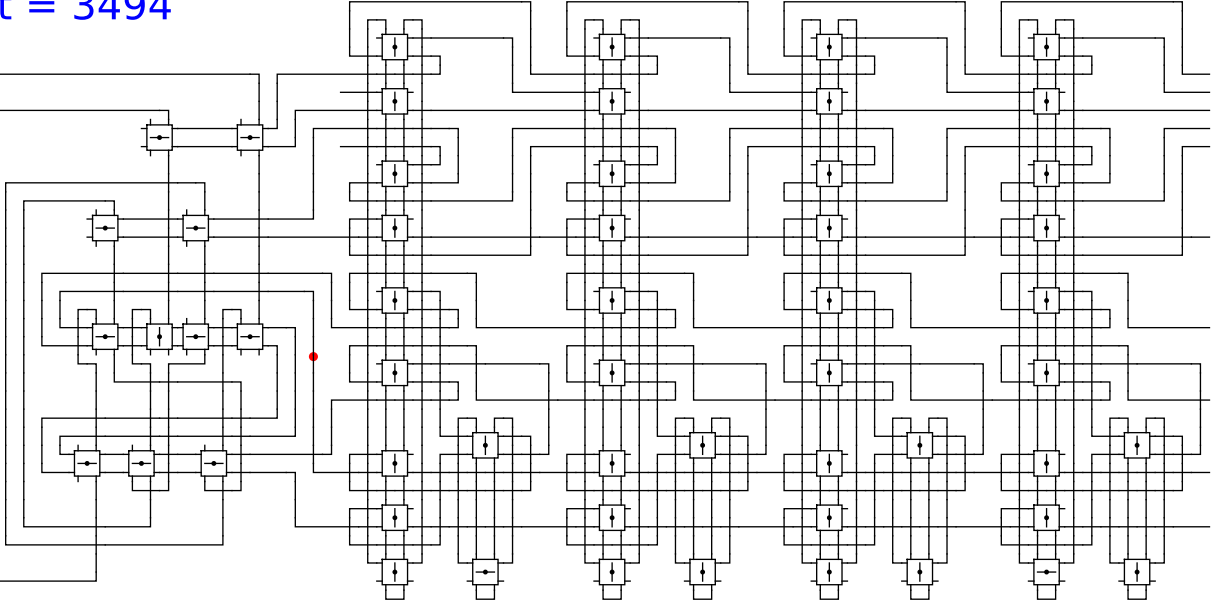
head

0

t = 3494

Reject
Accept

Begin

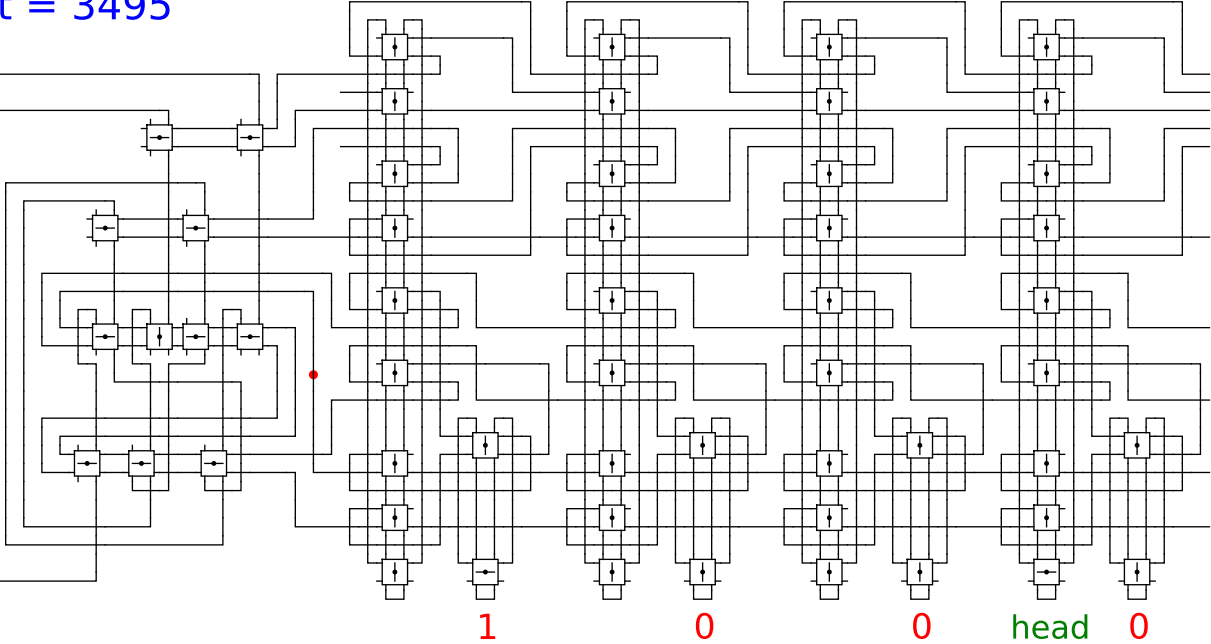


1 0 0 head 0

t = 3495

Reject
Accept

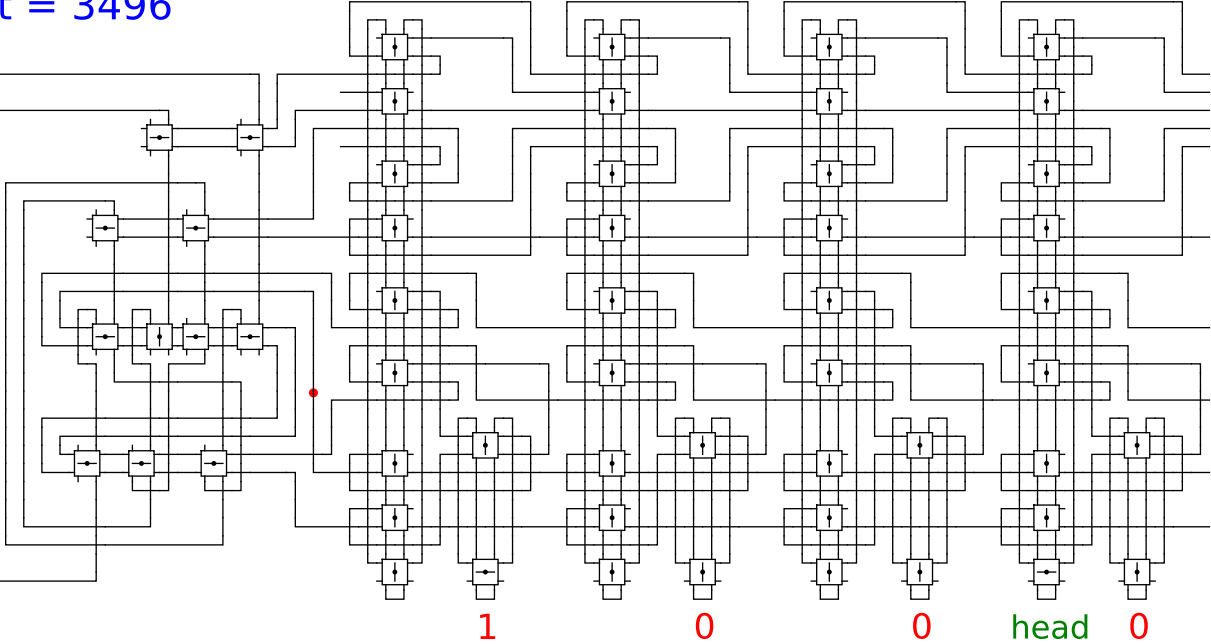
Begin



t = 3496

Reject
Accept

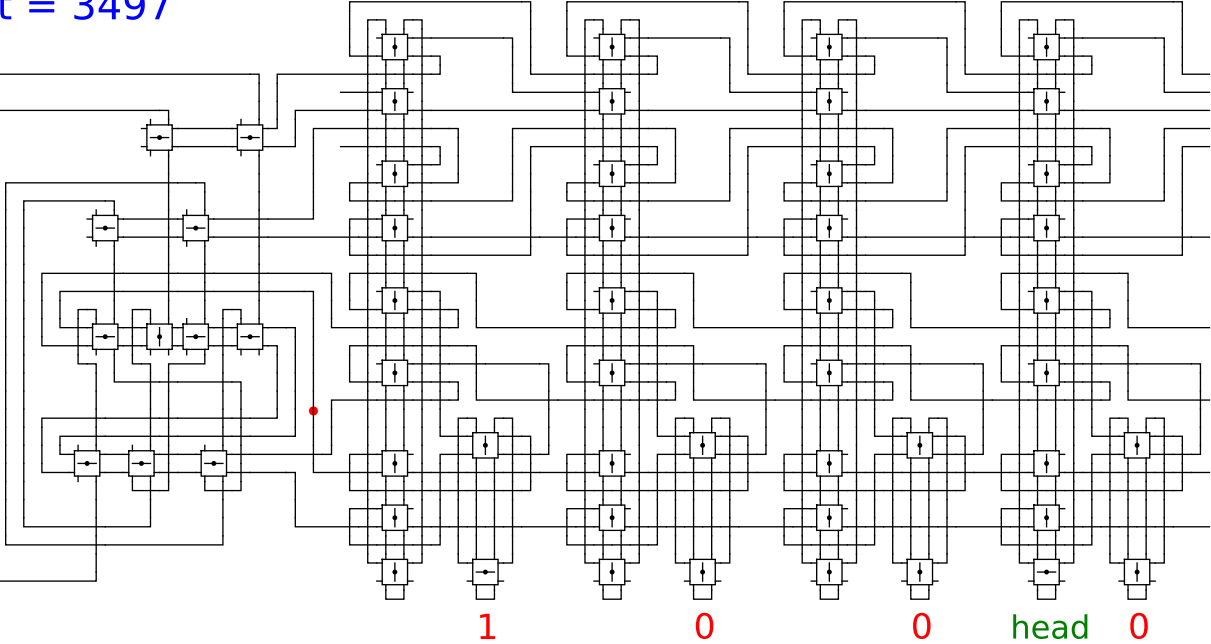
Begin



t = 3497

Reject
Accept

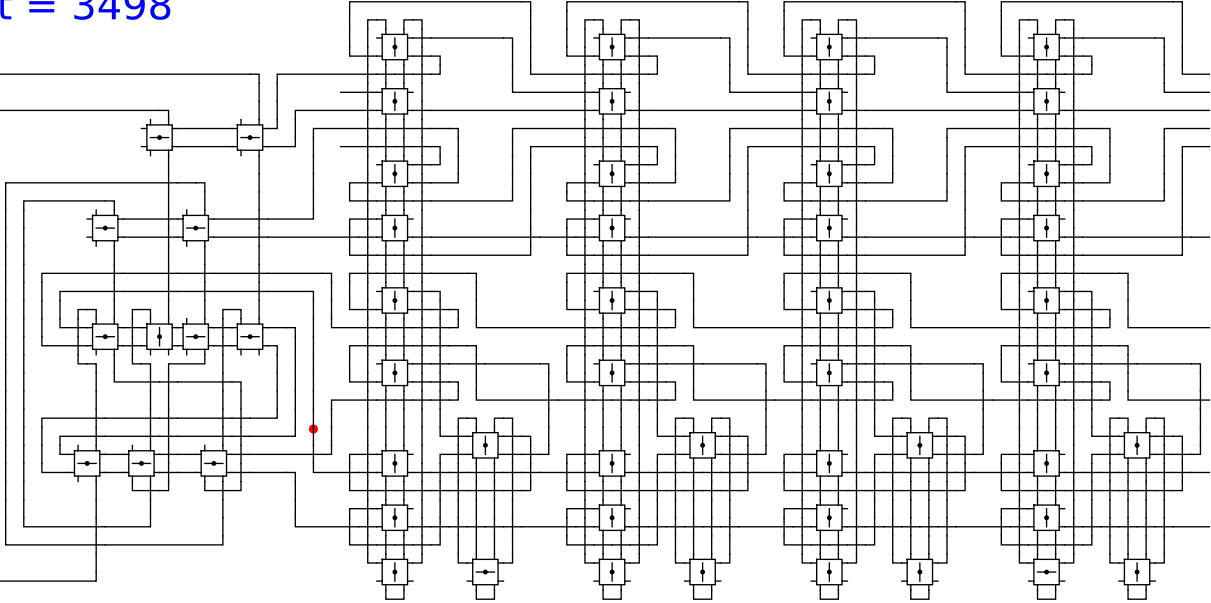
Begin



t = 3498

Reject
Accept

Begin



1

0

0

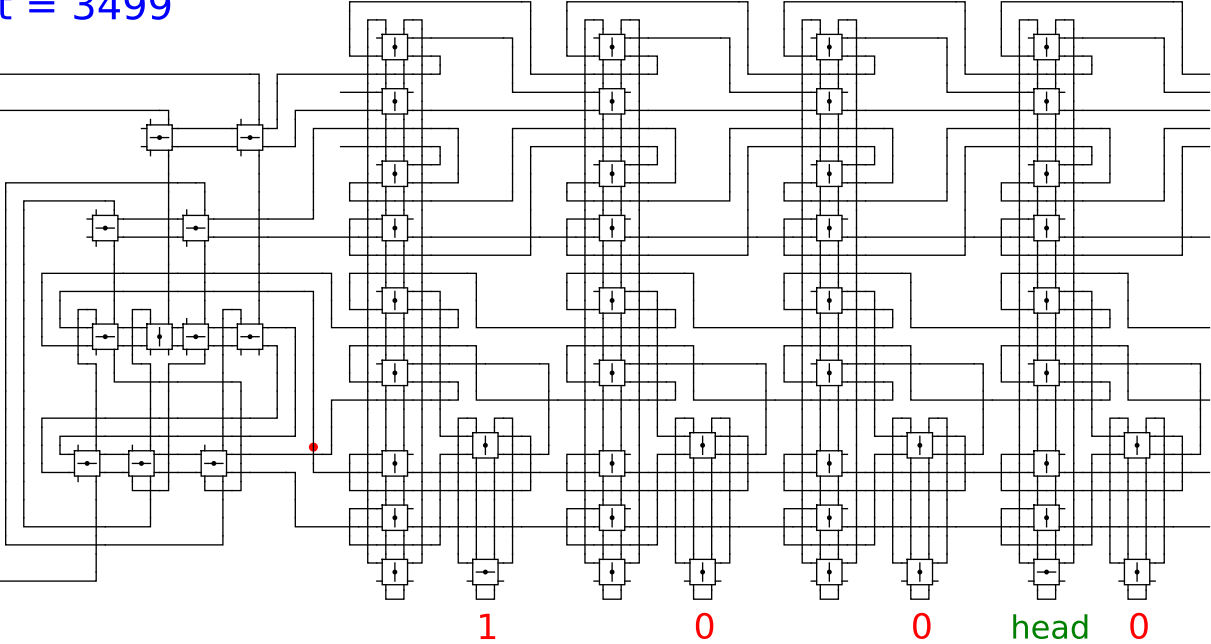
head

0

t = 3499

Reject
Accept

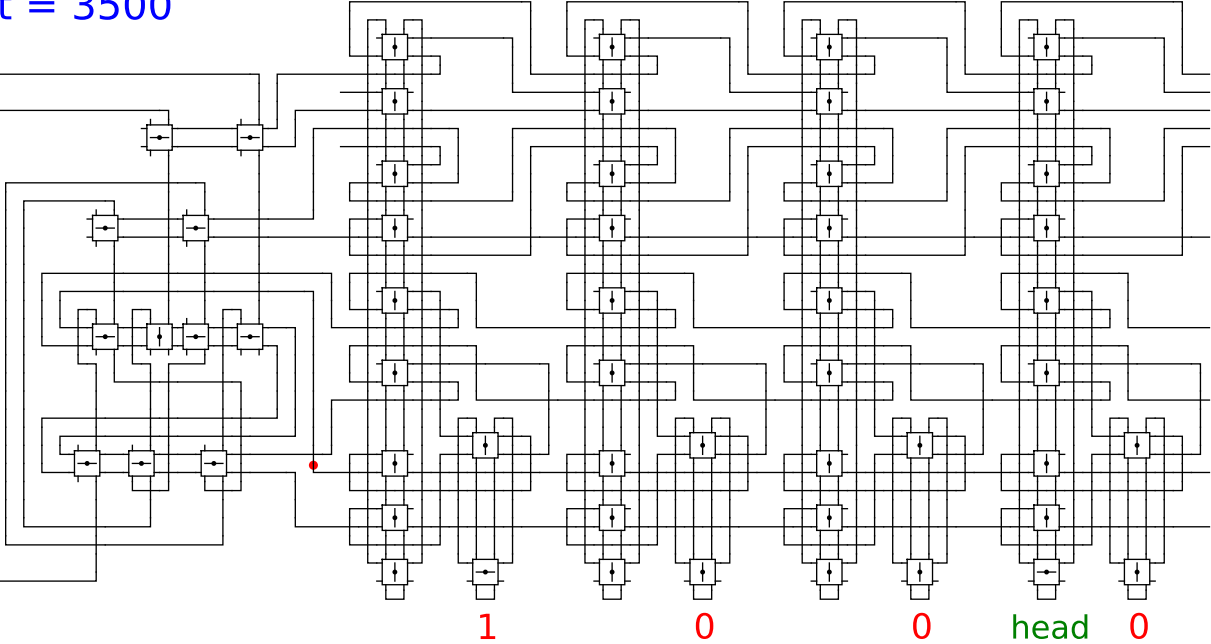
Begin



t = 3500

Reject
Accept

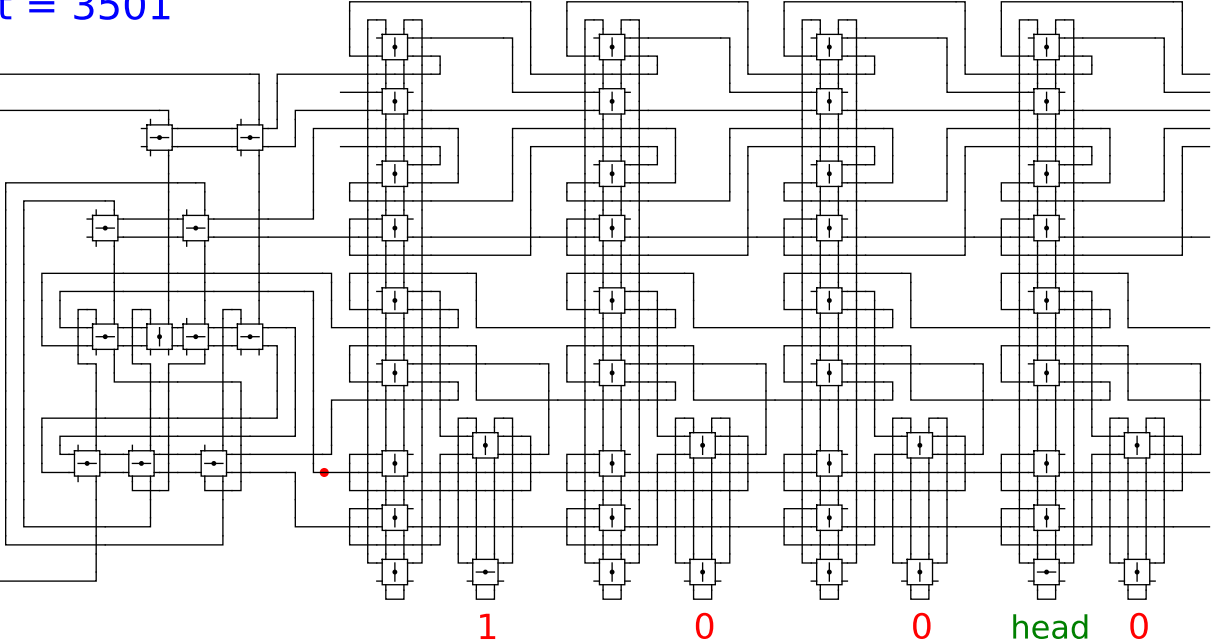
Begin



t = 3501

Reject
Accept

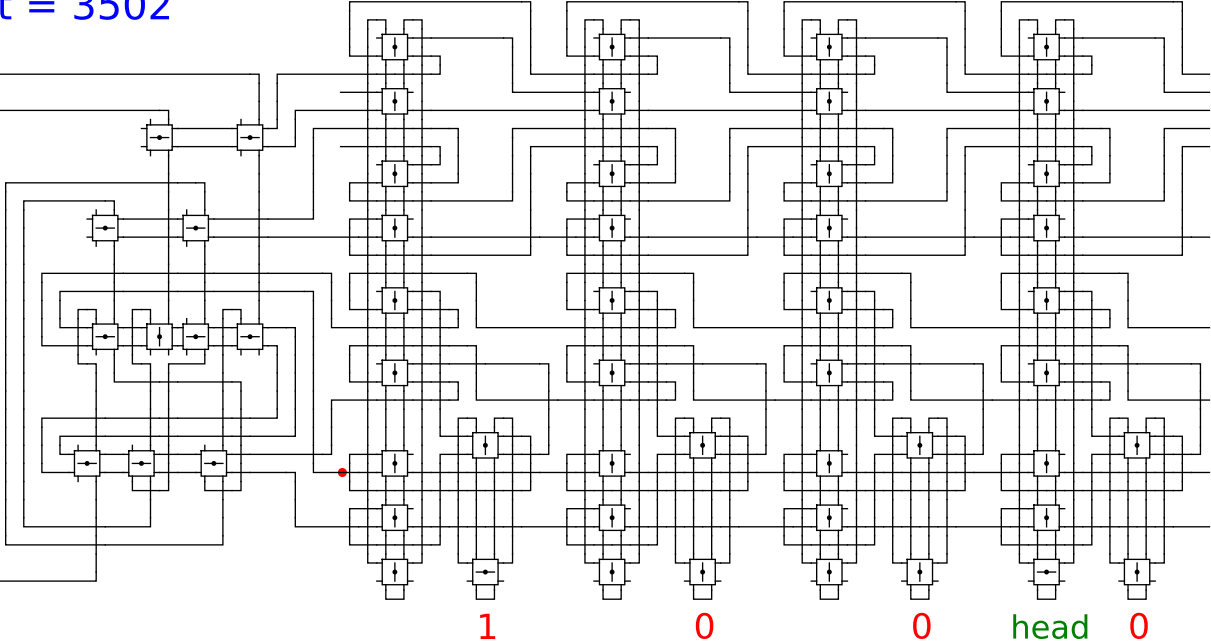
Begin



t = 3502

Reject
Accept

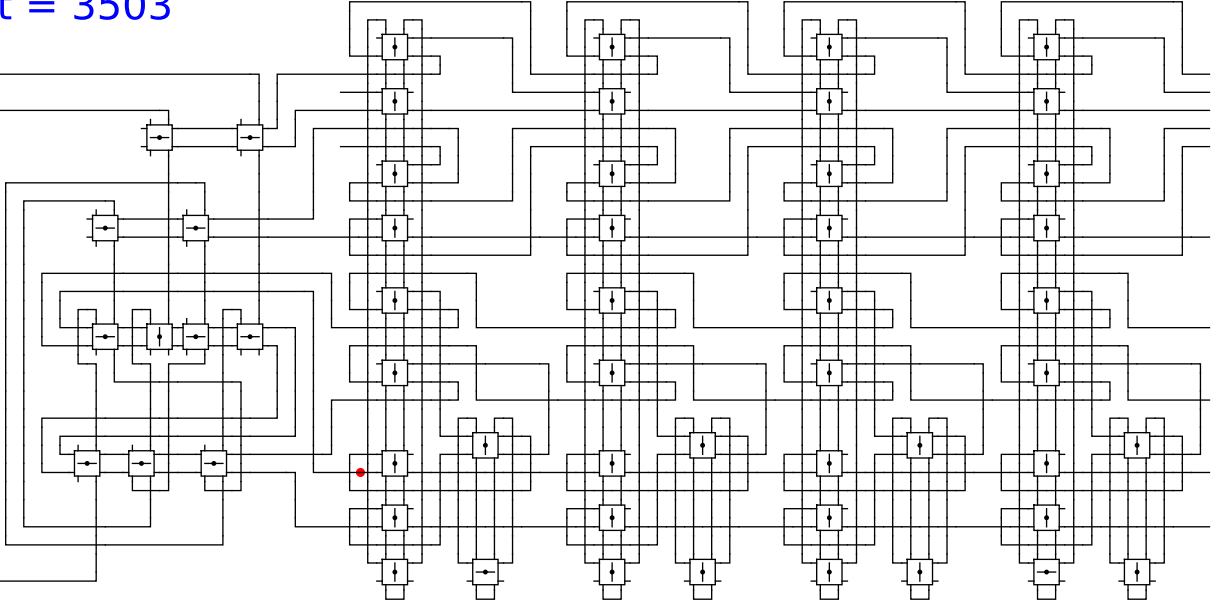
Begin



t = 3503

Reject
Accept

Begin



1

0

0

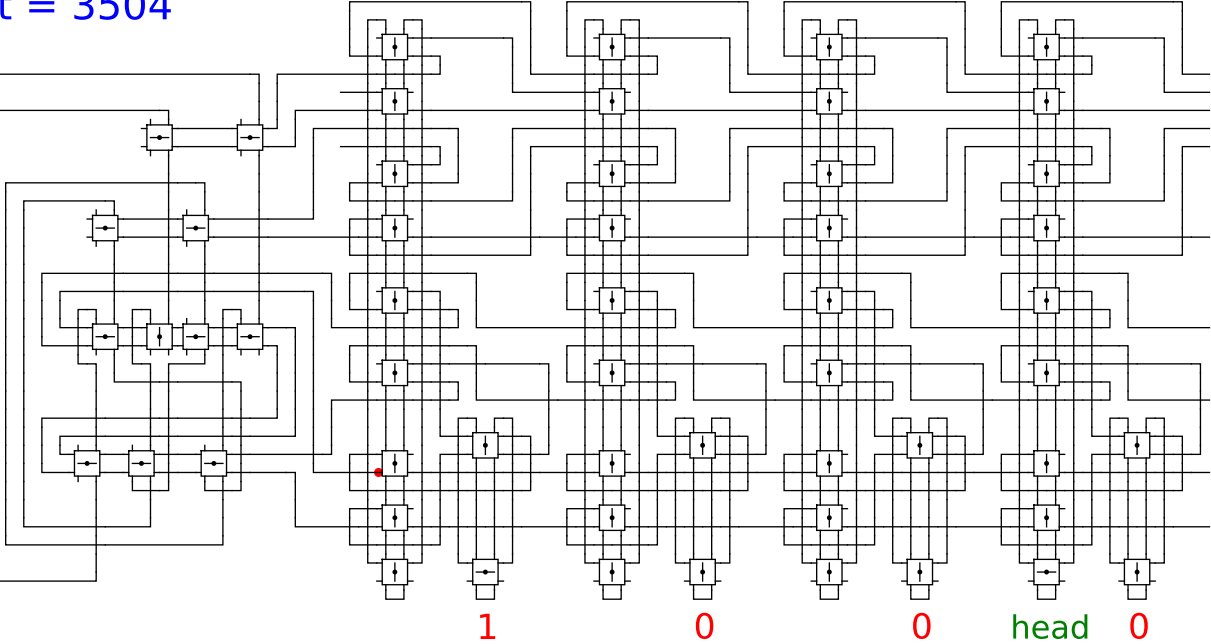
head

0

t = 3504

Reject
Accept

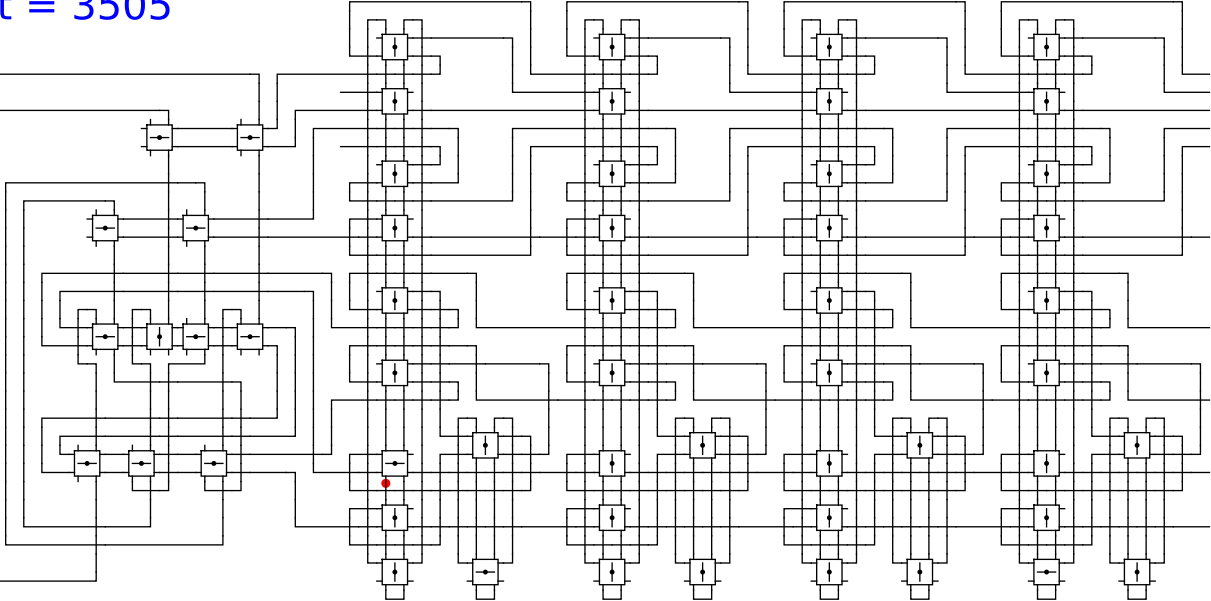
Begin



t = 3505

Reject
Accept

Begin



1

0

0

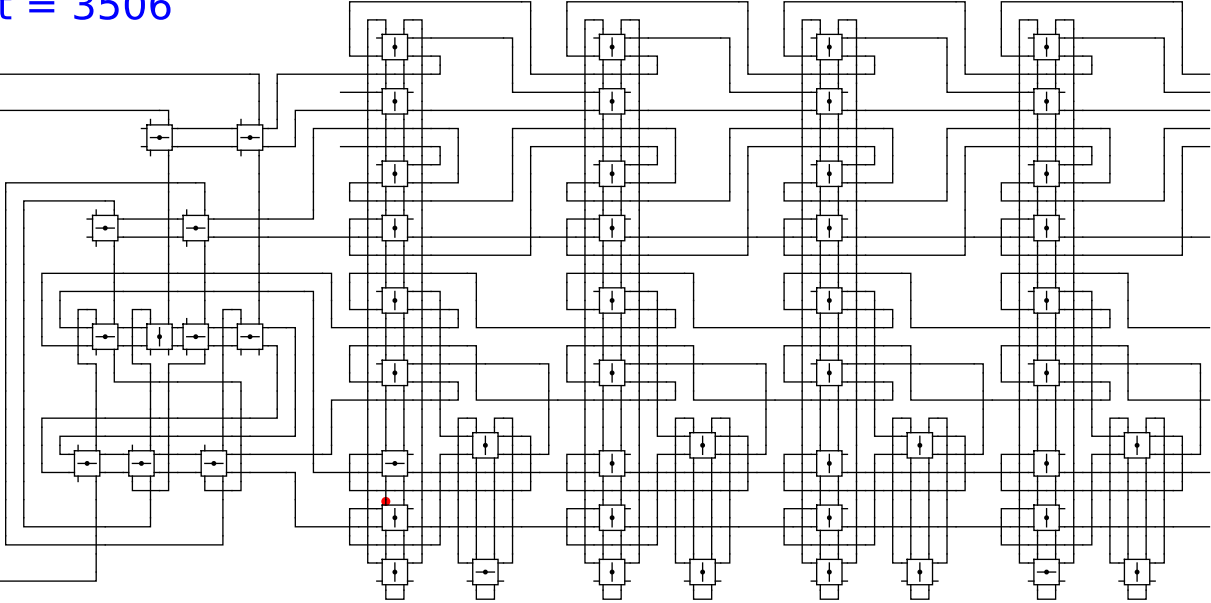
head

0

t = 3506

Reject
Accept

Begin



1

0

0

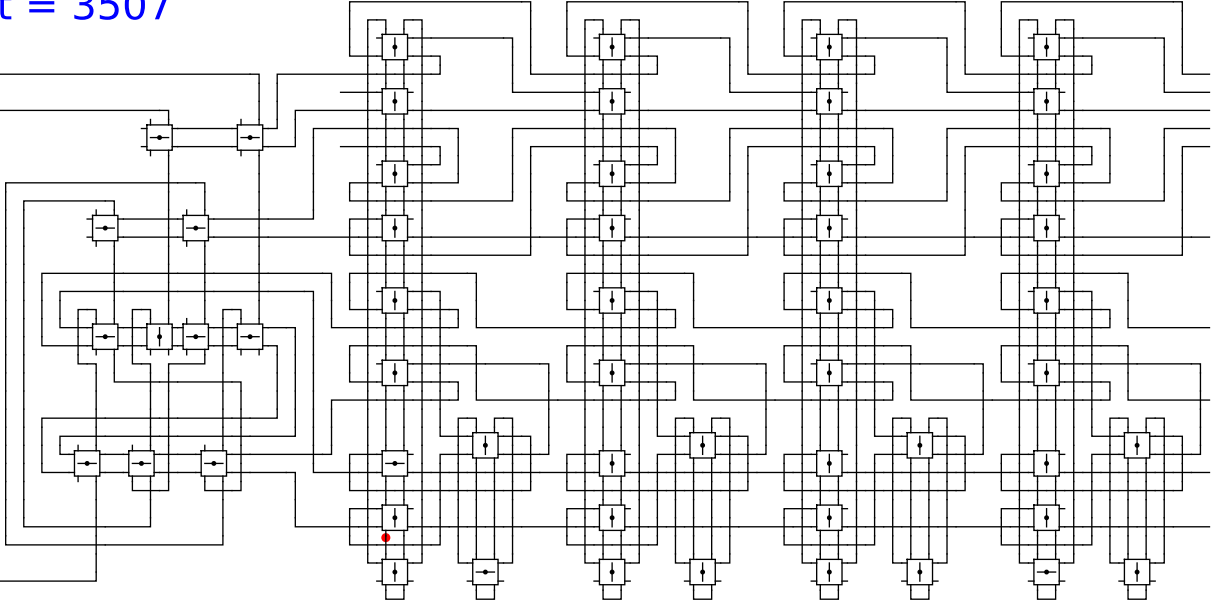
head

0

t = 3507

Reject
Accept

Begin



1

0

0

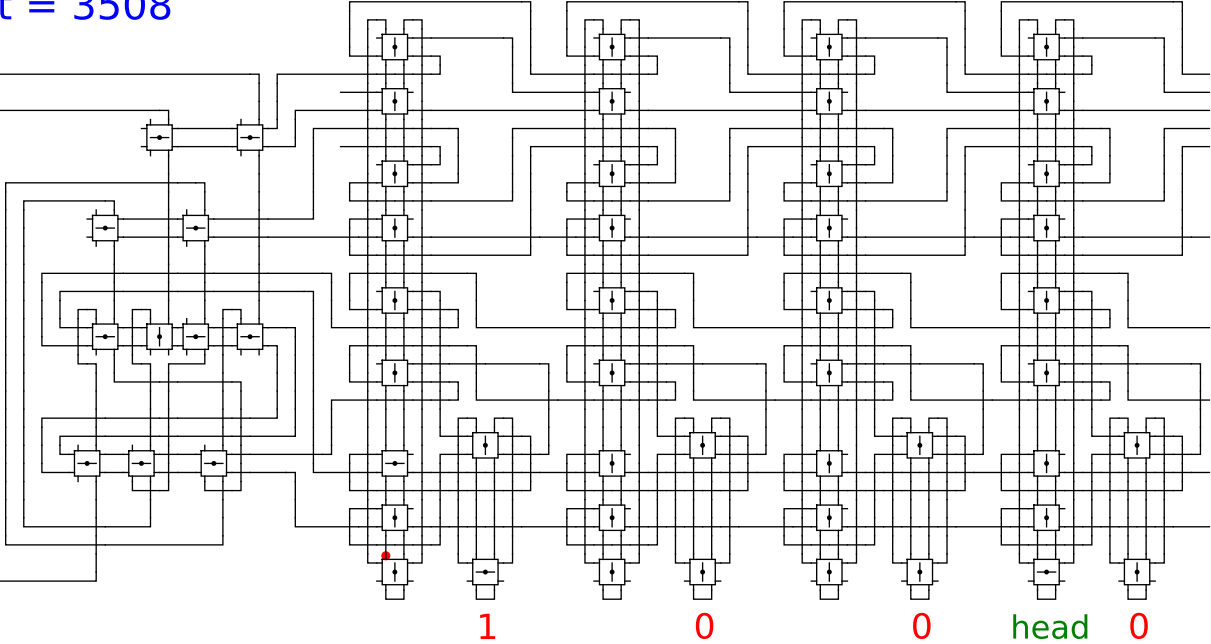
head

0

t = 3508

Reject
Accept

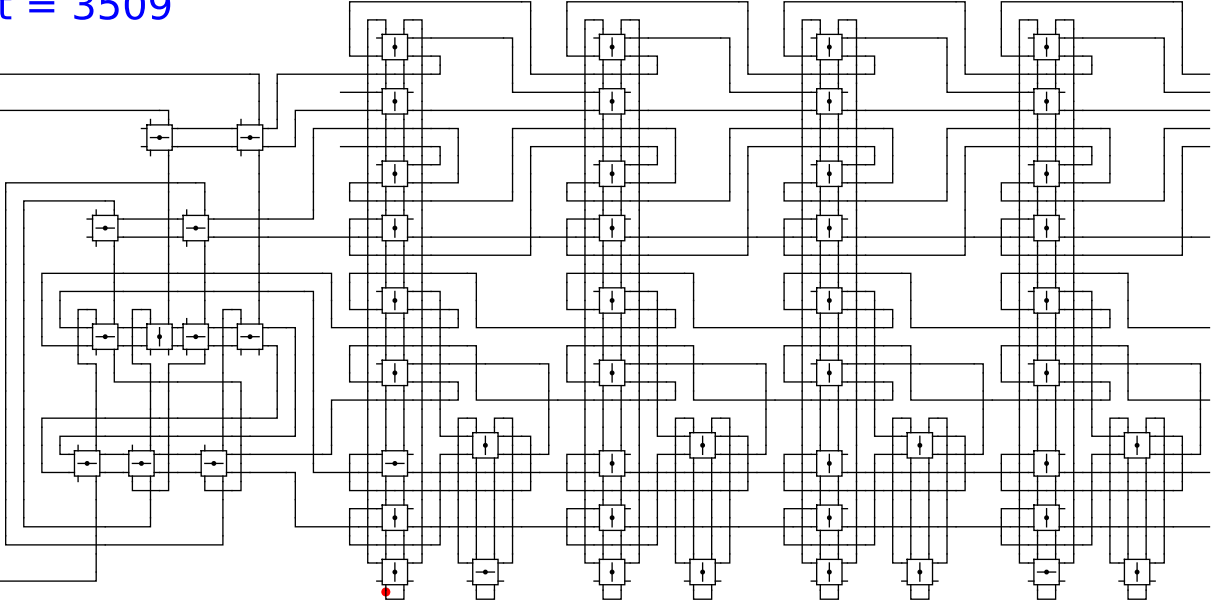
Begin



t = 3509

Reject
Accept

Begin



1

0

0

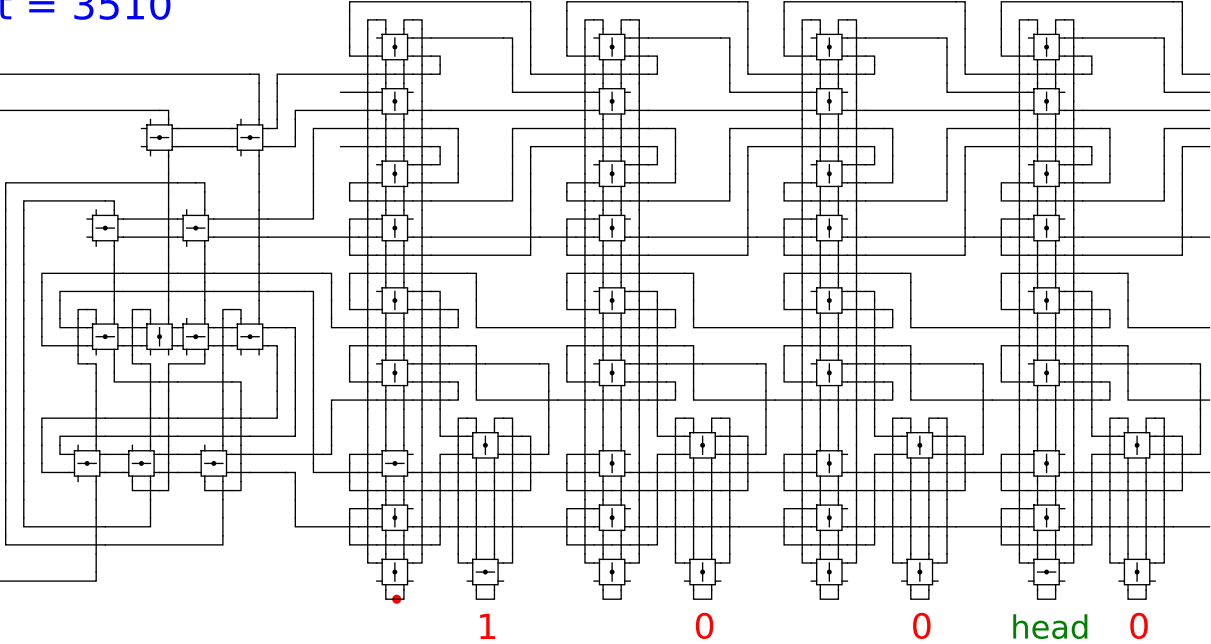
head

0

t = 3510

Reject
Accept

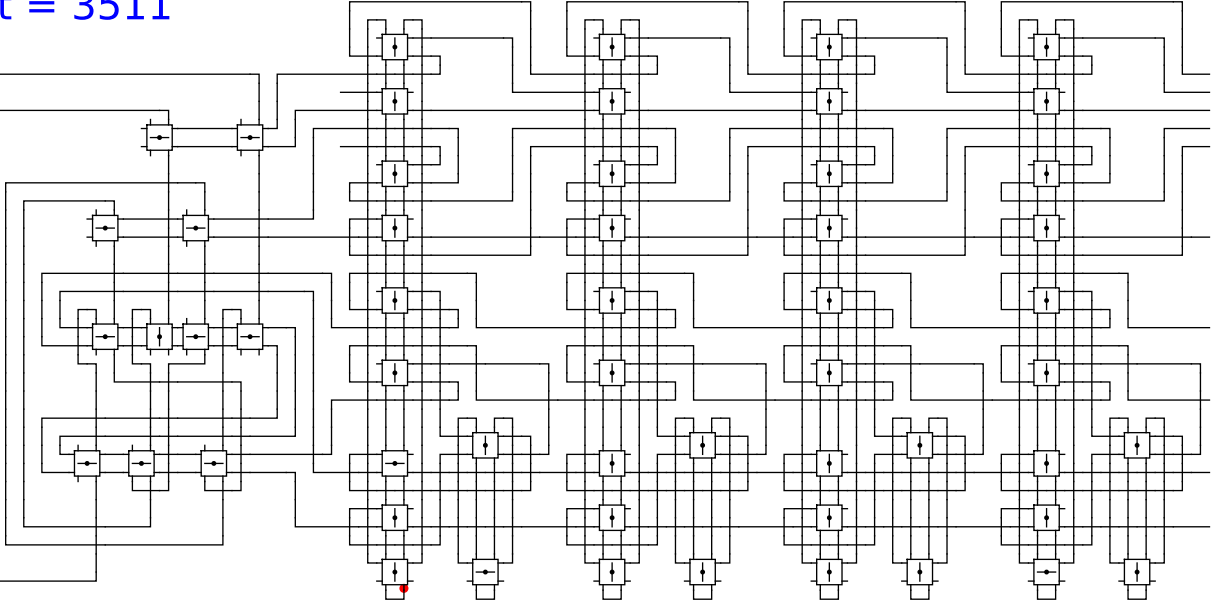
Begin



t = 3511

Reject
Accept

Begin



1

0

0

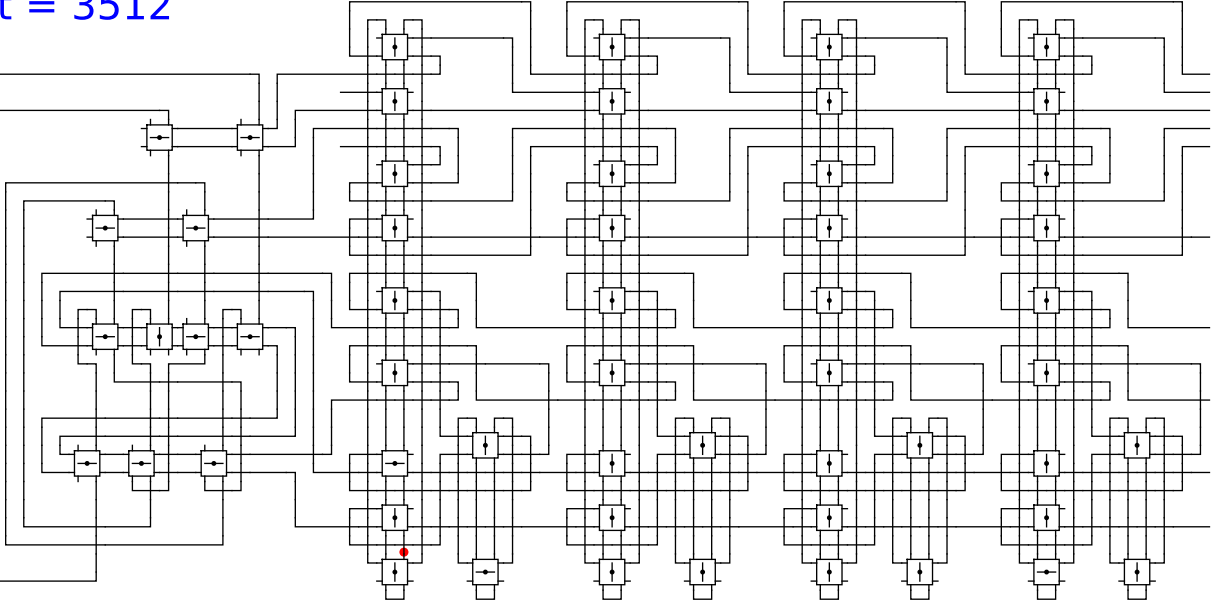
head

0

t = 3512

Reject
Accept

Begin

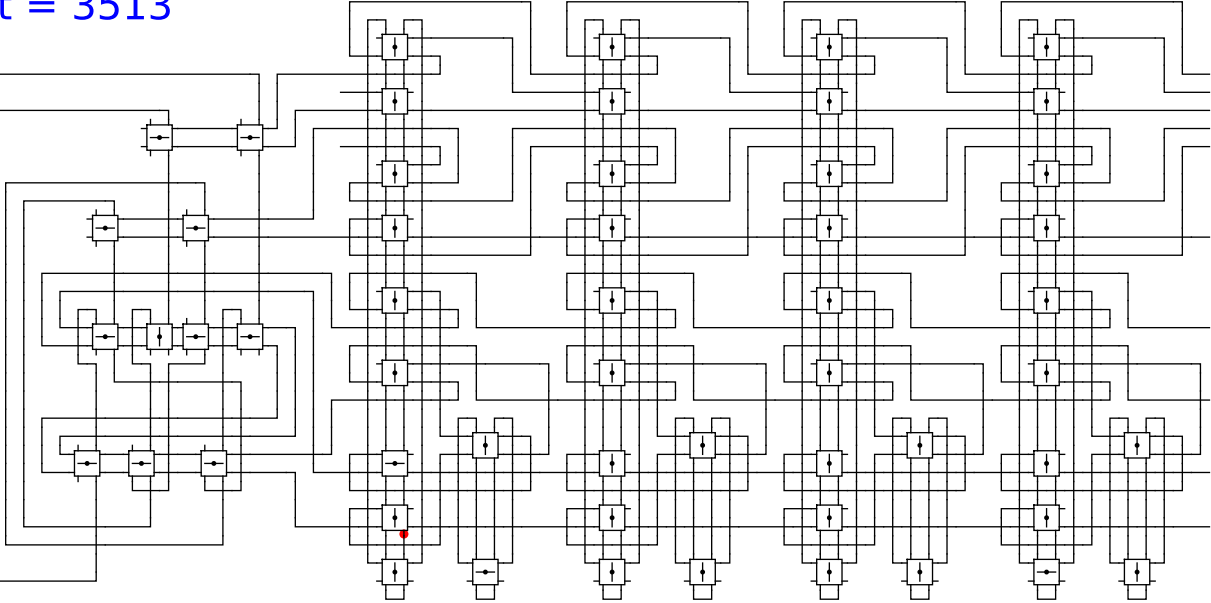


1 0 0 head 0

t = 3513

Reject
Accept

Begin



1

0

0

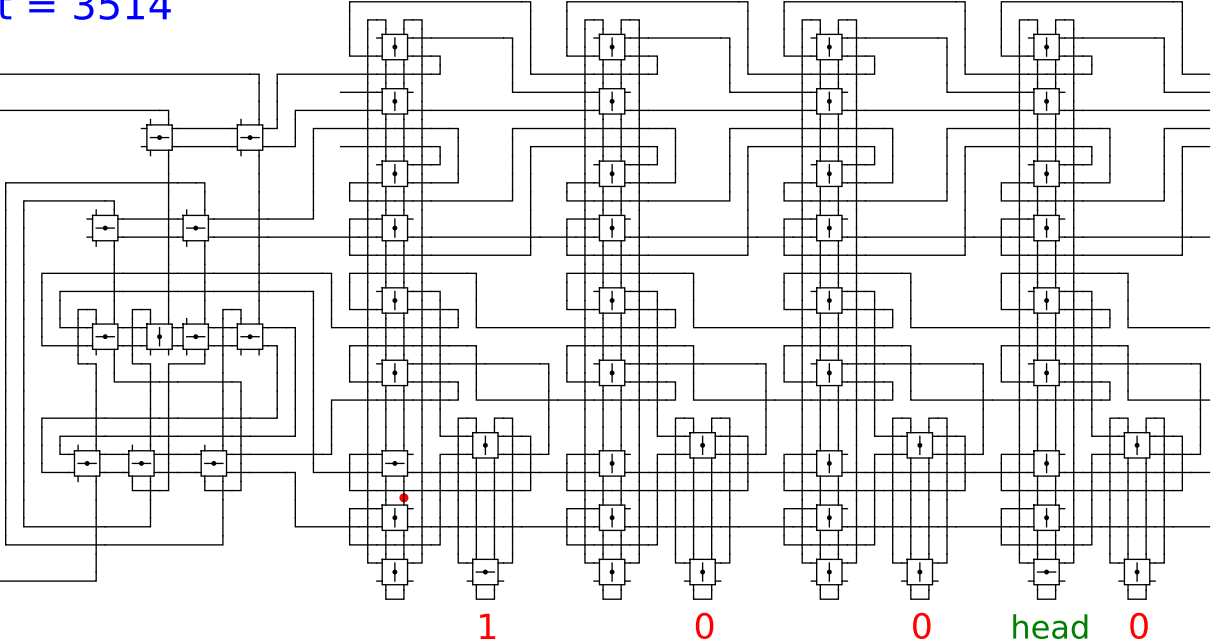
head

0

t = 3514

Reject
Accept

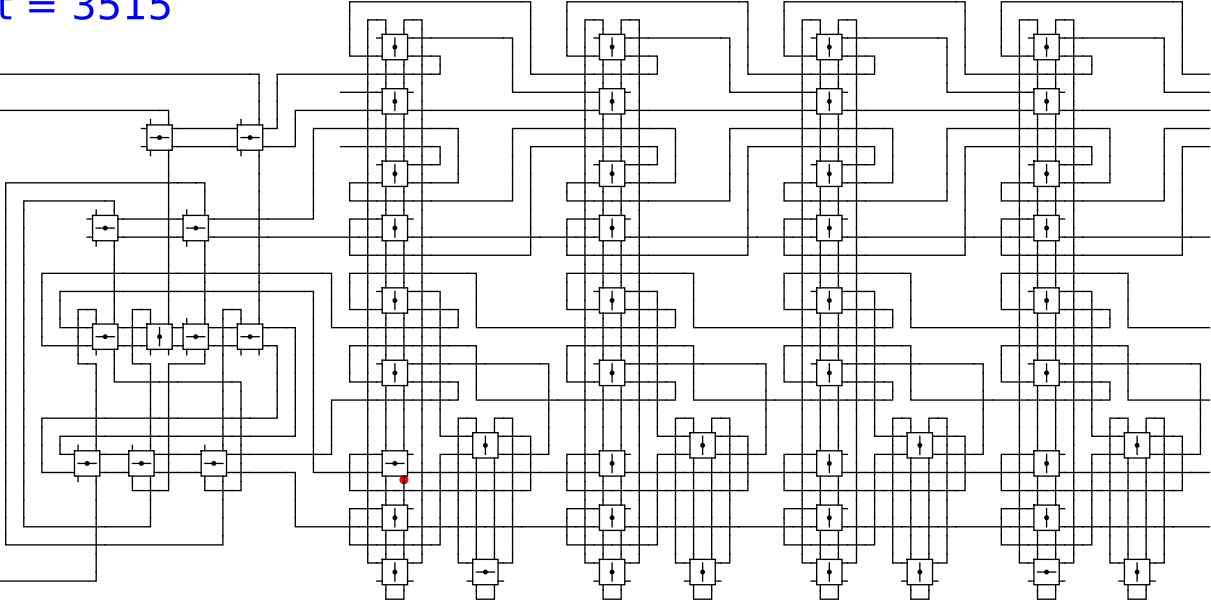
Begin



t = 3515

Reject
Accept

Begin



1

0

0

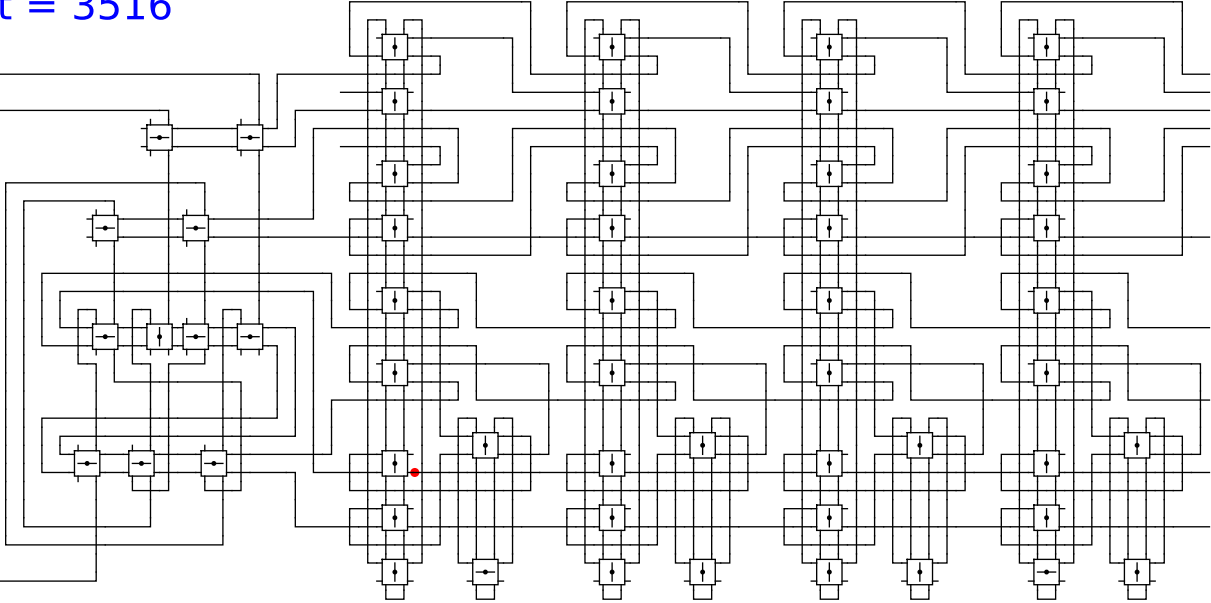
head

0

t = 3516

Reject
Accept

Begin

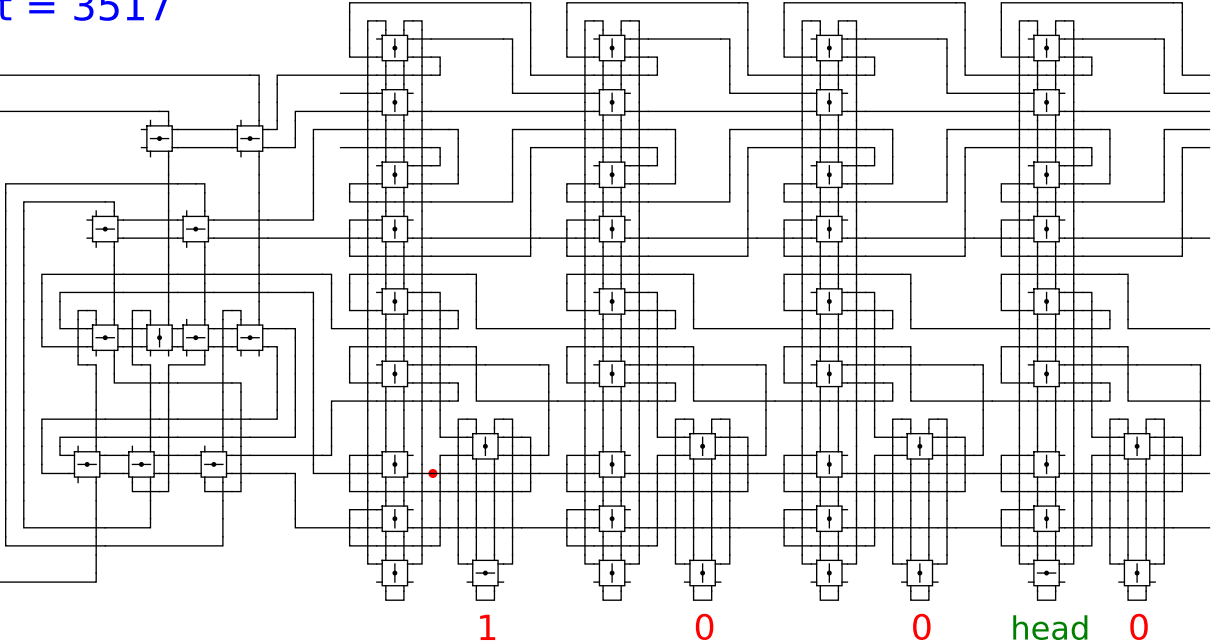


1 0 0 head 0

t = 3517

Reject
Accept

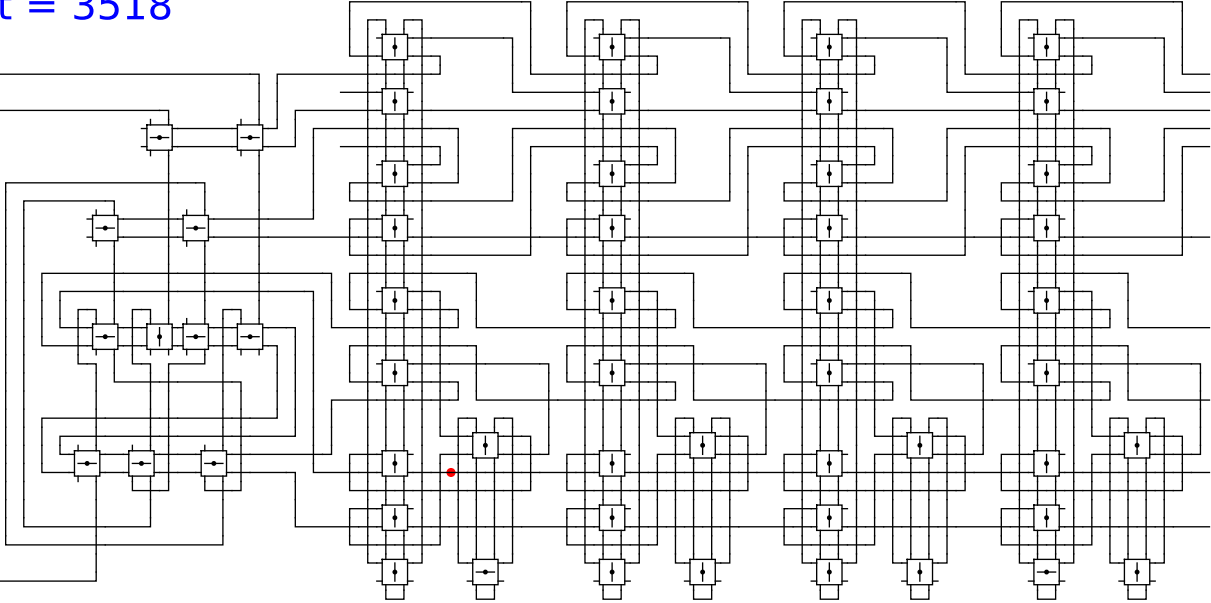
Begin



t = 3518

Reject
Accept

Begin

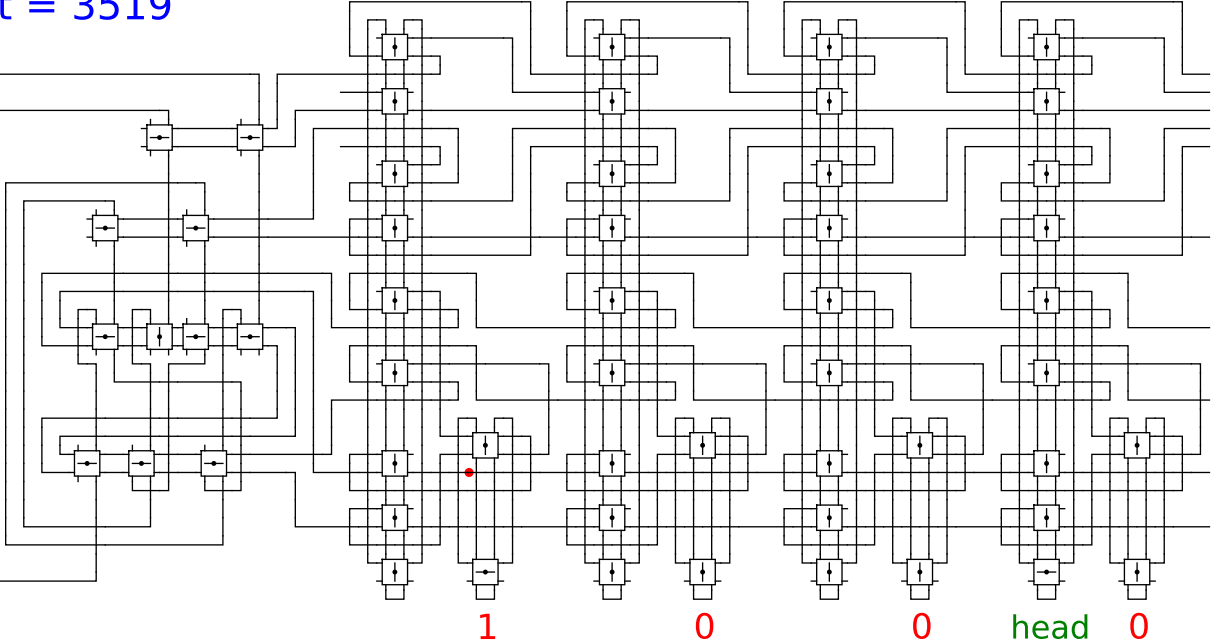


1 0 0 head 0

t = 3519

Reject
Accept

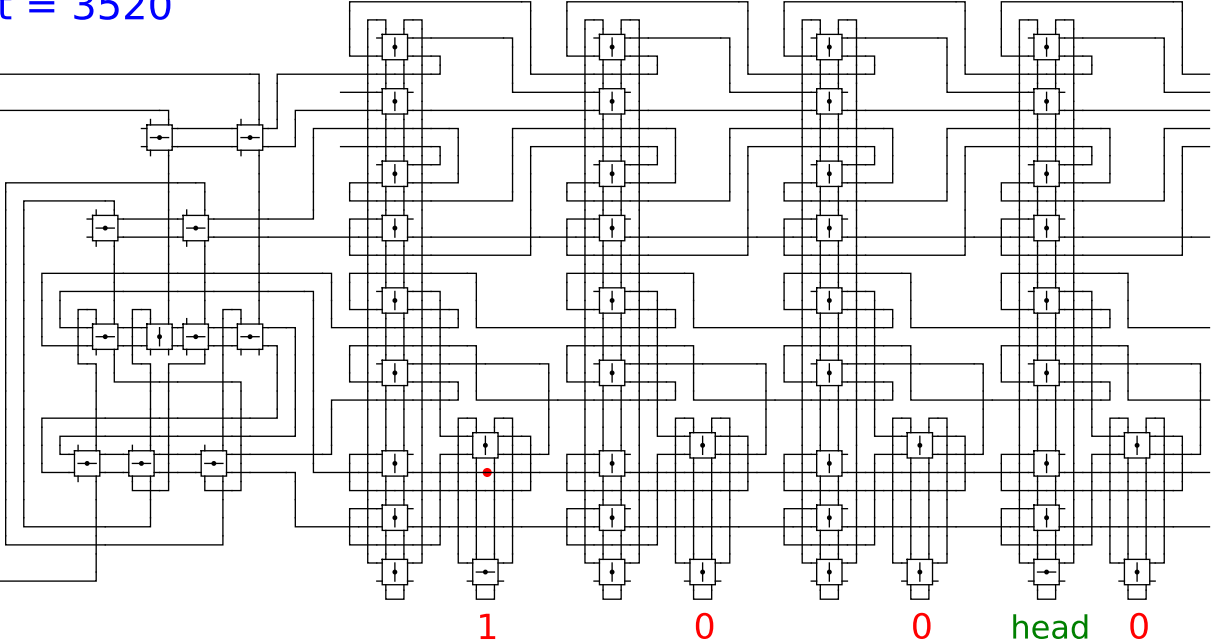
Begin



t = 3520

Reject
Accept

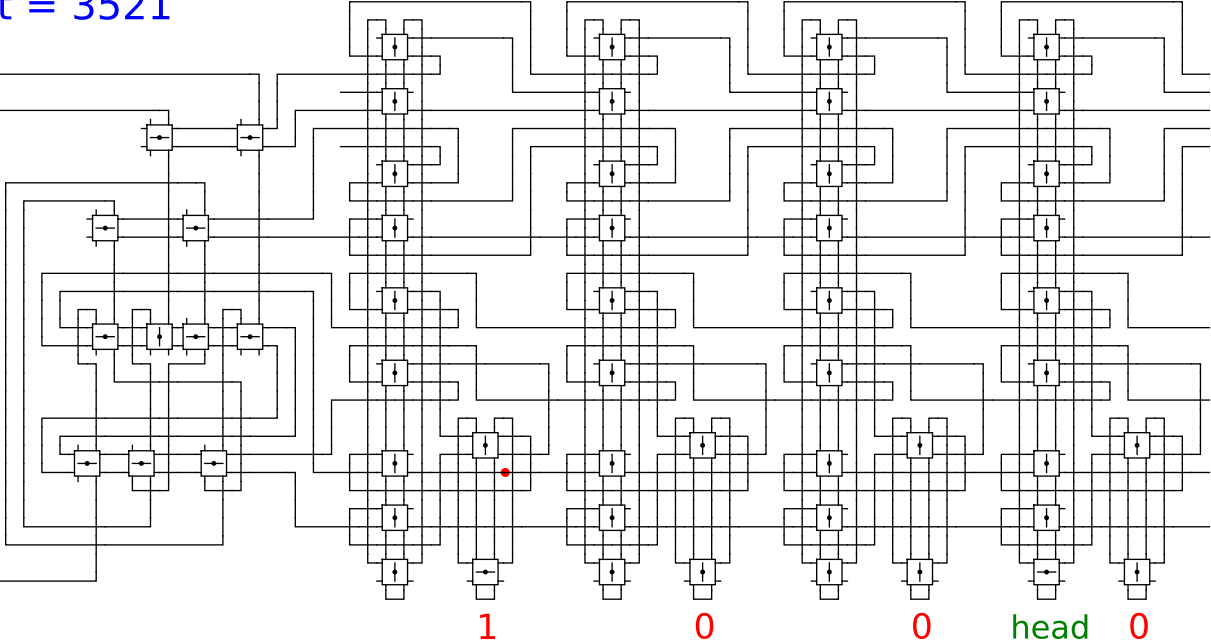
Begin



t = 3521

Reject
Accept

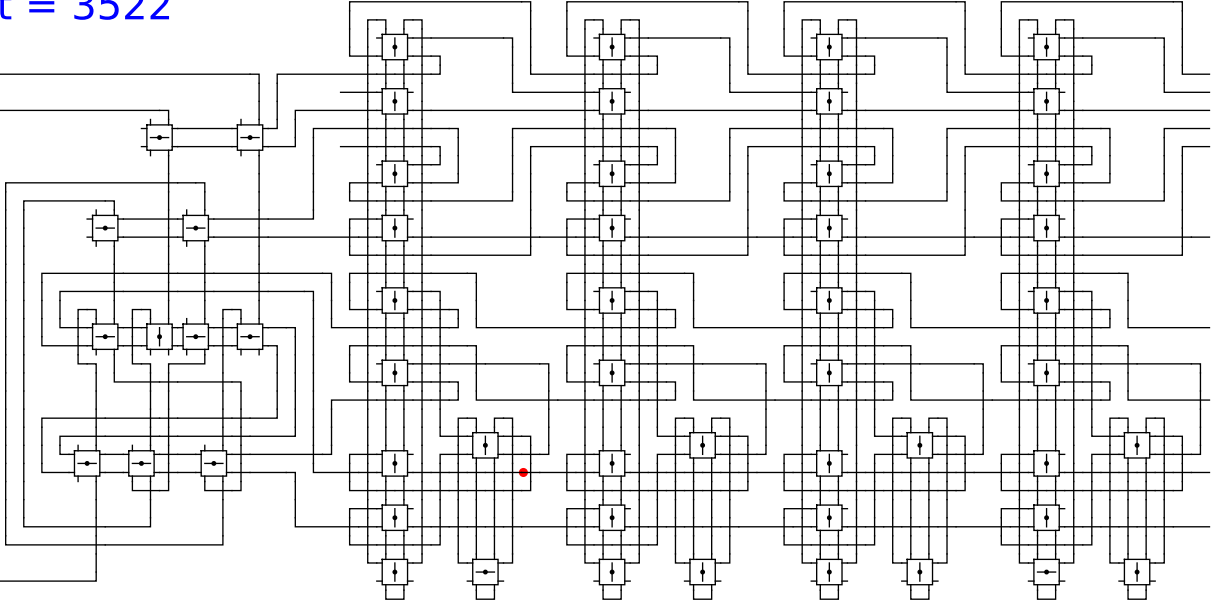
Begin



t = 3522

Reject
Accept

Begin



1

0

0

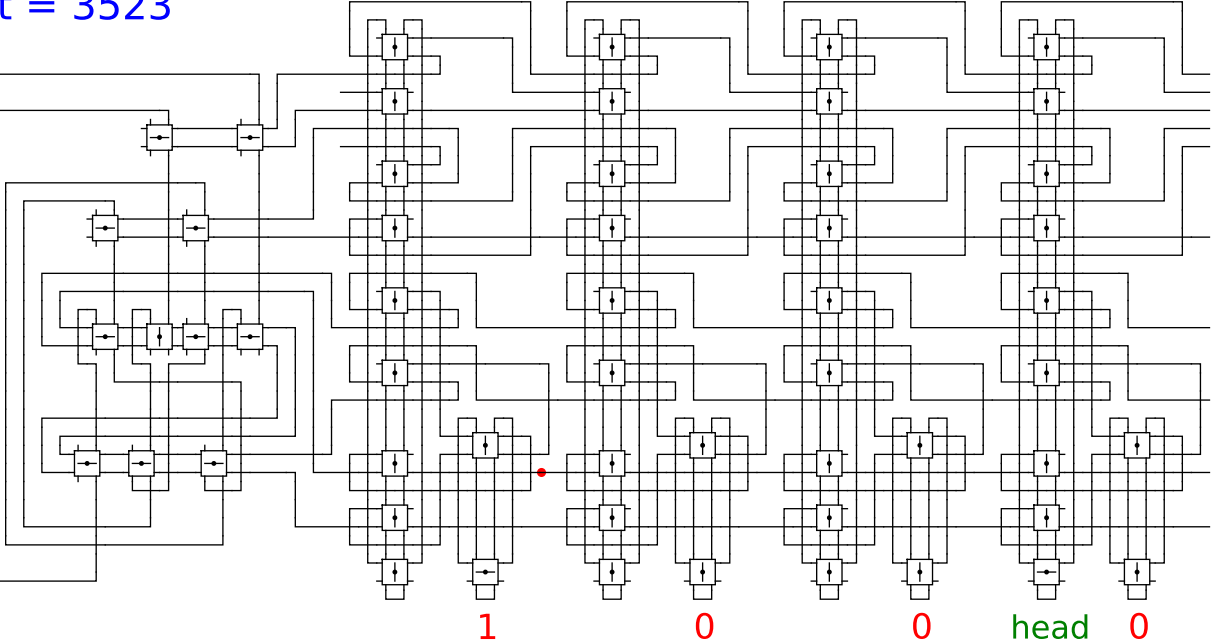
head

0

t = 3523

Reject
Accept

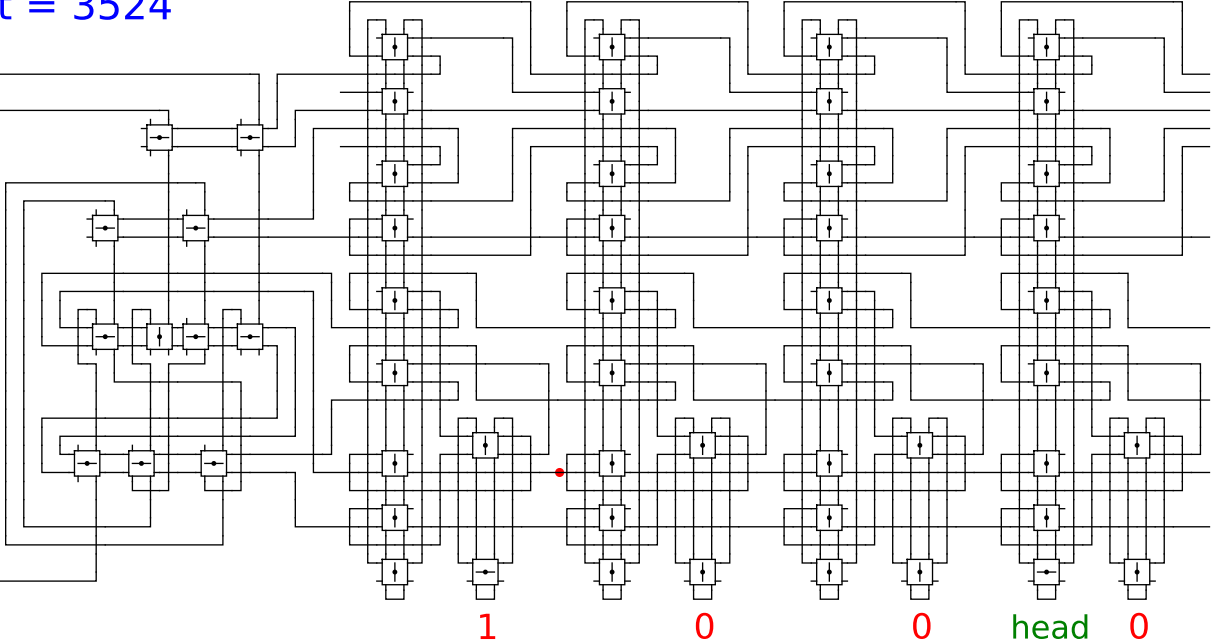
Begin



t = 3524

Reject
Accept

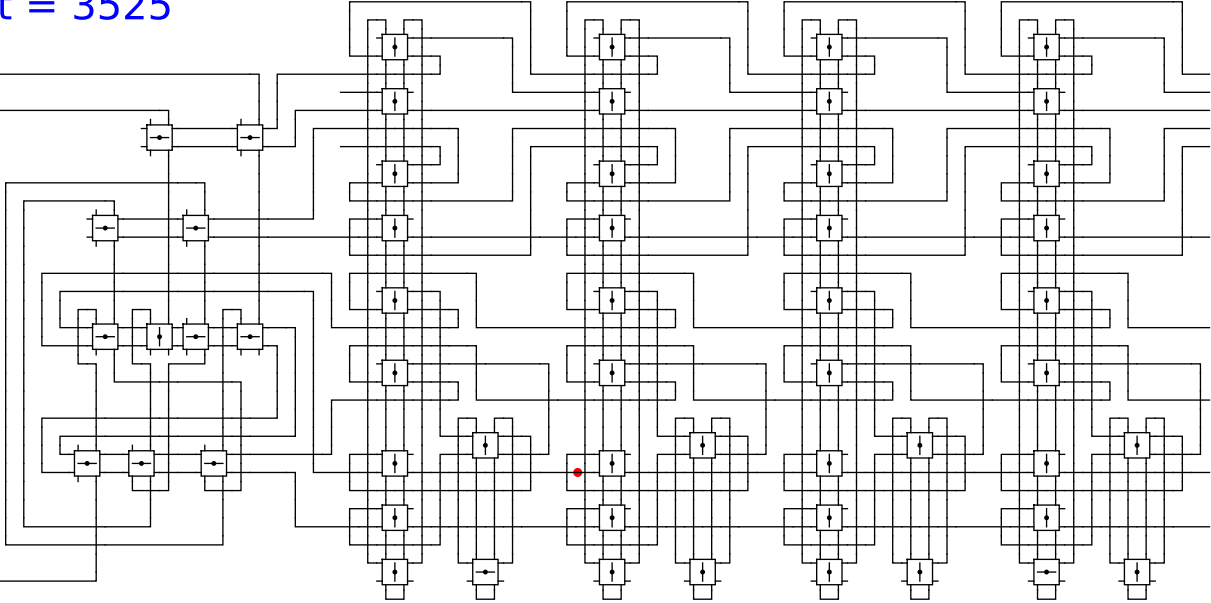
Begin



t = 3525

Reject
Accept

Begin



1

0

0

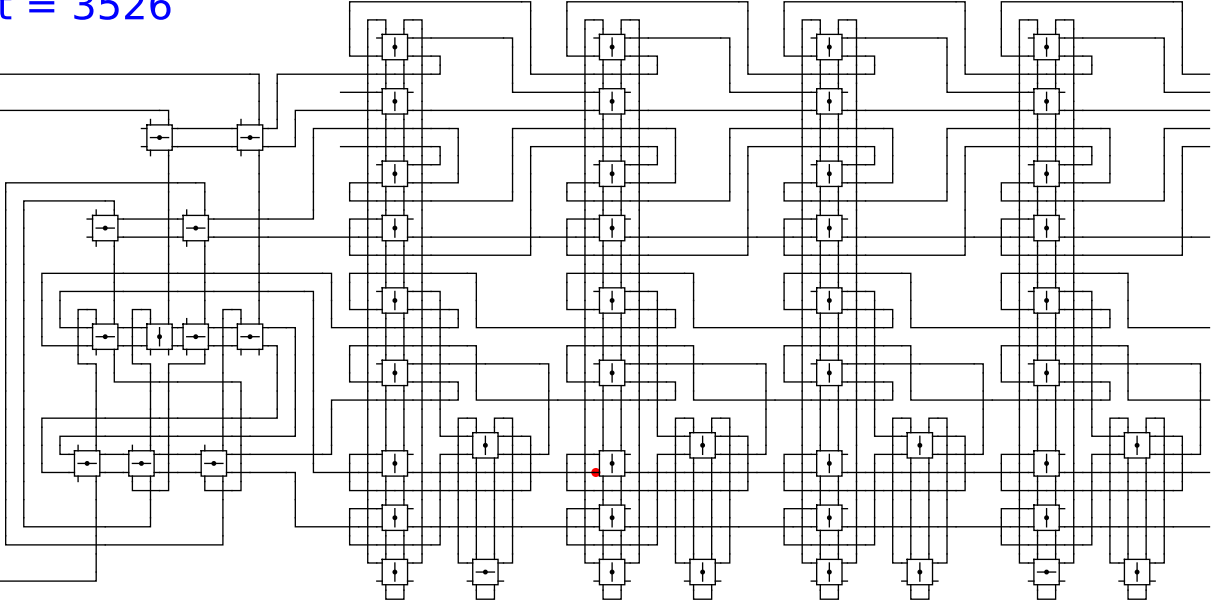
head

0

t = 3526

Reject
Accept

Begin



1

0

0

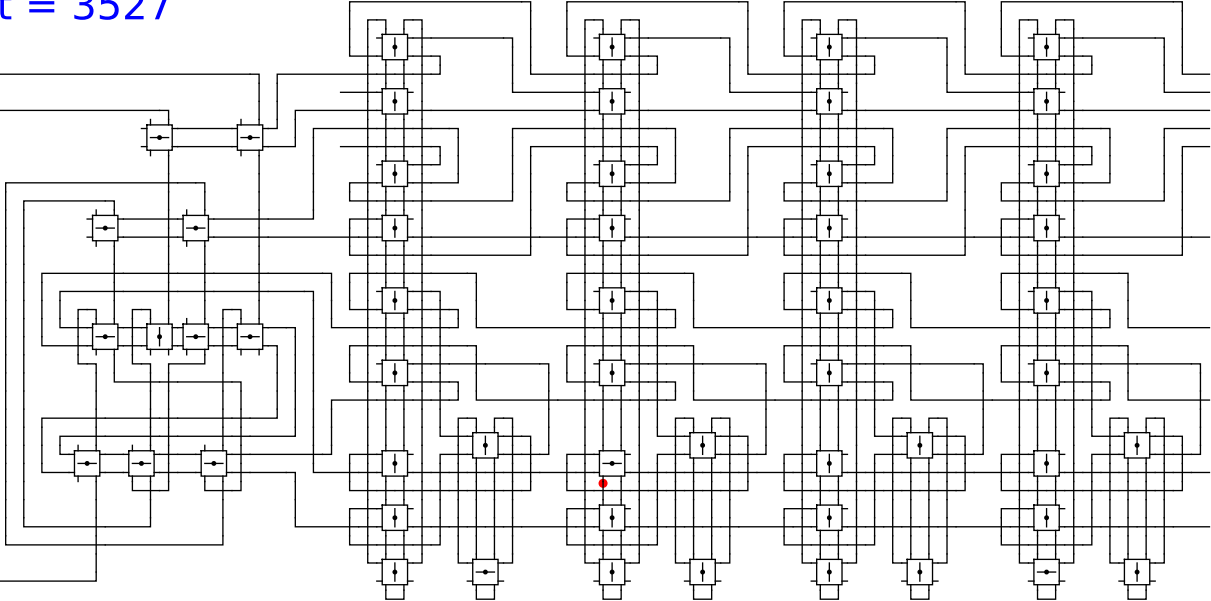
head

0

t = 3527

Reject
Accept

Begin



1

0

0

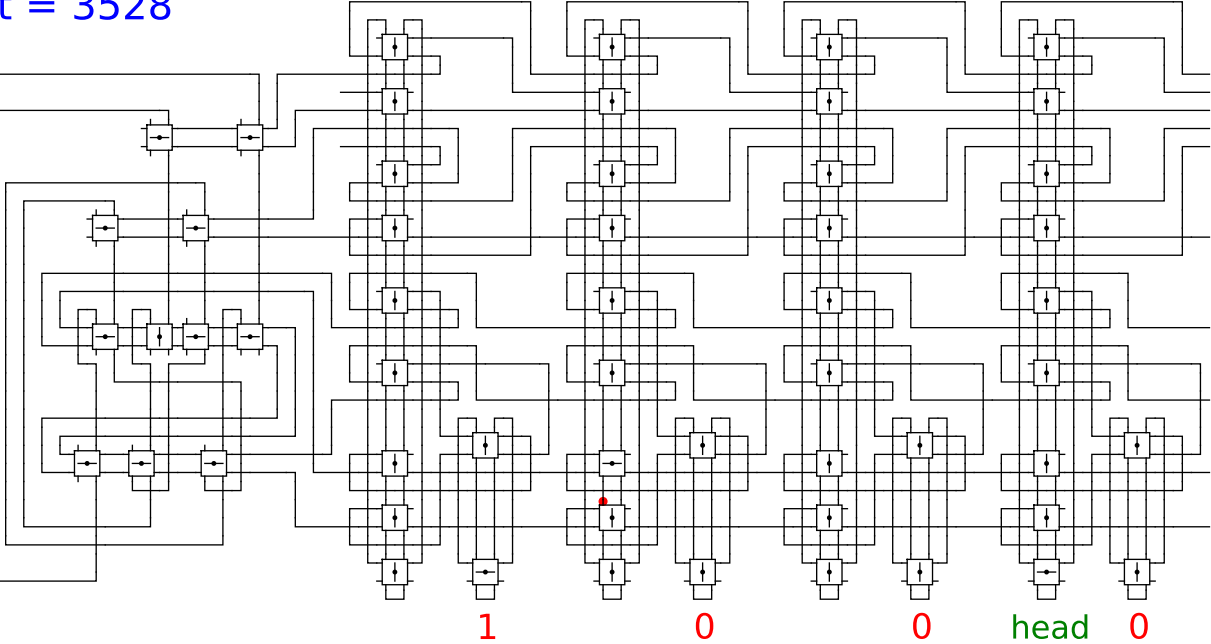
head

0

t = 3528

Reject
Accept

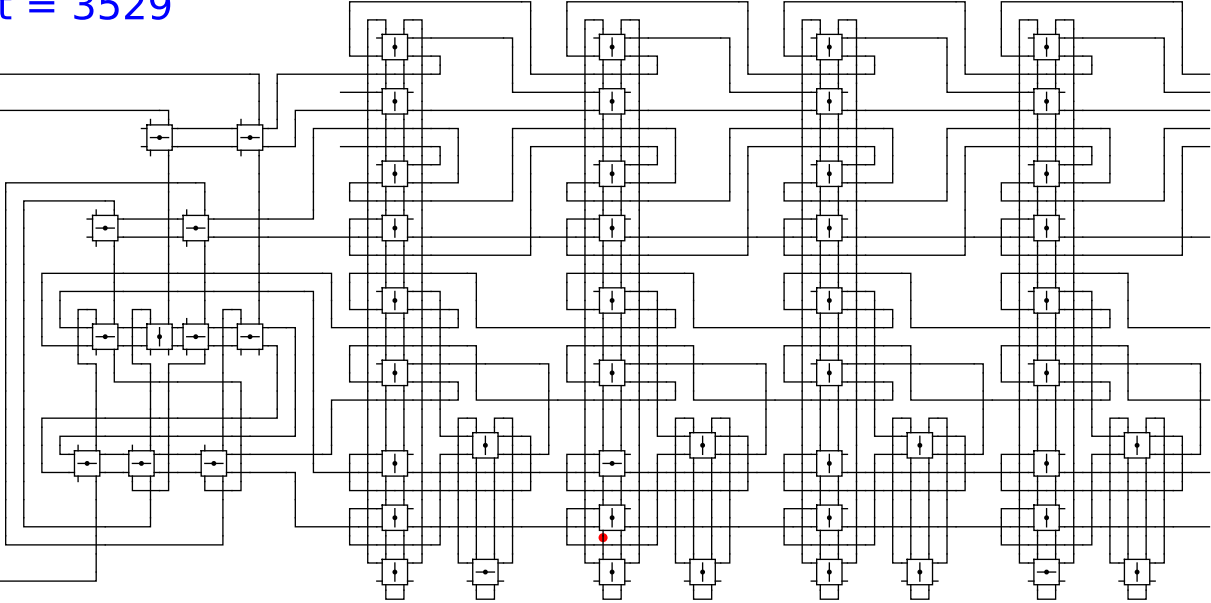
Begin



t = 3529

Reject
Accept

Begin



1

0

0

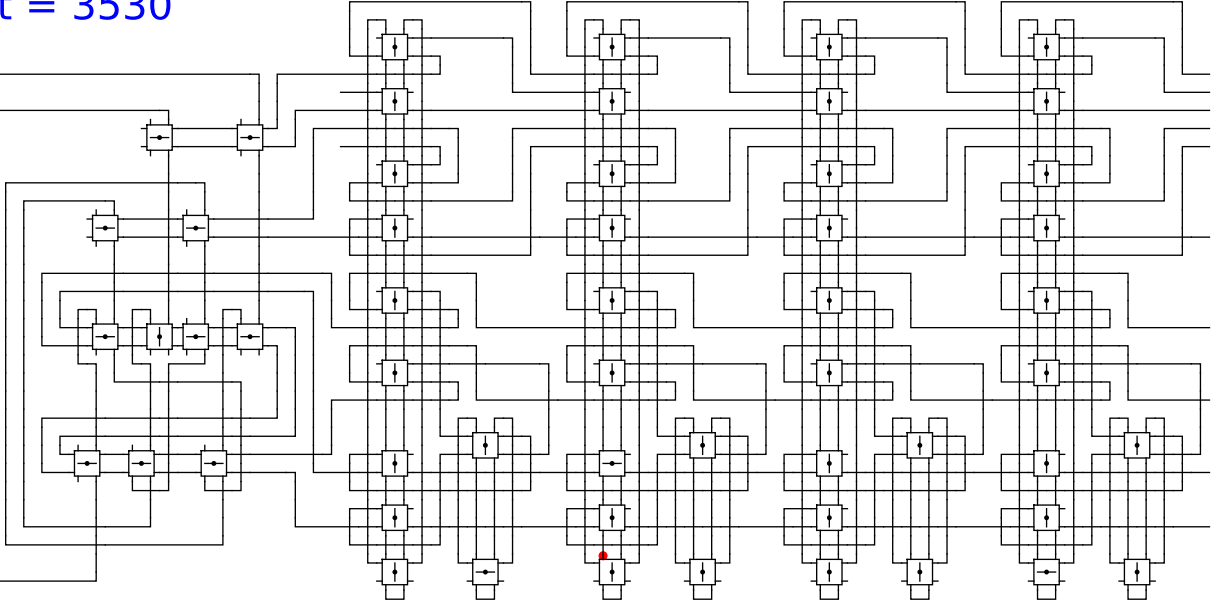
head

0

t = 3530

Reject
Accept

Begin



1

0

0

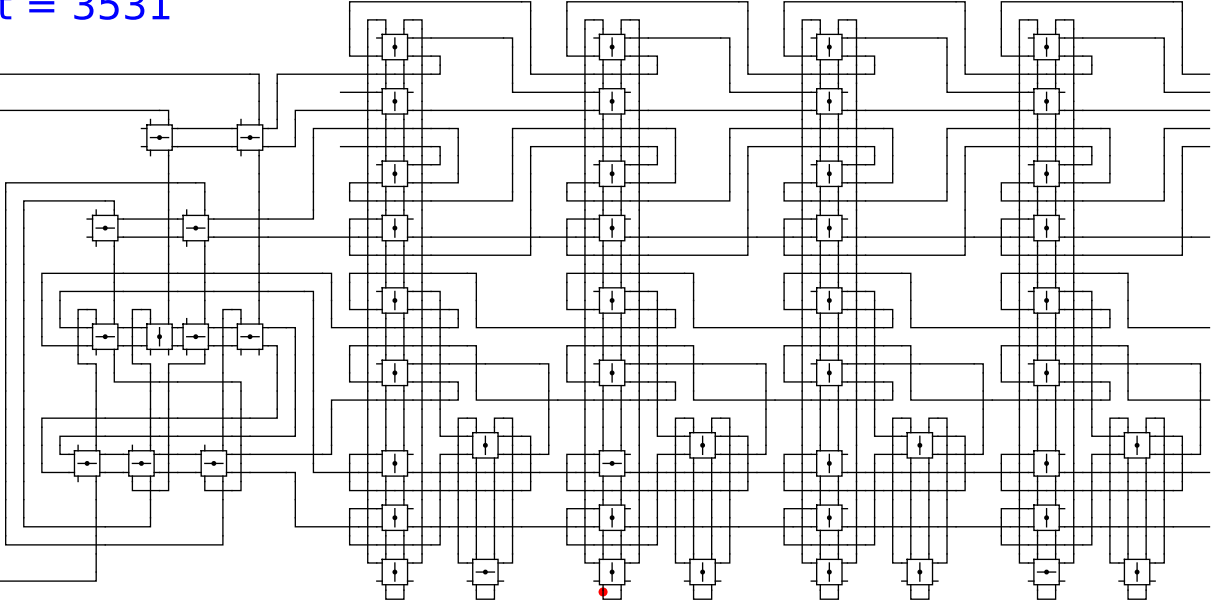
head

0

t = 3531

Reject
Accept

Begin

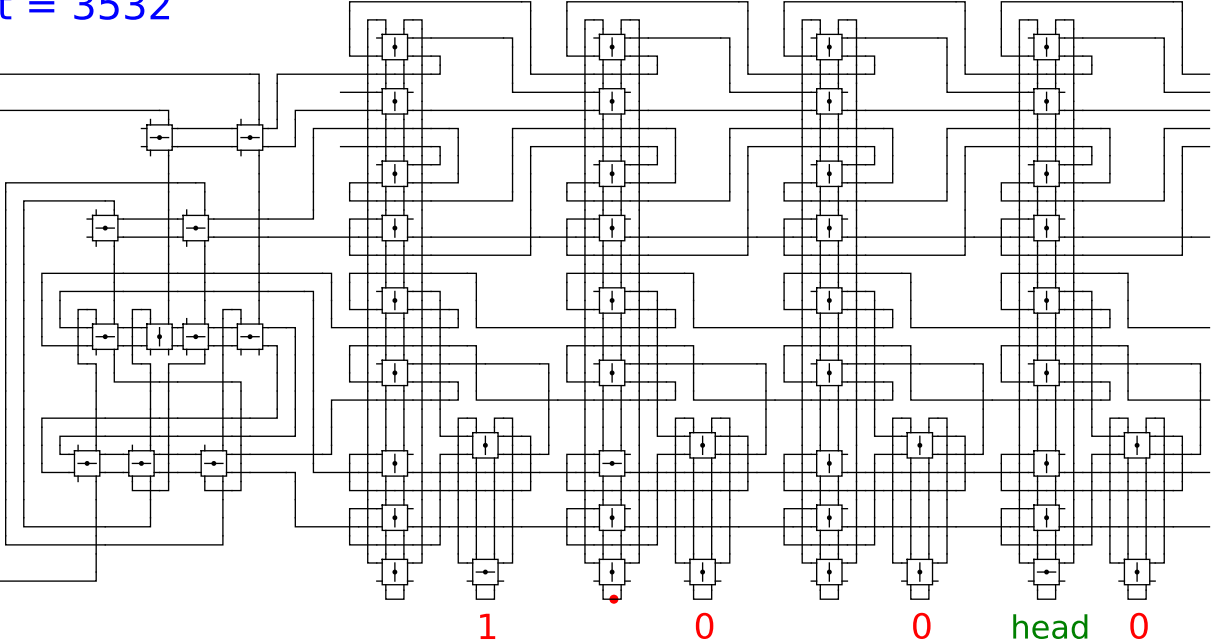


1 0 0 head 0

t = 3532

Reject
Accept

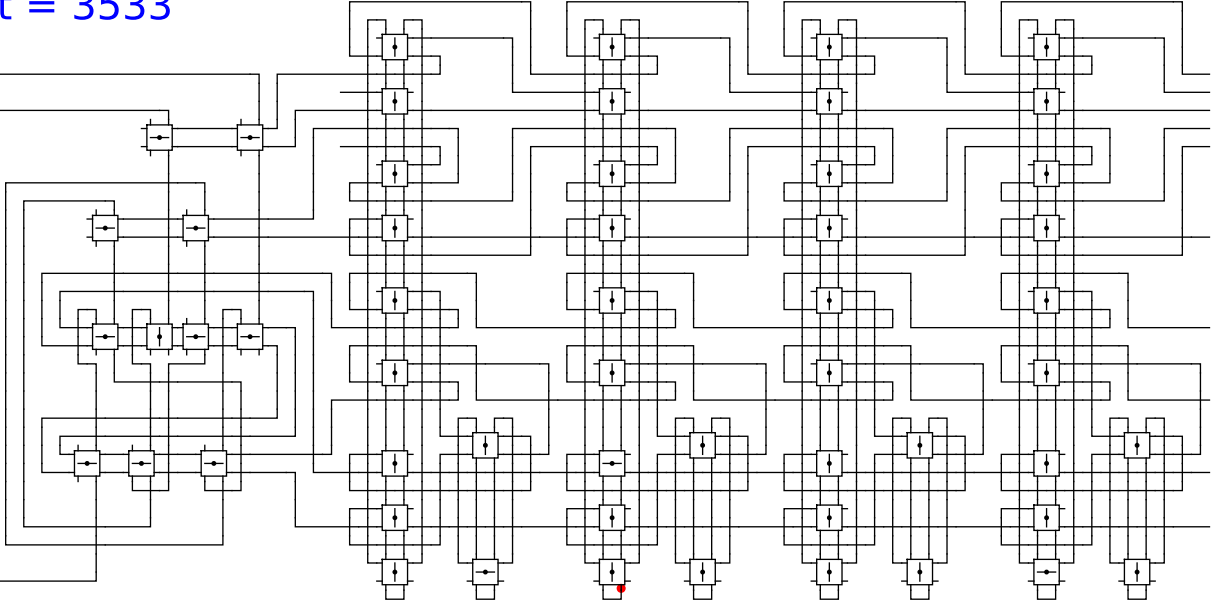
Begin



t = 3533

Reject
Accept

Begin



1

0

0

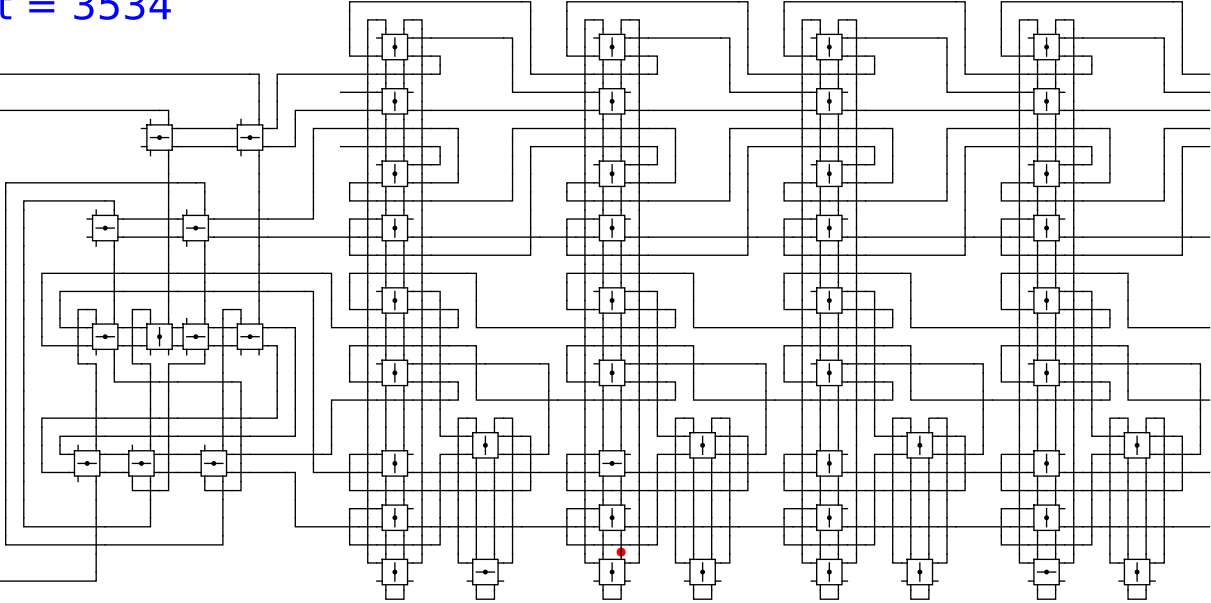
head

0

t = 3534

Reject
Accept

Begin



1

0

0

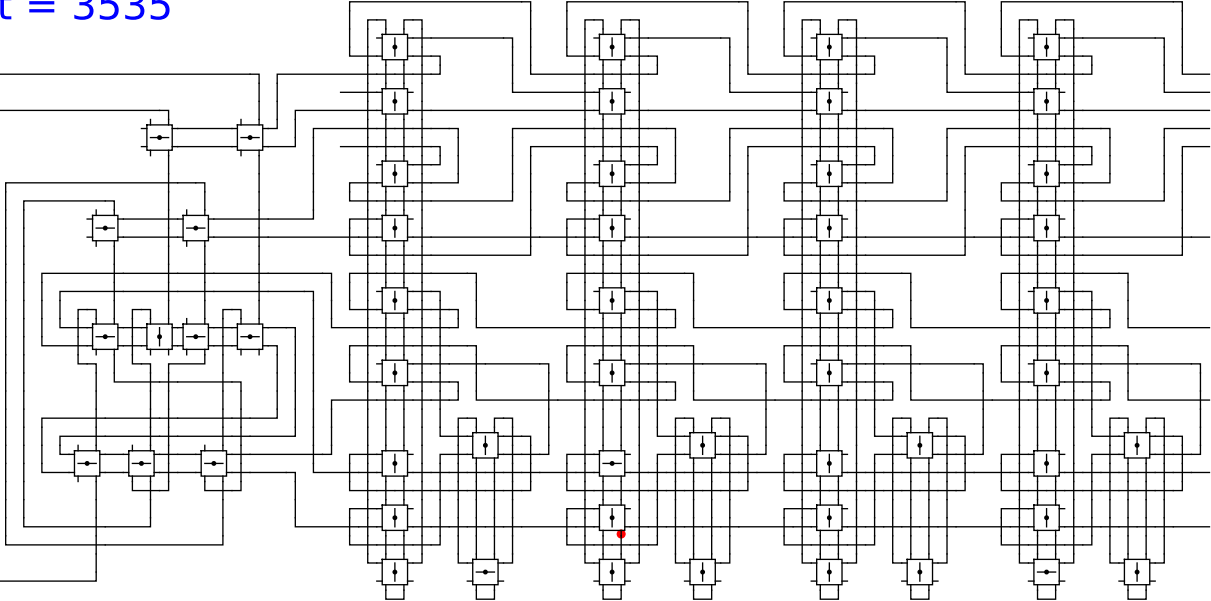
head

0

t = 3535

Reject
Accept

Begin



1

0

0

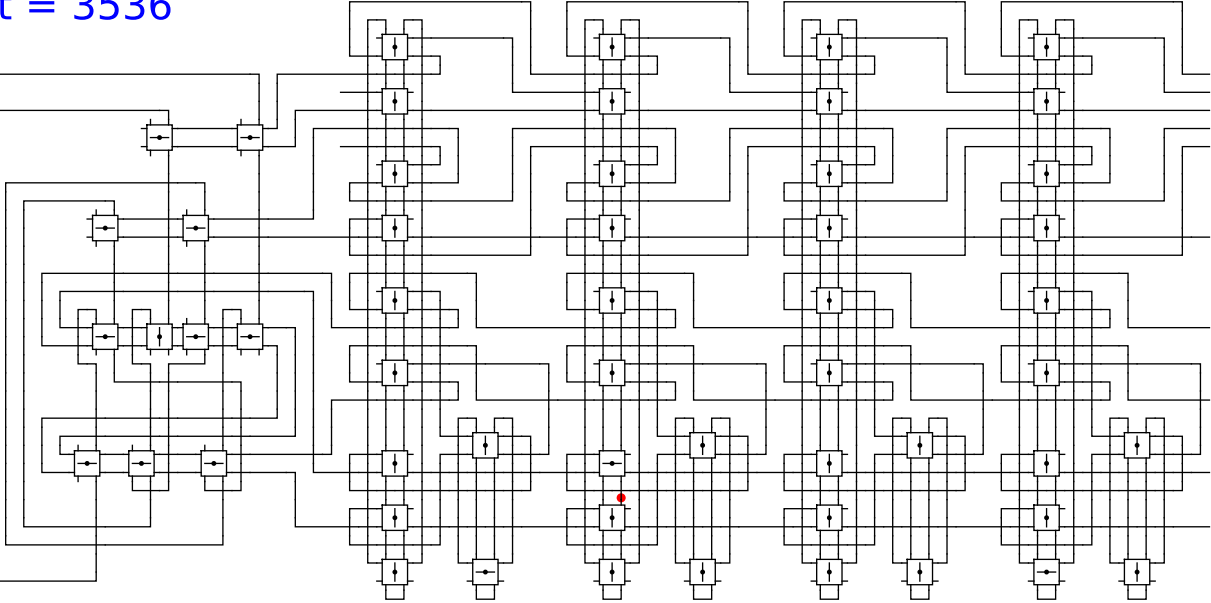
head

0

t = 3536

Reject
Accept

Begin



1

0

0

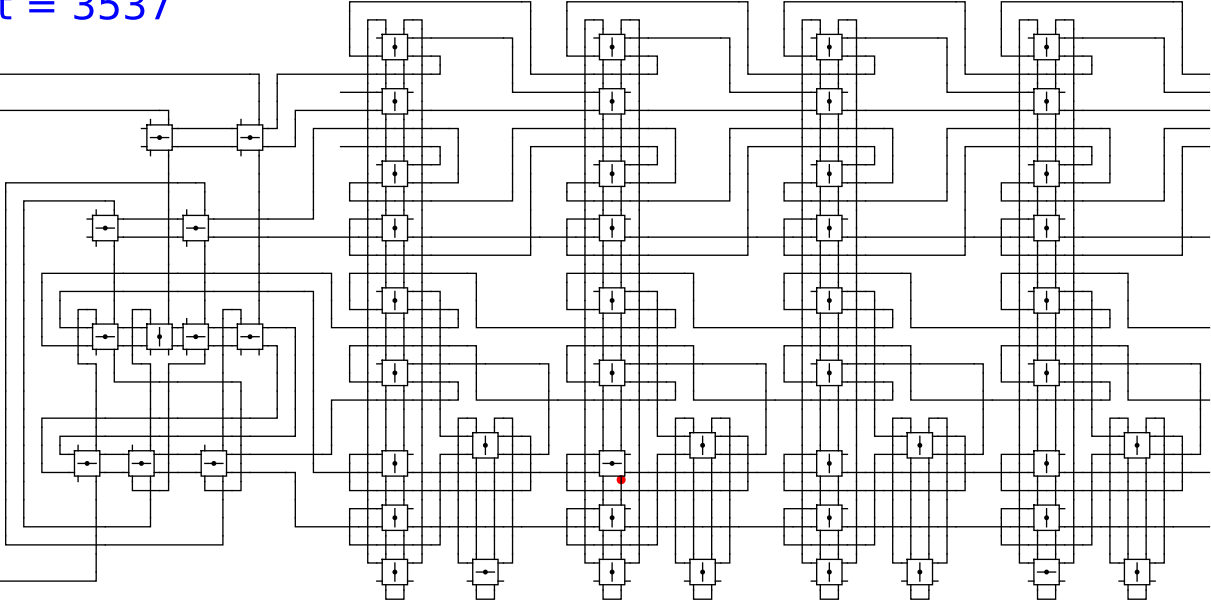
head

0

t = 3537

Reject
Accept

Begin



1

0

0

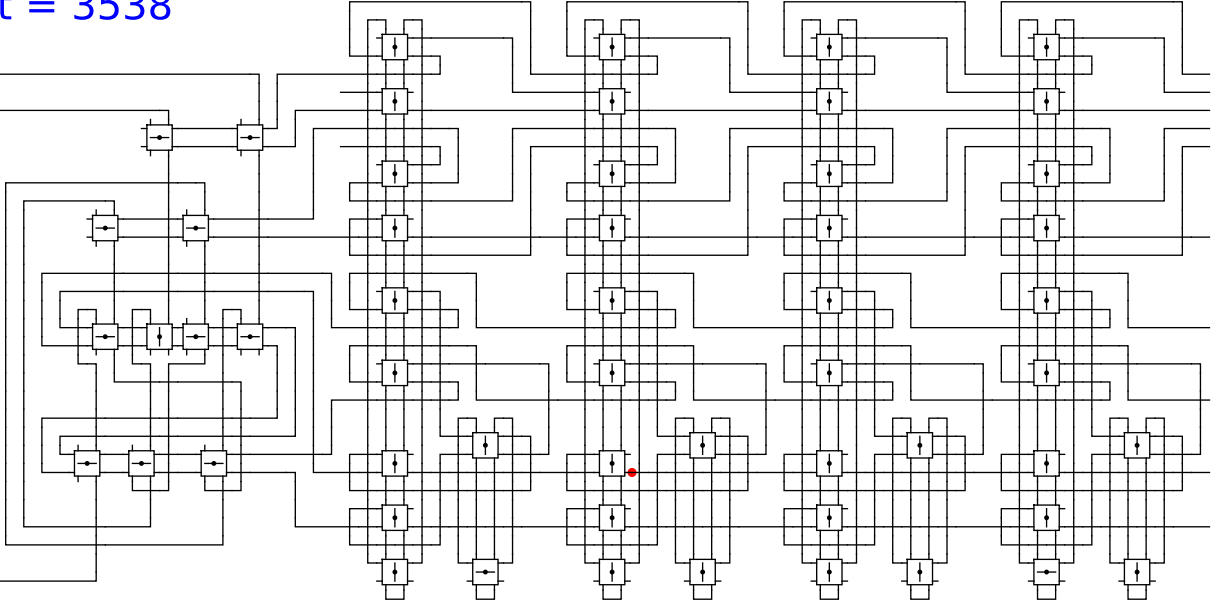
head

0

t = 3538

Reject
Accept

Begin



1

0

0

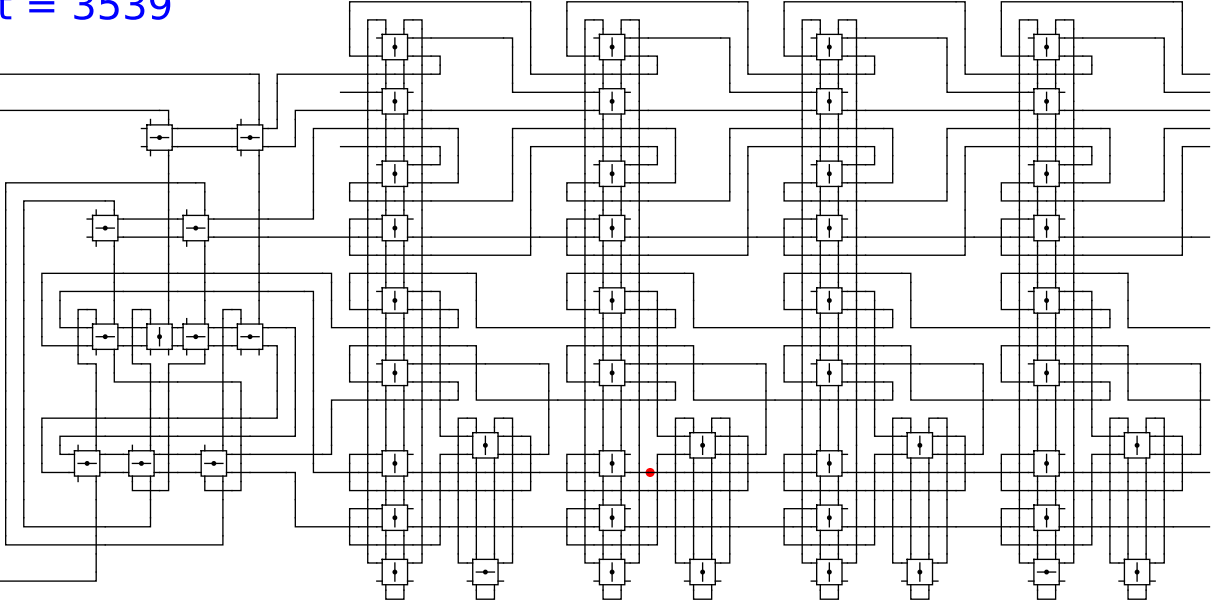
head

0

t = 3539

Reject
Accept

Begin



1

0

0

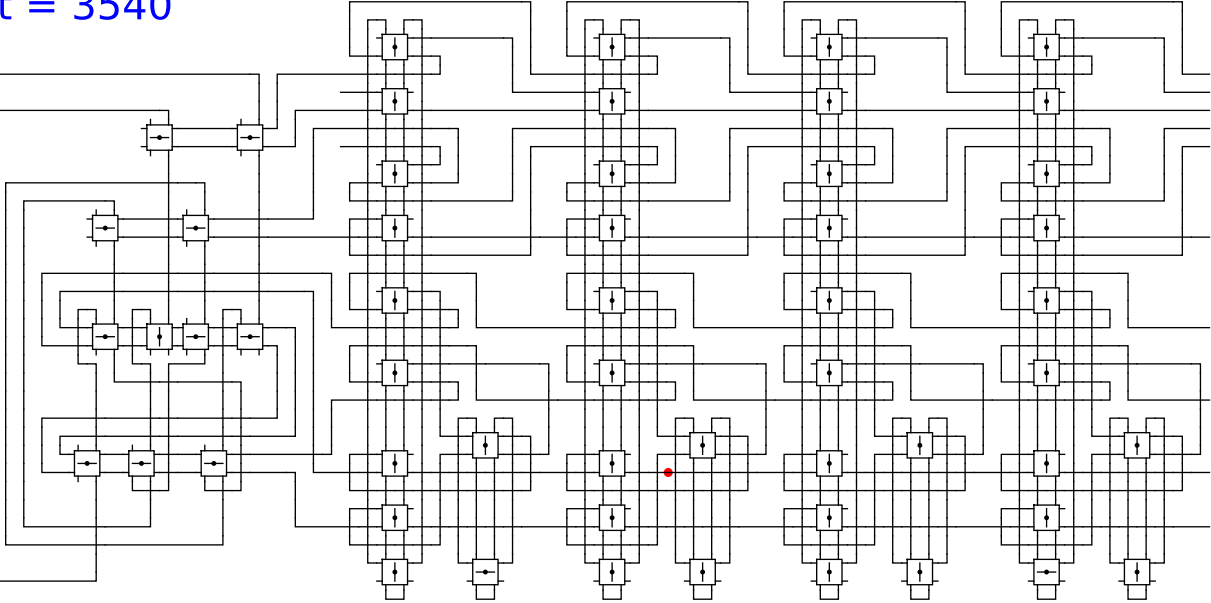
head

0

t = 3540

Reject
Accept

Begin



1

0

0

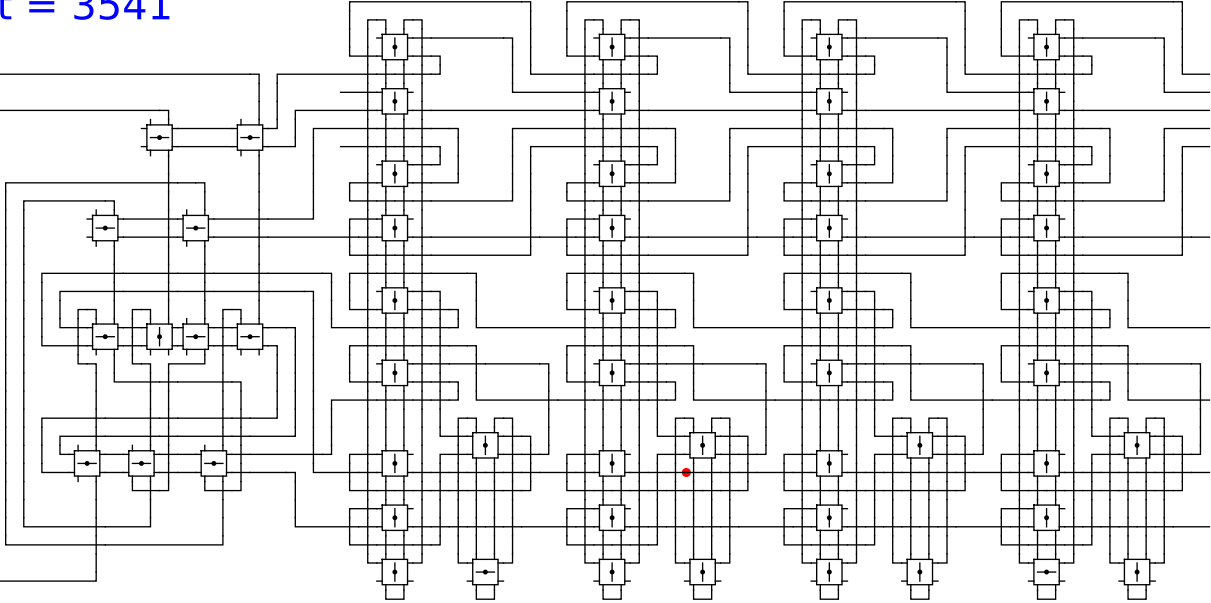
head

0

t = 3541

Reject
Accept

Begin

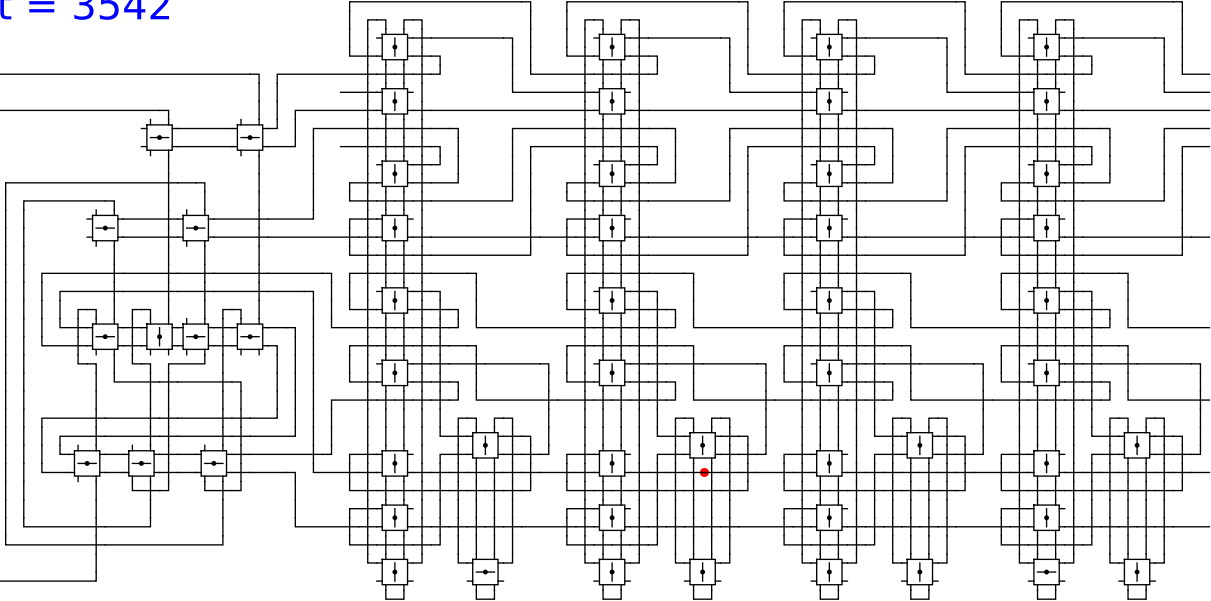


1 0 0 head 0

t = 3542

Reject
Accept

Begin



1

0

0

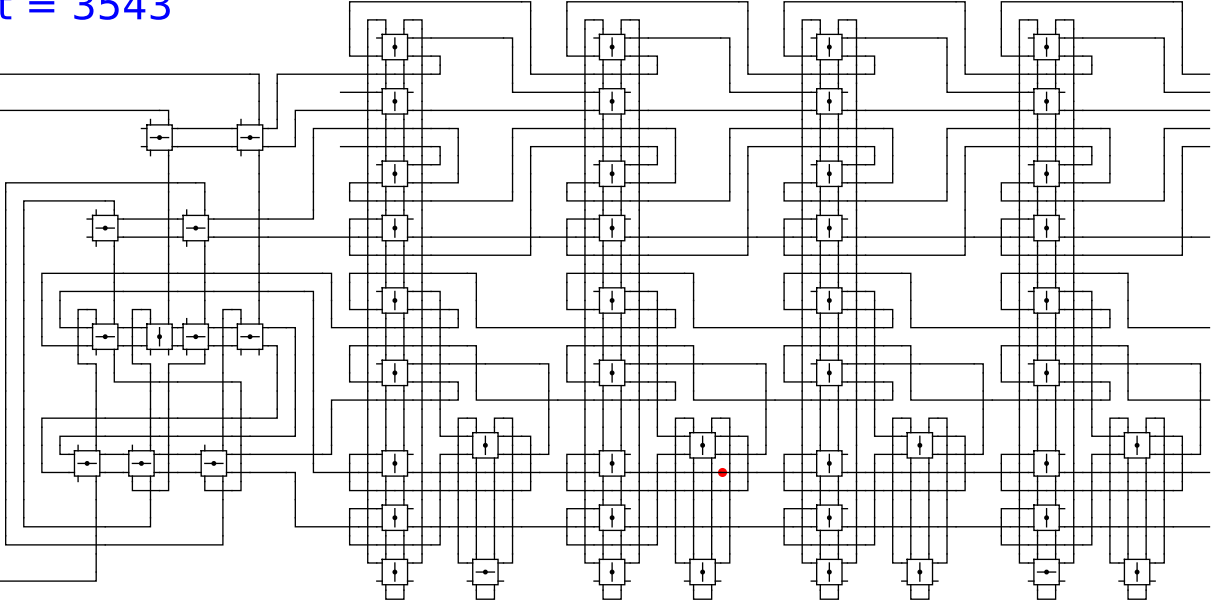
head

0

t = 3543

Reject
Accept

Begin

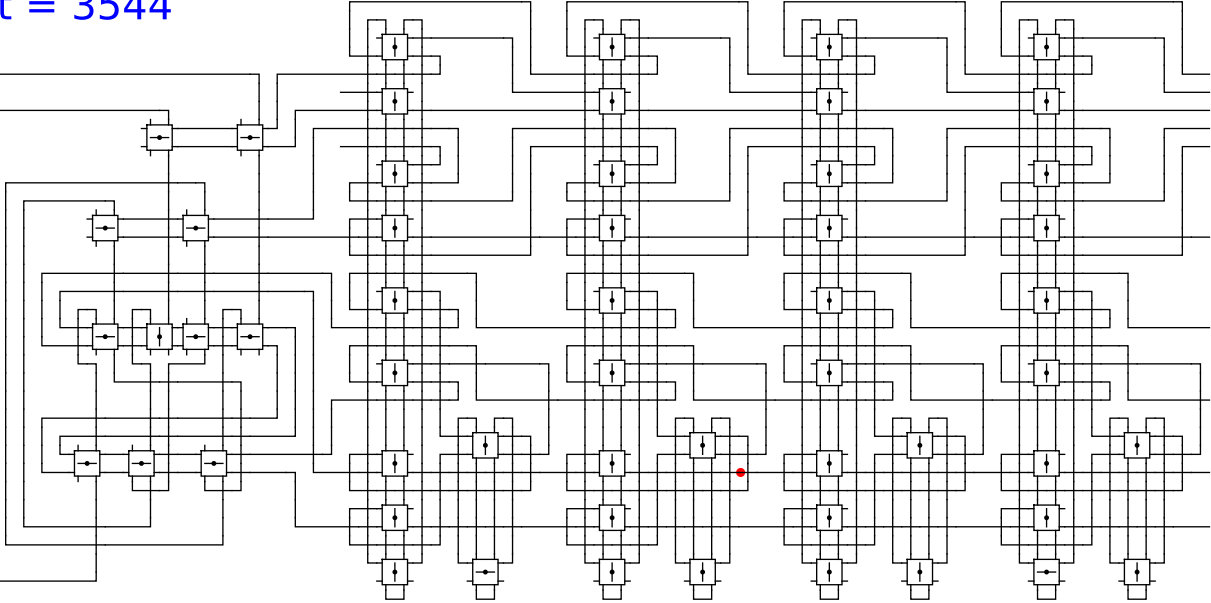


1 0 0 head 0

t = 3544

Reject
Accept

Begin



1

0

0

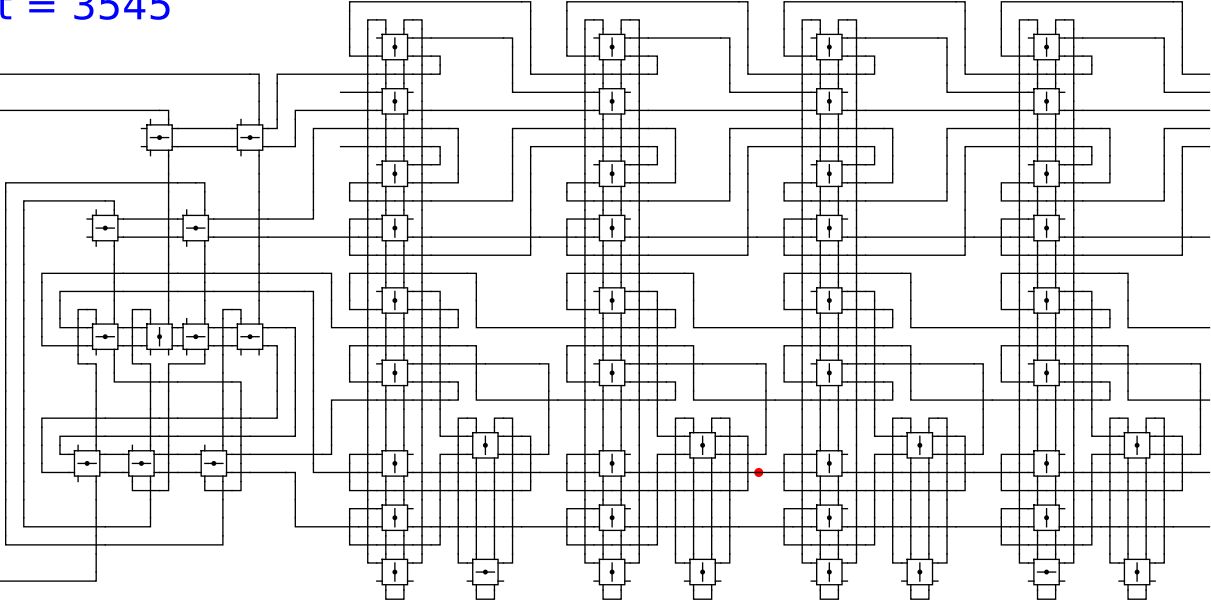
head

0

t = 3545

Reject
Accept

Begin



1

0

0

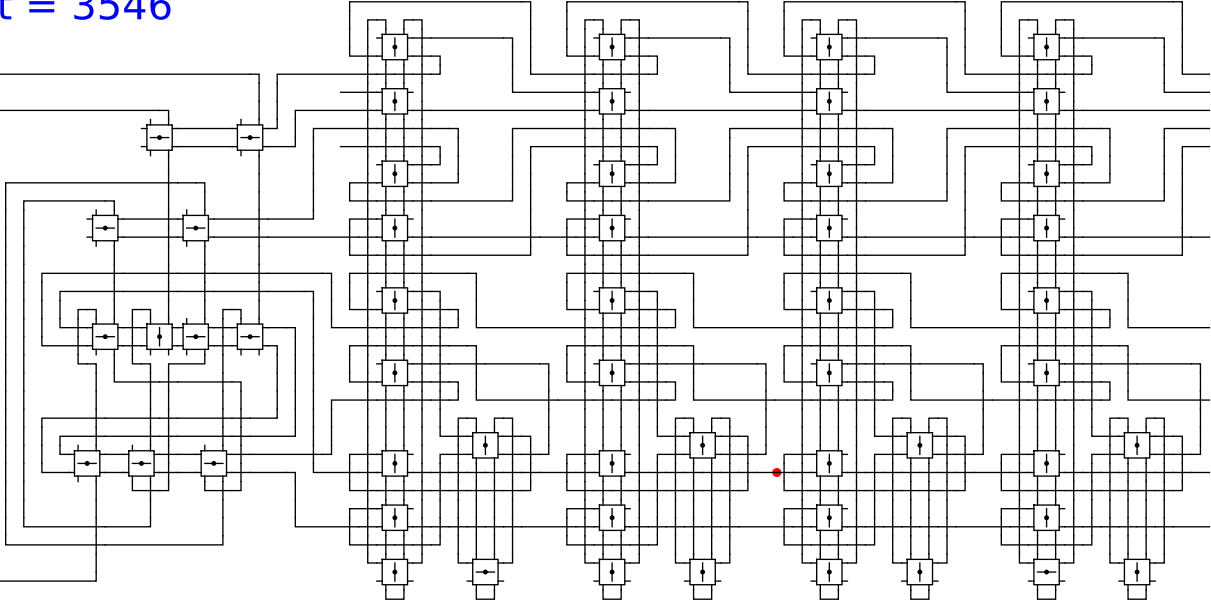
head

0

t = 3546

Reject
Accept

Begin



1

0

0

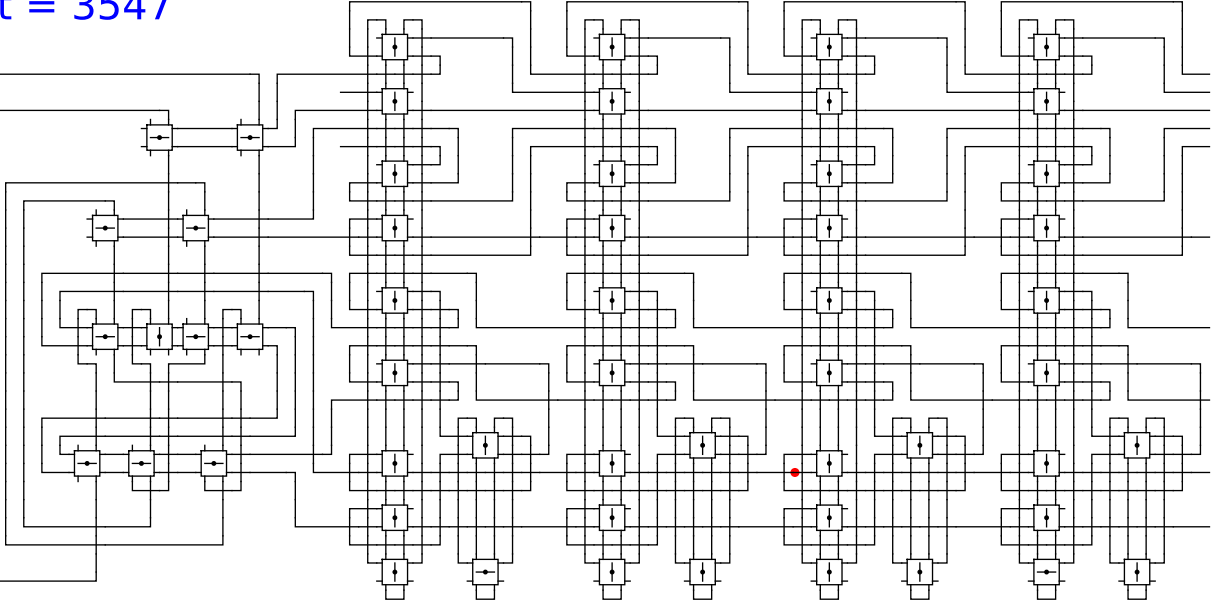
head

0

t = 3547

Reject
Accept

Begin

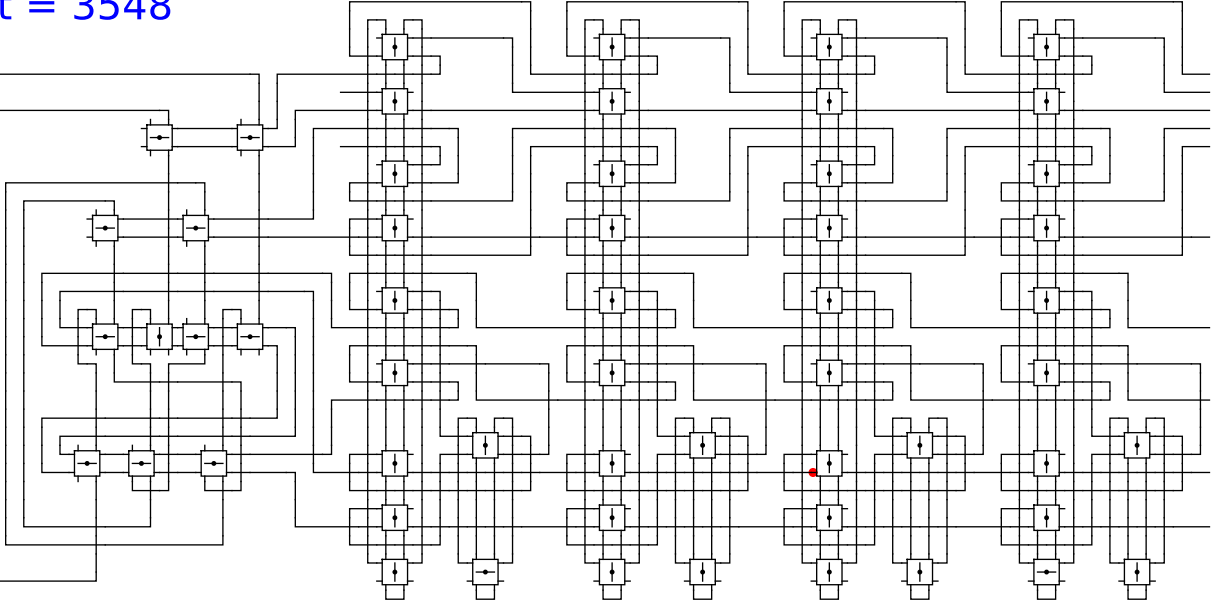


1 0 0 head 0

t = 3548

Reject
Accept

Begin

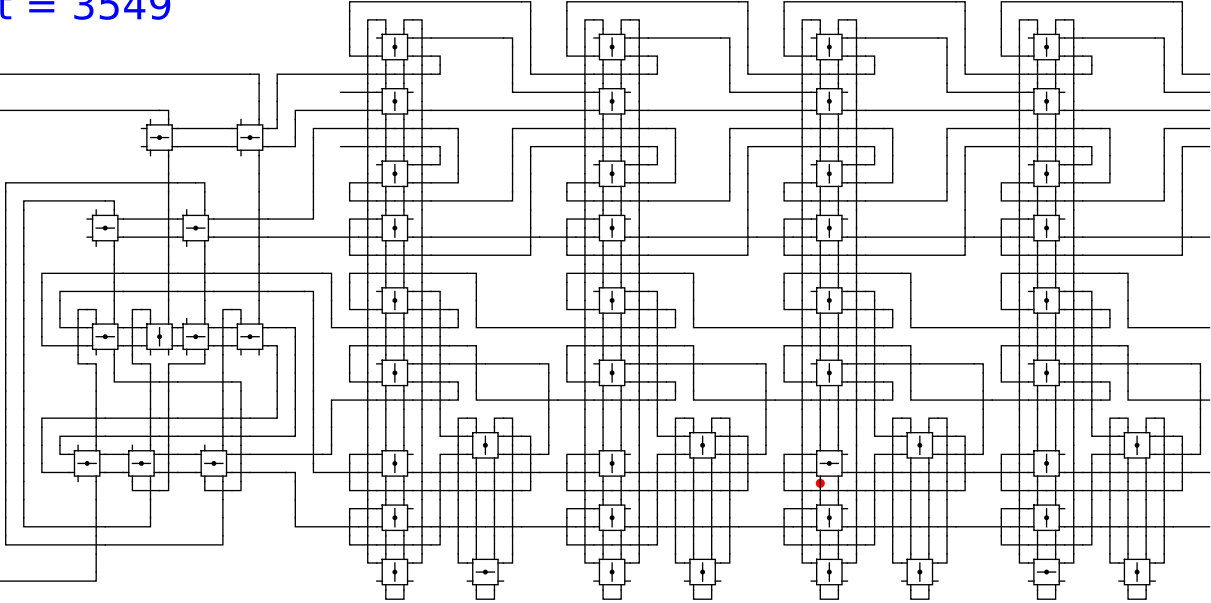


1 0 0 head 0

t = 3549

Reject
Accept

Begin



1

0

0

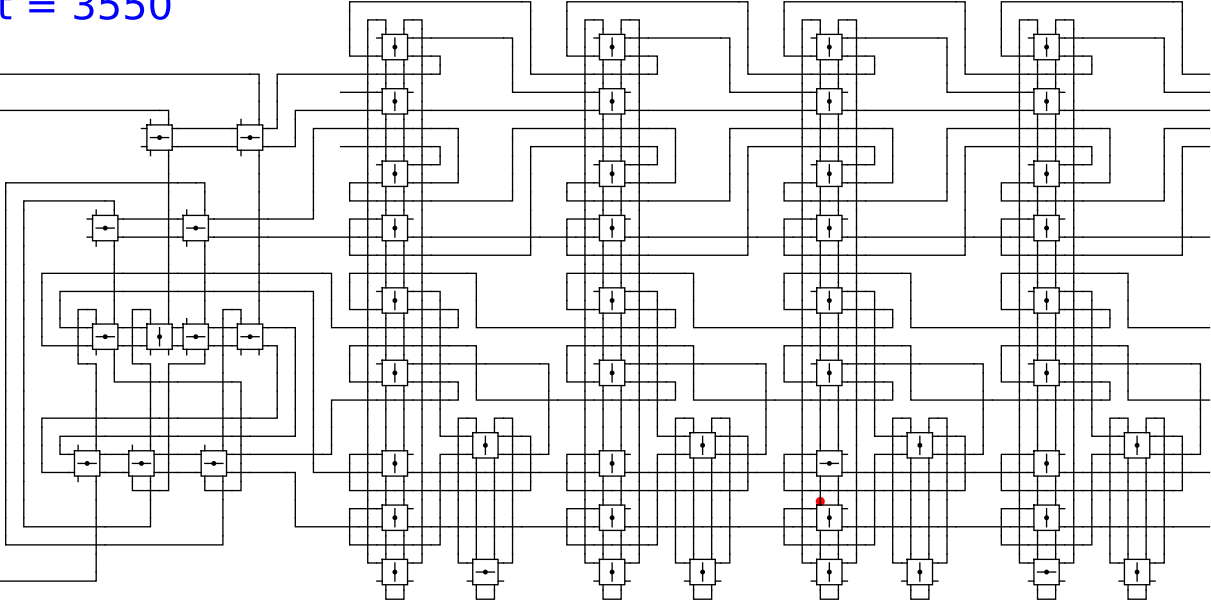
head

0

t = 3550

Reject
Accept

Begin

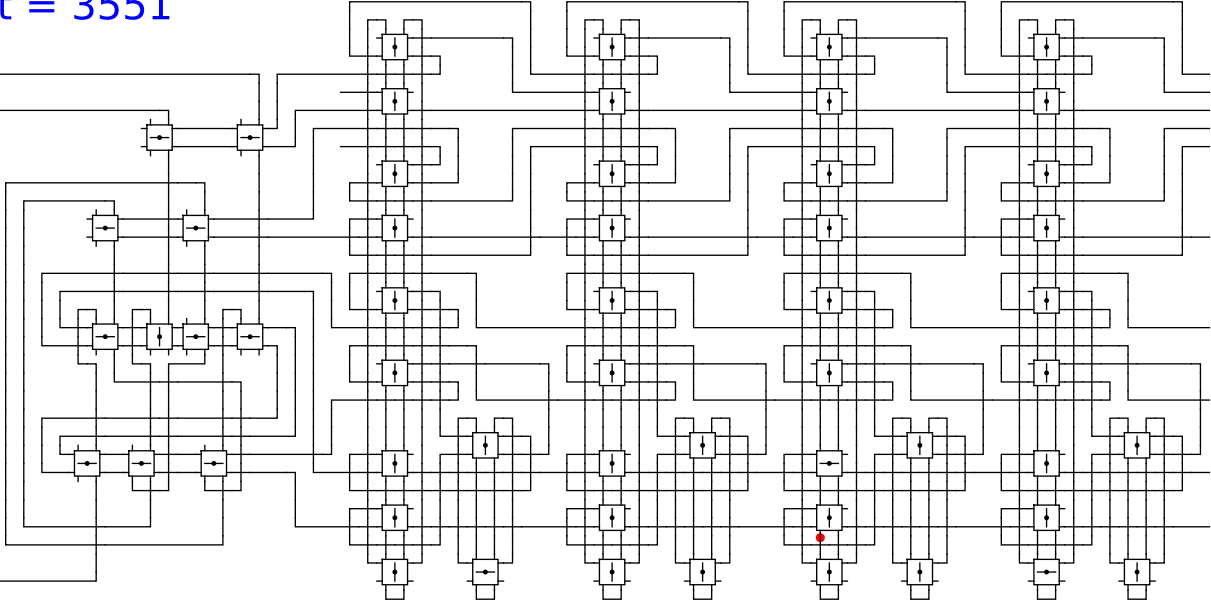


1 0 0 head 0

t = 3551

Reject
Accept

Begin

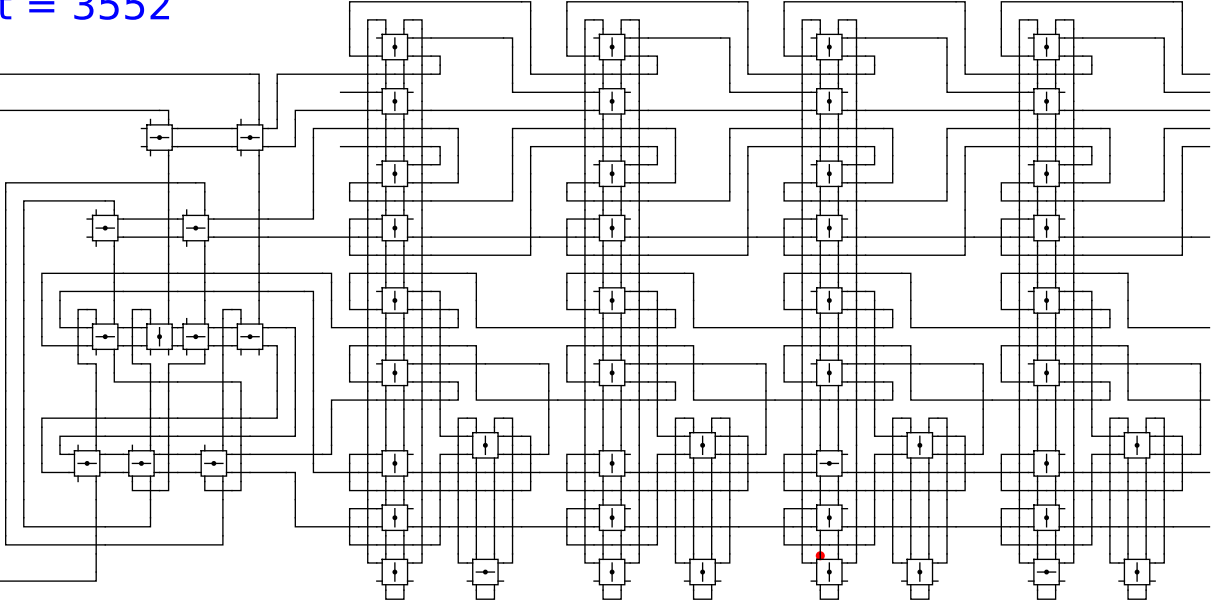


1 0 0 head 0

t = 3552

Reject
Accept

Begin



1

0

0

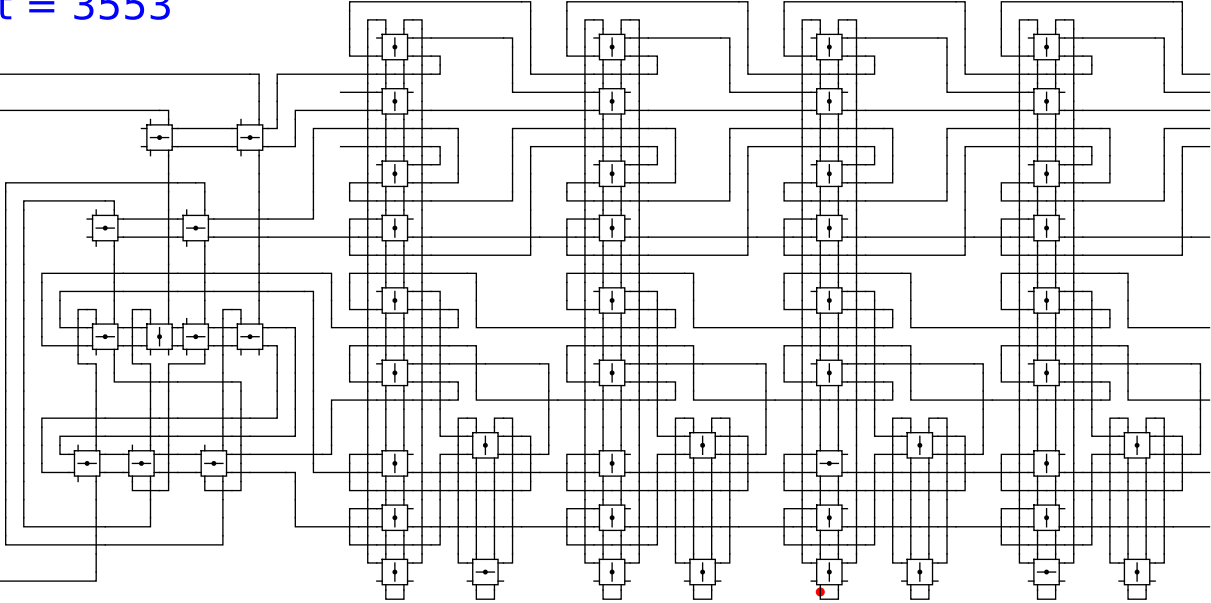
head

0

t = 3553

Reject
Accept

Begin



1

0

0

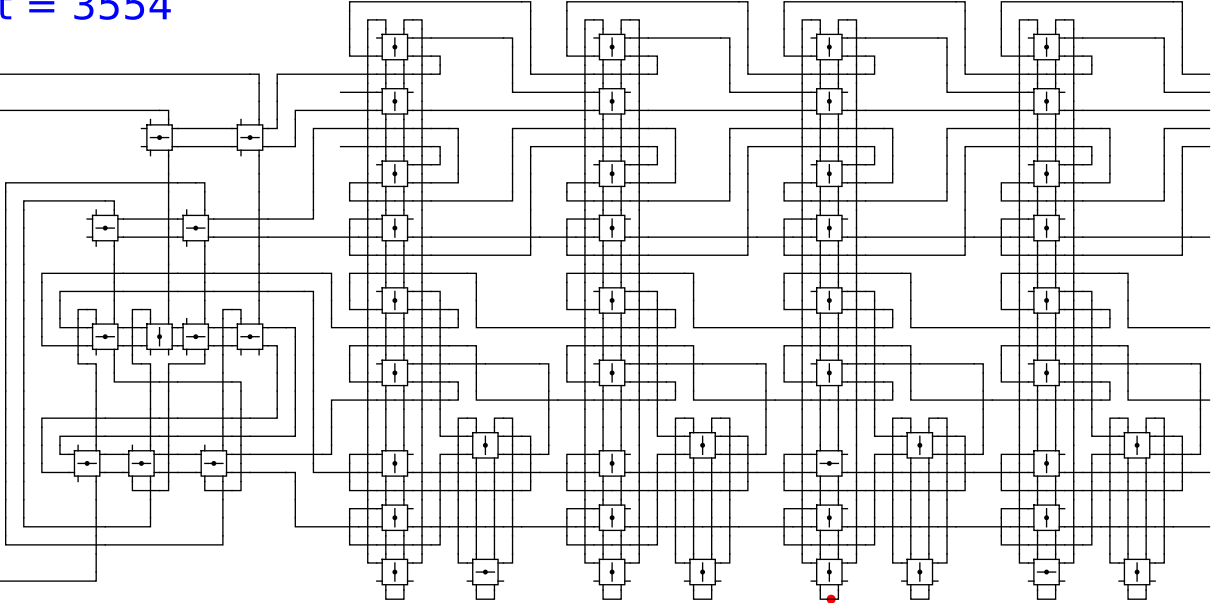
head

0

t = 3554

Reject
Accept

Begin

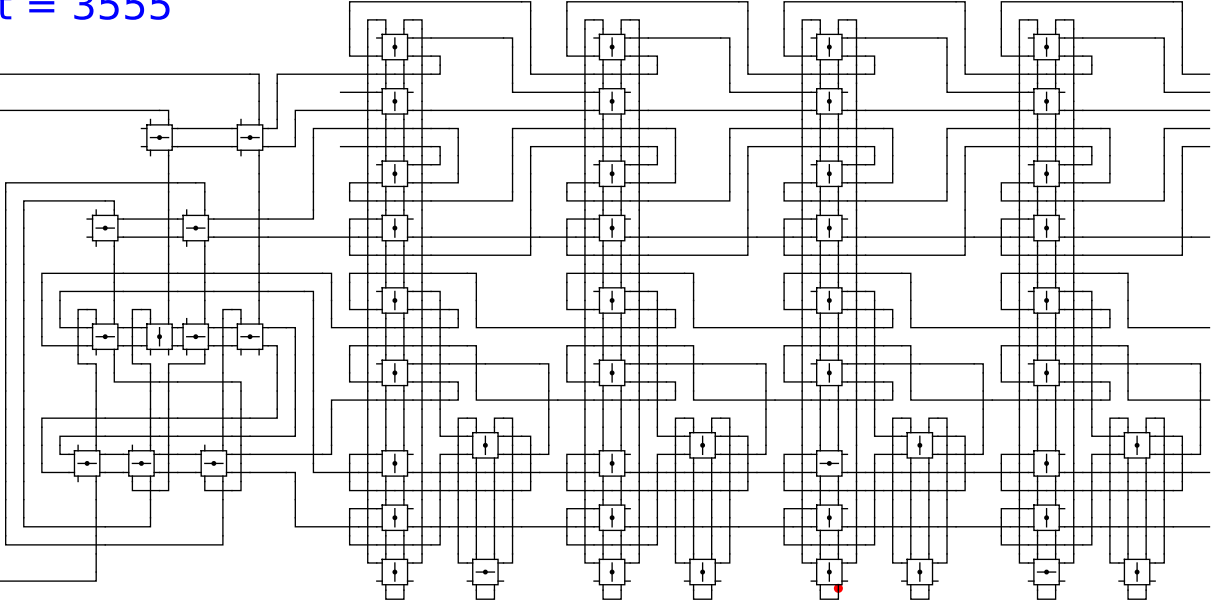


1 0 0 head 0

t = 3555

Reject
Accept

Begin



1

0

0

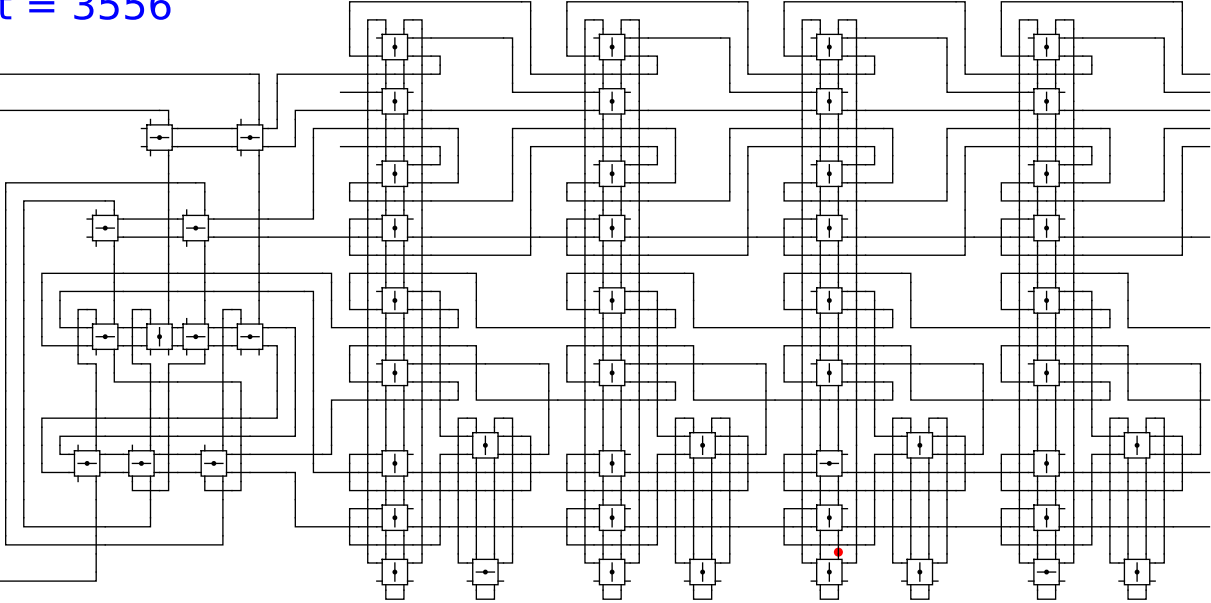
head

0

t = 3556

Reject
Accept

Begin



1

0

0

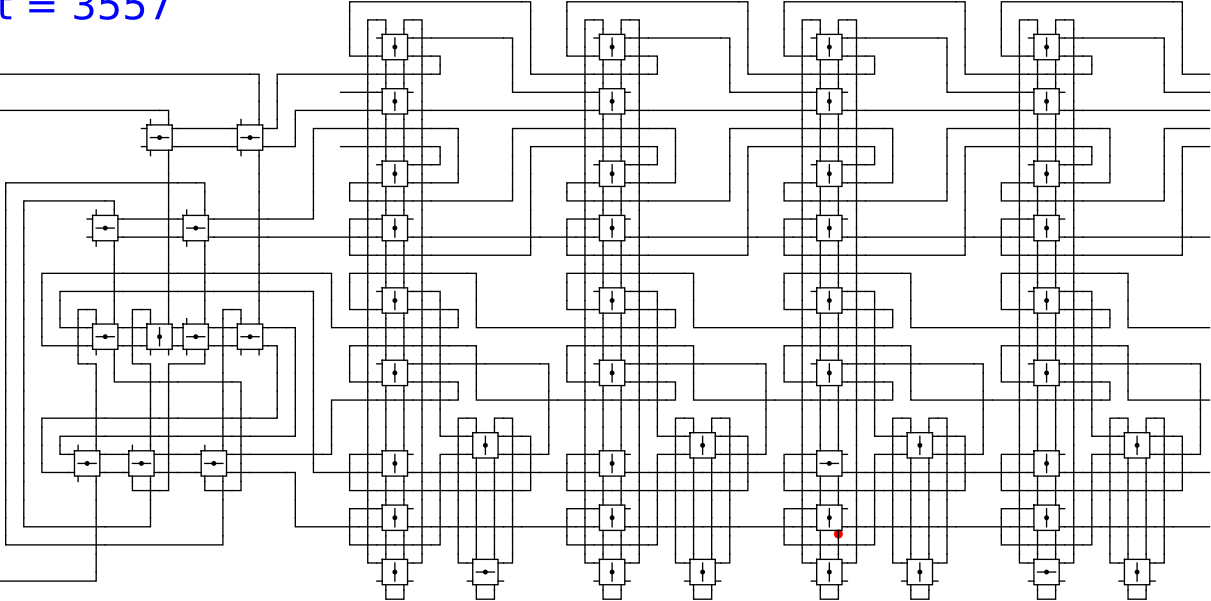
head

0

t = 3557

Reject
Accept

Begin



1

0

0

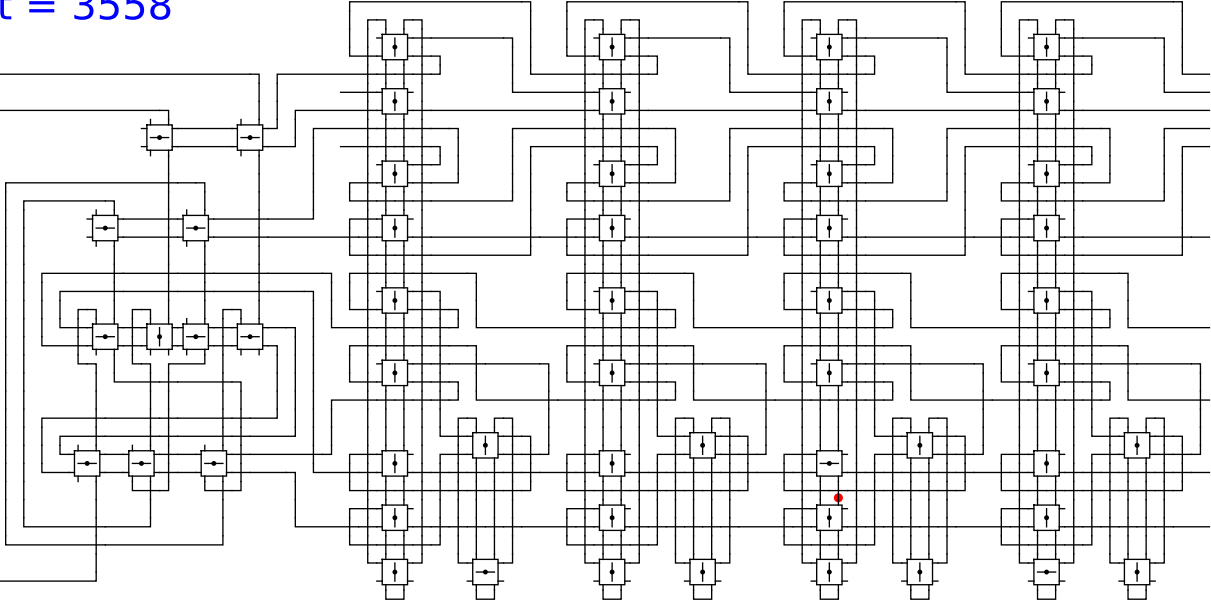
head

0

t = 3558

Reject
Accept

Begin



1

0

0

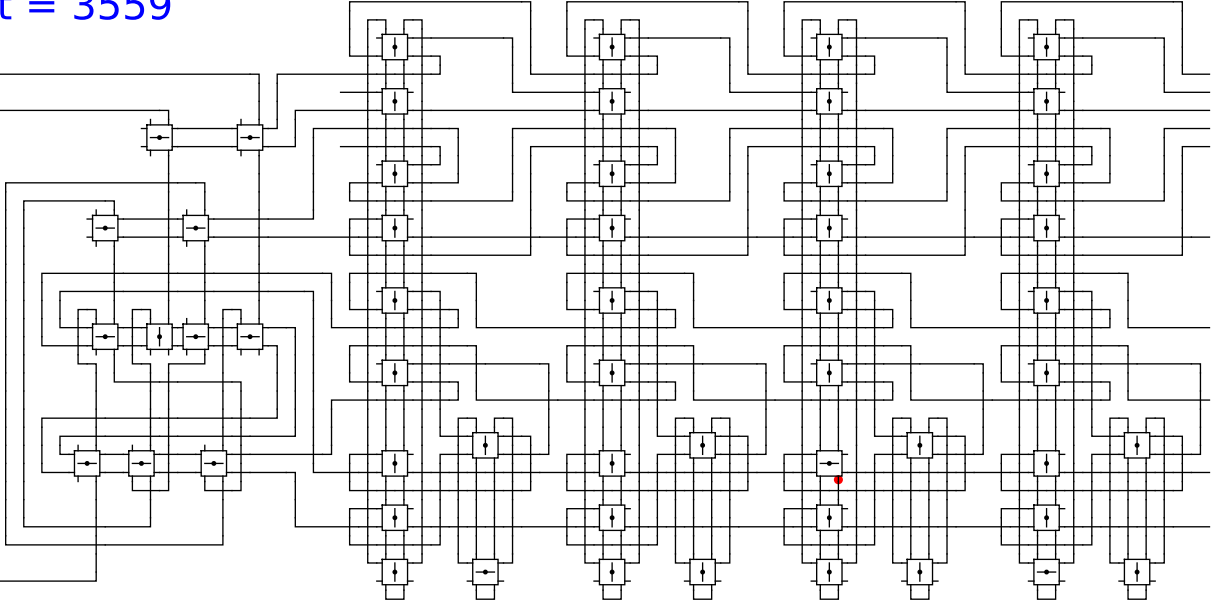
head

0

t = 3559

Reject
Accept

Begin



1

0

0

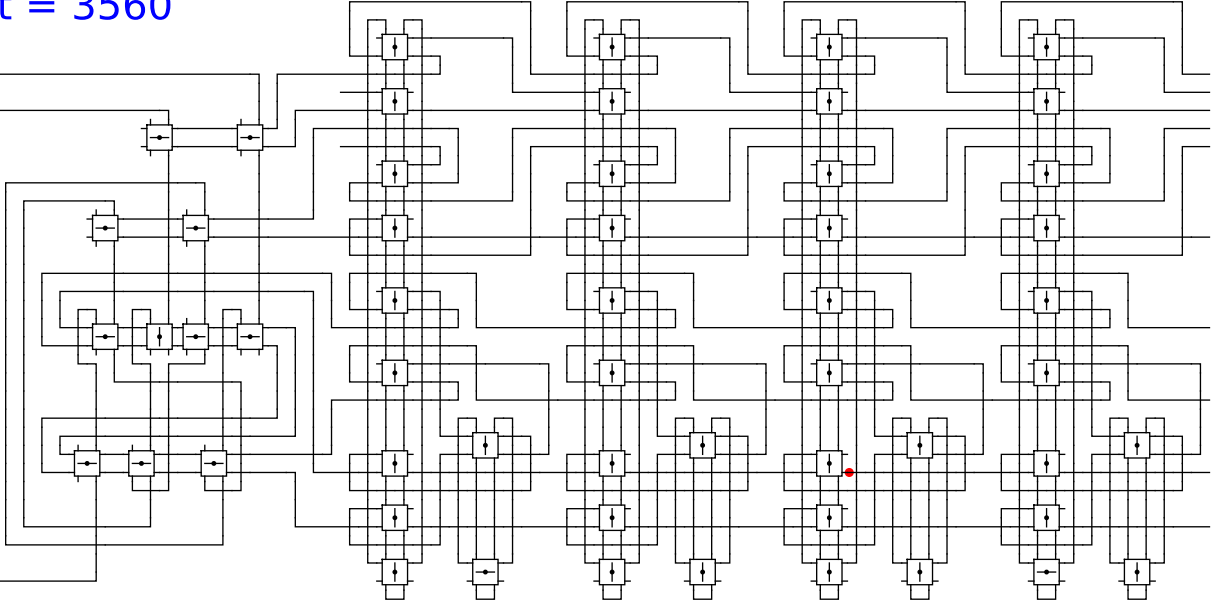
head

0

t = 3560

Reject
Accept

Begin



1

0

0

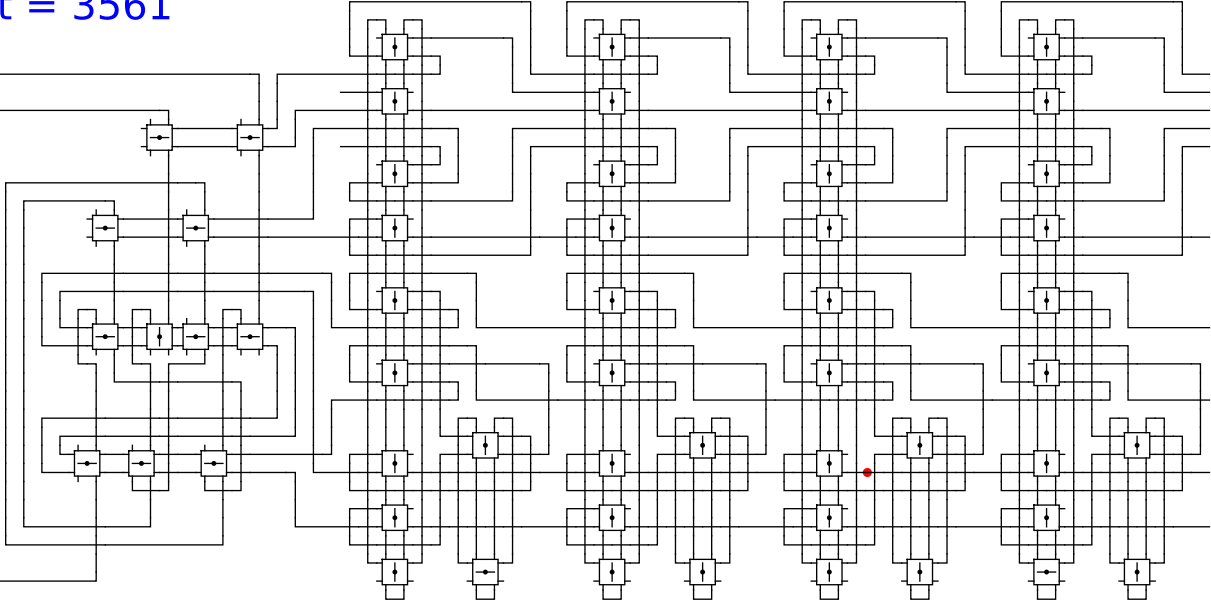
head

0

t = 3561

Reject
Accept

Begin



1

0

0

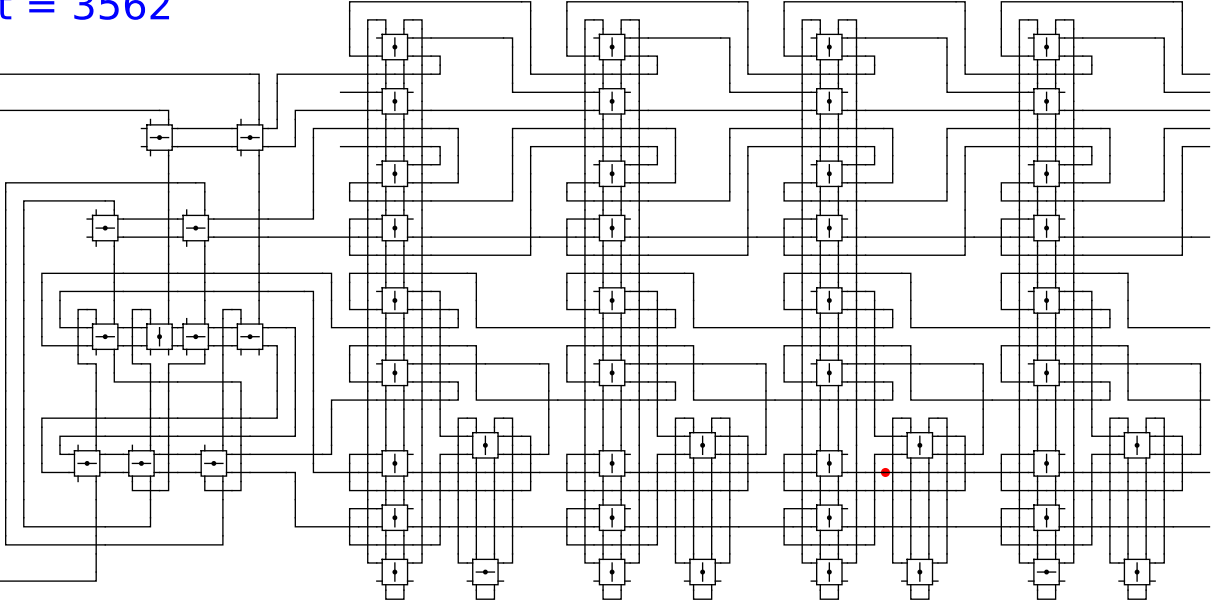
head

0

t = 3562

Reject
Accept

Begin

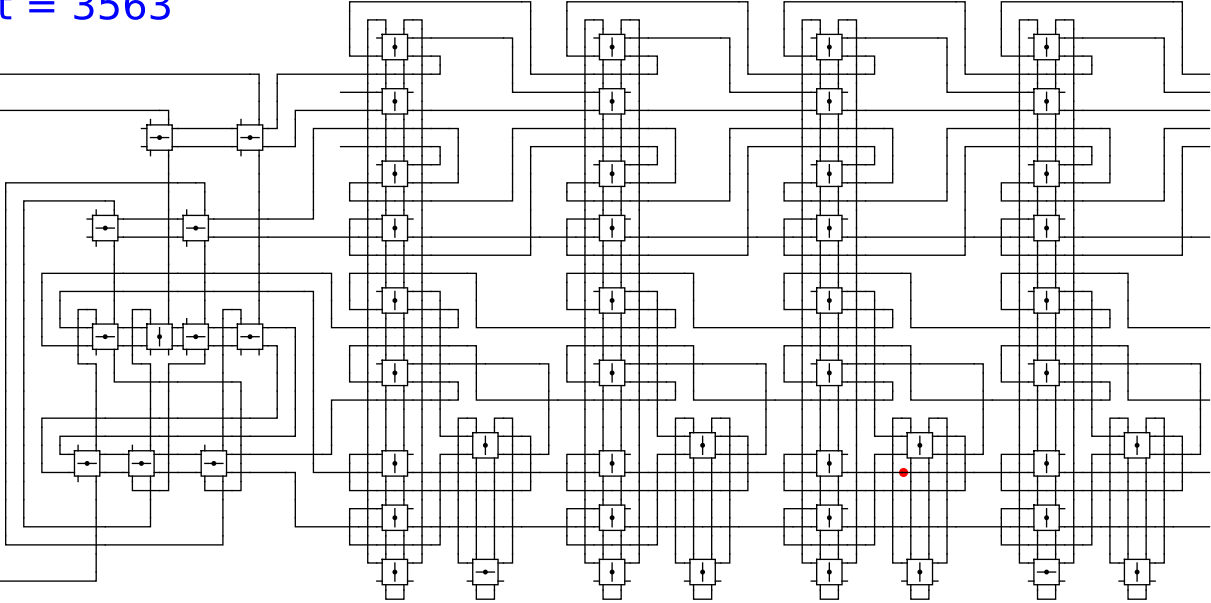


1 0 0 head 0

t = 3563

Reject
Accept

Begin



1

0

0

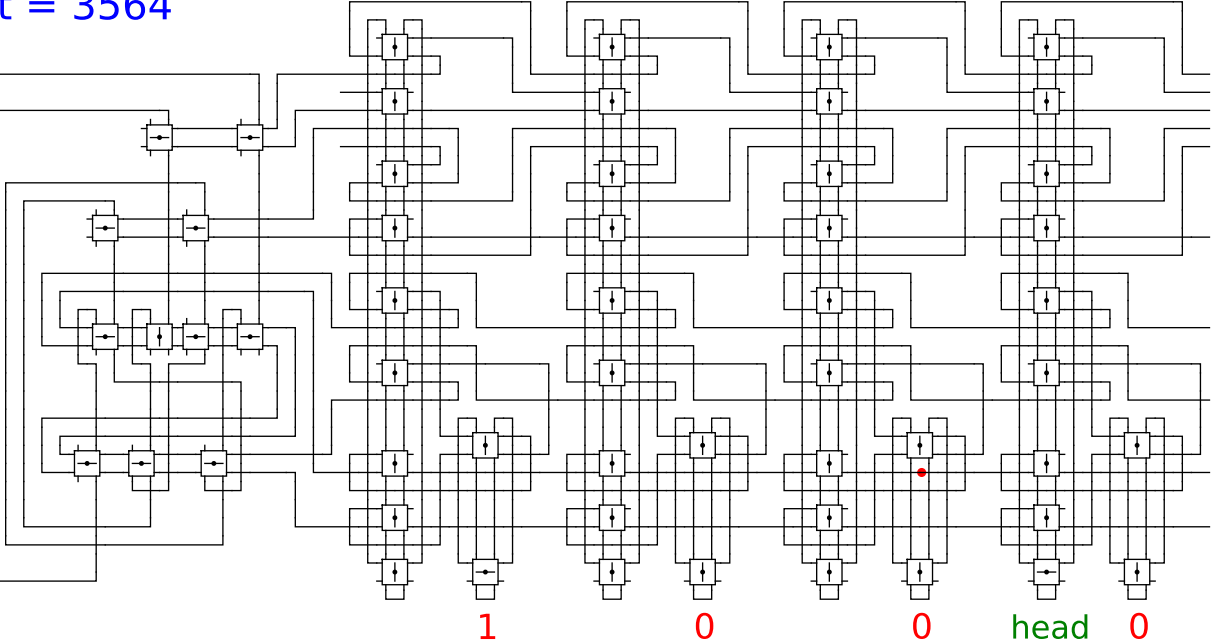
head

0

t = 3564

Reject
Accept

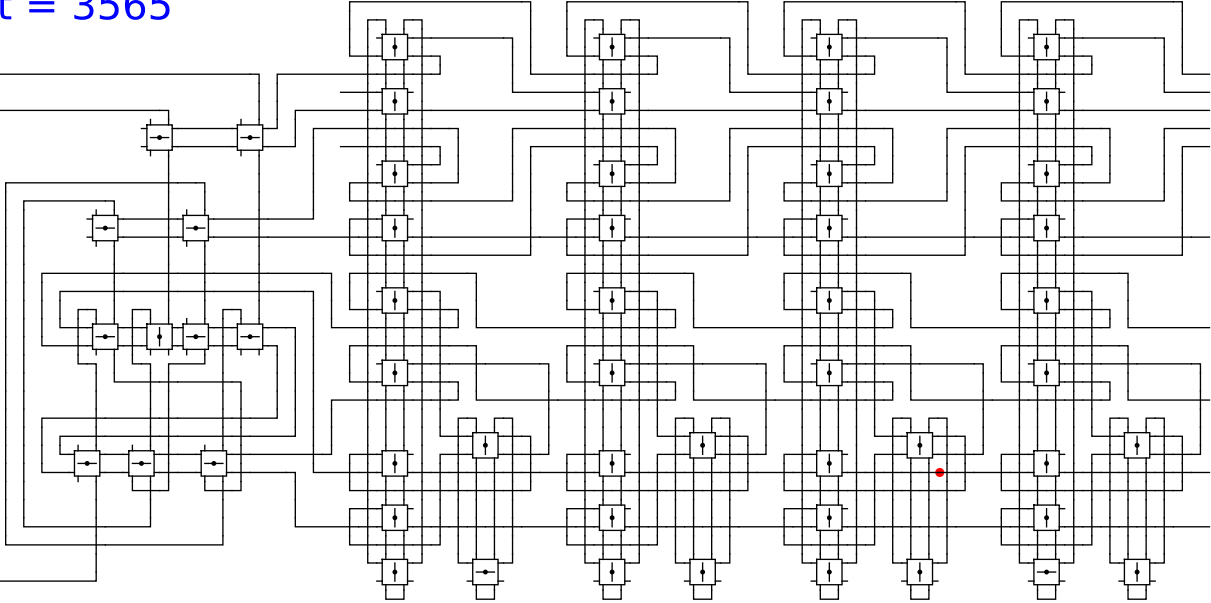
Begin



t = 3565

Reject
Accept

Begin



1

0

0

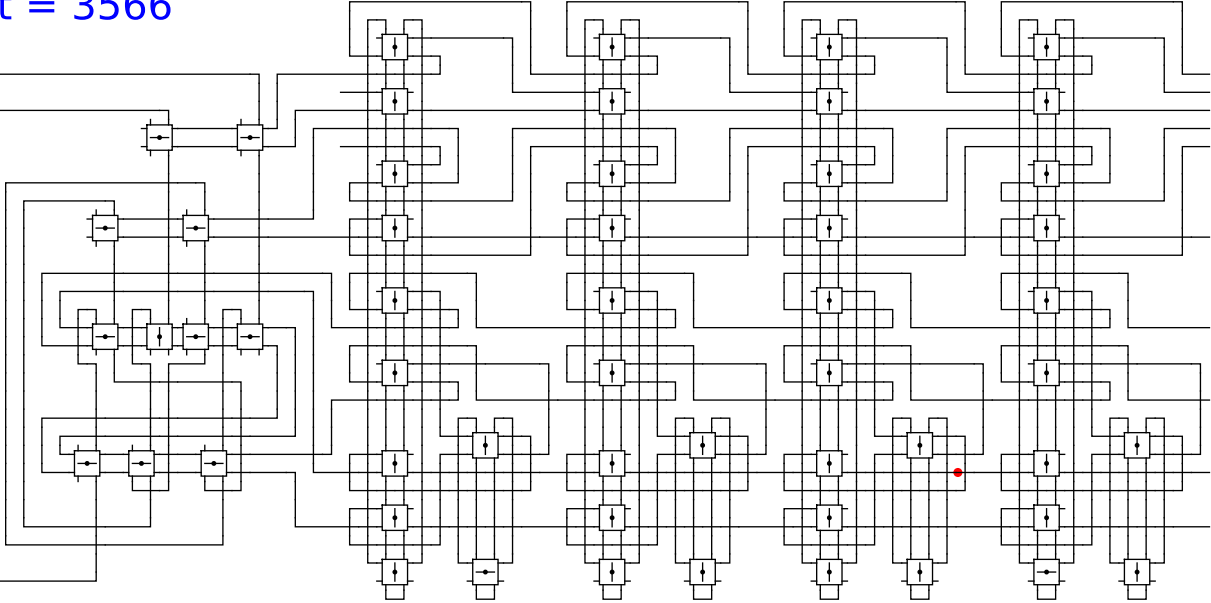
head

0

t = 3566

Reject
Accept

Begin



1

0

0

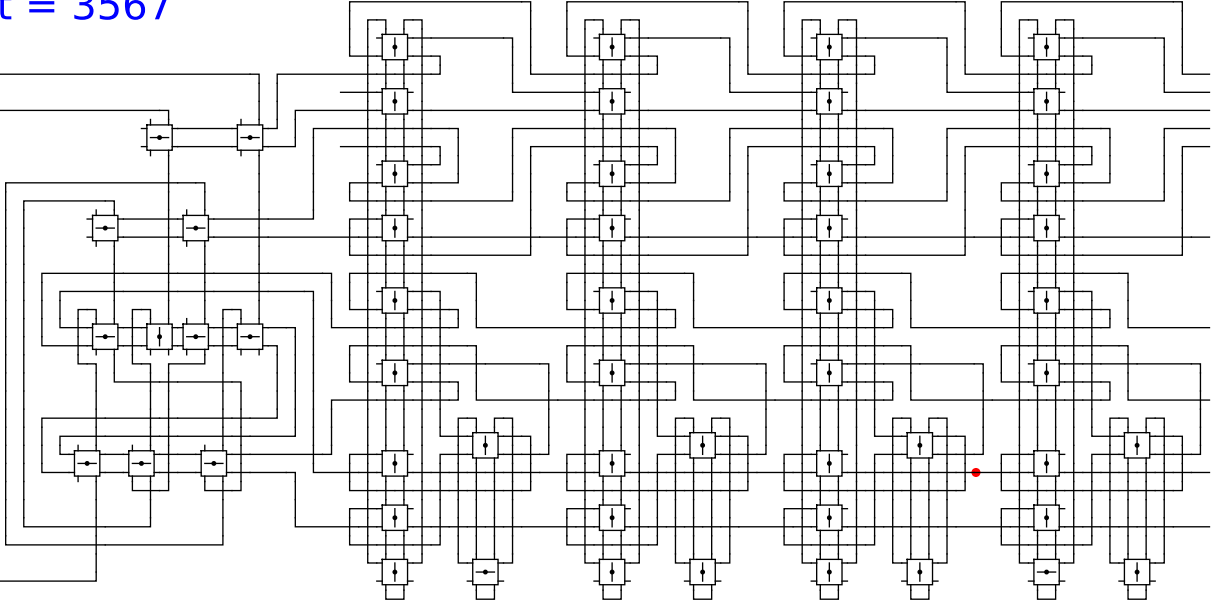
head

0

t = 3567

Reject
Accept

Begin



1

0

0

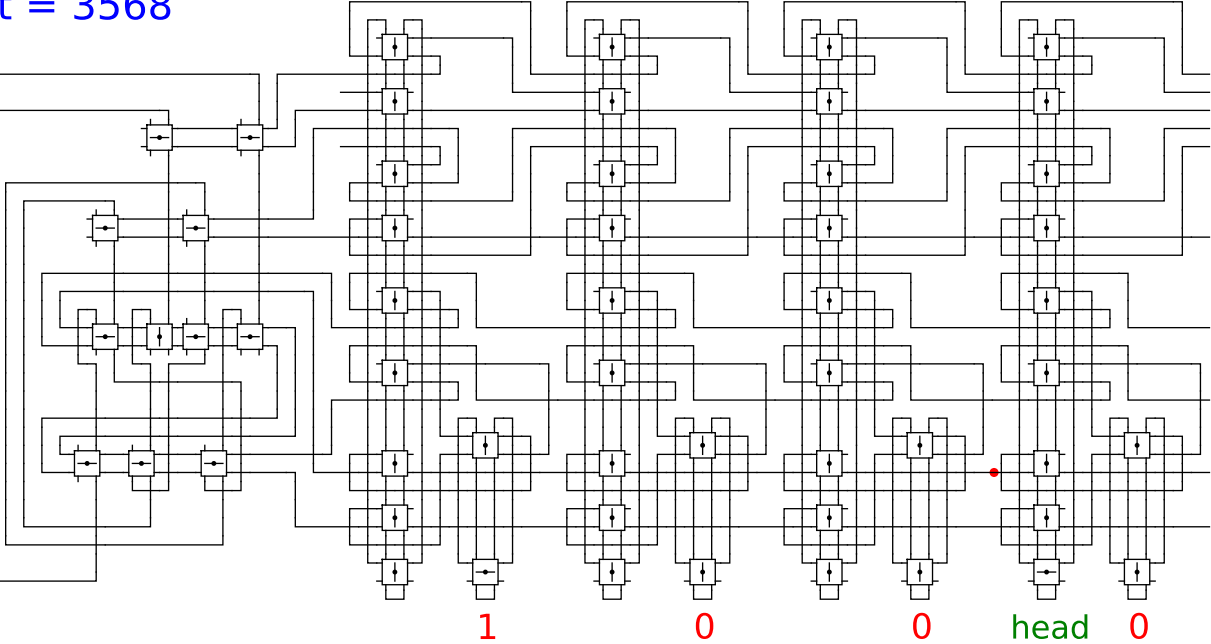
head

0

t = 3568

Reject
Accept

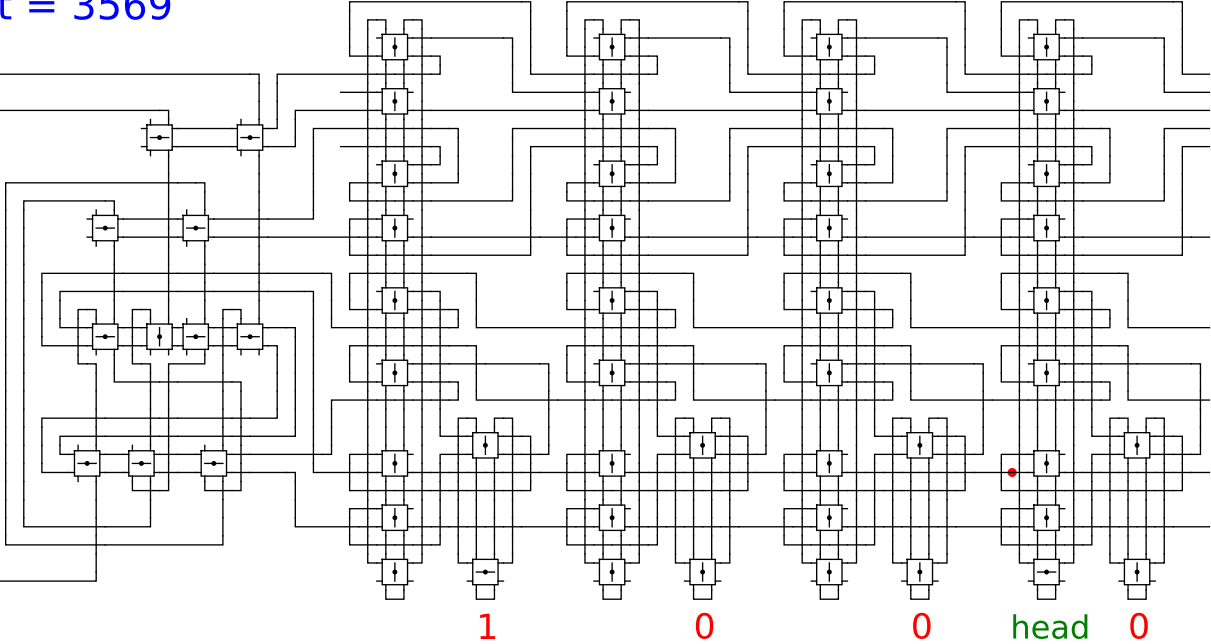
Begin



t = 3569

Reject
Accept

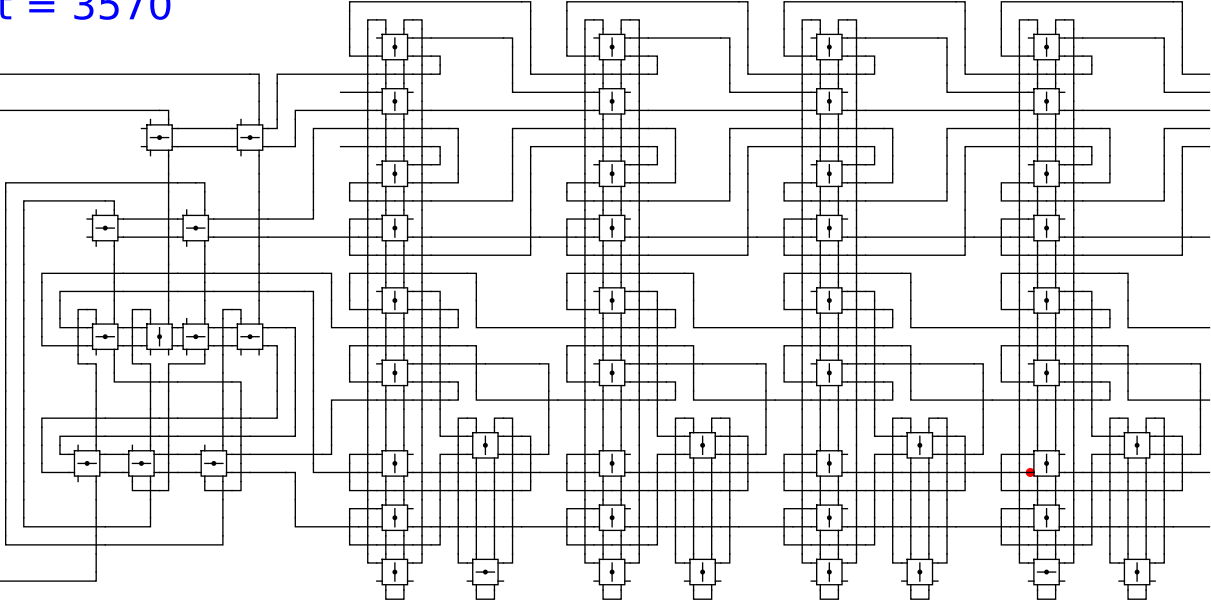
Begin



t = 3570

Reject
Accept

Begin



1

0

0

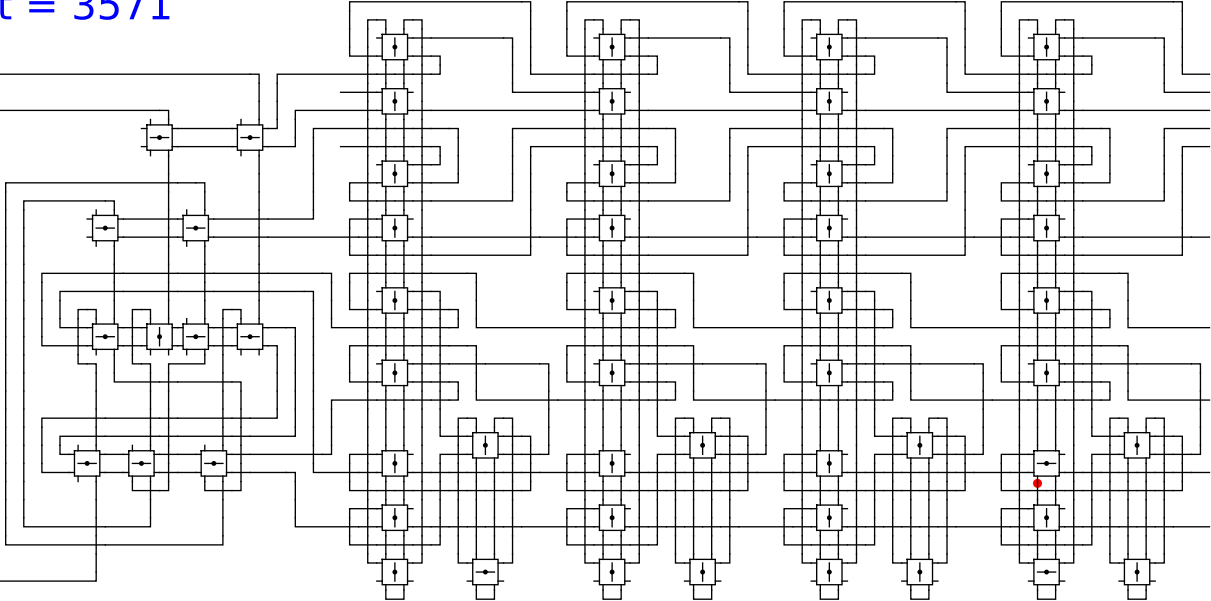
head

0

t = 3571

Reject
Accept

Begin



1

0

0

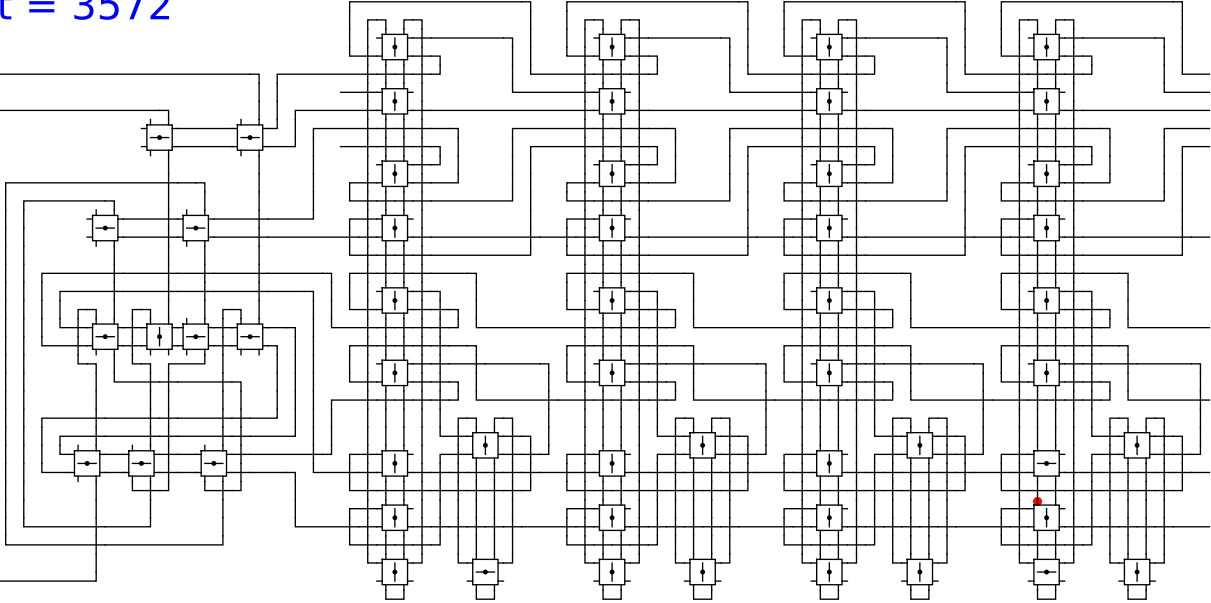
head

0

t = 3572

Reject
Accept

Begin



1

0

0

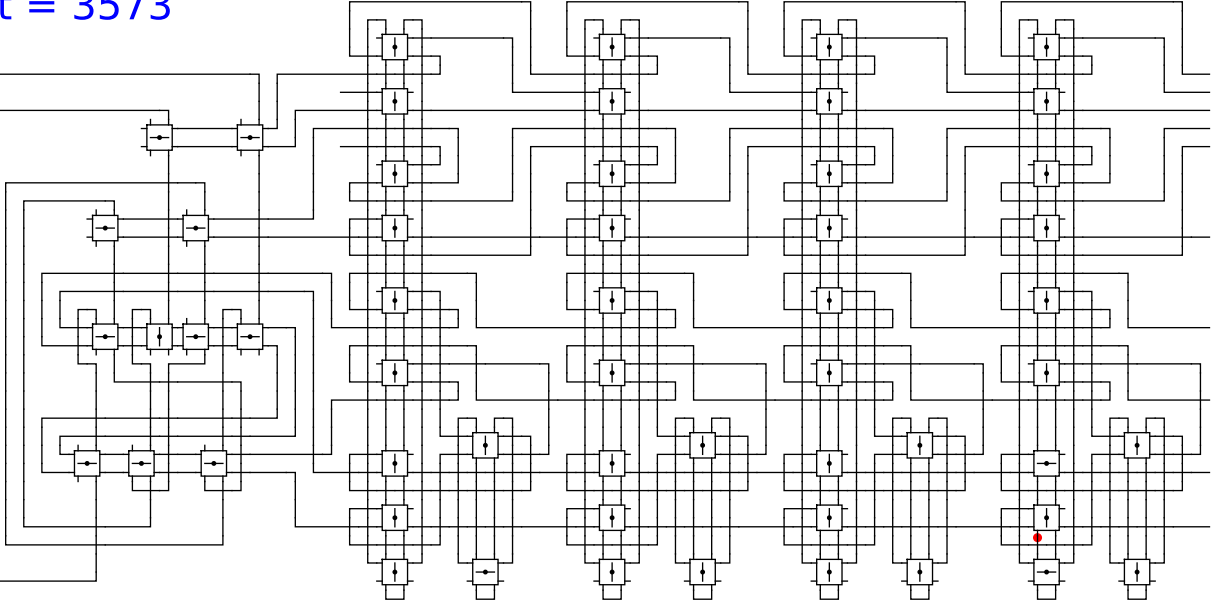
head

0

t = 3573

Reject
Accept

Begin



1

0

0

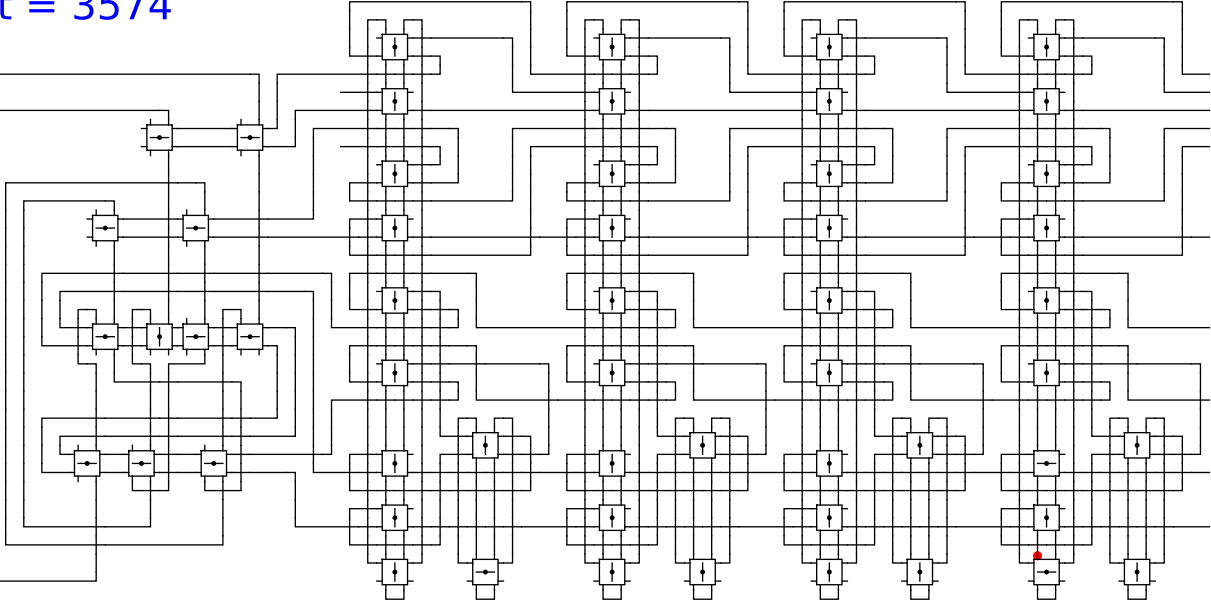
head

0

t = 3574

Reject
Accept

Begin

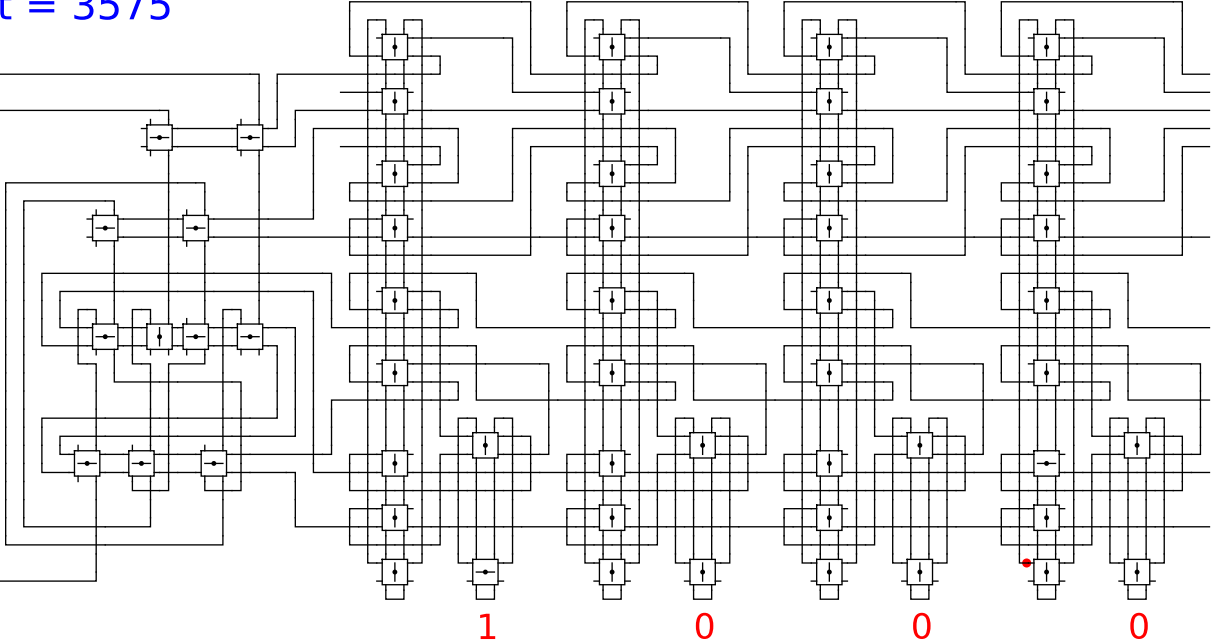


1 0 0 head 0

t = 3575

Reject
Accept

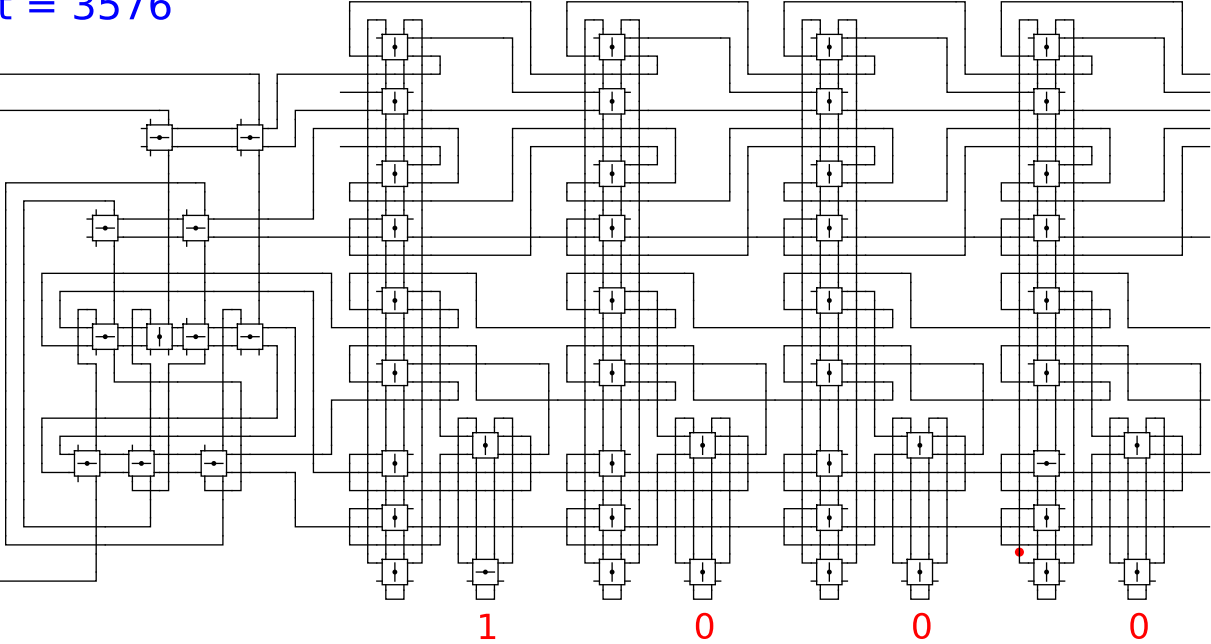
Begin



t = 3576

Reject
Accept

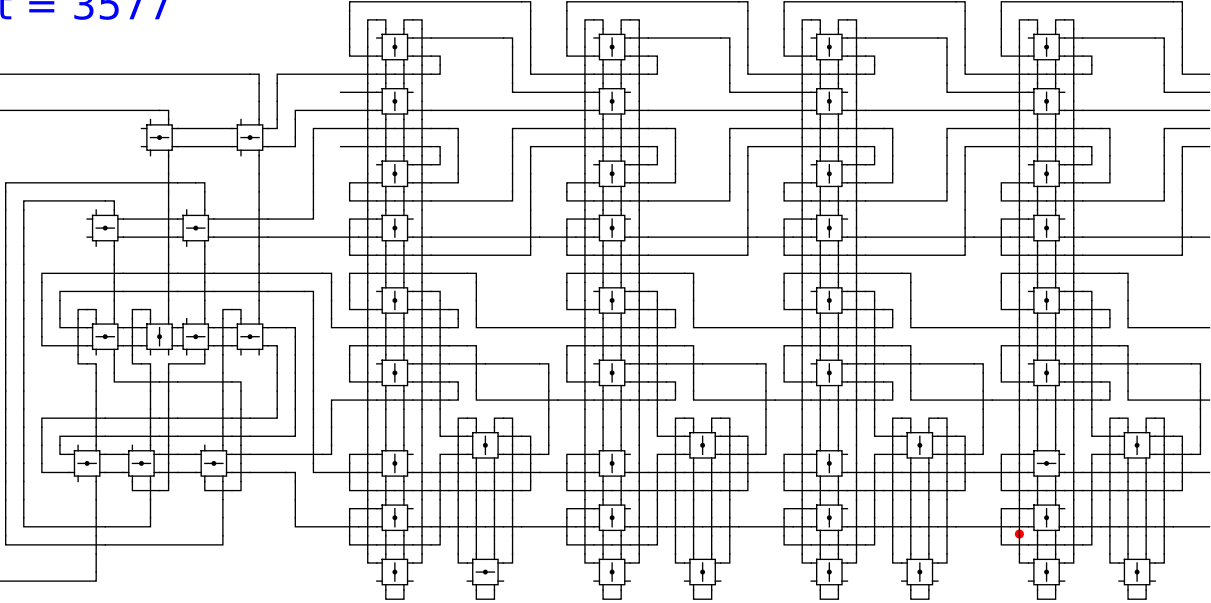
Begin



t = 3577

Reject
Accept

Begin



1

0

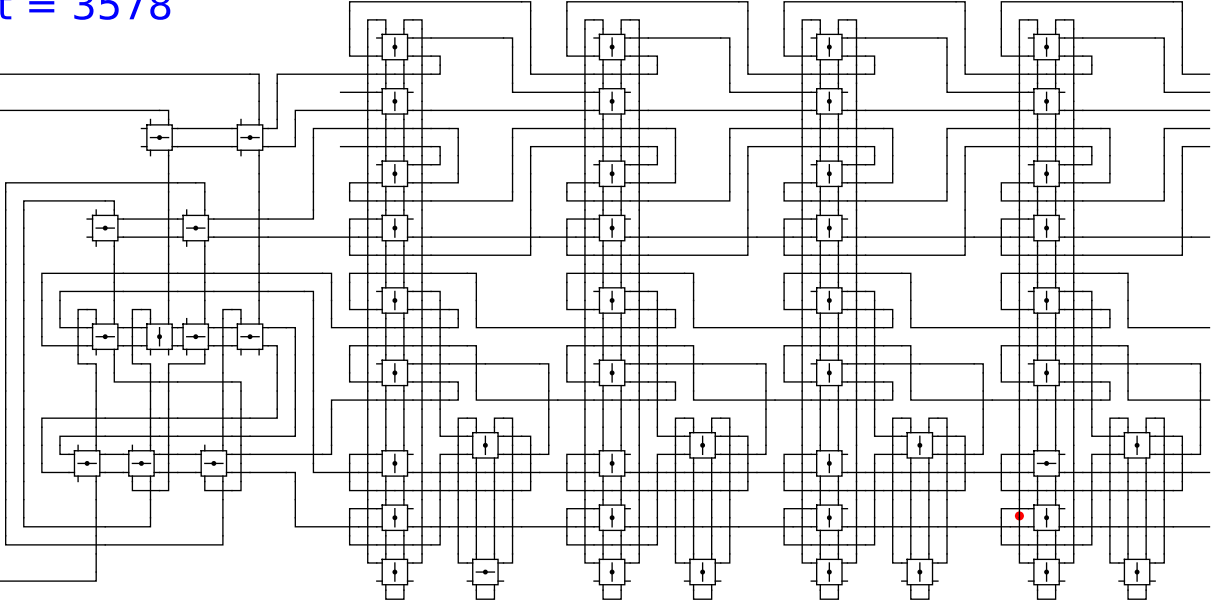
0

0

t = 3578

Reject
Accept

Begin



1

0

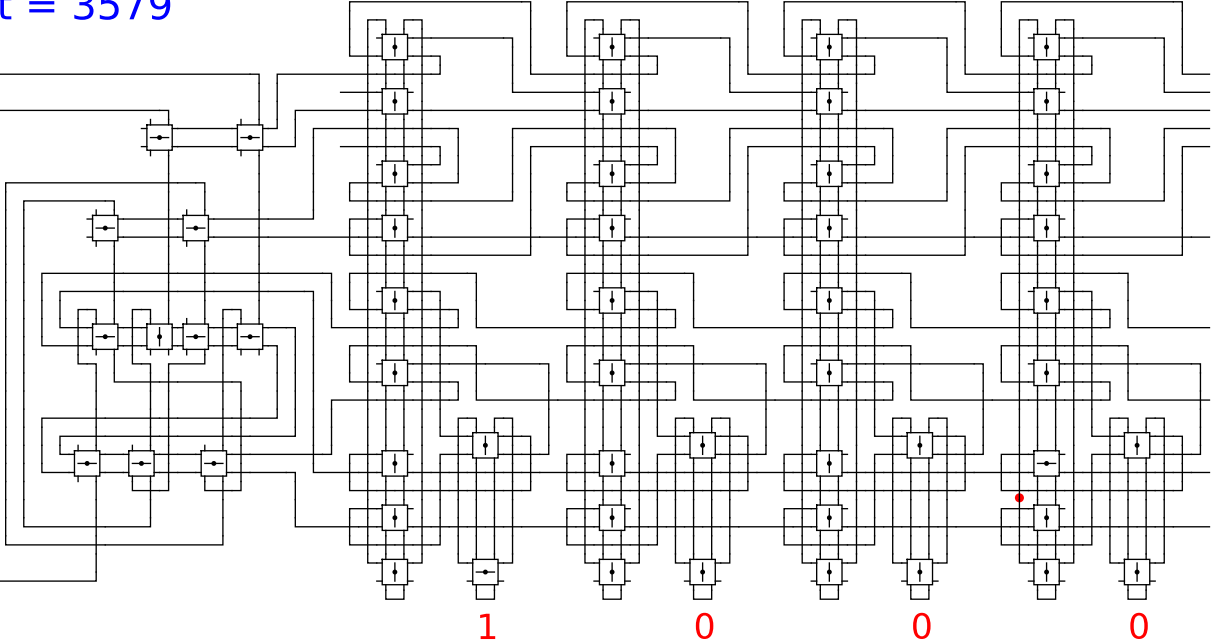
0

0

t = 3579

Reject
Accept

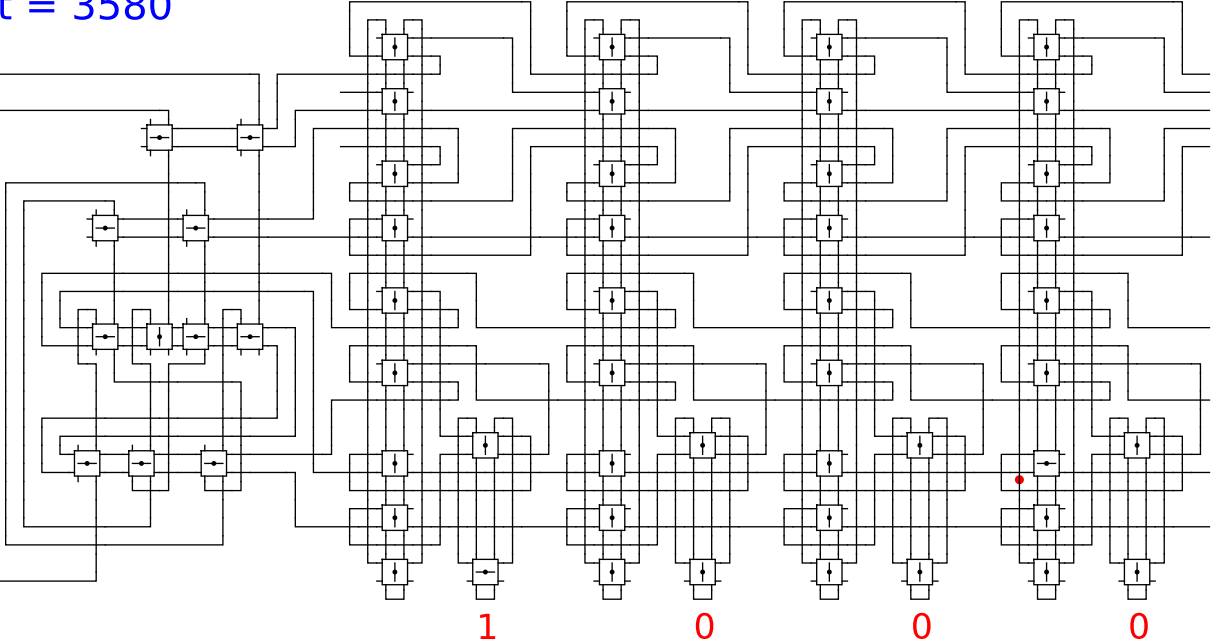
Begin



t = 3580

Reject
Accept

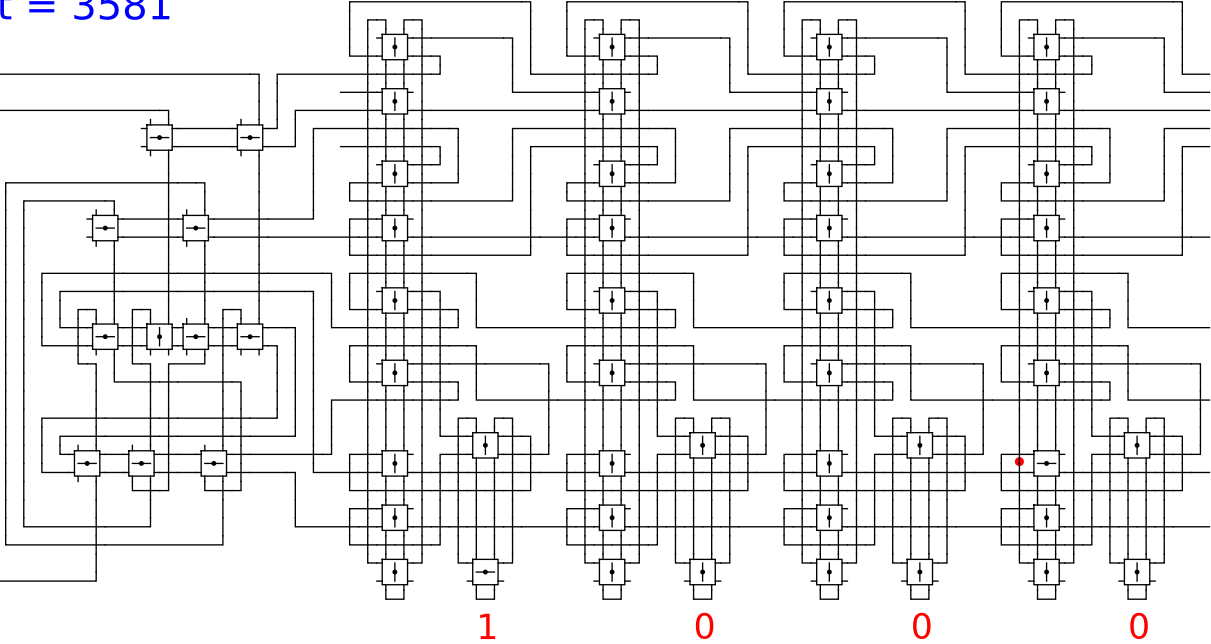
Begin



t = 3581

Reject
Accept

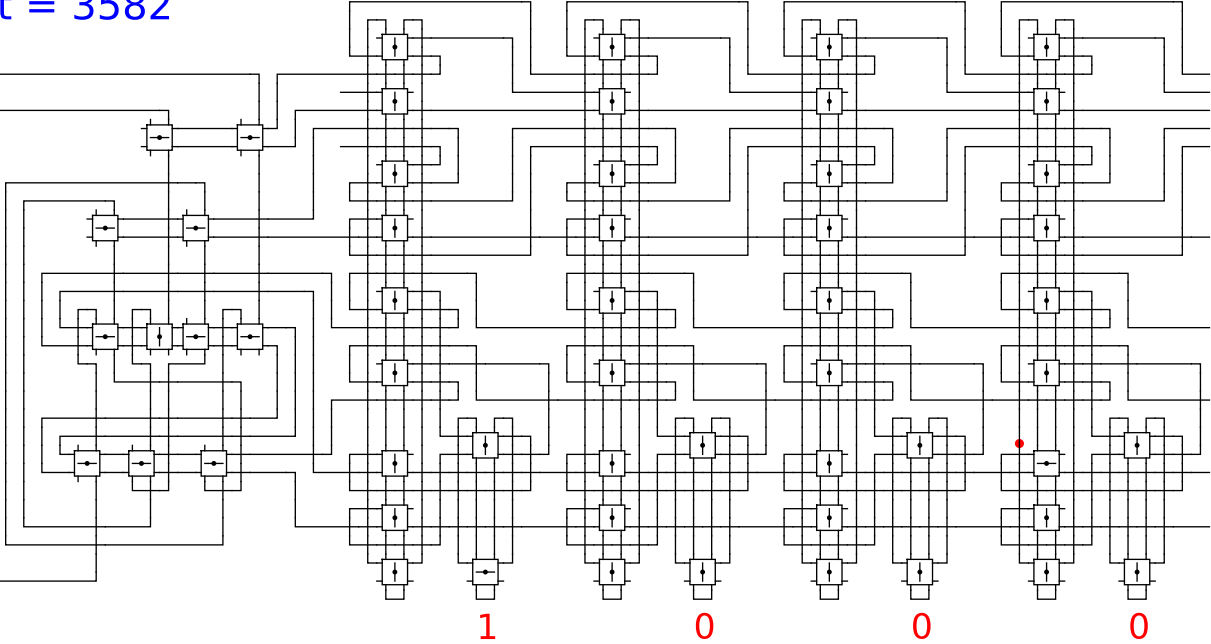
Begin



t = 3582

Reject
Accept

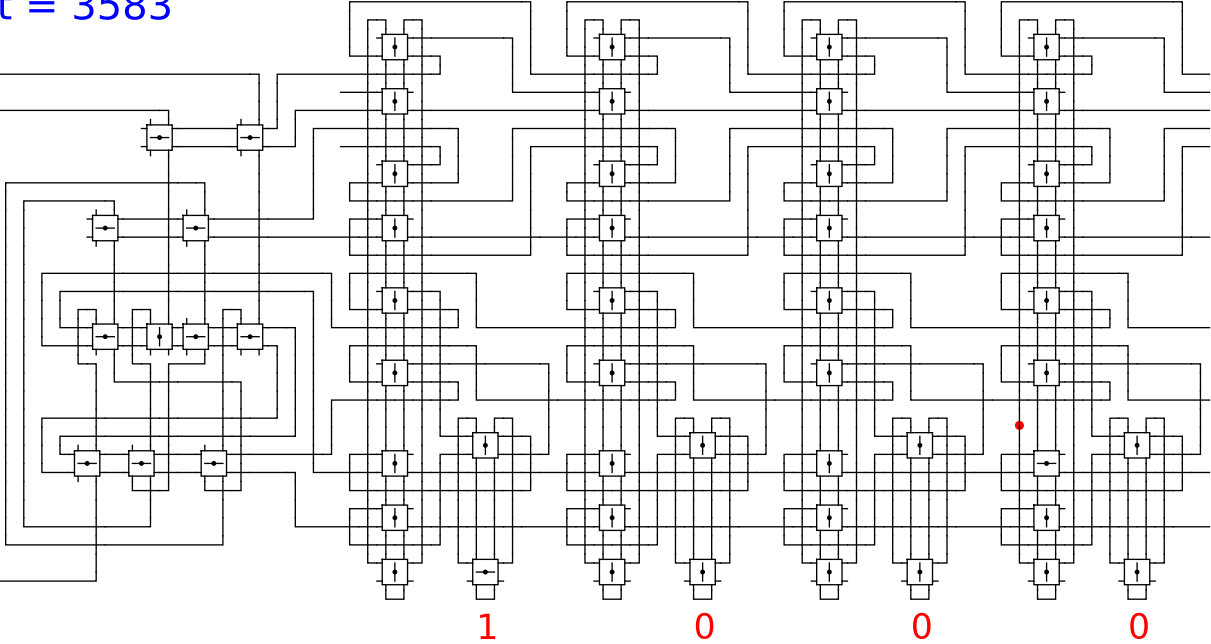
Begin



t = 3583

Reject
Accept

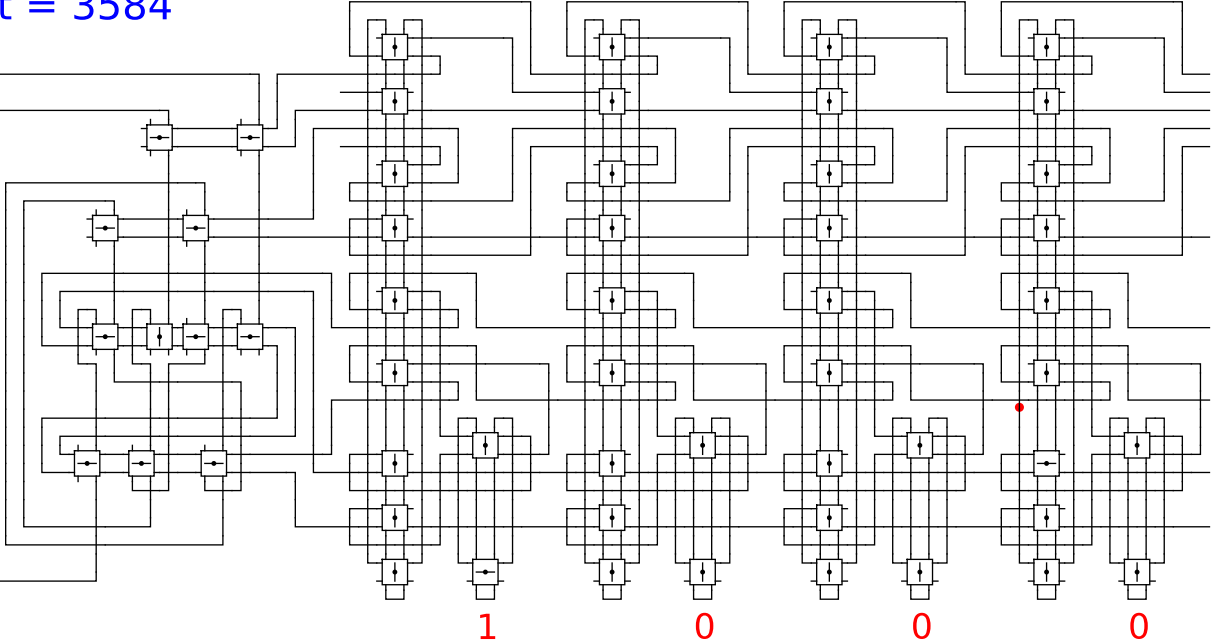
Begin



t = 3584

Reject
Accept

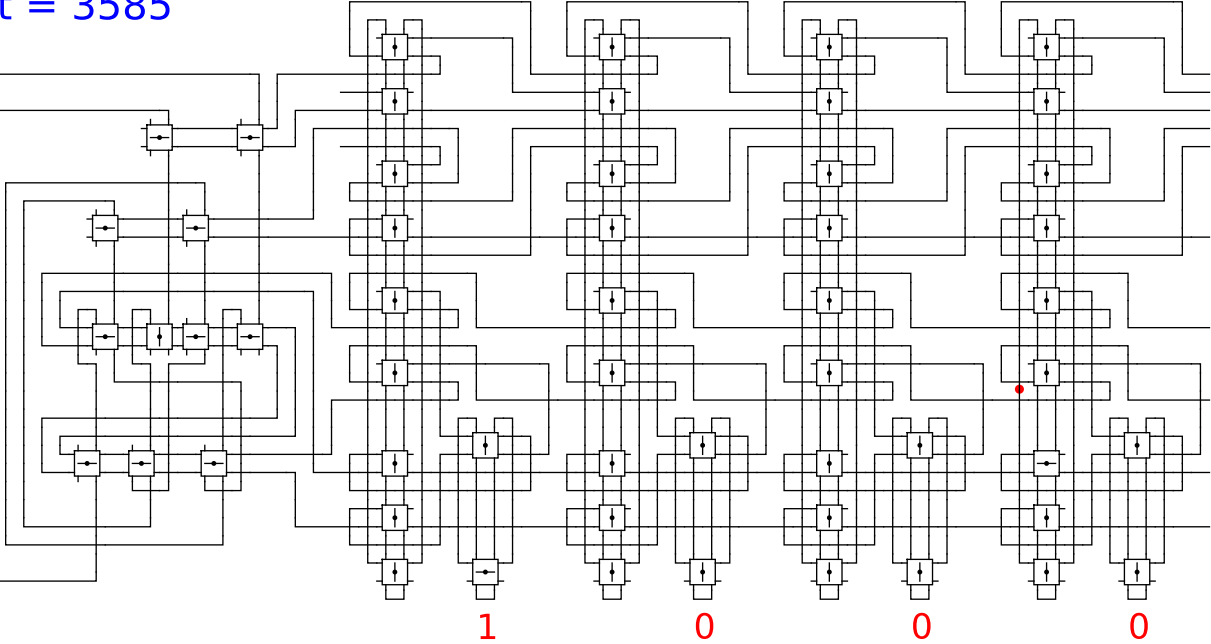
Begin



t = 3585

Reject
Accept

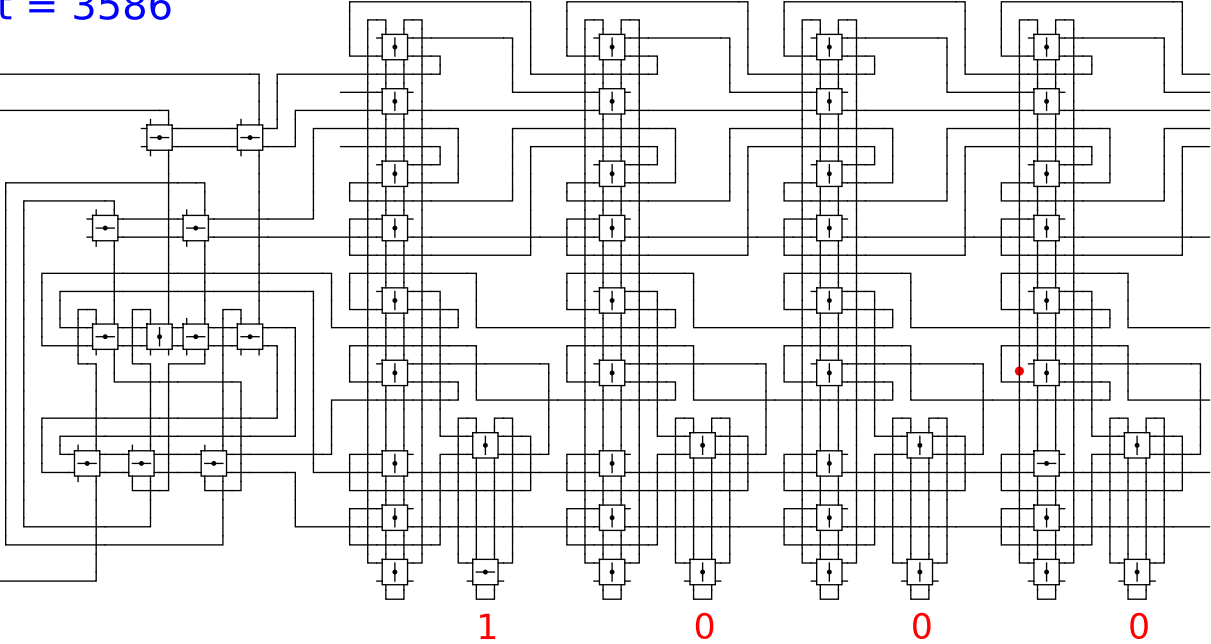
Begin



t = 3586

Reject
Accept

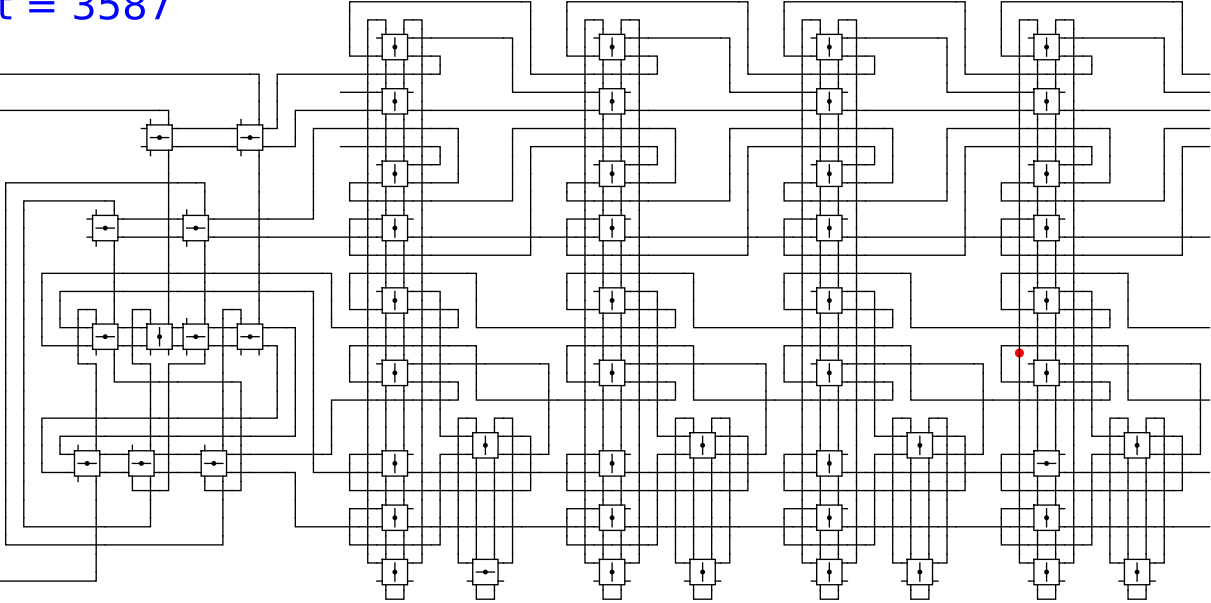
Begin



t = 3587

Reject
Accept

Begin



1

0

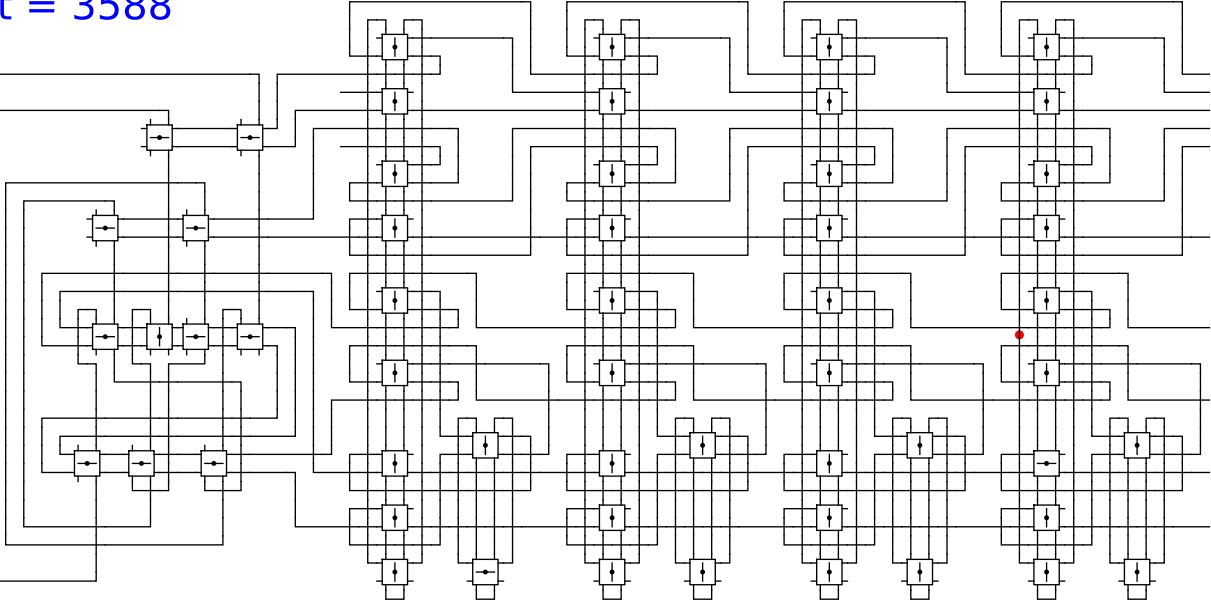
0

0

t = 3588

Reject
Accept

Begin



1

0

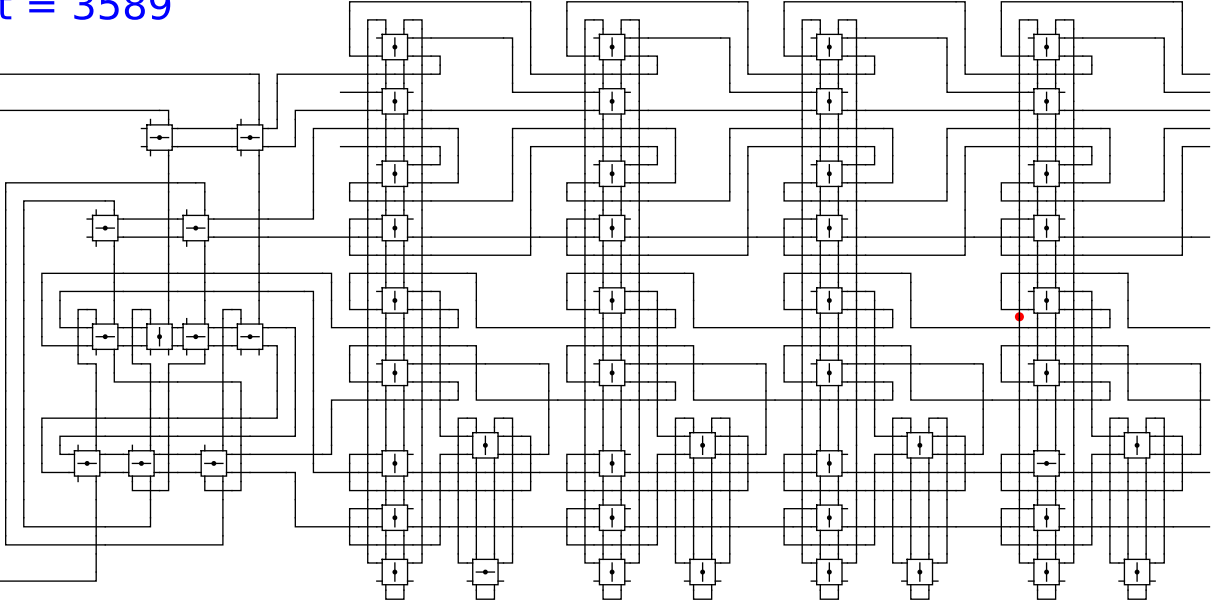
0

0

t = 3589

Reject
Accept

Begin



1

0

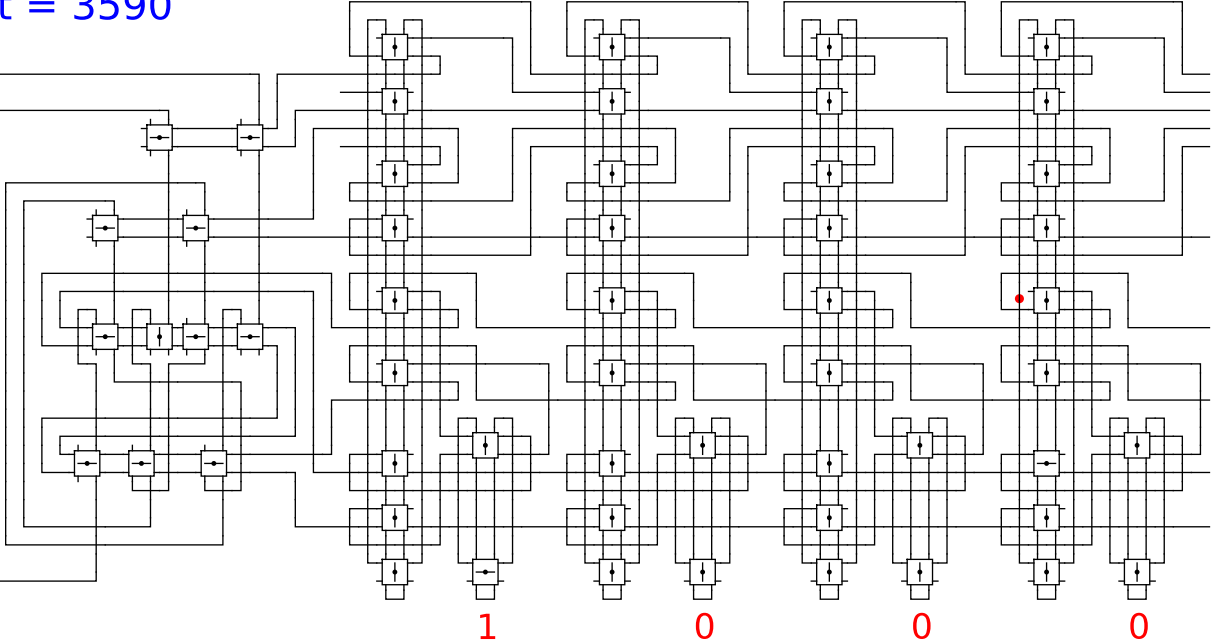
0

0

t = 3590

Reject
Accept

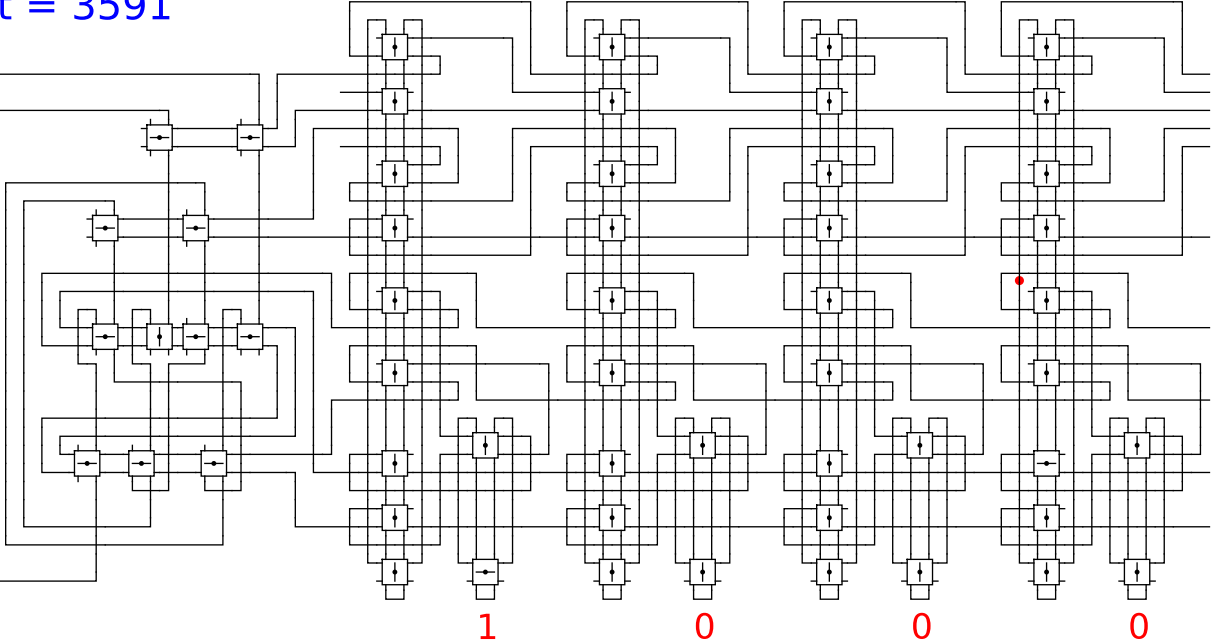
Begin



t = 3591

Reject
Accept

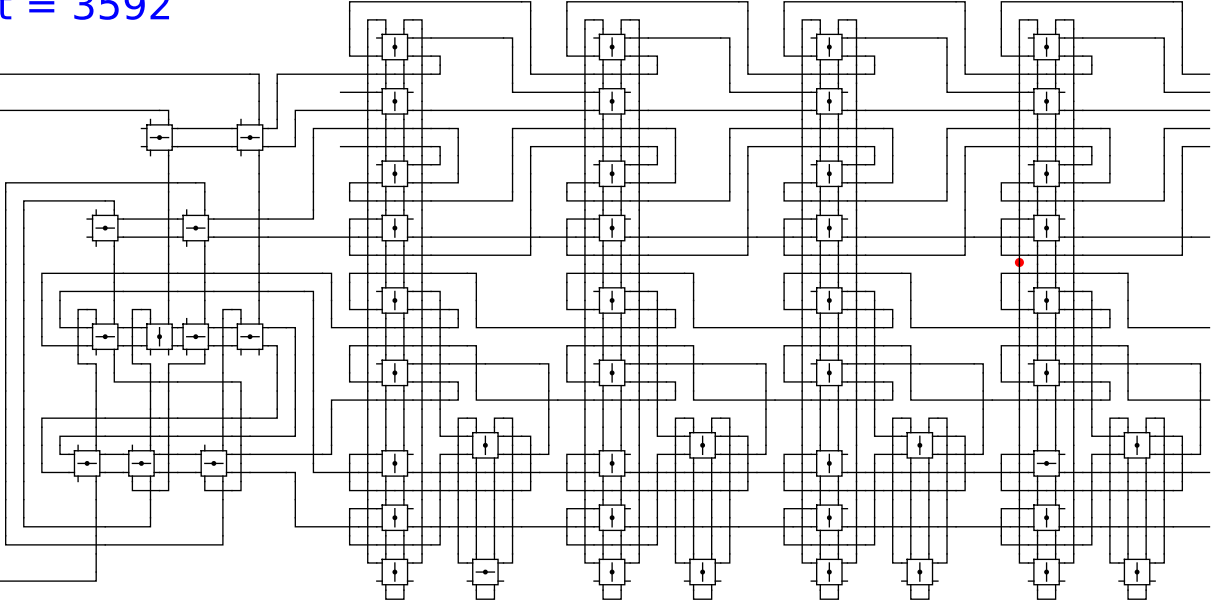
Begin



t = 3592

Reject
Accept

Begin



1

0

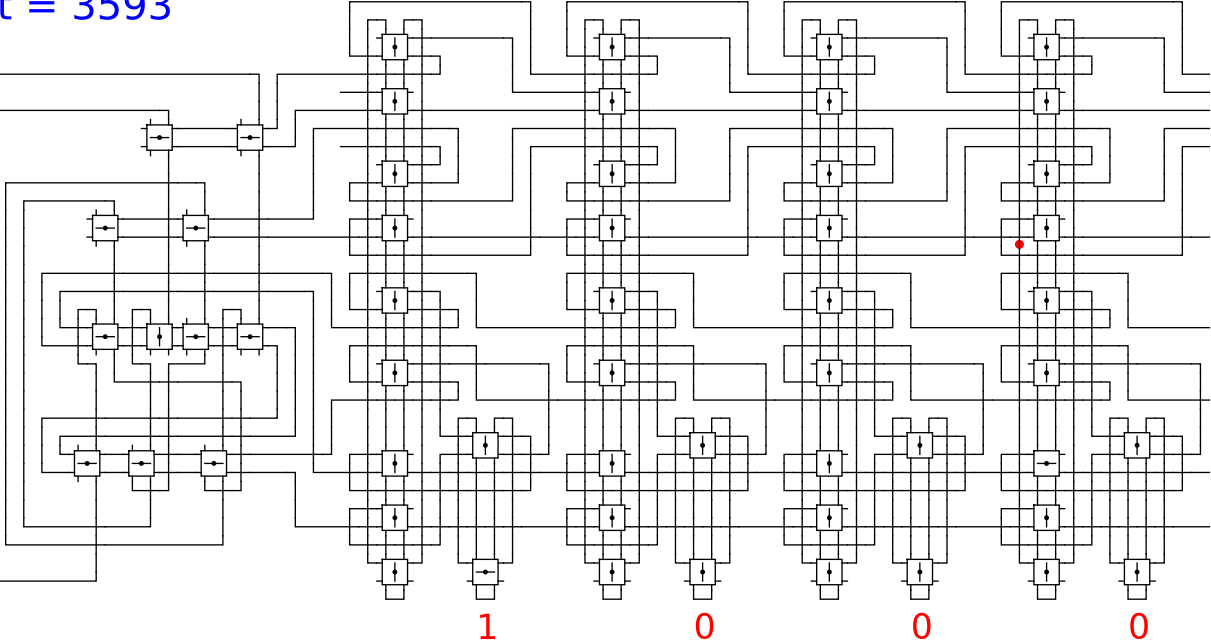
0

0

t = 3593

Reject
Accept

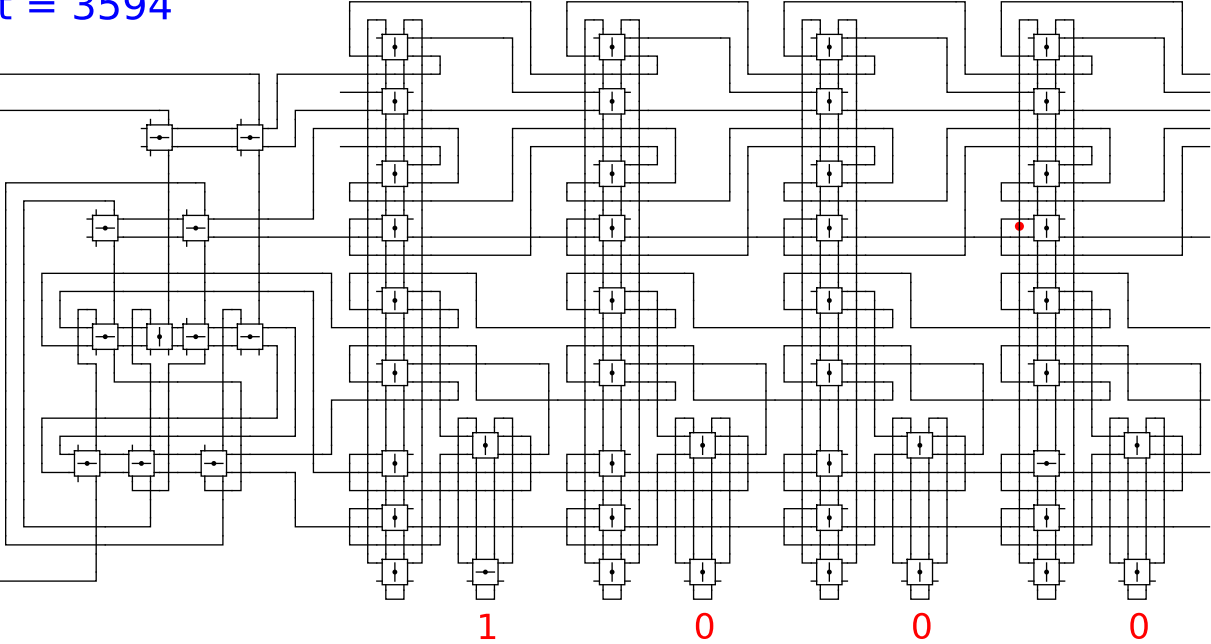
Begin



t = 3594

Reject
Accept

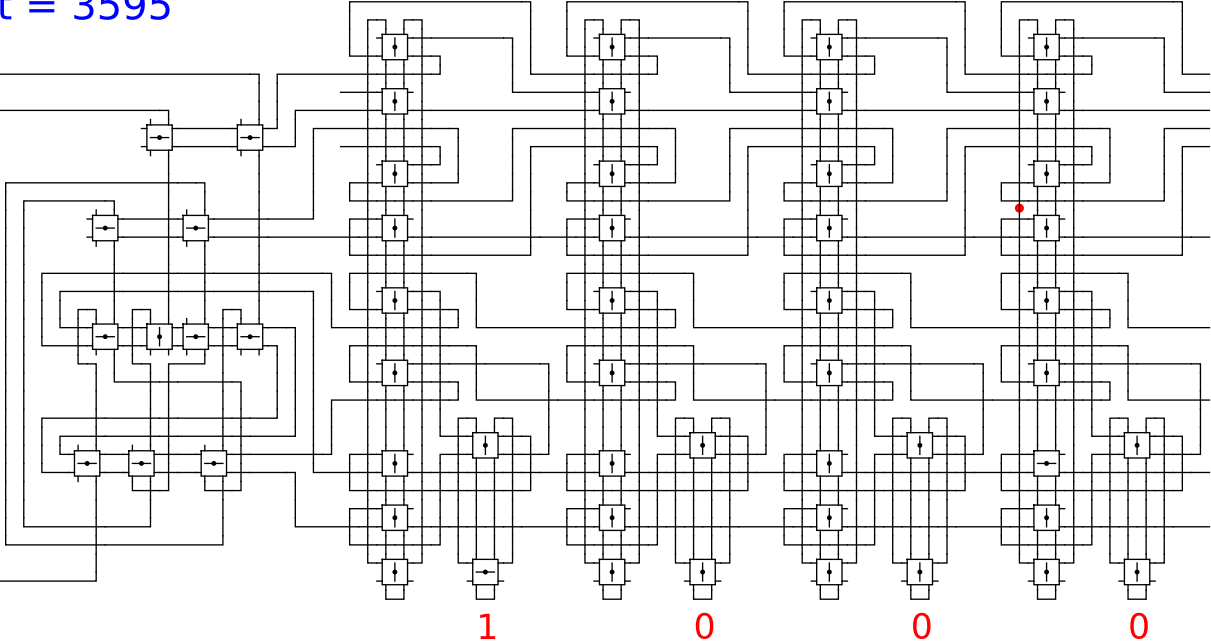
Begin



t = 3595

Reject
Accept

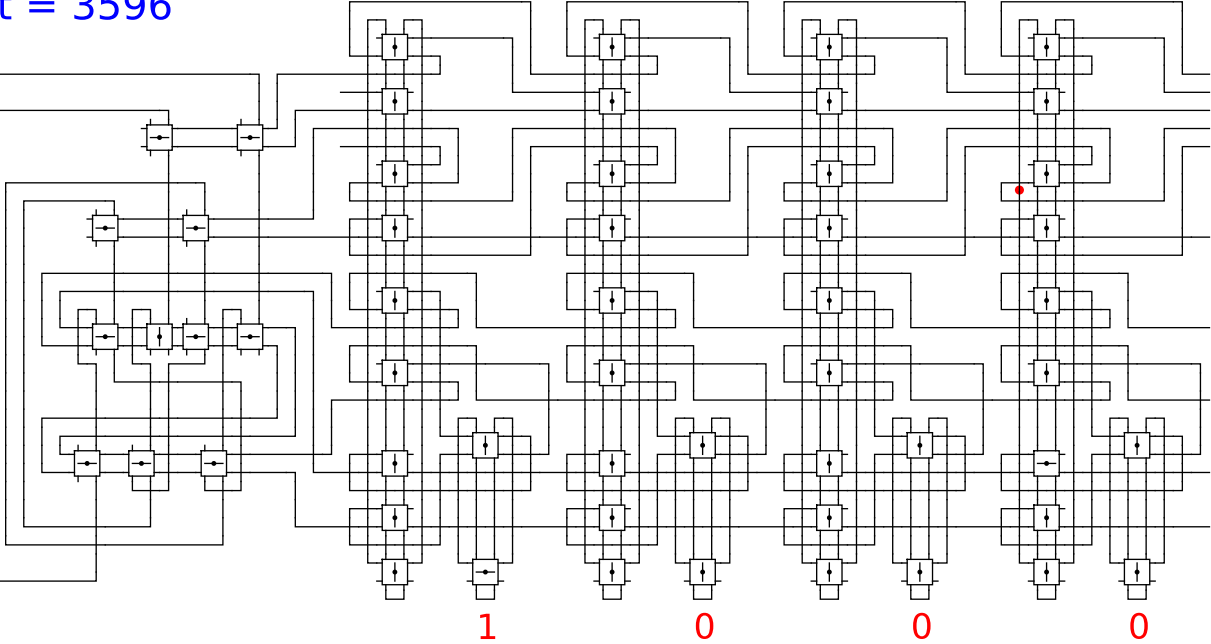
Begin



t = 3596

Reject
Accept

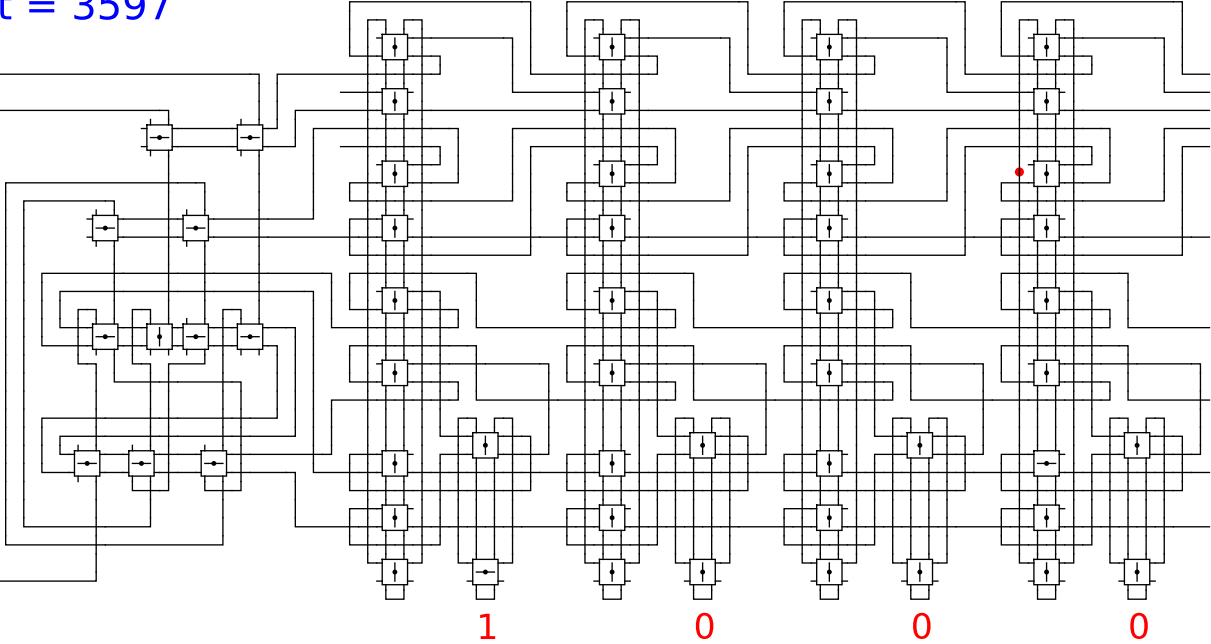
Begin



t = 3597

Reject
Accept

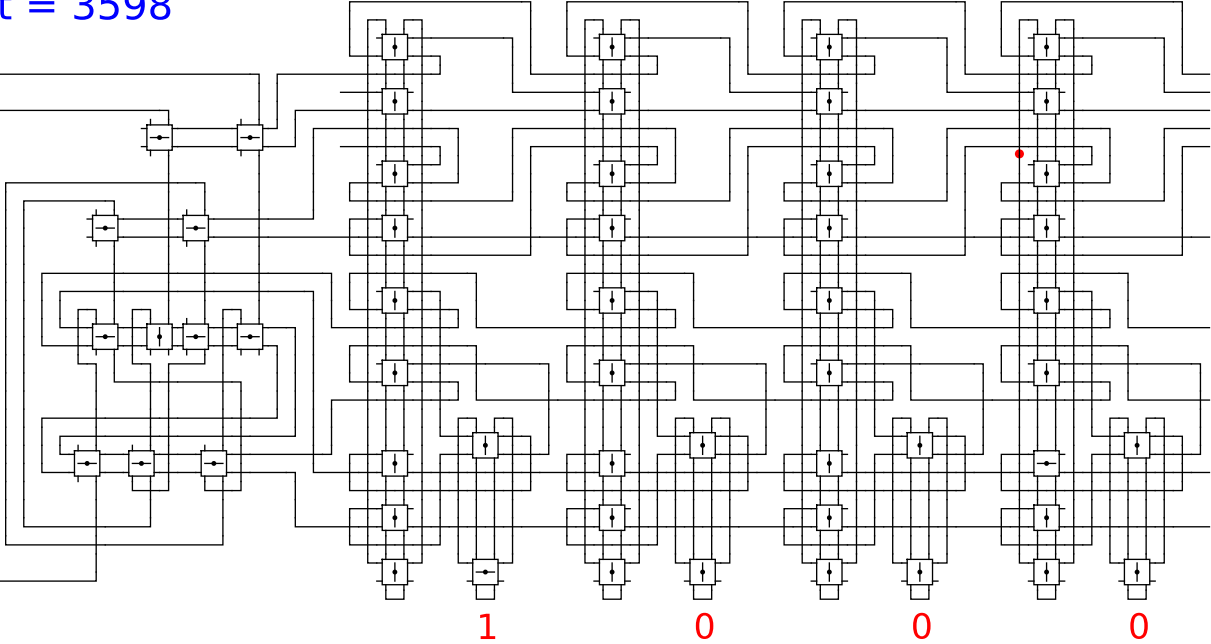
Begin



t = 3598

Reject
Accept

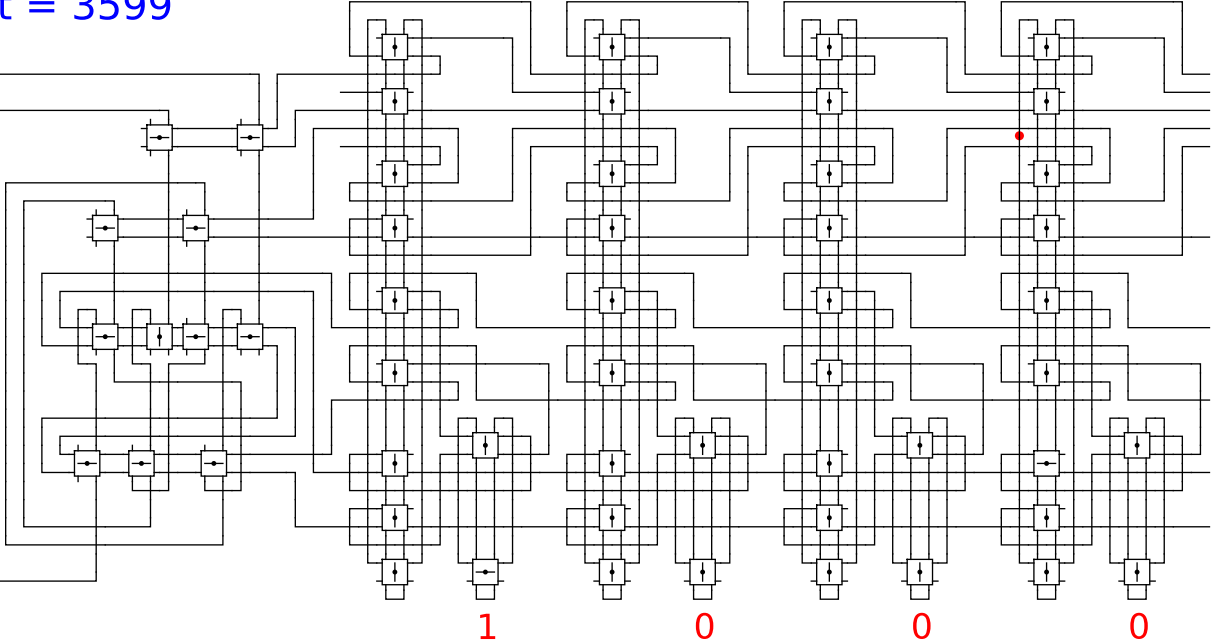
Begin



t = 3599

Reject
Accept

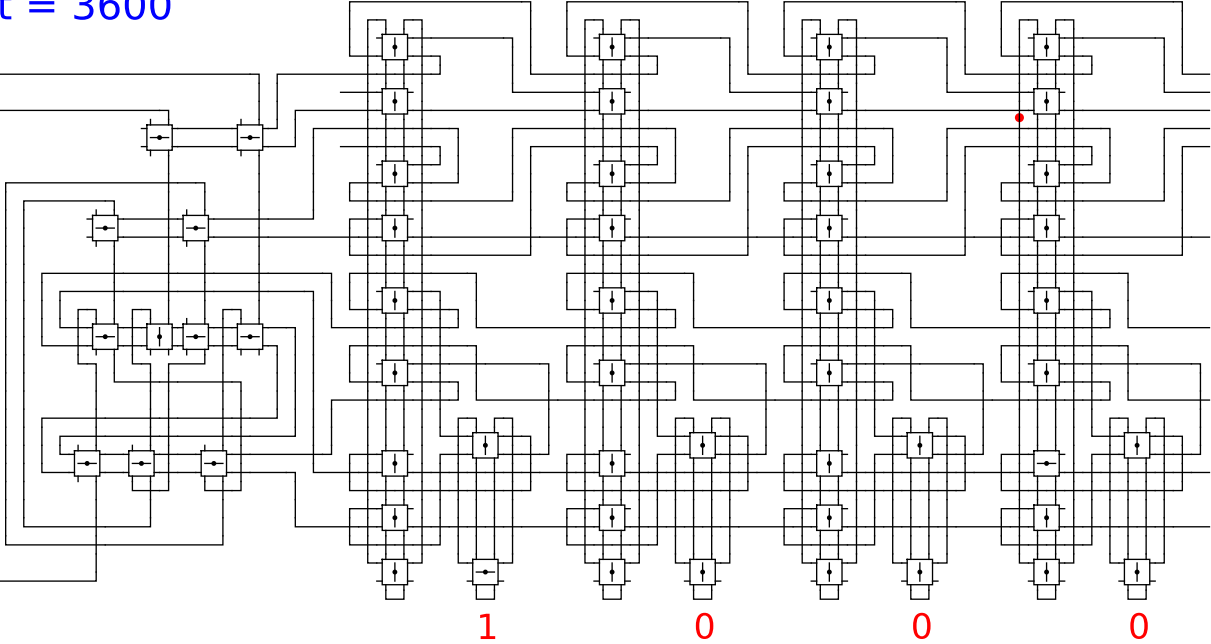
Begin



t = 3600

Reject
Accept

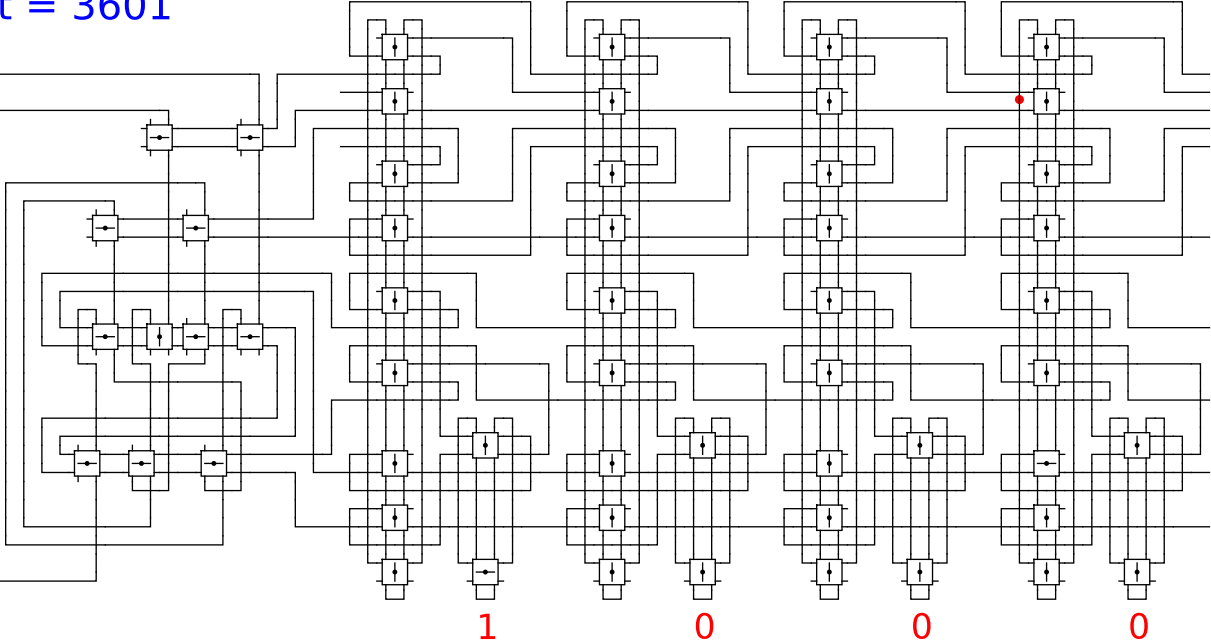
Begin



t = 3601

Reject
Accept

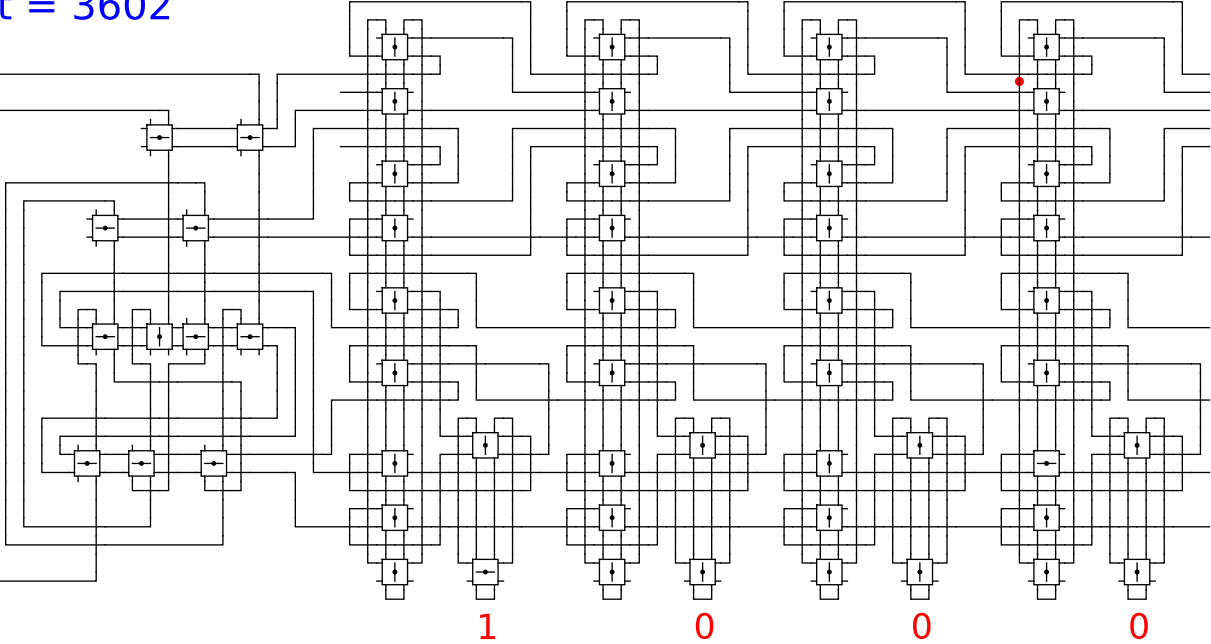
Begin



t = 3602

Reject
Accept

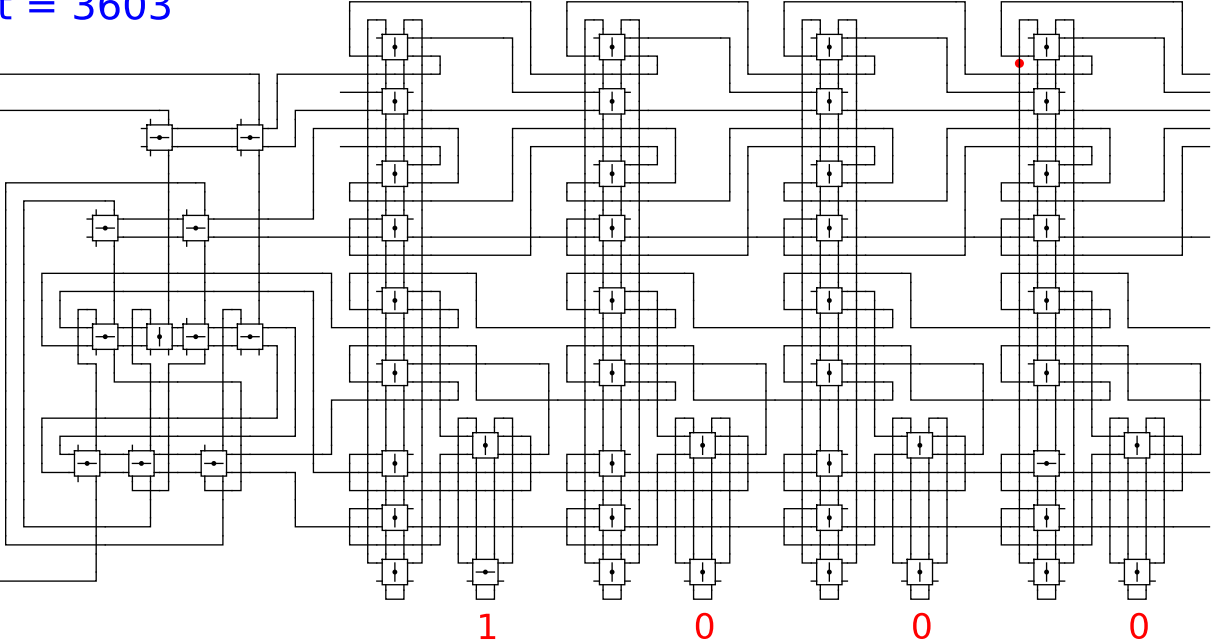
Begin



t = 3603

Reject
Accept

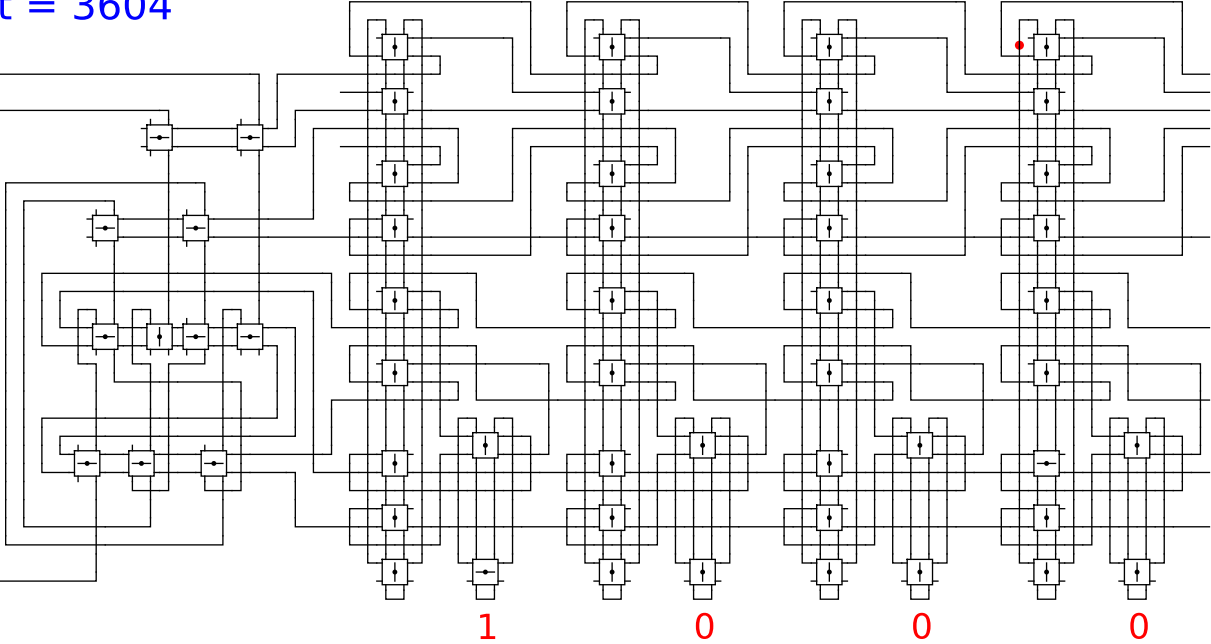
Begin



t = 3604

Reject
Accept

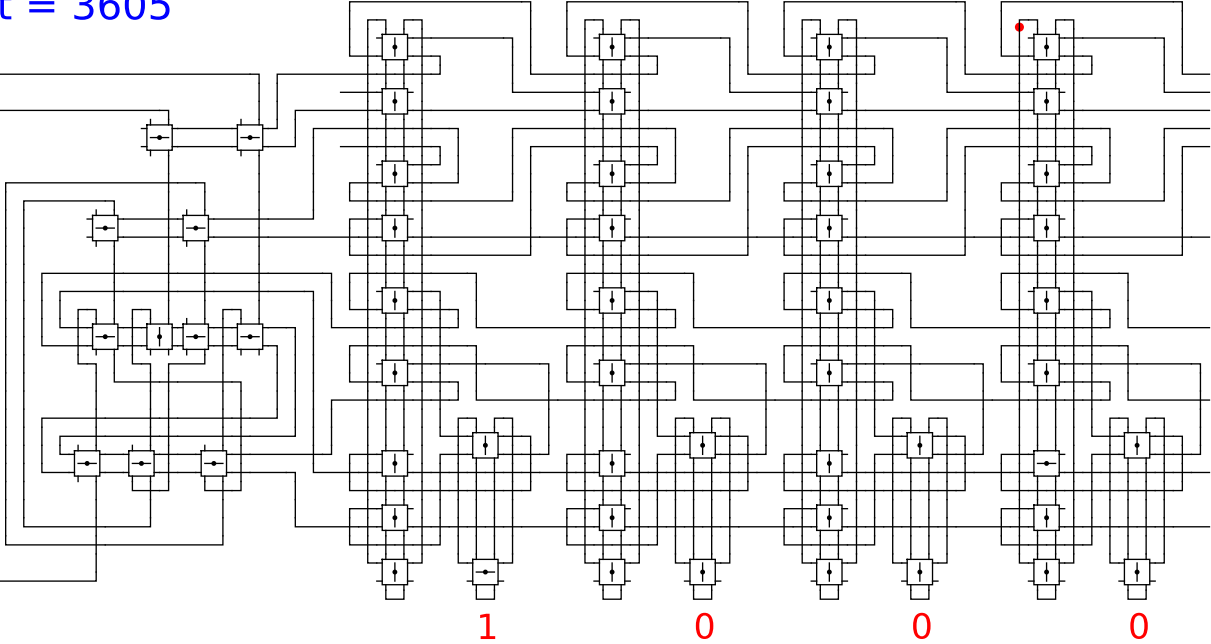
Begin



t = 3605

Reject
Accept

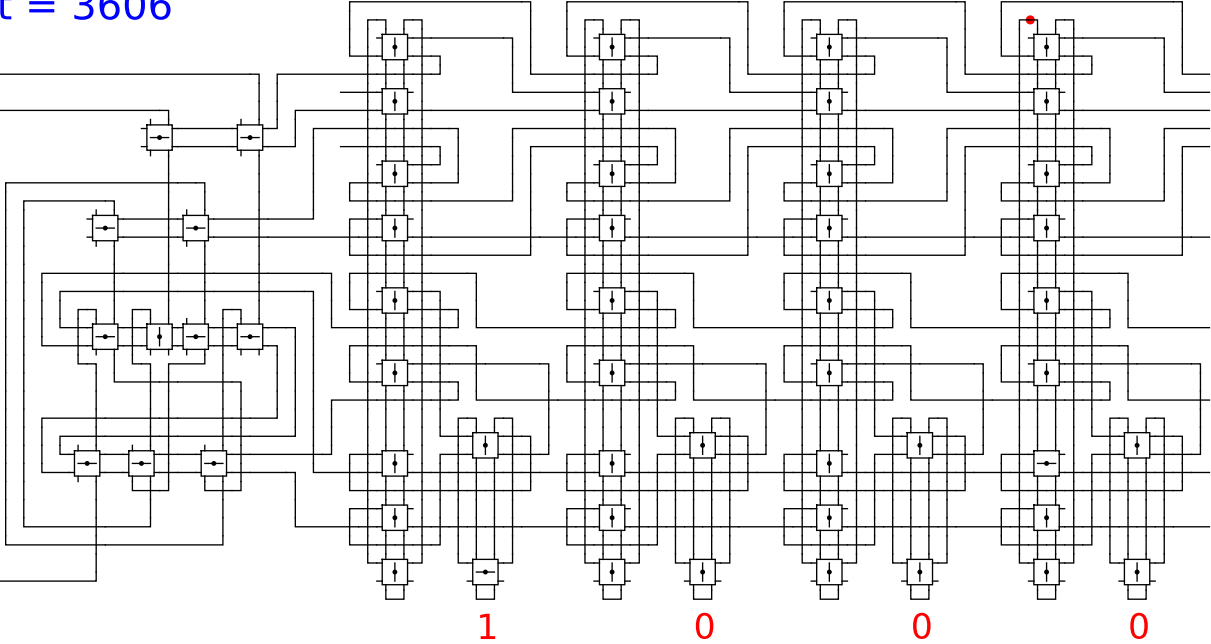
Begin



t = 3606

Reject
Accept

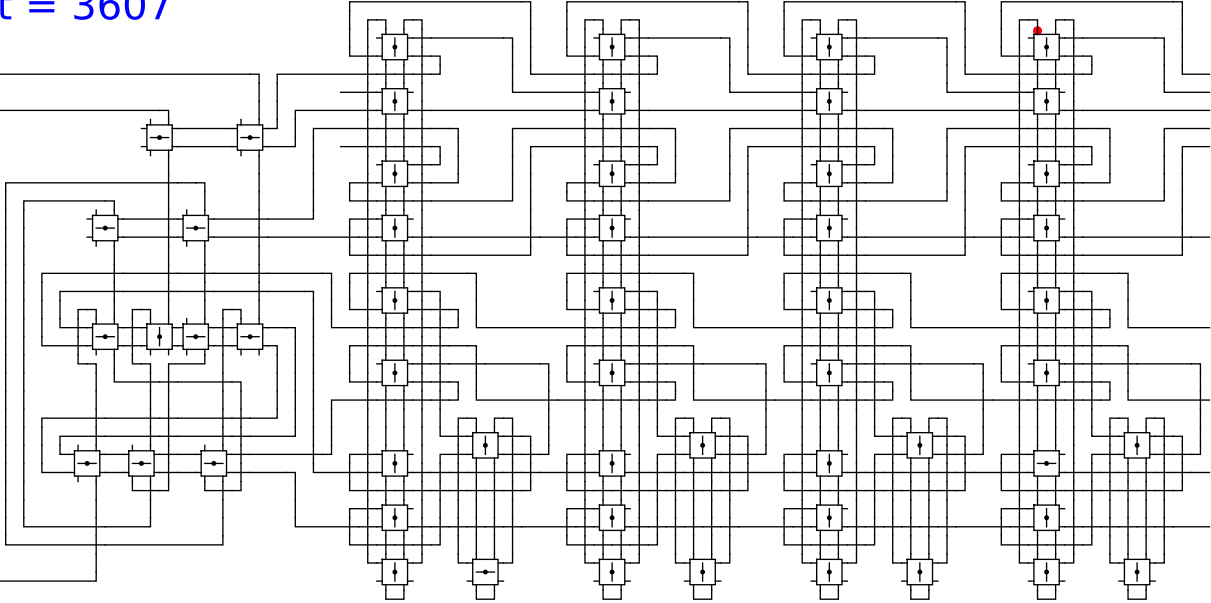
Begin



t = 3607

Reject
Accept

Begin



1

0

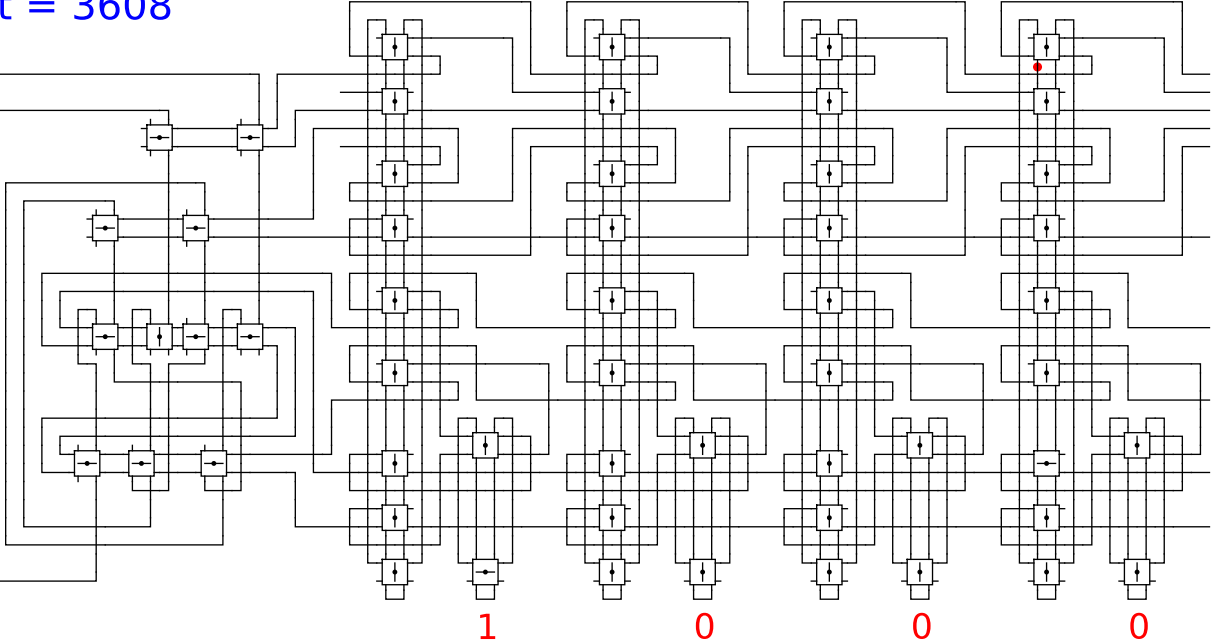
0

0

t = 3608

Reject
Accept

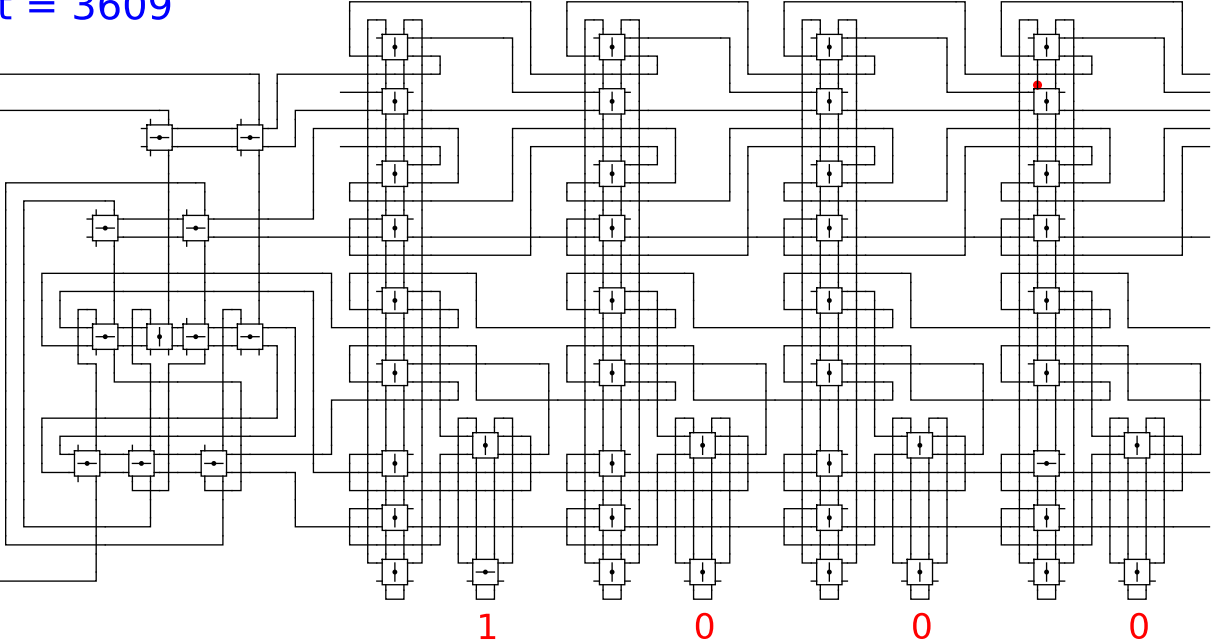
Begin



t = 3609

Reject
Accept

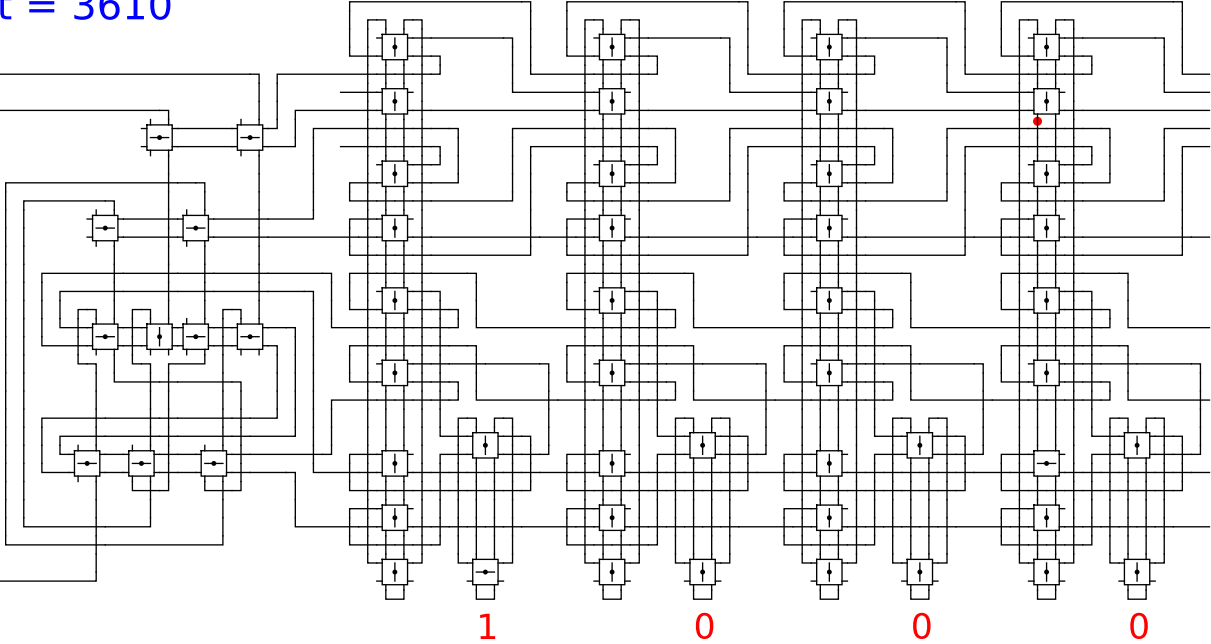
Begin



t = 3610

Reject
Accept

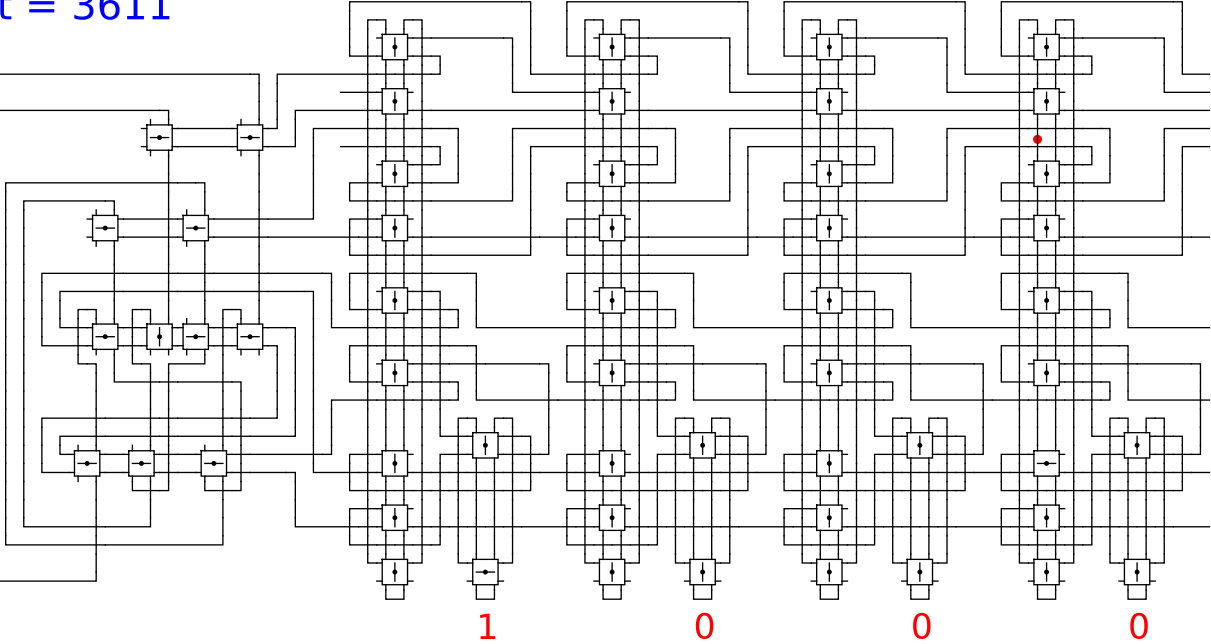
Begin



t = 3611

Reject
Accept

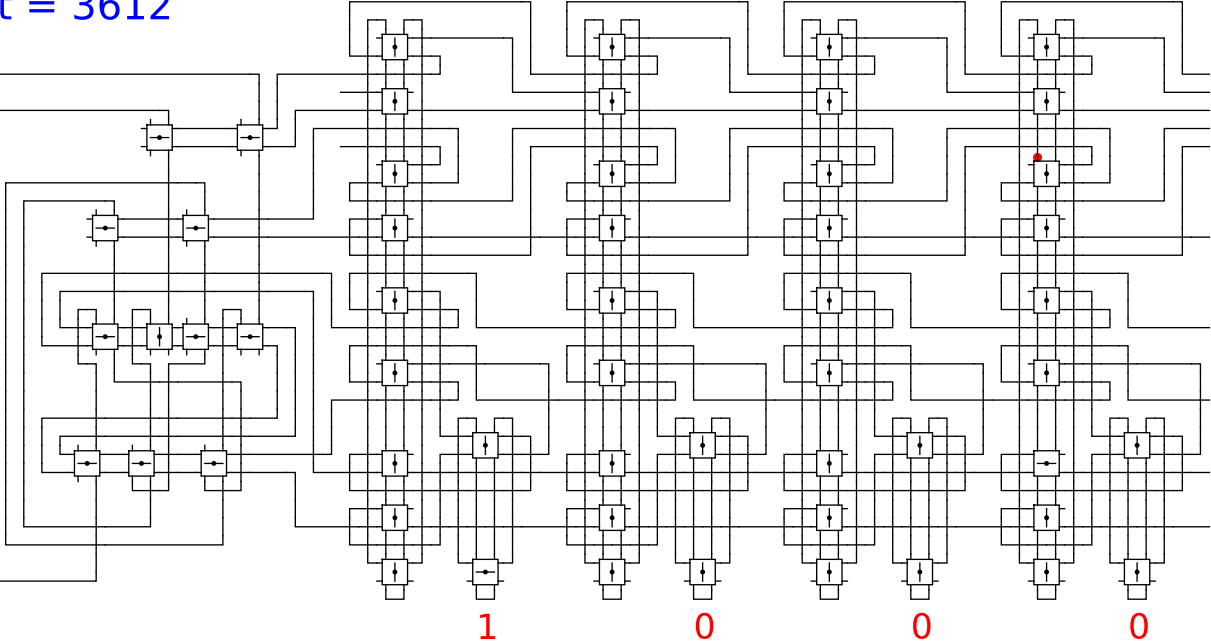
Begin



t = 3612

Reject
Accept

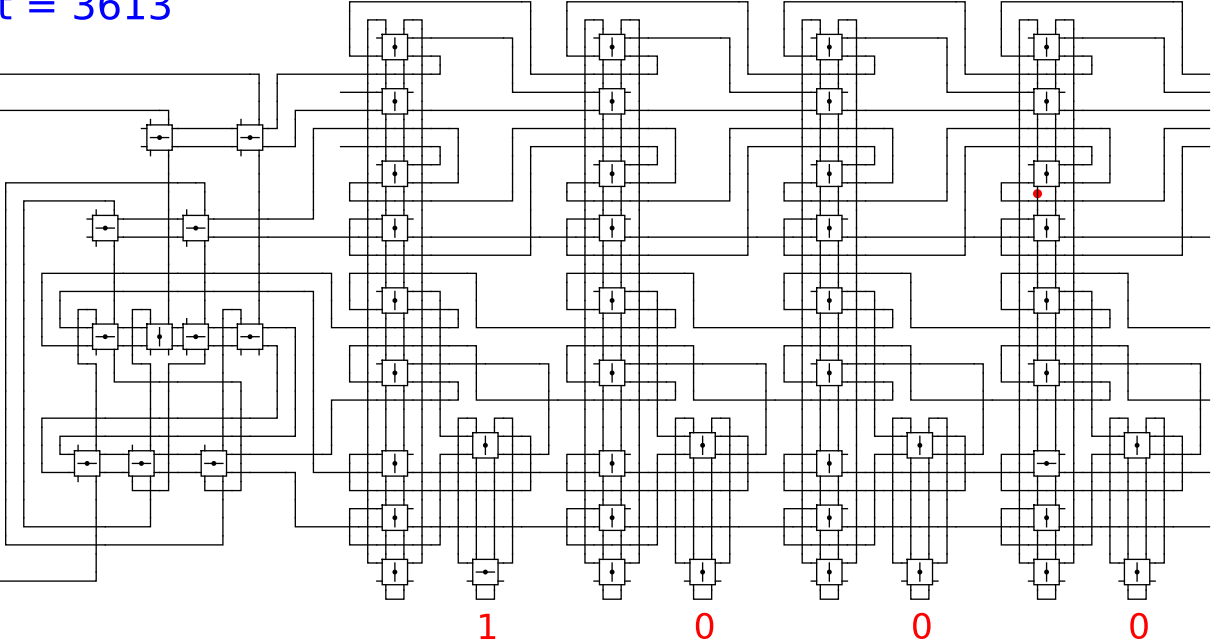
Begin



t = 3613

Reject
Accept

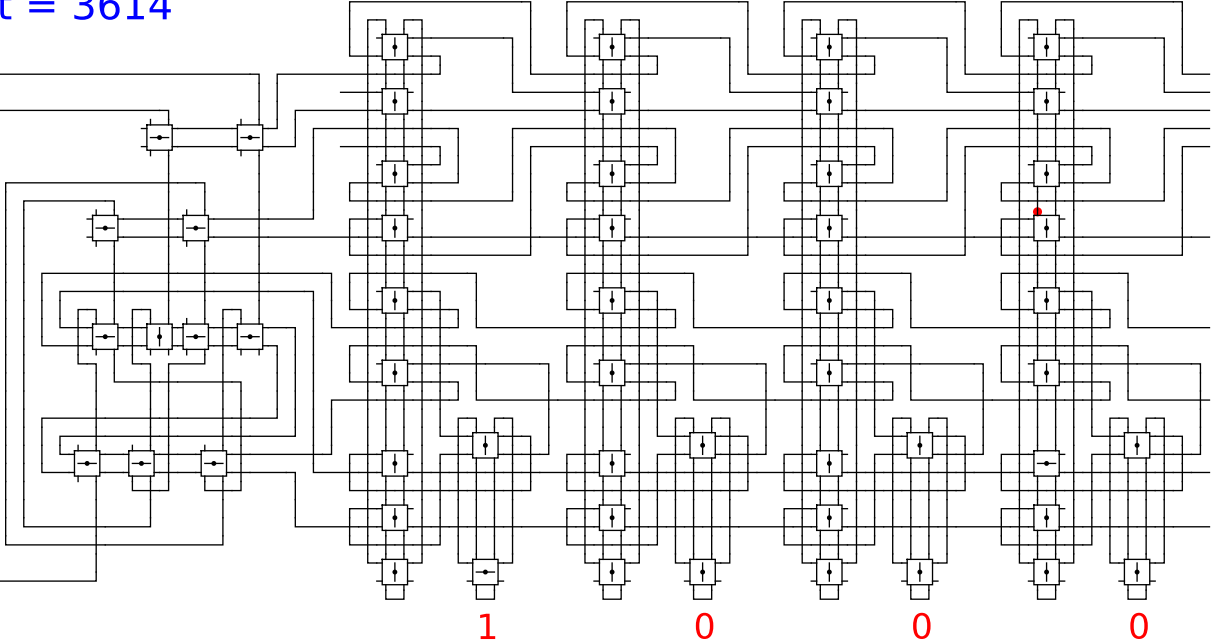
Begin



t = 3614

Reject
Accept

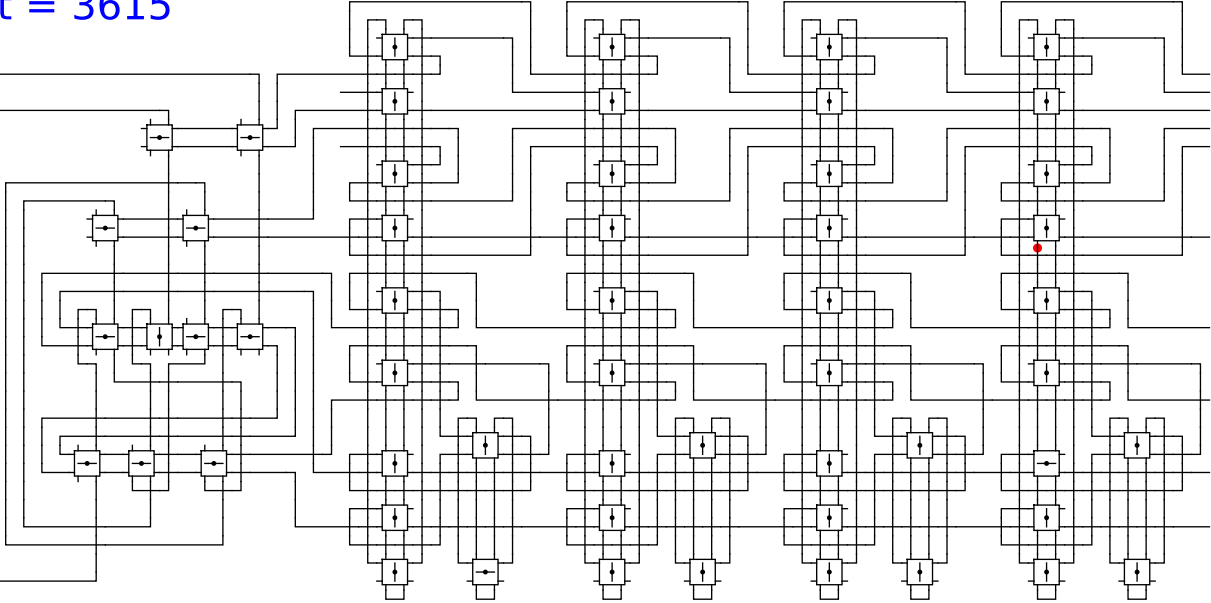
Begin



t = 3615

Reject
Accept

Begin



1

0

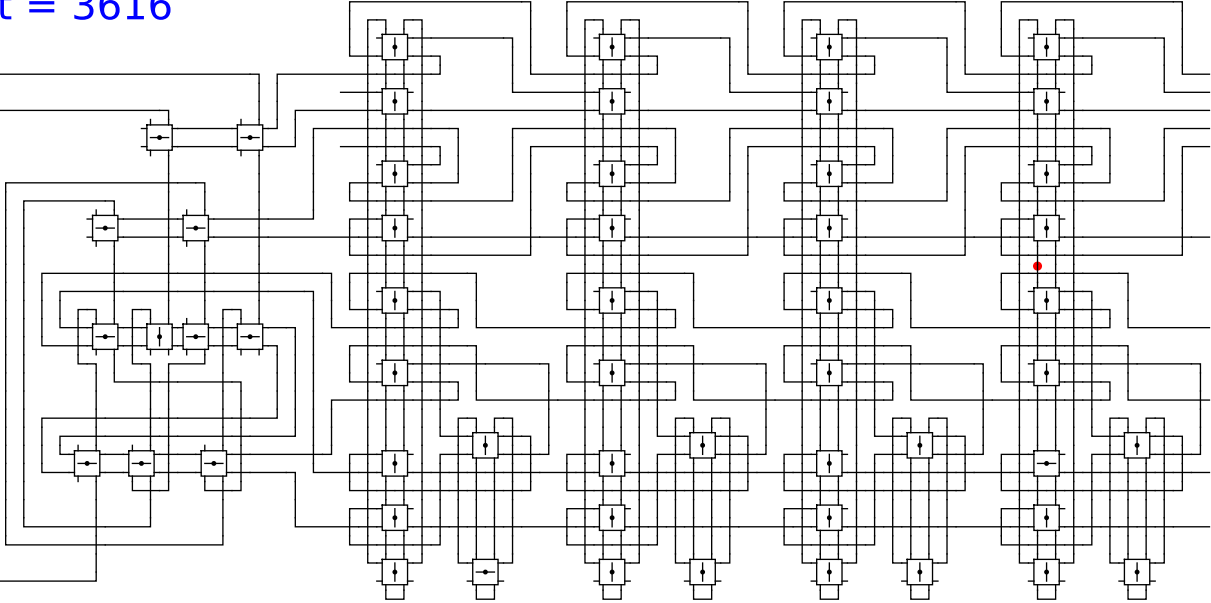
0

0

t = 3616

Reject
Accept

Begin



1

0

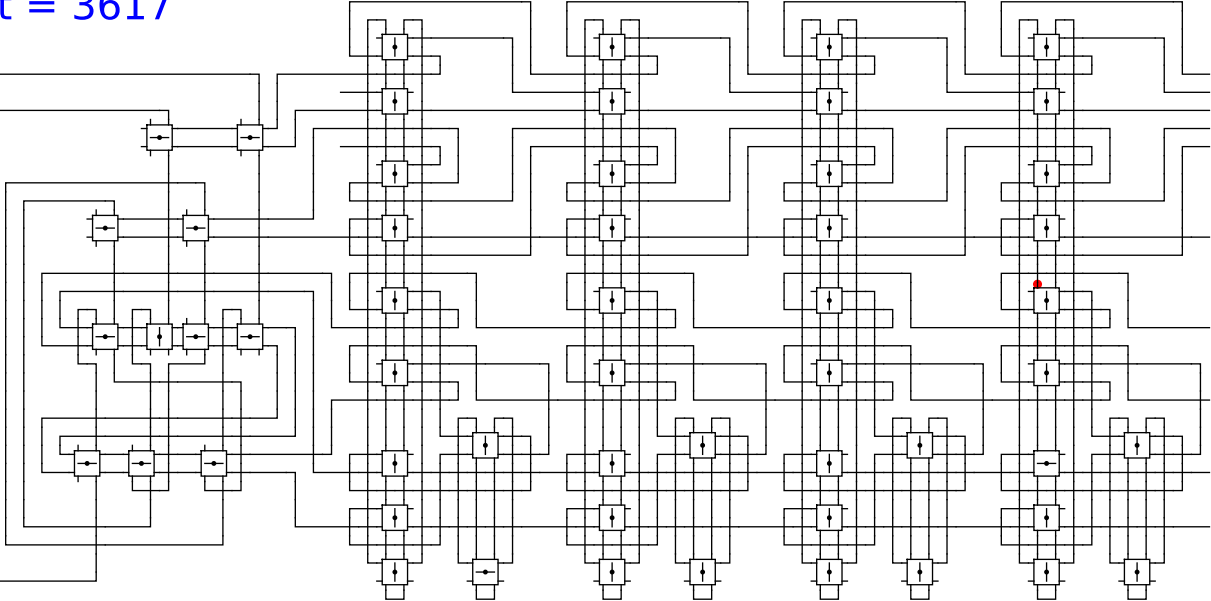
0

0

t = 3617

Reject
Accept

Begin



1

0

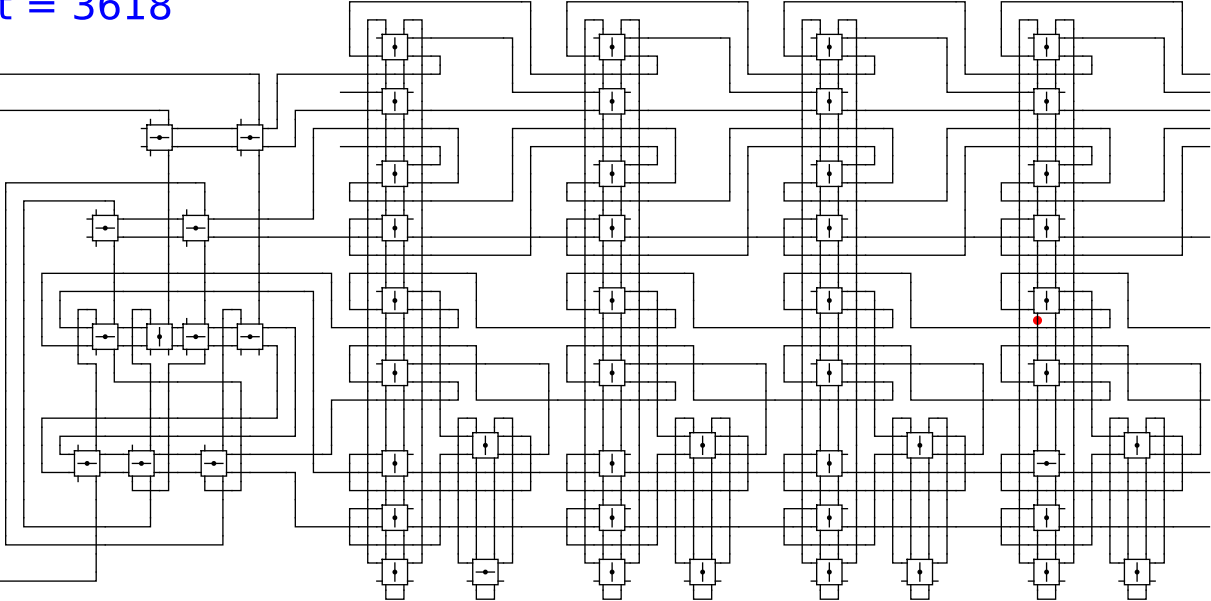
0

0

t = 3618

Reject
Accept

Begin



1

0

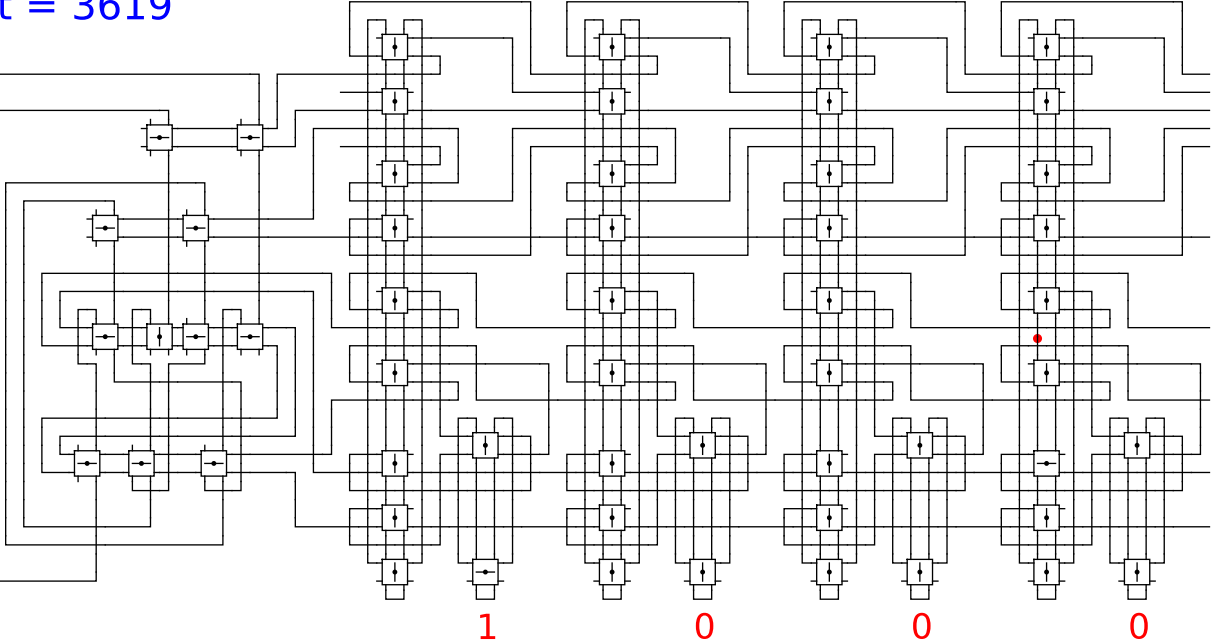
0

0

t = 3619

Reject
Accept

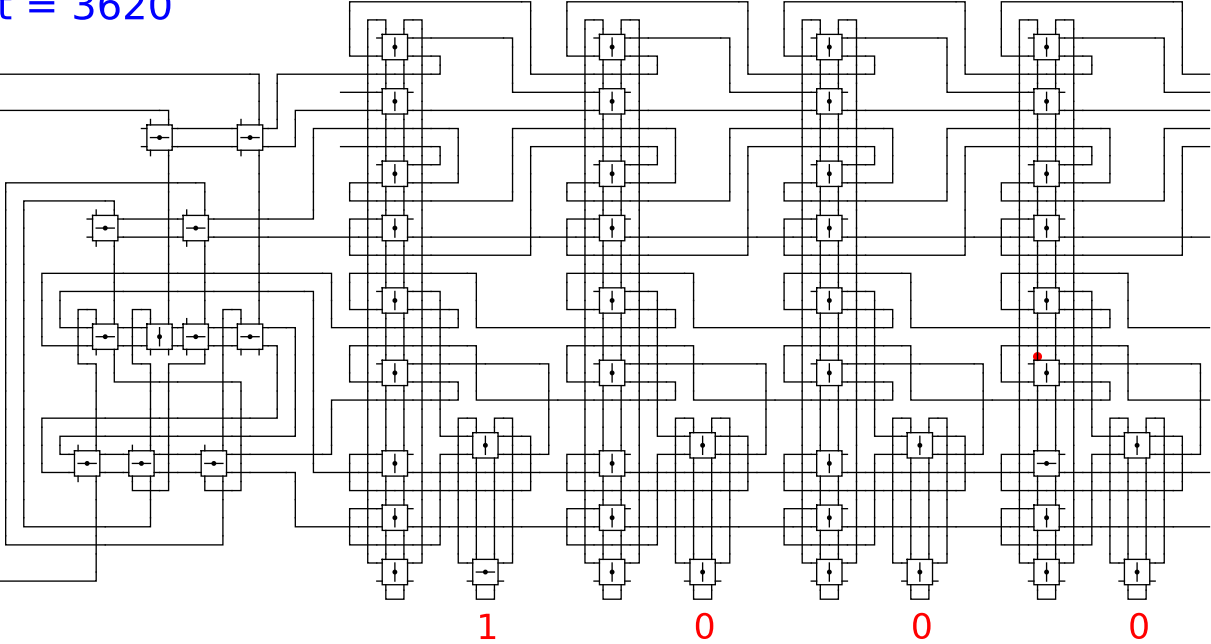
Begin



t = 3620

Reject
Accept

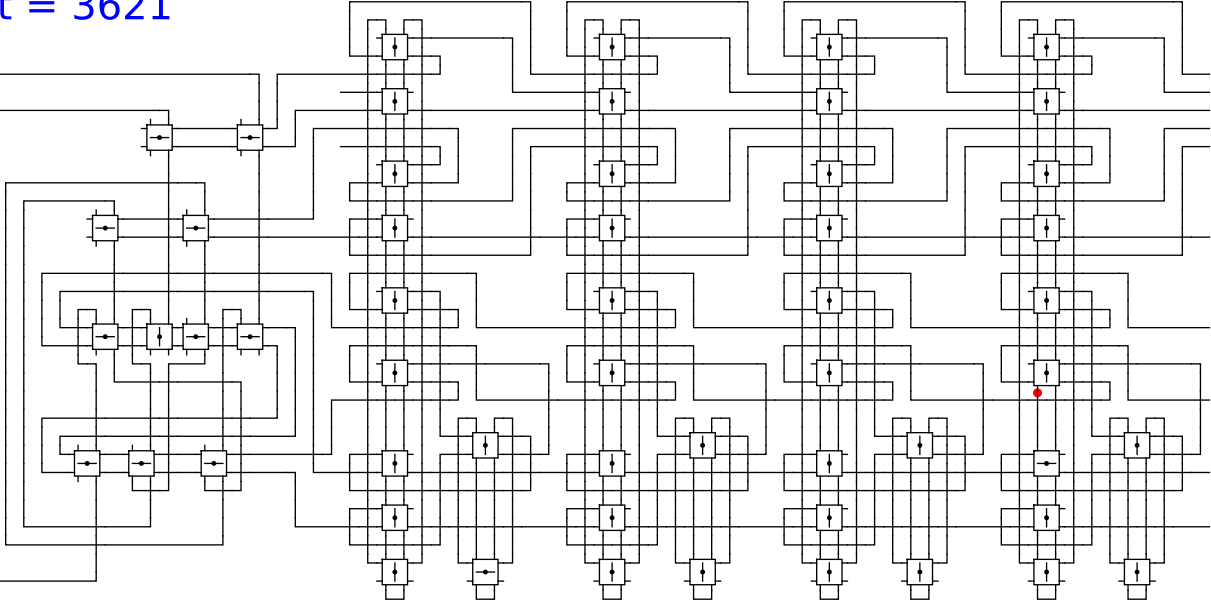
Begin



t = 3621

Reject
Accept

Begin



1

0

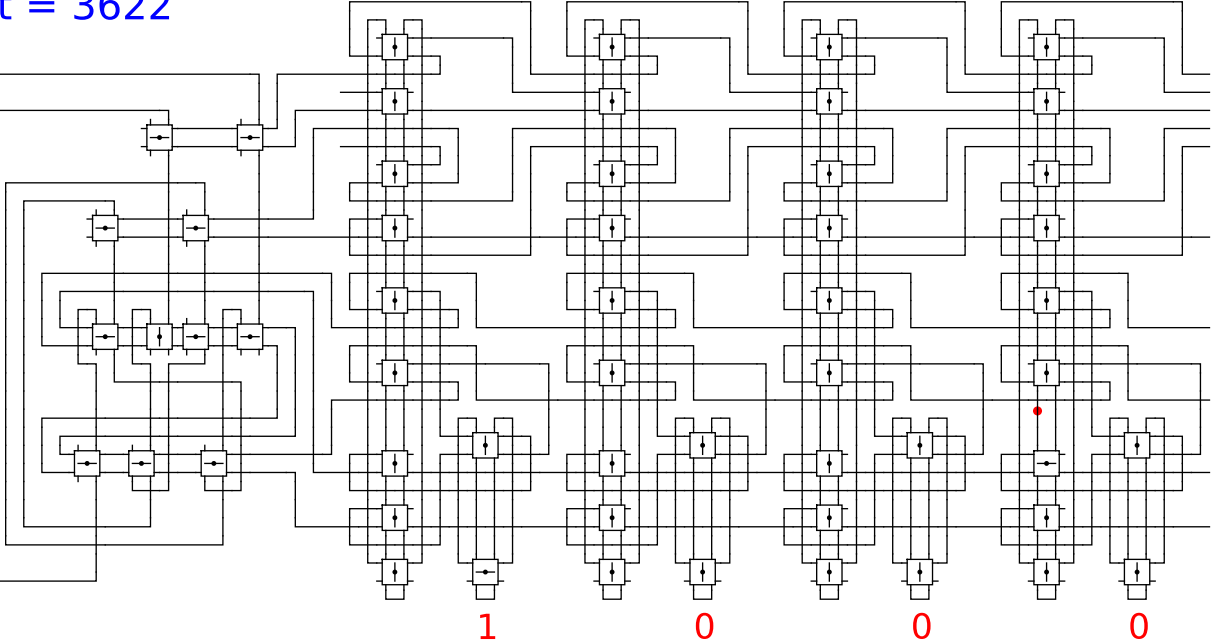
0

0

t = 3622

Reject
Accept

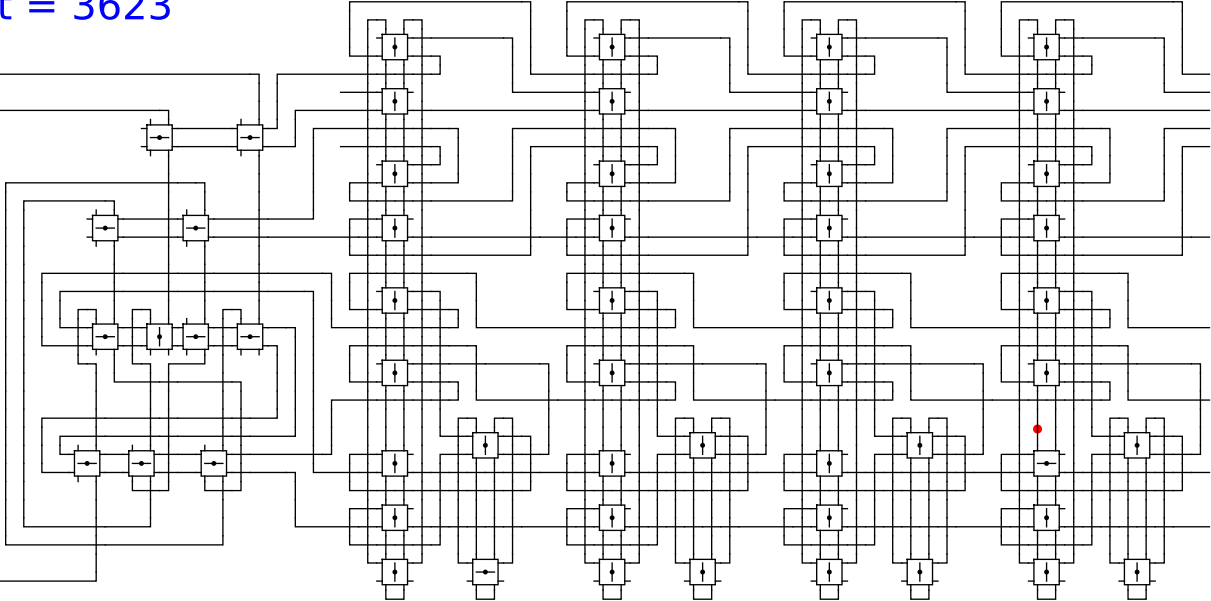
Begin



t = 3623

Reject
Accept

Begin



1

0

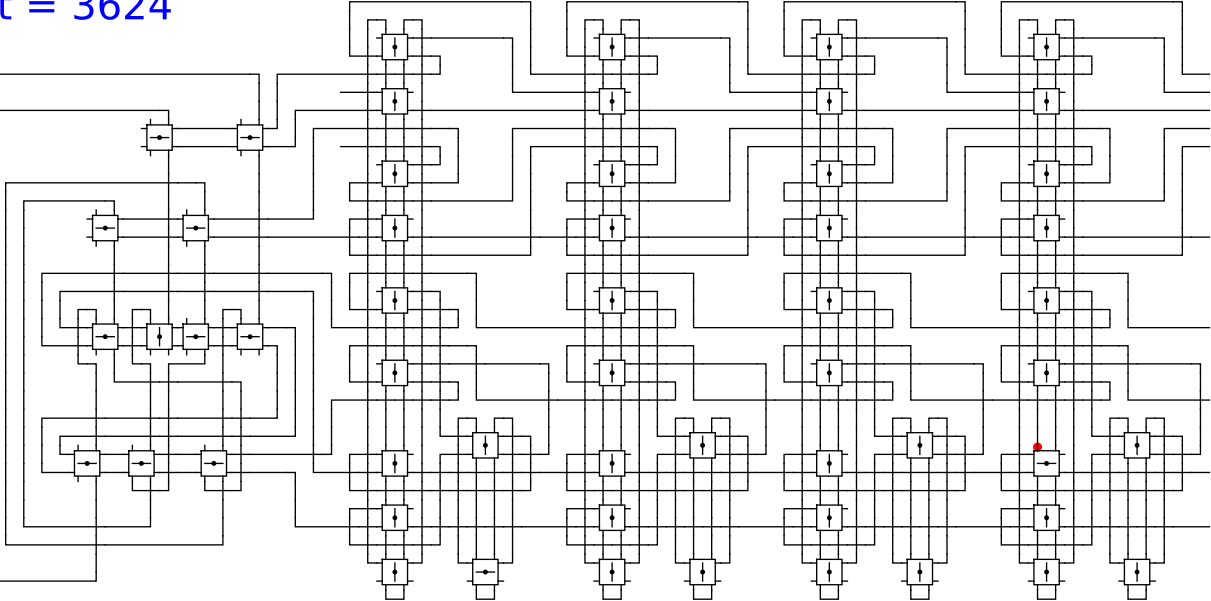
0

0

t = 3624

Reject
Accept

Begin



1

0

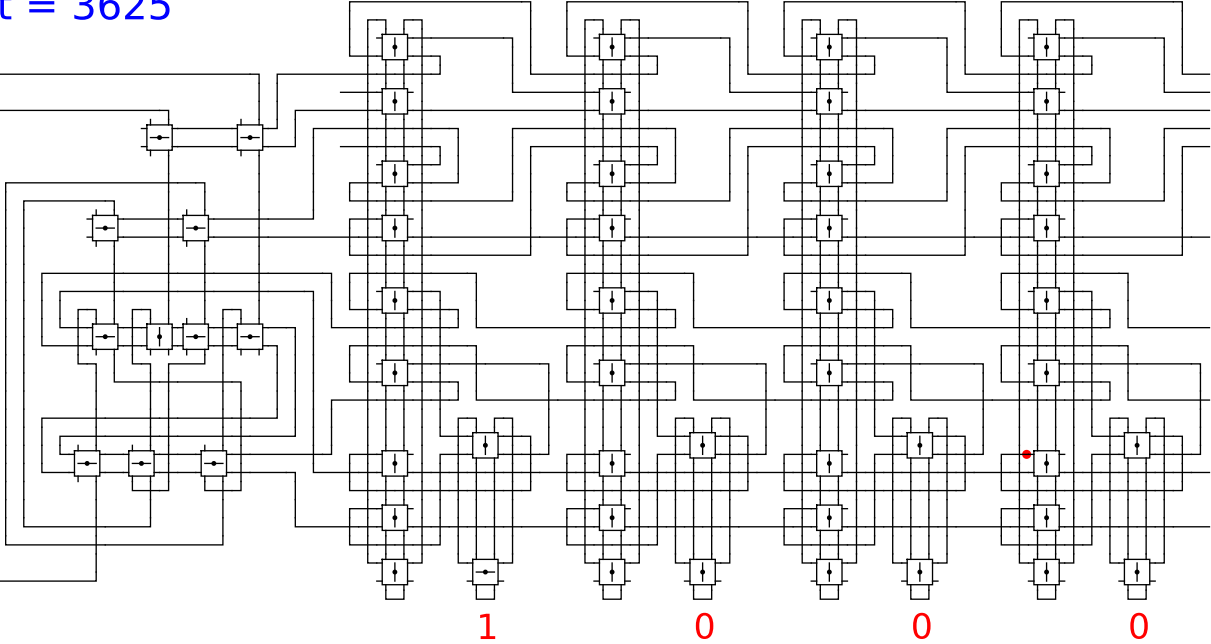
0

0

t = 3625

Reject
Accept

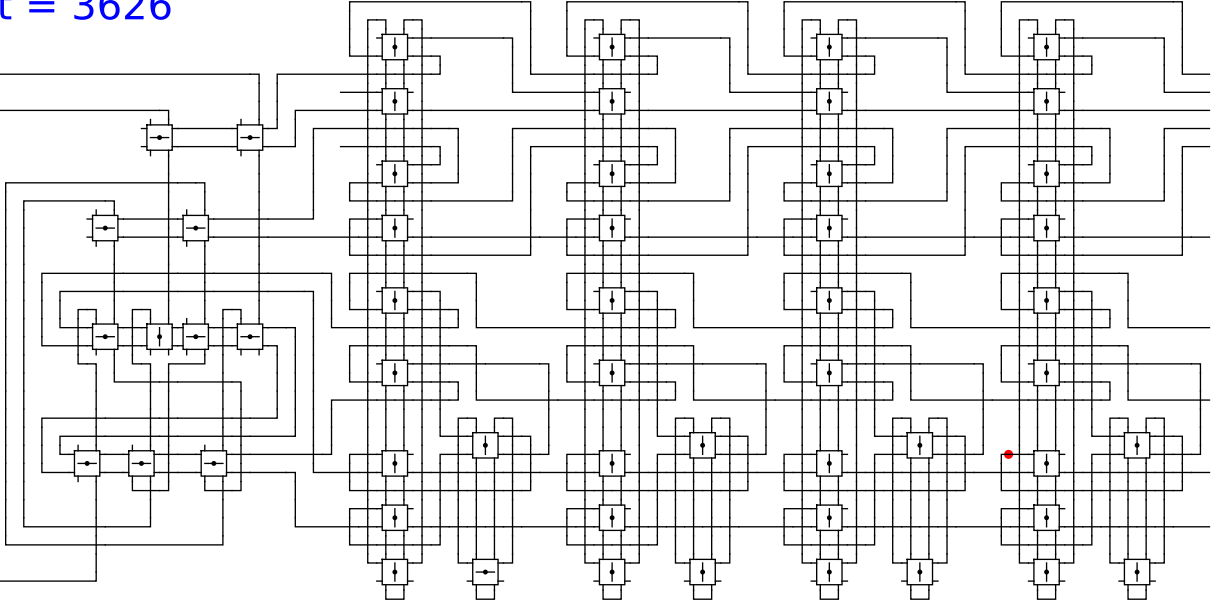
Begin



t = 3626

Reject
Accept

Begin



1

0

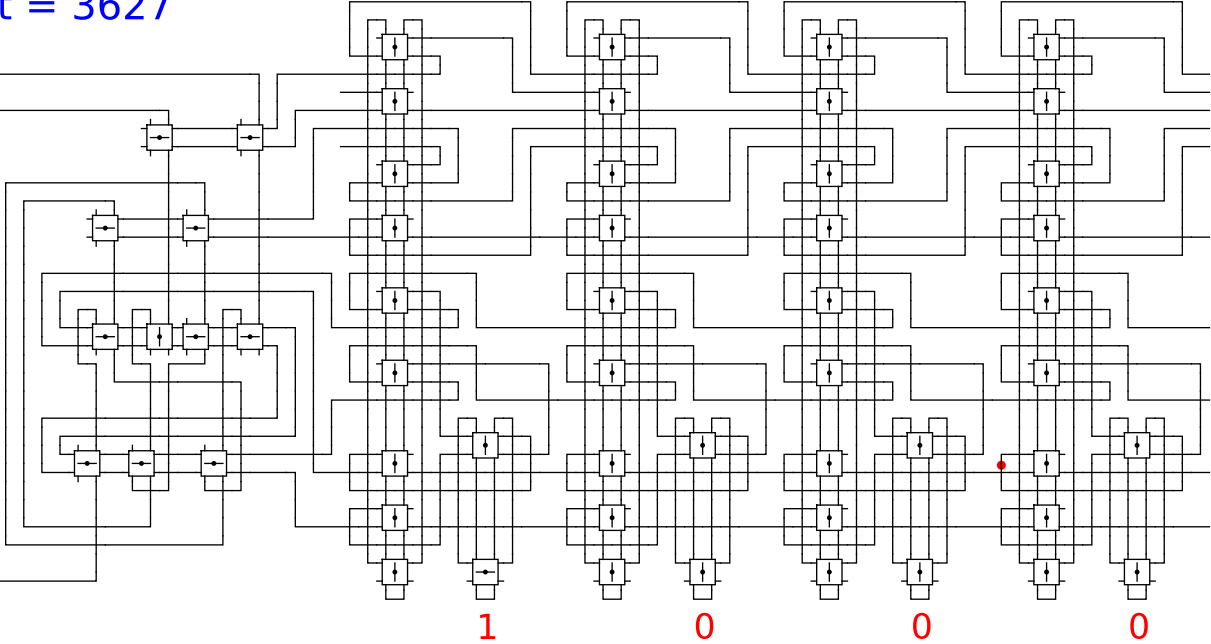
0

0

t = 3627

Reject
Accept

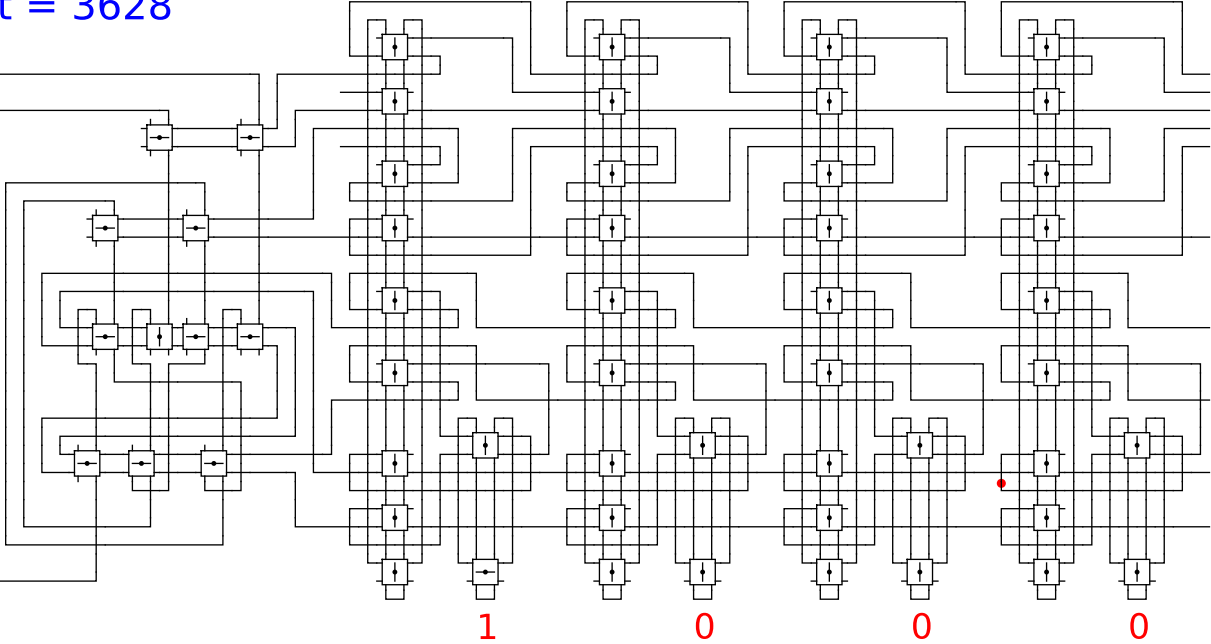
Begin



t = 3628

Reject
Accept

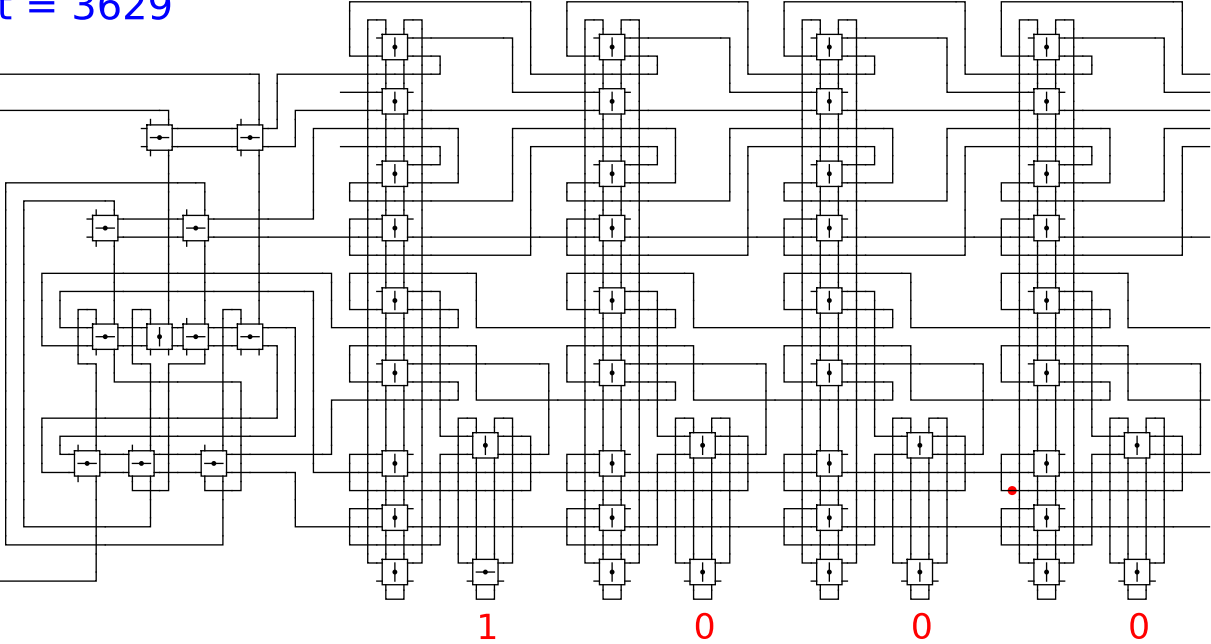
Begin



t = 3629

Reject
Accept

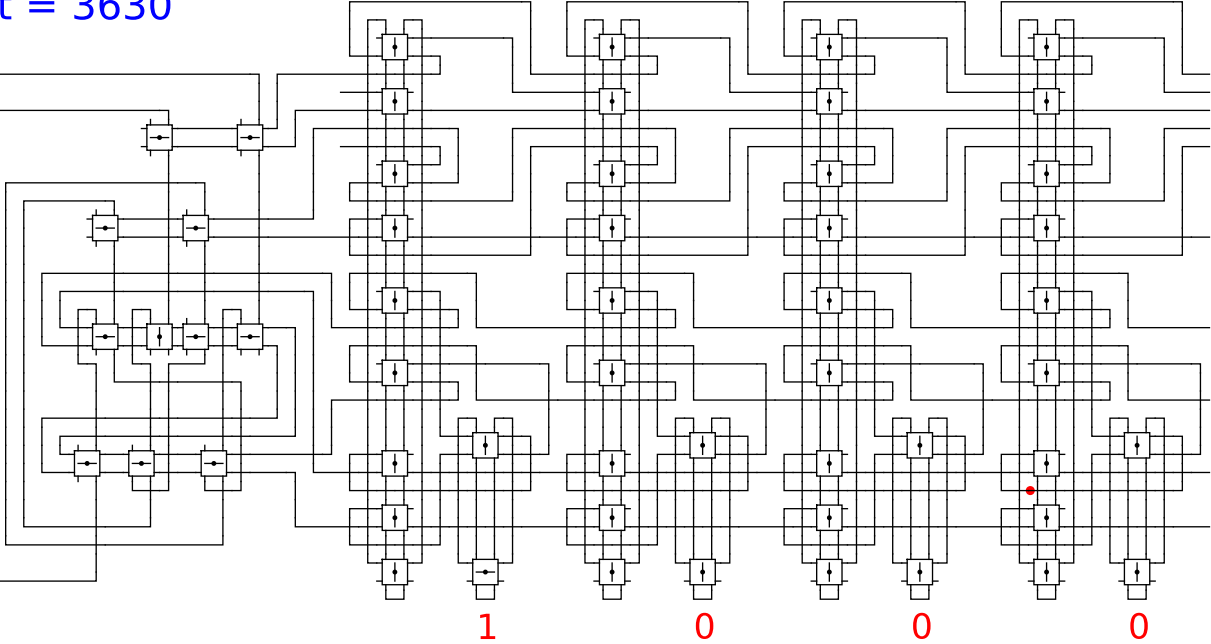
Begin



t = 3630

Reject
Accept

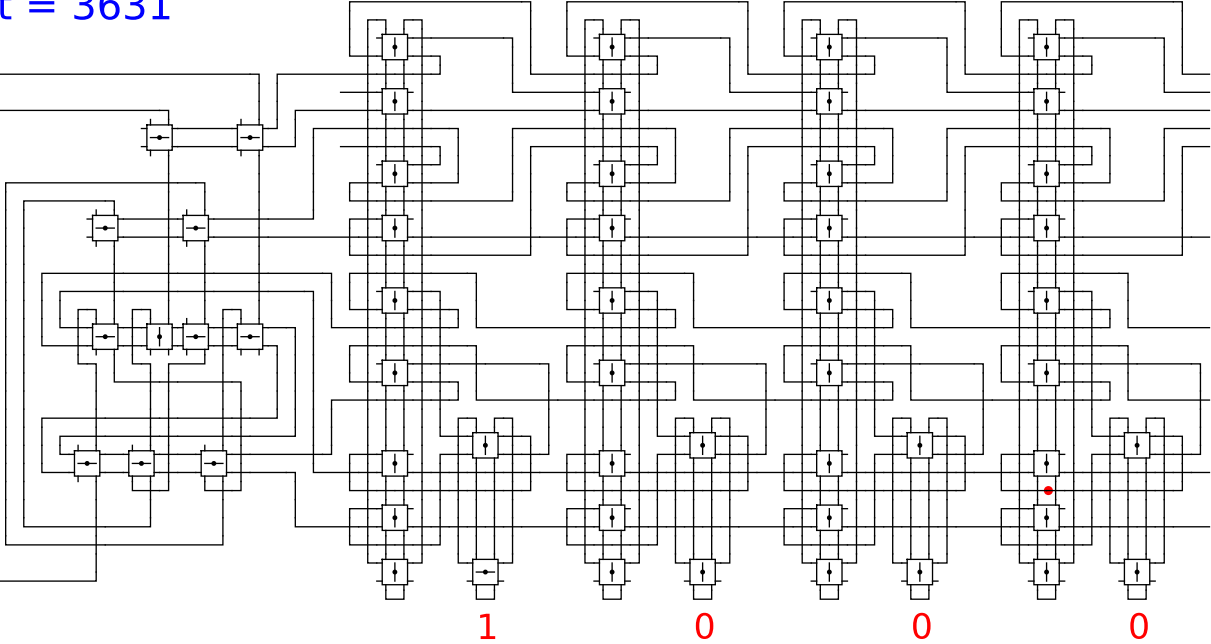
Begin



t = 3631

Reject
Accept

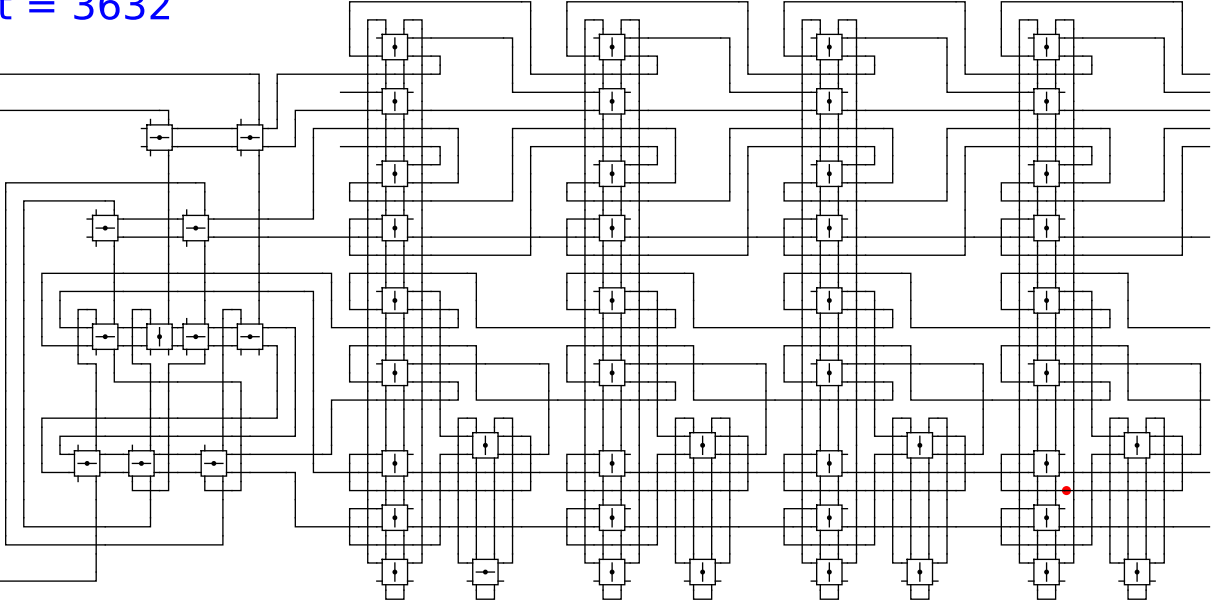
Begin



t = 3632

Reject
Accept

Begin



1

0

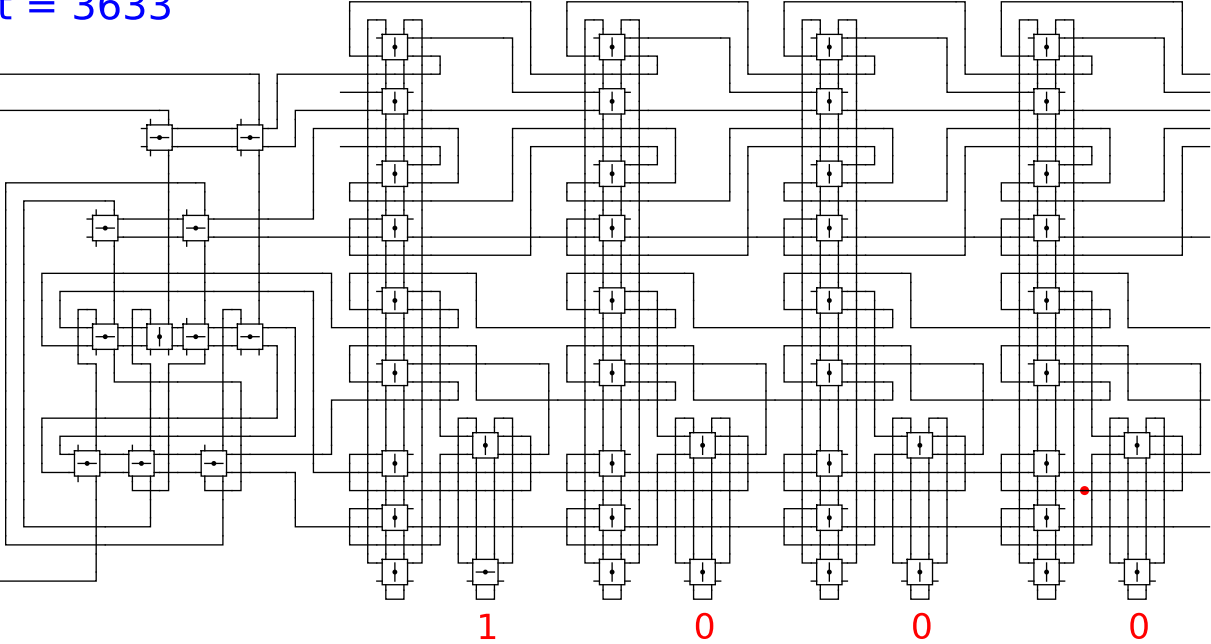
0

0

t = 3633

Reject
Accept

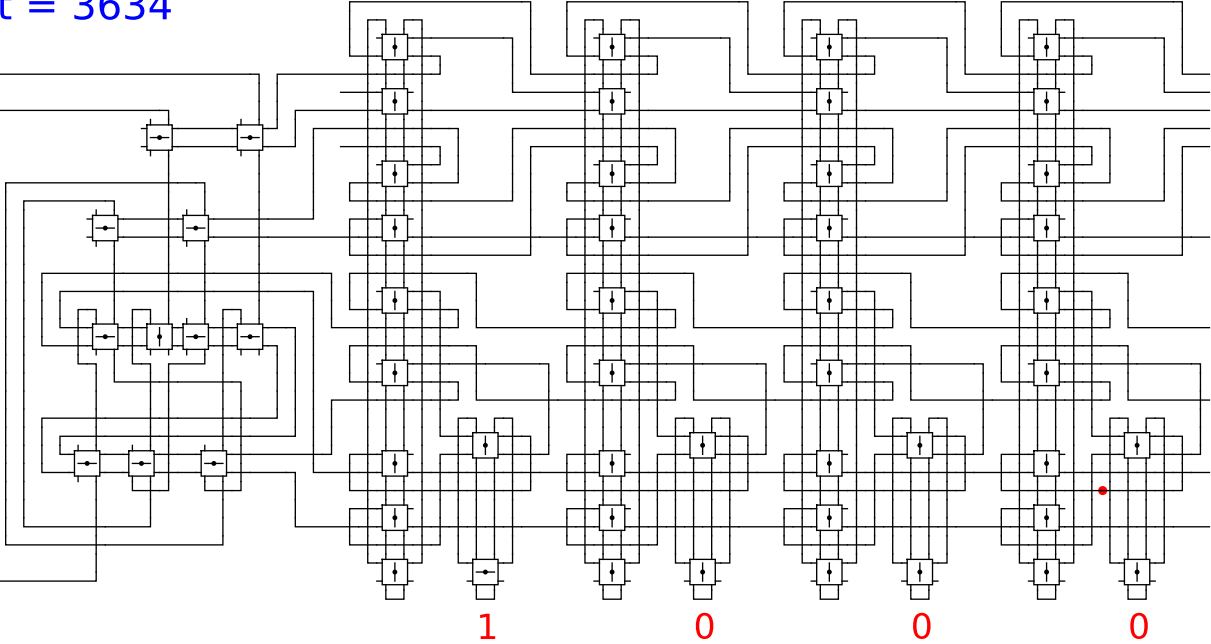
Begin



t = 3634

Reject
Accept

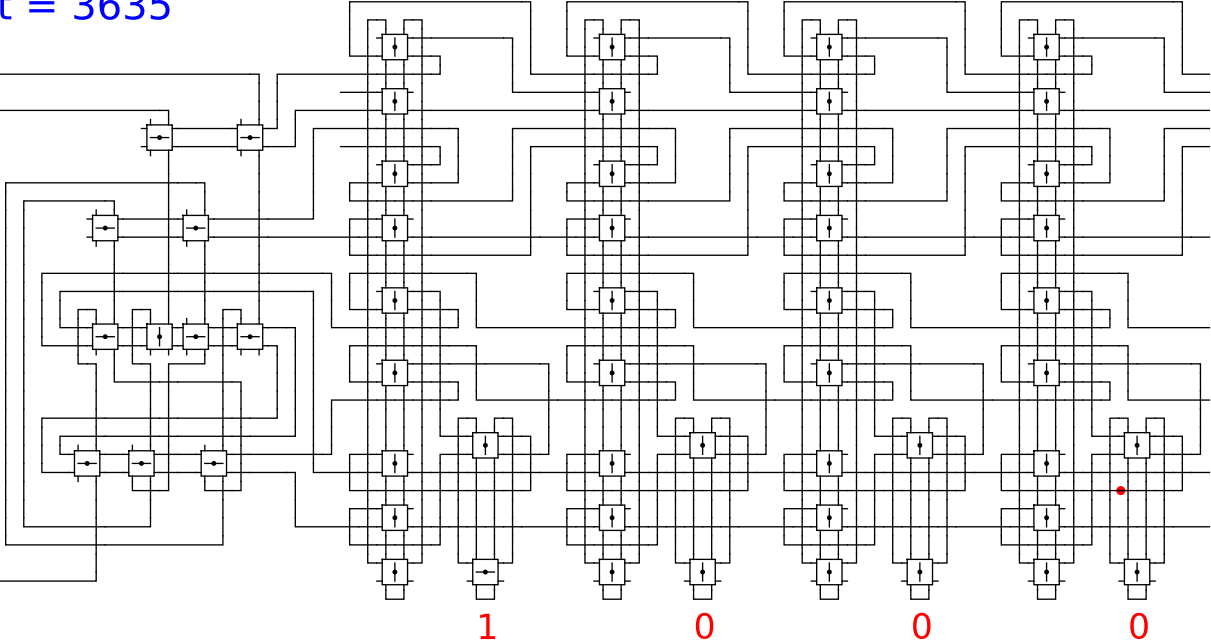
Begin



t = 3635

Reject
Accept

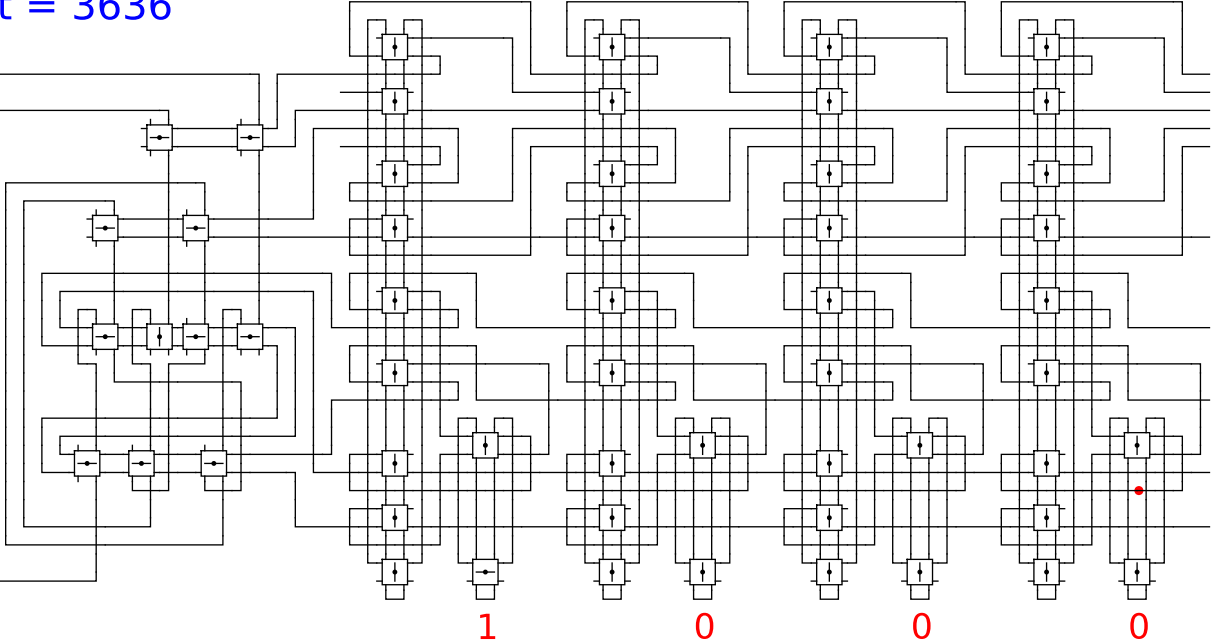
Begin



t = 3636

Reject
Accept

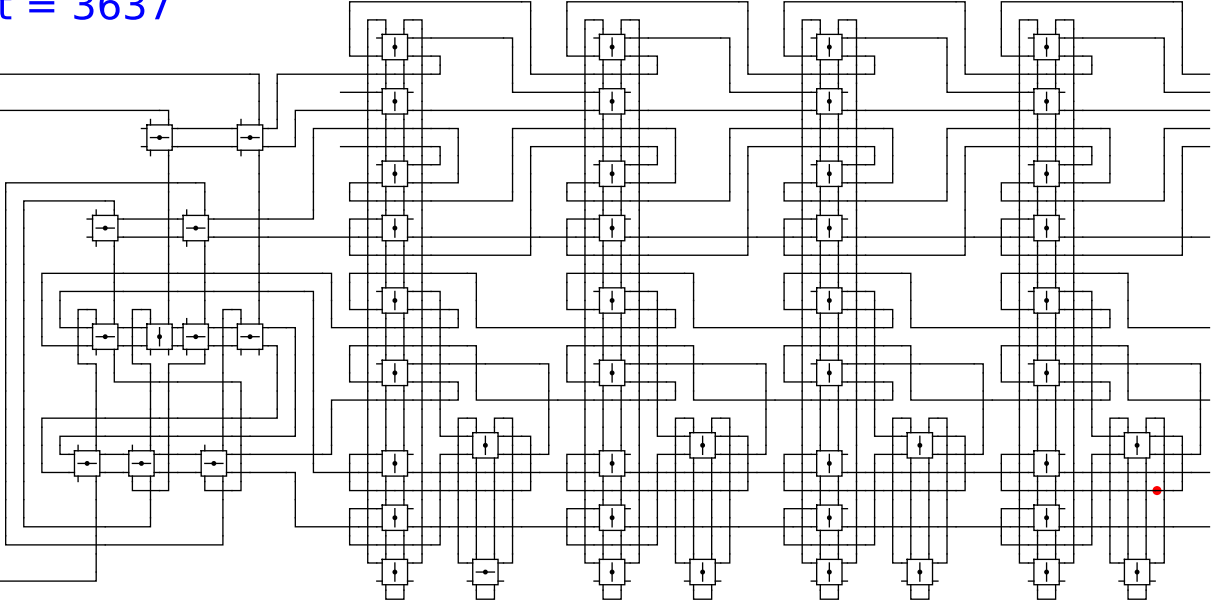
Begin



t = 3637

Reject
Accept

Begin



1

0

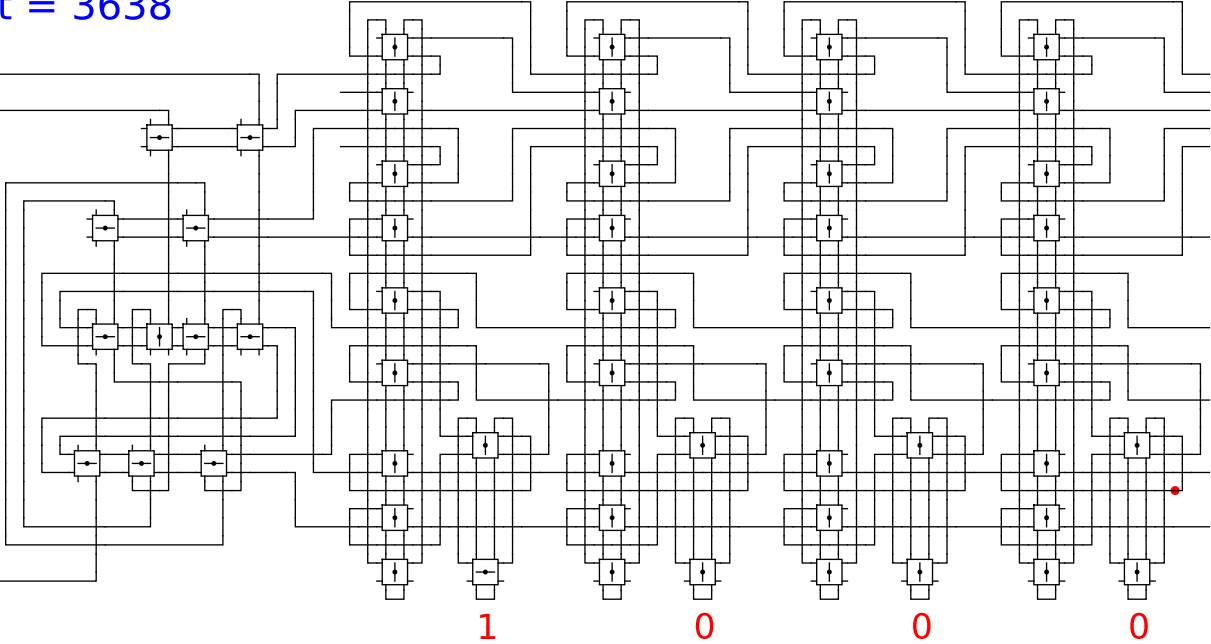
0

0

t = 3638

Reject
Accept

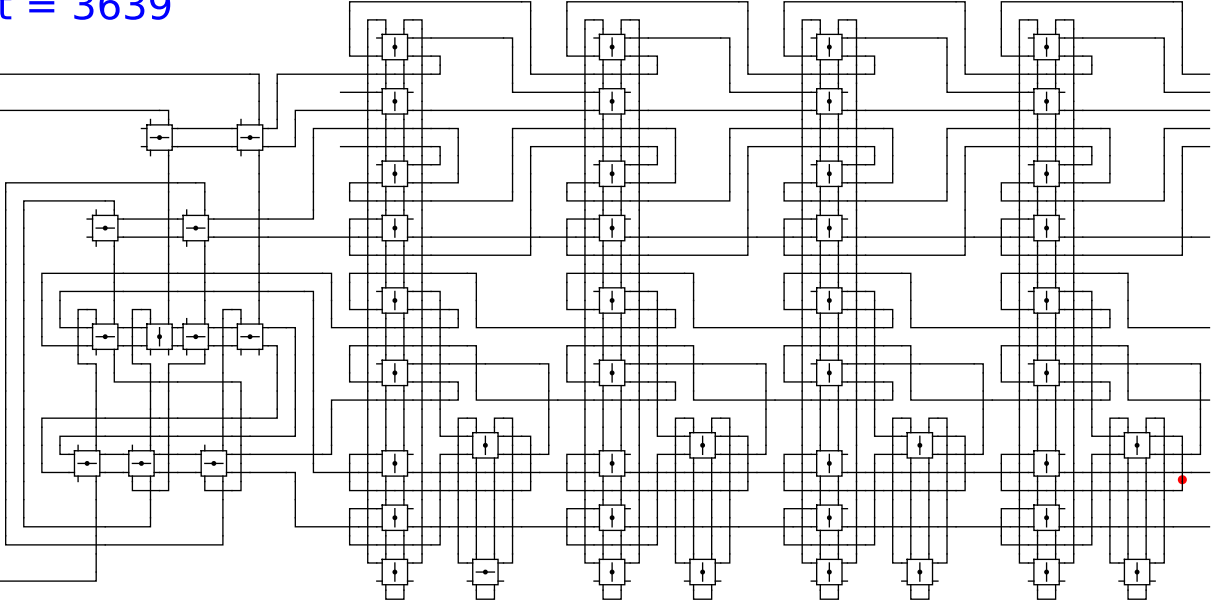
Begin



t = 3639

Reject
Accept

Begin



1

0

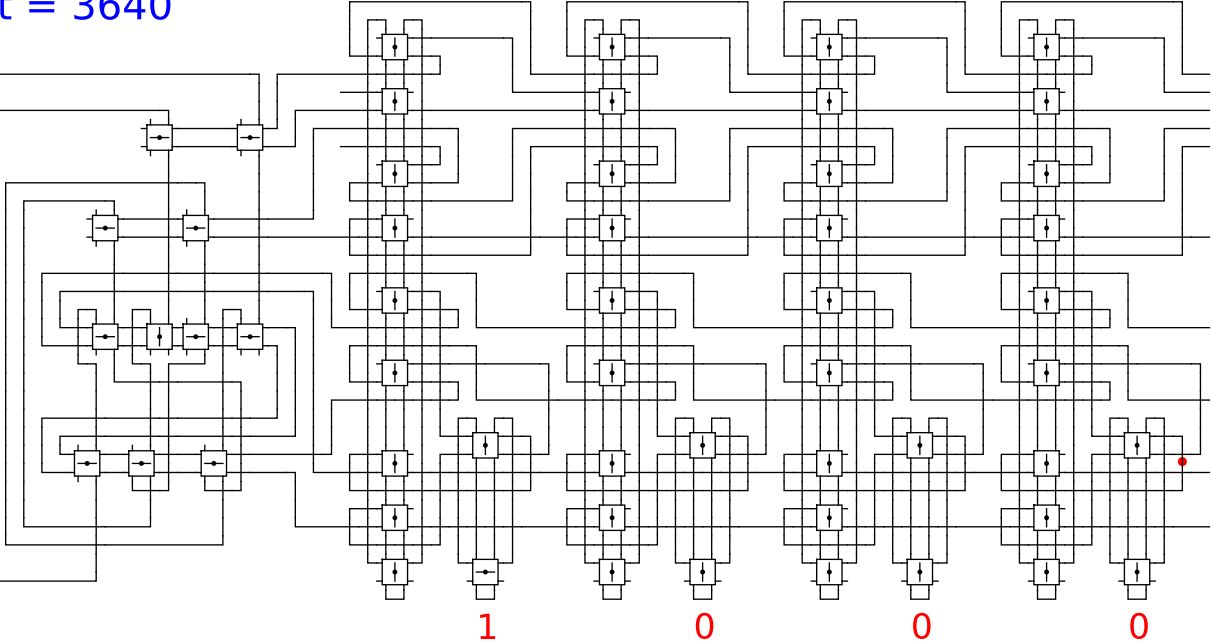
0

0

t = 3640

Reject
Accept

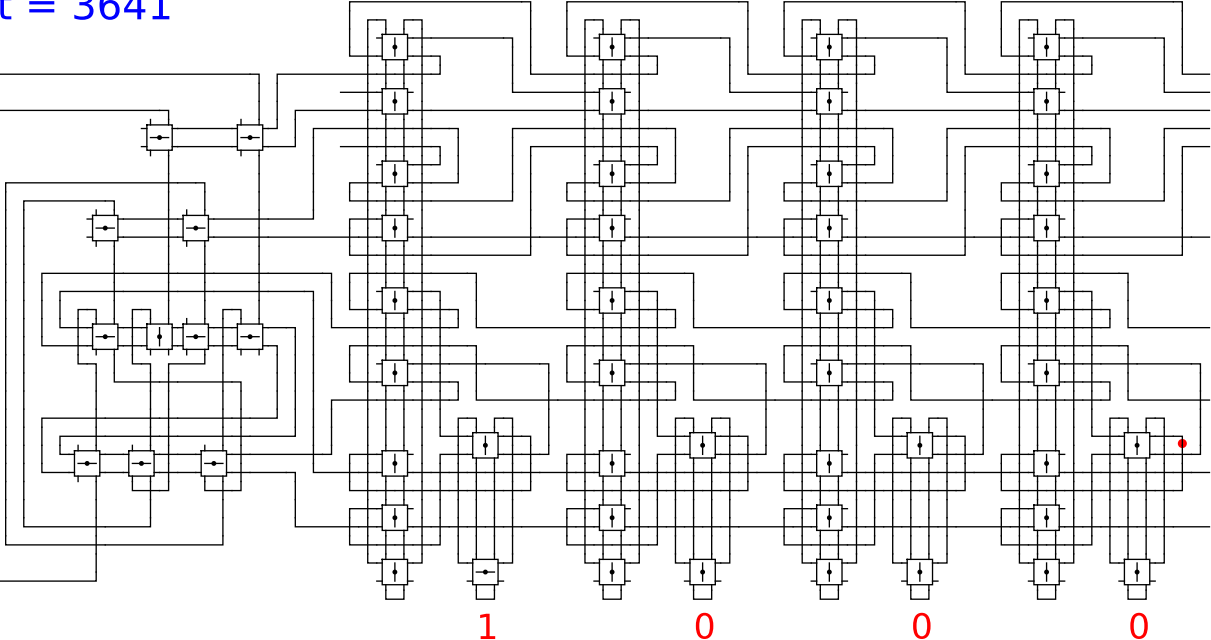
Begin



t = 3641

Reject
Accept

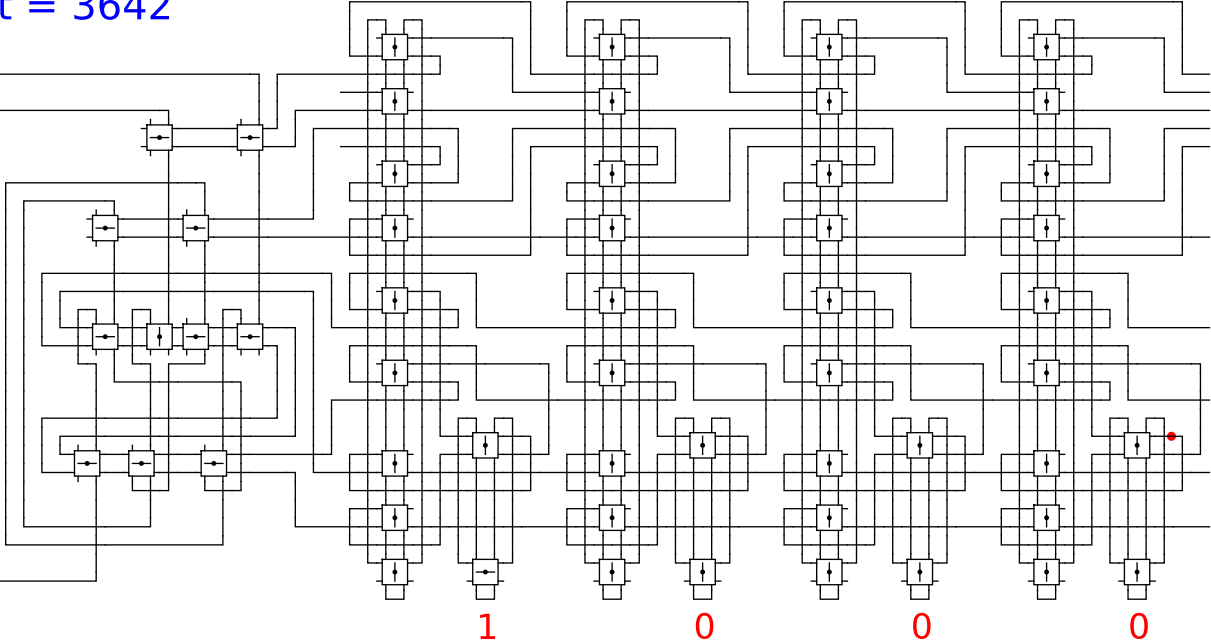
Begin



t = 3642

Reject
Accept

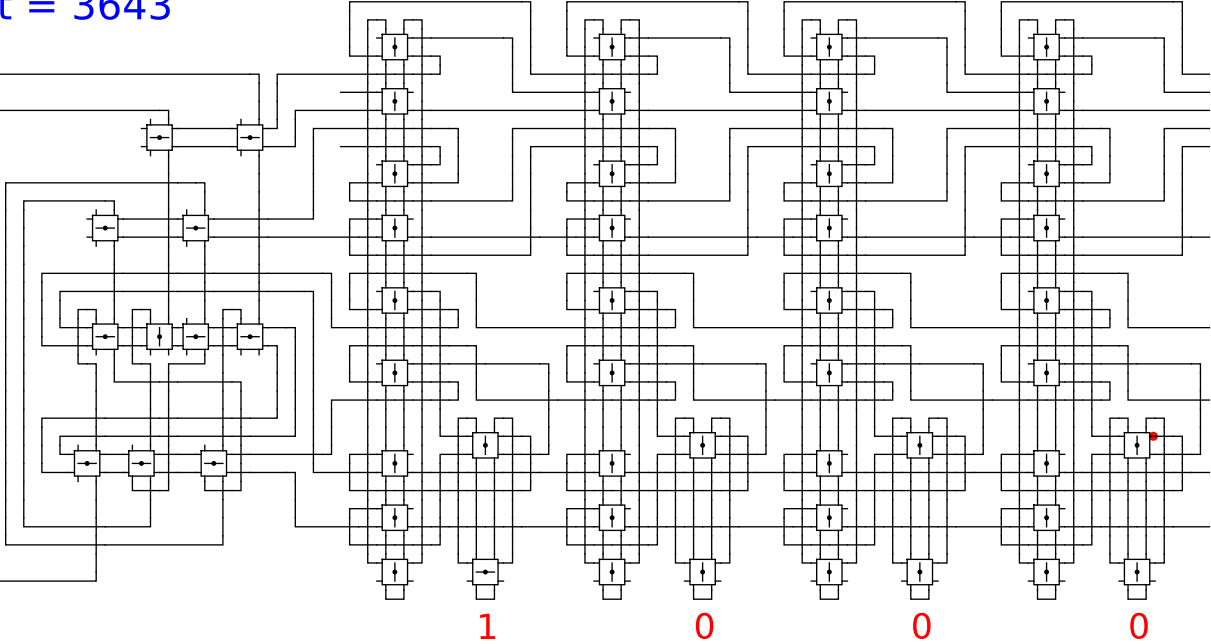
Begin



t = 3643

Reject
Accept

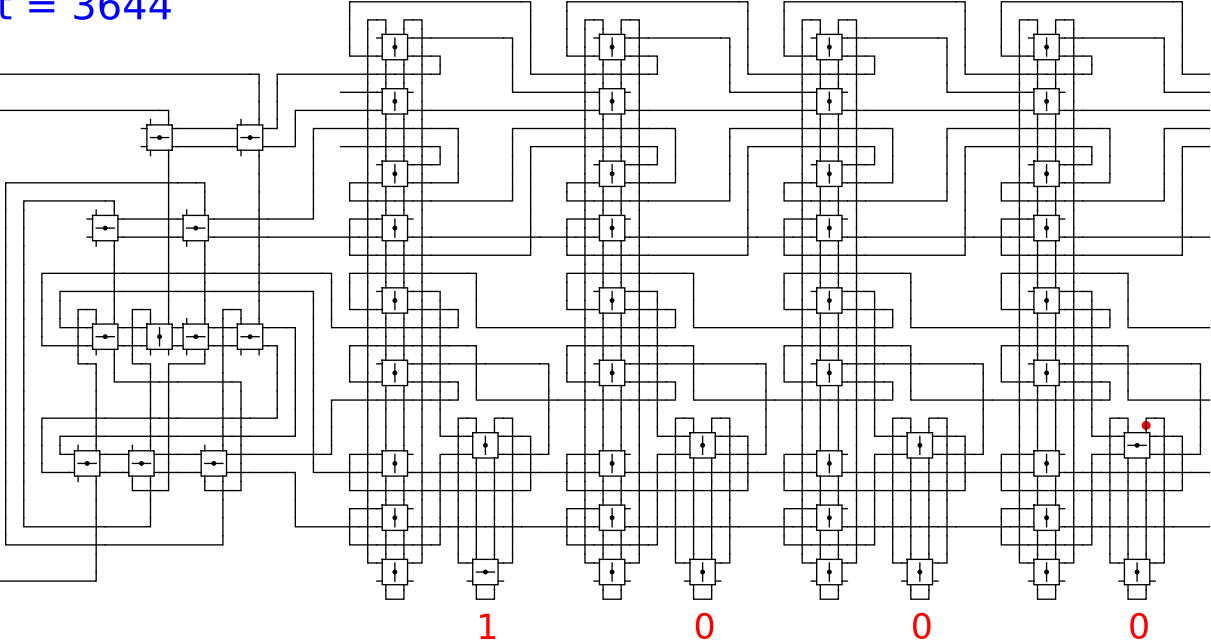
Begin



t = 3644

Reject
Accept

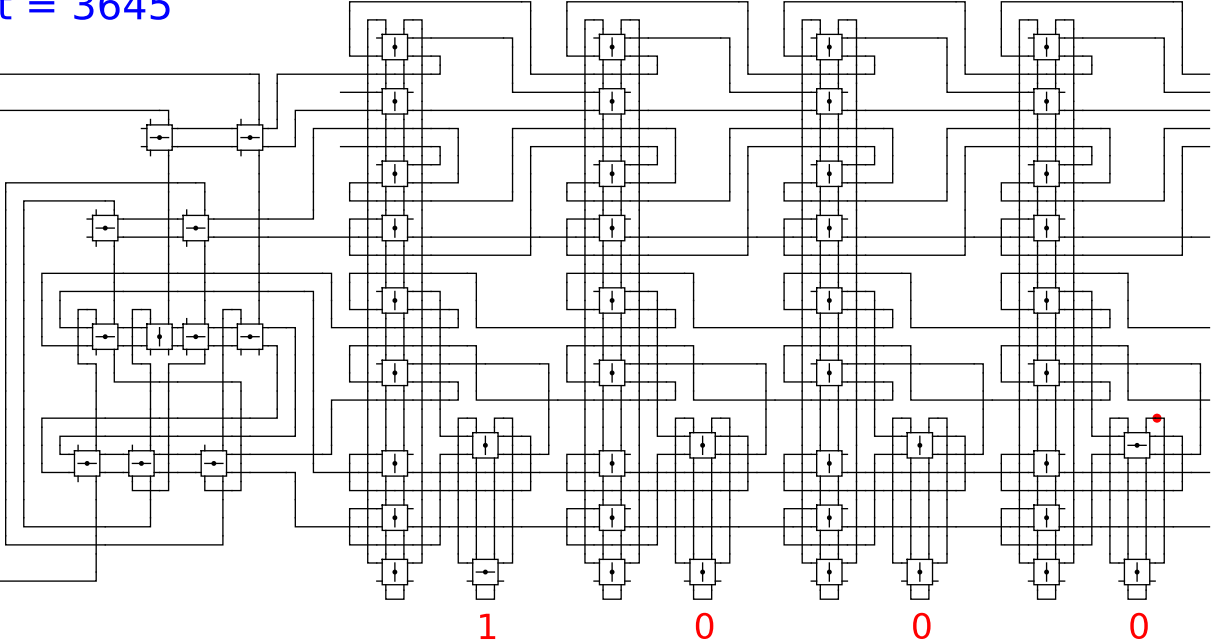
Begin



t = 3645

Reject
Accept

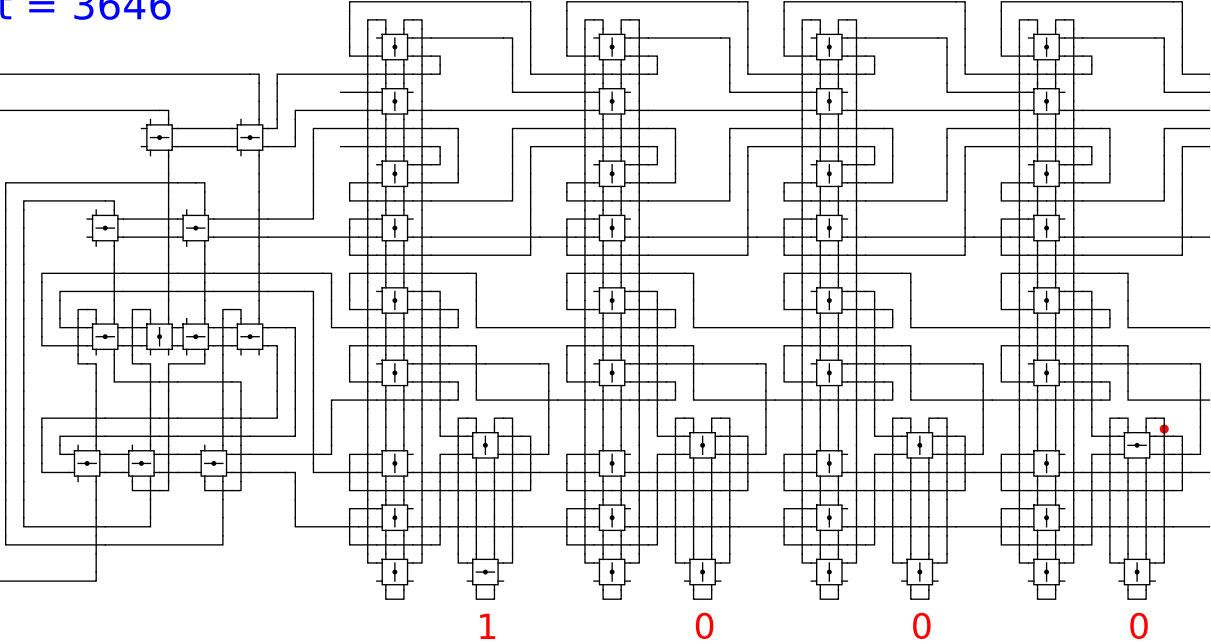
Begin



t = 3646

Reject
Accept

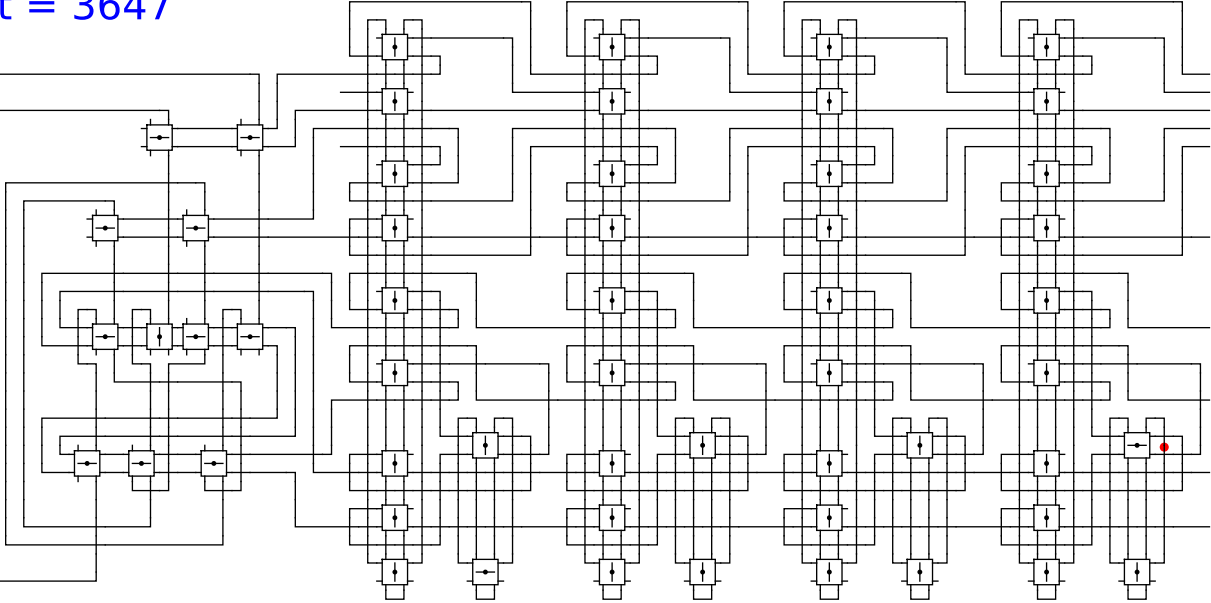
Begin



t = 3647

Reject
Accept

Begin



1

0

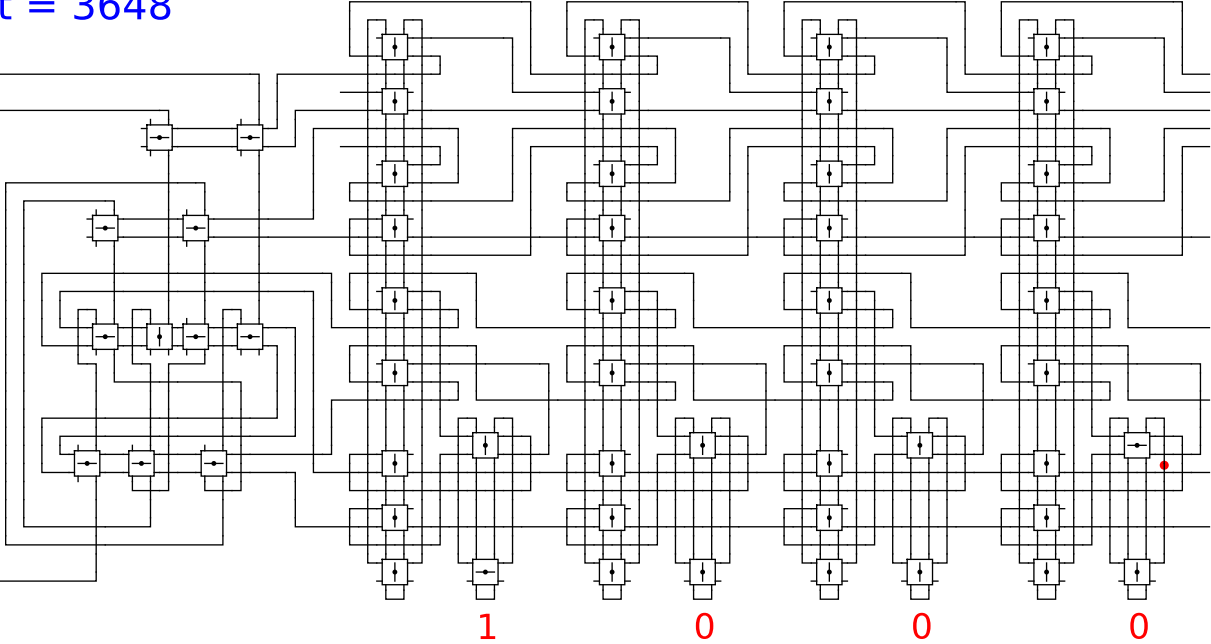
0

0

t = 3648

Reject
Accept

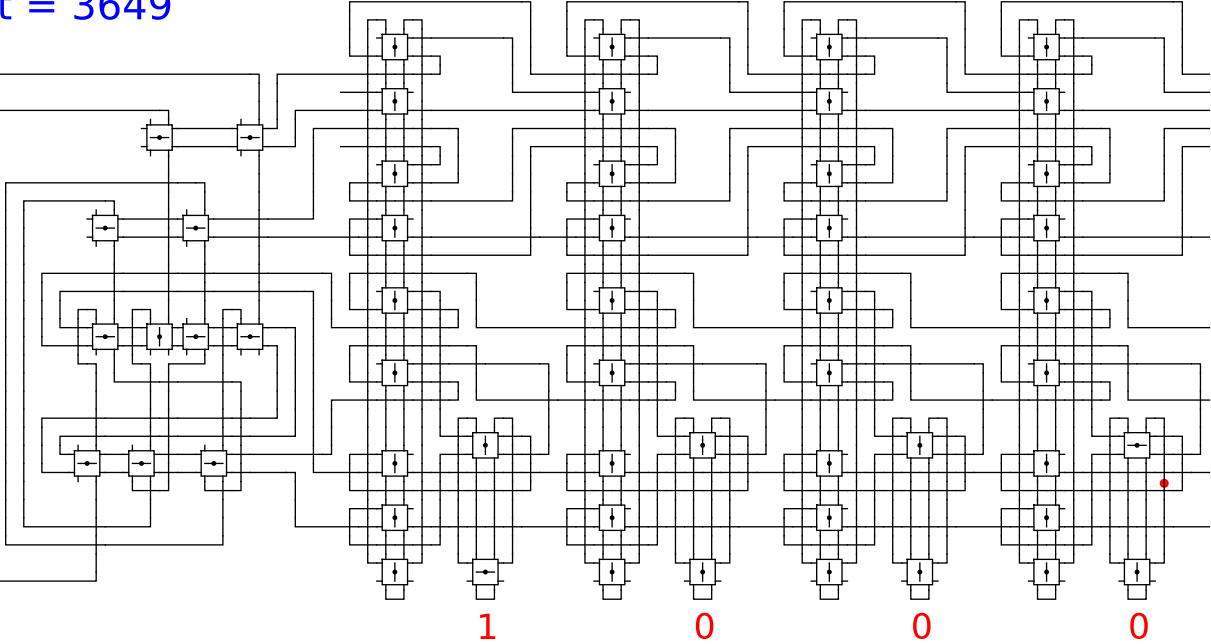
Begin



t = 3649

Reject
Accept

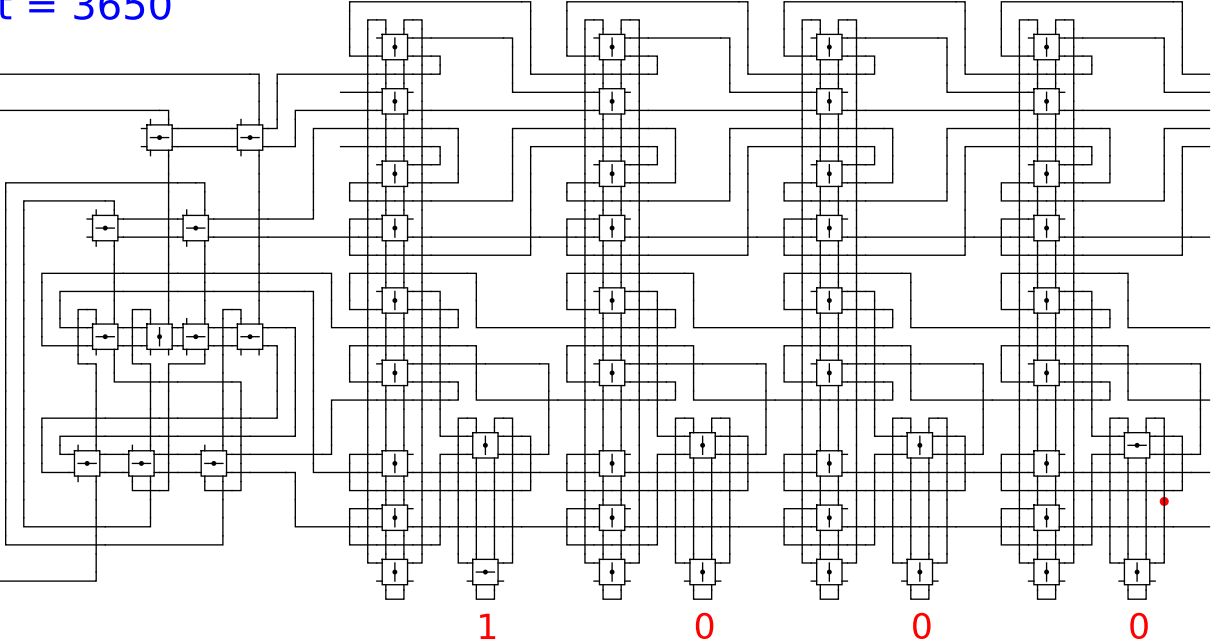
Begin



t = 3650

Reject
Accept

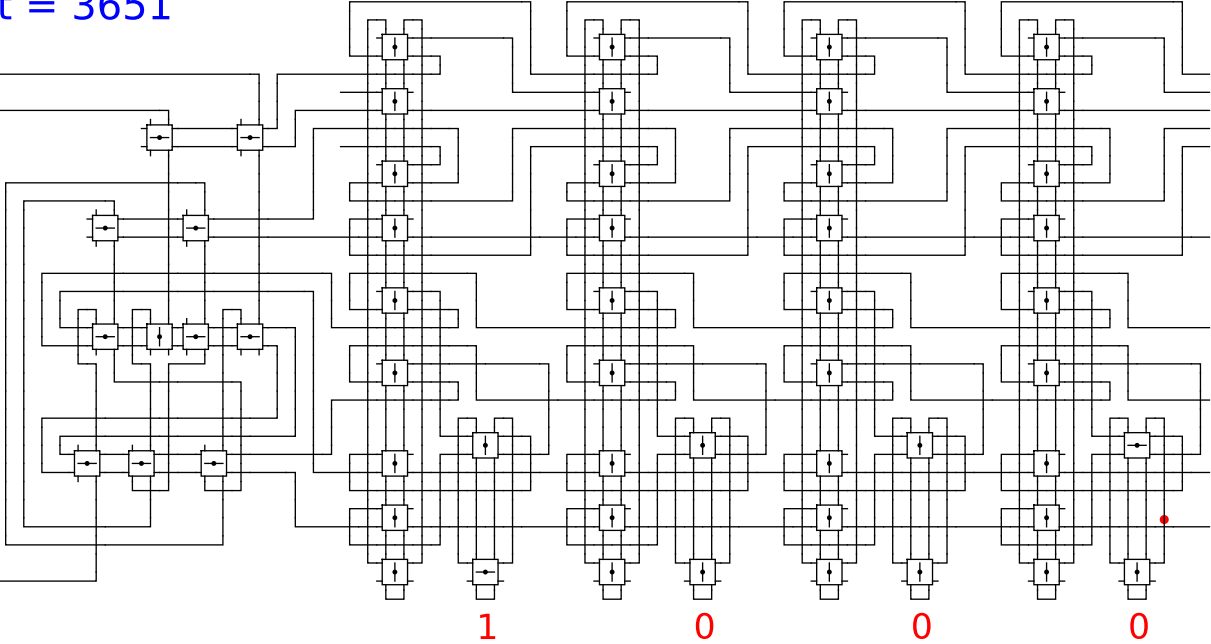
Begin



t = 3651

Reject
Accept

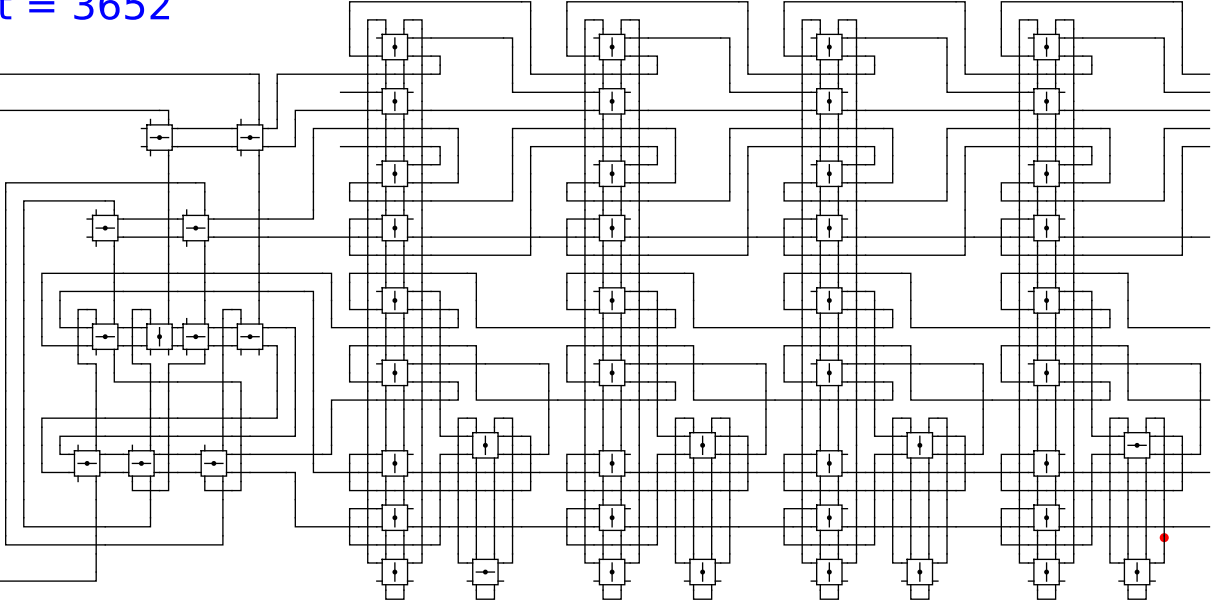
Begin



t = 3652

Reject
Accept

Begin



1

0

0

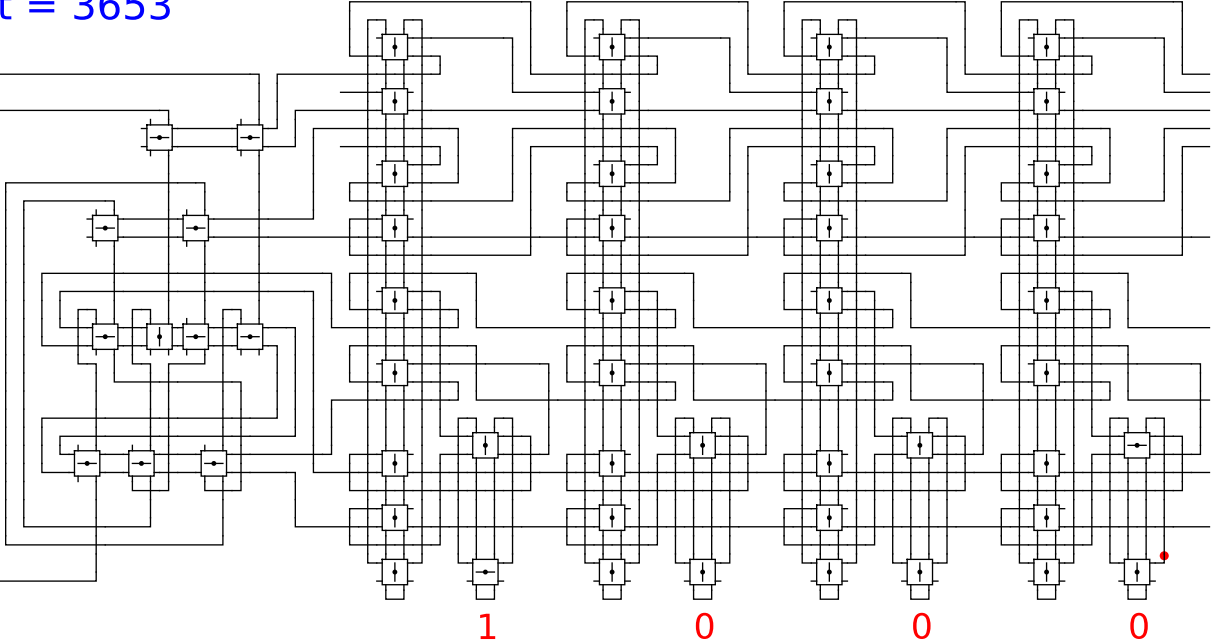
0



t = 3653

Reject
Accept

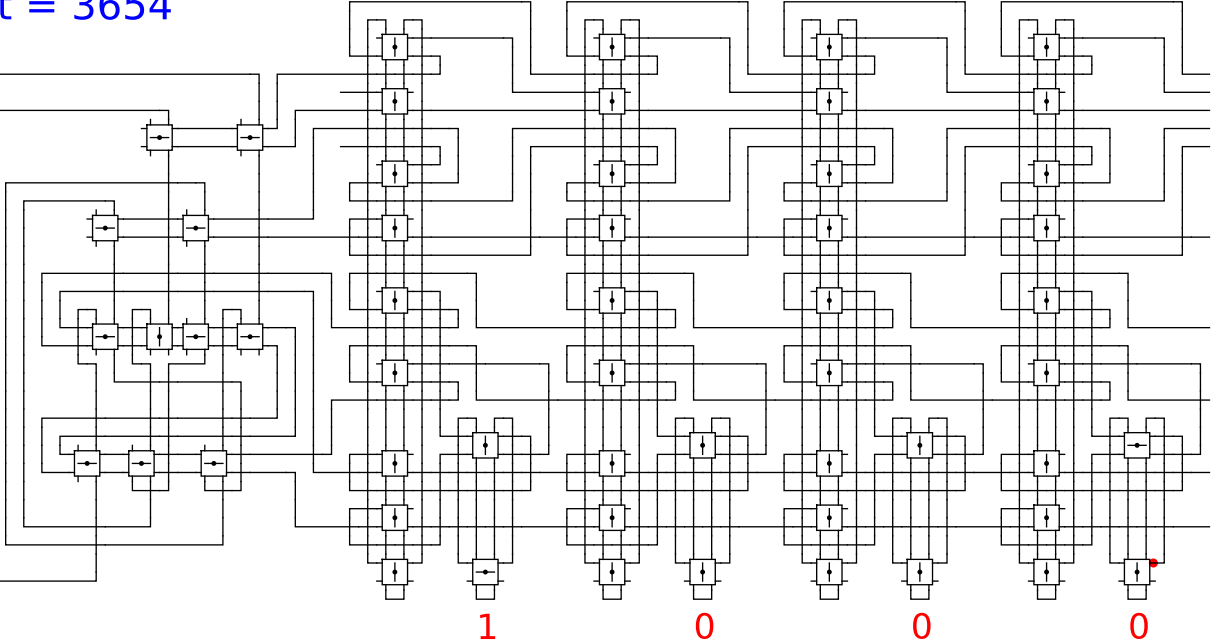
Begin



t = 3654

Reject
Accept

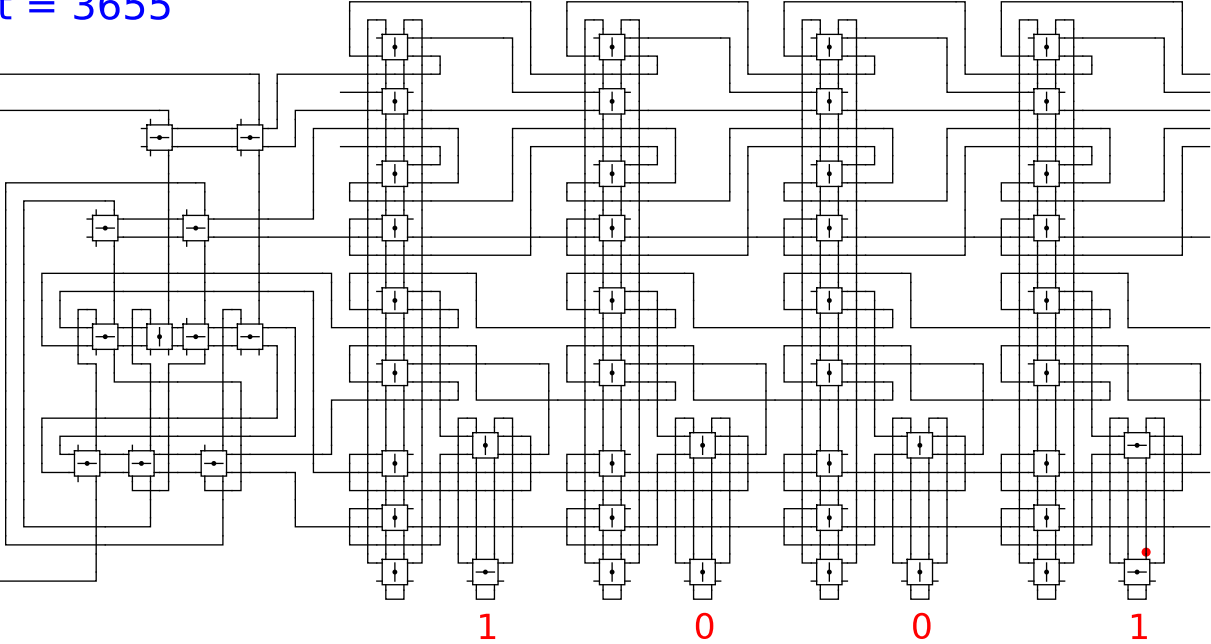
Begin



t = 3655

Reject
Accept

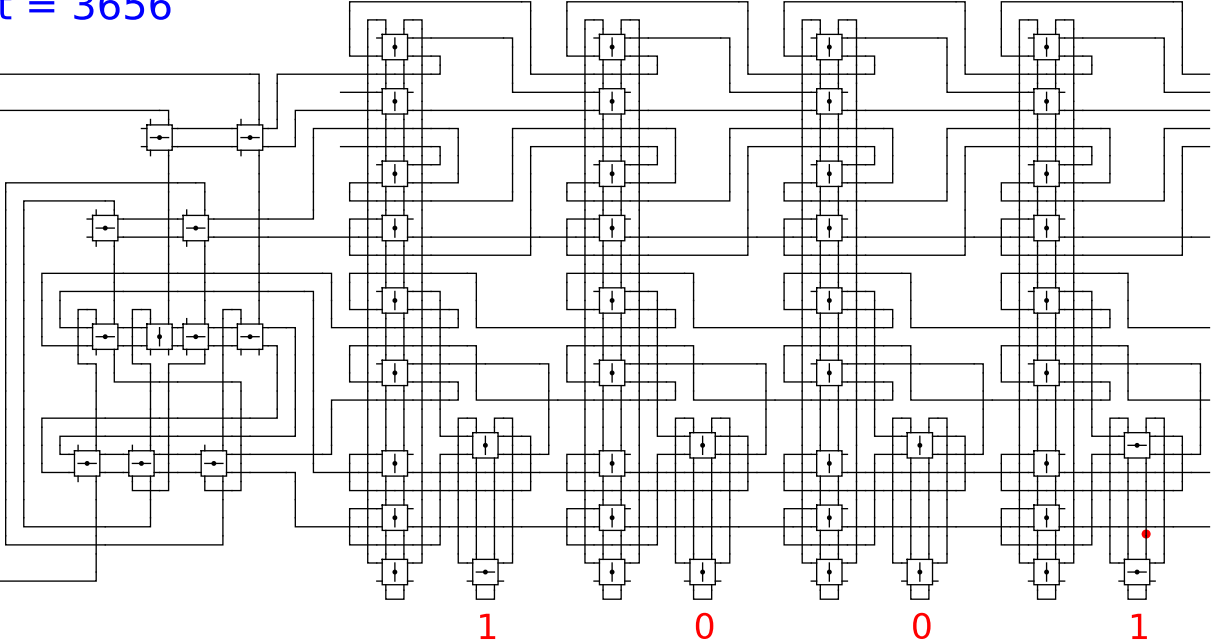
Begin



t = 3656

Reject
Accept

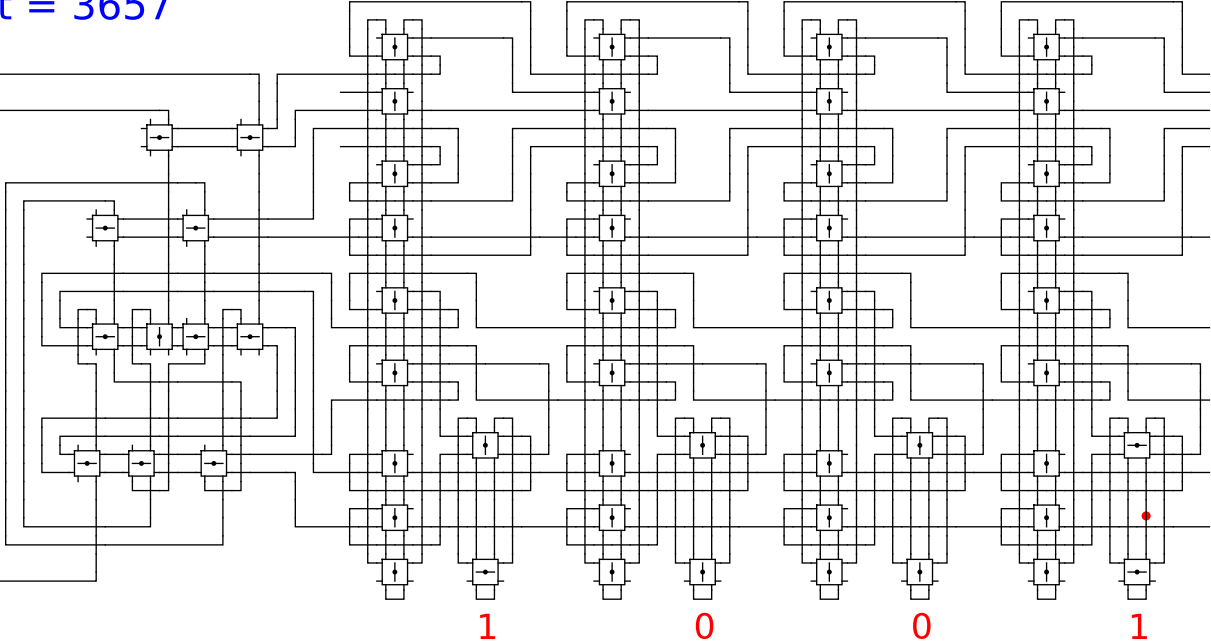
Begin



t = 3657

Reject
Accept

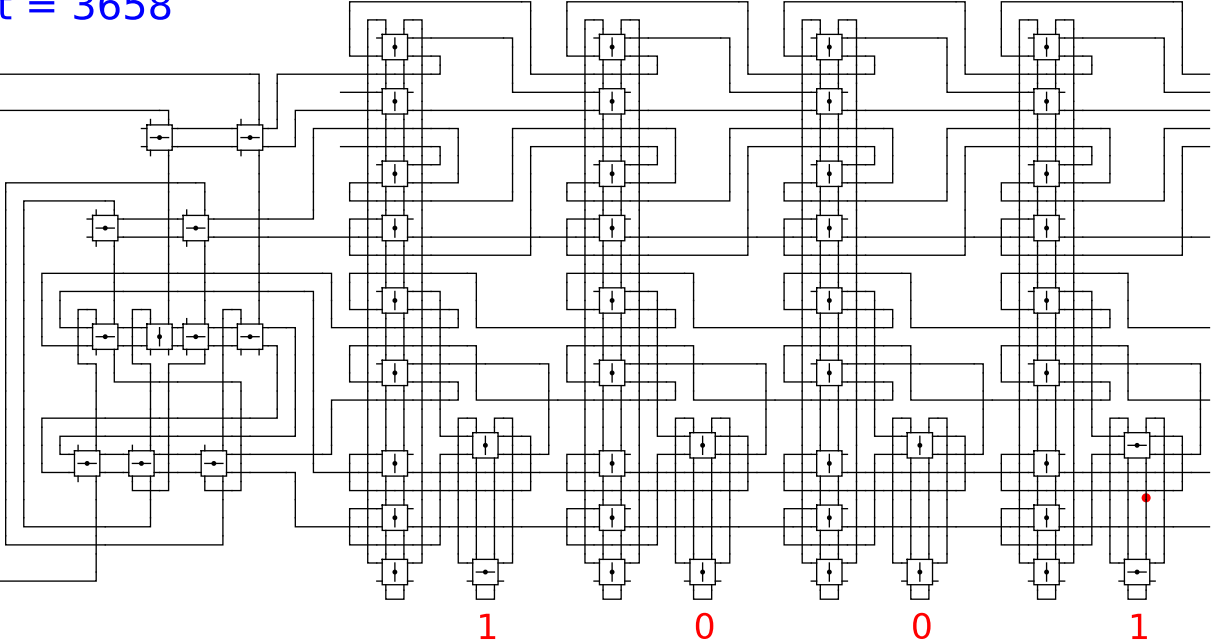
Begin



t = 3658

Reject
Accept

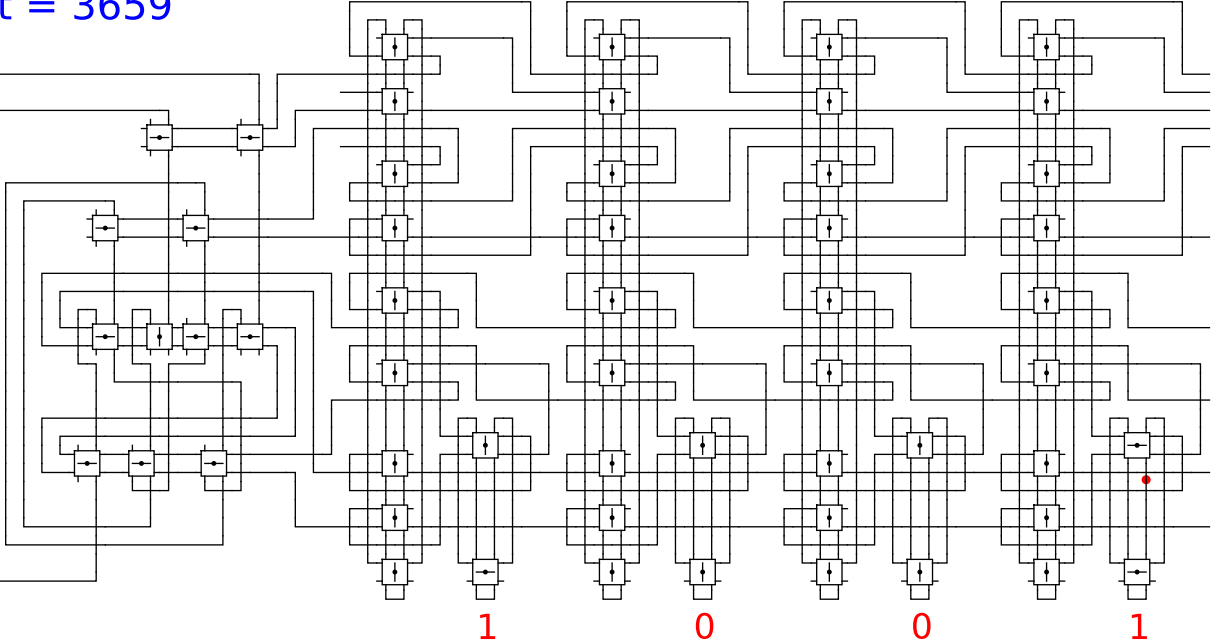
Begin



t = 3659

Reject
Accept

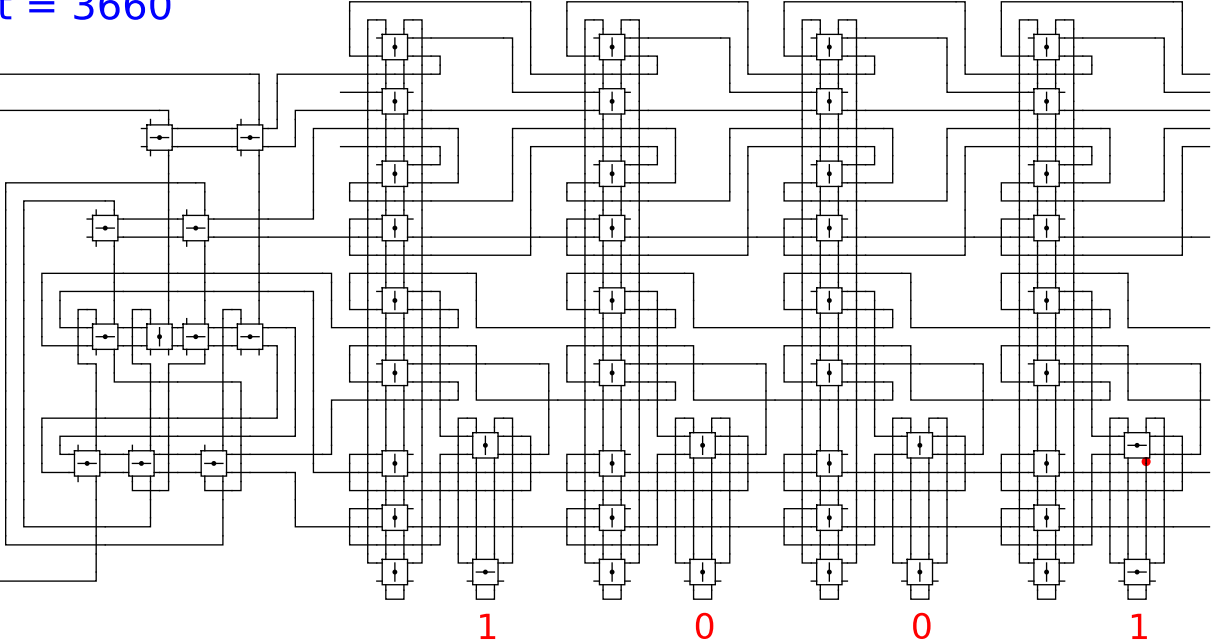
Begin



t = 3660

Reject
Accept

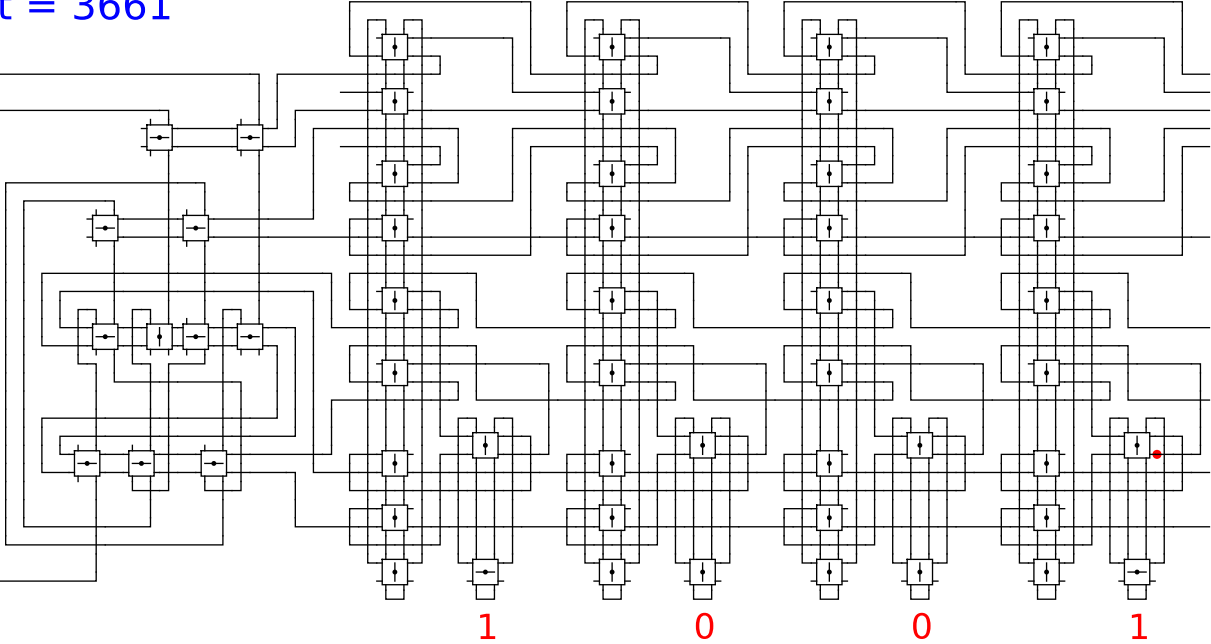
Begin



t = 3661

Reject
Accept

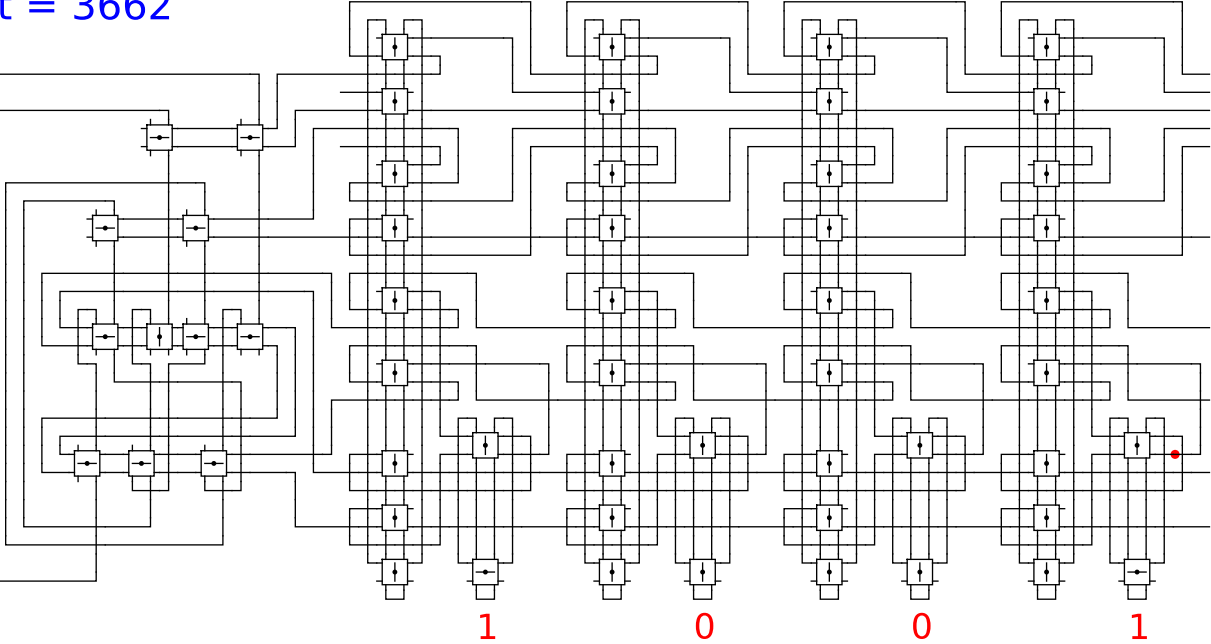
Begin



t = 3662

Reject
Accept

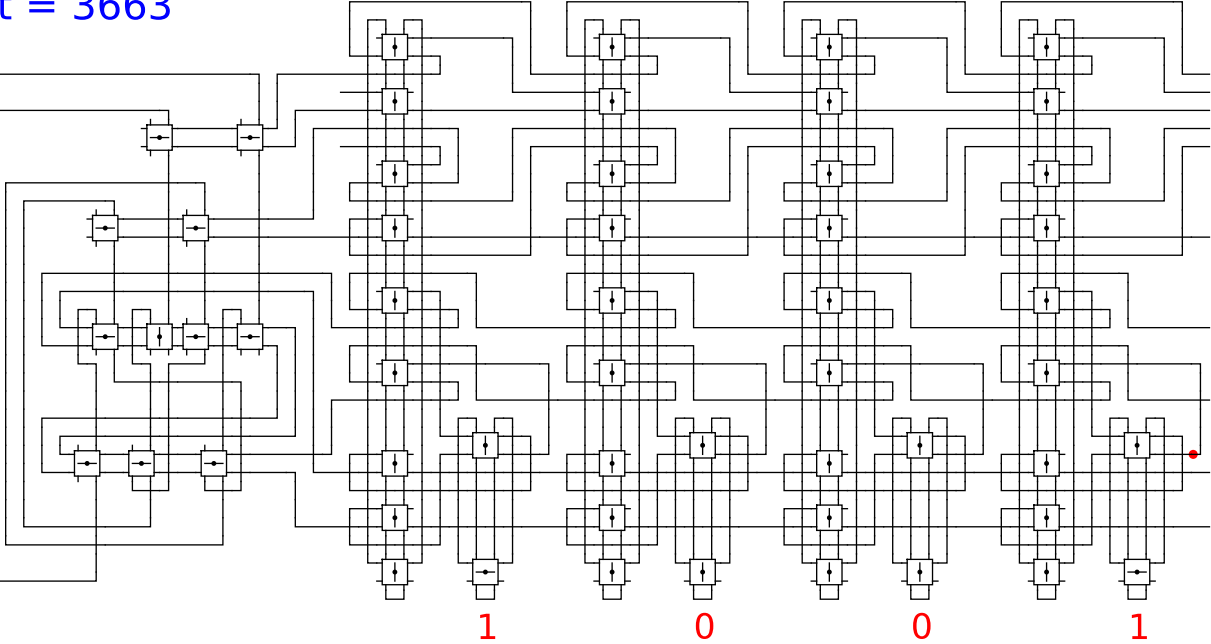
Begin



t = 3663

Reject
Accept

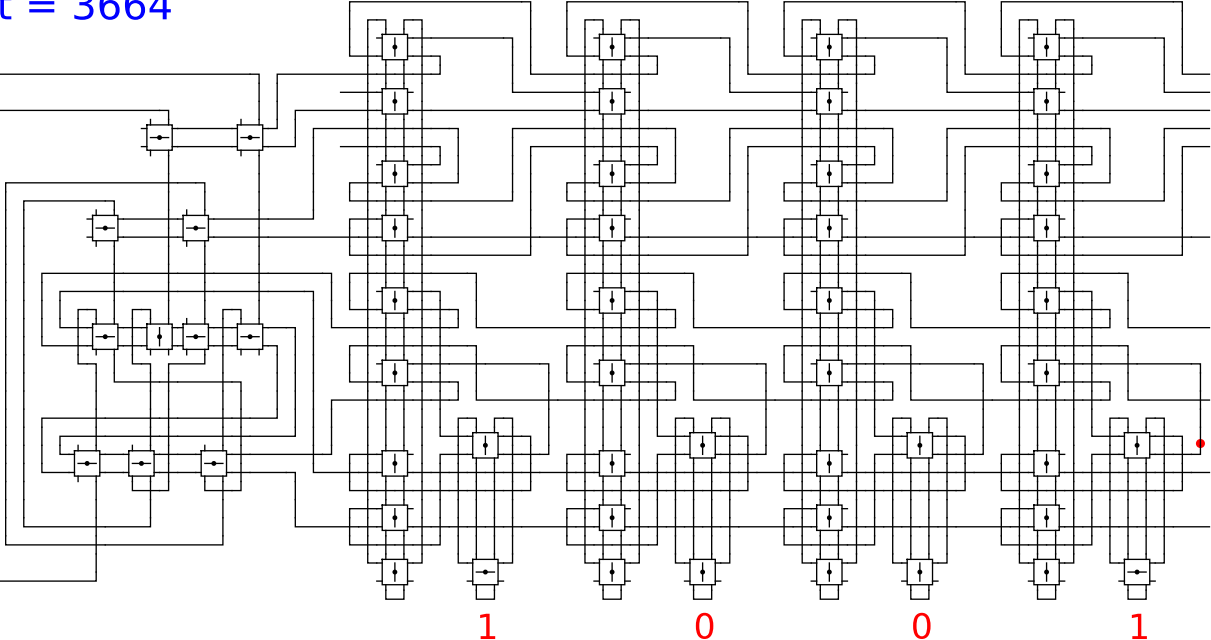
Begin



t = 3664

Reject
Accept

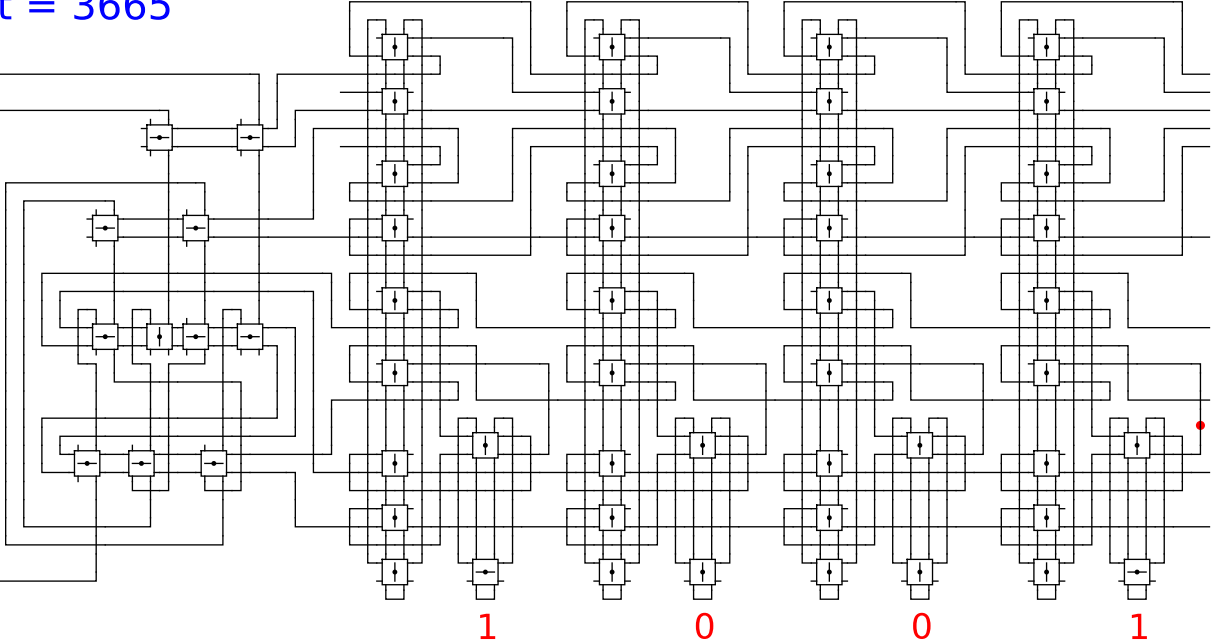
Begin



t = 3665

Reject
Accept

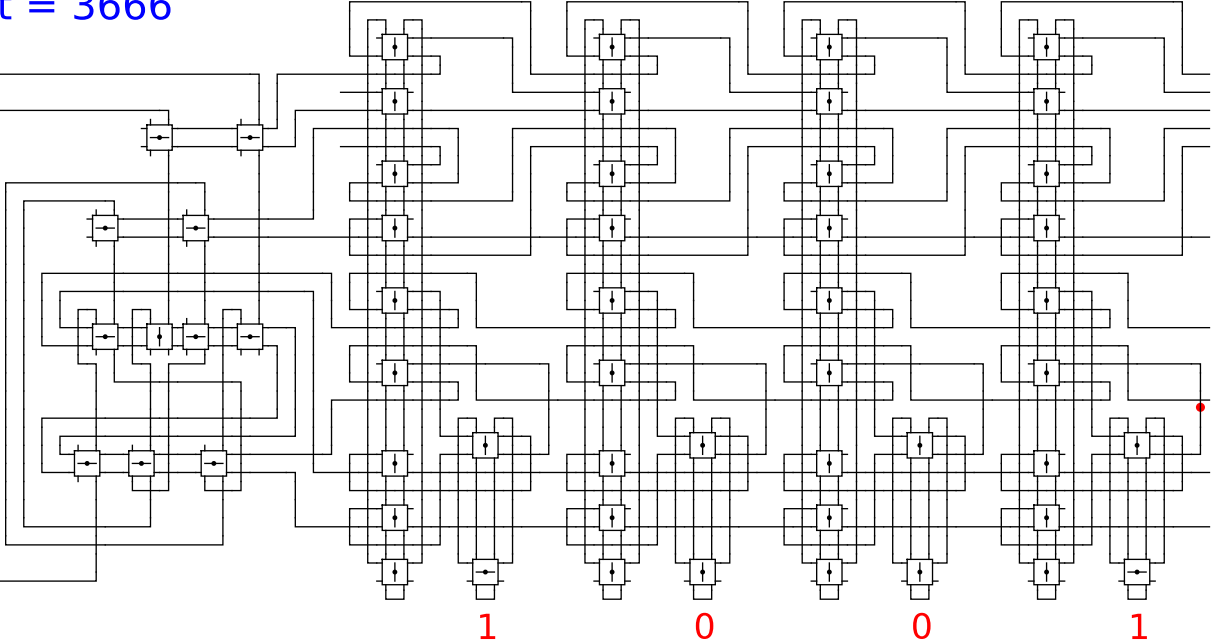
Begin



t = 3666

Reject
Accept

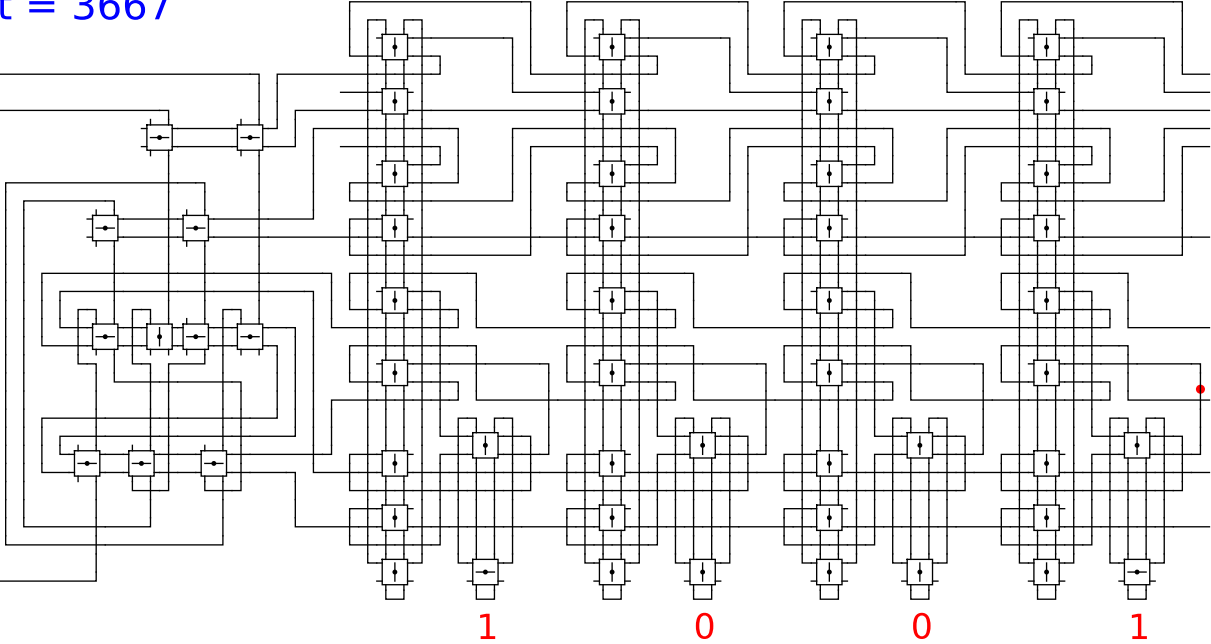
Begin



t = 3667

Reject
Accept

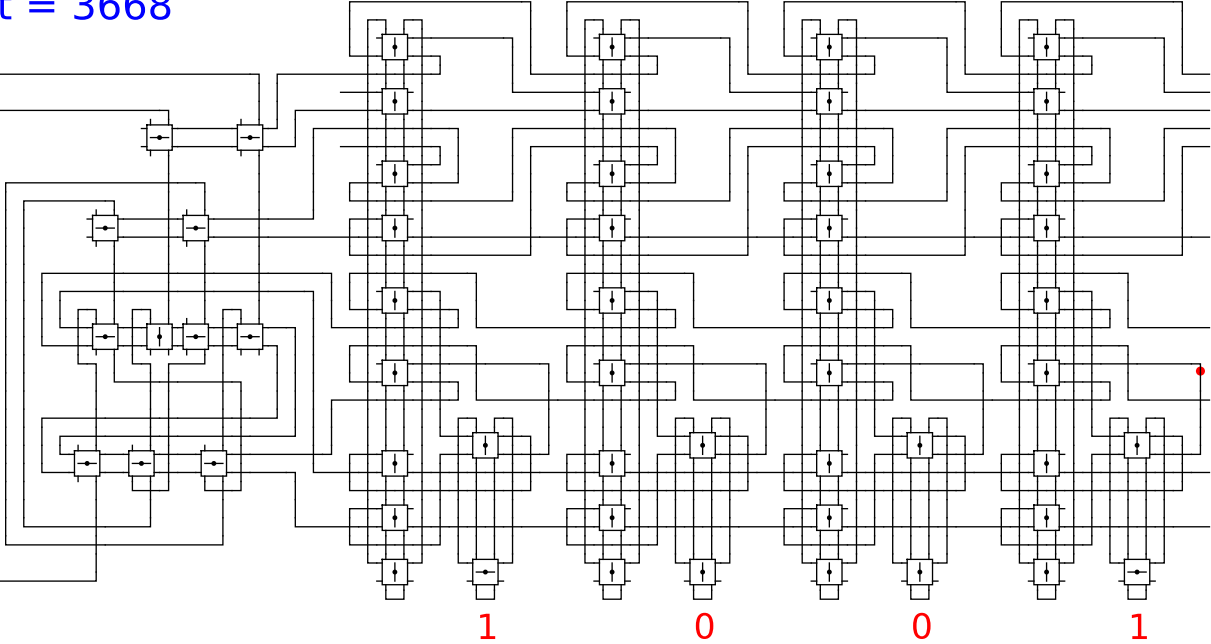
Begin



t = 3668

Reject
Accept

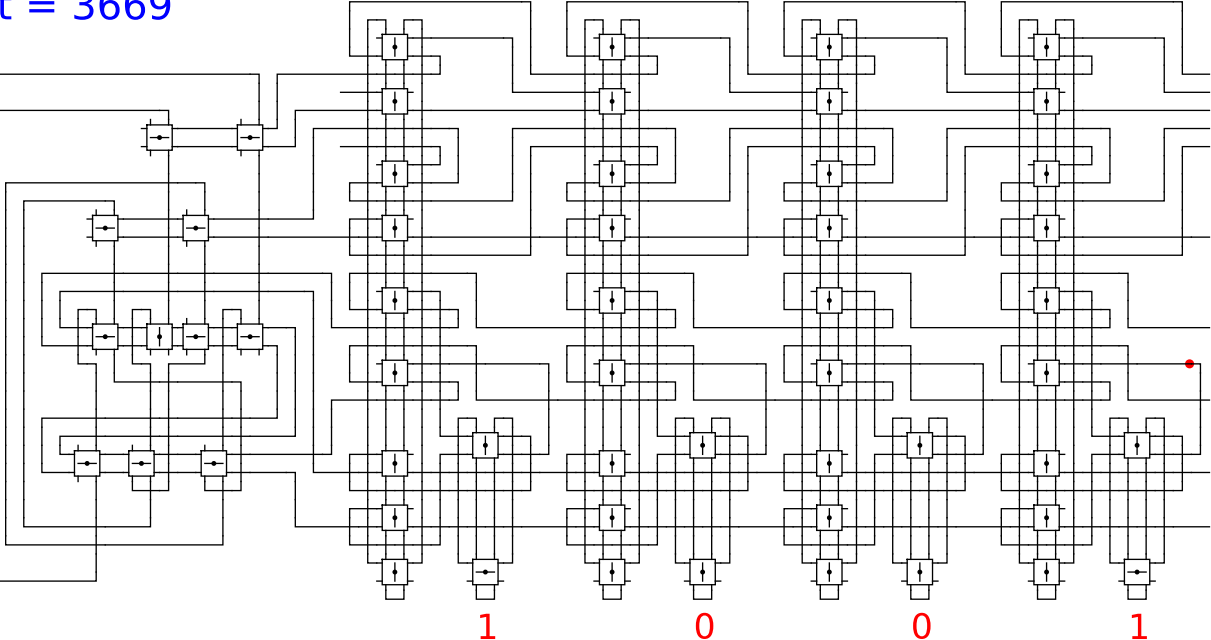
Begin



t = 3669

Reject
Accept

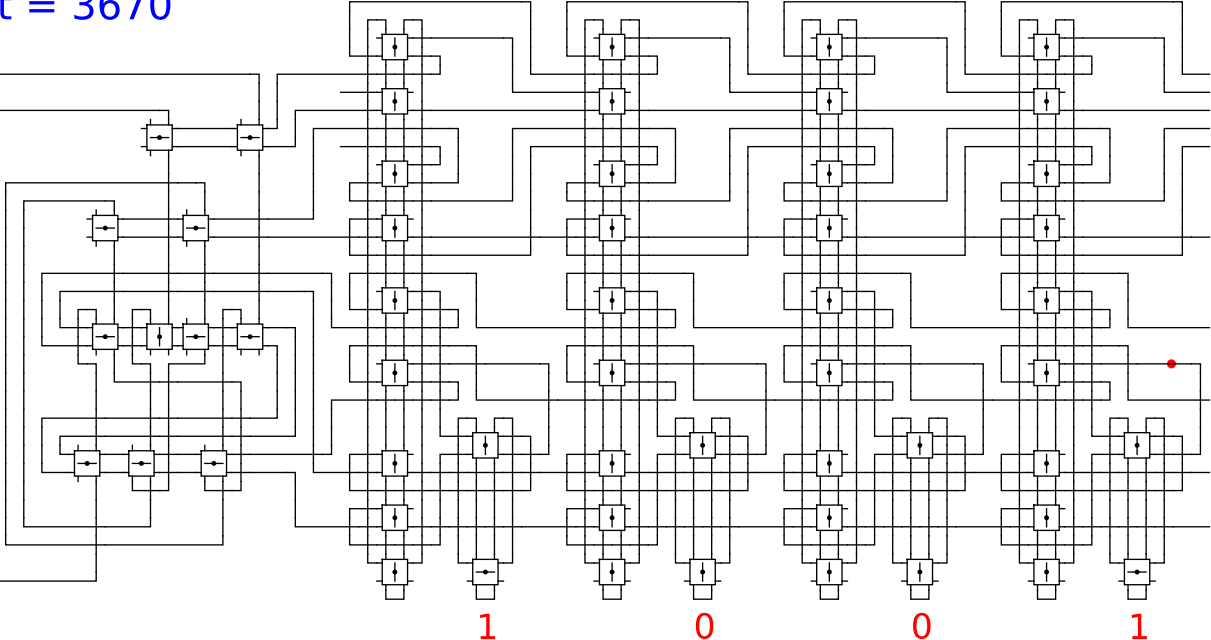
Begin



t = 3670

Reject
Accept

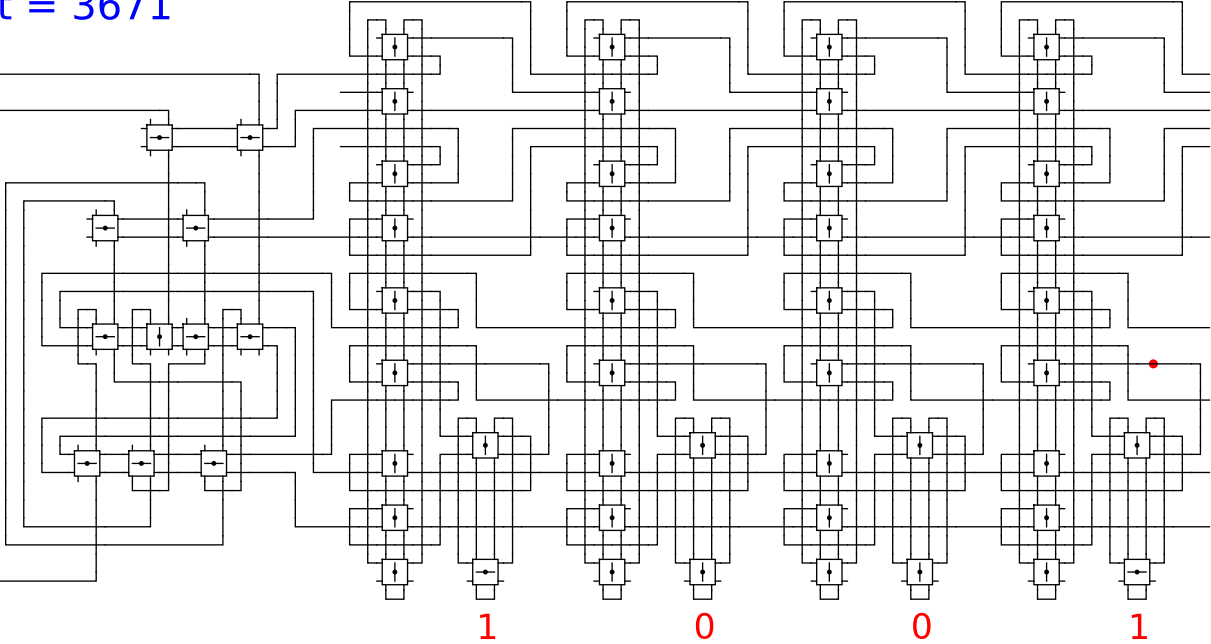
Begin



t = 3671

Reject
Accept

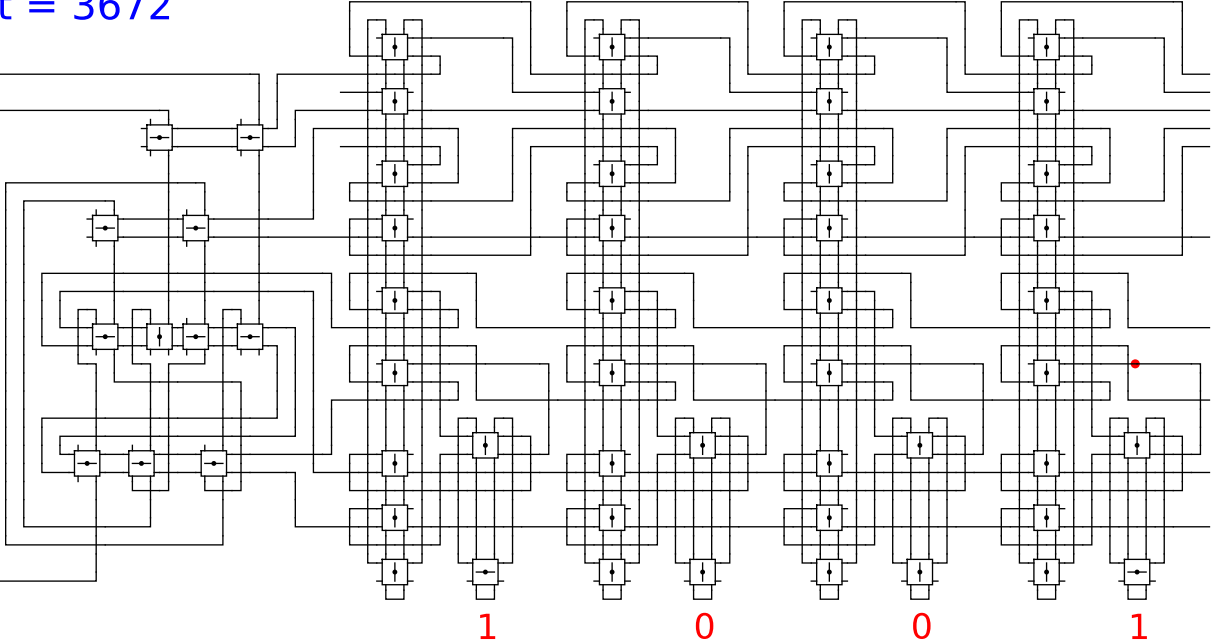
Begin



t = 3672

Reject
Accept

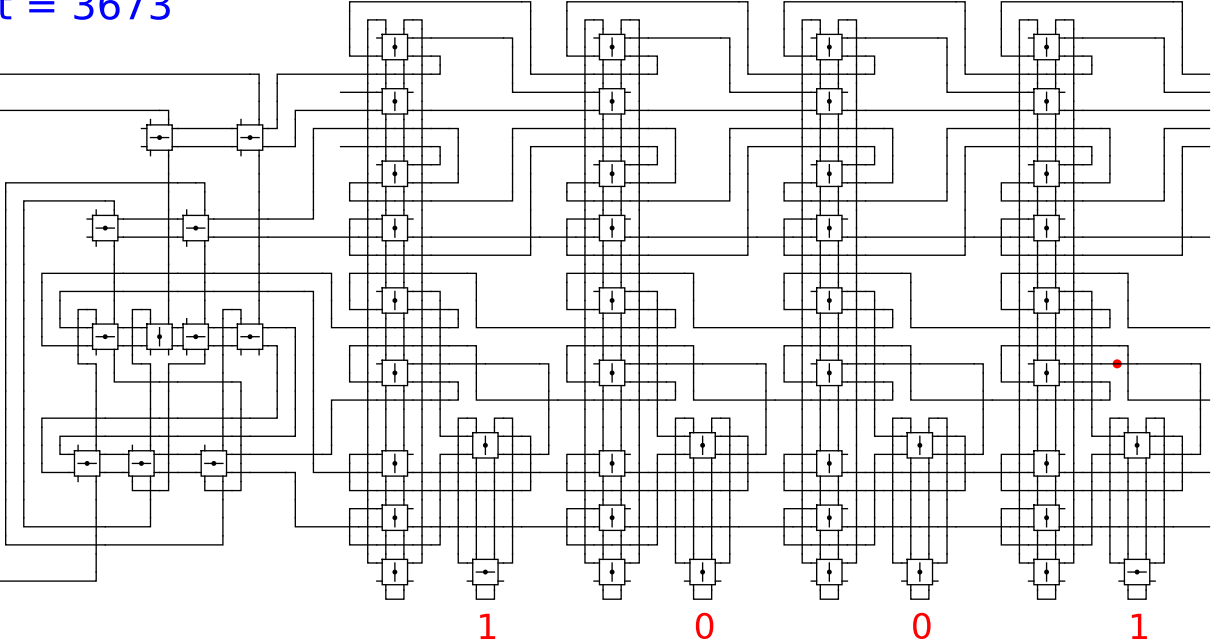
Begin



t = 3673

Reject
Accept

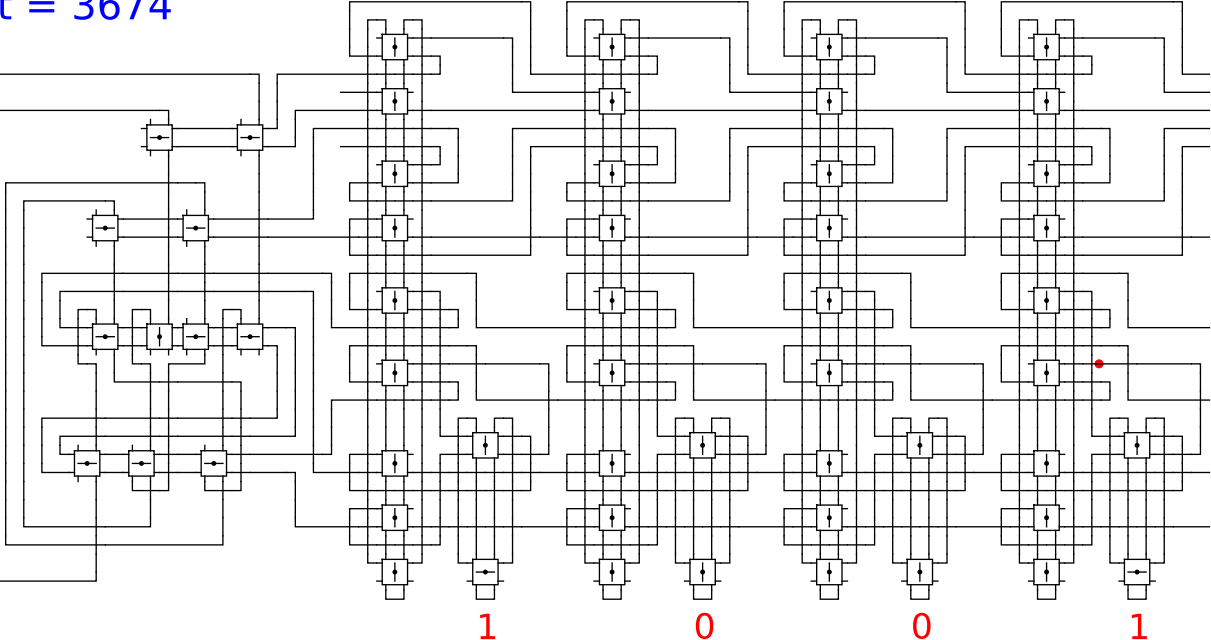
Begin



t = 3674

Reject
Accept

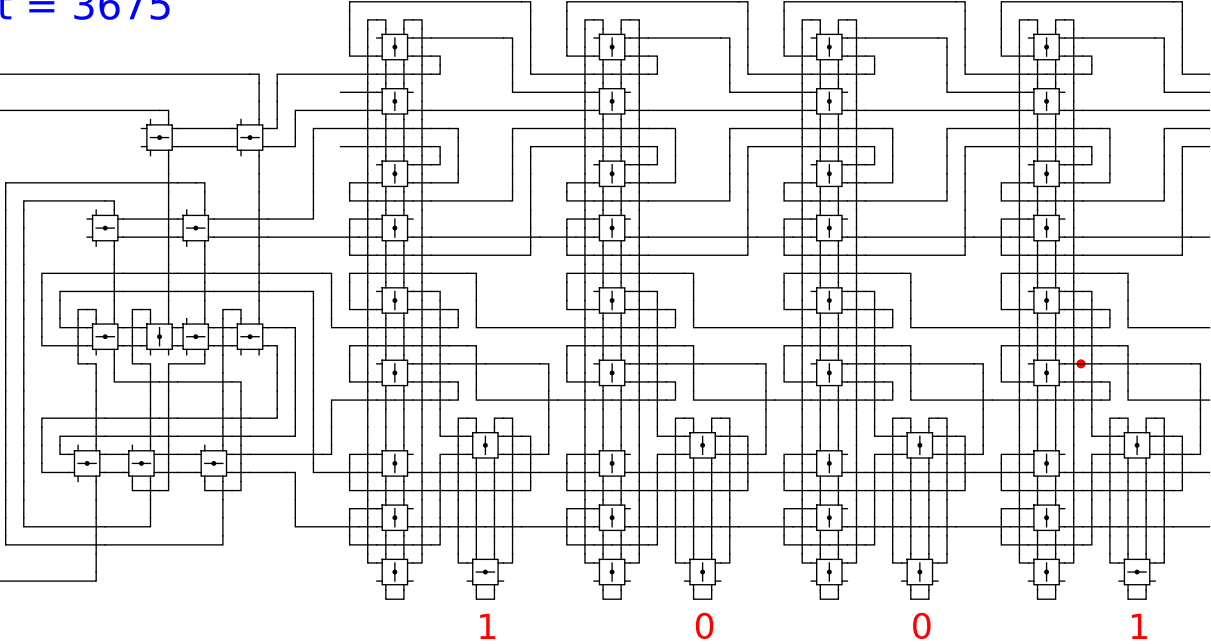
Begin



t = 3675

Reject
Accept

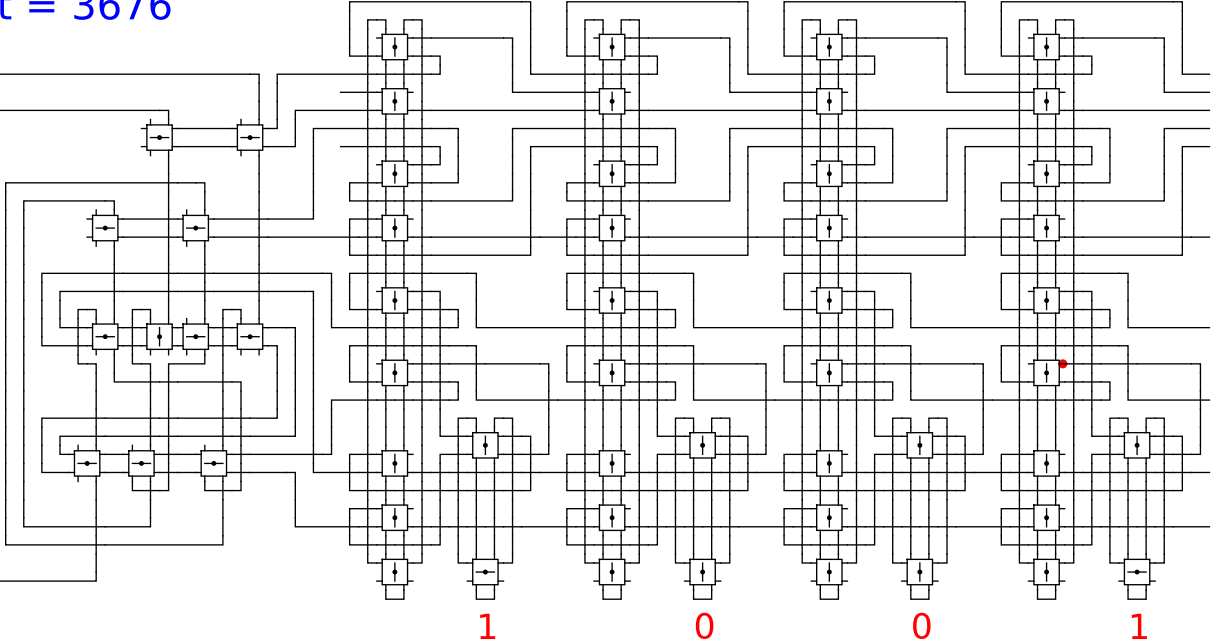
Begin



t = 3676

Reject
Accept

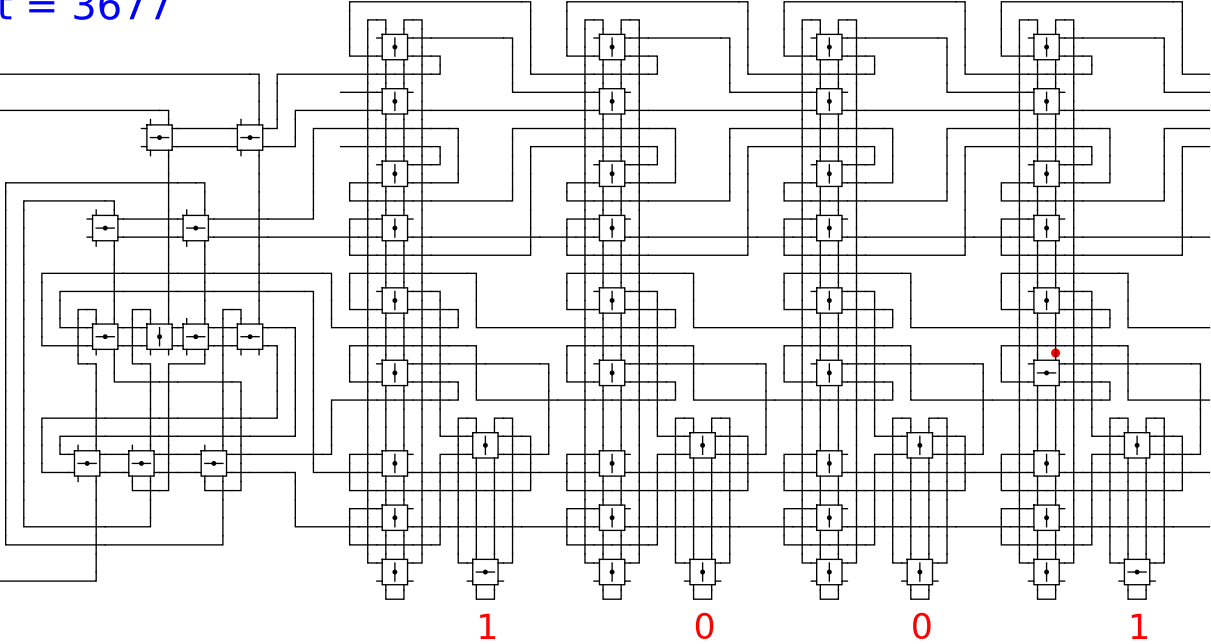
Begin



t = 3677

Reject
Accept

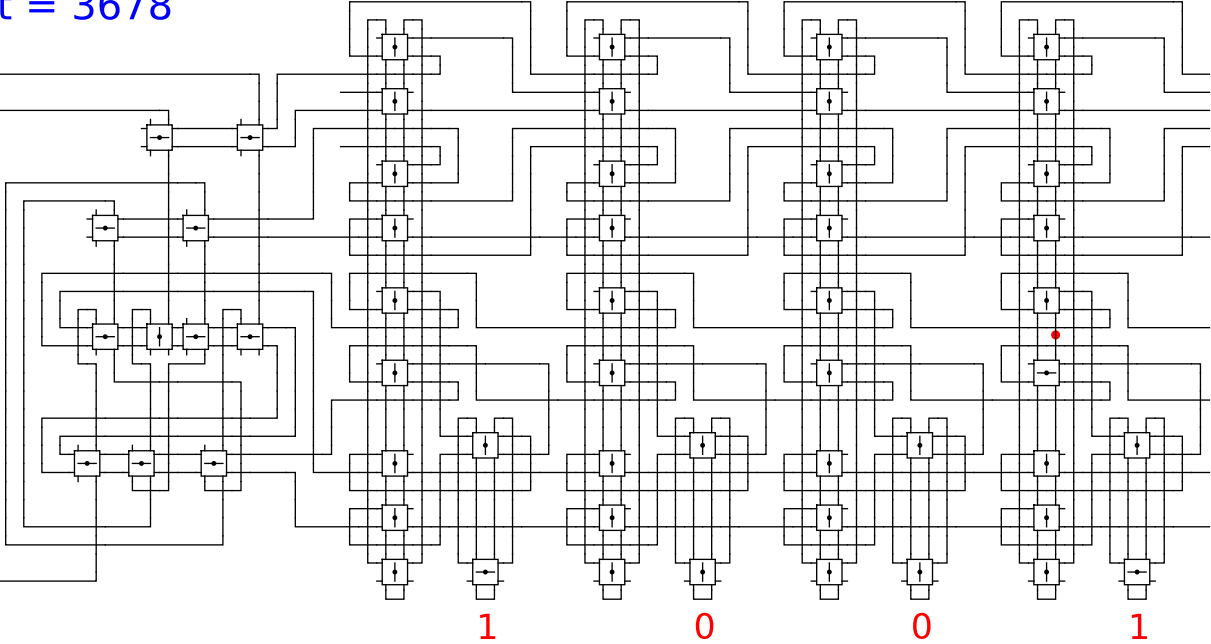
Begin



t = 3678

Reject
Accept

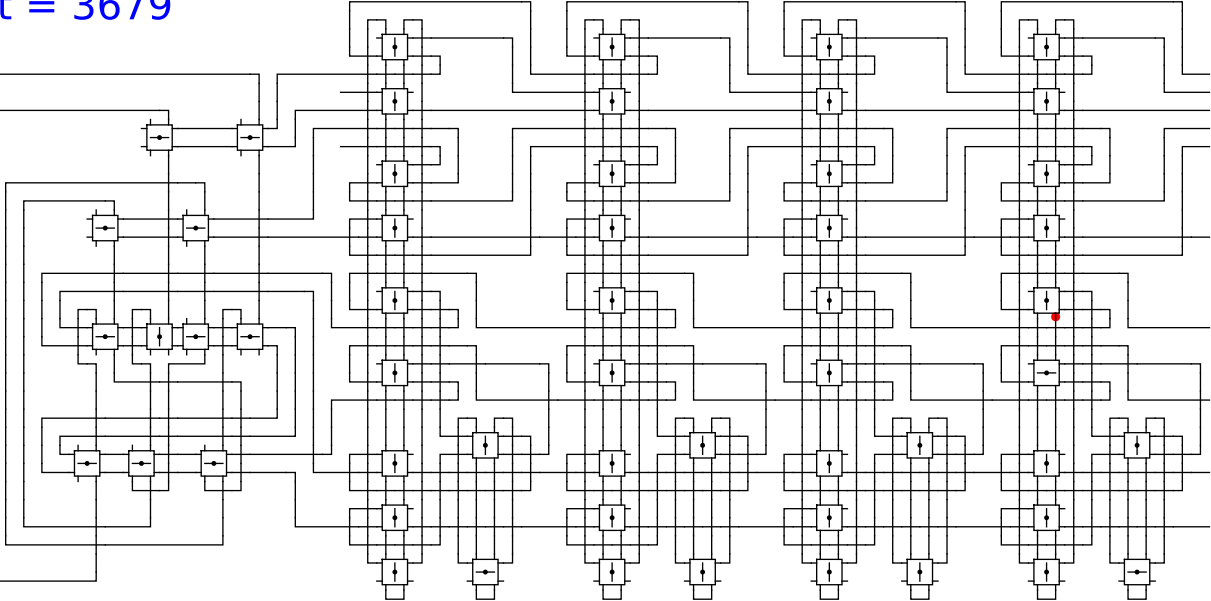
Begin



t = 3679

Reject
Accept

Begin



1

0

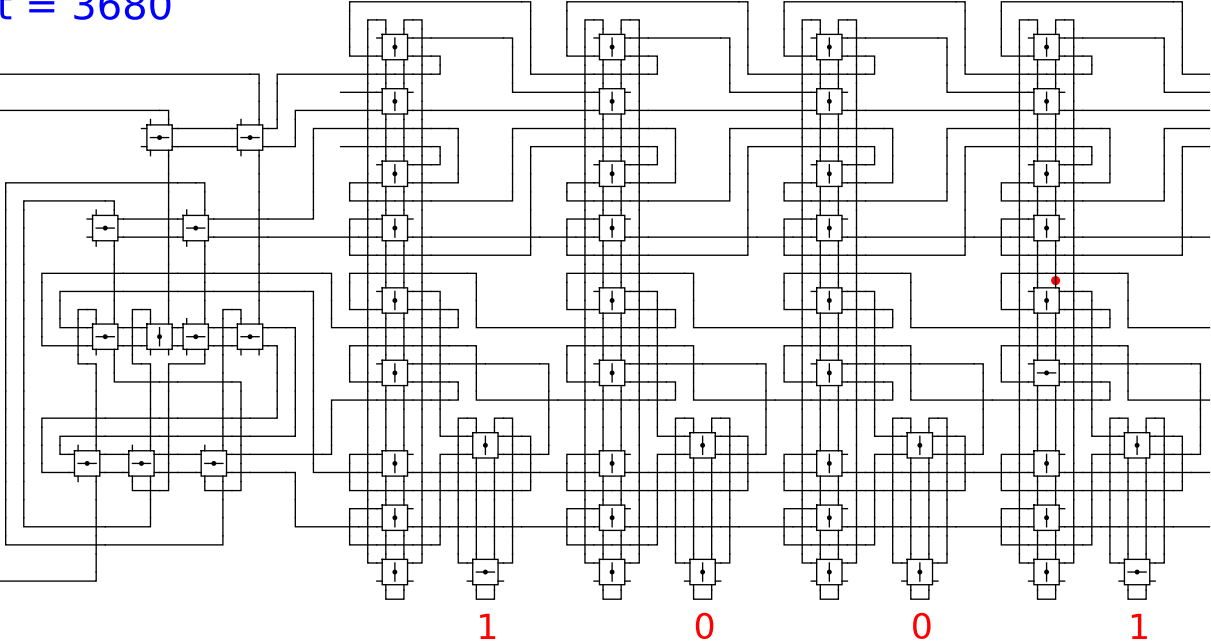
0

1

t = 3680

Reject
Accept

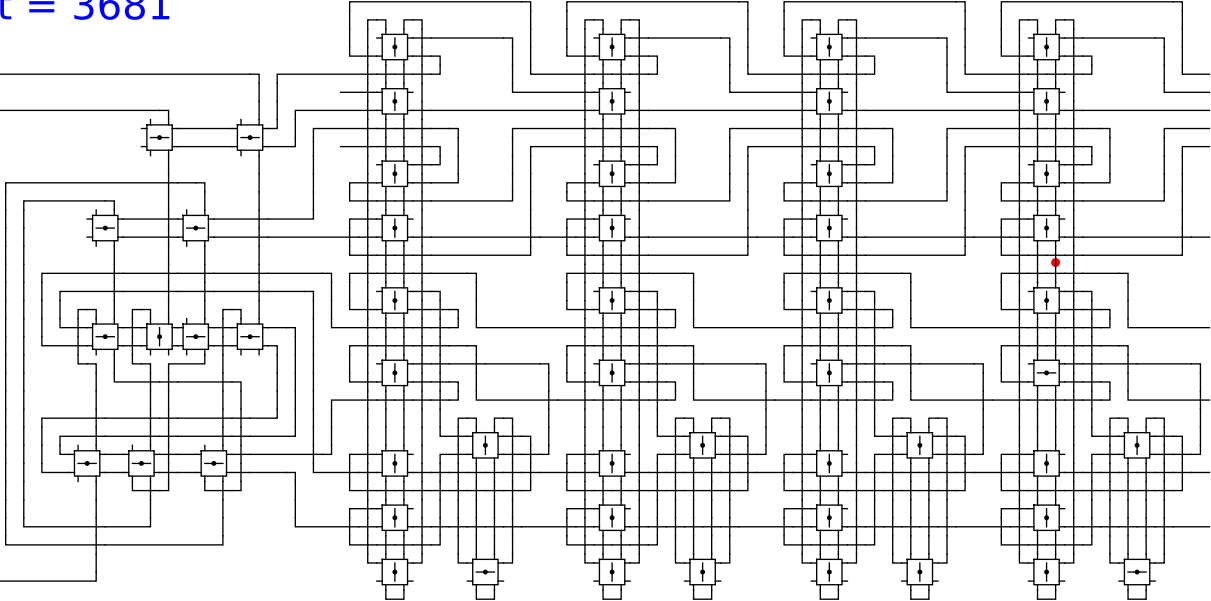
Begin



t = 3681

Reject
Accept

Begin



1

0

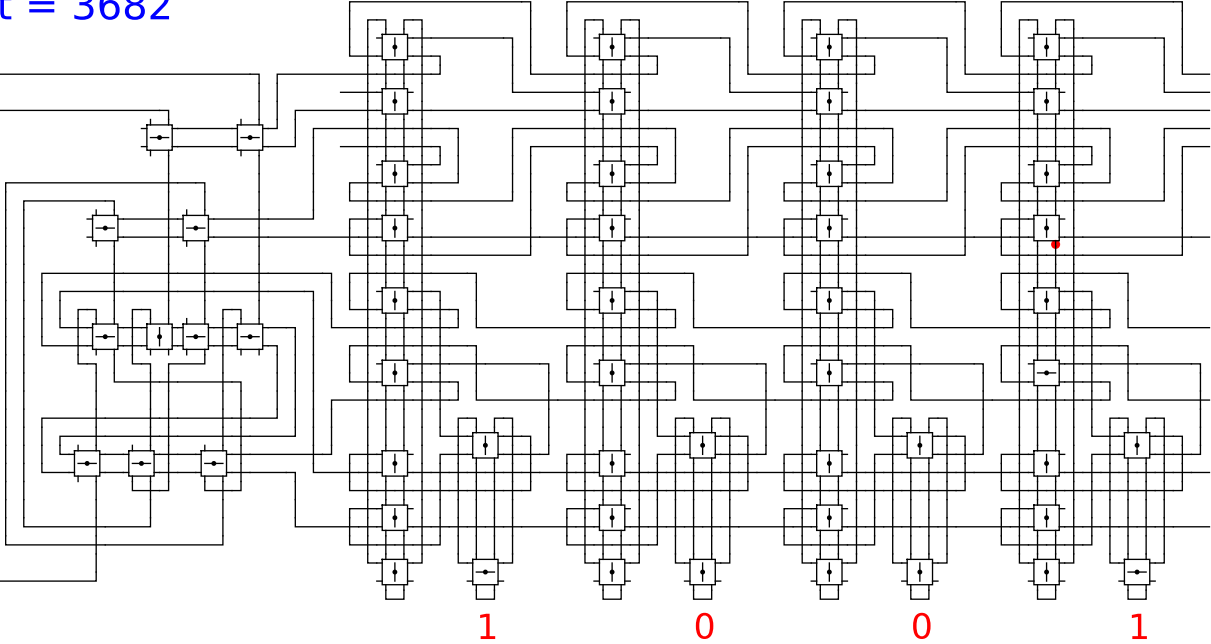
0

1

t = 3682

Reject
Accept

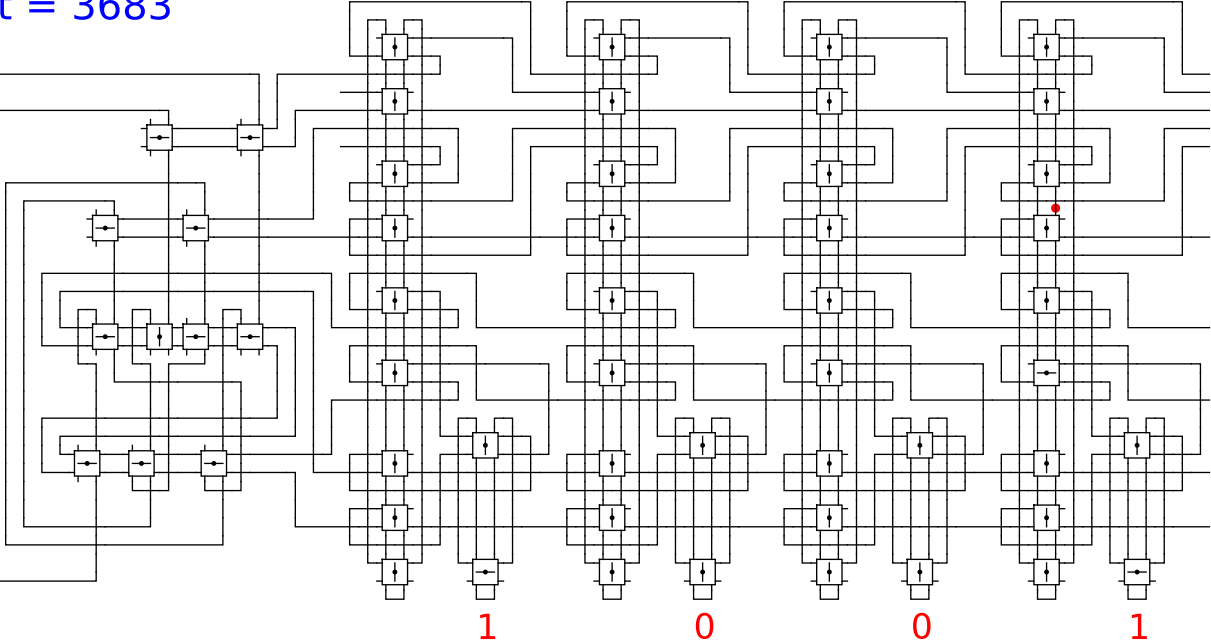
Begin



t = 3683

Reject
Accept

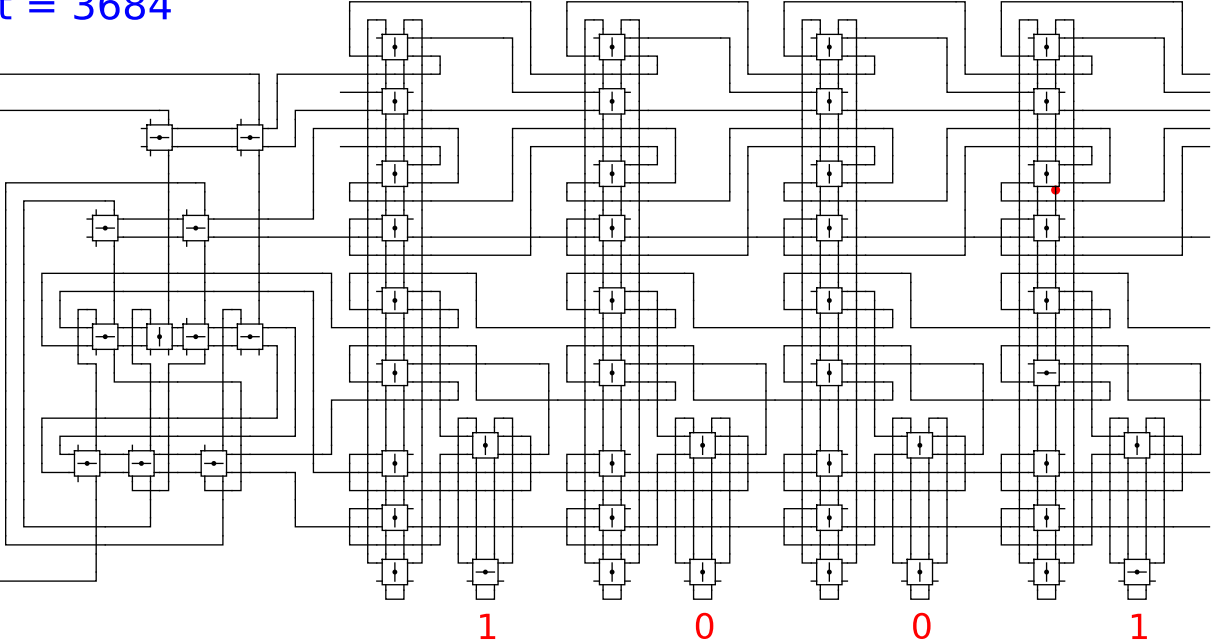
Begin



t = 3684

Reject
Accept

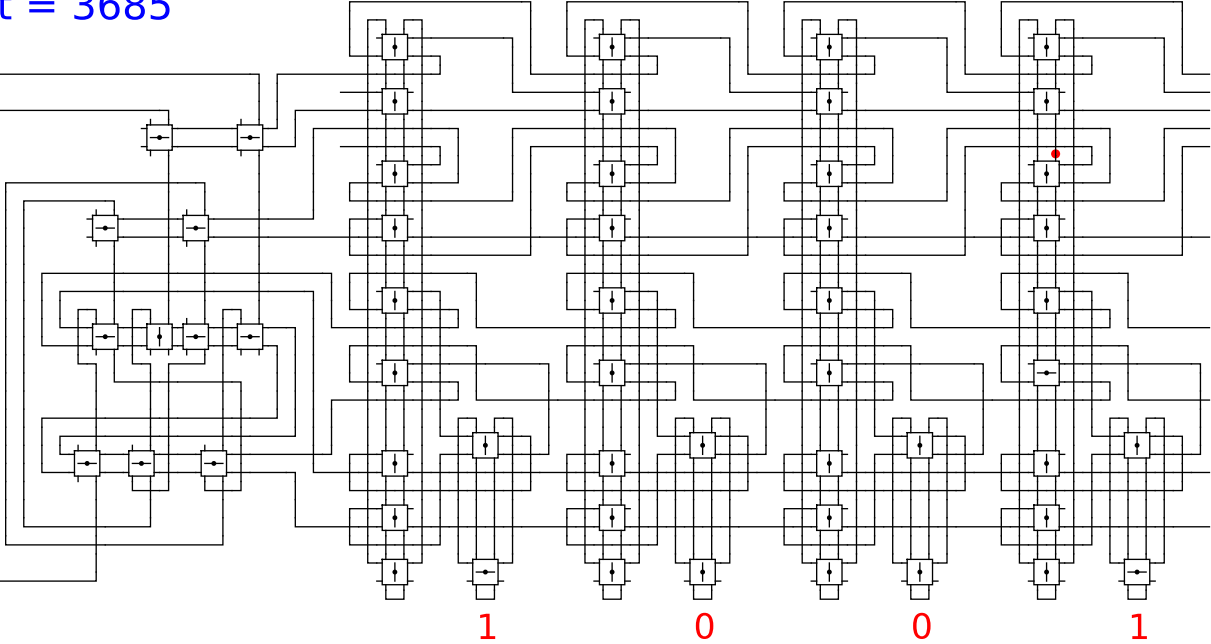
Begin



t = 3685

Reject
Accept

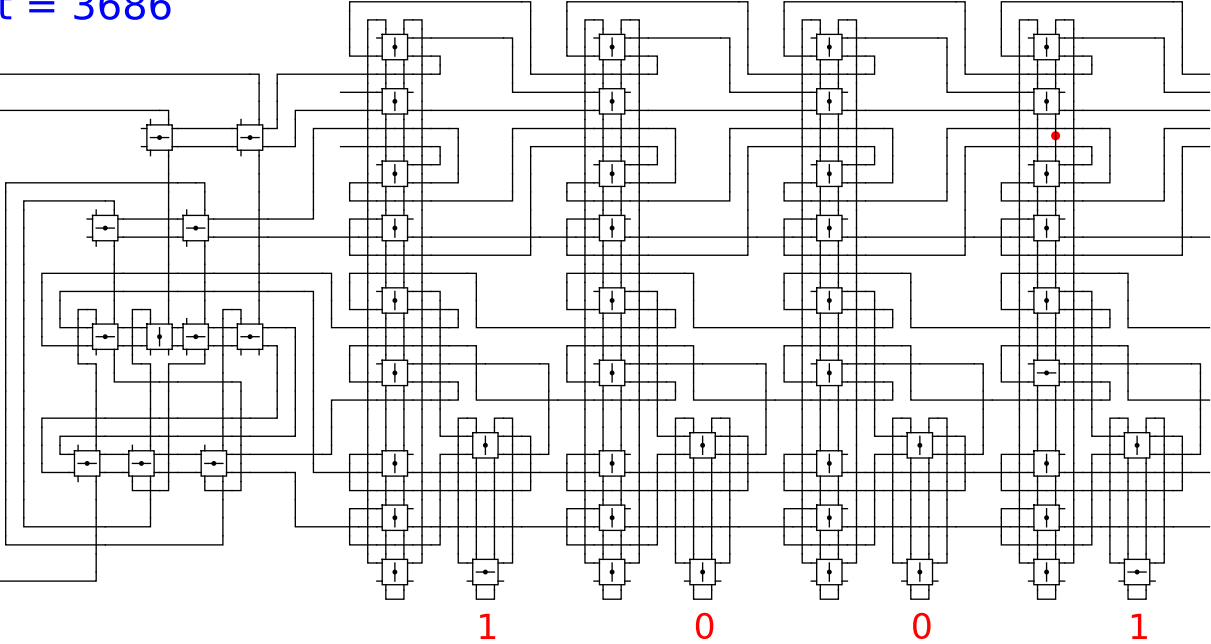
Begin



t = 3686

Reject
Accept

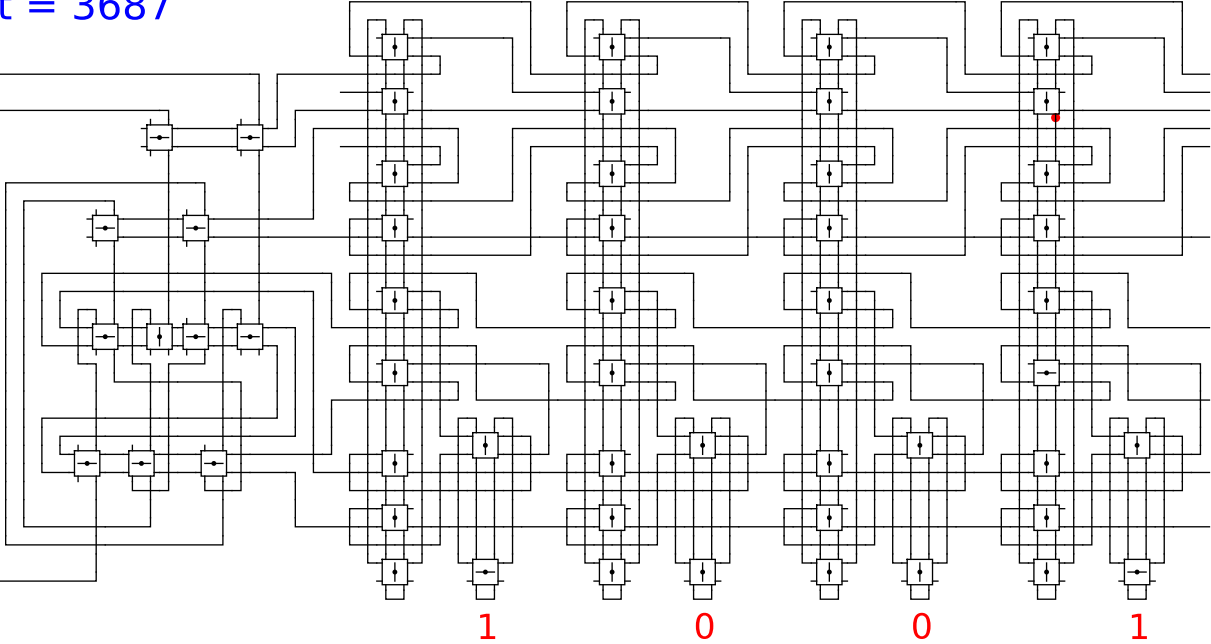
Begin



t = 3687

Reject
Accept

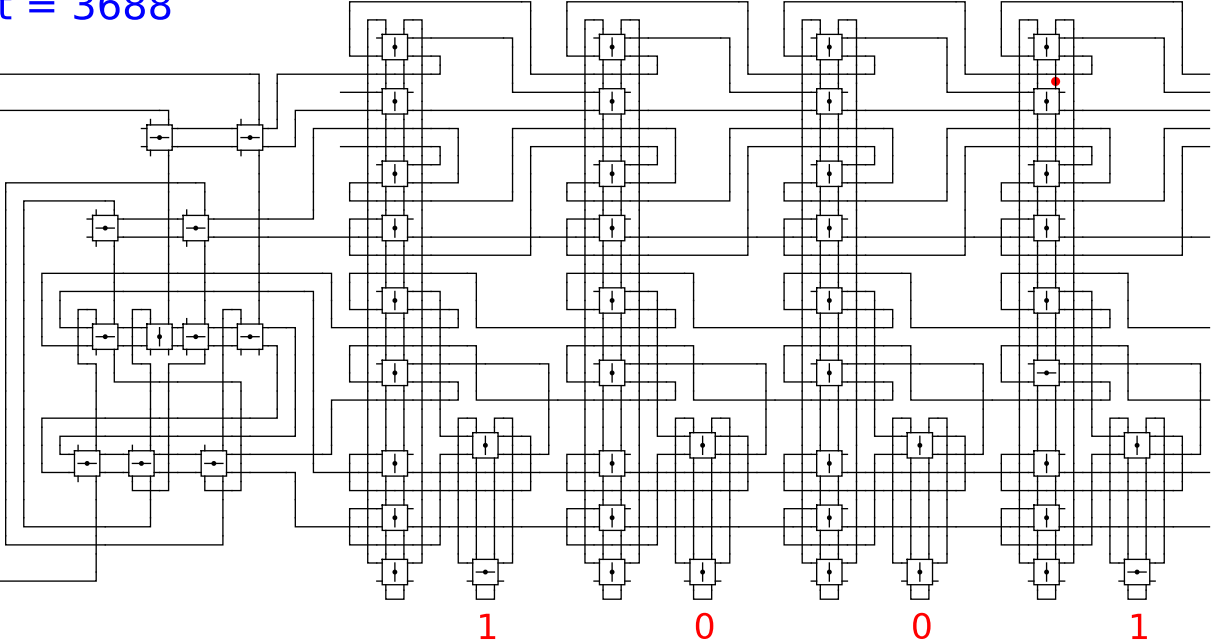
Begin



t = 3688

Reject
Accept

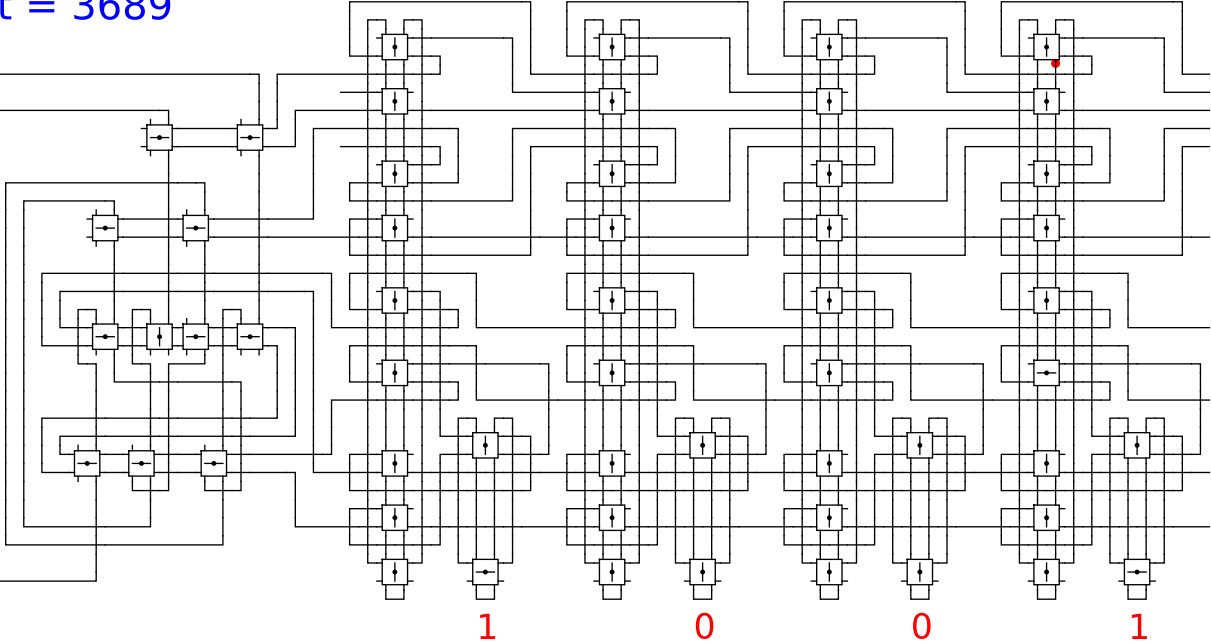
Begin



t = 3689

Reject
Accept

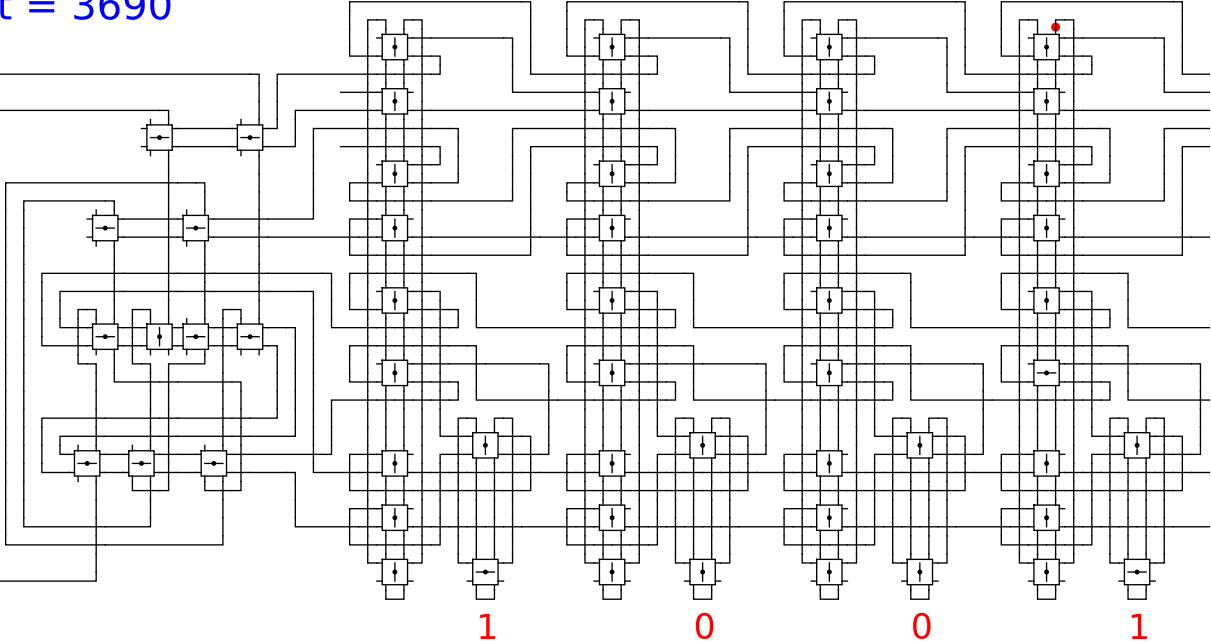
Begin



t = 3690

Reject
Accept

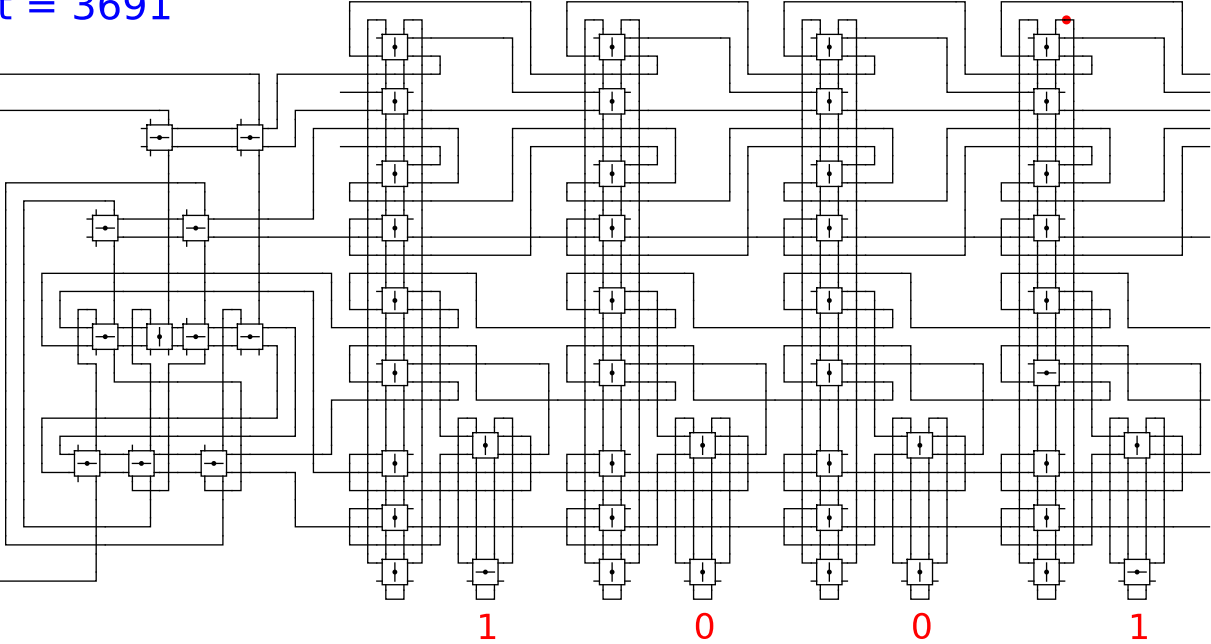
Begin



t = 3691

Reject
Accept

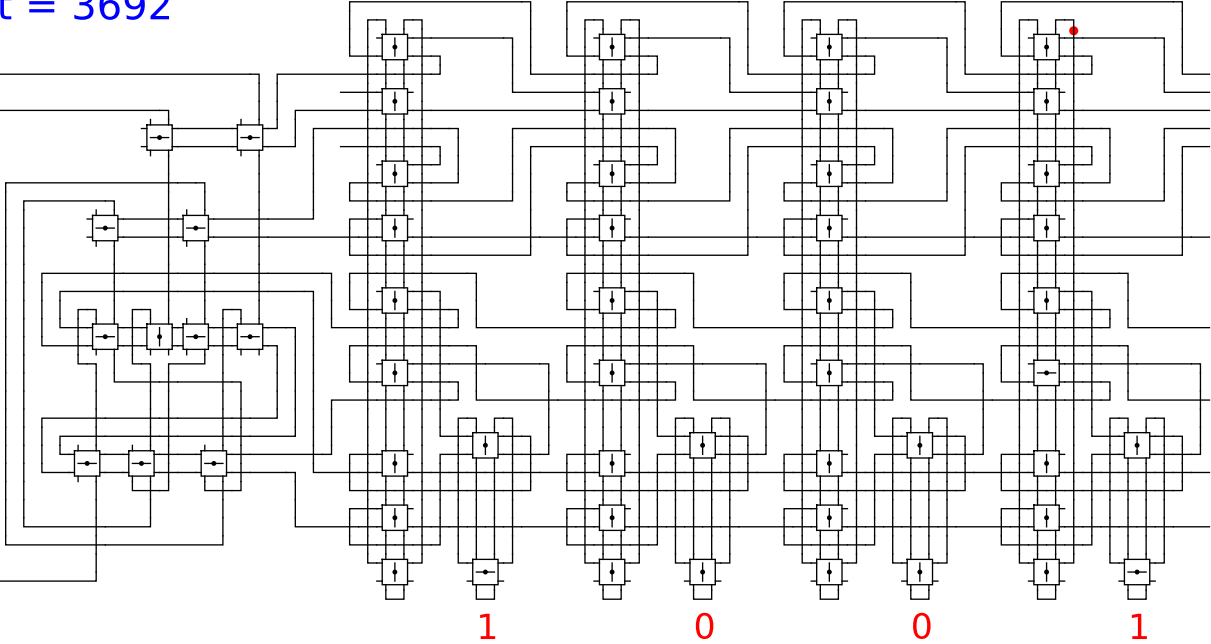
Begin



t = 3692

Reject
Accept

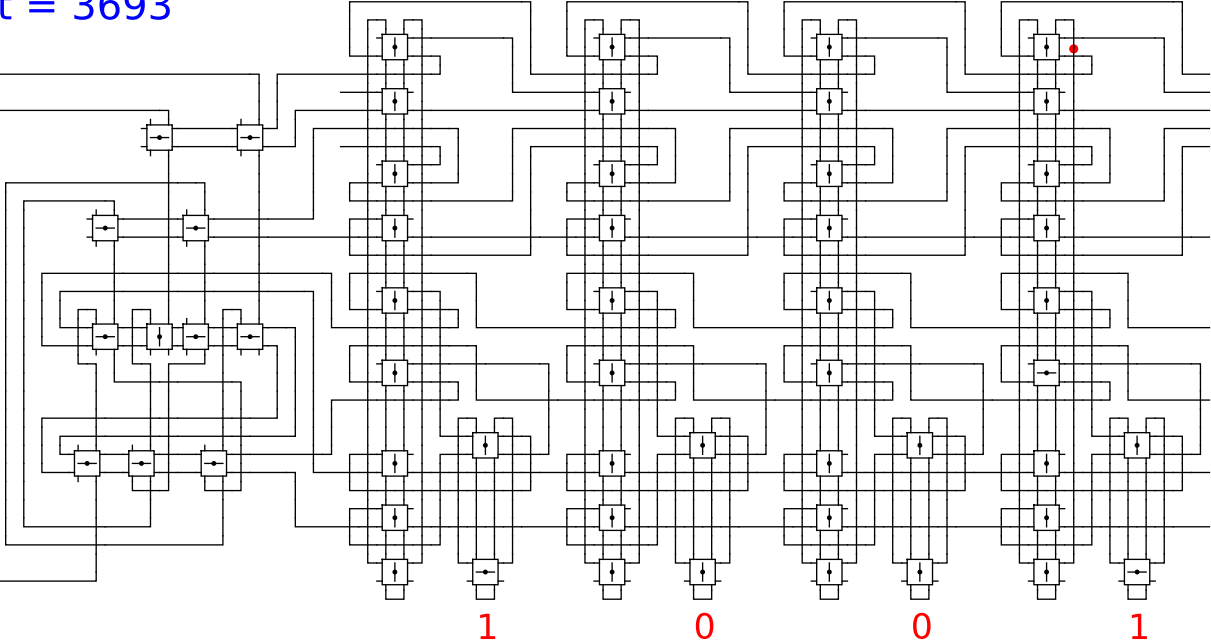
Begin



t = 3693

Reject
Accept

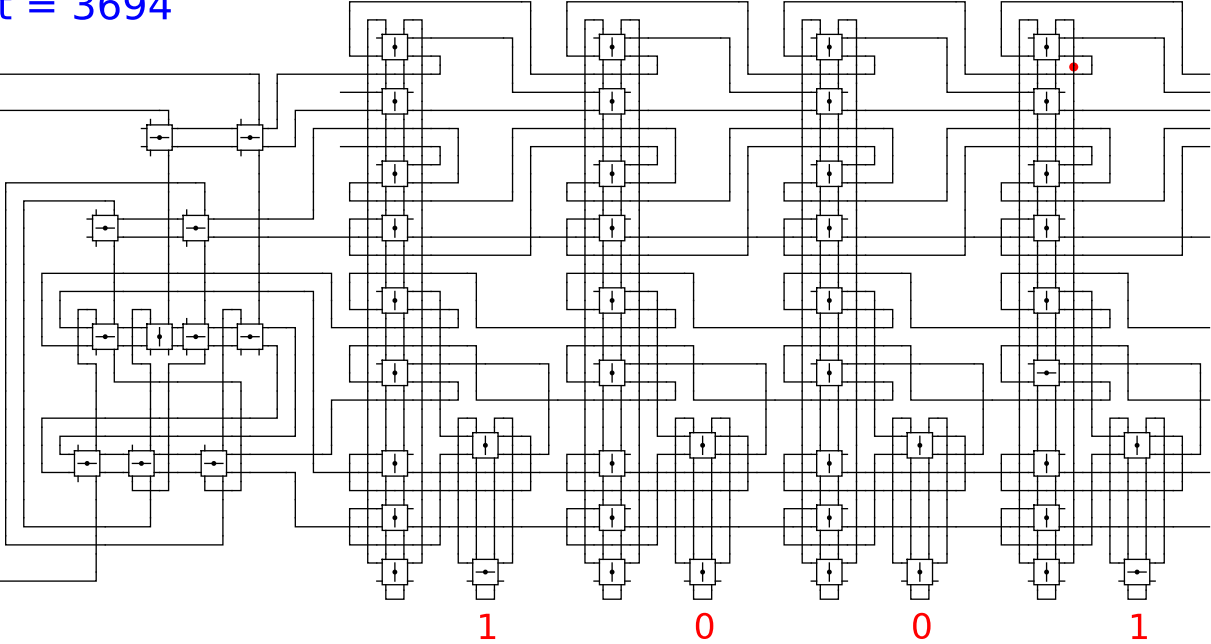
Begin



t = 3694

Reject
Accept

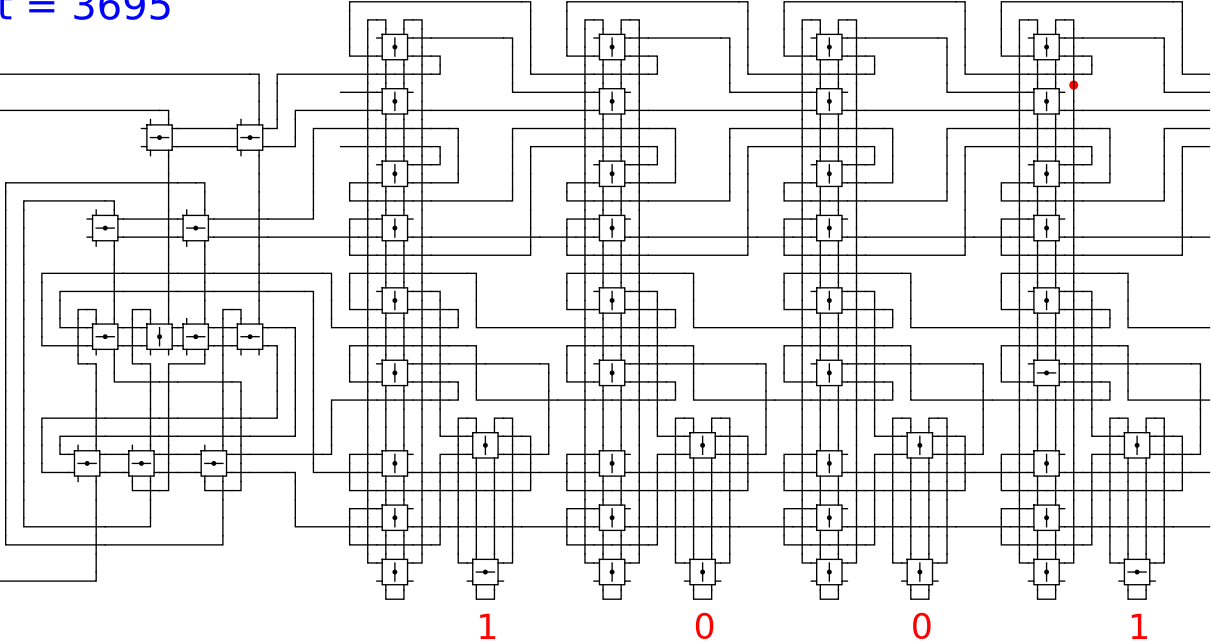
Begin



t = 3695

Reject
Accept

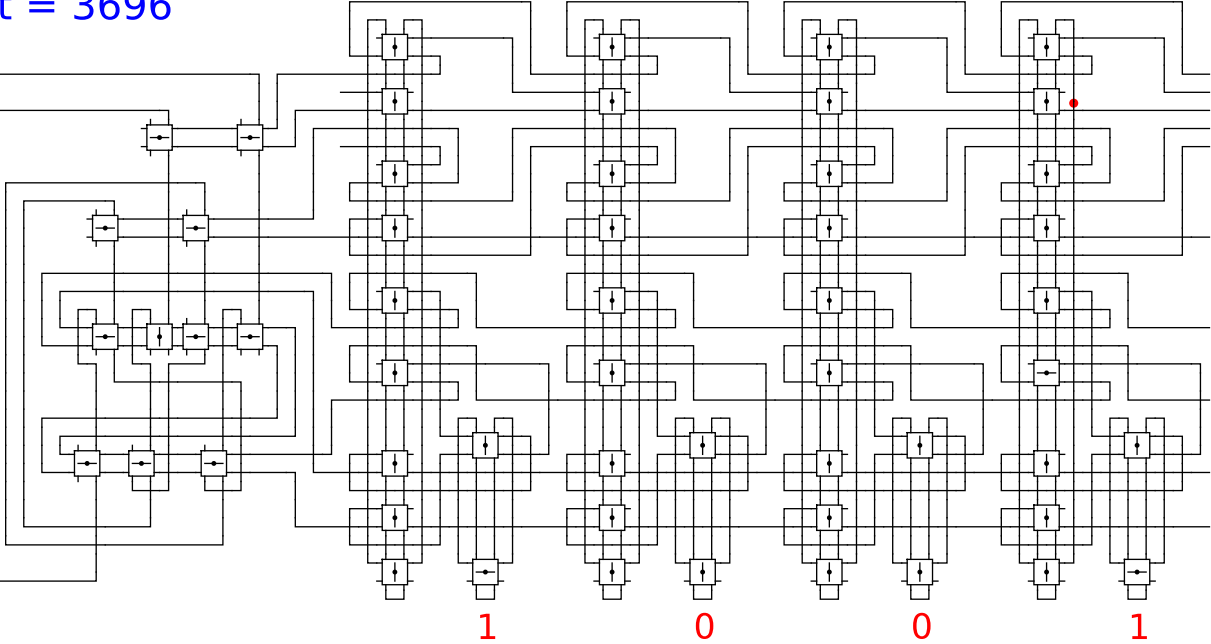
Begin



t = 3696

Reject
Accept

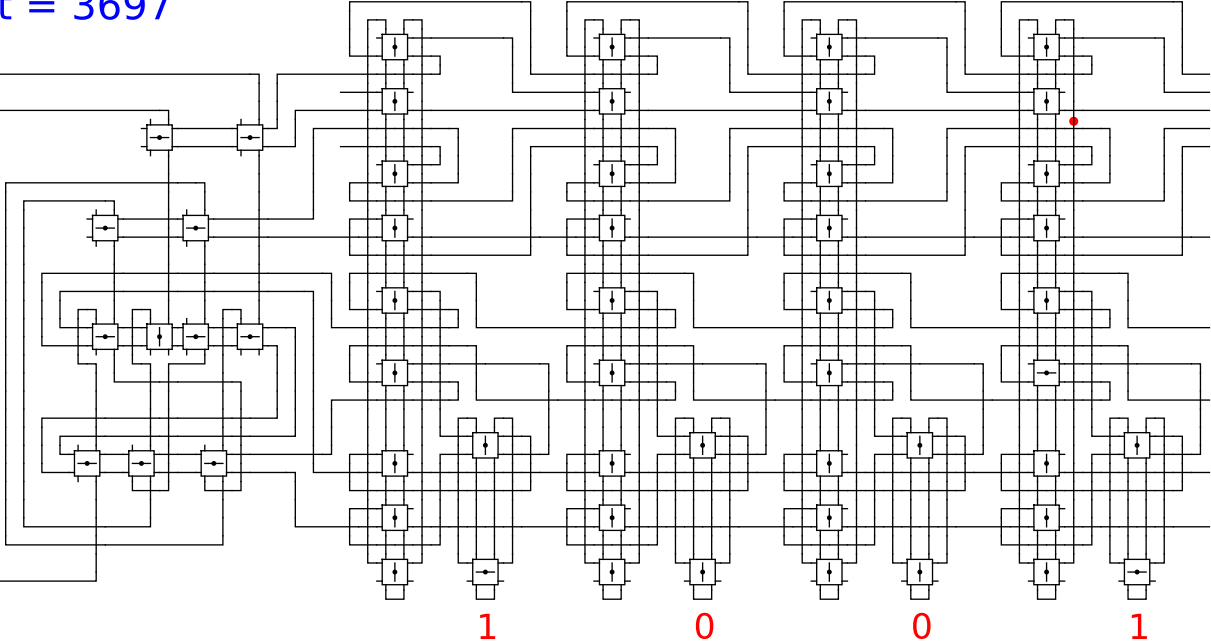
Begin



t = 3697

Reject
Accept

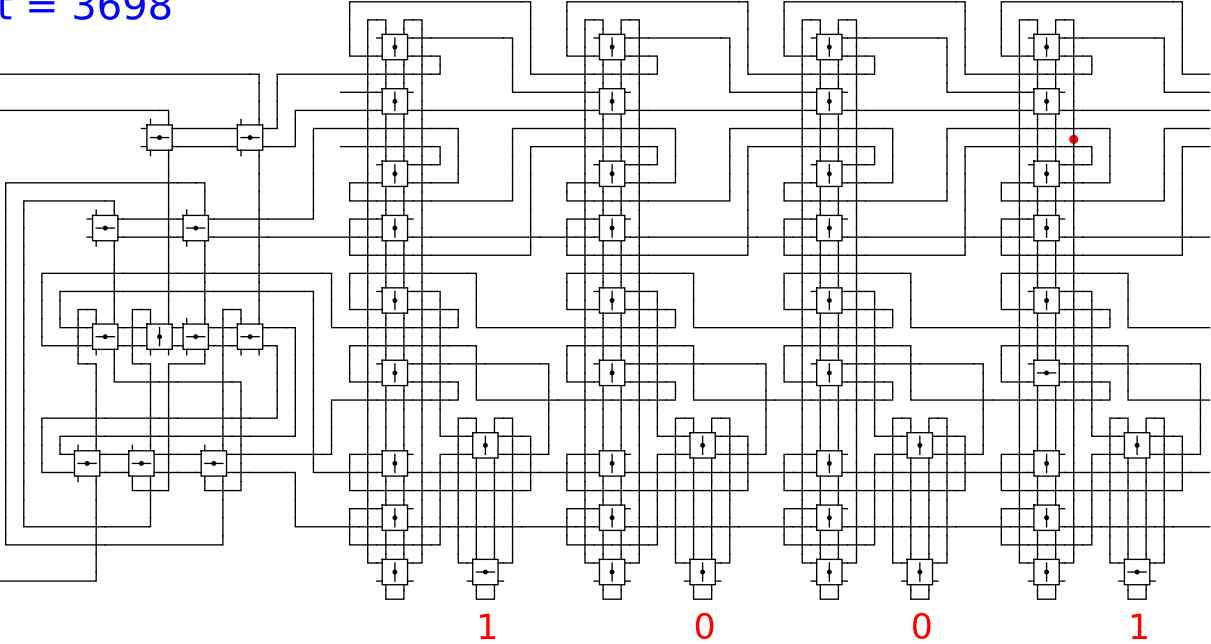
Begin



t = 3698

Reject
Accept

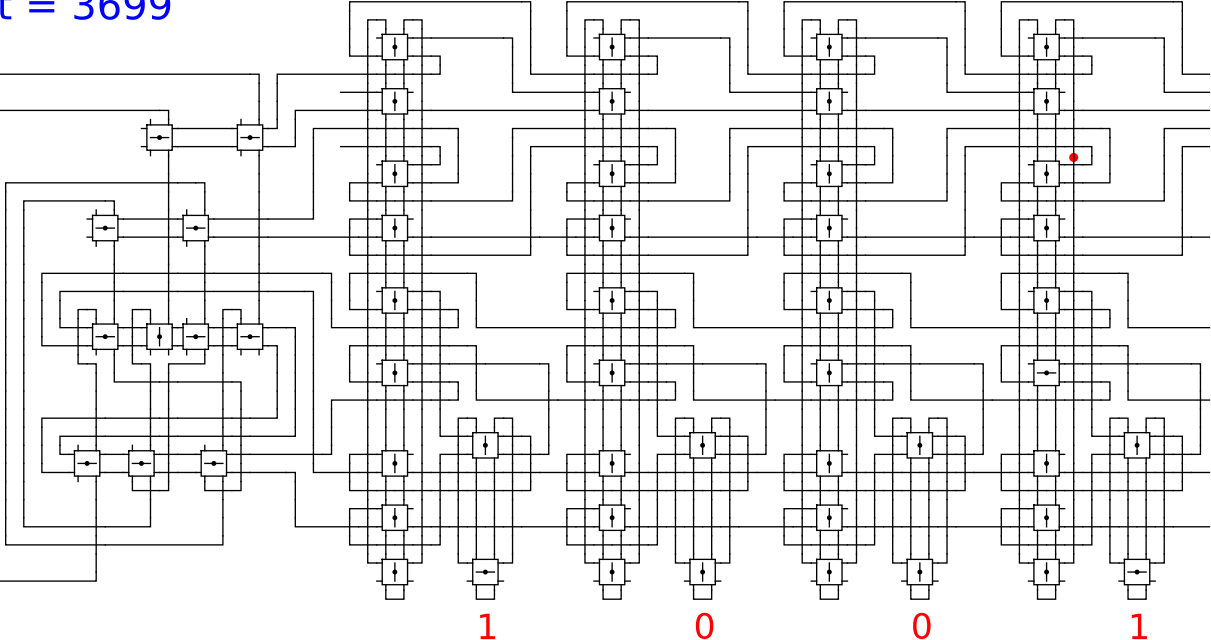
Begin



t = 3699

Reject
Accept

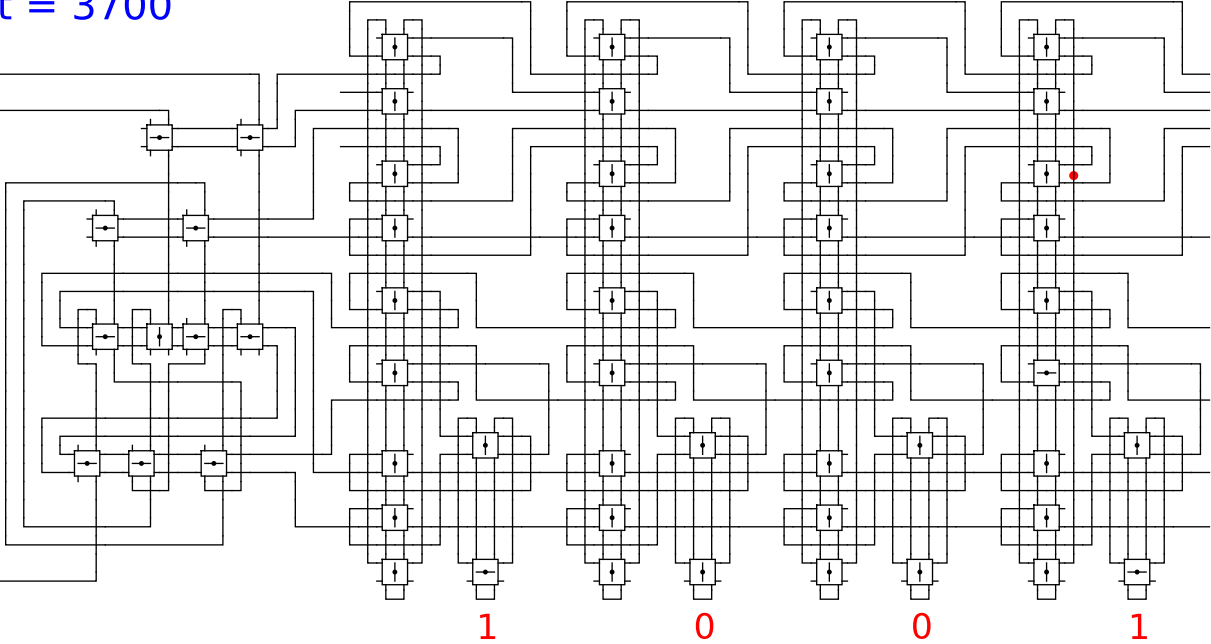
Begin



t = 3700

Reject
Accept

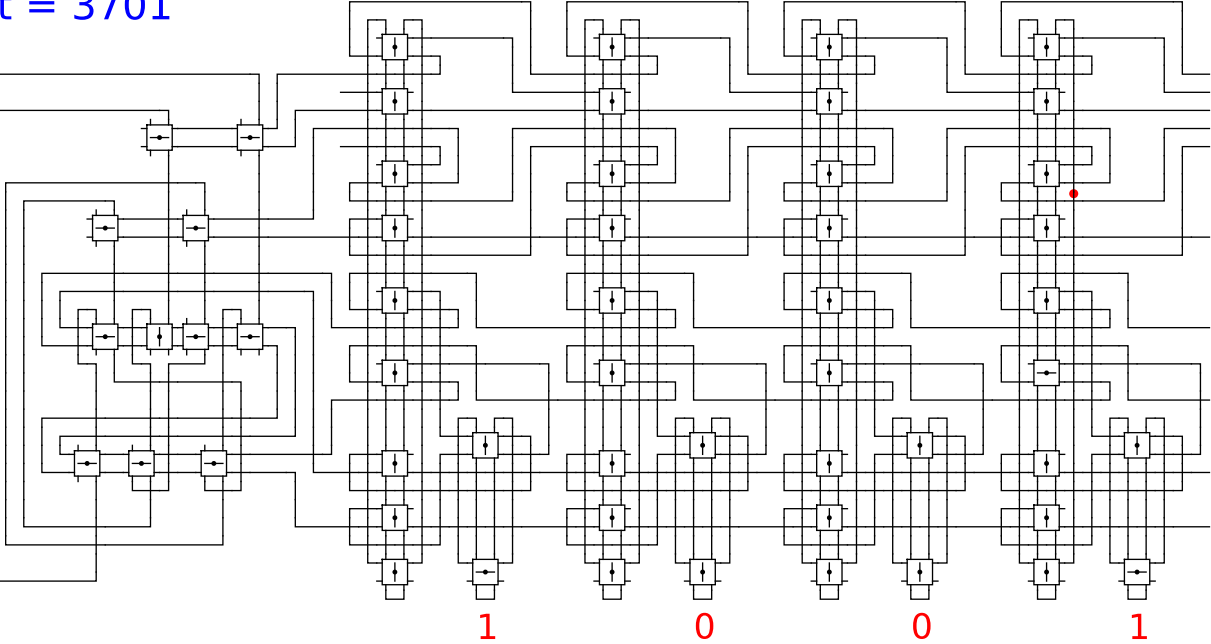
Begin



t = 3701

Reject
Accept

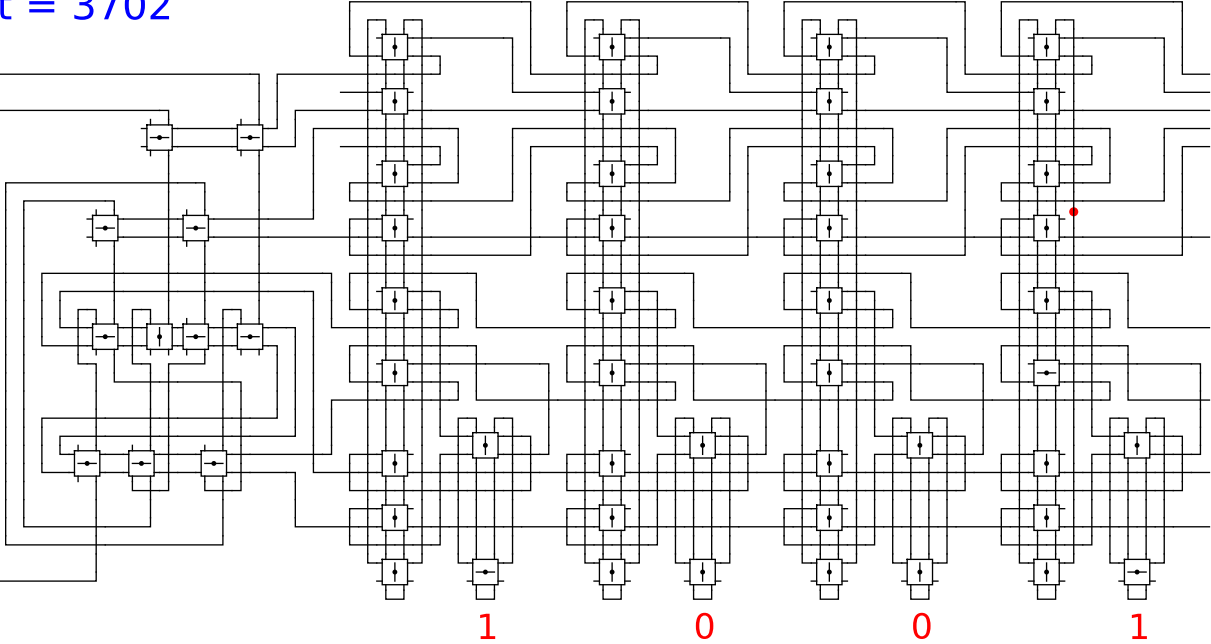
Begin



t = 3702

Reject
Accept

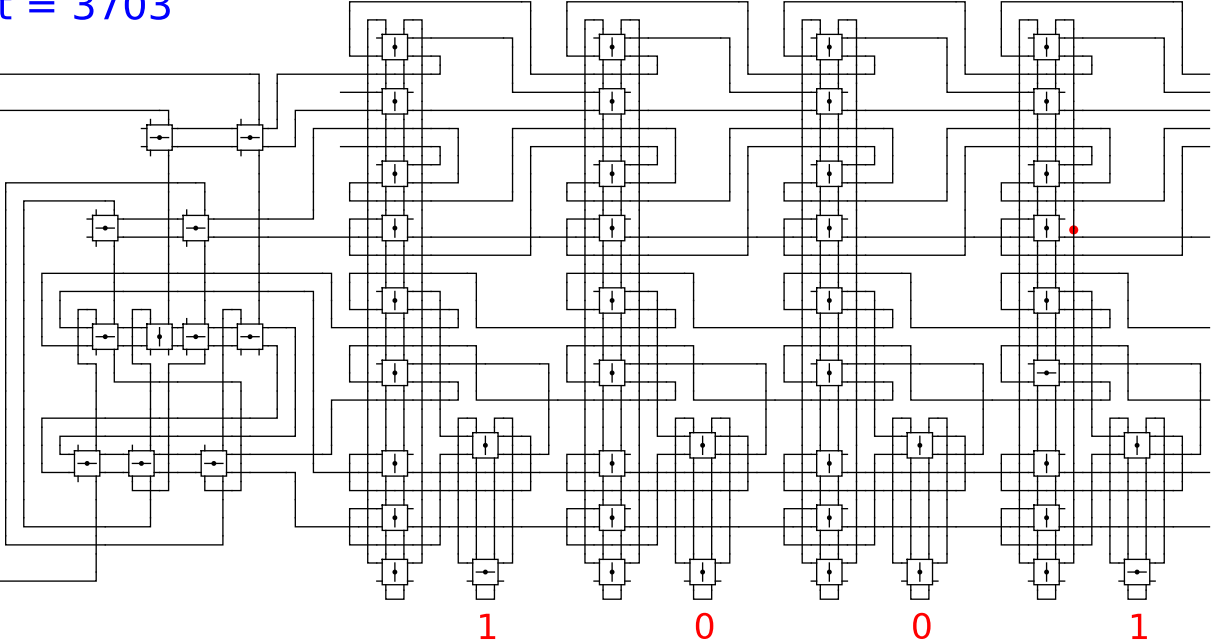
Begin



t = 3703

Reject
Accept

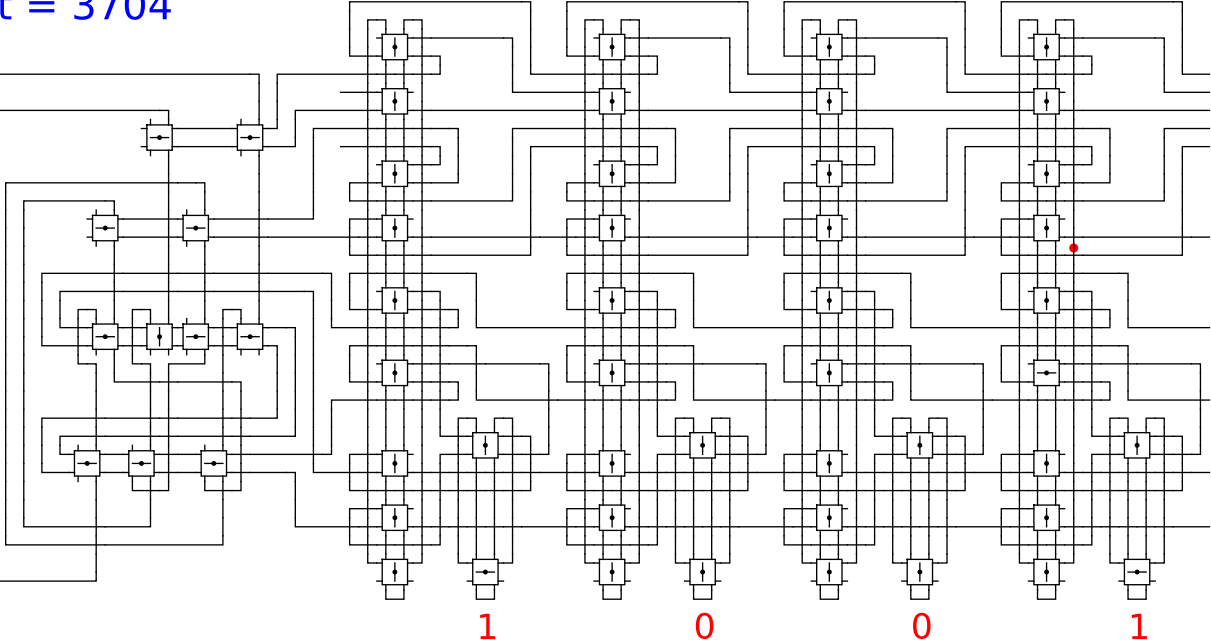
Begin



t = 3704

Reject
Accept

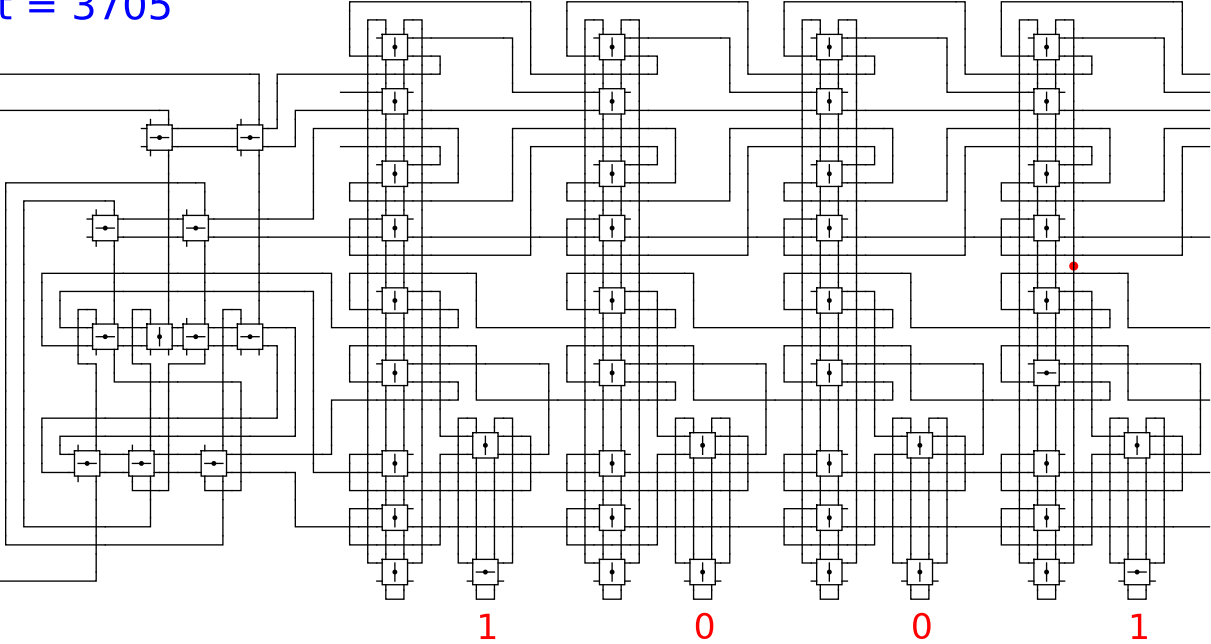
Begin



t = 3705

Reject
Accept

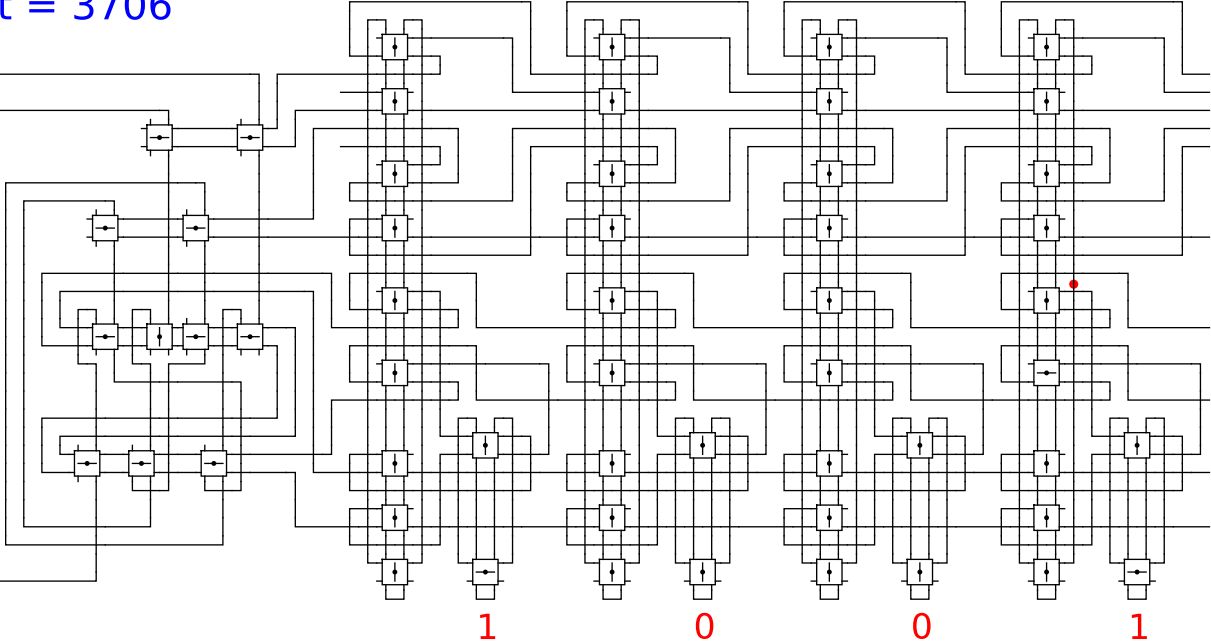
Begin



t = 3706

Reject
Accept

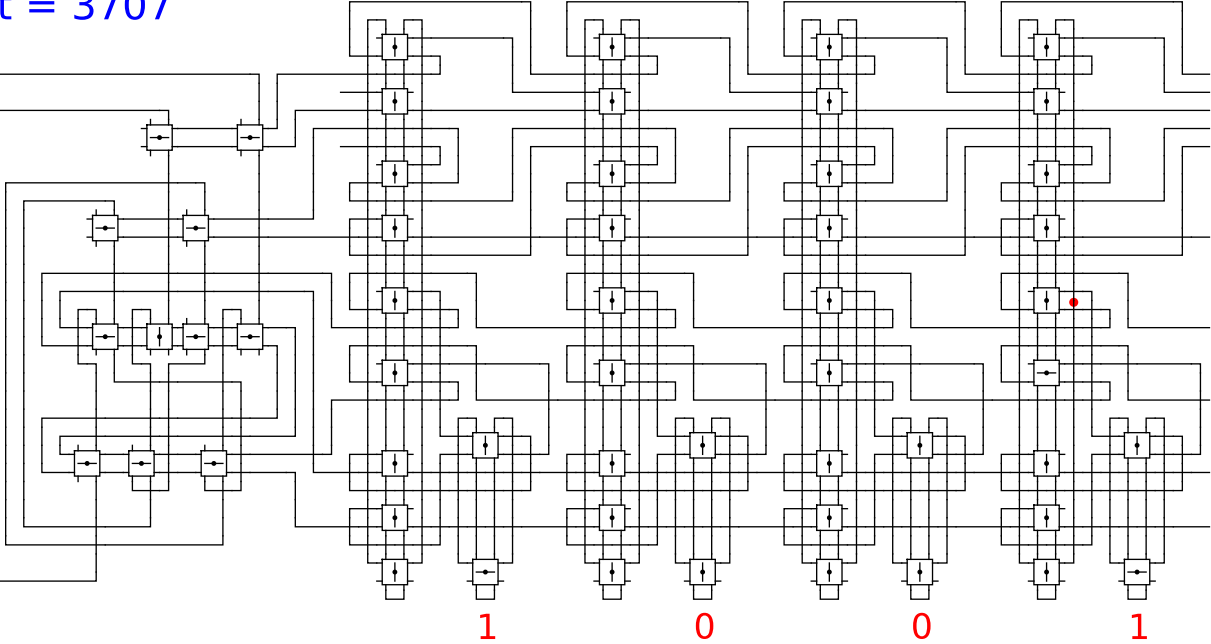
Begin



t = 3707

Reject
Accept

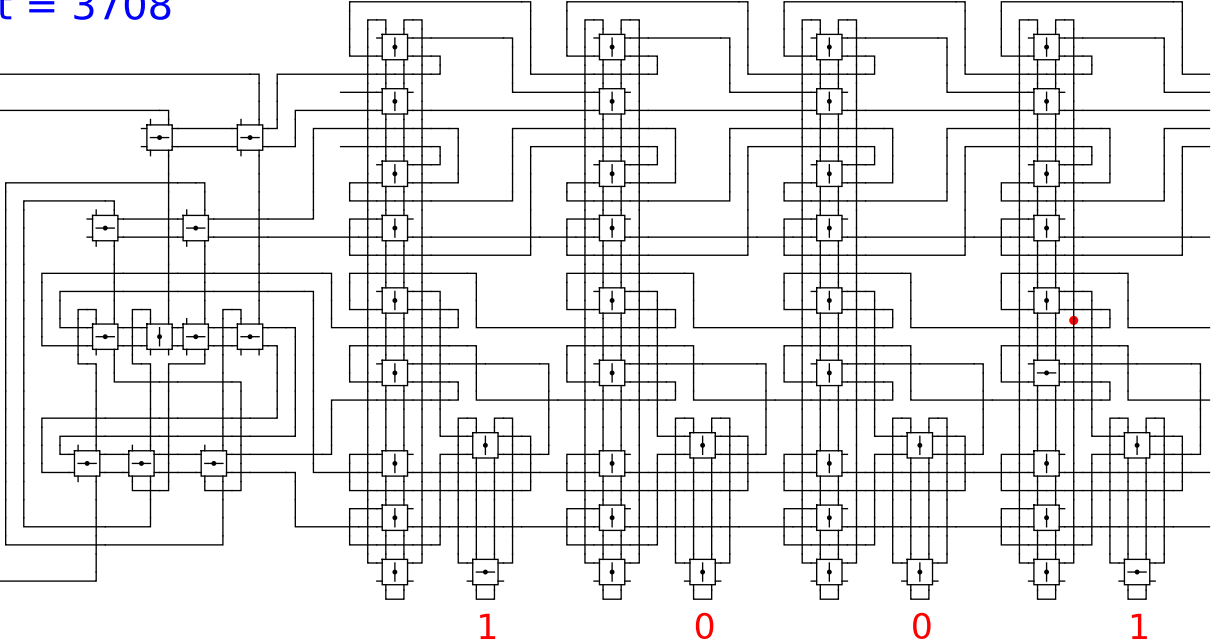
Begin



t = 3708

Reject
Accept

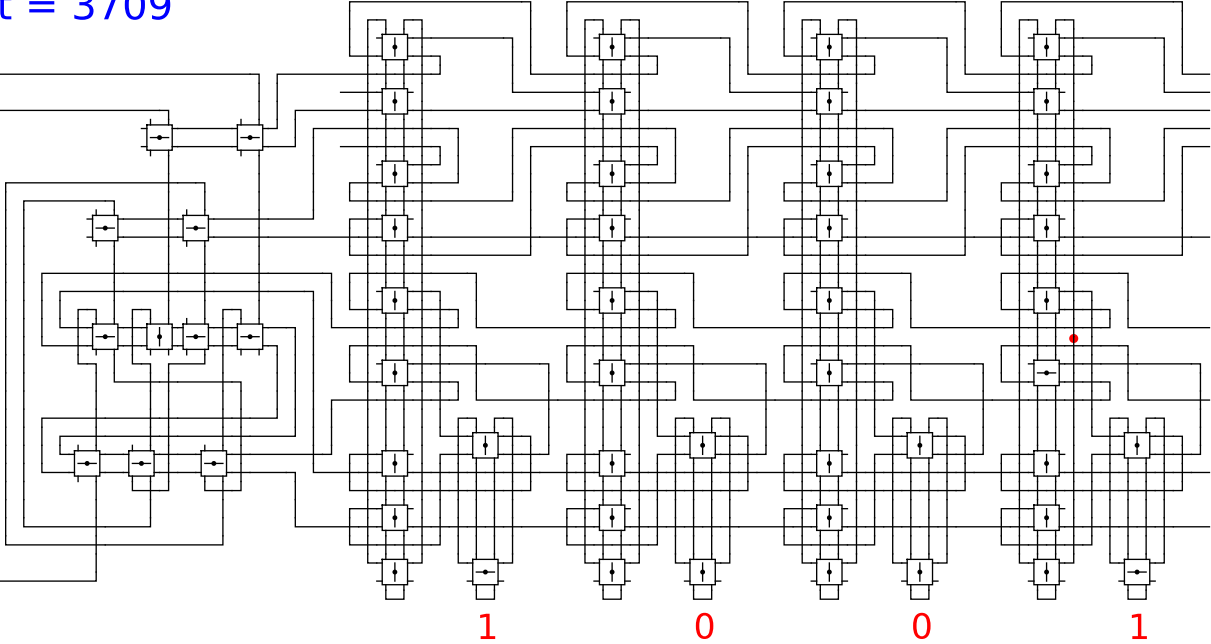
Begin



t = 3709

Reject
Accept

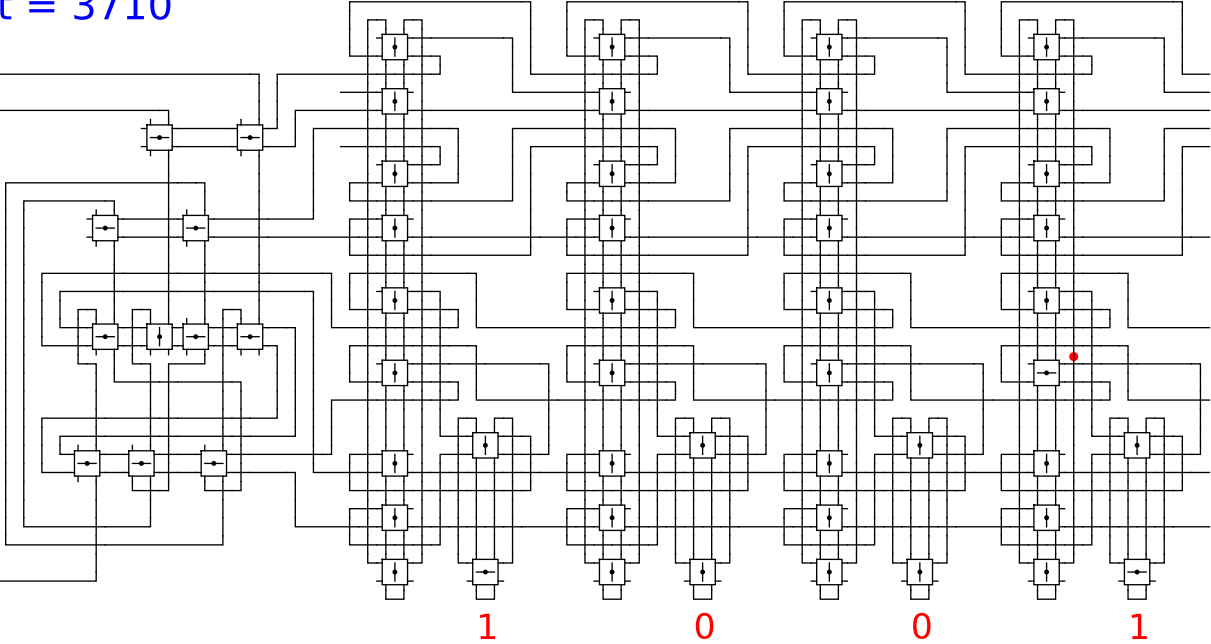
Begin



t = 3710

Reject
Accept

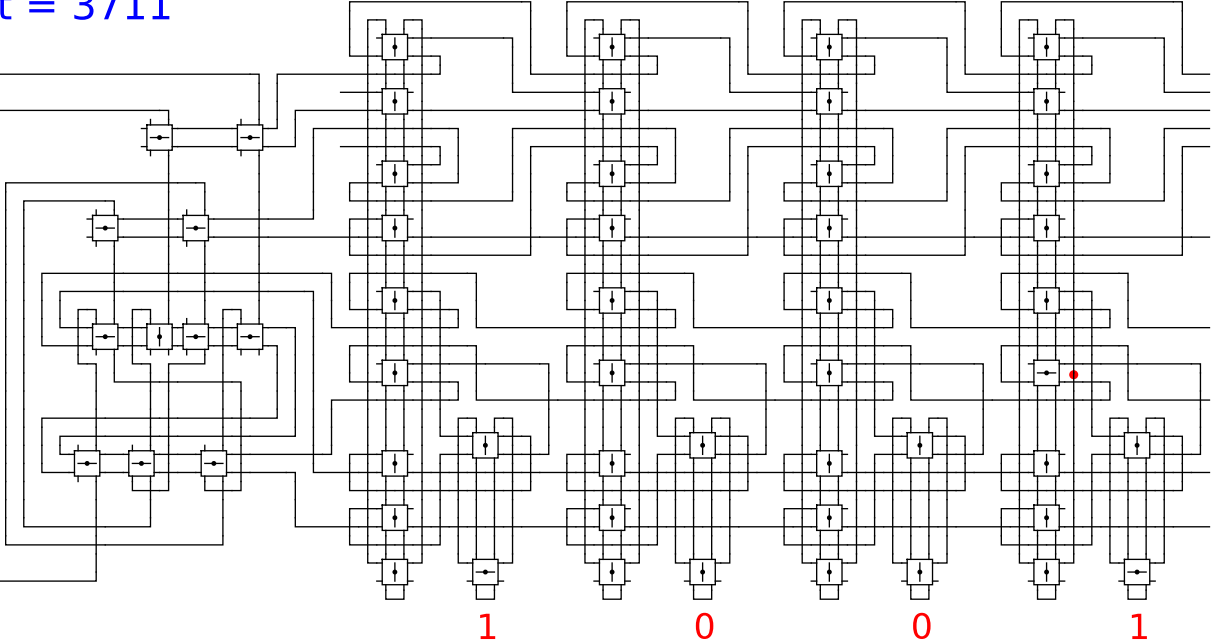
Begin



t = 3711

Reject
Accept

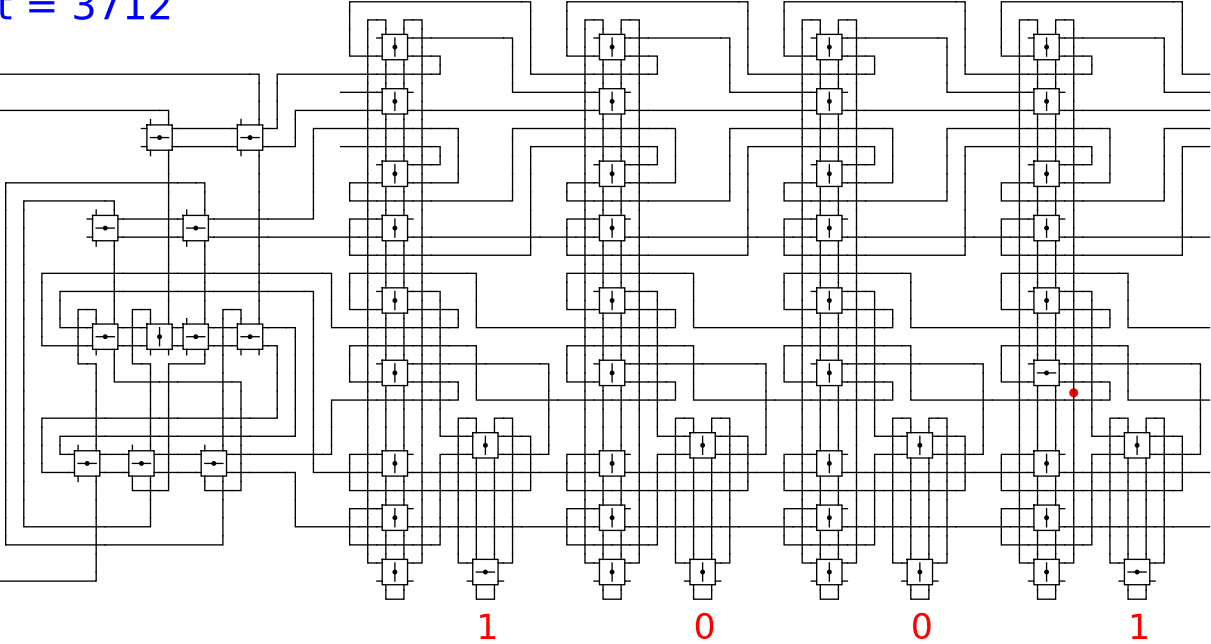
Begin



t = 3712

Reject
Accept

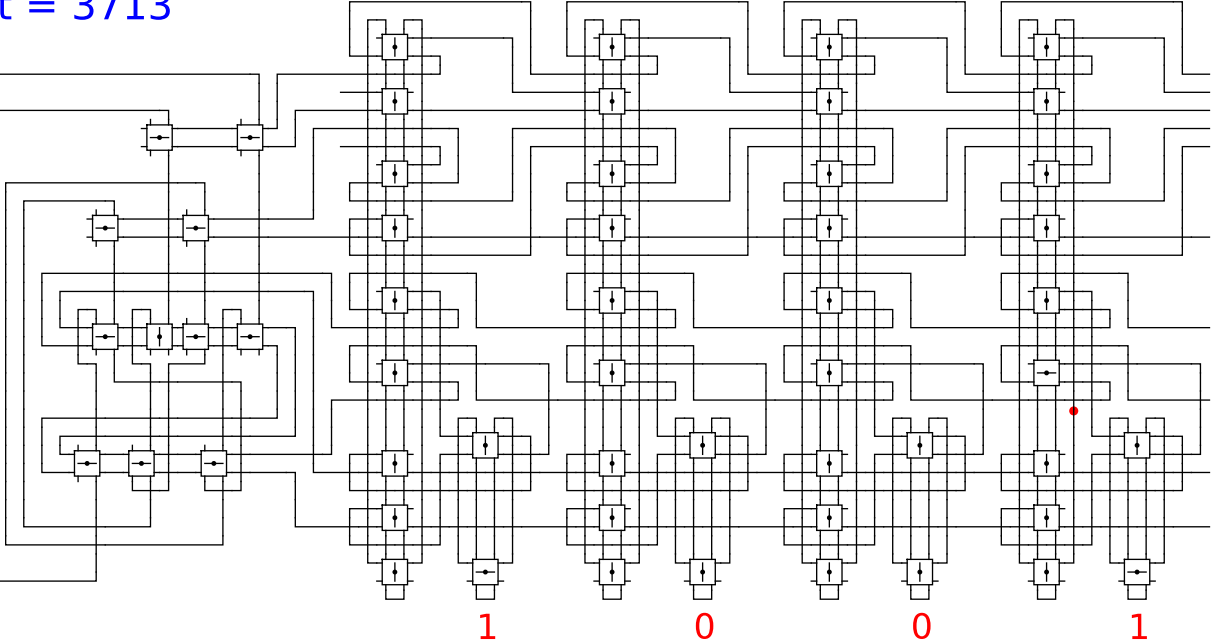
Begin



t = 3713

Reject
Accept

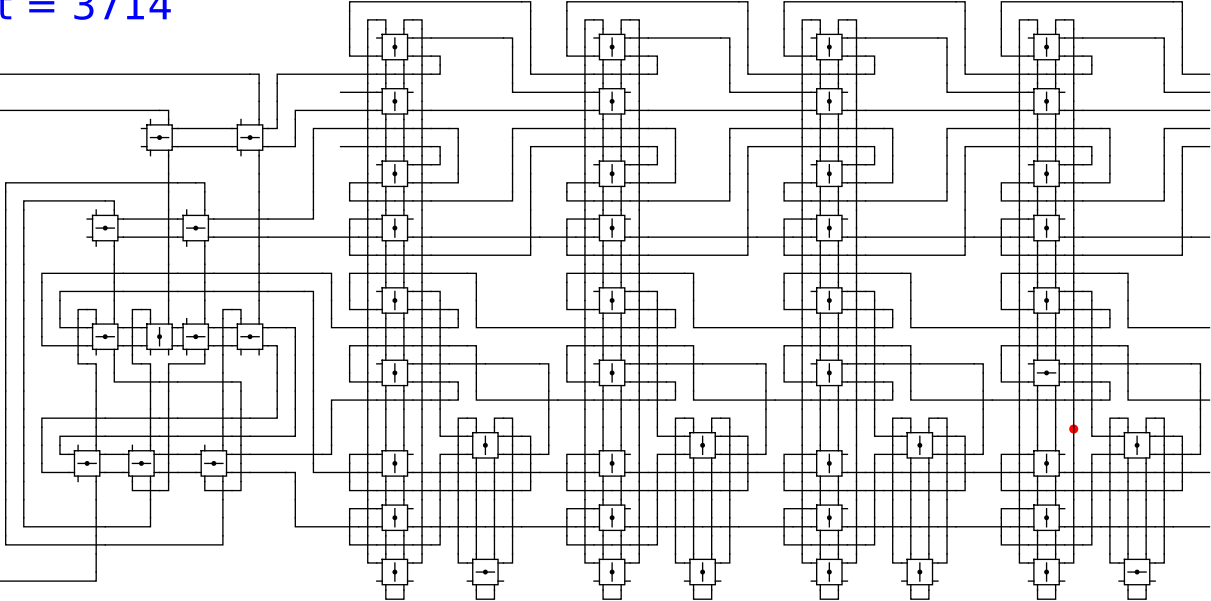
Begin



t = 3714

Reject
Accept

Begin



1

0

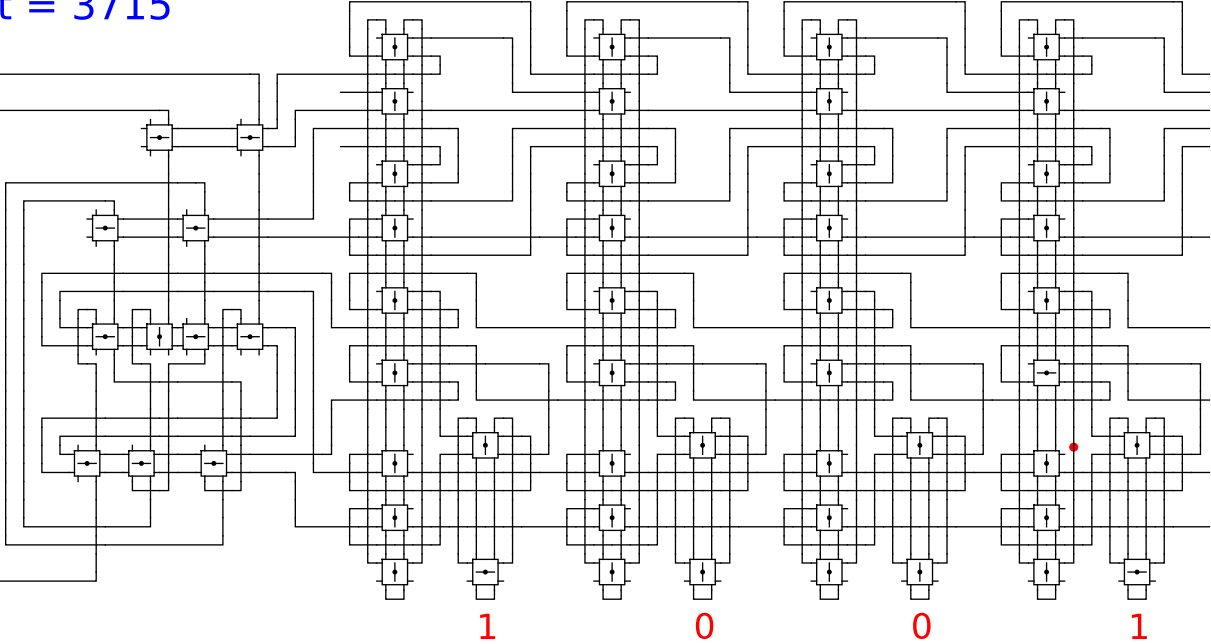
0

1

$t = 3715$

Reject
Accept

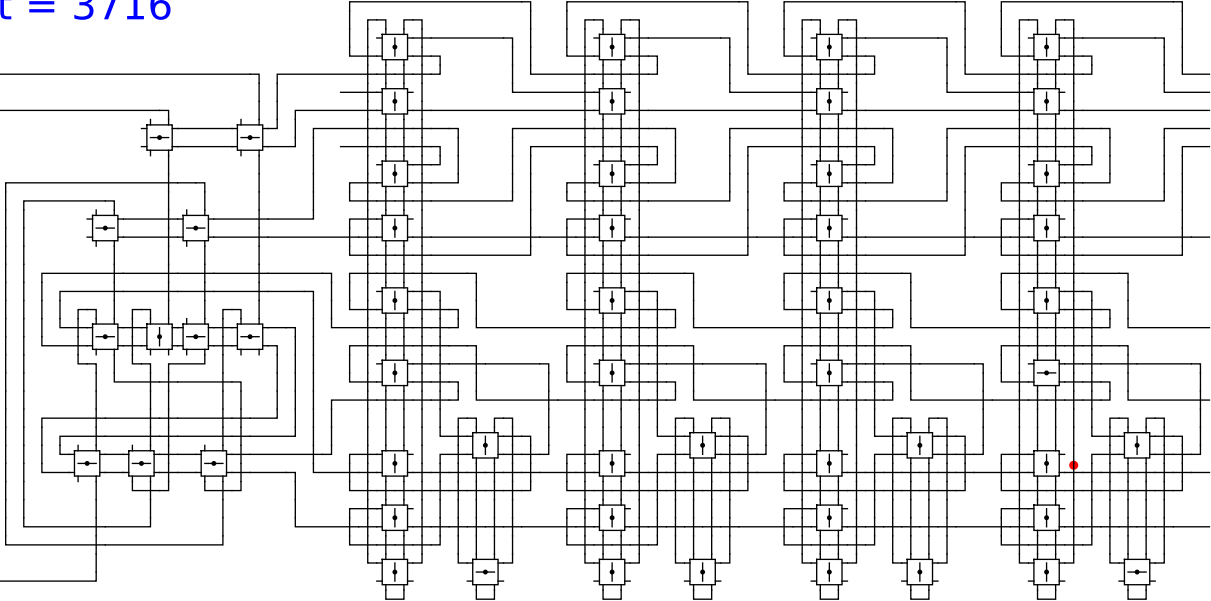
Begin



t = 3716

Reject
Accept

Begin



1

0

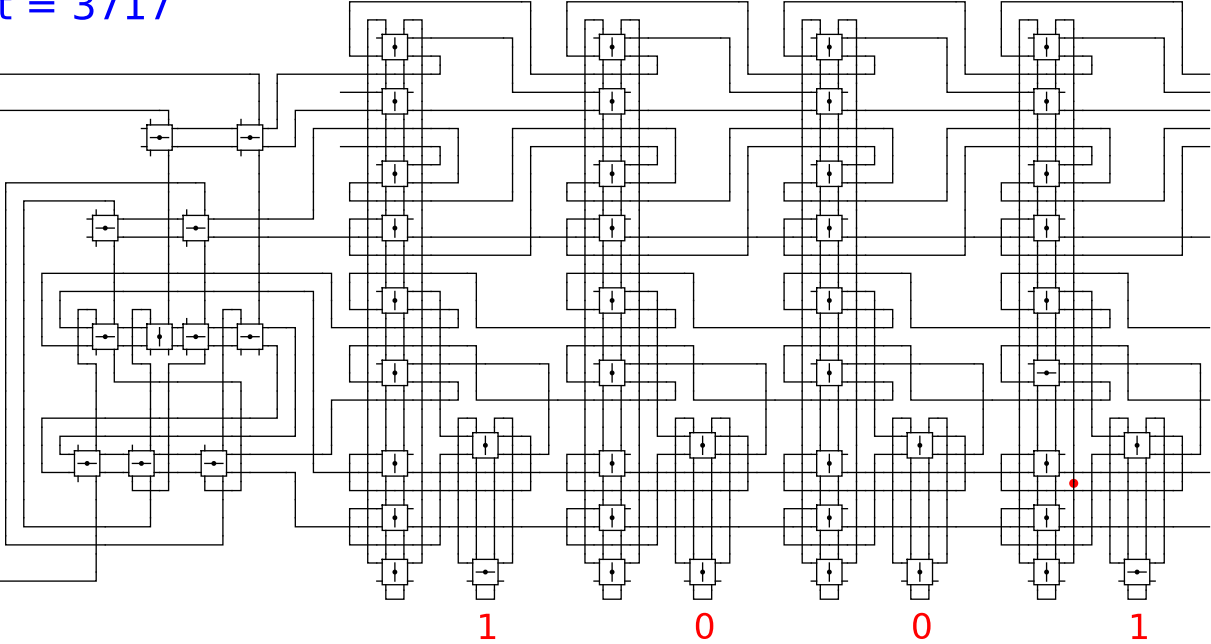
0

1

t = 3717

Reject
Accept

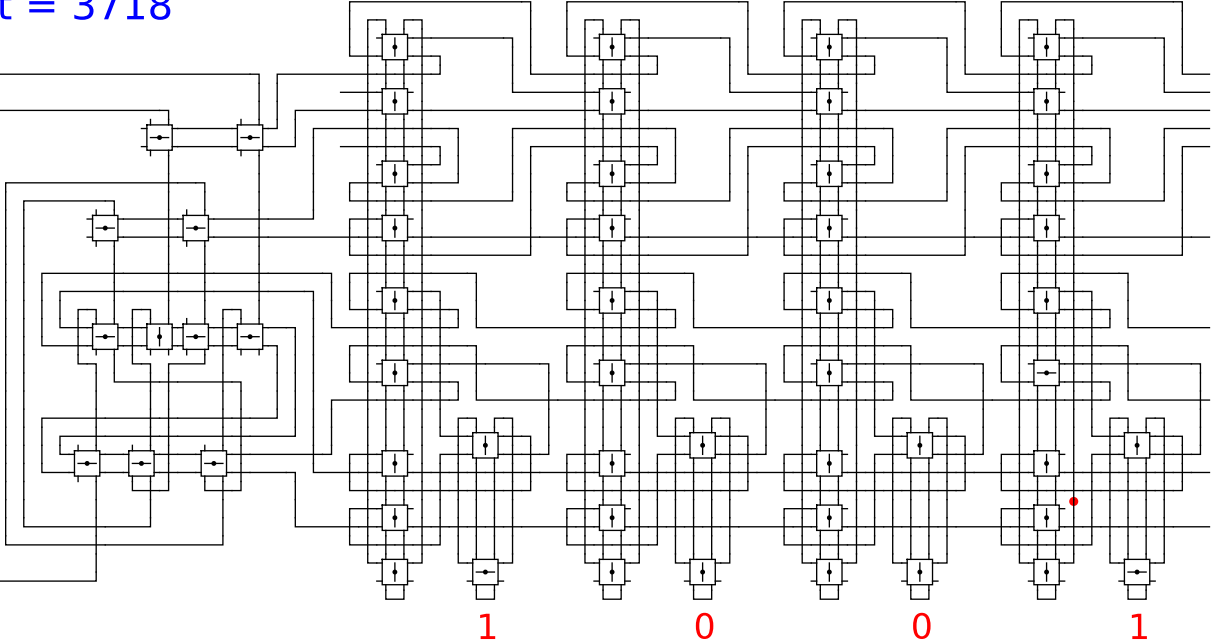
Begin



t = 3718

Reject
Accept

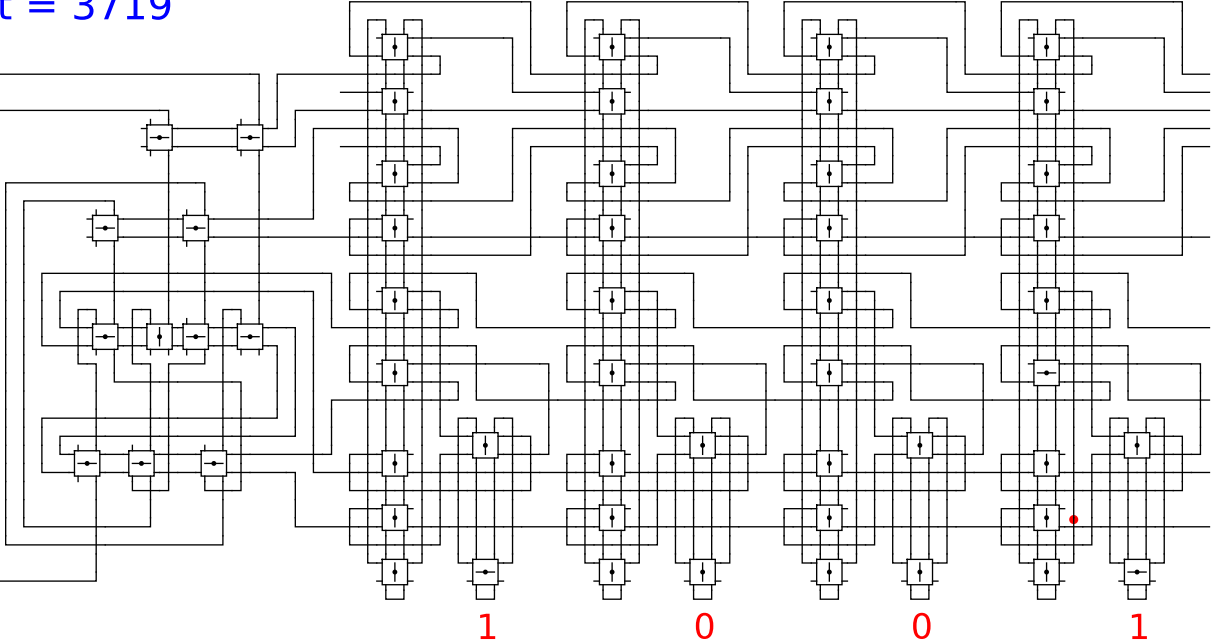
Begin



t = 3719

Reject
Accept

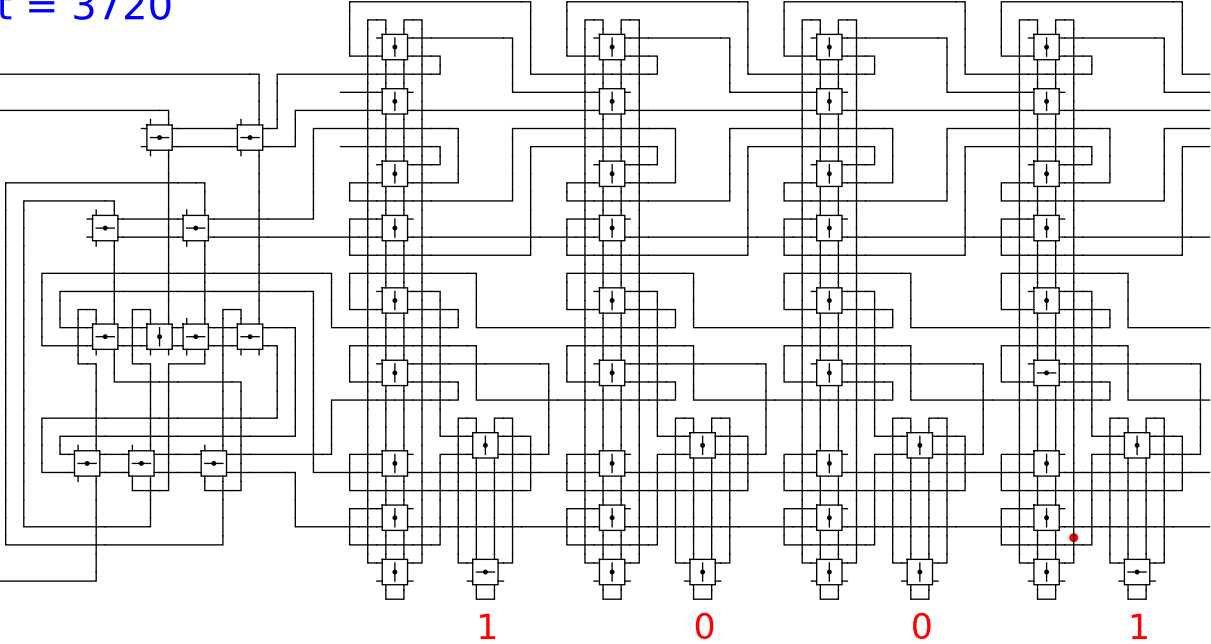
Begin



t = 3720

Reject
Accept

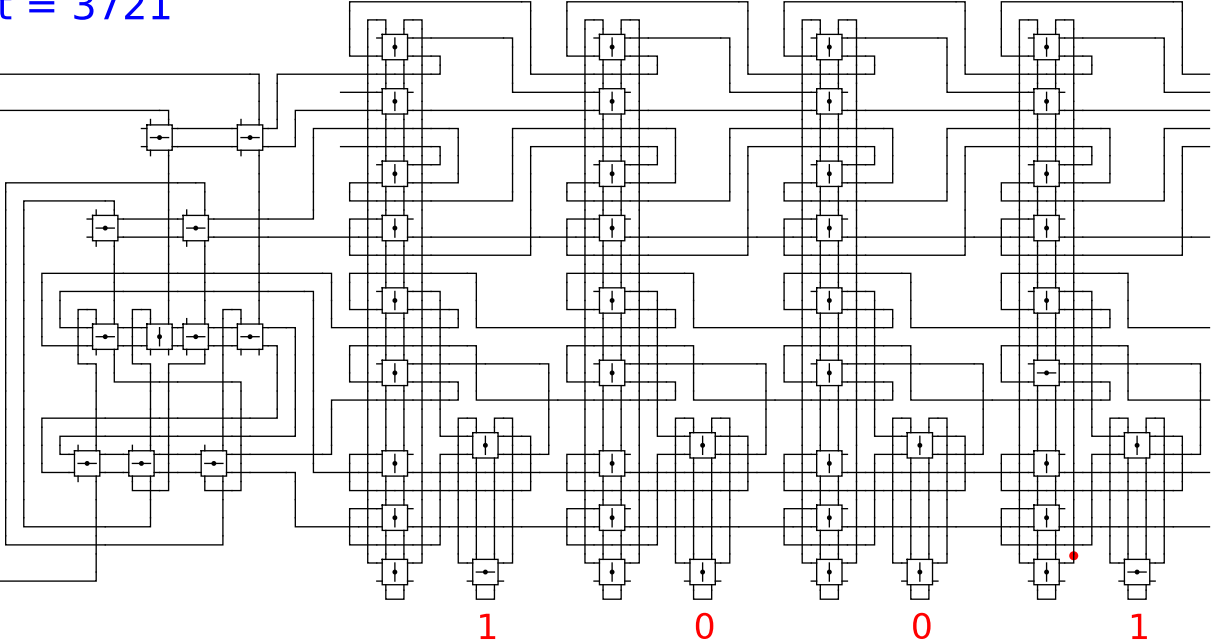
Begin



t = 3721

Reject
Accept

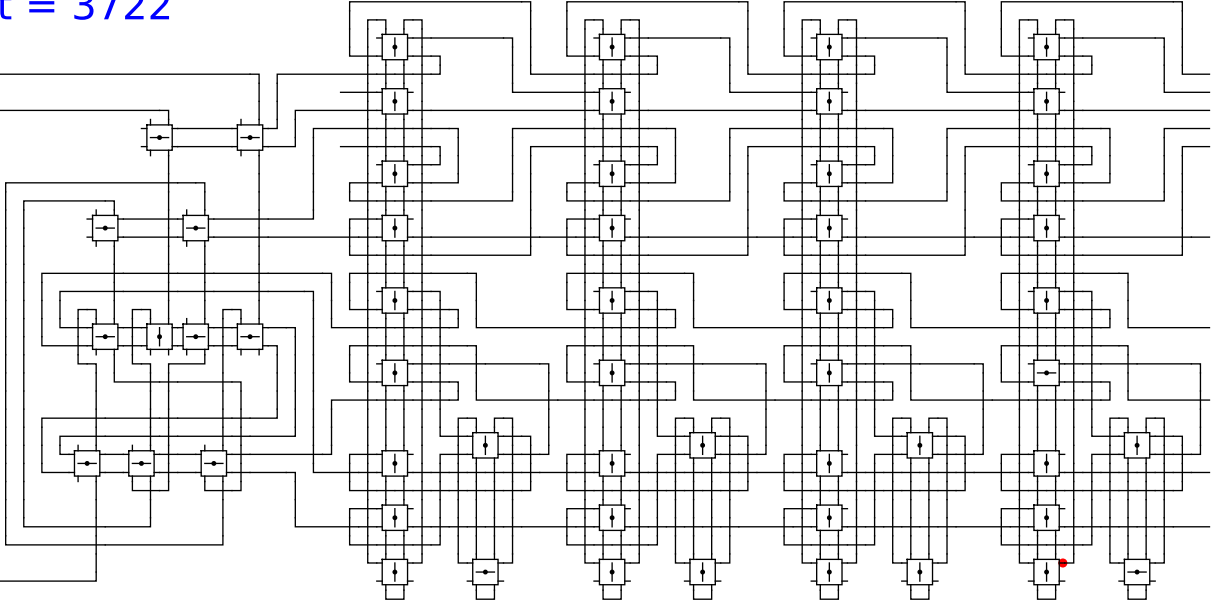
Begin



t = 3722

Reject
Accept

Begin



1

0

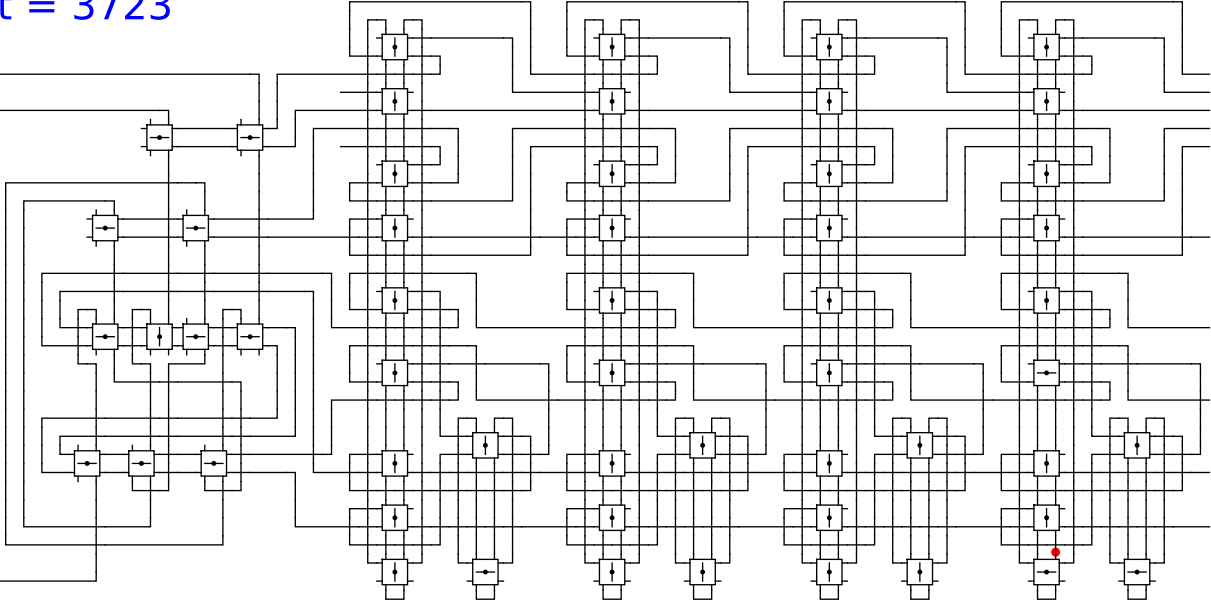
0

1

t = 3723

Reject
Accept

Begin



1

0

0

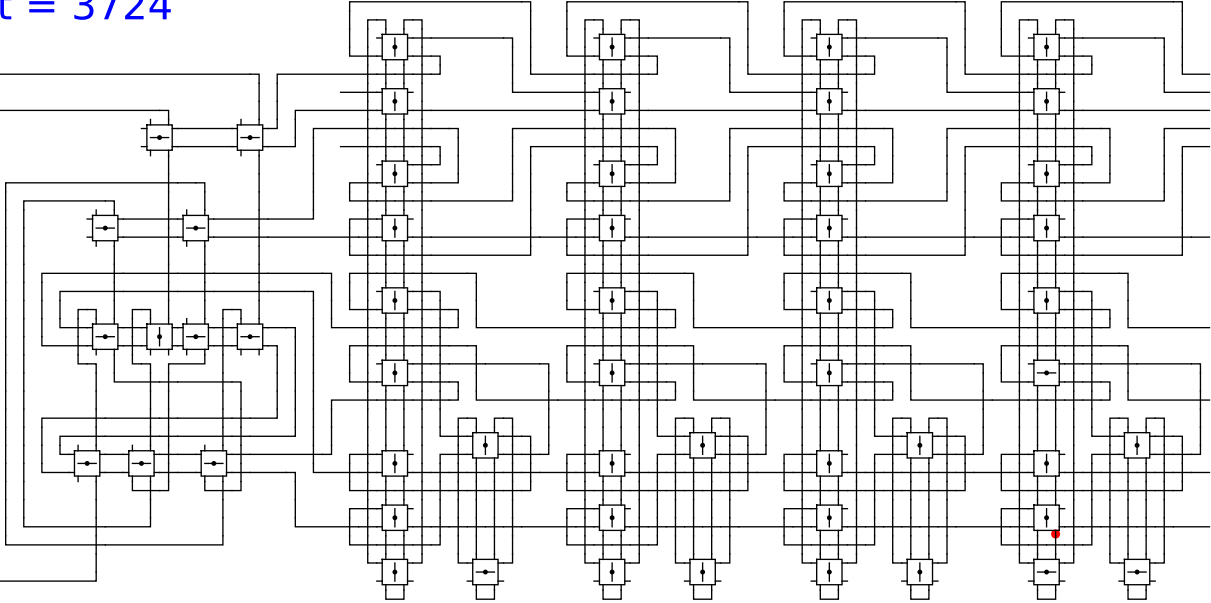
head

1

t = 3724

Reject
Accept

Begin



1

0

0

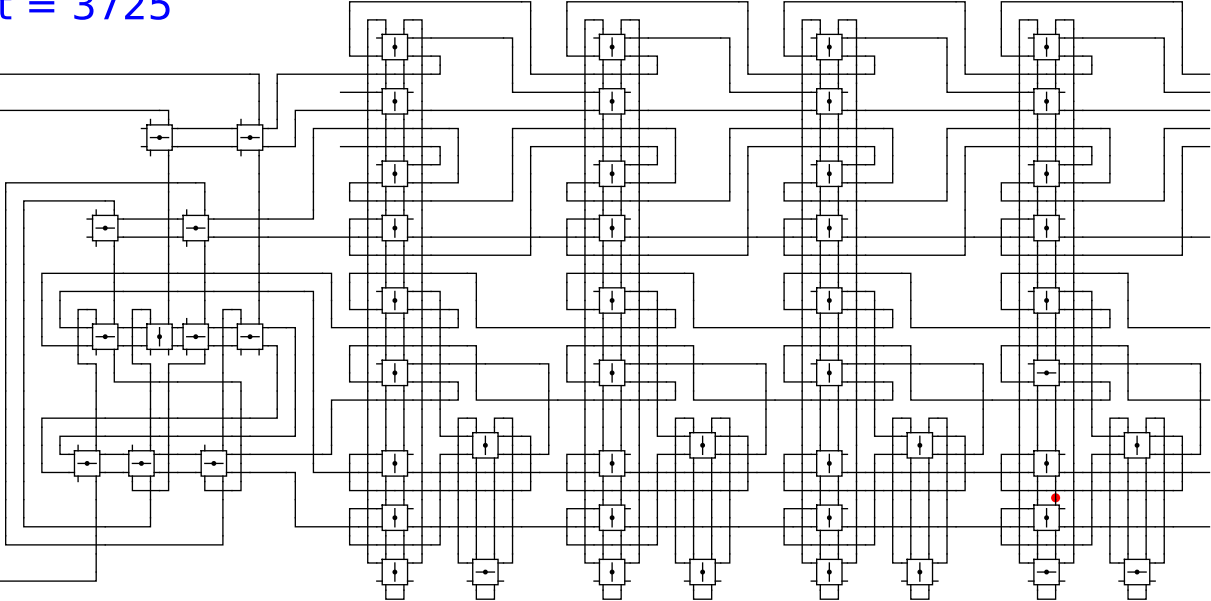
head

1

t = 3725

Reject
Accept

Begin



1

0

0

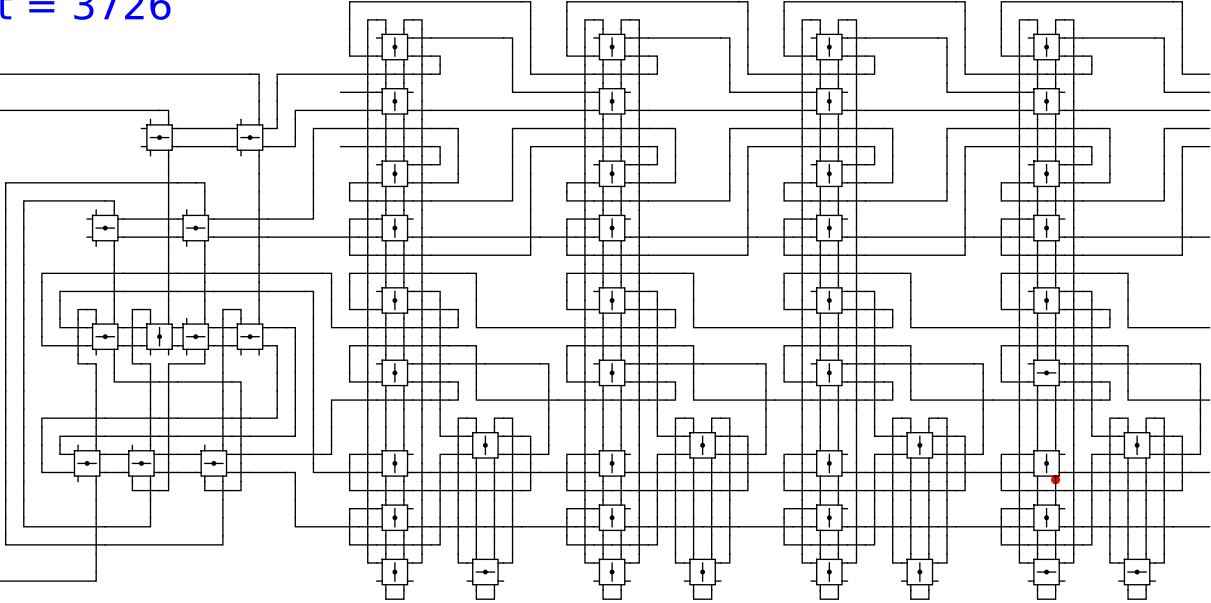
head

1

t = 3726

Reject
Accept

Begin



1

0

0

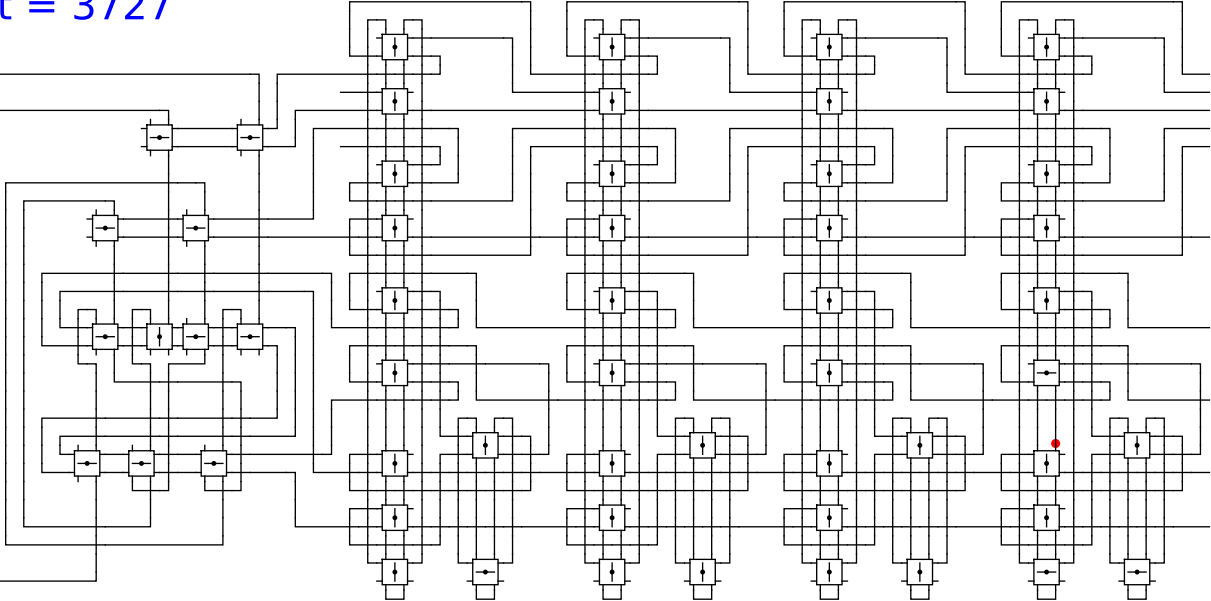
head

1

t = 3727

Reject
Accept

Begin

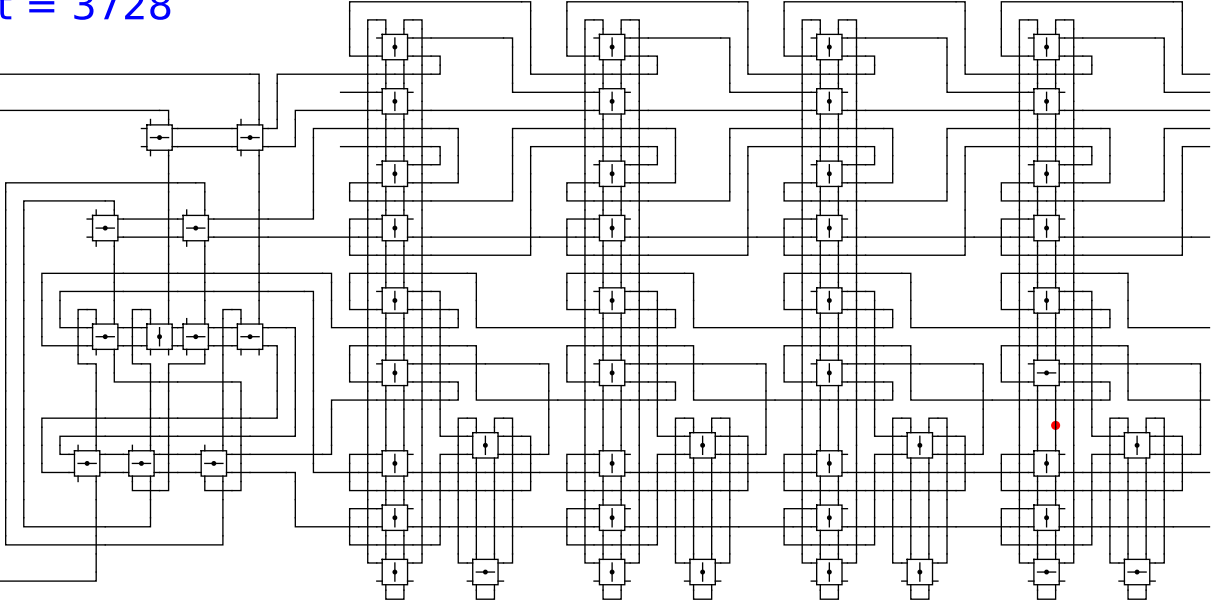


1 0 0 head 1

t = 3728

Reject
Accept

Begin



1

0

0

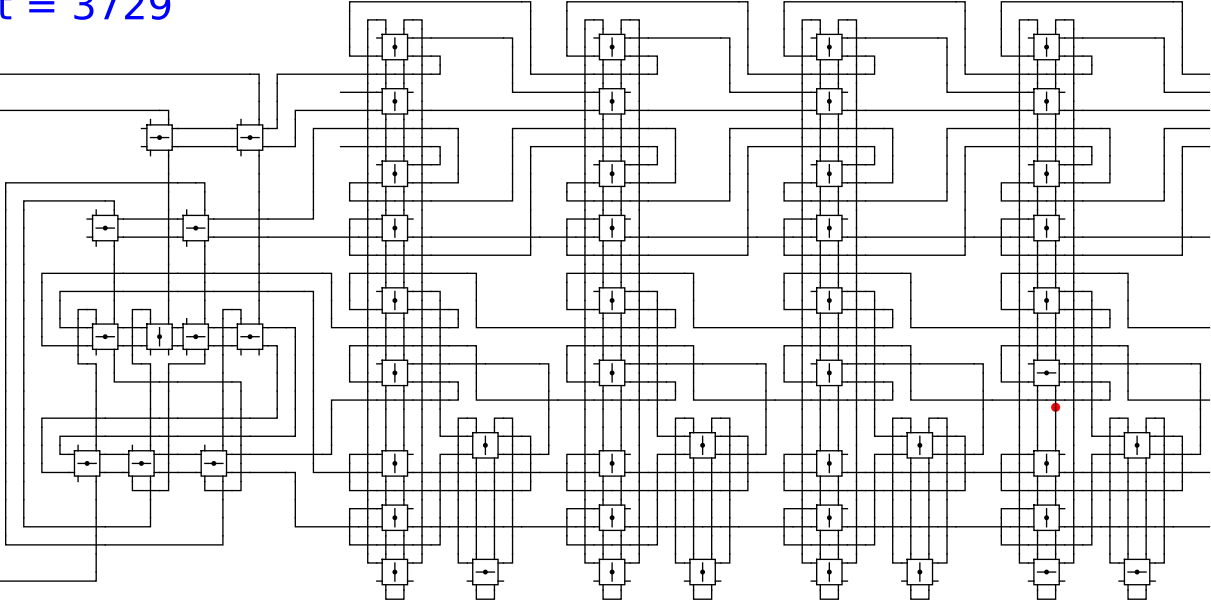
head

1

t = 3729

Reject
Accept

Begin



1

0

0

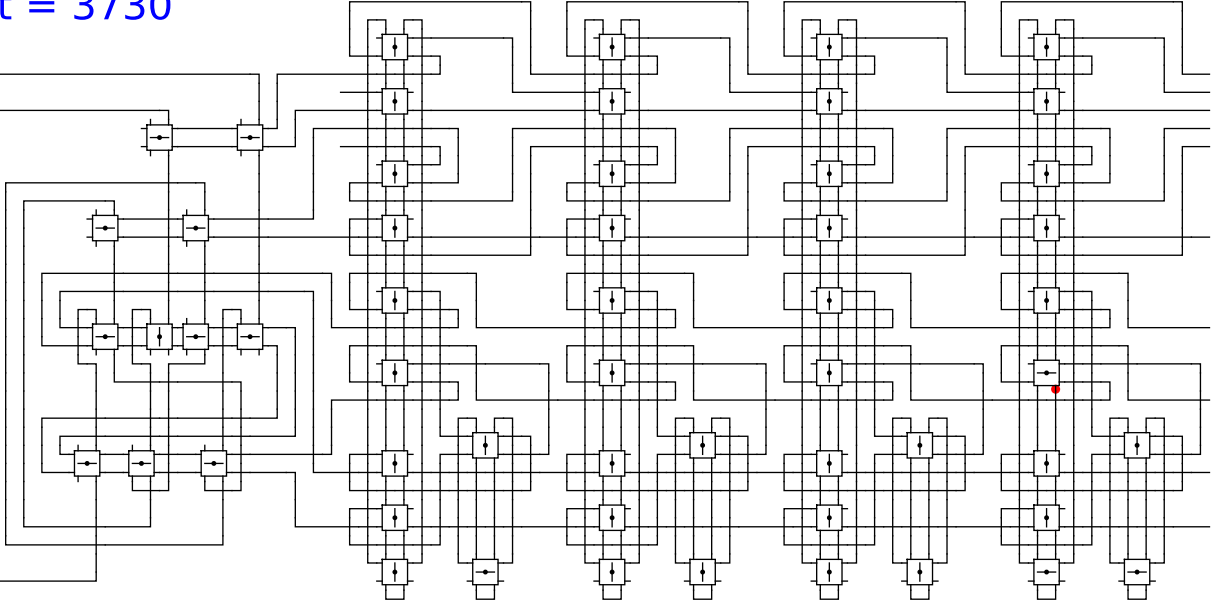
head

1

t = 3730

Reject
Accept

Begin



1

0

0

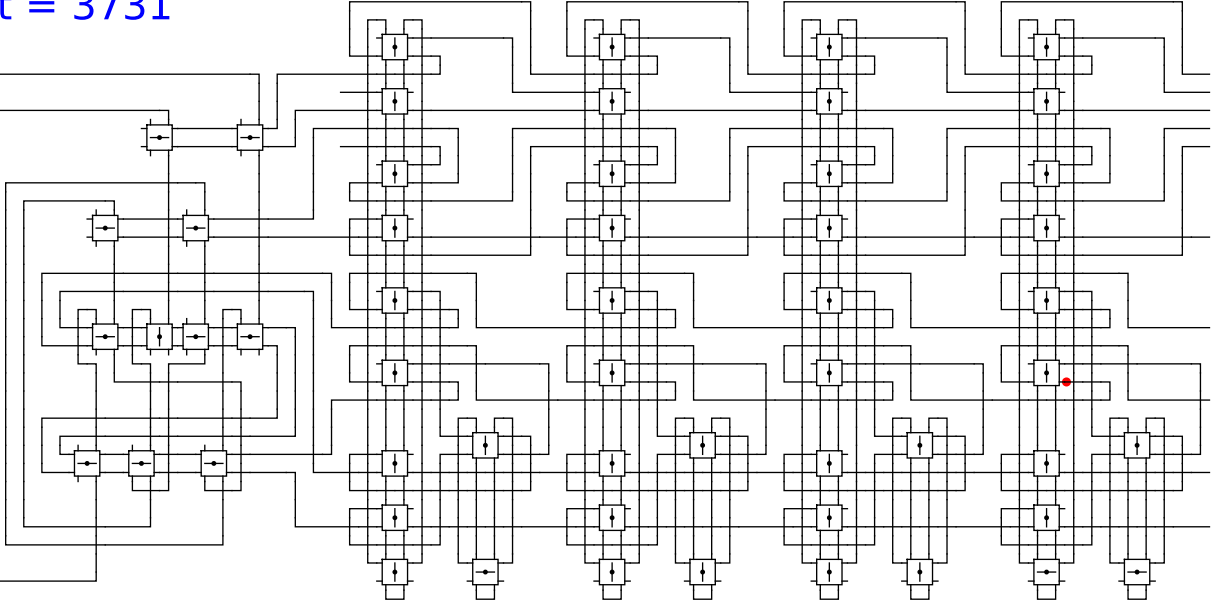
head

1

t = 3731

Reject
Accept

Begin

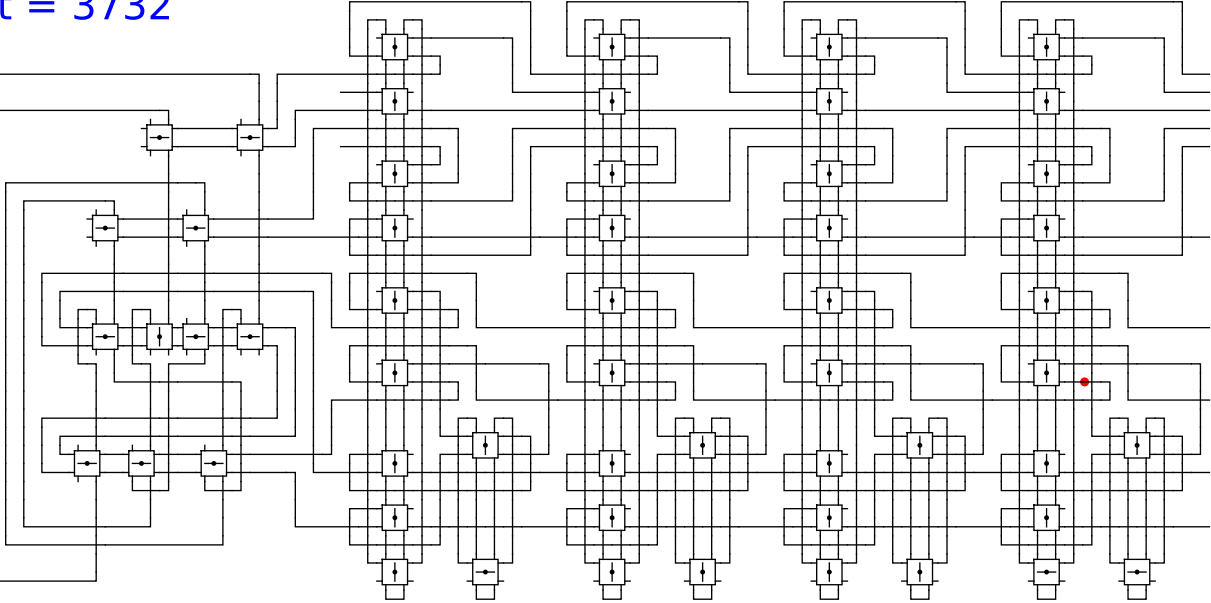


1 0 0 head 1

t = 3732

Reject
Accept

Begin

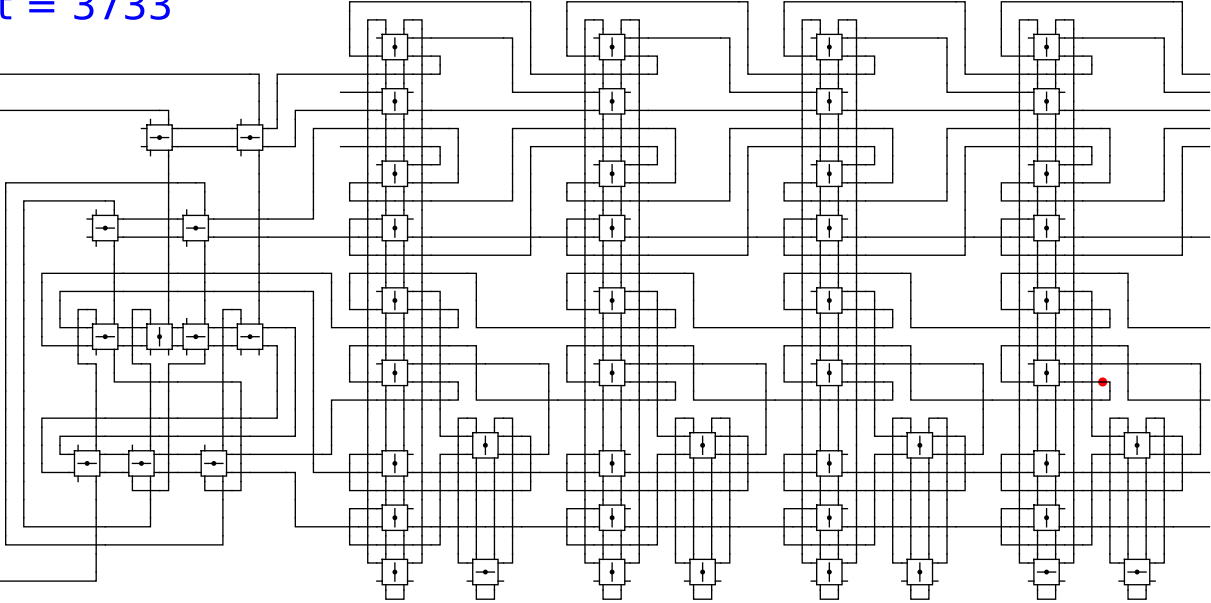


1 0 0 head 1

t = 3733

Reject
Accept

Begin



1

0

0

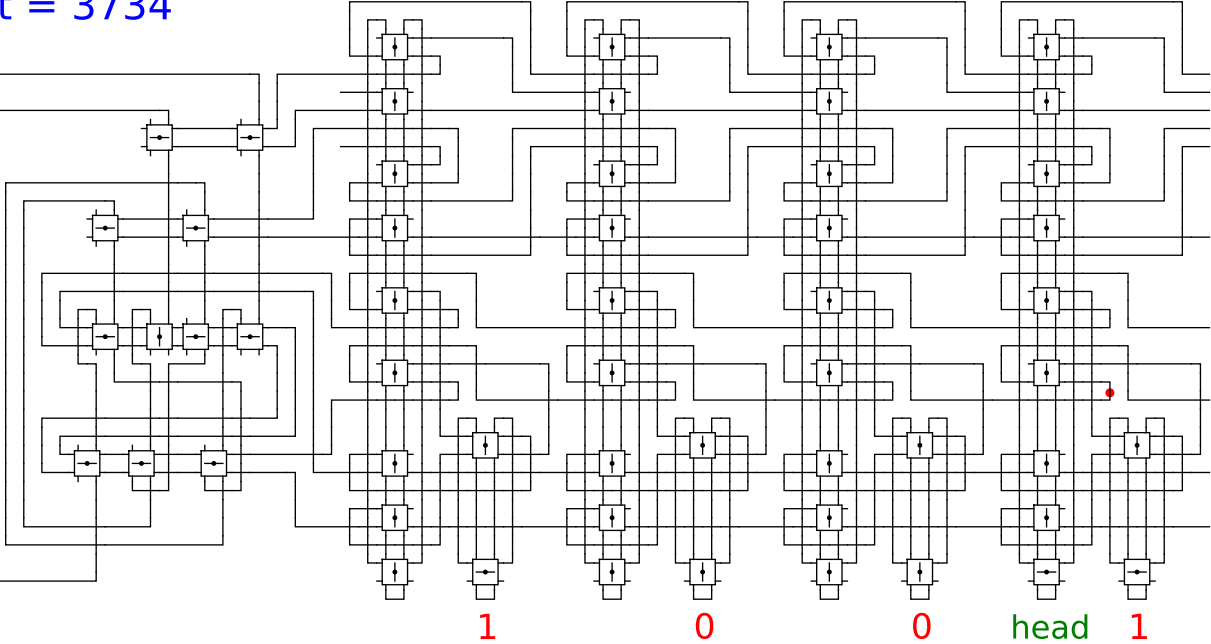
head

1

t = 3734

Reject
Accept

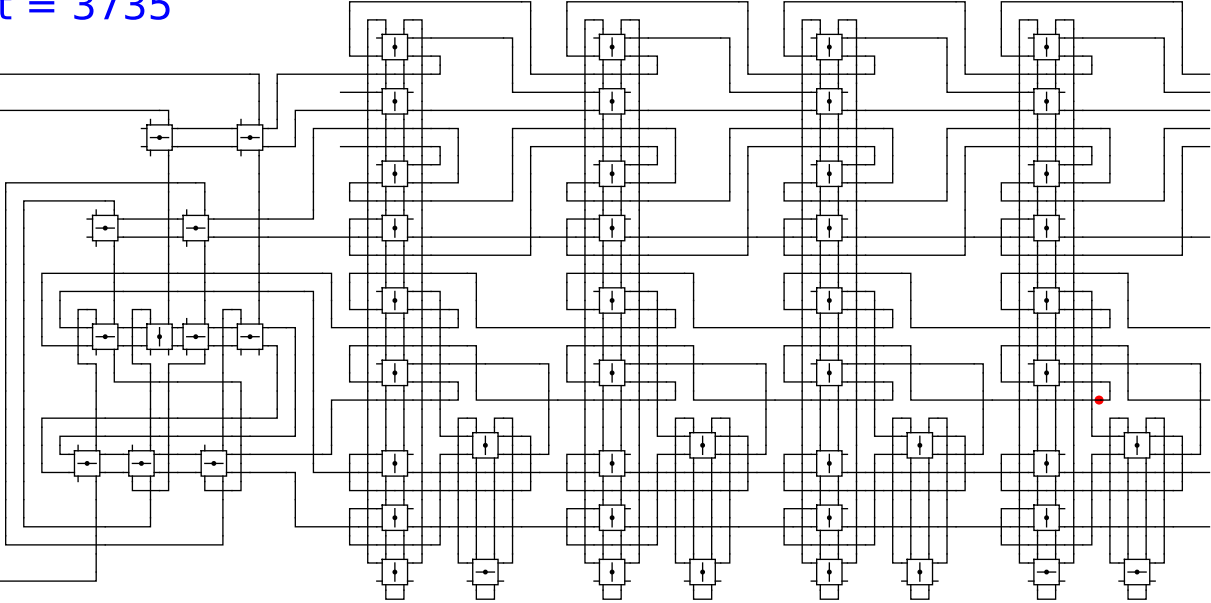
Begin



t = 3735

Reject
Accept

Begin



1

0

0

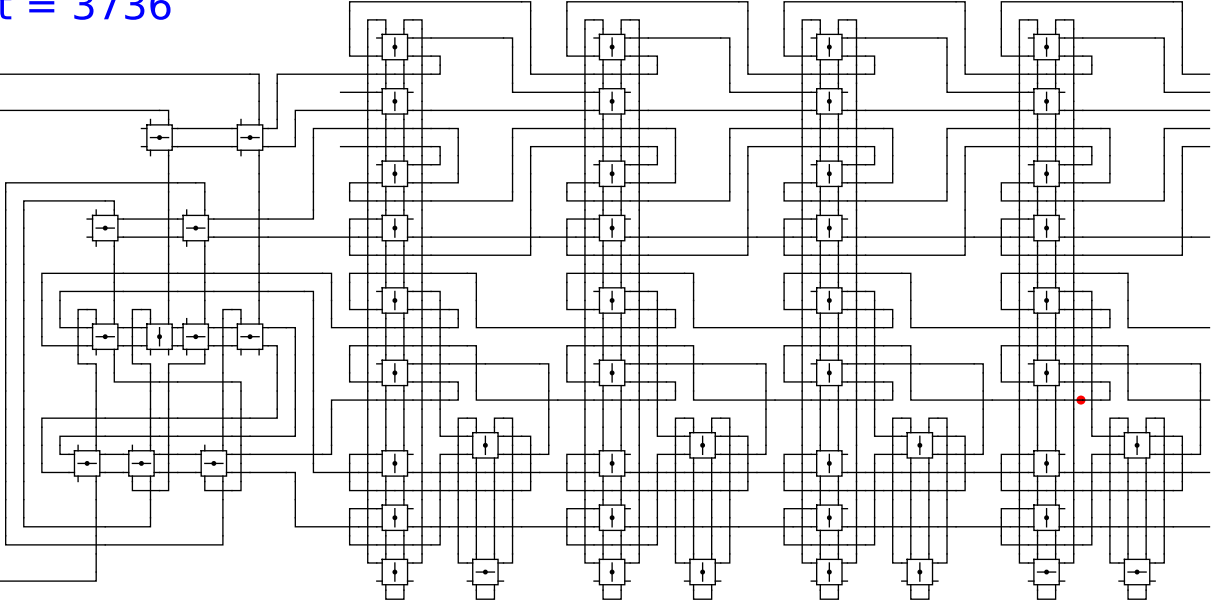
head

1

t = 3736

Reject
Accept

Begin

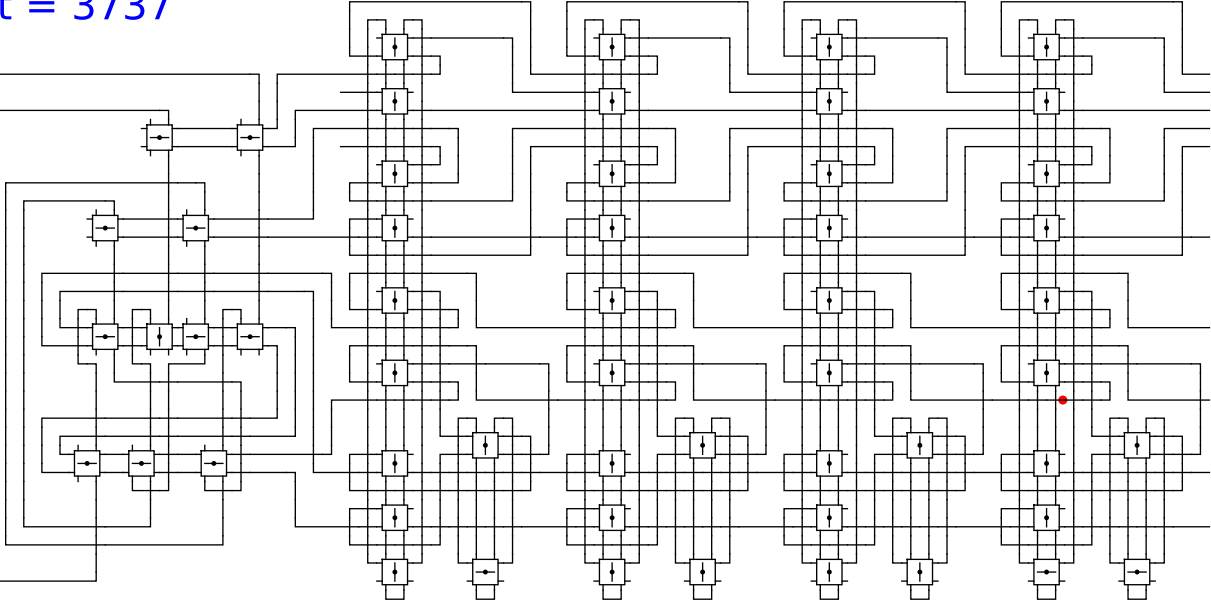


1 0 0 head 1

t = 3737

Reject
Accept

Begin

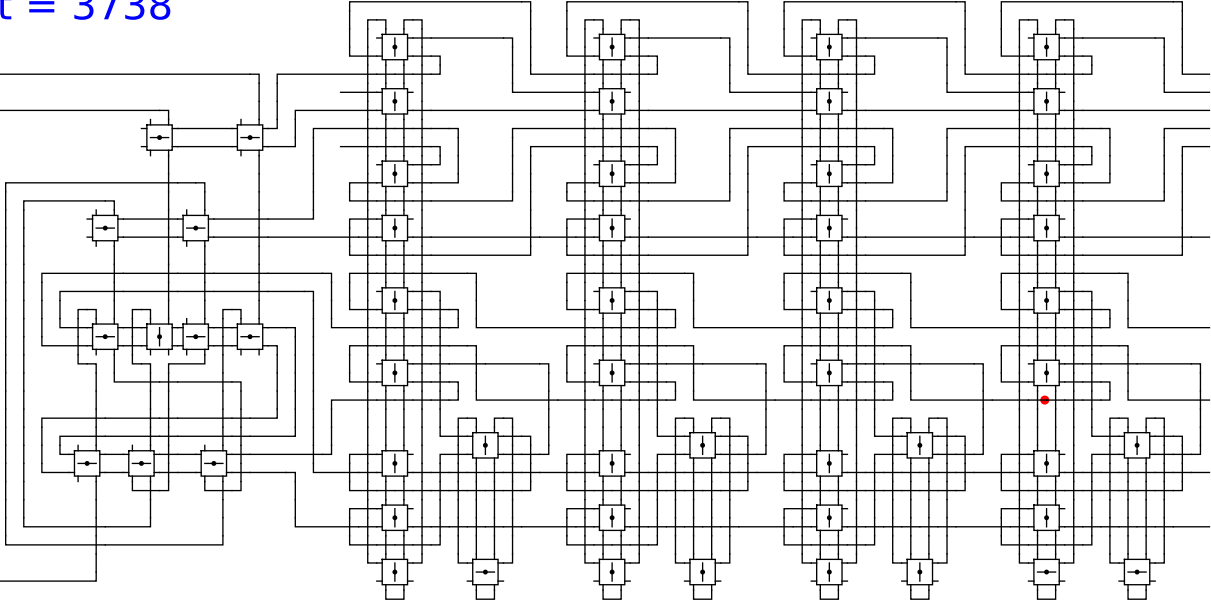


1 0 0 head 1

t = 3738

Reject
Accept

Begin

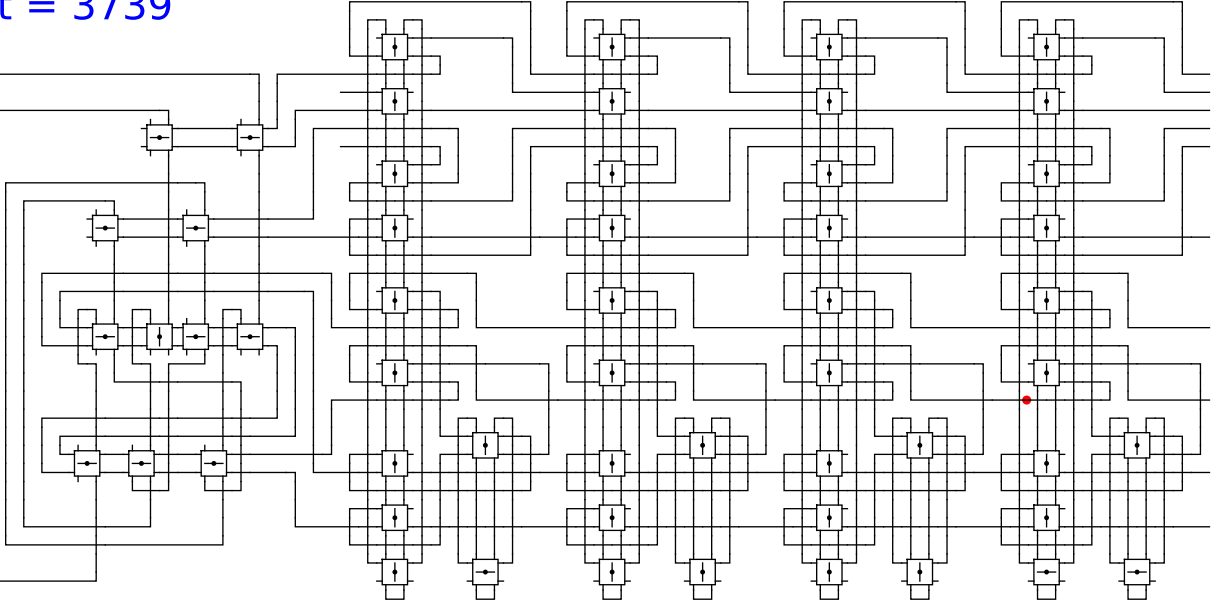


1 0 0 head 1

t = 3739

Reject
Accept

Begin



1

0

0

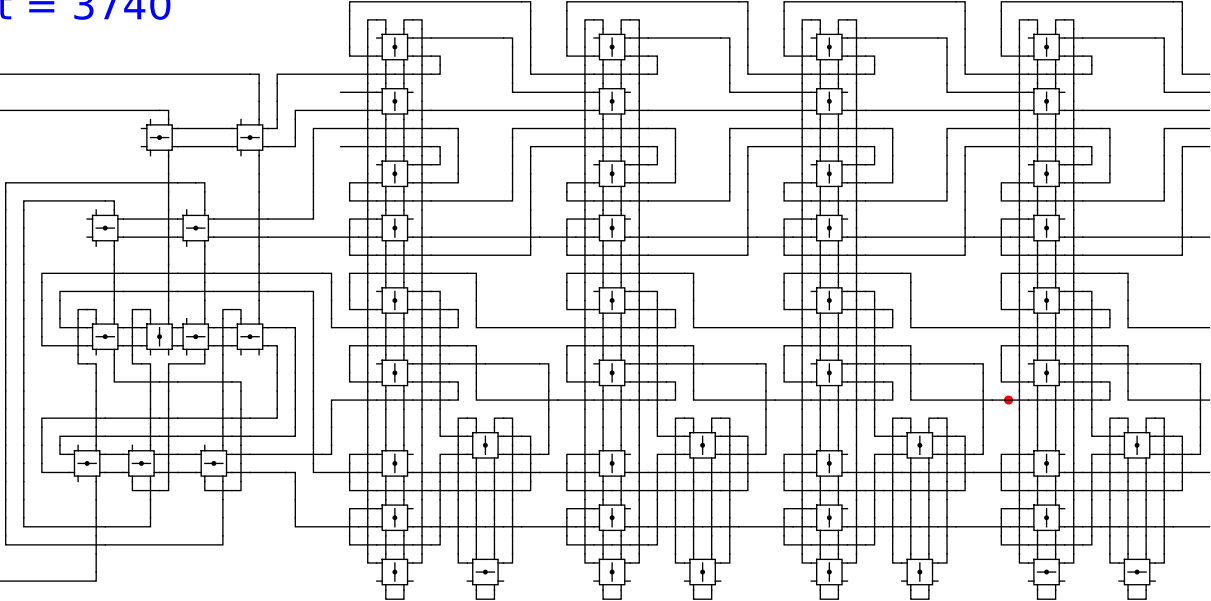
head

1

t = 3740

Reject
Accept

Begin

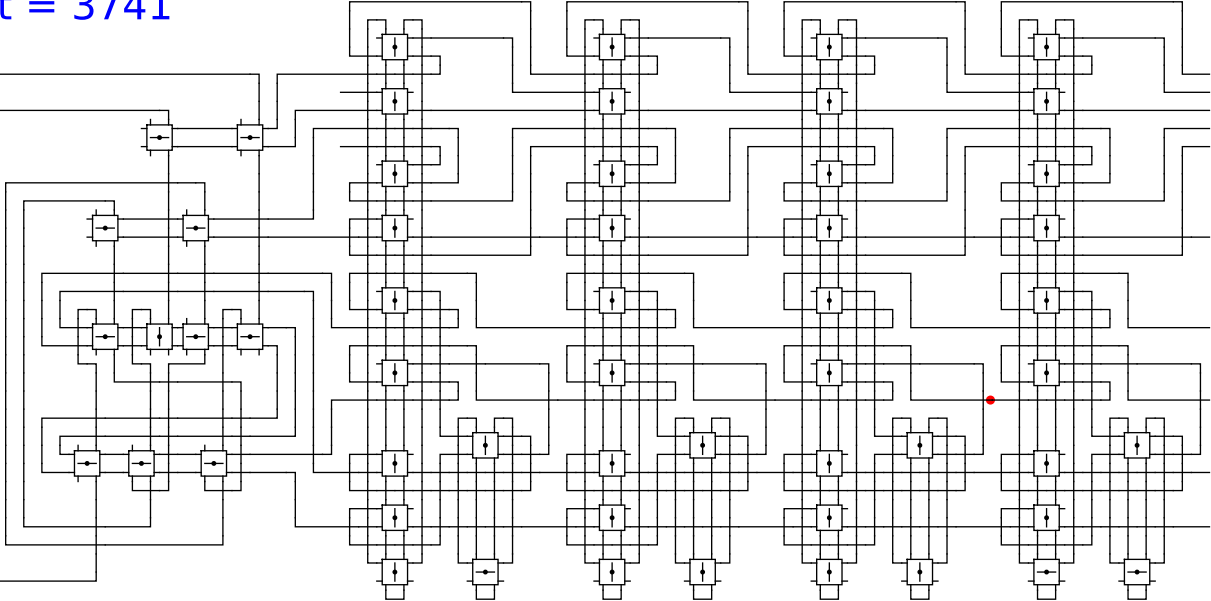


1 0 0 head 1

t = 3741

Reject
Accept

Begin



1

0

0

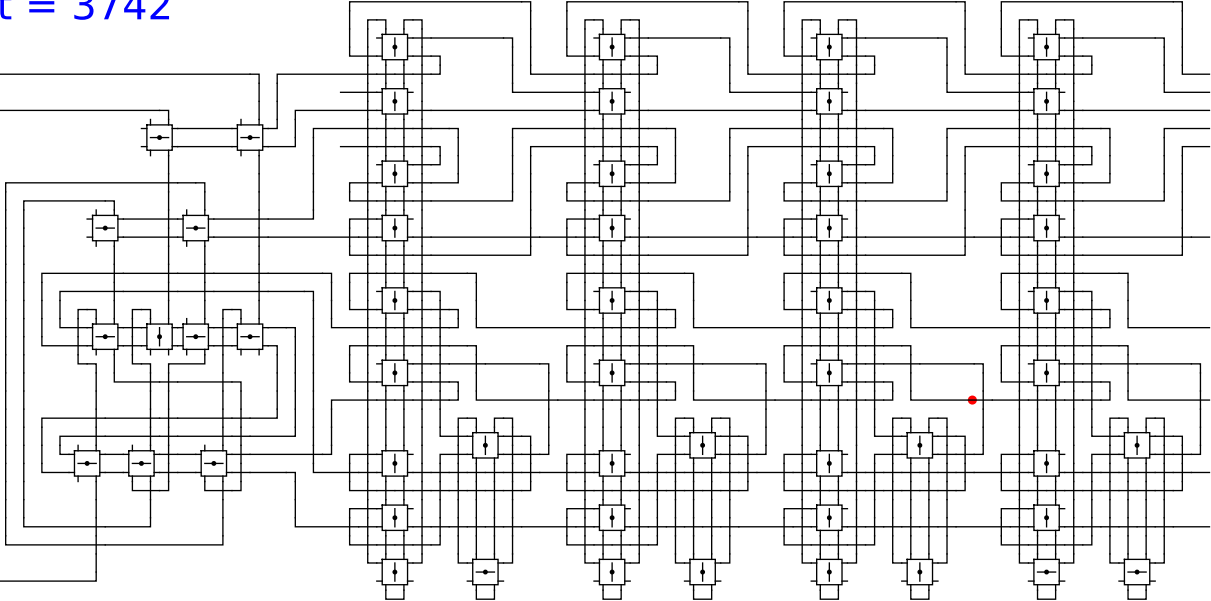
head

1

t = 3742

Reject
Accept

Begin



1

0

0

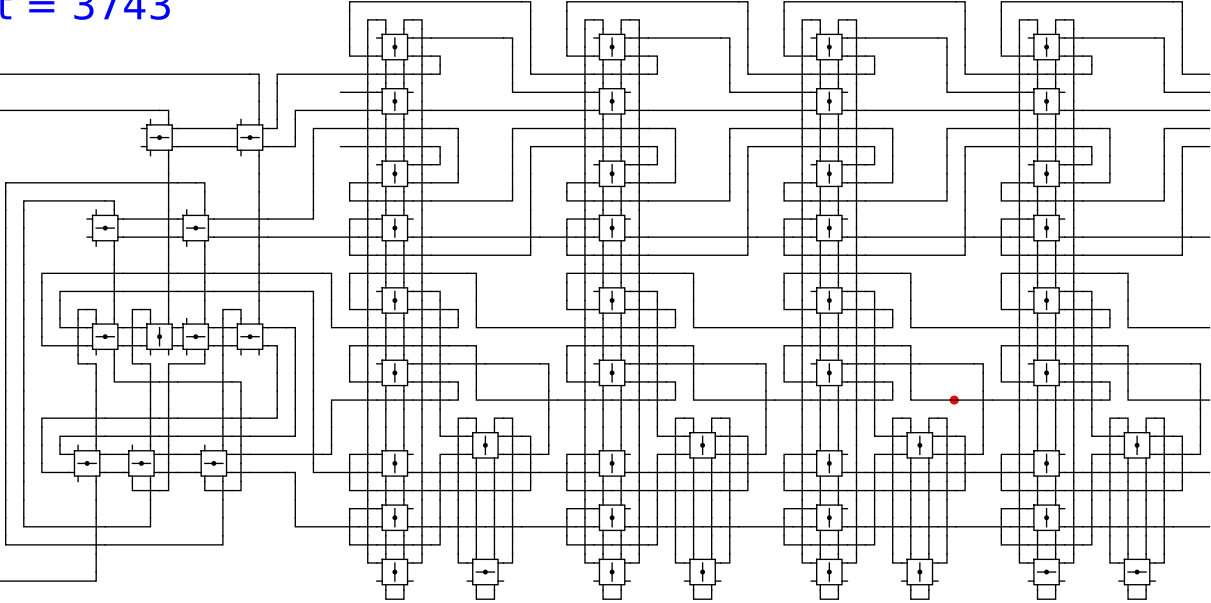
head

1

t = 3743

Reject
Accept

Begin



1

0

0

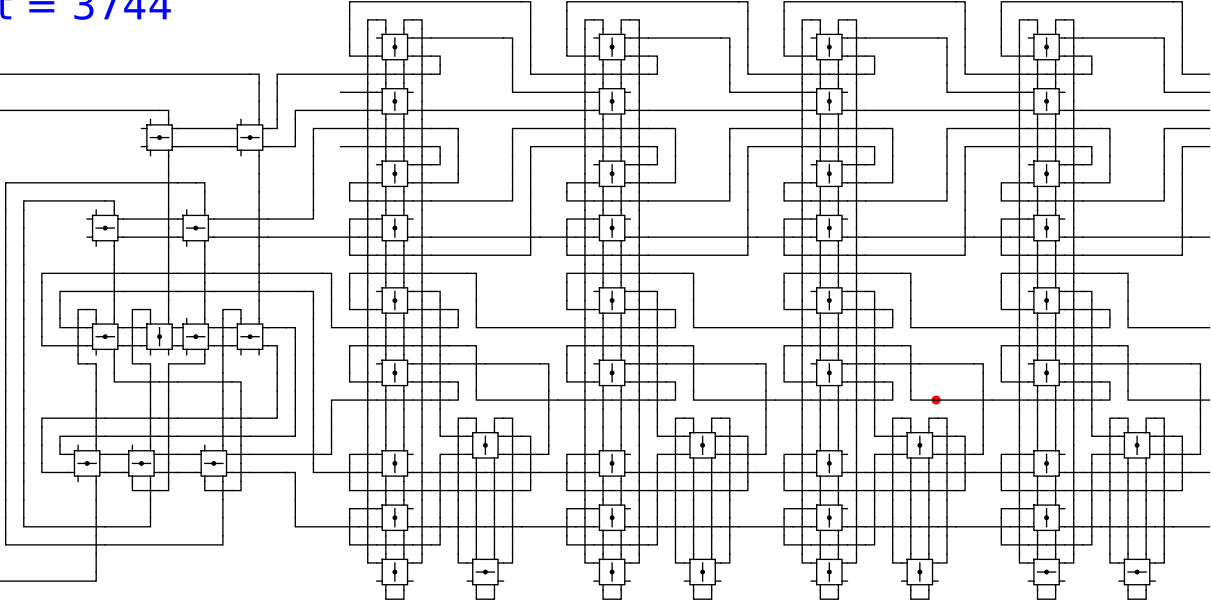
head

1

t = 3744

Reject
Accept

Begin



1

0

0

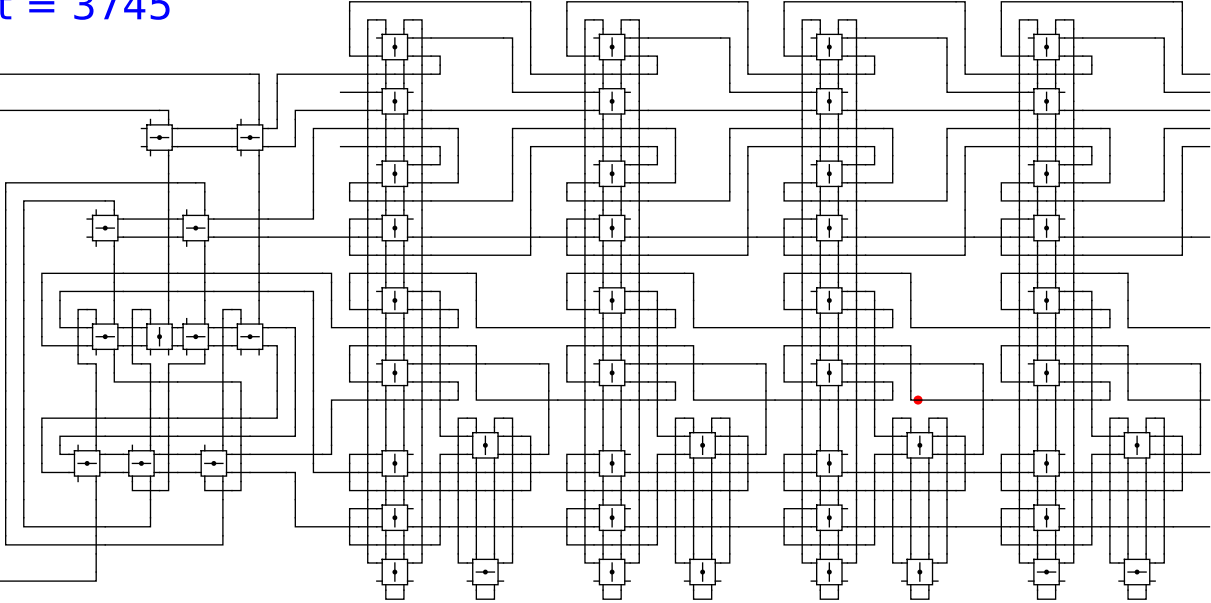
head

1

t = 3745

Reject
Accept

Begin



1

0

0

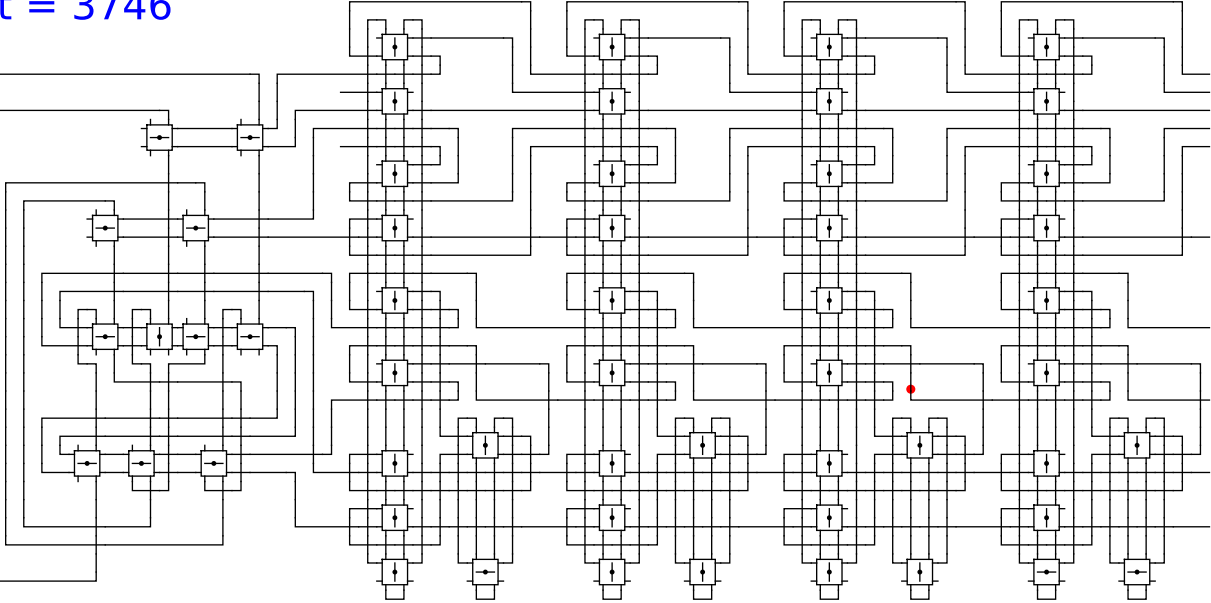
head

1

t = 3746

Reject
Accept

Begin



1

0

0

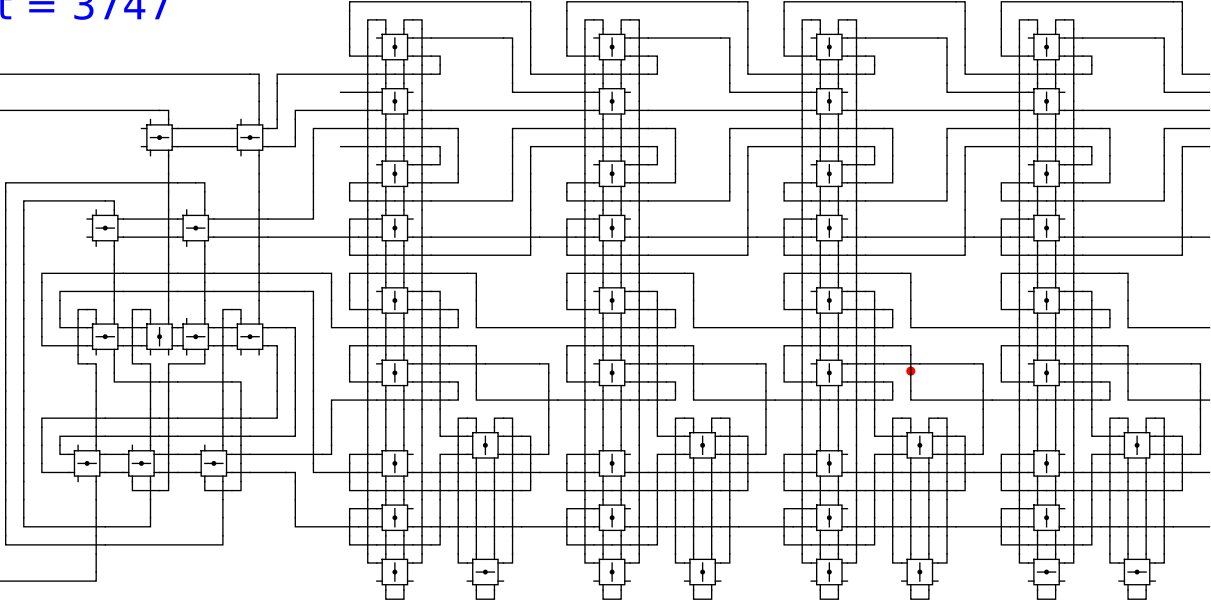
head

1

t = 3747

Reject
Accept

Begin

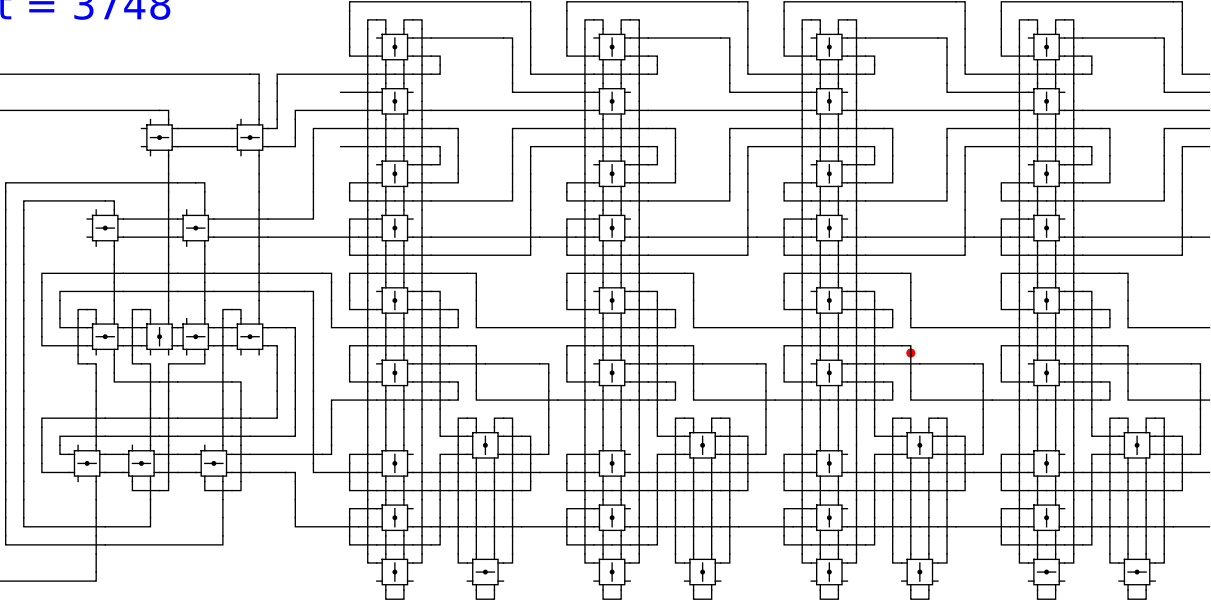


1 0 0 head 1

t = 3748

Reject
Accept

Begin



1

0

0

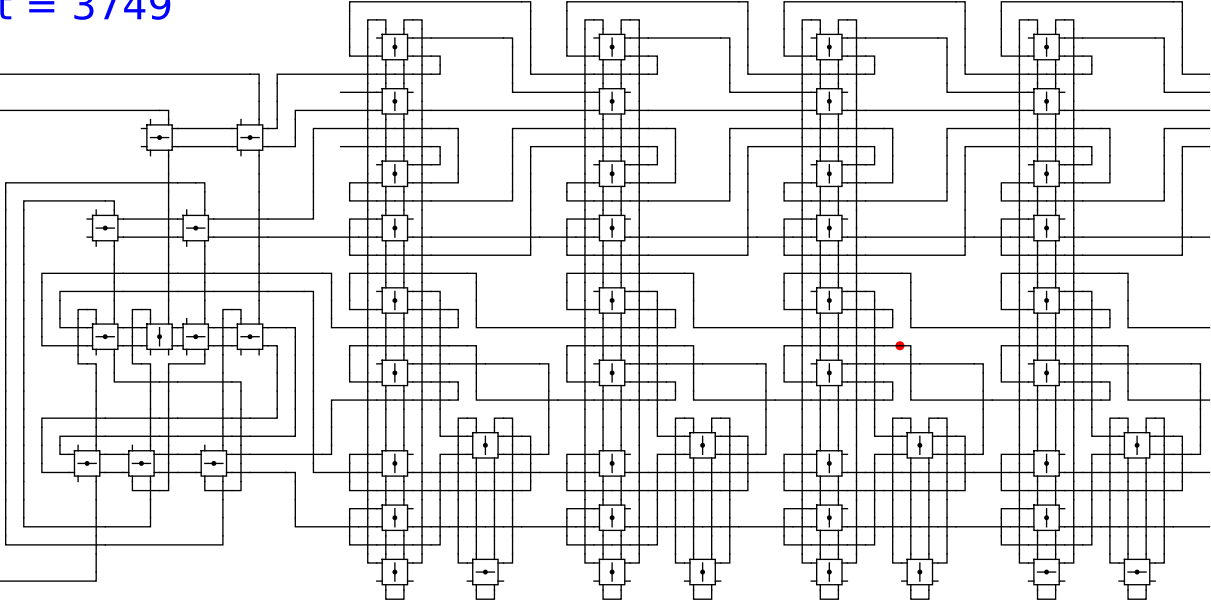
head

1

t = 3749

Reject
Accept

Begin

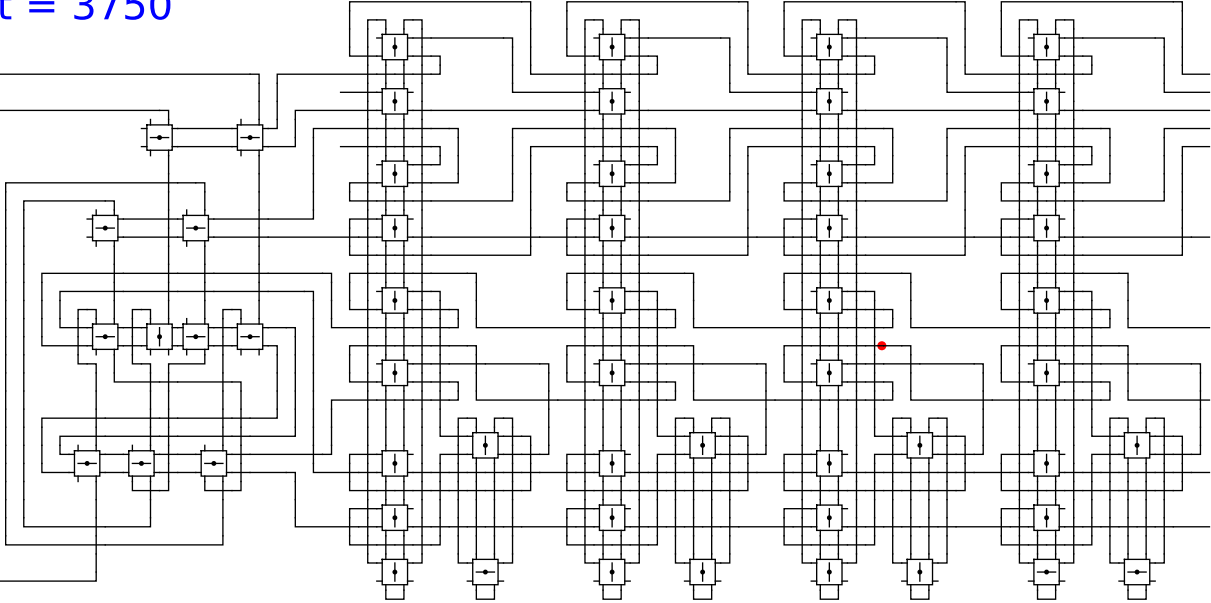


1 0 0 head 1

t = 3750

Reject
Accept

Begin



1

0

0

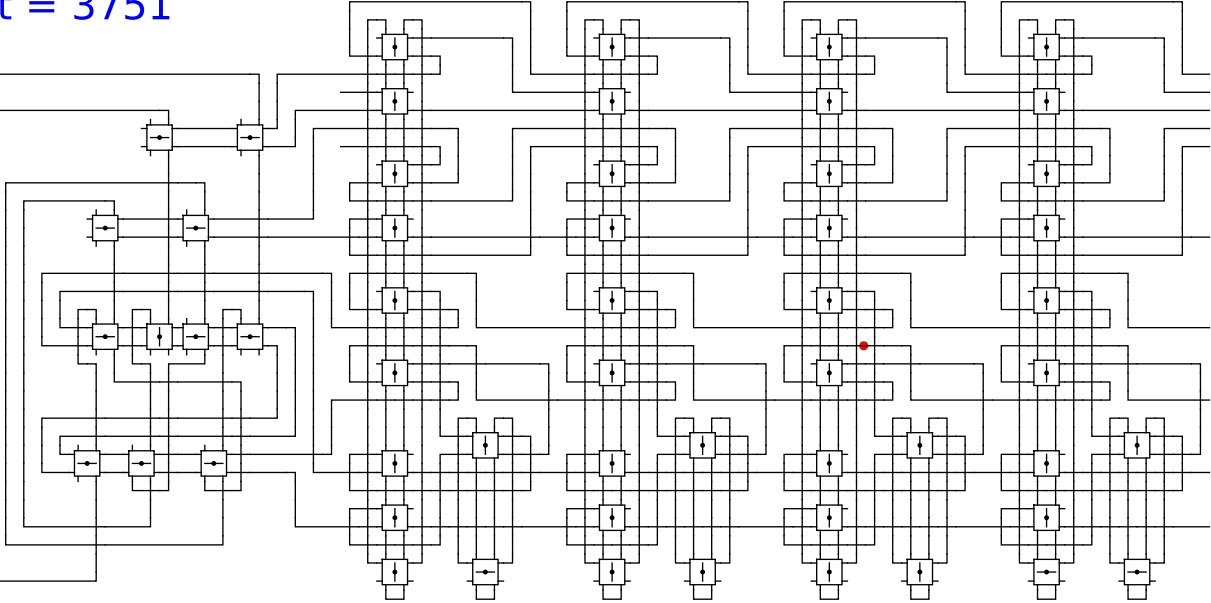
head

1

t = 3751

Reject
Accept

Begin

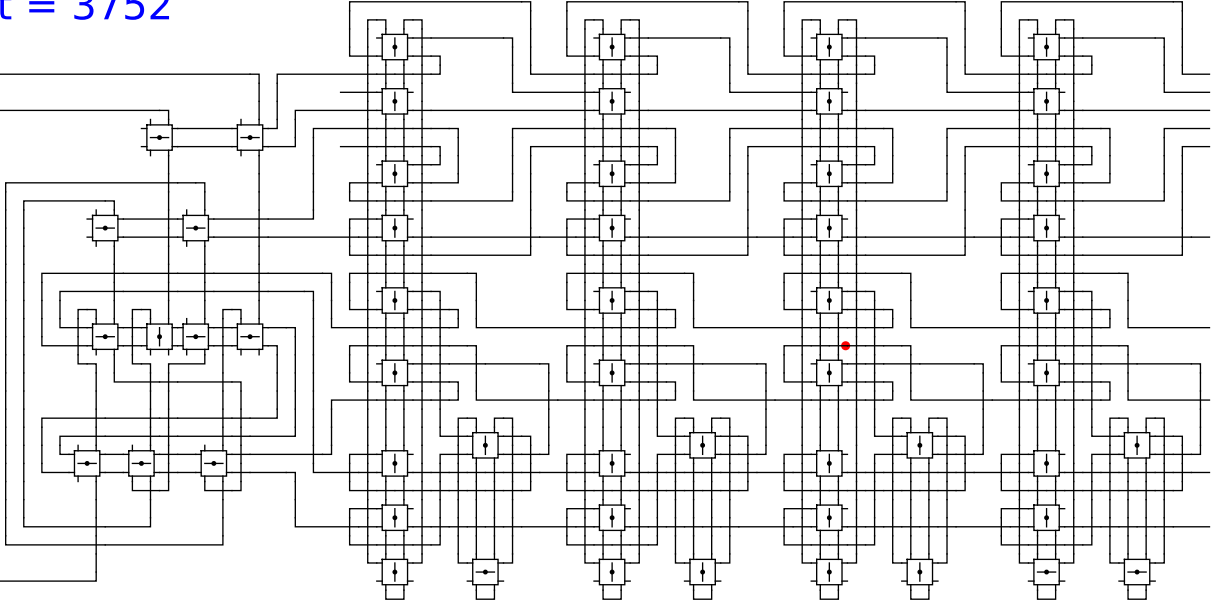


1 0 0 head 1

t = 3752

Reject
Accept

Begin



1

0

0

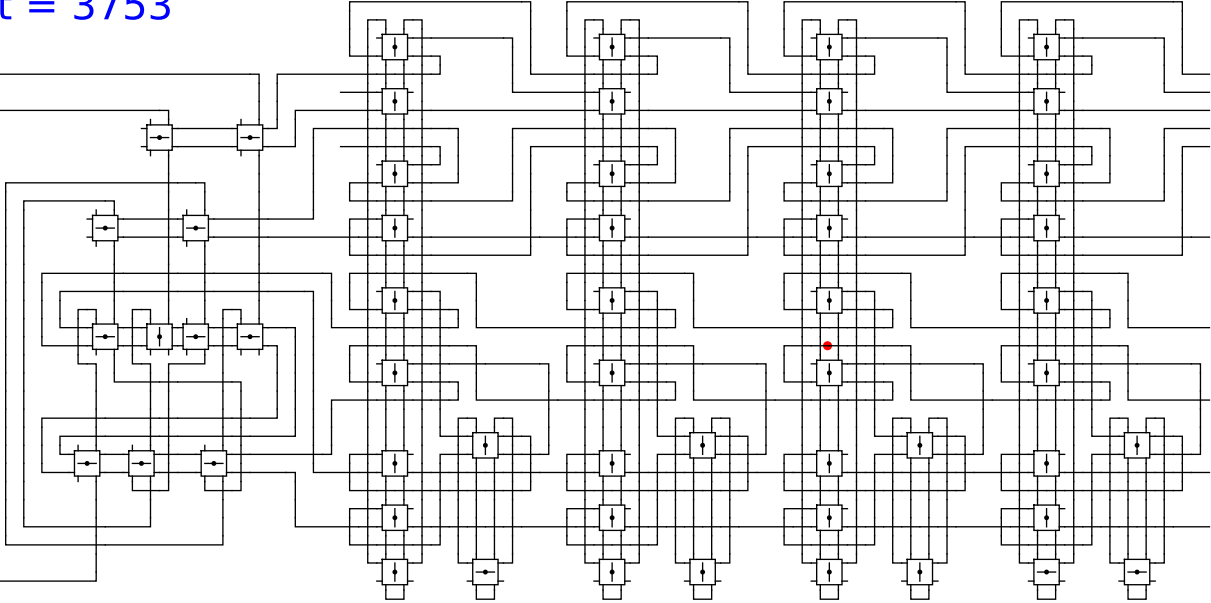
head

1

t = 3753

Reject
Accept

Begin

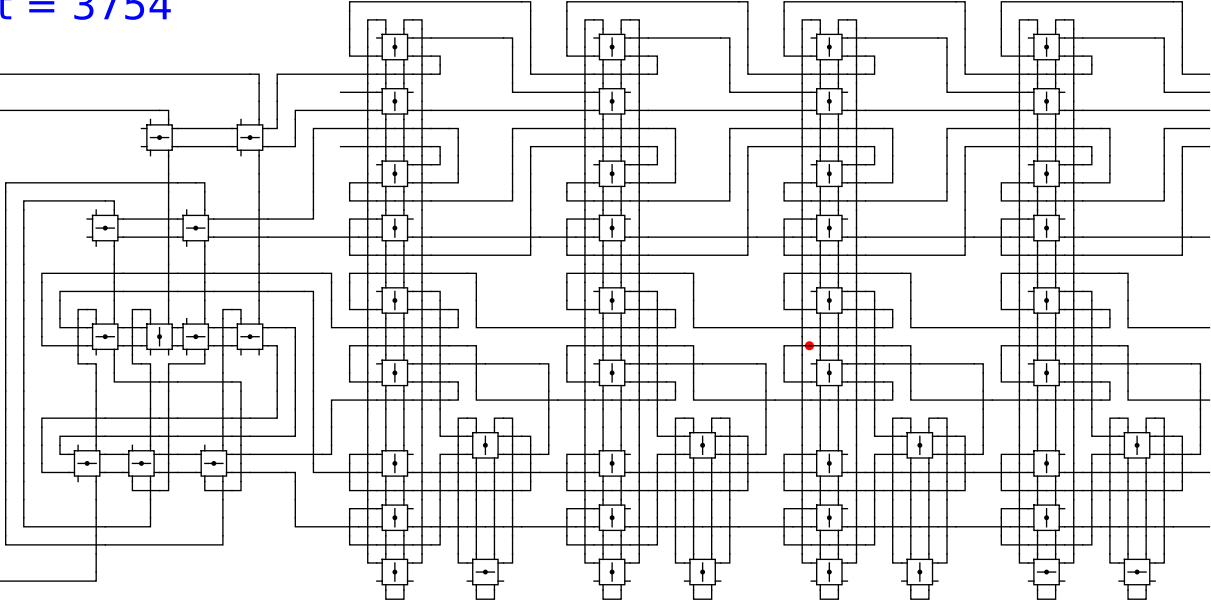


1 0 0 head 1

t = 3754

Reject
Accept

Begin



1

0

0

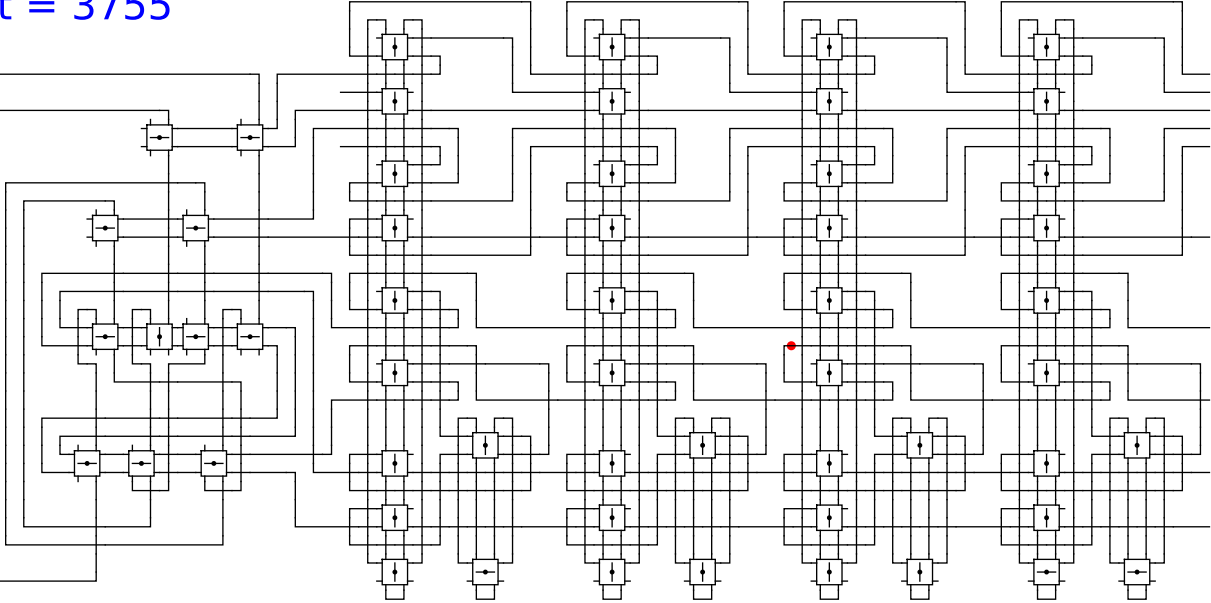
head

1

t = 3755

Reject
Accept

Begin

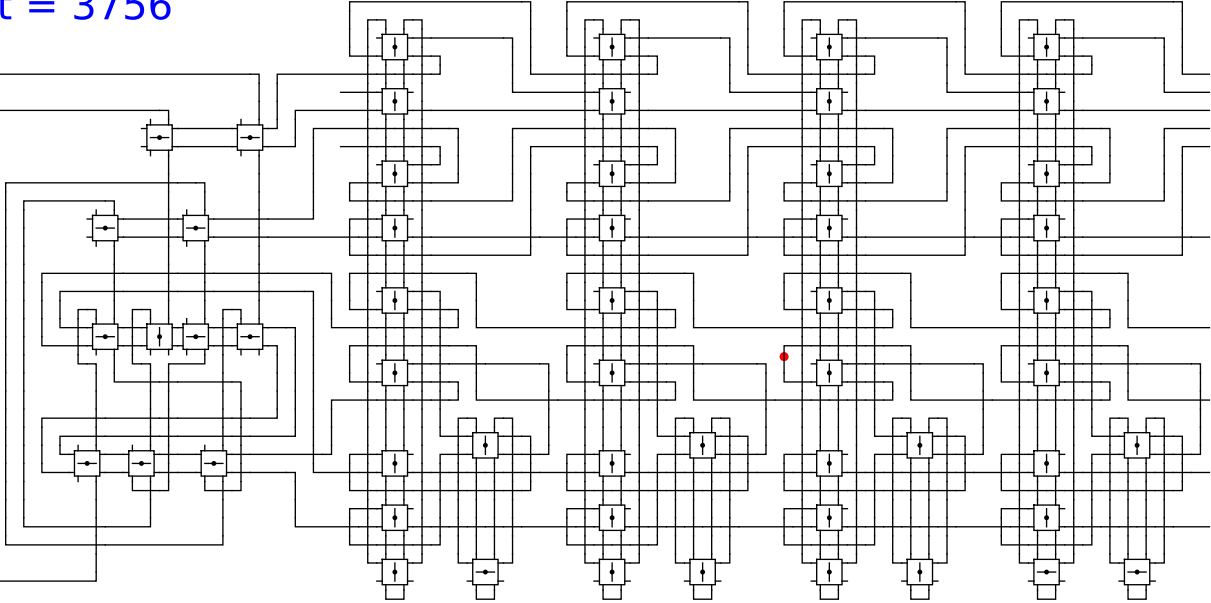


1 0 0 head 1

t = 3756

Reject
Accept

Begin



1

0

0

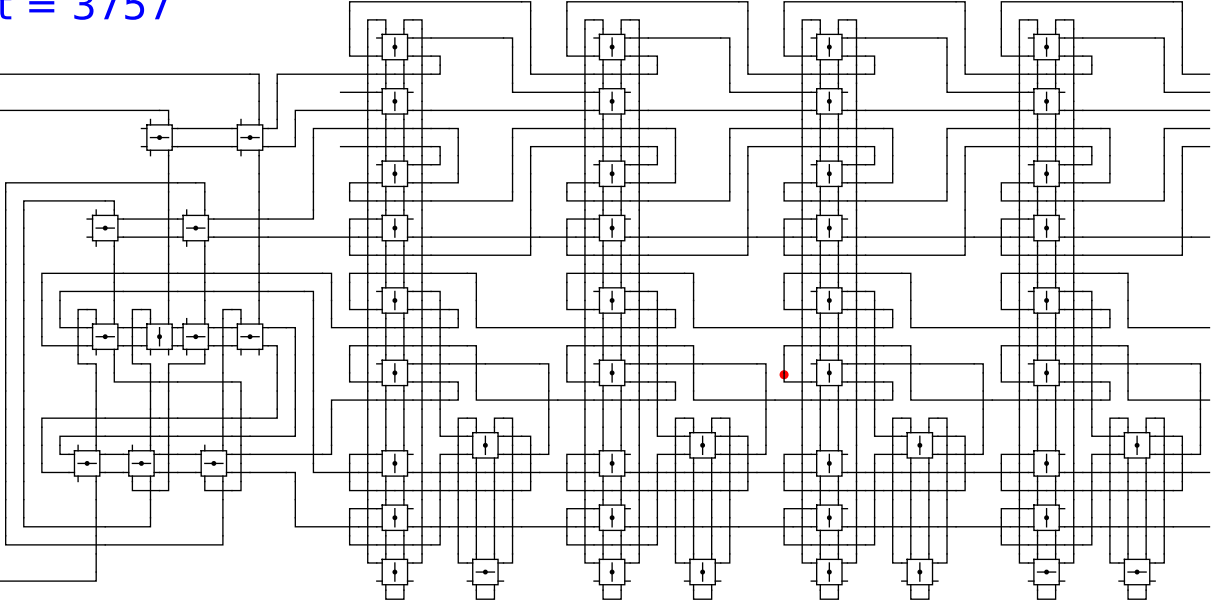
head

1

t = 3757

Reject
Accept

Begin

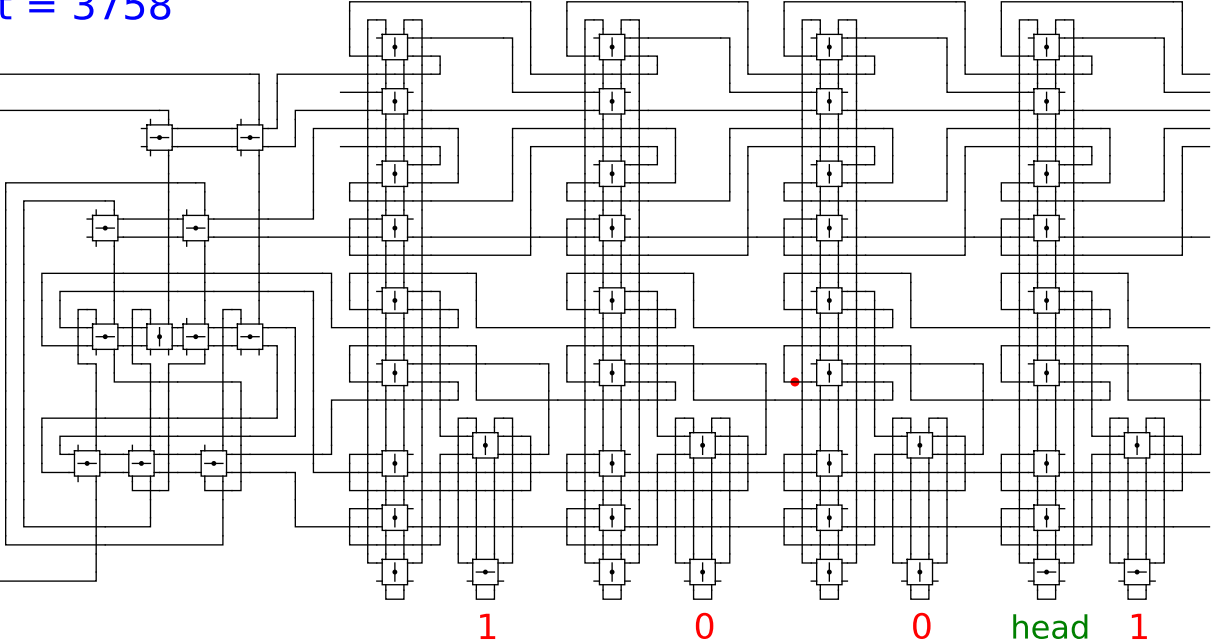


1 0 0 head 1

t = 3758

Reject
Accept

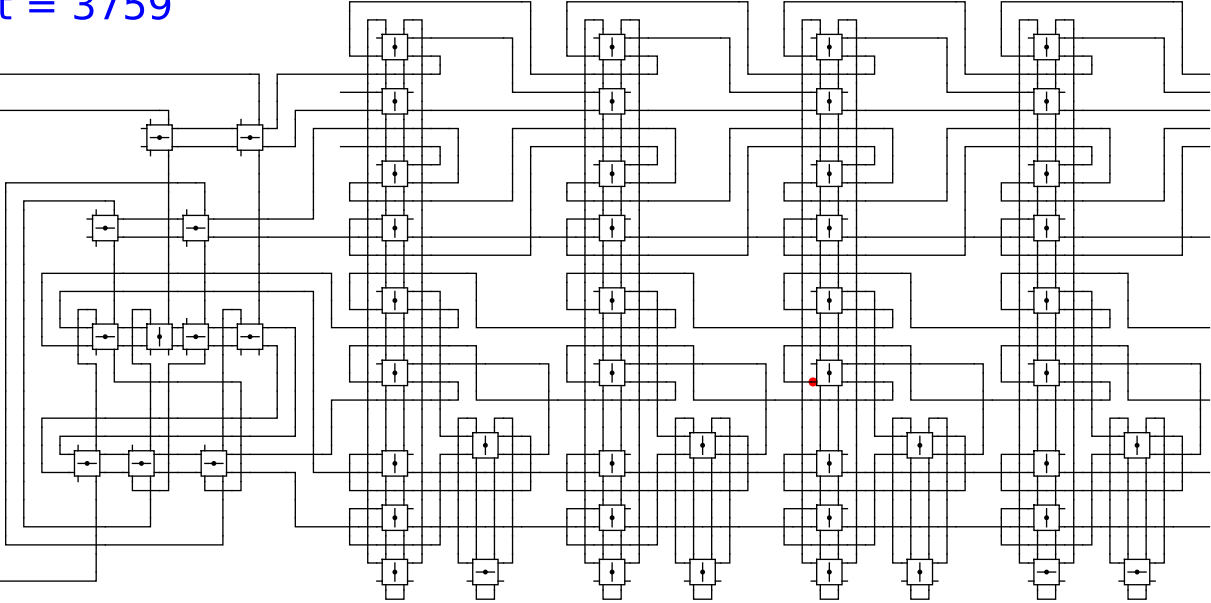
Begin



t = 3759

Reject
Accept

Begin



1

0

0

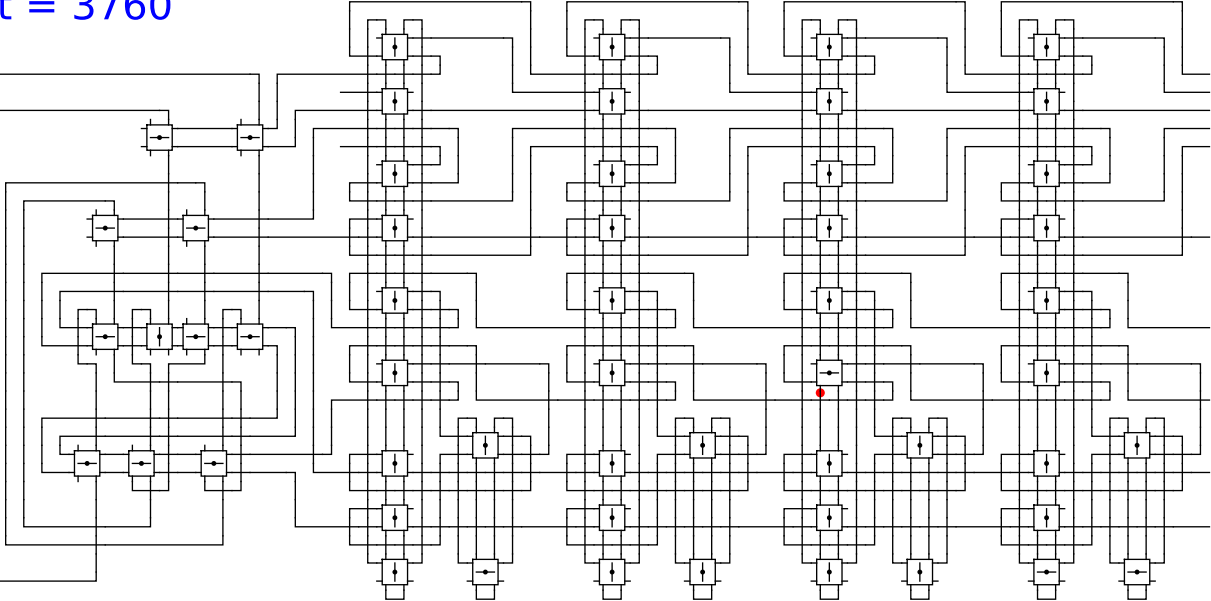
head

1

t = 3760

Reject
Accept

Begin



1

0

0

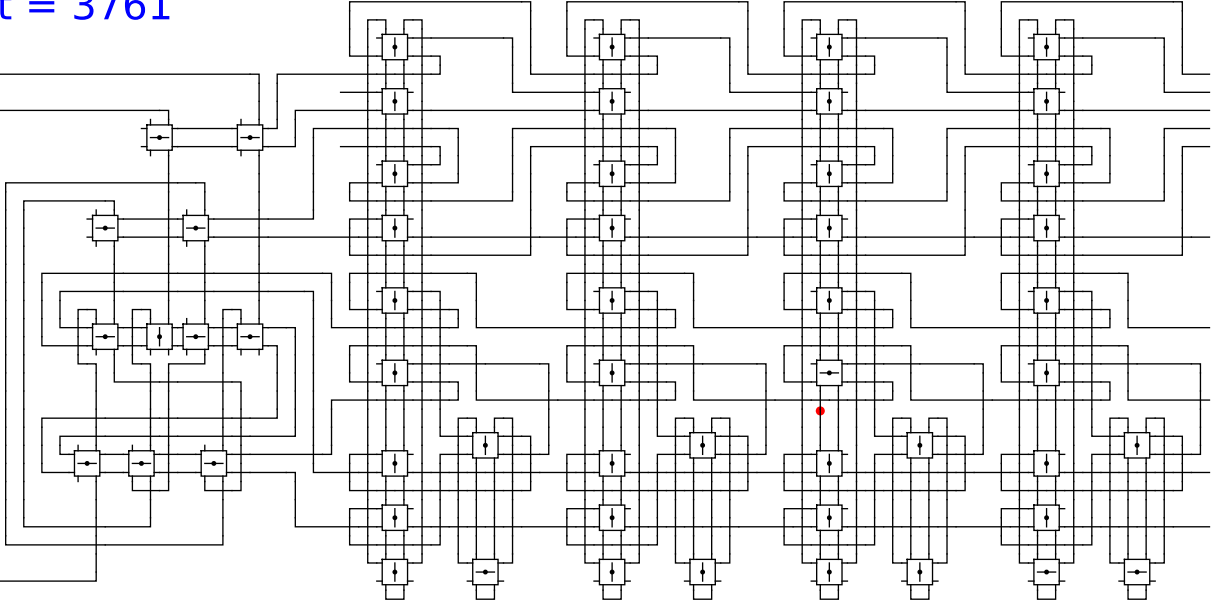
head

1

t = 3761

Reject
Accept

Begin

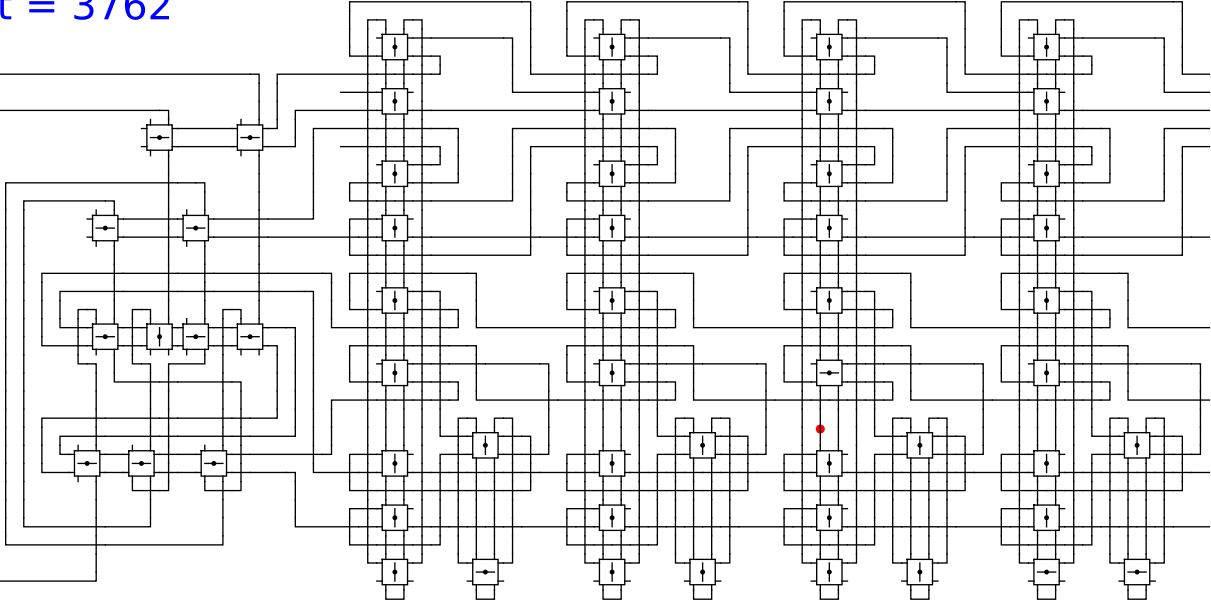


1 0 0 head 1

t = 3762

Reject
Accept

Begin



1

0

0

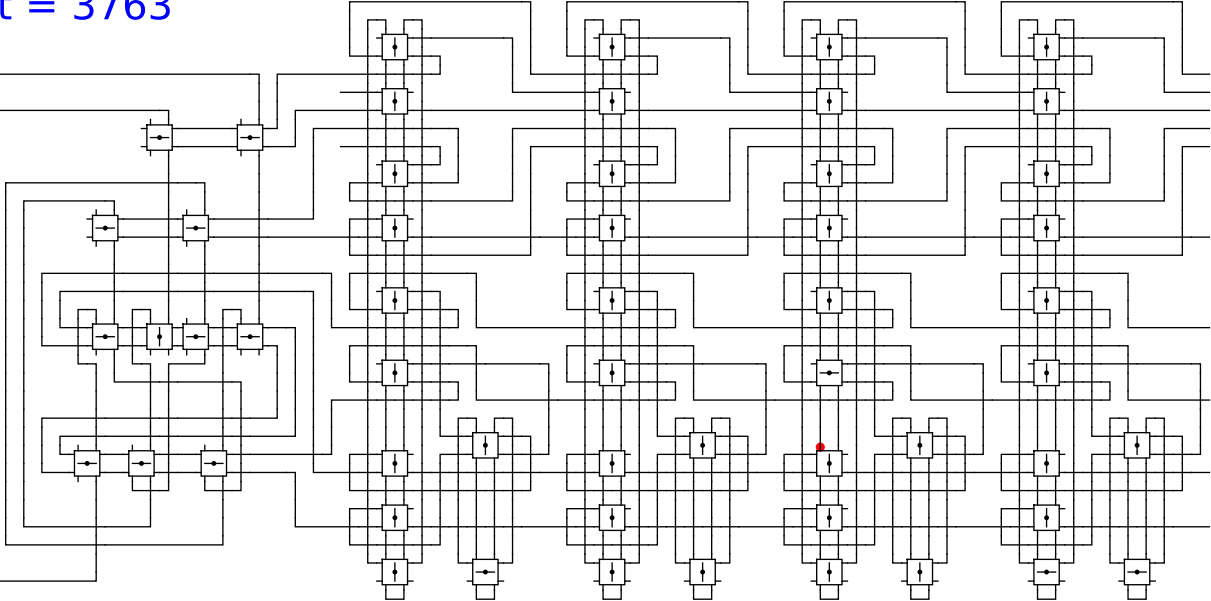
head

1

t = 3763

Reject
Accept

Begin



1

0

0

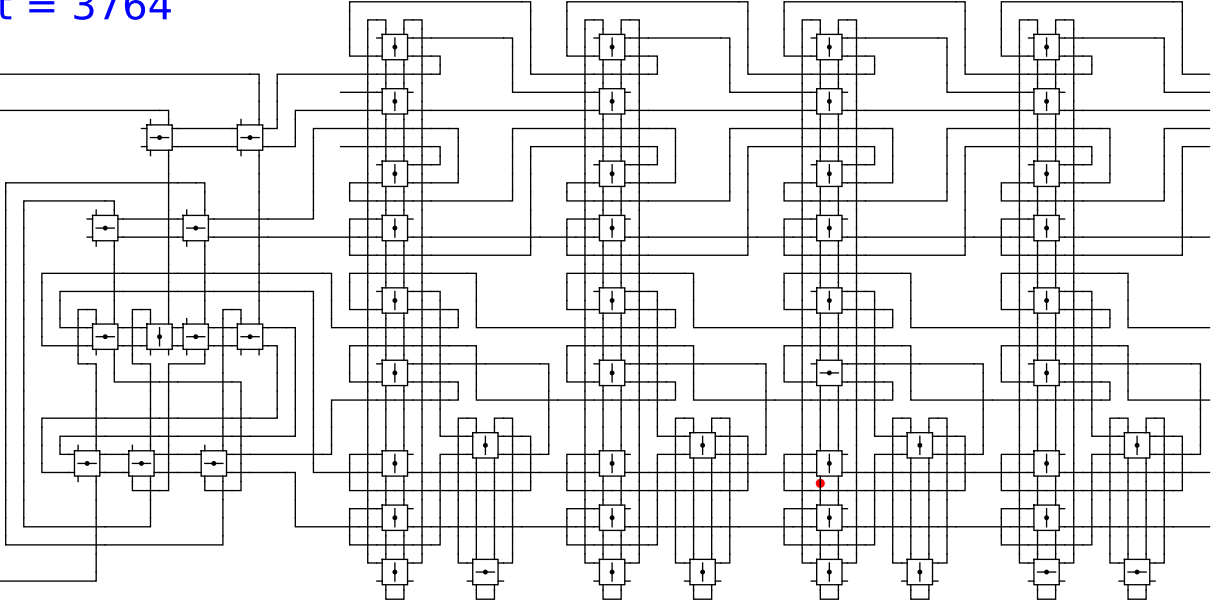
head

1

t = 3764

Reject
Accept

Begin

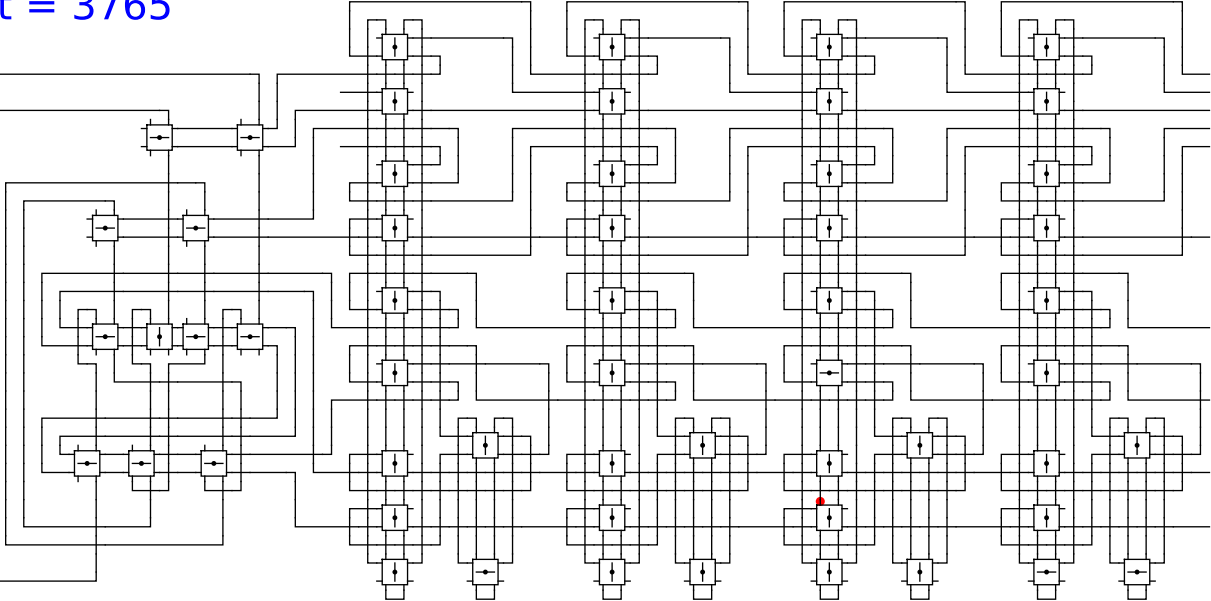


1 0 0 head 1

t = 3765

Reject
Accept

Begin



1

0

0

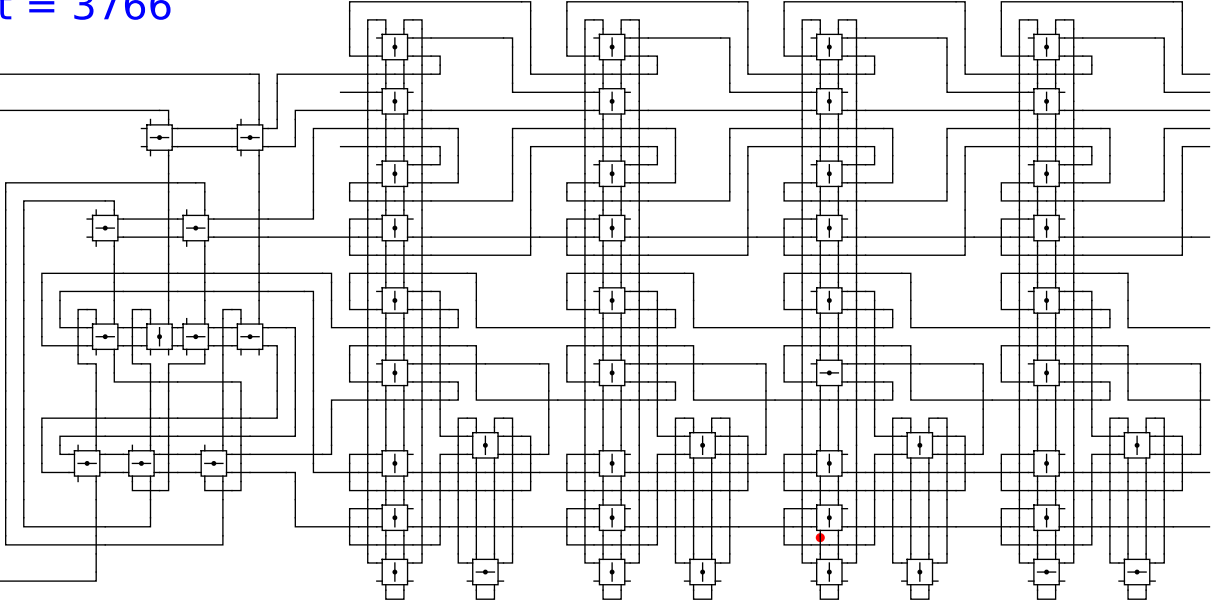
head

1

t = 3766

Reject
Accept

Begin



1

0

0

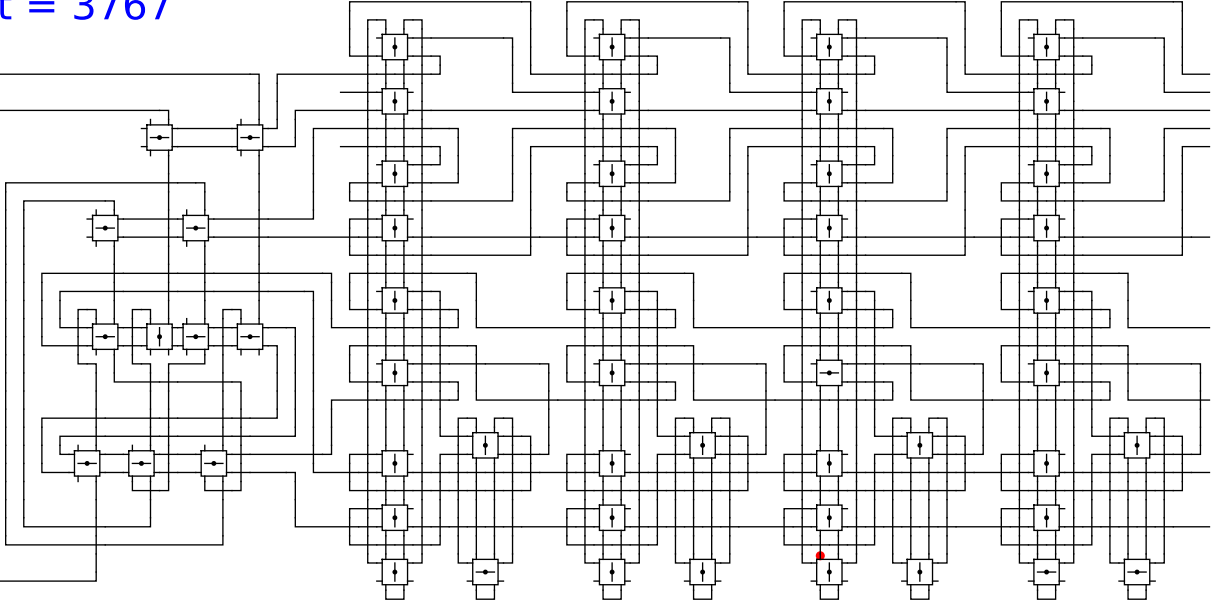
head

1

t = 3767

Reject
Accept

Begin



1

0

0

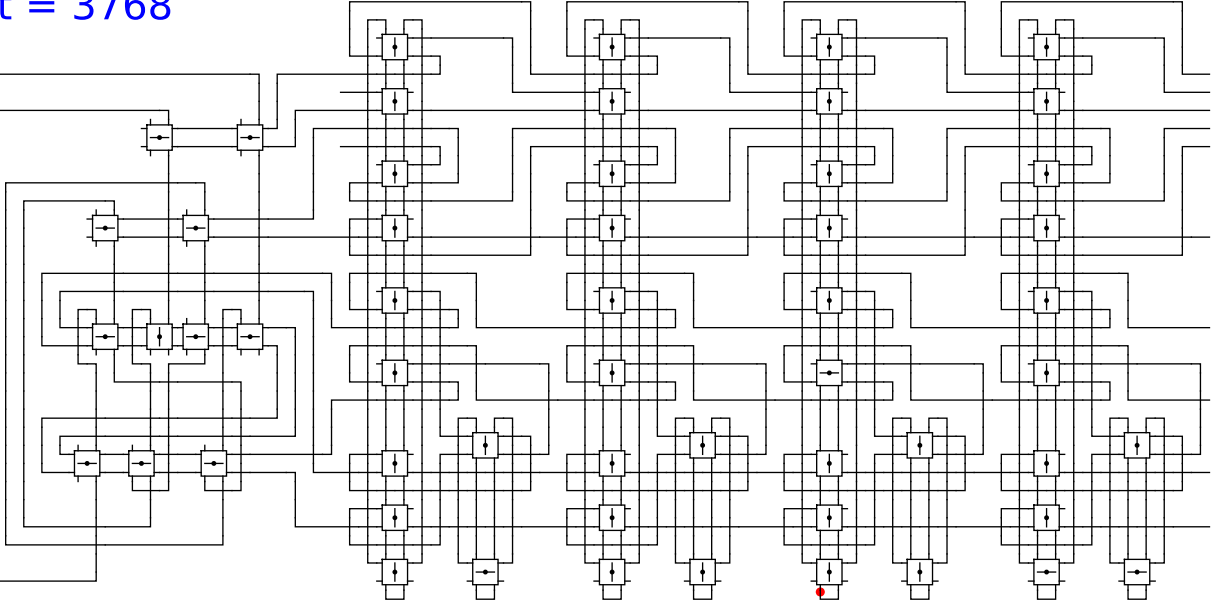
head

1

t = 3768

Reject
Accept

Begin



1

0

0

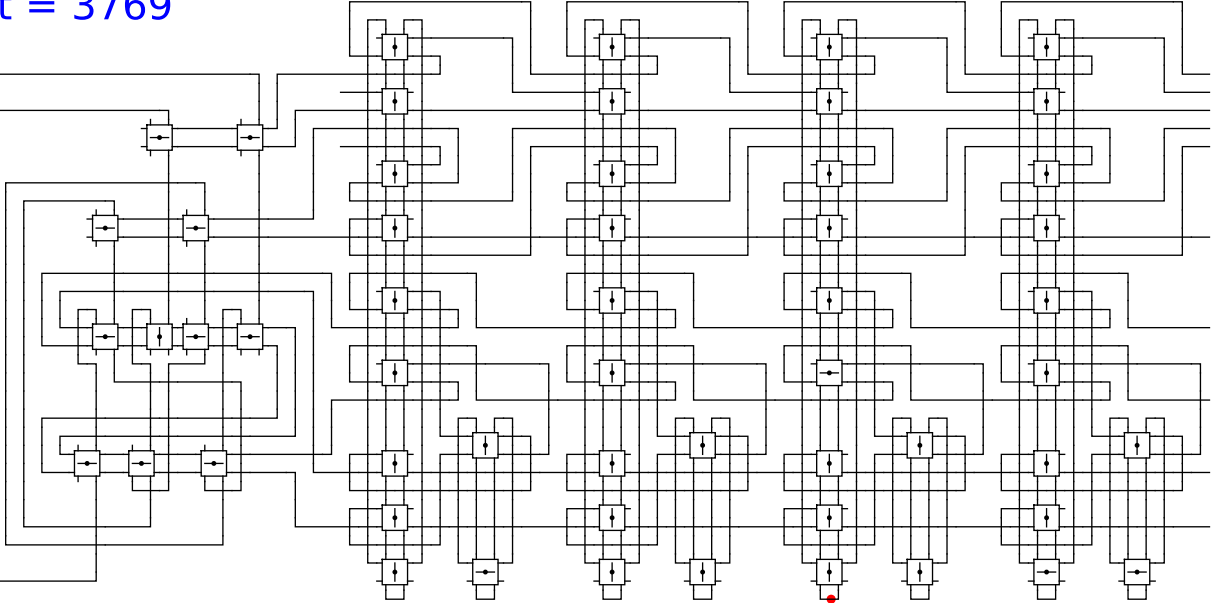
head

1

t = 3769

Reject
Accept

Begin

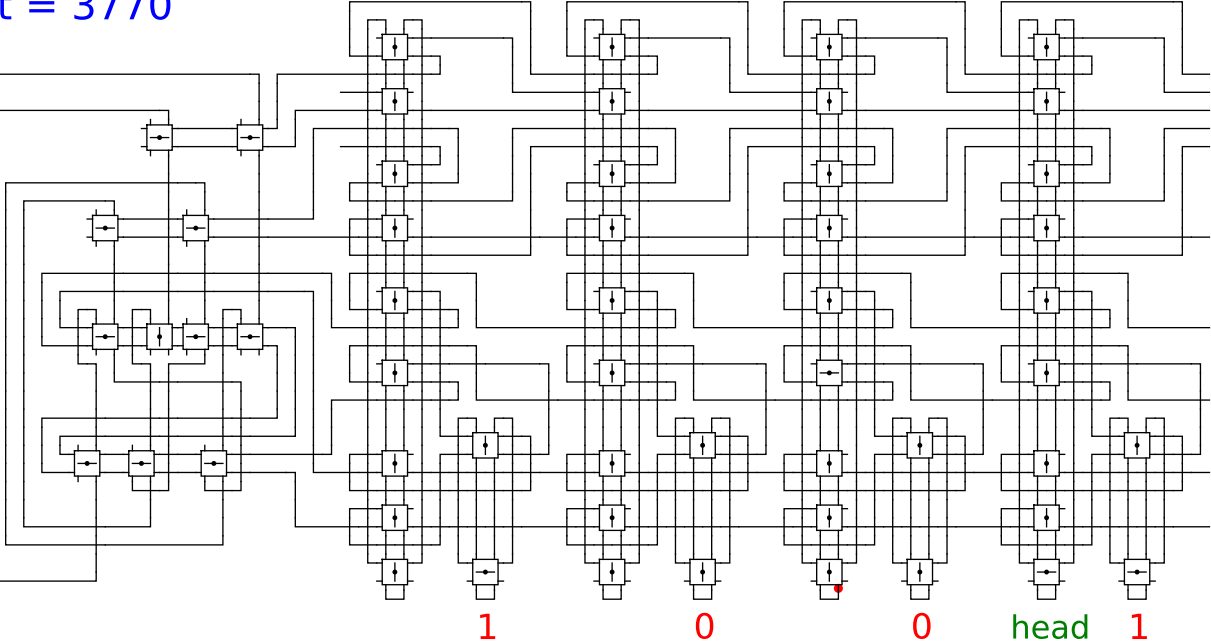


1 0 0 head 1

t = 3770

Reject
Accept

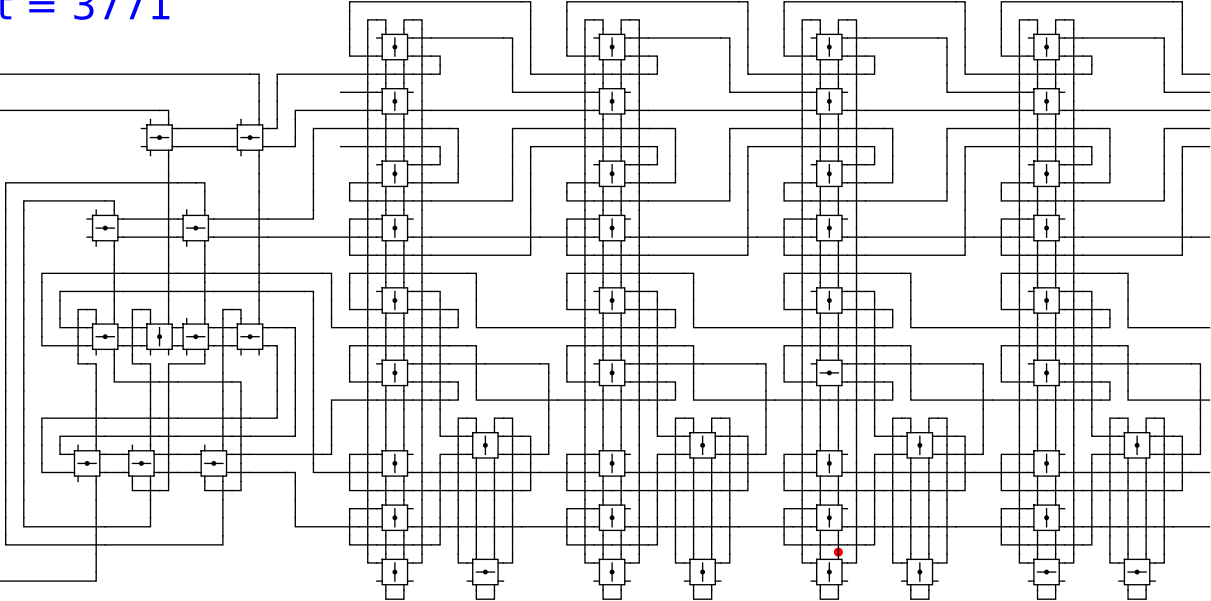
Begin



t = 3771

Reject
Accept

Begin



1

0

0

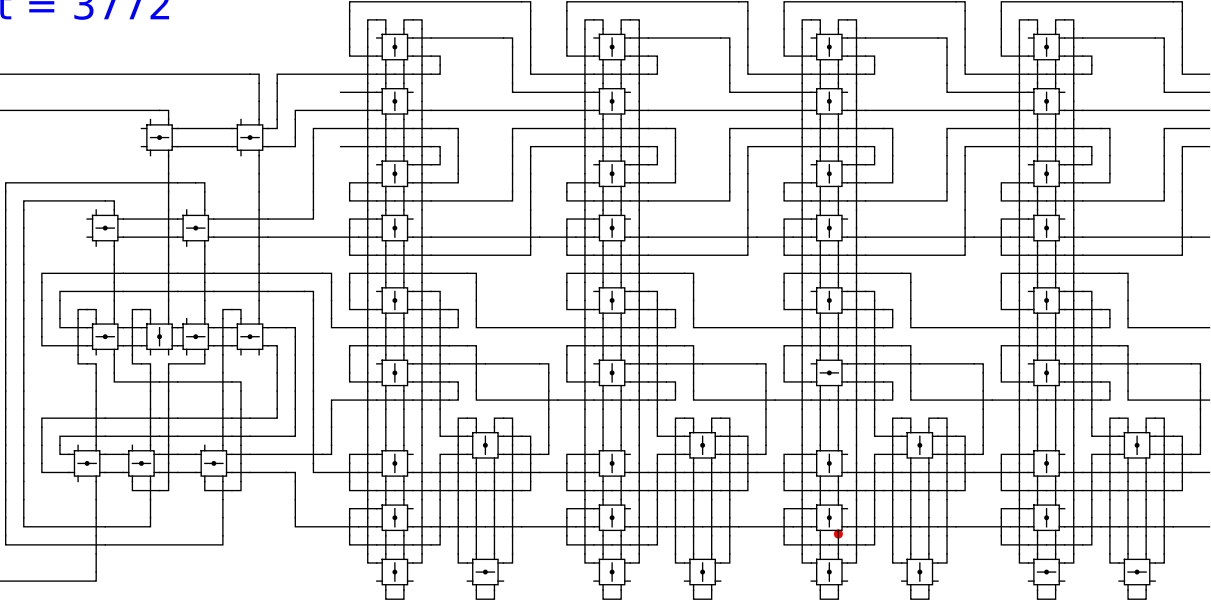
head

1

t = 3772

Reject
Accept

Begin



1

0

0

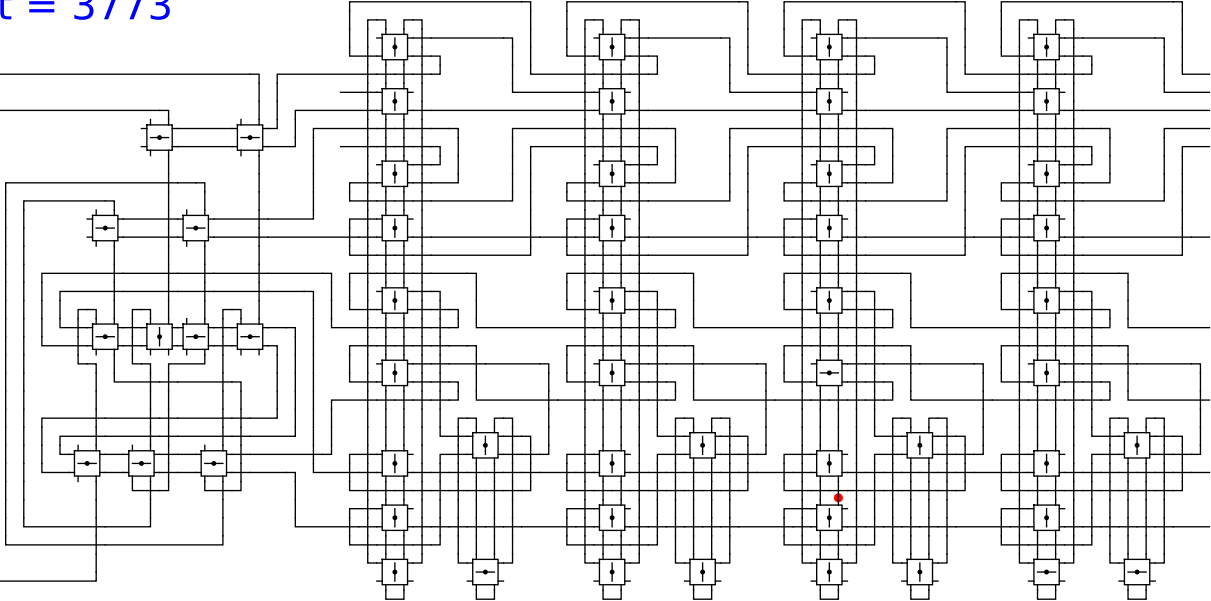
head

1

$t = 3773$

Reject
Accept

Begin



1

0

0

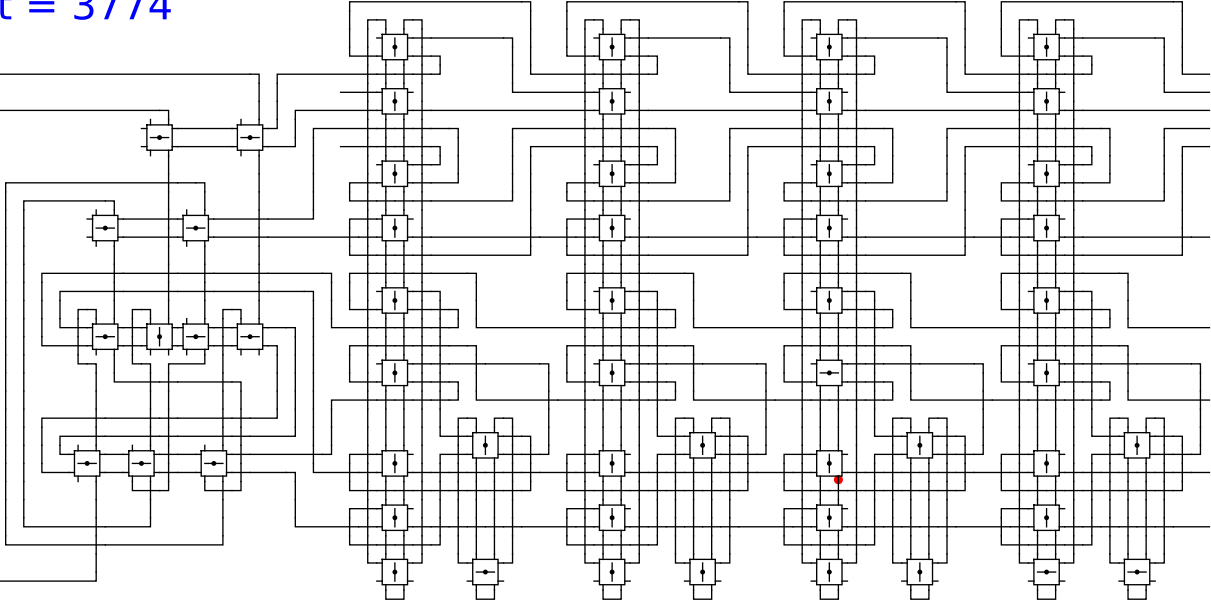
head

1

$t = 3774$

Reject
Accept

Begin



1

0

0

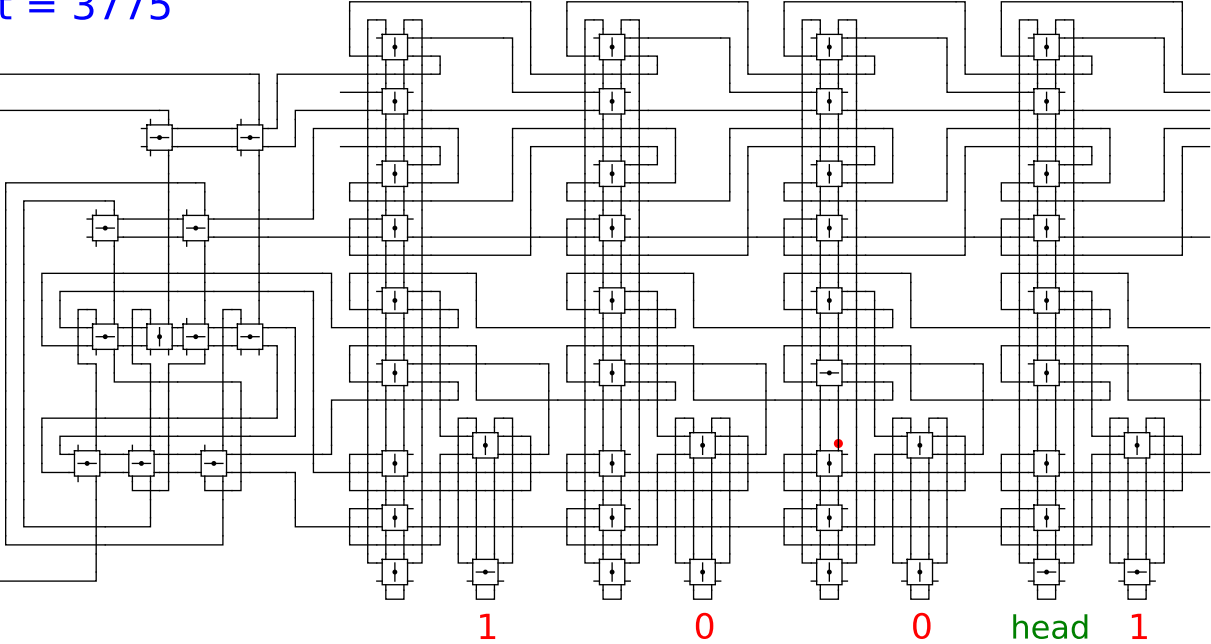
head

1

t = 3775

Reject
Accept

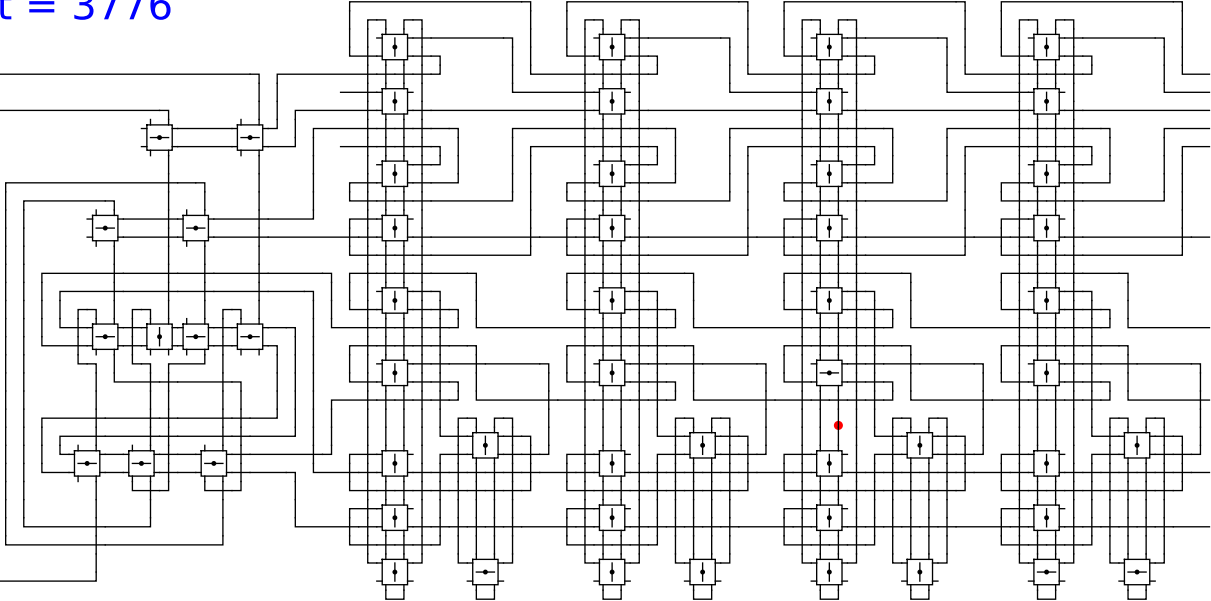
Begin



t = 3776

Reject
Accept

Begin



1

0

0

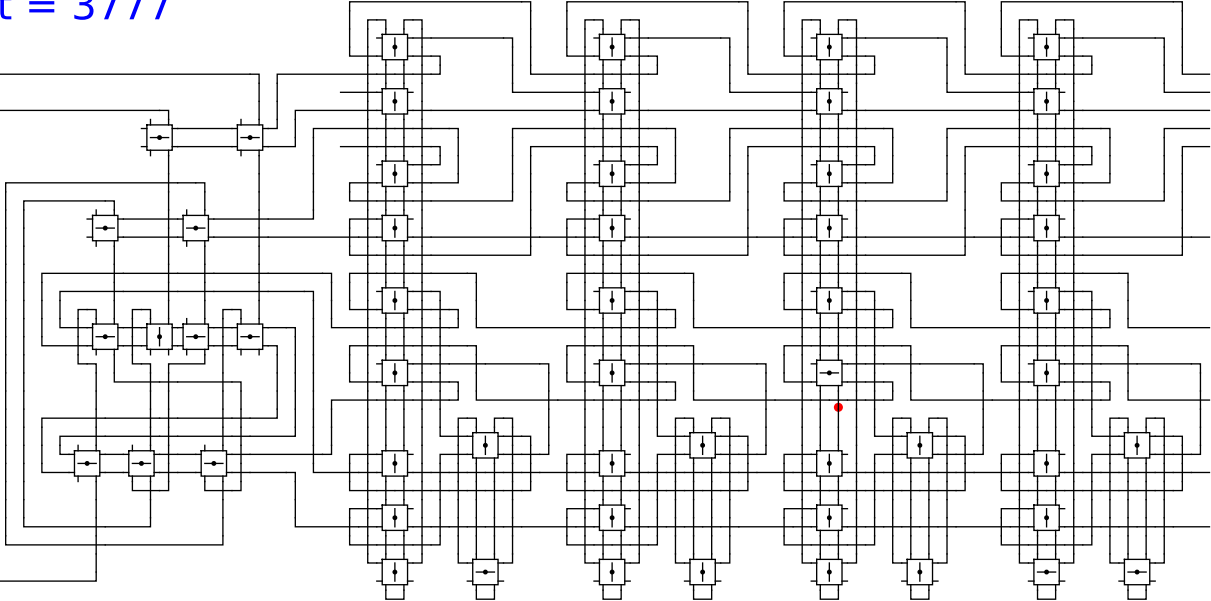
head

1

t = 3777

Reject
Accept

Begin



1

0

0

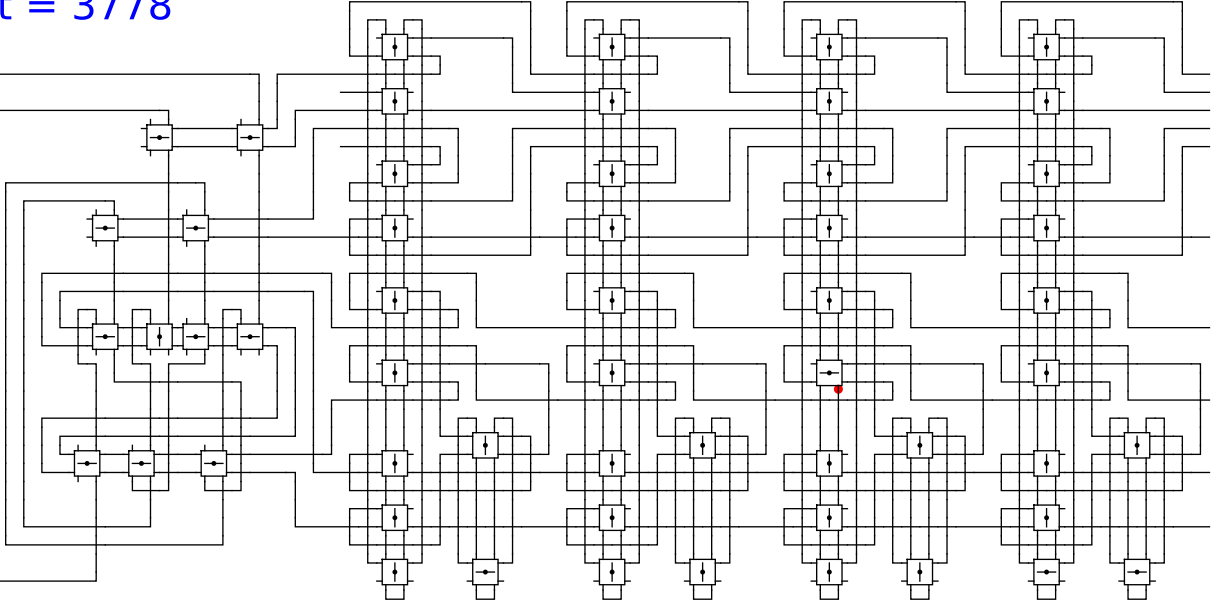
head

1

t = 3778

Reject
Accept

Begin



1

0

0

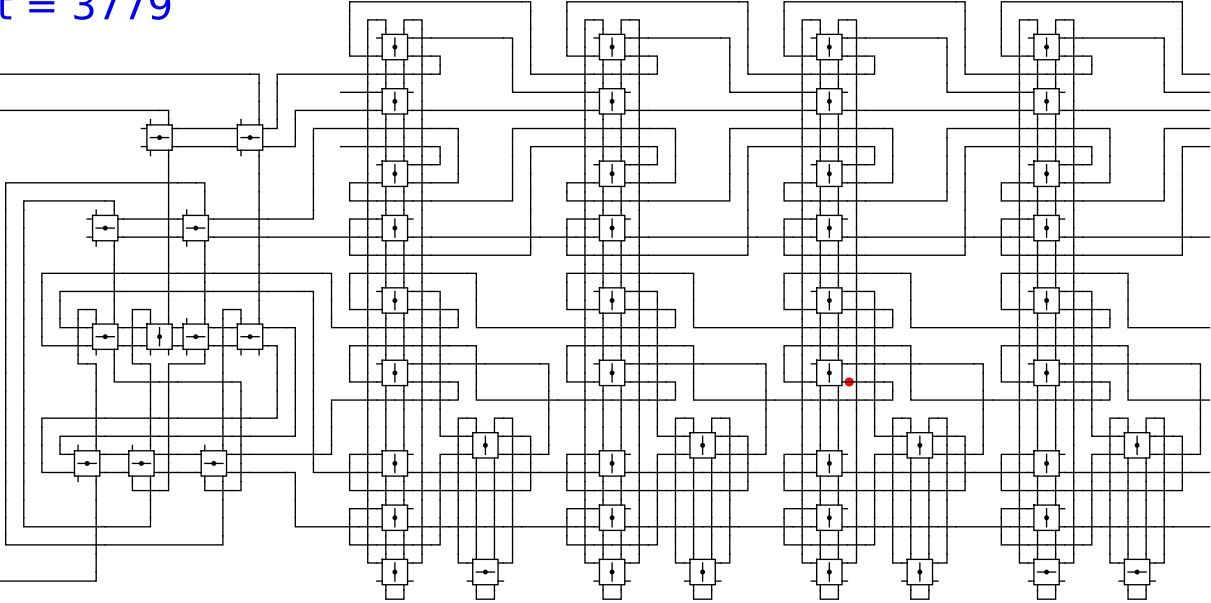
head

1

t = 3779

Reject
Accept

Begin



1

0

0

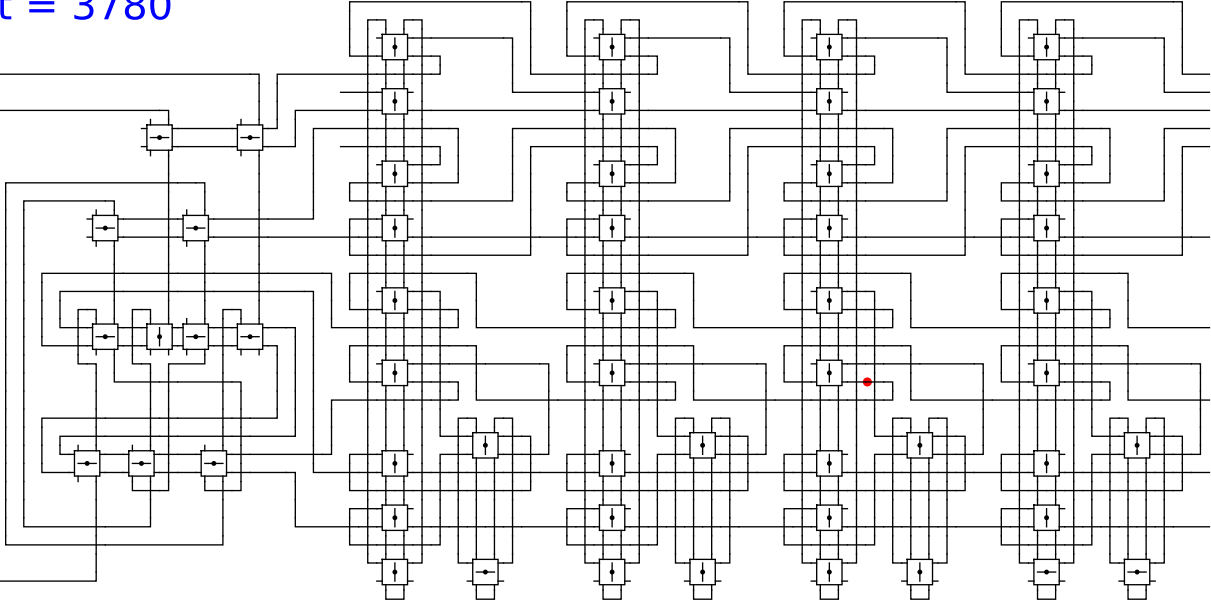
head

1

t = 3780

Reject
Accept

Begin



1

0

0

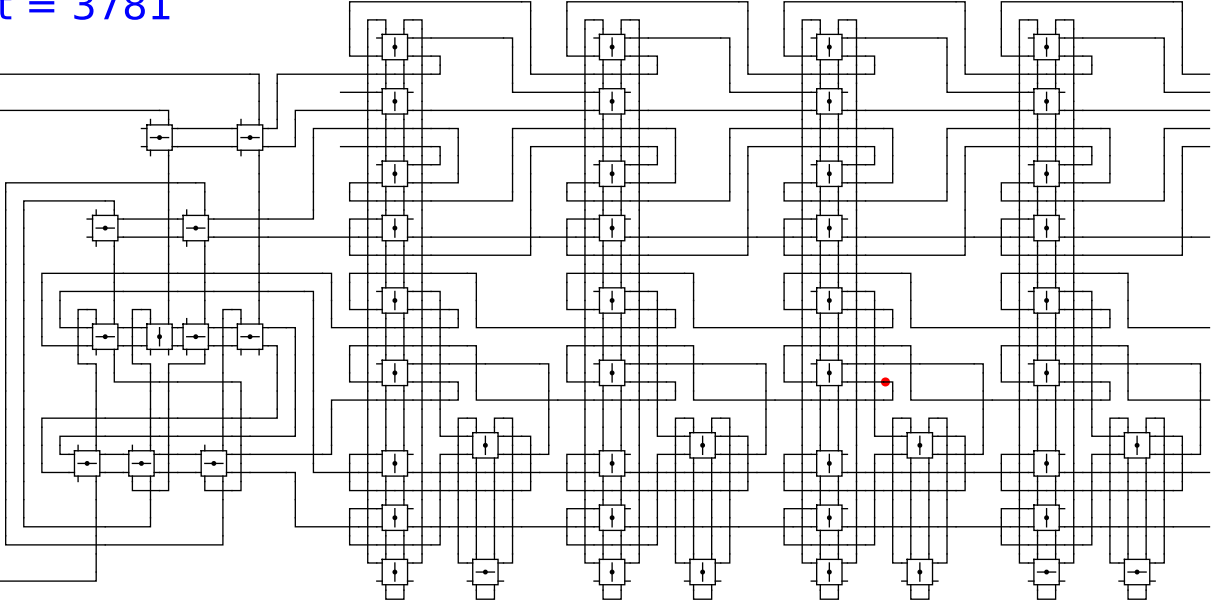
head

1

t = 3781

Reject
Accept

Begin

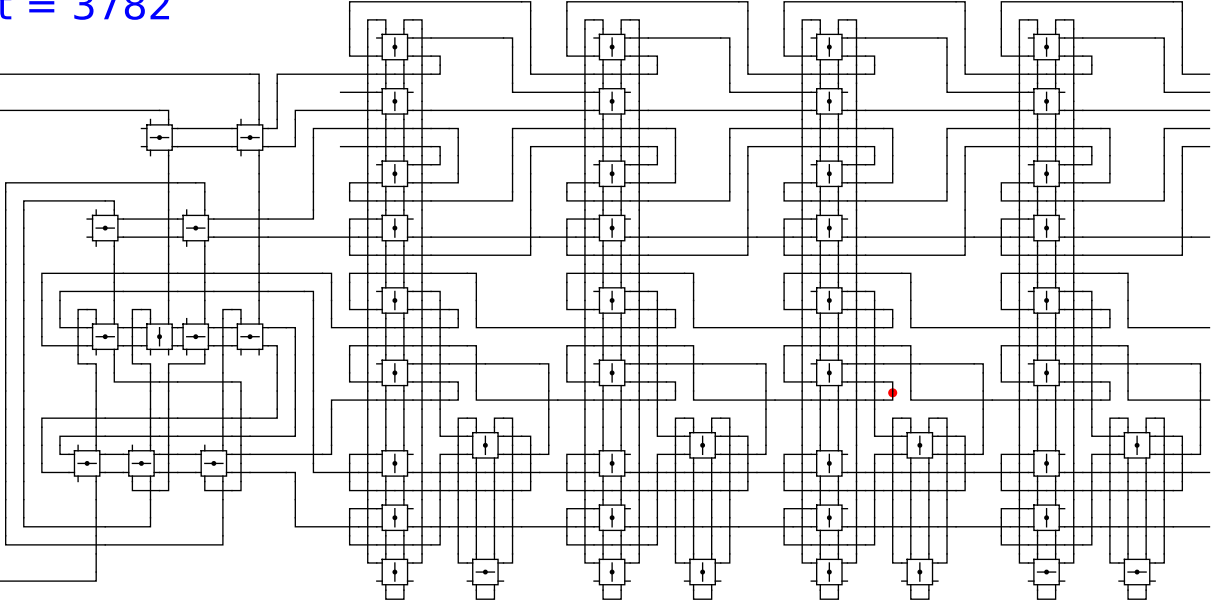


1 0 0 head 1

t = 3782

Reject
Accept

Begin



1

0

0

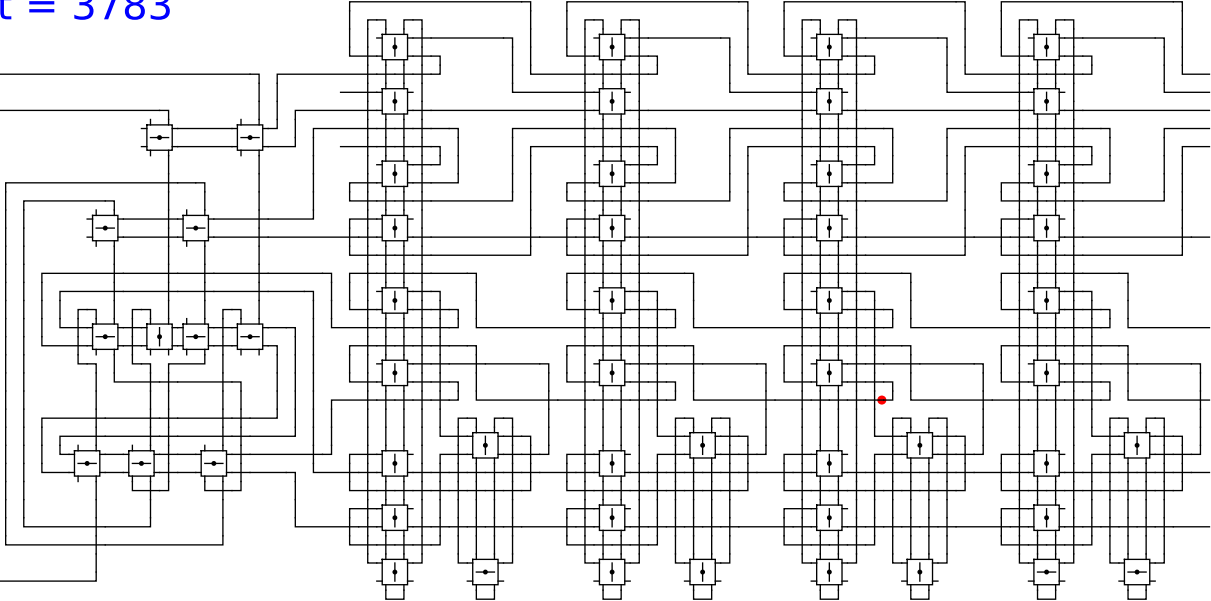
head

1

t = 3783

Reject
Accept

Begin



1

0

0

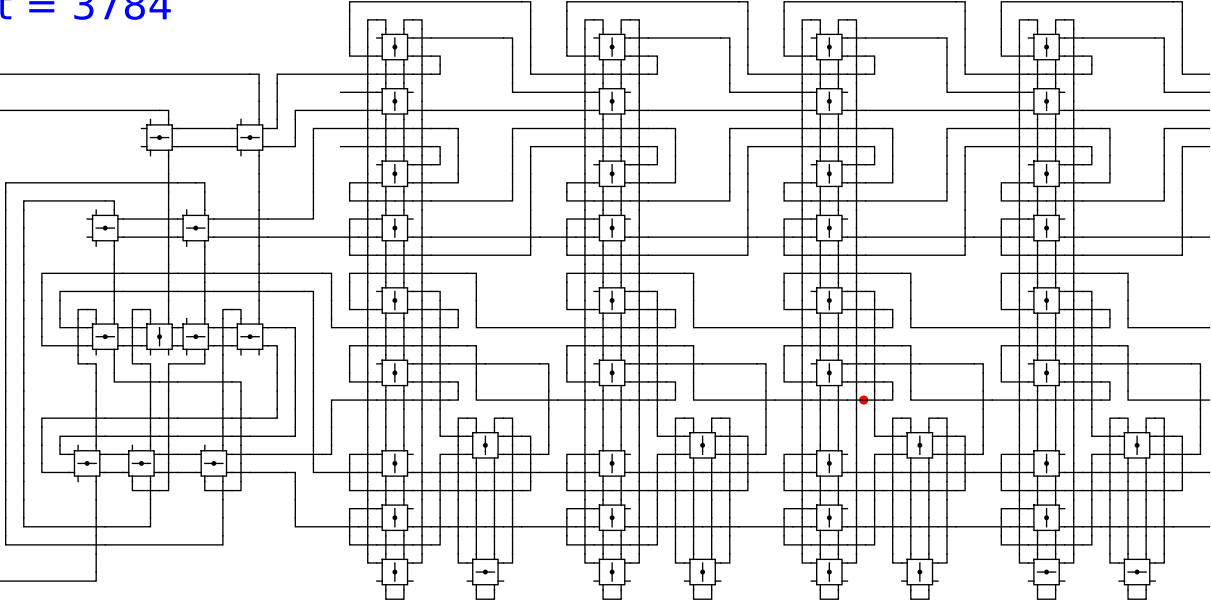
head

1

t = 3784

Reject
Accept

Begin



1

0

0

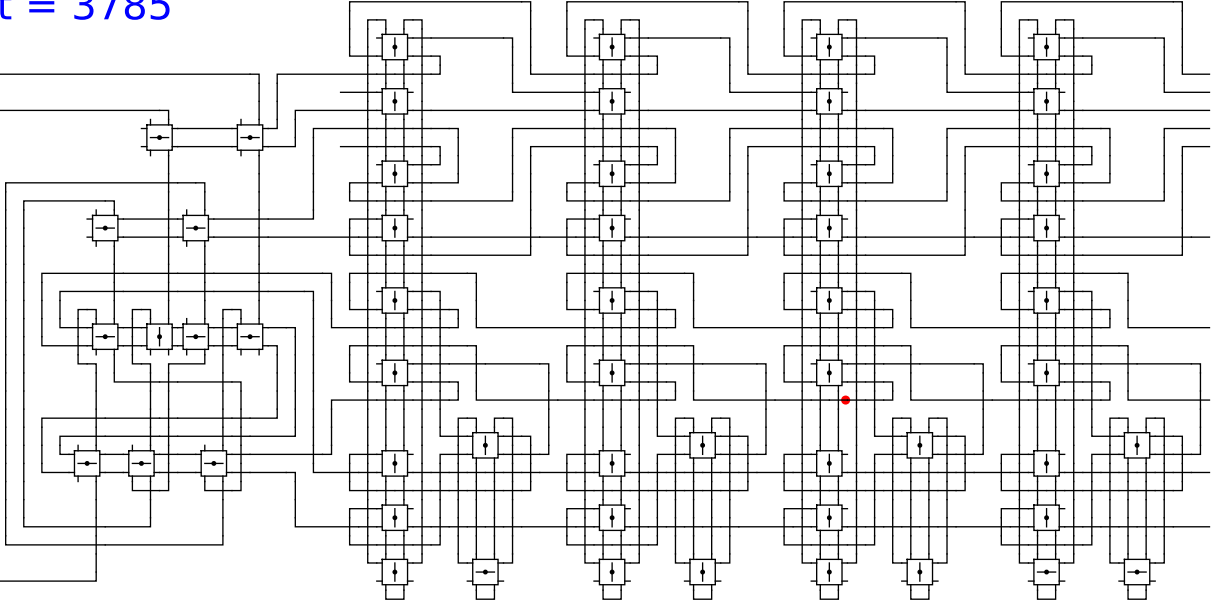
head

1

t = 3785

Reject
Accept

Begin

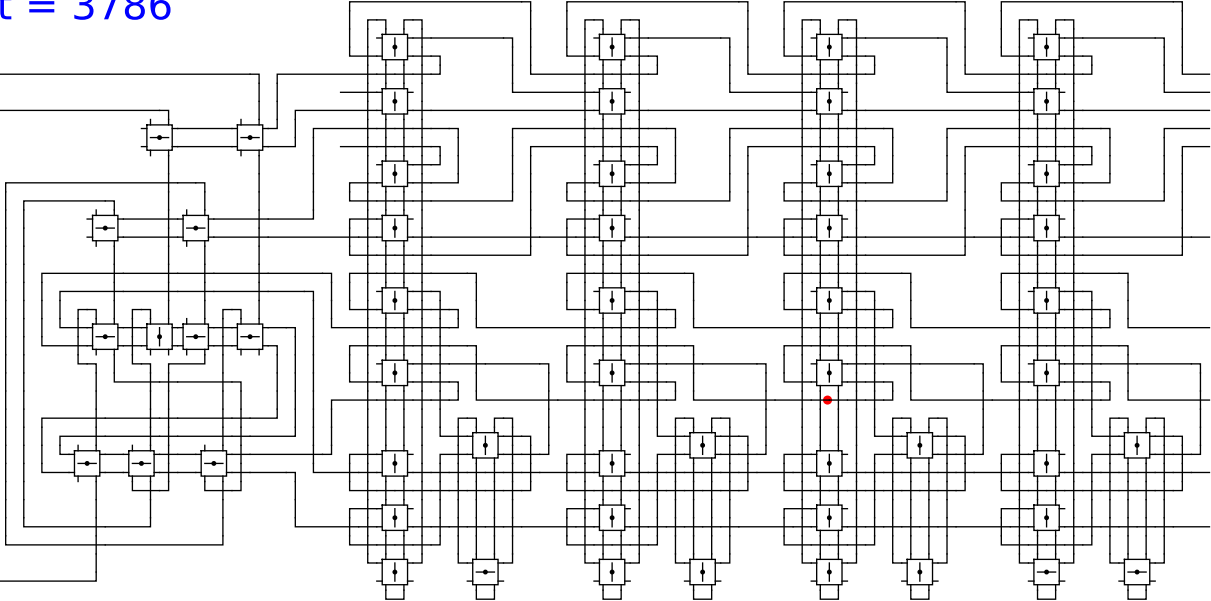


1 0 0 head 1

t = 3786

Reject
Accept

Begin



1

0

0

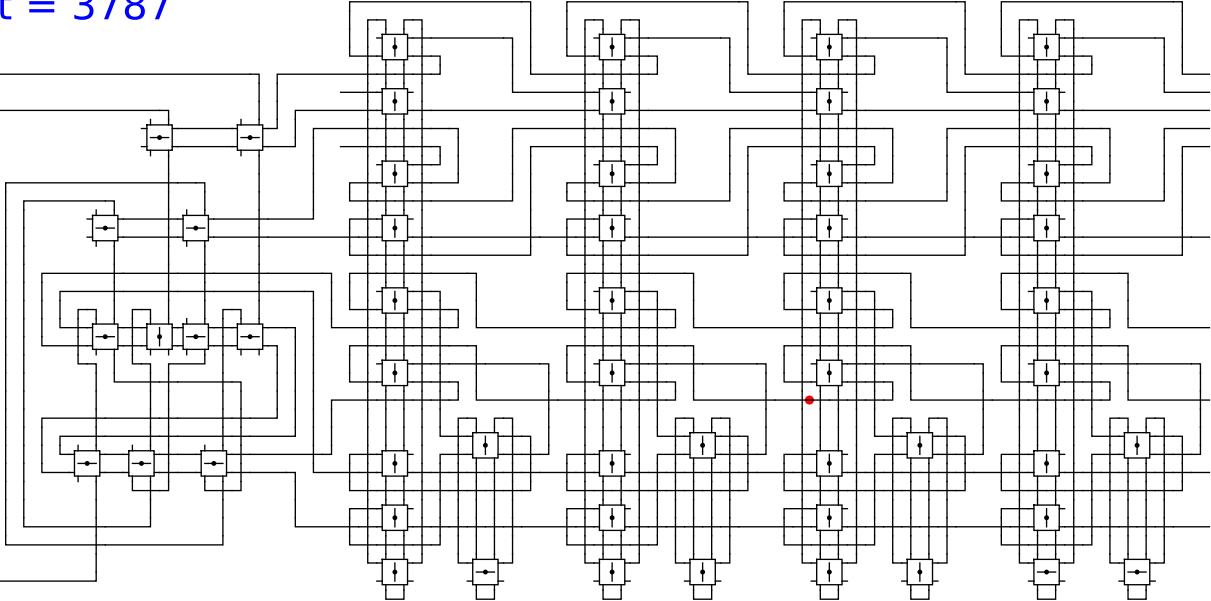
head

1

t = 3787

Reject
Accept

Begin



1

0

0

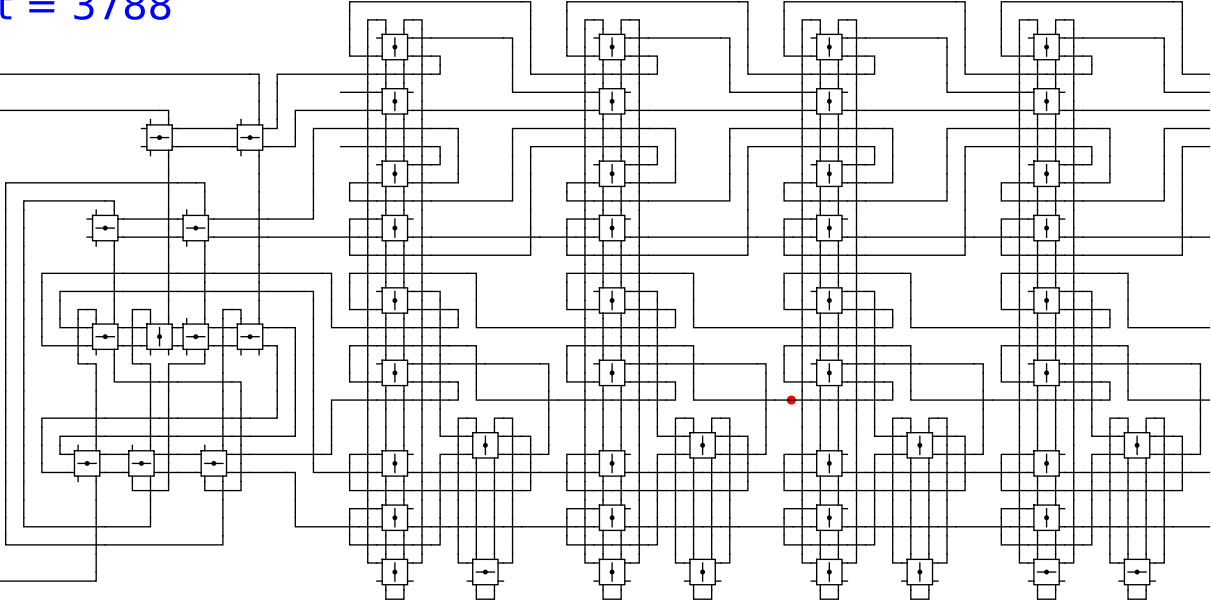
head

1

t = 3788

Reject
Accept

Begin



1

0

0

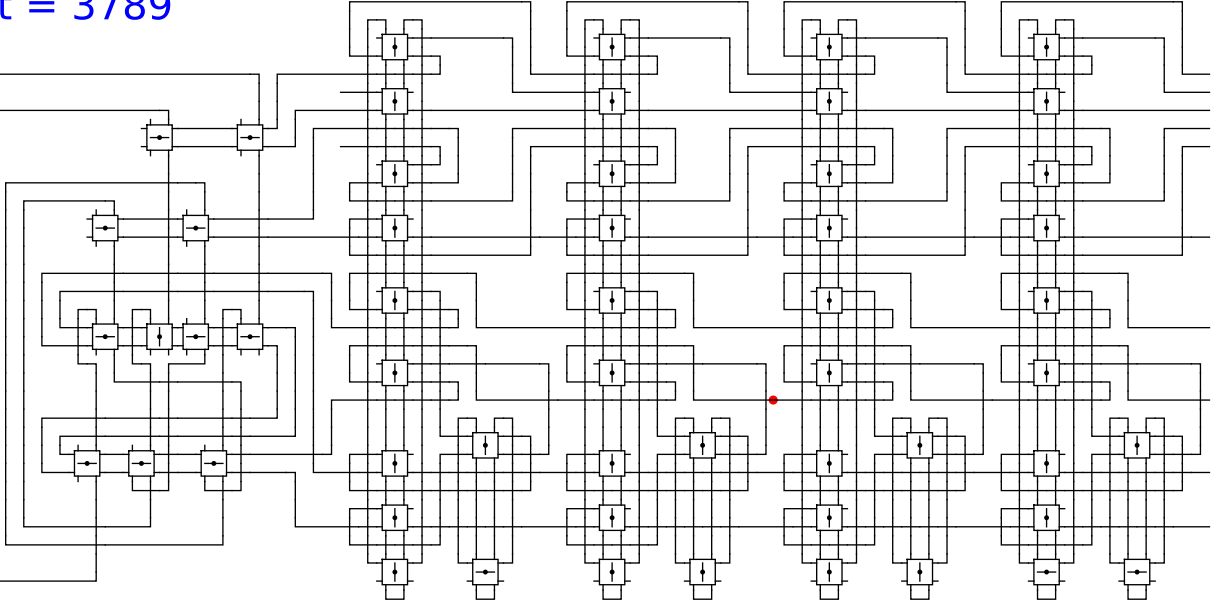
head

1

t = 3789

Reject
Accept

Begin



1

0

0

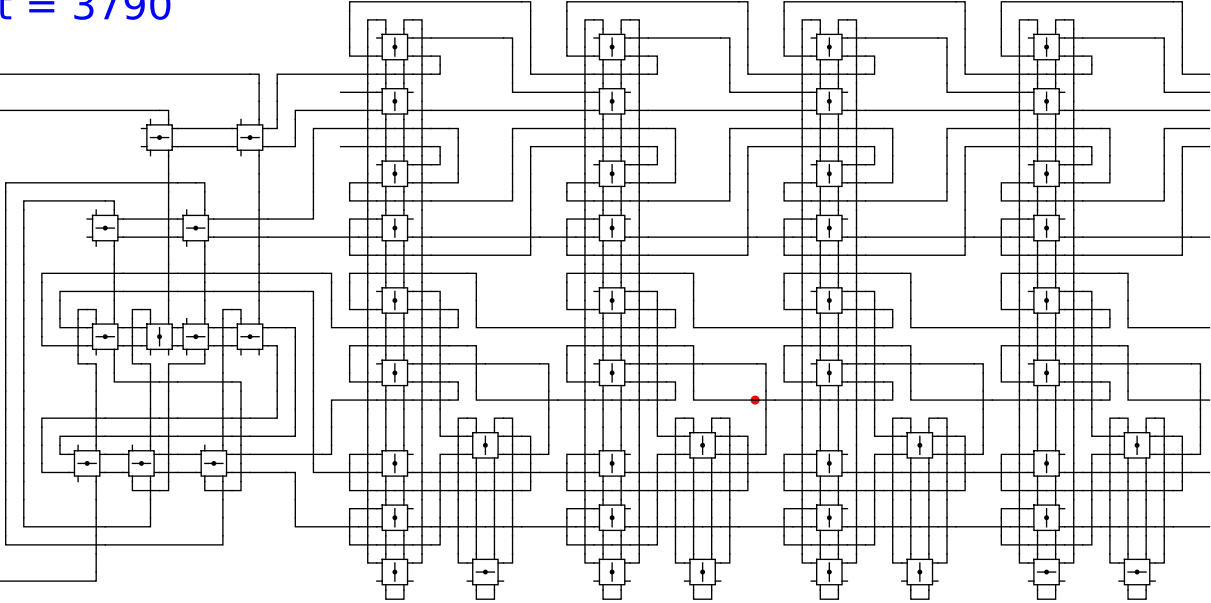
head

1

t = 3790

Reject
Accept

Begin



1

0

0

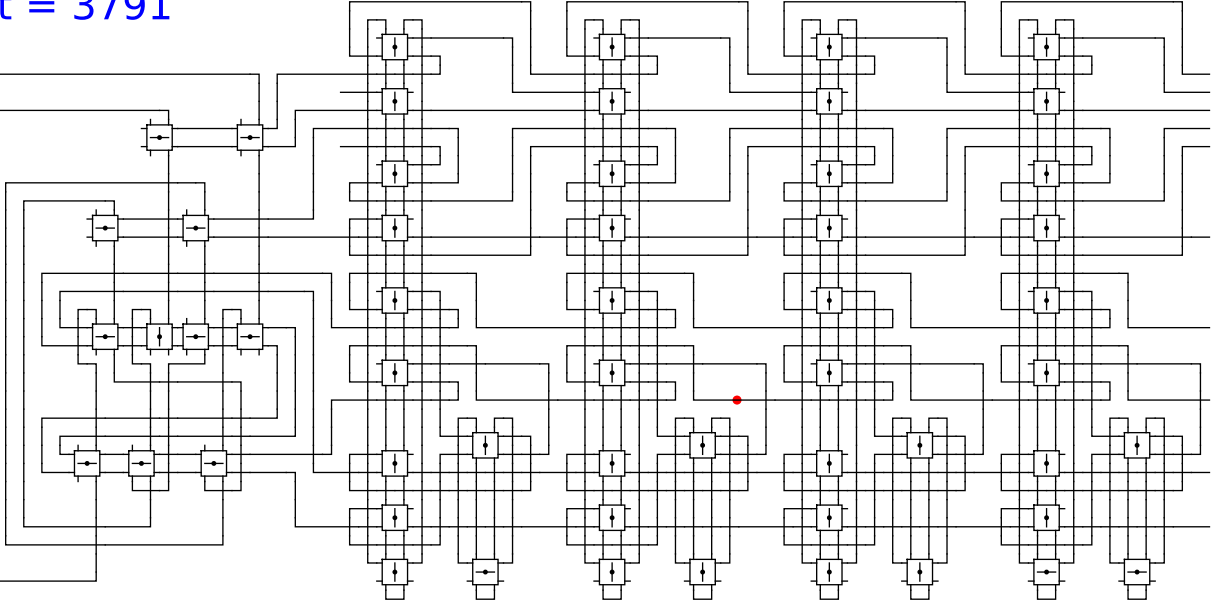
head

1

t = 3791

Reject
Accept

Begin



1

0

0

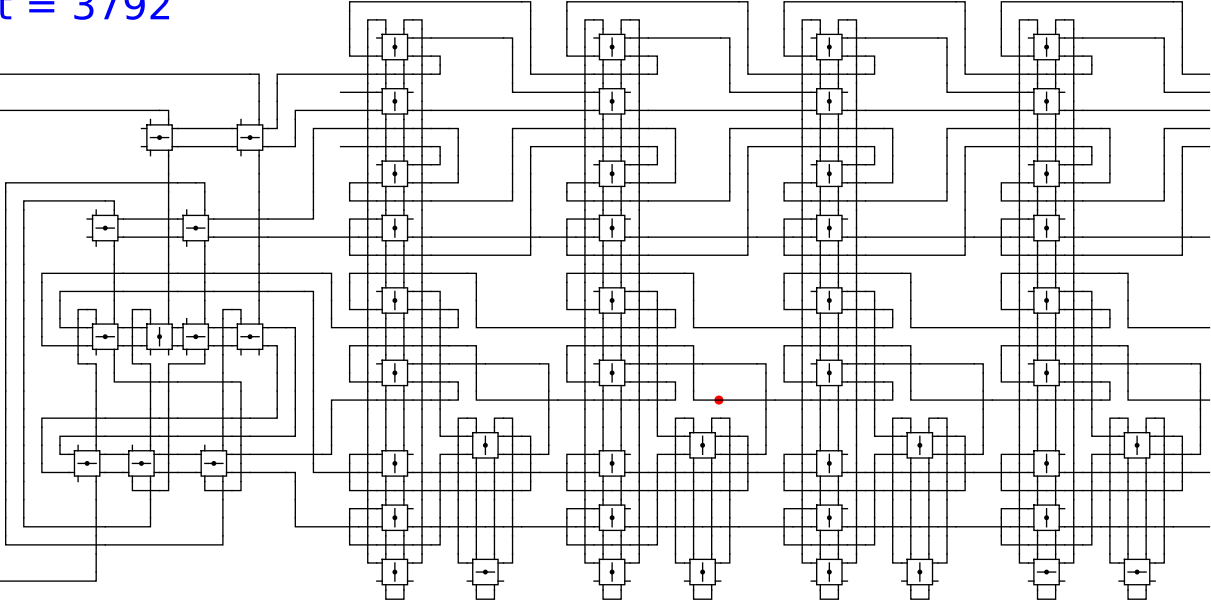
head

1

t = 3792

Reject
Accept

Begin



1

0

0

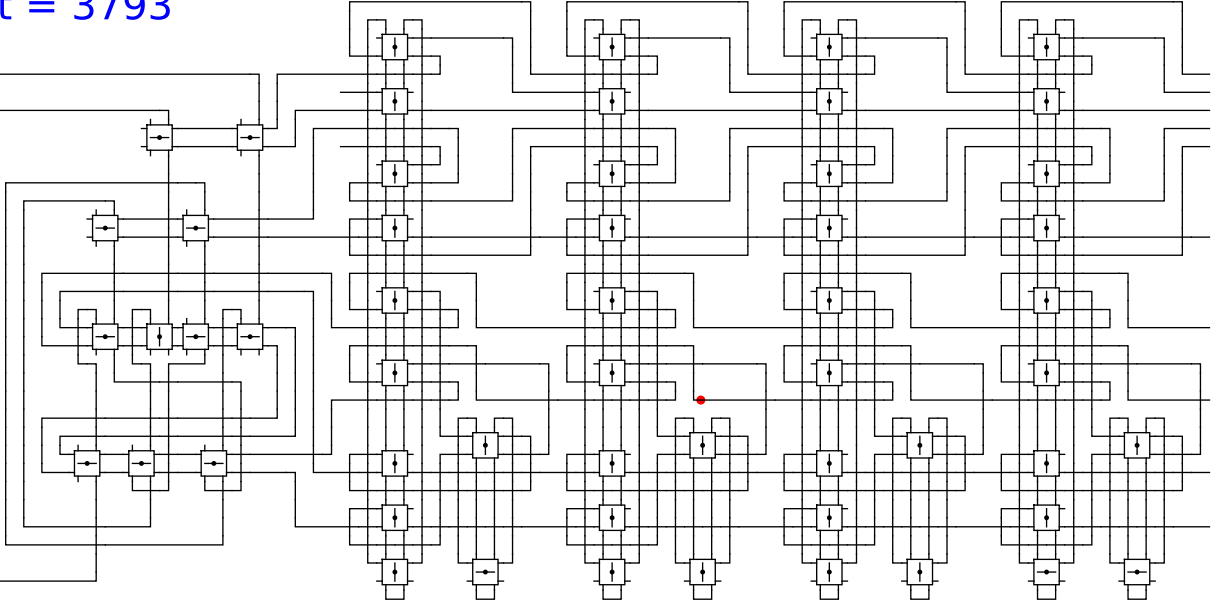
head

1

t = 3793

Reject
Accept

Begin



1

0

0

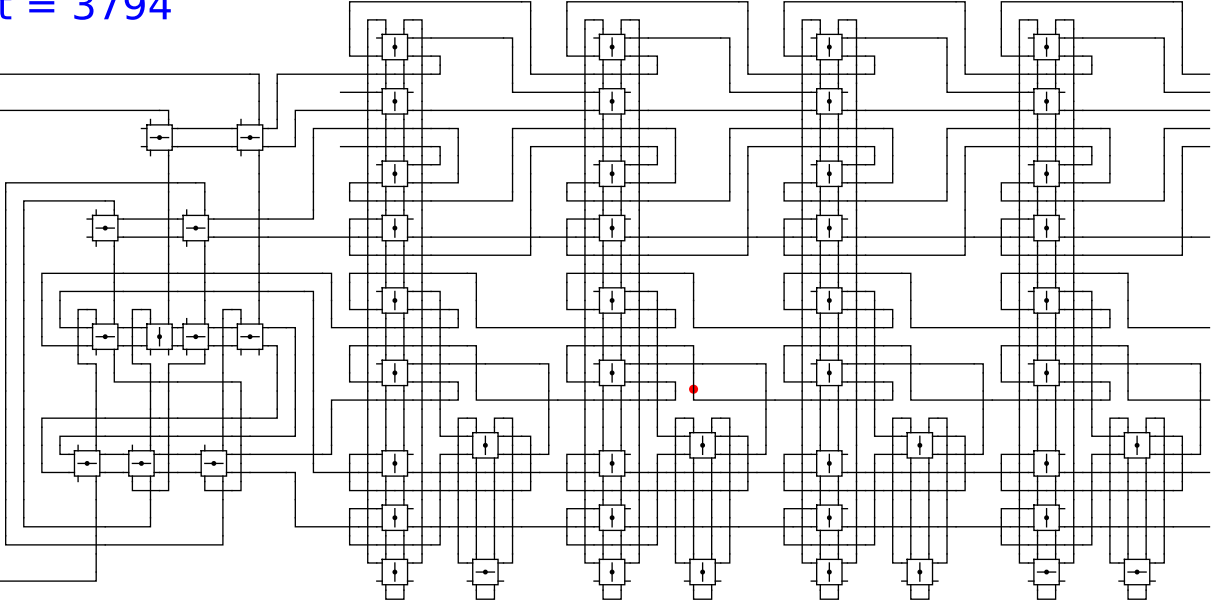
head

1

t = 3794

Reject
Accept

Begin



1

0

0

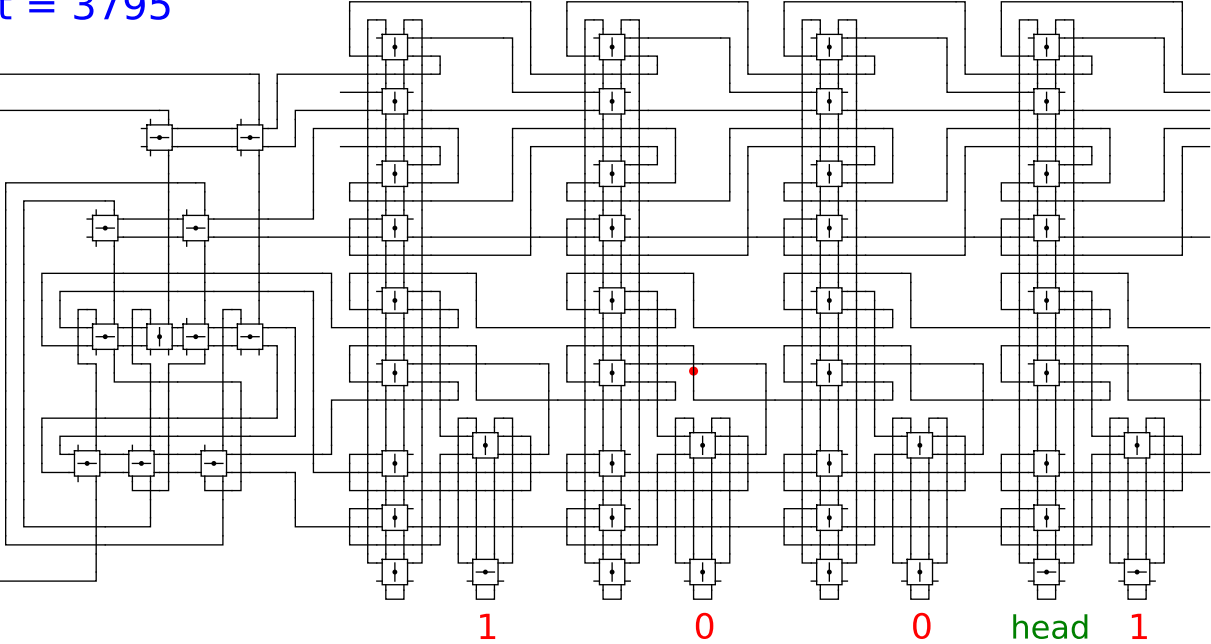
head

1

t = 3795

Reject
Accept

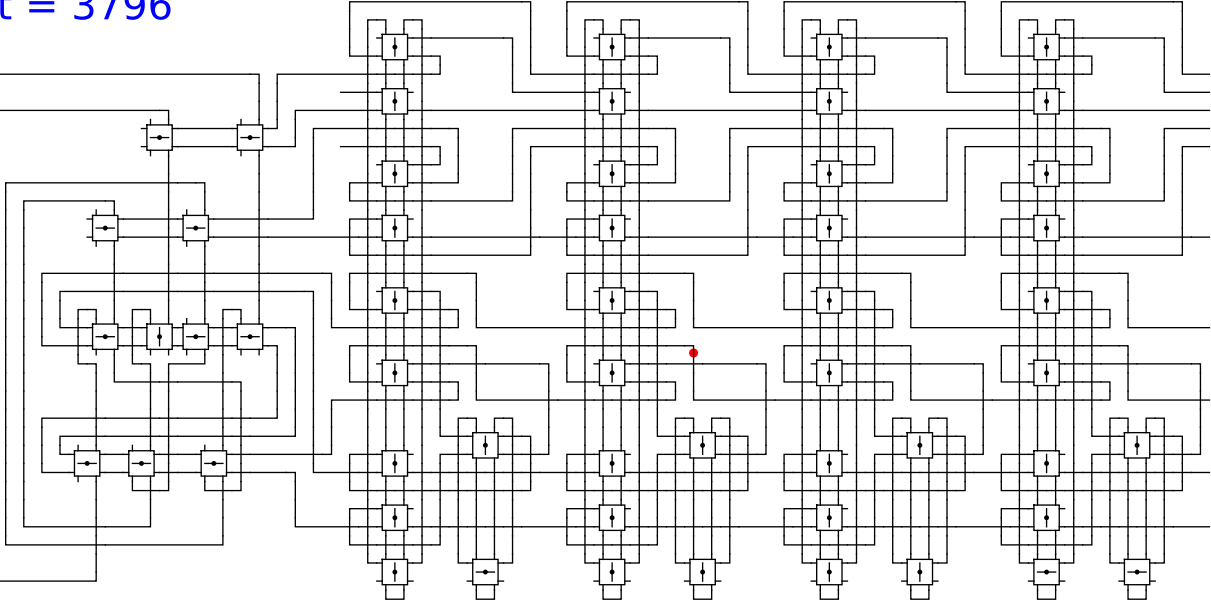
Begin



t = 3796

Reject
Accept

Begin



1

0

0

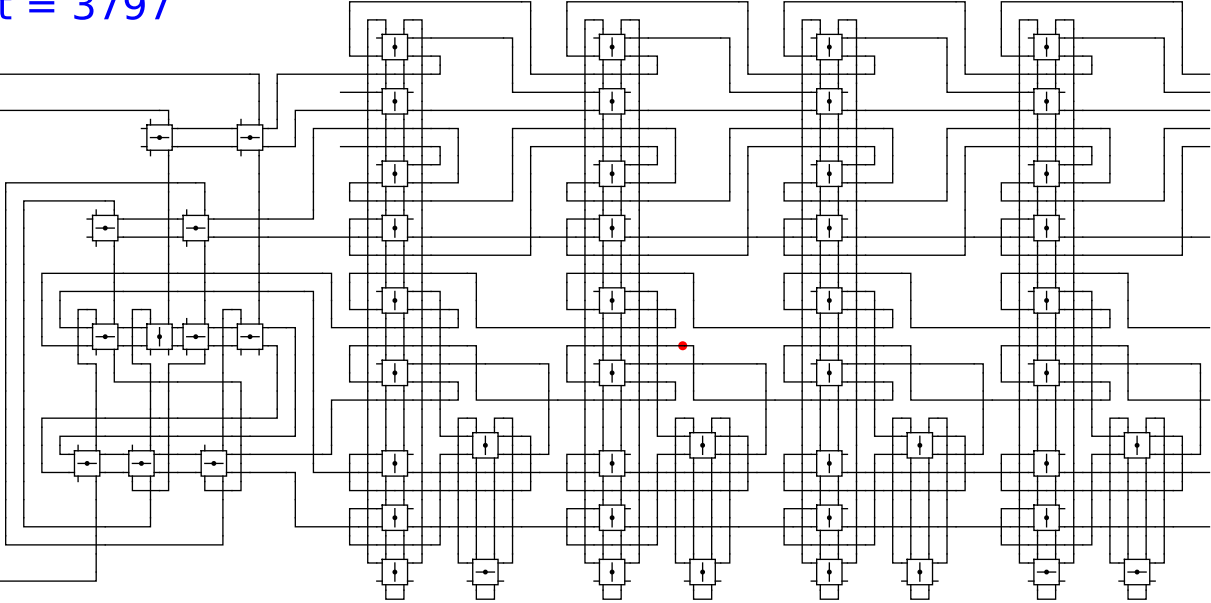
head

1

t = 3797

Reject
Accept

Begin



1

0

0

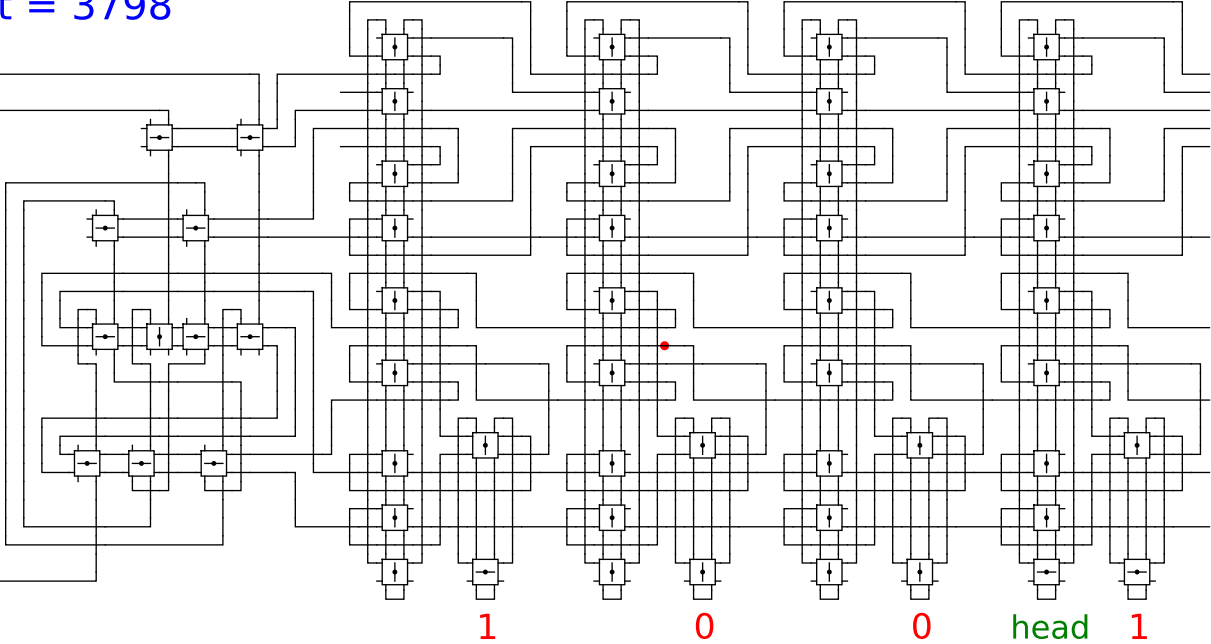
head

1

t = 3798

Reject
Accept

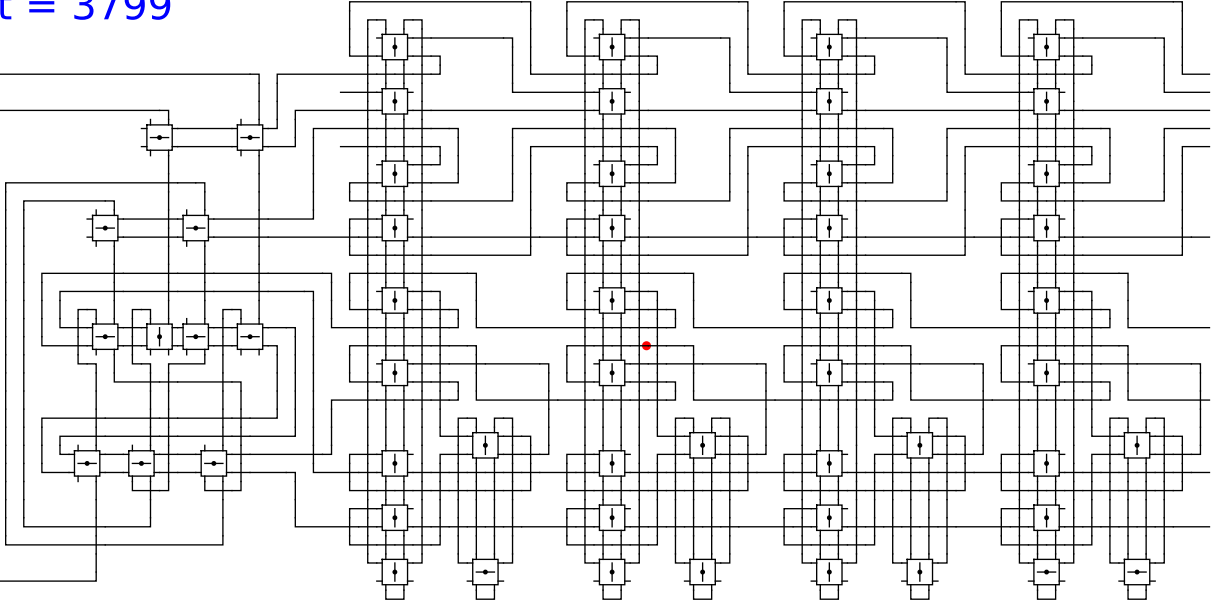
Begin



t = 3799

Reject
Accept

Begin

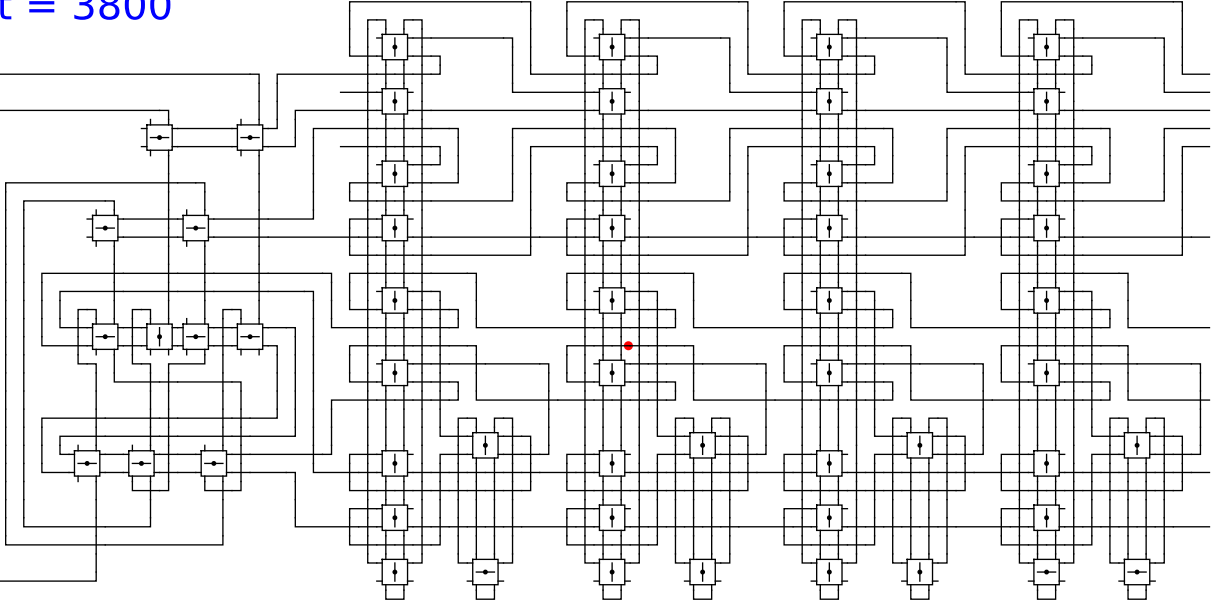


1 0 0 head 1

t = 3800

Reject
Accept

Begin



1

0

0

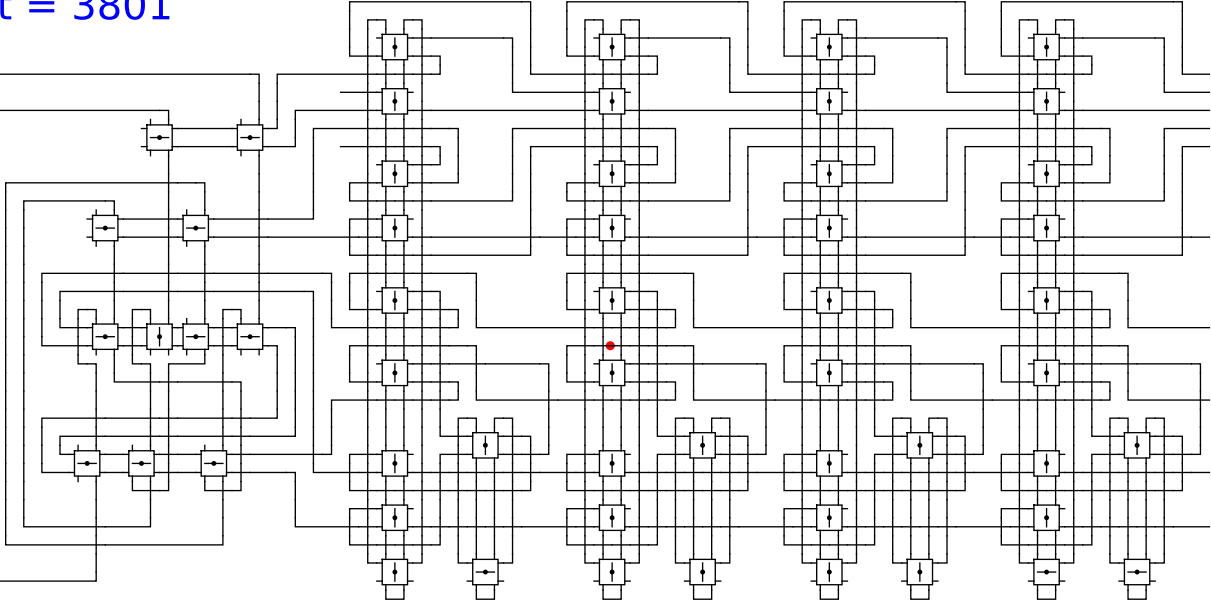
head

1

t = 3801

Reject
Accept

Begin

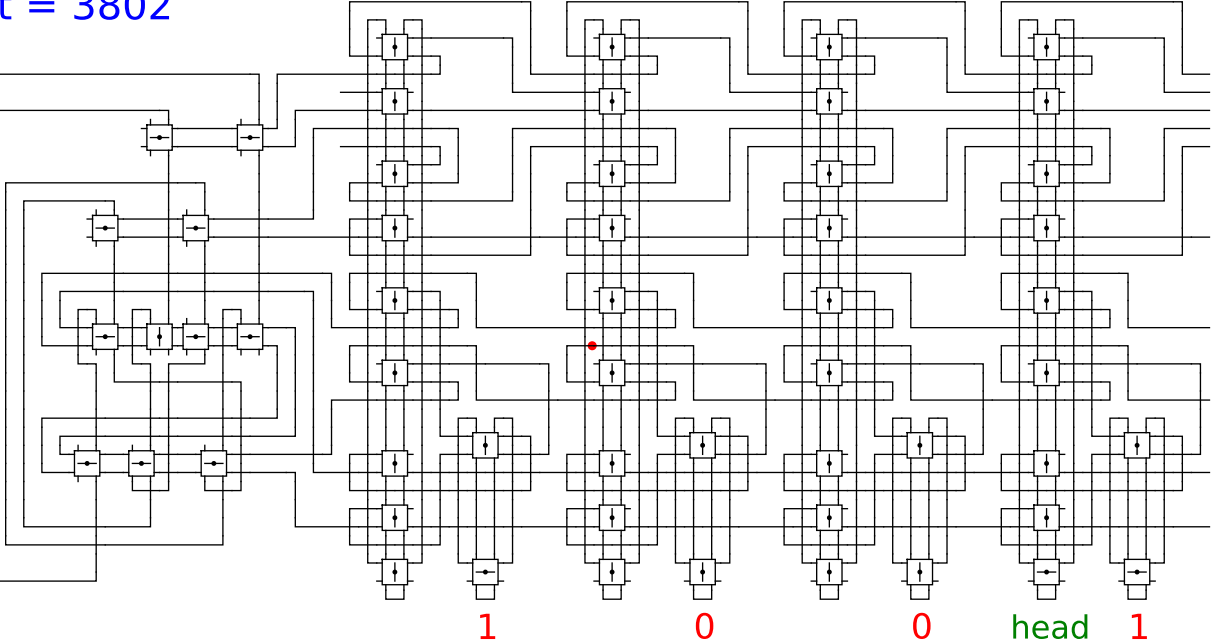


1 0 0 head 1

t = 3802

Reject
Accept

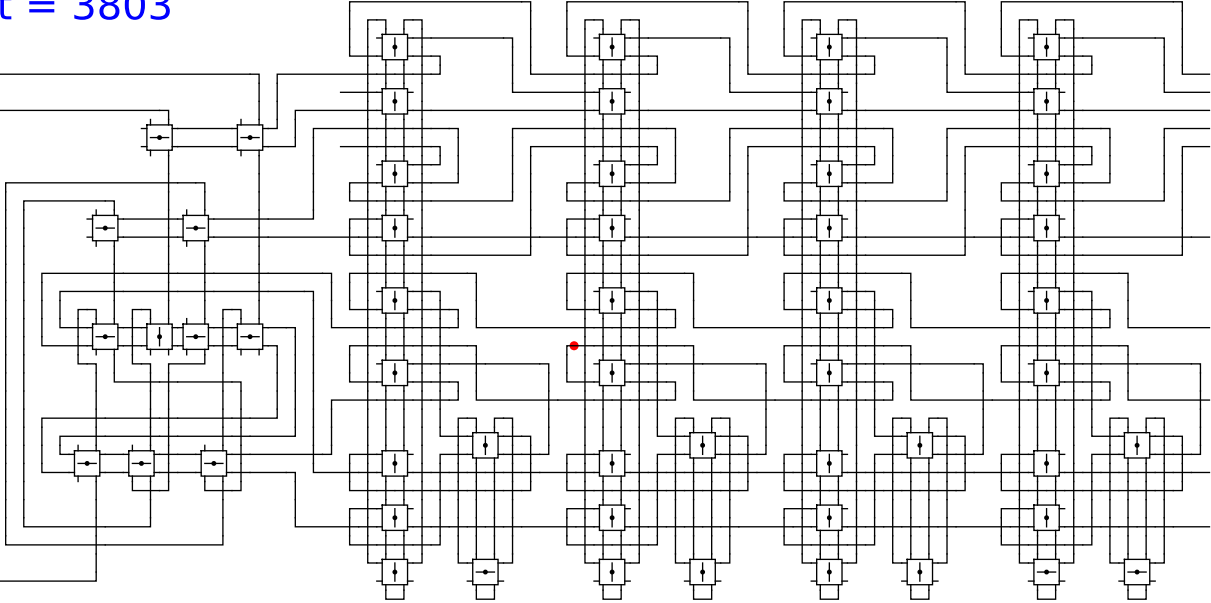
Begin



t = 3803

Reject
Accept

Begin



1

0

0

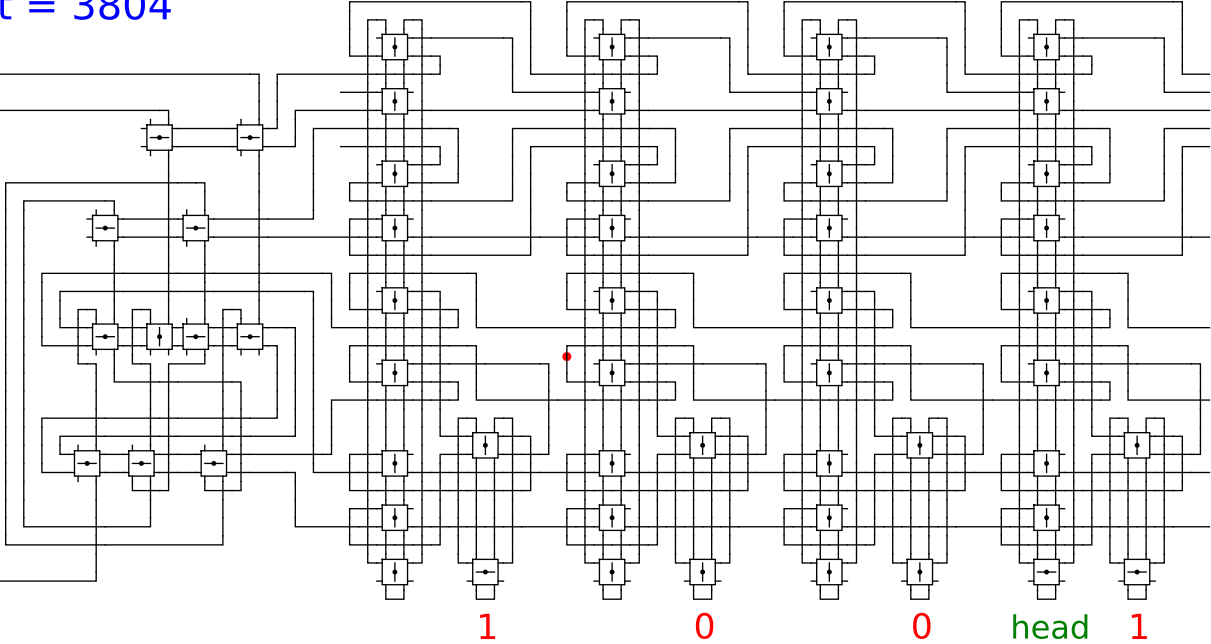
head

1

t = 3804

Reject
Accept

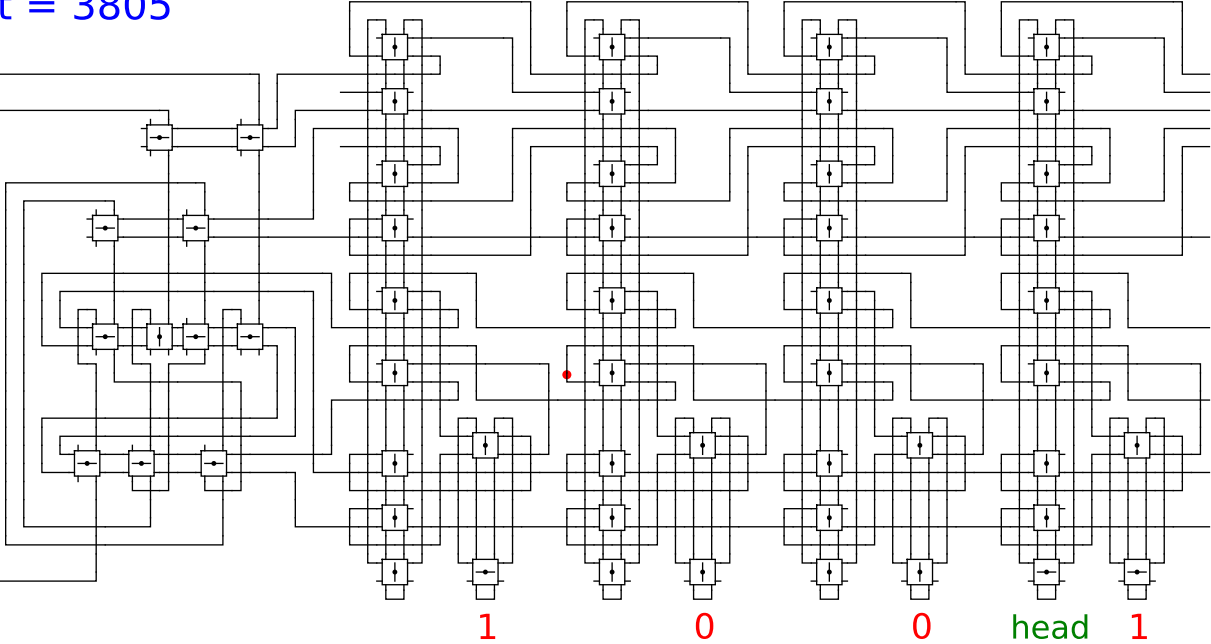
Begin



t = 3805

Reject
Accept

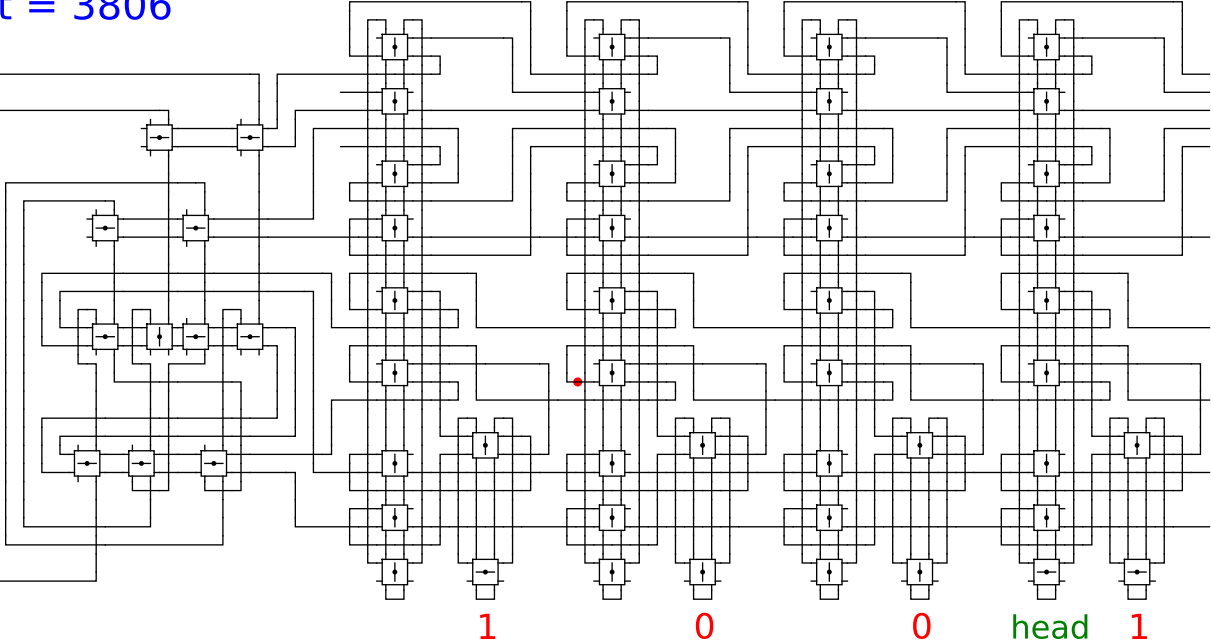
Begin



t = 3806

Reject
Accept

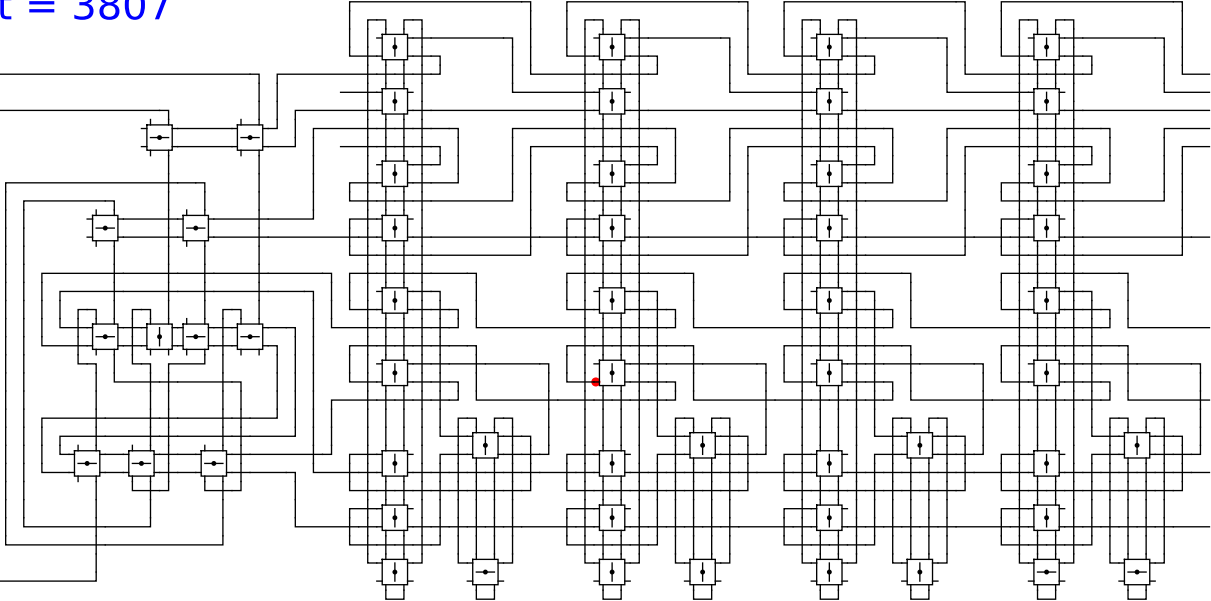
Begin



t = 3807

Reject
Accept

Begin



1

0

0

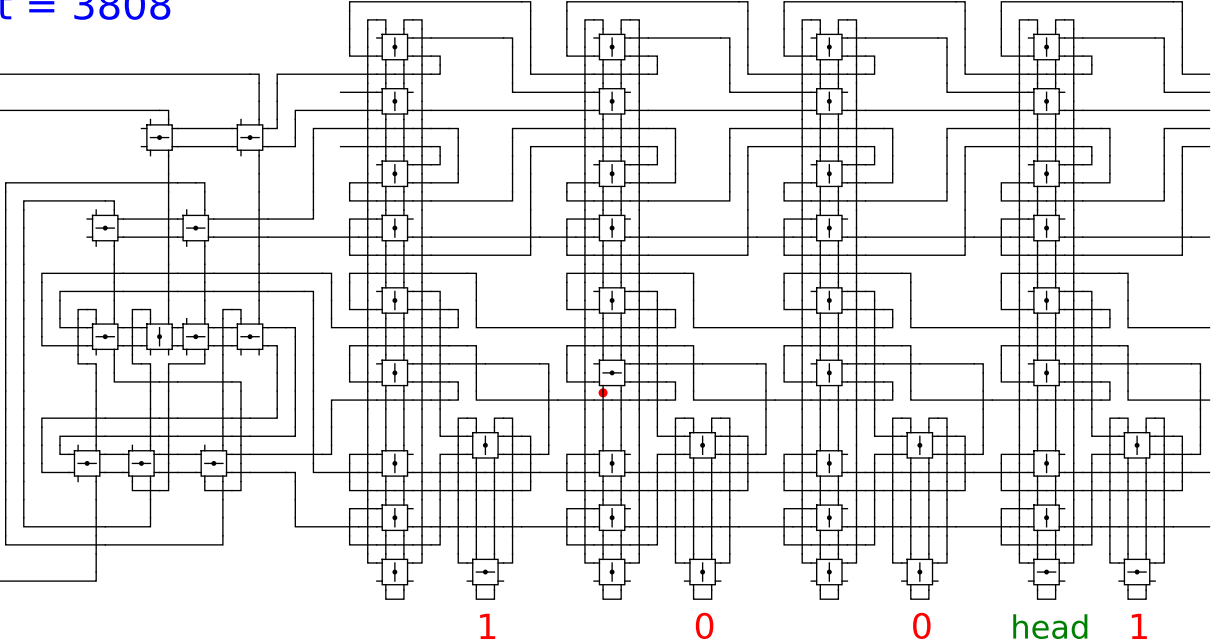
head

1

t = 3808

Reject
Accept

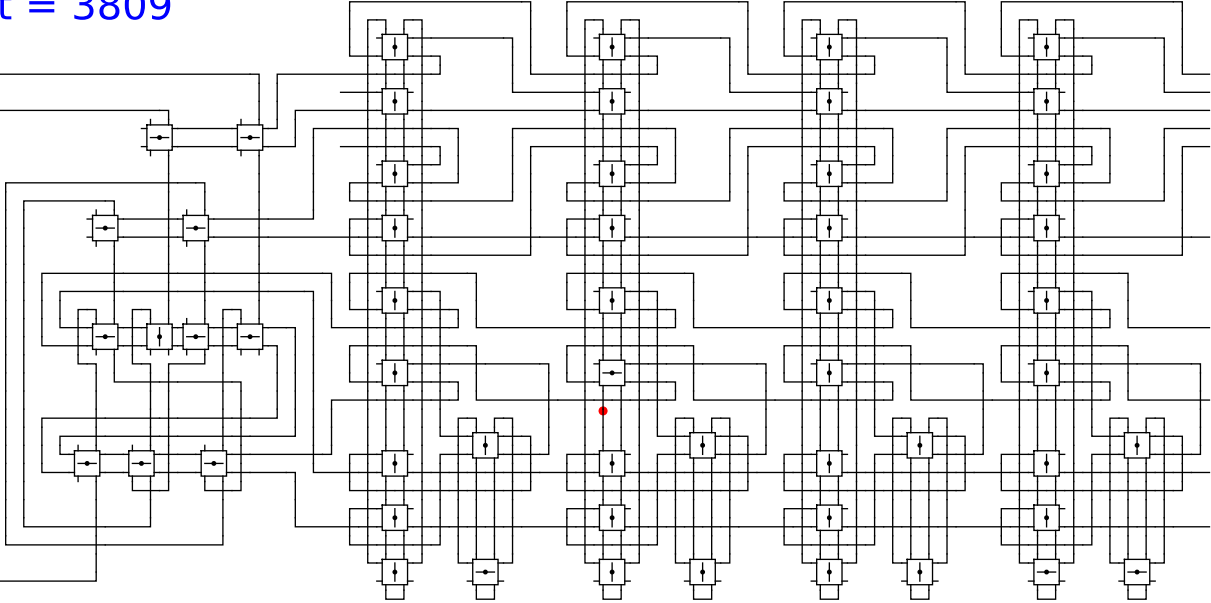
Begin



t = 3809

Reject
Accept

Begin



1

0

0

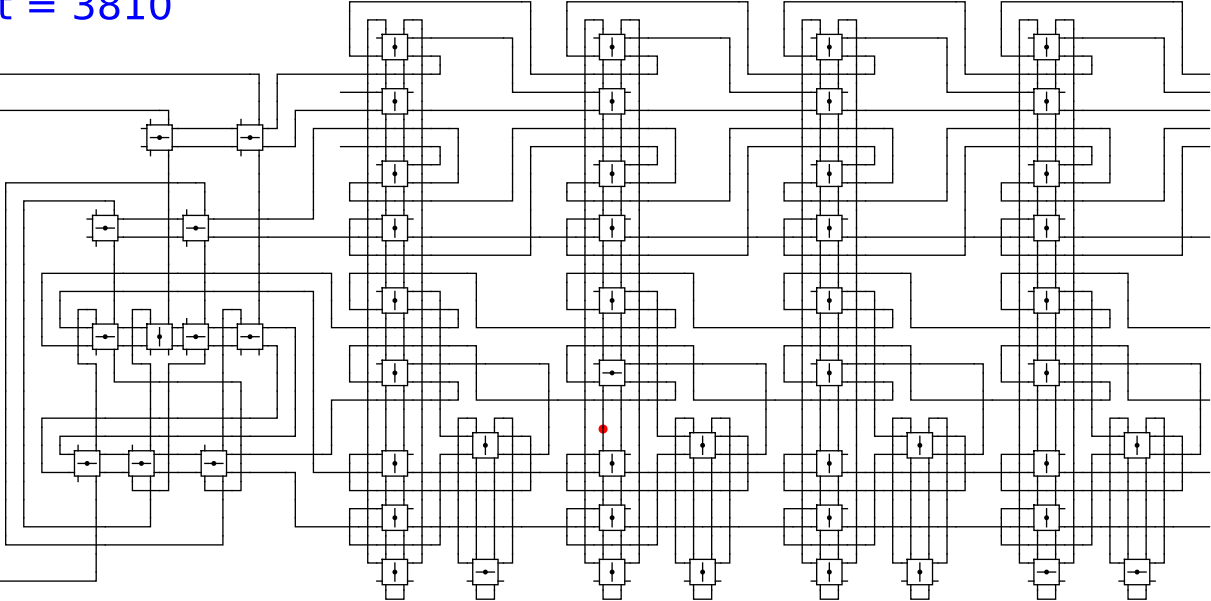
head

1

t = 3810

Reject
Accept

Begin



1

0

0

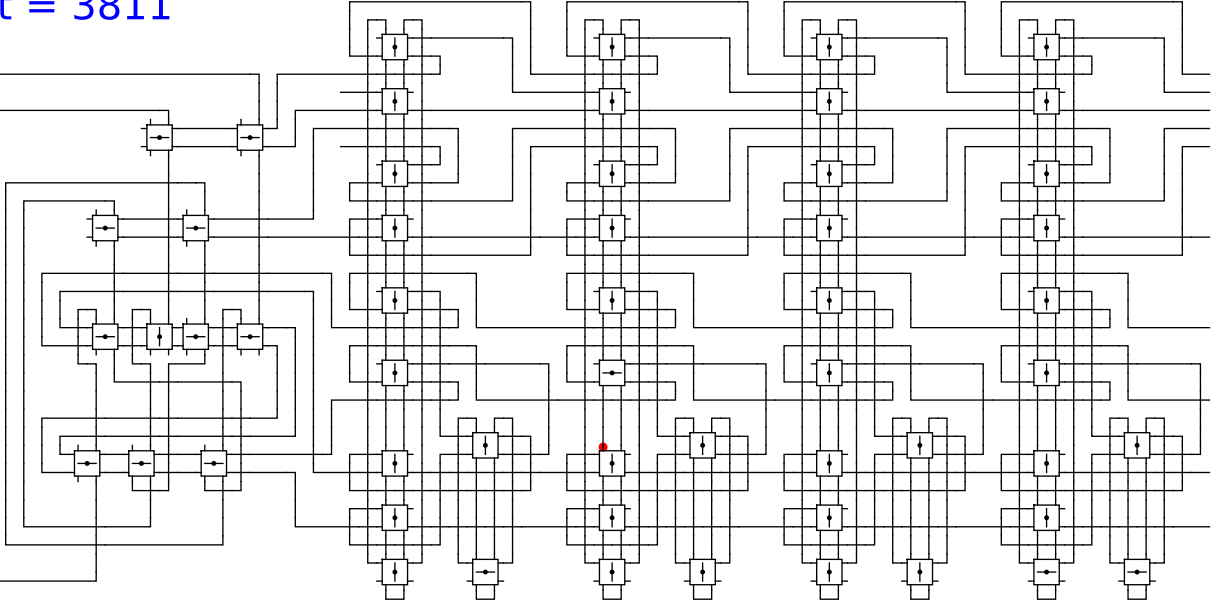
head

1

t = 3811

Reject
Accept

Begin



1

0

0

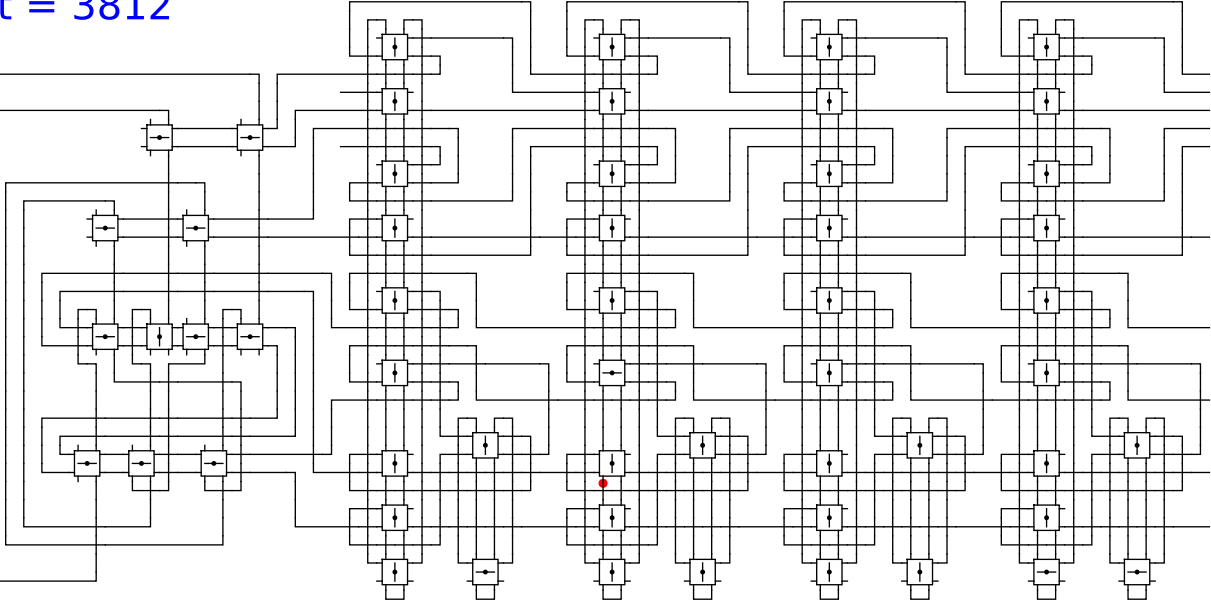
head

1

t = 3812

Reject
Accept

Begin



1

0

0

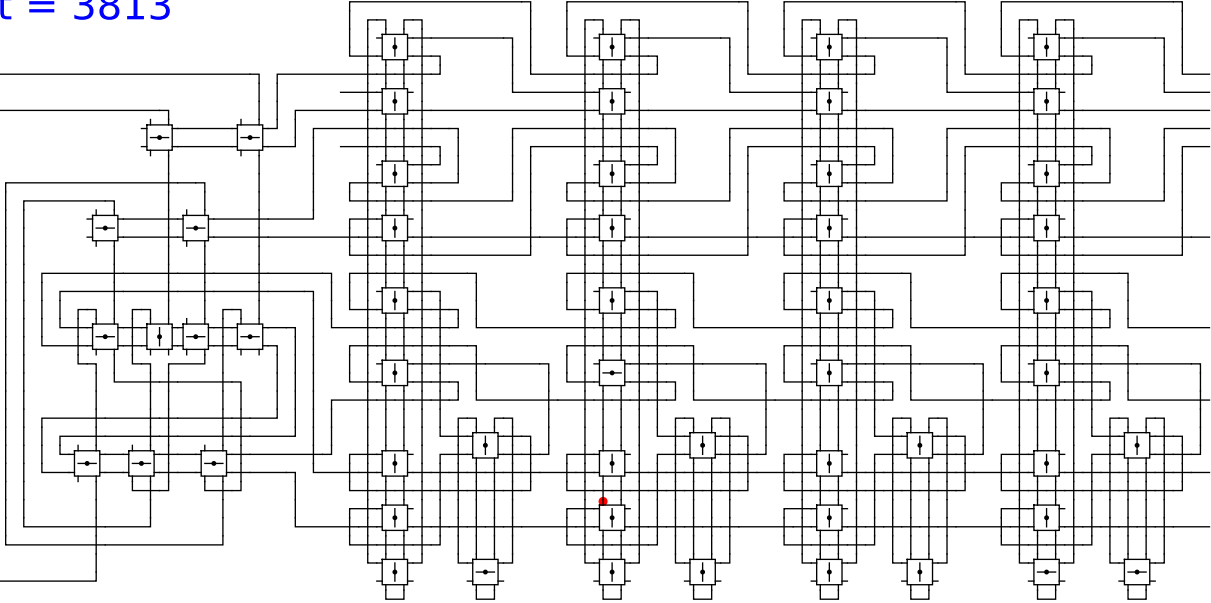
head

1

t = 3813

Reject
Accept

Begin



1

0

0

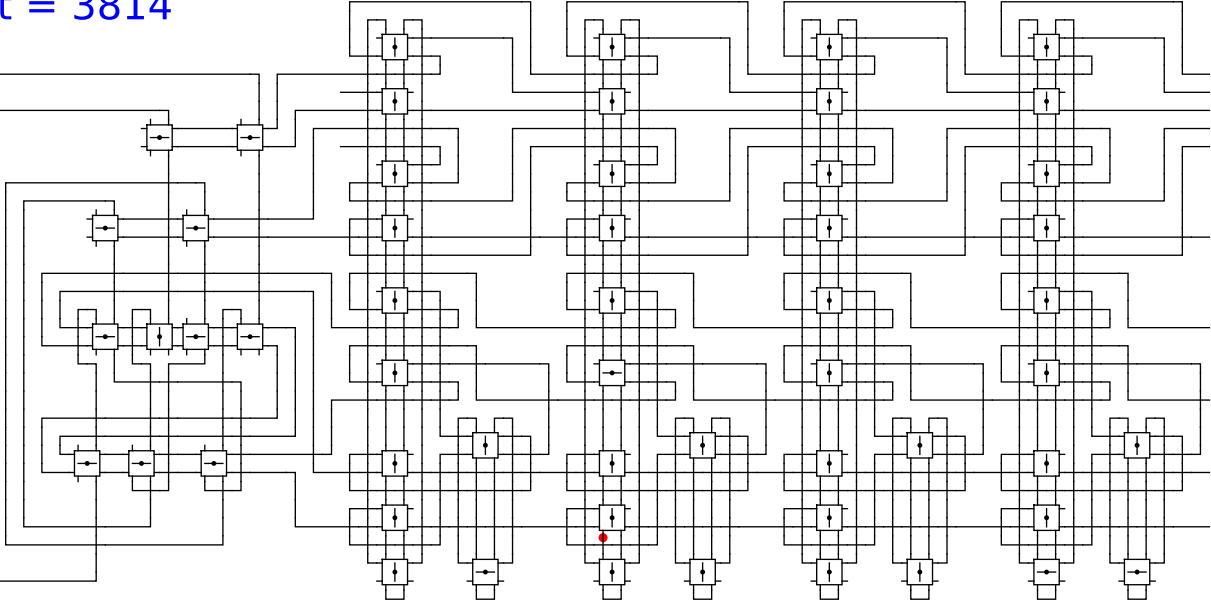
head

1

t = 3814

Reject
Accept

Begin



1

0

0

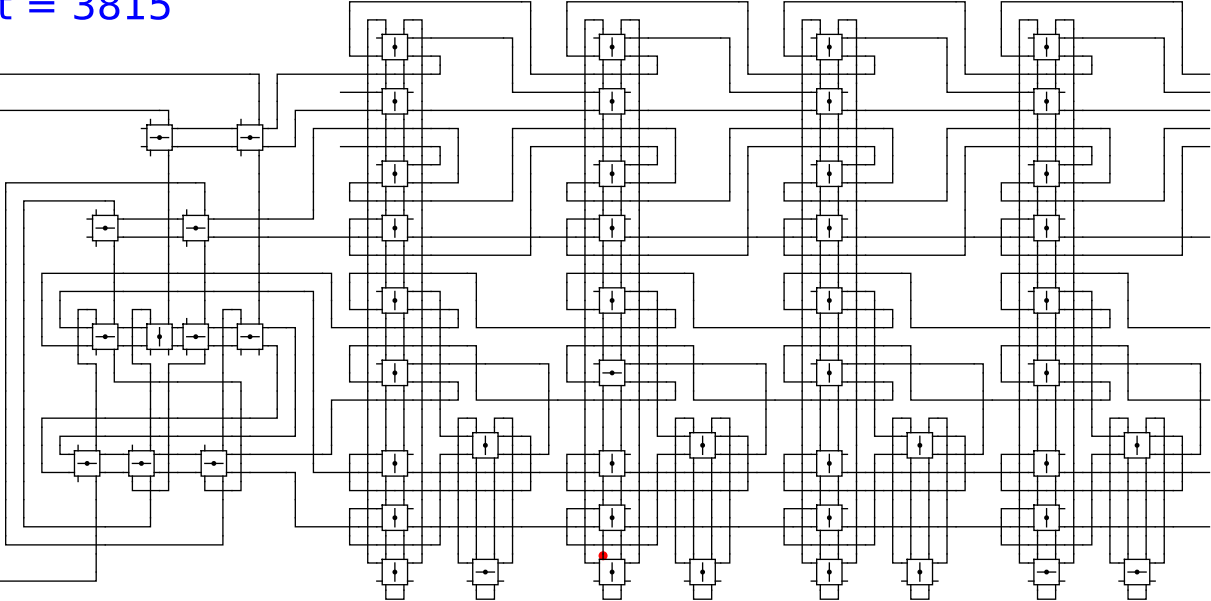
head

1

t = 3815

Reject
Accept

Begin



1

0

0

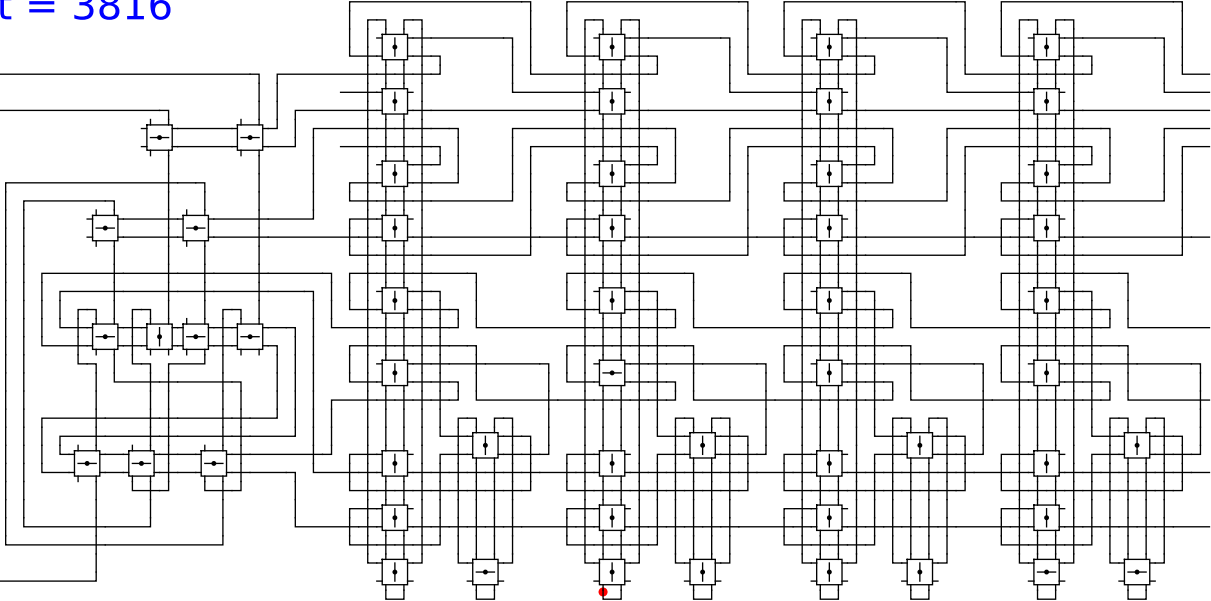
head

1

t = 3816

Reject
Accept

Begin



1

0

0

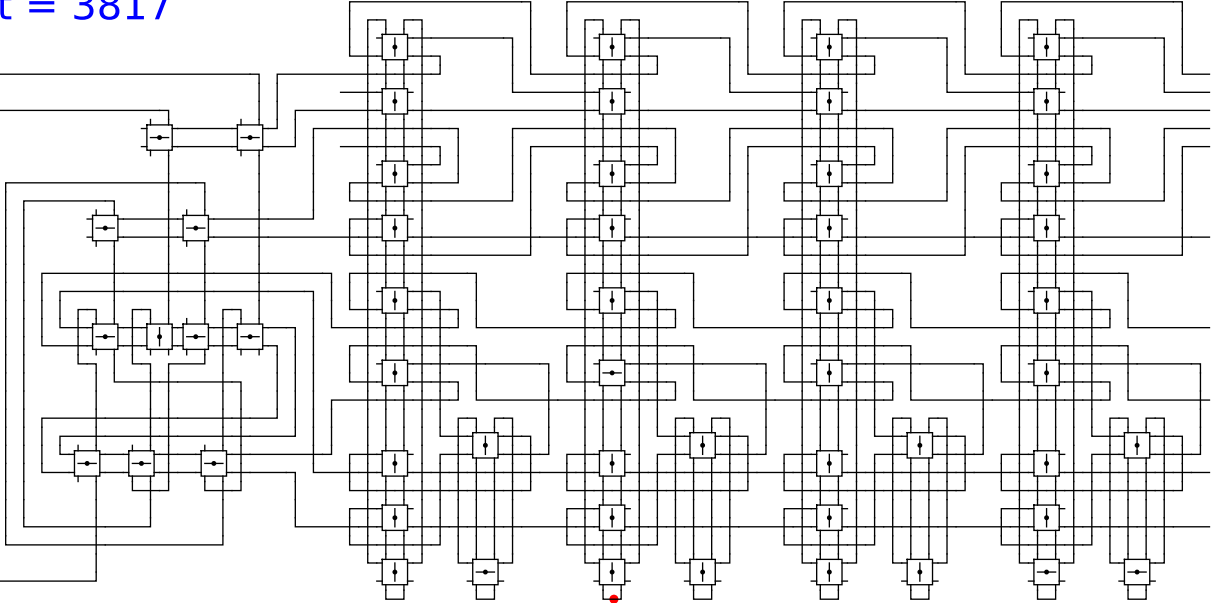
head

1

t = 3817

Reject
Accept

Begin

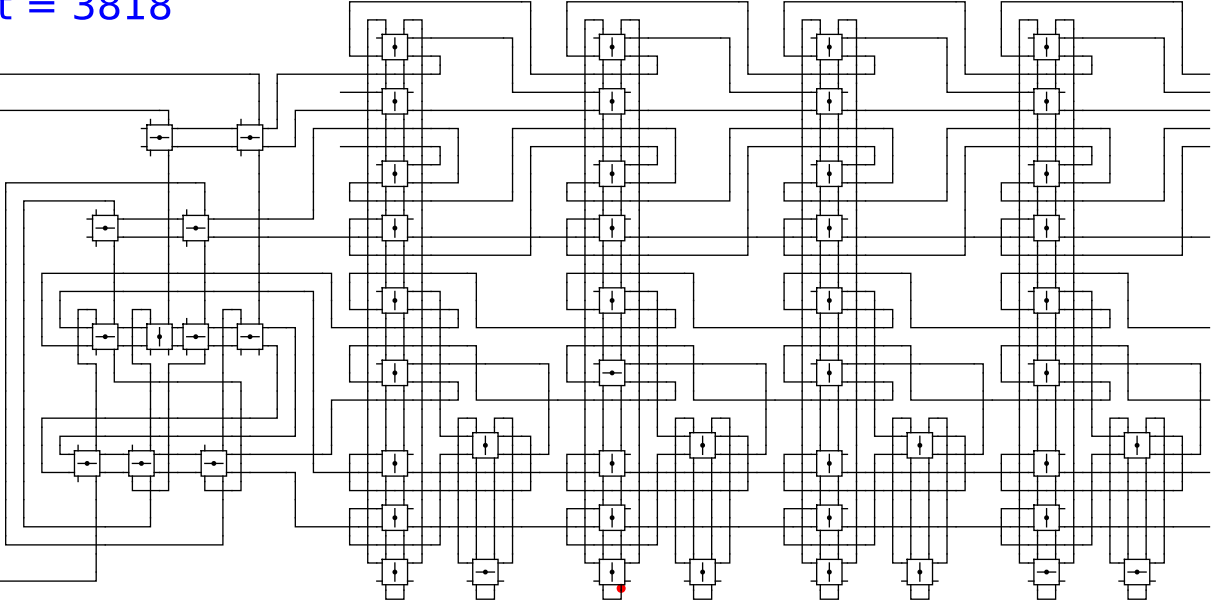


1 0 0 head 1

t = 3818

Reject
Accept

Begin



1

0

0

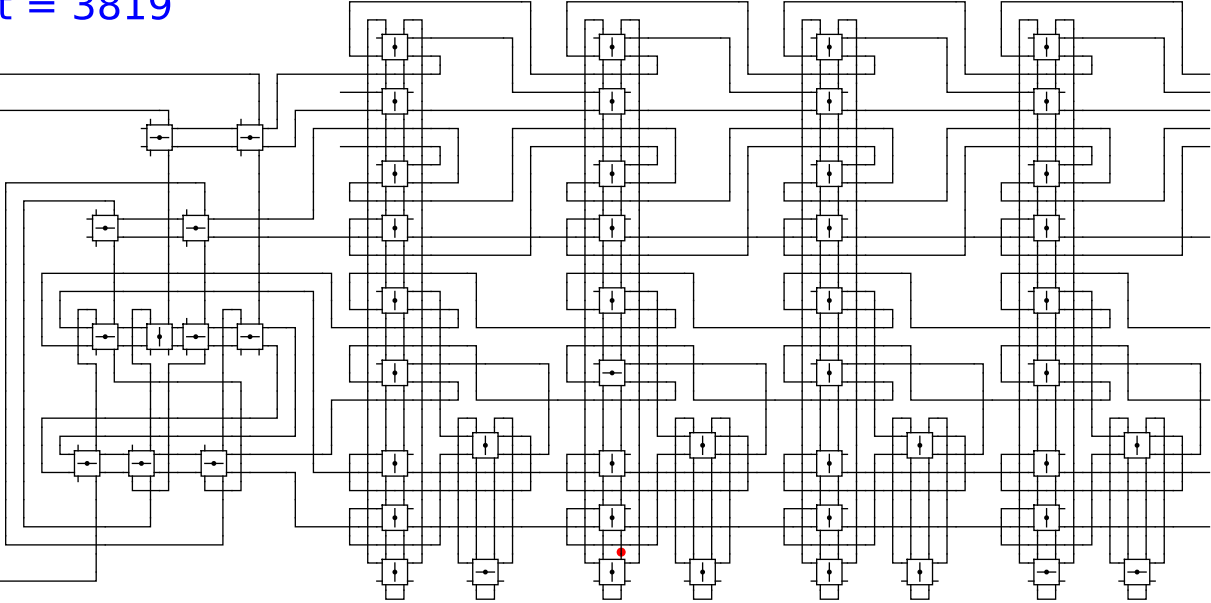
head

1

t = 3819

Reject
Accept

Begin



1

0

0

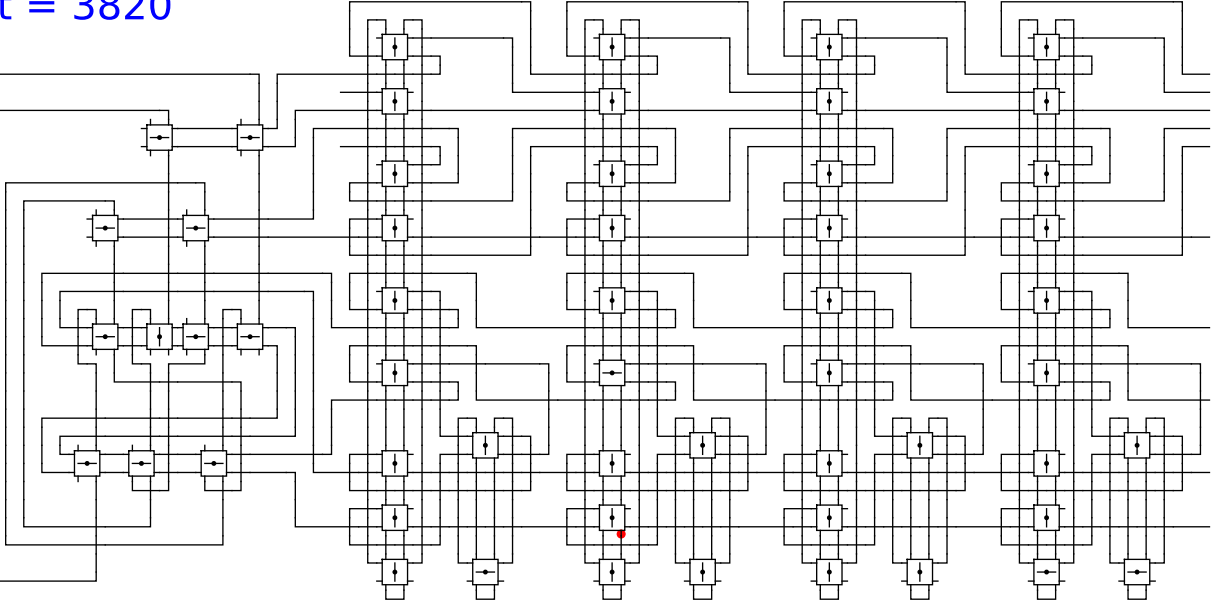
head

1

t = 3820

Reject
Accept

Begin



1

0

0

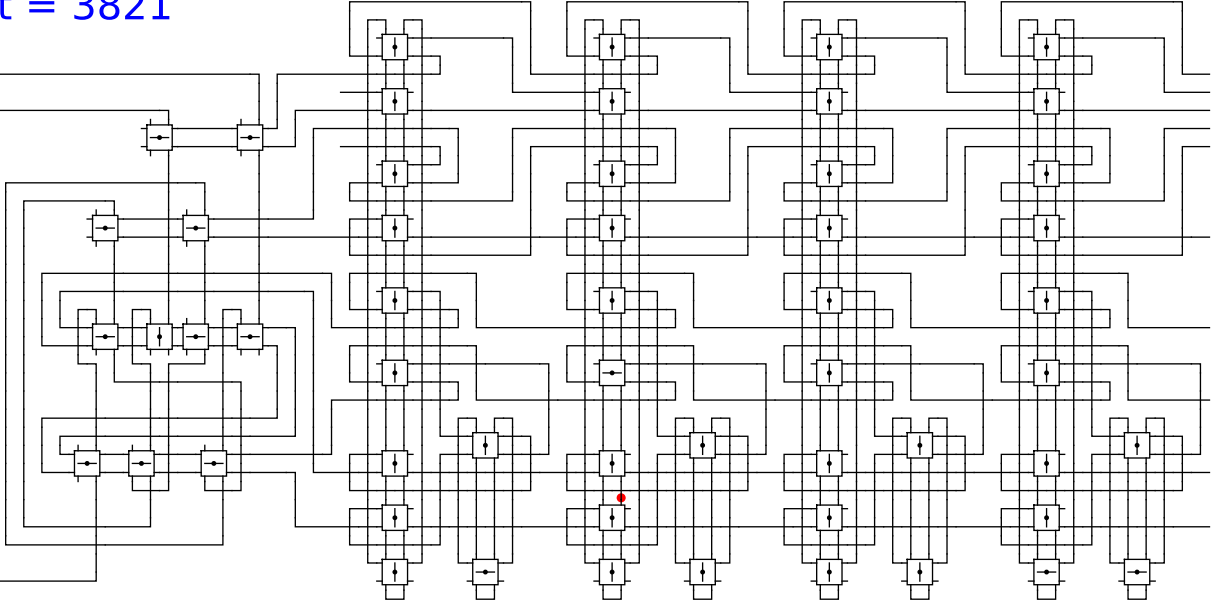
head

1

t = 3821

Reject
Accept

Begin



1

0

0

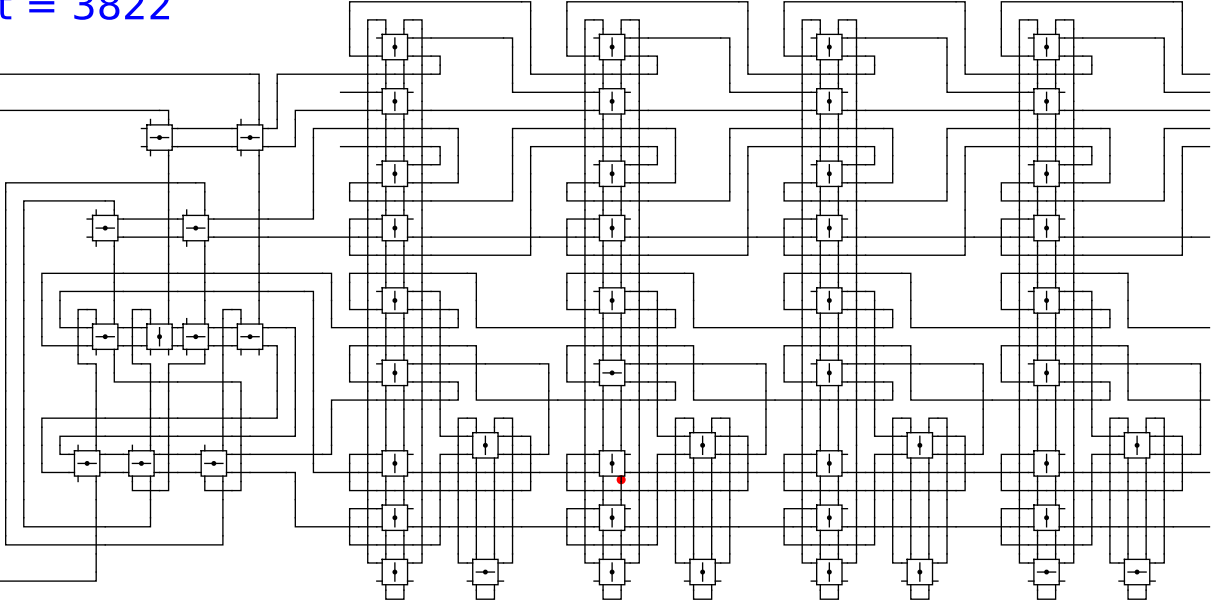
head

1

t = 3822

Reject
Accept

Begin



1

0

0

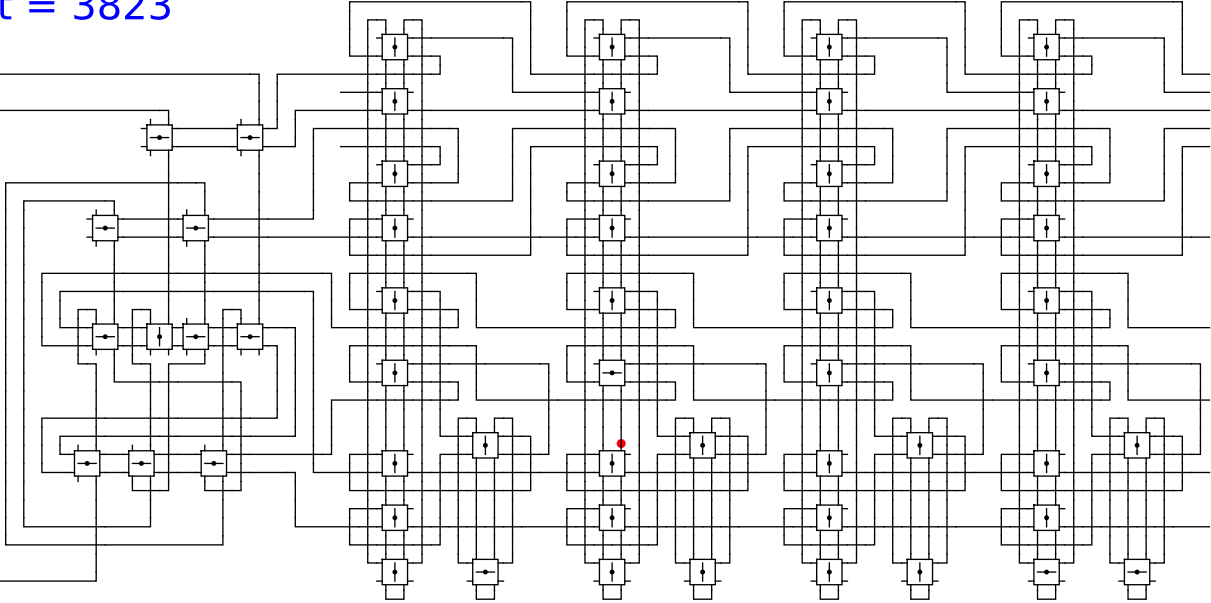
head

1

t = 3823

Reject
Accept

Begin



1

0

0

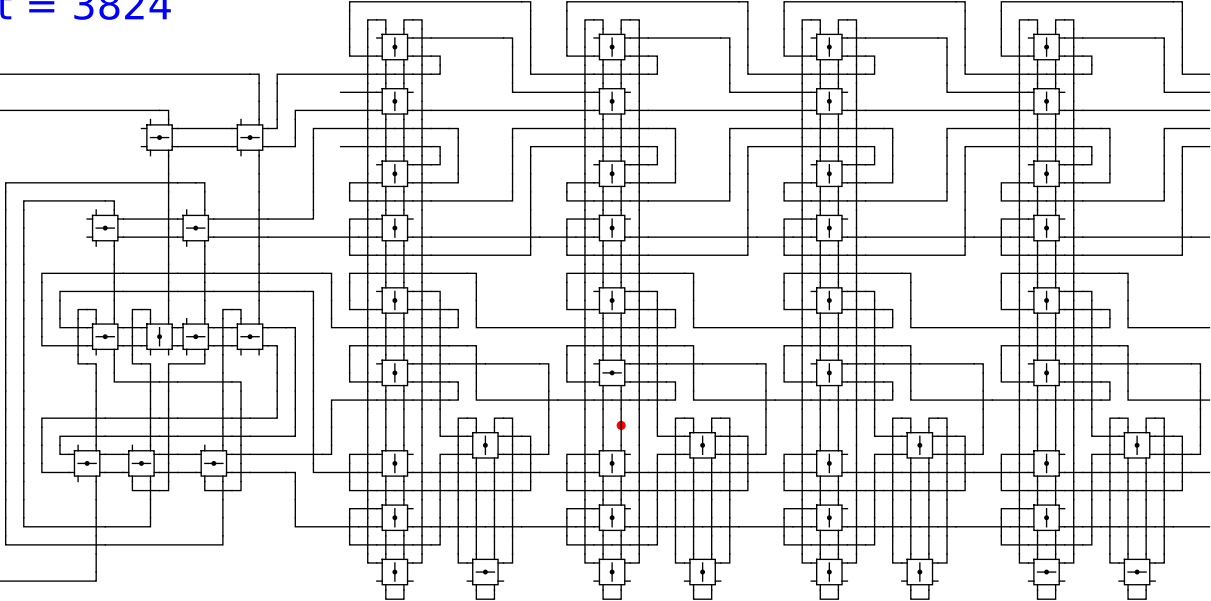
head

1

t = 3824

Reject
Accept

Begin

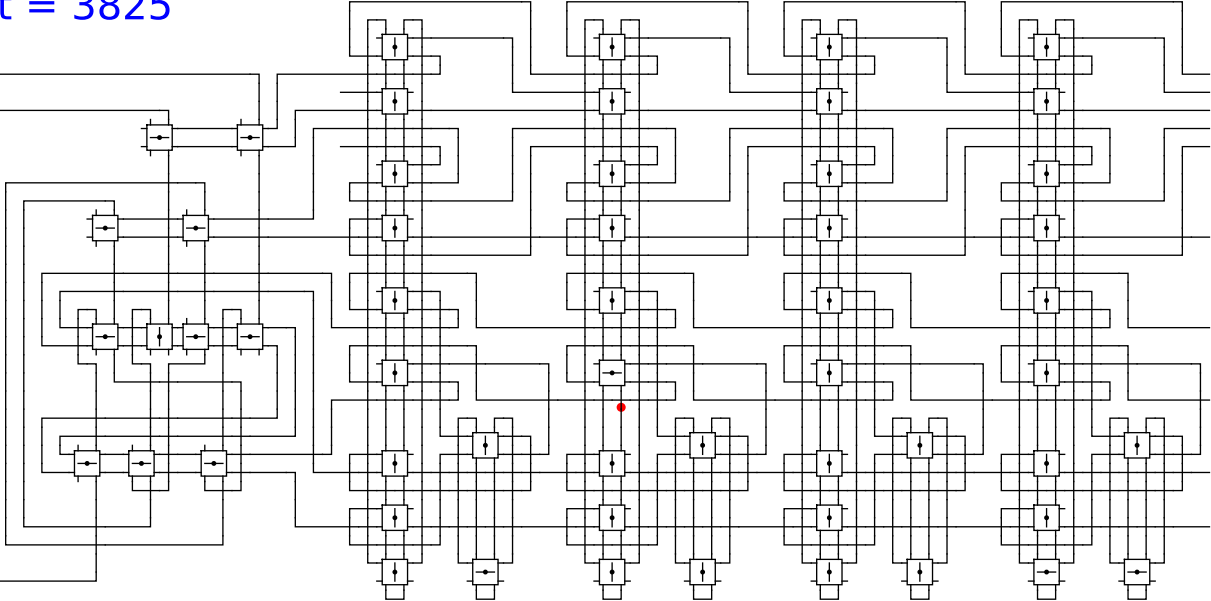


1 0 0 head 1

t = 3825

Reject
Accept

Begin



1

0

0

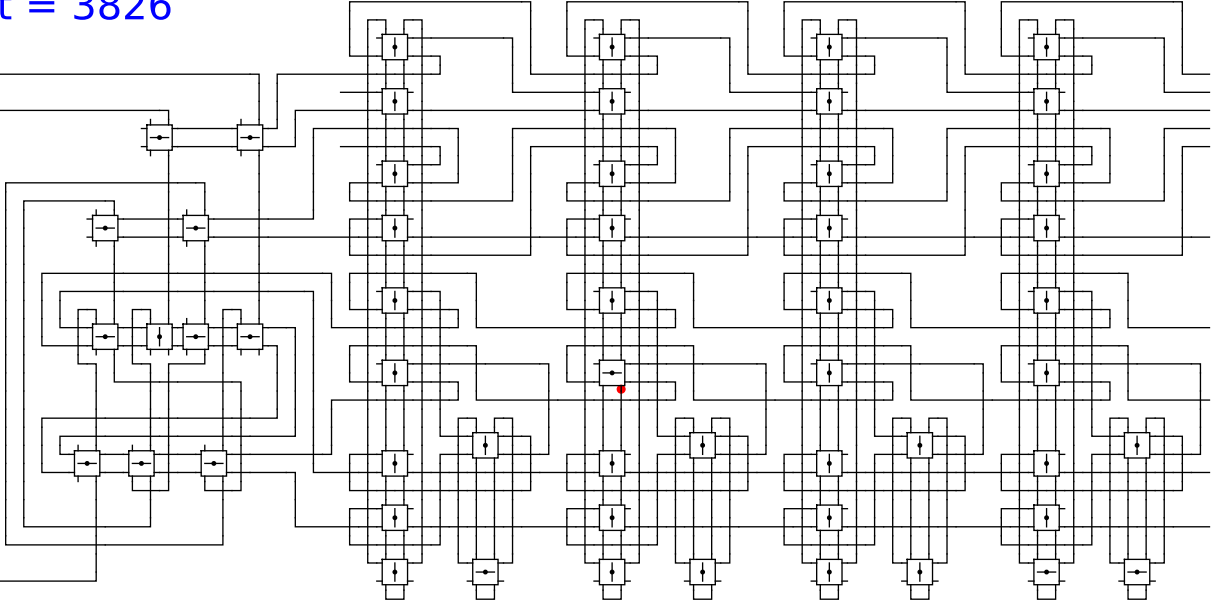
head

1

t = 3826

Reject
Accept

Begin



1

0

0

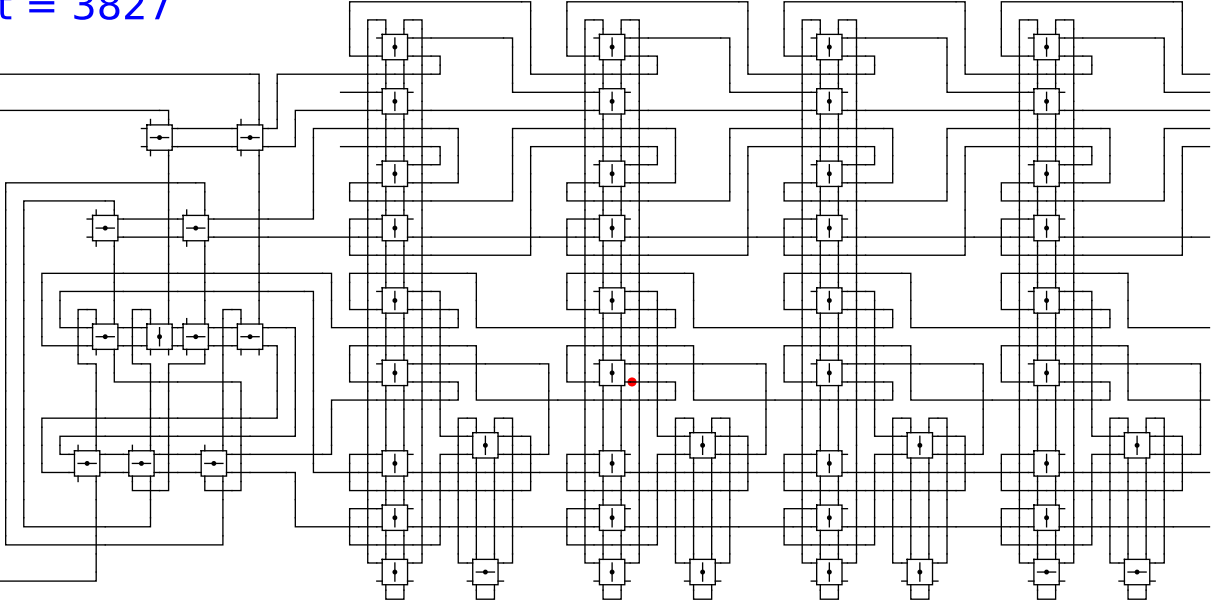
head

1

t = 3827

Reject
Accept

Begin



1

0

0

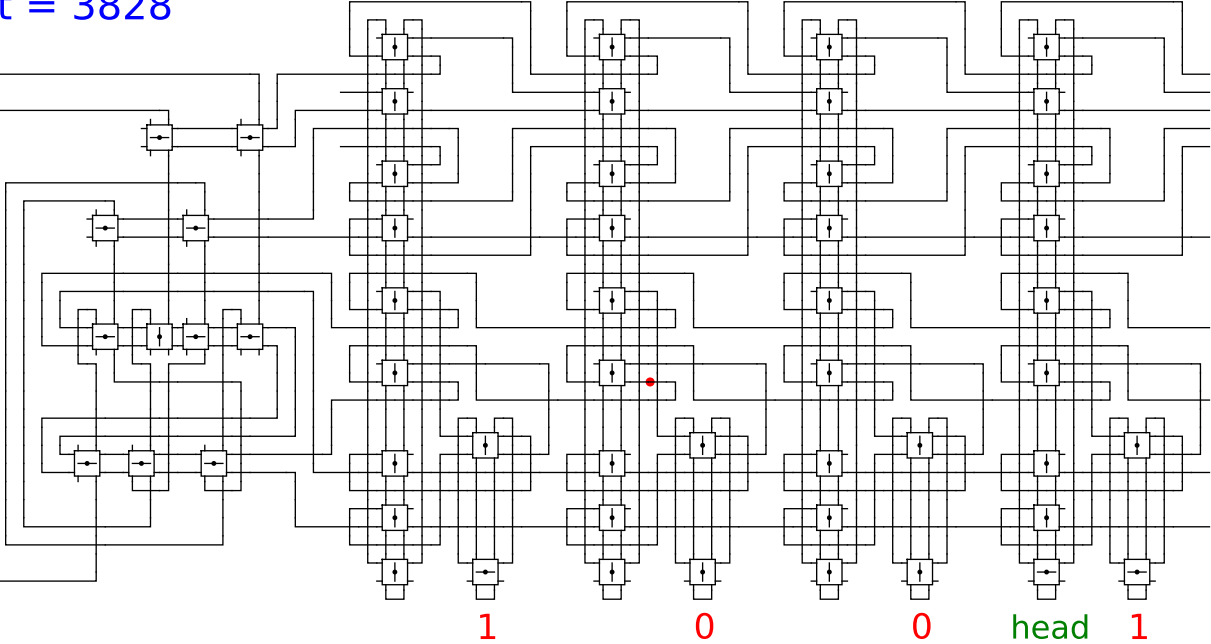
head

1

t = 3828

Reject
Accept

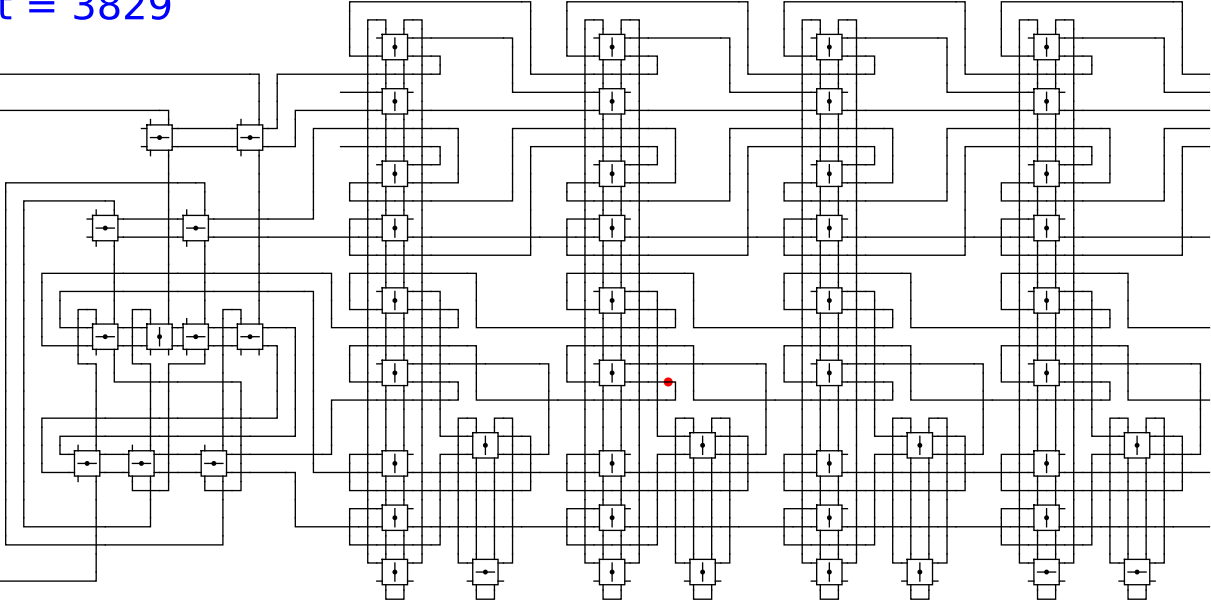
Begin



t = 3829

Reject
Accept

Begin



1

0

0

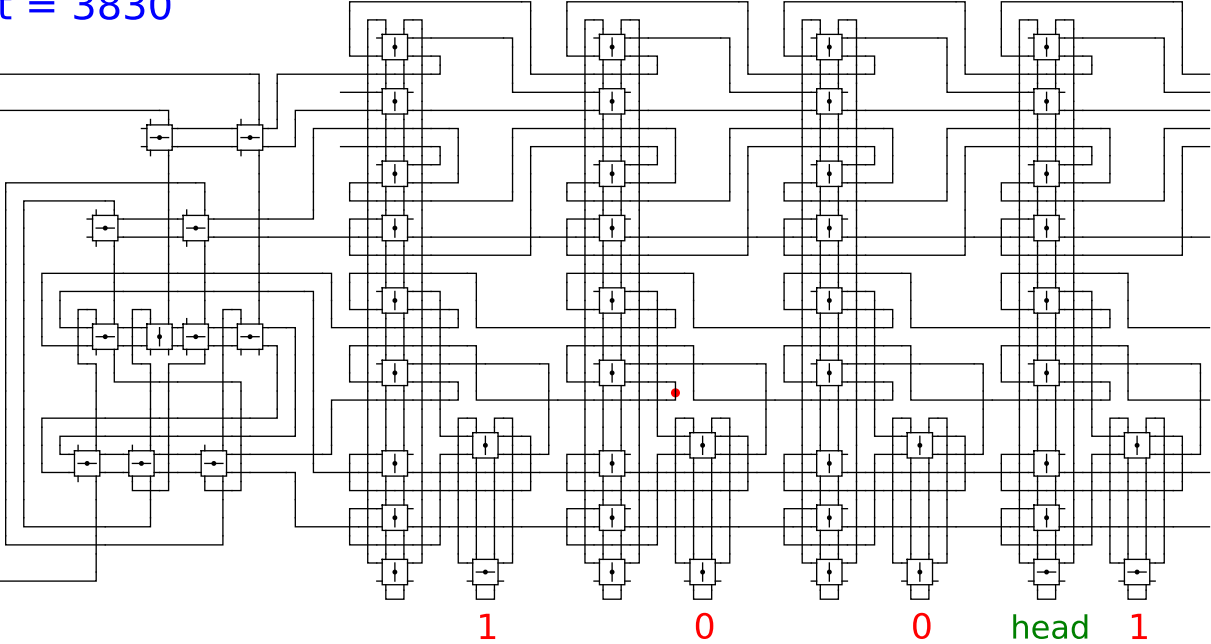
head

1

t = 3830

Reject
Accept

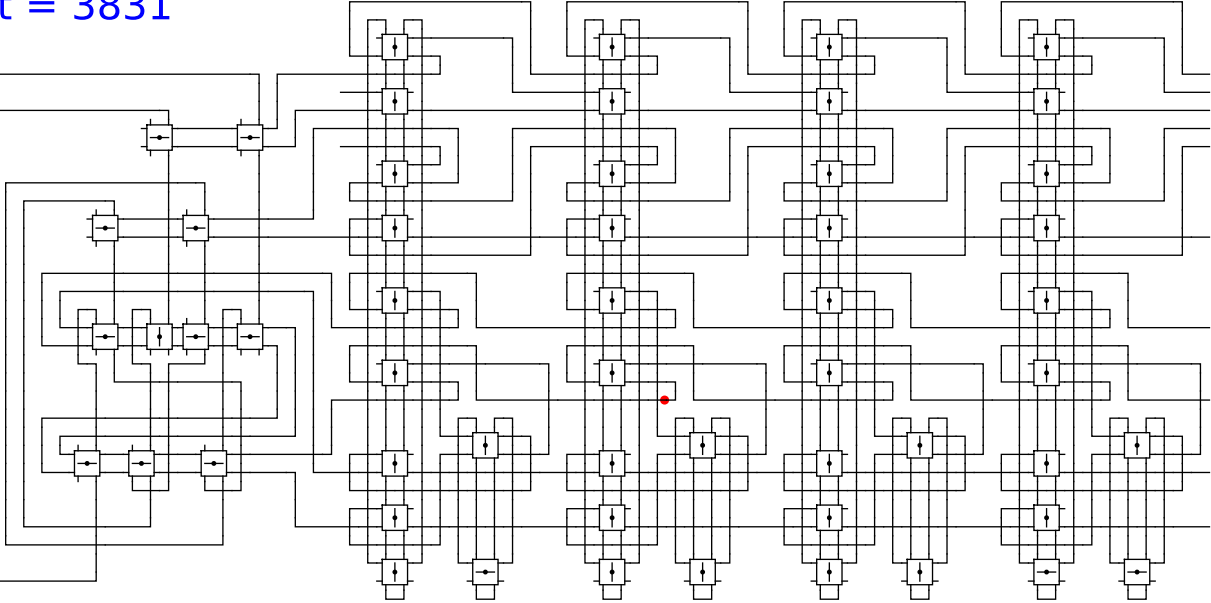
Begin



t = 3831

Reject
Accept

Begin



1

0

0

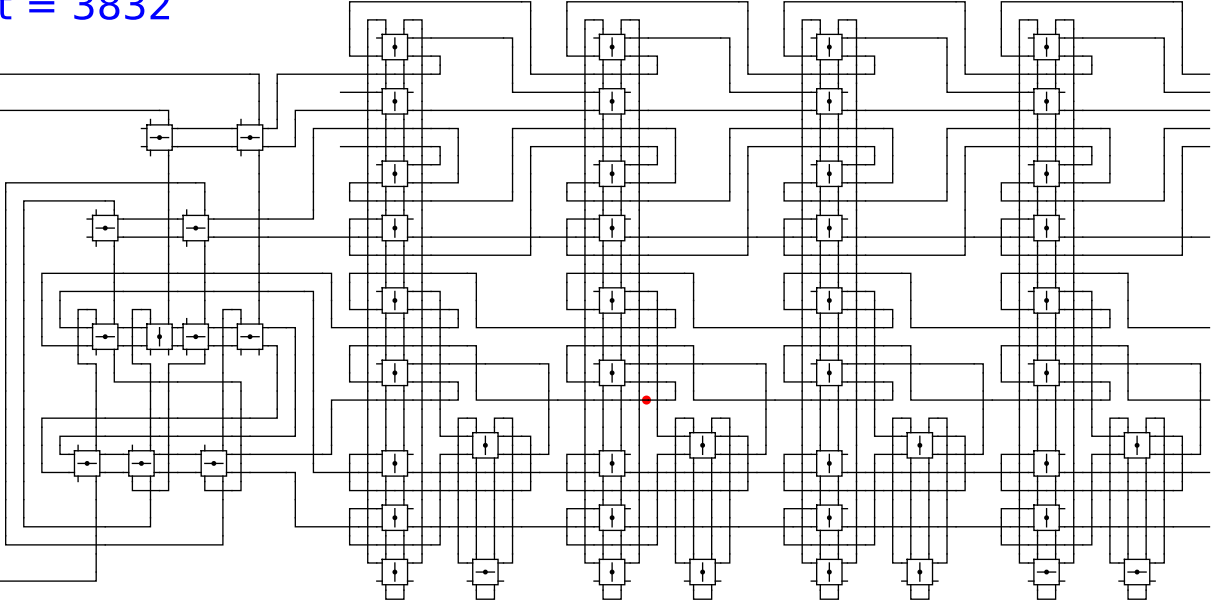
head

1

t = 3832

Reject
Accept

Begin



1

0

0

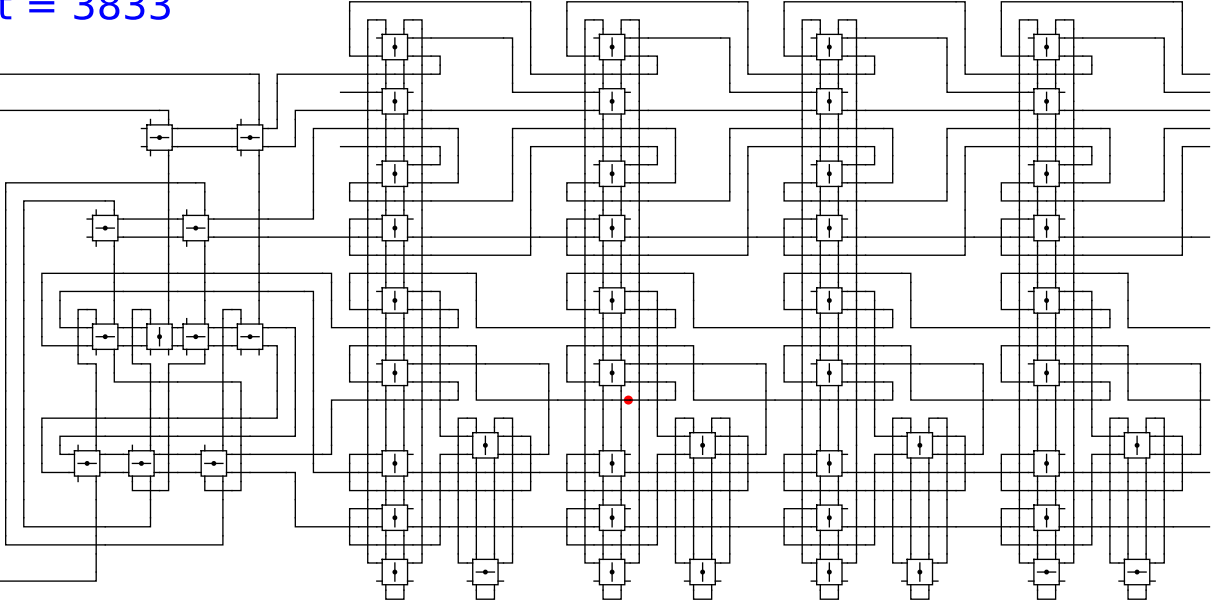
head

1

t = 3833

Reject
Accept

Begin



1

0

0

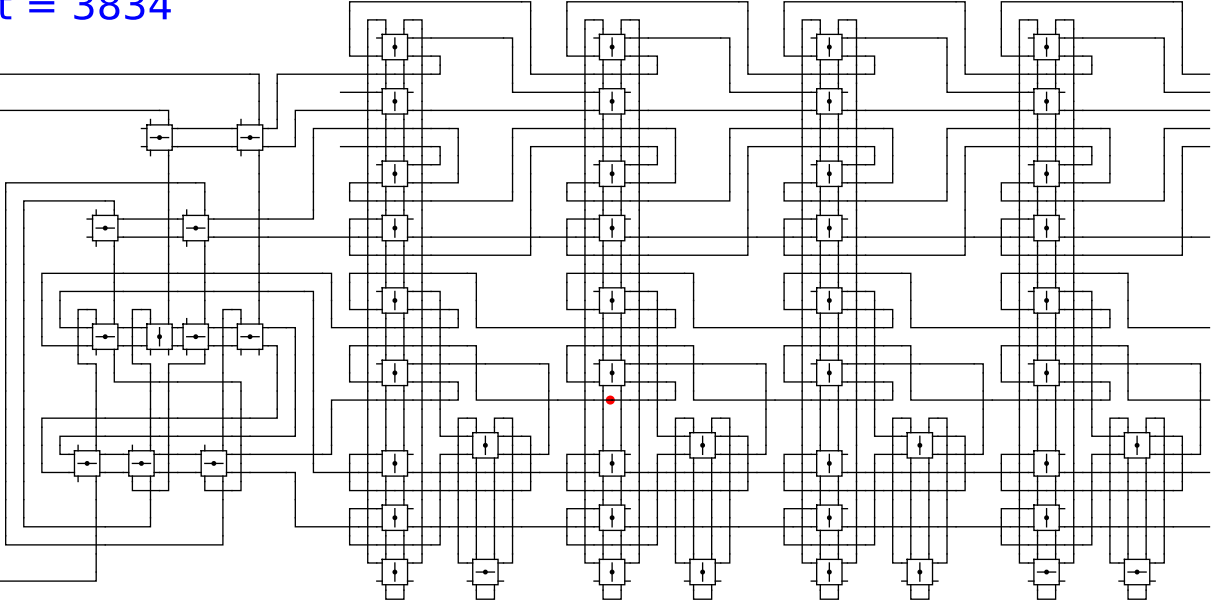
head

1

t = 3834

Reject
Accept

Begin



1

0

0

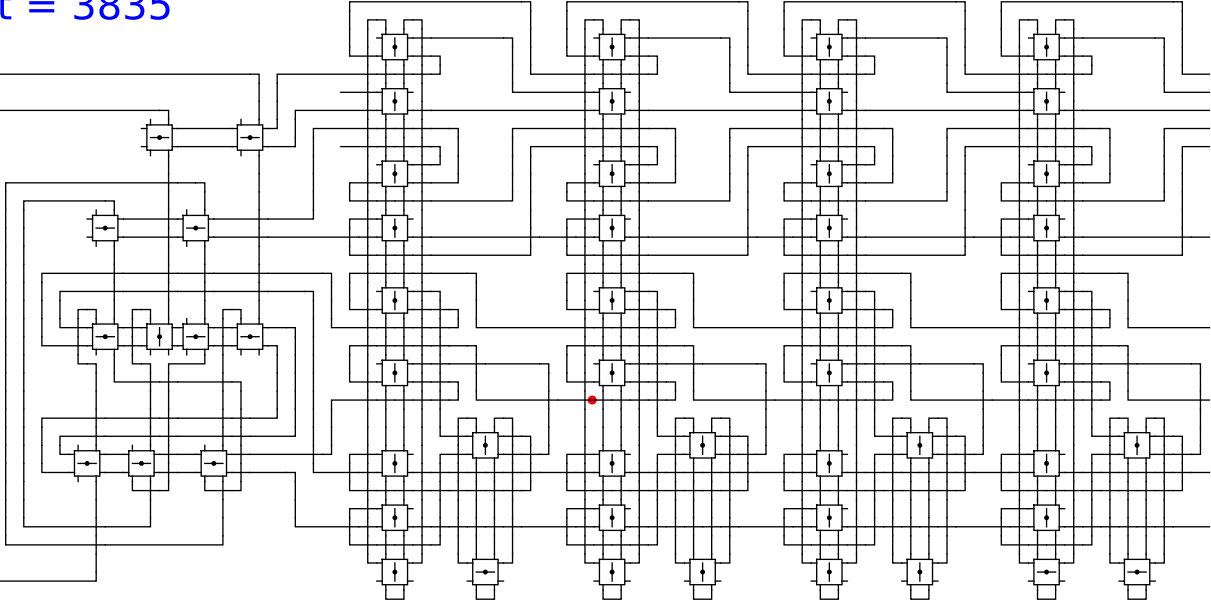
head

1

t = 3835

Reject
Accept

Begin



1

0

0

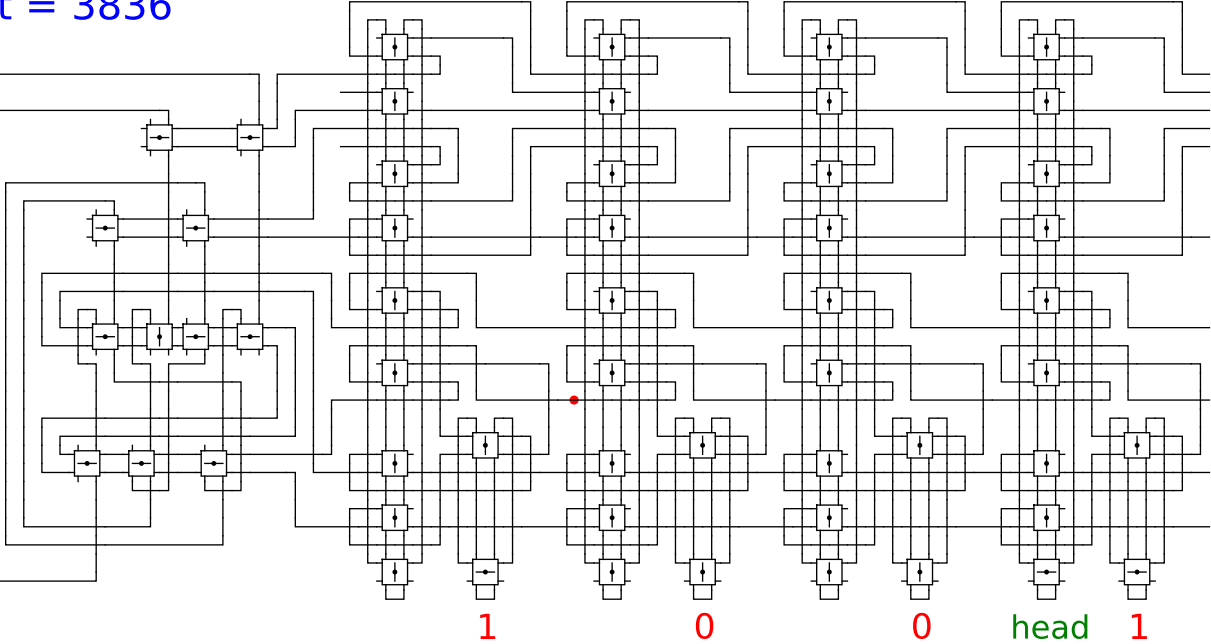
head

1

t = 3836

Reject
Accept

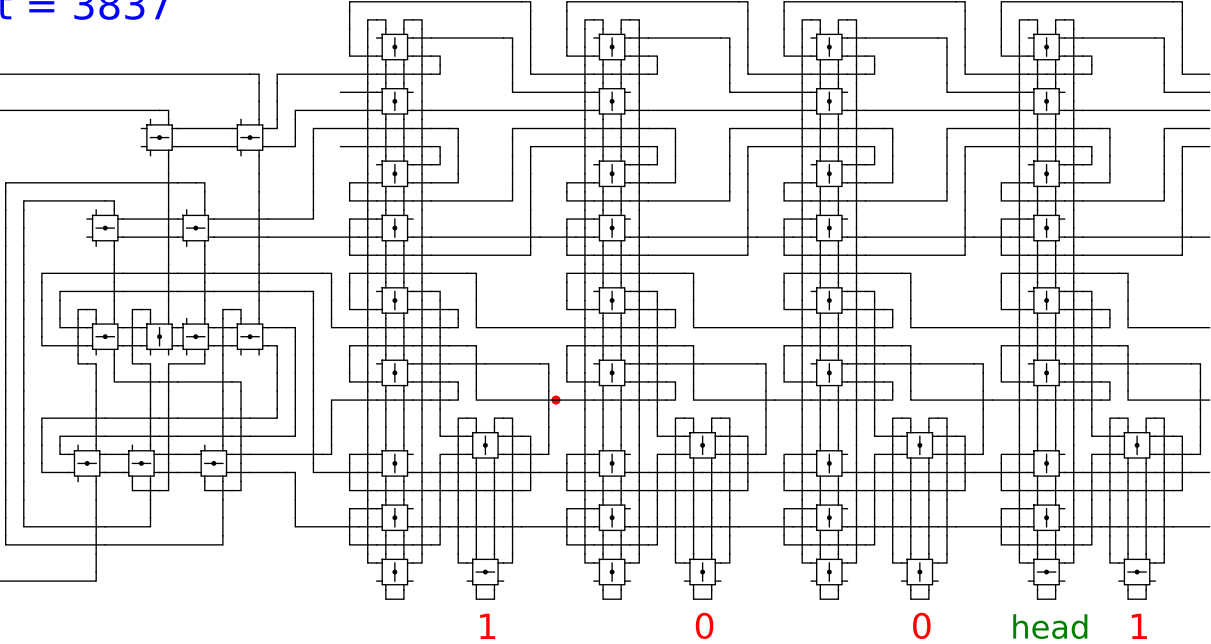
Begin



t = 3837

Reject
Accept

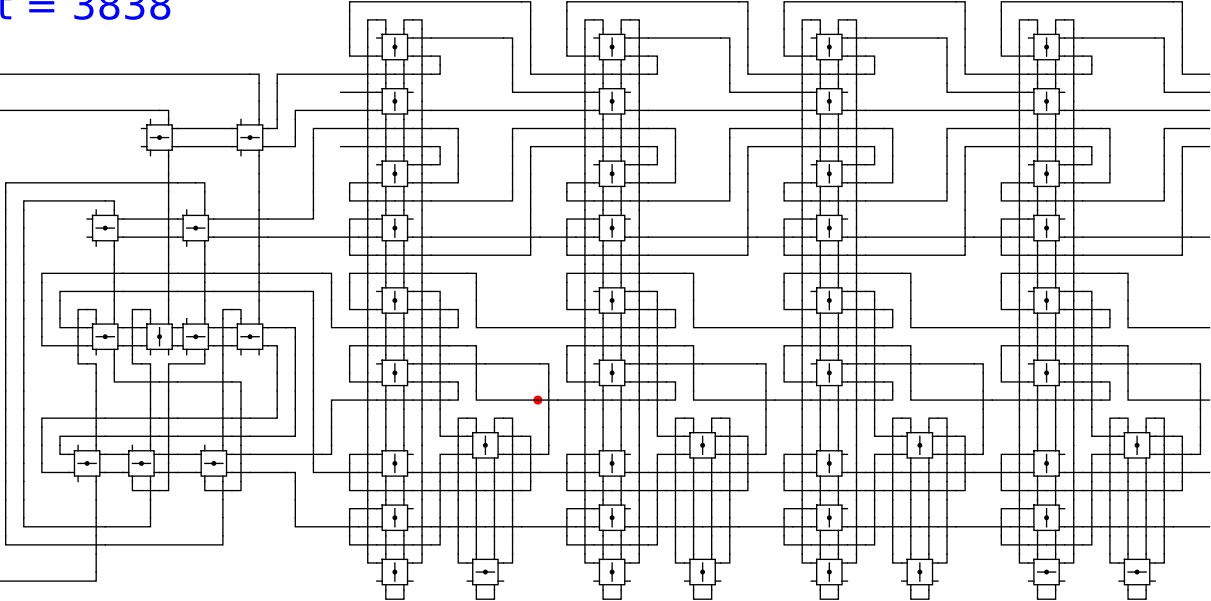
Begin



t = 3838

Reject
Accept

Begin



1

0

0

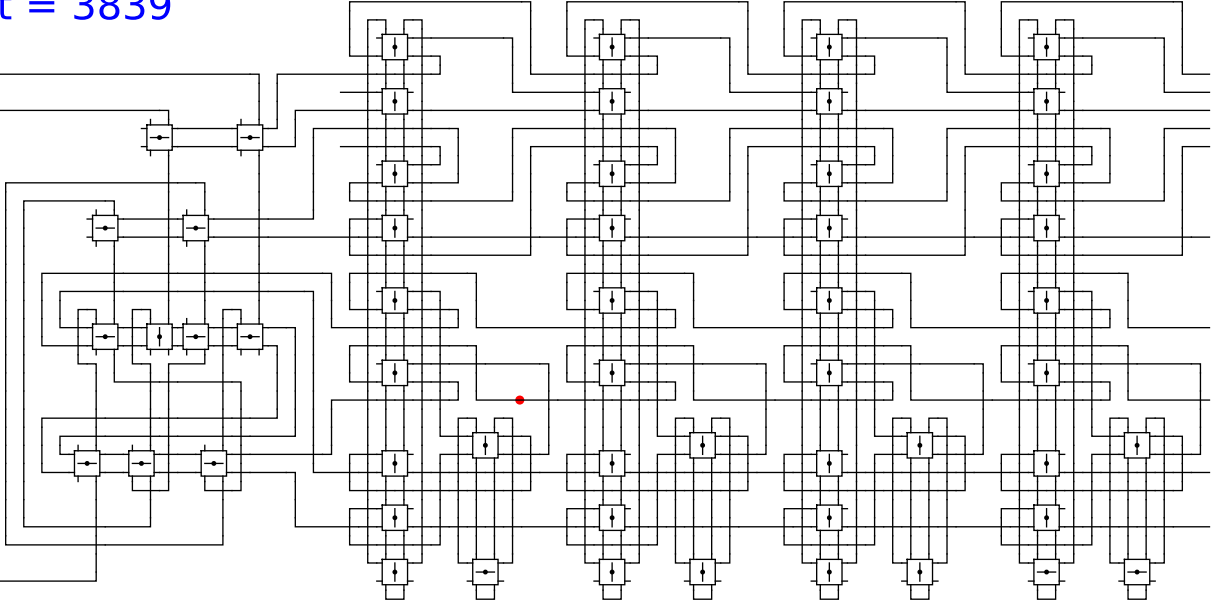
head

1

t = 3839

Reject
Accept

Begin



1

0

0

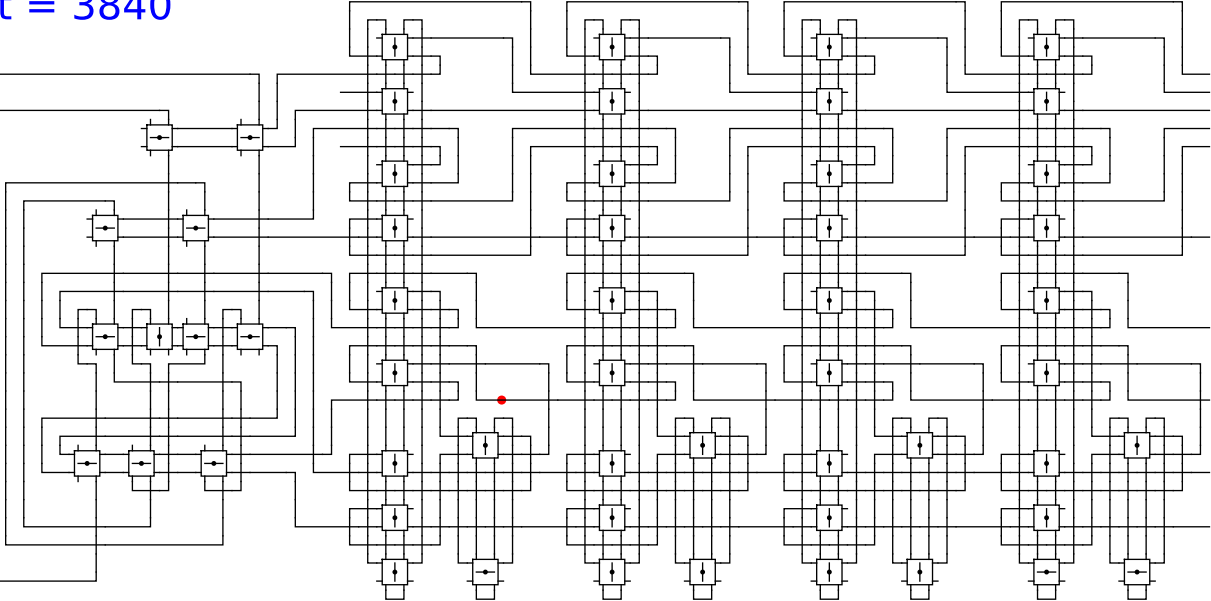
head

1

t = 3840

Reject
Accept

Begin



1

0

0

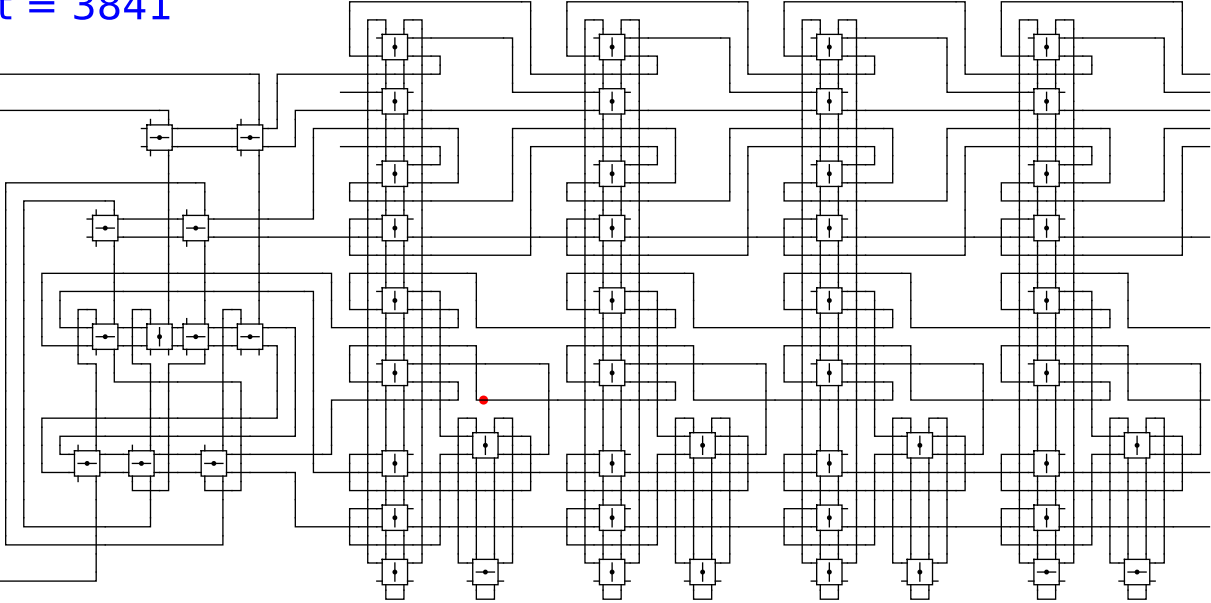
head

1

t = 3841

Reject
Accept

Begin



1

0

0

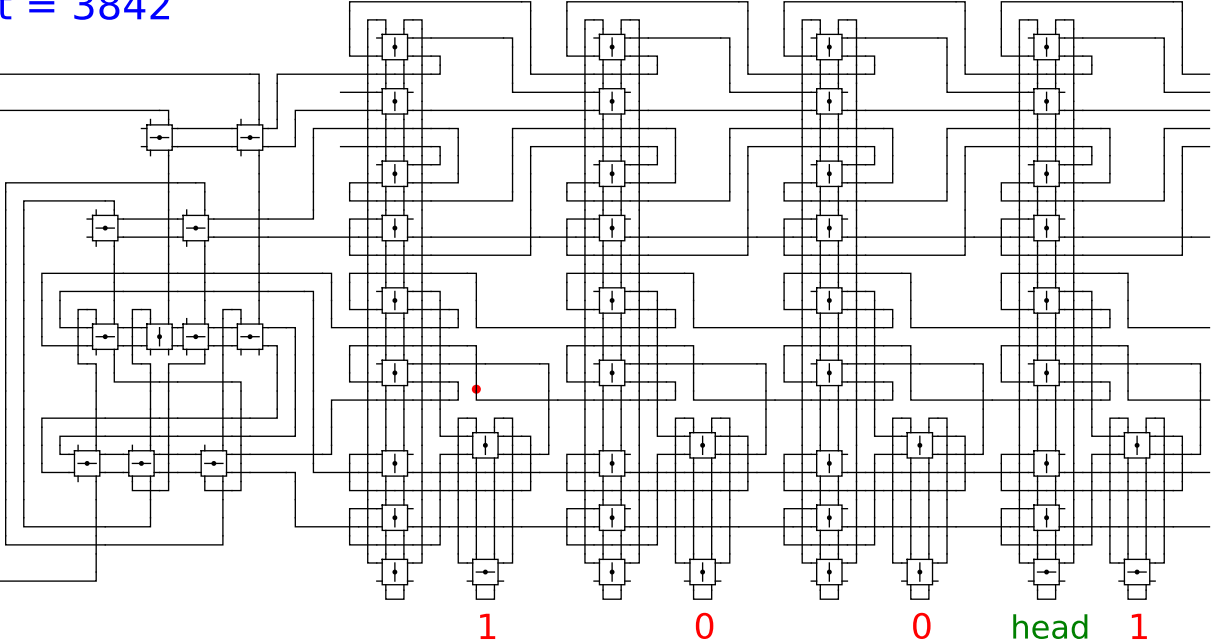
head

1

t = 3842

Reject
Accept

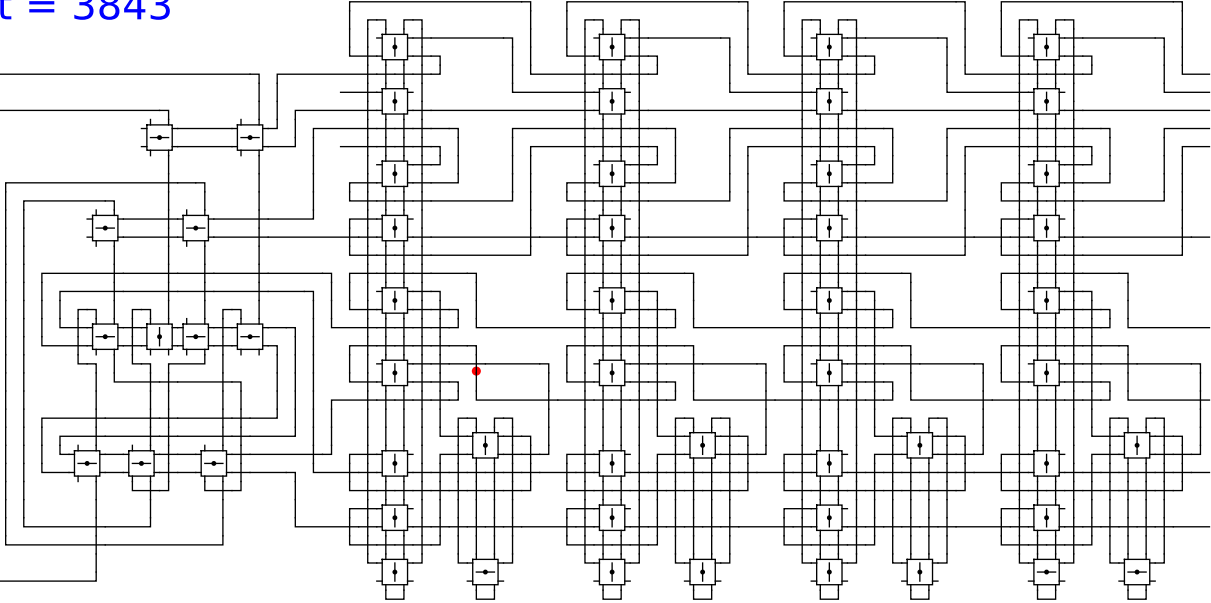
Begin



t = 3843

Reject
Accept

Begin



1

0

0

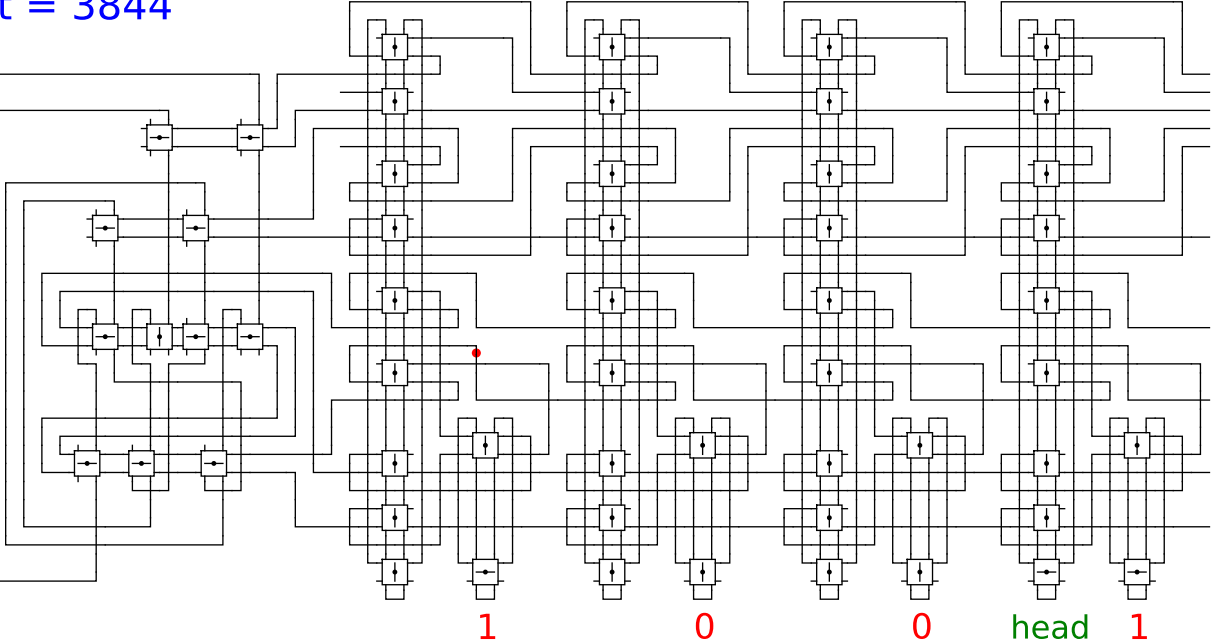
head

1

t = 3844

Reject
Accept

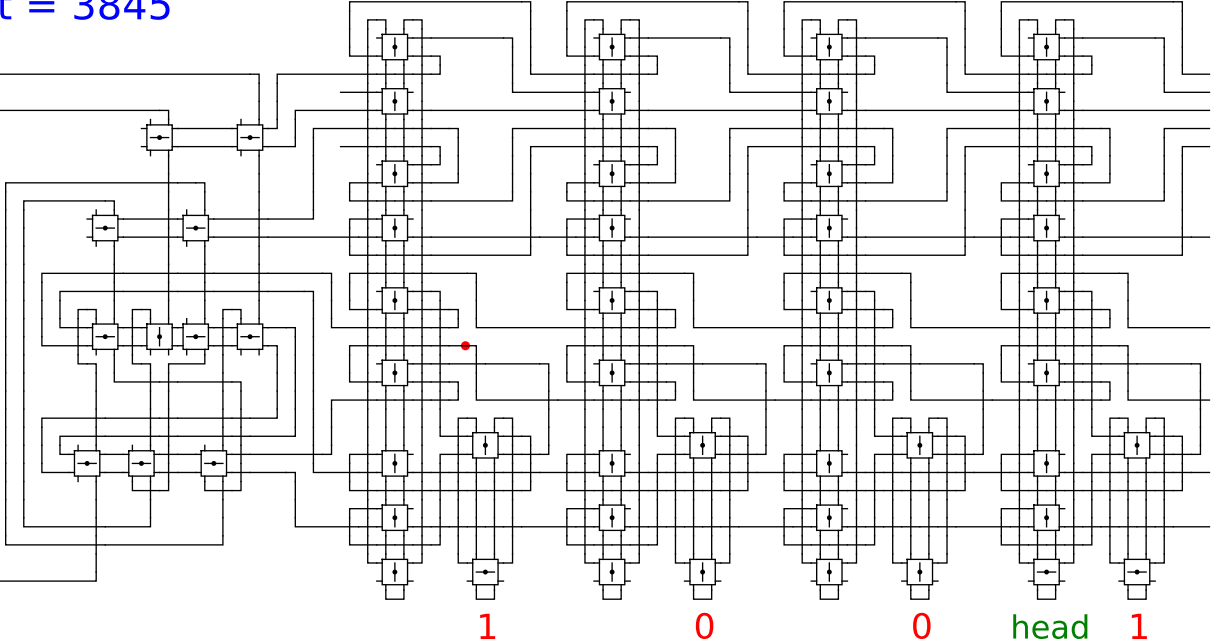
Begin



t = 3845

Reject
Accept

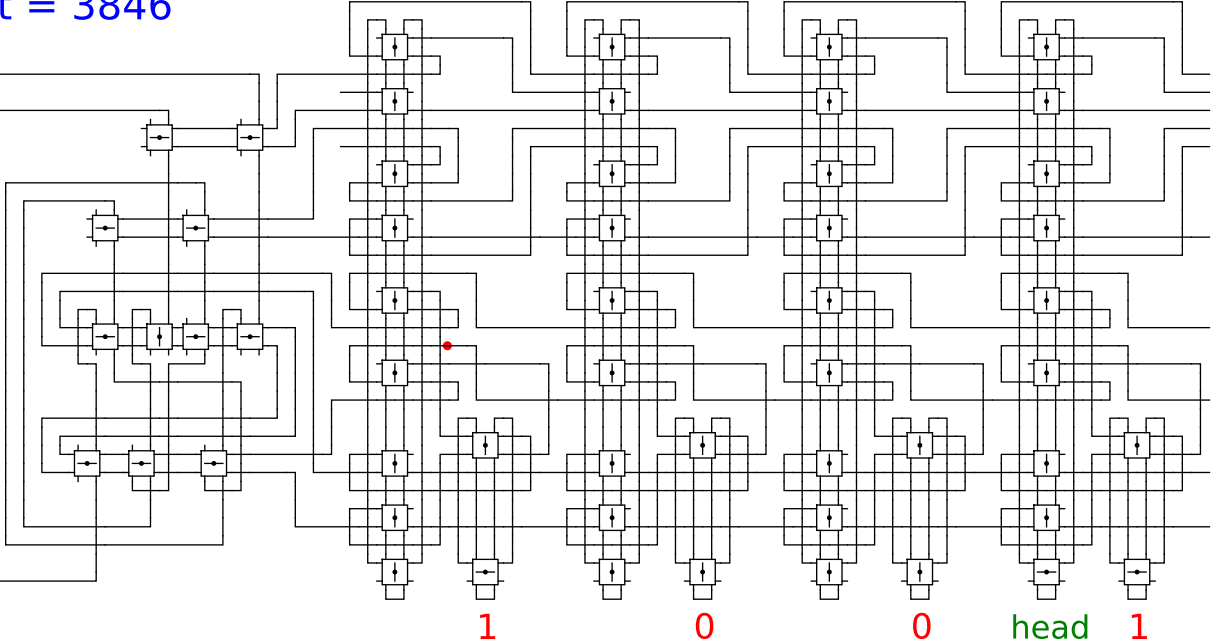
Begin



t = 3846

Reject
Accept

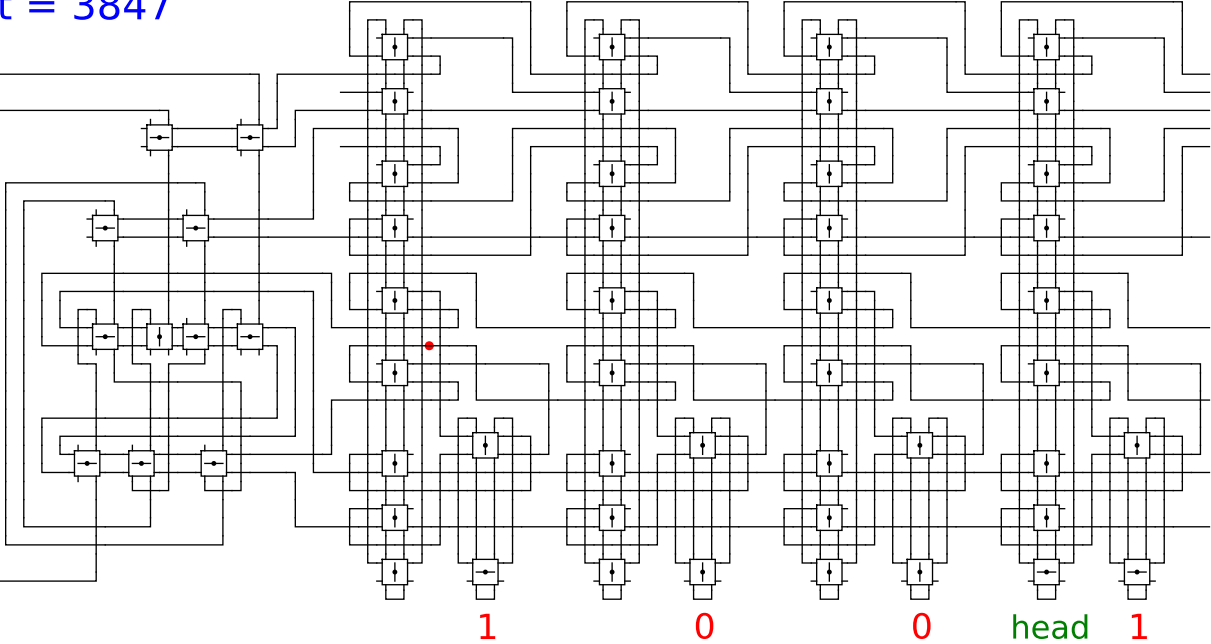
Begin



t = 3847

Reject
Accept

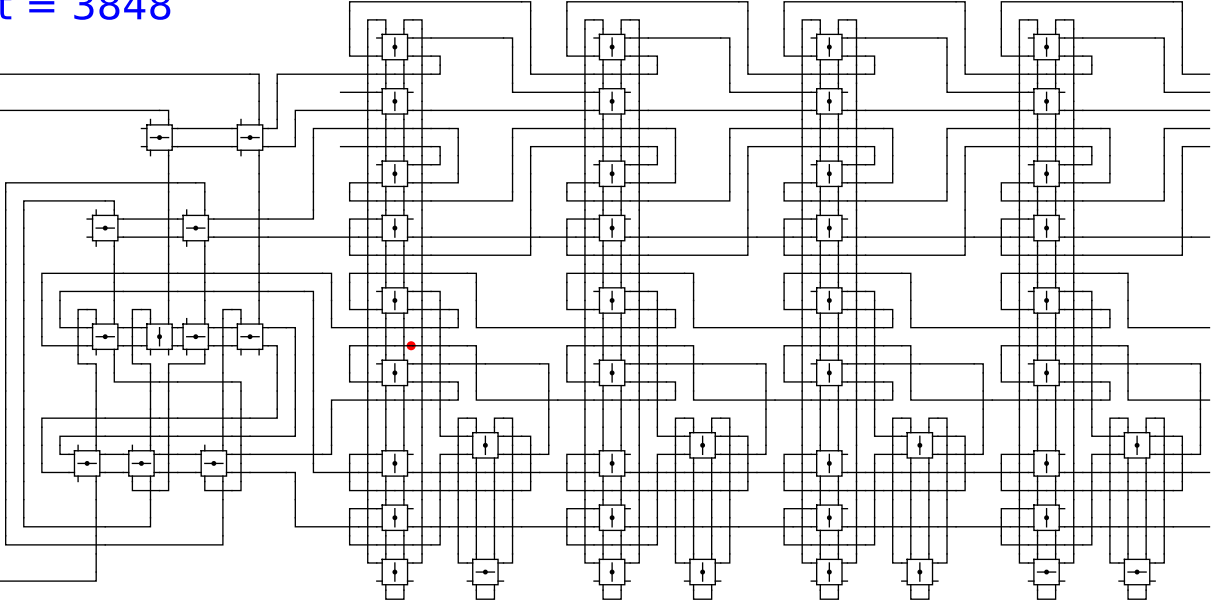
Begin



t = 3848

Reject
Accept

Begin

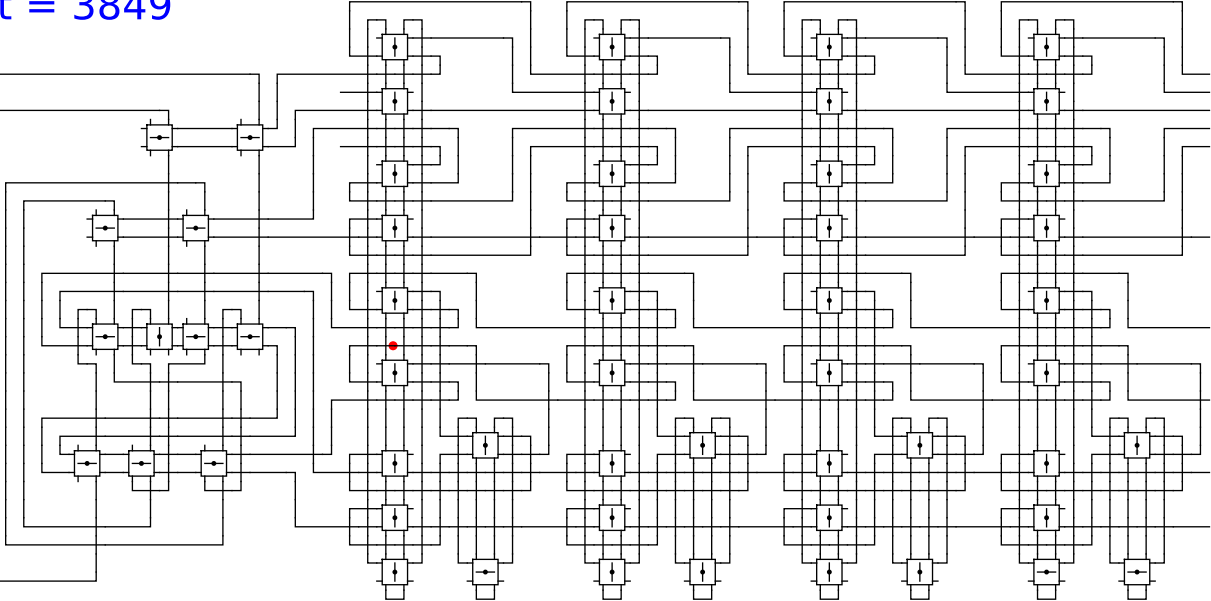


1 0 0 head 1

t = 3849

Reject
Accept

Begin



1

0

0

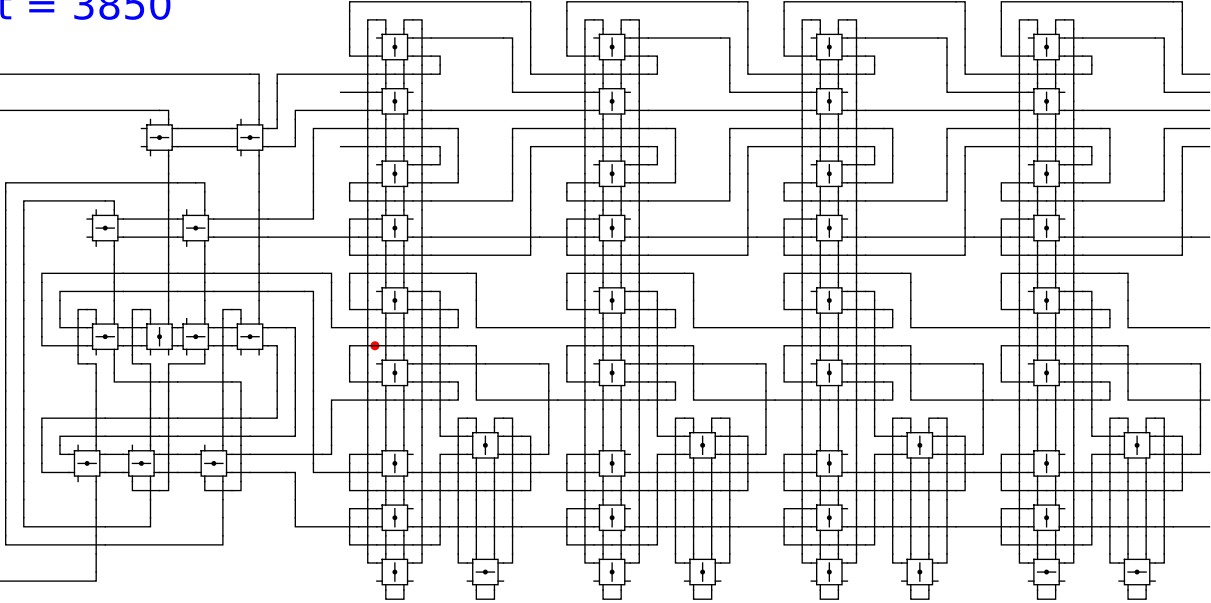
head

1

t = 3850

Reject
Accept

Begin



1

0

0

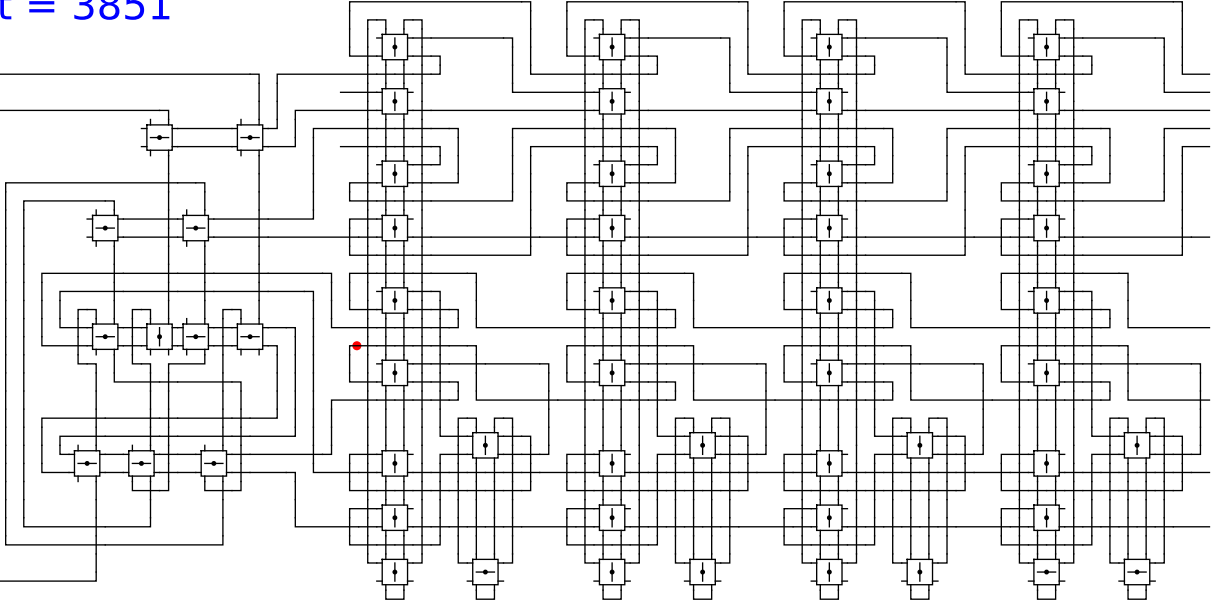
head

1

t = 3851

Reject
Accept

Begin

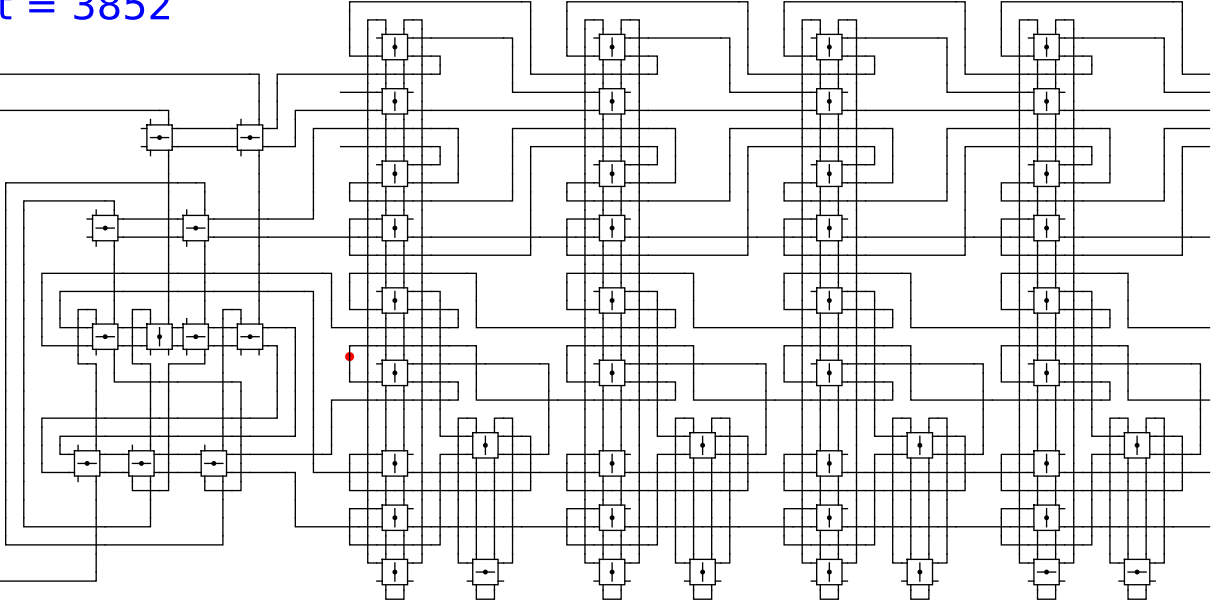


1 0 0 head 1

t = 3852

Reject
Accept

Begin



1

0

0

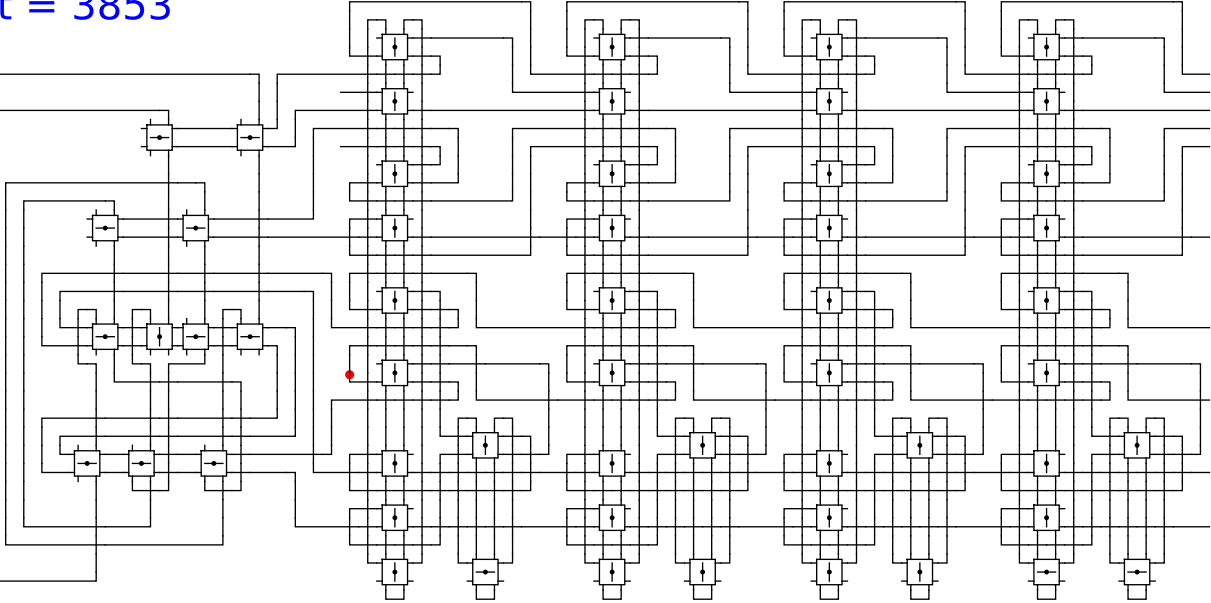
head

1

t = 3853

Reject
Accept

Begin



1

0

0

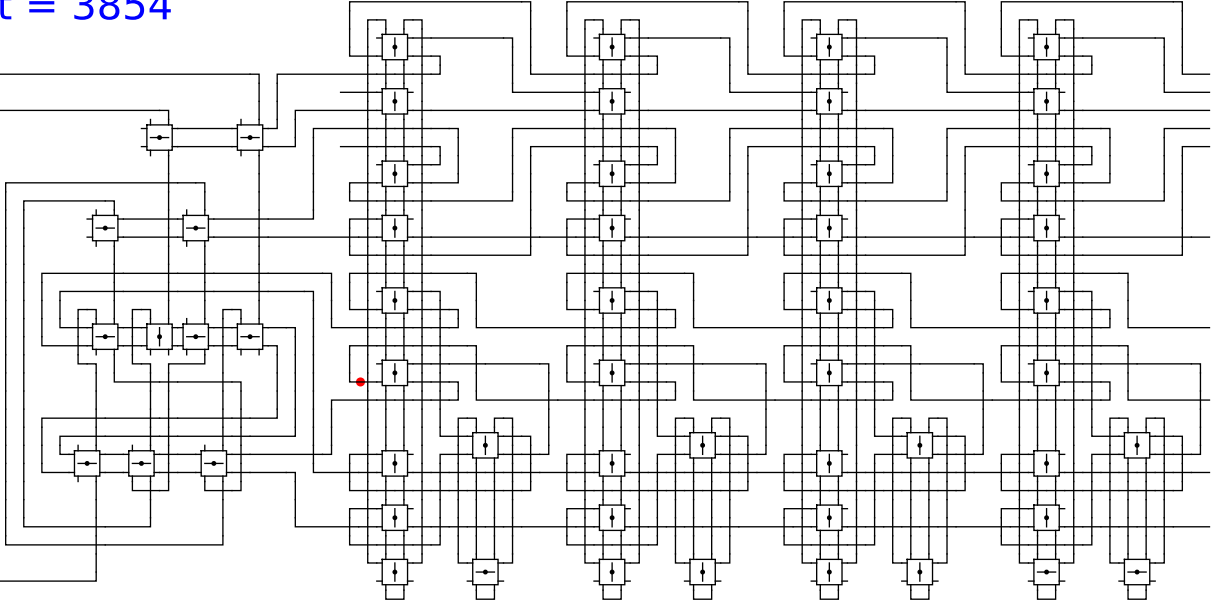
head

1

t = 3854

Reject
Accept

Begin



1

0

0

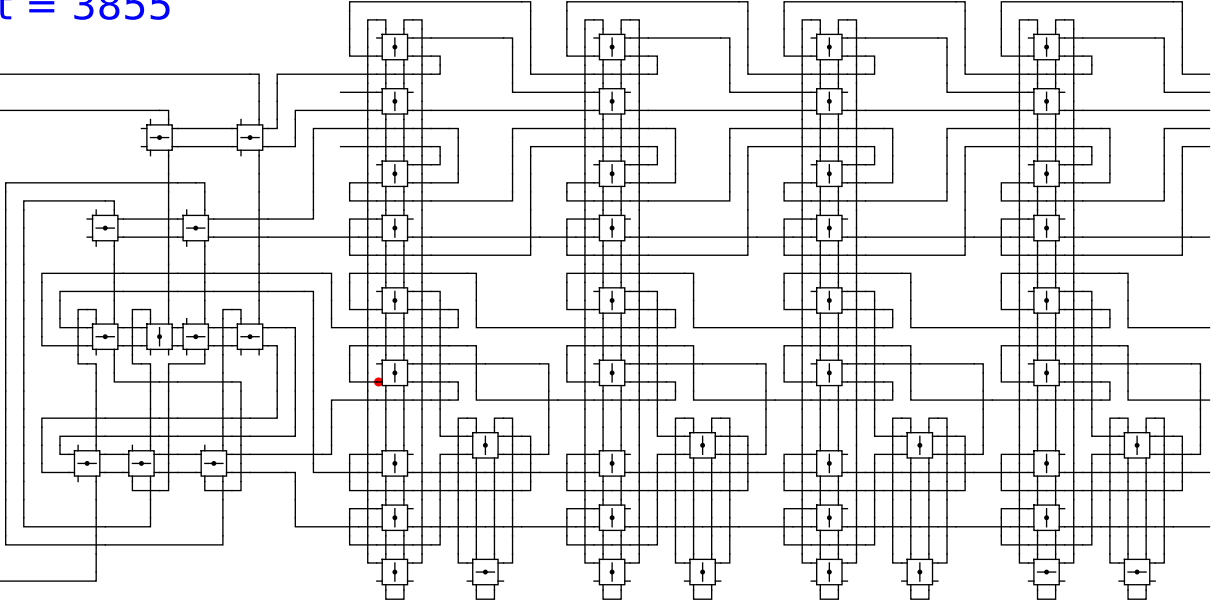
head

1

t = 3855

Reject
Accept

Begin



1

0

0

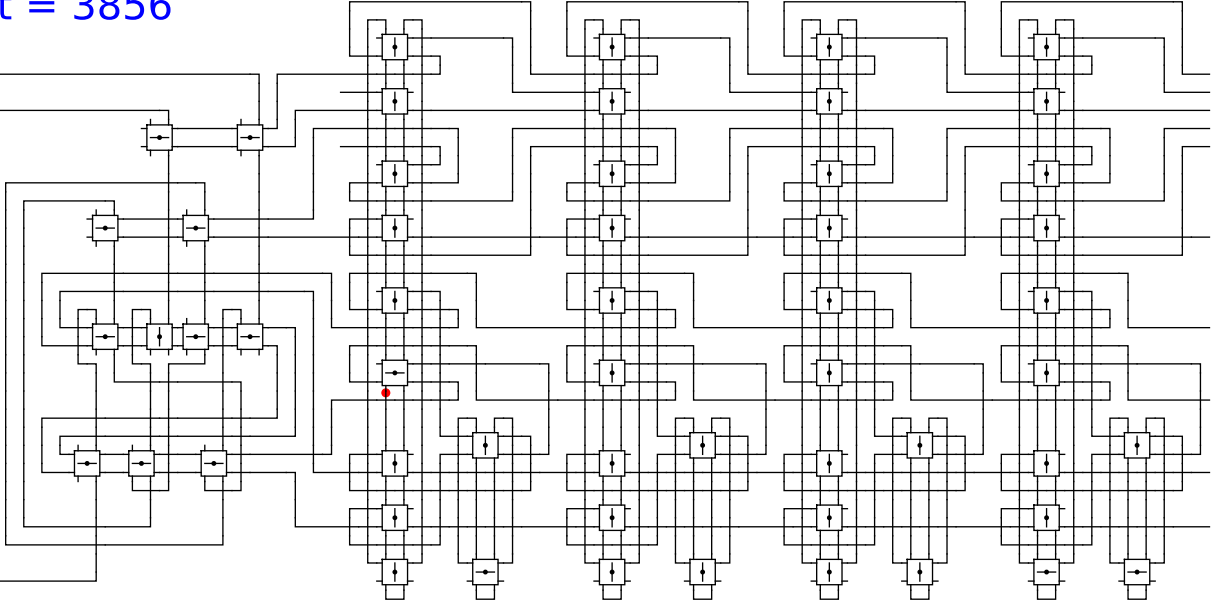
head

1

t = 3856

Reject
Accept

Begin

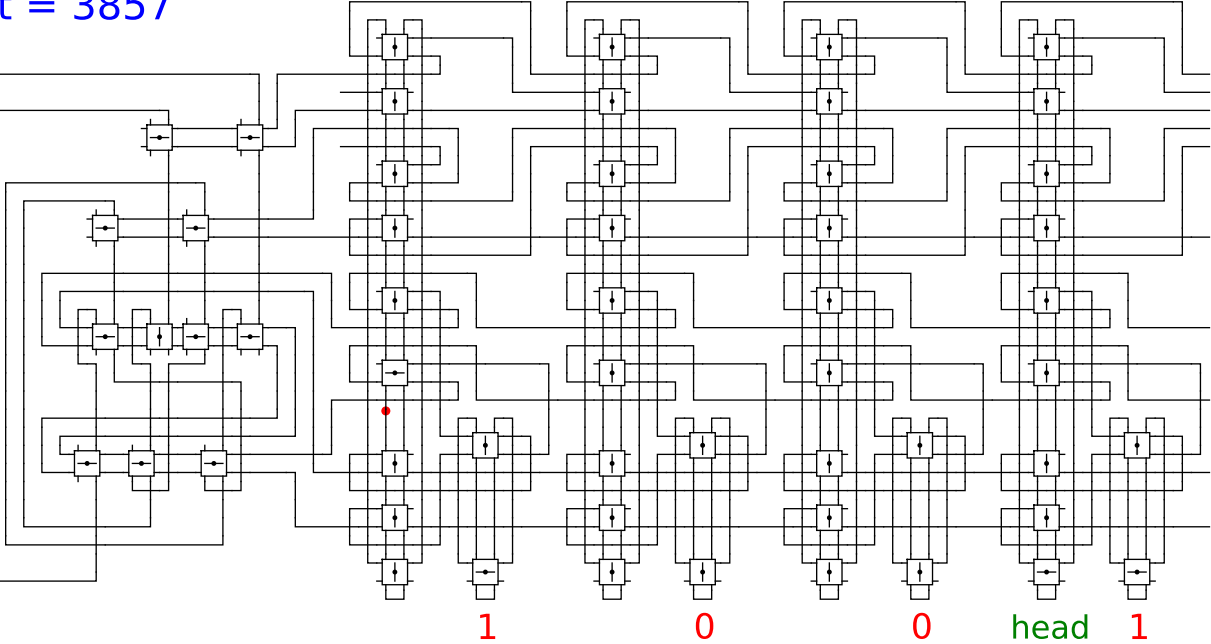


1 0 0 head 1

t = 3857

Reject
Accept

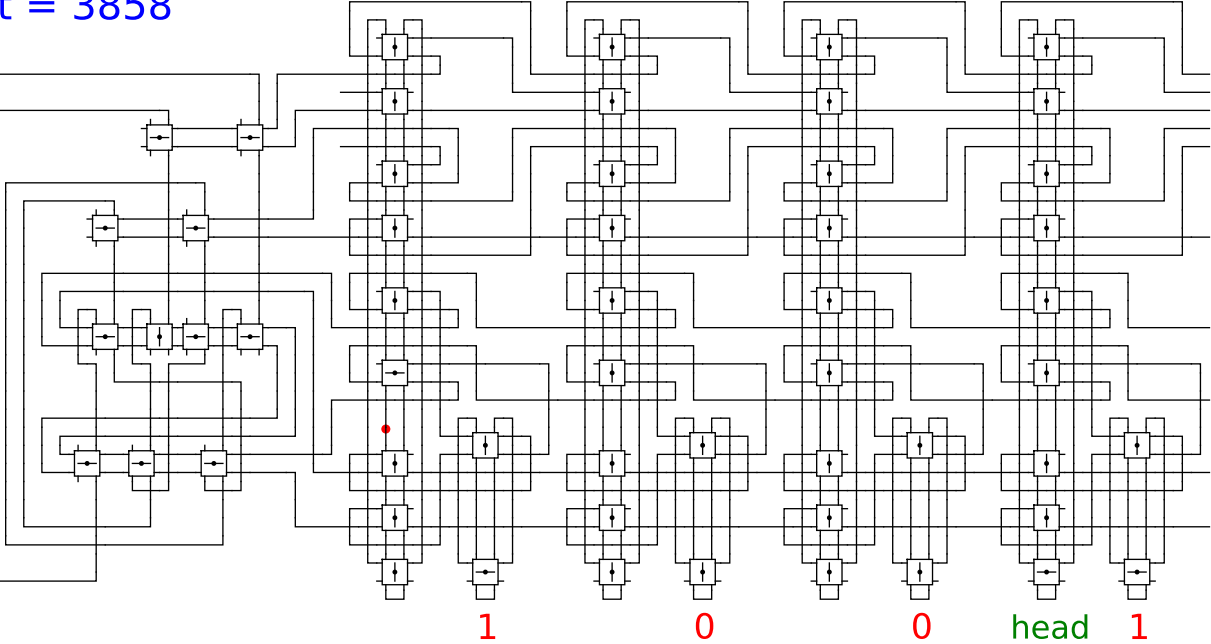
Begin



t = 3858

Reject
Accept

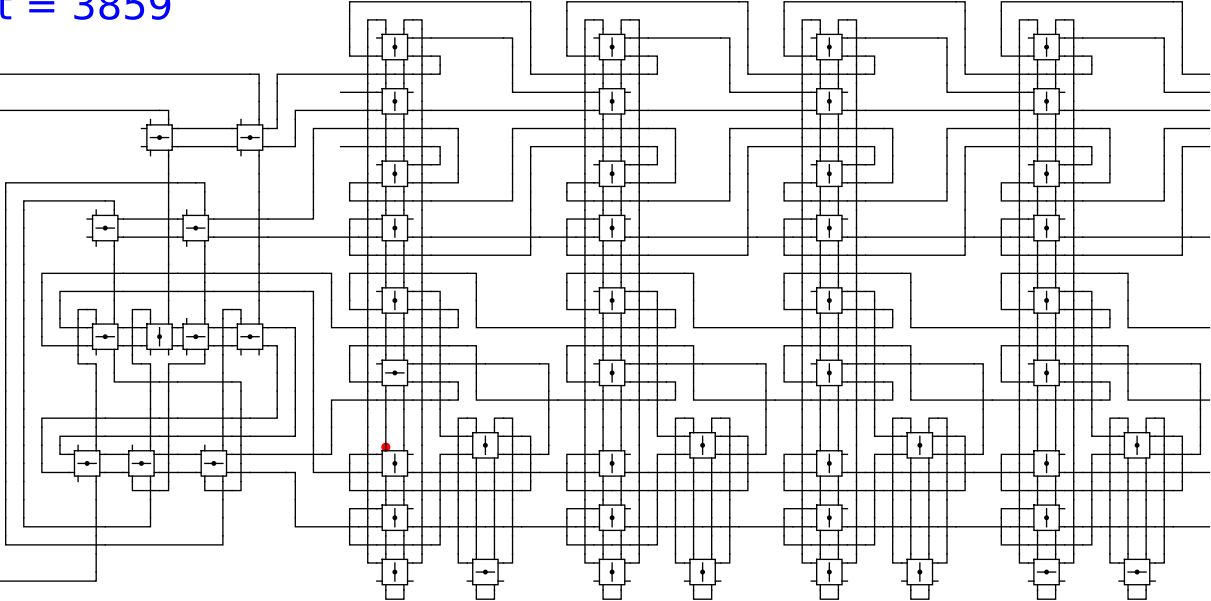
Begin



t = 3859

Reject
Accept

Begin



1

0

0

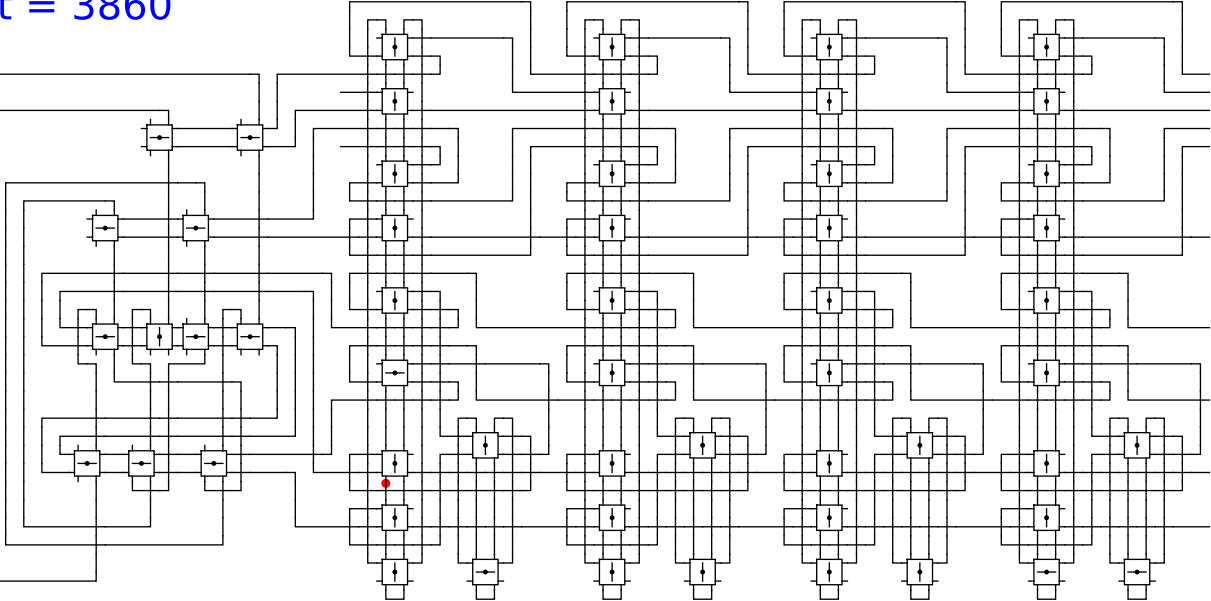
head

1

t = 3860

Reject
Accept

Begin

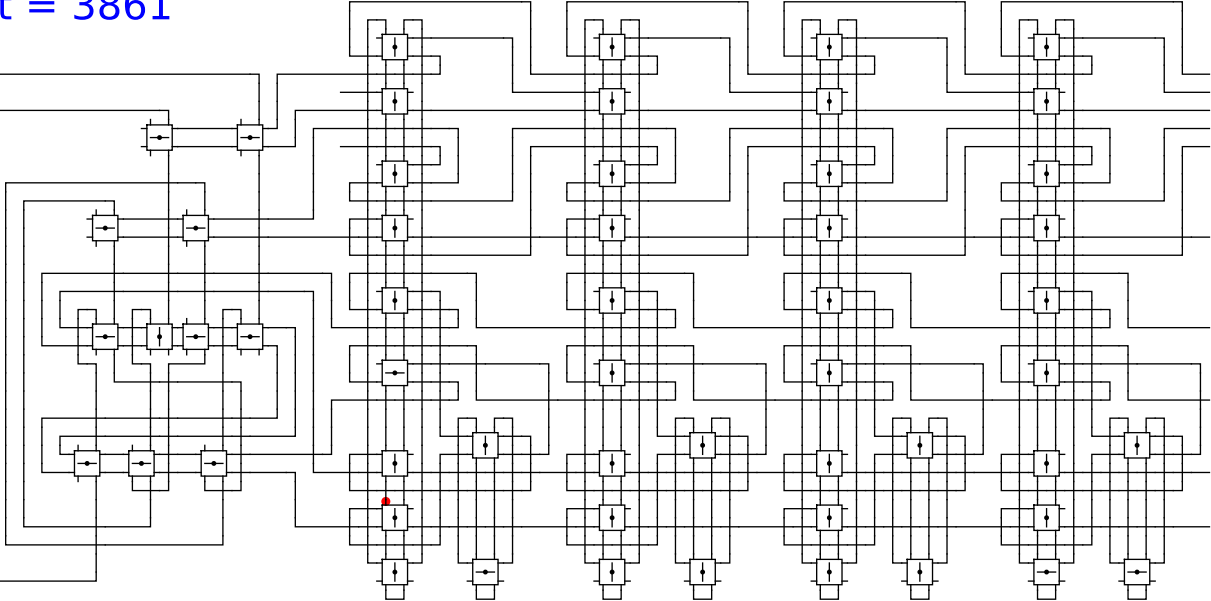


1 0 0 head 1

t = 3861

Reject
Accept

Begin



1

0

0

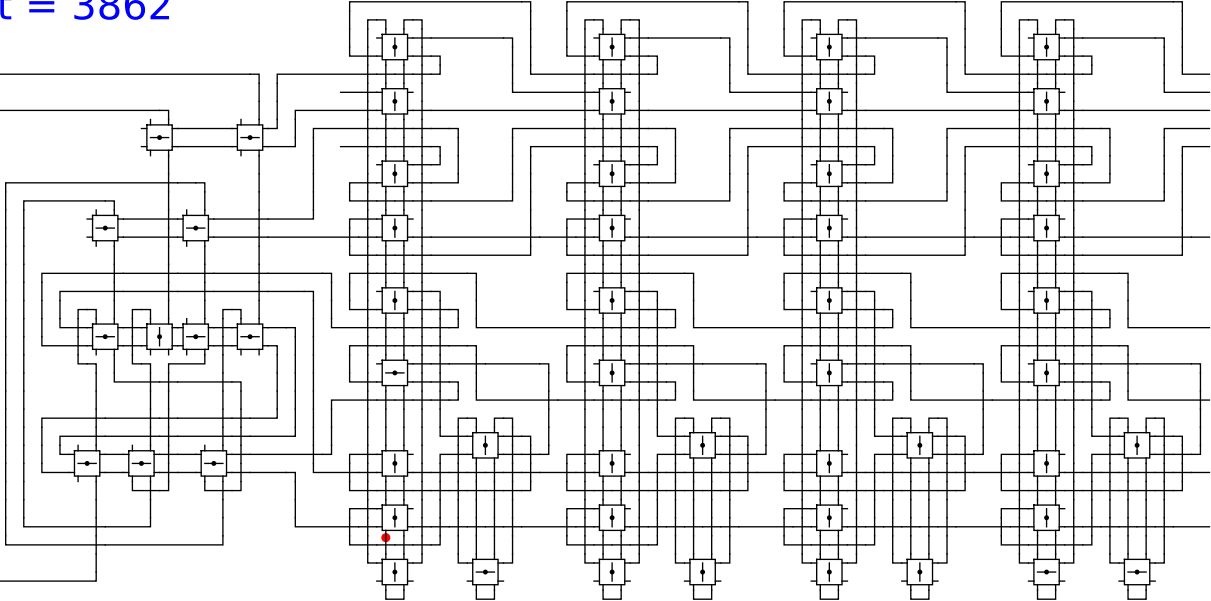
head

1

t = 3862

Reject
Accept

Begin



1

0

0

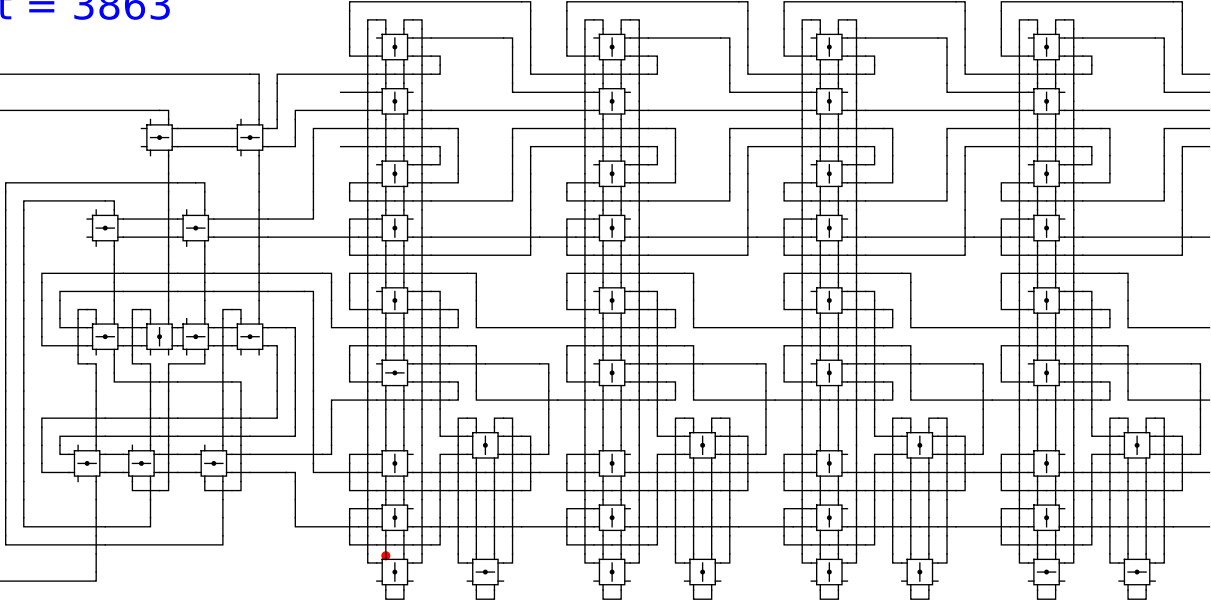
head

1

t = 3863

Reject
Accept

Begin



1

0

0

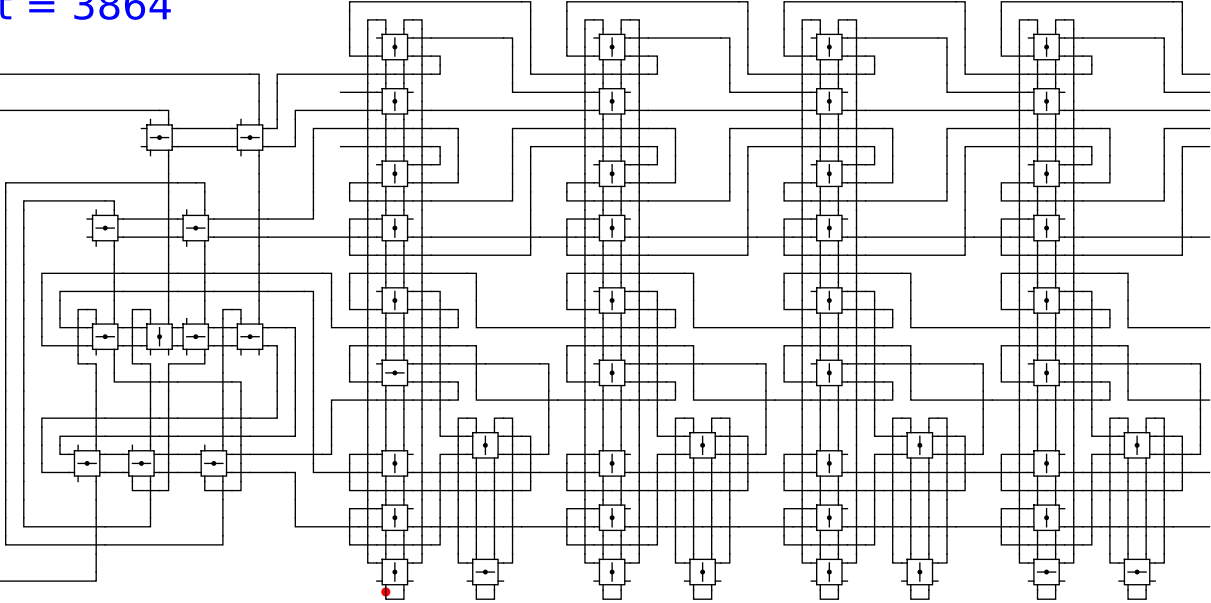
head

1

t = 3864

Reject
Accept

Begin

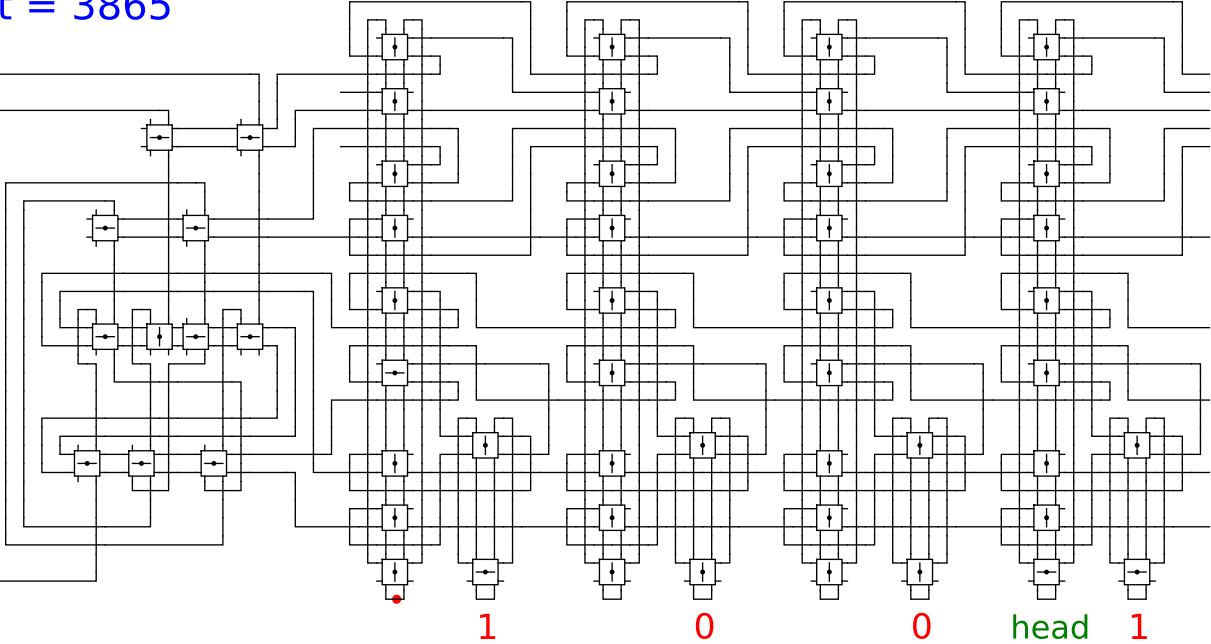


1 0 0 head 1

t = 3865

Reject
Accept

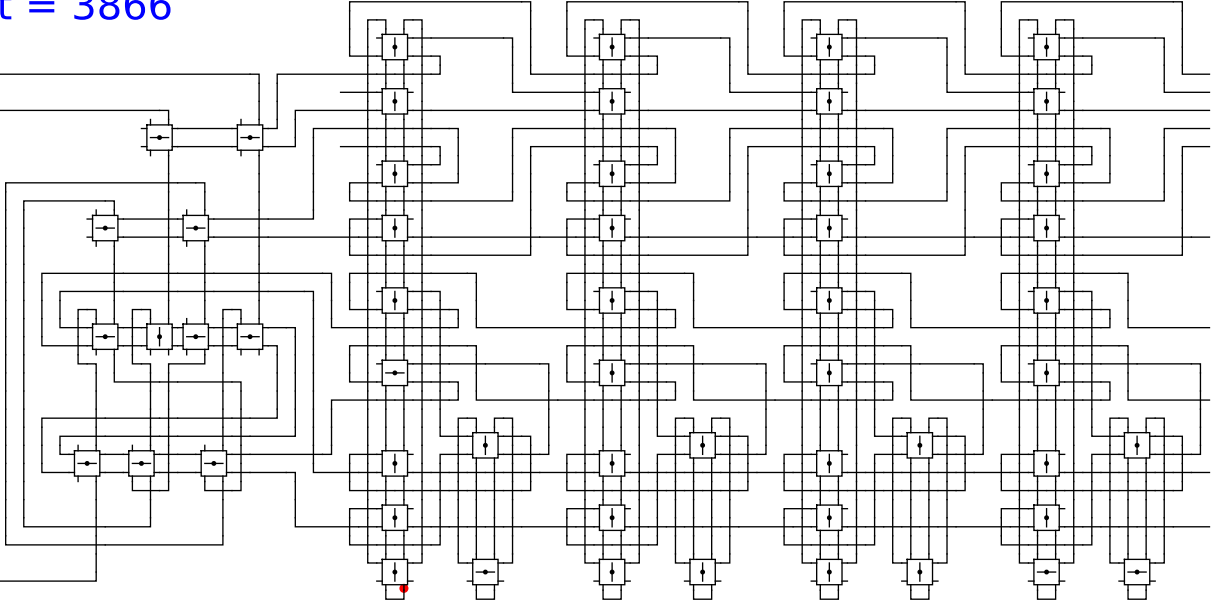
Begin



t = 3866

Reject
Accept

Begin

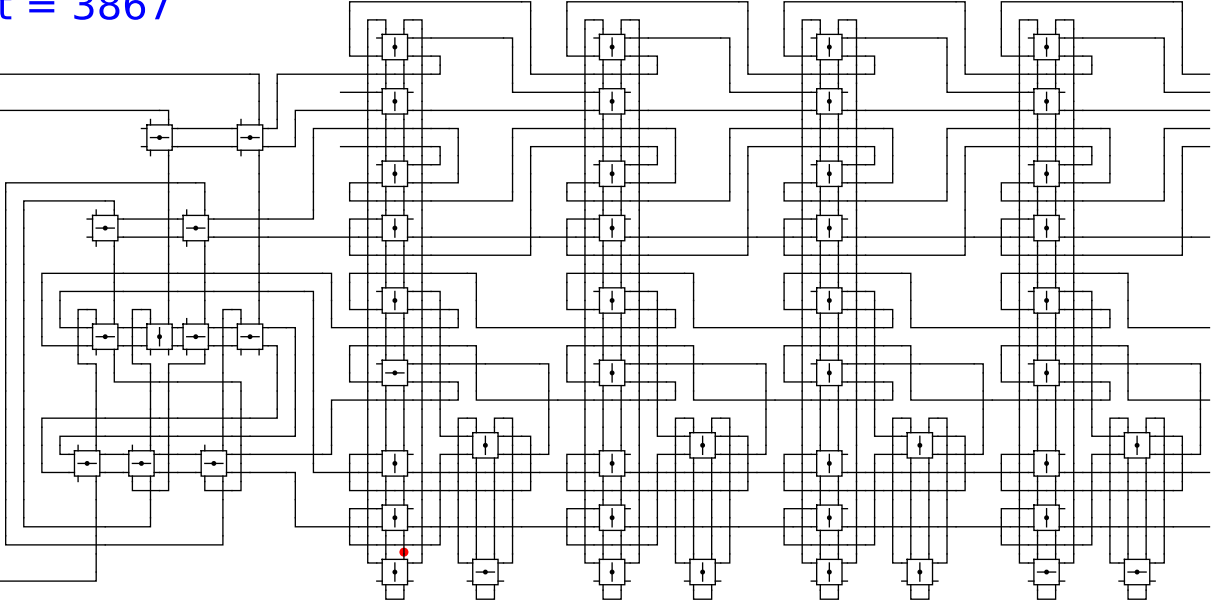


1 0 0 head 1

t = 3867

Reject
Accept

Begin



1

0

0

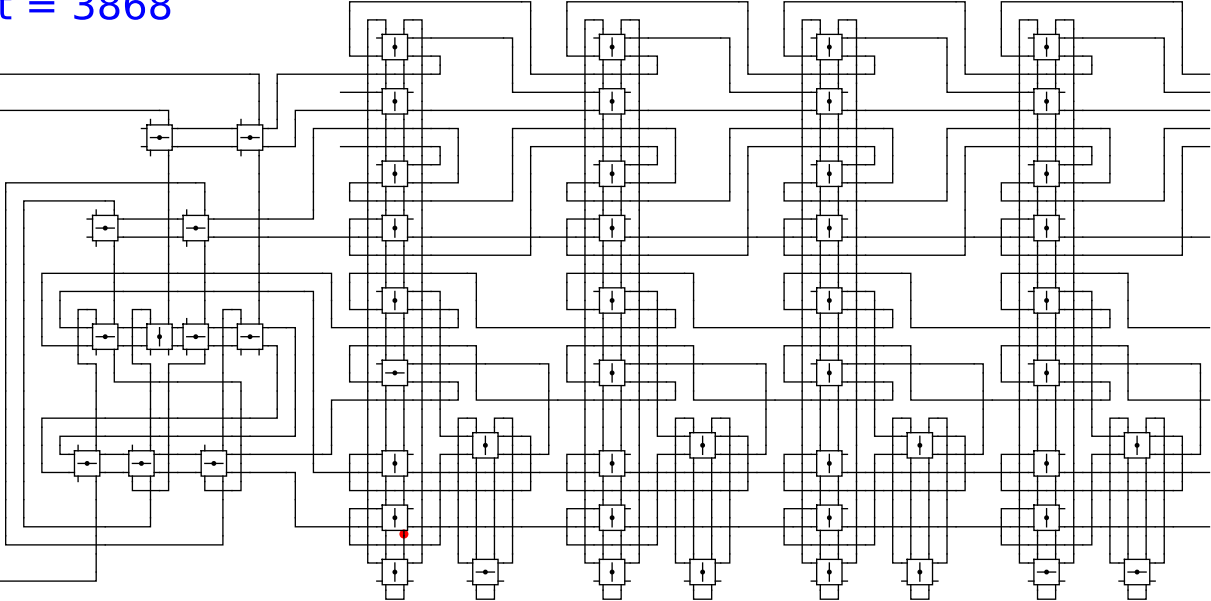
head

1

t = 3868

Reject
Accept

Begin



1

0

0

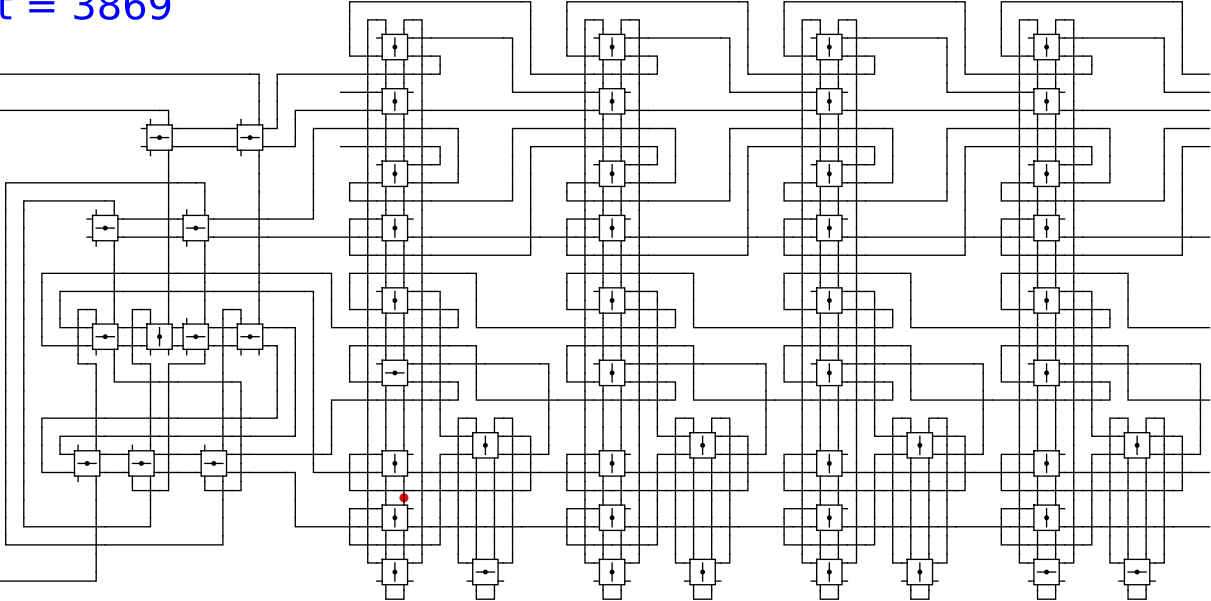
head

1

t = 3869

Reject
Accept

Begin



1

0

0

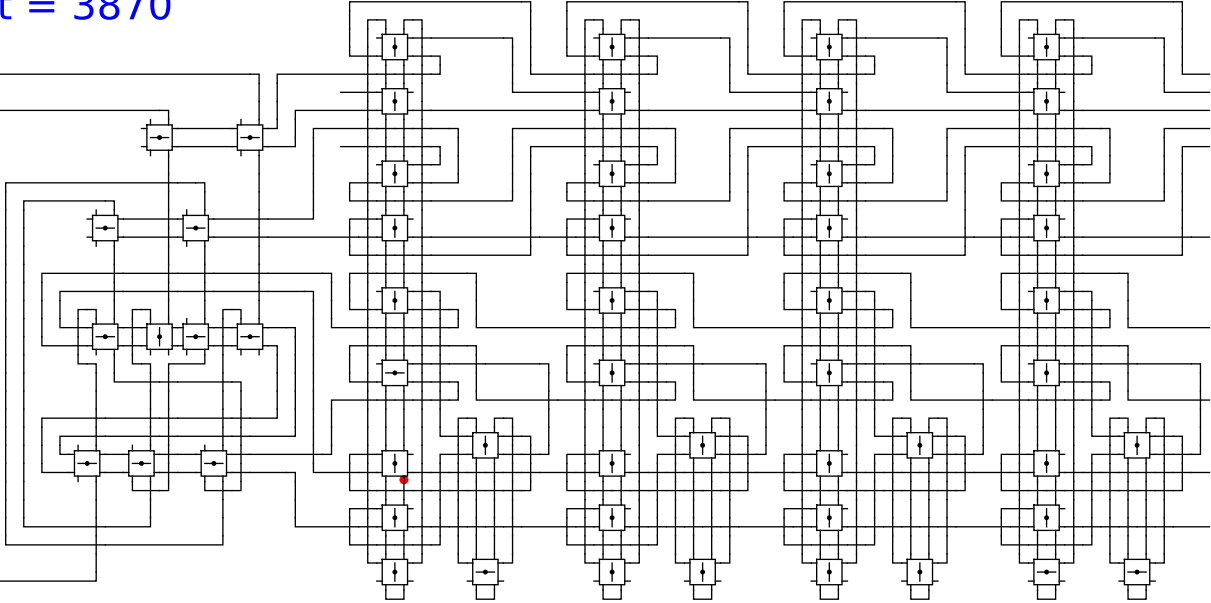
head

1

t = 3870

Reject
Accept

Begin



1

0

0

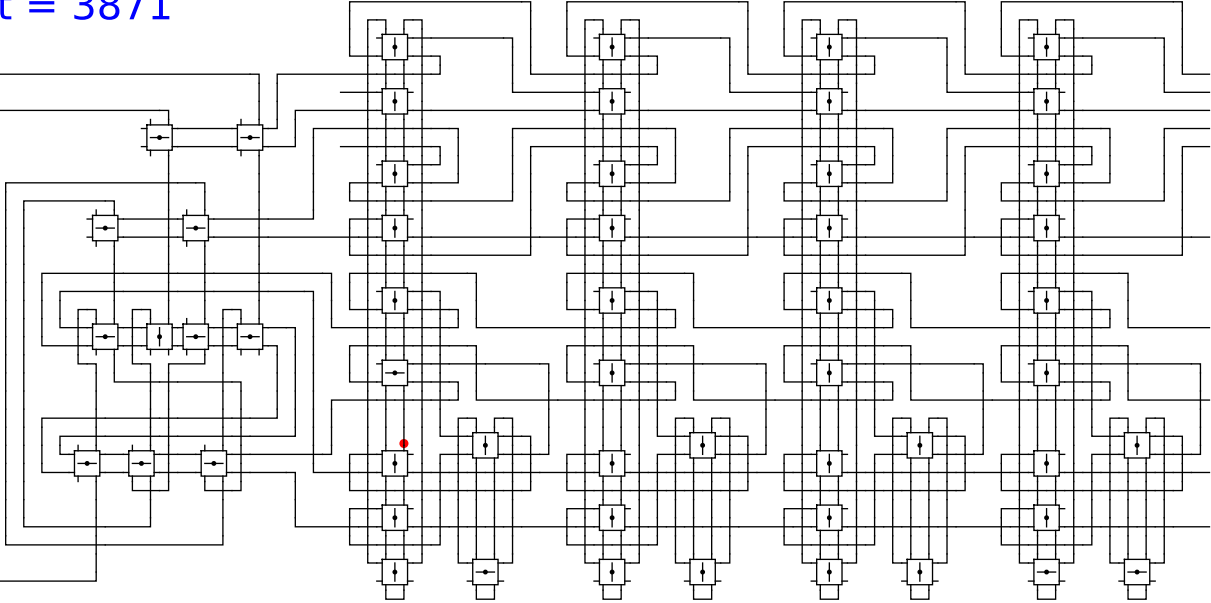
head

1

t = 3871

Reject
Accept

Begin



1

0

0

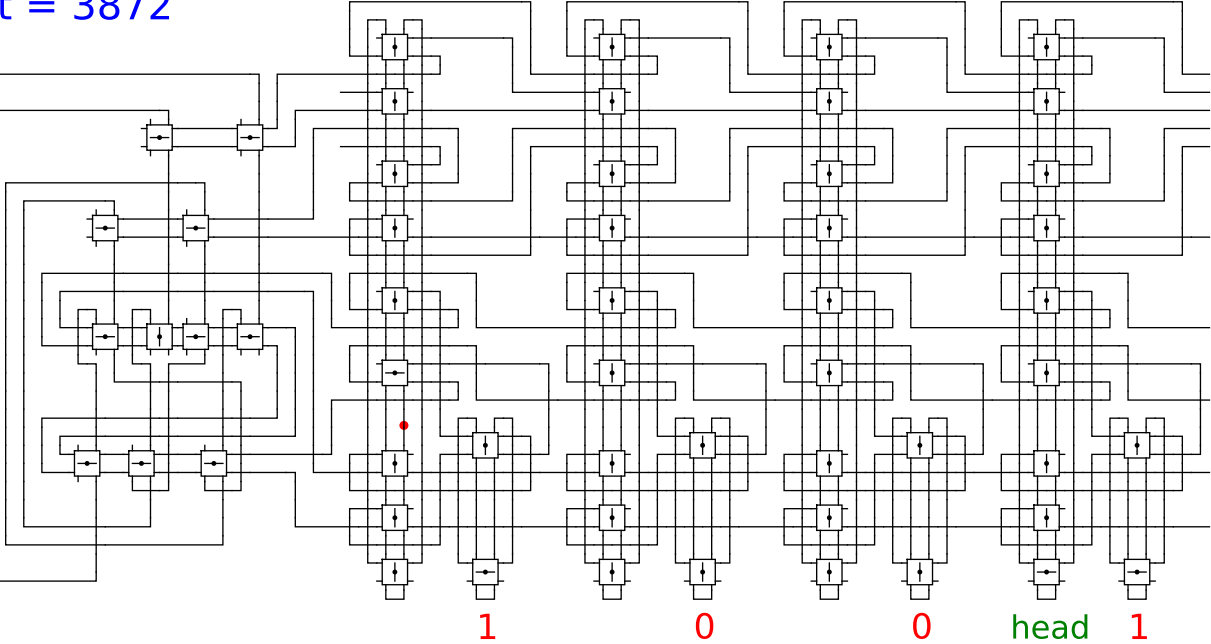
head

1

t = 3872

Reject
Accept

Begin



1

0

0

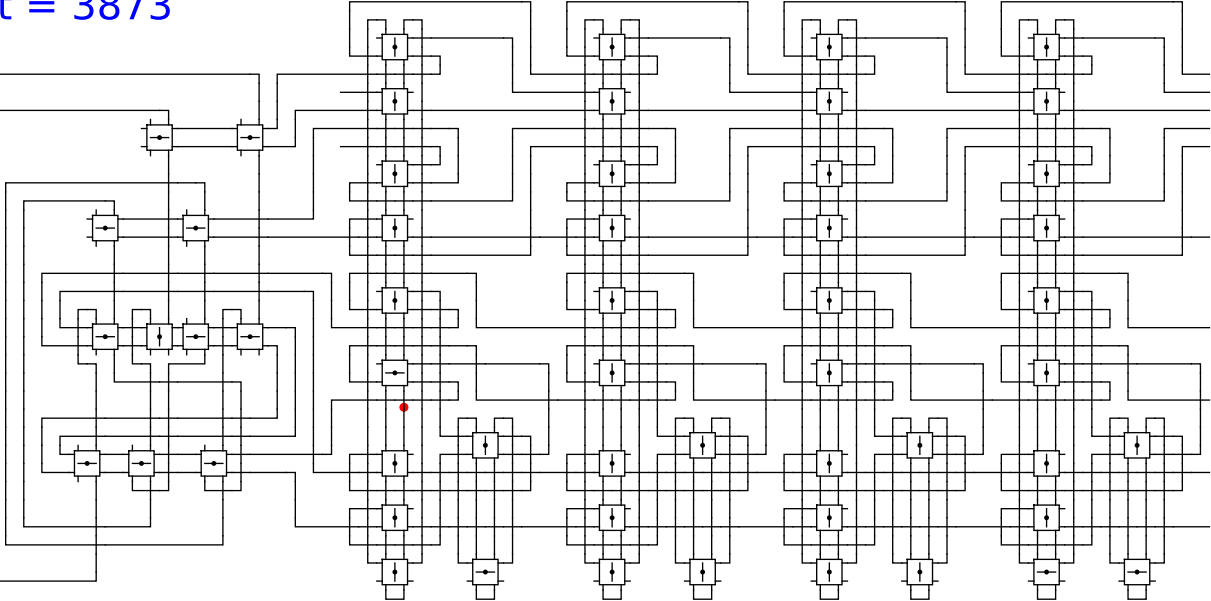
head

1

t = 3873

Reject
Accept

Begin



1

0

0

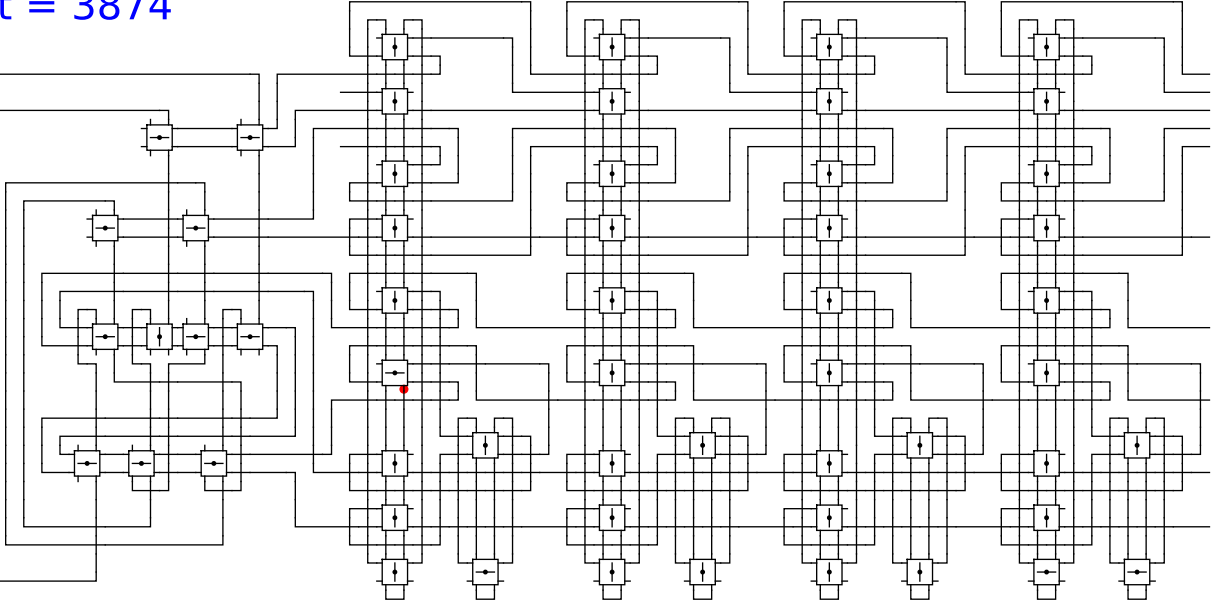
head

1

t = 3874

Reject
Accept

Begin



1

0

0

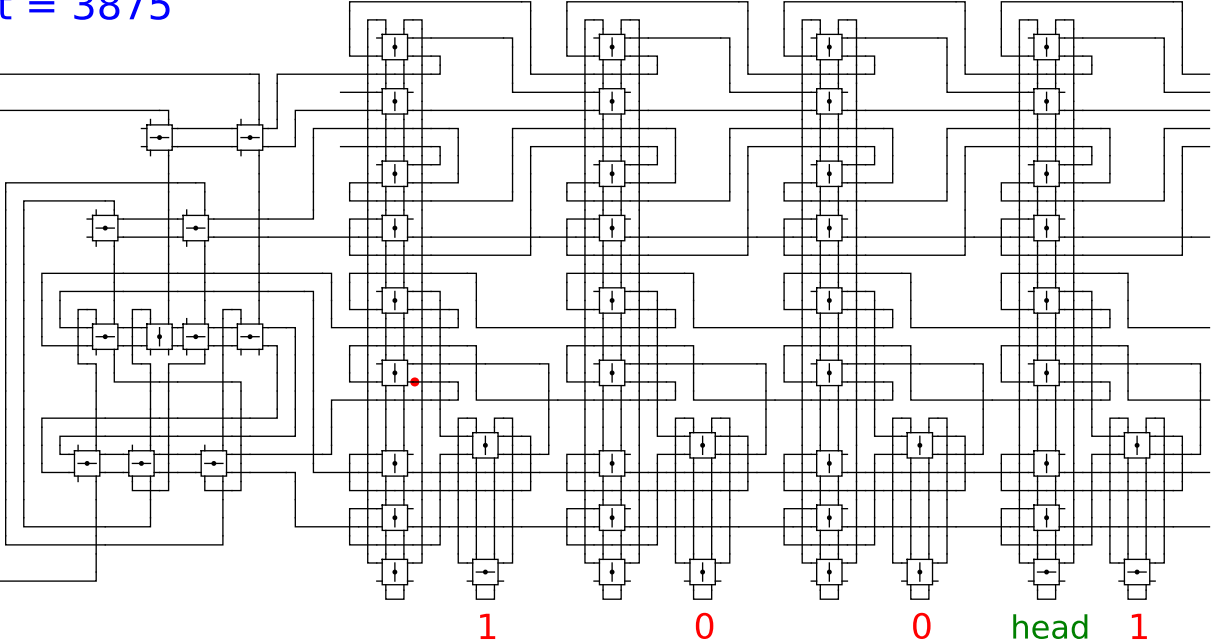
head

1

t = 3875

Reject
Accept

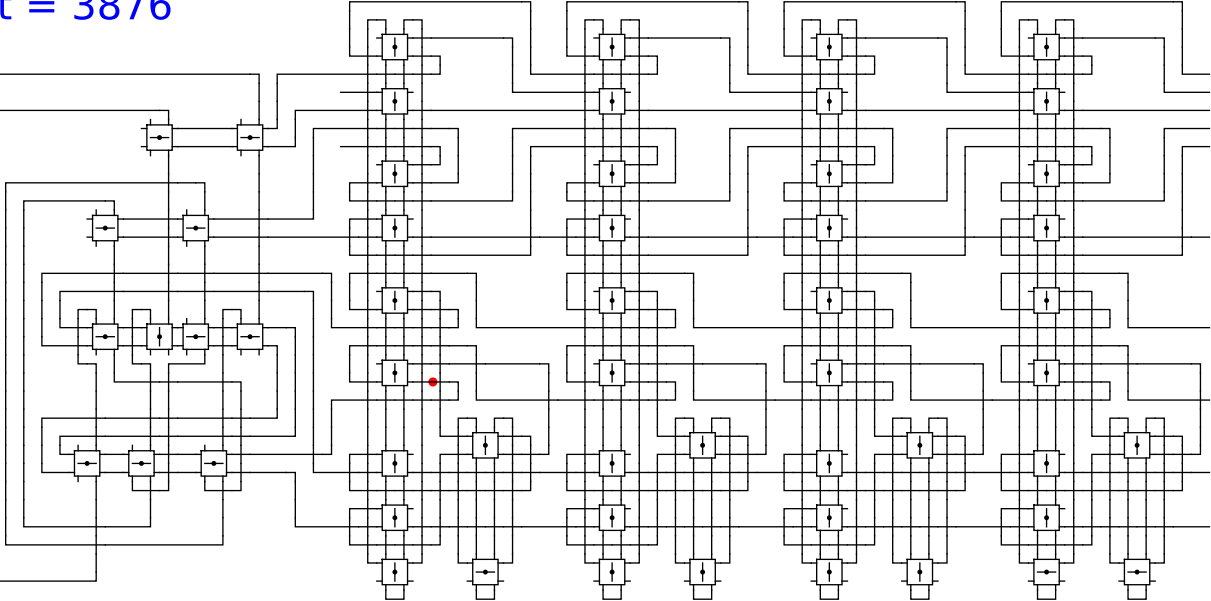
Begin



t = 3876

Reject
Accept

Begin



1

0

0

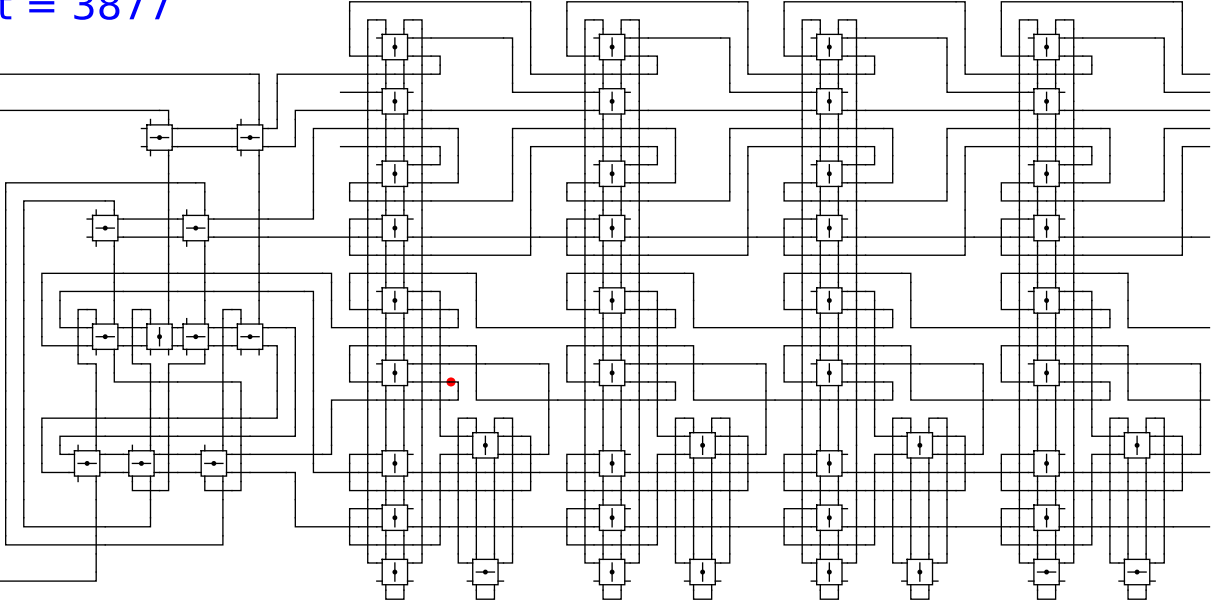
head

1

t = 3877

Reject
Accept

Begin



1

0

0

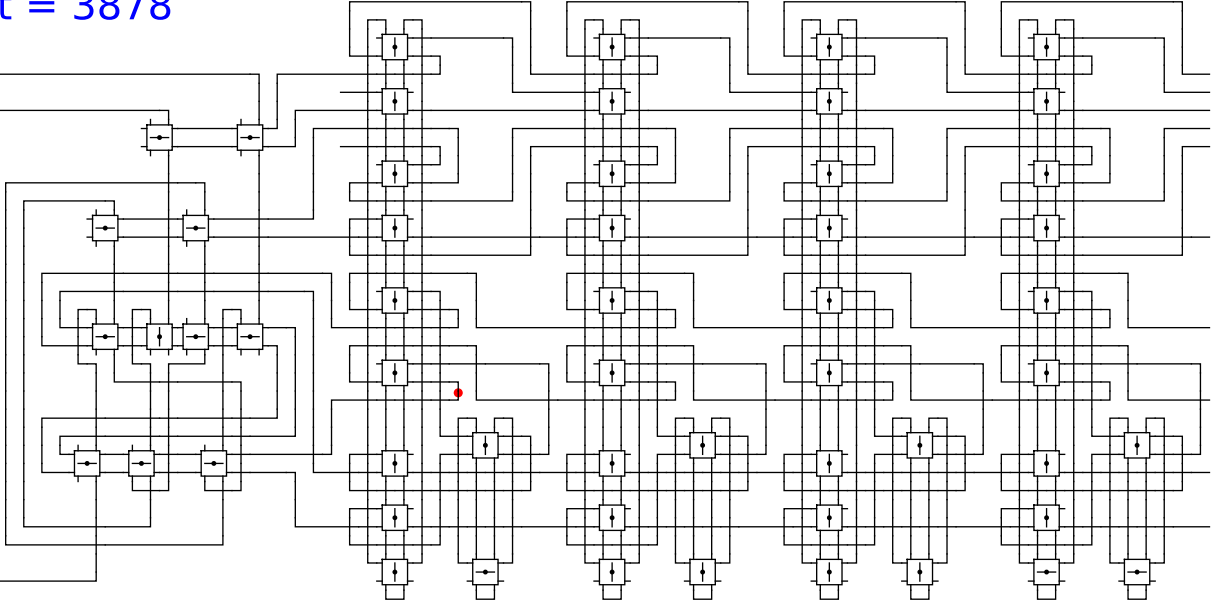
head

1

t = 3878

Reject
Accept

Begin



1

0

0

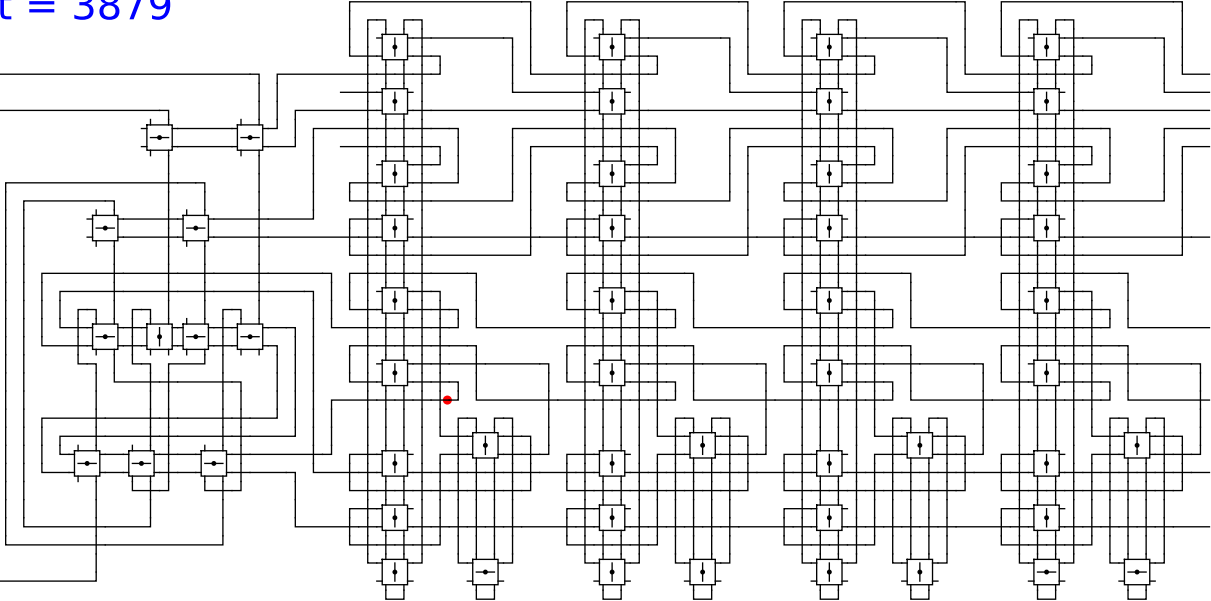
head

1

t = 3879

Reject
Accept

Begin



1

0

0

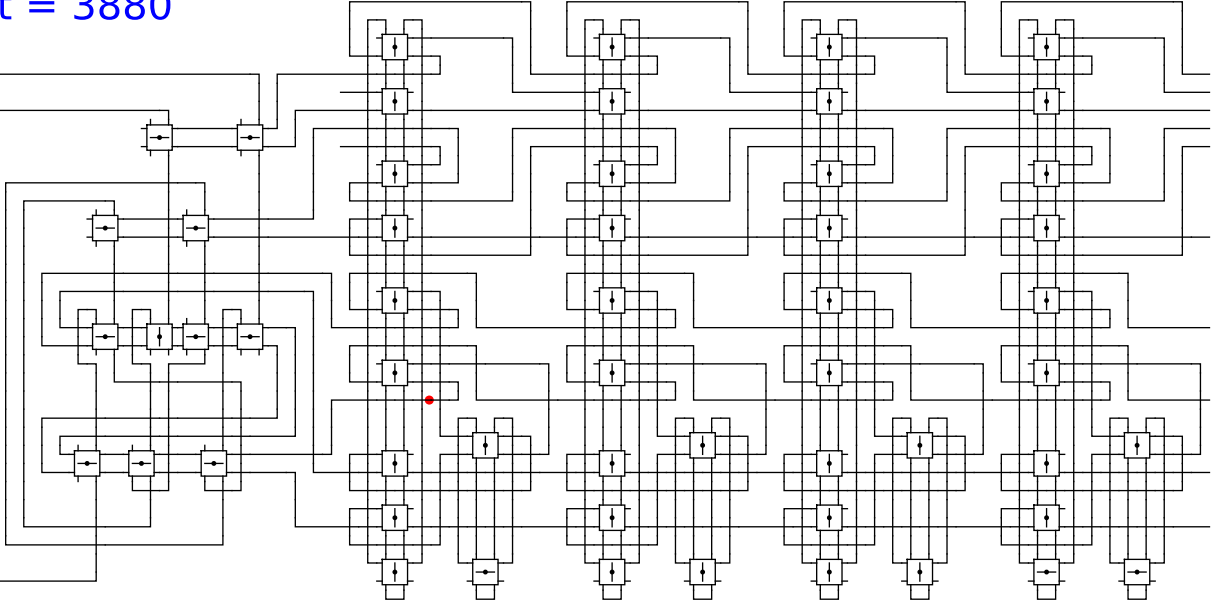
head

1

t = 3880

Reject
Accept

Begin



1

0

0

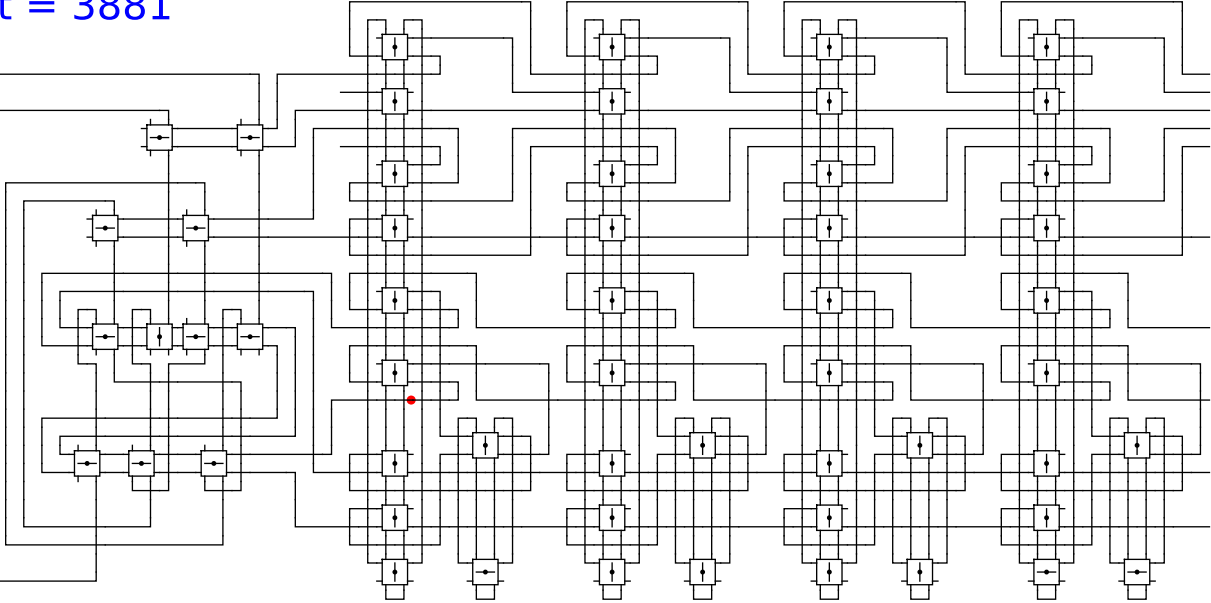
head

1

t = 3881

Reject
Accept

Begin



1

0

0

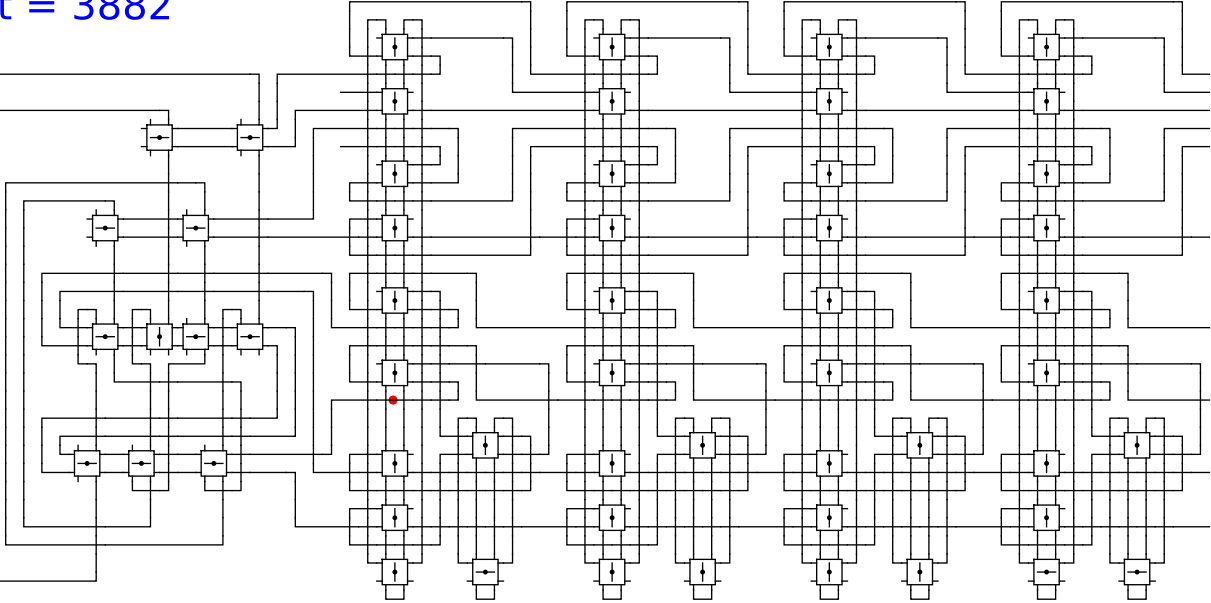
head

1

t = 3882

Reject
Accept

Begin



1

0

0

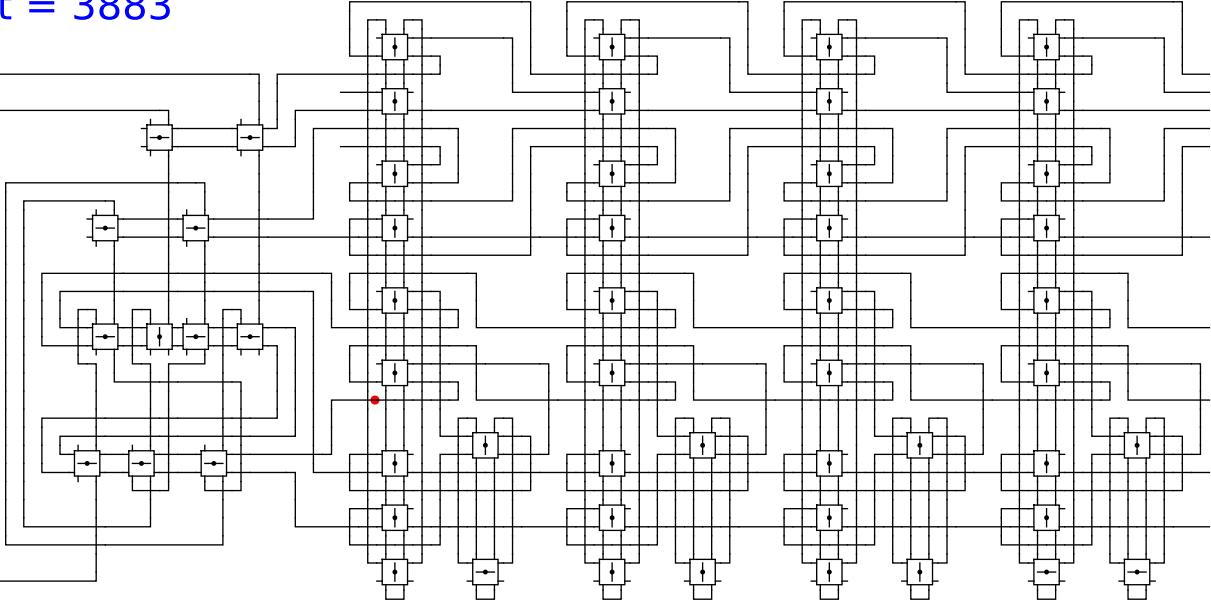
head

1

t = 3883

Reject
Accept

Begin



1

0

0

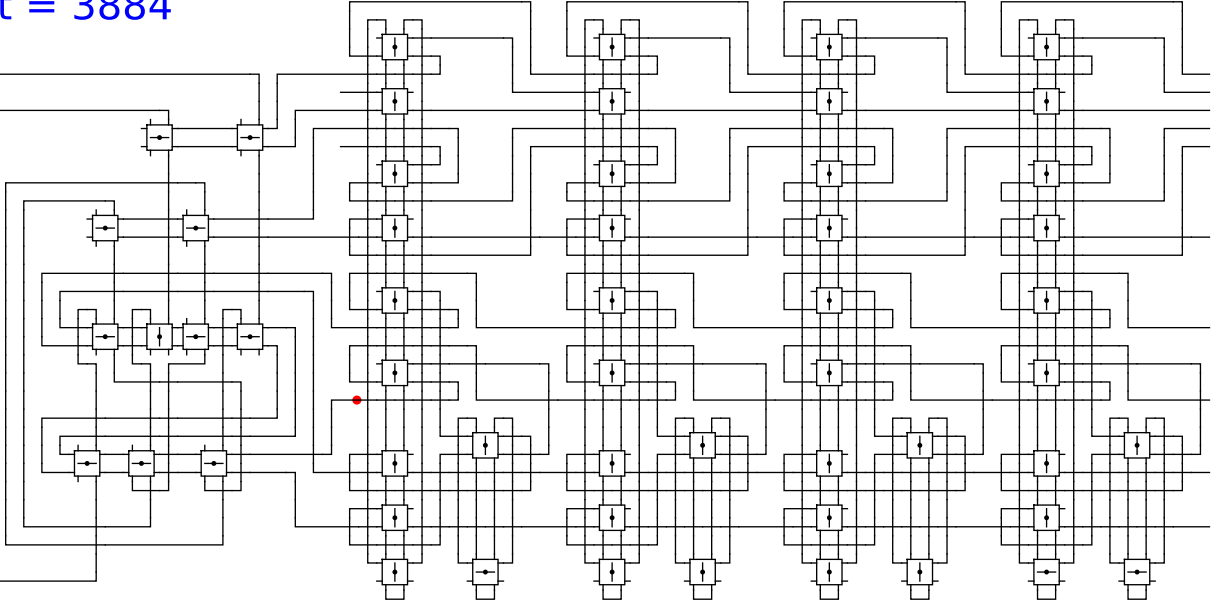
head

1

t = 3884

Reject
Accept

Begin



1

0

0

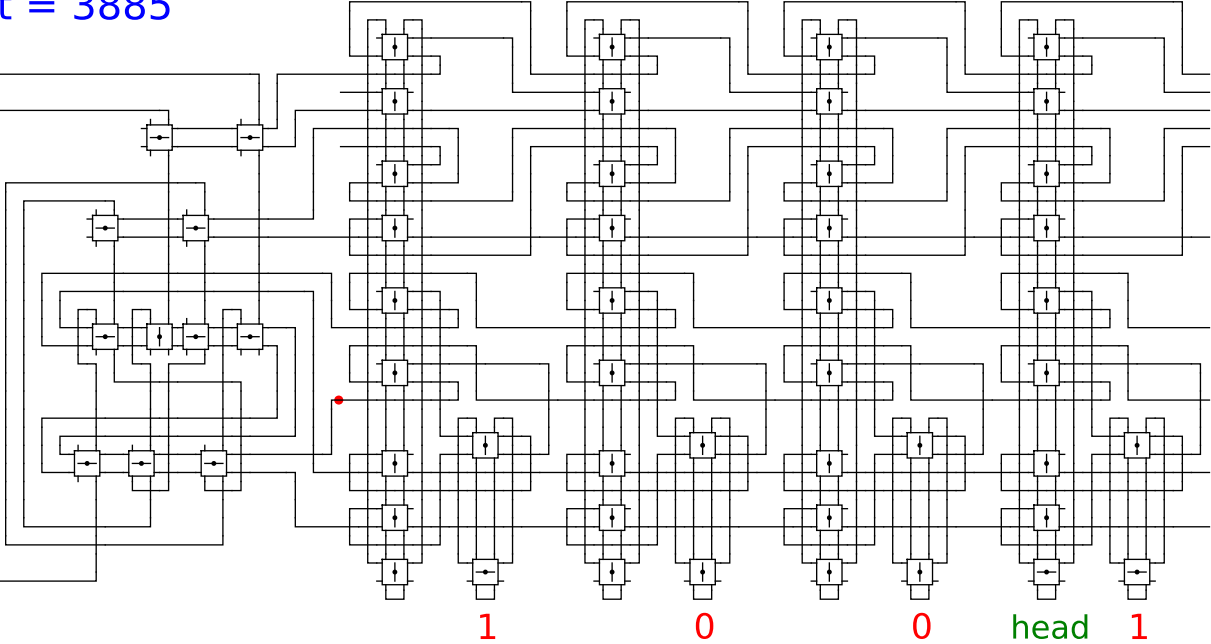
head

1

t = 3885

Reject
Accept

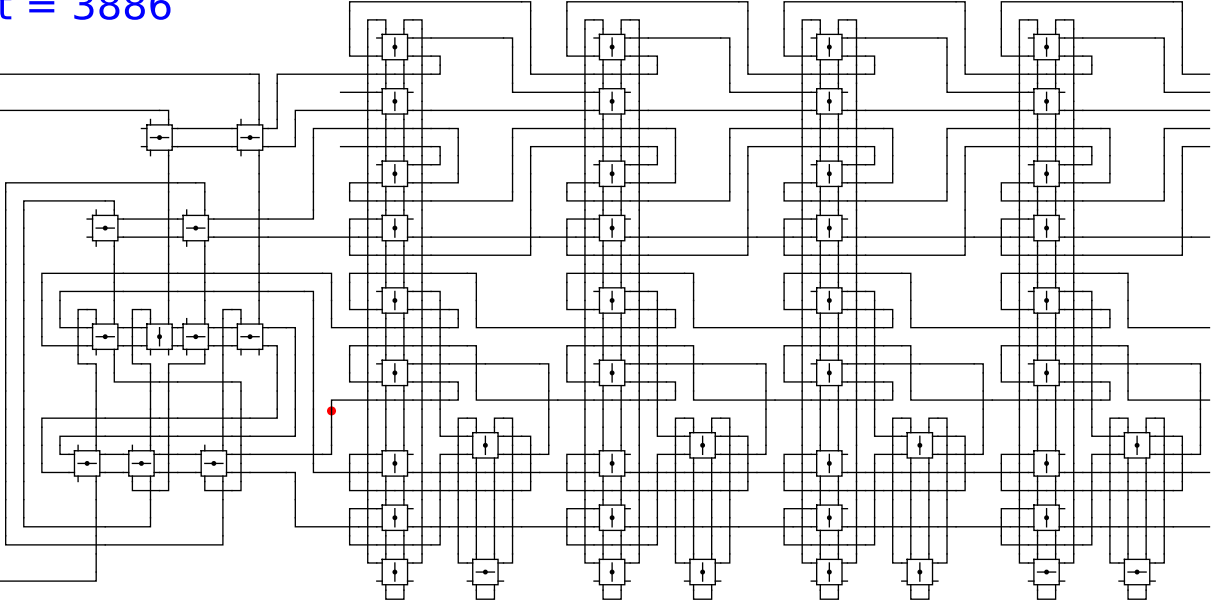
Begin



t = 3886

Reject
Accept

Begin



1

0

0

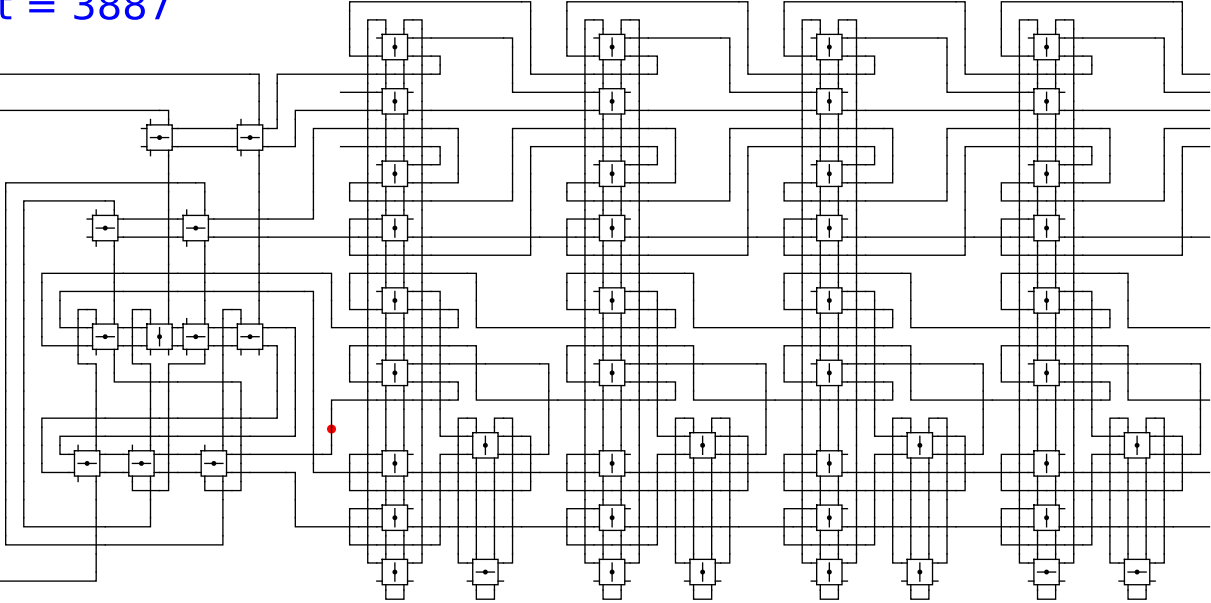
head

1

t = 3887

Reject
Accept

Begin



1

0

0

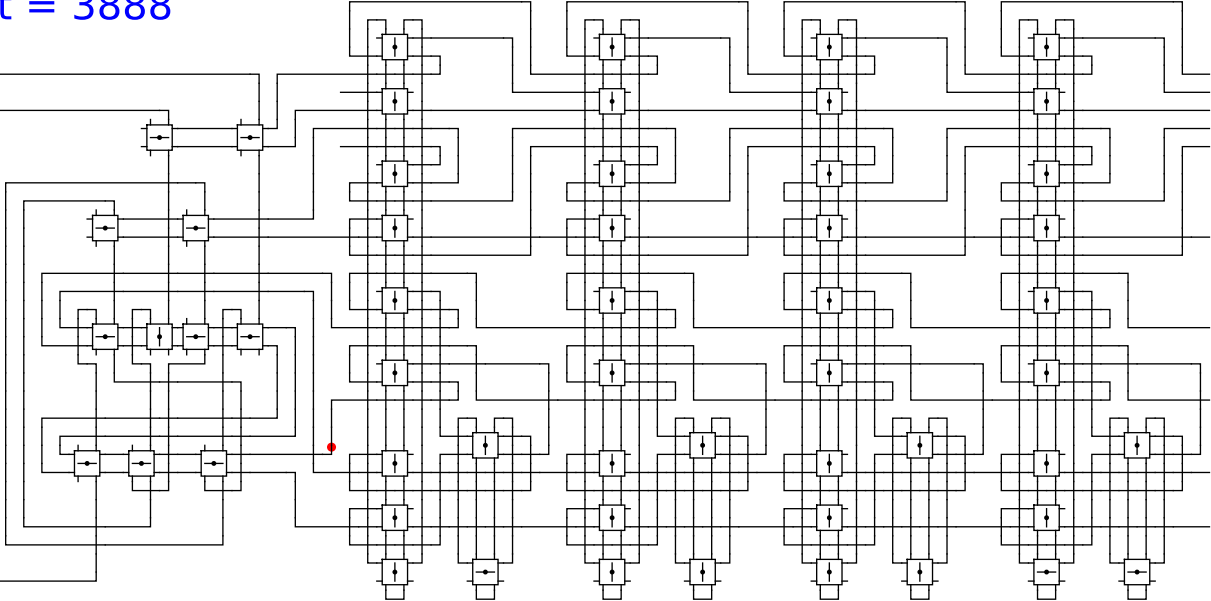
head

1

t = 3888

Reject
Accept

Begin



1

0

0

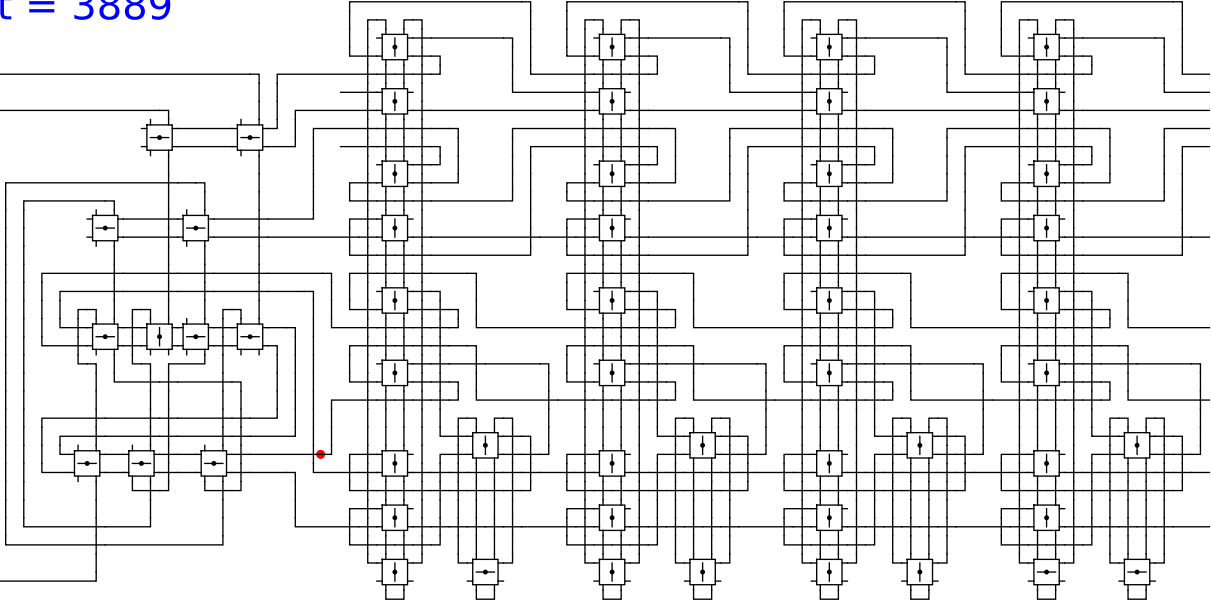
head

1

t = 3889

Reject
Accept

Begin

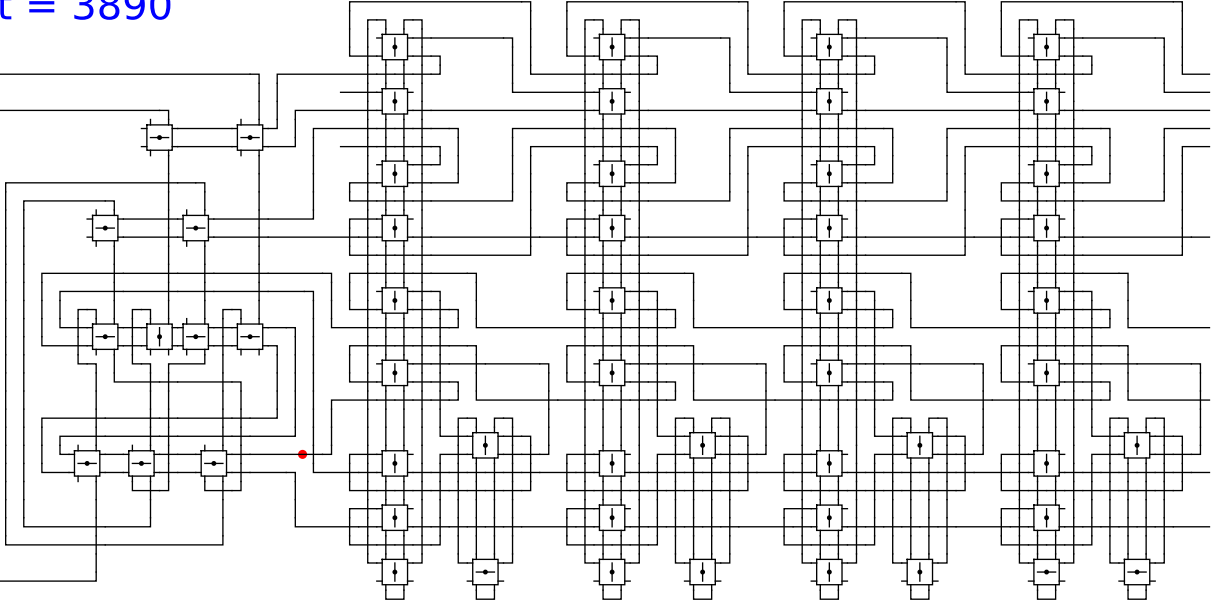


1 0 0 head 1

t = 3890

Reject
Accept

Begin



1

0

0

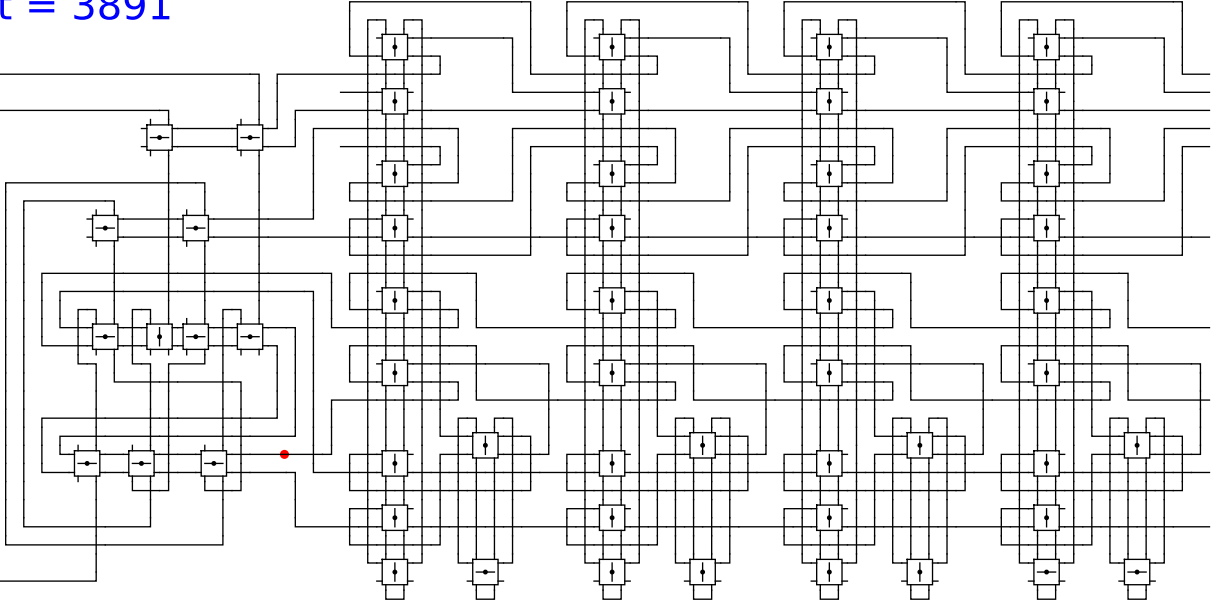
head

1

t = 3891

Reject
Accept

Begin



1

0

0

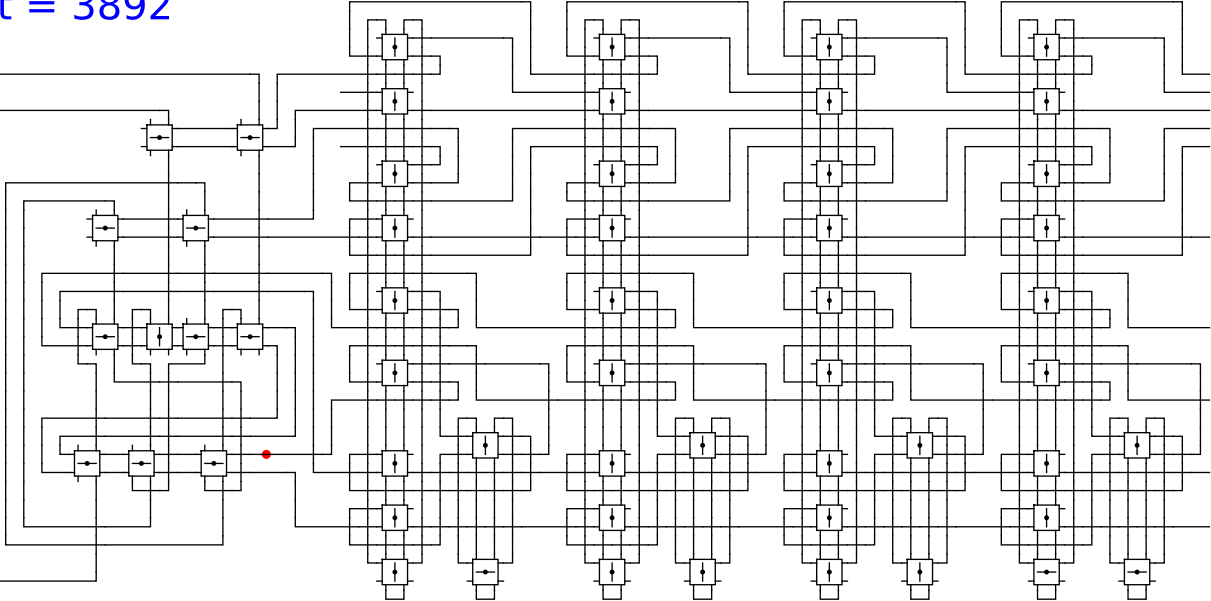
head

1

t = 3892

Reject
Accept

Begin

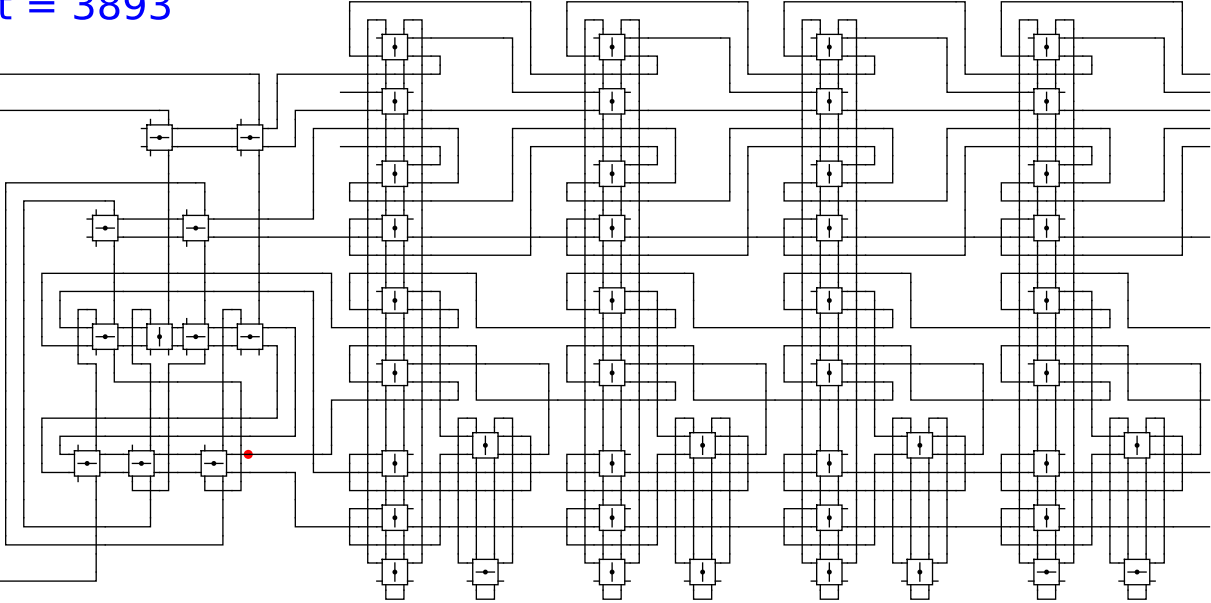


1 0 0 head 1

t = 3893

Reject
Accept

Begin



1

0

0

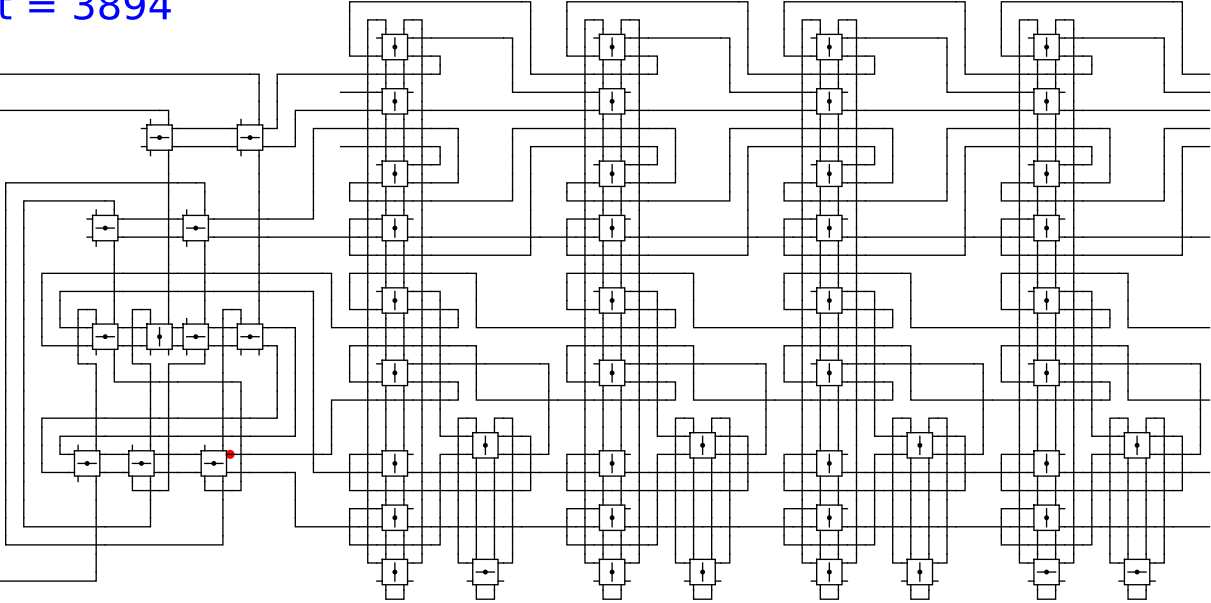
head

1

t = 3894

Reject
Accept

Begin

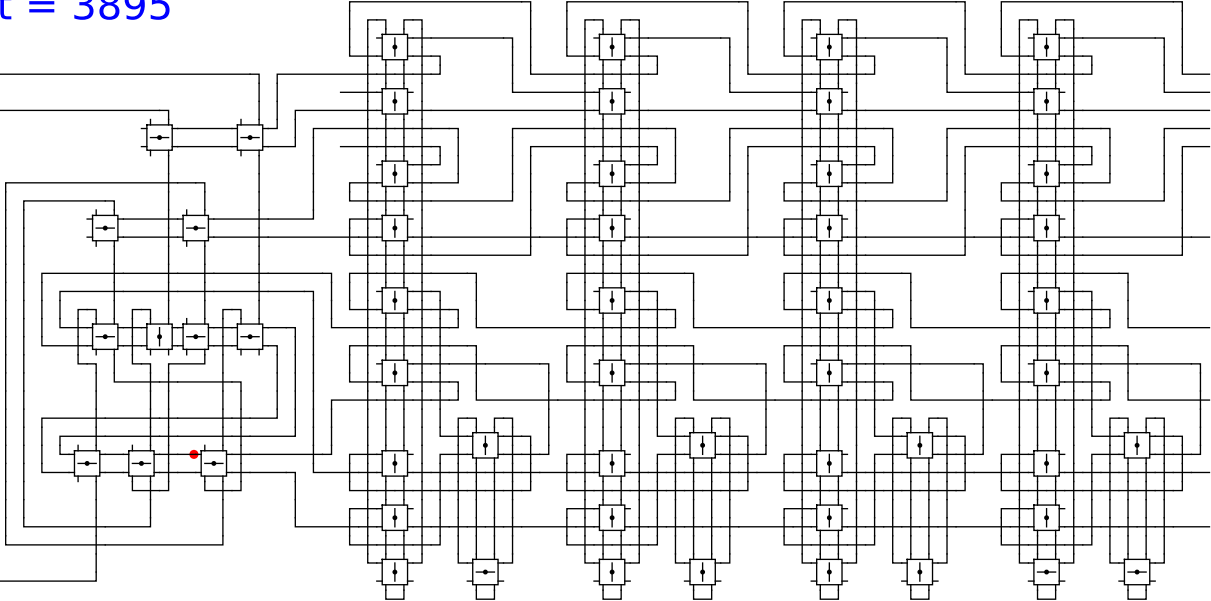


1 0 0 head 1

t = 3895

Reject
Accept

Begin



1

0

0

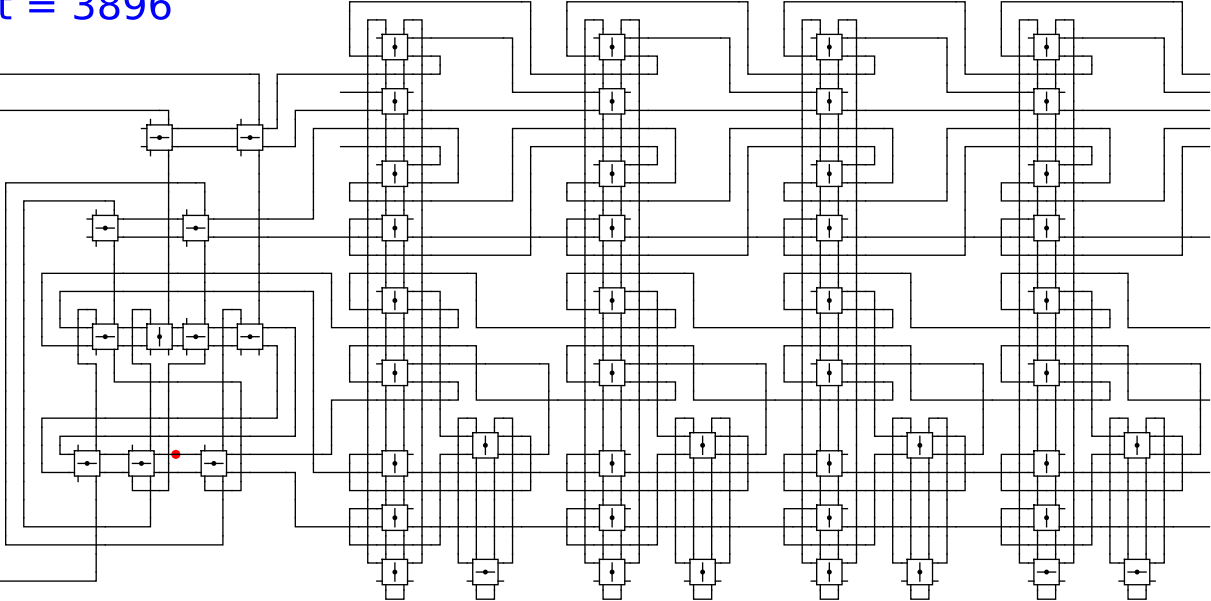
head

1

t = 3896

Reject
Accept

Begin



1

0

0

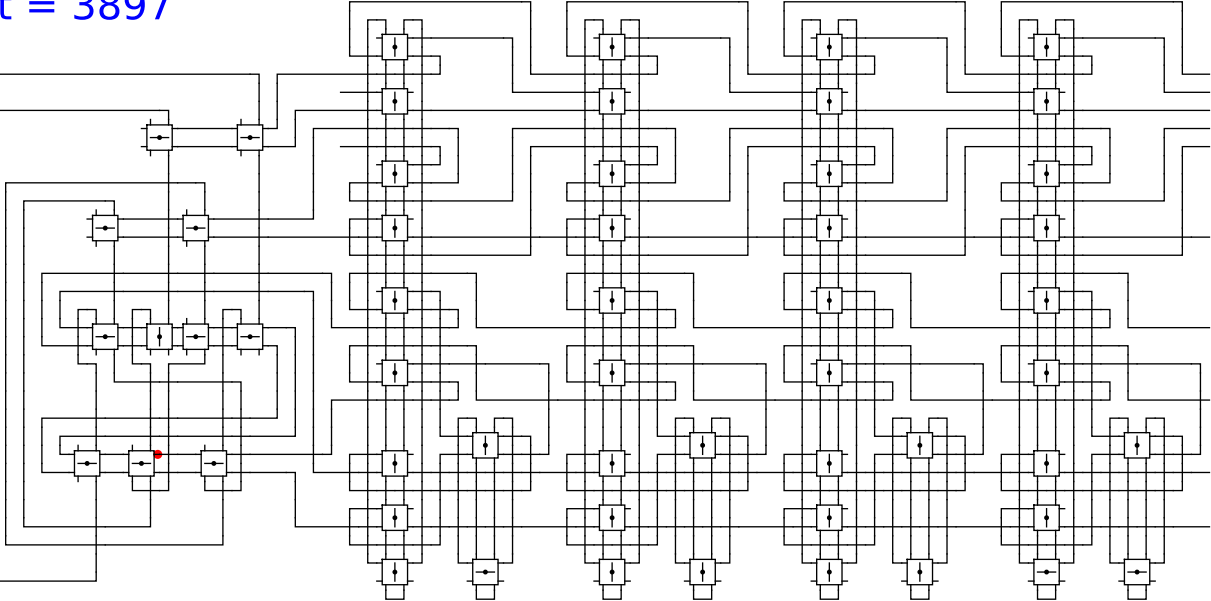
head

1

t = 3897

Reject
Accept

Begin



1

0

0

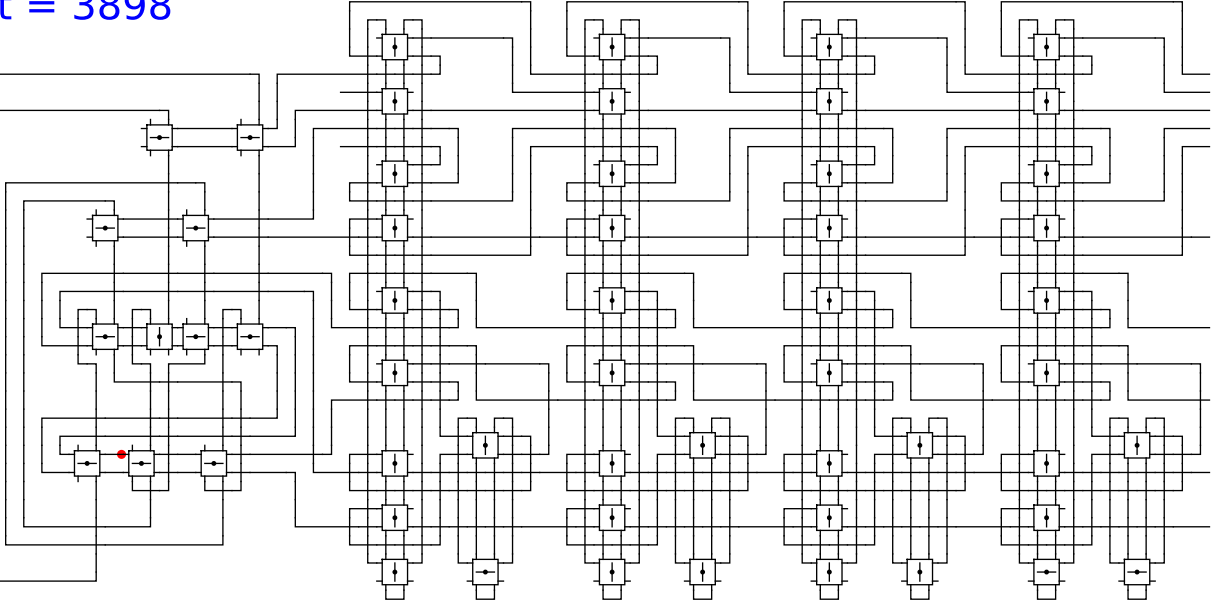
head

1

t = 3898

Reject
Accept

Begin

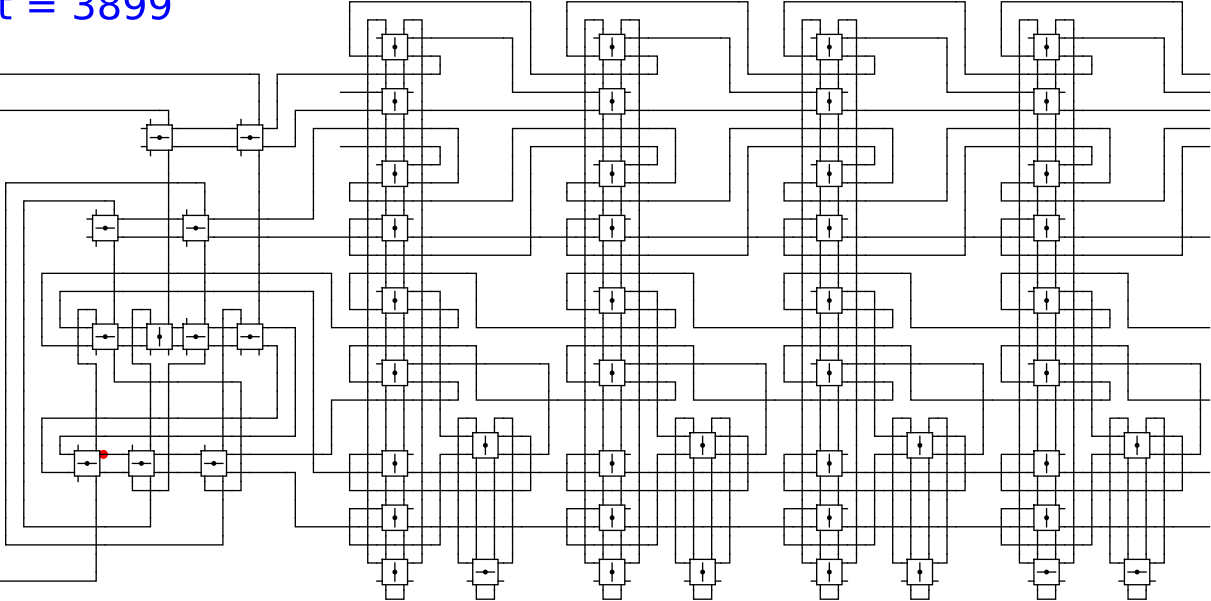


1 0 0 head 1

t = 3899

Reject
Accept

Begin



1

0

0

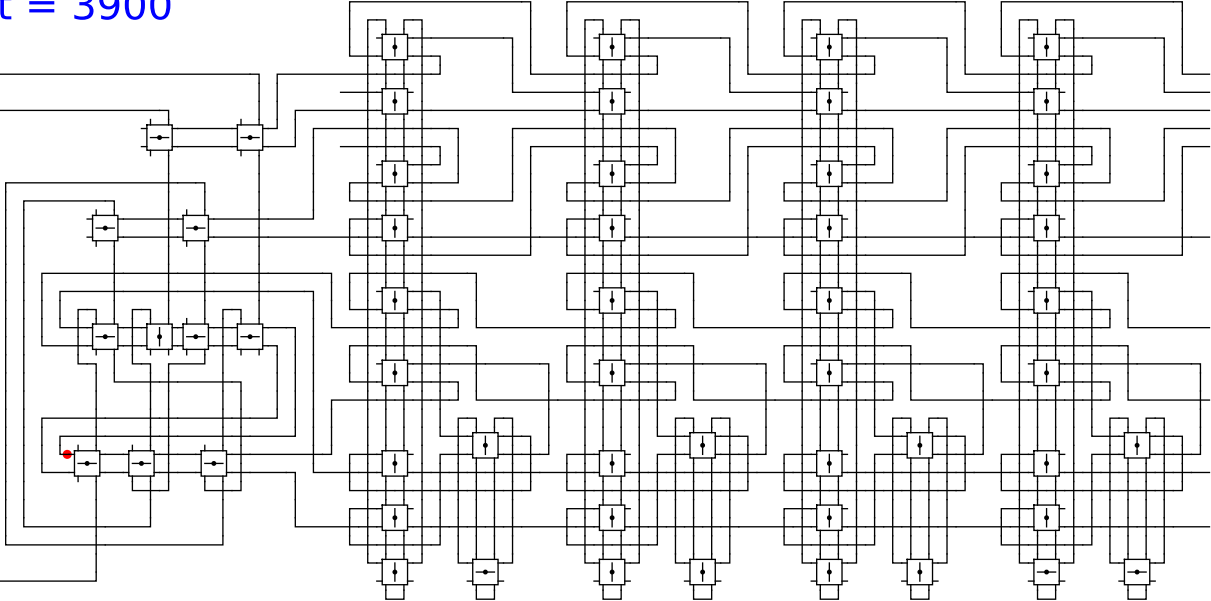
head

1

t = 3900

Reject
Accept

Begin



1

0

0

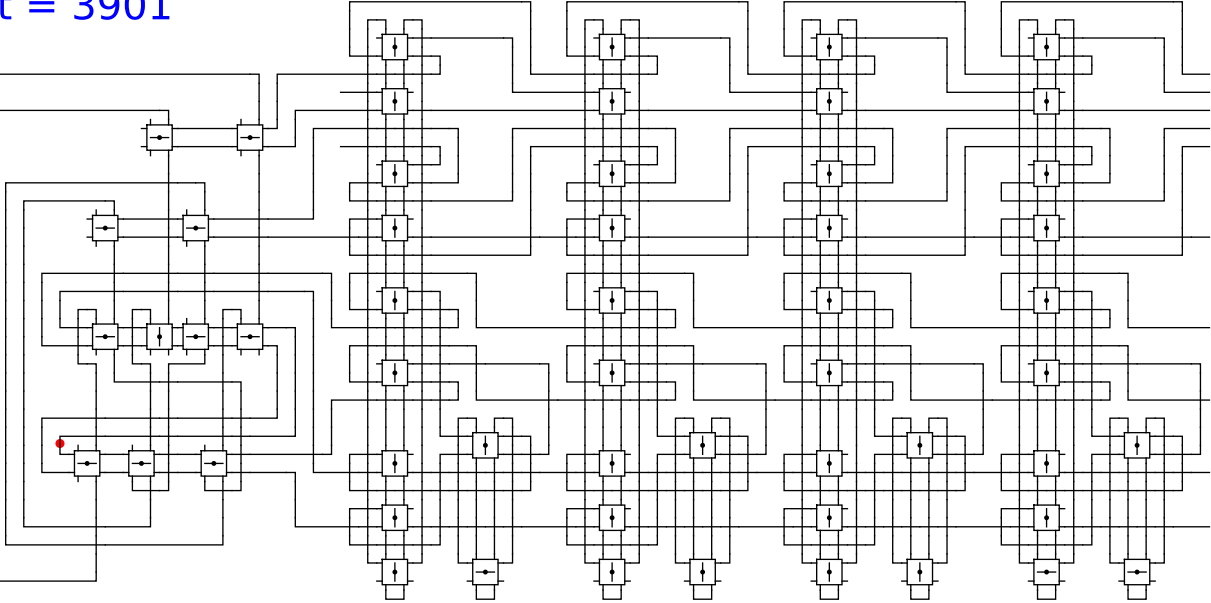
head

1

t = 3901

Reject
Accept

Begin



1

0

0

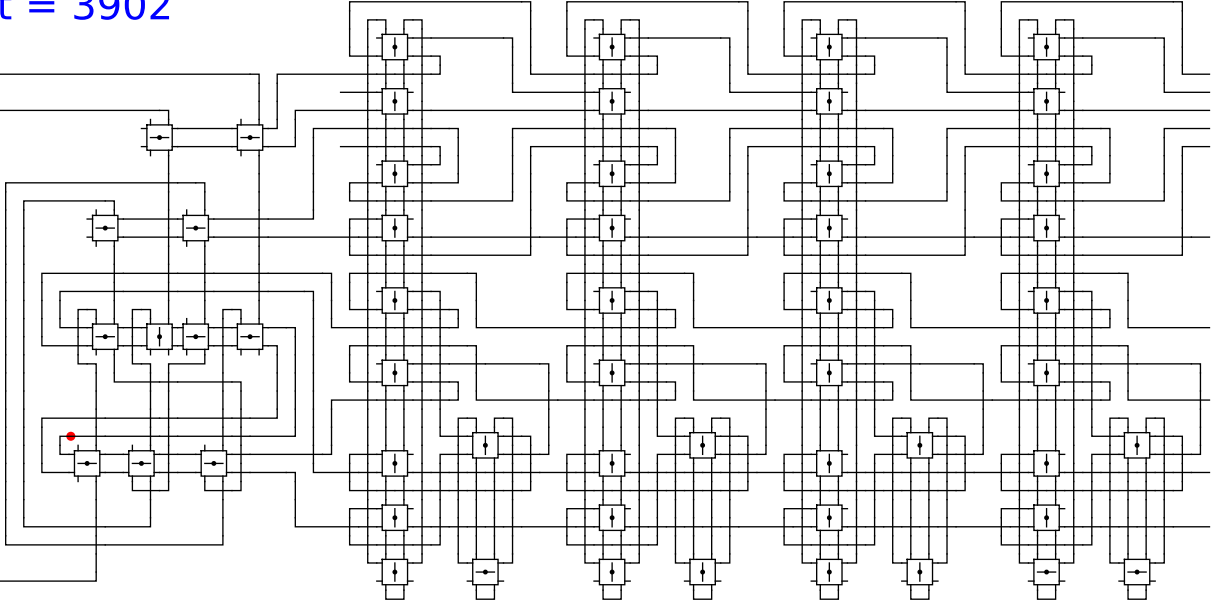
head

1

t = 3902

Reject
Accept

Begin

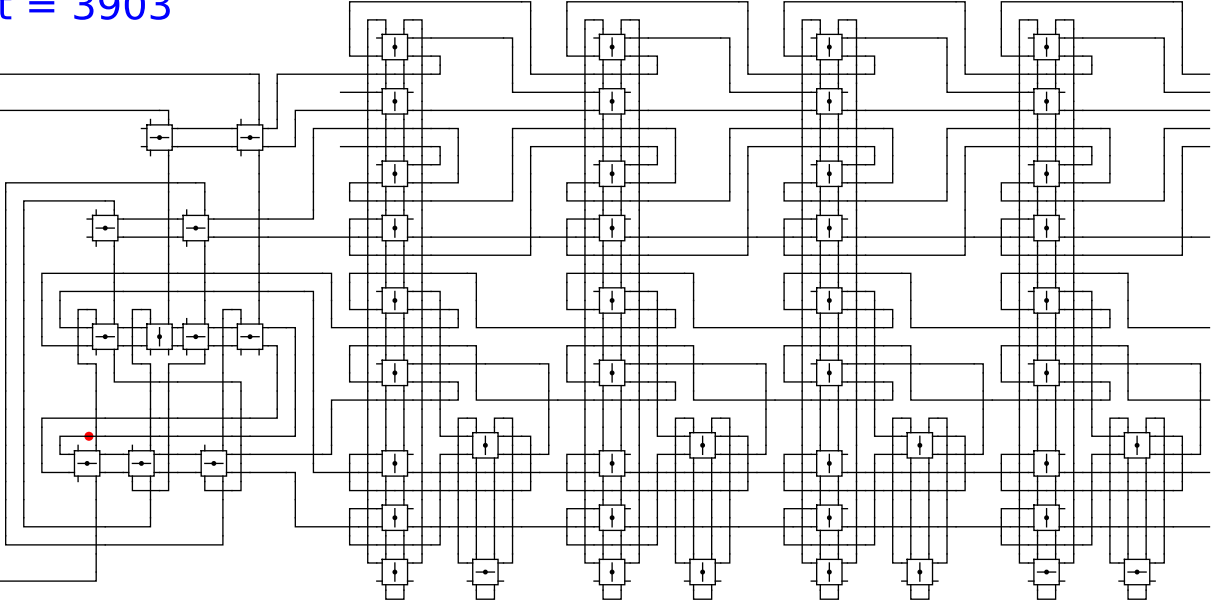


1 0 0 head 1

t = 3903

Reject
Accept

Begin



1

0

0

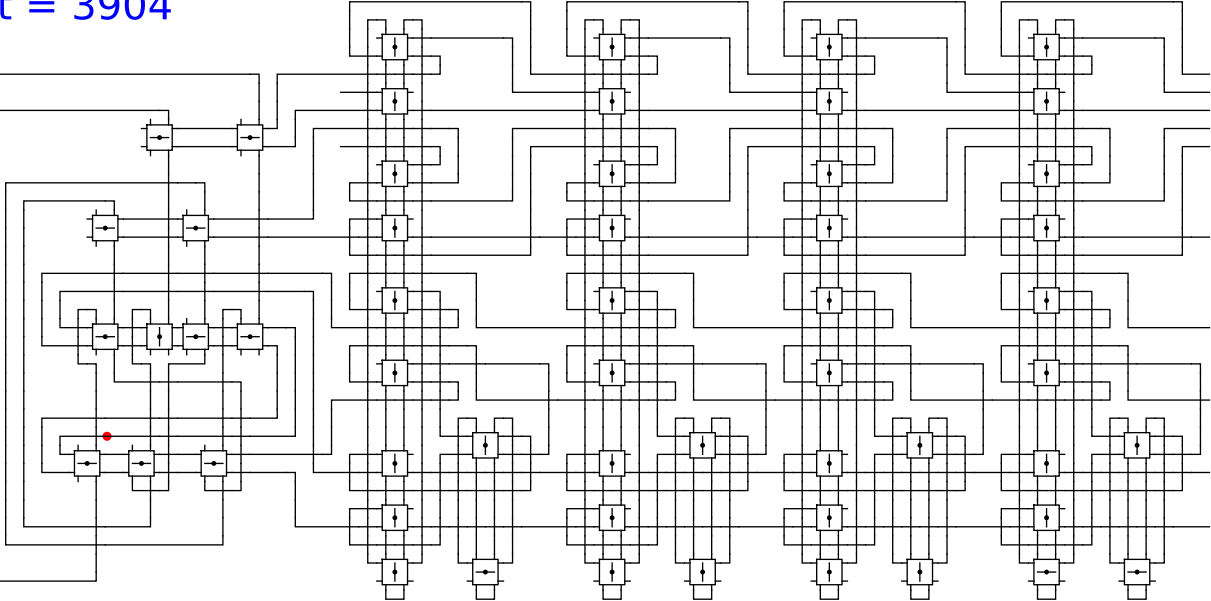
head

1

t = 3904

Reject
Accept

Begin



1

0

0

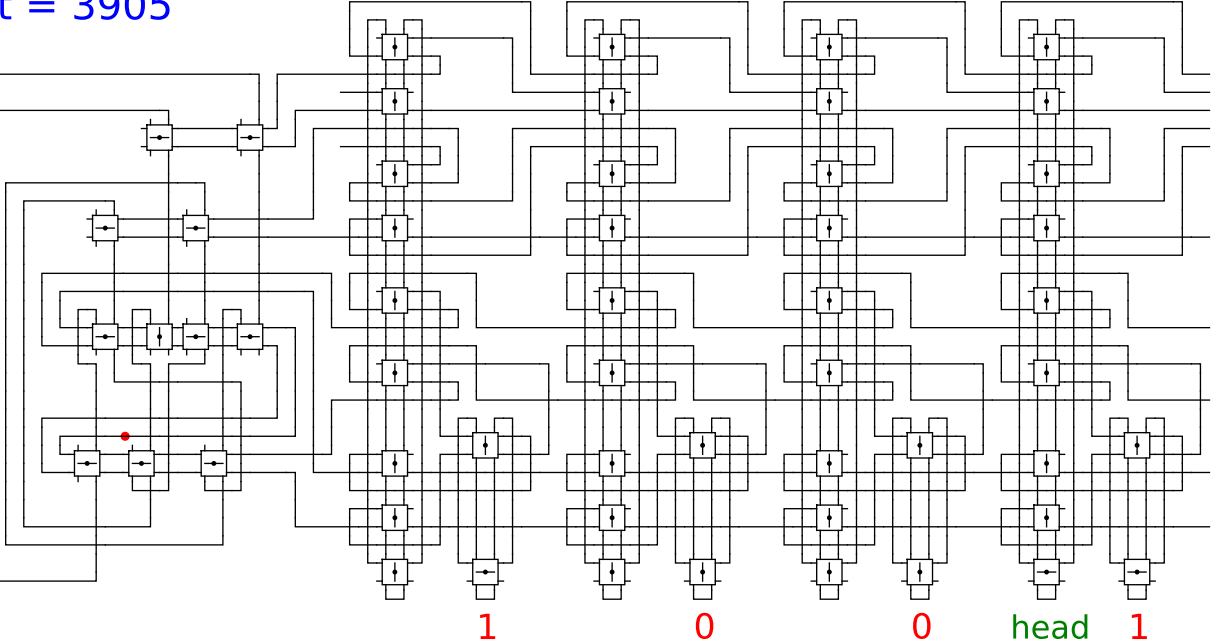
head

1

t = 3905

Reject
Accept

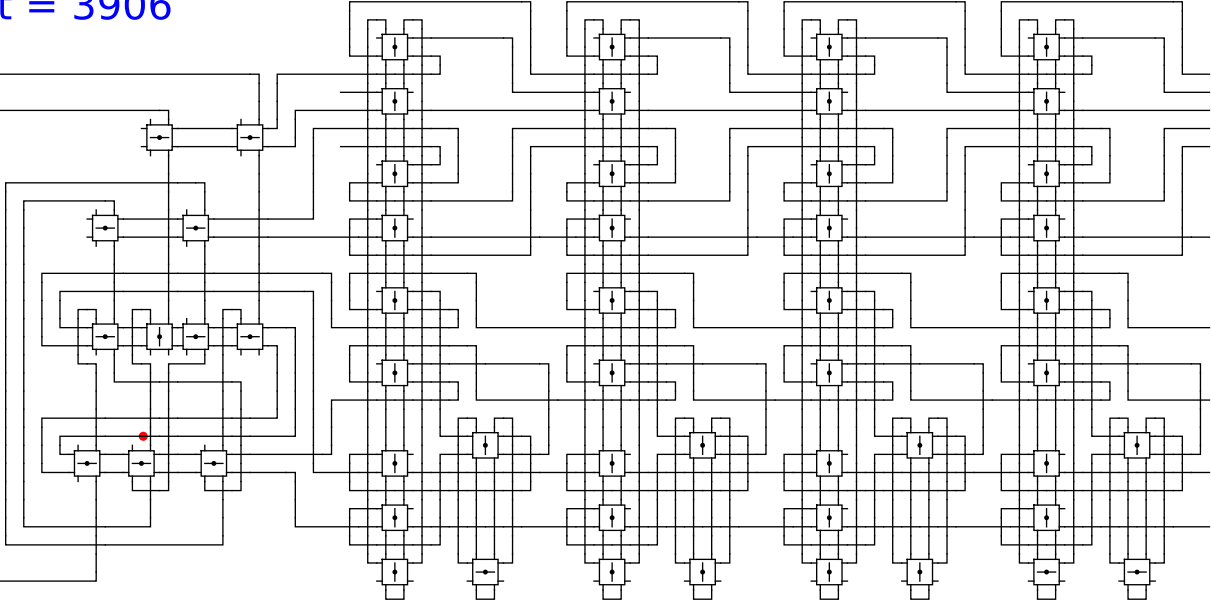
Begin



t = 3906

Reject
Accept

Begin



1

0

0

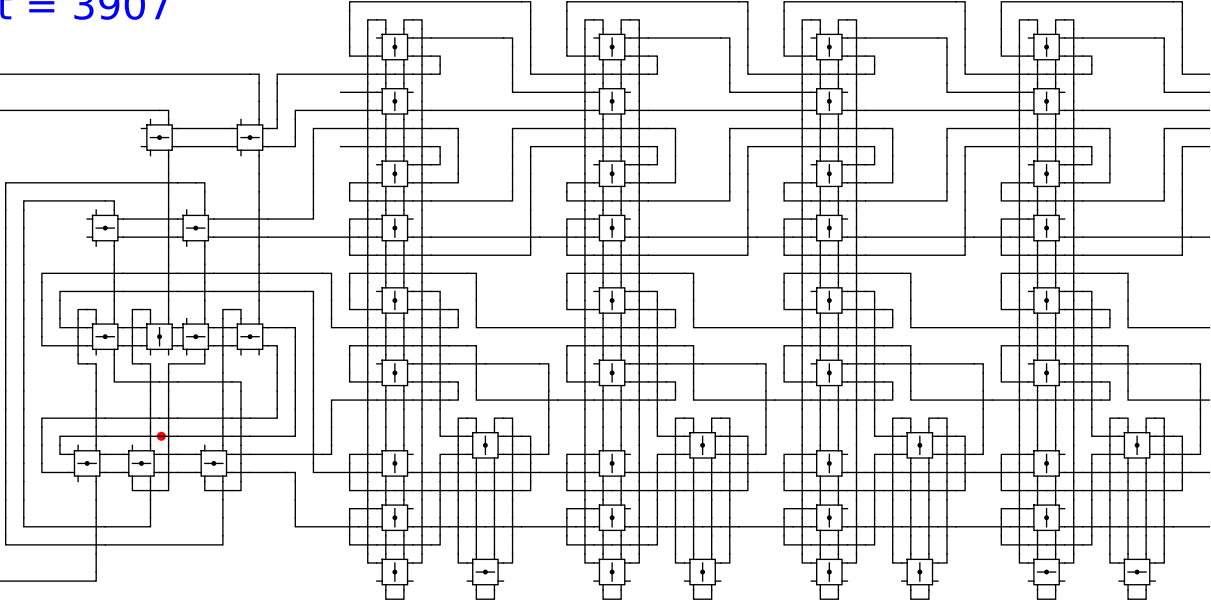
head

1

t = 3907

Reject
Accept

Begin

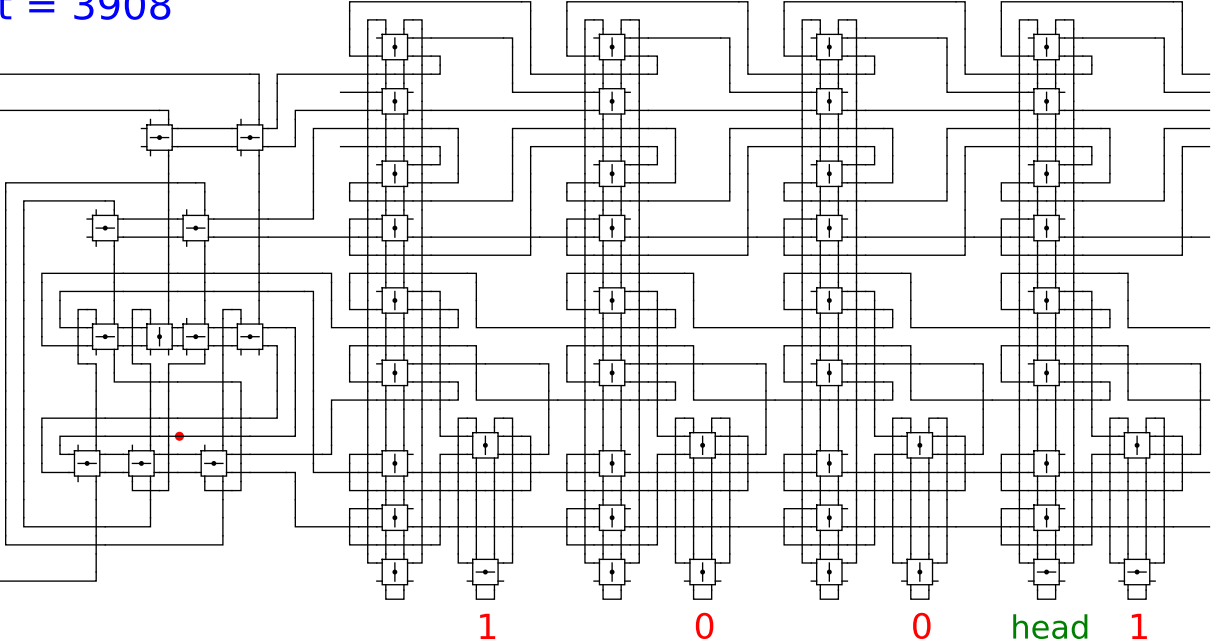


1 0 0 head 1

t = 3908

Reject
Accept

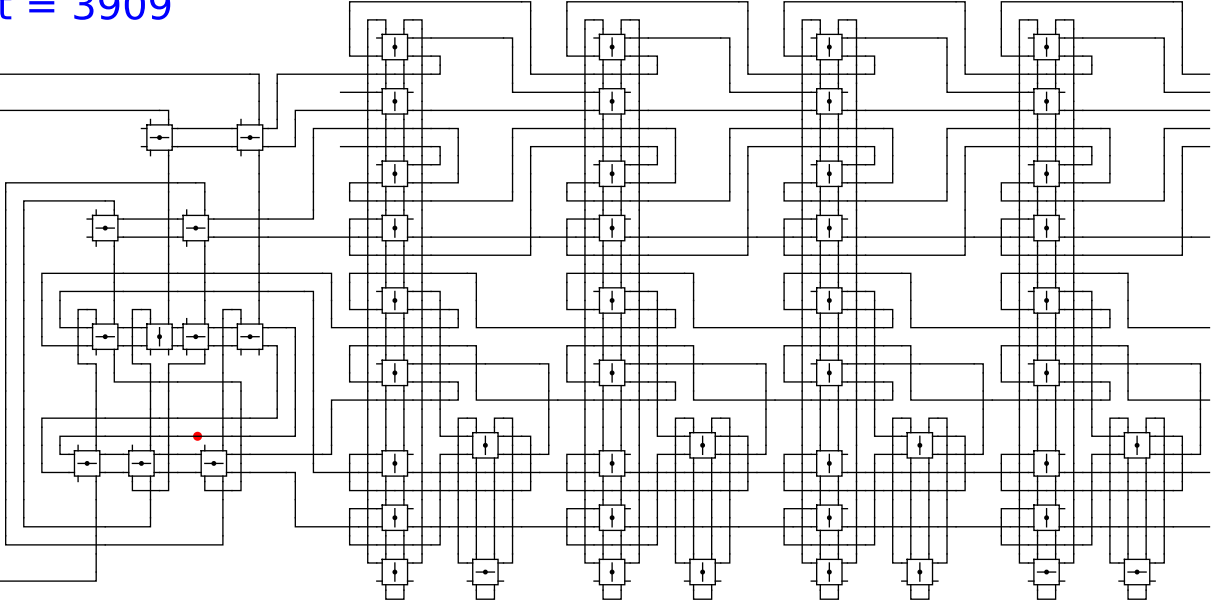
Begin



t = 3909

Reject
Accept

Begin



1

0

0

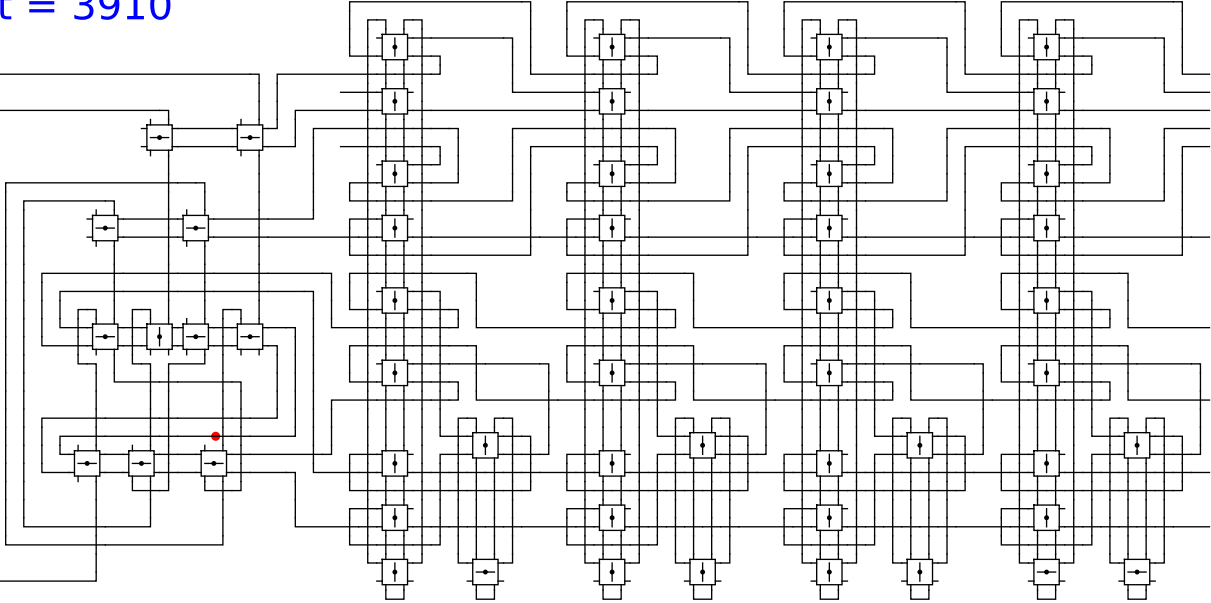
head

1

t = 3910

Reject
Accept

Begin

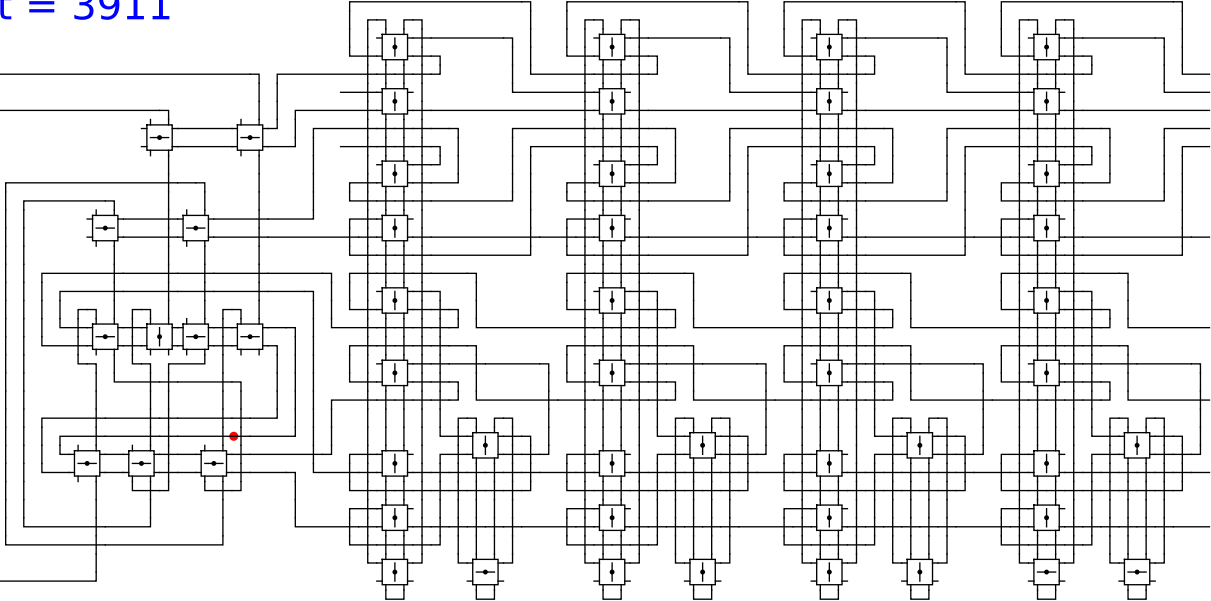


1 0 0 head 1

t = 3911

Reject
Accept

Begin

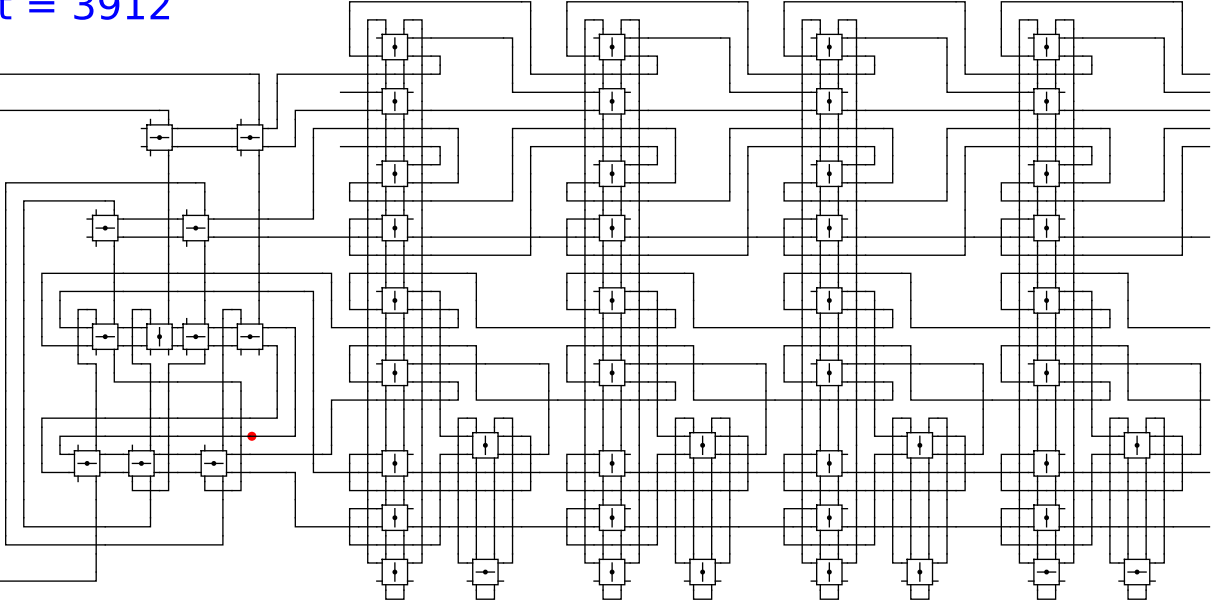


1 0 0 head 1

t = 3912

Reject
Accept

Begin



1

0

0

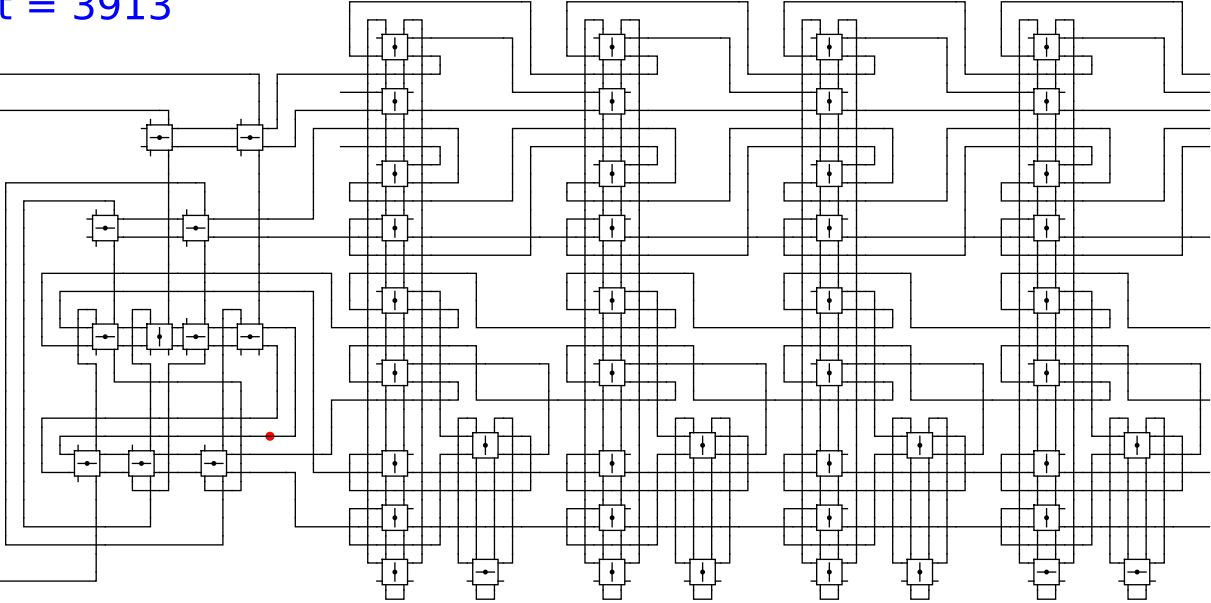
head

1

t = 3913

Reject
Accept

Begin

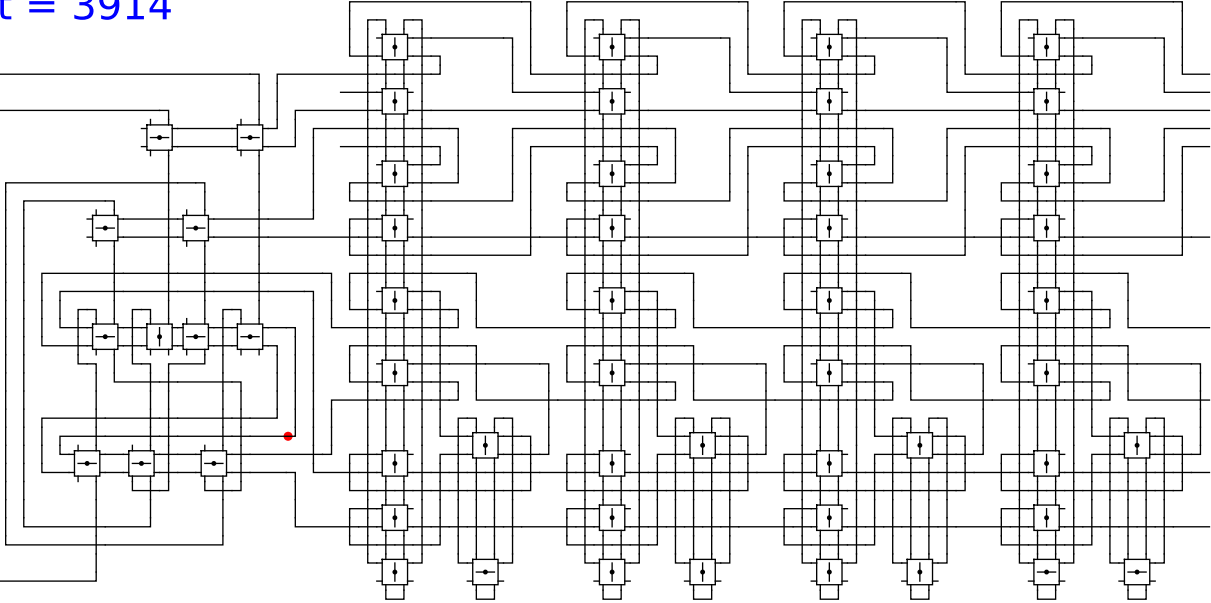


1 0 0 head 1

t = 3914

Reject
Accept

Begin



1

0

0

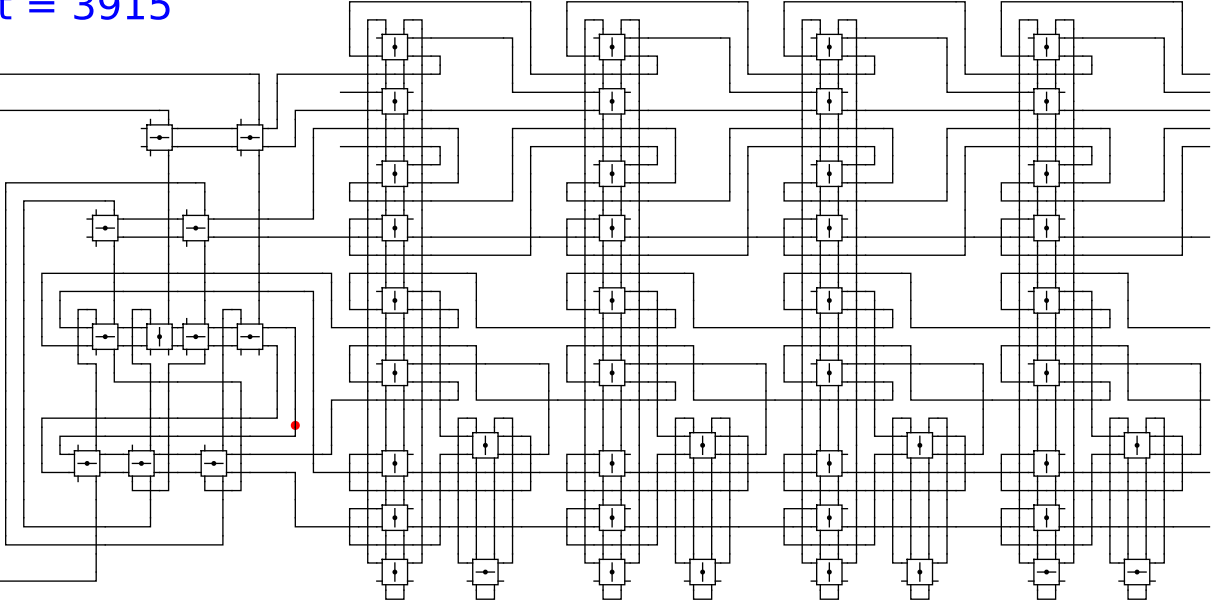
head

1

t = 3915

Reject
Accept

Begin



1

0

0

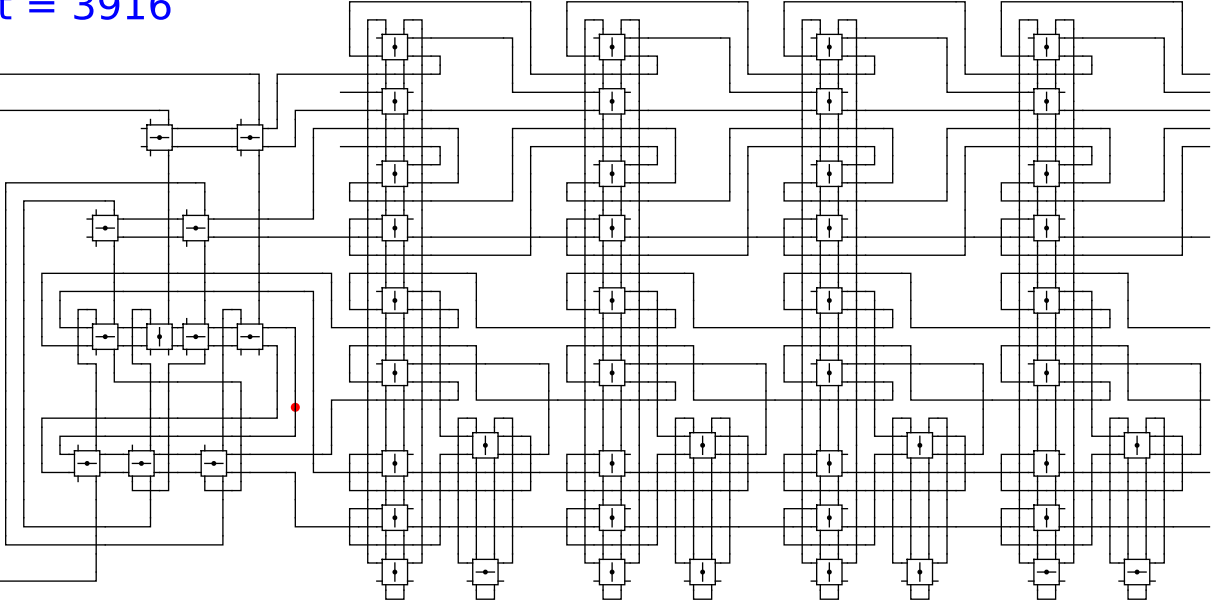
head

1

t = 3916

Reject
Accept

Begin



1

0

0

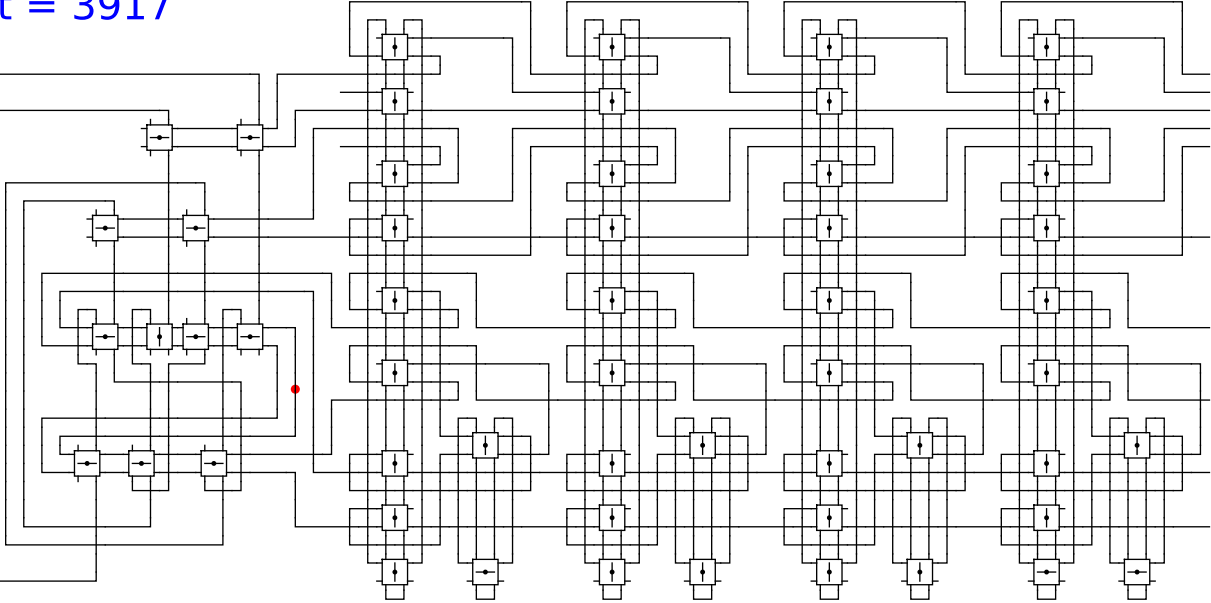
head

1

t = 3917

Reject
Accept

Begin



1

0

0

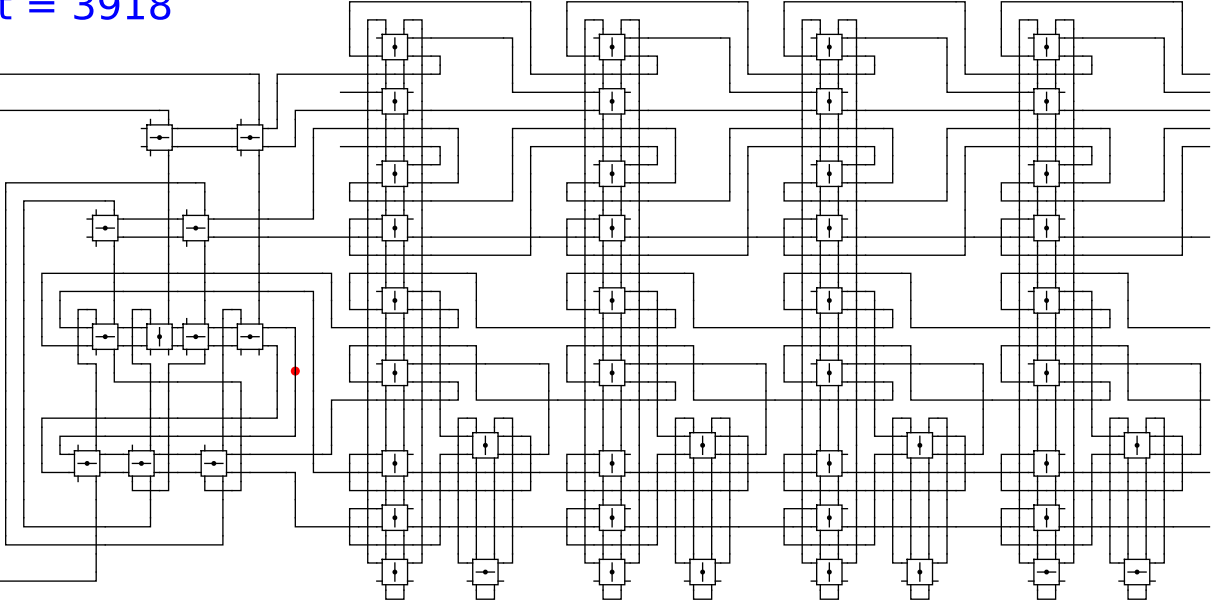
head

1

t = 3918

Reject
Accept

Begin



1

0

0

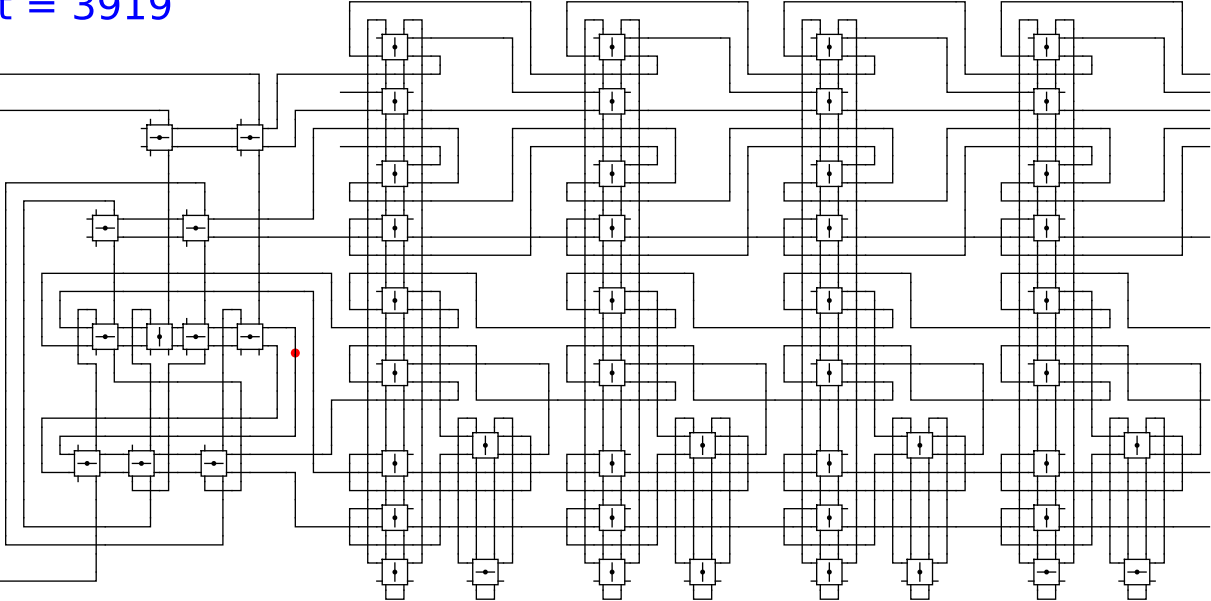
head

1

t = 3919

Reject
Accept

Begin



1

0

0

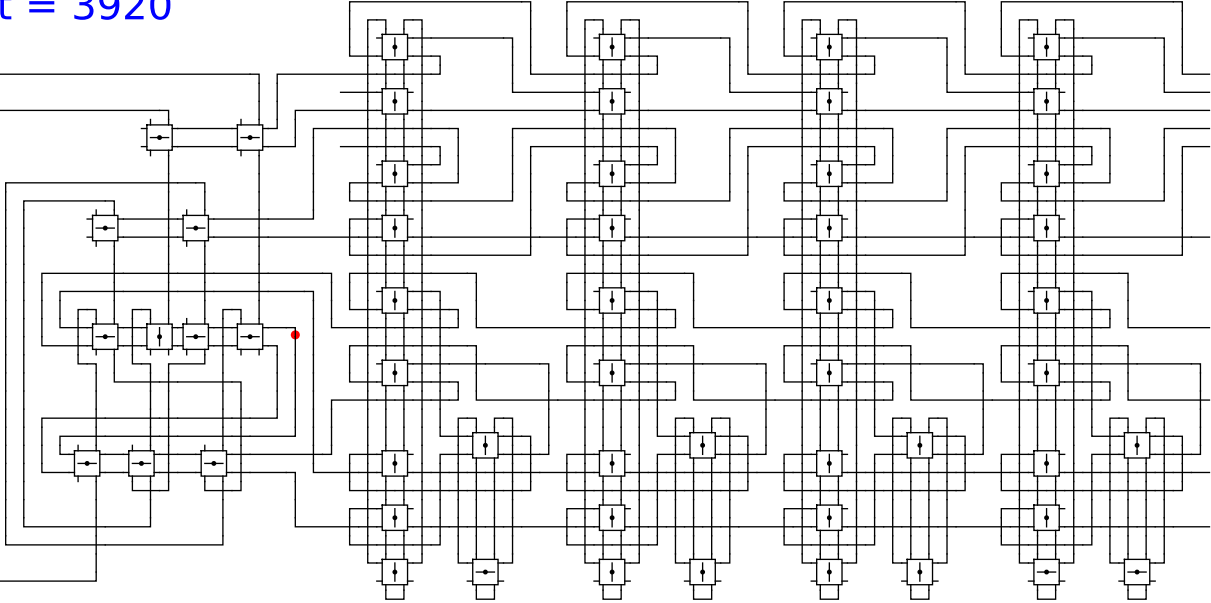
head

1

t = 3920

Reject
Accept

Begin

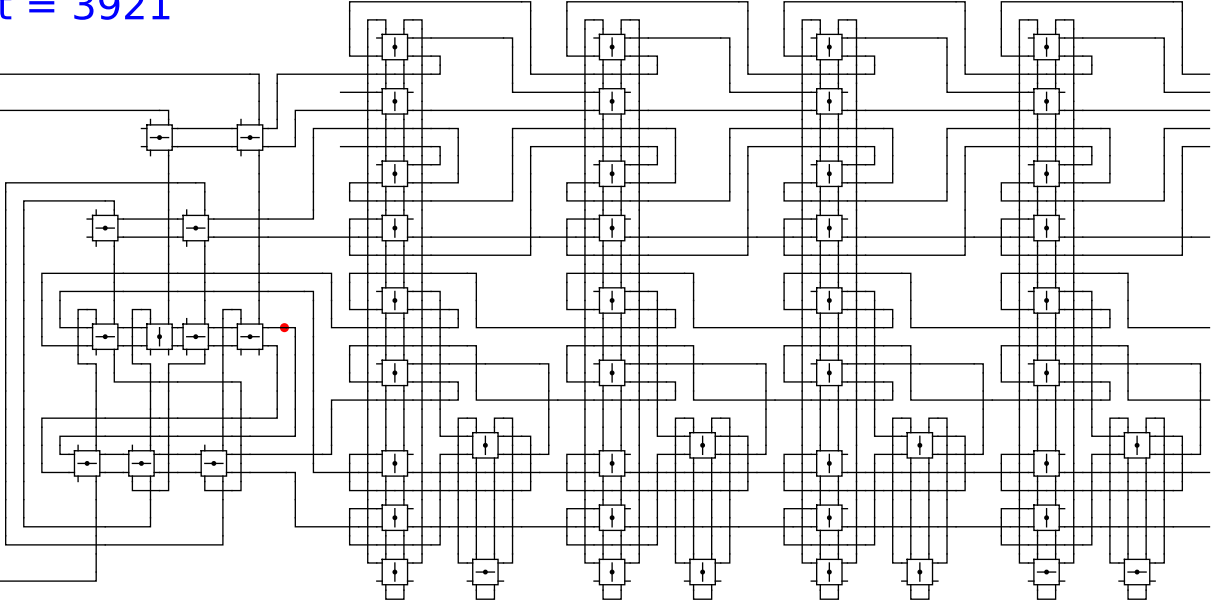


1 0 0 head 1

t = 3921

Reject
Accept

Begin

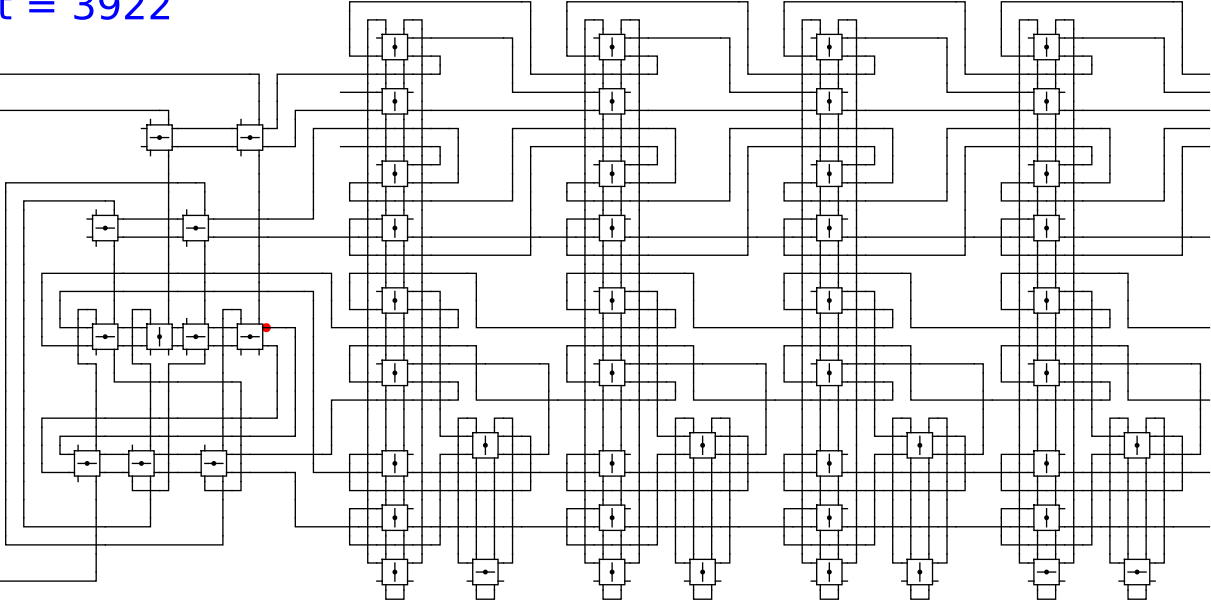


1 0 0 head 1

t = 3922

Reject
Accept

Begin



1

0

0

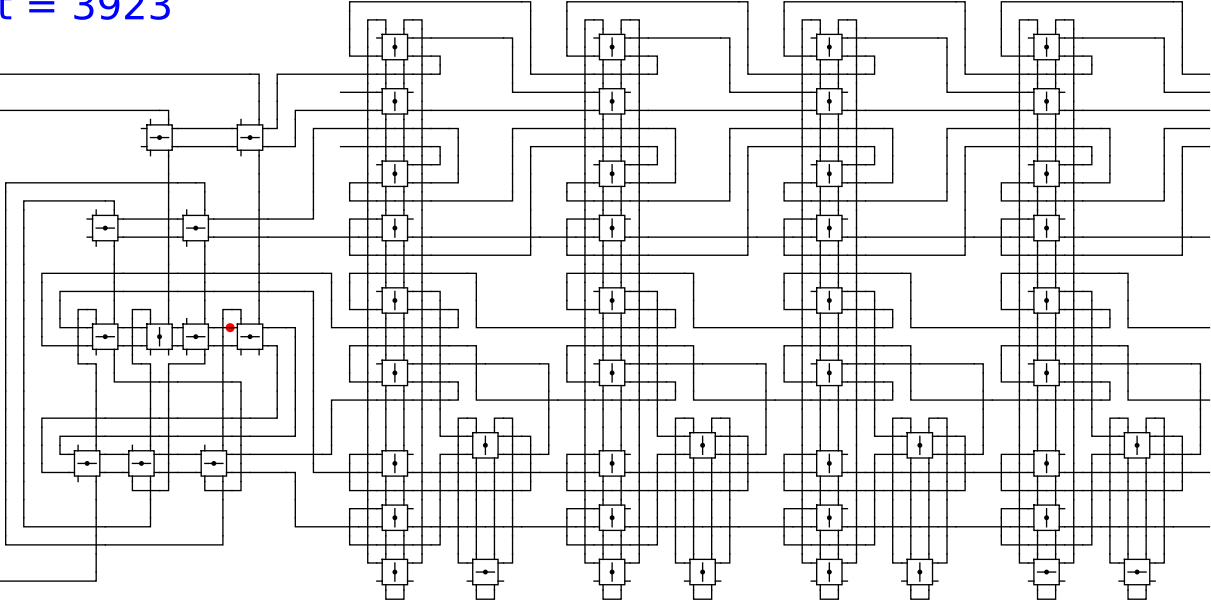
head

1

t = 3923

Reject
Accept

Begin

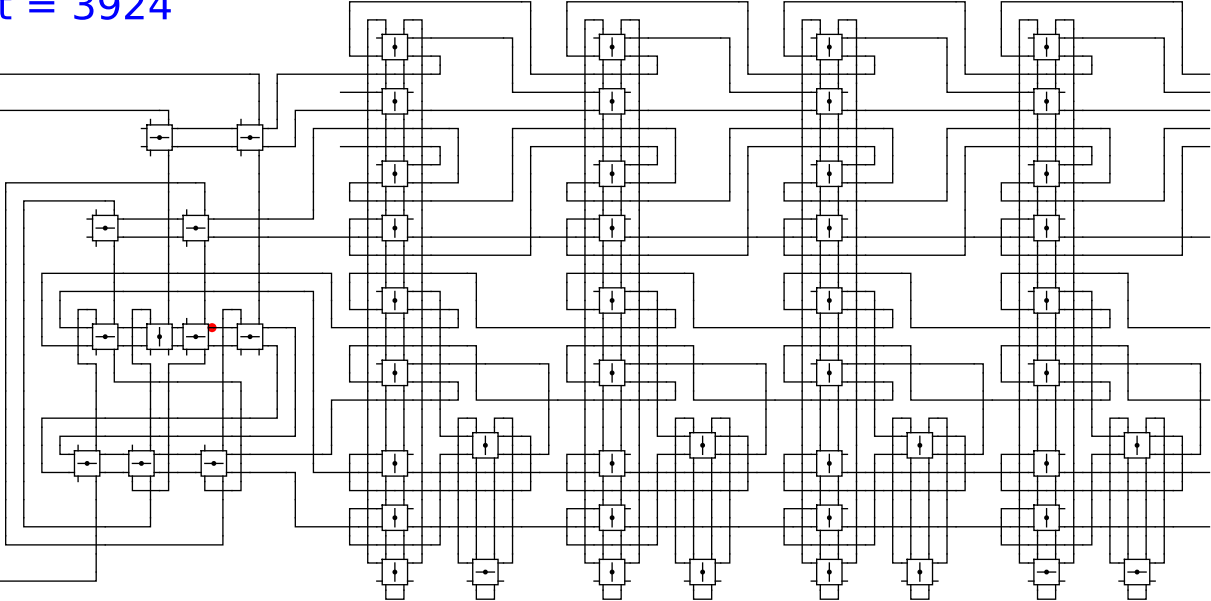


1 0 0 head 1

t = 3924

Reject
Accept

Begin



1

0

0

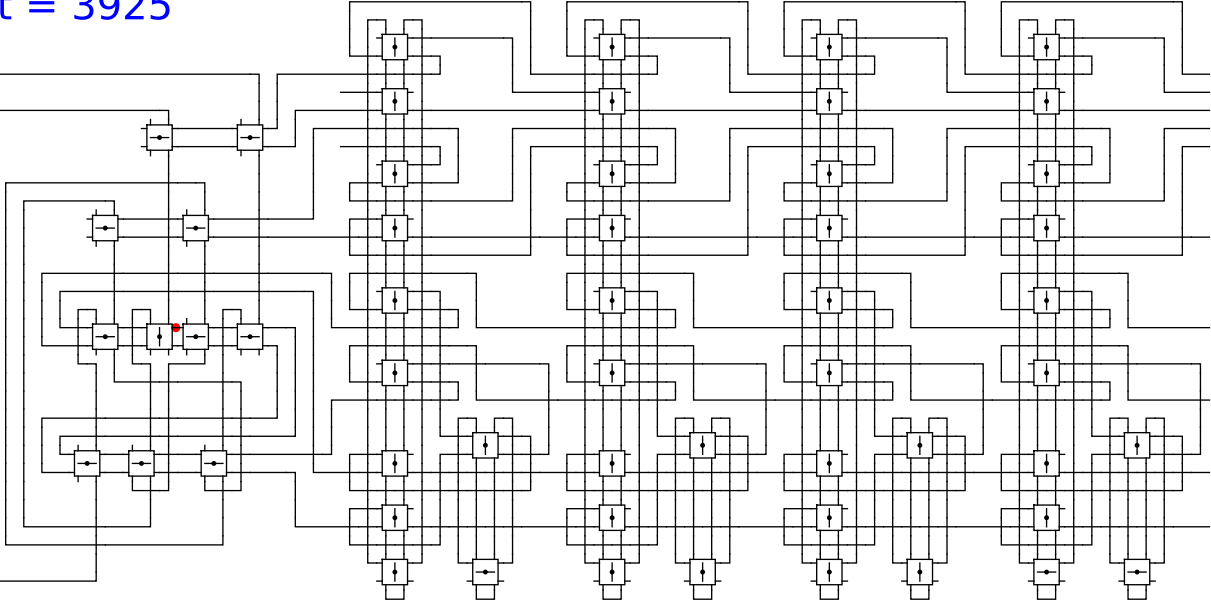
head

1

t = 3925

Reject
Accept

Begin



1

0

0

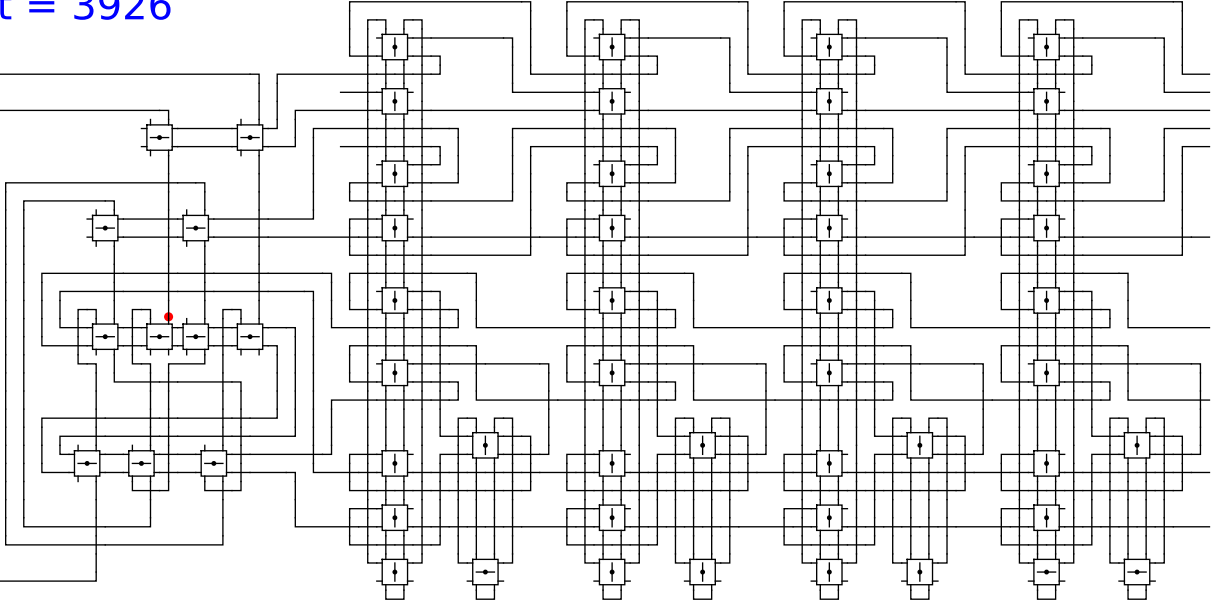
head

1

t = 3926

Reject
Accept

Begin

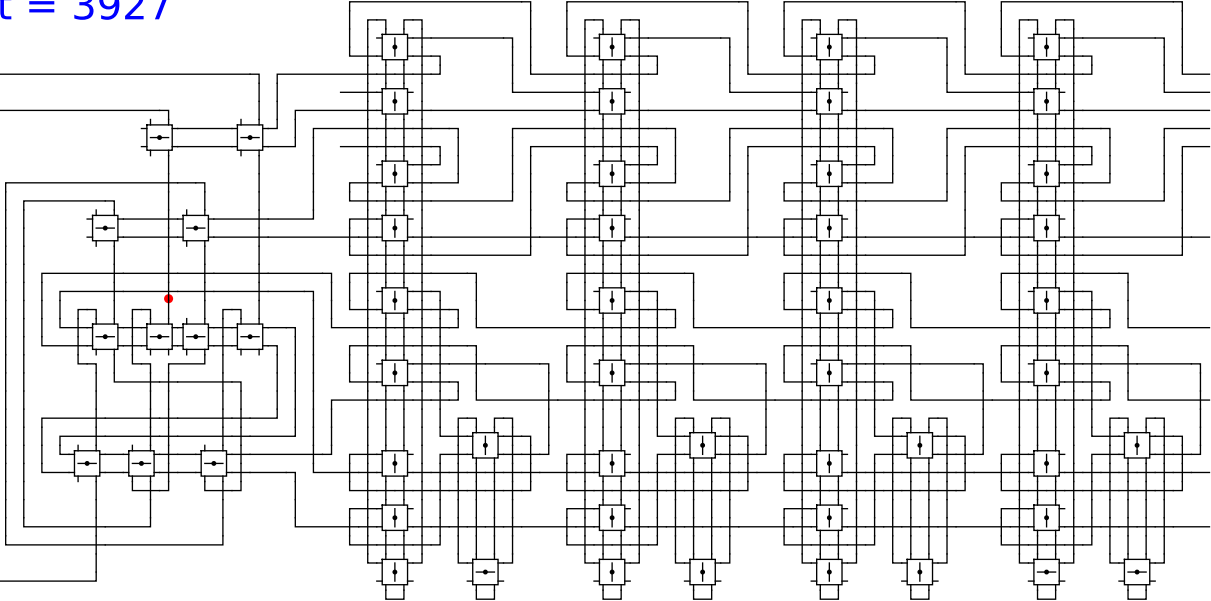


1 0 0 head 1

t = 3927

Reject
Accept

Begin



1

0

0

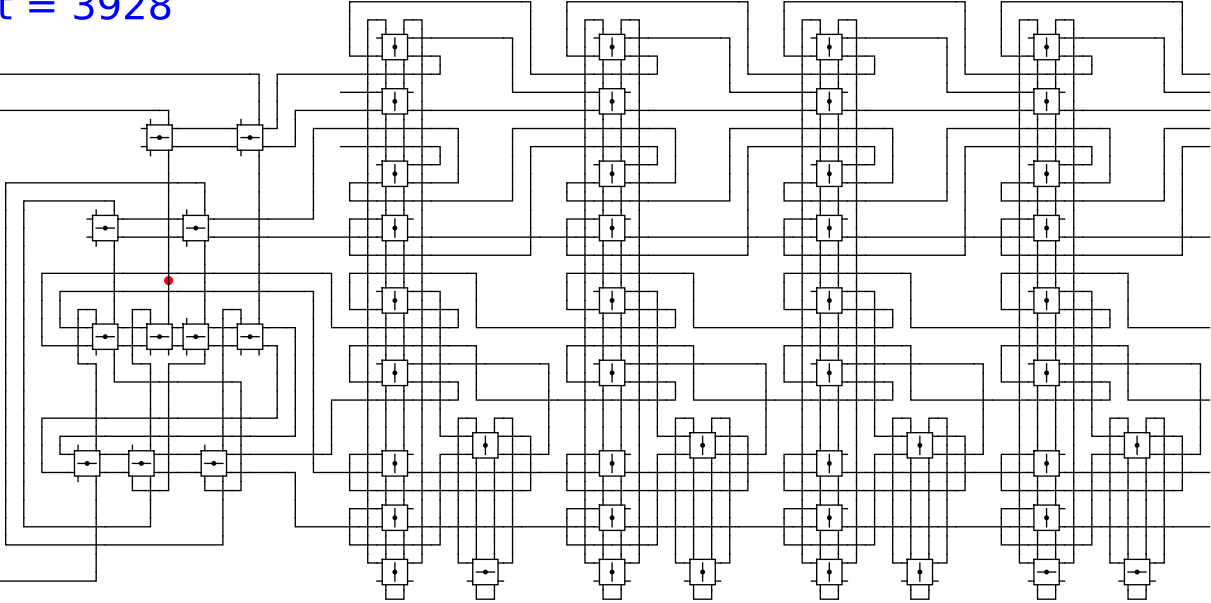
head

1

t = 3928

Reject
Accept

Begin



1

0

0

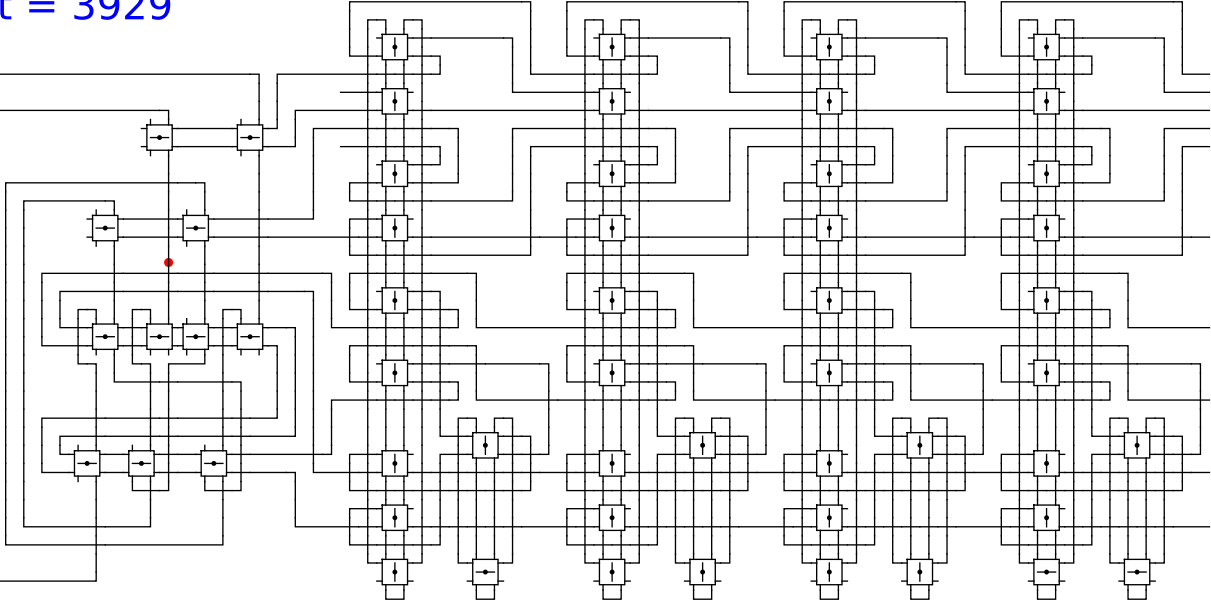
head

1

t = 3929

Reject
Accept

Begin



1

0

0

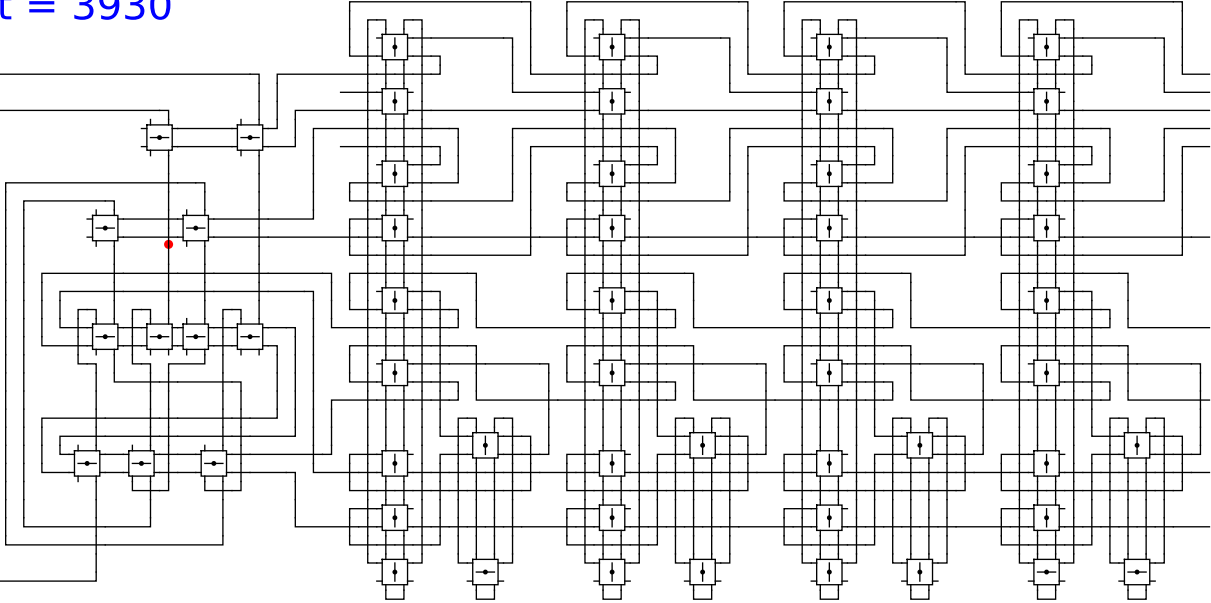
head

1

t = 3930

Reject
Accept

Begin

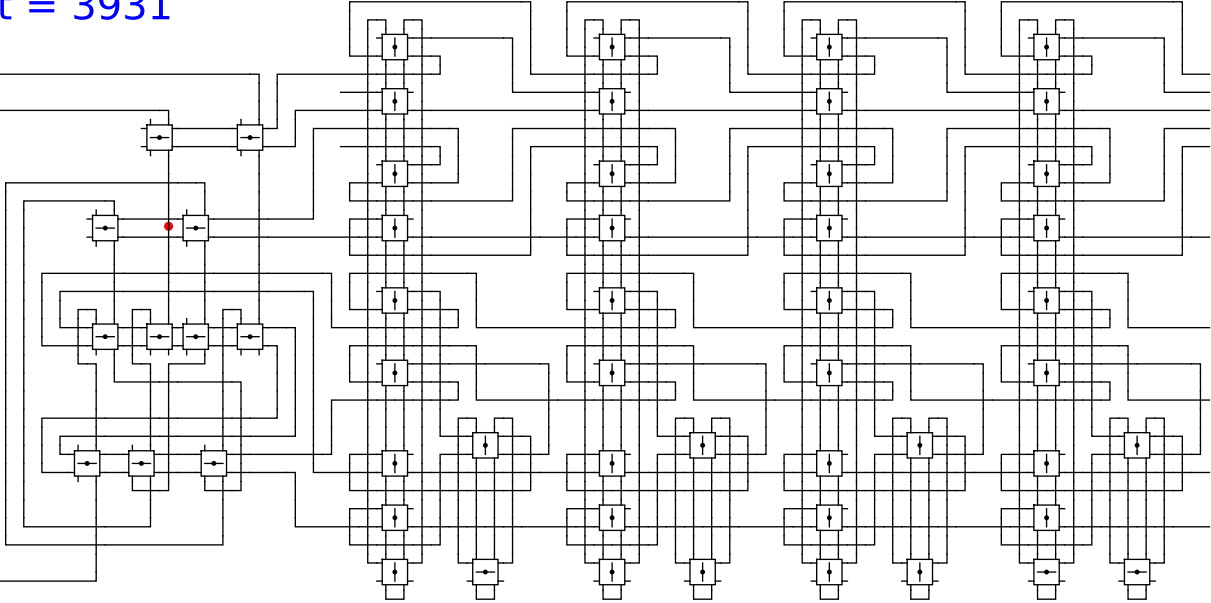


1 0 0 head 1

t = 3931

Reject
Accept

Begin



1

0

0

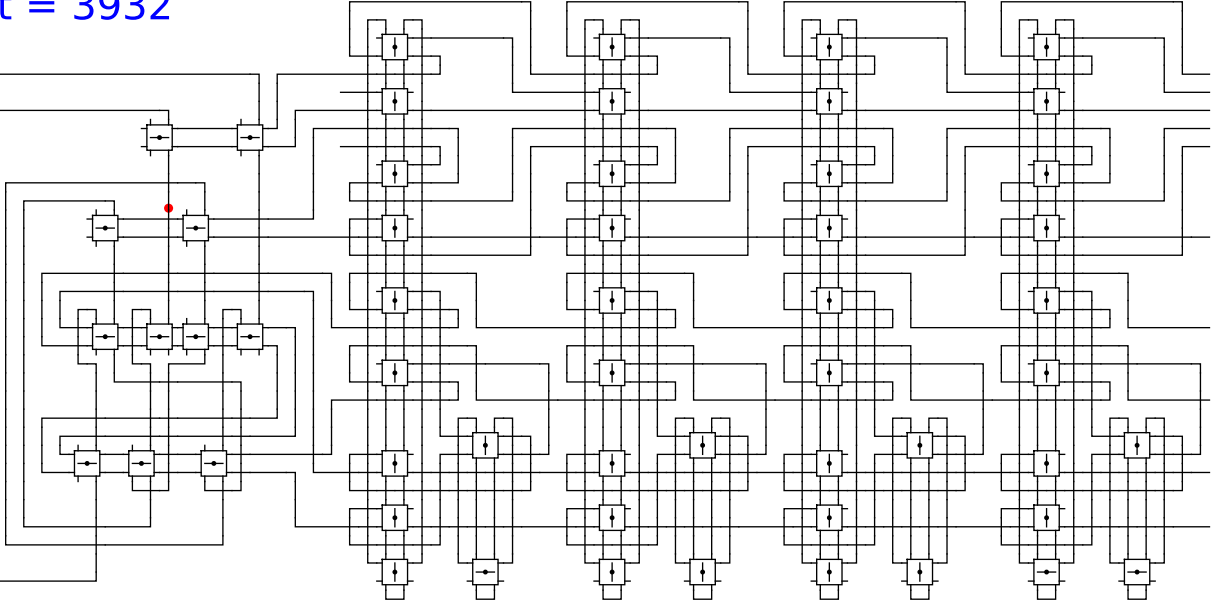
head

1

t = 3932

Reject
Accept

Begin



1

0

0

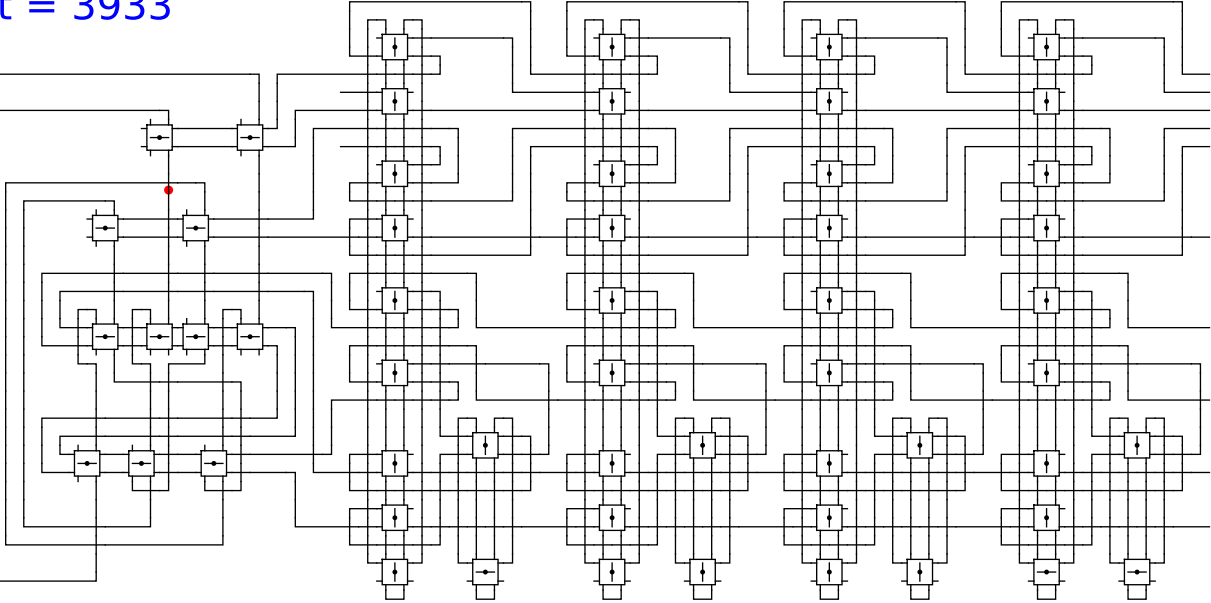
head

1

t = 3933

Reject
Accept

Begin



1

0

0

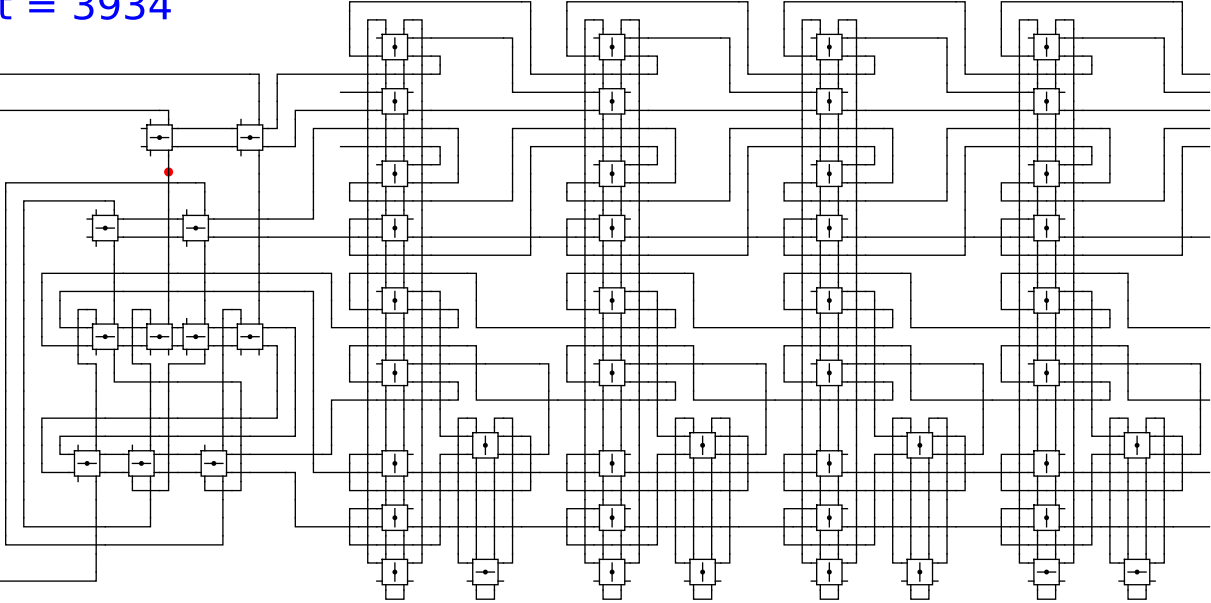
head

1

t = 3934

Reject
Accept

Begin

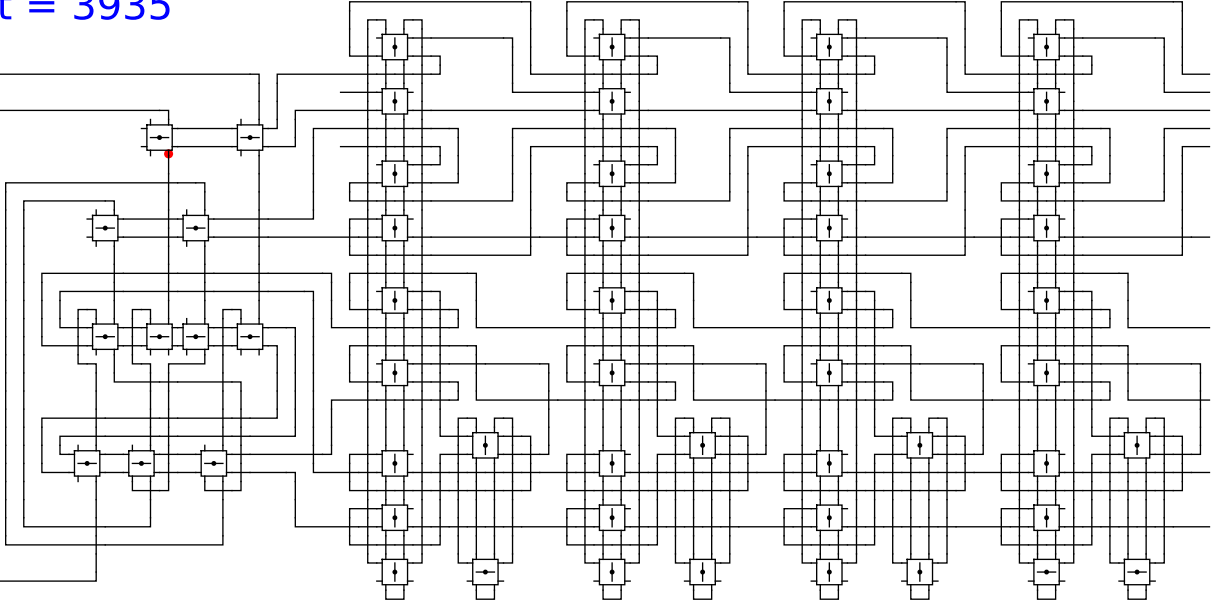


1 0 0 head 1

t = 3935

Reject
Accept

Begin



1

0

0

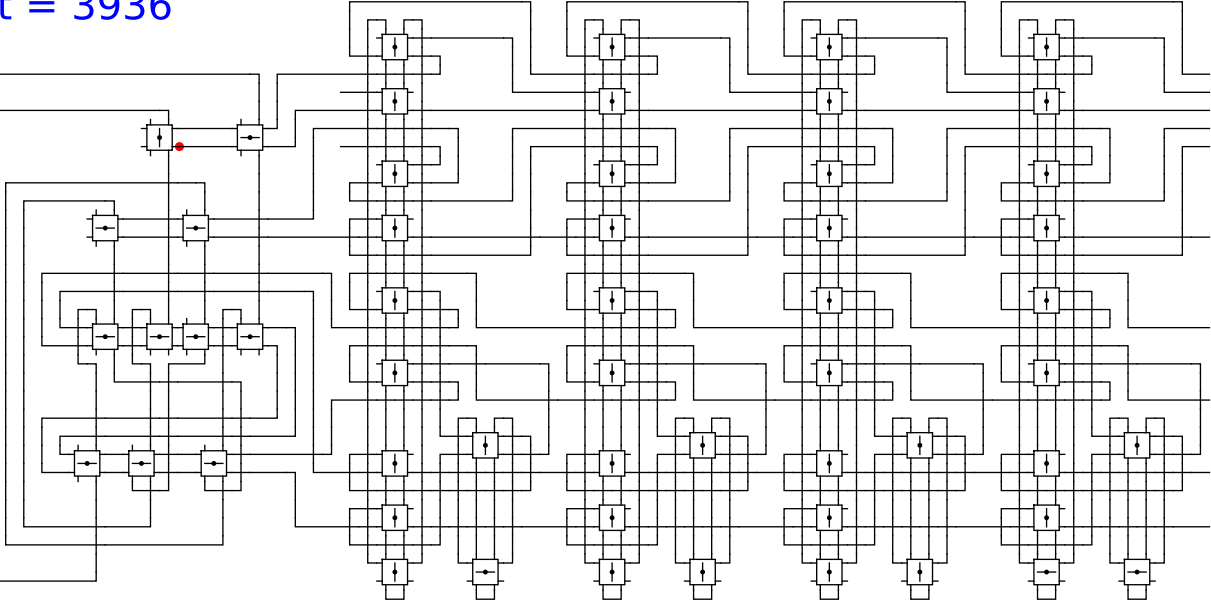
head

1

t = 3936

Reject
Accept

Begin



1

0

0

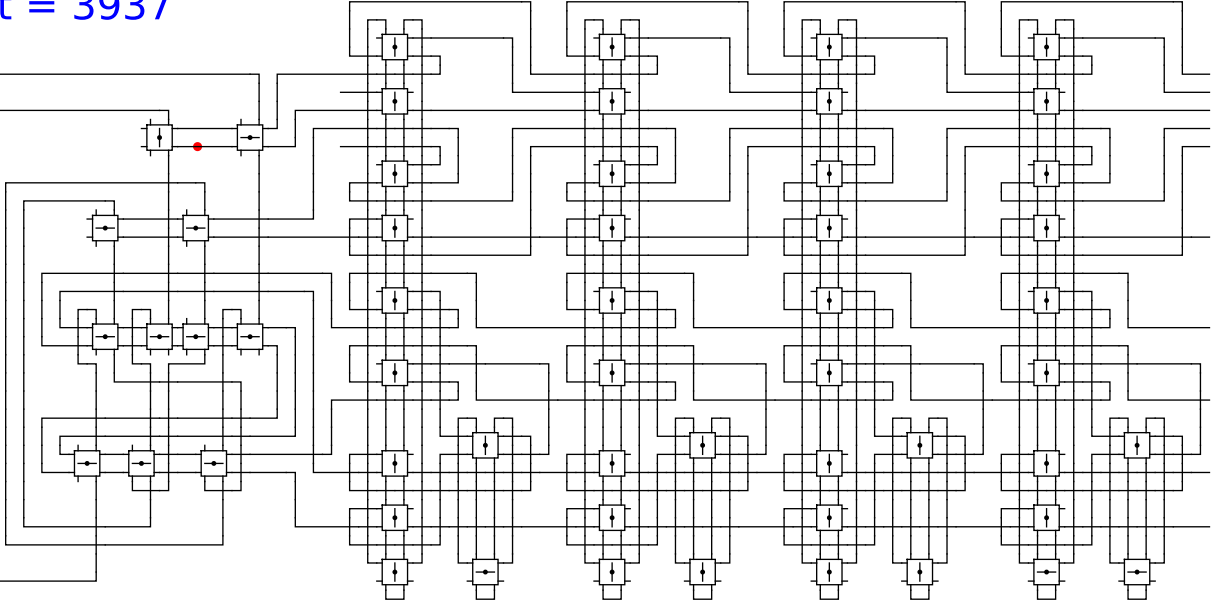
head

1

t = 3937

Reject
Accept

Begin

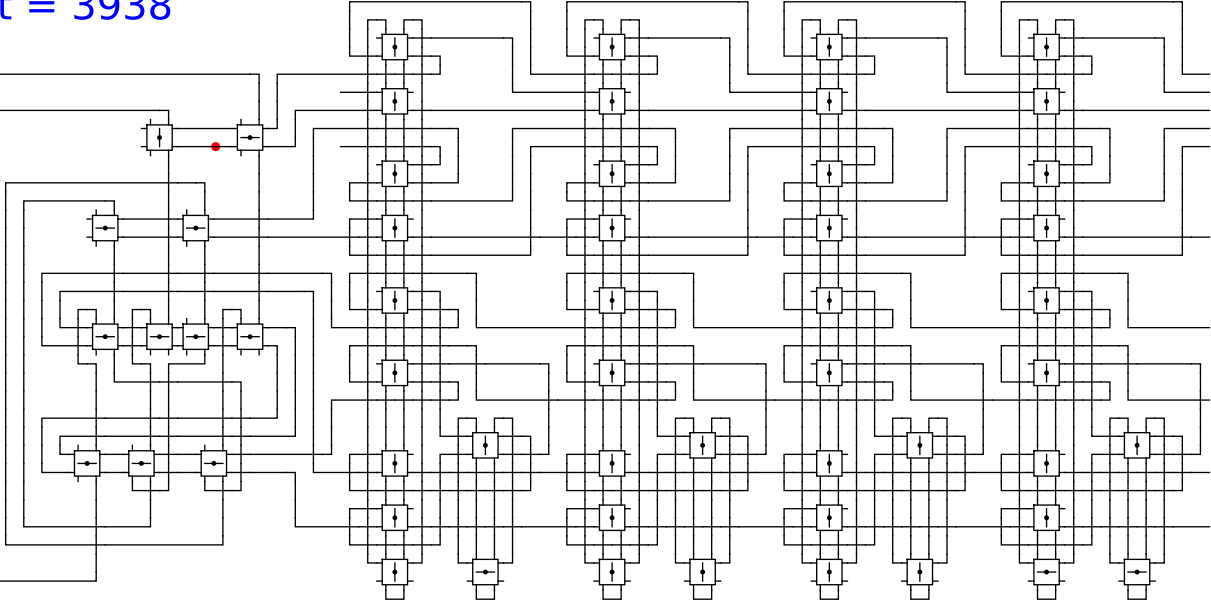


1 0 0 head 1

t = 3938

Reject
Accept

Begin



1

0

0

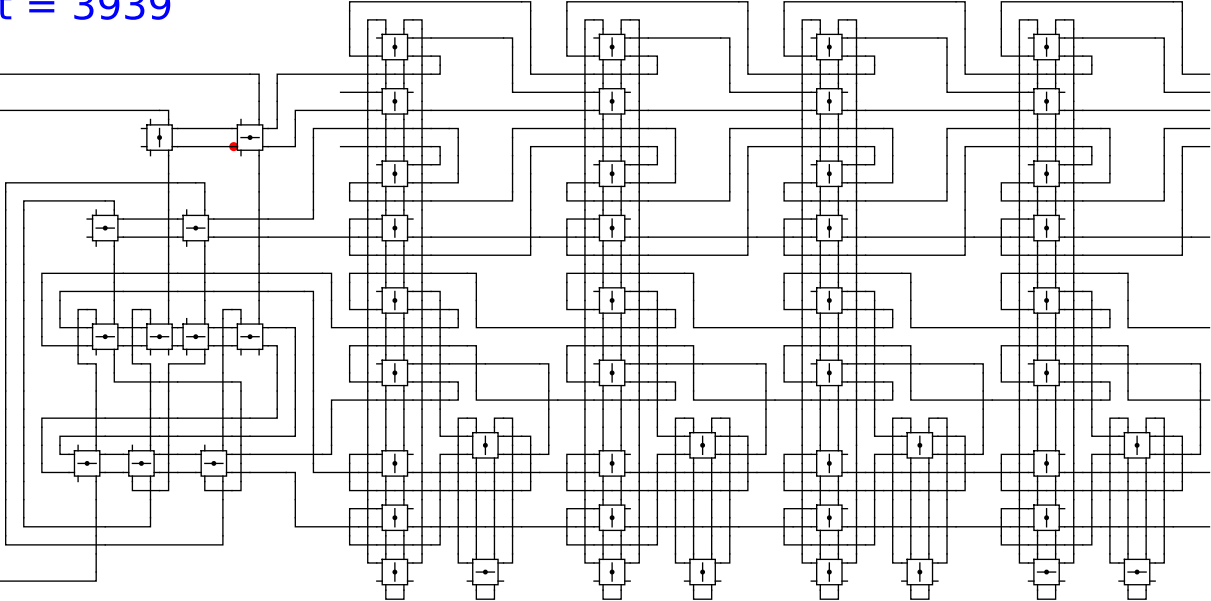
head

1

t = 3939

Reject
Accept

Begin



1

0

0

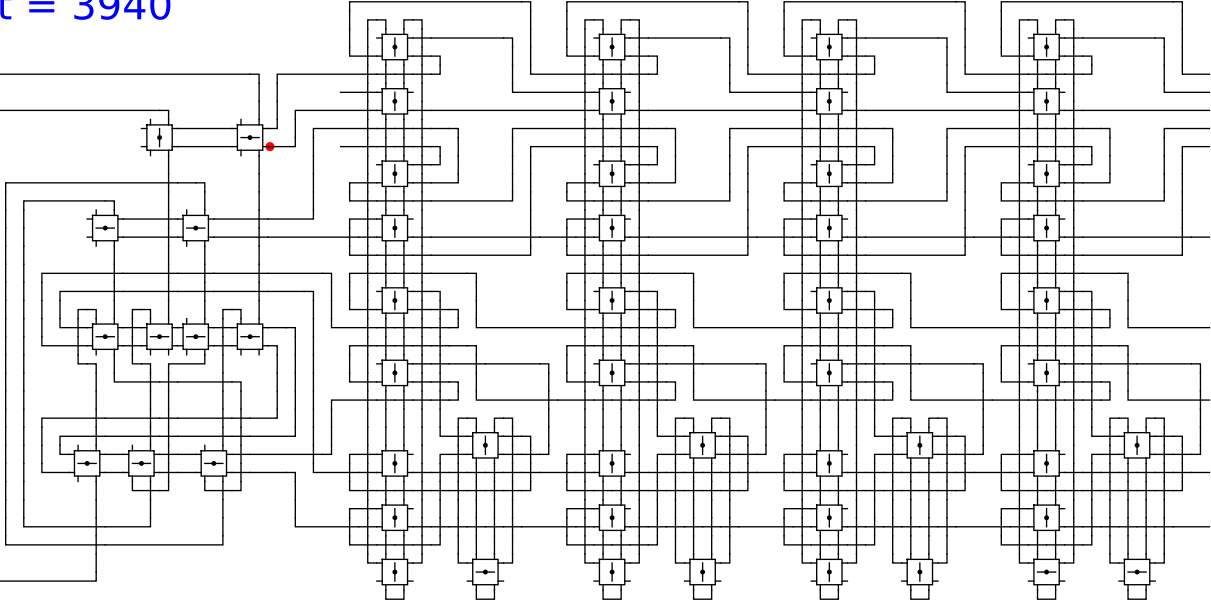
head

1

t = 3940

Reject
Accept

Begin

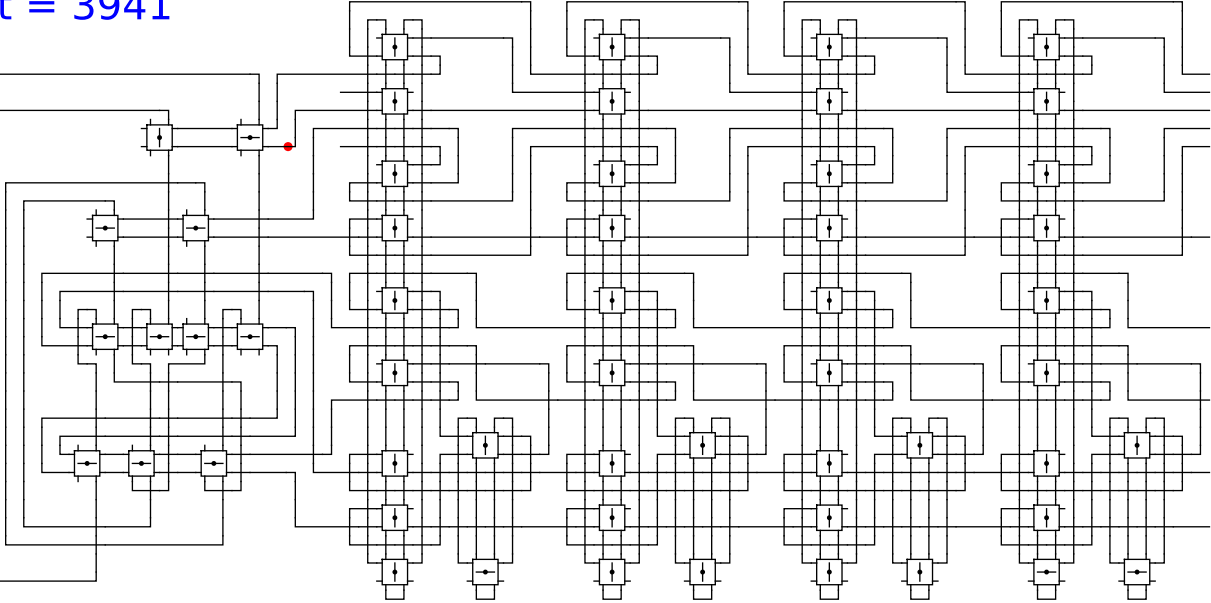


1 0 0 head 1

t = 3941

Reject
Accept

Begin



1

0

0

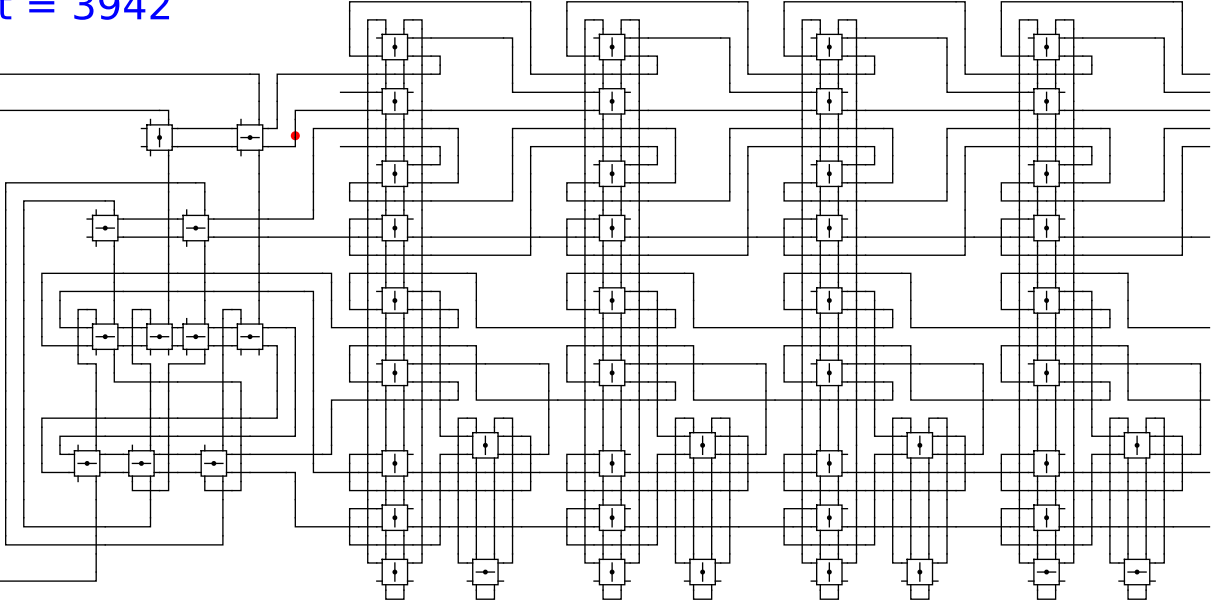
head

1

t = 3942

Reject
Accept

Begin

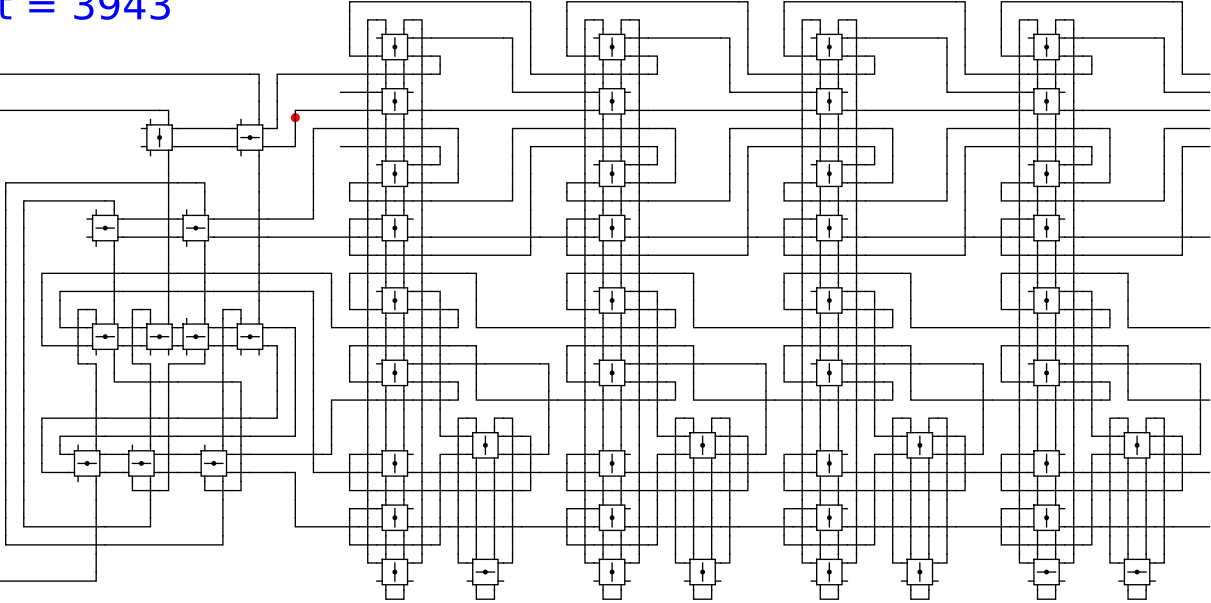


1 0 0 head 1

t = 3943

Reject
Accept

Begin



1

0

0

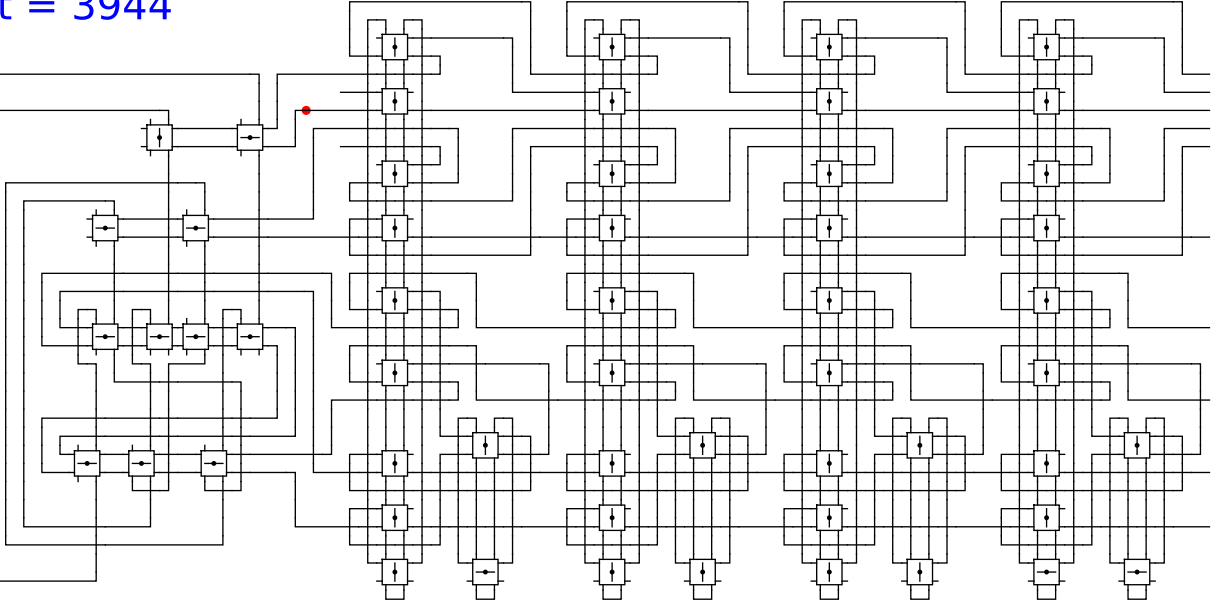
head

1

t = 3944

Reject
Accept

Begin



1

0

0

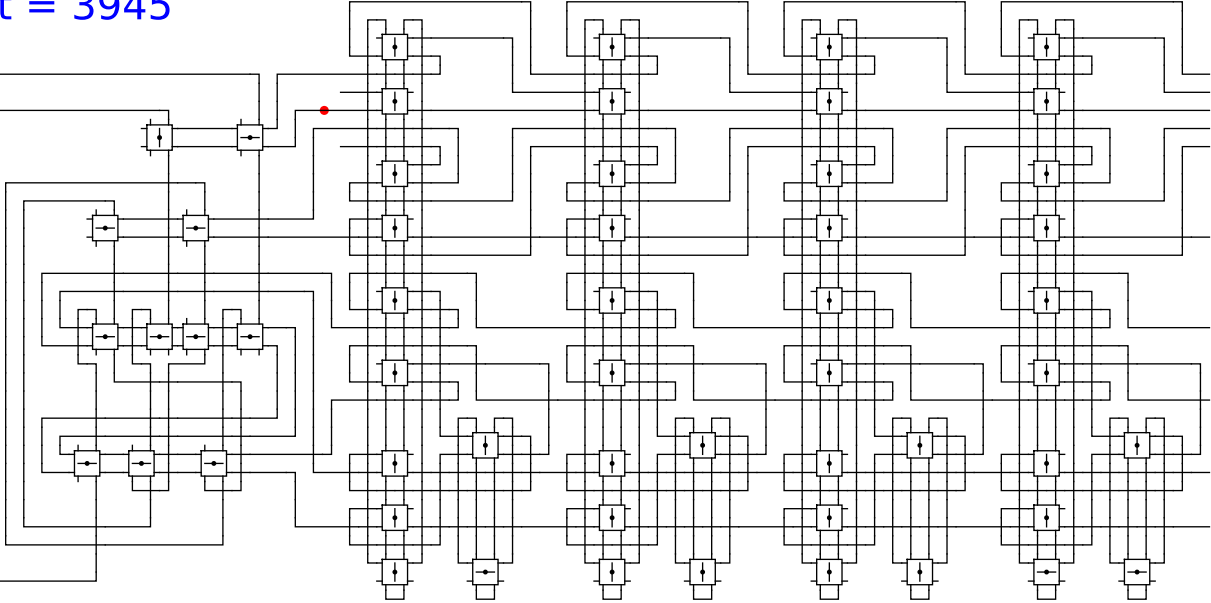
head

1

t = 3945

Reject
Accept

Begin



1

0

0

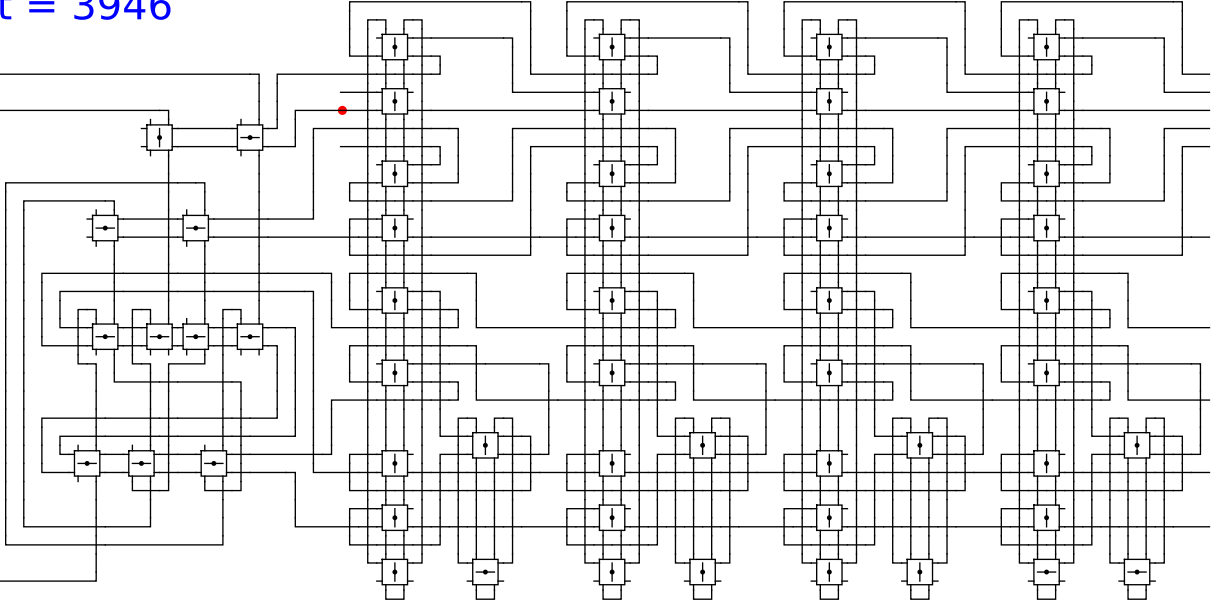
head

1

t = 3946

Reject
Accept

Begin



1

0

0

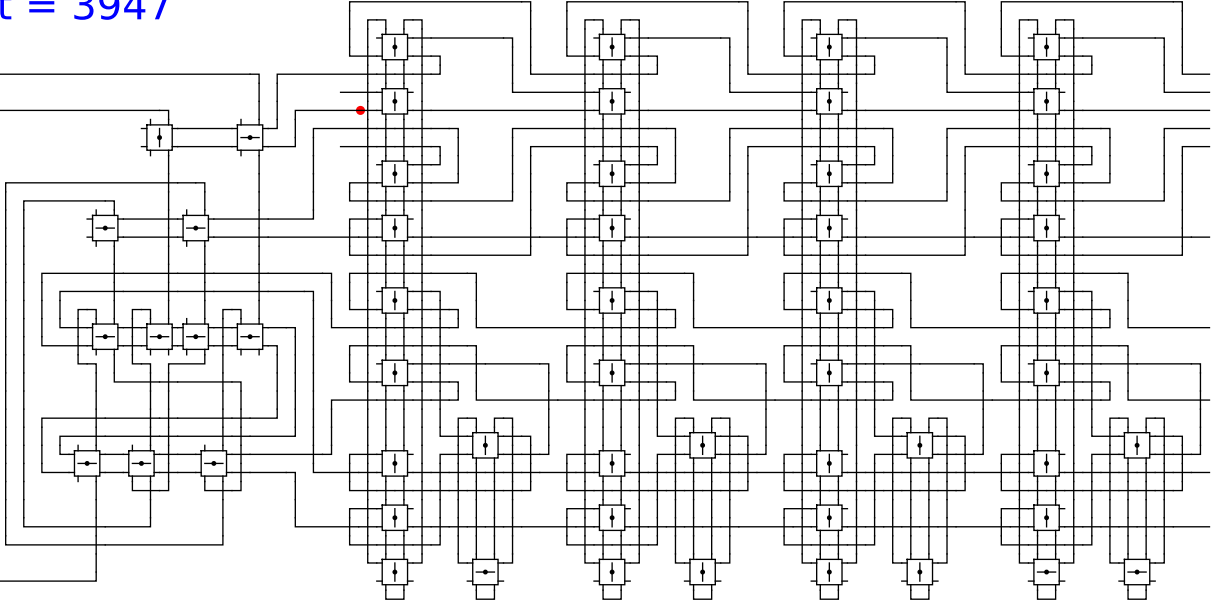
head

1

t = 3947

Reject
Accept

Begin



1

0

0

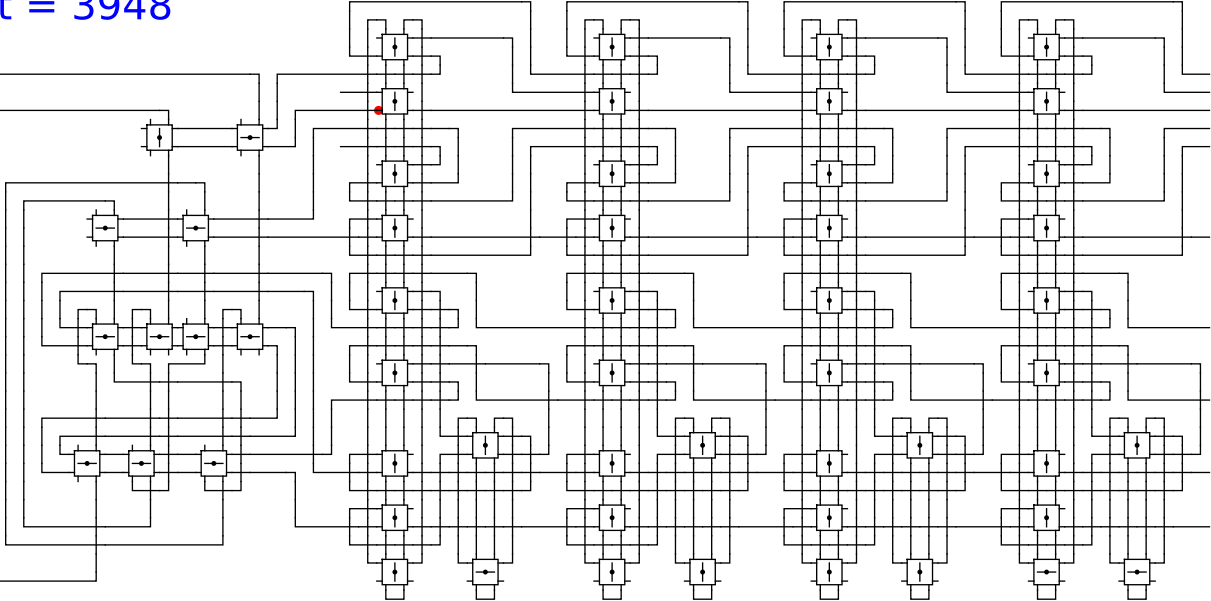
head

1

t = 3948

Reject
Accept

Begin



1

0

0

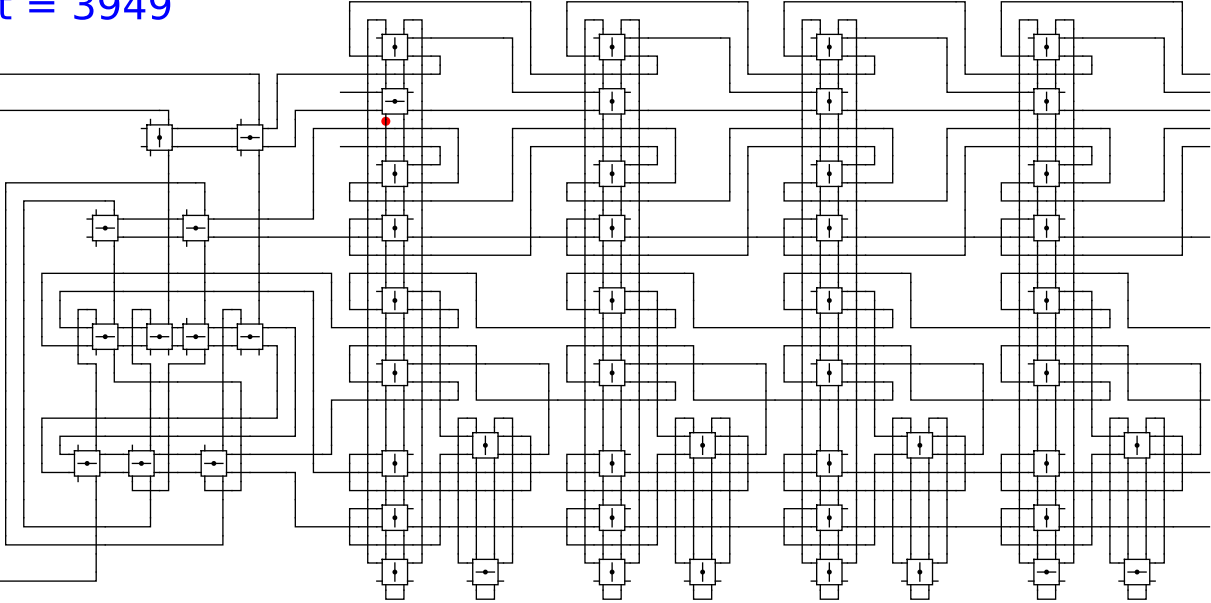
head

1

t = 3949

Reject
Accept

Begin



1

0

0

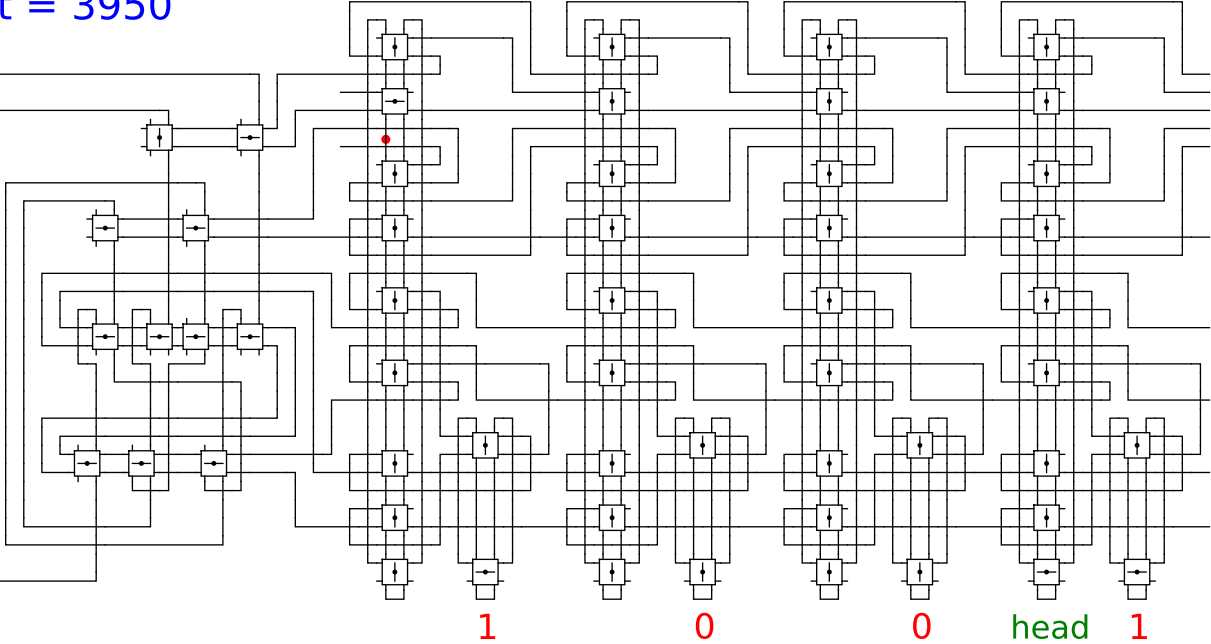
head

1

t = 3950

Reject
Accept

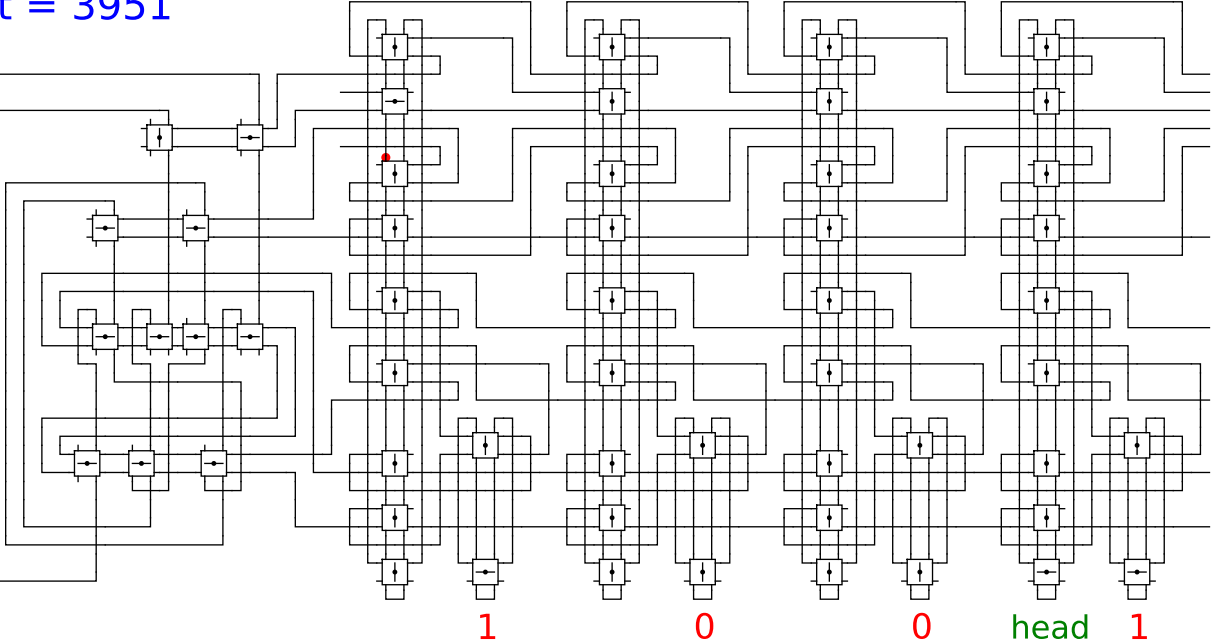
Begin



t = 3951

Reject
Accept

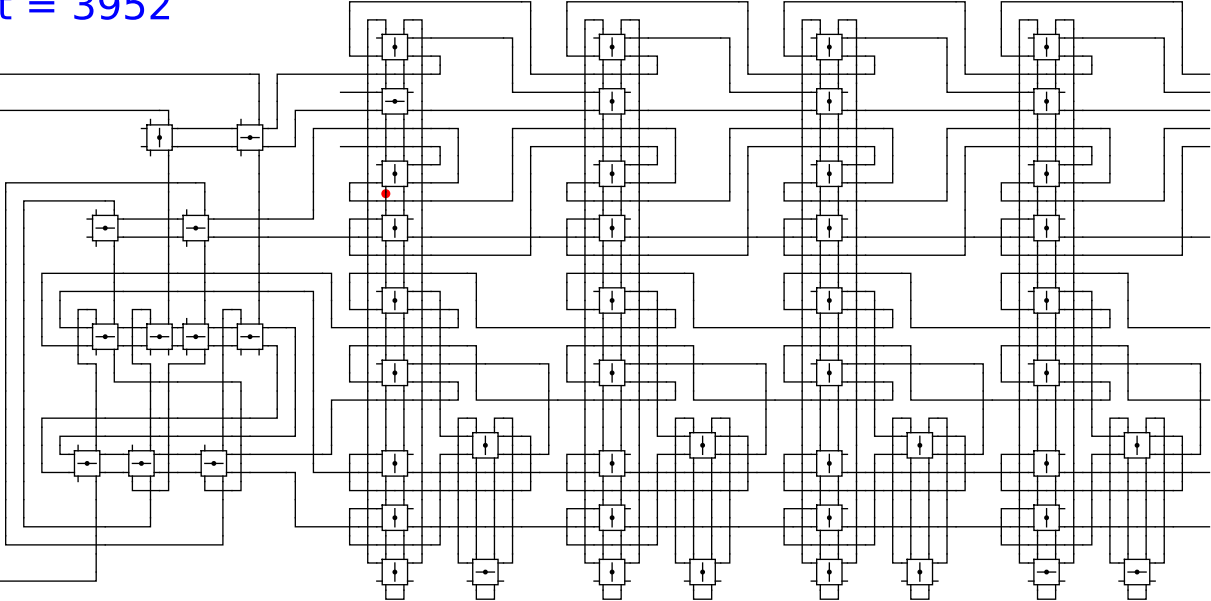
Begin



t = 3952

Reject
Accept

Begin



1

0

0

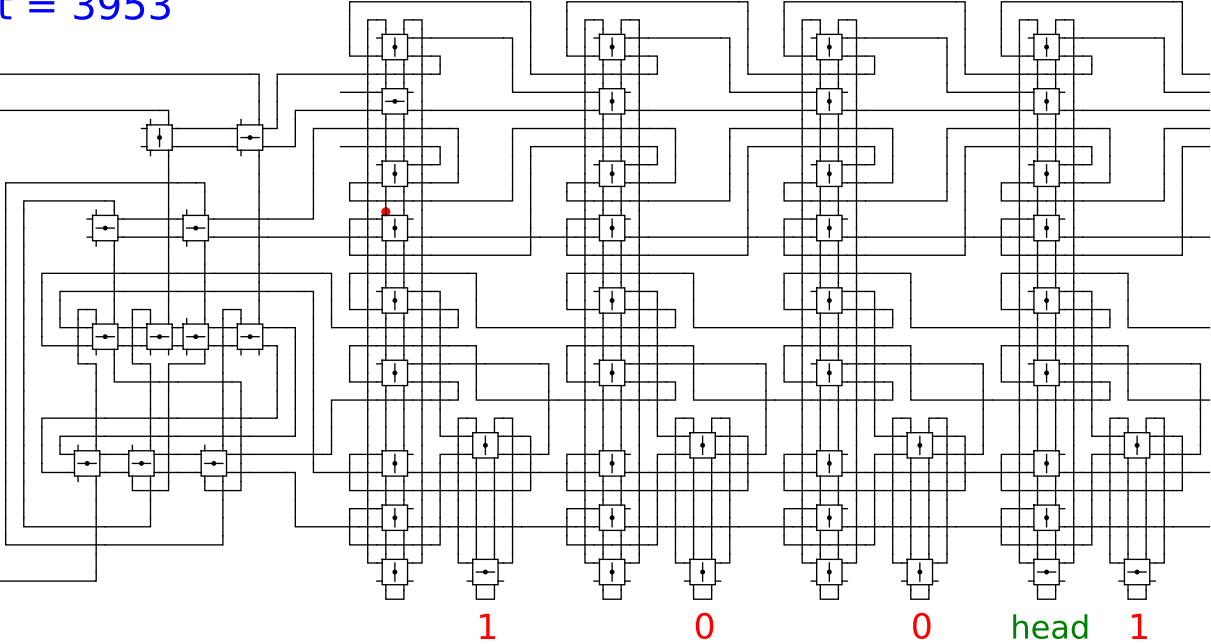
head

1

t = 3953

Reject
Accept

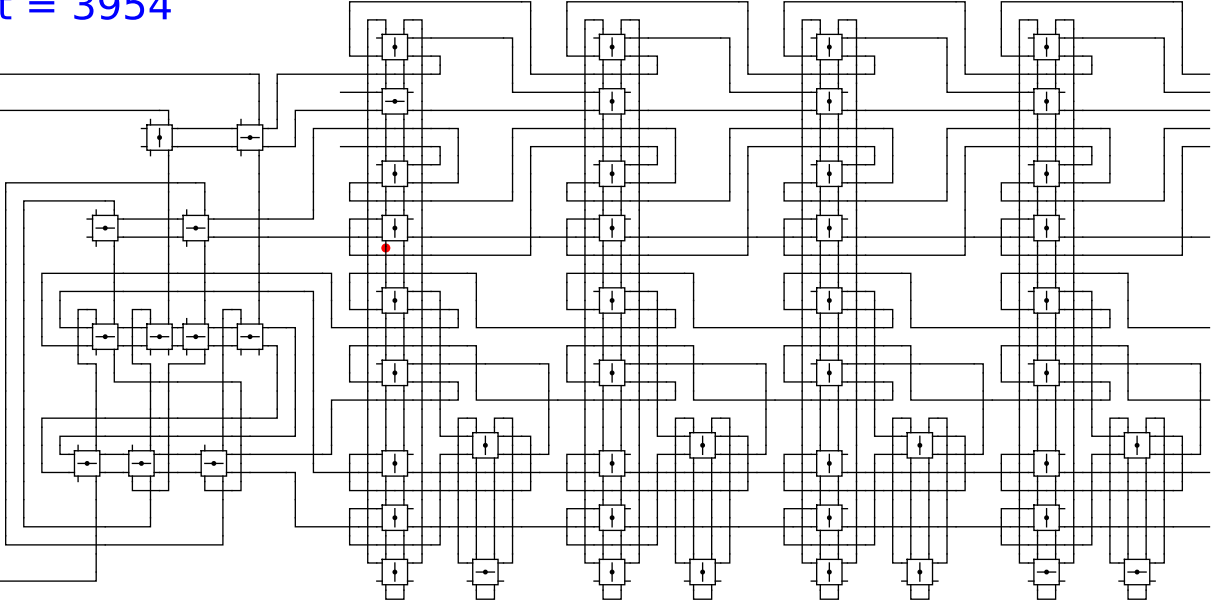
Begin



t = 3954

Reject
Accept

Begin



1

0

0

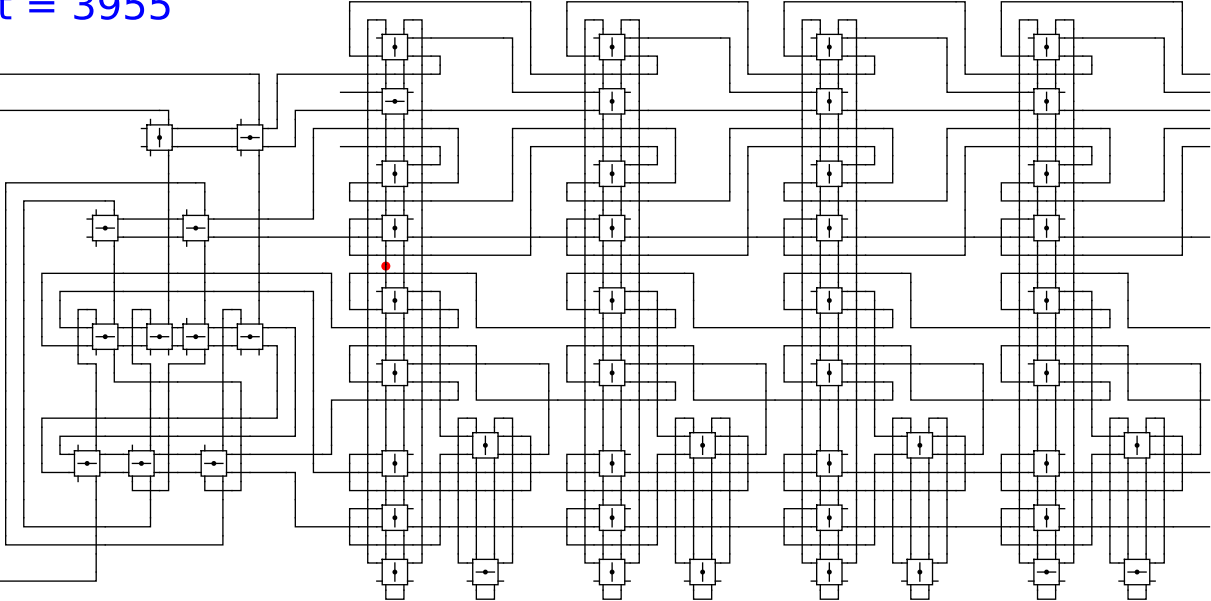
head

1

t = 3955

Reject
Accept

Begin



1

0

0

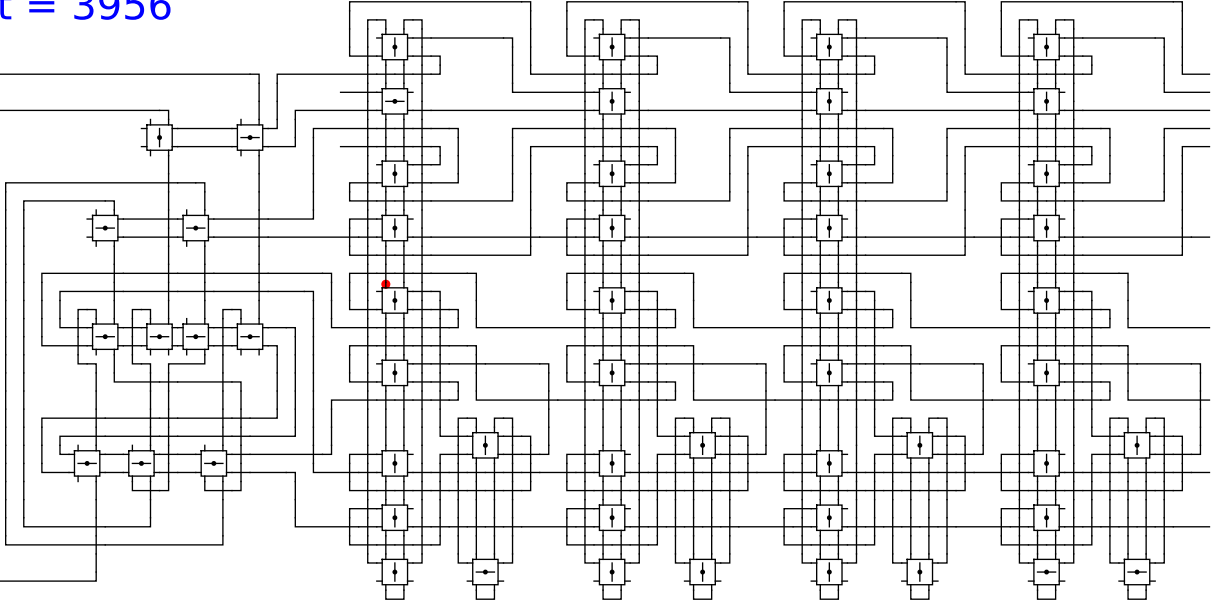
head

1

t = 3956

Reject
Accept

Begin



1

0

0

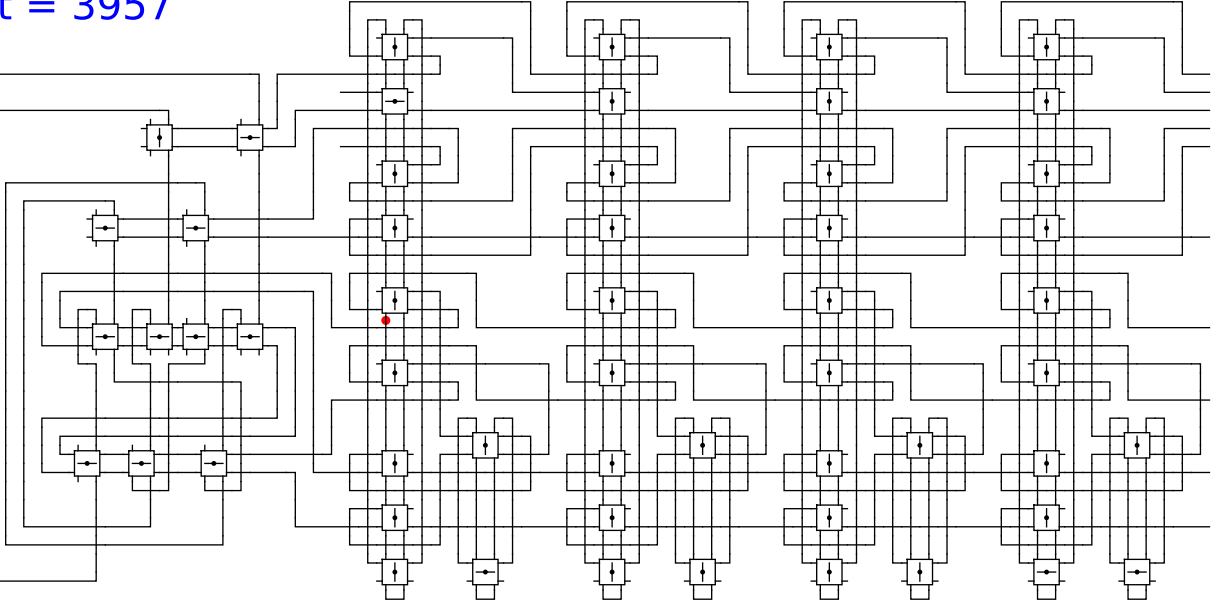
head

1

t = 3957

Reject
Accept

Begin



1

0

0

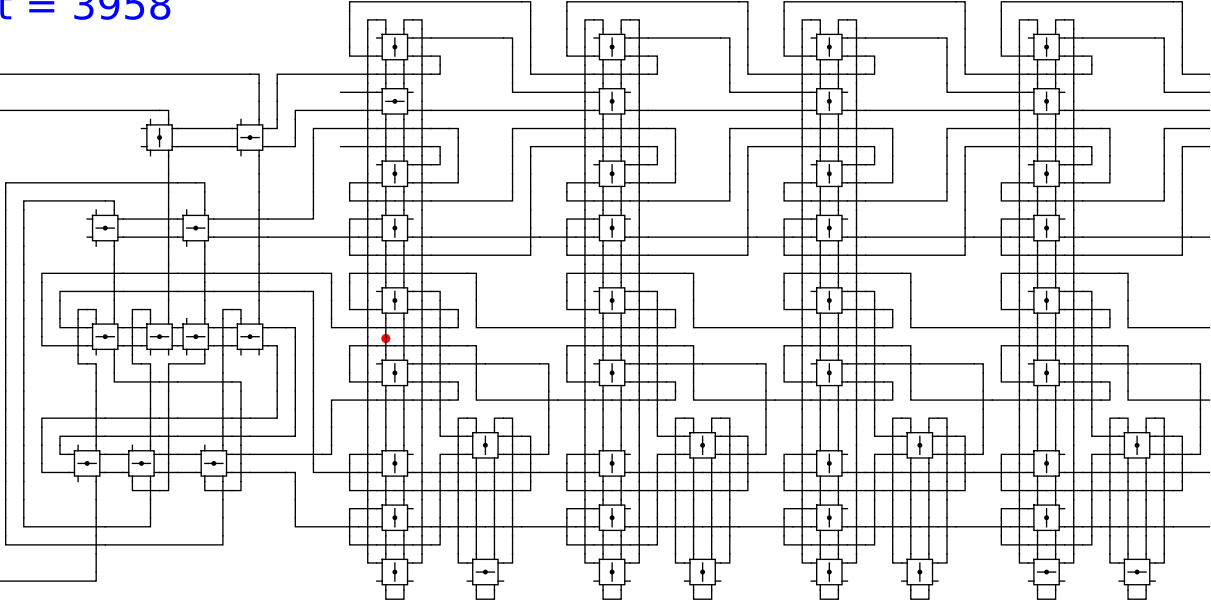
head

1

t = 3958

Reject
Accept

Begin



1

0

0

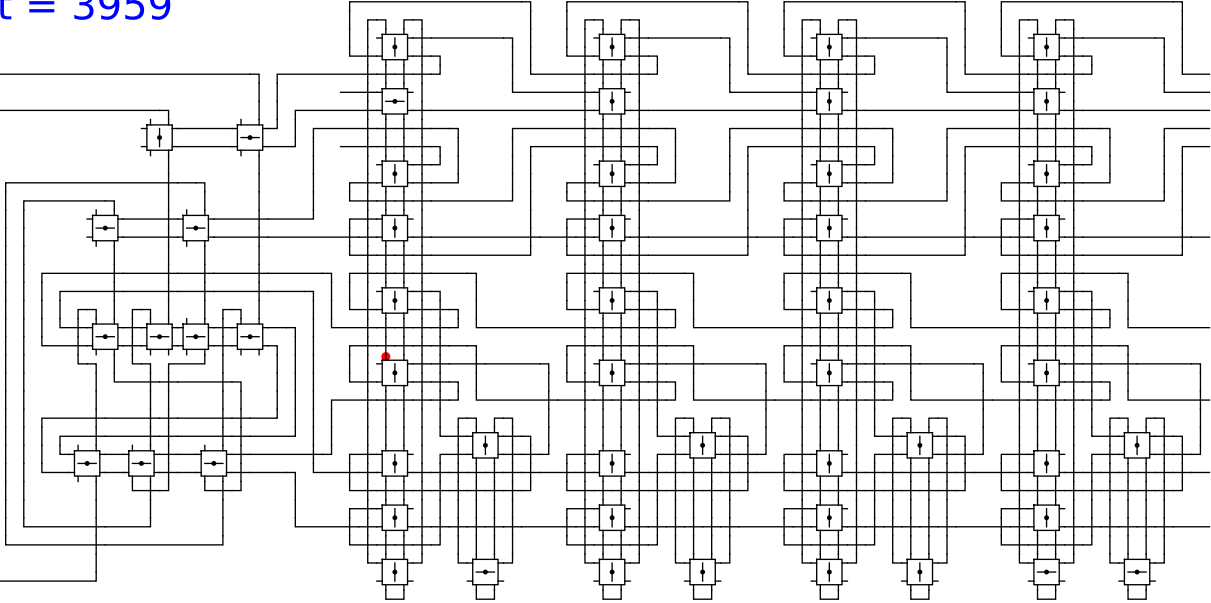
head

1

t = 3959

Reject
Accept

Begin



1

0

0

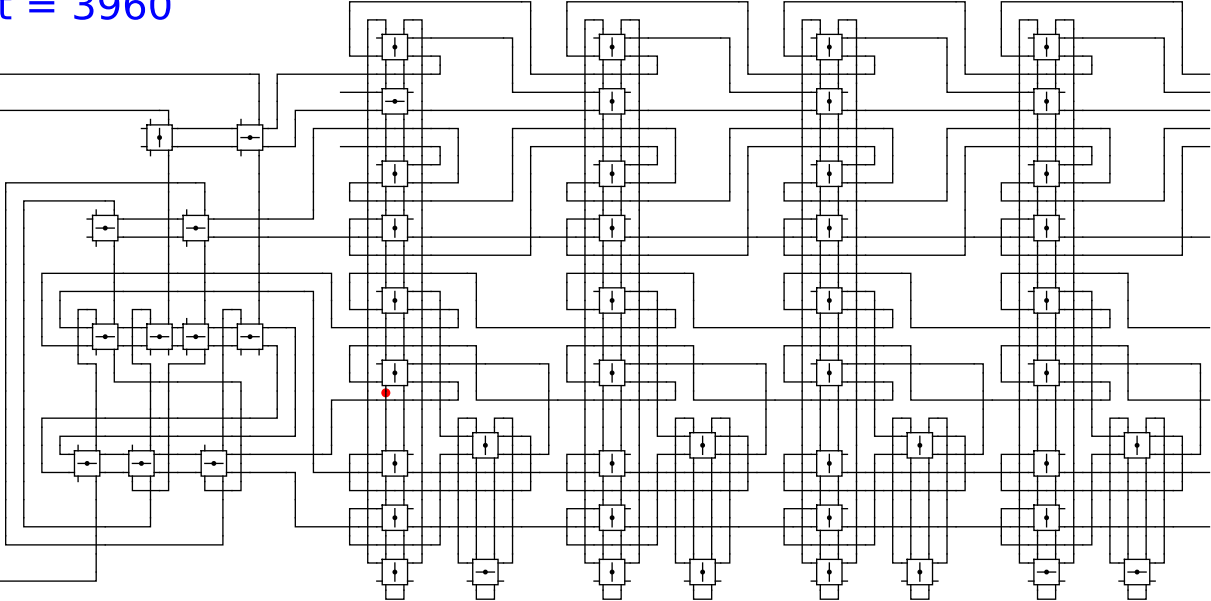
head

1

t = 3960

Reject
Accept

Begin



1

0

0

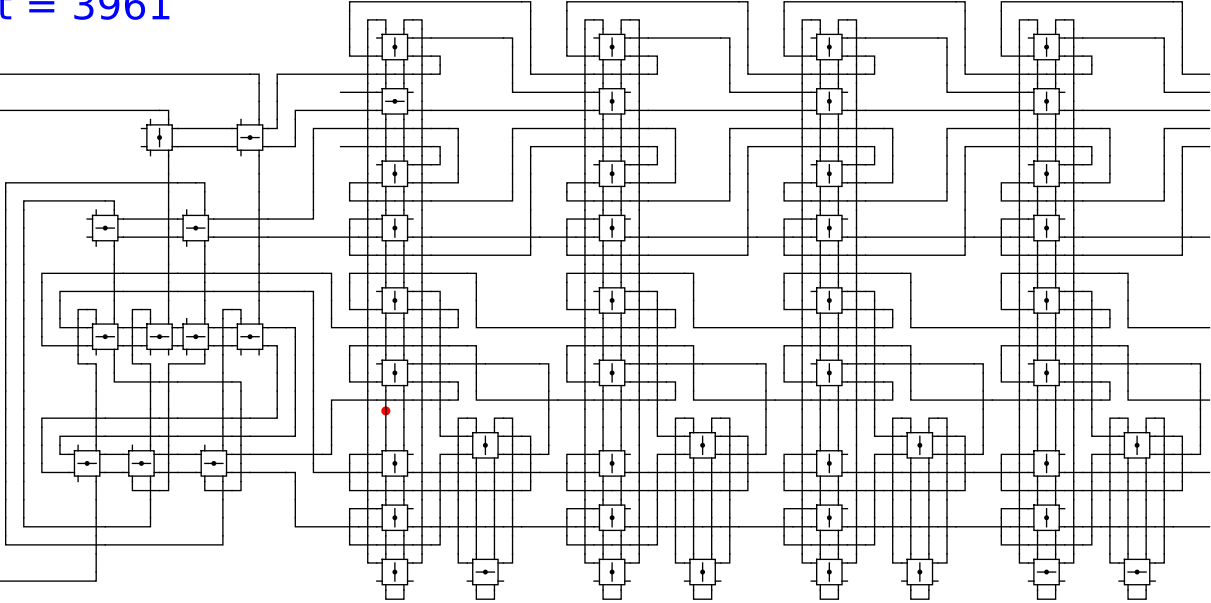
head

1

t = 3961

Reject
Accept

Begin



1

0

0

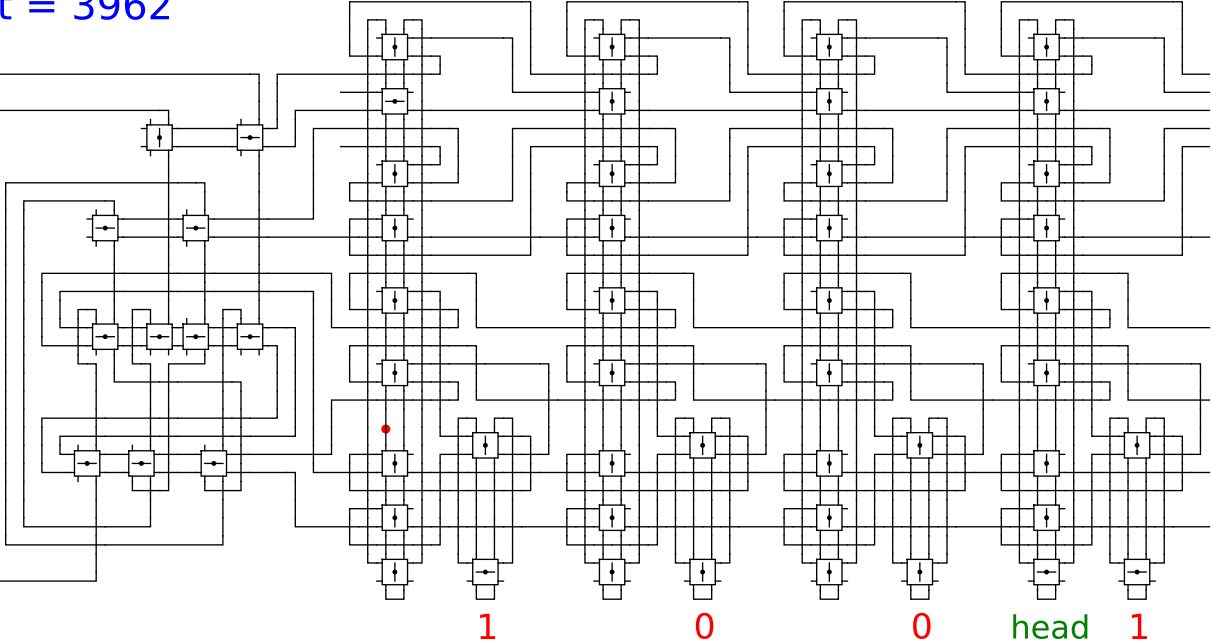
head

1

t = 3962

Reject
Accept

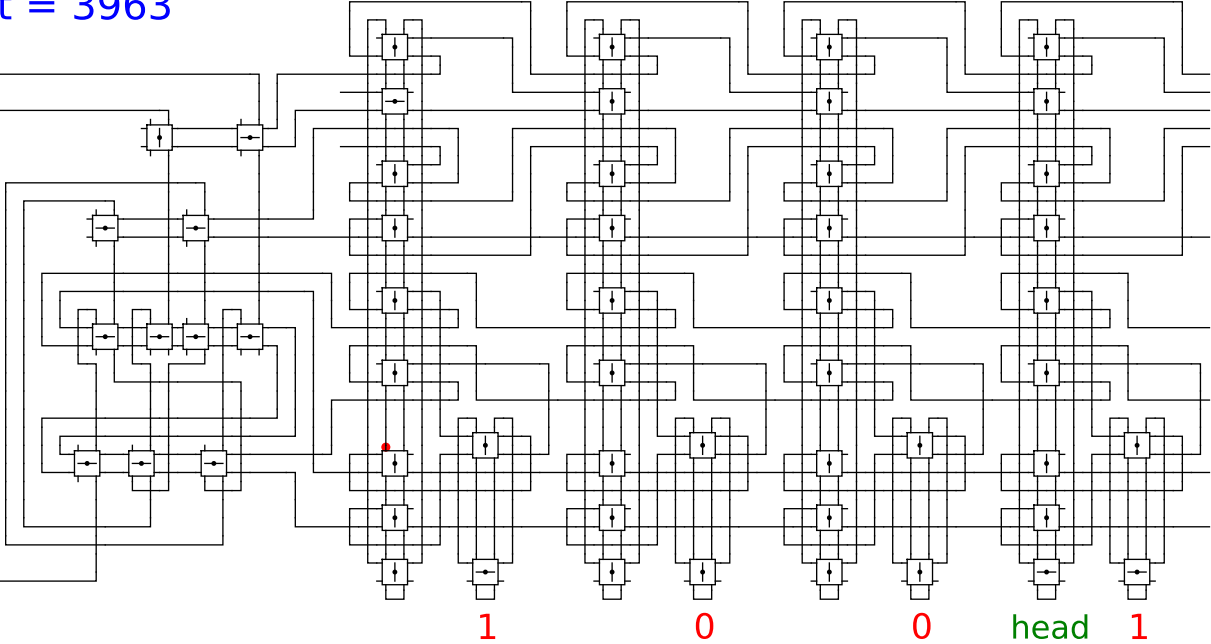
Begin



t = 3963

Reject
Accept

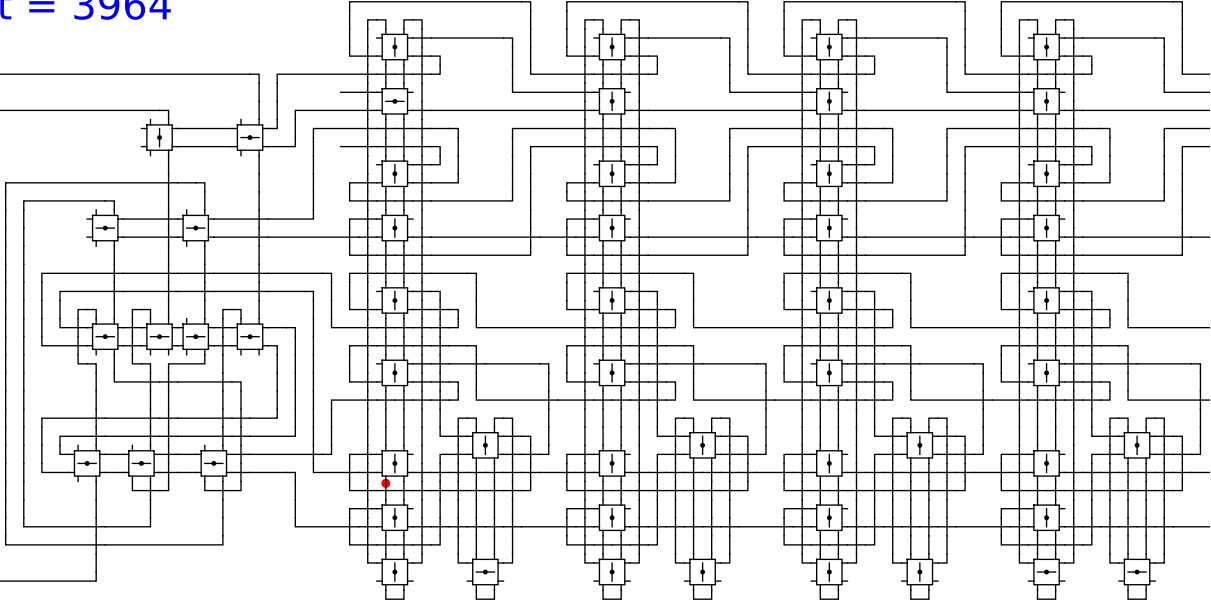
Begin



t = 3964

Reject
Accept

Begin

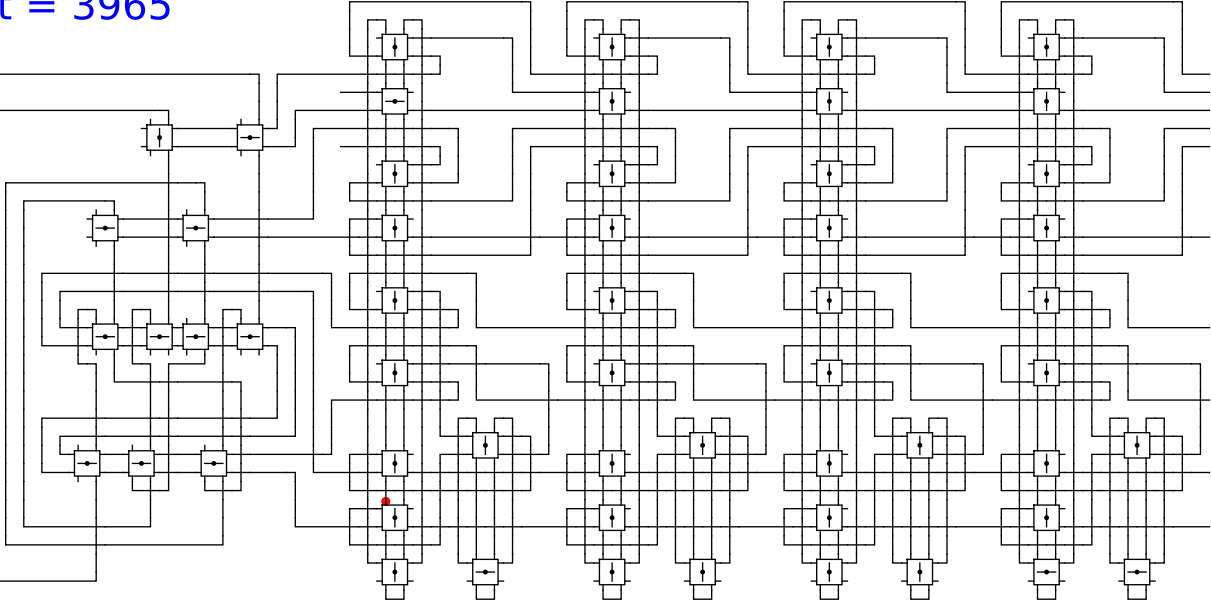


1 0 0 head 1

t = 3965

Reject
Accept

Begin

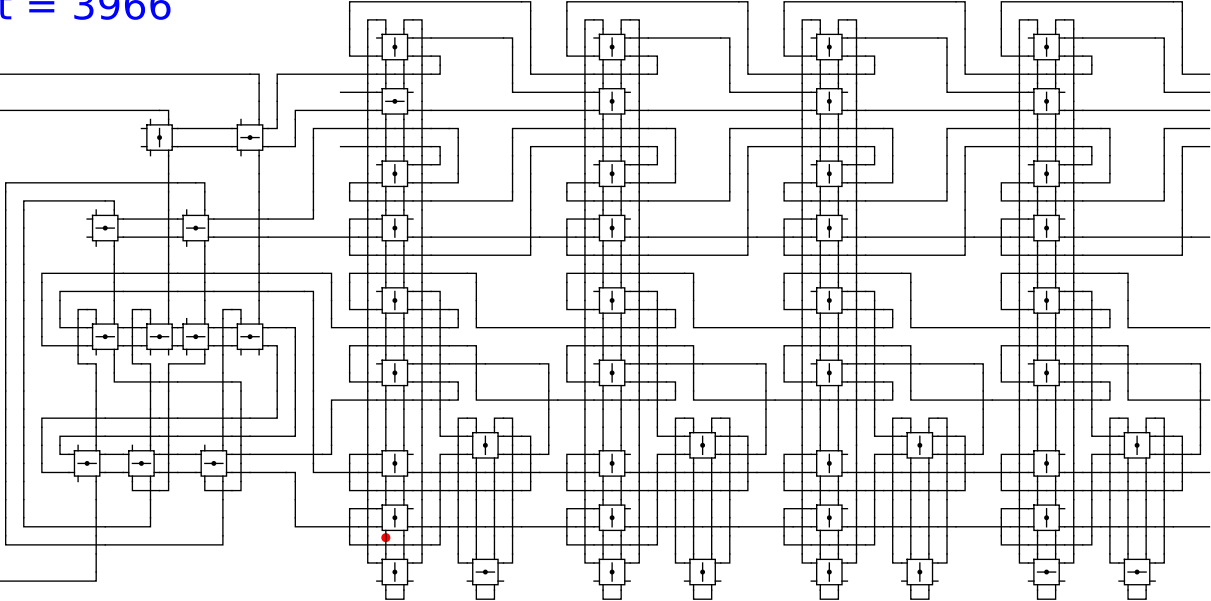


1 0 0 head 1

t = 3966

Reject
Accept

Begin



1

0

0

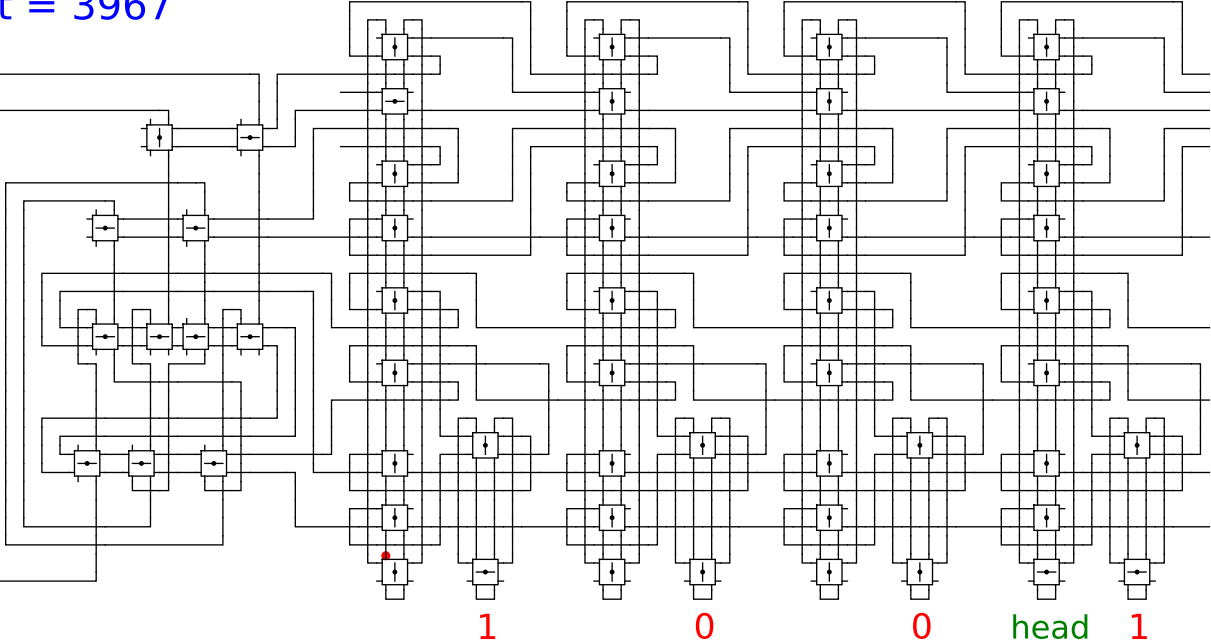
head

1

t = 3967

Reject
Accept

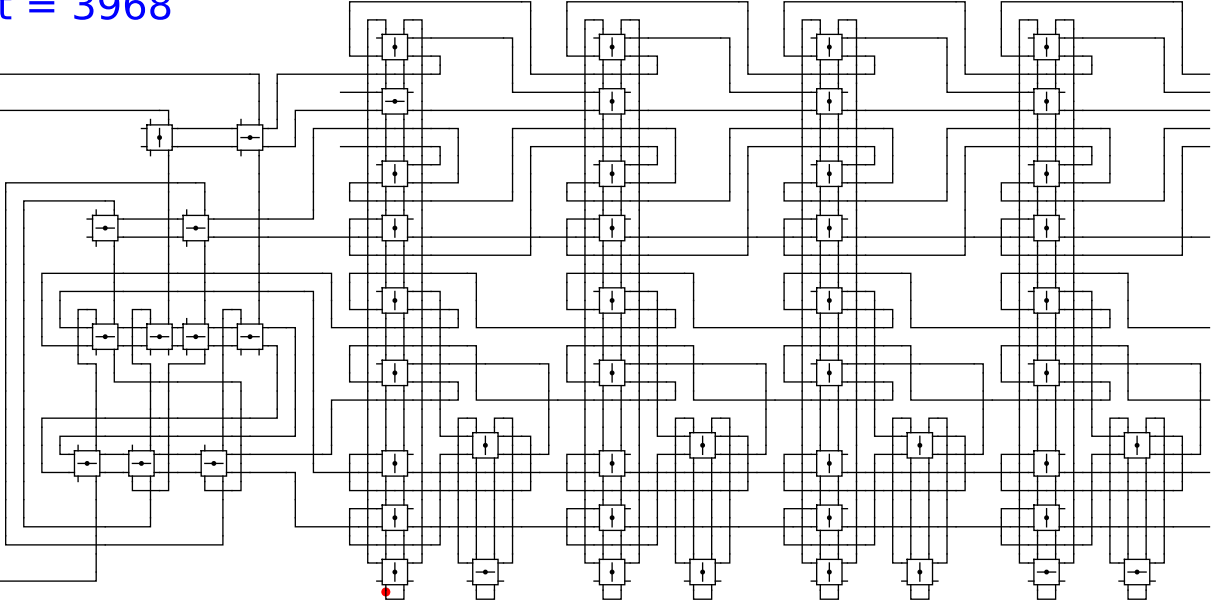
Begin



t = 3968

Reject
Accept

Begin

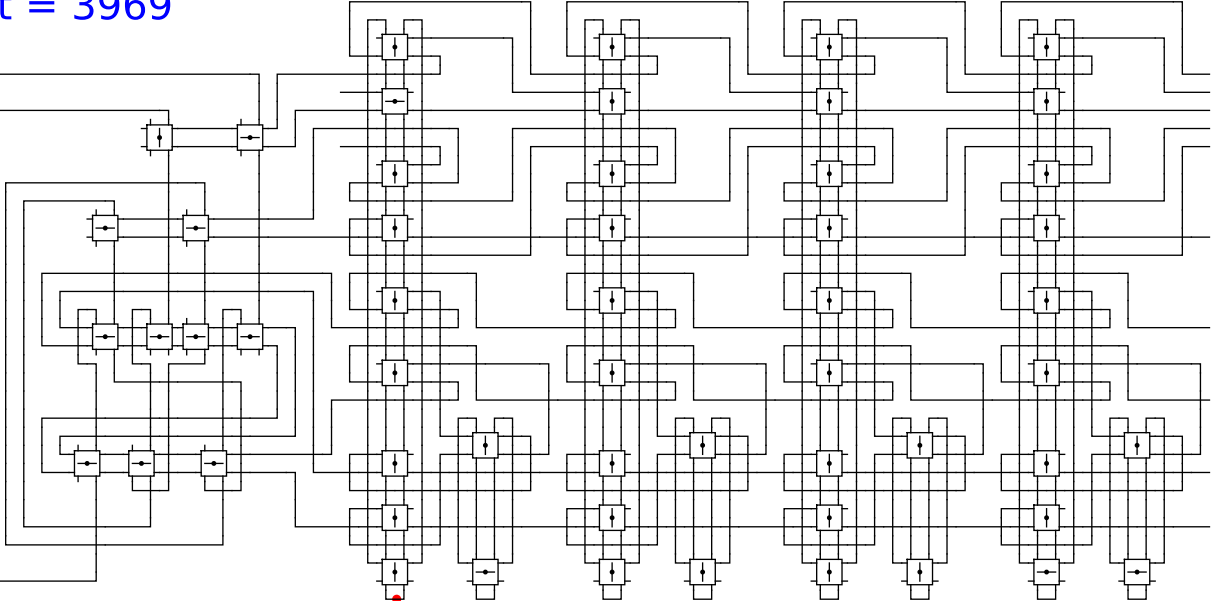


1 0 0 head 1

t = 3969

Reject
Accept

Begin



1

0

0

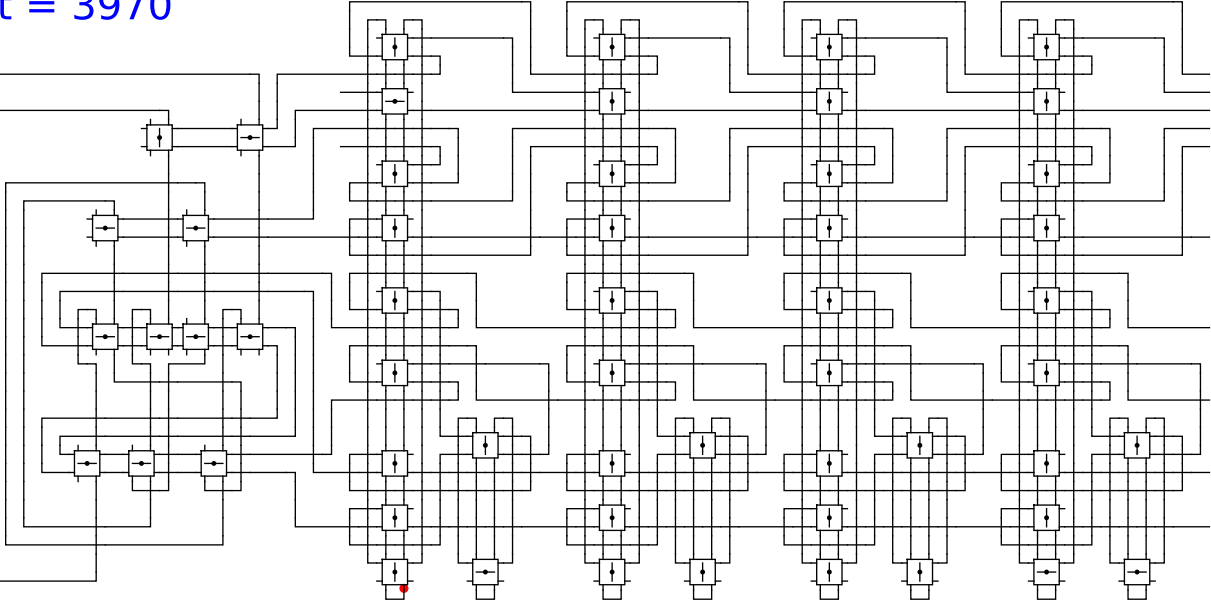
head

1

t = 3970

Reject
Accept

Begin



1

0

0

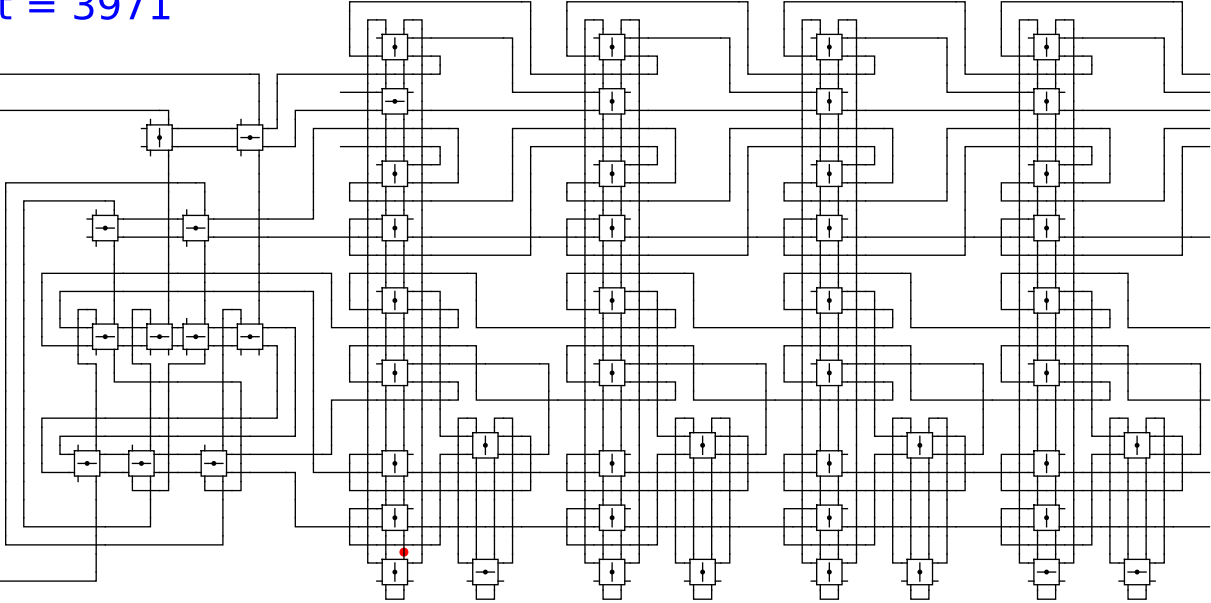
head

1

t = 3971

Reject
Accept

Begin

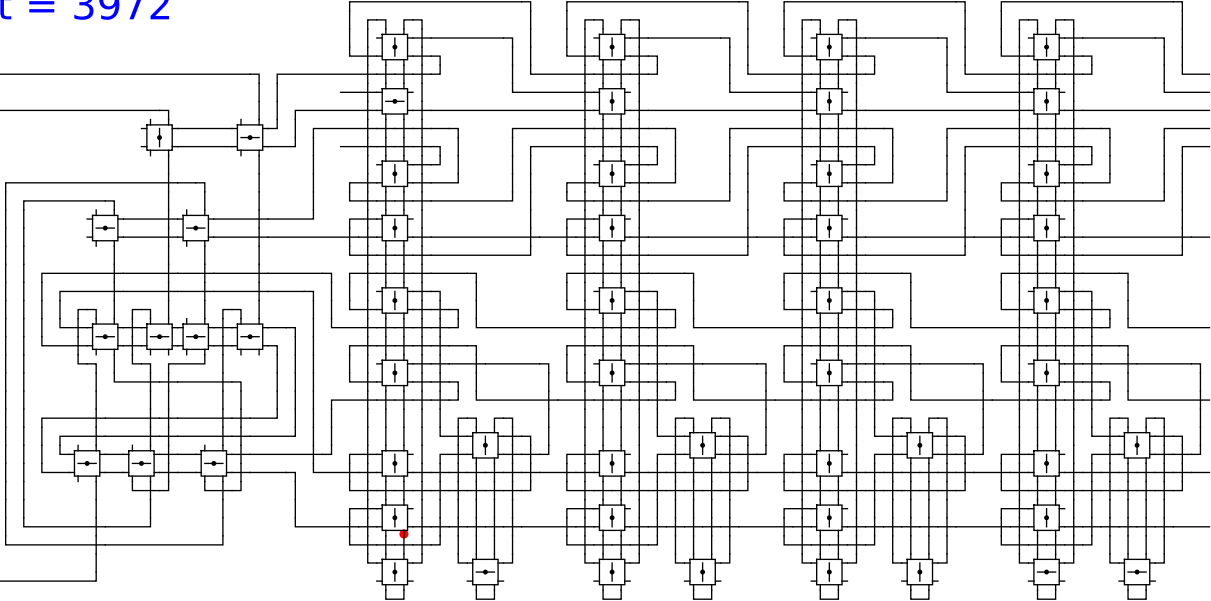


1 0 0 head 1

t = 3972

Reject
Accept

Begin



1

0

0

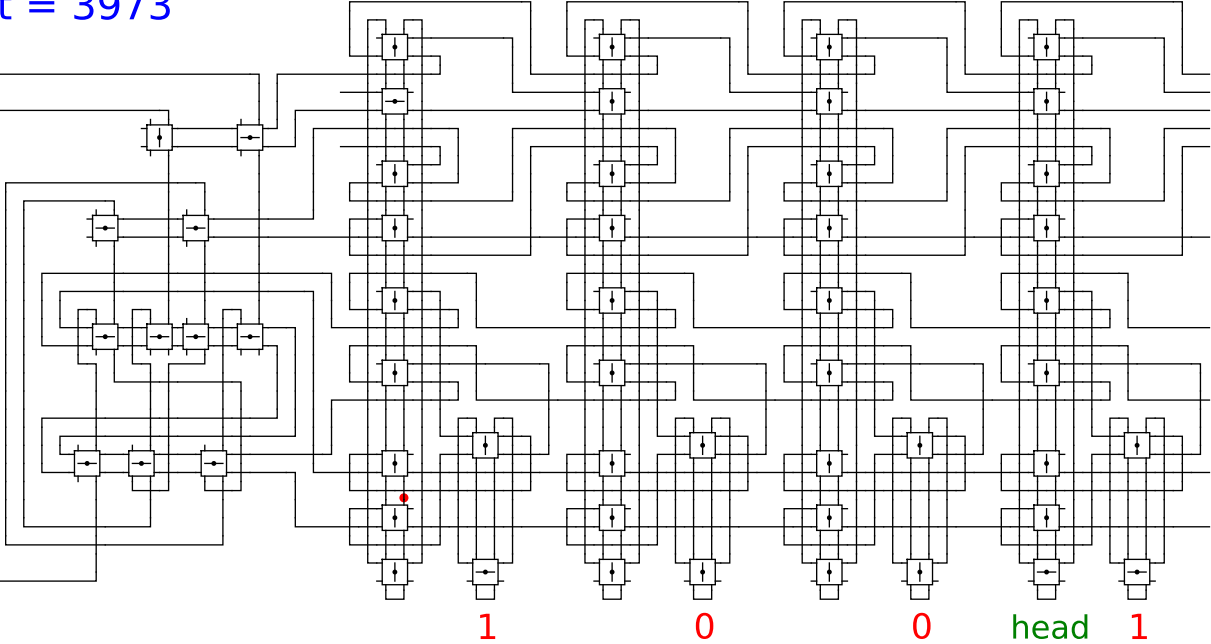
head

1

$t = 3973$

Reject
Accept

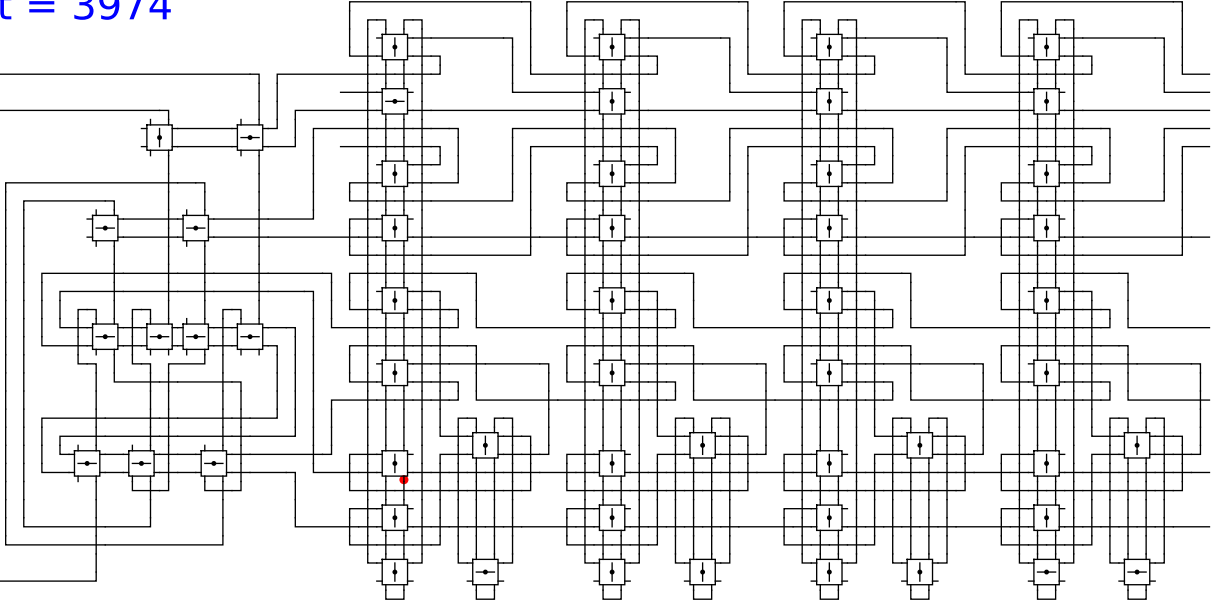
Begin



t = 3974

Reject
Accept

Begin



1

0

0

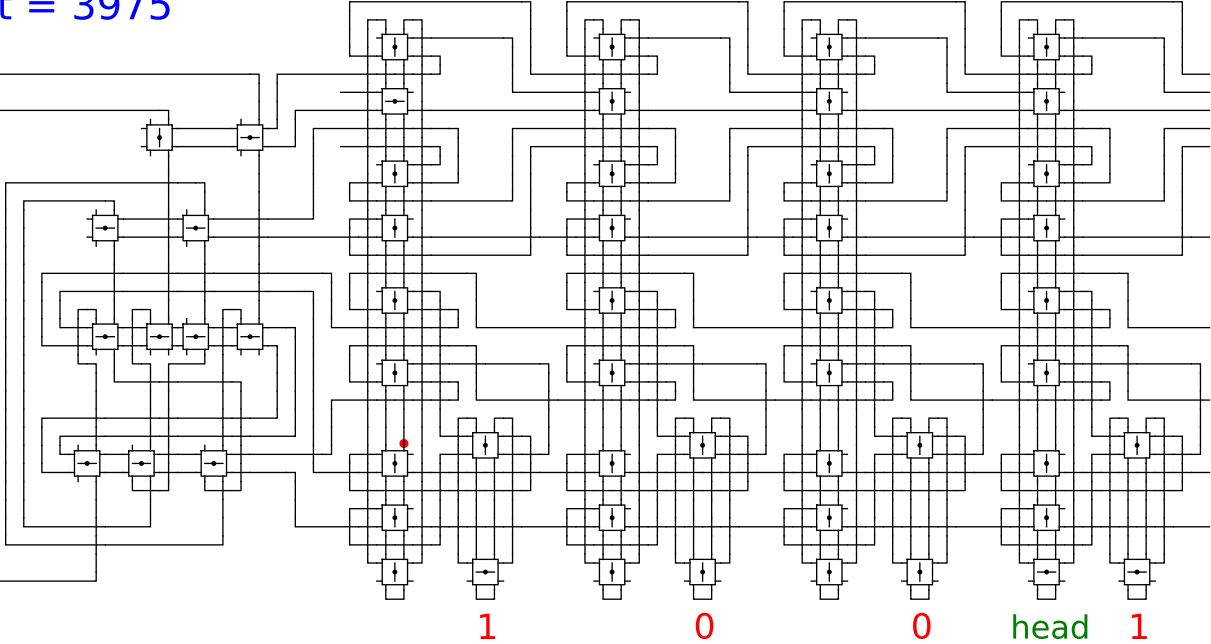
head

1

t = 3975

Reject
Accept

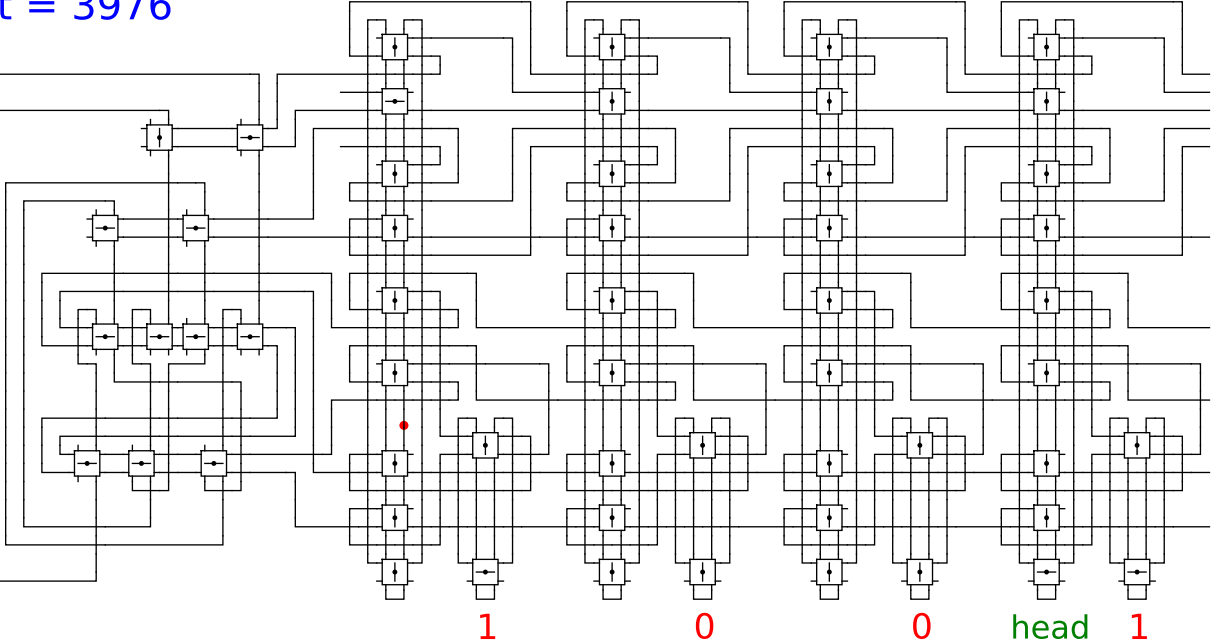
Begin



t = 3976

Reject
Accept

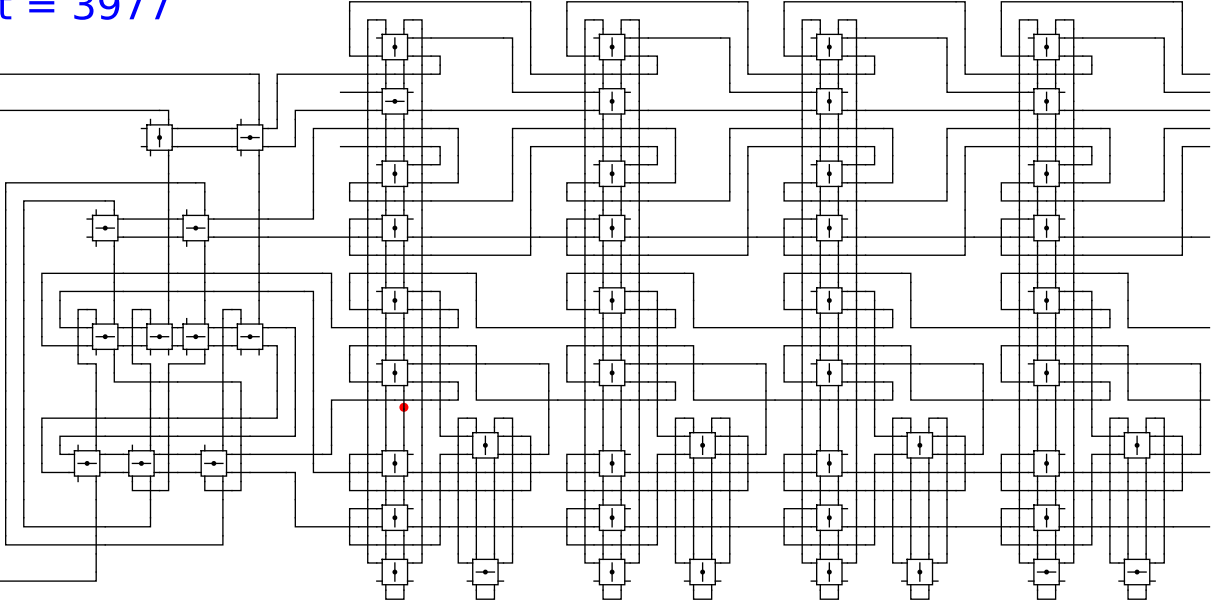
Begin



t = 3977

Reject
Accept

Begin



1

0

0

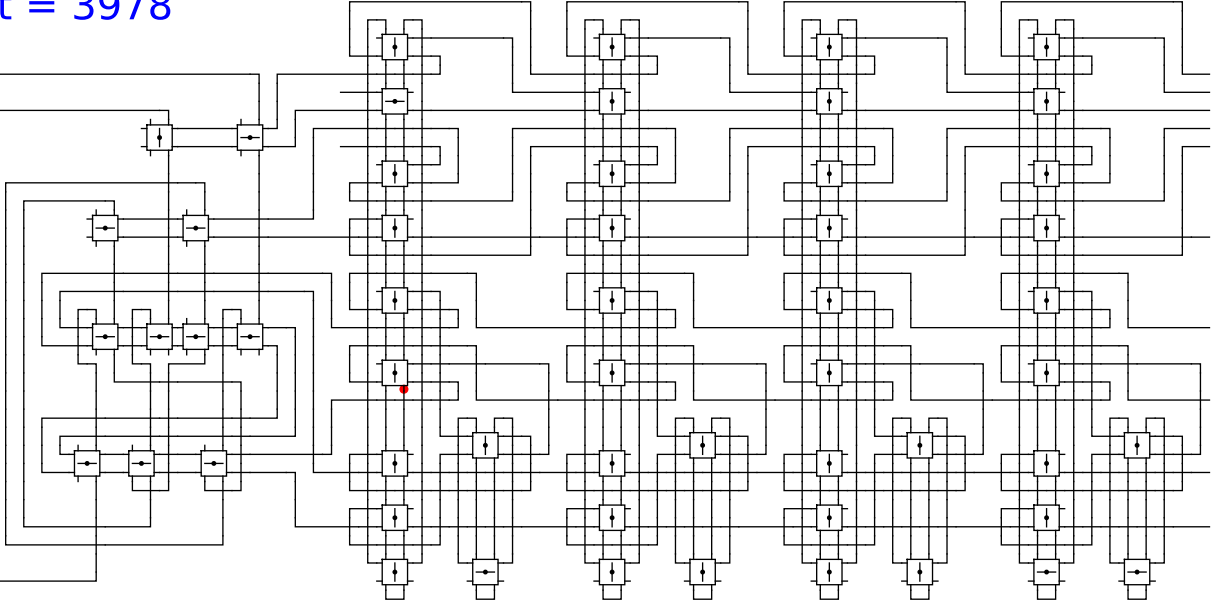
head

1

t = 3978

Reject
Accept

Begin



1

0

0

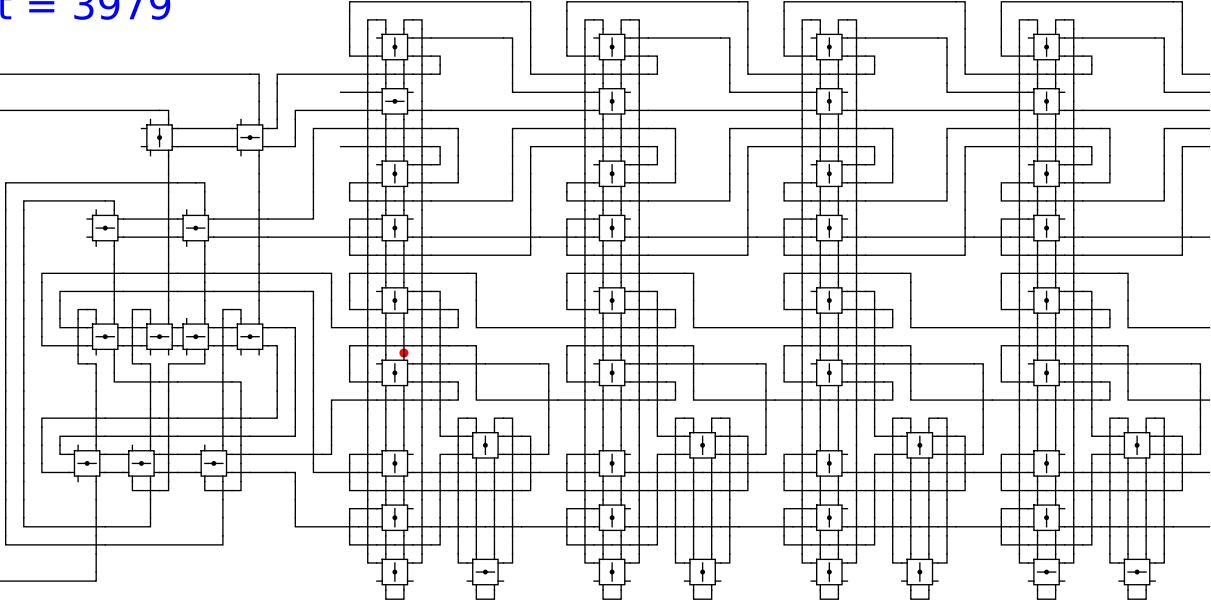
head

1

t = 3979

Reject
Accept

Begin

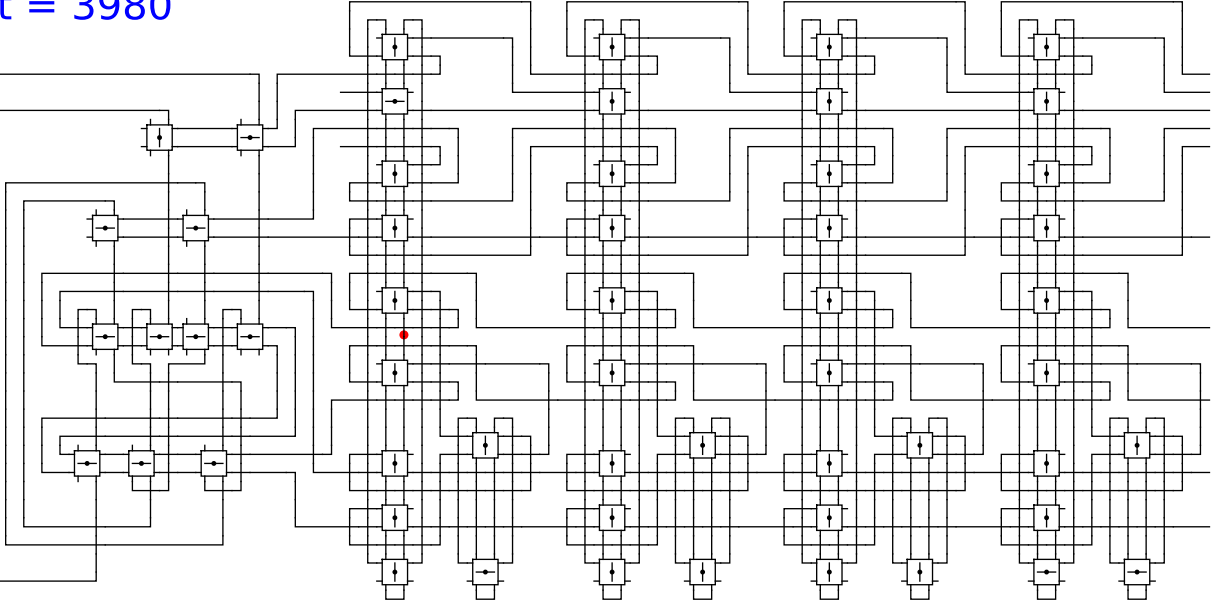


1 0 0 head 1

t = 3980

Reject
Accept

Begin



1

0

0

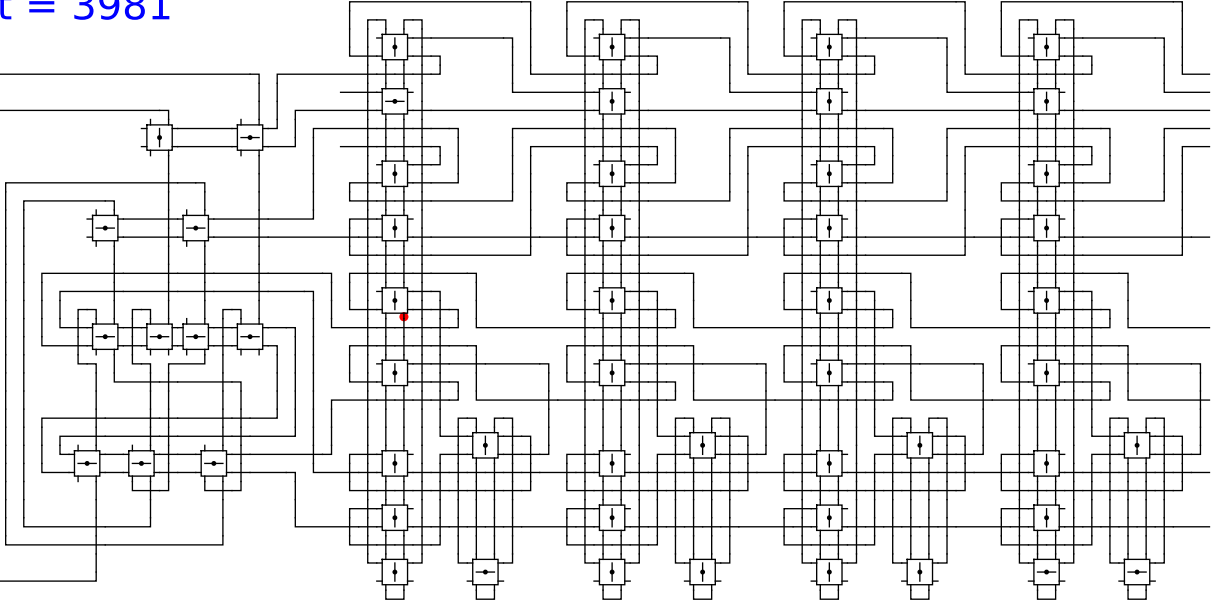
head

1

t = 3981

Reject
Accept

Begin



1

0

0

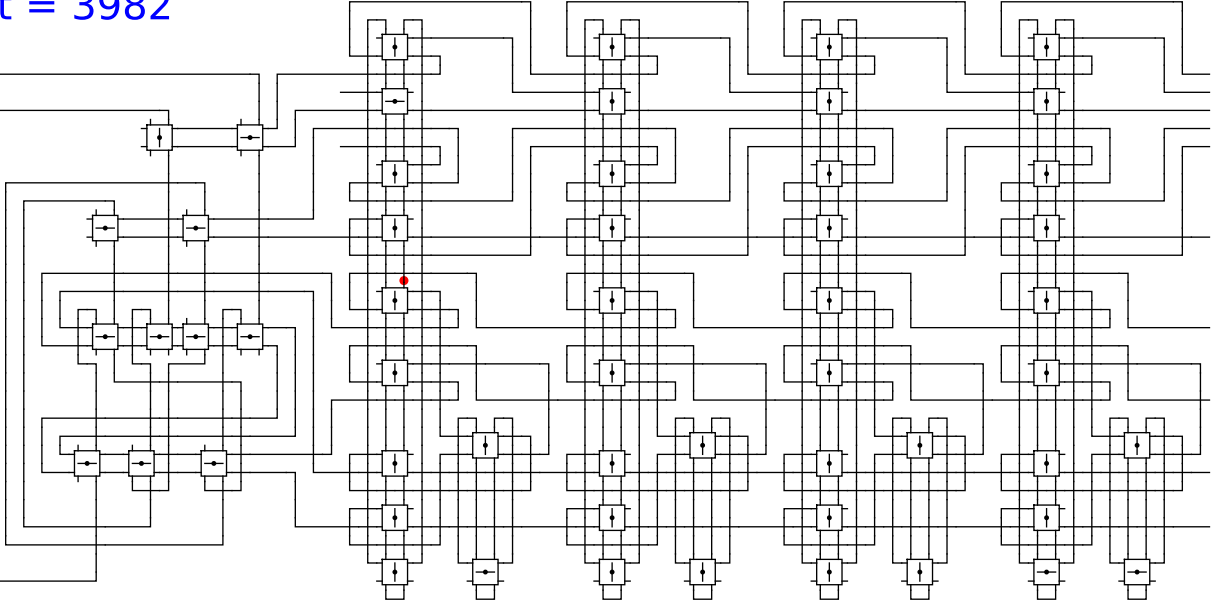
head

1

t = 3982

Reject
Accept

Begin

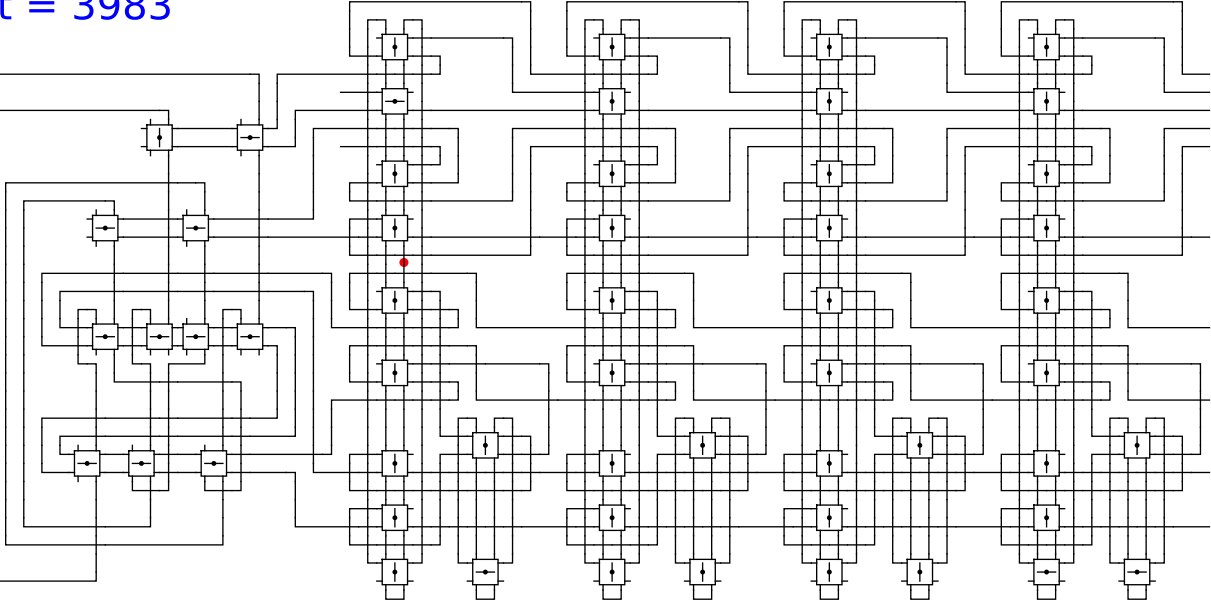


1 0 0 head 1

t = 3983

Reject
Accept

Begin

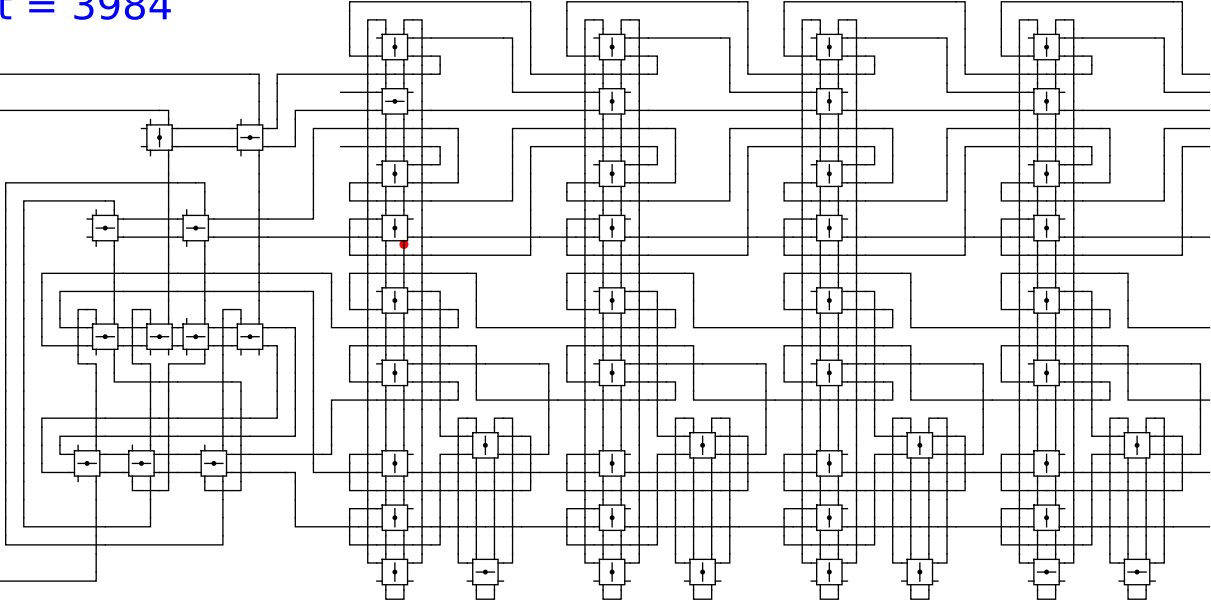


1 0 0 head 1

t = 3984

Reject
Accept

Begin

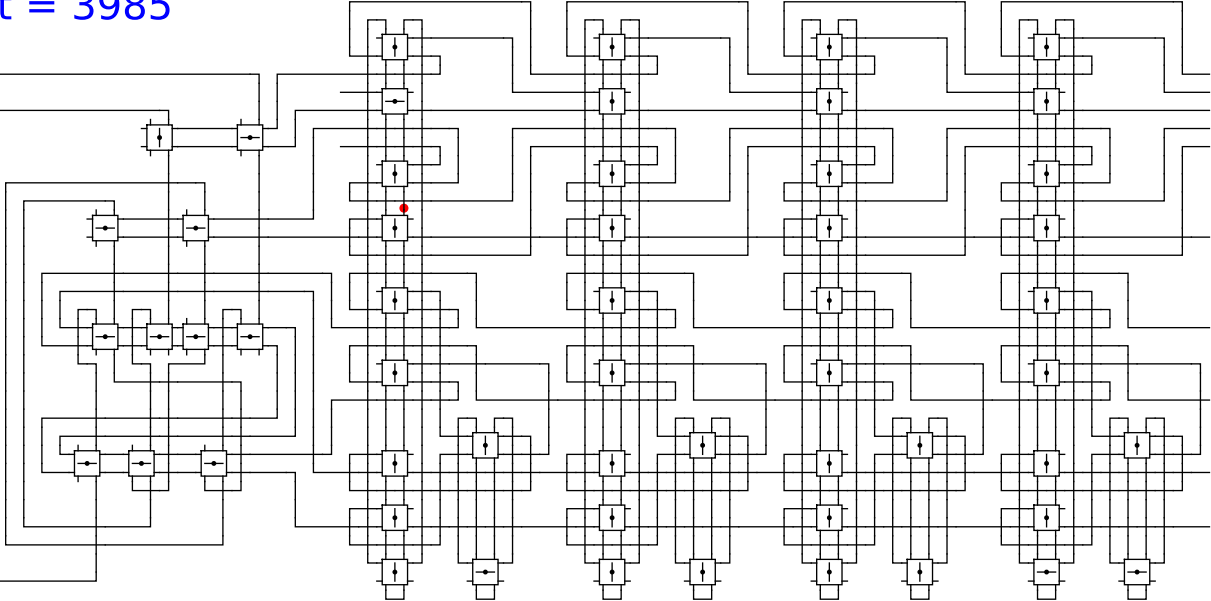


1 0 0 head 1

t = 3985

Reject
Accept

Begin



1

0

0

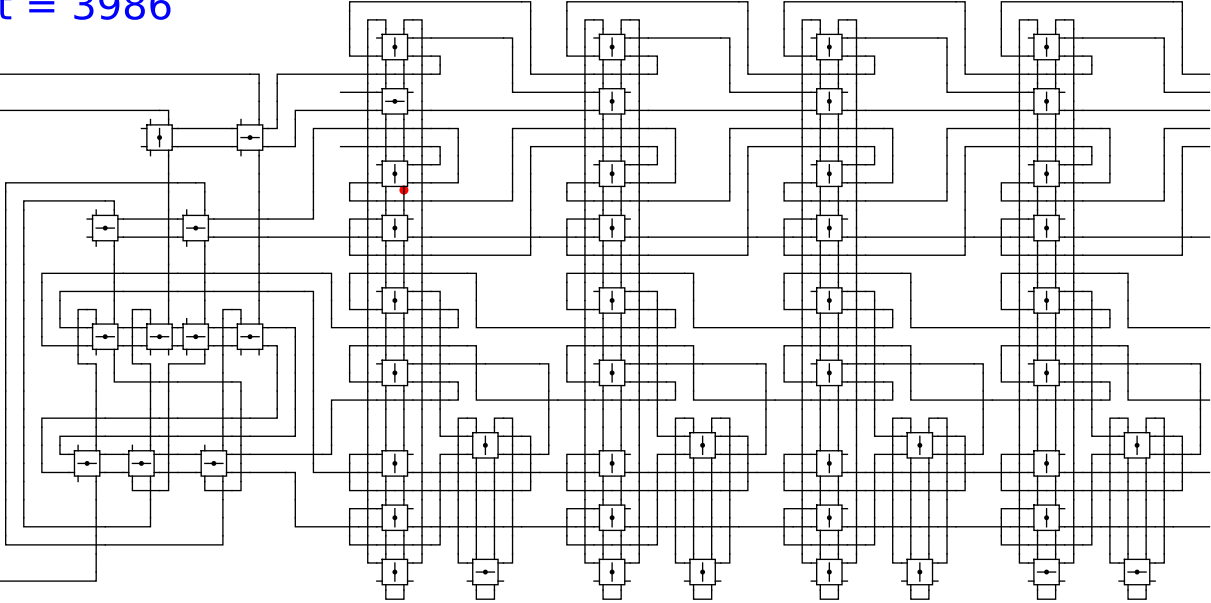
head

1

t = 3986

Reject
Accept

Begin



1

0

0

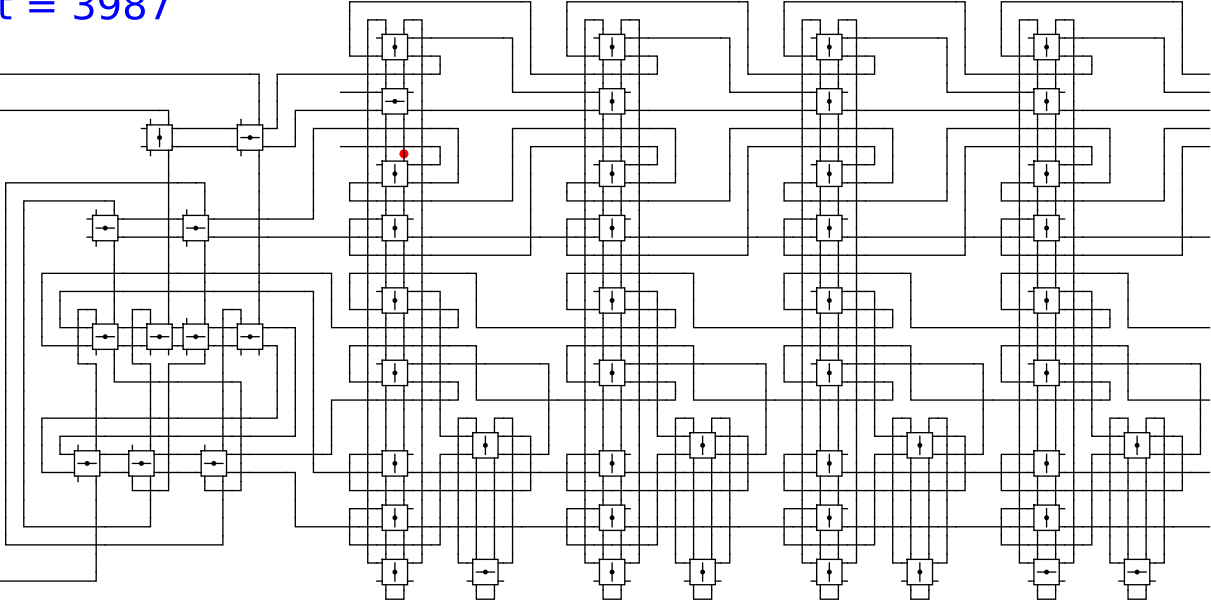
head

1

t = 3987

Reject
Accept

Begin



1

0

0

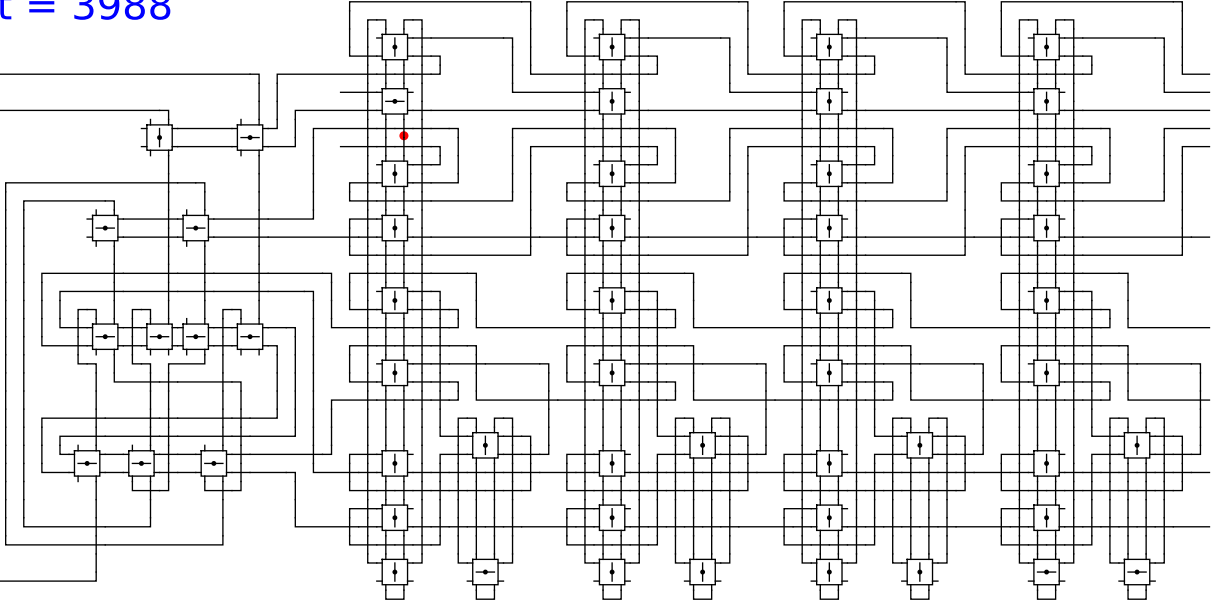
head

1

t = 3988

Reject
Accept

Begin



1

0

0

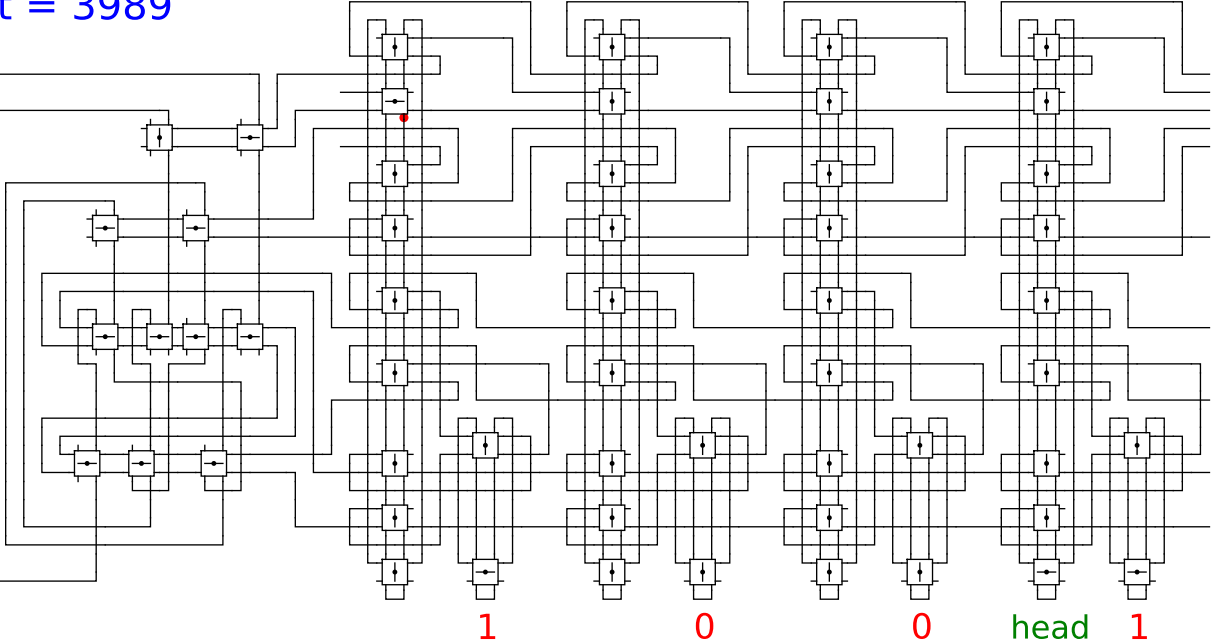
head

1

t = 3989

Reject
Accept

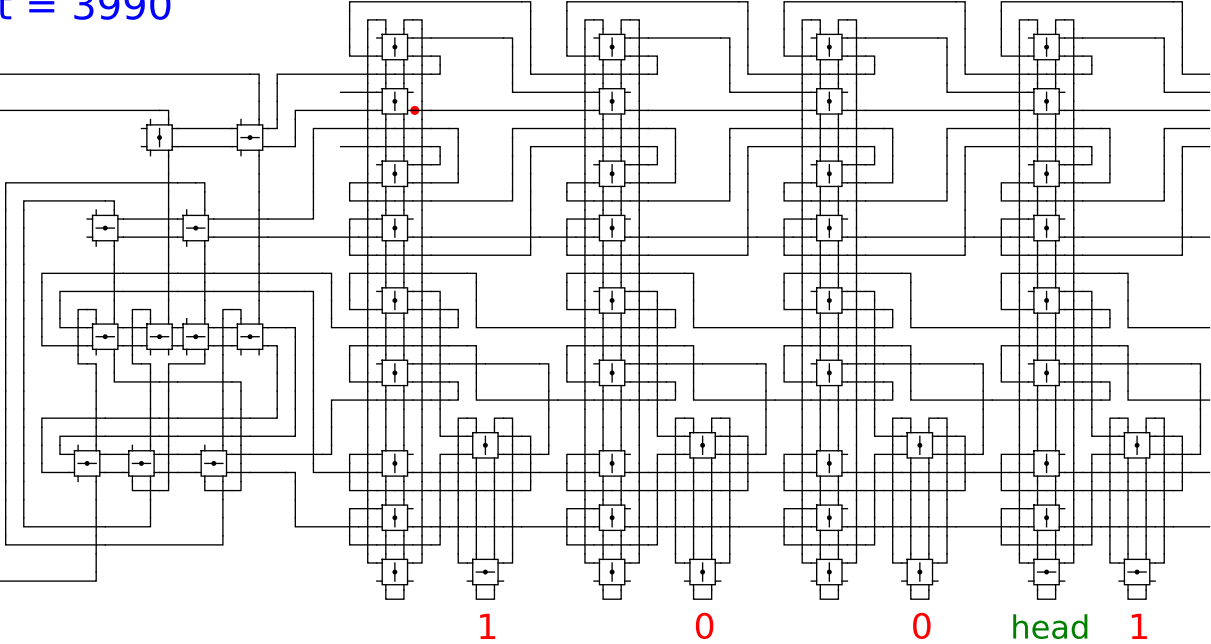
Begin



t = 3990

Reject
Accept

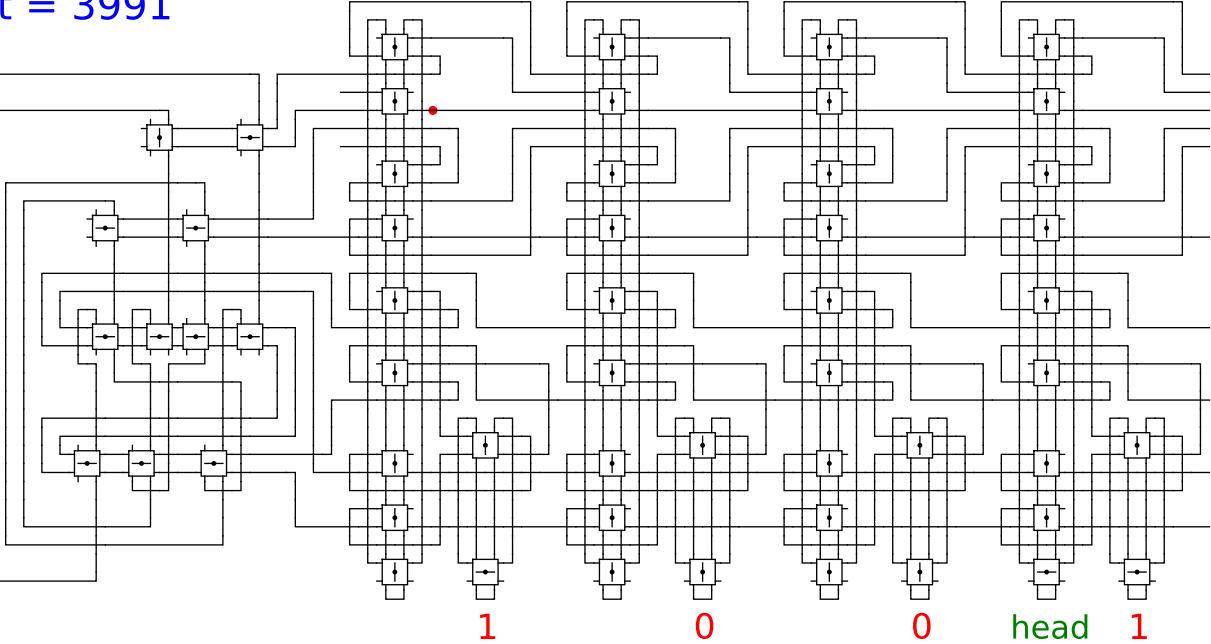
Begin



t = 3991

Reject
Accept

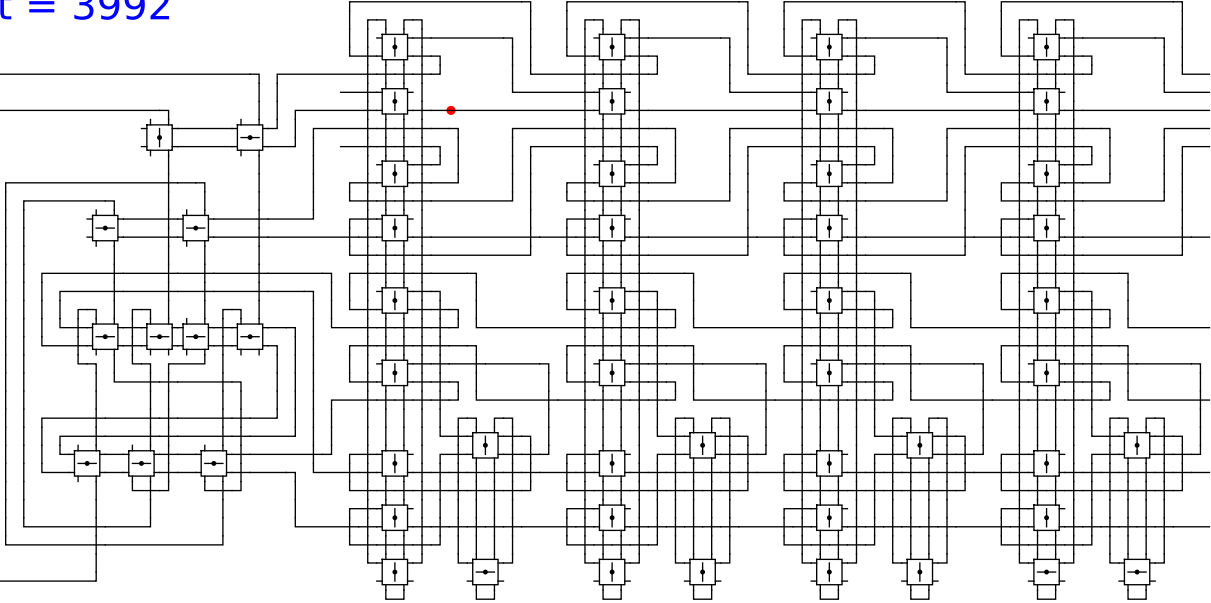
Begin



t = 3992

Reject
Accept

Begin



1

0

0

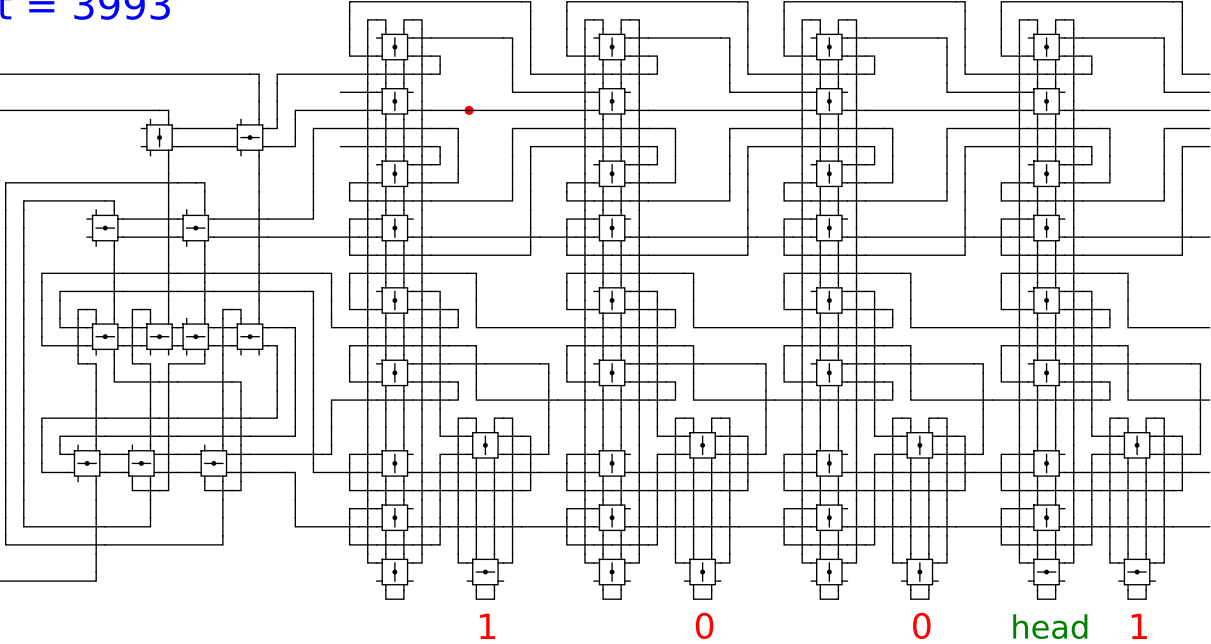
head

1

t = 3993

Reject
Accept

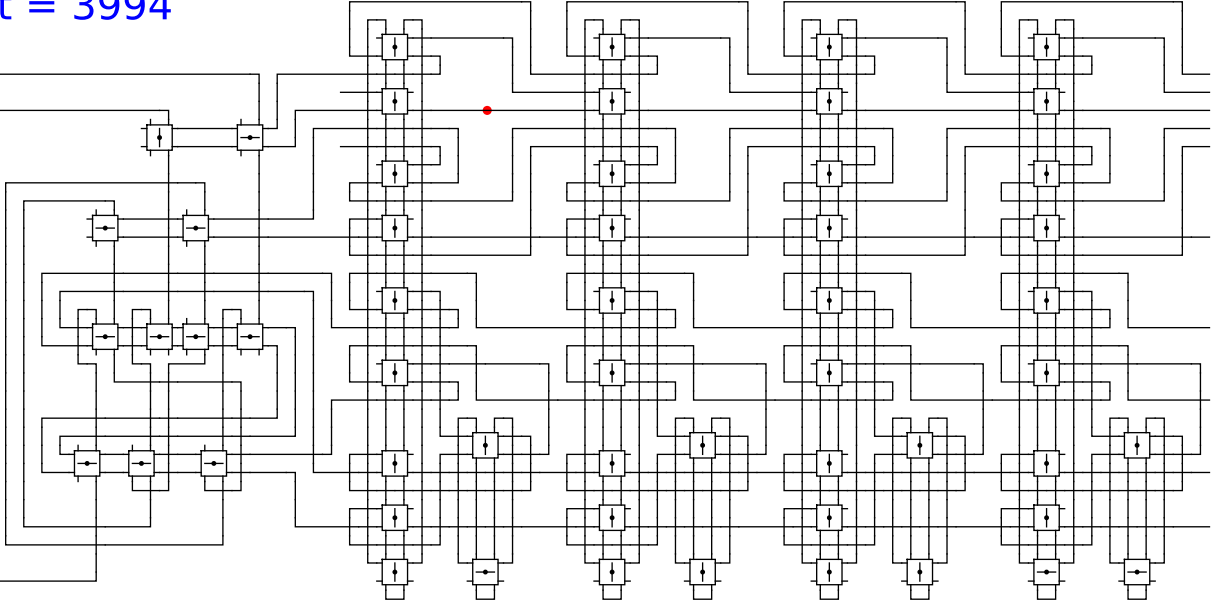
Begin



t = 3994

Reject
Accept

Begin



1

0

0

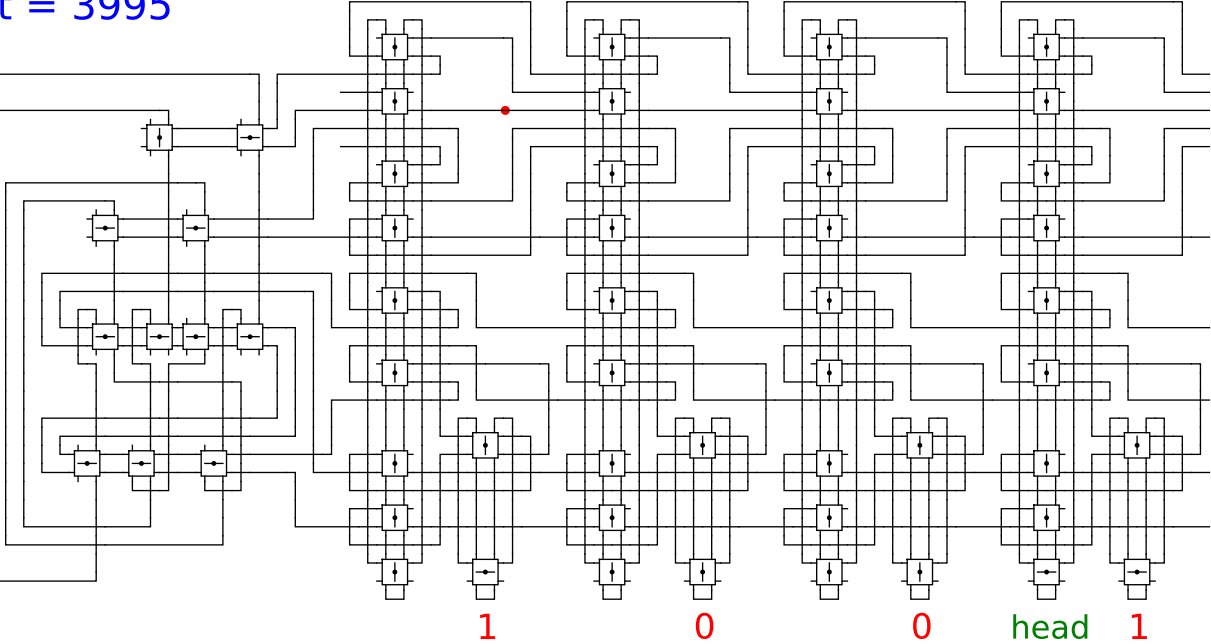
head

1

t = 3995

Reject
Accept

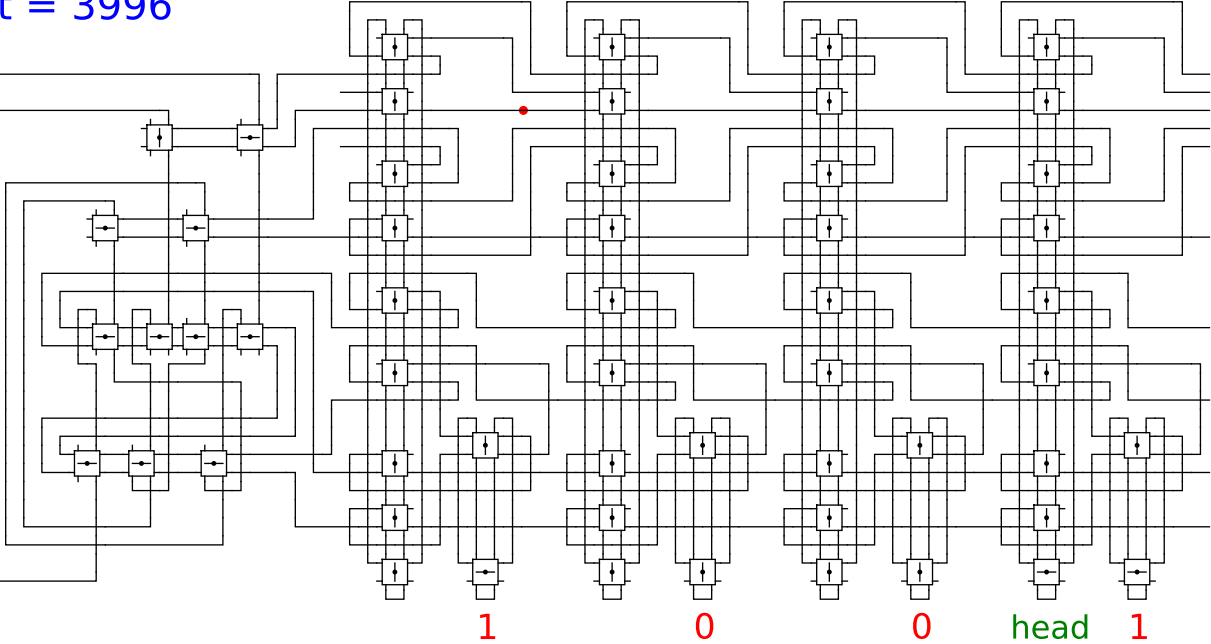
Begin



t = 3996

Reject
Accept

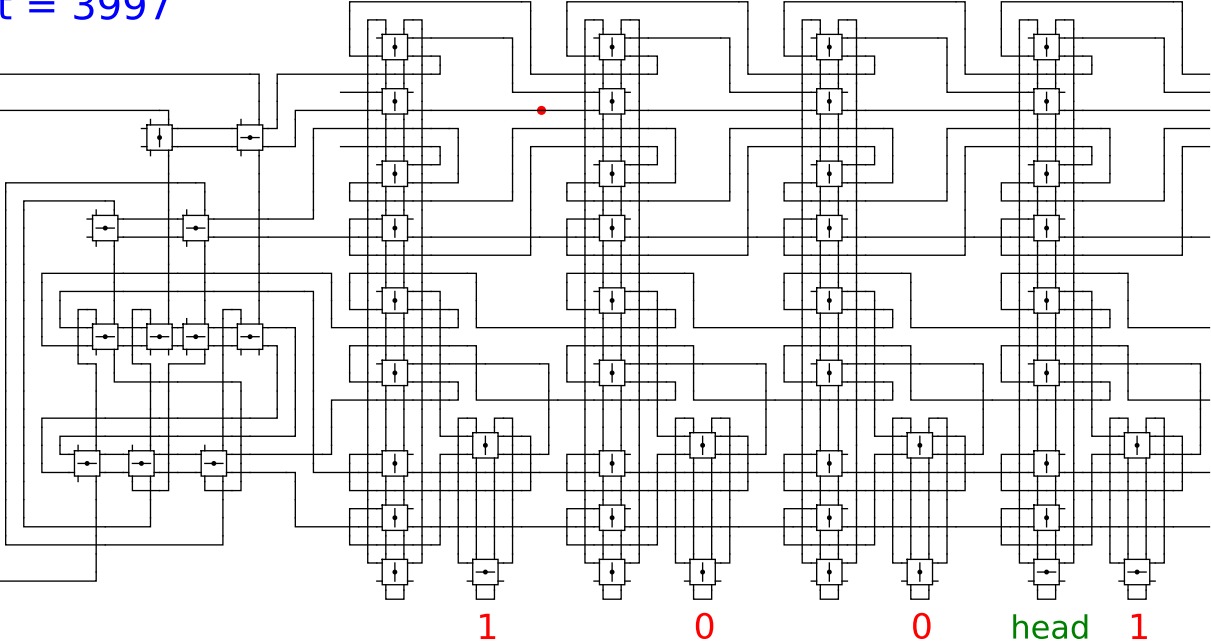
Begin



t = 3997

Reject
Accept

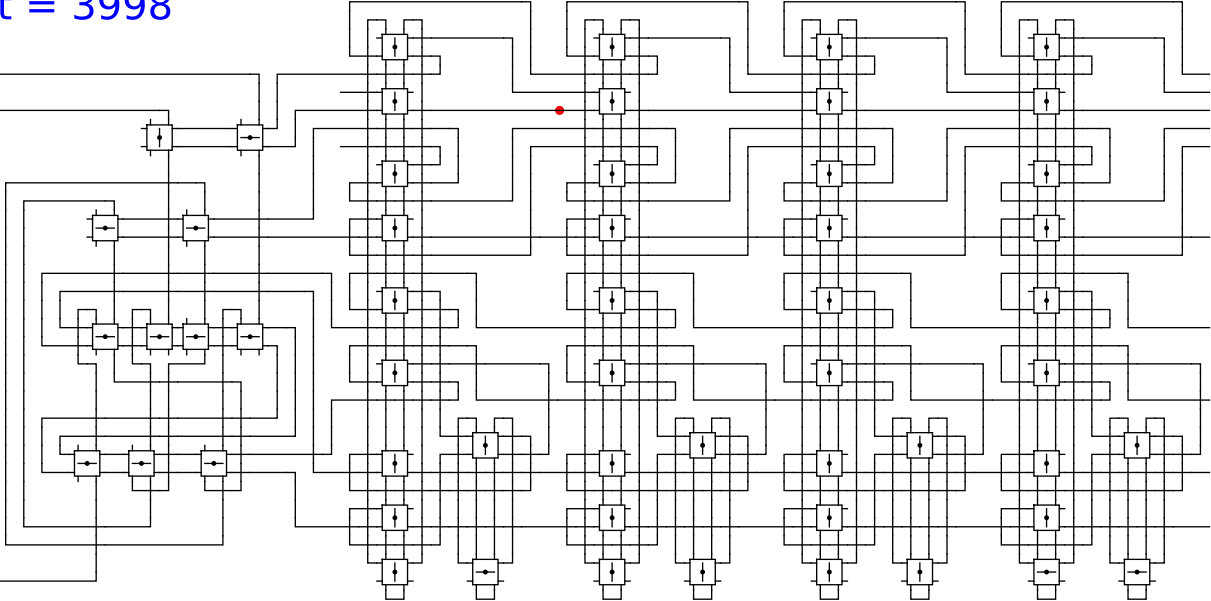
Begin



t = 3998

Reject
Accept

Begin



1

0

0

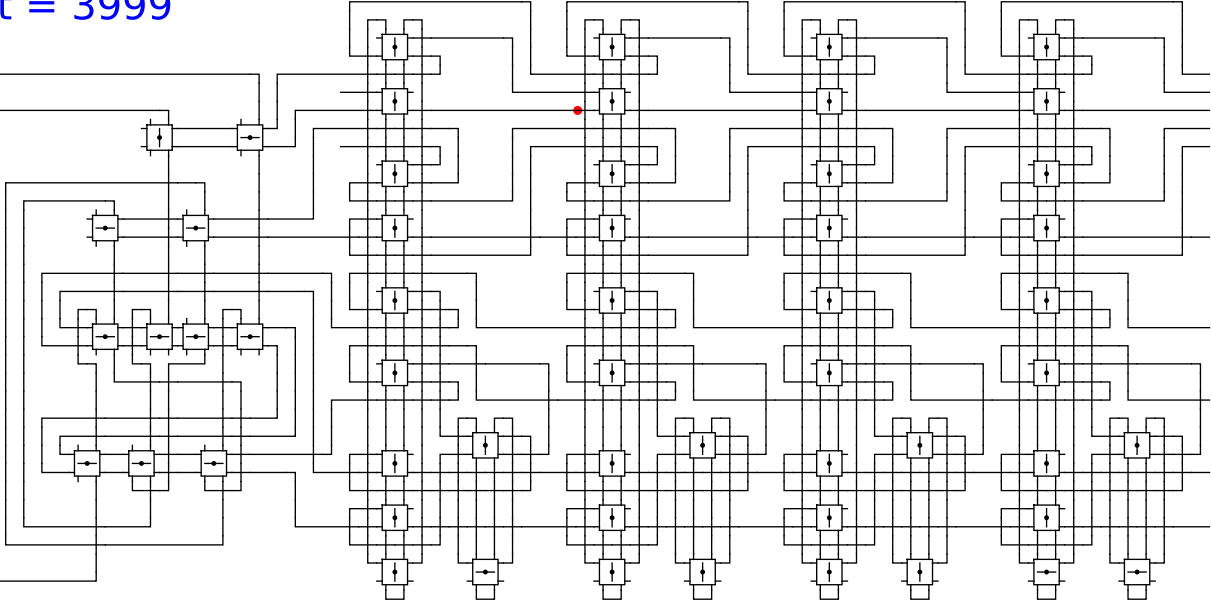
head

1

t = 3999

Reject
Accept

Begin



1

0

0

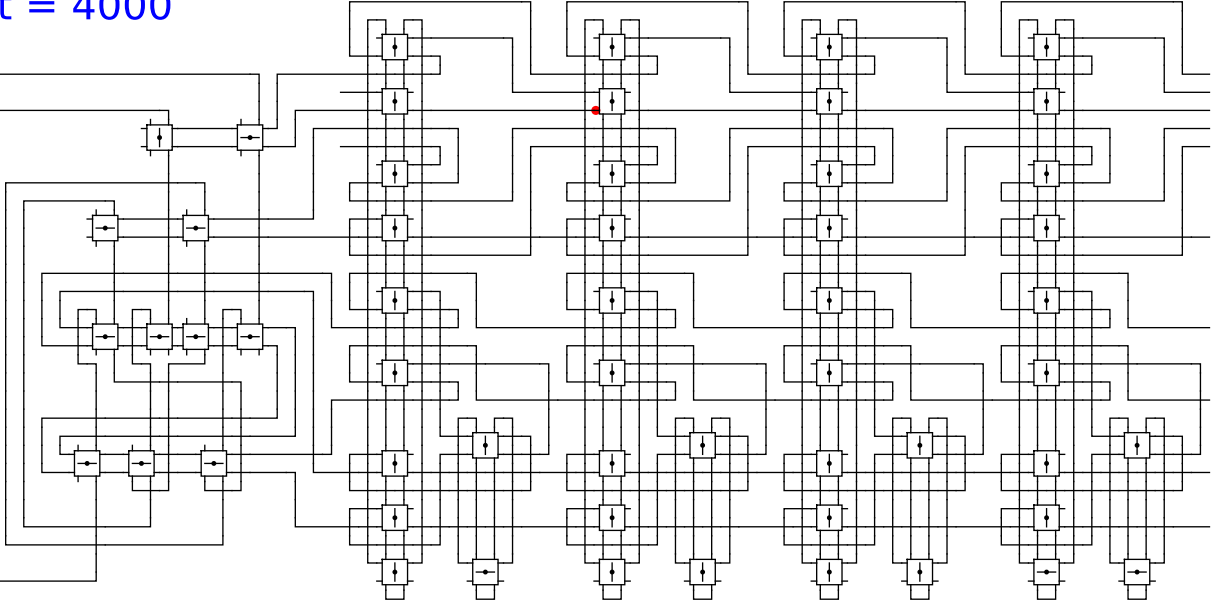
head

1

t = 4000

Reject
Accept

Begin



1

0

0

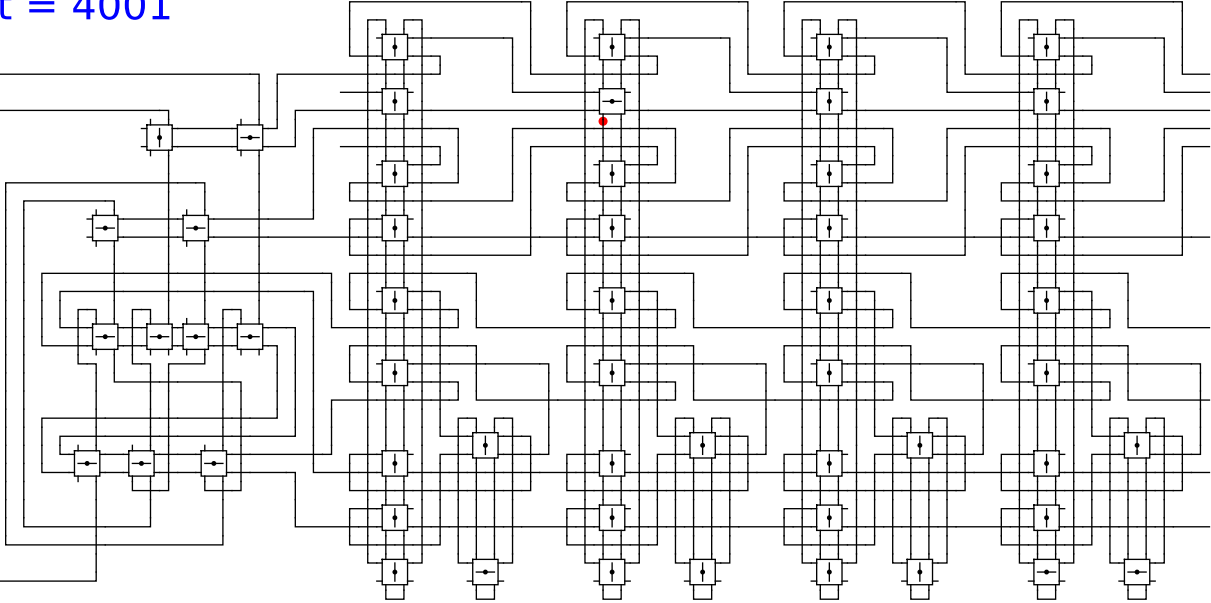
head

1

t = 4001

Reject
Accept

Begin



1

0

0

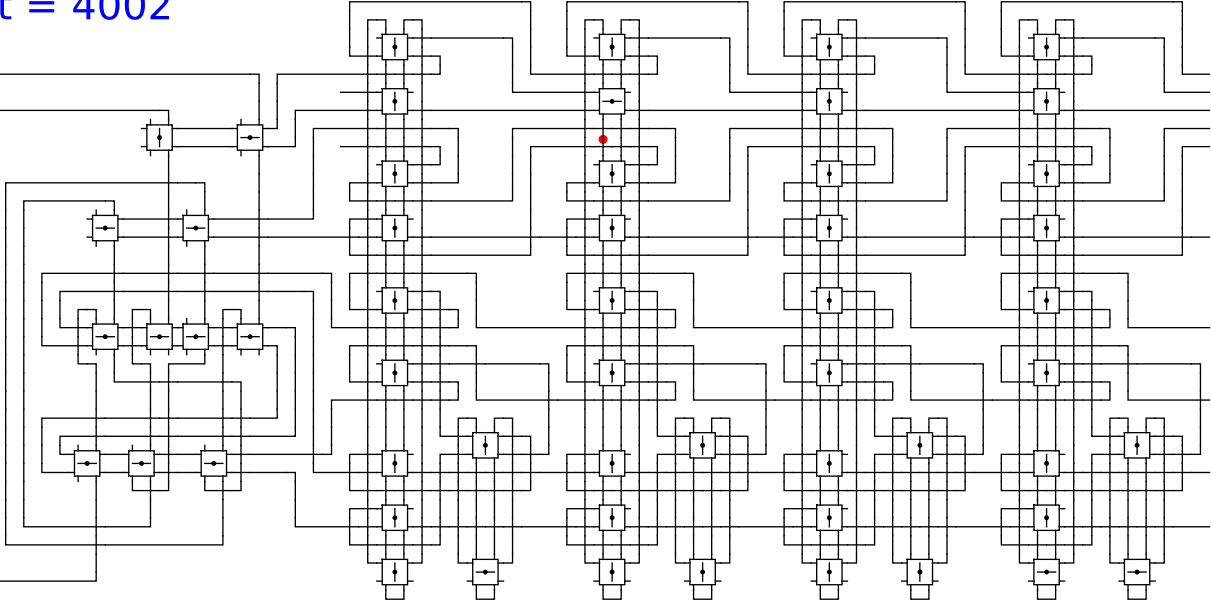
head

1

t = 4002

Reject
Accept

Begin

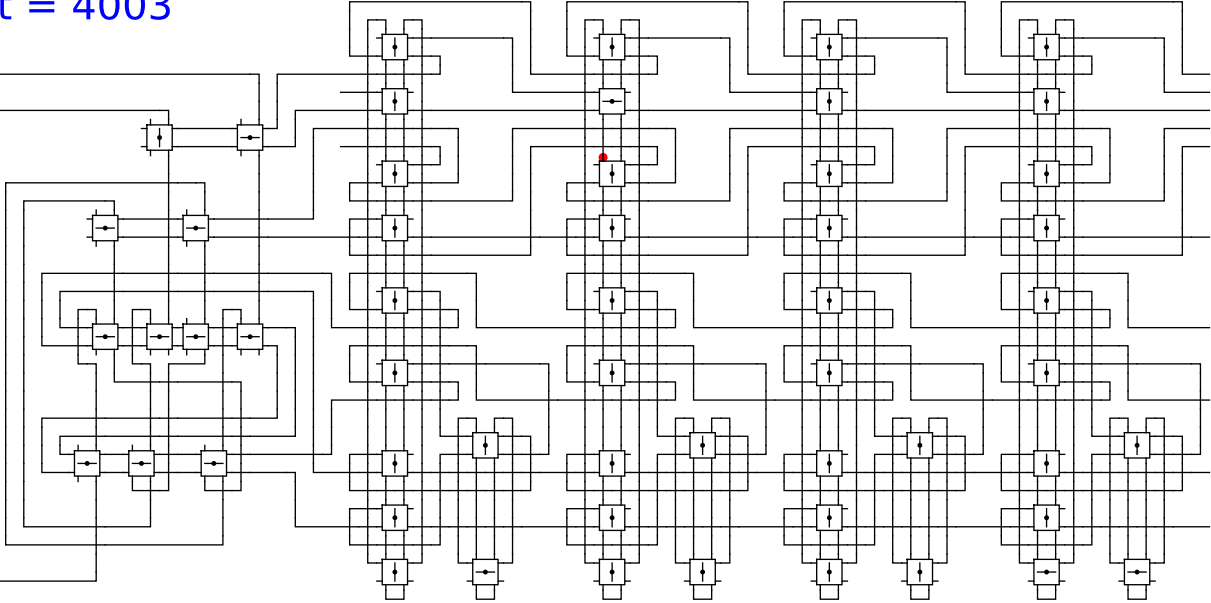


1 0 0 head 1

t = 4003

Reject
Accept

Begin



1

0

0

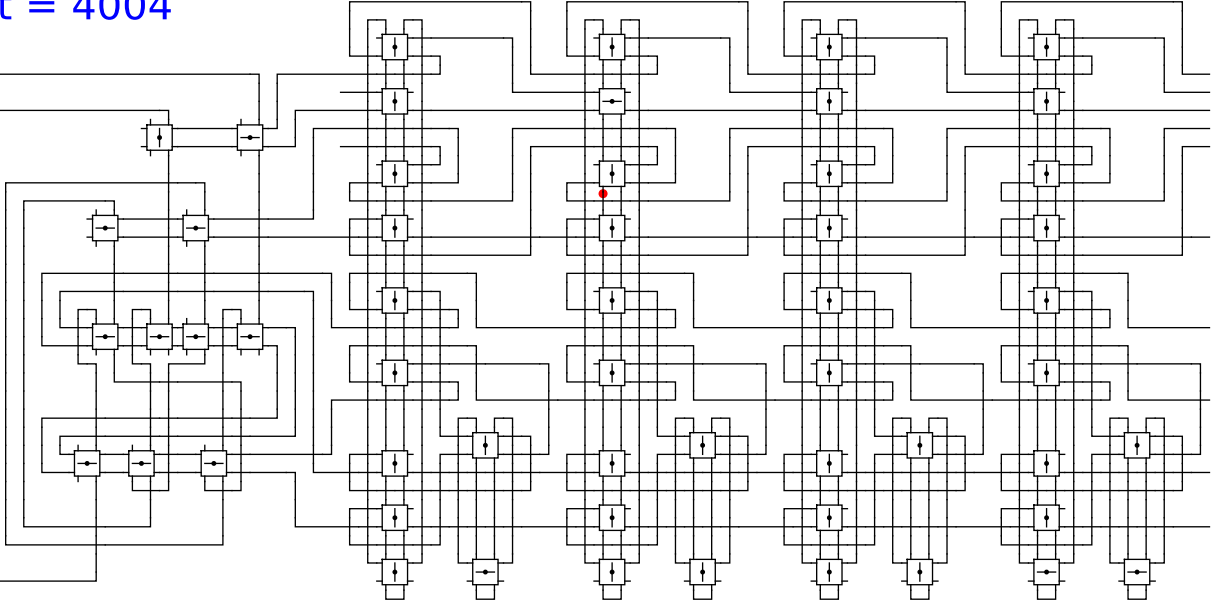
head

1

t = 4004

Reject
Accept

Begin

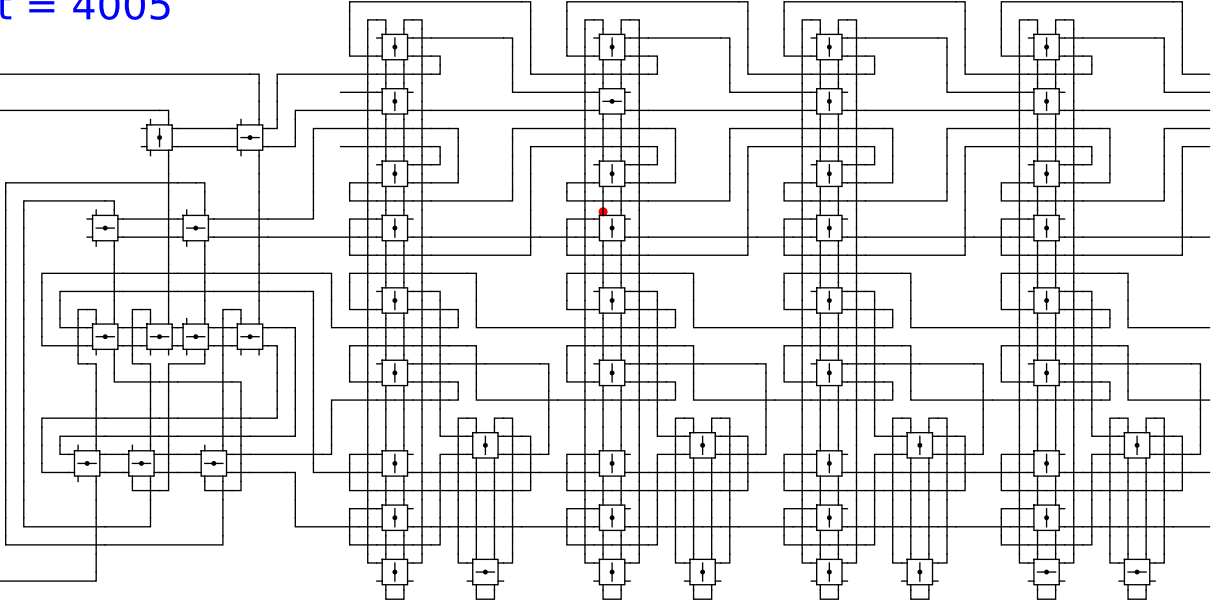


1 0 0 head 1

t = 4005

Reject
Accept

Begin



1

0

0

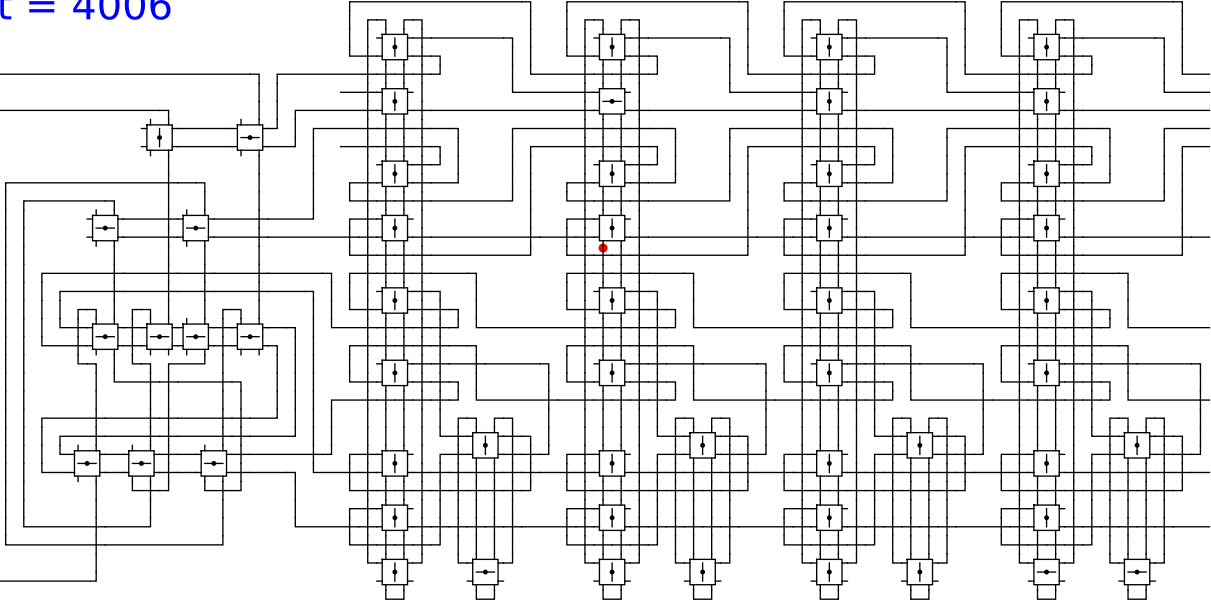
head

1

t = 4006

Reject
Accept

Begin



1

0

0

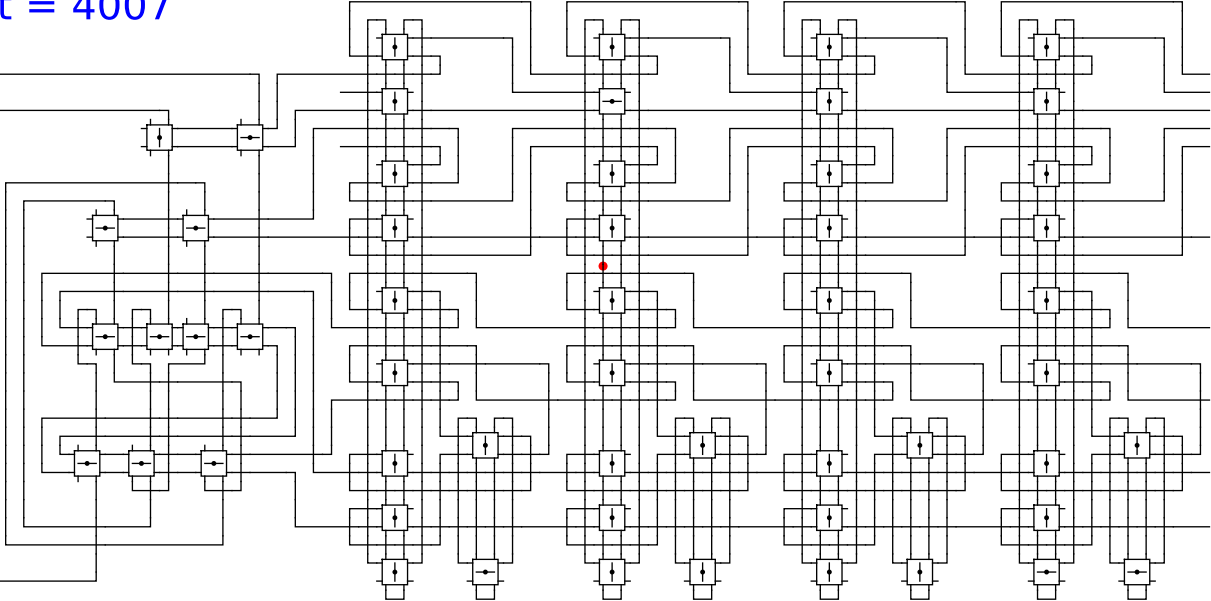
head

1

t = 4007

Reject
Accept

Begin



1

0

0

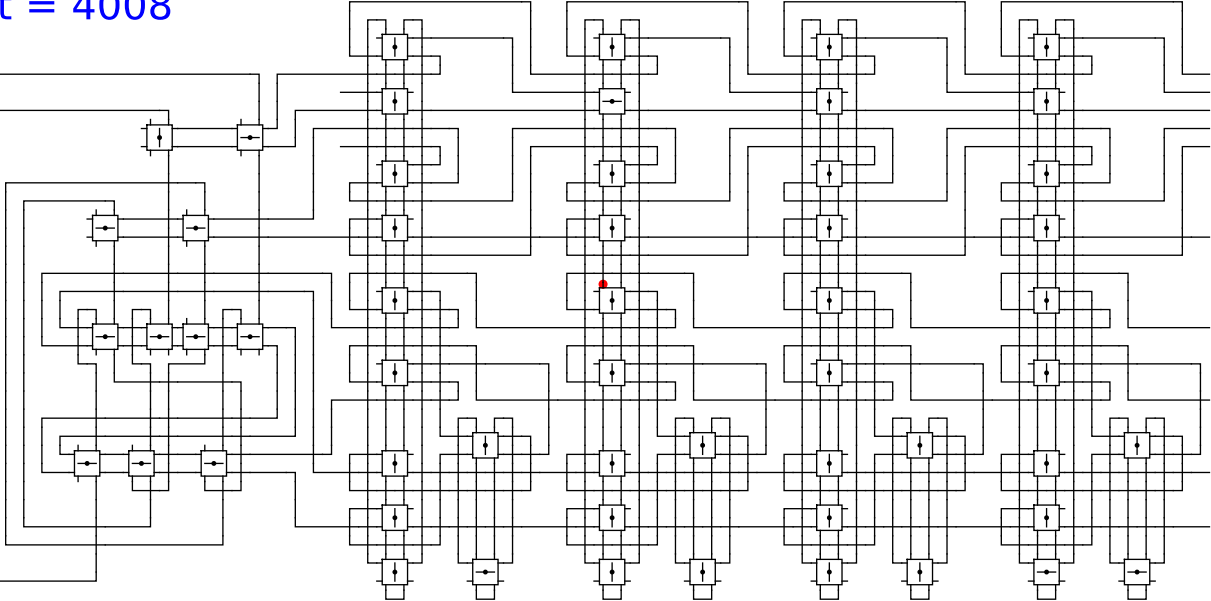
head

1

t = 4008

Reject
Accept

Begin



1

0

0

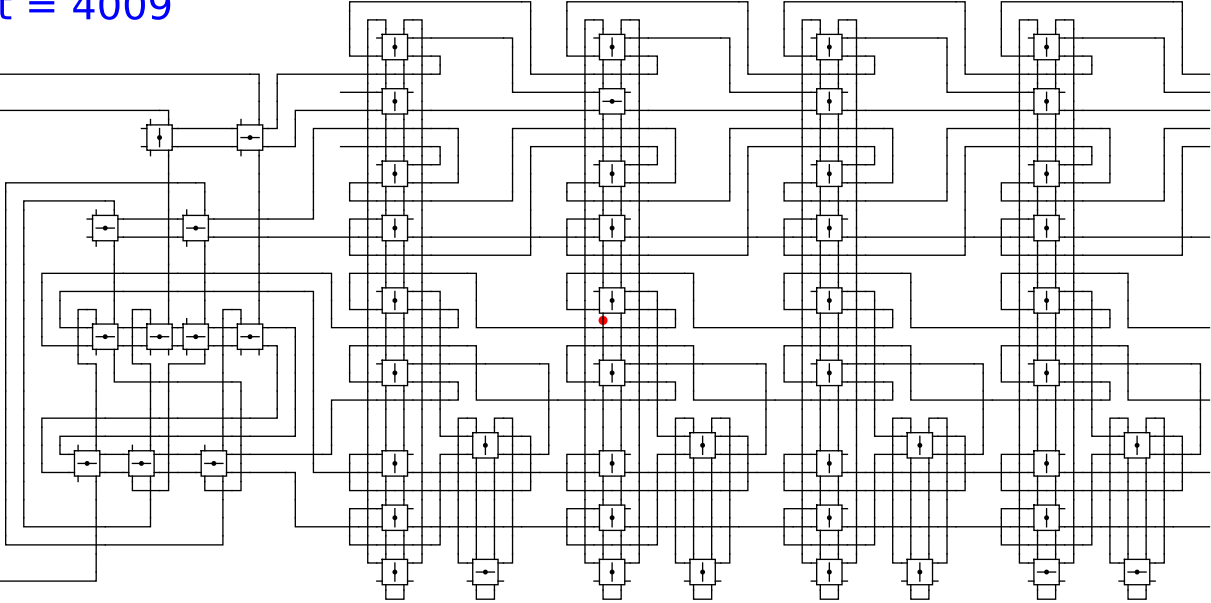
head

1

t = 4009

Reject
Accept

Begin



1

0

0

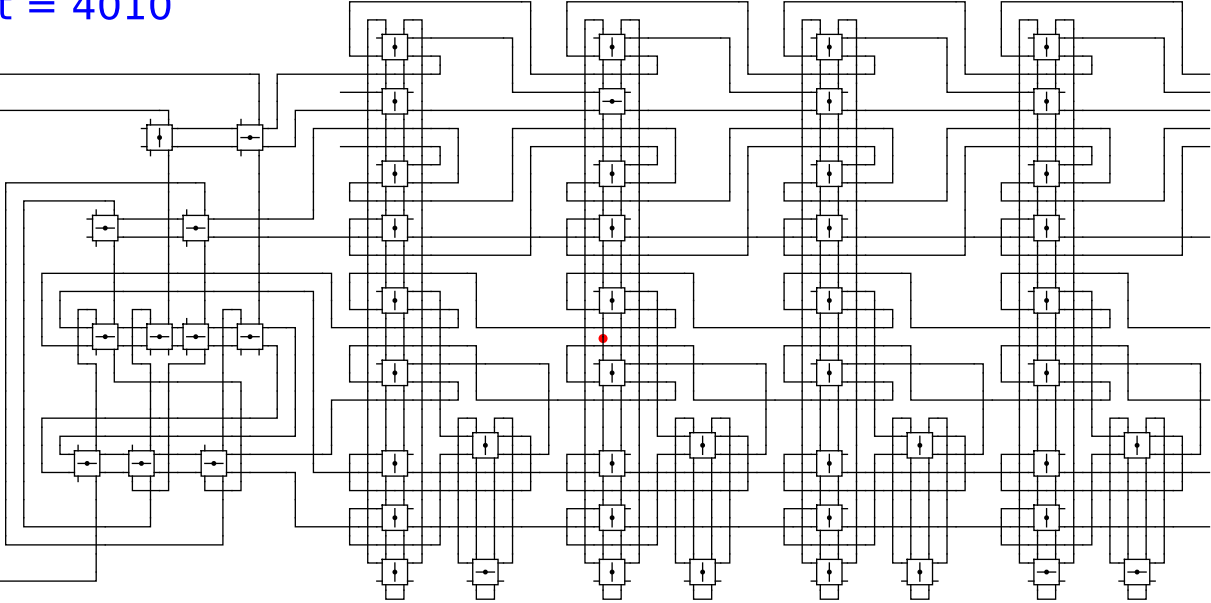
head

1

t = 4010

Reject
Accept

Begin



1

0

0

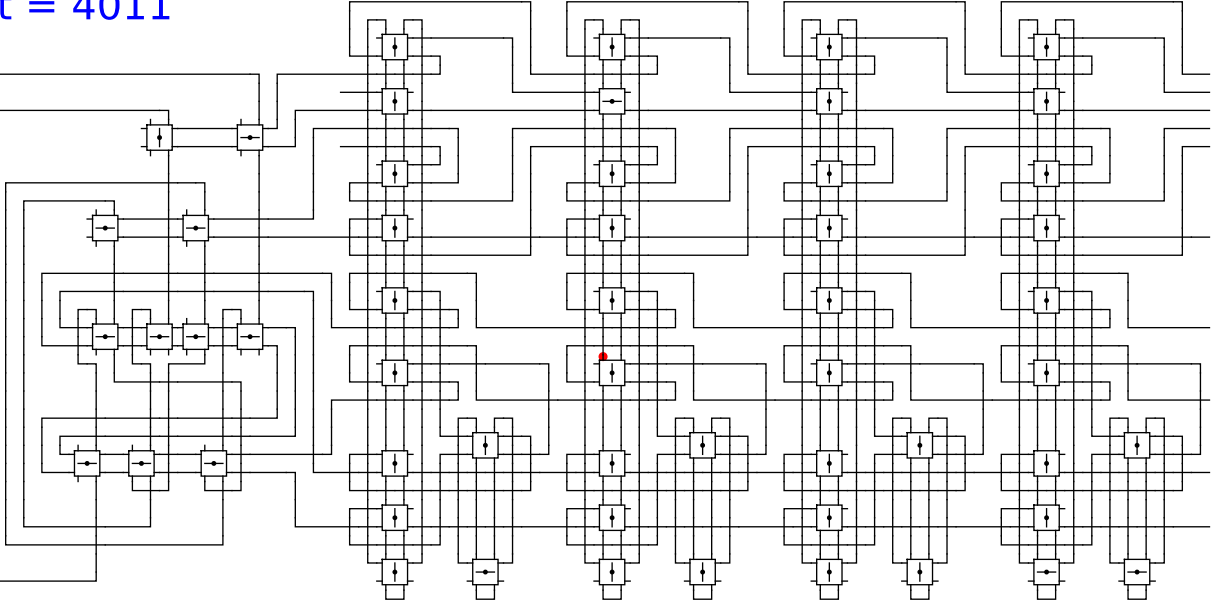
head

1

t = 4011

Reject
Accept

Begin

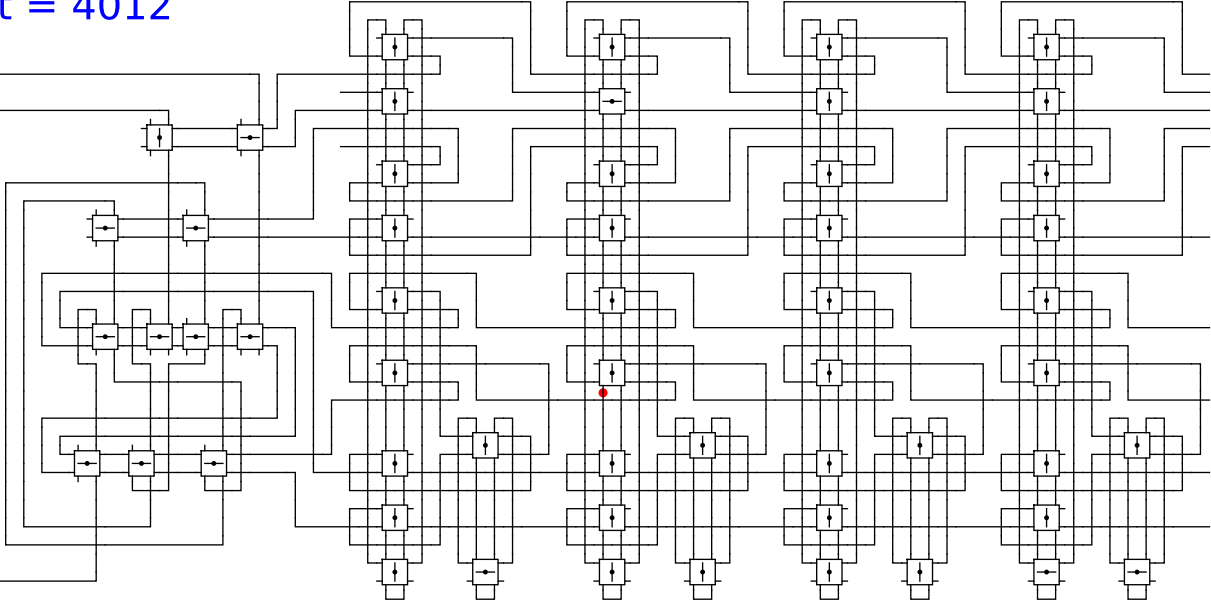


1 0 0 head 1

t = 4012

Reject
Accept

Begin



1

0

0

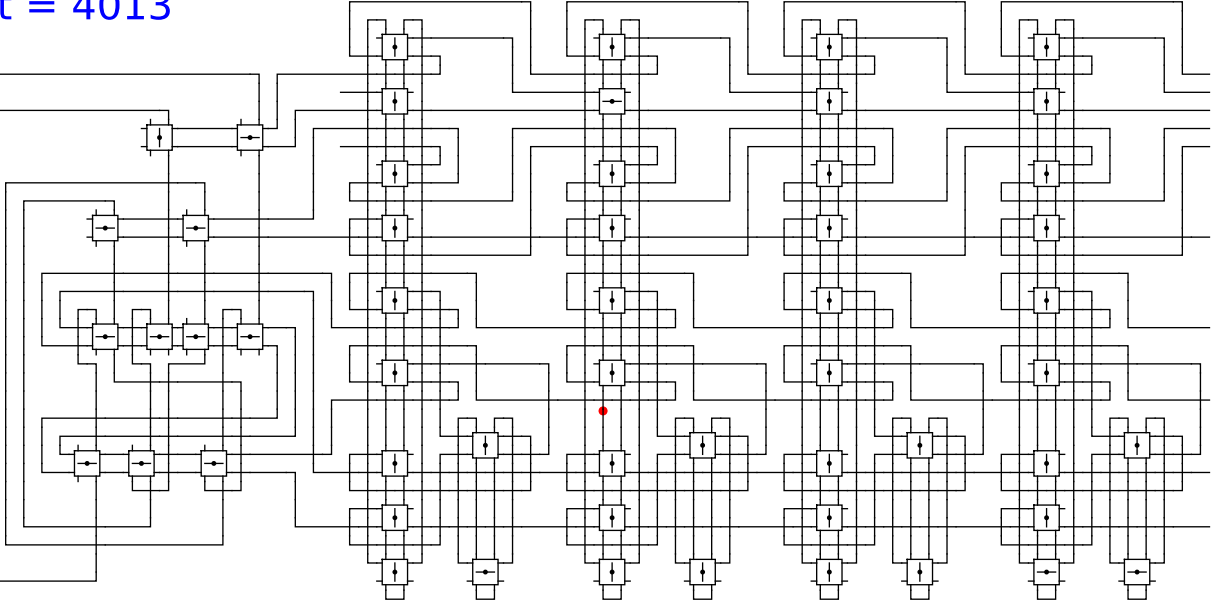
head

1

t = 4013

Reject
Accept

Begin



1

0

0

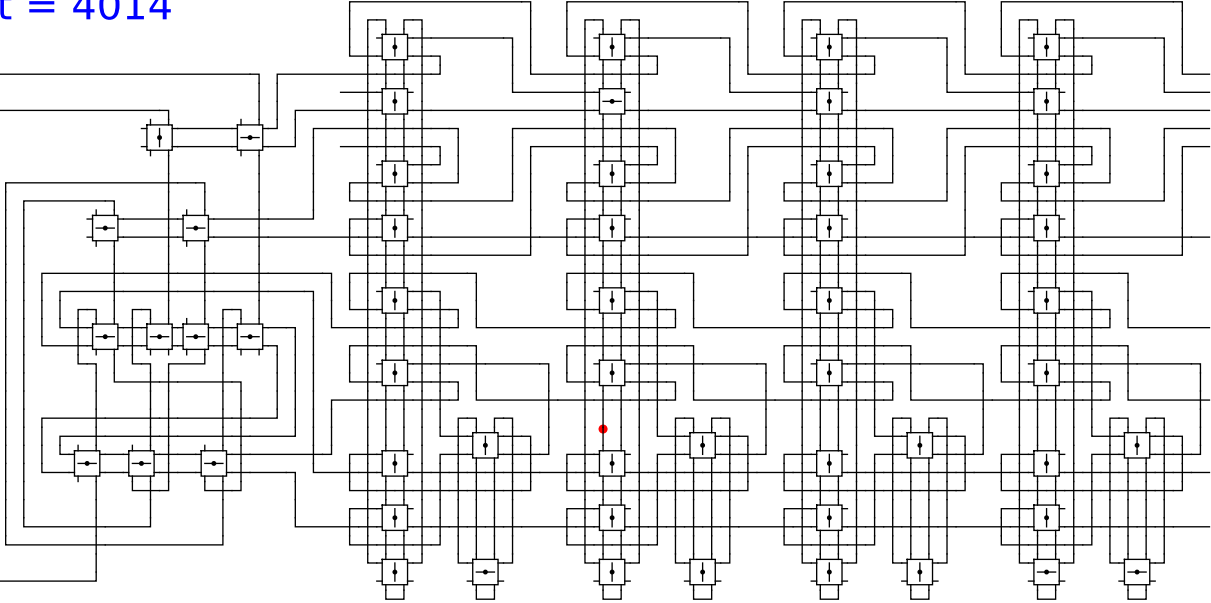
head

1

t = 4014

Reject
Accept

Begin



1

0

0

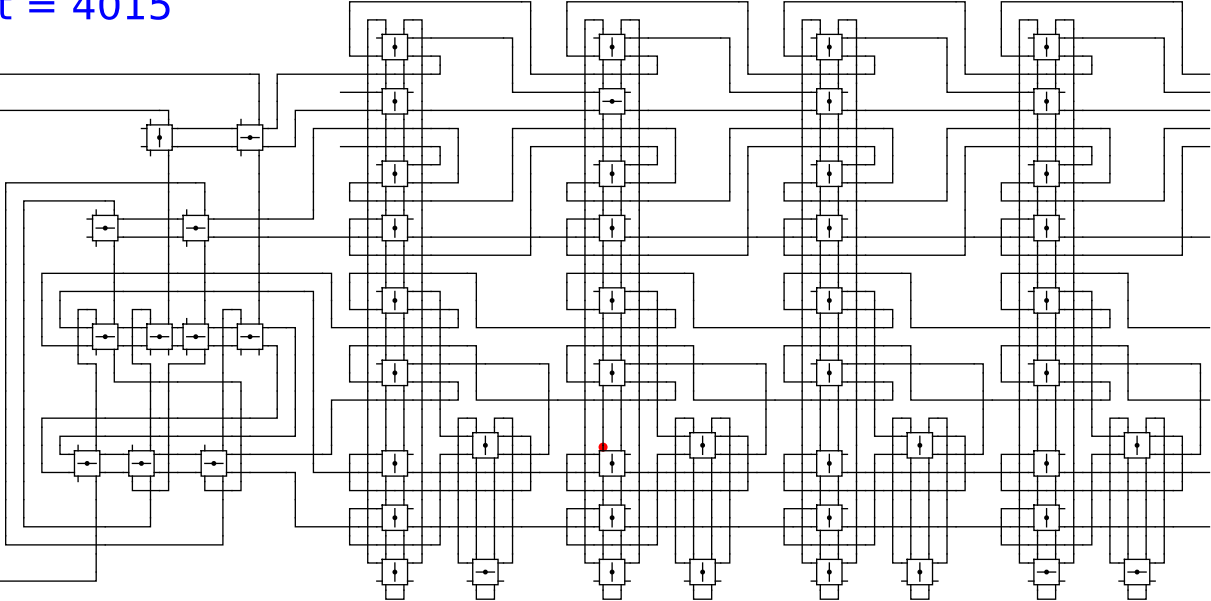
head

1

t = 4015

Reject
Accept

Begin



1

0

0

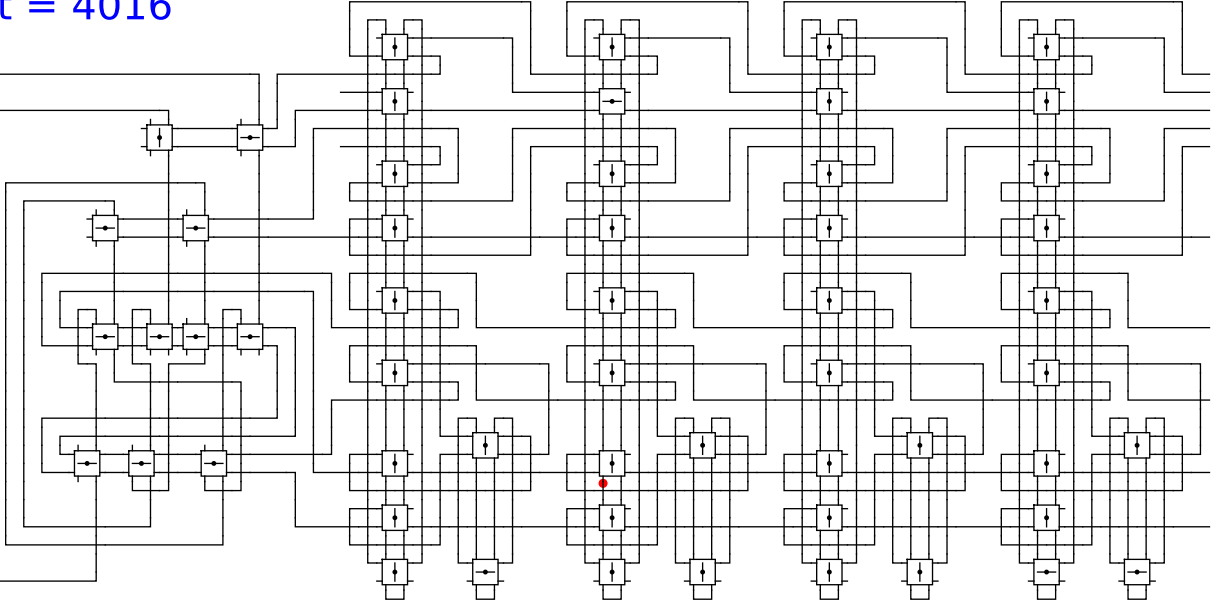
head

1

t = 4016

Reject
Accept

Begin



1

0

0

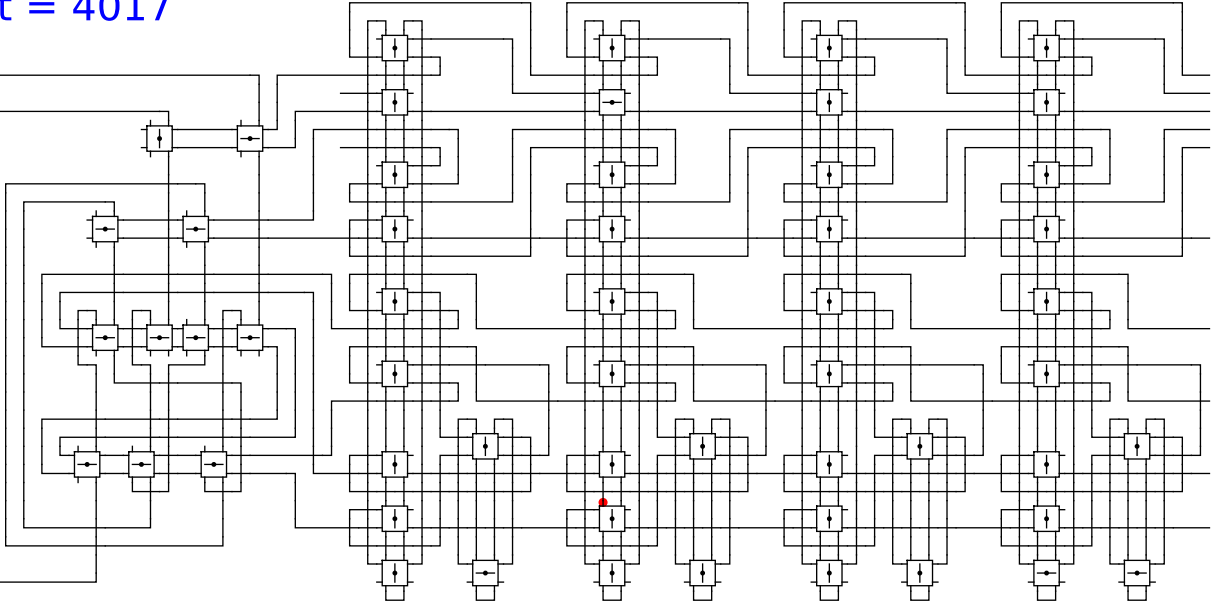
head

1

t = 4017

Reject
Accept

Begin



1

0

0

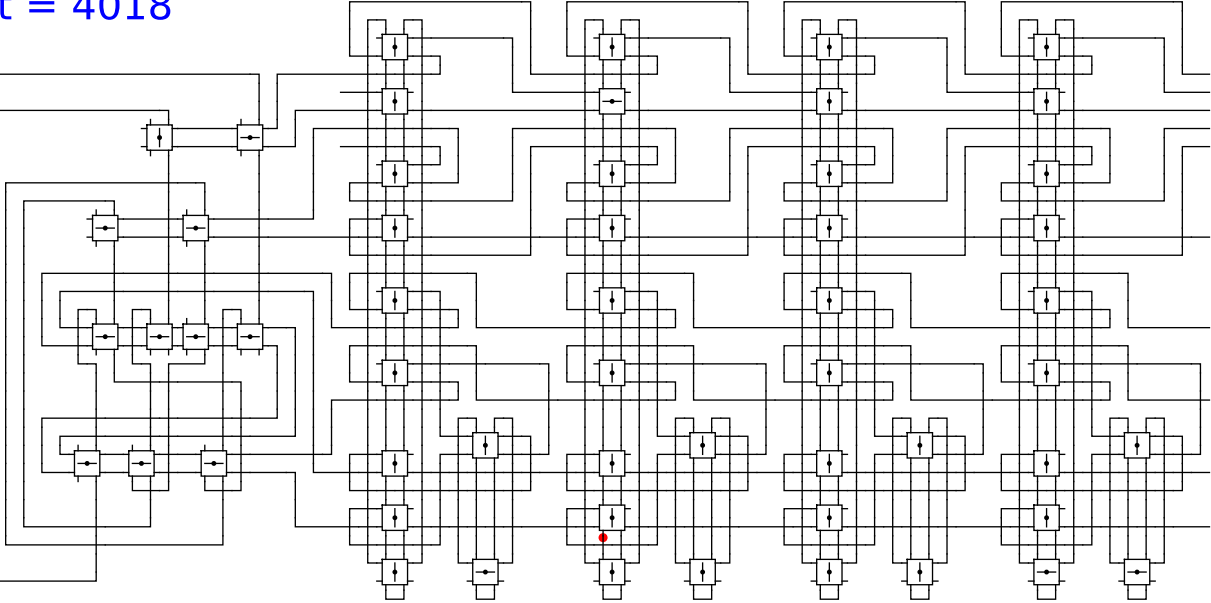
head

1

t = 4018

Reject
Accept

Begin



1

0

0

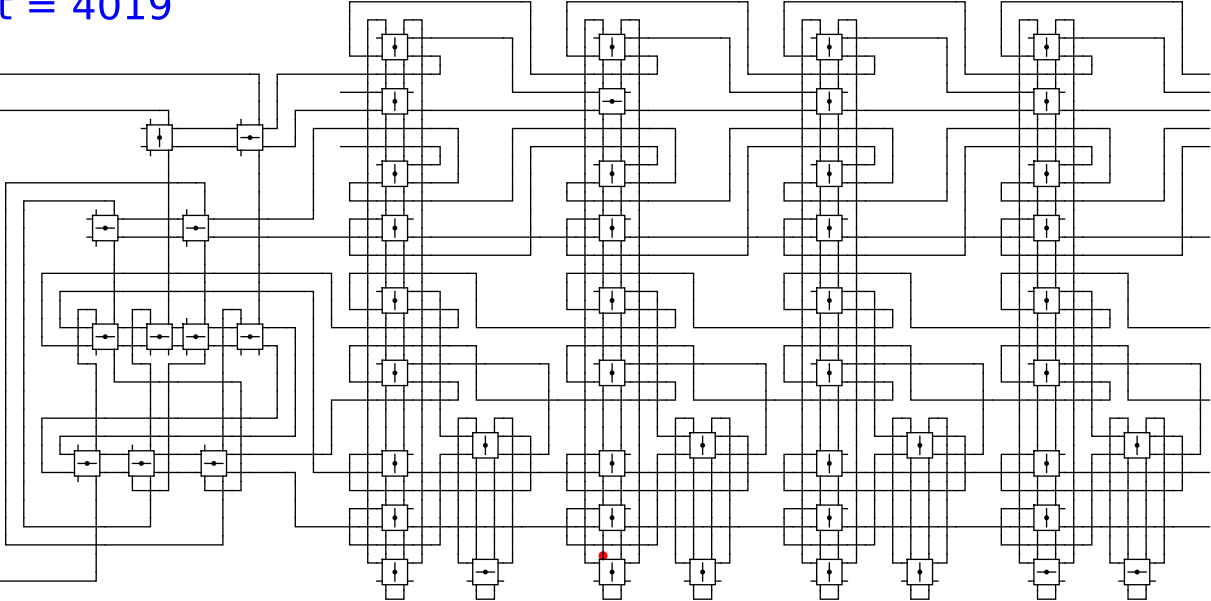
head

1

t = 4019

Reject
Accept

Begin



1

0

0

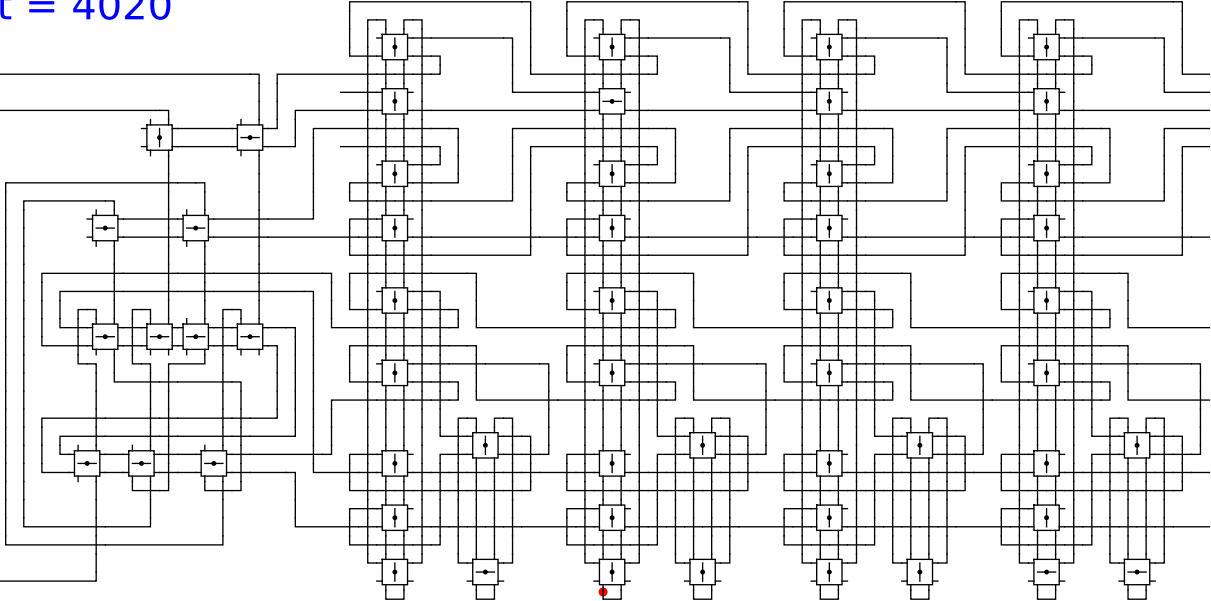
head

1

t = 4020

Reject
Accept

Begin



1

0

0

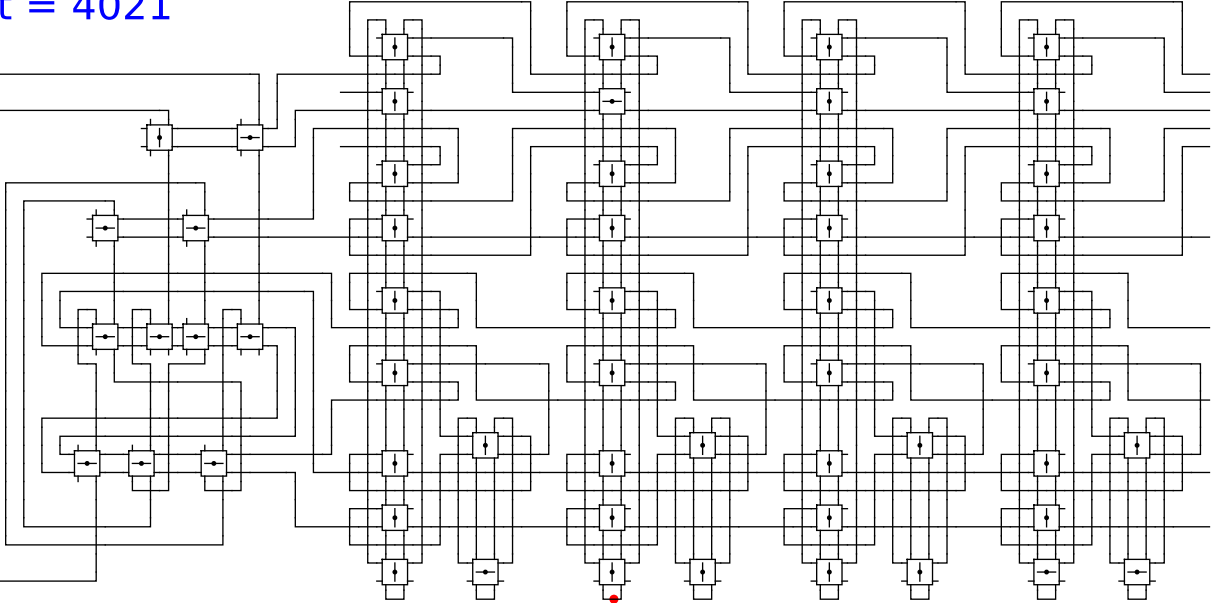
head

1

t = 4021

Reject
Accept

Begin



1

0

0

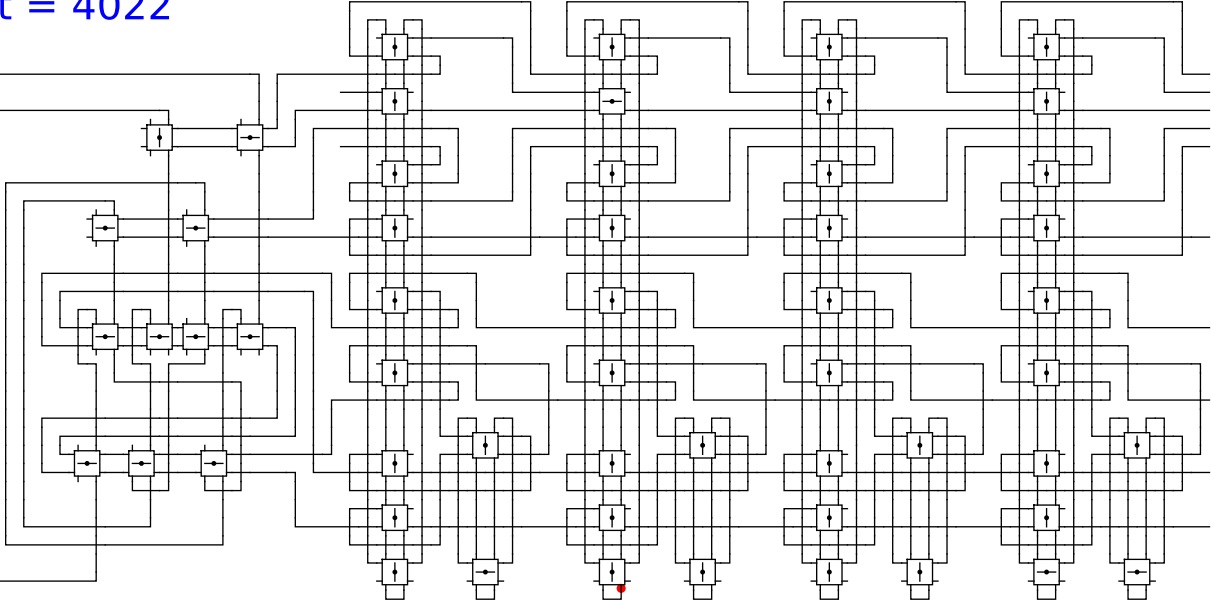
head

1

t = 4022

Reject
Accept

Begin



1

0

0

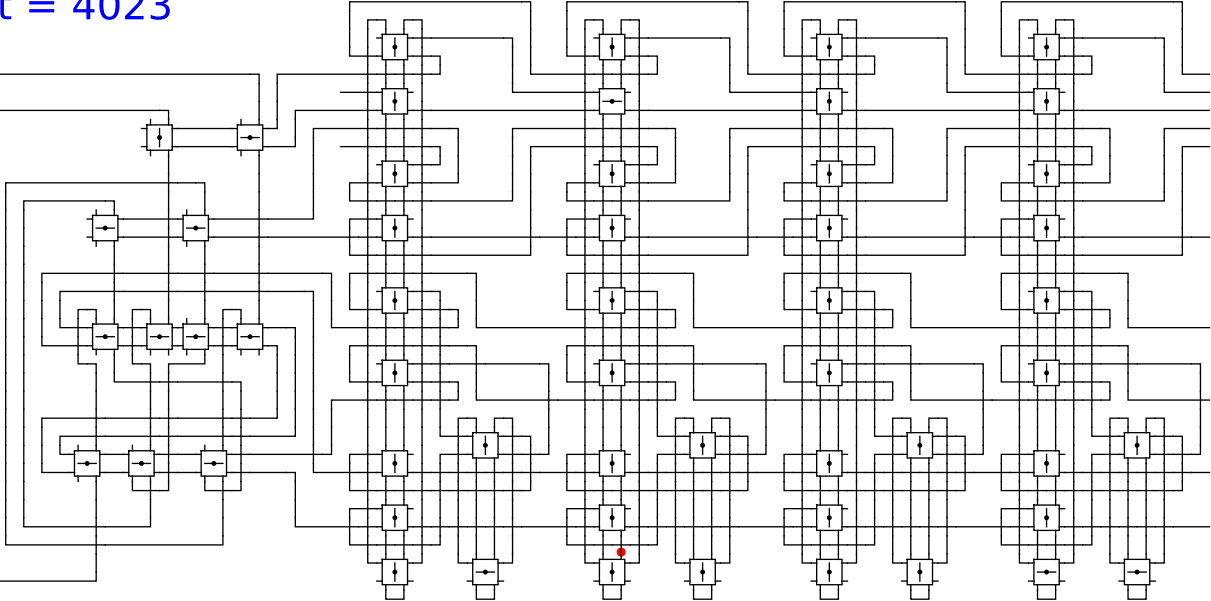
head

1

t = 4023

Reject
Accept

Begin

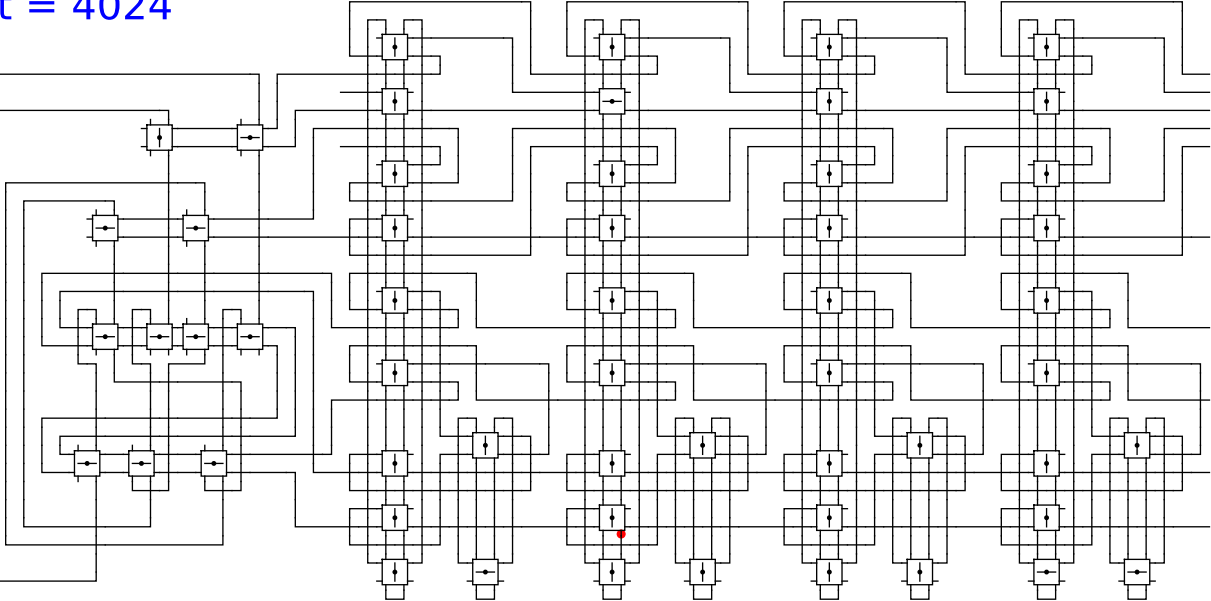


1 0 0 head 1

t = 4024

Reject
Accept

Begin



1

0

0

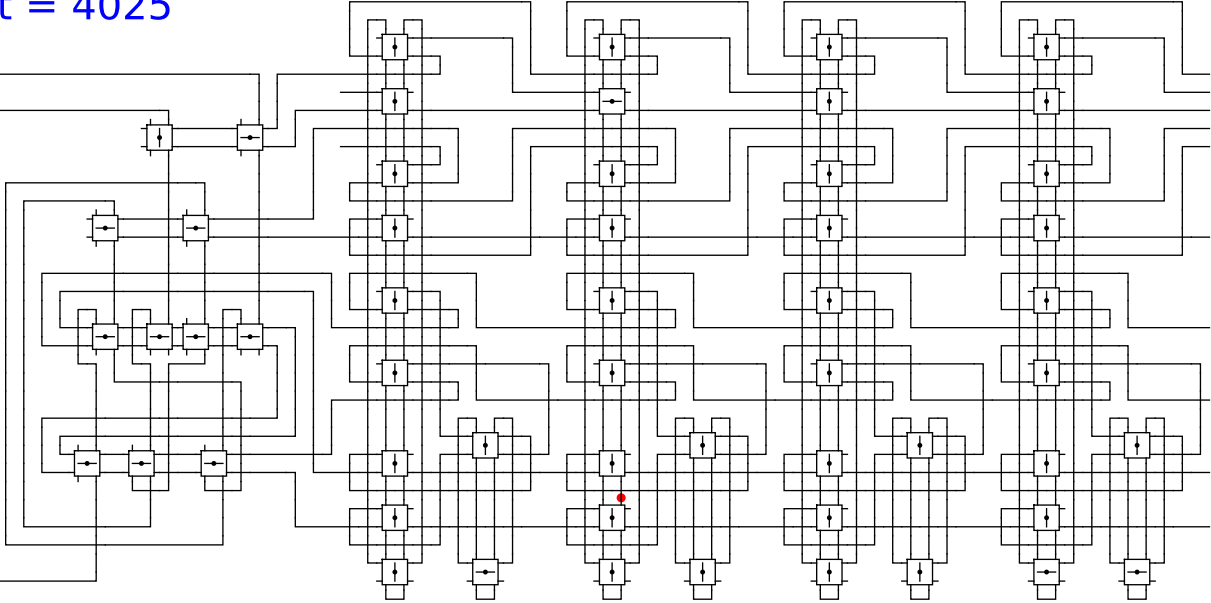
head

1

t = 4025

Reject
Accept

Begin

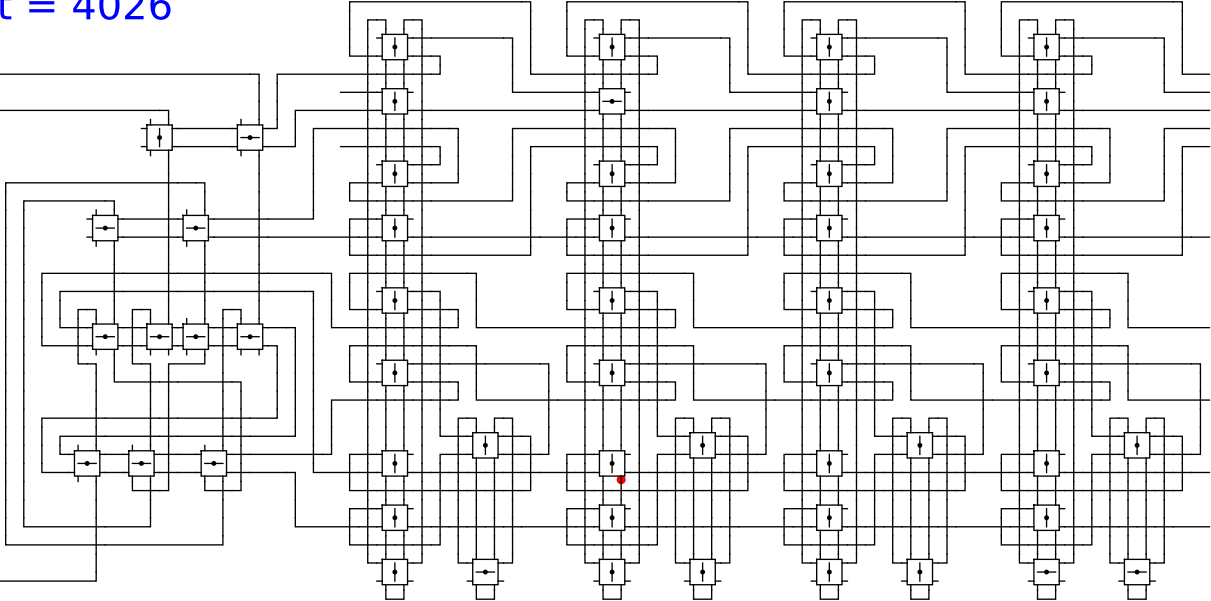


1 0 0 head 1

t = 4026

Reject
Accept

Begin



1

0

0

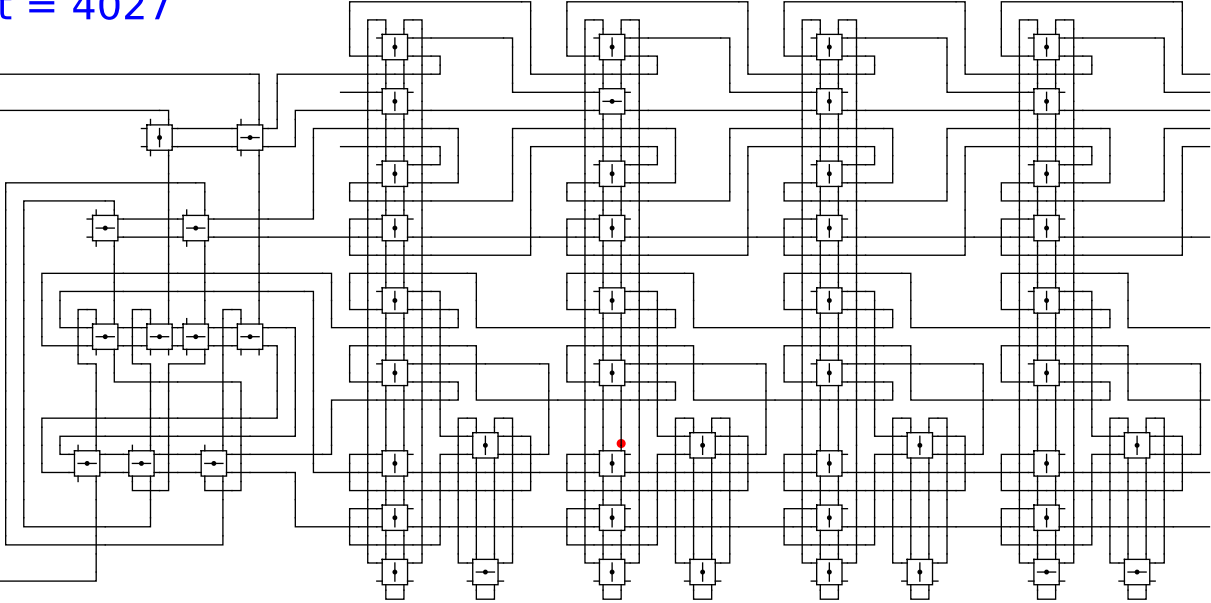
head

1

t = 4027

Reject
Accept

Begin



1

0

0

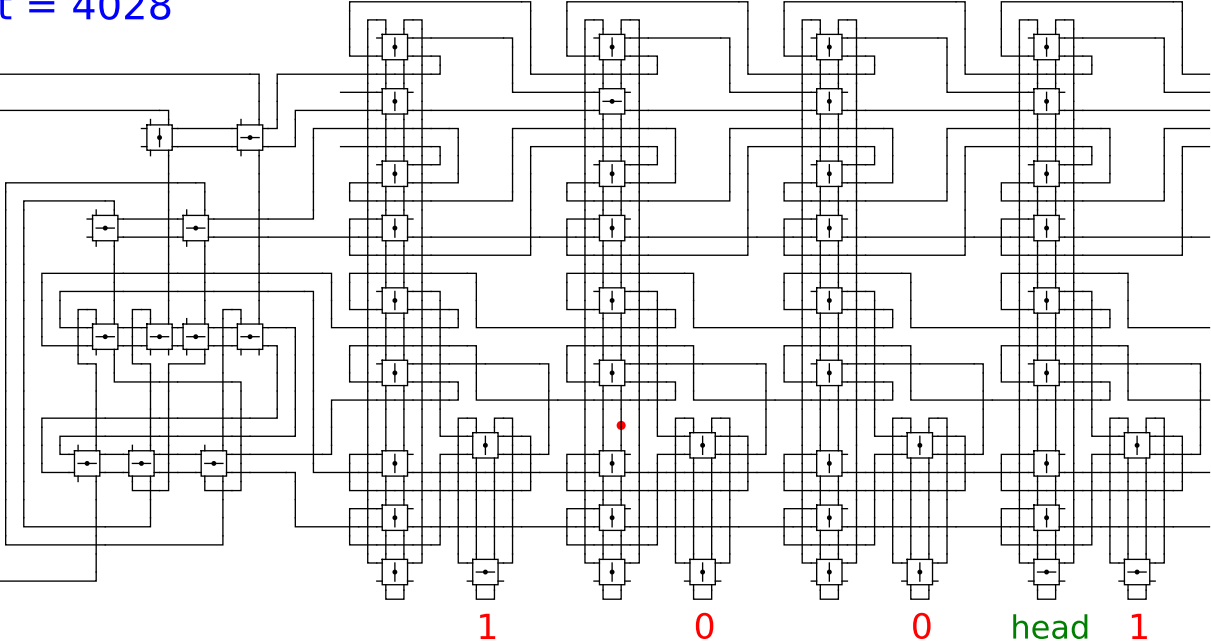
head

1

t = 4028

Reject
Accept

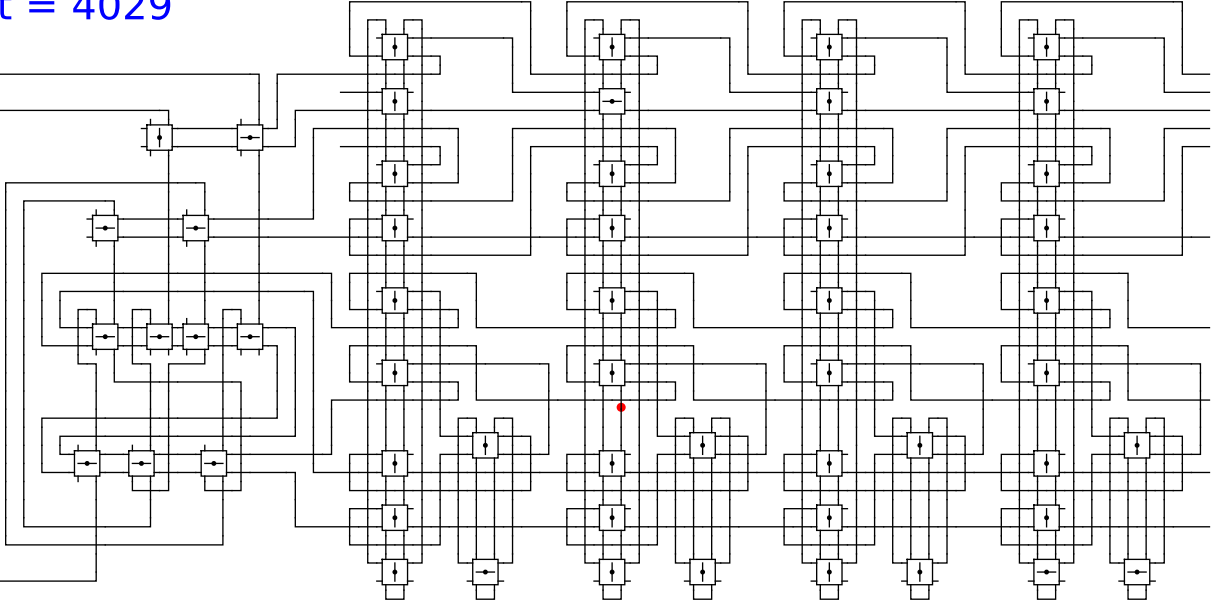
Begin



t = 4029

Reject
Accept

Begin



1

0

0

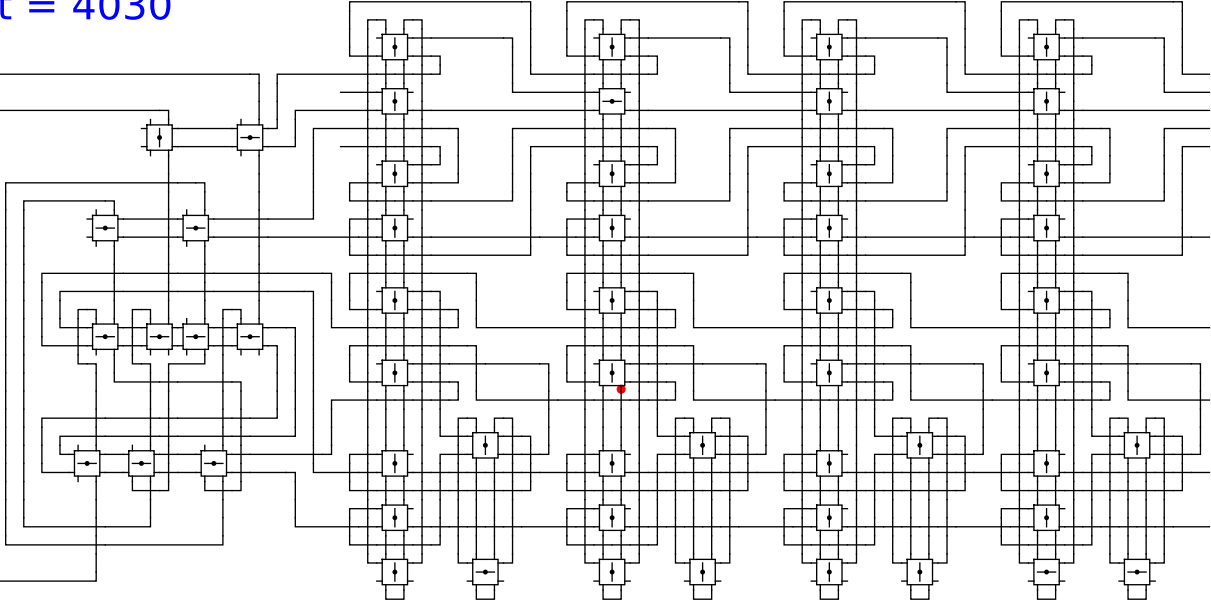
head

1

t = 4030

Reject
Accept

Begin



1

0

0

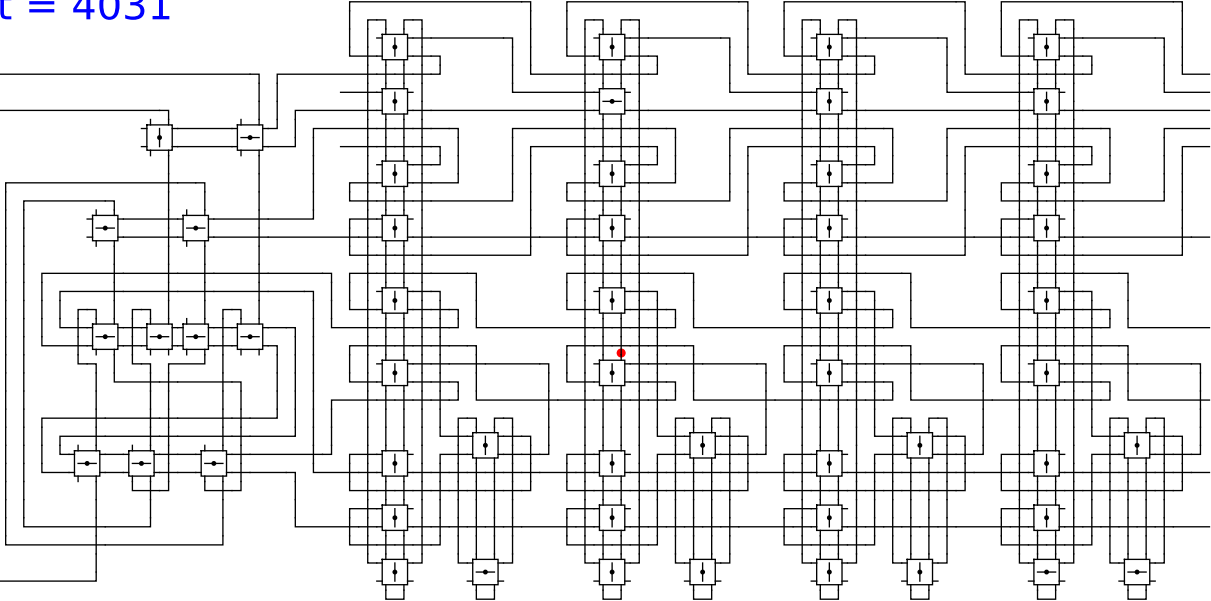
head

1

t = 4031

Reject
Accept

Begin



1

0

0

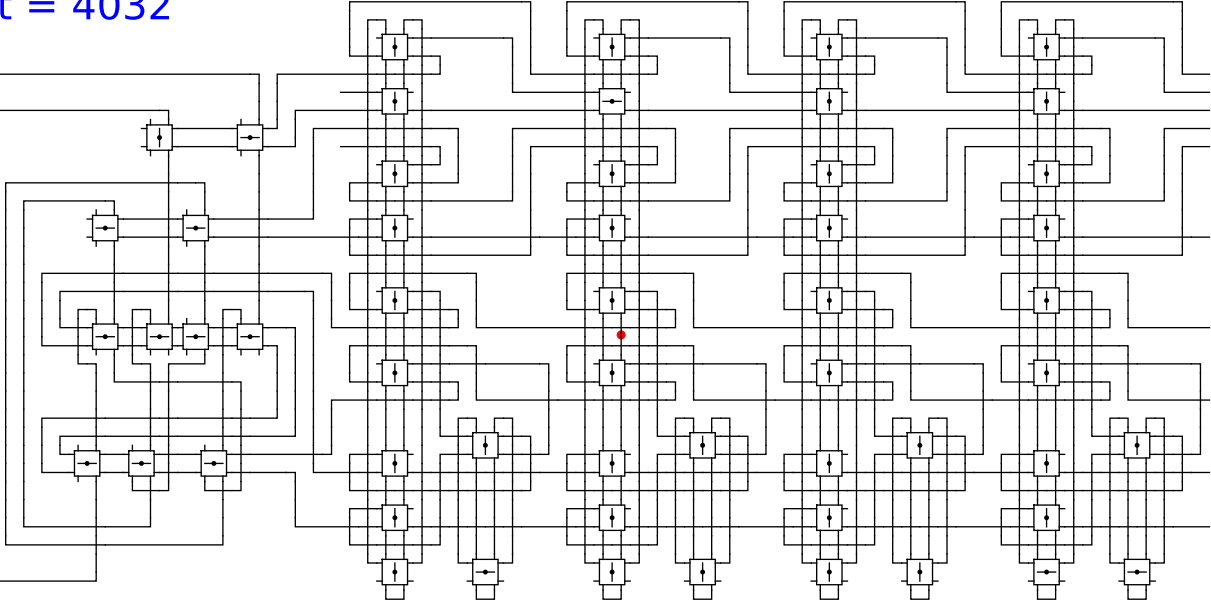
head

1

t = 4032

Reject
Accept

Begin



1

0

0

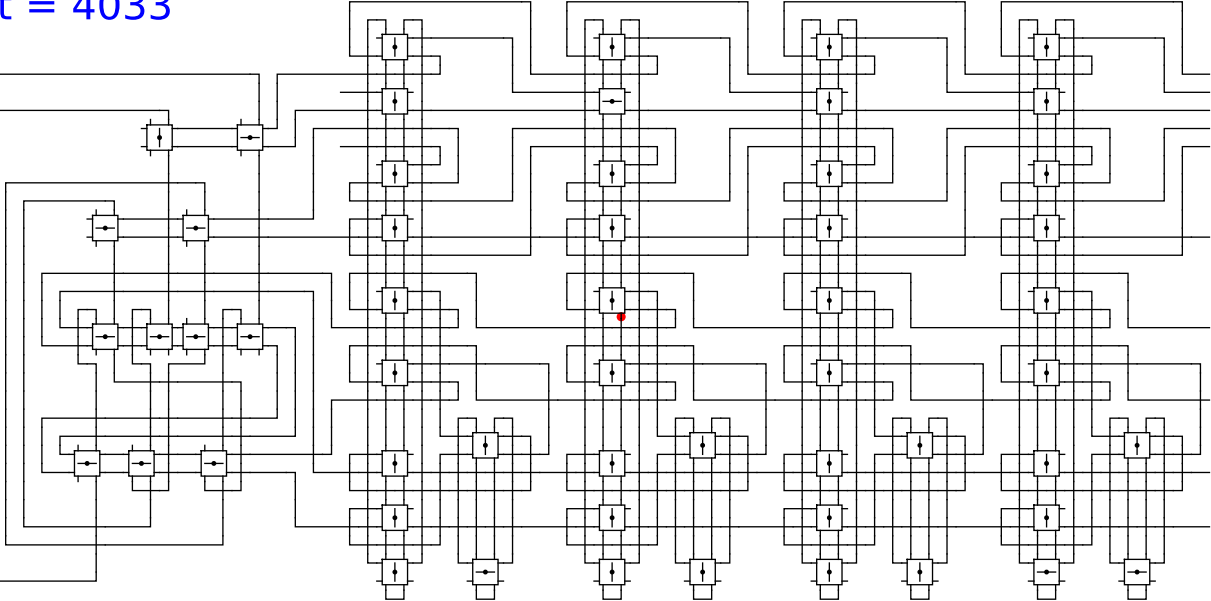
head

1

t = 4033

Reject
Accept

Begin



1

0

0

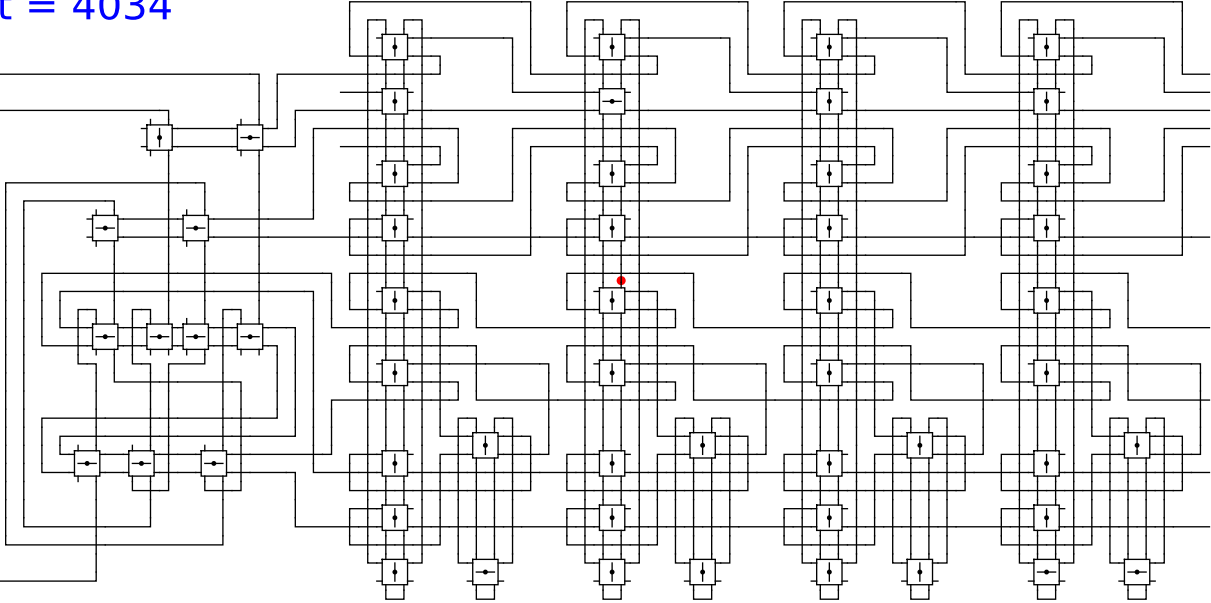
head

1

t = 4034

Reject
Accept

Begin

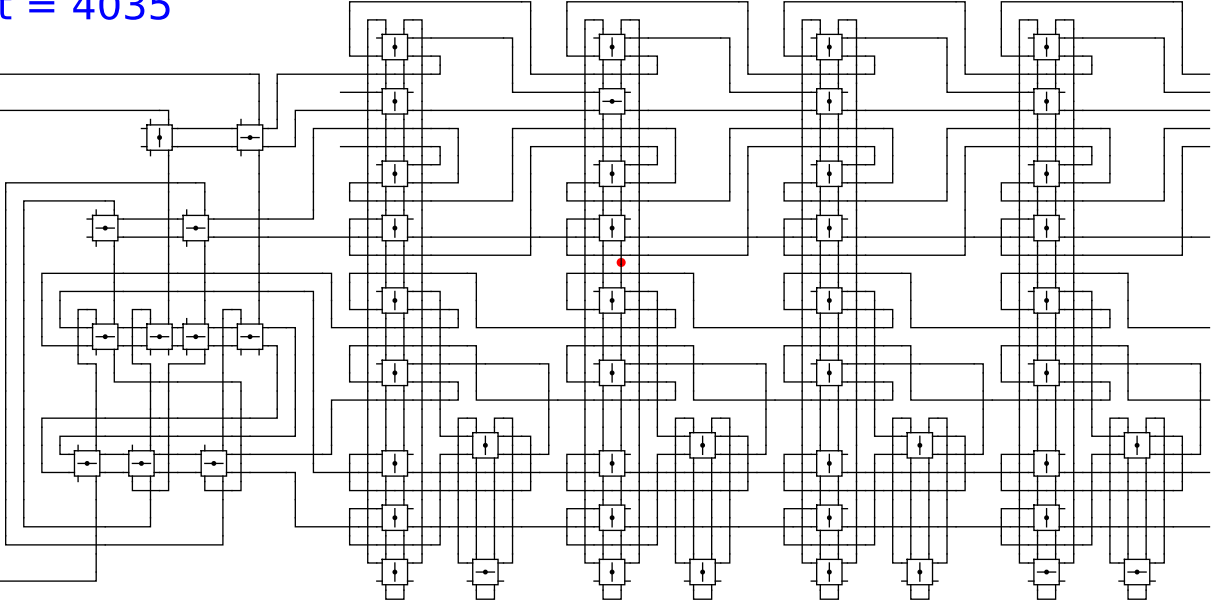


1 0 0 head 1

t = 4035

Reject
Accept

Begin



1

0

0

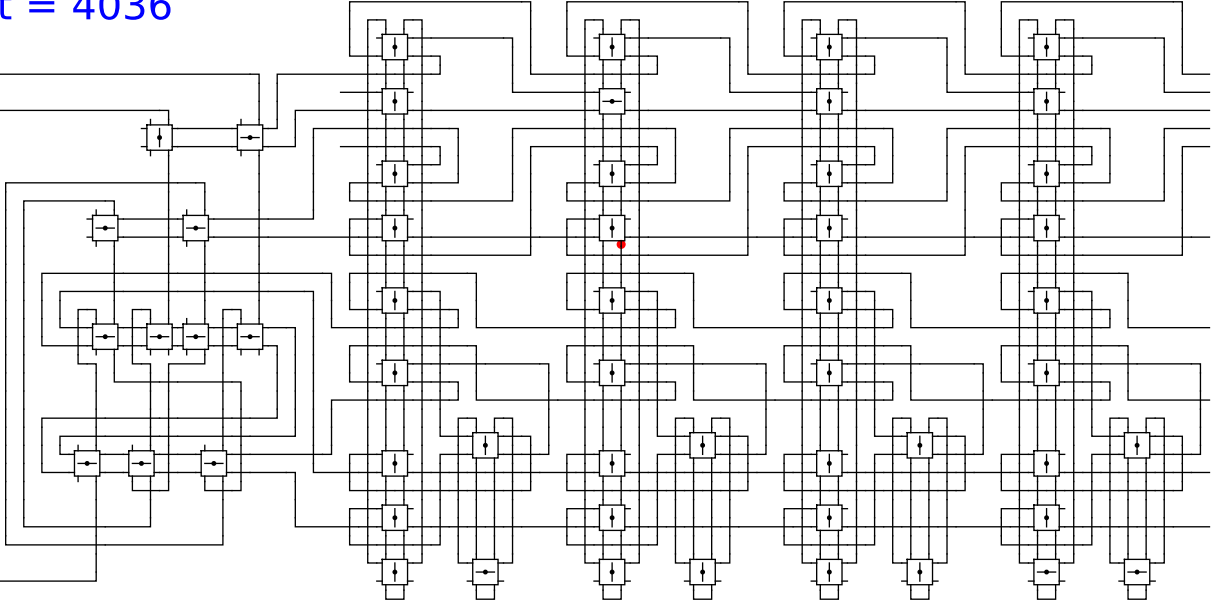
head

1

t = 4036

Reject
Accept

Begin



1

0

0

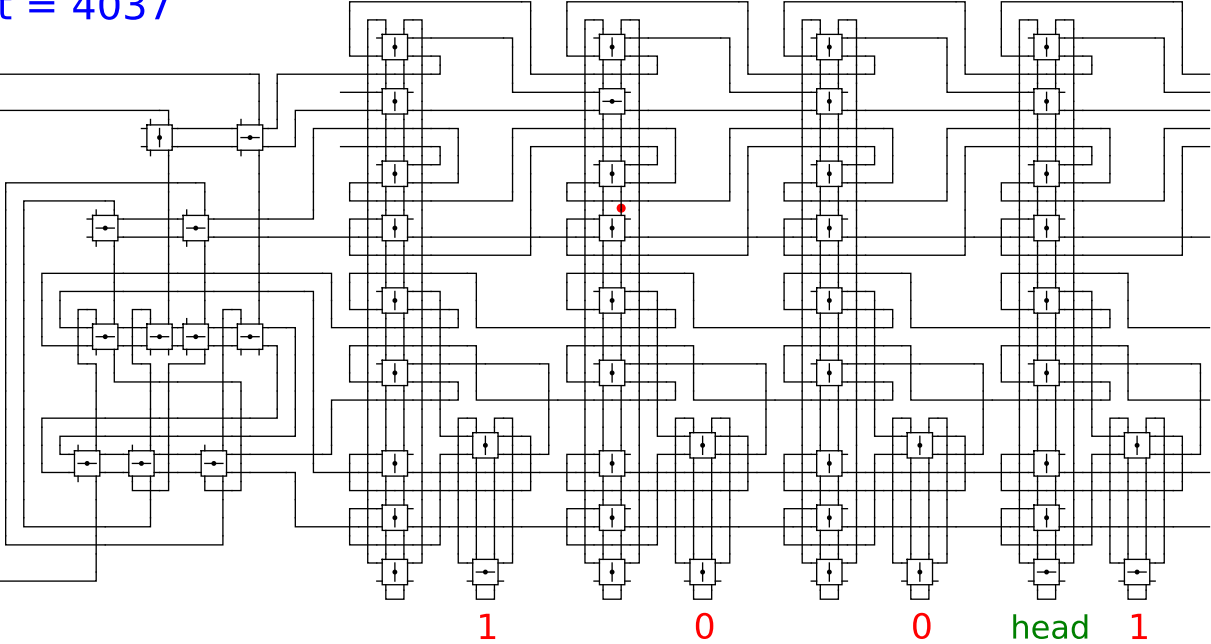
head

1

t = 4037

Reject
Accept

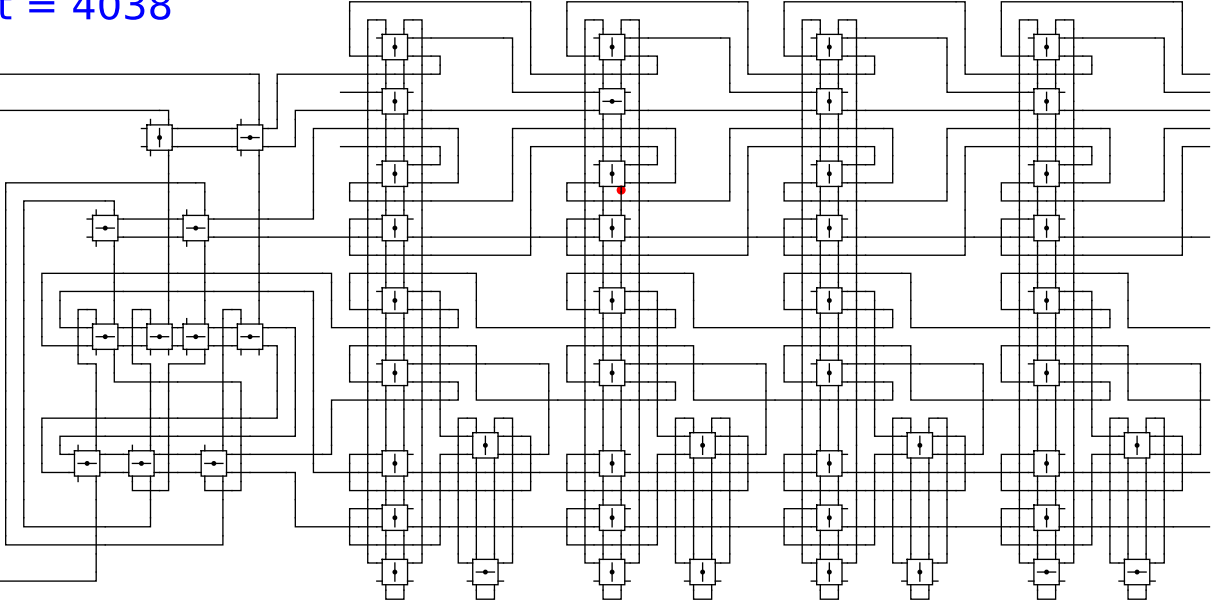
Begin



t = 4038

Reject
Accept

Begin



1

0

0

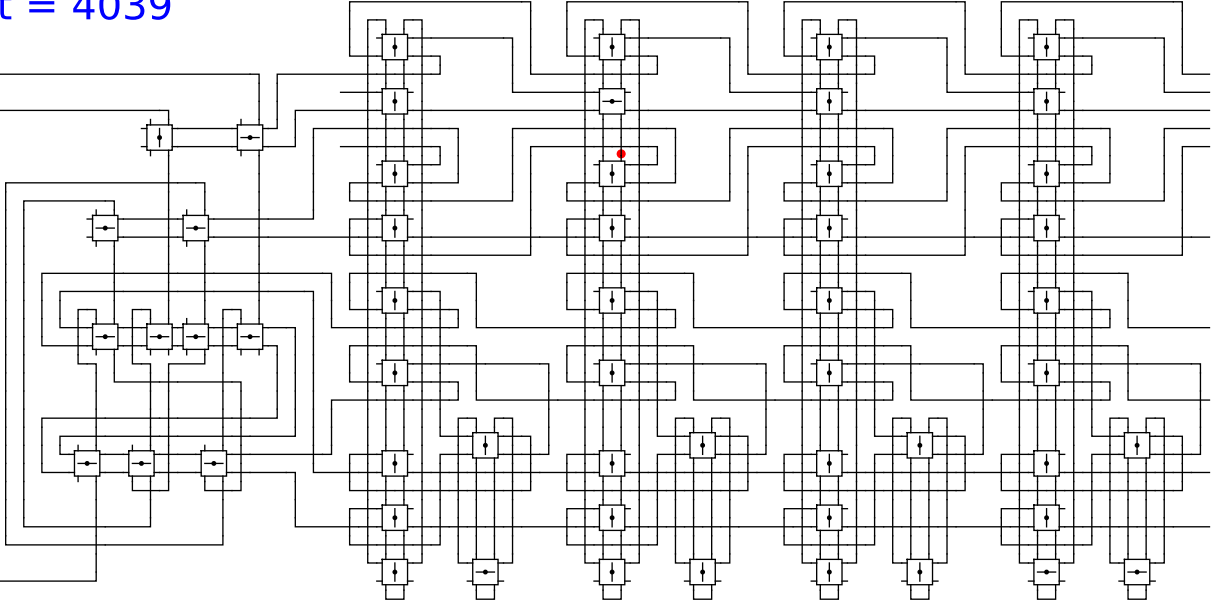
head

1

t = 4039

Reject
Accept

Begin



1

0

0

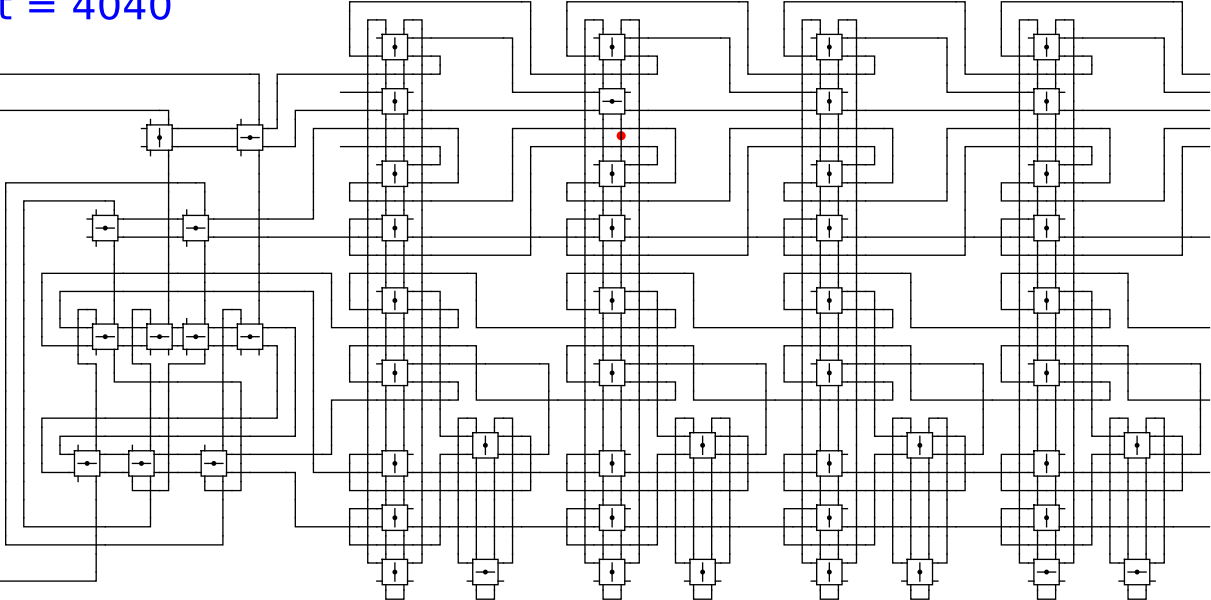
head

1

t = 4040

Reject
Accept

Begin



1

0

0

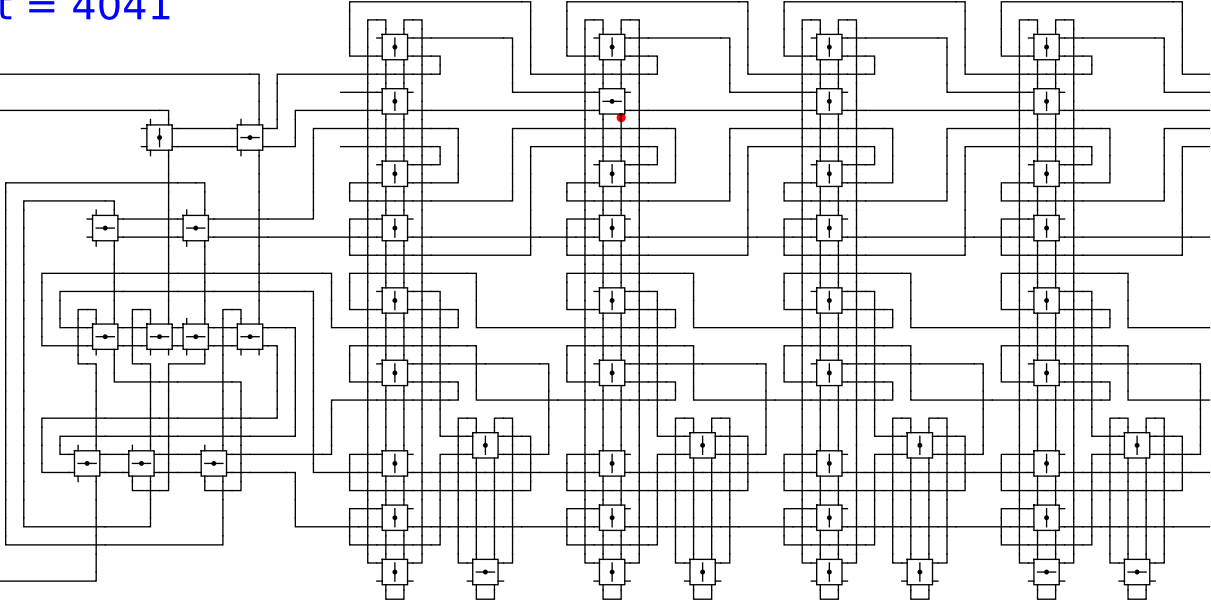
head

1

t = 4041

Reject
Accept

Begin

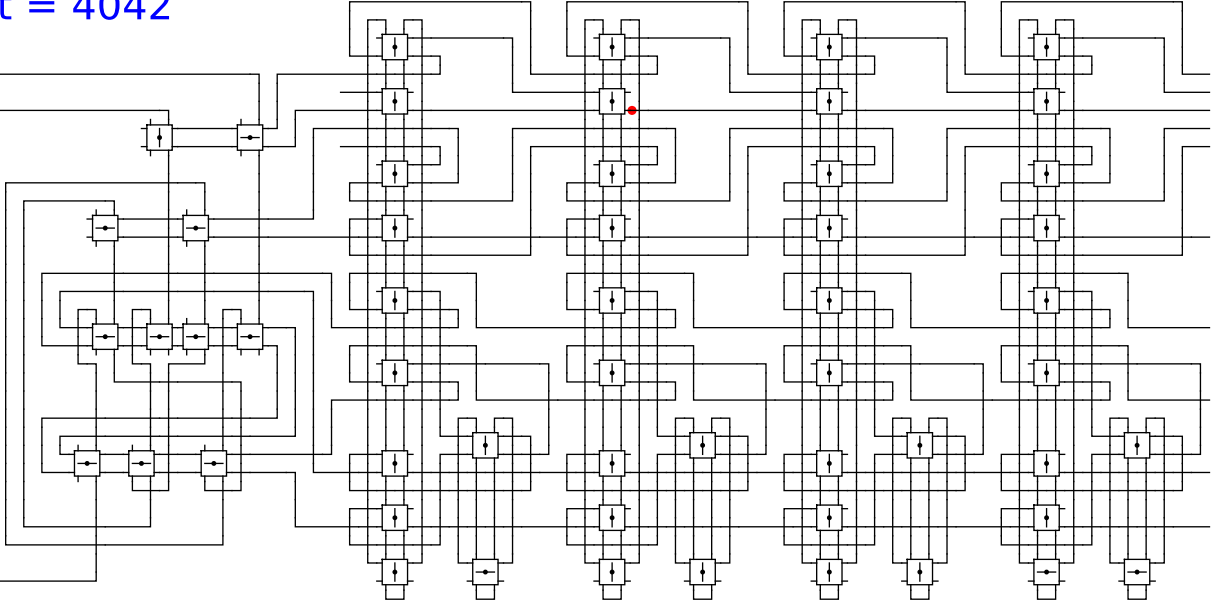


1 0 0 head 1

t = 4042

Reject
Accept

Begin



1

0

0

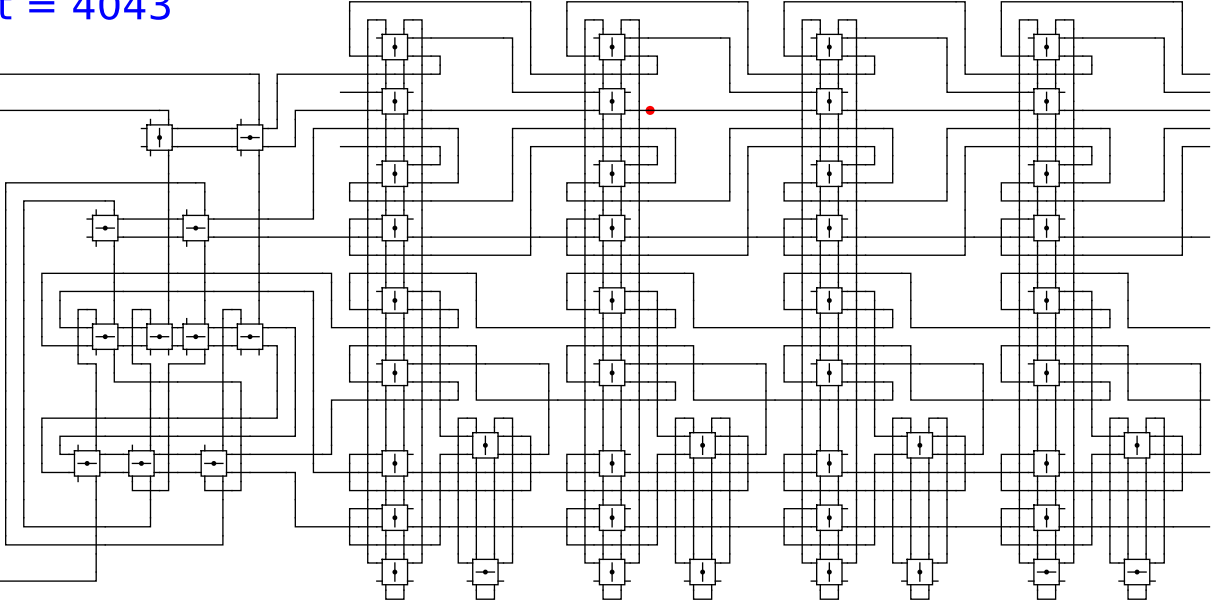
head

1

t = 4043

Reject
Accept

Begin

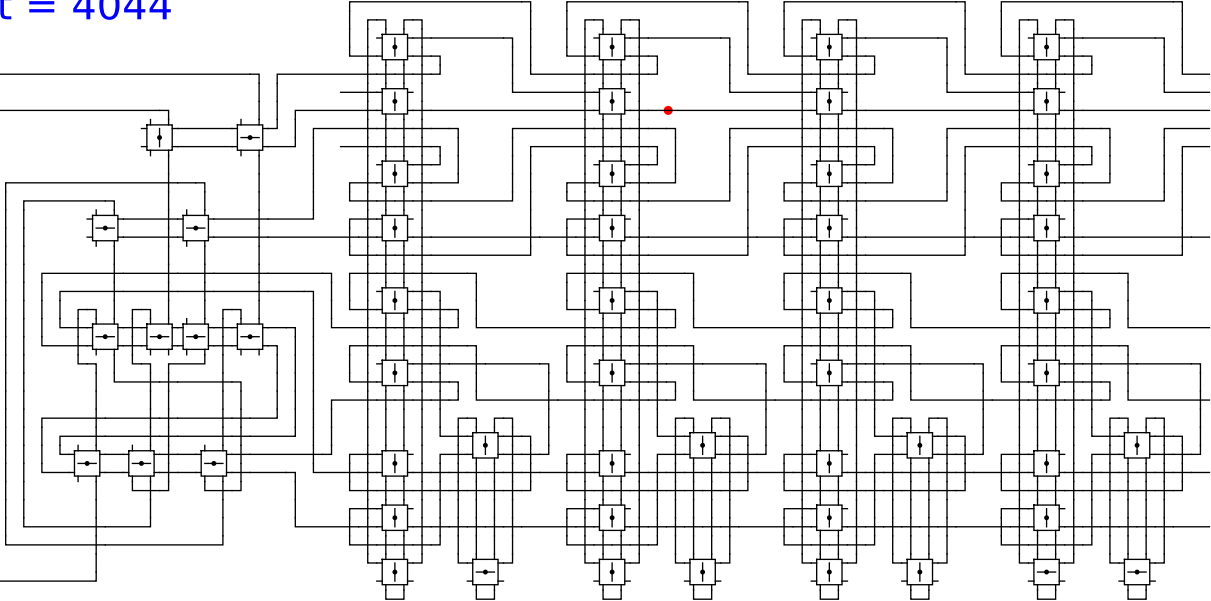


1 0 0 head 1

t = 4044

Reject
Accept

Begin



1

0

0

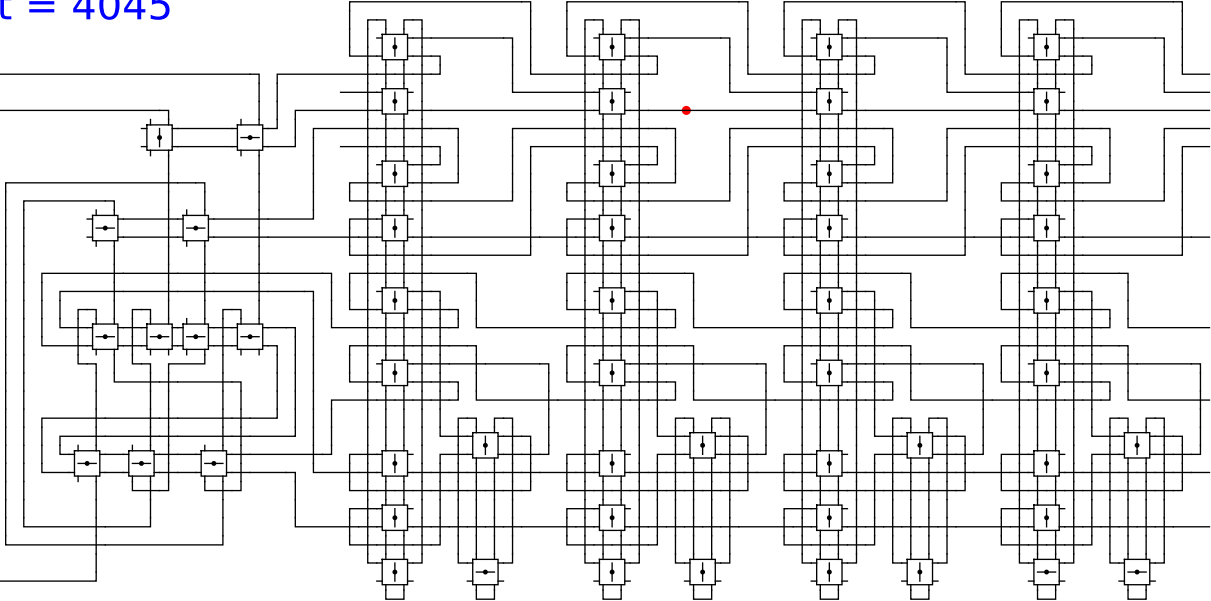
head

1

t = 4045

Reject
Accept

Begin



1

0

0

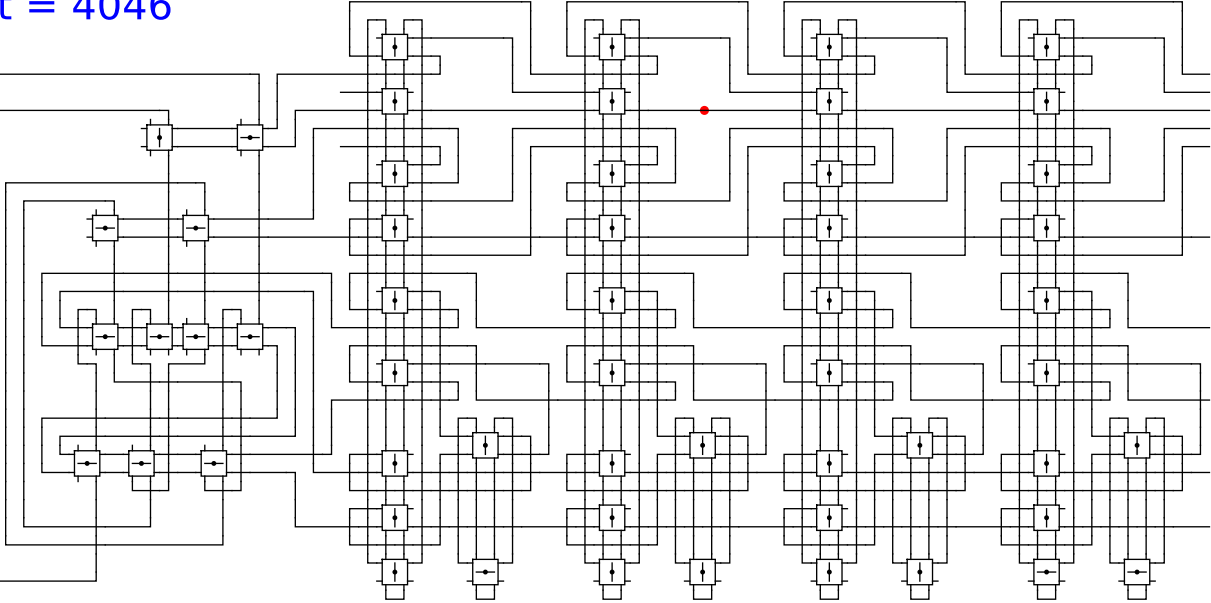
head

1

t = 4046

Reject
Accept

Begin



1

0

0

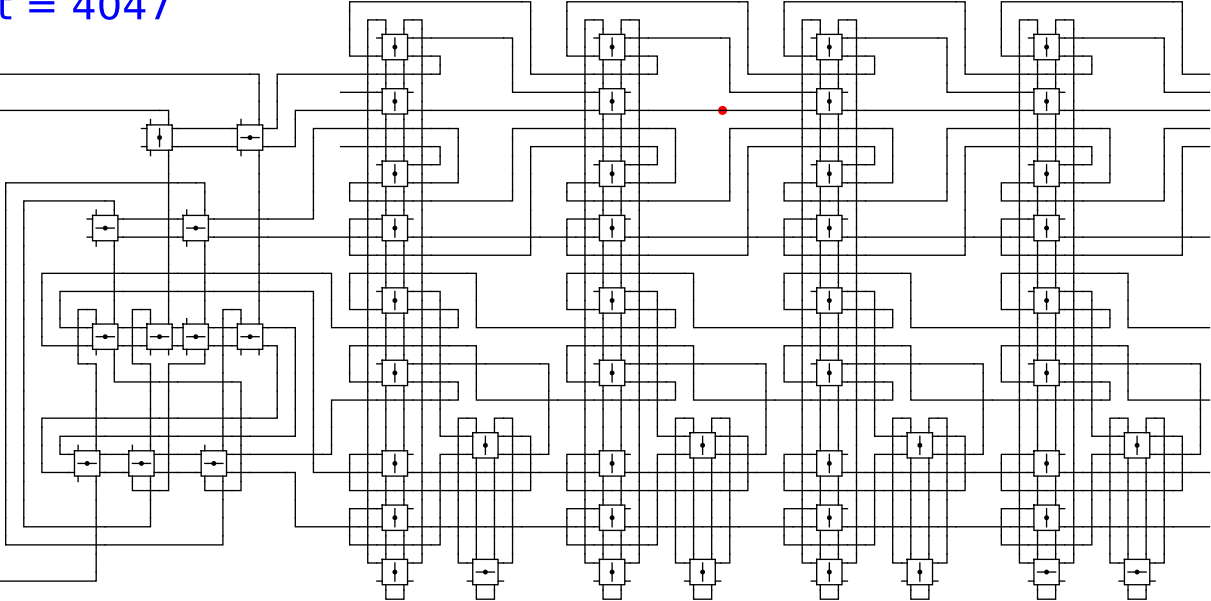
head

1

t = 4047

Reject
Accept

Begin



1

0

0

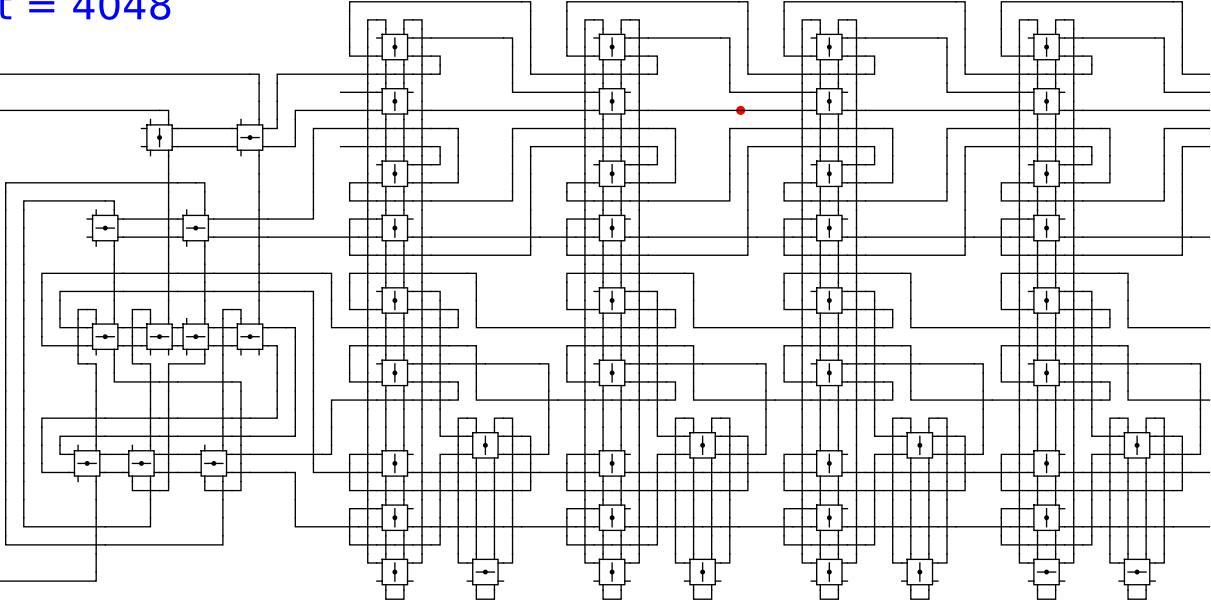
head

1

t = 4048

Reject
Accept

Begin

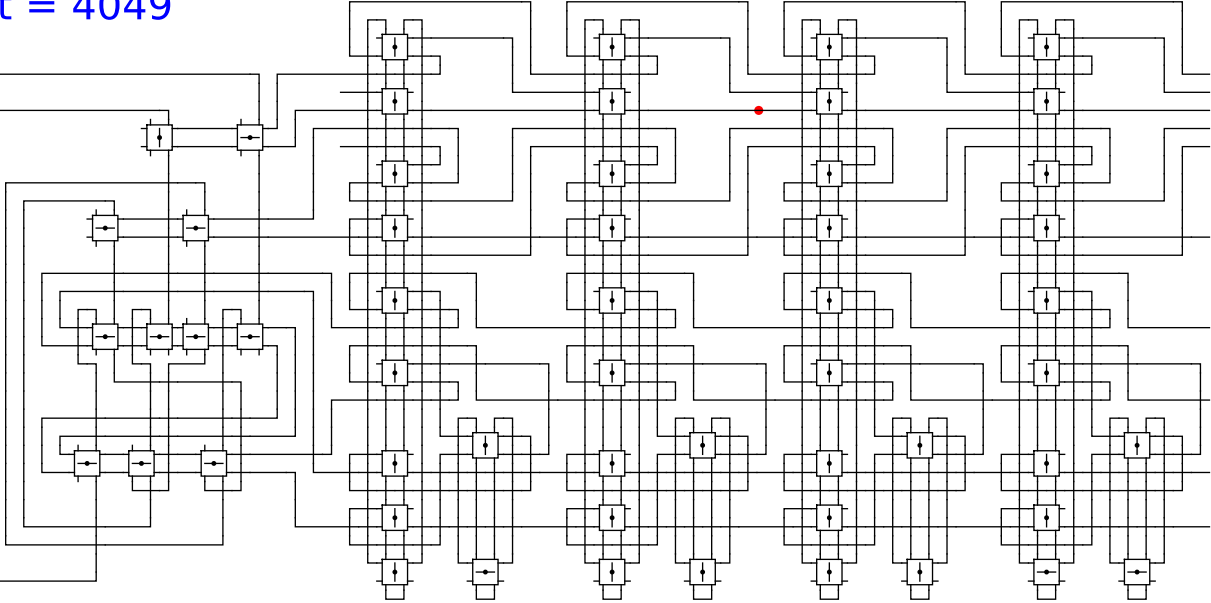


1 0 0 head 1

t = 4049

Reject
Accept

Begin



1

0

0

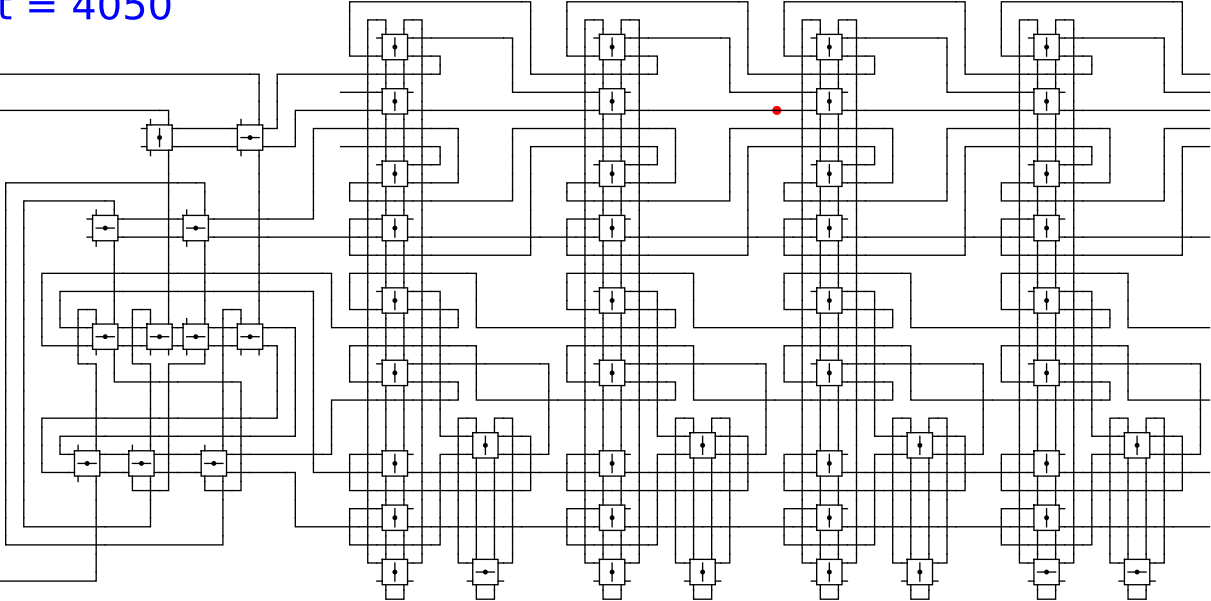
head

1

t = 4050

Reject
Accept

Begin



1

0

0

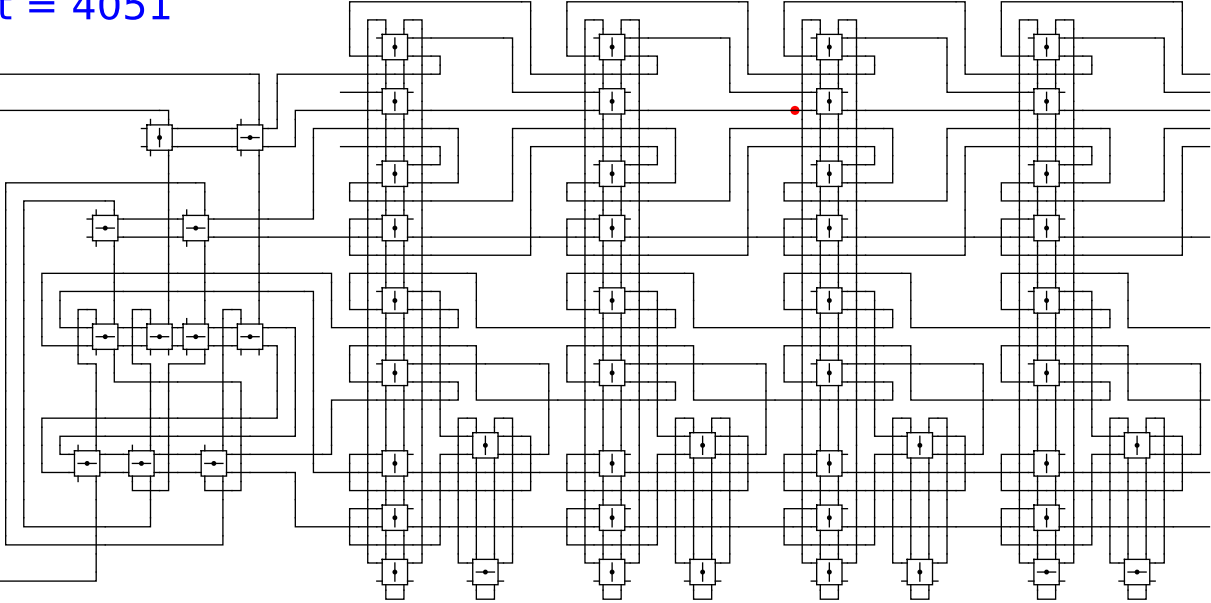
head

1

t = 4051

Reject
Accept

Begin



1

0

0

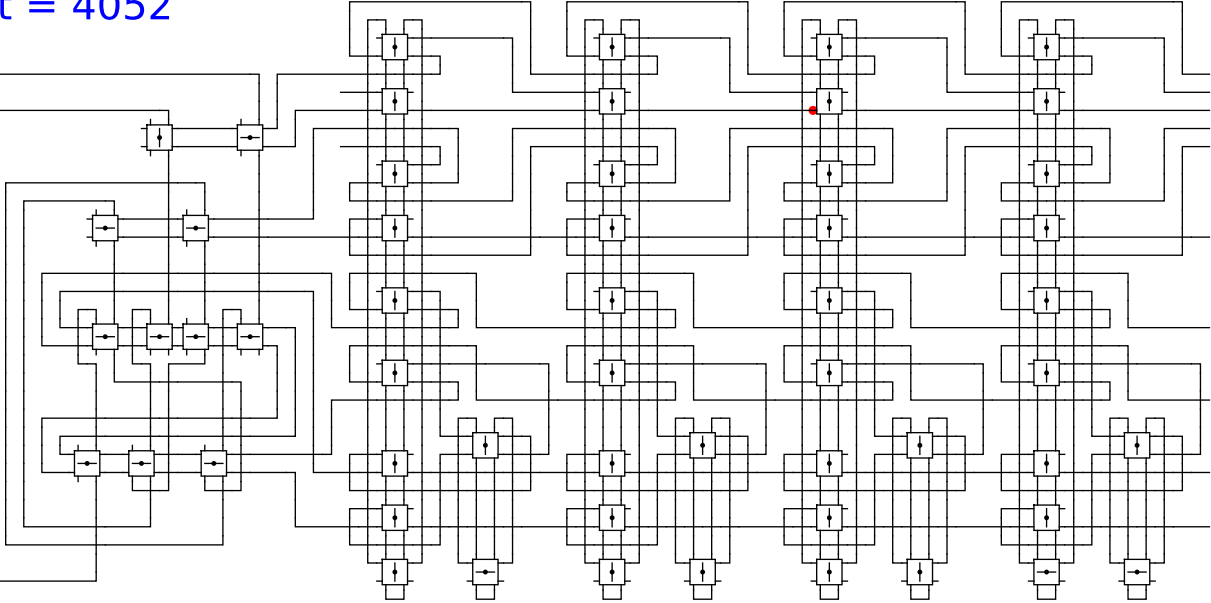
head

1

t = 4052

Reject
Accept

Begin



1

0

0

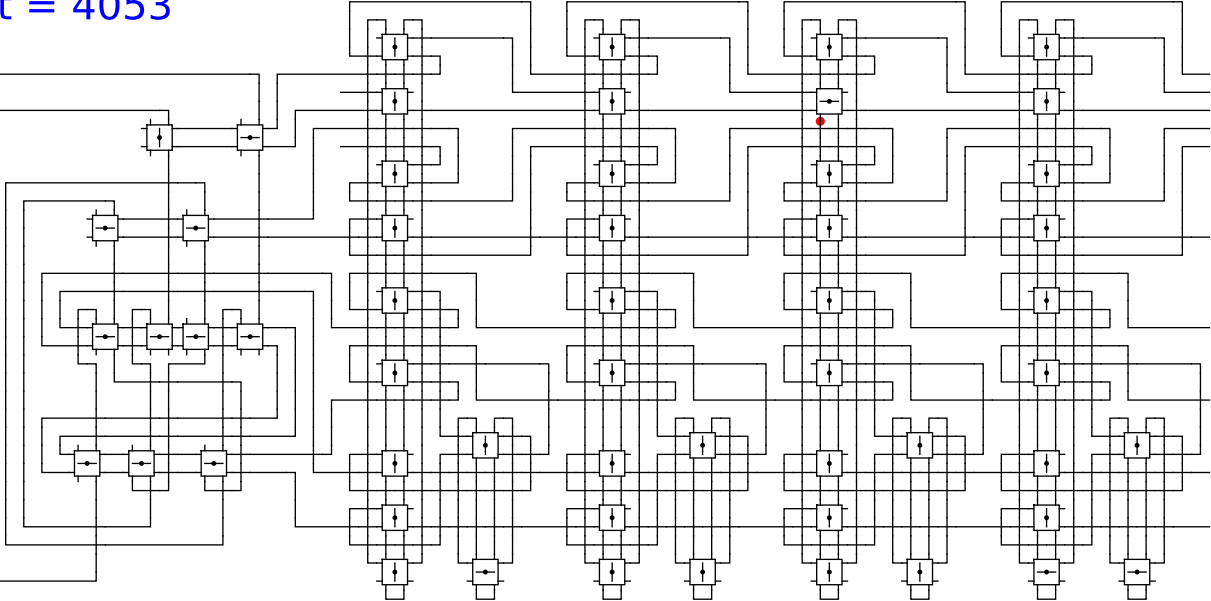
head

1

t = 4053

Reject
Accept

Begin



1

0

0

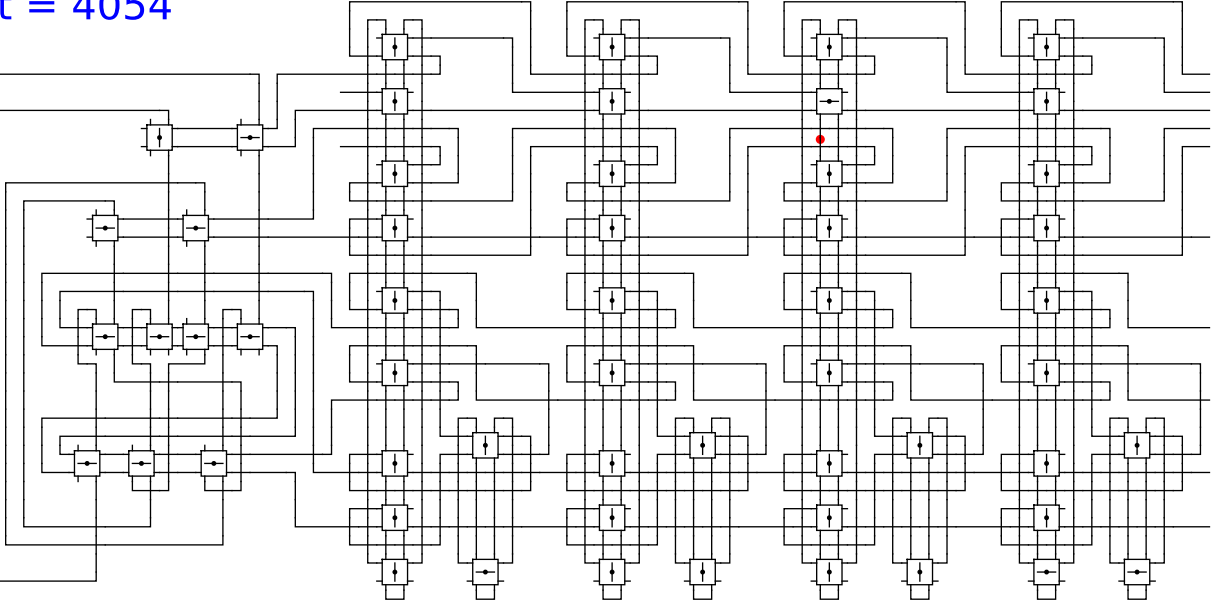
head

1

t = 4054

Reject
Accept

Begin

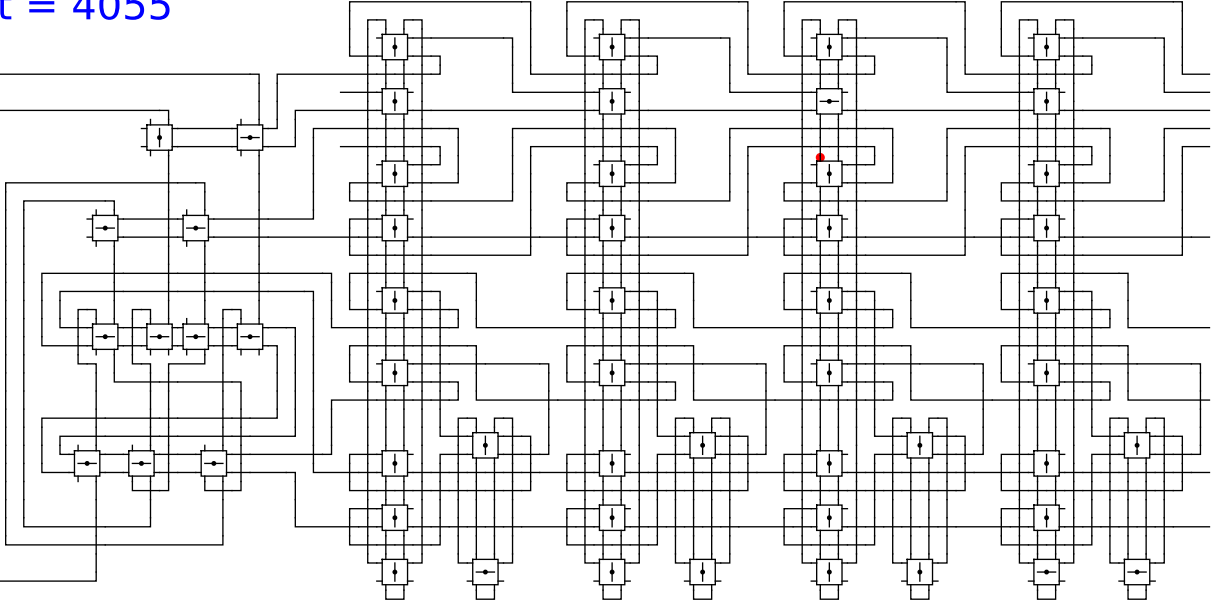


1 0 0 head 1

t = 4055

Reject
Accept

Begin



1

0

0

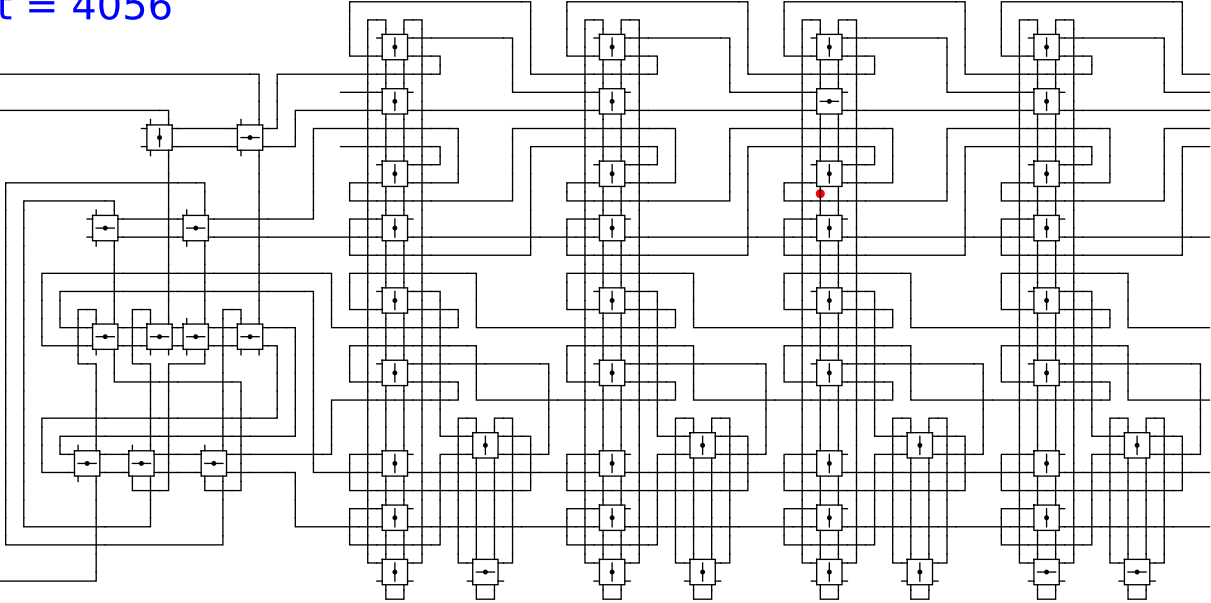
head

1

t = 4056

Reject
Accept

Begin



1

0

0

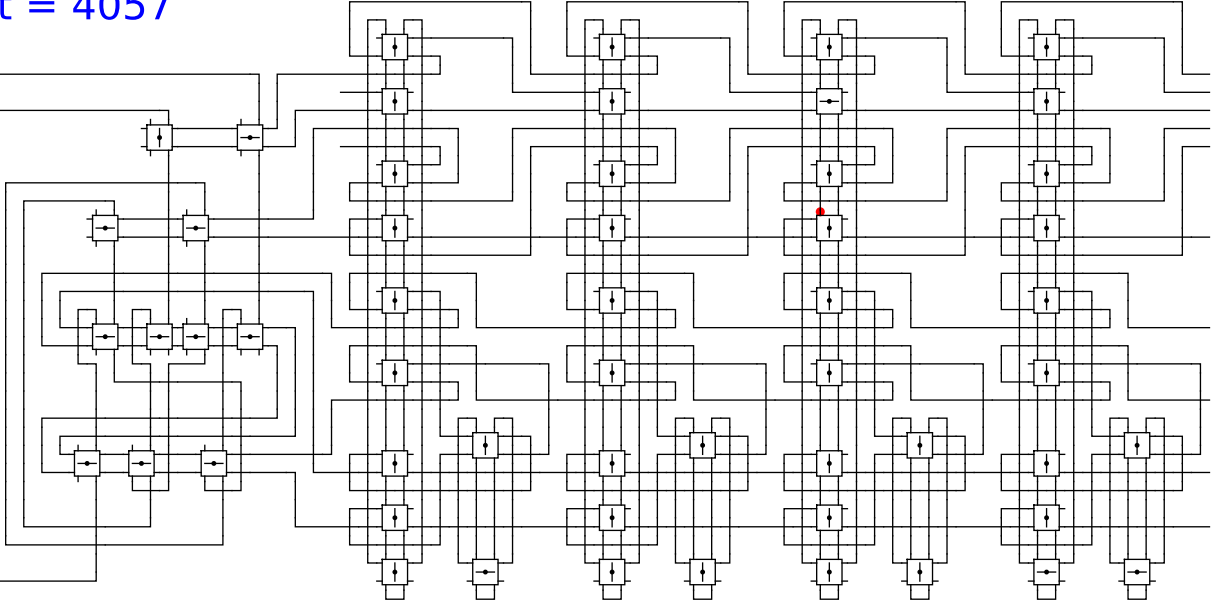
head

1

t = 4057

Reject
Accept

Begin

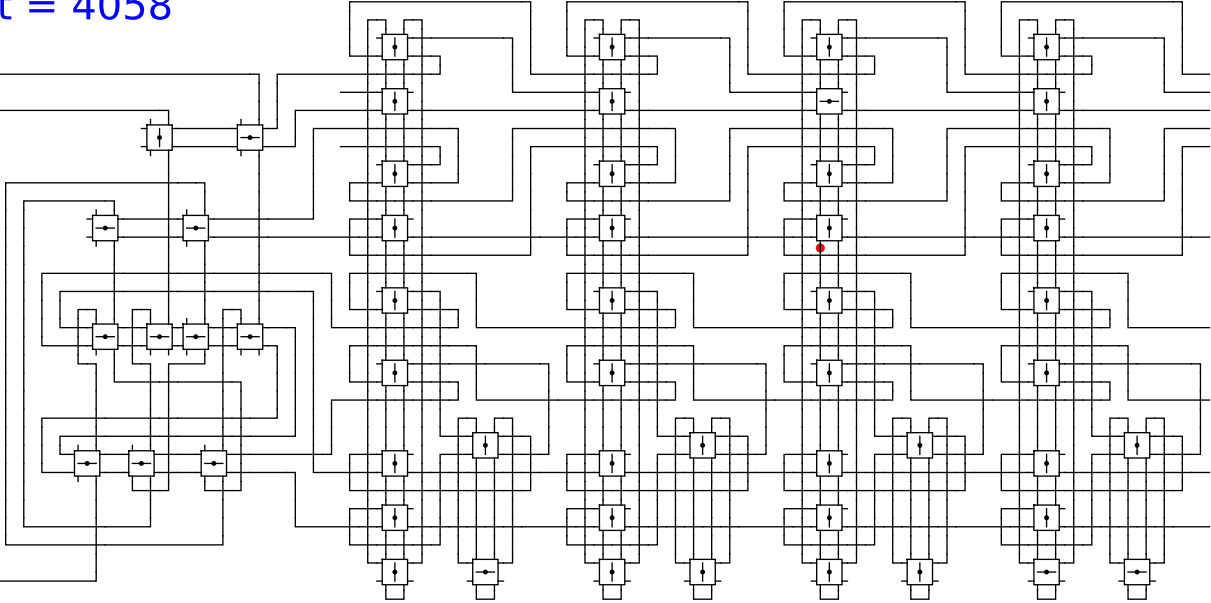


1 0 0 head 1

t = 4058

Reject
Accept

Begin



1

0

0

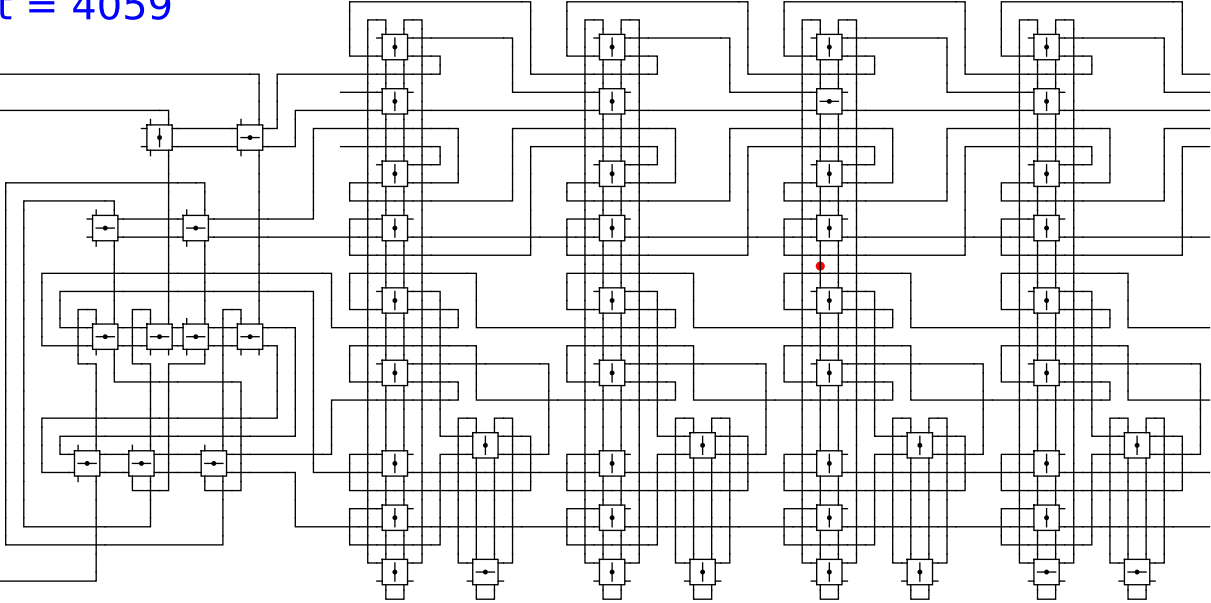
head

1

t = 4059

Reject
Accept

Begin



1

0

0

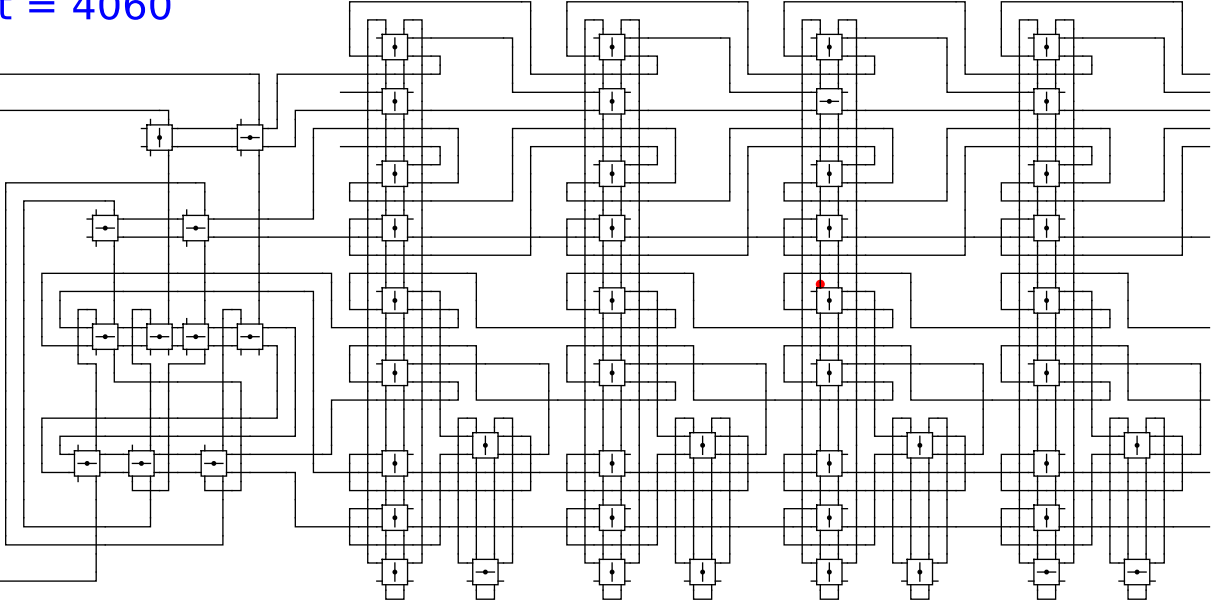
head

1

t = 4060

Reject
Accept

Begin

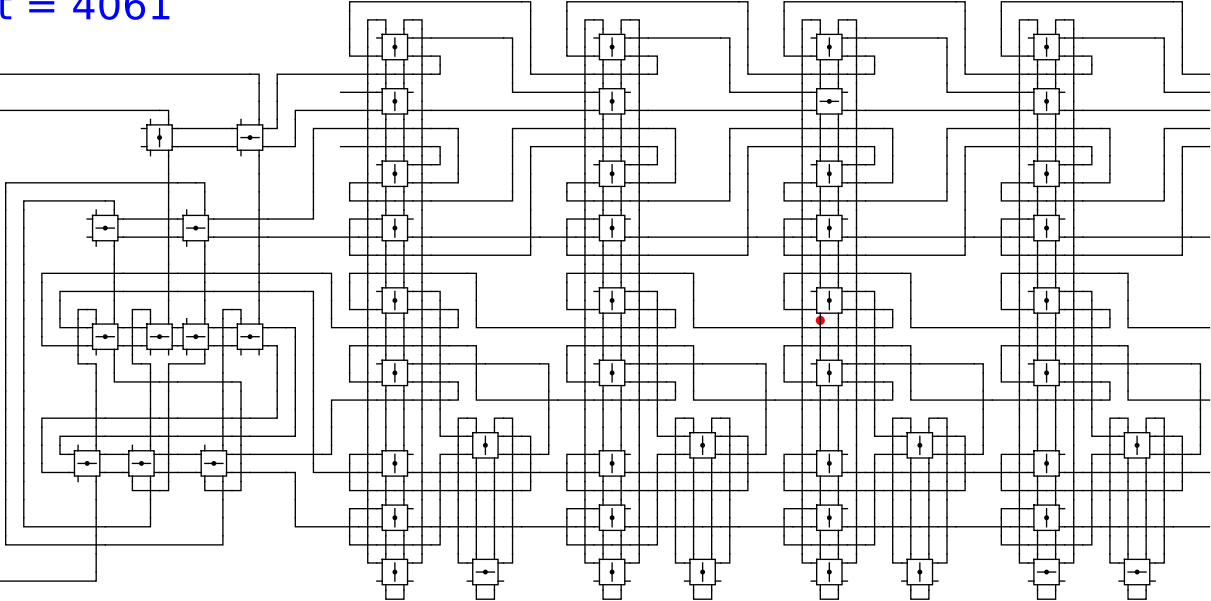


1 0 0 head 1

t = 4061

Reject
Accept

Begin



1

0

0

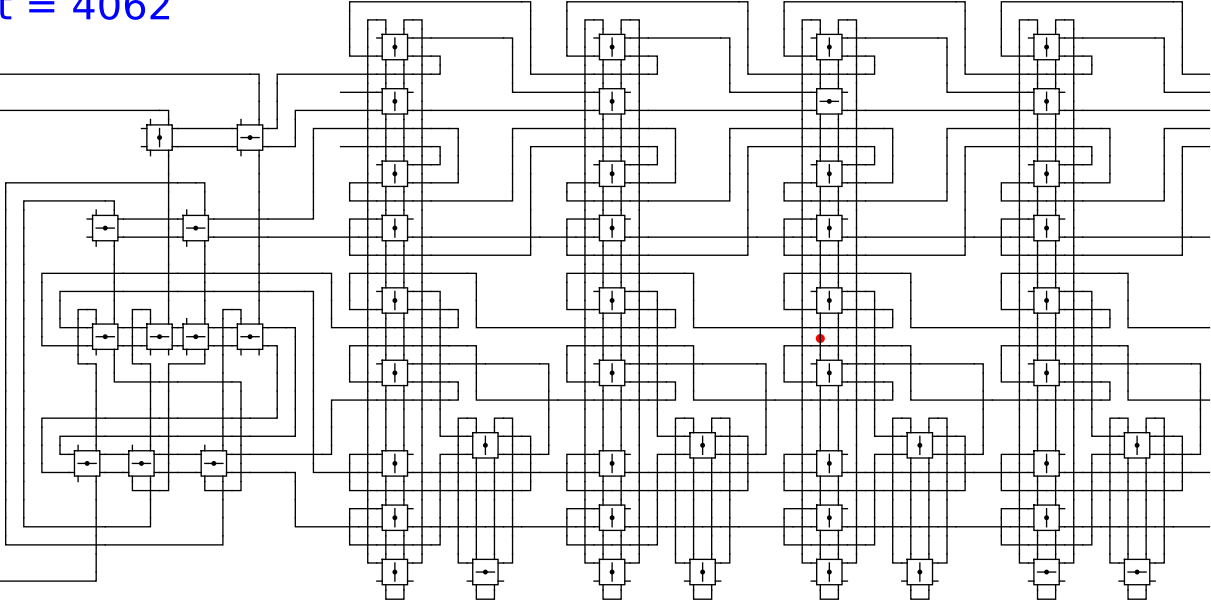
head

1

t = 4062

Reject
Accept

Begin



1

0

0

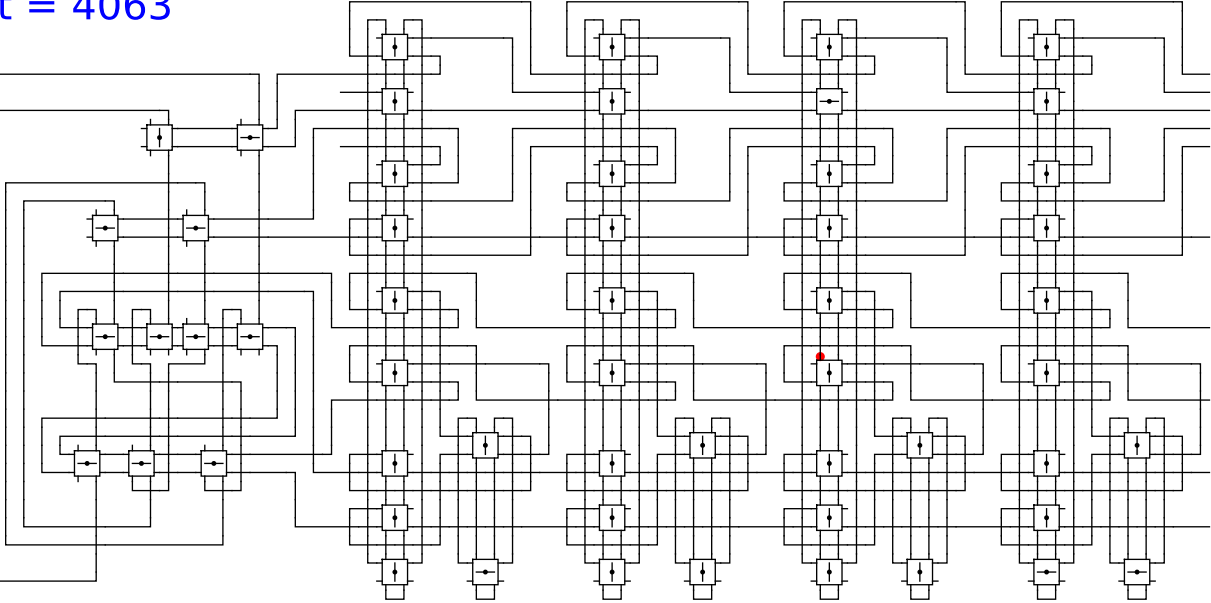
head

1

t = 4063

Reject
Accept

Begin



1

0

0

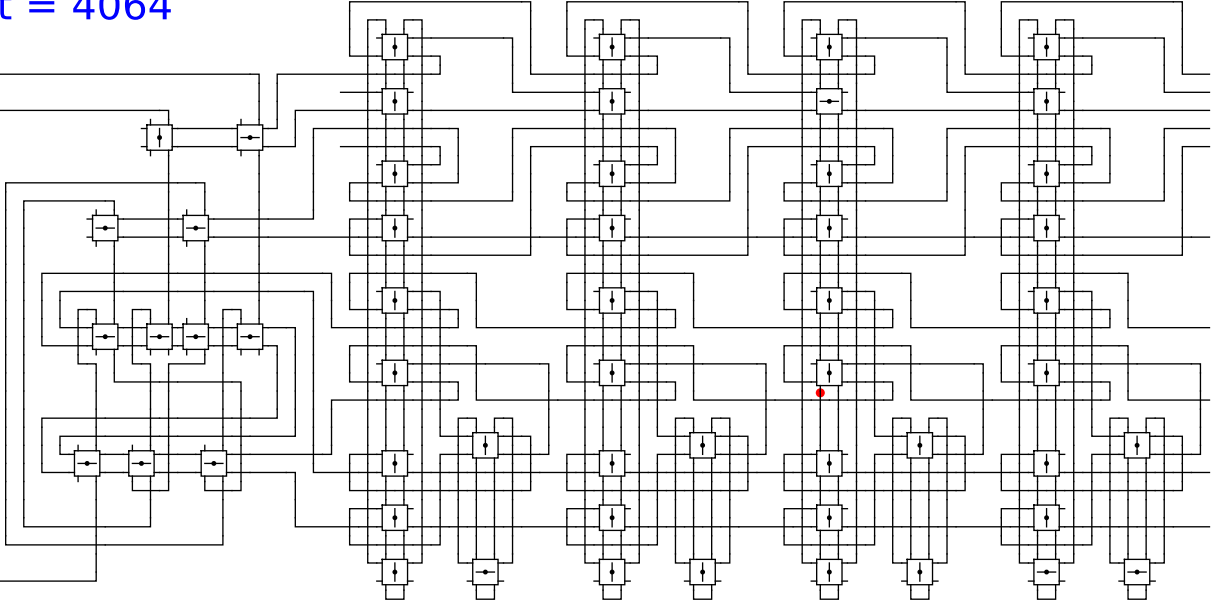
head

1

t = 4064

Reject
Accept

Begin

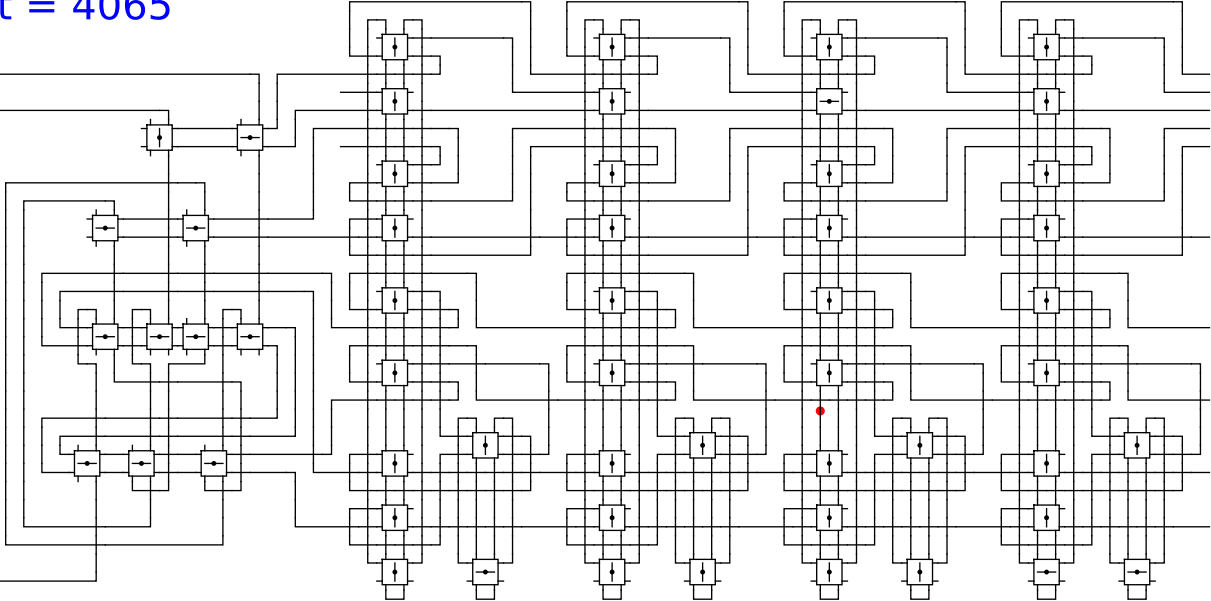


1 0 0 head 1

t = 4065

Reject
Accept

Begin



1

0

0

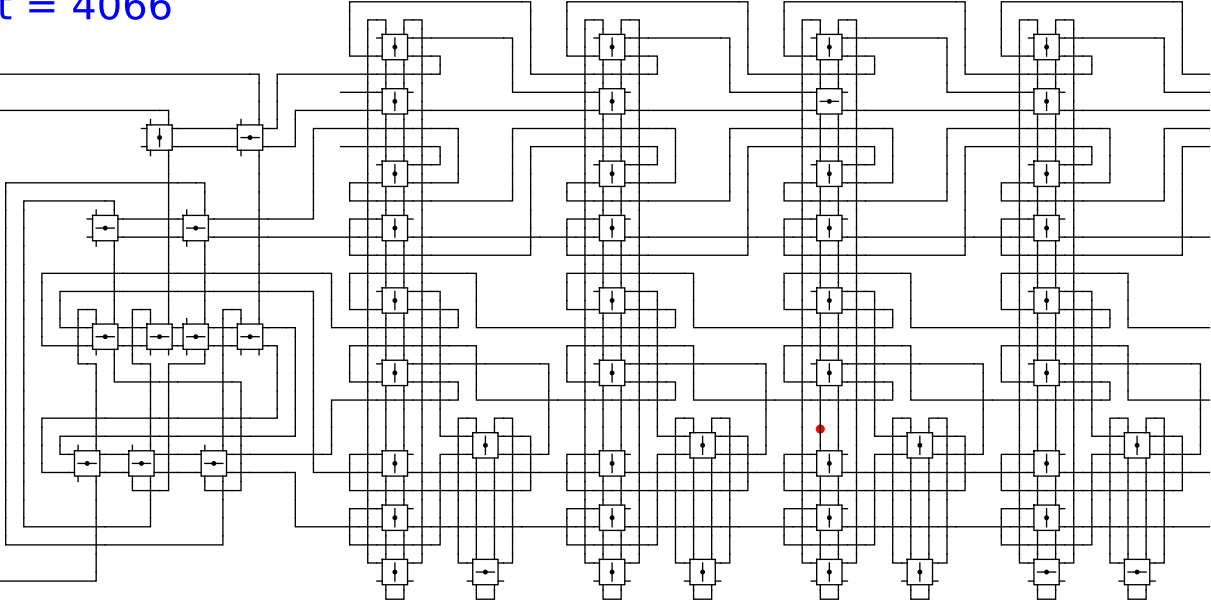
head

1

t = 4066

Reject
Accept

Begin



1

0

0

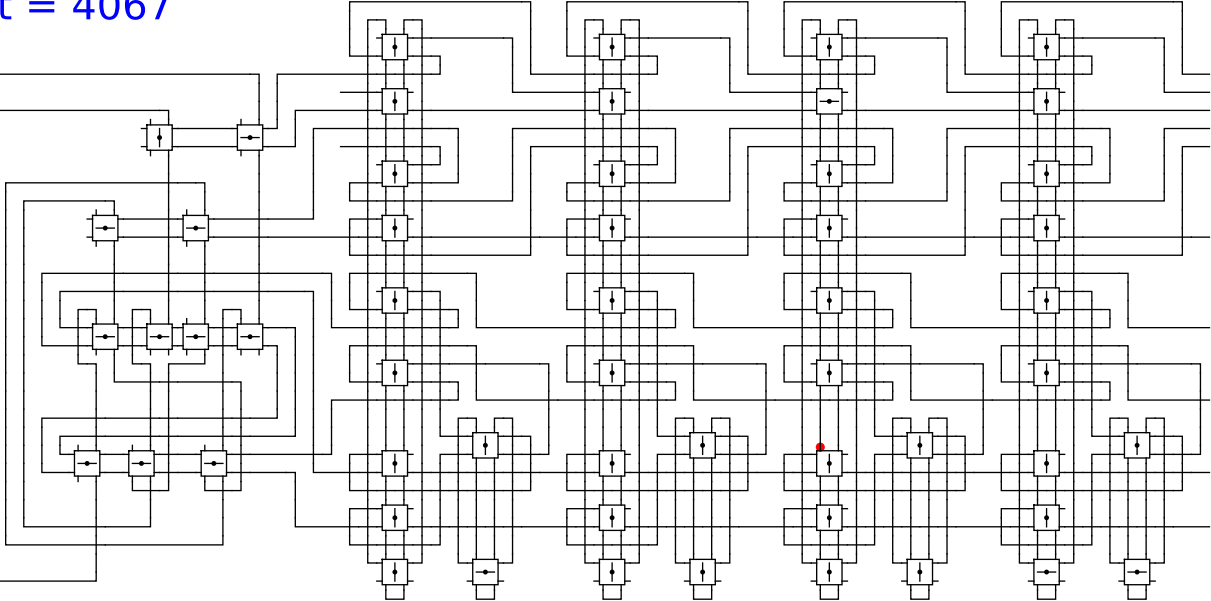
head

1

t = 4067

Reject
Accept

Begin

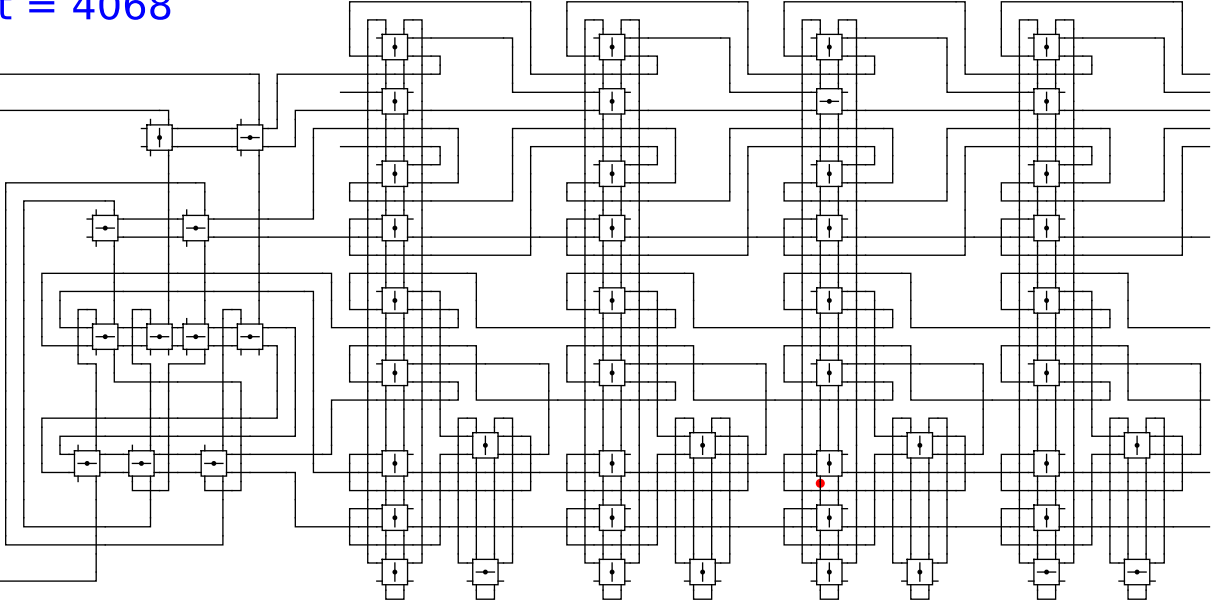


1 0 0 head 1

t = 4068

Reject
Accept

Begin

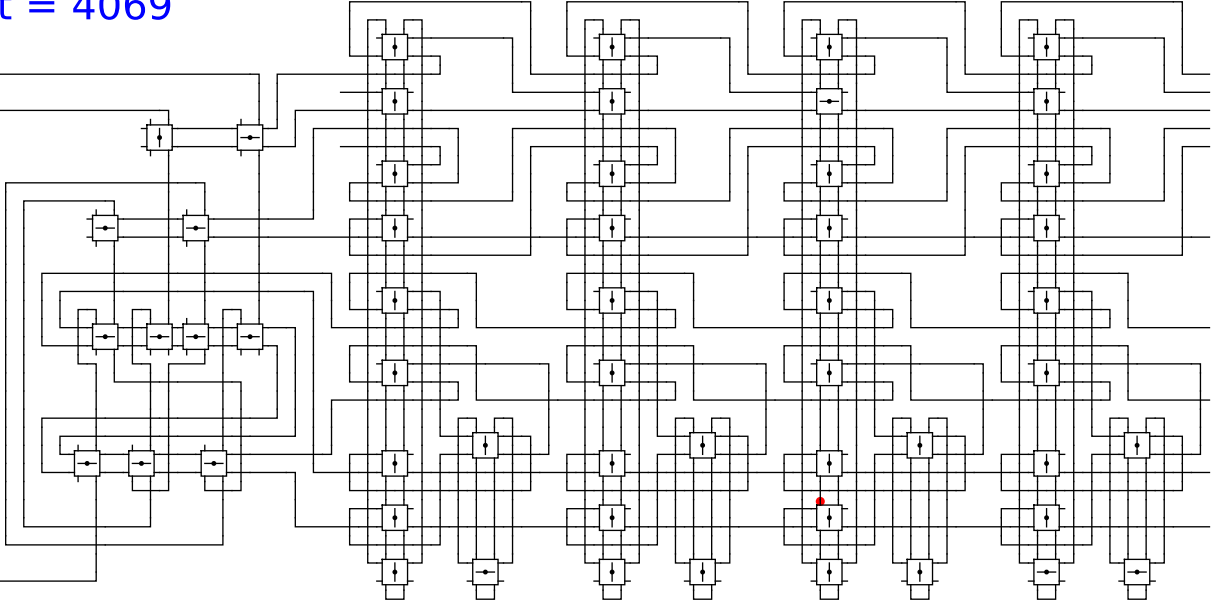


1 0 0 head 1

t = 4069

Reject
Accept

Begin



1

0

0

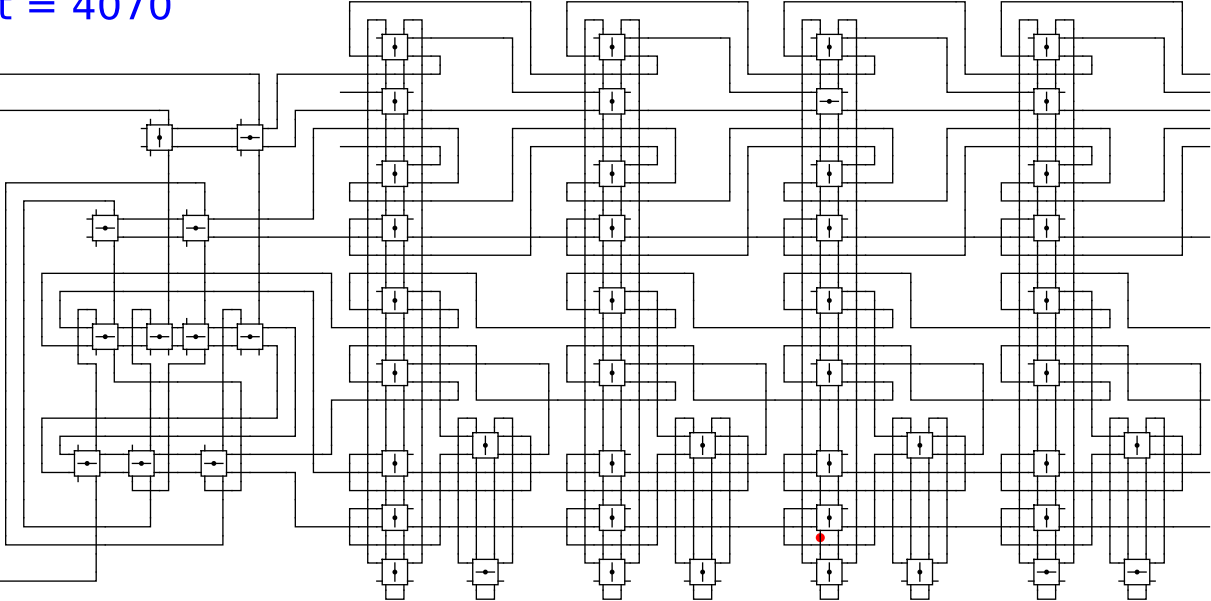
head

1

t = 4070

Reject
Accept

Begin



1

0

0

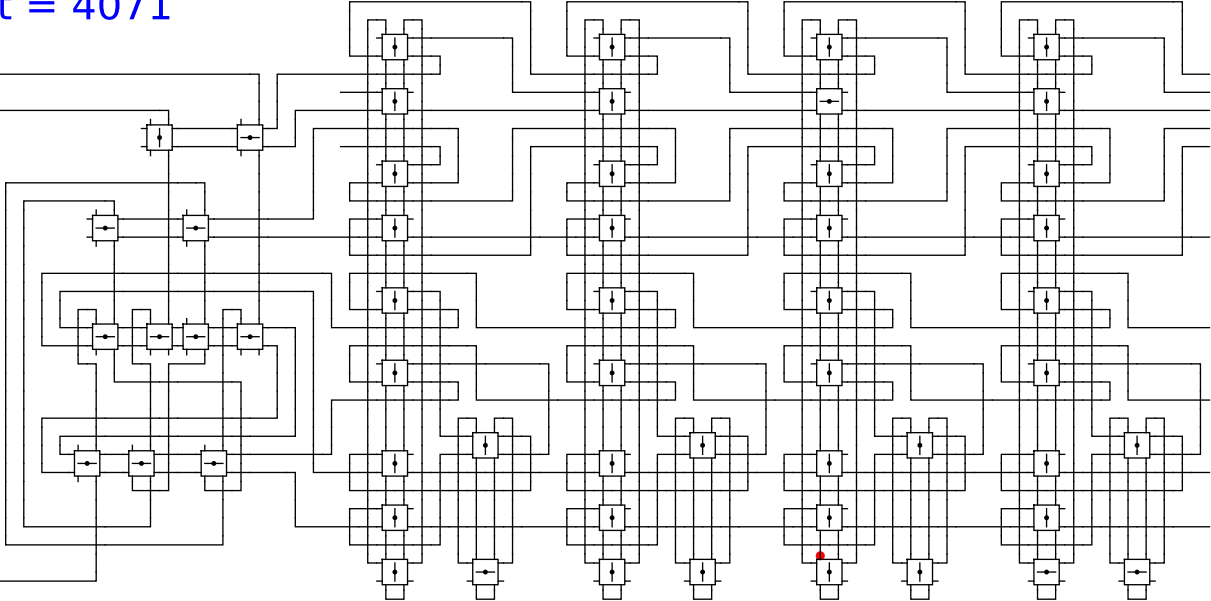
head

1

t = 4071

Reject
Accept

Begin



1

0

0

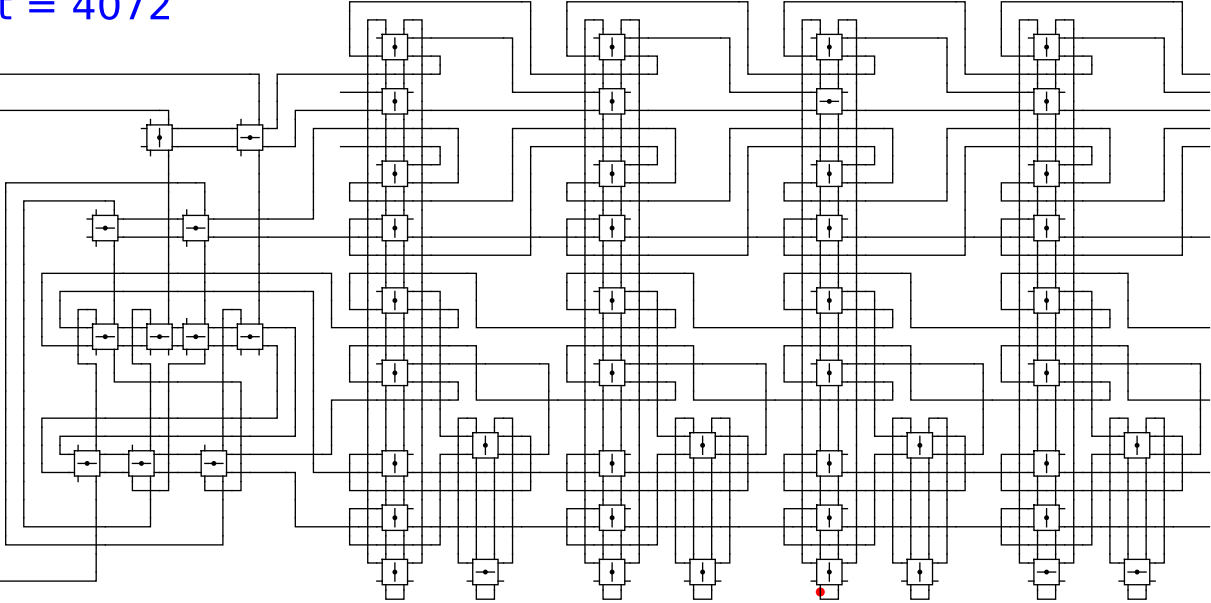
head

1

t = 4072

Reject
Accept

Begin



1

0

0

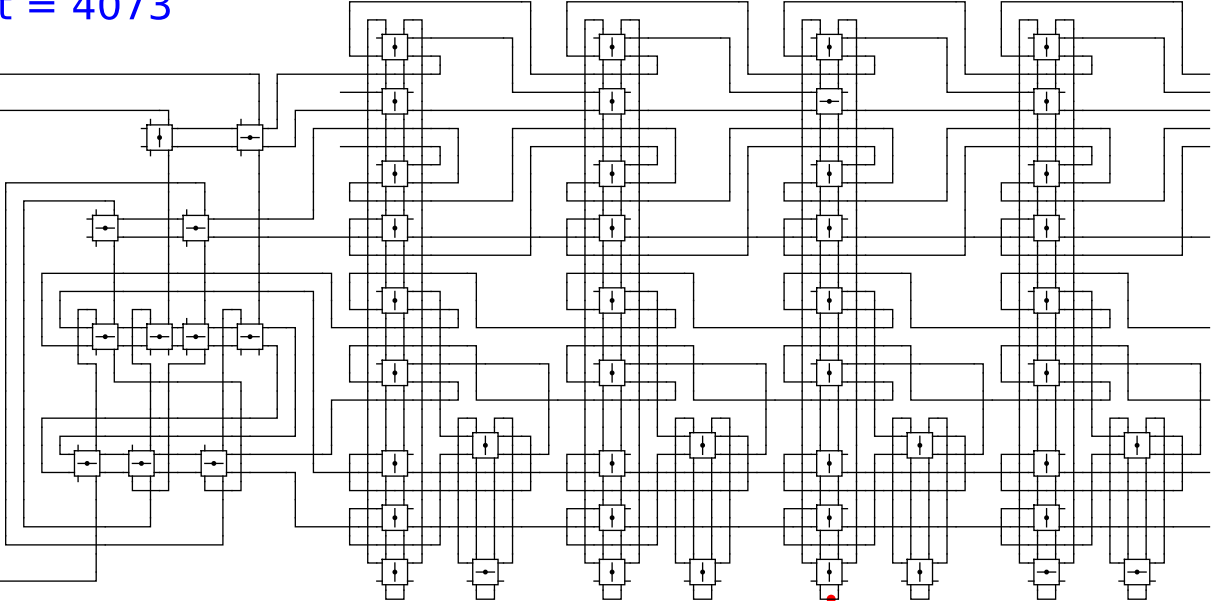
head

1

t = 4073

Reject
Accept

Begin



1

0

0

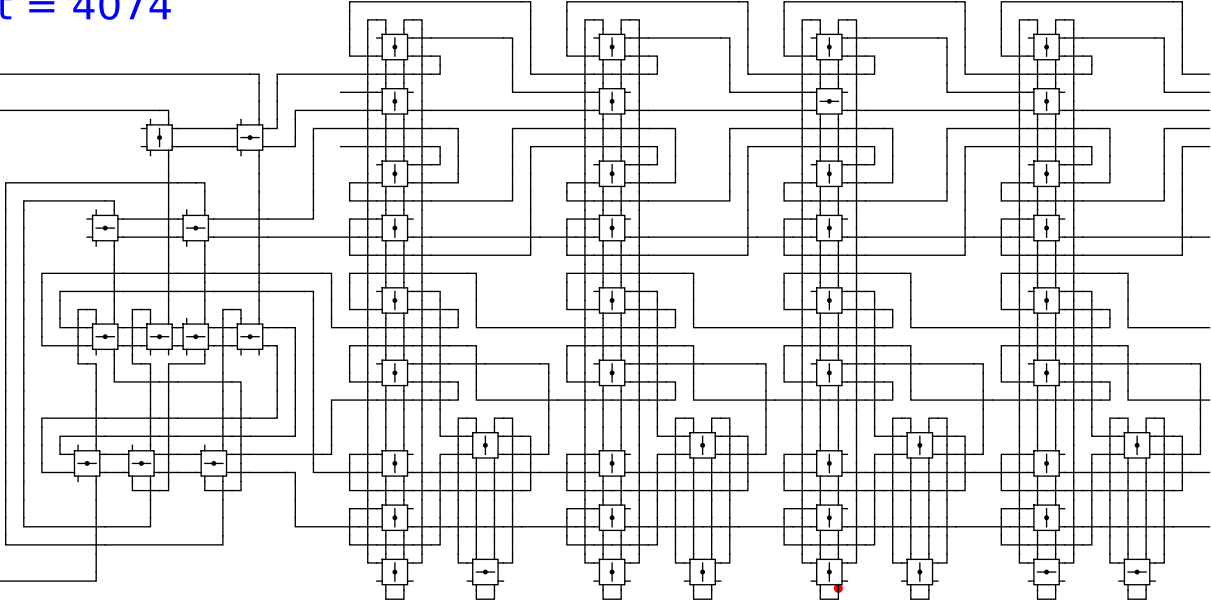
head

1

t = 4074

Reject
Accept

Begin



1

0

0

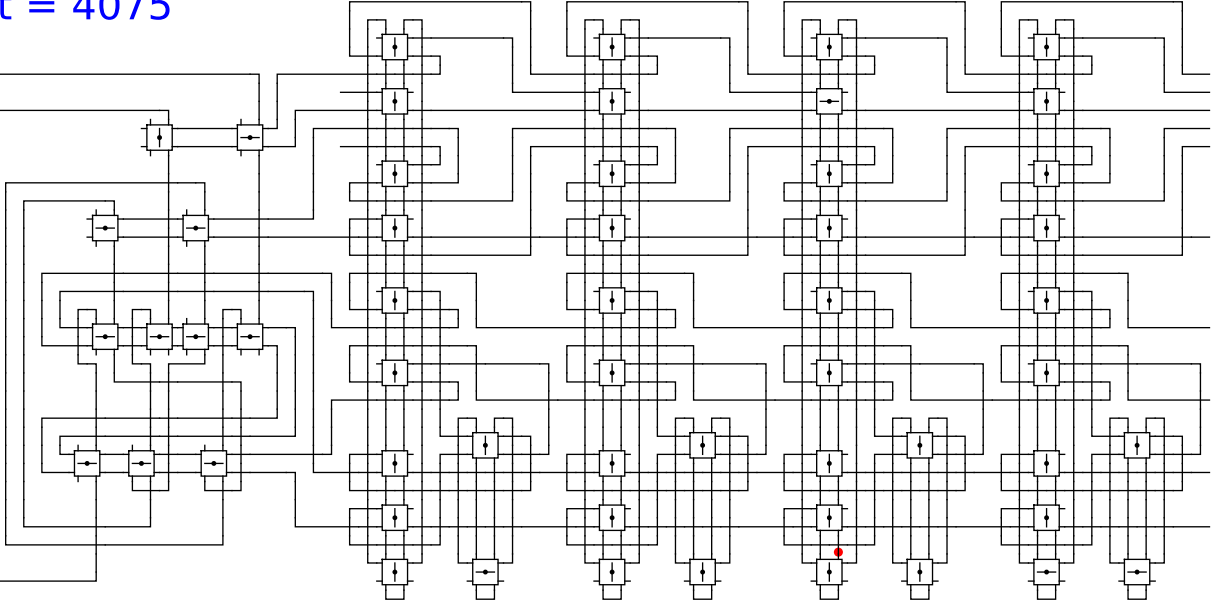
head

1

t = 4075

Reject
Accept

Begin



1

0

0

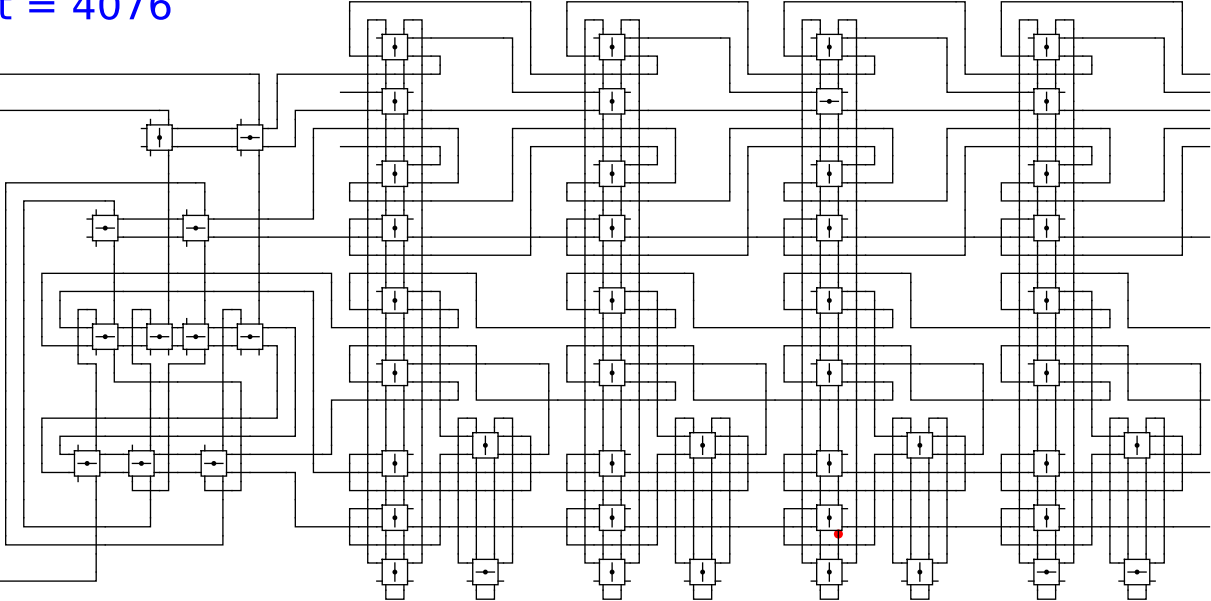
head

1

t = 4076

Reject
Accept

Begin



1

0

0

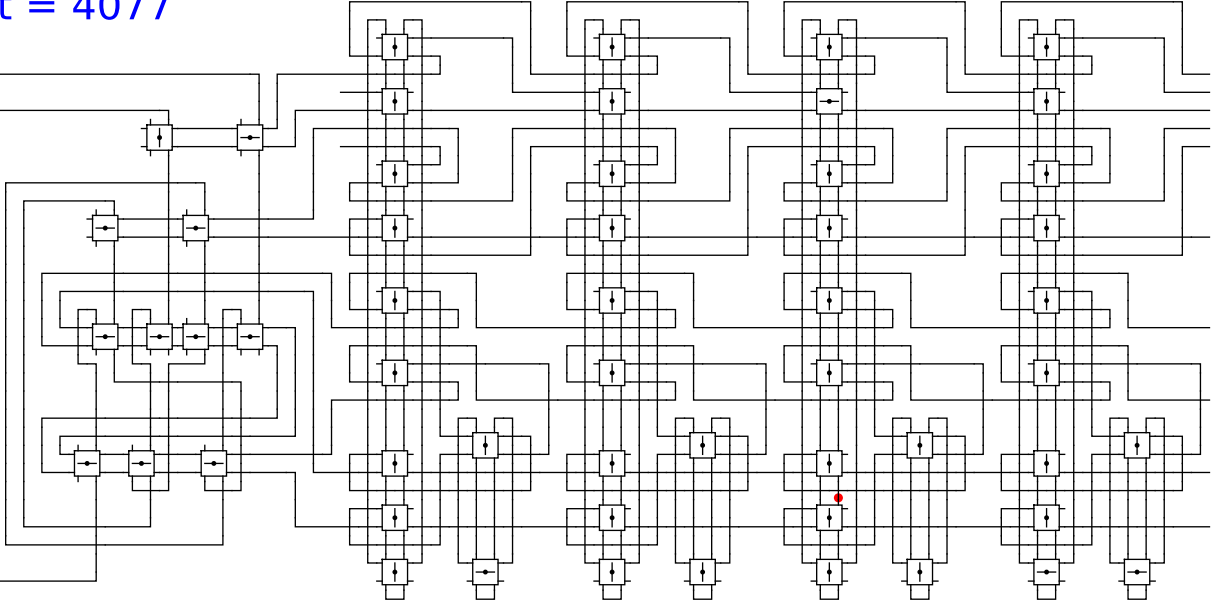
head

1

t = 4077

Reject
Accept

Begin



1

0

0

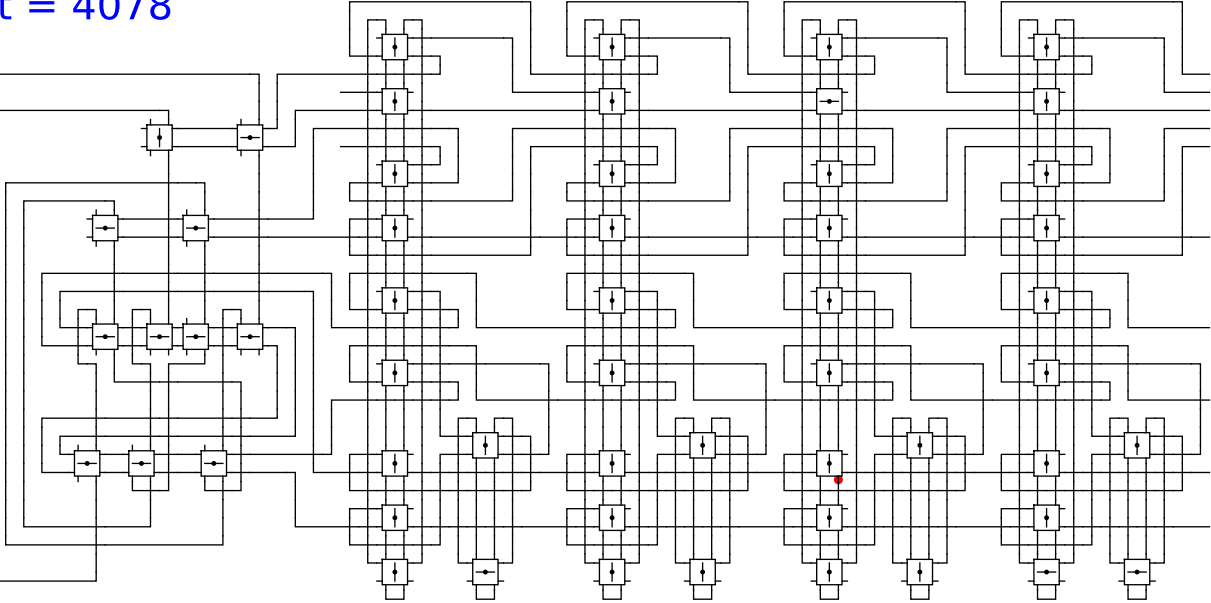
head

1

t = 4078

Reject
Accept

Begin

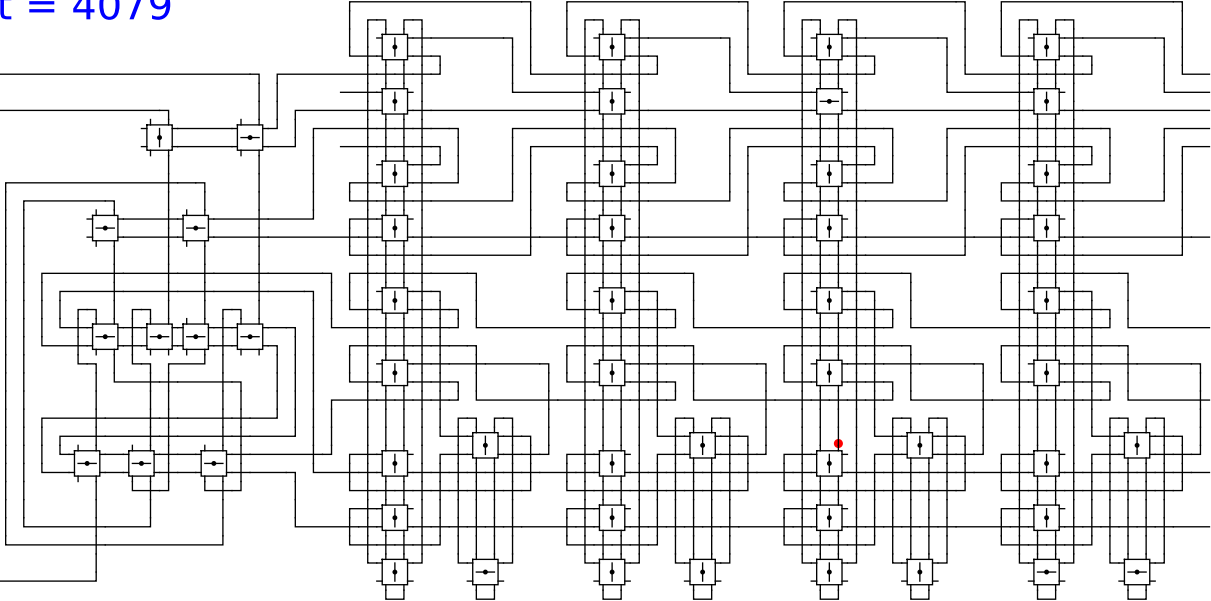


1 0 0 head 1

t = 4079

Reject
Accept

Begin



1

0

0

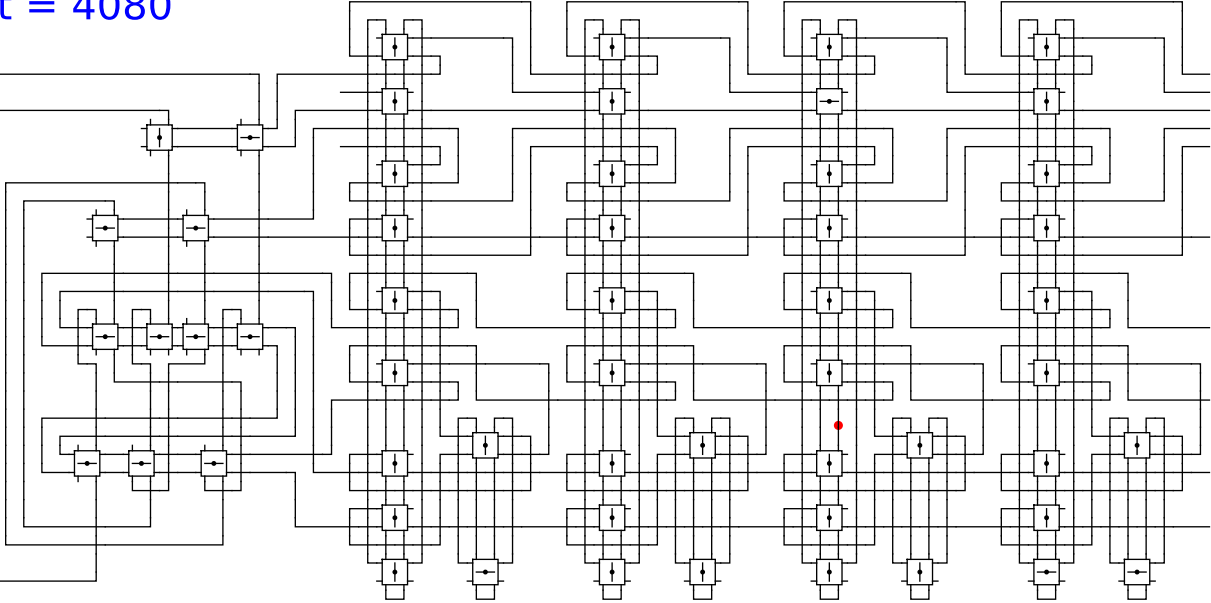
head

1

t = 4080

Reject
Accept

Begin

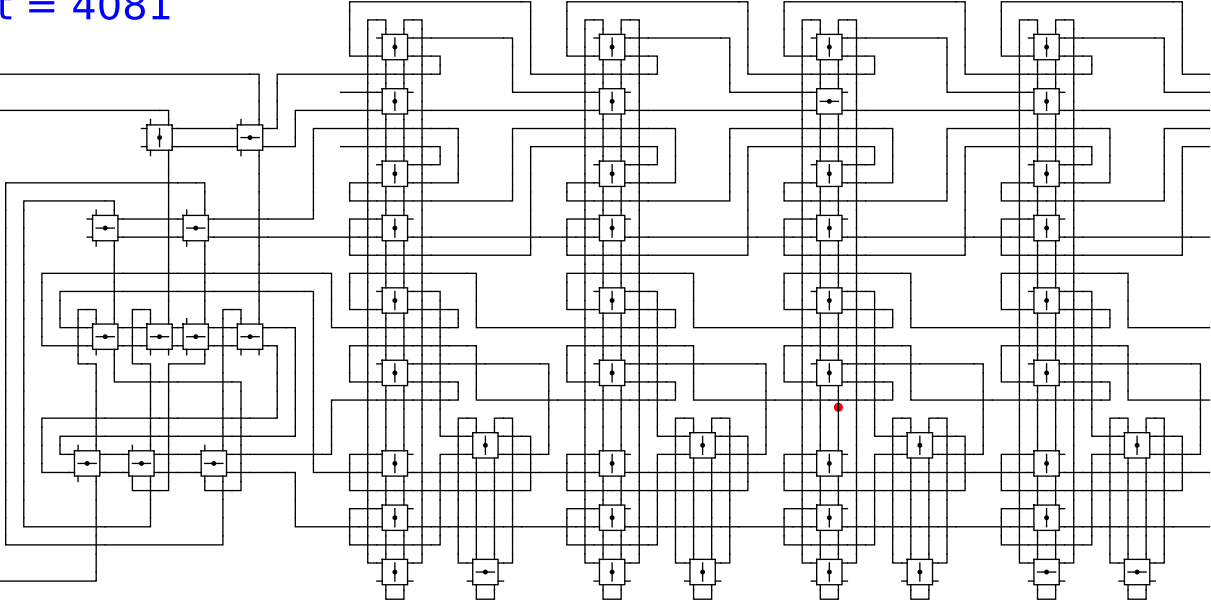


1 0 0 head 1

t = 4081

Reject
Accept

Begin



1

0

0

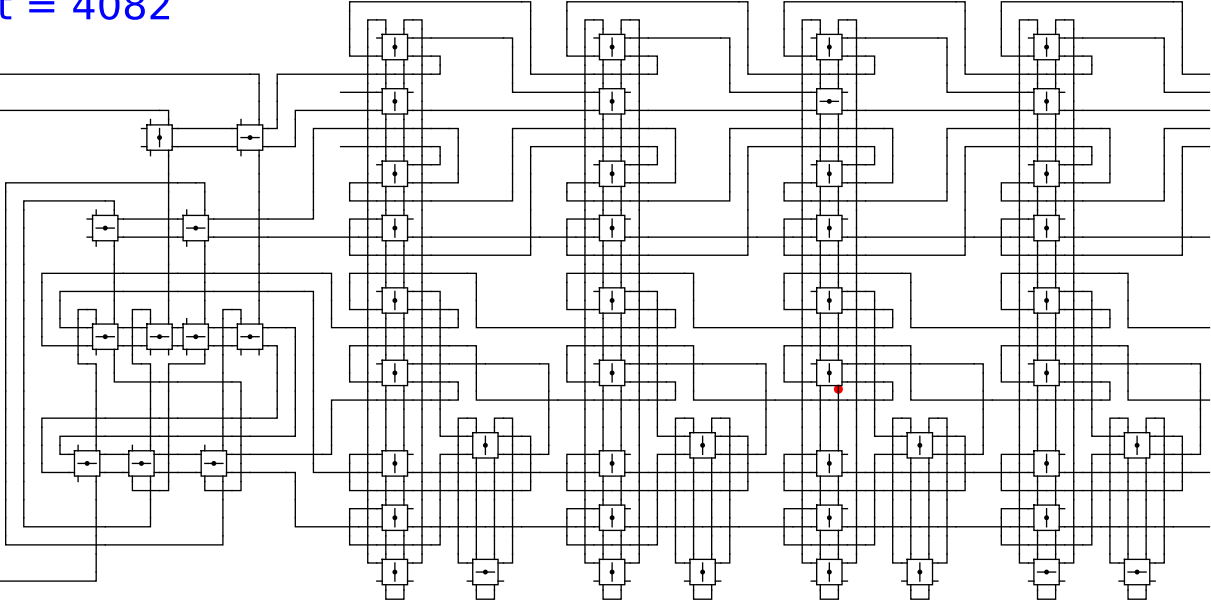
head

1

t = 4082

Reject
Accept

Begin

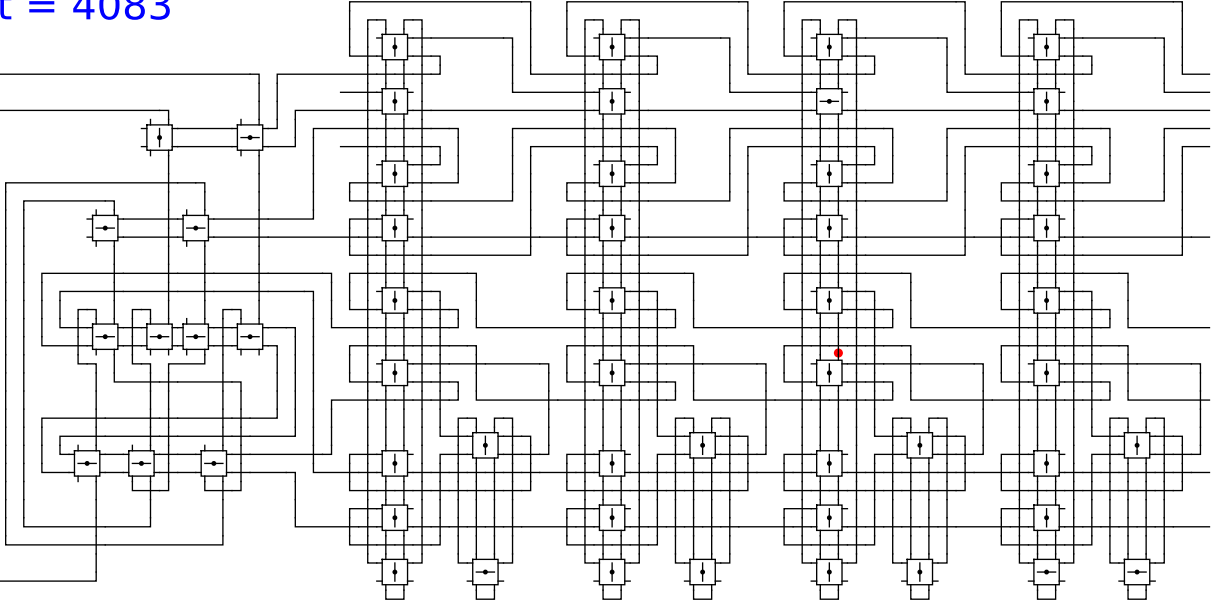


1 0 0 head 1

t = 4083

Reject
Accept

Begin



1

0

0

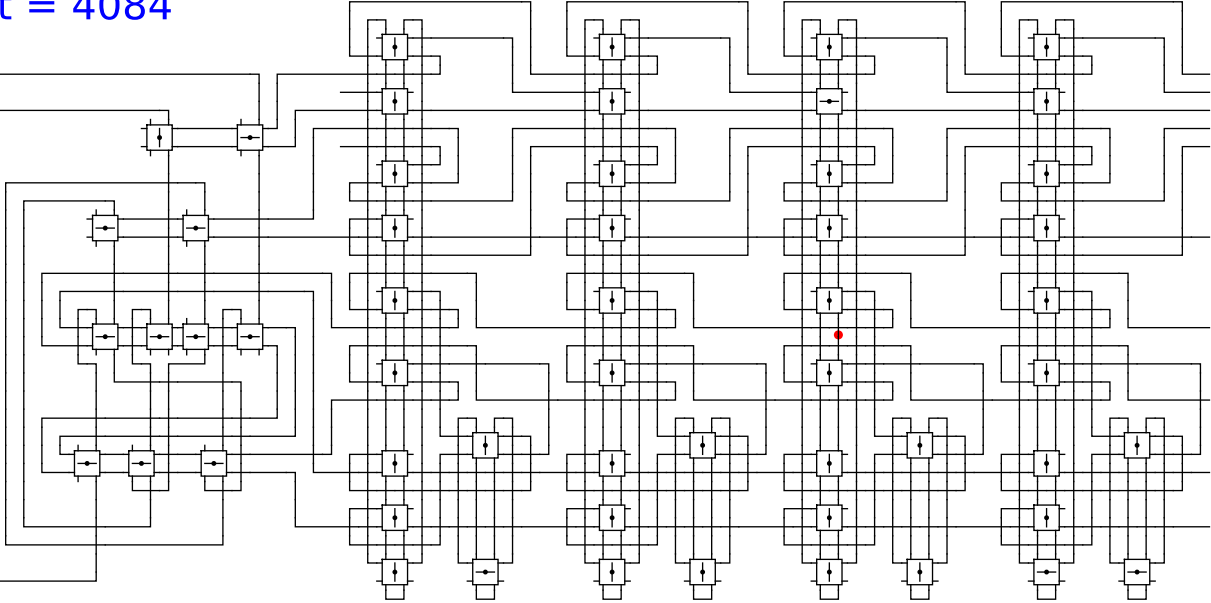
head

1

t = 4084

Reject
Accept

Begin

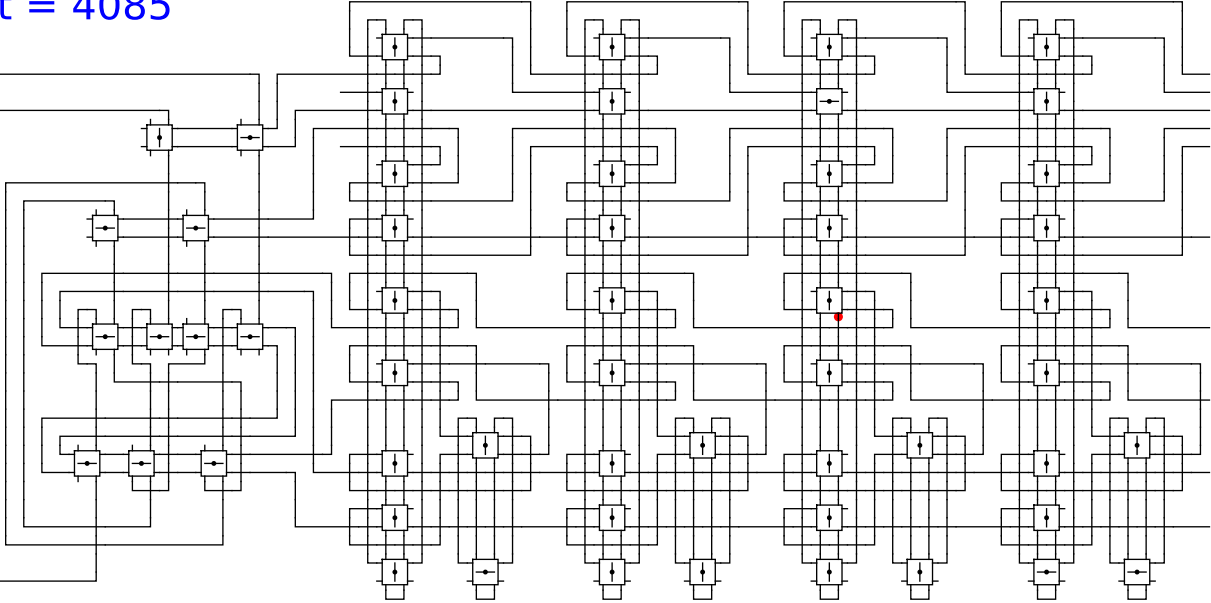


1 0 0 head 1

t = 4085

Reject
Accept

Begin



1

0

0

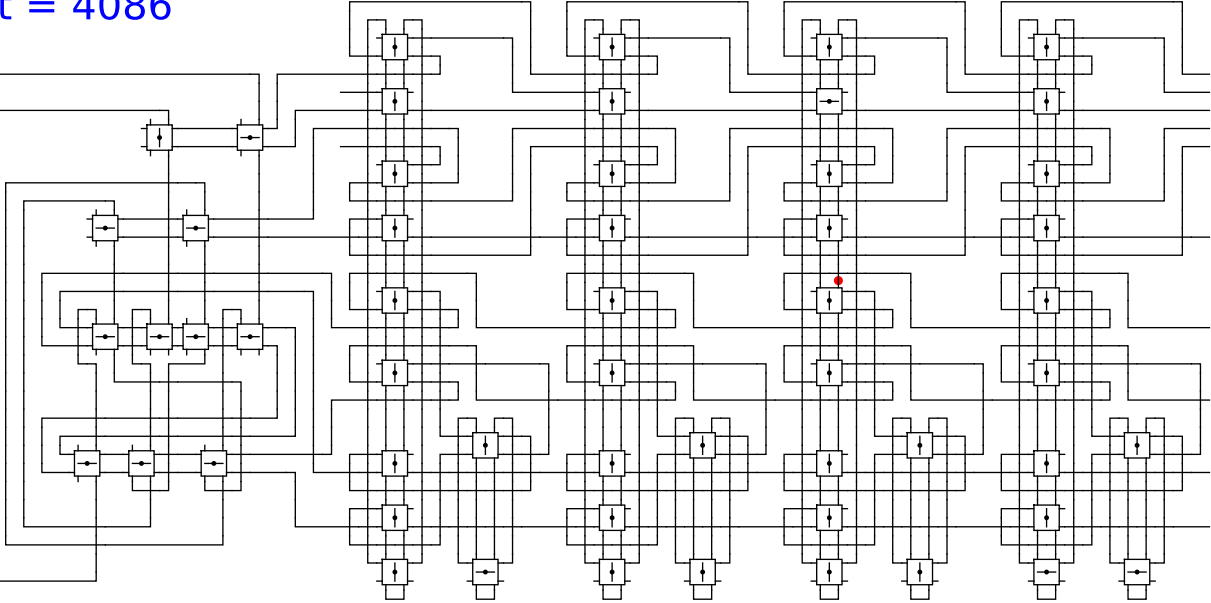
head

1

t = 4086

Reject
Accept

Begin



1

0

0

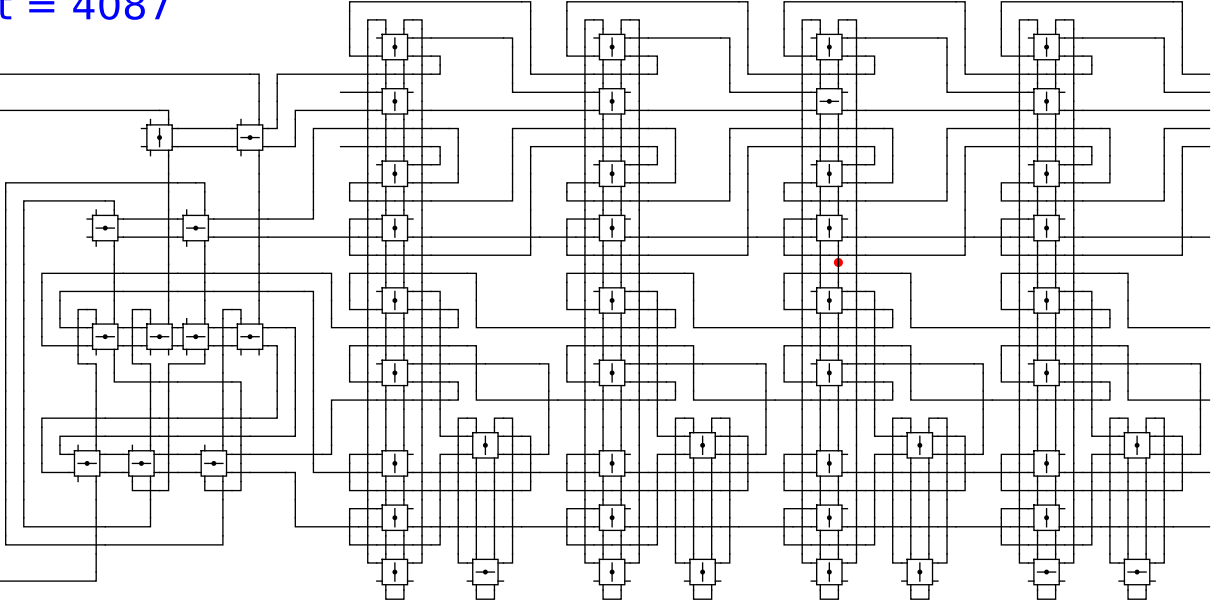
head

1

t = 4087

Reject
Accept

Begin



1

0

0

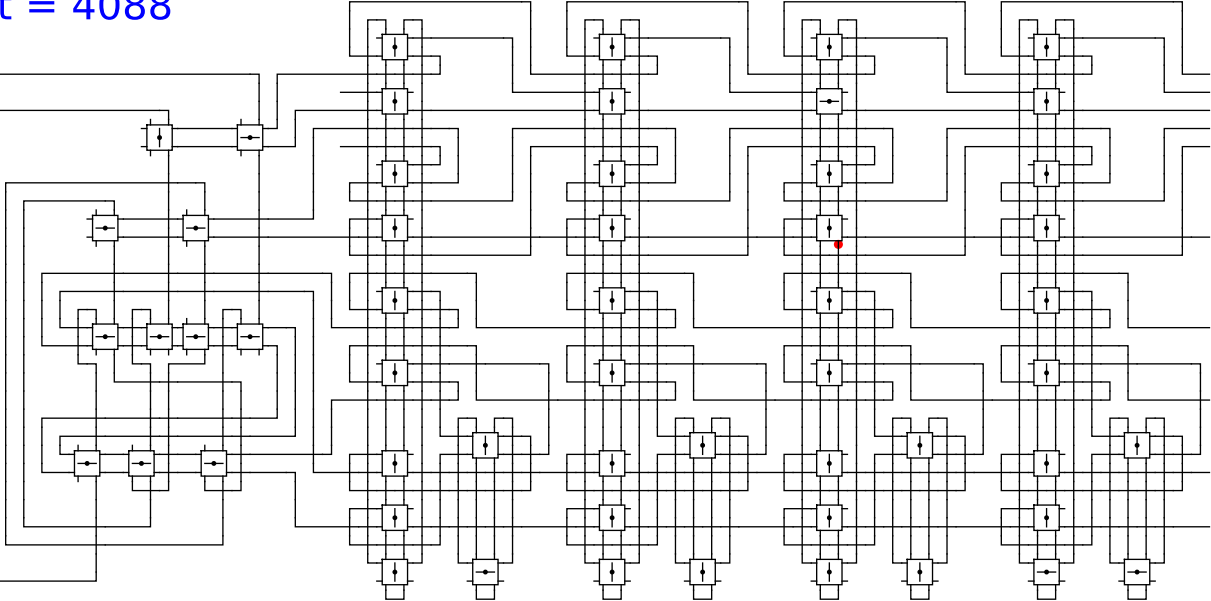
head

1

t = 4088

Reject
Accept

Begin

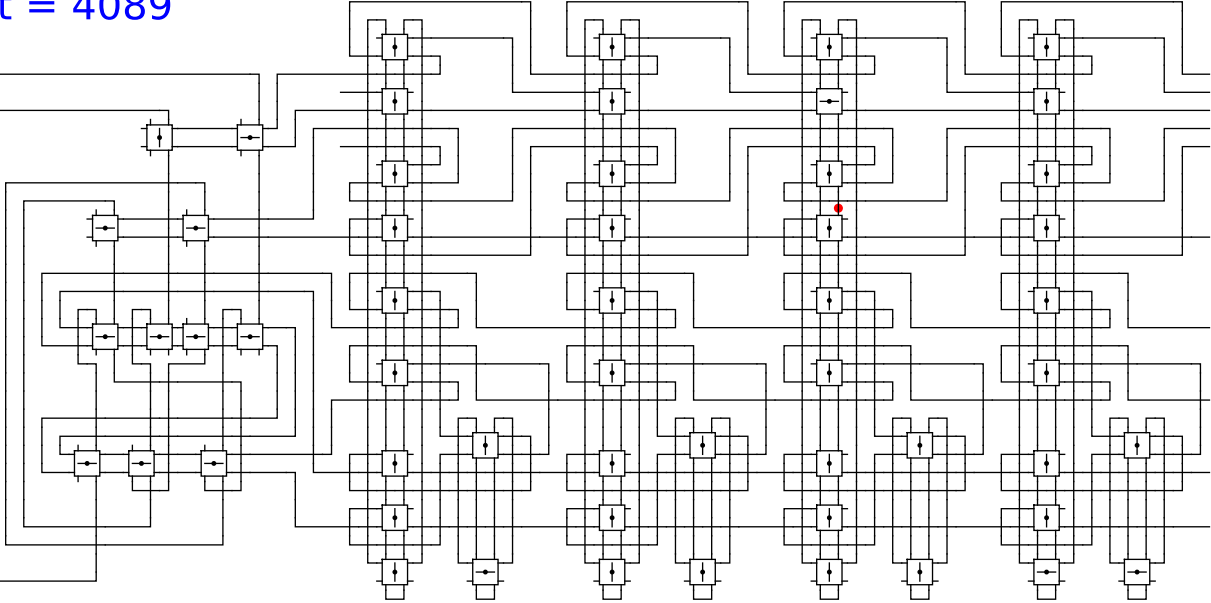


1 0 0 head 1

t = 4089

Reject
Accept

Begin



1

0

0

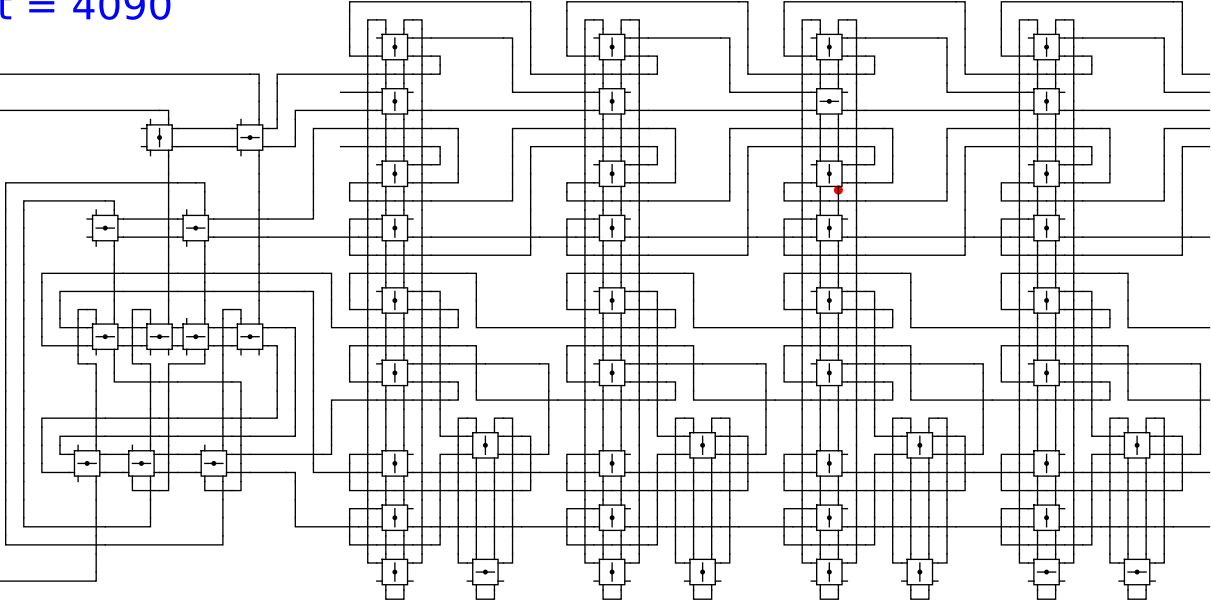
head

1

t = 4090

Reject
Accept

Begin



1

0

0

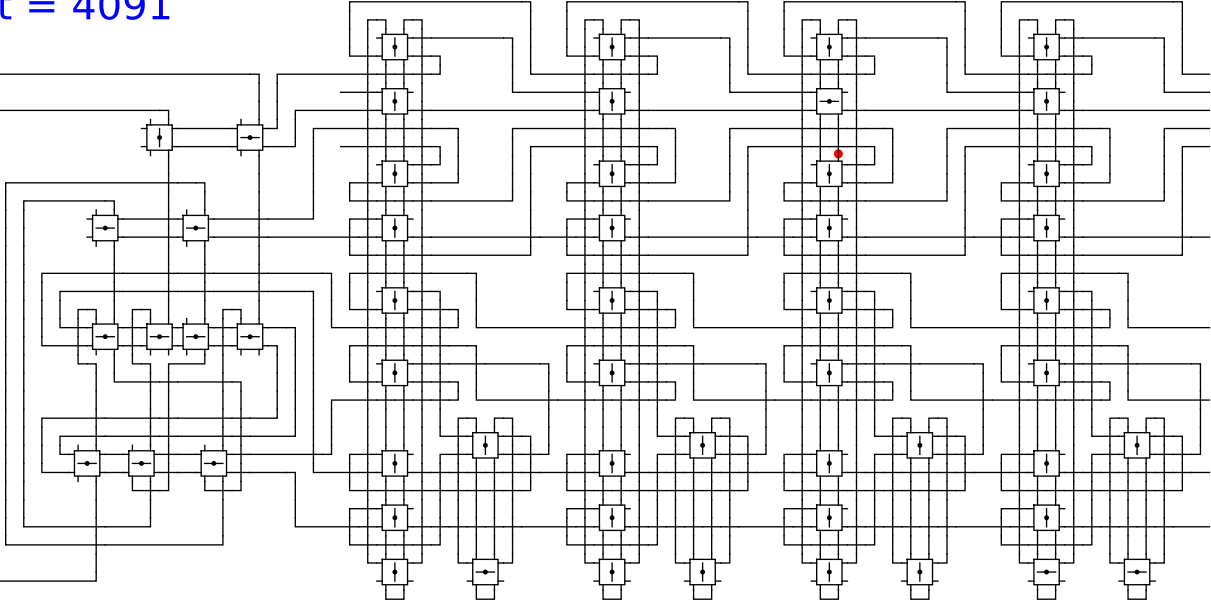
head

1

t = 4091

Reject
Accept

Begin



1

0

0

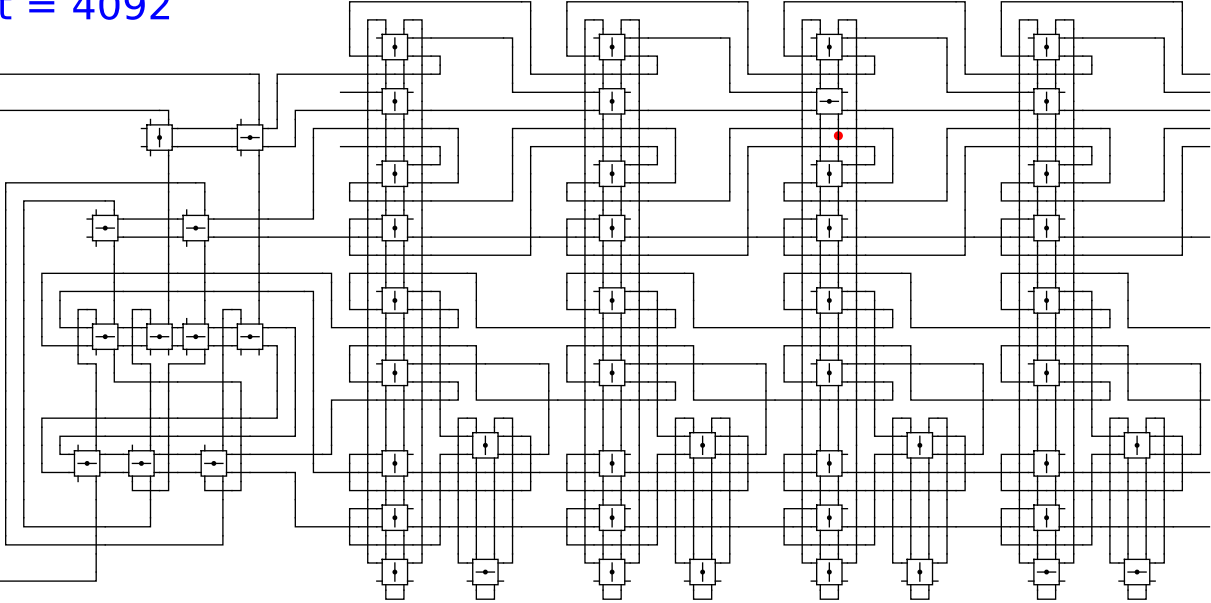
head

1

t = 4092

Reject
Accept

Begin



1

0

0

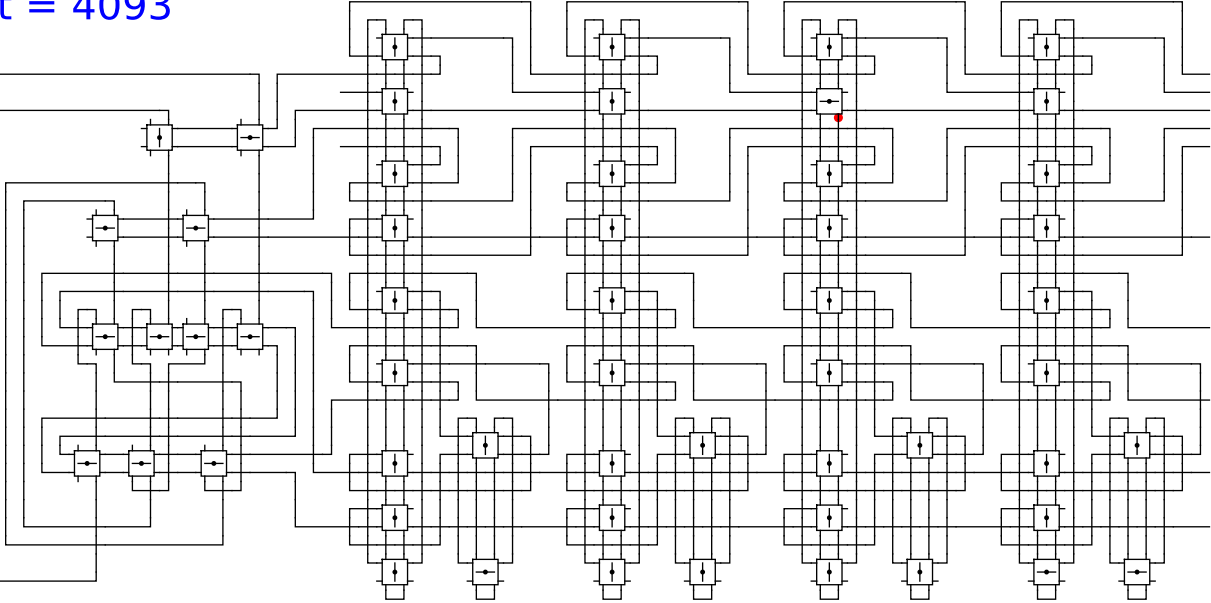
head

1

t = 4093

Reject
Accept

Begin



1

0

0

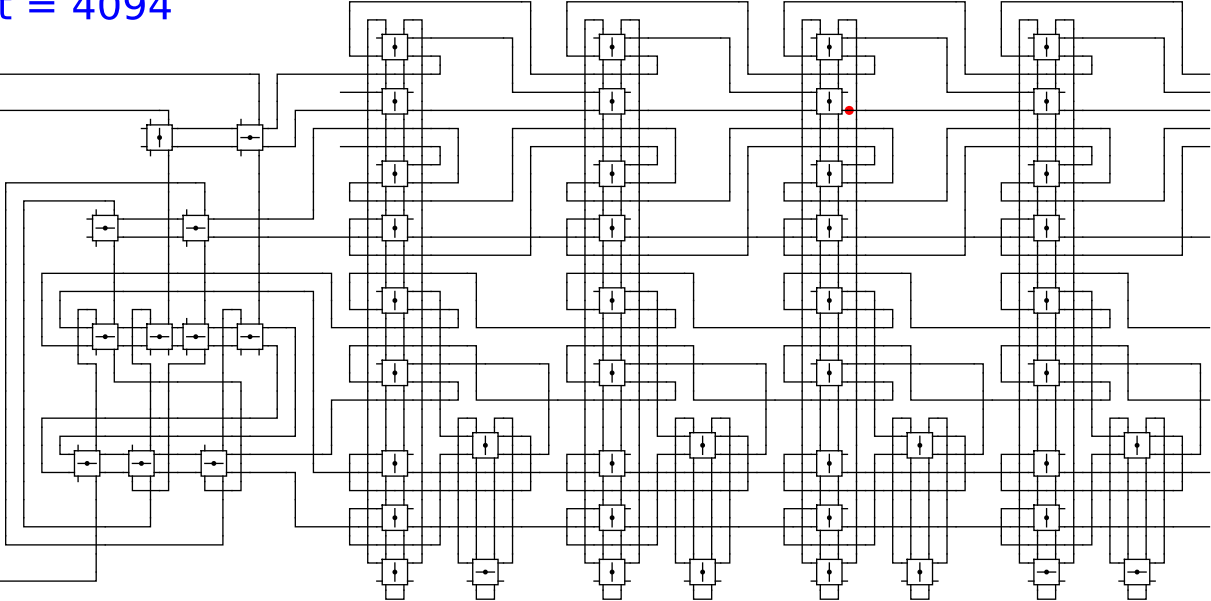
head

1

t = 4094

Reject
Accept

Begin



1

0

0

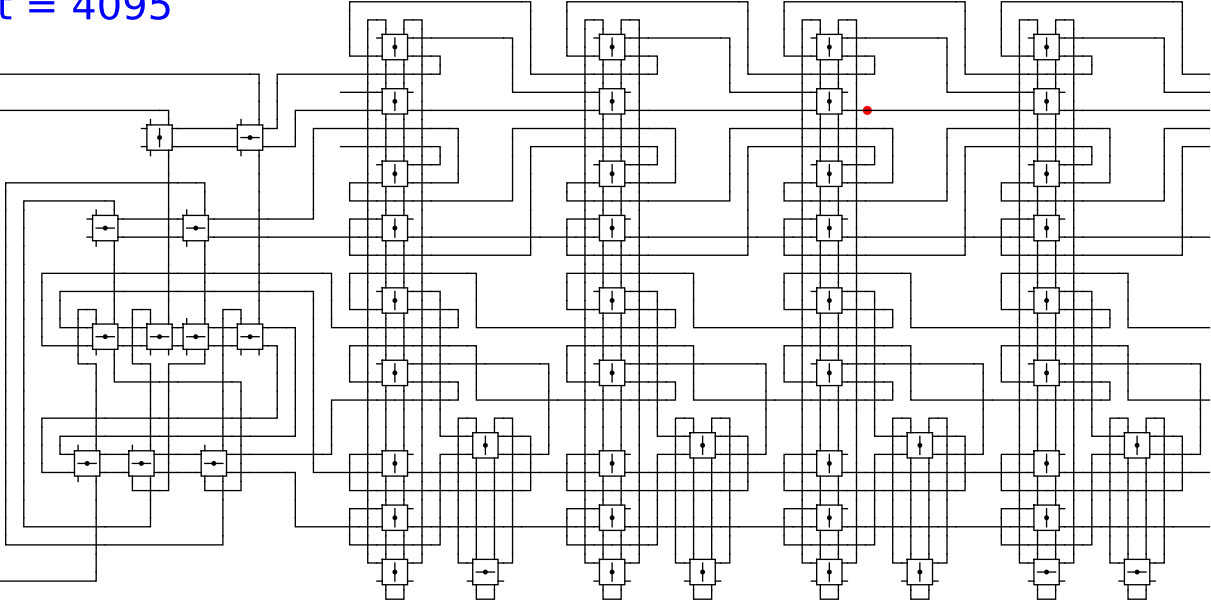
head

1

t = 4095

Reject
Accept

Begin

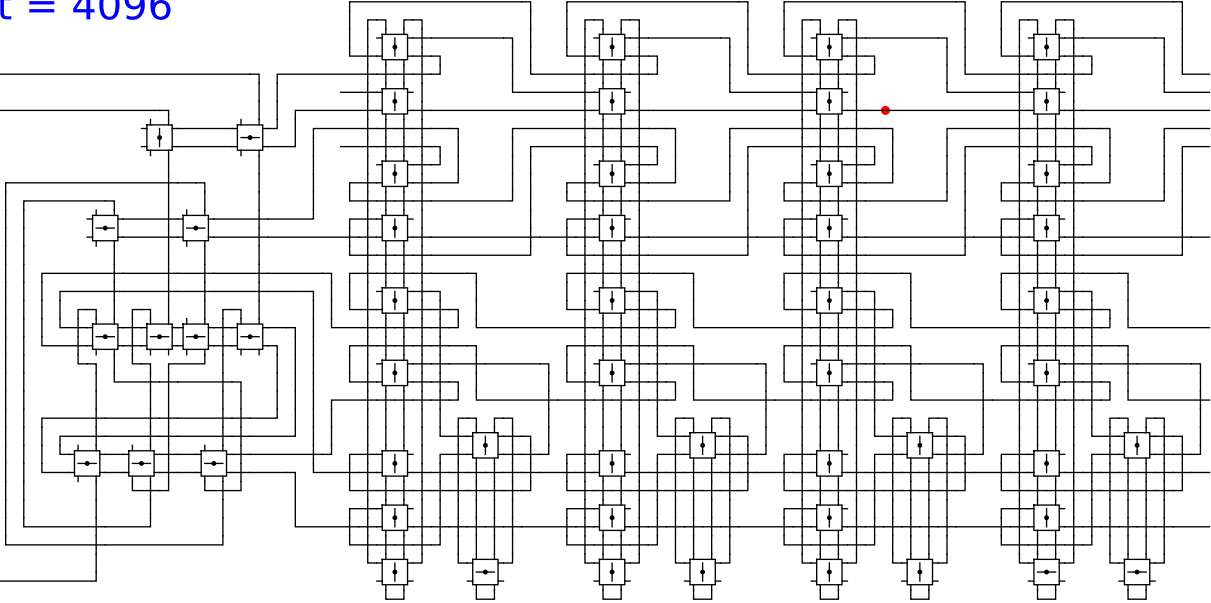


1 0 0 head 1

t = 4096

Reject
Accept

Begin

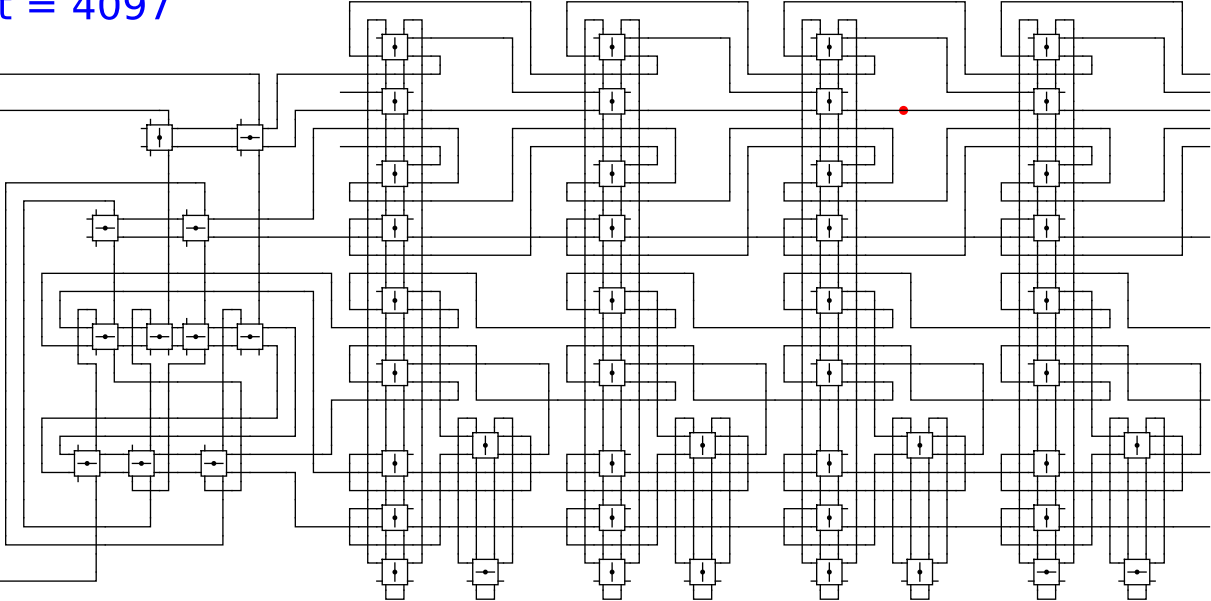


1 0 0 head 1

t = 4097

Reject
Accept

Begin



1

0

0

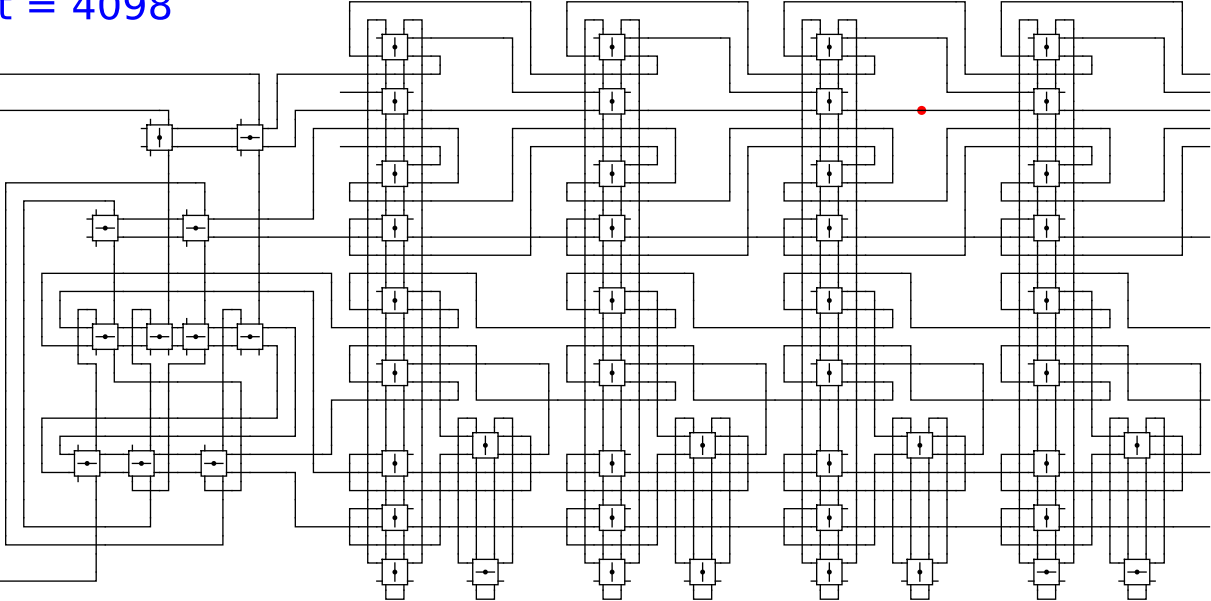
head

1

t = 4098

Reject
Accept

Begin



1

0

0

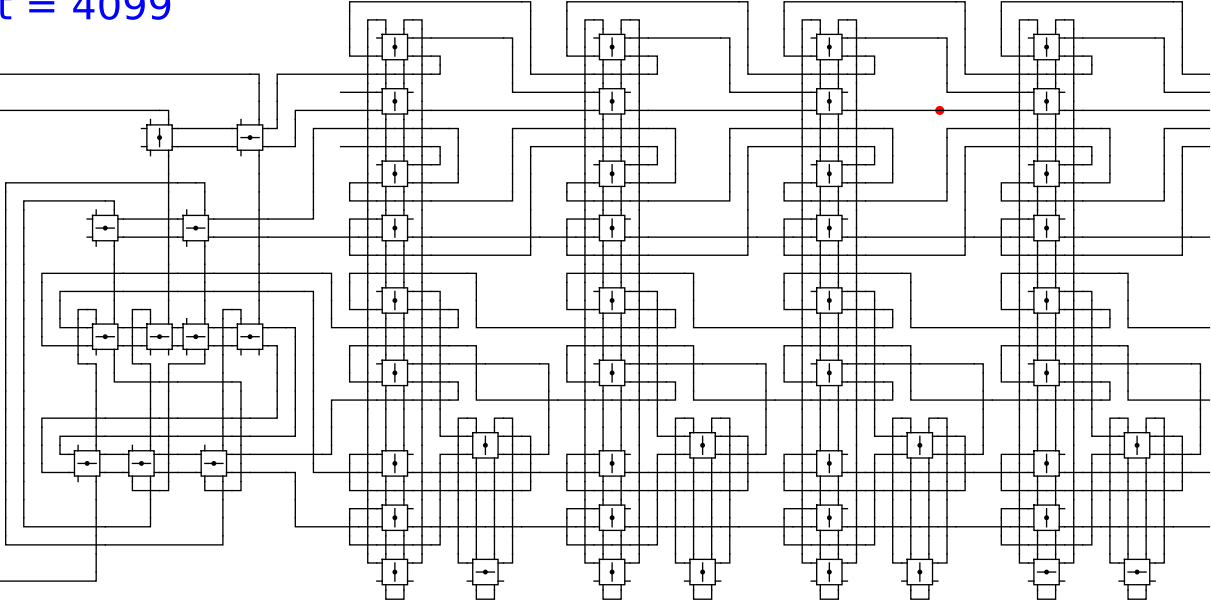
head

1

t = 4099

Reject
Accept

Begin



1

0

0

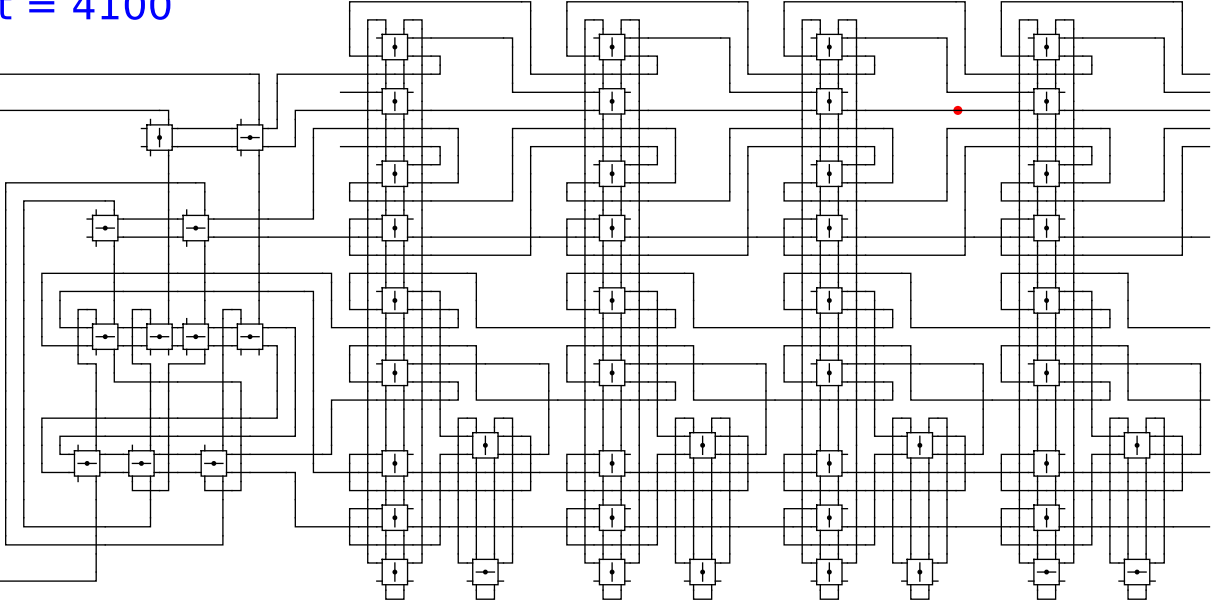
head

1

t = 4100

Reject
Accept

Begin



1

0

0

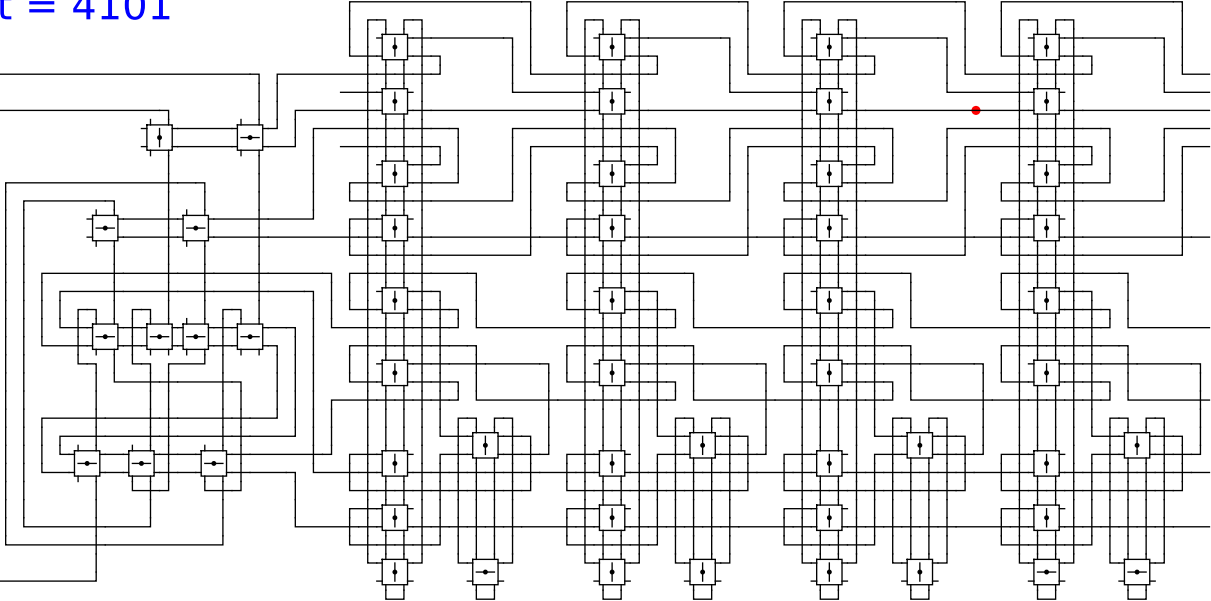
head

1

t = 4101

Reject
Accept

Begin



1

0

0

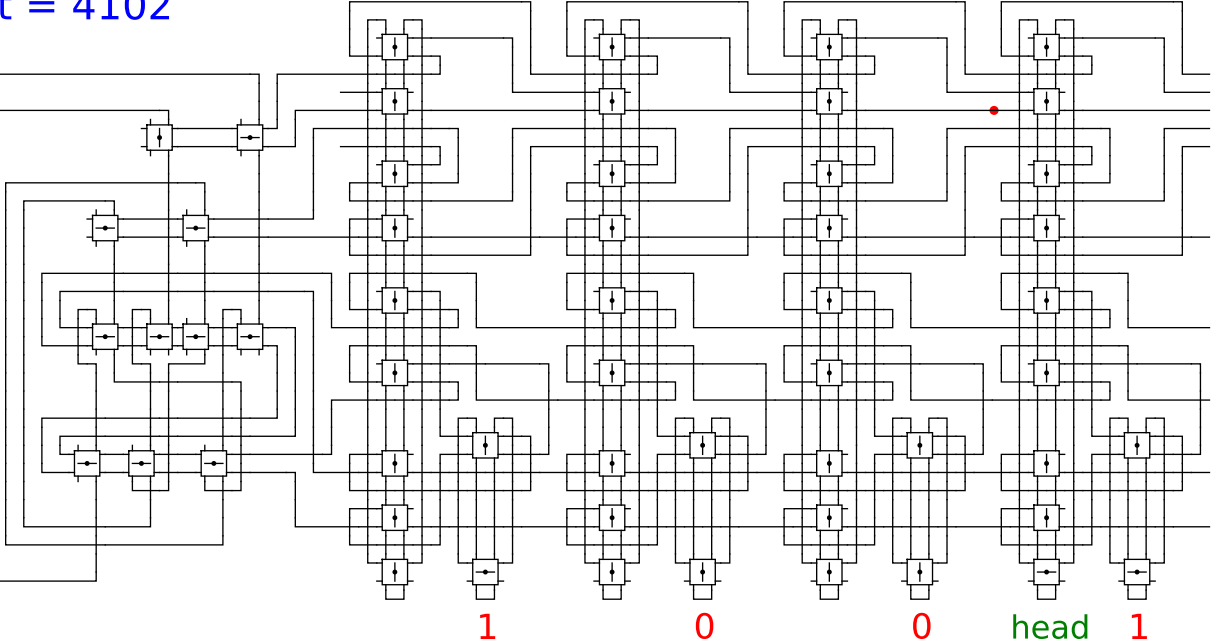
head

1

t = 4102

Reject
Accept

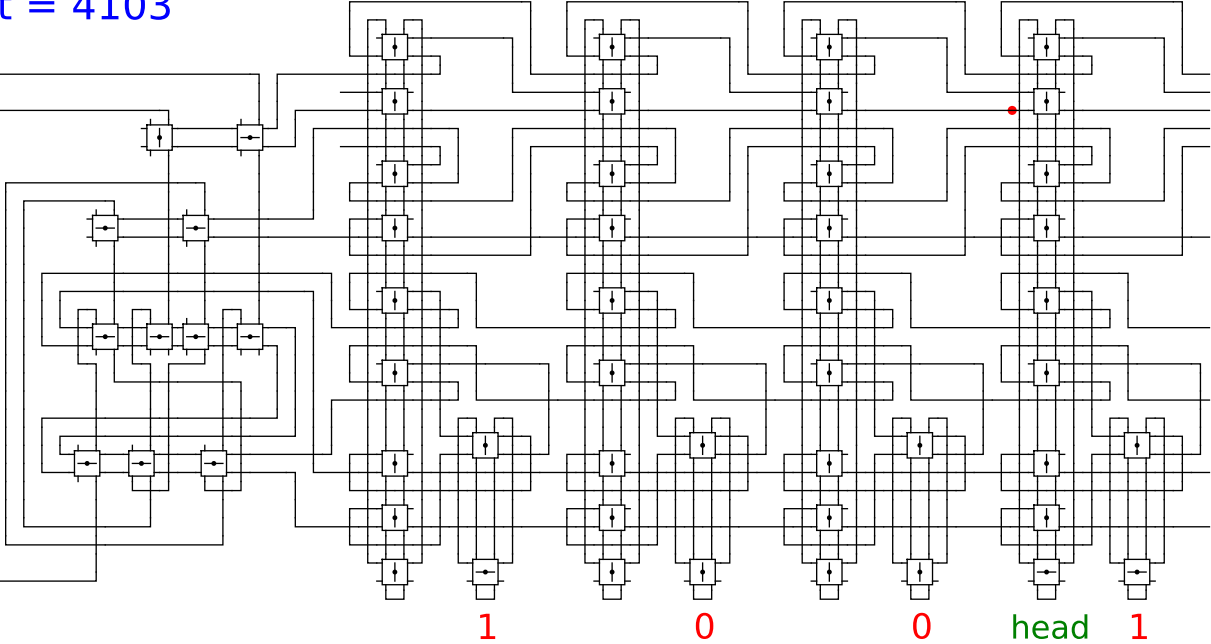
Begin



t = 4103

Reject
Accept

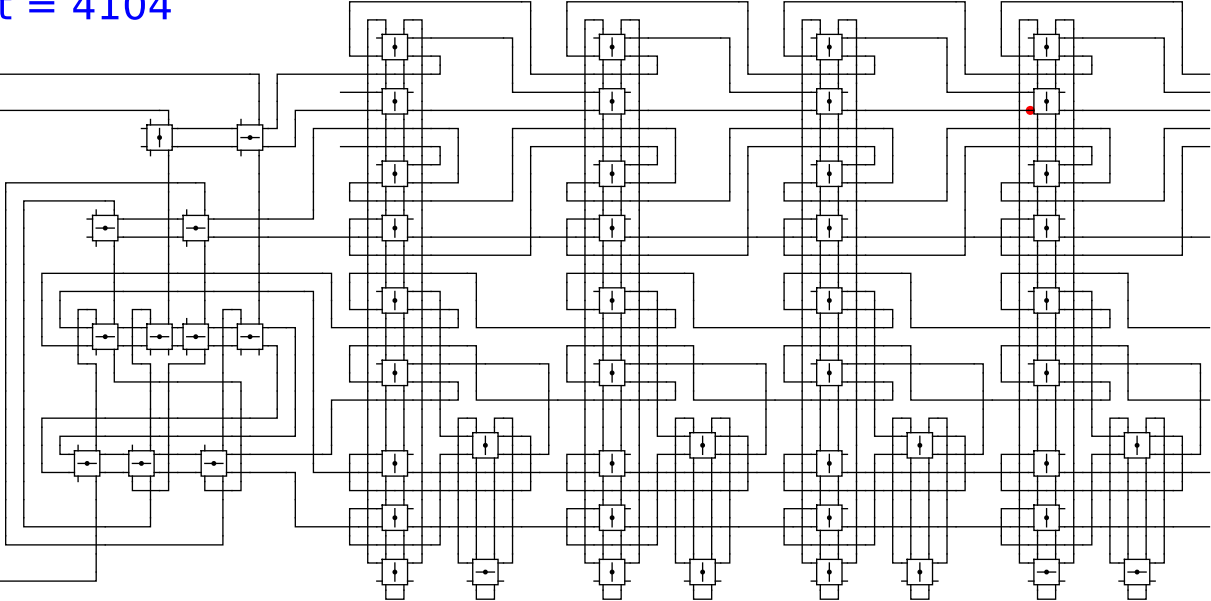
Begin



t = 4104

Reject
Accept

Begin



1

0

0

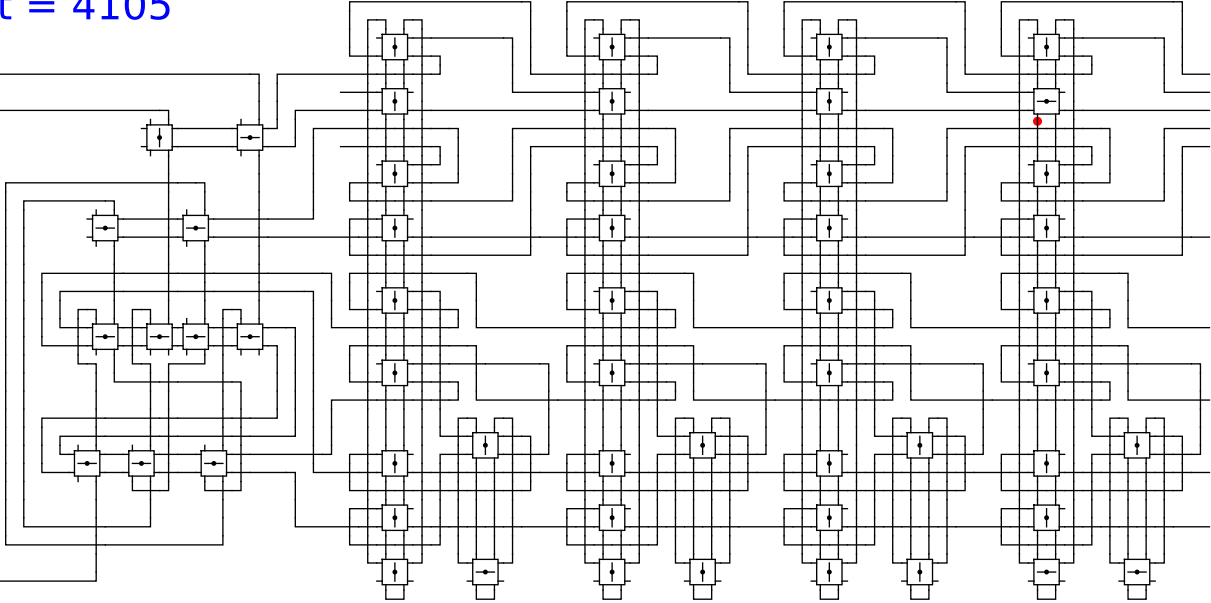
head

1

t = 4105

Reject
Accept

Begin



1

0

0

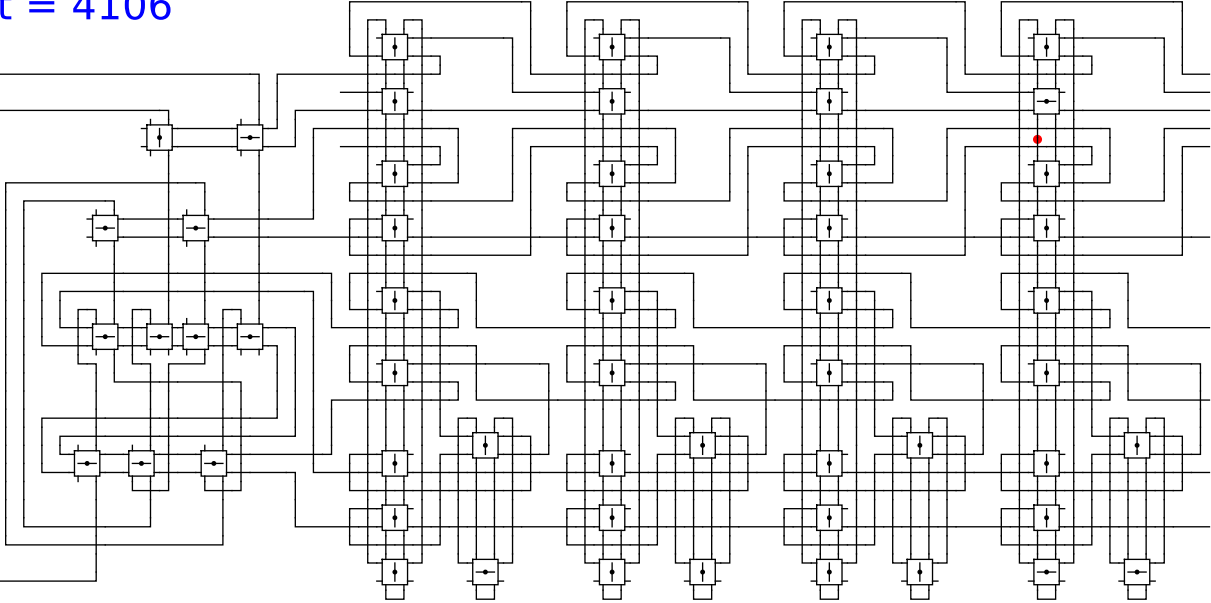
head

1

t = 4106

Reject
Accept

Begin



1

0

0

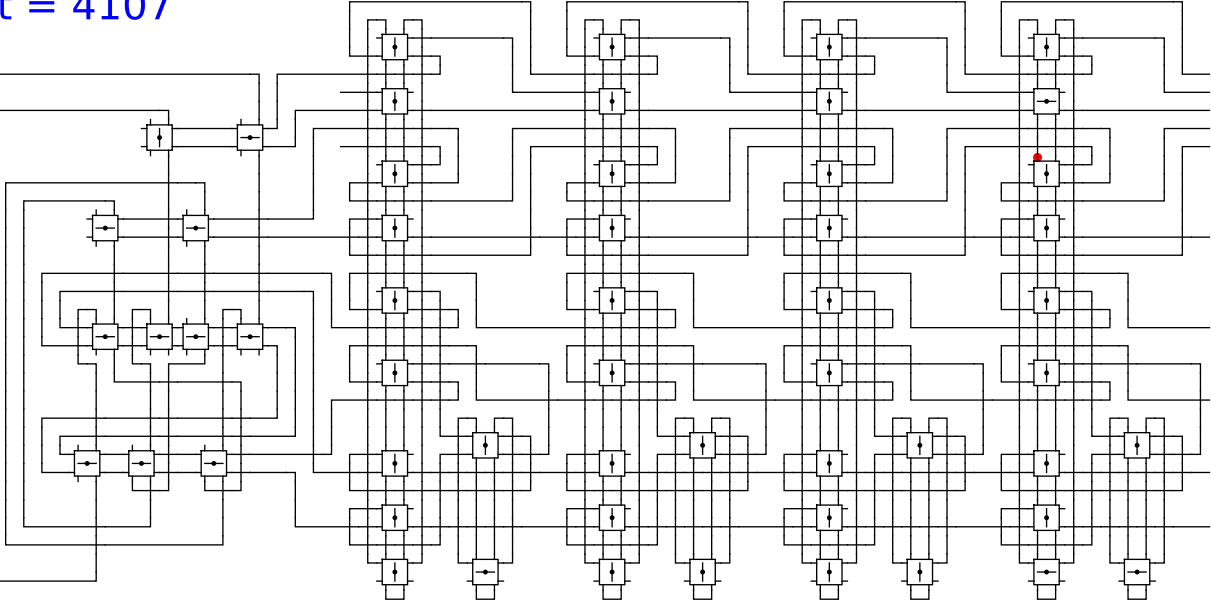
head

1

t = 4107

Reject
Accept

Begin



1

0

0

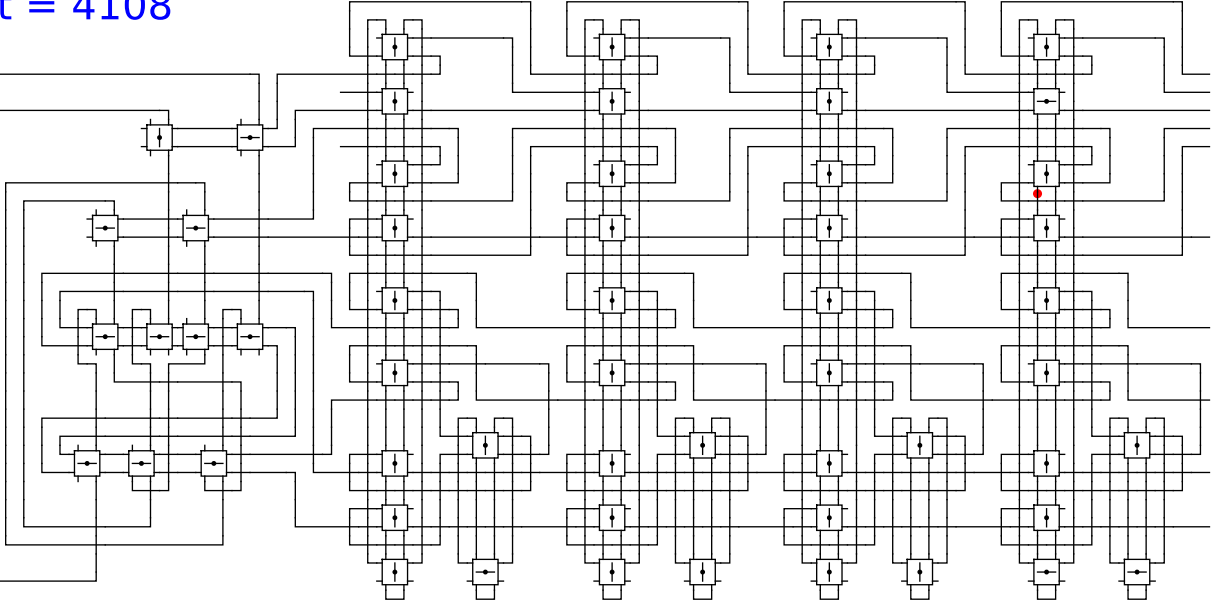
head

1

t = 4108

Reject
Accept

Begin



1

0

0

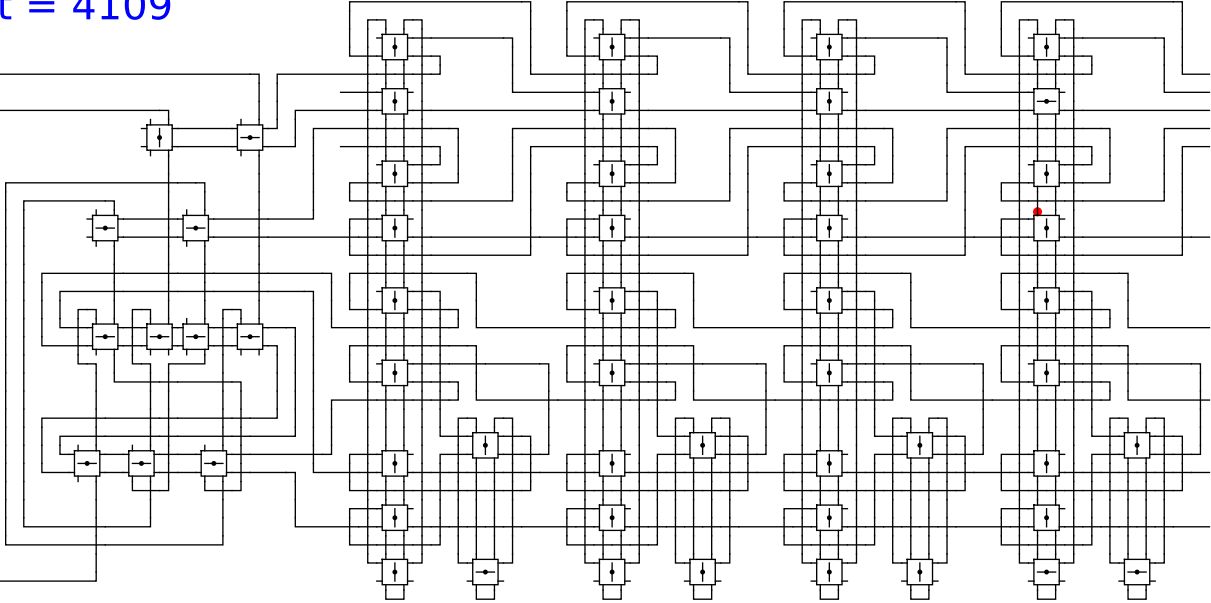
head

1

t = 4109

Reject
Accept

Begin



1

0

0

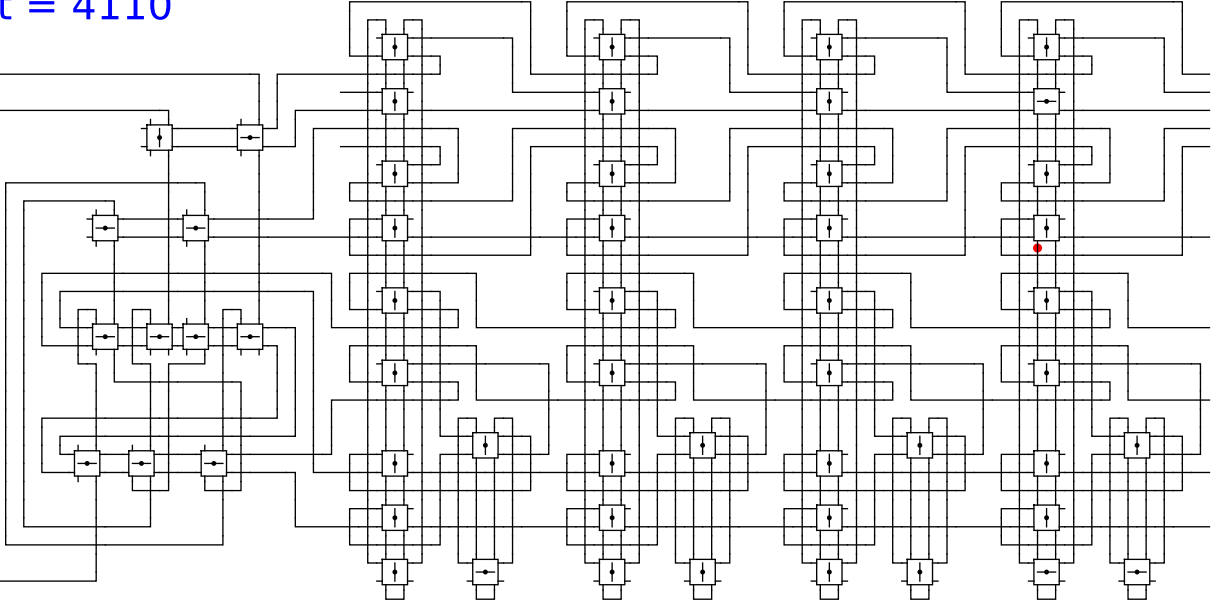
head

1

t = 4110

Reject
Accept

Begin



1

0

0

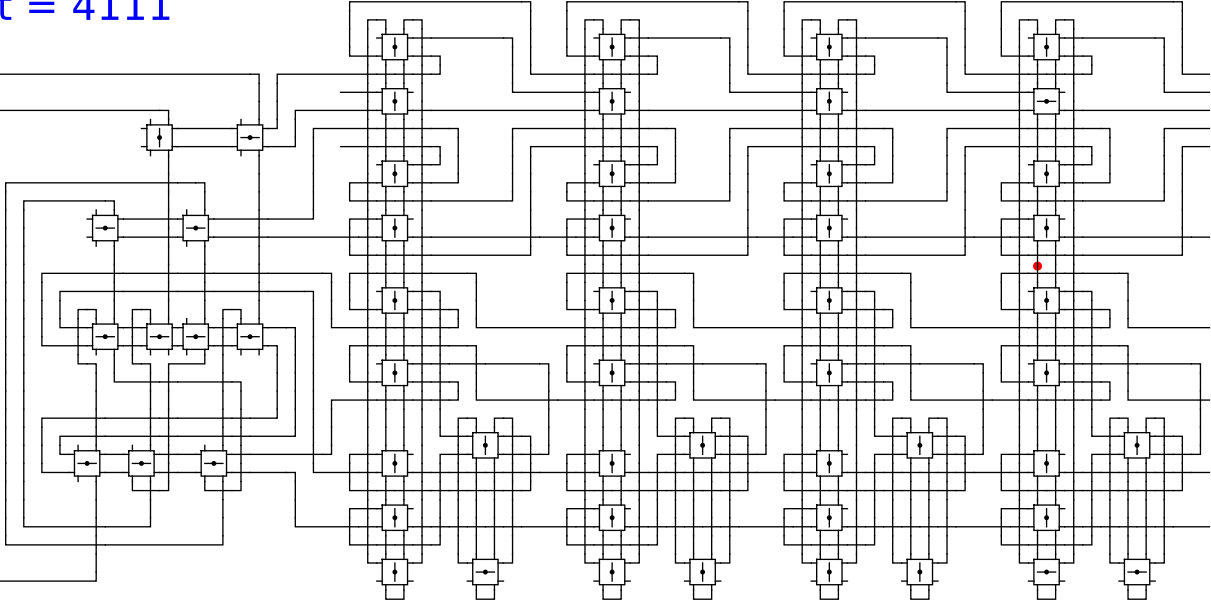
head

1

t = 4111

Reject
Accept

Begin

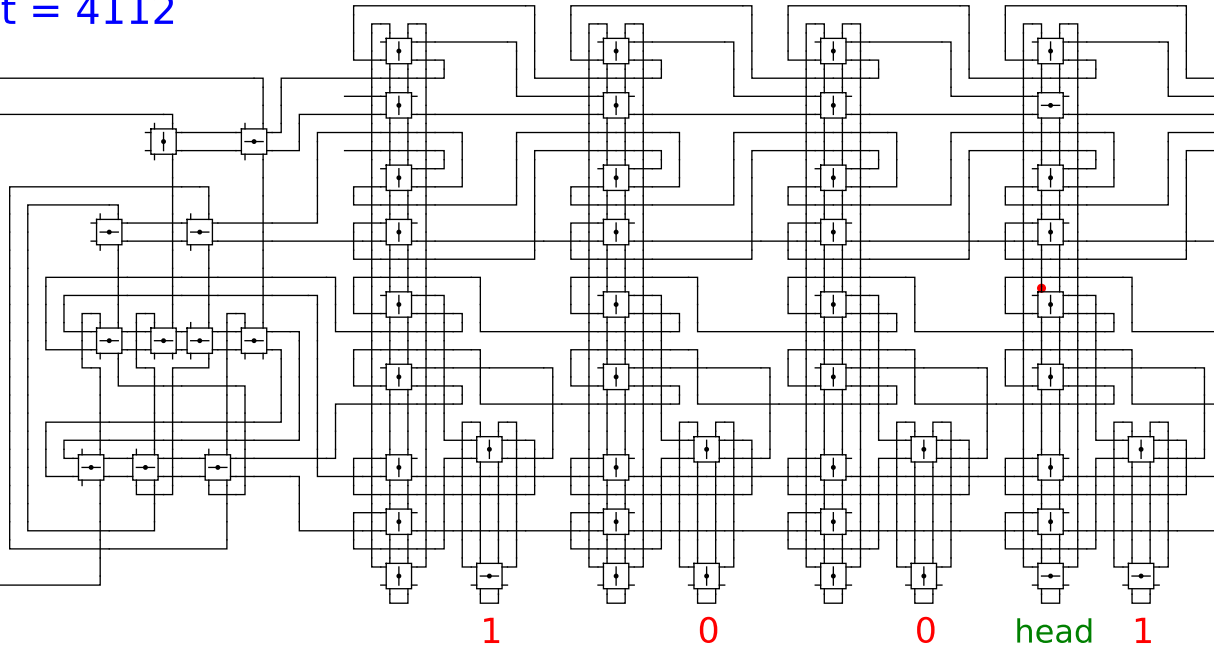


1 0 0 head 1

t = 4112

Reject
Accept

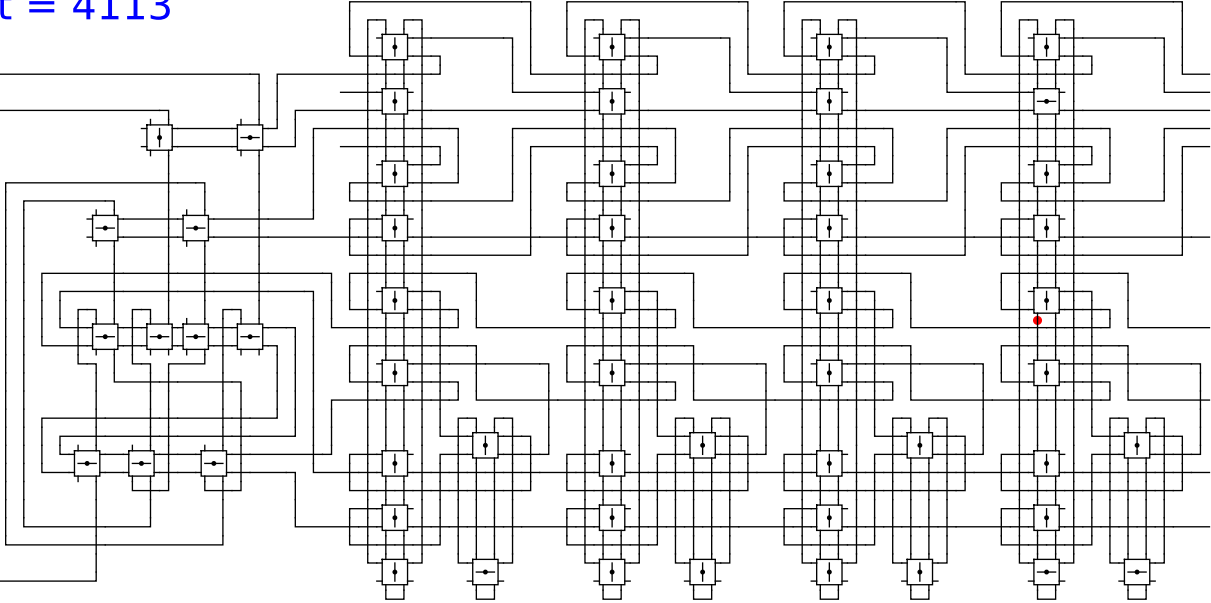
Begin



t = 4113

Reject
Accept

Begin

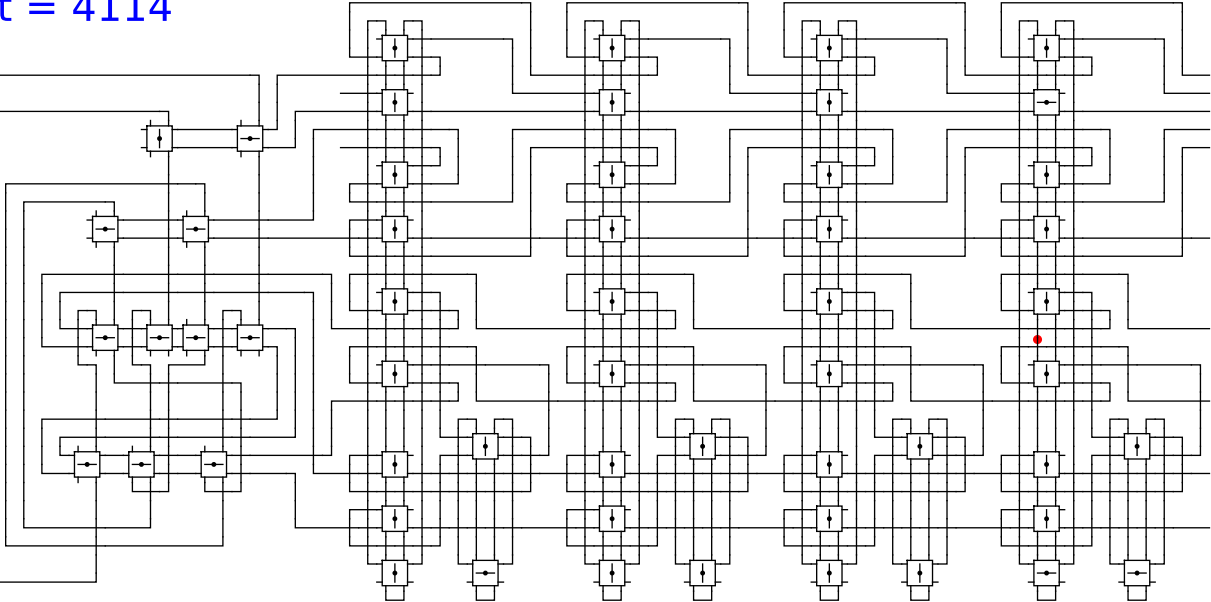


1 0 0 head 1

t = 4114

Reject
Accept

Begin



1

0

0

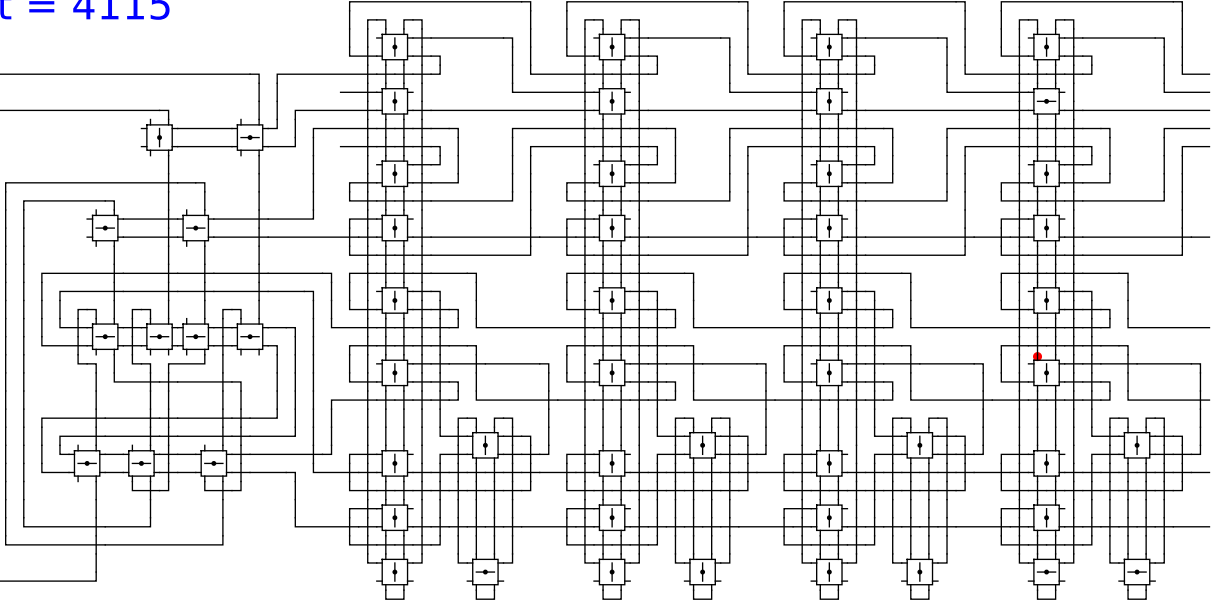
head

1

t = 4115

Reject
Accept

Begin

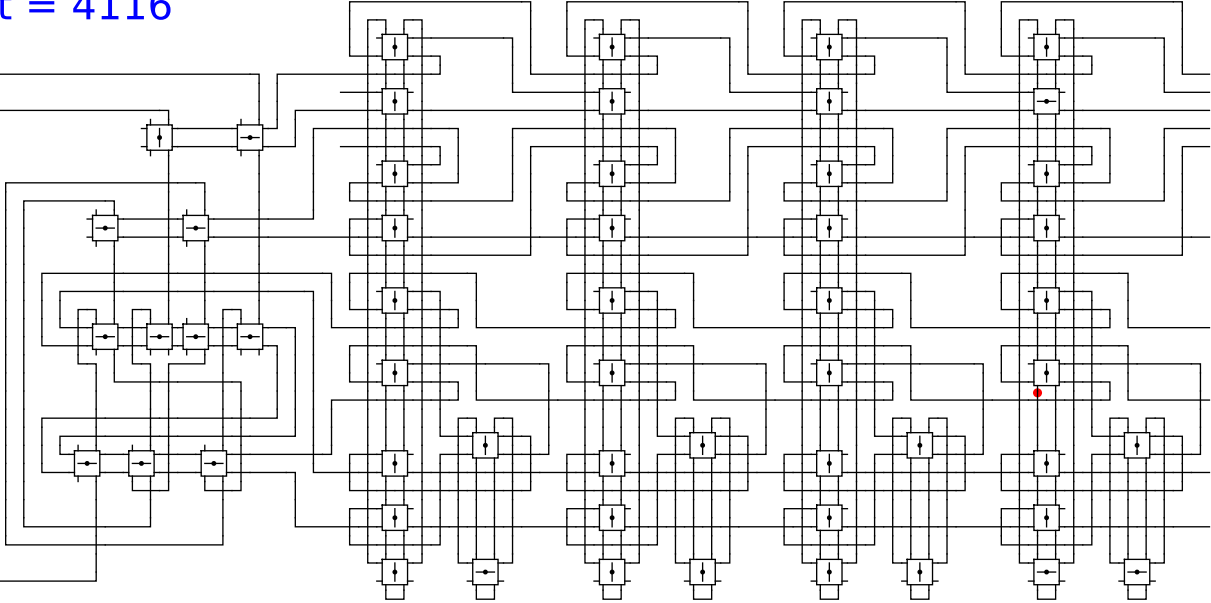


1 0 0 head 1

t = 4116

Reject
Accept

Begin

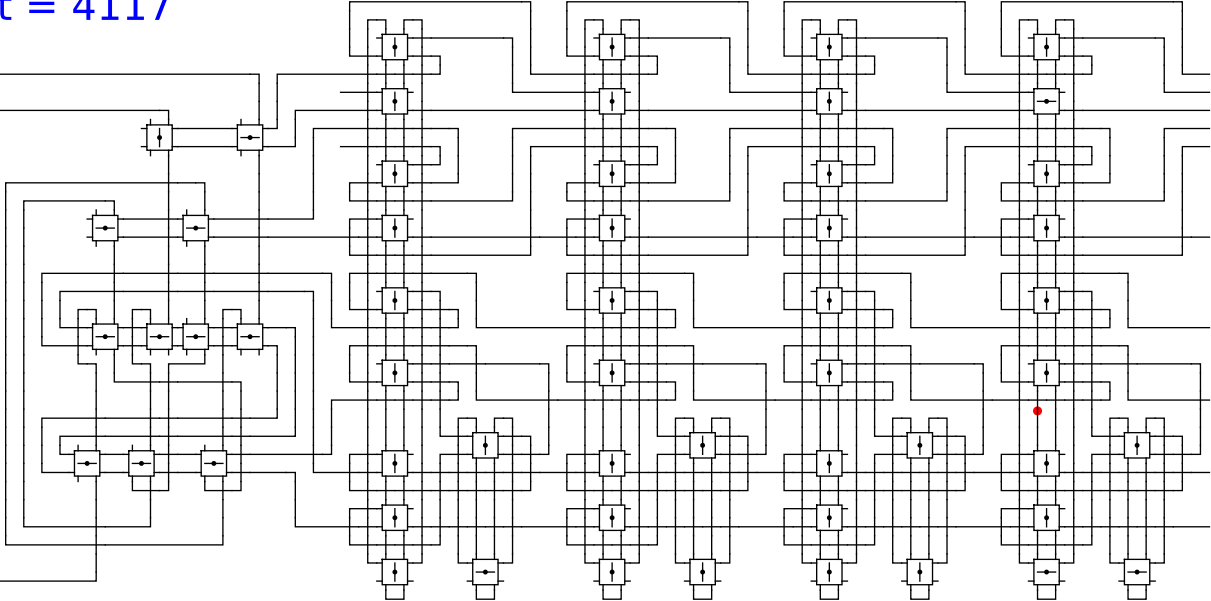


1 0 0 head 1

t = 4117

Reject
Accept

Begin



1

0

0

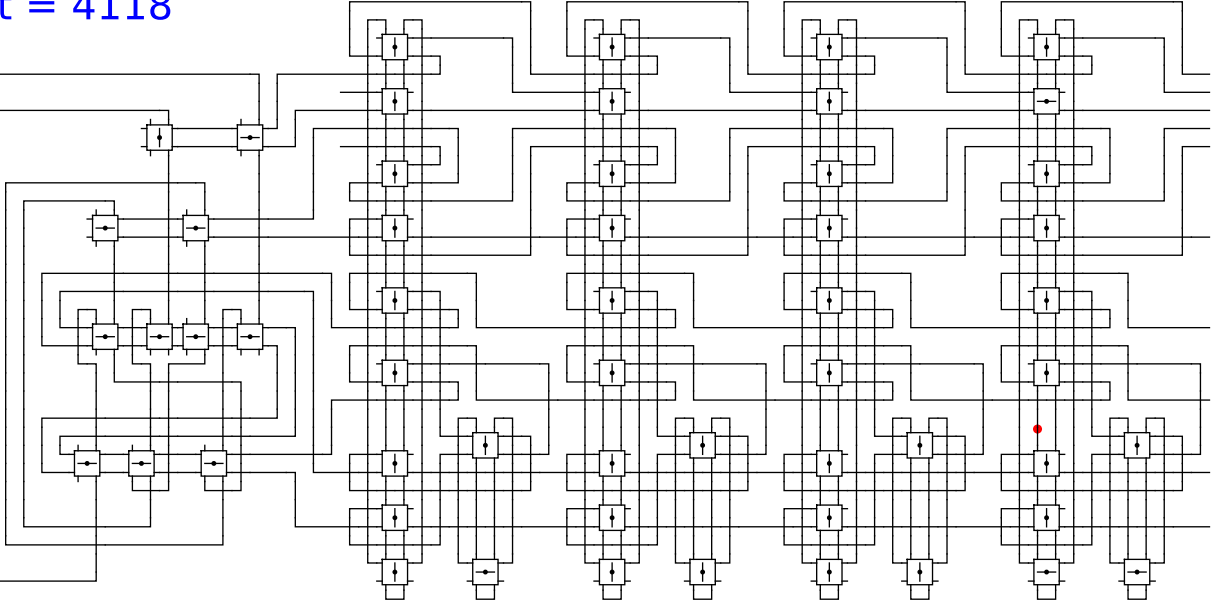
head

1

t = 4118

Reject
Accept

Begin



1

0

0

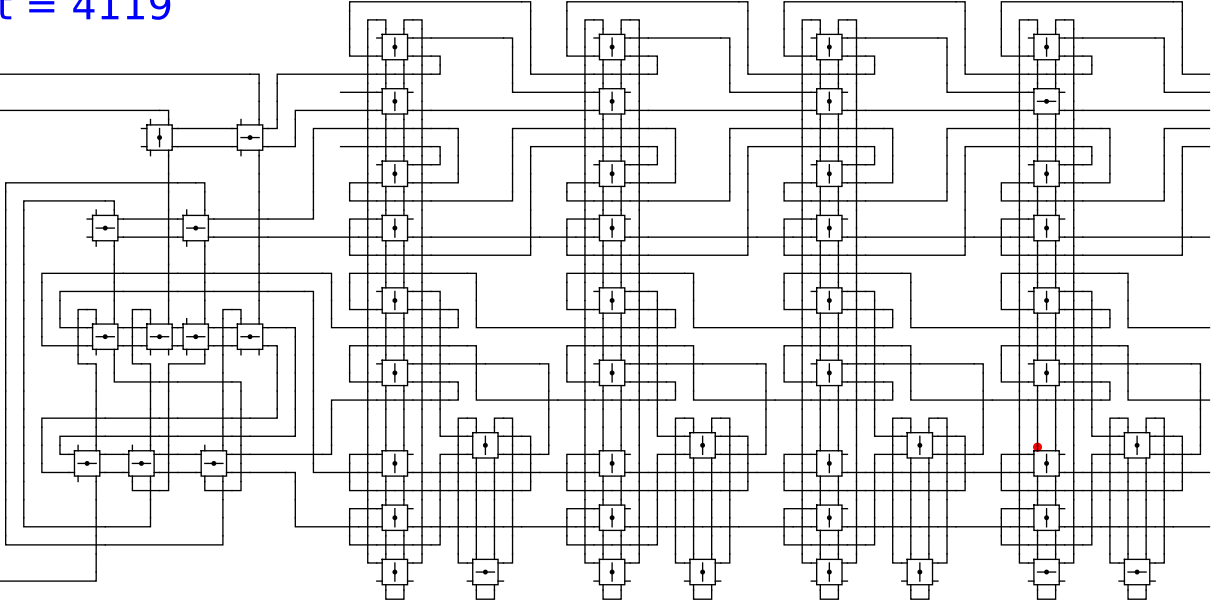
head

1

t = 4119

Reject
Accept

Begin

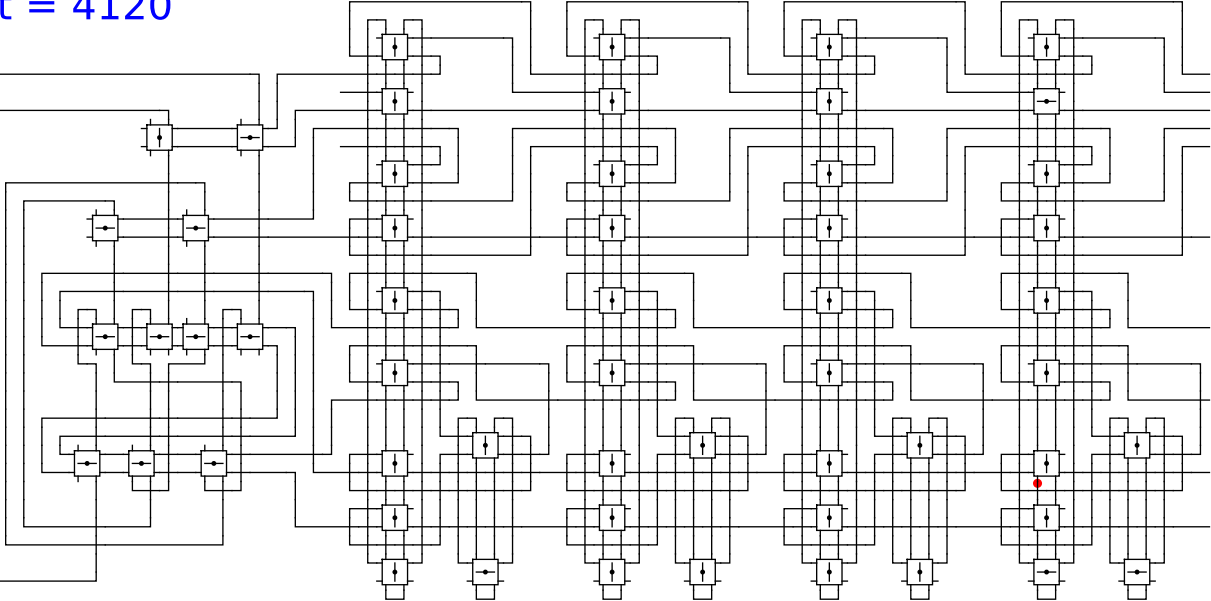


1 0 0 head 1

t = 4120

Reject
Accept

Begin

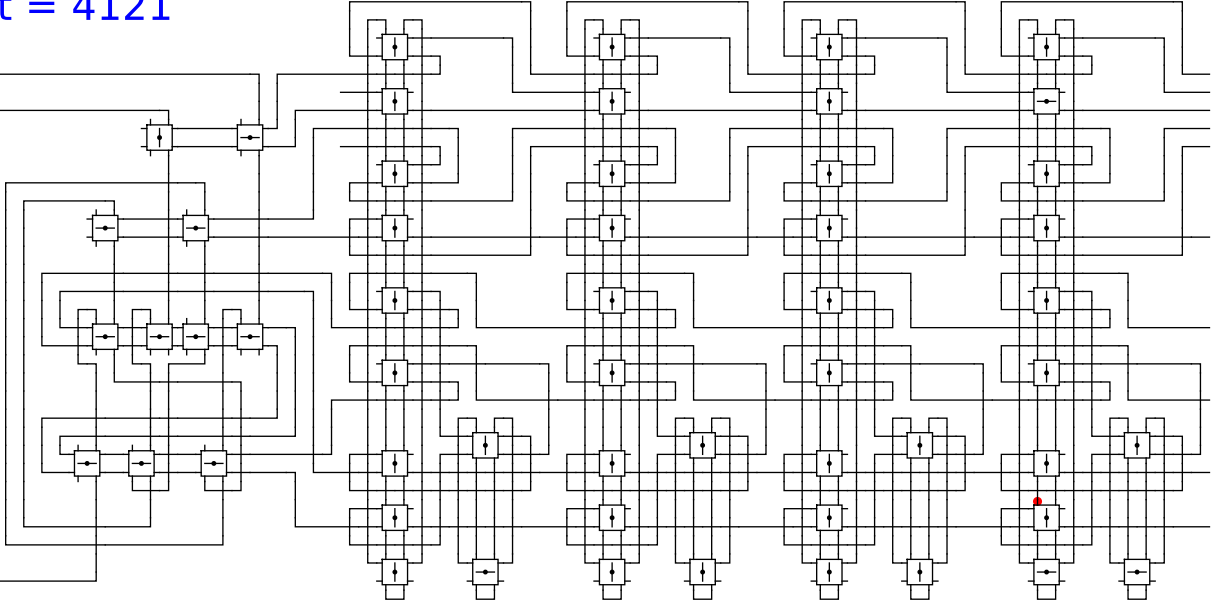


1 0 0 head 1

t = 4121

Reject
Accept

Begin



1

0

0

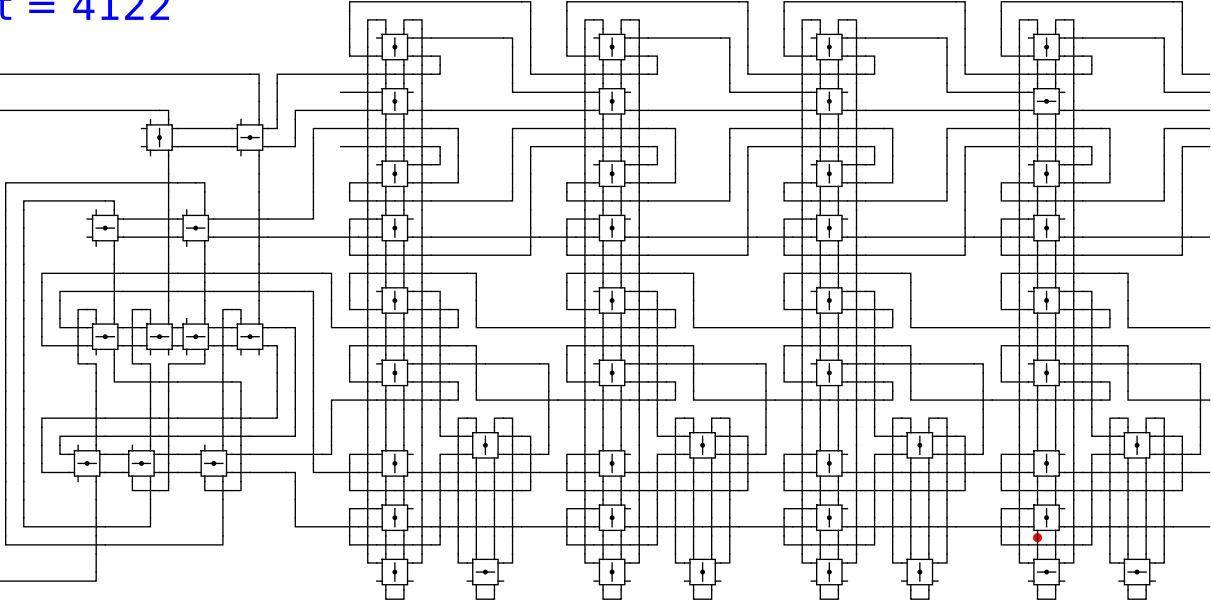
head

1

t = 4122

Reject
Accept

Begin



1

0

0

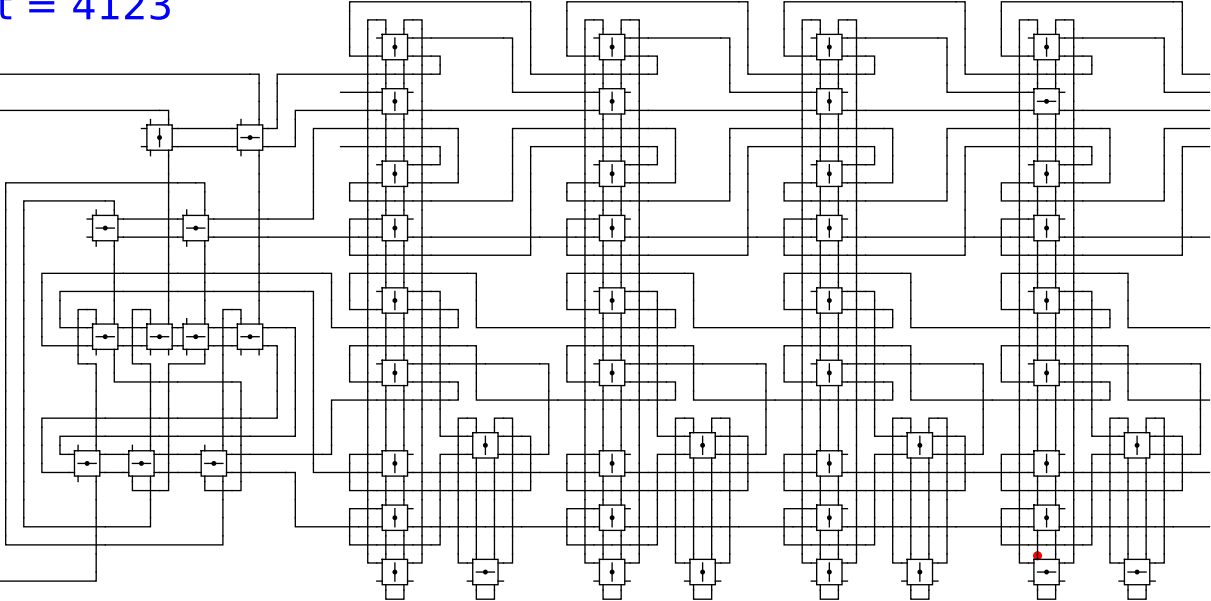
head

1

t = 4123

Reject
Accept

Begin



1

0

0

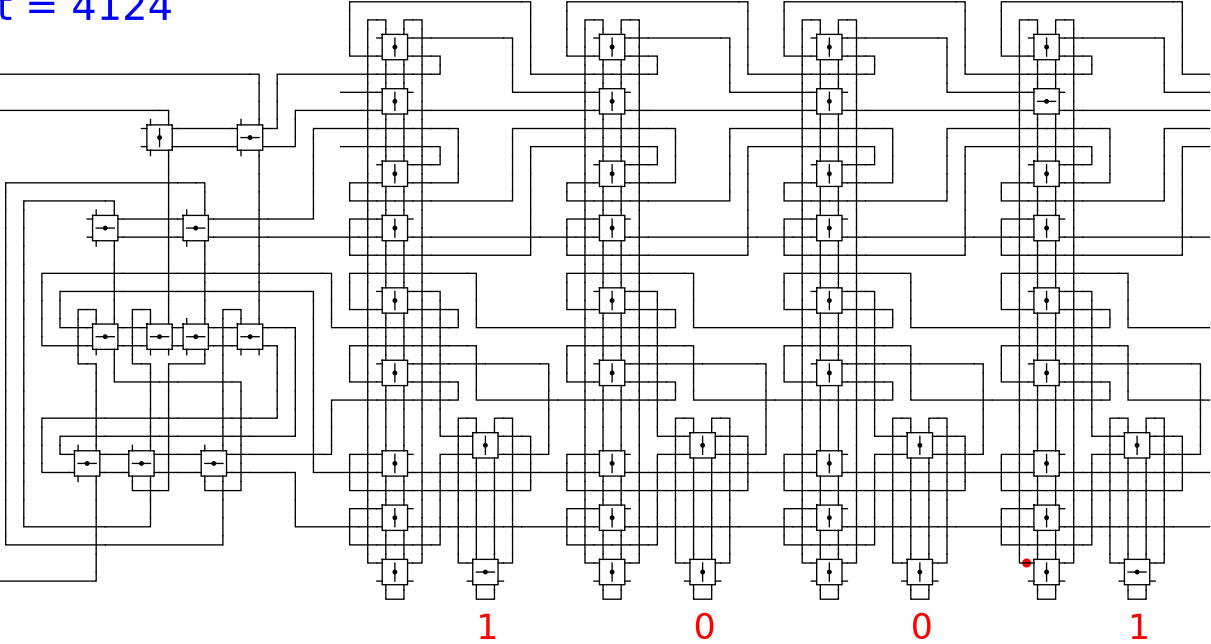
head

1

t = 4124

Reject
Accept

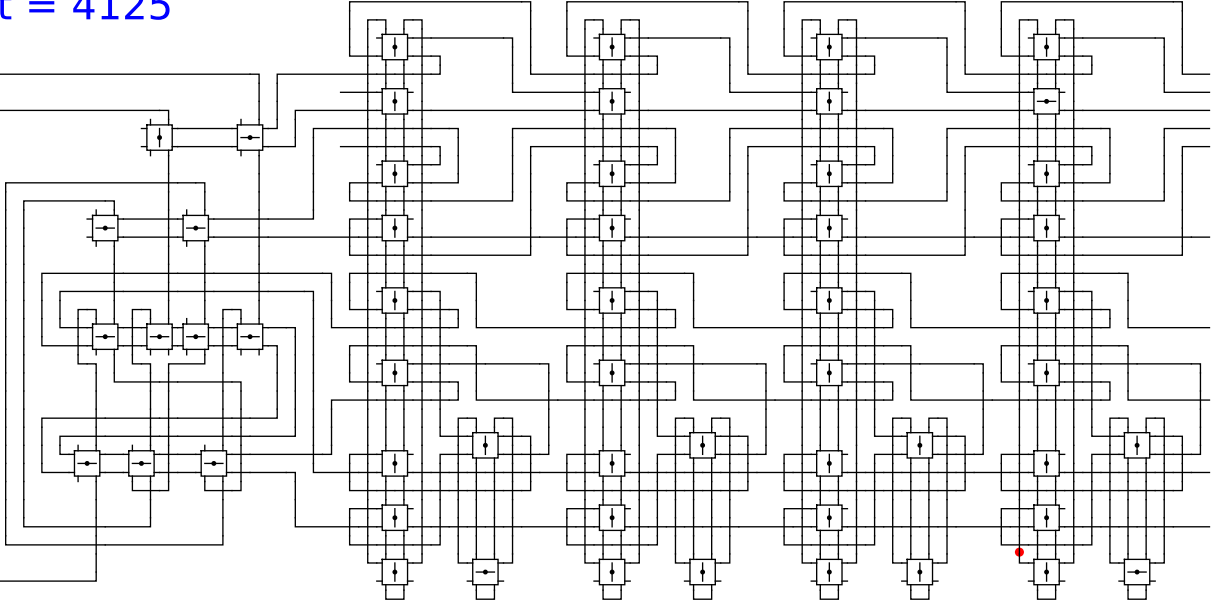
Begin



t = 4125

Reject
Accept

Begin



1

0

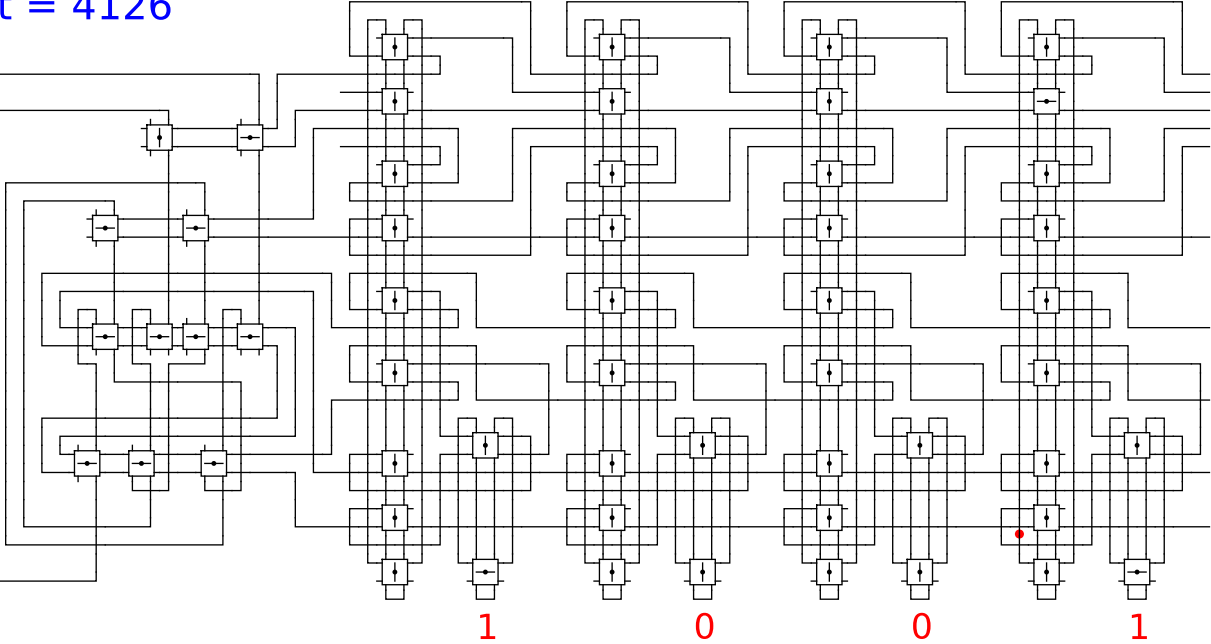
0

1

t = 4126

Reject
Accept

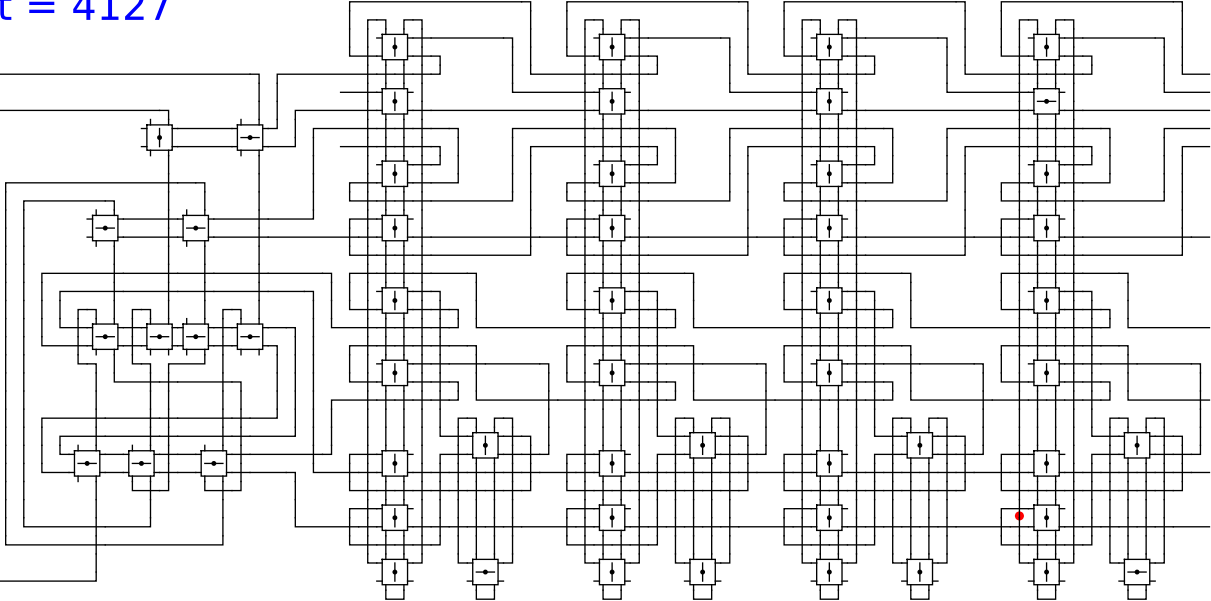
Begin



t = 4127

Reject
Accept

Begin



1

0

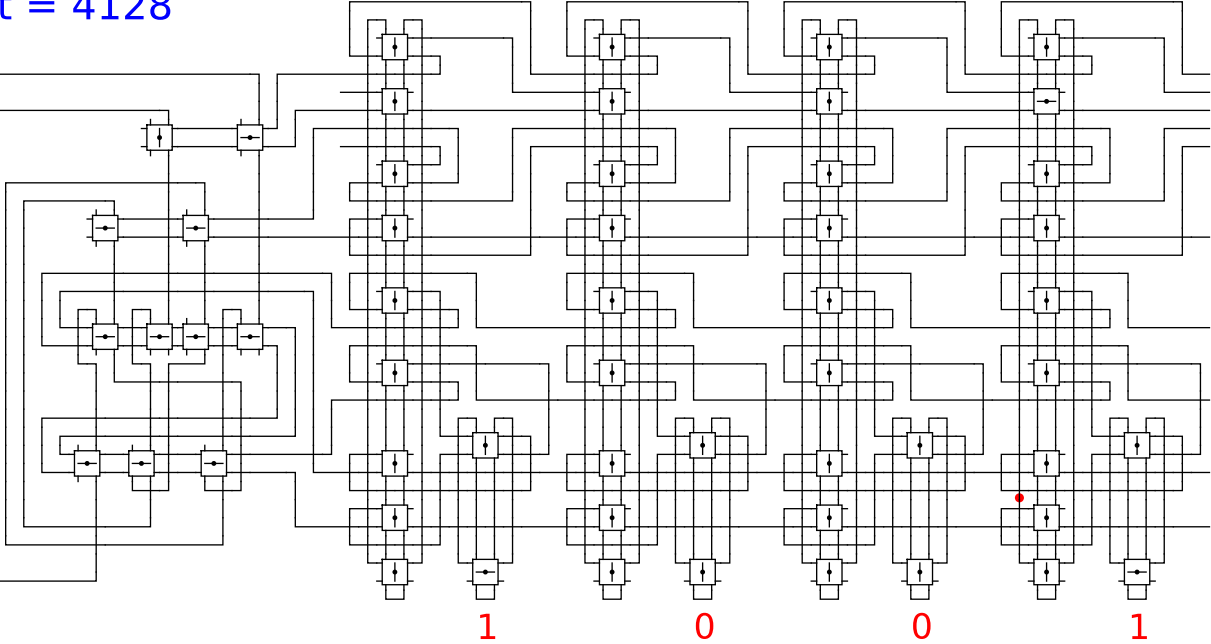
0

1

t = 4128

Reject
Accept

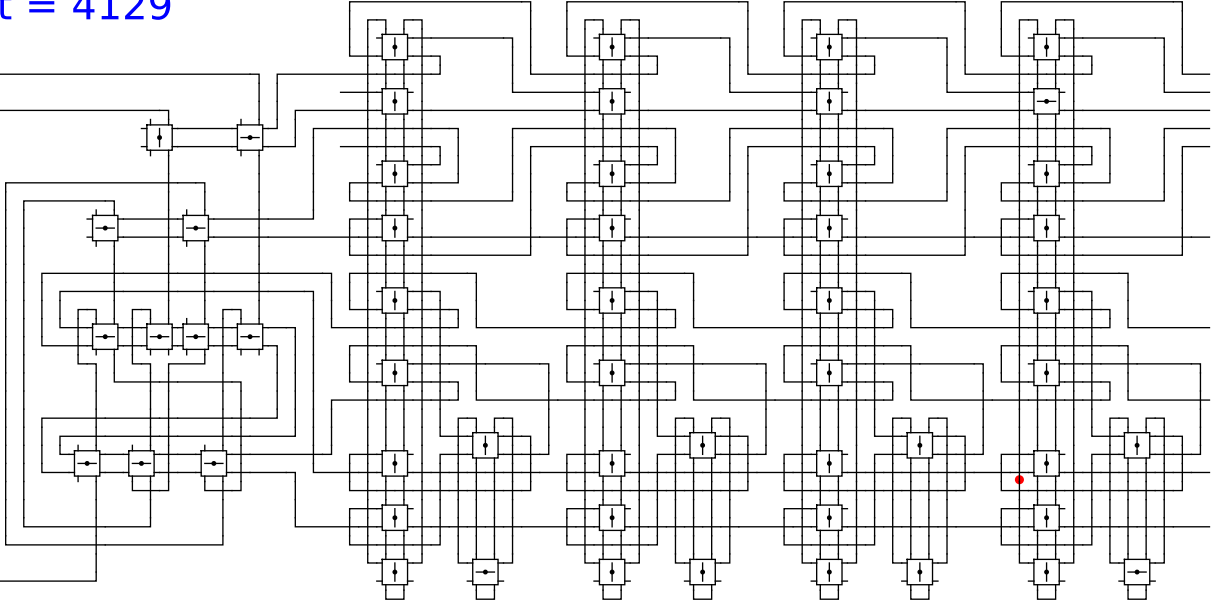
Begin



t = 4129

Reject
Accept

Begin



1

0

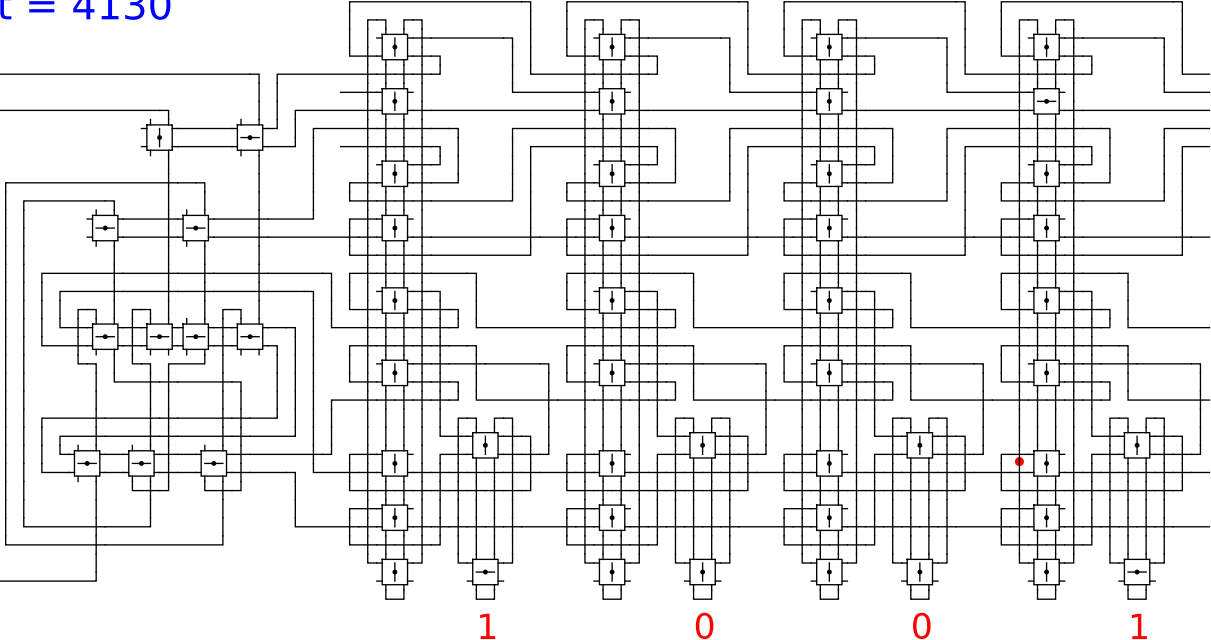
0

1

t = 4130

Reject
Accept

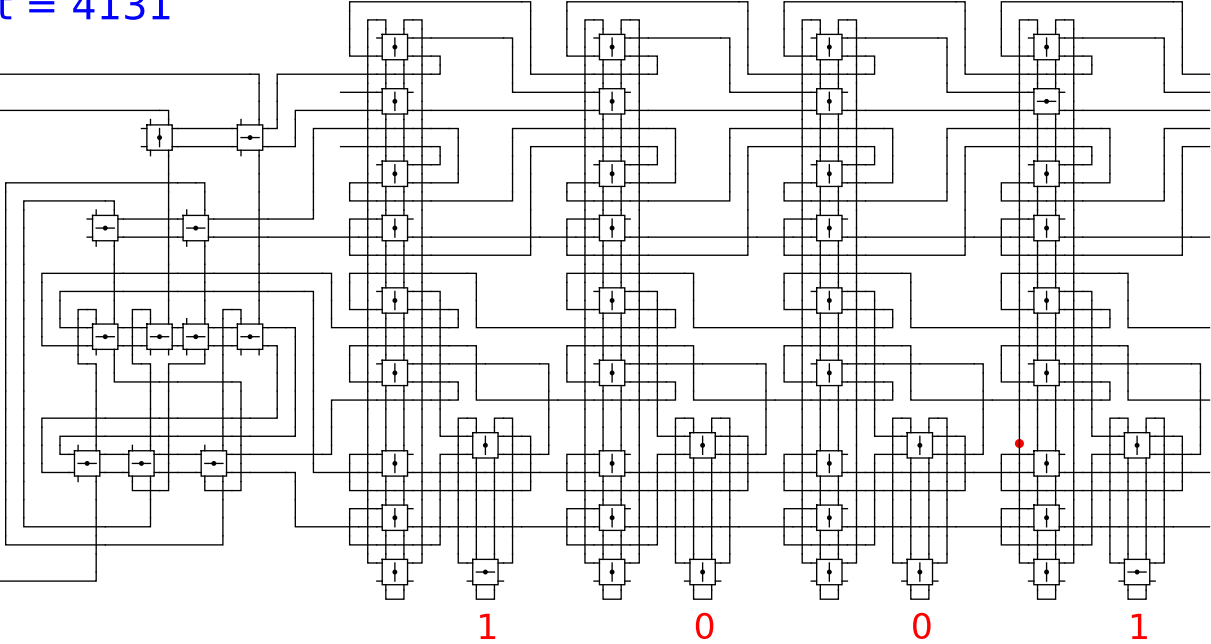
Begin



t = 4131

Reject
Accept

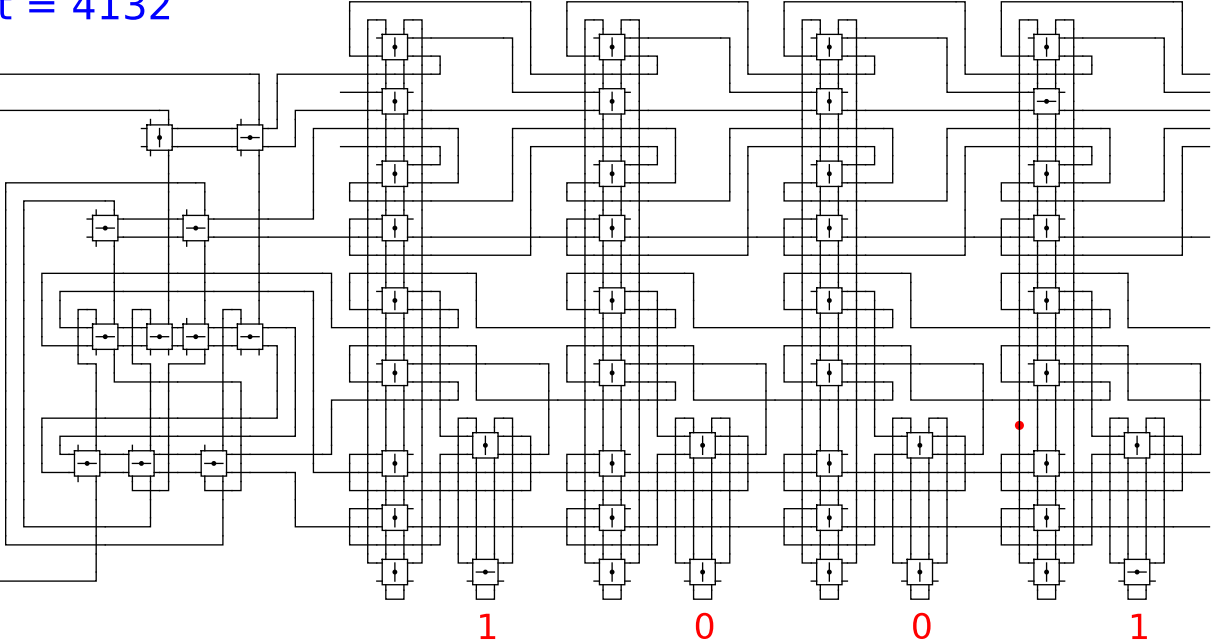
Begin



t = 4132

Reject
Accept

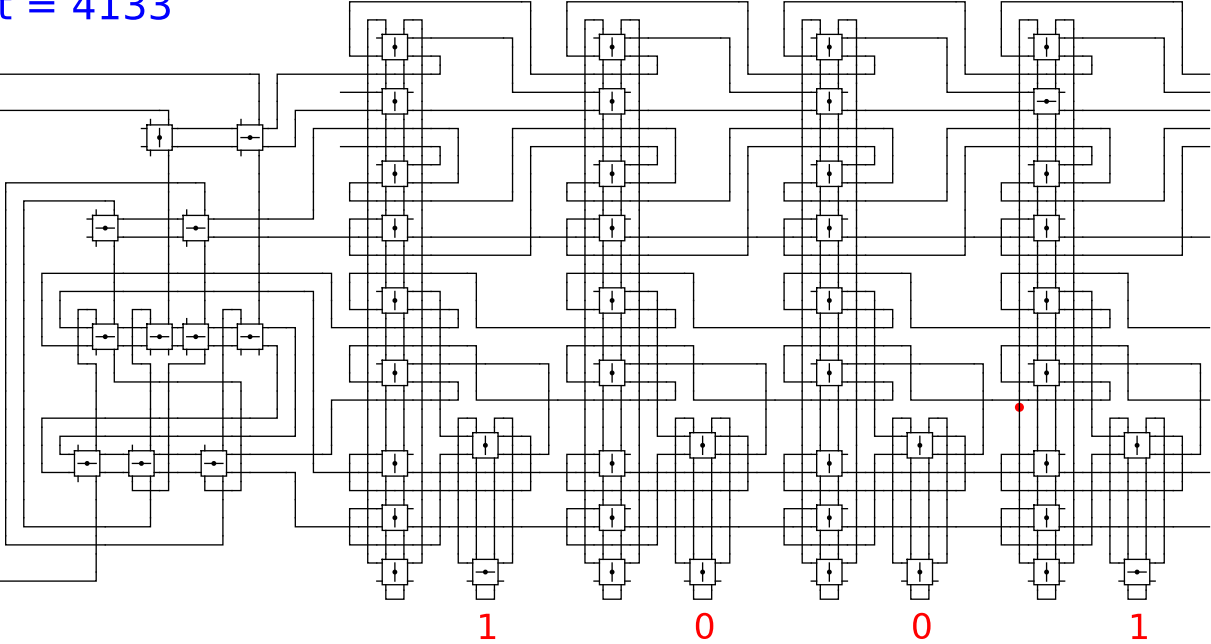
Begin



t = 4133

Reject
Accept

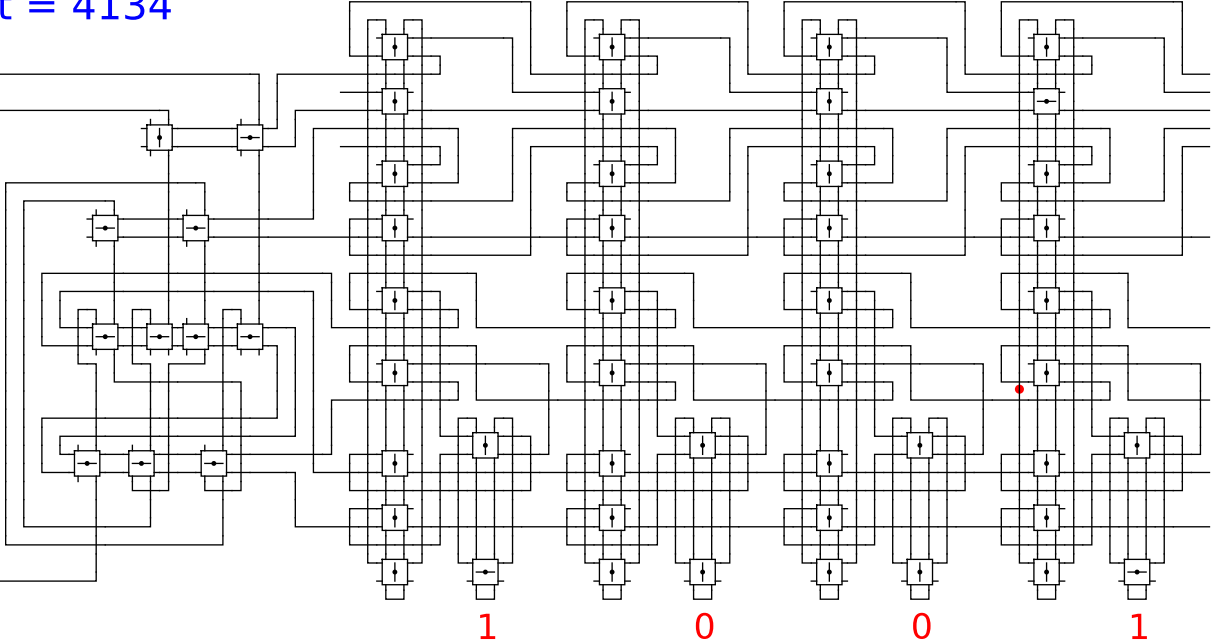
Begin



t = 4134

Reject
Accept

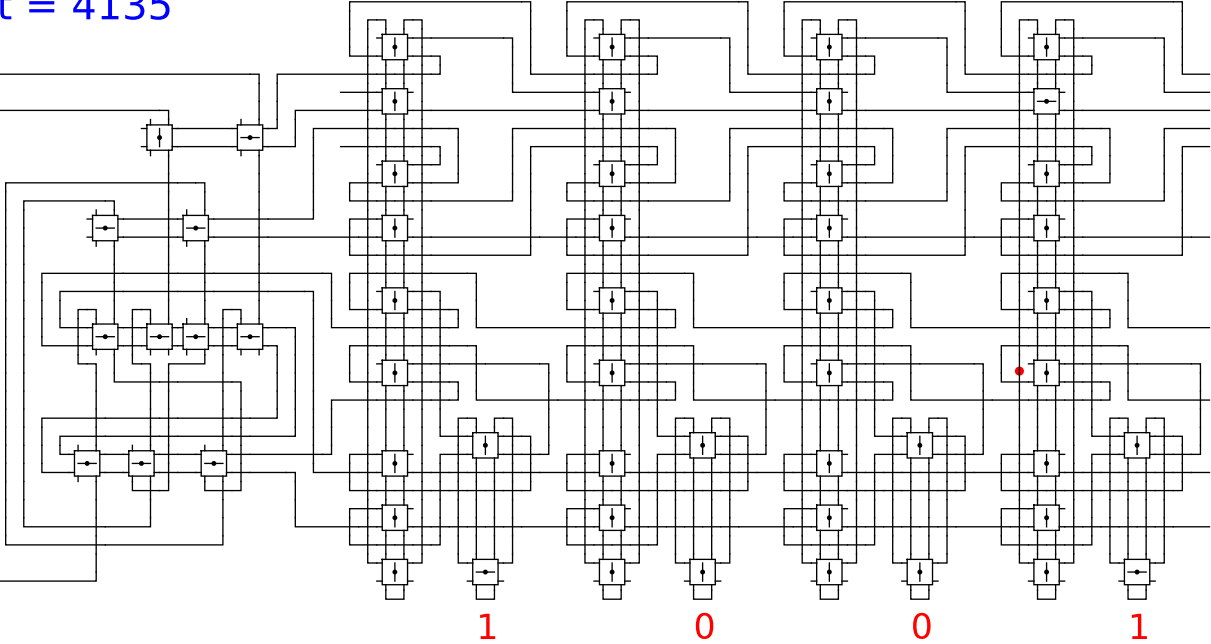
Begin



t = 4135

Reject
Accept

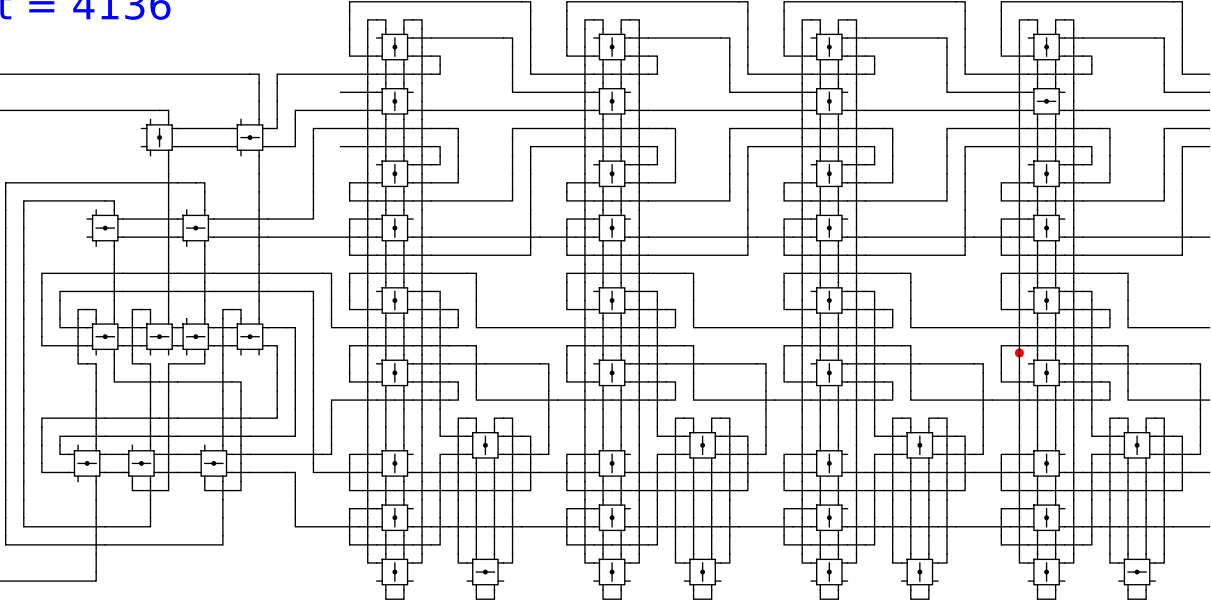
Begin



t = 4136

Reject
Accept

Begin



1

0

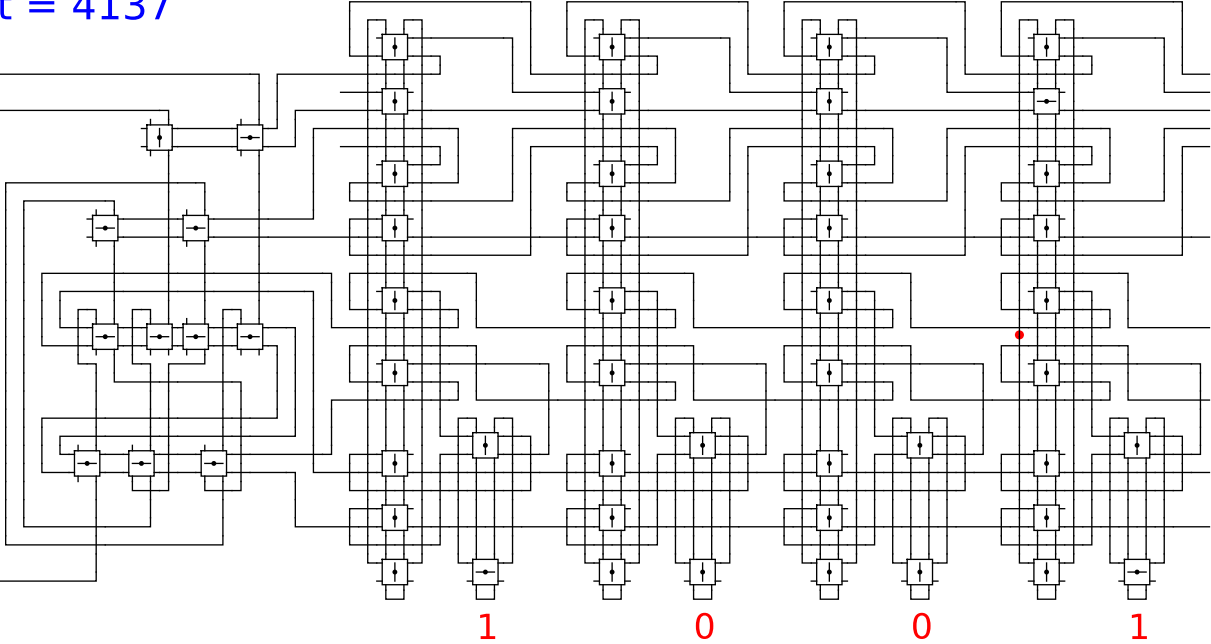
0

1

t = 4137

Reject
Accept

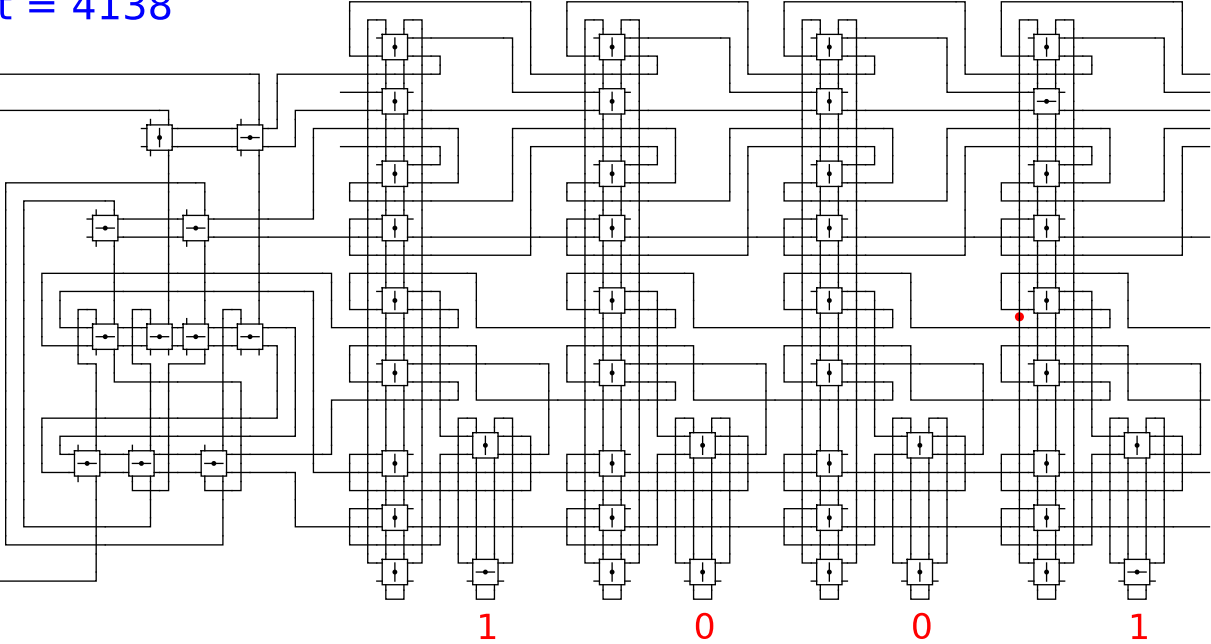
Begin



t = 4138

Reject
Accept

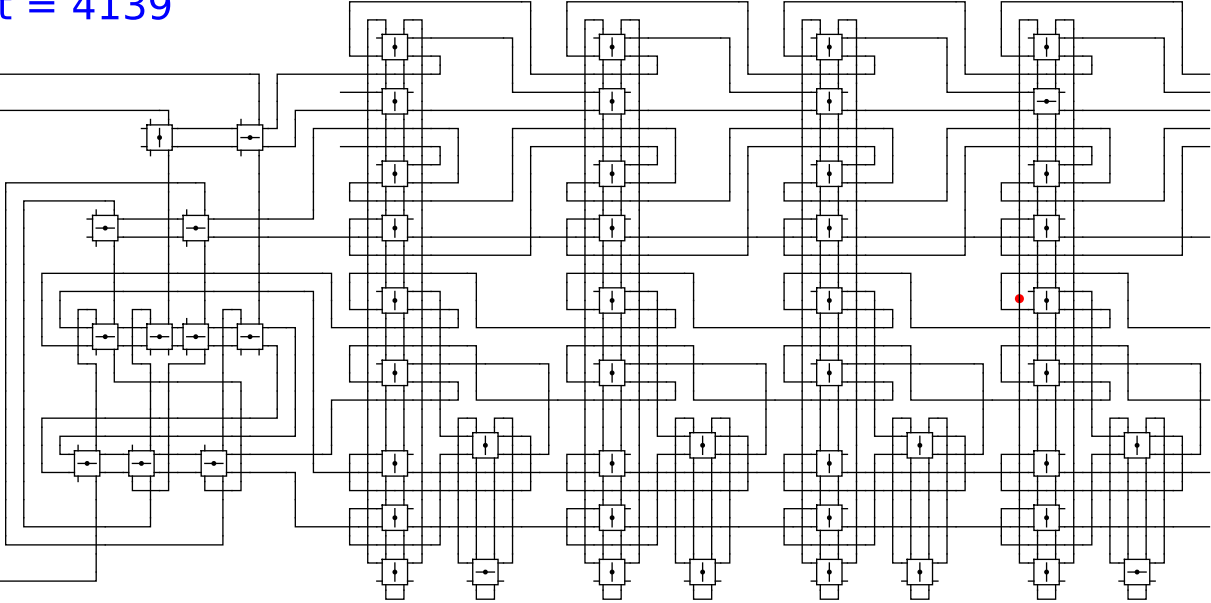
Begin



t = 4139

Reject
Accept

Begin



1

0

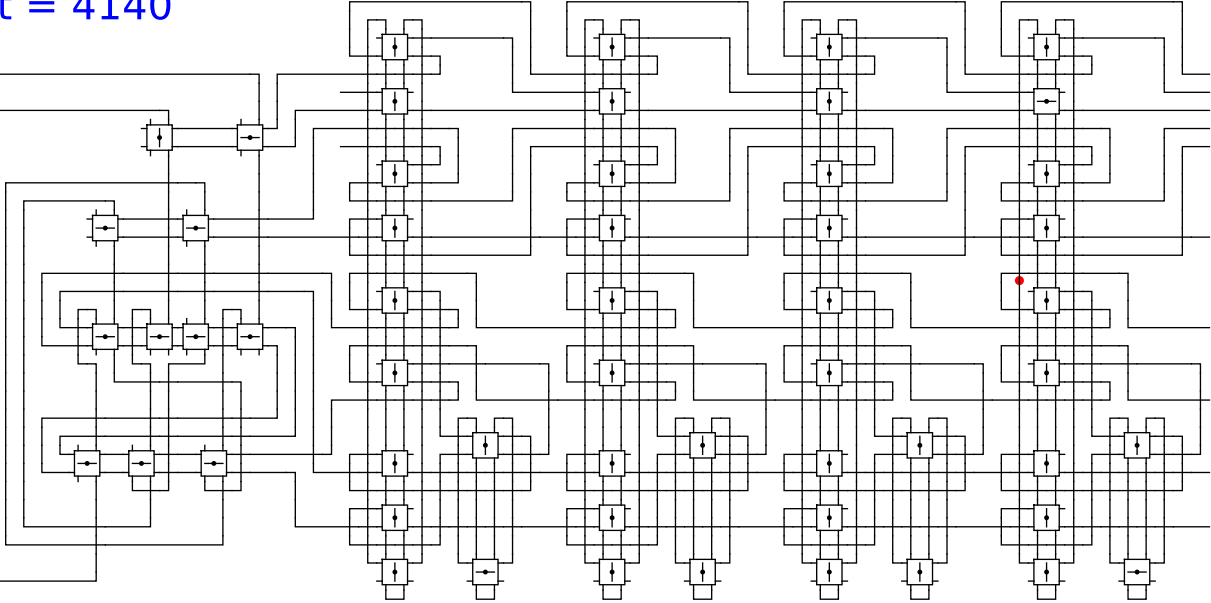
0

1

t = 4140

Reject
Accept

Begin



1

0

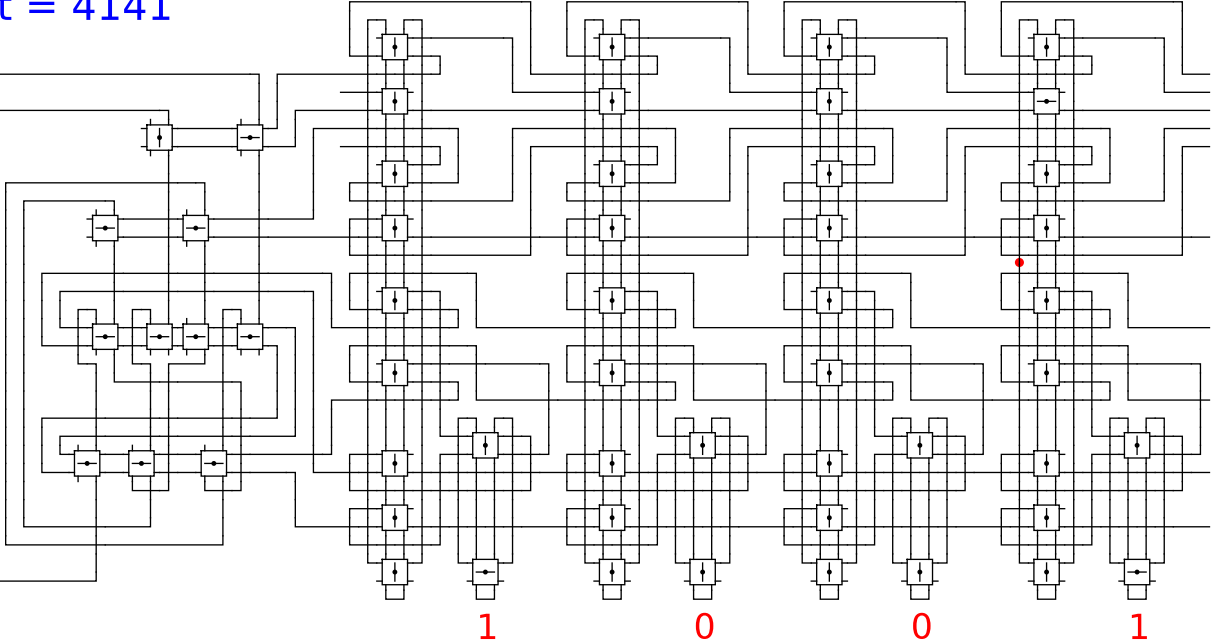
0

1

t = 4141

Reject
Accept

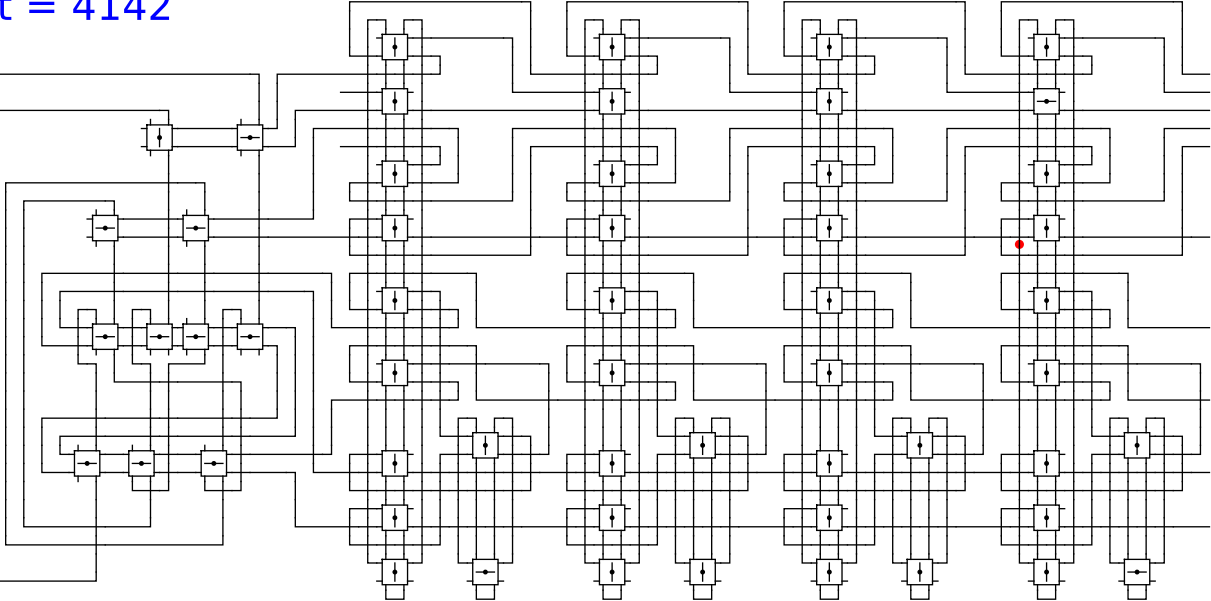
Begin



t = 4142

Reject
Accept

Begin



1

0

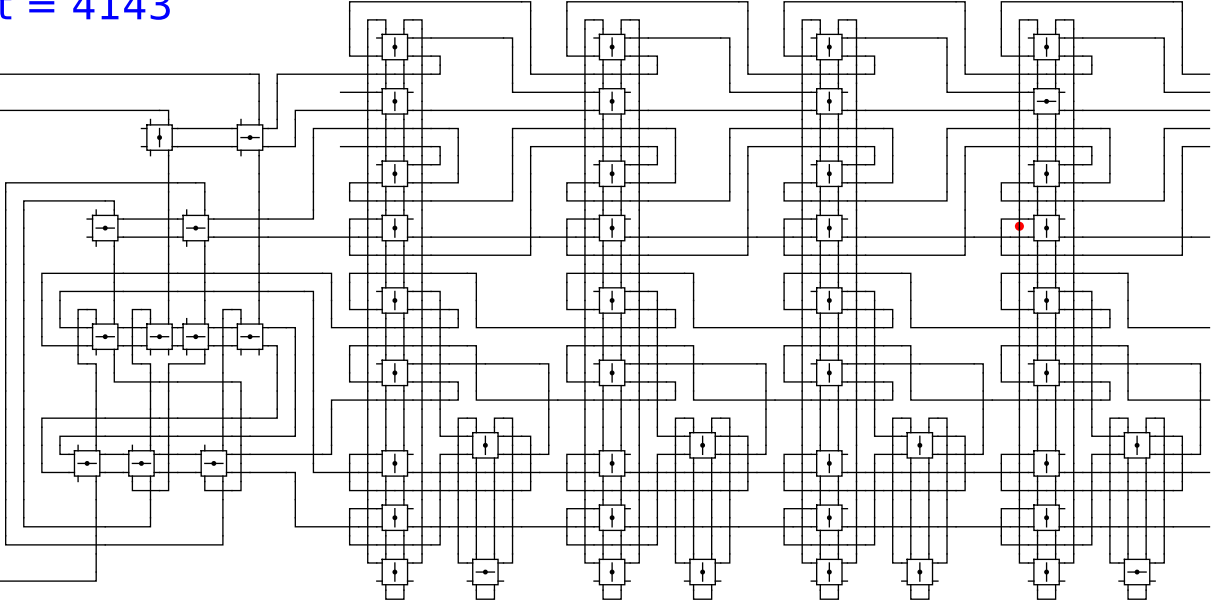
0

1

t = 4143

Reject
Accept

Begin



1

0

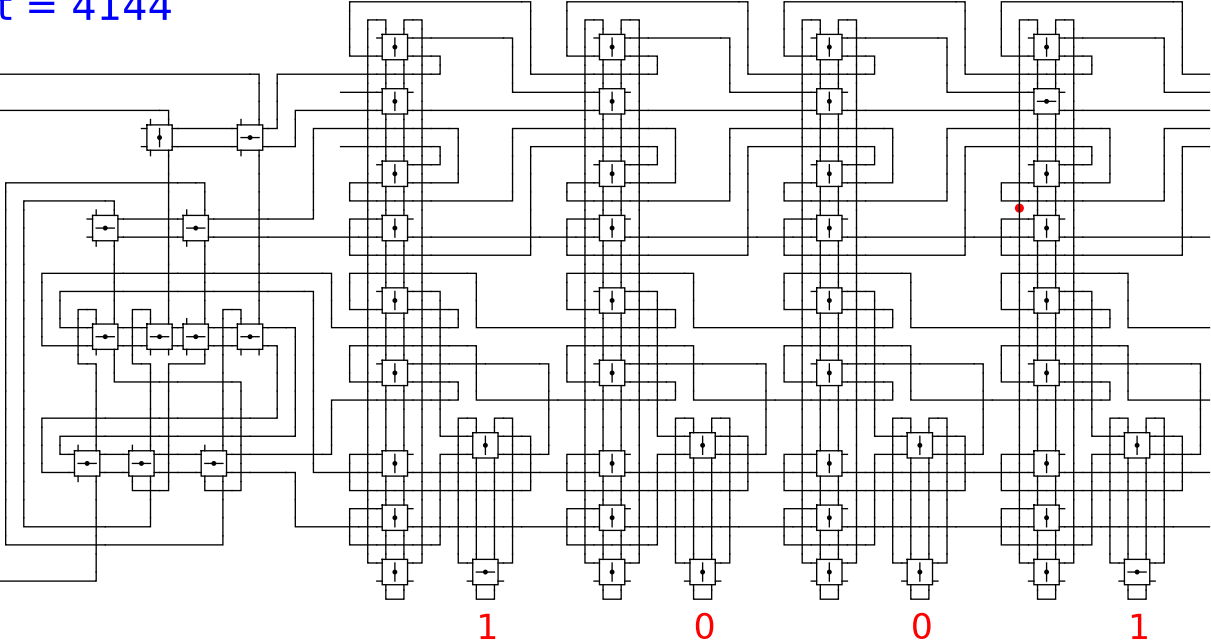
0

1

t = 4144

Reject
Accept

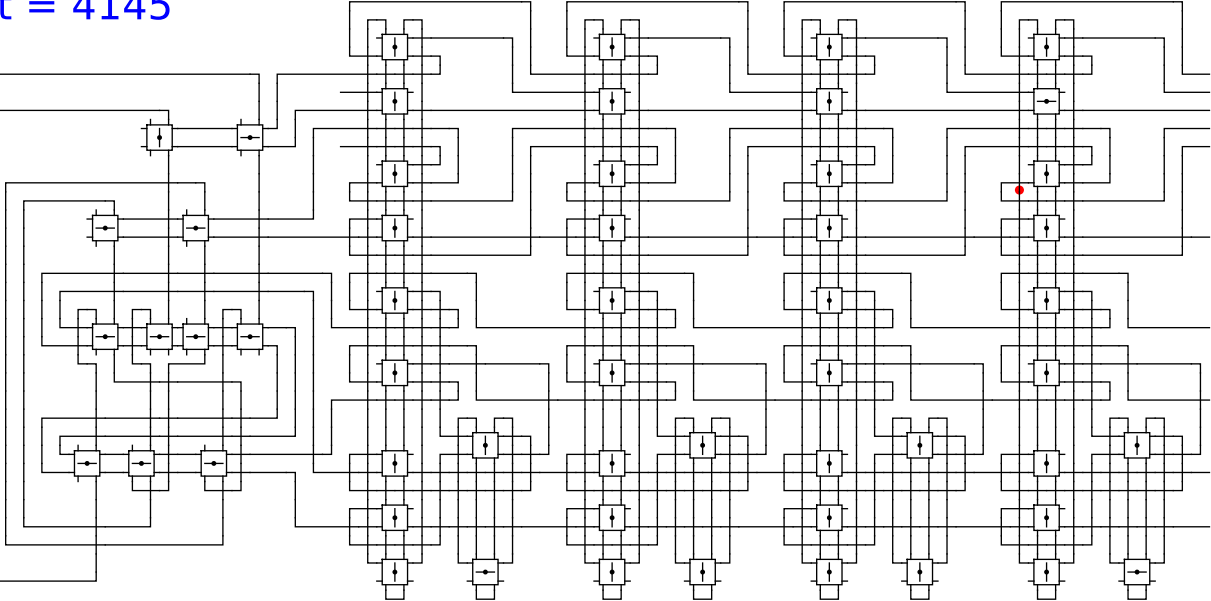
Begin



t = 4145

Reject
Accept

Begin



1

0

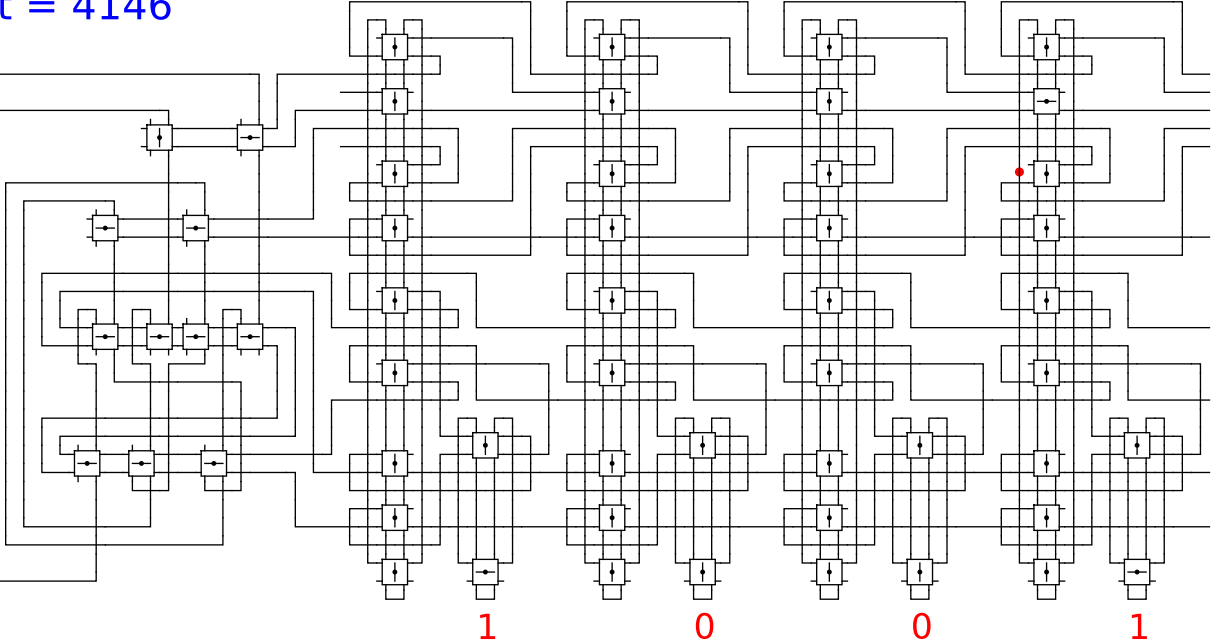
0

1

t = 4146

Reject
Accept

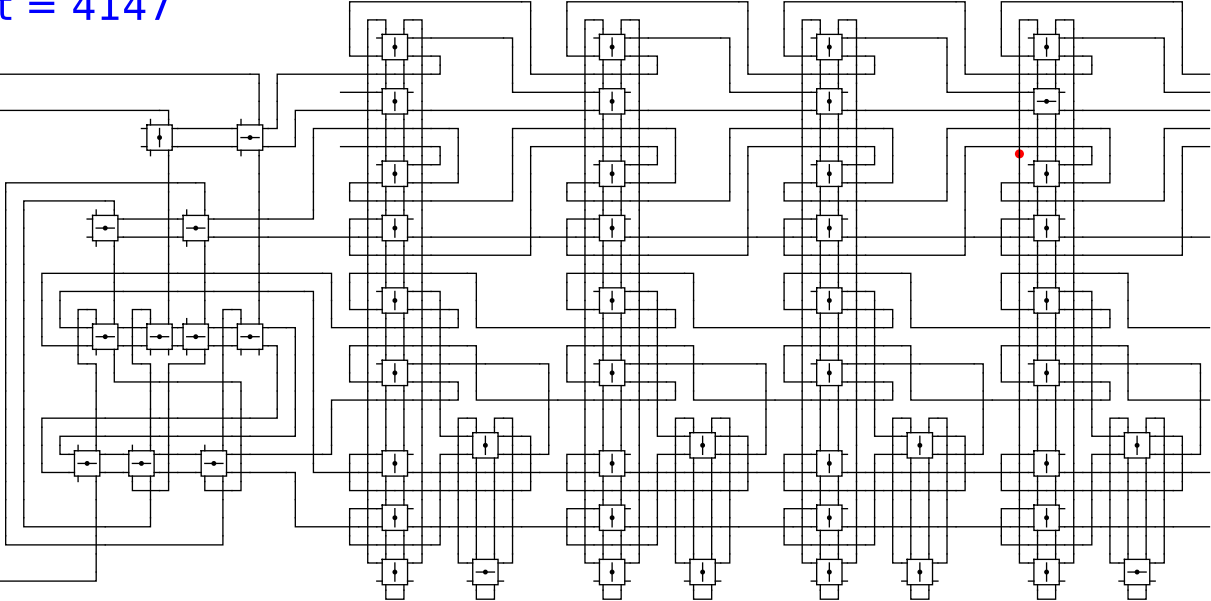
Begin



t = 4147

Reject
Accept

Begin



1

0

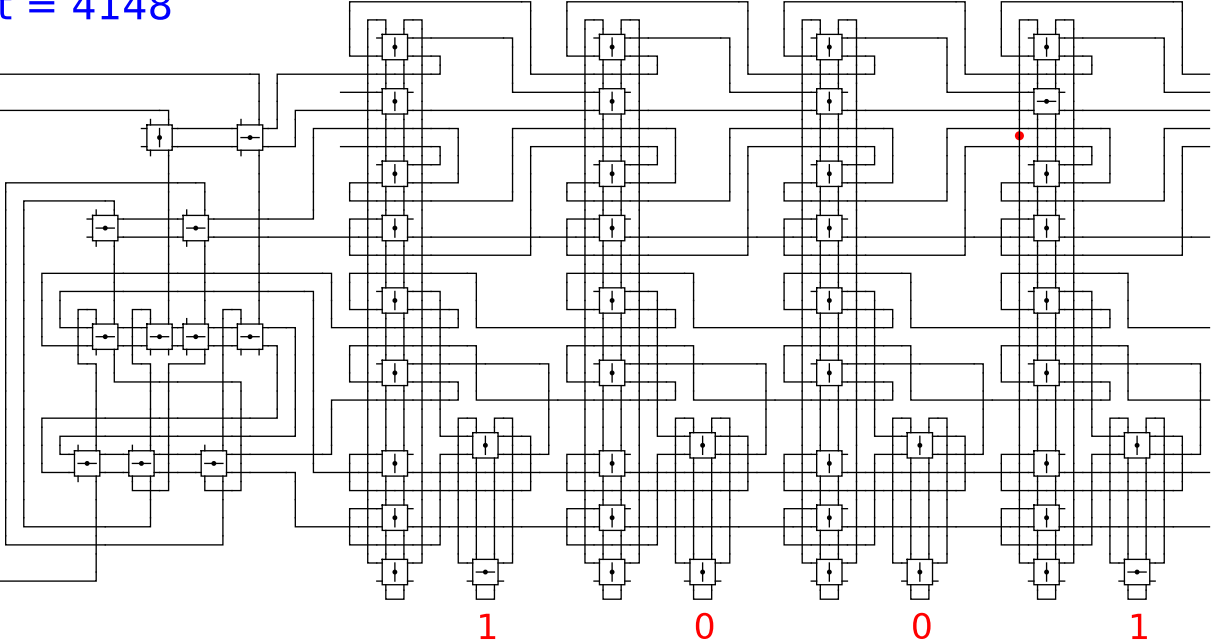
0

1

t = 4148

Reject
Accept

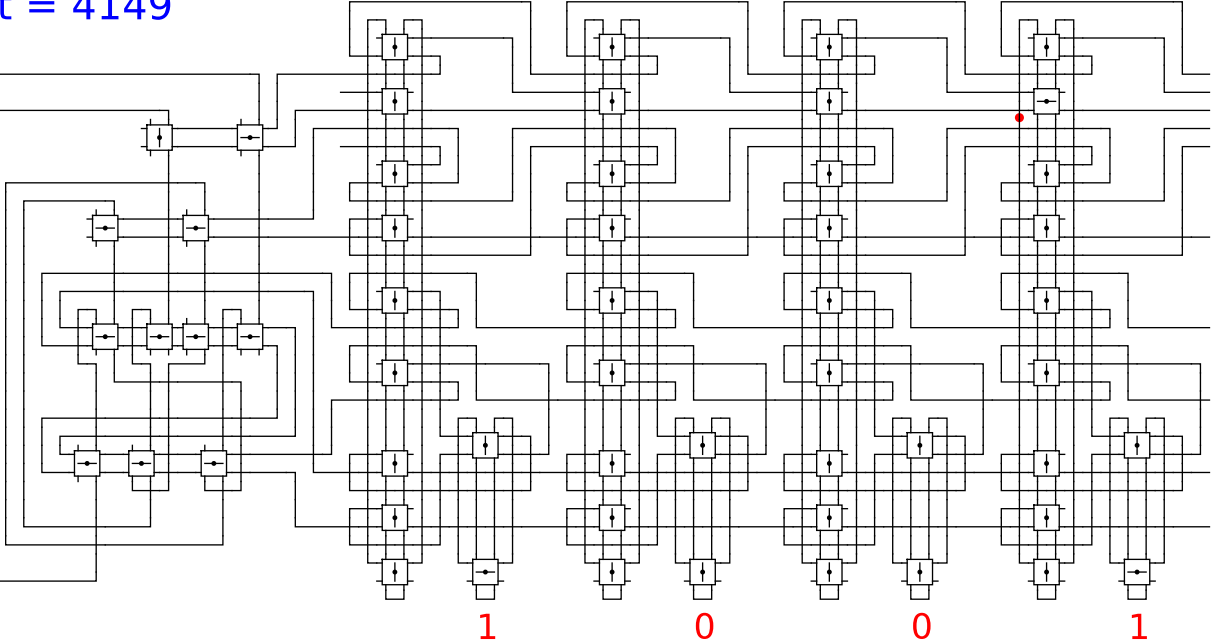
Begin



t = 4149

Reject
Accept

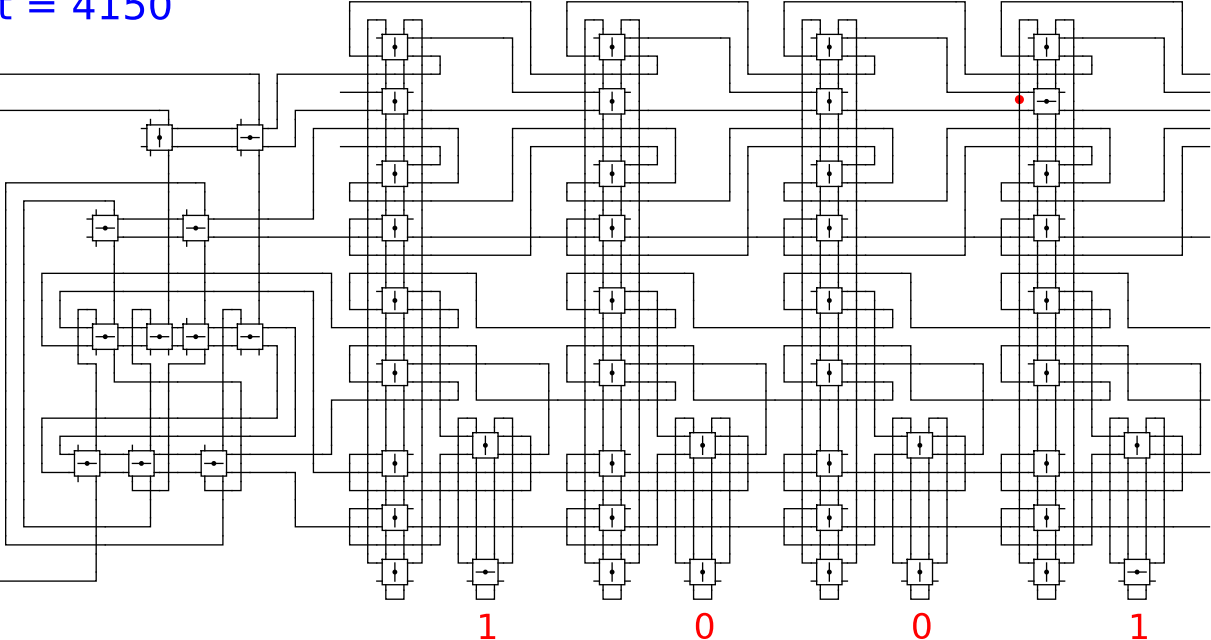
Begin



t = 4150

Reject
Accept

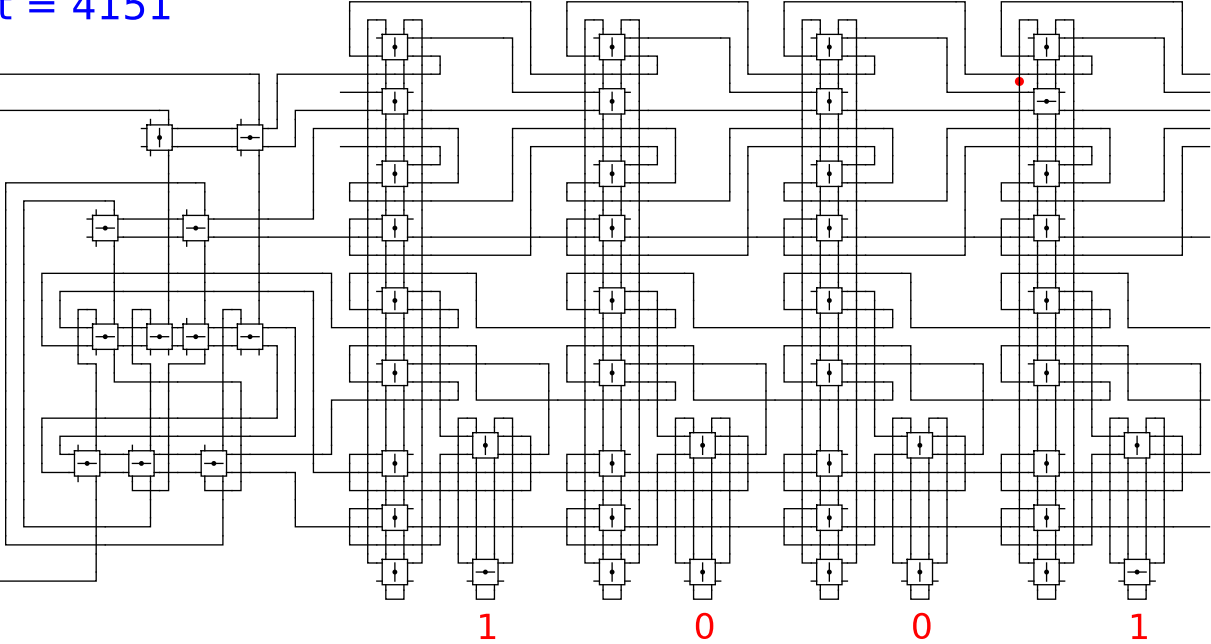
Begin



t = 4151

Reject
Accept

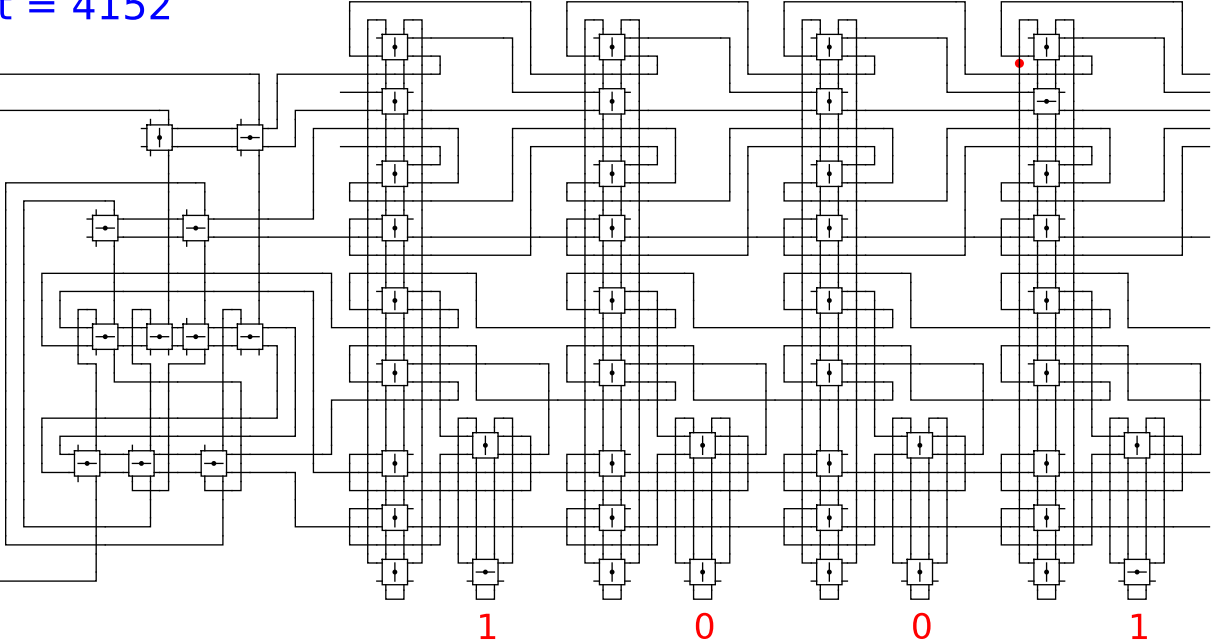
Begin



t = 4152

Reject
Accept

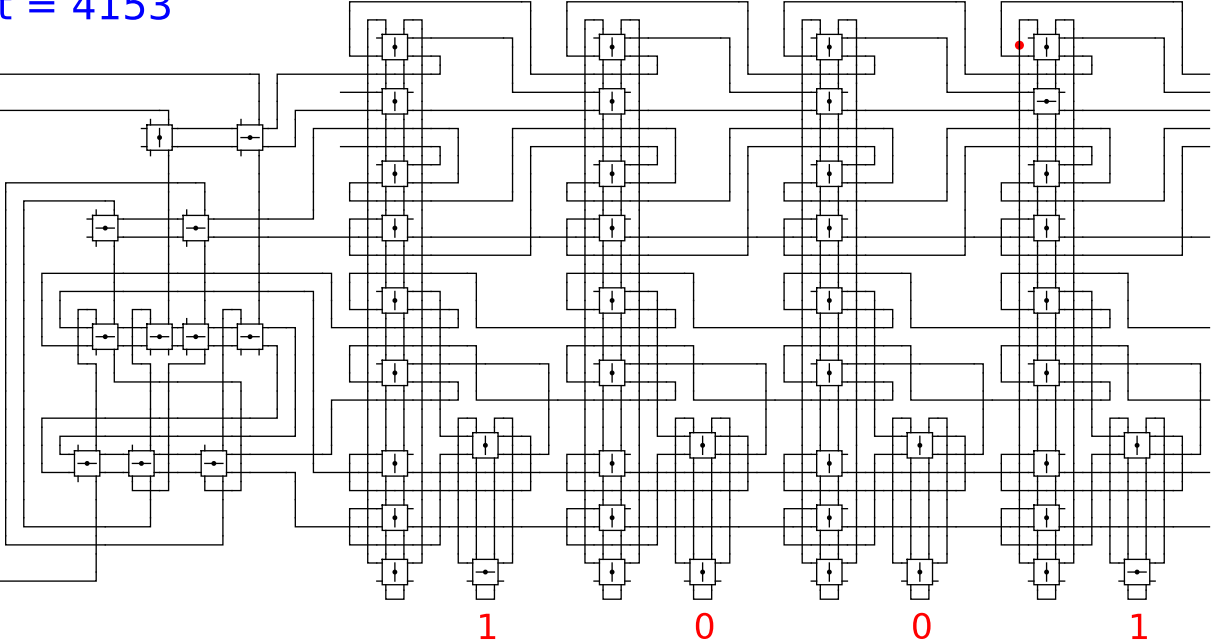
Begin



t = 4153

Reject
Accept

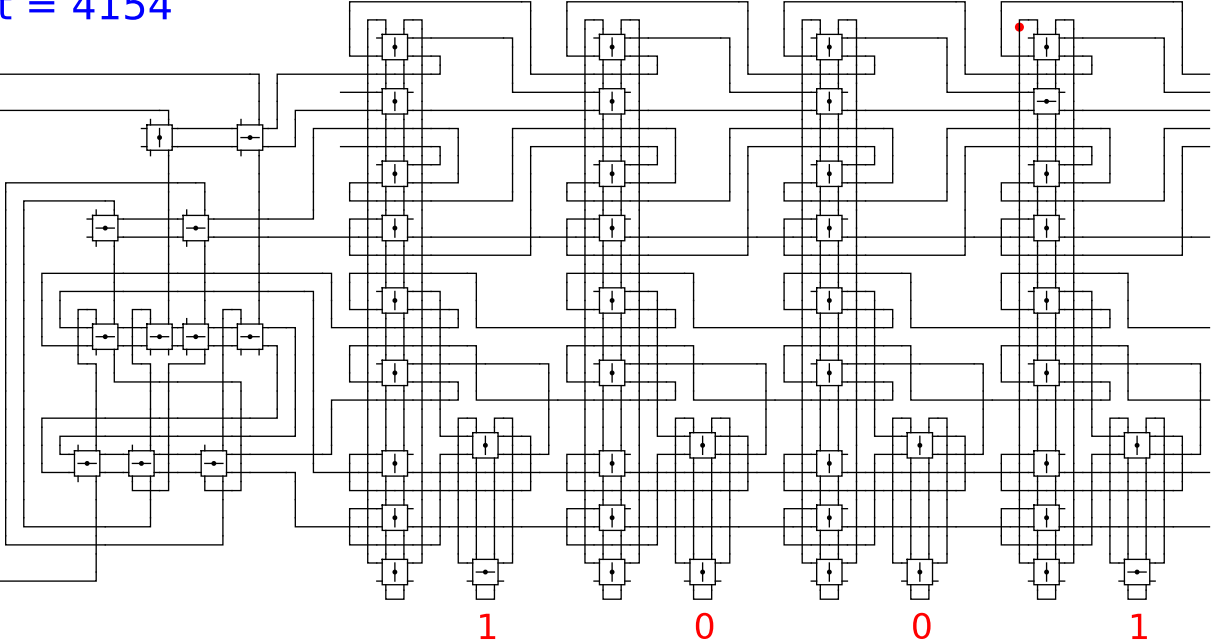
Begin



t = 4154

Reject
Accept

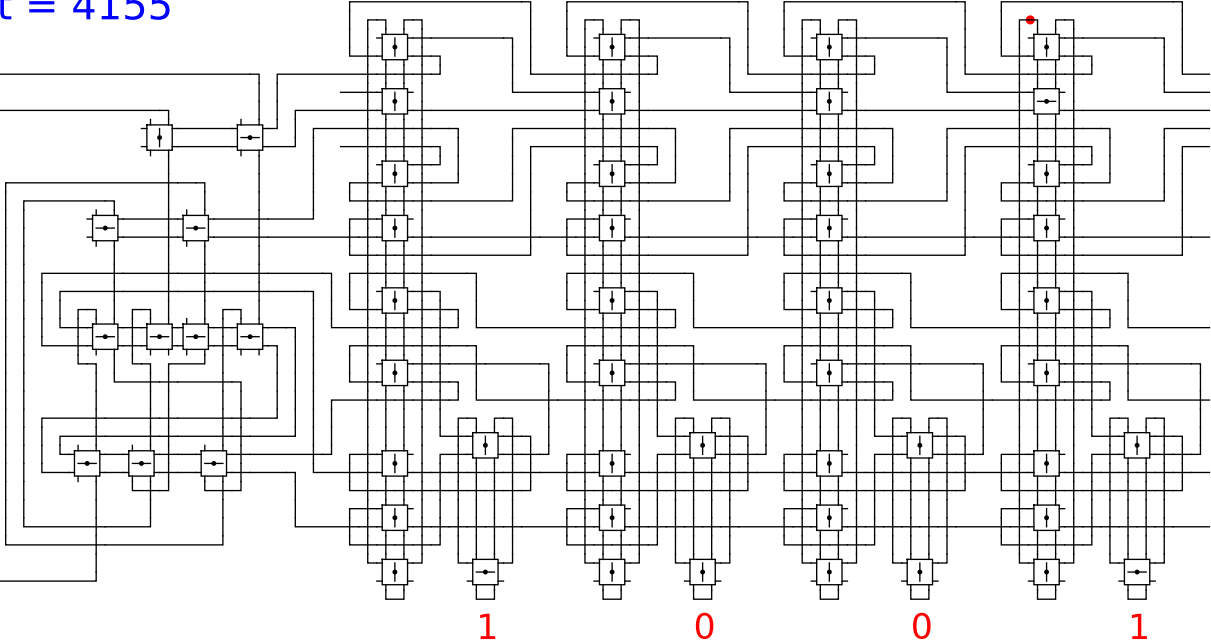
Begin



t = 4155

Reject
Accept

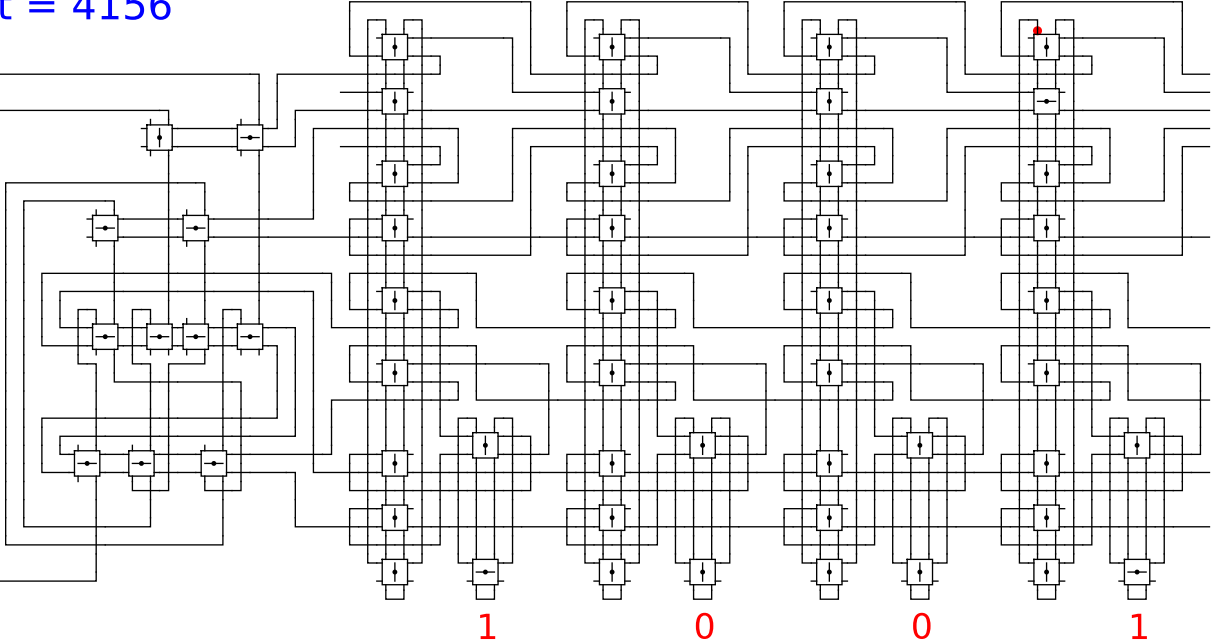
Begin



t = 4156

Reject
Accept

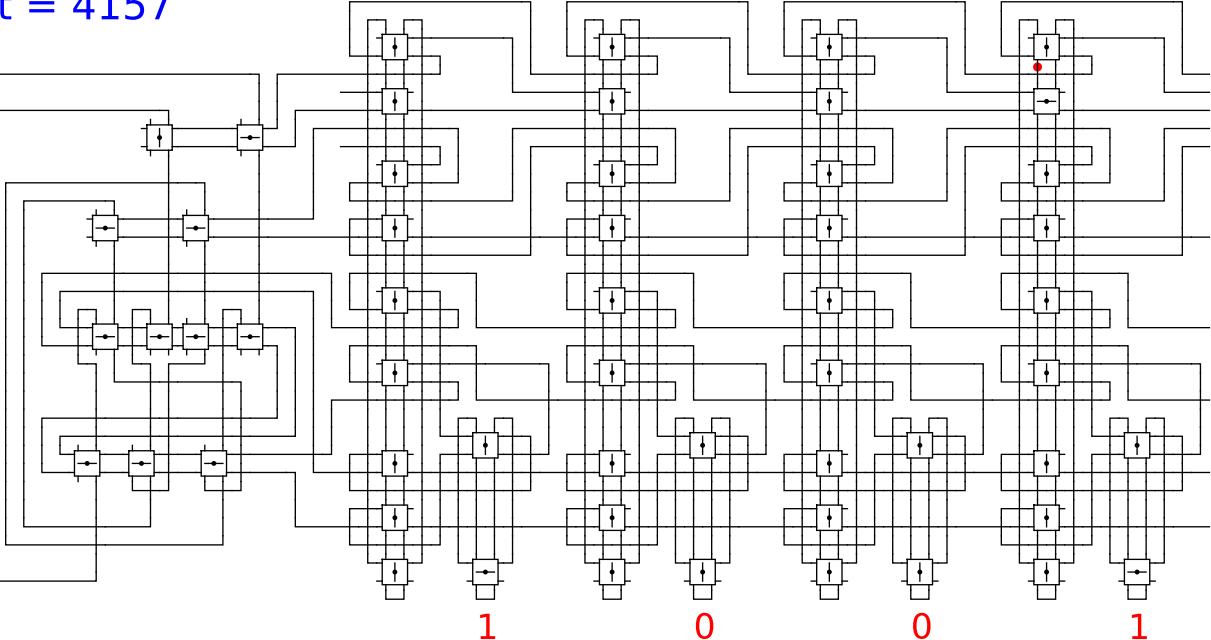
Begin



t = 4157

Reject
Accept

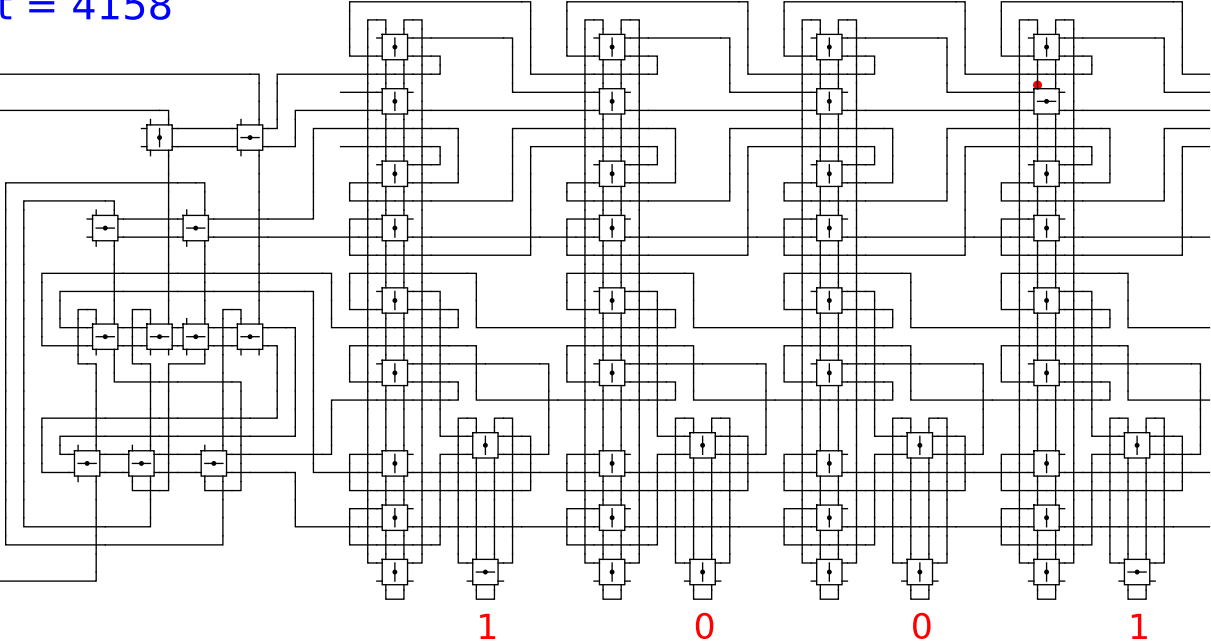
Begin



t = 4158

Reject
Accept

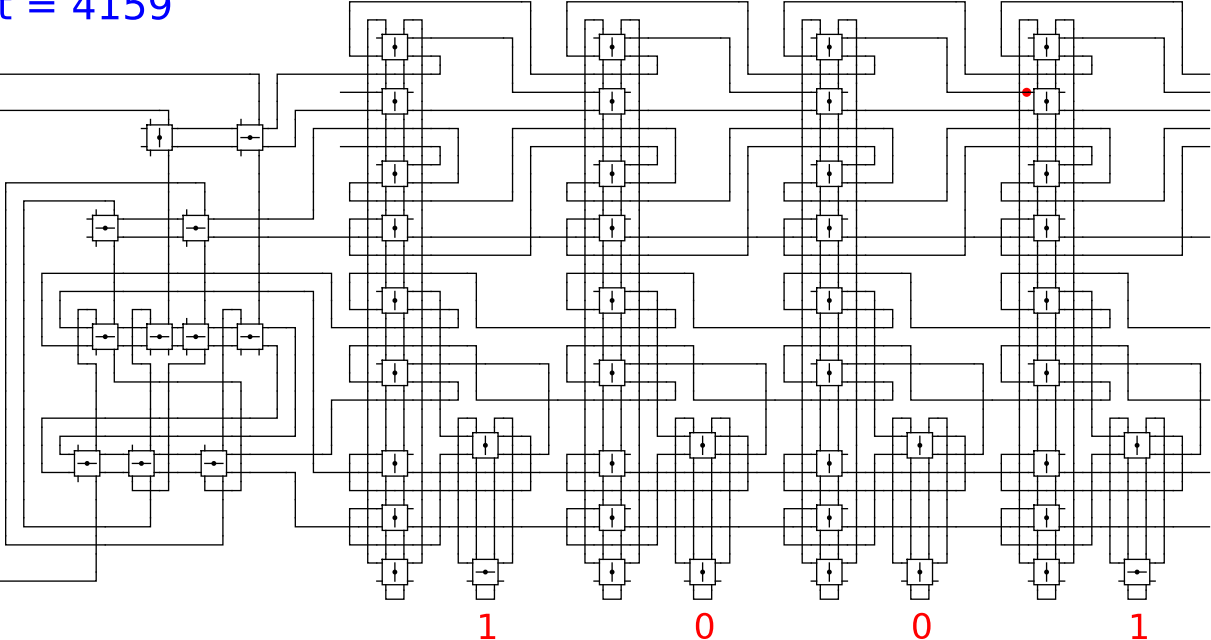
Begin



t = 4159

Reject
Accept

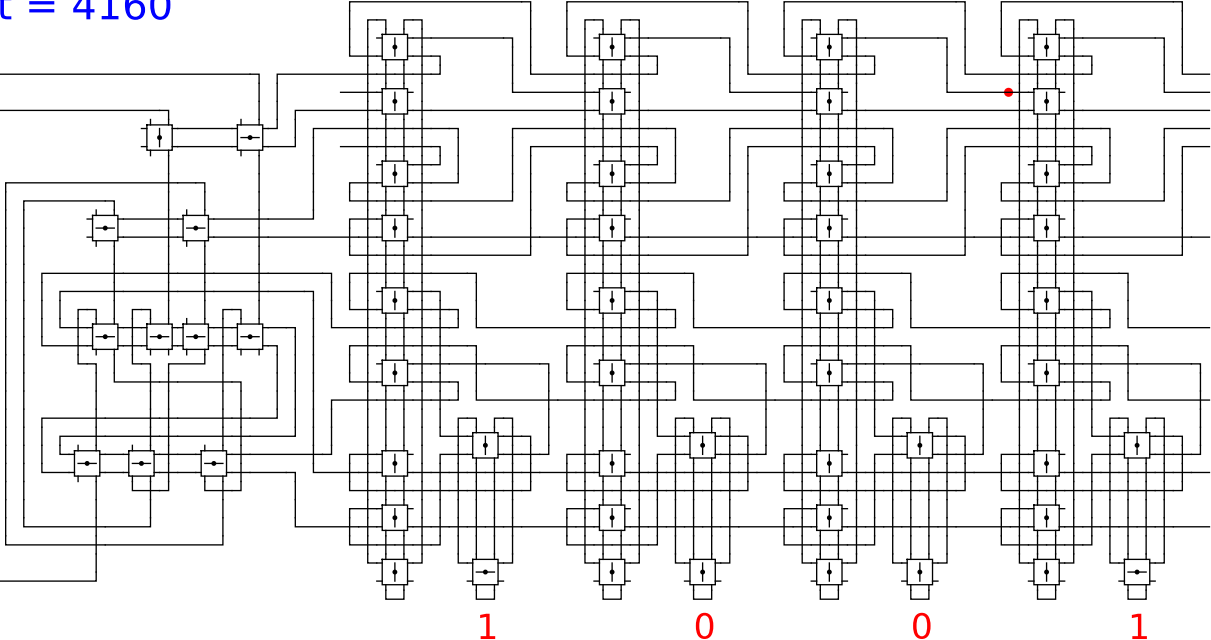
Begin



t = 4160

Reject
Accept

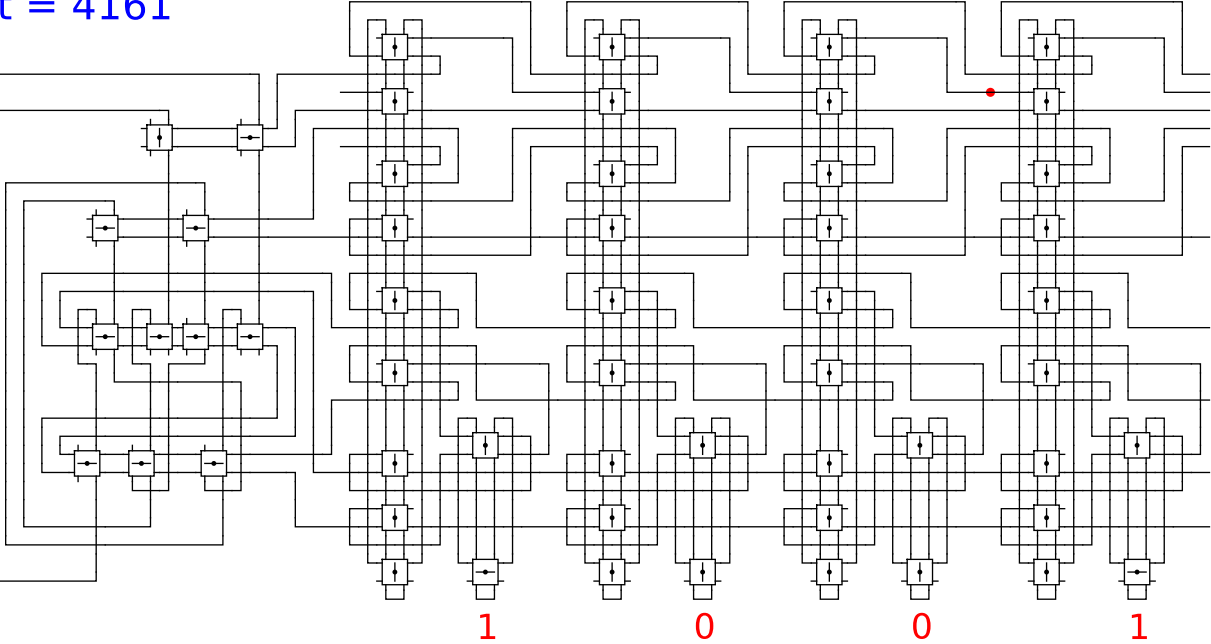
Begin



t = 4161

Reject
Accept

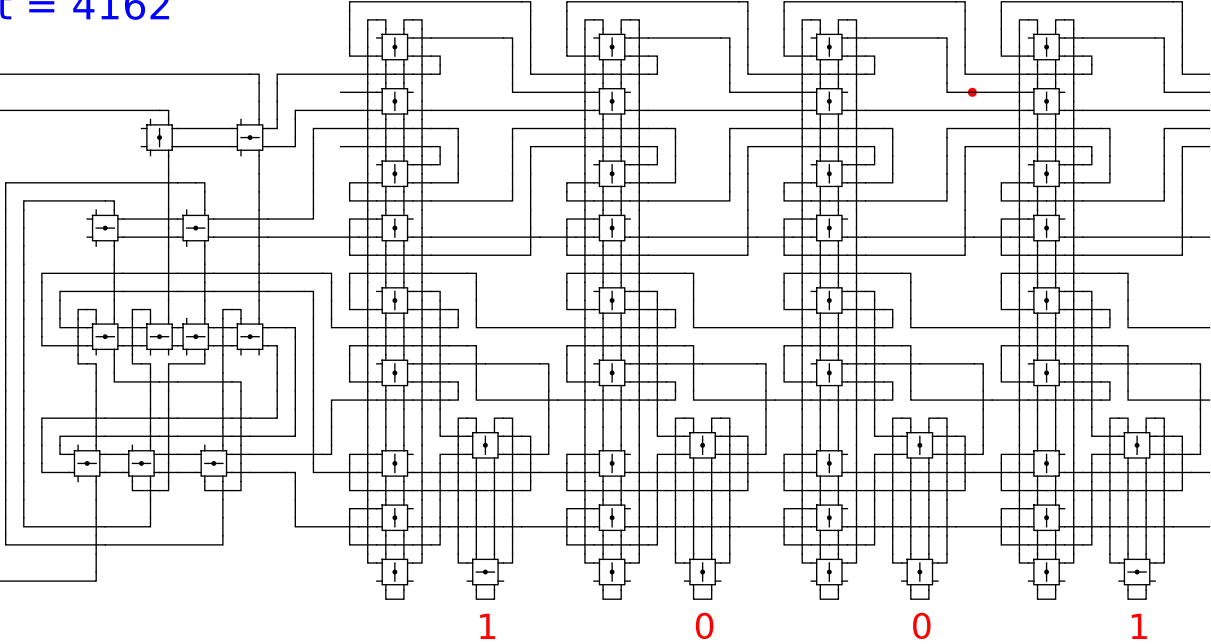
Begin



t = 4162

Reject
Accept

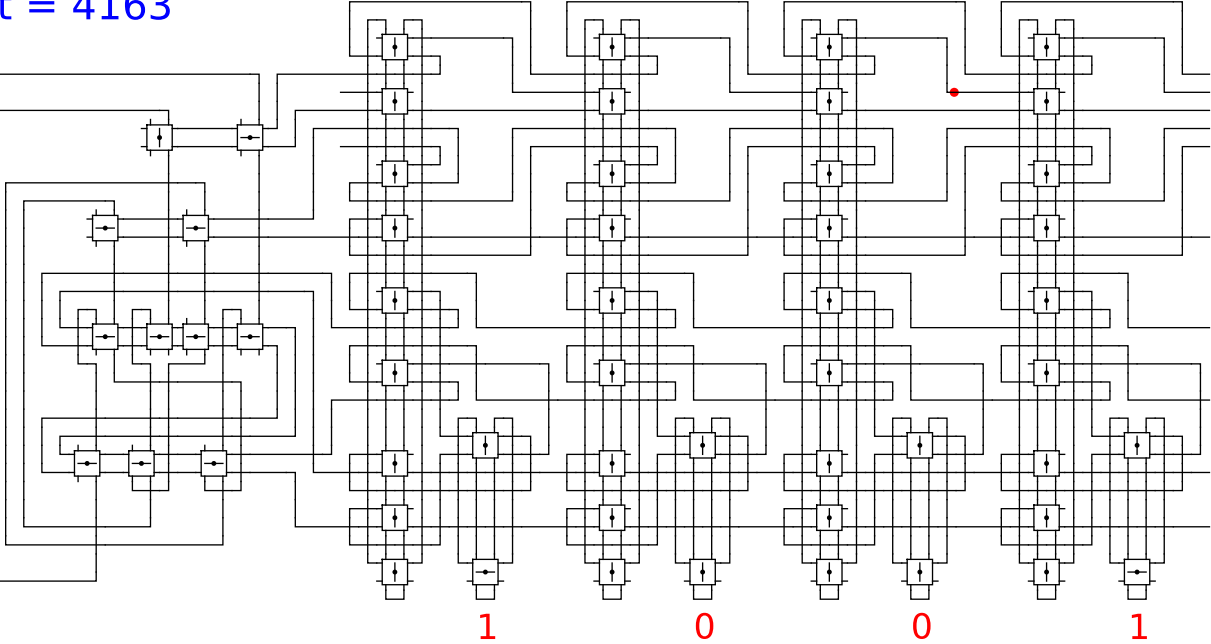
Begin



t = 4163

Reject
Accept

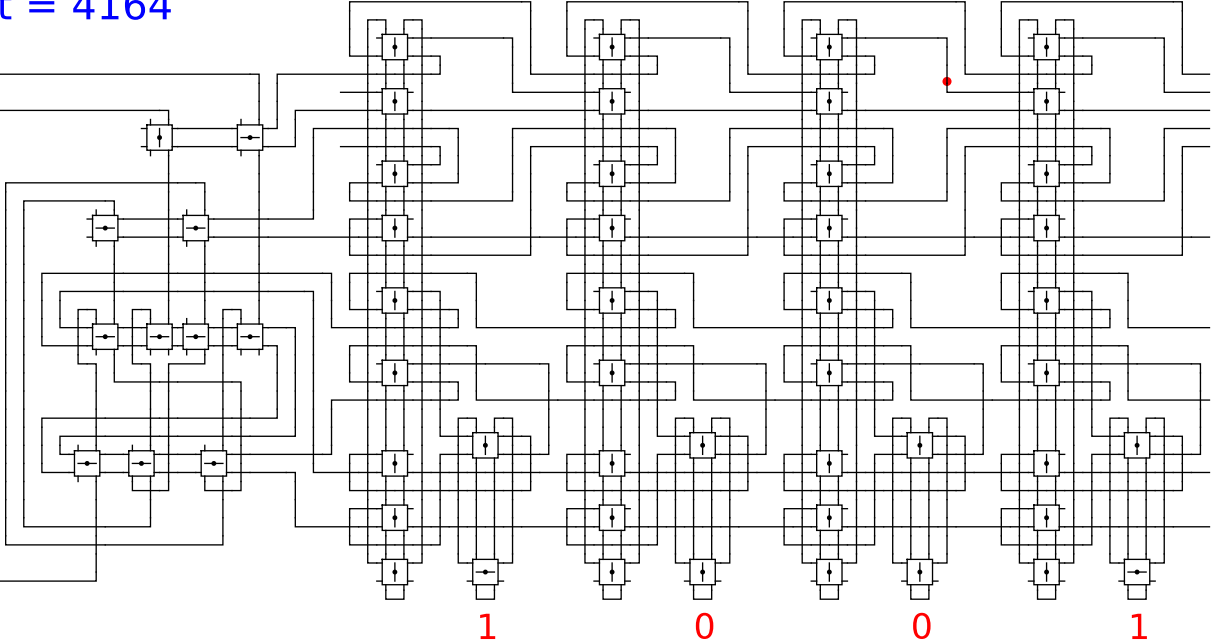
Begin



t = 4164

Reject
Accept

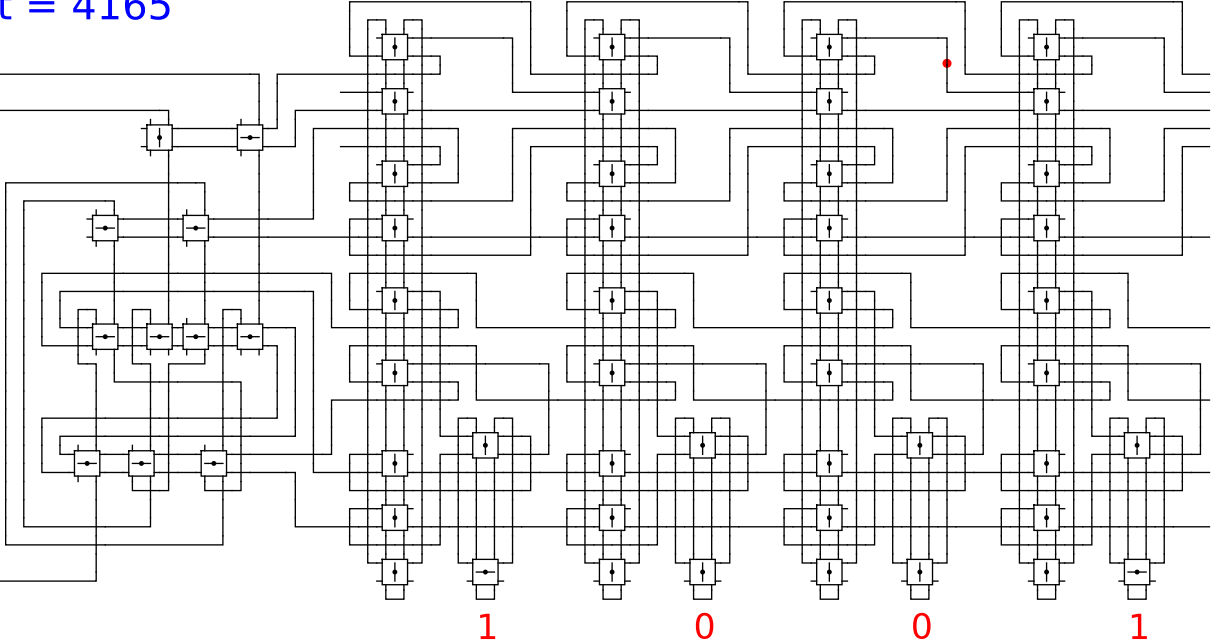
Begin



t = 4165

Reject
Accept

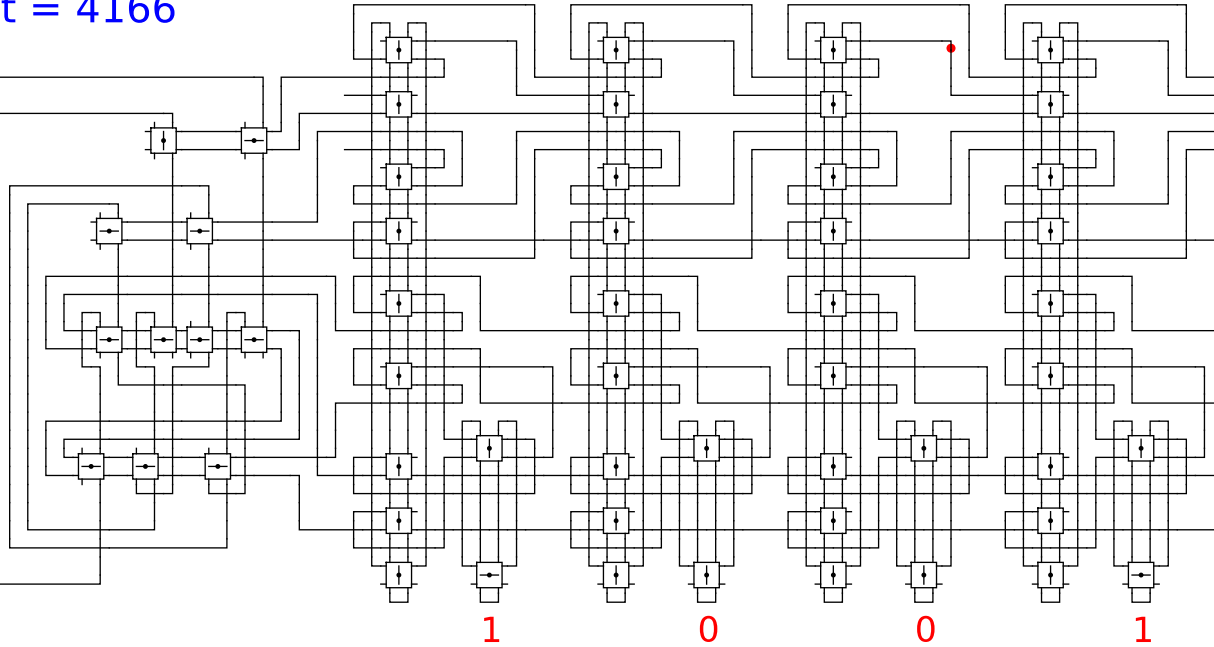
Begin



t = 4166

Reject
Accept

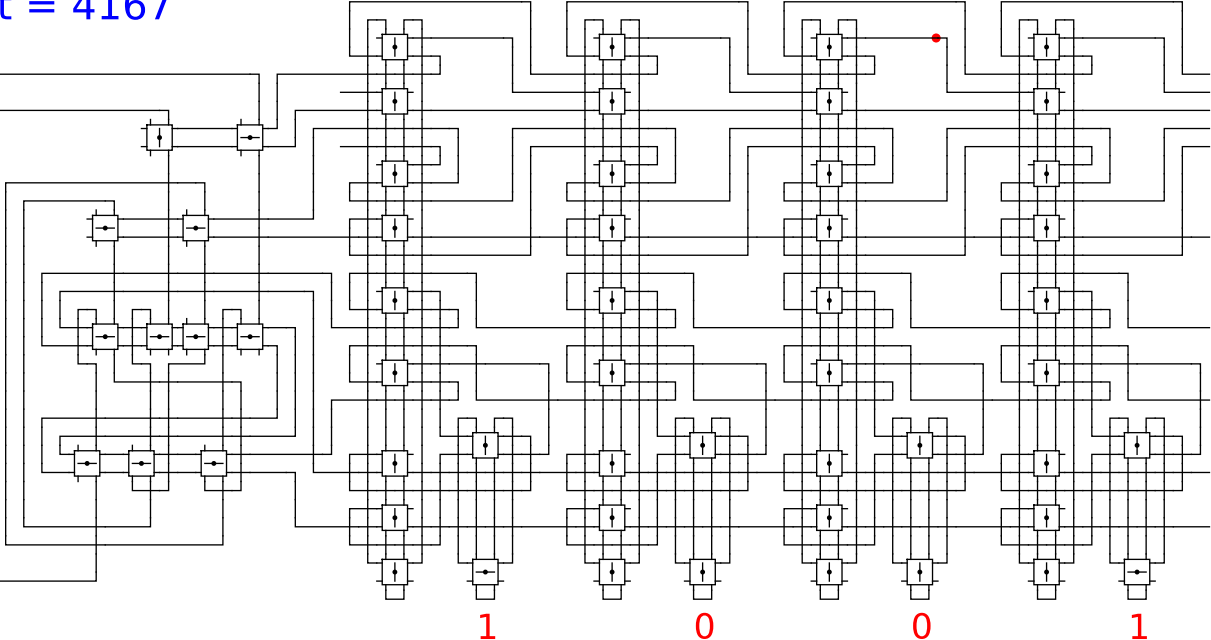
Begin



t = 4167

Reject
Accept

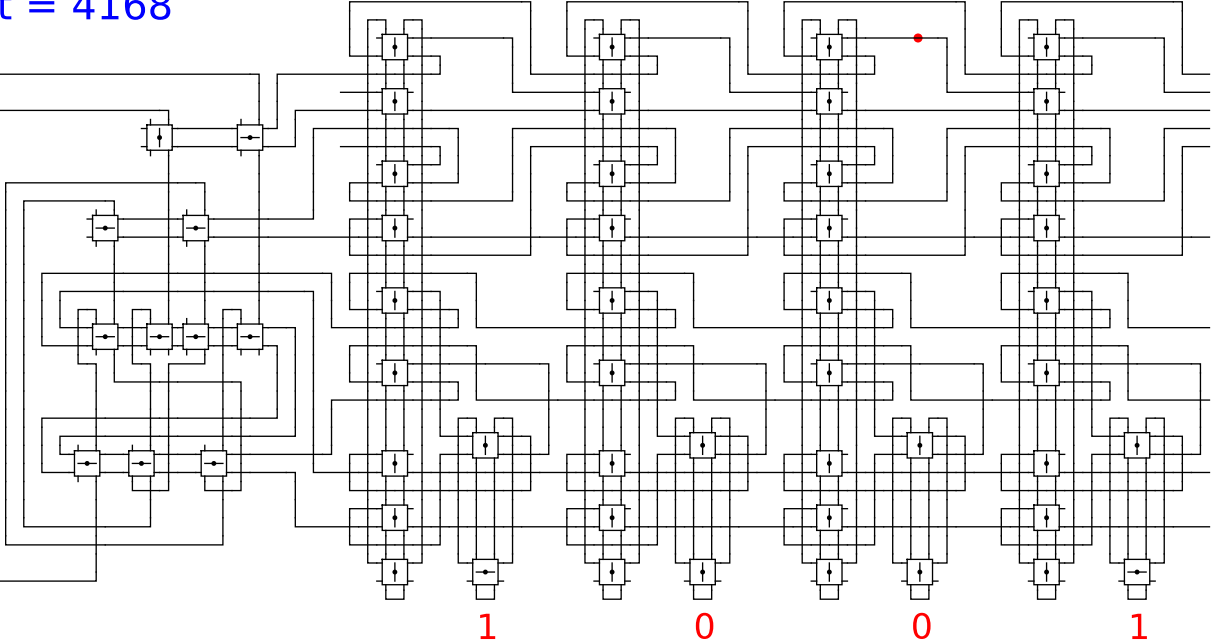
Begin



t = 4168

Reject
Accept

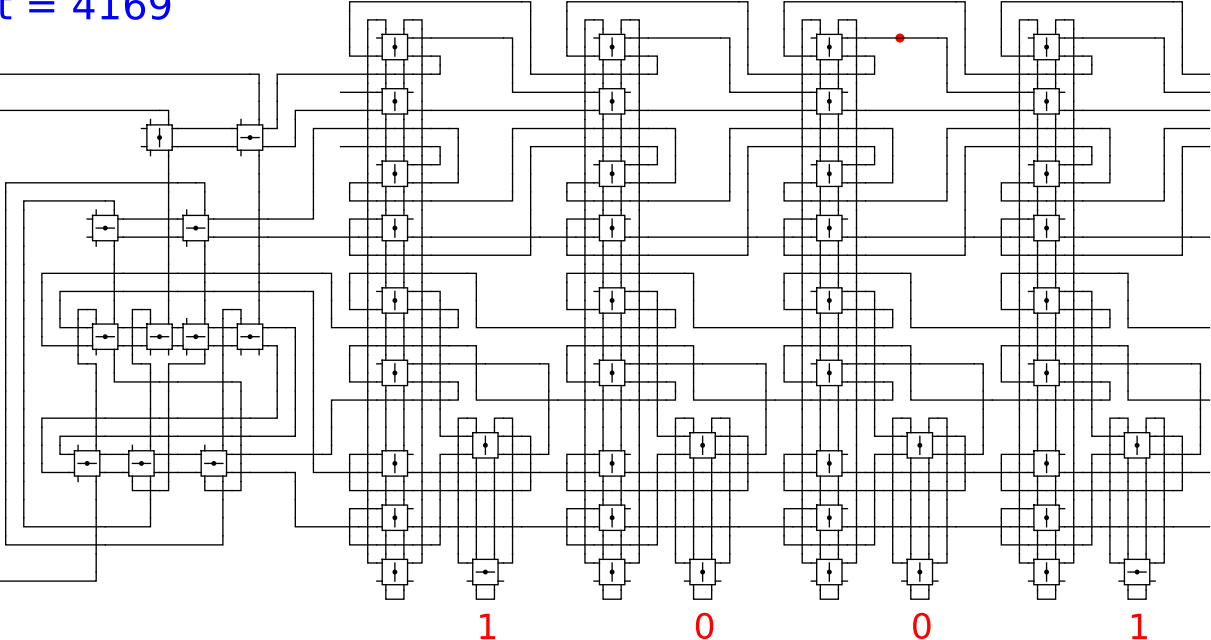
Begin



t = 4169

Reject
Accept

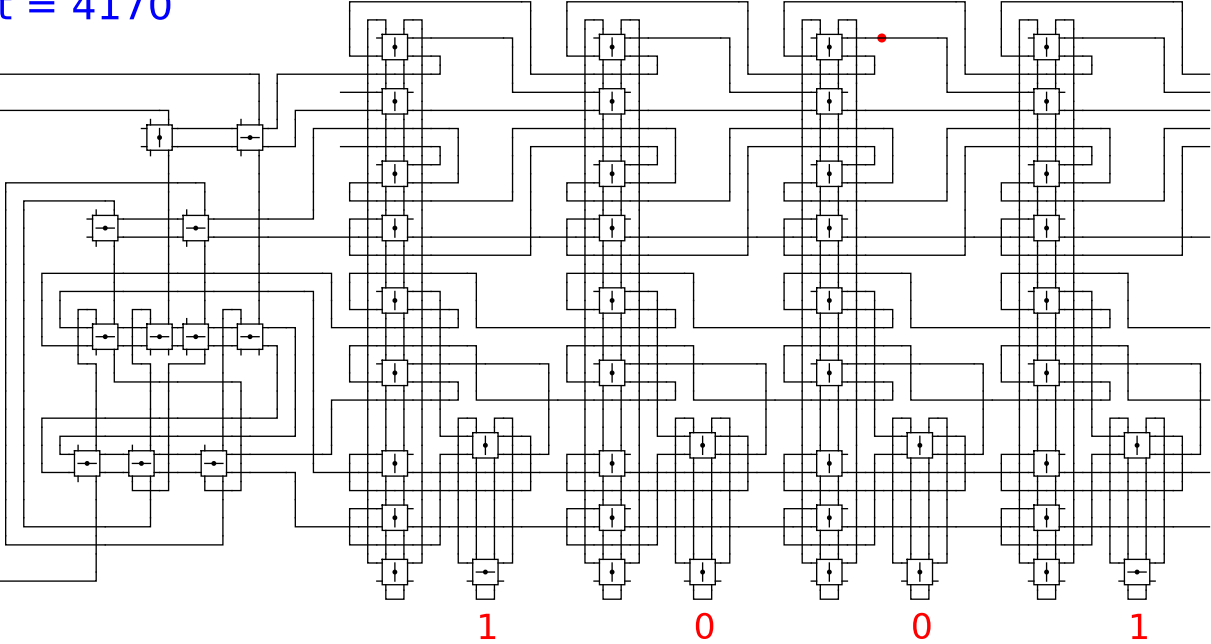
Begin



t = 4170

Reject
Accept

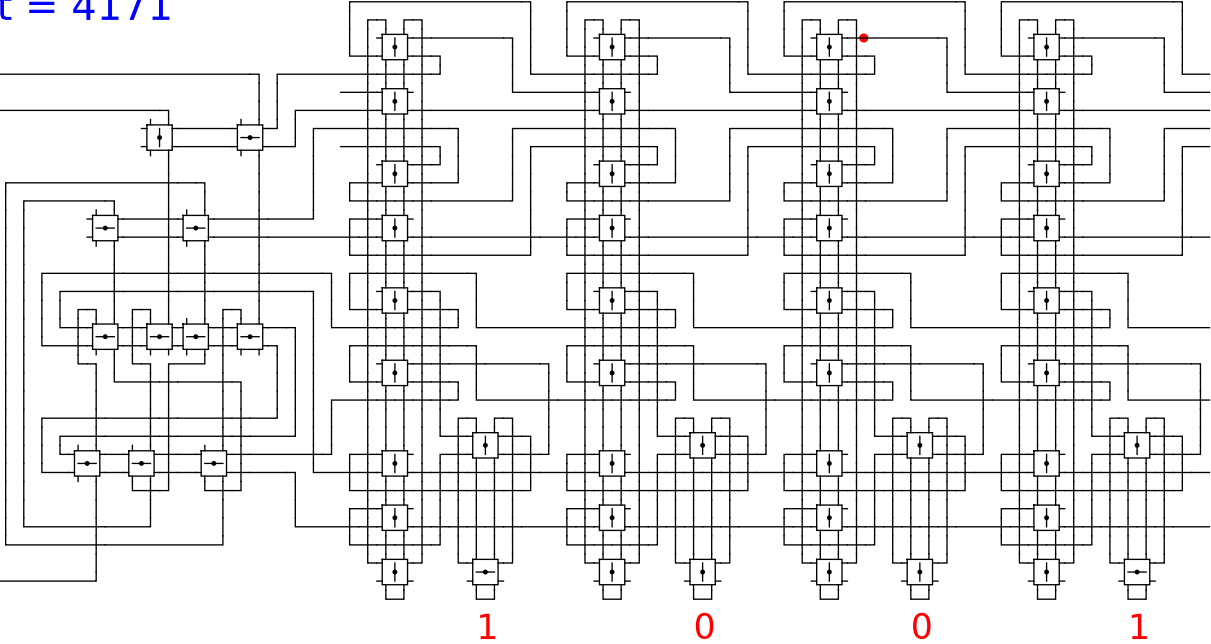
Begin



t = 4171

Reject
Accept

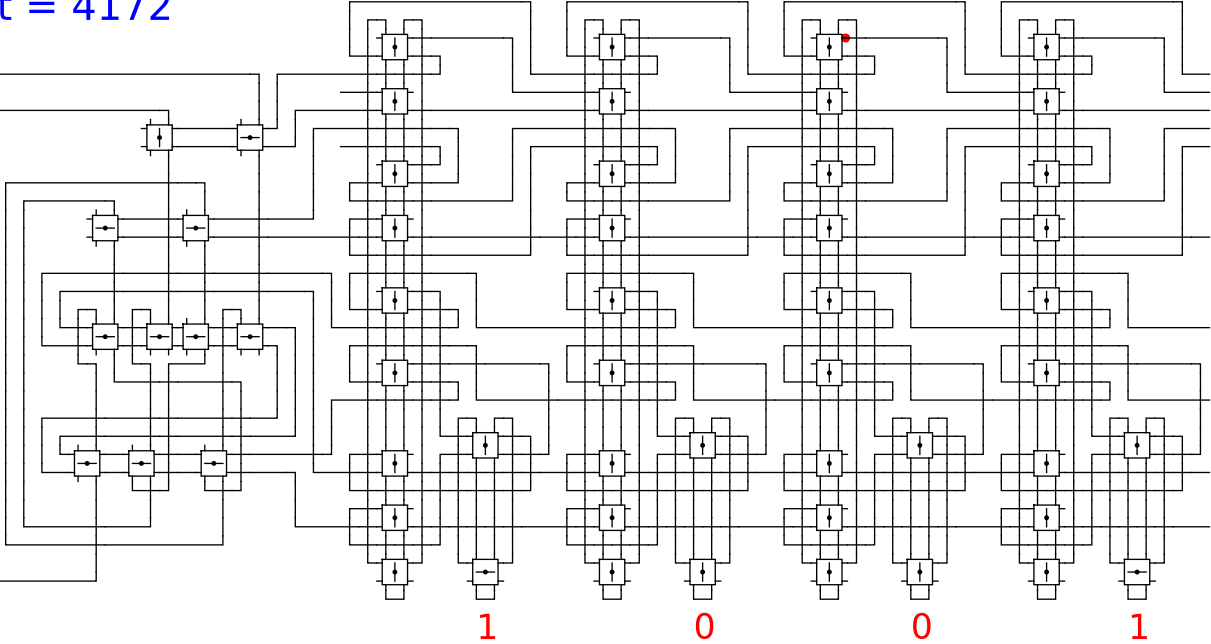
Begin



t = 4172

Reject
Accept

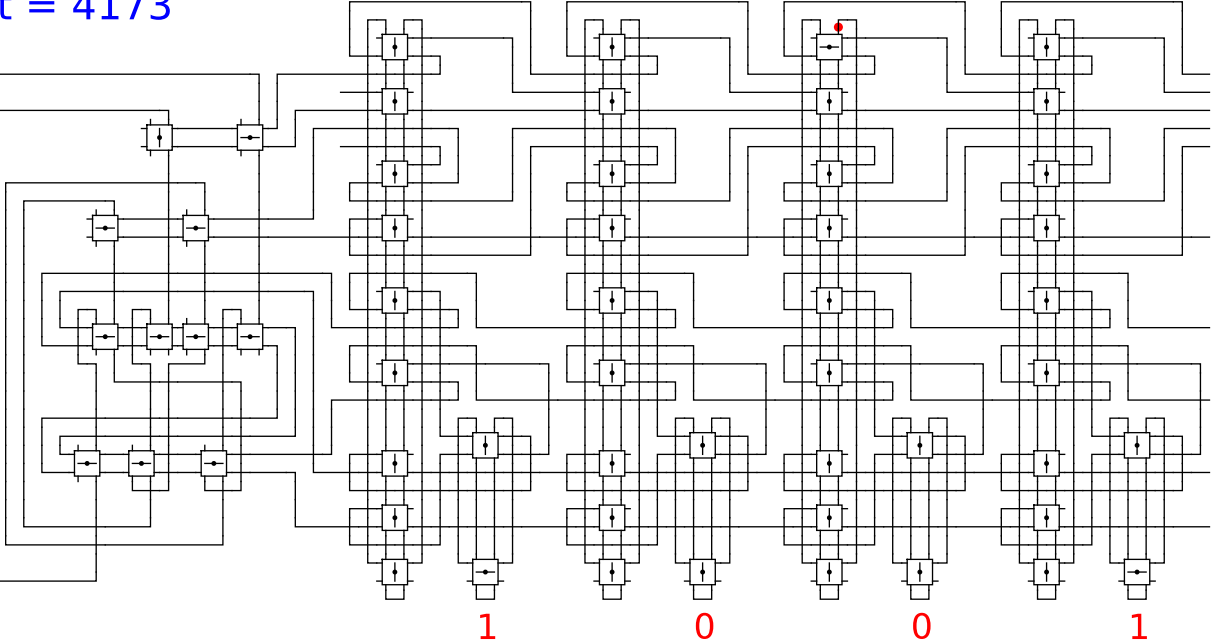
Begin



t = 4173

Reject
Accept

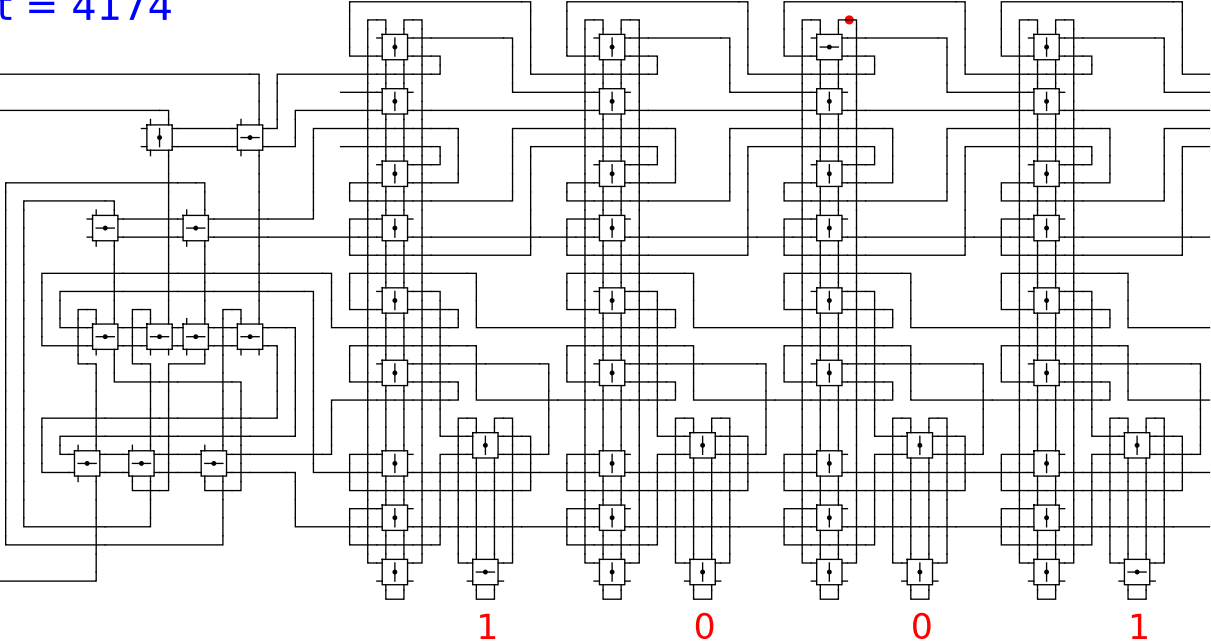
Begin



t = 4174

Reject
Accept

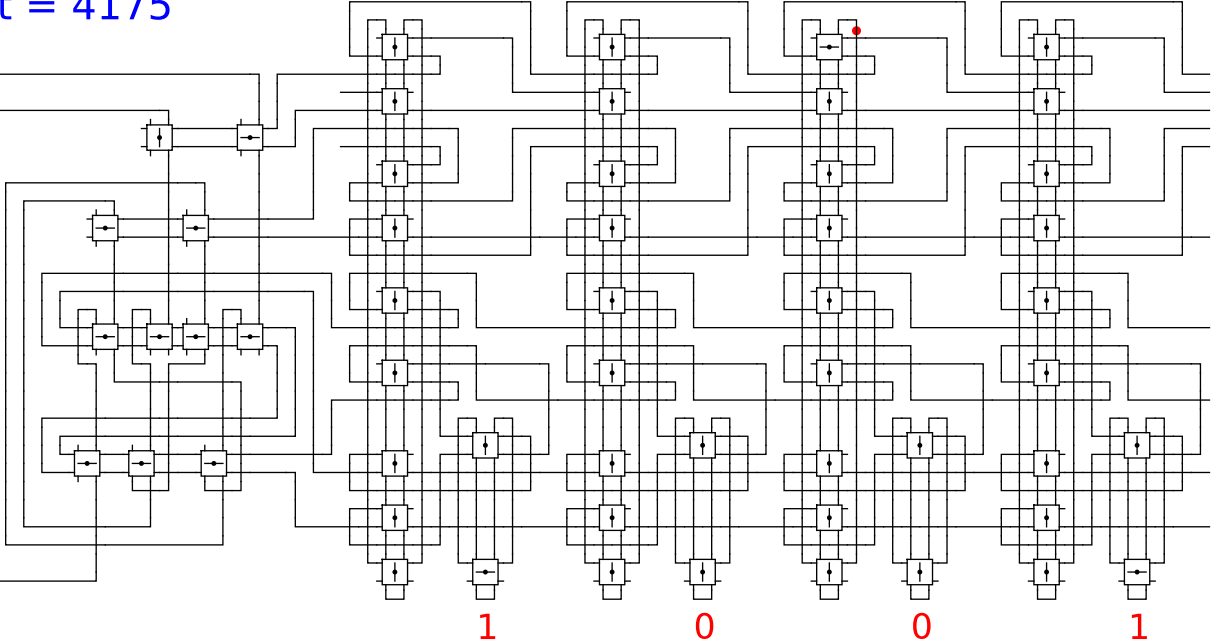
Begin



t = 4175

Reject
Accept

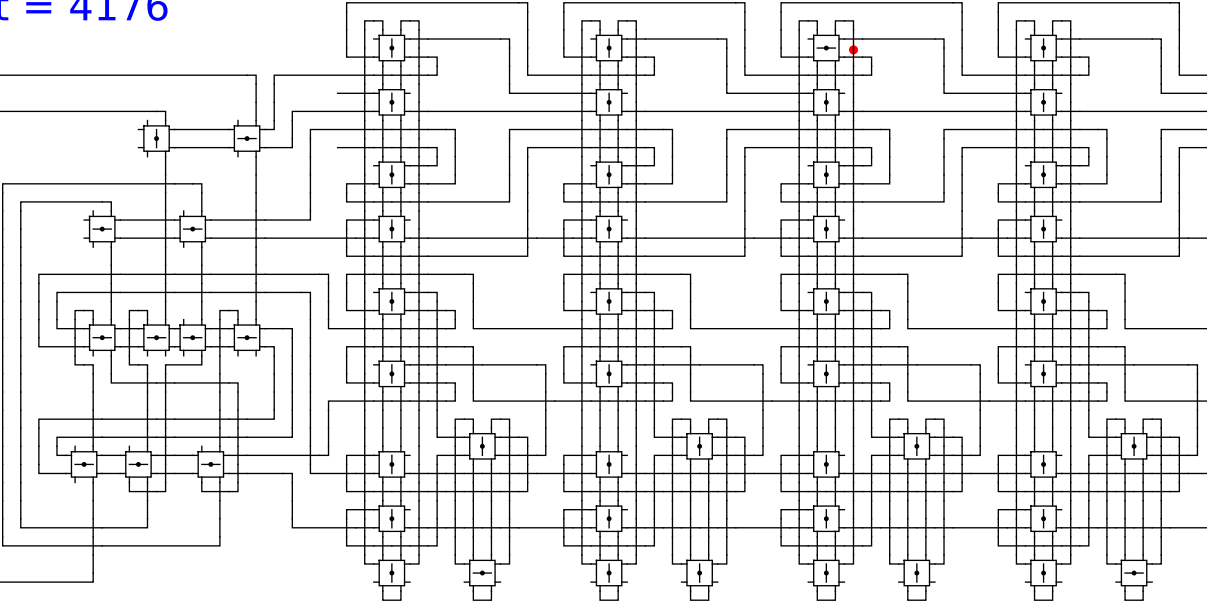
Begin



t = 4176

Reject
Accept

Begin

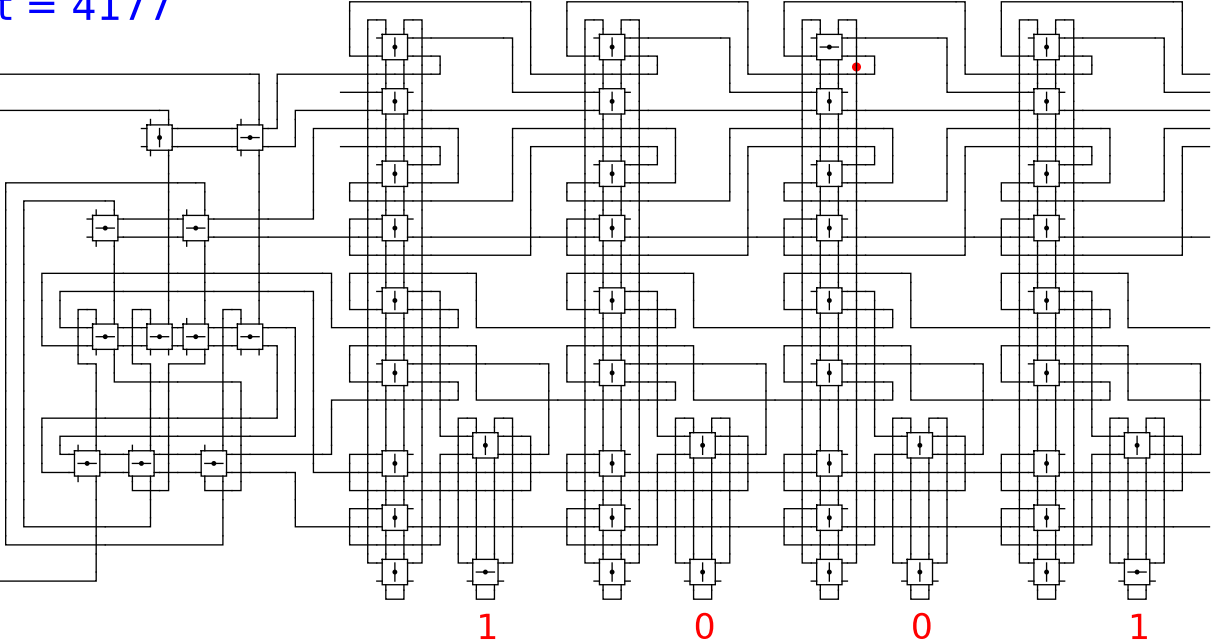


1 0 0 1

t = 4177

Reject
Accept

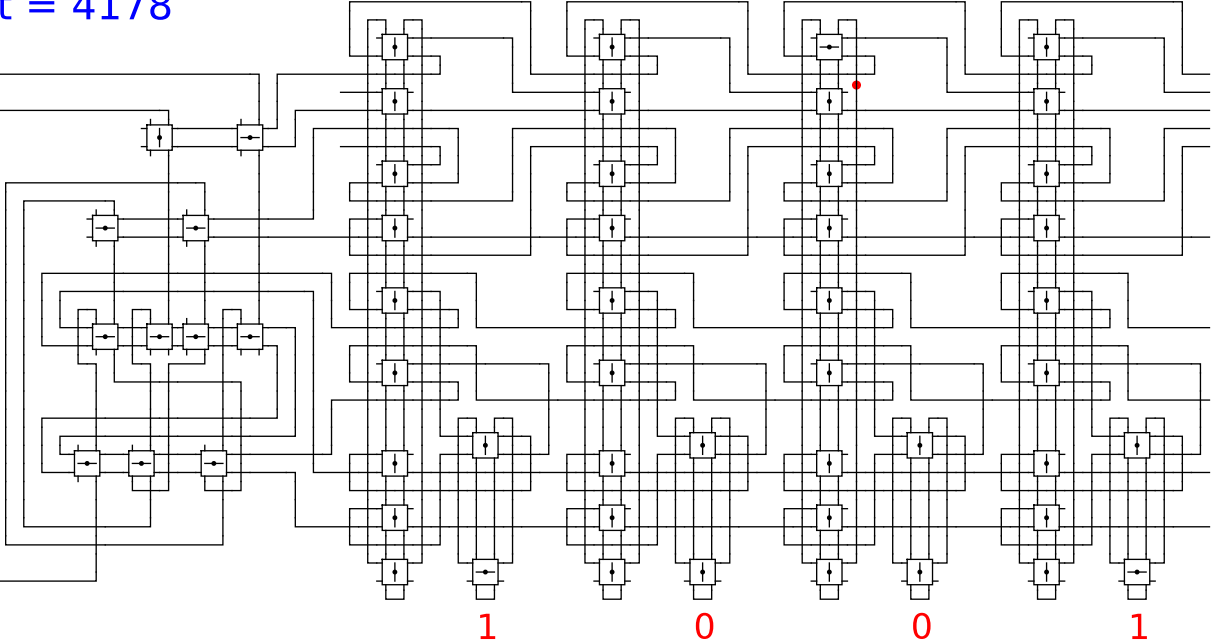
Begin



t = 4178

Reject
Accept

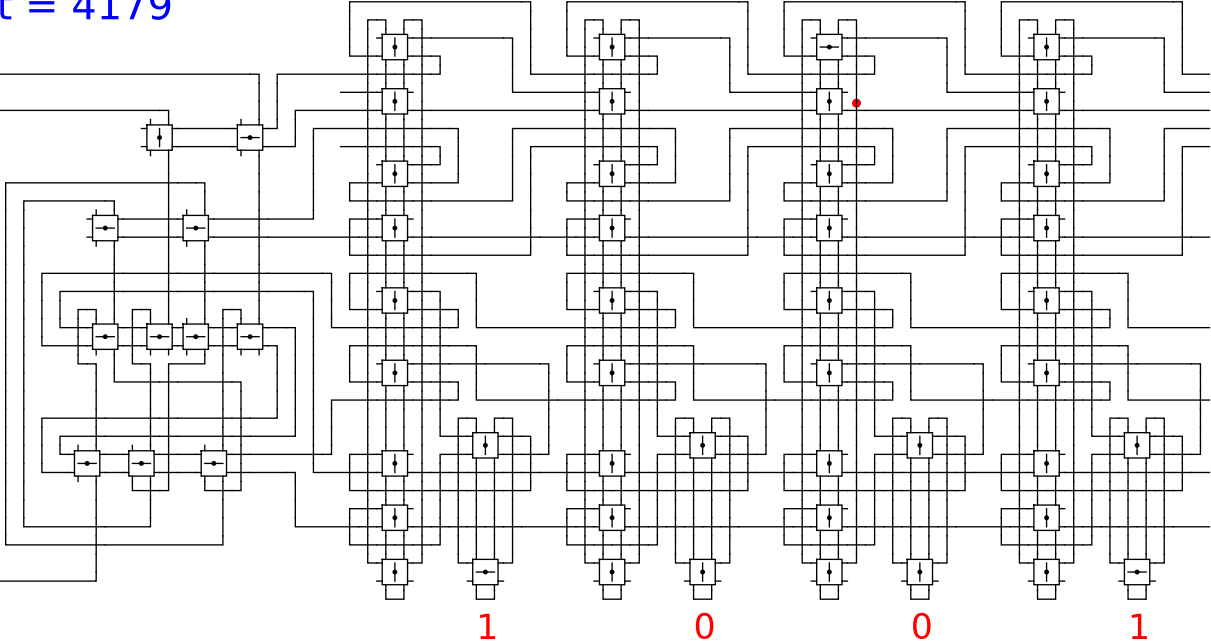
Begin



t = 4179

Reject
Accept

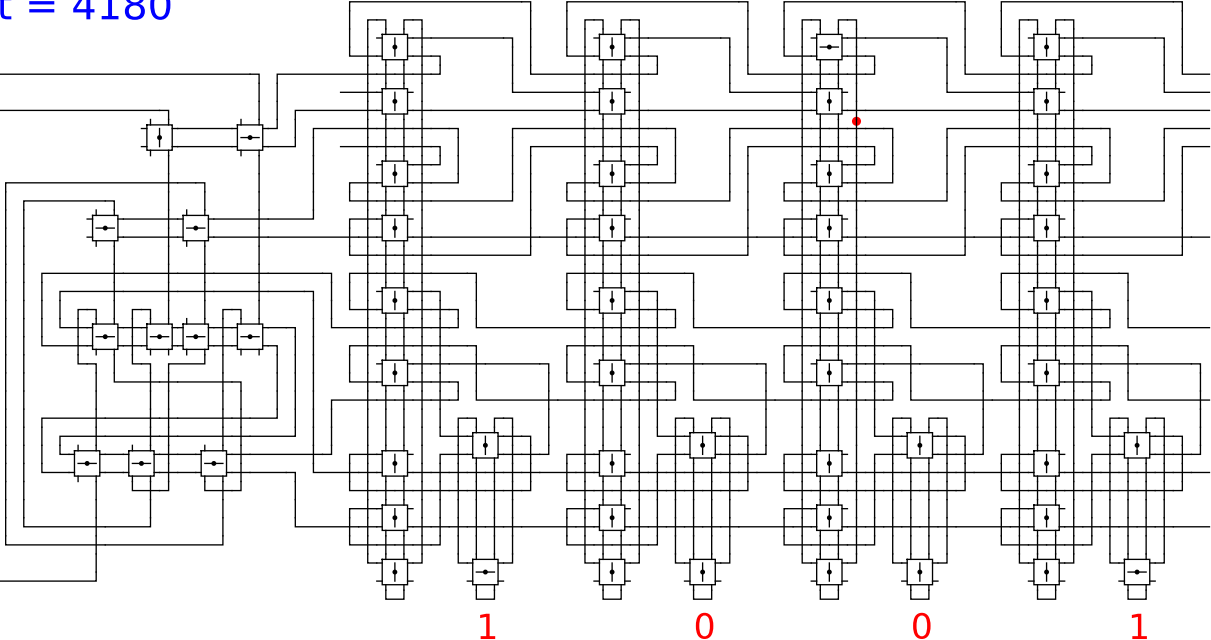
Begin



t = 4180

Reject
Accept

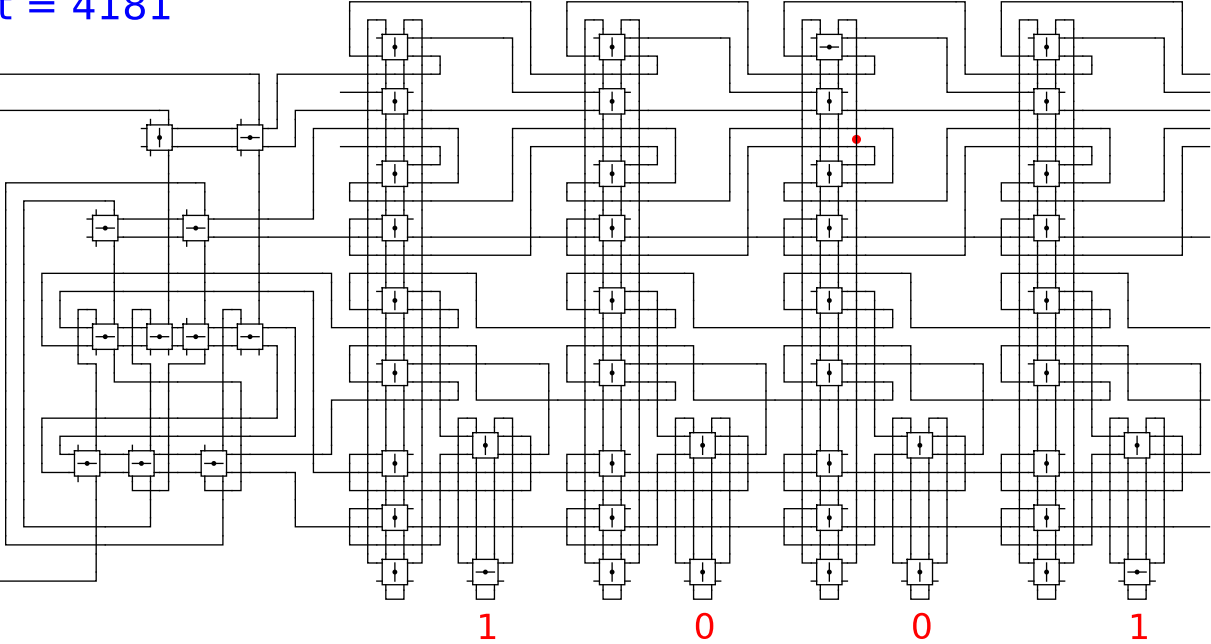
Begin



t = 4181

Reject
Accept

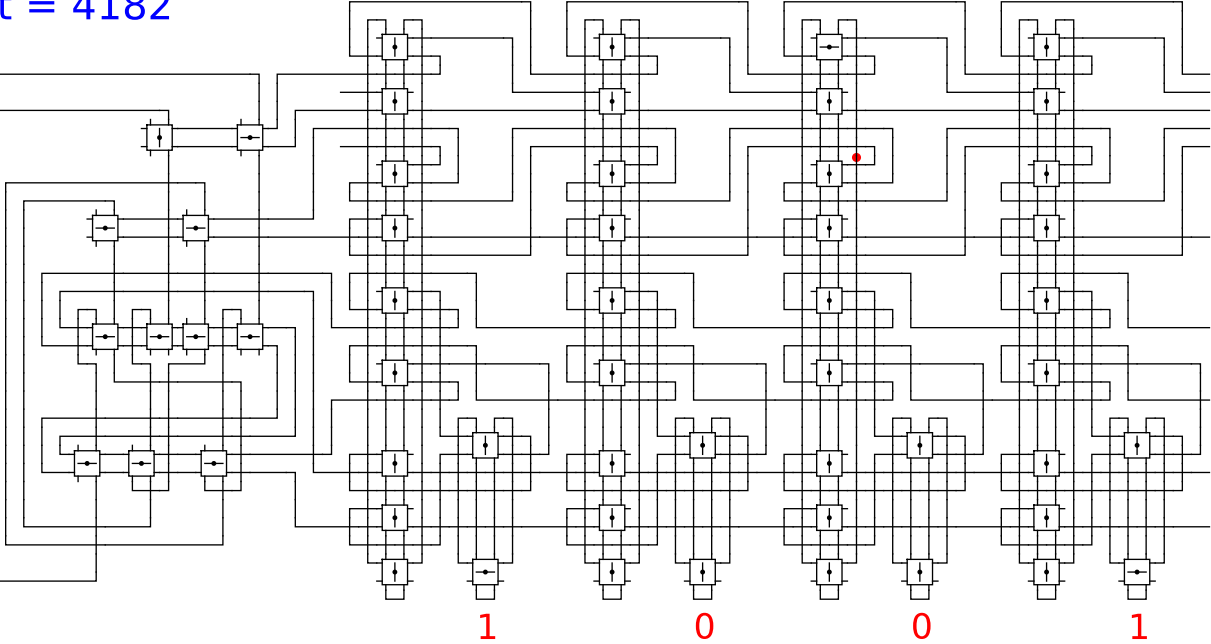
Begin



t = 4182

Reject
Accept

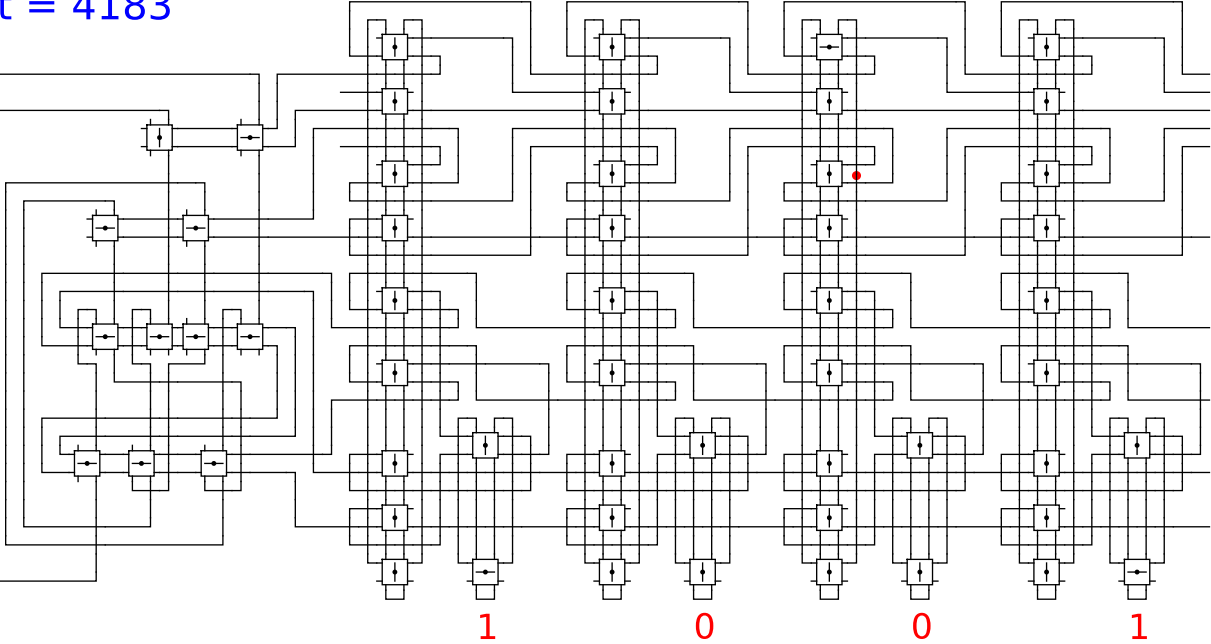
Begin



t = 4183

Reject
Accept

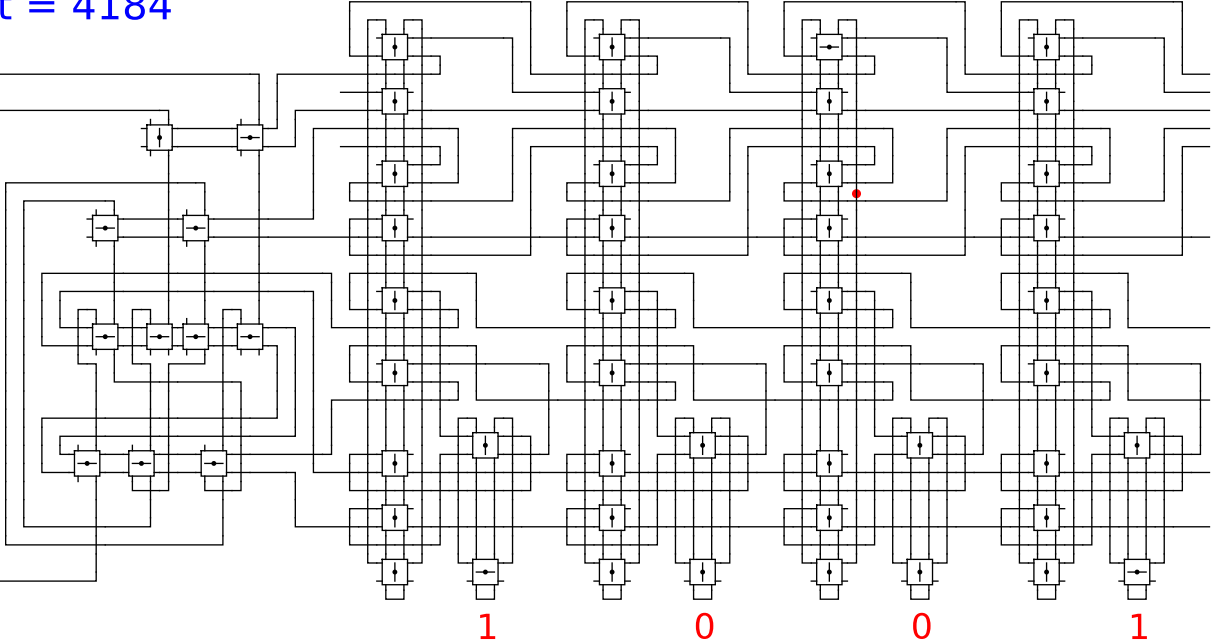
Begin



t = 4184

Reject
Accept

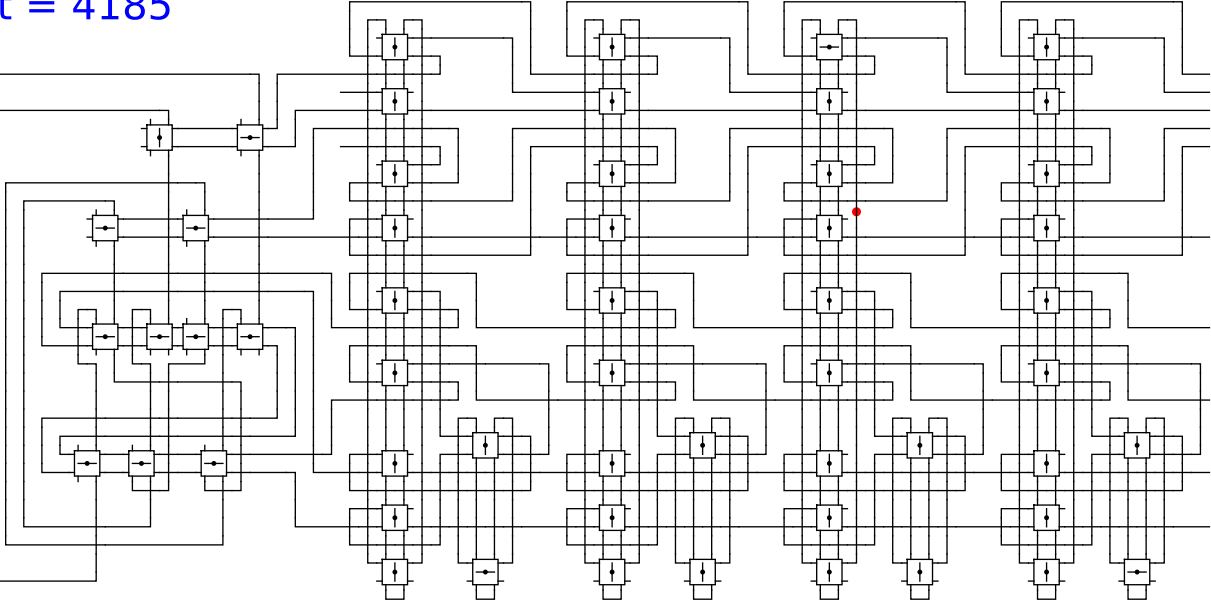
Begin



t = 4185

Reject
Accept

Begin



1

0

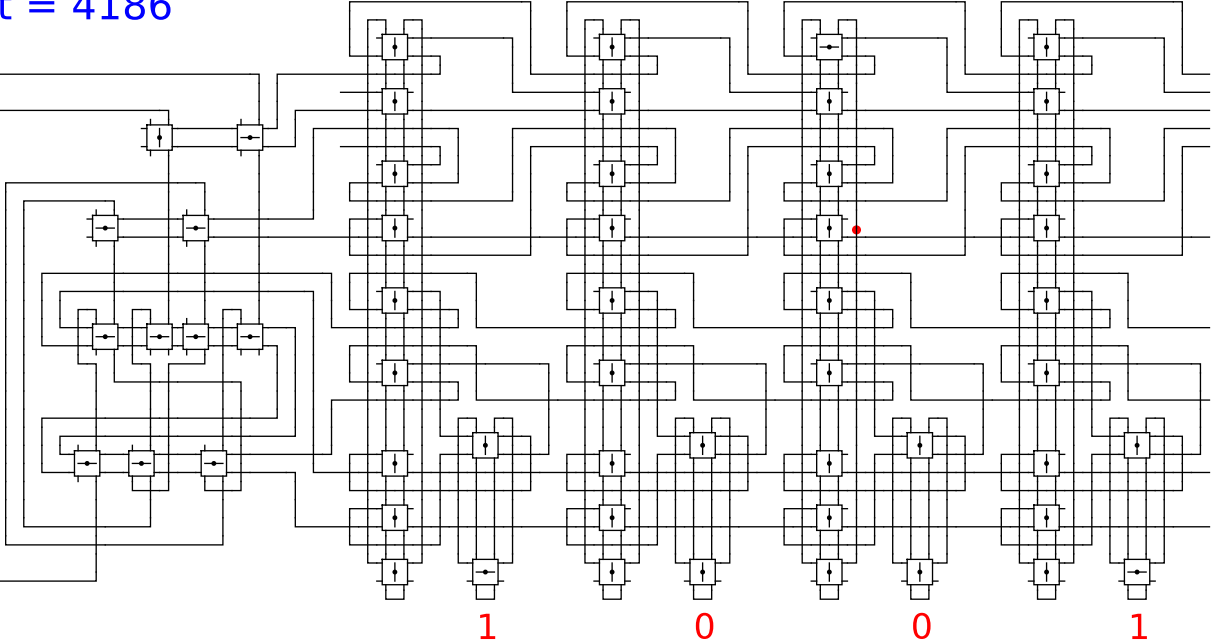
0

1

t = 4186

Reject
Accept

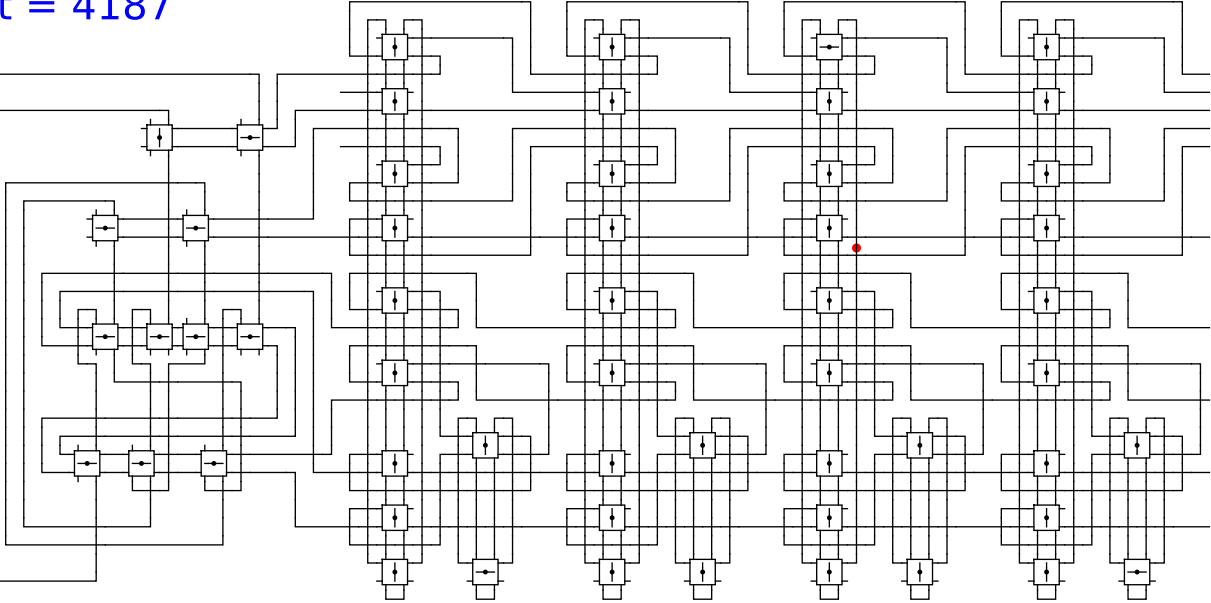
Begin



t = 4187

Reject
Accept

Begin



1

0

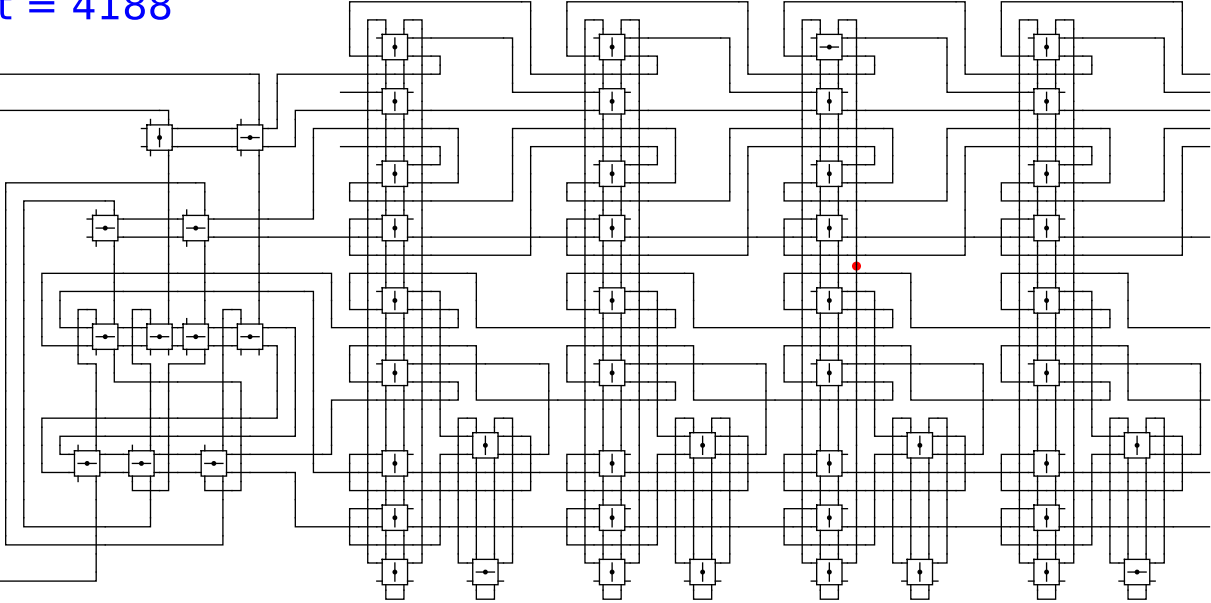
0

1

t = 4188

Reject
Accept

Begin



1

0

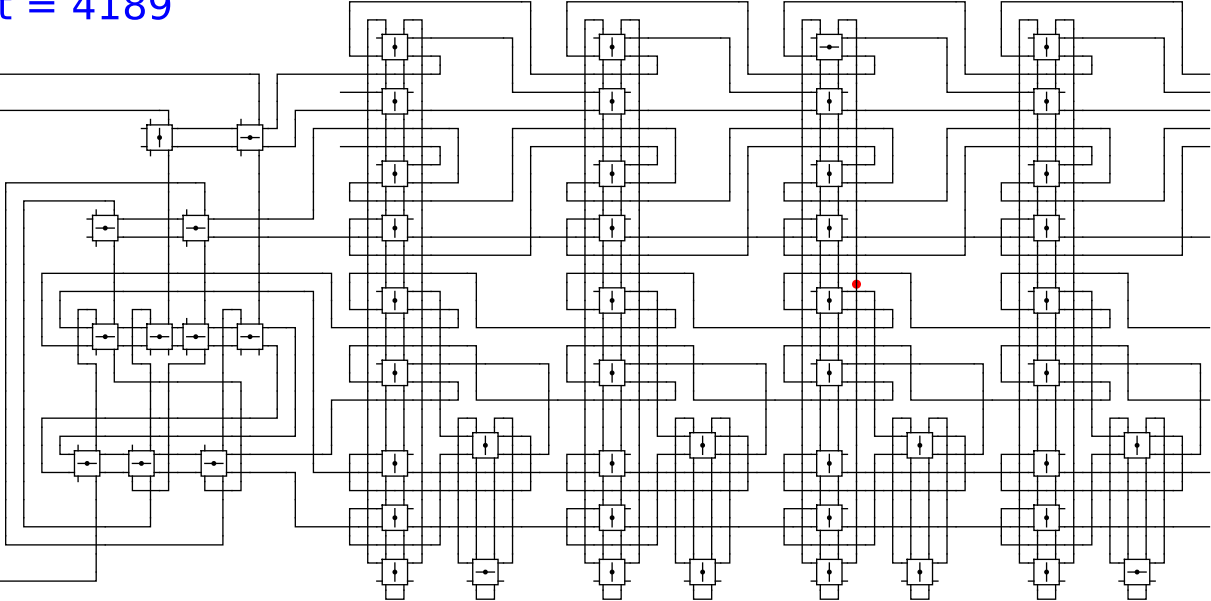
0

1

t = 4189

Reject
Accept

Begin



1

0

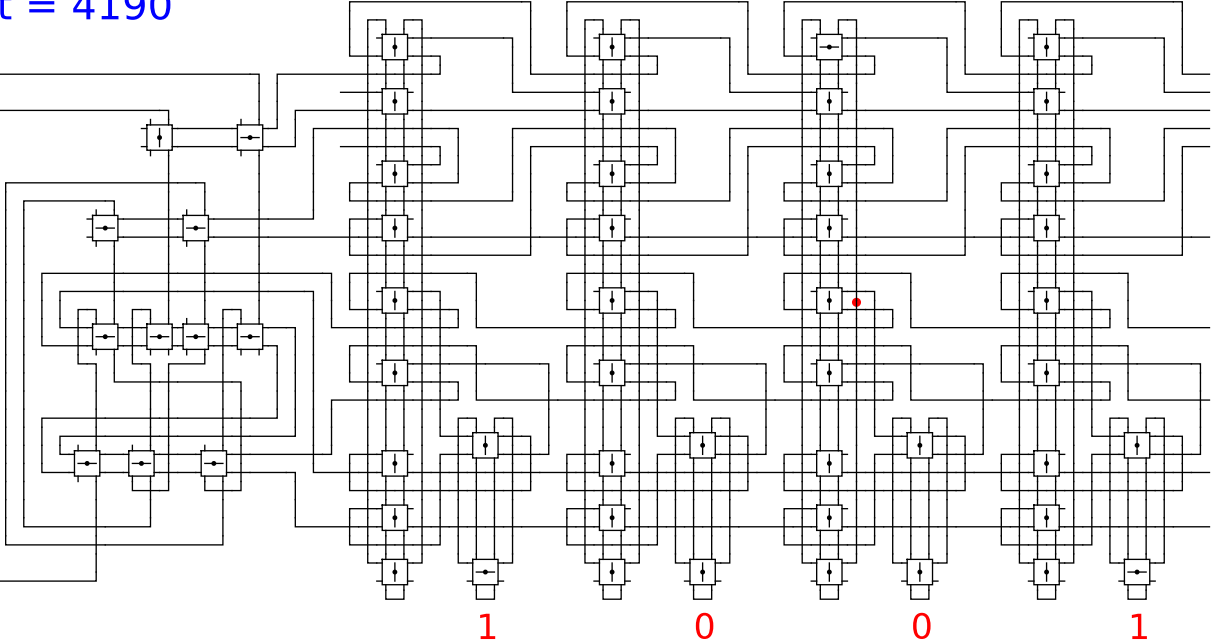
0

1

t = 4190

Reject
Accept

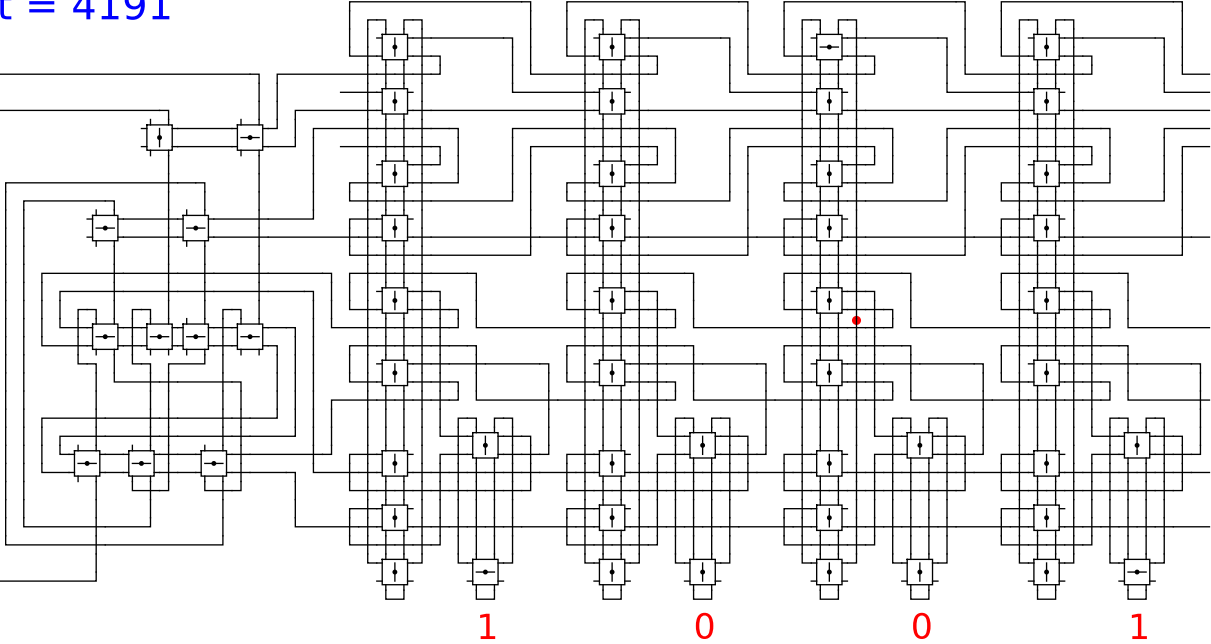
Begin



t = 4191

Reject
Accept

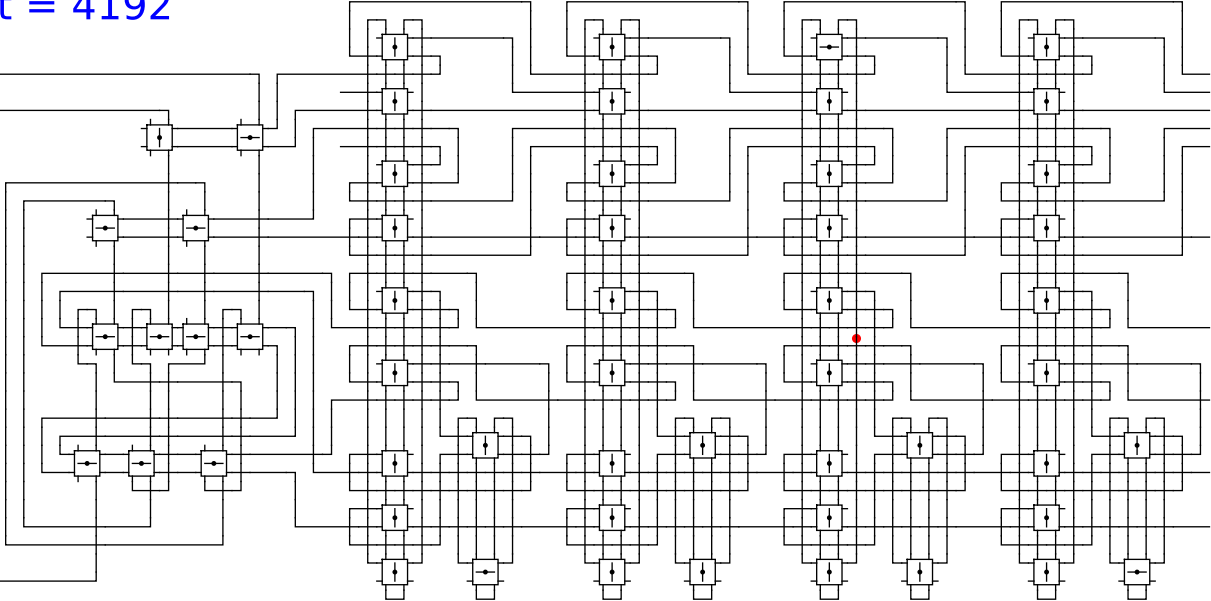
Begin



t = 4192

Reject
Accept

Begin



1

0

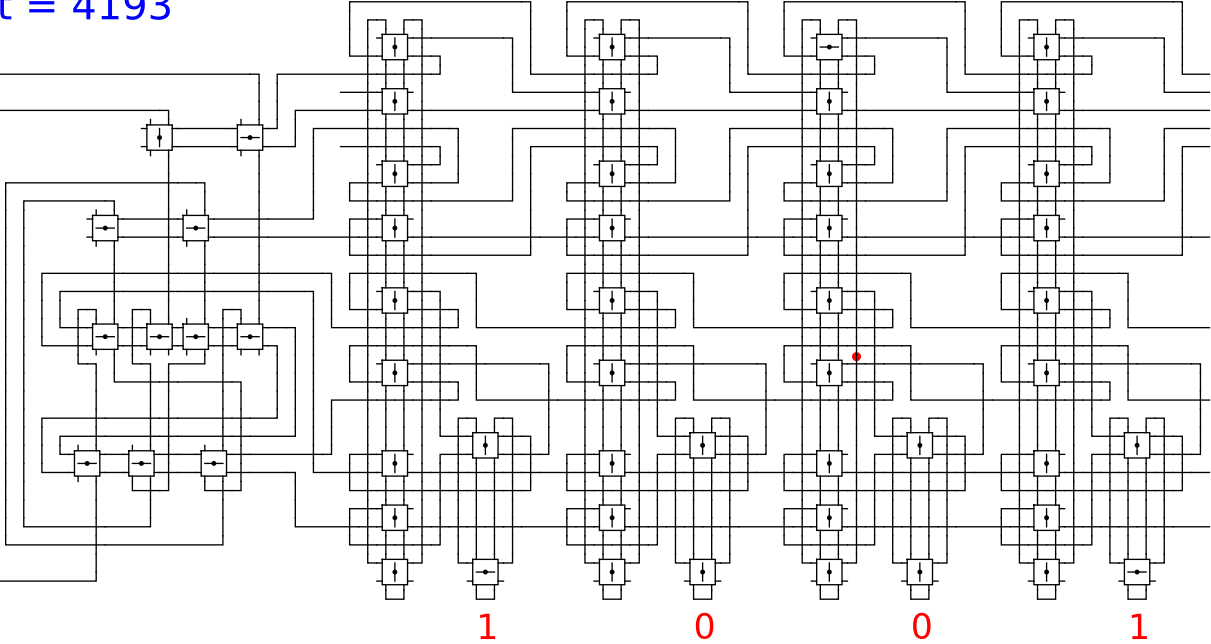
0

1

t = 4193

Reject
Accept

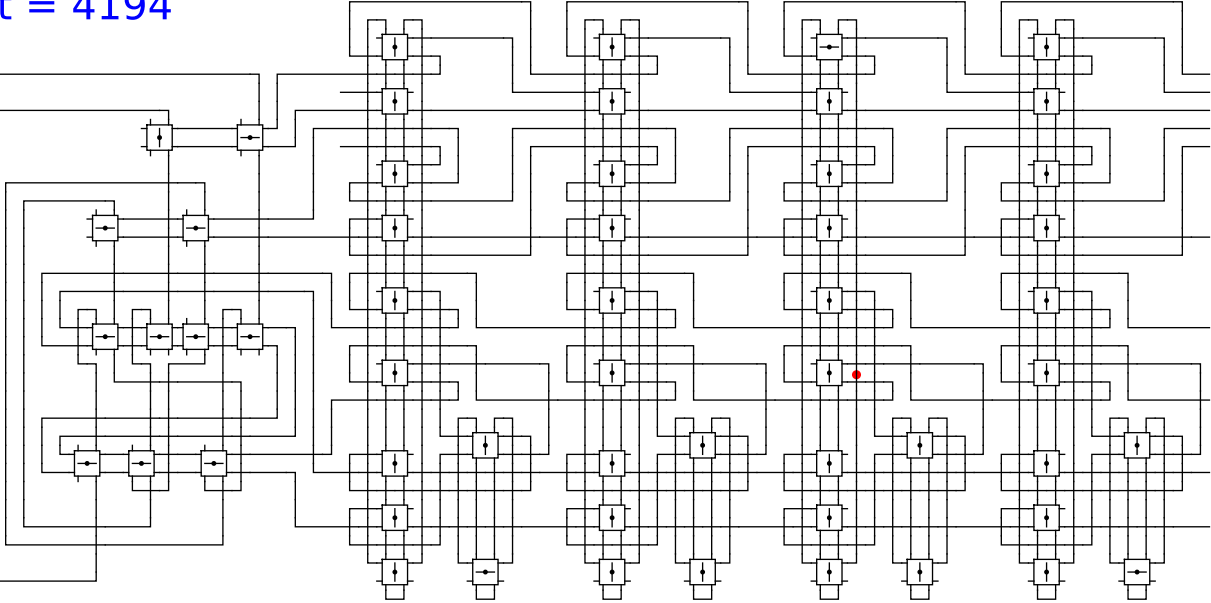
Begin



t = 4194

Reject
Accept

Begin



1

0

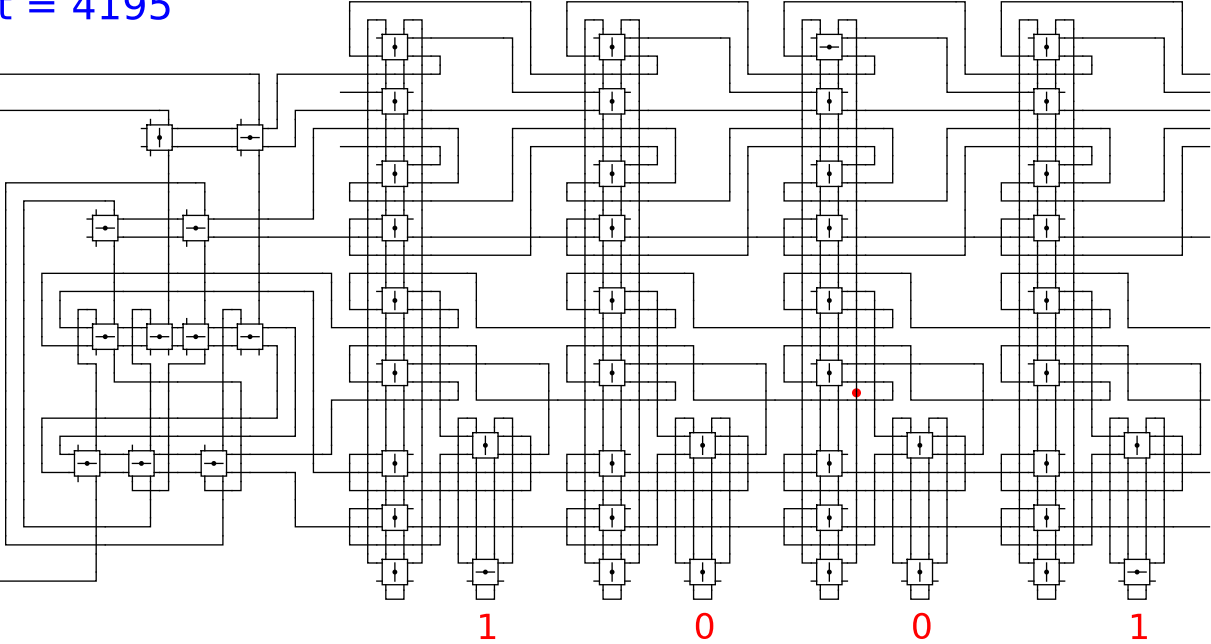
0

1

t = 4195

Reject
Accept

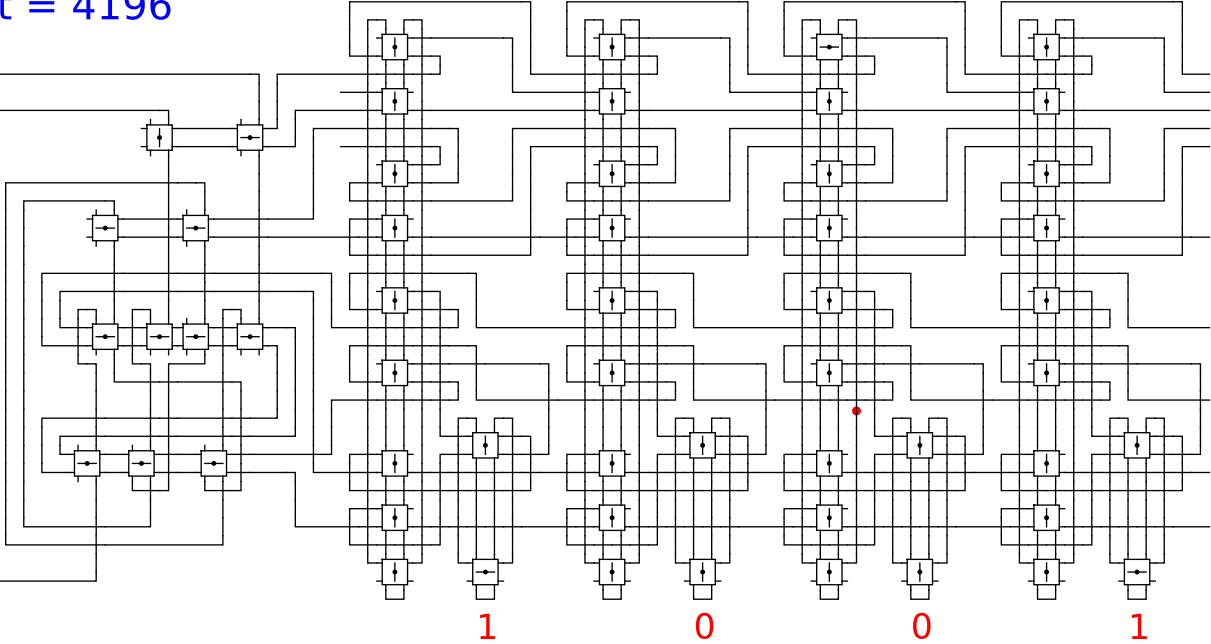
Begin



t = 4196

Reject
Accept

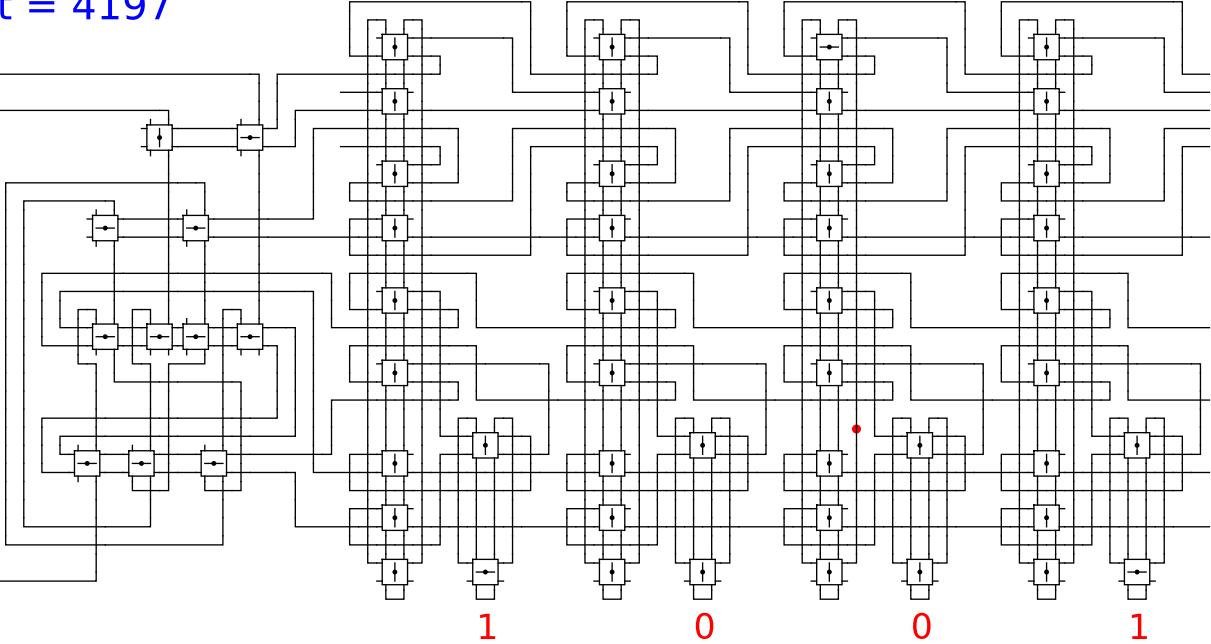
Begin



t = 4197

Reject
Accept

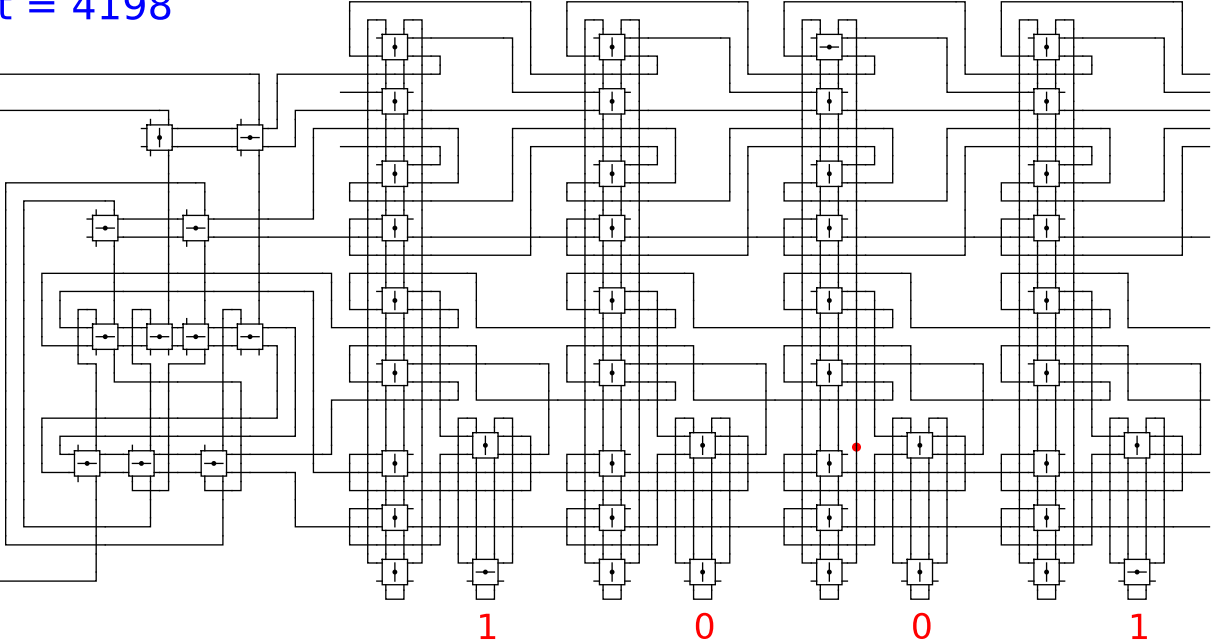
Begin



t = 4198

Reject
Accept

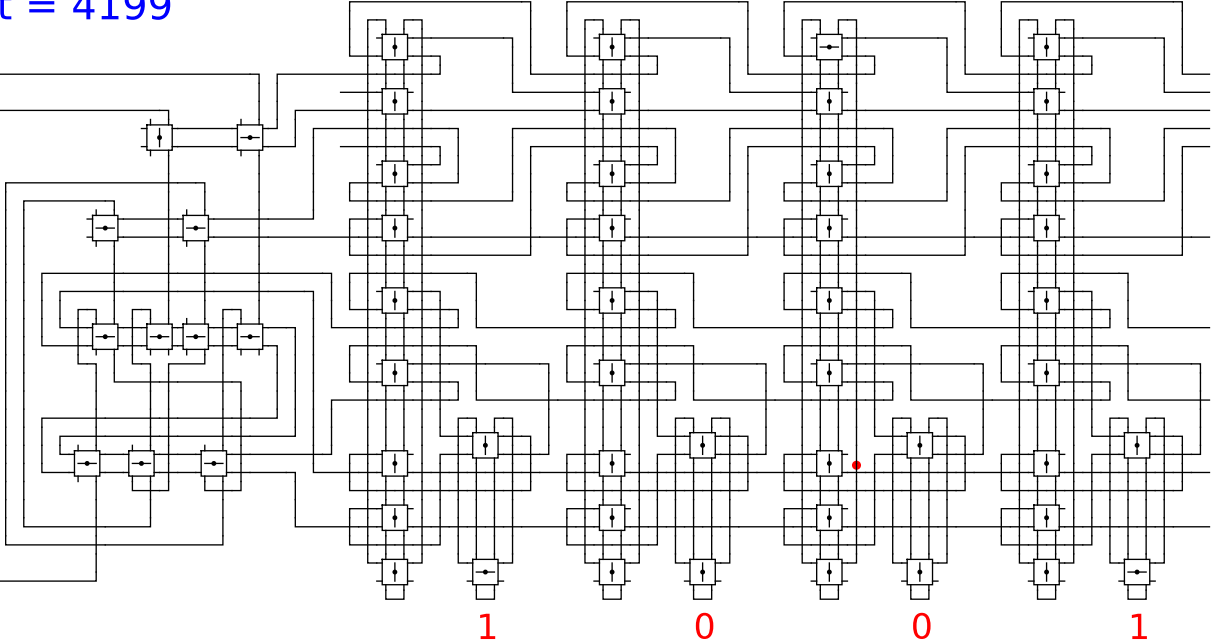
Begin



t = 4199

Reject
Accept

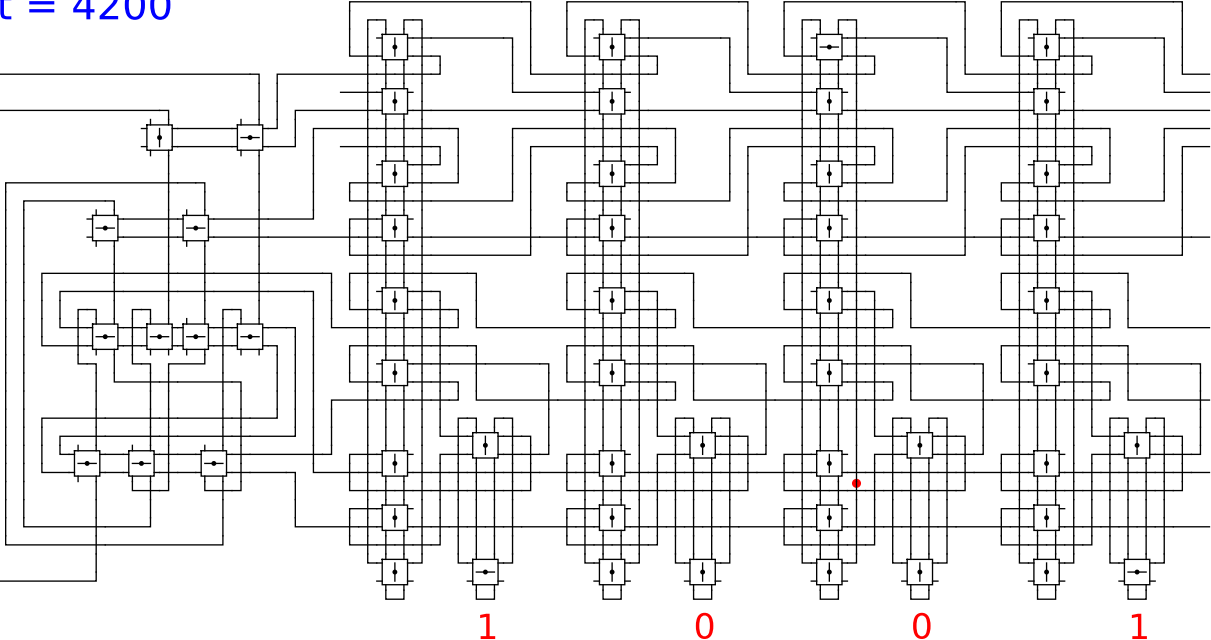
Begin



t = 4200

Reject
Accept

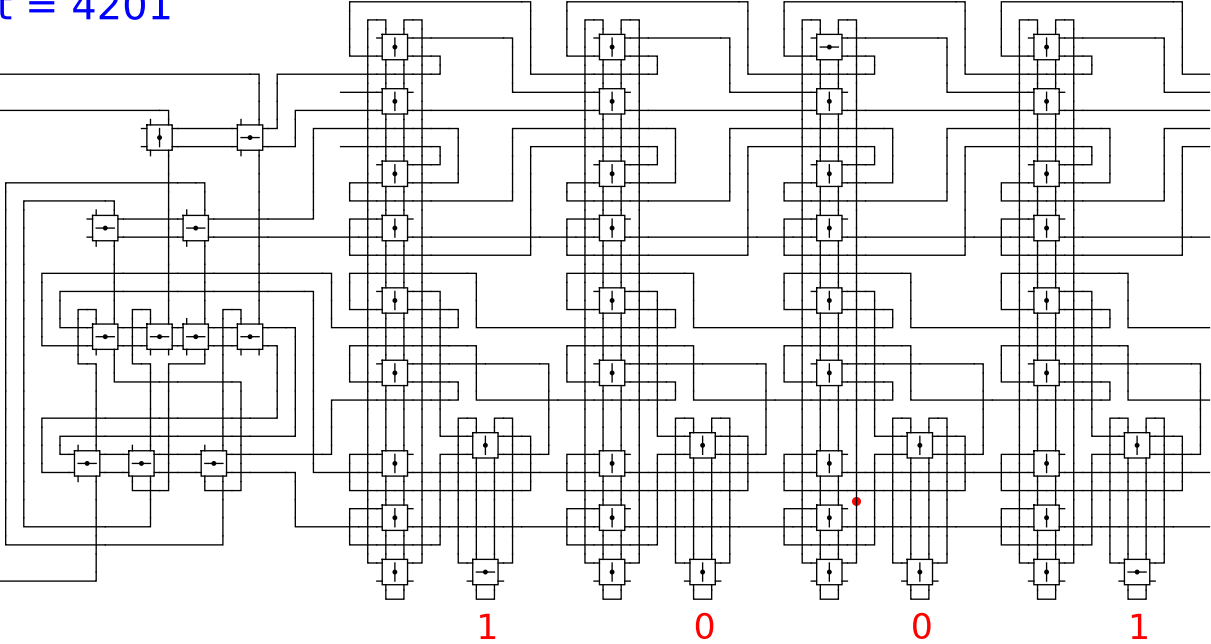
Begin



t = 4201

Reject
Accept

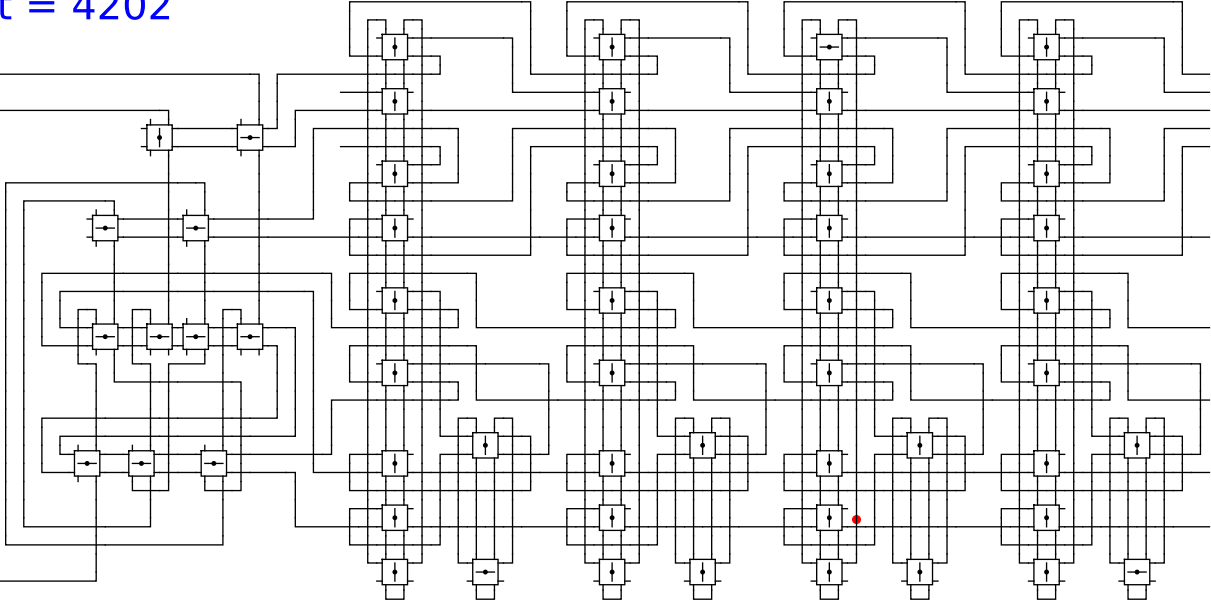
Begin



t = 4202

Reject
Accept

Begin



1

0

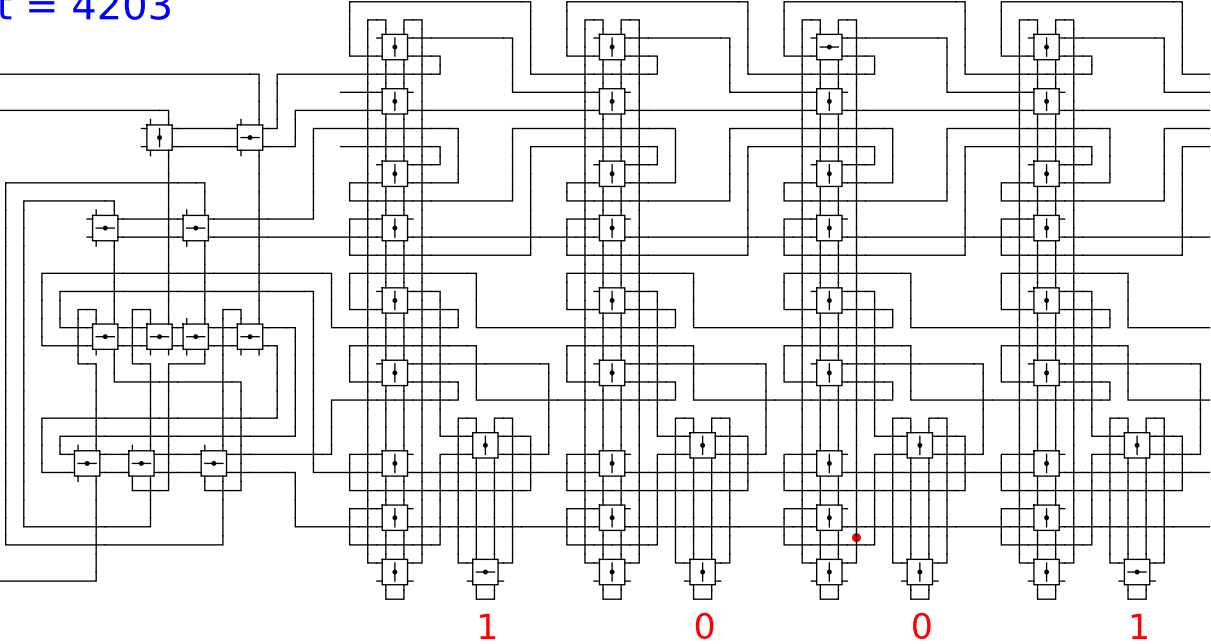
0

1

t = 4203

Reject
Accept

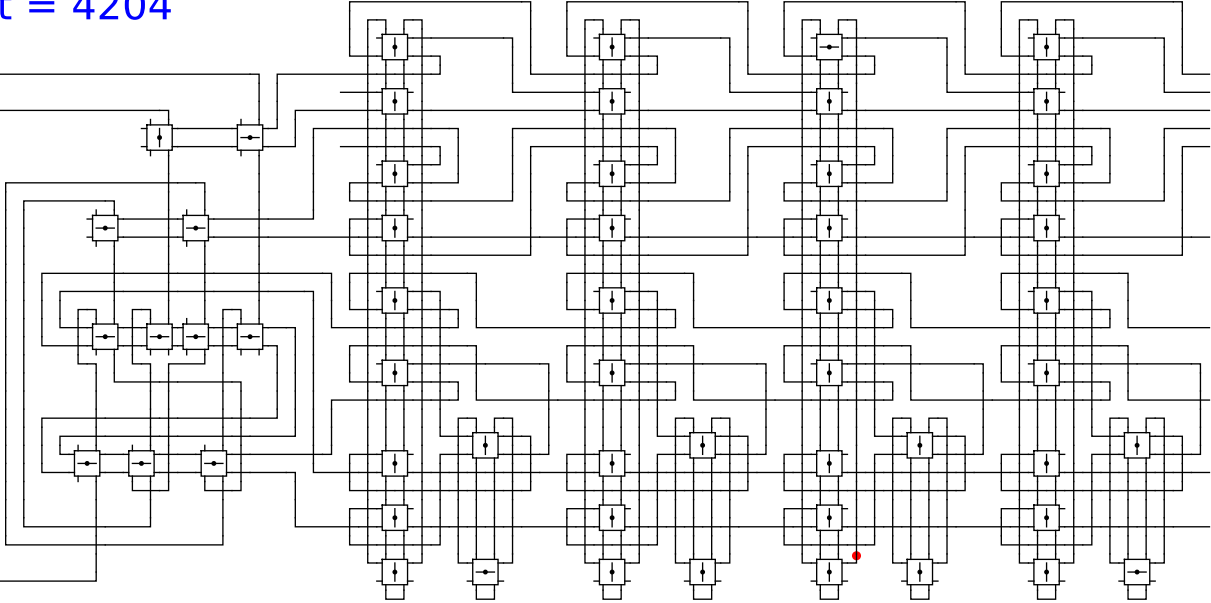
Begin



t = 4204

Reject
Accept

Begin



1

0

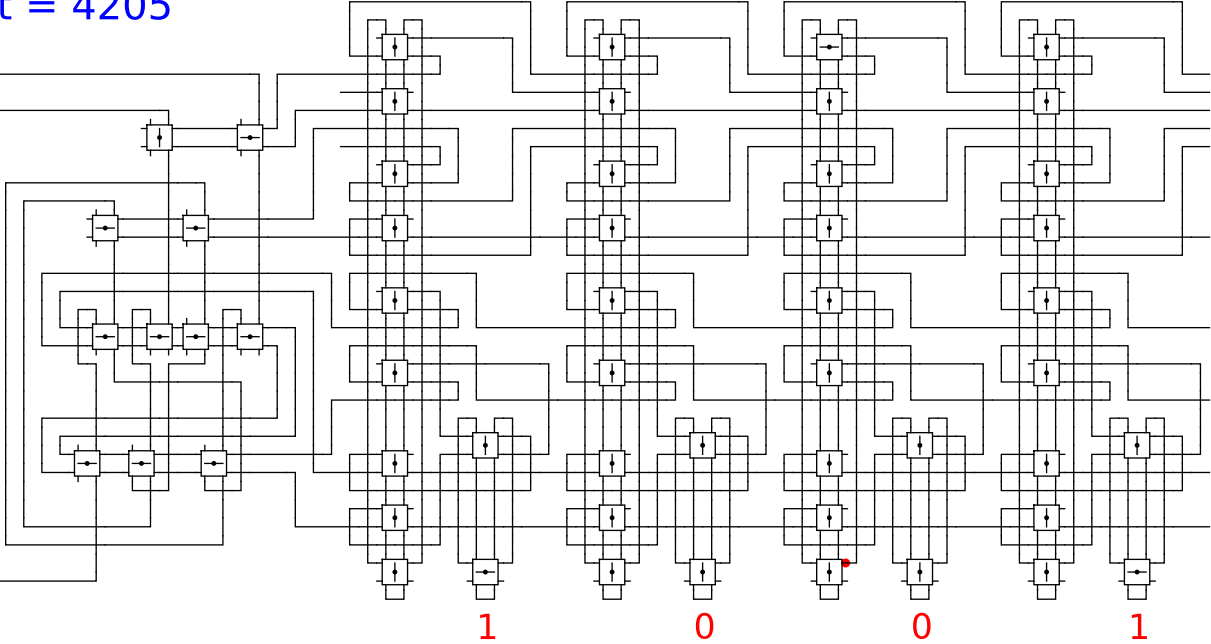
0

1

t = 4205

Reject
Accept

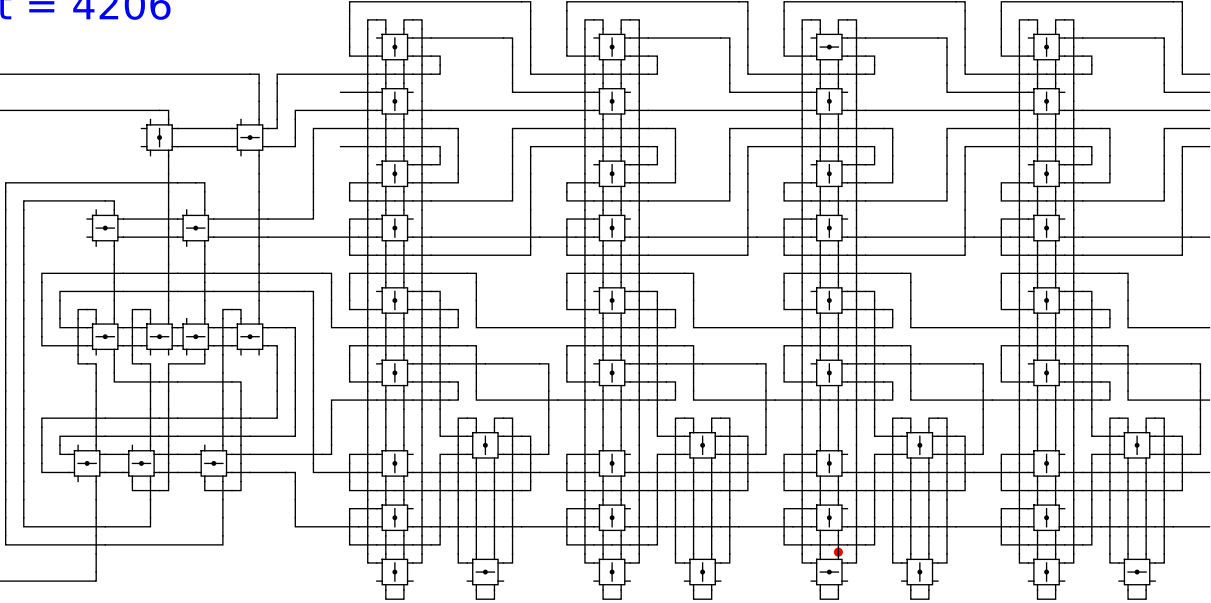
Begin



t = 4206

Reject
Accept

Begin

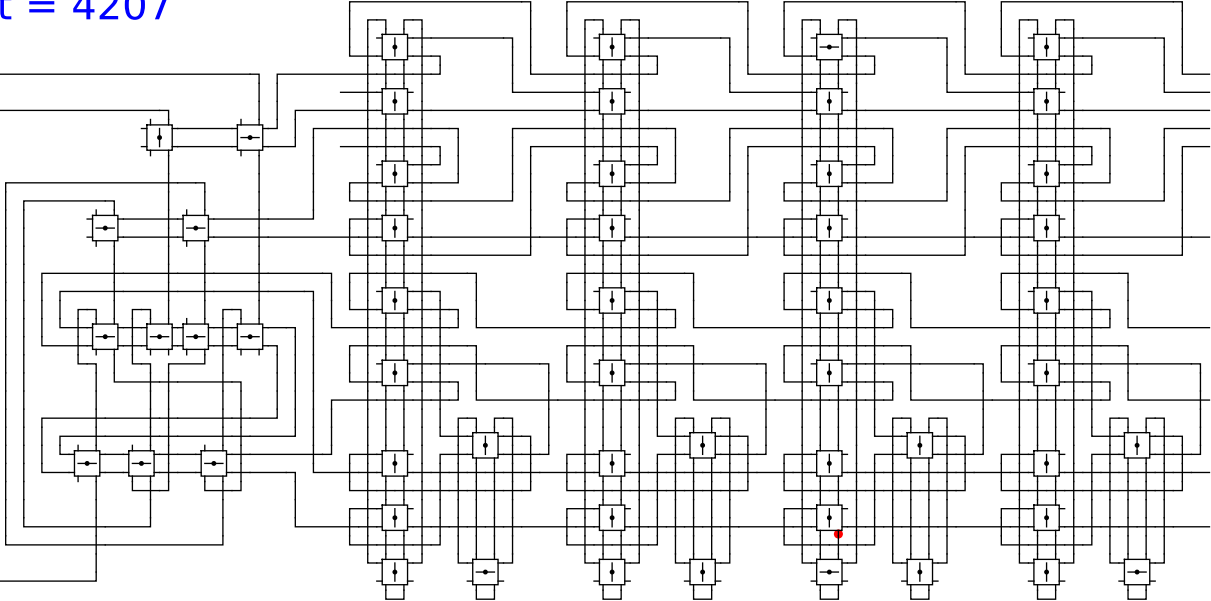


1 0 head 0 1

t = 4207

Reject
Accept

Begin

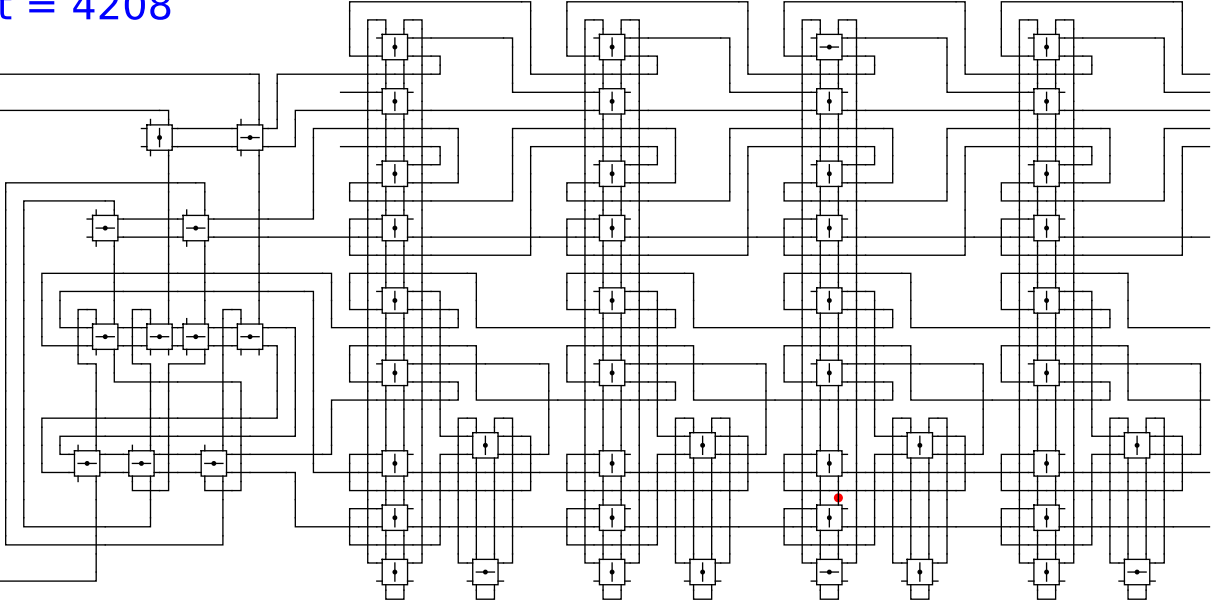


1 0 head 0 1

t = 4208

Reject
Accept

Begin



1

0

head

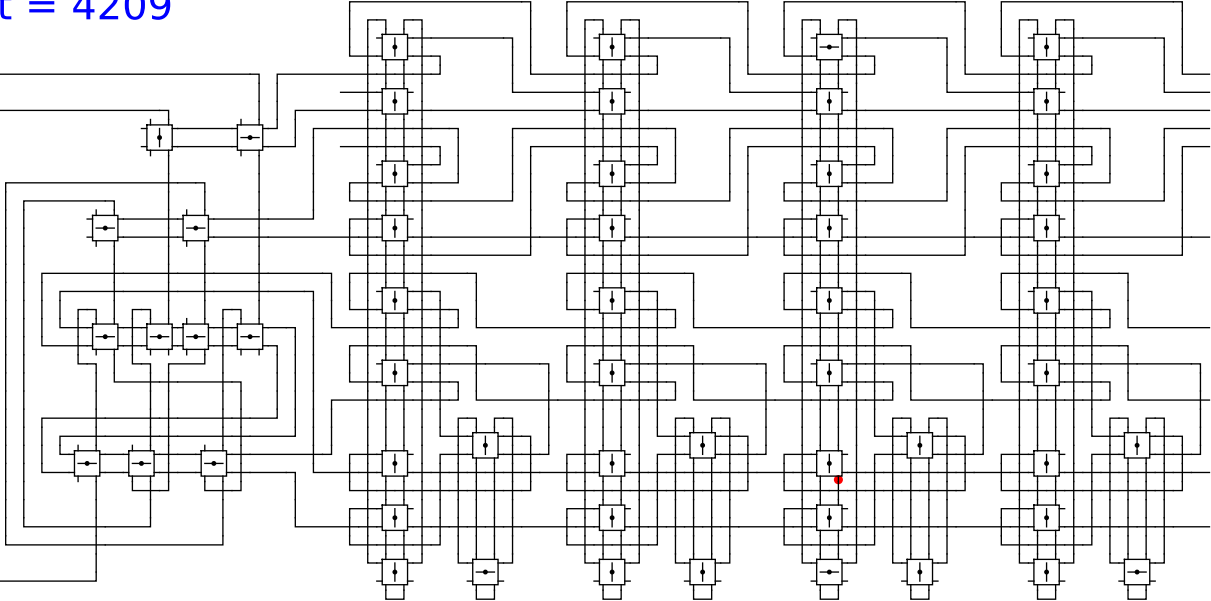
0

1

t = 4209

Reject
Accept

Begin

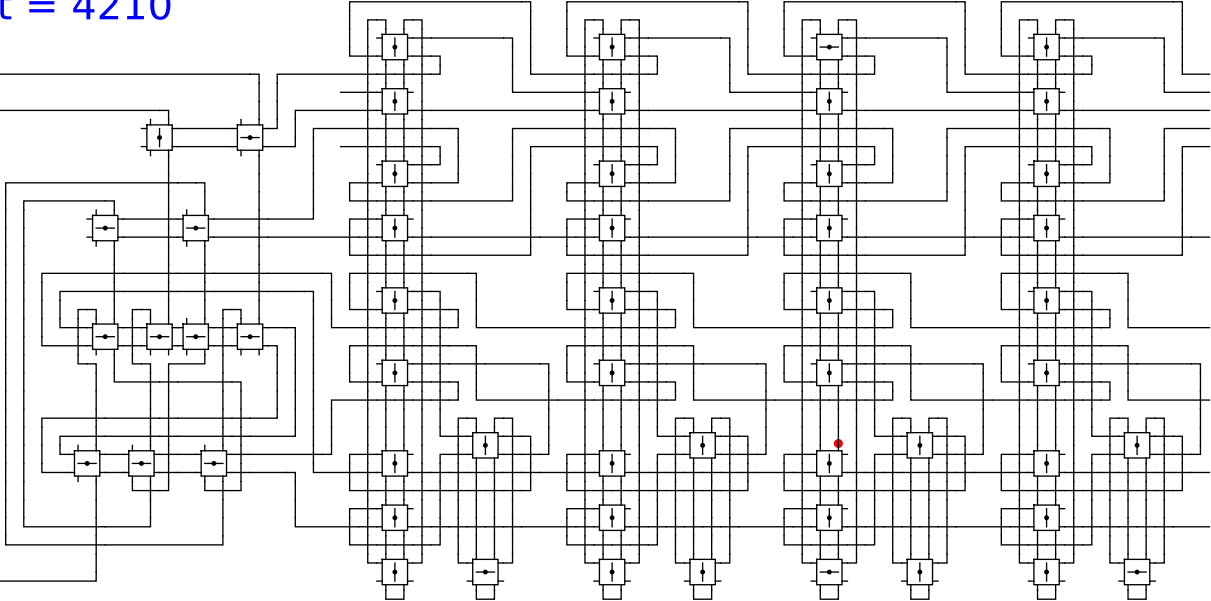


1 0 head 0 1

t = 4210

Reject
Accept

Begin

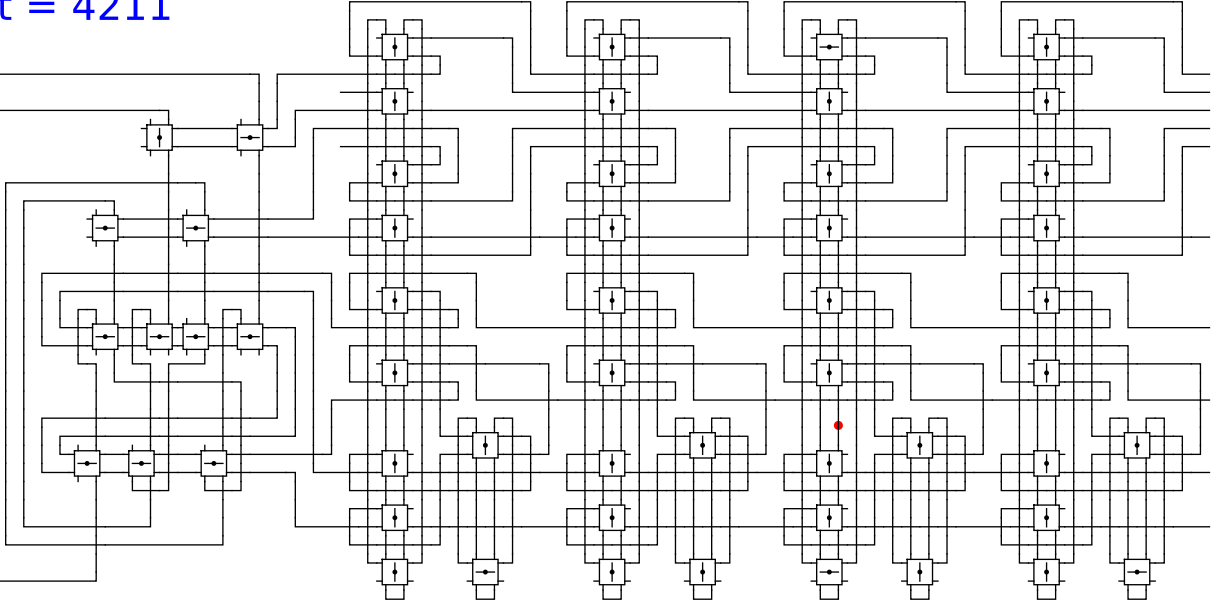


1 0 head 0 1

t = 4211

Reject
Accept

Begin

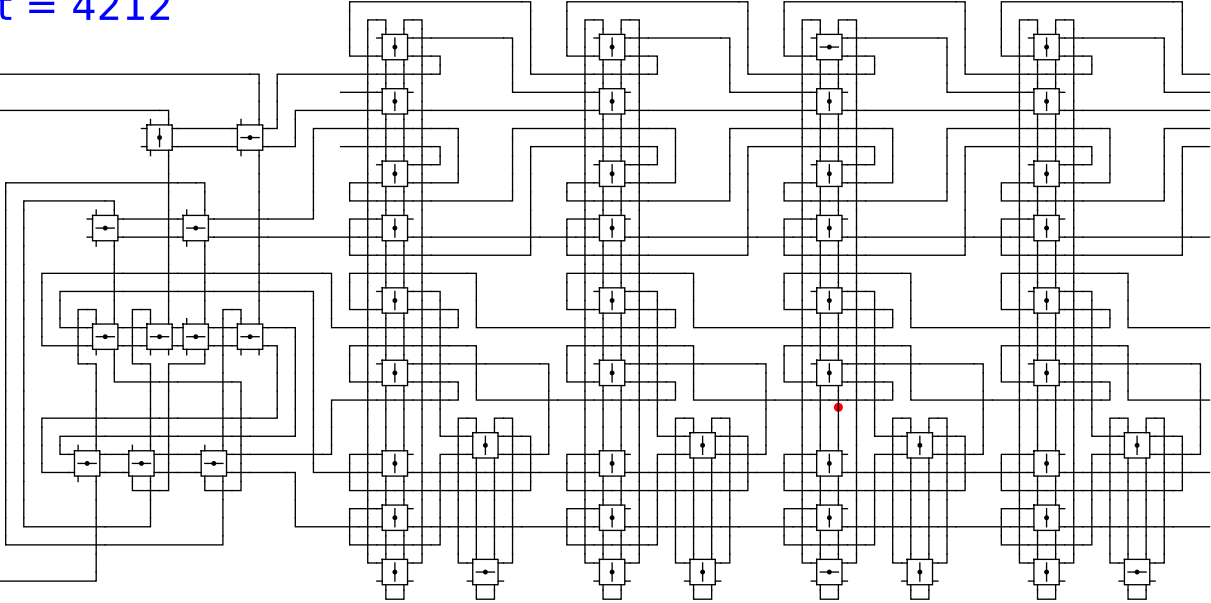


1 0 head 0 1

t = 4212

Reject
Accept

Begin

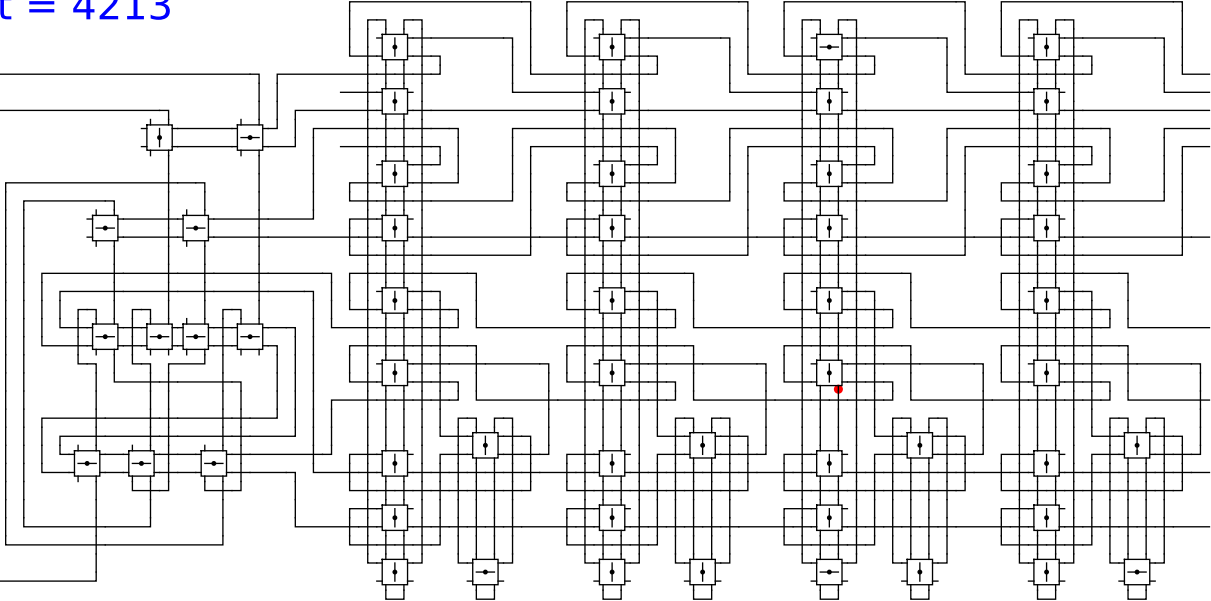


1 0 head 0 1

t = 4213

Reject
Accept

Begin

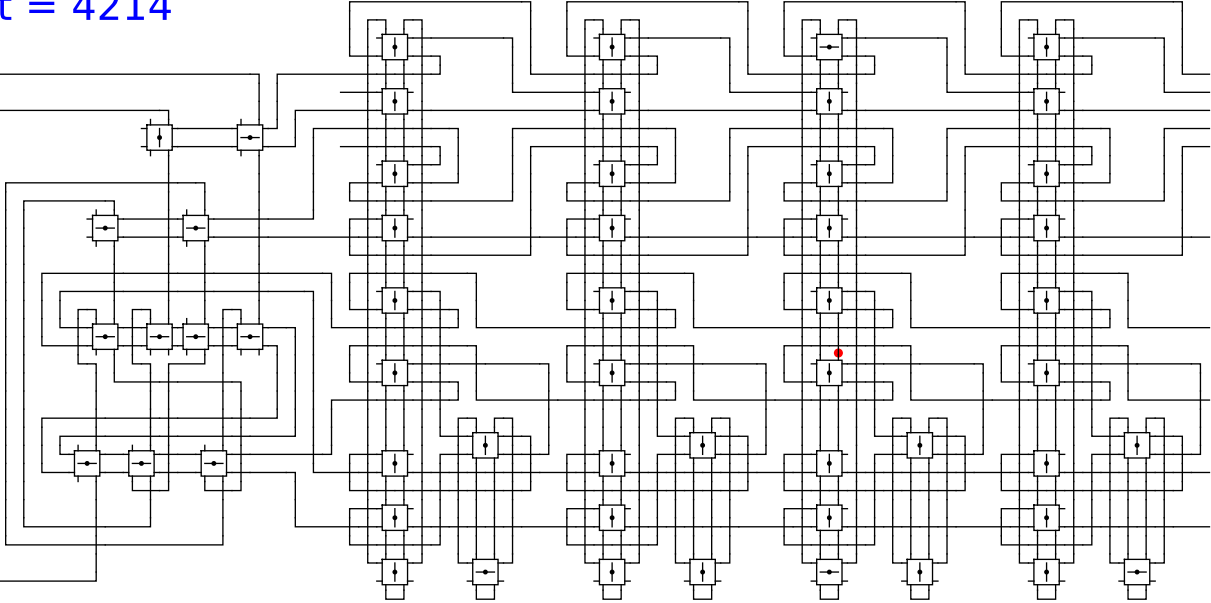


1 0 head 0 1

t = 4214

Reject
Accept

Begin

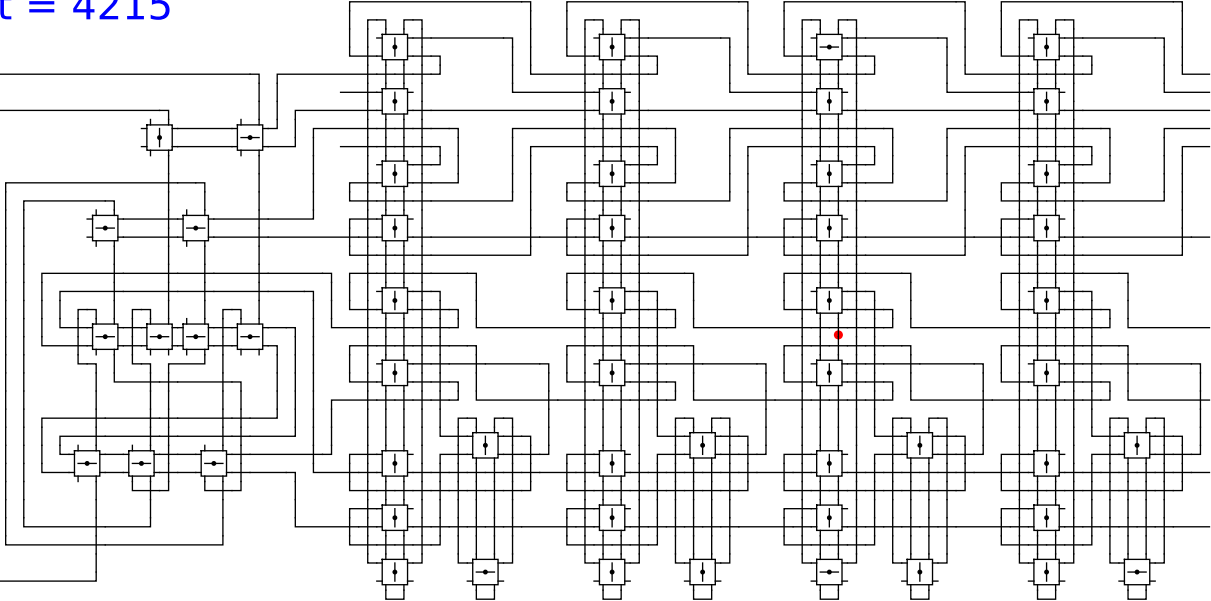


1 0 head 0 1

t = 4215

Reject
Accept

Begin

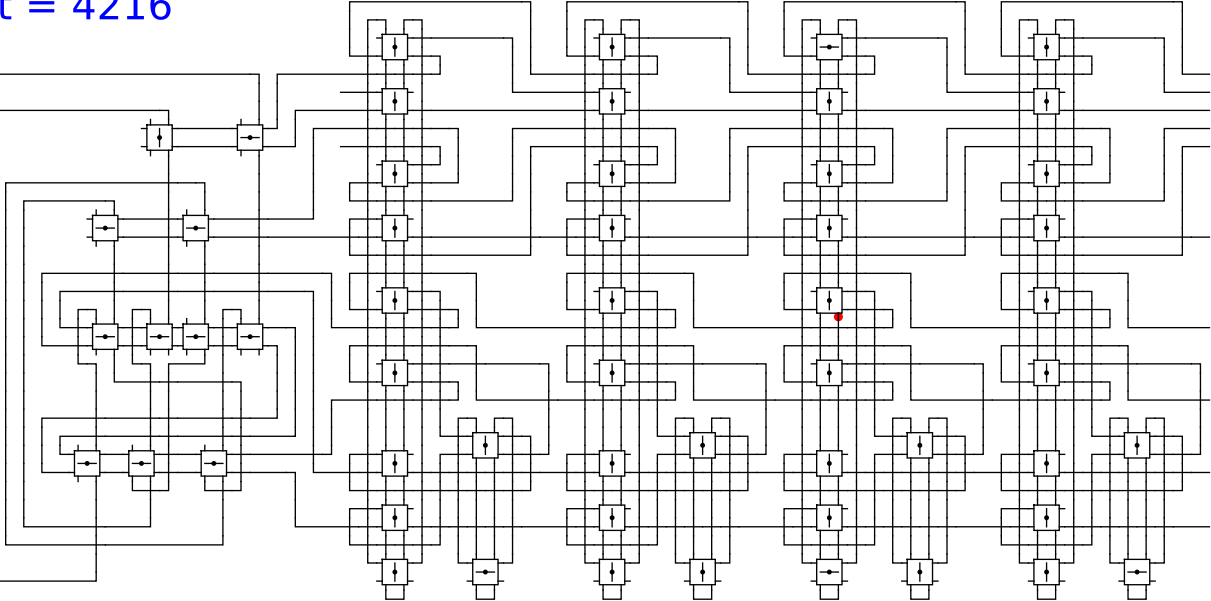


1 0 head 0 1

t = 4216

Reject
Accept

Begin

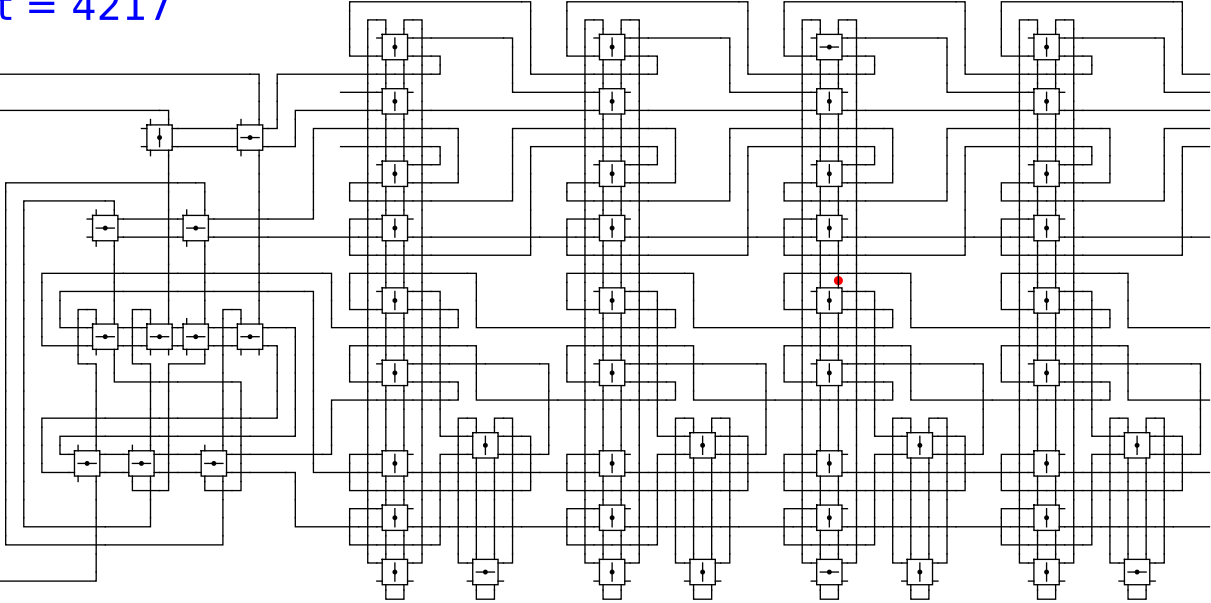


1 0 head 0 1

t = 4217

Reject
Accept

Begin

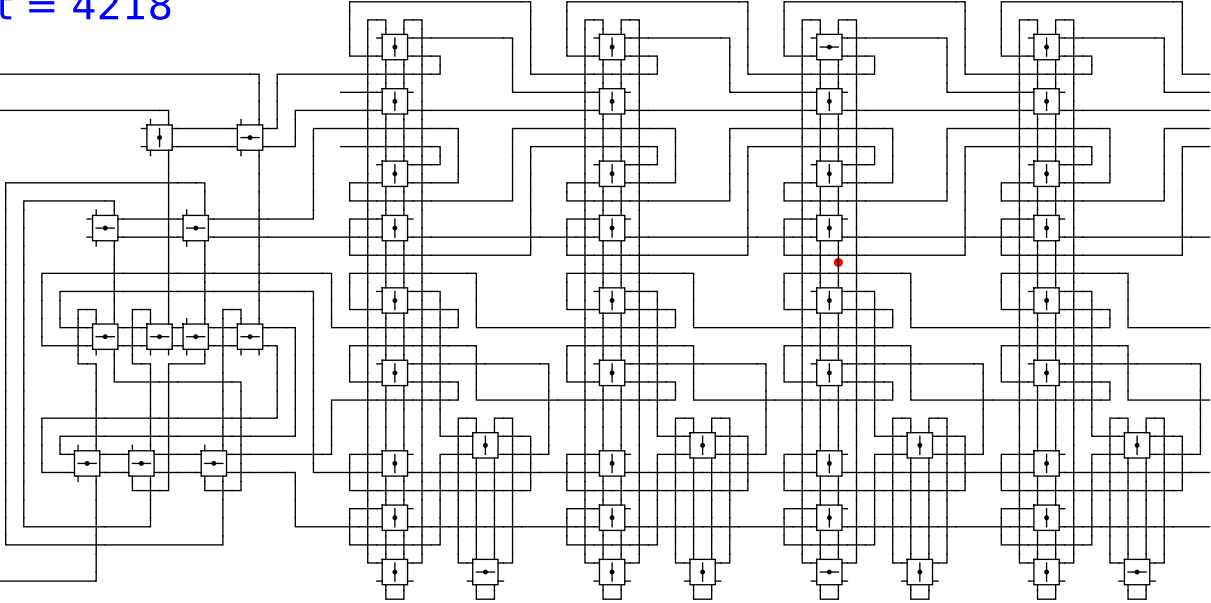


1 0 head 0 1

t = 4218

Reject
Accept

Begin

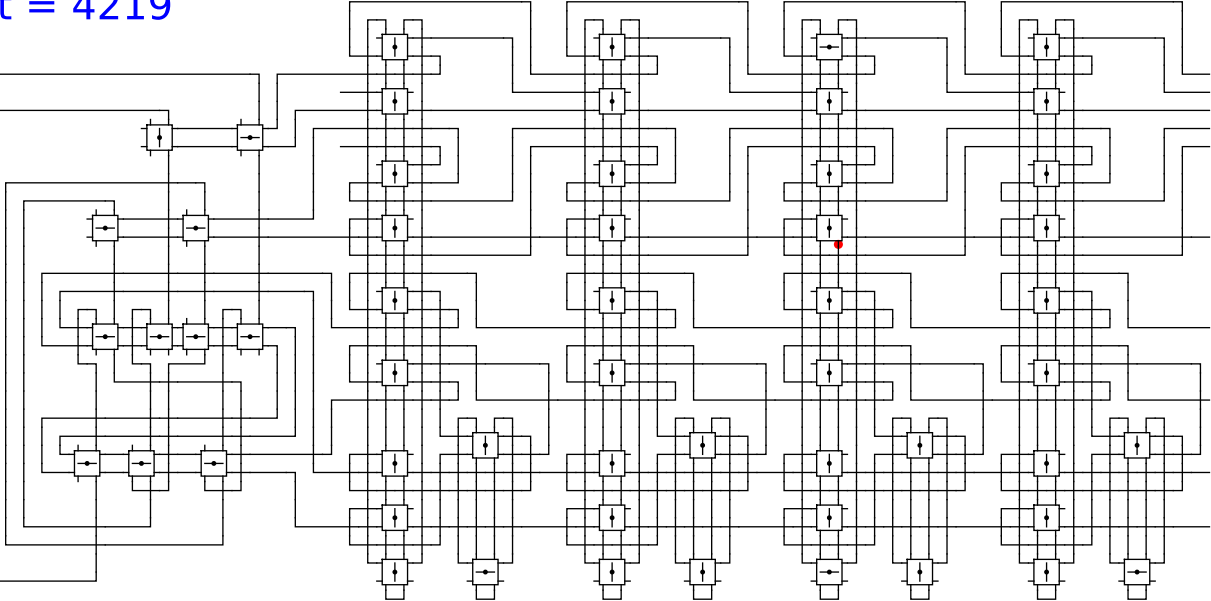


1 0 head 0 1

t = 4219

Reject
Accept

Begin

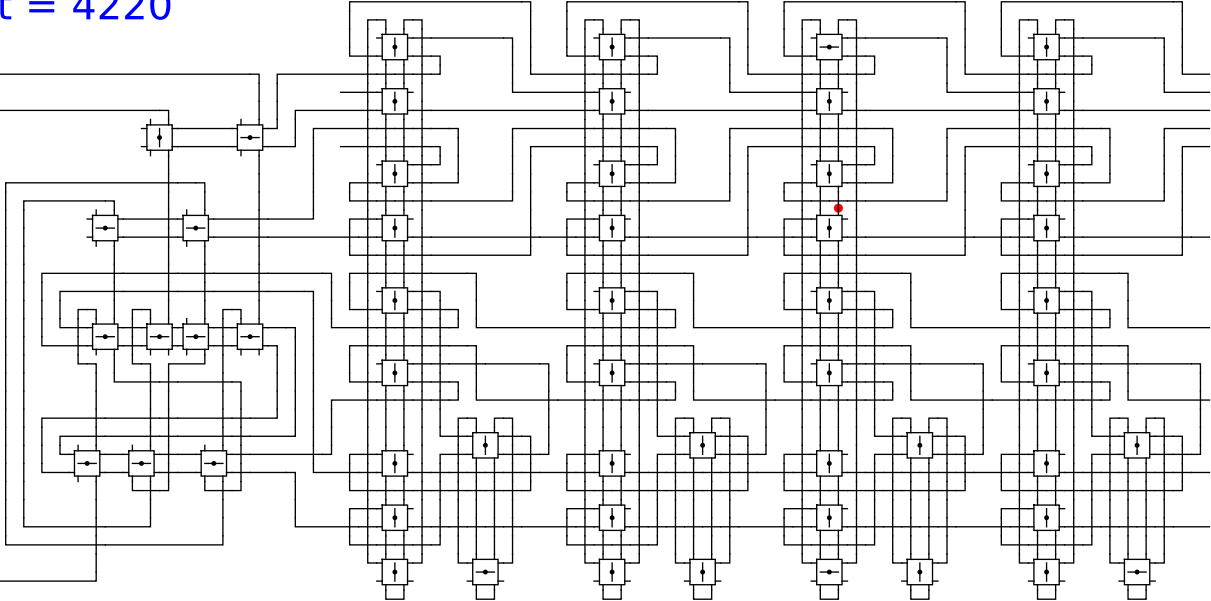


1 0 head 0 1

t = 4220

Reject
Accept

Begin

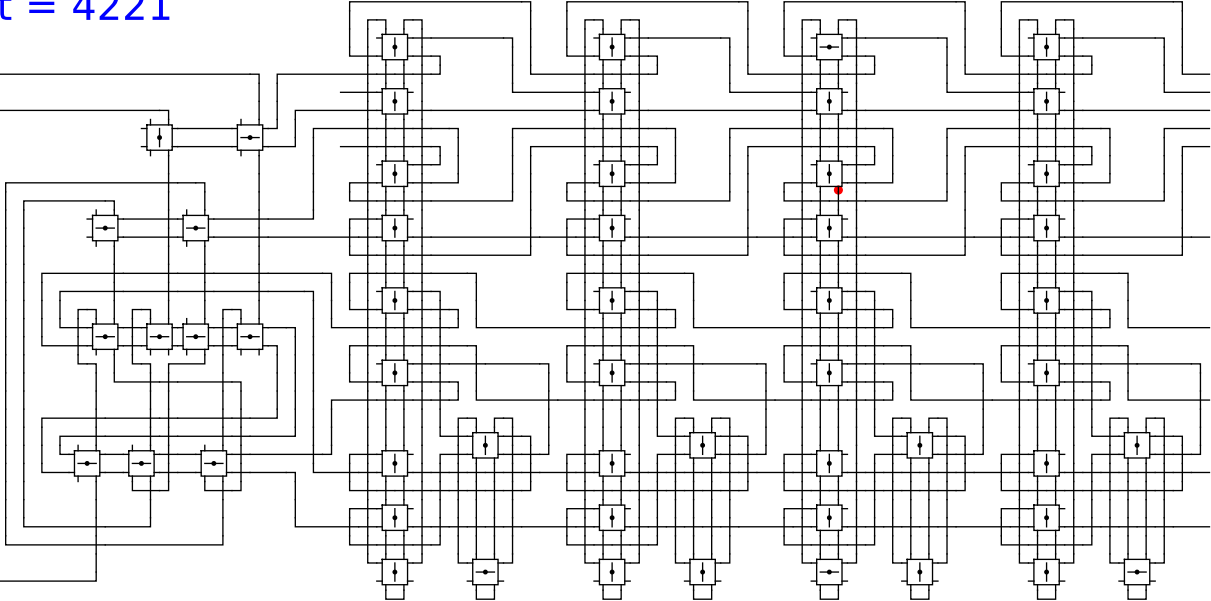


1 0 head 0 1

t = 4221

Reject
Accept

Begin

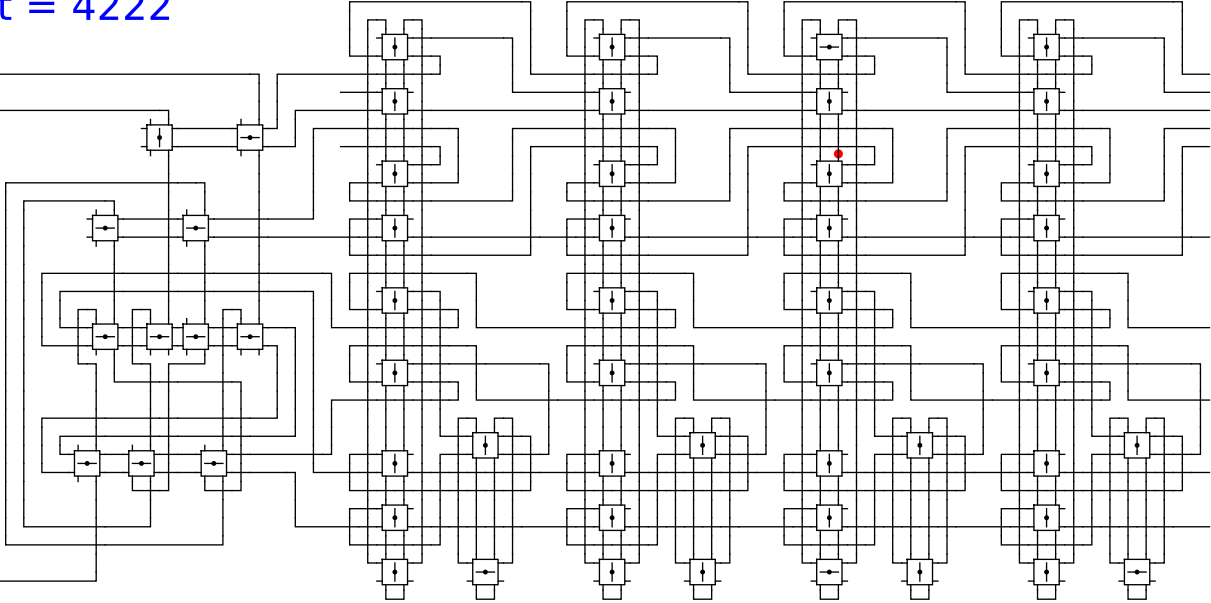


1 0 head 0 1

t = 4222

Reject
Accept

Begin

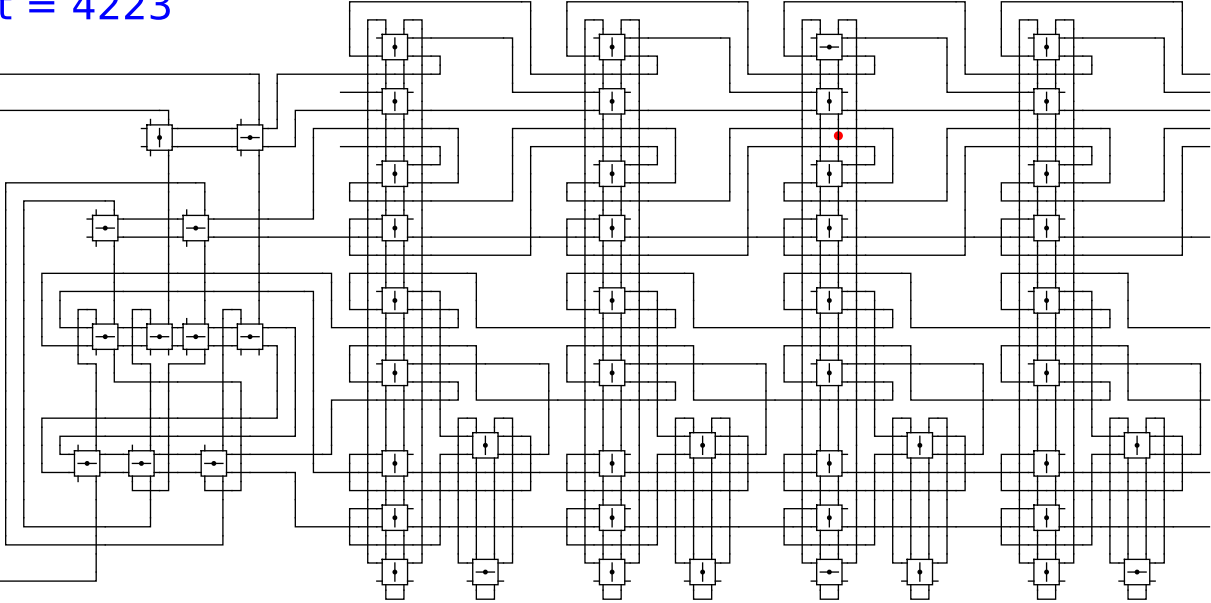


1 0 head 0 1

t = 4223

Reject
Accept

Begin

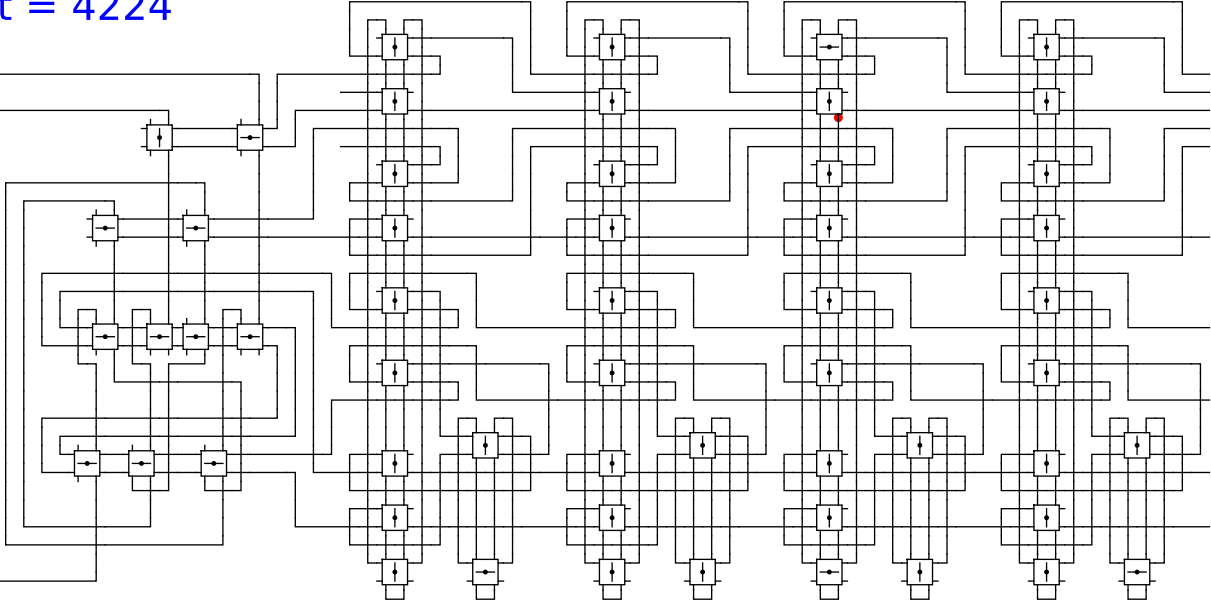


1 0 head 0 1

t = 4224

Reject
Accept

Begin

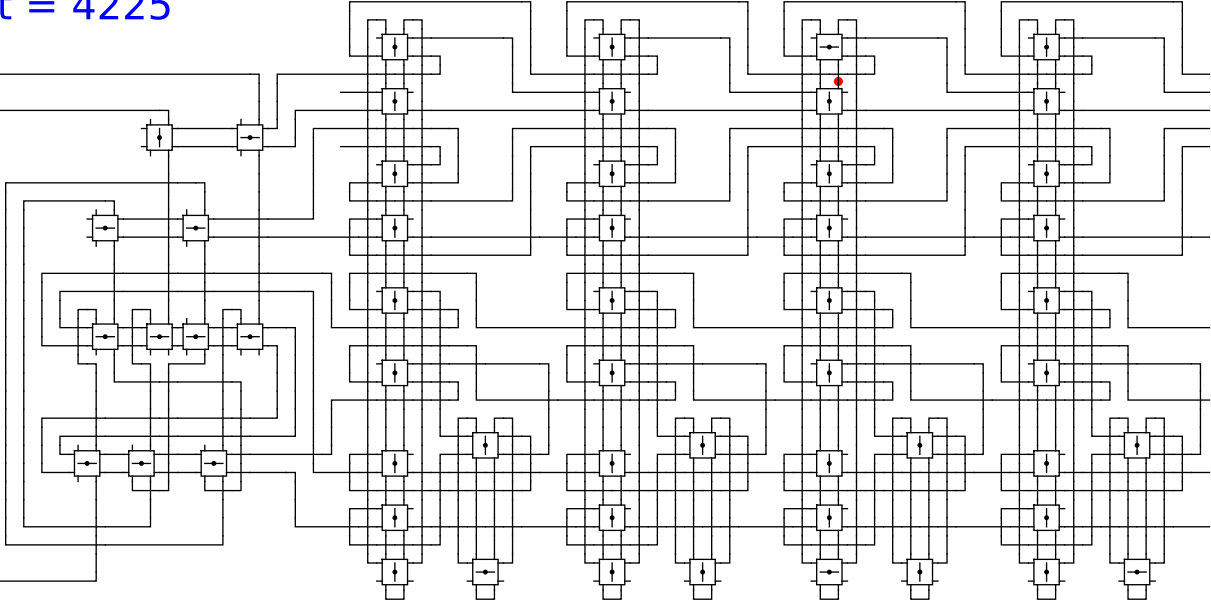


1 0 head 0 1

t = 4225

Reject
Accept

Begin

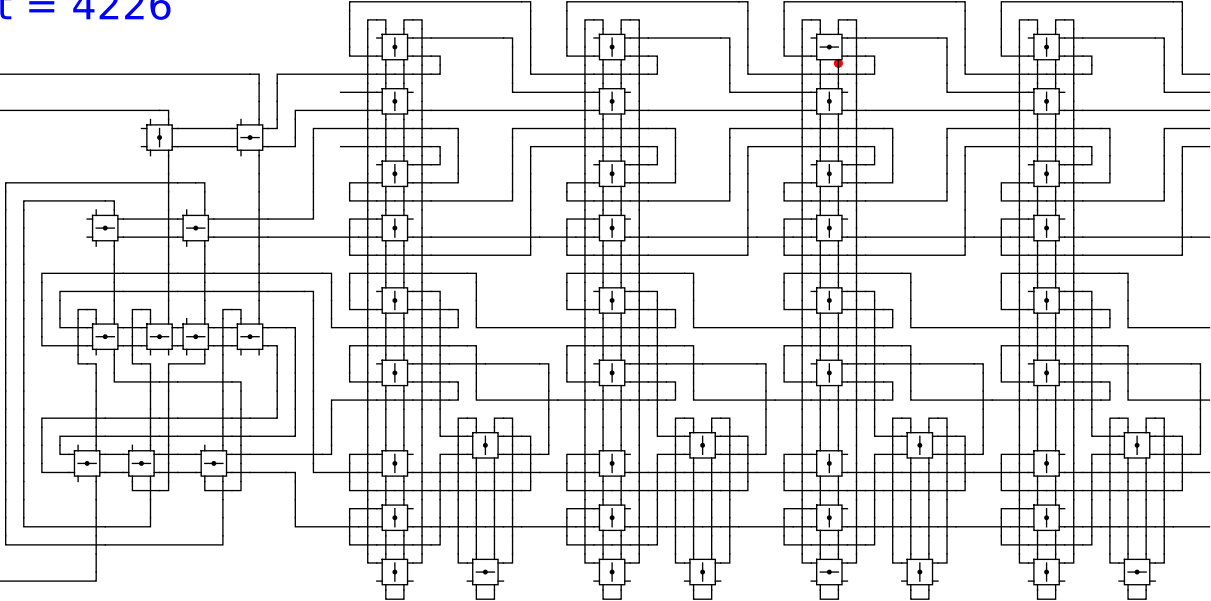


1 0 head 0 1

t = 4226

Reject
Accept

Begin

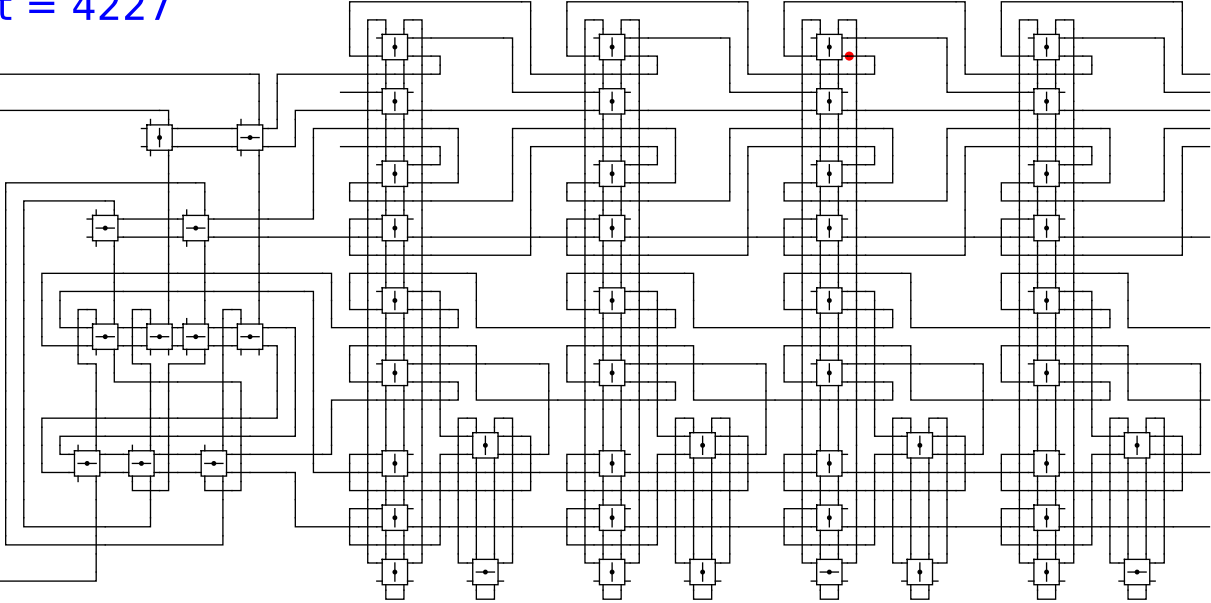


1 0 head 0 1

t = 4227

Reject
Accept

Begin

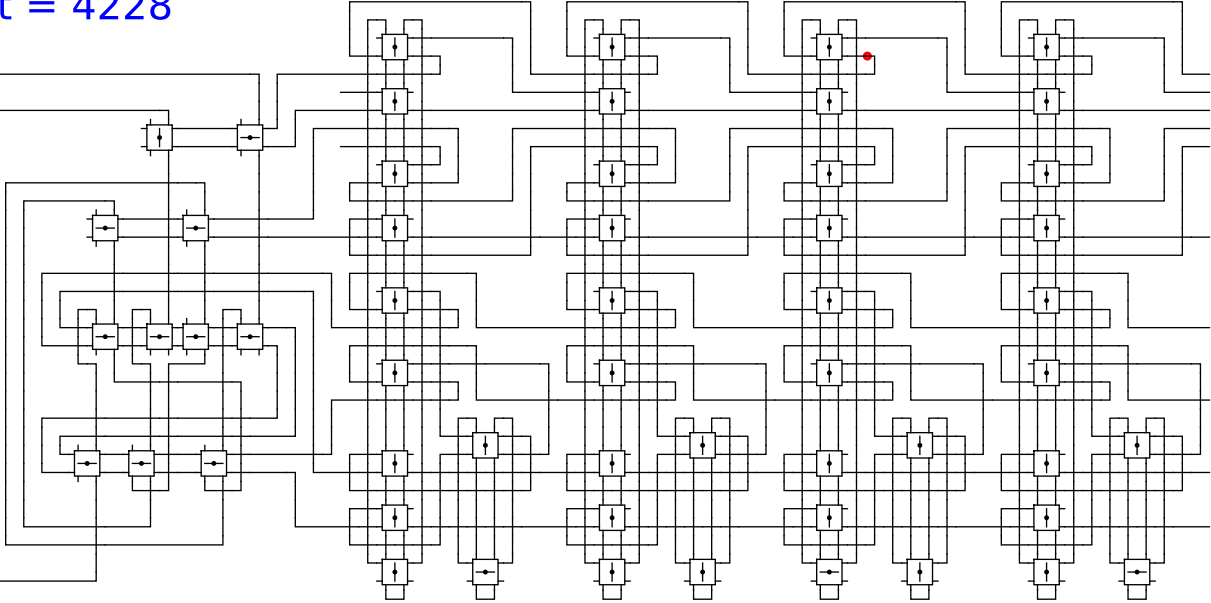


1 0 head 0 1

t = 4228

Reject
Accept

Begin

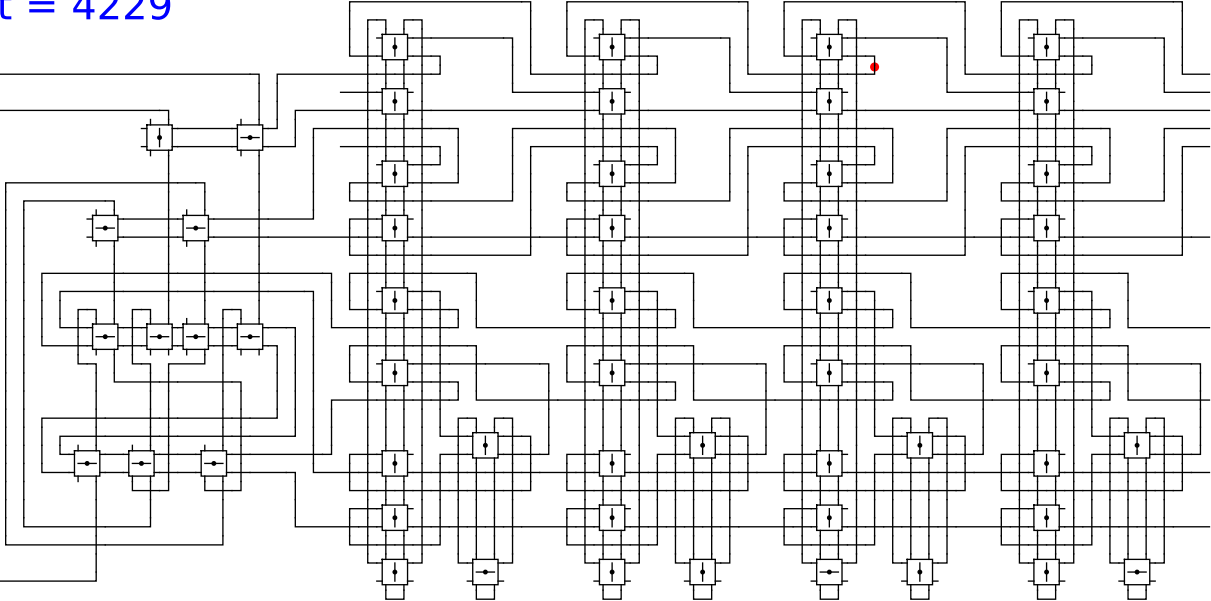


1 0 head 0 1

t = 4229

Reject
Accept

Begin

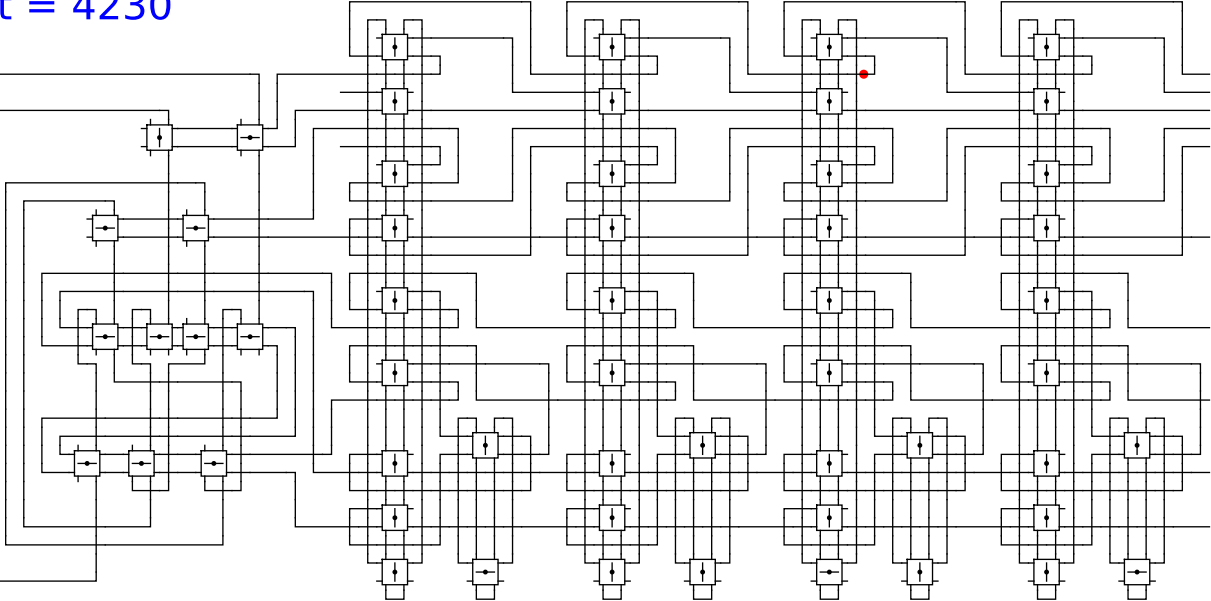


1 0 head 0 1

t = 4230

Reject
Accept

Begin

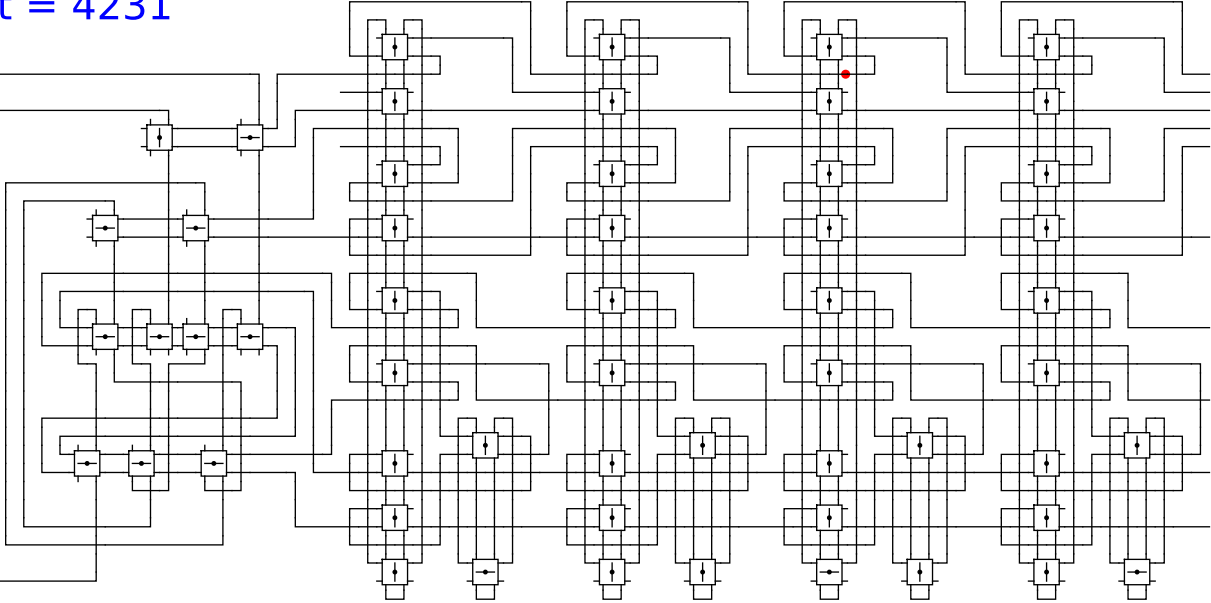


1 0 head 0 1

t = 4231

Reject
Accept

Begin

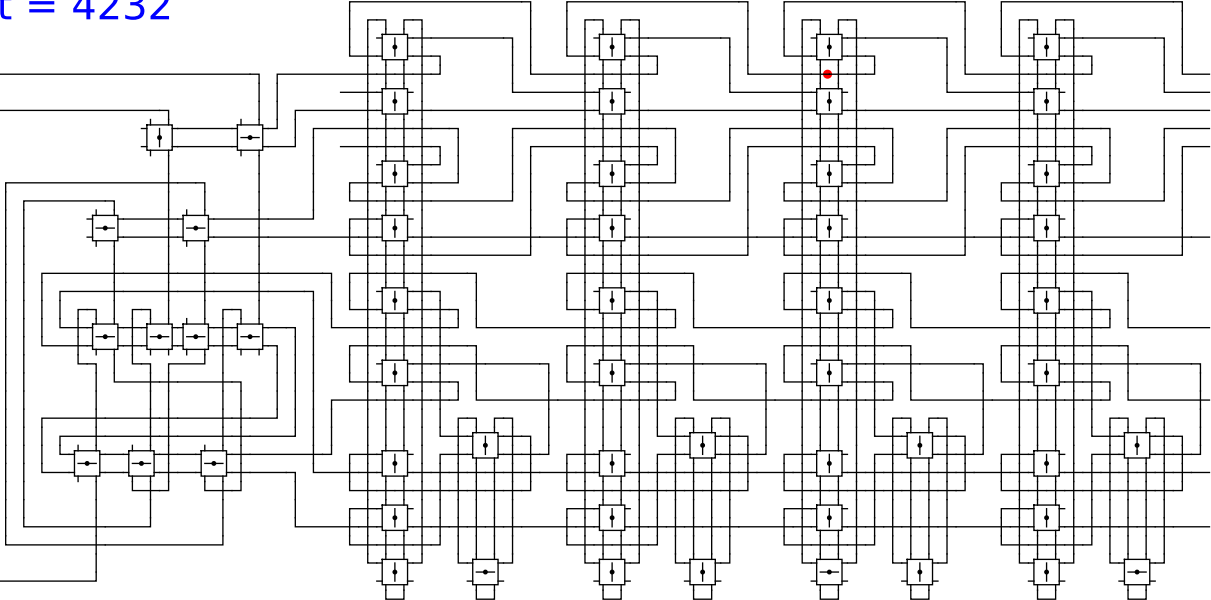


1 0 head 0 1

t = 4232

Reject
Accept

Begin

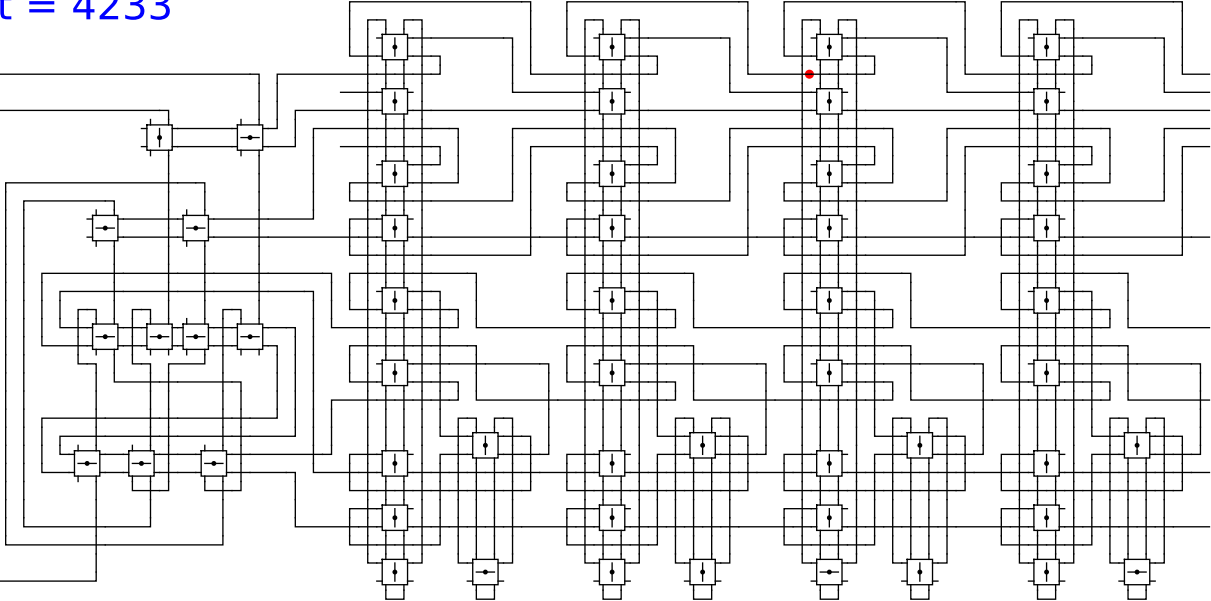


1 0 head 0 1

t = 4233

Reject
Accept

Begin

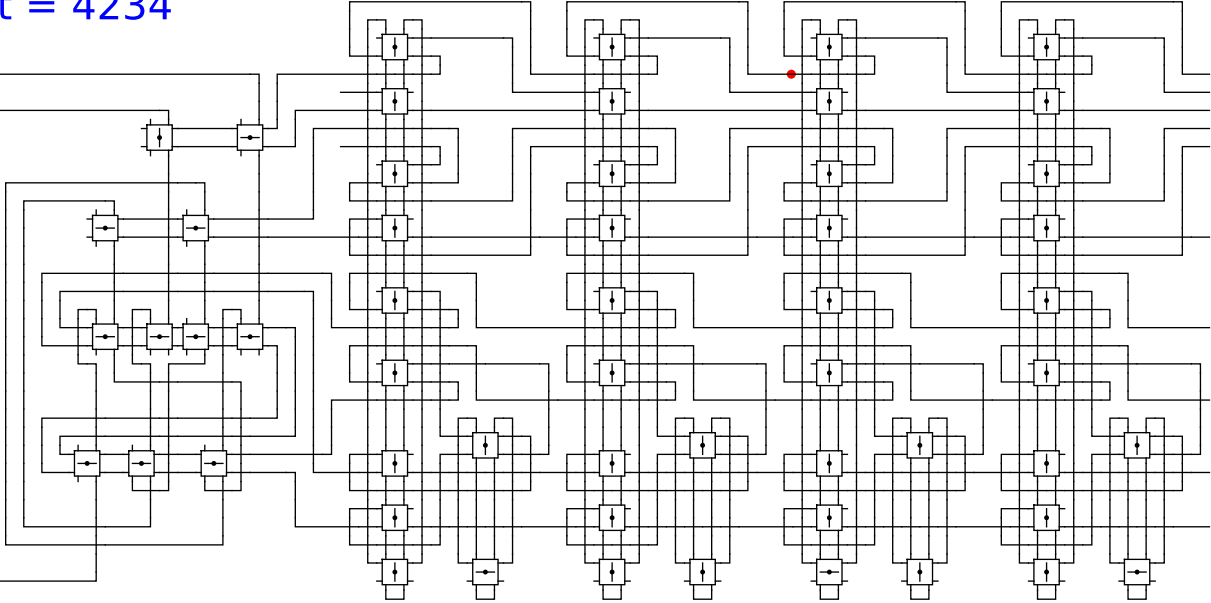


1 0 head 0 1

t = 4234

Reject
Accept

Begin

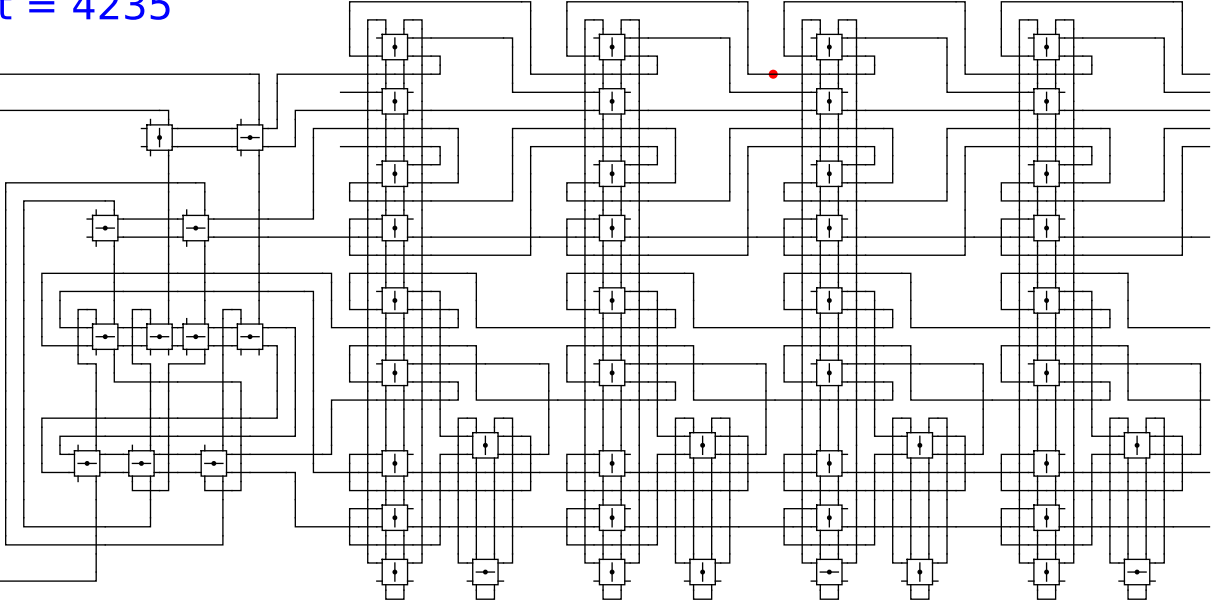


1 0 head 0 1

t = 4235

Reject
Accept

Begin

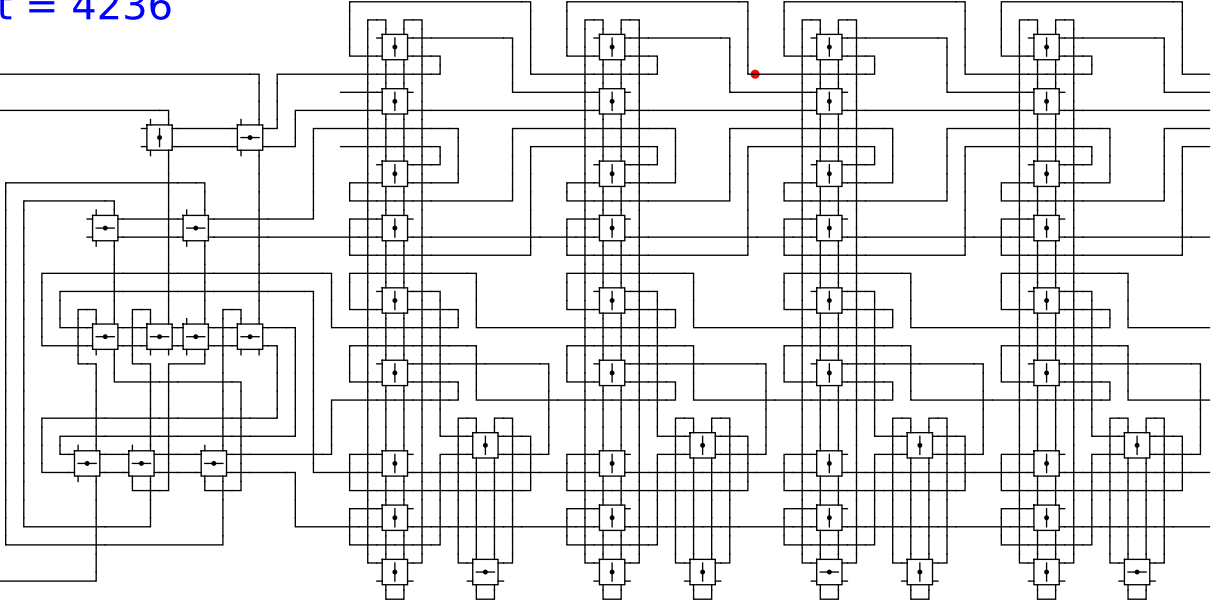


1 0 head 0 1

t = 4236

Reject
Accept

Begin

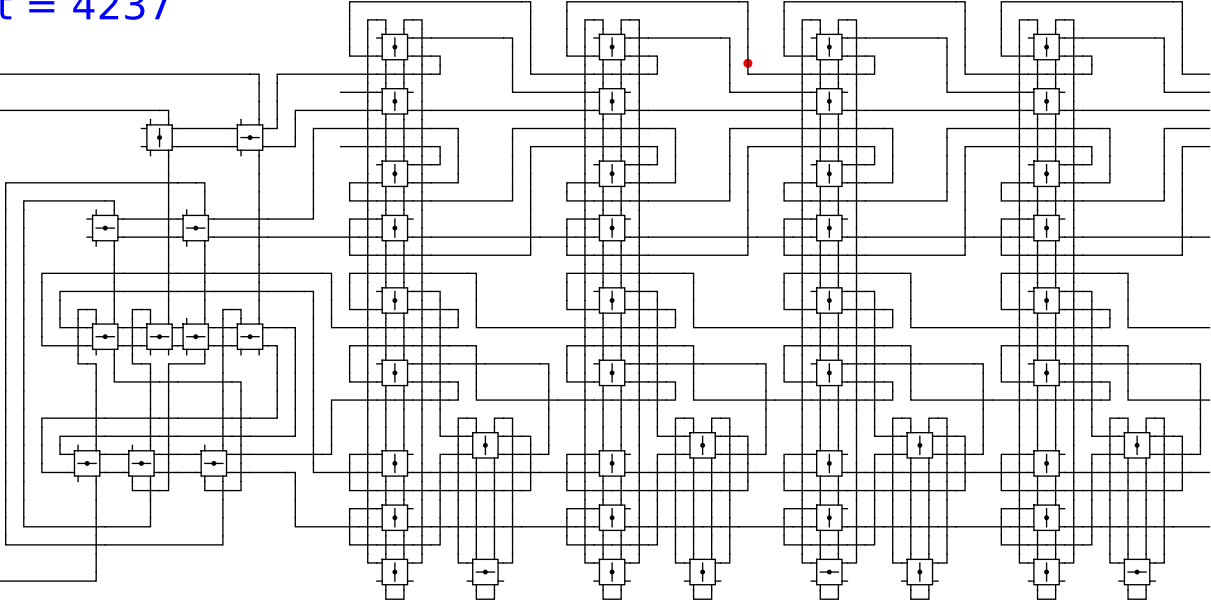


1 0 head 0 1

t = 4237

Reject
Accept

Begin



1

0

head

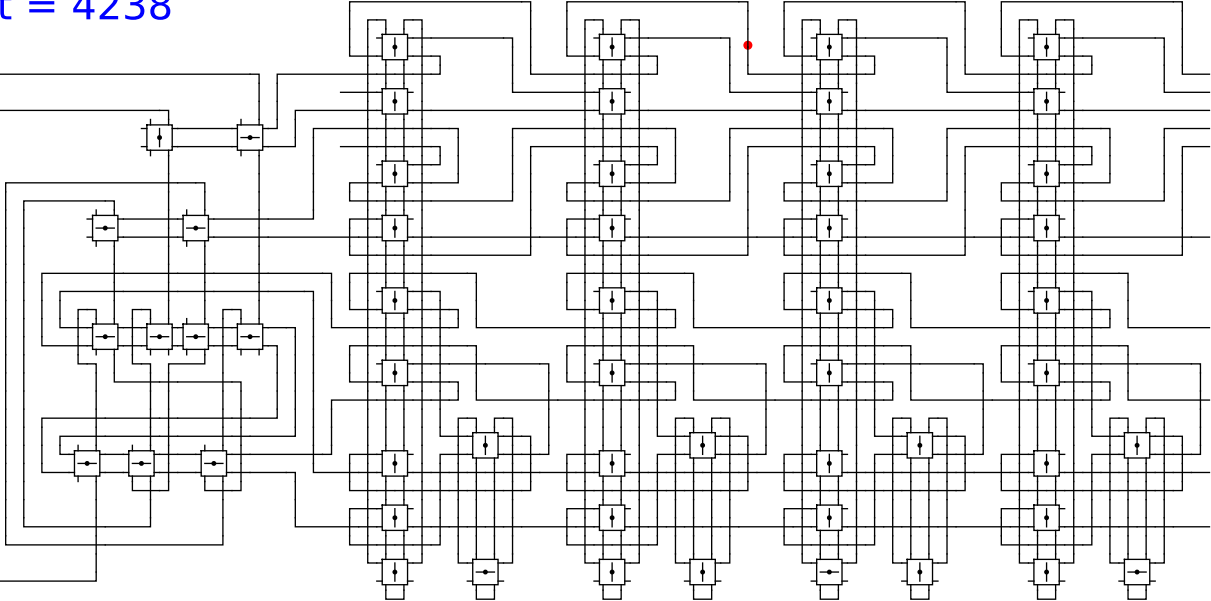
0

1

t = 4238

Reject
Accept

Begin



1

0

head

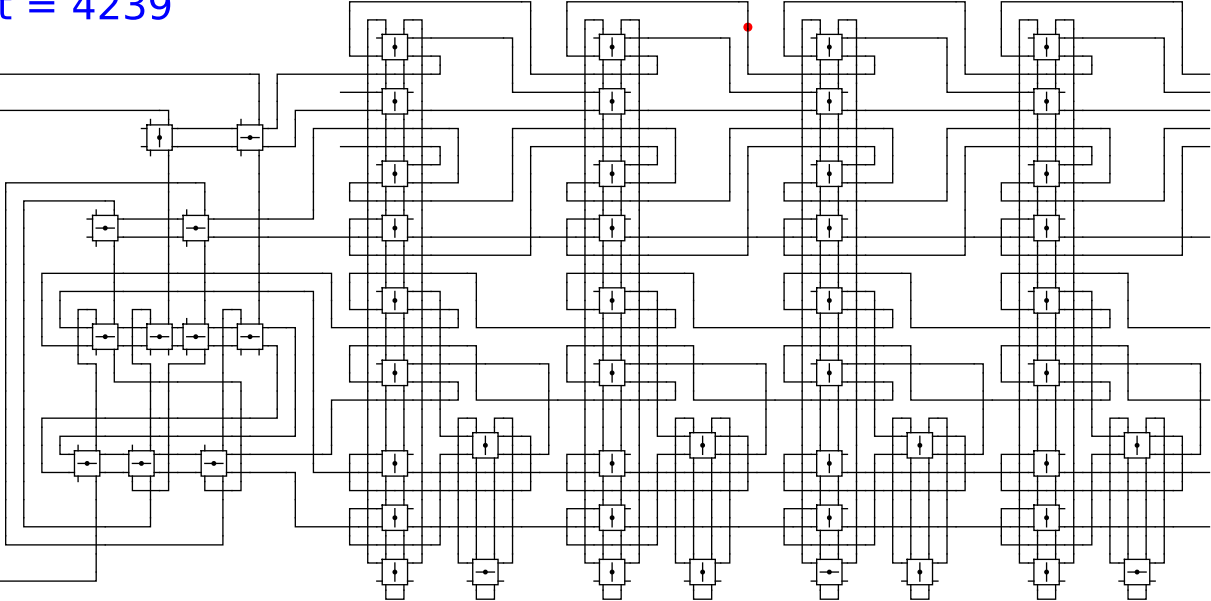
0

1

t = 4239

Reject
Accept

Begin

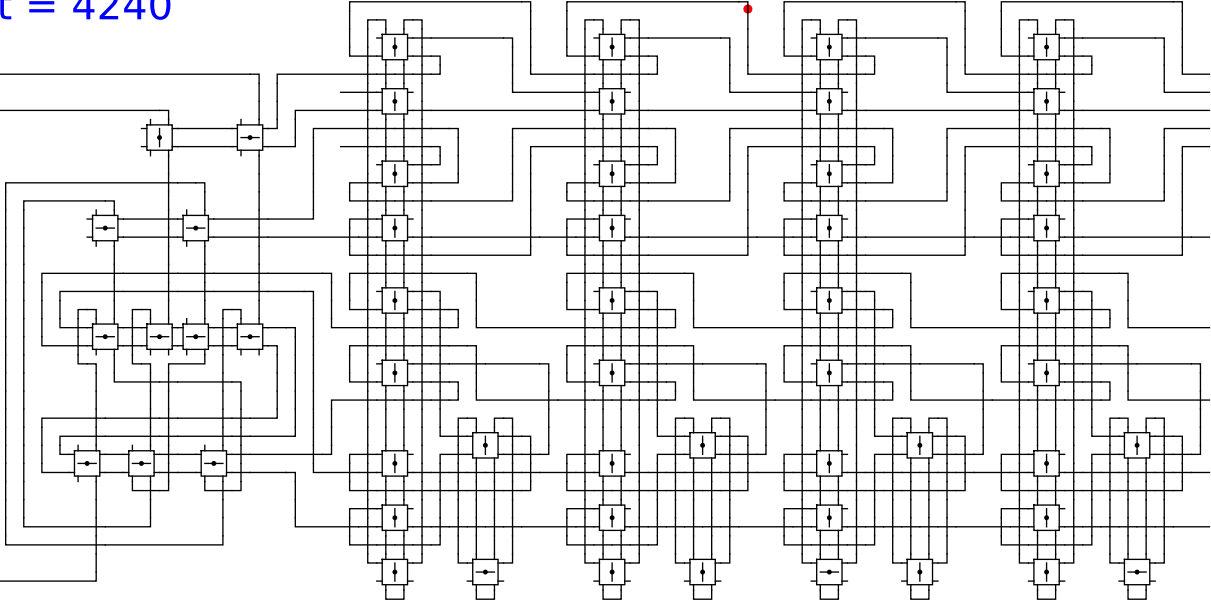


1 0 head 0 1

t = 4240

Reject
Accept

Begin

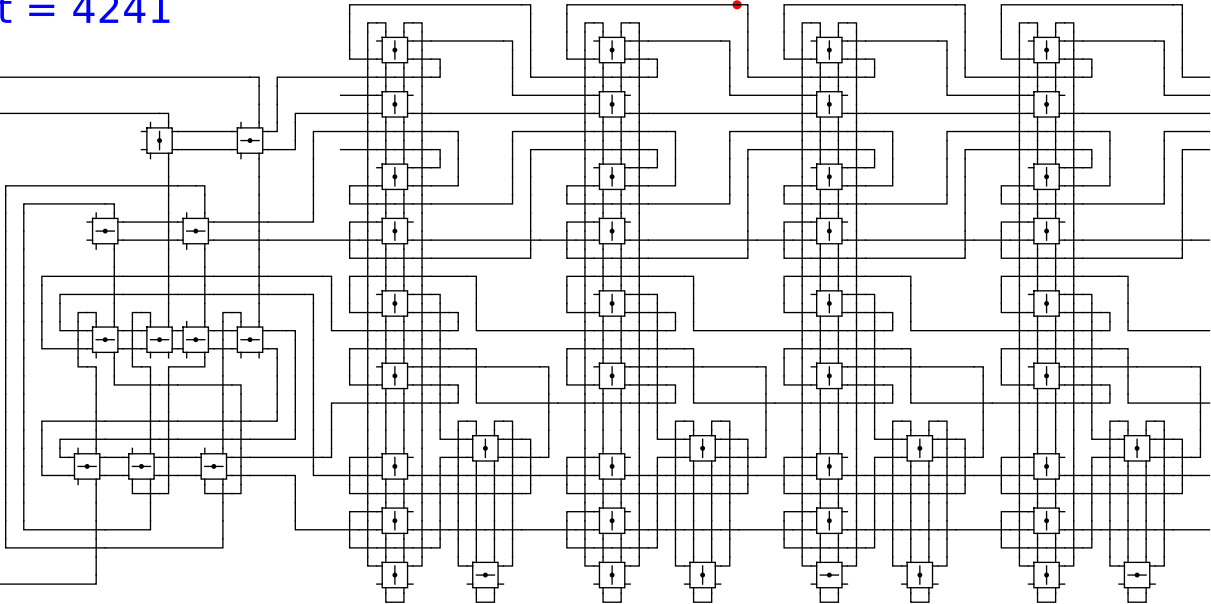


1 0 head 0 1

t = 4241

Reject
Accept

Begin



1

0

head

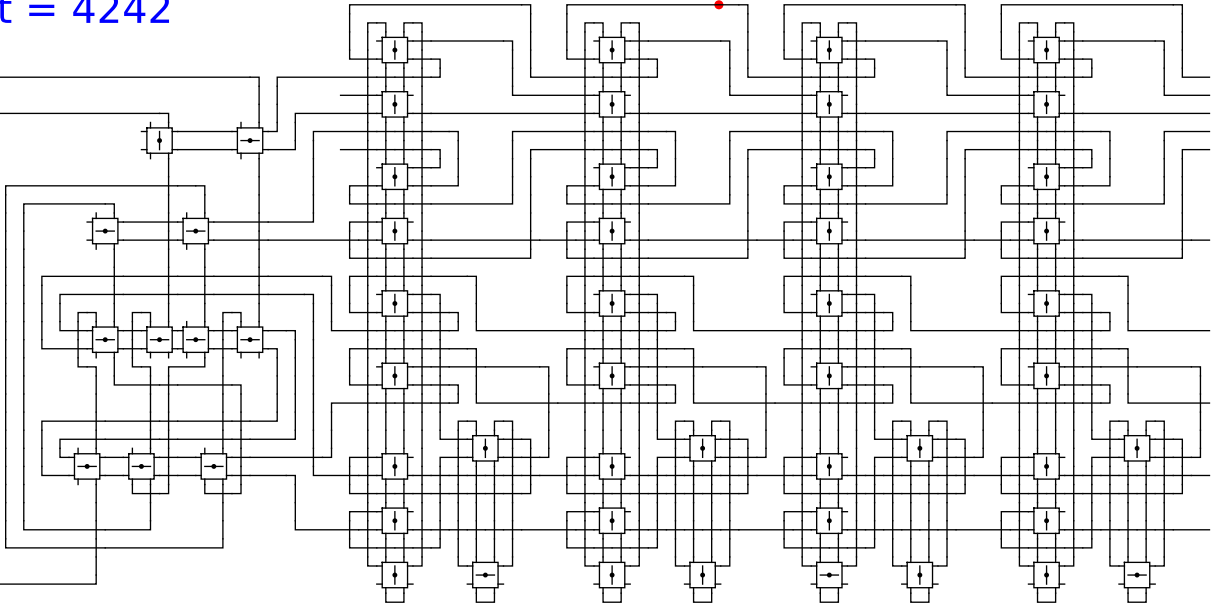
0

1

t = 4242

Reject
Accept

Begin



1

0

head

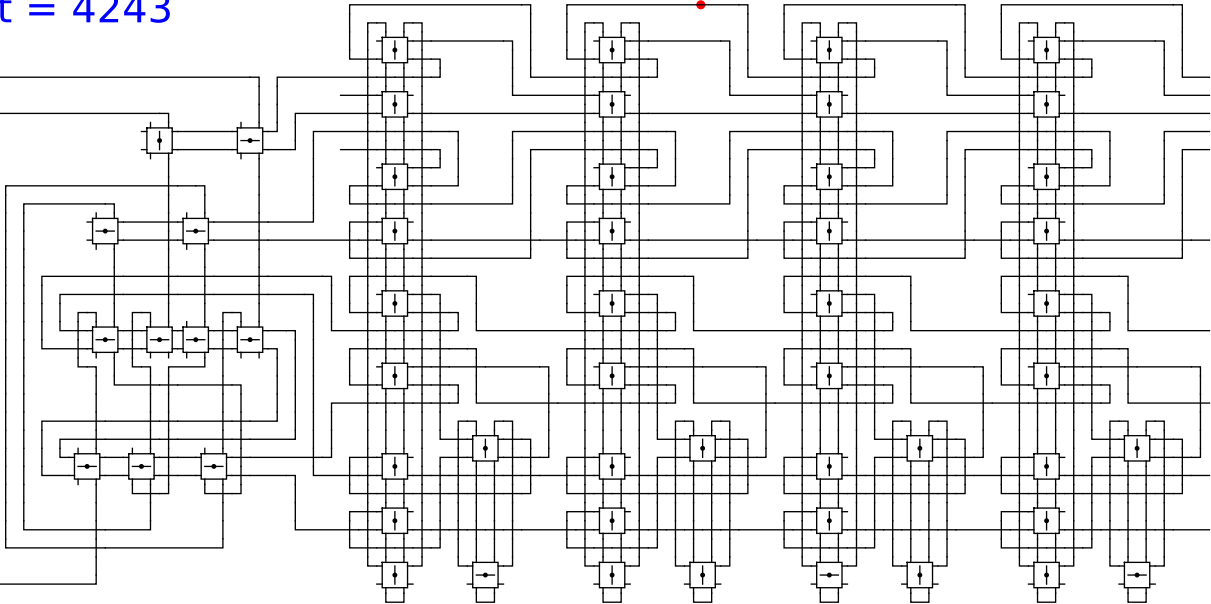
0

1

t = 4243

Reject
Accept

Begin

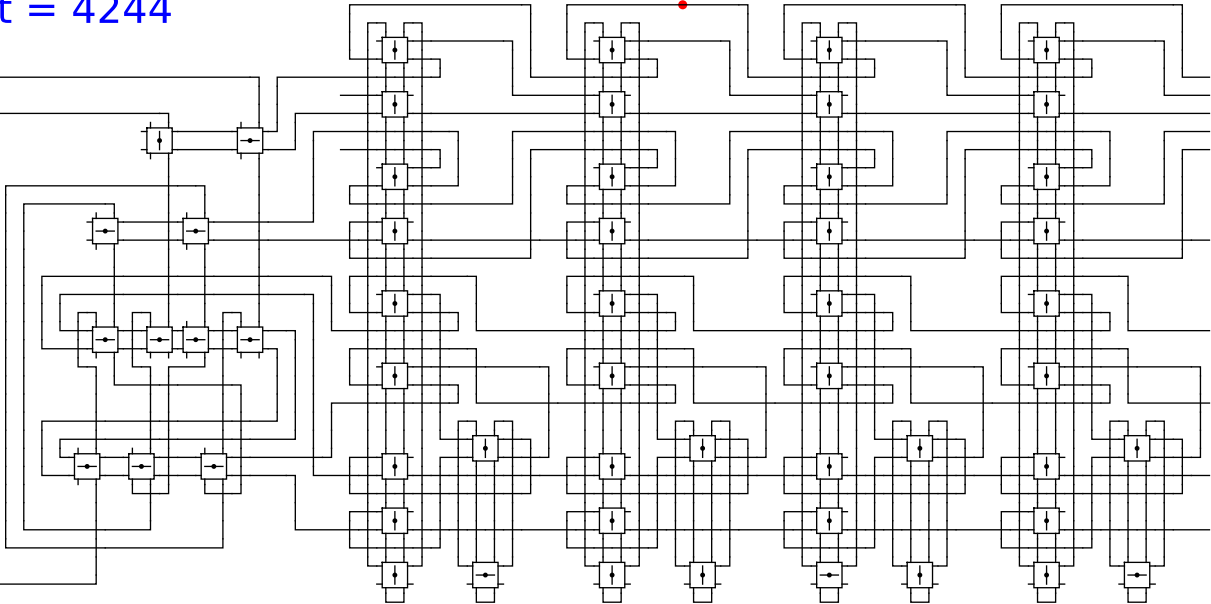


1 0 head 0 1

t = 4244

Reject
Accept

Begin



1

0

head

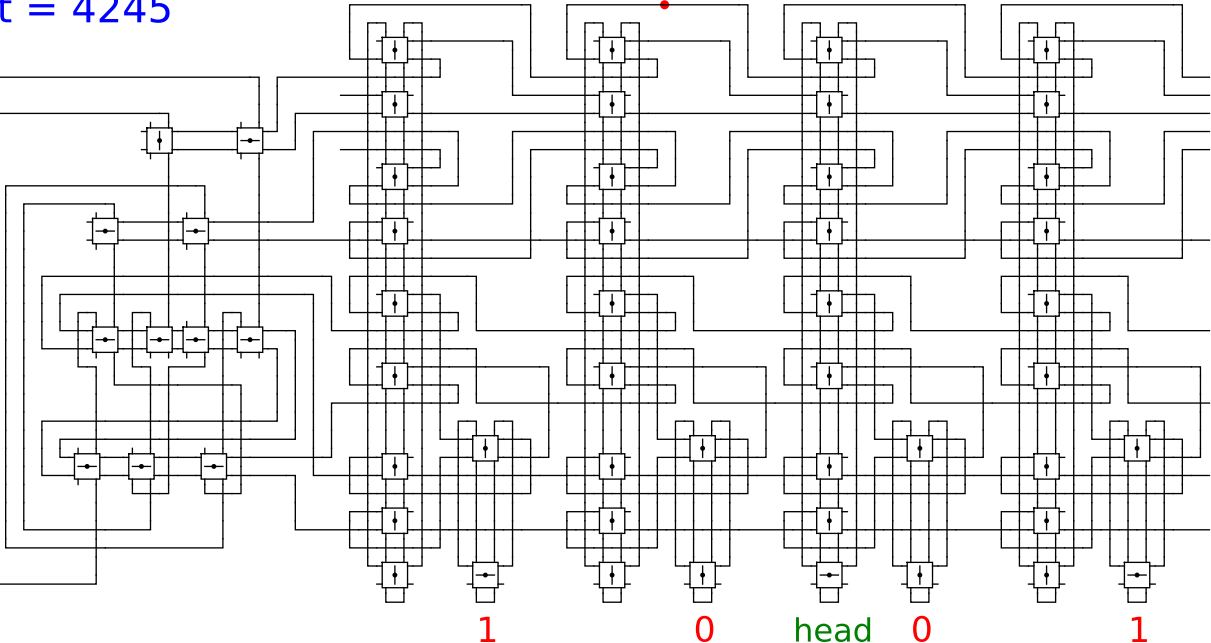
0

1

t = 4245

Reject
Accept

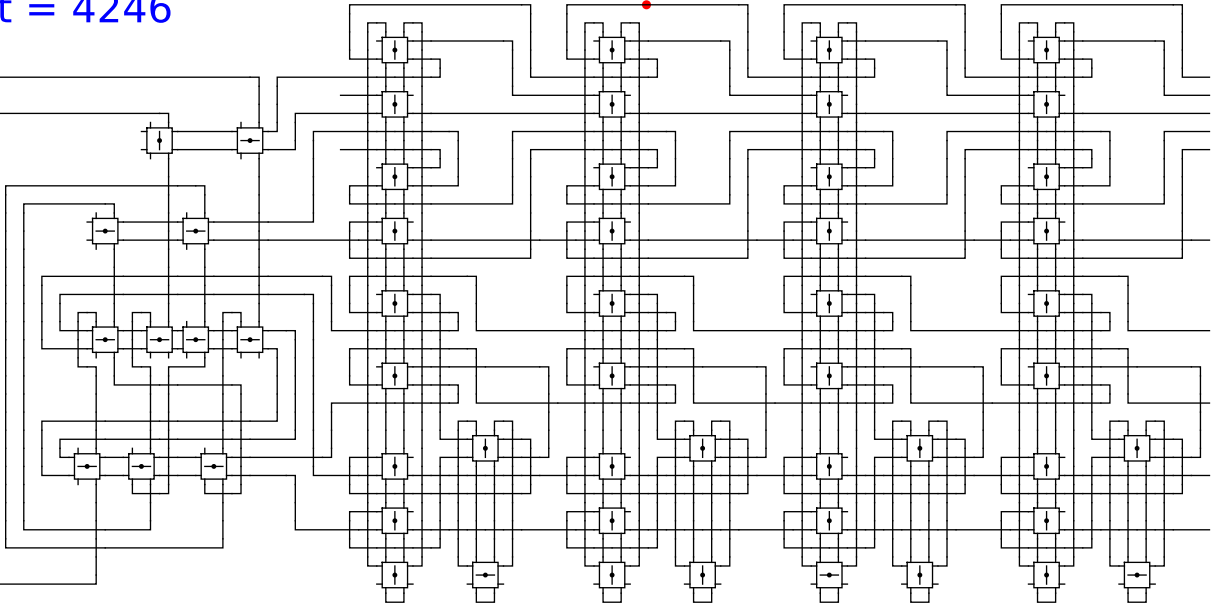
Begin



t = 4246

Reject
Accept

Begin



1

0

head

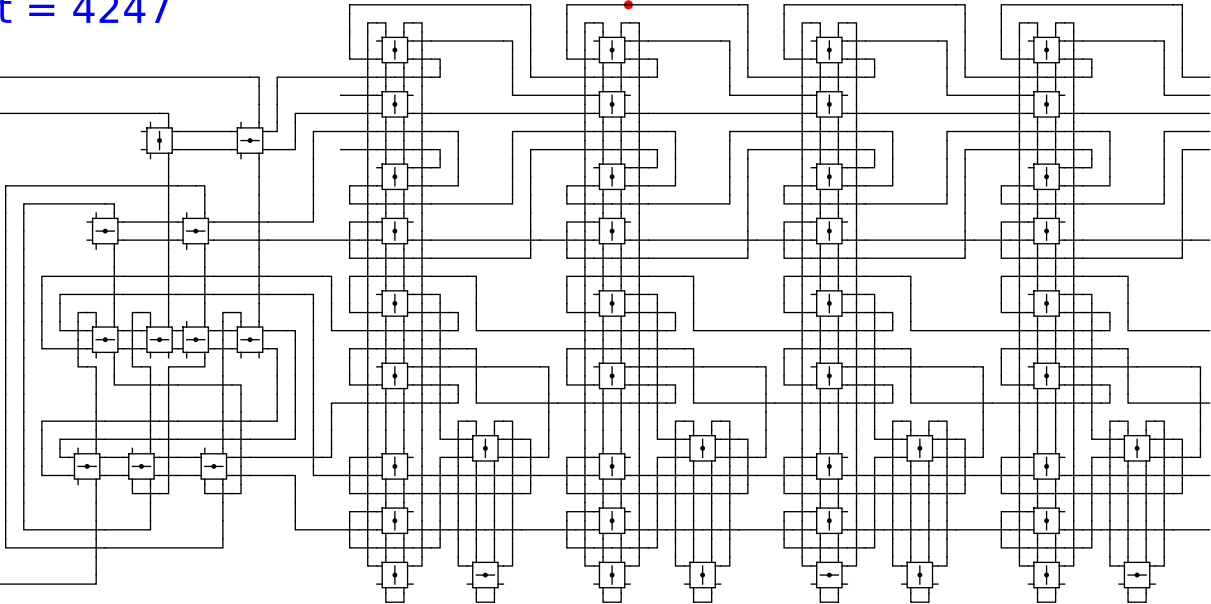
0

1

t = 4247

Reject
Accept

Begin



1

0

head

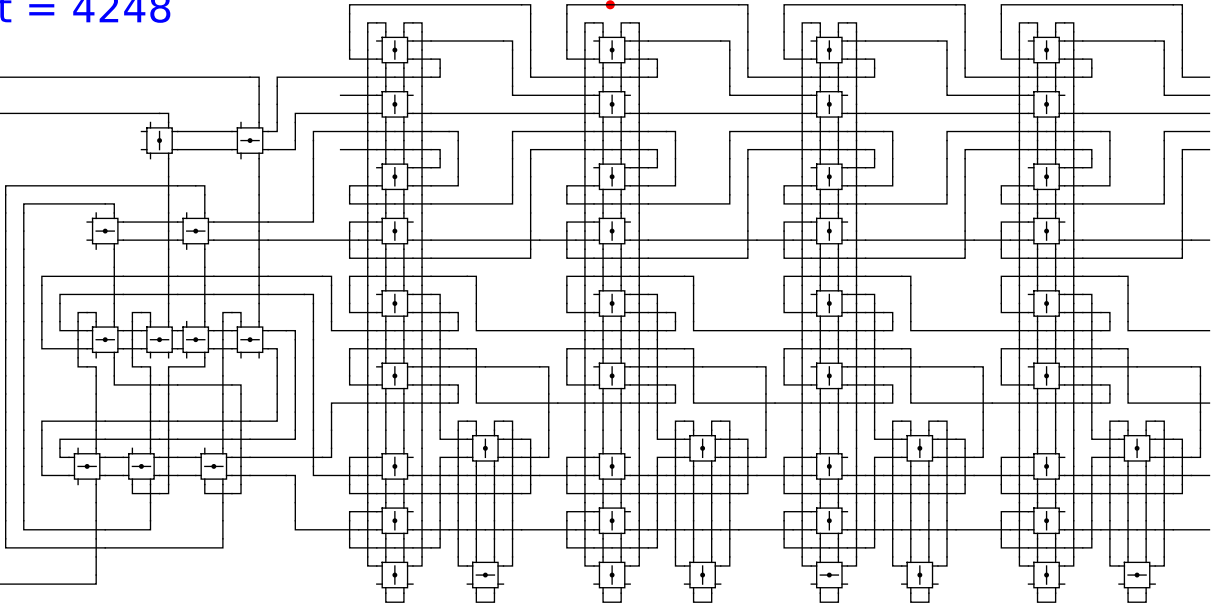
0

1

t = 4248

Reject
Accept

Begin

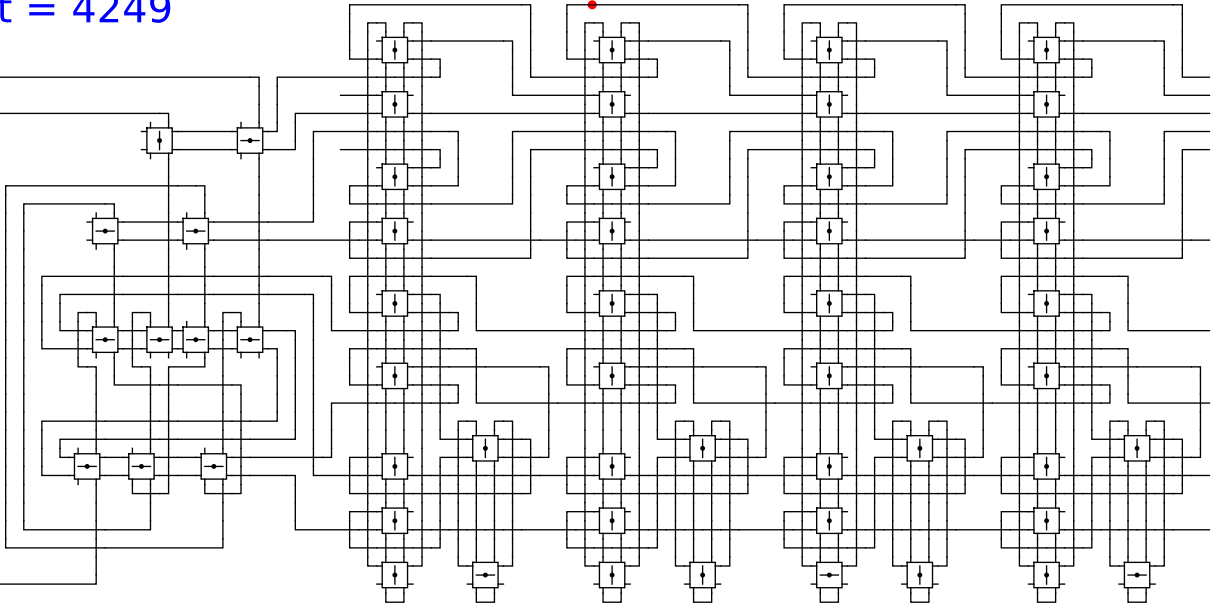


1 0 head 0 1

t = 4249

Reject
Accept

Begin

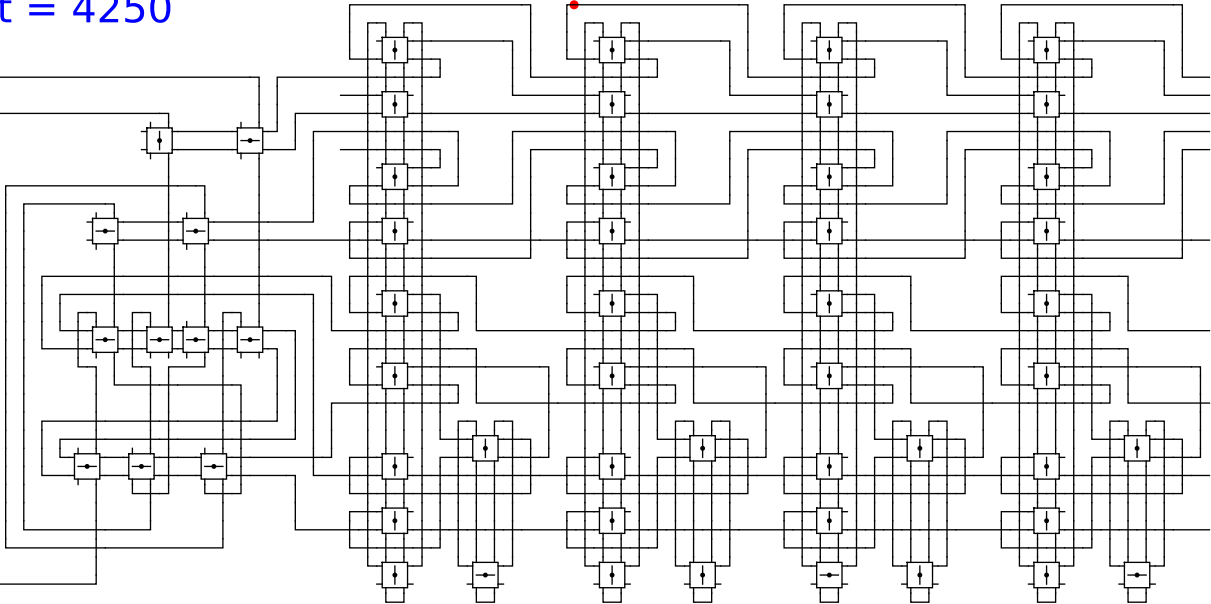


1 0 head 0 1

t = 4250

Reject
Accept

Begin



1

0

head

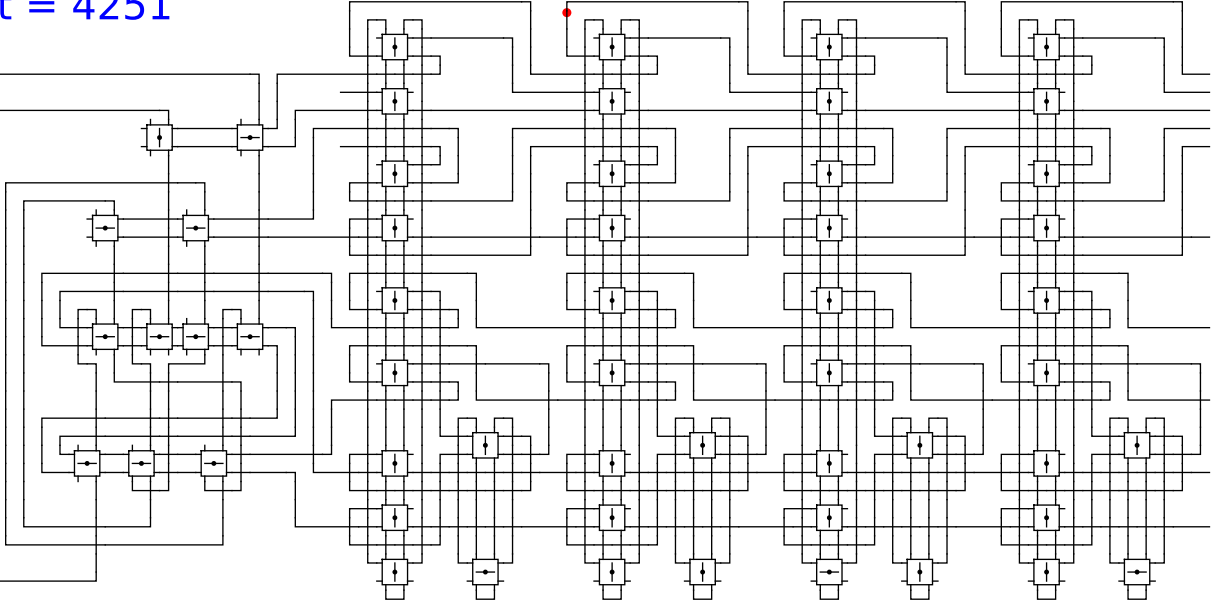
0

1

t = 4251

Reject
Accept

Begin

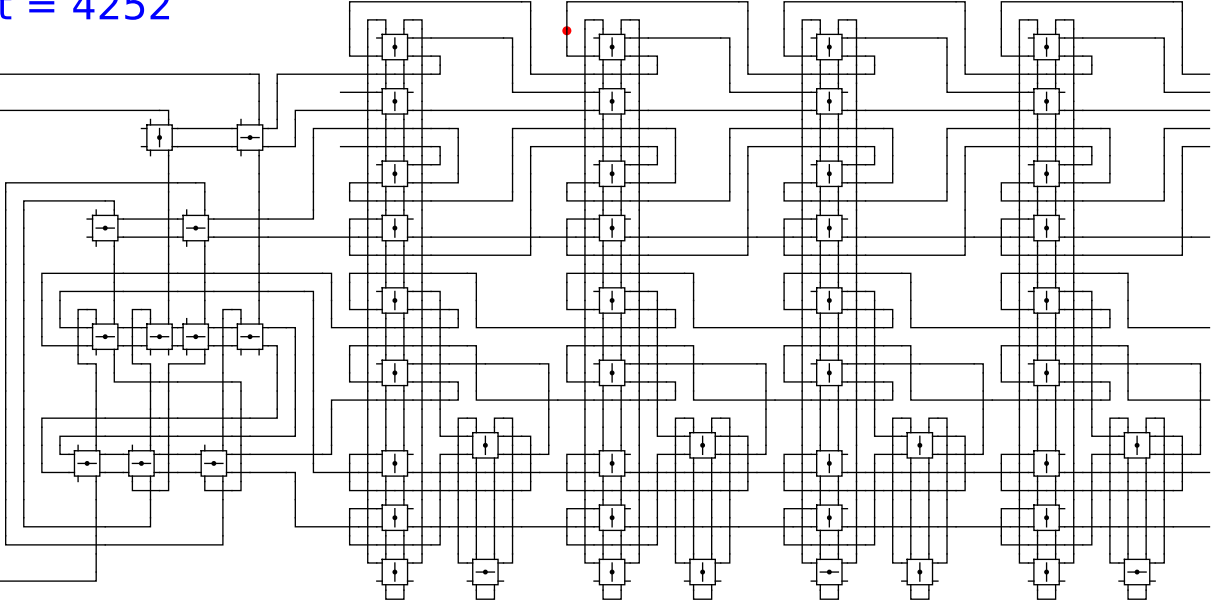


1 0 head 0 1

t = 4252

Reject
Accept

Begin

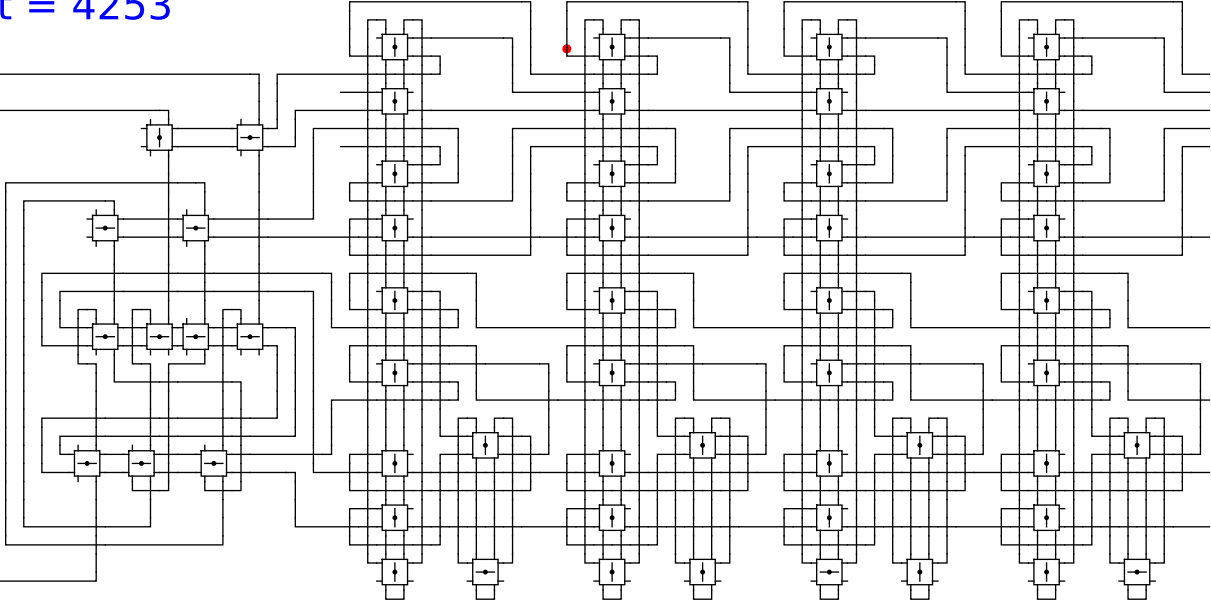


1 0 head 0 1

t = 4253

Reject
Accept

Begin

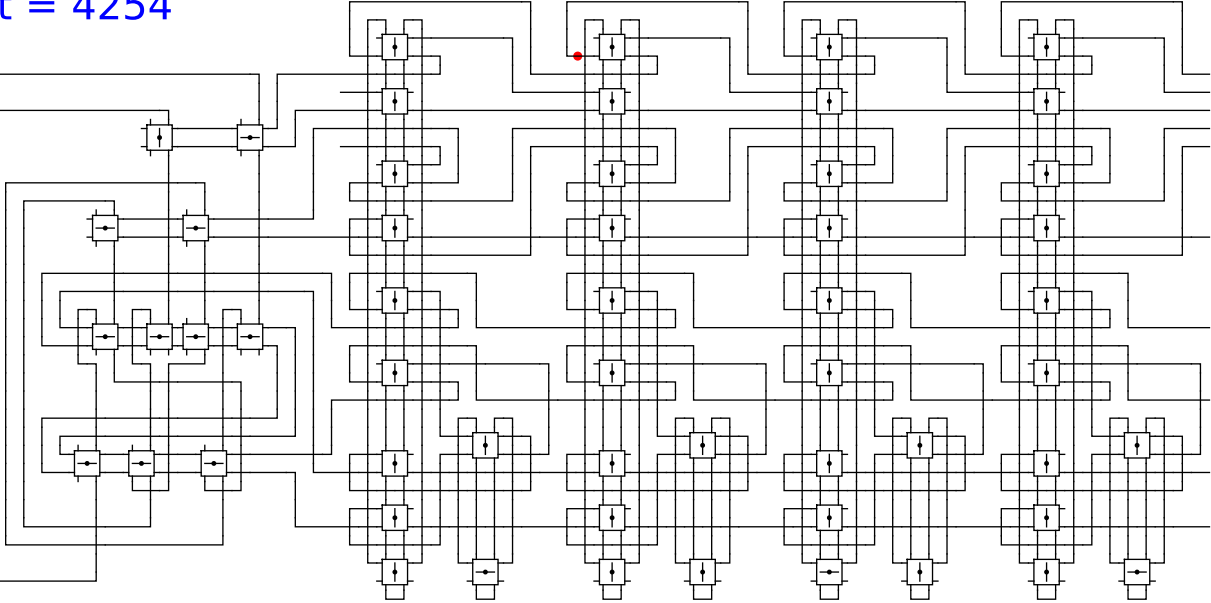


1 0 head 0 1

t = 4254

Reject
Accept

Begin

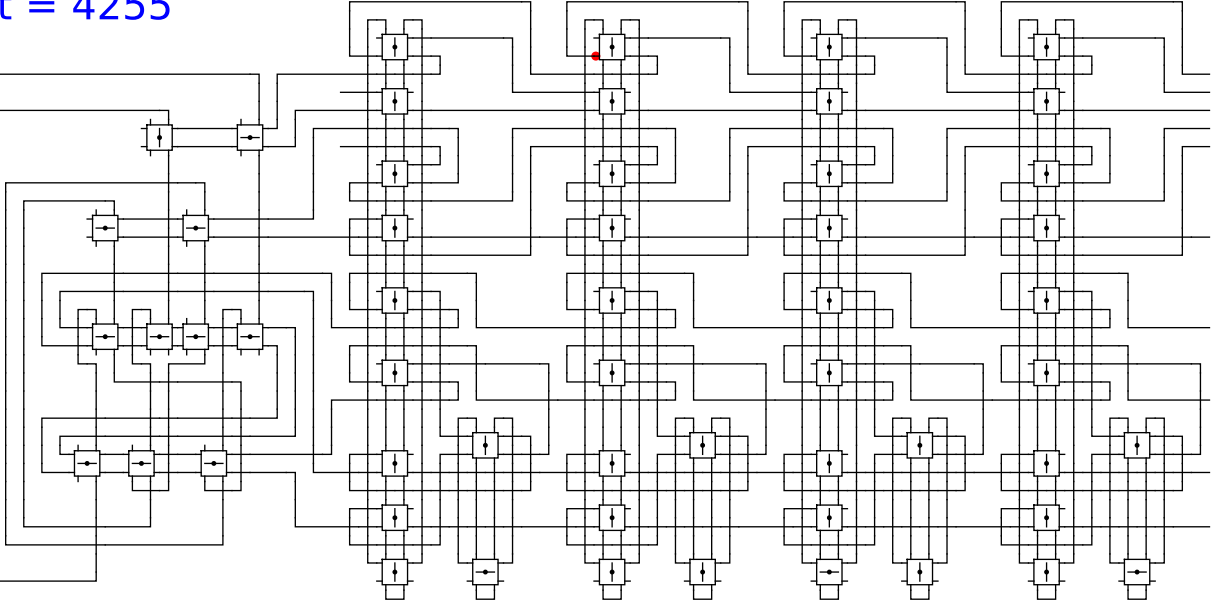


1 0 head 0 1

t = 4255

Reject
Accept

Begin



1

0

head

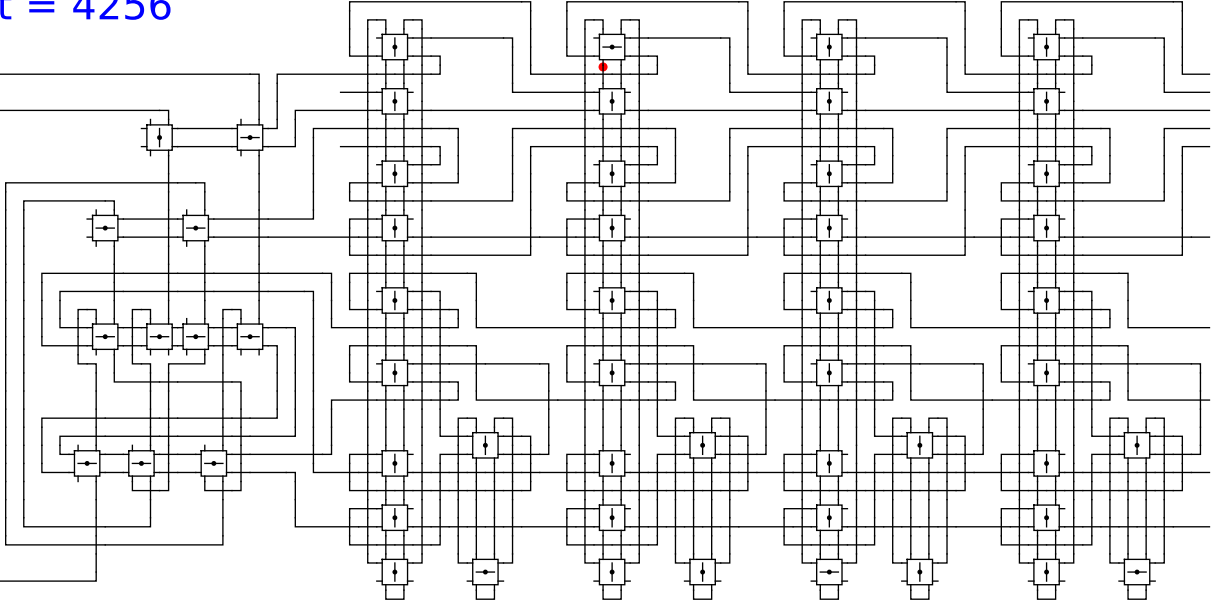
0

1

t = 4256

Reject
Accept

Begin



1

0

head

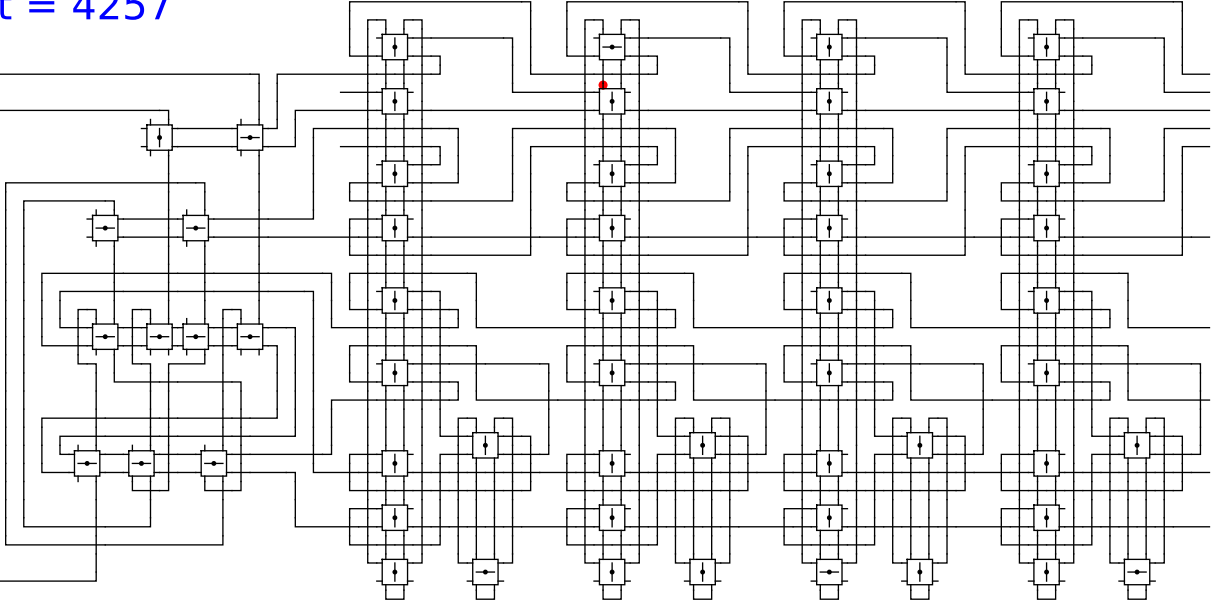
0

1

t = 4257

Reject
Accept

Begin

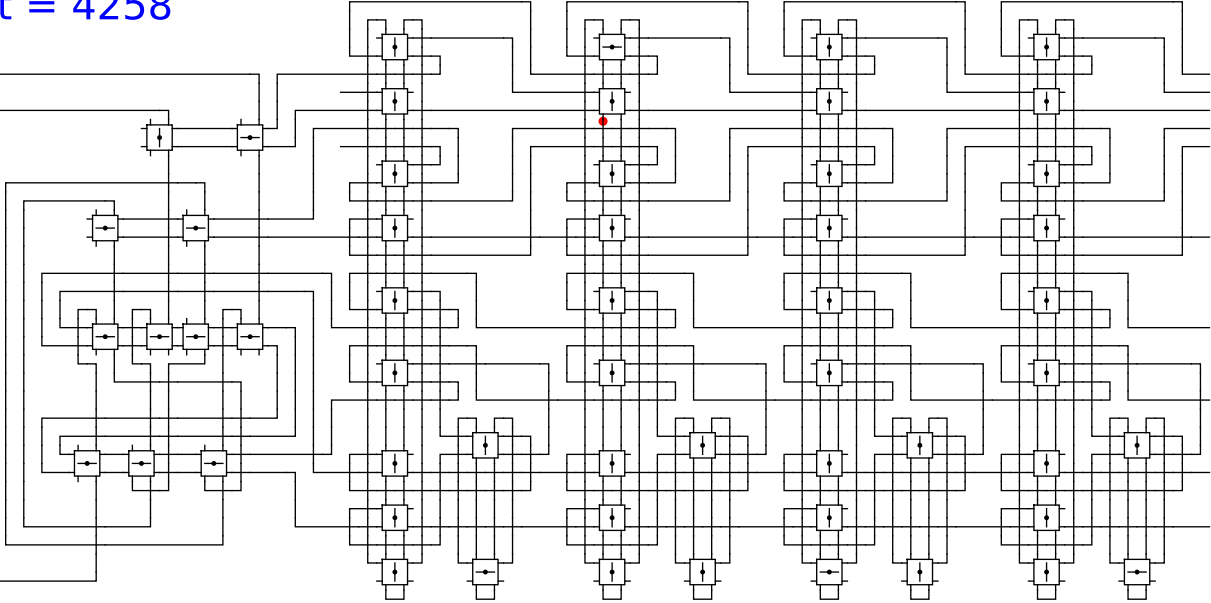


1 0 head 0 1

t = 4258

Reject
Accept

Begin

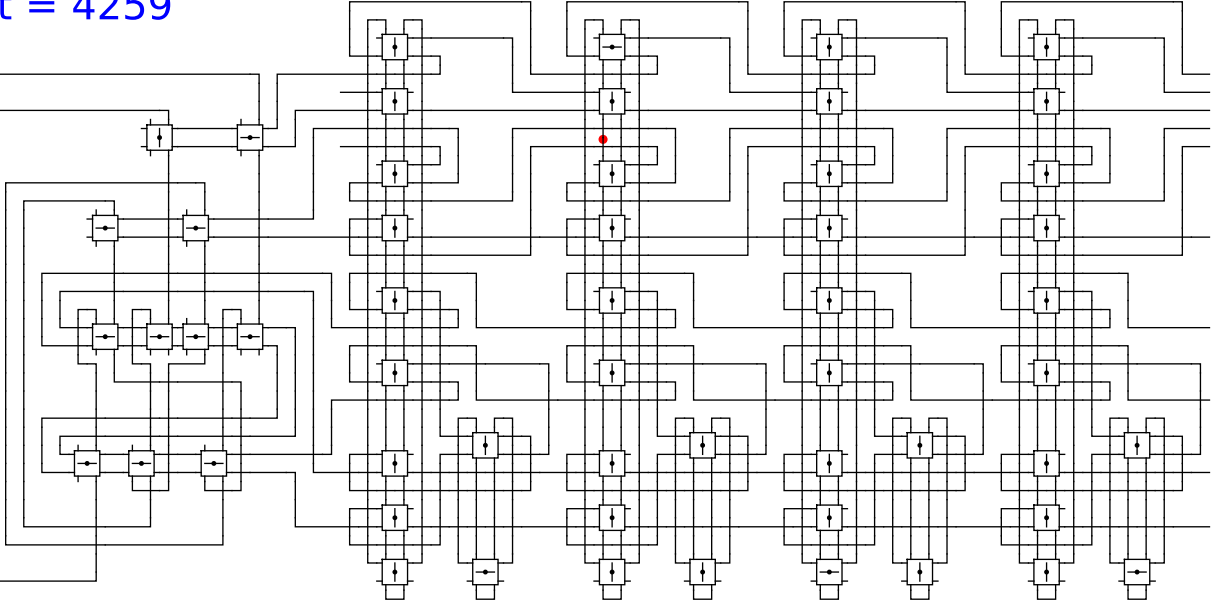


1 0 head 0 1

t = 4259

Reject
Accept

Begin

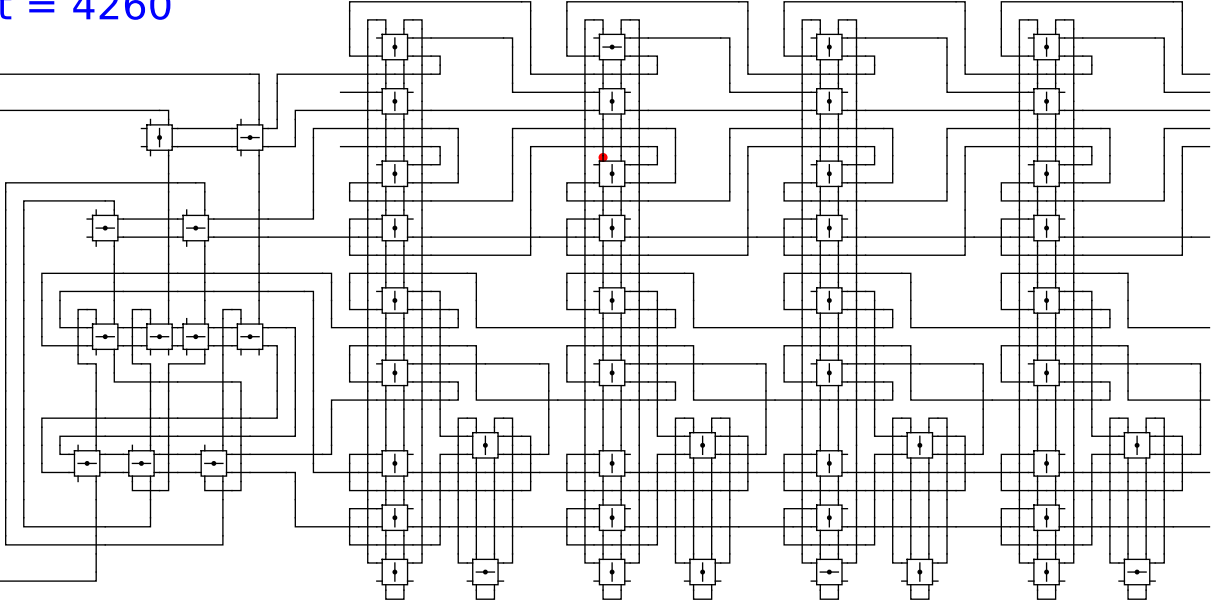


1 0 head 0 1

t = 4260

Reject
Accept

Begin

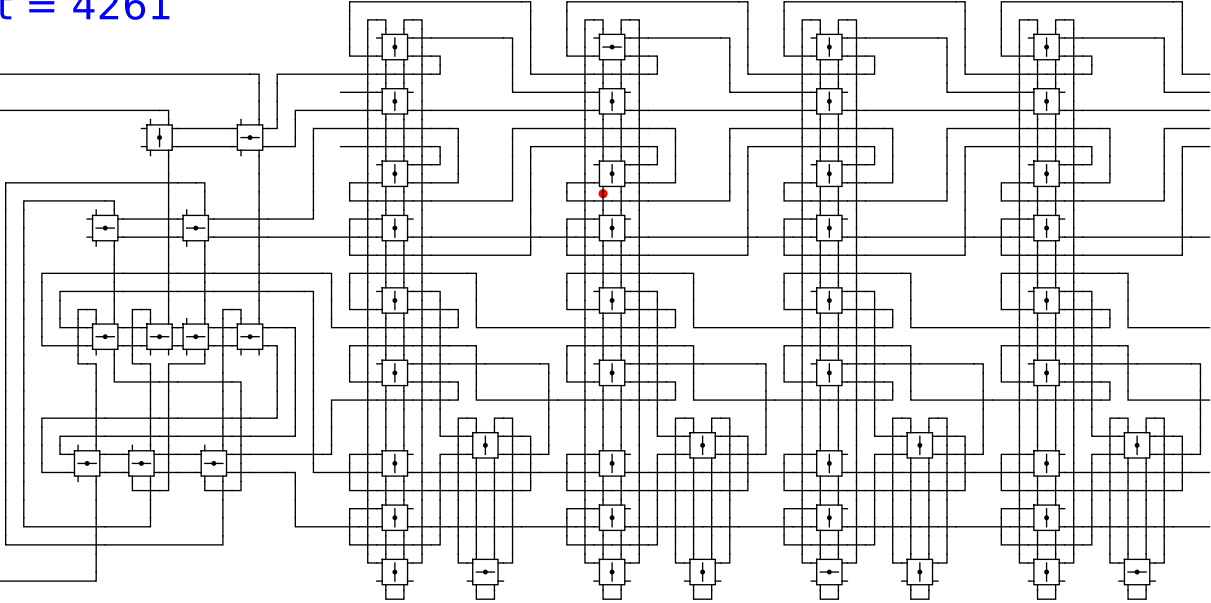


1 0 head 0 1

t = 4261

Reject
Accept

Begin

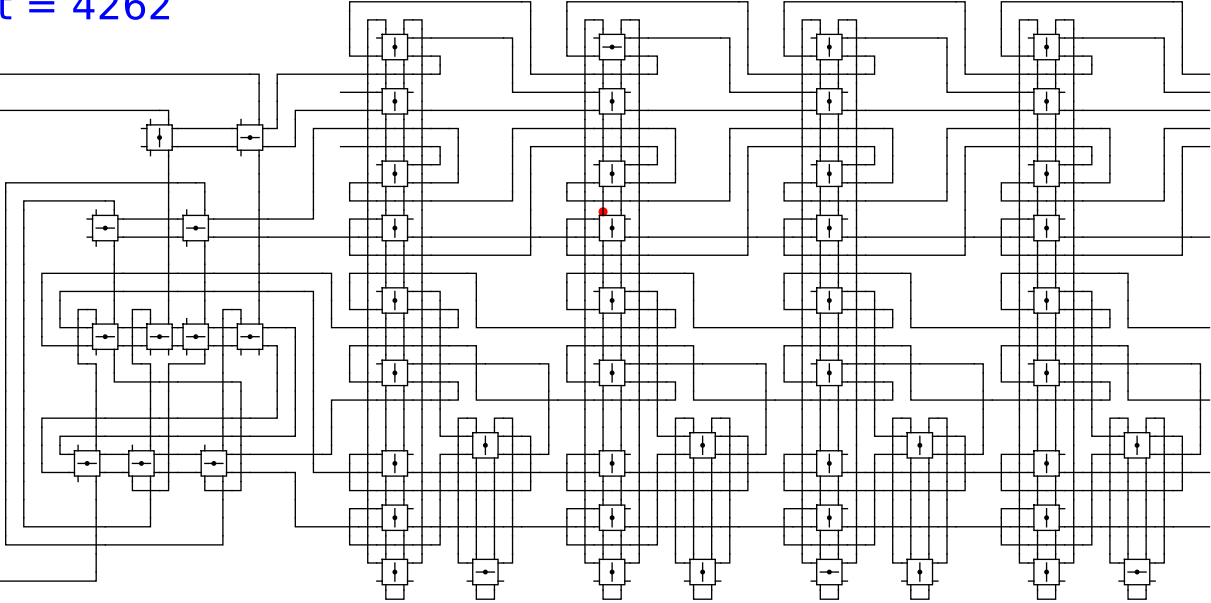


1 0 head 0 1

t = 4262

Reject
Accept

Begin



1

0

head

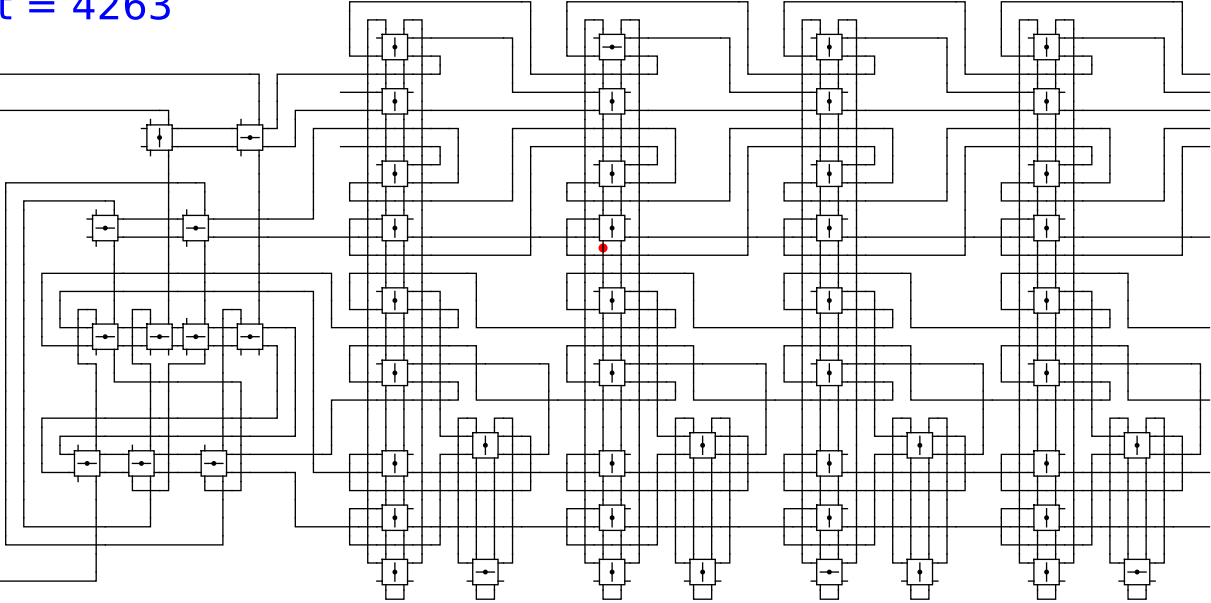
0

1

t = 4263

Reject
Accept

Begin

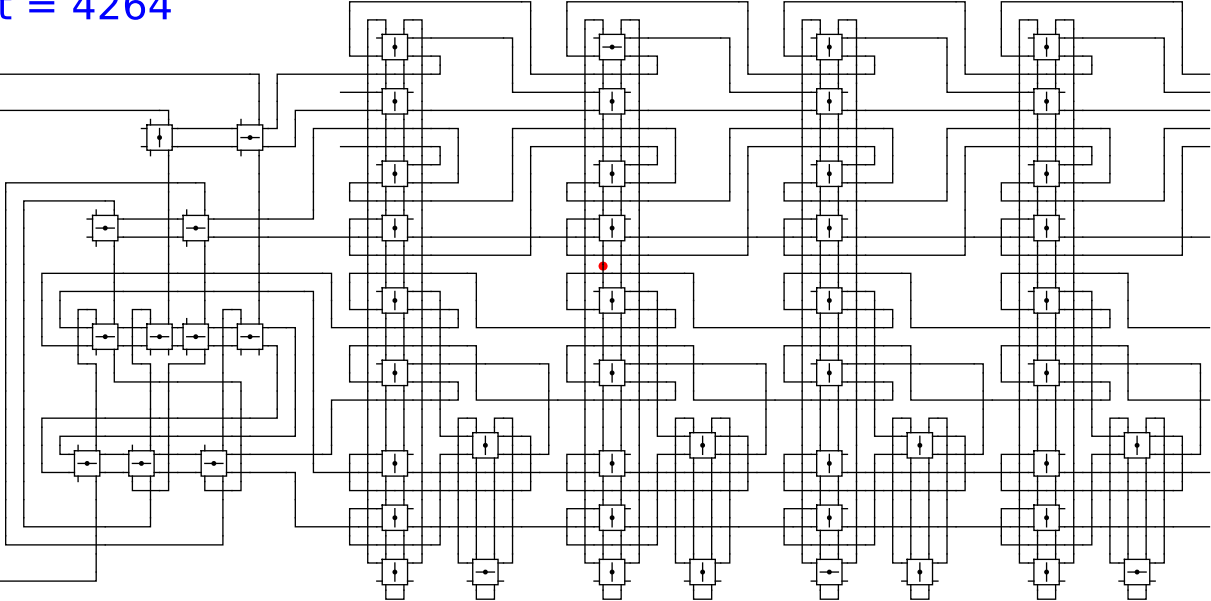


1 0 head 0 1

t = 4264

Reject
Accept

Begin

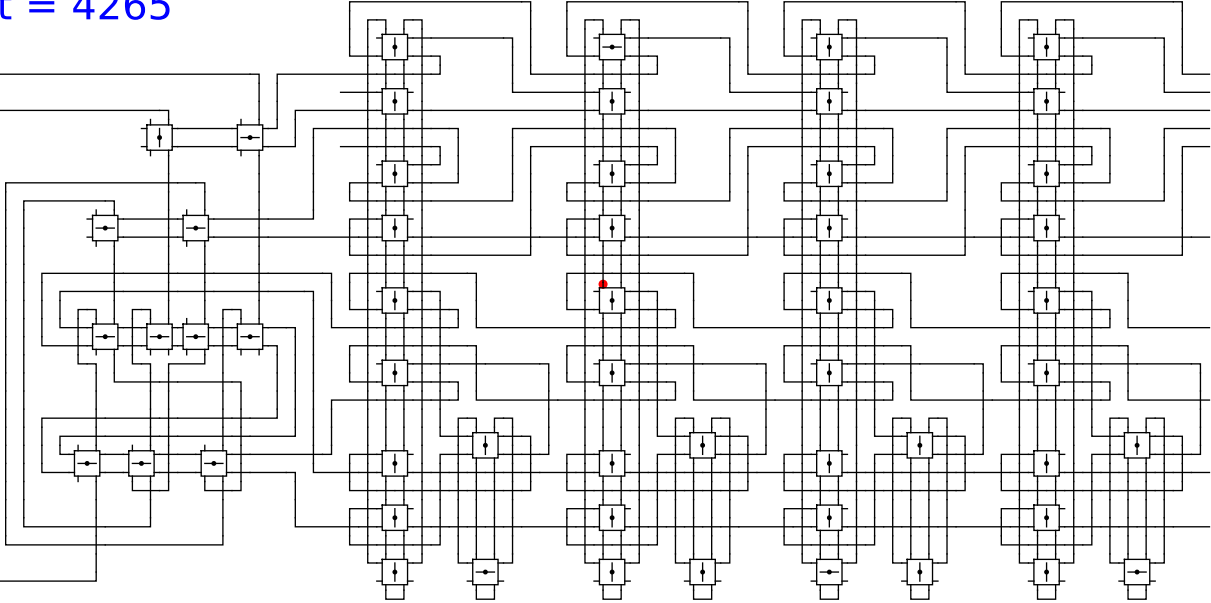


1 0 head 0 1

t = 4265

Reject
Accept

Begin

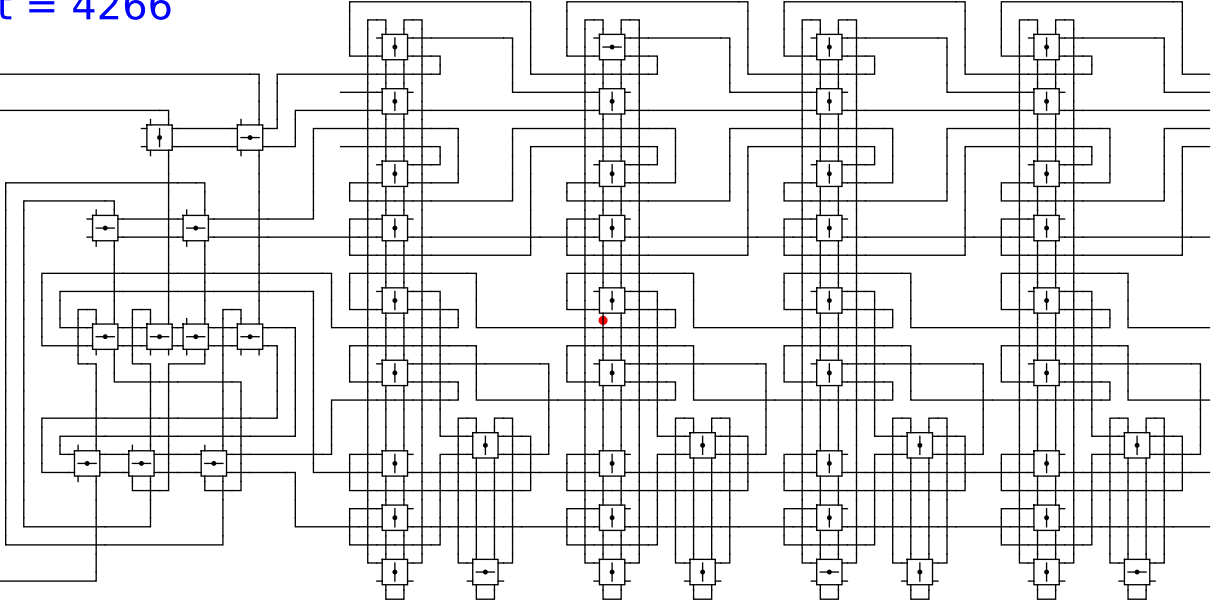


1 0 head 0 1

t = 4266

Reject
Accept

Begin

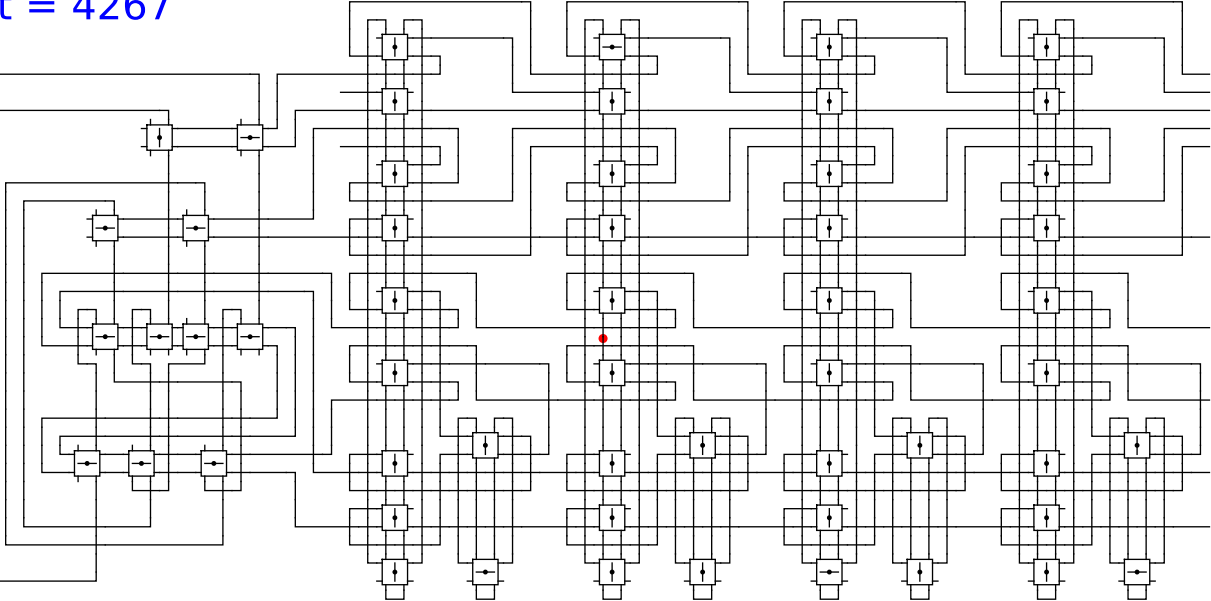


1 0 head 0 1

t = 4267

Reject
Accept

Begin



1

0

head

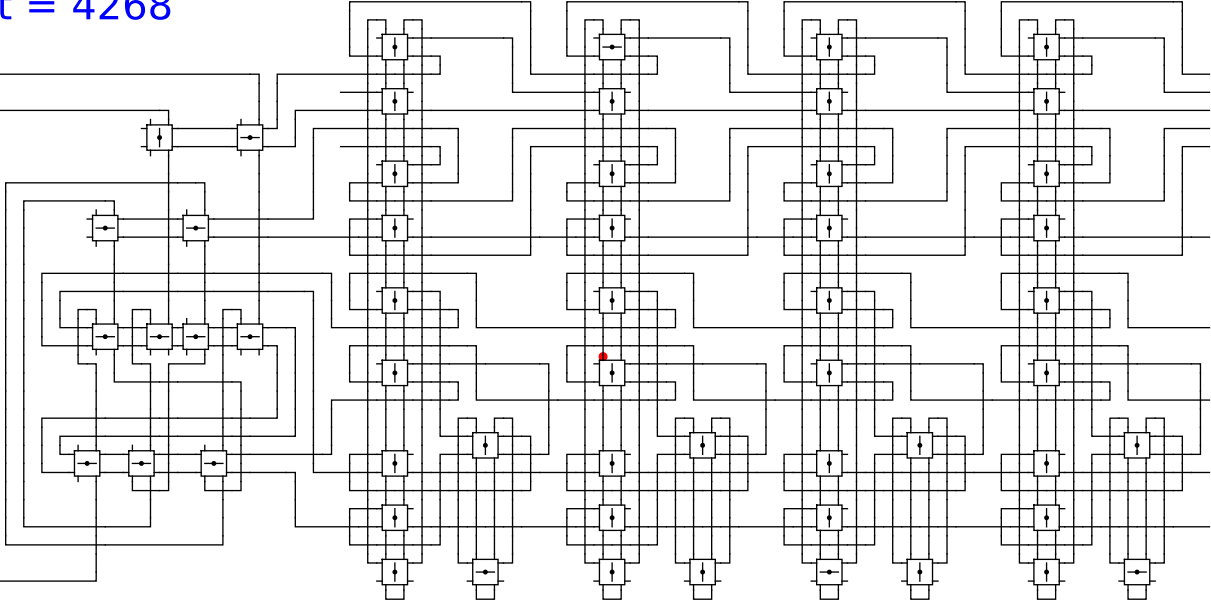
0

1

t = 4268

Reject
Accept

Begin

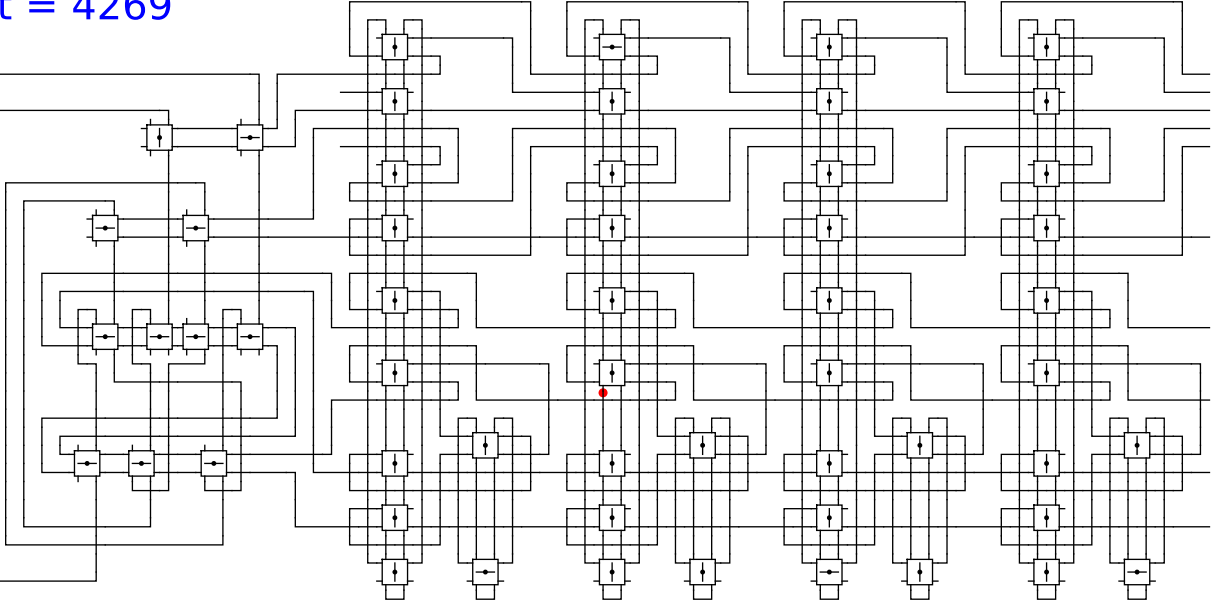


1 0 head 0 1

t = 4269

Reject
Accept

Begin

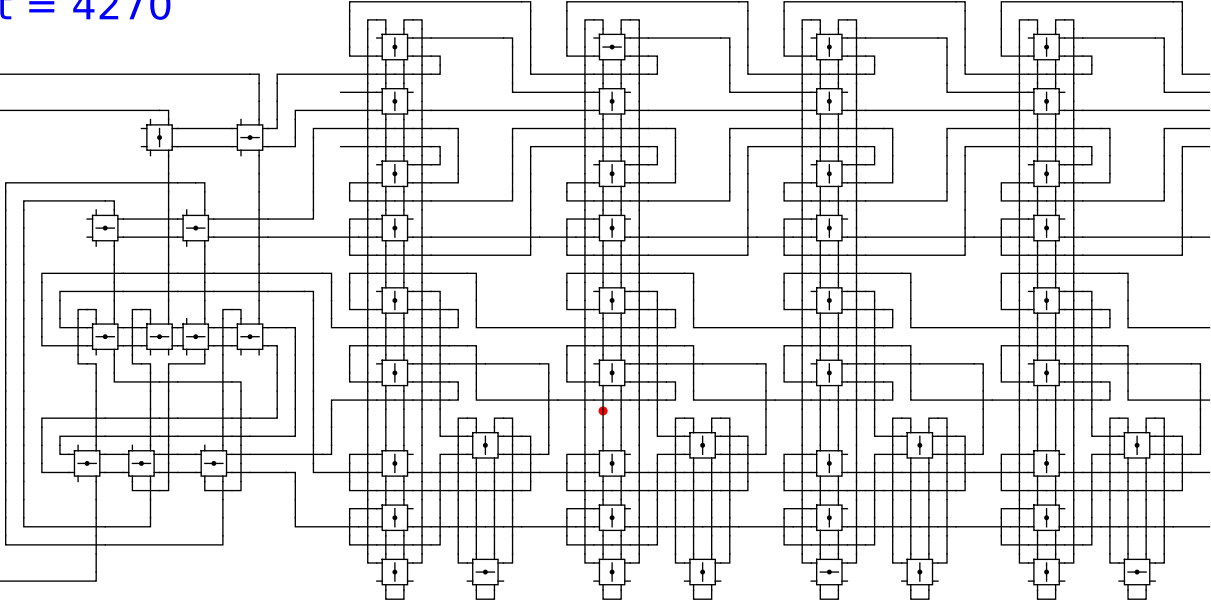


1 0 head 0 1

t = 4270

Reject
Accept

Begin

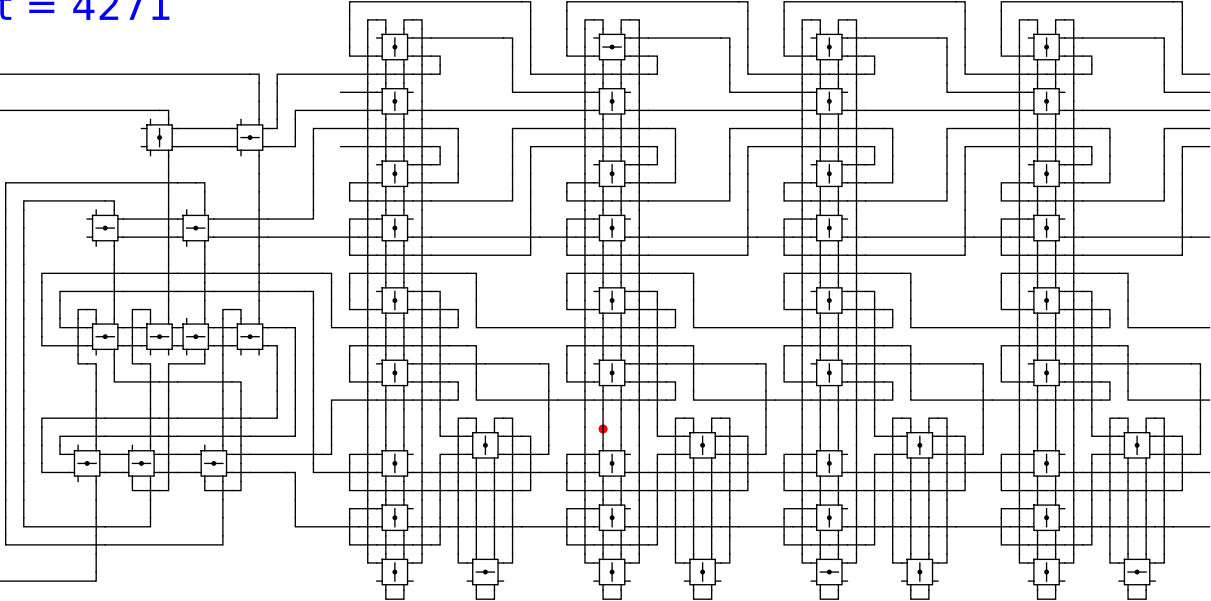


1 0 head 0 1

t = 4271

Reject
Accept

Begin

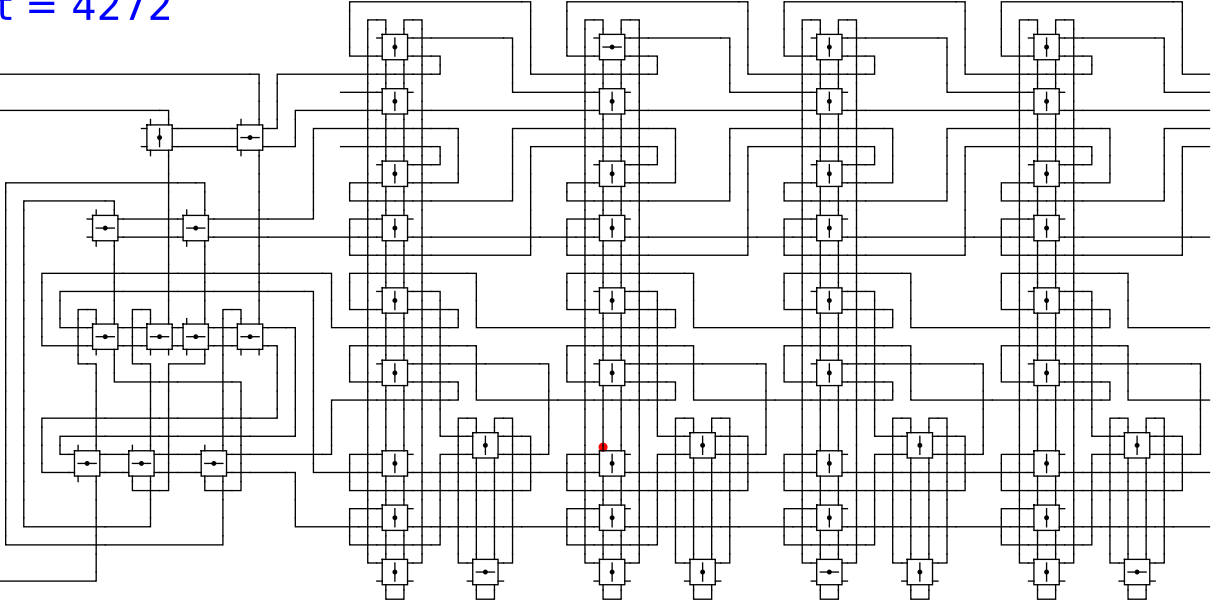


1 0 head 0 1

t = 4272

Reject
Accept

Begin



1

0

head

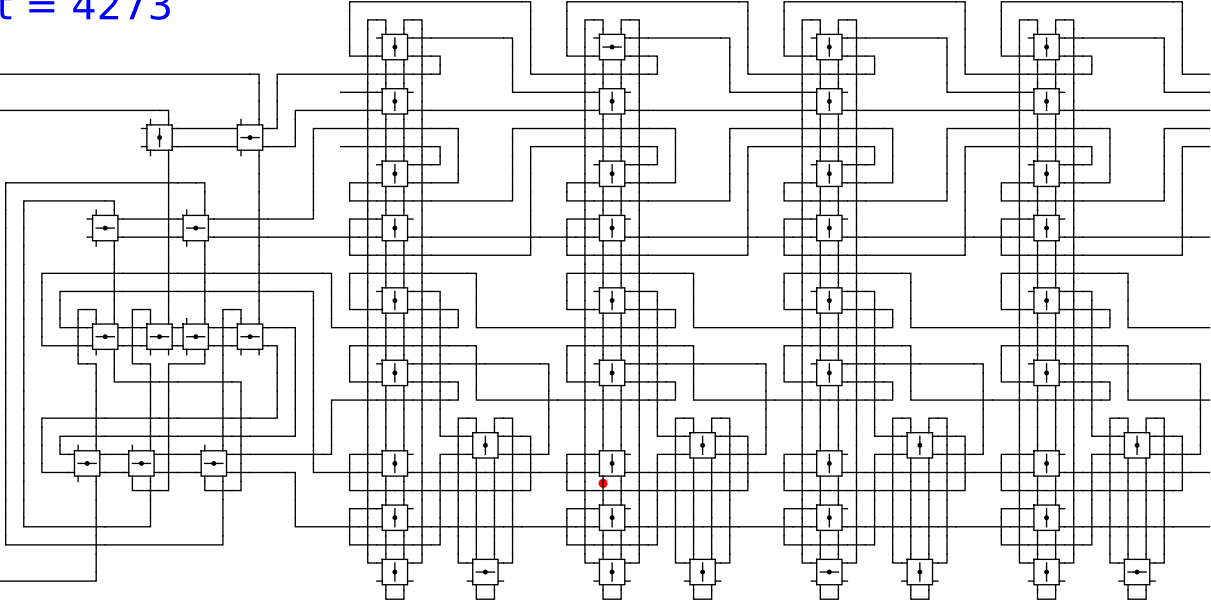
0

1

t = 4273

Reject
Accept

Begin

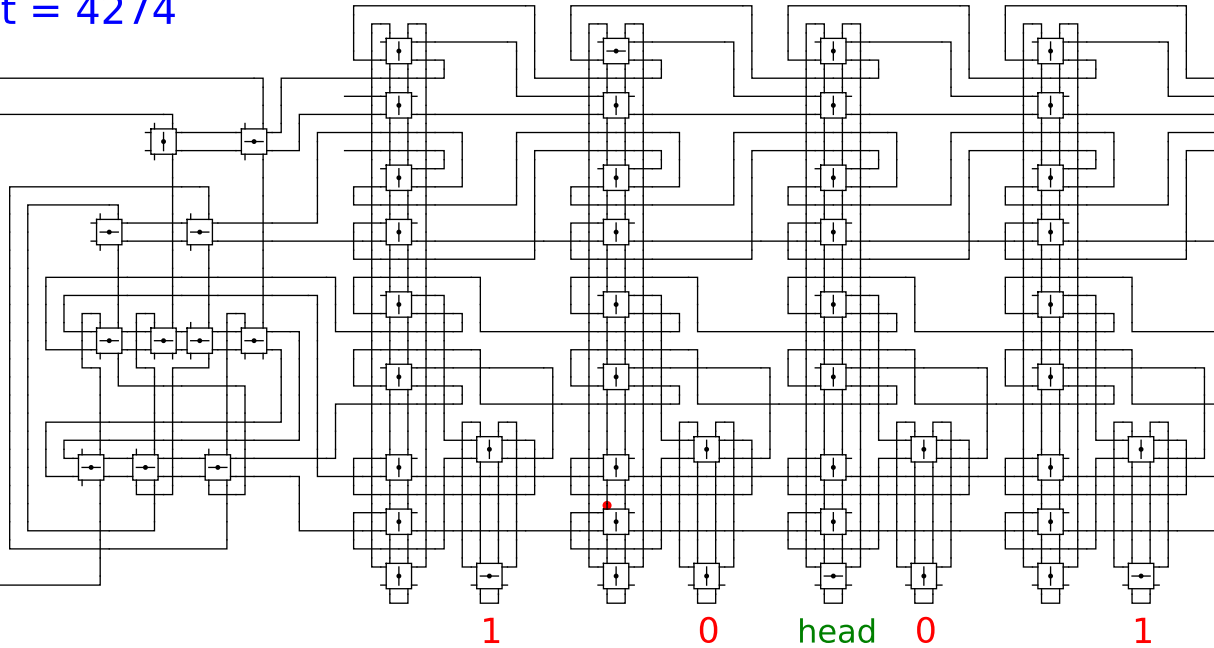


1 0 head 0 1

t = 4274

Reject
Accept

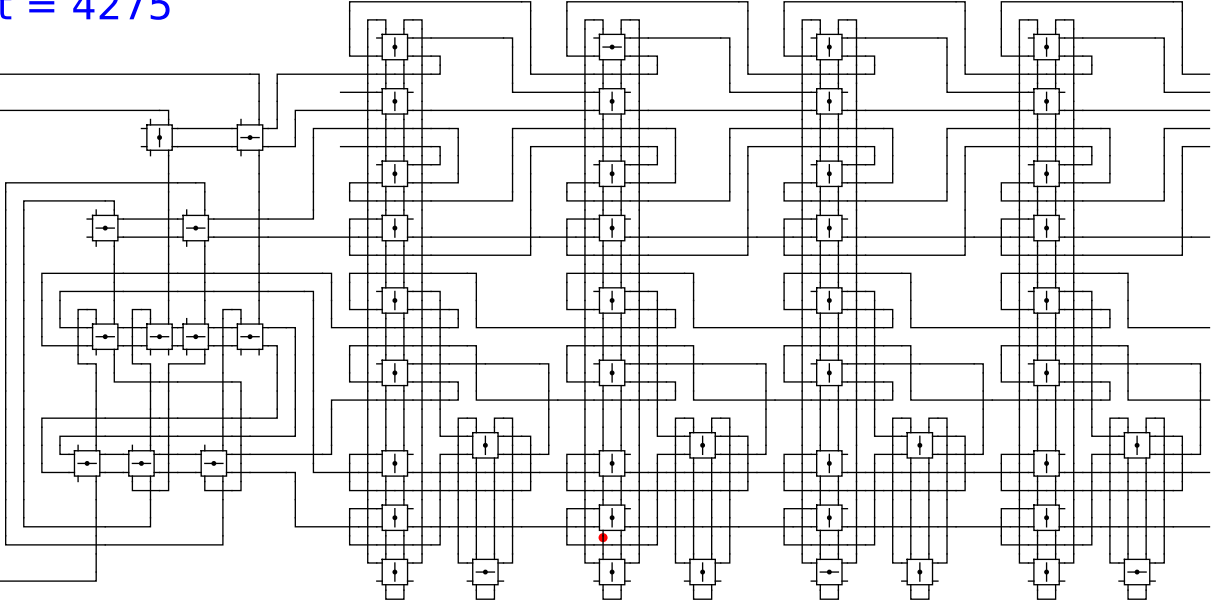
Begin



t = 4275

Reject
Accept

Begin

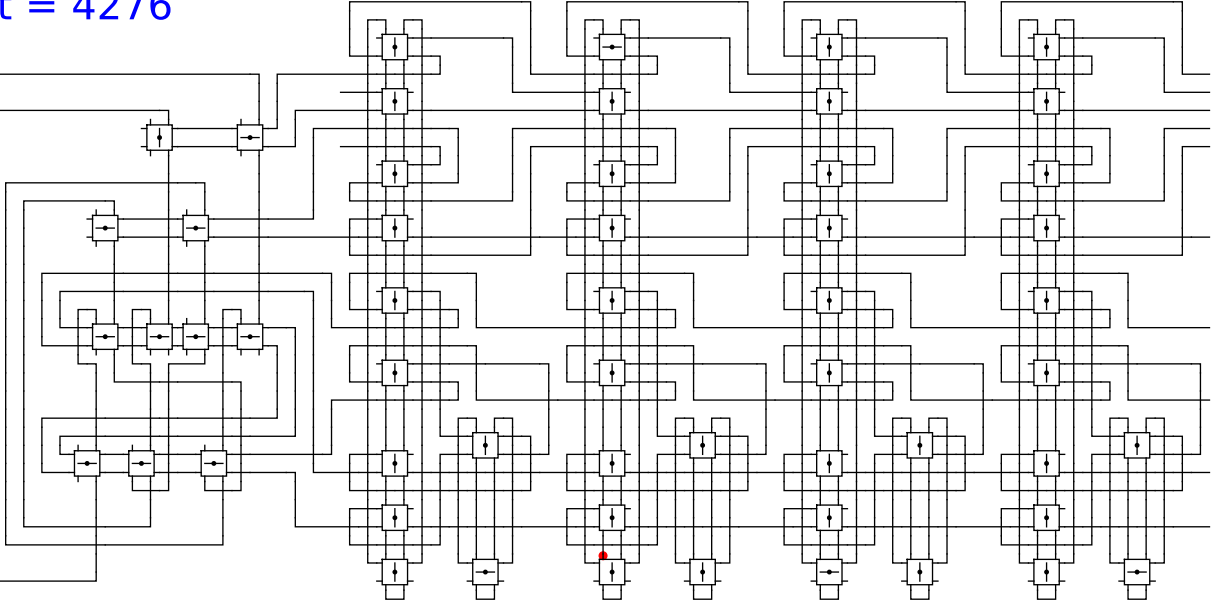


1 0 head 0 1

t = 4276

Reject
Accept

Begin

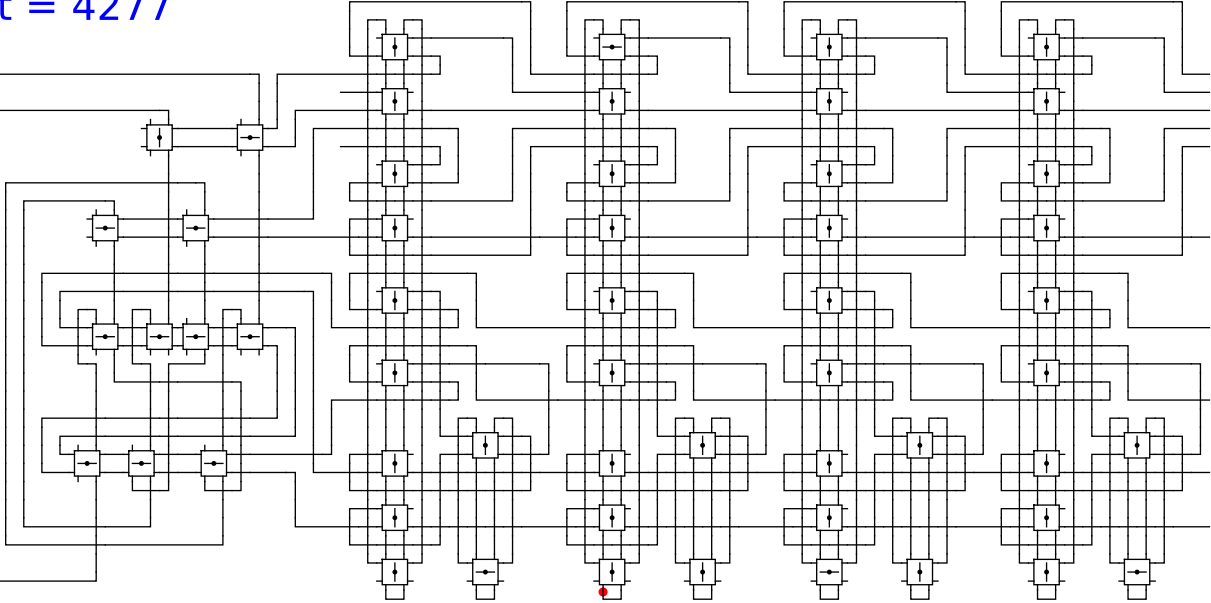


1 0 head 0 1

t = 4277

Reject
Accept

Begin

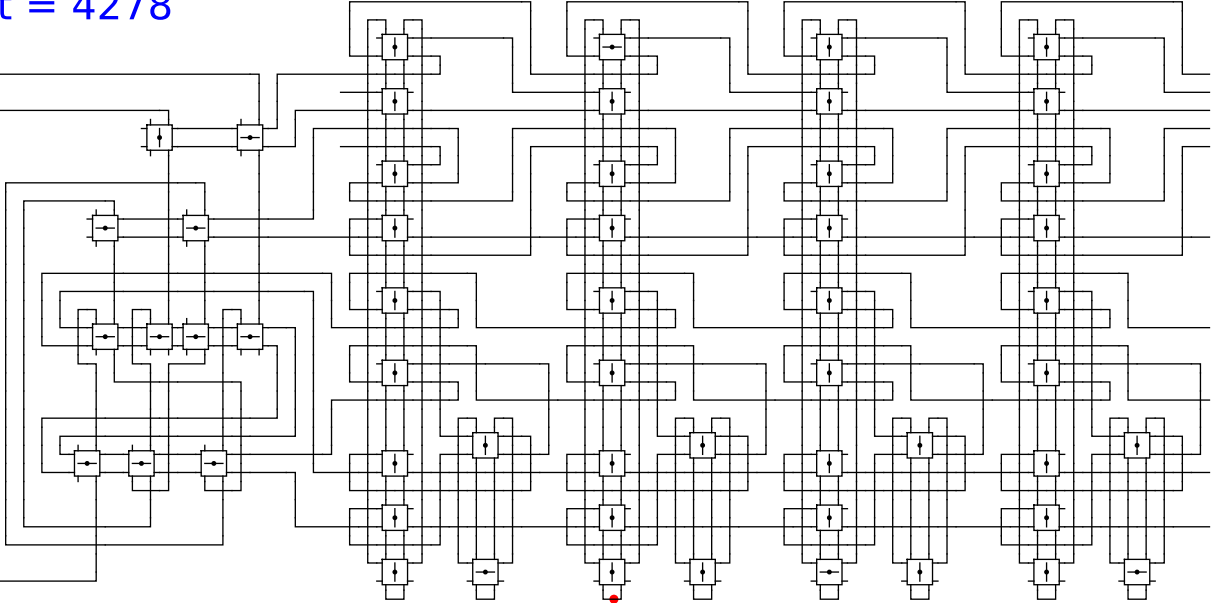


1 0 head 0 1

t = 4278

Reject
Accept

Begin



1

0

head

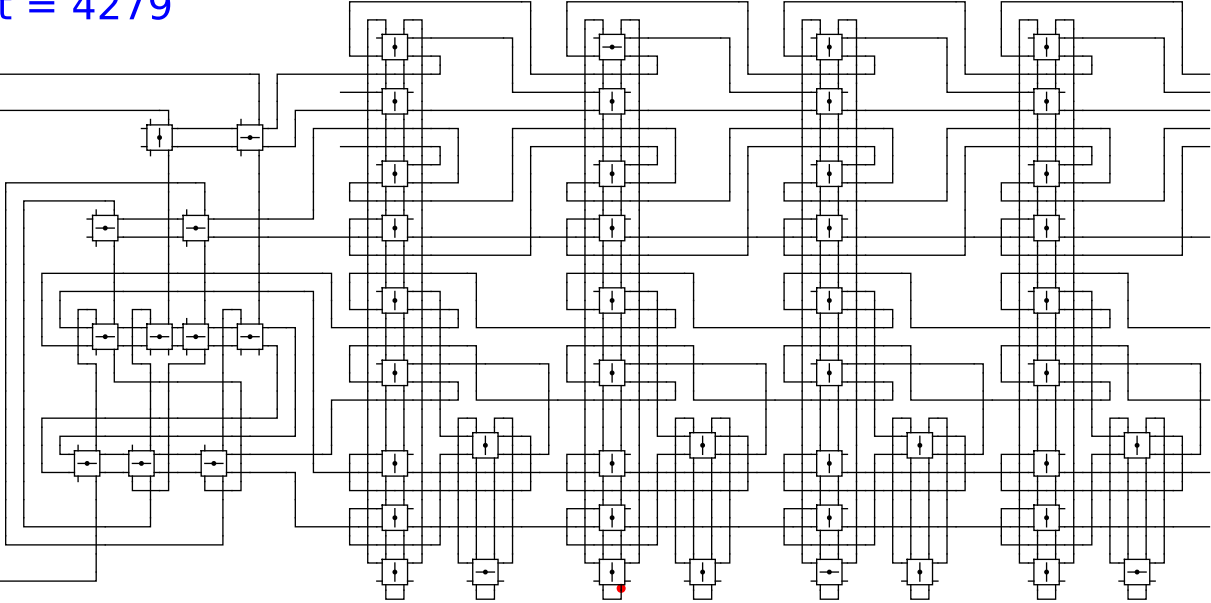
0

1

t = 4279

Reject
Accept

Begin

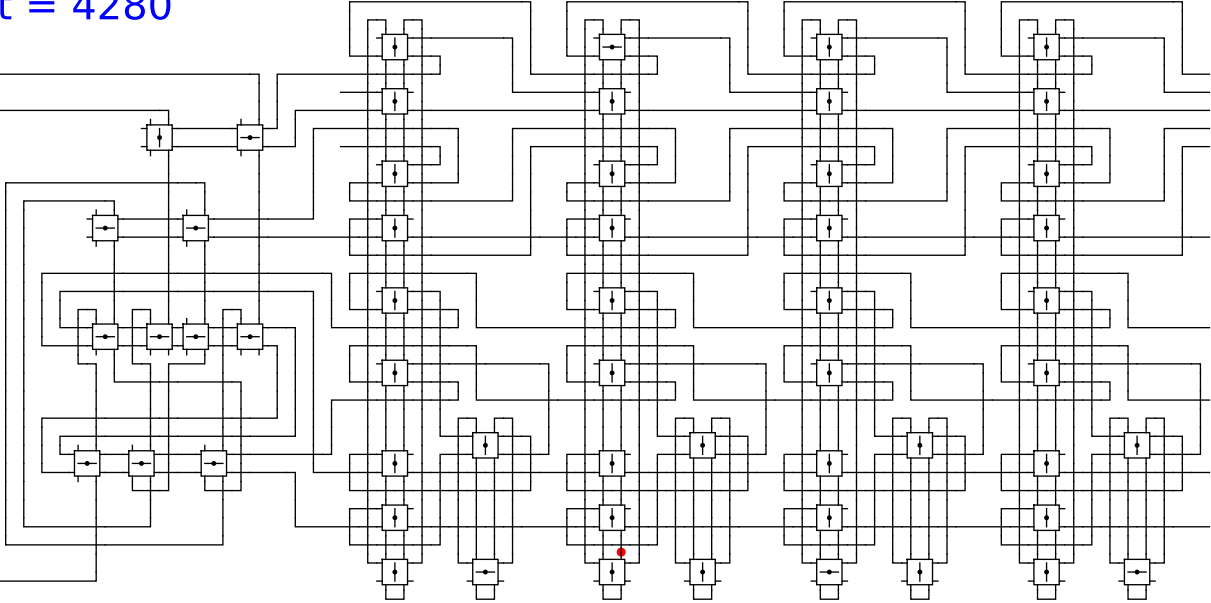


1 0 head 0 1

t = 4280

Reject
Accept

Begin

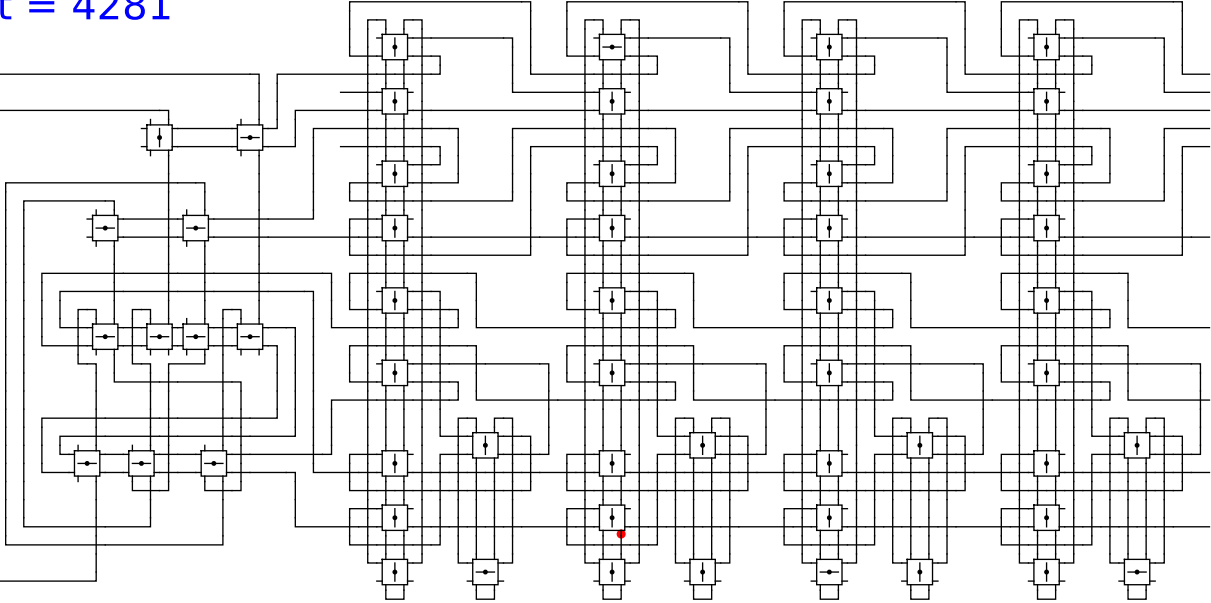


1 0 head 0 1

t = 4281

Reject
Accept

Begin

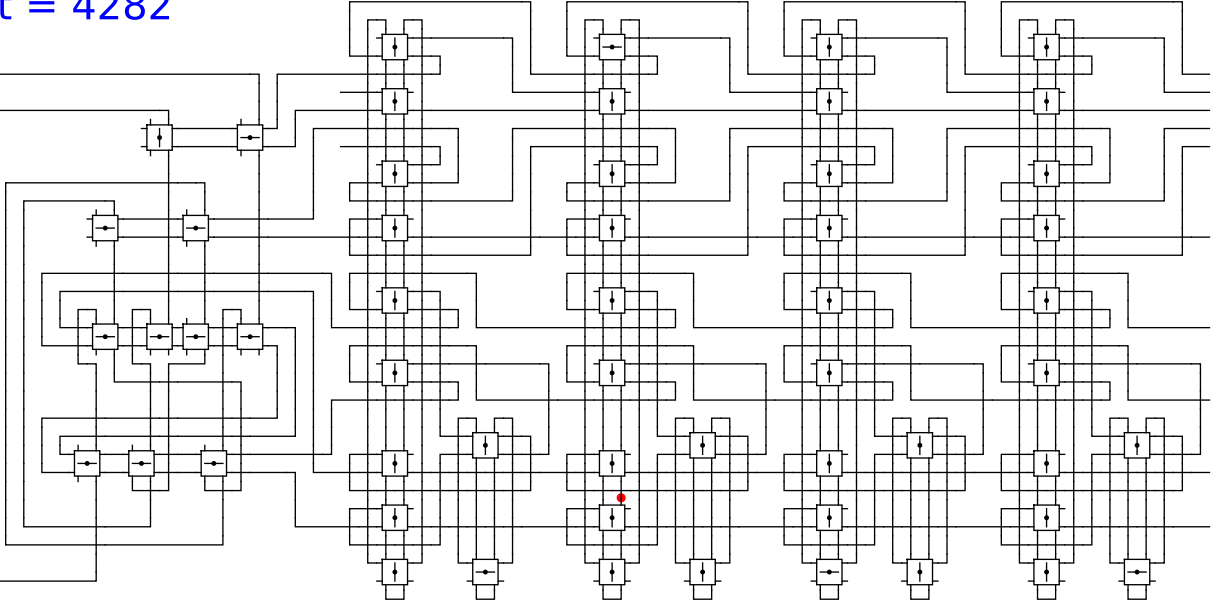


1 0 head 0 1

t = 4282

Reject
Accept

Begin

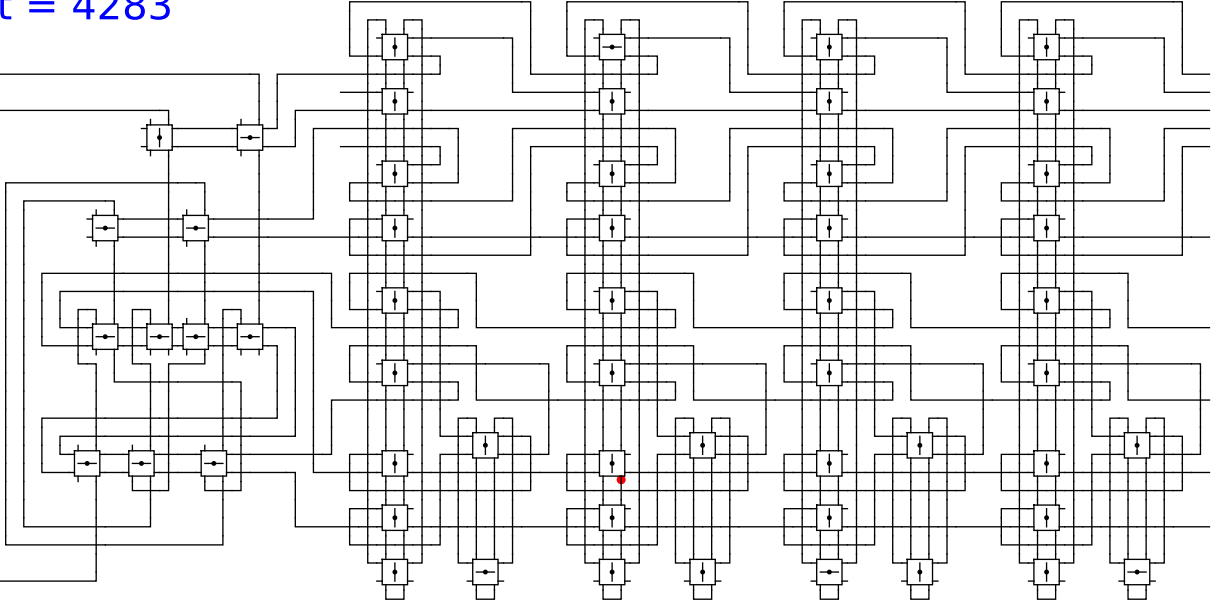


1 0 head 0 1

t = 4283

Reject
Accept

Begin



1

0

head

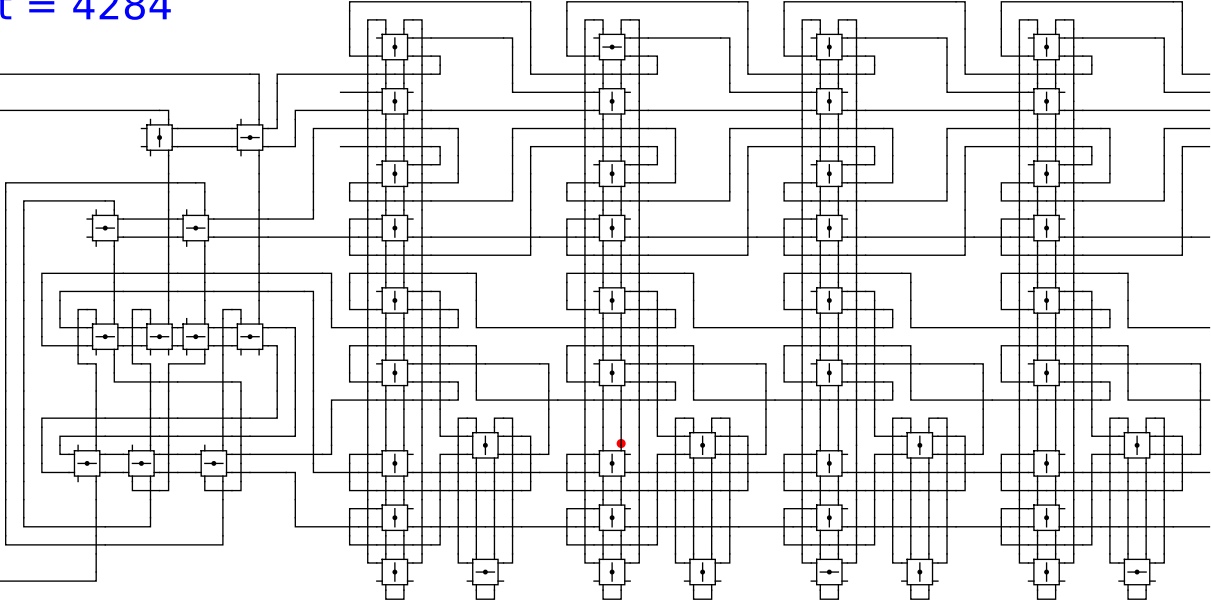
0

1

t = 4284

Reject
Accept

Begin

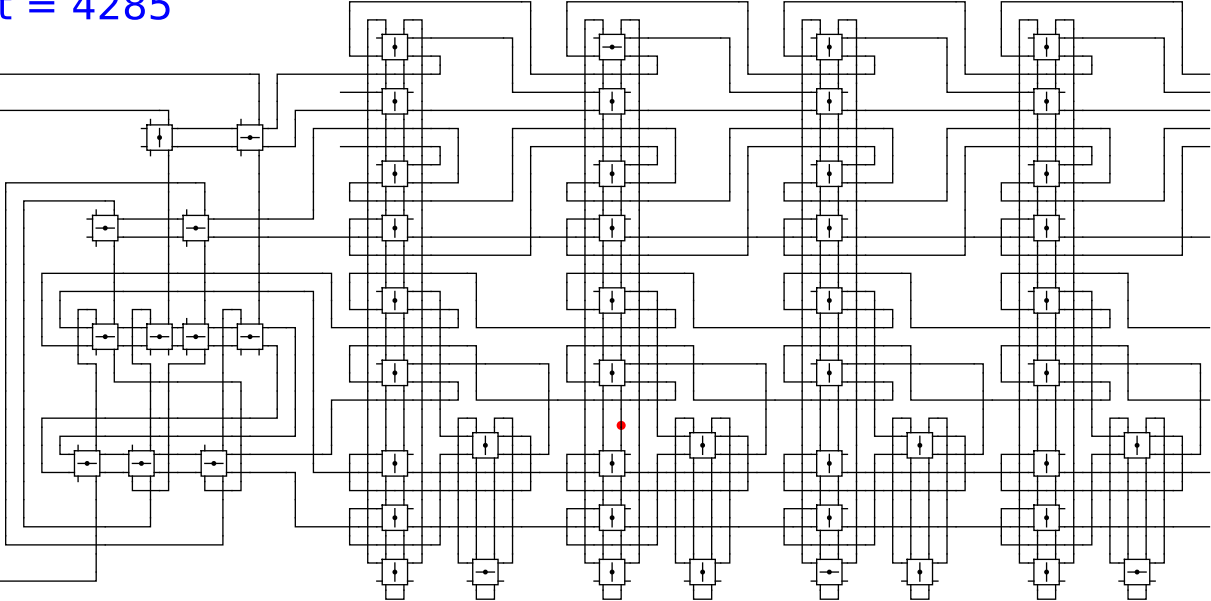


1 0 head 0 1

t = 4285

Reject
Accept

Begin

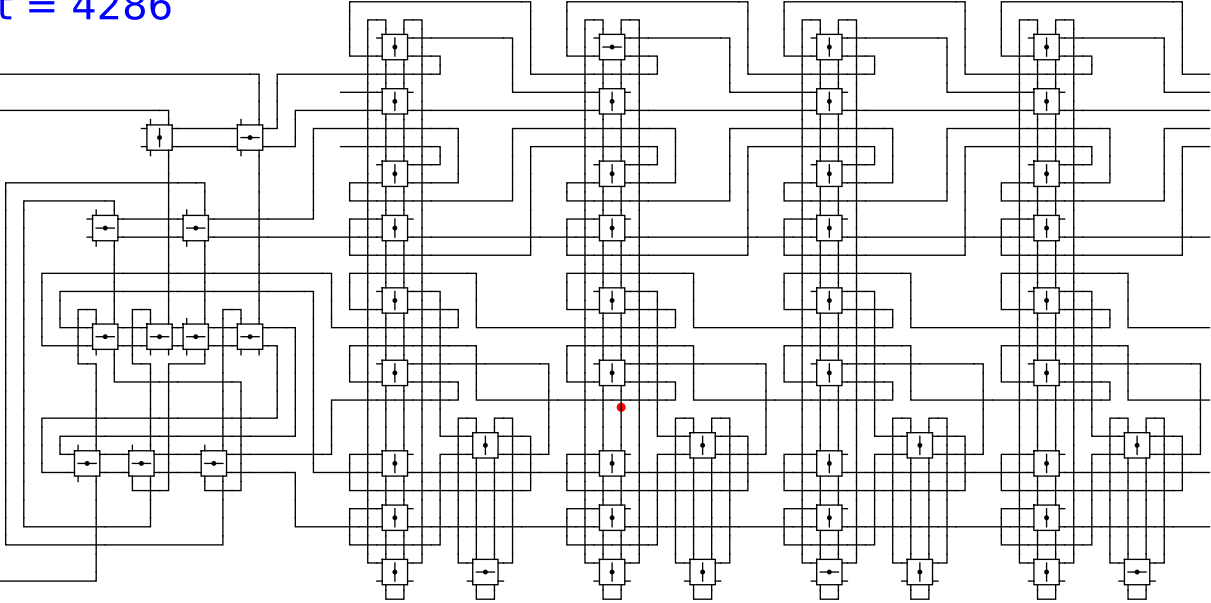


1 0 head 0 1

t = 4286

Reject
Accept

Begin

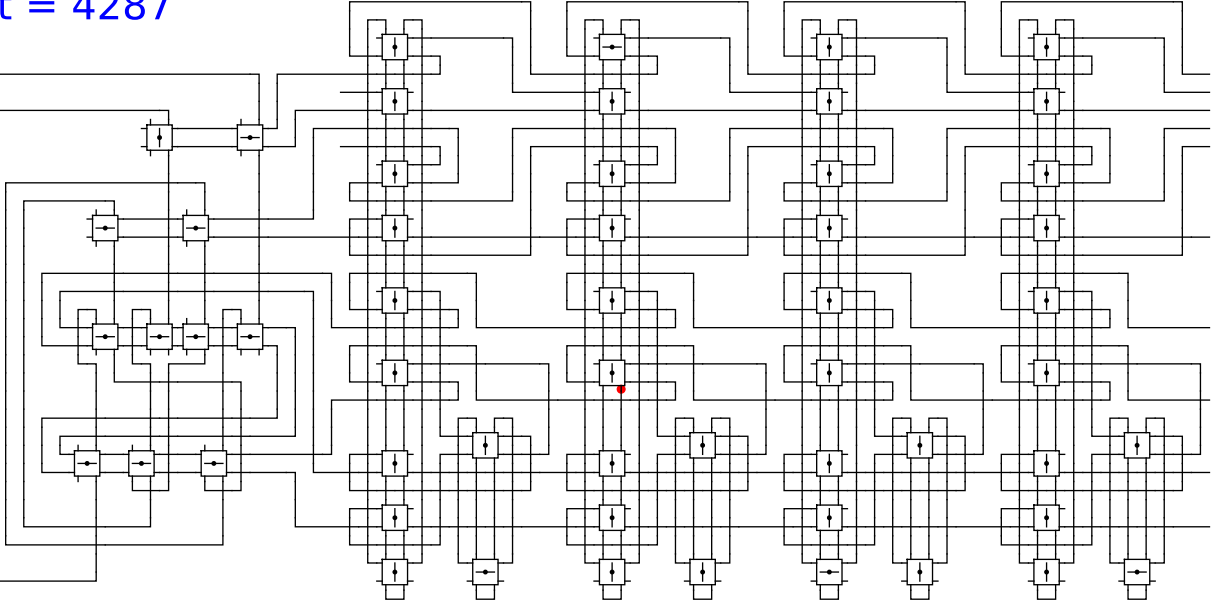


1 0 head 0 1

t = 4287

Reject
Accept

Begin

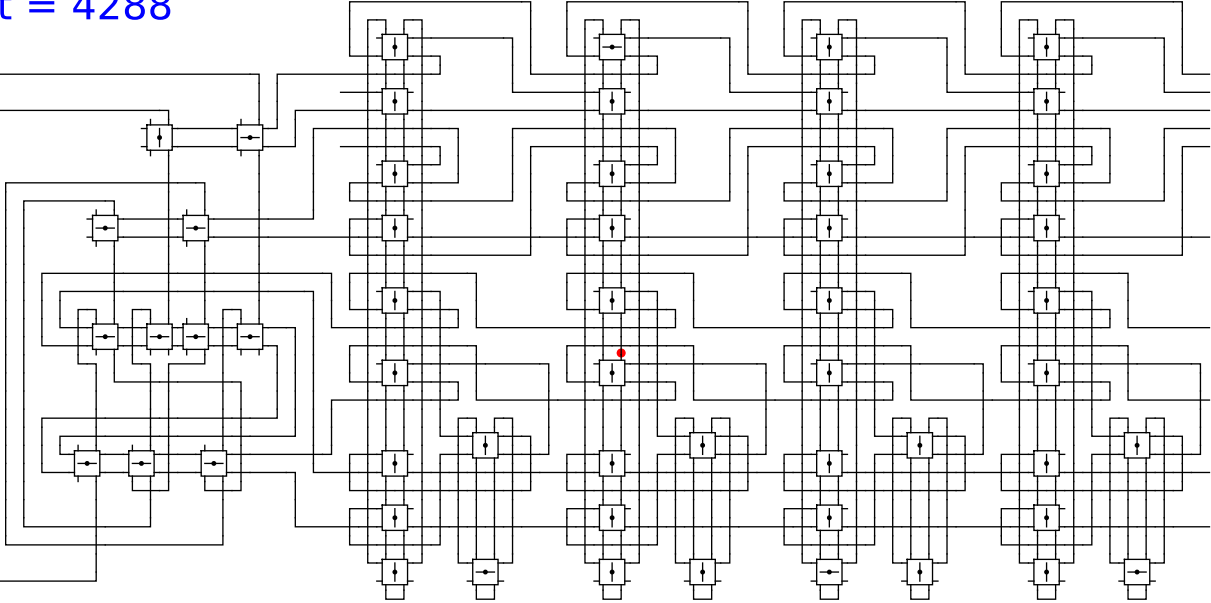


1 0 head 0 1

t = 4288

Reject
Accept

Begin

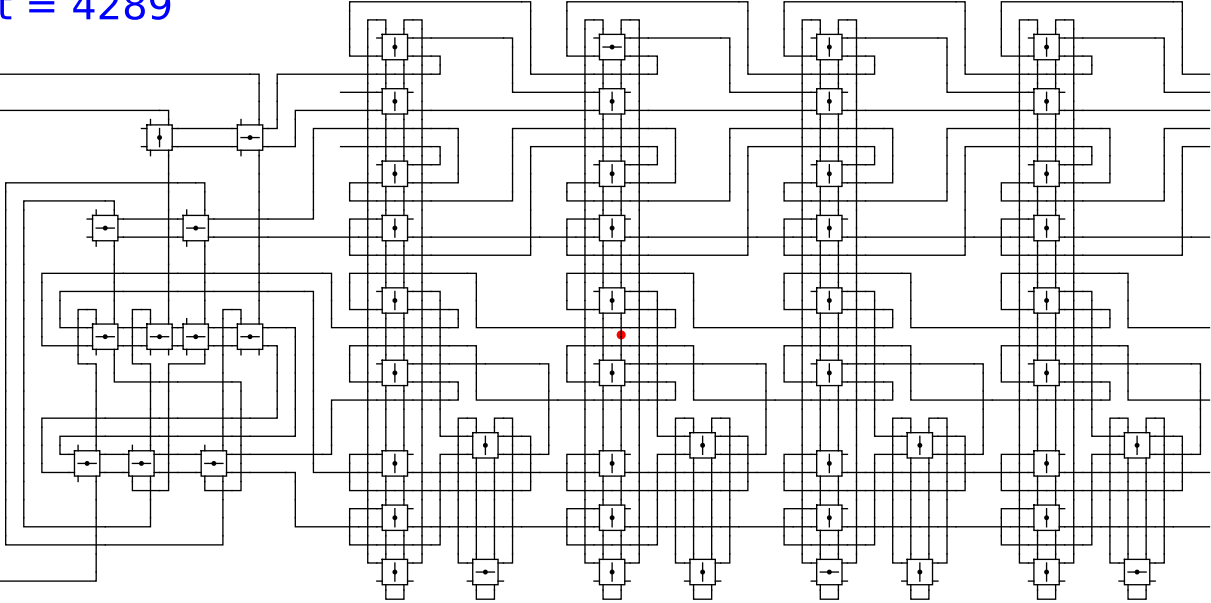


1 0 head 0 1

t = 4289

Reject
Accept

Begin

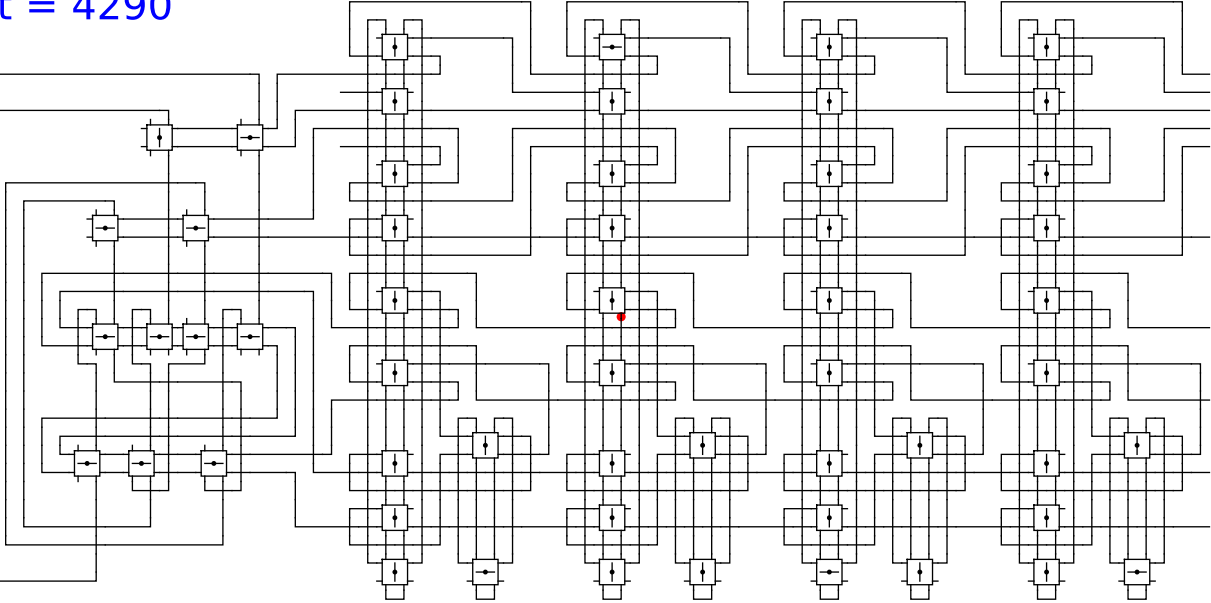


1 0 head 0 1

t = 4290

Reject
Accept

Begin

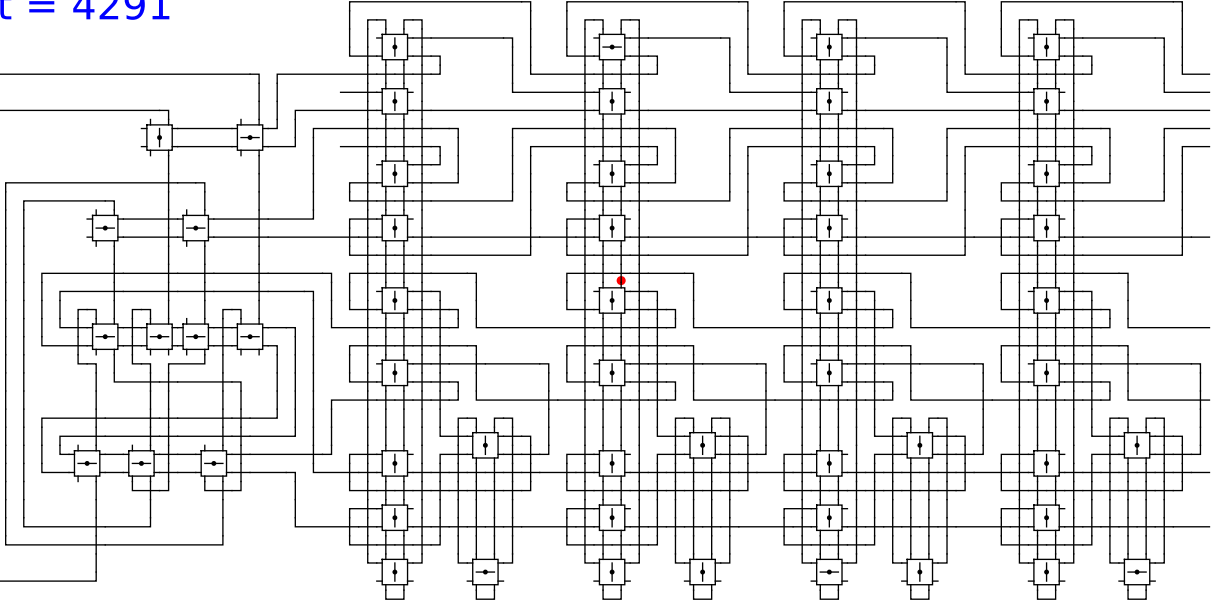


1 0 head 0 1

t = 4291

Reject
Accept

Begin

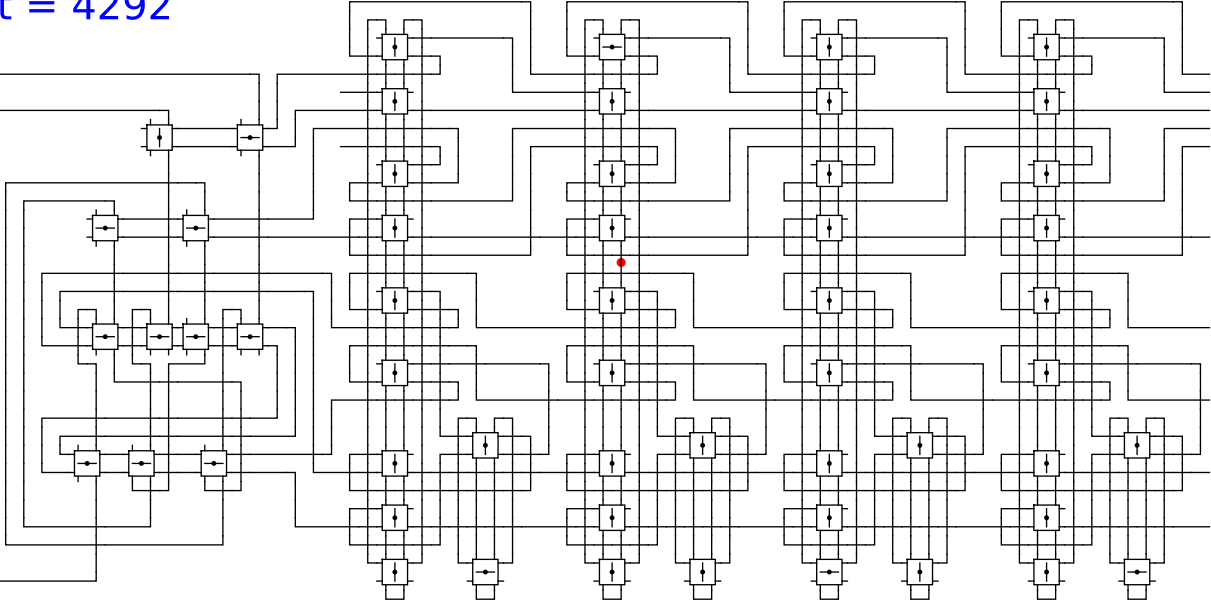


1 0 head 0 1

t = 4292

Reject
Accept

Begin

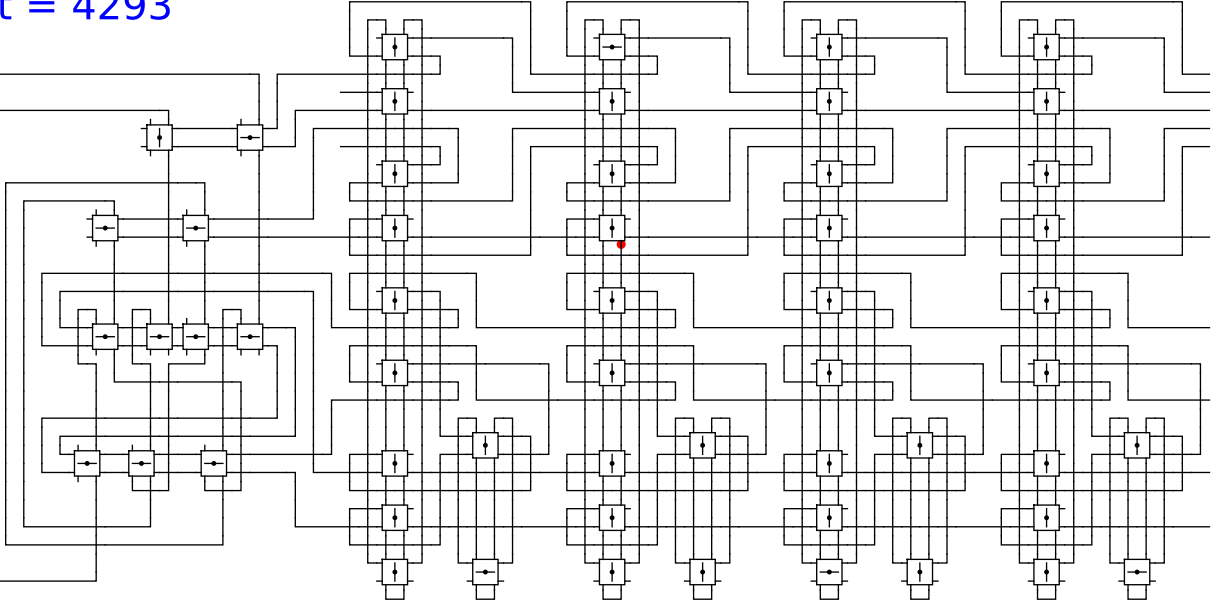


1 0 head 0 1

t = 4293

Reject
Accept

Begin



1

0

head

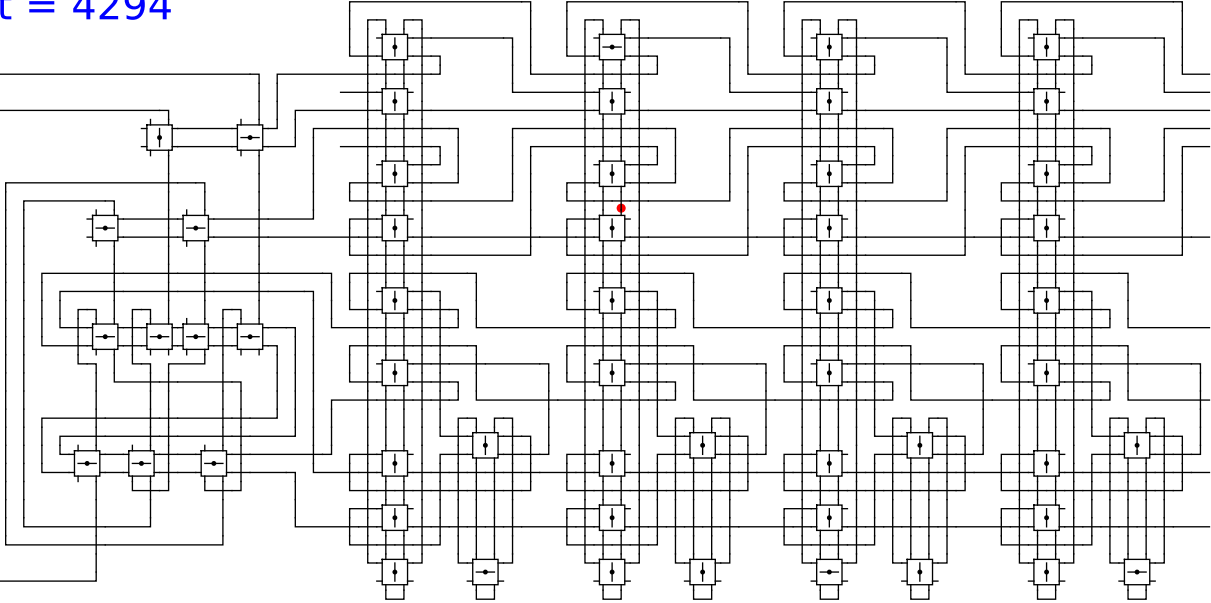
0

1

t = 4294

Reject
Accept

Begin

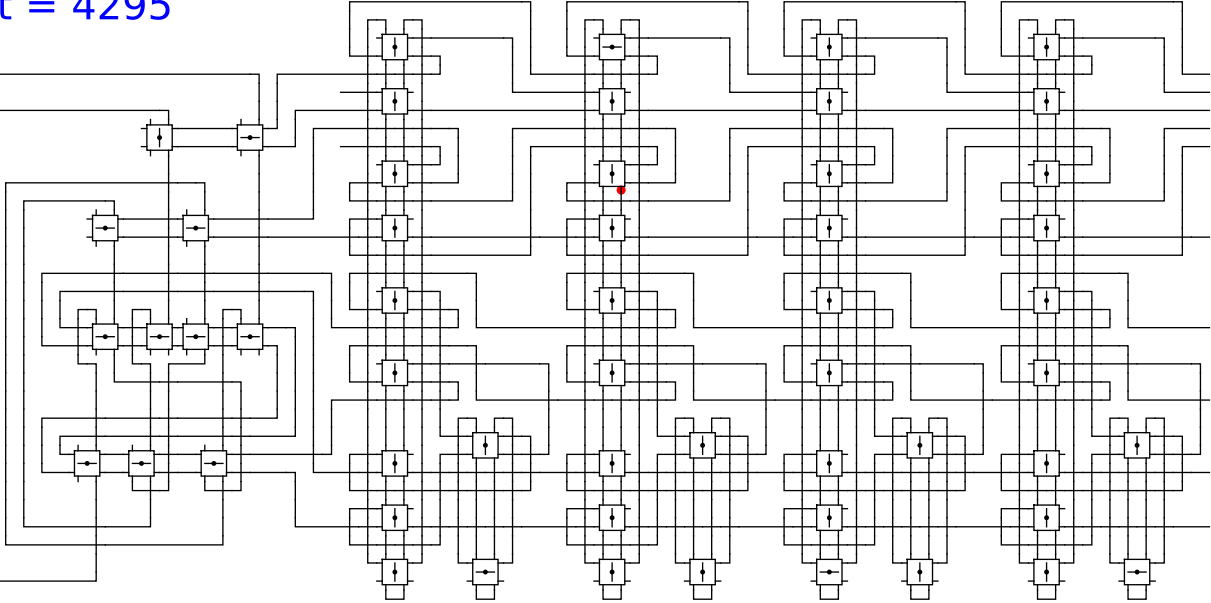


1 0 head 0 1

t = 4295

Reject
Accept

Begin

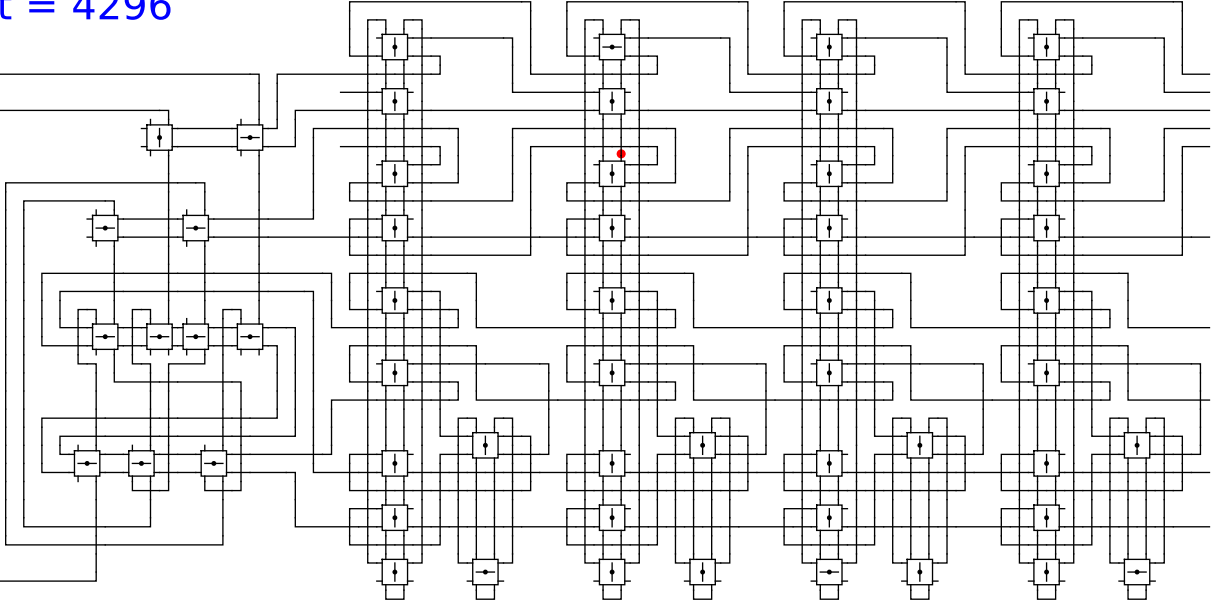


1 0 head 0 1

t = 4296

Reject
Accept

Begin

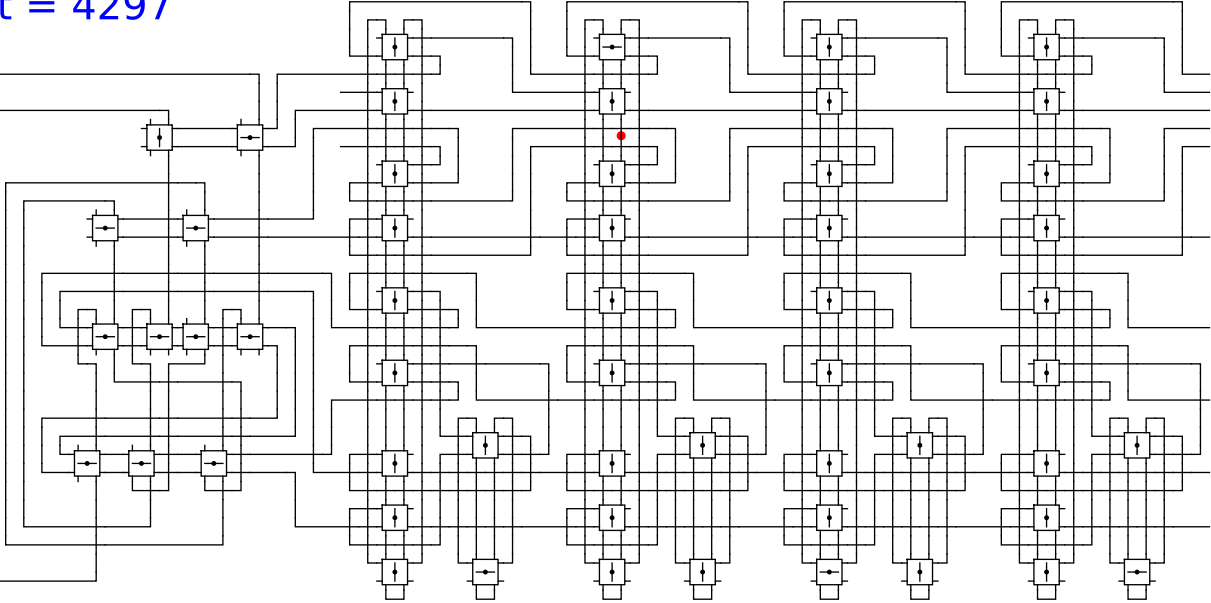


1 0 head 0 1

t = 4297

Reject
Accept

Begin

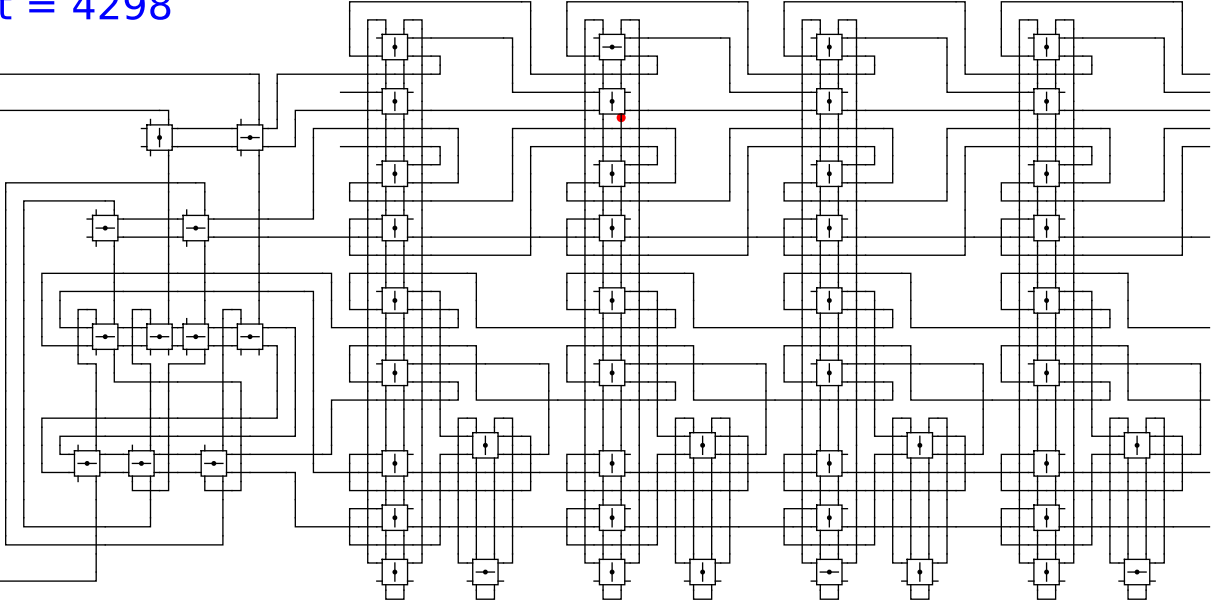


1 0 head 0 1

t = 4298

Reject
Accept

Begin

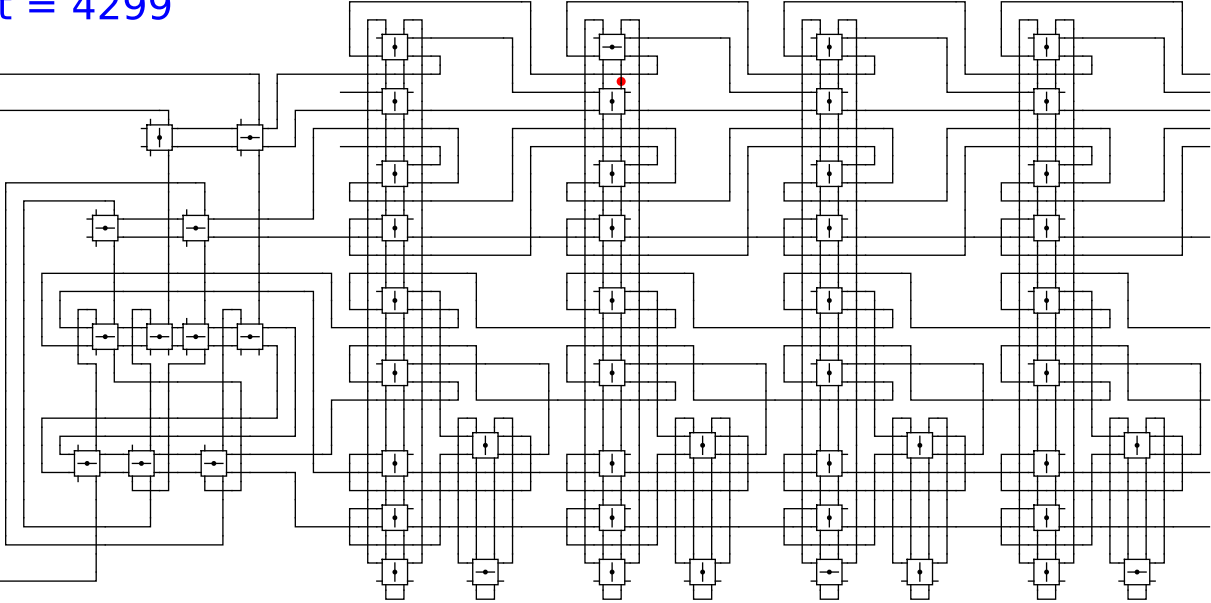


1 0 head 0 1

t = 4299

Reject
Accept

Begin

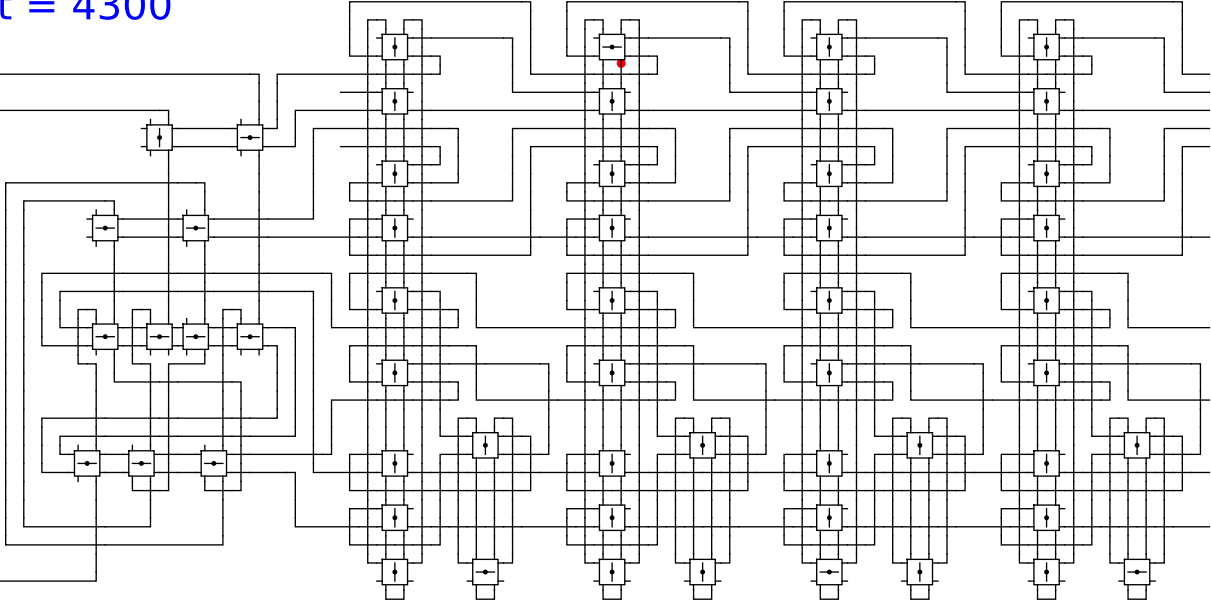


1 0 head 0 1

t = 4300

Reject
Accept

Begin

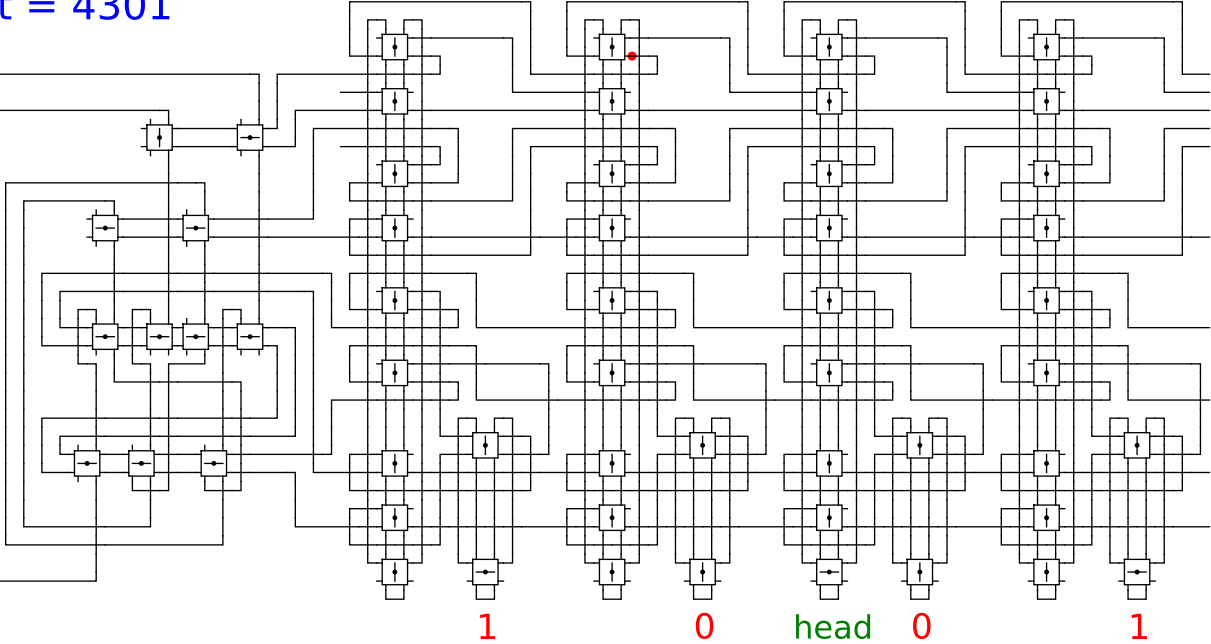


1 0 head 0 1

t = 4301

Reject
Accept

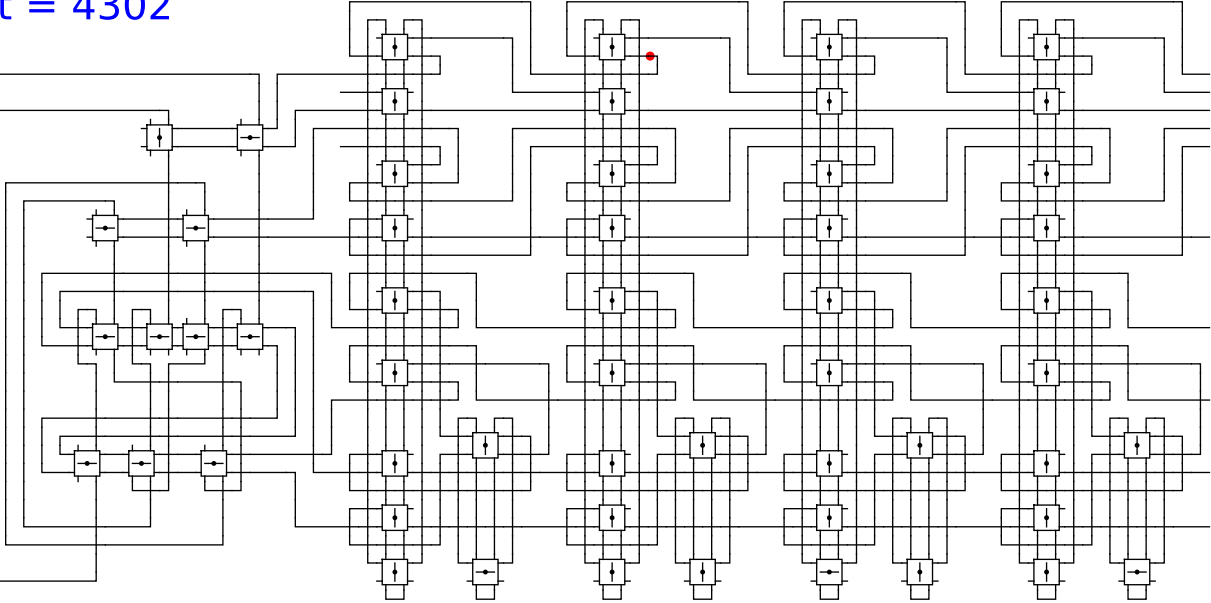
Begin



t = 4302

Reject
Accept

Begin



1

0

head

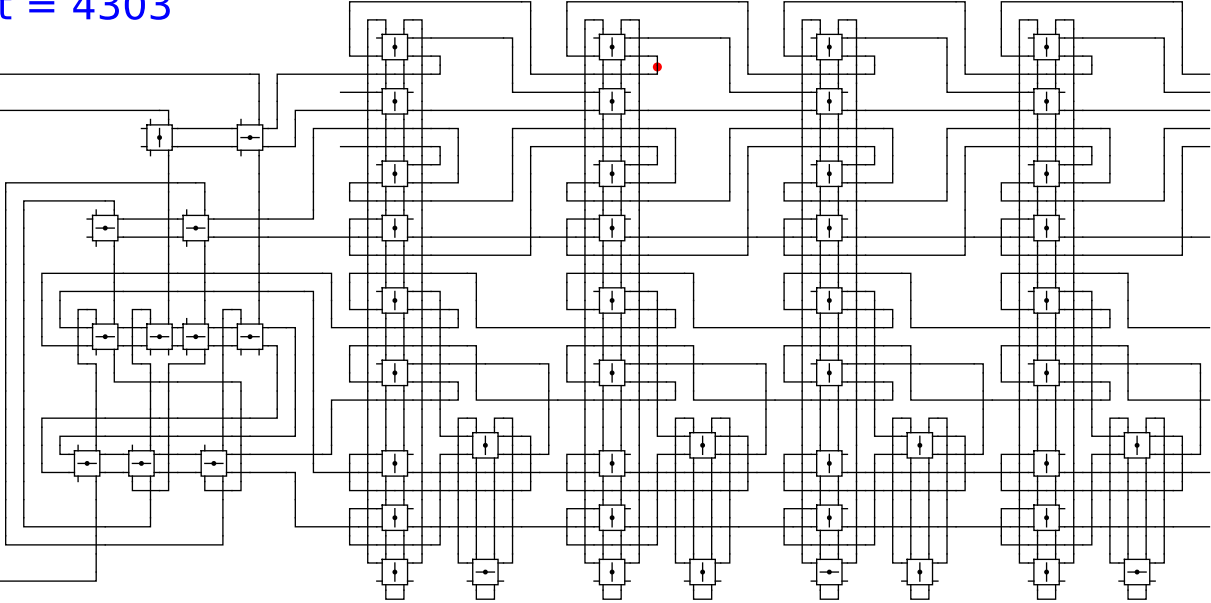
0

1

t = 4303

Reject
Accept

Begin

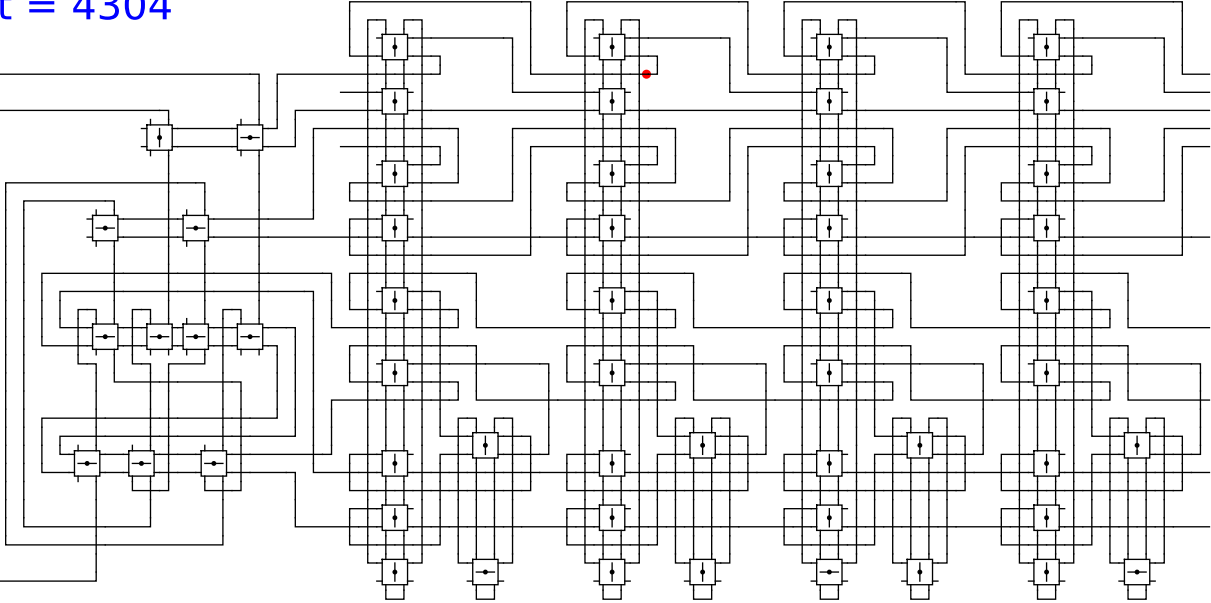


1 0 head 0 1

t = 4304

Reject
Accept

Begin



1

0

head

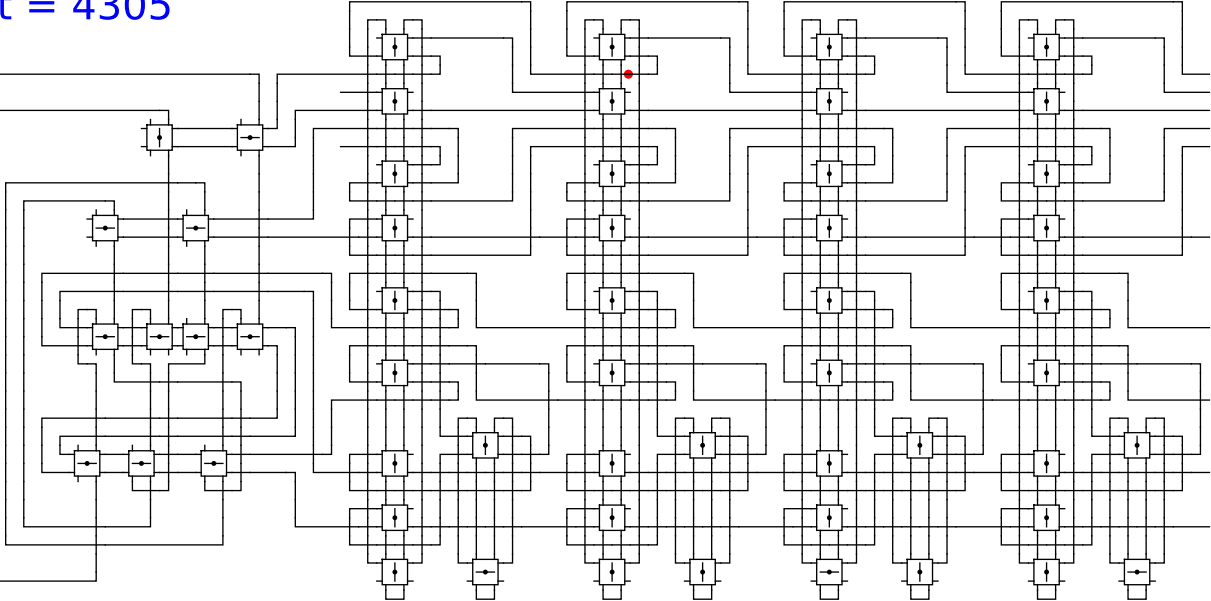
0

1

t = 4305

Reject
Accept

Begin

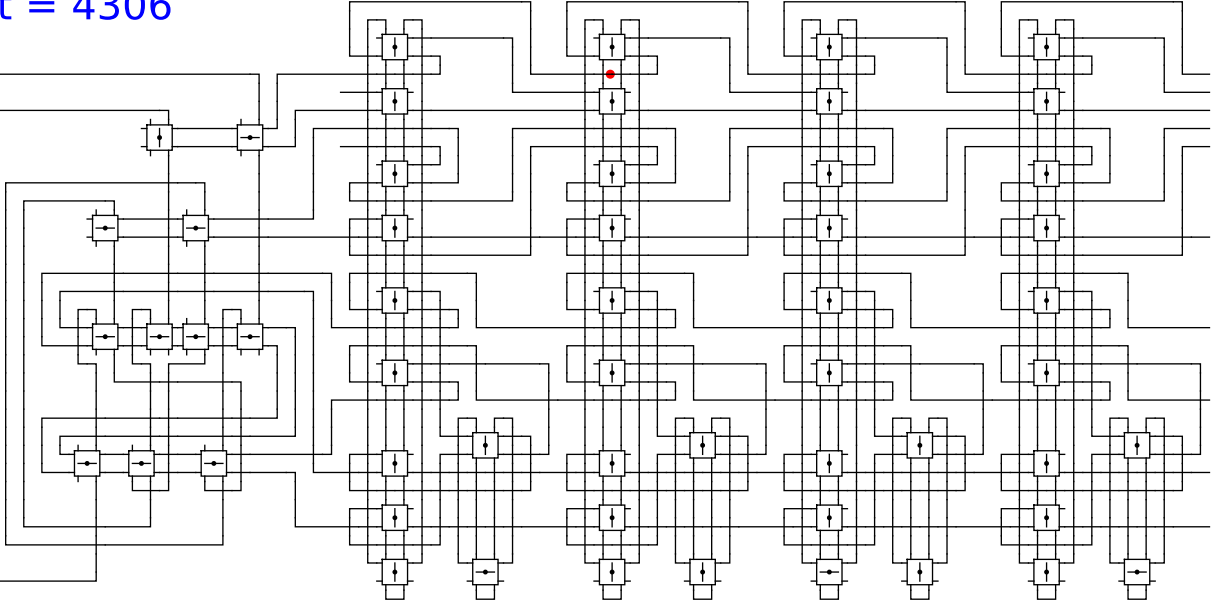


1 0 head 0 1

t = 4306

Reject
Accept

Begin

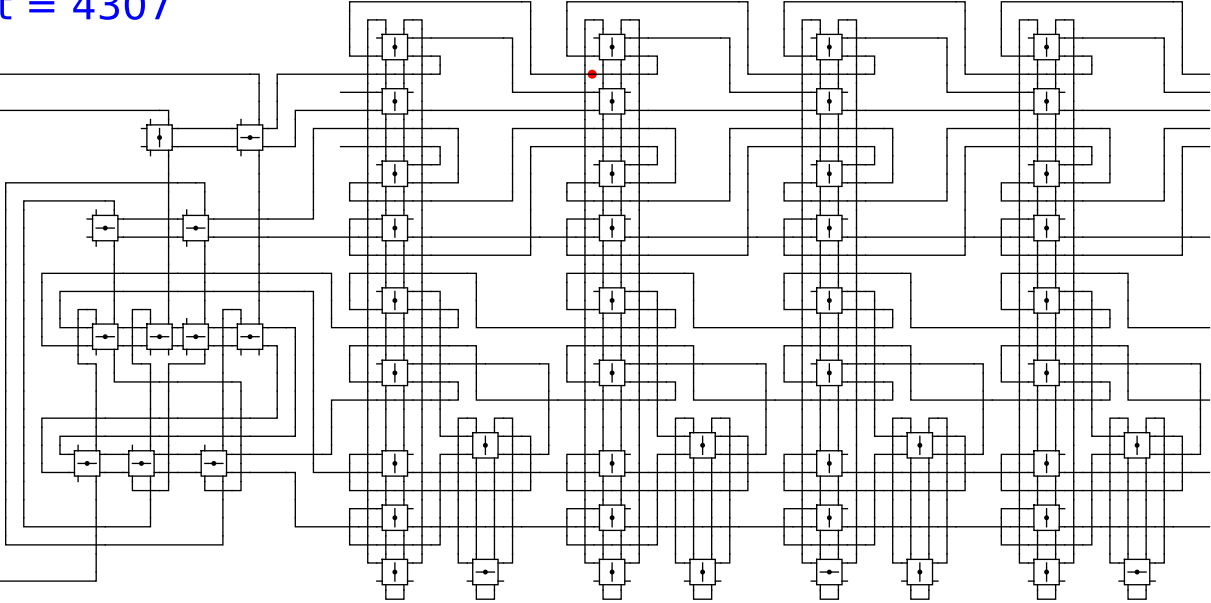


1 0 head 0 1

t = 4307

Reject
Accept

Begin

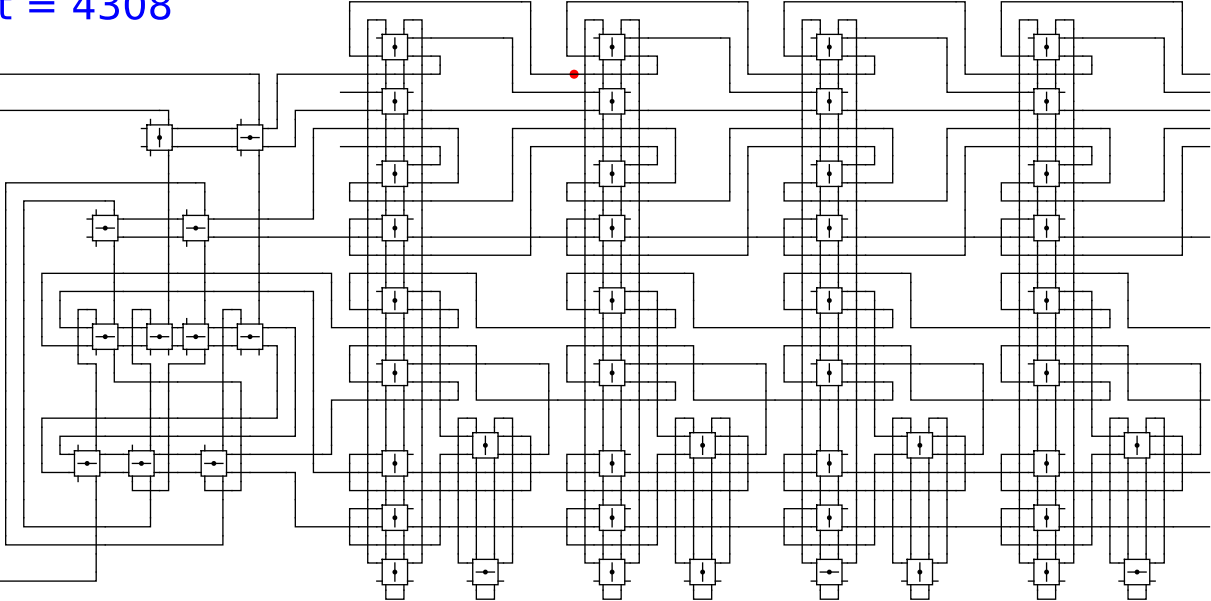


1 0 head 0 1

t = 4308

Reject
Accept

Begin

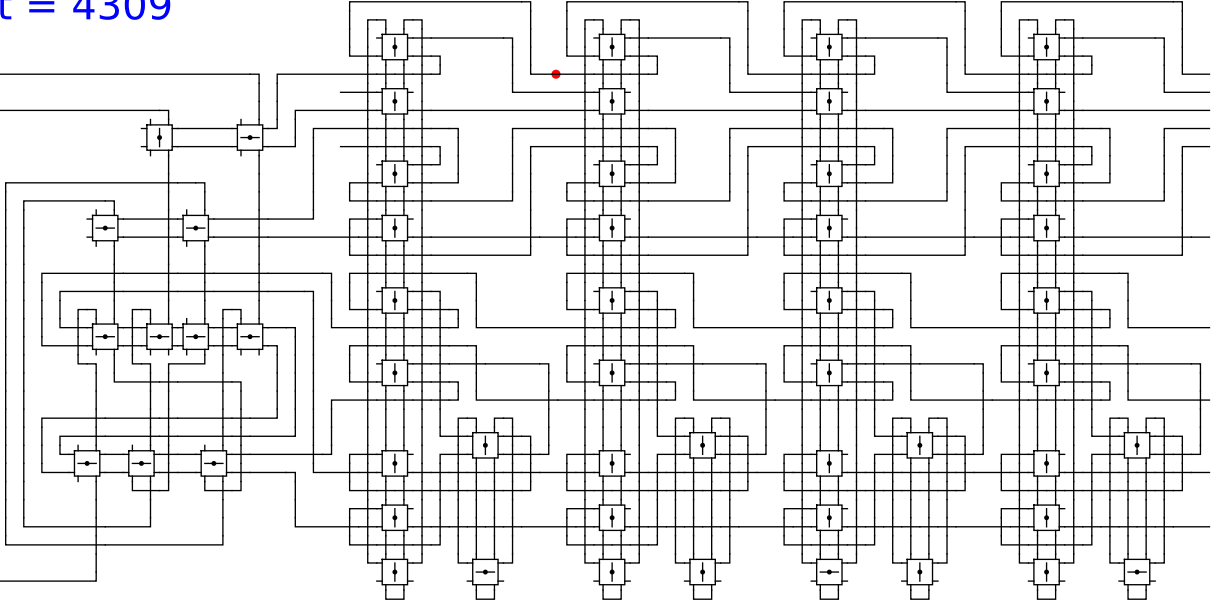


1 0 head 0 1

t = 4309

Reject
Accept

Begin



1

0

head

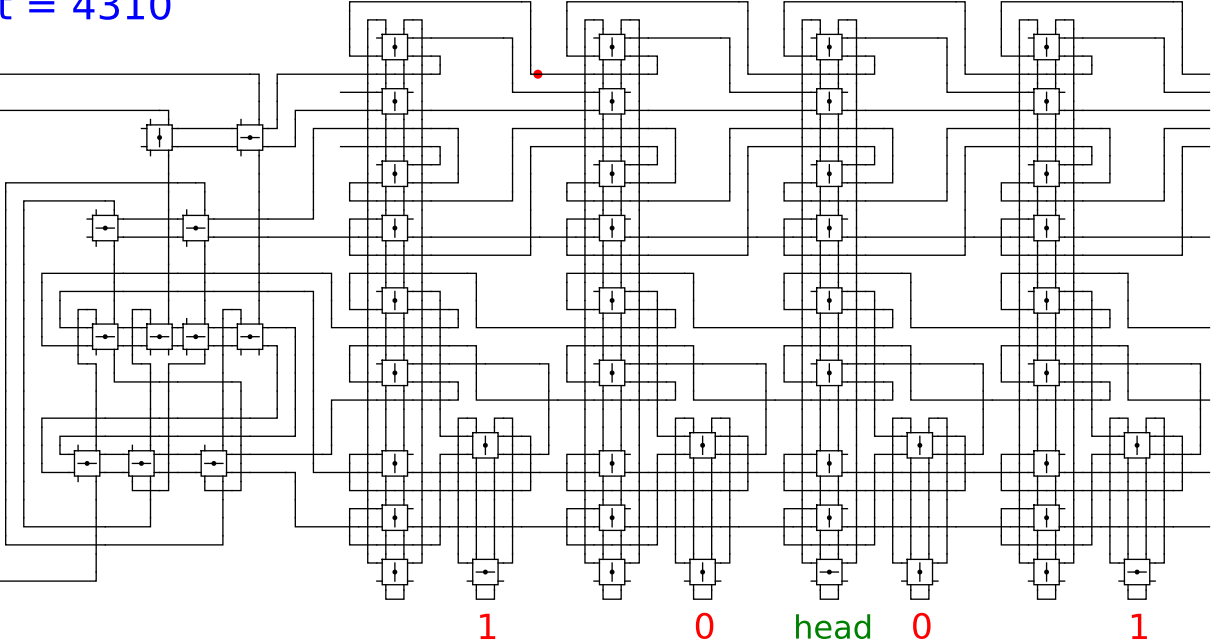
0

1

t = 4310

Reject
Accept

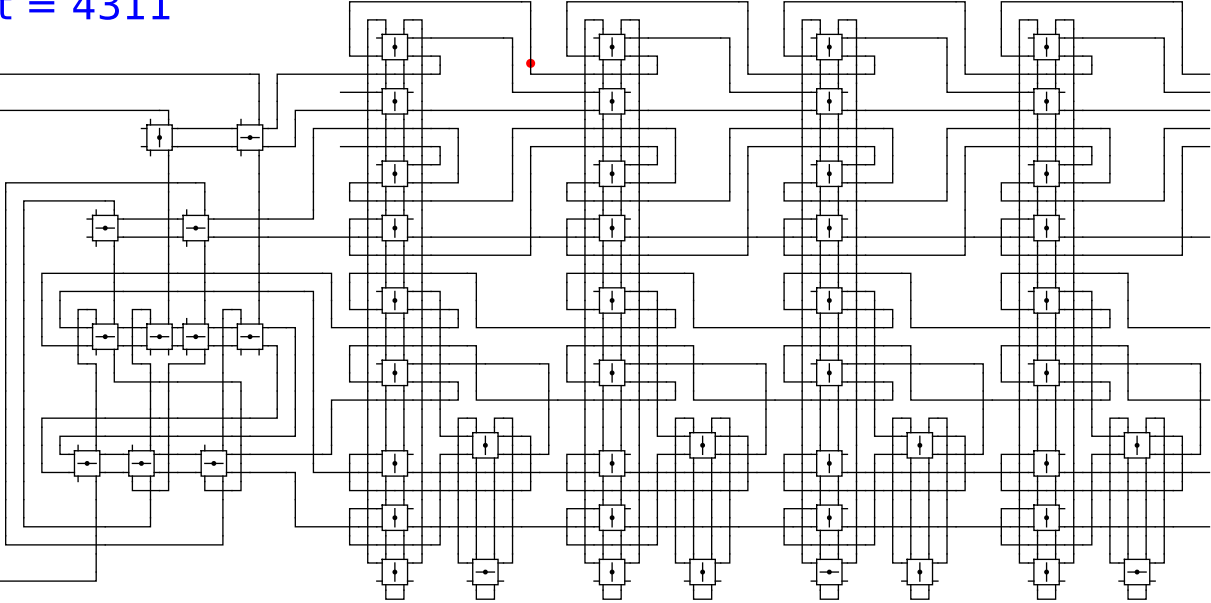
Begin



t = 4311

Reject
Accept

Begin



1

0

head

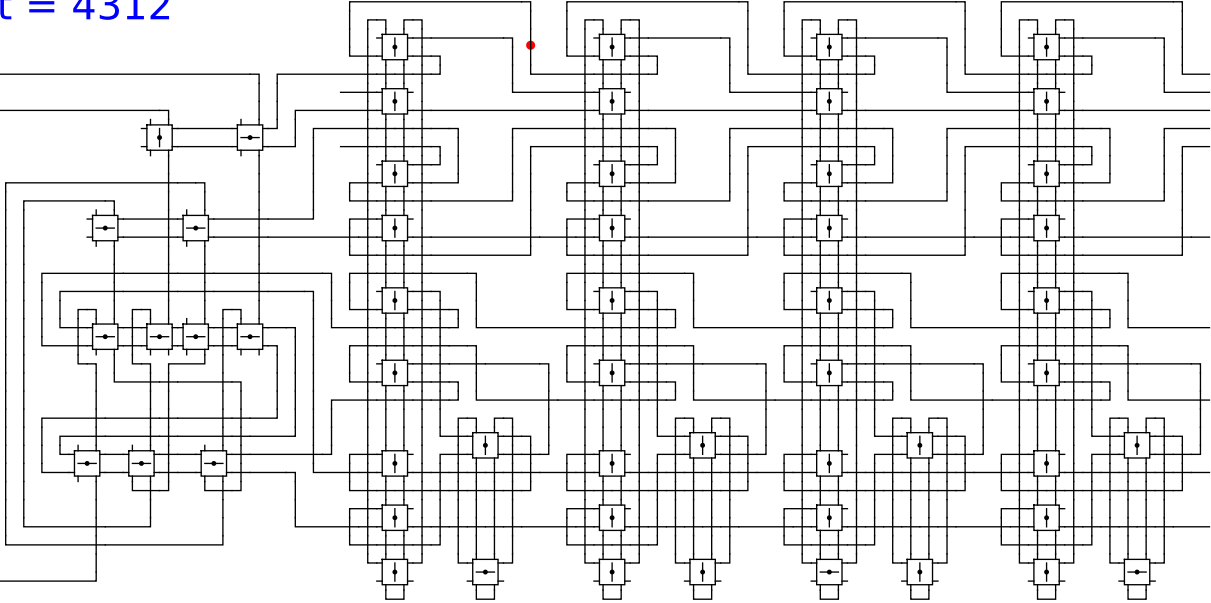
0

1

t = 4312

Reject
Accept

Begin



1

0

head

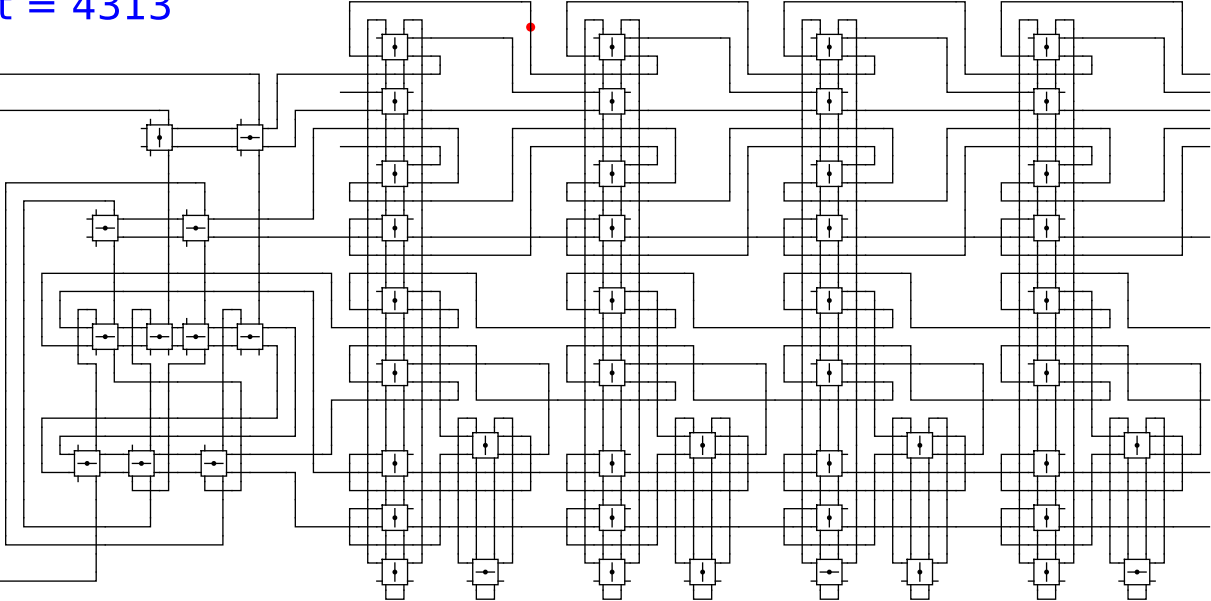
0

1

t = 4313

Reject
Accept

Begin

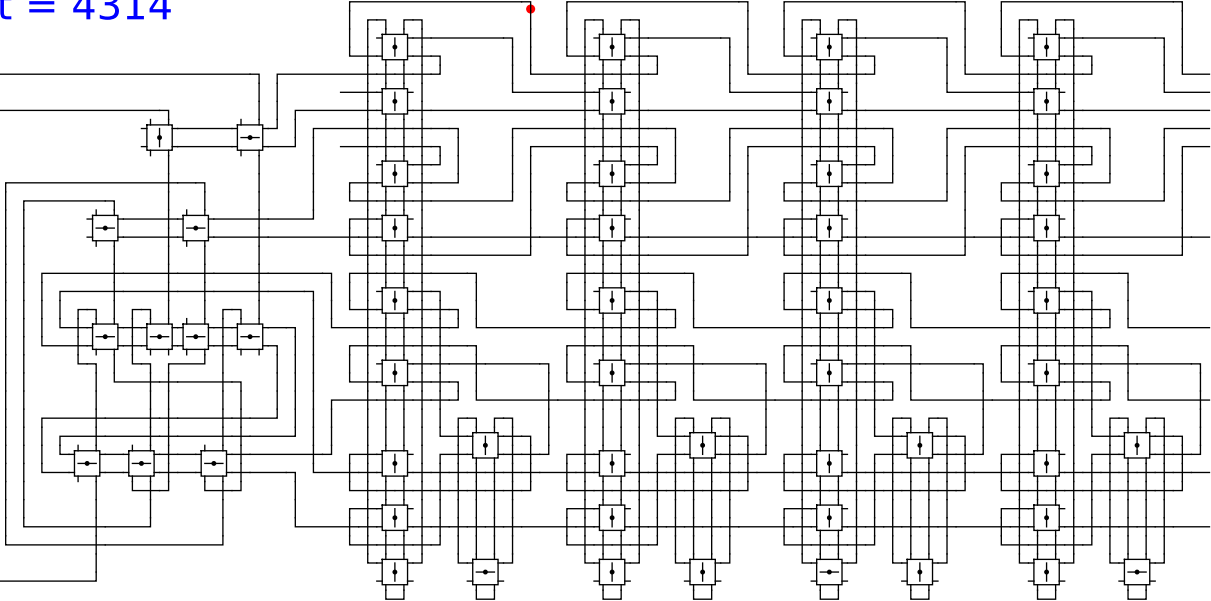


1 0 head 0 1

t = 4314

Reject
Accept

Begin

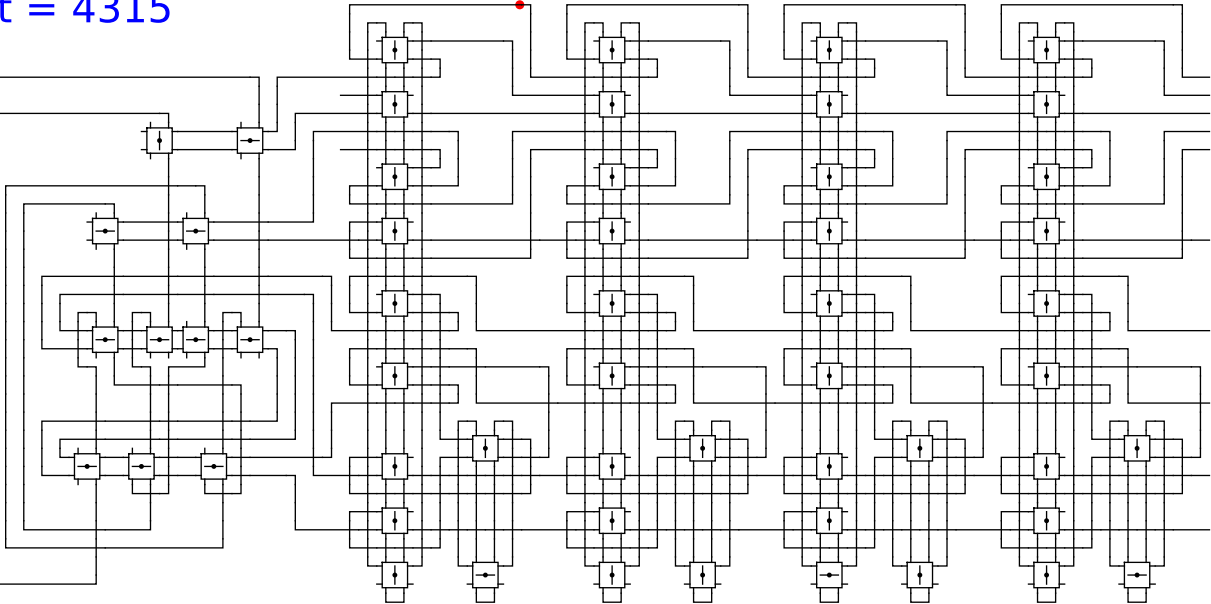


1 0 head 0 1

t = 4315

Reject
Accept

Begin



1

0

head

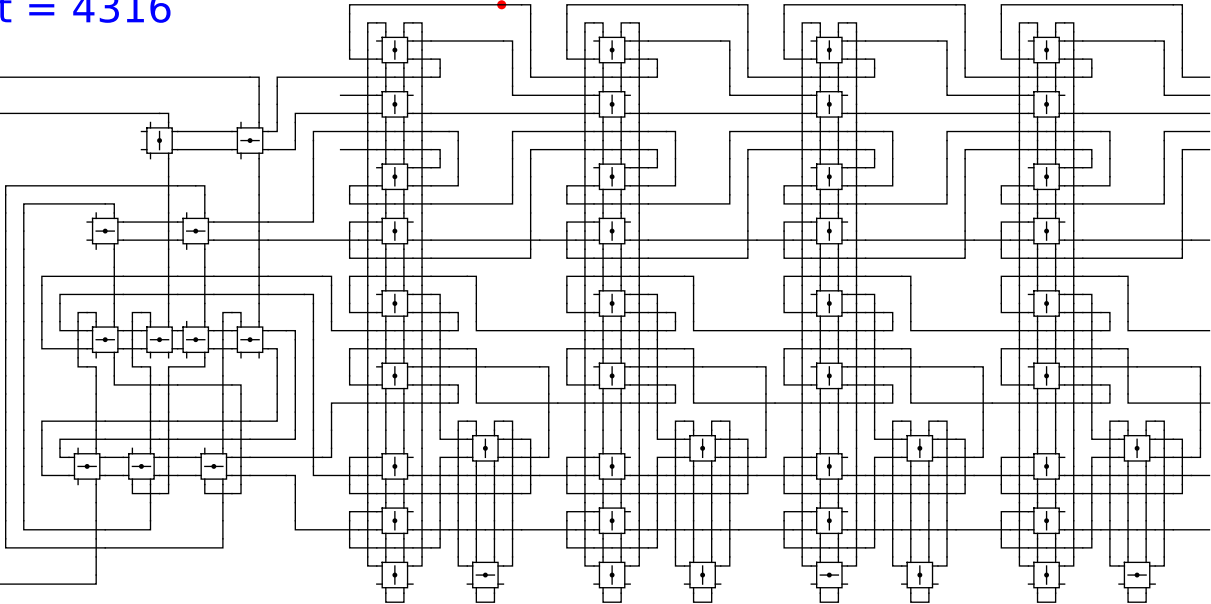
0

1

t = 4316

Reject
Accept

Begin



1

0

head

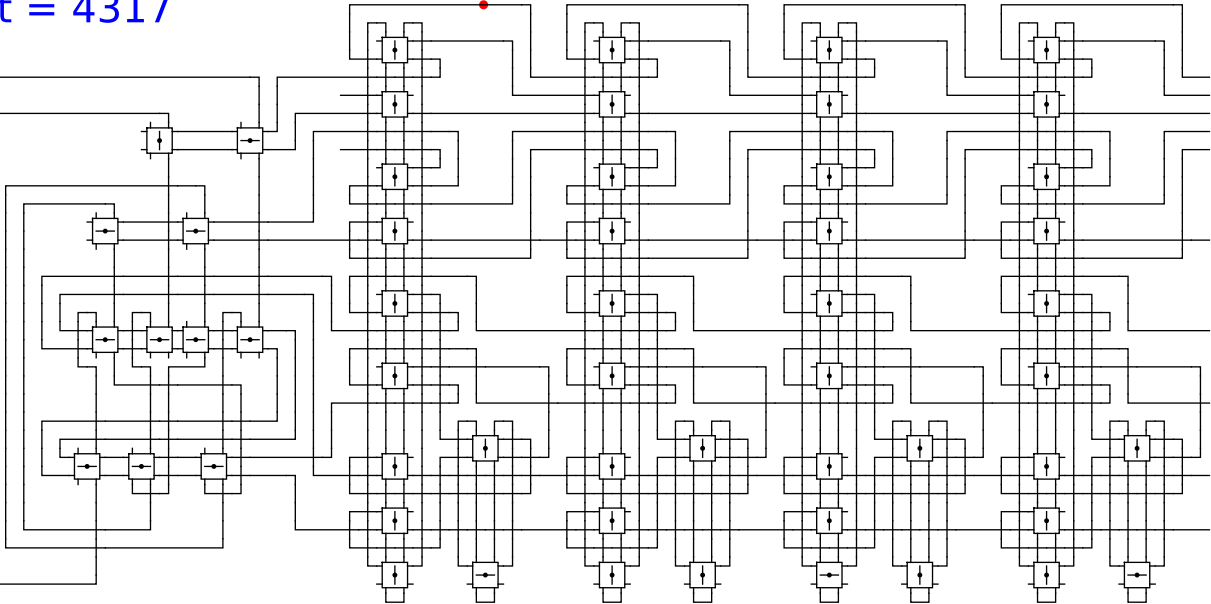
0

1

t = 4317

Reject
Accept

Begin



1

0

head

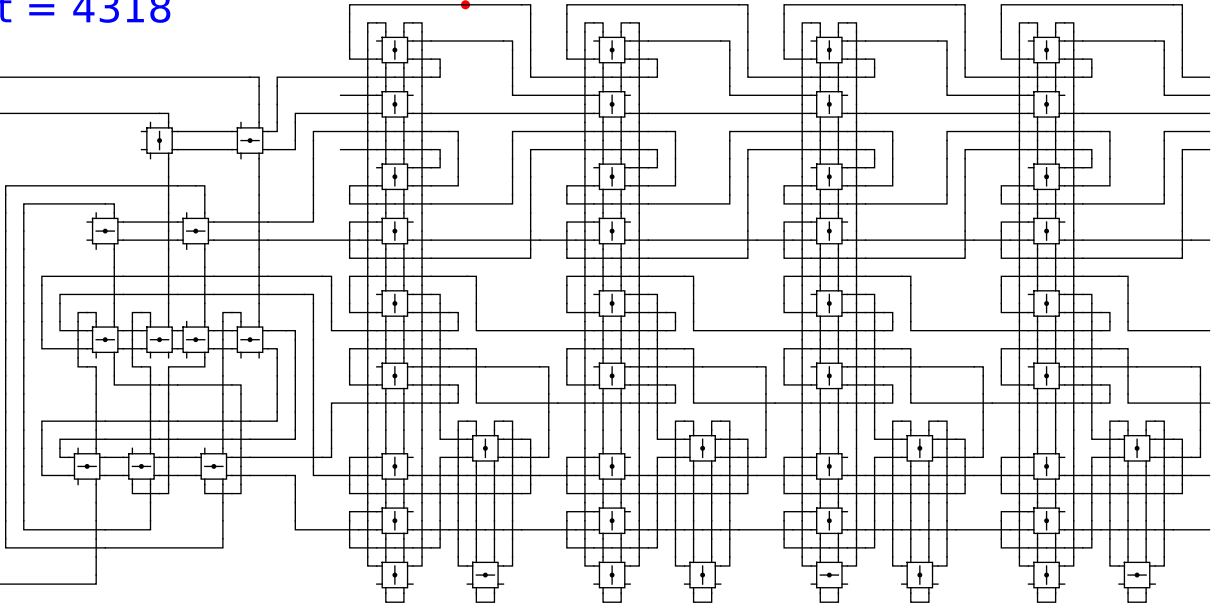
0

1

t = 4318

Reject
Accept

Begin

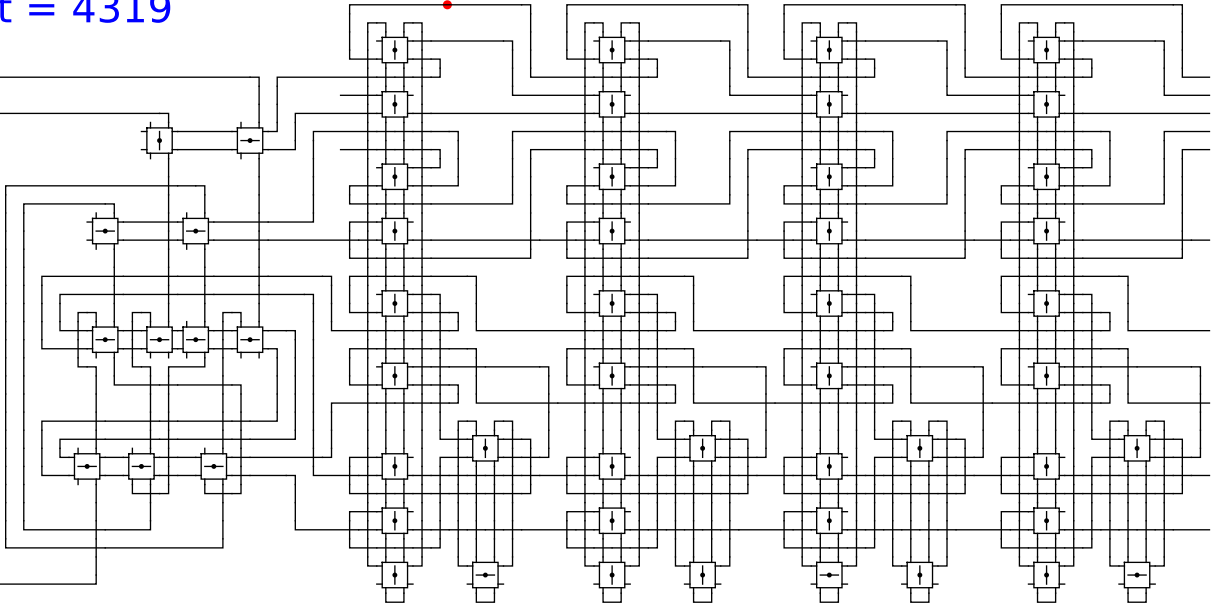


1 0 head 0 1

t = 4319

Reject
Accept

Begin

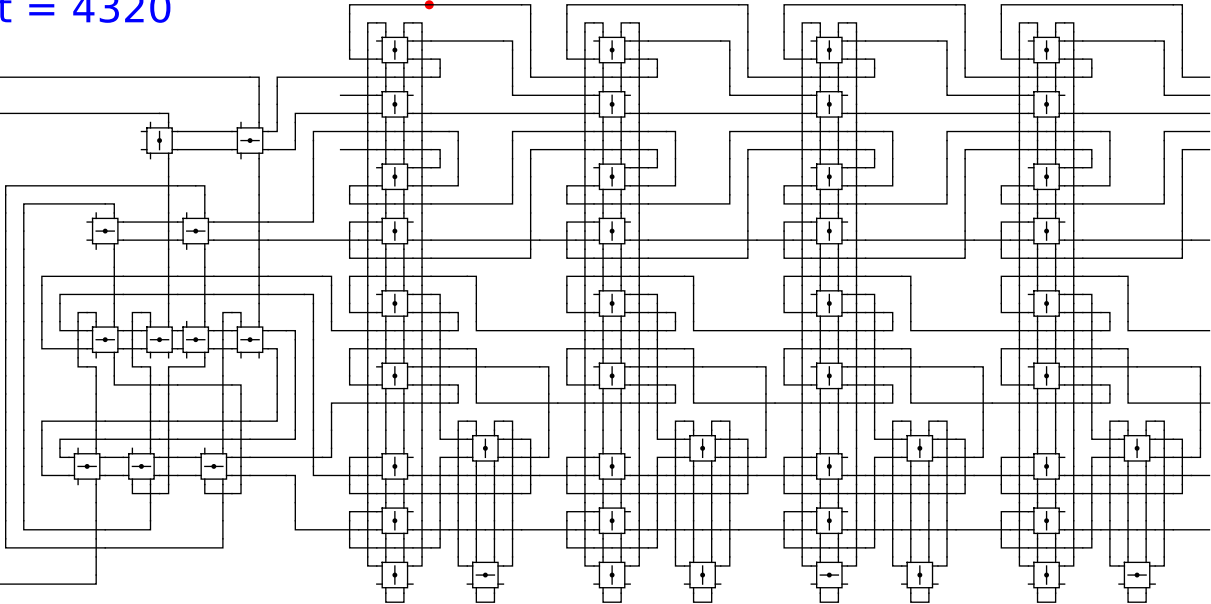


1 0 head 0 1

t = 4320

Reject
Accept

Begin

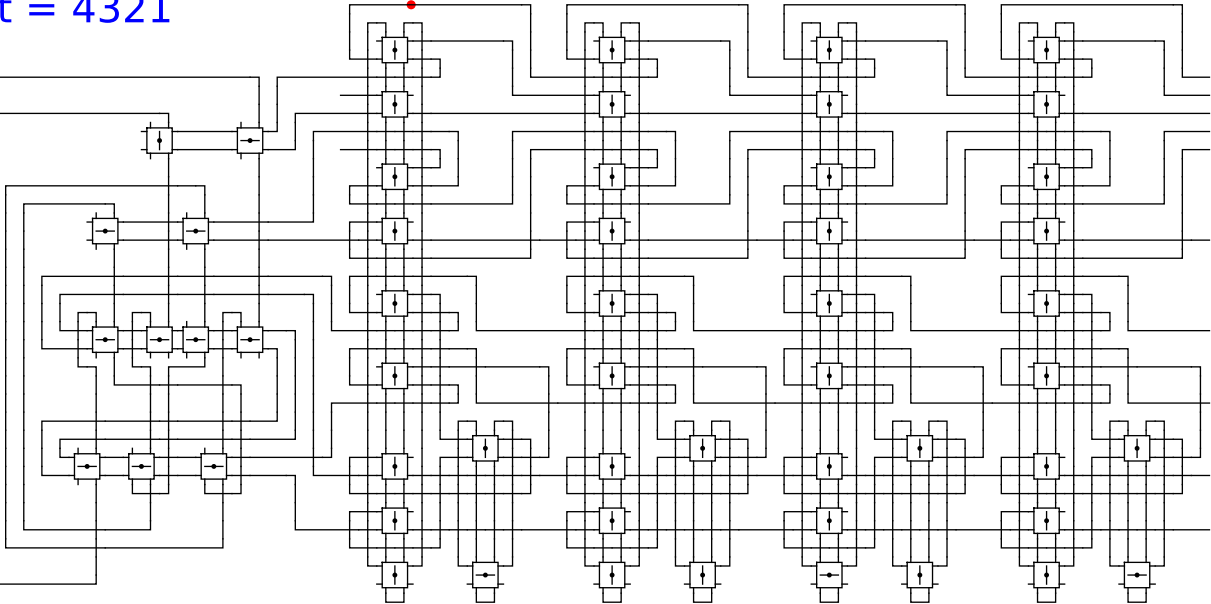


1 0 head 0 1

t = 4321

Reject
Accept

Begin

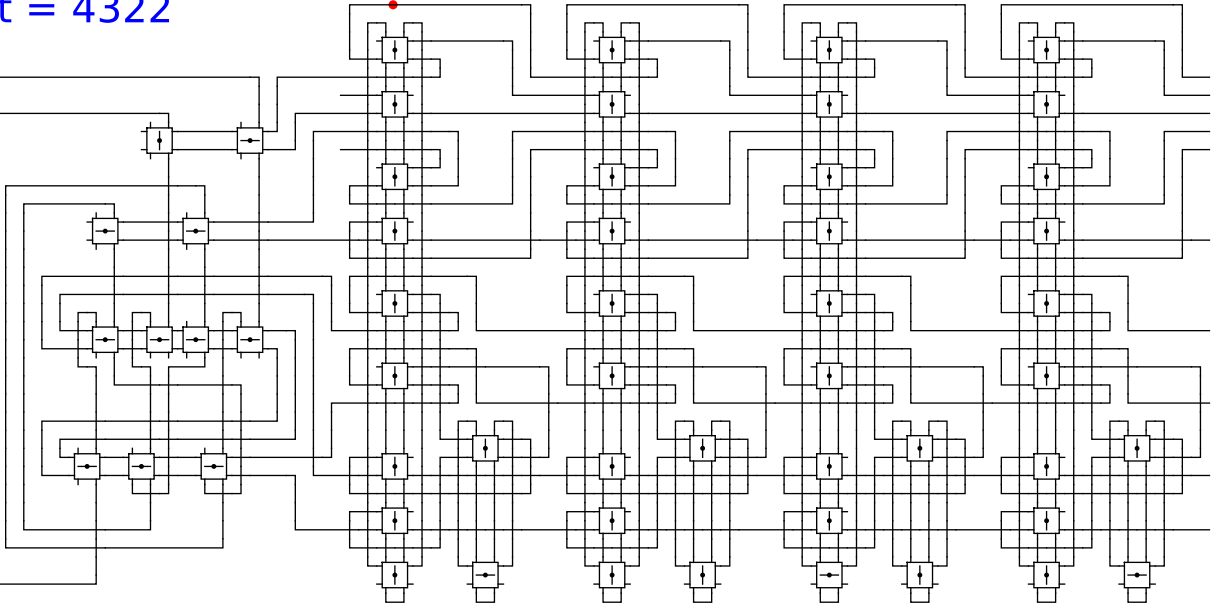


1 0 head 0 1

t = 4322

Reject
Accept

Begin

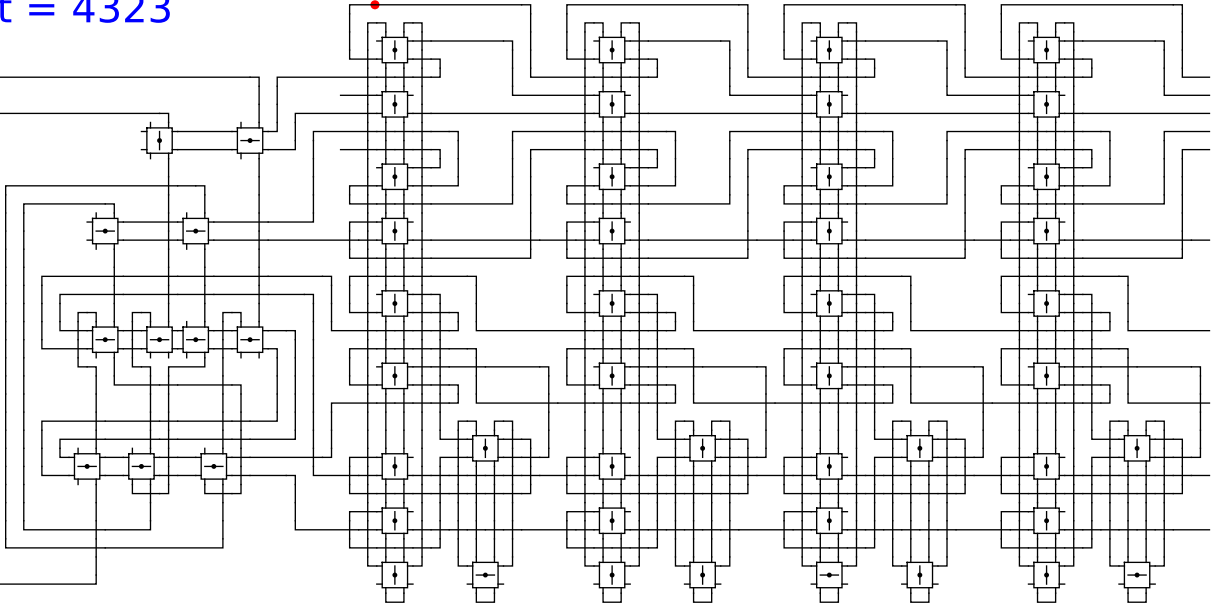


1 0 head 0 1

t = 4323

Reject
Accept

Begin

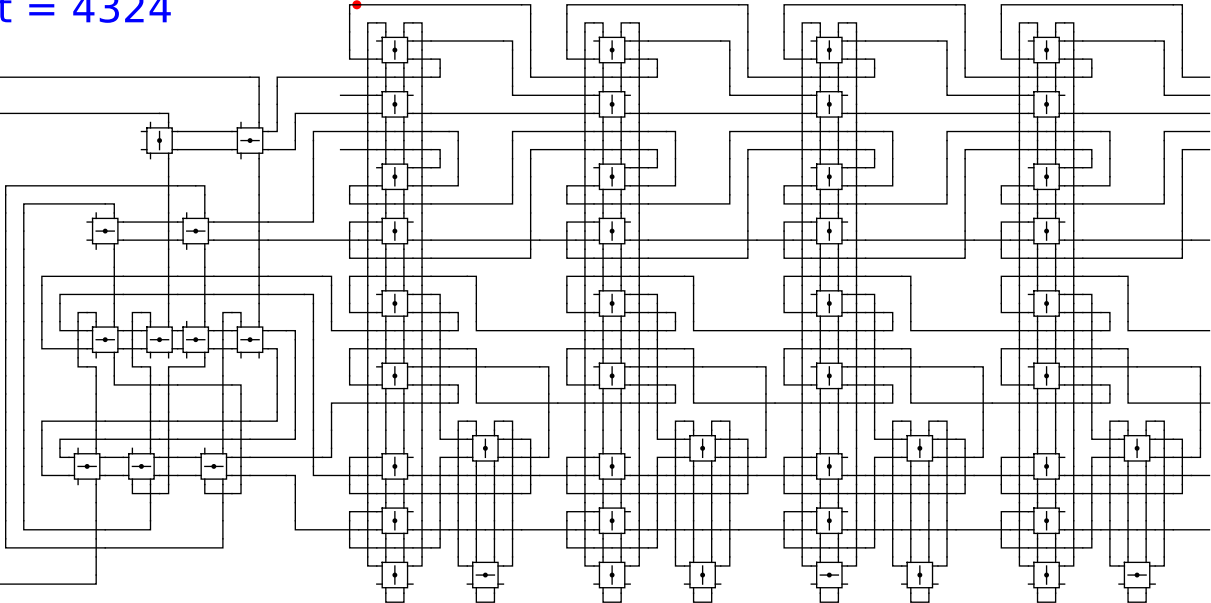


1 0 head 0 1

t = 4324

Reject
Accept

Begin

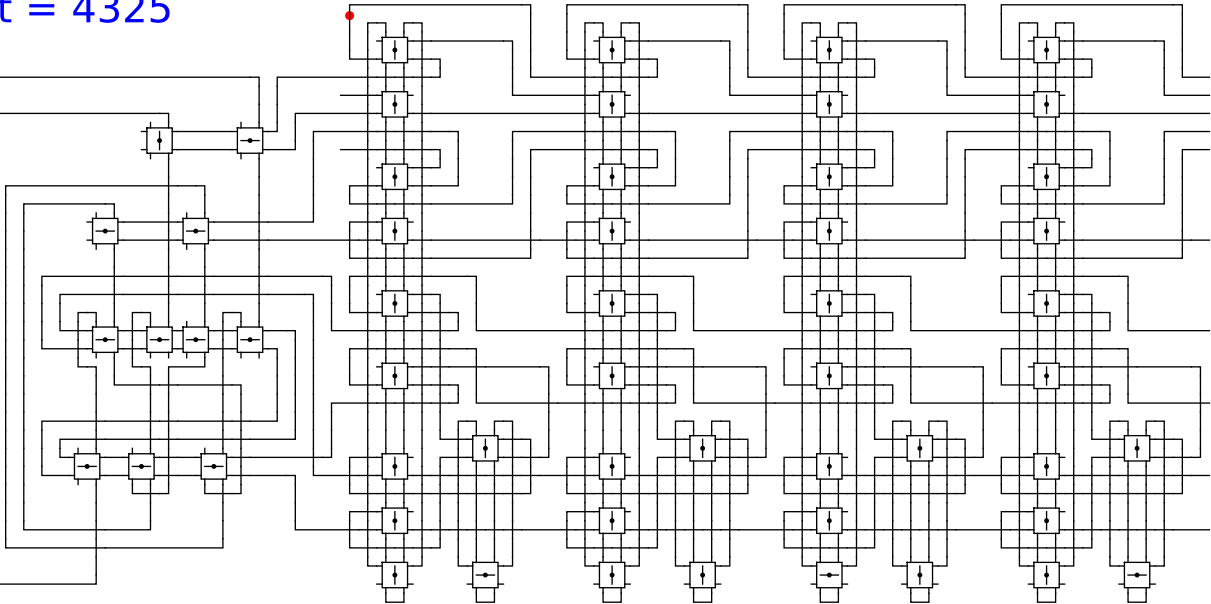


1 0 head 0 1

t = 4325

Reject
Accept

Begin

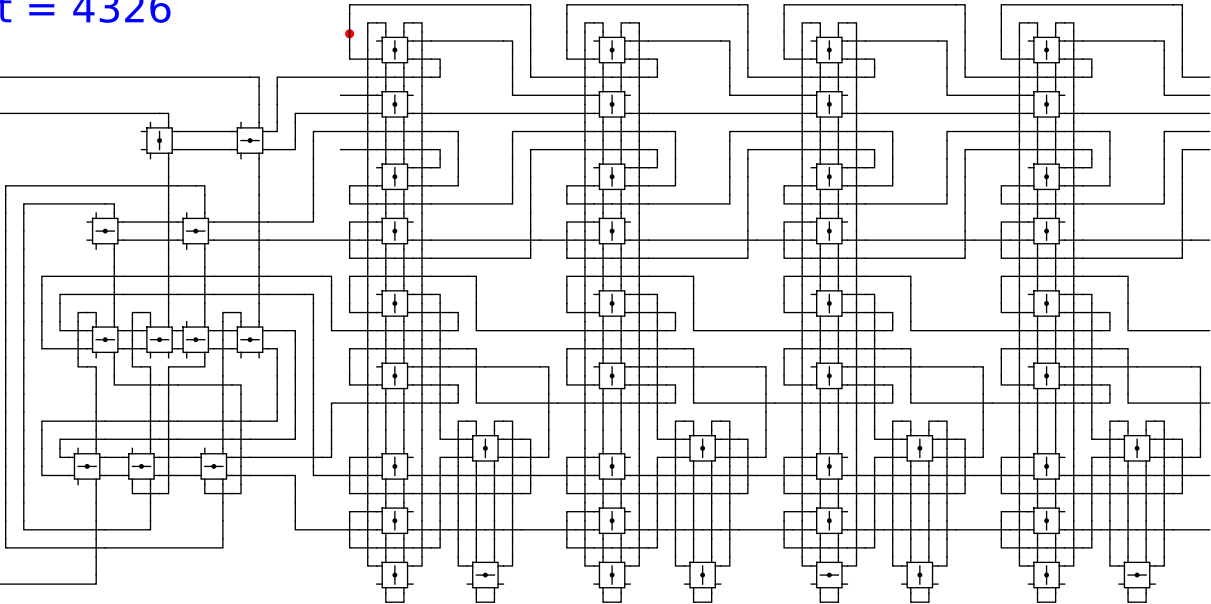


1 0 head 0 1

t = 4326

Reject
Accept

Begin

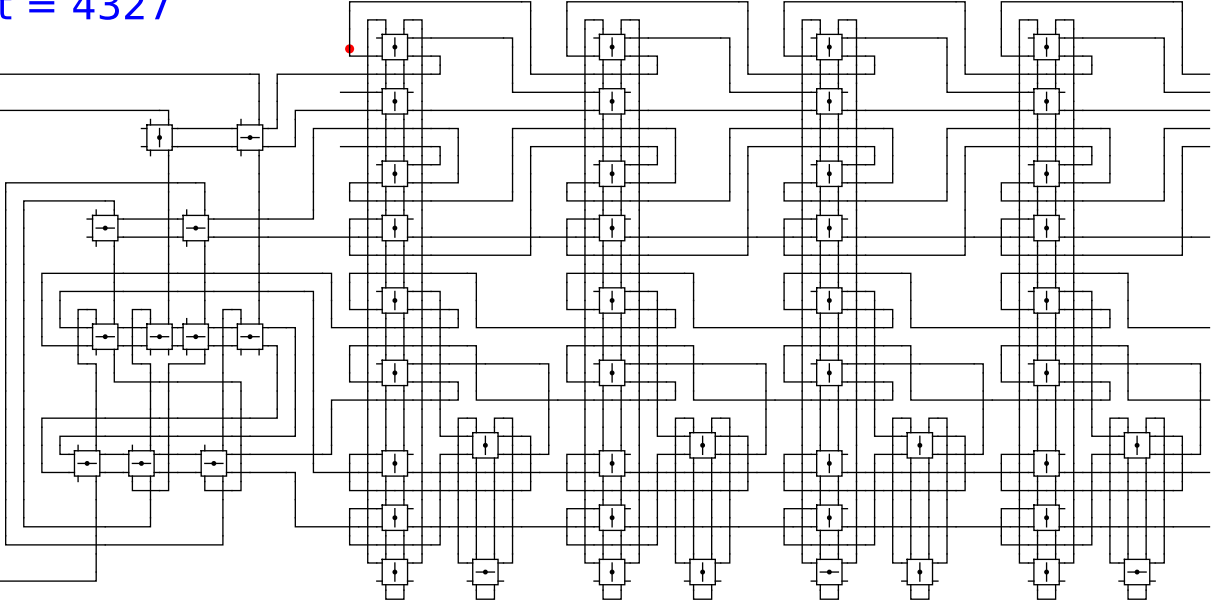


1 0 head 0 1

t = 4327

Reject
Accept

Begin

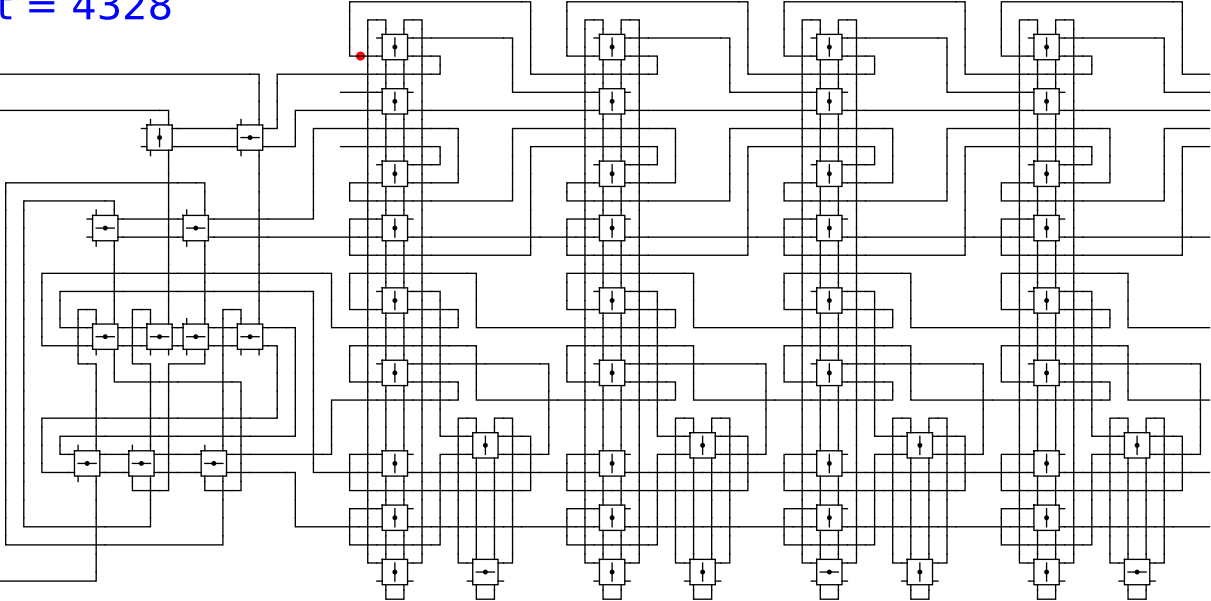


1 0 head 0 1

t = 4328

Reject
Accept

Begin

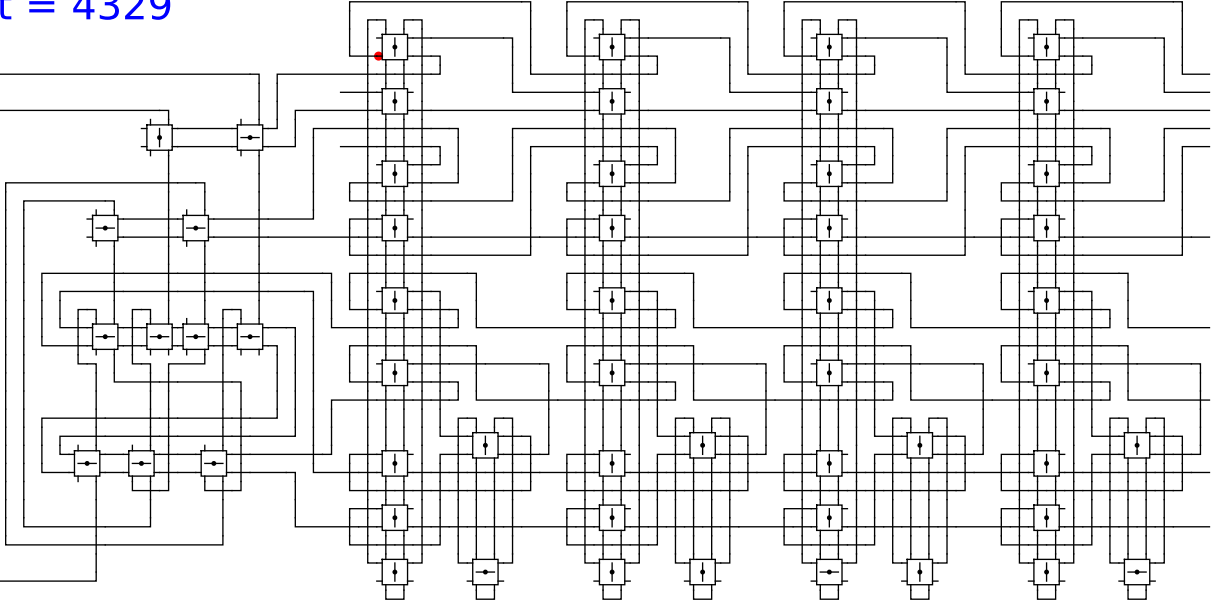


1 0 head 0 1

t = 4329

Reject
Accept

Begin

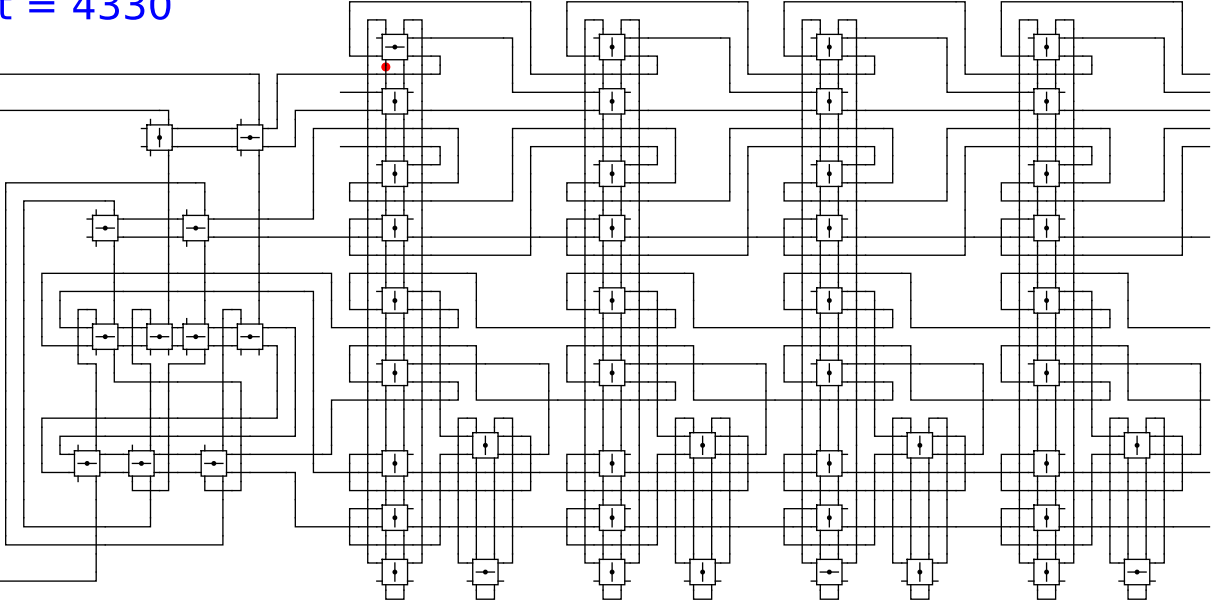


1 0 head 0 1

t = 4330

Reject
Accept

Begin

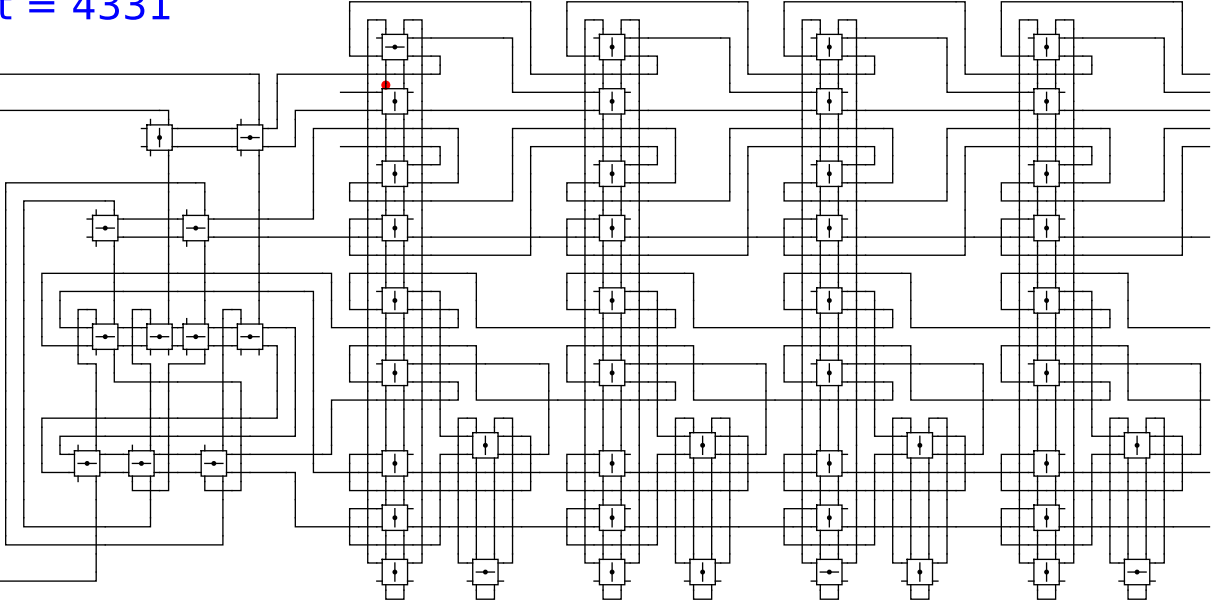


1 0 head 0 1

t = 4331

Reject
Accept

Begin

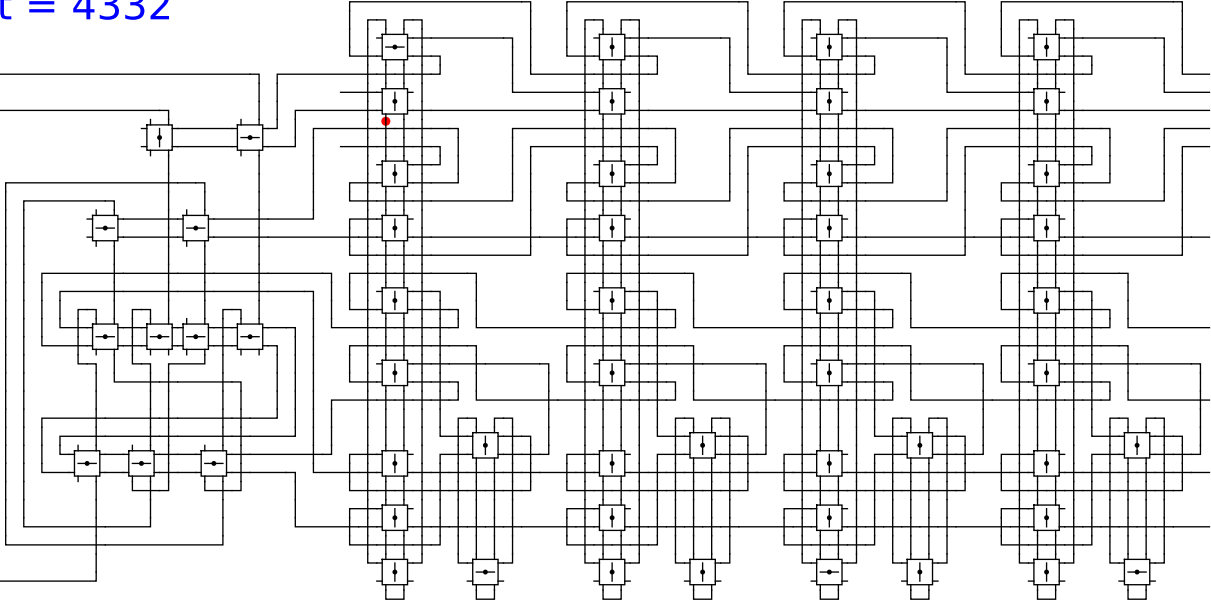


1 0 head 0 1

t = 4332

Reject
Accept

Begin

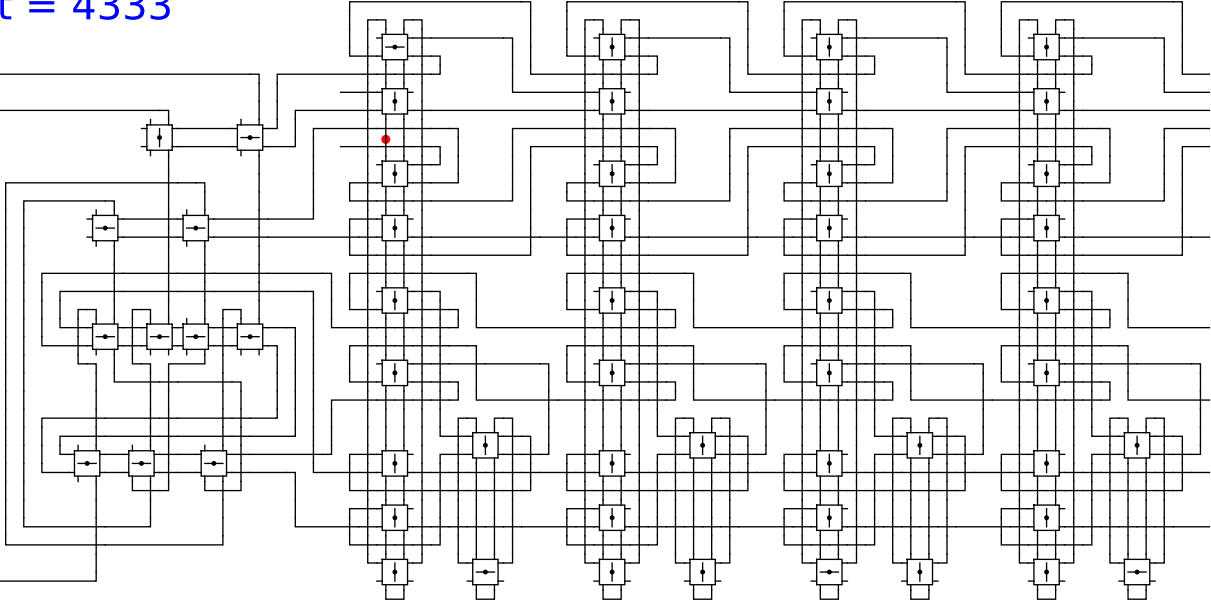


1 0 head 0 1

t = 4333

Reject
Accept

Begin

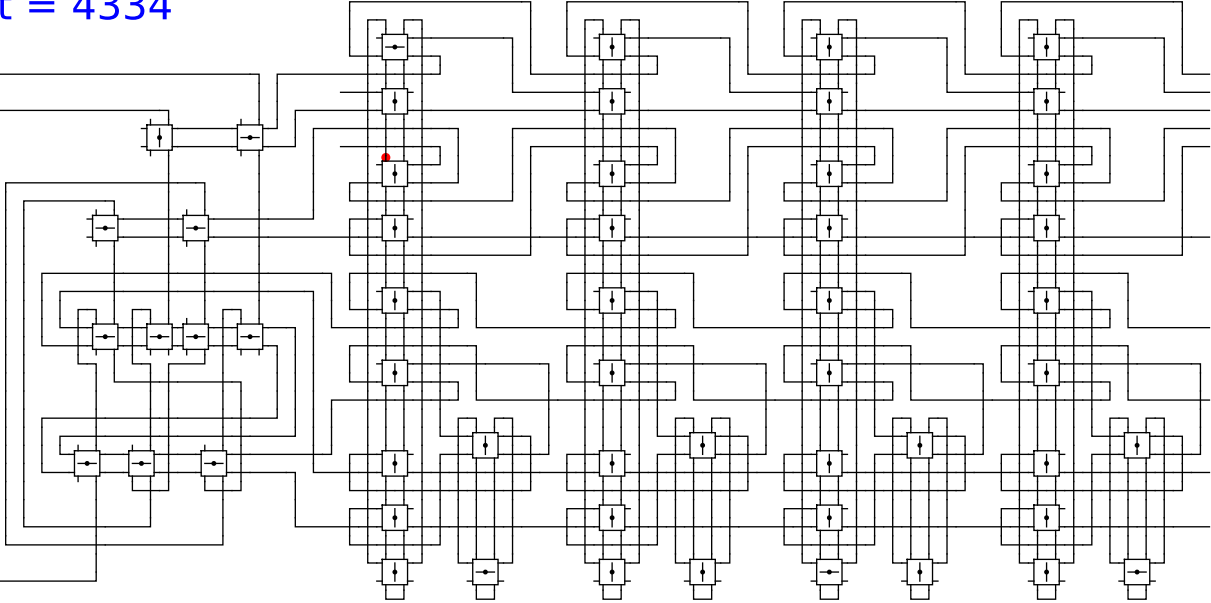


1 0 head 0 1

t = 4334

Reject
Accept

Begin



1

0

head

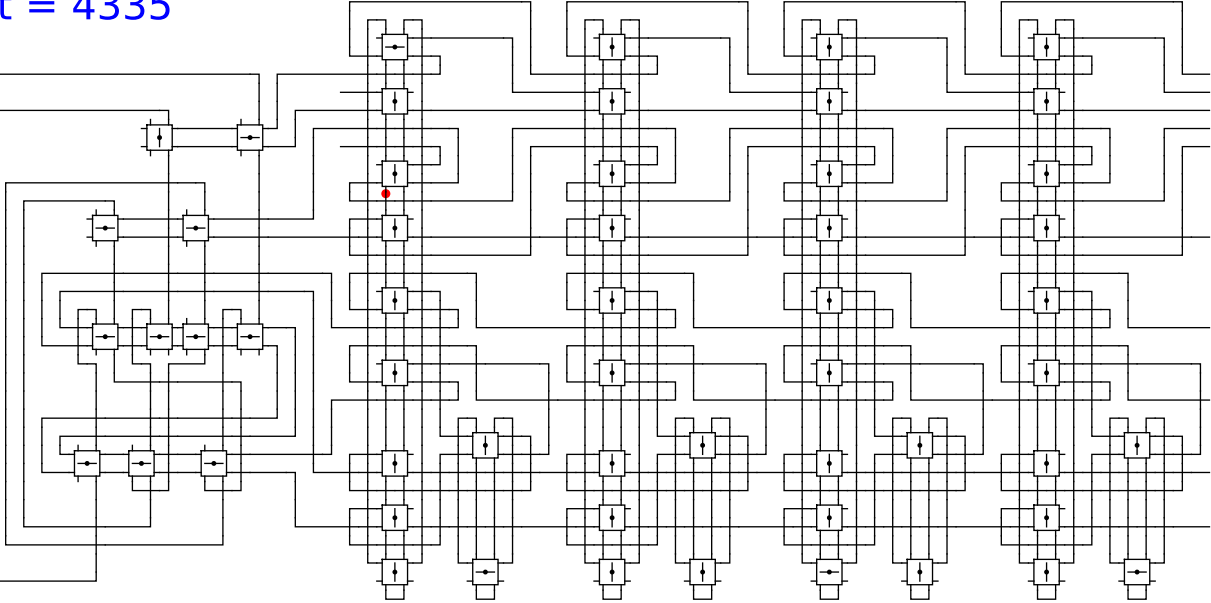
0

1

t = 4335

Reject
Accept

Begin

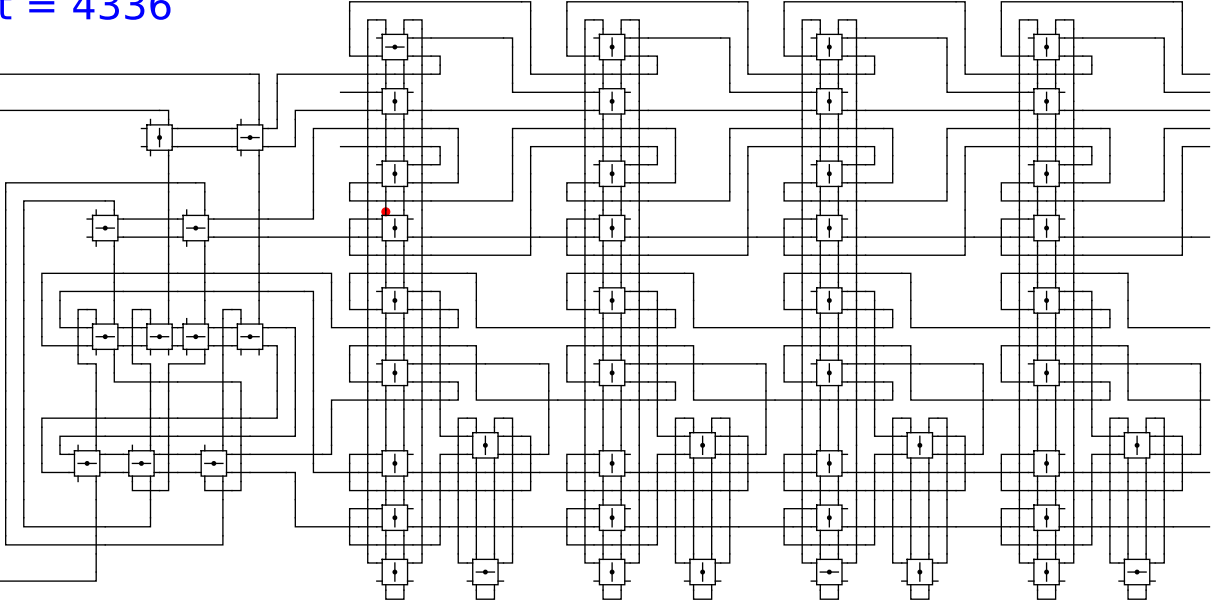


1 0 head 0 1

t = 4336

Reject
Accept

Begin

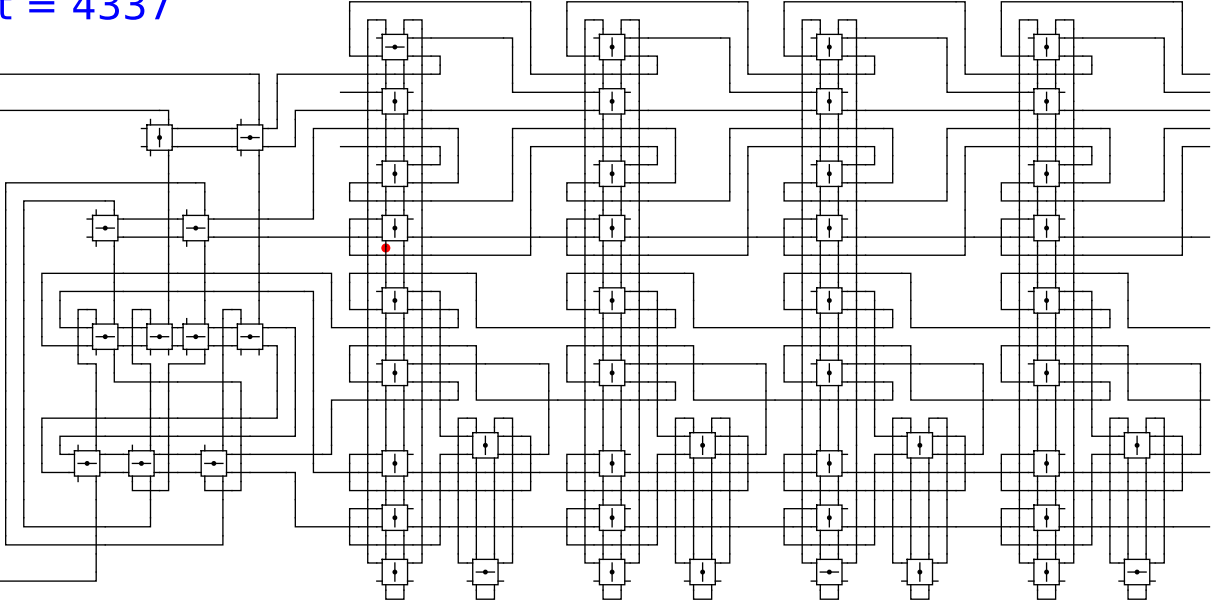


1 0 head 0 1

t = 4337

Reject
Accept

Begin



1

0

head

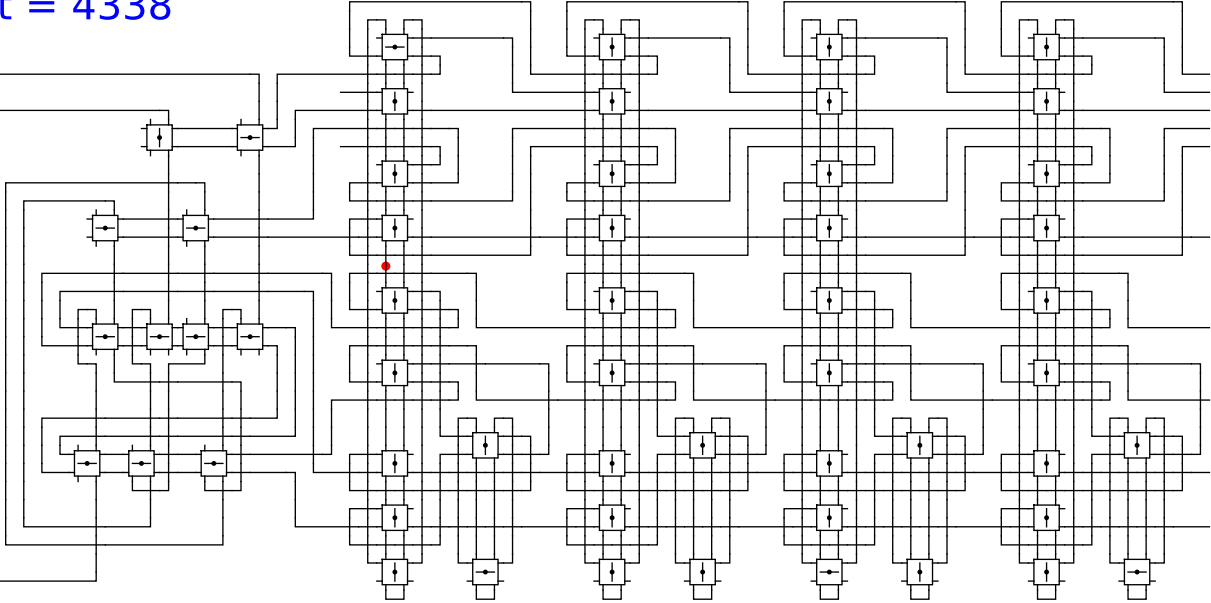
0

1

t = 4338

Reject
Accept

Begin



1

0

head

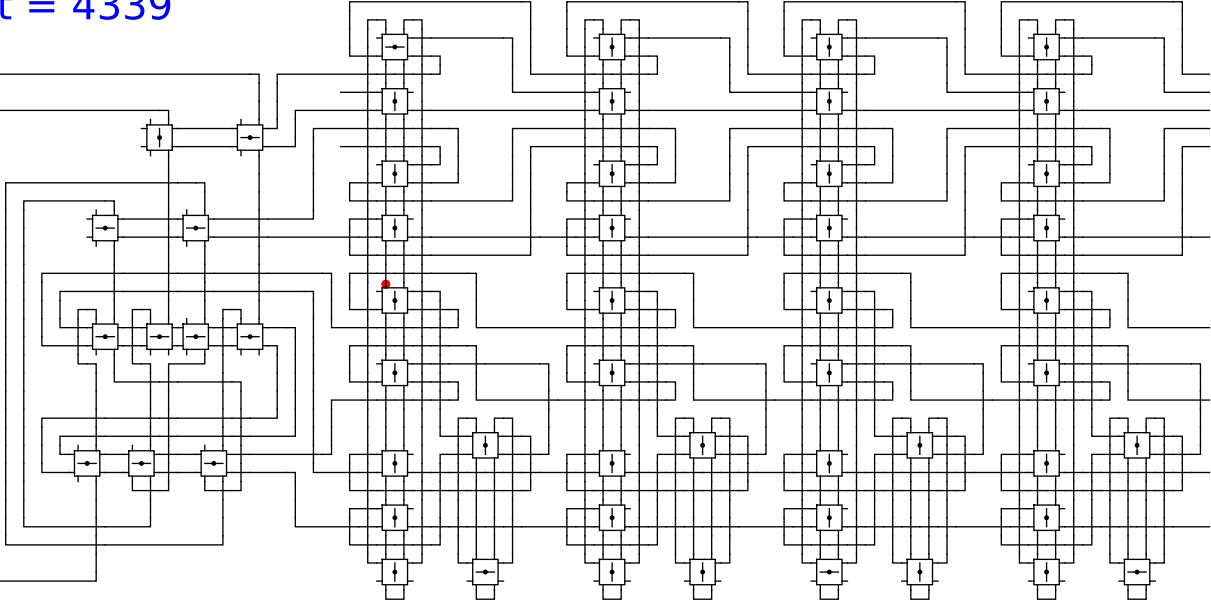
0

1

t = 4339

Reject
Accept

Begin

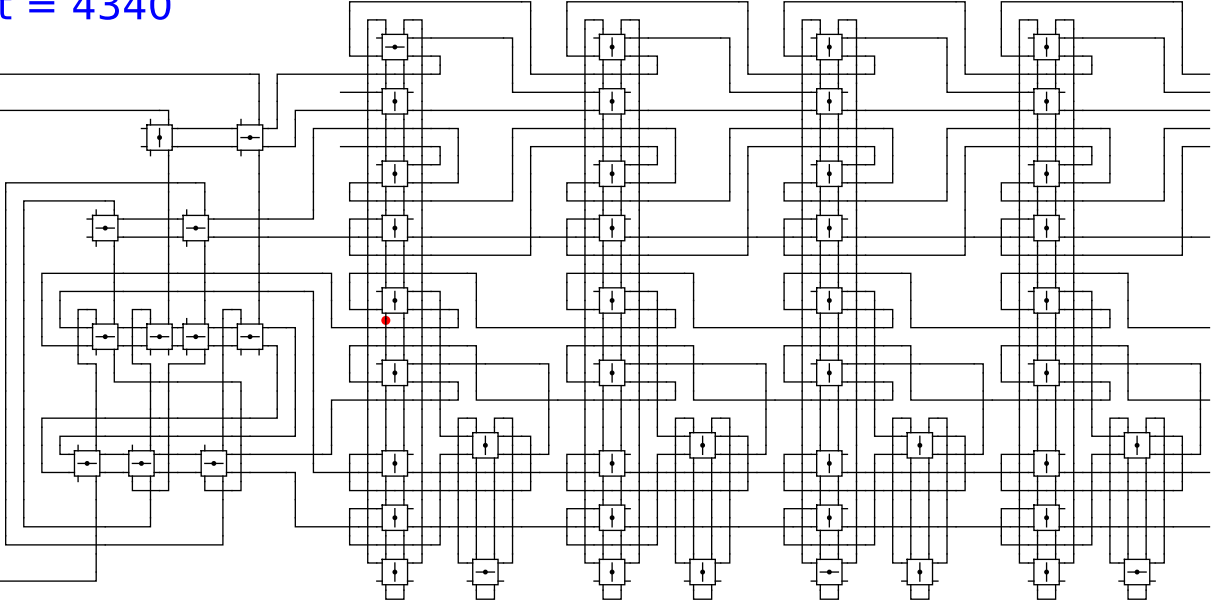


1 0 head 0 1

t = 4340

Reject
Accept

Begin

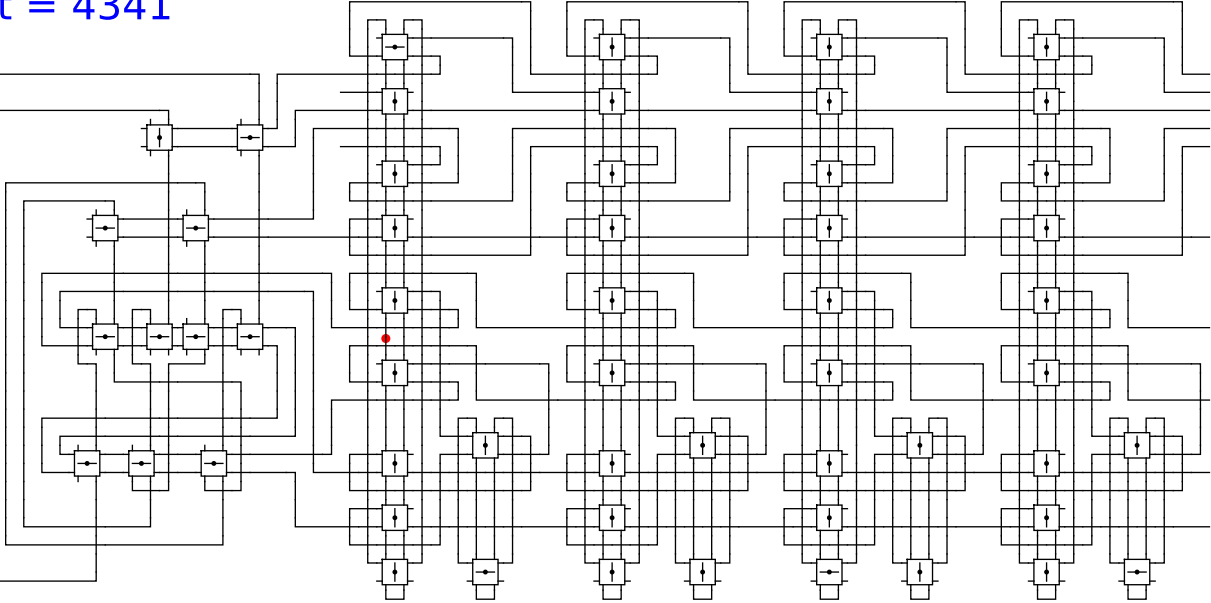


1 0 head 0 1

t = 4341

Reject
Accept

Begin

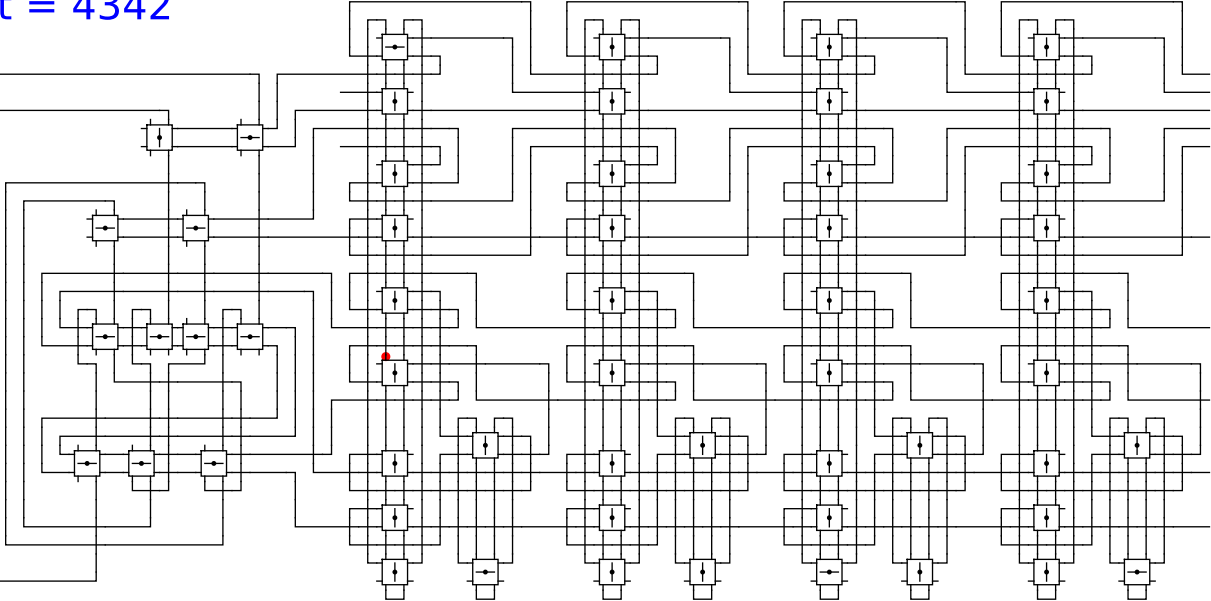


1 0 head 0 1

t = 4342

Reject
Accept

Begin



1

0

head

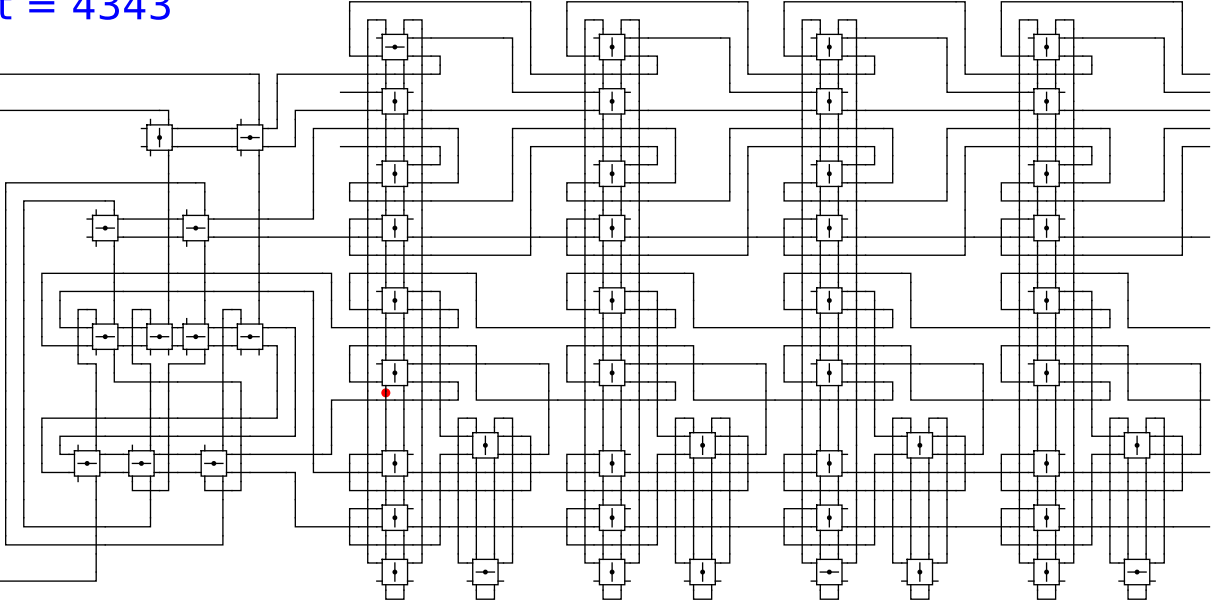
0

1

t = 4343

Reject
Accept

Begin



1

0

head

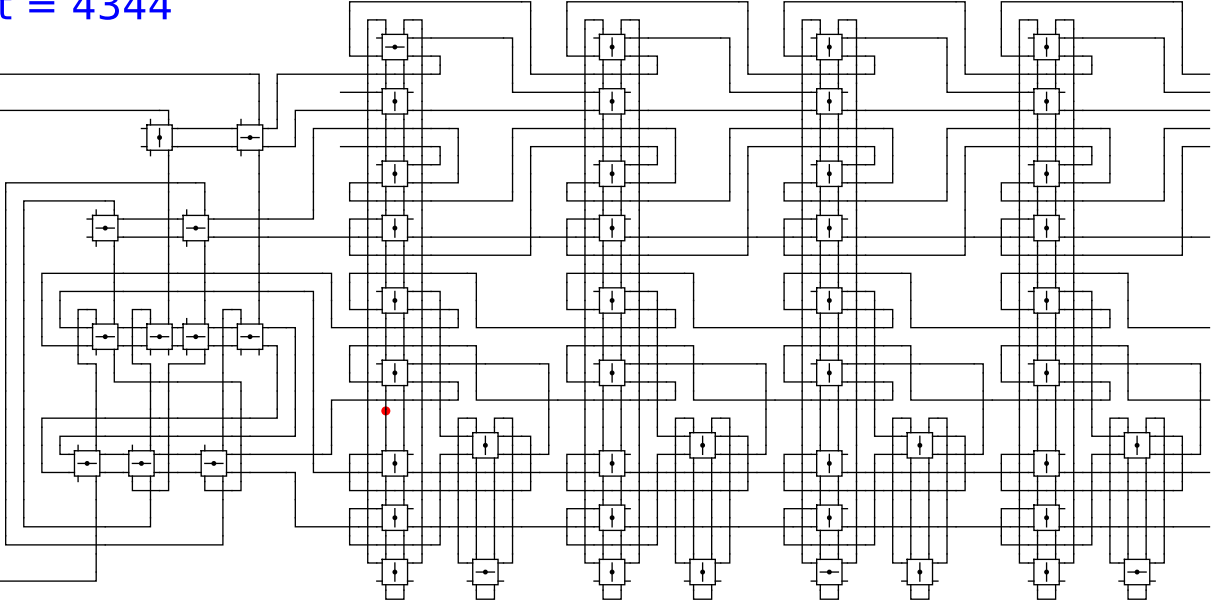
0

1

t = 4344

Reject
Accept

Begin



1

0

head

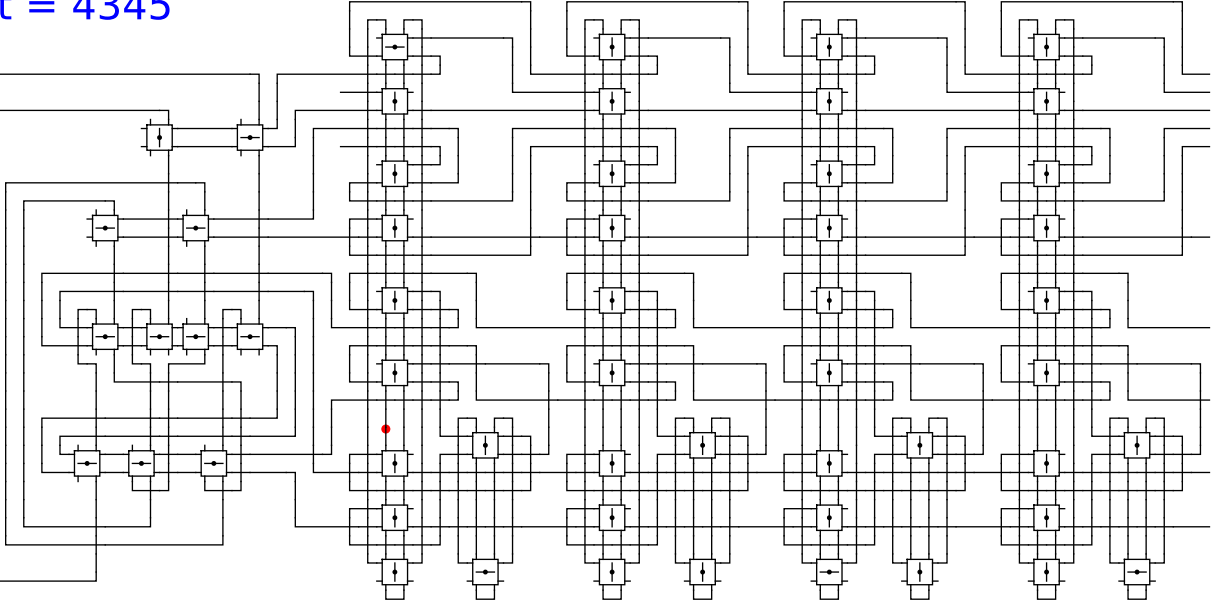
0

1

t = 4345

Reject
Accept

Begin

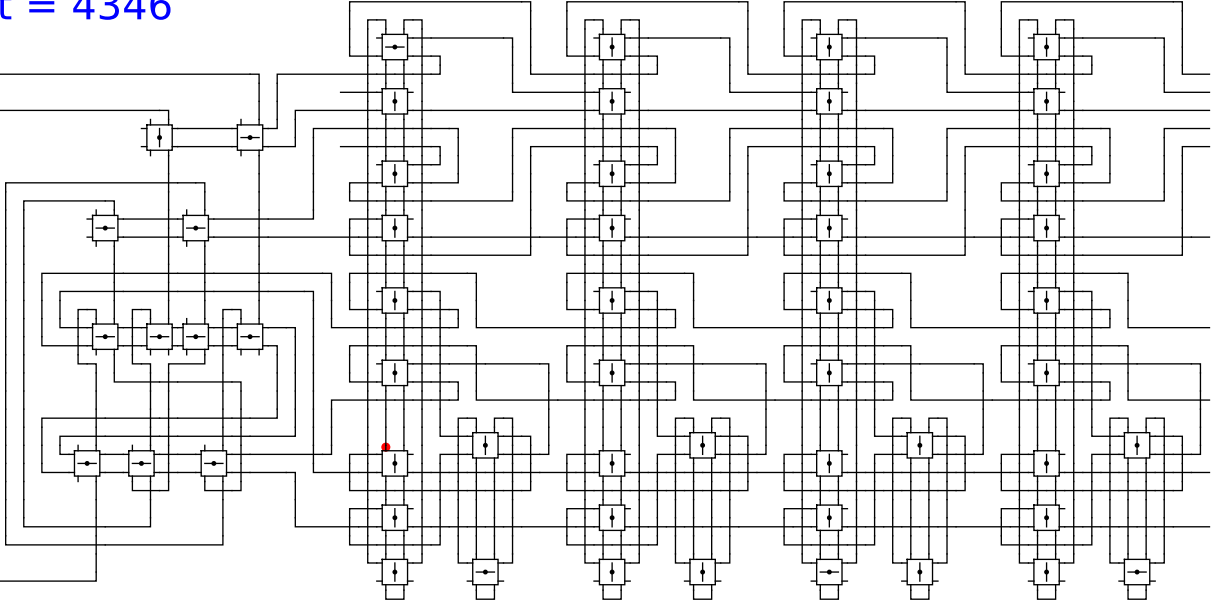


1 0 head 0 1

t = 4346

Reject
Accept

Begin



1

0

head

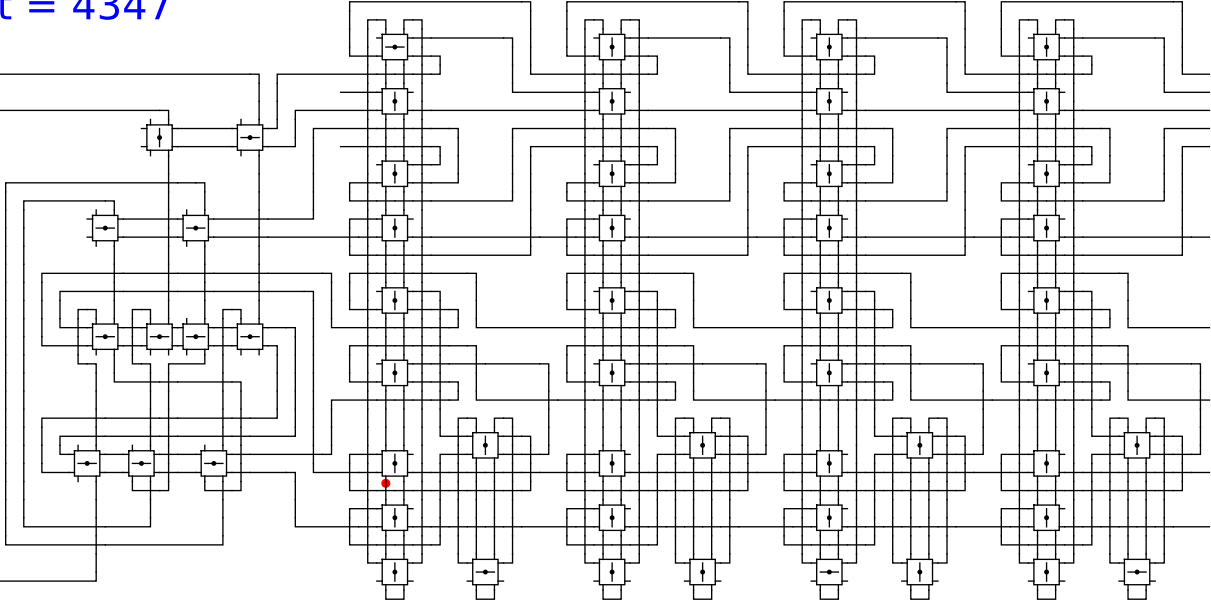
0

1

t = 4347

Reject
Accept

Begin

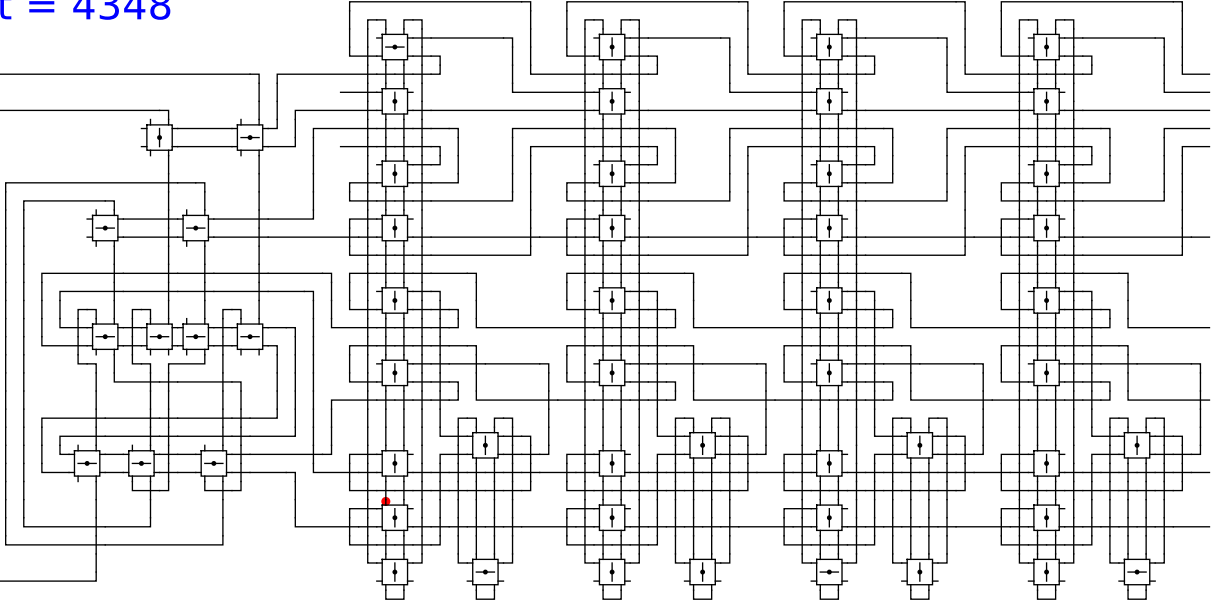


1 0 head 0 1

t = 4348

Reject
Accept

Begin

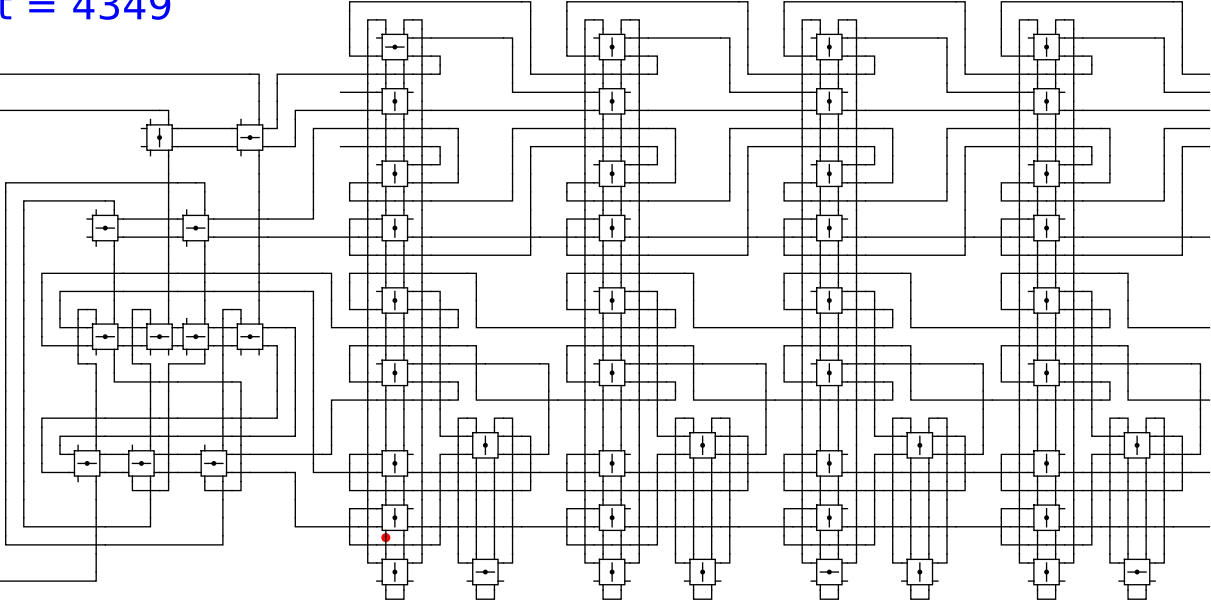


1 0 head 0 1

t = 4349

Reject
Accept

Begin

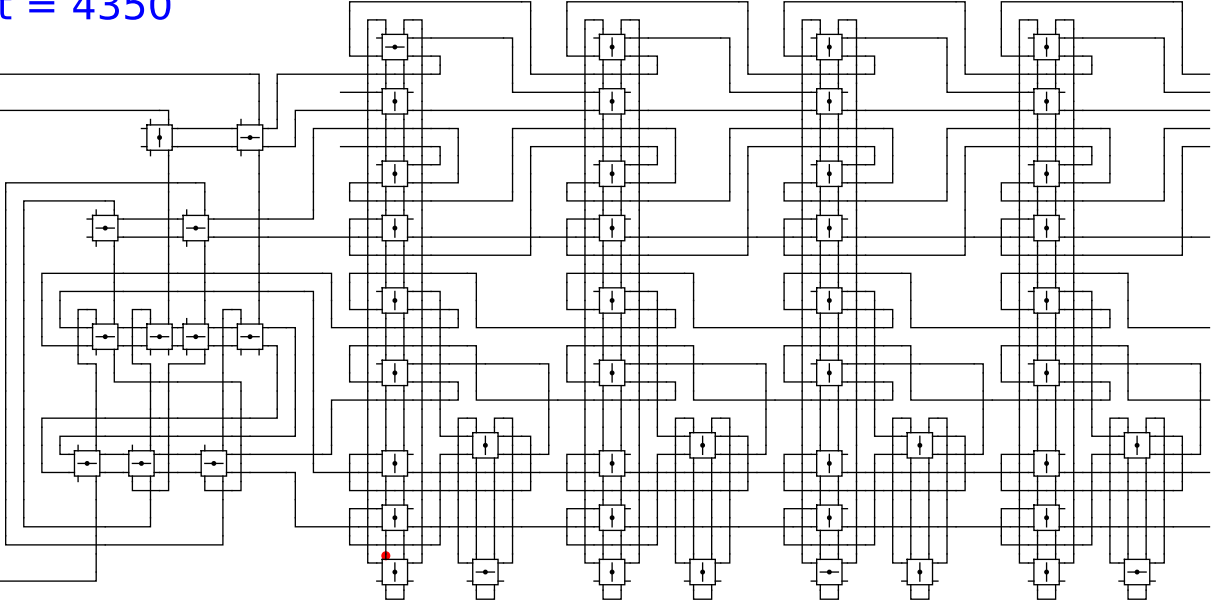


1 0 head 0 1

t = 4350

Reject
Accept

Begin

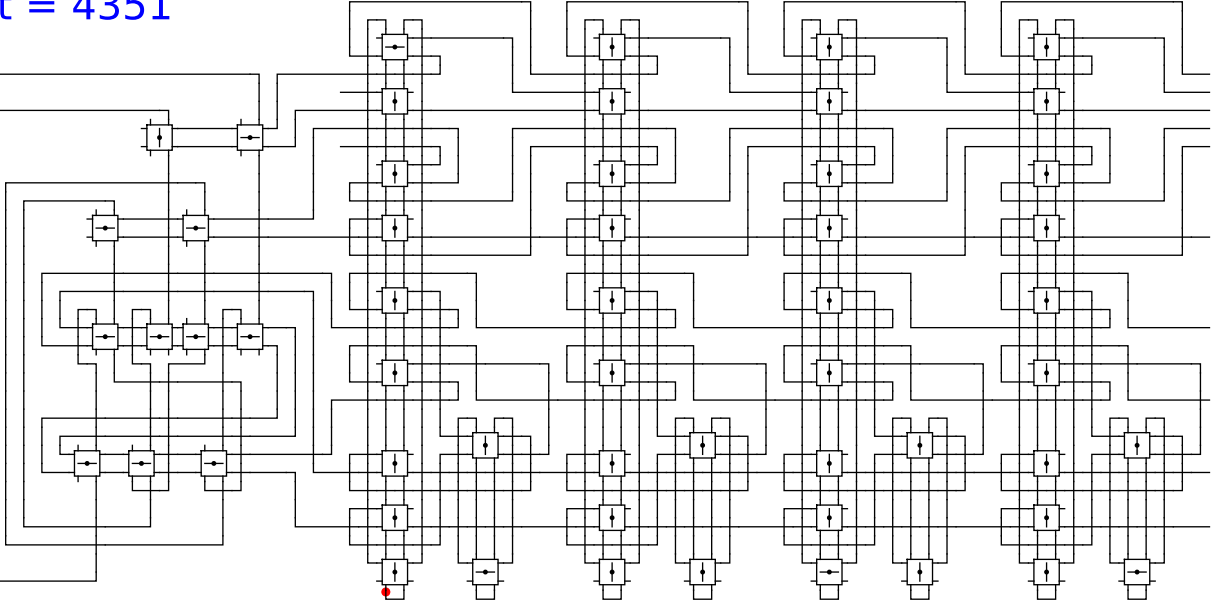


1 0 head 0 1

t = 4351

Reject
Accept

Begin

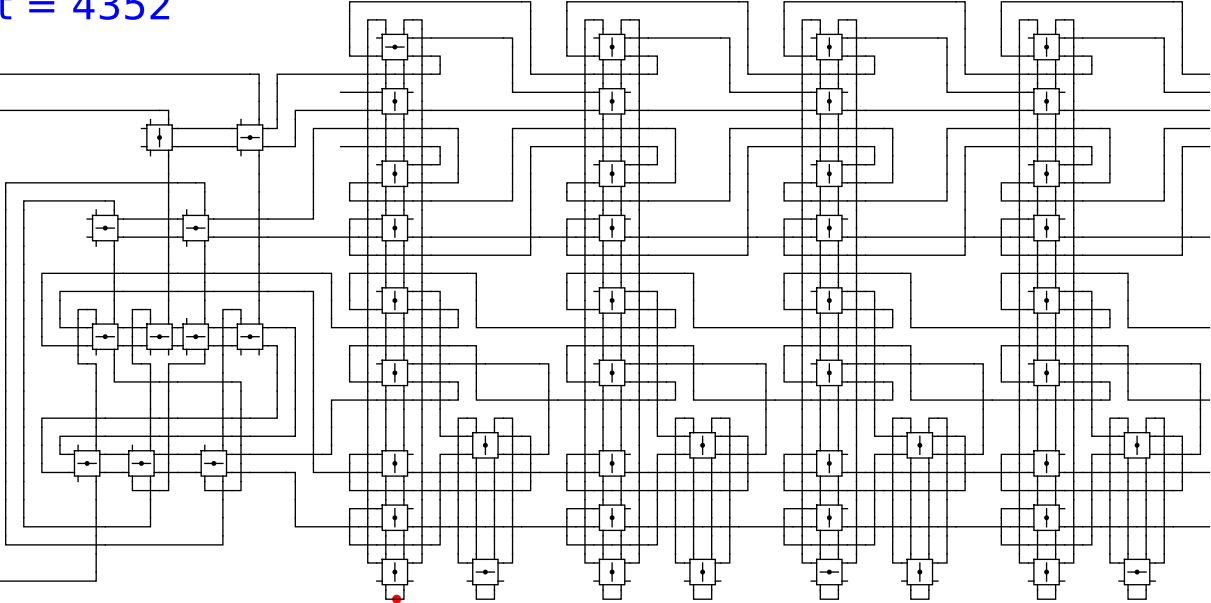


1 0 head 0 1

t = 4352

Reject
Accept

Begin



1

0

head

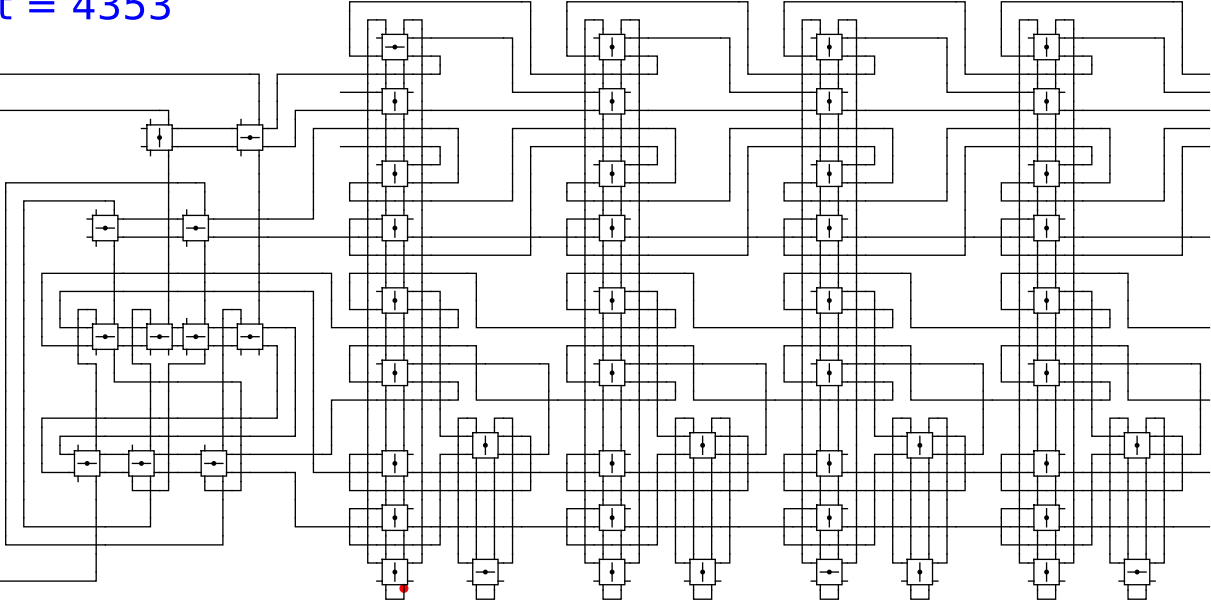
0

1

t = 4353

Reject
Accept

Begin



1

0

head

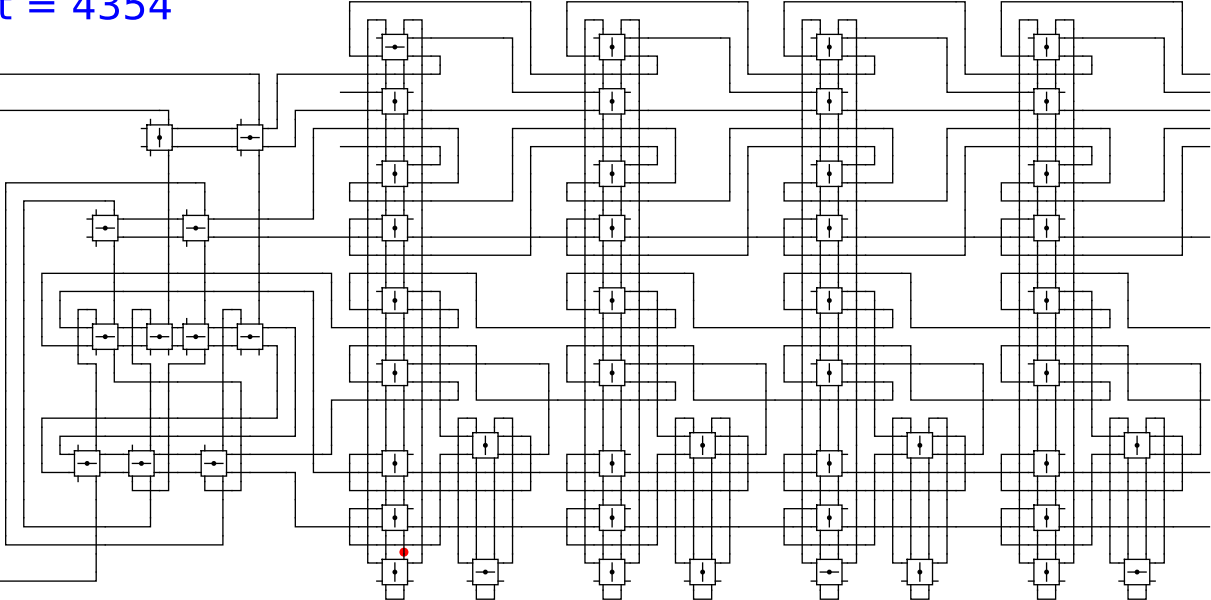
0

1

t = 4354

Reject
Accept

Begin

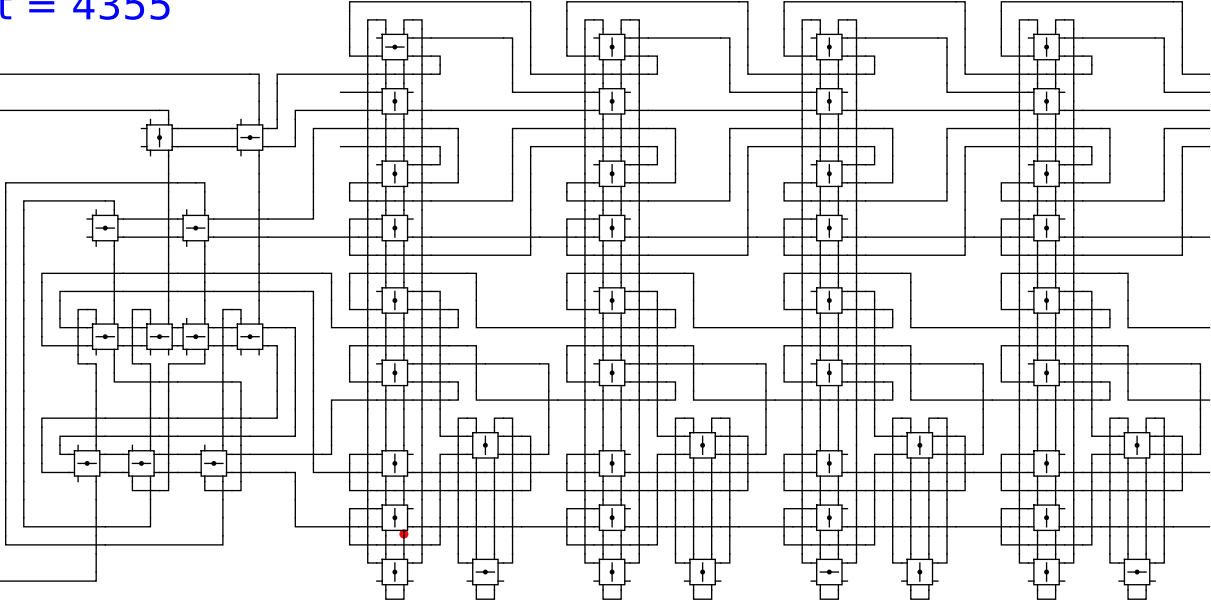


1 0 head 0 1

t = 4355

Reject
Accept

Begin

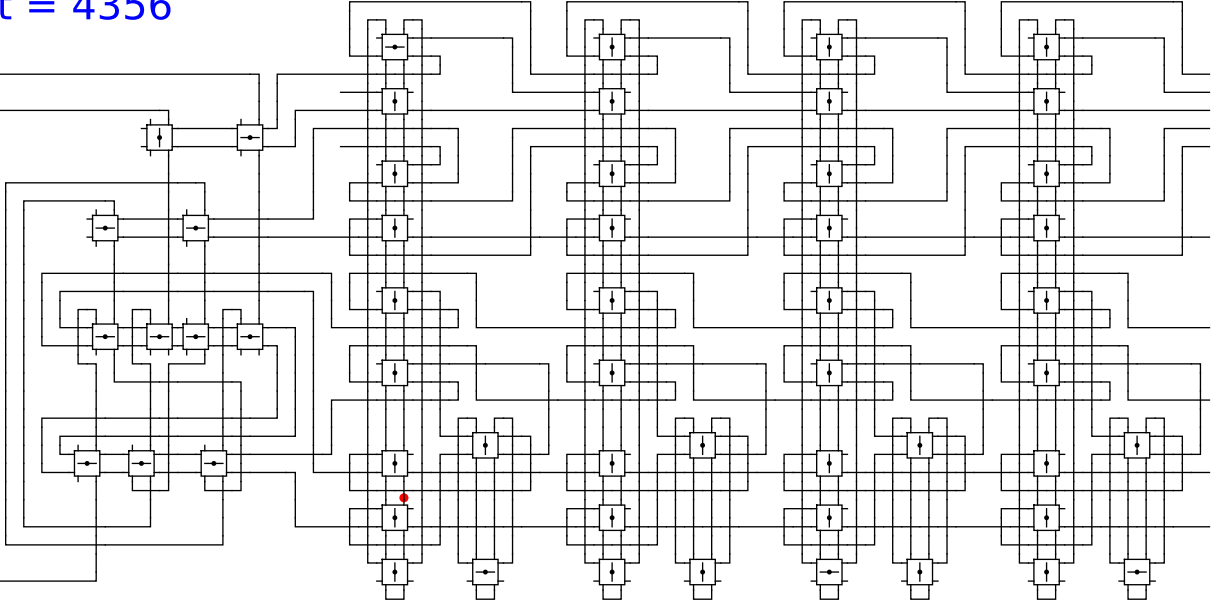


1 0 head 0 1

t = 4356

Reject
Accept

Begin

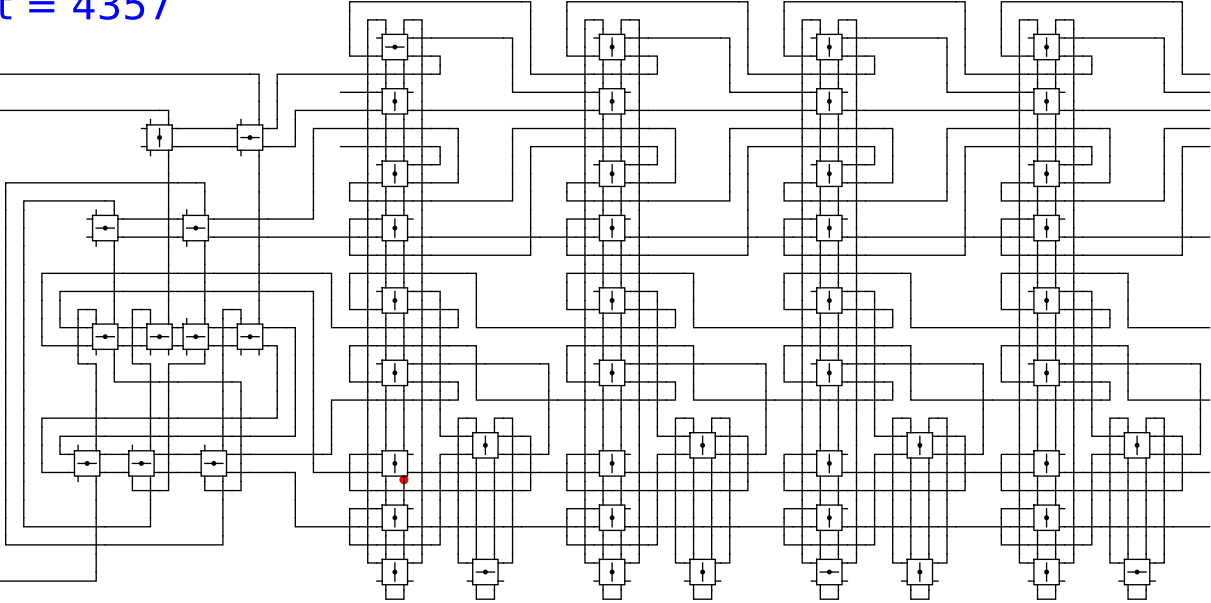


1 0 head 0 1

t = 4357

Reject
Accept

Begin

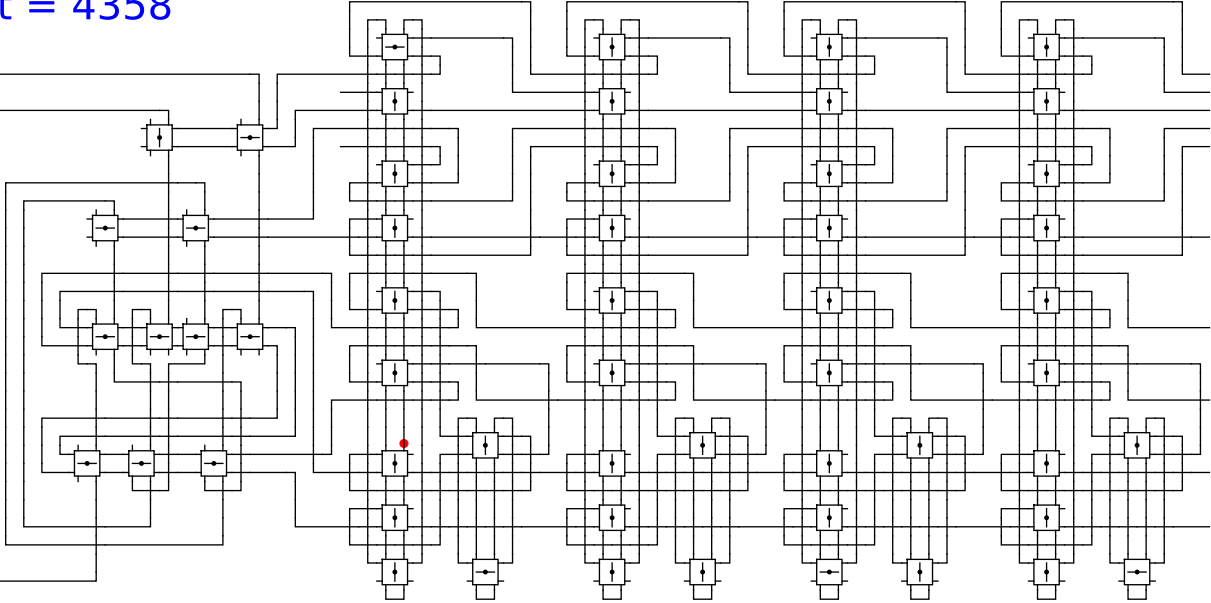


1 0 head 0 1

t = 4358

Reject
Accept

Begin

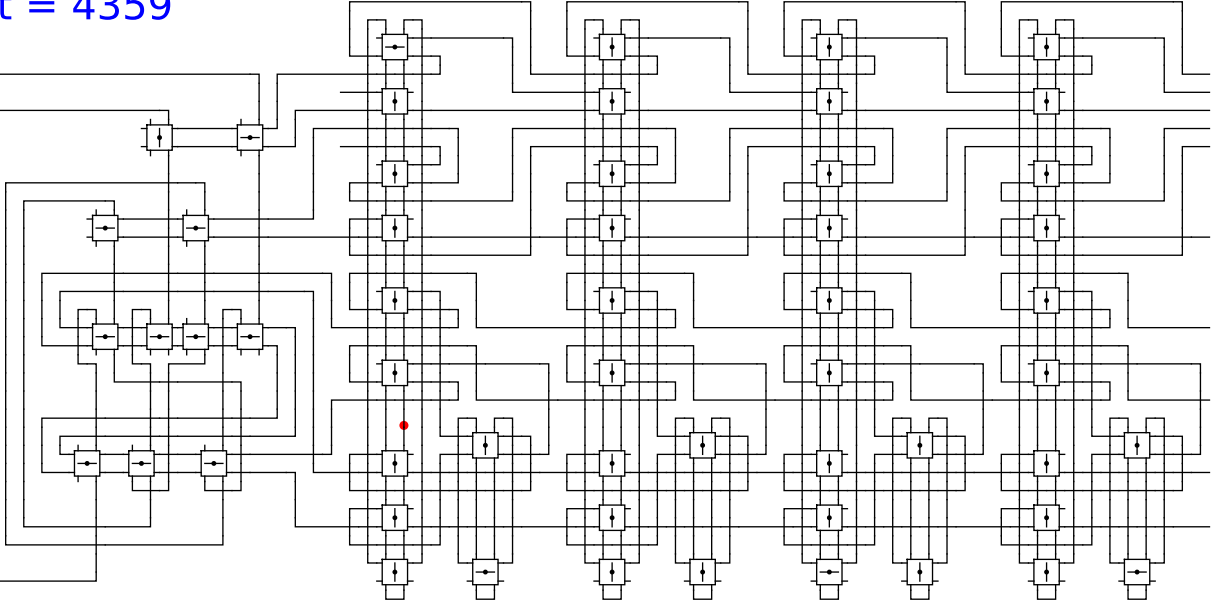


1 0 head 0 1

t = 4359

Reject
Accept

Begin

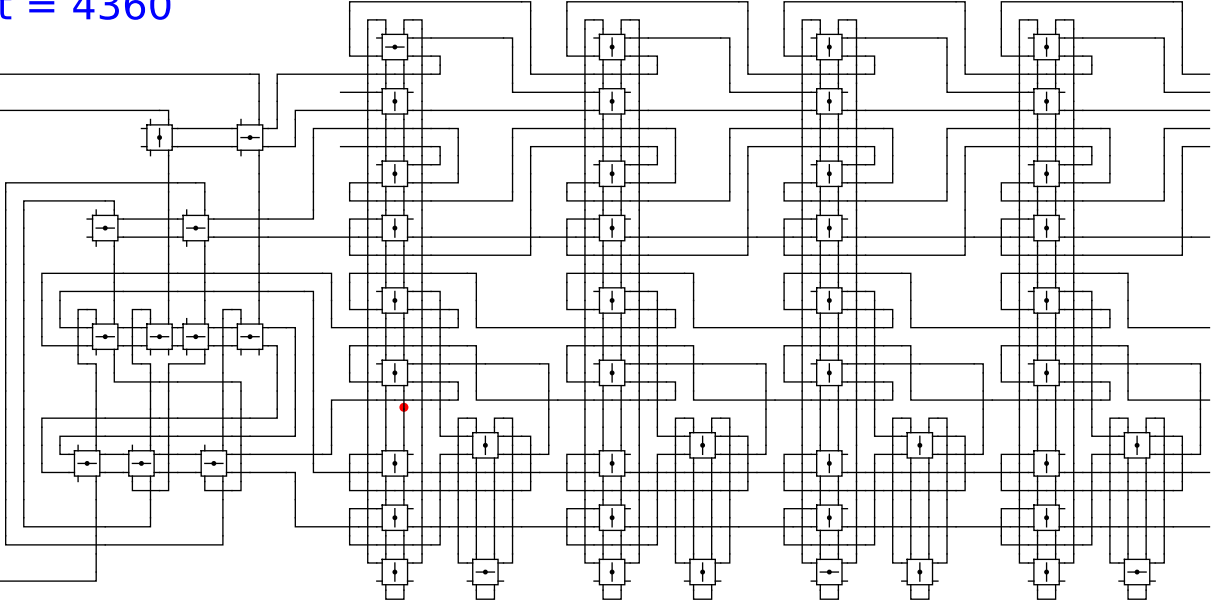


1 0 head 0 1

t = 4360

Reject
Accept

Begin



1

0

head

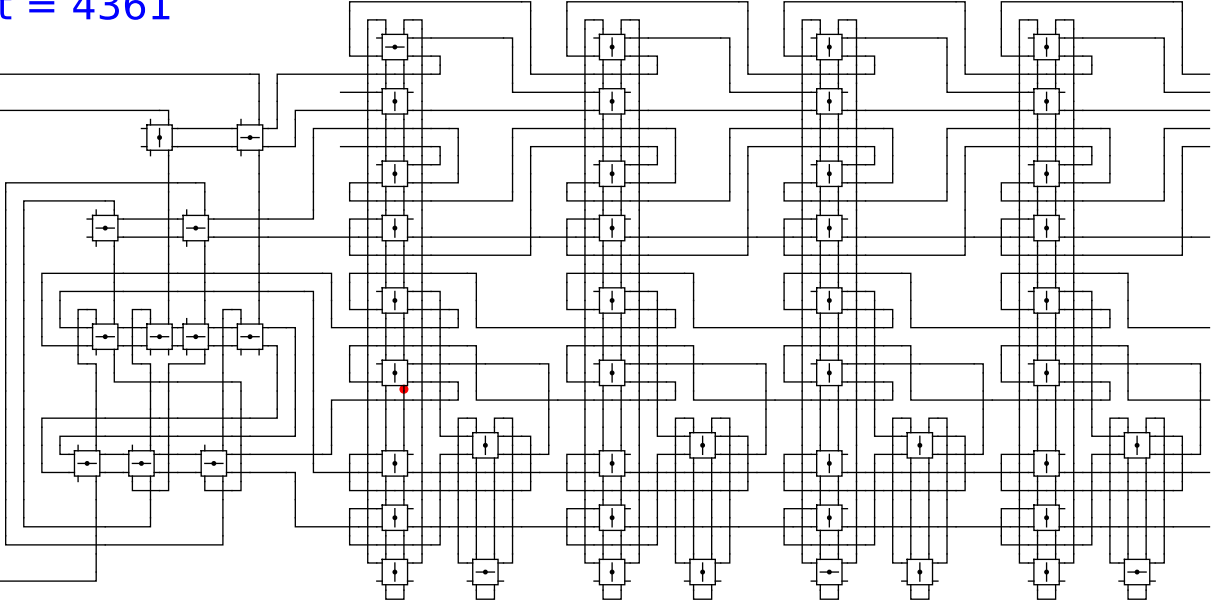
0

1

t = 4361

Reject
Accept

Begin



1

0

head

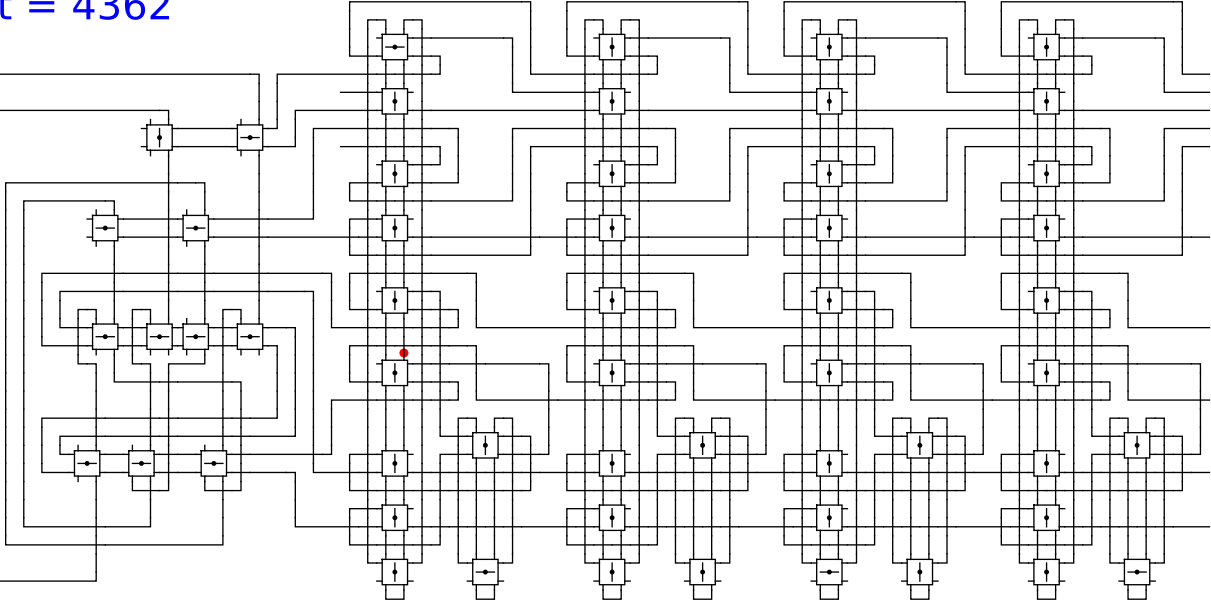
0

1

t = 4362

Reject
Accept

Begin



1

0

head

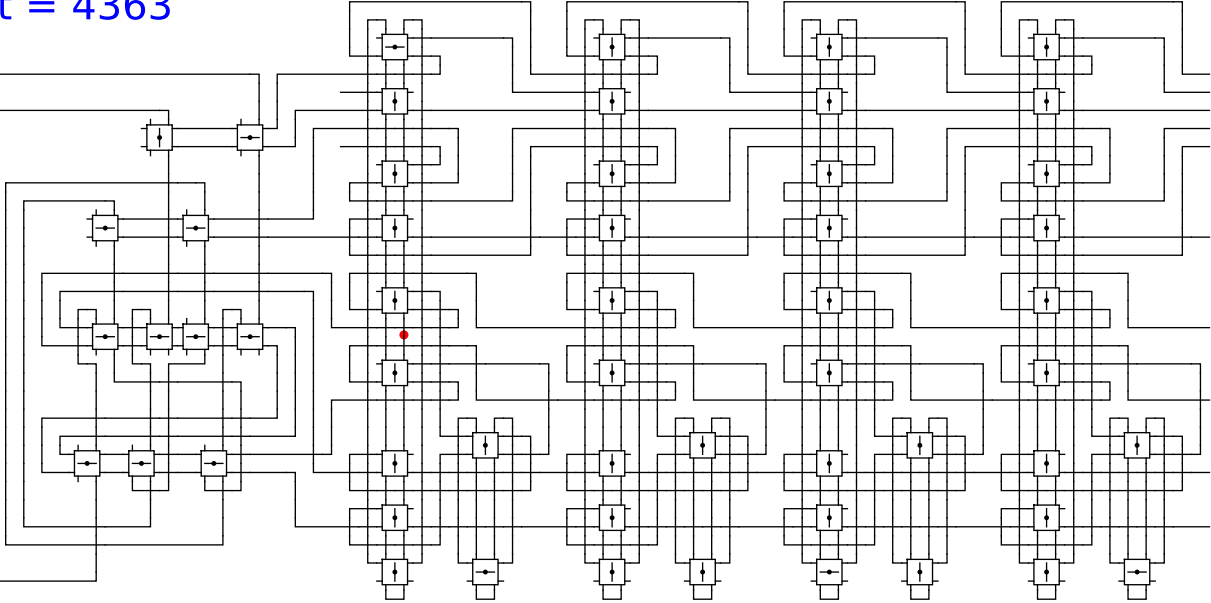
0

1

t = 4363

Reject
Accept

Begin



1

0

head

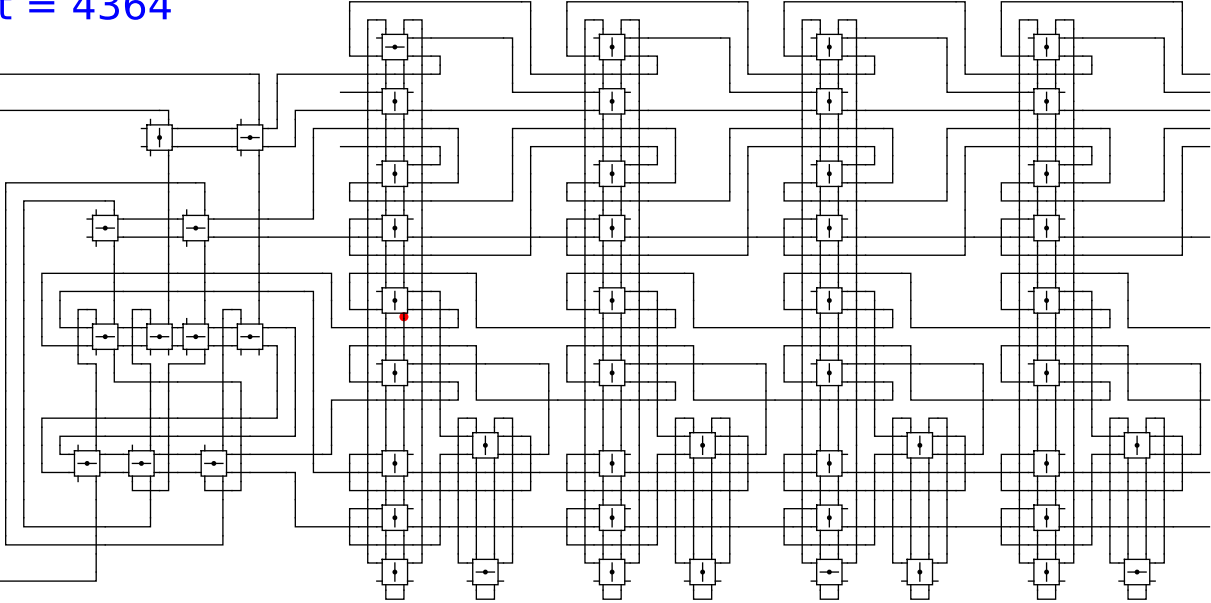
0

1

t = 4364

Reject
Accept

Begin



1

0

head

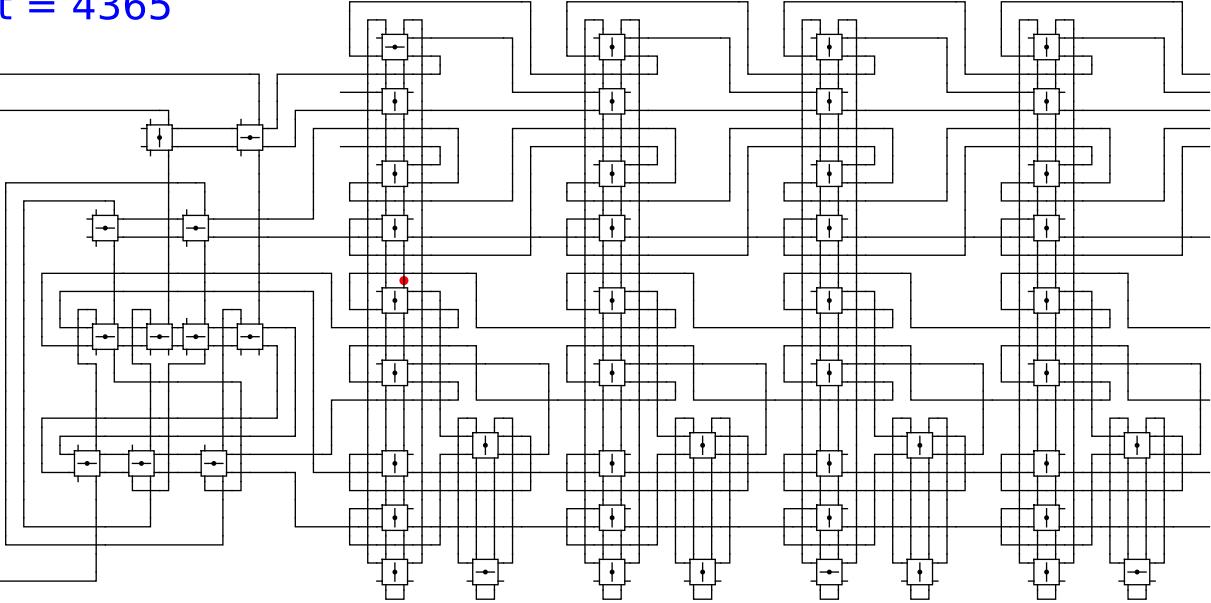
0

1

t = 4365

Reject
Accept

Begin

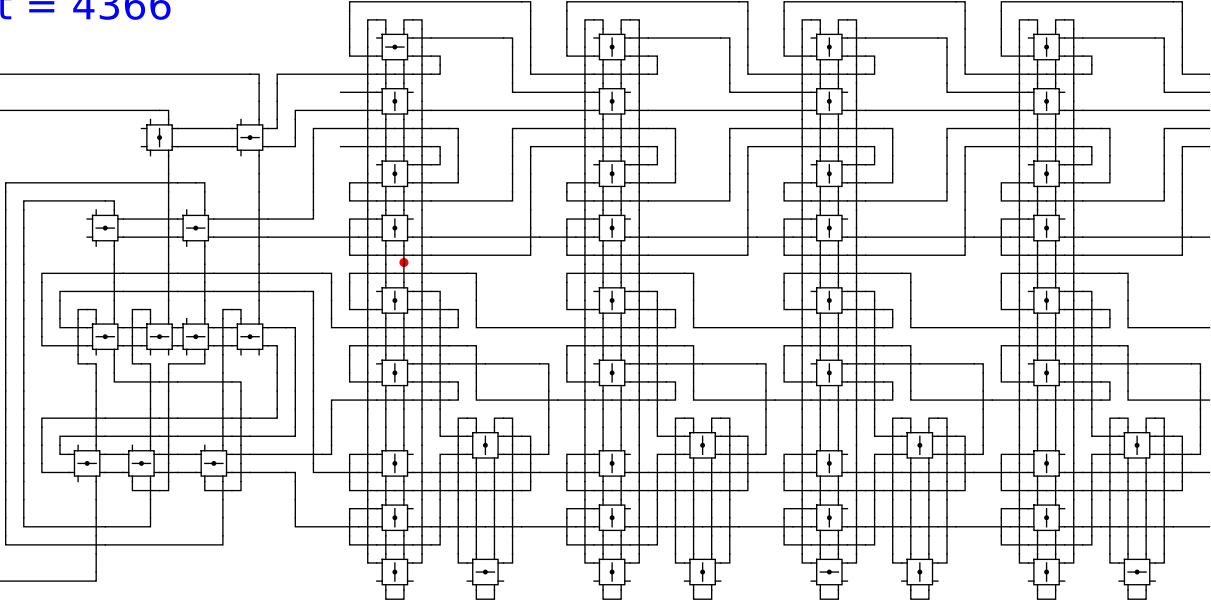


1 0 head 0 1

t = 4366

Reject
Accept

Begin



1

0

head

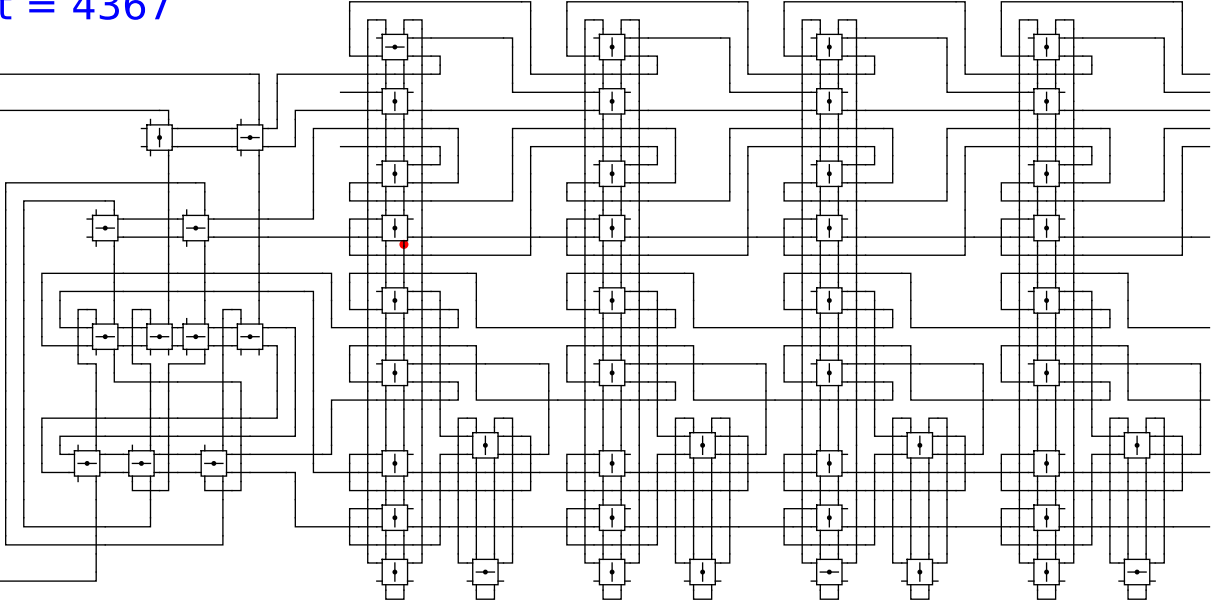
0

1

t = 4367

Reject
Accept

Begin



1

0

head

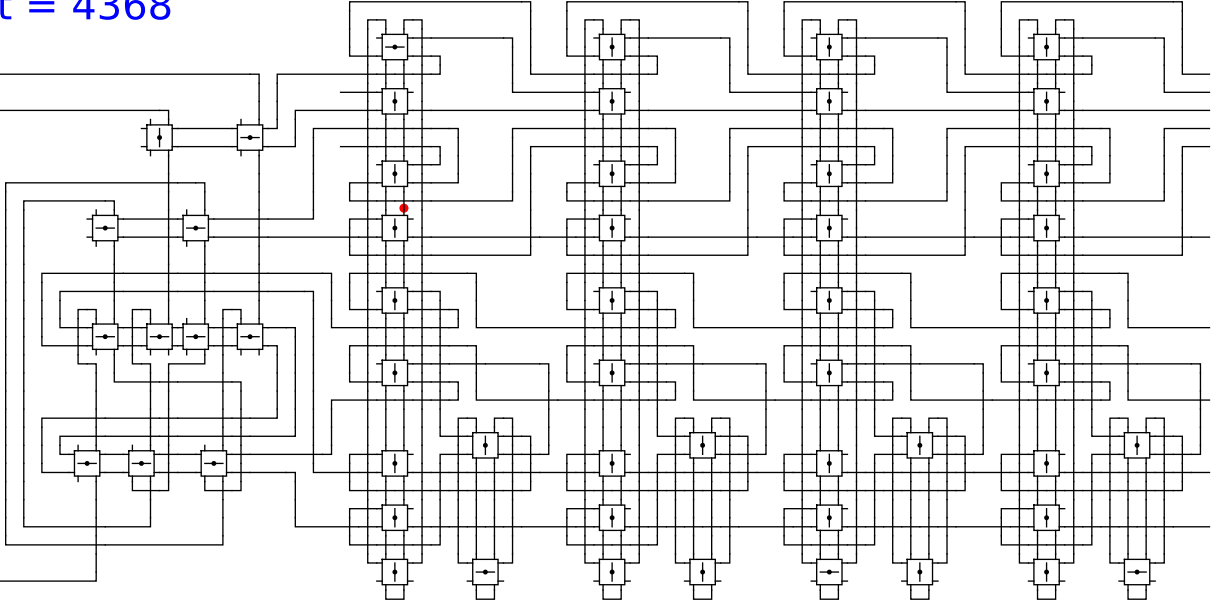
0

1

t = 4368

Reject
Accept

Begin

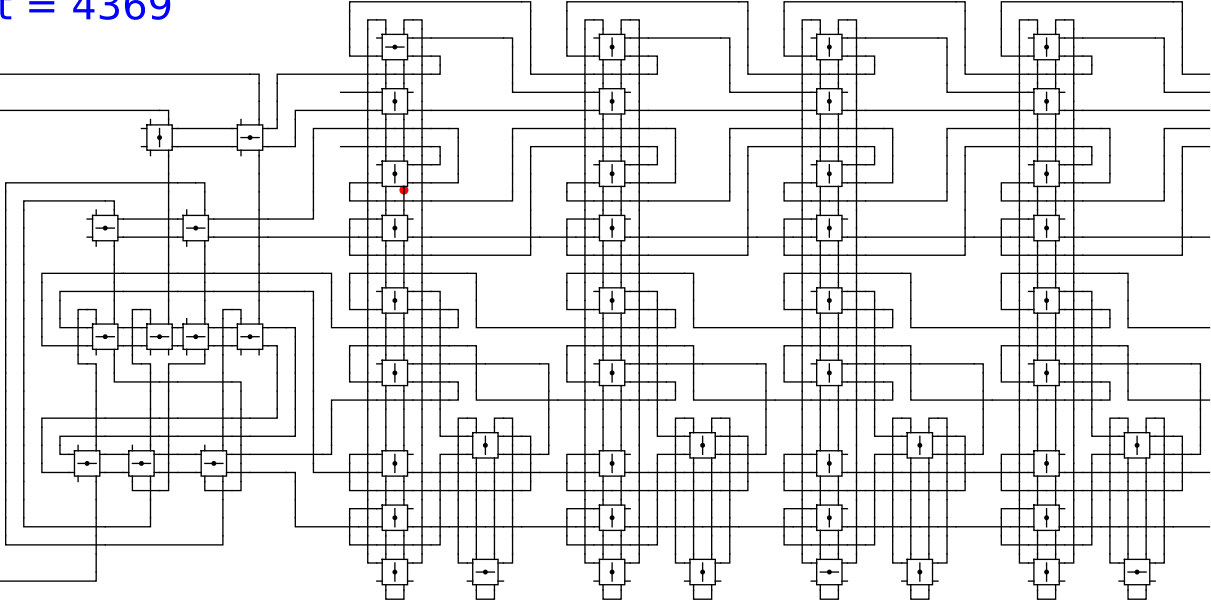


1 0 head 0 1

t = 4369

Reject
Accept

Begin



1

0

head

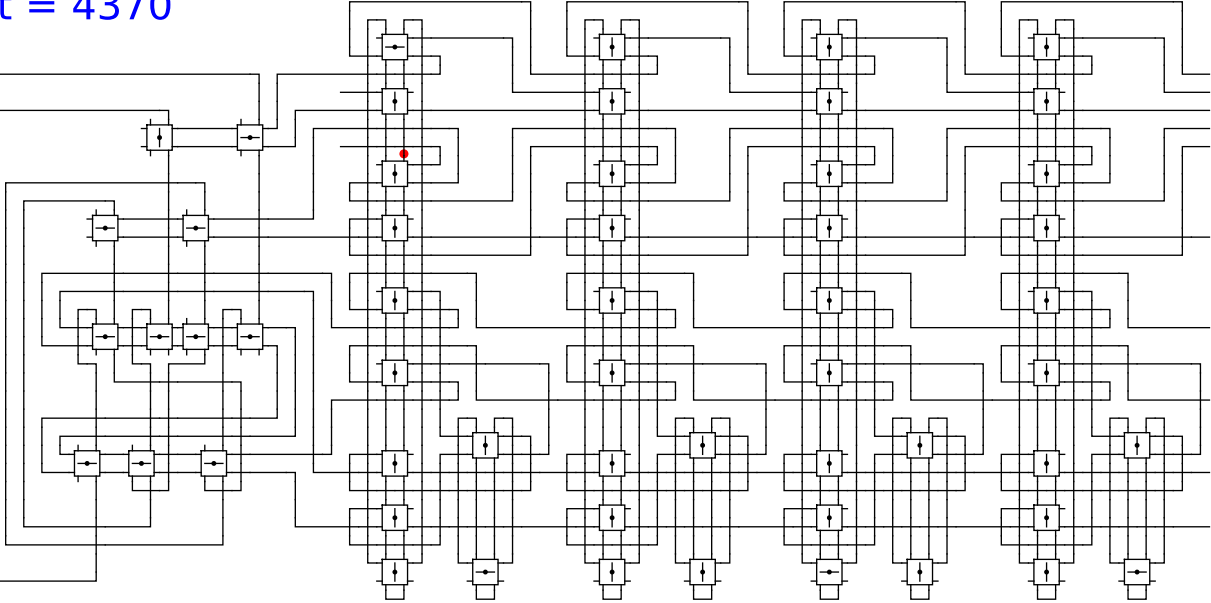
0

1

t = 4370

Reject
Accept

Begin

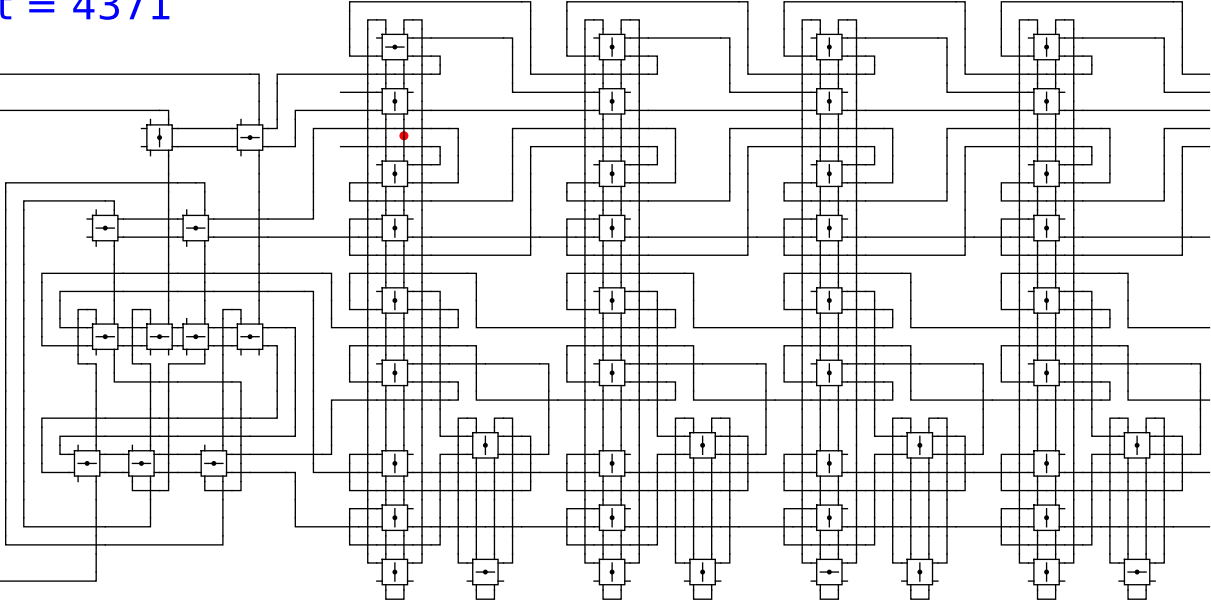


1 0 head 0 1

t = 4371

Reject
Accept

Begin

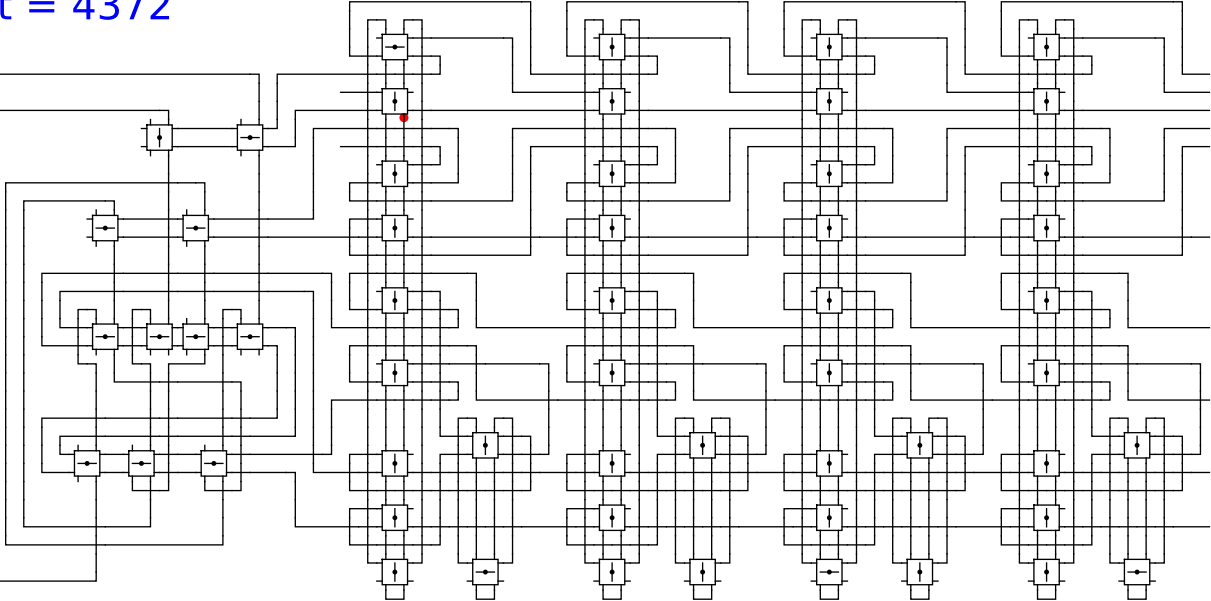


1 0 head 0 1

t = 4372

Reject
Accept

Begin

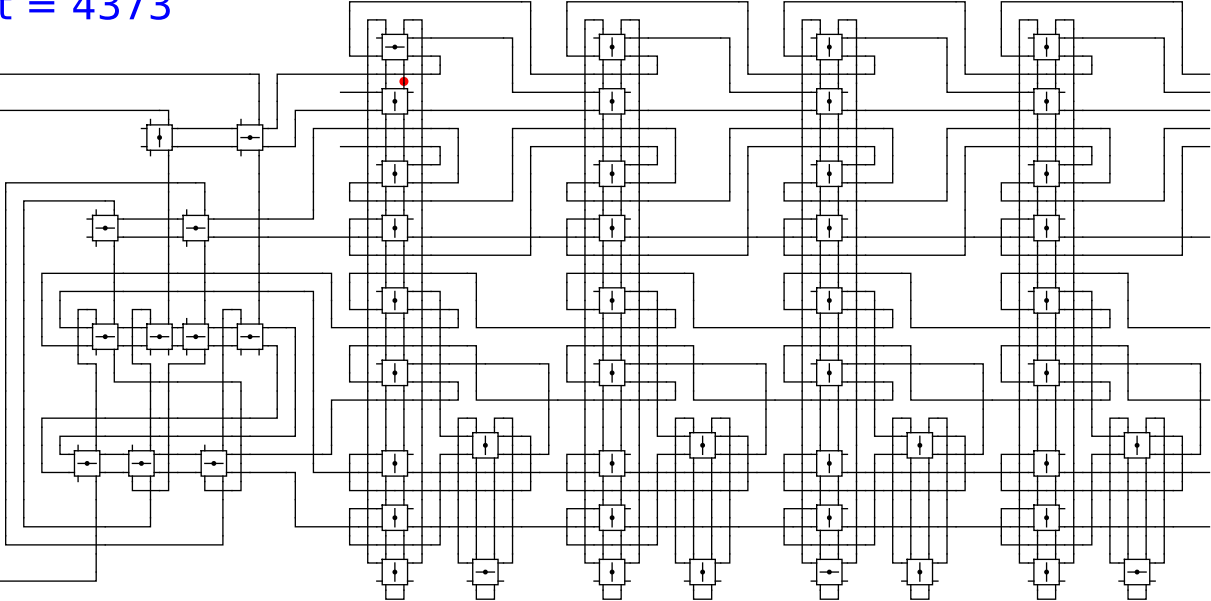


1 0 head 0 1

t = 4373

Reject
Accept

Begin

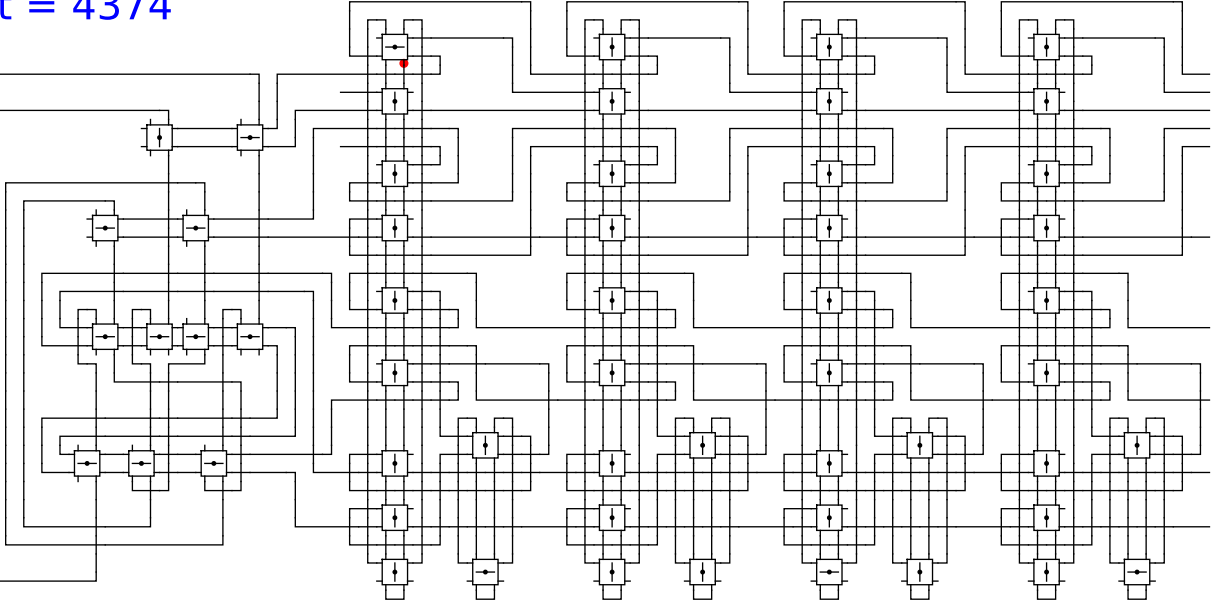


1 0 head 0 1

t = 4374

Reject
Accept

Begin



1

0

head

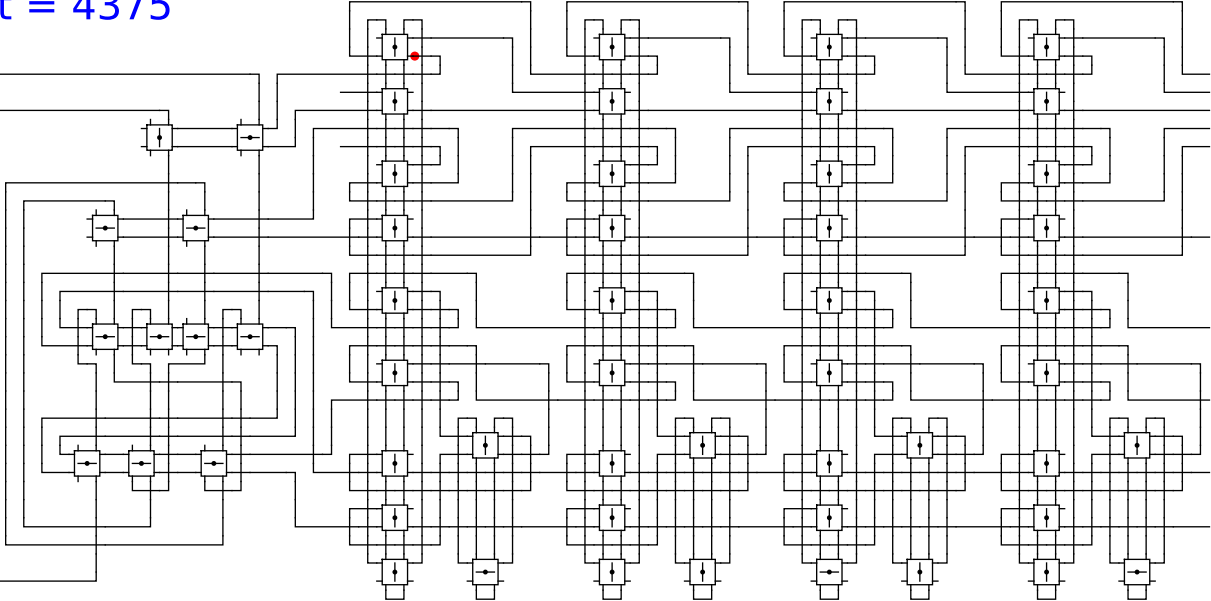
0

1

t = 4375

Reject
Accept

Begin



1

0

head

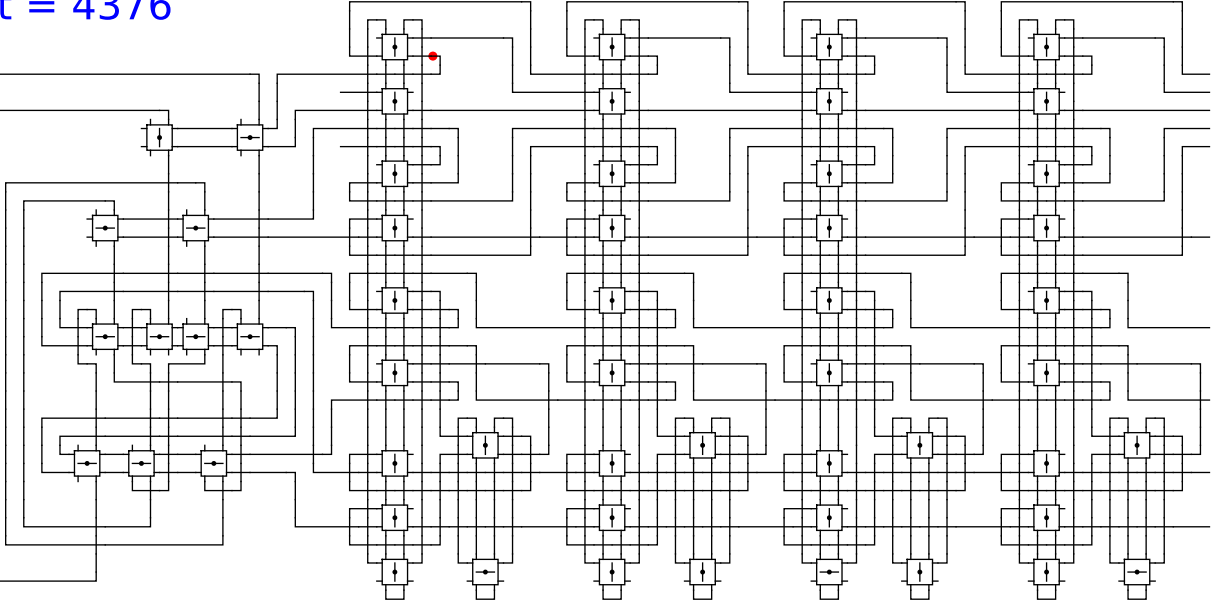
0

1

t = 4376

Reject
Accept

Begin



1

0

head

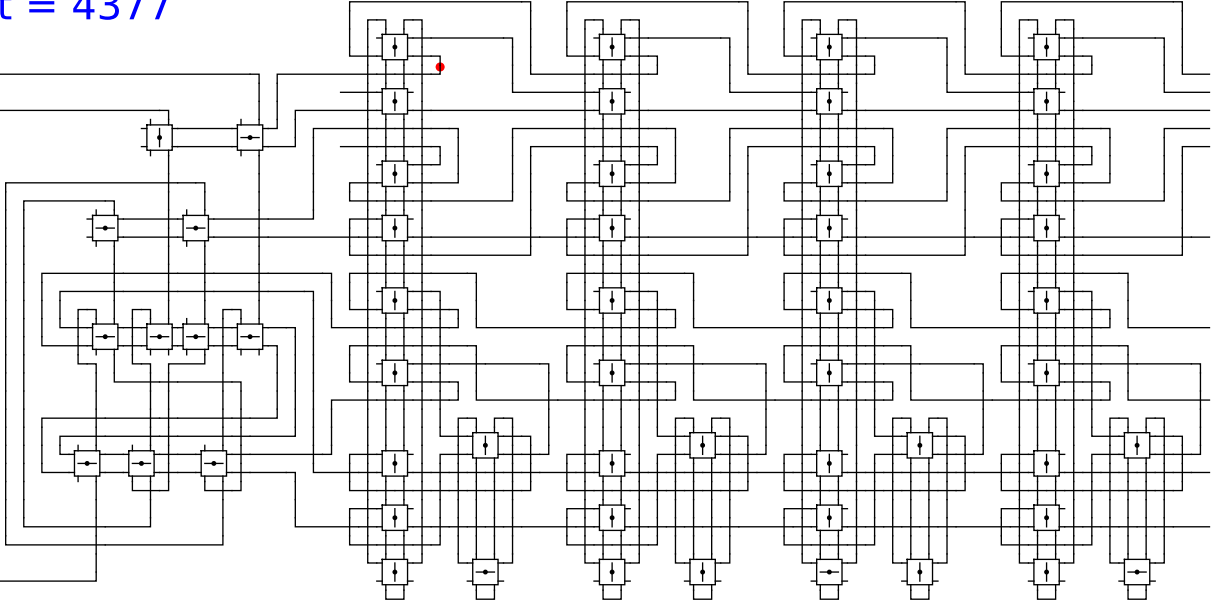
0

1

t = 4377

Reject
Accept

Begin



1

0

head

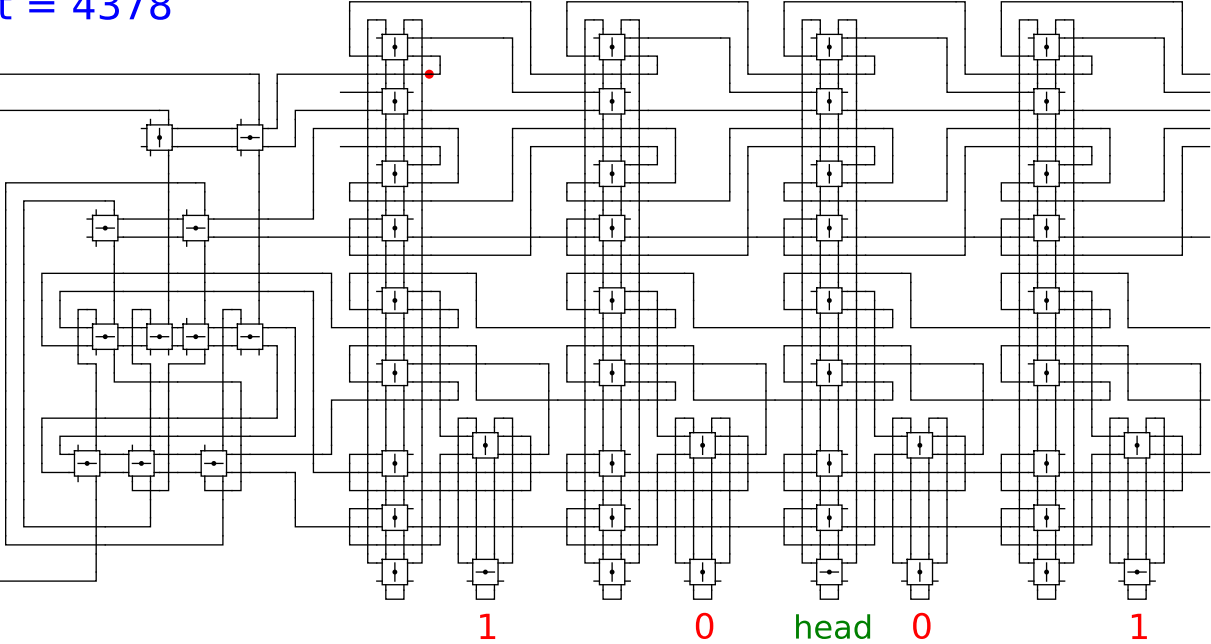
0

1

t = 4378

Reject
Accept

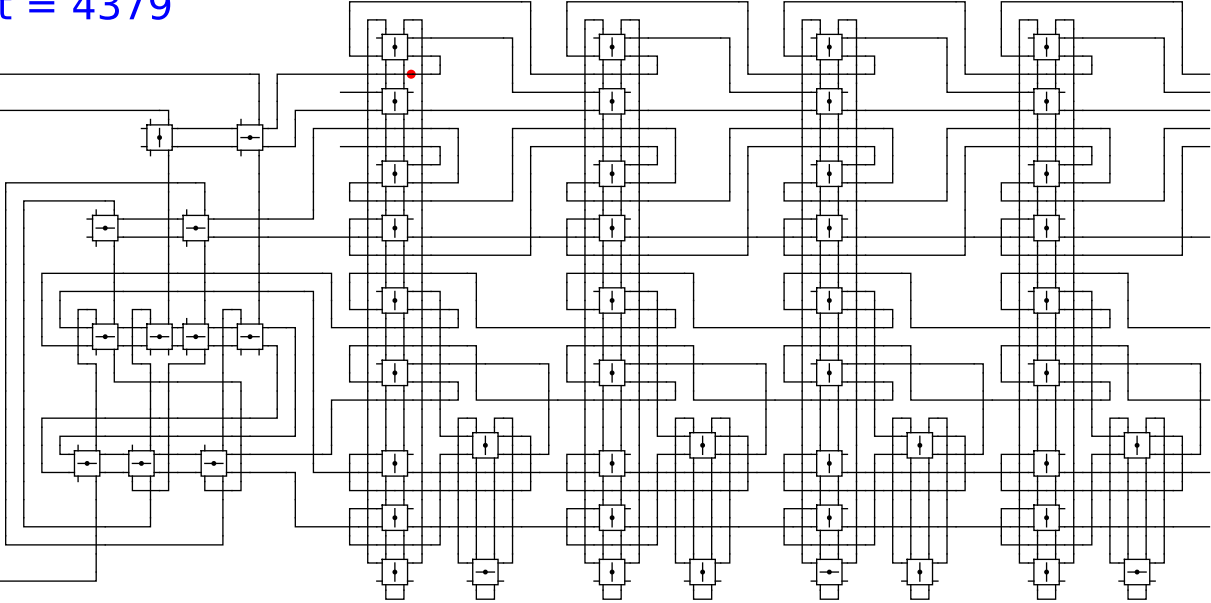
Begin



t = 4379

Reject
Accept

Begin



1

0

head

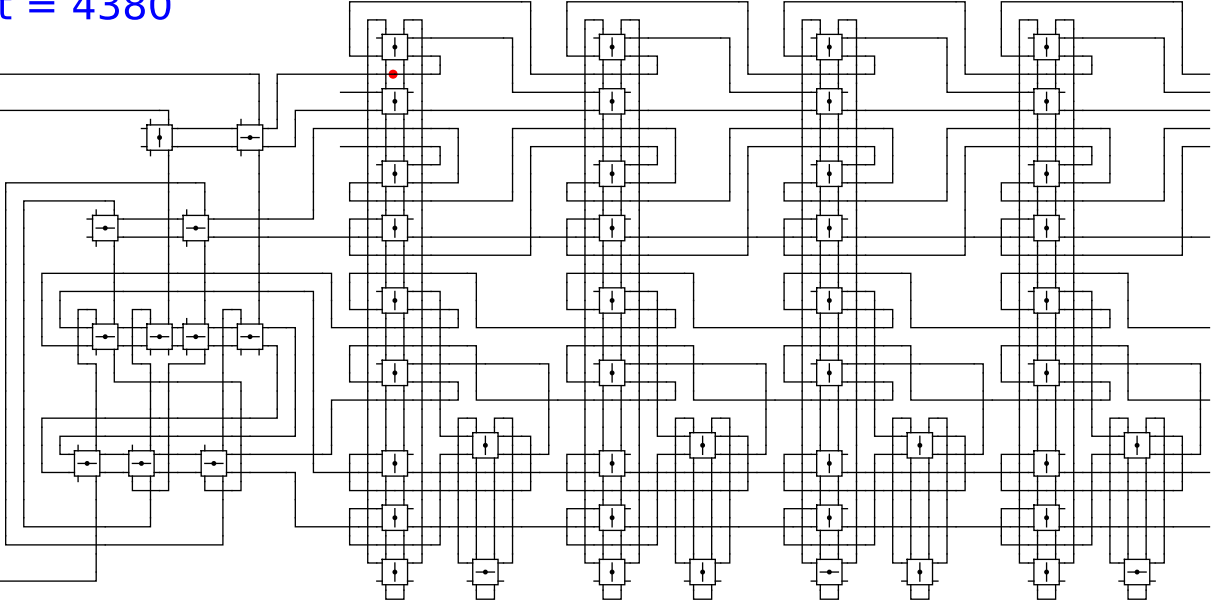
0

1

t = 4380

Reject
Accept

Begin

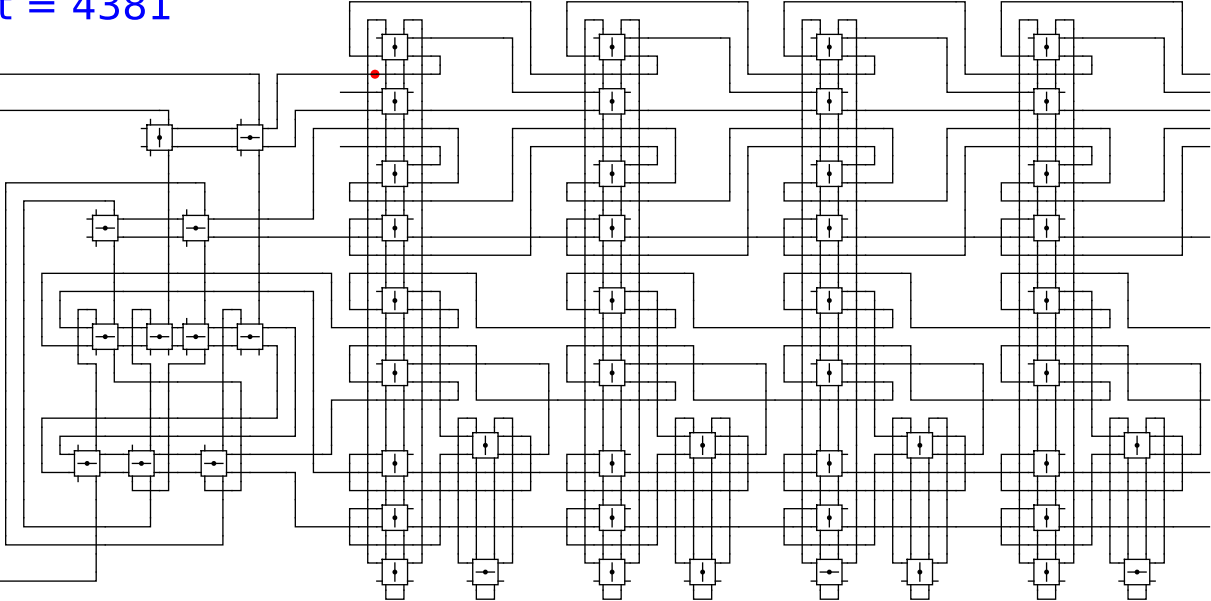


1 0 head 0 1

t = 4381

Reject
Accept

Begin



1

0

head

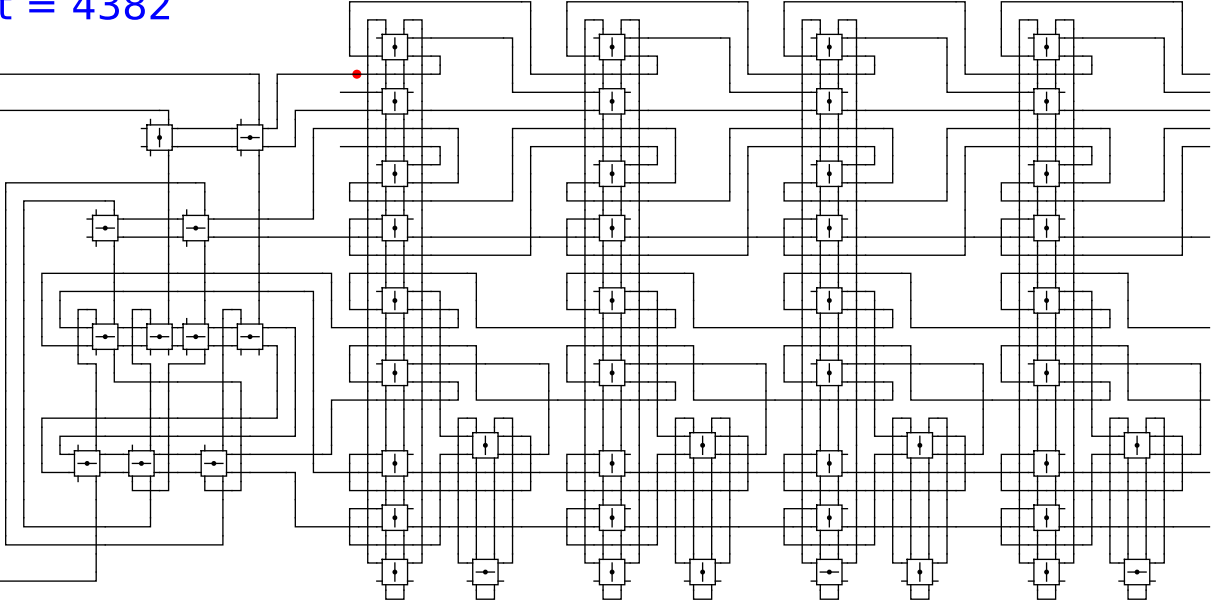
0

1

t = 4382

Reject
Accept

Begin



1

0

head

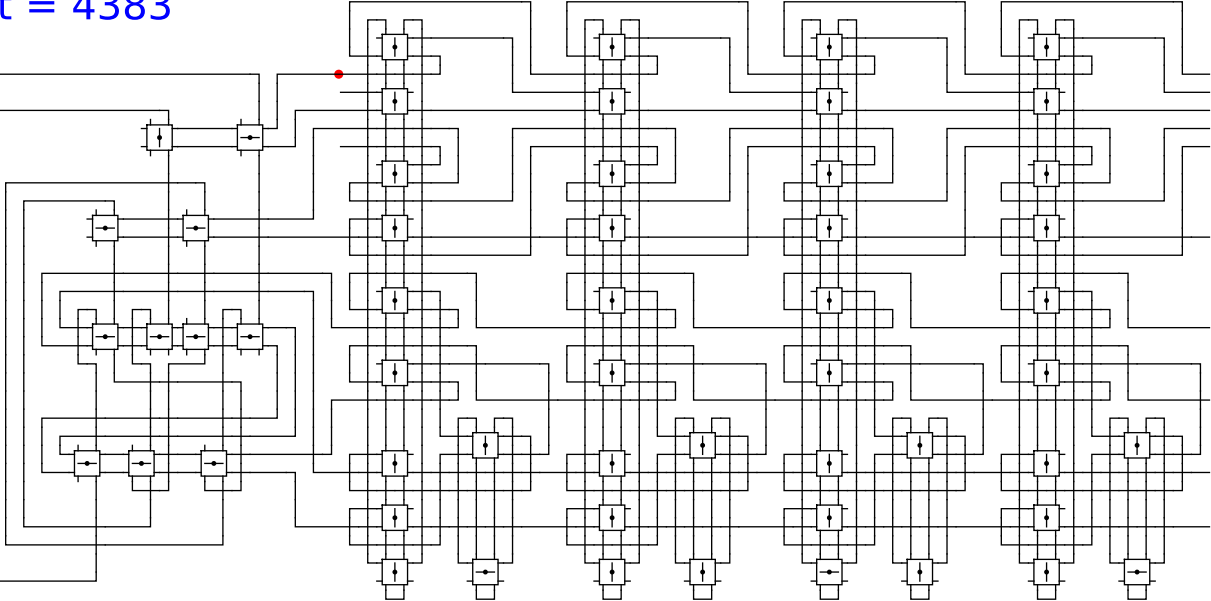
0

1

t = 4383

Reject
Accept

Begin



1

0

head

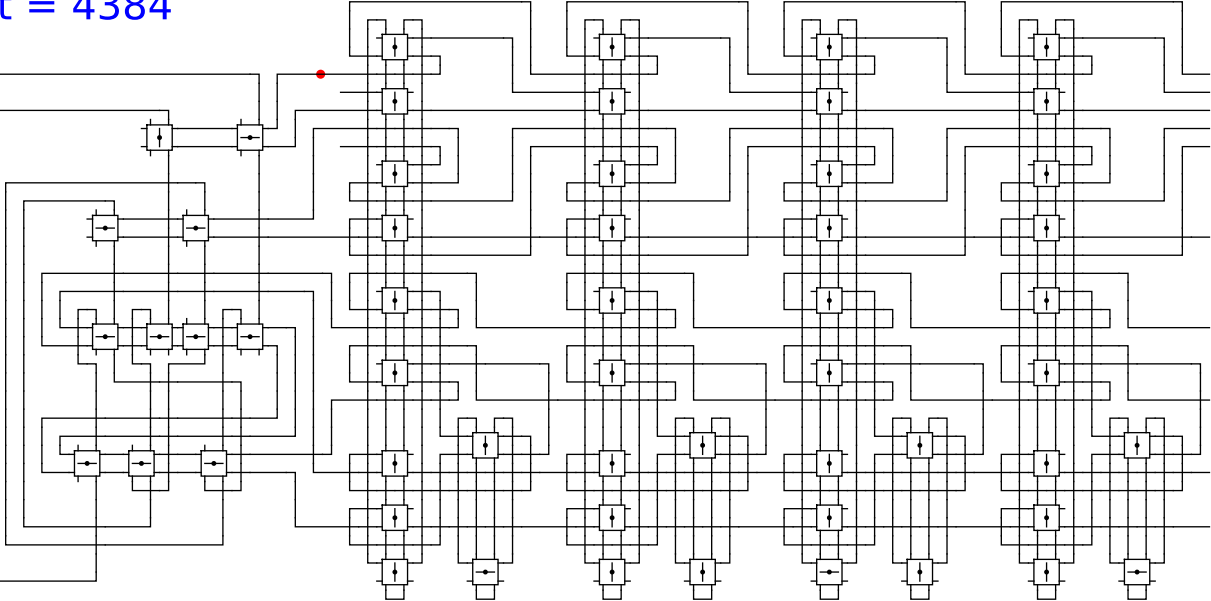
0

1

t = 4384

Reject
Accept

Begin

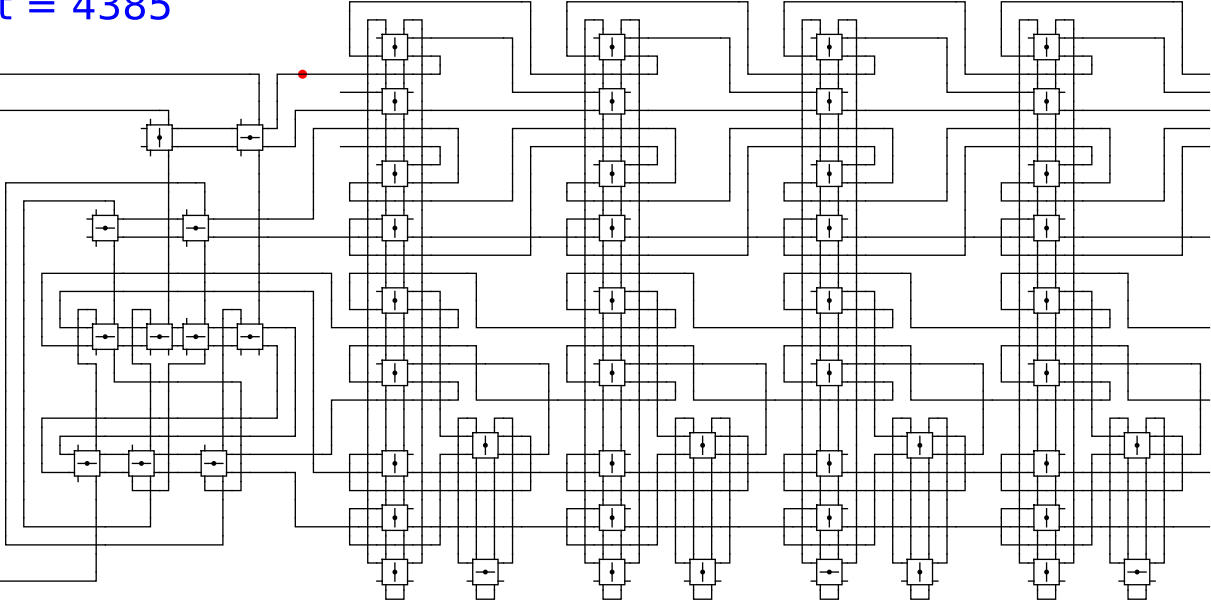


1 0 head 0 1

t = 4385

Reject
Accept

Begin



1

0

head

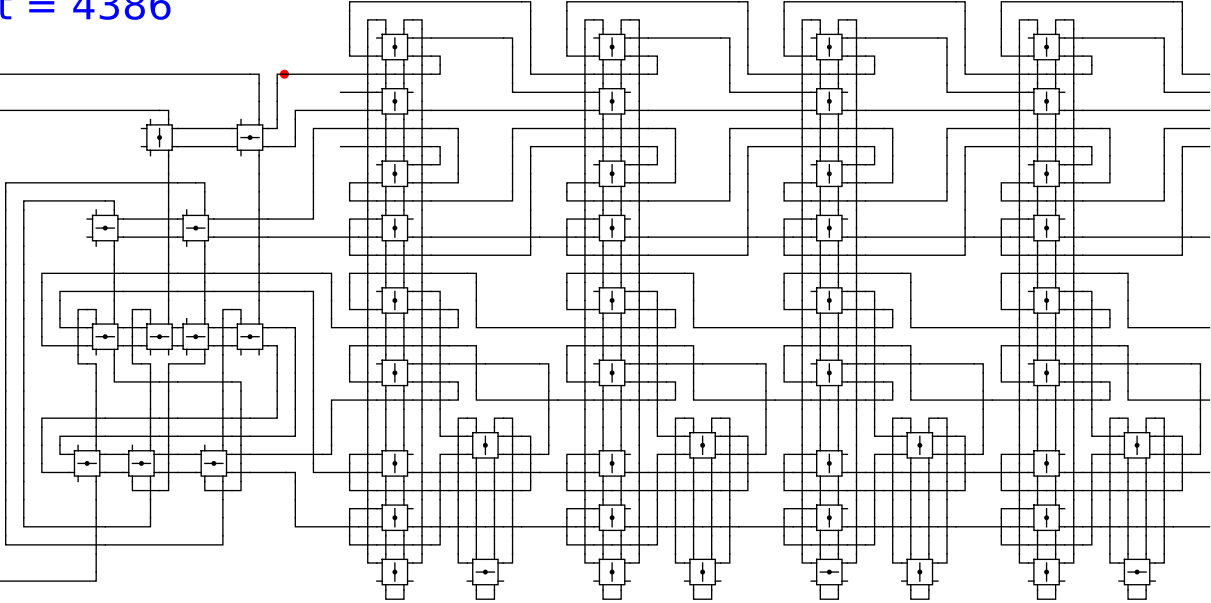
0

1

t = 4386

Reject
Accept

Begin

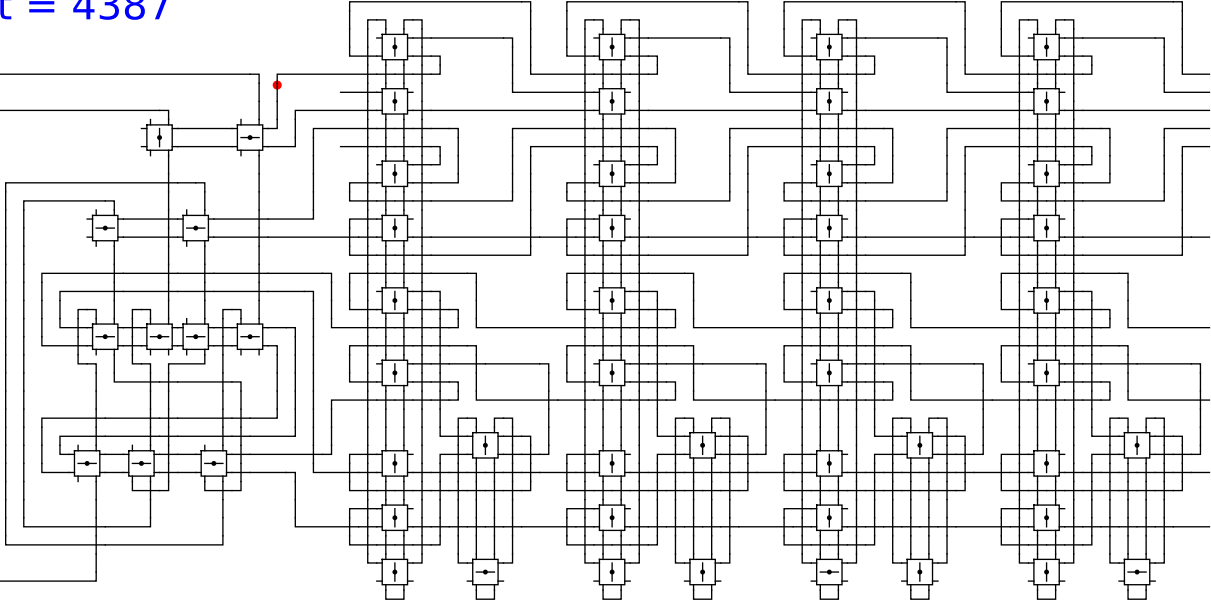


1 0 head 0 1

t = 4387

Reject
Accept

Begin

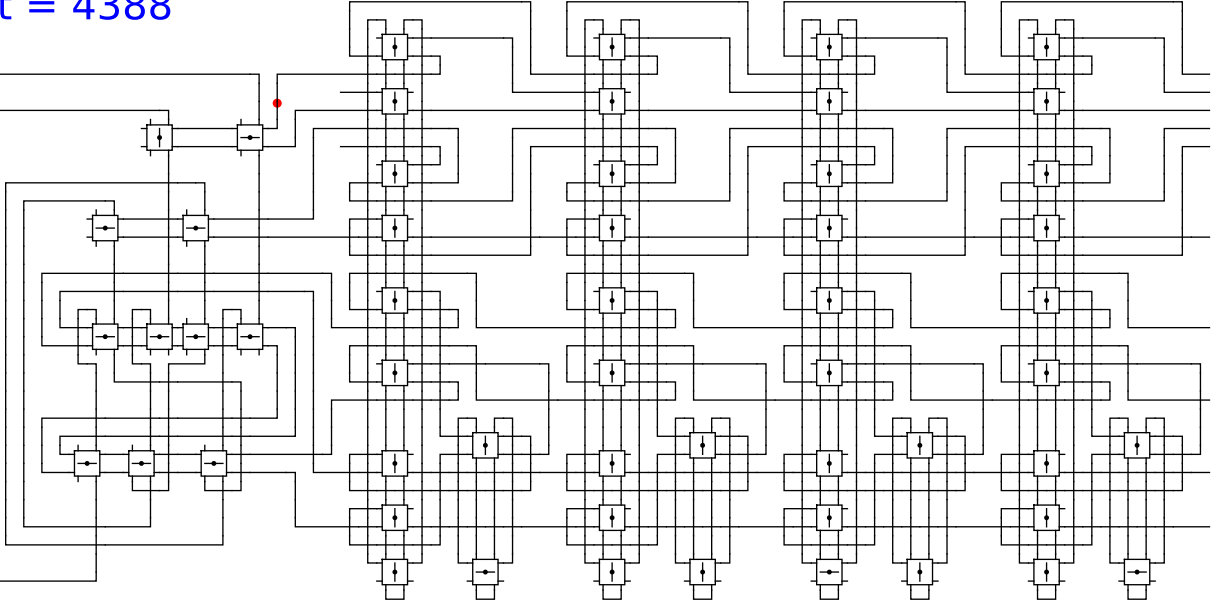


1 0 head 0 1

t = 4388

Reject
Accept

Begin

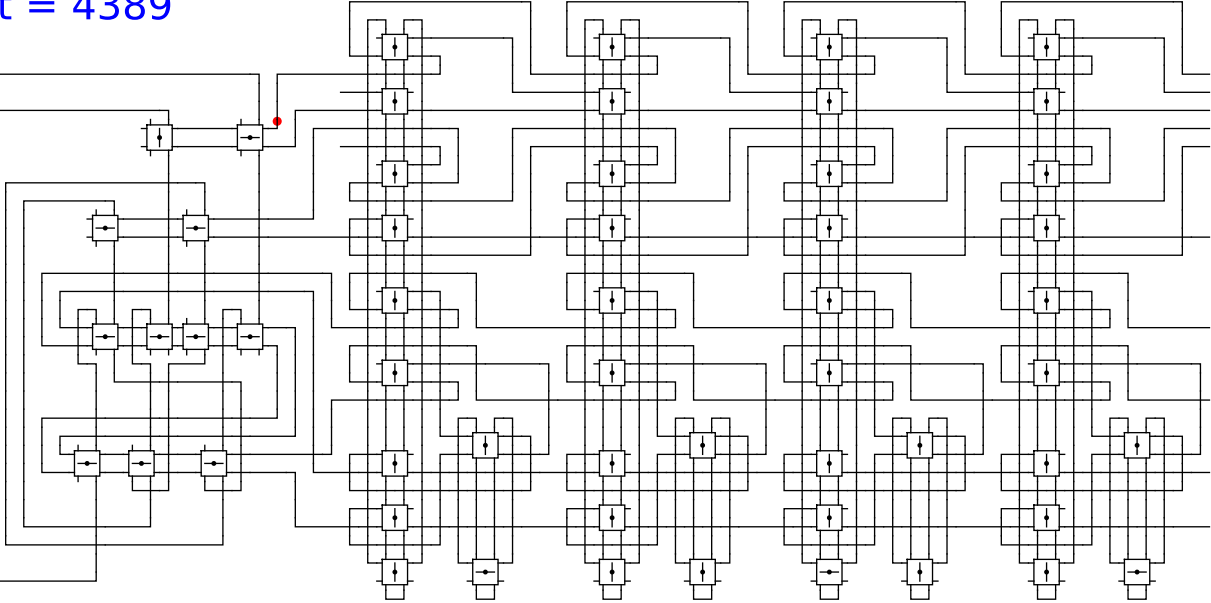


1 0 head 0 1

t = 4389

Reject
Accept

Begin

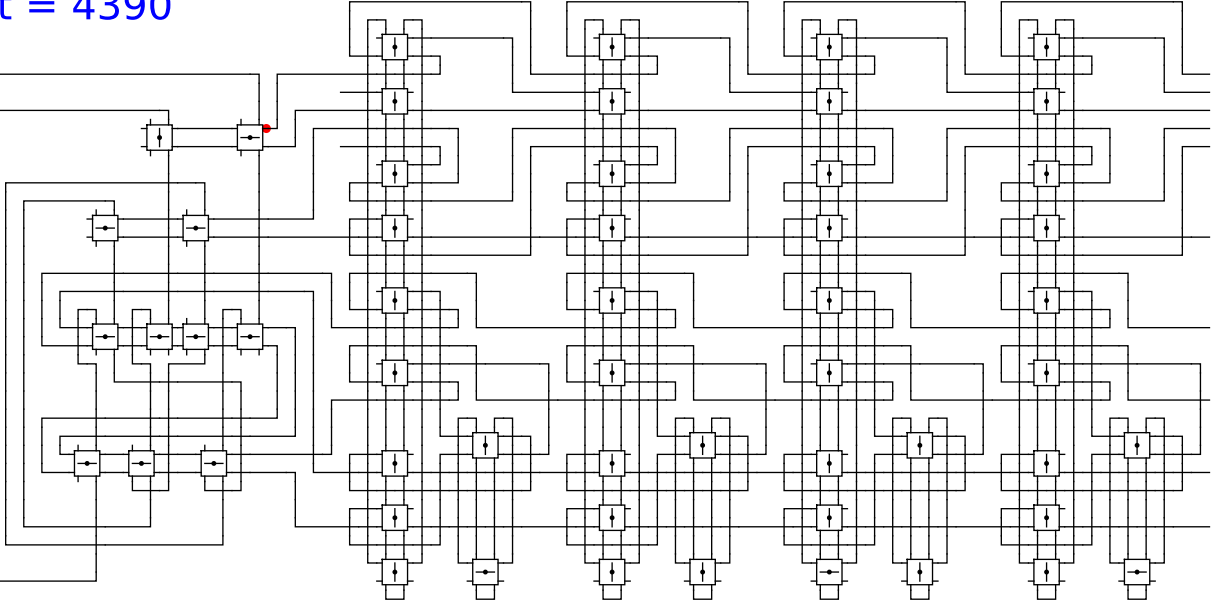


1 0 head 0 1

t = 4390

Reject
Accept

Begin

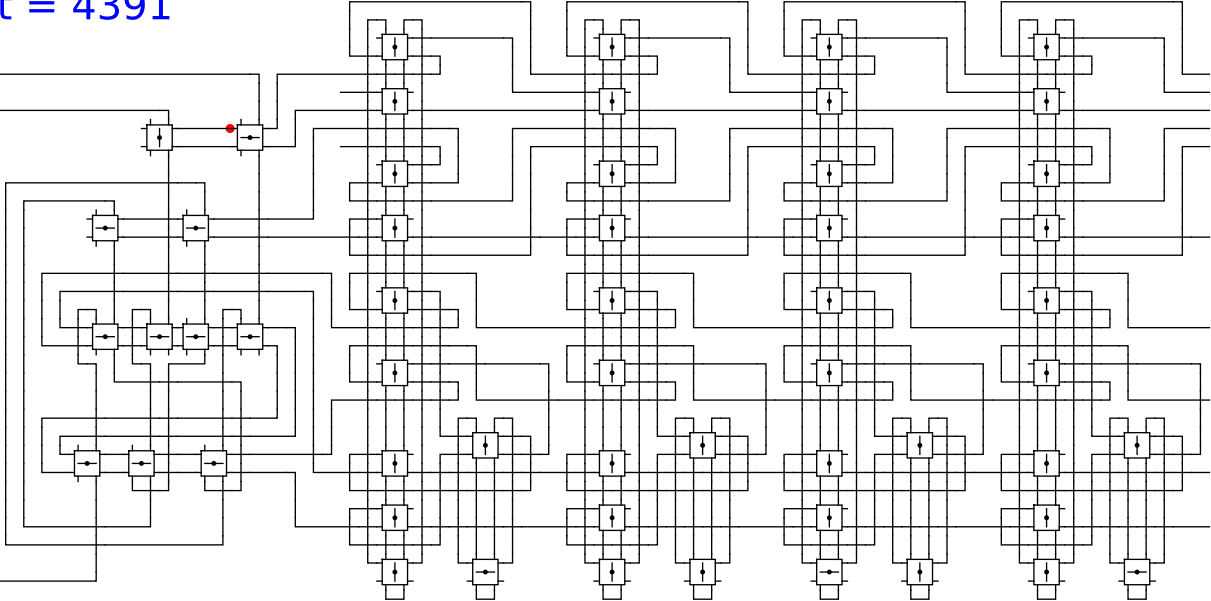


1 0 head 0 1

t = 4391

Reject
Accept

Begin

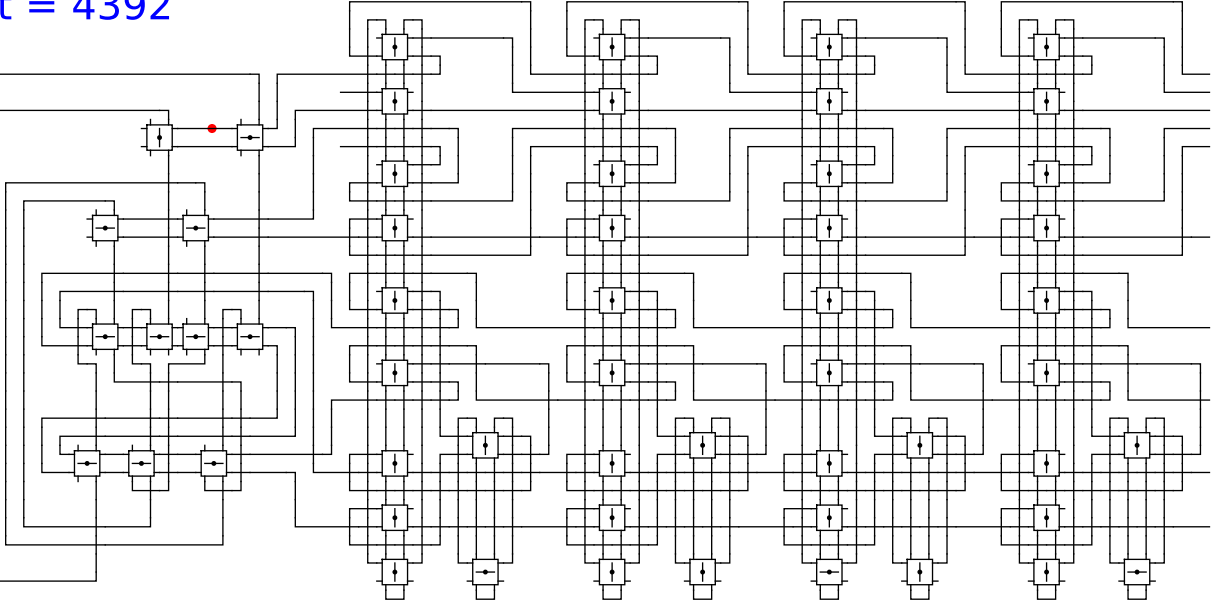


1 0 head 0 1

t = 4392

Reject
Accept

Begin

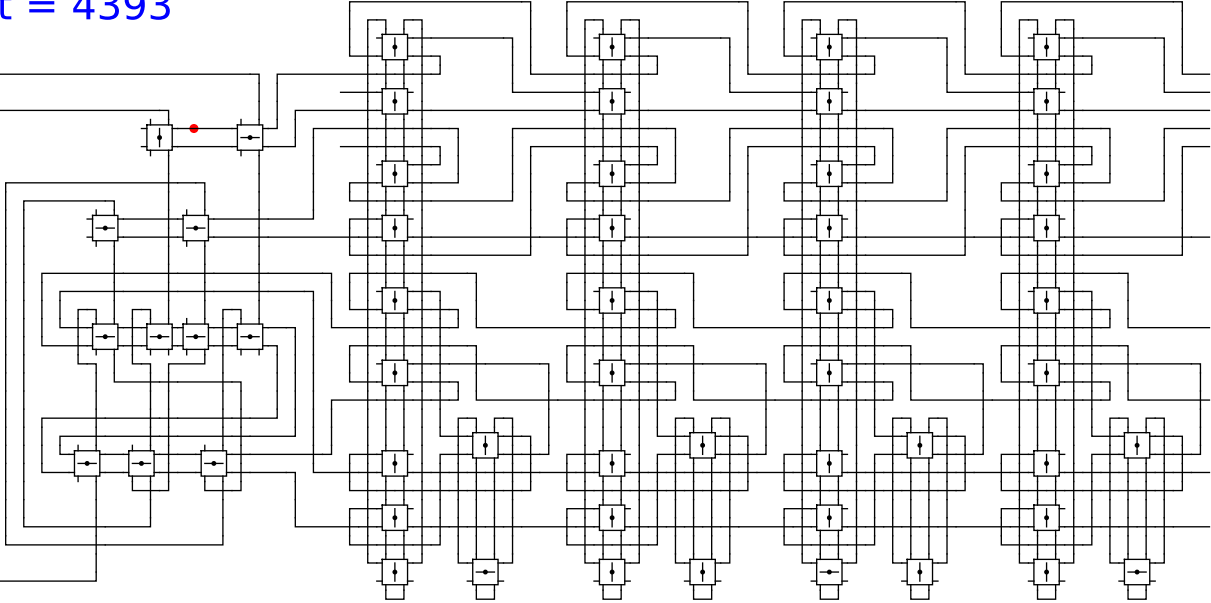


1 0 head 0 1

t = 4393

Reject
Accept

Begin

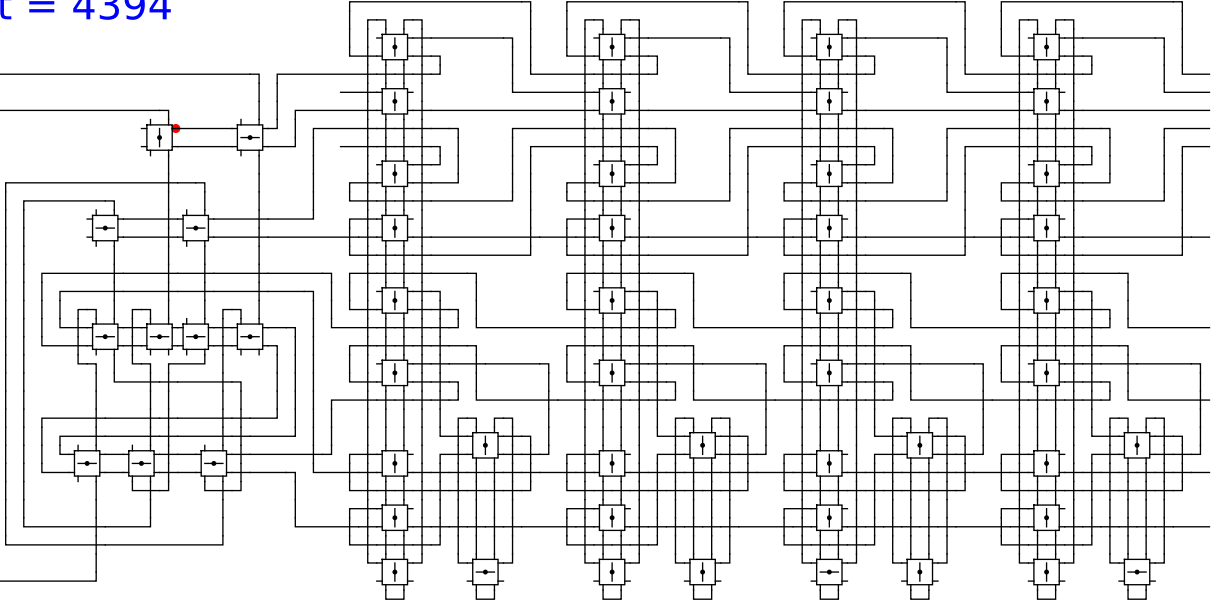


1 0 head 0 1

t = 4394

Reject
Accept

Begin



1

0

head

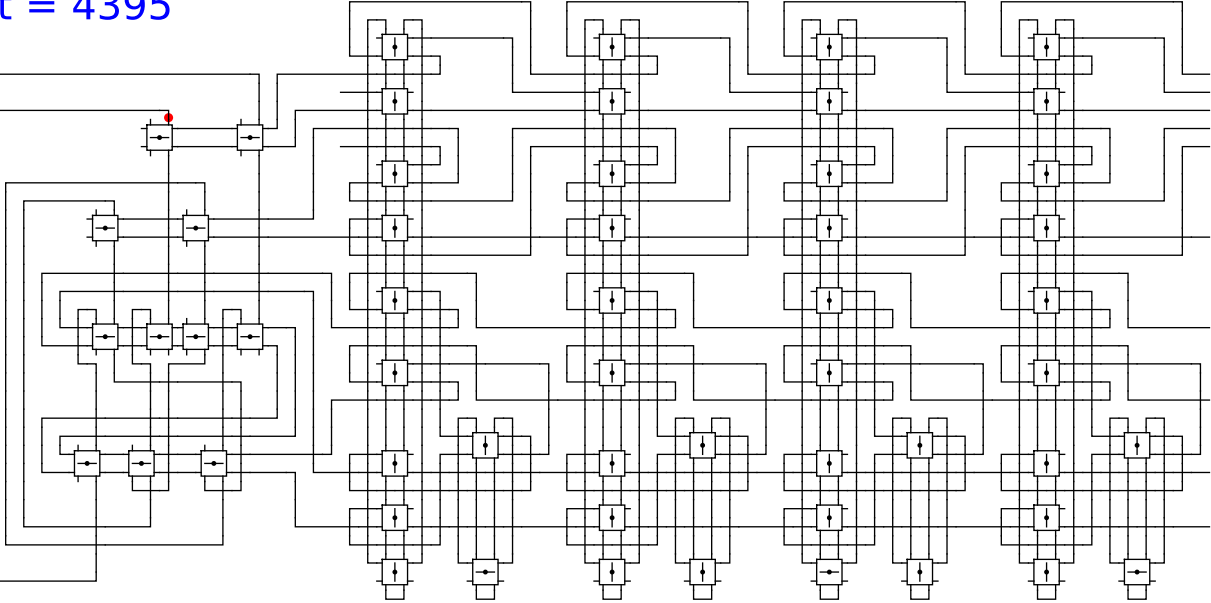
0

1

t = 4395

Reject
Accept

Begin

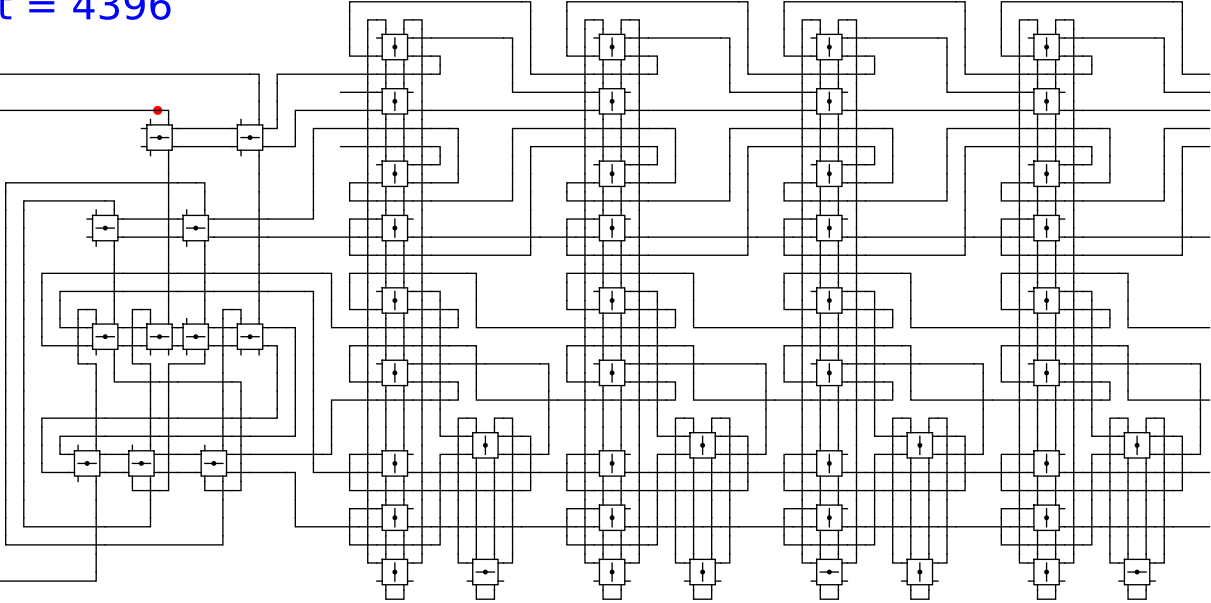


1 0 head 0 1

t = 4396

Reject
Accept

Begin

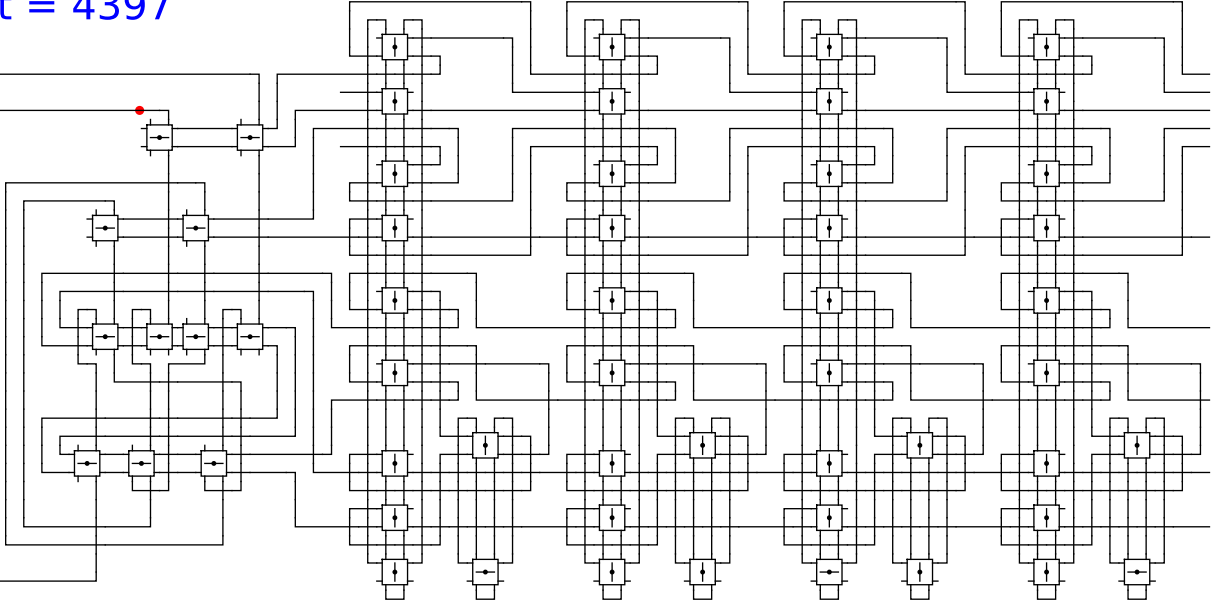


1 0 head 0 1

t = 4397

Reject
Accept

Begin

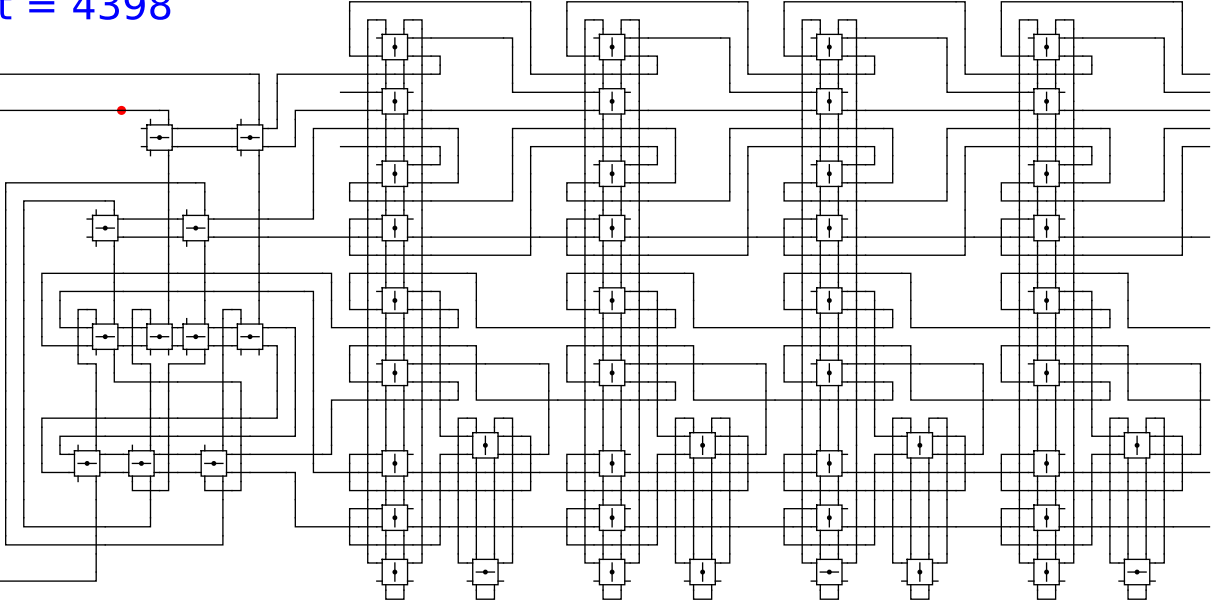


1 0 head 0 1

t = 4398

Reject
Accept

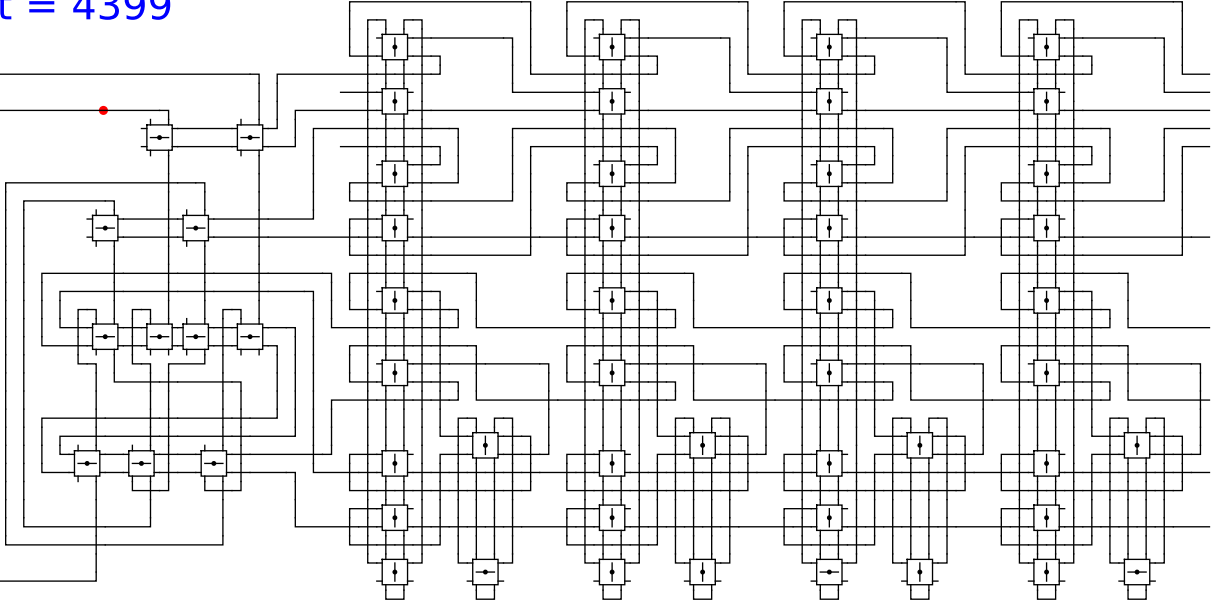
Begin



1 0 head 0 1

t = 4399

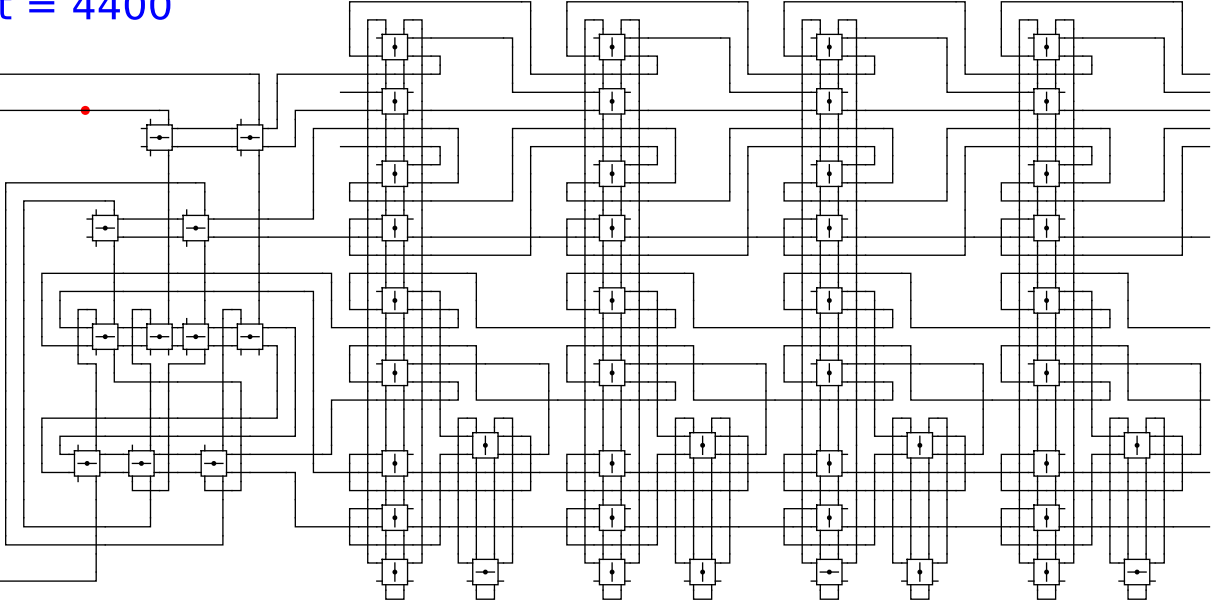
Reject
Accept



1 0 head 0 1

t = 4400

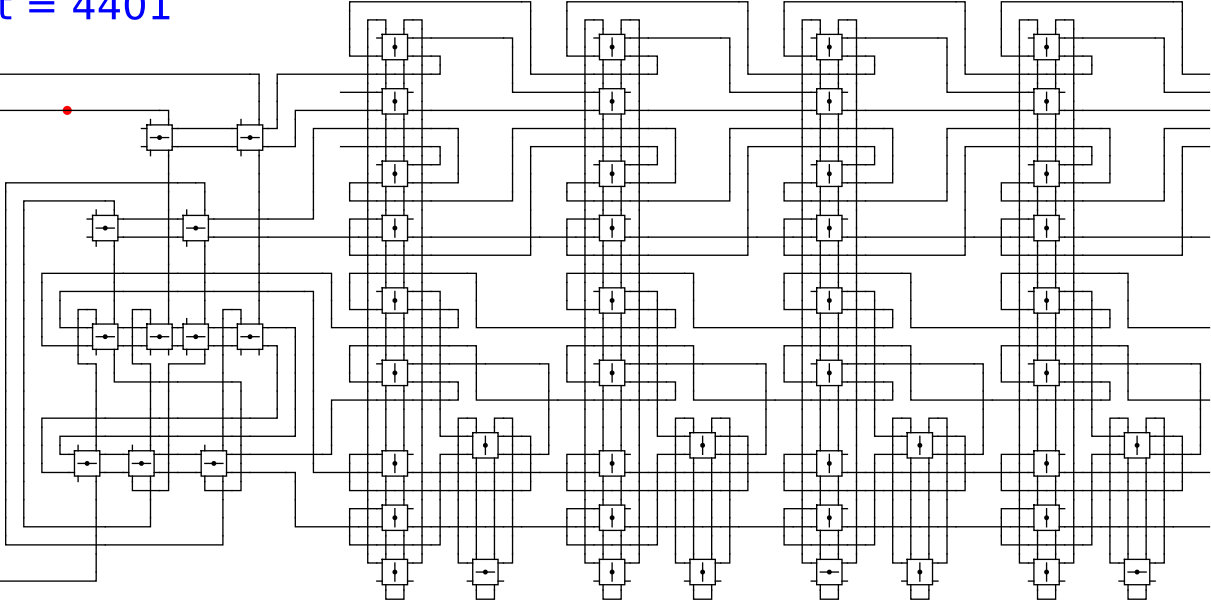
Reject
Accept



1 0 head 0 1

t = 4401

Reject
Accept



1

0

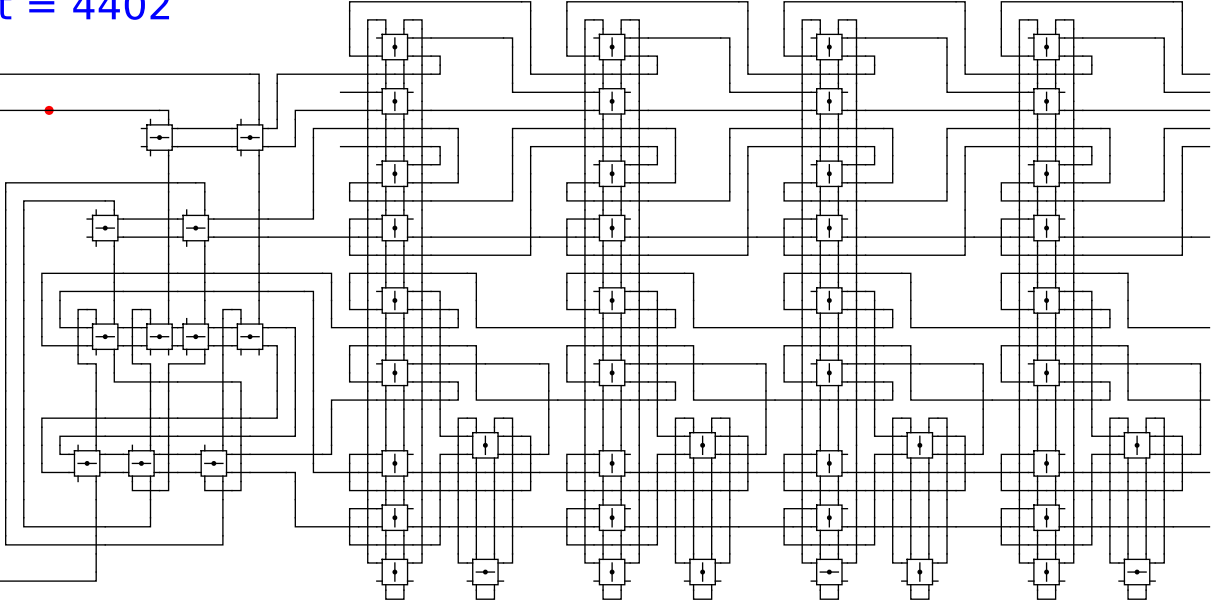
head

0

1

t = 4402

Reject
Accept

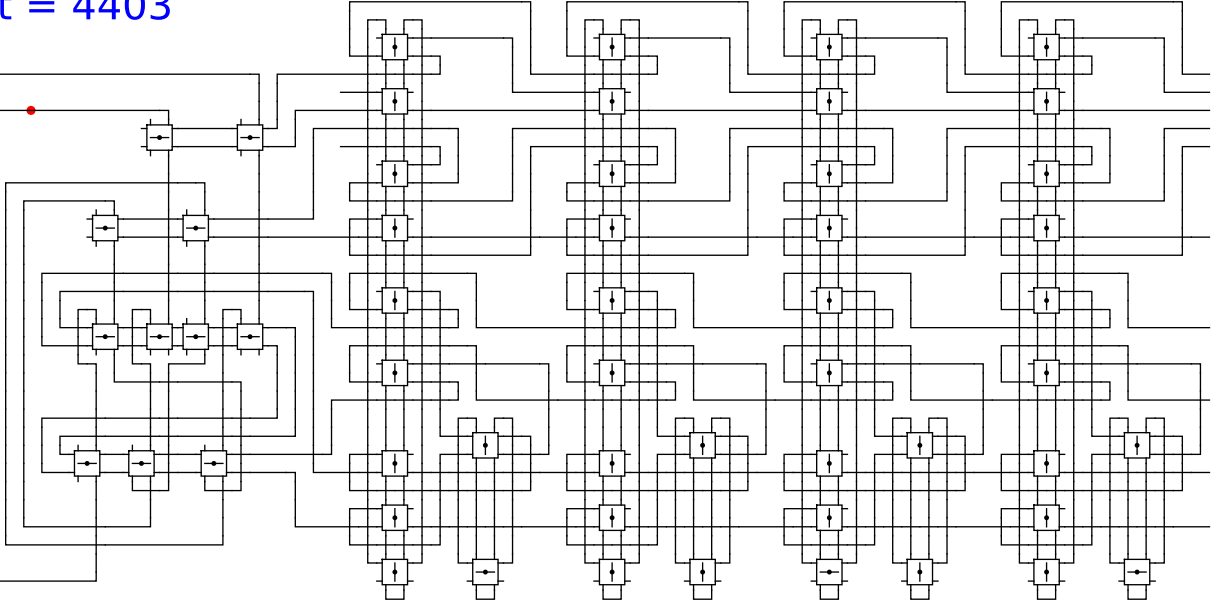


1 0 head 0 1

t = 4403

Reject
Accept

Begin

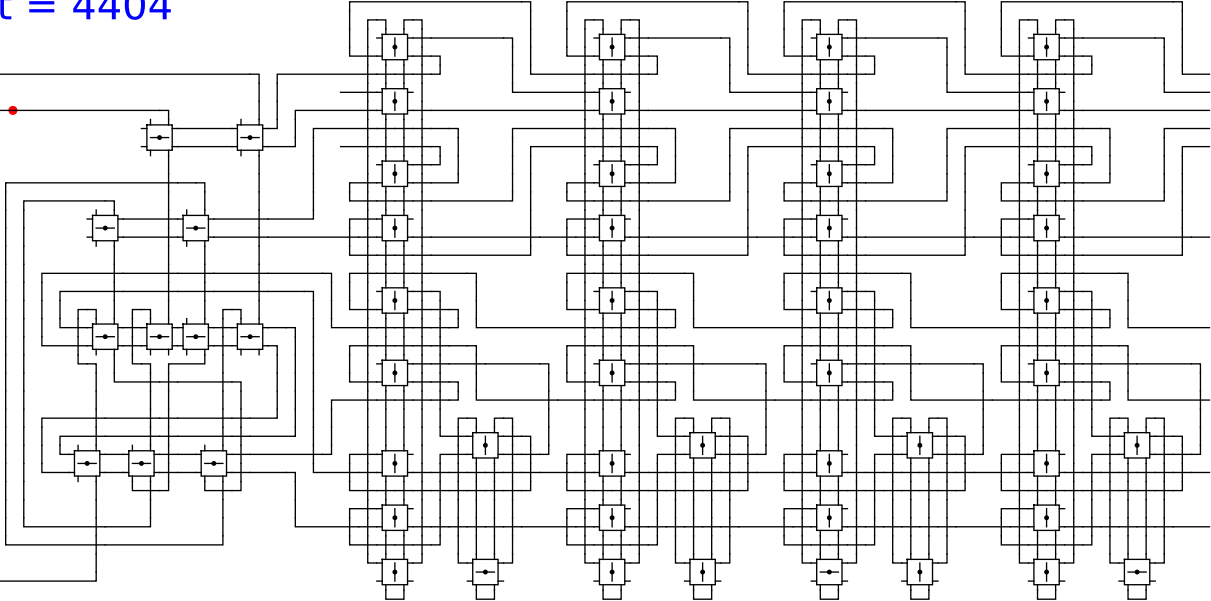


1 0 head 0 1

t = 4404

Reject
Accept

Begin

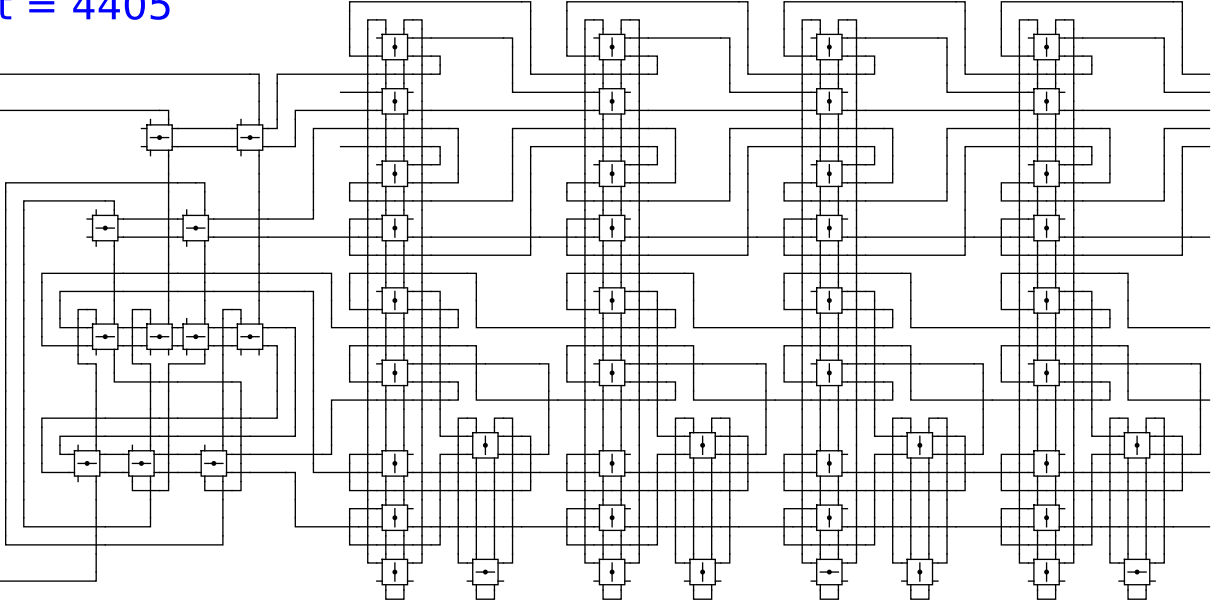


1 0 head 0 1

t = 4405

Reject
Accept

Begin



1

0

head

0

1